



# YAMAHA

## PARTS CATALOGUE

**XT600E'90** (3TB1)

EUROPE

**XT600E'90** (3UX1)

SWITZERLAND

**XT600EA** (3WR1)

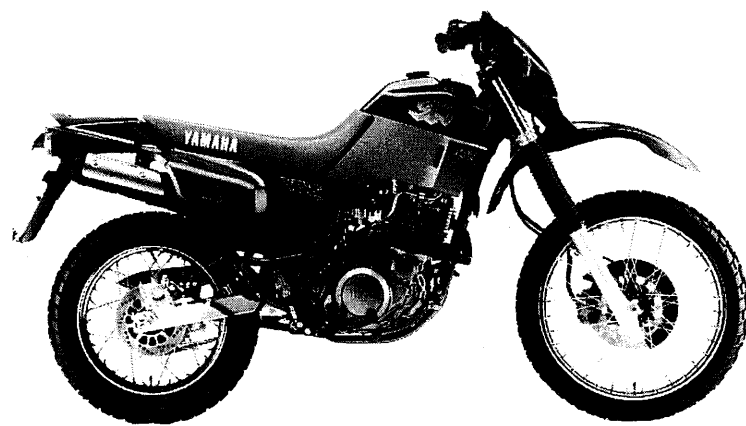
OCEANIA

103TB-300E1

2008/5/21

NEWS No.	DATE	COMMENT
PE0-MC-070058	Jun., 6, 2007	FIG.17: FRAME ILLUSTRATION CORRECTION





**A3**



# FOREWORD

This Parts Catalogue is related to the parts in use for the Yamaha XT600E'90 (3TB1/3UX1) and XT600EA (3WR1).

When you are ordering replacement parts for the XT600E'90 (3TB1/3UX1) and XT600EA (3WR1), refer to this Parts Catalogue and quote both part numbers and part names correctly.

1. Modifications or additions which have been made after issue of the Parts Catalogue will be announced in the Yamaha Parts News.

It is advisable that according to the Yamaha Parts News you make necessary corrections to the Parts Catalogue on hand to keep it up-to-date.

2. Abbreviations

The following abbreviations are used in this Parts Catalogue.

- U.R. Use size (thickness) and/or number as required.
- U.N. Use as many as you need.
- A.P. Alternate Parts
- L.M. Local Made
- F# Frame No. (Applicable machine No.)

3. The parts marked with (\*) in the parts number column of this Catalogue are not supplied with by Yamaha, those have to be found locally.

4. Parts, which are to be supplied in the form of assemblies, are listed with an indention of one letter's space, and a dot (.) is put against the name of each part.

**EXAMPLE** CARBURETOR ASS'Y  
     .JET, pilot  
     .NOZZLE, main

5. Indication of No. of constituent parts for assembly

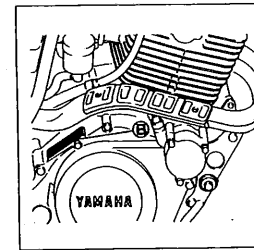
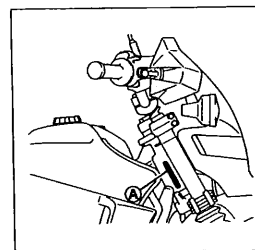
The numeral appearing to the right of each constituent part under the description indicates the quantity of such parts for each individual assembly unit.

**EXAMPLE**

Part No.	Description	Q'ty	Remarks
2F5-83310-60	FRONT FLASHER LIGHT ASS'Y	2	
115-83311-60	.BULB (6V-18W)	1	
1M1-83309-60	.REFLECTOR	1	

6. Initial Serial No. and Color Code

3TB1	(A) Frame Serial No.	3TB-000101 and following
	(B) Engine Serial No.	3TB-000101 and following
3UX1	(A) Frame Serial No.	3UX-000101 and following
	(B) Engine Serial No.	3UX-000101 and following
3WR1	(A) Frame Serial No.	3WR-000101 and following
	(B) Engine Serial No.	3WR-000101 and following



Color Code	Color Name	Abbreviate
2F	STRONG BLUE	SB
3G	MILKY BROWN	MKB
36	CLEAN WHITE	W

7. Applicable colors of graphics are represented in the "Remarks" column by the letter(s) appropriately picked out of the full word(s) showing such colors.

**EXAMPLE**

Part No.	Description	Q'ty	Remarks
2N4-24110-00-X5	FUEL TANK COMP.	1	MAXIM RED
3J1-24240-10	.GRAPHIC, fuel tank set	1	for MXR

# CONTENTS

## GENERAL SPEC.

### ENGINE

Cylinder Head .....	B2 ~ B3
Cylinder .....	B4
Crankshaft · Piston .....	B5 ~ B6
Valve .....	B7
Camshaft · Chain .....	B8
Oil Pump .....	B9 ~ B10
Intake .....	B11 ~ B12
Carburetor .....	B13 ~ B14
Exhaust .....	B15
Crankcase .....	C2
Crankcase Cover 1 .....	C3 ~ C4
Starter Clutch .....	C5
Clutch .....	C6 ~ C7
Transmission .....	C8 ~ C9
Shift Cam · Fork .....	C10
Shifter Shaft .....	C11

### CHASSIS

Frame .....	C12 ~ C13
Fender .....	C14 ~ C15
Side Cover .....	D2
Rear Arm .....	D3 ~ D4
Rear Suspension .....	D5
Steering .....	D6
Front Fork .....	D7 ~ D8

Fuel Tank .....	D9 ~ D10
Seat .....	D11
Front Wheel .....	D12 ~ D13
Rear Wheel .....	D14 ~ D15
Rear Brake Caliper .....	E2
Steering Handle · Cable .....	E3
Front Master Cylinder .....	E4
Stand · Footrest .....	E5
Rear Master Cylinder .....	E6 ~ E7
Cowling 1 .....	E8
Generator .....	E9
Flasher Light .....	E10
Meter .....	E11
Headlight .....	E12
Taillight .....	E13
Handle Switch · Lever .....	E14
Electrical 1 .....	E15
Electrical 2 .....	F2

### INDIVIDUAL SPEC. FOR BELGIUM

Alternate (Headlight) .....	F4
-----------------------------	----

### FOR DENMARK, FINLAND, NORWAY

Alternate (Fender) .....	F6
Alternate (Headlight) .....	F7

### FOR ENGLAND, OCEANIA

Alternate (Electrical) .....	F9
------------------------------	----

### FOR ITALY, NETHERLAND

Alternate (Headlight) .....	F11
-----------------------------	-----

### FOR SWEDEN

Alternate (Gaskets, Engine) .....	F13
Alternate (Chassis) .....	F14
Alternate (Electrical) .....	F15

### FOR SWITZERLAND

Alternate (Engine) .....	G3
Alternate (Chassis) .....	G4
Alternate (Headlight) .....	G5

### INDEX (GENERAL SPEC.)

NUMERICAL INDEX .....	K2 ~ K5
-----------------------	---------

### INDEX (INDIVIDUAL SPEC.)

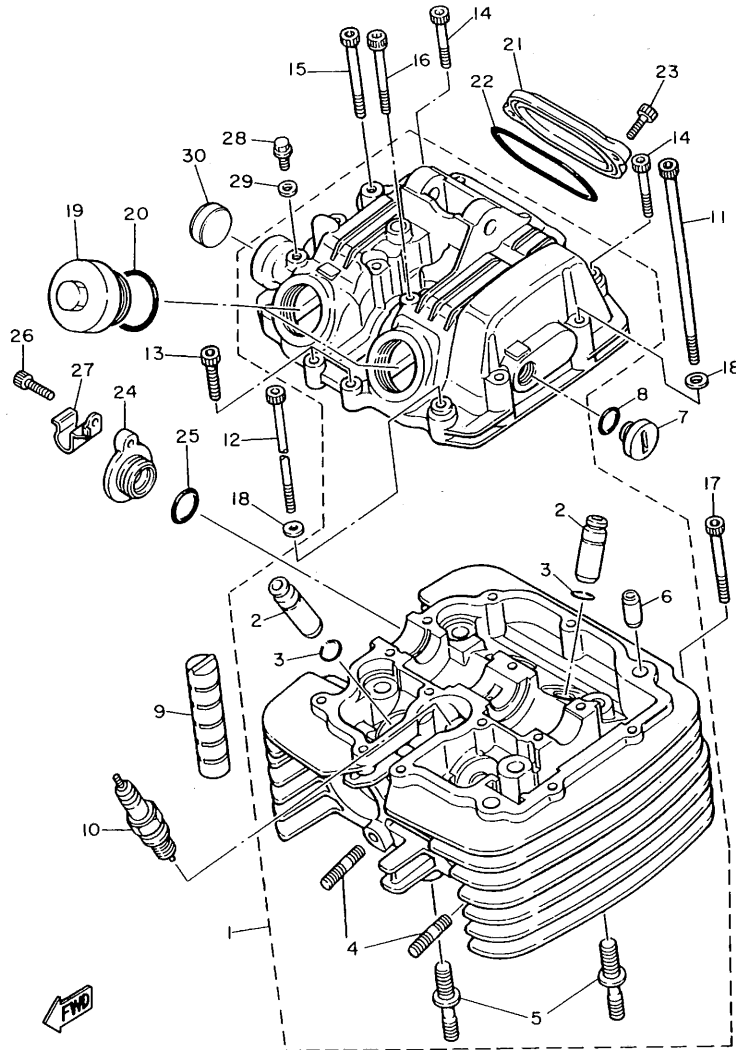
NUMERICAL INDEX .....	L2
-----------------------	----

# **GENERAL SPEC.**





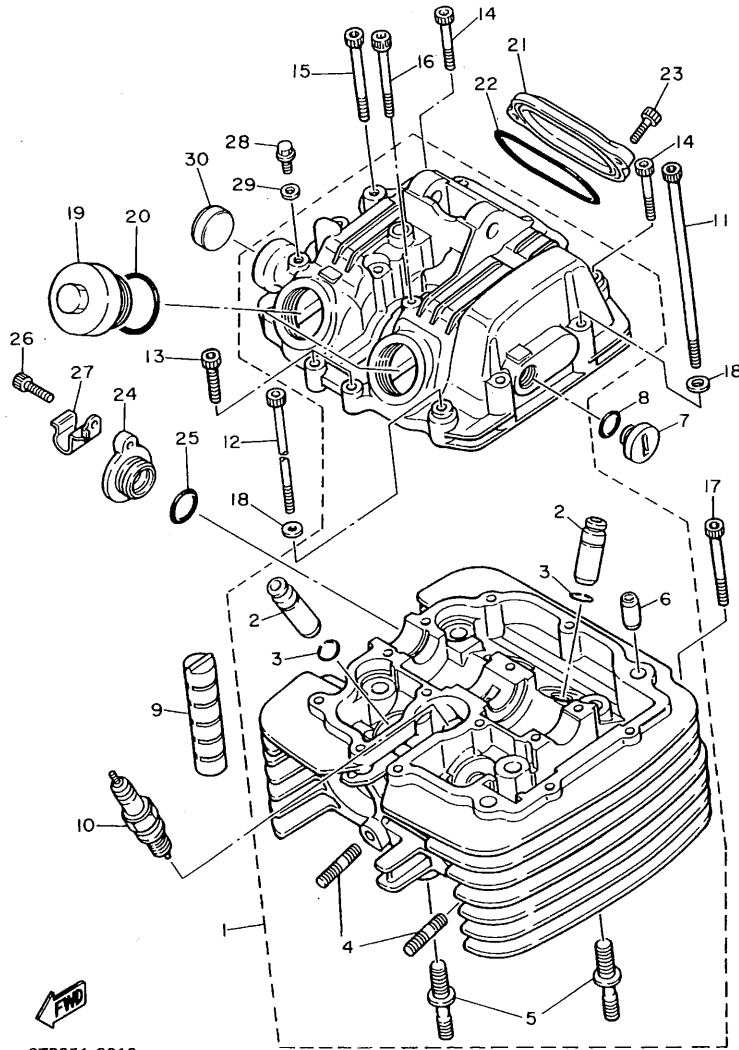
FIG. 1 CYLINDER HEAD



3TB351-0010

REF. NO.	PART NO.	DESCRIPTION	Q'TY	REMARKS
1	3TB-11101-00	CYLINDER HEAD ASSY	1	
2	4H7-11133-10	.GUIDE, intake valve	4	
3	93440-12052	.CIRCLIP	4	
4	90116-06475	.BOLT, stud	4	
5	90116-10378	.BOLT, stud	2	
6	99510-10114	.PIN, dowel	2	
7	90340-14068	PLUG, straight screw	1	
8	93210-13657	O-RING	1	
9	583-11127-00	ABSORBER 3	2	
10	94701-00241	PLUG, spark (NGK DPR8EA-9)	1	
11	91316-06125	BOLT	2	
12	91316-06115	BOLT	1	
13	91316-06025	BOLT	4	
14	91316-06040	BOLT	2	
15	91316-06055	BOLT	6	
16	90109-063E9	BOLT	1	
17	91316-06050	BOLT	1	
18	92906-06600	WASHER, plate	3	
19	1L9-11186-00	COVER, cylinder head side 2	2	
20	93210-32172	O-RING	2	
21	5Y1-11187-00	COVER, cylinder head side 3	1	
22	93210-62446	O-RING	1	
23	91316-06018	BOLT	2	
24	3TB-12215-00	CAP, tensioner case	1	
25	93210-19522	O-RING	1	
26	91316-06020	BOLT	1	
27	90462-15196	CLAMP	1	
28	90109-06418	BOLT	1	

FIG. 1 CYLINDER HEAD



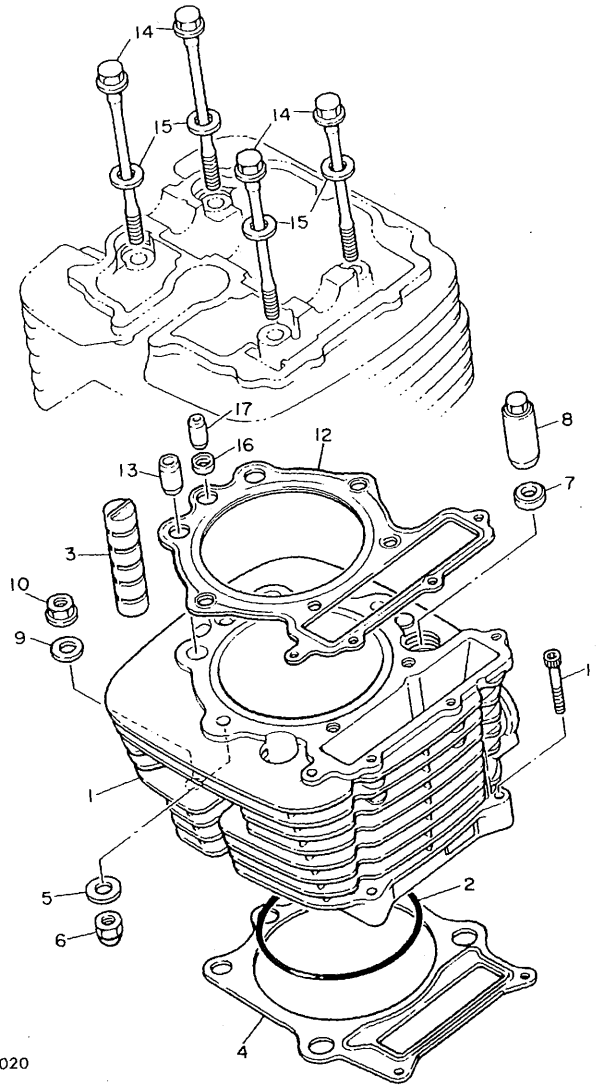
REF. NO.	PART NO.	DESCRIPTION	Q'TY	REMARKS
29	90430-06014	GASKET	1	
30	90338-22207	PLUG	1	



3TB351-0010

**B3**

FIG. 2 CYLINDER



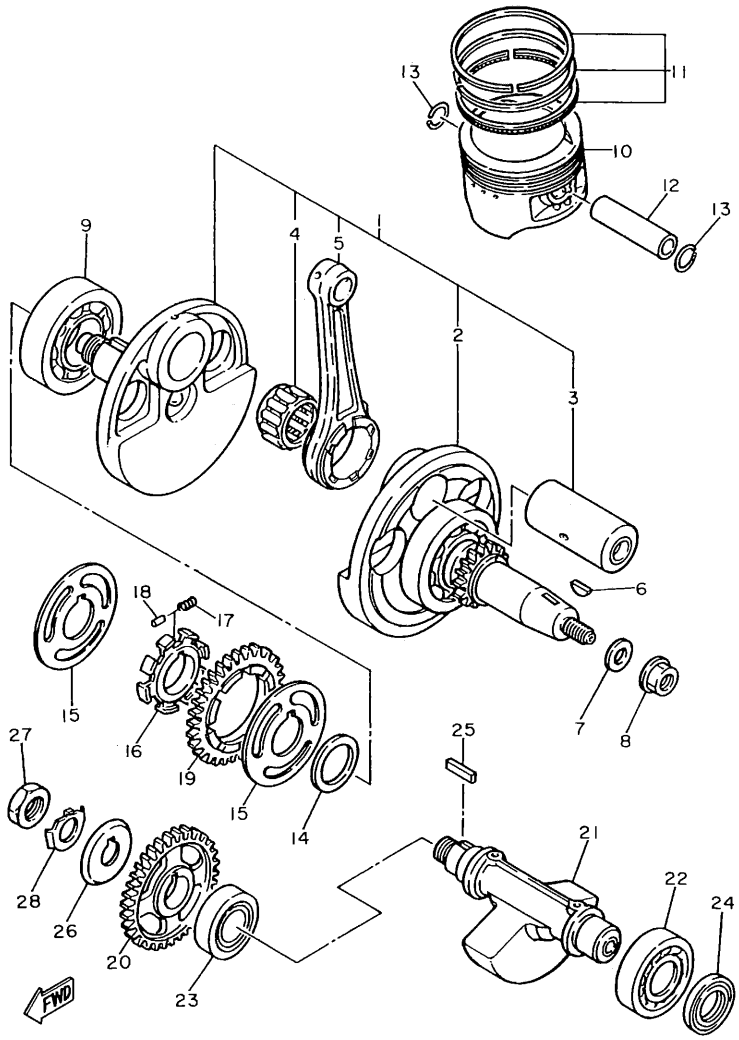
REF. NO.	PART NO.	DESCRIPTION	Q'TY	REMARKS
1	3TB-11310-00	CYLINDER	1	
2	93210-97524	O-RING	1	
3	583-11127-00	ABSORBER 3	2	
4	1VJ-11351-00	GASKET, cylinder	1	
5	90201-080L8	WASHER, plate	2	
6	90176-08026	NUT, crown	2	
7	90201-10590	WASHER, plate	2	
8	90179-10201	NUT	2	
9	90201-10124	WASHER, plate	2	
10	90179-10279	NUT	2	
11	91316-06035	BOLT	2	
12	2KF-11181-01	GASKET, cylinder head 1	1	
13	91810-05018	PIN, dowel	2	
14	90105-08505	BOLT, washer based	4	
15	90201-085L3	WASHER, plate	4	
16	90430-08178	GASKET	1	
17	99510-08016	PIN, dowel	1	



2TY280-8020

**B4**

FIG. 3 CRANKSHAFT • PISTON

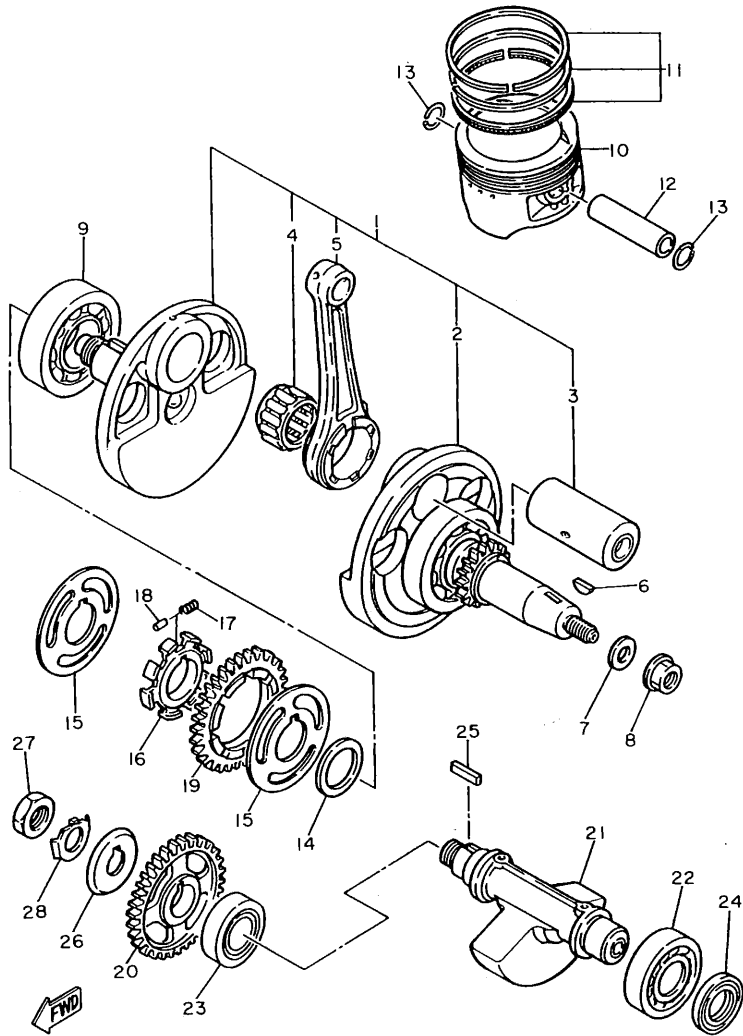


REF. NO.	PART NO.	DESCRIPTION	Q'TY	REMARKS
1	3TB-11400-00	CRANKSHAFT ASSY	1	
2	1VJ-W1141-00	•CRANK 1	1	
3	1VJ-11681-00	•PIN, crank 1	1	
4	93310-635C6	•BEARING, cylindrical	1	
5	3TB-11651-00	•ROD, connecting	1	
6	90280-05048	KEY, woodruff	1	
7	90201-140A6	WASHER, plate	1	
8	90179-14317	NUT	1	
9	93306-30710	BEARING (6307SH2-9TC4)	1	
10	3TB-11631-00-Y0	PISTON (STD)	1	
	3TB-11636-00	PISTON (0.50MM O/S)	1	AP
	3TB-11638-00	PISTON (1.00MM O/S)	1	AP
11	34L-11610-00	PISTON RING SET (STD)	1	
	34L-11610-20	PISTON RING SET (0.50MM O/S)	1	AP
	34L-11610-40	PISTON RING SET (1.00MM O/S)	1	AP
12	1JK-11633-01	PIN, piston	1	
13	93450-24028	CIRCLIP	2	
14	90201-301F4	WASHER, plate	1	
15	34K-11565-02	WASHER, bearing cover	2	
16	5Y1-11496-01	BOSS, buffer	1	
17	90501-22721	SPRING, compression	8	
18	93605-10090	PIN, dowel	4	
19	2JT-11536-00	GEAR, drive	1	
20	5Y1-11531-00	GEAR, blance wt 44t	1	
21	34K-11454-00	WEIGHT 1	1	
22	93306-30525	BEARING (B6305)	1	
23	93306-30541	BEARING	1	
24	93101-25106	OIL SEAL	1	

3TB351-0030

**B5**

### IG. 3 CRANKSHAFT • PISTON

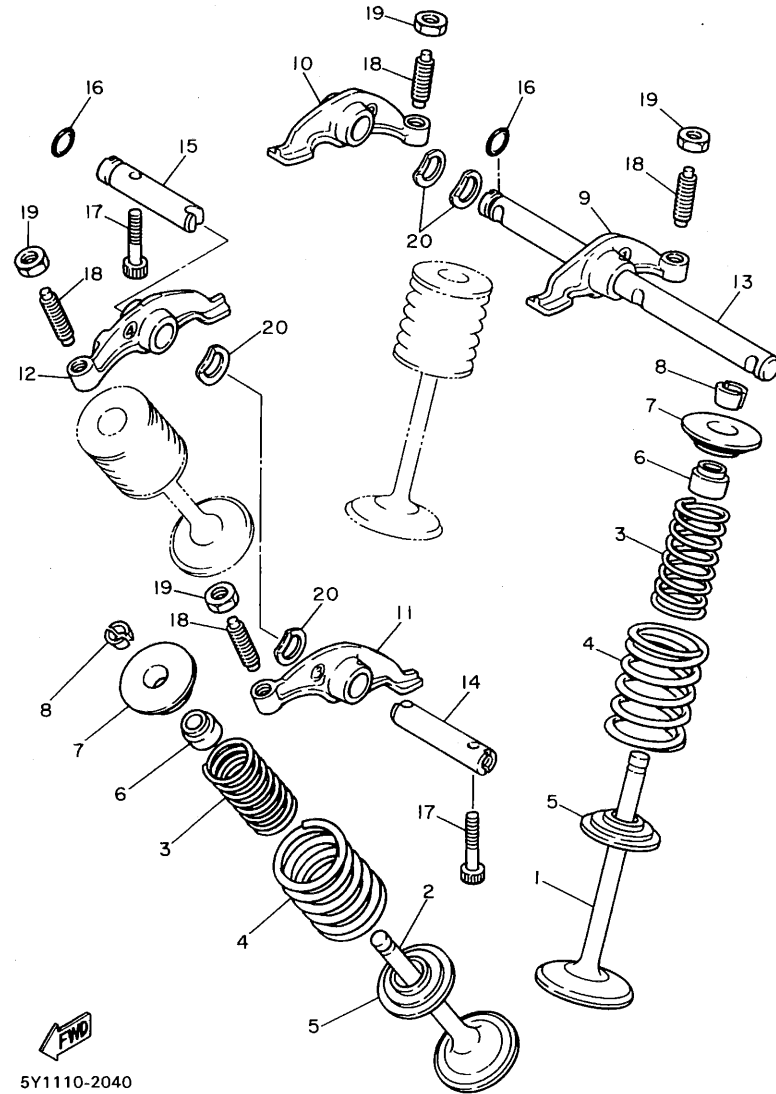


3TB351-0030

REF. NO.	PART NO.	DESCRIPTION	Q'TY	REMARKS
25	90282-05013	KEY, straight	1	
26	34K-11145-00	PLATE, breather 2	1	
27	90170-16343	NUT	1	
28	90215-16242	WASHER, lock	1	

**B6**

FIG. 4 VALVE

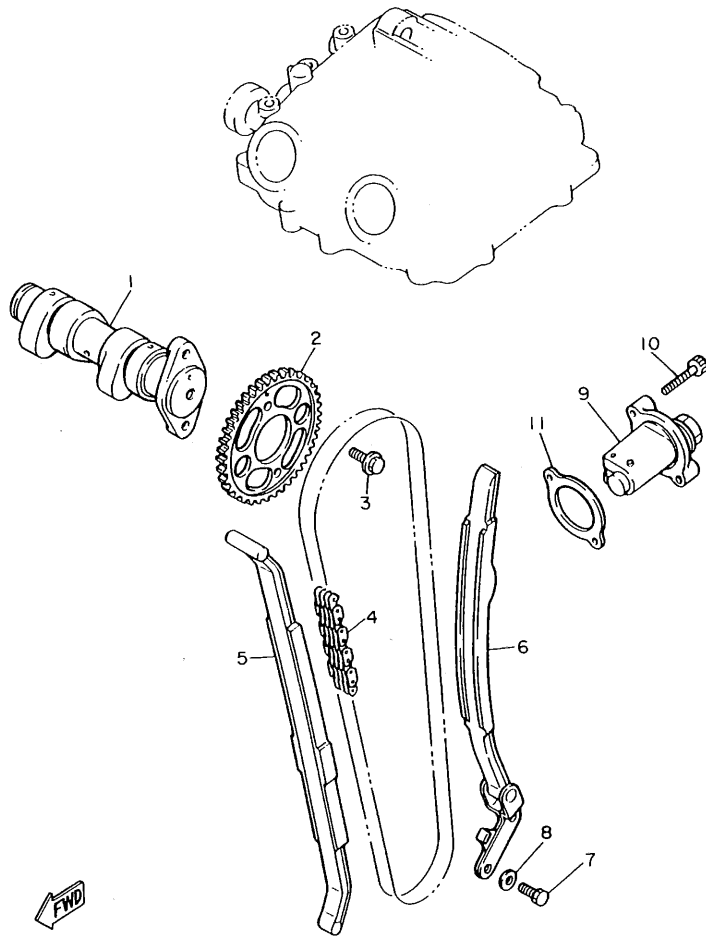


REF. NO.	PART NO.	DESCRIPTION	Q'TY	REMARKS
1	1VJ-12111-00	VALVE, intake	2	
2	1VJ-12121-00	VALVE, exhaust	2	
3	5Y1-12113-00	SPRING, valve inner	4	
4	5Y1-12114-00	SPRING, valve outer	4	
5	4H7-12116-00	SEAT, valve spring	4	
6	1J7-12119-01	SEAL, valve stem	4	
7	2F3-12117-00	RETAINER, valve spring	4	
8	1J7-12118-00	COTTER, valve	8	
9	34K-12151-00	ARM, valve rocker	1	
10	34K-12161-00	ARM, valve rocker 2	1	
11	34K-12162-00	ARM, valve rocker 3	1	
12	34K-12163-00	ARM, valve rocker 4	1	
13	2NX-12146-00	SHAFT, rocker	1	
14	2NX-12156-00	SHAFT, rocker 2	1	
15	2NX-12166-00	SHAFT, rocker 3	1	
16	93210-08521	O-RING	2	
17	90109-063E8	BOLT	2	
18	2NX-12159-00	SCREW, valve adjusting	4	
19	90170-06128	NUT	4	
20	90206-12075	WASHER, wave	4	

5Y1110-2040

**B7**

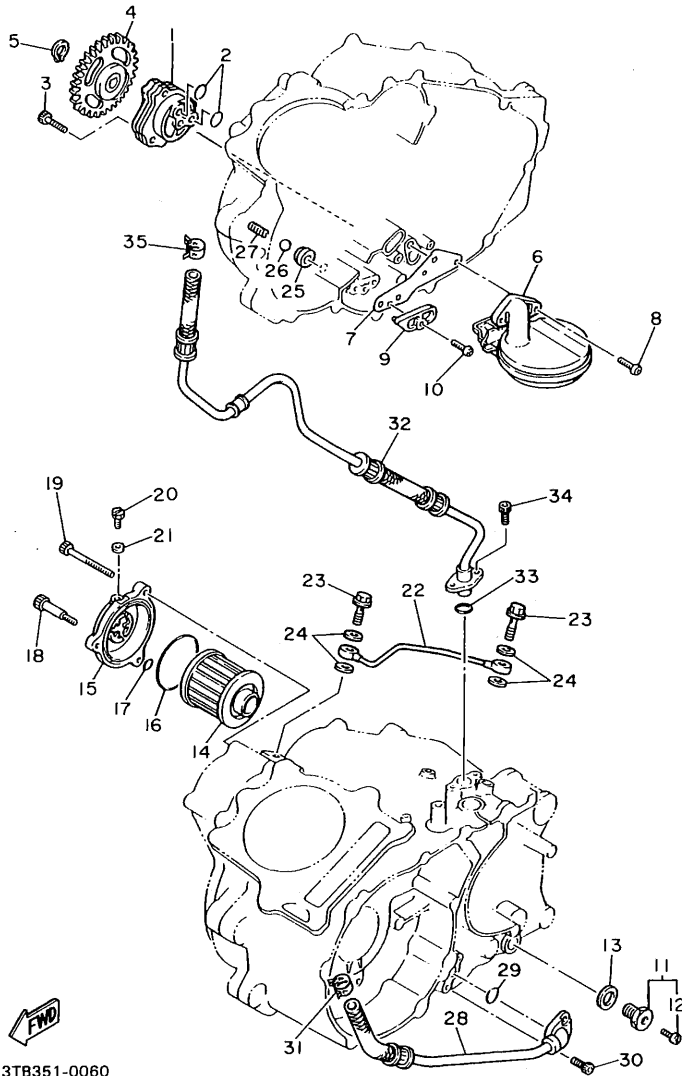
FIG. 5 CAMSHAFT • CHAIN



REF. NO.	PART NO.	DESCRIPTION	Q'TY	REMARKS
1	1JK-12171-00	CAMSHAFT 1	1	
2	3TB-12176-00	SPROCKET, cam chain	1	
3	90105-07087	BOLT, washer based	2	
4	94590-27126	CHAIN	1	
5	34K-12231-00	GUIDE, stopper 1	1	
6	34K-12241-00	GUIDE, stopper 2	1	
7	97021-06016	BOLT	2	
8	92901-06600	WASHER, plate	2	
9	3TB-12210-00	TENSIONER ASSY, cam chain	1	
10	91316-06025	BOLT	2	
11	4X7-12213-00	GASKET, tensioner case	1	

3AJ1351-8050

FIG. 6 OIL PUMP

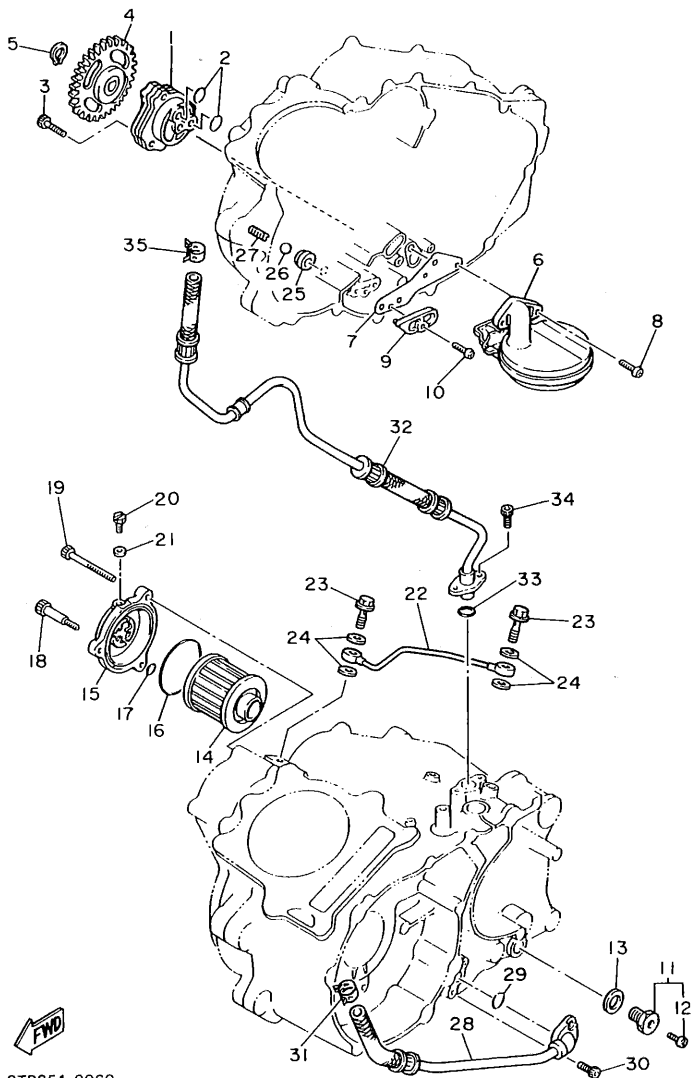


3TB351-0060

REF. NO.	PART NO.	DESCRIPTION	Q'TY	REMARKS
1	3AJ-13300-00	OIL PUMP ASSY	1	
2	93210-13361	O-RING	2	
3	91316-06035	BOLT	3	
4	3AJ-13325-00	GEAR, pump driven	1	
5	99009-11400	CIRCLIP	1	
6	5Y1-W1343-00	STRAINER COMP.	1	
7	5Y1-13415-01	SEAL, oil strainer	1	
8	98501-06016	SCREW, pan head	2	
9	5Y1-15427-01	COVER, cap 2	1	
10	98501-06016	SCREW, pan head	1	
11	11H-13455-00	PLUG	1	
12	98901-06008	SCREW, bind	1	
13	214-11198-01	GASKET	1	
14	4X7-13440-90	ELEMENT ASSY, oil cleaner	1	
15	2WK-13447-00	COVER, oil element	1	
16	93210-64297	O-RING	1	
17	93210-07135	O-RING	1	
18	90109-06419	BOLT	1	
19	91316-06080	BOLT	2	
20	90149-05110	SCREW	1	
21	90430-05126	GASKET	1	
22	3AJ-13161-00	PIPE, delivery 1	1	
23	90401-08133	BOLT, union	2	
24	90430-08204	GASKET	4	
25	583-13113-00	SEAT, check ball	1	
26	93503-08007	BALL	1	
27	90501-043E0	SPRING, compression	1	
28	3TB-13464-00	HOSE, oil 1	1	



FIG. 6 OIL PUMP

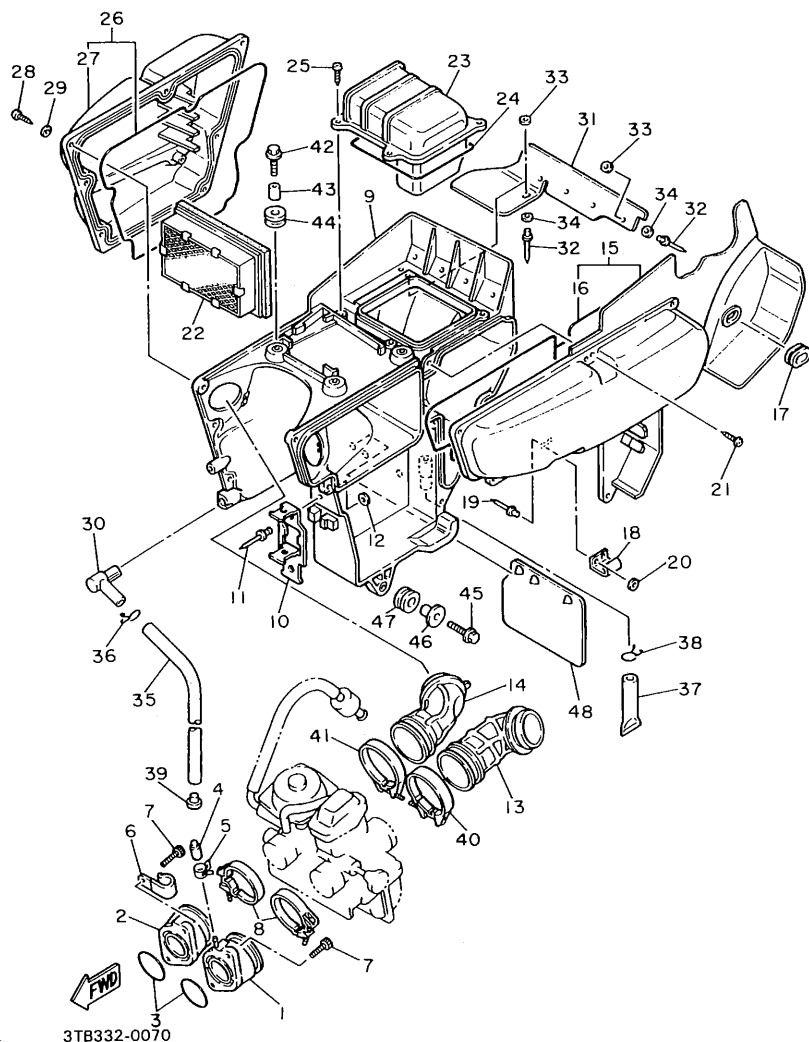


3TB351-0060

REF. NO.	PART NO.	DESCRIPTION	Q'TY	REMARKS
29	93210-10197	O-RING	1	
30	91316-06016	BOLT	2	
31	90450-22017	HOSE CLAMP ASSY	1	
32	3TB-13465-00	HOSE, oil 2	1	
33	93210-15171	O-RING	1	
34	91316-06016	BOLT	2	
35	90450-22017	HOSE CLAMP ASSY	1	

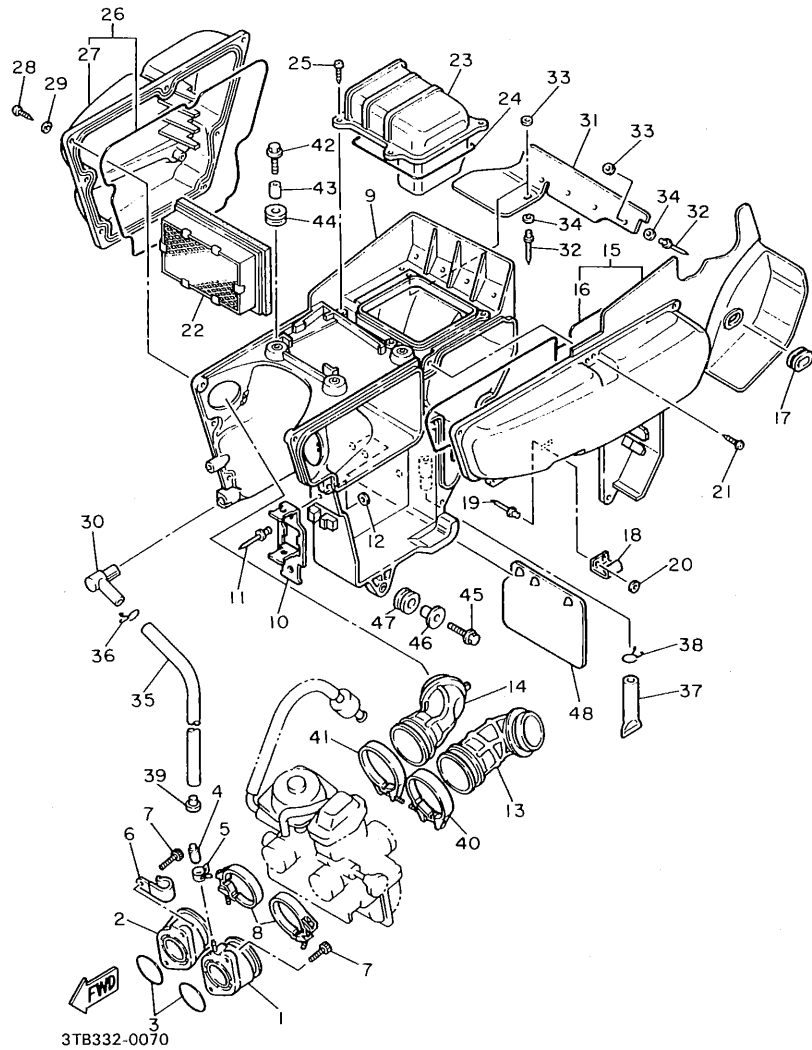
**B10**

FIG. 7 INTAKE



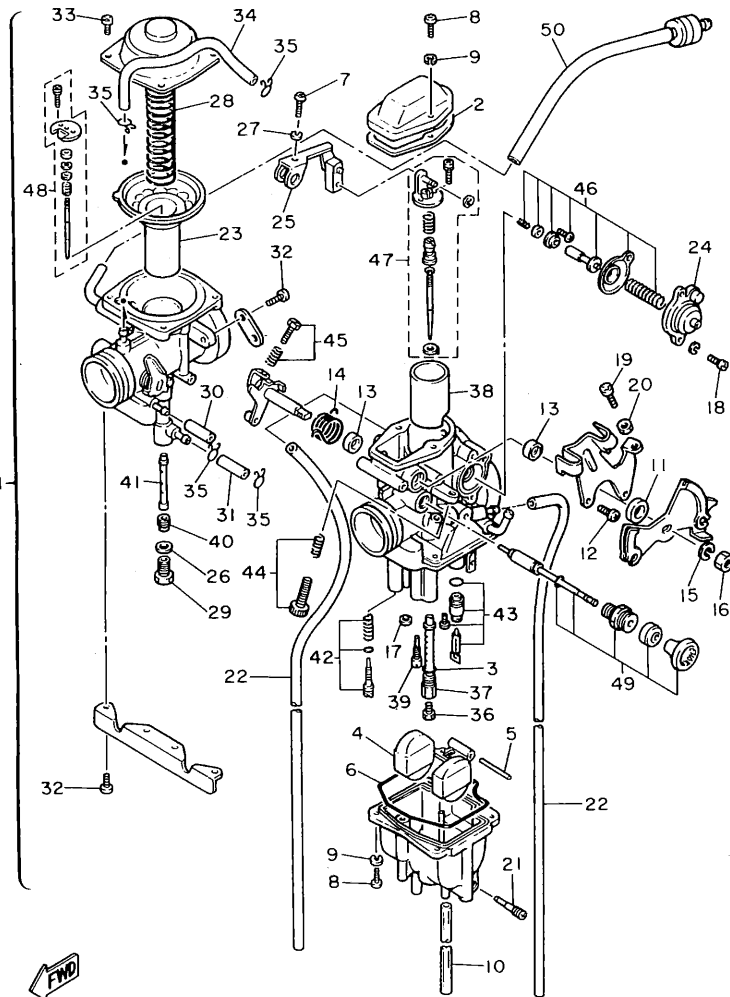
REF. NO.	PART NO.	DESCRIPTION	Q'TY	REMARKS
1	43F-13586-01	JOINT, carburetor 1	1	
2	1VJ-13596-00	JOINT, carburetor 2	1	
3	93210-36549	O-RING	2	
4	16G-13569-00	PLUG, blind	1	
5	90467-10039	CLIP	1	
6	90465-08028	CLAMP	1	
7	91316-06020	BOLT	4	
8	90460-46206	CLAMP, hose	2	
9	3TB-14411-00	CASE, air cleaner 1	1	
10	3TB-81953-00	STAY, relay	1	
11	90267-40075	RIVET, blind	1	
12	92901-04600	WASHER, plate	1	
13	3TB-14453-00	JOINT, air cleaner 1	1	
14	3TB-14454-00	JOINT	1	
15	3TB-1441A-00	COVER, cleaner case 1	1	
16	3TB-14452-00	SEAL	1	
17	90480-12325	GROMMET	1	
18	43G-14436-00	HOOK	1	
19	90267-40075	RIVET, blind	2	
20	92901-04600	WASHER, plate	2	
21	97706-50520	SCREW, tapping	7	
22	3TB-14451-00	ELEMENT, air cleaner	1	
23	3TB-14412-00	CAP, cleaner case 1	1	
24	3TB-14457-00	SEAL	1	
25	97706-50520	SCREW, tapping	4	
26	3TB-1441E-00	COVER, cleaner case 2	1	
27	3TB-1446R-00	SEAL	1	

FIG. 7 INTAKE



REF. NO.	PART NO.	DESCRIPTION	Q'TY	REMARKS
28	98506-05020	SCREW, pan head	7	
29	92906-05600	WASHER, plate	7	
30	5Y1-14419-00	PIPE	1	
31	3TB-21621-00	FLAP	1	
32	90267-40077	RIVET, blind	5	
33	90201-047A2	WASHER, plate	5	
34	92990-04200	WASHER, plain	5	
35	90445-126G6	HOSE	1	
36	90467-12052	CLIP	1	
37	34X-1443E-00	PIPE, drain	1	
38	90467-11102	CLIP	1	
39	90338-08174	PLUG	1	
40	90460-51059	CLAMP, hose	1	
41	90460-58015	CLAMP, hose	1	
42	95801-06020	BOLT, flange	3	
43	90387-06033	COLLAR	3	
44	90480-14329	GROMMET	3	
45	95816-06025	BOLT, flange	1	
46	90387-074X3	COLLAR	1	
47	90480-15064	GROMMET	1	
48	34X-21691-00	FLAP	1	

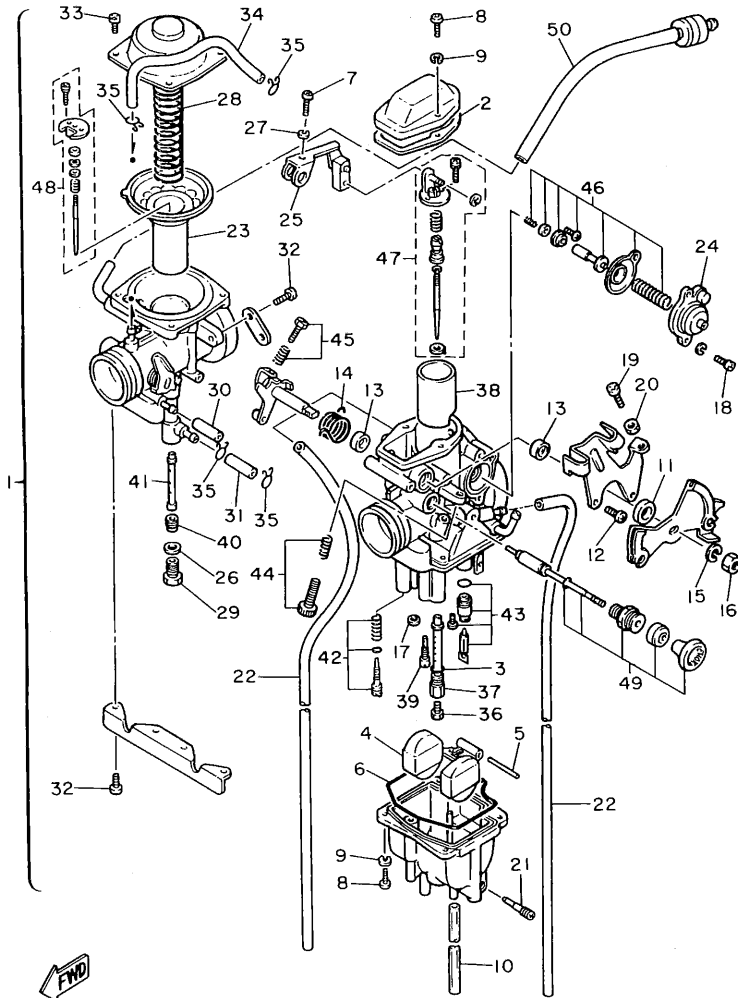
FIG. 8 CARBURETOR



3TB332-0080

REF. NO.	PART NO.	DESCRIPTION	Q'TY	REMARKS
1	3TB-14301-00	CARBURETOR ASSY 1	1	
2	5Y1-14198-00	.GASKET	1	
3	360-24512-00	.GASKET	2	
4	2JN-14385-00	.FLOAT	1	
5	6E5-14386-01	.PIN, float	1	
6	5Y1-14384-00	.GASKET, float chamber	1	
7	98580-04016	.SCREW, pan head	1	
8	98503-04014	.SCREW, pan head	6	
9	92902-04100	.WASHER, spring	6	
10	1JK-14197-00	.PIPE	1	
11	1JK-14357-00	.COLLAR	1	
12	98580-04010	.SCREW, pan head	2	
13	5Y1-14572-00	.SEAL	2	
14	1XL-14131-00	.SPRING, throttle valve	1	
15	5Y1-14356-00	.WASHER, spring	1	
16	5Y1-14358-00	.NUT	1	
17	5Y1-14536-00	.GASKET	1	
18	98580-04010	.SCREW, pan head	2	
19	98580-04020	.SCREW, pan head	1	
20	30X-14358-00	.NUT	1	
21	14T-14323-00	.PLUG DRAIN	1	
22	1VJ-14197-00	.PIPE	2	
23	1JK-14940-01	.DIAPHRAGM ASSY	1	
24	2JN-14293-00	.COVER 1	1	
25	1JK-14291-00	.CONNECTER COMP.	1	
26	7KF-14227-00	.WASHER	1	
27	92990-04100	.WASHER, spring	1	
28	1VJ-14286-00	.SPRING	1	

FIG. 8 CARBURETOR

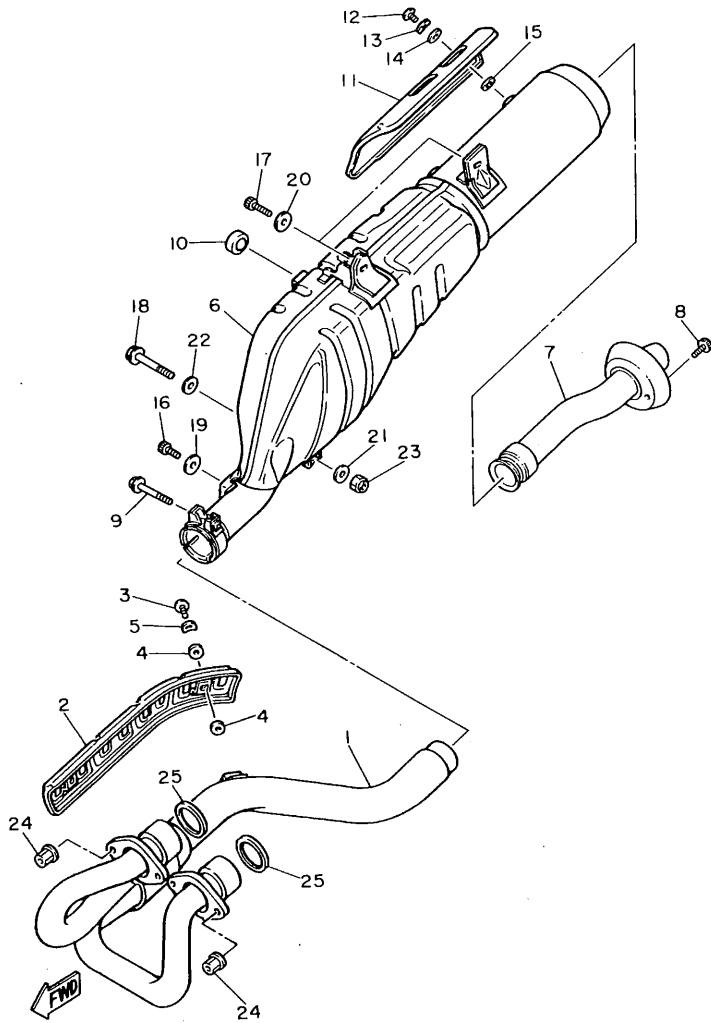


3TB332-0080

REF. NO.	PART NO.	DESCRIPTION	Q'TY	REMARKS
29	7KF-14162-00	.BOLT, holding	1	
30	5Y1-14349-00	.PIPE	1	
31	30X-14148-00	.PIPE	1	
32	98501-05010	.SCREW, pan head	6	
33	98580-04010	.SCREW, pan head	4	
34	5Y1-14149-00	.PIPE	1	
35	5Y1-14159-00	.CLIP	4	
36	288-14343-65	.JET, main (#130)	1	UR STD
	288-14343-60	.JET, main (#120)	1	UR
	288-14343-70	.JET, main (#140)	1	UR
37	2KF-14341-00	.NOZZLE, main	1	
38	1JK-14313-55	.VALVE, throttle 2	1	
39	43F-14342-25	.JET, pilot (# 50)	1	
40	30X-14343-55	.JET, main (#110)	1	
41	2KF-14355-00	.NOZZLE, main 2	1	
42	51Y-14105-00	.PILOT SCREW SET	1	
43	2JN-14107-00	.NEEDLE VALVE SET	1	
44	3GV-1490K-00	.STOP SCREW SET	1	
45	2NX-14103-00	.THROTTLE SCREW SET	1	
46	1JK-1490A-00	.DIAPHRAGM SET, 1	1	
47	3TB-1490J-10	.NEEDLE SET	1	
48	3TB-1490J-00	.NEEDLE SET	1	
49	2KF-1410A-00	.STARTER SET	1	
50	3TD-14197-00	PIPE	1	

**B14**

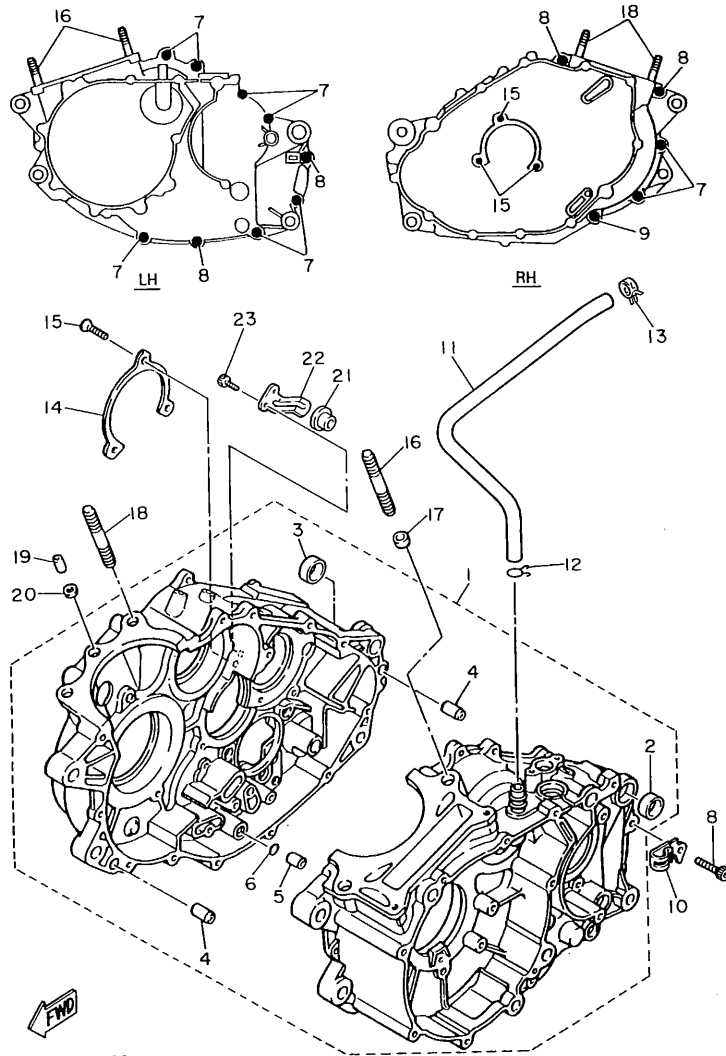
FIG. 9 EXHAUST



3TB351-0090

REF. NO.	PART NO.	DESCRIPTION	Q'TY	REMARKS
1	34K-14611-01	PIPE, exhaust 1	1	
2	34K-14628-01	PROTECTOR, exhaust pipe	1	
3	90164-06017	SCREW, tapping	2	
4	30X-14766-00	WASHER, protector	4	
5	90206-06088	WASHER, wave	2	
6	3TB-14711-00	MUFFLER 1	1	
7	3TB-14752-00	PIPE, outlet	1	
8	91316-06012	BOLT	1	
9	95816-08045	BOLT, flange	1	
10	22W-24181-00	DAMPER, locating 1	1	
11	3TB-14728-00	PROTECTOR, muffler 2	1	
12	98980-06010	SCREW, bind	2	
13	90206-06088	WASHER, wave	2	
14	90202-06010	WASHER, plate	2	
15	30X-14766-00	WASHER, protector	2	
16	90109-085E2	BOLT	1	
17	90105-10186	BOLT, washer based	2	
18	90105-10232	BOLT, washer based	1	
19	90201-08326	WASHER, plate	1	
20	90201-102J5	WASHER, plate	2	
21	90201-101J1	WASHER, plate	1	
22	90201-10144	WASHER, plate	1	
23	95611-10200	NUT, self-locking	1	
24	90179-06500	NUT	4	
25	5Y1-14613-00	GASKET, exhaust pipe	2	

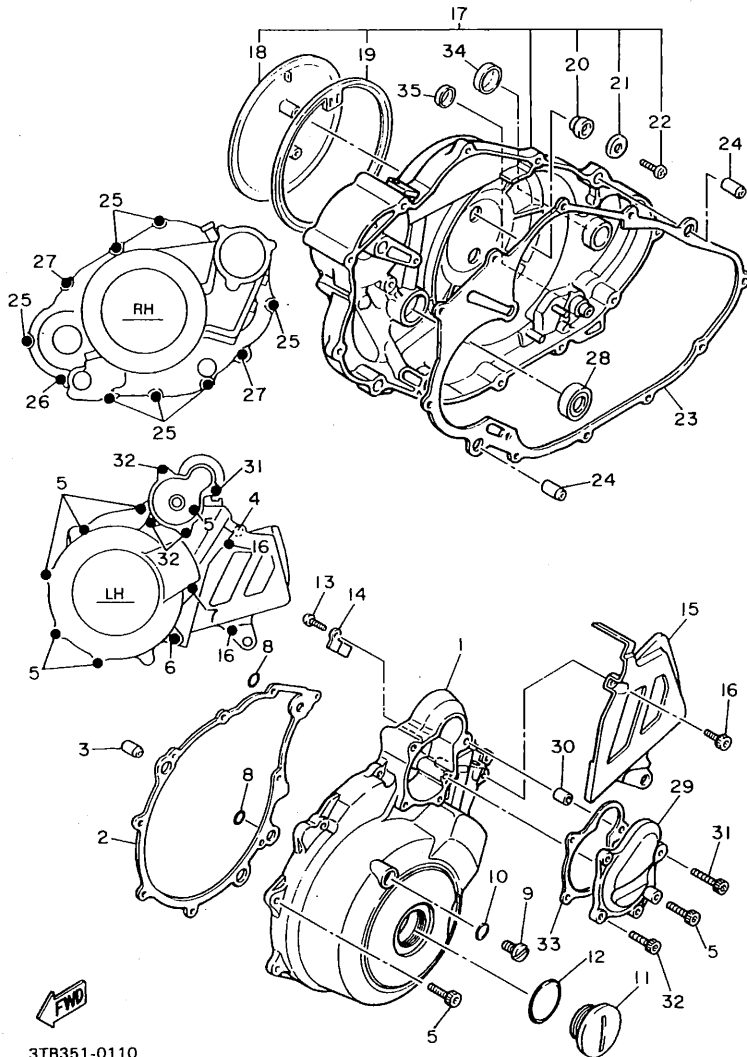
FIG. 10 CRANKCASE



3TB351-0100

REF. NO.	PART NO.	DESCRIPTION	Q'TY	REMARKS
1	3DS-15100-00	CRANKCASE ASSY	1	CIRCUIT SILVER
2	90387-17783	.COLLAR	1	
3	90387-16782	.COLLAR	1	
4	99510-12016	.PIN, dowel	2	
5	99510-08016	.PIN, dowel	1	
6	93210-07135	.O-RING	1	
7	90110-06138	BOLT, hexagon socket head	9	
8	91316-06045	BOLT	4	
9	91316-06060	BOLT	1	
10	90465-08344	CLAMP	1	
11	3TB-11166-00	PIPE, breather 1	1	
12	90467-14015	CLIP	1	
13	90467-17128	CLIP	1	
14	5Y1-15383-00	PLATE, bearing cover	1	
15	98701-06012	SCREW, flat head	3	
16	90116-10506	BOLT, stud	2	
17	99510-14016	PIN, dowel	2	
18	90116-10263	BOLT, stud	2	
19	99510-08016	PIN, dowel	1	
20	90430-08178	GASKET	1	
21	3Y6-15167-00	PLUG, blind 1	1	
22	3Y6-15144-00	PLATE, lock	1	
23	98021-06016	BOLT	2	

FIG. 11 CRANKCASE COVER 1

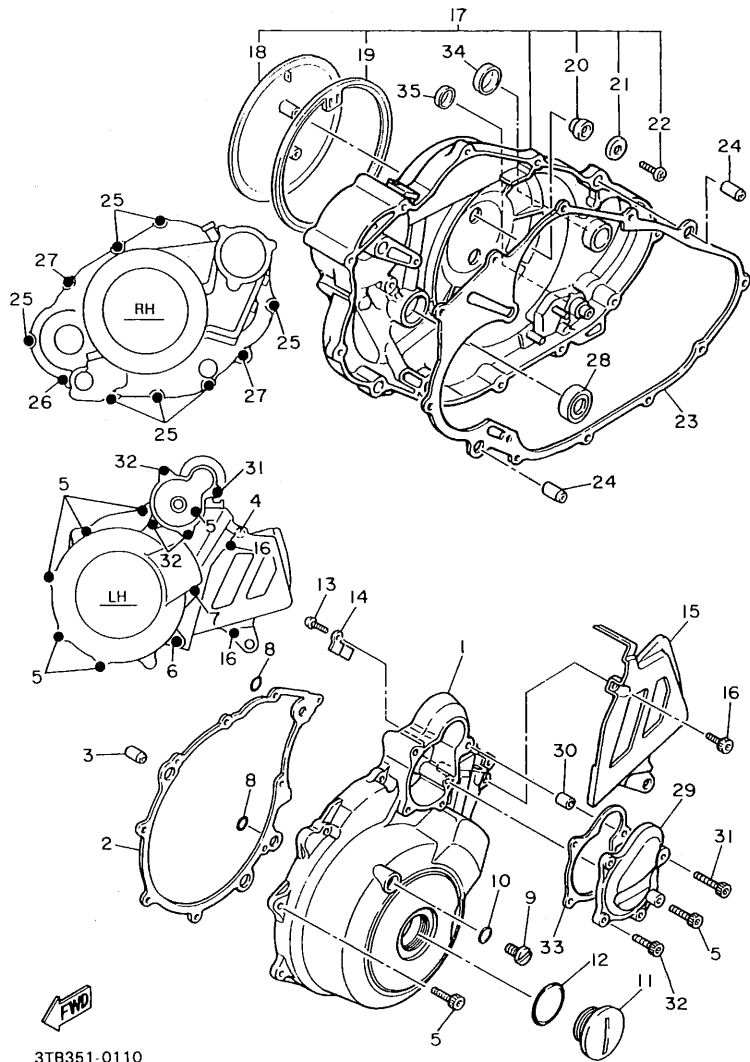


3TB351-0110

REF. NO.	PART NO.	DESCRIPTION	Q'TY	REMARKS
1	3TB-15411-01	COVER, crankcase 1	1	
2	1VJ-15451-00	GASKET, crankcase cover 1	1	
3	99510-12016	PIN, dowel	2	
4	91316-06035	BOLT	1	
5	91316-06025	BOLT	6	
6	91316-06050	BOLT	1	
7	91316-06050	BOLT	1	
8	93210-13361	O-RING	2	
9	90340-08M04	PLUG, straight screw	1	
10	90430-08143	GASKET	1	
11	90340-36121	PLUG, straight screw	1	CIRCUIT SILVER
12	93210-36510	O-RING	1	
13	98501-06012	SCREW, pan head	1	
14	90462-16102	CLAMP	1	
15	3AJ-15421-00	COVER, crankcase 2	1	CIRCUIT SILVER
16	91316-06016	BOLT	2	
17	3DS-15430-00	CRANKCASE COVER ASSY 3	1	CIRCUIT SILVER
18	2WK-15418-01	.COVER, chain case	1	
19	1JK-15449-00	.RING, rubber	1	
20	1JK-15486-00	.GROMMET	2	
21	90209-05279	.WASHER	2	
22	98501-05010	.SCREW, pan head	2	
23	34K-15462-00	GASKET, crankcase cover 3	1	
24	99510-12016	PIN, dowel	2	
25	91316-06025	BOLT	7	
26	90110-06138	BOLT, hexagon socket head	1	
27	91316-06035	BOLT	2	
28	93101-14092	OIL SEAL (S7-14-25-5.5-1-HS)	1	



FIG. 11 CRANKCASE COVER 1

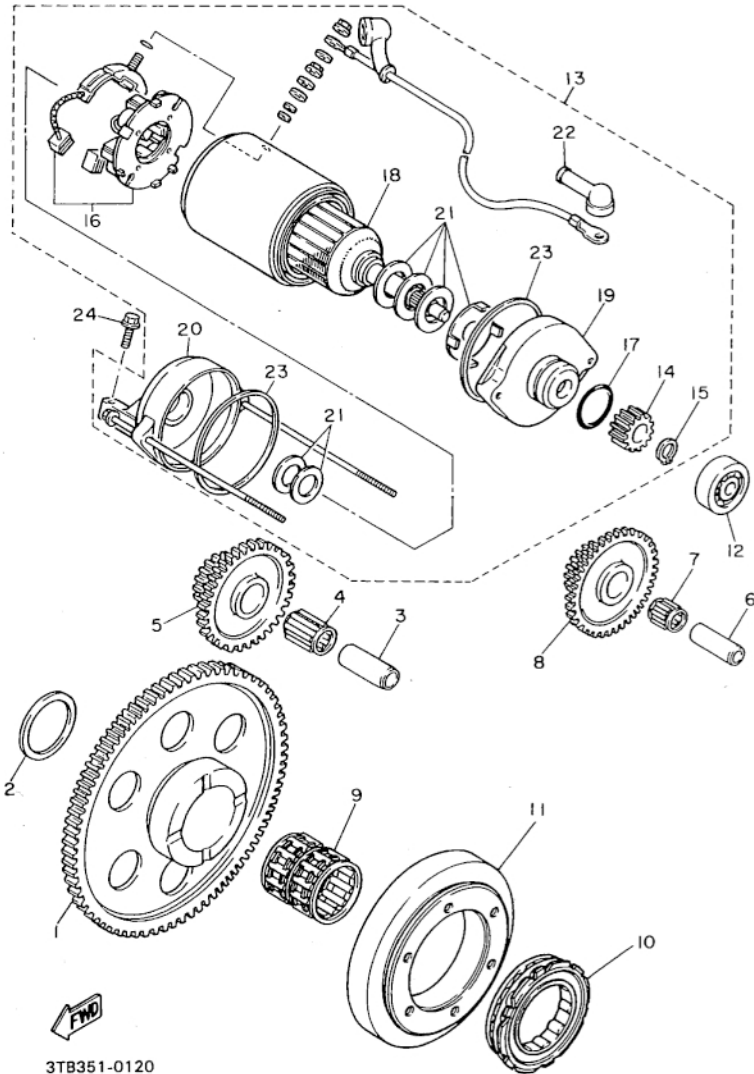


3TB351-0110

REF. NO.	PART NO.	DESCRIPTION	Q'TY	REMARKS
29	3TB-15415-00	COVER, generator	1	
30	99510-08016	PIN, dowel	1	
31	91316-06035	BOLT	1	
32	91316-06025	BOLT	3	
33	3TB-15455-00	GASKET 1	1	
34	90338-30096	PLUG	1	
35	90338-21100	PLUG	1	

**C4**

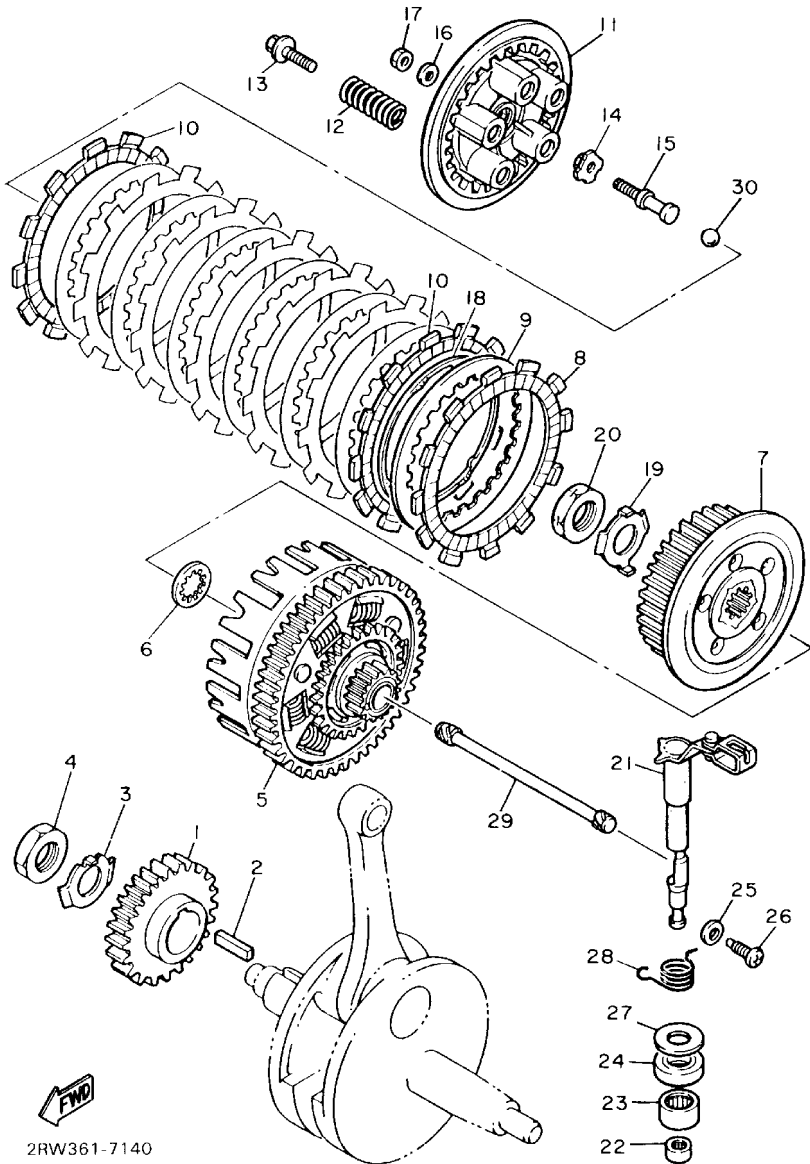
FIG. 12 STARTER CLUTCH



3TB351-0120

REF. NO.	PART NO.	DESCRIPTION	Q'TY	REMARKS
1	3TB-15515-00	GEAR 3	1	
2	90201-307K8	WASHER, plate	1	
3	1VJ-15522-00	SHAFT 2	1	
4	93310-217R7	BEARING, cylindrical	1	
5	1VJ-15517-00	GEAR, idler 2	1	
6	1VJ-15521-00	SHAFT 1	1	
7	93310-212R6	BEARING, cylindrical	1	
8	1VJ-15512-00	GEAR, idler 1	1	
9	93310-530C7	BEARING, cylindrical	1	
10	3TB-15590-00	STARTER ONE-WAY ASSY	1	
11	3TB-15594-00	RACE, one-way bearing	1	
12	93306-20006	BEARING (B6200)	1	NTN
13	3TB-81800-00	STARTING MOTOR ASSY	1	
14	1VJ-15511-00	.GEAR, starting motor	1	
15	93440-11024	.CIRCLIP	1	
16	3AJ-81801-00	.BRUSH SET	1	
17	26H-81847-00	.O-RING	1	
18	3AJ-81850-00	.ARMATURE ASSY	1	
19	3AJ-81830-00	.FRONT BRACKET ASSY	1	
20	3AJ-81820-00	.REAR BRACKET ASSY	1	
21	3AJ-81809-00	.WASHER KIT	1	
22	4G0-81871-00	.CAP	1	
23	11H-81844-00	.GASKET	2	
24	95811-06030	BOLT, flange	2	

FIG. 13 CLUTCH

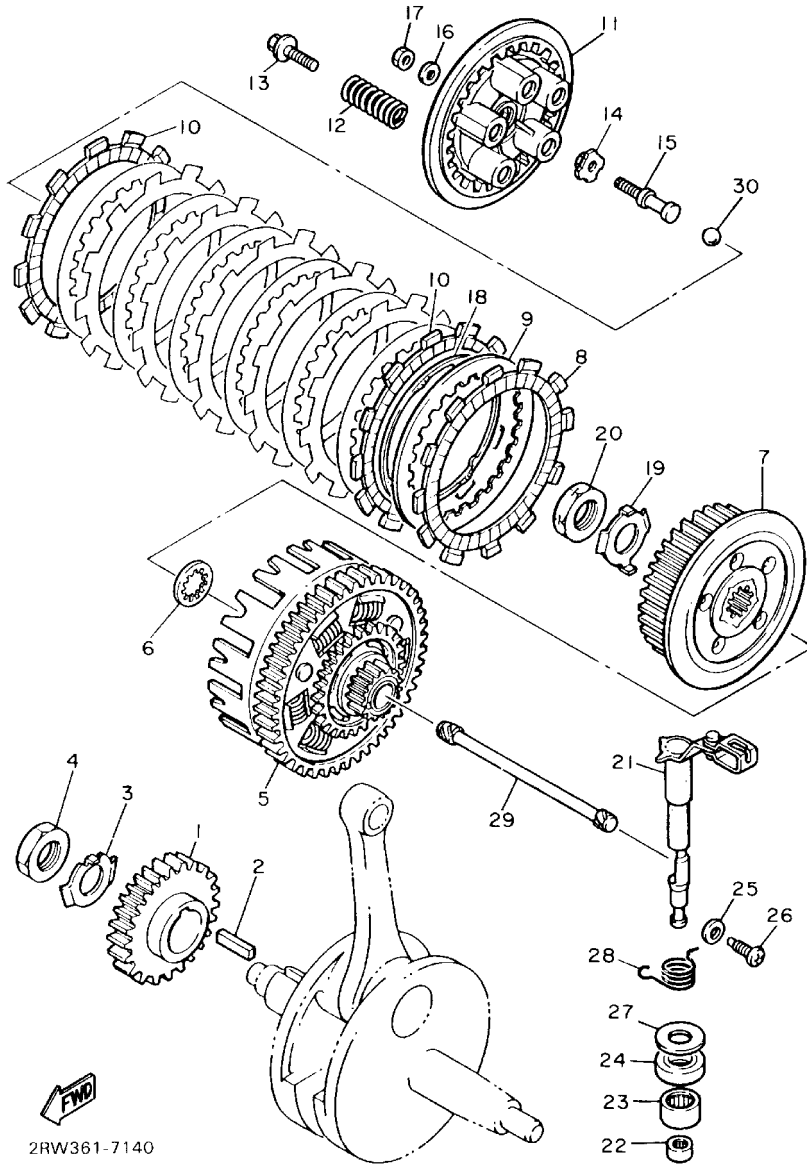


2RW361-7140

REF. NO.	PART NO.	DESCRIPTION	Q'TY	REMARKS
1	3AJ-16111-00	GEAR, primary drive (34T)	1	
2	90282-07042	KEY, straight	1	
3	90215-20197	WASHER, lock	1	
4	90170-20274	NUT	1	
5	3AJ-16150-00	PRIMARY DRIVEN GEAR COMP.(71T)	1	
6	2JN-16154-00	PLATE, thrust 1	1	
7	2JN-16371-00	BOSS, clutch	1	
8	5Y1-16321-00	PLATE, friction	6	
9	360-16325-00	PLATE, clutch 2	7	
10	5Y1-16331-01	PLATE, friction 2	2	
11	5Y1-16351-00	PLATE, pressure 1	1	
12	90501-23142	SPRING, compression	5	
13	90159-06010	SCREW, with washer	5	
14	30X-16358-00	PLATE, push	1	
15	34K-16356-00	ROD, push 1	1	
16	92901-06200	WASHER, plain	1	
17	95303-06600	NUT	1	
18	5Y1-16383-00	SPRING, clutch boss	1	
19	90215-20231	WASHER, lock	1	
20	90170-20327	NUT	1	
21	1VJ-16380-01	PUSH LEVER ASSY	1	
22	93317-11020	BEARING, cylindrical	1	
23	93315-11720	BEARING, cylindrical	1	
24	93102-17357	OIL SEAL	1	
25	90201-08087	WASHER, plate	1	
26	90149-08067	SCREW	1	
27	90201-17327	WASHER, plate	1	
28	90508-14710	SPRING, torsion	1	

**C6**

FIG. 13 CLUTCH



REF. NO.	PART NO.	DESCRIPTION	Q'TY	REMARKS
----------	----------	-------------	------	---------

29	5Y1-16357-00	ROD, push 2	1	
----	--------------	-------------	---	--

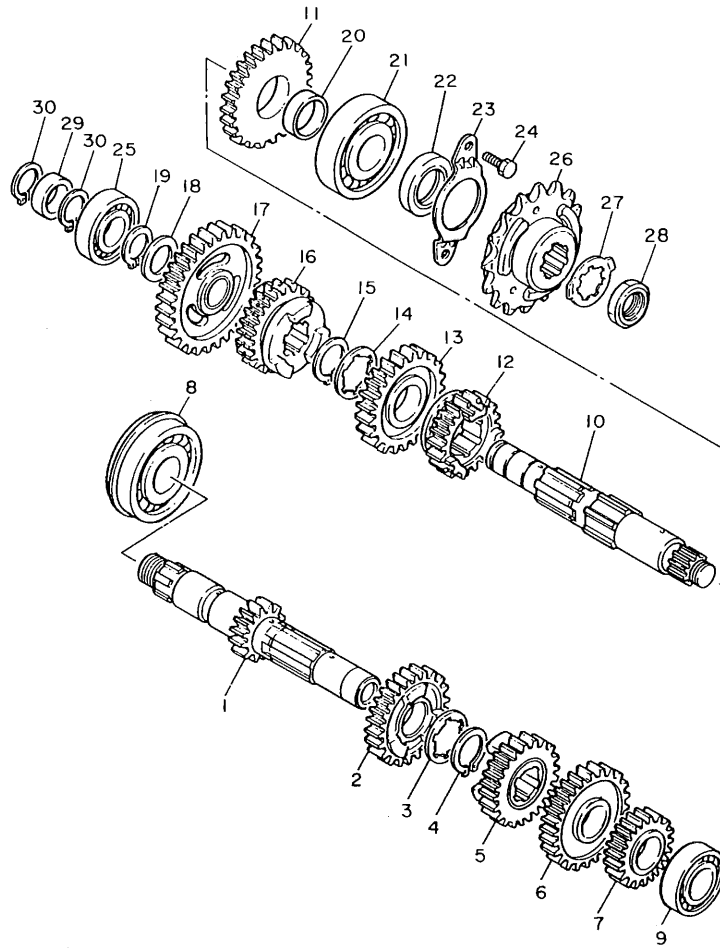
30	93515-32029	BALL	1	
----	-------------	------	---	--

FWD

2RW361-7140

C7

FIG. 14 TRANSMISSION



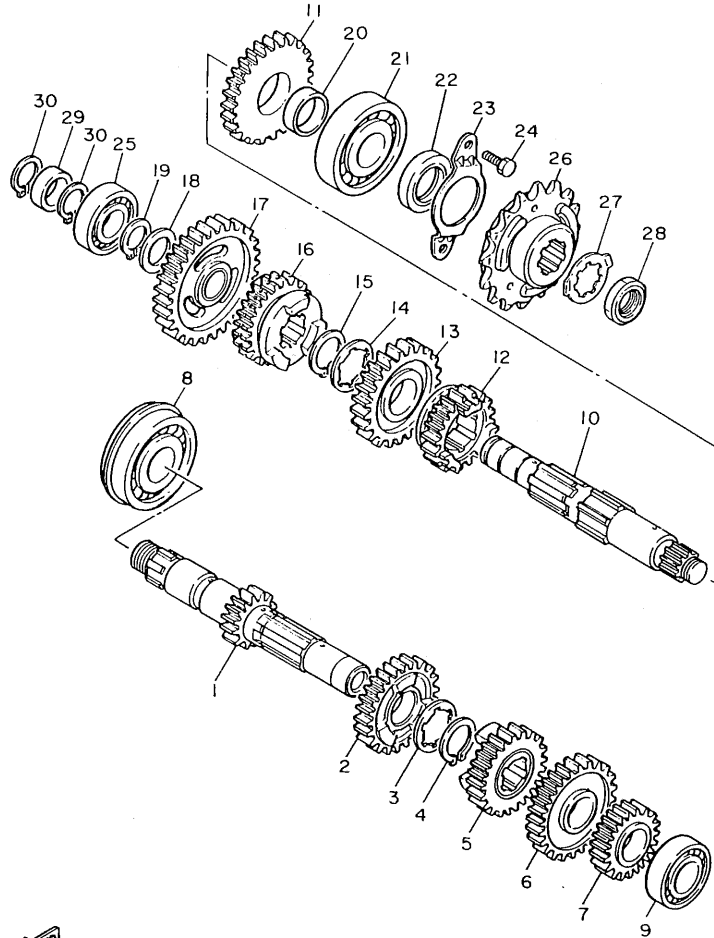
REF. NO.	PART NO.	DESCRIPTION	Q'TY	REMARKS
1	2RW-17411-00	AXLE, main (12T)	1	
2	34K-17141-00	GEAR, 4th pinion(22T)	1	
3	90209-22191	WASHER	1	
4	93440-25084	CIRCLIP	1	
5	1VJ-17131-00	GEAR, 3rd pinion (20T)	1	
6	2JT-17151-01	GEAR, 5th pinion (24T)	1	
7	34K-17121-01	GEAR, 2nd pinion (17T)	1	
8	93306-30540	BEARING (6305NRX1C3)	1	
9	93306-00431	BEARING	1	
10	2RW-17402-00	DRIVE AXLE ASSY	1	
11	2JT-17221-00	GEAR, 2nd wheel (27T)	1	
12	2JT-17251-00	GEAR, 5th wheel (19T)	1	
13	1VJ-17231-00	GEAR, 3rd wheel (24T)	1	
14	90209-22191	WASHER	1	
15	93440-25084	CIRCLIP	1	
16	3AJ-17241-00	GEAR, 4th wheel (21T)	1	
17	3AJ-17211-00	GEAR, 1st wheel (31T)	1	
18	90201-20276	WASHER, plate (1.0T)	1	
19	99009-20400	CIRCLIP	1	
20	90560-25283	SPACER	1	
21	93306-30535	BEARING	1	
22	93102-25226	OIL SEAL	1	
23	5Y1-17471-00	PLATE, cover	1	
24	97021-06014	BOLT	2	
25	93306-00426	BEARING	1	
26	99999-01798	SPROCKET, drive (15T)	1	
27	90215-23265	WASHER, lock	1	
28	90179-18552	NUT	1	



3AJ1351-8140

FIG. 14 TRANSMISSION

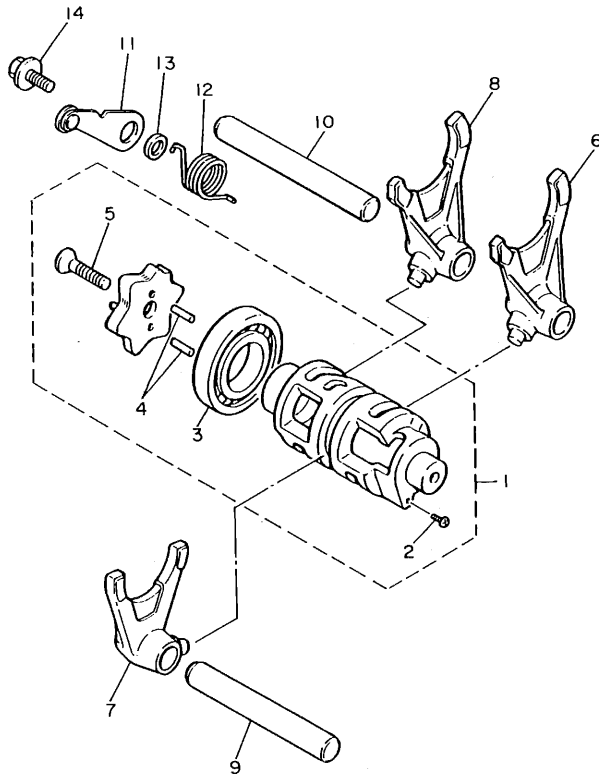
REF. NO.	PART NO.	DESCRIPTION	Q'TY	REMARKS
29	90560-20199	SPACER	1	
30	99009-20400	CIRCLIP	2	



**FWD**  
3AJ1351-8140

**C9**

FIG. 15 SHIFT CAM • FORK

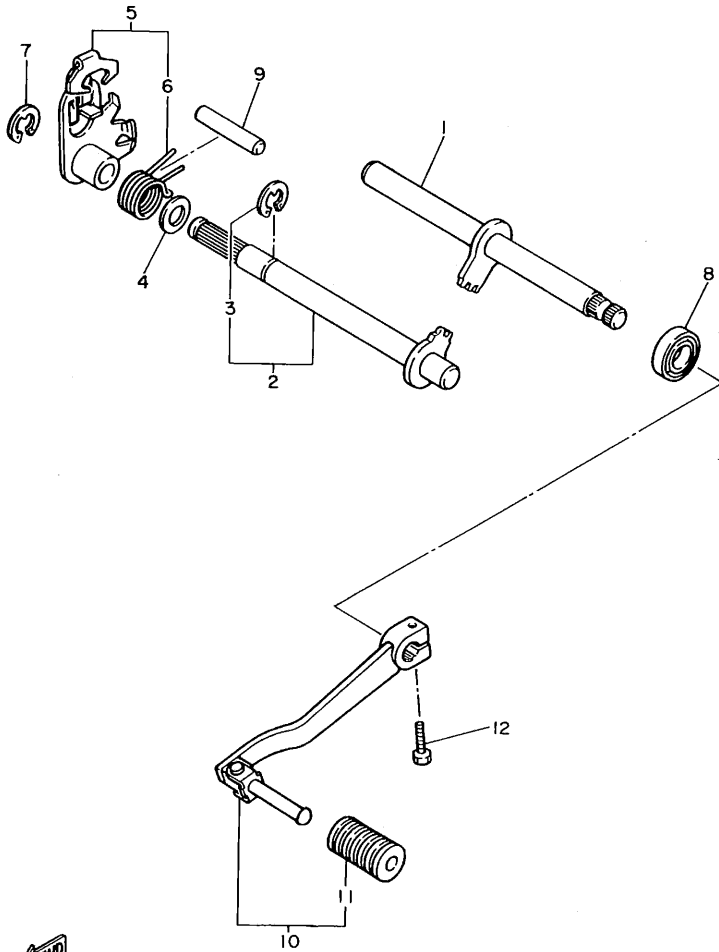


REF. NO.	PART NO.	DESCRIPTION	Q'TY	REMARKS
1	5Y1-18540-00	SHIFT CAM ASSY	1	
2	136-18542-00	•POINT, neutral	1	
3	93316-00503	•BEARING, cylindrical	1	
4	93604-10011	•PIN, dowel	2	
5	90151-06017	•SCREW, countersunk	1	
6	5Y1-18511-00	FORK, shift 1	1	
7	5Y1-18512-00	FORK, shift 2	1	
8	5Y1-18513-00	FORK, shift 3	1	
9	34K-18531-00	BAR, shift fork guide 1	1	
10	34K-18535-00	BAR, shift fork guide 2	1	
11	34K-18140-00	STOPPER LEVER ASSY	1	
12	90508-26691	SPRING, torsion	1	
13	90387-063F7	COLLAR	1	
14	90159-06078	SCREW, with washer	1	



2KF300-7150

FIG. 16 SHIFT SHAFT



REF. NO.	PART NO.	DESCRIPTION	Q'TY	REMARKS
1	43F-18102-01	SHIFT SHAFT ASSY 2	1	
2	5Y1-18101-01	SHIFT SHAFT ASSY	1	
3	99001-10600	„CIRCLIP	1	
4	90201-12474	WASHER, plate	1	
5	34K-18120-00	SHIFT LEVER ASSY	1	
6	90508-29629	„SPRING, torsion	1	
7	99001-09600	CIRCLIP	1	
8	93102-12106	OIL SEAL (SD 12-22-5 HS)	1	
9	93608-33046	PIN, dowel	1	
10	1VJ-18110-00	SHIFT PEDAL ASSY	1	
11	1W6-18113-00	„COVER, shift pedal	1	
12	97016-06020	BOLT	1	



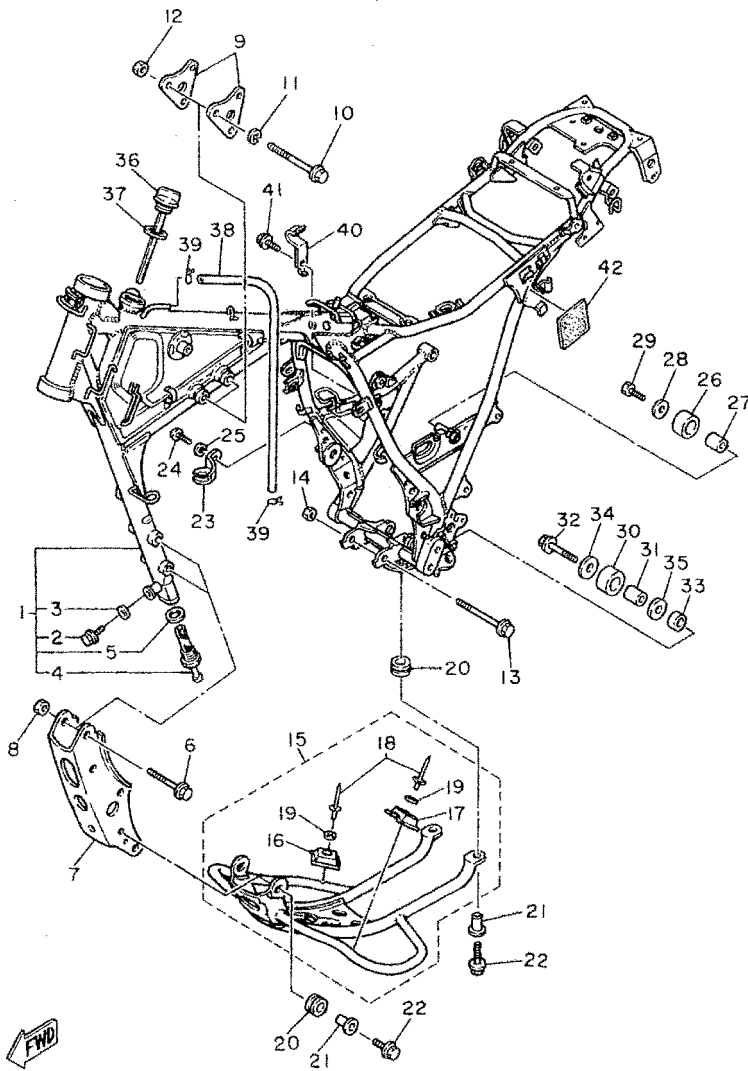
3TB351-0160

**C11**



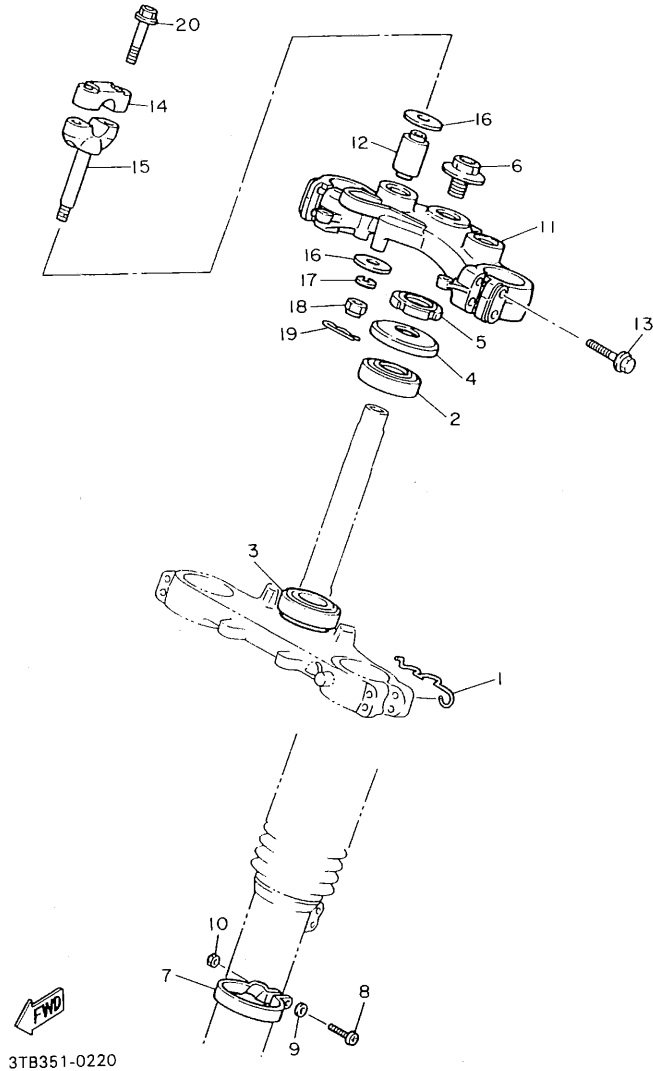
FIG. 17 FRAME

REF. NO.	PART NO.	DESCRIPTION	Q'TY	REMARKS
1	3TB-21110-00-MA	FRAME COMP. (NON OCEANIA)	1	UR TITANIC GRAY METALLIC FOR MKB UR STARDUST SILVER FOR SB,W
	3TB-21110-00-WL	FRAME COMP.	1	
2	95801-08012	.BOLT, flange	1	
3	90201-08087	.WASHER, plate	1	
4	3TB-21756-00	.NET, filter	1	
5	90430-22123	.GASKET	1	
6	90105-10286	BOLT, washer based	4	
7	3TB-21316-00-MA	STAY, engine 3 (NON OCEANIA)	1	UR TITANIC GRAY METALLIC FOR MKB UR STARDUST SILVER FOR SB,W
	3TB-21316-00-WL	STAY, engine 3	1	
8	90185-10157	NUT, self-locking	4	
9	34L-21315-00	STAY, engine 2	2	
10	97011-10080	BOLT	3	
11	92901-10100	WASHER, spring	3	
12	90185-10157	NUT, self-locking	3	
13	95811-10100	BOLT, flange	1	
14	90185-10157	NUT, self-locking	1	
15	3TB-W2147-00-MA	PROTECTOR, engine (NON OCEANIA)	1	UR TITANIC GRAY METALLIC FOR MKB UR STARDUST SILVER FOR SB,W
	3TB-W2147-00-WL	PROTECTOR, engine	1	
16	34K-21485-00	.DAMPER, rubber 1	1	
17	34K-21486-00	.DAMPER 2	1	
18	90267-40075	.RIVET, blind	2	
19	90201-04M06	.WASHER, plate	2	
20	90480-15363	GROMMET	4	
21	90387-07391	COLLAR	4	
22	95811-06025	BOLT, flange	4	
23	5Y1-21441-00	BRACKET, stop switch	1	
24	92506-06012	SCREW, pan head	1	
25	92906-06100	WASHER, spring	1	



3TB351-0171

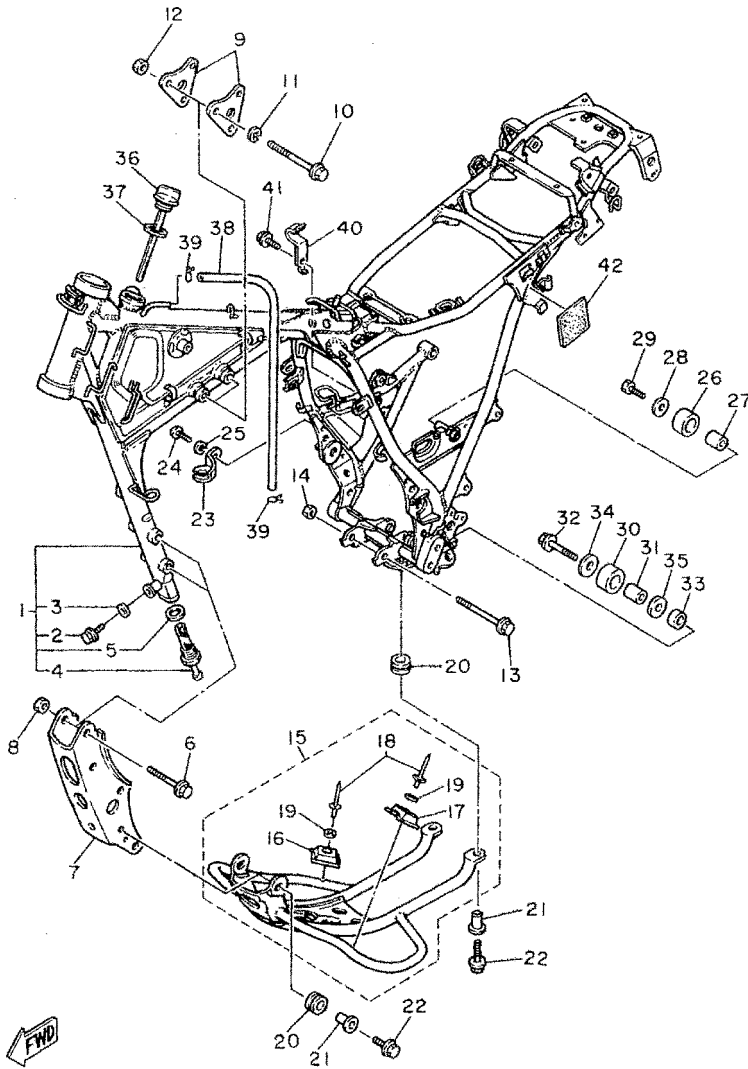
FIG. 22 STEERING



3TB351-0220

REF. NO.	PART NO.	DESCRIPTION	Q'TY	REMARKS
1	3TB-2331E-00	GUIDE, cable	1	
2	93332-00023	BEARING	1	
3	93332-00008	BEARING	1	
4	1W1-23416-00	COVER, ball race 2	1	
5	90179-25033	NUT	1	
6	90105-14102	BOLT, washer based	1	
7	34L-23318-01	HOLDER, cable 1	1	
8	98501-05020	SCREW, pan head	1	
9	92901-05600	WASHER, plate	1	
10	95303-05600	NUT	1	
11	3TB-23435-00	CROWN, handle	1	
12	5A8-23434-00	HOLDER, damper	2	
13	91026-08040	BOLT	4	
14	1E6-23441-00	HOLDER, handle upper	2	
15	3Y6-23442-00-98	HOLDER, handle lower	2	LOW GLOSS BLACK
16	90201-100A1	WASHER, plate	4	
17	92901-10100	WASHER, spring	2	
18	95303-10700	NUT	2	
19	90468-12006	CLIP	2	
20	95816-08035	BOLT, flange	4	

FIG. 17 FRAME

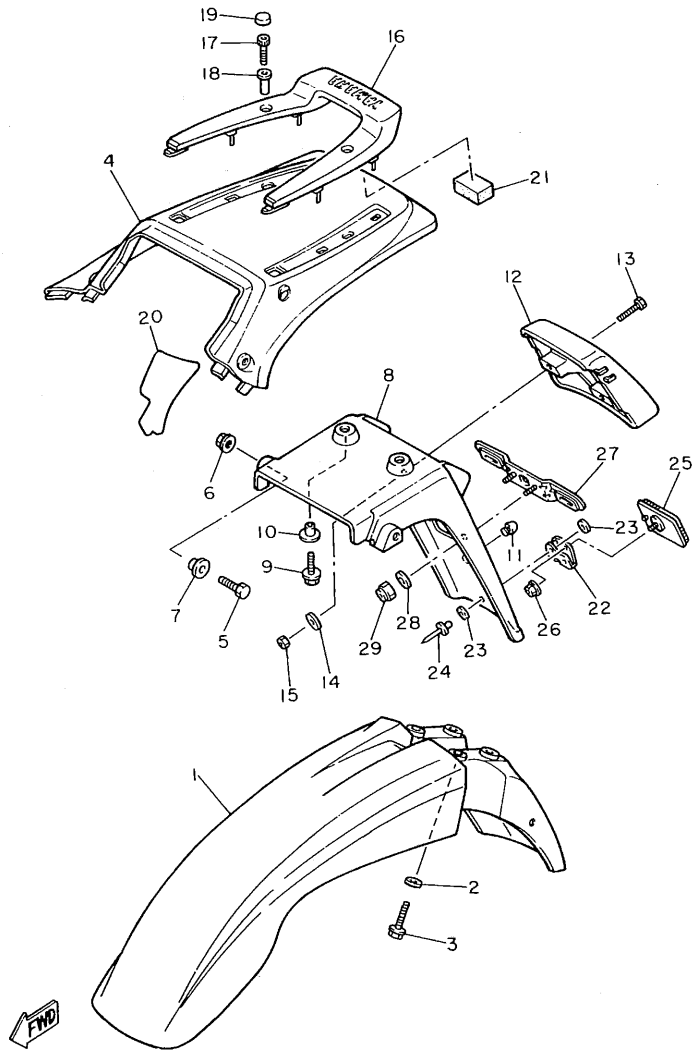


3TB351-0171

REF. NO.	PART NO.	DESCRIPTION	Q'TY	REMARKS
26	3TB-22178-00	TENSIONER	1	
27	4V4-22184-00	BUSH	1	
28	90201-08753	WASHER, plate	1	
29	95023-08016	BOLT	1	
30	30X-22178-00	TENSIONER	1	
31	4V4-22184-00	BUSH	1	
32	90109-08705	BOLT	1	
33	90201-13409	WASHER, plate	1	
34	90201-08753	WASHER, plate	1	
35	90387-085E1	COLLAR	1	
36	3TB-21771-00	BODY, cap	1	
37	90430-27124	GASKET	1	
38	90445-115G3	HOSE	1	
39	90467-10008	CLIP	2	
40	3TB-21338-00	CLAMP	1	
41	91026-06010	BOLT	1	
42	3TB-28415-00	DAMPER 1	1	

C13

FIG. 18 FENDER

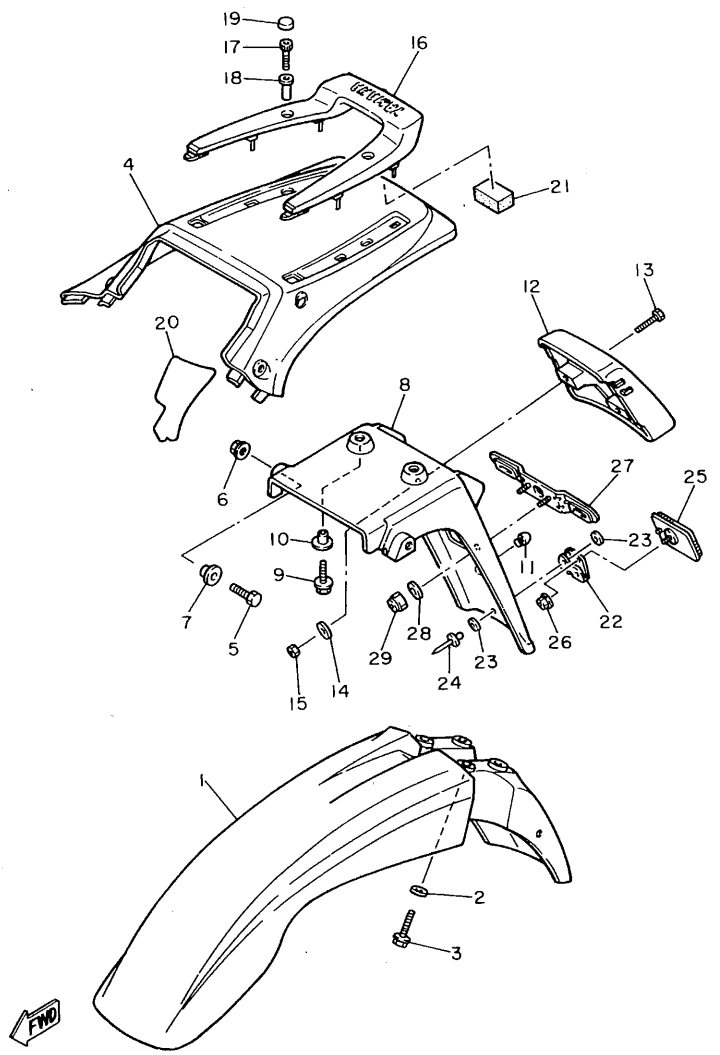


3TB351-0180

REF. NO.	PART NO.	DESCRIPTION	Q'TY	REMARKS
1	3RW-21511-30	FENDER, front	1	UR WHITE
	3RW-21511-10	FENDER, front	1	UR STRONG BLUE
	3RW-21511-20	FENDER, front	1	UR MILKY BROWN NON OCEANIA
2	90387-062V8	COLLAR	4	
3	90119-06097	BOLT, with washer	4	
4	3TB-21611-00	FENDER, rear	1	UR STRONG BLUE
	3TB-21611-10	FENDER, rear	1	UR MILKY BROWN NON OCEANIA
	3TB-21611-20	FENDER, rear	1	UR WHITE
5	97016-06016	BOLT	2	
6	95706-06500	NUT, flange	2	
7	90387-07717	COLLAR	2	
8	2KF-21685-01	BRACKET, license	1	
9	90119-06061	BOLT, with washer	2	
10	90387-066M3	COLLAR	2	
11	42U-21639-00	DAMPER 2	1	
12	3TB-2163A-00	COVER, rear fender 1	1	
13	97001-06025	BOLT	2	
14	90201-06059	WASHER, plate	2	
15	95316-06600	NUT	2	
16	3TB-21651-00	COVER, rear fender	1	
17	91311-06025	BOLT	2	
18	90387-062M3	COLLAR	2	
19	90336-18038	PLUG, taper	2	
20	3TB-2174T-00	INSULATOR, side cover 2	1	
21	3TB-21639-00	DAMPER 2	1	
22	33G-85132-00	BRACKET, reflector 1	1	
23	90201-044A2	WASHER, plate	4	
24	90267-40090	RIVET, blind	2	

FIG. 18 FENDER

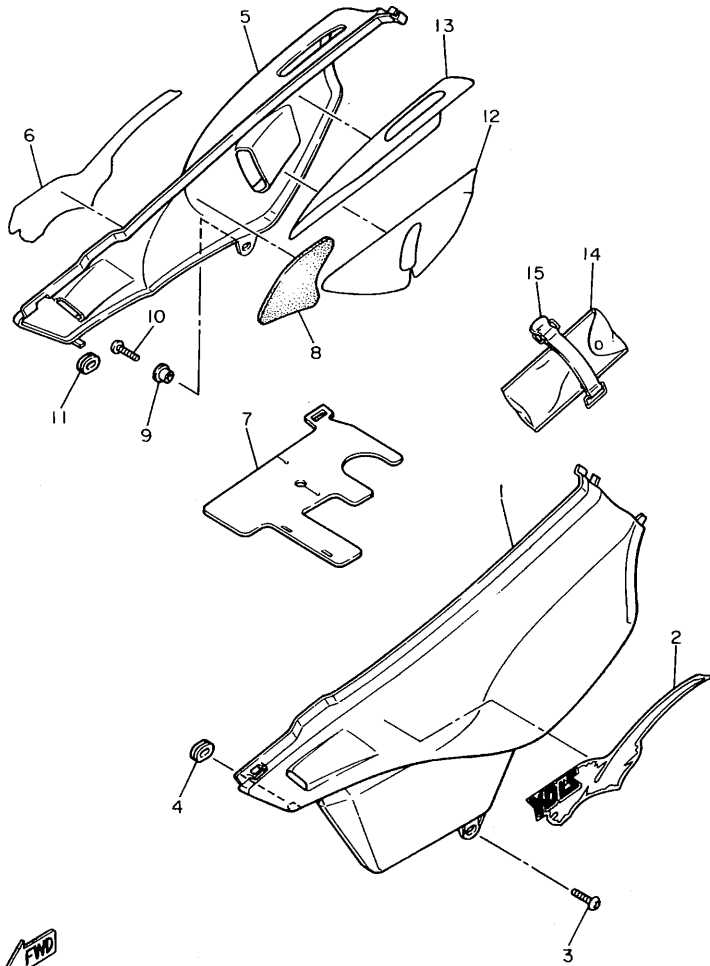
REF. NO.	PART NO.	DESCRIPTION	Q'TY	REMARKS
25	3G1-85130-01	REAR REFLECTOR ASSY	1	
26	95701-05500	NUT, flange	1	
27	1KH-84751-00-90	BRACKET, license	1	UNI-CHROME (BLACK)
28	90201-06059	WASHER, plate	2	
29	95616-06100	NUT, u	2	



3T8351-0180

**C15**

FIG. 19 SIDE COVER

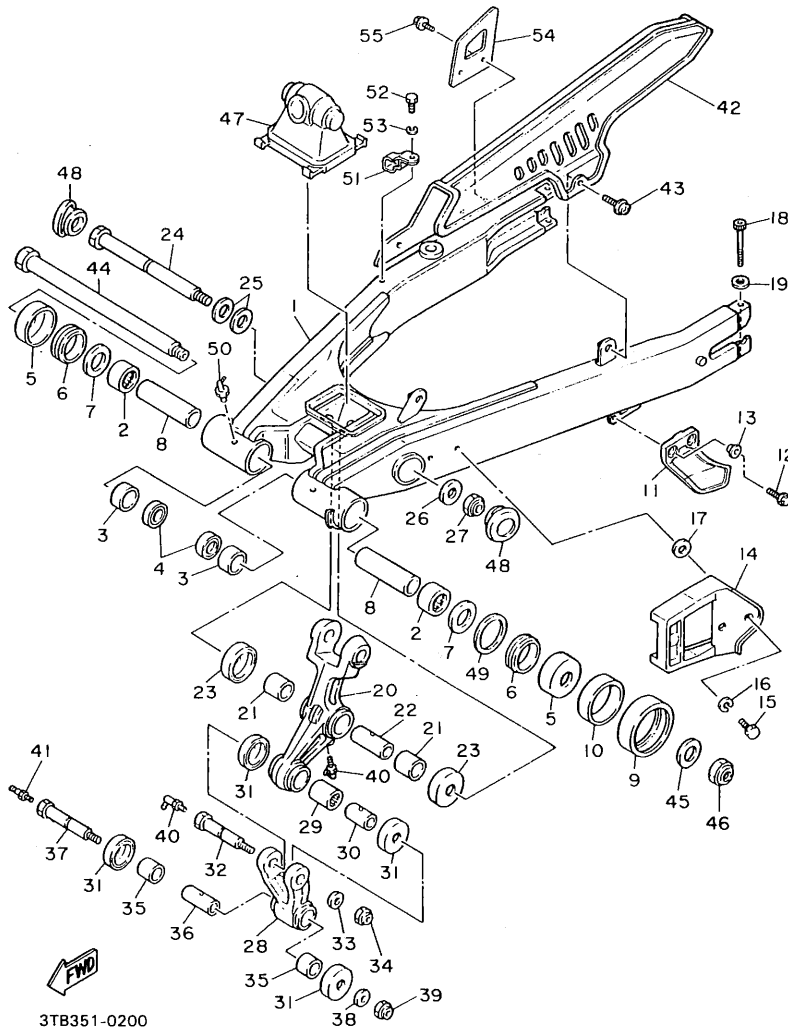


REF. NO.	PART NO.	DESCRIPTION	Q'TY	REMARKS
1	3TB-21711-00	COVER, side 1	1	UR STRONG BLUE
	3TB-21711-10	COVER, side 1	1	UR MILKY BROWN NON OCEANIA
	3TB-21711-20	COVER, side 1	1	UR WHITE
2	3TB-2173E-00	GRAPHIC 1	1	UR FOR SB
	3TB-2173E-10	GRAPHIC 1	1	UR FOR MKB NON OCEANIA
	3TB-2173E-20	GRAPHIC 1	1	UR FOR W
3	90149-06223	SCREW	1	
4	90480-01176	GROMMET	1	
5	3TB-21721-00	COVER, side 2	1	UR STRONG BLUE
	3TB-21721-10	COVER, side 2	1	UR MILKY BROWN NON OCEANIA
	3TB-21721-20	COVER, side 2	1	UR WHITE
6	3TB-2173F-00	GRAPHIC 2	1	UR FOR SB
	3TB-2173F-10	GRAPHIC 2	1	UR FOR MKB NON OCEANIA
	3TB-2173F-20	GRAPHIC 2	1	UR FOR W
7	3TB-2177F-00	COVER	1	
8	3TB-21542-00	DAMPER 2	1	
9	90387-061V4	COLLAR	1	
10	90149-06223	SCREW	1	
11	90480-01176	GROMMET	1	
12	3TB-2174A-00	INSULATOR, side cover	1	
13	3TB-2174A-10	INSULATOR, side cover	1	
14	3TB-28100-00	TOOL KIT	1	
15	46X-21376-00	BAND, tool	1	

FORWARD  
3TB351-0190

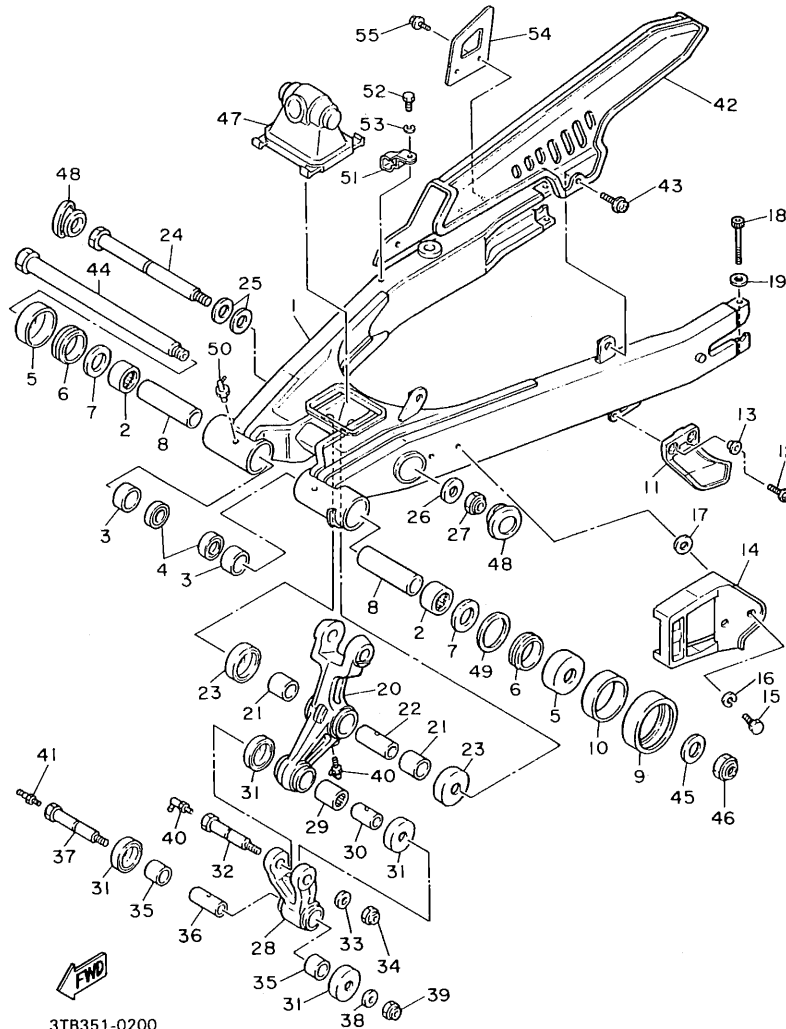
D2

FIG. 20 REAR ARM



REF. NO.	PART NO.	DESCRIPTION	Q'TY	REMARKS
1	3TB-22110-00	REAR ARM COMP.	1	
2	93317-32231	BEARING, cylindrical	2	
3	90380-22111	BUSH, solid	2	
4	93106-22019	OIL SEAL (DC 22-28-8)	2	
5	2K6-22128-01	COVER, thrust 1	2	
6	93108-35004	OIL SEAL (35-41-8)	2	
7	90201-244A8	WASHER, plate (1.95T)	2	
8	1VJ-22123-00	BUSH 1	2	
9	5X6-22151-10	SEAL, guard	1	
10	90387-440G3	COLLAR	1	
11	38V-22199-00	SUPPORT, chain	1	
12	95801-06020	BOLT, flange	2	
13	90387-06737	COLLAR	2	
14	2KF-22147-00	PROTECTOR, chain	1	
15	97026-06012	BOLT	2	
16	92906-06100	WASHER, spring	2	
17	90209-06223	WASHER	2	
18	91311-06060	BOLT	2	
19	92901-06600	WASHER, plate	2	
20	3TB-2217A-00	ARM, relay	1	
21	90386-20120	BUSH	2	
22	90380-14095	BUSH, solid	1	
23	34L-22128-00	COVER, thrust 1	2	
24	90105-12410	BOLT, washer based	1	
25	90201-140G9	WASHER, plate	2	
26	90201-120A5	WASHER, plate	1	
27	90185-12119	NUT, self-locking	1	
28	34L-2217F-00	ROD, connecting 1	1	

FIG. 20 REAR ARM

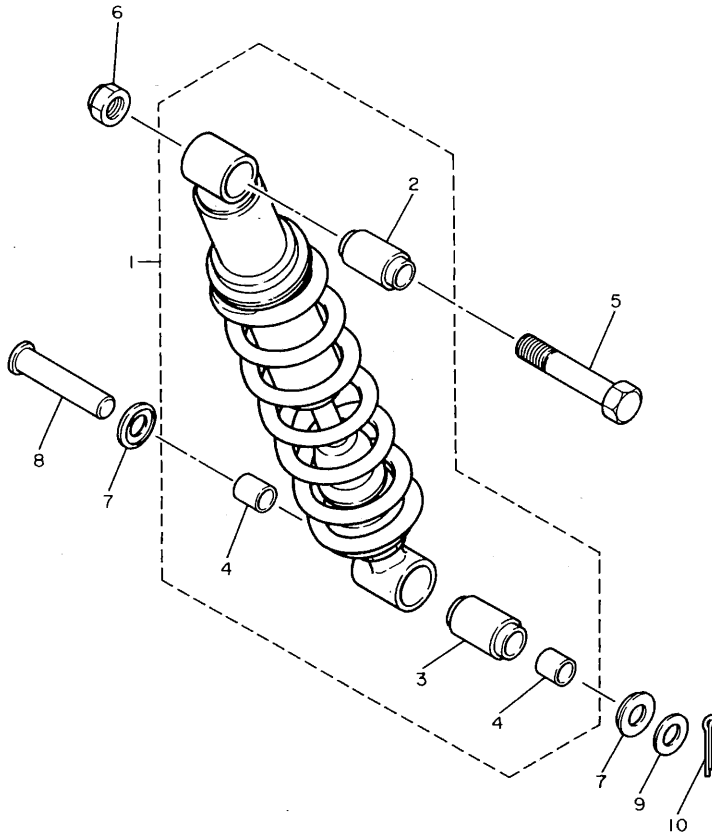


3TB351-0200

REF. NO.	PART NO.	DESCRIPTION	Q'TY	REMARKS
29	93315-31732	BEARING, cylindrical	1	
30	90387-121H1	COLLAR	1	
31	23X-22129-00	COVER, thrust 2	4	
32	90109-10759	BOLT	1	
33	90201-100E9	WASHER, plate	1	
34	90185-10120	NUT, self-locking	1	
35	90386-20123	BUSH	2	
36	90387-122J6	COLLAR	1	
37	90109-10760	BOLT	1	
38	90201-100F7	WASHER, plate	1	
39	90185-10037	NUT, self-locking	1	
40	93700-06005	NIPPLE, grease	2	
41	93700-06004	NIPPLE, grease	1	
42	3TB-22311-00	CASE, chain	1	
43	90159-06084	SCREW, with washer	2	
44	1VJ-22141-00	SHAFT, pivot	1	
45	90201-15238	WASHER, plate	1	
46	90185-14070	NUT, self-locking	1	
47	3TB-22189-00	BOOT, rubber	1	
48	34L-22117-00	CAP	2	
49	90201-251F6	WASHER, plate (0.3T)	1	UN
50	93700-06005	NIPPLE, grease	2	
51	90461-12110	CLAMP	1	
52	97003-06012	BOLT	1	
53	92990-06100	WASHER, spring	1	
54	2KF-27491-00	PROTECTOR	1	
55	95801-06010	BOLT, flange	2	



FIG. 21 REAR SUSPENSION



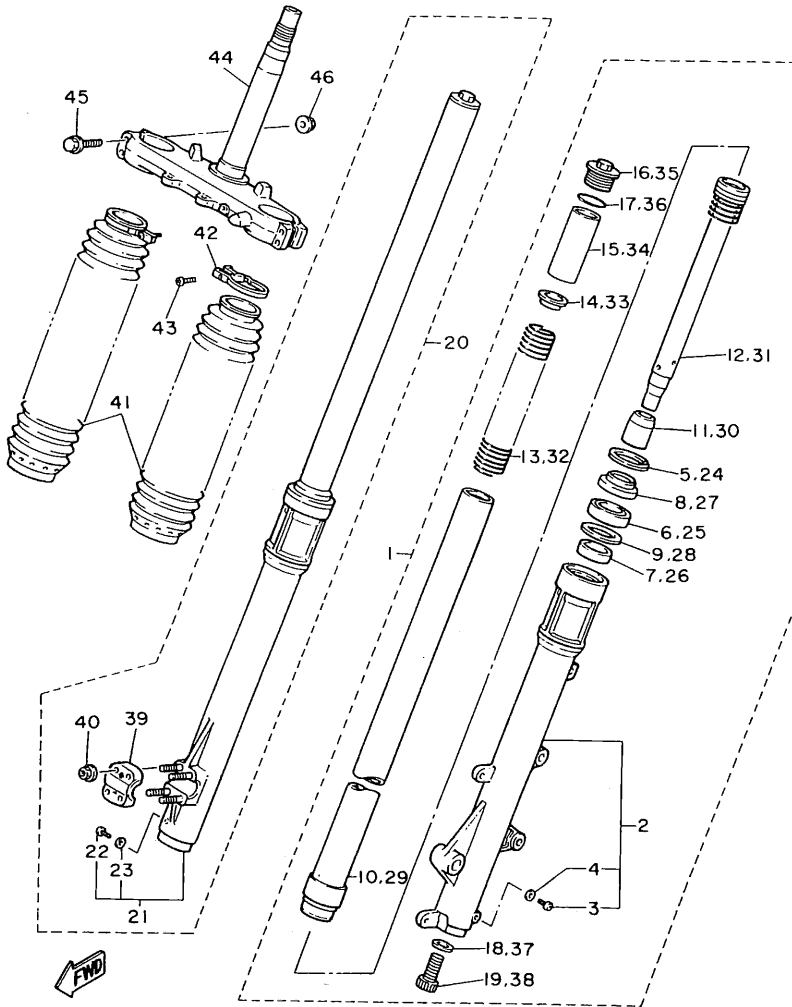
REF. NO.	PART NO.	DESCRIPTION	Q'TY	REMARKS
1	3TB-22210-00-33	SHOCK ABSORBER ASSY, rear	1	YAMAHA BLACK
2	34L-22216-00	.BUSH, rear shock absorber	1	
3	34L-22226-00	.BUSH, shock absorber lower	1	
4	90380-14130	.BUSH, solid	2	
5	90101-12295	BOLT	1	
6	95611-12100	NUT, u	1	
7	34L-22129-00	COVER, thrust 2	2	
8	90240-14106	PIN, clevis	1	
9	92990-14600	WASHER	1	
10	91401-30030	PIN, cotter	1	



3TB351-0210

**D5**

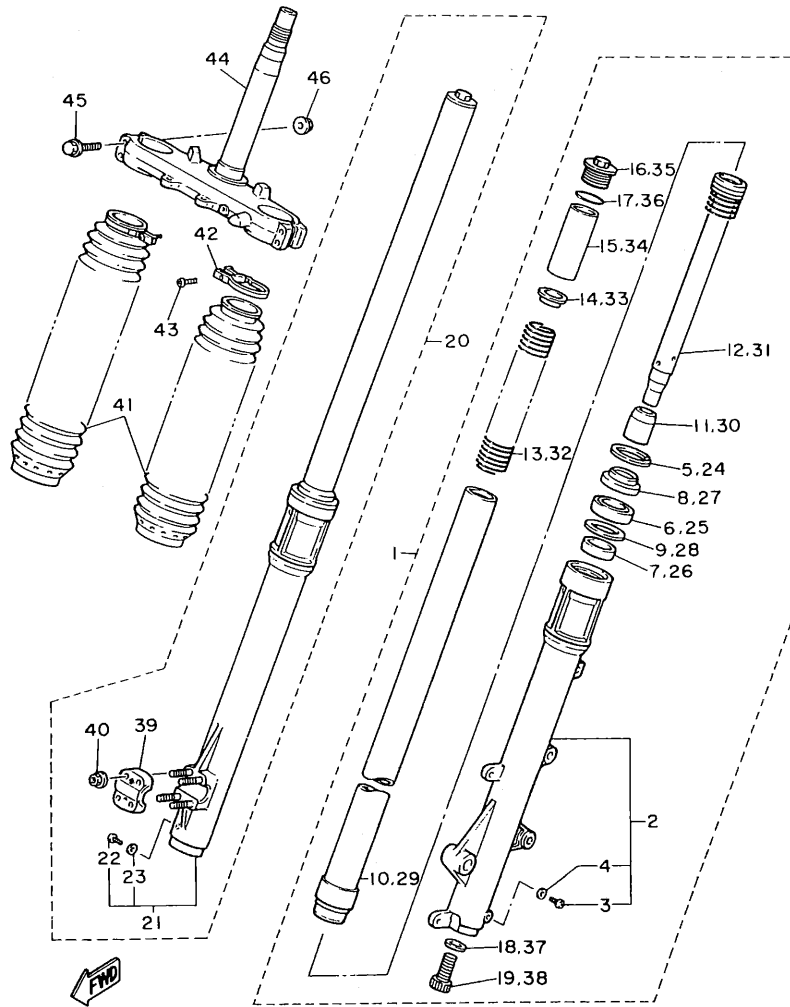
FIG. 23 FRONT FORK



3TB351-0230

REF. NO.	PART NO.	DESCRIPTION	Q'TY	REMARKS
1	3TB-23102-00	FRONT FORK ASSY (L.H)	1	
2	3TB-23126-00	.TUBE, outer 1	1	
3	4H7-23119-00	..PLUG, drain	1	
4	122-23129-00	..GASKET, drain plug	1	
5	26H-23156-00	.CLIP, oil seal	1	
6	43F-23145-10	.OIL SEAL	1	
7	3LC-23125-00	.METAL, slide 1	1	
8	43F-23144-10	.SEAL, dust	1	
9	36Y-23146-10	.WASHER, oil seal	1	
10	3TB-23110-00	.INNER TUBE COMP.1	1	
11	3GM-23173-00	.SPINDLE, taper	1	
12	3TB-23170-00	.CYLINDER COMP., front fork	1	
13	3TB-23141-00	.SPRING, front fork	1	
14	43F-23142-10	.SEAT, spring upper	1	
15	3FW-23118-00	.SPACER	1	
16	3EN-23111-50	.BOLT, cap	1	
17	43F-23188-10	.O-RING	1	
18	4V4-23158-L0	.GASKET	1	
19	4V4-23181-L0	.BOLT, hexagon socket head	1	
20	3TB-23103-00	FRONT FORK ASSY (R.H)	1	
21	3TB-23136-00	.TUBE, outer 2	1	
22	4H7-23119-00	..PLUG, drain	1	
23	122-23129-00	..GASKET, drain plug	1	
24	26H-23156-00	.CLIP, oil seal	1	
25	43F-23145-10	.OIL SEAL	1	
26	3LC-23125-00	.METAL, slide 1	1	
27	43F-23144-10	.SEAL, dust	1	
28	36Y-23146-10	.WASHER, oil seal	1	

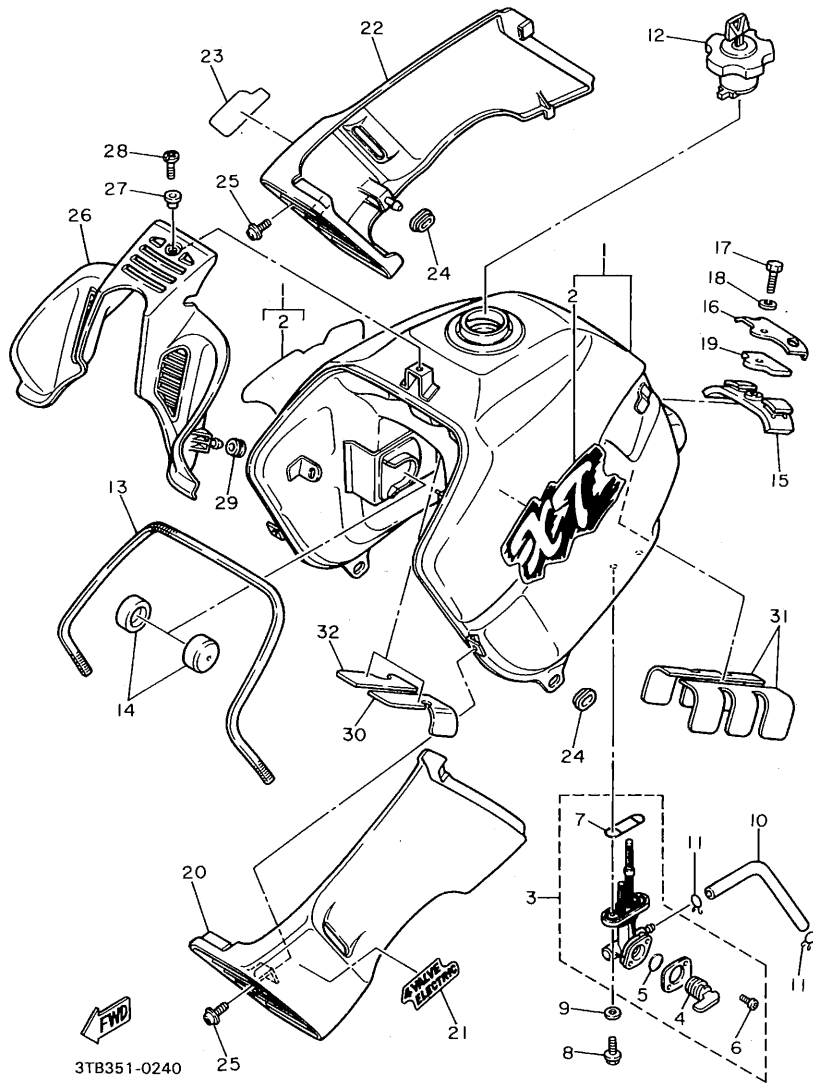
FIG. 23 FRONT FORK



3TB351-0230

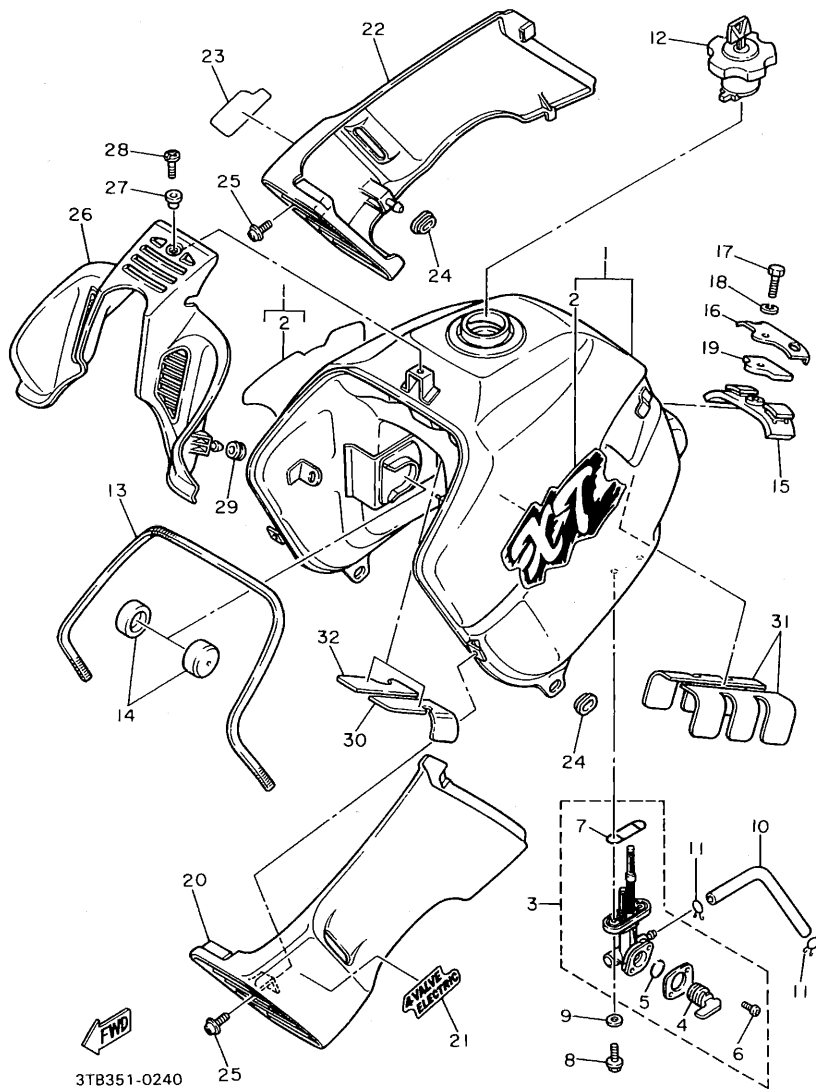
REF. NO.	PART NO.	DESCRIPTION	Q'TY	REMARKS
29	3TB-23110-00	.INNER TUBE COMP.1	1	
30	3GM-23173-00	.SPINDLE, taper	1	
31	3TB-23170-00	.CYLINDER COMP., front fork	1	
32	3TB-23141-00	.SPRING, front fork	1	
33	43F-23142-10	.SEAT, spring upper	1	
34	3FW-23118-00	.SPACER	1	
35	3EN-23111-50	.BOLT, cap	1	
36	43F-23188-10	.O-RING	1	
37	4V4-23158-L0	.GASKET	1	
38	4V4-23181-L0	.BOLT, hexagon socket head	1	
39	4V2-23167-L0	.HOLDER, axle	1	
40	2KF-23127-01	.NUT, outer tube	1	
41	2KF-23191-10	BOOT	2	UR INK BLUE FOR SB
	3TB-23191-10	BOOT	2	UR BLACK FOR MKB NON OCEANIA
	43F-23191-10	BOOT	2	UR CHAPPY RED FOR W
42	43M-23192-L0	BAND	2	
43	98506-04018	SCREW, pan head	2	
44	3TB-23340-00	UNDER BRACKET COMP.	1	
45	95811-08055	BOLT, flange	4	
46	95701-08500	NUT, flange	4	

FIG. 24 FUEL TANK



REF. NO.	PART NO.	DESCRIPTION	Q'TY	REMARKS
1	3TB-24110-00-01	FUEL TANK COMP.	1	UR STRONG BLUE
	3TB-24110-00-02	FUEL TANK COMP.	1	UR MILKY BROWN NON OCEANIA
	3TB-24110-00-03	FUEL TANK COMP.	1	UR WHITE
2	3TB-24240-01	.GRAPHIC SET	1	UR FOR SB
	3TB-24240-11	.GRAPHIC SET	1	UR FOR MKB NON OCEANIA
	3TB-24240-21	.GRAPHIC SET	1	UR FOR W
3	3FY-24500-00	FUEL COCK ASSY 1	1	
4	3AJ-24523-00	.VALVE	1	
5	3AJ-24534-00	.SEAL, cock	1	
6	98503-03008	.SCREW, pan head	2	
7	4X8-24512-00	.O-RING	1	
8	95023-06016	BOLT	2	
9	90202-06010	WASHER, plate	2	
10	90445-10638	HOSE	1	
11	90467-09006	CLIP	2	
12	11H-24602-02	CAP ASSY	1	
13	3TB-24188-00	MOLD, fuel tank	1	
14	3TB-24181-00	DAMPER, locating 1	2	
15	43F-24182-00	DAMPER, locating 2	1	
16	3TB-24186-00	WASHER, special	1	
17	97313-06016	BOLT	1	
18	92990-06100	WASHER, spring	1	
19	23T-24724-01	DAMPER, seat	1	
20	3TB-2137W-00	SCOOP, air 1	1	UR RADICAL GRAY
	3TB-2137W-10	SCOOP, air 1	1	UR MOSS GREEN NON OCEANIA
	3TB-2137W-20	SCOOP, air 1	1	UR CHAPPY RED
21	3TB-24231-00	EMBLEM 1	1	UR FOR SB
	3TB-24231-10	EMBLEM 1	1	UR FOR MKB NON OCEANIA

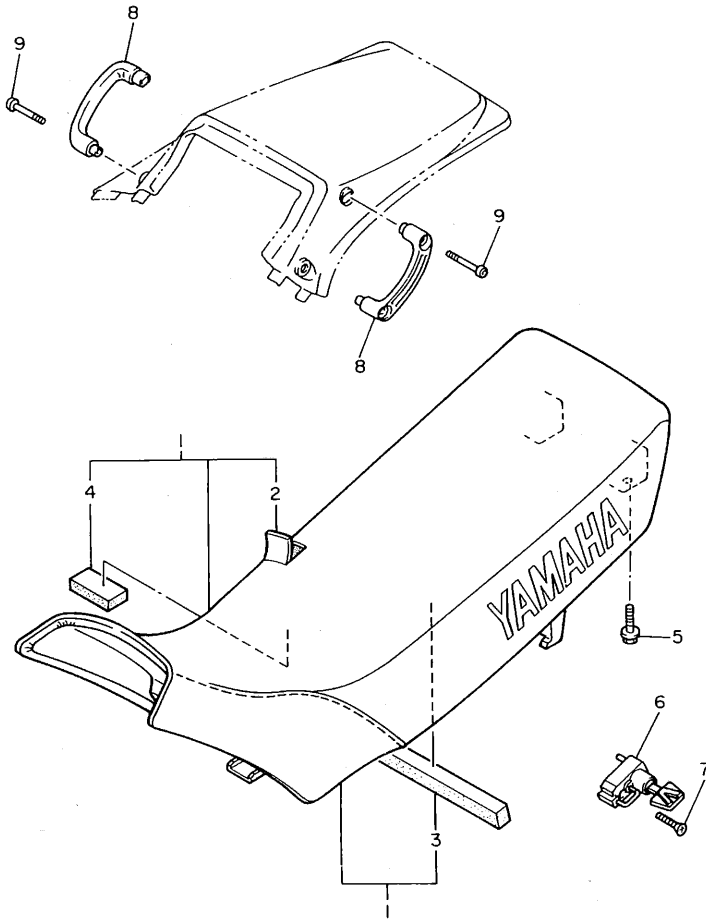
FIG. 24 FUEL TANK



REF. NO.	PART NO.	DESCRIPTION	Q'TY	REMARKS
21	3TB-24231-20	EMBLEM 1	1	UR FOR W
22	3TB-2137X-00	SCOOP, air 2	1	UR RADICAL GRAY
	3TB-2137X-10	SCOOP, air 2	1	UR MOSS GREEN NON OCEANIA
	3TB-2137X-20	SCOOP, air 2	1	UR CHAPPY RED
23	3TB-24232-00	EMBLEM 2	1	UR FOR SB
	3TB-24232-10	EMBLEM 2	1	UR FOR MKB NON OCEANIA
	3TB-24232-20	EMBLEM 2	1	UR FOR W
24	90480-01401	GROMMET	2	
25	90159-06042	SCREW, with washer	2	
26	3TB-2137Y-00	GUIDE, air	1	
27	90387-064J1	COLLAR	1	
28	90149-06223	SCREW	1	
29	90480-13383	GROMMET	2	
30	3TB-2416F-00	INSULATOR, fuel tank 1	1	
31	3TB-2416G-00	INSULATOR, fuel tank 2	2	
32	3TB-2416F-10	INSULATOR, fuel tank 1	1	

3TB351-0240

FIG. 25 SEAT



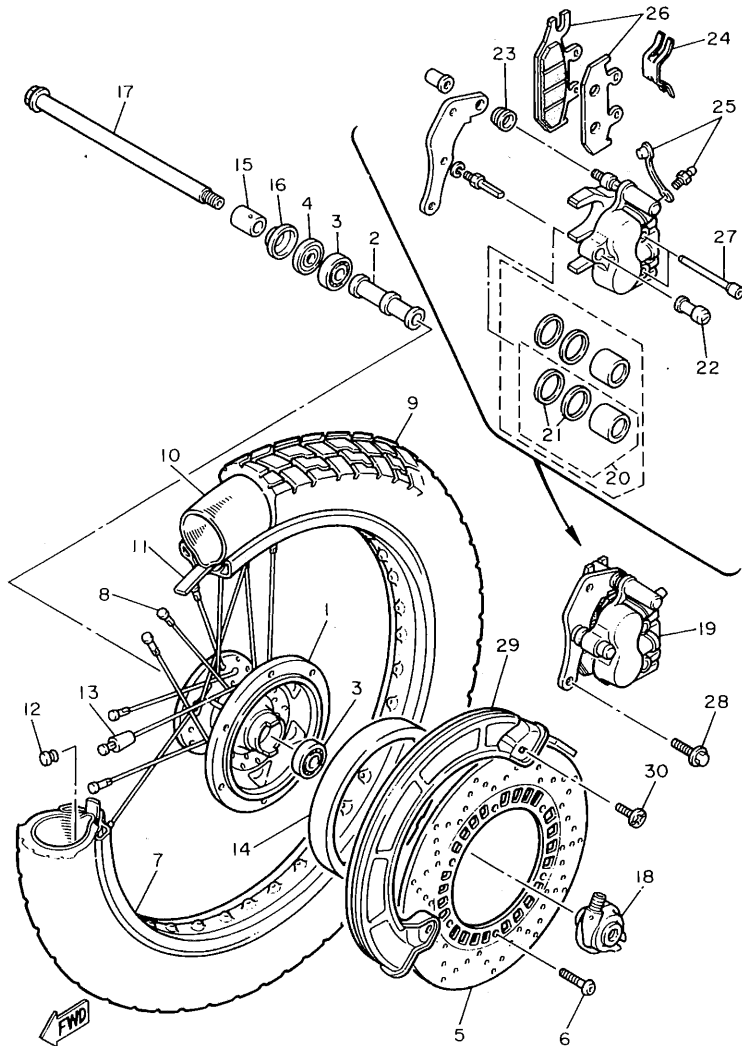
REF. NO.	PART NO.	DESCRIPTION	Q'TY	REMARKS
1	3TB-24770-00	SEMI-DOUBLE SEAT ASSY	1	UR RADICAL GRAY
	3TB-24770-10	SEMI-DOUBLE SEAT ASSY	1	UR MOSS GREEN NON OCEANIA
	3TB-24770-20	SEMI-DOUBLE SEAT ASSY	1	UR CHAPPY RED
2	3TB-24731-00	.COVER, seat	1	UR RADICAL GRAY
	3TB-24731-10	.COVER, seat	1	UR MOSS GREEN NON OCEANIA
	3TB-24731-20	.COVER, seat	1	UR CHAPPY RED
3	3TB-24723-00	.DAMPER, seat	1	
4	3TB-24185-00	.DAMPER, locating 5	1	
5	90119-06063	BOLT, with washer	2	
6	26H-21308-00	HELMET HANGER ASSY	1	
7	90149-06154	SCREW	1	
8	3TB-2164F-00	STAY 1	2	
9	92016-08050	SCREW	4	



3TB351-0250

D11

FIG. 26 FRONT WHEEL

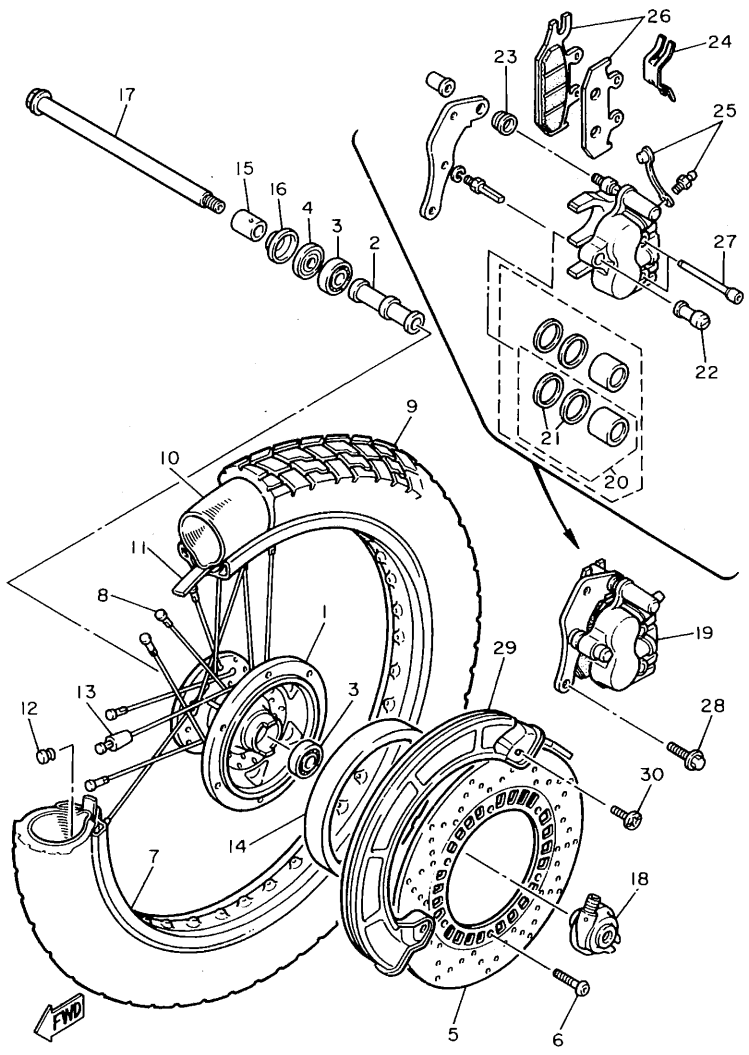


3TB351-0260

REF. NO.	PART NO.	DESCRIPTION	Q'TY	REMARKS
1	3TB-25111-00-98	HUB, front	1	LOW GLOSS BLACK
2	90560-15240	SPACER	1	
3	93306-20209	BEARING (B6202)	2	
4	93102-20281	OIL SEAL (SD 20-35-5)	1	
5	3TB-2582T-00	DISC, brake	1	
6	90149-06251	SCREW	6	
7	94418-21492	RIM (1.85-21)	1	
8	3TB-25104-00	SPOKE SET, front	1	
9	94109-213X0	TIRE (MCS 90/90-21 54S TW41)	1	UR BRIDGESTONE
	94109-213X1	TIRE (90/90-21 54S TRAILMAX)	1	UR DUNLOP
10	94209-21277	TUBE (MCS 90/90-21 TR-4)	1	BRIDGESTONE
11	94330-21084	BAND, rim (3.00-21)	1	BRIDGESTONE
12	90338-09130	PLUG	1	
13	156-25398-00	BALANCER, wheel	1	UN
14	3TB-25336-00	RING 2	1	
15	90387-152J3	COLLAR	1	
16	322-25118-00	COVER, hub dust	1	
17	55U-25181-01	AXLE, wheel	1	
18	34L-25190-00	GEAR UNIT ASSY	1	
19	3TB-2580T-00	CALIPER ASSY (LEFT)	1	
20	3TB-W0057-00	.PISTON ASSY, caliper	2	
21	3GD-W0047-00	..CALIPER SEAL KIT	2	
22	1UY-25937-51	.BOOT 2	1	
23	3JD-25917-00	.BOOT, caliper	1	
24	3TB-25919-00	.SUPPORT, pad	1	
25	1UY-W0048-50	.BREED SCREW KIT	1	
26	3TB-W0045-00	.BRAKE PAD KIT	1	
27	3TB-25933-00	.PIN, pad	2	

FIG. 26 FRONT WHEEL

REF. NO.	PART NO.	DESCRIPTION	Q'TY	REMARKS
28	90105-10316	BOLT, washer based	2	
29	1VJ-25715-00	COVER 1	1	UR CHAPPY RED
	3TB-25715-00	COVER 1	1	UR STRONG BLUE
	3TB-25715-10	COVER 1	1	UR MOSS GREEN NON OCEANIA
30	90149-06194	SCREW	2	

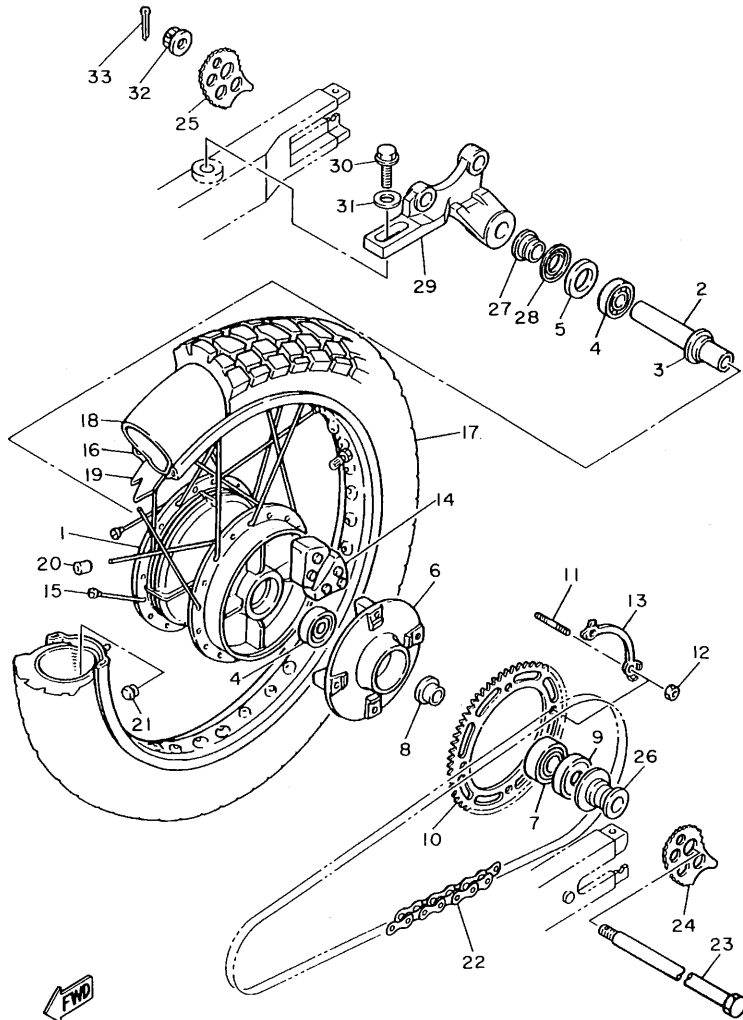


3TB351-0260

**D13**



FIG. 27 REAR WHEEL

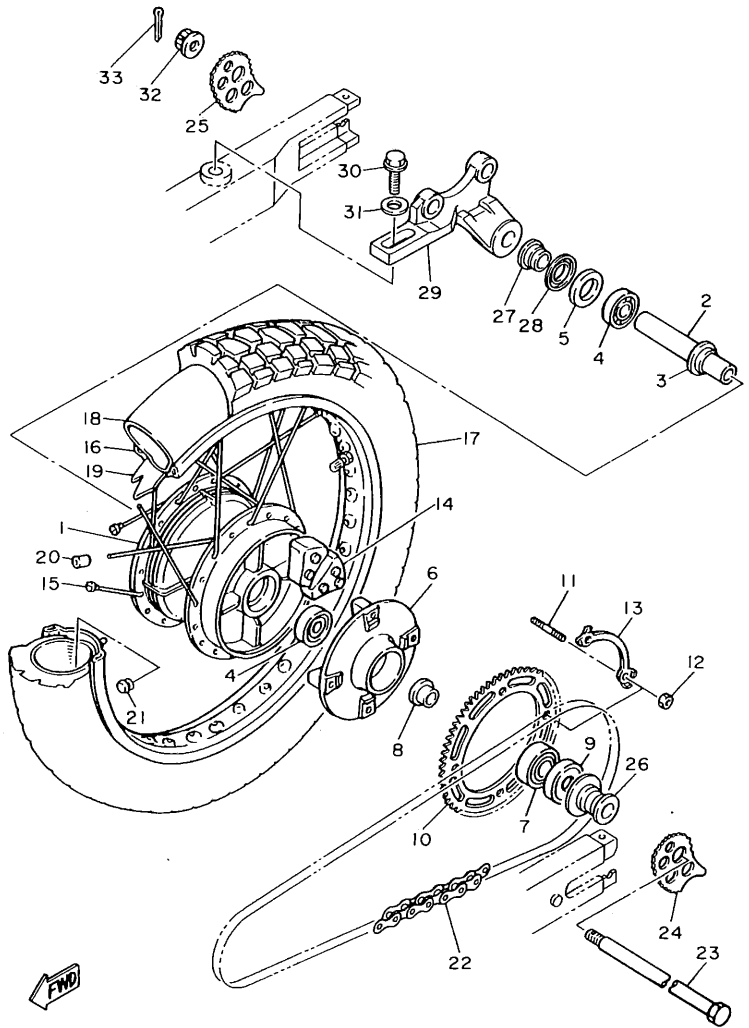


3TB351-0270

REF. NO.	PART NO.	DESCRIPTION	Q'TY	REMARKS
1	2KF-25311-00-98	HUB, rear	1	LOW GLOSS BLACK
2	90387-173M5	COLLAR	1	
3	146-25315-00	FLANGE, spacer	1	
4	93306-20310	BEARING (B6203DU)	2	
5	93102-25311	OIL SEAL (FPJ 25-44-8 TS)	1	
6	1VJ-25366-00-98	CLUTCH, hub	1	LOW GLOSS BLACK
7	93306-30416	BEARING (B6304RS)	1	
8	1VJ-25377-00	COLLAR, wheel	1	
9	93102-30072	OIL SEAL (SD-30-52-8-1)	1	
10	2UJ-25445-50	SPROCKET, driven (45T)	1	
11	90116-10348	BOLT, stud	4	
12	90170-10219	NUT	4	
13	5Y1-25412-00	WASHER	2	
14	5Y1-25364-00	DAMPER	4	
15	3TB-25304-00	SPOKE SET, rear	1	
16	94425-17491	RIM (2.50-17)	1	
17	94112-173X2	TIRE (MCS 120/90-17 64S TW42B)	1	UR BRIDGESTONE
	94112-173X3	TIRE (120/90-17 64S TRAILMAX)	1	UR DUNLOP
18	94212-17264	TUBE (MCS 120/90-17 TR-4)	1	UR BRIDGESTONE
	94212-17281	TUBE (120/90.130/80-17)	1	UR DUNLOP
19	94330-17158	BAND, rim (3.00-17)	1	BRIDGESTONE
20	156-25398-00	BALANCER, wheel	1	UN
21	90338-09130	PLUG	1	
22	94581-45106	CHAIN (DID520V2-106LE)	1	
23	3AJ-25381-00	AXLE, wheel	1	
24	3Y1-25388-01	PULLER, chain 1	1	
25	3Y1-25389-00	PULLER, chain 2	1	
26	1VJ-25383-00	COLLAR, wheel	1	

FIG. 27 REAR WHEEL

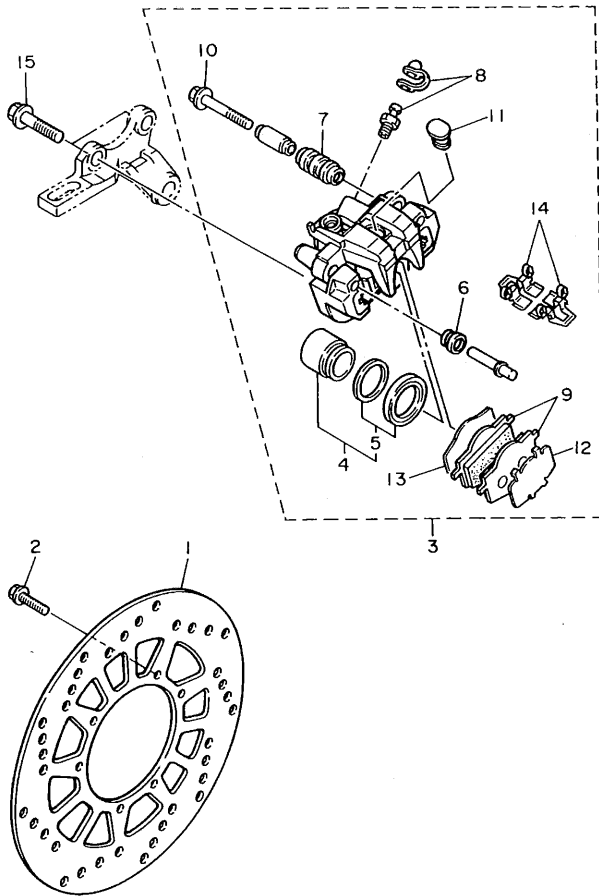
REF. NO.	PART NO.	DESCRIPTION	Q'TY	REMARKS
27	90387-174F0	COLLAR	1	
28	36R-25367-00	COVER, hub dust	1	
29	2KF-25819-00	BRACKET, caliper	1	
30	95811-10030	BOLT, flange	1	
31	90201-10437	WASHER, plate	1	
32	90171-16024	NUT, castle	1	
33	91401-30030	PIN, cotter	1	



3TB351-0270

**D15**

FIG. 28 REAR BRAKE CALIPER

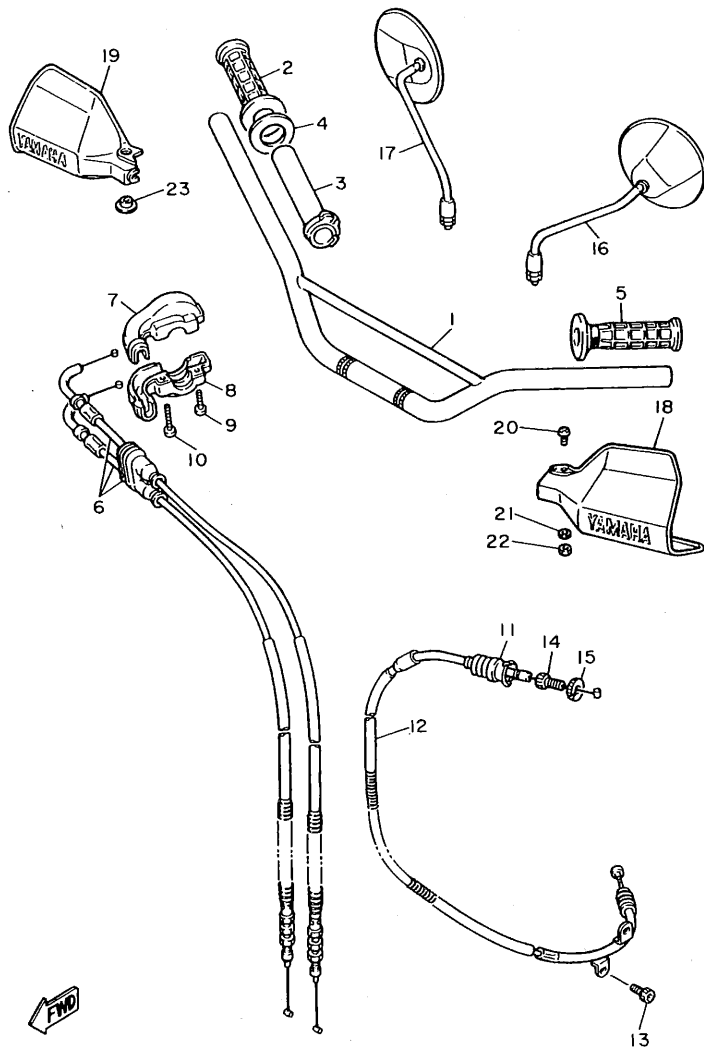


REF. NO.	PART NO.	DESCRIPTION	Q'TY	REMARKS
1	2KF-25831-50	DISC, brake	1	
2	90109-06757	BOLT	6	
3	3TB-2580W-00	CALIPER ASSY, rear 2	1	
4	2KF-W0057-00	.PISTON ASSY, caliper	1	
5	34X-W0047-00	..CALIPER SEAL KIT	1	
6	5R2-25937-00	.BOOT 2	1	
7	34X-25937-00	.BOOT 2	1	
8	51L-W0048-00	.BREED SCREW KIT	1	
9	34X-W0046-02	.BRAKE PAD KIT, 2	1	
10	2GV-25926-00	.BOLT	1	
11	34X-25845-00	.CAP, indicator	1	
12	2KF-25827-00	.SHIM, caliper	1	
13	2KF-25828-00	.SHIM, caliper	1	
14	2KF-25919-10	.SUPPORT, pad	2	
15	90105-10308	BOLT, washer based	2	



3TB351-0280

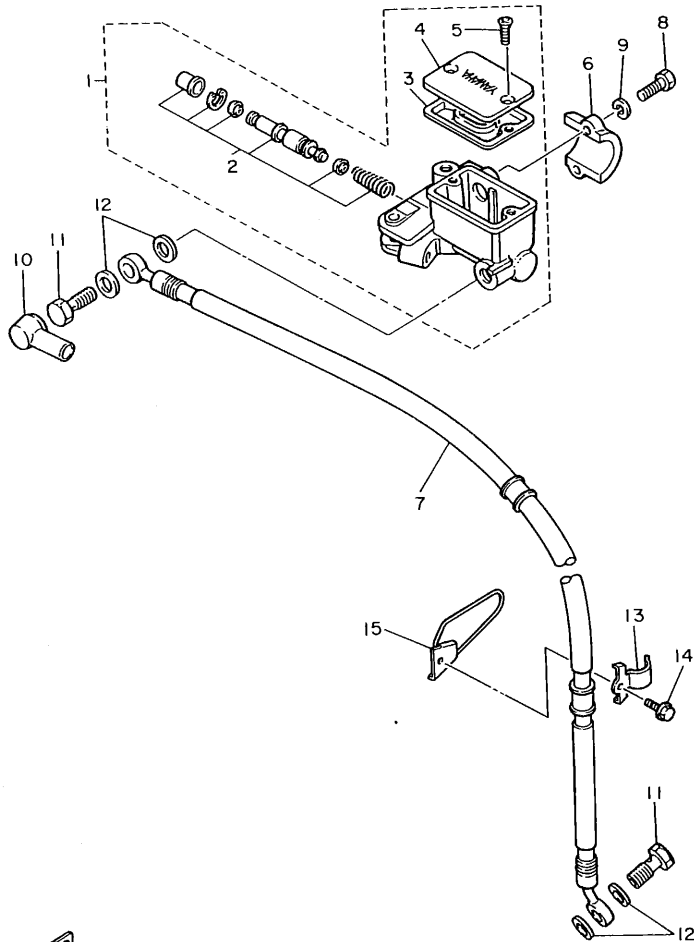
FIG. 29 STEERING HANDLE • CABLE



3TB351-0290

REF. NO.	PART NO.	DESCRIPTION	Q'TY	REMARKS
1	3TB-26111-00	HANDLEBAR	1	
2	33G-26242-00	GRIP (RIGHT)	1	
3	3Y1-26243-01	TUBE, throttle guide	1	
4	3Y1-26249-00	RING, leaf	1	
5	33G-26241-00	GRIP (LEFT)	1	
6	3TB-26302-00	THROTTLE CABLE ASSY	1	
7	34K-26281-00	CAP, grip upper	1	
8	1VJ-26282-00	CAP, grip lower	1	
9	98506-05020	SCREW, pan head	1	
10	98506-05025	SCREW, pan head	1	
11	1E6-26342-00	BOOT, cable	1	
12	3TB-26335-00	CABLE, clutch	1	
13	91316-06010	BOLT	1	
14	90123-08046	BOLT	1	
15	90179-08148	NUT	1	
16	55V-26280-00	REAR VIEW MIRROR ASSY(LEFT)	1	UR FOR EUROPE
17	1Y1-26290-40	REAR VIEW MIRROR ASSY (LEFT)	1	UR FOR OCEANIA
	55V-26290-00	REAR VIEW MIRROR ASSY(RIGHT)	1	UR FOR EUROPE
	5Y4-26290-30	REAR VIEW MIRROR ASSY (RIGHT)	1	UR FOR OCEANIA
18	1LN-26141-00	GUARD, brush 1	1	UR WHITE
	3TB-26141-00	GUARD, brush 1	1	UR STRONG BLUE
	3TB-26141-10	GUARD, brush 1	1	UR SILKY BROWN NON OCEANIA
19	3TB-26142-20	GUARD, brush 2	1	UR WHITE
	3TB-26142-00	GUARD, brush 2	1	UR STRONG BLUE
	3TB-26142-10	GUARD, brush 2	1	UR SILKY BROWN NON OCEANIA
20	98501-06035	SCREW, pan head	1	
21	92901-06600	WASHER, plate	1	
22	95303-06700	NUT	1	
23	90387-06500	COLLAR	1	

FIG. 30 FRONT MASTER CYLINDER

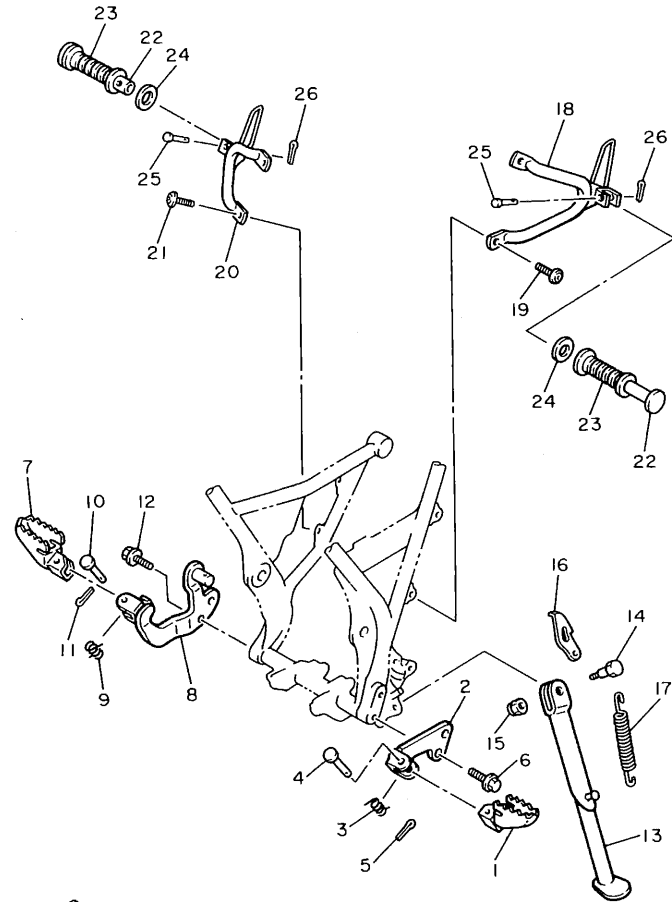


REF. NO.	PART NO.	DESCRIPTION	Q'TY	REMARKS
1	3TB-25870-00	MASTER CYLINDER SUB ASSY	1	
2	3TB-W0041-00	.CYLINDER KIT, master	1	
3	4L0-25854-00	.DIAPHRAGM, reservoir	1	
4	4H7-25852-00	.CAP, reservoir	1	
5	98706-04012	.SCREW, flat head	2	
6	4L0-25867-00	BRACKET, master cylinder	1	
7	3TB-25872-01	HOSE, brake 1	1	
8	97016-06025	BOLT	2	
9	92906-06100	WASHER, spring	2	
10	4L0-25862-00	BOOT, master cylinder	1	
11	90401-10034	BOLT, union	2	
12	90201-10118	WASHER, plate	4	
13	90461-16124	CLAMP	1	
14	91001-06016	BOLT, flange	1	
15	3TB-23318-00	HOLDER, cable 1	1	



3TB351-0300

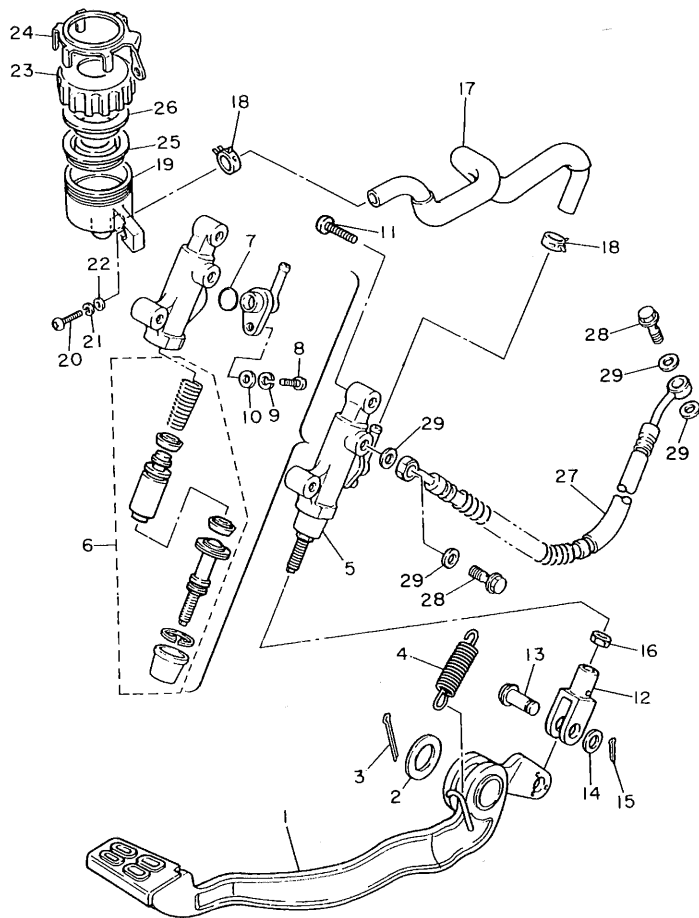
FIG. 31 STAND • FOOTREST



3TB351-0310

REF. NO.	PART NO.	DESCRIPTION	Q'TY	REMARKS
1	22W-27411-01-90	FOOTREST 1	1	UNI-CHROME (BLACK)
2	34L-27412-00-R4	BRACKET, footrest 1	1	BLACK
3	90508-20023	SPRING, torsion	1	
4	91701-08038	PIN, clevis	1	
5	91401-25015	PIN, cotter	1	
6	95826-10025	BOLT, flange	2	
7	22W-27421-01-90	FOOTREST 2	1	UNI-CHROME (BLACK)
8	2KF-27422-00-R4	BRACKET, footrest 2	1	BLACK
9	90508-20023	SPRING, torsion	1	
10	91701-08038	PIN, clevis	1	
11	91401-25015	PIN, cotter	1	
12	95826-10025	BOLT, flange	2	
13	3AJ-27311-00-R4	STAND, side	1	BLACK
14	90109-124A7	BOLT	1	
15	90185-12119	NUT, self-locking	1	
16	5Y1-27315-00	LINK, side stand	1	
17	90507-32020	SPRING, tension	1	
18	26F-27432-00-33	BRACKET 1	1	YAMAHA BLACK
19	95816-08016	BOLT, flange	2	
20	3TB-27442-00-33	BRACKET 2	1	YAMAHA BLACK
21	95816-08016	BOLT, flange	2	
22	120-27431-00	FOOTREST, rear 1	2	
23	120-27433-00	COVER, rear footrest	2	
24	90201-20279	WASHER, plate	2	
25	90240-06009	PIN, clevis	2	
26	91401-16015	PIN, cotter	2	

FIG. 32 REAR MASTER CYLINDER



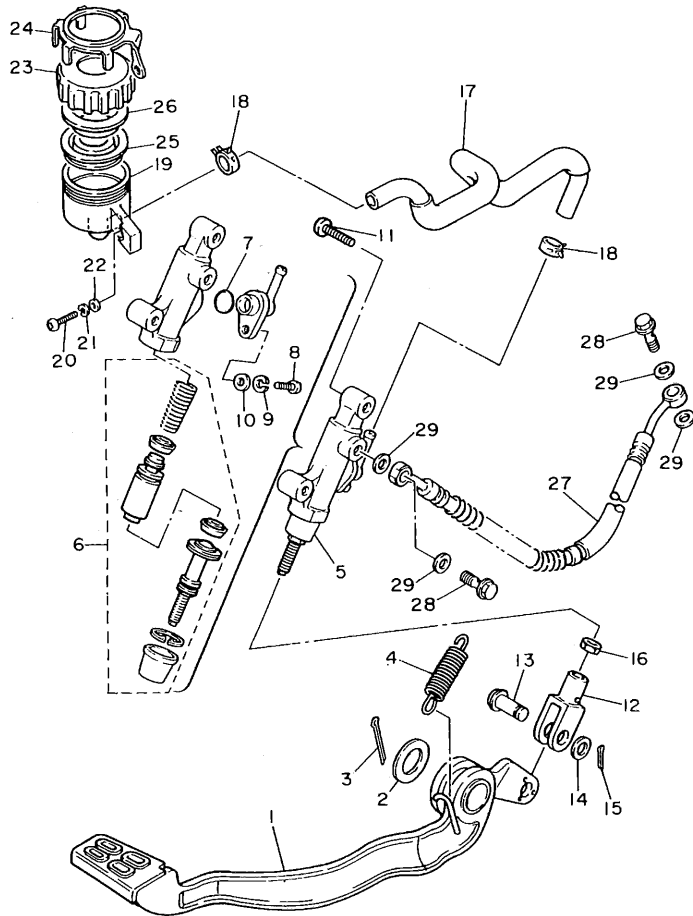
3TB351-0320

REF. NO.	PART NO.	DESCRIPTION	Q'TY	REMARKS
1	3TB-27211-00-90	PEDAL, brake	1	UNI-CHROME (BLACK)
2	90201-14215	WASHER, plate	1	
3	91401-30020	PIN, cotter	1	
4	90507-18055	SPRING, tension	1	
5	3TB-2583V-00	RR. MASTER CYLINDER ASSY.	1	
6	31A-W0042-50	.CYLINDER KIT, master	1	
7	93210-15620	.O-RING	1	
8	98511-04012	.SCREW, pan head	1	
9	92902-04100	.WASHER, spring	1	
10	92901-04600	.WASHER, plate	1	
11	92016-08025	SCREW	2	
12	47X-27222-00	JOINT	1	
13	90240-08013	PIN, clevis	1	
14	90201-08083	WASHER, plate	1	
15	91401-16015	PIN, cotter	1	
16	95303-08700	NUT	1	
17	3TB-25895-00	HOSE, reservoir	1	
18	90467-14057	CLIP	2	
19	47X-25894-00	TANK, reservoir	1	
20	98501-06020	SCREW, pan head	1	
21	92990-06100	WASHER, spring	1	
22	92901-06600	WASHER, plate	1	
23	2KF-25852-50	CAP, reservoir	1	
24	3AJ-25888-00	COVER, reservoir tank	1	
25	360-25854-00	DIAPHRAGM, reservoir	1	
26	2GU-25855-00	BUSH, diaphragm	1	
27	3TB-25873-01	HOSE, brake 2	1	
28	90401-10034	BOLT, union	2	

FIG. 32 REAR MASTER CYLINDER

REF. NO.	PART NO.	DESCRIPTION	Q'TY	REMARKS
----------	----------	-------------	------	---------

29	90201-10118	WASHER, plate	4	
----	-------------	---------------	---	--

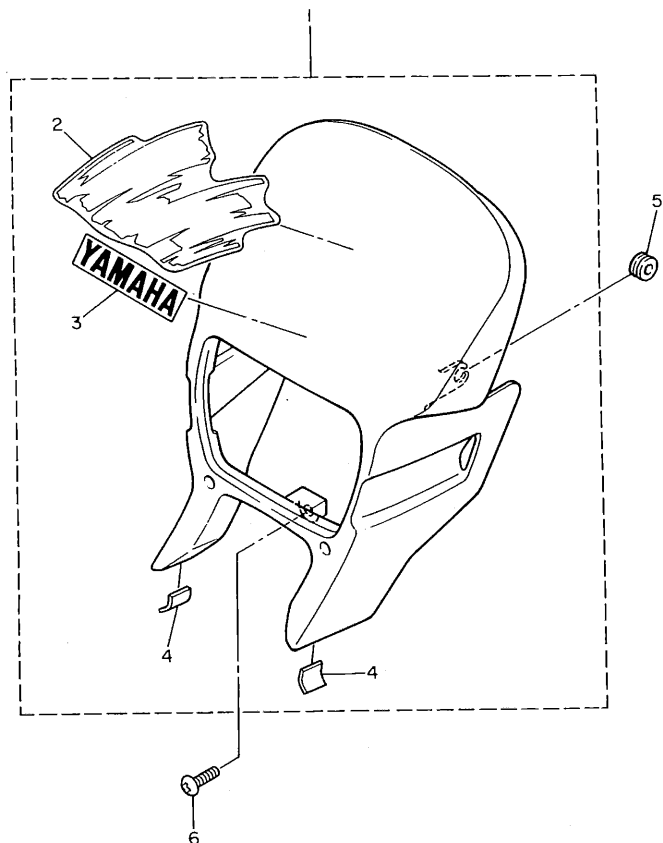


3T8351-0320

E7



FIG. 33 COWLING 1



REF. NO.	PART NO.	DESCRIPTION	Q'TY	REMARKS
1	3TB-W2834-00	BODY, cowling (HEADLIGHT)	1	UR STRONG BLUE
	3TB-W2834-10	BODY, cowling (HEADLIGHT)	1	UR MILKY BROWN NON OCEANIA
	3TB-W2834-20	BODY, cowling (HEADLIGHT)	1	UR WHITE
2	3TB-28391-00	.GRAPHIC 1	1	UR FOR SB
	3TB-28391-10	.GRAPHIC 1	1	UR FOR MKB NON OCEANIA
	3TB-28391-20	.GRAPHIC 1	1	UR FOR W
3	99246-00025	.EMBLEM, yamaha	1	UR FOR SB
	99243-00025	.EMBLEM, yamaha	1	UR FOR W,MKB
4	3TB-28217-00	.DAMPER 1	2	
5	90480-12053	GROMMET	2	
6	90149-06263	SCREW	1	

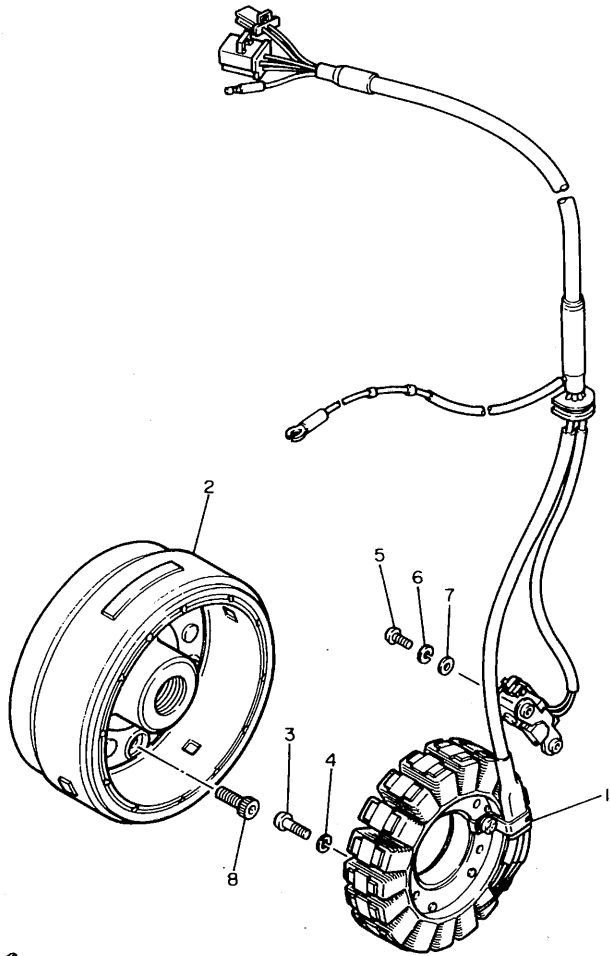


3TB351-0330

**E8**

FIG. 34 GENERATOR

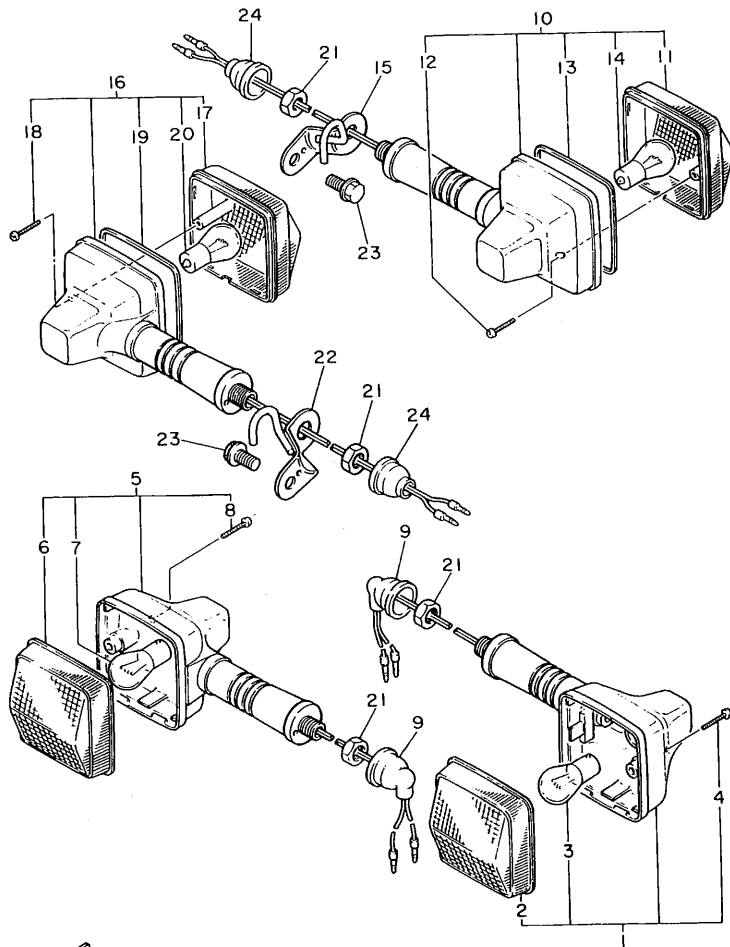
REF. NO.	PART NO.	DESCRIPTION	Q'TY	REMARKS
1	3TB-81410-00	STATOR ASSY	1	
2	3TB-81450-00	ROTOR ASSY	1	
3	98501-06025	SCREW, pan head	3	
4	92990-06100	WASHER, spring	3	
5	98501-05016	SCREW, pan head	2	
6	92901-05100	WASHER, spring	2	
7	92901-05600	WASHER, plate	2	
8	91311-08020	BOLT	3	



3TB351-0340

**E9**

FIG. 35 FLASHER LIGHT

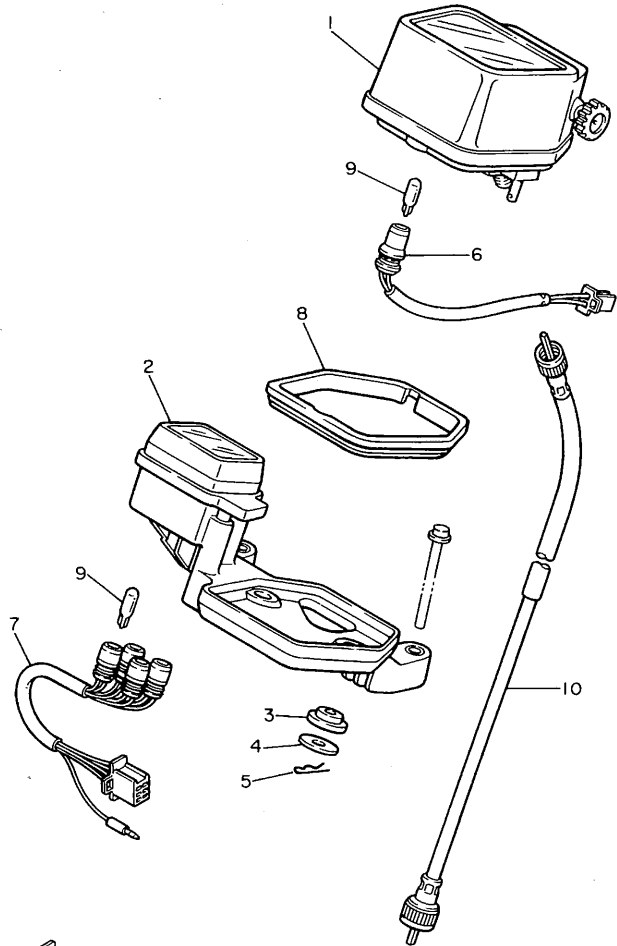


3TB351-0350

REF. NO.	PART NO.	DESCRIPTION	Q'TY	REMARKS
1	3TB-83310-00	FRONT FLASHER LIGHT ASSY 1	1	
2	47J-83312-00	.LENS, flasher	1	
3	306-83311-40	.BULB, flasher (12V-21W)	1	
4	97706-40620	.SCREW, tapping	2	
5	3TB-83320-00	FRONT FLASHER LIGHT ASSY 2	1	
6	47J-83322-00	.LENS, flasher 2	1	
7	306-83311-40	.BULB, flasher (12V-21W)	1	
8	97706-40620	.SCREW, tapping	2	
9	18G-83365-00	CAP	2	
10	3CK-83330-00	REAR FLASHER LIGHT ASSY 1	1	
11	2KF-83332-00	.LENS, flasher	1	
12	97706-40620	.SCREW, tapping	1	
13	47J-83313-00	.GASKET, flasher lens	1	
14	306-83311-40	.BULB, flasher (12V-21W)	1	
15	3TB-83368-00	STAY, flasher 1	1	
16	3CK-83340-00	REAR FLASHER LIGHT ASSY 2	1	
17	2KF-83342-00	.LENS, flasher 2	1	
18	97706-40620	.SCREW, tapping	1	
19	47J-83313-00	.GASKET, flasher lens	1	
20	306-83311-40	.BULB, flasher (12V-21W)	1	
21	95311-12700	NUT	4	
22	3TB-83369-00	STAY, flasher 2	1	
23	95806-08014	BOLT, flange	2	
24	10V-83365-00	CAP	2	

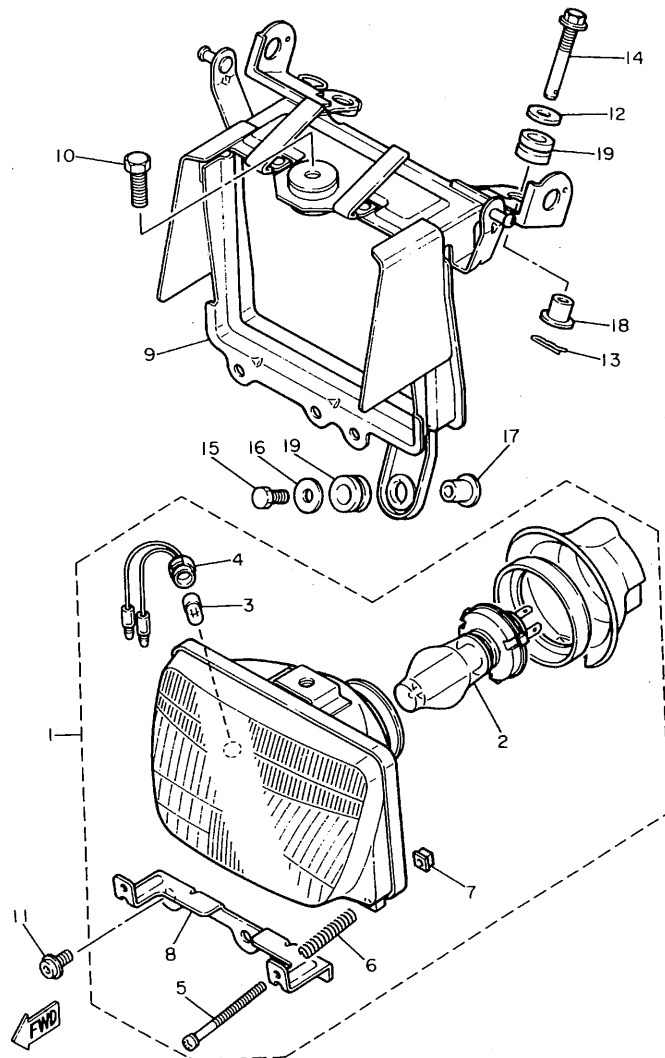
FIG. 36 METER

REF. NO.	PART NO.	DESCRIPTION	Q'TY	REMARKS
1	3TB-83570-00	SPEEDOMETER ASSY	1	
2	3TB-8355A-00	BRACKET, meter	1	
3	1M1-83526-00	DAMPER 2	2	
4	90201-05033	WASHER, plate	2	
5	90468-10050	CLIP	2	
6	2JX-83536-A0	SOCKET, meter	1	
7	3TB-83520-00	SOCKET CORD ASSY	1	
8	5Y1-83513-00	DAMPER	1	
9	4G1-84744-00	BULB (12V-3.4W)	5	
10	3ET-83550-00	SPEEDOMETER CABLE ASSY	1	



3TB351-0360

FIG. 37 HEADLIGHT

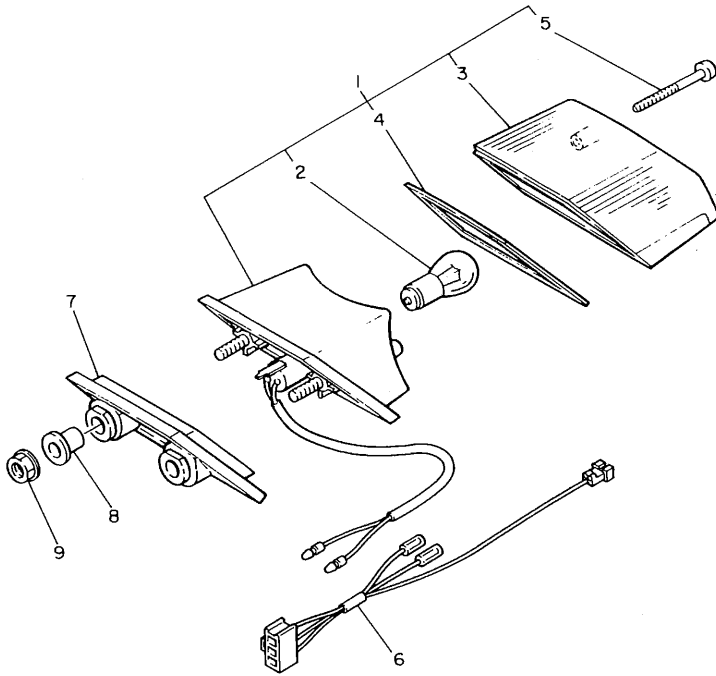


3TB351-0370

REF. NO.	PART NO.	DESCRIPTION	Q'TY	REMARKS
1	3TB-84320-00	LENS ASSY	1	FRENCH SPEC.
2	*	.BULB, headlight (12V 60/55W)	1	LM
3	4E2-84347-00	.BULB (12V-4W)	1	
4	3TB-84312-00	.SOCKET	1	
5	3TB-84325-00	.SCREW, rim fitting	2	
6	341-84332-60	.SPRING, screw	2	
7	198-84334-60	.NUT, adjusting	2	
8	3TB-8431R-00	.STAY, setting	1	
9	3TB-84311-00	BODY, headlight	1	
10	3TB-84372-01	BOLT, lamp stay	1	
11	3TB-84329-00	BOLT, wing 1	2	
12	90202-06013	WASHER, plate	2	
13	90468-12120	CLIP	2	
14	3TB-84137-00	BOLT, special	2	
15	97016-06025	BOLT	1	
16	90201-06059	WASHER, plate	1	
17	90387-06388	COLLAR	1	
18	90387-07391	COLLAR	2	
19	90480-14023	GROMMET	3	

FIG. 38 TAILLIGHT

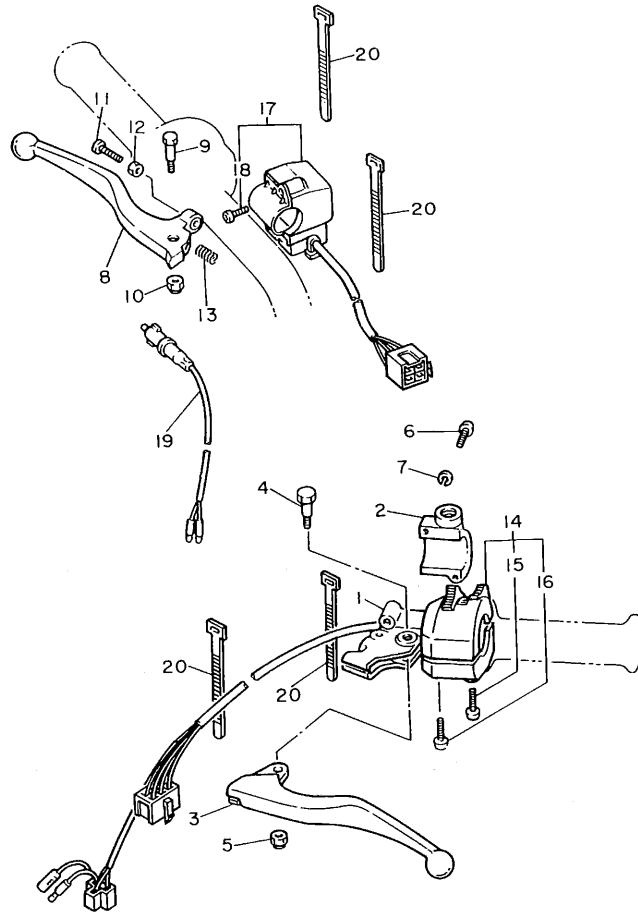
REF. NO.	PART NO.	DESCRIPTION	Q'TY	REMARKS
1	1XL-84710-E0	TAILLIGHT UNIT ASSY	1	
2	31L-84714-00	.BULB, taillight (12V-21/5W)	1	
3	53V-84721-40	.LENS, taillight	1	
4	34Y-84723-E0	.GASKET, tail lens	1	
5	97706-40530	.SCREW, tapping	2	
6	3TB-84717-00	CORD, taillight	1	
7	34X-84527-00	DAMPER	1	
8	90387-07391	COLLAR	2	
9	95701-06500	NUT, flange	2	



3TB351-0380

E13

FIG. 39 HANDLE SWITCH • LEVER

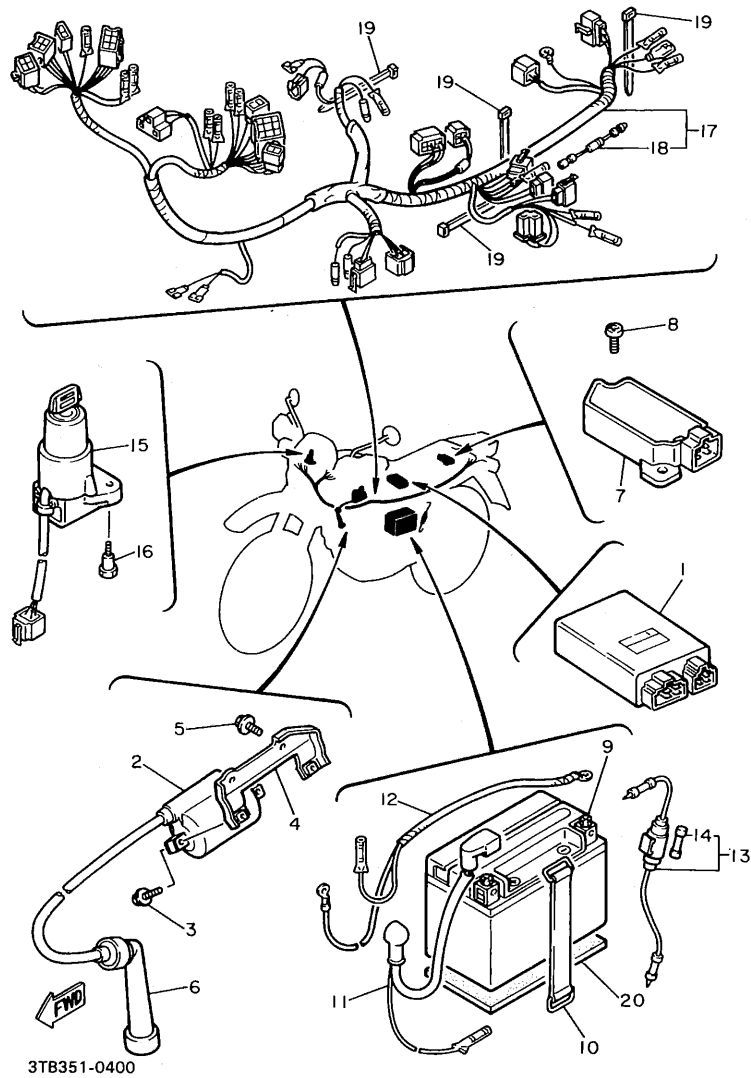


3TB351-0390

REF. NO.	PART NO.	DESCRIPTION	Q'TY	REMARKS
1	1LN-82911-00	HOLDER, lever 1	1	
2	33G-82913-00	HOLDER, lever lower 1	1	
3	5Y1-83912-01	LEVER 1	1	
4	90109-06799	BOLT	1	
5	95616-06100	NUT, u	1	
6	98506-05020	SCREW, pan head	2	
7	92906-05100	WASHER, spring	2	
8	1KH-83922-01	LEVER 2	1	
9	90109-062A8	BOLT	1	
10	95616-06100	NUT, u	1	
11	90149-06153	SCREW	1	
12	90170-06010	NUT	1	
13	90501-10312	SPRING, compression	1	
14	3TB-83972-00	SWITCH, handle 4	1	
15	98506-05030	SCREW, pan head	1	
16	98506-05035	SCREW, pan head	1	
17	3TB-83975-00	SWITCH, handle 2	1	
18	98506-05012	SCREW, pan head	1	
19	34X-83980-01	FRONT STOP SWITCH ASSY	1	
20	437-83936-01	BAND, switch cord	4	

E14

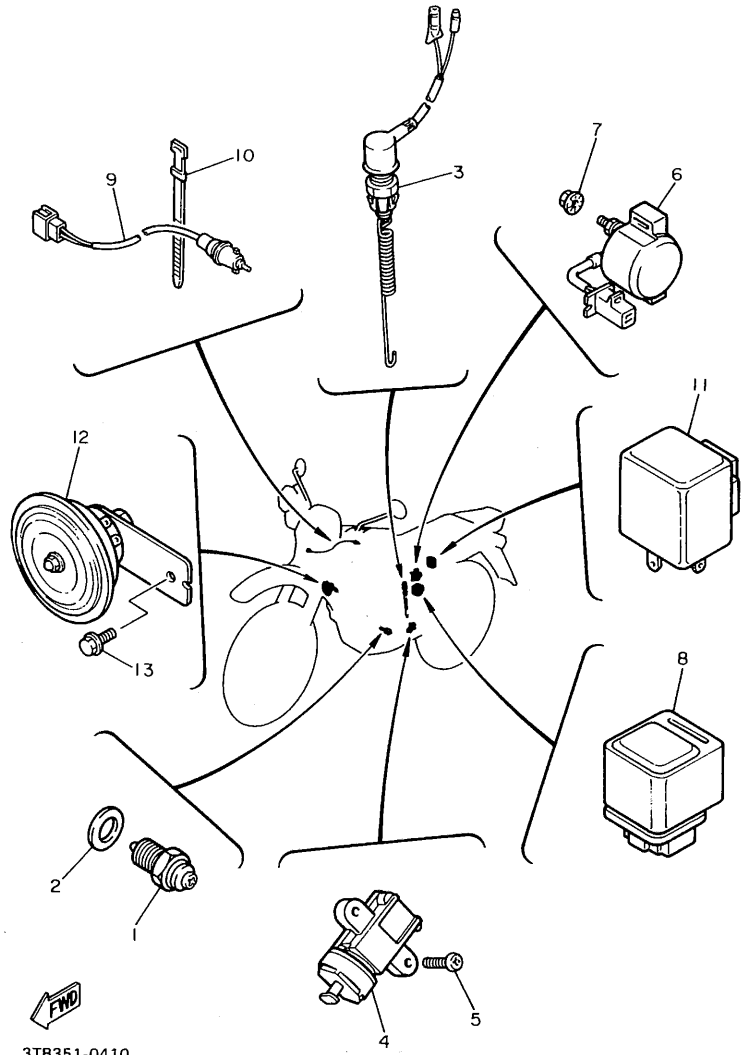
FIG. 40 ELECTRICAL 1



REF. NO.	PART NO.	DESCRIPTION	Q'TY	REMARKS
1	3TB-82305-00	IGNITOR UNIT ASSY	1	
2	3SX-82310-00	IGNITION COIL ASSY	1	
3	97021-05020	BOLT	2	
4	3TB-82316-00	BRACKET, ignition coil	1	
5	95801-06010	BOLT, flange	2	
6	371-82370-00	PLUG CAP ASSY	1	
7	47X-81960-A1	RECTIFIER & REGULATOR ASSY	1	
8	98501-06012	SCREW, pan head	2	
9	3PK-82100-00	BATTERY ASSY (YTX9-BS 12V-8AH)	1	
10	120-82131-00	BAND, battery	1	
11	3TB-82115-00	WIRE, plus lead	1	
12	3TB-82116-00	WIRE, minus lead	1	
13	2UJ-82150-00	FUSE HOLDER ASSY	1	
14	148-82151-00	.FUSE (20A)	1	
15	3TB-82501-10	MAIN SWITCH STEERING LOCK	1	
16	90109-06614	BOLT	2	
17	3TB-82590-00	WIRE HARNESS ASSY	1	
18	3K7-81980-00	.RECTIFIER 2	1	
19	12R-82591-00	BAND	4	
20	5X2-24183-00	DAMPER, locating 3	1	



FIG. 41 ELECTRICAL 2



3TB351-0410

REF. NO.	PART NO.	DESCRIPTION	Q'TY	REMARKS
1	2H7-82540-00	NEUTRAL SWITCH ASSY	1	
2	90430-10027	GASKET	1	
3	34L-82530-01	STOP SWITCH ASSY	1	
4	3LD-82566-00	SWITCH, side stand	1	
5	98506-05016	SCREW, pan head	2	
6	3AY-81940-00	STARTER RELAY ASSY	1	
7	95701-06500	NUT, flange	2	
8	12R-81950-01	RELAY ASSY	1	
9	2NT-82917-00	SWITCH	1	
10	25G-83936-00	BAND, switch cord	1	
11	34L-83350-20	FLASHER RELAY ASSY	1	
12	3TB-83371-00	HORN	1	
13	95026-06010	BOLT, flange	1	



# **INDIVIDUAL SPEC.**

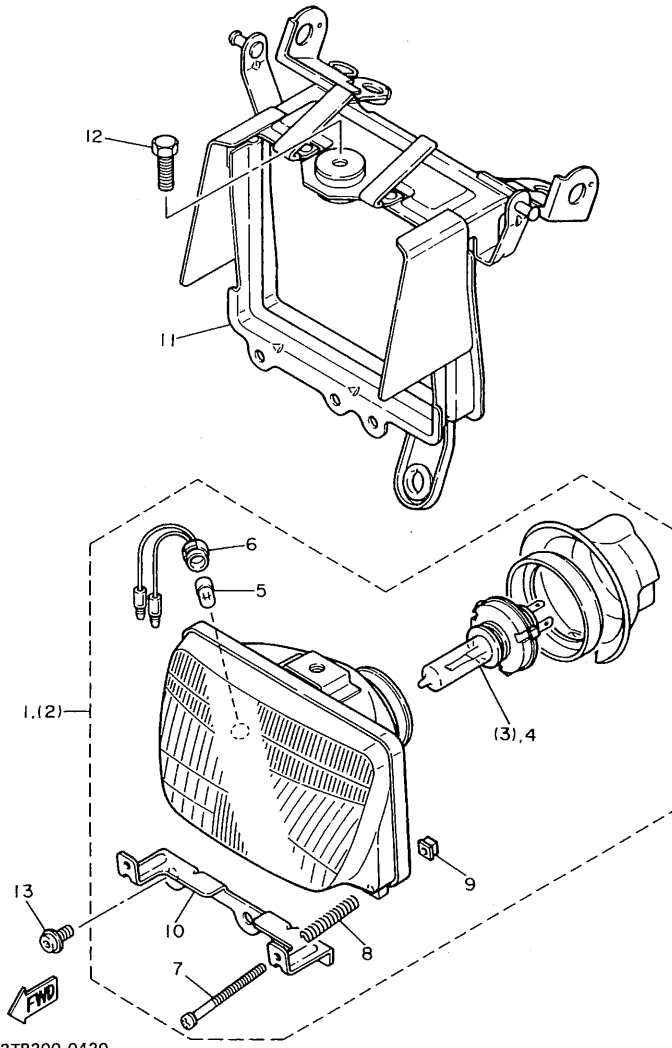


# **FOR BELGIUM**

The following pages provides a listing of only the parts that meet the specifications peculiar to your market. For those parts not appearing in these pages, refer to the "GENERAL SPEC" section.

FIG. 42 ALTERNATE (HEADLIGHT)

REF. NO.	PART NO.	DESCRIPTION	Q'TY	REMARKS
1	3TB-84320-00	LENS ASSY	•	
2	3TB-84320-10	LENS ASSY	1	
3	2L2-84314-00	BULB, headlight (12V 60/55W)	•	
4	2F9-84314-00	•BULB (12V-60/55W)	1	HALOGEN
5	4E2-84347-00	•BULB (12V-4W)	1	
6	3TB-84312-00	•SOCKET	1	
7	3TB-84325-00	•SCREW, rim fitting	2	
8	341-84332-60	•SPRING, screw	2	
9	198-84334-60	•NUT, adjusting	2	
10	3TB-8431R-00	•STAY, setting	1	
11	3TB-84311-00	BODY, headlight	1	
12	3TB-84372-01	BOLT, lamp stay	1	
13	3TB-84329-00	BOLT, wing 1	2	



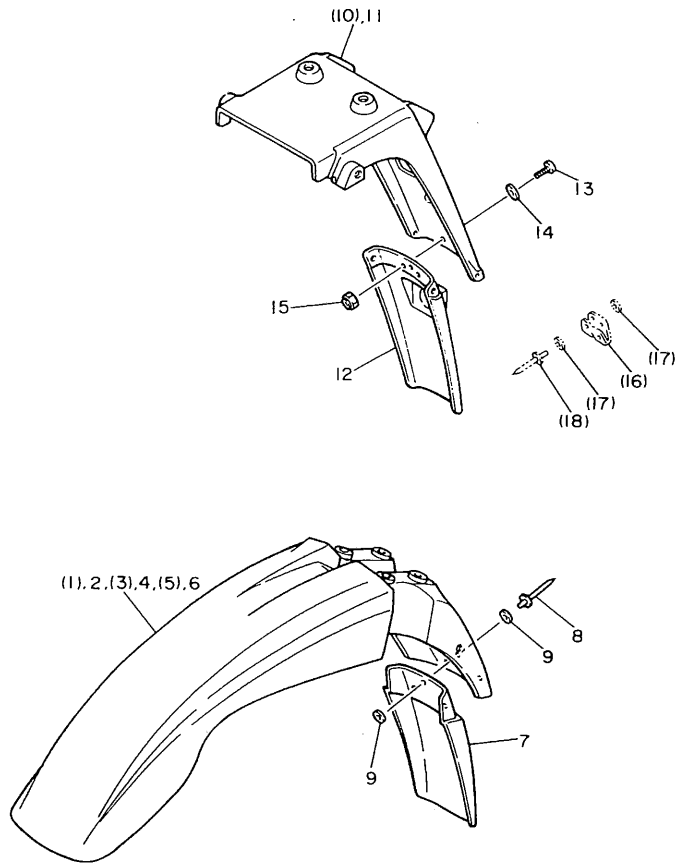
3TB300-0420

**F4**

**FOR DENMARK**  
**FINLAND**  
**NORWAY**

The following pages provides a listing of only the parts that meet the specifications peculiar to your market. For those parts not appearing in these pages, refer to the "GENERAL SPEC" section.

FIG. 43 ALTERNATE (FENDER)



REF. NO.	PART NO.	DESCRIPTION	Q'TY	REMARKS
1	3RW-21511-30	FENDER, front	•	WHITE
2	3TB-21511-00	FENDER, front	1	UR WHITE
3	3RW-21511-10	FENDER, front	•	STRONG BLUE
4	3TB-21511-10	FENDER, front	1	UR STRONG BLUE
5	3RW-21511-20	FENDER, front	•	MILKY BROWN
6	3TB-21511-20	FENDER, front	1	UR MILKY BROWN
7	3TB-21521-00	FLAP, front fender	1	
8	90267-32071	RIVET, blind	3	
9	92990-03200	WASHER, plain	6	
10	2KF-21685-01	BRACKET, license	•	
11	2KF-21685-11	BRACKET, license	1	
12	1VJ-21621-00	FLAP	1	
13	98506-04018	SCREW, pan head	4	
14	92906-04200	WASHER, plain	4	
15	95606-04100	NUT, u	4	
16	33G-85132-00	BRACKET, reflector 1	•	
17	90201-044A2	WASHER, plate	•	
18	90267-40090	RIVET, blind	•	



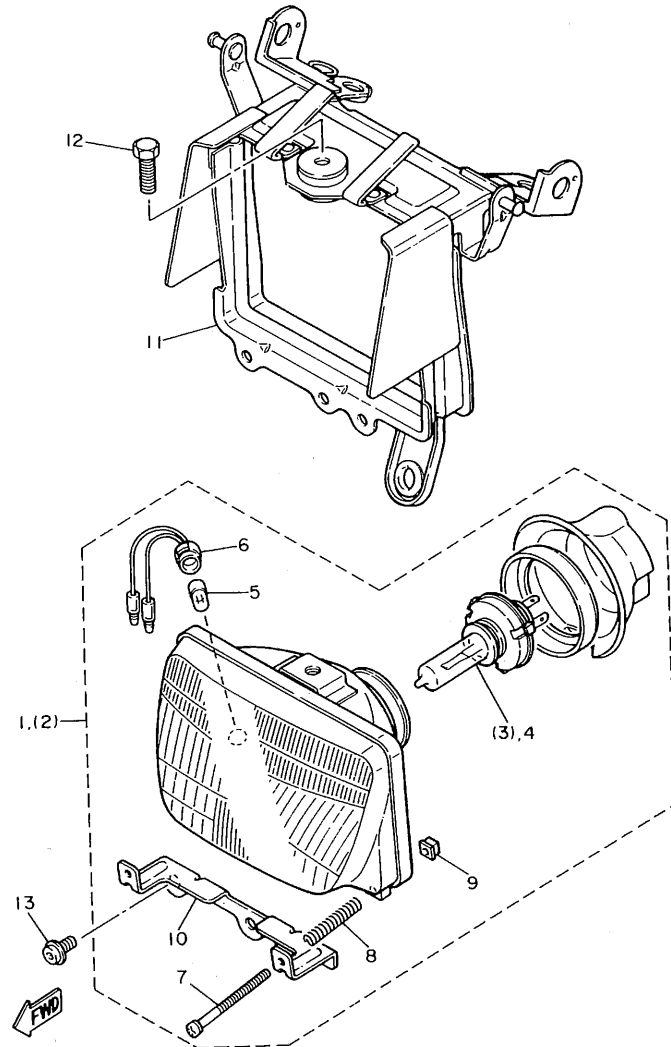
3TB300-0430

**F6**



FIG. 44 ALTERNATE (HEADLIGHT)

REF. NO.	PART NO.	DESCRIPTION	Q'TY	REMARKS
1	3TB-84320-00	LENS ASSY	.	
2	3TB-84320-10	LENS ASSY	1	
3	2L2-84314-00	BULB, headlight (12V 60/55W)	.	
4	2F9-84314-00	.BULB (12V-60/55W)	1	HALOGEN
5	4E2-84347-00	.BULB (12V-4W)	1	
6	3TB-84312-00	.SOCKET	1	
7	3TB-84325-00	.SCREW, rim fitting	2	
8	341-84332-60	.SPRING, screw	2	
9	198-84334-60	.NUT, adjusting	2	
10	3TB-8431R-00	.STAY, setting	1	
11	3TB-84311-00	BODY, headlight	1	
12	3TB-84372-01	BOLT, lamp stay	1	
13	3TB-84329-00	BOLT, wing 1	2	



3TB300-0420

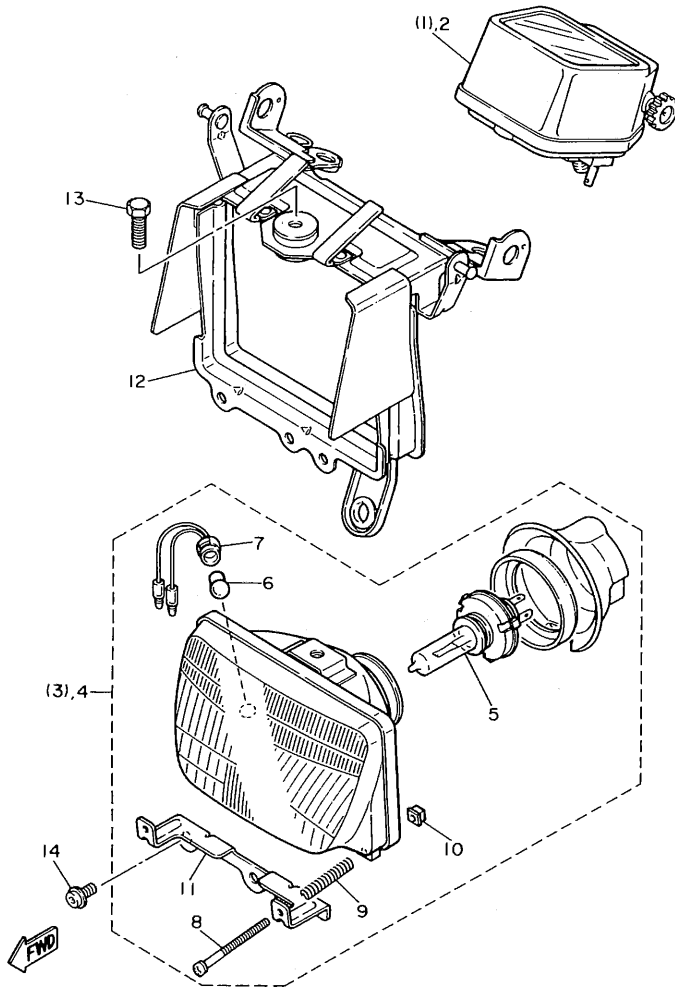


# **FOR ENGLAND OCEANIA**

The following pages provides a listing of only the parts that meet the specifications peculiar to your market. For those parts not appearing in these pages, refer to the "GENERAL SPEC" section.

FIG. 45 ALTERNATE (ELECTRICAL)

REF. NO.	PART NO.	DESCRIPTION	Q'TY	REMARKS
1	3TB-83570-00	SPEEDOMETER ASSY	1	UR KPM
2	3TB-83570-20	SPEEDOMETER ASSY	1	UR MPH
3	3TB-84320-00	LENS ASSY	*	
4	3TB-84320-20	LENS ASSY	1	
5	2F9-84314-00	.BULB (12V-60/55W)	1	HALOGEN
6	123-83516-21	.BULB (12V-3.4W)	1	
7	3TB-84312-00	.SOCKET	1	
8	3TB-84325-00	.SCREW, rim fitting	2	
9	341-84332-60	.SPRING, screw	2	
10	198-84334-60	.NUT, adjusting	2	
11	3TB-8431R-00	.STAY, setting	1	
12	3TB-84311-00	BODY, headlight	1	
13	3TB-84372-01	BOLT, lamp stay	1	
14	3TB-84329-00	BOLT, wing 1	2	



3TB300-0450

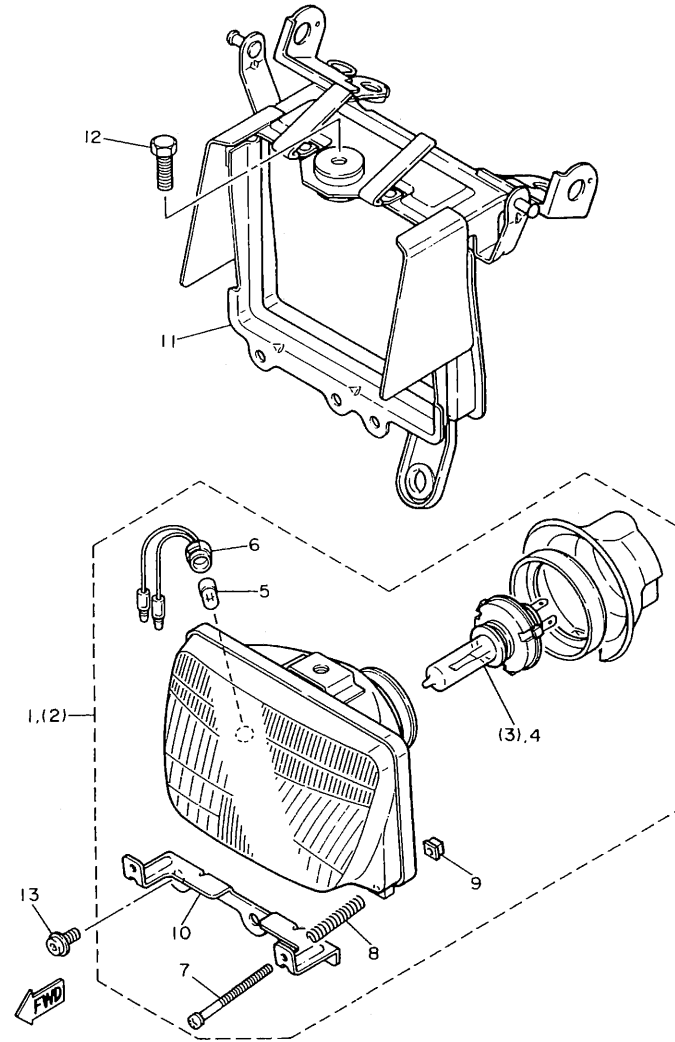
# **FOR ITALY**

# **NETHERLAND**

The following pages provides a listing of only the parts that meet the specifications peculiar to your market. For those parts not appearing in these pages, refer to the "GENERAL SPEC" section.

FIG. 46 ALTERNATE (HEADLIGHT)

REF. NO.	PART NO.	DESCRIPTION	Q'TY	REMARKS
1	3TB-84320-00	LENS ASSY	•	
2	3TB-84320-10	LENS ASSY	1	
3	2L2-84314-00	BULB, headlight (12V 60/55W)	•	
4	2F9-84314-00	•BULB (12V-60/55W)	1	HALOGEN
5	4E2-84347-00	•BULB (12V-4W)	1	
6	3TB-84312-00	•SOCKET	1	
7	3TB-84325-00	•SCREW, rim fitting	2	
8	341-84332-60	•SPRING, screw	2	
9	198-84334-60	•NUT, adjusting	2	
10	3TB-8431R-00	•STAY, setting	1	
11	3TB-84311-00	BODY, headlight	1	
12	3TB-84372-01	BOLT, lamp stay	1	
13	3TB-84329-00	BOLT, wing 1	2	

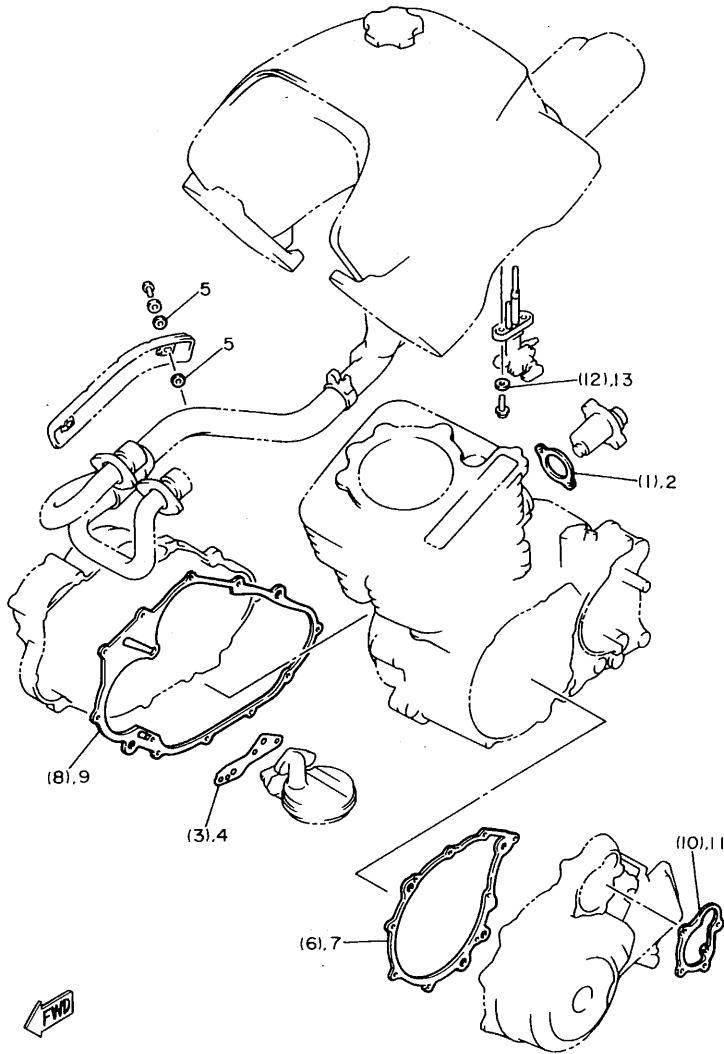


3TB300-0420

# **FOR SWEDEN**

The following pages provides a listing of only the parts that meet the specifications peculiar to your market. For those parts not appearing in these pages, refer to the "GENERAL SPEC" section.

FIG. 47 ALTERNATE (GASKETS, ENGINE)

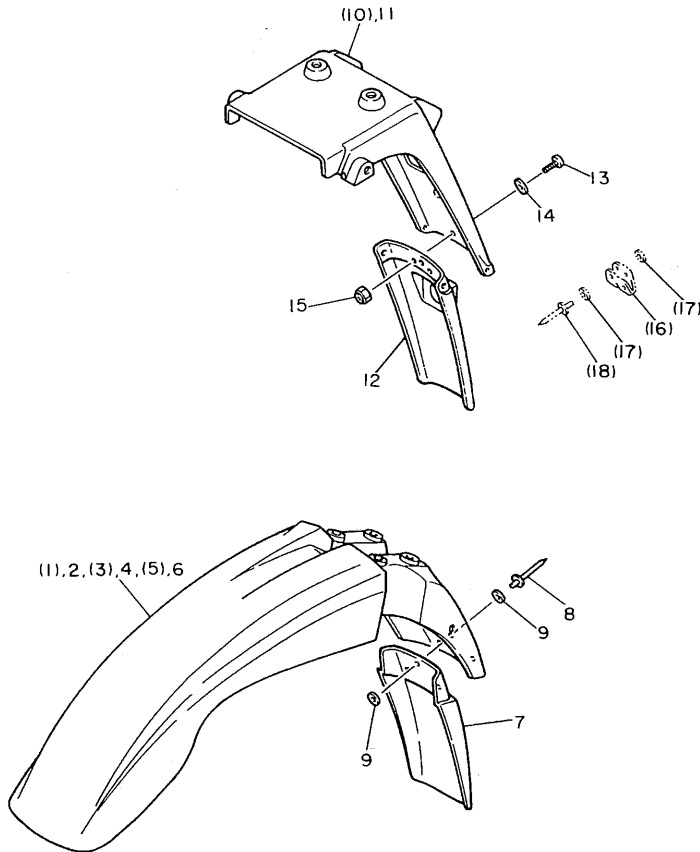


3TB300-0470

REF. NO.	PART NO.	DESCRIPTION	Q'TY	REMARKS
1	4X7-12213-00	GASKET, tensioner case	•	
2	3AJ-12213-00	GASKET, tensioner case	1	
3	5Y1-13415-01	SEAL, oil strainer	•	
4	3AJ-13415-00	SEAL, oil strainer	1	
5	90202-05191	WASHER, plate	4	
6	1VJ-15451-00	GASKET, crankcase cover 1	•	
7	3AJ-15451-00	GASKET, crankcase cover 1	1	
8	34K-15462-00	GASKET, crankcase cover 3	•	
9	3AJ-15462-00	GASKET, crankcase cover 3	1	
10	3TB-15455-00	GASKET 1	•	
11	3TB-15455-10	GASKET 1	1	
12	90202-06010	WASHER, plate	•	
13	90202-05193	WASHER, plate	2	



FIG. 48 ALTERNATE (CHASSIS)

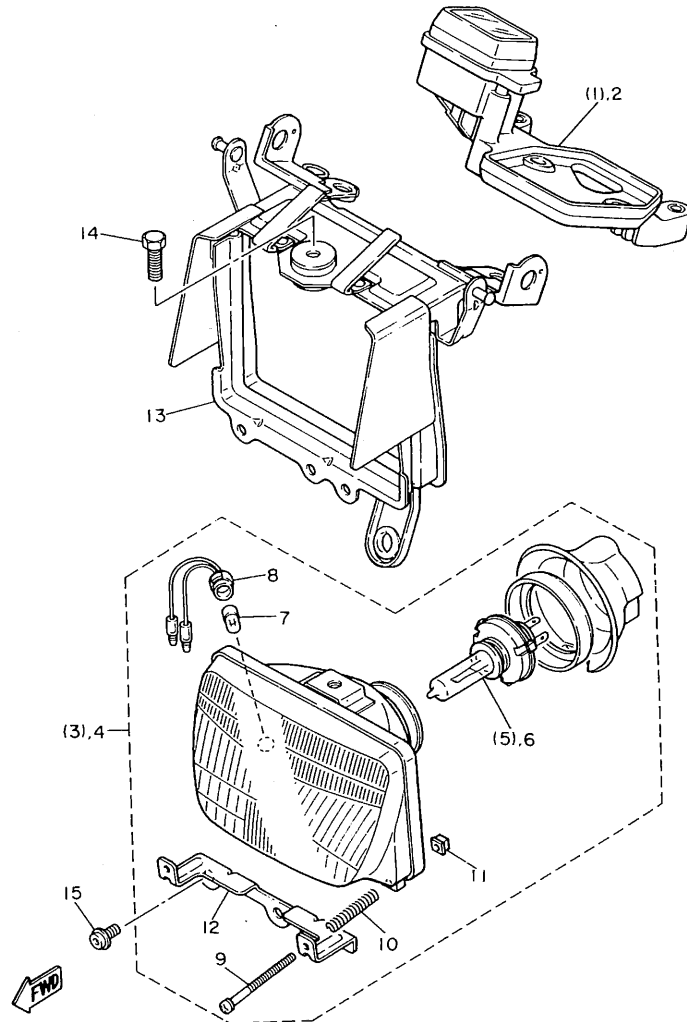


3TB300-0480

REF. NO.	PART NO.	DESCRIPTION	Q'TY	REMARKS
1	3RW-21511-30	FENDER, front	*	WHITE
2	3TB-21511-00	FENDER, front	1	UR WHITE
3	3RW-21511-10	FENDER, front	*	STRONG BLUE
4	3TB-21511-10	FENDER, front	1	UR STRONG BLUE
5	3RW-21511-20	FENDER, front	*	MILKY BROWN
6	3TB-21511-20	FENDER, front	1	UR MILKY BROWN
7	3TB-21521-00	FLAP, front fender	1	
8	90267-32071	RIVET, blind	3	
9	92990-03200	WASHER, plain	6	
10	2KF-21685-01	BRACKET, license	*	
11	2KF-21685-11	BRACKET, license	1	
12	1VJ-21621-00	FLAP	1	
13	98506-04018	SCREW, pan head	4	
14	92906-04200	WASHER, plain	4	
15	95606-04100	NUT, u	4	
16	33G-85132-00	BRACKET, reflector 1	*	
17	90201-044A2	WASHER, plate	*	
18	90267-40090	RIVET, blind	*	

FIG. 49 ALTERNATE (ELECTRICAL)

REF. NO.	PART NO.	DESCRIPTION	Q'TY	REMARKS
1	3TB-8355A-00	BRACKET, meter	•	
2	3TB-8355A-10	BRACKET, meter	1	
3	3TB-84320-00	LENS ASSY	•	
4	3TB-84320-10	LENS ASSY	1	
5	2L2-84314-00	BULB, headlight (12V 60/55W)	•	
6	2F9-84314-00	•BULB (12V-60/55W)	1	HALOGEN
7	4E2-84347-00	•BULB (12V-4W)	1	
8	3TB-84312-00	•SOCKET	1	
9	3TB-84325-00	•SCREW, rim fitting	2	
10	341-84332-60	•SPRING, screw	2	
11	198-84334-60	•NUT, adjusting	2	
12	3TB-8431R-00	•STAY, setting	1	
13	3TB-84311-00	BODY, headlight	1	
14	3TB-84372-01	BOLT, lamp stay	1	
15	3TB-84329-00	BOLT, wing 1	2	

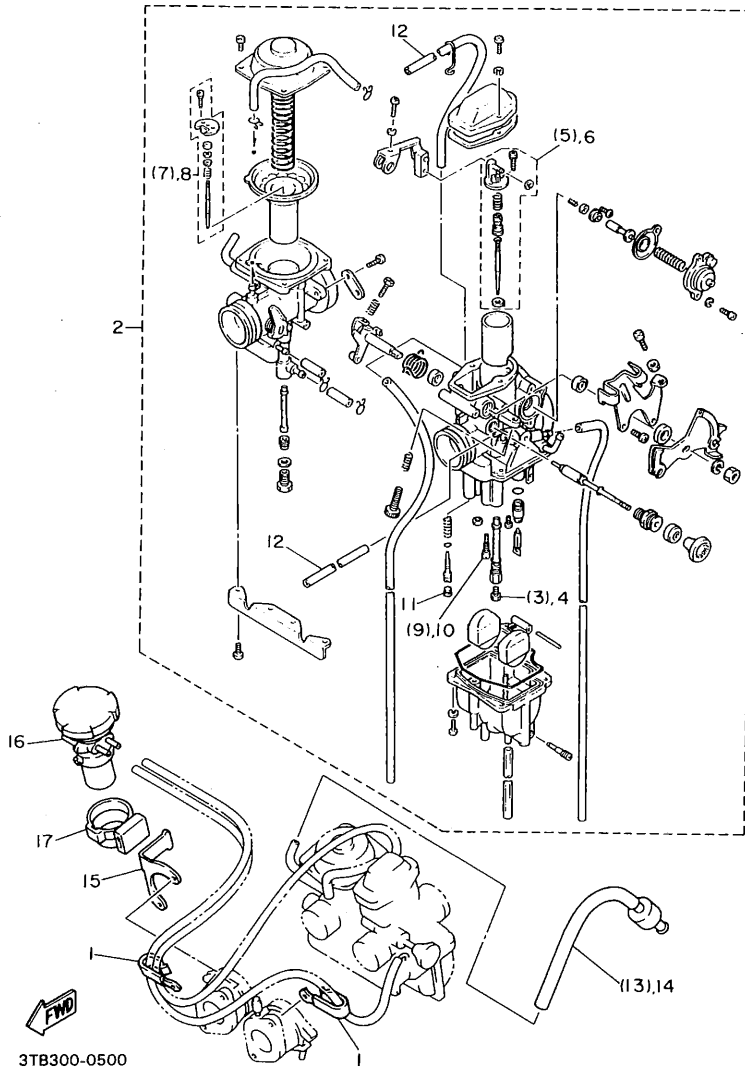


3TB300-0490

# **FOR SWITZERLAND**

The following pages provides a listing of only the parts that meet the specifications peculiar to your market. For those parts not appearing in these pages, refer to the "GENERAL SPEC" section.

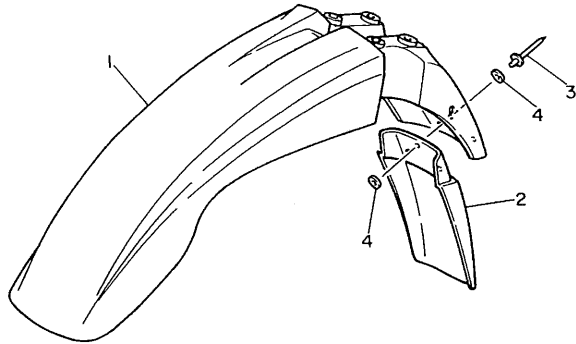
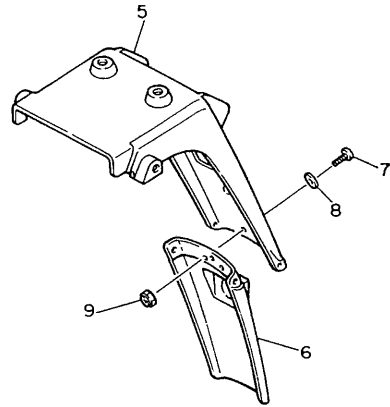
FIG. 50 ALTERNATE (ENGINE)



3TB300-0500

REF. NO.	PART NO.	DESCRIPTION	Q'TY	REMARKS
1	90465-08125	CLAMP	2	
2	3UX-14301-00	CARBURETOR ASSY	1	
3	288-14343-65	.JET, main (#130)	*	
4	288-14343-63	.JET, main (#125)	1	
5	3TB-1490J-10	.NEEDLE SET	*	
6	3UX-1490J-10	.NEEDLE SET	1	
7	3TB-1490J-00	.NEEDLE SET	*	
8	2KF-1490J-00	.NEEDLE SET	1	
9	43F-14342-25	.JET, pilot (#50)	*	
10	43F-14342-23	.JET, pilot (#46)	1	
11	2WJ-14367-00	.PLUG	1	
12	2WJ-14349-00	.PIPE	2	
13	3TB-14197-00	PIPE, air vent	*	
14	3LD-14197-00	PIPE, air vent	1	
15	3UX-1441L-00	BRACKET, 1	1	
16	3UX-14303-00	COMPENSATOR	1	
17	2WJ-14445-01	GROMMET	1	

FIG. 51 ALTERNATE (CHASSIS)



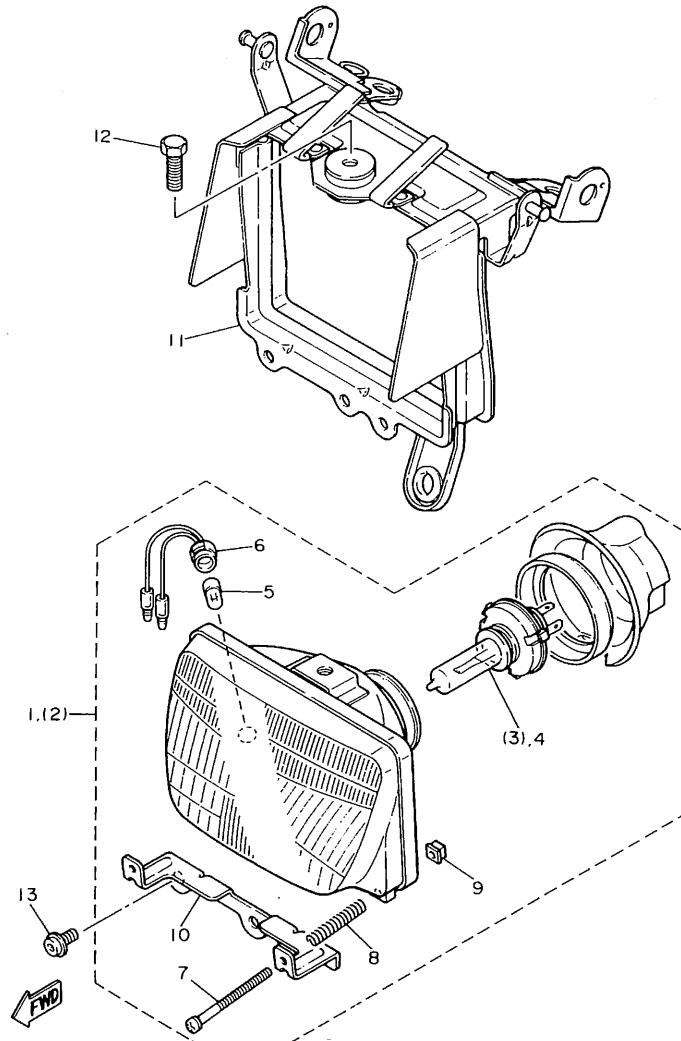
REF. NO.	PART NO.	DESCRIPTION	Q'TY	REMARKS
1	3TB-21511-00	FENDER, front	1	UR WHITE
	3TB-21511-10	FENDER, front	1	UR STRONG BLUE
	3TB-21511-20	FENDER, front	1	UR MILKY BROWN
2	3TB-21521-00	FLAP	1	
3	90267-32071	RIVET, blind	3	
4	92901-03200	WASHER, plain	6	
5	2KF-21685-11	BRACKET, license	1	
6	1VJ-21621-00	FLAP	1	
7	98506-04016	SCREW, pan head	4	
8	92906-04200	WASHER, plain	4	
9	95606-04100	NUT, u	4	



3TB300-0510

FIG. 52 ALTERNATE (HEADLIGHT)

REF. NO.	PART NO.	DESCRIPTION	Q'TY	REMARKS
1	3TB-84320-00	LENS ASSY	•	
2	3TB-84320-10	LENS ASSY	1	
3	2L2-84314-00	BULB, headlight (12V 60/55W)	•	
4	2F9-84314-00	.BULB (12V-60/55W)	1	HALOGEN
5	4E2-84347-00	.BULB (12V-4W)	1	
6	3TB-84312-00	.SOCKET	1	
7	3TB-84325-00	.SCREW, rim fitting	2	
8	341-84332-60	.SPRING, screw	2	
9	198-84334-60	.NUT, adjusting	2	
10	3TB-8431R-00	.STAY, setting	1	
11	3TB-84311-00	BODY, headlight	1	
12	3TB-84372-01	BOLT, lamp stay	1	
13	3TB-84329-00	BOLT, wing 1	2	



3TB300-0420

# **INDEX**

**(GENERAL SPEC.)**

NUMERICAL INDEX

PART NO.	REF NO.	PART NO.	REF NO.
3TB-W0041-00	E - 4	2F3-12117-00	B - 7
31A-W0042-50	E - 6	1J7-12118-00	B - 7
3TB-W0045-00	D-12	1J7-12119-01	B - 7
34X-W0046-02	E - 2	1VJ-12121-00	B - 7
3GD-W0047-00	D-12	2NX-12146-00	B - 7
34X-W0047-00	E - 2	34K-12151-00	B - 7
1UY-W0048-50	D-12	2NX-12166-00	B - 7
51L-W0048-00	E - 2	2NX-12159-00	B - 7
2KF-W0057-00	E - 2	34K-12161-00	B - 7
3TB-W0057-00	D-12	34K-12162-00	B - 7
1VJ-W1141-00	B - 5	34K-12163-00	B - 7
5Y1-W1343-00	B - 9	2NX-12166-00	B - 7
3TB-W2147-00-MA	C-12	1JK-12171-00	B - 8
3TB-W2147-00-WL	C-12	3TB-12176-00	B - 8
3TB-W2834-00	E - 8	3TB-12210-00	B - 8
3TB-W2834-10	E - 8	4X7-12213-00	B - 8
3TB-W2834-20	E - 8	3TB-12215-00	B - 2
3TB-11101-00	B - 2	34K-12231-00	B - 8
583-11127-00	B - 2	34K-12241-00	B - 8
	B - 4	583-13113-00	B - 9
	B - 2	3AJ-13161-00	B - 9
4H7-11133-10	B - 6	3AJ-13300-00	B - 9
34K-11145-00	C - 2	3AJ-13325-00	B - 9
3TB-11166-00	B - 4	5Y1-13415-01	B - 9
2KF-11181-01	B - 2	4X7-13440-90	B - 9
1L9-11186-00	B - 2	2WK-13447-00	B - 9
5Y1-11187-00	B - 9	11H-13455-00	B - 9
214-11198-01	B - 4	3TB-13464-00	B - 9
3TB-11310-00	B - 4	3TB-13465-00	B -10
1VJ-11351-00	B - 5	16G-13569-00	B -11
3TB-11400-00	B - 5	43F-13586-01	B -11
34K-11454-00	B - 5	1VJ-13596-00	B -11
5Y1-11496-01	B - 5	2KF-1410A-00	B -14
5Y1-11531-00	B - 5	2NX-14103-00	B -14
2JT-11536-00	B - 5	5Y1-14105-00	B -14
34K-11565-02	B - 5	2JN-14107-00	B -14
34L-11610-00	B - 5	1XL-14131-00	B -13
34L-11610-20	B - 5	30X-14148-00	B -14
34L-11610-40	B - 5	5Y1-14149-00	B -14
3TB-11631-00-YO	B - 5	5Y1-14159-00	B -14
1JK-11633-01	B - 5	7KF-14162-00	B -14
3TB-11636-00	B - 5	1JK-14197-00	B -13
3TB-11638-00	B - 5	1VJ-14197-00	B -13
3TB-11651-00	B - 5	3TD-14197-00	B -14
1VJ-11681-00	B - 7	5Y1-14198-00	B -13
1VJ-12111-00	B - 7	7KF-14227-00	B -13
5Y1-12113-00	B - 7	1VJ-14286-00	B -13
5Y1-12114-00	B - 7	1JK-14291-00	B -13
4H7-12116-00	B - 7		

NUMERICAL INDEX

PART NO.	REF NO.	PART NO.	REF NO.	PART NO.	REF NO.	PART NO.	REF NO.
2JN-14293-00	B -13	3Y6-15167-00	C - 2	1VJ-18110-00	C -11	3TB-21721-10	D - 2
3TB-14301-00	B -13	5Y1-15383-00	C - 2	1W6-18113-00	C -11	3TB-21721-20	D - 2
1JK-14313-55	B -14	3TB-15411-01	C - 3	34K-18120-00	C -11	3TB-2173E-00	D - 2
14T-14323-00	B -13	3TB-15415-00	C - 4	34K-18140-00	C -10	3TB-2173E-10	D - 2
2KF-14341-00	B -14	2WK-15418-01	C - 3	5Y1-18511-00	C -10	3TB-2173E-20	D - 2
43F-14342-25	B -14	3AJ-15421-00	C - 3	5Y1-18512-00	C -10	3TB-2173F-00	D - 2
288-14343-60	B -14	5Y1-15427-01	B - 9	5Y1-18513-00	C -10	3TB-2173F-10	D - 2
288-14343-65	B -14	3DS-15430-00	C - 3	34K-18531-00	C -10	3TB-2173F-20	D - 2
288-14343-70	B -14	1JK-15449-00	C - 3	34K-18535-00	C -10	3TB-2174A-00	D - 2
30X-14343-55	B -14	1VJ-15451-00	C - 3	5Y1-18540-00	C -10	3TB-2174A-10	D - 2
5Y1-14349-00	B -14	3TB-15455-00	C - 4	136-18542-00	C -10	3TB-2174T-00	C -14
2KF-14355-00	B -14	34K-15462-00	C - 3	3TB-21110-00-MA	C -12	3TB-21756-00	C -12
5Y1-14356-00	B - 8	1JK-15486-00	C - 3	3TB-21110-00-WL	C -12	3TB-2177F-00	D - 2
1JK-14357-00	B - 8	1VJ-15511-00	C - 5	26H-21308-00	D -11	3TB-21771-00	C -13
30X-14358-00	B - 8	1VJ-15512-00	C - 5	34L-21315-00	C -12	3TB-22110-00	D - 3
5Y1-14358-00	B - 8	3TB-15515-00	C - 5	3TB-21316-00-MA	C -12	34L-22117-00	D - 4
5Y1-14384-00	B -13	1VJ-15517-00	C - 5	3TB-21316-00-WL	C -12	1VJ-22123-00	D - 3
2JN-14385-00	B -13	1VJ-15521-00	C - 5	3TB-21338-00	C -13	2K6-22128-01	D - 3
6E5-14386-01	B -13	1VJ-15522-00	C - 5	3TB-2137W-00	D - 9	34L-22128-00	D - 3
3TB-1441A-00	B -11	3TB-15590-00	C - 5	3TB-2137W-10	D - 9	23X-22129-00	D - 4
3TB-1441E-00	B -11	3TB-15594-00	C - 5	3TB-2137W-20	D - 9	34L-22129-00	D - 5
3TB-14411-00	B -11	3AJ-16111-00	C - 6	3TB-2137X-00	D -10	1VJ-22141-00	D - 4
3TB-14412-00	B -11	3AJ-16150-00	C - 6	3TB-2137X-10	D -10	2KF-22147-00	D - 3
5Y1-14419-00	B -12	2JN-16154-00	C - 6	3TB-2137X-20	D -10	5X6-22151-10	D - 3
34X-1443E-00	B -12	5Y1-16321-00	C - 6	3TB-2137Y-00	D -10	3TB-2217A-00	D - 3
43G-14436-00	B -11	360-16325-00	C - 6	46X-21376-00	D - 2	34L-2217F-00	D - 3
3TB-14451-00	B -11	5Y1-16331-01	C - 6	5Y1-21441-00	C -12	3TB-22178-00	C -13
3TB-14452-00	B - 9	5Y1-16351-00	C - 6	34K-21485-00	C -12	30X-22178-00	C -13
3TB-14453-00	B -10	34K-16356-00	C - 6	34K-21486-00	C -12	4V4-22184-00	C -13
3TB-14454-00	B -11	5Y1-16357-00	C - 7	3RW-21511-10	C -14	3TB-22189-00	D - 4
3TB-14457-00	B -11	30X-16358-00	C - 7	3RW-21511-20	C -14	38V-22199-00	D - 3
3TB-1446R-00	B -11	2JN-16371-00	C - 6	3RW-21511-30	C -14	3TB-22210-00-33	D - 5
3TB-14464-00	B -14	1VJ-16380-01	C - 6	3TB-21542-00	D - 2	34L-22216-00	D - 5
5Y1-14572-00	B -13	5Y1-16383-00	C - 6	3TB-21611-00	C -14	34L-22226-00	D - 5
34K-14611-01	B -15	34K-17121-01	C - 8	3TB-21611-10	C -14	3TB-22311-00	D - 4
5Y1-14613-00	B -15	1VJ-17131-00	C - 8	3TB-21611-20	C -14	3TB-23102-00	D - 7
34K-14628-01	B -15	34K-17141-00	C - 8	3TB-21621-00	B -12	3TB-23103-00	D - 7
3TB-14711-00	B -15	2JT-17151-01	C - 8	3TB-2163A-00	C -14	3TB-23110-00	D - 7
3TB-14728-00	B -15	3AJ-17211-00	C - 8	3TB-21639-00	C -14		D - 8
3TB-14752-00	B -15	2JT-17221-00	C - 8	42U-21639-00	C -14		D - 7
30X-14766-00	B -15	1VJ-17231-00	C - 8	3TB-2164F-00	D -11		D - 8
1JK-1490A-00	B -14	3AJ-17241-00	C - 8	3TB-21651-00	C -14		D - 7
3TB-1490J-00	B -14	2JT-17251-00	C - 8	2KF-21685-01	C -14		D - 8
3TB-1490J-10	B -14	2RW-17402-00	C - 8	34X-21691-00	B -12		D - 7
3GV-1490K-00	B -14	2RW-17411-00	C - 8	3TB-21711-00	D - 2		D - 7
1JK-14940-01	B -13	5Y1-17471-00	C - 8	3TB-21711-10	D - 2		D - 7
3DS-15100-00	C - 2	5Y1-18101-01	C -11	3TB-21711-20	D - 2		D - 8
3Y6-15144-00	C - 2	43F-18102-01	C -11	3TB-21721-00	D - 2		D - 7





NUMERICAL INDEX

PART NO.	REF NO.	PART NO.	REF NO.
3TB-23136-00	D-7	3TB-24231-20	D-10
3TB-23141-00	D-7	3TB-24232-00	D-10
	D-8	3TB-24232-10	D-10
43F-23142-10	D-7	3TB-24232-20	D-10
	D-8	3TB-24240-01	D-9
43F-23144-10	D-7	3TB-24240-11	D-9
43F-23145-10	D-7	3TB-24240-21	D-9
36Y-23146-10	D-7	3FY-24500-00	D-9
26H-23156-00	D-7	360-24512-00	B-13
4V4-23158-L0	D-7	4X8-24512-00	D-9
	D-8	3AJ-24523-00	D-9
	D-8	3AJ-24534-00	D-9
4V2-23167-L0	D-7	11H-24602-02	D-9
3TB-23170-00	D-8	3TB-24723-00	D-11
	D-7	23T-24724-01	D-9
3GM-23173-00	D-8	3TB-24731-00	D-11
	D-7	3TB-24731-10	D-11
4V4-23181-L0	D-8	3TB-24731-20	D-11
	D-8	3TB-24770-00	D-11
43F-23188-10	D-7	3TB-24770-10	D-11
	D-8	3TB-24770-20	D-11
2KF-23191-10	D-8	3TB-25104-00	D-12
3TB-23191-10	D-8	3TB-25111-00-98	D-12
43F-23191-10	D-8	322-25118-00	D-12
43M-23192-L0	D-6	55U-25181-01	D-12
3TB-2331E-00	E-4	34L-25190-00	D-12
3TB-23318-00	D-6	3TB-25304-00	D-14
34L-23318-01	D-8	2KF-25311-00-98	D-14
3TB-23340-00	D-6	146-25315-00	D-14
1W1-23416-00	D-6	3TB-25336-00	D-12
5A8-23434-00	D-6	5Y1-25364-00	D-14
3TB-23435-00	D-6	1VJ-25366-00-98	D-14
1E6-23441-00	D-6	36R-25367-00	D-15
3Y6-23442-00-98	D-9	1VJ-25377-00	D-14
3TB-24110-00-01	D-9	3AJ-25381-00	D-14
3TB-24110-00-02	D-9	1VJ-25383-00	D-14
3TB-24110-00-03	D-9	3Y1-25388-01	D-14
3TB-2416F-00	D-10	3Y1-25389-00	D-14
3TB-2416F-10	D-10	3Y1-25389-00	D-14
3TB-2416G-00	D-10	156-25398-00	D-14
22W-24181-00	B-15		
3TB-24181-00	D-9	5Y1-25412-00	D-14
43F-24182-00	D-9	2UJ-25445-50	D-14
5X2-24183-00	E-15	1VJ-25715-00	D-13
3TB-24185-00	D-11	3TB-25715-00	D-13
3TB-24186-00	D-9	3TB-25715-10	D-13
3TB-24188-00	D-9	3TB-2580T-00	D-12
3TB-24231-00	D-9	3TB-2580W-00	E-2
3TB-24231-10	D-9	2KF-25819-00	D-15

NUMERICAL INDEX

PART NO.	REF NO.	PART NO.	REF NO.
3TB-82590-00	E-15	31L-84714-00	E-13
12R-82591-00	E-15	3TB-84717-00	E-13
1LN-82911-00	E-14	53V-84721-40	E-13
33G-82913-00	E-14	34Y-84723-E0	E-13
2NT-82917-00	F-2	4G1-84744-00	E-11
3TB-83310-00	E-10	1KH-84751-00-90	C-15
306-83311-40	E-10	3G1-85130-01	C-15
47J-83312-00	E-10	33G-85132-00	C-14
47J-83313-00	E-10	90101-12295	D-5
3TB-83320-00	E-10	90105-07087	B-8
47J-83322-00	E-10	90105-08505	B-4
3CK-83330-00	E-10	90105-10186	B-15
2KF-83332-00	E-10	90105-10232	B-15
3CK-83340-00	E-10	90105-10286	C-12
2KF-83342-00	E-10	90105-10308	E-2
34L-83350-20	F-2	90105-10316	D-13
10V-83365-00	E-10	90105-12410	D-3
18G-83365-00	E-10	90105-14102	D-6
3TB-83368-00	E-10	90109-062A8	E-14
3TB-83369-00	E-10	90109-063E8	B-7
3TB-83371-00	F-2	90109-063E9	B-2
5Y1-83513-00	E-11	90109-06418	B-2
3TB-83520-00	C-5	90109-06419	B-9
1M1-83526-00	E-11	90109-06614	E-15
2JX-83536-A0	E-11	90109-06757	E-2
3TB-8355A-00	E-11	90109-06799	E-14
3ET-83550-00	E-11	90109-085E2	B-15
3TB-83570-00	E-11	90109-08705	C-13
5Y1-83912-01	E-14	90109-10759	D-4
1KH-83922-01	F-2	90109-10760	D-4
25G-83936-00	F-2	90109-124A7	E-5
437-83936-01	E-14	90110-06138	C-2
3TB-83972-00	E-14		C-3
3TB-83975-00	E-14	90116-06475	B-2
34X-83980-01	E-14	90116-10263	C-2
3TB-84137-00	E-12	90116-10348	D-14
3TB-8431R-00	E-12	90116-10378	B-2
3TB-84311-00	E-12	90116-10506	C-2
3TB-84312-00	E-12	90119-06061	C-14
3TB-84320-00	E-12	90119-06063	D-11
3TB-84325-00	E-12	90119-06097	C-14
3TB-84329-00	E-12	90123-08046	E-3
341-84332-60	E-12	90149-05110	B-9
198-84334-60	E-12	90149-06153	E-14
4E2-84347-00	E-12	90149-06154	D-11
3TB-84372-01	E-12	90149-06194	D-13
34X-84527-00	E-13	90149-06223	D-2
1XL-84710-E0	E-13		D-10



NUMERICAL INDEX

PART NO.	REF NO.	PART NO.	REF NO.	PART NO.	REF NO.
90149-06251	D-12	90201-10118	E-4	90338-22207	B-3
90149-06263	E-8	90201-10118	E-7	90338-30096	C-4
90149-08067	C-6	90201-10124	B-4	90340-08M04	C-3
90151-06017	C-10	90201-10144	B-15	90340-14068	B-2
90159-06010	C-6	90201-102J5	B-15	90340-36121	C-3
90159-06042	D-10	90201-10437	D-15	90380-14095	D-3
90159-06078	C-10	90201-10590	B-4	90380-14131	D-5
90159-06084	D-4	90201-120A5	D-3	90380-22111	D-3
90164-06017	B-15	90201-12474	C-11	90386-20120	D-3
90170-06010	E-14	90201-13409	C-13	90386-20123	D-4
90170-06128	B-7	90201-140A6	B-5	90387-06033	B-12
90170-10219	D-14	90201-140G9	D-3	90387-061V4	D-2
90170-16343	B-6	90201-14215	E-6	90387-062M3	C-14
90170-20274	C-6	90201-15238	D-4	90387-062V8	C-14
90170-20327	C-6	90201-17327	C-6	90387-063F7	C-10
90171-16024	D-15	90201-20276	C-8	90387-06388	E-12
90176-08026	B-4	90201-20279	E-5	90387-064J1	D-10
90179-06500	B-15	90201-244A8	D-3	90387-06500	E-3
90179-08148	E-3	90201-251F6	D-4	90387-066M3	C-14
90179-10201	B-4	90201-301F4	B-5	90387-06737	D-3
90179-10279	B-4	90201-307K8	C-5	90387-07391	C-12
90179-14317	B-5	90202-06010	B-15		E-12
90179-18552	C-8		D-9		E-13
90179-25033	D-6	90202-06013	E-12	90387-074X3	B-12
90185-10037	D-4	90206-06088	B-15	90387-07717	C-14
90185-10120	D-4	90206-12075	B-7	90387-085E1	C-13
90185-10157	C-12	90209-05279	C-3	90387-121H1	D-4
90185-12119	D-3	90209-06223	D-3	90387-122J6	D-4
	E-5	90209-22191	C-8	90387-152J3	D-12
90185-14070	D-4	90215-16242	B-6	90387-16782	C-2
90201-04M06	C-12	90215-20197	C-6	90387-173M5	D-14
90201-044A2	C-14	90215-20231	C-6	90387-174F0	D-15
90201-047A2	B-12	90215-23265	C-8	90387-17783	C-2
90201-05033	E-11	90240-06009	E-5	90387-440G3	D-3
90201-06059	C-14	90240-08013	E-6	90401-08133	B-9
	C-15	90240-14106	D-5	90401-10034	E-4
	E-12	90267-40075	B-11		E-6
90201-080L8	B-4		C-12	90430-05126	B-9
90201-08083	E-6	90267-40077	B-12	90430-06014	B-3
90201-08087	C-6	90267-40090	C-14	90430-08143	C-3
	C-12	90280-05048	B-5	90430-08178	B-4
90201-08326	B-15	90282-05013	B-6		C-2
90201-085L3	B-4	90282-07042	C-6	90430-08204	B-9
90201-08753	C-13	90336-18038	C-14	90430-10027	F-2
90201-100A1	D-6	90338-08174	B-12	90430-22123	C-12
90201-100E9	D-4	90338-09130	D-12	90430-27124	C-13
90201-100F7	D-4		D-14	90445-10638	D-9
90201-101J1	B-15	90338-21100	C-4	90445-115G3	C-13

NUMERICAL INDEX

PART NO.	REF NO.	PART NO.	REF NO.	PART NO.	REF NO.
90445-126G6	B-12	91311-06060	D-3	92901-10100	D-6
90450-22017	B-10	91311-08020	E-9	92902-04100	B-13
90460-46206	B-11	91316-06010	E-3		E-6
90460-51059	B-12	91316-06012	B-15	92906-05100	E-14
90460-58015	B-12	91316-06016	B-10	92906-05600	B-12
90461-12110	D-4		C-3	92906-06100	C-12
90461-16124	E-4	91316-06018	B-2		D-3
90467-15196	B-2	91316-06020	B-2		E-4
90462-16102	C-3		B-11	92906-06600	B-2
90465-08028	B-11	91316-06025	B-2	92990-04100	B-13
90465-08344	C-2		B-8	92990-04200	B-12
90467-09006	D-9		C-3	92990-06100	D-4
90467-10008	C-13		C-4		D-9
90467-10039	B-11	91316-06035	B-4		E-6
90467-11102	B-12		B-9		E-9
90467-12052	B-12		C-3	92990-14600	D-5
90467-14015	C-2		C-4	93101-14092	C-3
90467-14057	E-6	91316-06040	B-2	93101-25106	B-5
90467-17128	C-2	91316-06045	C-2	93102-12106	C-11
90468-10050	E-11	91316-06050	B-2	93102-17357	C-6
90468-12006	D-6		C-3	93102-20281	D-12
90468-12120	E-12	91316-06055	B-2	93102-25226	C-8
90480-01176	D-2	91316-06060	C-2	93102-25311	D-14
90480-01401	D-10	91316-06080	B-9	93102-30072	D-14
90480-12053	E-8	91316-06115	B-2	93106-22019	D-3
90480-12325	B-11	91316-06125	B-2	93108-35004	D-3
90480-13383	D-10	91401-16015	E-5	93210-07135	B-9
90480-14023	E-12		E-6		C-2
90480-14329	B-12	91401-25015	E-5	93210-08521	B-7
90480-15064	B-12	91401-30020	E-6	93210-10197	B-10
90480-15363	C-12	91401-30030	D-5	93210-13361	B-9
90501-043E0	B-9		D-15		C-3
90501-10312	E-14	91701-08038	E-5	93210-13657	B-2
90501-22721	B-5	91810-05018	B-4	93210-15171	B-10
90501-23142	C-6	92016-08025	E-6	93210-15620	E-6
90507-18055	E-6	92016-08050	D-11	93210-19522	B-2
90507-32020	E-5	92506-06012	C-12	93210-32172	B-2
90508-14710	C-6	92901-04600	B-11	93210-36510	C-3
90508-20023	E-5		E-6	93210-36549	B-11
90508-26691	C-10	92901-05100	E-9	93210-62446	B-2
90508-29629	C-11	92901-05600	D-6	93210-64297	B-9
90560-15240	D-12		E-9	93210-97524	B-4
90560-20199	C-9	92901-06200	C-6	93306-00426	C-8
90560-25283	C-8	92901-06600	B-8	93306-00431	C-8
91001-06016	E-4		D-3	93306-20006	C-5
91026-06010	C-13		E-3	93306-20209	D-12
91026-08040	D-6		E-6	93306-20310	D-14
91311-06025	C-14	92901-10100	C-12	93306-30416	D-14







# **INDEX**

**(INDIVIDUAL SPEC.)**

NUMERICAL INDEX

PART NO.	REF NO.	PART NO.	REF NO.	PART NO.	REF NO.	PART NO.	REF NO.	PART NO.	REF NO.	PART NO.	REF NO.
3AJ-12213-00	F -13	2KF-21685-01	F -14	3TB-84320-10	G - 5	90267-40090	F -14				
4X7-12213-00	F -13	2KF-21685-11	F - 6	3TB-84320-20	F - 9	90465-08125	G - 3				
3AJ-13415-00	F -13		F -14	3TB-84325-00	F - 4	92901-03200	G - 4				
5Y1-13415-01	F -13		G - 4		F - 7	92906-04200	F - 6				
3LD-14197-00	G - 3	123-83516-21	F - 9		F - 9		F -14				
3TB-14197-00	G - 3	3TB-8355A-00	F -15		F -11		G - 4				
3UX-14301-00	G - 3	3TB-8355A-10	F -15		F -15	92990-03200	F - 6				
3UX-14303-00	G - 3	3TB-83570-00	F - 9		G - 5		F -14				
43F-14342-23	G - 3	3TB-83570-20	F - 9	3TB-84329-00	F - 4	95606-04100	F - 6				
43F-14342-25	G - 3	3TB-8431R-00	F - 4		F - 7		F -14				
288-14343-63	G - 3		F - 7		F - 9		G - 4				
288-14343-65	G - 3		F - 9		F -11	98506-04016	G - 4				
2WJ-14349-00	G - 3		F -11		F -15	98506-04018	F - 6				
2WJ-14367-00	G - 3		F -15		G - 5		F -14				
3UX-1441L-00	G - 3		G - 5	341-84332-60	F - 4						
2WJ-14445-01	G - 3	3TB-84311-00	F - 4		F - 7						
2KF-1490J-00	G - 3		F - 7		F - 9						
3RB-1490J-00	G - 3		F - 9		F -11						
3TB-1490J-10	G - 3		F -11		F -15						
3UX-1490J-10	G - 3		F -15		G - 5						
1VJ-15451-00	F -13		G - 5	198-84334-60	F - 4						
3AJ-15451-00	F -13	3TB-84312-00	F - 4		F - 7						
3TB-15455-00	F -13		F - 7		F - 9						
3TB-15455-10	F -13		F - 9		F -11						
3AJ-15462-00	F -13		F -11		F -15						
34K-15462-00	F -13		F -15		G - 5						
3RW-21511-10	F - 6		G - 5	4E2-84347-00	F - 4						
	F -14	2F9-84314-00	F - 4		F - 7						
3RW-21511-20	F - 6		F - 7		F -11						
	F -14		G - 9		F -15						
3RW-21511-30	F - 6		F -11		G - 5						
	F -14		F -15	3TB-84372-01	F - 4						
3TB-21511-00	F - 6		G - 5		F - 7						
	F -14	2L2-84314-00	F - 4		F - 9						
	G - 4		F - 7		F -11						
3TB-21511-10	F - 6		F -11		F -15						
	F -14		F -15		G - 5						
	G - 4		G - 5	33G-85132-00	F - 6						
3TB-21511-20	F - 6	3TB-84320-00	F - 4		F -14						
	F -14		F - 7	90201-044A2	F - 6						
	G - 4		F - 9		F -14						
3TB-21521-00	F - 6		F -11	90202-05191	F -13						
	F -14		F -15	90202-05193	F -13						
	G - 4		G - 5	90202-06010	F -13						
1VJ-21621-00	F - 6	3TB-84320-10	F - 4	90267-32071	F - 6						
	F -14		F - 7		F -14						
	G - 4		F -11	90267-40090	G - 4						
2KF-21685-01	F - 6		F -15		F - 6						



COPY RIGHT: ALL RIGHTS RESERVED  
NO PART OF THIS PUBLICATION MAY BE  
REPRODUCED WITHOUT PERMISSION.



**PRINTED IN JAPAN**

First edition Feb., 1990

