

CONTENTS

GENERAL SPEC. ENGINE

Cylinder Head	B2 ~ B3
Cylinder	B4
Crankshaft · Piston	B5 ~ B6
Valve	B7
Camshaft · Chain	B8
Oil Pump	B9 ~ B10
Intake	B11 ~ B12
Carburator	B13 ~ B14
Exhaust	B15
Crankcase	C2
Crankcase Cover 1	C3 ~ C4
Starter Clutch	C5
Clutch	C6 ~ C7
Transmission	C8 ~ C9
Shift Cam · Fork	C10
Shift Shaft	C11

CHASSIS

Frame	C12 ~ C13
Fender	C14 ~ C15
Side Cover	D2
Rear Arm	D3 ~ D4
Rear Suspension	D5
Steering	D6
Front Fork	D7 ~ D8

Fuel Tank	D9 ~ D10
Seat	D11
Front Wheel	D12 ~ D13
Rear Wheel	D14 ~ D15
Rear Brake Caliper	E2
Steering Handle · Cable	E3
Front Master Cylinder	E4
Stand · Footrest	E5
Rear Master Cylinder	E6 ~ E7
Cowling 1	E8
Generator	E9
Hesher Light	E10
Meter	E11
Headlight	E12
Taillight	E13
Handle Switch · Lever	E14
Electrical 1	E15
Electrical 2	F2

INDIVIDUAL SPEC.

FOR DENMARK, FINLAND, NORWAY

Alternate (Fender)	F4
Alternate (Meter)	F5

FOR ENGLAND, OCEANIA

Alternate (Electrical)	F7
------------------------------	----

FOR SWEDEN

Alternate (Engine)	F9
Alternate (Chassis)	F10
Alternate (Meter)	F11

FOR SWITZERLAND

Alternate (Engine)	F13
Alternate (Chassis)	F14

INDEX (GENERAL SPEC.)

NUMERICAL INDEX	K2 ~ K5
-----------------------	---------

INDEX (INDIVIDUAL SPEC.)

NUMERICAL INDEX	L2
-----------------------	----



YAMAHA

PARTS CATALOGUE

(ELECTRIC START)

XT600E'91 (3TB3)

EUROPE

XT600E'91 (3UX2)

SWITZERLAND

XT600EB (3WR2)

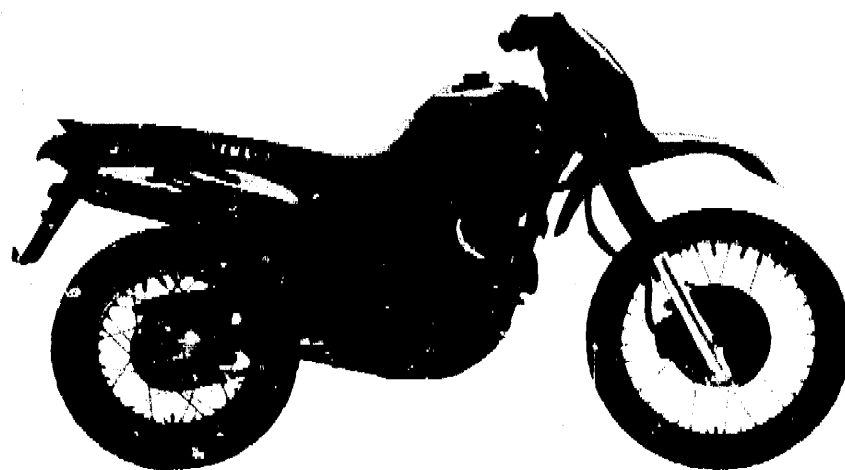
OCEANIA

2137B-30021

2008/5/21

NEWS No.	DATE	COMMENT
PE0-MC-070058	Jun., 6, 2007	FIG.17: FRAME ILLUSTRATION CORRECTION

A2



A3

FOREWORD

This Parts Catalogue is related to the parts in use for the Yamaha XT600E'91 (3TB3/3UX2) and XT600EB (3WR2).

When you are ordering replacement parts for the XT600E'91 (3TB3/3UX2) and XT600EB (3WR2), refer to this Parts Catalogue and quote both part numbers and part names correctly.

1. Modifications or additions which have been made after issue of the Parts Catalogue will be announced in the Yamaha Parts News.

It is advisable that according to the Yamaha Parts News you make necessary corrections to the Parts Catalogue on hand to keep it up-to-date.

2. Abbreviations

The following abbreviations are used in this Parts Catalogue.

- U.R. Use size (thickness) and/or number as required.
- U.N. Use as many as you need.
- A.P. Alternate Parts
- L.M. Local Made
- F# Frame No. (Applicable machine No.)

3. The parts marked with (*) in the parts number column of this Catalogue are not supplied with by Yamaha, those have to be found locally.

4. Parts, which are to be supplied in the form of assemblies, are listed with an indentation of one letter's space, and a dot (.) is put against the name of each part.

EXAMPLE CARBURETOR ASS'Y
 .JET, pilot
 .NOZZLE, main

5. Indication of No. of constituent parts for assembly

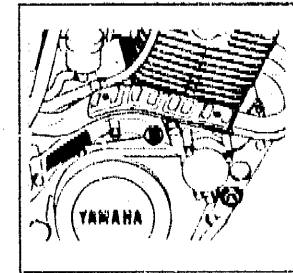
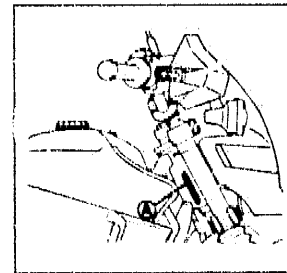
The numeral appearing to the right of each constituent part under the description indicates the quantity of such parts for each individual assembly unit.

EXAMPLE

Part No.	Description	Q'ty	Remarks
2F5-83310-60	FRONT FLASHER LIGHT ASS'Y	2	
115-83311-60	.BULB (6V-18W)	1	
1M1-83309-60	.REFLECTOR	1	

6. Initial Serial No. and Color Code

3TB3	(A) Frame Serial No.	3TB-037101 and following
	(B) Engine Serial No.	3TB-037101 and following
3UX2	(A) Frame Serial No.	3UX-002101 and following
	(B) Engine Serial No.	3UX-002101 and following
3WR2	(A) Frame Serial No.	3WR-002101 and following
	(B) Engine Serial No.	3WR-002101 and following



Color Code	Color Name	Abbreviate
NJ	FARAWAY BLUE	FWB
123	DEEP PURPLE SOLID 1	DPS 1
36	CLEAN WHITE	W

7. Applicable colors of graphics are represented in the "Remarks" column by the letter(s) appropriately picked out of the full word(s) showing such colors.

EXAMPLE

Part No.	Description	Q'ty	Remarks
2N4-24110-00-X5	FUEL TANK COMP.	1	MAXIM RED
3J1-24240-10	.GRAPHIC, fuel tank net	1	for MXR

CONTENTS

GENERAL SPEC.

ENGINE

Cylinder Head	B2 ~ B3
Cylinder	B4
Crankshaft - Piston	B5 ~ B6
Valve	B7
Camshaft - Chain	B8
Oil Pump	B9 ~ B10
Intake	B11 ~ B12
Carburetor	B13 ~ B14
Exhaust	B15
Crankcase	C2
Crankcase Cover 1	C3 ~ C4
Starter Clutch	C5
Clutch	C6 ~ C7
Transmission	C8 ~ C9
Shift Cam - Fork	C10
Shift Shaft	C11

CHASSIS

Frame	C12 ~ C13
Fender	C14 ~ C15
Side Cover	D2
Rear Arm	D3 ~ D4
Rear Suspension	D5
Steering	D6
Front Fork	D7 ~ D8

Fuel Tank	D9 ~ D10
Seat	D11
Front Wheel	D12 ~ D13
Rear Wheel	D14 ~ D15
Rear Brake Caliper	E2
Steering Handle - Cable	E3
Front Master Cylinder	E4
Stand - Footrest	E5
Rear Master Cylinder	E6 ~ E7
Cowling 1	E8
Generator	E9
Flasher Light	E10
Meter	E11
Headlight	E12
Taillight	E13
Handle Switch - Lever	E14
Electrical 1	E15
Electrical 2	F2

INDIVIDUAL SPEC.

FOR DENMARK, FINLAND, NORWAY

Alternate (Fender)	F4
Alternate (Meter)	F5

FOR ENGLAND, OCEANIA

Alternate (Electrical)	F7
------------------------------	----

FOR SWEDEN

Alternate (Engine)	F9
Alternate (Chassis)	F10
Alternate (Meter)	F11

FOR SWITZERLAND

Alternate (Engine)	F13
Alternate (Chassis)	F14

INDEX (GENERAL SPEC.)

NUMERICAL INDEX	K2 ~ K5
-----------------------	---------

INDEX (INDIVIDUAL SPEC.)

NUMERICAL INDEX	L2
-----------------------	----

CONTENTS

GENERAL SPEC.

ENGINE

Cylinder Head	B2 ~ B3
Cylinder	B4
Crankshaft · Piston	B5 ~ B6
Valve	B7
Camshaft · Chain	B8
Oil Pump	B9 ~ B10
Intake	B11 ~ B12
Carburetor	B13 ~ B14
Exhaust	B15
Crankcase	C2
Crankcase Cover 1	C3 ~ C4
Starter Clutch	C5
Clutch	C6 ~ C7
Transmission	C8 ~ C9
Shift Cam · Fork	C10
Shift Shaft	C11

CHASSIS

Frame	C12 ~ C13
Fender	C14 ~ C15
Side Cover	D2
Rear Arm	D3 ~ D4
Rear Suspension	D5
Steering	D6
Front Fork	D7 ~ D8

Fuel Tank	D9 ~ D10
Seat	D11
Front Wheel	D12 ~ D13
Rear Wheel	D14 ~ D15
Rear Brake Caliper	E2
Steering Handle · Cable	E3
Front Master Cylinder	E4
Stand · Footrest	E5
Rear Master Cylinder	E6 ~ E7
Cowling 1	E8
Generator	E9
Flasher Light	E10
Meter	E11
Headlight	E12
Taillight	E13
Handle Switch · Lever	E14
Electrical 1	E15
Electrical 2	F2

INDIVIDUAL SPEC.

FOR DENMARK, FINLAND, NORWAY

Alternate (Fender)	F4
Alternate (Meter)	F5

FOR ENGLAND, OCEANIA

Alternate (Electrical)	F7
------------------------------	----

FOR SWEDEN

Alternate (Engine)	F9
Alternate (Chassis)	F10
Alternate (Meter)	F11

FOR SWITZERLAND

Alternate (Engine)	F13
Alternate (Chassis)	F14

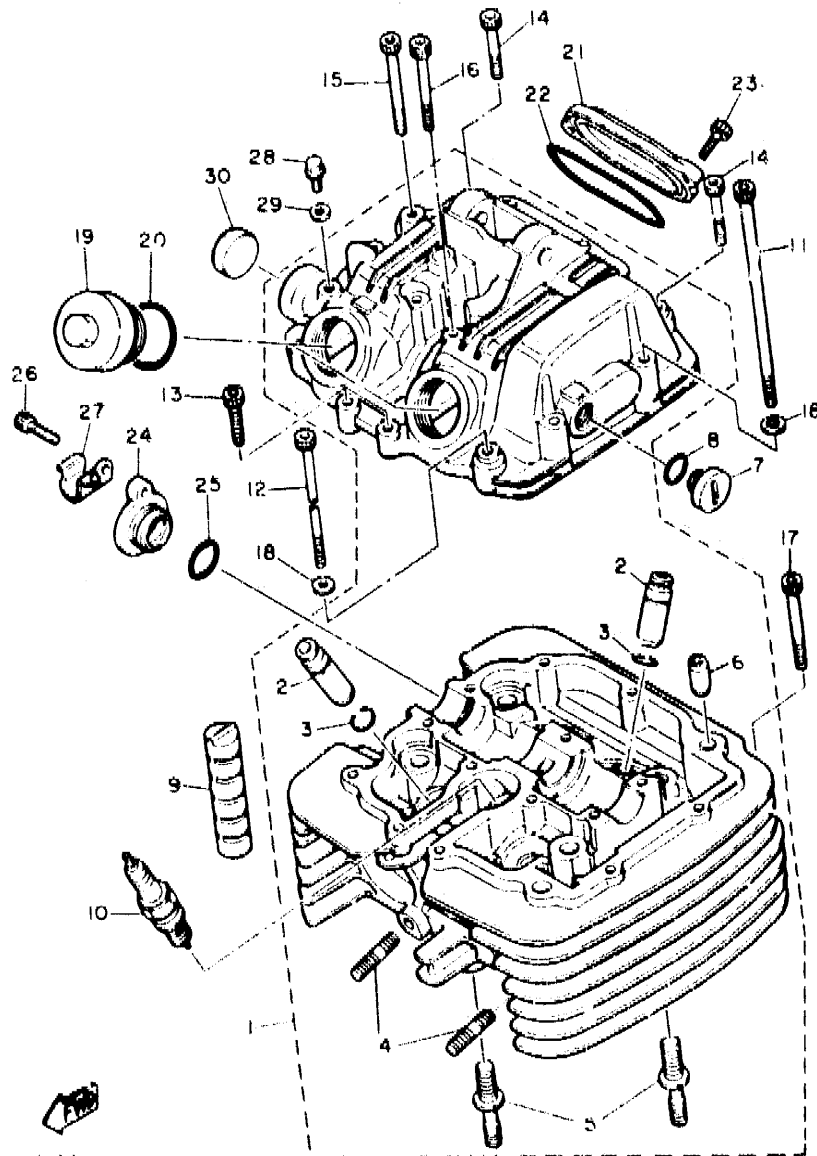
INDEX (GENERAL SPEC.)

NUMERICAL INDEX	K2 ~ K5
-----------------------	---------

INDEX (INDIVIDUAL SPEC.)

NUMERICAL INDEX	L2
-----------------------	----

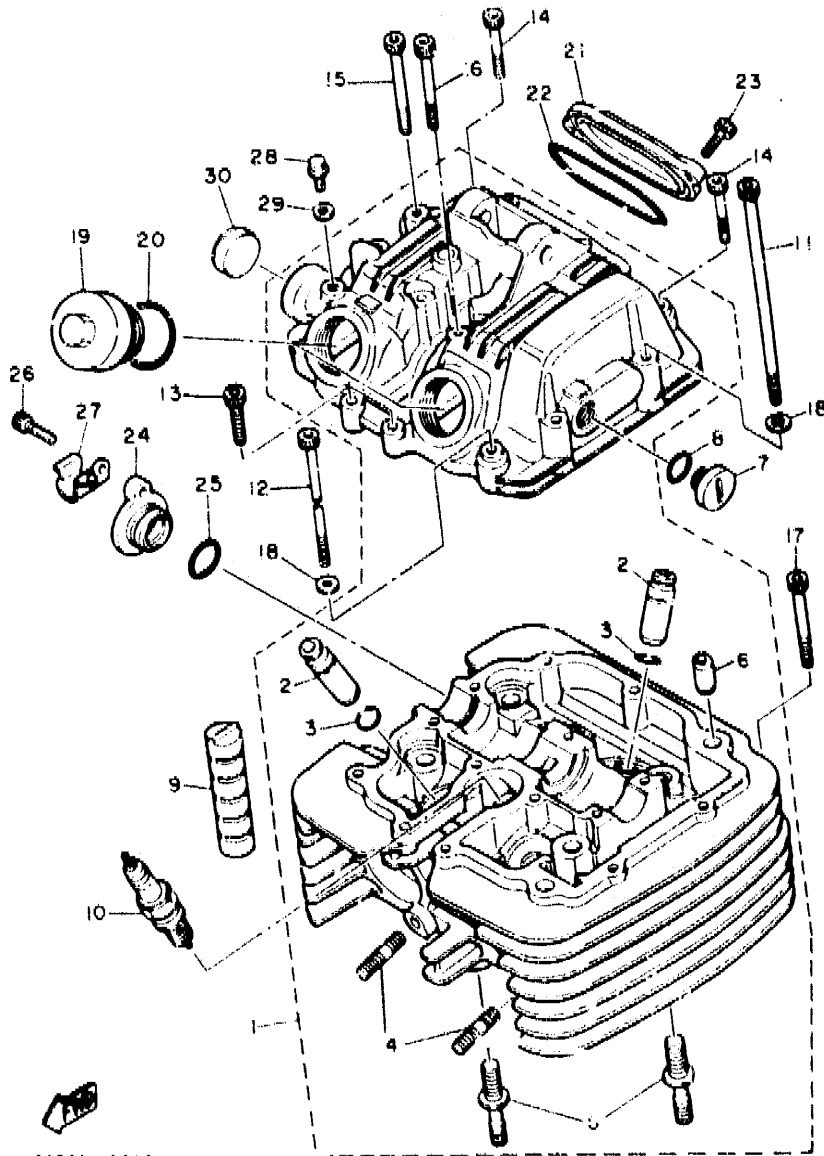
FIG. 1 CYLINDER HEAD



3TB351-0010

REF. NO.	PART NO.	DESCRIPTION	Q'TY	REMARKS
1	3TB-11101-00	CYLINDER HEAD ASSY	1	
2	4H7-11133-10	.GUIDE, intake valve	4	
3	93440-12052	.CIRCLIP	4	
4	90116-06475	.BOLT, stud	4	
5	90116-10378	.BOLT, stud	2	
6	99510-10114	.PIN, dowel	2	
7	90340-14068	PLUG, straight screw	1	
8	93210-13657	O-RING	1	
9	583-11127-00	ABSORBER 3	2	
10	94701-00241	PLUG, spark (NGK DPR8EA-9)	1	
11	91316-06125	BOLT	2	
12	91316-06115	BOLT	1	
13	91316-06025	BOLT	4	
14	91316-06040	BOLT	2	
15	91316-06055	BOLT	6	
16	90109-063E9	BOLT	1	
17	91316-06050	BOLT	1	
18	92906-06600	WASHER, plate	3	
19	1L9-11186-00	COVER, cylinder head side 2	2	
20	93210-32172	O-RING	2	
21	5Y1-11187-00	COVER, cylinder head side 3	1	
22	93210-62446	O-RING	1	
23	91316-06018	BOLT	2	
24	3TB-12215-00	CAP, tensioner case	1	
25	93210-19322	O-RING	1	
26	91316-06020	BOLT	1	
27	90462-15196	CLAMP	1	
28	90109-06418	BOLT	1	

FIG. 1 CYLINDER HEAD

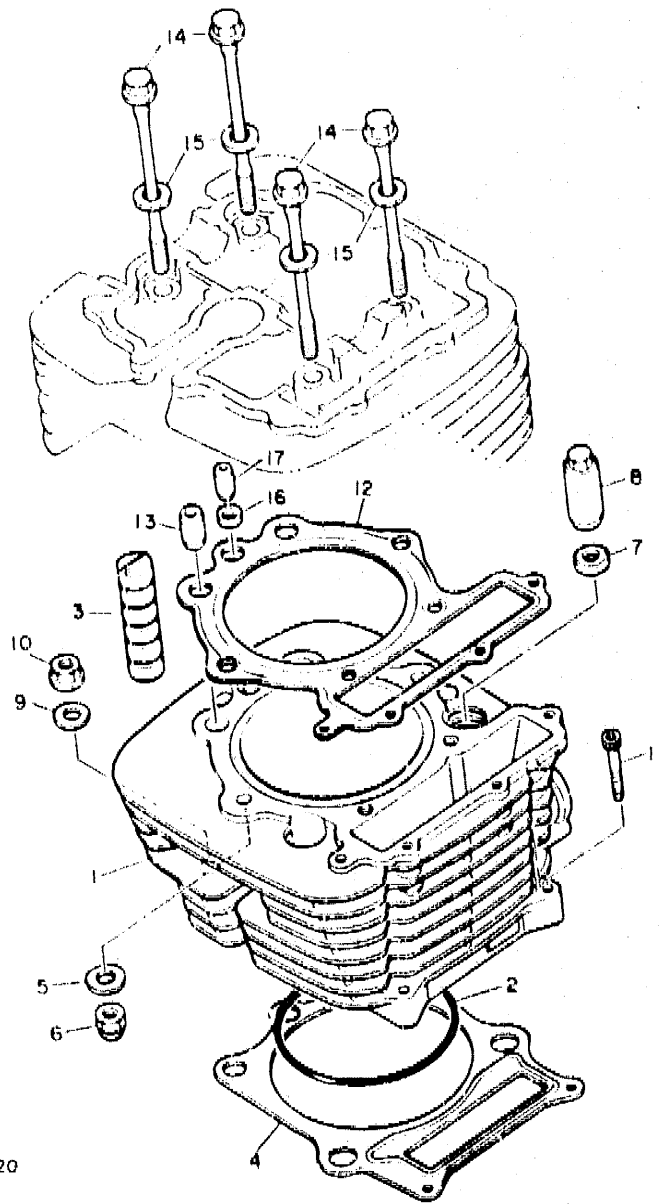


REF. NO.	PART NO.	DESCRIPTION	Q'TY	REMARKS
28	90430-06014	GASKET	1	
30	90338-22207	PLUG	1	

318351-0010

B3

FIG. 2 CYLINDER

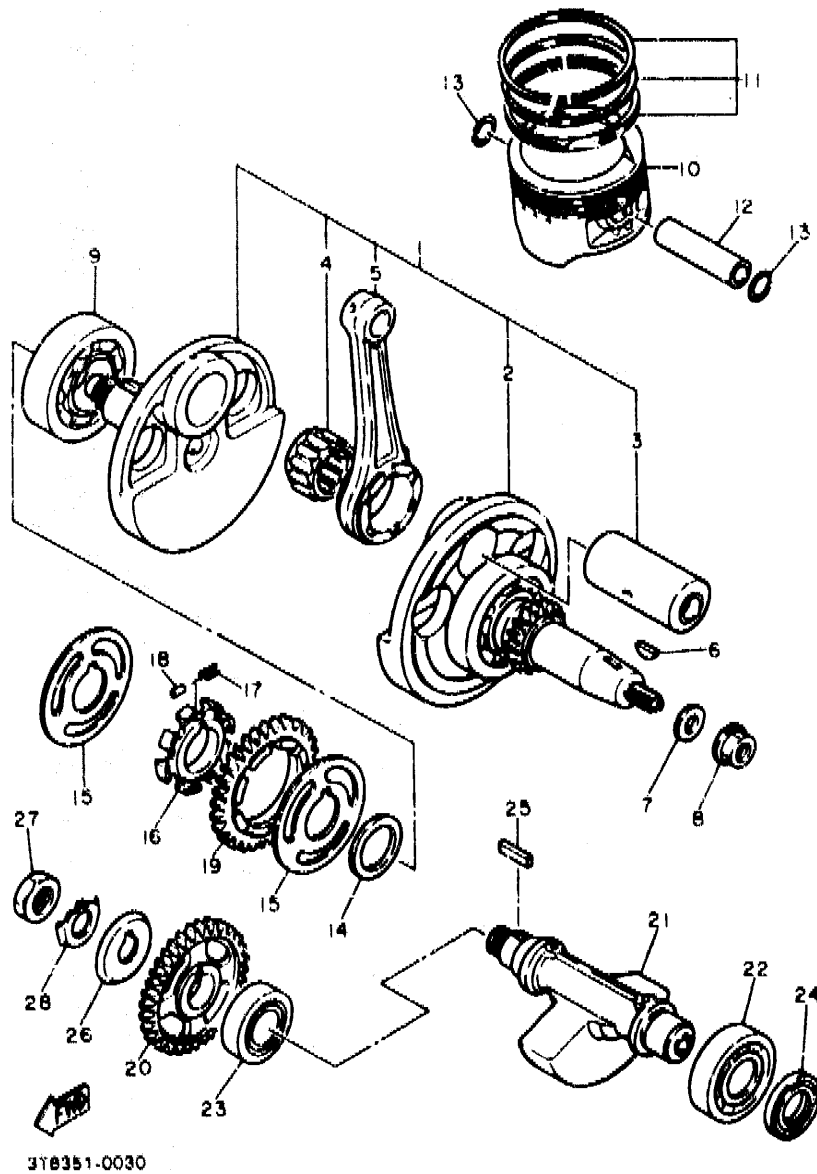


REF. NO.	PART NO.	DESCRIPTION	Q'TY	REMARKS
1	3TB-11310-00	CYLINDER	1	
2	93210-87524	O-RING	1	
3	583-11127-00	ABSORBER 3	2	
4	1VJ-11351-00	GASKET, cylinder	1	
5	90201-080L8	WASHER, plate	2	
6	90176-08026	NUT, crown	2	
7	90201-10590	WASHER, plate	2	
8	90179-10201	NUT	2	
9	90201-10124	WASHER, plate	2	
10	90179-10279	NUT	2	
11	91316-08036	BOLT	2	
12	2KF-11181-01	GASKET, cylinder head 1	1	
13	91810-05018	PIN, dowel	2	
14	90105-06505	BOLT, washer based	4	
15	90201-085L3	WASHER, plate	4	
16	90430-08178	GASKET	1	
17	99510-08016	PIN, dowel	1	

21Y280-8020

B4

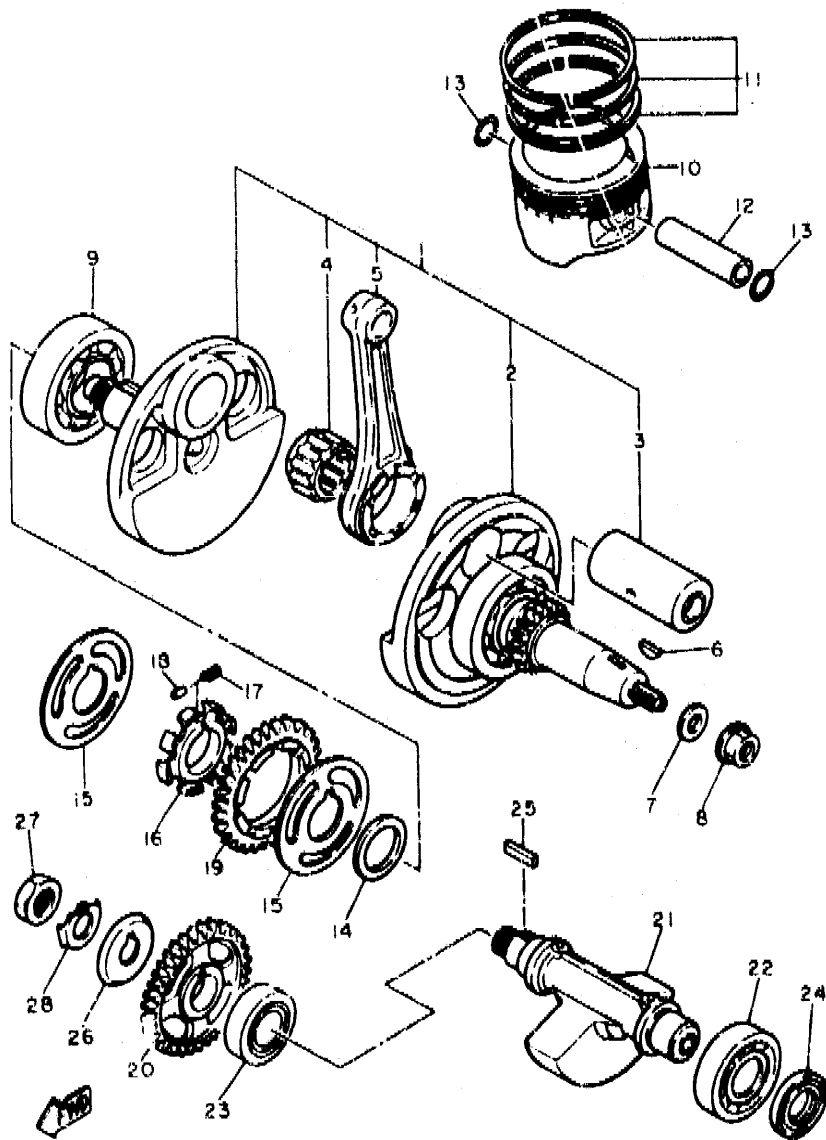
FIG. 3 CRANKSHAFT, PISTON



REF. NO.	PART NO.	DESCRIPTION	QTY	REMARKS
1	3TB-11400-00	CRANKSHAFT ASSY	1	
2	1VJ-W1141-00	CRANK 1	1	
3	1VJ-11681-00	PIN, crank 1	1	
4	93310-G35C6	BEARING, cylindrical	1	
5	3TB-11651-00	ROD, connecting	1	
6	90280-05048	KEY, woodruff	1	
7	90201-140A9	WASHER, plate	1	
8	90179-14317	NUT	1	
9	93306-30702	BEARING (B8307)	1	
10	3TB-11631-00-Y0	PISTON (STD)	1	
	3TB-11636-00	PISTON (0.50MM O/S)	1	AP
	3TB-11635-00	PISTON (1.00MM O/S)	1	AP
11	34L-11610-00	PISTON RING SET (STD)	1	
	34L-11610-20	PISTON RING SET (0.50MM O/S)	1	AP
	34L-11610-40	PISTON RING SET (1.00MM O/S)	1	AP
12	1JK-11633-01	PIN, piston	1	
13	93450-24028	CIRCLIP	2	
14	90201-301F4	WASHER, plate	1	
15	34K-11565-02	WASHER, bearing cover	2	
16	5Y1-11496-01	BOSS, buffer	1	
17	90501-22721	SPRING, compression	8	
18	93605-10080	PIN, dowel	4	
19	2JT-11536-00	GEAR, drive	1	
20	5Y1-11531-00	GEAR, blance wt 44t	1	
21	34K-11454-00	WEIGHT 1	1	
22	93306-30525	BEARING (B8305)	1	
23	93306-30541	BEARING	1	
24	93101-25106	OIL SEAL	1	

B5

FIG. 3 CRANKSHAFT. PISTON



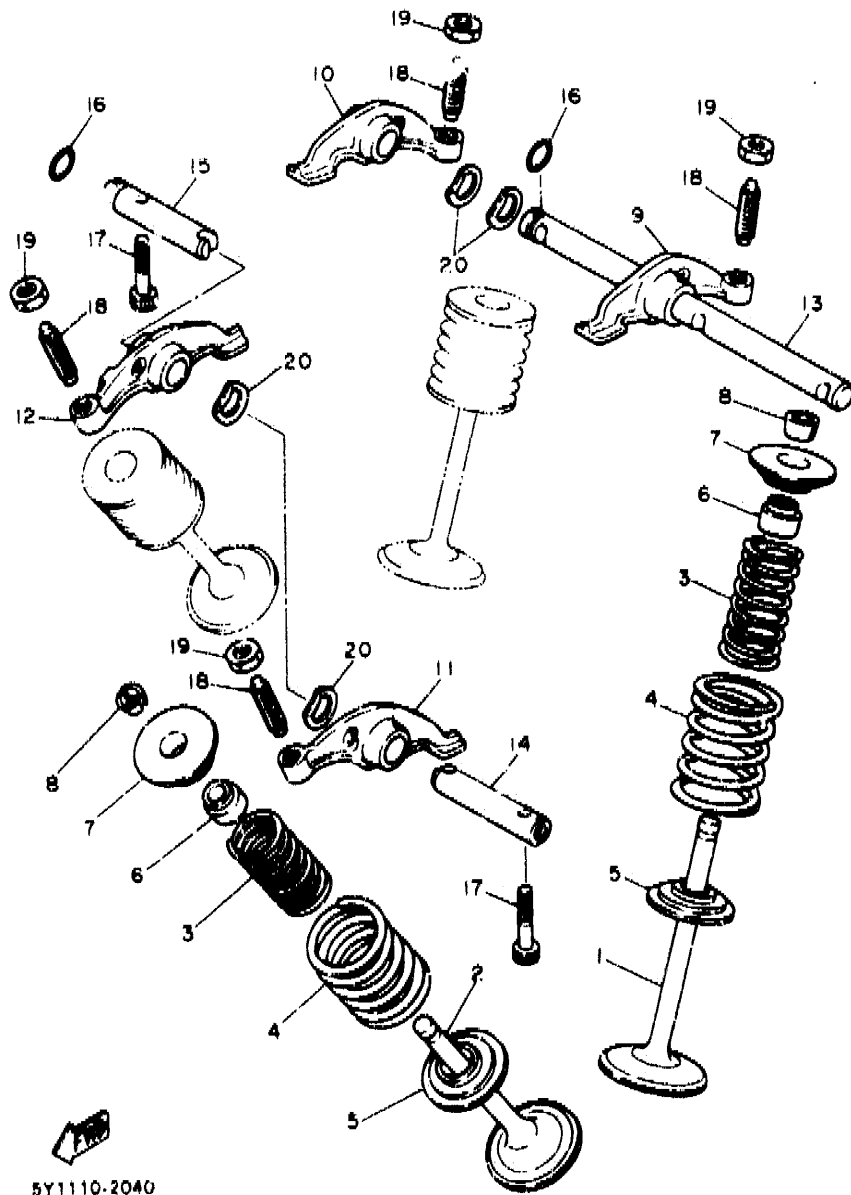
318351-0030

REF. NO.	PART NO.	DESCRIPTION	Q'TY	REMARKS
25	90282-05013	KEY, straight	1	
26	34K-11145-00	PLATE, breather 2	1	
27	90170-16343	NUT	1	
28	90215-16242	WASHER, lock	1	

B6

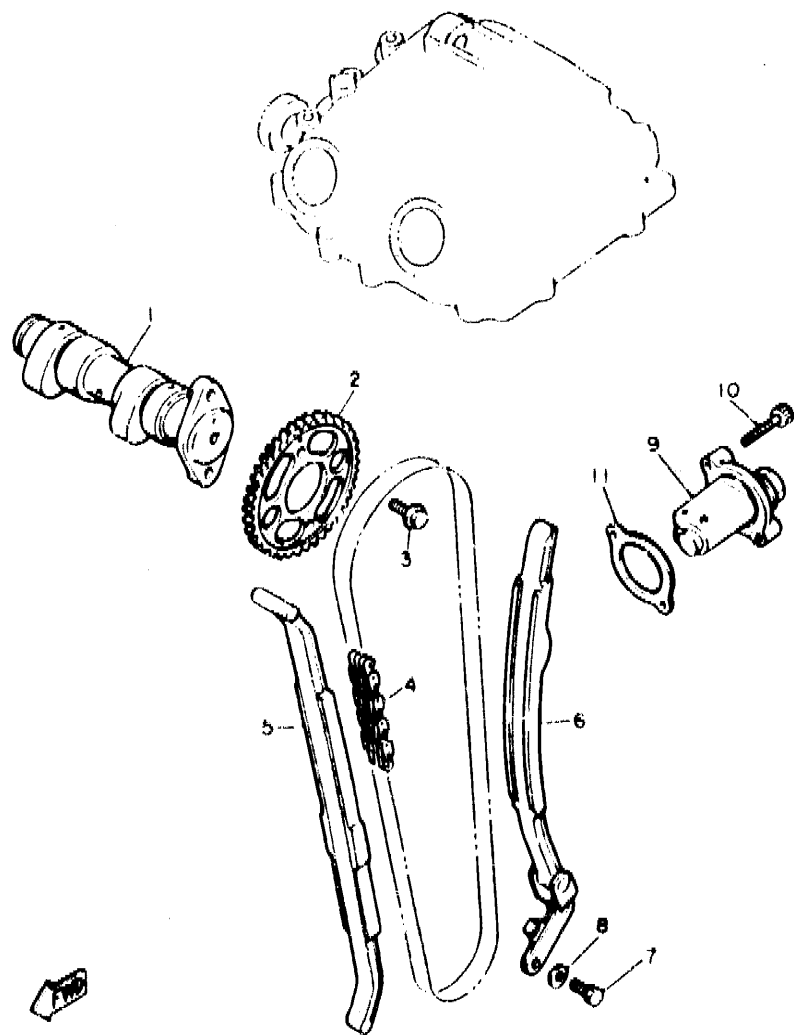
FIG. 4 VALVE

REF. NO.	PART NO.	DESCRIPTION	Q'TY	REMARKS
1	1VJ-12111-00	VALVE, intake	2	
2	1VJ-12121-00	VALVE, exhaust	2	
3	5Y1-12113-00	SPRING, valve inner	4	
4	5Y1-12114-00	SPRING, valve outer	4	
5	4H7-12116-00	SEAT, valve spring	4	
6	1J7-12119-01	SEAL, valve stem	4	
7	2F3-12117-00	RETAINER, valve spring	4	
8	1J7-12118-00	COTTER, valve	8	
9	34K-12131-00	ARM, valve rocker	1	
10	34K-12181-00	ARM, valve rocker 2	1	
11	34K-12182-00	ARM, valve rocker 3	1	
12	34K-12183-00	ARM, valve rocker 4	1	
13	2NX-12148-00	SHAFT, rocker	1	
14	2NX-12156-00	SHAFT, rocker 2	1	
15	2NX-12166-00	SHAFT, rocker 3	1	
16	93210-08521	O-RING	2	
17	90109-063E8	BOLT	2	
18	2NX-12159-00	SCREW, valve adjusting	4	
19	90170-06128	NUT	4	
20	90208-12076	WASHER, wave	4	



5Y1110-2040

FIG. 5 CAMSHAFT. CHAIN

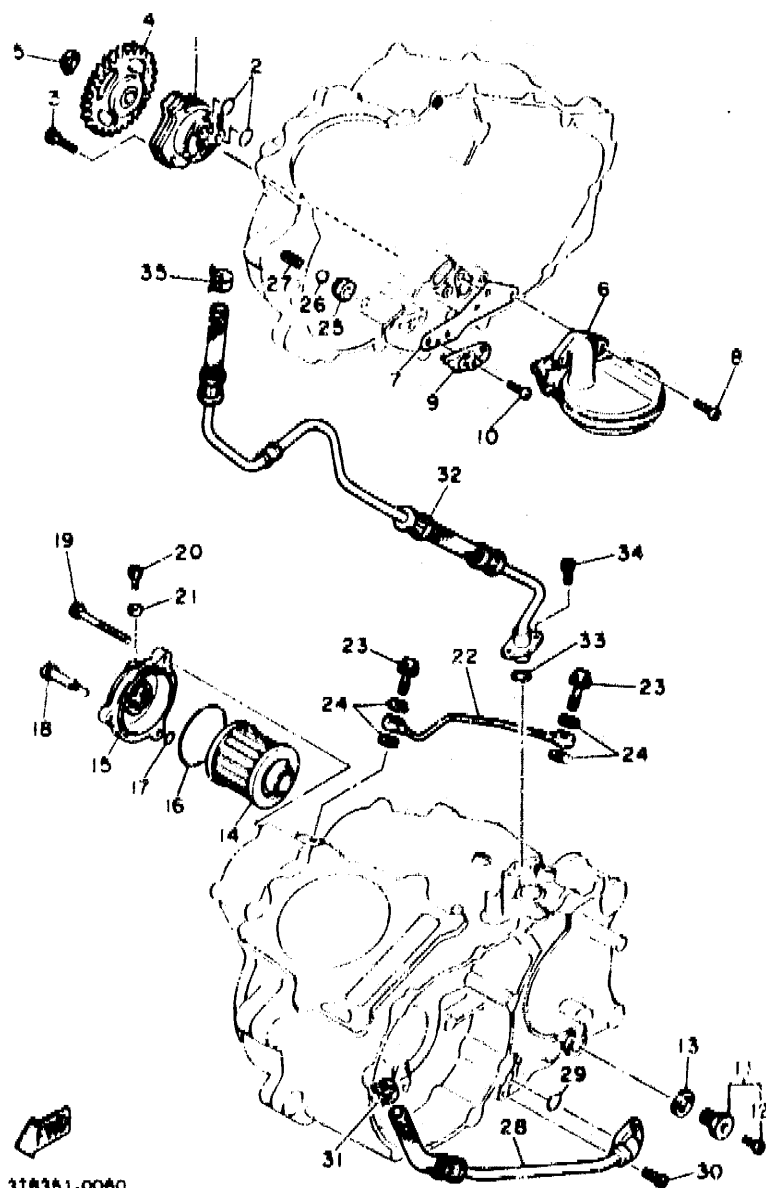


REF. NO.	PART NO.	DESCRIPTION	QTY	REMARKS
1	1JK-12171-00	CAMSHAFT 1	1	
2	3TB-12176-00	SPROCKET, cam chain	1	
3	90105-07087	BOLT, washer based	2	
4	94590-27126	CHAIN	1	
5	34K-12231-00	GUIDE, stopper 1	1	
6	34K-12241-00	GUIDE, stopper 2	1	
7	97021-08016	BOLT	2	
8	92901-06600	WASHER, plate	2	
9	3TB-12210-00	TENSIONER ASSY, cam chain	1	
10	91316-08025	BOLT	2	
11	4X7-12213-00	GASKET, tensioner case	1	

3AJ1351-8050

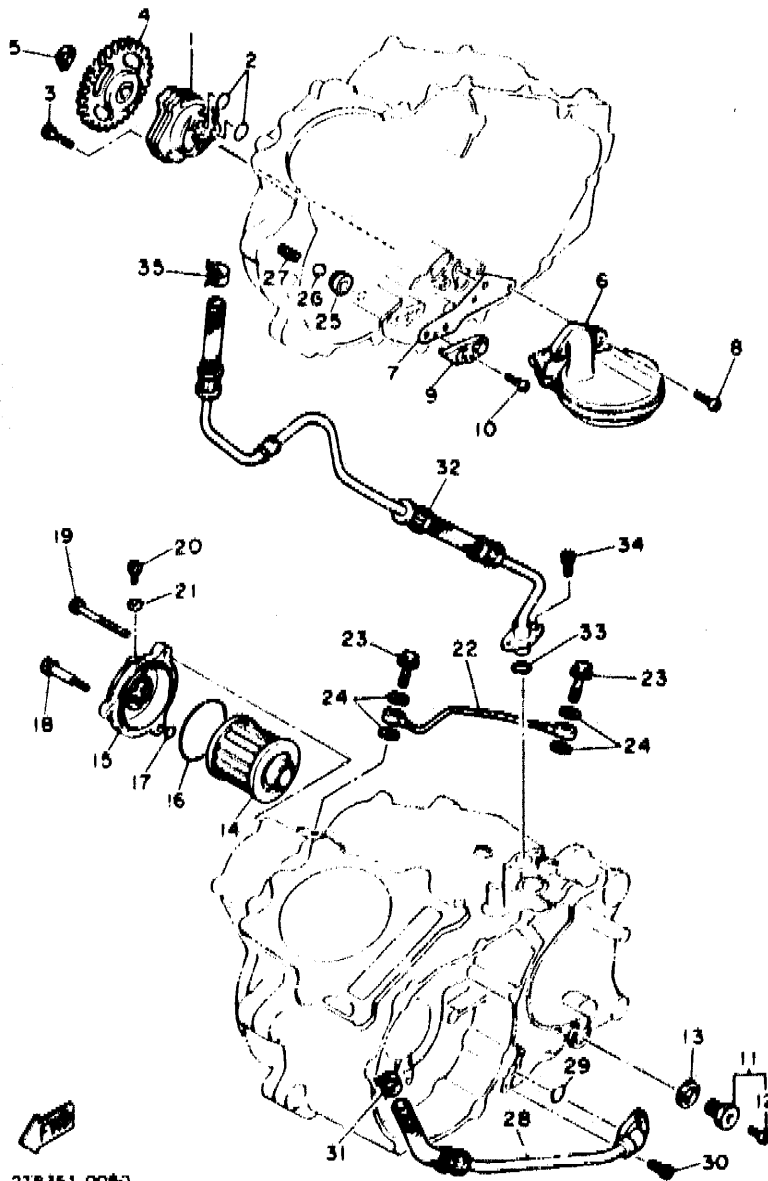
B8

FIG. 6 OIL PUMP



REF. NO.	PART NO.	DESCRIPTION	QTY	REMARKS
1	3AJ-13300-00	OIL PUMP ASSY	1	
2	93210-13361	O-RING	2	
3	91318-06035	BOLT	3	
4	3AJ-13325-00	GEAR, pump driven	1	
5	99009-11400	CIRCLIP	1	
6	5Y1-W1343-00	STRAINER COMP.	1	
7	5Y1-13415-01	SEAL, oil strainer	1	
8	98501-06016	SCREW, pan head	2	
9	5Y1-15427-01	COVER, cap 2	1	
10	98501-06016	SCREW, pan head	1	
11	11H-13455-00	PLUG	1	
12	98901-06006	SCREW, bind	1	
13	214-11198-01	GASKET	1	
14	4X7-13440-90	ELEMENT ASSY, oil cleaner	1	
15	2WR-13447-00	COVER, oil element	1	
16	93210-64297	O-RING	1	
17	93210-07136	O-RING	1	
18	90109-06419	BOLT	1	
19	91318-06080	BOLT	2	
20	90149-05110	SCREW	1	
21	90430-05126	GASKET	1	
22	3AJ-13101-00	PIPE, delivery 1	1	
23	90401-08133	BOLT, union	2	
24	90430-08204	GASKET	4	
25	583-13113-00	SEAT, check ball	1	
26	93503-06007	BALL	1	
27	90501-043E0	SPRING, compression	1	
28	3TB-13464-00	HOSE, oil 1	1	

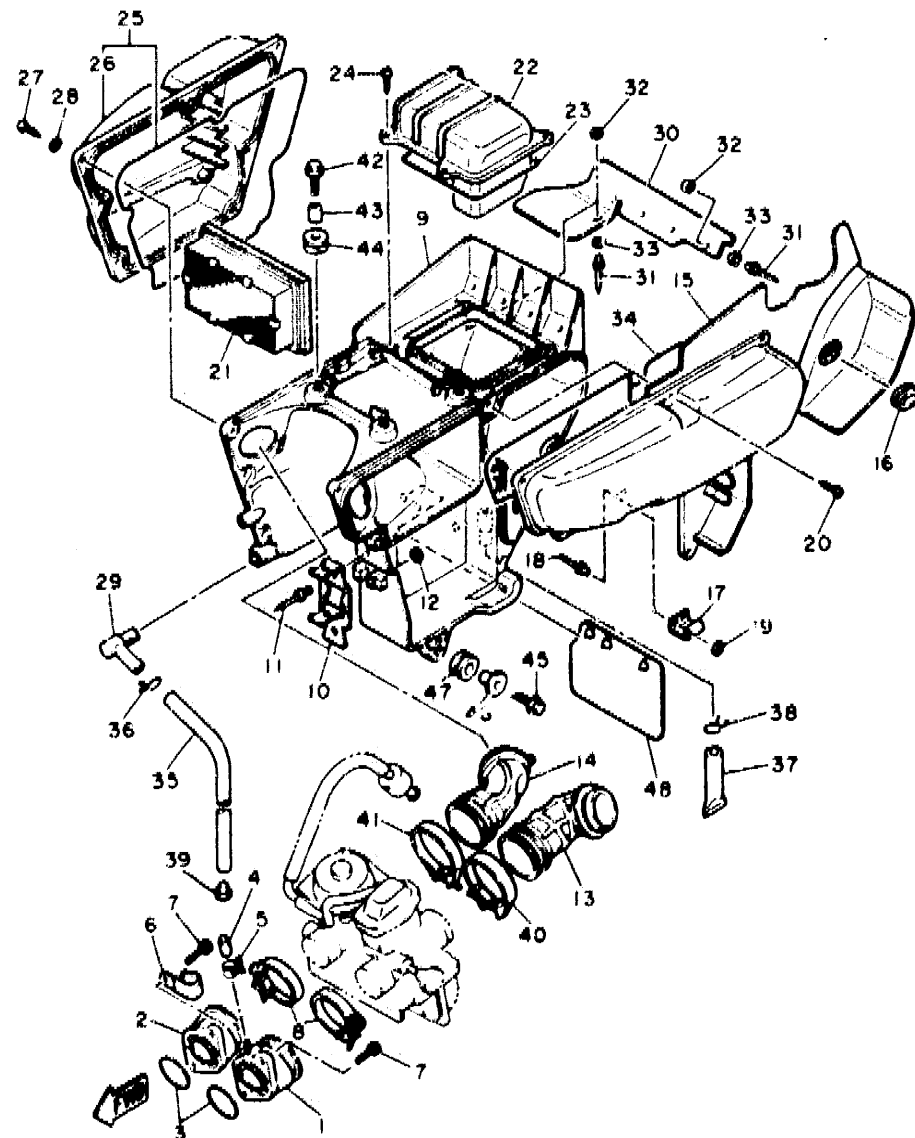
FIG. 6 OIL PUMP



REF. NO.	PART NO.	DESCRIPTION	Q'TY	REMARKS
29	93210-10197	O-RING	1	
30	91318-08016	BOLT	2	
31	90460-22052	HOSE CLAMP ASSY	1	
32	3TB-13465-00	HOSE, OIL 2	1	
33	93210-15171	O-RING	1	
34	91318-08016	BOLT	2	
35	90460-22052	HOSE CLAMP ASSY	1	

B10

FIG. 7 INTAKE

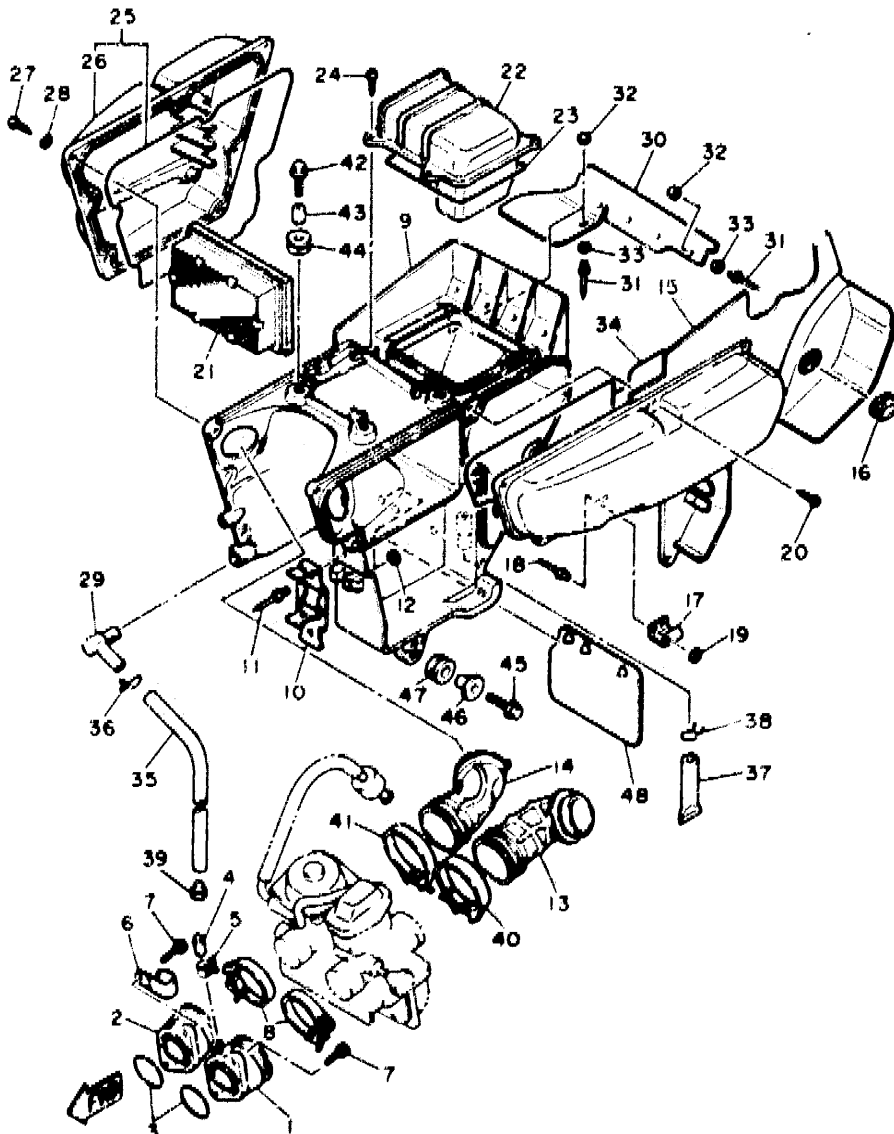


3TB351-1070

REF. NO.	PART NO.	DESCRIPTION	Q'TY	REMARKS
1	43F-13586-01	JOINT, carburetor 1	1	
2	1VJ-13586-00	JOINT, carburetor 2	1	
3	93210-36549	O-RING	2	
4	16G-13589-00	PLUG, blind	1	
5	90467-10039	CLIP	1	
6	90465-08028	CLAMP	1	
7	91316-06020	BOLT	4	
8	90460-46206	CLAMP, hose	2	
9	3TB-14411-00	CASE, air cleaner 1	1	
10	3TB-81953-00	STAY, relay	1	
11	90267-40075	RIVET, blind	1	
12	92901-04600	WASHER, plate	1	
13	3TB-14453-00	JOINT, air cleaner 1	1	
14	3TB-14454-00	JOINT	1	
15	3TB-1441A-00	COVER, cleaner case 1	1	
16	90480-12325	GROMMET	1	
17	43G-14436-00	HOOK	1	
18	90267-40075	RIVET, blind	2	
19	92901-04600	WASHER, plate	2	
20	97706-50620	SCREW, tapping	7	
21	3TB-14451-00	ELEMENT, air cleaner	1	
22	3TB-14412-00	CAP, cleaner case 1	1	
23	3TB-14457-00	SEAL	1	
24	97706-50620	SCREW, tapping	4	
25	3TB-1441E-00	COVER, cleaner case 2	1	
26	3TB-1446R-00	SEAL	1	
27	96606-06020	SCREW, pan head	7	
28	92906-05600	WASHER, plate	7	

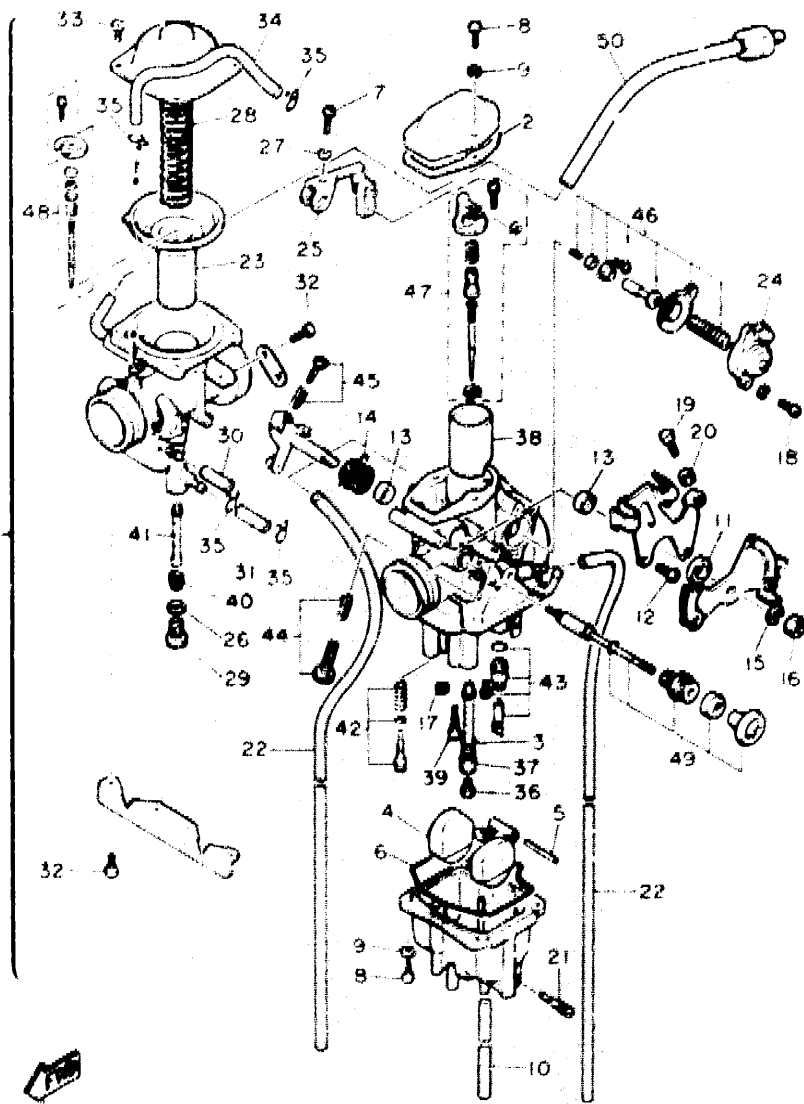
FIG. 7 INTAKE

REF. NO.	PART NO.	DESCRIPTION	Q'TY	REMARKS
29	5Y1-14419-00	PIPE	1	
30	3TB-21621-00	FLAP	1	
31	90267-40077	RIVET, blind	5	
32	90201-047A2	WASHER, plate	5	
33	92990-04200	WASHER, plain	6	
34	3TB-14452-00	SEAL	1	
35	90445-126G6	HOSE	1	
36	90467-12052	CLIP	1	
37	34X-1443E-00	PIPE, drain	1	
38	90467-11102	CLIP	1	
39	90338-08174	PLUG	1	
40	90480-51059	CLAMP, hose	1	
41	90480-58015	CLAMP, hose	1	
42	95811-08020	BOLT, flange	3	
43	90387-06033	COLLAR	3	
44	90480-14329	GROMMET	2	
45	95816-08025	BOLT, flange	1	
46	90387-074X3	COLLAR	1	
47	90480-15054	GROMMET	1	
48	34X-21691-00	FLAP	1	



3TB351-1070

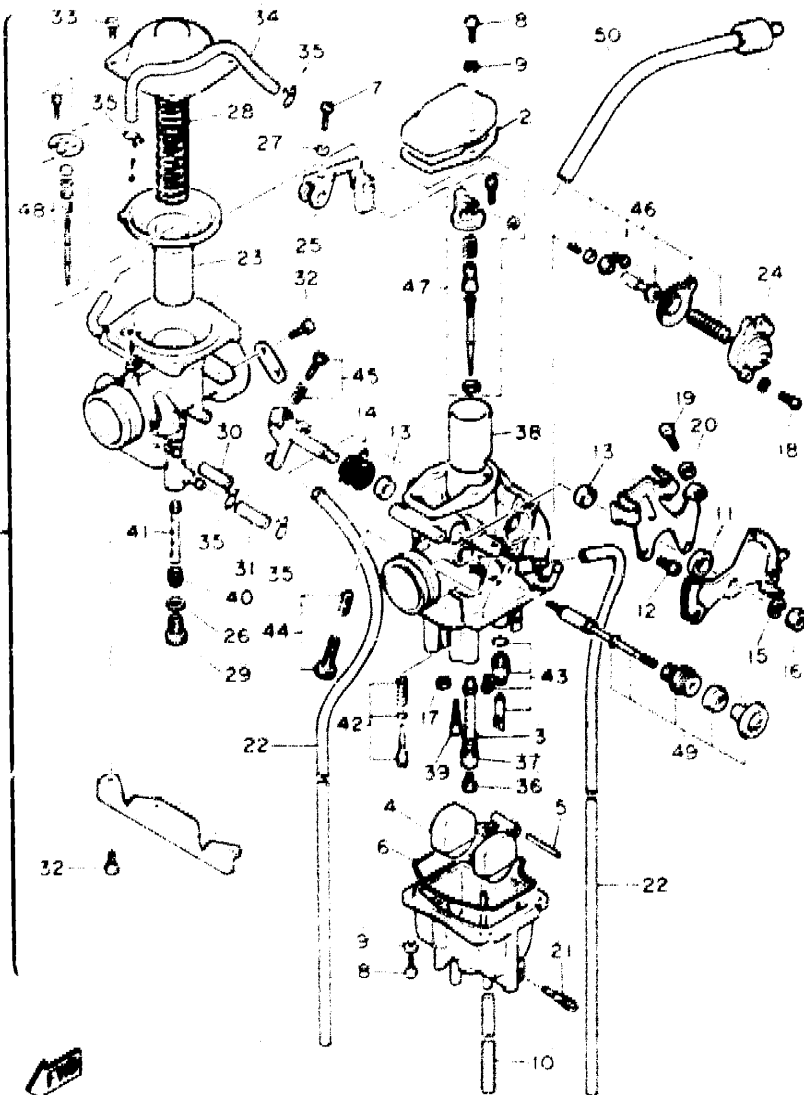
FIG. 8 CARBURETOR



3TB332-0080

REF. NO.	PART NO.	DESCRIPTION	QTY	REMARKS
1	3TB-14301-00	CARBURETOR ASSY 1	1	
2	5Y1-14198-00	.GASKET	1	
3	360-24812-00	.GASKET	2	
4	2JN-14385-00	.FLOAT	1	
5	6E5-14386-01	.PIN, float	1	
6	5Y1-14384-00	.GASKET, float chamber	1	
7	98580-04016	.SCREW, pan head	1	
8	98503-04014	.SCREW, pan head	6	
9	92902-C4100	.WASHER, spring	6	
10	1JK-14197-00	.PIPE	1	
11	1JK-14367-00	.COLLAR	1	
12	98580-04010	.SCREW, pan head	2	
13	5Y1-14572-00	.SEAL	2	
14	1XL-14131-00	.SPRING, throttle valve	1	
15	5Y1-14388-00	.WASHER, spring	1	
16	5Y1-14386-00	.NUT	1	
17	5Y1-14536-00	.GASKET	1	
18	98580-04010	.SCREW, pan head	2	
19	98580-04020	.SCREW, pan head	1	
20	302-14388-00	.NUT	1	
21	14T-14323-00	.SCREW, air adjusting	1	
22	1VJ-14197-00	.PIPE	2	
23	1JK-14940-01	.DIAPHRAGM ASSY	1	
24	2JN-14293-00	.COVER 1	1	
25	1JK-14291-00	.CONNECTER COMP.	1	
26	7KF-14227-00	.WASHER	1	
27	92990-04100	.WASHER, spring	1	
28	1VJ-14286-00	.SPRING	1	

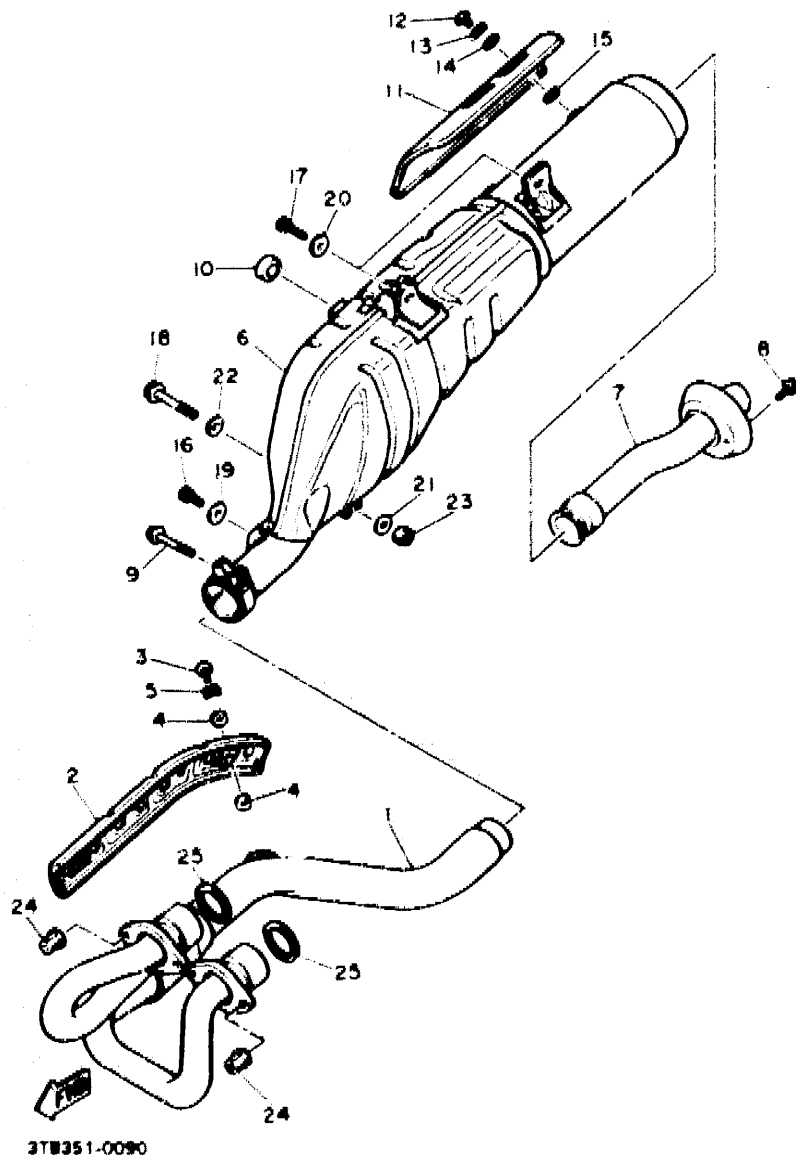
FIG. 8 CARBURETOR



318332 0080

REF. NO.	PART NO.	DESCRIPTION	QTY	REMARKS
29	7KF-14162-00	.BOLT, holding	1	
30	5Y1-14349-00	.PIPE	1	
31	30X-14148-00	.PIPE	1	
32	98501-05010	.SCREW, pan head	6	
32	98580-04010	.SCREW, pan head	4	
34	5Y1-14149-00	.PIPE	1	
35	5Y1-14159-00	.CLIP	4	
36	288-14343-65	.JET, main (# 130)	1	UR STD
	288-14343-60	.JET, main (# 120)	1	UR
	288-14343-70	.JET, main (# 140)	1	UR
37	2KF-14341-00	.NOZZLE, main	1	
38	1JK-14313-56	.VALVE, throttle 2	1	
39	43F-14342-25	.JET, pilot (# 50)	1	
40	30X-14343-55	.JET, main (# 110)	1	
41	2KF-14355-00	.NOZZLE, main 2	1	
42	51Y-14105-00	.PILOT SCREW SET	1	
43	2JN-14107-00	.NEEDLE VALVE SET	1	
44	3GV-1490K-00	.STOP SCREW SET	1	
45	2NX-14103-00	.THROTTLE SCREW SET	1	
46	1JK-1490A-00	.DIAPHRAGM SET, 1	1	
47	3TB-1490J-10	.NEEDLE SET	1	
48	3TB-1490J-00	.NEEDLE SET	1	
49	2KF-1410A-00	.STARTER SET	1	
50	3TD-14197-00	PIPE	1	

FIG. 9 EXHAUST



REF. NO.	PART NO.	DESCRIPTION	QTY	REMARKS
1	34K-14611-01	PIPE, exhaust 1	1	
2	34K-14628-01	PROTECTOR, exhaust pipe	1	
3	90164-08017	SCREW, tapping	2	
4	30X-14786-00	WASHER, protector	4	
5	90206-08090	WASHER, wave	2	
6	3TB-14711-00	MUFFLER 1	1	
7	3TB-14752-00	PIPE, outlet	1	
8	91316-08012	BOLT	1	
9	95816-08045	BOLT, flange	1	
10	22W-24181-00	DAMPER, locating 1	1	
11	3TB-14728-00	PROTECTOR, muffler 2	1	
12	98980-08010	SCREW, bind	2	
13	90206-08090	WASHER, wave	2	
14	3RW-14786-00	WASHER, protector	2	
15	30X-14786-00	WASHER, protector	2	
16	90109-085E2	BOLT	1	
17	90106-10188	BOLT, washer based	2	
18	90105-10232	BOLT, washer based	1	
19	90201-08326	WASHER, plate	1	
20	90201-102J5	WASHER, plate	2	
21	90201-101J1	WASHER, plate	1	
22	90201-10144	WASHER, plate	1	
23	95811-10200	NUT, self-locking	1	
24	90179-08600	NUT	4	
25	5Y1-14613-00	GASKET, exhaust pipe	2	

CONTENTS

GENERAL SPEC. ENGINE

Cylinder Head	B2 ~ B3
Cylinder	B4
Crankshaft - Piston	B5 ~ B6
Valve	B7
Camshaft - Chain	B8
Oil Pump	B9 ~ B10
Intake	B11 ~ B12
Carburetor	B13 ~ B14
Exhaust	B15
Crankcase	C2
Crankcase Cover 1	C3 ~ C4
Starter Clutch	C5
Clutch	C6 ~ C7
Transmission	C8 ~ C9
Shift Cam - Fork	C10
Shift Shaft	C11

CHASSIS

Frame	C12 ~ C13
Fender	C14 ~ C15
Side Cover	D2
Rear Arm	D3 ~ D4
Rear Suspension	D5
Steering	D6
Front Fork	D7 ~ D8

Fuel Tank	D9 ~ D10
Seat	D11
Front Wheel	D12 ~ D13
Rear Wheel	D14 ~ D15
Rear Brake Caliper	E2
Steering Handle - Cable	E3
Front Master Cylinder	E4
Stand - Footrest	E5
Rear Master Cylinder	E6 ~ E7
Cowling 1	E8
Generator	E9
Flasher Light	E10
Meter	E11
Headlight	E12
Taillight	E13
Handle Switch - Lever	E14
Electrical 1	E15
Electrical 2	F2

INDIVIDUAL SPEC.

FOR DENMARK, FINLAND, NORWAY

Alternate (Fender)	F4
Alternate (Meter)	F5

FOR ENGLAND, OCEANIA

Alternate (Electrical)	F7
------------------------------	----

FOR SWEDEN

Alternate (Engine)	F9
Alternate (Chassis)	F10
Alternate (Meter)	F11

FOR SWITZERLAND

Alternate (Engine)	F13
Alternate (Chassis)	F14

INDEX (GENERAL SPEC.)

NUMERICAL INDEX	K2 ~ K5
-----------------------	---------

INDEX (INDIVIDUAL SPEC.)

NUMERICAL INDEX	L2
-----------------------	----

CONTENTS

GENERAL SPEC. ENGINE

Cylinder Head	B2 ~ B3
Cylinder	B4
Crankshaft - Piston	B5 ~ B6
Valve	B7
Camshaft - Chain	B8
Oil Pump	B9 ~ B10
Intake	B11 ~ B12
Carburetor	B13 ~ B14
Exhaust	B15
Crankcase	C2
Crankcase Cover 1	C3 ~ C4
Starter Clutch	C5
Clutch	C6 ~ C7
Transmission	C8 ~ C9
Shift Cam - Fork	C10
Shift Shaft	C11

CHASSIS

Frame	C12 ~ C13
Fender	C14 ~ C15
Side Cover	D2
Rear Arm	D3 ~ D4
Rear Suspension	D5
Steering	D6
Front Fork	D7 ~ D8

Fuel Tank	D9 ~ D10
Seat	D11
Front Wheel	D12 ~ D13
Rear Wheel	D14 ~ D15
Rear Brake Caliper	E2
Steering Handle - Cable	E3
Front Master Cylinder	E4
Stand - Footrest	E5
Rear Master Cylinder	E6 ~ E7
Cowling 1	E8
Generator	E9
Flasher Light	E10
Meter	E11
Headlight	E12
Taillight	E13
Handle Switch - Lever	E14
Electrical 1	E15
Electrical 2	F2

INDIVIDUAL SPEC.

FOR DENMARK, FINLAND, NORWAY

Alternate (Fender)	F4
Alternate (Meter)	F5

FOR ENGLAND, OCEANIA

Alternate (Electrical)	F7
------------------------------	----

FOR SWEDEN

Alternate (Engine)	F9
Alternate (Chassis)	F10
Alternate (Meter)	F11

FOR SWITZERLAND

Alternate (Engine)	F13
Alternate (Chassis)	F14

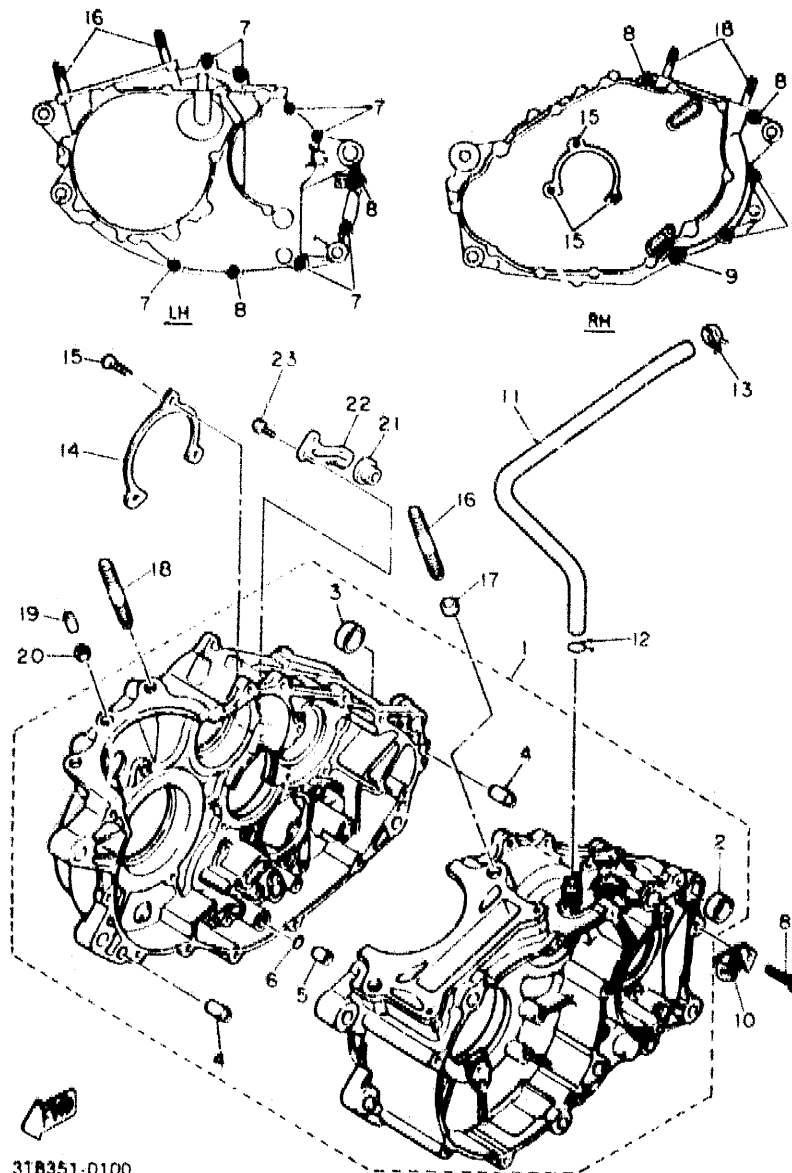
INDEX (GENERAL SPEC.)

NUMERICAL INDEX	K2 ~ K5
-----------------------	---------

INDEX (INDIVIDUAL SPEC.)

NUMERICAL INDEX	L2
-----------------------	----

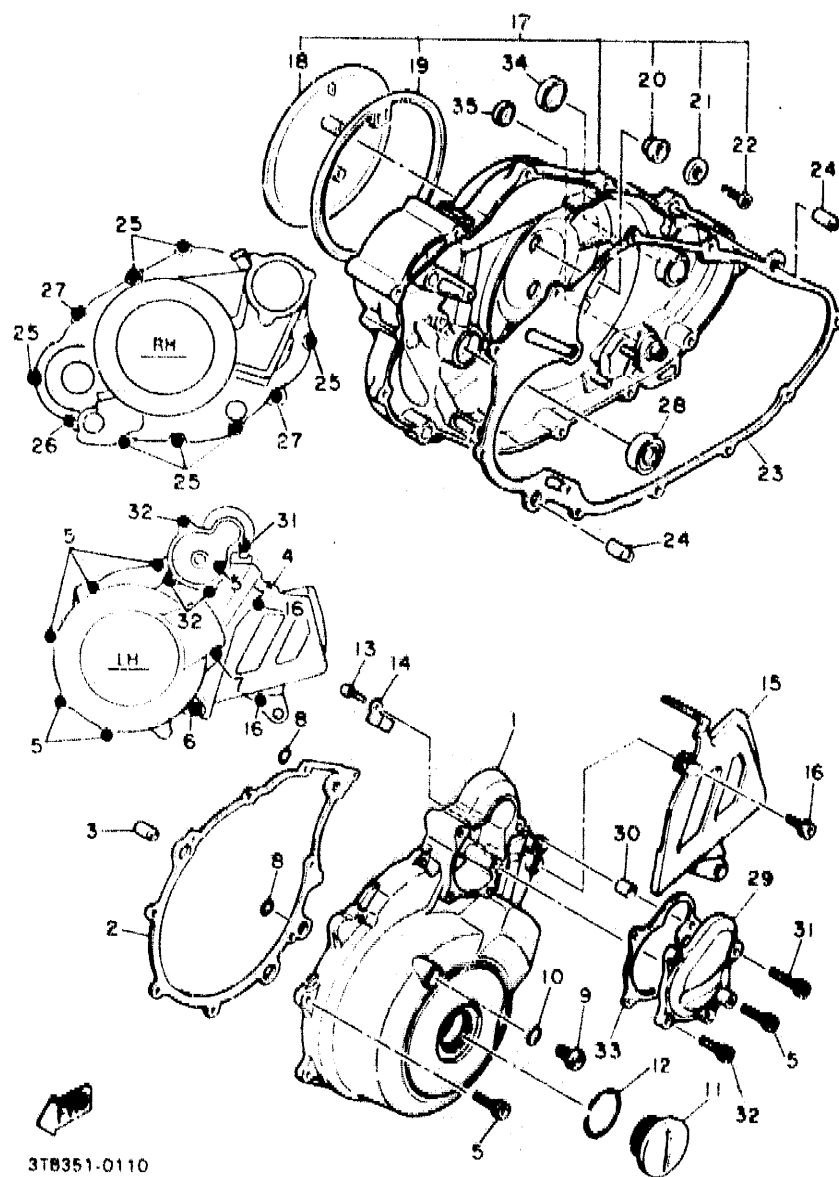
FIG. 10 CRANKCASE



318351-0100

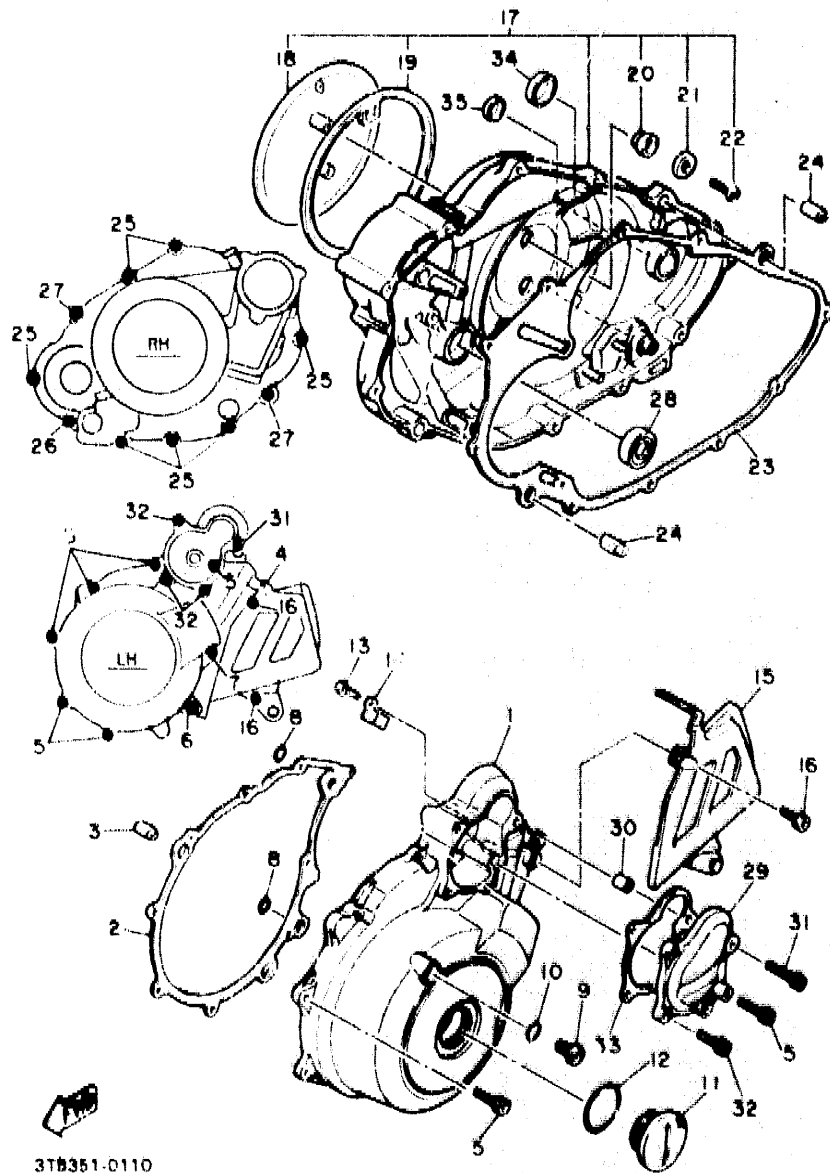
REF. NO.	PART NO.	DESCRIPTION	QTY	REMARKS
1	3DS-15'00-00	CRANKCASE ASSY	1	CIRCUIT SILVER
2	90387-17783	.COLLAR	1	
3	90387-16782	.COLLAR	1	
4	99510-12016	.PIN, dowel	2	
5	99510-08016	.PIN, dowel	1	
6	93210-07135	.O-RING	1	
7	90110-06138	BOLT, hexagon socket head	9	
8	91316-06045	BOLT	4	
9	91316-06060	BOLT	1	
10	90405-08344	CLAMP	1	
11	3TB-11166-00	PIPE, breather 1	1	
12	90467-14015	CLIP	1	
13	90467-17128	CLIP	1	
14	5Y1-15383-00	PLATE, bearing cover	1	
15	96701-06012	SCREW, flat head	3	
16	90116-10506	BOLT, stud	2	
17	99510-14016	PIN, dowel	2	
18	90116-10283	BOLT, stud	2	
19	99510-05016	PIN, dowel	1	
20	90430-08178	GASKET	1	
21	3Y6-12167-00	PLUG, blind 1	1	
22	3Y6-15'44-00	PLATE, lock	1	
23	98021-04016	BOLT	2	

FIG. 11 CRANKCASE COVER 1



REF. NO.	PART NO.	DESCRIPTION	QTY	REMARKS
1	3TD-15411-01	COVER, crankcase 1	1	
2	1VJ-15451-00	GASKET, crankcase cover 1	1	
3	99510-12016	PIN, dowel	2	
4	91316-06035	BOLT	1	
5	91316-06025	BOLT	6	
6	91316-06050	BOLT	1	
7	91316-06050	BOLT	1	
8	93210-13361	O-RING	2	
9	90340-08M04	PLUG, straight screw	1	
10	30430-08143	GASKET	1	
11	90240-36121	PLUG, straight screw	1	CIRCUIT SILVER
12	91210-36510	O-RING	1	
13	98201-06012	SCREW, pan head	1	
14	90462-16102	CLAMP	1	
15	3AJ-15421-00	COVER, crankcase 2	1	CIRCUIT SILVER
16	91316-06016	BOLT	2	
17	3DS-15430-00	CRANKCASE COVER ASSY 3	1	CIRCUIT SILVER
18	2WK-15418-01	COVER, chain case	1	
19	1JK-15449-00	RING, rubber	1	
20	1JK-15486-00	GROMMET	2	
21	90209-06279	WASHER	2	
22	98501-05010	SCREW, pan head	2	
23	34K-15462-01	GASKET, crankcase cover 3	1	
24	99510-12016	PIN, dowel	2	
25	91316-06025	BOLT	7	
26	90110-06138	BOLT, hexagon socket head	1	
27	91316-06035	BOLT	2	
28	93101-14092	OIL SEAL (S7-1 --25-5.5-1-MS)	1	

FIG. 11 CRANKCASE COVER 1

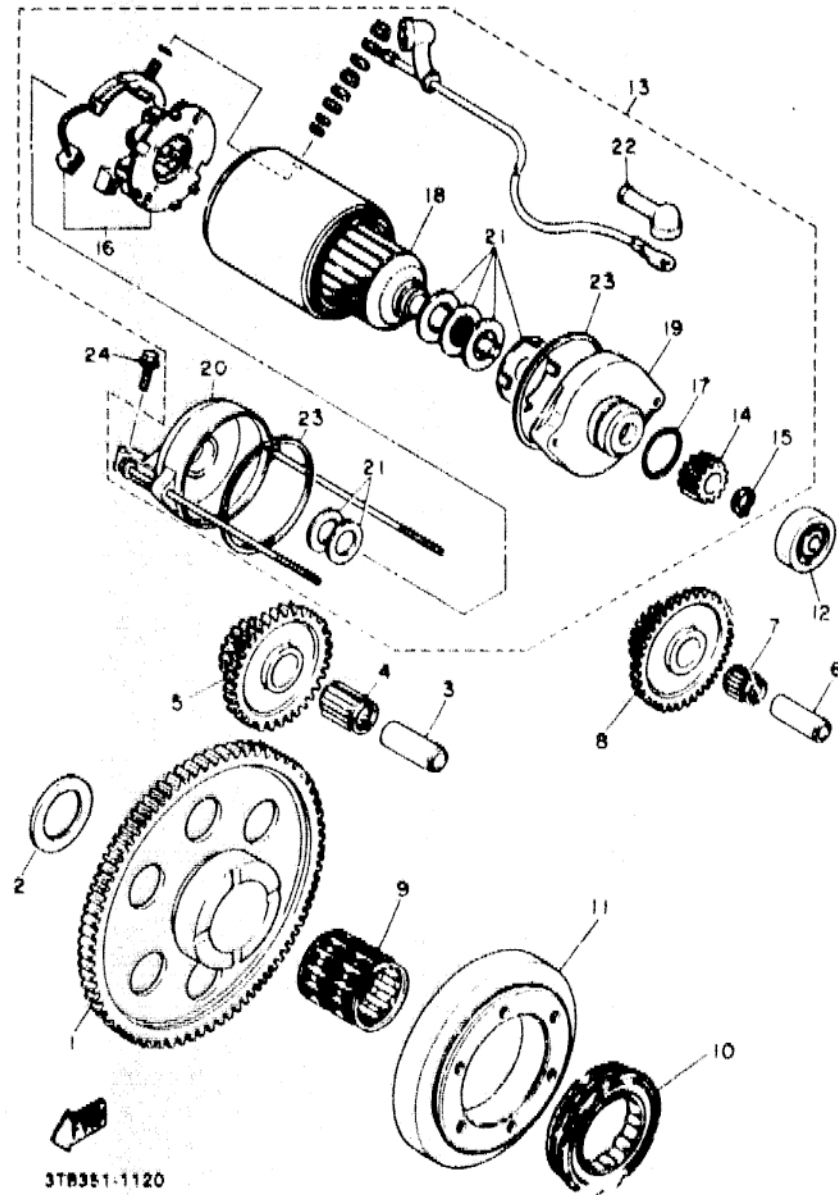


REF. NO.	PART NO.	DESCRIPTION	Q'TY	REMARKS
29	3TB-18415-00	COVER, generator	1	
30	99610-08016	PIN, dowel	1	
31	91316-08035	BOLT	1	
32	91316-08025	BOLT	3	
33	3TB-18455-00	GASKET 1	1	
34	90338-30056	PLUG	1	
35	90338-21100	PLUG	1	

3TB351-0110

C4

FIG. 12 STARTER CLUTCH

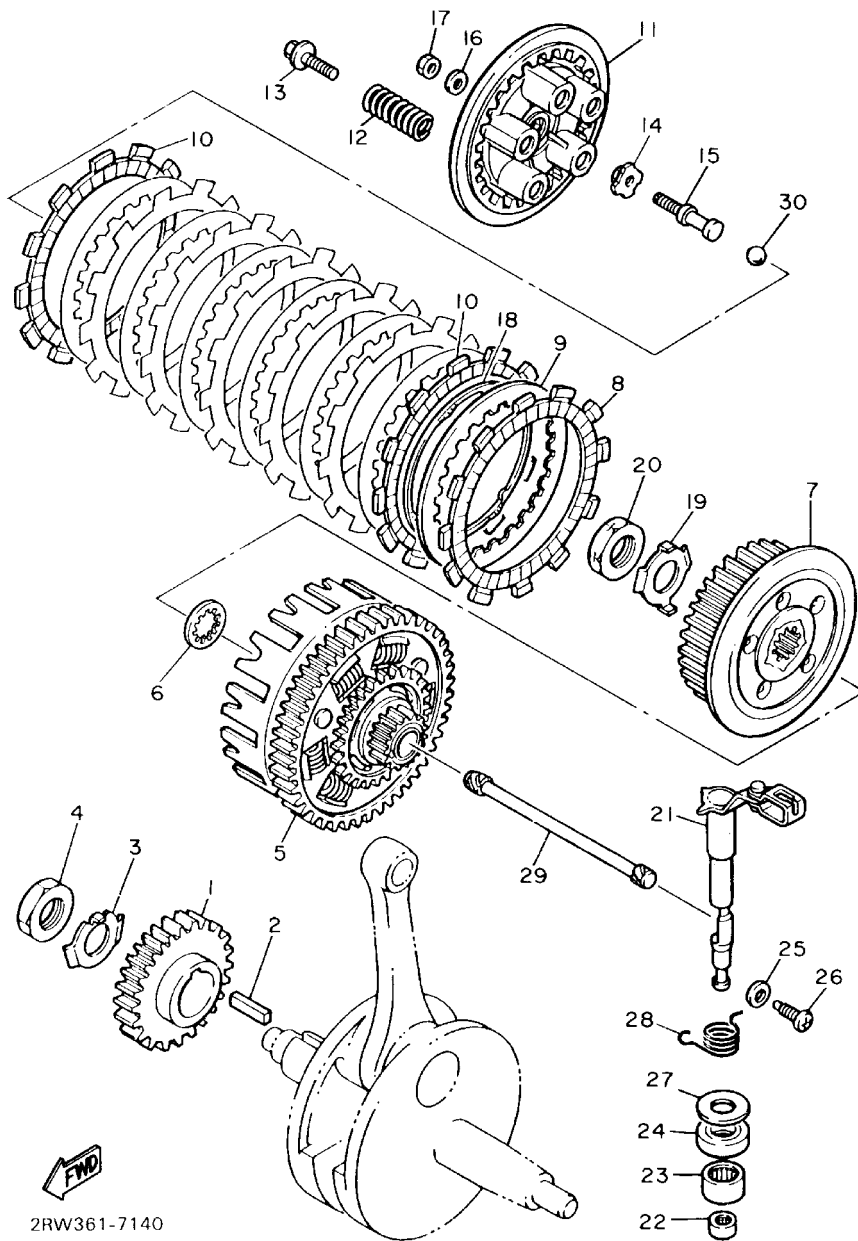


3TB361-1120

REF. NO.	PART NO.	DESCRIPTION	Q'TY	REMARKS
1	3TB-16616-00	GEAR 3	1	
2	90201-303PA	WASHER, plate	1	
3	1VJ-16622-00	SHAFT 2	1	
4	93310-217R7	BEARING, cylindrical	1	
5	1VJ-16617-00	GEAR, idler 2	1	
6	1VJ-16621-00	SHAFT 1	1	
7	93310-212R6	BEARING, cylindrical	1	
8	1VJ-16612-00	GEAR, idler 1	1	
9	93310-530C7	BEARING, cylindrical	1	
10	3TB-16690-00	STARTER ONE-WAY ASSY	1	
11	3TB-16694-00	RACE, one-way bearing	1	
12	93306-20006	BEARING (B6200)	1	NTN
13	3TB-81800-00	STARTING MOTOR ASSY	1	
14	1VJ-16611-00	.GEAR, starting motor	1	
15	93440-11024	.CIRCLIP	1	
16	3AJ-81801-00	.BRUSH SET	1	
17	2FA-81847-00	.O-RING	1	
18	3AJ-81850-00	.ARMATURE ASSY	1	
19	3AJ-81830-00	.FRONT BRACKET ASSY	1	
20	3AJ-81820-00	.REAR BRACKET ASSY	1	
21	3AJ-81808-00	.WASHER KIT	1	
22	4G0-81871-00	.CAP	1	
23	11H-81844-00	.GASKET	2	
24	96811-06030	BOLT, flange	2	

C6

FIG. 13 CLUTCH

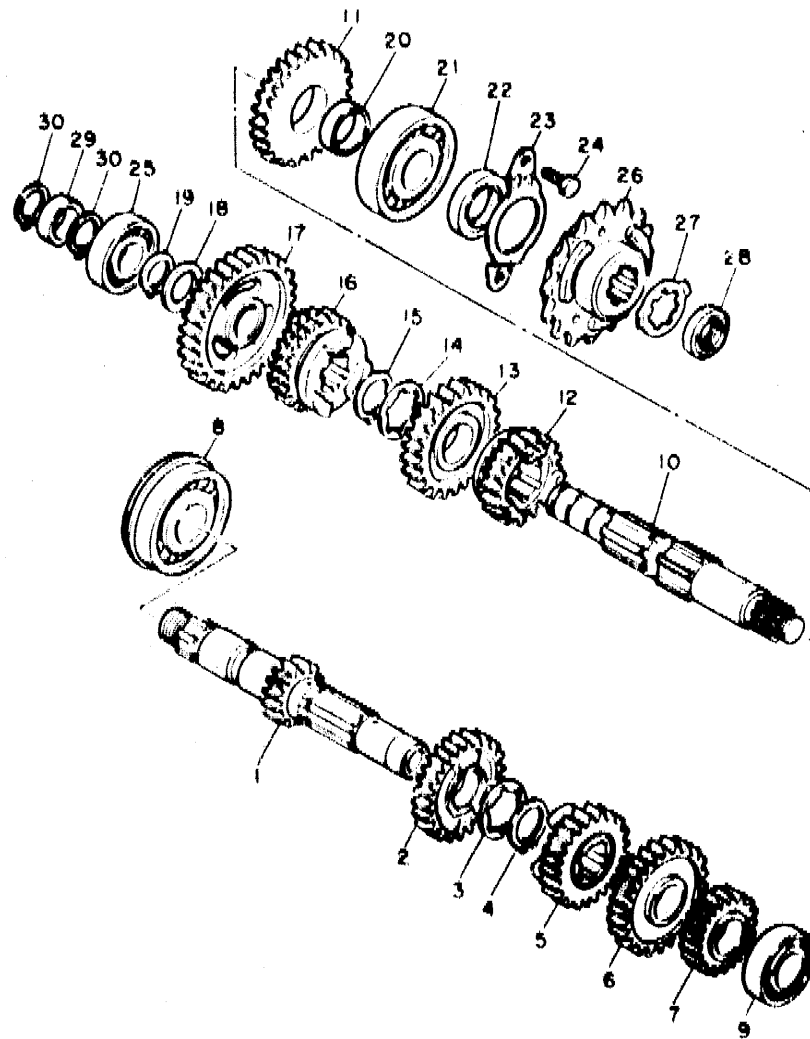


2RW361-7140

REF. NO.	PART NO.	DESCRIPTION	QTY	REMARKS
29	5Y1-16357-00	ROD, push 2	1	
30	93515-32029	BALL	1	

C7

FIG. 14 TRANSMISSION

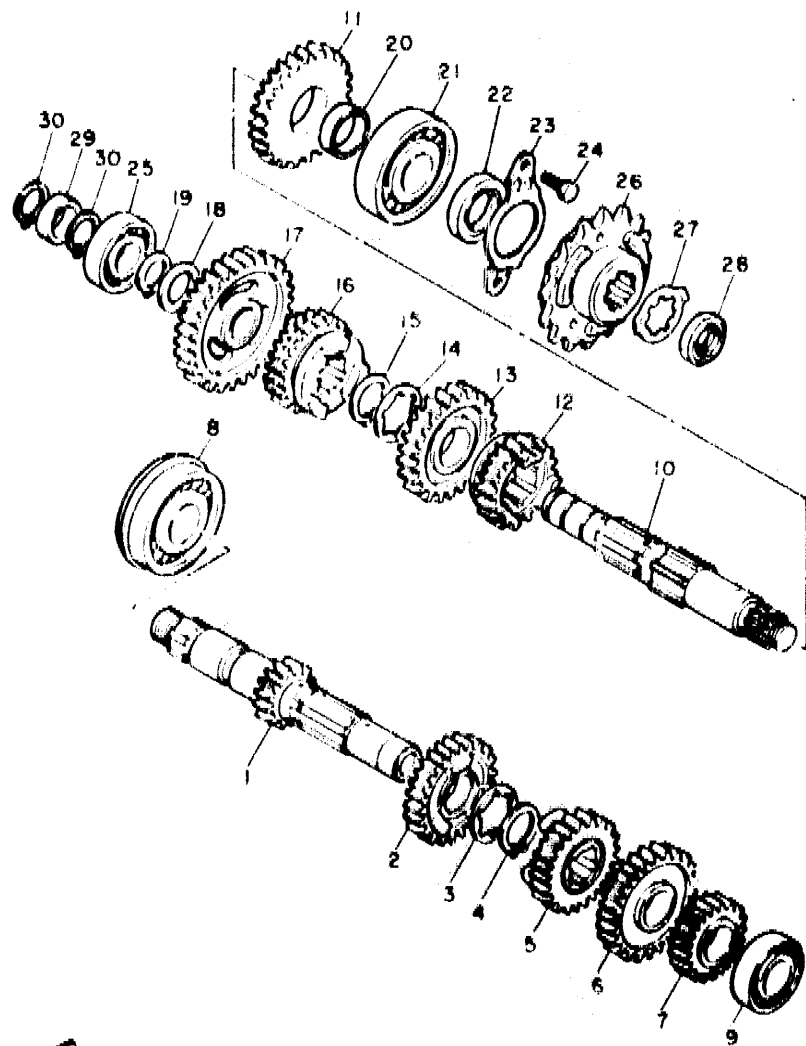


3AJ1351-8140

REF. NO.	PART NO.	DESCRIPTION	Q'TY	REMARKS
1	2RW-17411-00	AXLE, main (12T)	1	
2	34K-17141-00	GEAR, 4th pinion(22T)	1	
3	90209-22191	WASHER	1	
4	93440-26084	CIRCLIP	1	
5	1VJ-17131-00	GEAR, 3rd pinion (20T)	1	
6	2JT-17151-01	GEAR, 5th pinion (24T)	1	
7	34K-17121-01	GEAR, 2nd pinion (17T)	1	
8	93306-30640	BEARING (6306NRX1C3)	1	
9	93306-00431	BEARING	1	
10	2RW-17402-00	DRIVE AXLE ASSY	1	
11	2JT-17221-00	GEAR, 2nd wheel (27T)	1	
12	2JT-17251-00	GEAR, 5th wheel (19T)	1	
13	1VJ-17231-00	GEAR, 3rd wheel (24T)	1	
14	90209-22191	WASHER	1	
15	93440-26084	CIRCLIP	1	
16	3AJ-17241-00	GEAR, 4th wheel (21T)	1	
17	3AJ-17211-00	GEAR, 1st wheel (31T)	1	
18	90201-20276	WASHER, plate (1.0T)	1	
19	99009-20400	CIRCLIP	1	
20	90660-25263	SPACER	1	
21	93306-30636	BEARING	1	
22	93102-25226	OIL SEAL	1	
23	6Y1-17471-00	PLATE, cover	1	
24	97021-06014	BOLT	2	
25	93306-00426	BEARING	1	
26	99999-01798	SPROCKET, drive (15T)	1	
27	90216-23266	WASHER, lock	1	
28	90179-18662	NUT	1	

C8

FIG. 14 TRANSMISSION



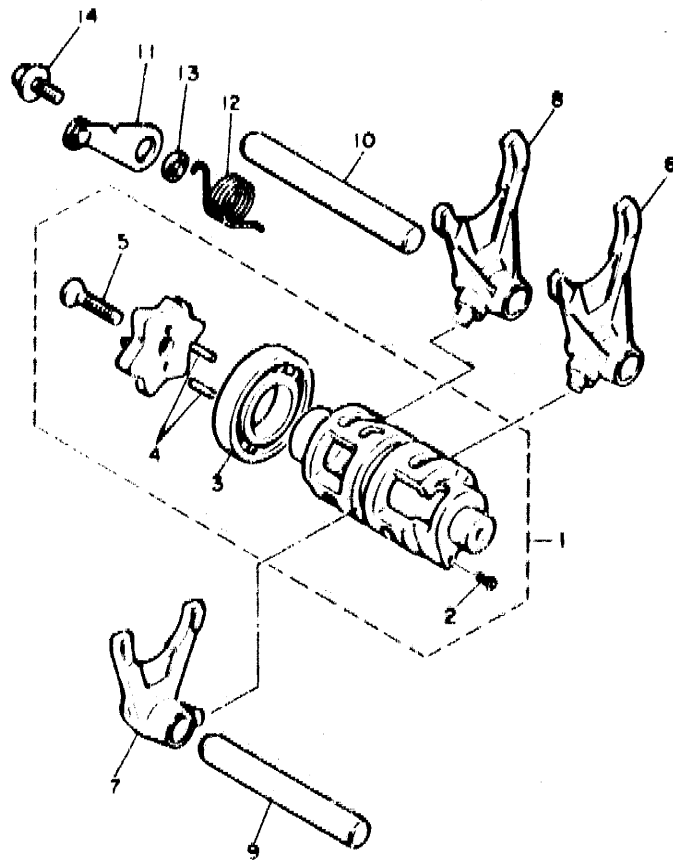
REF. NO.	PART NO.	DESCRIPTION	Q'TY	REMARKS
29	90600-20199	SPACER	1	
30	99009-20400	CIRCLIP	2	



3AJ1351-8140

C9

FIG. 15 SHIFT CAM, FORK



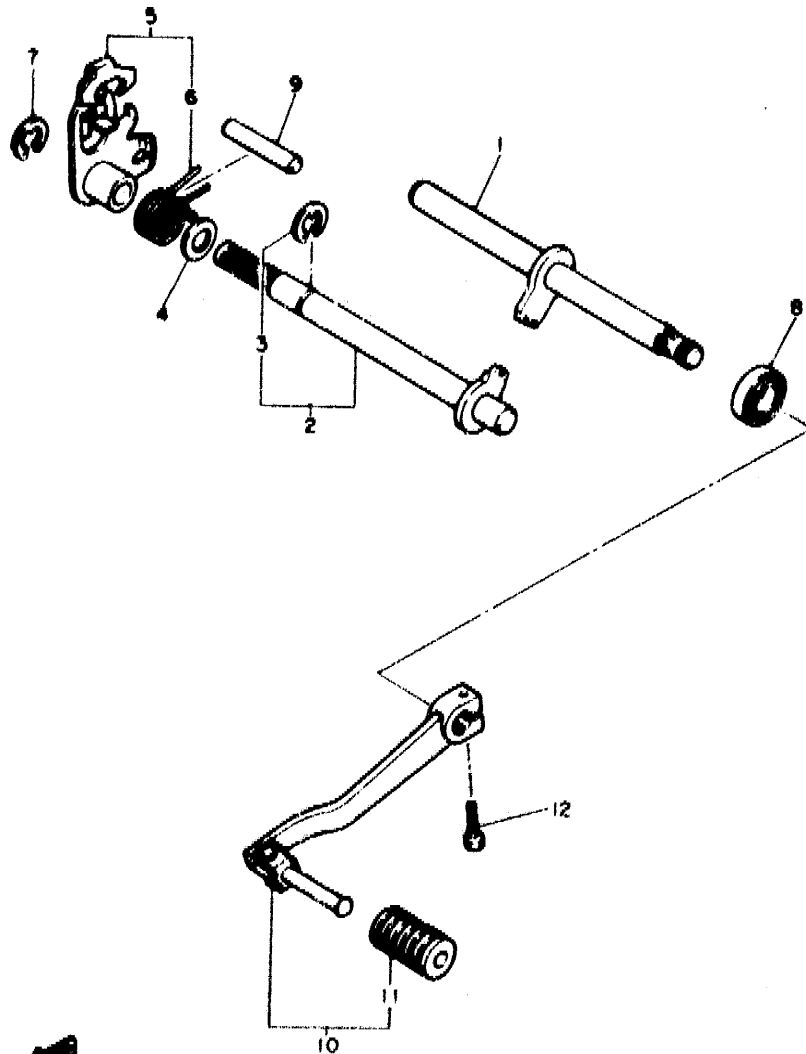
REF. NO.	PART NO.	DESCRIPTION	QTY	REMARKS
1	5Y1-18540-00	SHIFT CAM ASSY	1	
2	136-18542-00	POI: r f, neutral	1	
3	93316-00503	BEARING, cylindrical	1	
4	93604-10011	PIN, dowel	2	
5	90151-06017	SCREW, countersunk	1	
6	5Y1-18511-00	FORK, shift 1	1	
7	5Y1-18512-00	FORK, shift 2	1	
8	5Y1-18513-00	FORK, shift 3	1	
9	34K-18531-00	BAR, shift fork guide 1	1	
10	34K-18535-00	BAR, shift fork guide 2	1	
11	34K-18140-00	STOPPER LEVER ASSY	1	
12	90506-26681	SPRING, torsion	1	
13	90287-063F7	COLLAR	1	
14	90159-06078	SCREW, with washer	1	



2KF300-7150

C10

FIG. 16 SHIFT SHAFT

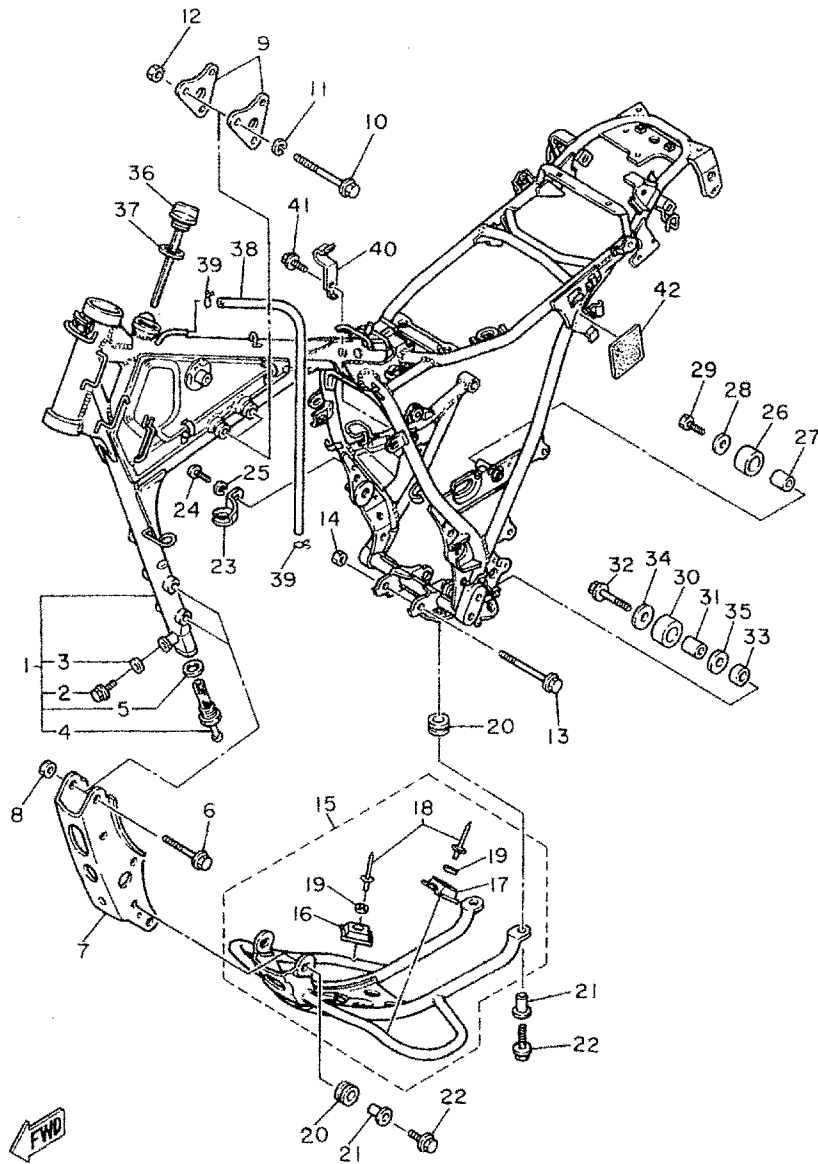


REF. NO.	PART NO.	DESCRIPTION	Q'TY	REMARKS
1	43F-18102-02	SHIFT SHAFT ASSY 2	1	
2	5Y1-18101-02	SHIFT SHAFT ASSY	1	
3	99008-10800	.CIRCLIP	1	
4	80201-12474	WASHER, plate	1	
5	34K-18120-00	SHIFT LEVER ASSY	1	
6	80808-28829	.SPRING, torsion	1	
7	99001-09800	CIRCLIP	1	
8	93102-12108	OIL SEAL (SD 12-22-5 MS)	1	
9	93608-33048	PIN, dowel	1	
10	1VJ-18110-00	SHIFT PEDAL ASSY	1	
11	1W6-18113-00	.COVER, shift pedal	1	
12	87016-08020	BOLT	1	

3TB551-0180

C11

FIG 17 FRAME

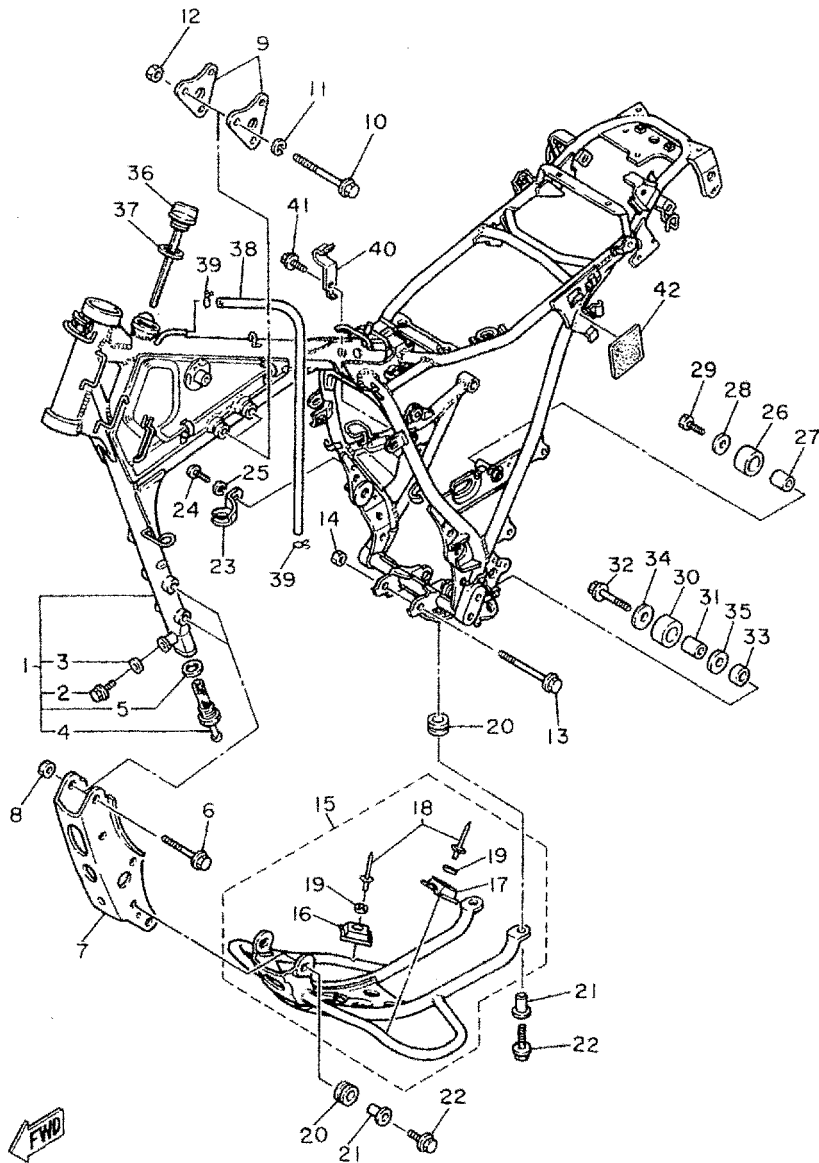


3TB351-0171

REF. NO.	PART NO.	DESCRIPTION	QTY	REMARKS
1	3YP-21110-00-WL	FRAME COMP.	1	STARDUST SILVER
2	95811-08012	.BOLT, flange	1	
3	90201-08087	.WASHER, plate	1	
4	3TB-21796-00	.NET, filter	1	
5	90430-22123	.GASKET	1	
6	90105-10288	BOLT, washer based	4	
7	3TB-21316-00-WL	STAY, engine 3	1	STARDUST SILVER
8	90185-10080	NUT, self-locking	4	
9	34L-21315-00	STAY, engine 2	2	
10	97011-10080	BOLT	3	
11	92901-10100	WASHER, spring	3	
12	90185-10080	NUT, self-locking	3	
13	95811-10100	BOLT, flange	1	
14	90185-10080	NUT, self-locking	1	
15	3TB-W2147-00-WL	PROTECTOR, engine	1	STARDUST SILVER
16	34K-21485-00	.DAMPER, rubber 1	1	
17	34K-21485-00	.DAMPER 2	1	
18	90287-40075	.RIVET, blind	2	
19	90201-04M06	.WASHER, plate	2	
20	90480-18383	GROMMET	4	
21	90387-07381	COLLAR	4	
22	95811-08025	BOLT, flange	4	
23	5Y1-21441-00	BRACKET, stop switch	1	
24	92908-08012	SCREW, pan head	1	
25	92908-08100	WASHER, spring	1	
26	3TB-22178-00	TENSIONER	1	
27	4V4-22184-00	BUSH	1	
28	90201-08753	WASHER, plate	1	

C12

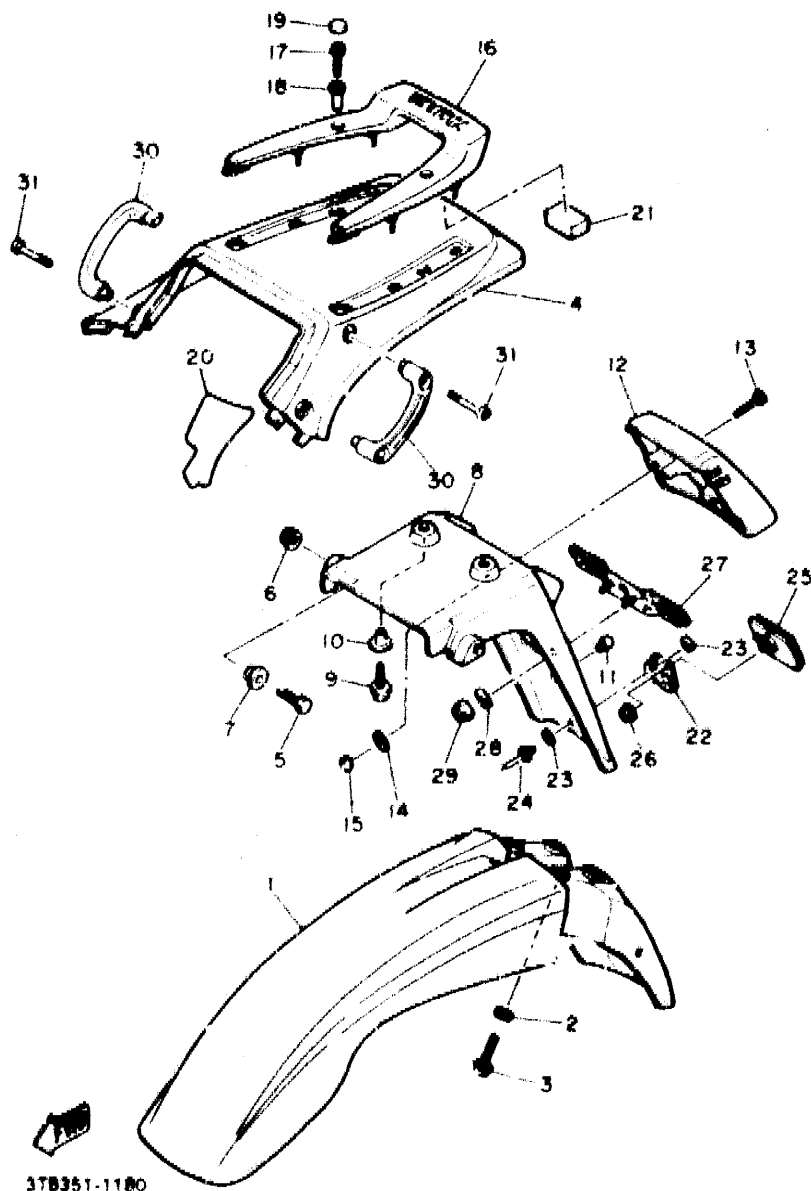
FIG. 17 FRAME



3TB351-0171

REF. NO.	PART NO.	DESCRIPTION	Q'TY	REMARKS
29	95023-08016	BOLT	1	
30	30X-22178-00	TENSIONER	1	
31	4V4-22184-00	BUSH	1	
32	90109-08705	BOLT	1	
33	90201-13409	WASHER, plate	1	
34	90201-08753	WASHER, plate	1	
35	90387-086E1	COLLAR	1	
36	3TB-21771-00	BODY, cap	1	
37	90430-27124	GASKET	1	
38	90445-115G3	HOSE	1	
39	90467-10008	CLIP	2	
40	3TB-21338-00	CLAMP	1	
41	91026-08010	BOLT	1	
42	3TB-28415-00	DAMPER 1	1	

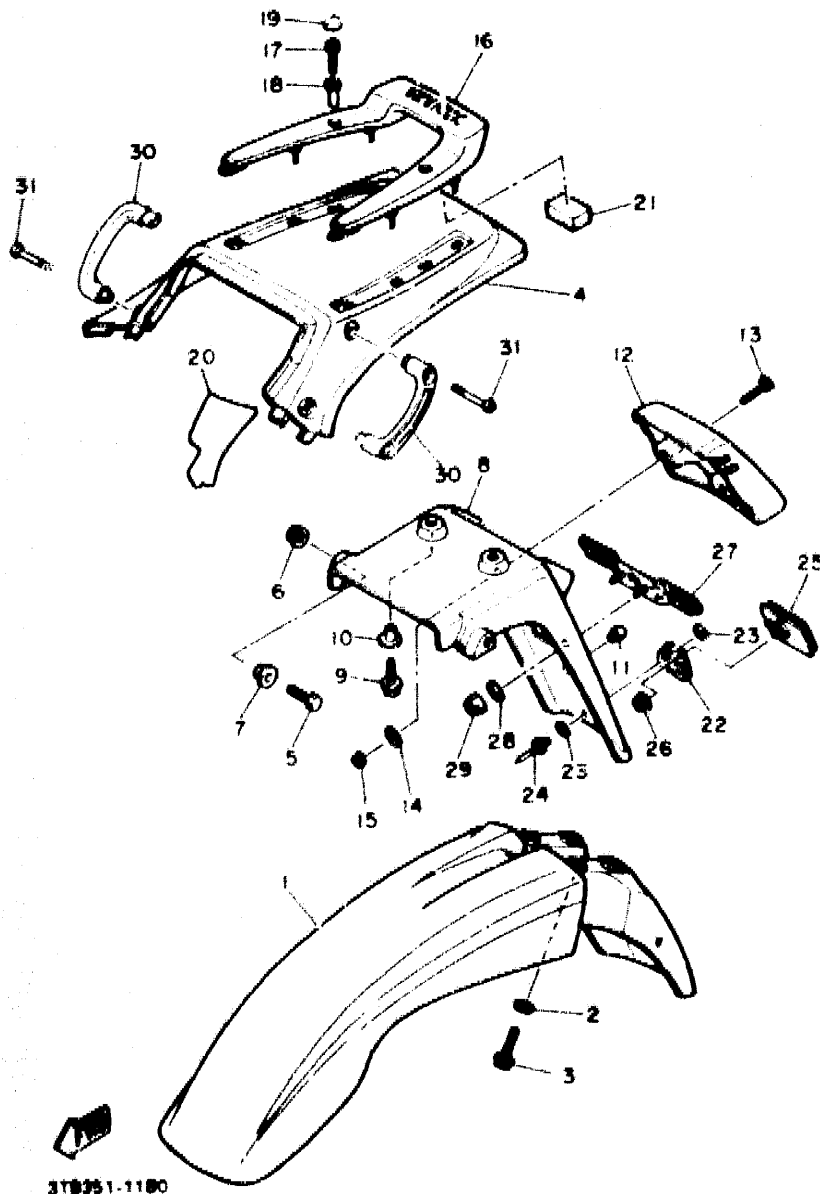
FIG. 18 FENDER



REF. NO.	PART NO.	DESCRIPTION	Q'TY	REMARKS
1	3RW-21511-40	FENDER, front	1	UR FARAWAY BLUE
	3RW-21511-50	FENDER, front	1	UR DEEP PURPLE SOLID 1
	3RW-21511-30	FENDER, front	1	NON-OCEANIA UR WHITE
2	90737-062V8	COLLAR	4	
3	90119-08097	BOLT, with washer	4	
4	3TB-21611-40	FENDER, rear	1	UR FARAWAY BLUE
	3TB-21611-50	FENDER, rear	1	UR DEEP PURPLE SOLID 1
	3TB-21611-20	FENDER, rear	1	NON-OCEANIA UR WHITE
5	98008-09016	BOLT	2	
6	95708-09500	NUT, flange	2	
7	90387-07717	COLLAR	2	
8	2KF-21685-01	BRACKET, license	1	
9	90119-08081	BOLT, with washer	2	
10	90387-088M3	COLLAR	2	
11	42U-21639-00	DAMPER 2	1	
12	3TB-2163A-00	COVER, rear fender 1	1	
13	98008-08025	BOLT	2	
14	90201-08069	WASHER, plate	2	
15	95318-08800	NUT	2	
16	3TB-21651-00	COVER, rear fender	1	
17	91311-08025	BOLT	2	
18	90387-082M3	COLLAR	2	
19	90338-18038	PLUG, taper	2	
20	3TB-2174T-00	INSULATOR, side cover 2	1	
21	3TB-21639-00	DAMPER 2	1	
22	33G-86132-00	BRACKET, reflector 1	1	
23	90201-044A2	WASHER, plate	4	
24	90287-40090	RIVET, blind	2	

C14

FIG. 18 FENDER



REF. NO.	PART NO.	DESCRIPTION	QTY	REMARKS
25	3G1-85130-01	REAR REFLECTOR ASSY	1	
26	95701-05800	NUT, flange	1	
27	1KH-84751-00-90	BRACKET, corner	1	*LOW CHROME (BLACK CHROMATE)
28	80201-08058	WASHER, plate	2	
29	95816-08100	NUT, u	2	
30	3TB-2164F-00	STAY 1	2	
31	92016-08060	SCREW	4	

C15

CONTENTS

GENERAL SPEC. ENGINE

Cylinder Head	B2 ~ B3
Cylinder	B4
Crankshaft - Piston	B5 ~ B6
Valve	B7
Camshaft - Chain	B8
Oil Pump	B9 ~ B10
Intake	B11 ~ B12
Carburetor	B13 ~ B14
Exhaust	B15
Crankcase	C2
Crankcase Cover 1	C3 ~ C4
Starter Clutch	C5
Clutch	C6 ~ C7
Transmission	C8 ~ C9
Shift Cam - Fork	C10
Shift Shaft	C11

CHASSIS

Frame	C12 ~ C13
Fender	C14 ~ C15
Side Cover	D2
Rear Arm	D3 ~ D4
Rear Suspension	D5
Steering	D6
Front Fork	D7 ~ D8

Fuel Tank	D9 ~ D10
Seat	D11
Front Wheel	D12 ~ D13
Rear Wheel	D14 ~ D15
Rear Brake Caliper	E2
Steering Handle - Cable	E3
Front Master Cylinder	E4
Stand - Footrest	E5
Rear Master Cylinder	E6 ~ E7
Cowling 1	E8
Generator	E9
Flasher Light	E10
Meter	E11
Headlight	E12
Taillight	E13
Handle Switch - Lever	E14
Electrical 1	E15
Electrical 2	F2

INDIVIDUAL SPEC.

FOR DENMARK, FINLAND, NORWAY

Alternate (Fender)	F4
Alternate (Meter)	F5

FOR ENGLAND, OCEANIA

Alternate (Electrical)	F7
------------------------------	----

FOR SWEDEN

Alternate (Engine)	F9
Alternate (Chassis)	F10
Alternate (Meter)	F11

FOR SWITZERLAND

Alternate (Engine)	F13
Alternate (Chassis)	F14

INDEX (GENERAL SPEC.)

NUMERICAL INDEX	K2 ~ K5
-----------------------	---------

INDEX (INDIVIDUAL SPEC.)

NUMERICAL INDEX	L2
-----------------------	----

CONTENTS

GENERAL SPEC.

ENGINE

Cylinder Head	B2 ~ B3
Cylinder	B4
Crankshaft · Piston	B5 ~ B6
Valve	B7
Camshaft · Chain	B8
Oil Pump	B9 ~ B10
Intake	B11 ~ B12
Carburetor	B13 ~ B14
Exhaust	B15
Crankcase	C2
Crankcase Cover 1	C3 ~ C4
Starter Clutch	C5
Clutch	C6 ~ C7
Transmission	C8 ~ C9
Shift Cam · Fork	C10
Shift Shaft	C11

CHASSIS

Frame	C12 ~ C13
Fender	C14 ~ C15
Side Cover	D2
Rear Arm	D3 ~ D4
Rear Suspension	D5
Steering	D6
Front Fork	D7 ~ D8

Fuel Tank	D9 ~ D10
Seat	D11
Front Wheel	D12 ~ D13
Rear Wheel	D14 ~ D15
Rear Brake Caliper	E2
Steering Handle · Cable	E3
Front Master Cylinder	E4
Stand · Footrest	E5
Rear Master Cylinder	E6 ~ E7
Cowling 1	E8
Generator	E9
Flasher Light	E10
Meter	E11
Headlight	E12
Taillight	E13
Handle Switch · Lever	E14
Electrical 1	E15
Electrical 2	F2

INDIVIDUAL SPEC.

FOR DENMARK, FINLAND, NORWAY

Alternate(Fender)	F4
Alternate (Meter)	F5

FOR ENGLAND, OCEANIA

Alternate (Electrical)	F7
------------------------------	----

FOR SWEDEN

Alternate (Engine)	F9
Alternate (Chassis)	F10
Alternate (Meter)	F11

FOR SWITZERLAND

Alternate (Engine)	F13
Alternate (Chassis)	F14

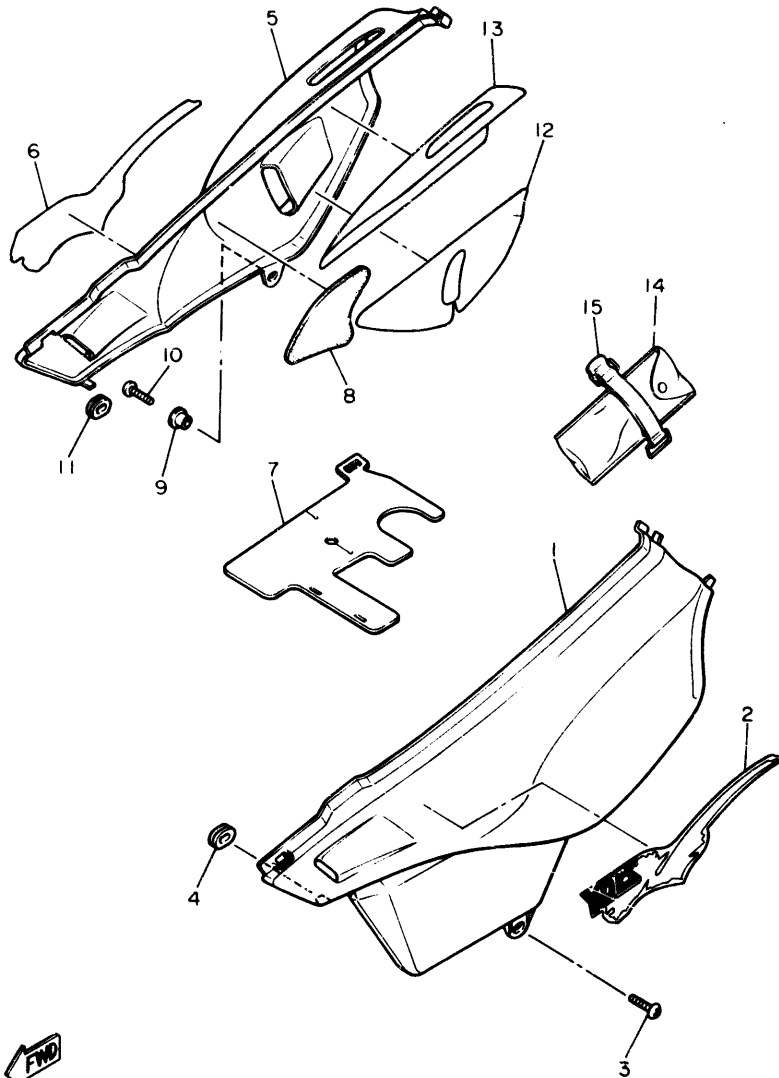
INDEX (GENERAL SPEC.)

NUMERICAL INDEX	K2 ~ K5
-----------------------	---------

INDEX (INDIVIDUAL SPEC.)

NUMERICAL INDEX	L2
-----------------------	----

FIG. 19 SIDE COVER



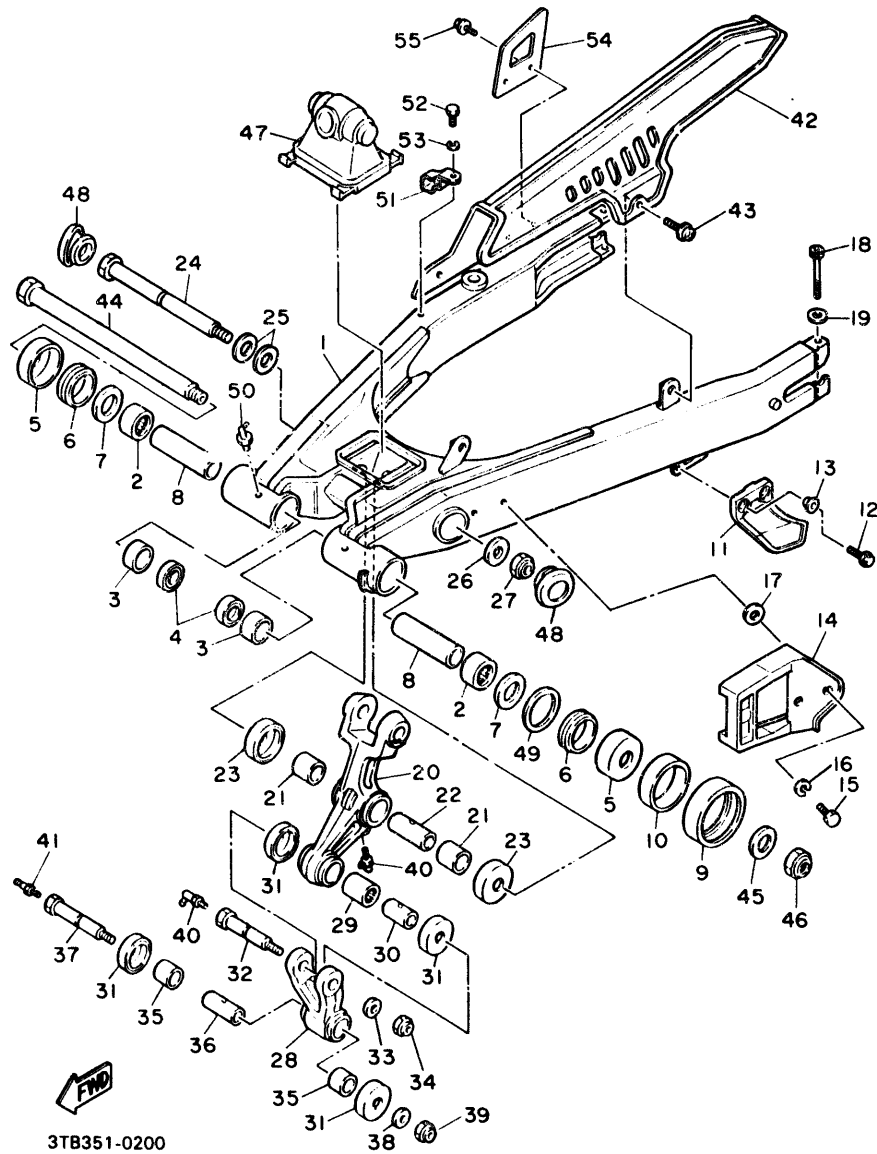
REF. NO.	PART NO.	DESCRIPTION	Q'TY	REMARKS
1	3TB-21711-40	COVER, side 1	1	UR FARAWAY BLUE
	3TB-21711-50	COVER, side 1	1	UR DEEP PURPLE SOLID 1 NON-OCEANIA
	3TB-21711-20	COVER, side 1	1	UR WHITE
2	3YP-2173E-11	GRAPHIC 1	1	UR FOR FWB
	3YP-2173E-21	GRAPHIC 1	1	UR FOR DPS NON-OCEANIA
	3YP-2173E-00	GRAPHIC 1	1	UR FOR W
3	90149-06223	SCREW	1	
4	90480-01176	GROMMET	1	
5	3TB-21721-40	COVER, side 2	1	UR FARAWAY BLUE
	3TB-21721-50	COVER, side 2	1	UR DEEP PURPLE SOLID 1 NON-OCEANIA
	3TB-21721-20	COVER, side 2	1	UR WHITE
6	3YP-2173F-11	GRAPHIC 2	1	UR FOR FWB
	3YP-2173F-21	GRAPHIC 2	1	UR FOR DPS NON-OCEANIA
	3YP-2173F-00	GRAPHIC 2	1	UR FOR W
7	3TB-2177F-00	COVER	1	
8	3TB-21542-00	DAMPER 2	1	
9	90387-061V4	COLLAR	1	
10	90149-06223	SCREW	1	
11	90480-01176	GROMMET	1	
12	3TB-2174A-00	INSULATOR, side cover	1	
13	3TB-2174A-10	INSULATOR, side cover	1	
14	3TB-28100-00	TOOL KIT	1	
15	46X-21376-00	BAND, tool	1	



3TB351-0190

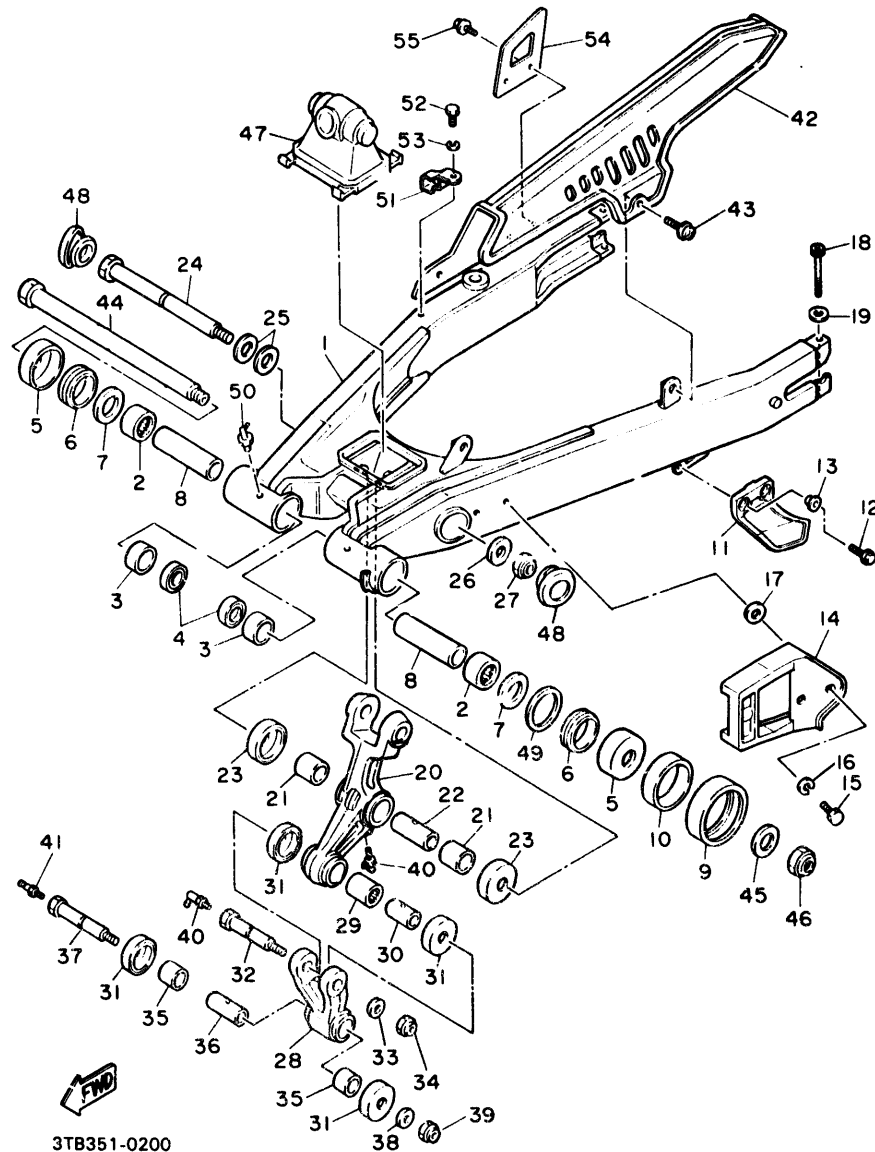
D2

FIG. 20 REAR ARM



REF. NO.	PART NO.	DESCRIPTION	Q'TY	REMARKS
1	3TB-22110-00	REAR ARM COMP.	1	
2	93317-32231	BEARING, cylindrical	2	
3	90380-22111	BUSH, solid	2	
4	93106-22019	OIL SEAL (DC 22-28-8)	2	
5	2K6-22128-01	COVER, thrust 1	2	
6	93108-35004	OIL SEAL (35-41-8)	2	
7	90201-244A8	WASHER, plate (1.95T)	2	
8	1VJ-22123-00	BUSH 1	2	
9	5X6-22151-10	SEAL, guard	1	
10	90387-440G3	COLLAR	1	
11	38V-22199-00	SUPPORT, chain	1	
12	95811-06020	BOLT, flange	2	
13	90387-06737	COLLAR	2	
14	2KF-22147-00	PROTECTOR, chain	1	
15	97026-06012	BOLT	2	
16	92906-06100	WASHER, spring	2	
17	90209-06223	WASHER	2	
18	91311-06060	BOLT	2	
19	92901-06600	WASHER, plate	2	
20	3TB-2217A-00	ARM, relay	1	
21	90386-20120	BUSH	2	
22	90380-14095	BUSH, solid	1	
23	34L-22128-00	COVER, thrust 1	2	
24	90105-124i0	BOLT, washer based	1	
25	90201-140G9	WASHER, plate	2	
26	90201-120A5	WASHER, plate	1	
27	90185-12119	NUT, self-locking	1	
28	34L-2217F-00	ROD, connecting 1	1	

FIG. 20 REAR ARM

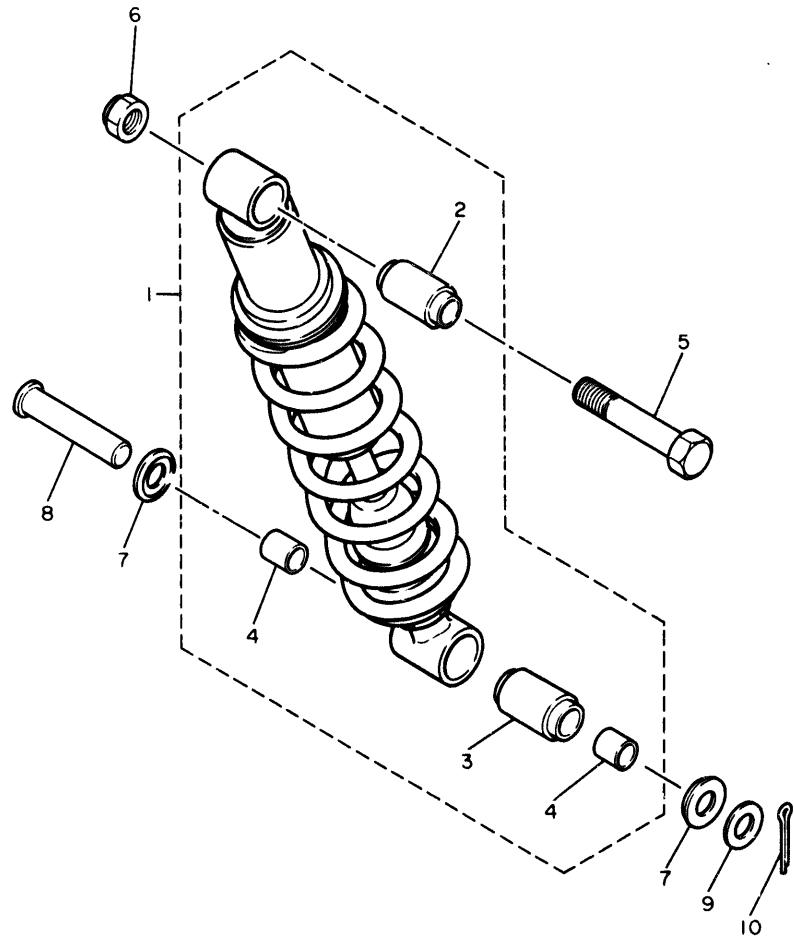


3TB351-0200

REF. NO.	PART NO.	DESCRIPTION	Q'TY	REMARKS
29	93315-31732	BEARING, cylindrical	1	
30	90387-121H1	COLLAR	1	
31	23X-221 23-00	COVER, thrust 2	4	
32	90109-10759	BOLT	1	
33	90201-100E9	WASHER, plate	1	
34	90185-10120	NUT, self-locking	1	
35	90386-20123	BUSH	2	
36	90387-122J6	COLLAR	1	
37	90109-10760	BOLT	1	
38	90201-100F7	WASHER, plate	1	
39	90185-10037	NUT, self-locking	1	
40	93700-06005	NIPPLE, grease	2	
41	93700-06004	NIPPLE, grease	1	
42	3TB-22311-00	CASE, chain	1	
43	90159-06084	SCREW, with washer	2	
44	1VJ-22141-00	SHAFT, pivot	1	
45	90201-15238	WASHER, plate	1	
46	90185-14070	NUT, self-locking	1	
47	3TB-22189-00	BOOT, rubber	1	
48	34L-22117-00	CAP	2	
49	90201-251F6	WASHER, plate (0 3T)	1	
50	93700-06005	NIPPLE, grease	2	
51	90461-12110	CLAMP	1	
52	97003-06012	BOLT	1	
53	92990-06100	WASHER, spring	1	
54	2KF-27491-00	PROTECTOR	1	
55	95801-06010	BOLT, flange	2	

D4

FIG. 21 REAR ARM • SUSPENSION



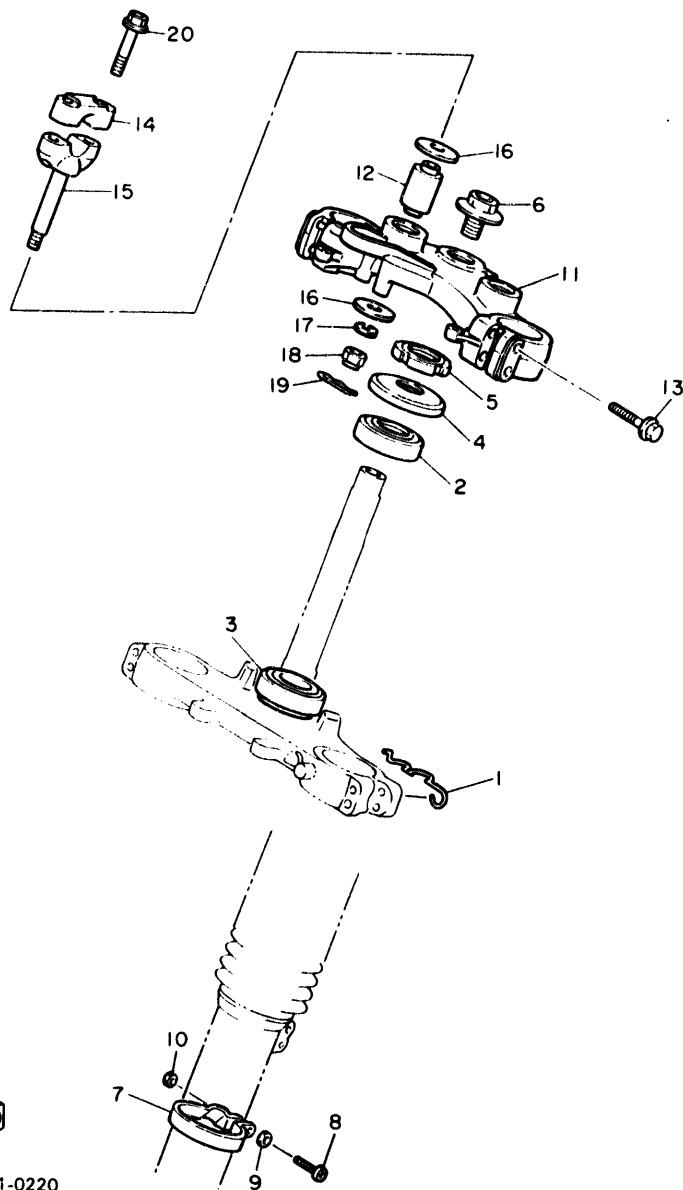
REF. NO.	PART NO.	DESCRIPTION	Q'TY	REMARKS
1	3TB-22210-00-33	SHOCK ABSORBER ASSY, rear	1	YAMAHA BLACK
2	34L-22216-00	.BUSH, rear shock absorber	1	
3	34L-22226-00	.BUSH, shock absorber lower	1	
4	90380-14130	.BUSH, solid	2	
5	90101-12295	BOLT	1	
6	95611-12100	NUT, u	1	
7	34L-22129-00	COVER, thrust 2	2	
8	90246-14106	PIN, clevis	1	
9	92990-14600	WASHER	1	
10	91401-30030	PIN, cotter	1	



3TB351-0210

D5

FIG. 22 STEERING

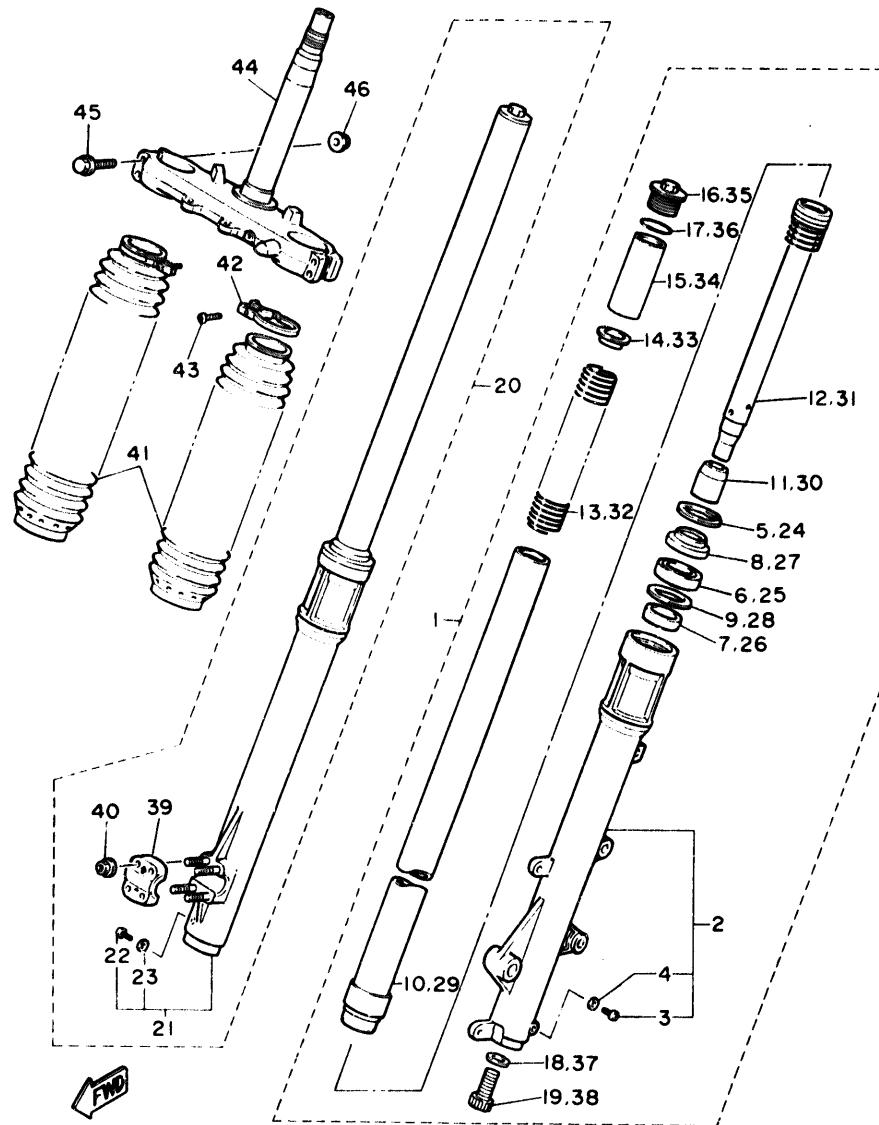


3TB351-0220

REF. NO.	PART NO.	DESCRIPTION	Q'TY	REMARKS
1	3TB-2331E-00	GUIDE, cable	1	
2	93332-00023	BEARING	1	
3	93332-00008	BEARING	1	
4	1W1-23416-00	COVER, ball race 2	1	
5	90179-25033	NUT	1	
6	90105-14102	BOLT, washer based	1	
7	34L-23318-01	HOLDER, cable 1	1	
8	98501-05020	SCREW, pan head	1	
9	92901-05600	WASHER, plate	1	
10	95303-05600	NUT	1	
11	3TB-23435-00	CROWN, handle	1	
12	5A8-23434-00	HOLDER, damper	2	
13	91026-08040	BOLT	4	
14	1E6-23441-00	HOLDER, handle upper	2	
15	3Y6-23442-00-98	HOLDER, handle lower	2	LOW GLOSS BLACK
16	90201-100A1	WASHER, plate	4	
17	92901-10160	WASHER, spring	2	
18	95303-10700	NUT	2	
19	90468-12006	CLIP	2	
20	95816-08035	BOLT, flange	4	

D6

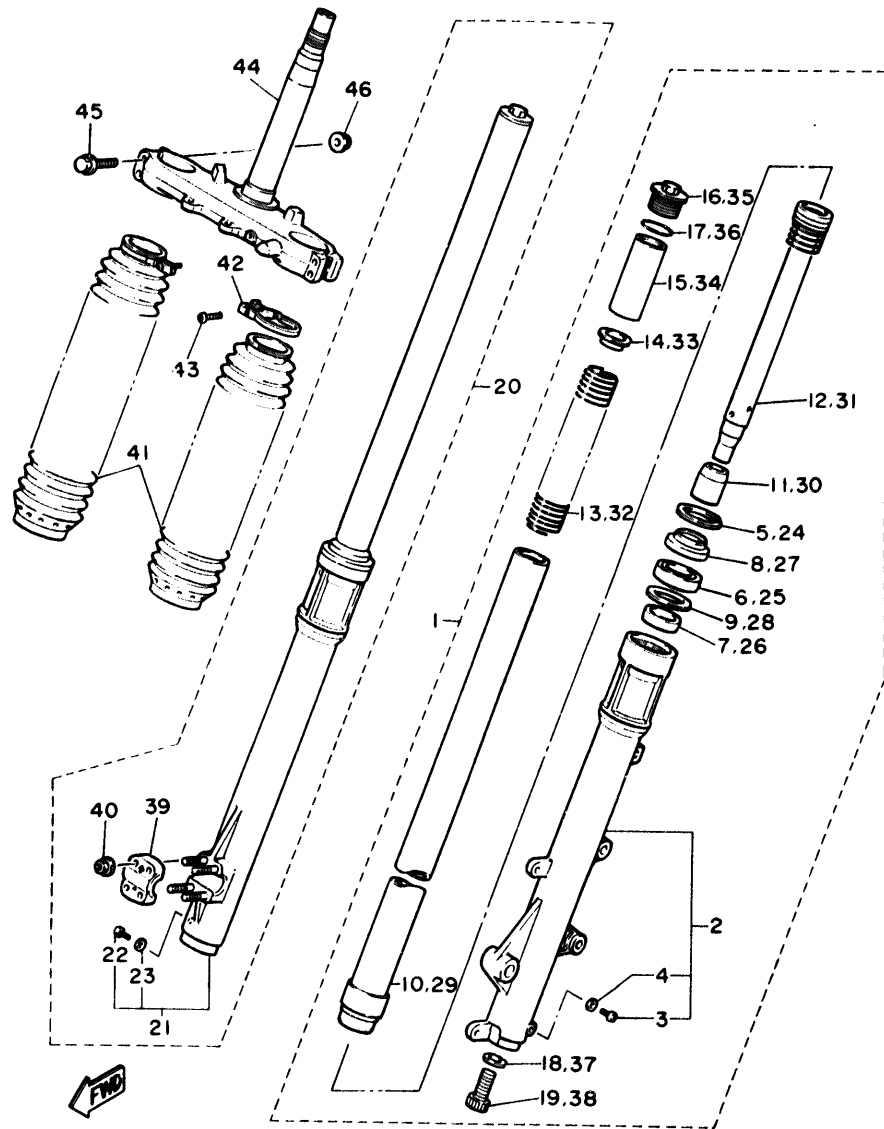
FIG. 23 FRONT FORK



3TB351-0230

REF. NO.	PART NO.	DESCRIPTION	Q'TY	REMARKS
1	3TB-23102-00	FRONT FORK ASSY (L.H)	1	
2	3TB-23126-00	.TUBE, outer 1	1	
3	4H7-23119-00	..PLUG, drain	1	
4	122-23129-00	..GASKET, drain plug	1	
5	26H-23156-00	.CLIP, oil seal	1	
6	43F-23145-10	.OIL SEAL	1	
7	3LC-23125-00	.METAL, slide 1	1	
8	43F-23144-10	.SEAL, dust	1	
9	36Y-23146-10	.WASHER, oil seal	1	
10	3TB-23110-00	.INNER TUBE COMP.1	1	
11	3GM-23173-00	.SPINDLE, taper	1	
12	3TB-23170-00	.CYLINDER COMP., front fork	1	
13	3TB-23141-00	.SPRING, front fork	1	
14	43F-23142-10	.SEAT, spring upper	1	
15	3FW-23118-00	.SPACER	1	
16	3EN-23111-50	.BOLT, cap	1	
17	43F-23188-10	.O-RING	1	
18	4V4-23158-L0	.GASKET	1	
19	4V4-23181-L0	.BOLT, hexagon socket head	1	
20	3TB-23103-00	FRONT FORK ASSY (R.H)	1	
21	3TB-23136-00	.TUBE, outer 2	1	
22	4H7-23119-00	..PLUG, drain	1	
23	122-23129-00	..GASKET, drain plug	1	
24	26H-23156-00	.CLIP, oil seal	1	
25	43F-23145-10	.OIL SEAL	1	
26	3LC-23125-00	.METAL, slide 1	1	
27	43F-23144-10	.SEAL, dust	1	
28	36Y-23146-10	.WASHER, oil seal	1	

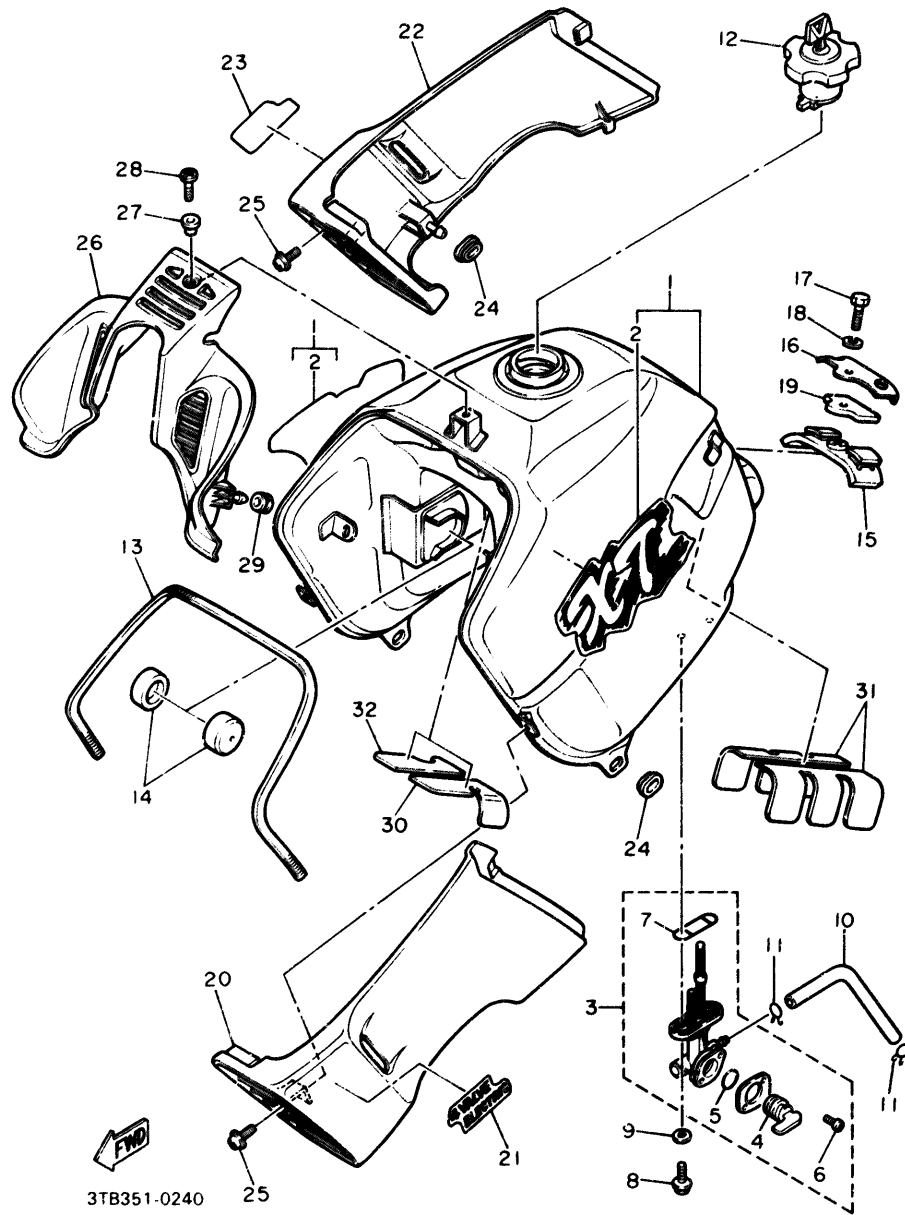
FIG. 23 FRONT FORK



3TB351-0230

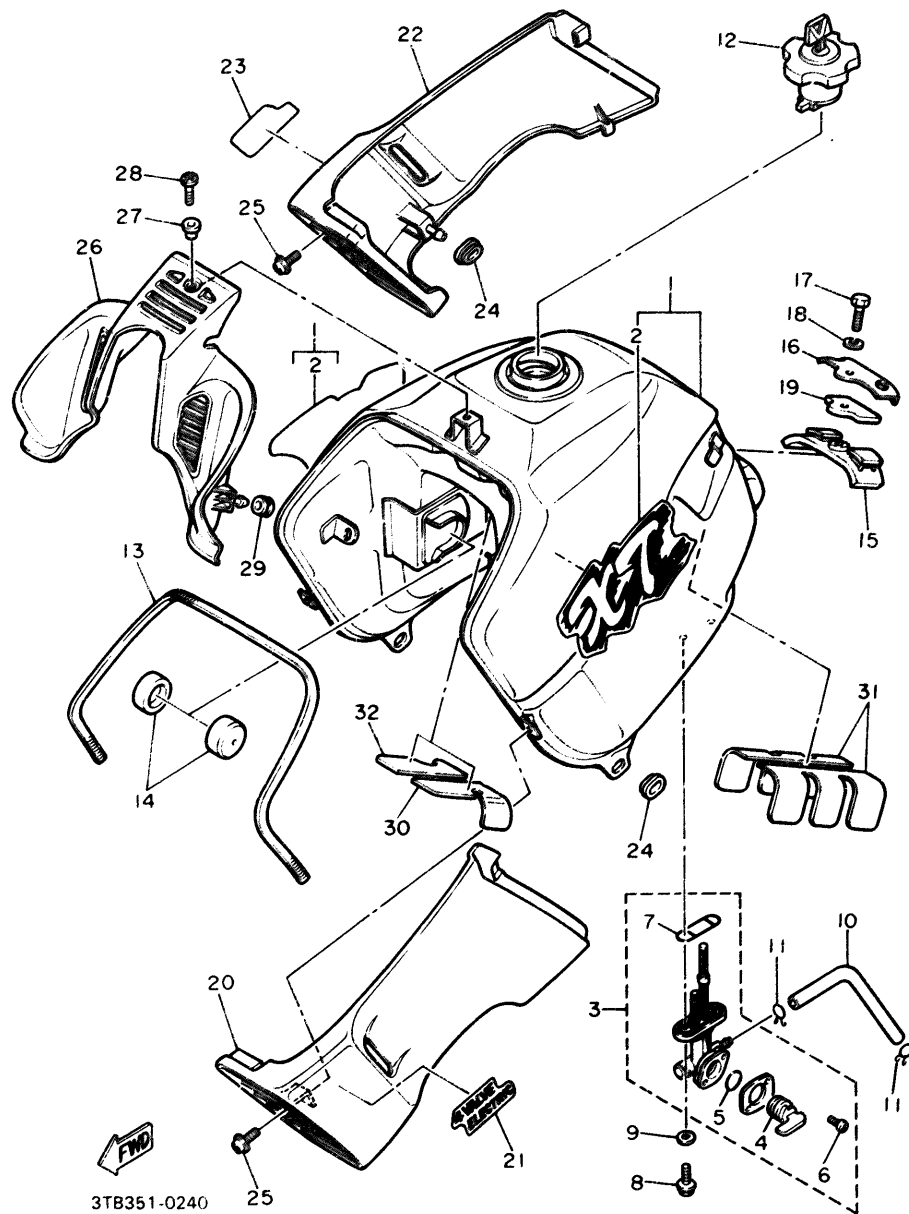
REF. NO.	PART NO.	DESCRIPTION	Q'TY	REMARKS
29	3TB-23110-00	.INNER TUBE COMP.1	1	
30	3GM-23173-00	.SPINDLE, taper	1	
31	3TB-23170-00	.CYLINDER COMP., front fork	1	
32	3TB-23141-00	.SPRING, front fork	1	
33	43F-23142-10	.SEAT, spring upper	1	
34	3FW-23118-00	.SPACER	1	
35	3EN-23111-50	.BOLT, cap	1	
36	43F-23188-10	.O-RING	1	
37	4V4-23158-L0	.GASKET	1	
38	4V4-23181-L0	.BOLT, hexagon socket head	1	
39	4V2-23167-L0	.HOLDER, axle	1	
40	2KF-23127-01	.NUT, outer tube	1	
41	3BN-23191-21	BOOT	2	UR BLUISH GREEN SOLID 1 FOR FWB UR DEEP VIOLET SOLID 1 FOR DPS, NON-OCEANIA UR CHAPPY RED FOR W
	3BJ-23191-01	BOOT	2	
	43F-23191-11	BOOT	2	
42	43M-23192-L0	BAND	2	
43	98506-04018	SCREW, pan head	2	
44	3TB-23340-00	UNDER BRACKET COMP.	1	
45	95811-08055	BOLT, flange	4	
46	95701-08500	NUT, flange	4	

FIG. 24 FUEL TANK



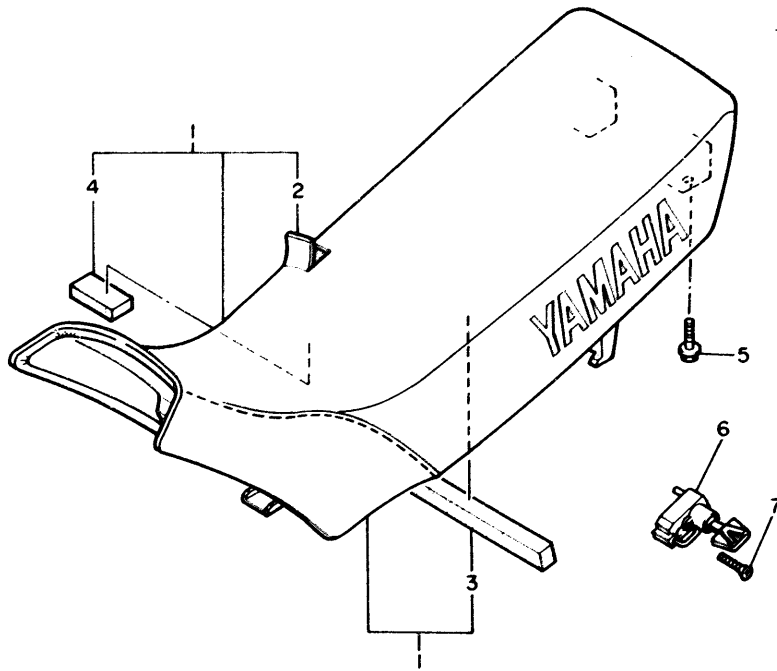
REF. NO.	PART NO.	DESCRIPTION	Q'TY	REMARKS
1	3TB-24110-00-04	FUEL TANK COMP.	1	UR WHITE
	3TB-24110-00-05	FUEL TANK COMP.	1	UR FARAWAY BLUE
	3TB-24110-00-06	FUEL TANK COMP.	1	UR DEEP PURPLE SOLID 1 NON-OCEANIA
2	3YP-24240-00	GRAPHIC SET	1	UR FOR W
	3YP-24240-11	GRAPHIC SET	1	UR FOR FWB
	3YP-24240-21	GRAPHIC SET	1	UR FOR DPS NON-OCEANIA
3	3FY-24500-00	FUEL COCK ASSY 1	1	
4	3AJ-24523-00	VALVE	1	
5	3AJ-24534-00	SEAL, cock	1	
6	98503-03008	SCREW, pan head	2	
7	4X8-24512-00	O-RING	1	
8	95023-06016	BOLT	2	
9	90202-05193	WASHER, plate	2	
10	90445-10638	HOSE	1	
11	90467-09006	CLIP	2	
12	11H-24602-02	CAP ASSY	1	
13	3TB-24188-00	MOLD, fuel tank	1	
14	3TB-24181-00	DAMPER, locating 1	2	
15	43F-24182-00	DAMPER, locating 2	1	
16	3TB-24186-00	WASHER, special	1	
17	97313-06016	BOLT	1	
18	92990-06100	WASHER, spring	1	
19	23T-24724-01	DAMPER, seat	1	
20	3TB-2137W-30	SCOOP, air 1	1	UR RASPBERRY RED FOR W
	3TB-2137W-40	SCOOP, air 1	1	UR YAMAHA BLACK FOR FWB
	3TB-2137W-50	SCOOP, air 1	1	UR VIVID GREENISH BLUE FOR DPS, NON-OCEANIA
21	3TB-24231-31	EMBLEM 1	1	UR FOR W
	3TB-24231-41	EMBLEM 1	1	UR FOR FWB

FIG. 24 FUEL TANK



REF. NO.	PART NO.	DESCRIPTION	Q'TY	REMARKS
21	3TB-24231-51	EMBLEM 1	1	UR FOR DPS NON-OCEANIA
22	3TB-2137X-30	SCOOP, air 2	1	UR RASPBERRY RED FOR W
	3TB-2137X-40	SCOOP, air 2	1	UR YAMAHA
	3TB-2137X-50	SCOOP, air 2	1	BLACK FOR FWB UR VIVID GREENISH BLUE FOR DPS, NON-OCEANIA
23	3TB-24232-31	EMBLEM 2	1	UR FOR W
	3TB-24232-41	EMBLEM 2	1	UR FOR FWB
	3TB-24232-51	EMBLEM 2	1	UR FOR DPS NON-OCEANIA
24	90480-01401	GROMMET	2	
25	90159-06042	SCREW, with washer	2	
26	3TB-2137Y-00	GUIDE, air	1	
27	90387-064J1	COLLAR	1	
28	90149-06223	SCREW	1	
29	90480-13383	GROMMET	2	
30	3TB-2416F-00	INSULATOR, fuel tank 1	1	
31	3TB-2416G-00	INSULATOR, fuel tank 2	2	
32	3TB-2416F-10	INSULATOR, fuel tank 1	1	

FIG. 25 SEAT

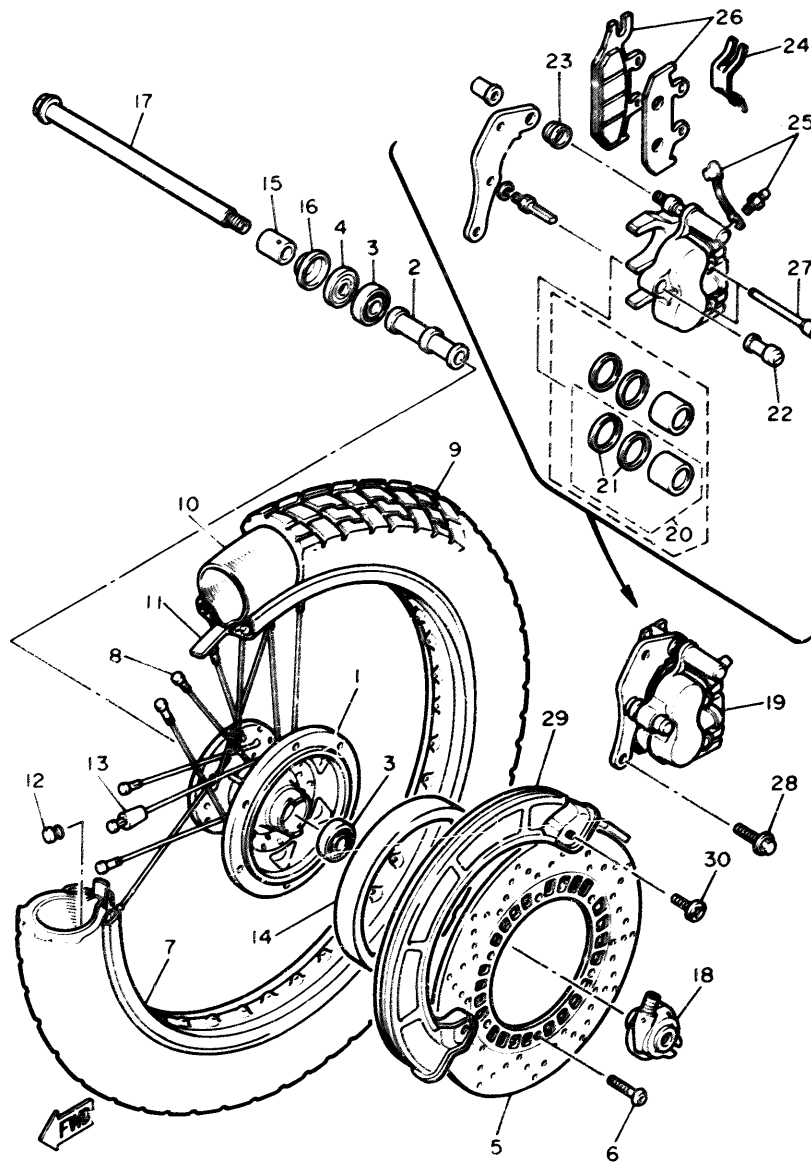


REF. NO.	PART NO.	DESCRIPTION	Q'TY	REMARKS
1	3TB-24770-20	SEMI-DOUBLE SEAT ASSY	1	UR CHAPPY RED FOR W
	3TB-24770-40	SEMI-DOUBLE SEAT ASSY	1	UR YAMAHA BLACK FOR FWB
	3TB-24770-50	SEMI-DOUBLE SEAT ASSY	1	UR VIVID GREENISH BLUE FOR DPS, NON-OCEANIA
2	3TB-24731-20	.COVER, seat	1	UR CHAPPY RED FOR W
	3TB-24731-40	.COVER, seat	1	UR YAMAHA BLACK FOR FWB
	3TB-24731-50	.COVER, seat	1	UR VIVID GREENISH BLUE FOR DPS, NON-OCEANIA
3	3TB-24723-00	.DAMPER, seat	1	
4	3TB-24185-00	.DAMPER, locating 5	1	
5	90119-06063	BOLT, with washer	2	
6	26H-21308-00	HELMET HANGER ASSY	1	
7	90149-06154	SCREW	1	



3TB351-1250

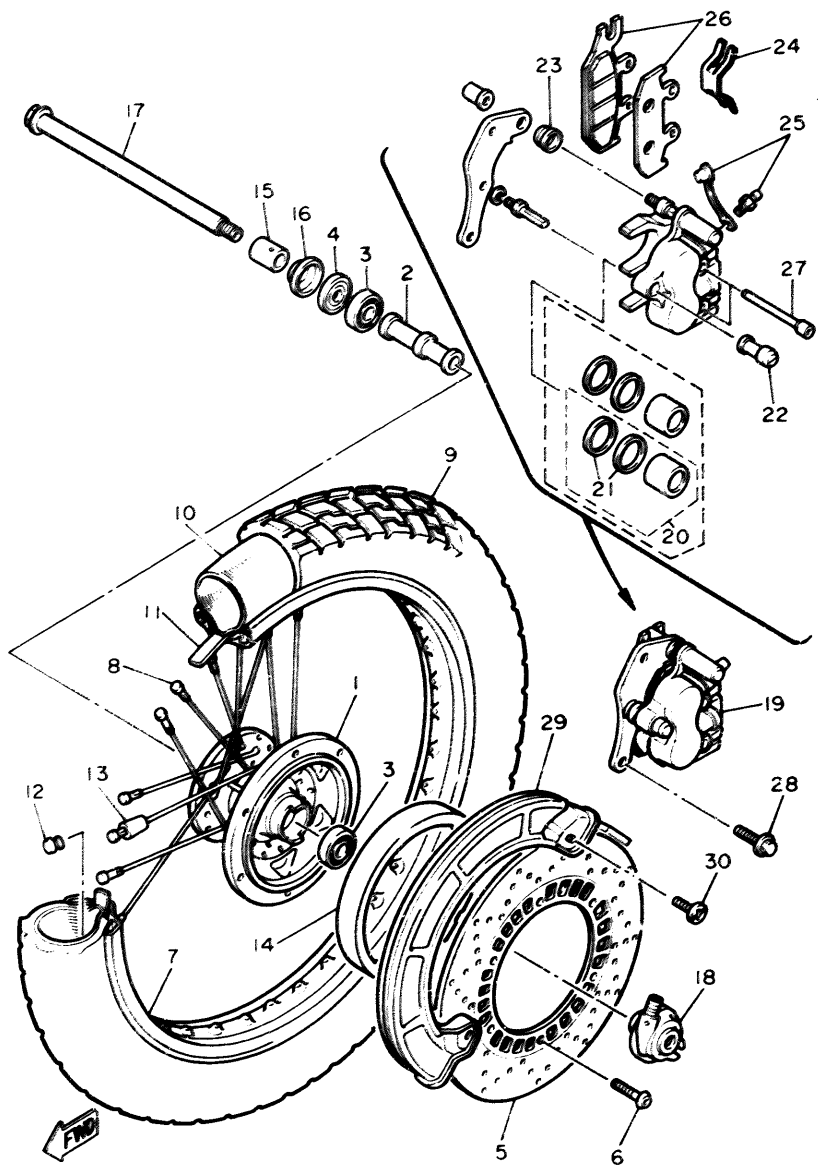
FIG. 26 FRONT WHEEL



3TB351-0260

REF. NO.	PART NO.	DESCRIPTION	Q'TY	REMARKS
1	3TB-25111-00-98	HUB, front	1	LOW GLOSS BLACK
2	90560-15240	SPACER	1	
3	93306-20209	BEARING (B6202)	2	
4	93102-20281	OIL SEAL (SD 20-35-5)	1	
5	3TB-2582T-00	DISC, brake	1	
6	90149-06251	SCREW	6	
7	94418-21492	RIM (1.85-21)	1	
8	3TB-25104-00	SPOKE SET, front	1	
9	94109-213X0	TIRE (MCS 90/90-21 54S TW41)	1	UR BRIDGESTONE
	94109-213X1	TIRE (90/90-21 54S TRAILMAX)	1	UR DUNLOP
10	94209-21277	TUBE (MCS 90/90-21 TR-4)	1	BRIDGESTONE
11	94330-21084	BAND, rim (3.00-21)	1	BRIDGESTONE
12	90338-09130	PLUG	1	
13	156-25398-00	BALANCER, wheel	1	UN
14	3TB-25336-00	RING 2	1	
15	90387-152J3	COLLAR	1	
16	322-25118-00	COVER, hub dust	1	
17	55U-25181-01	AXLE, wheel	1	
18	34L-25190-01	GEAR UNIT ASSY	1	
19	3TB-2580T-00	CALIPER ASSY (LEFT)	1	
20	3TB-W0057-00	.PISTON ASSY, caliper	2	
21	3GD-W0047-00	..CALIPER SEAL KIT	2	
22	1UY-25937-51	.BOOT 2	1	
23	3JD-25917-00	.BOOT, caliper	1	
24	3TB-25919-00	.SUPPORT, pad	1	
25	1UY-W0048-50	.BREED SCREW KIT	1	
26	3TB-W0045-00	.BRAKE PAD KIT	1	
27	3TB-25933-00	.PIN, pad	2	

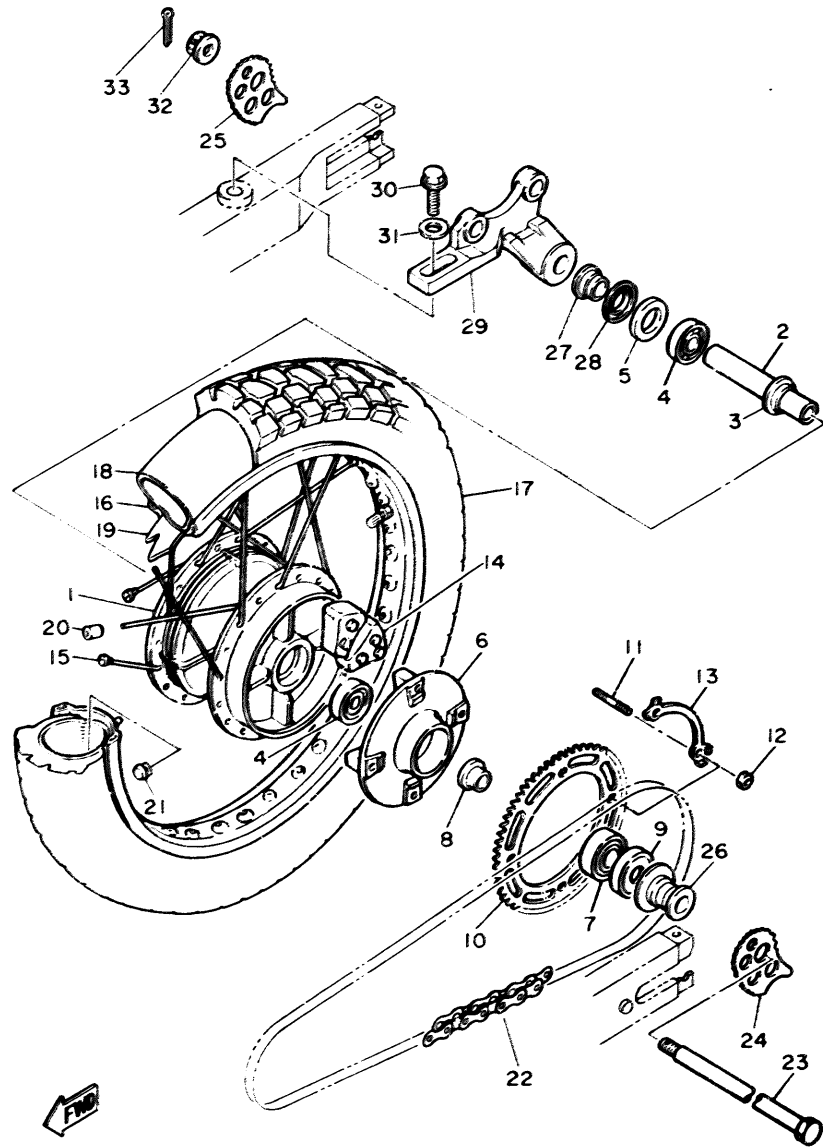
FIG. 26 FRONT WHEEL



3TB351-0260

REF. NO.	PART NO.	DESCRIPTION	Q'TY	REMARKS
28	90105-10316	BOLT, washer based	2	
29	1VJ-25715-00	COVER 1	1	UR CHAPPY RED FOR W
	55W-25715-10	COVER 1	1	UR INK BLUE FOR FWB
	55W-25715-30	COVER 1	1	UR DEEP VIOLET FOR DPS, NON-OCEANIA
30	90149-06194	SCREW	2	

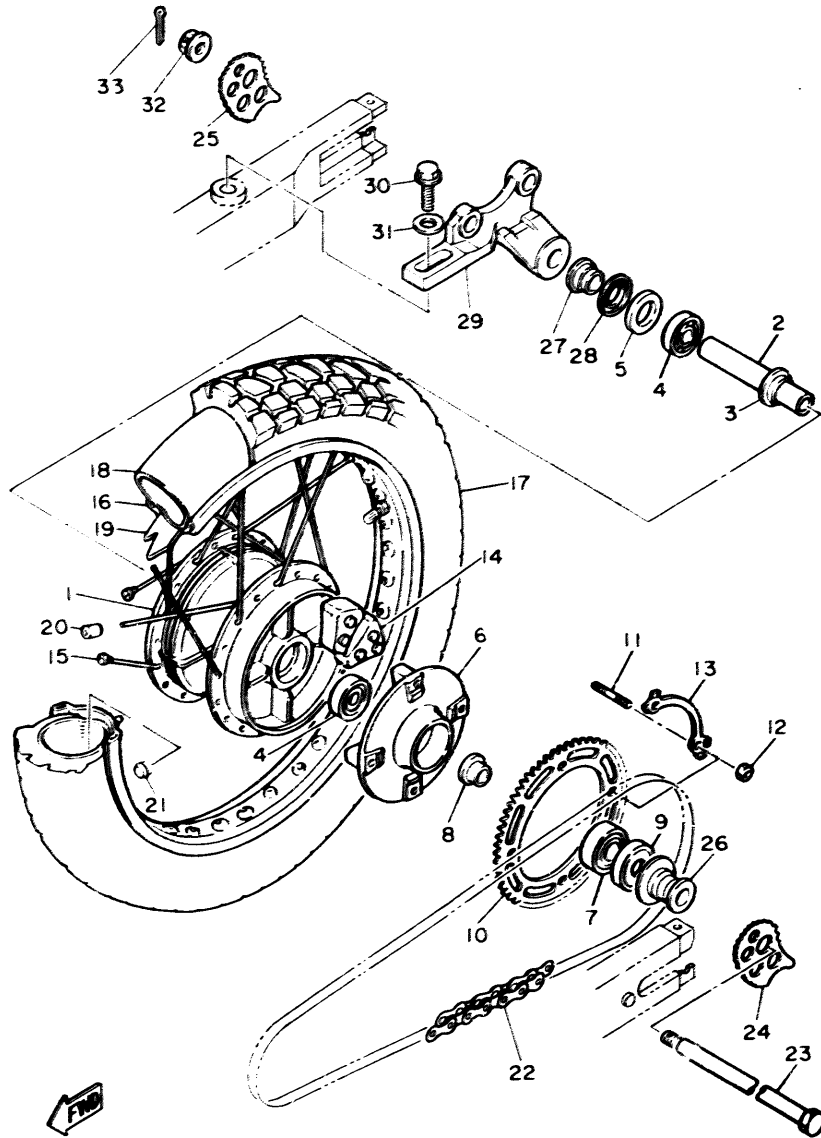
FIG. 27 REAR WHEEL



3TB351-0270

REF. NO.	PART NO.	DESCRIPTION	Q'TY	REMARKS
1	2KF-25311-00-98	HUB, rear	1	LOW GLOSS BLACK
2	90387-173M5	COLLAR	1	
3	146-25315-00	FLANGE, spacer	1	
4	93306-20310	BEARING (B6203DU)	2	
5	93102-25311	OIL SEAL (FPJ 25-44-8 TS)	1	
6	1VJ-25366-00-98	CLUTCH, hub	1	LOW GLOSS BLACK
7	93306-30416	BEARING (B6304RS)	1	
8	1VJ-25377-00	COLLAR, wheel	1	
9	93102-30072	OIL SEAL (SD-30-52-8-1)	1	
10	2UJ-25445-50	SPROCKET, driven (45T)	1	
11	90116-10348	BOLT, stud	4	
12	90170-10219	NUT	4	
13	5Y1-25412-00	WASHER	2	
14	5Y1-25364-00	DAMPER	4	
15	3TB-25304-00	SPOKE SET, rear	1	
16	94425-17491	RIM (2.50-17)	1	
17	94112-173X2	TIRE (MCS 120/90-17 64S TW42B)	1	UR BRIDGESTONE
	94112-173X3	TIRE (120/90-17 64S TRAILMAX)	1	UR DUNLOP
18	94212-17264	TUBE (MCS 120/90-17 TR-4)	1	UR BRIDGESTONE
	94212-17281	TUBE (120/90.130/80-17)	1	UR DUNLOP
19	94330-17158	BAND, rim (3.00-17)	1	BRIDGESTONE
20	156-25398-00	BALANCER, wheel	1	UN
21	90338-09130	PLUG	1	
22	94581-45106	CHAIN (DID520V2-106LE)	1	
23	3AJ-25381-00	AXLE, wheel	1	
24	3Y1-25388-01	PULLER, chain 1	1	
25	3Y1-25389-00	PULLER, chain 2	1	
26	1VJ-25383-00	COLLAR, wheel	1	

FIG. 27 REAR WHEEL



REF. NO.	PART NO.	DESCRIPTION	Q'TY	REMARKS
27	90387-174F0	COLLAR	1	
28	36R-25367-00	COVER, hub dust	1	
29	2KF-25819-00	BRACKET, caliper	1	
30	95811-10030	BOLT, flange	1	
31	90201-10437	WASHER, plate	1	
32	90171-16024	NUT, castie	1	
33	91401-30030	PIN, cotter	1	



3TB351-0270

CONTENTS

GENERAL SPEC. ENGINE

Cylinder Head	B2 ~ B3
Cylinder	B4
Crankshaft · Piston	B5 ~ B6
Valve	B7
Camshaft · Chain	B8
Oil Pump	B9 ~ B10
Intake	B11 ~ B12
Carburetor	B13 ~ B14
Exhaust	B15
Crankcase	C2
Crankcase Cover 1	C3 ~ C4
Starter Clutch	C5
Clutch	C6 ~ C7
Transmission	C8 ~ C9
Shift Cam · Fork	C10
Shift Shaft	C11

CHASSIS

Frame	C12 ~ C13
Fender	C14 ~ C15
Side Cover	D2
Rear Arm	D3 ~ D4
Rear Suspension	D5
Steering	D6
Front Fork	D7 ~ D8

Fuel Tank	D9 ~ D10
Seat	D11
Front Wheel	D12 ~ D13
Rear Wheel	D14 ~ D15
Rear Brake Caliper	E2
Steering Handle · Cable	E3
Front Master Cylinder	E4
Stand · Footrest	E5
Rear Master Cylinder	E6 ~ E7
Cowling 1	E8
Generator	E9
Flasher Light	E10
Meter	E11
Headlight	E12
Taillight	E13
Handle Switch · Lever	E14
Electrical 1	E15
Electrical 2	F2

INDIVIDUAL SPEC.

FOR DENMARK, FINLAND, NORWAY

Alternate (Fender)	F4
Alternate (Meter)	F5

FOR ENGLAND, OCEANIA

Alternate (Electrical)	F7
------------------------------	----

FOR SWEDEN

Alternate (Engine)	F9
Alternate (Chassis)	F10
Alternate (Meter)	F11

FOR SWITZERLAND

Alternate (Engine)	F13
Alternate (Chassis)	F14

INDEX (GENERAL SPEC.)

NUMERICAL INDEX	K2 ~ K5
-----------------------	---------

INDEX (INDIVIDUAL SPEC.)

NUMERICAL INDEX	L2
-----------------------	----

CONTENTS

GENERAL SPEC.

ENGINE

Cylinder Head	B2 ~ B3
Cylinder	B4
Crankshaft · Piston	B5 ~ B6
Valve	B7
Camshaft · Chain	B8
Oil Pump	B9 ~ B10
Intake	B11 ~ B12
Carburetor	B13 ~ B14
Exhaust	B15
Crankcase	C2
Crankcase Cover 1	C3 ~ C4
Starter Clutch	C5
Clutch	C6 ~ C7
Transmission	C8 ~ C9
Shift Cam · Fork	C10
Shift Shaft	C11

CHASSIS

Frame	C12 ~ C13
Fender	C14 ~ C15
Side Cover	D2
Rear Arm	D3 ~ D4
Rear Suspension	D5
Steering	D6
Front Fork	D7 ~ D8

Fuel Tank	D9 ~ D10
Seat	D11
Front Wheel	D12 ~ D13
Rear Wheel	D14 ~ D15
Rear Brake Caliper	E2
Steering Handle · Cable	E3
Front Master Cylinder	E4
Stand · Footrest	E5
Rear Master Cylinder	E6 ~ E7
Cowling 1	E8
Generator	E9
Flasher Light	E10
Meter	E11
Headlight	E12
Taillight	E13
Handle Switch · Lever	E14
Electrical 1	E15
Electrical 2	F2

INDIVIDUAL SPEC.

FOR DENMARK, FINLAND, NORWAY

Alternate(Fender)	F4
Alternate (Meter)	F5

FOR ENGLAND, OCEANIA

Alternate (Electrical)	F7
------------------------------	----

FOR SWEDEN

Alternate (Engine)	F9
Alternate (Chassis)	F10
Alternate (Meter)	F11

FOR SWITZERLAND

Alternate (Engine)	F13
Alternate (Chassis)	F14

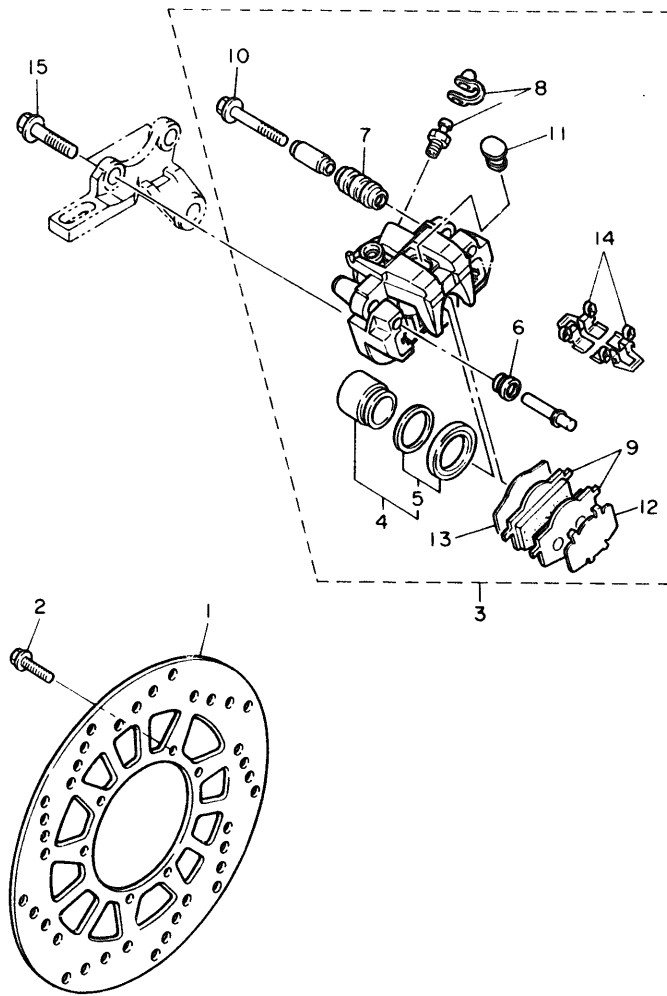
INDEX (GENERAL SPEC.)

NUMERICAL INDEX	K2 ~ K5
-----------------------	---------

INDEX (INDIVIDUAL SPEC.)

NUMERICAL INDEX	L2
-----------------------	----

FIG. 28 REAR BRAKE CALIPER

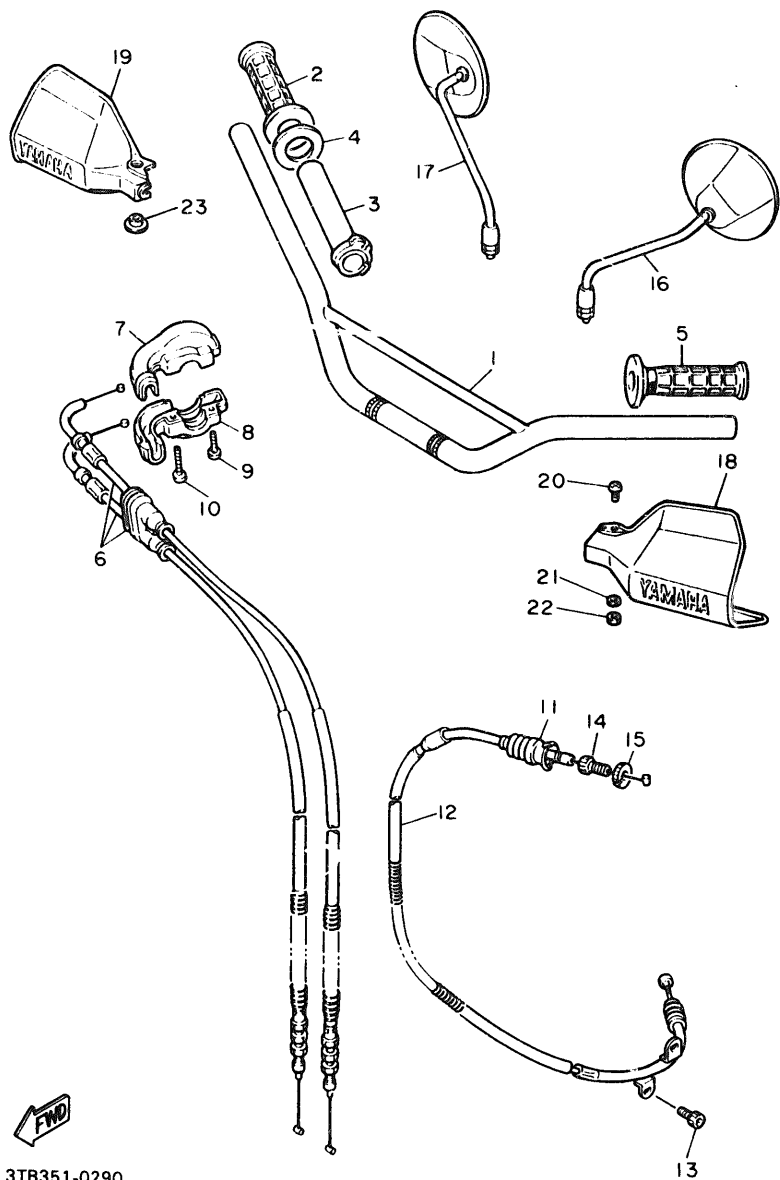


REF. NO.	PART NO.	DESCRIPTION	QTY	REMARKS
1	2KF-25831-50	DISC, brake	1	
2	90109-06757	BOLT	6	
3	3TB-2580W-00	CALIPER ASSY, rear 2	1	
4	2KF-W0057-00	.PISTON ASSY, caliper	1	
5	34X-W0047-00	..CALIPER SEAL KIT	1	
6	5R2-25937-00	.BOOT 2	1	
7	34X-25937-00	.BOOT 2	1	
8	51L-W0048-00	.BREED SCREW KIT	1	
9	34X-W0046-02	.BRAKE PAD KIT, 2	1	
10	2GV-25926-00	.BOLT	1	
11	34X-25845-00	.CAP, indicator	1	
12	2KF-25827-00	.SHIM, caliper	1	
13	2KF-25828-00	.SHIM, caliper	1	
14	2KF-25919-10	.SUPPORT, pad	2	
15	9u105-10308	BOLT, washer based	2	



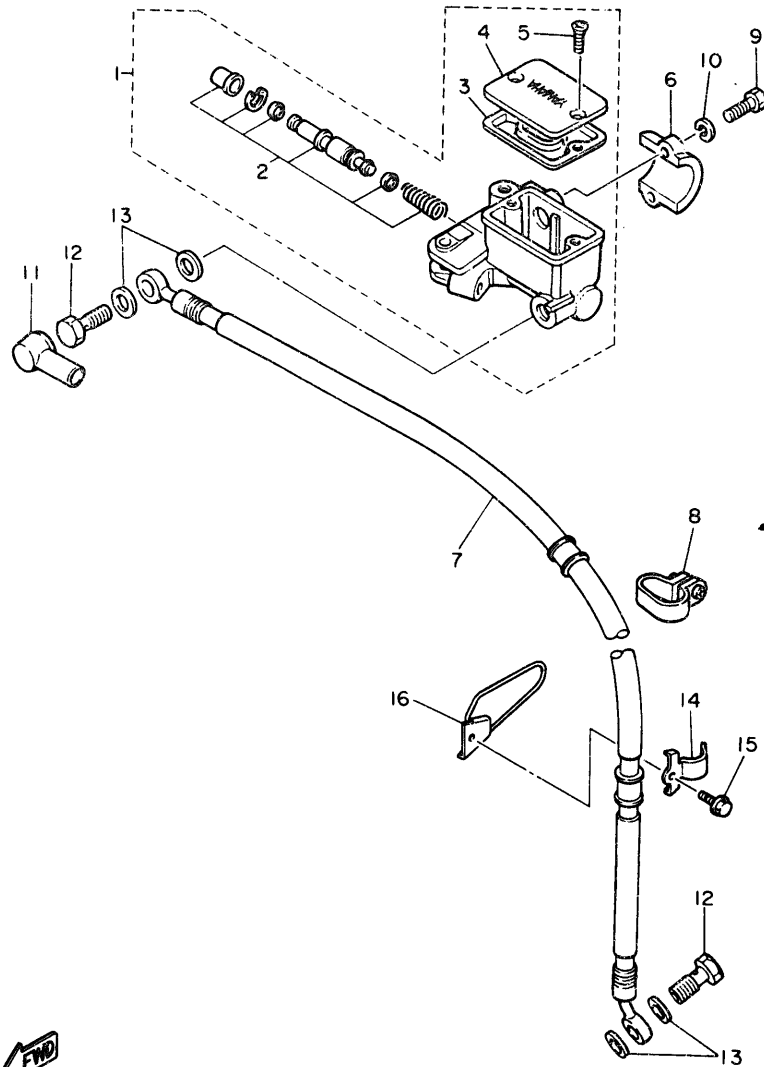
3TB351-0280

FIG. 29 STEERING HANDLE • CABLE



REF. NO.	PART NO.	DESCRIPTION	Q'TY	REMARKS
1	3TB-26111-01	HANDLEBAR	1	
2	33G-26242-00	GRIP (RIGHT)	1	
3	3Y1-26243-01	TUBE, throttle guide	1	
4	3Y1-26249-00	RING, leaf	1	
5	33G-26241-00	GRIP (LEFT)	1	
6	3TB-26302-00	THROTTLE CABLE ASSY	1	
7	34K-26281-00	CAP, grip upper	1	
8	1VJ-26282-00	CAP, grip lower	1	
9	8506-05020	SCREW, pan head	1	
10	98506-05025	SCREW, pan head	1	
11	1E6-26342-00	BOOT, cable	1	
12	3TB-26335-00	CABLE, clutch	1	
13	91316-06010	BOLT	1	
14	90123-08046	BOLT	1	
15	90179-08148	NUT	1	
16	55V-26280-00	REAR VIEW MIRROR ASSY (LEFT)	1	UR FOR EUROPE
	5Y4-26290-30	REAR VIEW MIRROR ASSY (LEFT)	1	UR FOR OCEANIA
17	55V-26290-00	REAR VIEW MIRROR ASSY (RIGHT)	1	UR FOR EUROPE
	1Y1-26290-40	REAR VIEW MIRROR ASSY (RIGHT)	1	UR FOR OCEANIA
18	1VJ-26141-00	GUARD, brush 1	1	UR FARAWAY BLUE
	3TB-26141-50	GUARD, brush 1	1	UR DEEP VIOLET SOLID 1 NON-OCEANIA
	1LN-26141-00	GUARD, brush 1	1	UR WHITE
19	3TB-26142-40	GUARD, brush 2	1	UR FARAWAY BLUE
	3TB-26142-50	GUARD, brush 2	1	UR DEEP VIOLET SOLID 1 NON-OCEANIA
	3TB-26142-20	GUARD, brush 2	1	UR WHITE
20	98501-06035	SCREW, pan head	1	
21	92901-06600	WASHER, plate	1	
22	95303-06700	NUT	1	
23	90387-06500	COLLAR	1	

FIG. 30 FRONT MASTER CYLINDER



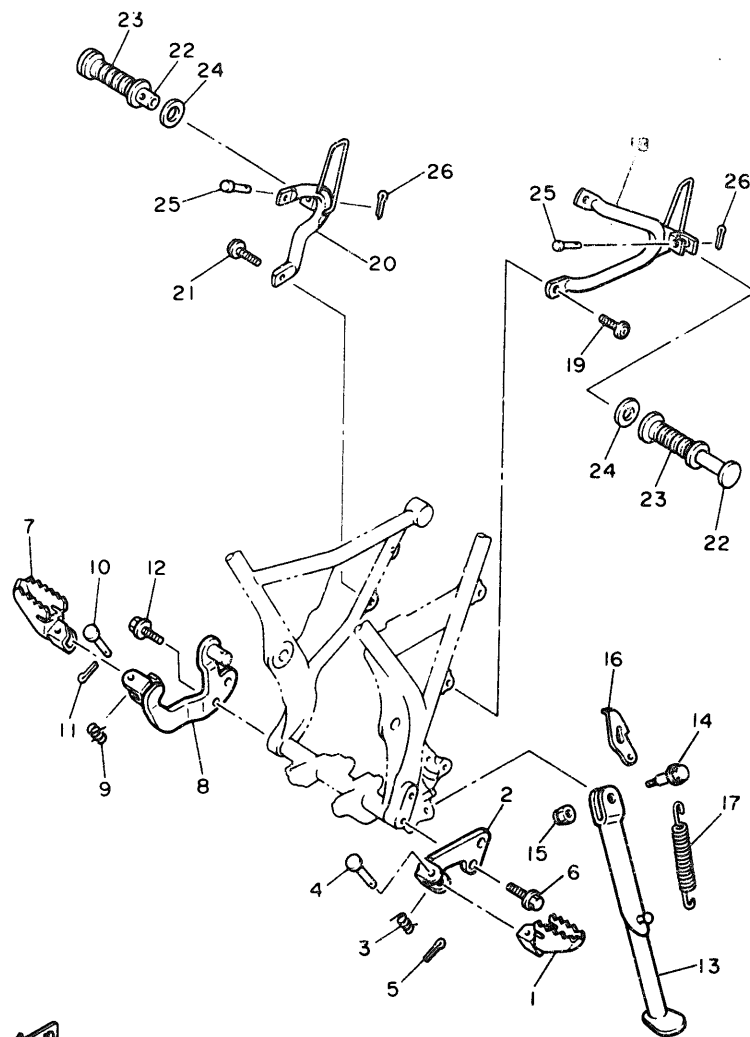
REF. NO.	PART NO.	DESCRIPTION	Q'TY	REMARKS
1	3TB-25870-00	MASTER CYLINDER SUB ASSY	1	
2	3TB-W0041-00	.CYLINDER KIT, master	1	
3	4L0-25854-00	.DIAPHRAGM, reservoir	1	
4	4H7-25852-00	.CAP, reservoir	1	
5	98706-04012	.SCREW, flat head	2	
6	4L0-25867-00	BRACKET, master cylinder	1	
7	3TB-25872-01	HOSE, brake 1	1	
8	99999-02107	CLAMP	1	
9	97016-06025	BOLT	2	
10	92906-06100	WASHER, spring	2	
11	4L0-25862-00	BOOT, master cylinder	1	
12	90401-10034	BOLT, union	2	
13	90201-10118	WASHER, plate	4	
14	90461-16124	CLAMP	1	
15	91001-06016	BOLT, flange	1	
16	3TB-23318-00	HOLDER, cable 1	1	



3TB351-1300

E4

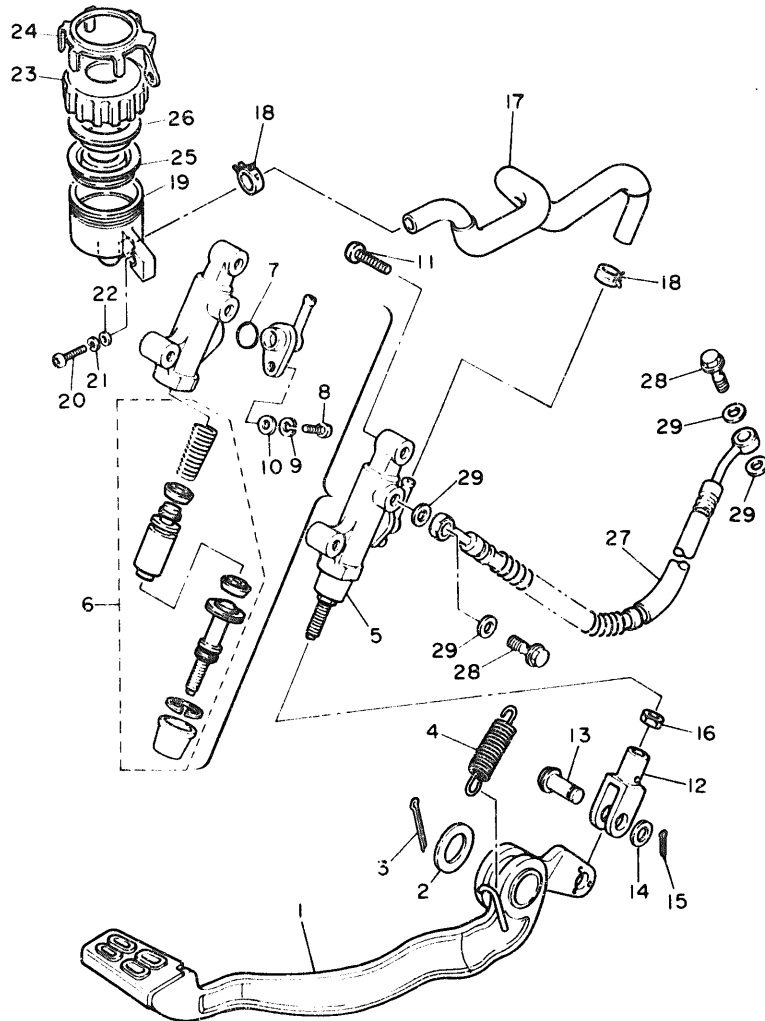
FIG. 31 STAND • FOOTREST



3TB351-1310

REF. NO.	PART NO.	DESCRIPTION	Q'TY	REMARKS
1	22W-27411-01-90	FOOTREST 1	1	*UNI-CHROME (BLACK CHROMATE)
2	34L-27412-00-R4	BRACKET, footrest 1	1	BLACK (FOR ELECTRODEPOSIT)
3	90508-20023	SPRING, torsion	1	
4	91701-08038	PIN, clevis	1	
5	91401-25020	PIN, cotter	1	
6	95826-1U025	BOLT, flange	2	
7	22W-27421-01-90	FOOTREST 2	1	*UNI-CHROME (BLACK CHROMATE)
8	2KF-27422-00-R4	BRACKET, footrest 2	1	BLACK (FOR ELECTRODEPOSIT)
9	90508-20023	SPRING, torsion	1	
10	91701-08038	PIN, clevis	1	
11	91401-25020	PIN, cotter	1	
12	95826-10025	BOLT, flange	2	
13	3AJ-27311-00-R4	STAND, side	1	BLACK (FOR ELECTRODEPOSIT)
14	90105-12616	BOLT, washer based	1	
15	90185-12119	NUT, self-locking	1	
16	5Y1-27315-00	LINK, side stand	1	
17	90507-32020	SPRING, tension	1	
18	26F-27432-00-WL	BRACKET 1	1	STARDUST SILVER
19	95816-08016	BOLT, flange	2	
20	3YP-27442-00-WL	BRACKET 2	1	STARDUST SILVER
21	95816-08016	BOLT, flange	2	
22	120-27431-00	FOOTREST, rear 1	2	
23	120-27433-00	COVER, rear footrest	2	
24	90201-20279	WASHER, plate	2	
25	90240-06009	PIN, clevis	2	
26	91401-16015	PIN, cotter	2	

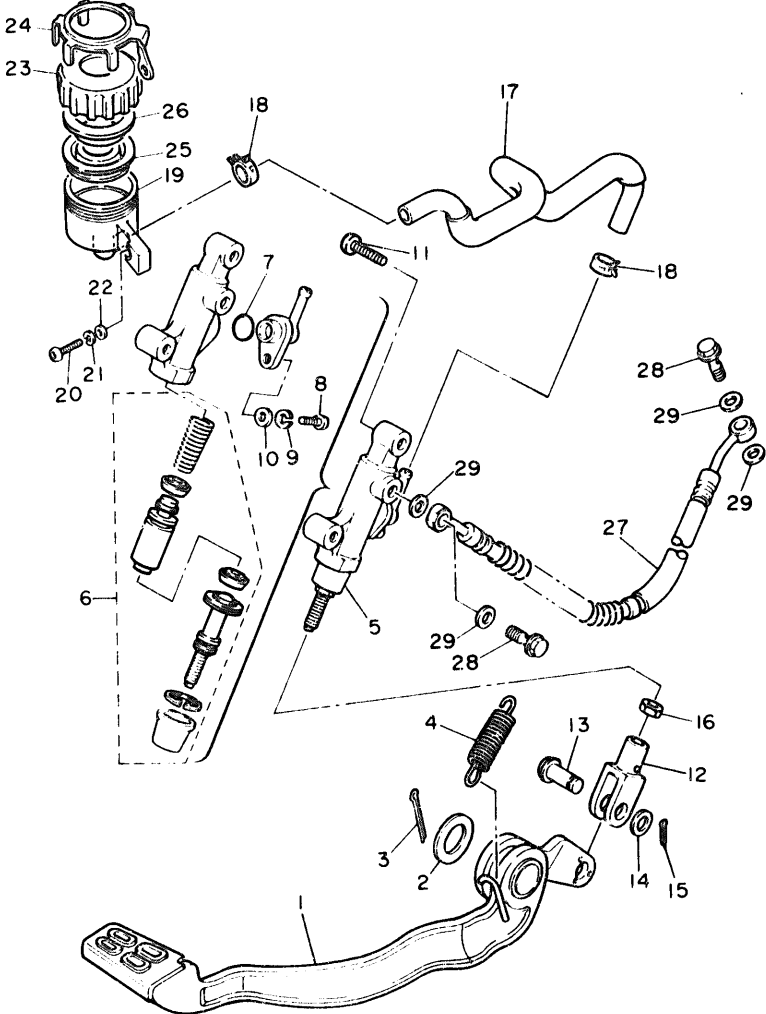
FIG. 32 REAR MASTER CYLINDER



3TB351-0320

REF. NO.	PART NO.	DESCRIPTION	Q'TY	REMARKS
1	3TB-27211-00-90	PEDAL, brake	1	*UNI-CHROME (BLACK CHROMATE)
2	90201-14215	WASHER, plate	1	
3	91401-30020	PIN, cotter	1	
4	90507-18055	SPRING, tension	1	
5	3TB-2583V-00	RR. MASTER CYLINDER ASSY.	1	
6	31A-W0042-50	.CYLINDER KIT, master	1	
7	93210-15620	.O-RING	1	
8	98511-04012	.SCREW, pan head	1	
9	92902-04100	.WASHER, spring	1	
10	92901-04600	.WASHER, plate	1	
11	92016-08025	SCREW	2	
12	47X-27222-00	JOINT	1	
13	90240-08013	PIN, clevis	1	
14	90201-08083	WASHER, plate	1	
15	91401-16015	PIN, cotter	1	
16	95303-08700	NUT	1	
17	3TB-25895-00	HOSE, reservoir	1	
18	90467-14057	CLIP	2	
19	47X-25894-00	TANK, reservoir	1	
20	98501-06020	SCREW, pan head	1	
21	92990-06100	WASHER, spring	1	
22	92901-06600	WASHER, plate	1	
23	2KF-25852-50	CAP, reservoir	1	
24	3AJ-25888-00	COVER, reservoir tank	1	
25	360-25854-00	DIAPHRAGM, reservoir	1	
26	2GU-25855-00	BUSH, diaphragm	1	
27	3TB-25873-01	HOSE, brake 2	1	
28	90401-10034	BOLT, union	2	

FIG. 32 REAR MASTER CYLINDER



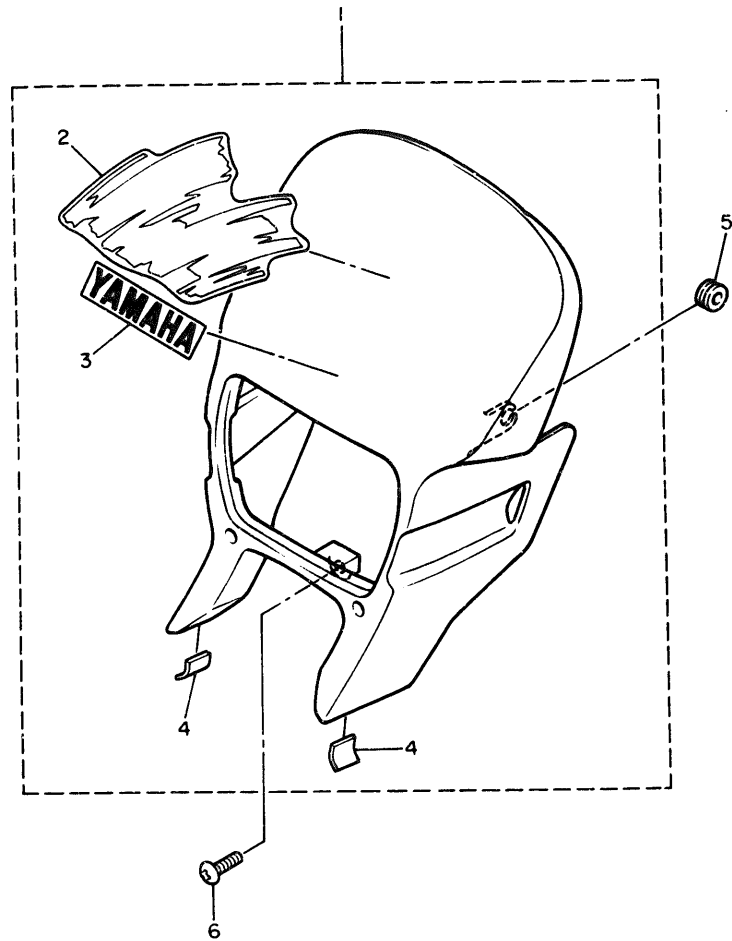
REF. NO.	PART NO.	DESCRIPTION	Q'TY	REMARKS
29	90201-10118	WASHER, plate	4	



3TB351-0320

E7

FIG. 33 COWLING 1

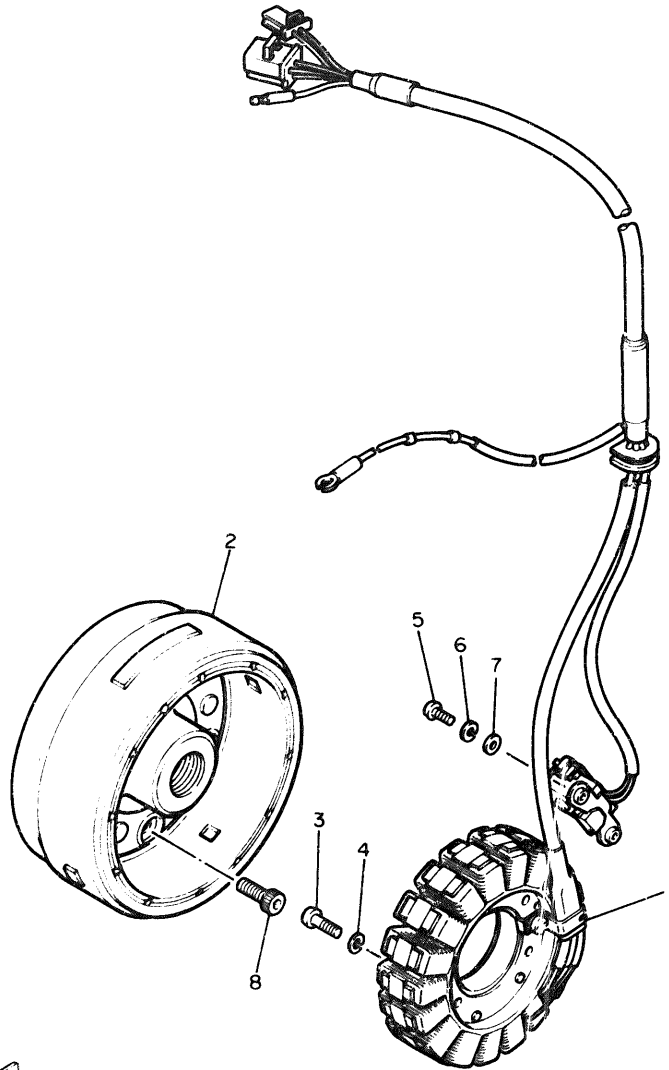


REF. NO.	PART NO.	DESCRIPTION	Q'TY	REMARKS
1	3TB-W2834-40	BODY, cowling	1	UR FARAWAY BLUE/ GREEN FOR FWB
	3TB-W2834-50	BODY, cowling	1	UR DEEP PURPLE FOR DPS, NON-OCEANIA
	3TB-W2834-30	BODY, cowling	1	UR WHITE/RED FOR W
2	3YP-28391-11	.GRAPHIC 1	1	UR FOR FWB
	3YP-28391-21	.GRAPHIC 1	1	UR FOR DPS NON-OCEANIA
	3YP-28391-00	.GRAPHIC 1	1	UR FOR W
3	99246-00025	.EMBLEM, yamaha	1	UR FOR FWB
	99241-00025	.EMBLEM, yamaha	1	UR FOR DPS NON-OCEANIA
	99244-00025	.EMBLEM, yamaha	1	UR FOR W
4	3TB-28217-00	.DAMPER 1	2	
5	90480-12053	GROMMET	2	
6	90149-06263	SCREW	1	



3TB351-0330

FIG. 34 GENERATOR

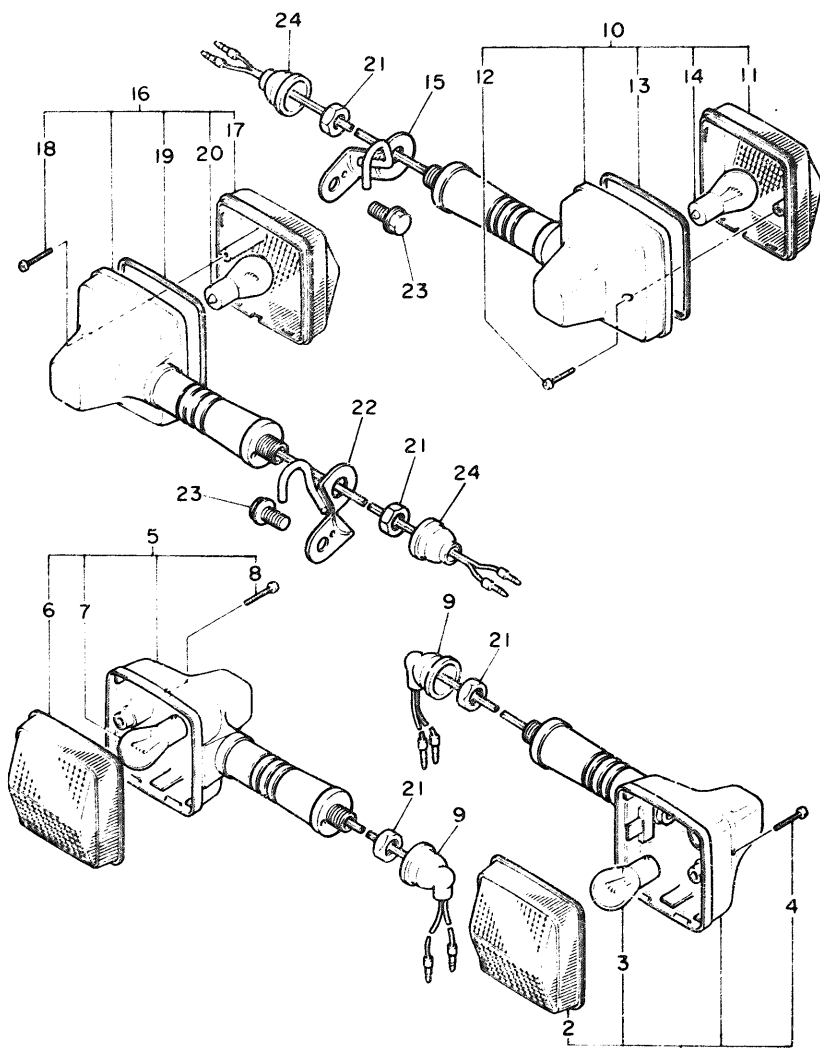


REF. NO.	PART NO.	DESCRIPTION	Q'TY	REMARKS
1	3TB-81410-00	STATOR ASSY	1	
2	3TB-81450-00	ROTOR ASSY	1	
3	98501-06025	SCREW, pan head	3	
4	92990-06100	WASHER, spring	3	
5	98501-05016	SCREW, pan head	2	
6	92901-05100	WASHER, spring	2	
7	92901-05600	WASHER, plate	2	
8	90110-08193	BOLT, hexagon socket head	3	



3TB351-0340

FIG. 35 FLASHER LIGHT

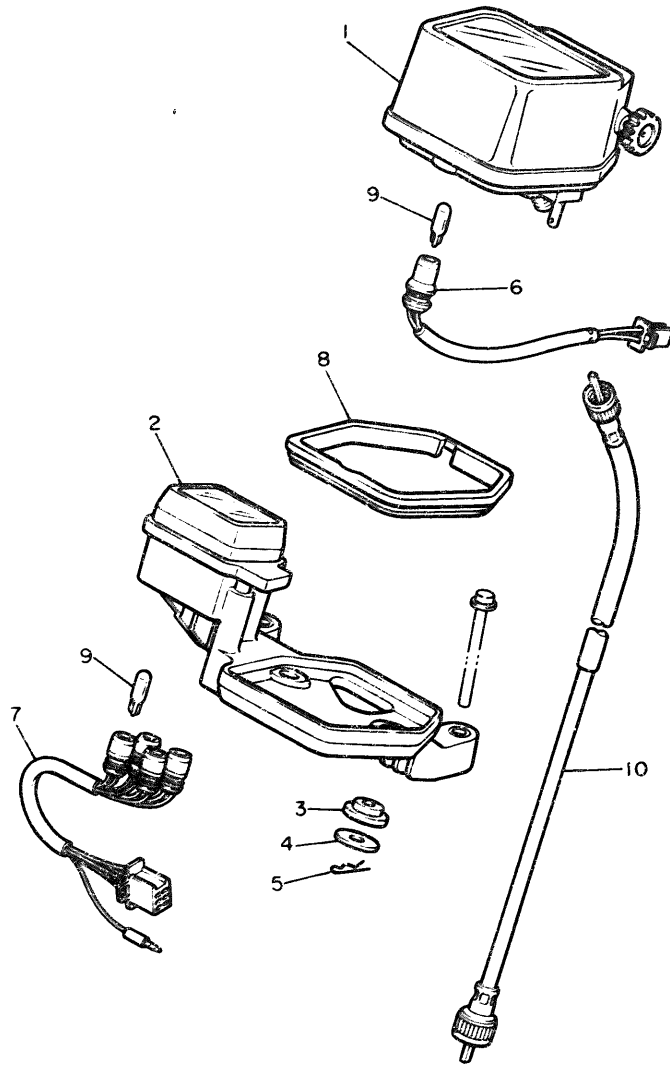


REF. NO.	PART NO.	DESCRIPTION	Q'TY	REMARKS
1	3TB-83310-00	FRONT FLASHER LIGHT ASSY 1	1	
2	47J-83312-00	.LENS, flasher	1	
3	306-83311-40	.BULB, flasher (12V-21W)	1	
4	97706-40620	.SCREW, tapping	2	
5	3TB-83320-00	FRONT FLASHER LIGHT ASSY 2	1	
6	47J-83322-00	.LENS, flasher 2	1	
7	306-83311-40	.BULB, flasher (12V-21W)	1	
8	97706-40620	.SCREW, tapping	2	
9	18G-83365-00	CAP	2	
10	3CK-83330-00	REAR FLASHER LIGHT ASSY 1	1	
11	2KF-83332-00	.LENS, flasher	1	
12	97706-40620	.SCREW, tapping	1	
13	47J-83313-00	.GASKET, flasher lens	1	
14	306-83311-40	.BULB, flasher (12V-21W)	1	
15	3TB-83368-00	STAY, flasher 1	1	
16	3CK-83340-00	REAR FLASHER LIGHT ASSY 2	1	
17	2KF-83342-00	.LENS, flasher 2	1	
18	97706-40620	.SCREW, tapping	1	
19	47J-83313-00	.GASKET, flasher lens	1	
20	306-83311-40	.BULB, flasher (12V-21W)	1	
21	95311-12700	NUT	4	
22	3TB-83369-00	STAY, flasher 2	1	
23	95806-08014	BOLT, flange	2	
24	10V-83365-00	CAP	2	



3TB351-0350

FIG. 36 METER

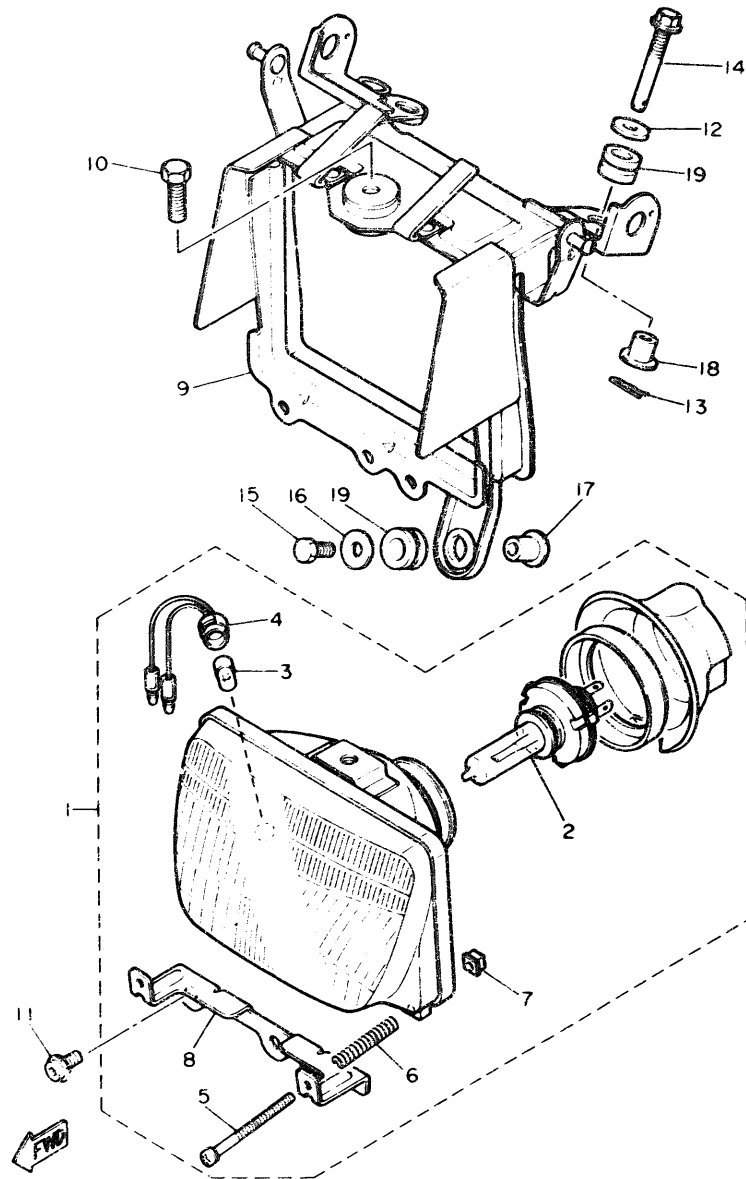


REF. NO.	PART NO.	DESCRIPTION	Q'TY	REMARKS
1	3TB-83570-00	SPEEDOMETER ASSY	1	KPH
2	3TB-8355A-00	BRACKET, meter	1	
3	1M1-83526-00	DAMPER 2	2	
4	90201-05033	WASHER, plate	2	
5	90468-10050	CLIP	2	
6	2JX-83536-A0	SOCKET, meter	1	
7	3TB-83520-00	SOCKET CORD ASSY	1	
8	5Y1-83513-00	DAMPER	1	
9	4G1-84744-00	BULB (12V-3.4W)	5	
10	3ET-83550-01	SPEEDOMETER CABLE ASSY	1	



3TB351-0360

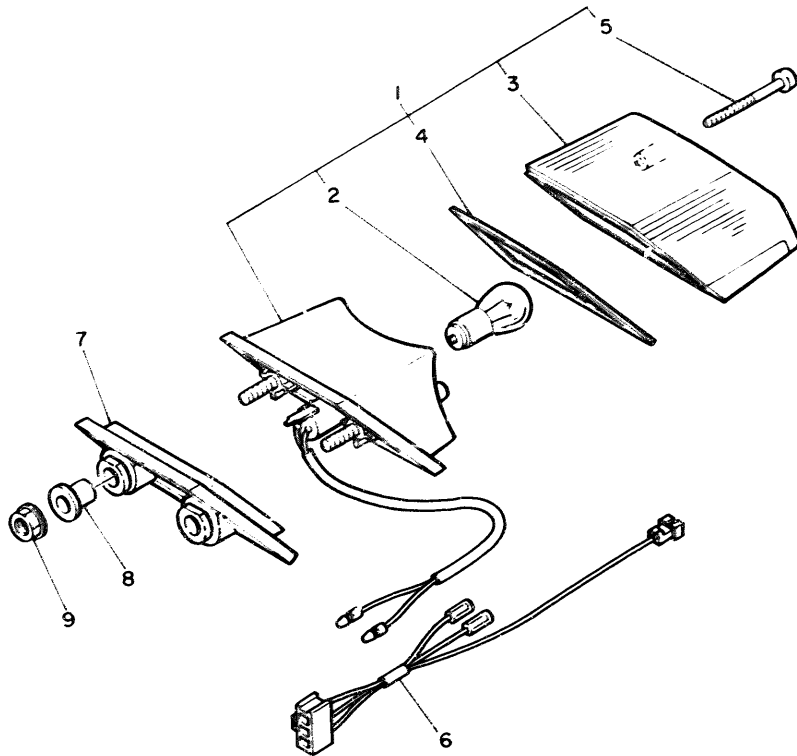
FIG. 37 HEADLIGHT



3TB332-0370

REF. NO.	PART NO.	DESCRIPTION	Q'TY	REMARKS
1	3TB-84320-10	LENS ASSY	1	
2	2F9-84314-00	.BULB, headlight (12V 60/55W)	1	HALOGEN
3	4E2-84347-00	.BULB (12V-4W)	1	
4	3TB-84312-00	.SOCKET	1	
5	3TB-84325-00	.SCREW, rim fitting	2	
6	341-84332-60	.SPRING, screw	2	
7	198-84334-60	.NUT, adjusting	2	
8	3TB-8431R-00	.STAY, setting	1	
9	3TB-84311-00	BODY, headlight	1	
10	3TB-84372-01	BOLT, lamp stay	1	
11	3TB-84329-00	BOLT, wing 1	2	
12	90202-06013	WASHER, plate	2	
13	90468-12120	CLIP	2	
14	3TB-84137-00	BOLT, special	2	
15	98026-06025	BOLT	1	
16	90201-06059	WASHER, plate	1	
17	90387-06388	COLLAR	1	
18	90387-07391	COLLAR	2	
19	90480-14023	GROMMET	3	

FIG. 38 TAILLIGHT

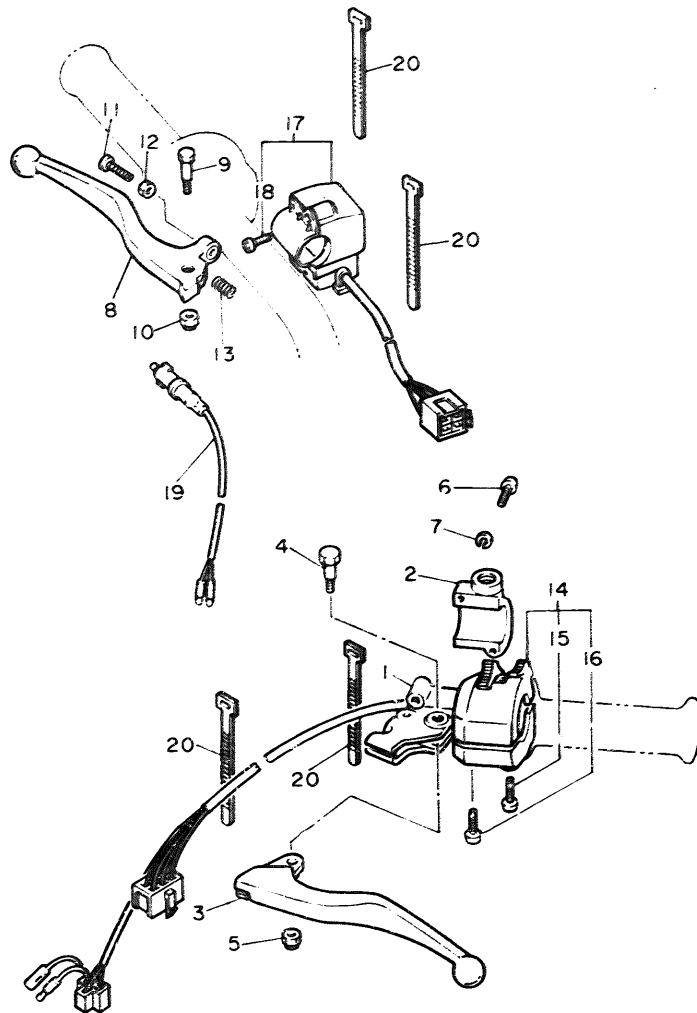


REF. NO.	PART NO.	DESCRIPTION	Q'TY	REMARKS
1	1XL-84710-E0	TAILLIGHT UNIT ASSY	1	
2	31L-84714-00	.BULB, taillight (12V-21/5W)	1	
3	53V-84721-40	.LENS, taillight	1	
4	34Y-84723-E0	.GASKET, tail lens	1	
5	97706-4r530	.SCREW, tapping	2	
6	3TB-84717-00	CORD, taillight	1	
7	34X-84527-00	DAMPER	1	
8	90387-07391	COLLAR	2	
9	95701-06500	NUT, flange	2	



3TB351-0380

FIG. 39 HANDLE SWITCH • LEVER

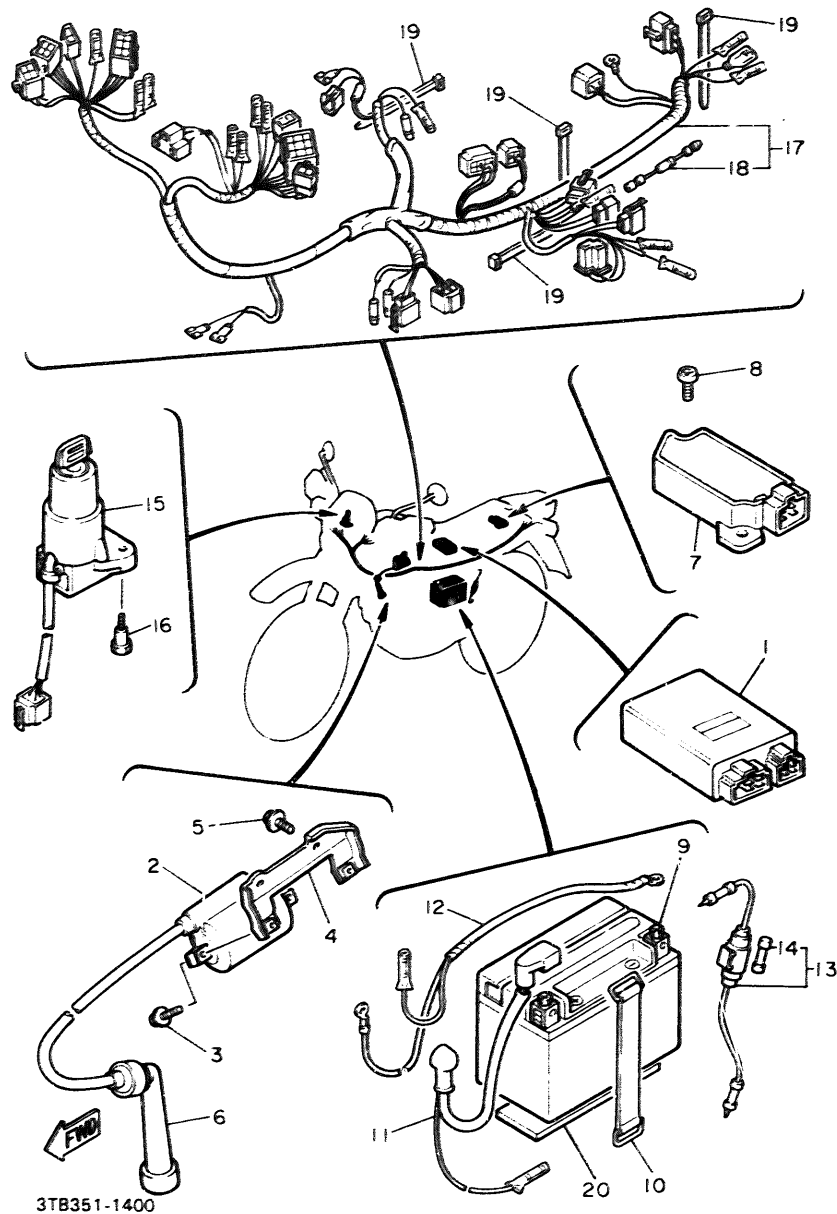


REF. NO.	PART NO.	DESCRIPTION	QTY	REMARKS
1	1LN-82911-00	HOLDER, lever 1	1	
2	33G-82913-00	HOLDER, lever lower 1	1	
3	5Y1-83912-01	LEVER 1	1	
4	90109-06799	BOLT	1	
5	95616-06100	NUT, u	1	
6	98506-05020	SCREW, pan head	2	
7	92906-05100	WASHER, spring	2	
8	1KH-83922-01	LEVER 2	1	
9	90109-062A8	BOLT	1	
10	95616-06100	NUT, u	1	
11	90149-06153	SCREW	1	
12	90170-06010	NUT	1	
13	90501-10312	SPRING, compression	1	
14	3TB-83972-00	SWITCH, handle 4	1	
15	98506-05030	.SCREW, pan head	1	
16	98506-05035	.SCREW, pan head	1	
17	3TB-83975-00	SWITCH, handle 2	1	
18	98506-05012	.SCREW, pan head	1	
19	34X-83980-01	FRONT STOP SWITCH ASSY	1	
20	437-83936-01	BAND, switch cord	4	



3TB351-0390

FIG. 40 ELECTRICAL 1



REF. NO.	PART NO.	DESCRIPTION	Q'TY	REMARKS
1	3TB-82305-00	IGNITOR UNIT ASSY	1	
2	3SX-82310-00	IGNITION COIL ASSY	1	
3	97021-05020	BCLT	2	
4	3TB-82316-00	BRACKET, ignition coil	1	
5	95801-06010	BOLT, flange	2	
6	371-82370-00	PLUG CAP ASSY	1	
7	47X-81960-A1	RECTIFIER & REGULATOR ASSY	1	
8	98501-06012	SCREW, pan head	2	
9	3PK-82100-00	BATTERY ASSY (YTX9-BS 12V-8AH)	1	
10	120-82131-00	BAND, battery	1	
11	3TB-82115-00	WIRE, plus lead	1	
12	3TB-82116-00	WIRE, minus lead	1	
13	2UJ-82150-00	FUSE HOLDER ASSY	1	
14	148-82151-00	FUSE (20A)	1	
15	3TB-82501-10	MAIN SWITCH STEERING LOCK	1	
16	90109-06614	BOLT	2	
17	3TB-82590-00	WIRE HARNESS ASSY	1	
18	3K7-81980-00	RECTIFIER 2	1	
19	12R-82591-00	BAND	4	
20	5X2-24183-00	DAMPER, locating 3	1	

CONTENTS

GENERAL SPEC.

ENGINE

Cylinder Head	B2 ~ B3
Cylinder	B4
Crankshaft · Piston	B5 ~ B6
Valve	B7
Camshaft · Chain	B8
Oil Pump	B9 ~ B10
Intake	B11 ~ B12
Carburetor	B13 ~ B14
Exhaust	B15
Crankcase	C2
Crankcase Cover 1	C3 ~ C4
Starter Clutch	C5
Clutch	C6 ~ C7
Transmission	C8 ~ C9
Shift Cam · Fork	C10
Shift Shaft	C11

CHASSIS

Frame	C12 ~ C13
Fender	C14 ~ C15
Side Cover	D2
Rear Arm	D3 ~ D4
Rear Suspension	D5
Steering	D6
Front Fork	D7 ~ D8

Fuel Tank	D9 ~ D10
Seat	D11
Front Wheel	D12 ~ D13
Rear Wheel	D14 ~ D15
Rear Brake Caliper	E2
Steering Handle · Cable	E3
Front Master Cylinder	E4
Stand · Footrest	E5
Rear Master Cylinder	E6 ~ E7
Cowling 1	E8
Generator	E9
Flasher Light	E10
Meter	E11
Headlight	E12
Taillight	E13
Handle Switch · Lever	E14
Electrical 1	E15
Electrical 2	F2

INDIVIDUAL SPEC.

FOR DENMARK, FINLAND, NORWAY

Alternate (Fender)	F4
Alternate (Meter)	F5

FOR ENGLAND, OCEANIA

Alternate (Electrical)	F7
------------------------------	----

FOR SWEDEN

Alternate (Engine)	F9
Alternate (Chassis)	F10
Alternate (Meter)	F11

FOR SWITZERLAND

Alternate (Engine)	F13
Alternate (Chassis)	F14

INDEX (GENERAL SPEC.)

NUMERICAL INDEX	K2 ~ K5
-----------------------	---------

INDEX (INDIVIDUAL SPEC.)

NUMERICAL INDEX	L2
-----------------------	----

CONTENTS

GENERAL SPEC. ENGINE

Cylinder Head	B2 ~ B3
Cylinder	B4
Crankshaft · Piston	B5 ~ B6
Valve	B7
Camshaft · Chain	B8
Oil Pump	B9 ~ B10
Intake	B11 ~ B12
Carburetor	B13 ~ B14
Exhaust	B15
Crankcase	C2
Crankcase Cover 1	C3 ~ C4
Starter Clutch	C5
Clutch	C6 ~ C7
Transmission	C8 ~ C9
Shift Cam · Fork	C10
Shift Shaft	C11

CHASSIS

Frame	C12 ~ C13
Fender	C14 ~ C15
Side Cover	D2
Rear Arm	D3 ~ D4
Rear Suspension	D5
Steering	D6
Front Fork	D7 ~ D8

Fuel Tank	D9 ~ D10
Seat	D11
Front Wheel	D12 ~ D13
Rear Wheel	D14 ~ D15
Rear Brake Caliper	E2
Steering Handle · Cable	E3
Front Master Cylinder	E4
Stand · Footrest	E5
Rear Master Cylinder	E6 ~ E7
Cowling 1	E8
Generator	E9
Flasher Light	E10
Meter	E11
Headlight	E12
Taillight	E13
Handle Switch · Lever	E14
Electrical 1	E15
Electrical 2	F2

INDIVIDUAL SPEC.

FOR DENMARK, FINLAND, NORWAY

Alternate (Fender)	F4
Alternate (Meter)	F5

FOR ENGLAND, OCEANIA

Alternate (Electrical)	F7
------------------------------	----

FOR SWEDEN

Alternate (Engine)	F9
Alternate (Chassis)	F10
Alternate (Meter)	F11

FOR SWITZERLAND

Alternate (Engine)	F13
Alternate (Chassis)	F14

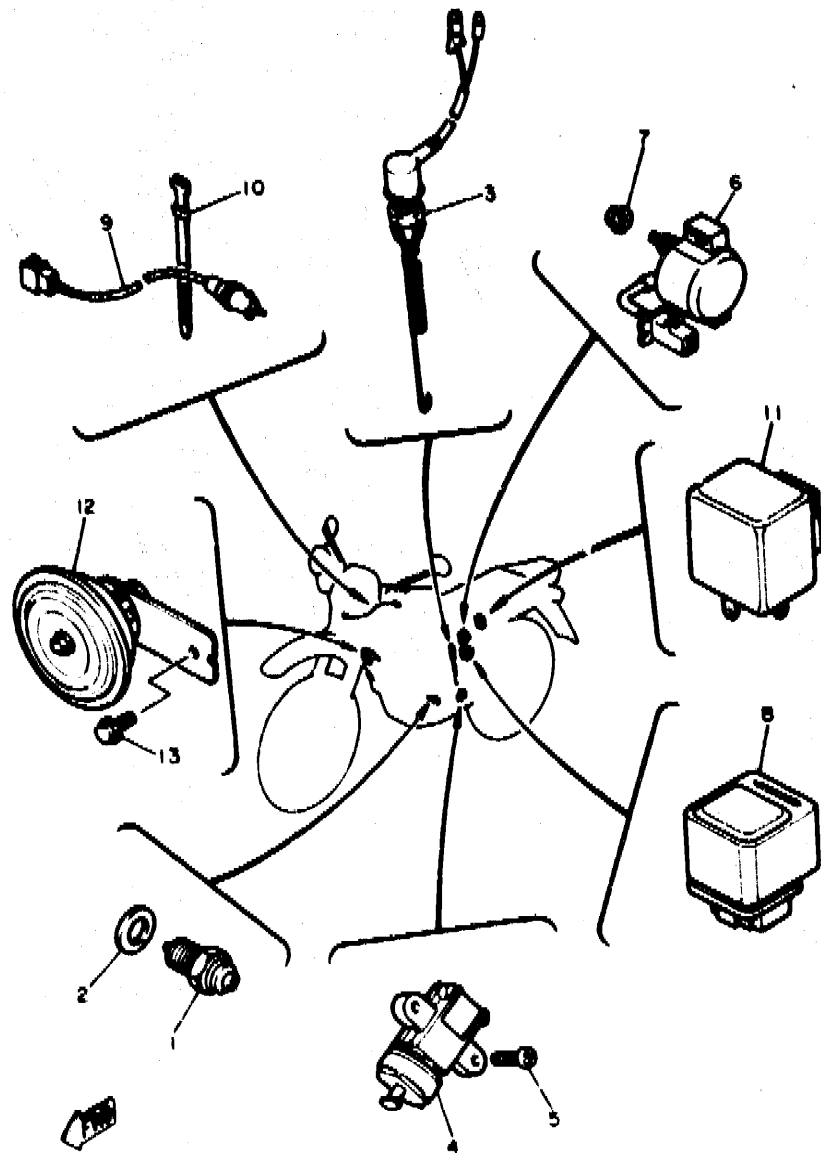
INDEX (GENERAL SPEC.)

NUMERICAL INDEX	K2 ~ K5
-----------------------	---------

INDEX (INDIVIDUAL SPEC.)

NUMERICAL INDEX	L2
-----------------------	----

FIG. 41 ELECTRICAL 2



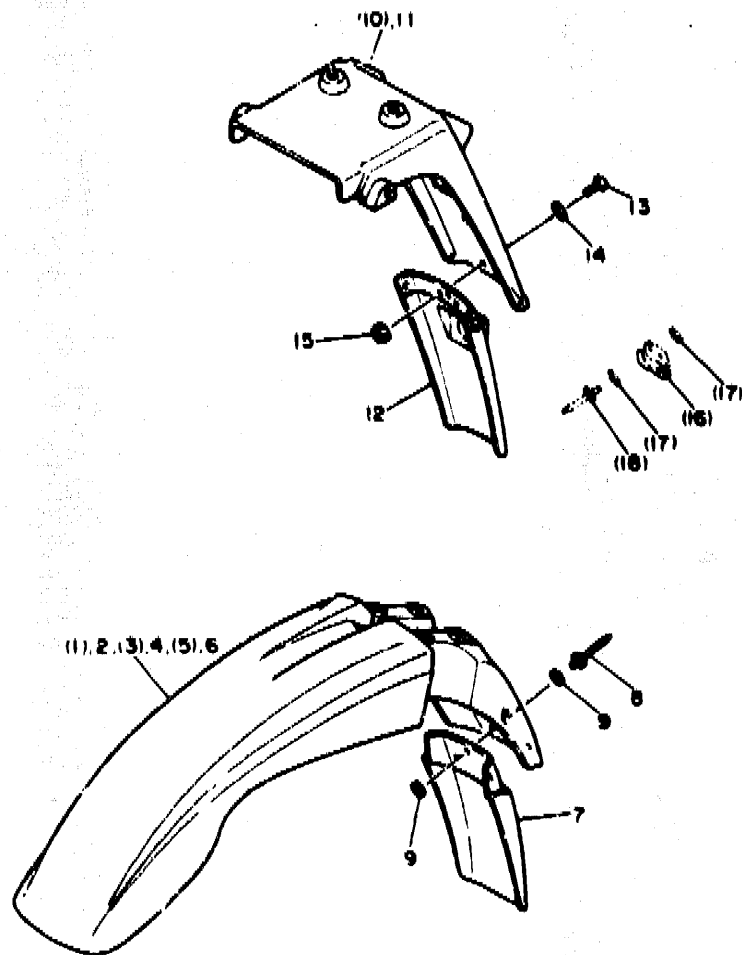
3TB351-0410

REF. NO.	PART NO.	DESCRIPTION	Q'TY	REMARKS
1	2M7-82840-00	NEUTRAL SWITCH ASSY	1	
2	90430-10171	GASKET	1	
3	34L-82530-01	STOP SWITCH ASSY	1	
4	3LD-82588-00	SWITCH, side stand	1	
5	86806-08016	SCREW, pan head	2	
6	3AY-81840-00	STARTER RELAY ASSY	1	
7	96701-08800	NUT, flange	2	
8	12R-111860-01	RELAY ASSY	1	
9	2GV-82917-00	SWITCH	1	
10	29G-83836-01	BAND, switch cord	1	
11	34L-83380-20	FLASHER RELAY ASSY	1	
12	3TB-83371-00	HORN	1	
13	89026-08010	BOLT, flange	1	

FOR DENMARK FINLAND NORWAY

The following pages provides a listing of only the parts that meet the specifications peculiar to your market. For those parts not appearing in these pages, refer to the "GENERAL SPEC" section.

FIG. 42 ALTERNATE (FENDER)



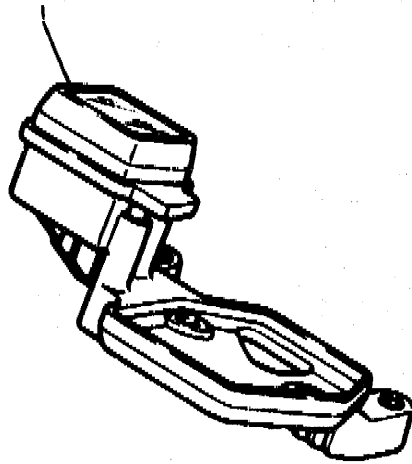
3TB300-0430

REF. NO.	PART NO.	DESCRIPTION	QTY	REMARKS
1	3RW-21511-30	FENDER, front	*	WHITE
2	3TB-21511-00	FENDER, front	1	UN WHITE
3	3RW-21511-40	FENDER, front	*	FARAWAY BLUE
4	3TB-21511-40	FENDER, front	1	UN FARAWAY BLUE
5	3RW-21511-50	FENDER, front	*	DEEP PURPLE SOLID 1
6	3TB-21511-50	FENDER, front	1	UN DEEP PURPLE SOLID 1
7	3TB-21521-00	FLAP, front fender	1	
8	80267-32071	RIVET, blind	3	
9	82880-03200	WASHER, plain	6	
10	2KF-21685-01	BRACKET, license	*	
11	2KF-21685-11	BRACKET, license	1	
12	1VJ-21621-00	FLAP	1	
13	88806-04018	SCREW, pan head	4	
14	81908-04200	WASHER, plain	4	
15	26806-04100	NUT, u	4	
16	33G-85132-00	BRACKET, reflector 1	*	
17	30201-044A2	WASHER, plate	*	
18	80267-40080	RIVET, blind	*	

F4

FIG. 43 ALTERNATE (METER)

REF. NO.	PART NO.	DESCRIPTION	QTY	REMARKS
1	3TB-8388A-10	BRACKET, meter	1	ONLY FOR FINLAND



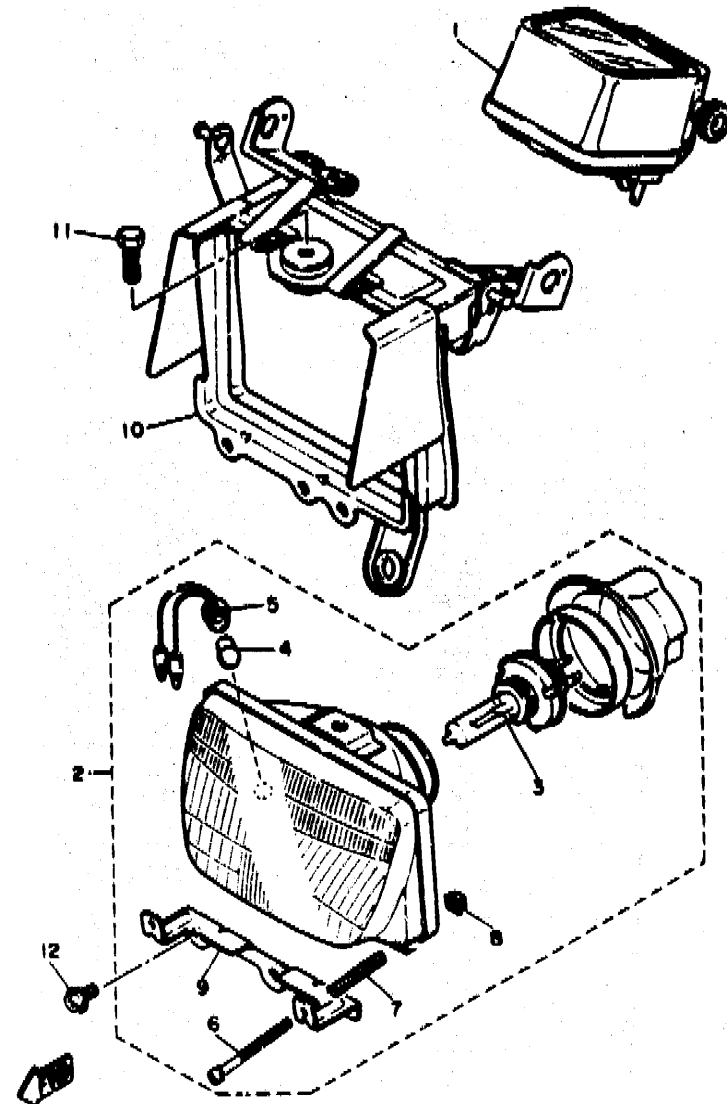
3TB300-1430

F5

FOR ENGLAND OCEANIA

The following pages provides a listing of only the parts that meet the specifications peculiar to your market. For those parts not appearing in these pages, refer to the "GENERAL SPEC" section.

FIG. 44 ALTERNATE (ELECTRICAL)



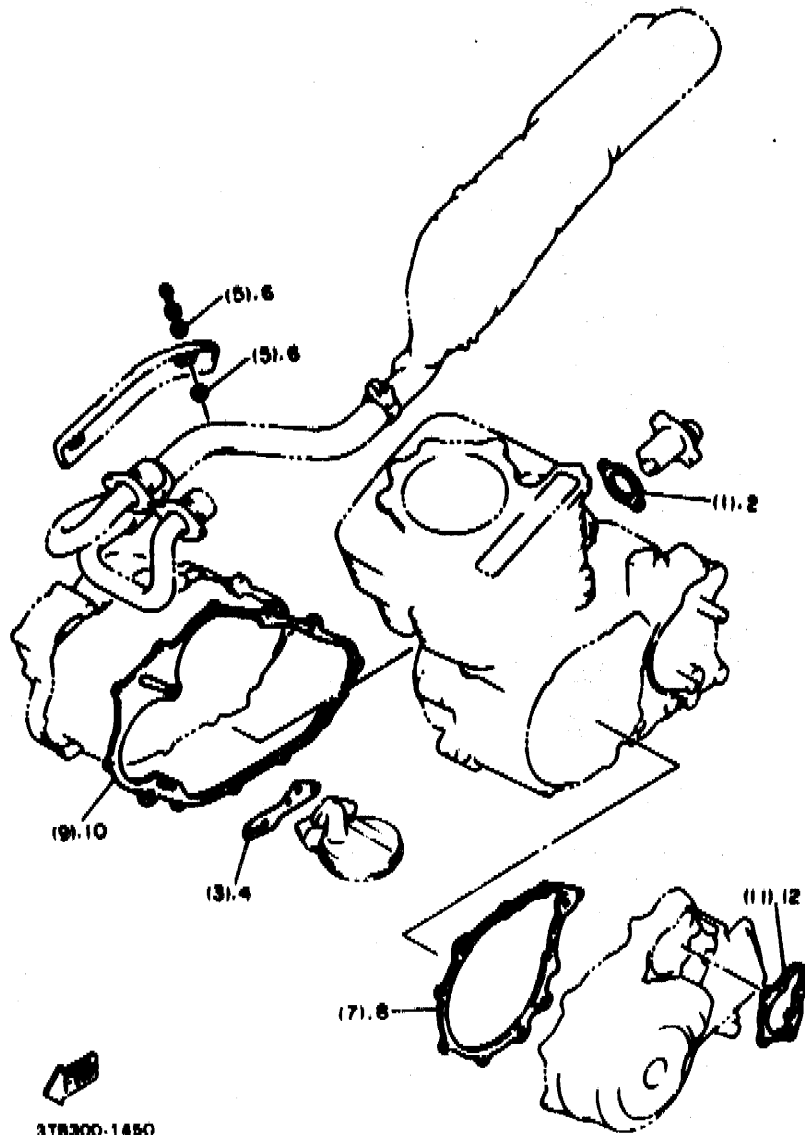
3TB300-1440

REF. NO.	PART NO.	DESCRIPTION	QTY	REMARKS
1	3TB-83670-00	SPEEDOMETER ASSY	1	UR KPH
	3TB-83670-20	SPEEDOMETER ASSY	1	UR MPH
2	3TB-84320-20	LENS ASSY	1	UR FOR ENGLAND
	3WR-84320-00	LENS ASSY	1	UR FOR OCEANIA
3	2FB-84314-00	.BULB (12V-80/80W)	1	HALOGEN
4	123-83618-21	.BULB (12V-3.4W)	1	
	4E2-84347-00	.BULB (12V-4W)	1	
5	3TB-84312-00	.SOCKET	1	
6	3TB-84325-00	.SCREW, rim fitting	2	
7	341-84332-00	.SPRING, screw	2	
8	188-84334-00	.NUT, adjusting	2	
9	3TB-8431R-00	.STAY, setting	1	
10	3TB-84311-00	BODY, headlight	1	
11	3TB-84372-01	BOLT, lamp stay	1	
12	3TB-84329-00	BOLT, wing 1	2	

FOR SWEDEN

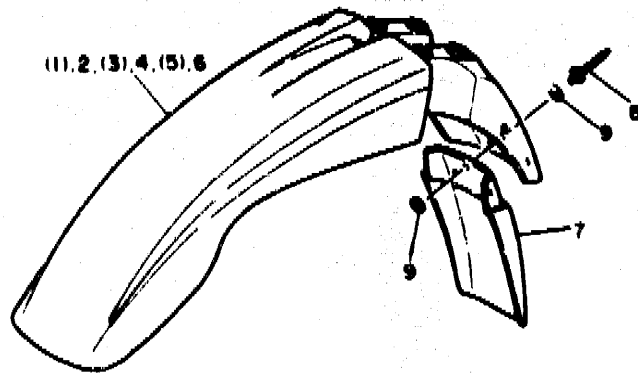
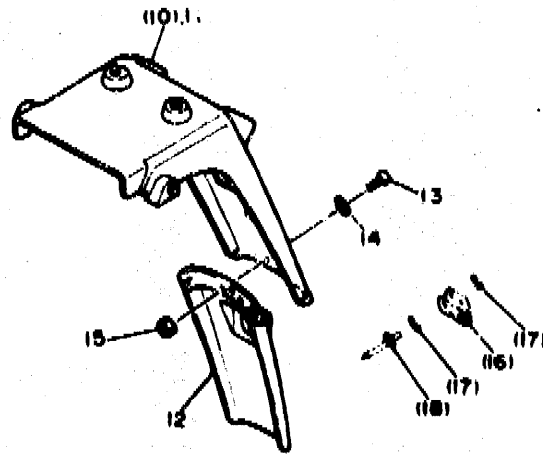
The following pages provides a listing of only the parts that meet the specifications peculiar to your market. For those parts not appearing in these pages, refer to the "GENERAL SPEC" section.

FIG. 45 ALTERNATE (ENGINE)



REF. NO.	PART NO.	DESCRIPTION	QTY	REMARKS
1	4X7-12213-00	GASKET, tensioner case	•	
2	3AJ-12213-00	GASKET, tensioner case	1	
3	5Y1-13415-01	SEAL, oil strainer	•	
4	3AJ-13415-00	SEAL, oil strainer	1	
5	30X-14785-00	WASHER, protector	•	
6	90202-05191	WASHER, plate	4	
7	1VJ-15451-00	GASKET, crankcase cover 1	•	
8	3AJ-15451-00	GASKET, crankcase cover 1	1	
9	34K-15452-01	GASKET, crankcase cover 2	•	
10	3AJ-15452-00	GASKET, crankcase cover 2	1	
11	3TB-15455-00	GASKET 1	•	
12	3TB-15455-10	GASKET 1	1	

FIG. 46 ALTERNATE (CHASSIS)

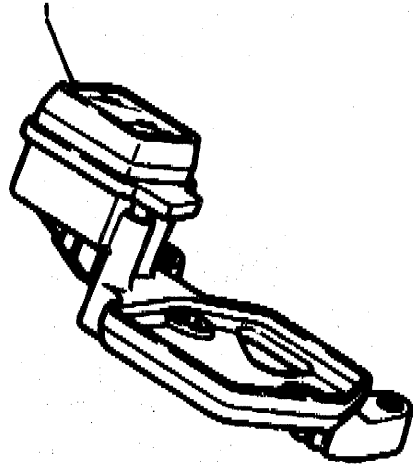


3TB300-0480

REF. NO.	PART NO.	DESCRIPTION	QTY	REMARKS
1	3RW-21511-30	FENDER, front	•	WHITE
2	3TB-21511-00	FENDER, front	1	UR WHITE
3	3RW-21511-40	FENDER, front	•	FARAWAY BLUE
4	3TB-21511-40	FENDER, front	1	UR FARAWAY BLUE
5	3RW-21511-50	FENDER, front	•	DEEP PURPLE SOLID 1
6	3TB-21511-50	FENDER, front	1	UR DEEP PURPLE SOLID 1
7	3TB-21521-00	FLAP, front fender	1	
8	90267-32071	RIVET, blind	3	
9	92980-03200	WASHER, plain	6	
10	2KF-21688-01	BRACKET, fender	•	
11	2KF-21688-11	BRACKET, fender	1	
12	1VJ-21521-00	FLAP	1	
13	98808-04018	SCREW, pan head	4	
14	92988-04200	WASHER, plain	4	
15	98808-04100	NUT, u	4	
16	3JG-88132-00	BRACKET, reflector 1	•	
17	90201-044A2	WASHER, plate	•	
18	90267-40080	RIVET, blind	•	

FIG. 47 ALTERNATE (METER)

REF. NO.	PART NO.	DESCRIPTION	QTY	REMARKS
1	3TB-6385A-10	BRACKET, meter	1	



3TB300-1490

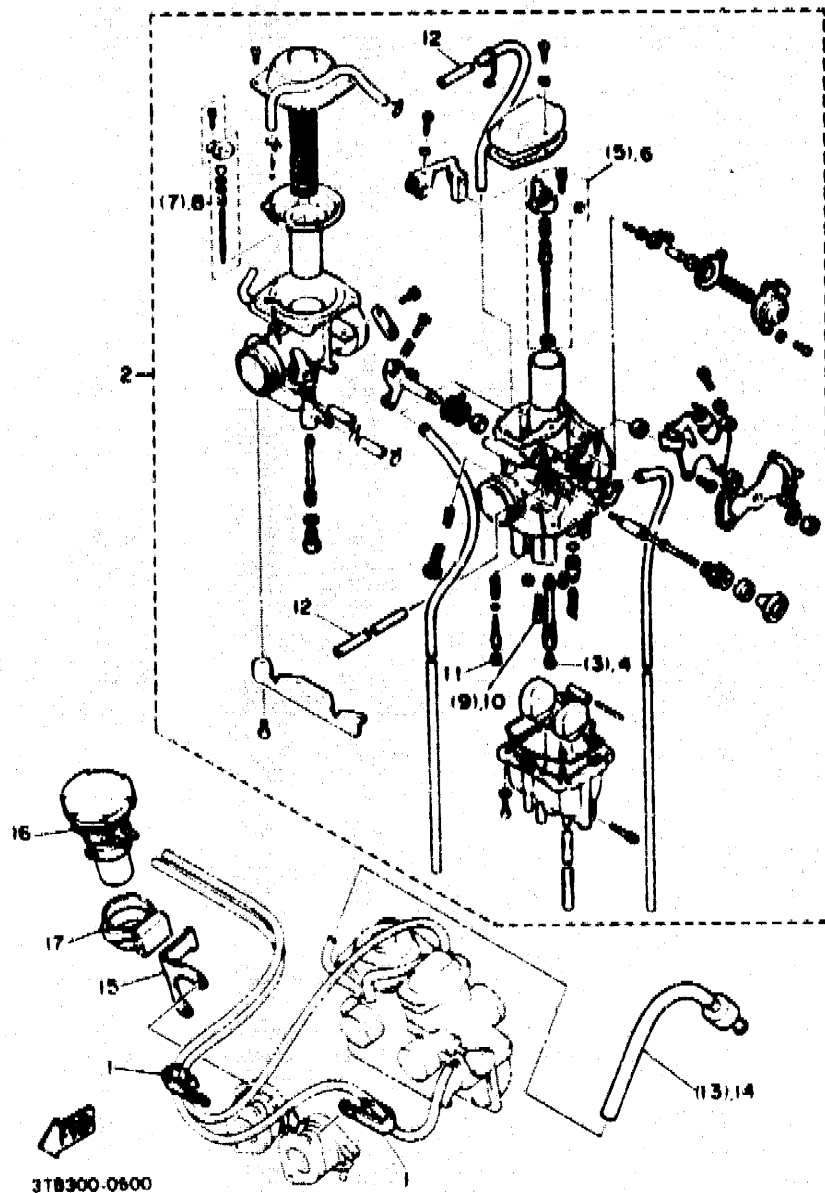
F11

FOR SWITZERLAND

The following pages provides a listing of only the parts that meet the specifications peculiar to your market. For those parts not appearing in these pages, refer to the "GENERAL SPEC" section.

F12

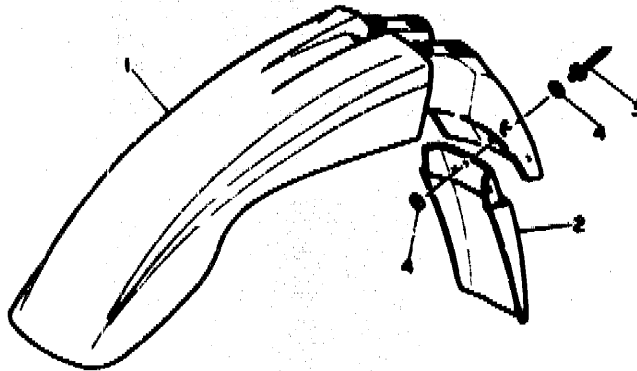
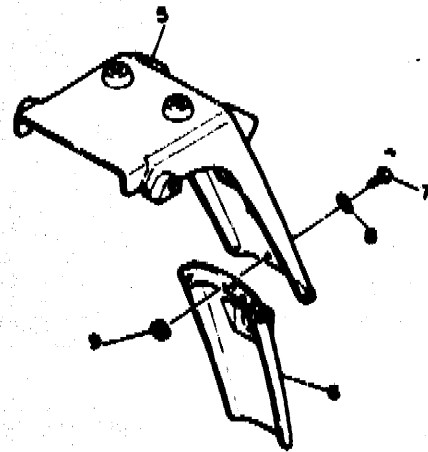
FIG. 48 ALTERNATE (ENGINE)



REF. NO.	PART NO.	DESCRIPTION	QTY	REMARKS
1	80485-08125	CLAMP	2	
2	3UX-14301-00	CARBURETOR ASBY	1	
3	288-14343-88	.JET, main (# 120)	•	
4	288-14343-83	.JET, main (# 125)	1	
5	3TB-1480J-10	.NEEDLE SET	•	
6	3UX-1480J-10	.NEEDLE SET	1	
7	3TB-1480J-80	.NEEDLE SET	•	
8	2KF-1480J-80	.NEEDLE SET	1	
9	43F-14342-25	.JET, pilot (# 80)	•	
10	43F-14342-23	.JET, pilot (# 48)	1	
11	2WJ-14387-00	.PLUG	1	
12	2WJ-14348-00	.PIPE	2	
13	3TB-14187-00	PIPE, air vent	•	
14	3LD-14187-00	PIPE, air vent	1	
15	3UX-1441L-00	BRACKET, 1	1	
16	3UX-14303-00	COMPENSATOR	1	
17	2WJ-14448-01	GROMMET	1	

As for the remaining parts not listed here, Refer to the carburetor section (Fig. 8) on Grid No. of 813 and 814.

FIG. 48 ALTERNATE (CHASSIS)



3TB300-0510

REF. NO.	PART NO.	DESCRIPTION	QTY	REMARKS
1	3TB-21511-00	FENDER, front	1	UR WHITE
	3TB-21511-40	FENDER, front	1	UR FARAWAY BLUE
	3TB-21511-50	FENDER, front	1	UR DEEP PURPLE SOLID 1
2	3TB-21521-00	FLAP	1	
3	90267-22071	RIVET, blind	3	
4	82801-03200	WASHER, plain	6	
5	2KF-21688-11	BRACKET, fender	1	
6	1VJ-21621-00	FLAP	1	
7	98898-04016	SCREW, pan head	4	
8	82805-04200	WASHER, plain	4	
9	98898-04160	NUT, u	4	

CONTENTS

GENERAL SPEC. ENGINE

Cylinder Head	B2 ~ B3
Cylinder	B4
Crankshaft - Piston	B5 ~ B6
Valve	B7
Camshaft - Chain	B8
Oil Pump	B9 ~ B10
Intake	B11 ~ B12
Carburetor	B13 ~ B14
Exhaust	B15
Crankcase	C2
Crankcase Cover 1	C3 ~ C4
Starter Clutch	C5
Clutch	C6 ~ C7
Transmission	C8 ~ C9
Shift Cam - Fork	C10
Shift Shaft	C11

CHASSIS

Frame	C12 ~ C13
Fender	C14 ~ C15
Side Cover	D2
Rear Arm	D3 ~ D4
Rear Suspension	D6
Steering	D6
Front Fork	D7 ~ D8

Fuel Tank	D9 ~ D10
Seat	D11
Front Wheel	D12 ~ D13
Rear Wheel	D14 ~ D15
Rear Brake Caliper	E2
Steering Handle - Cable	E3
Front Master Cylinder	E4
Stand - Footrest	E5
Rear Master Cylinder	E6 ~ E7
Cowling 1	E8
Generator	E9
Flasher Light	E10
Meter	E11
Headlight	E12
Taillight	E13
Handle Switch - Lever	E14
Electrical 1	E15
Electrical 2	F2

INDIVIDUAL SPEC.

FOR DENMARK, FINLAND, NORWAY

Alternate (Fender)	F4
Alternate (Motor)	F6

FOR ENGLAND, OCEANIA

Alternate (Electrical)	F7
------------------------------	----

FOR SWEDEN

Alternate (Engine)	F9
Alternate (Chassis)	F10
Alternate (Motor)	F11

FOR SWITZERLAND

Alternate (Engine)	F13
Alternate (Chassis)	F14

INDEX (GENERAL SPEC.)

NUMERICAL INDEX	K2 ~ K6
-----------------------	---------

INDEX (INDIVIDUAL SPEC.)

NUMERICAL INDEX	L2
-----------------------	----

INDEX
(GENERAL SPEC.)

K₁

NUMERICAL INDEX

NUMERICAL INDEX

PART NO.	REF NO.	PART NO.	REF NO.	PART NO.	REF NO.	PART NO.	REF NO.	PART NO.	REF NO.	PART NO.	REF NO.
3TB-W0041-00	E-4	1J7-12118-00	B-7	3TB-14301-00	B-13	3Y6-15167-00	C-2	1VJ-18110-00	C-11	3YP-2173E-00	D-2
31A-W0042-50	E-6	1J7-12119-01	B-7	1JK-14313-55	B-14	5Y1-15383-00	C-2	1W6-18113-00	C-11	3YP-2173E-11	D-2
3TB-W0045-00	D-12	1VJ-12121-00	B-7	14T-14323-00	B-13	3TB-15411-01	C-3	34K-18120-00	C-11	3YP-2173E-21	D-2
3TB-W0046-02	E-2	2NX-12146-00	B-7	2KF-14341-00	B-14	3TB-15415-00	C-4	34K-18140-00	C-10	3YP-2173F-00	D-2
3TB-W0047-00	D-12	34K-12151-00	B-7	43F-14342-25	B-14	2WK-15418-01	C-3	5Y1-18511-00	C-10	3YP-2173F-11	D-2
34X-W0047-00	E-2	2NX-12156-00	B-7	288-14343-60	B-14	3AJ-15421-00	B-9	5Y1-18512-00	C-10	3YP-2173F-21	D-2
1UY-W0048-50	D-12	2NX-12159-00	B-7	288-14343-65	B-14	5Y1-15427-01	B-9	5Y1-18513-00	C-10	3TB-2174A-00	D-2
51L-W0048-00	E-2	34K-12161-00	B-7	288-14343-70	B-14	3DS-15430-00	C-3	34K-18531-00	C-10	3TB-2174A-10	D-2
2KF-W0057-00	E-2	34K-12162-00	B-7	30X-14343-55	B-14	1JK-15449-00	C-3	34K-18535-00	C-10	3TB-2174T-00	C-14
3TB-W0057-00	D-12	34K-12183-00	B-7	5Y1-14349-00	B-14	1VJ-15451-00	C-3	5Y1-18540-00	C-10	3TB-21756-00	C-12
1VJ-W1141-00	B-5	2NX-12186-00	B-7	2KF-14355-00	B-14	3TB-15455-00	C-4	136-18542-00	C-10	3TB-2177F-00	D-2
5Y1-W1343-00	B-9	1JK-12171-00	B-8	5Y1-14356-00	B-13	34K-15462-01	C-3	3YP-21110-00-WL	C-12	3TB-21771-00	C-13
3TB-W2147-00-WL	C-12	3TB-12176-00	B-8	1JK-14357-00	B-13	1JK-15486-00	C-3	26H-21308-00	D-11	3TB-22110-00	D-3
3TB-W2834-30	E-8	3TB-12210-00	B-8	30X-14358-00	B-13	1VJ-15511-00	C-5	34L-21315-00	C-12	34L-22117-00	D-4
3TB-W2834-40	E-8	4X7-12213-00	B-8	5Y1-14358-00	B-13	1VJ-15512-00	C-5	3TB-21316-00-WL	C-12	1VJ-22123-00	D-3
3TB-W2834-50	E-8	3TB-12215-00	B-2	5Y1-14384-00	B-13	3TB-15515-00	C-5	3TB-21338-00	C-13	2K6-22128-01	D-3
3TB-11101-00	B-2	34K-12231-00	B-8	2JN-14385-00	B-13	1VJ-15517-00	C-5	3TB-2137W-30	D-9	34L-22128-00	D-3
583-11127-00	B-2	34K-12241-00	B-8	6E5-14386-01	B-13	1VJ-15521-00	C-5	3TB-2137W-40	D-9	23X-22129-00	D-4
	B-4	583-13113-00	B-9	3TB-1441A-00	B-11	1VJ-15522-00	C-5	3TB-2137W-50	D-9	34L-22129-00	D-5
	B-2	3AJ-13161-00	B-9	3TB-1441E-00	B-11	3TB-15590-00	C-5	3TB-2-37X-30	D-10	1VJ-22141-00	D-4
4H7-11133-10	B-6	3AJ-13300-00	B-9	3TB-14411-00	B-11	3TB-15594-00	C-5	3TB-2137X-40	D-10	2KF-22147-00	D-3
34K-11145-00	C-2	3AJ-13325-00	B-9	3TB-14412-00	B-11	3AJ-16111-00	C-6	3TB-2137X-50	D-10	5X6-22151-10	D-3
3TB-11166-00	B-4	5Y1-13415-01	B-9	5Y1-14419-00	B-12	3AJ-16150-00	C-6	3TB-2137Y-00	D-10	3TB-2217A-00	D-3
2KF-11181-01	B-2	4X7-13440-90	B-9	34X-1443E-00	B-11	2JN-16154-00	C-6	46X-21376-00	D-2	34L-2217F-00	D-3
1L9-11186-00	B-2	ZWK-13447-00	B-9	43G-14436-00	B-11	5Y1-16321-00	C-6	5Y1-21441-00	C-12	3TB-22178-00	C-12
5Y1-11187-00	B-9	11H-13455-00	B-9	3TB-14451-00	B-11	360-16325-00	C-6	34K-21485-00	C-12	30X-22178-00	C-13
214-11198-01	B-4	3TB-13464-00	B-9	3TB-14452-00	B-12	5Y1-16331-C1	C-6	34K-21486-00	C-12	4V4-22184-00	C-12
3TB-11310-00	B-4	3TB-13465-00	B-10	3TB-14453-00	B-11	5Y1-16351-00	C-6	3RW-21511-30	C-14		C-13
1VJ-11351-00	B-5	16G-13569-00	B-11	3TB-14454-00	B-11	34K-16356-00	C-6	3RW-21511-40	C-14	3TB-22189-00	D-4
3TB-11400-00	B-5	43F-13586-01	B-11	3TB-14457-00	B-11	5Y1-16357-00	C-7	3RW-21511-50	C-14	38V-22199-00	D-3
34K-11454-00	B-5	1VJ-1359E-00	B-11	3TB-1446R-00	B-11	30X-16358-00	C-6	3TB-21542-00	D-2	3TB-22210-00-33	D-5
5Y1-11496-01	B-5	2KF-1410A-00	B-14	5Y1-14536-00	B-13	2JN-16371-00	C-6	3TB-21611-20	C-14	34L-22216-00	D-5
5Y1-11531-00	B-5	2NX-14103-00	B-14	5Y1-14572-00	B-13	1VJ-16380-01	C-6	3TB-21611-40	C-14	34L-22226-00	D-5
2JT-11536-00	B-5	5Y1-14105-00	B-14	34K-14611-01	B-15	5Y1-16383-00	C-6	3TB-21611-50	C-14	3TB-22311-00	D-4
34K-11565-02	B-5	2JN-14107-00	B-14	5Y1-14613-00	B-15	34K-17121-01	C-8	3TB-21621-00	B-12	3TB-23102-00	D-7
34L-11610-20	B-5	1XL-14131-00	B-13	34K-14628-01	B-15	1VJ-17131-00	C-8	3TB-2163A-00	C-14	3TB-23103-00	D-7
34L-11610-40	B-5	30X-14148-00	B-14	3TB-14711-00	B-15	34K-17141-00	C-8	3TB-21639-00	C-14	3TB-23110-00	D-7
3TB-11631-00-YO	B-5	5Y1-14149-00	B-14	3TB-14728-00	B-15	2JT-17151-01	C-8	42U-21639-00	C-14		D-8
1JK-11633-01	B-5	5Y1-14159-00	B-14	3TB-14752-00	B-15	3AJ-17211-00	C-8	3TB-2164F-00	C-15	3EN-23111-50	D-7
3TB-11636-00	B-5	7KF-14162-00	B-14	3RW-14766-00	B-15	2JT-17221-00	C-8	3TB-21651-00	C-14		D-8
3TB-11638-00	B-5	1JK-14197-00	B-13	30X-14766-00	B-15	1VJ-17231-00	C-8	2KF-21655-01	C-14	3FW-23118-00	D-7
3TB-11651-00	B-5	1VJ-14197-00	B-13	1JK-1490A-00	B-14	3AJ-17241-00	C-8	34X-21691-00	B-12		D-8
1VJ-11681-00	B-5	3TB-14197-00	B-14	3TB-1490J-00	B-14	2JT-17251-00	C-8	3TB-21711-20	D-2	4H7-23119-00	D-7
1VJ-12111-00	B-7	5Y1-14198-00	B-13	3TB-1490J-10	B-14	2HW-17402-00	C-8	3TB-21711-40	D-2	3LC-23125-00	D-7
5Y1-12113-00	B-7	7KF-14227-00	B-13	2GV-1490K-00	B-14	2RW-17411-00	C-8	3TB-21711-50	D-2	3TB-23126-00	D-7
5Y1-12114-00	B-7	1VJ-14286-00	B-13	1JK-14940-01	B-13	5Y1-17471-00	C-8	3TB-21721-20	D-2	2KF-23127-01	D-8
4H7-12116-00	B-7	1JK-14291-00	B-13	3DS-15100-00	C-2	5Y1-18101-02	C-11	3TB-21721-40	D-2	122-23129-00	D-7
2F3-12117-00	B-7	2JN-14293-00	B-13	3Y6-15144-00	C-2	43F-18102-02	C-11	2TB-21721-50	D-2	3TB-23136-00	D-7

NUMERICAL INDEX

NUMERICAL INDEX

PAR. NO.	REF NO.	PART NO.	REF NO.	PART NO.	REF NO.	PART NO.	REF NO.	PART NO.	REF NO.	PART NO.	REF NO.
3TB-23141-00	D-7	3TB-24232-31	D-10	2KF-25827-00	E-2	3AJ-27311-00-R4	E-5	12R-82591-00	E-15	31L-84714-00	E-13
	D-8	3TB-24232-41	D-10	2KF-25828-00	E-2	5Y1-27315-00	E-5	1LN-82911-00	E-14	3TB-84717-00	E-13
43F-23142-10	D-7	3TB-24232-51	D-10	3TB-2583V-00	E-6	22W-27411-01-90	E-5	33G-82913-00	E-14	53V-84721-40	E-13
	D-8	3YP-24240-00	D-9	2KF-25831-50	E-2	34L-27412-00-R4	E-5	2GV-82917-00	F-2	34Y-84723-60	E-13
43F-23144-10	D-7	3YP-24240-11	D-9	34X-25845-00	E-2	22W-27421-01-90	E-5	3TB-83310-00	E-10	4G1-84744-00	E-11
43F-23145-10	D-7	3YP-24240-21	D-9	2KF-25852-50	E-6	2KF-27422-00-R4	E-5	306-83311-40	E-10	1KH-84751-00-90	C-15
36Y-23146-10	D-7	3FY-24500-00	D-9	4H7-25852-00	E-4	120-27431-00	E-5	47J-83312-00	E-10	3G1-85130-01	C-15
26M-23156-00	D-7	360-24512-00	B-13	360-25854-00	E-6	26F-27432-00-WL	E-5	47J-83313-00	E-10	33G-85132-00	C-14
4V4-23158-L0	D-7	4XB-24512-00	D-9	4LO-25854-00	E-4	120-27433-00	E-5	3TB-83320-00	E-10	90101-12295	D-5
	D-8	3AJ-24523-00	D-9	2GU-25855-00	E-6	3YP-27442-00-WL	E-5	47J-83322-00	E-10	90105-07087	B-8
	D-8	3AJ-24534-00	D-9	4LO-25862-00	E-4	2KF-27491-00	D-4	3CK-83330-00	E-10	90105-08505	B-4
4V2-23167-L0	D-8	11H-24602-02	D-9	4LO-25867-00	E-4	3TB-28100-00	D-2	2KF-83332-00	E-10	90105-10186	B-15
3TB-23170-00	D-7	3TB-24723-00	D-11	3TB-25870-00	E-4	3TB-28217-00	E-8	3CK-83340-00	E-10	90105-10232	B-15
	D-8	23T-24724-01	D-9	3TB-25872-01	E-4	3YP-28391-00	E-8	2KF-83342-00	E-10	90105-10286	C-12
3GM-23173-00	D-7	3TB-24731-20	D-11	3TB-25873-01	E-6	3YP-28391-11	E-8	34L-83350-20	F-2	90105-10308	E-2
	D-8	3TB-24731-40	D-11	3AJ-25888-00	E-6	3YP-28391-21	E-8	10V-83365-00	E-10	90105-10316	D-13
4V4-23181-L0	D-8	3TB-24731-50	D-11	47X-25894-00	E-6	3TB-28415-00	C-13	18G-83366-00	F-10	90105-12410	D-3
	D-8	3TB-24770-20	D-11	3TB-25895-00	E-6	3TB-81410-00	E-9	3TB-83368-00	E-10	90105-12616	E-5
43F-23188-10	D-7	3TB-24770-40	D-11	3JD-25917-00	D-12	3TB-81450-00	E-9	3TB-83369-00	E-10	90105-14102	D-6
	D-8	3TB-24770-50	D-11	2KF-25919-10	E-2	3TB-81800-00	C-5	3TB-83371-00	F-2	90109-062A8	E-14
3BJ-23191-01	D-8	3TB-25104-00	D-12	3TB-25919-00	E-2	3AJ-81801-00	C-5	5Y1-83513-00	E-11	90109-063E8	B-7
3BN-23191-21	D-8	3TB-25111-00-98	D-12	2GV-25926-00	E-2	3AJ-81809-00	C-5	3TB-83520-00	E-11	90109-063E9	B-2
43F-23191-11	D-8	322-25118-00	D-12	3TB-25933-00	D-12	3AJ-81820-00	C-5	1M1-83526-00	E-11	90109-06418	B-2
43M-23192-L0	D-8	55U-25181-01	D-12	1UY-25937-51	D-12	3AJ-81830-00	C-5	2JX-83536-A0	E-11	90109-06419	B-9
3TB-2331E-00	D-6	34L-25190-01	D-12	34X-25937-00	E-2	11H-81844-00	C-5	3TB-8355A-00	E-11	90109-06514	E-16
3TB-2331F-00	E-4	3TB-25304-00	D-14	5R2-25937-00	E-2	26H-81847-00	C-5	3ET-83550-01	E-11	90109-06757	E-2
341-2331G-01	D-6	2KF-25311-00-98	D-14	3TB-26111-01	E-3	3AJ-81850-00	C-5	3TB-83570-00	E-11	90109-06799	E-14
3TB-23340-00	D-8	146-25315-00	D-14	1LN-26141-00	E-3	4G0-81871-00	C-5	5Y1-83912-01	E-14	90109-085E2	B-15
1W1-23416-00	D-6	3TB-25336-00	D-12	1VJ-26141-00	E-3	3AY-81940-00	F-2	1KH-83922-01	E-14	90109-08705	C-13
5A8-23434-00	D-6	5Y1-25364-00	D-14	3TB-26141-50	E-3	12R-81950-01	F-2	25G-83936-01	F-2	90109-10759	D-4
3TB-23435-00	D-6	1VJ-25366-00-98	D-14	3TB-26142-20	E-3	3TB-81953-00	B-11	437-83936-01	E-14	90109-10760	D-4
1E6-23441-00	D-6	36R-25367-00	D-15	3TB-26142-50	E-3	47X-81960-A1	E-15	3TB-83972-00	E-14	90110-06138	C-2
3Y6-23442-00-98	D-6	1VJ-25377-00	D-14	33G-26241-00	E-3	3K7-81980-00	E-15	3TB-83975-00	E-14	3TB-83975-00	C-3
3TB-24110-00-04	D-9	3AJ-25381-00	D-14	33G-26242-00	E-3	3PK-82100-00	E-15	34X-83980-01	E-14	90110-08193	E-9
3TB-24110-00-05	D-9	1VJ-25383-00	D-14	3Y1-26243-01	E-3	3TB-82115-00	E-15	3TB-84137-00	E-12	90116-06475	B-2
3TB-24110-00-06	D-9	3Y1-25388-01	D-14	3Y1-26249-00	E-3	3TB-82116-00	E-15	3TB-8431R-00	E-12	90116-10263	C-2
3TB-2416F-00	D-10	3Y1-25389-00	D-14	55V-26280-00	E-3	120-82131-00	E-15	3TB-84311-00	E-12	90116-10348	D-14
3TB-2416F-10	D-10	156-25398-00	D-12	34K-26281-00	E-3	2UJ-82150-00	E-15	3TB-84312-00	E-12	90116-10378	B-2
3TB-2416G-00	B-15	5Y1-25412-00	D-14	1VJ-26282-00	E-3	148-82151-00	E-15	2F9-84314-00	E-12	90116-10506	C-2
22W-24181-00	D-9	2UJ-25445-50	D-14	1Y1-26290-40	E-3	3TB-82305-00	E-15	3TB-84320-10	E-12	90119-05061	C-14
3TB-24181-00	D-9	1VJ-25715-00	D-13	5Y4-26290-30	E-3	35X-82310-00	E-15	3TB-84325-00	E-12	90119-06063	D-11
43F-24182-00	E-15	55W-25715-10	D-13	55V-26290-00	E-3	3TB-82316-00	E-15	3TB-84329-00	E-12	90119-06097	C-14
5X2-24183-00	D-11	3TB-2580T-00	D-12	3TB-26302-00	E-3	371-82370-00	E-15	341-84332-60	E-12	90123-08046	E-3
3TB-24185-00	D-9	1EG-26342-00	E-2	3TB-26335-00	E-3	3TB-82501-10	E-15	198-84334-60	E-12	90149-05110	B-9
3TB-24186-00	D-9	3TB-2580W-00	E-2	1EG-26342-00	E-2	34L-82530-01	F-2	4E2-84347-00	E-12	90149-06153	E-14
3TB-24188-00	D-9	2KF-25819-00	D-15	3TB-27211-00-90	E-6	2H7-82540-00	F-2	3TB-84372-01	E-12	90149-06154	D-11
3TB-24231-31	D-9	47X-27222-00	D-12		E-6	3LD-82566-00	F-2	34X-84527-00	E-13	90149-06194	D-13
3TB-24231-41	D-9				E-6	3TB-82590-00	E-15	1XL-84710-E0	E-13	90149-06223	D-2
3TB-24231-51	D-10										

NUMERICAL INDEX

PART NO.	REF NO.	PART NO.	REF NO.
90149-06223	D-10	90201-101J1	B-15
90149-06251	D-12	90201-10118	E-4
90149-06263	E-8		E-7
90149-08067	C-6	90201-10124	B-4
90151-06017	C-10	90201-10144	B-15
90159-05010	C-6	90201-102J5	B-15
90159-06042	D-10	90201-10437	D-15
90159-06078	C-10	90201-10590	B-4
90159-06084	D-4	90201-120A5	D-3
90164-06017	B-15	90201-12474	C-11
90170-06010	E-14	90201-13409	C-13
90170-06128	B-7	90201-140A5	B-5
90170-10219	D-14	90201-140G9	D-3
90170-16343	B-6	90201-14215	E-6
90170-20274	C-6	90201-15238	D-4
90170-20327	C-6	90201-17327	C-6
90171-16024	D-15	90201-20276	C-8
90176-08026	B-4	90201-20279	E-5
90179-06500	B-15	90201-244A8	D-3
90179-08148	E-3	90201-251F6	D-4
90179-10201	B-4	90201-301F4	B-5
90179-10279	B-4	90201-303P4	C-5
90179-14317	B-5	90202-05193	D-9
90179-18552	C-8	90202-06013	E-12
90179-25033	D-6	90206-06090	B-15
90185-10037	D-4	90206-12075	B-7
90185-10060	C-12	90209-05279	C-3
90185-10120	D-4	90209-06223	D-3
90185-12119	D-3	90209-22191	C-8
	E-5	90215-16242	B-6
	D-4	90215-20197	C-6
90185-14070	C-12	90215-20231	C-6
90201-04M06	C-14	90215-23265	C-8
90201-044A2	B-12	90240-06009	E-5
90201-047A2	E-11	90240-08013	E-6
90201-05033	C-15	90240-1410F	D-5
90201-06059	E-12	90267-40075	B-11
	B-4		C-12
90201-08018	E-6	90267-4007	B-12
90201-08083	C-6	90267-4005U	C-14
90201-08087	C-12	90280-05048	B-5
	B-15	90282-05013	B-6
90201-08326	B-4	90282-07042	C-6
90201-085L3	C-12	90336-18038	C-14
90201-08753	C-13	90338-0617A	B-12
	D-6	90338-09130	D-12
90201-100A1	D-4		D-14
90201-100F9	D-4	90338-21100	C-4
90201-100F7			

PART NO.	REF NO.	PART NO.	REF NO.
90338-22207	B-3	90445-126G6	B-12
90338-30096	C-4	90450-22052	B-10
90340-08M04	C-3	90460-46206	B-11
90340-14068	B-2	90460-51059	B-12
90340-36121	C-3	90460-58015	B-12
90380-14095	D-3	90461-12110	D-4
90380-14130	D-5	90461-16124	E-4
90380-22111	D-3	90462-15196	B-2
90386-20120	D-3	90462-16102	C-3
90386-20123	D-4	90465-08028	B-11
90387-06033	B-12	90465-03344	C-2
90387-061V4	D-2	90467-09006	D-9
90387-062M3	C-14	90467-10008	C-13
90387-062V8	C-14	90467-10039	B-11
90387-063F7	C-10	90467-11102	B-12
90387-06388	E-12	90467-12052	B-12
90387-064J1	D-10	90467-14015	C-2
90387-06500	E-3	90467-14057	E-6
90387-066M3	C-14	90467-17128	C-2
90387-06737	D-3	90468-10050	E-11
90387-07391	C-12	90468-12006	D-6
	E-12	90468-12120	E-12
	E-13	90480-01176	D-2
	E-12	90480-01401	D-10
90387-074X3	C-14	90480-12053	E-8
90387-07717	C-13	90480-12325	B-11
90387-083E1	D-4	90480-13383	D-10
90387-121H1	D-4	90480-14023	E-12
90387-122J6	D-2	90480-14329	B-12
90387-152J3	C-2	90480-15064	B-12
90387-16782	D-4	9046-15363	C-12
90387-173M5	D-15	9050-143E0	B-9
90387-174F0	C-2	9050-3312	E-14
90387-17783	D-3	90501-22721	B-5
90387-440G3	B-9	90501-23142	C-6
90401-08133	E-4	90507-18055	E-6
90401-10034	E-6	90507-32020	E-5
	B-9	90508-14710	C-6
90430-05126	B-3	90508-20023	E-5
90430-06014	C-3	90508-26691	C-10
90430-08143	B-4	90508-29629	C-11
90430-08178	C-2	90560-15240	D-12
	B-9	90560-20199	C-9
90430-08204	F-2	90560-25283	C-8
90430-10171	C-12	91001-05016	E-4
90430-22123	C-13	91026-06010	C-13
90430-27124	D-9	91026-08040	D-6
90445-10638	C-13	91311-06025	C-14
90445-115G3			

NUMERICAL INDEX

PART NO.	REF NO.	PART NO.	REF NO.
91311-06060	D-3	92902-04100	B-13
91316-06010	C-3		E-6
91316-06012	B-15	92906-05100	E-14
91316-06016	B-10	92906-05600	B-11
	C-3	92906-06100	C-12
	B-2		D-3
91316-06018	B-2		E-4
91316-06020	B-11	92906-06600	B-2
	B-2	92990-04100	B-13
	B-8	92990-04200	B-12
	C-3	92990-06100	D-4
	C-4		D-9
	B-4		E-6
	B-9		E-9
	C-3	92990-14600	D-5
	C-4	93101-14092	C-3
	B-2	93101-25106	B-5
	C-2	93102-12106	C-11
91316-06040	B-2	93102-17357	C-6
91316-06045	C-2	93102-20281	D-12
91316-06050	C-3	93102-25226	C-8
	B-2	93102-25311	D-14
	B-2	93102-30072	D-14
	E-8	93106-22019	D-3
	B-2	93108-35004	D-3
91401-16015	E-5	93210-07135	B-9
	E-6		C-2
	E-5	93210-09E21	B-7
91401-25020	E-6	93210-10197	B-10
91401-30020	D-5	93210-13361	B-9
91401-30030	D-15		C-3
	E-5	93210-13667	B-2
91701-08038	B-4	93210-15171	B-10
91810-05018	E-6	93210-15620	E-6
92016-08025	C-15	93210-19522	B-2
92016-08050	C-12	93210-32172	B-2
92506-06012	B-11	93210-36510	C-3
92901-04600	E-6	93210-36549	B-11
	E-9	93210-62446	B-2
92901-05100	D-6	93210-64297	B-9
92901-05600	E-9	93210-97524	B-4
	C-6	93306-00726	C-8
92901-06200	B-8	93306-00431	C-8
92901-06600	D-3	93306-20006	C-5
	E-3	93306-20209	D-12
	E-6	93306-20310	D-14
	C-12	93306-30416	D-14
	D-6	93306-30525	B-5

NUMERICAL INDEX

NUMERICAL INDEX

PART NO.	REF NO.	PART NO.	REF NO.	PART NO.	REF NO.	PART NO.	REF NO.	PART NO.	REF NO.
93306-30535	C-8	95311-12700	E-10	98501-06012	E-15				
93306-30540	C-8	95316-06600	C-14	98501-06016	B-9				
93306-30541	B-5	95611-10200	B-15	98501-06020	E-6				
93306-30702	B-5	95611-12100	D-5	98501-06025	E-9				
93310-212R6	C-5	95616-06100	C-15	98501-06035	E-3				
93310-217R7	C-5		E-14	98503-03008	D-9				
93310-530C7	C-5	95701-05500	C-15	98503-04014	B-13				
93310-635C6	B-5	95701-06500	E-13	98506-04018	D-8				
93315-11720	C-6		F-2	98506-05012	E-14				
93315-31732	D-4	95701-08500	D-8	98506-05016	F-2				
93316-00503	C-10	95706-06500	C-14	98506-05020	B-11				
93317-11020	C-6	95801-06010	D-4		E-3				
93317-32231	D-3		E-15		E-14				
93332-00008	D-6	95806-08014	E-10	98506-05025	E-3				
93332-00023	D-6	95811-06020	B-12	98506-05030	E-14				
93440-11024	C-2		D-3	98506-05035	E-14				
93440-12052	B-2	95811-06025	C-12	98511-04012	E-6				
93440-25084	C-8	95811-06030	C-5	98580-04010	B-13				
93450-24028	B-5	95811-08012	C-12		B-14				
93503-08007	B-9	95811-08055	D-3	98580-04016	B-13				
93515-32029	C-7	95811-10030	D-15	98580-04020	B-13				
93604-10011	C-10	95811-10100	C-12	98701-06012	C-2				
93605-10090	B-5	95816-06025	B-12	98706-04012	E-4				
93608-33046	C-11	95816-08016	E-5	98901-06008	B-9				
93700-06004	D-7	95816-08035	D-6	98980-06010	B-15				
93700-06005	D-4	95816-08045	B-15	99001-09600	C-11				
94109-213X0	D-12	95826-10025	E-5	99006-10600	C-11				
94109-213X1	D-12	97003-06012	D-4	99009-11400	B-9				
94112-173X2	D-14	97011-10080	C-12	99009-20400	C-8				
94112-173X3	D-14	97016-06020	C-11		C-9				
94209-21277	D-12	97016-06025	E-4	99241-00025	E-8				
94212-17264	D-14	97021-05020	E-15	99244-00025	E-8				
94212-17281	D-14	97021-06014	C-8	99246-00025	E-8				
94330-17158	D-14	97021-06016	B-8	99510-08016	B-4				
94330-21084	D-12	97026-06012	D-3		C-2				
94418-21492	D-12	97313-06016	D-9		C-4				
94425-17491	D-14	97706-40630	E-13	99510-10014	B-2				
94581-45106	D-14	97706-40620	E-10	99510-12016	C-2				
94590-27126	B-8	97706-50520	B-11		C-3				
94701-00241	B-2	98006-06016	C-14	99510-14016	C-2				
95023-06016	D-9	98006-06025	C-14	99989-01788	C-8				
95023-08016	C-13	98021-06016	C-2	99998-02107	E-4				
95026-06010	F-2	98026-06025	E-12						
95303-05600	D-6	98501-05010	B-14						
95303-06600	C-6		C-3						
95303-06700	E-3	98501-05016	E-9						
95303-08700	E-6	98501-05020	D-6						
95303-10700	D-6	98501-06012	C-3						

INDEX
(INDIVIDUAL SPEC.)

L1

NUMERICAL INDEX

NUMERICAL INDEX

PART NO.	REF NO.	PART NO.	REF NO.	PART NO.	REF NO.	PART NO.	REF NO.	PART NO.	REF NO.
3AJ-12213-00	F - 9	198-84334-60	F - 7						
3AJ-13415-00	F - 9	4E2-84347-00	F - 7						
3LD-14197-00	F -13	3TB-84372-01	F - 7						
3UX-14301-00	F -13	90202-05191	F - 9						
3UX-14303-00	F -13	90206-06090	F - 9						
43F-14342-23	F -13	90267-32071	F - 4						
288-14343-63	F -13		F -10						
2WJ-14349-00	F -13		F -14						
2WJ-14367-00	F -13	90465-08125	F -13						
3UX-1441L-00	F -13	92901-03200	F -14						
2WJ-14445-01	F -13	92906-04200	F - 4						
2KF-1490J-00	F -13		F -10						
3UX-1490J-10	F -13		F -14						
3AJ-15451-00	F - 9	92990-03200	F - 4						
3TB-15455-10	F - 9		F -10						
3AJ-15462-00	F - 9	95606-04100	F - 4						
3TB-21511-00	F - 4		F -10						
	F -10		F -14						
	F -14	98506-04016	F -14						
3TB-21511-40	F - 4	98506-04018	F - 4						
	F -10		F -10						
	F -14								
3TB-21511-50	F - 4								
	F -10								
	F -14								
3TB-21521-00	F - 4								
	F -10								
	F -14								
1VJ 21621-00	F - 4								
	F -10								
	F -14								
2KF 21685-11	F - 4								
	F -10								
	F -14								
123 83516-21	F - 7								
3TB-8355A-10	F - 5								
	F -11								
3TB-83570-00	F - 7								
3TB-83570-20	F - 7								
3TB-8431R-00	F - 7								
3TB-84311-00	F - 7								
3TB-84312-00	F - 7								
2F9-84314-00	F - 7								
3TB-84320-20	F - 7								
3WR-84320-00	F - 7								
3TB-84325-00	F - 7								
3TB-84329-00	F - 7								
341-84332-60	F - 7								