

CONTENTS

GENERAL SPEC.

ENGINE

Fig. 1	CYLINDER HEAD	1
Fig. 2	CYLINDER	3
Fig. 3	CRANKSHAFT, PISTON	4
Fig. 4	VALVE	6
Fig. 5	CAMSHAFT, CHAIN	7
Fig. 6	OIL PUMP	8
Fig. 7	INTAKE	10
Fig. 8	CARBURETOR	12
Fig. 9	EXHAUST	14
Fig. 10	CRANKCASE	15
Fig. 11	CRANKCASE COVER 1	16
Fig. 12	STARTER	18
Fig. 13	CLUTCH	19
Fig. 14	TRANSMISSION	21
Fig. 15	SHIFT CAM, FORK	23
Fig. 16	SHIFT SHAFT	24

CHASSIS

Fig. 17	FRAME	25
Fig. 18	FENDER	27
Fig. 19	SIDE COVER/OIL TANK	28
Fig. 20	REAR ARM	29
Fig. 21	REAR SUSPENSION	31
Fig. 22	STEERING	32
Fig. 23	FRONT FORK	33
Fig. 24	FUEL TANK	35
Fig. 25	SEAT	36
Fig. 26	FRONT WHEEL	37
Fig. 27	FRONT BRAKE CALIPER	38
Fig. 28	REAR WHEEL	39
Fig. 29	REAR BRAKE CALIPER	40
Fig. 30	STEERING HANDLE, CABLE	41
Fig. 31	FRONT MASTER CYLINDER	42
Fig. 32	STAND/FOOTREST	43
Fig. 33	REAR MASTER CYLINDER	44
Fig. 34	EMBLEMS	45
Fig. 35	GENERATOR	46
Fig. 36	FLASHER LIGHT	47
Fig. 37	METER	48
Fig. 38	HEADLIGHT	49
Fig. 39	TAILLIGHT	50
Fig. 40	HANDLE SWITCH, LEVER	51
Fig. 41	ELECTRICAL 1	52
Fig. 42	ELECTRICAL 2	53

INDEX (GENERAL SPEC.)

NUMERICAL INDEX

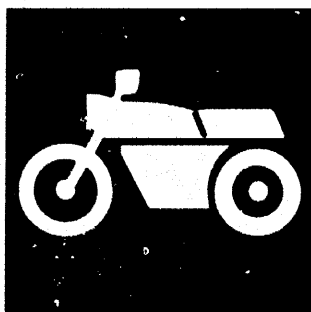
INDIVIDUAL SPEC.

Fig. 43	FRAME	54
Fig. 44	FENDER	55
Fig. 45	STAND/FOOTREST	56
Fig. 46	FLASHER LIGHT	57
Fig. 47	ELECTRICAL 1	58

INDEX (INDIVIDUAL SPEC.)

NUMERICAL INDEX

YAMAHA



**PARTS
CATALOGUE**

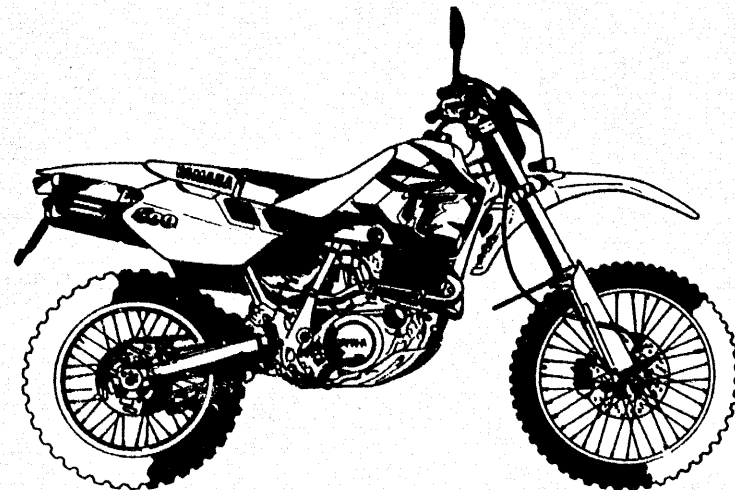
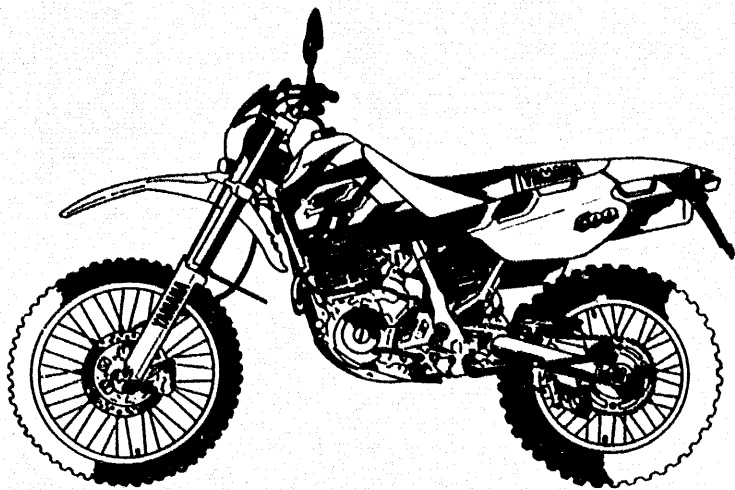
TT600E '97 (4GV5) ITALY

TT600E '98 (4LW4) EUROPE

284GV-354E2

YAMAHA
GENUINE
Parts & Accessories

2008/5/21



FOREWORD

This Parts Catalogue is related to the parts in use for the Yamaha TT600E'97/'98 (4GV5 - 4LW4). When you are ordering replacement parts for the TT600E'97/'98 (4GV5 - 4LW4) catalogue and quote both part numbers and part names correctly.

1. Modifications or additions which have been made after issue of the Parts Catalogue will be announced in the Yamaha Parts News. It is advisable that according to the Yamaha Parts News you make necessary corrections to the Parts Catalogue on hand to keep it up-to-date.

2. Abbreviations

The following abbreviations are used in this Parts Catalogue.

- U.R. Use size (thickness) and/or number as required.
- u.n. Use as many as you need.
- A.P. Alternate Parts
- L.M. Local Made
- F # Frame No. (Applicable machine No.)

3. The Parts marked with (*) in the parts number column of this Catalogue are not supplied with by Yamaha, those have to be found locally.

4. Parts, which are to be supplied in the form of assemblies, are listed with an indention of one letter's space, and a dot (•) is put against the name of each part.

EXAMPLE
CARBURETOR ASS'Y

- JET, pilot
- NOZZLE, main

5. Indication of No. of constituent parts fo assembly.

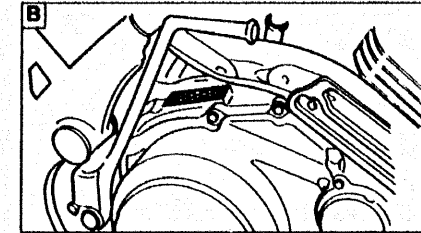
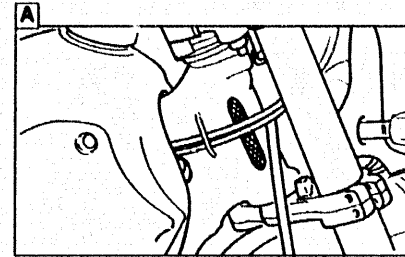
The numeral appearing to the right of each constituent part under the description indicates the quantity of such parts for each individual assembly unit.

EXAMPLE

REF. NO.	PART. NO.	DESCRIPTION	Q.TY.	REMARKS
1	2F5-83310-60	FRONT FLASHER LIGHT ASS'Y	2	
2	115-83311-60	• BULB (6V - 18 W)	1	
3	M1-83309-60	• REFLECTOR	1	

6. Initial Serial No. and Color Code

A Frame Serial No	4GV-012001 and following (I) / 4LW-029001 and following (EUROPE)
A Frame Serial No	ZD04LW400W0096001 and following (SP)
B Engine Serial No	4GV-000101 and following (I)



Color Code	Color Name	Abbreviate
206	Purplish White Solid 1	PWS1

7. Applicable colors of graphics are represented in the "Remarks" column by the letter(s) appropriately picked out of the full word(s) showing such colors.

EXAMPLE

REF. NO.	PART. NO.	DESCRIPTION	Q.TY.	REMARKS
1	2N4-24110-00-X5	FUEL TANK COMP.	1	MAX:IM RED
2	3J1-24240-10	• GRAPHIC, fuel tank set	1	for MXR

CONTENTS

GENERAL SPEC.

ENGINE

Fig. 1	CYLINDER HEAD	1
Fig. 2	CYLINDER	3
Fig. 3	CRANKSHAFT, PISTON	4
Fig. 4	VALVE	6
Fig. 5	CAMSHAFT, CHAIN	7
Fig. 6	OIL PUMP	8
Fig. 7	INTAKE	10
Fig. 8	CARBURETOR	12
Fig. 9	EXHAUST	14
Fig. 10	CRANKCASE	15
Fig. 11	CRANKCASE COVER 1	16
Fig. 12	STARTER	18
Fig. 13	CLUTCH	19
Fig. 14	TRANSMISSION	21
Fig. 15	SHIFT CAM, FORK	23
Fig. 16	SHIFT SHAFT	24

CHASSIS

Fig. 17	FRAME	25
Fig. 18	FENDER	27
Fig. 19	SIDE COVER/OIL TANK	28
Fig. 20	REAR ARM	29
Fig. 21	REAR SUSPENSION	31
Fig. 22	STEERING	32
Fig. 23	FRONT FORK	33
Fig. 24	FUEL TANK	35
Fig. 25	SEAT	36
Fig. 26	FRONT WHEEL	37
Fig. 27	FRONT BRAKE CALIPER	38
Fig. 28	REAR WHEEL	39
Fig. 29	REAR BRAKE CALIPER	40
Fig. 30	STEERING HANDLE, CABLE	41
Fig. 31	FRONT MASTER CYLINDER	42
Fig. 32	STAND./FOOTREST	43
Fig. 33	REAR MASTER CYLINDER	44
Fig. 34	EMBLEMS	45
Fig. 35	GENERATOR	46
Fig. 36	FLASHER LIGHT	47
Fig. 37	METER	48
Fig. 38	HEADLIGHT	49
Fig. 39	TAILLIGHT	50
Fig. 40	HANDLE SWITCH, LEVER	51
Fig. 41	ELECTRICAL 1	52
Fig. 42	ELECTRICAL 2	53

INDEX (GENERAL SPEC.)

NUMERICAL INDEX

INDIVIDUAL SPEC.

Fig. 43	FRAME	54
Fig. 44	FENDER	55
Fig. 45	STAND./FOOTREST	56
Fig. 46	FLASHER LIGHT	57
Fig. 47	ELECTRICAL 1	58

INDEX (INDIVIDUAL SPEC.)

NUMERICAL INDEX

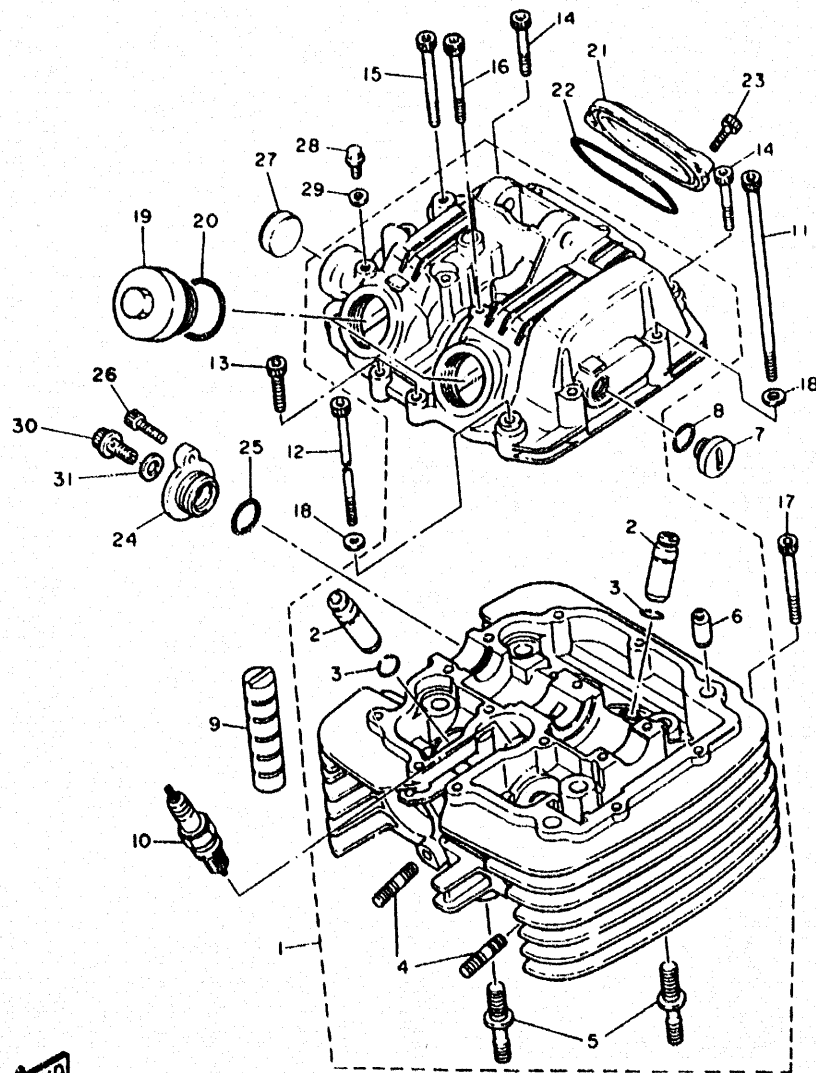


FIG. 1 CYLINDER HEAD

REF. NO.	PART NO.	DESCRIPTION	Q.TY	REMARKS
1	3TB-11101-02	CYLINDER HEAD ASSY	1	
2	4H7-11133-10	· GUIDE, intake valve	4	
3	93440-12052	· CIRCLIP	4	
4	90116-06475	· BOLT, stud	4	
5	90116-10378	· BOLT, stud	2	
6	99510-10114	· PIN, dowel	2	
7	90340-14068	PLUG, straight screw	1	
8	93210-13657	O-RING	1	
9	583-11127-00	ABSORBER 3	2	
10	94701-00241	PLUG, spark (NGK DPR8EA-9)	1	
11	91317-06125	BOLT	2	
12	91317-06115	BOLT	1	
13	91317-06025	BOLT	4	
14	91317-06040	BOLT	2	
15	91317-06055	BOLT	6	
16	90109-063E9	BOLT	1	
17	91317-06050	BOLT	1	
18	92907-06600	WASHER, plate	3	
19	1L9-11186-00	COVER, cylinder head side 2	2	
20	93210-32172	O-RING	2	
21	5Y1-11187-00	COVER, cylinder head side 3	1	
22	93210-62446	O-RING	1	
23	91317-06018	BOLT	2	
24	3TB-12215-01	CAP, tensioner case	1	
25	93210-19522	O-RING	1	
26	91317-06020	BOLT	1	
27	90338-22207	PLUG	1	
28	90109-06418	BOLT	1	



4GV2354-7011

B2

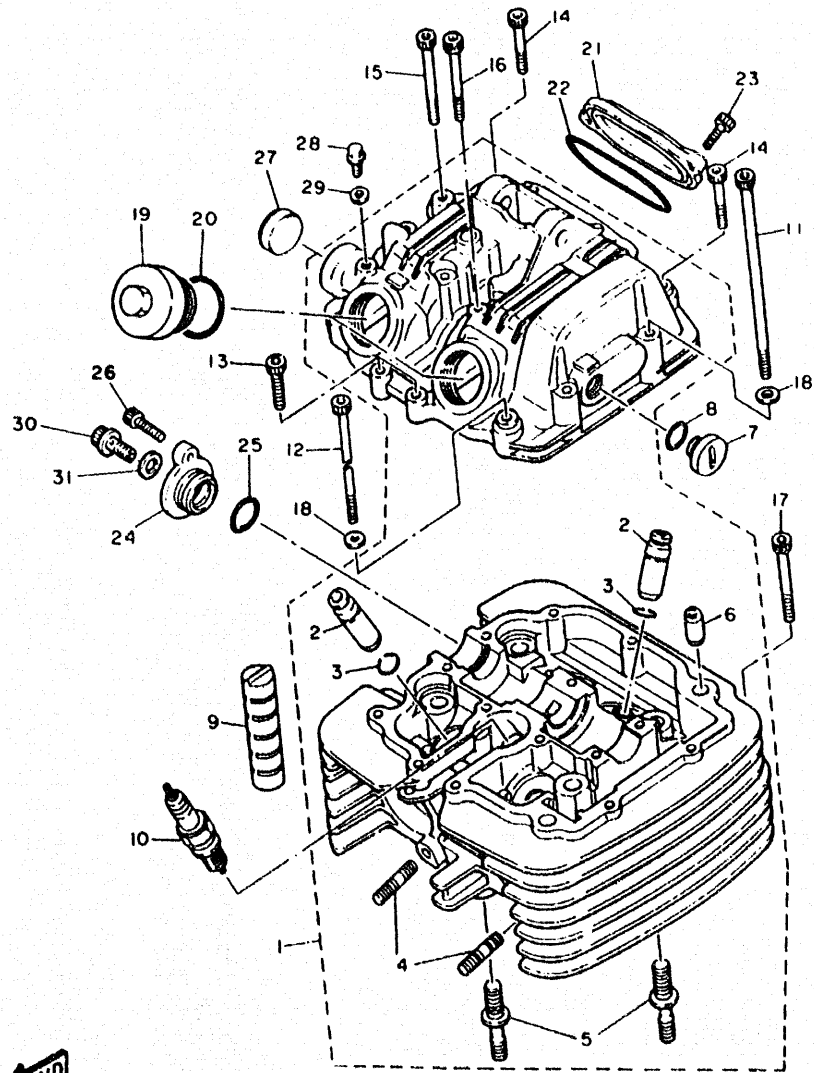


FIG. 1 CYLINDER HEAD

REF. NO.	PART NO.	DESCRIPTION	Q.TY	REMARKS
29	90430-06014	GASKET	1	
30	90401-06001	BOLT, union	1	
31	90430-06192	GASKET	1	



4GV2354-7011

B3

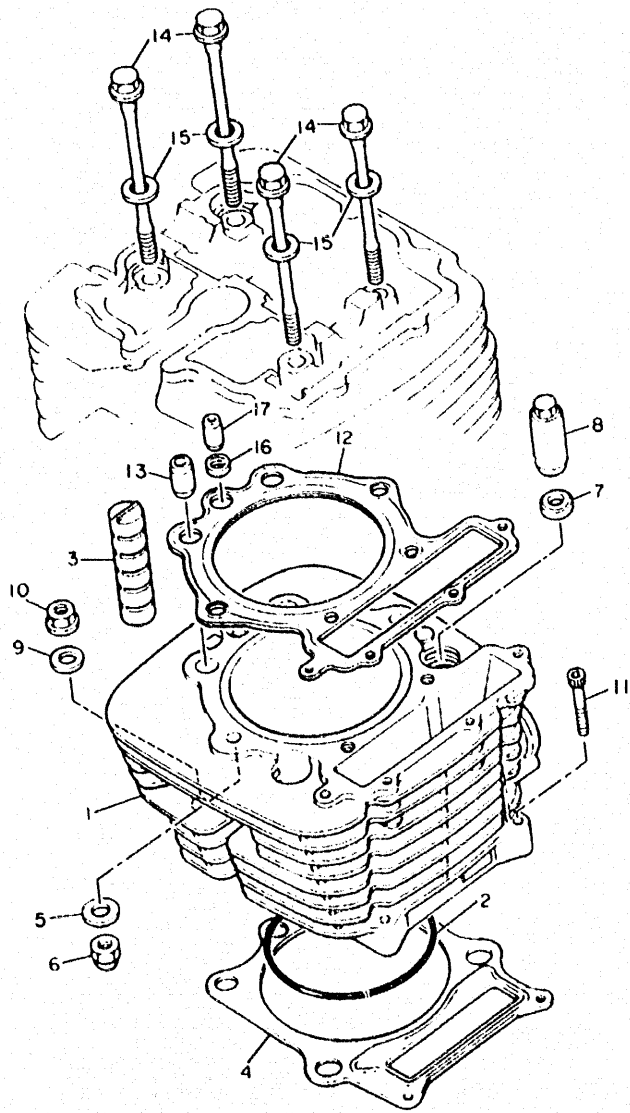


FIG. 2 CYLINDER

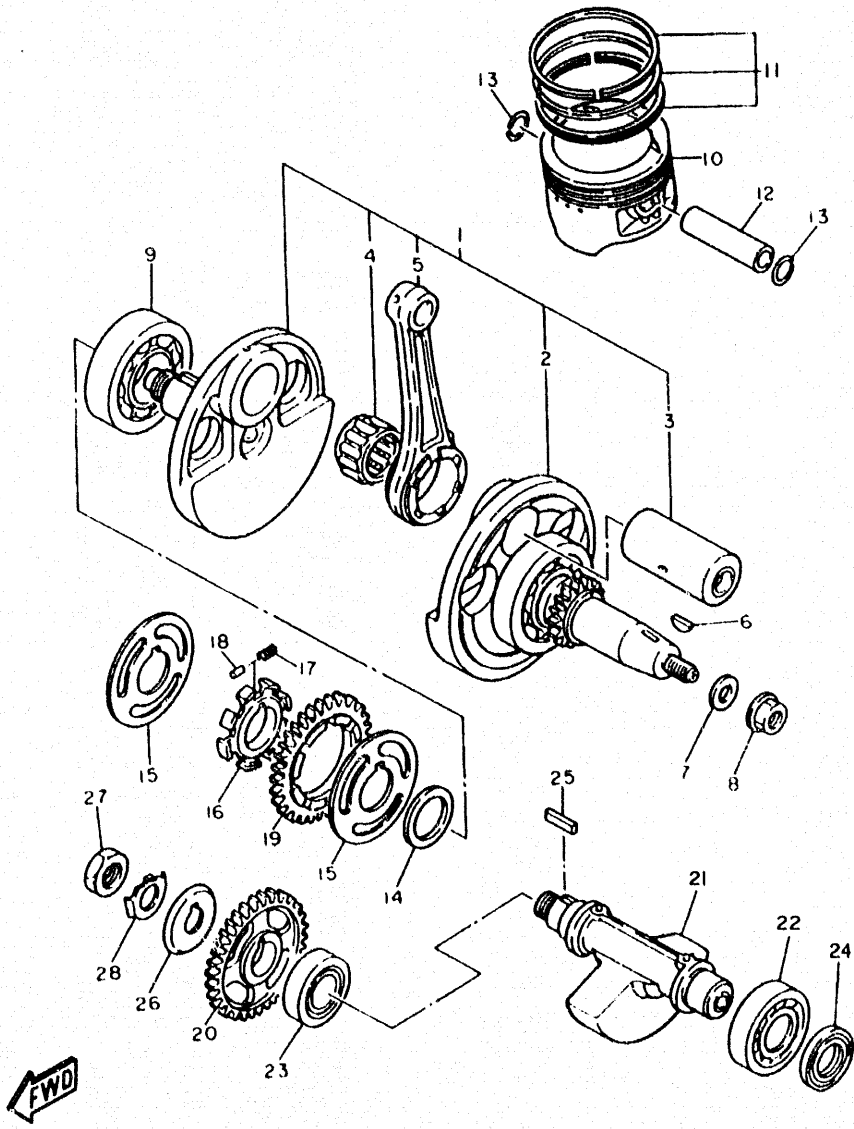
REF. NO.	PART NO.	DESCRIPTION	Q.TY	REMARKS
1	3TB-11310-00	CYLINDER	1	
2	93210-97524	O-RING	1	
3	583-11127-00	ABSORBER 3	2	
4	1VJ-11351-00	GASKET, cylinder	1	
5	90201-080L8	WASHER, plate	2	
6	90176-08026	NUT, crown	2	
7	90201-10590	WASHER, plate	2	
8	90179-10201	NUT	2	
9	90201-10124	WASHER, plate	2	
10	90179-10279	NUT	2	
11	91317-06035	BOLT	2	
12	2KF-11181-01	GASKET, cylinder head 1	1	
13	91810-05018	PIN, dowel	2	
14	90105-08505	BOLT, washer based	4	
15	90201-085L3	WASHER, plate	4	
16	90430-08178	GASKET	1	
17	99510-08016	PIN, dowel	1	



21Y280-8020

B4

FIG. 3 CRANKSHAFT.PISTON



REF. NO.	PART NO.	DESCRIPTION	Q.TY	REMARKS
1	3TB-11400-00	CRANKSHAFT ASSY	1	
2	1VJ-W1141-00	CRANK 1	1	
3	1VJ-11681-00	PIN, crank 1	1	
4	93310-635D4	BEARING, cylindrical	1	
5	3TB-11651-00	ROD, connecting	1	
6	90280-16053	KEY, woodruff	1	
7	90201-141A3	WASHER, plate	1	
8	90179-14317	NUT	1	
9	93306-30702	BEARING (B6307)	1	
10	3TB-11631-00-Y0	PISTON (STD)	1	URRC
10	3TB-11636-00	PISTON (0.50MM O/S)	1	AP
10	3TB-11638-00	PISTON (1.00MM O/S)	1	AP
11	34L-11610-00	PISTON RING SET (STD)	1	URRC
11	34L-11610-20	PISTON RING SET (0.50MM O/S)	1	AP
11	34L-11610-40	PISTON RING SET (1.00MM O/S)	1	
12	1JK-11633-01	PIN, piston	1	
13	93450-24028	CIRCLIP	2	
14	90201-301F4	WASHER, plate	1	
15	34K-11565-02	WASHER, bearing cover	2	
16	5Y1-11496-01	BOSS, buffer	1	
17	90501-22721	SPRING, compression	8	
18	93605-10090	PIN, dowel	4	
19	2JT-11536-00	GEAR, drive	1	
20	5Y1-11531-00	GEAR, blance wt 44t	1	
21	34K-11454-00	WEIGHT 1	1	
22	93306-30525	BEARING (B6305)	1	
23	93306-30534	BEARING	1	
24	93101-25106	OIL SEAL	1	

31B351-0030

B 5

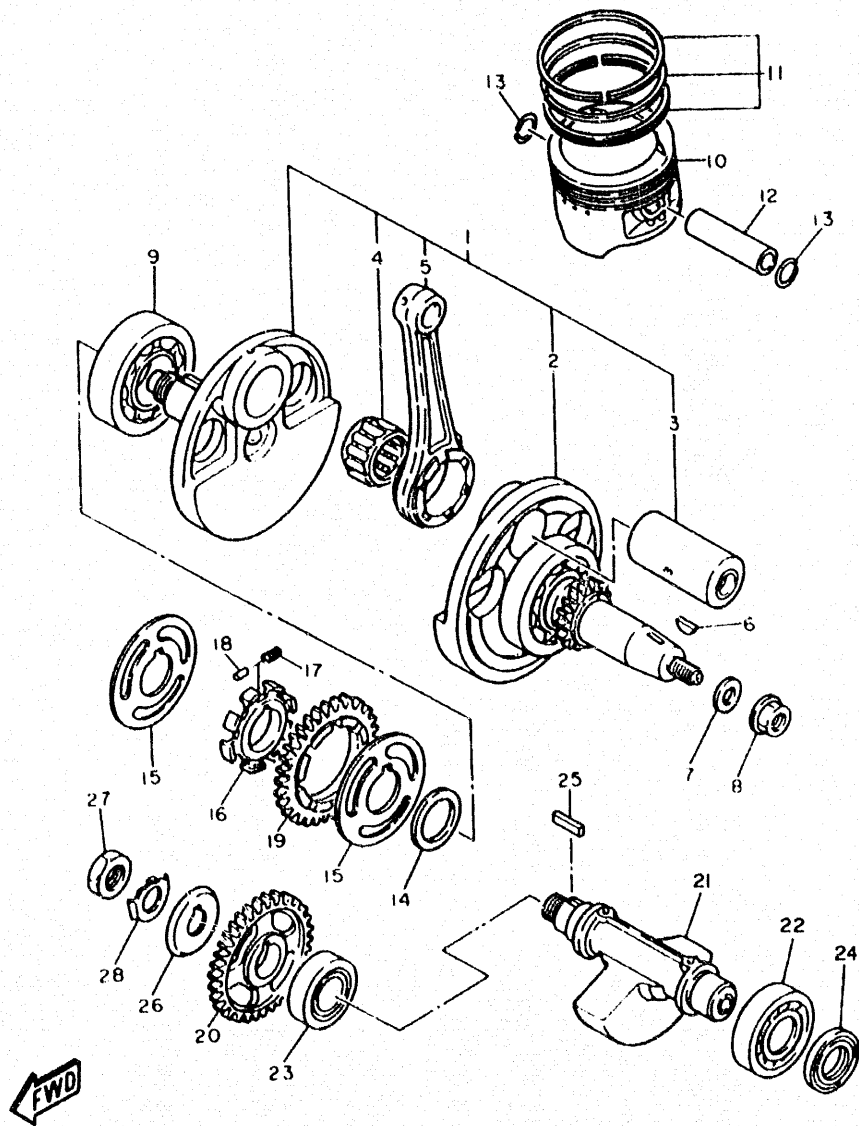


FIG. 3 CRANKSHAFT.PISTON

REF. NO.	PART NO.	DESCRIPTION	Q.TY	REMARKS
25	90282-05013	KEY, straight	1	
26	34K-11145-00	PLATE, breather 2	1	
27	90170-16343	NUT	1	
28	90215-16242	WASHER, lock	1	

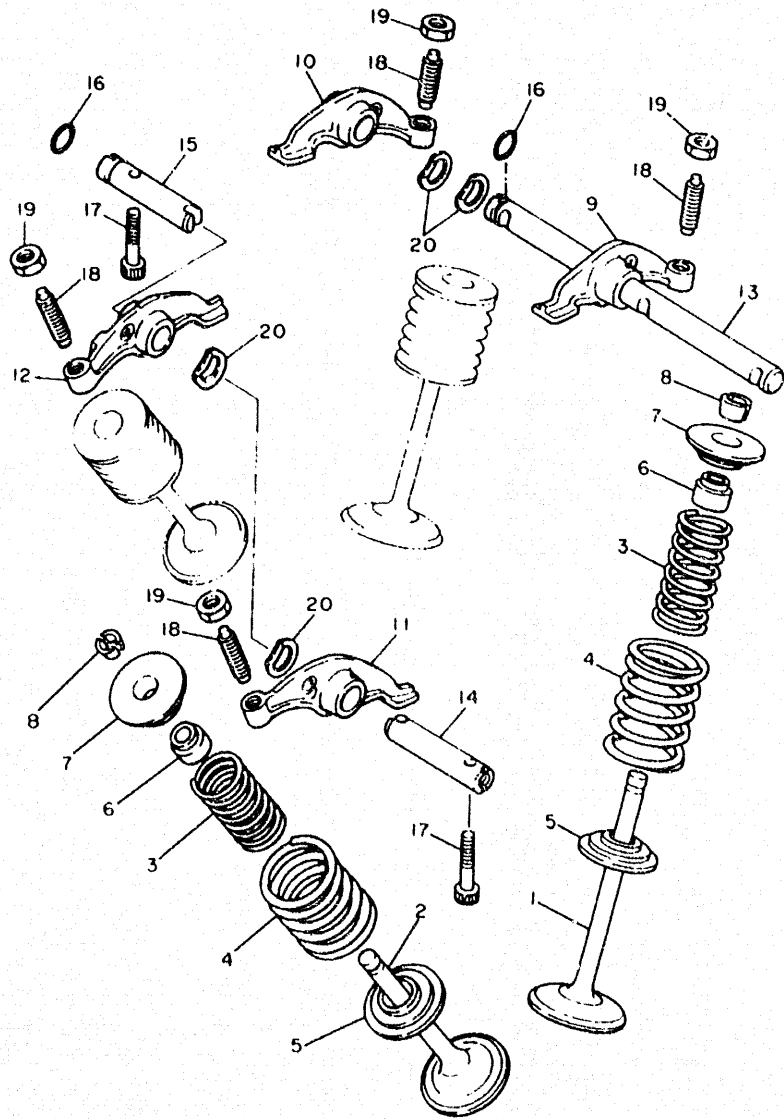


FIG. 4 VALVE

REF. NO.	PART NO.	DESCRIPTION	Q.TY	REMARKS
1	1VJ-12111-00	VALVE, intake	2	
2	1VJ-12121-00	VALVE, exhaust	2	
3	5Y1-12113-00	SPRING, valve inner	4	
4	5Y1-12114-00	SPRING, valve outer	4	
5	4H7-12116-00	SEAT, valve spring	4	
6	1J7-12119-01	SEAL, valve stem	4	
7	2F3-12117-00	RETAINER, valve spring	4	
8	1J7-12118-00	COTTER, valve	8	
9	34K-12151-00	ARM, valve rocker	1	
10	34K-12161-00	ARM, valve rocker 2	1	
11	34K-12162-00	ARM, valve rocker 3	1	
12	34K-12163-00	ARM, valve rocker 4	1	
13	2NX-12146-00	SHAFT, rocker	1	
14	2NX-12156-00	SHAFT, rocker 2	1	
15	2NX-12166-00	SHAFT, rocker 3	1	
16	93210-08521	O-RING	2	
17	90109-063E8	BOLT	2	
18	2NX-12159-00	SCREW, valve adjusting	4	
19	90170-06128	NUT	4	
20	90206-12075	WASHER, wave	4	



5Y1110-2040

B7

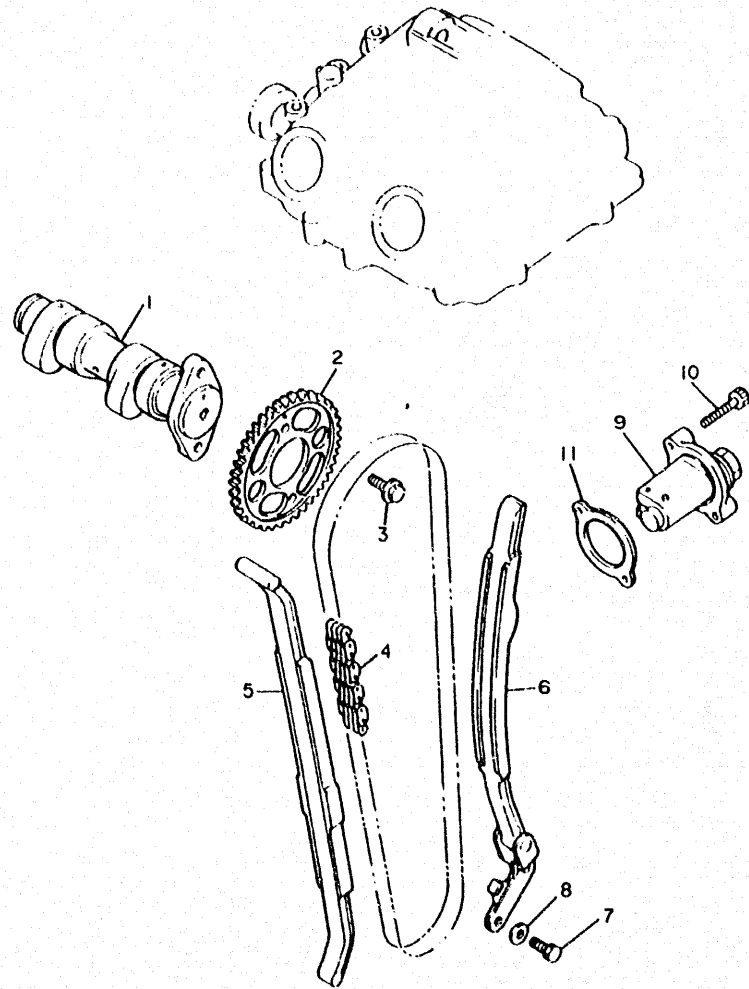


FIG. 5 CAMSHAFT.CHAIN

REF. NO.	PART NO.	DESCRIPTION	Q.TY	REMARKS
1	1JK-12171-00	CAMSHAFT 1	1	
2	3TB-12176-00	SPROCKET, cam chain	1	
3	90105-07342	BOLT, washer based	2	
4	94590-27126	CHAIN	1	
5	34K-12231-00	GUIDE, stopper 1	1	
6	34K-12241-00	GUIDE, stopper 2	1	
7	97017-06016	BOLT	2	
8	92907-06600	WASHER, plate	2	
9	3TB-12210-00	TENSIONER ASSY, cam chain	1	
10	91317-06025	BOLT	2	
11	4DW-12213-00	GASKET, tensioner case	1	



3AJ1351-8050

B 8

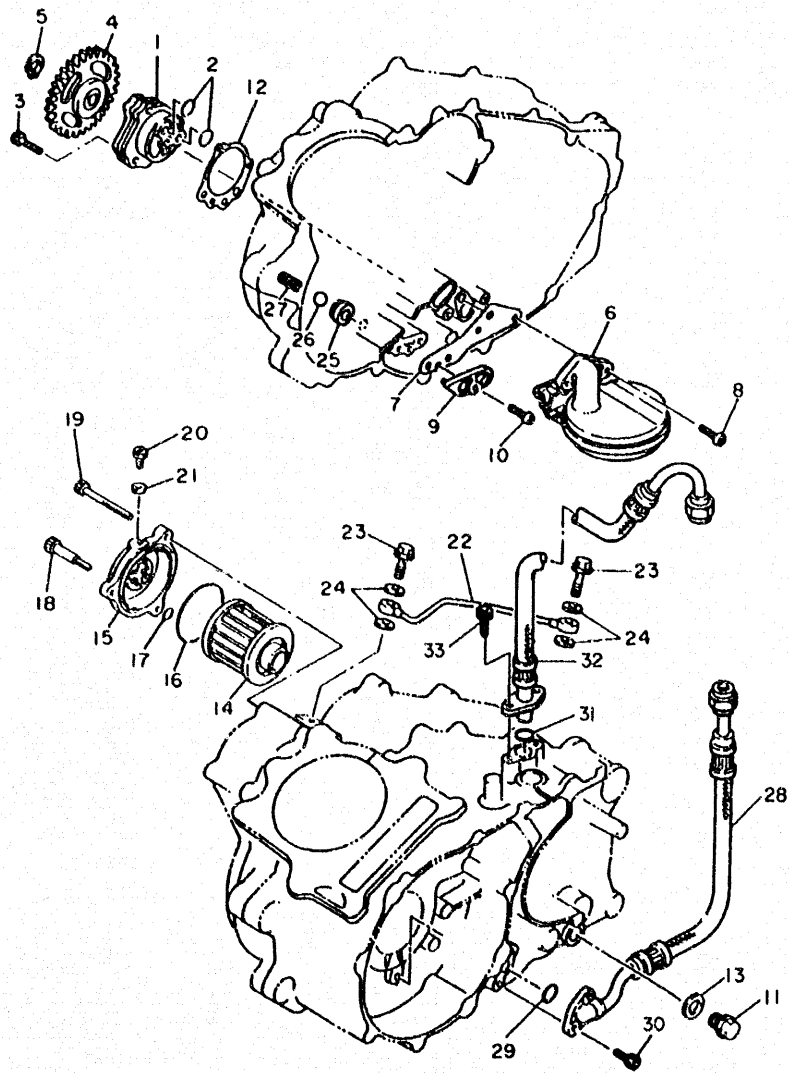


FIG. 6 OIL PUMP

REF. NO.	PART NO.	DESCRIPTION	Q.TY	REMARKS
1	3AJ-13300-01	OIL PUMP ASSY	1	
2	93210-13361	O-RING	2	
3	91317-06035	BOLT	3	
4	3AJ-13325-00	GEAR, pump driven	1	
5	99009-11400	CIRCLIP	1	
6	5Y1-W1343-00	STRAINER COMP.	1	
7	4DW-13415-00	SEAL, oil strainer	1	
8	98507-06016	SCREW, pan head	2	
9	5Y1-15427-01	COVER, cap 2	1	
10	98507-06016	SCREW, pan head	1	
11	90340-14132	PLUG	1	
12	3SX-13329-00	GASKET, pump cover	1	
13	214-11198-01	GASKET	1	
14	4X7-13440-01	ELEMENT ASSY, oil cleaner	1	
15	2WK-13447-00	COVER, oil element	1	
16	93210-64297	O-RING	1	
17	93210-07135	O-RING	1	
18	90109-06419	BOLT	1	
19	91317-06080	BOLT	2	
20	90148-05110	SCREW	1	
21	90430-05126	GASKET	1	
22	3AJ-13161-01	PIPE, de livery 1	1	
23	90401-08133	BOLT, union	2	
24	90430-08204	GASKET	4	
25	583-13113-00	SEAT, check ball	1	
26	93503-08007	BALL	1	
27	90501-043E0	SPRING, compression	1	
28	34K-13464-00	HOSE, oil 1	1	



4GV2354-4060

B9

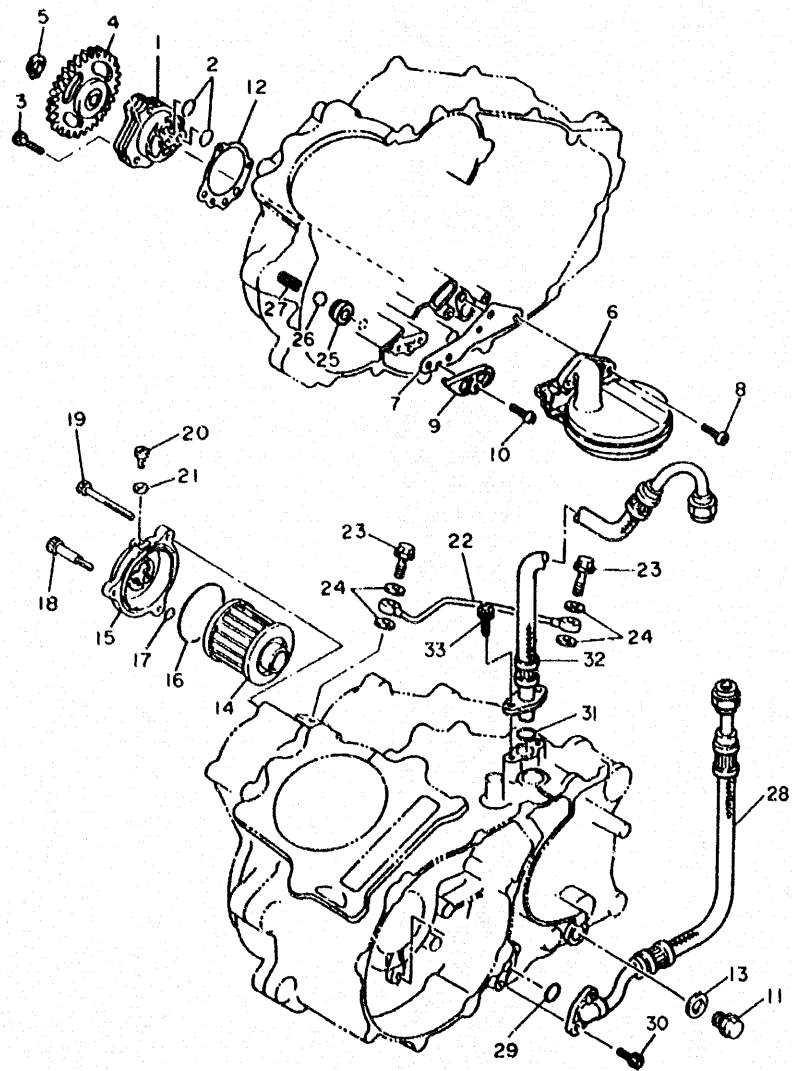


FIG. 6 OIL PUMP

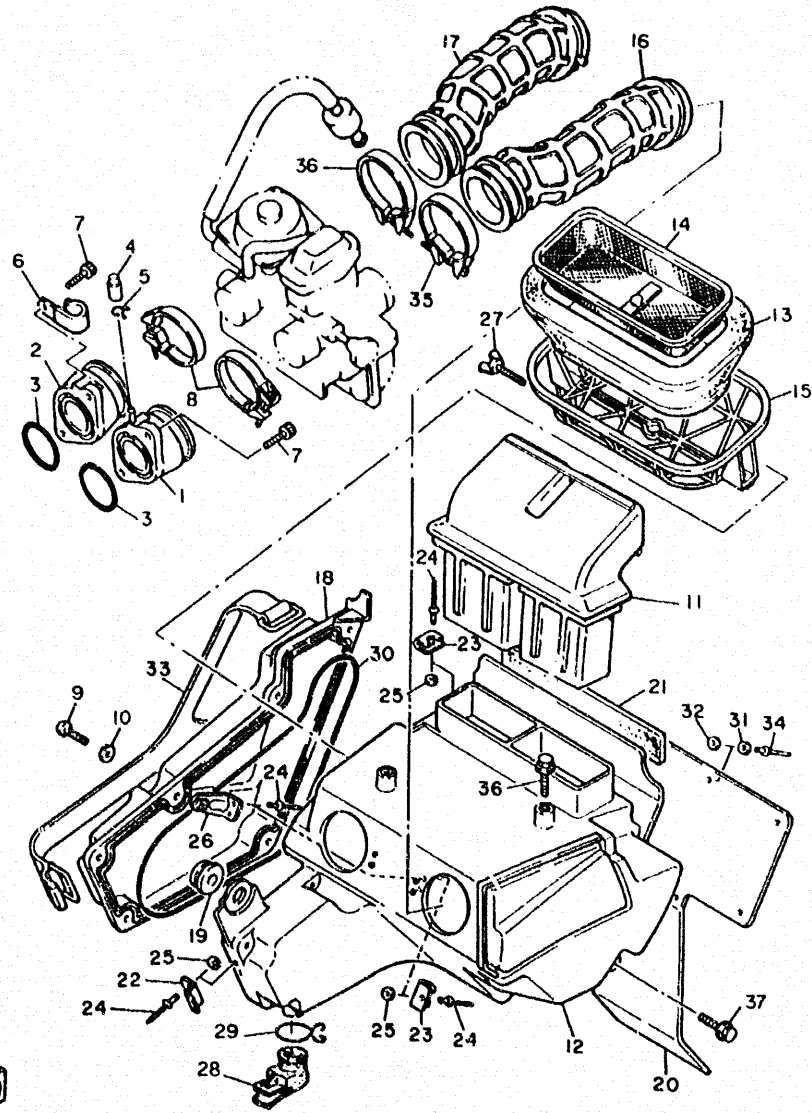
REF. NO.	PART NO.	DESCRIPTION	Q.TY	REMARKS
29	93210-10197	O-RING	1	
30	9131M-06016	BOLT	2	
31	93210-15171	O-RING	1	
32	4GV-13465-00	HOSE, oil 2	1	
33	91317-06016	BOLT	2	



4GV2354-4060

B 10

FIG. 7 INTAKE



REF. NO.	PART NO.	DESCRIPTION	Q.TY	REMARKS
1	43F-13586-01	JOINT, carburetor 1	1	
2	1VJ-13596-00	JT, carburetor 2	1	
3	93210-36769	O-RING	2	
4	16G-13569-00	PLUG, blind	1	
5	90467-10035	CLIP	1	
6	90465-08028	CLAMP	1	
7	91317-06020	BOLT	4	
8	90460-46206	CLAMP, hose	2	
9	98507-05016	SCREW, pan head	6	
10	92907-05600	WASHER, plate	6	
11	4GV-E4430-00	DUCT, 1	1	
12	34K-14401-01	AIR CLEANER CASE ASSY	1	
13	34K-14451-01	ELEMENT, air cleaner	1	
14	34K-14458-02	GUIDE	1	
15	34K-14473-02	GUIDE	1	
16	43F-14453-00	JOINT, air cleaner	1	
17	4GV-E4454-00	JOINT	1	
18	34K-14412-01	CAP, case 1	1	
19	90480-13398	GROMMET	1	
20	34K-21621-01	FLAP	1	
21	34K-14426-00	DAMPER	1	
22	26A-14436-00	HOOK	1	
23	34K-14484-00	PLATE, cleaner case fitting	2	
24	90267-40073	RIVET, blind	6	
25	92907-04200	WASHER, plain	4	
26	34K-14493-01	STAY, 1	1	
27	90122-05010	BOLT, wing	1	
28	4GV-E4457-00	SEAL	1	

← FWD
4GV1354-4071

B 11

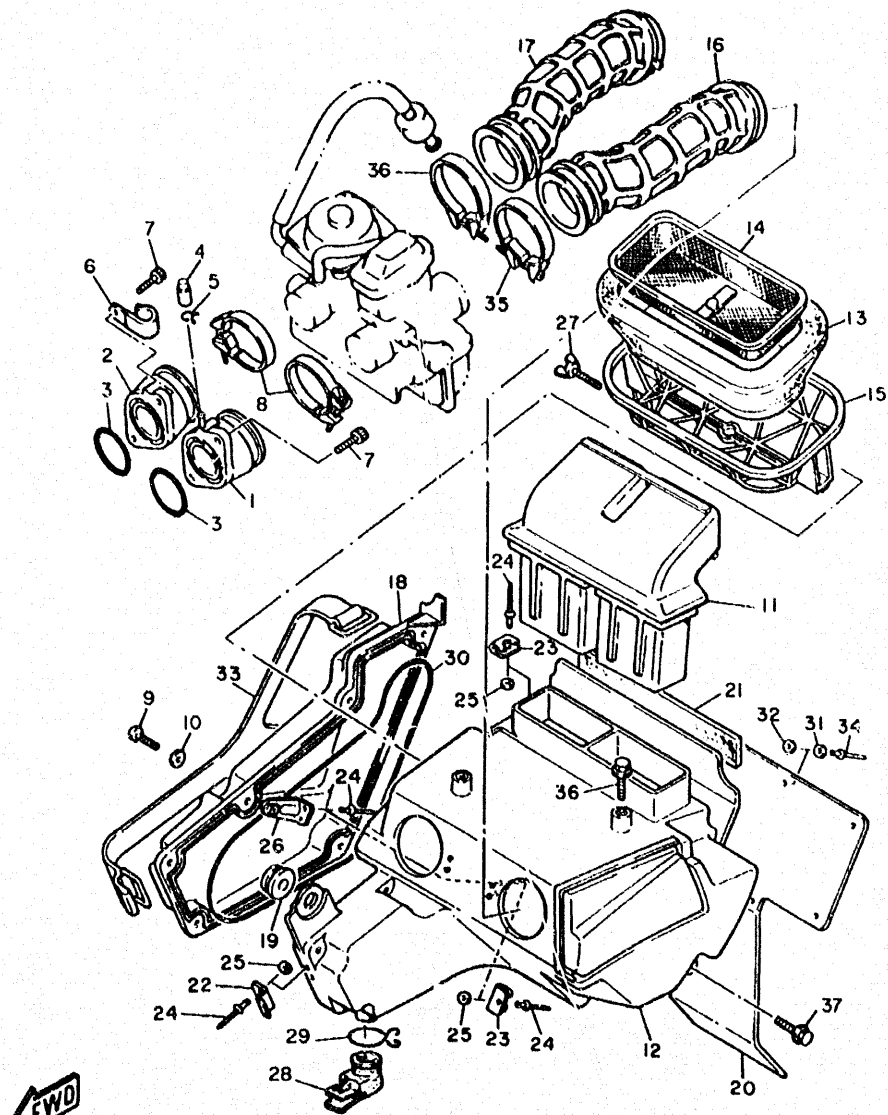


FIG. 7 INTAKE

REF. NO.	PART NO.	DESCRIPTION	Q.TY	REMARKS
29	90467-20030	CLIP	1	
30	51Y-14462-00	SEAL	1	
31	90201-047A2	WASHER, plate	7	
32	92907-04260	WASHER, plain	7	
33	34K-14455-00	BAND	1	
34	90267-40073	RIVET, blind	7	
35	90460-51059	CLAMP, hose	1	
36	90460-58015	CLAMP, hose	1	
37	95807-06012	BOLT, fig.	3	

FWD
4GV1354-4071

B 12

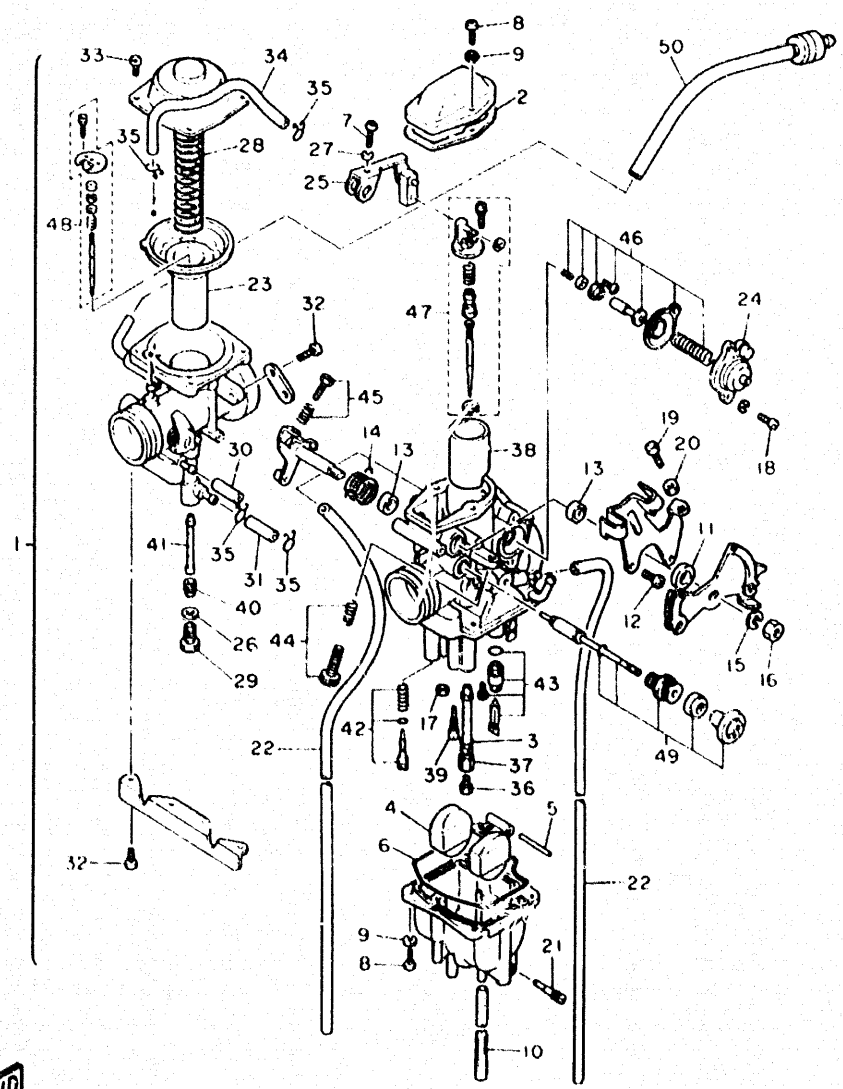


FIG. 8 CARBURETOR

REF. NO.	PART NO.	DESCRIPTION	Q.TY	REMARKS
1	4GV-14301-03	CARBURETOR ASSY 1	1	
2	5Y1-14198-00	GASKET	1	
3	360-24512-00	GASKET	2	
4	2JN-14385-00	FLOAT	1	
5	6E5-14386-01	PIN, float	1	
6	5Y1-14384-00	GSKT., float chamber	1	
7	98580-04016	SCREW, pan head	1	
8	98580-04014	SCREW, pan head	6	
9	92990-04100	WASHER, spring	6	
10	1JK-14197-00	PIPE	1	
11	1JK-14357-00	COLLAR	1	
12	214-24535-00	SCREW, pan head	2	
13	5Y1-14572-00	SEAL	2	
14	1XL-14131-01	SPRING, throttle valve	1	
15	5Y1-14356-00	WASHER, spring	1	
16	5Y1-14358-00	NUT	1	
17	5Y1-14536-00	GASKET	1	
18	98580-04010	SCREW, pan head	2	
19	98580-04020	SCREW, pan head	1	
20	30X-14358-00	NUT	1	
21	14T-14104-00	SCREW, air adjst.	1	
22	1JK-14197-00	PIPE	2	
23	1JK-14940-01	DIAPHRAGM, assy	1	
24	2JN-14293-00	COVER 1	1	
25	1JK-14291-00	CONNECTER COMP.	1	
26	7KF-14227-00	WASHER	1	
27	92990-04100	WASHER, spring	1	
28	1VJ-14286-00	SPRING	1	

FWD

4GV1354-4080

B 13

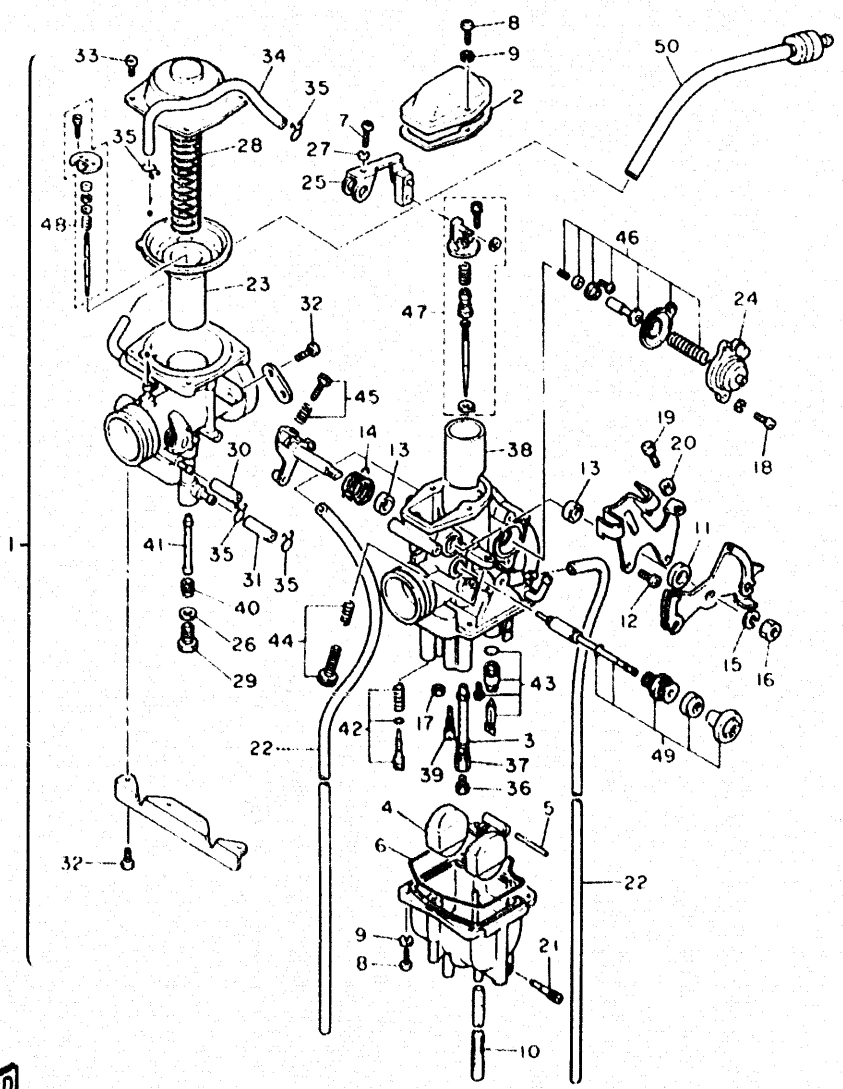


FIG. 8 CARBURETOR

REF. NO.	PART NO.	DESCRIPTION	Q.TY	REMARKS
29	7KF-14162-00	BOLT, holding	1	
30	5Y1-14349-00	PIPE	1	
31	30X-14148-00	PIPE	1	
32	98507-05010	SCREW, pan head	6	
33	98580-04010	SCREW, pan head	4	
34	5Y1-14149-00	PIPE	1	
35	5Y1-14159-00	CLIP	4	
36	288-14343-70	JET, main (#140)	1	
36	288-14343-73	JET, main (#145)	1	UR. STD
36	288-14343-75	JET, main (#150)	1	
37	2KF-14341-00	NOZZLE, main	1	
38	1XL-14312-55	VALVE, throttle 1	1	
39	43F-14342-24	JET, pilot (#48)	1	
40	30X-14343-55	JET, main (#110)	1	
41	2KF-14355-00	NOZZLE, main 2	1	
42	51Y-14105-00	PILOT SCREW SET	1	
43	2JN-14107-00	NEEDLE VALVE SET	1	
44	3GV-1490K-00	STOP SCREW SET	1	
45	2NX-14103-00	THROTTLE SCREW SET	1	
46	1JK-1490A-00	DIAPHRAGM SET, 1	1	
47	4GV-1490J-10	NEEDLE SET	1	
48	4GV-1490J-00	NEEDLE SET	1	
49	2KF-1410A-00	STARTER SET	1	
50	3TD-14197-00	PIPE	1	

FWD

4GV1354-4080

B 14

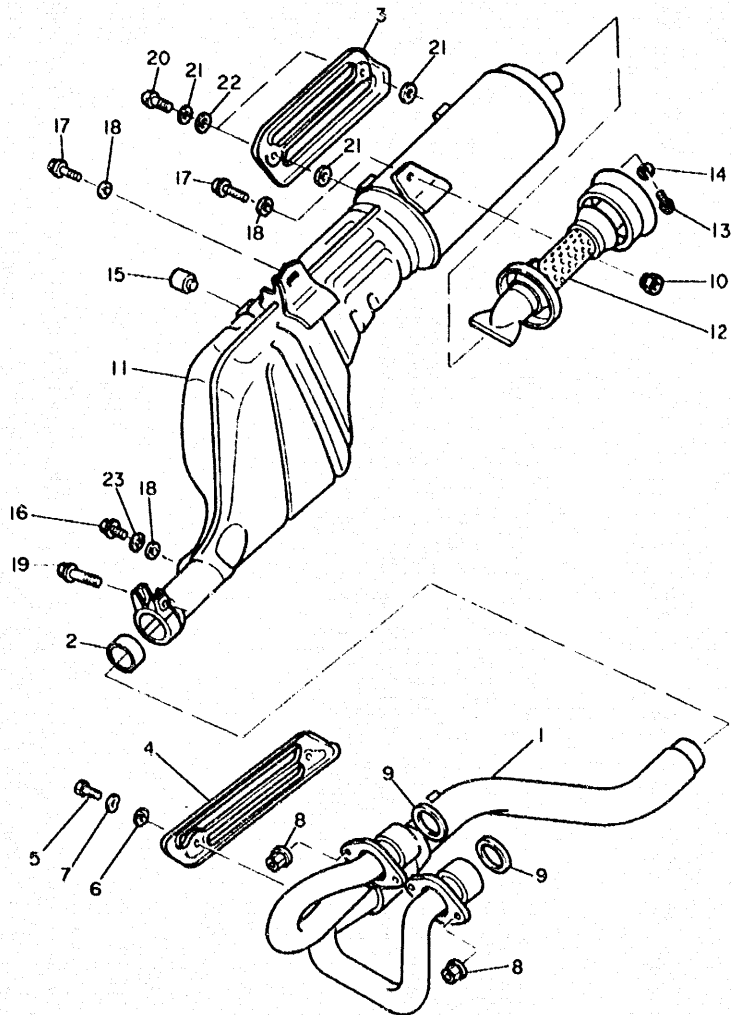


FIG. 9 EXHAUST

REF. NO.	PART NO.	DESCRIPTION	Q.TY	REMARKS
1	4GV-E4611-10	PIPE, exhaust 1	1	
2	3YF-14755-00	GSKT., silencer	1	
3	4GV-E4728-00	PROTECTOR, muffler 2	1	
4	5CH-E4628-00	PROTECTOR, exhaust pipe	1	
5	90164-06017	SCREW, tapping	2	
6	4BD-14766-00	WASHER	4	
7	90206-06090	WASHER, wave	2	
8	90179-06668	NUT	4	
9	3YF-14613-01	GSKT., ext. 1	2	
10	90185-08838	NUT, nylon	1	
11	4LW-E4711-00	MUFFL., 1	1	
12	4GV-E4752-00	PIPE, outlet	1	
13	9701M-06010	BOLT, hex.	2	
14	90205-06803	WASHER, extl. toothed	2	
15	4GV-F7114-00	STOPPER	2	
16	90109-085E2	BOLT	1	
17	90109-085E3	BOLT	2	
18	90201-08326	WASHER, plain	3	
19	95027-08045	BOLT, flange	1	
20	98980-06010	SCREW, bind	2	
21	4BD-14766-00	WASHER	4	
22	90206-06090	WASHER, wave	2	
23	90204-08802	WASHER, sprg.	1	



4GV1354-3090

B 15

CONTENTS

GENERAL SPEC.

ENGINE

Fig. 1	CYLINDER HEAD	1
Fig. 2	CYLINDER	3
Fig. 3	CRANKSHAFT, PISTON	4
Fig. 4	VALVE	6
Fig. 5	CAMSHAFT, CHAIN	7
Fig. 6	OIL PUMP	8
Fig. 7	INTAKE	10
Fig. 8	CARBURETOR	12
Fig. 9	EXHAUST	14
Fig. 10	CRANKCASE	15
Fig. 11	CRANKCASE COVER 1	16
Fig. 12	STARTER	18
Fig. 13	CLUTCH	19
Fig. 14	TRANSMISSION	21
Fig. 15	SHIFT CAM, FORK	23
Fig. 16	SHIFT SHAFT	24

CHASSIS

Fig. 17	FRAME	25
Fig. 18	FENDER	27
Fig. 19	SIDE COVER/OIL TANK	28
Fig. 20	REAR ARM	29
Fig. 21	REAR SUSPENSION	31
Fig. 22	STEERING	32
Fig. 23	FRONT FORK	33
Fig. 24	FUEL TANK	35
Fig. 25	SEAT	36
Fig. 26	FRONT WHEEL	37
Fig. 27	FRONT BRAKE CALIPER	38
Fig. 28	REAR WHEEL	39
Fig. 29	REAR BRAKE CALIPER	40
Fig. 30	STEERING HANDLE, CABLE	41
Fig. 31	FRONT MASTER CYLINDER	42
Fig. 32	STAND/FOOTREST	43
Fig. 33	REAR MASTER CYLINDER	44
Fig. 34	EMBLEMS	45
Fig. 35	GENERATOR	46
Fig. 36	FLASHER LIGHT	47
Fig. 37	METER	48
Fig. 38	HEADLIGHT	49
Fig. 39	TAILLIGHT	50
Fig. 40	HANDLE SWITCH, LEVER	51
Fig. 41	ELECTRICAL 1	52
Fig. 42	ELECTRICAL 2	53

INDEX (GENERAL SPEC.)

NUMERICAL INDEX

INDIVIDUAL SPEC.

Fig. 43	FRAME	54
Fig. 44	FENDER	55
Fig. 45	STAND/FOOTREST	56
Fig. 46	FLASHER LIGHT	57
Fig. 47	ELECTRICAL 1	58

INDEX (INDIVIDUAL SPEC.)

NUMERICAL INDEX

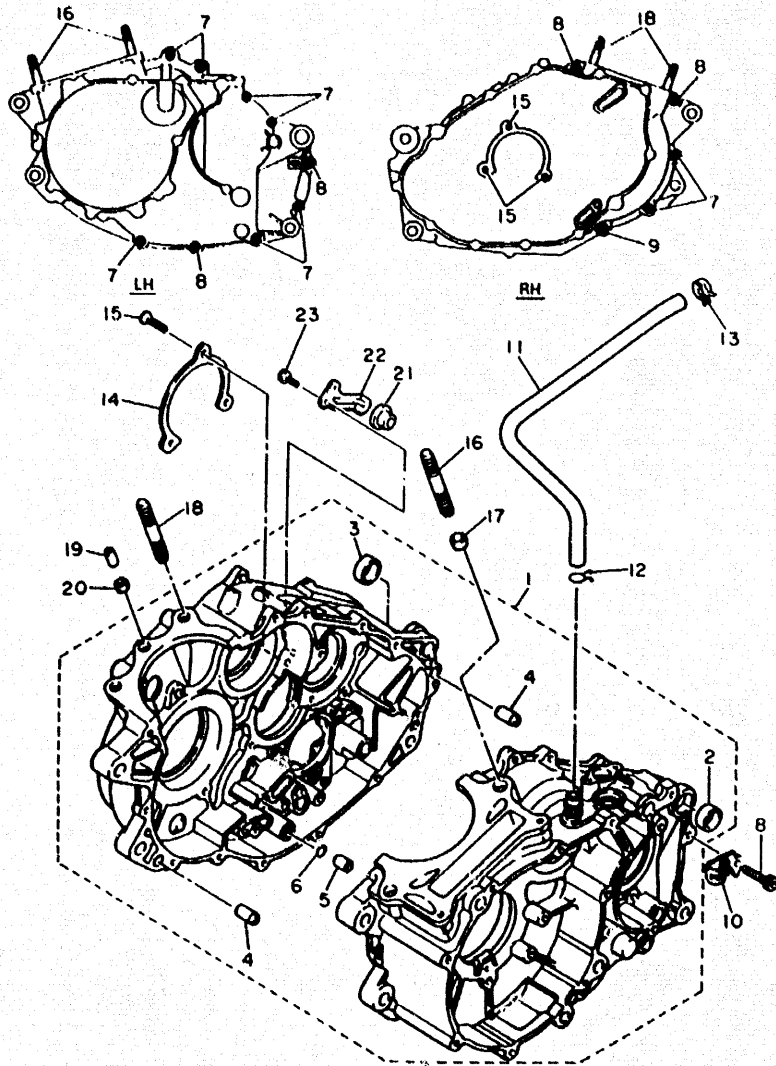


FIG. 10 CRANKCASE

REF. NO.	PART NO.	DESCRIPTION	Q.TY	REMARKS
1	3DS-15100-00	CRANKCASE ASSY	1	
2	90387-17783	· COLLAR	1	
3	90387-16782	· COLLAR	1	
4	99510-12016	· PIN, dowel	2	
5	99510-08016	· PIN, dowel	1	
6	93210-07135	· O-RING	1	
7	91317-06030	BOLT, hexagon socket head	9	
8	91317-06045	BOLT	4	
9	91317-06060	BOLT	1	
10	90465-08344	CLAMP	1	
11	4GV-E1166-00	PIPE, breather 1	1	
12	90467-14015	CLIP	1	
13	90467-17128	CLIP	1	
14	5Y1-15383-00	PLATE, bearing cover	1	
15	98707-06012	SCREW, flat head	3	
16	90116-10506	BOLT, stud	2	
17	99510-14016	PIN, dowel	2	
18	90116-10263	BOLT, stud	2	
19	99510-08016	PIN, dowel	1	
20	90430-08178	GASKET	1	
21	3Y6-15167-00	PLUG, blind 1	1	
22	3Y6-15144-00	PLATE, lock	1	
23	97017-06016	BOLT	2	



4GV1351-4100

C2

- 15 -

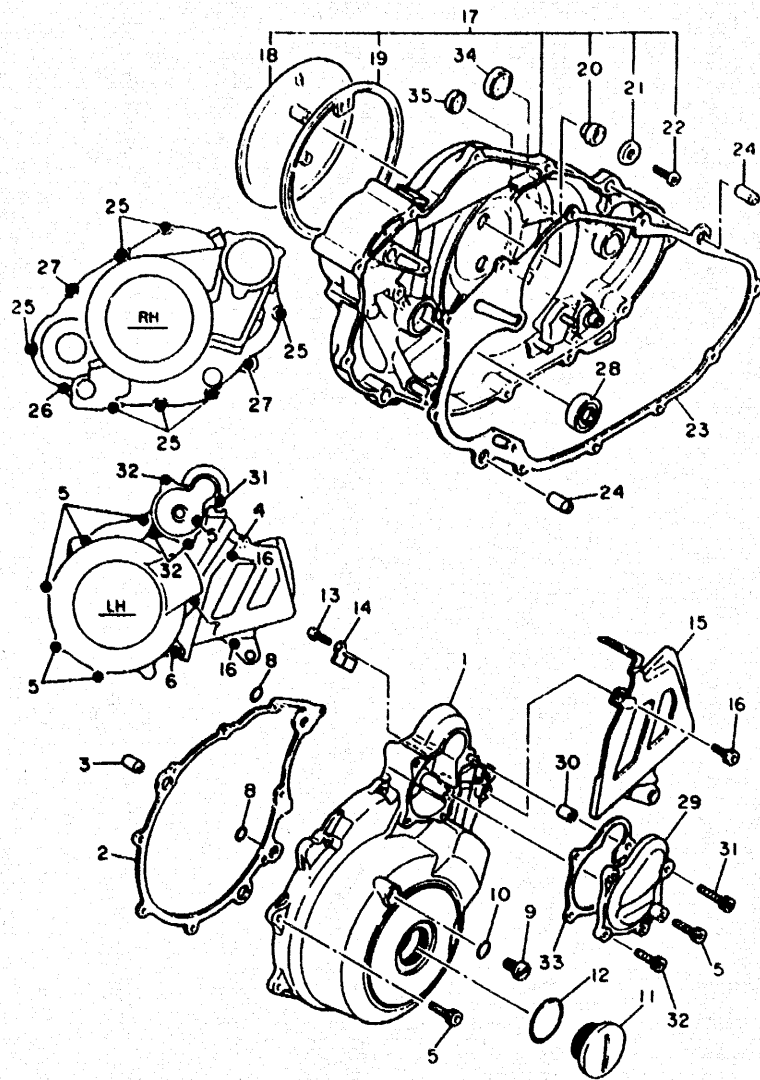


FIG. 11 CRANKCASE COVER 1

REF. NO.	PART NO.	DESCRIPTION	Q.TY	REMARKS
1	3TB-15411-01	COVER, crankcase 1	1	CIRCUIT SILVER
2	4DW-15451-00	GASKET, crankcase cover 1	1	
3	99510-12016	PIN, dowel	2	
4	91317-06035	BOLT	1	
5	91317-06025	BOLT	6	
6	91317-06050	BOLT	1	
7	91317-06050	BOLT	1	
8	93210-13361	O-RING	2	
9	90340-08M04	PLUG, straight screw	1	
10	90430-08143	GASKET	1	
11	90340-36121	PLUG, straight screw	1	
12	93210-357A3	O-RING	1	
13	98507-06012	SCREW, pan head	2	
14	90462-16102	CLAMP	1	
15	3AJ-15421-00	COVER, crankcase, 2	1	
16	9131M-06016	BOLT	2	
17	3DS-15430-00	CRANKCASE COVER ASSY 3	1	
18	2WK-15418-01	COVER, chain case	1	
19	1JK-15449-00	RING, rubber	1	
20	1JK-15486-00	GROMMET	2	
21	90209-05279	WASHER	2	
22	98507-05010	SCREW, pan head	2	
23	4DW-15462-00	GASKET, crankcase cover 3	1	
24	99510-12016	PIN, dowel	2	
25	91317-06025	BOLT	7	
26	91317-06030	BOLT, hexagon socket head	1	
27	91317-06035	BOLT	2	
28	93101-14092	OIL SEAL (S7-14-25-5.5-1-HS)	1	



4DW010-1110

C3

- 16 -

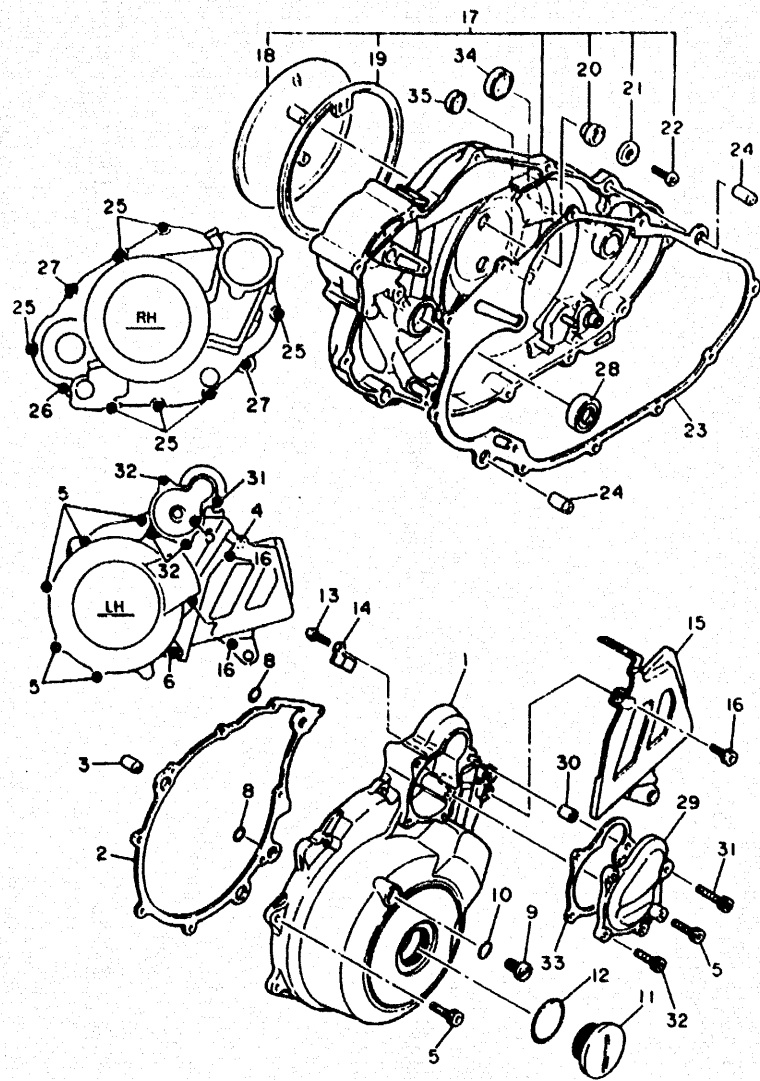


FIG. 11 CRANKCASE COVER 1

REF. NO.	PART NO.	DESCRIPTION	Q.TY	REMARKS
29	3TB-15415-00	COVER, generator	1	
30	99510-08016	PIN, dowel	1	
31	91317-06035	BOLT	1	
32	91317-06025	BOLT	3	
33	4DW-15455-00	GASKET 1	1	
34	90338-30096	PLUG	1	
35	90338-21100	PLUG	1	



4DW010-1110

C4

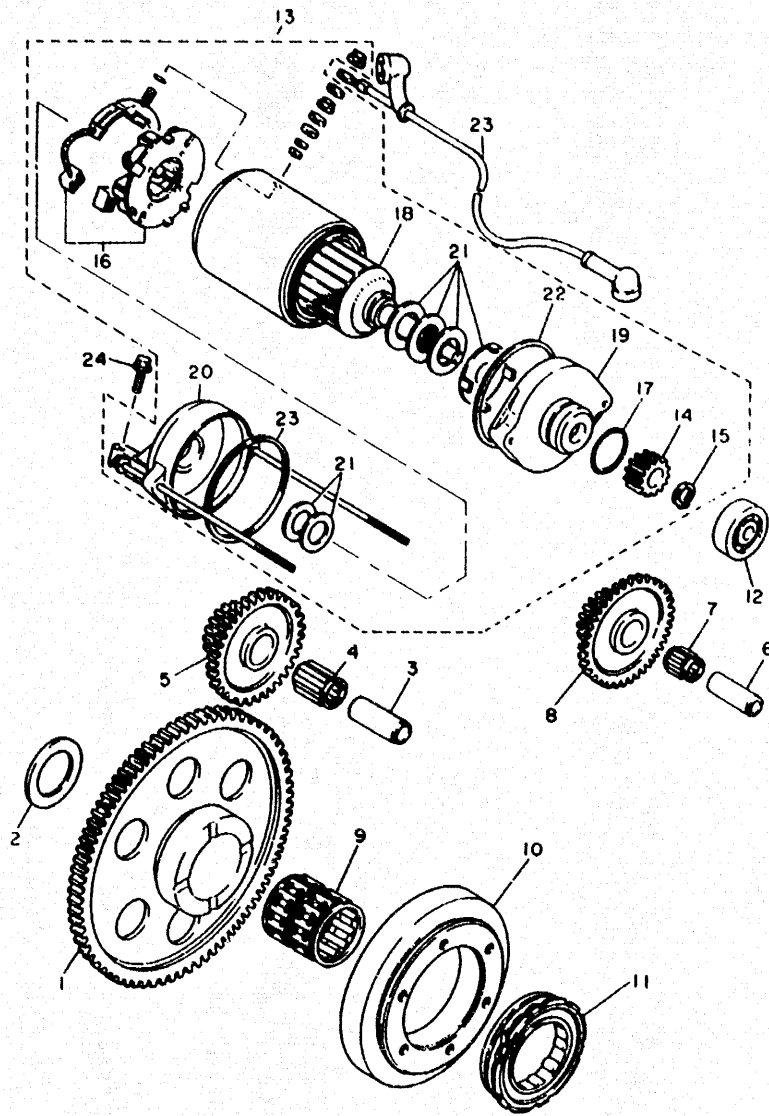


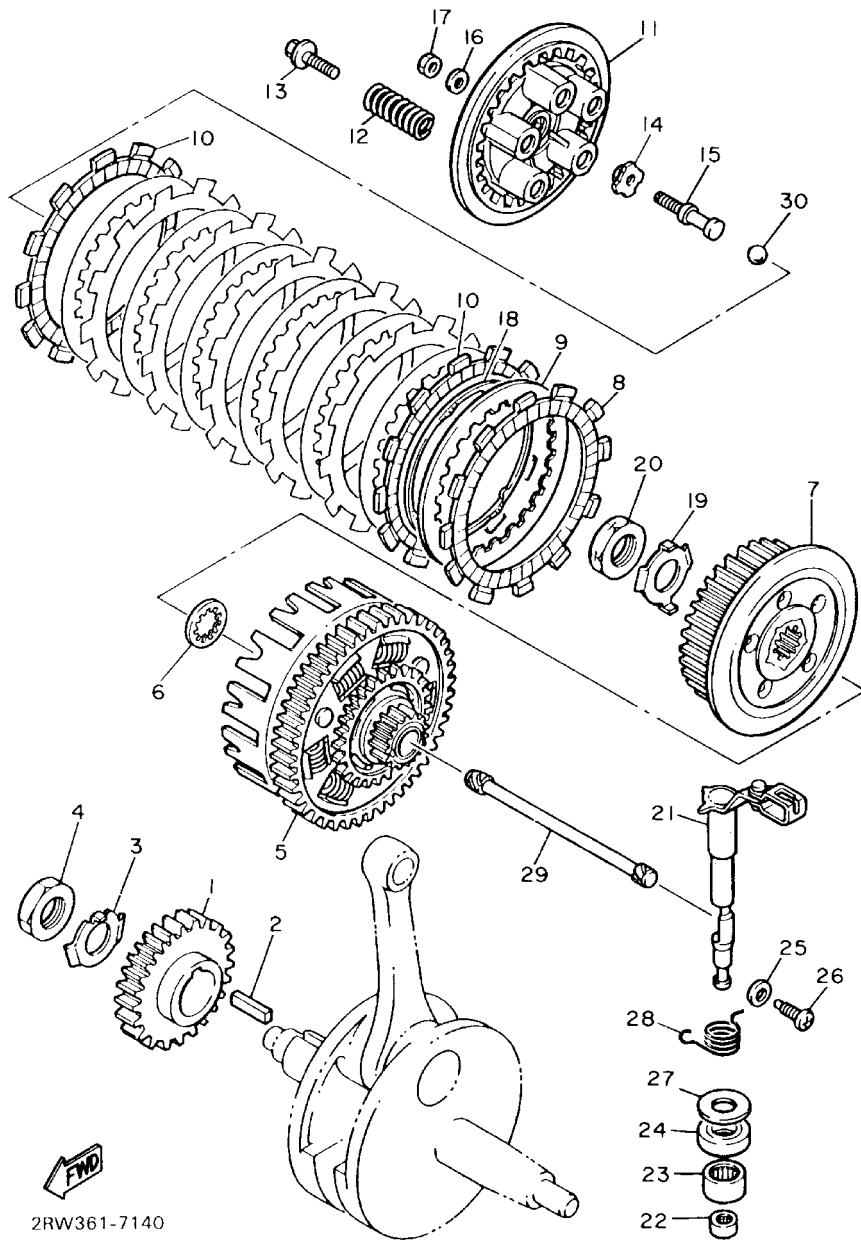
FIG. 12 STARTER

REF. NO.	PART NO.	DESCRIPTION	Q.TY	REMARKS
1	3YF-15515-00	GEAR, 3	1	
2	90201-303P4	WASHER, plate	1	
3	1VJ-15522-00	SHAFT, 2	1	
4	93310-217R7	BEARING, cylindrical	1	
5	1VJ-15517-00	GEAR, idler 2	1	
6	1VJ-15521-00	SHAFT, 1	1	
7	93310-212R6	BEARING, cylindrical	1	
8	1VJ-15512-00	GEAR, idler 1	1	
9	93310-530C7	BEARING, cylindrical	1	
10	3TB-15590-01	STARTER ONE-WAY ASSY	1	
11	3TB-15594-00	RACE, one-way bearing	1	
12	93306-20006	BEARING (B6200)	1	NTN
13	4GV-81800-00	STARTING MOTOR ASSY	1	
14	1VJ-15511-00	GEAR, starting motor	1	
15	93440-11024	CIRCLIP	1	
16	3AJ-81801-00	BRUSH SET	1	
17	26H-81847-00	O-RING	1	
18	3AJ-81850-00	ARMATURE SET	1	
19	3AJ-81830-00	FRONT BRACKET ASSY	1	
20	3AJ-81820-00	REAR BRACKET ASSY	1	
21	3AJ-81809-00	WASHER KIT	1	
22	11H-81844-00	GASKET	2	
23	4GV-H183G-00	CORD. COMPL.	1	
24	95817-06030	BOLT, flange	2	



4GV2354-4121

C5



2RW361-7140

FIG. 13 CLUTCH

REF. NO.	PART NO.	DESCRIPTION	Q.TY	REMARKS
29	5Y1-16357-00	ROD, push 2	1	
30	93515-32029	BALL	1	

C7

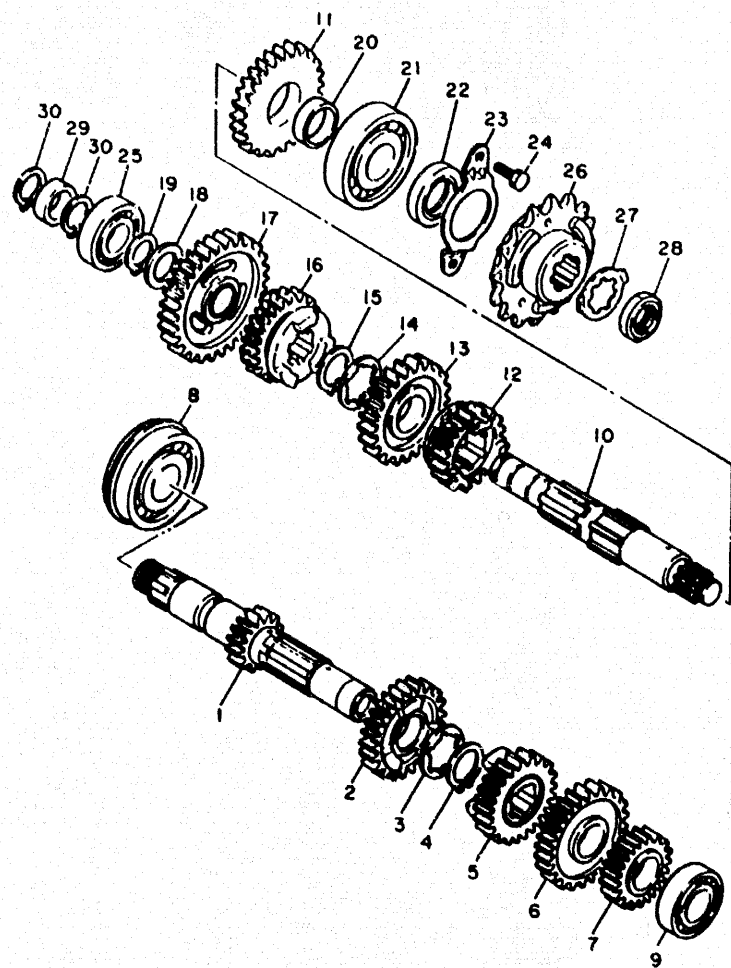


FIG. 14 TRANSMISSION

REF. NO.	PART NO.	DESCRIPTION	Q.TY	REMARKS
1	4PT-17411-00	AXLE, main (12T)	1	
2	34K-17141-00	GEAR, 4th pinion (22T)	1	
3	90209-22191	WASHER	1	
4	93440-25084	CIRCLIP	1	
5	1VJ-17131-00	GEAR, 3rd pinion (20T)	1	
6	2JT-17151-01	GEAR, 5th pinion (24T)	1	
7	34K-17121-01	GEAR, 2nd pinion (17T)	1	
8	93306-30540	BEARING (6305NRX1C3)	1	
9	93306-00431	BEARING	1	
10	2RW-17402-00	DRIVE AXLE ASSY	1	
11	2JT-17221-0J	GEAR, 2nd wheel (27T)	1	
12	2JT-17251-00	GEAR, 5th wheel (19T)	1	
13	1VJ-17231-00	GEAR, 3rd zheel (24T)	1	
14	90209-22191	WASHER	1	
15	93440-25084	CIRCLIP	1	
16	3AJ-17241-0J	GEAR, 4th wheel (21T)	1	
17	3AJ-17211-00	GEAR, 1st wheel (31T)	1	
18	90201-20276	WASHER, plate (1.0T)	1	
19	99009-20400	CIRCLIP	1	
20	90560-25283	SPACER	1	
21	93306-30535	BEARING	1	
22	93102-25226	OIL SEAL	1	
23	5Y1-17471-00	PLATE, cover	1	
24	97027-06014	BOLT	2	
25	93306-00426	BEARING	1	
26	99999-01798	SPROCKET, drive (15T)	1	
27	90215-23265	WASHER, lock	1	
28	90179-18552	NUT	1	



3AJ1351-8140

C8

- 21 -

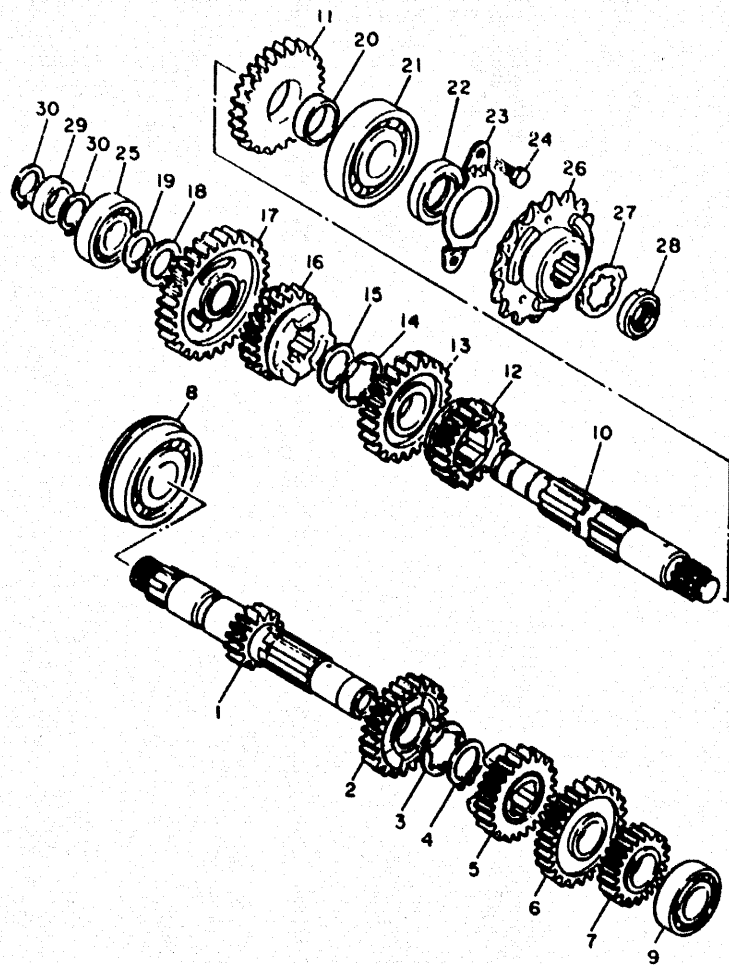


FIG. 14 TRANSMISSION

REF. NO.	PART NO.	DESCRIPTION	Q.TY	REMARKS
29	90560-20199	SPACER	1	
30	99009-20400	CIRCLIP	2	



3AJ1351-8140

C9

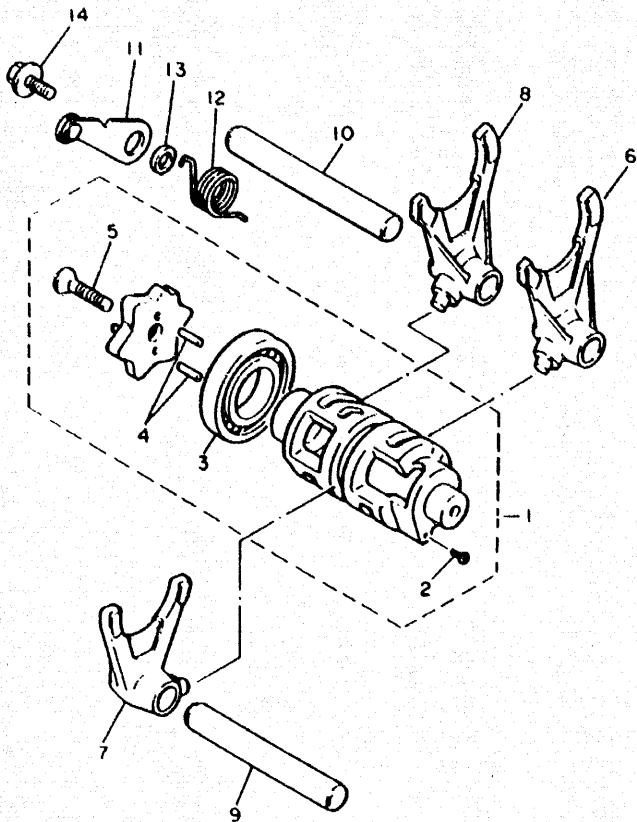


FIG. 15 SHIFT CAM.FORK

REF. NO.	PART NO.	DESCRIPTION	Q.TY	REMARKS
1	3YF-18540-00	SHIFT CAM ASSY	1	
2	136-18542-00	· POINT, neutral	1	
3	93316-00501	· BEARING, cylindrical	1	
4	93604-10011	· PIN, dowel	2	
5	90151-06017	· SCREW, countersunk	1	
6	4PT-18511-00	FORK, shift 1	1	
7	4PT-18512-00	FORK, shift 2	1	
8	4PT-18513-00	FORK, shift 3	1	
9	3YF-18531-00	BAR, shift fork guide 1	1	
10	3XV-18535-00	BAR, shift fork guide 2	1	
11	2KF-18140-00	STOPPER LEVER ASSY	1	
12	90508-26691	SPRING, torsion	1	
13	90387-063F7	COLLAR	1	
14	90159-06078	SCREW, with washer	1	



2KF300-7150

C 10

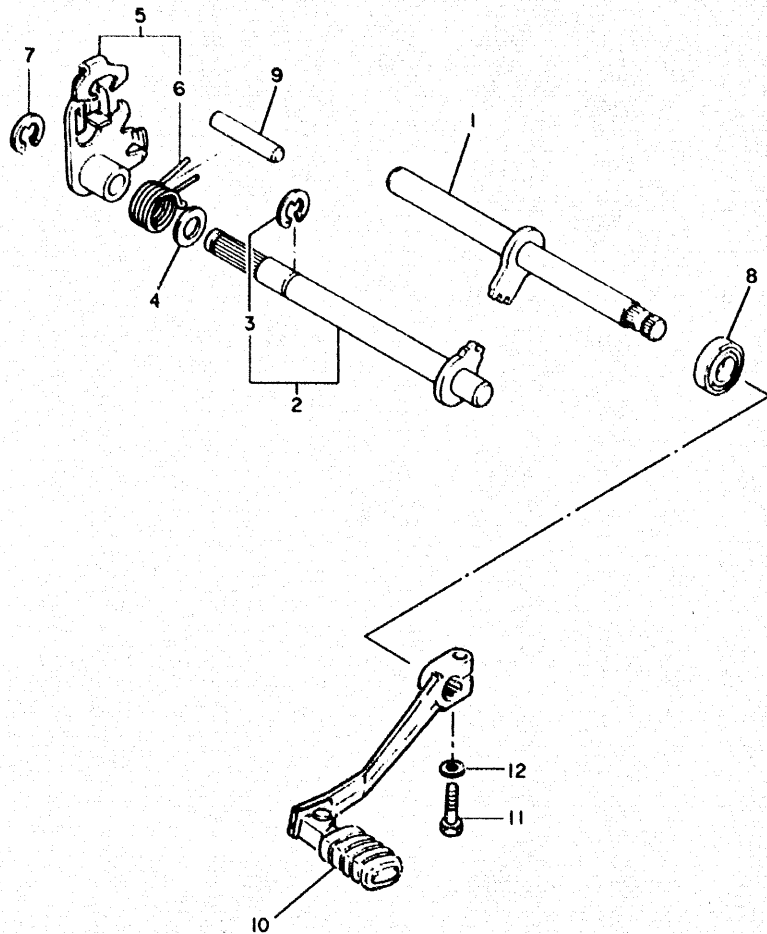


FIG. 16 SHIFT SHAFT

REF. NO.	PART NO.	DESCRIPTION	Q.TY	REMARKS
1	43F-18102-02	SHIFT SHAFT ASSY 2	1	
2	5Y1-18101-02	SHIFT SHAFT ASSY	1	
3	99006-10600	- CIRCLIP	1	
4	90201-12474	WASHER, plate	1	
5	34K-18120-00	SHIFT LEVER ASSY	1	
6	90508-29629	- SPRING, torsion	1	
7	99001-09600	CIRCLIP	1	
8	93102-12321	SEAL	1	
9	93608-33046	PIN, dowel	1	
10	4GV-E8110-02	SHIFT PEDAL ASSY	1	
11	9701M-06025	BOLT	1	
12	9290M-06600	WASHER, plain	1	



4GV1354-3160

C11

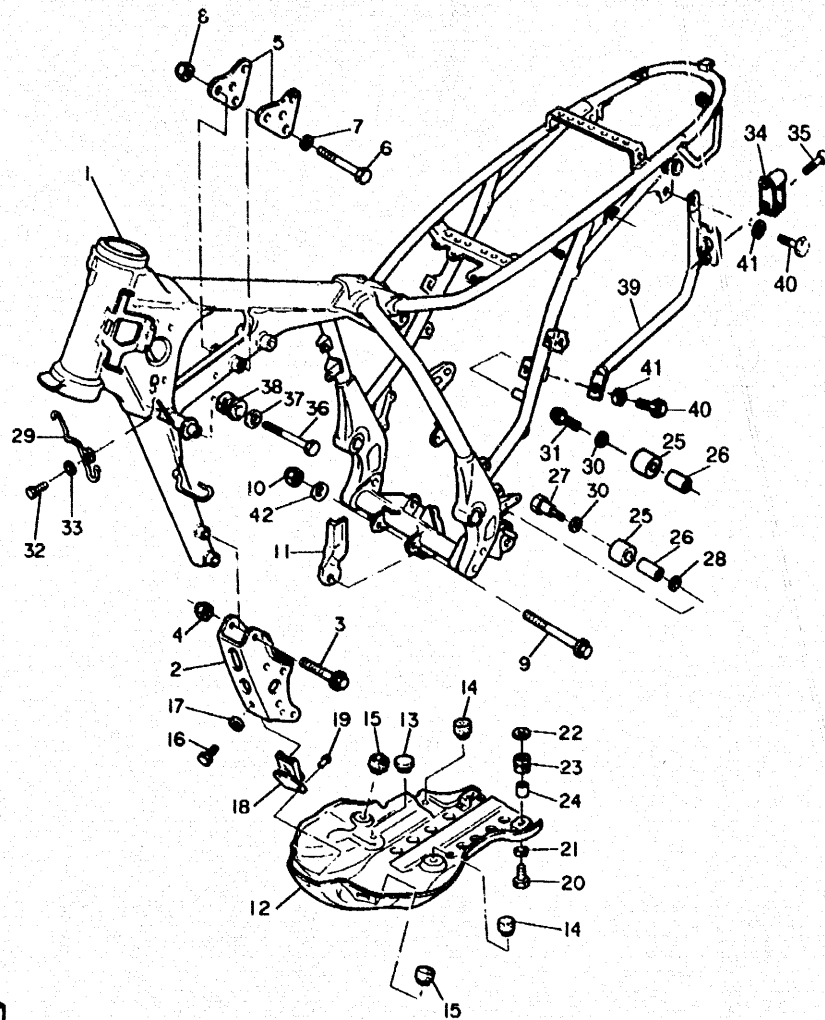


FIG. 17 FRAME

REF. NO.	PART NO.	DESCRIPTION	Q.TY	REMARKS
1	4GV-F1110-12-UJ	FRAME COMPL.	1	RADICAL WHITE
2	4GV-F1316-00-UJ	STAY, E/G 3	1	RADICAL WHITE
3	90105-10869	BOLT, washer based	4	
4	90185-10060	NUT, self-lock	4	
5	4GV-F1315-00	STAY, E/G 2	2	
6	97017-10080	BOLT	3	
7	92907-10100	WASHER, spring	3	
8	90185-10060	NUT, self lock.	3	
9	95817-01110	BOLT, FLG.	1	
10	90185-10060	NUT, self lock.	1	
11	4GV-F176E-00	PLATE	1	
12	4GV-F1471-00	PROTECTOR, E/G	1	
13	2J5-21732-00	SEAL 1	1	
14	4N0-27114-00	STOPPER, main stand	2	
15	34L-21485-00	DAMPER, rubber	2	
16	97017-08016	BOLT	1	
17	92907-08100	WASHER, spring	1	
18	34L-21486-00	DAMPER.2	1	
19	90267-48079	RIVET, blind	2	
20	97007-06020	BOLT	2	
21	92907-06100	WASHER, spring	2	
22	90201-06765	WASHER, plate	2	
23	90480-14229	GROMMET	2	
24	90387-060A7	COLLAR	2	
25	30X-22178-00	TENSIONER	2	
26	4V4-22184-00	BUSH	2	
27	90109-08705	BOLT	1	
28	S0201-13202	WASHER, plate	1	



4GV2354-7171

C 12

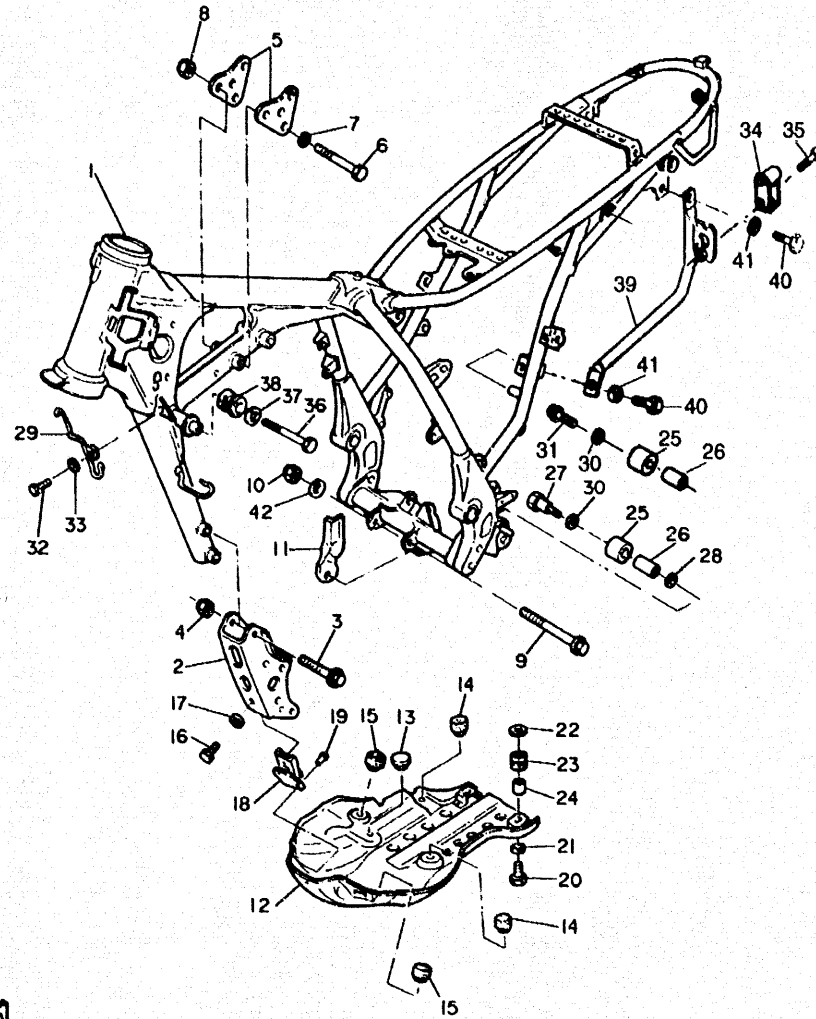


FIG. 17 FRAME

REF. NO.	PART NO	DESCRIPTION	Q.TY	REMARKS
29	4GV-F1161-00	HOLDER, wire	1	
30	90201-08753	WASHER, plate	2	
31	95807-08016	BOLT, flange	1	
32	9131M-06012	BOLT, hex. socket head	1	
33	9290M-06600	WASHER, plain	1	
34	5H0-21308-01	HELMET, hanger	1	
35	90151-06025	SCREW, cross recessed	1	
36	9701L-08020	BOLT, hex.	2	
37	90201-098E7	WASHER, plain	2	
38	3SH-F4181-00	GROMMET	2	
39	4GV-F1105-00-UJ	BRKT.	1	UR RADICAL WHITE
40	9701L-08016	BOLT, hex.	2	
41	9290L-08100	WASHER, spring	2	
42	90204-10803	WASHER, spring	1	



4GV2354-7171

C 13

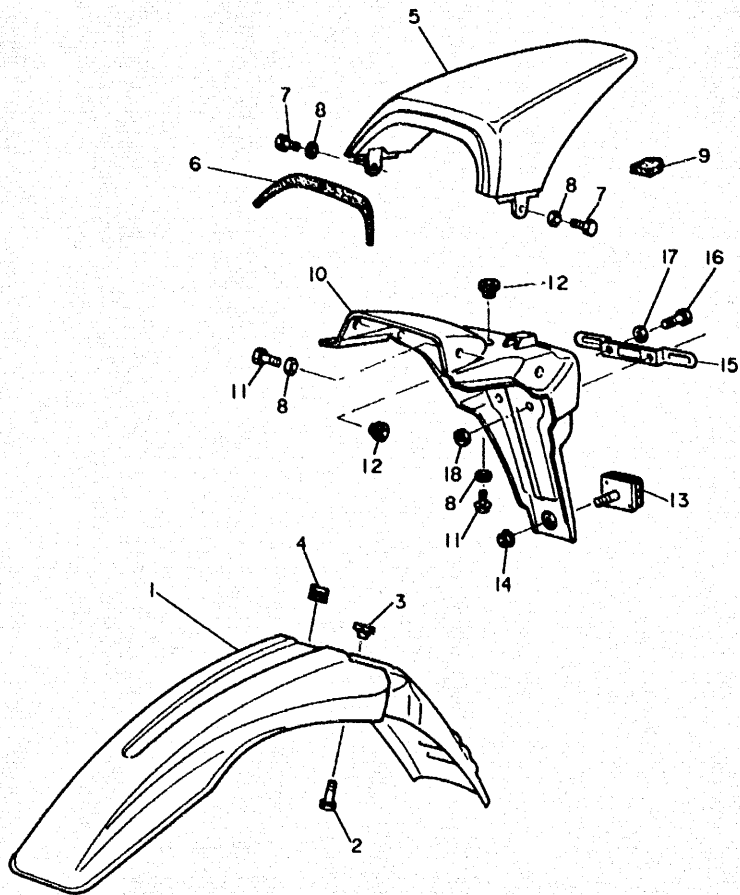


FIG. 18 FENDER

REF. NO.	PART NO.	DESCRIPTION	Q.TY	REMARKS
1	■ 4GV-F1511-00	FR. FENDER	1	UR PURPLISH WHITE SOLID 1
2	90119-06097	BOLT, hex. w/washer	4	
3	90387-062V8	COLLAR	4	
4	90480-12845	GROMMET	1	
5	■ 4GV-F1611-00	RR. FENDER	1	UR PURPLISH WHITE SOLID 1
6	4GV-F1639-00	DAMPER	1	
7	9701L-06014	BOLT, hex.	2	
8	9290L-06200	WASHER, plain	4	
9	90480-16185	GROMMET	1	
10	4GV-F1685-00	BRKT., licence	1	
11	9701L-06016	BOLT, hex.	4	
12	90387-062M9	COLLAR	4	
13	4GV-H5130-00	RR. REFLECT. ASSY	1	
14	90185-06837	NUT, nylon	1	
15	3SH-H4551-00	BRKT., licence	1	
16	9701M-06014	BOLT, hex.	2	
17	9290M-06600	WASHER, plain	2	
18	9571L-06300	NUT, nylon	2	

NOTE: ■ COLORED-ROUGH MATERIAL



4GV1354-3180

C 14

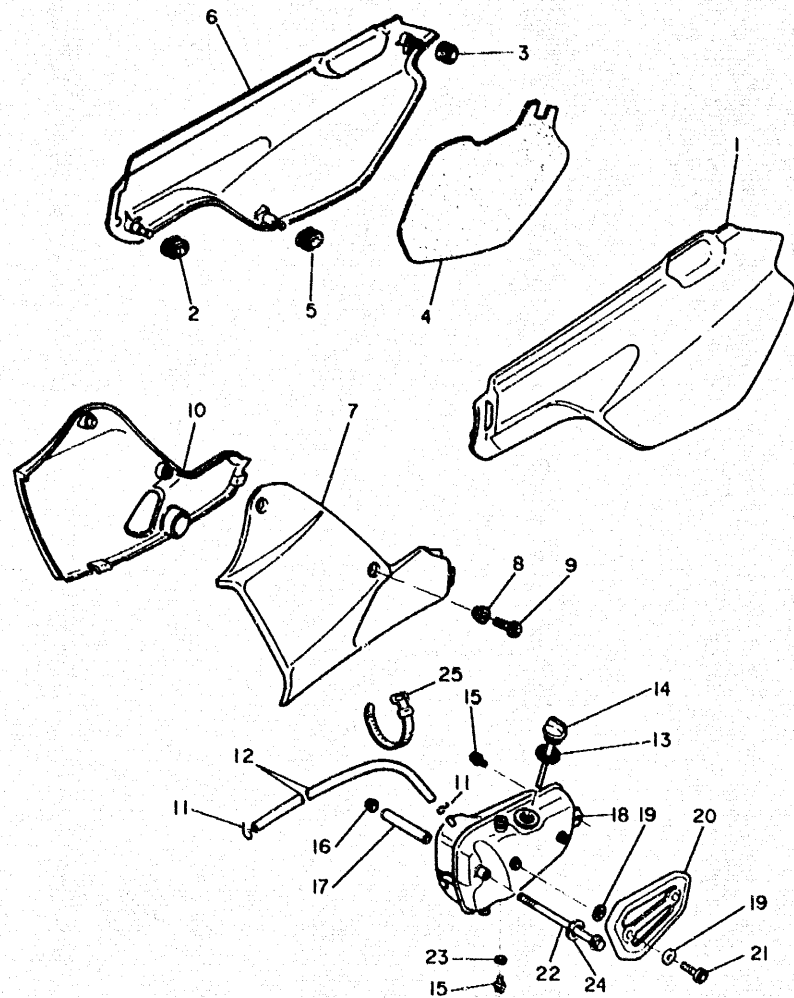


FIG. 19 SIDE COVER / OIL TANK

REF. NO.	PART NO.	DESCRIPTION	Q.TY	REMARKS
1	■ 4GV-F1711-00	COVER, side 1 LH.	1	UR PURPLISH WHITE SOLID 1
2	90480-17850	GROMMET	2	
3	90480-13398	GROMMET	2	
4	4GV-F174A-00	INSULATOR	1	
5	90480-17850	GROMMET	1	
6	■ 4GV-F1721-00	COVER, side 2 RH.	1	UR PURPLISH WHITE SOLID 1
7	4GV-F1731-00-P1	COVER, side 3 LH.	1	UR DEEP PURPLISH BLUE SOLID 3
8	90387-068G9	COLLAR	4	
9	90111-06806	BOLT, hex. socket head	4	
10	4GV-F1741-00-P1	COVER side, 4 RH.	1	UR DEEP PURPLISH BLUE SOLID 3
11	90467-10008	CLIP	2	
12	90445-11748	HOSE	1	
13	90430-27124	GASKET	1	
14	34K-21771-00	BODY, cap	1	
15	9581L-08012	BOLT, flg.	2	
16	9571L-08500	NUT, flg.	1	
17	90387-088H0	COLLAR	1	
18	4GV-F1751-01-98	TANK, oil	1	UR LOW GLOSS BLACK
19	90202-05187	WASHER	2	
20	4GV-F175N-00	COVER	1	
21	9850M-06010	SCREW, pan head (+)	2	
22	90101-08859	BOLT	1	
23	90201-08087	WASHER, plain	1	
24	9290M-08200	WASHER, plain	1	
25	4GV-H3936-00	BAND, sw. cord	1	

NOTE: ■ COLORED-ROUGH MATERIAL



4GV1354-3191

C 15

CONTENTS

GENERAL SPEC.

ENGINE

Fig. 1	CYLINDER HEAD	1
Fig. 2	CYLINDER	3
Fig. 3	CRANKSHAFT. PISTON	4
Fig. 4	VALVE	6
Fig. 5	CAMSHAFT. CHAIN	7
Fig. 6	OIL PUMP	8
Fig. 7	INTAKE	10
Fig. 8	CARBURETOR	12
Fig. 9	EXHAUST	14
Fig. 10	CRANKCASE	15
Fig. 11	CRANKCASE COVER 1	16
Fig. 12	STARTER	18
Fig. 13	CLUTCH	19
Fig. 14	TRANSMISSION	21
Fig. 15	SHIFT CAM. FORK	23
Fig. 16	SHIFT SHAFT	24

CHASSIS

Fig. 17	FRAME	25
Fig. 18	FENDER	27
Fig. 19	SIDE COVER/OIL TANK	28
Fig. 20	REAR ARM	29
Fig. 21	REAR SUSPENSION	31
Fig. 22	STEERING	32
Fig. 23	FRONT FORK	33
Fig. 24	FUEL TANK	35
Fig. 25	SEAT	36
Fig. 26	FRONT WHEEL	37
Fig. 27	FRONT BRAKE CALIPER	38
Fig. 28	REAR WHEEL	39
Fig. 29	REAR BRAKE CALIPER	40
Fig. 30	STEERING HANDLE, CABLE	41
Fig. 31	FRONT MASTER CYLINDER	42
Fig. 32	STAND./FOOTREST	43
Fig. 33	REAR MASTER CYLINDER	44
Fig. 34	EMBLEMS	45
Fig. 35	GENERATOR	46
Fig. 36	FLASHER LIGHT	47
Fig. 37	METER	48
Fig. 38	HEADLIGHT	49
Fig. 39	TAILLIGHT	50
Fig. 40	HANDLE SWITCH, LEVER	51
Fig. 41	ELECTRICAL 1	52
Fig. 42	ELECTRICAL 2	53

INDEX (GENERAL SPEC.)

NUMERICAL INDEX

INDIVIDUAL SPEC.

Fig. 43	FRAME	54
Fig. 44	FENDER	55
Fig. 45	STAND./FOOTREST	56
Fig. 46	FLASHER LIGHT	57
Fig. 47	ELECTRICAL 1	58

INDEX (INDIVIDUAL SPEC.)

NUMERICAL INDEX

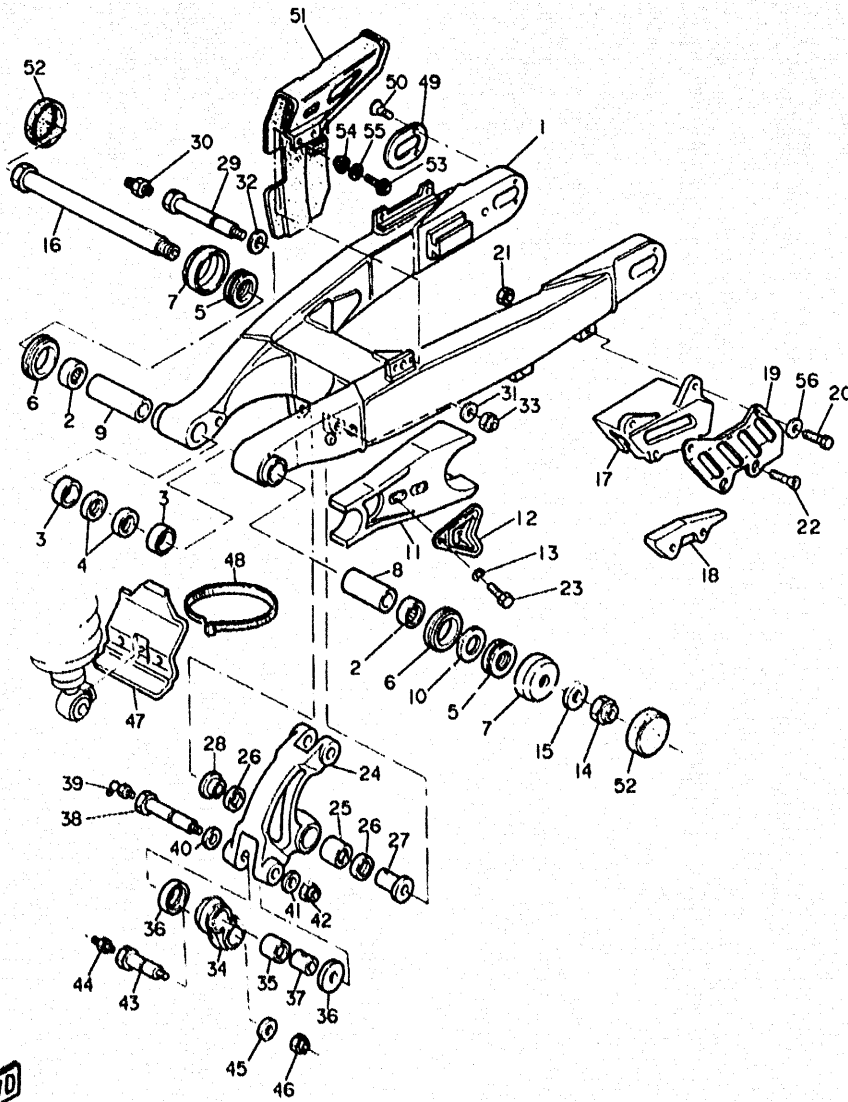


FIG. 20 REAR ARM

REF. NO.	PART NO.	DESCRIPTION	Q.TY	REMARKS
1	4GV-F2110-01	RR. ARM COMPL.	1	
2	93317-32231	BEARING, cylindrical	2	
3	90380-22111	BUSH, solid	2	
4	93106-22019	OIL SEAL (DC 22-28-8)	2	
5	93342-22208	BEARING	2	
6	93108-35004	OIL SEAL (35-41-8)	2	
7	3R4-22129-00	COVER, thrust 2	2	
8	1VJ-22123-00	BUSH, solid	1	
9	90380-16127	BUSH, solid	1	
10	156-22127-00	SHIM (0.3T)	2	UN
11	4GV-F2151-00	SEAL, guard	1	
12	4GV-F2156-00	WASHER, plate	1	
13	9290L-06100	WASHER, spring	2	
14	90185-14070	NUT, self locking	1	
15	90201-15238	WASHER, plate	1	
16	1VJ-22141-00	SHAFT, pivot	1	
17	3XP-22199-03	SUPPORT, chain	1	
18	3JD-22147-00	PROTECTOR, chain	1	
19	3JD-22128-00	COVER, trust 1	1	
20	9701L-06030	BOLT, hex.	2	
21	90185-06830	NUT, self-locking	2	
22	90151-06805	SCREW, crossrecessed countersunk	2	
23	95024-06020	BOLT	2	
24	4GV-F217A-00	ARM, relay	1	
25	93317-32034	BEARING, cylindrical	1	
26	93109-20076	OIL SEAL	2	
27	90387-147G6	COLLAR	1	
28	90387-147G7	COLLAR	1	

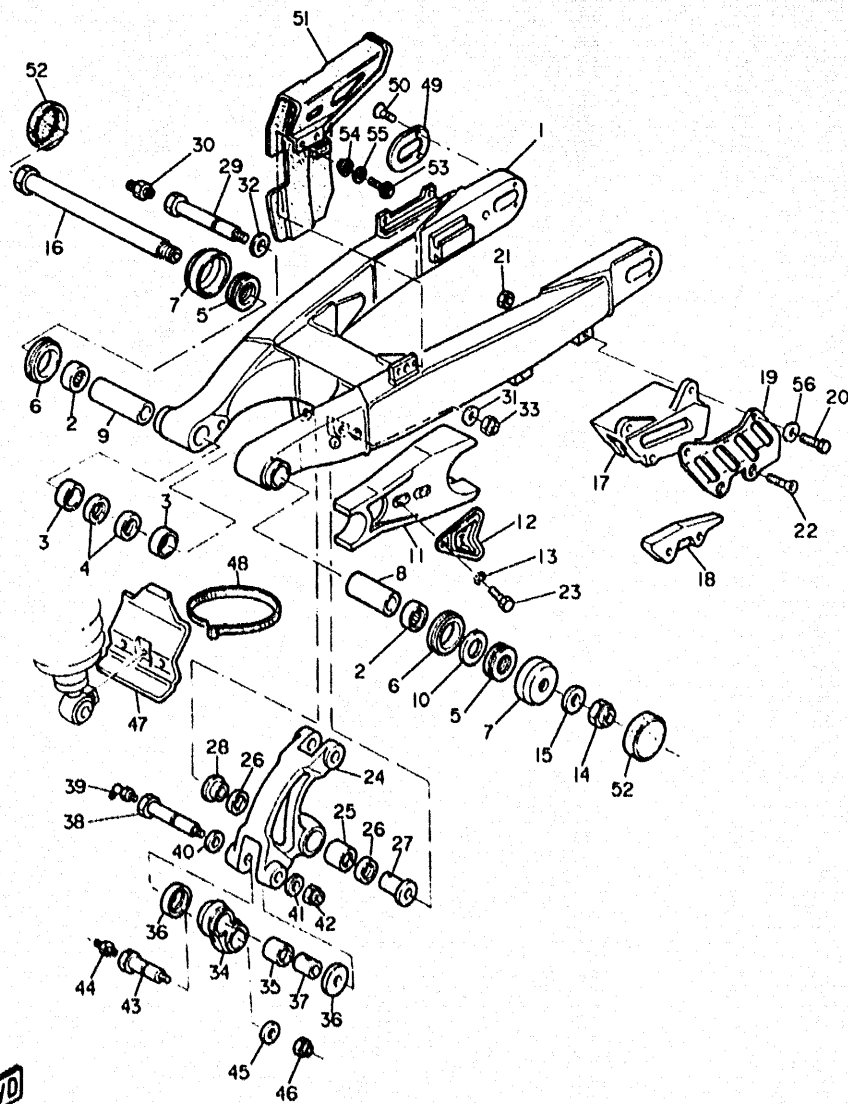


FIG. 20 REAR ARM

REF. NO.	PART NO.	DESCRIPTION	Q.TY	REMARKS
29	90109-12701	BOLT	1	
30	93700-06M03	NIPPLE, grease	1	
31	90201-120A5	WASHER, plate	1	
32	90201-142M6	WASHER, plate	1	
33	90185-12119	NUT, self lock.	1	
34	4GV-F217F-00	ROD, connecting.1	1	
35	93315-31732	BEARING, cylindrical	2	
36	55K-22129-00	COVER, trust 2	4	
37	90387-121H1	COLLAR	2	
38	90109-10702	BOLT	1	
39	93700-06005	NIPPLE, grease	1	
40	90201-120E6	WASHER, plate	1	
41	90201-10M05	WASHER, plate	1	
42	90185-10120	NUT, self locking	1	
43	90109-10703	BOLT	1	
44	93700-06009	NIPPLE, grease	1	
45	90201-100F7	WASHER, plate	1	
46	95617-10100	NUT, U	1	
47	4GV-F1629-00	GUARD, mud	1	
48	2AJ-F3192-50	CLAMP	1	
49	3XJ-22355-00	PATCH A	1	
50	90151-04048	SCREW, counter sunk	2	
51	4GV-F2311-00	CASE, case	1	
52	3LD-2219X-01	COVER	2	
53	9701M-06016	BOLT, hex.	2	
54	90387-062M9	COLLAR	2	
55	9290M-06100	WASHER, spring	2	
56	9290L-06600	WASHER, plain	2	



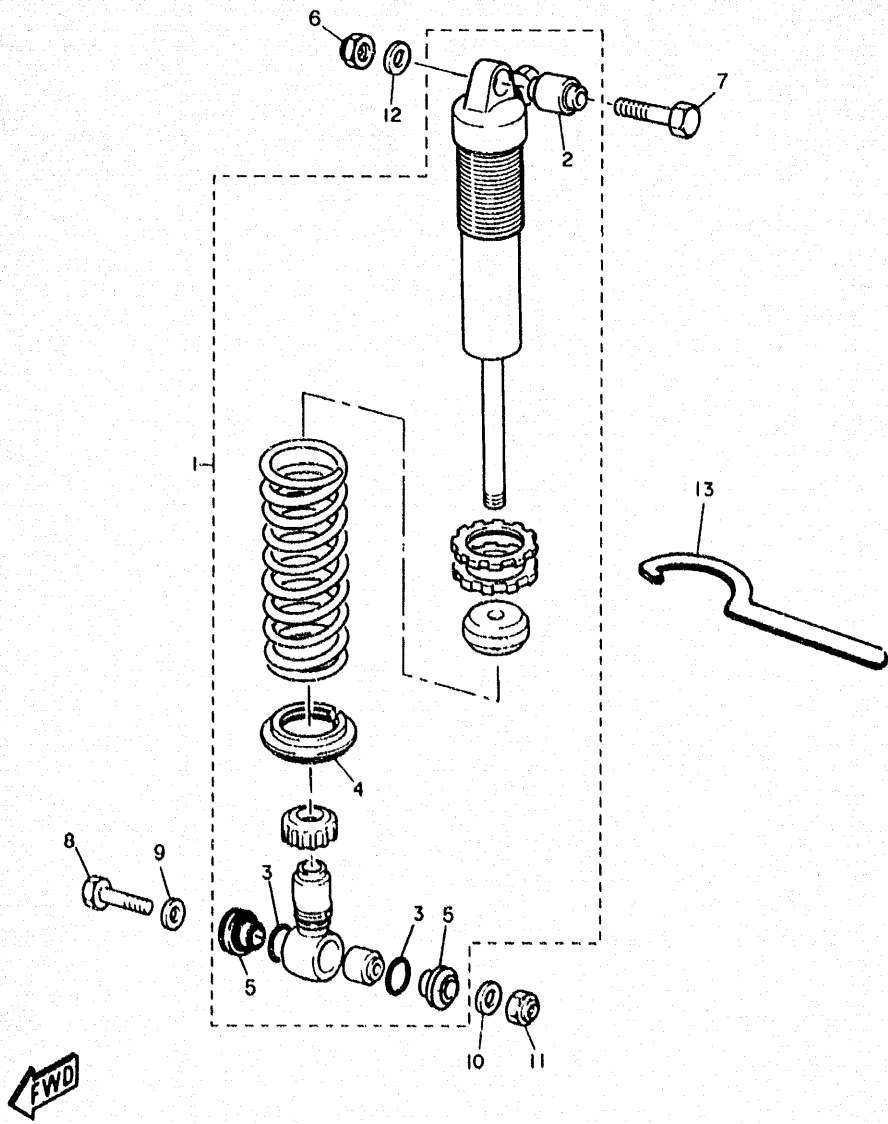
4GV4300-7202

D3

- 30 -

FIG. 21 REAR SUSPENSION

REF. NO.	PART NO.	DESCRIPTION	Q.TY	REMARKS
1	4GV-F2210-12-8H	RR. SHOCK ABSORBER ASSY	1	UR. STAR
2	4GV-F2216-20	· BUSH	1	
3	93210-208F2	· O-RING	2	
4	4GV-F2214-20	· GUIDE, spring 1	1	
5	4GV-F2253-20	· COLLAR	2	
6	90185-10120	NUT, self lock.	1	
7	90109-10453	BOLT	1	
8	90109-10700	BOLT	1	
9	90201-120E6	WASHER, plate	1	
10	90201-10M05	WASHER, plain	1	
11	90185-10120	NUT, self lock.	1	
12	90201-10430	WASHER, plain	1	
13	4GV-F8135-00	SPANNER, SPECIAL	1	



4GV5354-7210

D4

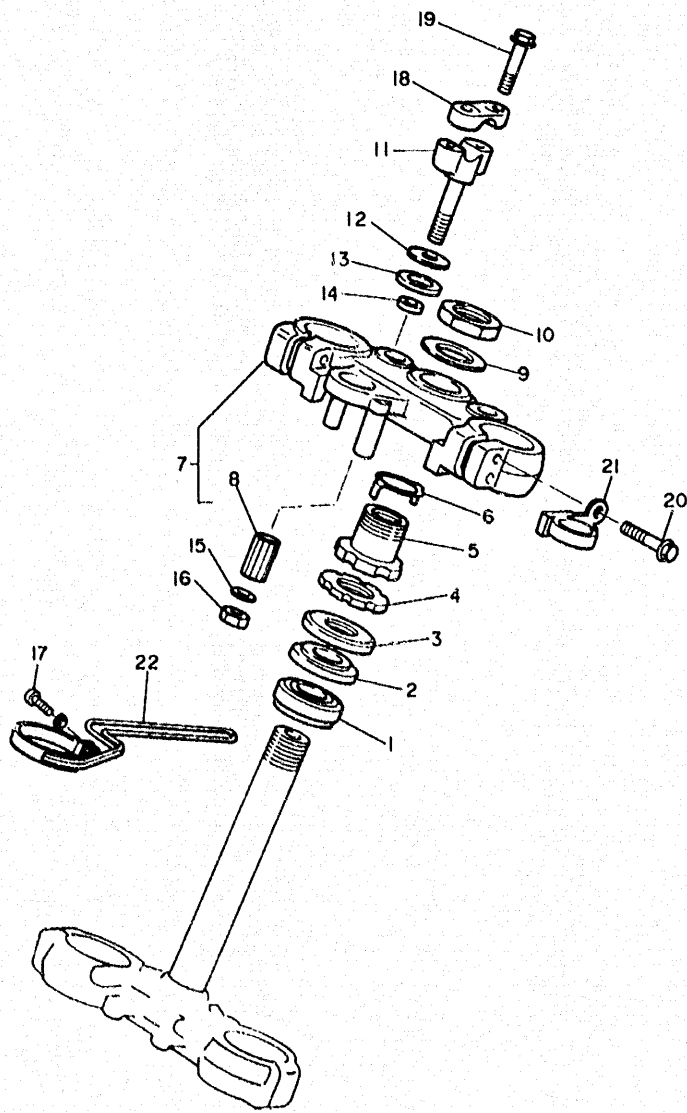


FIG. 22 STEERING

REF. NO.	PART NO.	DESCRIPTION	Q.TY	REMARKS
1	93332-00067	BEARING	1	
2	93332-00068	BEARING	1	
3	2HG-23416-00	COVER, ball race 2	1	
4	90179-28602	NUT	1	
5	90179-28603	NUT	1	
6	3SP-23418-00	WASHER, special	1	
7	4GV-WF341-00	CROWN, handle assy	1	
8	307-22123-00	BUSH, 1	2	
9	90201-365M5	WASHER, plate	1	
10	90170-36394	NUT	1	
11	4AA-23442-01-T9	HOLDER, handle under	2	UR COMPETITION SILVER
12	90201-128N5	WASHER, plate	2	
13	90202-14077	WASHER, plate	2	
14	90387-121E8	COLLAR	2	
15	90201-100A1	WASHER, plate	2	
16	95607-10100	NUT, u	2	
17	9850L-05016	SCREW, pan head	1	
18	3SP-23441-00	HOLDER, handler upper	2	UR COMPETITION SILVER
19	95027-08035	BOLT	4	
20	95027-08035	BOLT	4	
21	3R4-23317-00	HOLDER, cable	1	
22	3XP-23318-00	HOLDER, cable	1	



4GV1354-7222

D5

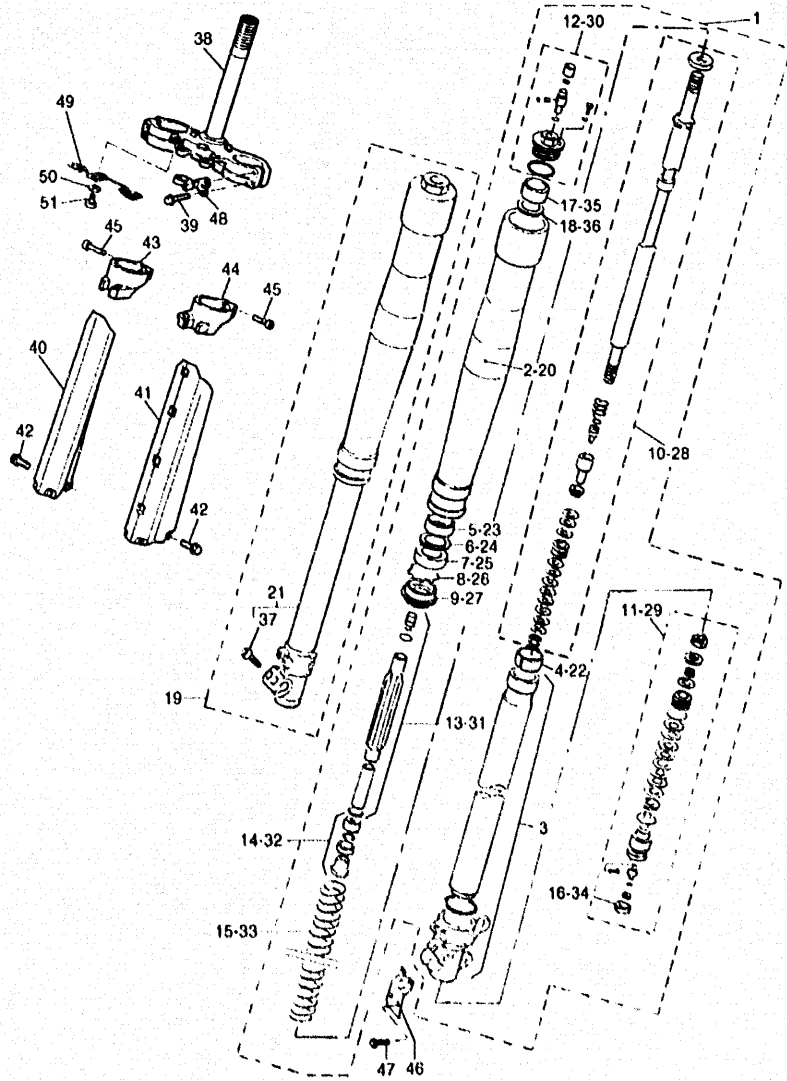


FIG. 23 FRONT FORK

REF. NO.	PART NO.	DESCRIPTION	Q.TY	REMARKS
1	4GV-F3102-10	FR. FORK ASSY (LH.)	1	
2	4GV-F3136-10	TUBE, outer 2	1	
3	4GV-F3120-10	INNER, tube comp. 2	1	
4	3XJ-23171-L0	PISTON, front fork	1	
5	3XJ-23125-L0	METAL, slide 1	1	
6	4GV-F3146-00	WASHER, oil seal	1	
7	4DA-23145-L0	OIL SEAL	1	
8	4GV-F3153-00	RING, snap	1	
9	4DA-23144-L0	SEAL, dust.	1	
10	4GV-F3170-00	CYLINDER COMP., front fork	1	
11	4GV-F316A-00	VALVE COMP.	1	
12	4GV-F3111-00	BOLT, cap	1	
13	4GV-F3142-00	SEAT, SPRING UPPER	1	
14	4GV-F319K-00	PLUNGER, set	1	
15	4GV-F3141-00	SHR., front fork (K=0.390)	1	
16	4GV-F312G-00	PIUG	1	
17	4GV-F3364-00	COLLAR, 2	1	
18	4GV-F3143-00	SEAT, spring lower	1	
19	4GV-F3103-10	FRONT FORK ASSY (RH.)	1	
20	4GV-F3136-10	TUBE, outer (RH.)	1	
21	4GV-F3110-10	INNER TUBE COMP. 1	1	
22	3XJ-23171-L0	PISTON, front fork	1	
23	3XJ-23125-L0	METAL, slide 1	1	
24	4GV-F3146-00	WASHER, oil seal	1	
25	4DA-23145-L0	OIL SEAL	1	
26	4GV-F3153-00	RING, snap	1	
27	4DA-23144-L0	SEAL, dust.	1	
28	4GV-F3170-00	CYLINDER COMP., front fork	1	



4GV2354-4230

D6

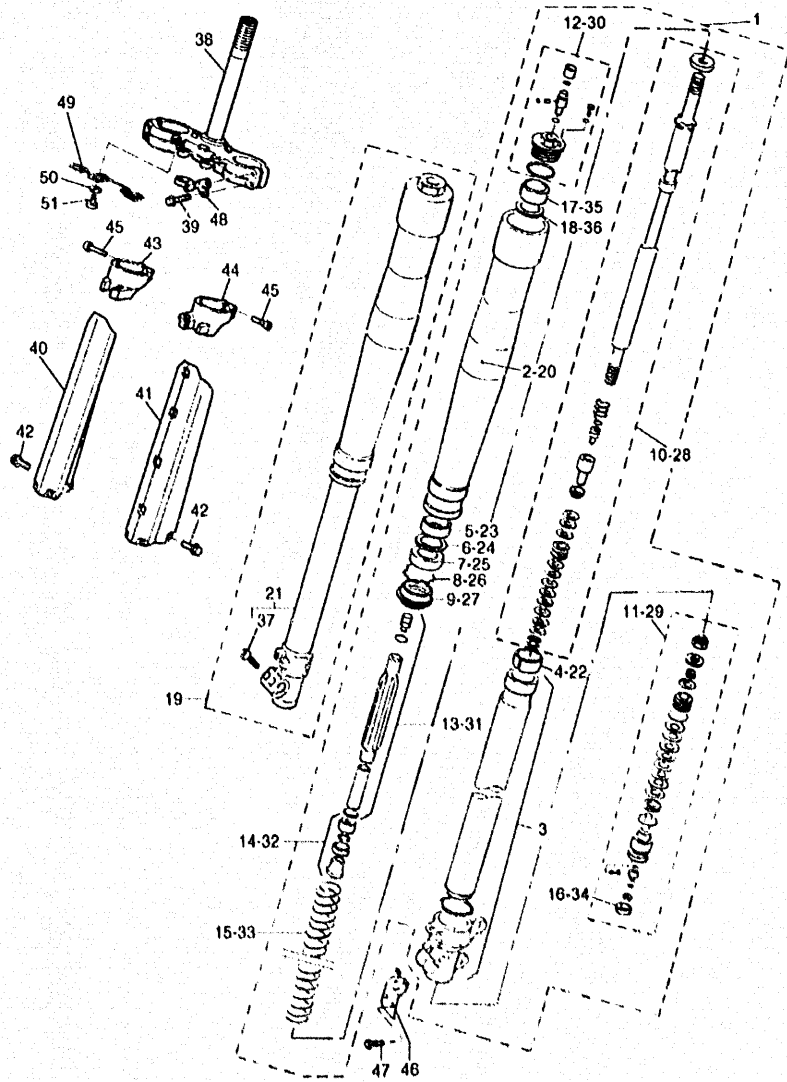


FIG. 23 FRONT FORK

REF. NO.	PART NO.	DESCRIPTION	Q.TY	REMARKS
29	4GV-F316A-00	VALVE COMP.	1	
30	4GV-F3111-00	BOLT, cap	1	
31	4GV-F3142-00	SEAT, spring upper	1	
32	4GV-F319K-00	PLUNGER SET	1	
33	4GV-F3141-00	SPRING, front fork (K=0.390)	1	
34	4GV-F312G-00	PLUG	1	
35	4GV-F3364-00	COLLAR, 2	1	
36	4GV-F3143-00	SEAT, spring lower	1	
37	9131L-08025	BOLT, hex socket head	2	
38	4GV-F3340-00	UNDER BRKT. COMP.	1	
39	9502L-08040	BOLT	4	
40	4GV-F314J-00	PROTECTOR COMP. 2	1	UR PURPLISH WHITE SOLID 1
41	4GV-F314H-00	PROTECTOR COMP. 1	1	UR PURPLISH WHITE SOLID 1
42	3SP-23356-L0	BOLT, 2	6	
43	4DA-2314G-L0	PROTECTOR GUIDE COMP. 2	1	
44	4DA-2314F-L0	PROTECTOR GUIDE COMP. 1	1	
45	4GV-F3194-00	SCREW, boot band	4	
46	4EW-2314E-L0	COVER, hose	1	
47	4DA-23346-L0	BOLT, 1	4	
48	3R4-23389-00	GUIDE, cable	1	
49	4GV-F317M-00	STAY, 3	1	
50	9290L-06600	WASHER, plain	2	
51	9131L-06014	BOLT, hex socket head	2	



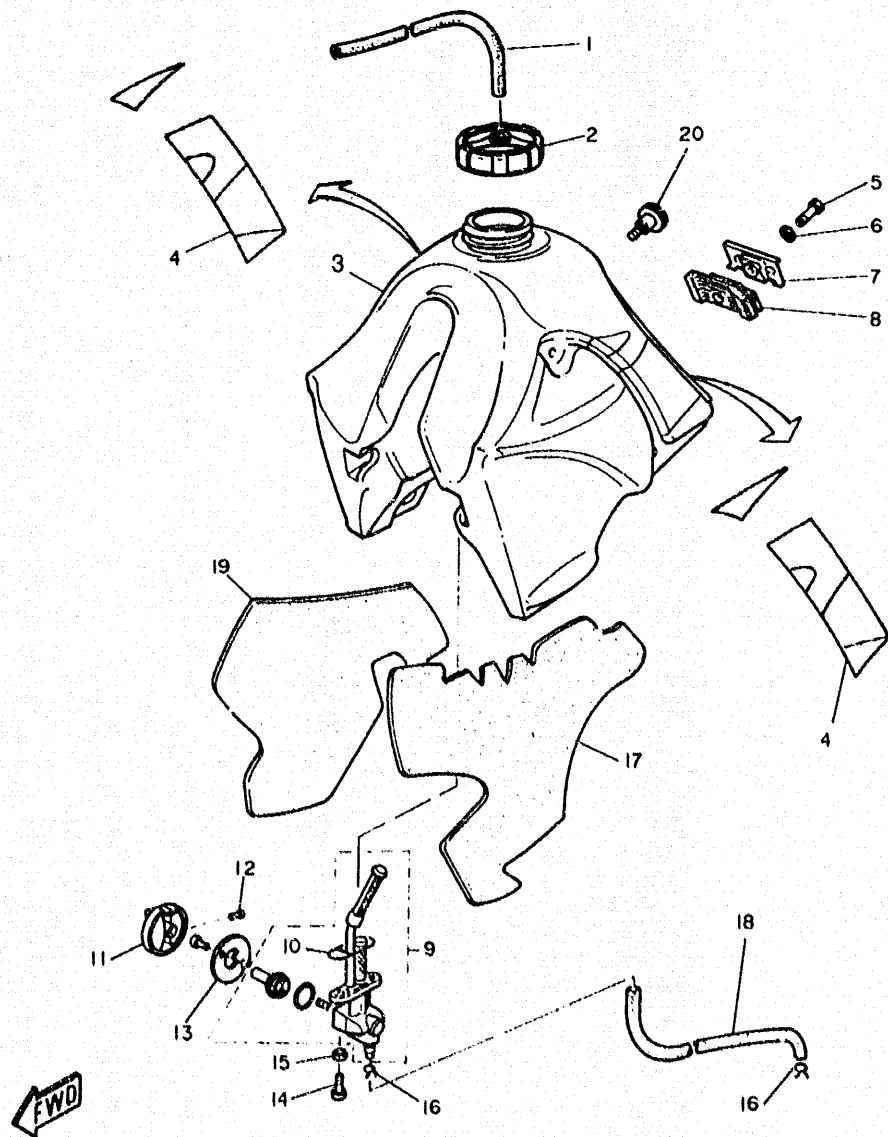
4GV2354-4230

D7

FIG. 24 FUEL TANK

REF. NO.	PART NO.	DESCRIPTION	Q.TY	REMARKS
1	90445-09878	HOSE	1	
2	4GV-F4610-00	CAP. ASSY	1	
3	4GV-F4110-00-P3	FUEL, tank assy	1	UR LIGHT GRAY MET.3 & TRANSP.
4	□	GRAPHIC, set	1	
5	9701L-06016	BOLT, hex.	1	
6	9290L-06100	WASHER, plain	1	
7	34X-24186-01	WASHER, special	1	
8	4GV-F4182-00	DAMPER, locating 2	1	
9	4GV-F4500-00	FUEL, cock assy	1	
10	3SH-F4512-00	GASKET	1	
11	4FD-24524-00	LEVER, cock	1	
12	9131M-03008	SCREW, pan head	1	
13	3SH-F4231-00	EMBLEM	1	
14	9850L-06014	SCREW, pan head (+)	2	
15	90202-05193	WASHER	2	
16	90467-11832	CLIP	2	
17	4GV-F416F-00	INSULATOR LH.	1	
18	90445-10877	FUEL, hose	1	
19	4GV-F416G-00	INSULATOR RH.	1	
20	3SH-F4122-00	SEAT, knee grip 2	1	

NOTE: □ GRAPHICS STICKED ON ITEM

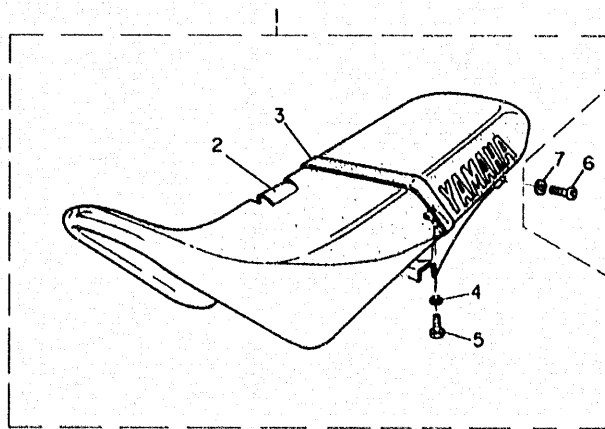


4GV5354-7240

D8

FIG. 25 SEAT

REF. NO.	PART NO.	DESCRIPTION	Q.TY	REMARKS
1	4GV-F4770-40	SEMI-DOUBLE SEAT ASSY	1	UR PURPLISH BLUE S.1 & BLACK
2	4GV-F4731-40	· COVER SEAT	1	UR PURPLISH BLUE S.1 & BLACK
3	4GV-F4734-40	· BAND	1	UR BLACK
4	9290L-06600	· WASHER, plain	2	
5	9701L-06016	· BOLT, hex.	2	
6	9131L-06016	BOLT, hex. socket head	2	
7	9290L-06200	WASHER, plain	2	



4GV1354-3250

D9

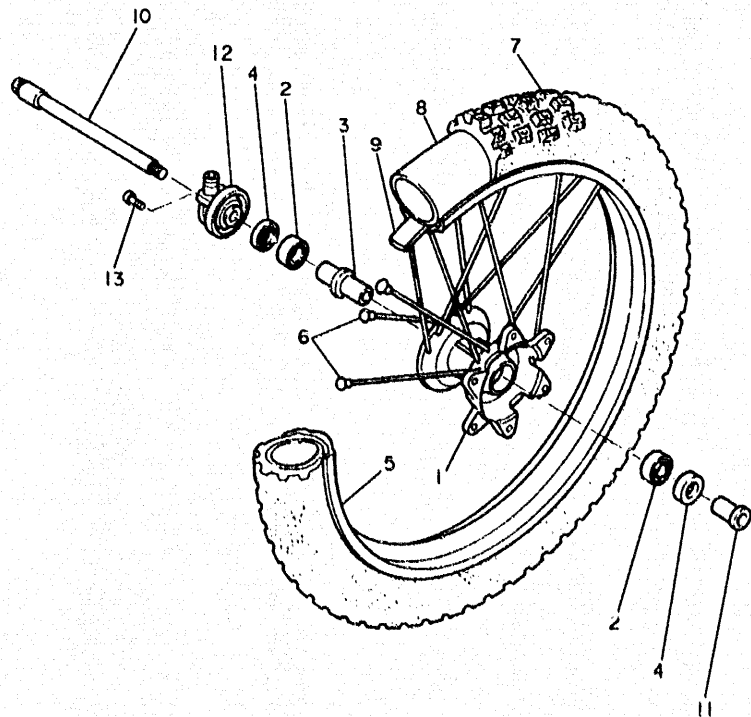


FIG. 26 FRONT WHEEL

REF. NO.	PART NO.	DESCRIPTION	Q.TY	REMARKS
1	4GV-F5111-00	HUB, front	1	
2	93306-003Y6	BEARING	2	
3	4GV-F5117-00	SPACER	1	
4	93106-22032	OIL SEAL	2	
5	94418-218A4	RIM (1.85-21)	1	
6	4GV-F5104-00	SPOKE SET, front	1	
7	94109-218K3	TIRE (90/90-21') MT70	1	PIRELLI
8	94209-21892	TUBE (MA 3.00-21)	1	PIRELLI
9	94309-21853	BAND, rim (3.00-21')	1	
10	4GV-F5181-00	AXLE, wheel	1	
11	90387-173Y0	COLLAR	1	
12	4GV-25190-00	GEAR, unit assy	1	
13	9850M-05014	SCREW, pan head (+)	1	

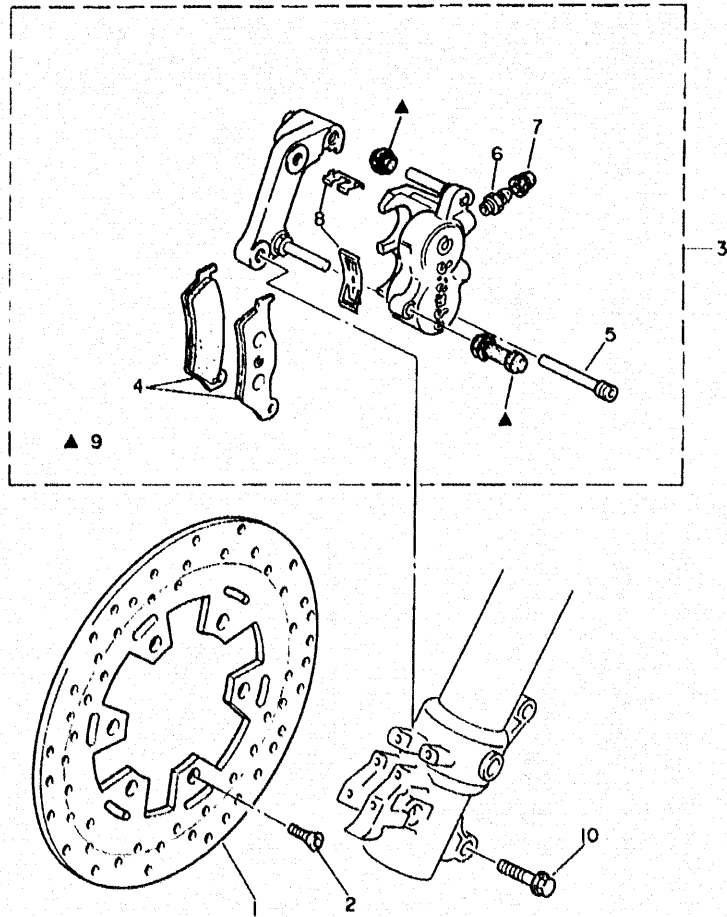


4GV2354-4261

D 10

FIG. 27 FRONT BRAKE CALIPER

REF. NO.	PART NO.	DESCRIPTION	Q.TY	REMARKS
1	4GV-F582T-00	FR. DISK BRAKE LH.	1	
2	90149-06327	SCREW	6	
3	4GV-F580T-11	FR. CALIPER ASSY	1	
4	4GV-F5911-00	· PAD, caliper 2	1	
5	4GV-F5924-10	· PIN	1	
6	4DL-F5824-00	· SCREW, bleeder	1	
7	4DL-F5917-00	· BOOT, cover	1	
8	4GV-F5919-20	· SUPT. PAD ASSY	1	
9	4GV-F5917-00	· BOOTS	1	
10	90105-08659	BOLT, flg.	2	



4GV1354-3270

D11

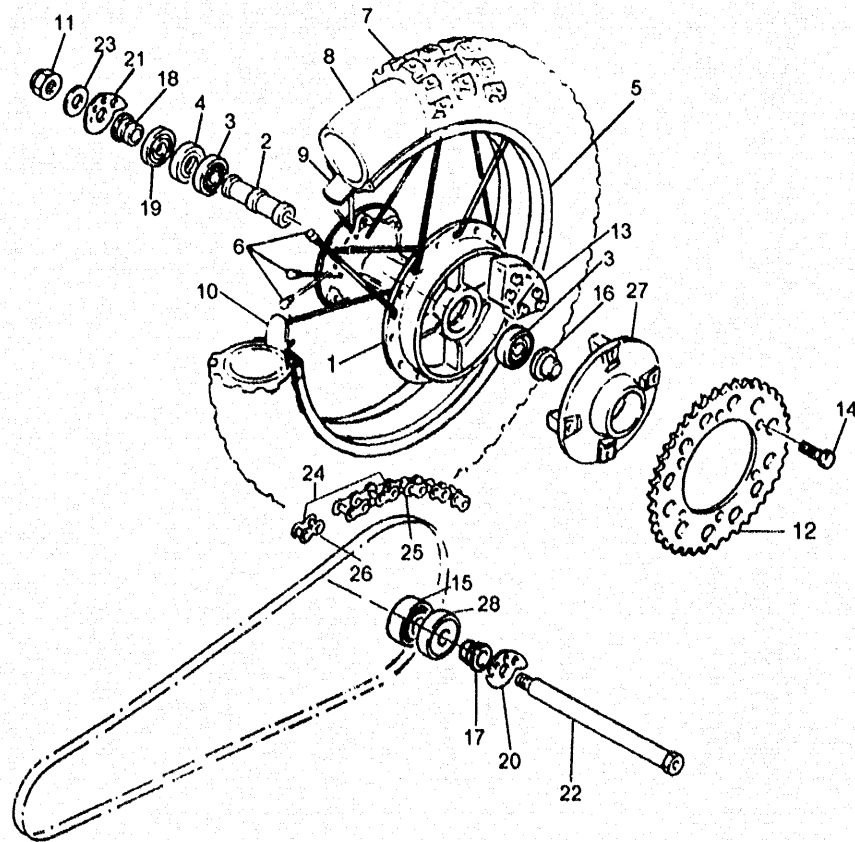


FIG. 28 REAR WHEEL

REF. NO.	PART NO.	DESCRIPTION	Q.TY	REMARKS
1	4GV-F5311-00	HUB, rear	1	
2	4GV-F5317-00	SPACER, bearing	1	
3	93306-004X8	BEARING	2	
4	93102-28667	OIL SEAL	1	
5	94425-188A7	RIM (2.50x18")	1	
6	4GV-F5304-10	SPOKE SET, rear	1	
7	94113-188K4	TIRE (130/80-18") MT70	1	PIRELLI
8	94214-18891	TUBE (4.50/5.10-18") MD18	1	PIRELLI
9	94314-18854	BAND, rim (4.00-18")	1	
10	4GV-F5394-10	SPACER, bead	1	
11	90185-18104	NUT, self lock	1	
12	4GV-F5447-00	SPROCKET, driven (47T)	1	
13	5Y1-25364-00	DAMPER	4	
14	4GV-F5411-00	BOLT	4	
15	93306-304X0	BEARING (6304-2RS1)	1	
16	90387-208J8	COLLAR	1	
17	4GV-F5376-00	COLLAR	1	
18	90387-203V0	COLLAR	1	
19	4V4-25367-00	COVER, hub dust	1	
20	3SH-F5388-00	PULLER, chain 1	1	
21	3SH-F5389-00	PULLER, chain 2	1	
22	23X-25381-00	AXLE, wheel rr.	1	
23	90201-200R4	WASHER, plate	1	
24	94560-37110	CHAIN	1	
25	94568-37109	CHAIN	1	
26	94668-36031	JOINT, chain	1	
27	4GV-F5366-00	CLUTCH, hub	1	
28	93101-28828	OIL, seal	1	



4GV2354-4281

D 12

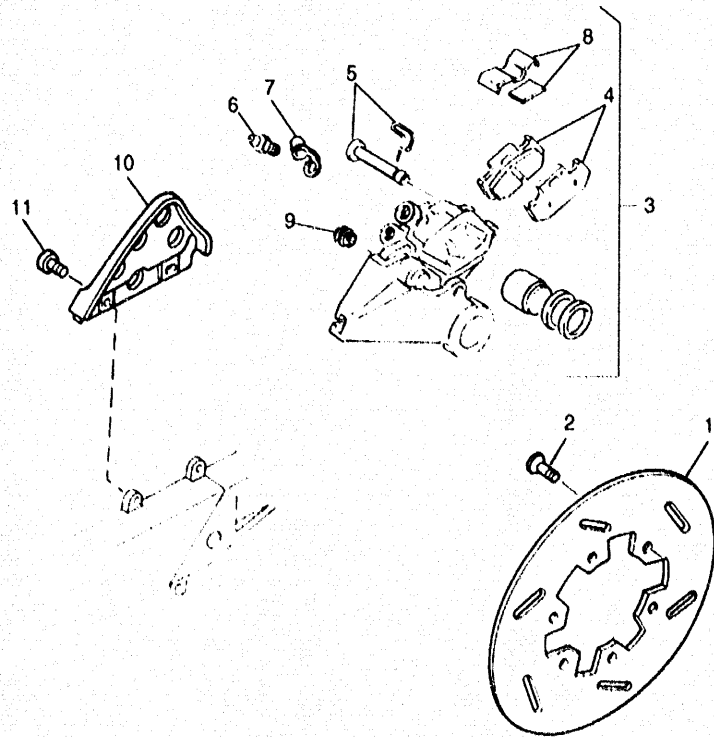


FIG. 29 REAR BRAKE CALIPER

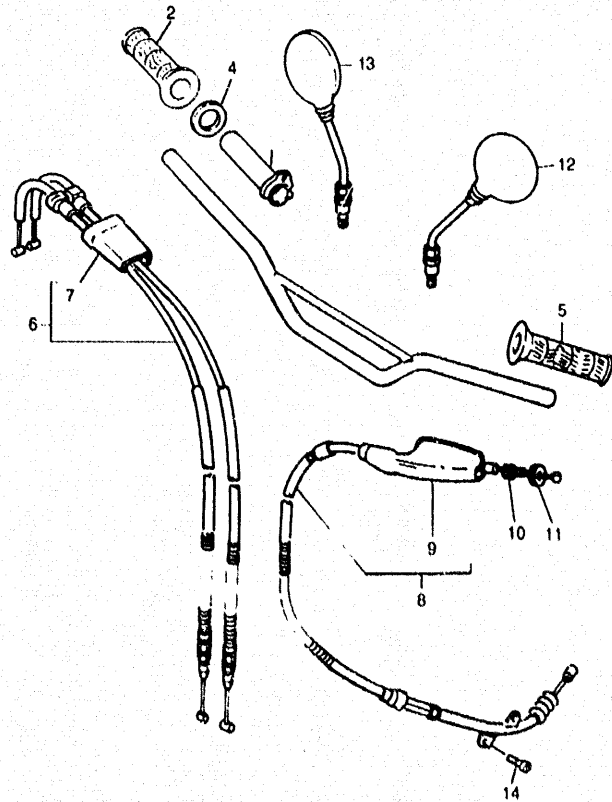
REF. NO.	PART NO.	DESCRIPTION	Q.TY	REMARKS
1	4GV-F582W-00	DISK, rr. brake rh.	1	
2	90149-06327	SCREW	6	
3	4GV-F580W-00	RR. CALIPER ASSY	1	
4	4GV-F5811-00	· PAD, lining compl.	1	
5	4GV-F5924-01	· PIN, pad	1	
6	3SH-F5824-00	· SCREW, bleeder	1	
7	3SH-F5825-00	· CAP	1	
8	4SV-F5919-10	· SUPT, pad	1	
9	4GV-F5917-00	· BOOT	1	
10	4GV-F7491-00	PROTECTOR	1	
11	9201L-06012	BOLT, button head	2	



4LW2300-5290

D13

FIG. 30 STEERING HANDLE, CABLE



REF. NO.	PART NO.	DESCRIPTION	Q.TY	REMARKS
1	4GV-F6111-00	HANDLEBAR	1	
2	4GV-F6242-00	GRIP, 2 (RH.)	1	
3	4GV-F6243-00	TUBE, throttle g.	1	
4	4GV-F6249-00	RING, leaf	1	
5	4GV-F6241-00	GRIP, 1 (LH.)	1	
6	4GV-F6302-00	THROTTLE CABLE ASSY	1	
7	4GV-F6316-00	BOOT, throttle	1	
8	4GV-F6335-10	CLUTCH, wire	1	
9	4GV-F6339-00	BOOT	1	
10	90179-08881	NUT	1	
11	90123-08819	BOLT, wire adjst.	1	
12	3SH-F6280-10	MIRROR, assy LH.	1	
13	3SH-F6290-10	MIRROR, assy RH.	1	
14	91317-06010	BOLT, hex. socket head	1	



4GV2354-4301

D 14

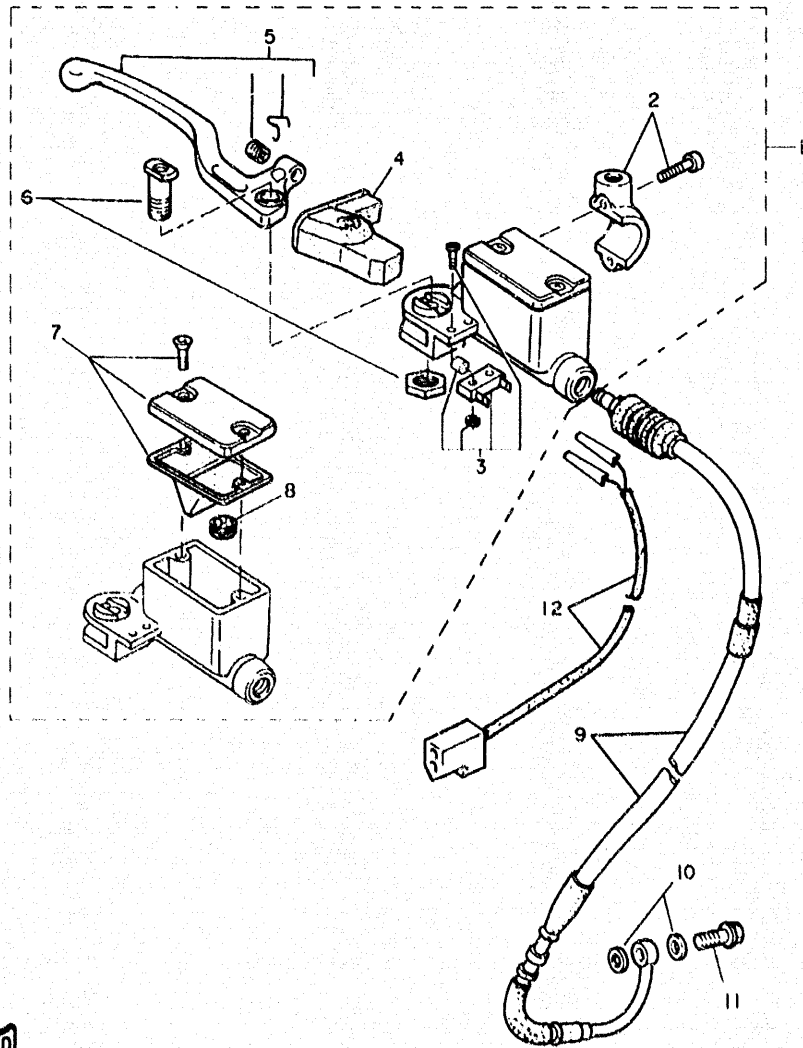


FIG. 31 FRONT MASTER CYLINDER

REF. NO.	PART NO.	DESCRIPTION	Q.TY	REMARKS
1	4GV-F583T-00	FR. MASTER CYL. ASSY	1	
2	3SH-F5867-00	· BRKT, mas. cyl. assy	1	
3	3SH-H399A-00	· BODY STOP SW. ASSY	1	
4	4GV-F6372-00	· COVER, handle lever	1	
5	4GV-H3922-00	· LEVER, 2	1	
6	3SH-F589F-00	· BOLT, brake lever	1	
7	4GV-F5852-00	· CAP, reservoir	1	
8	4GV-F589A-00	· COVER, connector	1	
9	4GV-F5872-00	HOSE, brake	1	
10	90201-108E6	WASHER, plain	2	
11	90401-10808	BOLT, union	1	
12	3SH-H399J-00	CORD COMP.	1	



4GV1354-3311

D 15

- 42 -

CONTENTS

GENERAL SPEC.

ENGINE

Fig. 1	CYLINDER HEAD	3
Fig. 2	CYLINDER	3
Fig. 3	CRANKSHAFT, PISTON	4
Fig. 4	VALVE	6
Fig. 5	CAMSHAFT, CHAIN	7
Fig. 6	OIL PUMP	8
Fig. 7	INTAKE	10
Fig. 8	CARBURETOR	12
Fig. 9	EXHAUST	14
Fig. 10	CRANKCASE	15
Fig. 11	CRANKCASE COVER 1	16
Fig. 12	STARTER	18
Fig. 13	CLUTCH	19
Fig. 14	TRANSMISSION	21
Fig. 15	SHIFT CAM, FORK	23
Fig. 16	SHIFT SHAFT	24

CHASSIS

Fig. 17	FRAME	25
Fig. 18	FENDER	27
Fig. 19	SIDE COVER/OIL TANK	28
Fig. 20	REAR ARM	29
Fig. 21	REAR SUSPENSION	31
Fig. 22	STEERING	32
Fig. 23	FRONT FORK	33
Fig. 24	FUEL TANK	35
Fig. 25	SEAT	36
Fig. 26	FRONT WHEEL	37
Fig. 27	FRONT BRAKE CALIPER	38
Fig. 28	REAR WHEEL	39
Fig. 29	REAR BRAKE CALIPER	40
Fig. 30	STEERING HANDLE, CABLE	41
Fig. 31	FRONT MASTER CYLINDER	42
Fig. 32	STAND/FOOTREST	43
Fig. 33	REAR MASTER CYLINDER	44
Fig. 34	EMBLEMS	45
Fig. 35	GENERATOR	46
Fig. 36	FLASHER LIGHT	47
Fig. 37	METER	48
Fig. 38	HEADLIGHT	49
Fig. 39	TAILLIGHT	50
Fig. 40	HANDLE SWITCH, LEVER	51
Fig. 41	ELECTRICAL 1	52
Fig. 42	ELECTRICAL 2	53

INDEX (GENERAL SPEC.)

NUMERICAL INDEX

INDIVIDUAL SPEC.

Fig. 43	FRAME	54
Fig. 44	FENDER	55
Fig. 45	STAND/FOOTREST	56
Fig. 46	FLASHER LIGHT	57
Fig. 47	ELECTRICAL 1	58

INDEX (INDIVIDUAL SPEC.)

NUMERICAL INDEX

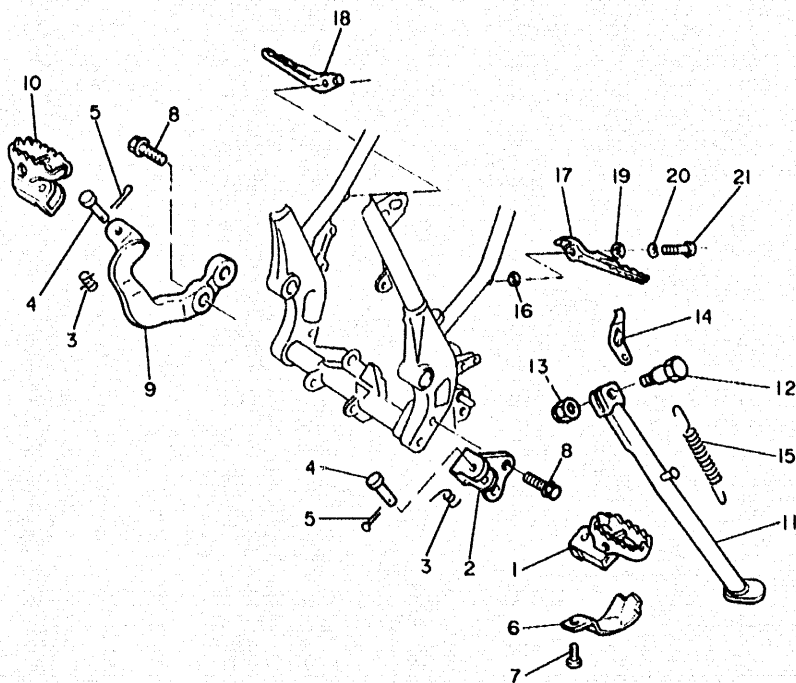


FIG. 32 STAND./FOOTREST

REF. NO.	PART NO.	DESCRIPTION	Q.TY	REMARKS
1	23X-27411-02	FOOTREST, 1	1	
2	4GV-F7412-00-33	BRKT.,1	1	UR. BLACK
3	90508-20583	SPRG., torsion	2	
4	90240-10101	PIN, clevis	2	
5	91401-25020	PIN, cotter	2	
6	4GV-F742L-00	BRKT., 5	1	
7	90111-08801	BOLT, button head	1	
8	95827-10030	BOLT, flg.	3	
9	4GV-F7422-00-33	BRKT., 2	1	UR. BLACK
10	34K-27421-00	FOOTREST 2	1	
11	4GV-F7311-10-33	STAND, side	1	UR. BLACK
12	90105-12616	BOLT, flg.	1	
13	90185-12119	NUT, self-locking	1	
14	4GV-F7315-10	LINK	1	
15	90506-35473	SPRG., torsion	1	
16	90201-083P5	WASHER, plate	2	
17	4GV-F7431-00	FOOTREST, RR. 1	1	
18	4GV-F7441-00	FOOTREST, RR. 2	1	
19	90201-108M3	WASHER, plate	2	
20	90504-18031	SPRING, compression	2	
21	90109-085F5	BOLT	2	



4GV1354-3320

E2

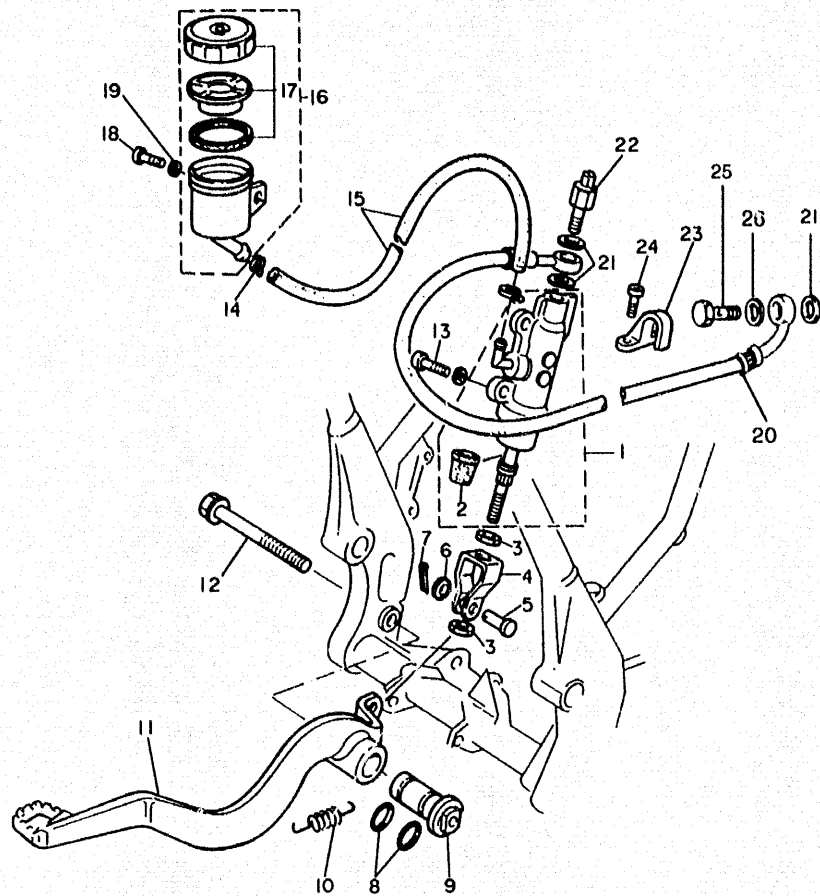


FIG. 33 REAR MASTER CYLINDER

REF. NO.	PART NO.	DESCRIPTION	Q.TY	REMARKS
1	4GV-F583V-00	RR. MASTER CYL.	1	
2	4GV-F5862-00	- BOOT, mas. cyl.	1	
3	9530L-08700	NUT, hex.	2	
4	4GV-F7222-00	JT.	1	
5	90240-08124	PIN	1	
6	90201-08083	WASHER, plain	1	
7	91401-16012	PIN, split	1	
8	93210-13016	O-RING	2	
9	4GV-F7213-01	COLLAR	1	
10	90506-18838	SPRG.	1	
11	4GV-F7200-02	PEDAL, brake	1	
12	9581M-10085	BOLT, flg.	1	
13	4GV-F7217-00	BOLT	2	
14	90467-11832	CLIP	2	
15	4GV-F5895-00	HOSE, reserve	1	
16	4GV-F5894-00	TANK, reserve	1	
17	3SH-F5852-50	- CAP, reservoir	1	
18	9131L-06012	BOLT, hex. socket head	1	
19	9290L-06600	WASHER, plain	1	
20	4GV-F5873-10	HOSE, brake 2	1	
21	90201-108E6	WASHER, plain	3	
22	4DL-H2530-00	RR. STOP SW. ASSY	1	
23	2VM-25876-00	HOLDER, brake hose 2	2	
24	90167-04814	SCREW, tapping	4	
25	90401-10808	BOLT, UNION	1	
26	90201-108E6	WASHER, PLAIN	1	



4LW2300-5330

E3

- 44 -

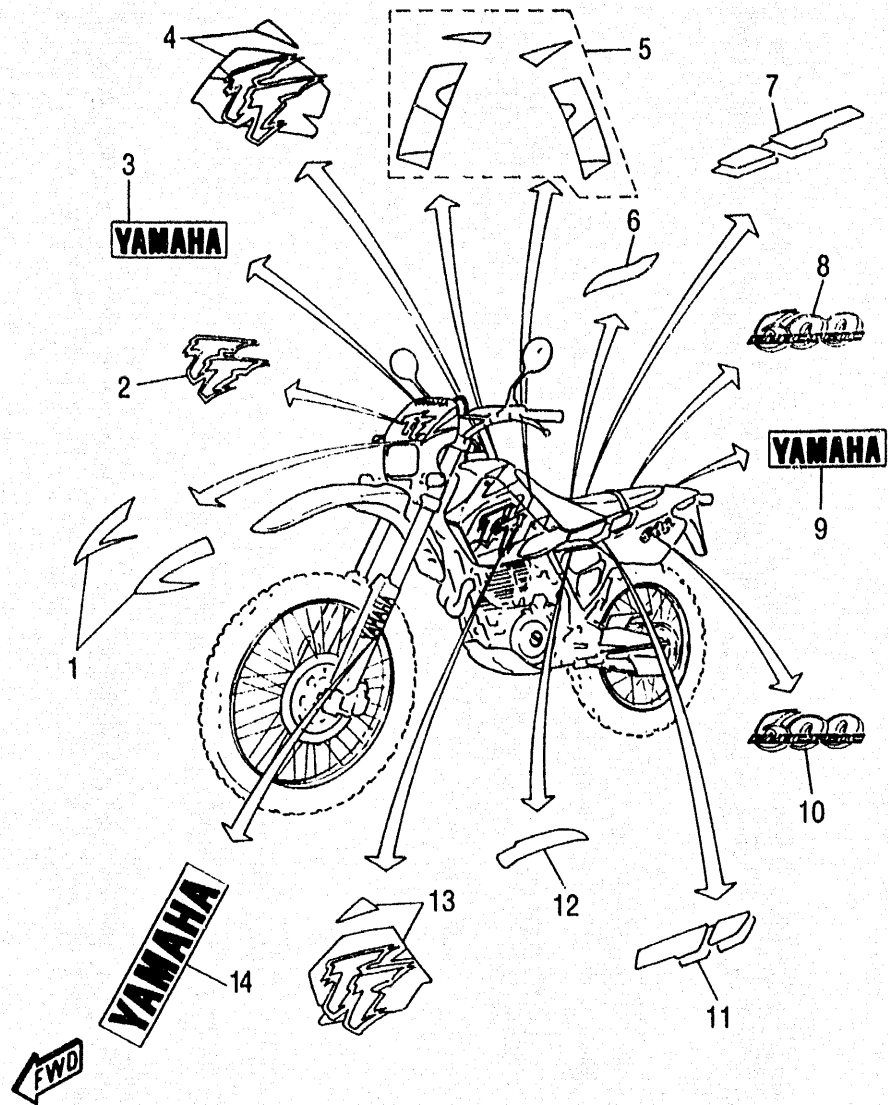


FIG. 34 EMBLEMS

REF. NO.	PART NO.	DESCRIPTION	Q.TY	REMARKS
1	4GV-F8390-40	GRAPHIC SET, cowling	1	
2	4GV-F8368-10	EMBLEM	1	
3	99243-00080	EMBLEM, YAMAHA	1	UR PASTEL MINERAL BLUE
4	4GV-F174L-40	GRAPHIC, SET 2	1	
5	4GV-F4240-30	GRAPHIC, SET	1	
6	4GV-F1789-00	GRAPHIC, RH.	1	
7	4GV-F174K-20	GRAPHIC, 6	1	
8	4GV-F1782-30	EMBLEM	1	
9	99243-00080	EMBLEM, YAMAHA	1	UR PASTEL MINERAL BLUE
10	4GV-F1782-30	EMBLEM	1	
11	4GV-F174J-20	GRAPHIC, 5	1	
12	4GV-F1788-00	GRAPHIC, LH.	1	
13	4GV-F173L-40	GRAPHIC, SET 1	1	
14	99243-00160	EMBLEM, YAMAHA	1	UR PASTEL MINERAL BLUE

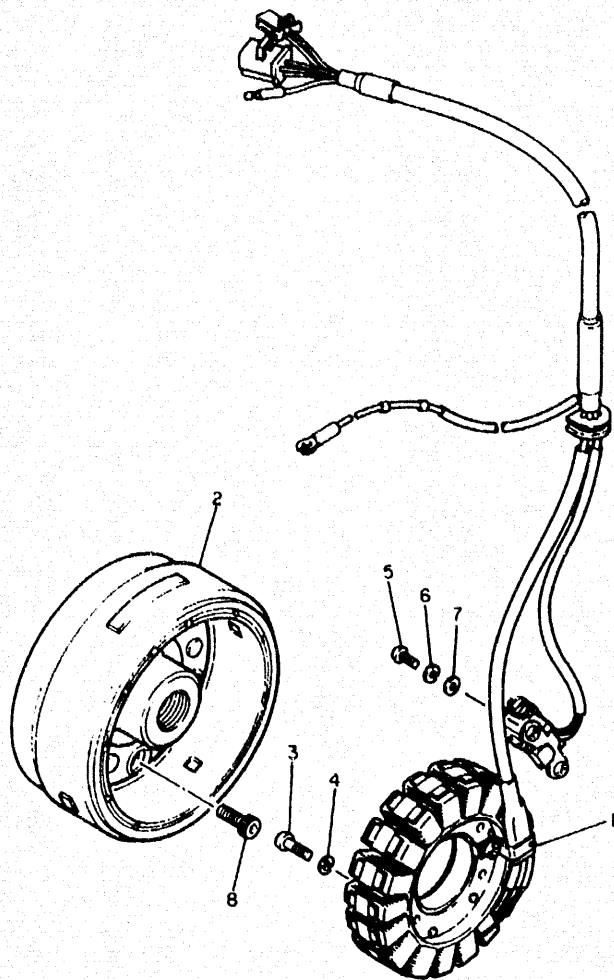


FIG. 35 GENERATOR

REF. NO.	PART NO.	DESCRIPTION	Q.TY	REMARKS
1	3TB-81410-00	STATOR, assy	1	
2	3TB-81450-00	ROTOR, assy	1	
3	98507-06025	SCREW, pan head	3	
4	92907-06100	WASHER	3	
5	98507-05016	SCREW, pan head	2	
6	92907-05100	WASHER, spring	2	
7	92907-05600	WASHER, plate	2	
8	90110-08193	BOLT, hex. socket head	3	



3TB351-0340

E 5

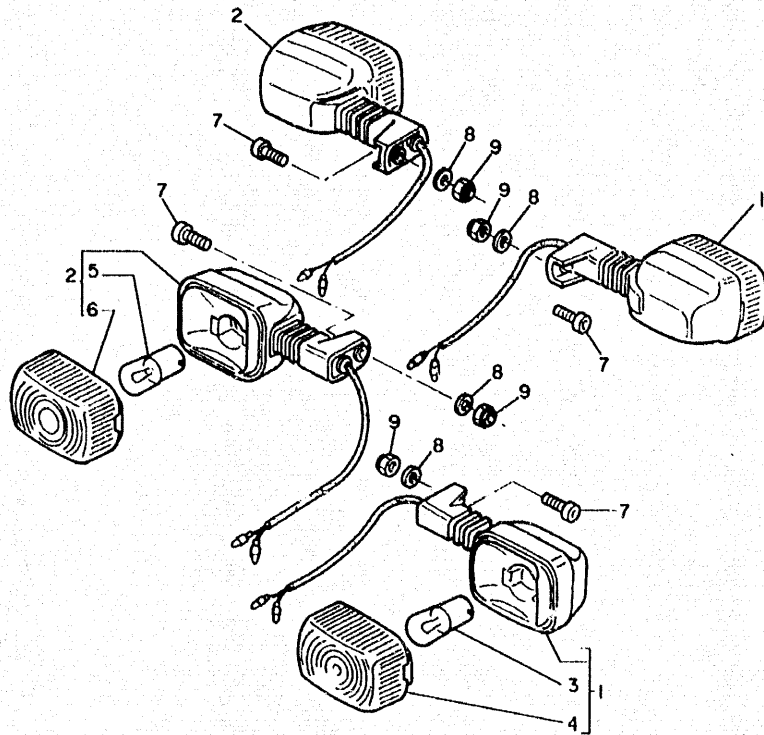


FIG. 36 FLASHER LIGHT

REF. NO.	PART NO.	DESCRIPTION	Q.TY	REMARKS
1	4GV-H3310-00	FLASHER, left assy 1 LH.	2	
2	4GV-H3320-00	FLASHER, right assy 2 RH.	2	
3	4DL-H3311-00	BULB, flasher 12V-10W	2	L.M.
4	4DL-H3332-00	LENS, flasher	2	
5	4DL-H3311-00	BULB, flasher 12V-10W	2	L.M.
6	4DL-H3332-00	LENS, flasher	2	
7	9131M-06020	BOLT, hex. socket	4	
8	9290L-06200	WASHER, plain	4	
9	90185-06837	NUT, nylon	4	



4GV1354-3360

E6

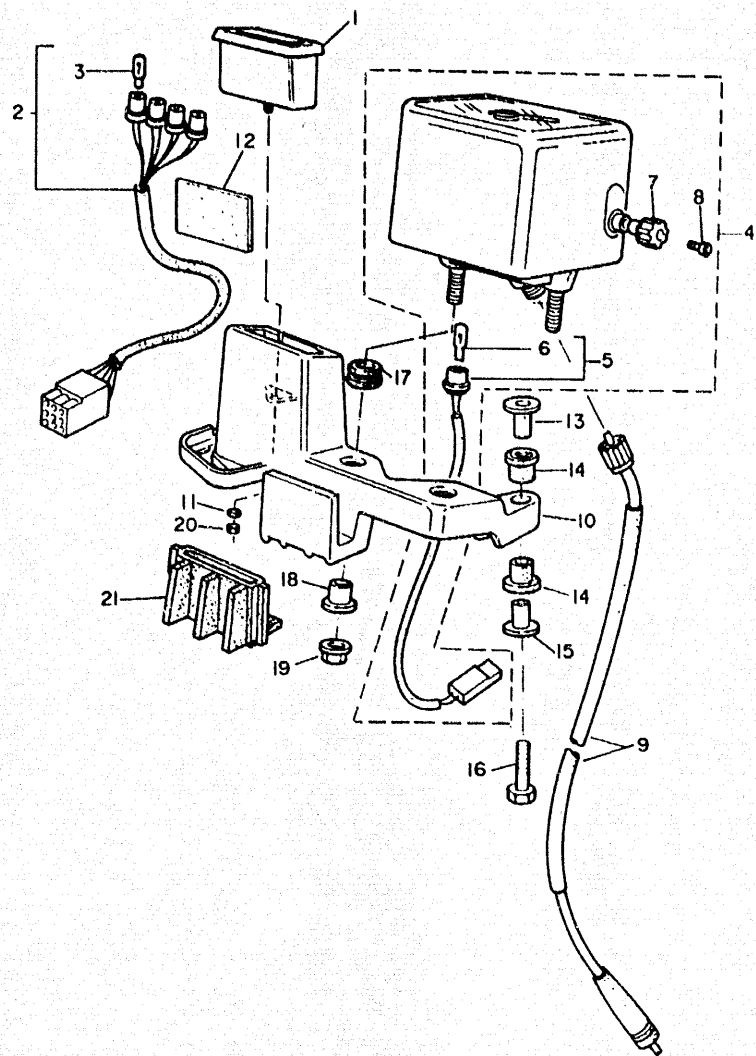


FIG. 37 METER

REF. NO.	PART NO.	DESCRIPTION	Q.TY	REMARKS
1	4GV-H3587-00	BODY, pilot light	1	
2	4GV-H3520-00	SOCKET CORD ASSY	1	
3		· BULB (12V-1.2W)	4	L.M.
4	4GV-H3570-10	SPEEDOMETER ASSY	1	
5	4GV-H3536-00	· SOCKET, meter assy	1	
6		· BULB (12V-1.2W)	1	L.M.
7	3SH-H3578-00	· KNOB, meter	1	
8	4GV-H357R-00	· BOLT, meter	1	
9	4GV-H3550-00	SPEEDO. CABLE ASSY	1	
10	4GV-IJ3519-01	BRKT., meter	1	
11	93210-038C3	O-RING	1	
12	4GV-H3543-00	DAMPER, brkt.	1	
13	90387-068H2	COLLAR	2	
14	4GV-H3523-00	DAMPER	4	
15	90387-068H5	COLLAR	2	
16	9701L-06040	BOLT, hex.	2	
17	90480-14865	GROMMET	2	
18	90387-068R3	COLLAR	2	
19	90185-06830	NUT, flg.	2	
20	4GV-F354L-00	NUT, shaft supt.	1	
21	4GV-H3592-01	DAMPER	1	



4GV1354-3370

E7

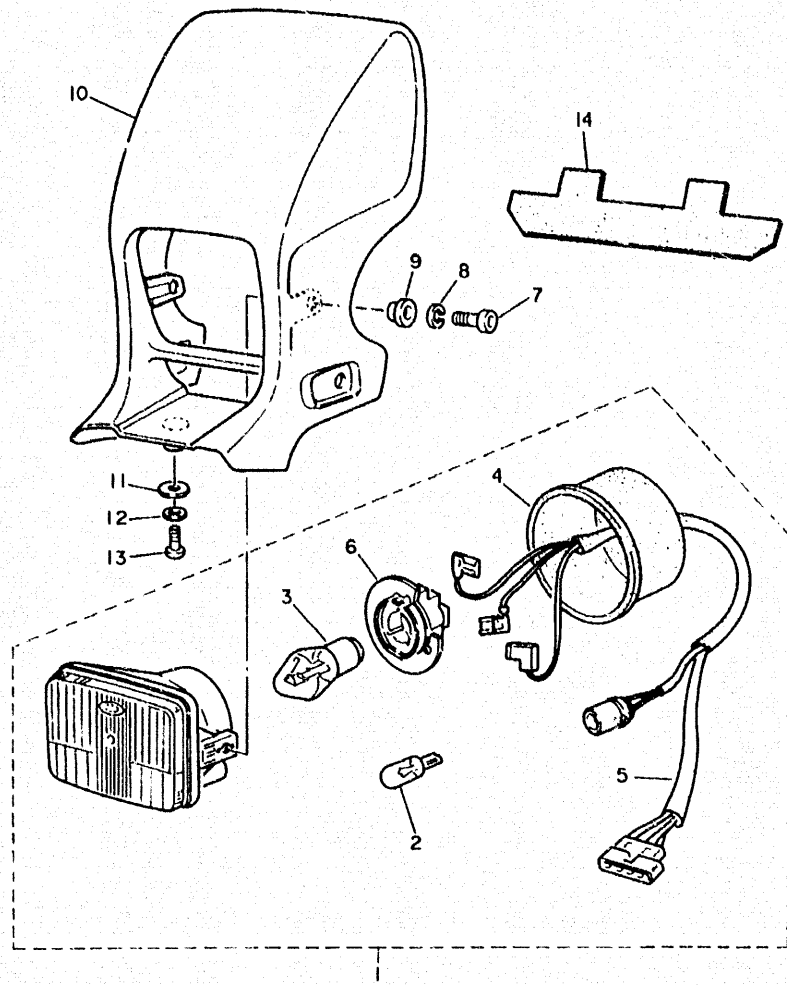


FIG. 38 HEADLIGHT

REF. NO.	PART NO.	DESCRIPTION	Q.TY	REMARKS
1	4LW-H4310-00	HEADLIGHT UNIT ASSY	1	
2		· BULB (12V-5W)	1	L.M.
3		· BULB (12V-55/60W)	1	L.M.
4	4LW-H4397-00	COVER	1	
5	4LW-H4312-00	· CORD, assy	1	
6	4LW-H4393-00	· HOLDER, bulb	1	
7	9131L-06016	BOLT, hex. socket head	2	
8	9290L-06100	WASHER, spring.	2	
9	90387-062M9	COLLAR	2	
10	■ 4GV-F8351-01	BODY, cowling	1	UR PURPLISH WHITE SOLID 1
11	90201-06072	WASHER, plain	1	
12	9290M-05600	WASHER, plain	1	
13	9701L-05012	BOLT, hex.	1	
14	4GV-H4396-00	COVER	1	

NOTE: ■ COLORED - ROUGH MATERIAL

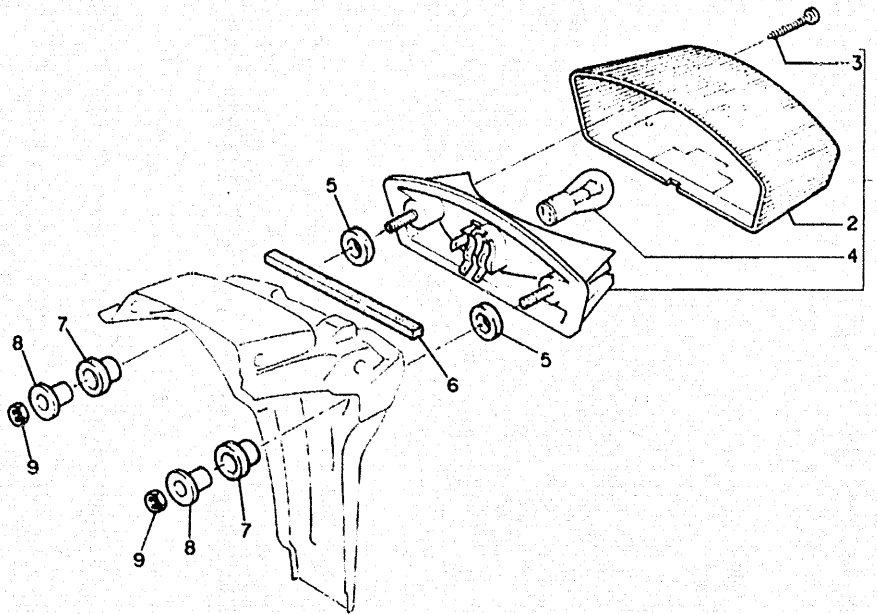


4LW1300-3480

E 8

FIG. 39 TAILLIGHT

REF. NO.	PART NO.	DESCRIPTION	Q.TY	REMARKS
1	4GV-H4710-01	TAILLIGHT UNIT ASSY	1	
2	4DL-H4721-00	· LENS TAIL ASSY	1	
3	97701-40132	· SCREW, tapping (+)	2	
4	4GV-H4714-00	· BULB, taillight (12V-21/5W)	1	
5	4GV-H4736-00	DAMPER, taillight	2	
6	4GV-H4737-00	DAMPER, taillight 2	1	
7	4GV-H3523-00	DAMPER	2	
8	90387-068H2	COLLAR	2	
9	90185-06837	NUT, nylon	2	



4GV1354-3390

E 9

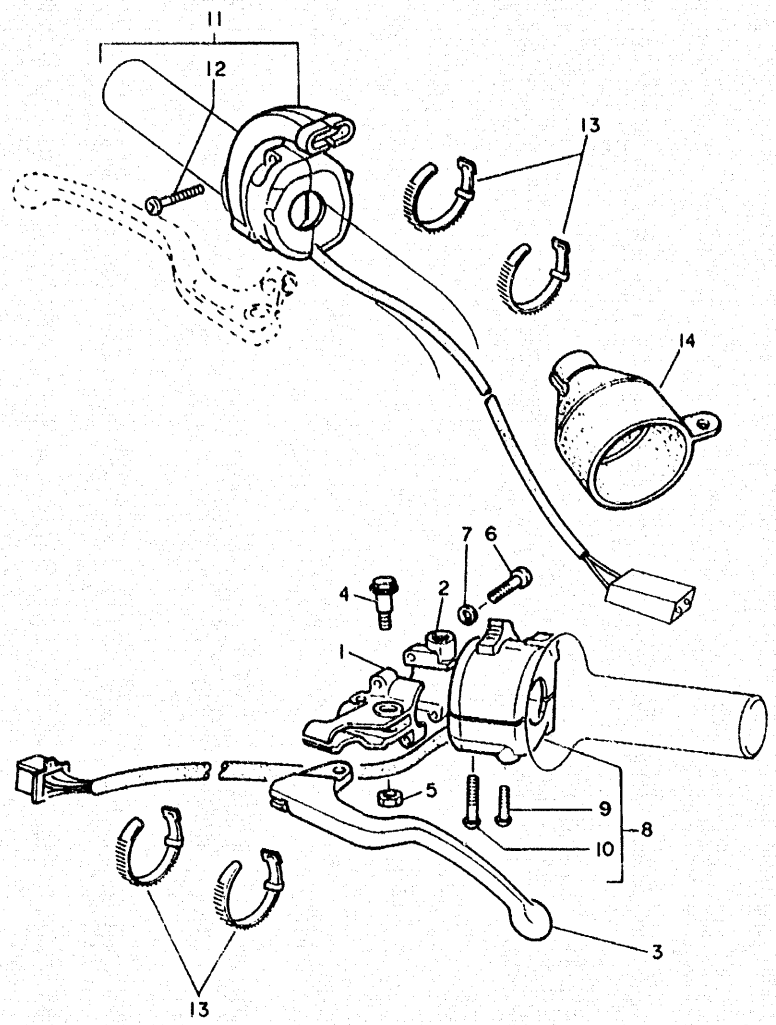


FIG. 40 HANDLE SWITCH, LEVER

REF. NO.	PART NO.	DESCRIPTION	Q.TY	REMARKS
1	1LN-82911-00	HOLDER, lever 1	1	
2	33G-82913-01	HOLDER, lever lower 1	1	
3	3FA-83912-00	LEVER 1	1	
4	90109-06799	BOLT	1	
5	95607-06100	NUT, U	1	
6	98507-05020	SCREW, pan head	2	
7	92907-05100	WASHER, spring	2	
8	3TB-8397A-01	SWITCH, case assy	1	
9	9850M-05030	SCREW, pan head	1	
10	9850M-05035	SCREW, pan head	1	
11	4GV H3975-00	SWITCH CASE ASSY	1	
12	9850M-05016	SCREW, pan head	2	
13	437-83936-01	BAND, switch cord	4	
14	10V-82599-00	COVER	1	



4GV2354-4400

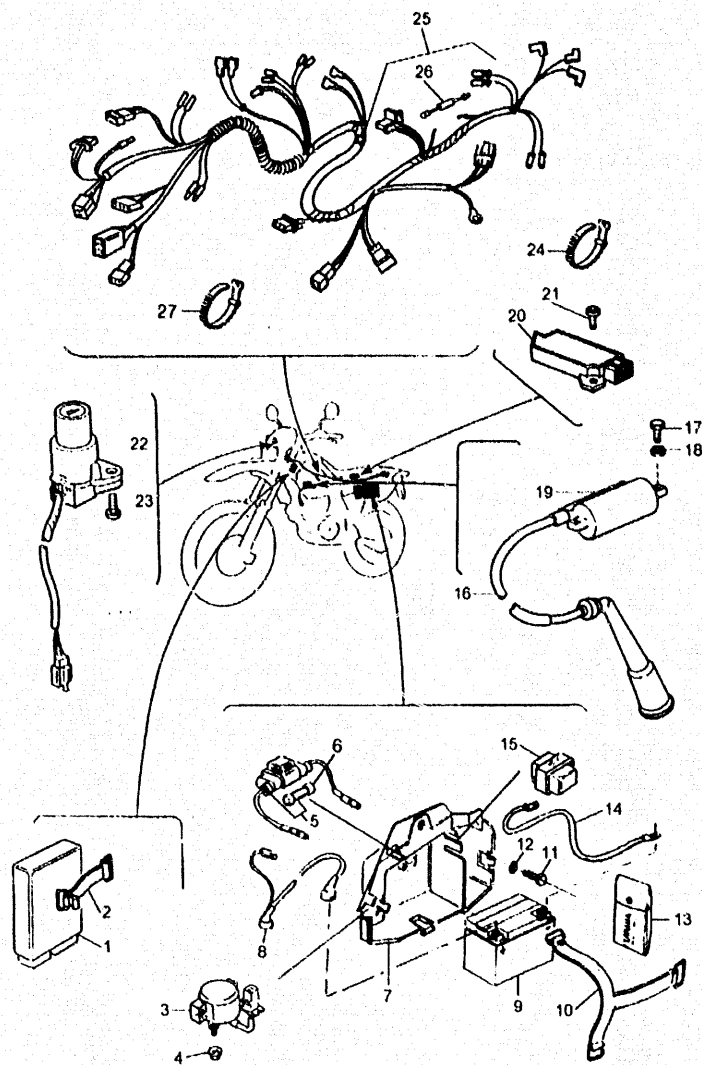


FIG. 41 ELECTRICAL 1

REF. NO.	PART NO.	DESCRIPTION	Q.TY	REMARKS
1	3TB-82305-00	IGNITOR UNIT ASSY	1	
2	26L-82131-00	BAND	1	
3	3AY-81940-00	STARTER RELAY ASSY	1	
4	90185-06830	NUT, FLG.	2	
5	2UJ-82150-02	FUSE HOLDER ASSY	1	
6	148-82151-00	FUSE (20A)	1	
7	4GV-F177G-00	BOX, battery	1	
8	4GV-H2116-00	WIRE MINUS LEAD, 2	1	
9	4GV-H2100-00	BTRY. ASSY (12V-8AH)	1	
10	4GV-H2131-00	BAND, battery	1	
11	9701L-06014	BOLT, hex	1	
12	90387-062M9	COLLAR	1	
13	4GV-F8100-10	TOOL, kit	1	
14	4GV-H2115-00	WIRE PLUS LEAD 1	1	
15	12R-81950-01	RELAY ASSY	1	
16	371-82370-00	PLUG	1	
17	9700L-05020	BOLT, hex	2	
18	9290L-05600	WASHER, plain	2	
19	4GV-82310-00	IGN. COIL ASSY	1	
20	47X-81960-A3	RECT. AND REGULATOR ASSY	1	
21	9201L-06012	BOLT, button head	2	
22	3TB-82501-10	MAIN, SW. STRG. LOCK	1	
23	4GV-H252V-00	SCREW, special	2	
24	4GV-H3936-00	BAND, sw. cord	14	
25	4GV-H2590-10	WIRE HARNESS ASSY	1	
26	4GV-H1980-00	DIODE ASSY	1	
27	2AJ-F3192-50	BAND, sw. cord	1	



4GV2354-4440

E 11

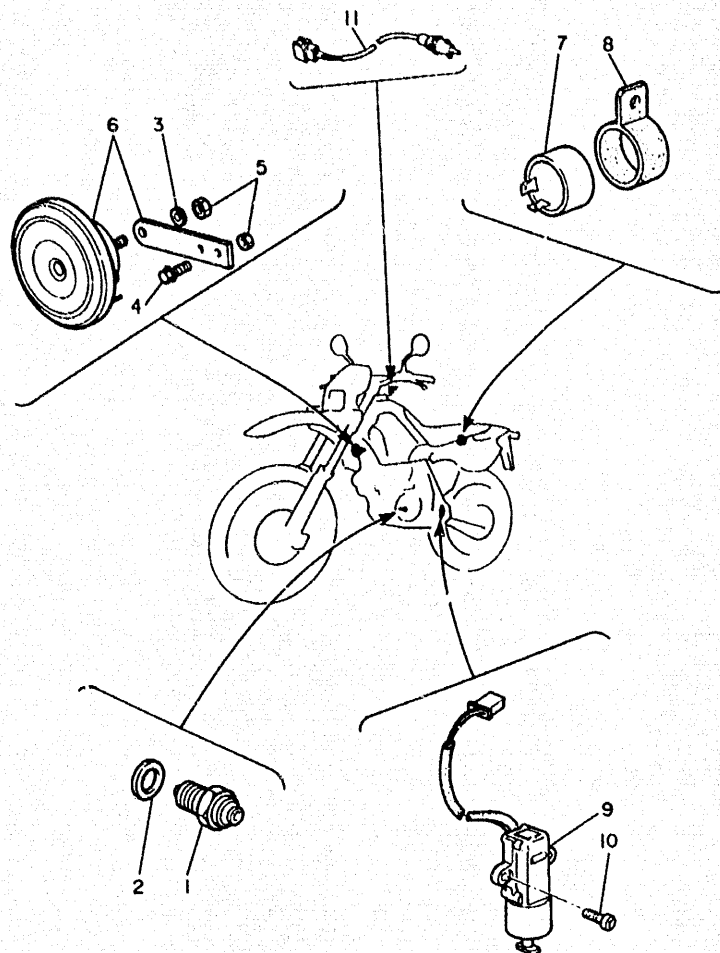


FIG. 42 ELECTRICAL 2

REF. NO.	PART NO.	DESCRIPTION	Q.TY	REMARKS
1	4KM-82540-00	NEUTRAL SW. ASSY	1	
2	90430-10171	GASKET	1	
3	9290L-06600	WASHER, plain	1	
4	9131L-06012	BOLT, hex. socket head	1	
5	90185-06837	NUT, nylon	1	
6	3WW-83371-01	HORN	1	
7	4DL-H3350-00	FLASHER, relay assy	1	
8	4DL-H3353-00	DAMPER, relay	1	
9	3LD-82566-40	SWITCH, side stand	1	
10	90110-05835	SCREW, pan head	2	
11	2GV-82917-00	SWITCH	1	



4GV2354-4420

INDEX
(GENERAL SPEC.)

NUMERICAL INDEX

PART NO.	GRID NO.	PART NO.	GRID NO.	PART NO.	GRID NO.	PART NO.	GRID NO.	PART NO.	GRID NO.
4GV-E1166-00	C2	4GV-F2214-20	D4	3SH-F4181-00	C12	4GV-F5911-00	D11	4GV-H252V-00	E11
4GV-E4430-00	B11	4GV-F2216-20	D4	4GV-F4182-00	D8	4DL-F5917-00	D11	4DL-H2530-00	E3
4GV-E4454-00	B11	4GV-F2253-20	D4	3SH-F4231-00	D8	4GV-F5917-00	D11	4GV-H2590-10	E11
4GV-E4457-00	B11	4GV-F2311-00	D2	4GV-F4240-30	E4	4GV-F5917-00	D13	4GV-H3310-00	E6
4GV-E4611-10	B15	4GV-F3102-10	D6	4GV-F4500-00	D8	4GV-F5919-10	D13	4DL-H3311-00	E6
5GH-E4628-00	B15	4GV-F3103-10	D6	3SH-F4512-00	D8	4GV-F5919-20	D11	4DL-H3311-00	E6
4LW-E4711-00	B15	4GV-F3110-10	D6	4GV-F4610-00	D8	4GV-F5924-01	D13	4GV-H3320-00	E6
4GV-E4728-00	B15	4GV-F3111-00	D6	4GV-F4731-40	D9	4GV-F5924-10	D11	4DL-H3332-00	E6
4GV-E4752-00	B15	4GV-F3111-00	D6	4GV-F4734-40	D9	4GV-F6111-00	D14	4DL-H3332-00	E6
4GV-E8110-02	C11	4GV-F3120-10	D6	4GV-F4770-40	D9	4GV-F6241-00	D14	4DL-H3350-00	E12
4GV-F1105-00-UJ	C12	4GV-F312G-00	D6	4GV-F5104-6	D10	4GV-F6242-00	D14	4DL-H3353-00	E12
4GV-F1110-12-UJ	C12	4GV-F312G-00	D6	4GV-F5111-0C	D10	4GV-F6243-00	D14	4GV-H3519-01	E7
4GV-F1161-00	C12	4GV-F3136-10	D6	4GV-F5117-00	D10	4GV-F6249-00	D14	4GV-H3520-00	E7
4GV-F1315-03	C12	4GV-F3136-10	D6	4GV-F5181-00	D10	3SH-F6280-10	D14	4GV-H3523-00	E9
4GV-F1316-00-UJ	C12	4GV-F3141-00	D6	4GV-F5304-10	D12	3SH-F6290-10	D14	4GV-H3523-00	E7
4GV-F1471-00	C12	4GV-F3141-00	D6	4GV-F5311-00	D12	4GV-F6302-00	D14	4GV-H3536-00	E7
4GV-F1511-00	C14	4GV-F3142-00	D6	4GV-F5317-00	D12	4GV-F6316-00	D14	4GV-H3543-00	E7
4GV-F1611-00	C14	4GV-F3142-00	D6	4GV-F5366-00	D12	4GV-F6335-10	D14	4GV-H3550-00	E7
4GV-F1629-00	D2	4GV-F3143-00	D6	4GV-F5376-00	D12	4GV-F6339-00	D14	4GV-H3570-10	E7
4GV-F1639-00	C14	4GV-F3143-00	D6	3SH-F5388-00	D12	4GV-F6372-00	D15	3SH-H3578-00	E7
4GV-F1685-00	C14	4GV-F3146-00	D6	3SH-F5389-00	D12	4GV-F7114-00	B15	4GV-H357R-00	E7
4GV-F1711-00	C15	4GV-F3146-00	D6	4GV-F5394-10	D12	4GV-F7200-02	E3	1JK-11633-01	B5
4GV-F1721-00	C15	4GV-F314H-00	D6	4GV-F5411-00	D12	4GV-F7213-01	E3	4GV-H3592-01	E7
4GV-F1731-00-P1	C15	4GV-F314J-00	D6	4GV-F5447-00	D12	4GV-F7217-00	E3	4GV-H3922-00	D15
4GV-F173L-40	E4	4GV-F3153-00	D6	4GV-F580T-11	D11	4GV-F7222-00	E3	4GV-H3936-00	C15
4GV-F1741-00-P1	C15	4GV-F3153-00	D6	4GV-F580W-00	D13	4GV-F7311-10-33	E2	4GV-H3936-00	E11
4GV-F174A-00	C15	4GV-F316A-00	D6	4GV-F5811-00	D13	4GV-F7315-10	E2	4GV-H3975-00	E10
4GV-F174J-20	E4	4GV-F316A-00	D6	3SH-F5824-00	D13	4GV-F7412-00-33	E2	3SH-H399A-00	D15
4GV-F174K-20	E4	4GV-F3170-00	D6	4DL-F5824-00	D11	4GV-F7422-00-33	E2	3SH-H399J-00	D15
4GV-F174L-40	E4	4GV-F3170-00	D6	3SH-F5825-00	D13	4GV-F742L-00	E2	4LW-H4310-00	E8
4GV-F1751-01-98	C15	4GV-F317M-00	D6	4GV-F582T-00	D11	4GV-F7431-00	E2	4LW-H4312-00	E8
4GV-F175N-00	C15	2AJ-F3192-50	D2	4GV-F582W-00	D13	4GV-F7441-00	E2	4LW-H4393-00	E8
4GV-F176E-00	C12	2AJ-F3192-50	E11	4GV-F583T-00	D15	4GV-F7491-00	D13	4GV-H4396-00	E8
4GV-F177G-00	E11	4GV-F3194-00	D6	4GV-F583V-00	E3	4GV-F8100-10	E11	4LW-H4397-00	E8
4GV-F1782-30	E4	4GV-F319K-00	D6	4GV-F5852-00	D15	4GV-F8135-00	D4	3SH-H4551-00	C14
4GV-F1782-30	E4	4GV-F319K-00	D6	3SH-F5852-50	E3	4GV-F8351-01	E8	4GV-H4710-01	E9
4GV-F1788-00	E4	4GV-F3340-00	D6	4GV-F5862-00	E3	4GV-F8368-10	E4	4GV-H4714-00	E9
4GV-F1789-00	E4	4GV-F3364-00	D6	3SH-F5867-00	D15	4GV-F8390-40	E4	2NX-12159-00	B7
4GV-F2110-01	D2	4GV-F3364-00	D6	4GV-F5872-00	D15	4GV-H183G-00	C5	4GV-H4736-00	E9
4GV-F2151-00	D2	4GV-F354L-00	E7	4GV-F5873-10	E3	4GV-H1980-00	E11	4GV-H4737-00	E9
4GV-F2156-00	D2	4GV-F4110-00-P3	D8	4GV-F5894-00	E3	4GV-H2100-00	E11	4GV-H5130-00	C14
4GV-F217A-00	D2	3SH-F4122-00	D8	4GV-F5895-00	E3	4GV-H2115-00	E11	1VJ-W1141-00	B5
4GV-F217F-00	D2	4GV-F416F-00	D8	4GV-F589A-00	D15	4GV-H2116-00	E11	5Y1-W1343-00	B9
4GV-F2210-12-8H	D4	4GV-F416G-00	D8	3SH-F589F-00	D15	4GV-H2131-00	E11	4GV-WF341-00	D5

NUMERICAL INDEX

PART NO.	GRID NO.	PART NO.	GRID NO.	PART NO.	GRID NO.	PART NO.	GRID NO.	PART NO.	GRID NO.
3TB-11101-02	B2	3TB-12210-00	B8	5Y1-14349-00	B13	4DW-15455-00	C3	3XV-18535-00	C10
583-11127-00	B2	4DW-12213-00	B8	2KF-14355-00	B13	4DW-15462-00	C3	3YF-18540-00	C10
583-11127-00	B4	3TB-12215-01	B2	5Y1-14356-00	B13	1JK-15486-00	C3	136-18542-00	C10
4H7-11133-10	B2	34K-12231-00	B8	1JK-14357-00	B13	1VJ-15511-00	C5	5H0-21308-01	C12
34K-11145-00	B5	34K-12241-00	B8	30X-14358-00	B13	1VJ-15512-00	C5	34L-21485-00	C12
2KF-11181-01	B4	583-13113-00	B9	5Y1-14358-00	B13	3YF-15515-00	C5	34L-21486-00	C12
1L9-11186-00	B2	3AJ-13161-01	B9	5Y1-14384-00	B13	1VJ-15517-00	C5	34K-21521-01	B11
5Y1-11187-00	B2	3AJ-13300-01	B9	2JN-14385-00	B13	1VJ-15521-00	C5	2J5-21732-00	C12
214-11198-01	B9	3AJ-13325-00	B9	6E5-14386-01	B13	1VJ-15522-00	C5	34K-21771-00	C15
3TB-11310-00	B4	3SX-13329-00	B9	34K-14401-01	B11	3TB-15530-01	C5	307-22123-00	D3
1VJ-11351-00	B4	4DW-13415-00	B9	34K-14412-01	B11	3TB-15594-00	C5	1VJ-22123-00	D2
3TB-11400-00	B5	4X7-13440-01	B9	34K-14426-00	B11	3AJ-16111-00	C6	156-22127-00	D2
34K-11454-00	B5	2WK-13447-00	B9	26A-14436-00	B11	3AJ-16150-00	C6	3JD-22128-00	D2
5Y1-11496-01	B5	3SX-13329-00	B9	34K-14451-01	B11	2JN-16154-00	C6	34K-22129-00	D2
5Y1-11531-00	B5	4GV-13465-00	B9	43F-14453-00	B11	5Y1-16321-00	C6	3R4-22129-00	D2
2JT-11536-00	B5	16G-13569-00	B11	34K-14455-00	B11	360-16325-00	C6	1VJ-22141-00	D2
34K-11565-02	B5	43F-13586-01	B11	34K-14458-02	B11	5Y1-16331-01	C6	3JD-22147-00	D2
34L-11610-00	B5	1VJ-13596-00	B11	1VJ-14462-00	B11	5Y1-16351-00	C6	307-22178-00	C12
34L-11610-20	B5	2NX-14103-00	B13	34K-14473-02	B11	4PT-16356-01	C6	4V4-22184-00	C12
34L-11610-40	B5	14T-14104-00	B13	34K-14484-00	B11	5Y1-16357-00	C6	3XP-22199-03	D7
3TB-11631-00-Y0	B5	5Y1-14105-00	B13	34K-14493-01	B11	1W1-16358-01	C6	3LD-2219X-01	D2
1JK-11633-01	B5	2JN-14107-00	B13	5Y1-14536-00	B13	2JN-16371-00	C6	3XJ-22355-00	D2
3TB-11636-00	B5	2KF-1410A-00	B13	5Y1-14572-00	B13	4GV-16380-10	C6	3XJ-23125-L0	D6
3TB-11638-00	B5	1XL-14131-01	B13	3YF-14613-01	B15	5Y1-16383-00	C6	3XJ-23125-L0	D6
3TB-11651-00	B5	30X-14148-00	B13	3YF-14755-00	B15	34K-17121-01	C8	4DA-23144-L0	D6
1VJ-11681-00	B5	1VJ-14149-00	B13	4BD-14766-00	B15	1VJ-17131-00	C8	4DA-23144-L0	D6
1VJ-12111-00	B7	5Y1-14159-00	B13	4BD-14766-00	B15	34K-17141-00	C8	4DA-23145-L0	D6
5Y1-12113-00	B7	7KF-14162-00	B13	1JK-1490A-00	B13	2JT-17151-01	C8	4DA-23145-L0	D6
5Y1-12114-00	B7	1JK-14197-00	B13	4GV-1490J-00	B13	3AJ-17211-00	C8	4EW-2314E-L0	D6
4H7-12116-00	B7	3TD-14197-00	B13	4GV-1490J-10	B13	2JT-17221-00	C8	4DA-2314F-L0	D6
2F3-12117-00	B7	1JK-14197-00	B13	3GV-1490K-00	B13	1VJ-17231-00	C8	4DA-2314G-L0	D6
1J7-12118-00	B7	5Y1-14198-00	B13	1JK-14900-01	B13	3AJ-17241-00	C8	3XJ-23171-L0	D6
1J7-12119-01	B7	7KF-14227-00	B13	3DS-15100-00	C2	2JT-17251-00	C8	3XJ-23171-L0	D6
1VJ-12121-00	B7	1VJ-14286-00	B13	3Y6-15144-00	C2	2RW-17402-00	C8	3R4-23317-00	D5
2NX-12146-00	B7	1JK-14291-00	B13	3Y6-15167-00	C2	4PT-17411-00	C8	3XP-23318-00	D5
34K-12151-00	B7	2JN-14293-00	B13	5Y1-15383-00	C2	5Y1-17471-00	C8	4DA-23346-L0	D6
2NX-12156-00	B7	4GV-14301-03	B13	3TB-15411-01	C3	5Y1-18101-02	C11	3SP-23356-L0	D6
2NX-12159-00	B7	1XL-14312-55	B13	3TB-15415-00	C3	43F-18102-02	C11	3R4-23389-00	D6
34K-12161-00	B7	2KF-14341-00	B13	2WK-15418-01	C3	34K-18120-00	C11	2HG-23416-00	D5
34K-12162-00	B7	43F-14342-24	B13	3AJ-15421-00	C3	2KF-18140-00	C10	3SP-23418-00	D5
34K-12163-00	B7	30X-14343-55	B13	5Y1-15427-01	B9	4PT-18511-00	C10	3SP-23441-00	D5
2NX-12166-00	B7	288-14343-70	B13	3DS-15430-00	C3	4PT-18512-00	C10	4AA-23442-01-T9	D5
1JK-12171-00	B8	288-14343-73	B13	1JK-15449-00	C3	4PT-18513-00	C10	34X-24186-01	D8
3TB-12176-00	B8	288-14343-75	B13	4DW-15451-00	C3	3YF-18531-00	C10	360-24512-00	B13

NUMERICAL INDEX

PART NO.	GRID NO.	PART NO.	GRID NO.	PART NO.	GRID NO.	PART NO.	GRID NO.	PART NO.	GRID NO.
4FD-24524-00	D8	90105-10869	C12	90176-08026	B4	90201-1J8E6	E3	90282-07042	C6
214-24535-00	B13	90105-12616	E2	90179-06668	B15	90201-108E6	E3	90338-21100	C3
4GV-25190-00	D10	90109-063E8	B7	90179-08881	D14	90201-108E6	D15	90338-22207	B2
5Y1-25364-00	D12	90109-063E9	B2	90179-10201	B4	90201-108M3	E2	90338-30096	C3
4V4-25367-00	D12	90109-06418	B2	90179-10279	B4	90201-10M05	D2	90340-08M04	C3
23X-25381-00	D12	90109-06419	B9	90179-14317	B5	90201-10M05	D4	90340-14068	B2
2VM-25876-00	E3	90109-06799	E10	90179-18552	C8	90201-120A5	D2	90340-14132	B9
4N0-27114-00	C12	90109-085E2	B15	90179-28602	D5	90201-120E6	D2	90340-36121	C3
23X-27411-02	E2	90109-085E3	B15	90179-28603	D5	90201-120E6	D4	90380-16127	D2
34K-27421-00	E2	90109-085F5	E2	90185-06830	D2	90201-12474	C11	90380-22111	D2
3TB-81410-00	EJ	90109-08705	C12	90185-06830	E7	90201-128N5	D5	90387-060A7	C12
3TB-81450-00	E5	90109-10453	D4	90185-06830	E11	90201-13202	C12	90387-062M9	E11
4GV-81800-00	C5	90109-10700	D4	90185-06837	E6	90201-141A3	B5	90387-062M9	E8
3AJ-81801-00	C5	90109-10702	D2	90185-06837	E9	90201-142M6	D2	90387-062M9	C14
3AJ-81809-00	C5	90109-10703	D2	90185-06837	E9	90201-15238	D2	90387-062M9	D2
3AJ-81820-00	C5	90109-12701	D2	90185-06837	E12	90201-17327	C6	90387-062V8	C14
3AJ-81830-00	C5	90110-05835	E12	90185-06838	B15	90201-20614	D12	90387-063F7	C10
11H-81844-00	C5	90110-08193	E5	90185-10060	C12	90201-20276	C8	90387-068G9	C15
26H-81847-00	C5	90111-06806	C15	90185-10060	C12	90201-301F4	B5	90387-068H2	E9
3AJ-81850-00	C5	90111-08801	E2	90185-10060	C12	90201-303P4	C5	90387-068H2	E7
3AY-81940-00	E11	90116-06475	B2	90185-10120	D2	90201-365M5	D5	90387-068H5	E7
12R-81950-01	E11	90116-10263	C2	90185-10120	D4	90202-05187	C15	90387-068R3	E7
47X-81960-A3	E11	90116-10378	B2	90185-10120	D4	90202-05193	D8	90387-088H0	C15
26L-82131-00	E11	90116-10506	C2	90185-12119	D2	90202-14077	D5	90387-121E8	D5
2UJ-82150-02	E11	90119-06097	C14	90185-12119	E2	90204-08802	B15	90387-121H1	D2
148-82151-00	E11	90122-05010	B11	90185-14070	D2	90204-10803	C12	90387-147G6	D2
3TB-82305-00	E11	90123-08819	D14	90185-18104	D12	90205-06803	B15	90387-147G7	D2
4GV-82310-00	E11	90149-05110	B9	90201-047A2	B11	90206-06090	B15	90387-16782	C2
371-82370-00	E11	90149-06327	D13	90201-06072	E8	90206-06090	B15	90387-173Y0	D10
3TB-82501-10	E11	90149-06327	D11	90201-06765	C12	90206-12075	B7	90387-17783	C2
4KM-82540-00	E12	90149-08067	C6	90201-08083	E3	90209-05279	C3	90387-203V0	D12
3LD-82566-40	E12	90151-04048	D2	90201-08087	C6	90209-22191	C8	90387-208J8	D12
10V-82599-00	E10	90151-06017	C10	90201-08087	C15	90209-22191	C8	90401-06001	B2
1LN-82911-00	E10	90151-06025	C12	90201-080L8	B4	90215-16242	B5	90401-08133	B9
33G-82913-01	E10	90151-06805	D2	90201-08326	B15	90215-20197	C6	90401-10808	E3
2GV-82917-00	E12	90159-06016	C6	90201-083P5	E2	90215-20231	C6	90401-10808	D15
3WW-83371-01	E12	90159-06078	C10	90201-085L3	B4	90215-23265	C8	90430-05126	B9
3FA-83912-00	E10	90164-06017	B15	90201-08753	C12	90240-08124	E3	90430-06014	B2
437-83936-01	E10	90167-04814	E3	90201-098E7	C12	90240-10101	E2	90430-06192	B2
3TB-8397A-01	E10	90170-06128	B7	90201-100A1	D5	90267-40073	B11	90430-08143	C3
90101-08859	C15	90170-16343	B5	90201-100F7	D2	90267-40073	B11	90430-08178	B4
90105-07342	B8	90170-20274	C6	90201-1012A	B4	90267-48079	C12	90430-08178	C2
90105-08505	B4	90170-20327	C6	90201-10430	D4	90280-16053	B5	90430-08204	B9
90105-08659	D11	90170-36394	D5	90201-10590	B4	90282-05013	B5	90430-10171	E12

NUMERICAL INDEX

PART NO.	GRID NO.	PART NO.	GRID NO.	PART NO.	GRID NO.	PART NO.	GRID NO.	PART NO.	GRID NO.
90430-27124	C15	91317-06025	B2	92907-06200	C6	93210-13361	B9	93608-33046	C11
90445-09878	D8	91317-06025	B8	92907-06600	B2	93210-13657	B2	93700-06005	D2
90445-10877	D8	91317-06025	C3	92907-06600	B8	93210-15171	B9	93700-06009	D2
90445-11748	C15	91317-06030	C2	92907-08100	C12	93210-19522	B2	93700-06M03	D2
90460-46206	B11	91317-06030	C3	92907-10100	C12	93210-208F2	D4	94109-218K3	D10
90460-51059	B11	91317-06035	B4	9290L-05600	E11	93210-32172	B2	94113-188K4	D12
90460-58015	B11	91317-06035	B9	9290L-06100	E8	93210-357A3	C3	94209-21892	D10
90462-16102	C3	91317-06035	C3	9290L-06100	D2	93210-36769	B11	94214-18891	D12
90465-08028	B11	91317-06035	C3	9290L-06100	D8	93210-62446	B2	94309-21853	D10
90465-08344	C2	91317-06035	C3	9290L-06200	E6	93210-64297	B9	94314-18854	D12
90467-10008	E15	91317-06040	B2	9290L-06200	C14	93210-97524	B4	94418-218A4	D10
90467-10035	B11	91317-06045	C2	9290L-06200	D9	93306-003Y6	D10	94425-188A7	D12
90467-11832	D8	91317-06050	C3	9290L-06600	E3	93306-00426	C8	94568-37109	D12
90467-11832	E3	91317-06050	B2	9290L-06600	E12	93306-00431	C8	94568-37110	D12
90467-14015	C2	91317-06050	C3	9290L-06600	D9	93306-004X8	D12	94590-27126	B8
90467-17128	C2	91317-06055	B2	9290L-06600	D6	93306-20006	C5	94668-36031	D12
90467-20030	B11	91317-06060	C2	9290L-06600	D2	93306-304X0	D12	94701-00241	B2
90480-12845	C14	91317-06080	B9	9290L-08100	C12	93306-30525	B5	95024-06020	D2
90480-13398	C15	91317-06115	B2	9290M-05600	E8	93306-30534	B5	95027-08035	D5
90480-13398	B11	91317-06125	B2	9290M-06100	D2	93306-30535	C8	95027-08035	D5
90480-14229	C12	9131L-06012	E3	9290M-06600	C12	93306-30540	C8	95027-08045	B15
90480-14865	E7	9131L-06012	E12	9290M-06600	C14	93306-30702	B5	9502L-08040	D6
90480-16185	C14	9131L-06014	D6	9290M-06600	C11	93310-212R6	C5	9530L-08700	C6
90480-17850	C15	9131L-06016	D9	9290M-08200	C15	93310-217R7	C5	95317-06600	E3
90480-17850	C15	9131L-06016	E8	92990-04100	B13	93310-530C7	C5	95607-06100	E10
90501-043E0	B9	9131L-08025	D6	92990-04100	B13	93310-635D4	B5	95607-10100	C5
90501-22721	B5	9131M-03008	D8	93101-14092	C3	93315-11720	C6	95617-10100	D2
90501-23142	C6	9131M-06012	C12	93101-25106	B5	93315-31732	D2	9571L-06300	C14
90504-18031	E2	9131M-06016	C3	93101-28828	D12	93316-00501	C10	9571L-08500	C15
90506-18838	E3	9131M-06016	B9	93102-12321	C11	93317-11020	C6	95807-06012	B11
90506-35473	E2	9131M-06020	E6	93102-17357	C6	93317-32034	D2	95807-08016	C12
90508-14710	C6	91401-16012	E3	93102-25226	C8	93317-32231	D2	95817-06030	C5
90508-20583	E2	91401-25020	E2	93102-28667	D12	93332-00067	D5	95817-10110	C12
90508-26691	C10	91810-05018	B4	93106-22019	D2	93332-00068	D5	9581L-08012	C15
90508-29629	C11	9201L-06012	D13	93106-22032	D10	93342-22208	D2	9581M-10085	E3
90560-20199	C8	9201L-06012	E11	93108-35004	D2	93440-11024	C5	95827-10030	E2
90560-25283	C8	92907-04200	B11	93109-20076	D2	93440-12052	B2	97007-06020	C12
91317-06010	D14	92907-04200	B11	93210-038C3	E7	93440-25084	C8	9700L-05020	E11
91317-06016	B9	92907-05100	E5	93210-07135	C2	93440-25084	C8	97017-06016	C2
91317-06018	B2	92907-05100	E10	93210-07135	B9	93450-24028	B5	97017-06016	B8
91317-06020	B11	92907-05600	E5	93210-08521	B7	93503-08007	B9	97017-08016	C12
91317-06020	B2	92907-05600	B11	93210-10197	B9	93515-32029	C6	97017-10080	C12
91317-06025	C3	92907-06100	E5	93210-13016	E3	93604-10011	C10	9701L-05012	E8
91317-06025	C3	92907-06100	C12	93210-13361	C3	93605-10090	B5	9701L-06014	C14

INDIVIDUAL SPEC.

G₁

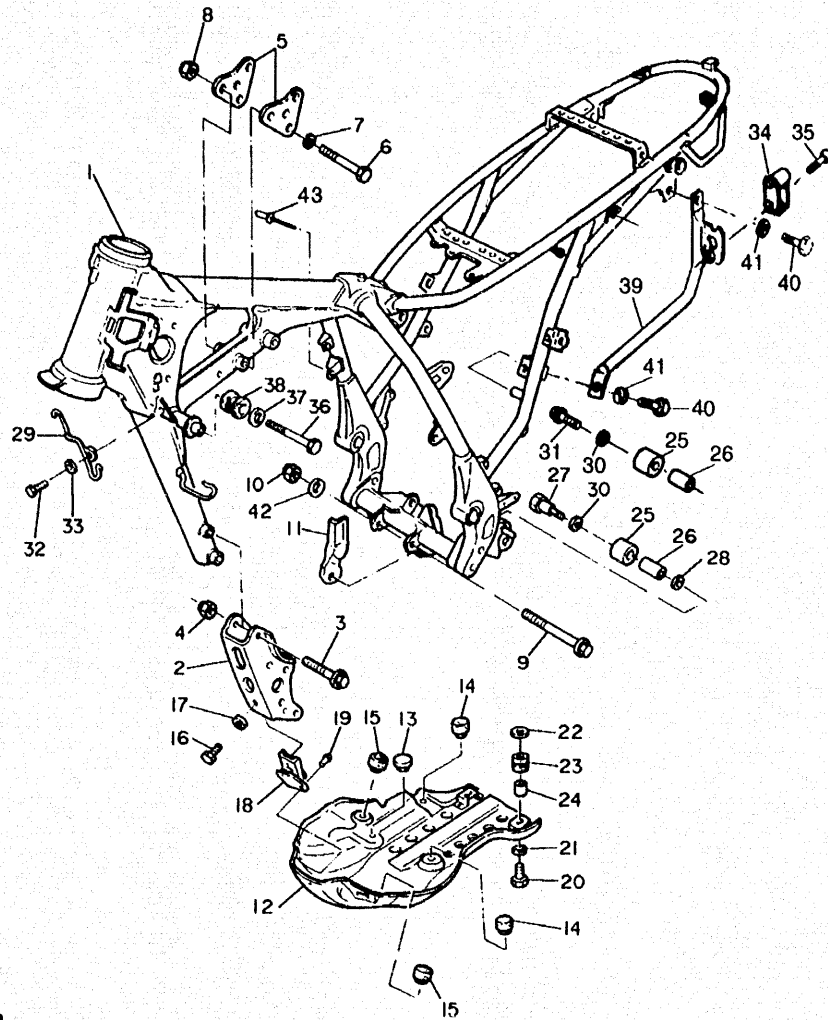


FIG. 43 FRAME

REF. NO.	PART NO.	DESCRIPTION	Q.TY	REMARKS
1	4LW-F1110-11-UJ	FRAME, COMPL.	1	* UR. RADICAL WHITE
43	90267-32852	RIVET	2	*



4LW3300-6430

G2

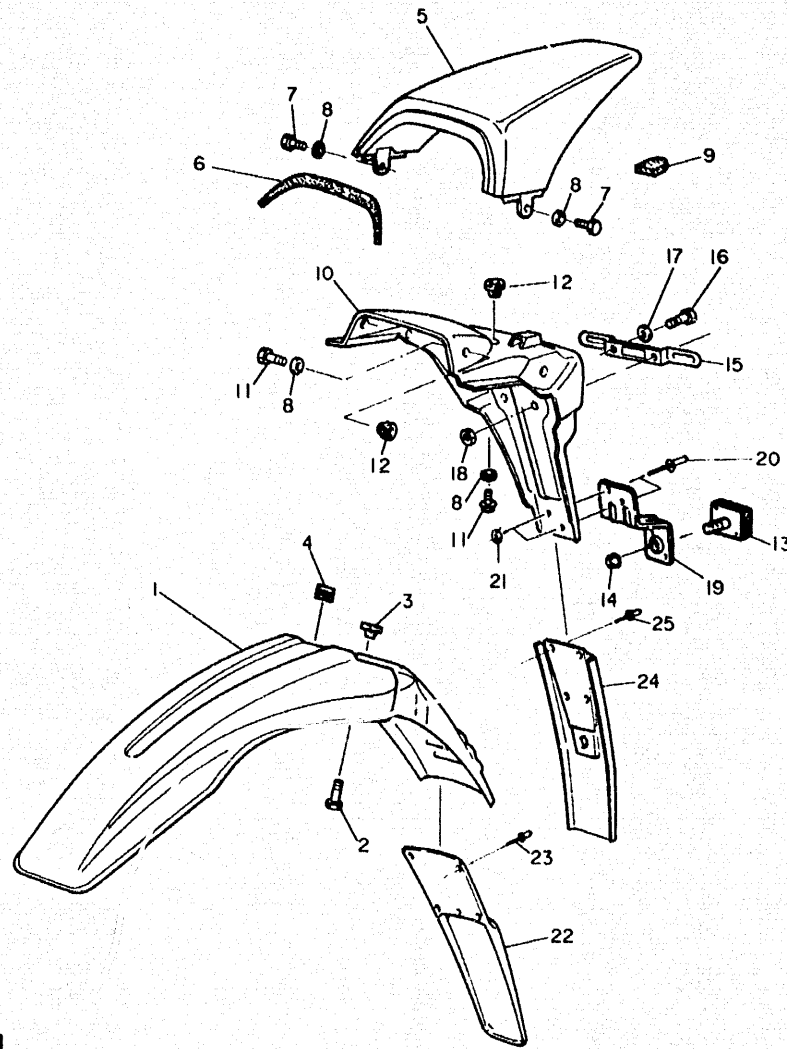


FIG. 44 FENDER

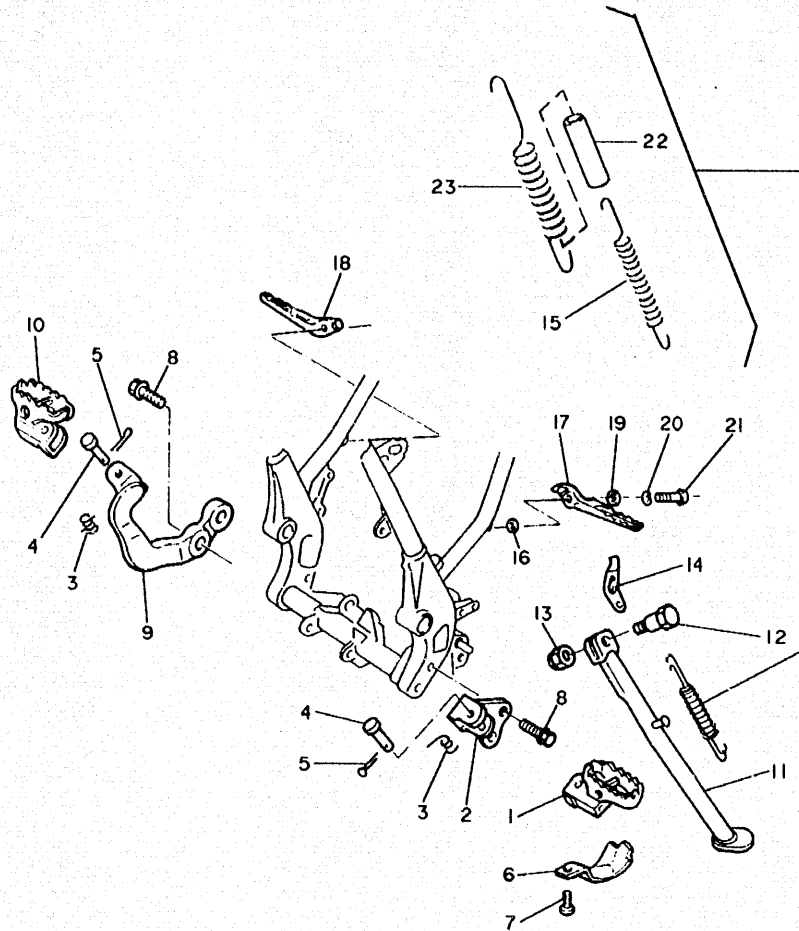
REF. NO.	PART NO.	DESCRIPTION	Q.TY	REMARKS
19	4LW-H5132-00	BRKT., 1	1	*
20	90267-48839	RIVET	2	*
21	S290M-05600	WASHER, plain	2	*
22	4LW-F1521-00	FLAP, FRONT	1	* ONLY FOR GERMANY
23	4LW-F1539-00	RIVET	5	* ONLY FOR GERMANY
24	4LW-F1621-00	FLAP, REAR	1	* ONLY FOR GERMANY
25	4LW-F1539-00	RIVET	4	* ONLY FOR GERMANY

FWD
4LW-F300-6440

G3

FIG. 45 STAND./FOOTREST

REF. NO.	PART NO.	DESCRIPTION	Q.TY	REMARKS
15	90506-20846	SPRING, tension	1 *	
22	4LW-F7351-00	GUIDE, side stand	1 *	
23	90506-32845	SPRING, tension	1 *	

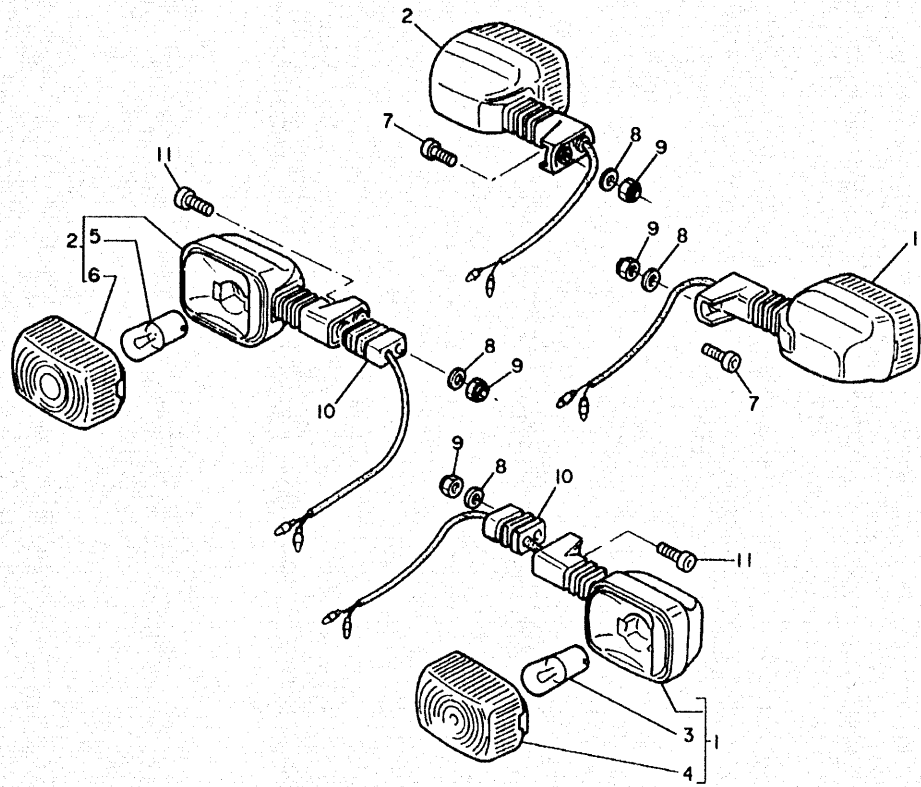


4LW3300-6450

G 4

FIG. 46 FLASHER LIGHT

REF. NO.	PART NO.	DESCRIPTION	Q.TY	REMARKS
7	9131M-06020	BOLT, hex.	2 *	
10	4LW-H3318-00	STAY, flasher 1	2 *	
11	9131M-06050	BOLT, hex.	2 *	



4LW1300-3530

G5

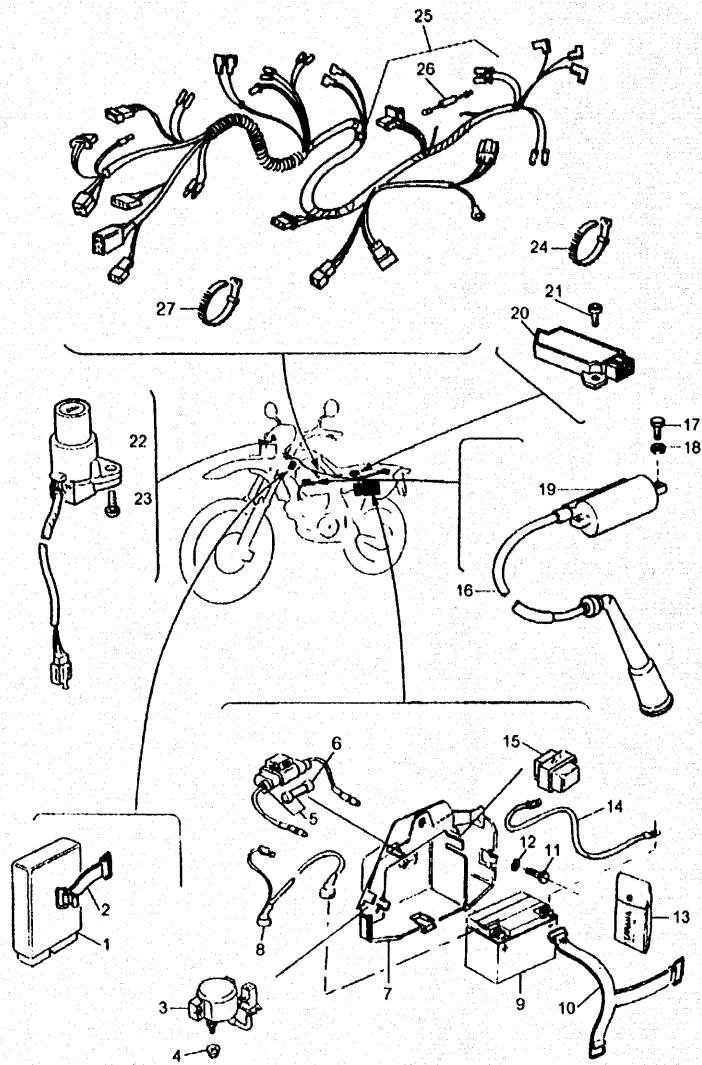


FIG. 47 ELECTRICAL 1

REF. NO.	PART NO.	DESCRIPTION	Q.TY	REMARKS
13	4LW-F8100-00	TOOL, KIT	1 *	



4GV2354-4440

G 6

INDEX
(INDIVIDUAL SPEC.)

NUMERICAL INDEX

PART NO.	GRID NO.				
4LW-F1110-11-UJ	G2				
4LW-F1521-00	G3				
4LW-F1539-00	G3				
4LW-F1539-00	G3				
4LW-F1621-00	G3				
4LW-F7351-00	G4				
4LW-F8100-00	G6				
4LW-H3318-00	G5				
4LW-H5132-00	G3				
90267-32852	G2				
90267-48839	G3				
90506-20846	G4				
90506-32845	G4				
9131M-06020	G5				
9131M-06050	G5				
9290M-05600	G3				

NUMERICAL INDEX