

CONTENTS

GENERAL SPEC.

ENGINE

Fig. 1	CYLINDER HEAD	1
Fig. 2	CYLINDER	3
Fig. 3	CRANKSHAFT, PISTON	4
Fig. 4	VALVE	6
Fig. 5	CAMSHAFT, CHAIN	7
Fig. 6	OIL PUMP	8
Fig. 7	INTAKE	10
Fig. 8	CARBURETOR	12
Fig. 9	EXHAUST	15
Fig. 10	CRANKCASE	16
Fig. 11	CRANKCASE COVER 1	17
Fig. 12	STARTER	19
Fig. 13	CLUTCH	21
Fig. 14	TRANSMISSION	23
Fig. 15	SHIFT CAM, FORK	25
Fig. 16	SHIFT SHAFT	26

CHASSIS

Fig. 17	FRAME	27
Fig. 18	FENDER	29
Fig. 19	OIL TANK	30
Fig. 20	REAR ARM	31
Fig. 21	REAR SUSPENSION	33
Fig. 22	STEEFING	34
Fig. 23	FRONT FORK	36
Fig. 24	FUEL TANK	38
Fig. 25	SEAT	39
Fig. 26	FRONT WHEEL	40
Fig. 27	FRONT BRAKE CALIPER	41
Fig. 28	REAR WHEEL	42
Fig. 29	REAR BRAKE CALIPER	43
Fig. 30	STEERING HANDLE, CABLE	44
Fig. 31	FRONT MASTER CYLINDER	45
Fig. 32	STAND/FOOTREST	46
Fig. 33	REAR MASTER CYLINDER	47
Fig. 34	EMBLEMS	48
Fig. 35	GENERATOR	49
Fig. 36	FLASHER LIGHT	50
Fig. 37	METER	51
Fig. 38	HEADLIGHT	52
Fig. 39	TAILLIGHT	53
Fig. 40	HANDLE SWITCH, LEVER	54
Fig. 41	ELECTRICAL 1	55
Fig. 42	ELECTRICAL 2	56

INDIVIDUAL SPEC. (Only for Australian market)

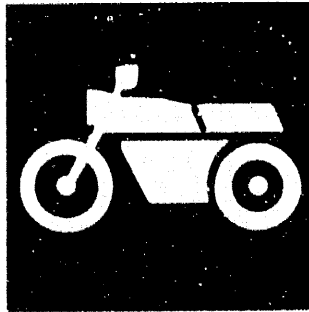
CHASSIS

Fig. 43	HEADLIGHT	57
---------	-----------------	----

INDEX (GENERAL & INDIVIDUAL SPEC.)

NUMERICAL INDEX

YAMAHA

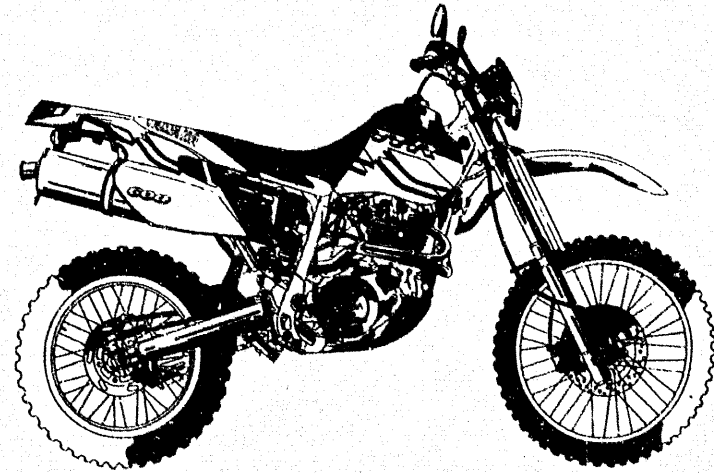
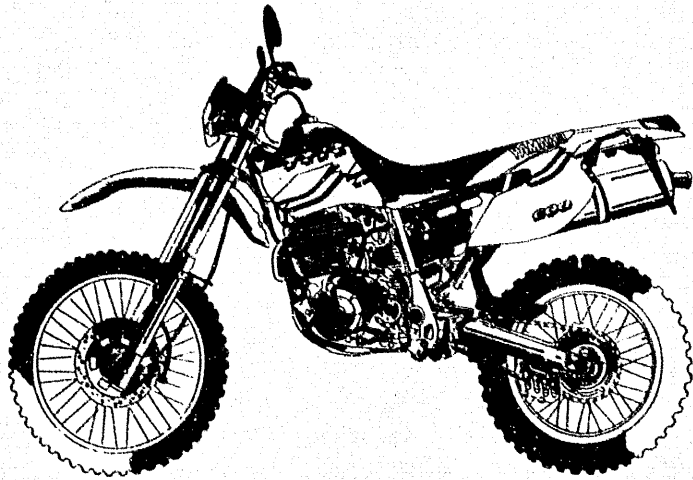


**PARTS
CATALOGUE**

TT600R'99 (5CH2) EUROPE

295CH-300E1

YAMAHA
GENUINE
Parts & Accessories



FOREWORD

This Parts Catalogue is related to the parts for the model(s) in the below frame. When you are ordering replacement parts, please refer to this Parts Catalogue and quote both part numbers and part names correctly.

TT600R '99 (5CH2)

1. Modifications or additions which have been made after issue of the Parts Catalogue will be announced in the Yamaha Parts News.
It is advisable that you make necessary corrections to the Parts Catalogue according to the Yamaha Parts News.

2. Abbreviations

The following abbreviations are used in this Parts Catalogue.

- "UR" Use specified parts number.
- "UN" Use as many as needed.
- "AP" Alternate Parts.
- "LM" Local Made (Parts need to be ordered locally).
- "F#" Frame No. (Applicable machine No.).

3. Parts, which are to be supplied in an assembly, are listed with a dot (.) in front of the part name as shown below.

EXAMPLE

- CARBURETOR ASSY
- . JET, PILOT
- . NOZZLE, MAIN

4. Number of component for assembly

The numeral appearing to the right of each component part indicates the quantity of parts for each assembly unit.

EXAMPLE

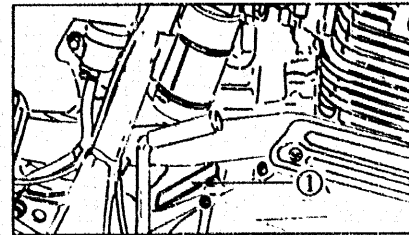
PART. NO.	DESCRIPTION	Q.TY.	REMARKS
2F5-83310-60	FRONT FLASHER LIGHT ASSY	2	
115-83311-60	. BULB (6V - 18W)	1	

5. Applicable colors of graphics are represented in the "REMARKS" as shown below.

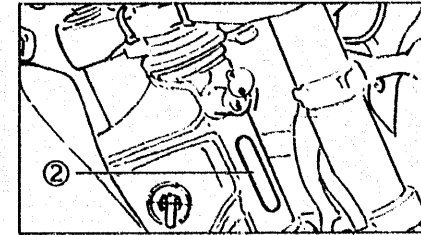
PART. NO.	DESCRIPTION	Q.TY.	REMARKS
2N4-24110-00-X5	FUEL TANK COMP.	1	MAXIM RED
3J1-24240-10	. GRAPHIC, FUEL TANK	1	for MXR

6. Applicable Serial No.

① Engine Serial No.



② Frame Serial No.



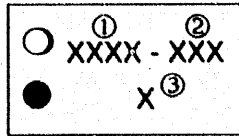
7. Note that the illustrations are for reference in finding parts numbers, not to be used for assembling. When assembling, please use the applicable service manual.

8. The asterisk (*) before a reference number indicates modification items after the first edition.

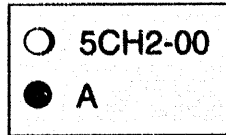
MODEL LABEL

(1) A label called "Model Label" is affixed in the location as indicated in (3) below. When using this Parts Catalogue, please be sure to cross-refer the "model code - production code No." in the catalogue to the "model code - production code No." indicated on the Model Label affixed onto the product concerned.

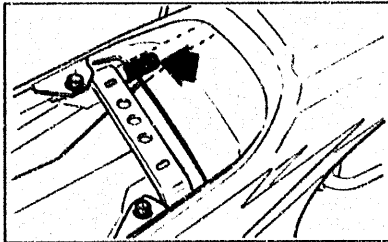
(2) "Model Label" Indication.



① Model Type Code
② Production Code No.
③ Colouring Type



(3) Model Label Affixing Location



(4) Model Code - Production Code Number of Model Listed in this Parts Catalogue

Model code	Production code No.	Country (destination)
5CH2	00	ITALY
		ISRAEL
	01	GERMANY
		AUSTRIA
	02	FRANCE
	03	SPAIN
	04	SWEDEN
		NORWAY
		HOLLAND
		PORTUGAL
	05	GREECE
	05	BELGIUM
06	AUSTRALIA	

(5) Colouring Information

Colouring type code	Colour code	Colour Name	Abbreviation
A	0206	PURPLISH WHITE SOLID 1	PWS

CONTENTS

GENERAL SPEC.

ENGINE

Fig. 1	CYLINDER HEAD	1
Fig. 2	CYLINDER	3
Fig. 3	CRANKSHAFT, PISTON	4
Fig. 4	VALVE	6
Fig. 5	CAMSHAFT, CHAIN	7
Fig. 6	OIL PUMP	8
Fig. 7	INTAKE	10
Fig. 8	CARBURETOR	12
Fig. 9	EXHAUST	15
Fig. 10	CRANKCASE	16
Fig. 11	CRANKCASE COVER 1	17
Fig. 12	STARTER	19
Fig. 13	CLUTCH	21
Fig. 14	TRANSMISSION	23
Fig. 15	SHIFT CAM, FORK	25
Fig. 16	SHIFT SHAFT	26

CHASSIS

Fig. 17	FRAME	27
Fig. 18	FENDER	29
Fig. 19	OIL TANK	30
Fig. 20	REAR ARM	31
Fig. 21	REAR SUSPENSION	33
Fig. 22	STEERING	34
Fig. 23	FRONT FORK	36
Fig. 24	FUEL TANK	38
Fig. 25	SEAT	39
Fig. 26	FRONT WHEEL	40
Fig. 27	FRONT BRAKE CALIPER	41
Fig. 28	REAR WHEEL	42
Fig. 29	REAR BRAKE CALIPER	43
Fig. 30	STEERING HANDLE, CABLE	44
Fig. 31	FRONT MASTER CYLINDER	45
Fig. 32	STAND/FOOTREST	46
Fig. 33	REAR MASTER CYLINDER	47
Fig. 34	EMBLEMS	48
Fig. 35	GENERATOR	49
Fig. 36	FLASHER LIGHT	50
Fig. 37	METER	51
Fig. 38	HEADLIGHT	52
Fig. 39	TAILLIGHT	53
Fig. 40	HANDLE SWITCH, LEVER	54
Fig. 41	ELECTRICAL 1	55
Fig. 42	ELECTRICAL 2	56

INDIVIDUAL SPEC. (Only for Australian market)

CHASSIS

Fig. 43	HEADLIGHT	57
---------	-----------------	----

INDEX (GENERAL & INDIVIDUAL SPEC.)

NUMERICAL INDEX



4GV1354-7011

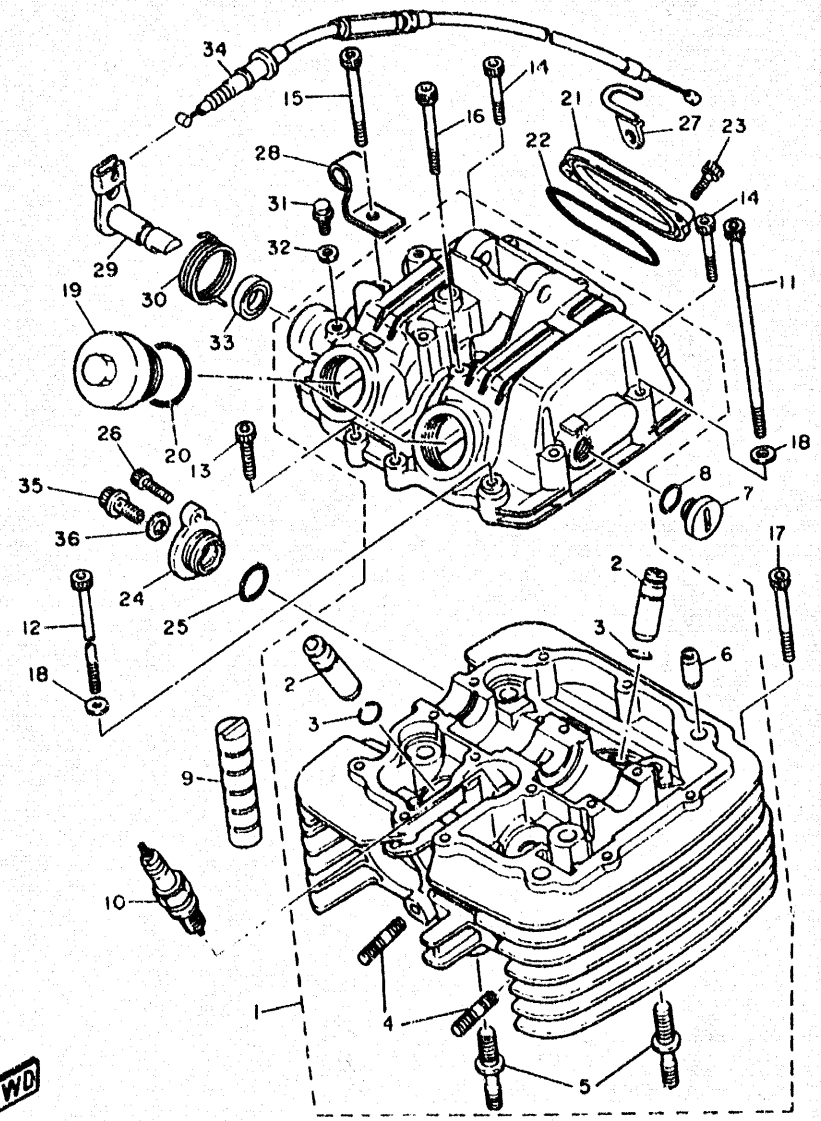


FIG. 1 CYLINDER HEAD

REF. NO.	PART NO.	DESCRIPTION	Q.TY	REMARKS
1	3YB-11101-02	CYLINDER HEAD ASSY	1	
2	4H7-11133-10	· GUIDE, intake valve	4	
3	93440-12052	· CIRCLIP	4	
4	90116-06475	· BOLT, stud	4	
5	90116-10378	· BOLT, stud	2	
6	99530-10116	· PIN, dowel	2	
7	90340-14068	PLUG, straight screw	1	
8	93210-13657	O-RING	1	
9	583-11127-00	ABSORBER 3	2	
10	94701-00241	PLUG, spark (NGK DPR8EA-9)	1	
11	91317-06125	BOLT	2	
12	91317-06115	BOLT	1	
13	91317-06025	BOLT	4	
14	91317-06040	BOLT	2	
15	91317-06055	BOLT	6	
16	90109-063E9	BOLT	1	
17	91317-06050	BOLT	1	
18	92907-06600	WASHER, plate	3	
19	1L9-11186-00	COVER, cylinder head side 2	2	
20	93210-32172	O-RING	2	
21	5Y1-11187-00	COVER, cylinder head side 3	1	
22	93210-62523	O-RING	1	
23	91317-06018	BOLT	2	
24	3TB-12215-01	CAP, tensloner case	1	
25	93210-19522	O-RING	1	
26	91317-06020	BOLT	1	
27	4GV-E2273-10	HOLDER, decompression	1	
28	1JK-12283-00	BRACKET, decompression	1	



4GV1354-7011

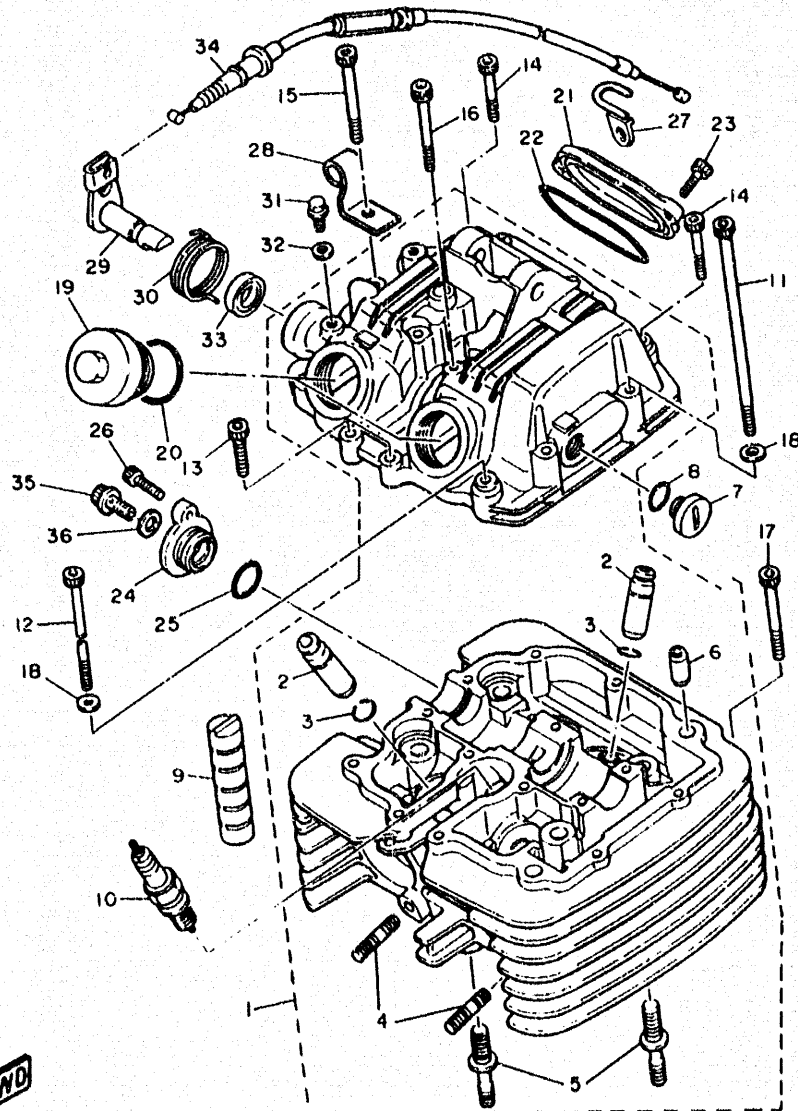


FIG. 1 CYLINDER HEAD

REF. NO.	PART NO.	DESCRIPTION	Q.TY	REMARKS
29	1JK-12288-00	CAM, decompression	1	
30	90508-18551	SPRING, torsion	1	
31	90109-06418	BOLT	1	
32	90430-06014	GASKET	1	
33	93102-12106	OIL SEAL	1	
34	2WK-12292-00	CABLE, decompression	1	
35	90401-06001	BOLT, union	1	
36	90430-06192	GASKET	1	

B3

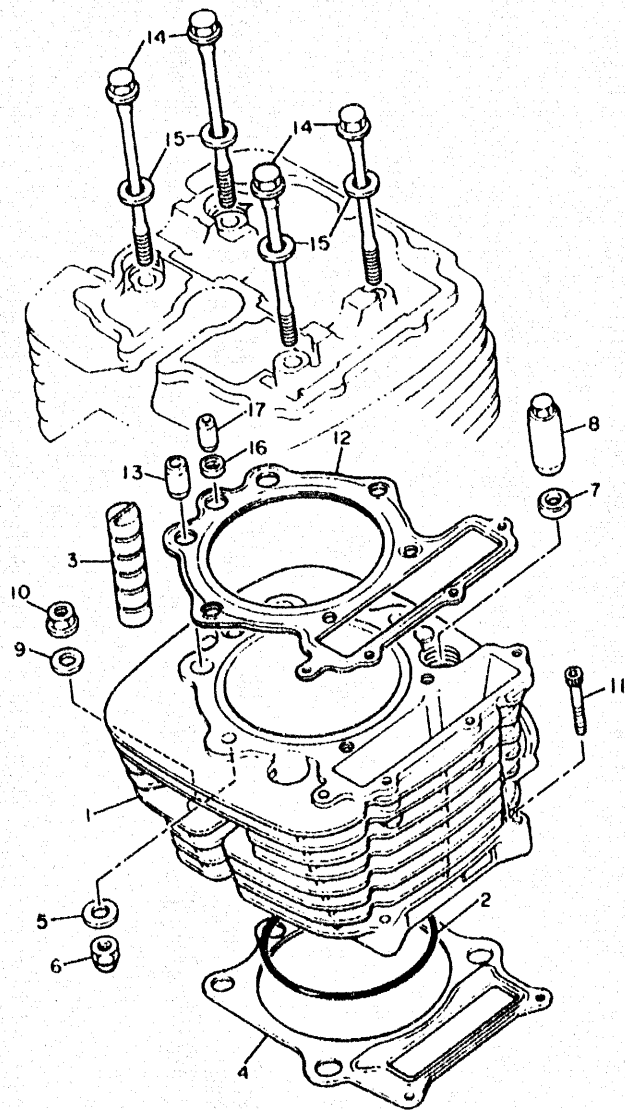


FIG. 2 CYLINDER

REF. NO.	PART NO.	DESCRIPTION	Q.TY	REMARKS
1	3TB-11310-00	CYLINDER	1	
2	93210-98473	O-RING	1	
3	583-11127-00	ABSORBER 3	2	
4	1VJ-11351-00	GASKET, cylinder	1	
5	90201-080L8	WASHER, plate	2	
6	90176-08026	NUT, crown	2	
7	90201-10590	WASHER, plate	2	
8	90179-10201	NUT	2	
9	90201-10124	WASHER, plate	2	
10	90179-10279	NUT	2	
11	91317-06035	BOLT	2	
12	2KF-11181-01	GASKET, cylinder head 1	1	
13	99530-12016	PIN, dowel	2	
14	90105-08505	BOLT, washer based	4	
15	90201-085L3	WASHER, plate	4	
16	90430-08178	GASKET	1	
17	99530-08016	PIN, dowel	1	



21Y280-8020

B4

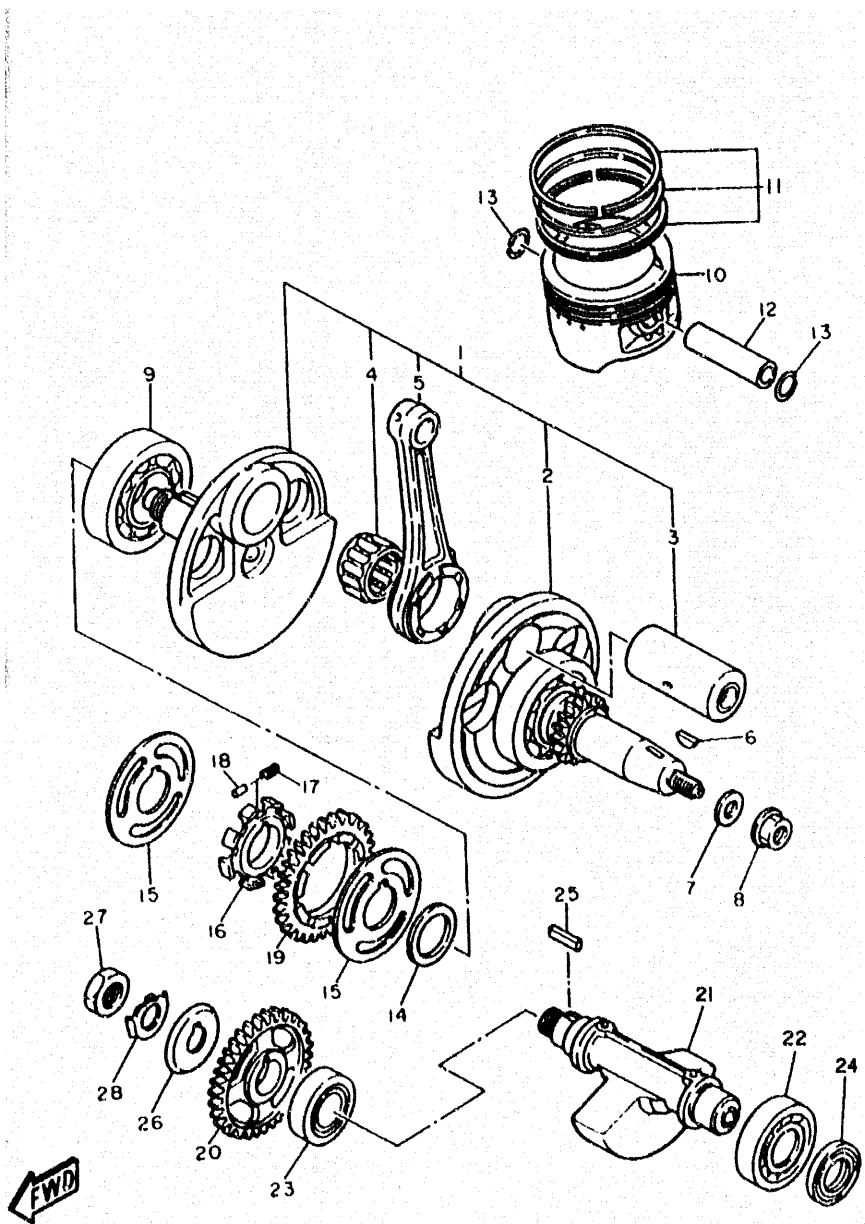


FIG. 3 CRANKSHAFT, PISTON

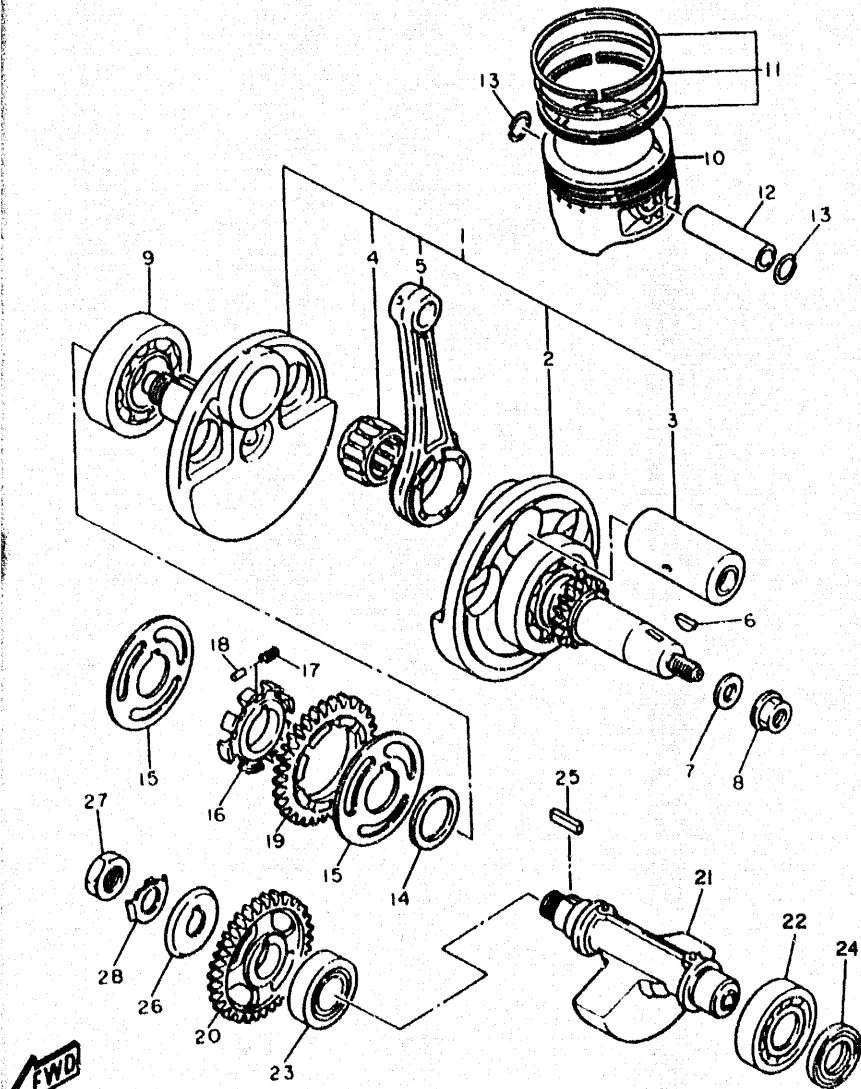
REF. NO.	PART NO.	DESCRIPTION	Q.TY	REMARKS
1	5CH-11400-00	CRANKSHAFT ASSY	1	
2	5CH-W1141-00	· CRANK 1	1	
3	1VJ-11681-00	· PIN, crank 1	1	
4	93310-635D4	· BEARING, cylindrical	1	
5	3TB-11651-00	· ROD, connecting	1	
6	90280-16053	KEY, woodruff	1	
7	90201-14226	WASHER, plate	1	
8	90179-14317	NUT	1	
9	93306-30702	BEARING (B6307)	1	
10	3TB-11631-00-Y0	PISTON (STD)	1	URRC
10	3TB-11636-00	PISTON (0.50MM O/S)	1	AP
10	3TB-11638-00	PISTON (1.00MM O/S)	1	AP
11	34L-11610-00	PISTON RING SET (STD)	1	URRC
11	34L-11610-20	PISTON RING SET (0.50MM O/S)	1	AP
11	34L-11610-40	PISTON RING SET (1.00MM O/S)	1	
12	1JK-11633-01	PIN, piston	1	
13	93450-24028	CIRCLIP	2	
14	90201-301F4	WASHER, plate	1	
15	34K-11565-02	WASHER, bearing cover	2	
16	5Y1-11496-01	BOSS, buffer	1	
17	90501-22721	SPRING, compression	8	
18	93605-10090	PIN, dowel	4	
19	2JT-11536-00	GEAR, drive	1	
20	5Y1-11531-00	GEAR, balance wt 44t	1	
21	34K-11454-00	WEIGHT 1	1	
22	93306-30525	BEARING (B6305)	1	
23	93306-30534	BEARING	1	
24	93101-25106	OIL SEAL	1	

31B351-0030

B5

FIG. 3 CRANKSHAFT. PISTON

REF. NO.	PART NO.	DESCRIPTION	Q. TY	REMARKS
25	90282-05013	KEY, straight	1	
26	34K-11145-00	PLATE, breather 2	1	
27	90170-16343	NUT	1	
28	90215-16242	WASHER, lock	1	



31B351-0030

B6

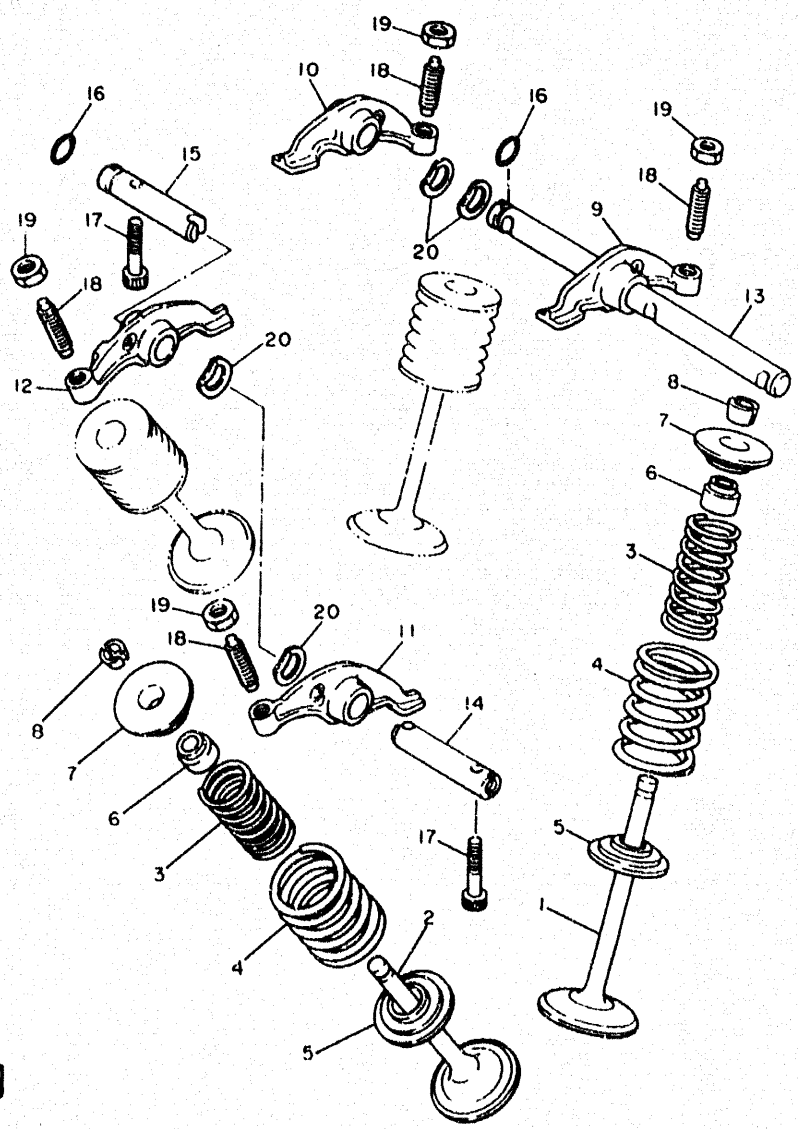


FIG. 4 VALVE

REF. NO.	PART NO.	DESCRIPTION	Q.TY	REMARKS
1	1VJ-12111-00	VALVE, intake	2	
2	1VJ-12121-00	VALVE, exhaust	2	
3	5Y1-12113-00	SPRING, valve inner	4	
4	5Y1-12114-00	SPRING, valve outer	4	
5	4H7-12116-00	SEAT, valve spring	4	
6	1J7-12119-01	SEAL, valve stem	4	
7	2F3-12117-00	RETAINER, valve spring	4	
8	1J7-12118-00	COTTER, valve	8	
9	34K-12151-00	ARM, valve rocker	1	
10	34K-12161-00	ARM, valve rocker 2	1	
11	34K-12162-00	ARM, valve rocker 3	1	
12	34K-12163-00	ARM, valve rocker 4	1	
13	2NX-12146-00	SHAFT, rocker	1	
14	2NX-12156-00	SHAFT, rocker 2	1	
15	2NX-12166-00	SHAFT, rocker 3	1	
16	93210-08521	O-RING	2	
17	90109-063E8	BOLT	2	
18	2NX-12159-00	SCREW, valve adjusting	4	
19	90170-06128	NUT	4	
20	90206-12075	WASHER, wave	4	



5Y1110-2040

B7

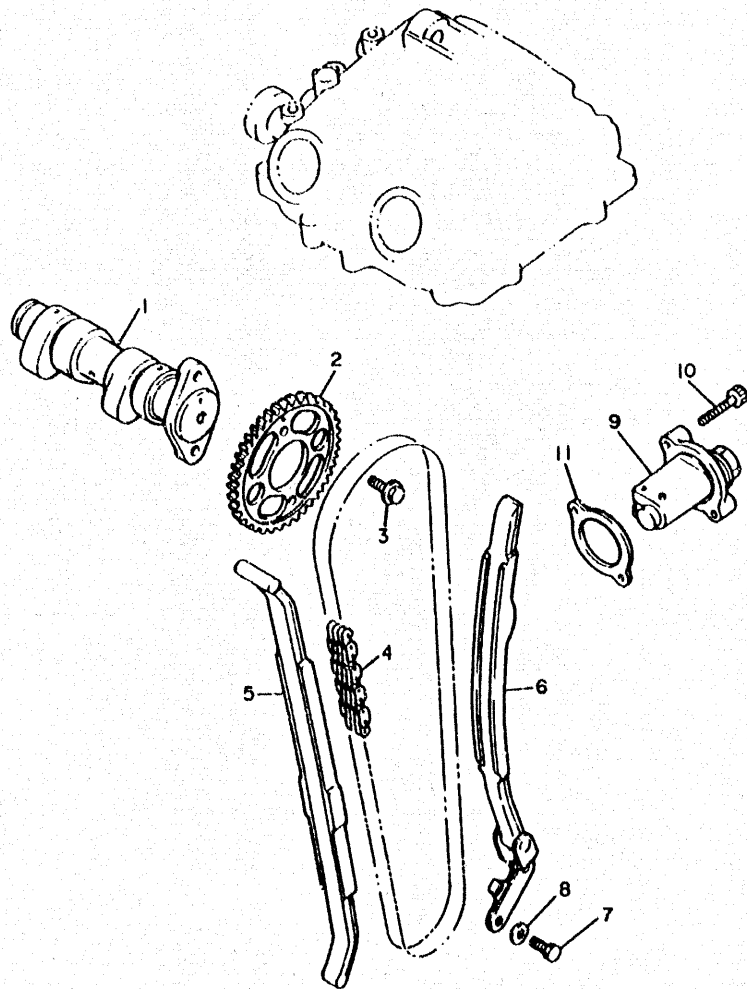


FIG. 5 CAMSHAFT. CHAIN

REF. NO.	PART NO.	DESCRIPTION	Q. TY	REMARKS
1	1JK-12171-00	CAMSHAFT 1	1	
2	3TB-12176-00	SPROCKET, cam chain	1	
3	90105-07342	BOLT, washer based	2	
4	94590-27126	CHAIN	1	
5	34K-12231-00	GUIDE, stopper 1	1	
6	34K-12241-00	GUIDE, stopper 2	1	
7	97027-06016	BOLT	2	
8	92907-06600	WASHER, plate	2	
9	3TB-12210-00	TENSIONER ASSY, cam chain	1	
10	91317-06025	BOLT	2	
11	4DW-12213-00	GASKET, tensioner case	1	



3AJ1351-8050

B 8

- 7 -

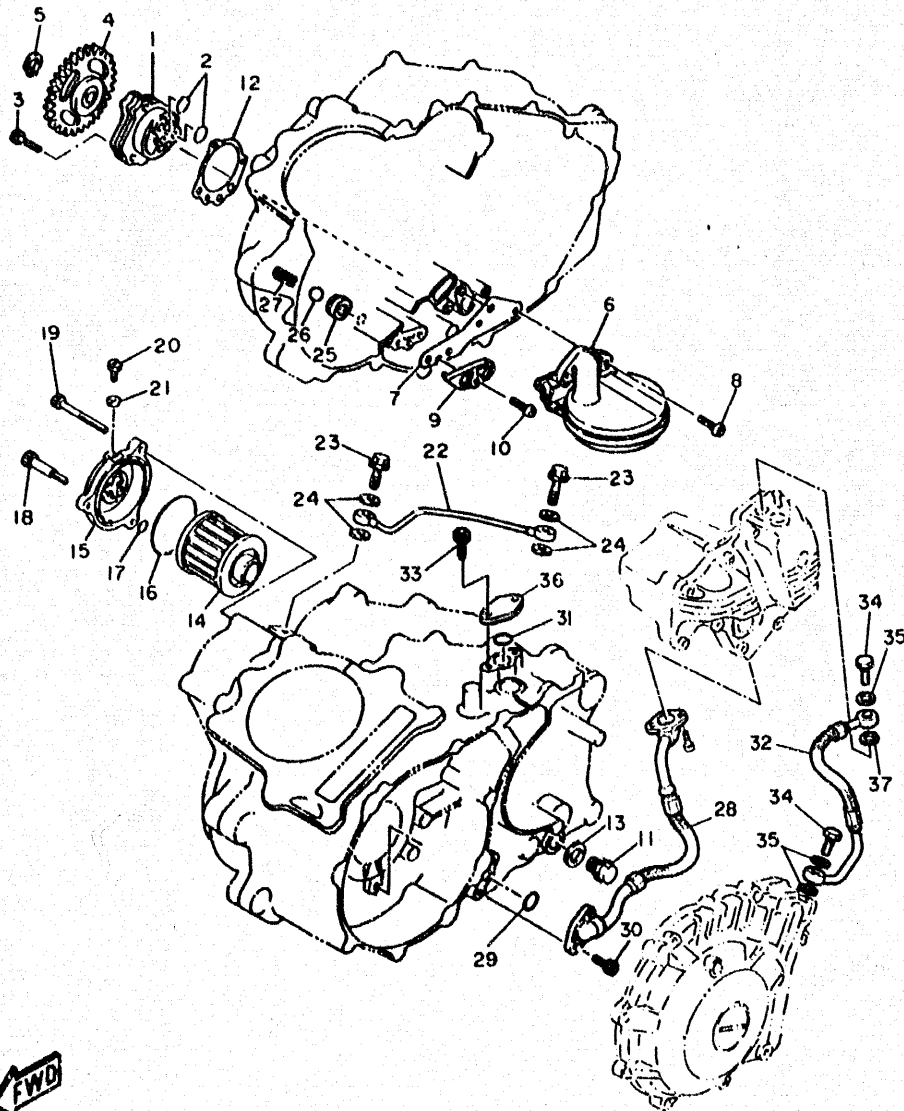


FIG. 6 OIL PUMP

REF. NO.	PART NO.	DESCRIPTION	Q.TY	REMARKS
1	3AJ-13300-01	OIL PUMP ASSY	1	
2	93210-13361	O-RING	2	
3	91317-06035	BOLT, hexagon socket head	3	
4	3AJ-13325-00	GEAR, pump driven	1	
5	99009-11400	CIRCLIP	1	
6	5Y1-W1343-00	STRAINER COMP.	1	
7	4DW-13415-00	SEAL, oil strainer	1	
8	98507-06016	SCREW, pan head	2	
9	5Y1-15427-01	COVER, cap 2	1	
10	98507-06016	SCREW, pan head	1	
11	90340-14132	PLUG	1	
12	3SX-13329-00	GASKET, pump cover	1	
13	214-11198-01	GASKET	1	
14	4X7-13440-01	ELEMENT ASSY, oil cleaner	1	
15	4PT-13447-00	COVER, oil element	1	
16	93210-64297	O-RING	1	
17	93210-07135	O-RING	1	
18	90109-06419	BOLT	1	
19	91317-06080	BOLT	2	
20	90149-05110	SCREW	1	
21	90430-05126	GASKET	1	
22	3AJ-13161-01	PIPE, delivery 1	1	
23	90401-08133	BOLT, union	2	
24	90430-08204	GASKET	4	
25	583-13113-00	SEAT, check ball	1	
26	93503-08007	BALL	1	
27	90501-043E0	SPRING, compression	1	
28	5CH-E3464-00	HOSE, oil 1	1	

FWD

6CH1300-7080

B9

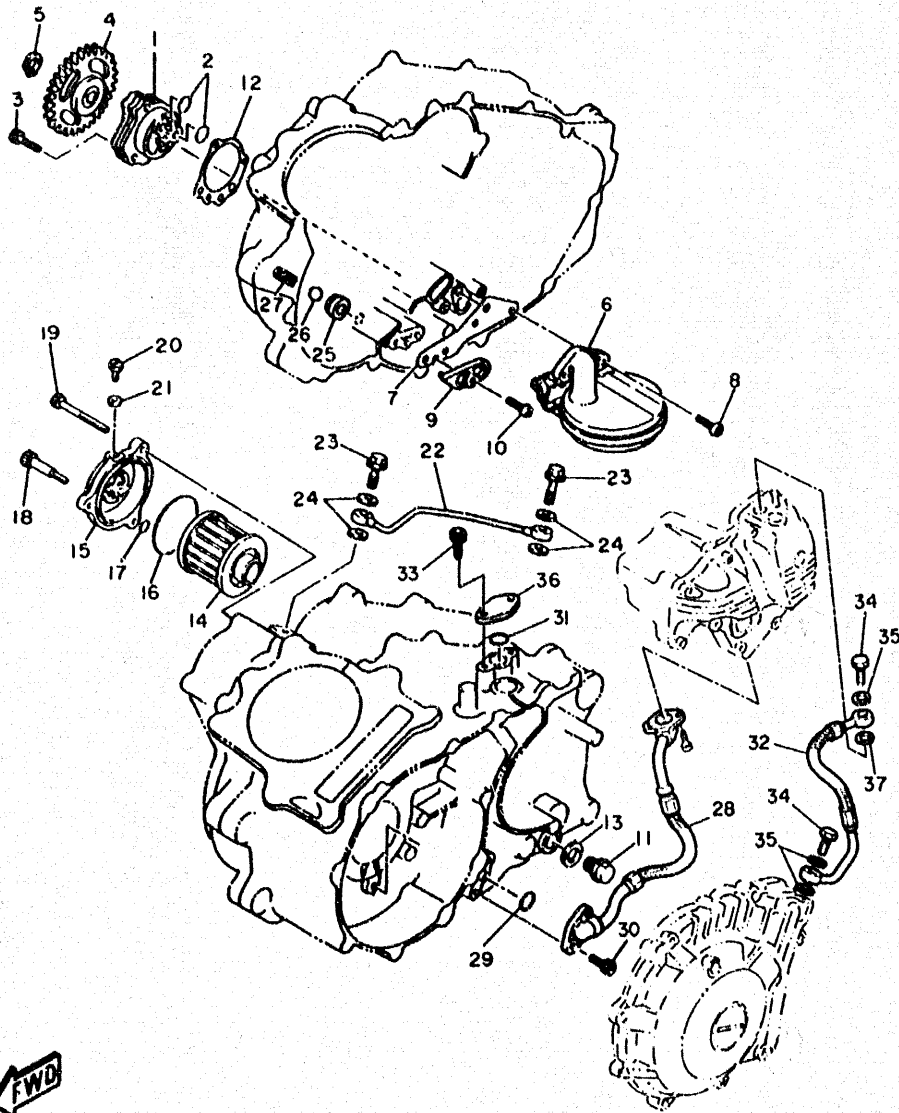


FIG. 6 OIL PUMP

REF. NO.	PART NO.	DESCRIPTION	Q. TY	REMARKS
29	93210-100A9	O-RING	1	
30	9131M-06016	BOLT	2	
31	93210-15171	O-RING	1	
32	5CH-E3465-00	HOSE, oil 2	1	
33	91317-06016	BOLT, hexagon socket head	2	
34	4SU-F2255-01	BOLT, union	2	
35	90201-128H5	WASHER, plain	3	
36	5CH-13455-00	PLUG	1	
37	90201-12X00	WASHER, plain	1	

5CH1300-7060

B 10

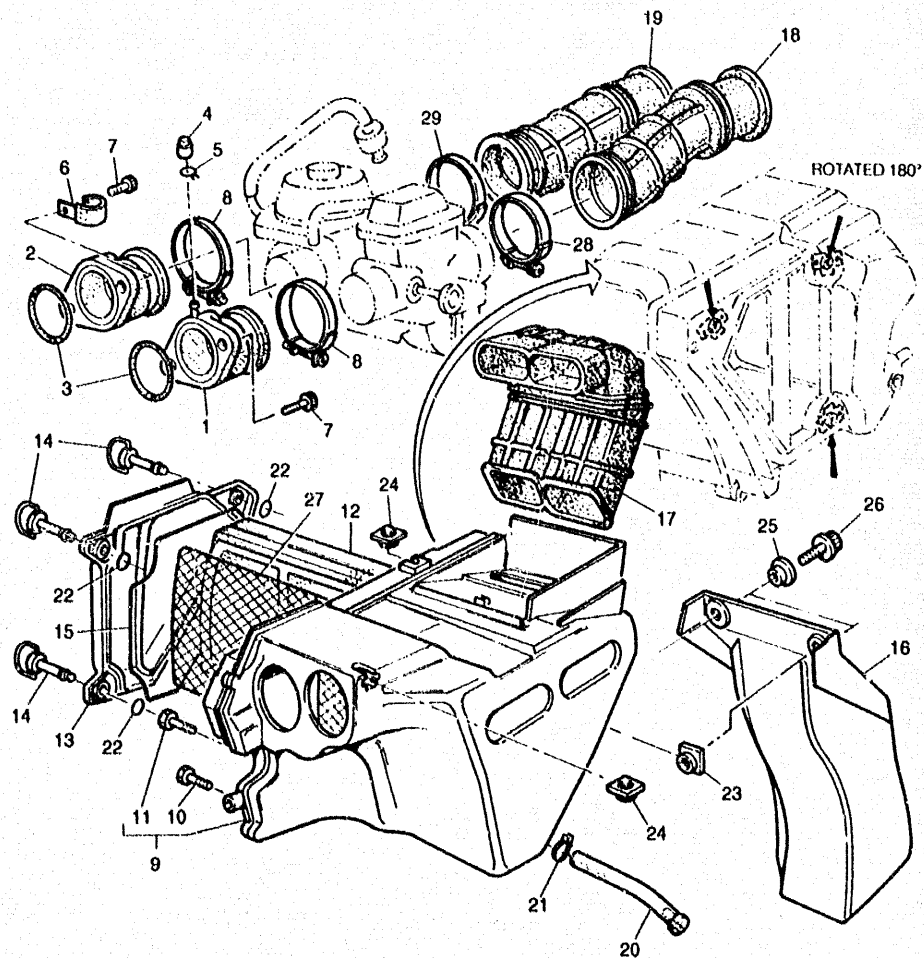


FIG. 7 INTAKE

REF. NO.	PART NO.	DESCRIPTION	Q.TY	REMARKS
1	5CH-13586-00	JOINT, carburetor 1	1	
2	1VJ-13596-00	JOINT, carburetor 2	1	
3	93210-36769	O-RING	2	
4	16G-13569-00	PLUG, blind	1	
5	90467-10039	CLIP	1	
6	90465-08028	CLAMP	1	
7	91317-06020	BOLT	4	
8	90460-46206	CLAMP, hose	2	
9	5CH-WE401-00	AIR FILTER CASE COMP.	1	
10	90167-03X01	SCREW, tapping	3	
11	90167-03X00	SCREW, tapping	1	
12	5CH-E4450-00	ELEMENT ASSY AIR CLEANER	1	
13	5CH-E4412-00	CAP, cleaner comp.	1	
14	4GY-28386-00	HEAD	3	
15	5CH-E4462-00	SEAL	1	
16	5CH-F1621-00	FLAP	1	
17	5CH-E4437-00	DUCT	1	
18	5CH-E4453-00	JOINT AIR CLEANER 1	1	
19	5CH-E4454-00	JOINT AIR CLEANER 2	1	
20	5CH-E443E-00	PIPE, drain	1	
21	90467-14839	CLIP	1	
22	93210-05X00	O-RING	3	
23	5CH-F1736-00	NUT, plate	2	
24	5CH-F1736-00	NUT, plate	2	
25	90387-062M9	COLLAR	2	
26	9581L-06016	BOLT, flg.	2	
27	5CH-E445A-02	NET, flame arrester 2	1	
28	90450-51059	CLAMP, hose	1	

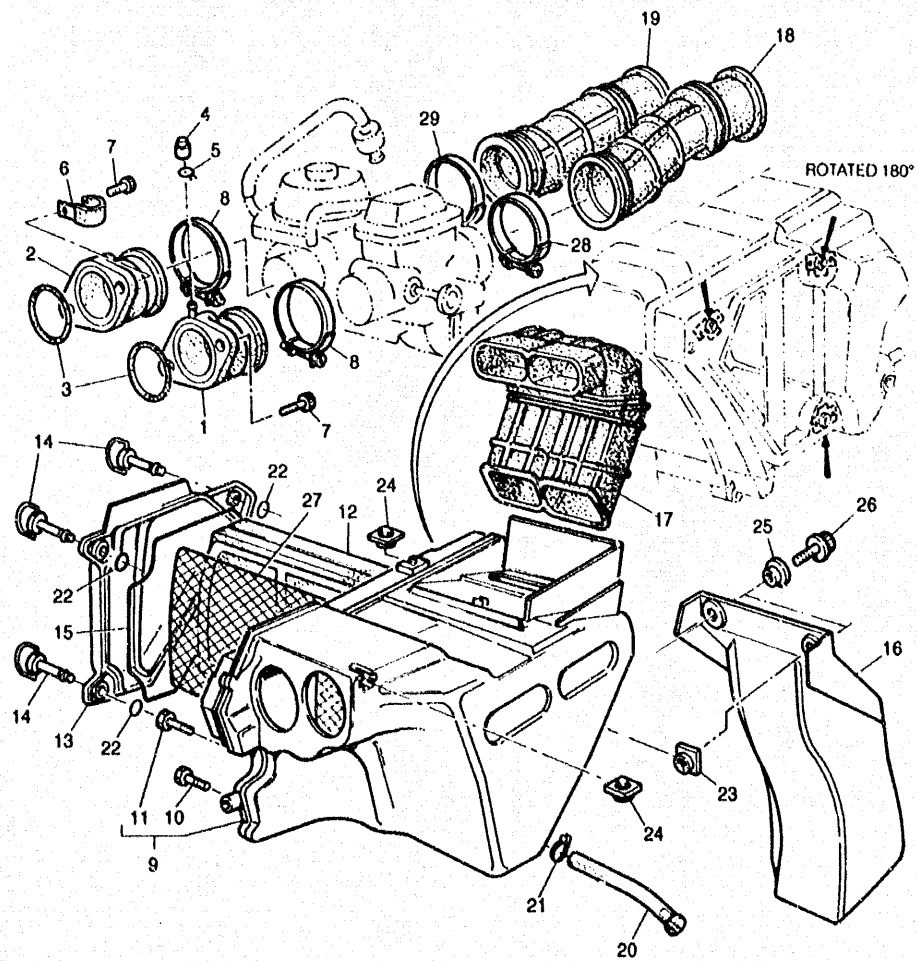


FIG. 7 INTAKE

REF. NO.	PART NO.	DESCRIPTION	Q. TY	REMARKS
29	90450-58124	CLAMP, hose	1	

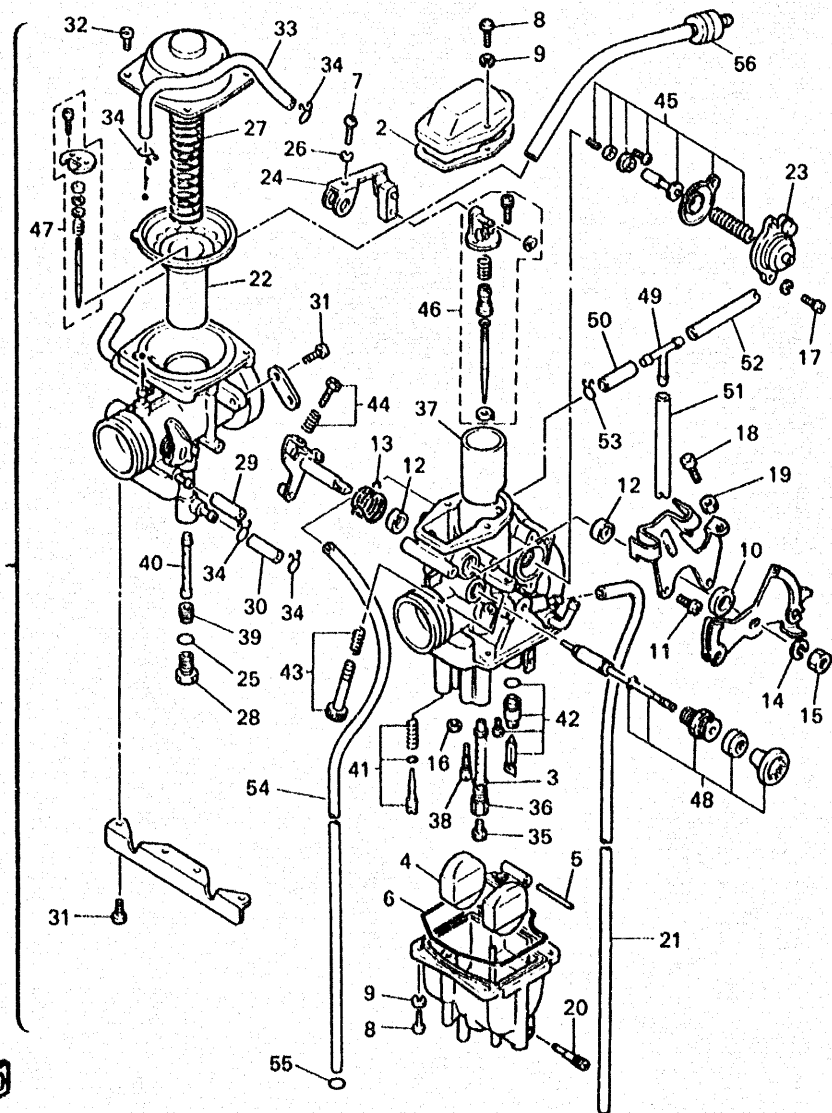


FIG. 8 CARBURETOR

REF. NO.	PART NO.	DESCRIPTION	Q.TY	REMARKS
1	5CH-14301-01	CARBURETOR ASSY 1	1	
2	2JN-14198-00	GASKET	1	
3	360-24512-00	GASKET	1	
4	2JN-14385-00	FLOAT	1	
5	689-14386-00	PIN, float	1	
6	5Y1-14384-00	GASKET, float chamber	1	
7	98580-04015	SCREW, pan head	1	
8	98501-04014	SCREW, pan head	6	
9	92902-04100	WASHER, spring	6	
10	1JK-14357-00	COLLAR	1	
11	214-24535-00	SCREW, lever fitting	2	
12	5Y1-14752-00	SEAL	2	
13	2NX-14131-00	SPRING, throttle valve	1	
14	5Y1-14356-00	WASHER, spring	1	
15	5Y1-14358-10	NUT	1	
16	5Y1-14536-00	GASKET	1	
17	98501-04010	SCREW, pan head	2	
18	5Y1-14216-00	SCREW	1	
19	30X-14358-00	NUT	1	
20	5Y1-14115-00	PLUG, screw	1	
21	5CH-14149-00	PIPE	2	
22	3GV-14940-00	DIAPHRAGM, assy	1	
23	2JN-14293-00	COVER 1	1	
24	5CH-14291-00	BRACKET	1	
25	1JK-14397-00	O-RING	1	
26	92990-04100	WASHER, spring	1	
27	1JK-14286-00	SPRING	1	
28	7FK-14394-00	VALVE, drain	1	

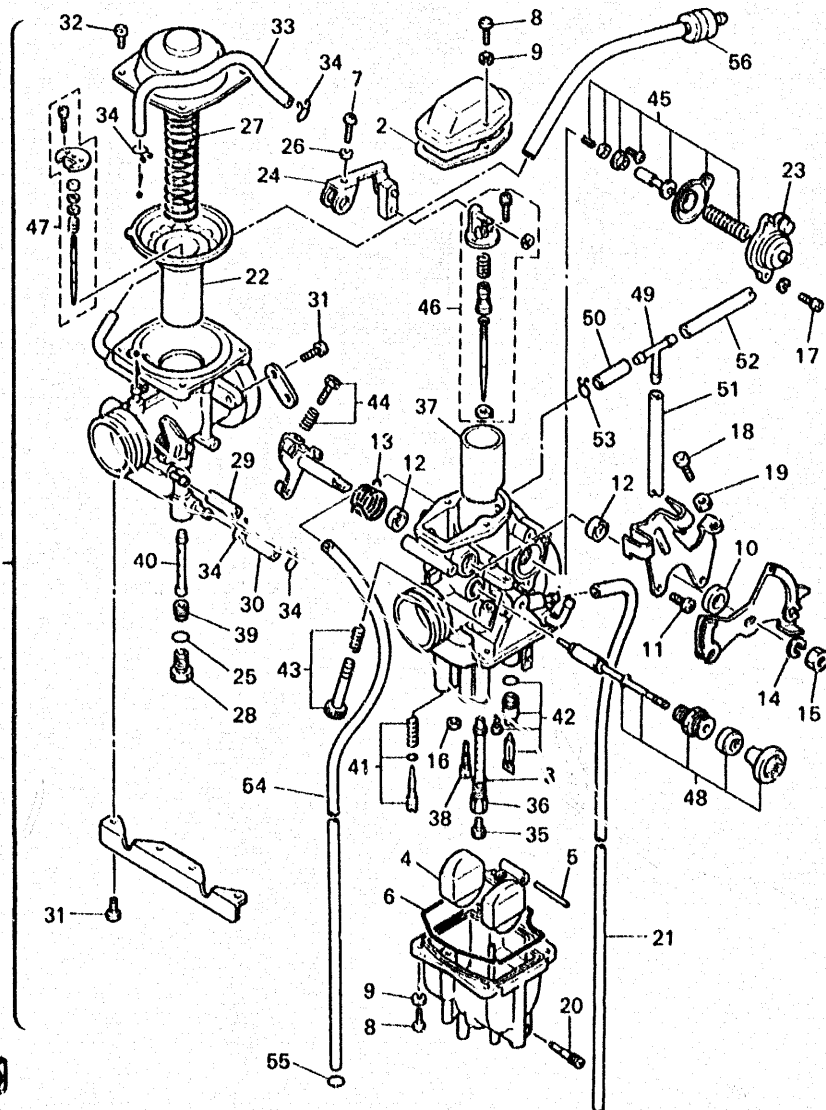


FIG. 8 CARBURETOR

REF. NO.	PART NO.	DESCRIPTION	Q.TY	REMARKS
29	5Y1-14349-00	PIPE	1	
30	30X-14148-00	PIPE	1	
31	98501-05010	SCREW, pan head	6	
32	214-24535-00	SCREW, lever tilting	4	
33	5Y1-14149-00	PIPE	1	
34	5Y1-14159-00	CLIP	4	
35	288-14343-75	JET, main (#150)	1	UR. STD.
35	288-14343-73	JET, main (#145)	1	
35	288-14343-78	JET, main (#155)	1	
36	2KF-14341-00	NOZZLE, main	1	
37	5CH-14313-40	VALVE, throttle 2	1	
38	43F-14342-27	JET, pilot (#54)	1	
39	30X-14343-65	JET, main (#130)	1	
40	1JK-14355-00	NOZZLE, main 2	1	
41	51Y-14105-00	PILOT SCREW SET	1	
42	2JN-14107-00	NEEDLE VALVE SET	1	
43	2NX-1490K-00	STOP SCREW SET	1	
44	2NX-14103-00	THROTTLE SCREW SET	1	
45	1JK-1490A-00	DIAPHRAGM SET, 1	1	
46	5CH-1490J-10	NEEDLE SET	1	
47	5CH-1490J-00	NEEDLE SET	1	
48	2KF-1410A-00	STARTER SET	1	
49	90413-07007	WAY 3	1	
50	5CH-1414B-00	HOSE	1	
51	5CH-1414C-00	HOSE	1	
52	3YF-14148-00	PIPE	1	
53	3YF-14159-00	CLIP	1	
54	5CH-E4197-00	PIPE	1	



5CH1354-7080

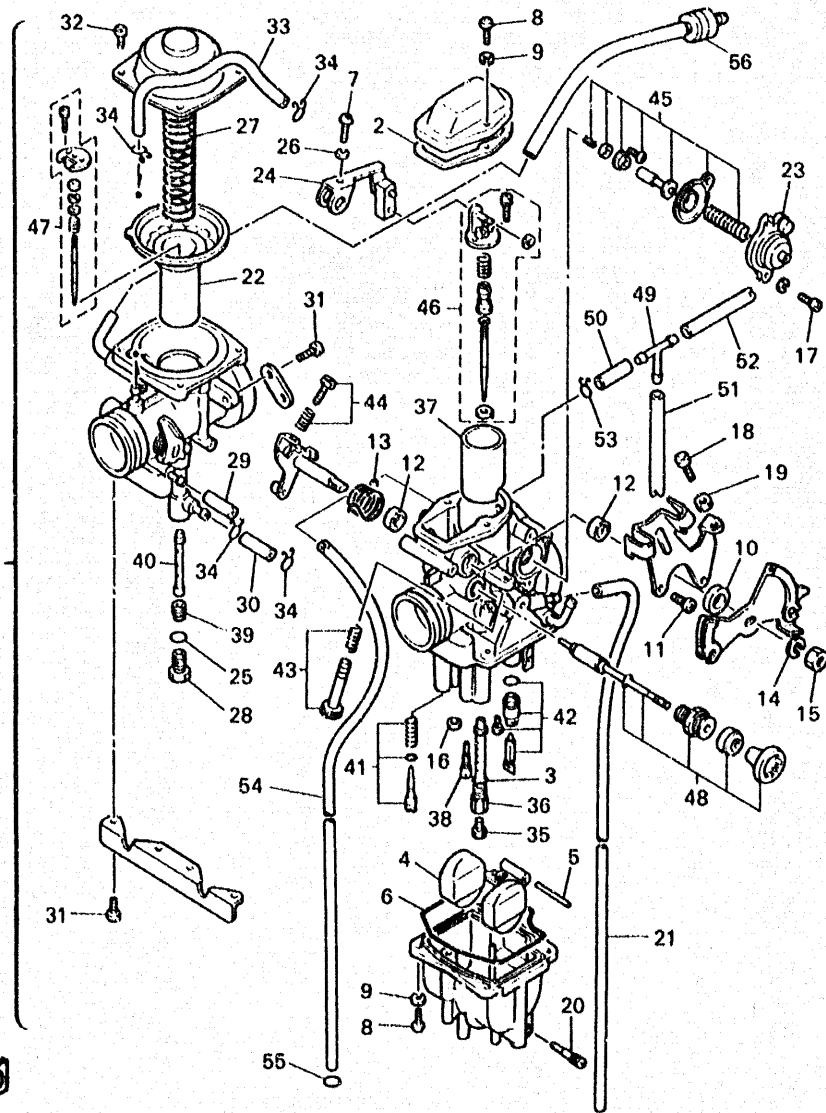


FIG. 8 CARBURETOR

REF. NO.	PART NO.	DESCRIPTION	Q.TY	REMARKS
55	93210-16X00	O-RING	1	
56	3TD-14197-00	PIPE 1	1	

6CH1354-7080

B 15

CONTENTS

GENERAL SPEC.

ENGINE

Fig. 1	CYLINDER HEAD	1
Fig. 2	CYLINDER	3
Fig. 3	CRANKSHAFT, PISTON	4
Fig. 4	VALVE	6
Fig. 5	CAMSHAFT, CHAIN	7
Fig. 6	OIL PUMP	8
Fig. 7	INTAKE	10
Fig. 8	CARBURETOR	12
Fig. 9	EXHAUST	15
Fig. 10	CRANKCASE	16
Fig. 11	CRANKCASE COVER 1	17
Fig. 12	STARTER	19
Fig. 13	CLUTCH	21
Fig. 14	TRANSMISSION	23
Fig. 15	SHIFT CAM, FORK	25
Fig. 16	SHIFT SHAFT	26

CHASSIS

Fig. 17	FRAME	27
Fig. 18	FENDER	29
Fig. 19	OIL TANK	30
Fig. 20	REAR ARM	31
Fig. 21	REAR SUSPENSION	33
Fig. 22	STEERING	34
Fig. 23	FRONT FORK	36
Fig. 24	FUEL TANK	38
Fig. 25	SEAT	39
Fig. 26	FRONT WHEEL	40
Fig. 27	FRONT BRAKE CALIPER	41
Fig. 28	REAR WHEEL	42
Fig. 29	REAR BRAKE CALIPER	43
Fig. 30	STEERING HANDLE, CABLE	44
Fig. 31	FRONT MASTER CYLINDER	45
Fig. 32	STAND/FOOTREST	46
Fig. 33	REAR MASTER CYLINDER	47
Fig. 34	EMBLEMS	48
Fig. 35	GENERATOR	49
Fig. 36	FLASHER LIGHT	50
Fig. 37	METER	51
Fig. 38	HEADLIGHT	52
Fig. 39	TAILLIGHT	53
Fig. 40	HANDLE SWITCH, LEVER	54
Fig. 41	ELECTRICAL 1	55
Fig. 42	ELECTRICAL 2	56

INDIVIDUAL SPEC. (Only for Australian market)

CHASSIS

Fig. 43	HEADLIGHT	57
---------	-----------------	----

INDEX (GENERAL & INDIVIDUAL SPEC.)

NUMERICAL INDEX

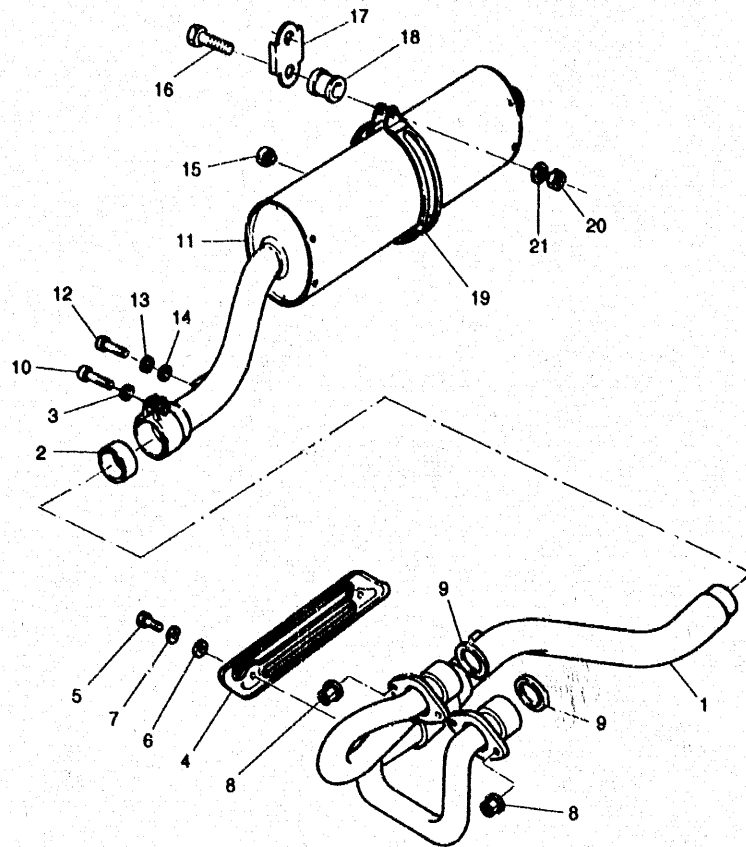


FIG. 9 EXHAUST

REF. NO.	PART NO.	DESCRIPTION	Q.TY	REMARKS
1	5CH-E4611-00	EXHAUST PIPE ASSY 1	1	
2	3YF-14755-00	GASKET, silencer	1	
3	92990-08600	WASHER, plain	1	
4	5CH-E4628-00	PROTECTOR, exhaust pipe	1	
5	90164-06017	SCREW, tapping	2	
6	4BD-14766-00	WASHER	4	
7	90206-06090	WASHER, wave	2	
8	90179-06668	NUT	4	
9	3YF-14613-01	GASKET, exhaust pipe	2	
10	91380-08030	BOLT, hexagon socket head	1	
11	5CH-E4711-00	MUFFLER 1	1	
12	91380-08020	BOLT, hexagon socket head	1	
13	92990-08100	WASHER, spring	1	
14	5CH-E4766-00	WASHER, plain	1	
15	4GV-F7114-00	STOPPER, main stand	1	
16	9581L-08045	BOLT, fig.	1	
17	5CH-F1445-01	STAY, muffler 1	1	
18	5CH-E4763-00	SPACER	1	
19	5CH-E4788-00	BAND, silencer	1	
20	90185-08838	NUT, self locking	1	
21	9290L-08200	WASHER, plain	1	



5CH1300-7090

C 2

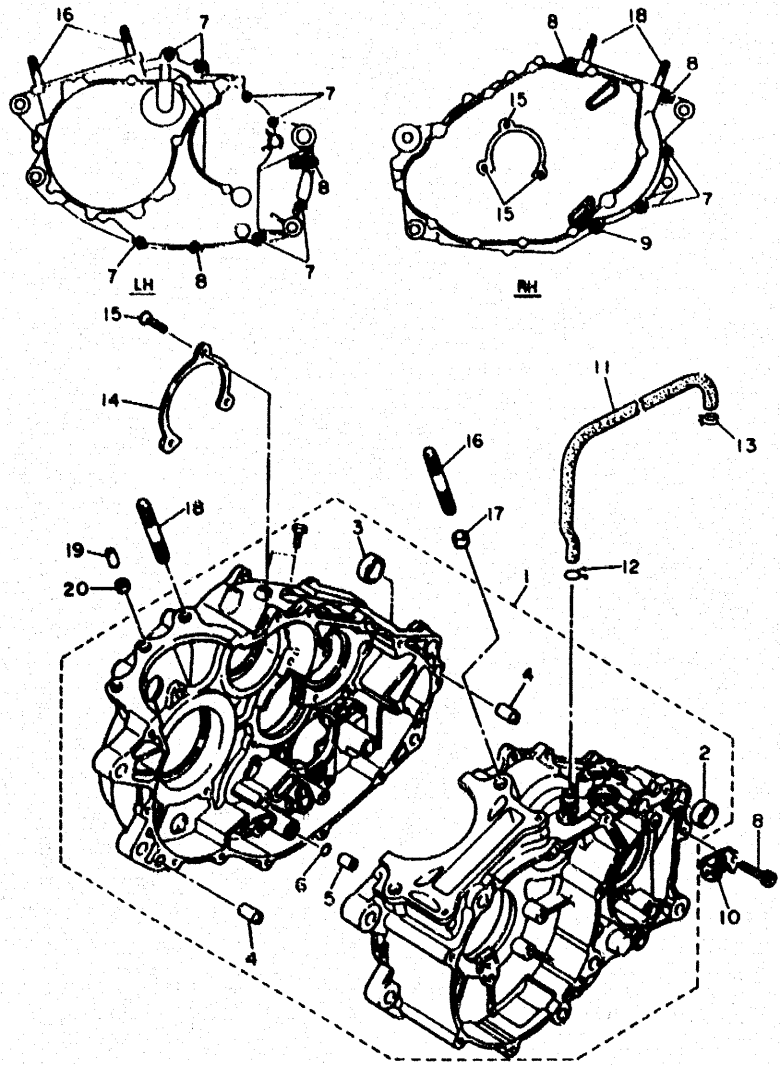


FIG. 10 CRANKCASE

REF. NO.	PART NO.	DESCRIPTION	Q.TY	REMARKS
1	4PT-15100-00	CRANKCASE ASSY	1	
2	90367-17783	COLLAR	1	
3	90387-16782	COLLAR	1	
4	99530-12016	PIN, dowel	2	
5	99510-08016	PIN, dowel	1	
6	93210-07135	O-RING	1	
7	91317-06030	BOLT, hexagon socket head	9	
8	91317-06045	BOLT	4	
9	91317-06060	BOLT	1	
10	90465-08344	CLAMP	1	
11	5CH-E1166-00	PIPE, breather 1	1	
12	90467-14015	CLIP	1	
13	90467-17128	CLIP	1	
14	5Y1-15383-00	PLATE, bearing cover	1	
15	98707-06012	SCREW, flat head	3	
16	90116-10506	BOLT, stud	2	
17	99530-14016	PIN, dowel	2	
18	90116-10263	BOLT, stud	2	
19	99530-08016	PIN, dowel	1	
20	90430-08178	GASKET	1	



5CH1300-7101

C3

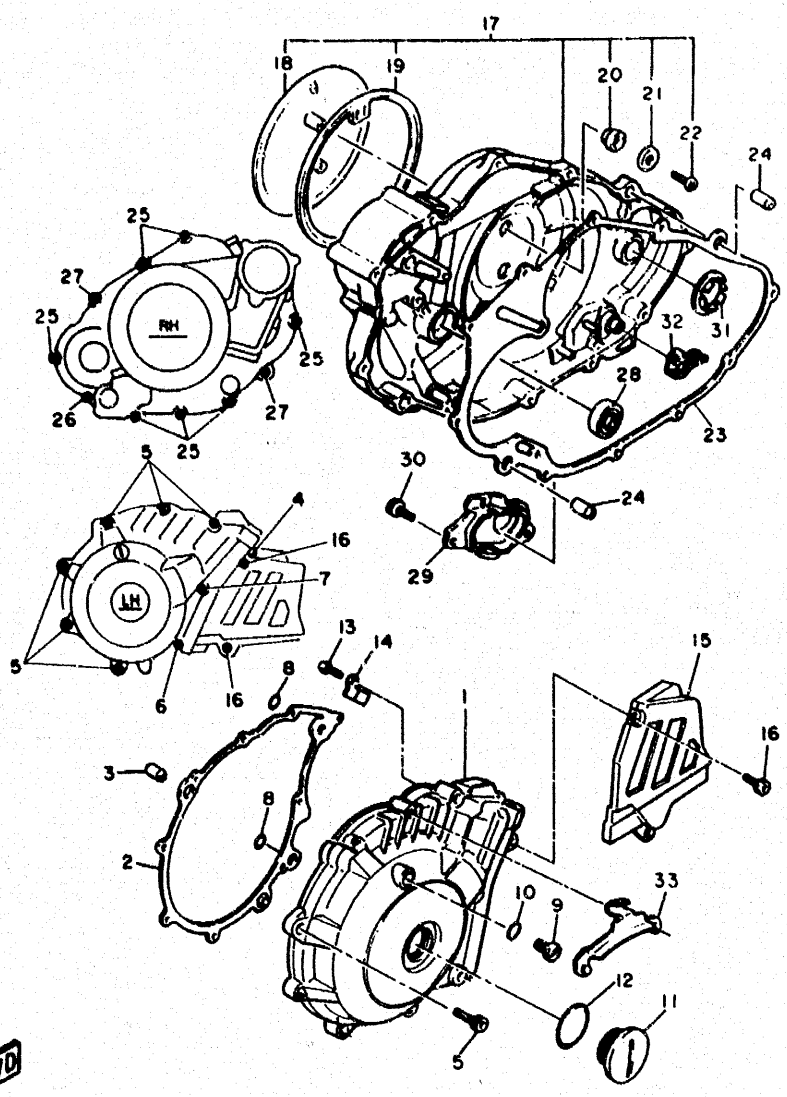


FIG. 11 CRANKCASE COVER 1

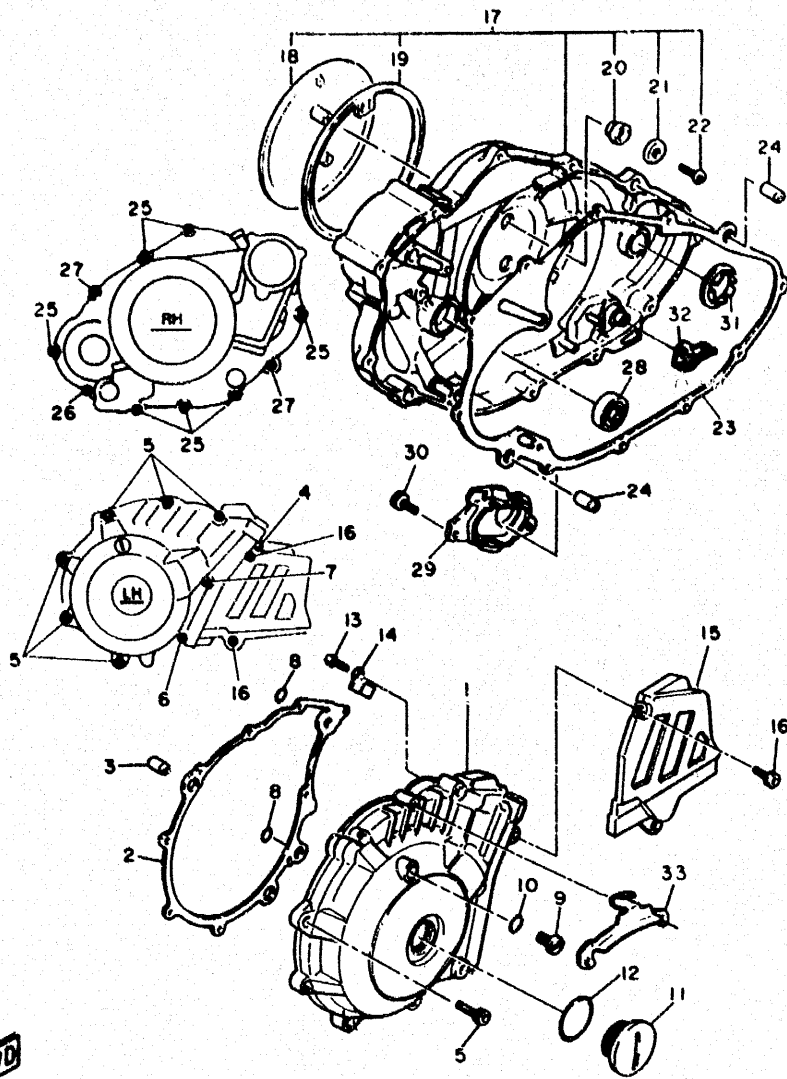
REF. NO.	PART NO.	DESCRIPTION	Q.TY	REMARKS
1	5CH-15411-00	COVER, crankcase 1	1	UR. COMPETITION SILVER
2	4DW-15451-00	GASKET, crankcase cover 1	1	
3	99530-12016	PIN, dowel	2	
4	91317-06030	BOLT	1	
5	91317-06025	BOLT	6	
6	91317-06050	BOLT	1	
7	91317-06050	BOLT	1	
8	93210-13361	O-RING	2	
9	90340-08014	PLUG, straight screw	1	UR. COMPETITION SILVER
10	90430-08143	O-RING	1	
11	90340-36076	PLUG, straight screw	1	UR. COMPETITION SILVER
12	93210-357A3	O-RING	1	
13	98507-06012	SCREW, pan head	1	
14	90462-16102	CLAMP	1	
15	5CH-E5421-10	COVER, crankcase, 2	1	UR. COMPETITION SILVER
16	9131M-06016	BOLT	2	
17	4PT-15430-00	CRANKCASE COVER ASSY 3	1	UR. COMPETITION SILVER
18	4PT-15418-00	COVER, chain case	1	
19	1JK-15449-00	RING, rubber	1	
20	1JK-15486-00	GROMMET	2	
21	90209-05279	WASHER	2	
22	98507-05010	SCREW, pan head	2	
23	4DW-15462-00	GASKET, crankcase cover 3	1	
24	99530-12016	PIN, dowel	2	
25	91317-06025	BOLT	7	
26	91317-06030	BOLT, hexagon socket head	1	
27	91317-06035	BOLT	2	
28	93101-14092	OIL SEAL (S7-14-25-5.5-1-HS)	1	



5CH1300-7110

C4

FIG. 11 CRANKCASE COVER 1



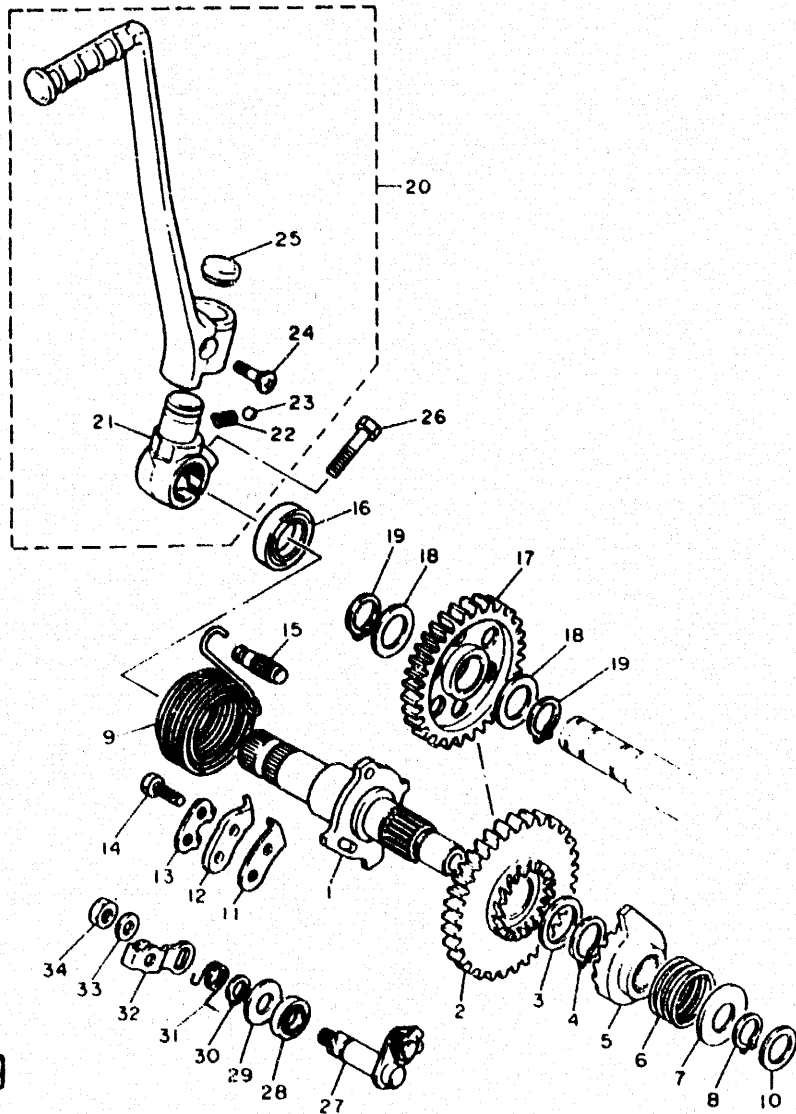
REF. NO.	PART NO.	DESCRIPTION	Q.TY	REMARKS
29	1JK-15417-00	COVER, cap	1	
30	91317-06016	BOLT	2	
31	5Y1-15645-00	SHIM, kick shaft	1	
32	5Y1-1562F-01	PLATE, decompression	1	
33	4GV-E5441-00	HOLDER, clutch hub	1	



6CH1300-7110

C5

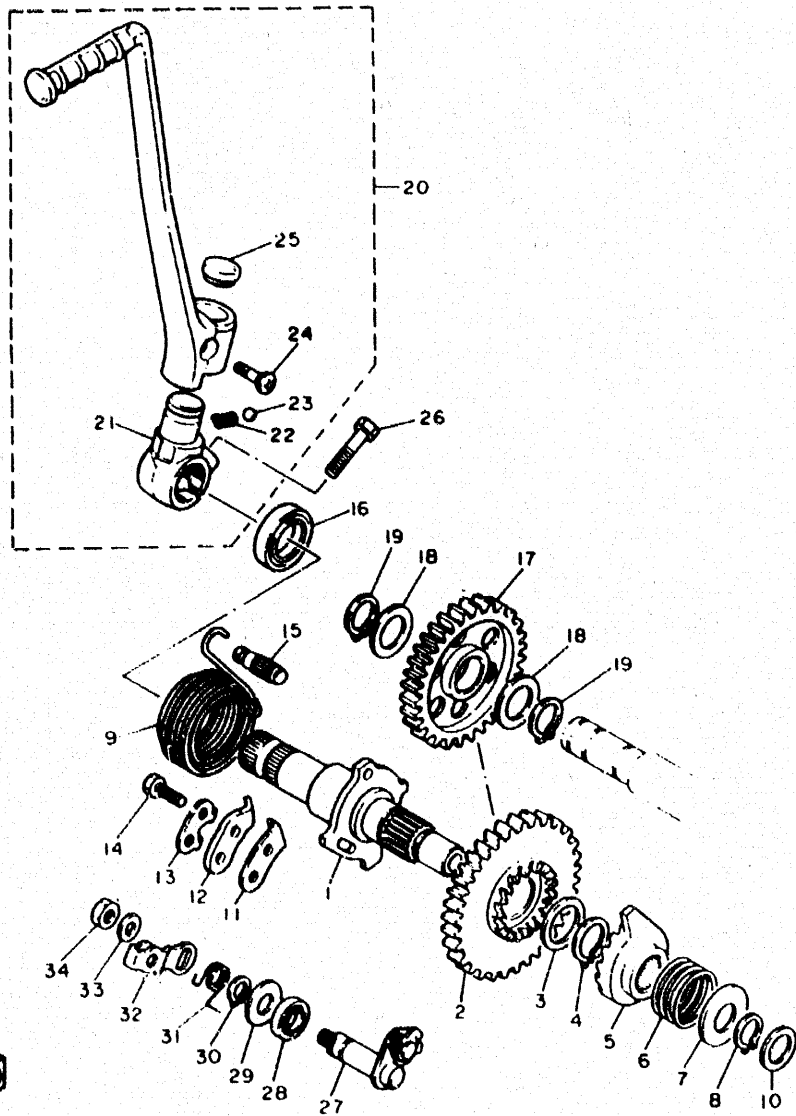
FIG. 12 STARTER



REF. NO.	PART NO.	DESCRIPTION	Q.TY	REMARKS
1	5Y1-15660-01	KICK AXLE ASSY	1	
2	34K-15641-00	GEAR, kick (35T)	1	
3	90201-20685	WASHER, plate (0.5T)	1	
4	93410-20038	CIRCLIP	1	
5	5Y1-15671-01	WHEEL, ratchet	1	
6	90501-16107	SPRING, compression	1	
7	90201-155K6	WASHER, plate	1	
8	99009-15400	CIRCLIP	1	
9	90508-32529	SPRING, torsion	1	
10	90201-15701	WASHER, plate (1.0T)	1	
11	2NX-15668-00	STOPPER	1	
12	2NX-15674-00	GUIDE, ratchet wheel	1	
13	214-15686-00	WASHER, lock	1	
14	97027-06016	BOLT	2	
15	248-15668-00	STOPPER	1	
16	93102-20108	OIL SEAL	1	
17	5Y1-15651-01	GEAR, kick idle	1	
18	90201-20276	WASHER, plate (1.0T)	2	
19	99009-20400	CIRCLIP	2	
20	5Y1-15620-02	KICK CRANK ASSY	1	
21	5Y1-15621-01	· BOSS, kick crank	1	
22	90501-12081	· SPRING, compression	1	
23	93507-32009	· BALL	1	
24	90152-06010	· SCREW, countersunk	1	
25	90336-18038	· PLUG, taper	1	
26	9701L-08030	BOLT	1	
27	3Y1-1561A-02	DECOMPRESSION LEVER ASSY	1	
28	93102-10207	OIL SEAL (SD 10-21-5 HS)	1	

FIG. 12 STARTER

REF. NO.	PART NO.	DESCRIPTION	Q.TY	REMARKS
29	90201-10135	WASHER, plate	1	
30	99009-10400	CIRCLIP	1	
31	90508-14524	SPRING, torsion	1	
32	5Y1-1561G-00	LEVER, cable	1	
33	92907-06600	WASHER, plate	1	
34	95317-06700	NUT	1	



2KF300-7120

C7



2RW361-7130

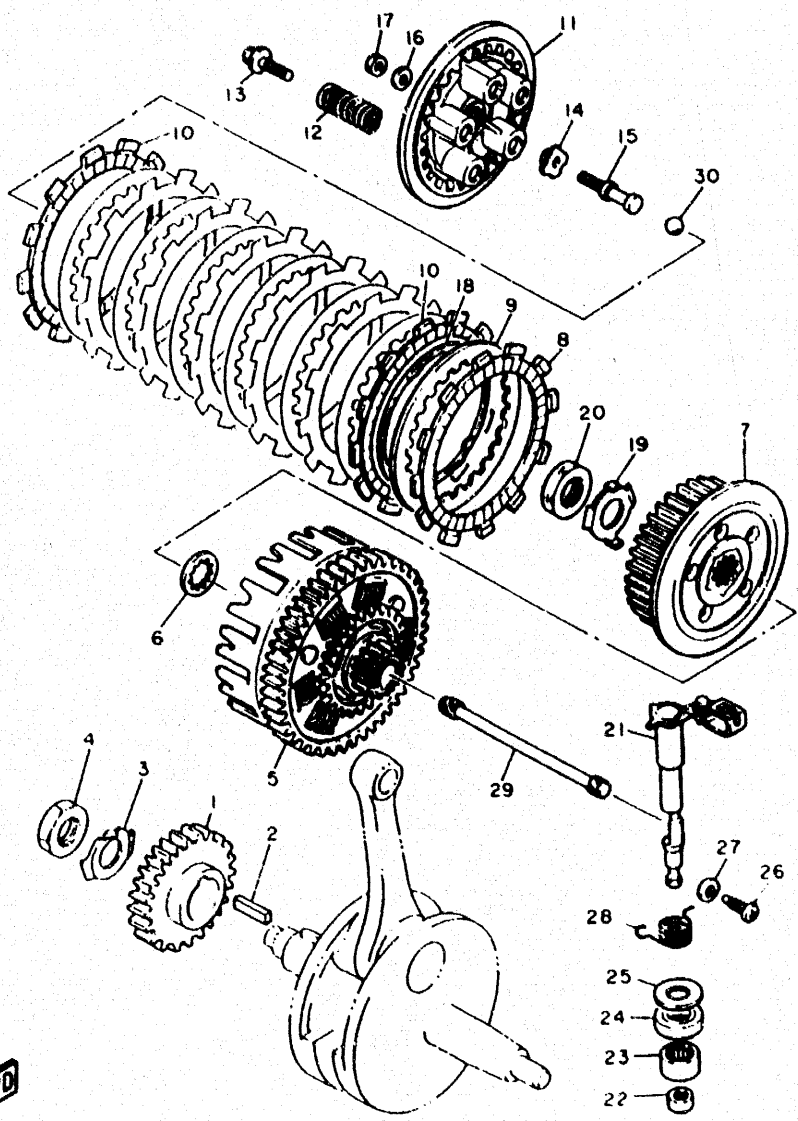


FIG. 13 CLUTCH

REF. NO.	PART NO.	DESCRIPTION	Q.TY	REMARKS
1	34K-16111-00	GEAR, primary drive (31T)	1	
2	90262-07042	KEY, straight	1	
3	90215-20197	WASHER, lock	1	
4	90170-20274	NUT	1	
5	34K-16150-00	PRIMARY DRIVEN GEAR COMP. (74T)	1	
6	2JN-16154-00	PLATE, thrust 1	1	
7	2JN-16371-00	BOSS, clutch	1	
8	5Y1-16321-00	PLATE, friction	6	
9	30X-16325-00	PLATE, clutch 2	7	
10	5Y1-16331-01	PLATE, friction 2	2	
11	5Y1-16351-00	PLATE, pressure 1	1	
12	90501-26148	SPRING, compression	5	
13	90159-06016	SCREW, with washer	5	
14	1W1-16358-01	PLATE, push	1	
15	5Y1-16356-00	ROD, push 1	1	
16	92907-06200	WASHER, plain	1	
17	95307-06600	NUT	1	
18	5Y1-16383-00	SPRING, clutch boss	1	
19	90215-20231	WASHER, lock	1	
20	90170-20327	NUT	1	
21	4GV-16380-01	PUSH LEVER ASSY	1	
22	93317-11020	BEARING, cylindrical	1	
23	93315-11720	BEARING, cylindrical	1	
24	93102-17148	OIL SEAL	1	
25	90201-17327	WASHER, plate	1	
26	90149-08067	SCREW	1	
27	90430-08119	GASKET	1	
28	90508-144A3	SPRING, torsion	1	

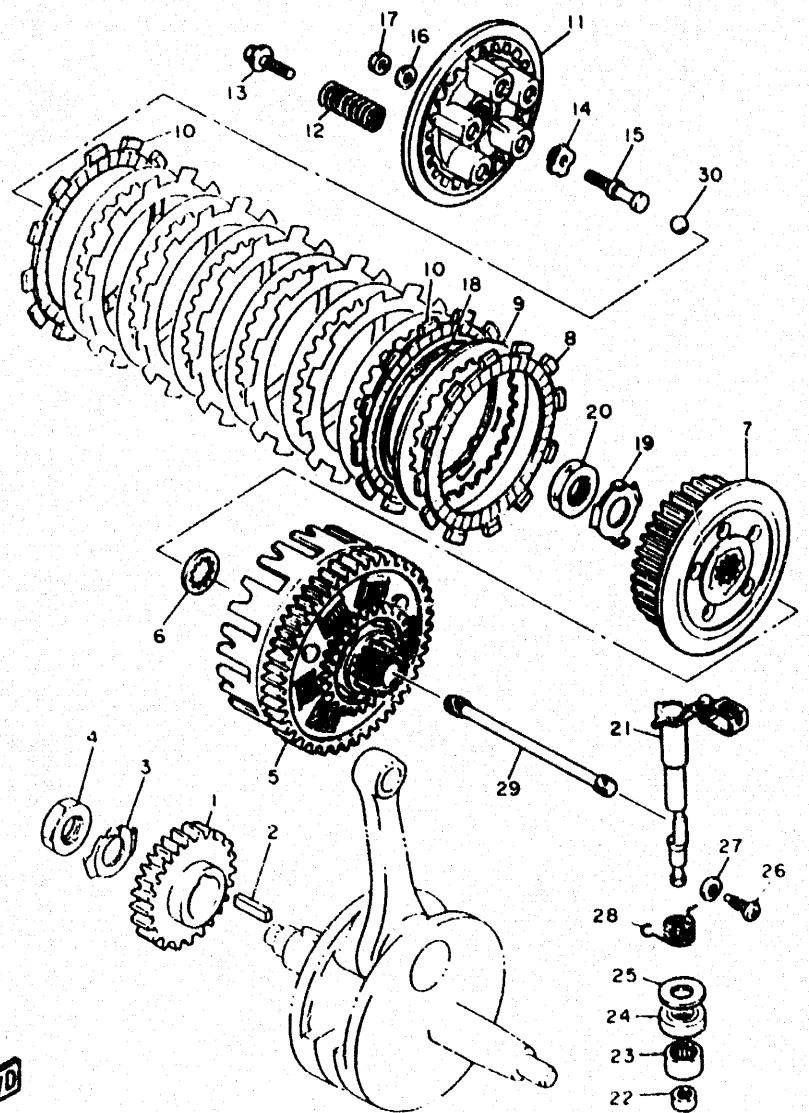


FIG. 13 CLUTCH

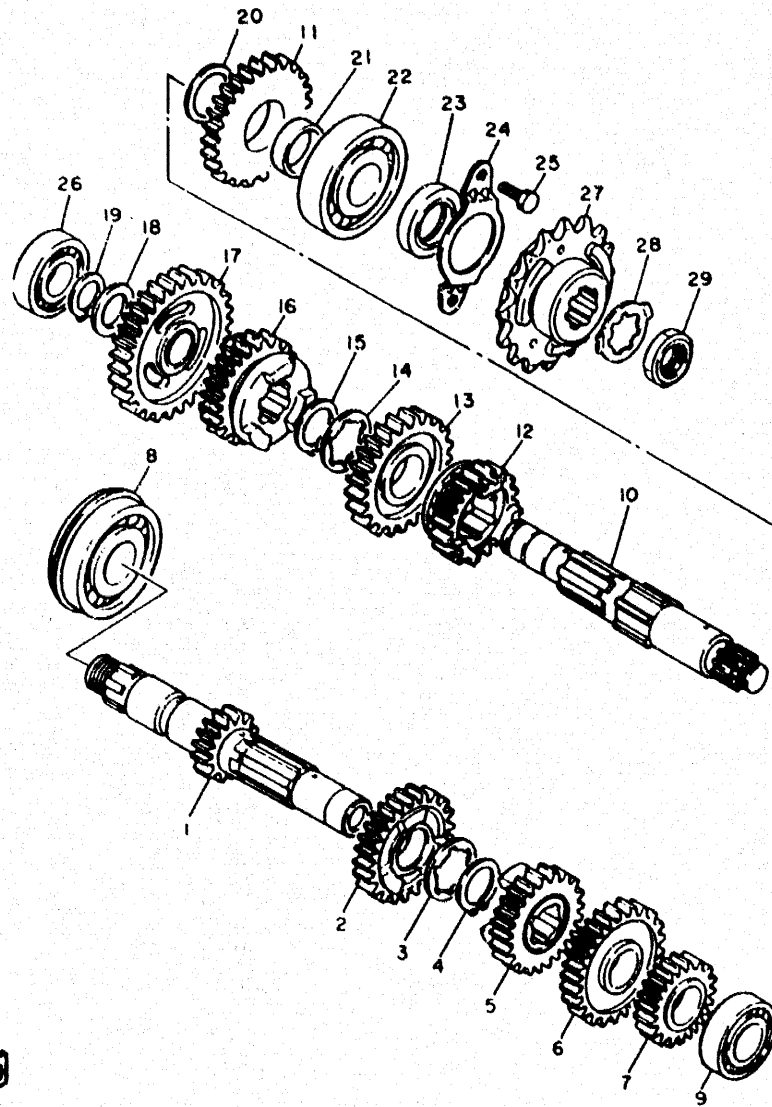
REF. NO.	PART NO.	DESCRIPTION	Q.TY	REMARKS
29	5Y1-16357-00	ROD, push 2	1	
30	93515-32029	BALL	1	



2RW361-7130

C9

FIG. 14 TRANSMISSION



REF. NO.	PART NO.	DESCRIPTION	Q.TY	REMARKS
1	2NX-17411-00	AXLE, main (13T)	1	
2	34K-17141-00	GEAR, 4th pinion (22T)	1	
3	90209-22191	WASHER	1	
4	93440-25084	CIRCLIP	1	
5	1VJ-17131-00	GEAR, 3rd pinion (20T)	1	
6	3YP-17151-01	GEAR, 5th pinion (24T)	1	
7	34K-17121-01	GEAR, 2nd pinion (17T)	1	
8	93306-30540	BEARING (6305NRX1C3)	1	
9	93306-00431	BEARING	1	
10	3YP-17402-00	DRIVE AXLE ASSY (22T)	1	
11	3YP-17221-00	GEAR, 2nd wheel (27T)	1	
12	3YP-17251-01	GEAR, 5th wheel (19T)	1	
13	1VJ-17231-00	GEAR, 3rd wheel (24T)	1	
14	90209-22191	WASHER	1	
15	93440-25084	CIRCLIP	1	
16	55U-17241-00	GEAR, 4th wheel (21T)	1	
17	34K-17211-00	GEAR, 1st wheel (30T)	1	
18	90201-20276	WASHER, plate (1.0T)	1	
19	99009-20400	CIRCLIP	1	
20	90201-275P2	WASHER, plate	1	
21	90560-25376	SPACER	1	
22	93306-30535	BEARING	1	
23	93102-25226	OIL SEAL	1	
24	5Y1-17471-00	PLATE, cover	1	
25	97027-06014	BOLT	2	
26	93306-00426	BEARING	1	
27	2NX-17460-01	SPROCKET, drive (15T)	1	
28	90215-23265	WASHER, lock	1	



3YP351-1140

C 10

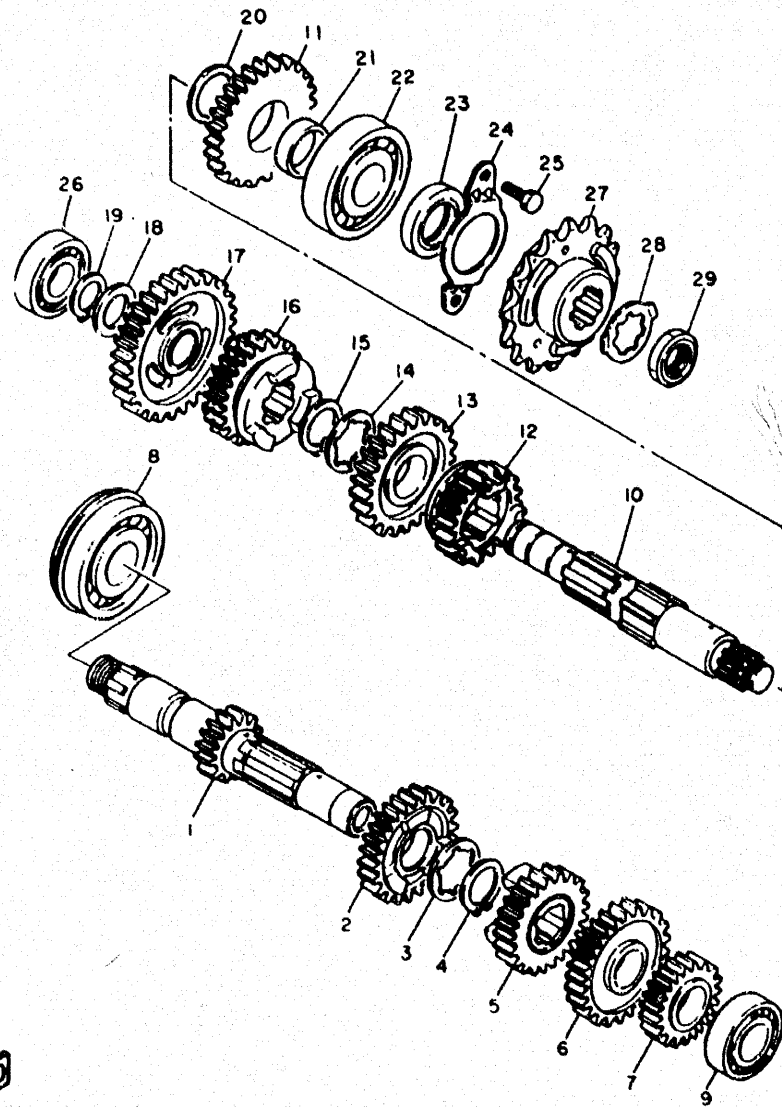


FIG. 14 TRANSMISSION

REF. NO.	PART NO.	DESCRIPTION	Q.TY	REMARKS
29	90179-18552	NUT	1	

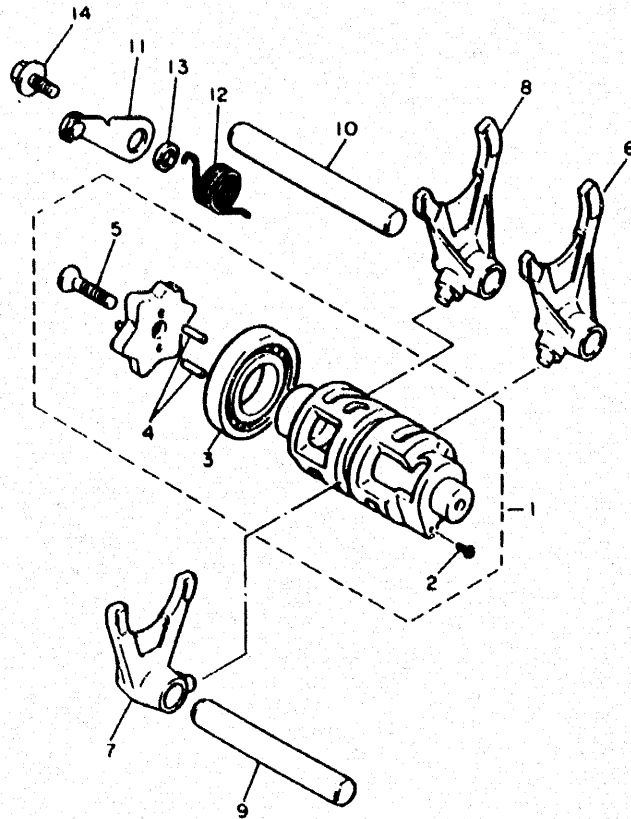
FWD

3YP351-1140

C 11

- 24 -

FIG. 15 SHIFT CAM. FORK



REF. NO.	PART NO.	DESCRIPTION	Q.TY	REMARKS
1	3YF-18540-00	SHIFT CAM ASSY	1	
2	136-18542-00	POINT, neutral	1	
3	93316-00501	BEARING, cylindrical	1	
4	93604-10011	PIN, dowel	2	
5	90151-06017	SCREW, countersunk	1	
6	4PT-18511-00	FORK, shift 1	1	
7	4PT-18512-00	FORK, shift 2	1	
8	4PT-18513-00	FORK, shift 3	1	
9	3YF-18531-00	BAR, shift fork guide 1	1	
10	3XV-18535-00	BAR, shift fork guide 2	1	
11	2KF-18140-00	STOPPER LEVER ASSY	1	
12	90508-26691	SPRING, torsion	1	
13	90387-063F7	COLLAR	1	
14	90159-06078	SCREW, with washer	1	



2KF300-7150

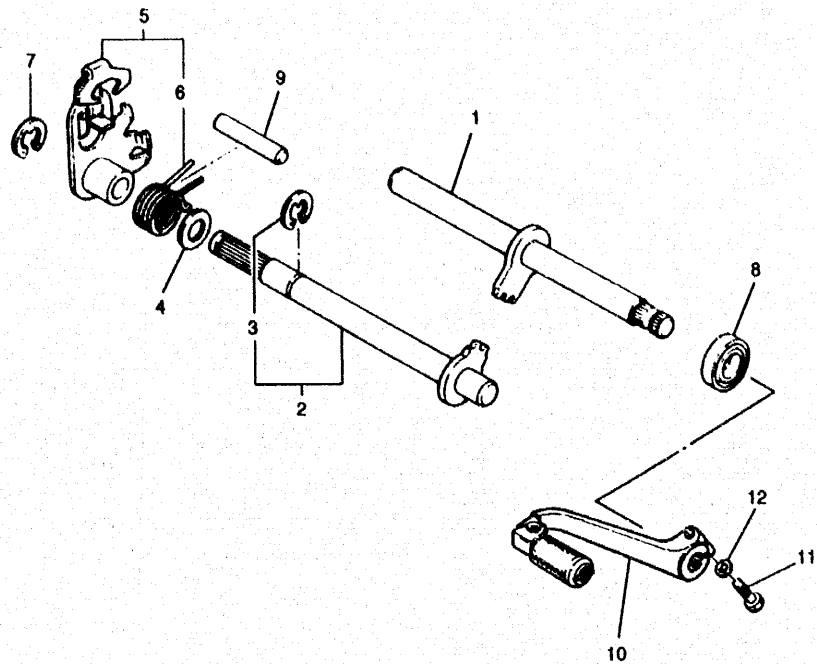


FIG. 16 SHIFT SHAFT

REF. NO.	PART NO.	DESCRIPTION	Q.TY	REMARKS
1	43F-18102-02	SHIFT SHAFT ASSY 2	1	
2	5Y1-18101-02	SHIFT SHAFT ASSY	1	
3	99001-10600	CIRCLIP	1	
4	90201-12474	WASHER, plate	1	
5	34K-18120-00	SHIFT LEVER ASSY	1	
6	90508-29629	SPRING, torsion	1	
7	99001-09600	CIRCLIP	1	
8	93102-12106	SEAL	1	
9	93608-33046	PIN, dowel	1	
10	34K-18110-02	SHIFT PEDAL ASSY	1	
11	9701L-06025	BOLT, hex.	1	
12	9290L-06600	WASHER, plain	1	



5CH1300-7160

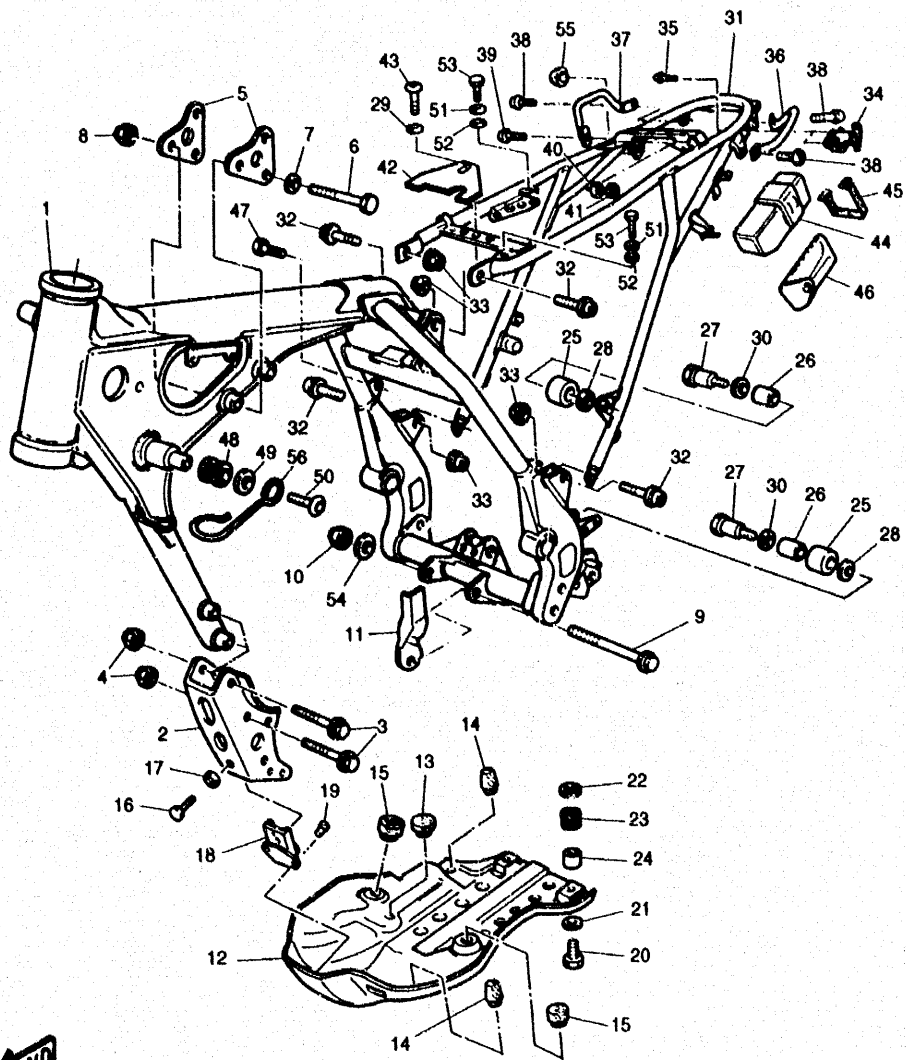


FIG. 17 FRAME

REF. NO.	PART NO.	DESCRIPTION	Q.TY	REMARKS
1	5CH-F1110-00-T9	FRAME COMP.	1	UR. COMPETITION SILVER
2	4GV-F1316-00-T9	STAY, E/G	1	UR. COMPETITION SILVER
3	95817-10070	BOLT, flange	4	
4	95607-10200	NUT, U	4	
5	4GV-F1315-00	STAY, E/G 2	1	
6	97017-10080	BOLT, hex.	3	
7	92907-10100	WASHER, spring	3	
8	90185-10060	NUT, self-locking	3	
9	95817-10110	BOLT, flg.	1	
10	90185-10060	NUT, self-locking	1	
11	4GV-F176E-00	PLATE	1	
12	5CH-F1471-00	PROTECTOR, E/G	1	
13	2J5-21732-00	SEAL 1	1	
14	4N0-27114-00	STOPPER, main stand	2	
15	34L-21485-00	DAMPER, rubber	2	
16	97007-08016	BOLT, hex.	1	
17	92907-08100	WASHER, spring	1	
18	34L-21486-00	DAMPER, 2	1	
19	90267-48079	RIVET, blind	2	
20	97007-06020	BOLT, hex.	2	
21	92907-06100	WASHER, spring	2	
22	90201-06765	WASHER, plate	2	
23	90480-14229	GROMMET	2	
24	90387-060A7	COLLAR	2	
25	30X-22178-00	TENSIONER	2	
26	4V4-22184-00	BUSH	2	
27	90109-08705	BOLT	2	
28	90201-13202	WASHER, plate	2	



5CH1300-7171

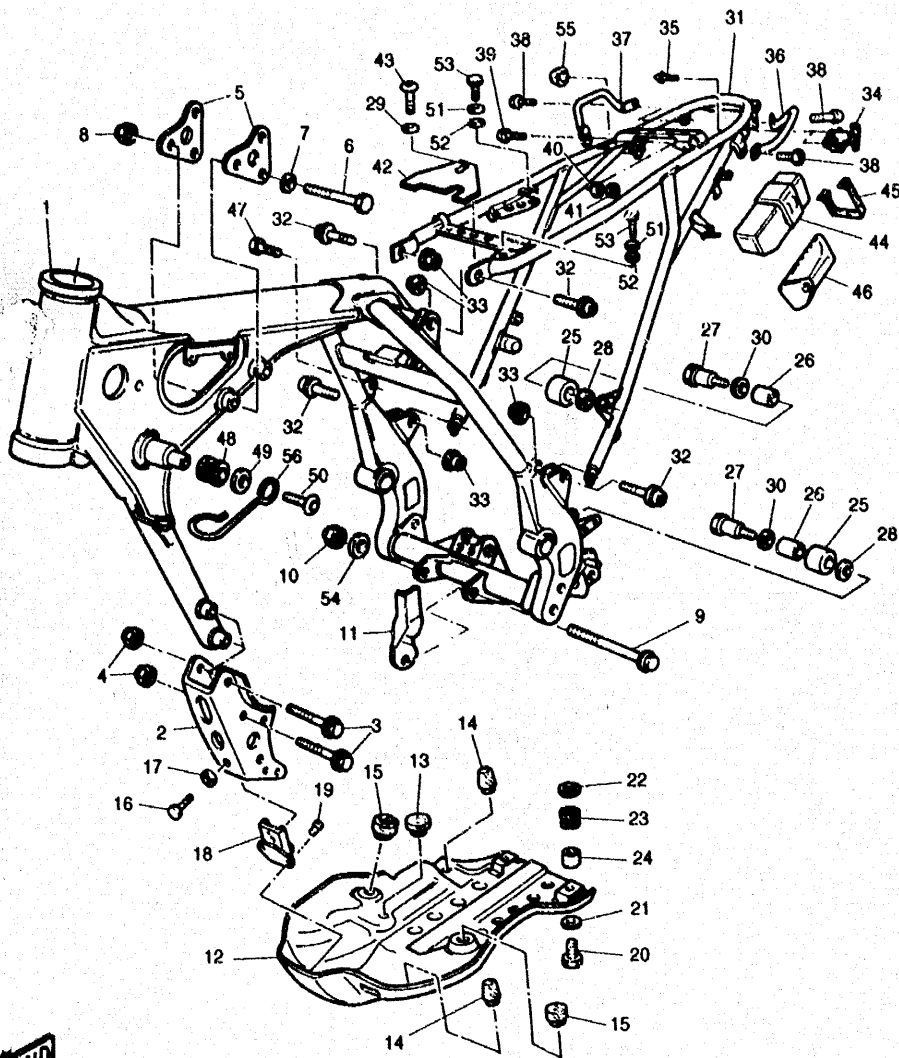


FIG. 17 FRAME

REF. NO.	PART NO.	DESCRIPTION	Q.TY	REMARKS
29	9290L-06200	WASHER, plain	1	
30	90201-08753	WASHER, plate	2	
31	5CH-F1190-00-T9	RR. FRAME COMP.	1	UR. COMPETITION SILVER
32	90109-087F1	BOLT	4	
33	90179-08X03	NUT, fla.	4	
34	5CH-F1308-00	HELMET, hanger assy	1	
35	5CH-H252V-00	SCREW, special	2	
36	5CH-F127A-00-T9	HANDLE, standing	1	UR. COMPETITION SILVER
37	5CH-F1275-00-T9	STAY, rear	1	UR. COMPETITION SILVER
38	90111-08808	BOLT	3	
39	9581L-08025	BOLT, flange	1	
40	9290L-08200	WASHER, plain	1	
41	90185-08838	NUT, self-locking	1	
42	5CH-F1397-10	GUIDE, wire harness	1	
43	9581L-06012	BOLT, fla.	1	
44	4GY-21107-00	TOOL, box comp.	1	
45	120-82131-00	BAND	1	
46	5CH-F8100-01	TOOL, kit	1	
47	9581L-06016	BOLT, fla.	1	
48	3SH-F4181-00	DAMPER, locating 1	2	
49	90201-098E7	WASHER, plate	2	
50	9201N-08020	BOLT, button head	2	
51	9290L-06100	WASHER, spring	2	
52	9290L-06600	WASHER, plain	2	
53	9701L-06016	BOLT, hex.	2	
54	90204-10803	WASHER, spring	1	
55	5CH-F1717-00	DAMPER, side cover	1	
56	5CH-F1161-00	HOLDER, wire	1	



5CH1300-7171

CONTENTS

GENERAL SPEC.

ENGINE

Fig. 1	CYLINDER HEAD	1
Fig. 2	CYLINDER	3
Fig. 3	CRANKSHAFT, PISTON	4
Fig. 4	VALVE	6
Fig. 5	CAMSHAFT, CHAIN	7
Fig. 6	OIL PUMP	8
Fig. 7	INTAKE	10
Fig. 8	CARBURETOR	12
Fig. 9	EXHAUST	15
Fig. 10	CRANKCASE	16
Fig. 11	CRANKCASE COVER 1	17
Fig. 12	STARTER	19
Fig. 13	CLUTCH	21
Fig. 14	TRANSMISSION	23
Fig. 15	SHIFT CAM, FORK	25
Fig. 16	SHIFT SHAFT	26

CHASSIS

Fig. 17	FRAME	27
Fig. 18	FENDER	29
Fig. 19	OIL TANK	30
Fig. 20	REAR ARM	31
Fig. 21	REAR SUSPENSION	33
Fig. 22	STEERING	34
Fig. 23	FRONT FORK	36
Fig. 24	FUEL TANK	38
Fig. 25	SEAT	39
Fig. 26	FRONT WHEEL	40
Fig. 27	FRONT BRAKE CALIPER	41
Fig. 28	REAR WHEEL	42
Fig. 29	REAR BRAKE CALIPER	43
Fig. 30	STEERING HANDLE, CABLE	44
Fig. 31	FRONT MASTER CYLINDER	45
Fig. 32	STAND /FOOTREST	46
Fig. 33	REAR MASTER CYLINDER	47
Fig. 34	EMBLEMS	48
Fig. 35	GENERATOR	49
Fig. 36	FLASHER LIGHT	50
Fig. 37	METER	51
Fig. 38	HEADLIGHT	52
Fig. 39	TAILLIGHT	53
Fig. 40	HANDLE SWITCH, LEVER	54
Fig. 41	ELECTRICAL 1	55
Fig. 42	ELECTRICAL 2	56

INDIVIDUAL SPEC. (Only for Australian market)

CHASSIS

Fig. 43	HEADLIGHT	57
---------	-----------------	----

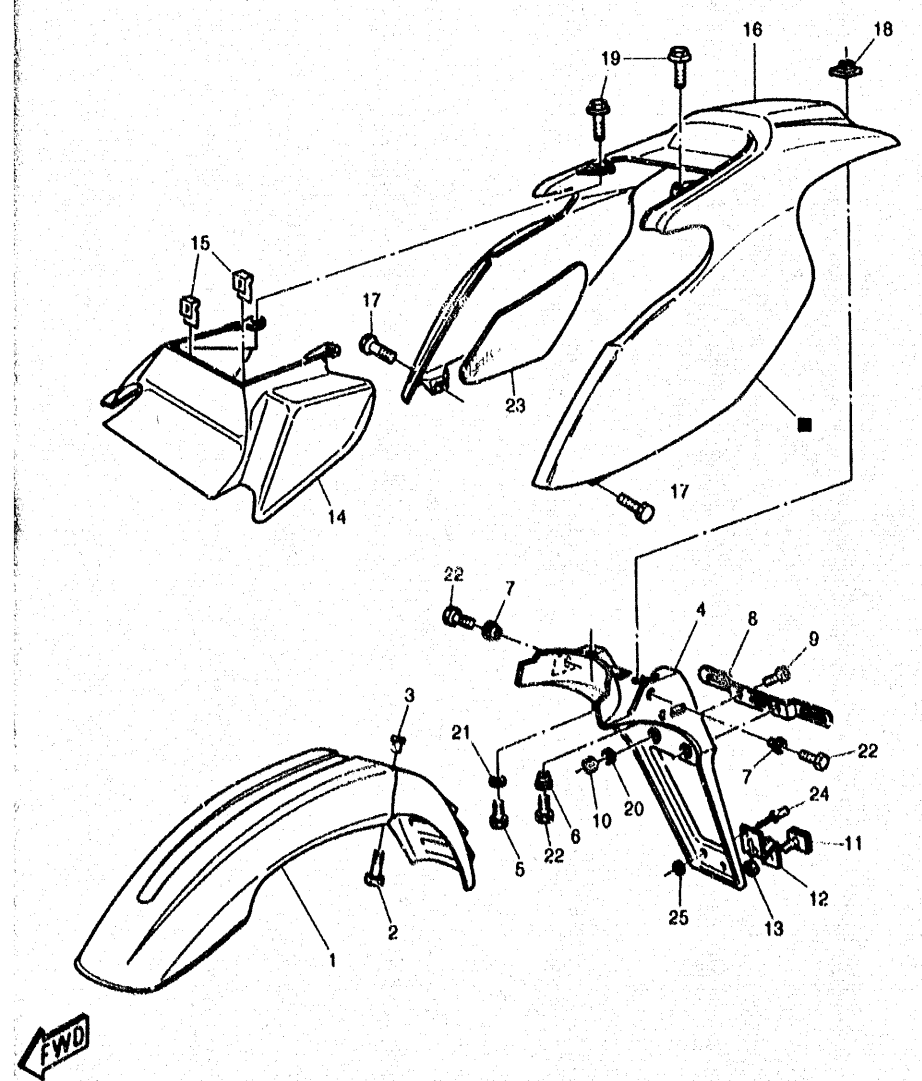
INDEX (GENERAL & INDIVIDUAL SPEC.)

NUMERICAL INDEX

FIG. 18 FENDER

REF. NO.	PART NO.	DESCRIPTION	Q.TY	REMARKS
1	5CH-F1511-00	FENDER, front	1	UR. PURPLISH WHITE SOLID 1
2	90119-06097	BOLT, with washer	4	
3	90387-062M9	COLLAR	4	
4	5CH-F1685-01	BRACKET, licence	1	
5	9701L-06016	BOLT, hex.	1	
6	90387-062M9	COLLAR	1	
7	90387-06X01	COLLAR	2	
8	3SH-H4551-00	BRACKET, licence	1	
9	9581M-06020	BOLT, flange	2	
10	9571L-06300	NUT, nylon	2	
11	5CH-H5130-00	REAR REFLECTOR ASSY	1	
12	5CH-H5132-00	BRACKET, reflector	1	
13	90185-06837	NUT, self-locking	1	
14	5CH-F219X-00	COVER	1	
15	5CH-F177L-00	PLATE, spring	2	
16	5CH-F1610-00	REAR FENDER COMP.	1	UR. PURPLISH WHITE SOLID 1
17	9581L-06012	BOLT, flg.	2	
18	5CH-F1736-00	NUT, plate	1	
19	9581L-06016	BOLT, flg.	2	
20	9290L-06200	WASHER, plain	2	
21	9290L-06200	WASHER, plain	1	
22	9131L-06016	BOLT, hexagon socket head	3	
23	5CH-F174A-00	INSULATOR, cover side	1	
24	90267-48X00	RIVET, blind	2	
25	9290M-05600	WASHER, plain	2	

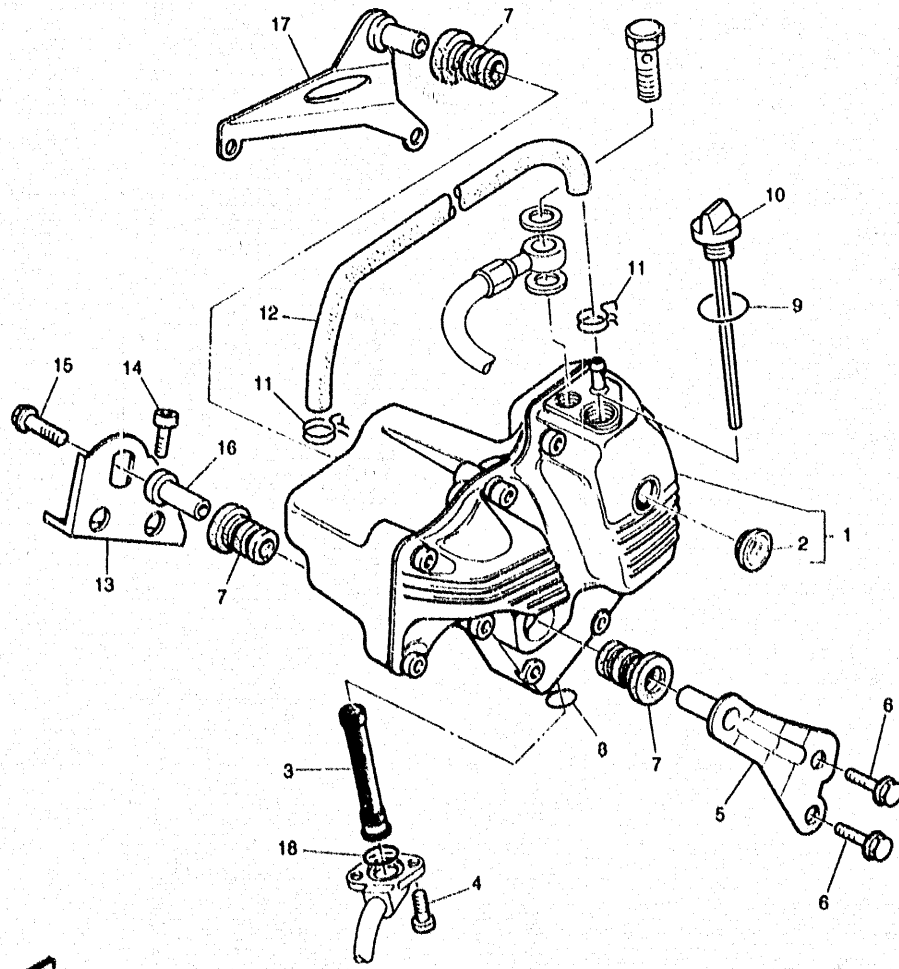
NOTE: ■ COLORED - ROUGH MATERIAL



5CH1300-7180

D2

FIG. 19 OIL TANK



REF. NO.	PART NO.	DESCRIPTION	Q.TY	REMARKS
1	5CH-F1750-00-38	OIL TANK ASSY	1	UR. CLEAR
2	2H7-15361-00	GAUGE, level	1	
3	5CH-F1756-00	NET, filter	1	
4	9131M-06016	BOLT, hexagon socket head	2	
5	5CH-F172E-00	STAY, side cover 1	1	
6	9581L-06012	BOLT, fig.	2	
7	4SU-F1773-00	GROMMET	3	
8	93210-16X01	O-RING	1	
9	93210-218D5	O-RING	1	
10	4SU-F1761-00	GAUGE, level	1	
11	90467-12X01	CLIP	2	
12	5CH-F1745-00	PIPE, oil tank breather	1	
13	5CH-F174E-00	STAY, side cover 2	1	
14	9131L-06012	BOLT, hexagon socket head	2	
15	9581M-06020	BOLT, fig.	1	
16	5CH-F1769-00	COLLAR, union screw	1	
17	5CH-F175V-00	BRACKET 3	1	
18	93210-100A9	O-RING	1	



5CH1300-7191

D3

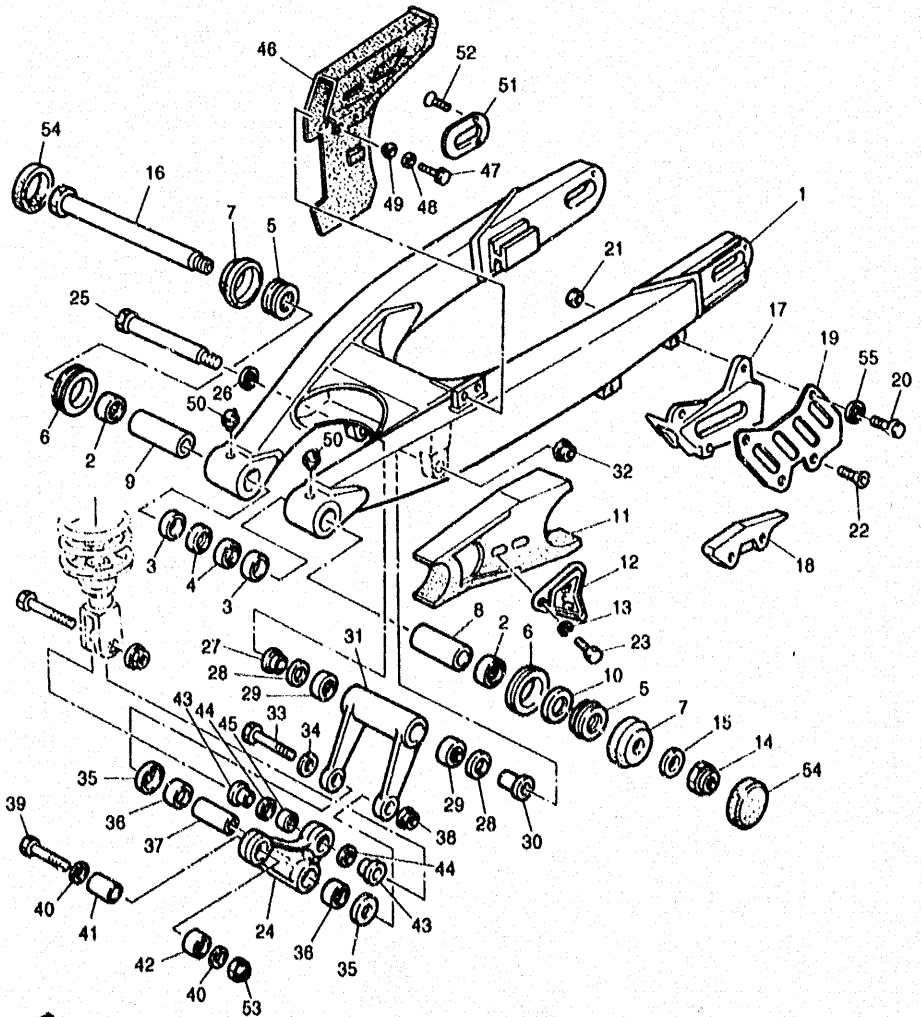


FIG. 20 REAR ARM

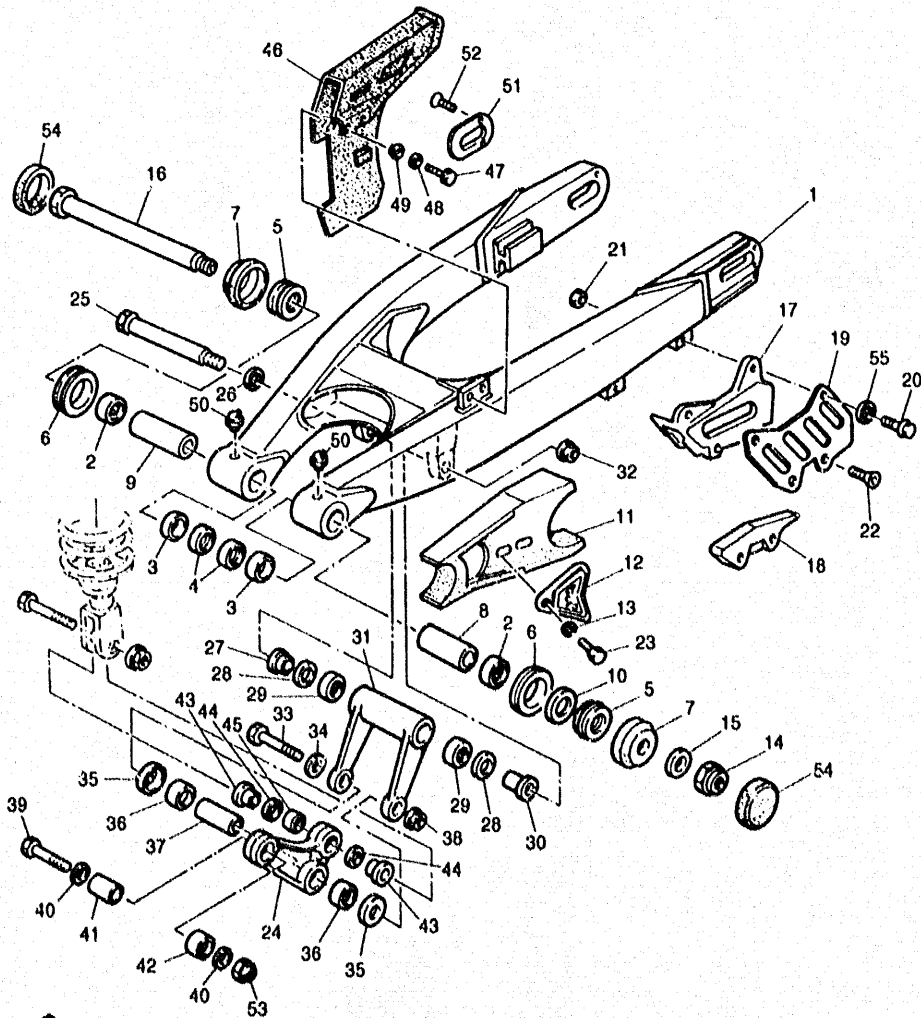
REF. NO.	PART NO.	DESCRIPTION	Q.TY	REMARKS
1	5CH-F2110-00	RR. ARM COMP.	1	
2	93317-22237	BEARING, cylindrical	2	
3	90380-22111	BUSH	2	
4	93106-22019	OIL, seal (DC 22-28-8)	2	
5	93342-22208	BEARING	2	
6	93108-35004	OIL, seal (35-41-8)	2	
7	3R4-22129-00	COVER, thrust 2	2	
8	1VJ-22123-00	BUSH, 1	1	
9	90380-16127	BUSH, solid	1	
10	156-22127-00	SHIM	2	UN
11	4GV-F2151-00	SEAL, guard	1	
12	4GV-F2156-00	WASHER, plate	1	
13	9290L-06100	WASHER, spring	2	
14	90185-14070	NUT, self-locking	1	
15	90201-15238	WASHER, plate	1	
16	1VJ-22141-00	SHAFT, pivot	1	
17	3XP-22199-03	SUPPORT, chain	1	
18	3JD-22147-00	PROTECTOR, chain	1	
19	3JD-22128-00	COVER, thrust 1	1	
20	9701L-06030	BOLT, hexagon	2	
21	90185-06830	NUT, self-locking	2	
22	90151-06805	SCREW, countersunk	2	
23	95024-06020	BOLT, flange	2	
24	5CH-F217A-00	ARM, relay	1	
25	90109-104G9	BOLT	1	
26	90201-14222	WASHER, plate	1	
27	90387-147G7	COLLAR	1	
28	93109-20076	OIL, seal	2	

FWD

5CH1300-7201

D4

FIG. 20 REAR ARM



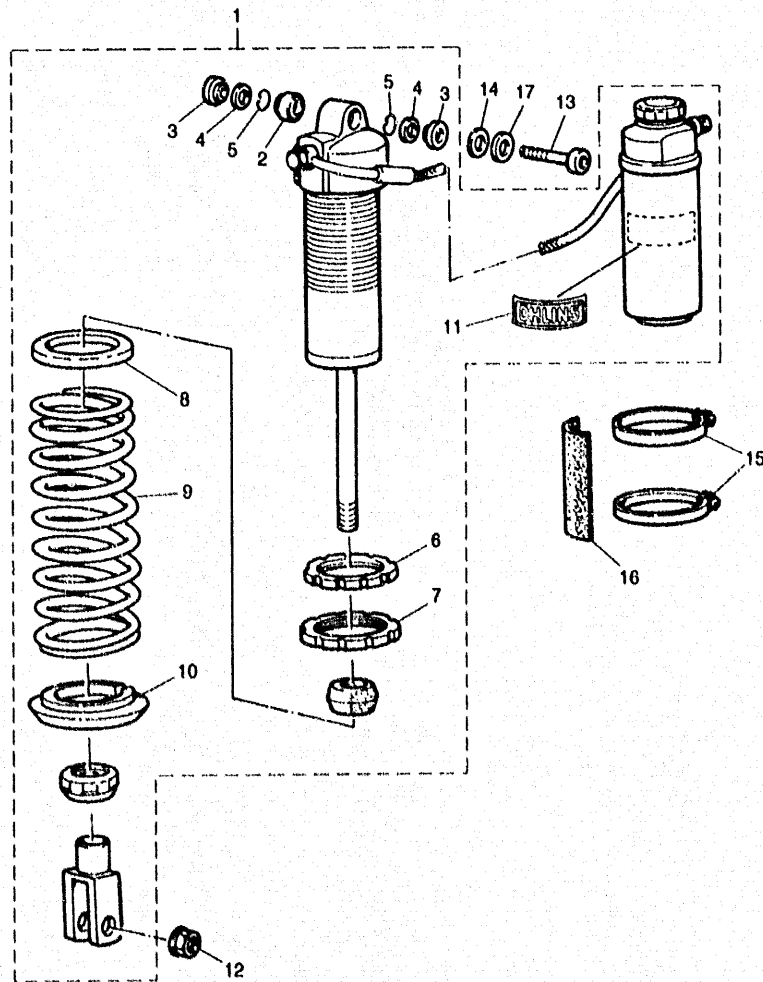
REF. NO.	PART NO.	DESCRIPTION	Q.TY	REMARKS
29	93315-32053	BEARING, cylindrical	2	
30	90387-1412W	COLLAR	1	
31	5CH-F217F-00	ROD, connecting	1	
32	95607-12200	NUT, U	1	
33	90109-104GE	BOLT	1	
34	90201-120A5	WASHER, plate	1	
35	23X-22129-00	COVER, thrust 2	2	
36	93317-21746	BEARING, cylindrical	2	
37	90387-1212V	COLLAR	1	
38	95607-12200	NUT, U	1	
39	90109-10554	BOLT	1	
40	93109-17071	OIL, seal	2	
41	90387-123Y4	COLLAR	1	
42	93315-31750	BEARING, cylindrical	1	
43	90387-128T7	COLLAR	2	
44	3JE-22475-00	SEAL, dust	2	
45	93399-999T4	BEARING	1	
46	4GV-F2311-00	CASE, chain	1	
47	9701M-06016	BOLT, hex.	2	
48	9290M-06100	WASHER, spring	2	
49	90387-062M9	COLLAR	2	
50	93700-06005	NIPPLE, grease	2	
51	3XJ-22355-00	PATCH A	2	
52	90151-04048	SCREW, countersunk	2	
53	95607-10200	NUT, U	1	
54	3LD-2219X-01	COVER	2	
55	9290L-06600	WASHER, plain	2	

FWD

6CH1300-7201

D6

FIG. 21 REAR SUSPENSION



REF. NO.	PART NO.	DESCRIPTION	Q.TY	REMARKS
1	5CH-F2210-00	RR. SHOCK ABSORBER	1	
2	5CH-F2216-00	BUSH	1	
3	4GV-F2253-00	COLLAR	2	
4	4GV-F2217-00	DAMPER, rr. shock absorber	2	
5	5CH-F2474-00	SEAL, ring	2	
6	5CH-F2224-00	GUIDE, spring 2	1	
7	5CH-F2213-00	SEAT, spring upper	1	
8	4GV-F2223-00	SEAT, spring lower	1	
9	5CH-F2212-00	SPRING (K = 6,5)	1	(STD)
9	5CH-F2212-10	SPRING (K = 6,9)	1	AP
10	4GV-F2214-00	GUIDE, spring 1	1	
11	5CH-F118E-00	EMBLEM	1	
12	95607-10200	NUT, U	1	
13	5CH-F2125-00	BOLT	1	
14	9290L-12100	WASHER, spring	1	
15	5CH-F2262-00	HOLDER, sub-tank	2	
16	5CH-F2261-00	DAMPER, sub-tank	1	
17	9290M-12200	WASHER, plain	1	
18	90109-104G7	BOLT	1	



5CH2300-9210

D6

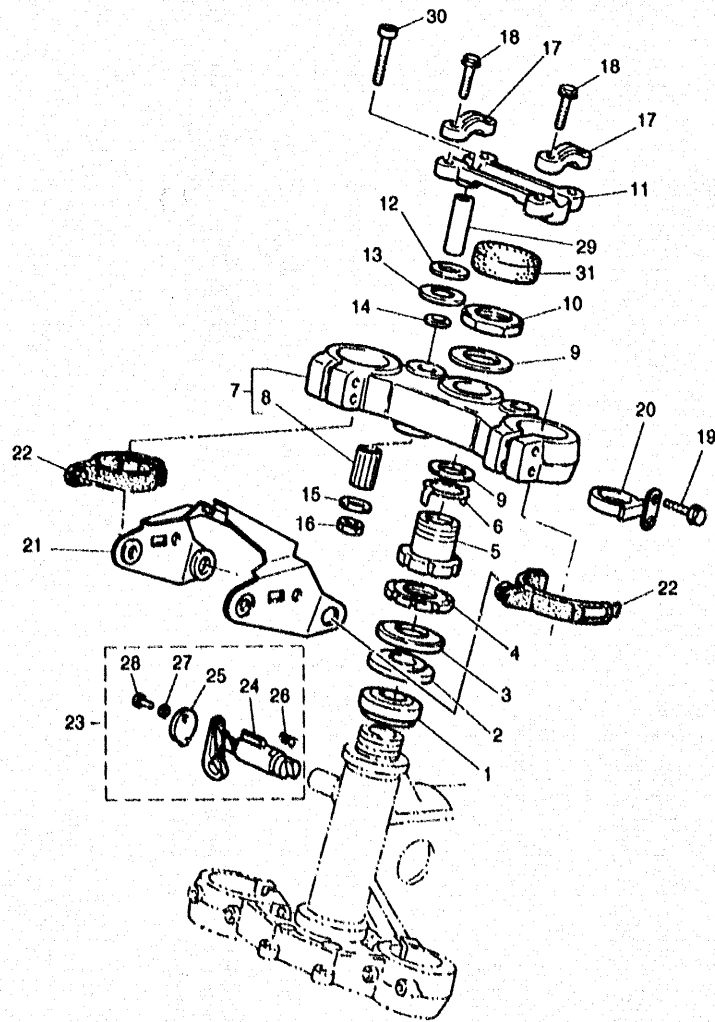


FIG. 22 STEERING

REF. NO.	PART NO.	DESCRIPTION	Q.TY	REMARKS
1	93332-00078	BEARING	1	
2	93332-00068	BEARING	1	
3	2HG-23416-00	COVER, ball race 2	1	
4	90179-28602	NUT	1	
5	90179-28603	NUT	1	
6	3SP-23418-00	WASHER, special	1	
7	5CH-WF341-00-T9	CROWN, handle assy	1	UR. COMPETITION SILVER
8	307-22123-00	BUSH, 1	2	
9	90201-365M5	WASHER, plate	2	
10	90170-36394	NUT	1	
11	5CH-F3442-00-T9	HOLDER, handle lower	1	UR. COMPETITION SILVER
12	90201-128N5	WASHER, plate	2	
13	90202-14077	WASHER, plate	2	
14	90387-121E8	COLLAR	2	
15	90201-100A1	WASHER, plate	2	
16	5CH-F3453-00	NUT, fitting 1	2	
17	5CH-F3441-00-T9	HOLDER, handle upper	2	UR. COMPETITION SILVER
18	95027-08035	BOLT, flange	4	
19	9502L-08040	BOLT, flange	4	
20	3R4-23317-00	HOLDER, cable	1	
21	5CH-F3174-00	STAY, head light	1	
22	5CH-F3489-01	BAND	2	
23	5CH-F3408-00	STEERING LOCK	1	
24	5CH-F3482-00	BODY & KEY, steering lock	1	
25	5CH-F3484-00	CAP, handle lock	1	
26	5CH-F348G-00	SPRING, pin action	1	
27	5CH-F3483-00	RIVET	1	
28	5CH-F3486-00	STAY, plate	1	



5CH1300-7220

D7

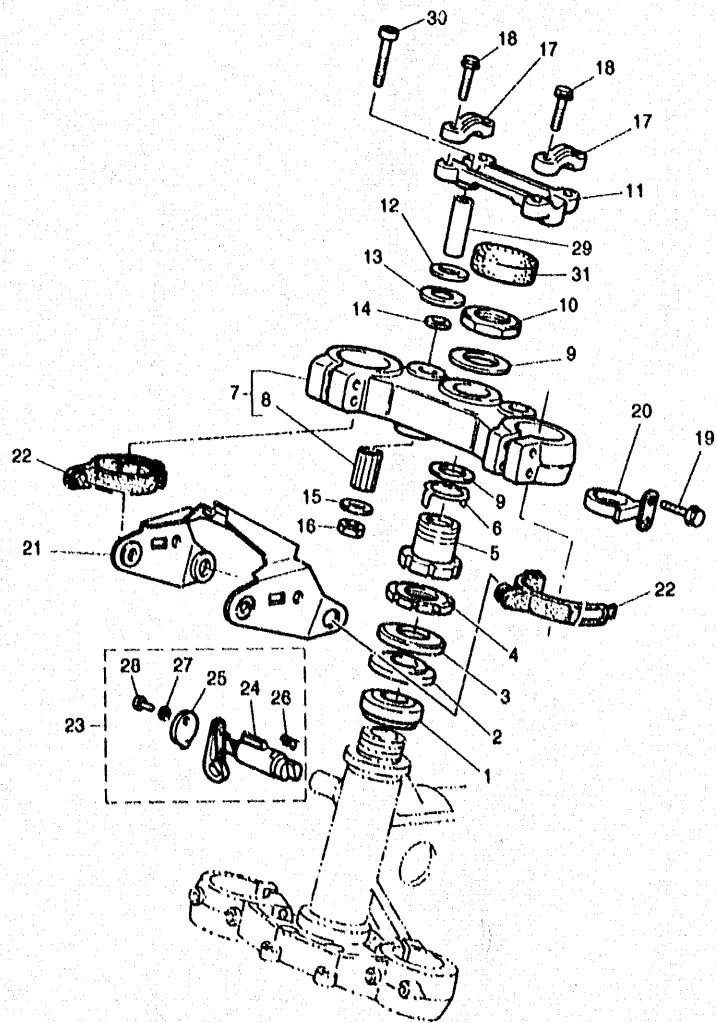


FIG. 22 STEERING

REF. NO.	PART NO.	DESCRIPTION	Q.TY	REMARKS
29	5CH-F3448-00	SPACER	2	
30	5CH-F3436-00	ROLT	2	
31	5CH-F319U-10	CAP	1	



5CH1300-7220

D6

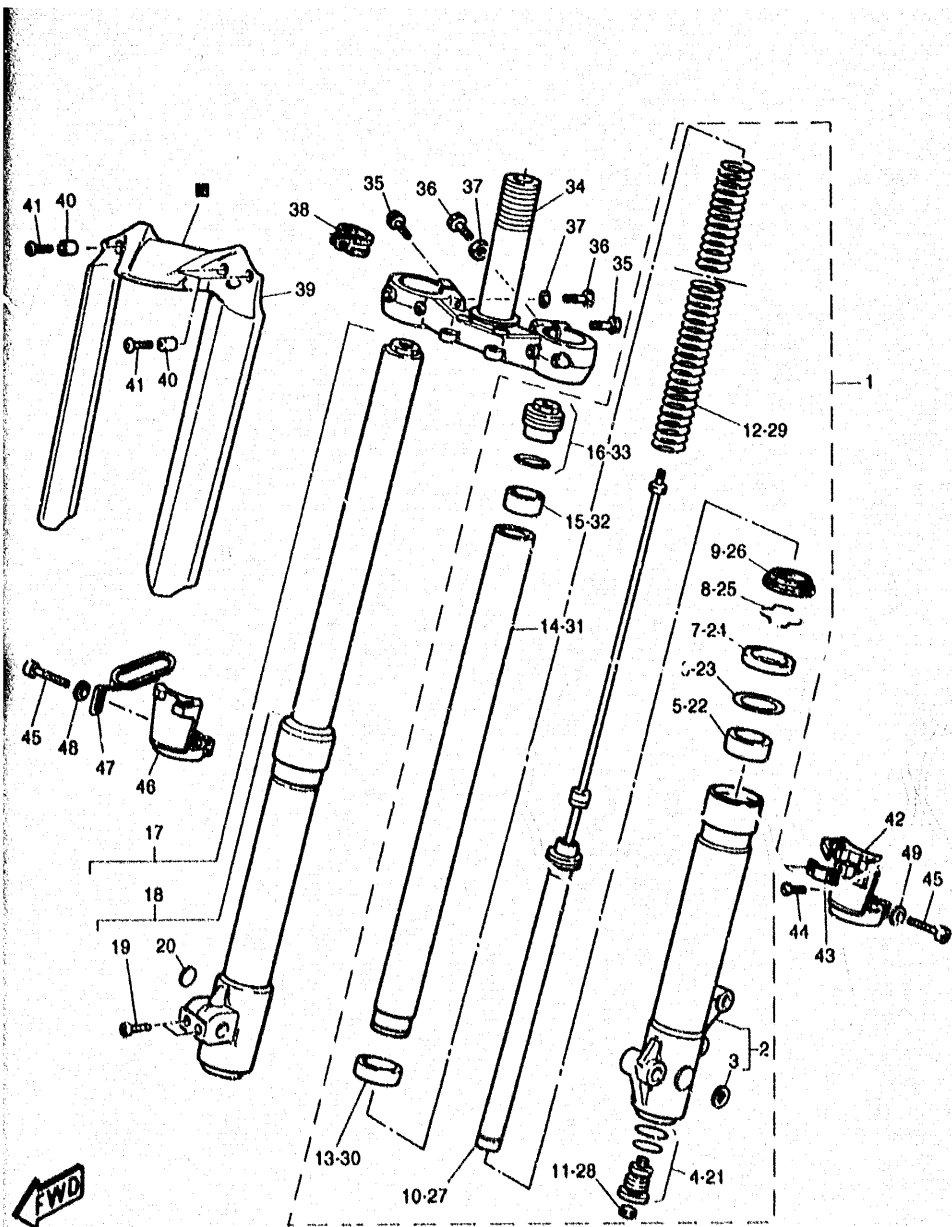


FIG. 23 FRONT FORK

REF. NO.	PART NO.	DESCRIPTION	Q.TY	REMARKS
1	5CH-F3102-00	FR. FORK ASSY (L.H.)	1	
2	5CH-F3126-00	· TUBE, outer 1	1	
3	5CH-F3108-00	· EMBLEM	1	
4	5CH-F316A-00	· VALVE, comp.	1	
5	5CH-F3125-00	· METAL, slide	1	
6	5CH-F3146-00	· WASHER, oil seal	1	
7	5CH-F3145-00	· OIL, seal	1	
8	4GV-F3133-00	· RING, snap	1	
9	5CH-F3144-00	· SEAL, dust	1	
10	5CH-F3170-00	· CYLINDER COMP., front fork	1	
11	4GV-F312G-00	· PLUG	1	
12	5CH-F3141-00	· SPRING, front fork	1	
13	5CH-F3135-00	· METAL, slide 2	1	
14	5CH-F3110-00	· INNER, tube assy 1	1	
15	5CH-F3118-00	· SPACER	1	
16	5CH-F3111-00	· BOLT, cap	1	
17	5CH-F3103-01	FR. FORK ASSY (R.H.)	1	
18	5CH-F3136-01	· TUBE, outer 2	1	
19	9131L-06020	· BOLT, hexagon socket head	2	
20	5CH-F3108-00	· EMBLEM	1	
21	5CH-F316A-00	· VALVE, comp.	1	
22	5CH-F3125-00	· METAL, slide	1	
23	5CH-F3146-00	· WASHER, oil seal	1	
24	5CH-F3145-00	· OIL, seal	1	
25	4GV-F3153-00	· RING, snap	1	
26	5CH-F3144-00	· SEAL, dust	1	

NOTE: ■ COLORED - ROUGH MATERIAL

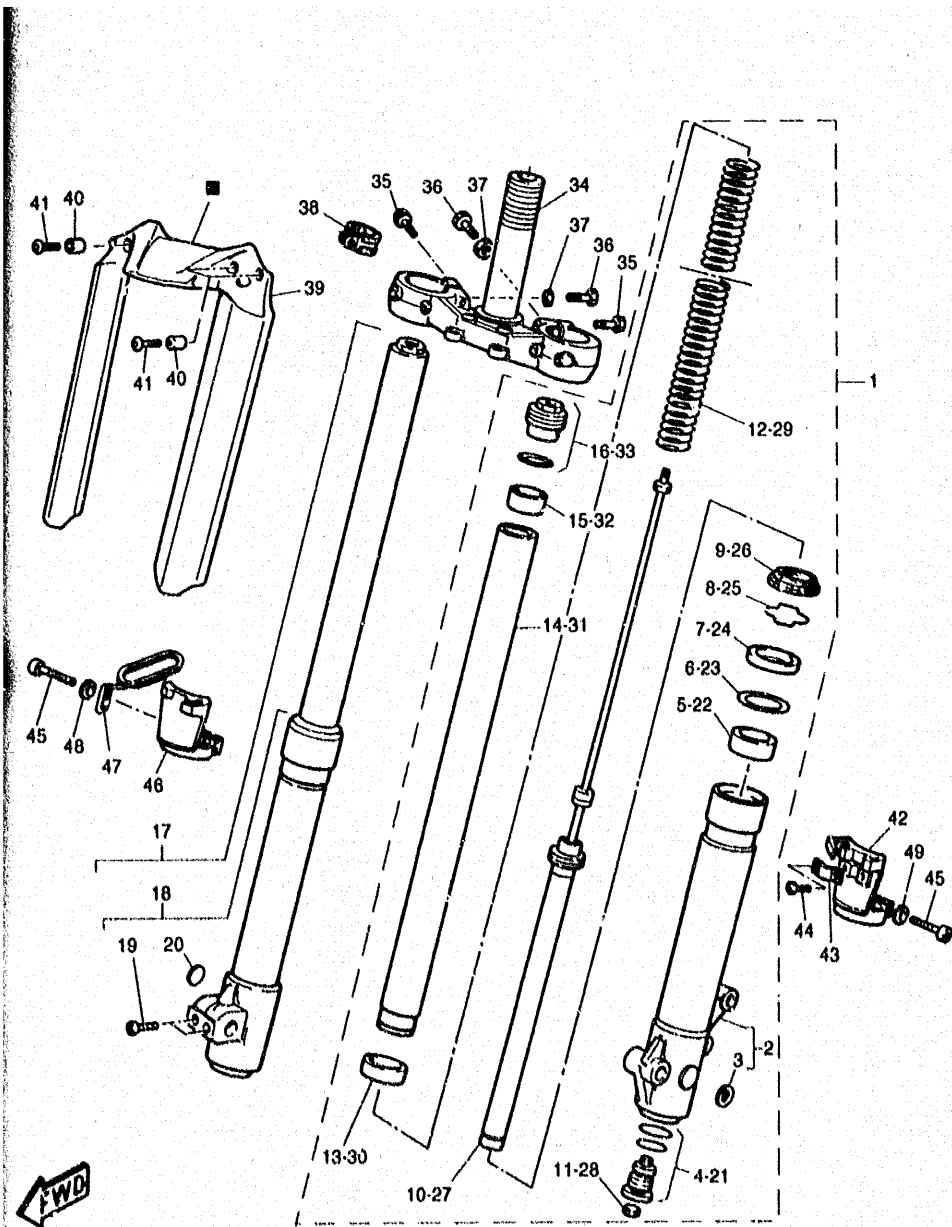
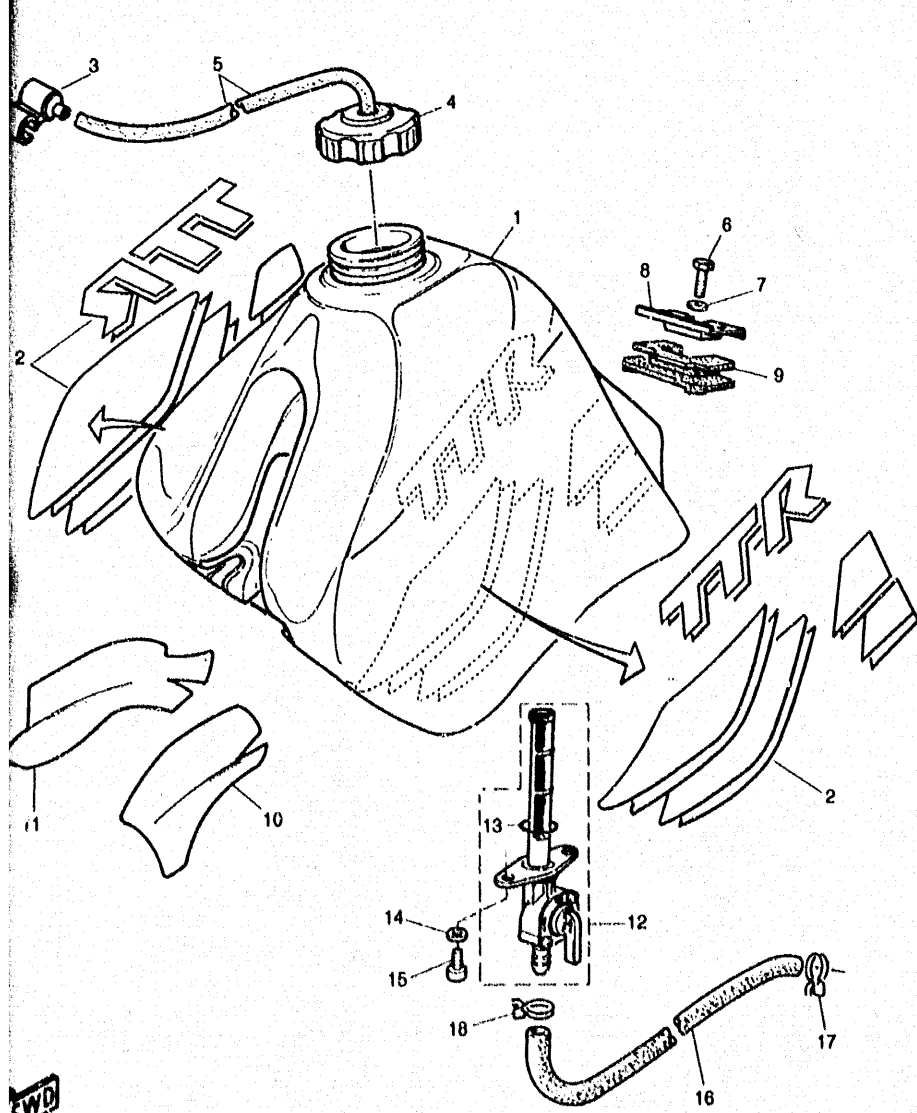


FIG. 23 FRONT FORK

REF. NO.	PART NO.	DESCRIPTION	Q.TY	REMARKS
27	5CH-F3170-00	· CYLINDER COMP., front fork	1	
28	4GV-F312G-00	· PLUG	1	
29	5CH-F3141-00	· SPRING, front fork	1	
30	5CH-F3135-00	· METAL, slide 2	1	
31	5CH-F3110-00	· INNER, tube assy	1	
32	5CH-F3118-00	· SPACER	1	
33	5CH-F3111-00	· BOLT, cap	1	
34	5CH-F3340-00	UNDER BRACKET COMP.	1	
35	9502L-08040	BOLT, flange (small)	4	
36	9701L-08016	BOLT, hex.	2	
37	9531L-08600	NUT, hex.	2	
38	5CH-F3389-00	GUIDE, wire	1	
39	5CH-F3472-10	PROTECTOR	1	UR. HEAT RED
40	90387-05X02	COLLAR	4	
41	9850L-05012	SCREW, pan head (+)	4	
42	5CH-F314F-00	PROTECTOR, guide comp. 1	1	
43	5CH-F314E-00	COVER, hose	1	
44	9850L-05016	SCREW, pan head (+)	2	
45	9131L-05040	BOLT, hex. socket head	4	
46	5CH-F314G-00	PROTECTOR, guide comp. 2	1	
47	5CH-F3318-00	HOLDER, wire 1	1	
48	9290L-05600	WASHER, plain	4	

NOTE: ■ COLORED - ROUGH MATERIAL

FIG. 24 FUEL TANK



REF. NO.	PART NO.	DESCRIPTION	Q.TY	REMARKS
1	5CH-F4110-00-P1	FUEL TANK COMP.	1	UR. DUAL COLOR (HTR & PWS1)
2	<input type="checkbox"/>	EMBLEMS	1	
3	5CH-F4135-00	CLAMP, 1	1	
4	5CH-F4610-00	CAP, assy	1	
5	5CH-F4312-00	PIPE, 2	1	
6	9701L-06016	BOLT, hex.	1	
7	9290L-06100	WASHER, spring	1	
8	34X-24186-01	WASHER, special	1	
9	4GV-F4182-00	DAMPER, locating 2	1	
10	5CH-F416F-00	INSULATOR, fuel tank 1	1	
11	5CH-F416G-00	INSULATOR, fuel tank 2	1	
12	5CH-F4500-01	FUEL COCK ASSY	1	
13	93210-118C7	O-RING	1	
14	90202-05193	WASHER, plate	2	
15	9850L-06014	SCREW, pan head (+)	2	
16	5CH-F4311-00	PIPE, fuel 1	1	
17	90467-11832	CLIP	1	
18	90467-11834	CLIP	1	

NOTE: GRAPHICS STICKED ON ITEM

FWD

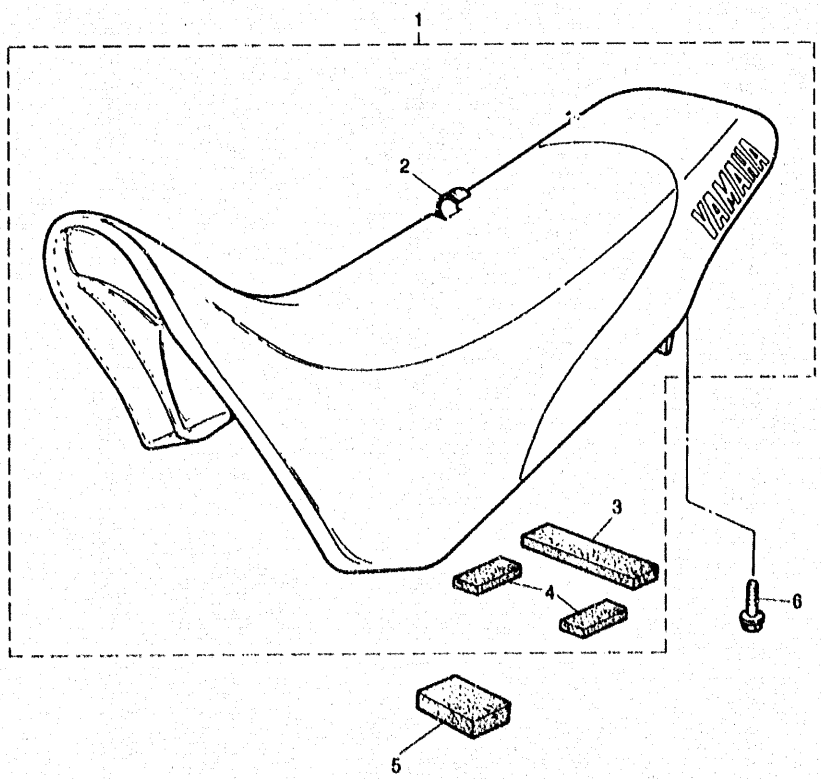
H2300-9240

D 11

- 31 -

FIG. 25 SEAT

REF. NO.	PART NO.	DESCRIPTION	Q.TY	REMARKS
1	5CH-F4770-00	SEMI-DOUBLE SEAT ASSY	1	UR. BLACK & RED
2	5CH-F4731-00	COVER, seat	1	UR. BLACK & RED
3	5CH-F4723-00	DAMPER, seat	1	
4	5CH-F4724-00	DAMPER, seat	2	
5	4SU-F8372-00	DAMPER	1	
6	9581L-06016	BOLT, flg.	2	



FWD

H1300-7250

D 12

- 39 -

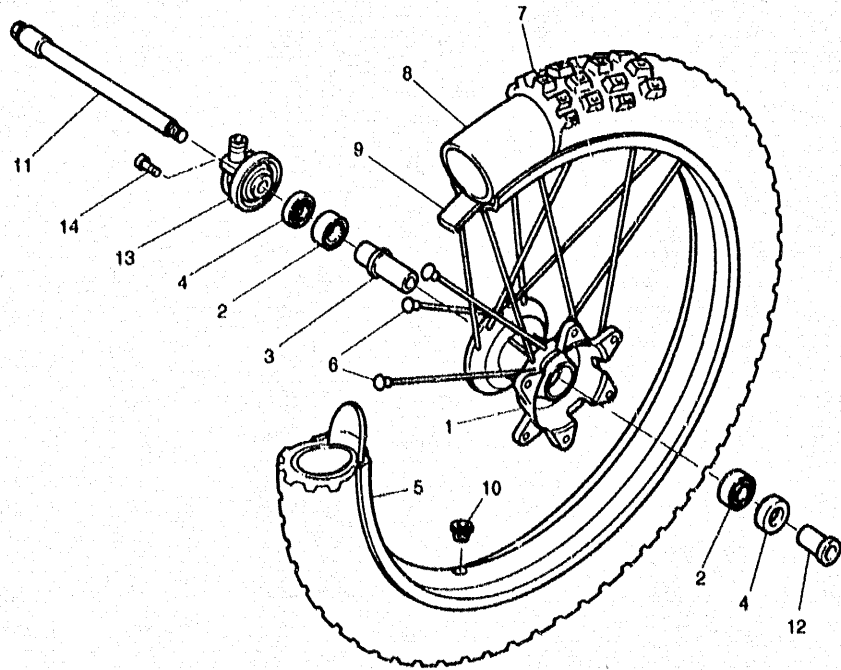


FIG. 26 FRONT WHEEL

REF. NO.	PART NO.	DESCRIPTION	Q.TY	REMARKS
1	4GV-F5111-00	HUB, front	1	
2	93306-003Y6	BEARING	2	
3	4GV-F5117-00	SPACER, bearing	1	
4	93106-22032	OIL, seal	2	
5	94416-21587	RIM (1.85 x 21")	1	
6	5CH-F5104-00	SPOKE, set front	1	
7	94109-218J5	TIRE (90/90-21") MT21	1	UR. PIRELLI
8	94209-21892	TUBE (3.00-21") MA	1	UR. PIRELLI
9	94309-21853	BAND, rim	1	
10	5CH-F5188-00	CAP	1	
11	5CH-F5181-00	AXLE, wheel	1	
12	90387-173Y0	COLLAR	1	
13	4GV-25190-00	GEAR UNIT ASSY	1	
14	9850M-05014	SCREW, pan head (+)	1	

FWD

H1300-7260

D 13

- 40 -

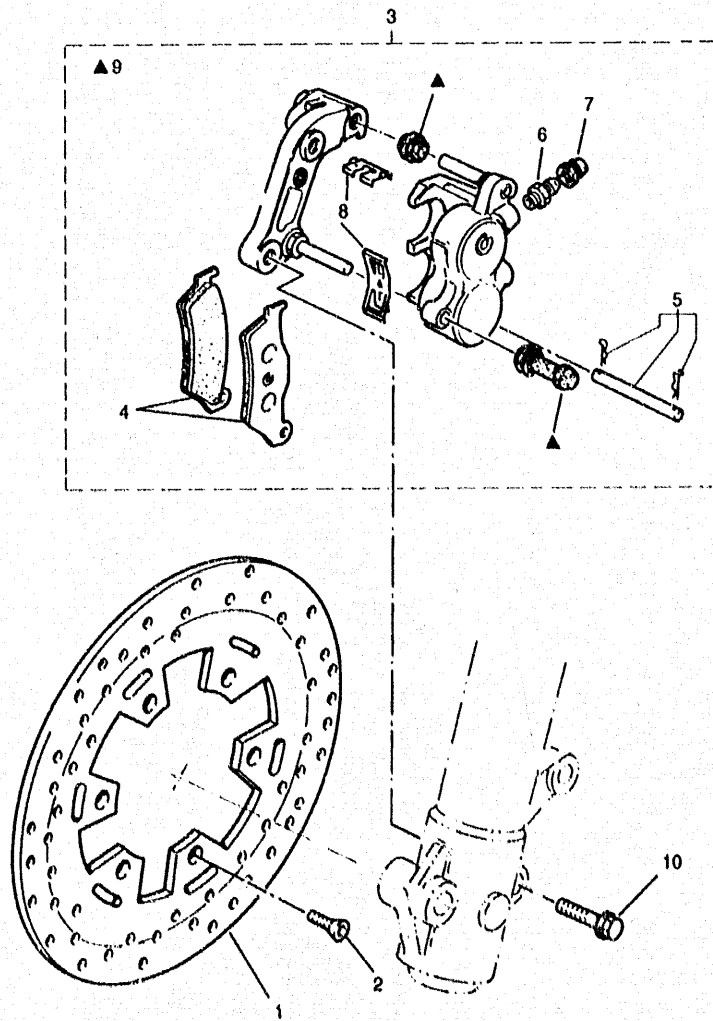


FIG. 27 FRONT BRAKE CALIPER

REF. NO.	PART NO.	DESCRIPTION	Q.TY	REMARKS
1	4GV-F582T-00	DISC, brake (left)	1	
2	90149-06272	SCREW	6	
3	5GH-F580T-00	CALIPER ASSY (left)	1	
4	4GV-F5911-00	· PAD, caliper 2	1	
5	4GV-F5924-10	· PIN, pad	1	
6	4DL-F5824-00	· SCREW, bleed	1	
7	4DL-F5917-00	· BOOT, caliper	1	
8	4GV-F5919-20	· SUPPORT, pad	1	
9	4GV-F5917-00	· BOOT, caliper	1	
10	90105-08659	BOLT, washer based	2	



6CH1300-7270

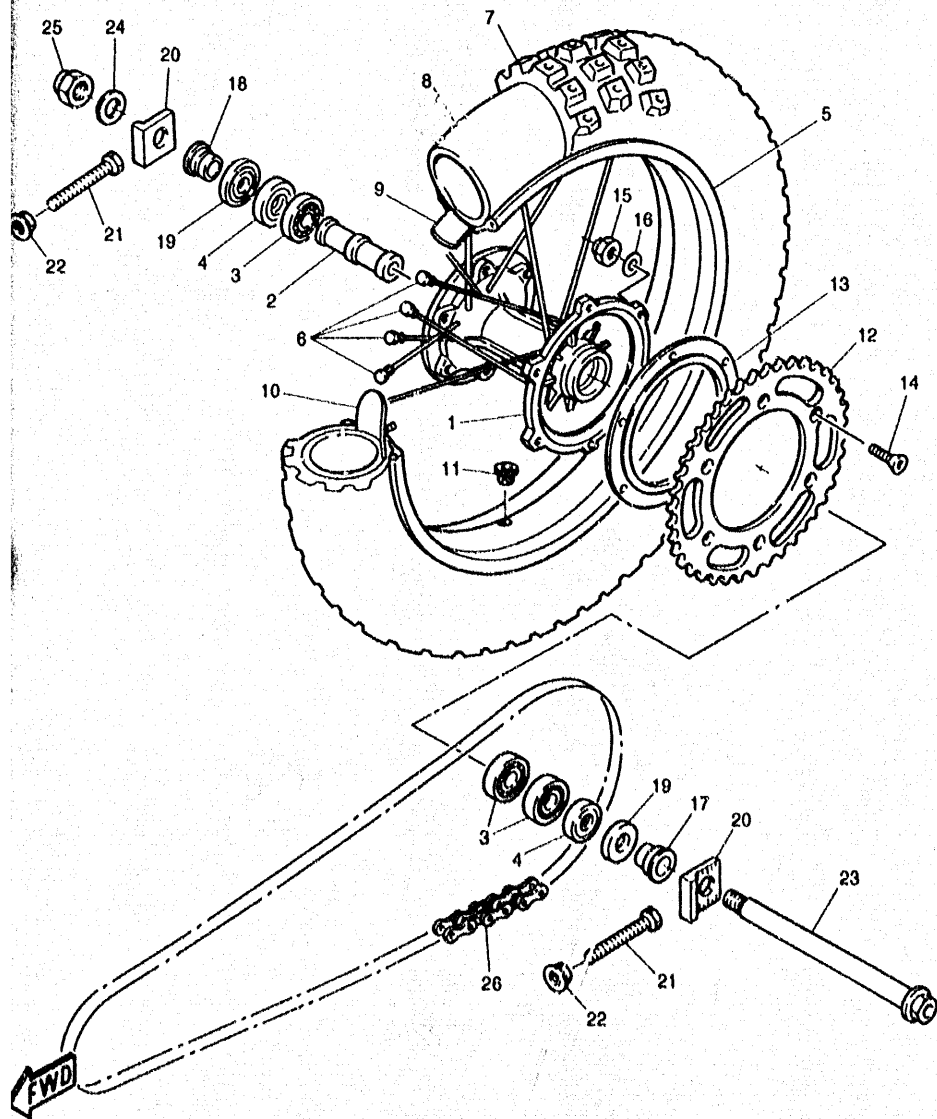


FIG. 28 REAR WHEEL

REF. NO.	PART NO.	DESCRIPTION	Q.TY	REMARKS
1	4EW-25311-00	HUB, rear	1	
2	4EW-25317-00	SPACER, bearing	1	
3	93306-00418	BEARING	3	
4	93106-28023	OIL SEAL	2	
5	94425-18495	RIM (2.50 x 18')	1	
6	5CH-F5304-00	SPOKE SET, rear	1	
7	94113-18X00	TIRE (130/90-18') MT21	1	UR. PIRELLI
8	94214-18891	TUBE (4.50/5.10-18') MD18	1	UR. PIRELLI
9	94314-18554	BAND, rim (4.00-18')	1	
10	4GV-F5394-10	SPACER, bead	1	
11	5CH-F5188-00	CAP	1	
12	5CH-F5444-00	SPROCKET, driven (44T)	1	
13	4GV-F5414-00	SPACER	1	
14	90109-085F2	BOLT	6	
15	9561L-08100	NUT, U	6	
16	90201-086P8	WASHER, plate	6	
17	90387-200Y2	COLLAR	1	
18	90387-203V0	COLLAR	1	
19	4V4-25367-00	COVER, hub dust	2	
20	3SP-25388-00	PULLER, chain 1	2	
21	90101-08777	BOLT	2	
22	95707-08500	NUT, flange	2	
23	3XP-25381-00	AXLE, wheel	1	
24	90201-204M9	WASHER, plate	1	
25	90185-18104	NUT, self-locking	1	
26	0456X-00112	CHAIN	1	

CONTENTS

GENERAL SPEC.

ENGINE

Fig. 1	CYLINDER HEAD	1
Fig. 2	CYLINDER	3
Fig. 3	CRANKSHAFT, PISTON	4
Fig. 4	VALVE	6
Fig. 5	CAMSHAFT, CHAIN	7
Fig. 6	OIL PUMP	8
Fig. 7	INTAKE	10
Fig. 8	CARBURETOR	12
Fig. 9	EXHAUST	15
Fig. 10	CRANKCASE	16
Fig. 11	CRANKCASE COVER 1	17
Fig. 12	STARTER	19
Fig. 13	CLUTCH	21
Fig. 14	TRANSMISSION	23
Fig. 15	SHIFT CAM, FORK	25
Fig. 16	SHIFT SHAFT	26

CHASSIS

Fig. 17	FRAME	27
Fig. 18	FENDER	29
Fig. 19	OIL TANK	30
Fig. 20	REAR ARM	31
Fig. 21	REAR SUSPENSION	33
Fig. 22	STEERING	34
Fig. 23	FRONT FORK	36
Fig. 24	FUEL TANK	38
Fig. 25	SEAT	39
Fig. 26	FRONT WHEEL	40
Fig. 27	FRONT BRAKE CALIPER	41
Fig. 28	REAR WHEEL	42
Fig. 29	REAR BRAKE CALIPER	43
Fig. 30	STEERING HANDLE, CABLE	44
Fig. 31	FRONT MASTER CYLINDER	45
Fig. 32	STAND/FOOTREST	46
Fig. 33	REAR MASTER CYLINDER	47
Fig. 34	EMBLEMS	48
Fig. 35	GENERATOR	49
Fig. 36	FLASHER LIGHT	50
Fig. 37	METER	51
Fig. 38	HEADLIGHT	52
Fig. 39	TAILLIGHT	53
Fig. 40	HANDLE SWITCH, LEVER	54
Fig. 41	ELECTRICAL 1	55
Fig. 42	ELECTRICAL 2	56

INDIVIDUAL SPEC. (Only for Australian market)

CHASSIS

Fig. 43	HEADLIGHT	57
---------	-----------------	----

INDEX (GENERAL & INDIVIDUAL SPEC.)

NUMERICAL INDEX

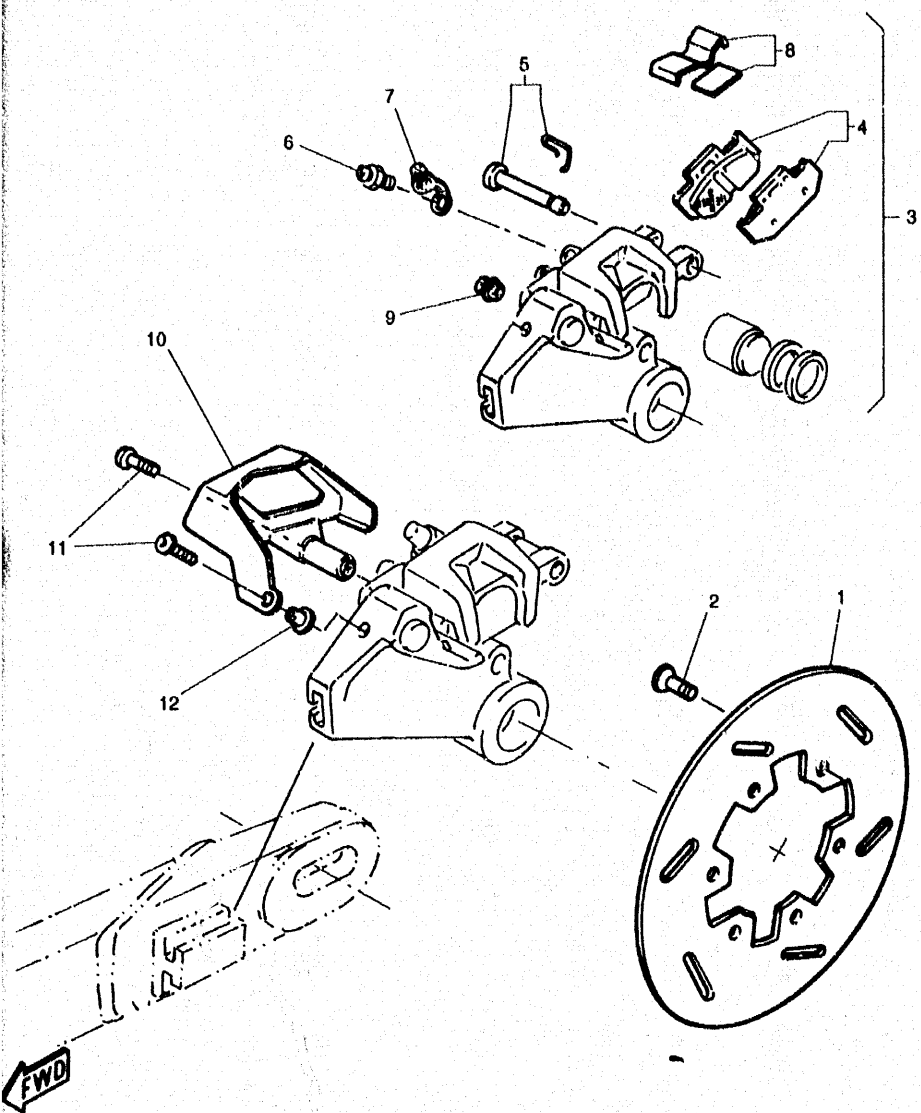


FIG. 29 REAR BRAKE CALIPER

REF. NO.	PART NO.	DESCRIPTION	Q.TY	REMARKS
1	4GV-F582W-00	DISC, rear brake 2	1	
2	90149-06327	SCREW	6	
3	5CH-F580W-00	CALIPER ASSY, rear 2	1	
4	4GV-F5811-00	· PAD, caliper 2	1	
5	4GV-F5924-01	· PIN, pad	1	
6	3SH-F5824-00	· SCREW, bleed	1	
7	3SH-F5825-00	· CAP	1	
8	4GV-F5919-10	· SUPPORT, pad	1	
9	4GV-F5917-00	· BOOT, caliper	1	
10	5CH-F7491-00	PROTECTOR	1	
11	9201L-06012	BOLT, button head	2	
12	90387-06X01	COLLAR	1	

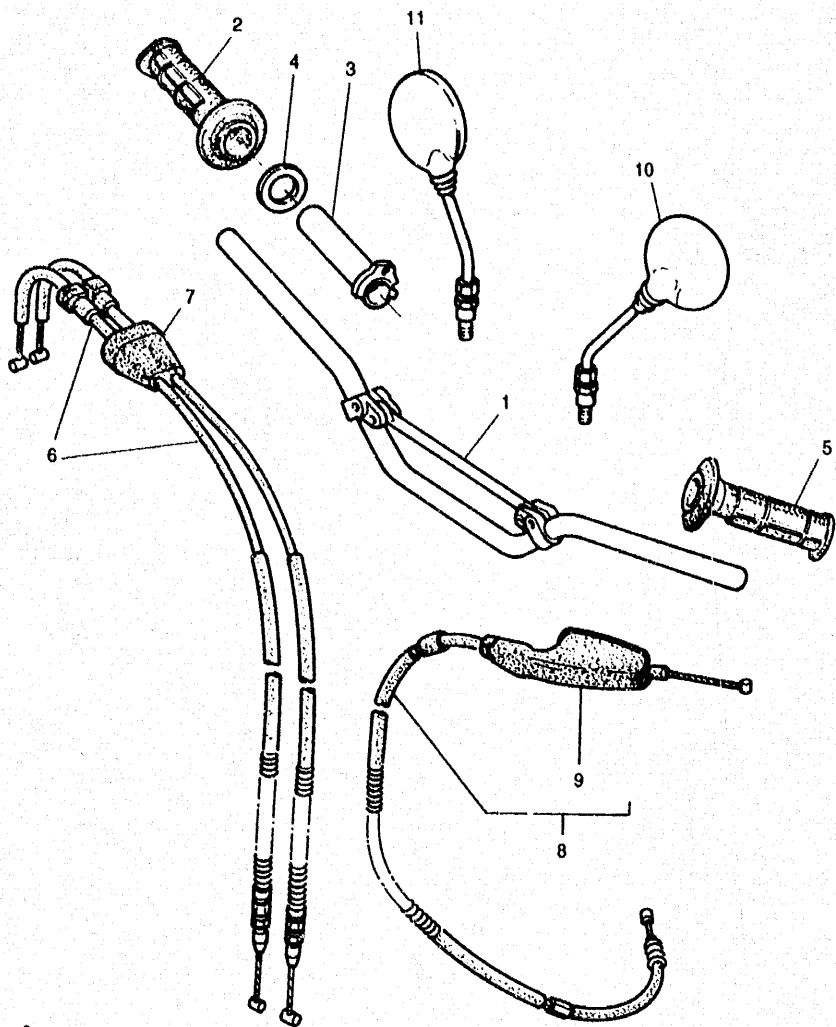


FIG. 30 STEERING HANDLE, CABLE

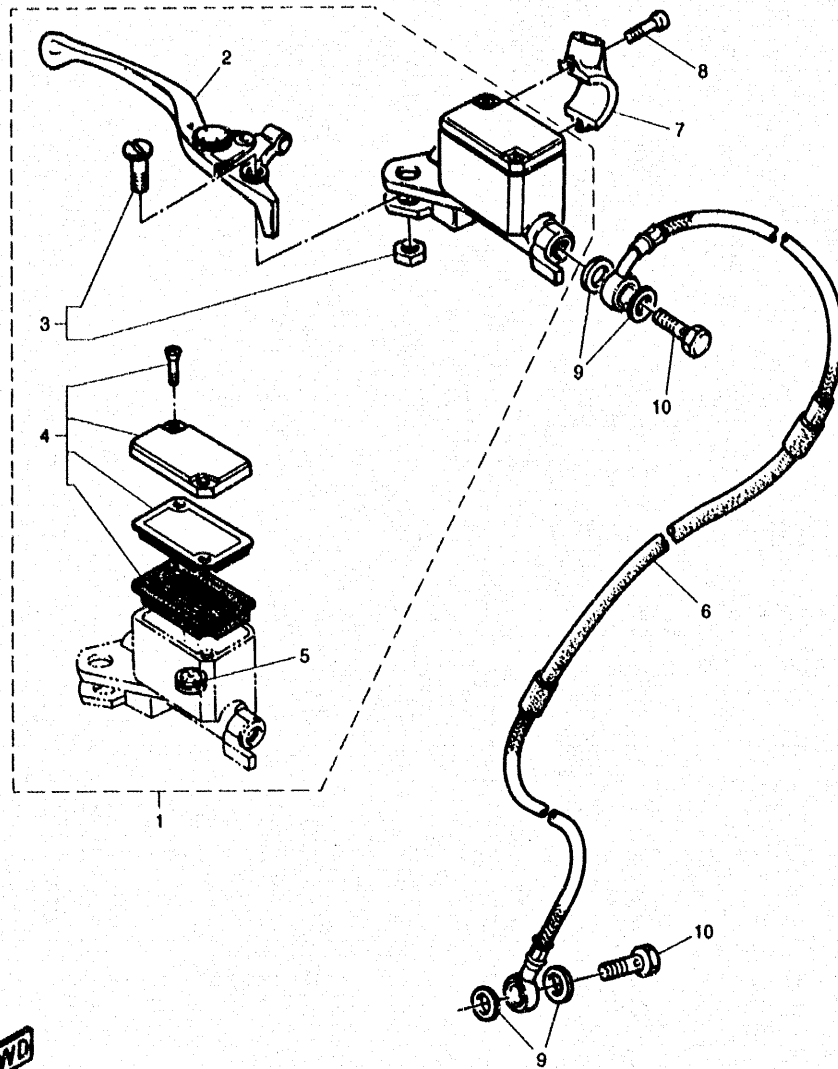
REF. NO.	PART NO.	DESCRIPTION	Q.TY	REMARKS
1	5CH-F6111-00	HANDLEBAR	1	
2	5CH-F6242-00	GRIP (R.H.)	1	
3	4GV-F6243-00	TUBE, throttle guide	1	
4	4GV-F6249-00	RING, leaf	1	
5	5CH-F6241-00	GRIP (L.H.)	1	
6	5CH-F6302-00	THROTTLE CABLE ASSY	1	
7	4GV-F6316-00	BOOT, throttle	1	
8	5CH-F6335-10	CABLE, clutch	1	
9	4GV-F6339-00	BOOT	1	
10	5CH-F6280-00	REAR VIEW MIRROR ASSY LEFT	1	
11	5CH-F6290-00	REAR VIEW MIRROR ASSY RIGHT	1	



ICH1300-7300

E 3

FIG. 31 FRONT MASTER CYLINDER



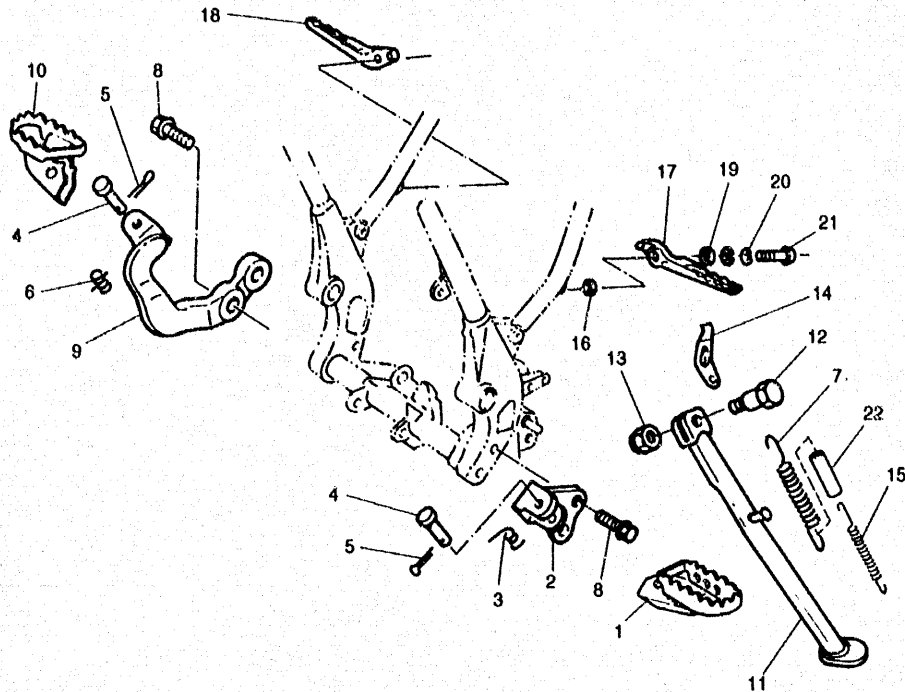
REF. NO.	PART NO.	DESCRIPTION	Q.TY	REMARKS
1	5CH-F583T-00	MASTER CYLINDER ASSY	1	
2	5CH-H3922-00	LEVER 2	1	
3	5CH-F589F-00	BOLT, lever	1	
4	5CH-F5893-00	RESERVOIR CAP ASSY	1	
5	4GV-F589A-00	COVER, dust	1	
6	5CH-F5872-00	HOSE, brake 1	1	
7	5CH-F5867-00	BRACKET, master cylinder	1	
8	9131M-06025	BOLT, hexagon socket head	2	
9	90201-10X01	WASHER, plate	4	
10	90401-10X00	BOLT, union	2	



5CH1300-7310

E 4

FIG. 32 STAND./FOOTREST



REF. NO.	PART NO.	DESCRIPTION	Q.TY	REMARKS
1	4DA-27411-00	FOOTREST, 1	1	
2	5CH-F7412-00	BRACKET, 1	1	
3	90508-28777	SPRING, torsion	1	
4	90240-10101	PIN, clevis	2	
5	91401-25020	PIN, cotter	2	
6	90508-284A7	SPRING, torsion	1	
7	90506-32845	SPRING, tension	1	
8	95827-10030	BOLT, fla.	3	
9	5CH-F7422-00	BRACKET, 2	1	
10	4GY-27421-00	FOOTREST, 2	1	
11	5CH-F7311-00-33	STAND, side	1	UR. BLACK
12	90105-12616	BOLT, fla.	1	
13	90185-12119	NUT, self-locking	1	
14	4GV-F7315-10	LINK	1	
15	90506-20846	SPRING, tension	1	
16	90201-083P5	WASHER, plate	2	
17	4GV-F7431-00	FOOTREST, rr. 1	1	
18	4GV-F7441-00	FOOTREST, rr. 2	1	
19	90201-108M3	WASHER, plate	2	
20	90504-18005	SPRING, compression	2	
21	90109-085F5	BOLT	2	
22	4LW-F7351-00	GUIDE, side stand	1	



5CH1300-7320

E 5

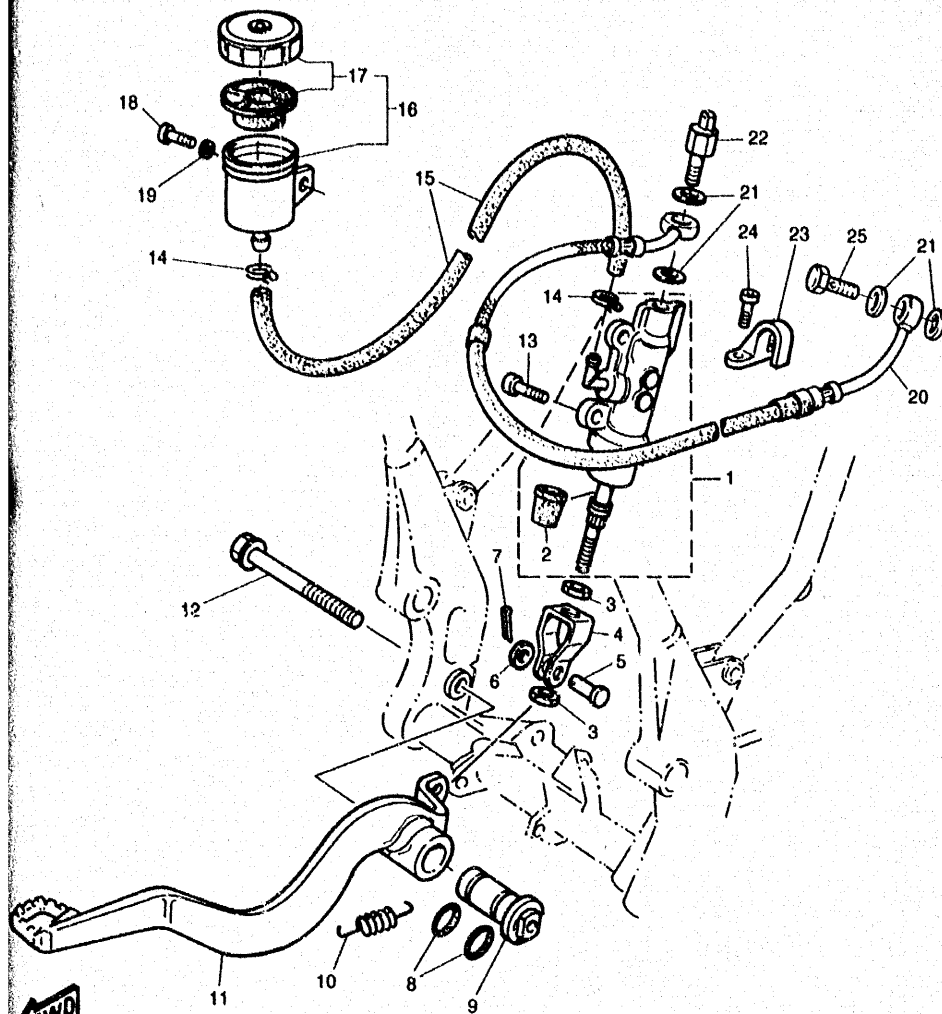
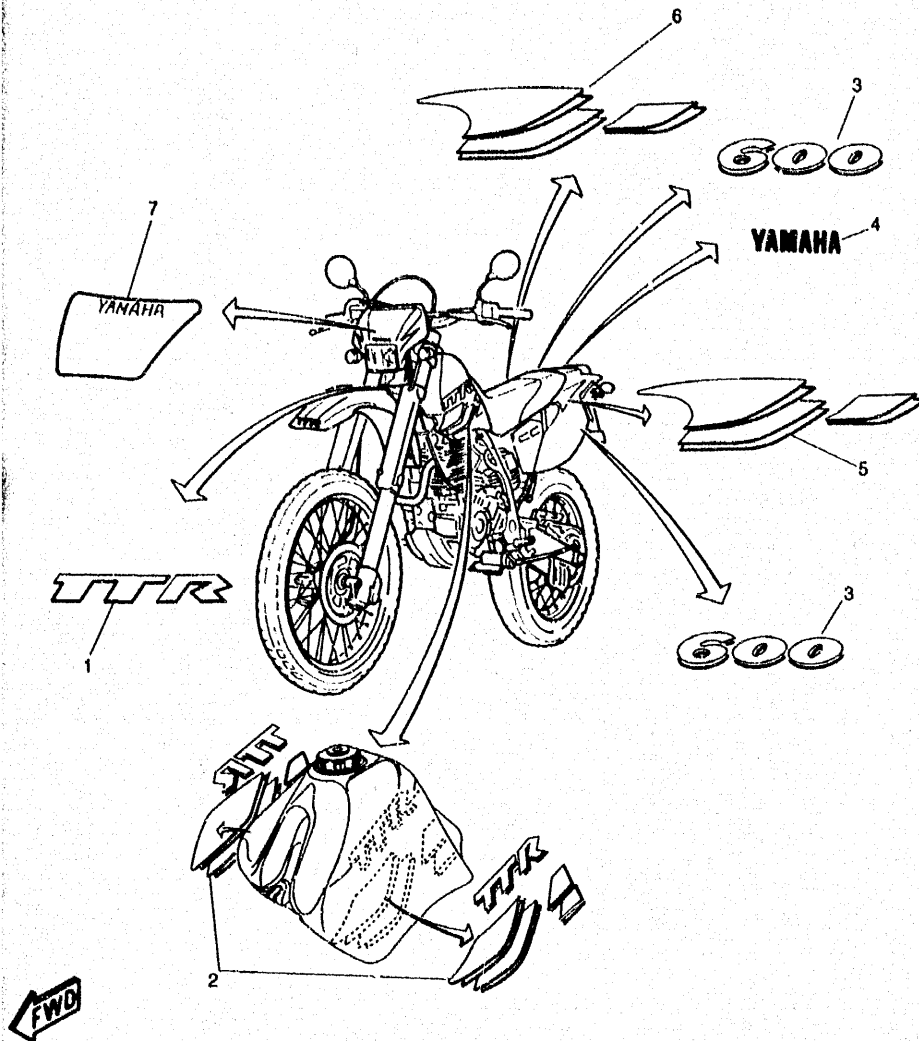


FIG. 33 REAR MASTER CYLINDER

REF. NO.	PART NO.	DESCRIPTION	Q.TY	REMARKS
1	4GV-F583V-00	REAR MASTER CYLINDER	1	
2	4GV-F5862-00	BOOT, master cvlinder	1	
3	9530L-08700	NUT, hex.	2	
4	4GV-F7222-00	JOINT	1	
5	90240-08124	PIN	1	
6	90201-08083	WASHER, plain	1	
7	91401-16012	PIN, split	1	
8	93210-13016	O-RING	2	
9	4GV-F7213-01	COLLAR	1	
10	90506-18838	SPRING	1	
11	4GV-F7200-02	PEDAL, brake	1	
12	95817-10085	BOLT, flq.	1	
13	4GV-F7217-00	BOLT	2	
14	90467-11832	CLIP	2	
15	5CH-F5895-00	HOSE, reserve	1	
16	3SH-F5804-00	TANK, reserve	1	
17	3SH-F5852-50	CAP, reservoir	1	
18	9131M-06020	BOLT, hexagon socket head	1	
19	9290M-06600	WASHER, plain	1	
20	5CH-F5873-00	HOSE, brake 2	1	
21	90201-10X01	WASHER, plain	4	
22	4DL-H2530-00	REAR STOP SWITCH ASSY	1	
23	2VM-25876-00	HOLDER, brake hose 2	2	
24	90167-04814	SCREW, tapping	4	
25	90401-10X00	BOLT, union	1	

FIG. 34 EMBLEMS

REF. NO.	PART NO.	DESCRIPTION	Q.TY	REMARKS
1	5CH-F1578-00	EMBLEM, 1	1	
2	5CH-F4240-00	GRAPHIC, fuel tank set	1	
3	5CH-F1781-10	EMBLEM, 1	2	
4	99244-00080	EMBLEM, Yamaha	1	
5	5CH-F173E-10	GRAPHIC, 1	1	
6	5CH-F173F-10	GRAPHIC, 2	1	
7	5CH-F8368-10	EMBLEM	1	



5CH2300-9340

E7

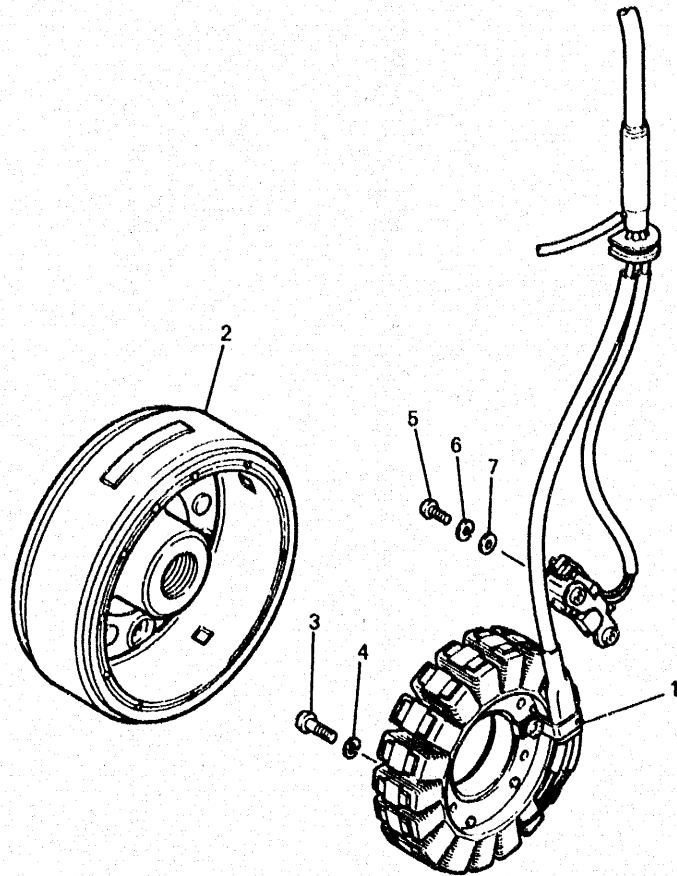


FIG. 35 GENERATOR

REF. NO.	PART NO.	DESCRIPTION	Q.TY	REMARKS
1	5CH-81410-00	STATOR, assy	1	
2	5CH-81450-00	ROTOR, assy	1	
3	98507-06030	SCREW, pan head (+)	3	
4	92907-06100	WASHER, plain	3	
5	98507-05016	SCREW, pan head (-)	2	
6	92907-05100	WASHER, spring	2	
7	92907-05600	WASHER, plain	2	



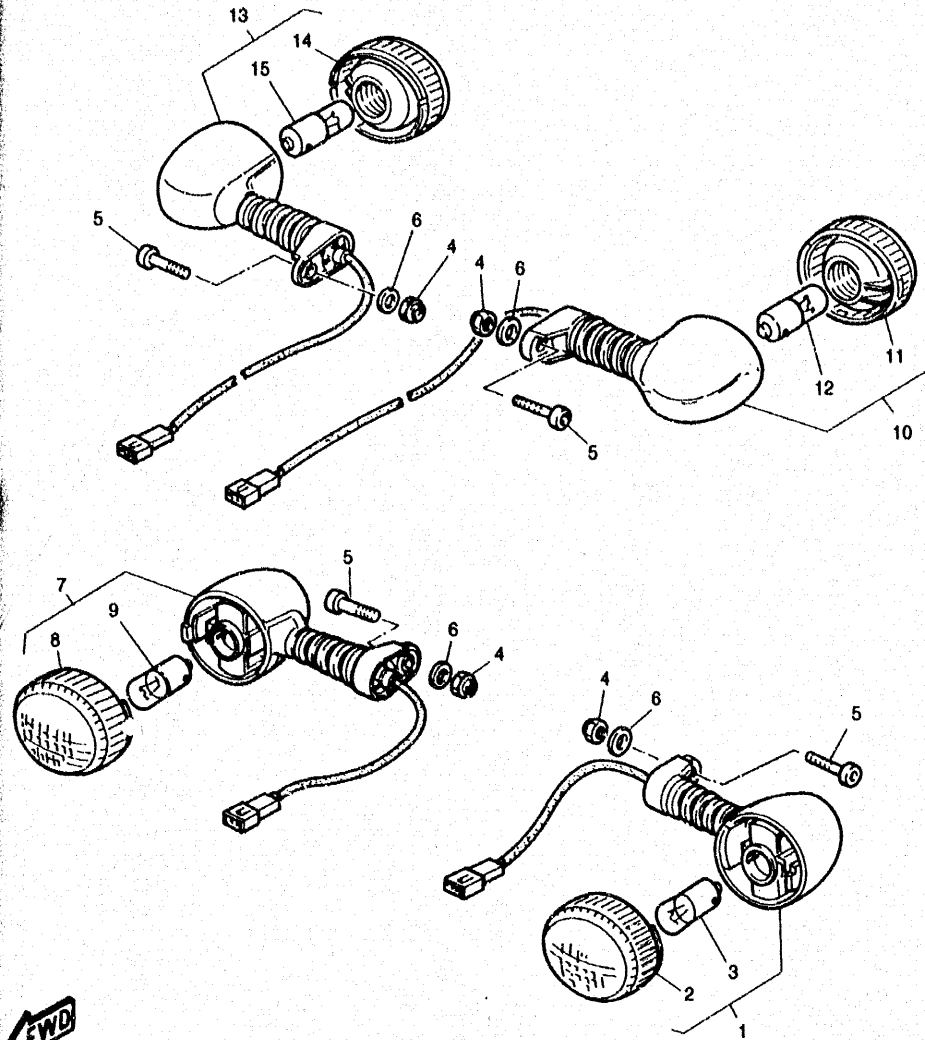
6CH1300-7351

E 8

- 49 -

FIG. 36 FLASHER LIGHT

REF. NO.	PART NO.	DESCRIPTION	Q.TY	REMARKS
1	5CH-H3310-01	FR. FLASHER LIGHT ASSY 1	1	
2	5CH-H3332-00	· LENS, flasher	1	
3	4DL-H3311-00	· BULB, flasher 12V-10W	1	L.M.
4	9571L-06300	NUT, nylon	4	
5	9131M-06020	BOLT, hexagon socket head	4	
6	9290L-06200	WASHER, plain	4	
7	5CH-H3320-01	FR. FLASHER LIGHT ASSY 2	1	
8	5CH-H3322-00	· LENS, flasher	1	
9	4DL-H3311-00	· BULB, flasher 12V-10W	1	L.M.
10	5CH-H3330-00	RR. FLASHER LIGHT ASSY 1	1	
11	5CH-H3322-00	· LENS, flasher	1	
12	4DL-H3311-00	· BULB, flasher 12V-10W	1	L.M.
13	5CH-H3340-00	RR. FLASHER LIGHT ASSY 2	1	
14	5CH-H3332-00	· LENS, flasher	1	
15	4DL-H3311-00	· BULB, flasher 12V-10W	1	L.M.



5CH1300-7360

E9

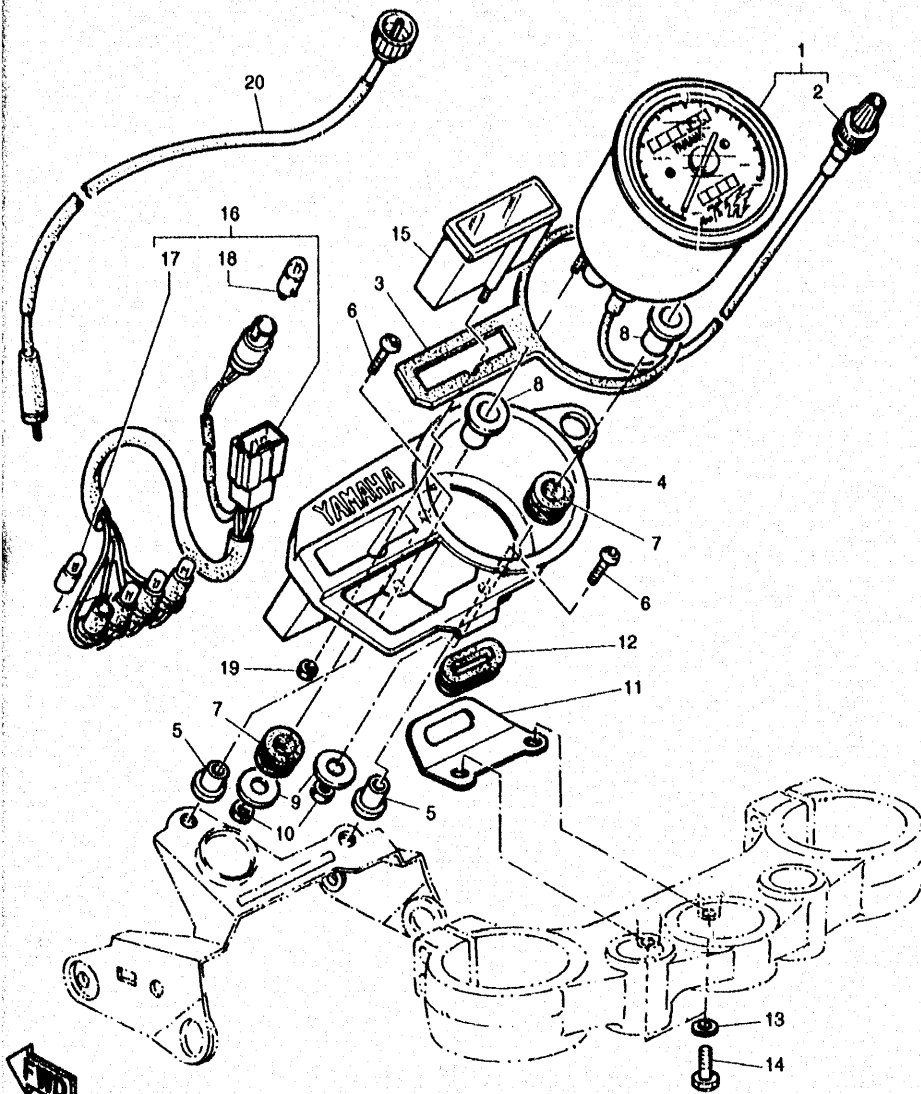


FIG. 37 METER

REF. NO.	PART NO.	DESCRIPTION	Q.TY	REMARKS
1	5CH-H3570-00	SPEEDOMETER ASSY	1	
2	5CH-H3578-00	· KNOB, tripmeter	1	
3	5CH-H3513-00	DAMPER	1	
4	5CH-H3519-00	BRACKET, meter	1	
5	90387-06X00	COLLAR	2	
6	9201L-06016	BOLT, button head	2	
7	5CH-H3523-00	DAMPER	2	
8	90387-05X01	COLLAR	2	
9	9290L-05200	WASHER, plain	2	
10	90179-05X02	NUT, nylon	2	
11	5CH-H3548-00	BRACKET, meter 1	1	
12	5CH-H3592-00	DAMPER	1	
13	9290L-06100	WASHER, spring	2	
14	9701L-06014	BOLT, hex.	2	
15	4GV-H3587-00	BODY, pilot box	1	
16	5CH-H3520-00	SOCKET, cord assy	1	
17		· BULB (12V-1.2W)	4	L.M.
18		· BULB (12V-3W)	1	L.M.
19	4GV-H354L-00	NUT, shaft support	1	
20	5CH-H3550-10	SPEEDOMETER CABLE ASSY	1	

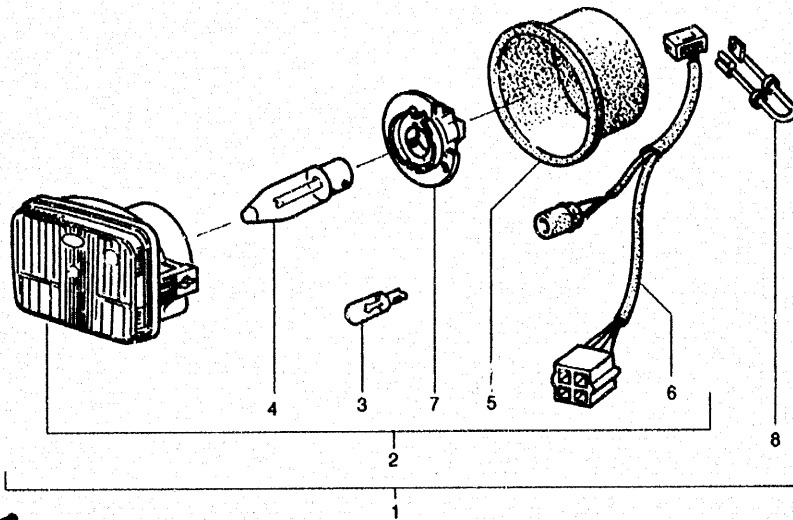
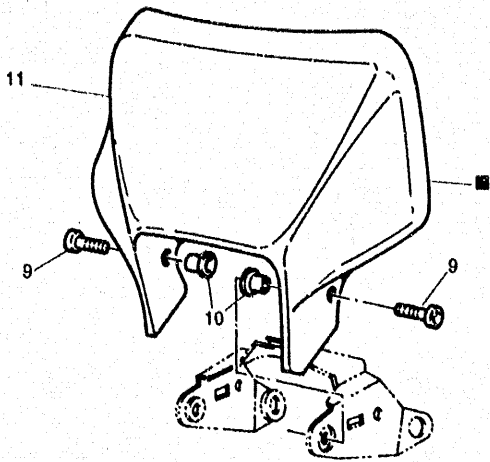


FIG. 38 HEADLIGHT

REF. NO.	PART NO.	DESCRIPTION	Q.TY	REMARKS
1	5CH-H430A-00	HEADLIGHT UNIT COMP.	1	
2	5CH-H4310-10	· HEADLIGHT UNIT ASSY	1	
3		· BULB (12V-5W)	1	L.M.
4		· BULB H4 (12V-55/60 W)	1	L.M.
5	4LW-H4397-00	· COVER, socket	1	
6	5CI-H4312-10	· SOCKET	1	
7	4LW-H4393-00	· HOLDER, bulb	1	
8	5CH-H4348-00	· WIRE, lead 1	1	
9	9581L-06016	BOLT, flg.	2	
10	90387-06X02	COLLAR	2	
11	5CH-F8351-10	BODY, cowling	1	UR. HEAT RED

NOTE: ■ COLORED - ROUGH MATERIAL



5CH1300-7381

E 11

- 52 -

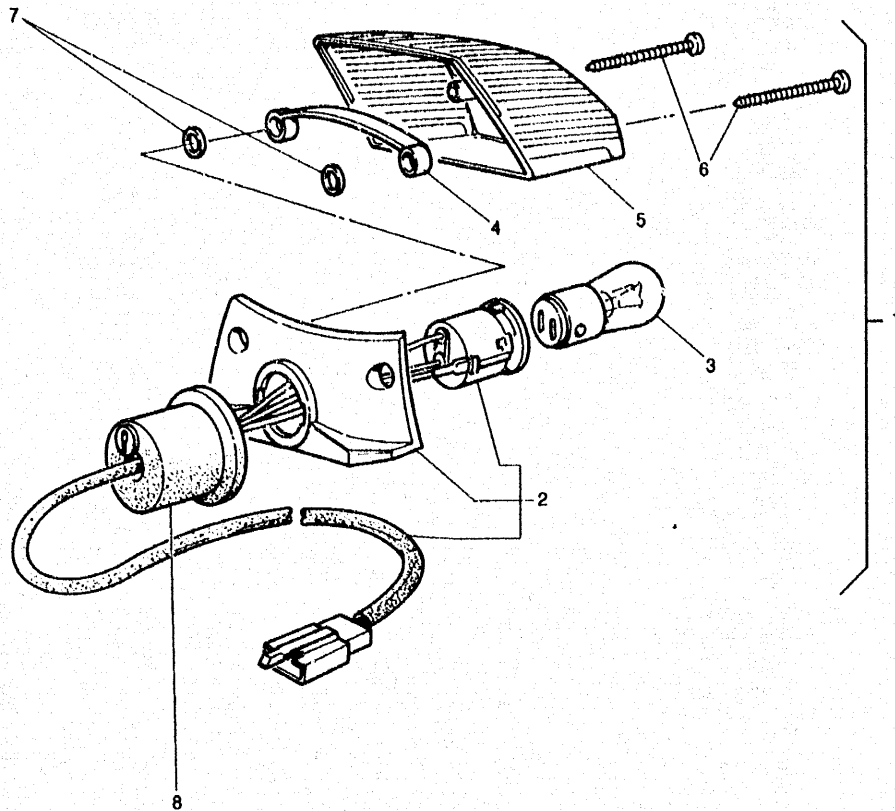


FIG. 39 TAILLIGHT

REF. NO.	PART NO.	DESCRIPTION	Q.TY	REMARKS
1	5CH-H4700-00	TAIL LIGHT ASSY	1	
2	5CH-H4720-00	· BASE ASSY	1	
3	2VW-H4714-00	· BULB 12V-5/21W	1	L.M.
4	5CH-H4731-00	· REFLECTOR, tail light	1	
5	5CH-H4721-00	· LENS, tail	1	
6	5CH-H4725-00	· SCREW, lens fitting	2	
7	5CH-H4722-00	WASHER	2	
8	5CH-H4736-00	DAMPER, tail	1	



5CH1300-7390

E 12

- 53 -

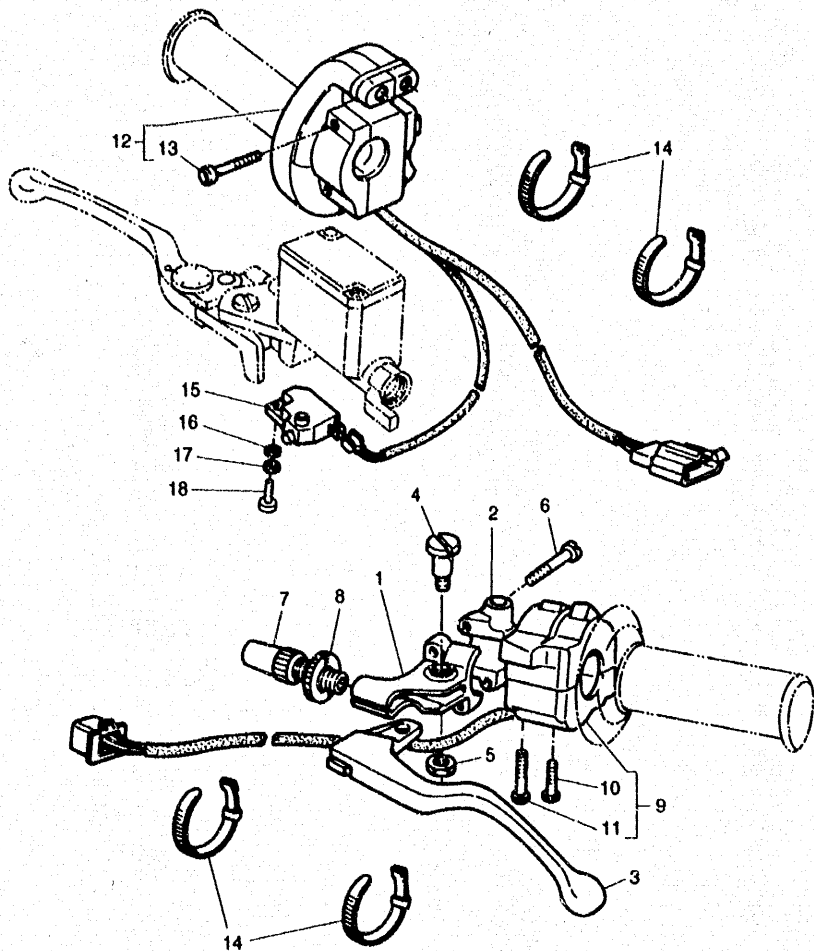


FIG. 40 HANDLE SWITCH, LEVER

REF. NO.	PART NO.	DESCRIPTION	Q.TY	REMARKS
1	5CH-H2911-10	HOLDER, lever 1	1	
2	5CH-H2913-00	HOLDER, lever lower 1	1	
3	5CH-H3912-10	LEVER 1	1	
4	5CH-H3925-00	SCREW, lever fitting	1	
5	5CH-H3916-00	NUT, lever fitting	1	
6	9131M-06025	BOLT, hexagon socket head	2	
7	90123-08X00	BOLT	1	
8	90179-08X01	NUT	1	
9	5CH-83972-00	SWITCH, handle 4	1	
10	98507-05030	SCREW, pan head (+)	1	
11	98507-05040	SCREW, pan head (+)	1	
12	5CH-H397A-00	SWITCH CASE ASSY	1	
13	9850M-05016	SCREW, pan head (+)	2	
14	437-83936-01	BAND, switch cord	4	
15	3FV-83980-00	FRONT STOP SWITCH ASSY	1	
16	9290L-04600	WASHER, plain	1	
17	9290L-04100	WASHER, spring	1	
18	9850L-04012	SCREW, pan head (+)	1	

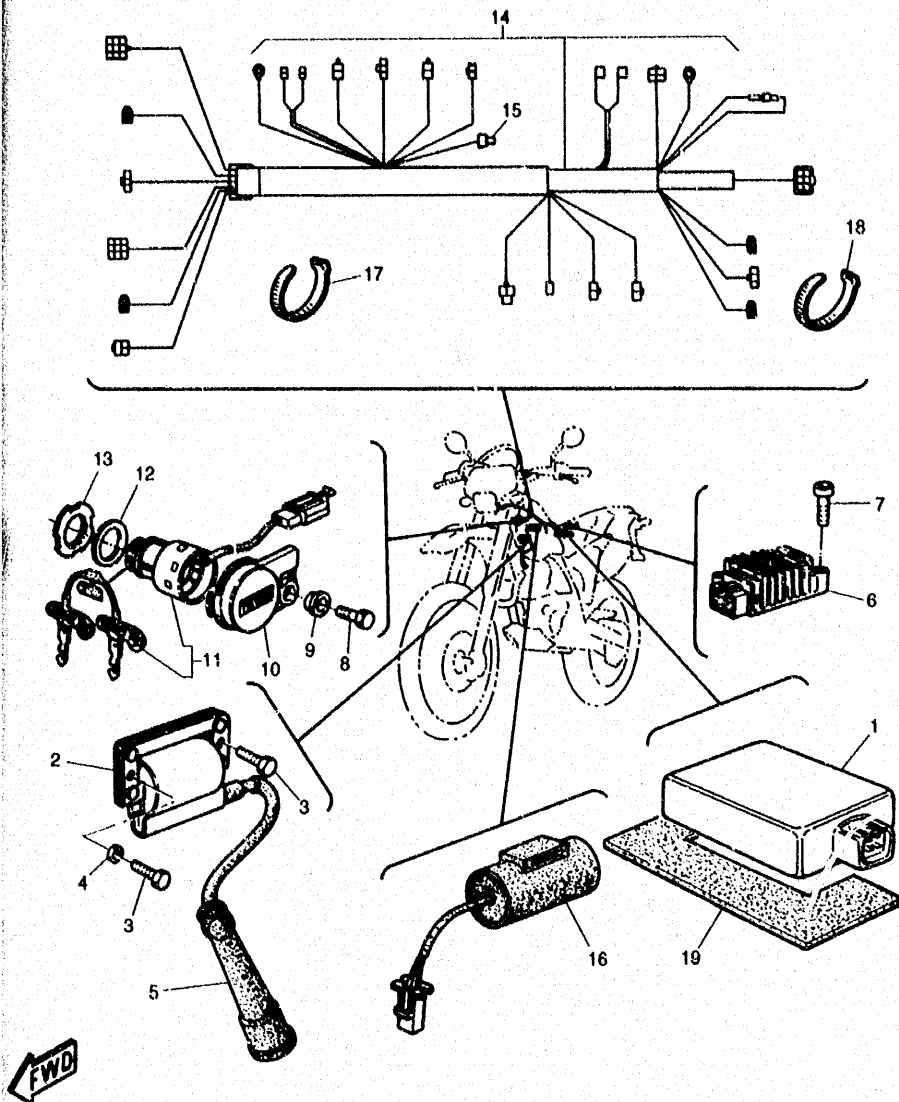


5CH1300-7400

E 13

FIG. 41 ELECTRICAL 1

REF. NO.	PART NO.	DESCRIPTION	Q.TY	REMARKS
1	5CH-85540-01	CDI UNIT ASSY	1	
2	5CH-82310-00	IGNITION COIL ASSY	1	
3	9701L-06020	BOLT, hex.	2	
4	9290L-06600	WASHER, plain	1	
5	371-82370-00	PLUG CAP ASSY	1	
6	3TJ-81960-02	RECTIFIER & REGULATOR ASSY	1	
7	9201L-06025	BOLT, button head	2	
8	9701L-06016	BOLT, hex.	1	
9	90387-06X01	COLLAR	1	
10	5CH-H2528-00	COVER, main switch	1	
11	5CH-H2501-00	MAIN SWITCH STEERING LOCK	1	
12	5CH-H2558-00	WASHER	1	
13	5CH-H2517-00	WASHER, special	1	
14	5CH-H2590-01	WIRE, harness	1	
15	3WP-81980-00	DIODE	1	
16	3TC-81965-00	CONDENSER, smoothing	1	
17	2AJ-F3192-50	BAND	2	
18	4GV-H3936-00	BAND, switch cord	6	
19	5CH-H235Y-00	DAMPER, unit	1	



5CH1300-7410

E 14

- 55 -

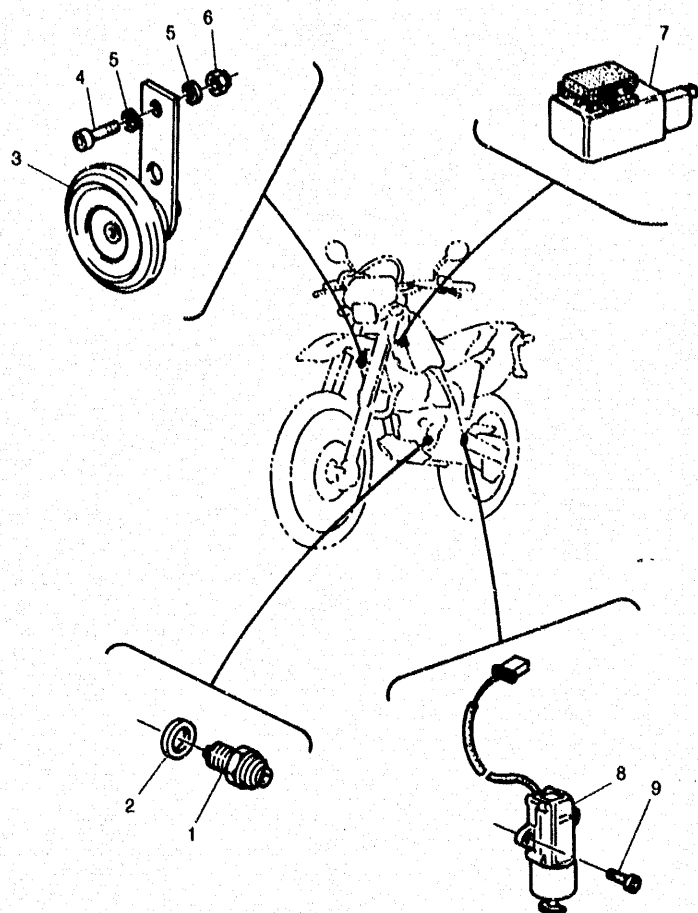


FIG. 42 ELECTRICAL 2

REF. NO.	PART NO.	DESCRIPTION	Q.TY	REMARKS
1	4KM-82540-00	NEUTRAL SWITCH ASSY	1	
2	90430-10148	GASKET	1	
3	4SU-H3371-00	HORN	1	
4	9131L-06012	BOLT, hexagon socket head	1	
5	9290L-06600	WASHER, plain	2	
6	90185-06837	NUT, self-locking	1	
7	3TY-83350-00	FLASHER, relay assy	1	
8	3LD-82566-50	SWITCH, side stand	1	
9	90110-05835	BOLT, hexagon socket head	2	



5CH1300-7420

CONTENTS

GENERAL SPEC.

ENGINE

Fig. 1	CYLINDER HEAD	1
Fig. 2	CYLINDER	3
Fig. 3	CRANKSHAFT, PISTON	4
Fig. 4	VALVE	6
Fig. 5	CAMSHAFT, CHAIN	7
Fig. 6	OIL PUMP	8
Fig. 7	INTAKE	10
Fig. 8	CARBURETOR	12
Fig. 9	EXHAUST	15
Fig. 10	CRANKCASE	16
Fig. 11	CRANKCASE COVER 1	17
Fig. 12	STARTER	19
Fig. 13	CLUTCH	21
Fig. 14	TRANSMISSION	23
Fig. 15	SHIFT CAM, FORK	25
Fig. 16	SHIFT SHAFT	26

CHASSIS

Fig. 17	FRAME	27
Fig. 18	FENDER	29
Fig. 19	OIL TANK	30
Fig. 20	REAR ARM	31
Fig. 21	REAR SUSPENSION	33
Fig. 22	STEERING	34
Fig. 23	FRONT FORK	36
Fig. 24	FUEL TANK	38
Fig. 25	SEAT	39
Fig. 26	FRONT WHEEL	40
Fig. 27	FRONT BRAKE CALIPER	41
Fig. 28	REAR WHEEL	42
Fig. 29	REAR BRAKE CALIPER	43
Fig. 30	STEERING HANDLE, CABLE	44
Fig. 31	FRONT MASTER CYLINDER	45
Fig. 32	STAND, FOOTREST	46
Fig. 33	REAR MASTER CYLINDER	47
Fig. 34	EMBLEMS	48
Fig. 35	GENERATOR	49
Fig. 36	FLASHER LIGHT	50
Fig. 37	METER	51
Fig. 38	HEADLIGHT	52
Fig. 39	TAILLIGHT	53
Fig. 40	HANDLE SWITCH, LEVER	54
Fig. 41	ELECTRICAL 1	55
Fig. 42	ELECTRICAL 2	56

INDIVIDUAL SPEC. (Only for Australian market)

CHASSIS

Fig. 43	HEADLIGHT	57
---------	-----------------	----

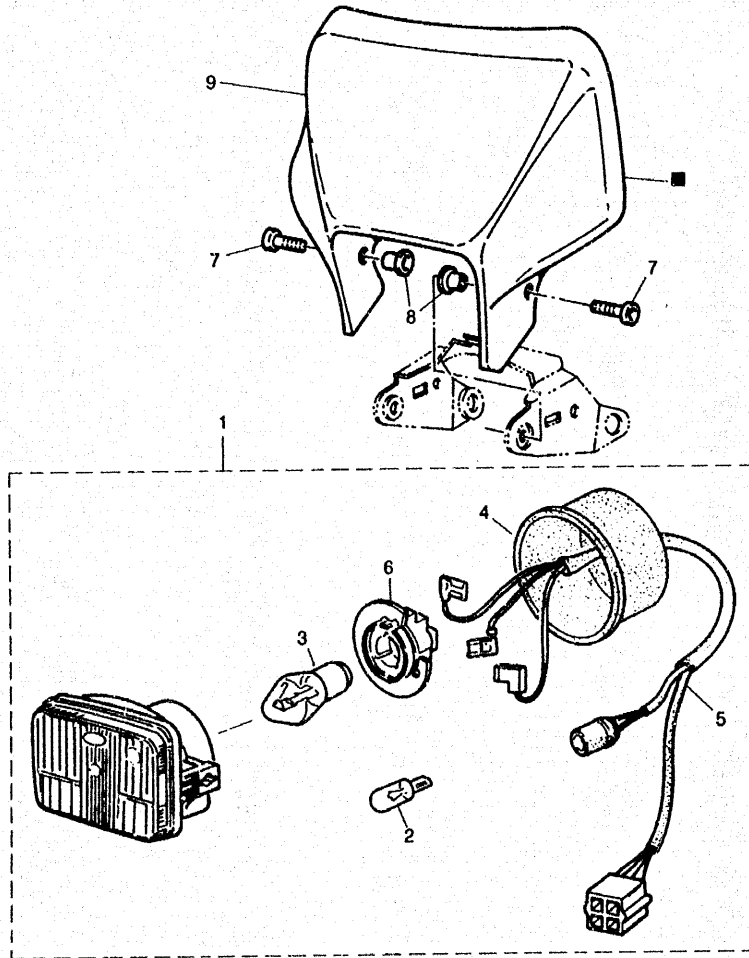
INDEX (GENERAL & INDIVIDUAL SPEC.)

NUMERICAL INDEX

FIG. 43 HEADLIGHT (ONLY FOR AUSTRALIAN MARKET)

REF. NO.	PART NO.	DESCRIPTION	Q.TY	REMARKS
1	5CH-H4310-00	HEADLIGHT UNIT ASSY	1	
2		· BULB (12V-5W)	1	L.M.
3		· BULB (12V-35/35W)	1	* L.M.
4	4GV-H4397-00	COVER	1	*
5	5CH-H4312-00	· SOCKET	1	
6	4GV-H4393-00	· HOLDER, bulb	1	*

NOTE: ■ COLORED - ROUGH MATERIAL



5CH1300-7430

F2

INDEX
(GENERAL SPEC.)

G₁

NUMERICAL INDEX

PART NO.	GRID NO.	PART NO.	GRID NO.	PART NO.	GRID NO.	PART NO.	GRID NO.	PART NO.	GRID NO.
5CH-E1166-00	C3	5CH-F173F-10	E7	5CH-F3118-00	D9	5CH-F348G-00	D7	4GV-F589A-00	E4
4GV-E2273-10	B2	5CH-F1745-00	D3	5CH-F3125-00	D9	5CH-F4110-00-P1	D11	5CH-F589F-00	E4
5CH-E3464-00	B9	5CH-F174A-00	D2	5CH-F3125-00	D9	5CH-F4135-00	D11	4GV-F5911-00	D14
5CH-E3465-00	B10	5CH-F174E-00	D3	5CH-F3126-00	D9	5CH-F416F-00	D11	4DL-F5917-00	D14
5CH-E4197-00	B14	5CH-F1750-00-38	D3	4GV-F312G-00	D9	5CH-F416G-00	D11	4GV-F5917-00	D14
5CH-E4412-00	B11	5CH-F1756-00	D3	4GV-F312G-00	D10	3SH-F4181-00	C15	4GV-F5917-00	E2
5CH-E4437-00	B11	5CH-F175V-00	D3	5CH-F3135-00	D9	4GV-F4182-00	D11	4GV-F5919-10	E2
5CH-E443E-00	B11	4SU-F1761-00	D3	5CH-F3135-00	D10	5CH-F4240-00	E7	4GV-F5919-20	D14
5CH-E4450-00	B11	5CH-F1769-00	D3	5CH-F3136-01	D9	5CH-F4311-00	D11	4GV-F5924-01	E2
5CH-E4453-00	B11	4GV-F176E-00	C14	5CH-F3141-00	D9	5CH-F4312-00	D11	4GV-F5924-10	D14
5CH-E4454-00	B11	4SU-F1773-00	D3	5CH-F3141-00	D10	5CH-F4500-01	D11	5CH-F6111-00	E3
5CH-E445A-02	B11	5CH-F177L-00	D2	5CH-F3144-00	D9	5CH-F4610-00	D11	5CH-F6241-00	E3
5CH-E4462-00	B11	5CH-F1781-10	E7	5CH-F3144-00	D9	5CH-F4723-00	D12	5CH-F6242-00	E3
5CH-E4611-00	C2	5CH-F2110-00	D4	5CH-F3145-00	D9	5CH-F4734-00	D12	4GV-F6243-00	E3
5CH-E4628-00	C2	5CH-F2125-00	D6	5CH-F3145-00	D9	5CH-F4731-00	D12	4GV-F6249-00	E3
5CH-E4711-00	C2	4GV-F2151-00	D4	5CH-F3146-00	D9	5CH-F4770-00	D12	5CH-F6280-00	E3
5CH-E4763-00	C2	4GV-F2156-00	D4	5CH-F3146-00	D9	5CH-F5104-00	D13	5CH-F6290-00	E3
5CH-E4766-00	C2	5CH-F217A-00	D4	5CH-F314E-00	D10	4GV-F5111-00	D13	5CH-F6302-00	E3
5CH-E4788-00	C2	5CH-F217F-00	D5	5CH-F314F-00	D10	4GV-F5117-00	D13	4GV-F6316-00	E3
5CH-E5421-10	C4	5CH-F219X-00	D2	5CH-F314G-00	D10	5CH-F5181-00	D13	5CH-F6335-10	E3
4GV-E5441-00	C5	5CH-F2210-00	D6	4GV-F3153-00	D9	5CH-F5188-00	D13	4GV-F6339-00	E3
5CH-F1110-00-T9	C14	5CH-F2212-00	D6	4GV-F3153-00	D9	5CH-F5188-00	D15	4GV-F7114-00	C2
5CH-F1161-00	C15	5CH-F2212-10	D6	5CH-F316A-00	D9	5CH-F5304-00	D15	4GV-F7200-02	E6
5CH-F118E-00	D6	5CH-F2213-00	D6	5CH-F316A-00	D9	4GV-F5394-10	D15	4GV-F7213-01	E6
5CH-F1190-00-T9	C15	4GV-F2214-00	D6	5CH-F3170-00	D10	4GV-F5414-00	D15	4GV-F7217-00	E6
5CH-F1275-00-T9	C15	5CH-F2216-00	D6	5CH-F3170-00	D9	5CH-F5444-00	D15	4GV-F7222-00	E6
5CH-F127A-00-T9	C15	4GV-F2217-00	D6	5CH-F3174-00	D7	3SH-F5804-00	E6	5CH-F7311-00-33	E5
5CH-F1308-00	C15	4GV-F2223-00	D6	2AJ-F3192-50	E14	5CH-F580T-00	D14	4GV-F7315-10	E5
4GV-F1315-00	C14	5CH-F2224-00	D6	5CH-F319U-10	D8	5CH-F580W-00	E2	4LW-F7351-00	E5
4GV-F1316-00-T9	C14	4GV-F2253-00	D6	5CH-F3318-00	D10	4GV-F5811-00	E2	5CH-F7412-00	E5
5CH-F1397-10	C15	4SU-F2255-01	B10	5CH-F3340-00	D10	4DL-F5824-00	D14	5CH-F7422-00	E5
5CH-F1445-01	C2	5CH-F2261-00	D6	5CH-F3389-00	D10	3SH-F5824-00	E2	4GV-F7431-00	E5
5CH-F1471-00	C14	5CH-F2262-00	D6	5CH-F3408-00	D7	3SH-F5825-00	E2	4GV-F7441-00	E5
5CH-F1511-00	D2	4GV-F2311-00	D5	5CH-F3436-00	D8	4GV-F582T-00	D14	5CH-F7491-00	E2
5CH-F1578-00	E7	5CH-F2474-00	D6	5CH-F3441-00-T9	D7	4GV-F582W-00	E2	5CH-F8100-01	C15
5CH-F1610-00	D2	5CH-F3102-00	D9	5CH-F3442-00-T9	D7	5CH-F583T-00	E4	5CH-F8351-10	E11
5CH-F1621-00	B11	5CH-F3103-01	D9	5CH-F3448-00	D8	4GV-F583V-00	E6	5CH-F8368-10	E7
5CH-F1685-01	D2	5CH-F3108-00	D9	5CH-F3453-00	D7	3SH-F5852-50	E6	4SU-F8372-00	D12
5CH-F1717-00	C15	5CH-F3108-00	D9	5CH-F3472-10	D10	4GV-F5862-00	E6	5CH-H235Y-00	E14
5CH-F172E-00	D3	5CH-F3110-00	D10	5CH-F3482-00	D7	5CH-F586T-00	E4	5CH-H2501-00	E14
5CH-F1736-00	B11	5CH-F3110-00	D9	5CH-F3483-00	D7	5CH-F5872-00	E4	5CH-H2517-00	E14
5CH-F1736-00	D2	5CH-F3111-00	D9	5CH-F3484-00	D7	5CH-F5873-00	E6	5CH-H2528-00	E14
5CH-F1736-00	B11	5CH-F3111-00	D10	5CH-F3486-00	D7	5CH-F5893-00	E4	5CH-H252V-00	C15
5CH-F173E-10	E7	5CH-F3118-00	D10	5CH-F3489-01	D7	5CH-F5895-00	E6	4DL-H2530-00	E6

NUMERICAL INDEX

PART NO.	GRID NO.	PART NO.	GRID NO.	PART NO.	GRID NO.	PART NO.	GRID NO.	PART NO.	GRID NO.
5CH-H2558-00	E14	3SH-H4551-00	D2	4H7-12116-00	B7	5Y1-14149-00	B14	1JK-15417-00	C5
5CH-H2590-01	E14	5CH-H4700-00	E12	2F3-12117-00	B7	5CH-14148-00	B14	4PT-15418-00	C4
5CH-H2911-10	E13	2VW-H4714-00	E12	1J7-12118-00	B7	5CH-1414C-00	B14	5Y1-15427-01	B9
5CH-H2913-00	E13	5CH-H4720-00	E12	1J7-12119-01	B7	3YF-14159-00	B14	4PT-15430-00	C4
5CH-H3310-01	E9	5CH-H4721-00	E12	1VJ-12121-00	B7	5Y1-14159-00	B14	1JK-15449-00	C4
4DL-H3311-00	E9	5CH-H4722-00	E12	2NX-12146-00	B7	3TD-14197-00	B15	4DW-15451-00	C4
4DL-H3311-00	E9	5CH-H4725-00	E12	34K-12151-00	B7	2JN-14198-00	B13	4DW-15462-00	C4
4DL-H3311-00	E9	5CH-H4731-00	E12	2NX-12156-00	B7	5Y1-14216-00	B13	1JK-15486-00	C4
4DL-H3311-00	E9	5CH-H4736-00	E12	2NX-12159-00	B7	1JK-14286-00	B13	3Y1-1561A-02	C6
5CH-H3320-01	E9	5CH-H5130-00	D2	34K-12161-00	B7	5CH-14291-00	B13	5Y1-1561G-00	C7
5CH-H3322-00	E9	5CH-H5132-00	D2	34K-12162-00	B7	2JN-14293-00	B13	5Y1-15620-02	C6
5CH-H3322-00	E9	5CH-W1141-00	B5	34K-12163-00	B7	5CH-14301-01	B13	5Y1-15621-01	C6
5CH-H3330-00	E9	5Y1-W1343-00	B9	2NX-12166-00	B7	5CH-14313-40	B14	5Y1-15621-01	C5
5CH-H3332-00	E9	5CH-WE401-00	B11	1JK-12171-00	B8	2KF-14341-00	B14	34K-15641-00	C6
5CH-H3332-00	E9	5CH-WF341-00-T	D7	3TB-12176-00	B8	43F-14342-27	B14	5Y1-15645-00	C5
5CH-H3340-00	E9	3TB-11101-02	B2	3TB-12210-00	B8	30X-14343-65	B14	5Y1-15651-01	C6
4SU-H3371-00	E15	583-11127-00	B4	4DW-12213-00	B8	288-14343-73	B14	5Y1-15660-01	C6
5CH-H3513-00	E10	583-11127-00	B2	3TB-12215-01	B2	288-14343-75	B14	2NX-15668-00	C6
5CH-H3519-00	E10	4H7-11133-10	B2	34K-12231-00	B8	288-14343-78	B14	248-15668-00	C6
5CH-H3520-00	E10	34K-11145-00	B6	34K-12241-00	B8	5Y1-14349-00	B14	5Y1-15671-01	C6
5CH-H3523-00	E10	2KF-11181-01	B4	1JK-12283-00	B2	1JK-14355-00	B14	2NX-15674-00	C6
5CH-H3548-00	E10	1L9-11186-00	B2	1JK-12288-00	B3	5Y1-14356-00	B13	214-15688-00	C6
4GV-H354L-00	E10	5Y1-11107-00	B2	2WK-12292-00	B3	1JK-14357-00	B13	34K-16111-00	C8
5CH-H3550-10	E10	214-11198-01	B9	583-13113-00	B9	30X-14358-00	B13	34K-16150-00	C8
5CH-H3570-00	E10	3TB-11310-00	B4	5Y1-14358-10	B13	2JN-16154-00	C8	5Y1-14358-10	B13
5CH-H3578-00	E10	1VJ-11351-00	B4	3AJ-13161-01	B9	5Y1-14384-00	B13	5Y1-16321-00	C8
4GV-H3587-00	E10	5CH-11400-00	B5	3AJ-13325-00	B9	2JN-14385-00	B13	30X-16325-00	C8
5CH-H3592-00	E10	34K-11454-00	B5	3SX-13329-00	B9	689-14386-00	B13	5Y1-16331-01	C8
5CH-H3912-10	E13	5Y1-11496-01	B5	4DW-13415-00	B9	7FK-14394-00	B13	5Y1-16351-00	C8
5CH-H3916-00	E13	5Y1-11531-00	B5	4X7-13440-01	B9	1JK-14397-00	B13	5Y1-16356-00	C8
5CH-H3922-00	E4	2JT-11536-00	B5	4PT-13447-00	B9	5Y1-14536-00	B13	5Y1-16357-00	C9
5CH-H3925-00	E13	34K-11565-02	B5	5CH-13455-00	B10	3YF-14613-01	C2	1W1-16358-01	C8
4GV-H3936-00	E14	34L-11610-00	B5	16G-13569-00	B11	5Y1-14752-00	B13	2JN-16371-00	C8
5CH-H397A-00	E13	34L-11610-20	B5	5CH-13586-00	B11	3YF-14755-00	C2	4GV-16380-01	C8
5CH-H430A-00	E11	34L-11610-40	B5	1VJ-13596-00	B11	4BD-14766-00	C2	5Y1-16383-00	C8
5CH-H4310-00	F2	3TB-11631-00-Y0	B5	2NX-14103-00	B14	1JK-1490A-00	B14	34K-17121-01	C10
5CH-H4310-10	E11	1JK-11633-01	B5	5Y1-14105-00	B14	5CH-1490U-00	B14	1VJ-17131-00	C10
5CH-H4312-00	F2	3TB-11636-00	B5	2JN-14107-00	B14	5CH-1490J-10	B14	34K-17141-00	C10
5CH-H4312-10	E11	3TB-11638-00	B5	2KF-1410A-00	B14	2NX-1490K-00	B14	3YP-17151-01	C10
5CH-H4348-00	E11	3TB-11651-00	B5	5Y1-14115-00	B13	3GV-14940-00	B13	34K-17211-00	C10
4LW-H4393-00	E11	1VJ-11681-00	B5	2NX-14131-00	B13	4PT-15100-00	C3	3YP-17221-00	C10
4GV-H4393-00	F2	1VJ-12111-00	B7	30X-14148-00	B14	2H7-15361-00	D3	1VJ-17231-00	C10
4GV-H4397-00	F2	5Y1-12113-00	B7	3YF-14148-00	B14	5Y1-15383-00	C3	55U-17241-00	C10
4LW-H4397-00	E11	5Y1-12114-00	B7	5CH-14149-00	B13	5CH-15411-00	C4	3YP-17251-01	C10

NUMERICAL INDEX

PART NO.	GRND NO.	PART NO.	GRND NO.	PART NO.	GRND NO.	PART NO.	GRND NO.	PART NO.	GRND NO.
3YP-17402-00	C10	4V4-25367-00	D15	90116-10378	B2	90201-06765	C14	90215-20231	C8
2NX-17411-00	C10	3XP-25381-00	D15	90116-10506	C3	90201-08083	E6	90215-23265	C10
2NX-17460-01	C10	3SP-25388-00	D15	90119-06097	D2	90201-080L8	B4	90240-08124	E6
5Y1-17471-00	C10	2VM-25876-00	E6	90123-08X00	E13	90201-083P5	E5	90240-10101	E5
5Y1-18101-02	C13	4NO-27114-00	C14	90149-05110	B9	90201-085L3	B4	90267-48079	C14
43F-18102-02	C13	4DA-27411-00	E5	90149-06272	D14	90201-086P8	D15	90267-48X00	D2
34K-18110-02	C13	4GY-27421-00	E5	90149-06327	E2	90201-08753	C15	90280-16053	B5
34K-18120-00	C13	4GY-28386-00	B11	90149-08067	C8	90201-098E7	C15	90282-05013	B6
2KF-18140-00	C12	5CH-81410-00	E8	90151-04048	D5	90201-100A1	D7	90282-07042	C8
4PT-18511-00	C12	5CH-81450-00	E8	90151-06017	C12	90201-10124	B4	90336-18038	C6
4PT-18512-00	C12	3TJ-81960-02	E14	90151-06805	D4	90201-10135	C7	90340-08014	C4
4PT-18513-00	C12	3TC-81965-00	E14	90152-06010	C6	90201-10590	B4	90340-14068	B2
3YF-18531-00	C12	3WP-81980-00	E14	90159-06016	C8	90201-108M3	E5	90340-14132	B9
3YF-18535-00	C12	120-82131-00	C15	90159-06078	C12	90201-10X01	E4	90340-36076	C4
3YF-18540-00	C12	5CH-82310-00	E14	90164-06017	C2	90201-10X01	E6	90380-16127	D4
136-18542-00	C12	371-82370-00	E14	90167-03X00	B11	90201-120A5	D5	90380-22111	D4
4GY-21107-00	C15	4KM-82540-00	E15	90167-03X01	B11	90201-12474	C13	90387-05X01	E10
34L-21485-00	C14	3LD-82566-50	E15	90167-04814	E6	90201-128H5	B10	90387-05X02	D10
34L-21486-00	C14	3TY-83350-00	E15	90170-06128	B7	90201-128N5	D7	90387-060A7	C14
2J5-21732-00	C14	437-83936-01	E13	90170-16343	B6	90201-12X00	B10	90387-062M9	B11
907-22123-00	D7	5CH-83972-00	E13	90170-20274	C8	90201-13202	C14	90387-062M9	D5
1VJ-22123-00	D4	3FV-83980-00	E13	90170-20327	C8	90201-14222	D4	90387-062M9	D2
156-22127-00	D4	5CH-85540-01	E14	90170-36394	D7	90201-14226	B5	90387-062M9	D2
3JD-22128-00	D4	90101-08777	D15	90176-08026	B4	90201-15238	D4	90387-063F7	C12
23X-22129-00	D5	90105-07342	B8	90179-05X02	E10	90201-155K6	C6	90387-06X00	E10
3R4-22129-00	D4	90105-08505	B4	90179-06668	C2	90201-15701	C6	90387-06X01	E14
1VJ-22141-00	D4	90105-08659	D14	90179-08X01	E13	90201-17327	C8	90387-06X01	E2
3JD-22147-00	D4	90105-12616	E5	90179-08X03	C15	90201-20276	C10	90387-06X01	D2
30X-22178-00	C14	90109-063E8	B7	90179-10201	B4	90201-20276	C6	90387-06X02	E11
4V4-22184-00	C14	90109-063E9	B2	90179-10279	B4	90201-204M9	D15	90387-1212V	D5
3XP-22199-03	D4	90109-06418	B3	90179-14317	B5	90201-20685	C6	90387-121E8	D7
3LD-2219X-01	D5	90109-06419	B9	90179-18552	C11	90201-275P2	C10	90387-123Y4	D5
3XJ-22355-00	D5	90109-085F2	D15	90179-28602	D7	90201-301F4	B5	90387-128T7	D5
3JE-22475-00	D5	90109-085F5	E5	90179-28603	D7	90201-365M5	D7	90387-1412W	D5
3R4-23317-00	D7	90109-08705	C14	90185-06830	D4	90202-05193	D11	90387-147G7	D4
2HG-23416-00	D7	90109-087F1	C15	90185-06837	E15	90202-14077	D7	90387-16782	C3
3SP-23418-00	D7	90109-104G7	D6	90185-06837	D2	90204-10803	C15	90387-173Y0	D13
34X-24186-01	D11	90109-104G8	D5	90185-08839	C15	90206-06090	C2	90387-17783	C3
360-24512-00	B13	90109-104G9	D4	90185-08838	C2	90206-12075	B7	90387-200Y2	D15
214-24535-00	B14	90109-10554	D5	90185-10060	C14	90209-05279	C4	90387-203V0	D15
214-24535-00	B13	90110-05835	E5	90185-10060	C14	90209-22191	C10	90401-06001	B3
4GV-25190-00	D13	90111-08808	C15	90185-12119	E5	90209-22191	C10	90401-08133	B9
4EW-25311-00	D15	90116-06475	B2	90185-14070	D4	90215-16242	B6	90401-10X00	E6
4EW-25317-00	D15	90116-10263	C3	90185-18104	D15	90215-20197	C8	90401-10X00	E4

NUMERICAL INDEX

PART NO.	GRND NO.	PART NO.	GRND NO.	PART NO.	GRND NO.	PART NO.	GRND NO.	PART NO.	GRND NO.
90413-07007	B14	91317-06016	C5	92902-04100	B13	93102-20108	C6	93317-11020	C8
90430-05126	B9	91317-06018	B2	92907-05100	E8	93102-25226	C10	93317-21746	D5
90430-06014	B3	91317-06020	B11	92907-05600	E8	93106-22019	D4	93317-22237	D4
90430-06192	B3	91317-06020	B2	92907-06100	C14	93106-22032	D13	93332-00068	D7
90430-08119	C8	91317-06025	B2	92907-06100	E8	93106-28023	D15	93332-00078	D7
90430-08143	C4	91317-06025	C4	92907-06200	C8	93108-35004	D4	93342-22208	D4
90430-08178	B4	91317-06025	B8	92907-06600	C7	93109-17071	D5	93399-999T4	D5
90430-08178	C3	91317-06025	C4	92907-06600	B8	93109-20076	D4	93410-20038	C6
90430-08204	B9	91317-06030	C4	92907-06600	B2	93210-05X00	B11	93440-12052	B2
90430-10148	E15	91317-06030	C4	92907-08100	C14	93210-07135	C3	93440-25084	C10
90450-51059	B11	91317-06030	C3	92907-10100	C14	93210-07135	B9	93440-25084	C10
90450-58124	B12	91317-06035	C4	9290L-04100	E13	93210-08521	B7	93450-24028	B5
90460-46206	B11	91317-06035	B4	9290L-04600	E13	93210-100A9	B10	93502-08007	B9
90462-16102	C4	91317-06035	B9	9290L-05200	E10	93210-100A9	D3	93507-32009	C6
90465-08028	B11	91317-06040	B2	9290L-05600	D10	93210-118C7	D11	93515-32029	C9
90465-08344	C3	91317-06045	C3	9290L-06100	C15	93210-13016	E6	93604-10011	C12
90467-10039	B11	91317-06050	C4	9290L-06100	D4	93210-13361	C4	93605-10090	B5
90467-11832	D11	91317-06050	B2	9290L-06100	E10	93210-13361	B9	93608-33046	C13
90467-11832	E6	91317-06050	C4	9290L-06100	D11	93210-13657	B2	93700-06005	D5
90467-11834	D11	91317-06055	B2	9290L-06200	E9	93210-15171	B10	94109-218J5	D13
90467-12X01	D3	91317-06060	C3	9290L-06200	D2	93210-16X00	B15	94113-18X00	D15
90467-14015	C3	91317-06080	B9	9290L-06200	D2	93210-16X01	D3	94209-21892	D13
90467-14839	B11	91317-06115	B7	9290L-06200	C15	93210-19522	B2	94214-18891	D15
90467-17128	C3	91317-06125	B10	9290L-06600	C13	93210-218D5	D3	94309-21853	D13
90480-14229	C14	9131L-05040	D10	9290L-06600	E15	93210-32172	B2	94314-18554	D15
90501-043E0	B9	9131L-06012	E15	9290L-06600	D5	93210-357A3	C4	94418-21587	D13
90501-12081	C6	9131L-06012	D3	9290L-06600	E14	93210-36769	B11	94425-18495	D15
90501-16107	C6	9131L-06016	D2	9290L-06600	C15	93210-62523	B2	9456X-00112	D15
90501-22721	B5	9131L-06020	D9	9290L-08200	C2	93210-64297	B9	94590-27126	B8
90501-26148	C8	9131M-06016	B10	9290L-08200	C15	93210-98473	B4	94701-00241	B2
90504-18005	E5	9131M-06016	D3	9290L-12100	D6	93306-003Y6	D13	95024-06020	D4
90506-18838	E6	9131M-06016	C4	9290M-05600	D2	93306-00418	D15	95027-08035	D7
90506-20846	E5	9131M-06020	E6	9290M-06100	D5	93306-00426	C10	9502L-03040	D10
90506-32845	E5	9131M-06020	E9	9290M-06600	E6	93306-00431	C10	9502L-08040	D7
90508-144A3	C8	9131M-06025	E4	9290M-12200	D6	93306-30525	B5	95307-06600	C8
90508-14524	C7	9131M-06025	E13	92990-04100	B13	93306-30534	B5	9530L-08700	E6
90508-18551	B3	91380-08020	C2	92990-08100	C2	93306-30535	C10	95317-06700	C7
90508-26691	C12	91380-08030	C2	92990-08600	C2	93306-30540	C10	9531L-08600	D10
90508-284A7	E5	91401-16012	E6	93101-14092	C4	93306-30702	B5	95607-10200	D5
90508-28777	E5	91401-25020	E5	93101-25106	B5	93310-635D4	B5	95607-10200	C14
90508-29629	C13	9201L-06012	E2	93102-10207	C6	93315-11720	C8	95607-10200	D6
90508-32529	C6	9201L-06016	E10	93102-12106	C13	93315-31750	D5	95607-12200	D5
90560-25376	C10	9201L-06025	E14	93102-12106	B3	93315-32053	D5	95607-12200	D5
91317-06016	B10	9201N-08020	C15	93102-17148	C8	93316-00501	C12	9561L-08100	D15

