

CONTENTS

GENERAL SPEC.

ENGINE

| | | |
|---------|--------------------------|----|
| Fig. 1 | CYLINDER HEAD | 1 |
| Fig. 2 | CYLINDER | 3 |
| Fig. 3 | CRANKSHAFT, PISTON | 4 |
| Fig. 4 | VALVE | 6 |
| Fig. 5 | CAMSHAFT, CHAIN | 7 |
| Fig. 6 | OIL PUMP | 8 |
| Fig. 7 | INTAKE | 10 |
| Fig. 8 | CARBURETOR | 12 |
| Fig. 9 | EXHAUST | 15 |
| Fig. 10 | CRANKCASE | 16 |
| Fig. 11 | CRANKCASE COVER 1 | 17 |
| Fig. 12 | STARTER | 19 |
| Fig. 13 | CLUTCH | 21 |
| Fig. 14 | TRANSMISSION | 23 |
| Fig. 15 | SHIFT CAM, FORK | 25 |
| Fig. 16 | SHIFT SHAFT | 26 |

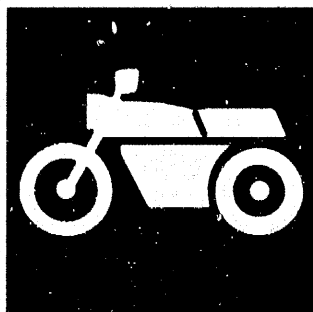
CHASSIS

| | | |
|---------|------------------------------|----|
| Fig. 17 | FRAME | 27 |
| Fig. 18 | FENDER | 29 |
| Fig. 19 | OIL TANK | 30 |
| Fig. 20 | REAR ARM | 31 |
| Fig. 21 | REAR SUSPENSION | 33 |
| Fig. 22 | STEERING | 34 |
| Fig. 23 | FRONT FORK | 36 |
| Fig. 24 | FUEL TANK | 38 |
| Fig. 25 | SEAT | 39 |
| Fig. 26 | FRONT WHEEL | 40 |
| Fig. 27 | FRONT BRAKE CALIPER | 41 |
| Fig. 28 | REAR WHEEL | 42 |
| Fig. 29 | REAR BRAKE CALIPER | 43 |
| Fig. 30 | STEERING HANDLE, CABLE | 44 |
| Fig. 31 | FRONT MASTER CYLINDER | 45 |
| Fig. 32 | STAND, FOOTREST | 46 |
| Fig. 33 | REAR MASTER CYLINDER | 47 |
| Fig. 34 | EMBLEMS | 48 |
| Fig. 35 | GENERATOR | 49 |
| Fig. 36 | FLASHER LIGHT | 50 |
| Fig. 37 | METER | 51 |
| Fig. 38 | HEADLIGHT | 52 |
| Fig. 39 | TAILLIGHT | 53 |
| Fig. 40 | HANDLE SWITCH, LEVER | 54 |
| Fig. 41 | ELECTRICAL 1 | 55 |
| Fig. 42 | ELECTRICAL 2 | 56 |

INDEX (GENERAL SPEC.)

NUMERICAL INDEX

YAMAHA

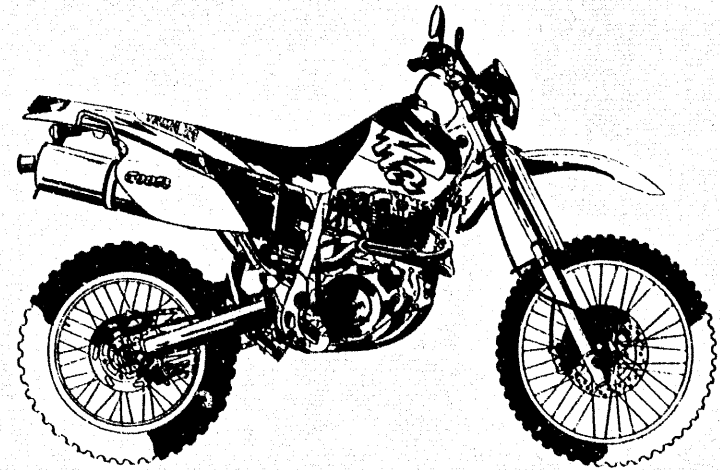
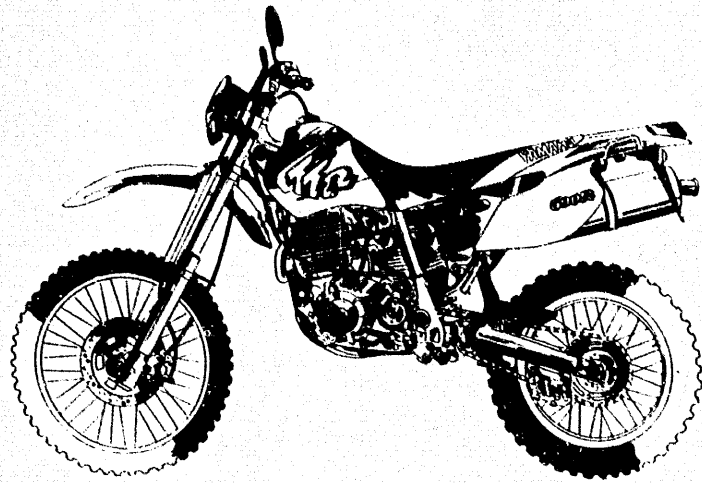


**PARTS
CATALOGUE**

TT600R'97 (5CH1) EUROPE

275CH-300E1

YAMAHA
GENUINE
Parts & Accessories



FOREWORD

This Parts Catalogue is related to the parts for the model(s) in the below frame. When you are ordering replacement parts, please refer to this Parts Catalogue and quote both part numbers and part names correctly.

TT600R '97 (5CH1)

1. Modifications or additions which have been made after issue of the Parts Catalogue will be announced in the Yamaha Parts News.
It is advisable that you make necessary corrections to the Parts Catalogue according to the Yamaha Parts News.

2. Abbreviations

The following abbreviations are used in this Parts Catalogue.

- "UR" Use specified parts number.
- "UN" Use as many as needed.
- "AP" Alternate Parts.
- "LM" Local Made (Parts need to be ordered locally).
- "F#" Frame No. (Applicable machine No.).

3. Parts, which are to be supplied in an assembly, are listed with a dot (.) in front of the part name as shown below.

EXAMPLE

- CARBURETOR ASSY
- . JET, PILOT
- . NOZZLE, MAIN

4. Number of component for assembly

The numeral appearing to the right of each component part indicates the quantity of parts for each assembly unit.

EXAMPLE

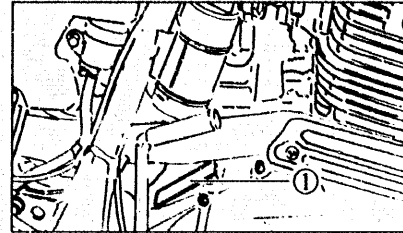
| PART. NO. | DESCRIPTION | Q.TY. | REMARKS |
|--------------|--------------------------|-------|---------|
| 2F5-83310-60 | FRONT FLASHER LIGHT ASSY | 2 | |
| 115-83311-60 | . BULB (6V - 18W) | 1 | |

5. Applicable colors of graphics are represented in the "REMARKS" as shown below.

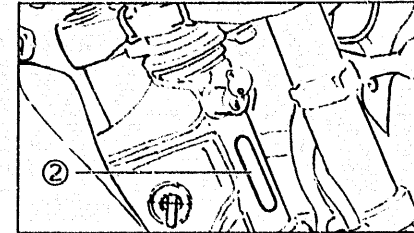
| PART. NO. | DESCRIPTION | Q.TY. | REMARKS |
|-----------------|----------------------|-------|-----------|
| 2N4-24110-00-X5 | FUEL TANK COMP. | 1 | MAXIM RED |
| 3J1-24240-10 | . GRAPHIC, FUEL TANK | 1 | for MXR |

6. Applicable Serial No.

① Engine Serial No.



② Frame Serial No.



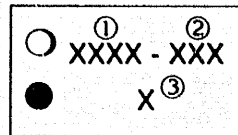
7. Note that the illustrations are for reference in finding parts numbers, not to be used for assembling. When assembling, please use the applicable service manual.

8. The asterisk (*) before a reference number indicates modification items after the first edition.

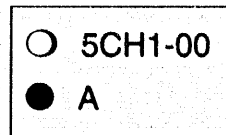
MODEL LABEL

(1) A label called "Model Label" is affixed in the location as indicated in (3) below. When using this Parts Catalogue, please be sure to cross-refer the "model code - production code No." in the catalogue to the "model code - production code No." indicated on the Model Label affixed onto the product concerned.

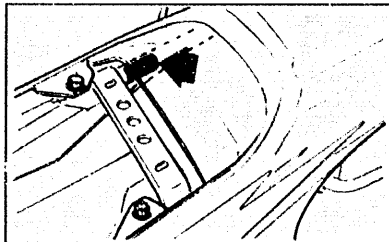
(2) "Model Label" Indication.



① Model Type Code
② Production Code No.
③ Colouring Type



(3) Model Label Affixing Location



(4) Model Code - Production Code Number of Model Listed in this Parts Catalogue

| Model code | Production code No. | Country (destination) |
|------------|---------------------|-----------------------|
| 5CH1 | 00 | ITALY |
| | | ISRAEL |
| | 01 | GERMANY |
| | | AUSTRIA |
| | | FRANCE |
| | 02 | SPAIN |
| | | SWEDEN |
| | | NORWAY |
| | 03 | HOLLAND |
| | | PORTUGAL |
| | | GREECE |
| | 04 | BELGIUM |
| AUSTRALIA | | |
| | | |
| 05 | | |
| 06 | | |

(5) Colouring Information

| Colouring type code | Colour code | Colour Name | Abbreviation |
|---------------------|-------------|------------------------|--------------|
| A | 0206 | PURPLISH WHITE SOLID 1 | PWS 1 |

CONTENTS

GENERAL SPEC.

ENGINE

| | | |
|---------|--------------------------|----|
| Fig. 1 | CYLINDER HEAD | 1 |
| Fig. 2 | CYLINDER | 3 |
| Fig. 3 | CRANKSHAFT, PISTON | 4 |
| Fig. 4 | VALVE | 6 |
| Fig. 5 | CAMSHAFT, CHAIN | 7 |
| Fig. 6 | OIL PUMP | 8 |
| Fig. 7 | INTAKE | 10 |
| Fig. 8 | CARBURETOR | 12 |
| Fig. 9 | EXHAUST | 15 |
| Fig. 10 | CRANKCASE | 16 |
| Fig. 11 | CRANKCASE COVER 1 | 17 |
| Fig. 12 | STARTER | 19 |
| Fig. 13 | CLUTCH | 21 |
| Fig. 14 | TRANSMISSION | 23 |
| Fig. 15 | SHIFT CAM, FORK | 25 |
| Fig. 16 | SHIFT SHAFT | 26 |

CHASSIS

| | | |
|---------|------------------------------|-----|
| Fig. 17 | FRAME | 27 |
| Fig. 18 | FENDER | 29 |
| Fig. 19 | OIL TANK | 30 |
| Fig. 20 | REAR ARM | 31 |
| Fig. 21 | REAR SUSPENSION | 33 |
| Fig. 22 | STEERING | 34 |
| Fig. 23 | FRONT FORK | 35 |
| Fig. 24 | FUEL TANK | 311 |
| Fig. 25 | SEAT | 31 |
| Fig. 26 | FRONT WHEEL | 40 |
| Fig. 27 | FRONT BRAKE CALIPER | 41 |
| Fig. 28 | REAR WHEEL | 42 |
| Fig. 29 | REAR BRAKE CALIPER | 43 |
| Fig. 30 | STEERING HANDLE, CABLE | 44 |
| Fig. 31 | FRONT MASTER CYLINDER | 45 |
| Fig. 32 | STAND/FOOTREST | 46 |
| Fig. 33 | REAR MASTER CYLINDER | 47 |
| Fig. 34 | EMBLEMS | 48 |
| Fig. 35 | GENERATOR | 49 |
| Fig. 36 | FLASHER LIGHT | 50 |
| Fig. 37 | METER | 51 |
| Fig. 38 | HEADLIGHT | 52 |
| Fig. 39 | TAILLIGHT | 53 |
| Fig. 40 | HANDLE SWITCH, LEVER | 54 |
| Fig. 41 | ELECTRICAL 1 | 55 |
| Fig. 42 | ELECTRICAL 2 | 56 |

INDEX (GENERAL SPEC.)

NUMERICAL INDEX

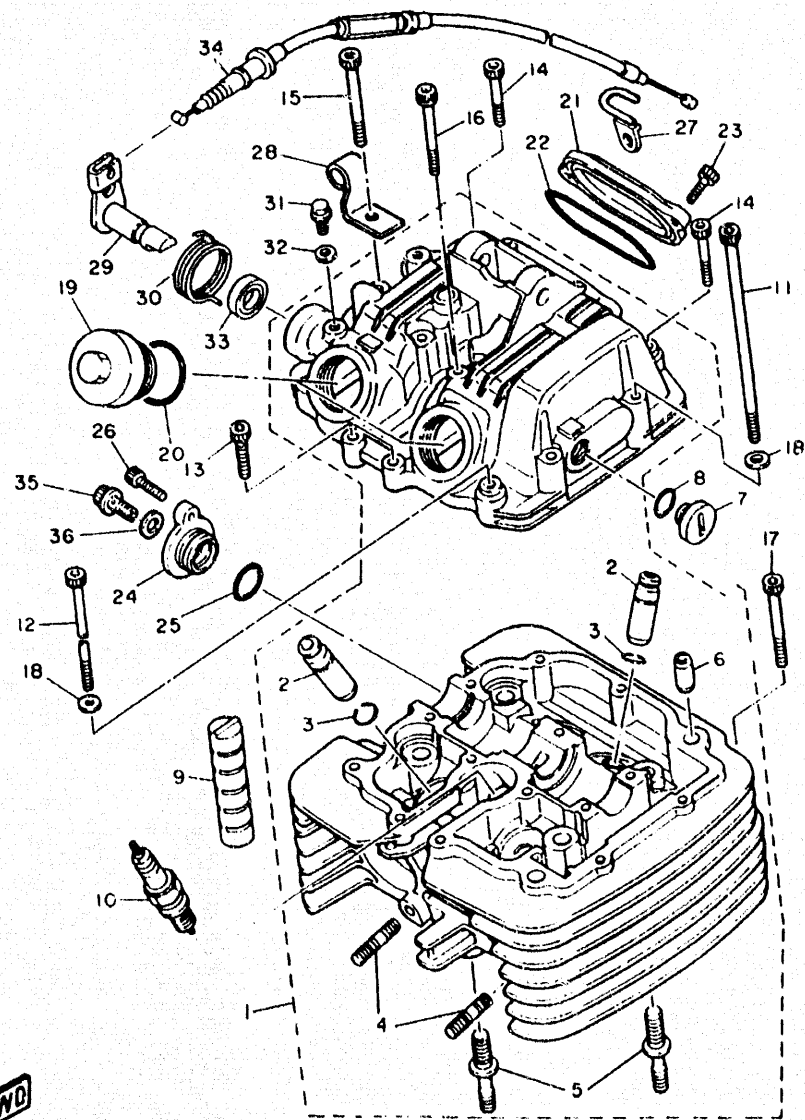


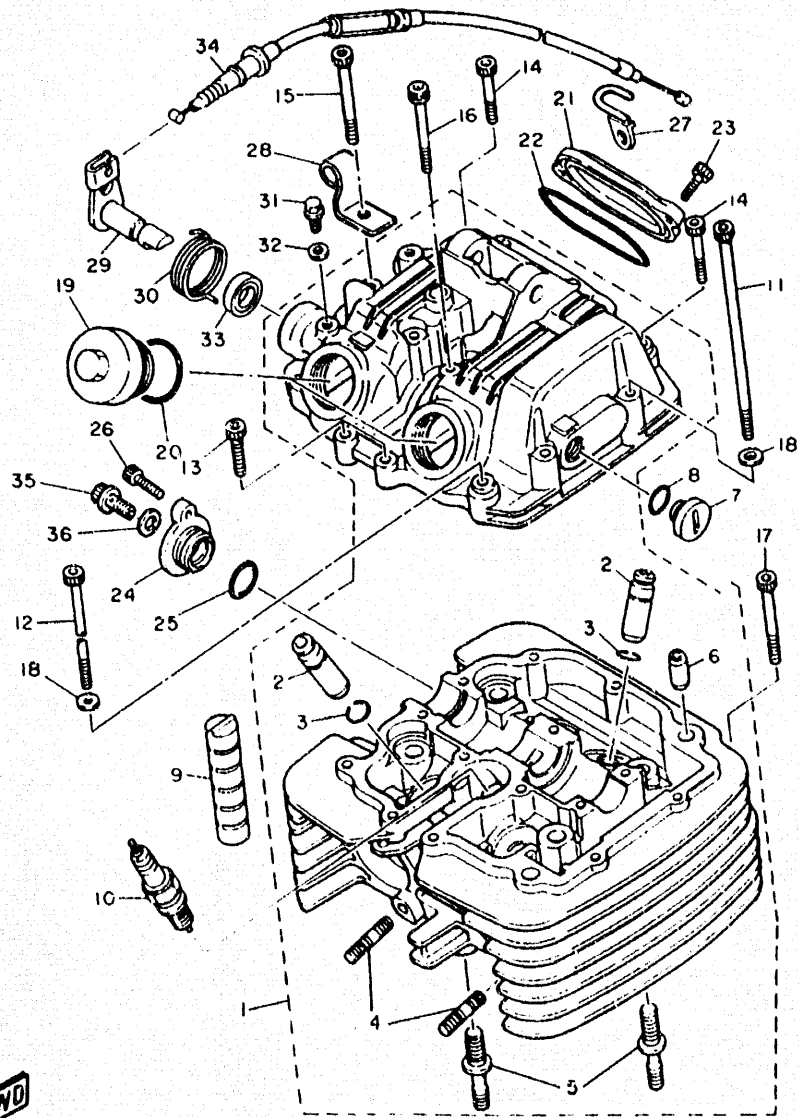
FIG. 1 CYLINDER HEAD

| REF. NO. | PART NO. | DESCRIPTION | Q. TY | REMARKS |
|----------|--------------|-----------------------------|-------|---------|
| 1 | 3TB-11101-02 | CYLINDER HEAD ASSY | 1 | |
| 2 | 4H7-11133-10 | · GUIDE, intake valve | 4 | |
| 3 | 93440-12052 | · CIRCLIP | 4 | |
| 4 | 90116-06475 | · BOLT, stud | 4 | |
| 5 | 90116-10378 | · BOLT, stud | 2 | |
| 6 | 99530-10116 | · PIN, dowel | 2 | |
| 7 | 90340-14068 | PLUG, straight screw | 1 | |
| 8 | 93210-13657 | O-RING | 1 | |
| 9 | 583-11127-00 | ABSORBER 3 | 2 | |
| 10 | 94701-00241 | PLUG, spark (NGK DPR8EA-9) | 1 | |
| 11 | 91317-06125 | BOLT | 2 | |
| 12 | 91317-06115 | BOLT | 1 | |
| 13 | 91317-06025 | BOLT | 4 | |
| 14 | 91317-06040 | BOLT | 2 | |
| 15 | 91317-06055 | BOLT | 6 | |
| 16 | 90109-063E9 | BOLT | 1 | |
| 17 | 91317-06050 | BOLT | 1 | |
| 18 | 92907-06600 | WASHER, plate | 3 | |
| 19 | 1L9-11186-00 | COVER, cylinder head side 2 | 2 | |
| 20 | 93210-32172 | O-RING | 2 | |
| 21 | 5Y1-11187-00 | COVER, cylinder head side 3 | 1 | |
| 22 | 93210-62523 | O-RING | 1 | |
| 23 | 91317-06018 | BOLT | 2 | |
| 24 | 3TB-12215-01 | CAP, tensioner case | 1 | |
| 25 | 93210-19522 | O-RING | 1 | |
| 26 | 91317-06020 | BOLT | 1 | |
| 27 | 4GV-E2273-10 | HOLDER, decompression | 1 | |
| 28 | 1JK-12283-00 | BRACKET, decompression | 1 | |



4GV1354-7011

B2



4GV1354-7011

FIG. 1 CYLINDER HEAD

| REF. NO. | PART NO. | DESCRIPTION | Q.TY | REMARKS |
|----------|--------------|----------------------|------|---------|
| 29 | 1JK-12288-00 | CAM, decompression | 1 | |
| 30 | 90508-18551 | SPRING, torsion | 1 | |
| 31 | 90109-06418 | BOLT | 1 | |
| 32 | 90430-06014 | GASKET | 1 | |
| 33 | 93102-12106 | OIL SEAL | 1 | |
| 34 | 2WK-12292-00 | CABLE, decompression | 1 | |
| 35 | 90401-06001 | BOLT, union | 1 | |
| 36 | 90430-06192 | GASKET | 1 | |

B3

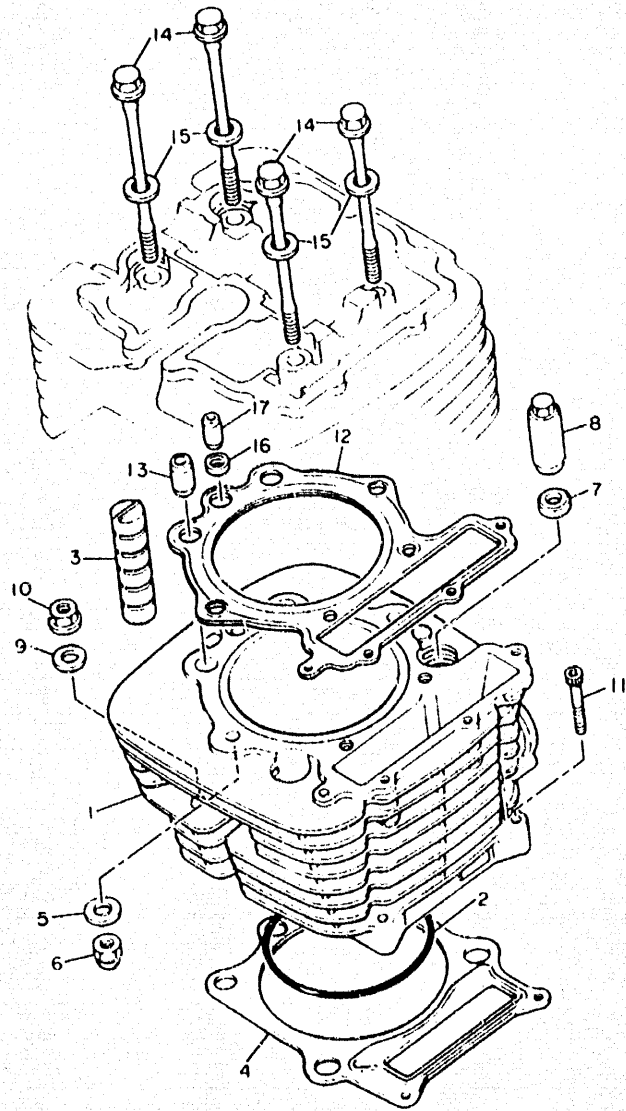


FIG. 2 CYLINDER

| REF. NO. | PART NO. | DESCRIPTION | Q. TY | REMARKS |
|----------|--------------|-------------------------|-------|---------|
| 1 | 3TB-11310-00 | CYLINDER | 1 | |
| 2 | 93210-98473 | O-RING | 1 | |
| 3 | 583-11127-00 | ABSORBER 3 | 2 | |
| 4 | 1VJ-11351-00 | GASKET, cylinder | 1 | |
| 5 | 90201-080L8 | WASHER, plate | 2 | |
| 6 | 90176-08026 | NUT, crown | 2 | |
| 7 | 90201-10590 | WASHER, plate | 2 | |
| 8 | 90179-10201 | NUT | 2 | |
| 9 | 90201-10124 | WASHER, plate | 2 | |
| 10 | 90179-10279 | NUT | 2 | |
| 11 | 91317-06035 | BOLT | 2 | |
| 12 | 2KF-11181-01 | GASKET, cylinder head 1 | 1 | |
| 13 | 99530-12016 | PIN, dowel | 2 | |
| 14 | 90105-08505 | BOLT, washer based | 4 | |
| 15 | 90201-085L3 | WASHER, plate | 4 | |
| 16 | 90430-08178 | GASKET | 1 | |
| 17 | 99530-08016 | PIN, dowel | 1 | |



21Y280-8020

B4

FWD

31B351-0030

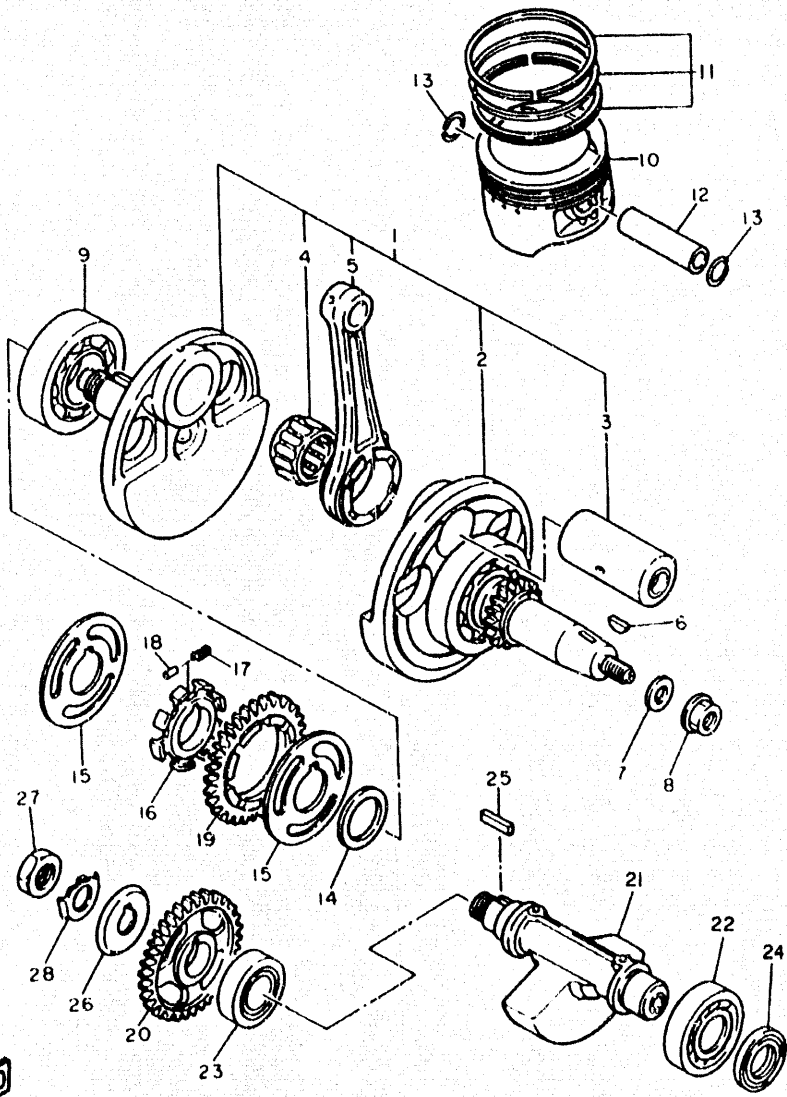


FIG. 3 CRANKSHAFT. PISTON

| REF. NO. | PART NO. | DESCRIPTION | Q. TY | REMARKS |
|----------|-----------------|------------------------------|-------|---------|
| 1 | 5CH-11400-00 | CRANKSHAFT ASSY | 1 | |
| 2 | 5CH-W1141-00 | CRANK 1 | 1 | |
| 3 | 1VJ-11681-00 | PIN, crank 1 | 1 | |
| 4 | 93310-635D4 | BEARING, cylindrical | 1 | |
| 5 | 3TB-11651-00 | ROD, connecting | 1 | |
| 6 | 90280-16053 | KEY, woodruff | 1 | |
| 7 | 90201-14226 | WASHER, plate | 1 | |
| 8 | 90179-14317 | NUT | 1 | |
| 9 | 93306-30702 | BEARING (B6307) | 1 | |
| 10 | 3TB-11631-00-Y0 | PISTON (STD) | 1 | URRC |
| 10 | 3TB-11636-00 | PISTON (0.50MM O/S) | 1 | AP |
| 10 | 3TB-11638-00 | PISTON (1.00MM O/S) | 1 | AP |
| 11 | 34L-11610-00 | PISTON RING SET (STD) | 1 | URRC |
| 11 | 34L-11610-20 | PISTON RING SET (0.50MM O/S) | 1 | AP |
| 11 | 34L-11610-40 | PISTON RING SET (1.00MM O/S) | 1 | |
| 12 | 1JK-11633-01 | PIN, piston | 1 | |
| 13 | 93450-24028 | CIRCLIP | 2 | |
| 14 | 9C201-301F4 | WASHER, plate | 1 | |
| 15 | 34K-11565-02 | WASHER, bearing cover | 2 | |
| 16 | 5Y1-11496-01 | BOSS, buffer | 1 | |
| 17 | 9C501-22721 | SPRING, compression | 8 | |
| 18 | 93605-10090 | PIN, dowel | 4 | |
| 19 | 2JT-11536-00 | GEAR, drive | 1 | |
| 20 | 5Y1-11531-00 | GEAR, balance wt 44t | 1 | |
| 21 | 34K-11454-00 | WEIGHT 1 | 1 | |
| 22 | 93306-30525 | BEARING (B6305) | 1 | |
| 23 | 93306-30534 | BEARING | 1 | |
| 24 | 93101-25106 | OIL SEAL | 1 | |

B5

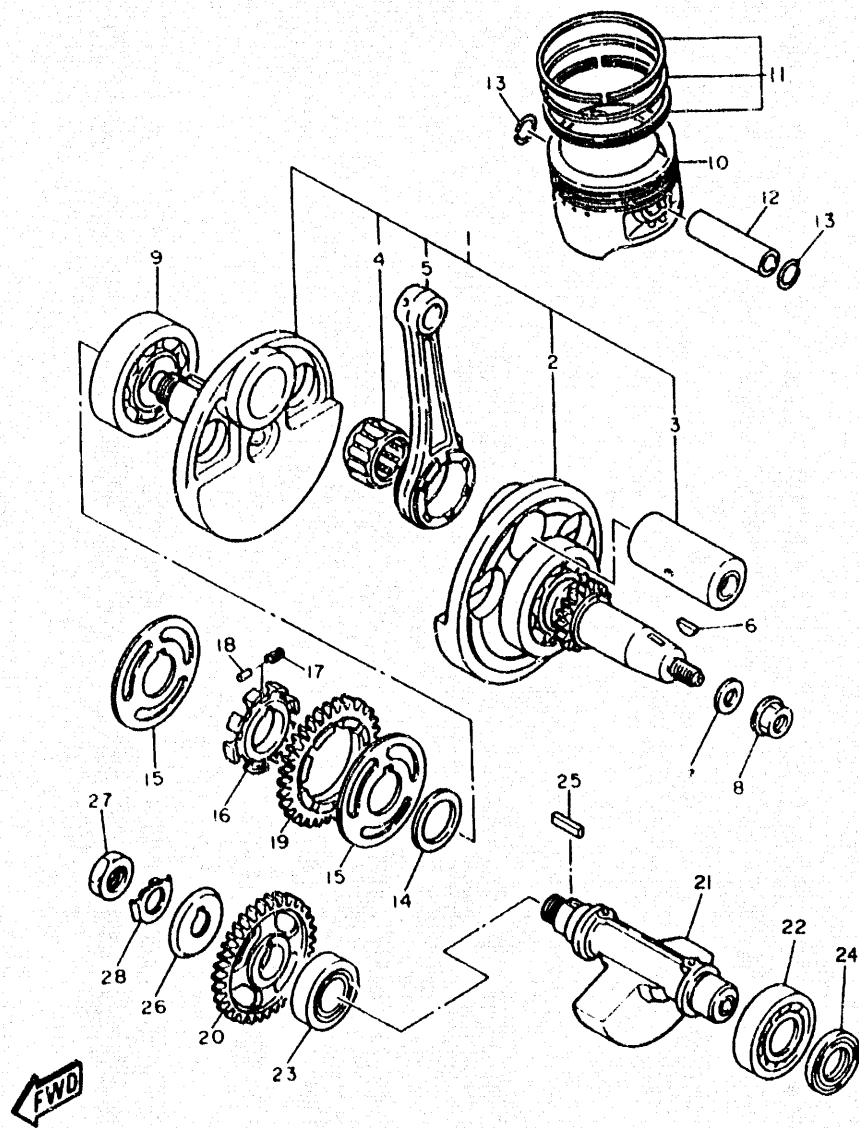


FIG. 3 CRANKSHAFT, PISTON

| REF. NO. | PART NO. | DESCRIPTION | Q. TY | REMARKS |
|----------|--------------|-------------------|-------|---------|
| 25 | 90282-05013 | KEY, straight | 1 | |
| 26 | 34K-11145-00 | PLATE, breather 2 | 1 | |
| 27 | 90170-1634S | NUT | 1 | |
| 28 | 90215-16242 | WASHER, lock | 1 | |

31B351-0030

B6

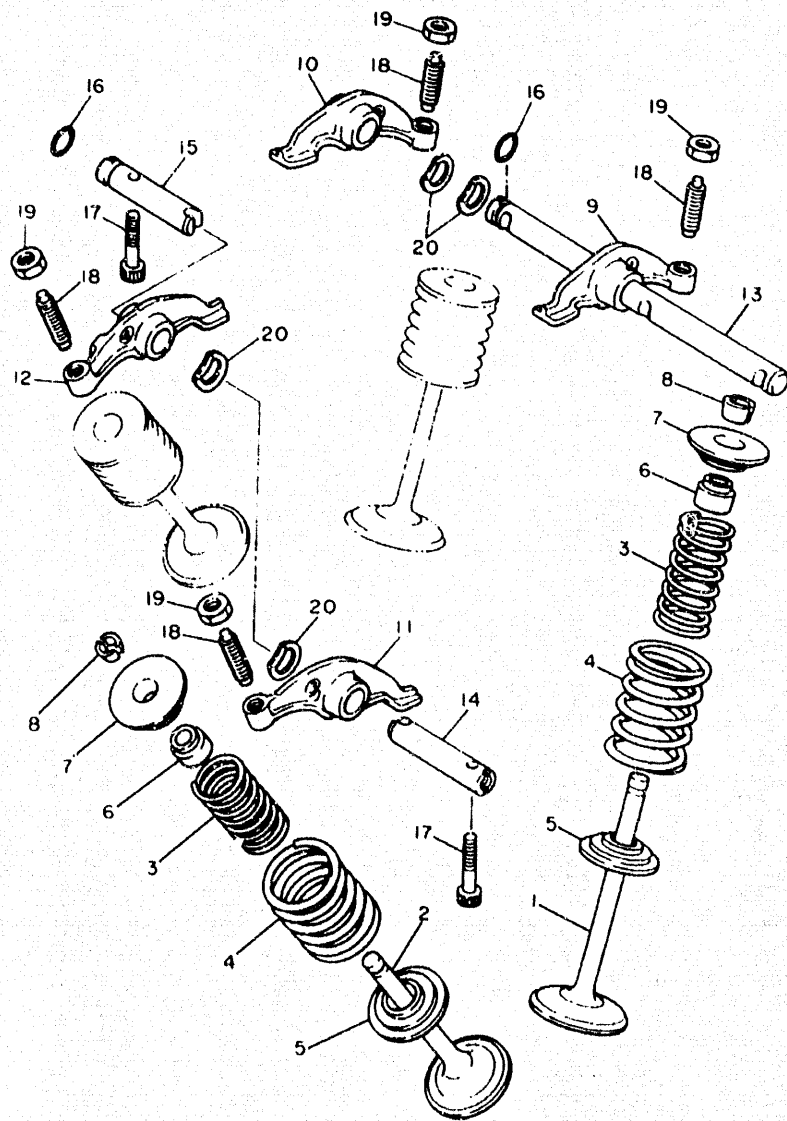


FIG. 4 VALVE

| REF. NO. | PART NO. | DESCRIPTION | Q.TY | REMARKS |
|----------|--------------|------------------------|------|---------|
| 1 | 1VJ-12111-00 | VALVE, intake | 2 | |
| 2 | 1VJ-12121-00 | VALVE, exhaust | 2 | |
| 3 | 5Y1-12113-00 | SPRING, valve inner | 4 | |
| 4 | 5Y1-12114-00 | SPRING, valve outer | 4 | |
| 5 | 4H7-12116-00 | SEAT, valve spring | 4 | |
| 6 | 1J7-12119-01 | SEAL, valve stem | 4 | |
| 7 | 2F3-12117-00 | RETAINER, valve spring | 4 | |
| 8 | 1J7-12118-00 | COTTER, valve | 8 | |
| 9 | 34K-12151-00 | ARM, valve rocker | 1 | |
| 10 | 34K-12161-00 | ARM, valve rocker 2 | 1 | |
| 11 | 34K-12162-00 | ARM, valve rocker 3 | 1 | |
| 12 | 34K-12163-00 | ARM, valve rocker 4 | 1 | |
| 13 | 2NX-12146-00 | SHAFT, rocker | 1 | |
| 14 | 2NX-12156-00 | SHAFT, rocker 2 | 1 | |
| 15 | 2NX-12166-00 | SHAFT, rocker 3 | 1 | |
| 16 | 93210-08521 | O-RING | 2 | |
| 17 | 90109-063E8 | BULT | 2 | |
| 18 | 2NX-12159-00 | SCREW, valve adjusting | 4 | |
| 19 | 90170-06128 | NUT | 4 | |
| 20 | 90206-12075 | WASHER, wave | 4 | |



5Y1110-2040

B7

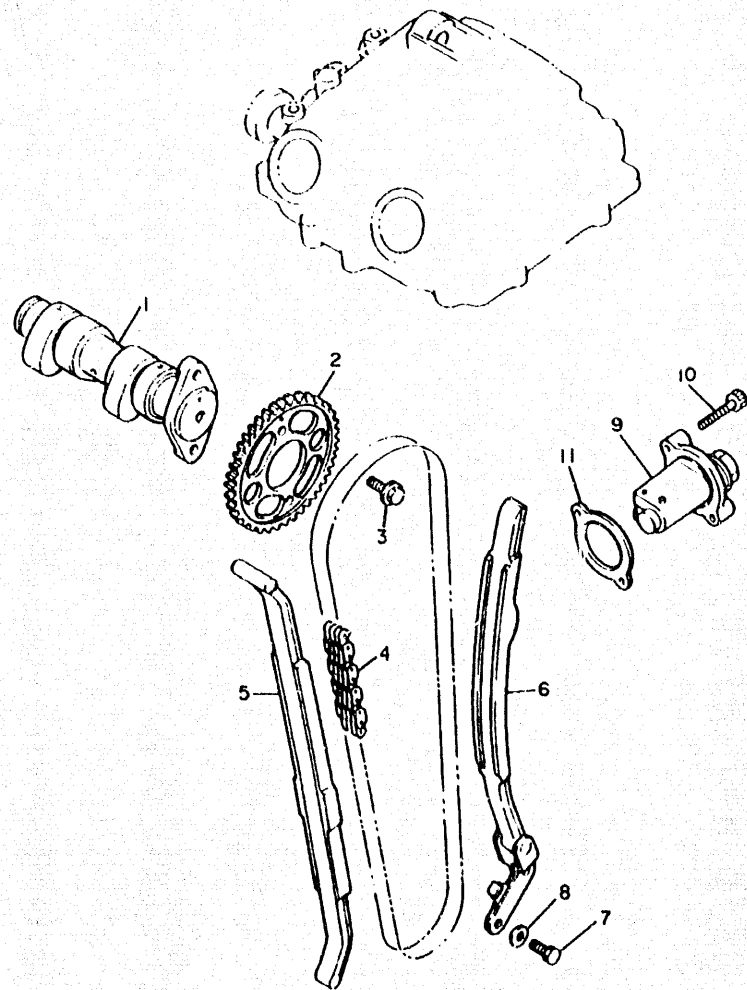


FIG. 5 CAMSHAFT. CHAIN

| REF. NO. | PART NO. | DESCRIPTION | Q.TY | REMARKS |
|----------|--------------|---------------------------|------|---------|
| 1 | 1JK-12171-00 | CAMSHAFT 1 | 1 | |
| 2 | 3TB-12176-00 | SPROCKET, cam chain | 1 | |
| 3 | 90105-07342 | BOLT, washer based | 2 | |
| 4 | 94590-27126 | CHAIN | 1 | |
| 5 | 34K-12231-00 | GUIDE, stopper 1 | 1 | |
| 6 | 34K-12241-00 | GUIDE, stopper 2 | 1 | |
| 7 | 97027-06016 | BOLT | 2 | |
| 8 | 92907-06600 | WASHER, plate | 2 | |
| 9 | 3TB-12210-00 | TENSIONER ASSY, cam chain | 1 | |
| 10 | 91317-06025 | BOLT | 2 | |
| 11 | 4DW-12213-00 | GASKET, tensioner case | 1 | |



3AJ1351-8050

B8

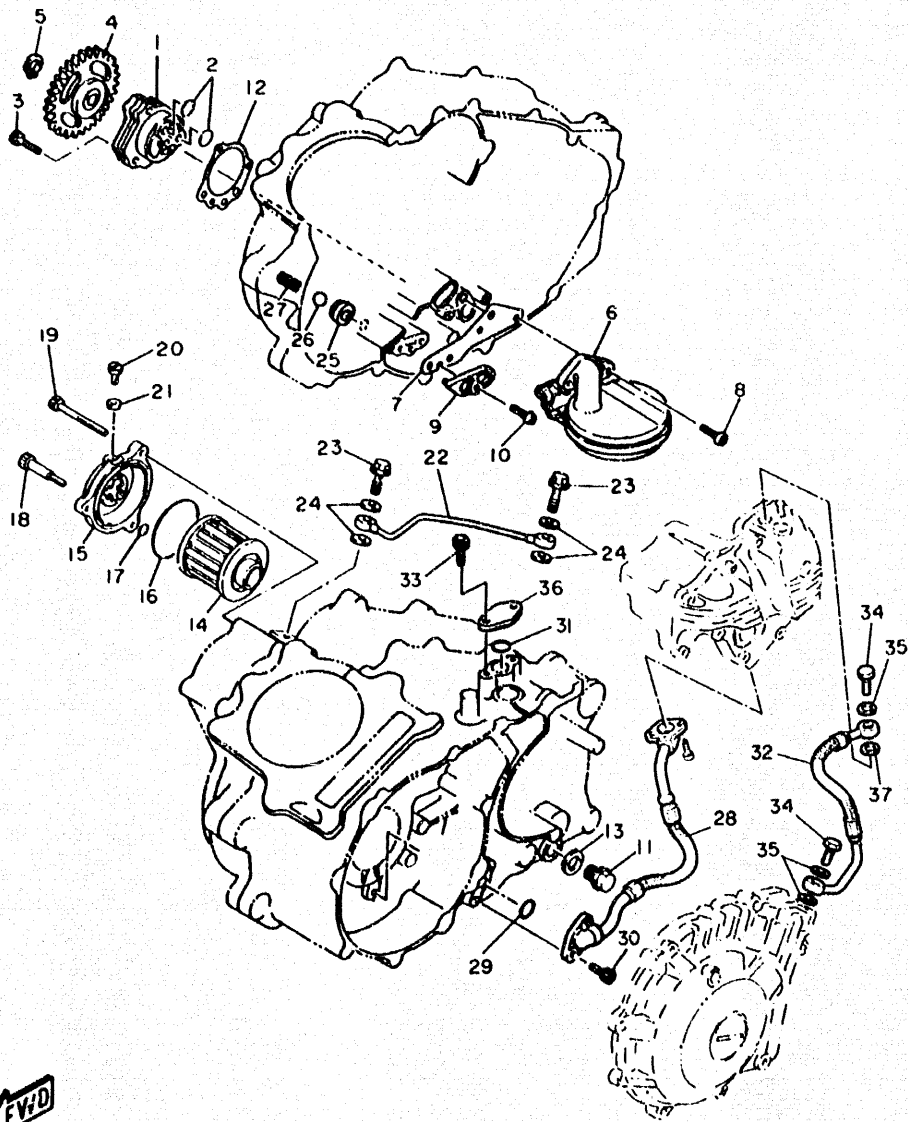


FIG. 6 OIL PUMP

| REF. NO. | PART NO. | DESCRIPTION | Q.TY | REMARKS |
|----------|--------------|---------------------------|------|---------|
| 1 | 3AJ-13300-01 | OIL PUMP ASSY | 1 | |
| 2 | 93210-13361 | O-RING | 2 | |
| 3 | 91317-06035 | BOLT, hexagon socket head | 3 | |
| 4 | 3AJ-13325-00 | GEAR, pump driven | 1 | |
| 5 | 99009-11400 | CIRCLIP | 1 | |
| 6 | 5Y1-W1343-00 | STRAINER COMP. | 1 | |
| 7 | 4DW-13415-00 | SEAL, oil strainer | 1 | |
| 8 | 98507-06016 | SCREW, pan head | 2 | |
| 9 | 5Y1-15427-01 | COVER, cap 2 | 1 | |
| 10 | 98507-06016 | SCREW, pan head | 1 | |
| 11 | 90340-14132 | PLUG | 1 | |
| 12 | 3SX-13329-00 | GASKET, pump cover | 1 | |
| 13 | 214-11198-01 | GASKET | 1 | |
| 14 | 4X7-13440-01 | ELEMENT ASSY, oil cleaner | 1 | |
| 15 | 4PT-13447-00 | COVER, oil element | 1 | |
| 16 | 93210-64297 | O-RING | 1 | |
| 17 | 93210-07135 | O-RING | 1 | |
| 18 | 90109-06419 | BOLT | 1 | |
| 19 | 91317-06080 | BOLT | 2 | |
| 20 | 90149-05110 | SCREW | 1 | |
| 21 | 90430-05126 | GASKET | 1 | |
| 22 | 3AJ-13161-01 | PIPE, delivery 1 | 1 | |
| 23 | 90401-08133 | BOLT, union | 2 | |
| 24 | 90430-08204 | GASKET | 4 | |
| 25 | 583-13113-00 | SEAT, check ball | 1 | |
| 26 | 93503-08007 | BALL | 1 | |
| 27 | 90501-043E0 | SPRING, compression | 1 | |
| 28 | 5CH-E3484-00 | HOSE, oil 1 | 1 | |



5CH1300-7060

B9

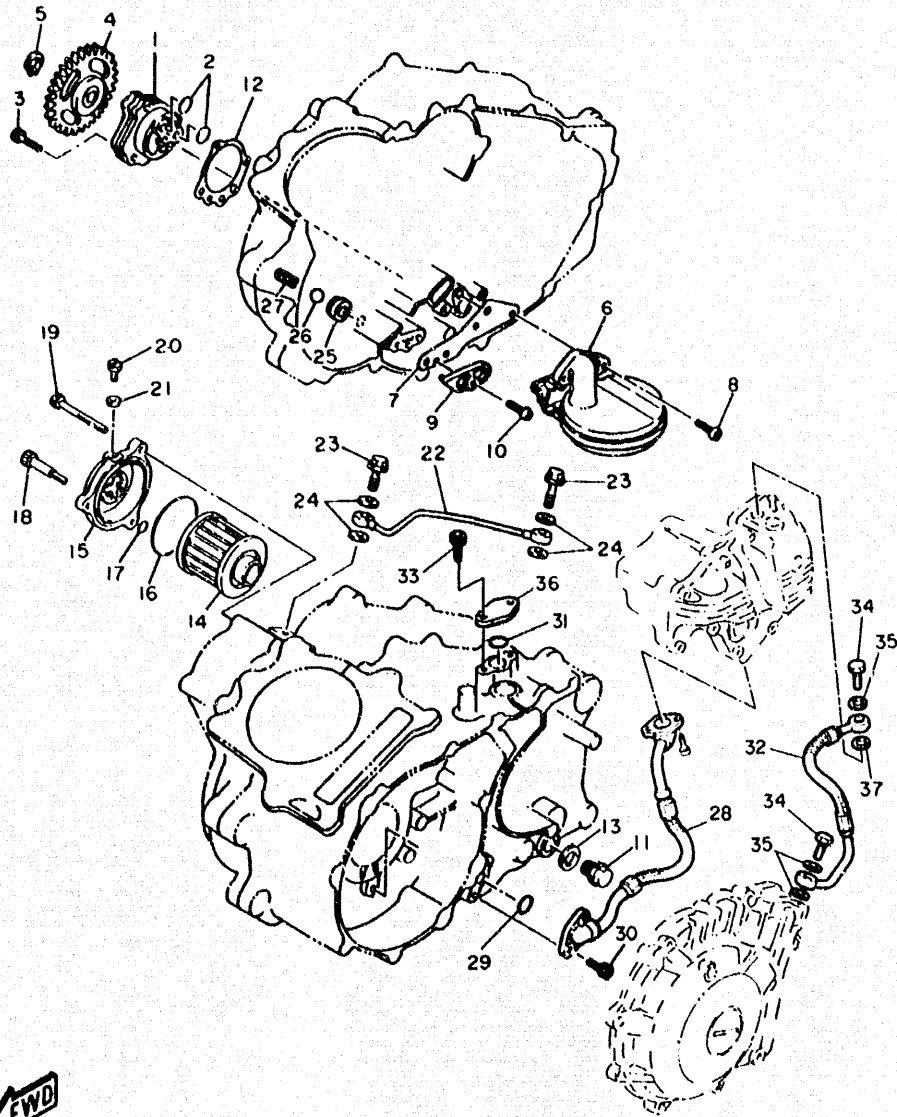


FIG. 6 OIL PUMP

| REF. NO. | PART NO. | DESCRIPTION | Q. TY | REMARKS |
|----------|--------------|---------------------------|-------|---------|
| 29 | 93210-100A9 | O-RING | 1 | |
| 30 | 9131M-06016 | BOLT | 2 | |
| 31 | 93210-15171 | O-RING | 1 | |
| 32 | 5CH-E3465-00 | HOSE, oil 2 | 1 | |
| 33 | 91317-06016 | BOLT, hexagon socket head | 2 | |
| 34 | 1SU-F2255-01 | BOLT, union | 2 | |
| 35 | 90201-128H5 | WASHER, plain | 3 | |
| 36 | 5CH-13455-00 | PLUG | 1 | |
| 37 | 90201-12X00 | WASHER, plain | 1 | |



5CH1300-7060

B 10

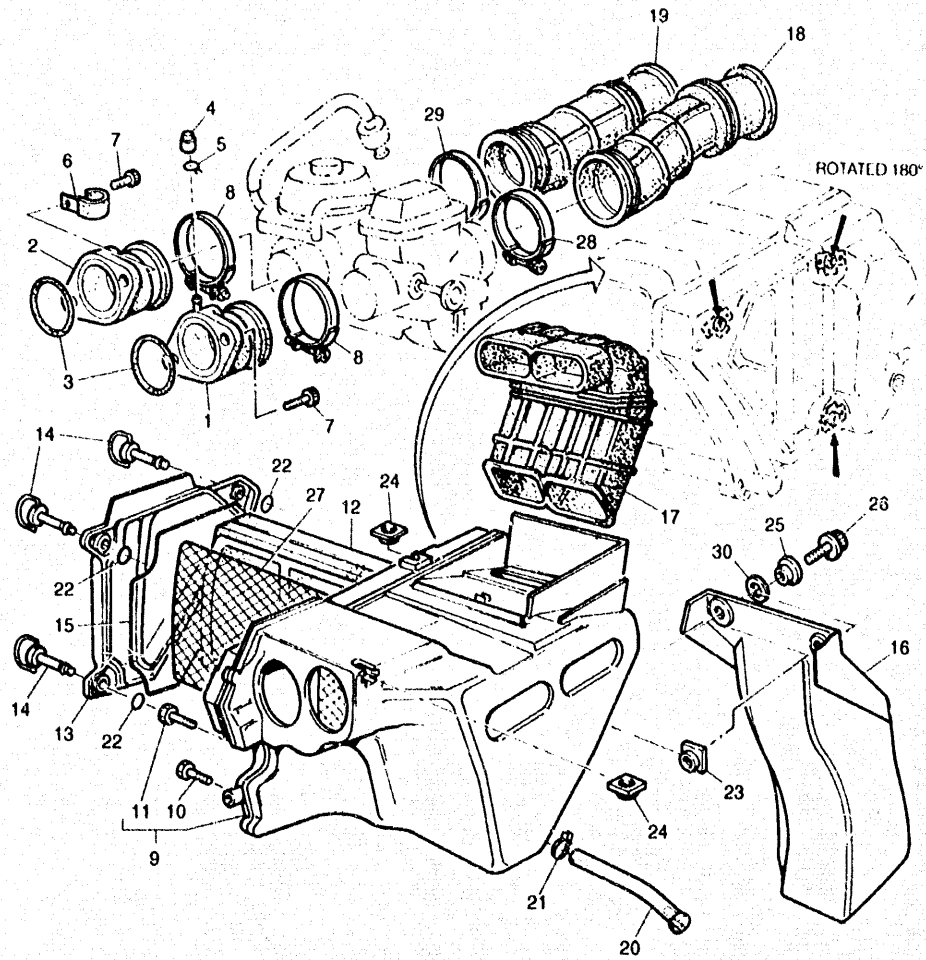


FIG. 7 INTAKE

| REF. NO. | PART NO. | DESCRIPTION | Q.TY | REMARKS |
|----------|--------------|--------------------------|------|---------|
| 1 | 5CH-13586-00 | JOINT, carburetor 1 | 1 | |
| 2 | 1VJ-13596-00 | JOINT, carburetor 2 | 1 | |
| 3 | 93210-36769 | O-RING | 2 | |
| 4 | 16G-13569-00 | PLUG, blind | 1 | |
| 5 | 90467-10039 | CLIP | 1 | |
| 6 | 90465-08028 | CLAMP | 1 | |
| 7 | 91317-06020 | BOLT | 4 | |
| 8 | 90460-46206 | CLAMP, hose | 2 | |
| 9 | 5CH-WE401-00 | AIR FILTER CASE COMP. | 1 | |
| 10 | 90167-03X01 | SCREW, tapping | 3 | |
| 11 | 90167-03X00 | SCREW, tapping | 1 | |
| 12 | 5CH-E4450-00 | ELEMENT ASSY AIR CLEANER | 1 | |
| 13 | 5CH-E4412-00 | CAP, cleaner comp. | 1 | |
| 14 | 4GY-28386-00 | HEAD | 3 | |
| 15 | 5CH-E4462-00 | SEAL | 1 | |
| 16 | 5CH-F1621-00 | FLAP | 1 | |
| 17 | 5CH-E4437-00 | DUCT | 1 | |
| 18 | 5CH-E4453-00 | JOINT AIR CLEANER 1 | 1 | |
| 19 | 5CH-E4454-00 | JOINT AIR CLEANER 2 | 1 | |
| 20 | 5CH-E443E-00 | PIPE, drain | 1 | |
| 21 | 90467-14839 | CLIP | 1 | |
| 22 | 93210-05X00 | O-RING | 3 | |
| 23 | 5CH-F1736-00 | NUT, plate | 2 | |
| 24 | 5CH-F1736-00 | NUT, plate | 2 | |
| 25 | 90387-062M9 | COLLAR | 2 | |
| 26 | 9581L-06016 | BOLT, flg. | 2 | |
| 27 | 5CH-E445A-02 | NET, flame arrester 2 | 1 | |
| 28 | 90456-51059 | CLAMP, hose | 1 | |



5CH1300-7070

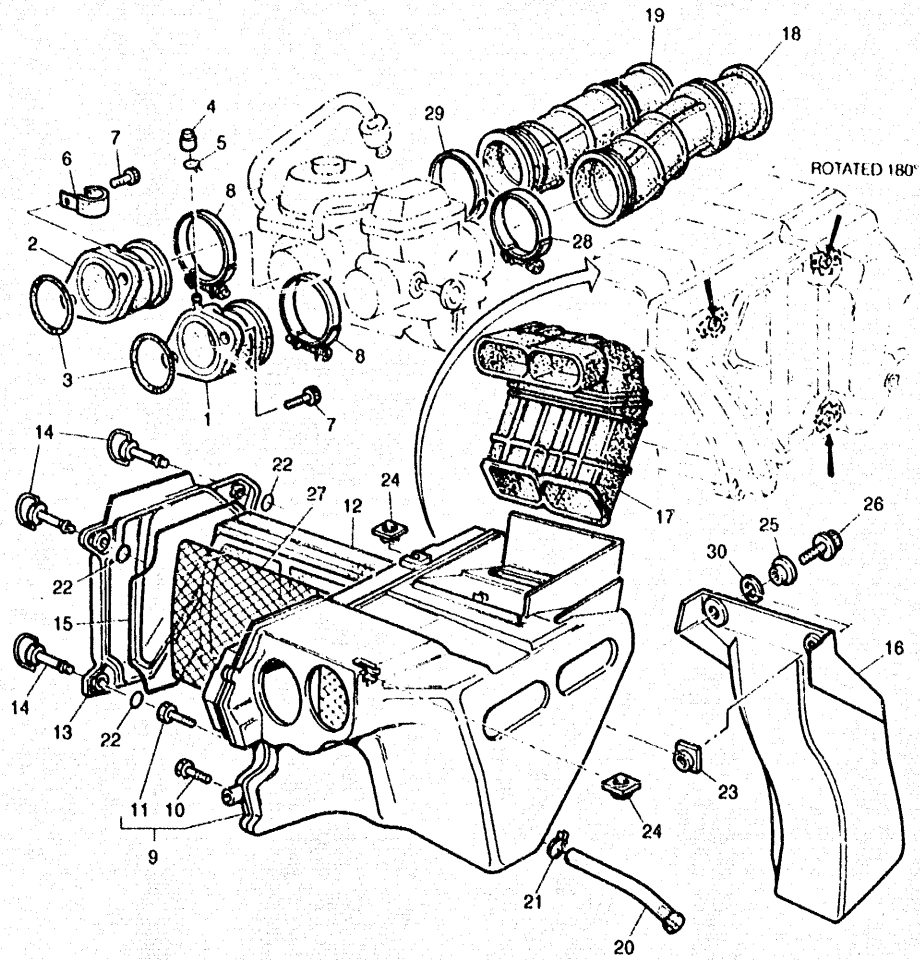


FIG. 7 INTAKE

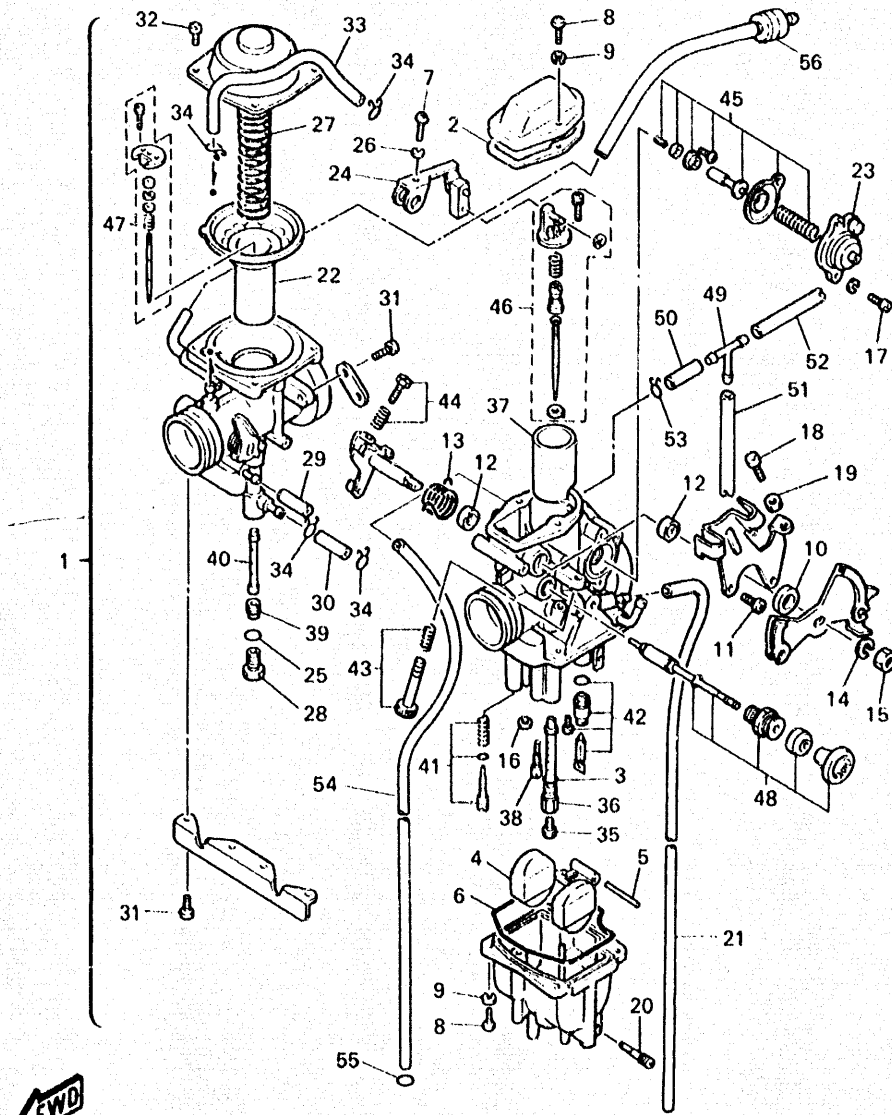
| REF. NO. | PART NO. | DESCRIPTION | Q.TY | REMARKS |
|----------|-------------|---------------|------|---------|
| 29 | 90450-58124 | CLAMP, hose | 1 | |
| 30 | 9290L-06600 | WASHER, plain | 2 | |



5CH1300-7070

B 12

FIG. 8 CARBURETOR



| REF. NO. | PART NO. | DESCRIPTION | Q.TY | REMARKS |
|----------|--------------|------------------------|------|---------|
| 1 | 5CH-14301-01 | CARBURETOR ASSY 1 | 1 | |
| 2 | 2JN-14198-00 | GASKET | 1 | |
| 3 | 360-24512-00 | GASKET | 1 | |
| 4 | 2JN-14385-00 | FLOAT | 1 | |
| 5 | 689-14386-00 | PIN, float | 1 | |
| 6 | 5Y1-14384-00 | GASKET, float chamber | 1 | |
| 7 | 98580-04015 | SCREW, pan head | 1 | |
| 8 | 98501-04014 | SCREW, pan head | 6 | |
| 9 | 92902-04100 | WASHER, spring | 6 | |
| 10 | 1JK-14357-00 | COLLAR | 1 | |
| 11 | 214-24535-00 | SCREW, lever fitting | 2 | |
| 12 | 5Y1-14752-00 | SEAL | 2 | |
| 13 | 2NX-14131-00 | SPRING, throttle valve | 1 | |
| 14 | 5Y1-14356-00 | WASHER, spring | 1 | |
| 15 | 5Y1-14358-10 | NUT | 1 | |
| 16 | 5Y1-14536-00 | GASKET | 1 | |
| 17 | 98501-04010 | SCREW, pan head | 2 | |
| 18 | 5Y1-14216-00 | SCREW | 1 | |
| 19 | 30X-14358-00 | NUT | 1 | |
| 20 | 5Y1-14115-00 | PLUG, screw | 1 | |
| 21 | 5CH-14149-00 | PIPE | 2 | |
| 22 | 3GV-14940-00 | DIAPHRAGM, assy | 1 | |
| 23 | 2JN-14293-00 | COVER 1 | 1 | |
| 24 | 5CH-14291-00 | BRACKET | 1 | |
| 25 | 1JK-14397-00 | O-RING | 1 | |
| 26 | 92990-04160 | WASHER, spring | 1 | |
| 27 | 1JK-14286-00 | SPRING | 1 | |
| 28 | 7FK-14394-00 | VALVE, drain | 1 | |

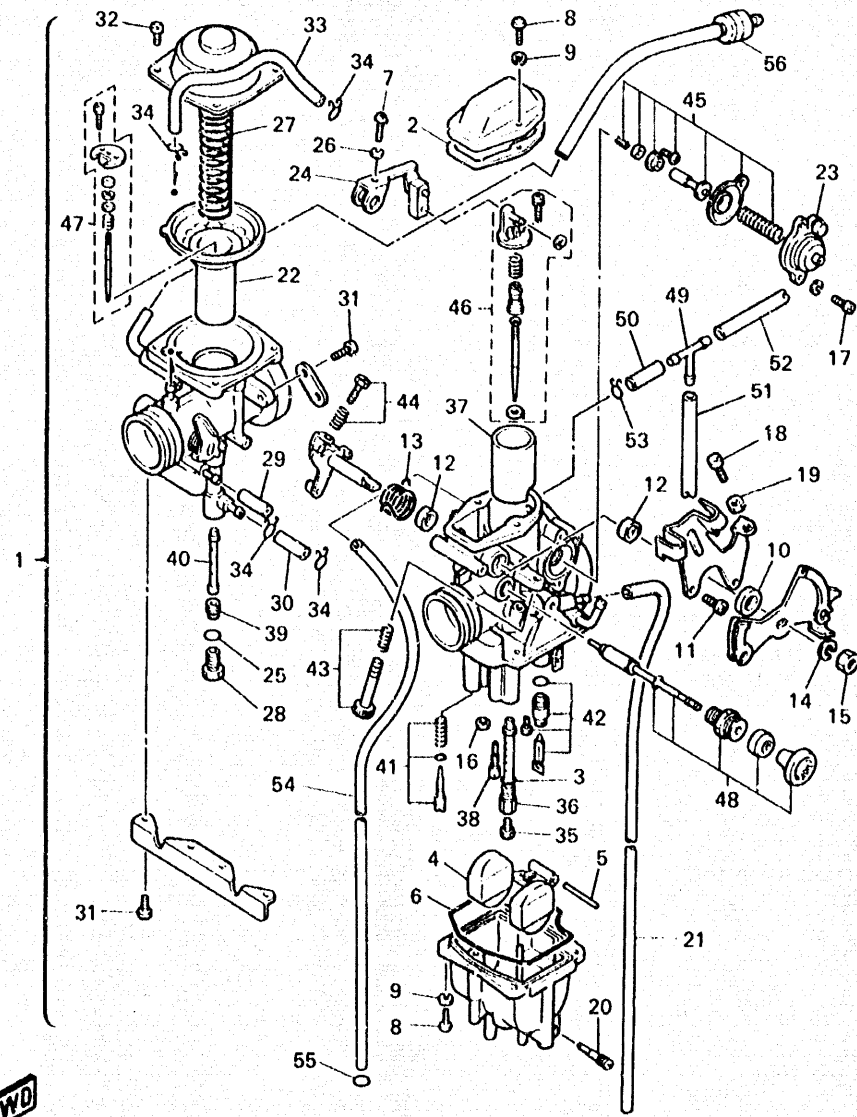


FIG. 8 CARBURETOR

| REF. NO. | PART NO. | DESCRIPTION | Q.TY | REMARKS |
|----------|--------------|----------------------|------|---------|
| 29 | 5Y1-14349-00 | PIPE | 1 | |
| 30 | 30X-14148-00 | PIPE | 1 | |
| 31 | 98501-25010 | SCREW, pan head | 6 | |
| 32 | 214-24535-00 | SCREW, lever fitting | 4 | |
| 33 | 5Y1-14149-00 | PIPE | 1 | |
| 34 | 5Y1-14159-00 | CLIP | 4 | |
| 35 | 288-14343-75 | JET, main (#150) | 1 | |
| 35 | 288-14343-73 | JET, main (#145) | 1 | |
| 35 | 288-14343-78 | JET, main (#155) | 1 | |
| 36 | 2KF-14341-00 | NOZZLE, main | 1 | |
| 37 | 5CH-14313-40 | VALVE, throttle 2 | 1 | |
| 38 | 43F-14342-27 | JET, pilot (#54) | 1 | |
| 39 | 30X-14343-65 | JET, main (#130) | 1 | |
| 40 | 1JK-14355-00 | NOZZLE, main 2 | 1 | |
| 41 | 5Y1-14105-00 | PILOT SCREW SET | 1 | |
| 42 | 2JN-14107-00 | NEEDLE VALVE SET | 1 | |
| 43 | 2NX-1490K-00 | STOP SCREW SET | 1 | |
| 44 | 2NX-14103-00 | THROTTLE SCREW SET | 1 | |
| 45 | 1JK-1490A-00 | DIAPHRAGM SET, 1 | 1 | |
| 46 | 5CH-1490J-10 | NEEDLE SET | 1 | |
| 47 | 5CH-1490J-00 | NEEDLE SET | 1 | |
| 48 | 2KF-1410A-C0 | STARTER SET | 1 | |
| 49 | 90413-07007 | WAY 3 | 1 | |
| 50 | 5CH-1414B-00 | HOSE | 1 | |
| 51 | 5CH-1414C-00 | HOSE | 1 | |
| 52 | 3YF-14148-00 | PIPE | 1 | |
| 53 | 3YF-14159-00 | CLIP | 1 | |
| 54 | 5CH-E4197-00 | PIPE | 1 | |

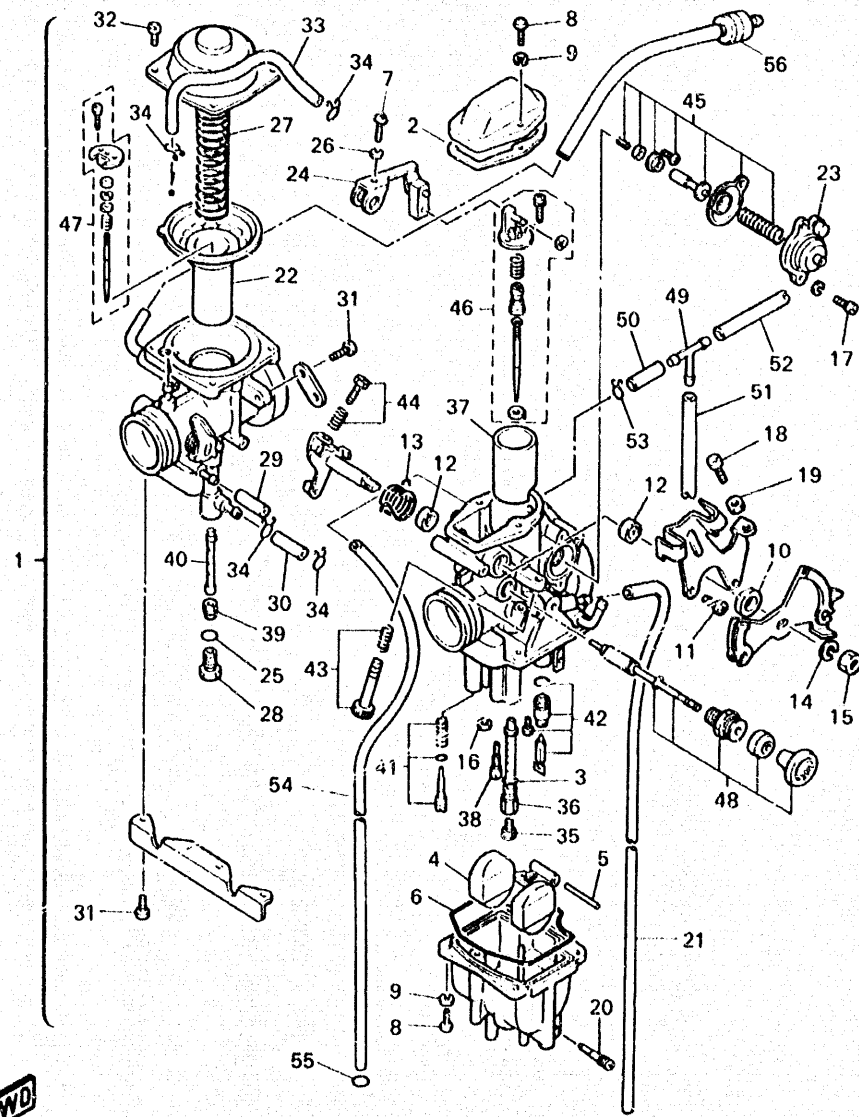


FIG. 8 CARBURETOR

| REF. NO. | PART NO. | DESCRIPTION | Q. TY | REMARKS |
|----------|--------------|-------------|-------|---------|
| 55 | 93210-16X00 | O-RING | 1 | |
| 56 | 3TD-14197-00 | PIPE 1 | 1 | |

CONTENTS

GENERAL SPEC.

ENGINE

| | | |
|---------|--------------------------|----|
| Fig. 1 | CYLINDER HEAD | 1 |
| Fig. 2 | CYLINDER | 3 |
| Fig. 3 | CRANKSHAFT, PISTON | 4 |
| Fig. 4 | VALVE | 6 |
| Fig. 5 | CAMSHAFT, CHAIN | 7 |
| Fig. 6 | OIL PUMP | 8 |
| Fig. 7 | INTAKE | 10 |
| Fig. 8 | CARBURETOR | 12 |
| Fig. 9 | EXHAUST | 15 |
| Fig. 10 | CRANKCASE | 16 |
| Fig. 11 | CRANKCASE COVER 1 | 17 |
| Fig. 12 | STARTER | 19 |
| Fig. 13 | CLUTCH | 21 |
| Fig. 14 | TRANSMISSION | 23 |
| Fig. 15 | SHIFT CAM, FORK | 25 |
| Fig. 16 | SHIFT SHAFT | 26 |

CHASSIS

| | | |
|---------|-----------------------------|----|
| Fig. 17 | FRAME | 27 |
| Fig. 18 | FENDER | 29 |
| Fig. 19 | OIL TANK | 30 |
| Fig. 20 | REAR ARM | 31 |
| Fig. 21 | REAR SUSPENSION | 33 |
| Fig. 22 | STEERING | 34 |
| Fig. 23 | FRONT FORK | 36 |
| Fig. 24 | FUEL TANK | 38 |
| Fig. 25 | SEAT | 39 |
| Fig. 26 | FRONT WHEEL | 40 |
| Fig. 27 | FRONT BRAKE CALIPER | 41 |
| Fig. 28 | REAR WHEEL | 42 |
| Fig. 29 | REAR BRAKE CALIPER | 43 |
| Fig. 30 | STEERING HANDLE, CABLE..... | 44 |
| Fig. 31 | FRONT MASTER CYLINDER | 45 |
| Fig. 32 | STAND./FOOTREST | 46 |
| Fig. 33 | REAR MASTER CYLINDER | 47 |
| Fig. 34 | EMBLEMS | 48 |
| Fig. 35 | GENERATOR | 49 |
| Fig. 36 | FLASHER LIGHT | 50 |
| Fig. 37 | METER | 51 |
| Fig. 38 | HEADLIGHT | 52 |
| Fig. 39 | TAILLIGHT | 53 |
| Fig. 40 | HANDLE SWITCH, LEVER | 54 |
| Fig. 41 | ELECTRICAL 1 | 55 |
| Fig. 42 | ELECTRICAL 2 | 56 |

INDEX (GENERAL SPEC.)

NUMERICAL INDEX

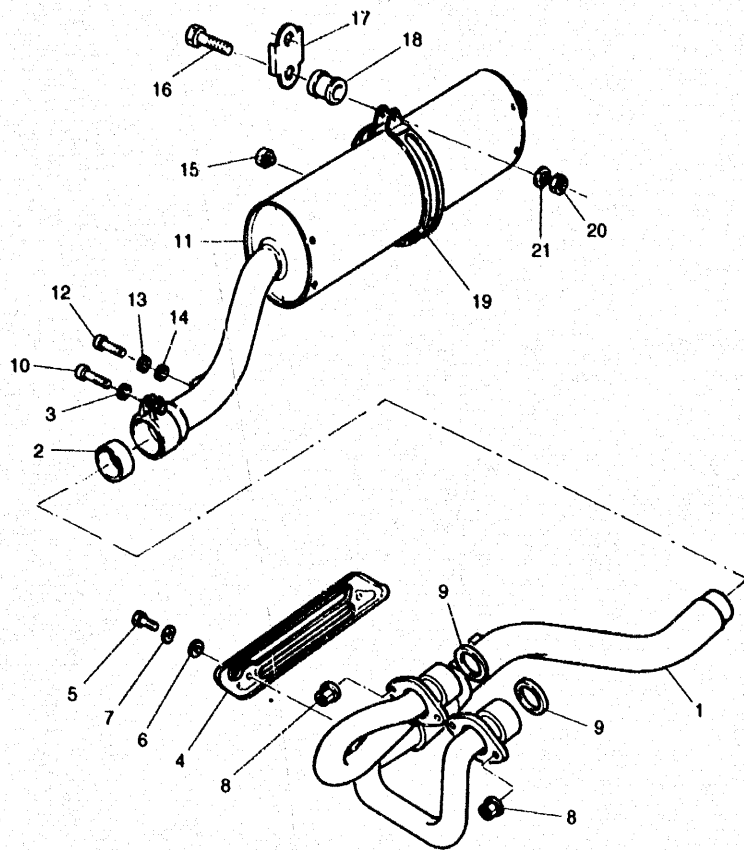


FIG. 9 EXHAUST

| REF. NO. | PART NO. | DESCRIPTION | Q.TY | REMARKS |
|----------|--------------|---------------------------|------|---------|
| 1 | 5CH-E4611-00 | EXHAUST PIPE ASSY 1 | 1 | |
| 2 | 3YF-14755-00 | GASKET, silencer | 1 | |
| 3 | 92990-08600 | WASHER, plain | 1 | |
| 4 | 5CH-E4628-00 | PROTECTOR, exhaust pipe | 1 | |
| 5 | 90164-06017 | SCREW, tapping | 2 | |
| 6 | 4BD-14766-00 | WASHER | 4 | |
| 7 | 90206-06090 | WASHER, wave | 2 | |
| 8 | 90179-06658 | NUT | 4 | |
| 9 | 3YF-14613-01 | GASKET, exhaust pipe | 2 | |
| 10 | 91380-08030 | BOLT, hexagon socket head | 1 | |
| 11 | 5CH-E4711-00 | MUFFLER 1 | 1 | |
| 12 | 91380-08020 | BOLT, hexagon socket head | 1 | |
| 13 | 92990-08100 | WASHER, spring | 1 | |
| 14 | 5CH-E4766-00 | WASHER, plain | 1 | |
| 15 | 4GV-F7114-00 | STOPPER, main stand | 1 | |
| 16 | 9581L-08040 | BOLT, flg. | 1 | |
| 17 | 5CH-F1445-01 | STAY, muffler 1 | 1 | |
| 18 | 5CH-E4763-00 | SPACER | 1 | |
| 19 | 5CH-E4788-00 | BAND, silencer | 1 | |
| 20 | 90185-08838 | NUT, self locking | 1 | |
| 21 | 9290L-08200 | WASHER, plain | 1 | |



5CH1300-7090

C2

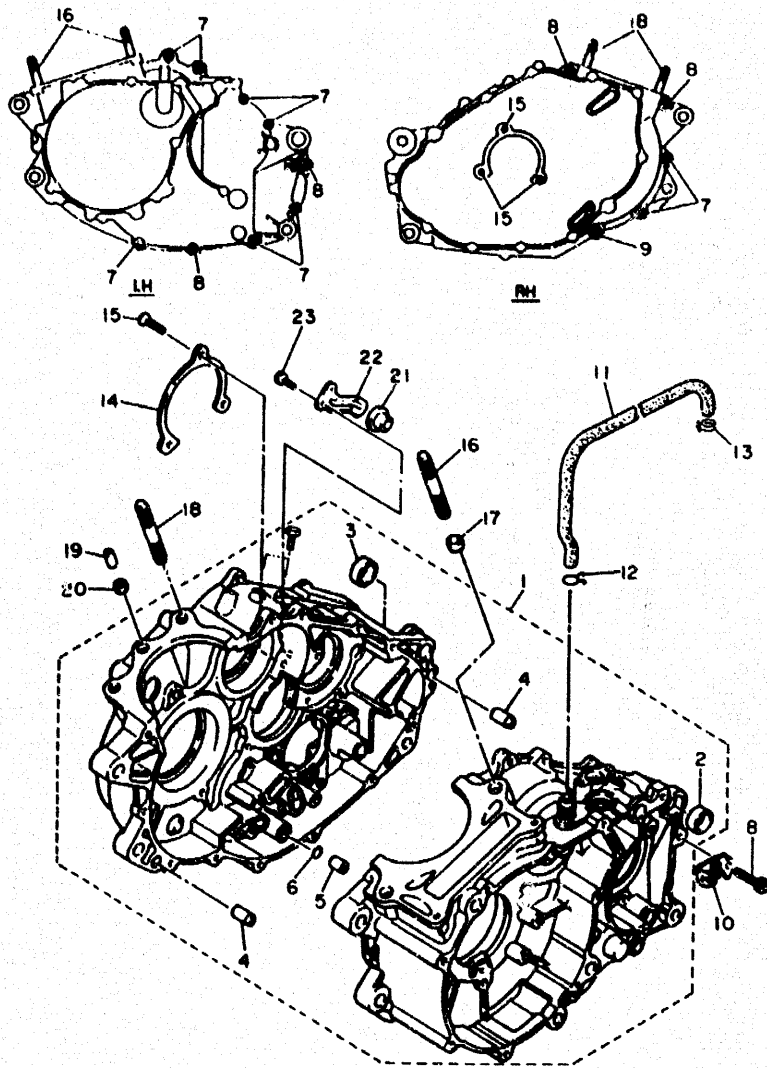


FIG. 10 CRANKCASE

| REF. NO. | PART NO. | DESCRIPTION | Q.TY | REMARKS |
|----------|--------------|---------------------------|------|---------|
| 1 | 4PT-15100-00 | CRANKCASE ASSY | 1 | |
| 2 | 90387-17783 | · COLLAR | 1 | |
| 3 | 90387-16782 | · COLLAR | 1 | |
| 4 | 99530-12016 | · PIN, dowel | 2 | |
| 5 | 99510-08016 | · PIN, dowel | 1 | |
| 6 | 93210-07135 | · O-RING | 1 | |
| 7 | 91317-06030 | BOLT, hexagon socket head | 9 | |
| 8 | 91317-06045 | BOLT | 4 | |
| 9 | 91317-06060 | BOLT | 1 | |
| 10 | 90465-08344 | CLAMP | 1 | |
| 11 | 5CH-E1166-00 | PIPE, breather 1 | 1 | |
| 12 | 90467-14015 | CLIP | 1 | |
| 13 | 90467-17128 | CLIP | 1 | |
| 14 | 5Y1-15383-00 | PLATE, bearing cover | 1 | |
| 15 | 98707-06012 | SCREW, flat head | 3 | |
| 16 | 90116-10506 | BOLT, stud | 2 | |
| 17 | 99530-14016 | PIN, dowel | 2 | |
| 18 | 90116-10263 | BOLT, stud | 2 | |
| 19 | 99530-08016 | PIN, dowel | 1 | |
| 20 | 90430-08178 | GASKET | 1 | |
| 21 | 3Y6-15167-00 | PLUG, blind 1 | 1 | |
| 22 | 3Y6-15144-00 | PLATE, lock | 1 | |
| 23 | 97017-06016 | BOLT | 2 | |



5CH1300-7100

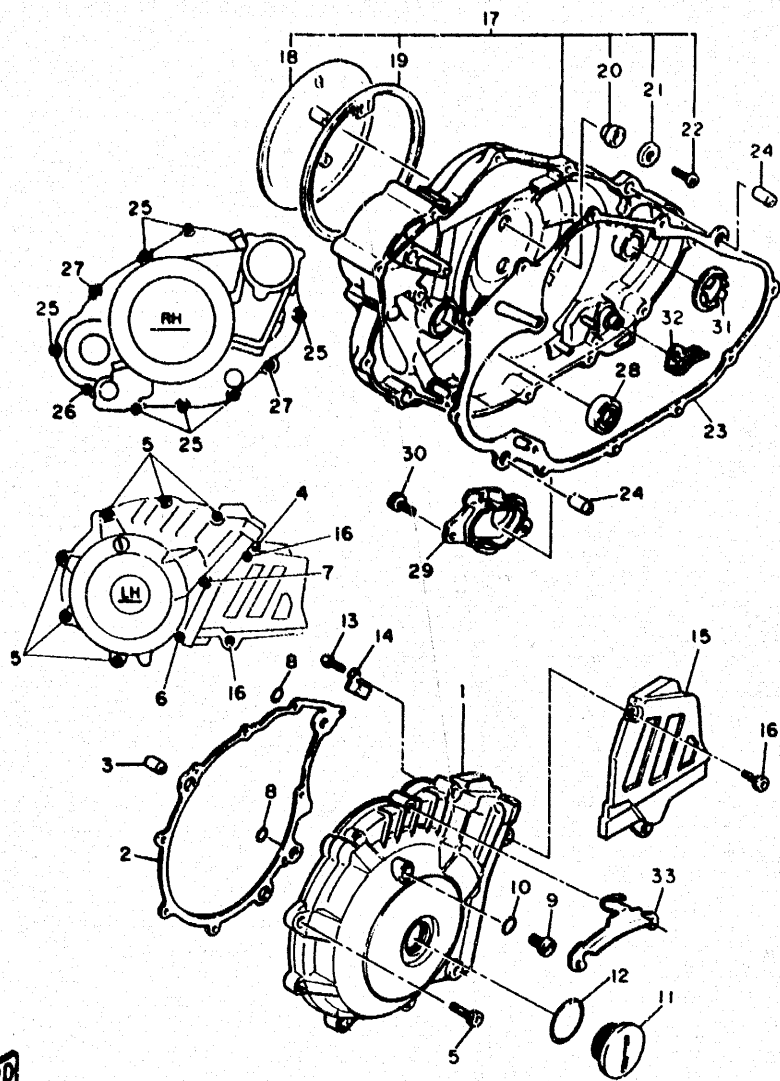


FIG. 11 CRANKCASE COVER 1

| REF. NO. | PART NO. | DESCRIPTION | Q.TY | REMARKS |
|----------|-----------------|------------------------------|------|------------------------|
| 1 | 5CH-15411-00 | COVER, crankcase 1 | 1 | UR. COMPETITION SILVER |
| 2 | 4DW-15451-00 | GASKET, crankcase cover 1 | 1 | |
| 3 | 99530-12016 | PIN, dowel | 2 | |
| 4 | 91317-06030 | BOLT | 1 | |
| 5 | 91317-06025 | BOLT | 6 | |
| 6 | 91317-06050 | BOLT | 1 | |
| 7 | 91317-06050 | BOLT | 1 | |
| 8 | 93210-13361 | O-RING | 2 | |
| 9 | 90340-08014 | PLUG, straight screw | 1 | UR. COMPETITION SILVER |
| 10 | 90430-08143 | O-RING | 1 | |
| 11 | 90300-36076 | PLUG, straight screw | 1 | UR. COMPETITION SILVER |
| 12 | 93210-36510 | O-RING | 1 | |
| 13 | 98507-06012 | SCREW, pan head | 1 | |
| 14 | 90462-16102 | CLAMP | 1 | |
| 15 | 5CH-E5421-00-T9 | COVER, crankcase, 2 | 1 | UR. COMPETITION SILVER |
| 16 | 9131M-06016 | BOLT | 2 | |
| 17 | 4PT-15430-00 | CRANKCASE COVER ASSY 3 | 1 | |
| 18 | 4PT-15418-00 | COVER, chain case | 1 | |
| 19 | 1JK-15449-00 | RING, rubber | 1 | |
| 20 | 1JK-15486-00 | GROMMET | 2 | |
| 21 | 0209-05279 | WASHER | 2 | |
| 22 | 98507-05010 | SCREW, pan head | 2 | |
| 23 | 4DW-15462-00 | GASKET, crankcase cover 3 | 1 | |
| 24 | 99530-12016 | PIN, dowel | 2 | |
| 25 | 91317-06025 | BOLT | 7 | |
| 26 | 91317-06030 | BOLT, hexagon socket head | 1 | |
| 27 | 91317-06035 | BOLT | 2 | |
| 28 | 93101-14092 | OIL SEAL (S7-14-25-5.5-1-HS) | 1 | |



5CH1300-7110

C4

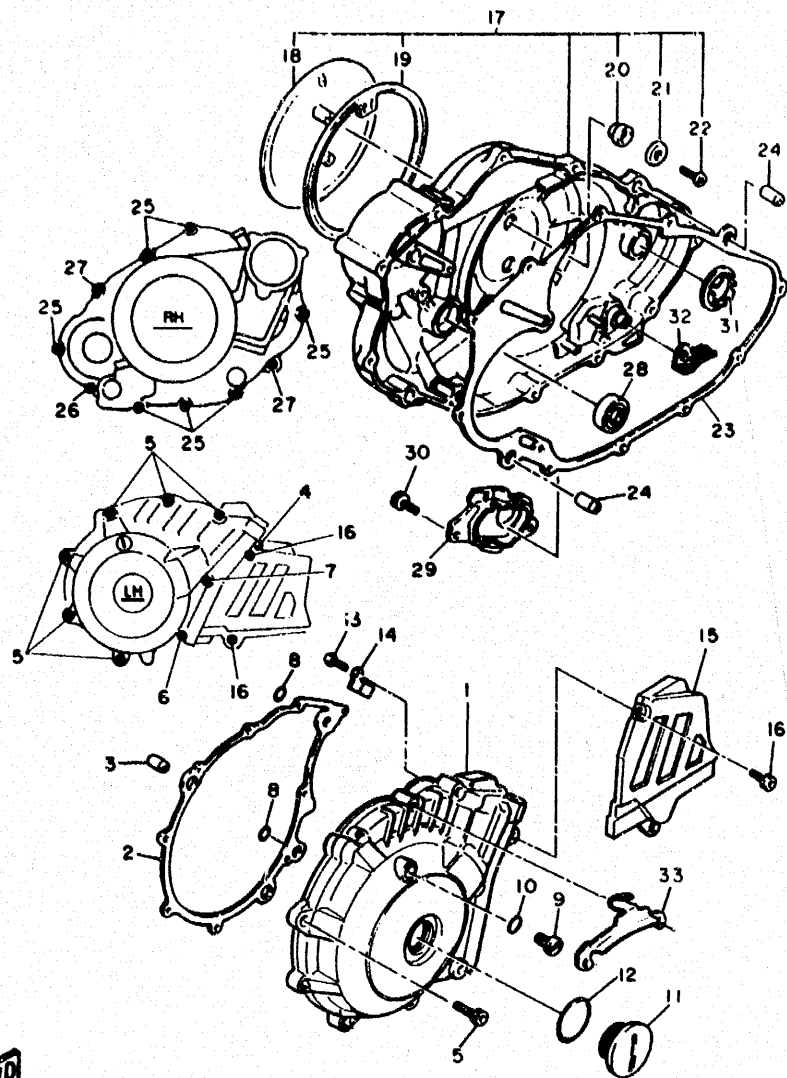


FIG. 11 CRANKCASE COVER 1

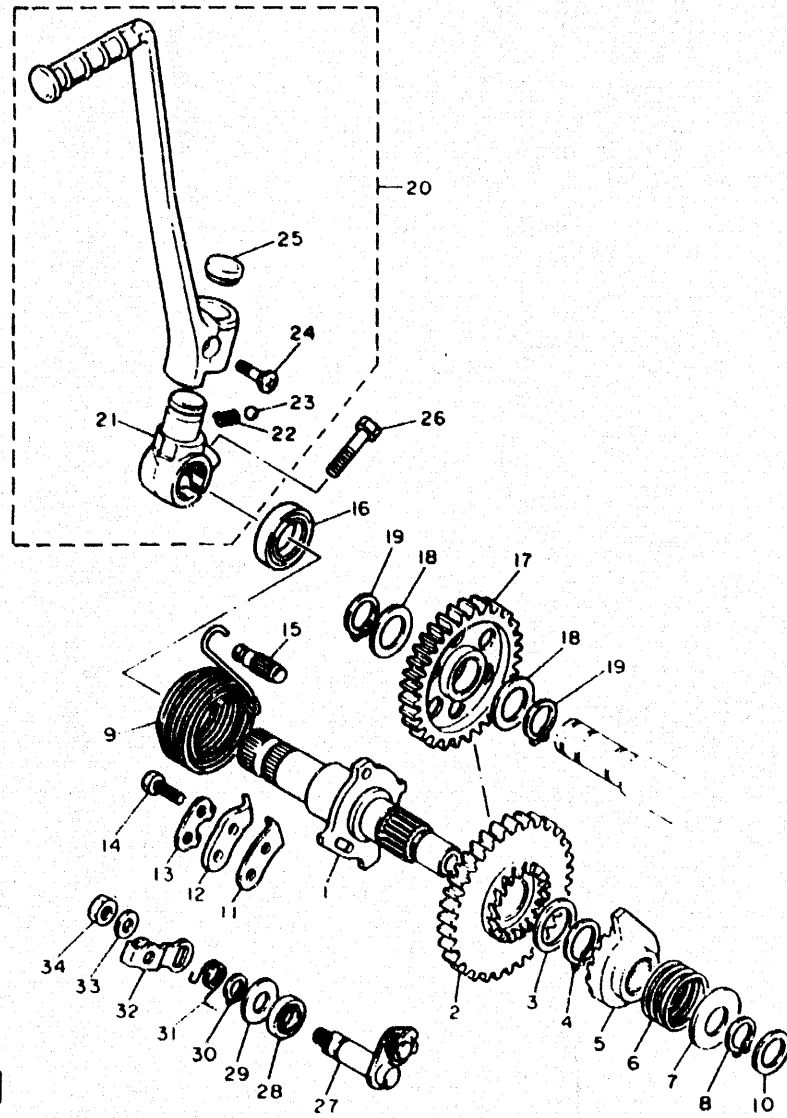
| REF. NO. | PART NO. | DESCRIPTION | Q.TY | REMARKS |
|----------|--------------|----------------------|------|---------|
| 29 | 1JK-15417-00 | COVER, cap | 1 | |
| 30 | 91317-06016 | BOLT | 2 | |
| 31 | 5Y1-15645-00 | SHIM, kick shaft | 1 | |
| 32 | 5Y1-1562F-01 | PLATE, decompression | 1 | |
| 33 | 4GV-E5441-00 | HOLDER, clutch hub | 1 | |



5CH1300-7110

C5

FIG. 12 STARTER



| REF. NO. | PART NO. | DESCRIPTION | Q.TY | REMARKS |
|----------|--------------|--------------------------|------|---------|
| 1 | 5Y1-15660-01 | KICK AXLE ASSY | 1 | |
| 2 | 34K-15641-00 | GEAR, kick (35T) | 1 | |
| 3 | 90201-20685 | WASHER, plate (0.5T) | 1 | |
| 4 | 93410-2D038 | CIRCLIP | 1 | |
| 5 | 5Y1-15671-01 | WHEEL, ratchet | 1 | |
| 6 | 90501-16107 | SPRING, compression | 1 | |
| 7 | 90201-155K6 | WASHER, plate | 1 | |
| 8 | 99009-15400 | CIRCLIP | 1 | |
| 9 | 90508-32529 | SPRING, torsion | 1 | |
| 10 | 90201-15701 | WASHER, plate (1.0T) | 1 | |
| 11 | 2NX-15668-00 | STOPPER | 1 | |
| 12 | 2NX-15674-00 | GUIDE, ratchet wheel | 1 | |
| 13 | 214-15686-00 | WASHER, lock | 1 | |
| 14 | 97027-06016 | BOLT | 2 | |
| 15 | 248-15668-00 | STOPPER | 1 | |
| 16 | 93102-20108 | OIL SEAL | 1 | |
| 17 | 5Y1-15651-01 | GEAR, kick idle | 1 | |
| 18 | 90201-20276 | WASHER, plate (1.0T) | 2 | |
| 19 | 99009-20400 | CIRCLIP | 2 | |
| 20 | 5Y1-15620-02 | KICK CRANK ASSY | 1 | |
| 21 | 5Y1-15621-01 | - BOSS, kick crank | 1 | |
| 22 | 90501-12081 | - SPRING, compression | 1 | |
| 23 | 93507-32009 | - BALL | 1 | |
| 24 | 90152-06010 | - SCREW, countersunk | 1 | |
| 25 | 90336-18038 | - PLUG, taper | 1 | |
| 26 | 9701L-08030 | BOLT | 1 | |
| 27 | 3Y1-1561A-02 | DECOMPRESSION LEVER ASSY | 1 | |
| 28 | 93102-10207 | OIL SEAL (SD 10-21-5 HS) | 1 | |



2KF300-7120

C6

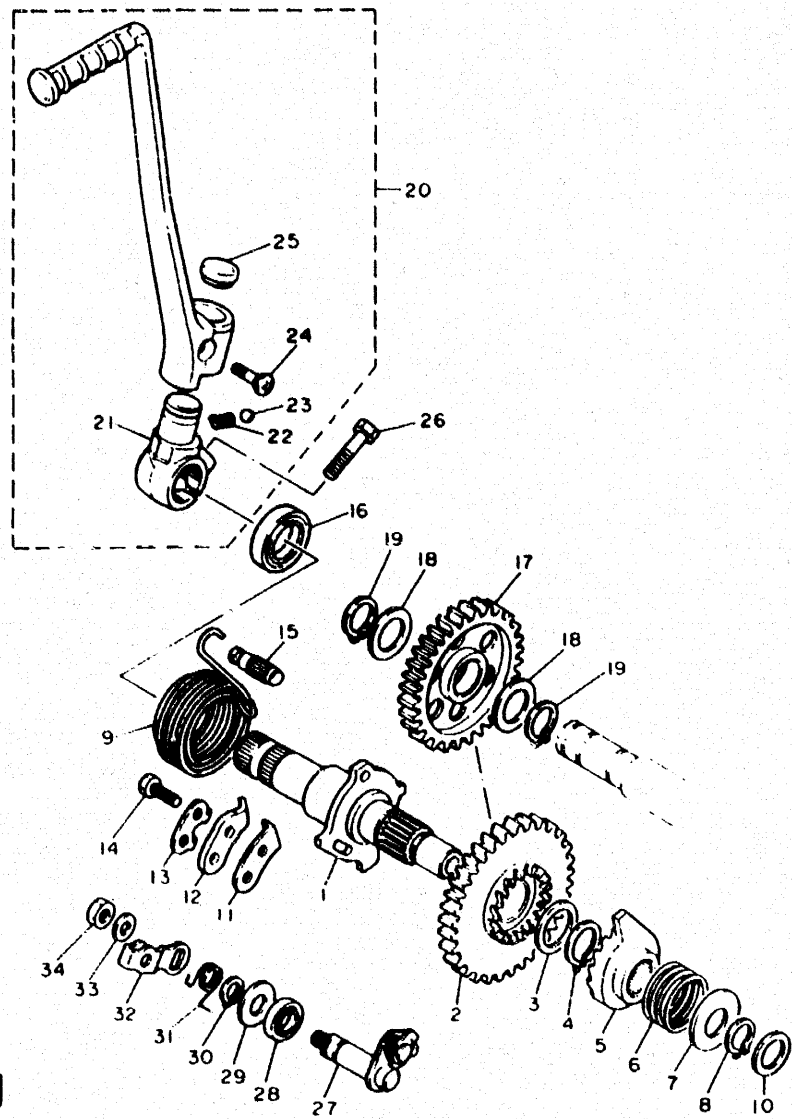


FIG. 12 STARTER

| REF. NO. | PART NO. | DESCRIPTION | Q. TY | REMARKS |
|----------|--------------|-----------------|-------|---------|
| 29 | 90201-10135 | WASHER, plate | 1 | |
| 30 | 99009-10400 | CIRCLIP | 1 | |
| 31 | 90508-14524 | SPRING, torsion | 1 | |
| 32 | 5Y1-1561G-00 | LEVER, cable | 1 | |
| 33 | 92907-06600 | WASHER, plate | 1 | |
| 34 | 95317-06700 | NUT | 1 | |



2KF300-7120

C7

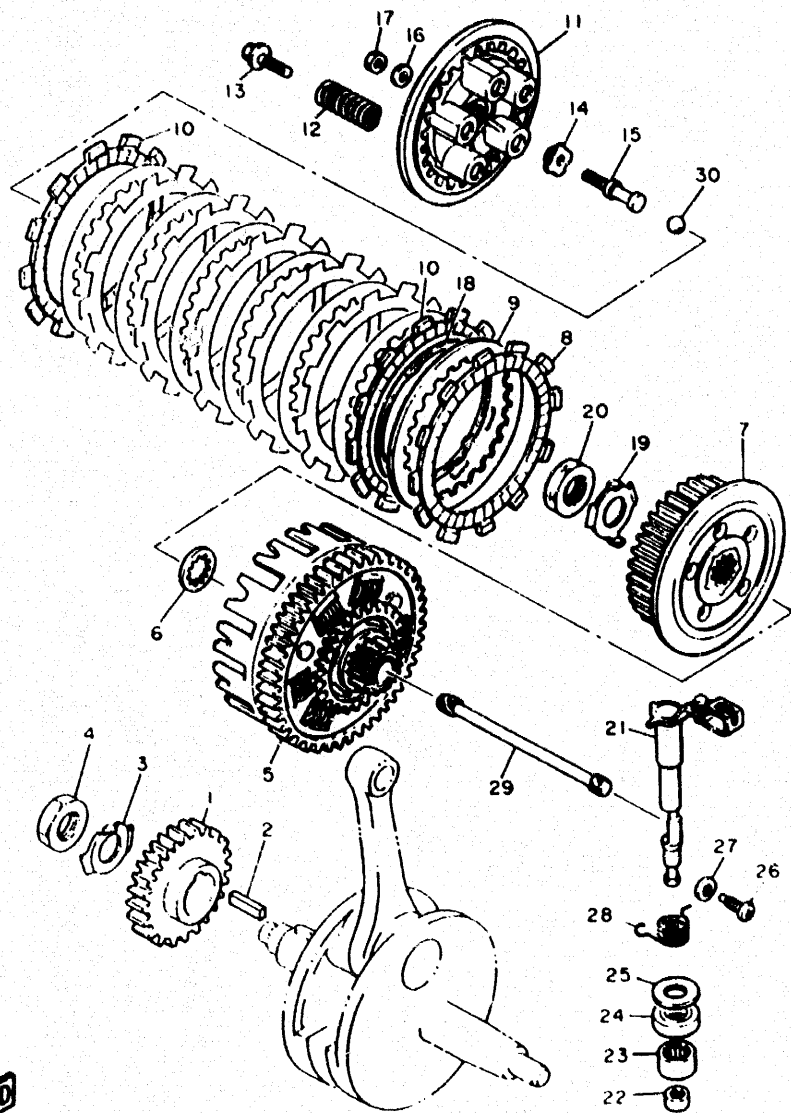


FIG. 13 CLUTCH

| REF. NO. | PART NO. | DESCRIPTION | Q.TY | REMARKS |
|----------|--------------|---|------|---------|
| 1 | 34K-16111-00 | GEAR, primary drive (31T) | 1 | |
| 2 | 90282-07042 | KEY, straight | 1 | |
| 3 | 90215-20197 | WASHER, lock | 1 | |
| 4 | 90170-20274 | NUT | 1 | |
| 5 | 34K-16150-00 | PRIMARY DRIVE ¹ GEAR COMP. (74T) | 1 | |
| 6 | 2JN-16154-00 | PLATE, thrust 1 | 1 | |
| 7 | 2JN-16371-00 | BOSS, clutch | 1 | |
| 8 | 5Y1-16321-00 | PLATE, friction | 6 | |
| 9 | 30X-16325-00 | PLATE, clutch 2 | 7 | |
| 10 | 5Y1-16331-01 | PLATE, friction 2 | 2 | |
| 11 | 5Y1-16351-00 | PLATE, pressure 1 | 1 | |
| 12 | 90501-26148 | SPRING, compression | 5 | |
| 13 | 90159-06016 | SCREW, with washer | 5 | |
| 14 | 1W1-16358-01 | PLATE, push | 1 | |
| 15 | 5Y1-16356-00 | ROD, push 1 | 1 | |
| 16 | 92907-06200 | WASHER, plain | 1 | |
| 17 | 95307-06600 | NUT | 1 | |
| 18 | 5Y1-16383-00 | SPRING, clutch boss | 1 | |
| 19 | 90215-20231 | WASHER, lock | 1 | |
| 20 | 90170-20327 | NUT | 1 | |
| 21 | 4GV-16380-01 | PUSH LEVER ASSY | 1 | |
| 22 | 93317-11020 | BEARING, cylindrical | 1 | |
| 23 | 93315-11720 | BEARING, cylindrical | 1 | |
| 24 | 93102-17148 | OIL SEAL | 1 | |
| 25 | 90201-17327 | WASHER, plate | 1 | |
| 26 | 90149-08067 | SCREW | 1 | |
| 27 | 90430-08119 | GASKET | 1 | |
| 28 | 90508-144A3 | SPRING, torsion | 1 | |

FWD

2RW361-7130

C8



2RW361-7130

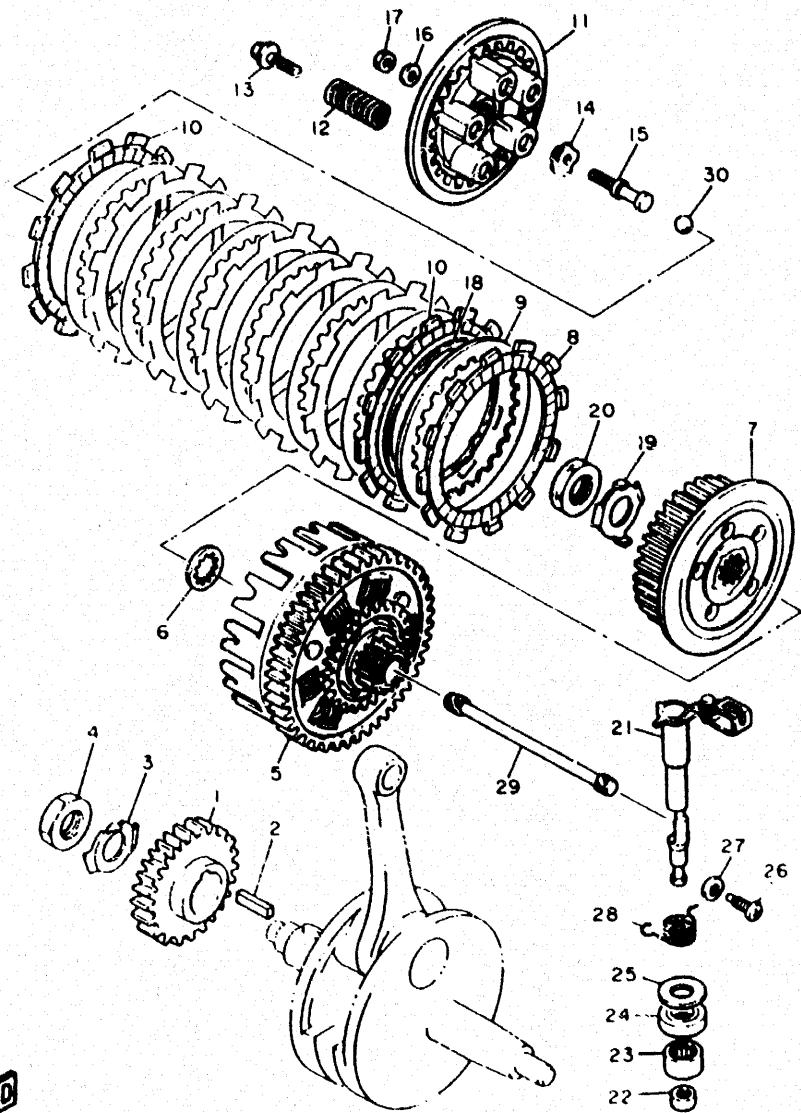


FIG. 13 CLUTCH

| REF. NO. | PART NO. | DESCRIPTION | Q. TY | REMARKS |
|----------|--------------|-------------|-------|---------|
| 29 | 5Y1-16357-00 | ROD, push 2 | 1 | |
| 30 | 93515-32029 | BALL | 1 | |

C9

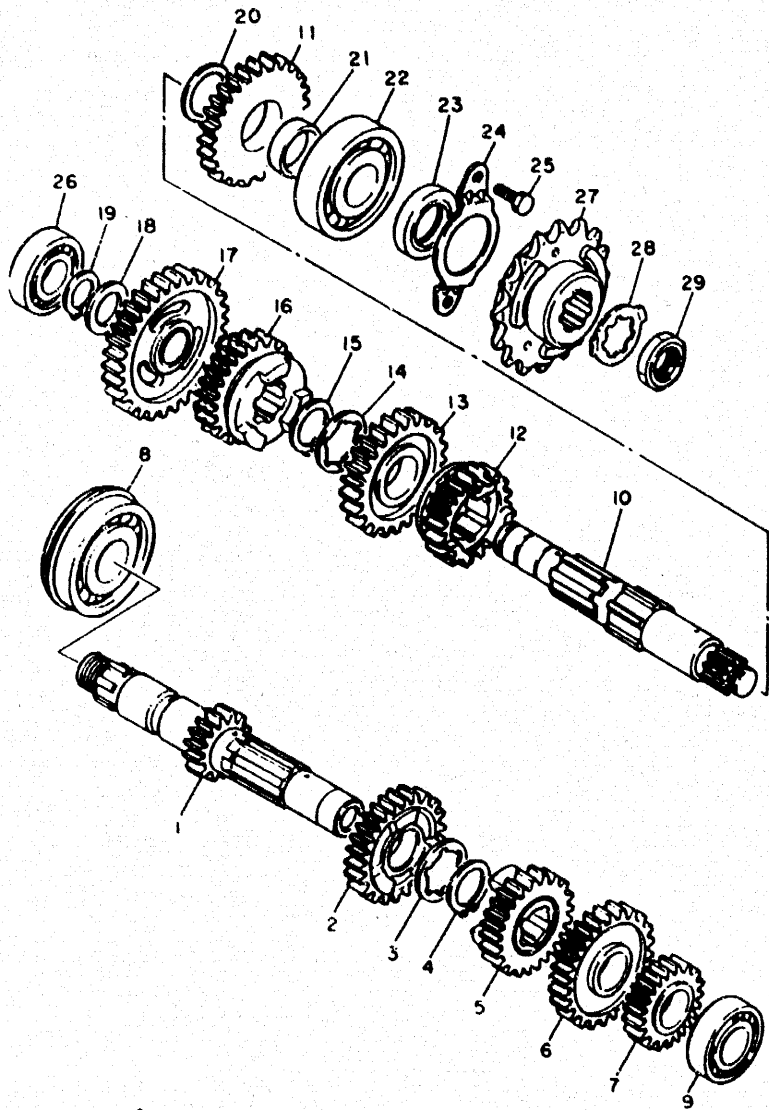


FIG. 14 TRANSMISSION

| REF. NO. | PART NO. | DESCRIPTION | Q.TY | REMARKS |
|----------|--------------|------------------------|------|---------|
| 1 | 2NX-17411-00 | AXLE, main (13T) | 1 | |
| 2 | 34K-17141-00 | GEAR, 4th pinion (22T) | 1 | |
| 3 | 90209-22191 | WASHER | 1 | |
| 4 | 93440-25084 | CIRCLIP | 1 | |
| 5 | 1VJ-17131-00 | GEAR, 3rd pinion (20T) | 1 | |
| 6 | 3YP-17151-01 | GEAR, 5th pinion (24T) | 1 | |
| 7 | 34K-17121-01 | GEAR, 2nd pinion (17T) | 1 | |
| 8 | 93306-30540 | BEARING (6305NRX1C3) | 1 | |
| 9 | 93306-00431 | BEARING | 1 | |
| 10 | 3YP-17402-00 | DRIVE AXLE ASSY (22T) | 1 | |
| 11 | 3YP-17221-00 | GEAR, 2nd wheel (27T) | 1 | |
| 12 | 3YP-17251-01 | GEAR, 5th wheel (19T) | 1 | |
| 13 | 1VJ-17231-00 | GEAR, 3rd wheel (24T) | 1 | |
| 14 | 90209-22191 | WASHER | 1 | |
| 15 | 93440-25084 | CIRCLIP | 1 | |
| 16 | 55U-17241-00 | GEAR, 4th wheel (21T) | 1 | |
| 17 | 34K-17211-00 | GEAR 1st wheel (30T) | 1 | |
| 18 | 90201-20276 | WASHER, plate (1.0T) | 1 | |
| 19 | 99009-20400 | CIRCLIP | 1 | |
| 20 | 90201-275P2 | WASHER, plate | 1 | |
| 21 | 90560-25376 | SPACER | 1 | |
| 22 | 93306-30535 | BEARING | 1 | |
| 23 | 93102-25226 | OIL SEAL | 1 | |
| 24 | 5Y1-17471-00 | PLATE, cover | 1 | |
| 25 | 97027-06014 | BOLT | 2 | |
| 26 | 93306-00426 | BEARING | 1 | |
| 27 | 2NX-17460-01 | SPROCKET, drive (15T) | 1 | |
| 28 | 90215-23265 | WASHER, lock | 1 | |



3YP351-1140

C 10

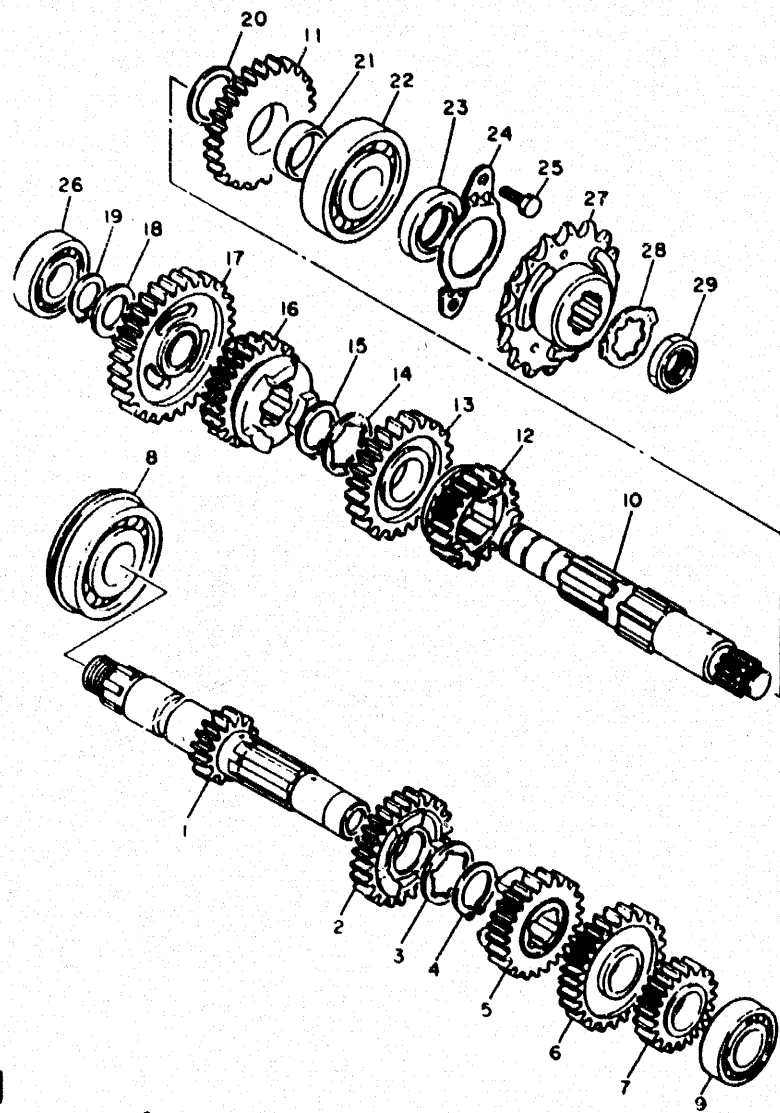


FIG. 14 TRANSMISSION

| REF. NO. | PART NO. | DESCRIPTION | Q.TY | REMARKS |
|----------|-------------|-------------|------|---------|
| 29 | 90179-18552 | NUT | 1 | |



3YP351-1140

C 11

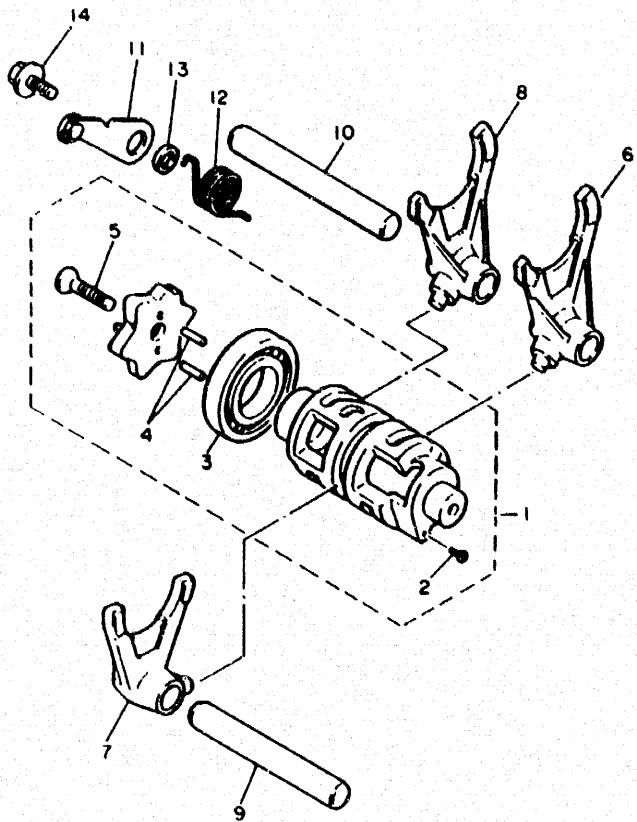


FIG. 15 SHIFT CAM. FORK

| REF. NO. | PART NO. | DESCRIPTION | Q.TY | REMARKS |
|----------|--------------|-------------------------|------|---------|
| 1 | 3YF-18540-00 | SHIFT CAM ASSY | 1 | |
| 2 | 136-18542-00 | POINT, neutral | 1 | |
| 3 | 93316-00501 | BEARING, cylindrical | 1 | |
| 4 | 93604-10011 | PIN, dowel | 2 | |
| 5 | 90151-06017 | SCREW, countersunk | 1 | |
| 6 | 4PT-18511-00 | FORK, shift 1 | 1 | |
| 7 | 4PT-18512-00 | FORK, shift 2 | 1 | |
| 8 | 4PT-18513-00 | FORK, shift 3 | 1 | |
| 9 | 3YF-18531-00 | BAR, shift fork guide 1 | 1 | |
| 10 | 3XV-18535-00 | BAR, shift fork guide 2 | 1 | |
| 11 | 2KF-18140-00 | STOPPER LEVER ASSY | 1 | |
| 12 | 90508-26691 | SPRING, torsion | 1 | |
| 13 | 90387-063F7 | COLLAR | 1 | |
| 14 | 90159-06078 | SCREW, with washer | 1 | |



2KF300-7150

C 12

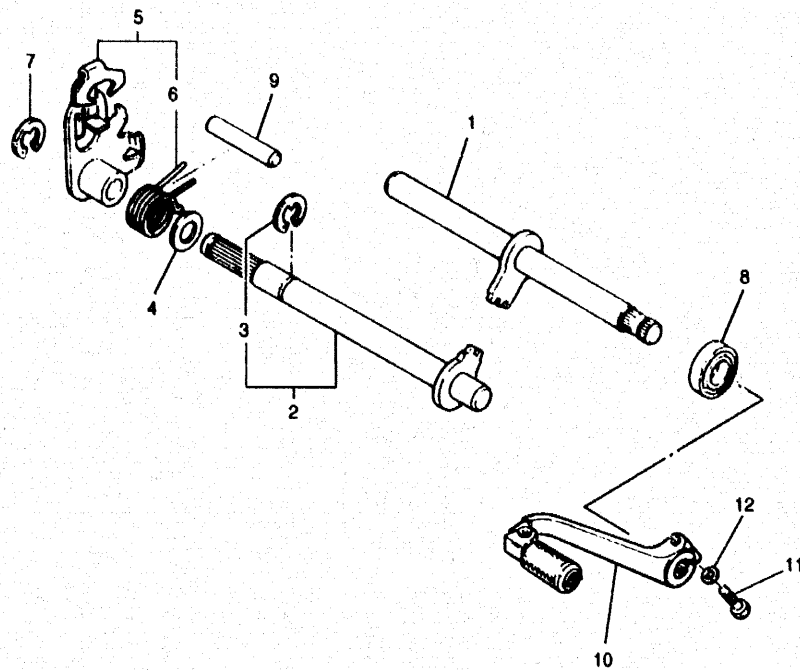


FIG. 16 SHIFT SHAFT

| REF. NO. | PART NO. | DESCRIPTION | Q.TY | REMARKS |
|----------|--------------|--------------------|------|---------|
| 1 | 43F-18102-02 | SHIFT SHAFT ASSY 2 | 1 | |
| 2 | 5Y1-18101-02 | SHIFT SHAFT ASSY | 1 | |
| 3 | 99001-10600 | CIRCLIP | 1 | |
| 4 | 90201-12474 | WASHER, plate | 1 | |
| 5 | 34K-18120-00 | SHIFT LEVER ASSY | 1 | |
| 6 | 90508-29629 | SPRING, torsion | 1 | |
| 7 | 99001-09600 | CIRCLIP | 1 | |
| 8 | 93102-12321 | SEAL | 1 | |
| 9 | 93608-33046 | PIN, dowel | 1 | |
| 10 | 34K-18110-02 | SHIFT PEDAL ASSY | 1 | |
| 11 | 9701L-06025 | BOLT, hex. | 1 | |
| 12 | 9290L-06600 | WASHER, plain | 1 | |



5CH1300-7160

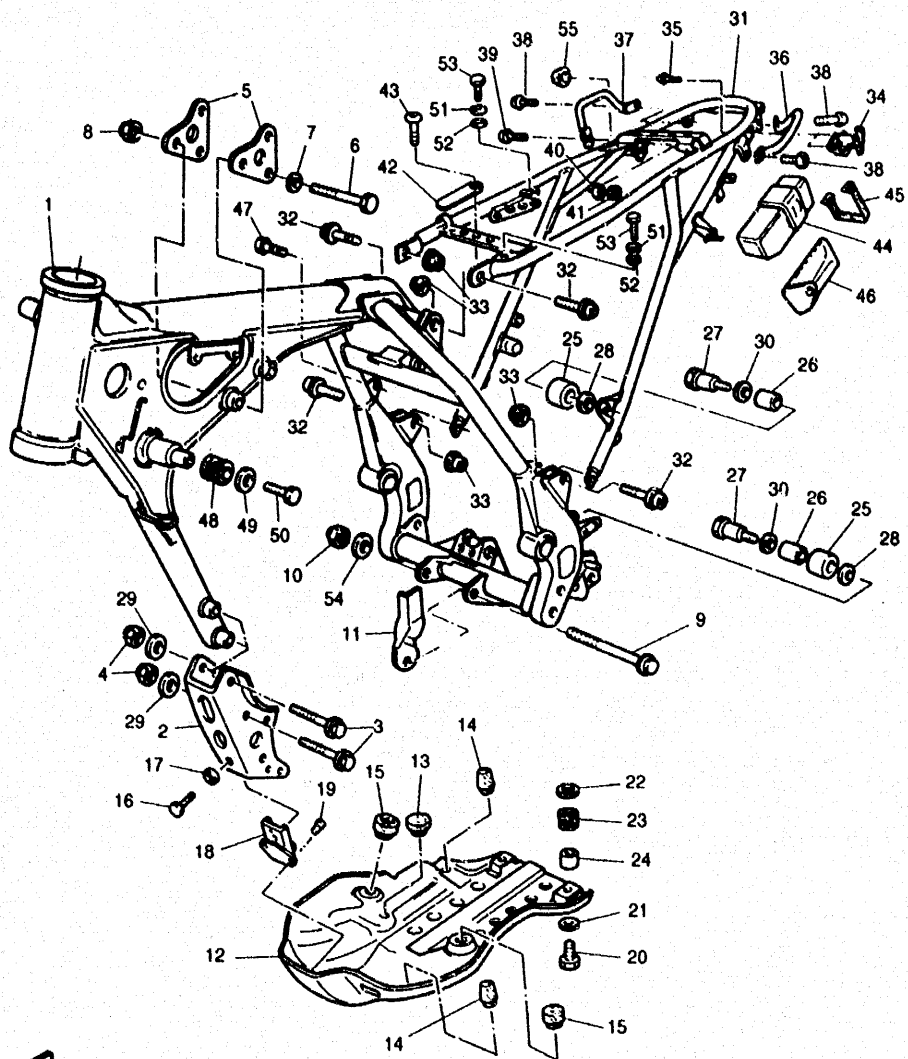


FIG. 17 FRAME

| REF. NO. | PART NO. | DESCRIPTION | Q.TY | REMARKS |
|----------|-----------------|---------------------|------|------------------------|
| 1 | 5CH-F1110-00-T9 | FRAME COMP. | 1 | UR. COMPETITION SILVER |
| 2 | 4GV-F1316-00-T9 | STAY, E/G | 1 | UR. COMPETITION SILVER |
| 3 | 90105-10858 | BOLT, washer based | 4 | |
| 4 | 90185-10060 | NUT, self-locking | 4 | |
| 5 | 4GV-F1315-00 | STAY, E/G 2 | 1 | |
| 6 | 97017-10080 | BOLT, hex. | 3 | |
| 7 | 92907-10100 | WASHER, spring | 3 | |
| 8 | 90185-10060 | NUT, self-locking | 3 | |
| 9 | 95817-10110 | BOLT, flg. | 1 | |
| 10 | 90185-10060 | NUT, self-locking | 1 | |
| 11 | 4GV-F176E-00 | PLATE | 1 | |
| 12 | 5CH-F1471-00 | PROTECTOR, E/G | 1 | |
| 13 | 2J5-21732-00 | SEAL 1 | 1 | |
| 14 | 4N0-27114-00 | STOPPER, main stand | 2 | |
| 15 | 34L-21485-00 | DAMPER, rubber | 2 | |
| 16 | 97007-08016 | BOLT, hex. | 1 | |
| 17 | 92907-08100 | WASHER, spring | 1 | |
| 18 | 34L-21486-00 | DAMPER, 2 | 1 | |
| 19 | 90267-48079 | RIVET, blind | 2 | |
| 20 | 97007-06020 | BOLT, hex. | 2 | |
| 21 | 92907-06100 | WASHER, spring | 2 | |
| 22 | 90201-06765 | WASHER, plate | 2 | |
| 23 | 90480-14229 | GROMMET | 2 | |
| 24 | 90387-060A7 | COLLAR | 2 | |
| 25 | 30X-22178-00 | TENSIONER | 2 | |
| 26 | 4V4-22184-00 | BUSH | 2 | |
| 27 | 90109-08705 | BOLT | 2 | |
| 28 | 90201-13202 | WASHER, plate | 2 | |



5CH1300-7170

C 14

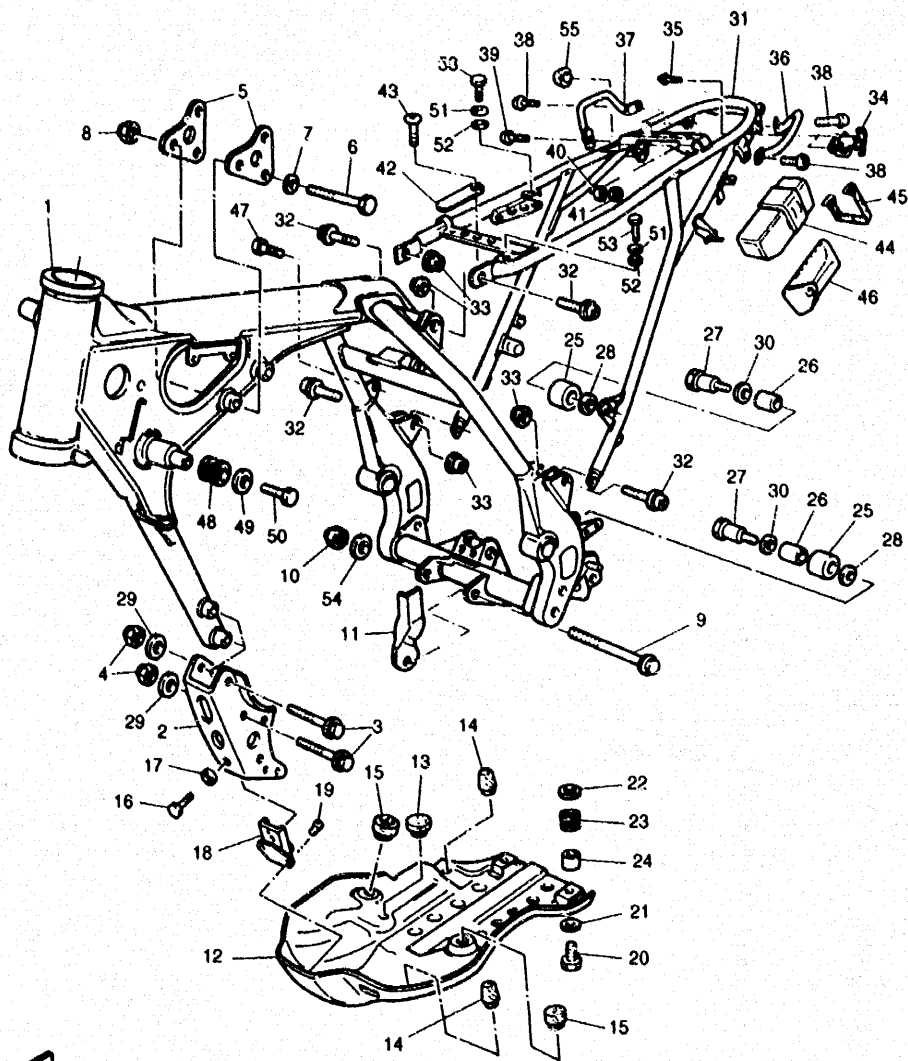


FIG. 17 FRAME

| REF. NO. | PART NO. | DESCRIPTION | Q.TY | REMARKS |
|----------|-----------------|---------------------|------|------------------------|
| 29 | 9290L-10200 | WASHER, plain | 4 | |
| 30 | 90201-08753 | WASHER, plate | 2 | |
| 31 | 5CH-F1190-00-T9 | RR. FRAME COMP. | 1 | UR. COMPETITION SILVER |
| 32 | 90109-087F1 | ROLT | 4 | |
| 33 | 9571L-08500 | NUT, flg. | 4 | |
| 34 | 5CH-F1308-00 | HELMET, hanger assy | 1 | |
| 35 | 5CH-H252V-00 | SCREW, special | 2 | |
| 36 | 5CH-F127A-00-T9 | HANDLE, standing | 1 | UR. COMPETITION SILVER |
| 37 | 5CH-F1275-00-T9 | STAY, rear | 1 | UR. COMPETITION SILVER |
| 38 | 90111-08808 | BOLT | 3 | |
| 39 | 9581L-08025 | BOLT, flange | 1 | |
| 40 | 9290L-08200 | WASHER, plain | 1 | |
| 41 | 90185-08838 | NUT, self-locking | 1 | |
| 42 | 5CH-F1397-00 | GUIDE, wire harness | 1 | |
| 43 | 9581L-06012 | BOLT, flg. | 1 | |
| 44 | 4GY-21107-00 | TOOL, box comp. | 1 | |
| 45 | 120-82131-00 | BAND | 1 | |
| 46 | 5CH-F8100-00 | TOOL, kit | 1 | |
| 47 | 9581L-06016 | BOLT, flg. | 1 | |
| 48 | 3SH-F4181-00 | DAMPER, locating 1 | 2 | |
| 49 | 90201-098E7 | WASHER, plate | 2 | |
| 50 | 9701L-08020 | BOLT, hex. | 2 | |
| 51 | 9290L-06100 | WASHER, spring | 2 | |
| 52 | 9290L-06600 | WASHER, plain | 2 | |
| 53 | 9701L-06016 | BOLT, hex. | 2 | |
| 54 | 90204-10803 | WASHER, spring | 1 | |
| 55 | 5CH-F1717-00 | DAMPER, side cover | 1 | |



5CH1300-7170

C 15

CONTENTS

GENERAL SPEC.

ENGINE

| | | |
|---------|--------------------------|----|
| Fig. 1 | CYLINDER HEAD | 1 |
| Fig. 2 | CYLINDER | 3 |
| Fig. 3 | CRANKSHAFT, PISTON | 4 |
| Fig. 4 | VALVE | 6 |
| Fig. 5 | CAMSHAFT, CHAIN | 7 |
| Fig. 6 | OIL PUMP | 8 |
| Fig. 7 | INTAKE | 10 |
| Fig. 8 | CARBURETOR | 12 |
| Fig. 9 | EXHAUST | 15 |
| Fig. 10 | CRANKCASE | 16 |
| Fig. 11 | CRANKCASE COVER 1 | 17 |
| Fig. 12 | STARTER | 19 |
| Fig. 13 | CLUTCH | 21 |
| Fig. 14 | TRANSMISSION | 23 |
| Fig. 15 | SHIFT CAM, FORK | 25 |
| Fig. 16 | SHIFT SHAFT | 26 |

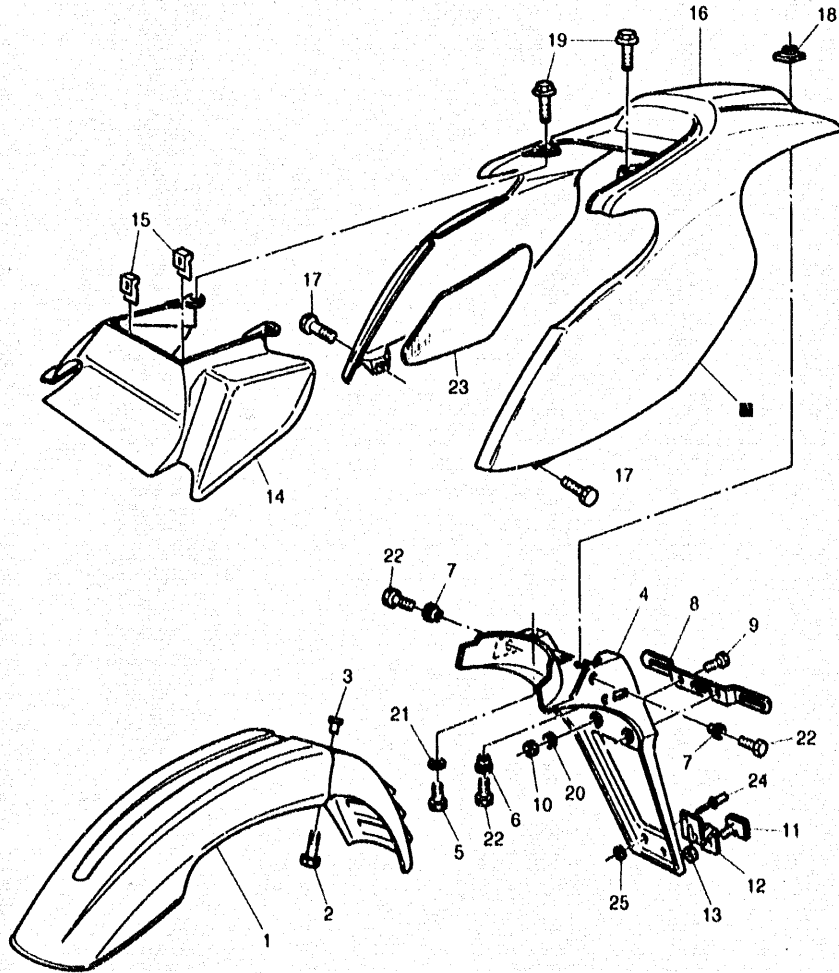
CHASSIS

| | | |
|---------|------------------------------|----|
| Fig. 17 | FRAME | 27 |
| Fig. 18 | FENDER | 29 |
| Fig. 19 | OIL TANK | 30 |
| Fig. 20 | REAR ARM | 31 |
| Fig. 21 | REAR SUSPENSION | 33 |
| Fig. 22 | STEERING | 34 |
| Fig. 23 | FRONT FORK | 36 |
| Fig. 24 | FUEL TANK | 38 |
| Fig. 25 | SEAT | 39 |
| Fig. 26 | FRONT WHEEL | 40 |
| Fig. 27 | FRONT BRAKE CALIPER | 41 |
| Fig. 28 | REAR WHEEL | 42 |
| Fig. 29 | REAR BRAKE CALIPER | 43 |
| Fig. 30 | STEERING HANDLE, CABLE | 44 |
| Fig. 31 | FRONT MASTER CYLINDER | 45 |
| Fig. 32 | STAND/FOOTREST | 46 |
| Fig. 33 | REAR MASTER CYLINDER | 47 |
| Fig. 34 | EMBLEMS | 48 |
| Fig. 35 | GENERATOR | 49 |
| Fig. 36 | FLASHER LIGHT | 50 |
| Fig. 37 | METER | 51 |
| Fig. 38 | HEADLIGHT | 52 |
| Fig. 39 | TAILLIGHT | 53 |
| Fig. 40 | HANDLE SWITCH, LEVER | 54 |
| Fig. 41 | ELECTRICAL 1 | 55 |
| Fig. 42 | ELECTRICAL 2 | 56 |

INDEX (GENERAL SPEC.)

NUMERICAL INDEX

FIG. 18 FENDER



| REF. NO. | PART NO. | DESCRIPTION | Q.TY | REMARKS |
|----------|--------------|---------------------------|------|----------------------------|
| 1 | 5CH-F1511-00 | FENDER, front | 1 | UR. PURPLISH WHITE SOLID 1 |
| 2 | 90119-06097 | BOLT, with washer | 4 | |
| 3 | 90387-062M9 | COLLAR | 4 | |
| 4 | 5CH-F1685-00 | BRACKET, licence | 1 | |
| 5 | 9701L-06016 | BOLT, hex. | 1 | |
| 6 | 90387-062M9 | COLLAR | 1 | |
| 7 | 90387-06X01 | COLLAR | 2 | |
| 8 | 3SH-H4551-00 | BRACKET, licence | 1 | |
| 9 | 9581M-06020 | BOLT, flange | 2 | |
| 10 | 9571L-06300 | NUT, nylon | 2 | |
| 11 | 5CH-H5130-00 | REAR REFLECTOR ASSY | 1 | |
| 12 | 5CH-H5132-00 | BRACKET, reflector | 1 | |
| 13 | 90185-06837 | NUT, self-locking | 1 | |
| 14 | 5CH-F219X-00 | COVER | 1 | |
| 15 | 5CH-F177L-00 | PLATE, spring | 2 | |
| 16 | 5CH-F1610-00 | REAR FENDER COMP. | 1 | |
| 17 | 9581L-06012 | BOLT, flg. | 2 | |
| 18 | 5CH-F1736-00 | NUT, plate | 1 | |
| 19 | 9581L-06016 | BOLT, flg. | 2 | |
| 20 | 9290L-06200 | WASHER, plain | 2 | |
| 21 | 9290L-06200 | WASHER, plain | 1 | |
| 22 | 9131L-06016 | BOLT, hexagon socket head | 3 | |
| 23 | 5CH-F174A-00 | INSULATOR, cover side | 1 | |
| 24 | 90267-48X00 | RIVET, blind | 2 | |
| 25 | 9290M-05600 | WASHER, plain | 2 | |

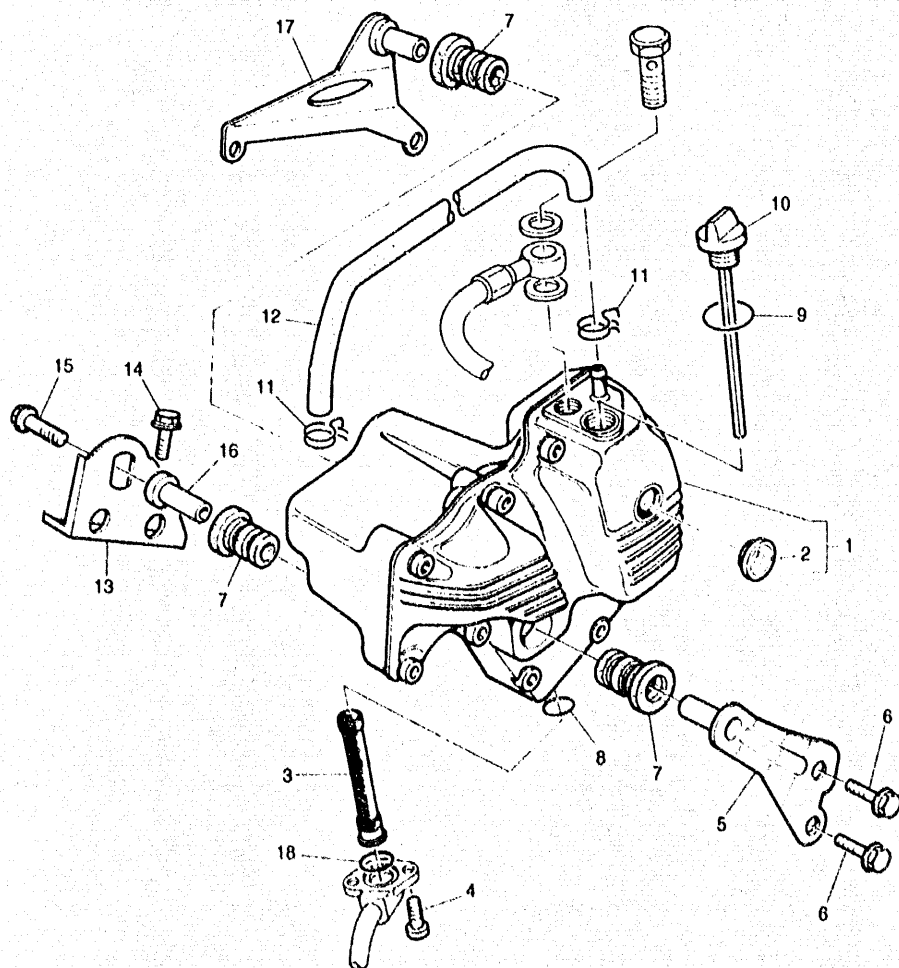
NOTE: ■ COLORED-ROUGH MATERIAL



5CH1300-7180

D2

FIG. 19 OIL TANK



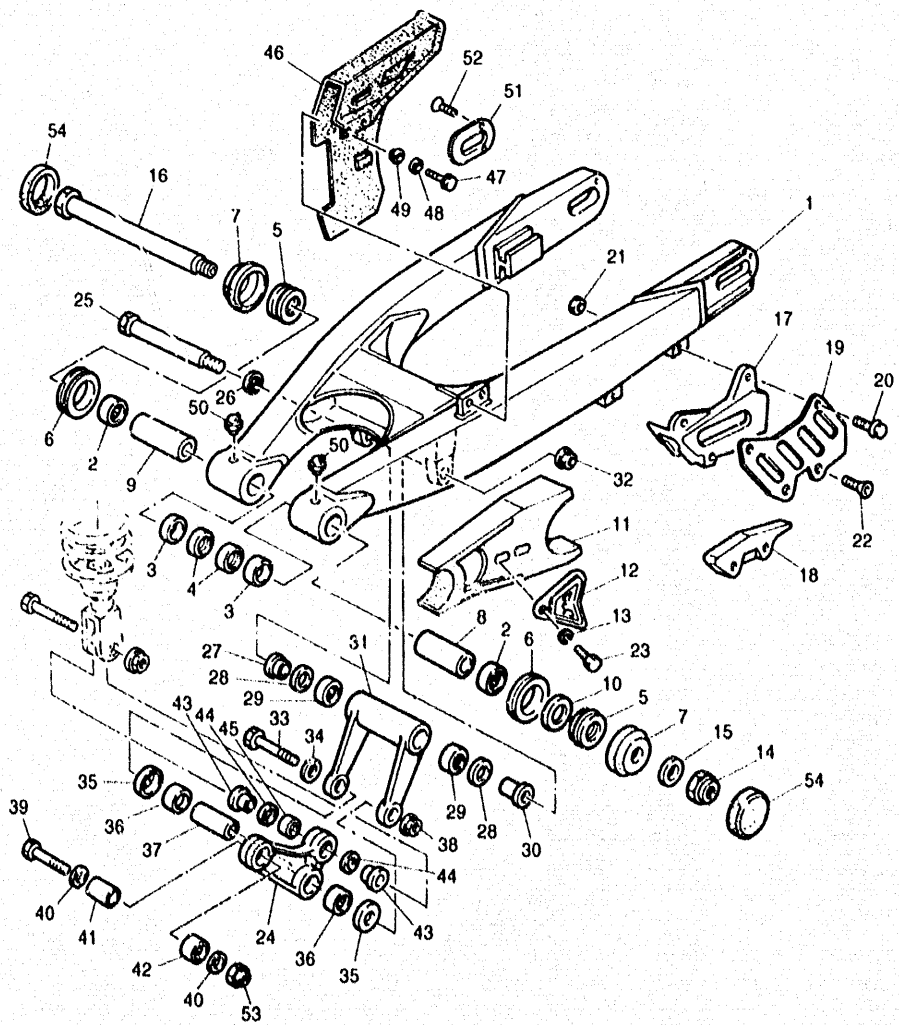
| REF. NO. | PART NO. | DESCRIPTION | Q.TY | REMARKS |
|----------|-----------------|---------------------------|------|-----------|
| 1 | 5CH-F1750-00-38 | OIL TANK ASSY | 1 | UR. CLEAR |
| 2 | 2H7-15361-00 | GAUGE, level | 1 | |
| 3 | 5CH-F1756-00 | NET, filter | 1 | |
| 4 | 9131M-06016 | BOLT, hexagon socket head | 2 | |
| 5 | 5CH-F172E-00 | STAY, side cover 1 | 1 | |
| 6 | 9581L-06012 | BOLT, flg. | 2 | |
| 7 | 4SU-F1773-00 | GROMMET | 3 | |
| 8 | 93210-16X00 | O-RING | 1 | |
| 9 | 93210-218D5 | O-RING | 1 | |
| 10 | 4SU-F1761-00 | GAUGE, level | 1 | |
| 11 | 90467-12X01 | CLIP | 2 | |
| 12 | 5CH-F1745-00 | PIPE, oil tank breather | 1 | |
| 13 | 5CH-F174E-00 | STAY, side cover 2 | 1 | |
| 14 | 9581L-06012 | BOLT, flg. | 2 | |
| 15 | 9581M-06020 | BOLT, flg. | 1 | |
| 16 | 5CH-F1769-00 | COLLAR, union screw | 1 | |
| 17 | 5CH-F175V-00 | BRACKET 3 | 1 | |
| 18 | 93210-100A9 | O-RING | 1 | |



5CH1300-7190

D3

FIG. 20 REAR ARM



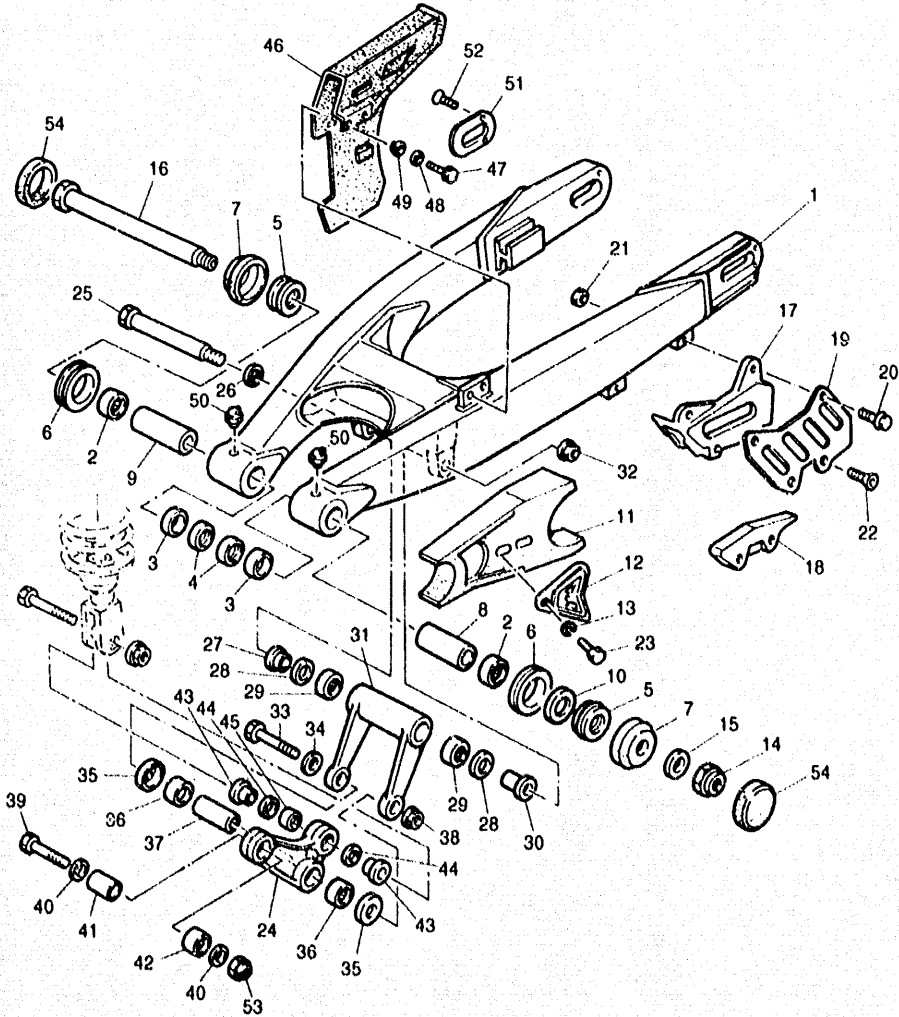
| REF. NO. | PART NO. | DESCRIPTION | Q.TY | REMARKS |
|----------|--------------|------------------------|------|---------|
| 1 | 5CH-F2110-00 | RR. ARM COMP. | 1 | |
| 2 | 93317-22237 | BEARING, cylindrical | 2 | |
| 3 | 90380-22111 | BUSH | 2 | |
| 4 | 93106-22019 | OIL, seal (DC 22-28-8) | 2 | |
| 5 | 93342-22208 | BEARING | 2 | |
| 6 | 93103-35004 | OIL, seal (35-41-8) | 2 | |
| 7 | 3R4-22129-00 | COVER, thrust 2 | 2 | |
| 8 | 1VJ-22123-00 | BUSH, 1 | 1 | |
| 9 | 90380-16127 | BUSH, solid | 1 | |
| 10 | 156-22127-00 | SHIM | 2 | UN |
| 11 | 4GV-F2151-00 | SEAL, guard | 1 | |
| 12 | 4GV-F2156-00 | WASHER, plate | 1 | |
| 13 | 9290L-06100 | WASHER, spring | 2 | |
| 14 | 90185-14070 | NUT, self-locking | 1 | |
| 15 | 90201-15238 | WASHER, plate | 1 | |
| 16 | 1VJ-22141-00 | SHAFT, pivot | 1 | |
| 17 | 3XP-22199-03 | SUPPORT, chain | 1 | |
| 18 | 3JD-22147-00 | PROTECTOR, chain | 1 | |
| 19 | 3JD-22128-00 | COVER, thrust 1 | 1 | |
| 20 | 90105-06601 | BOLT, washer based | 2 | |
| 21 | 9570L-06500 | NUT, flange | 2 | |
| 22 | 90151-06805 | SCREW, countersunk | 2 | |
| 23 | 95024-06020 | BOLT, flange | 2 | |
| 24 | 5CH-F217A-00 | ARM, relay | 1 | |
| 25 | 90109-104G9 | BOLT | 1 | |
| 26 | 90201-14222 | WASHER, plate | 1 | |
| 27 | 90387-147G7 | COLLAR | 1 | |
| 28 | 93109-20029 | OIL, seal | 2 | |



5CH1300-7200

D 4

FIG. 20 REAR ARM



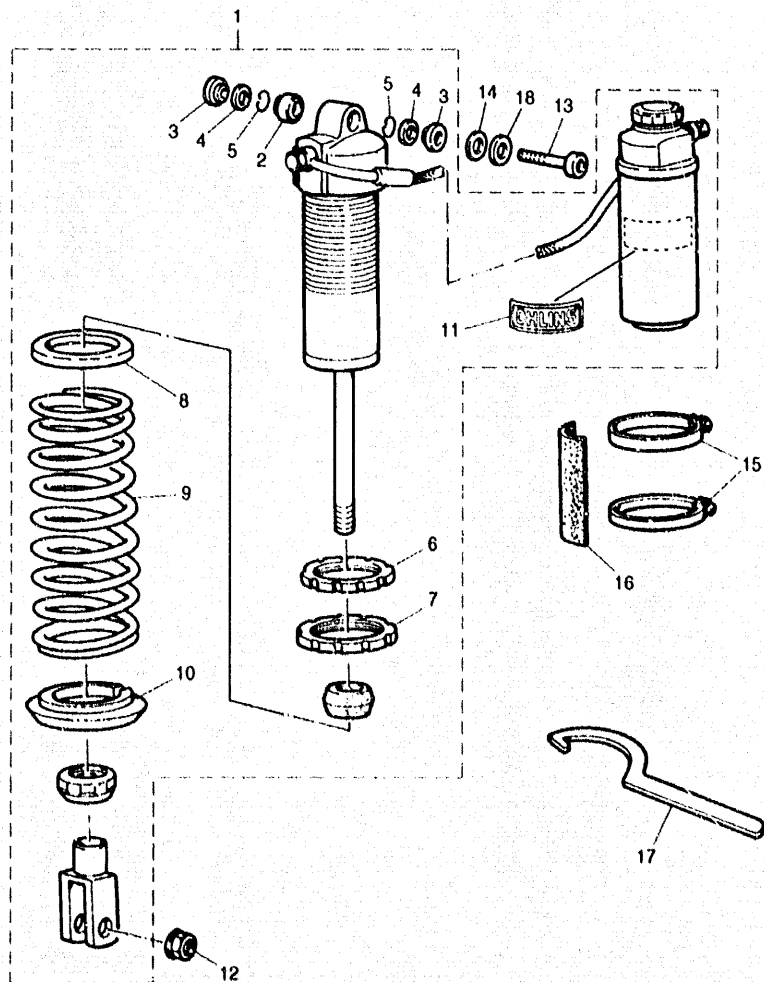
| REF. NO. | PART NO. | DESCRIPTION | Q.TY | REMARKS |
|----------|--------------|-------------------------|------|---------|
| 29 | 93315-32053 | BEARING, cylindrical | 2 | |
| 30 | 90387-1412W | COLLAR | 1 | |
| 31 | 5CH-F217F-00 | ROD, connecting 1 | 1 | |
| 32 | 95617-12200 | NUT, U | 1 | |
| 33 | 90109-104G8 | BOLT | 1 | |
| 34 | 90201-120A5 | WASHER, plate | 1 | |
| 35 | 23X-22129-00 | COVER, thrust 2 | 2 | |
| 36 | 93317-21746 | BEARING, cylindrical | 2 | |
| 37 | 90387-1212V | COLLAR | 1 | |
| 38 | 95617-10200 | NUT, U | 1 | |
| 39 | 90109-10554 | BOLT | 1 | |
| 40 | 93109-17048 | OIL, seal (SDO 17-24-4) | 2 | |
| 41 | 90387-123Y4 | COLLAR | 1 | |
| 42 | 93315-31750 | BEARING, cylindrical | 1 | |
| 43 | 90387-128T7 | COLLAR | 2 | |
| 44 | 3JE-22475-00 | SEAL, dust | 2 | |
| 45 | 93399-999T4 | BEARING | 1 | |
| 46 | 4GV-F2311-00 | CASE, chain | 1 | |
| 47 | 9701M-06016 | BOLT, hex. | 2 | |
| 48 | 9290M-06100 | WASHER, spring | 2 | |
| 49 | 90387-062M9 | COLLAR | 2 | |
| 50 | 93700-06005 | NIPPLE, grease | 2 | |
| 51 | 3XJ-22355-00 | PATCH A | 2 | |
| 52 | 90151-04048 | SCREW, countersunk | 2 | |
| 53 | 95617-10200 | NUT, U | 1 | |
| 54 | 3LD-2219X-01 | COVER | 2 | |



6CH1300-7200

D5

FIG. 21 REAR SUSPENSION



| REF. NO. | PART NO. | DESCRIPTION | Q.TY | REMARKS |
|----------|--------------|----------------------------|------|---------|
| 1 | 5CH-F2210-00 | RR. SHOCK ABSORBER | 1 | |
| 2 | 5CH-F2216-00 | BUSH | 1 | |
| 3 | 4GV-F2253-00 | COLLAR | 2 | |
| 4 | 4GV-F2217-00 | DAMPER, rr. shock absorber | 2 | |
| 5 | 5CH-F2474-00 | SEAL, ring | 2 | |
| 6 | 5CH-F2224-00 | GUIDE, spring 2 | 1 | |
| 7 | 5CH-F2213-00 | SEAT, spring upper | 1 | |
| 8 | 4GV-F2223-00 | SEAT, spring lower | 1 | |
| 9 | 5CH-F2212-00 | SPRING (K = 6,5) | 1 | (STD) |
| 9 | 5CH-F2212-10 | SPRING (K = 6,9) | 1 | AP |
| 10 | 4GV-F2214-00 | GUIDE, spring 1 | 1 | |
| 11 | 5CH-F118E-00 | EMBLEM | 1 | |
| 12 | 95617-10200 | NUT, U | 1 | |
| 13 | 5CH-F2125-00 | BOLT | 1 | |
| 14 | 9290L-12100 | WASHER, spring | 1 | |
| 15 | 5CH-F2262-00 | HOLDER, sub-tank | 2 | |
| 16 | 5CH-F2261-00 | DAMPER, sub-tank | 1 | |
| 17 | 4GV-F8135-00 | SPANNER, special | 1 | |
| 18 | 9290M-12200 | WASHER, plain | 1 | |
| 19 | 90109-104G7 | BOLT | 1 | |



UCH1300-7210

D6

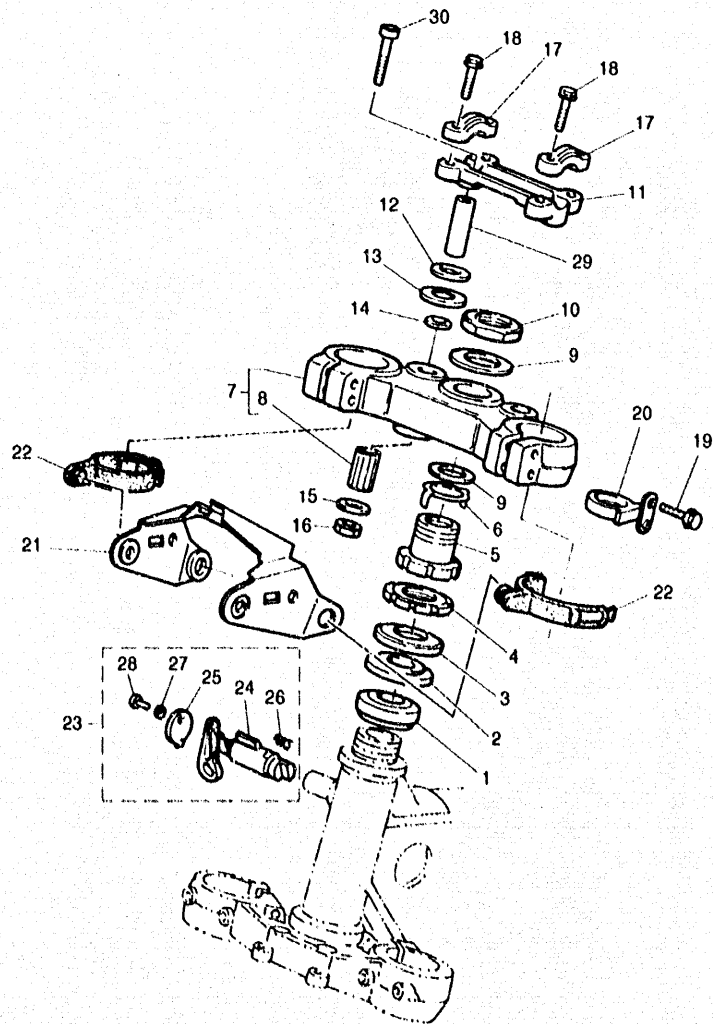


FIG. 22 STEERING

| REF. NO. | PART NO. | DESCRIPTION | Q.TY | REMARKS |
|----------|--------------|---------------------------|------|---------|
| 1 | 93332-00067 | BEARING | 1 | |
| 2 | 93332-00068 | BEARING | 1 | |
| 3 | 2HG-23416-00 | COVER, ball race 2 | 1 | |
| 4 | 90179-28602 | NUT | 1 | |
| 5 | 90179-28603 | NUT | 1 | |
| 6 | 3SP-23418-00 | WASHER, special | 1 | |
| 7 | 5CH-WF341-00 | CROWN, handle assy | 1 | |
| 8 | 307-22123-00 | BUSH, 1 | 2 | |
| 9 | 90201-365M5 | WASHER, plate | 2 | |
| 10 | 90170-36394 | NUT | 1 | |
| 11 | 5CH-F3442-00 | HOLDER, handle lower | 1 | |
| 12 | 90201-128N5 | WASHER, plate | 2 | |
| 13 | 90202-14077 | WASHER, plate | 2 | |
| 14 | 90387-121E8 | COLLAR | 2 | |
| 15 | 90201-100A1 | WASHER, plate | 2 | |
| 16 | 5CH-F3453-00 | NUT, fitting 1 | 2 | |
| 17 | 5CH-F3441-00 | HOLDER, handle upper | 2 | |
| 18 | 95027-08035 | BOLT, flange | 4 | |
| 19 | 9502L-08040 | BOLT, flange | 4 | |
| 20 | 3R4-23317-00 | HOLDER, cable | 1 | |
| 21 | 5CH-F3174-00 | STAY, head light | 1 | |
| 22 | 5CH-F3489-01 | BAND | 2 | |
| 23 | 5CH-F3408-00 | STEERING LOCK | 1 | |
| 24 | 5CH-F3482-00 | BODY & KEY, steering lock | 1 | |
| 25 | 5CH-F3484-00 | CAP, handle lock | 1 | |
| 26 | 5CH-F3486-00 | SPRING, pin action | 1 | |
| 27 | 5CH-F3483-00 | RIVET | 1 | |
| 28 | 5CH-F3486-00 | STAY, plate | 1 | |



5CH1300-7220

D7

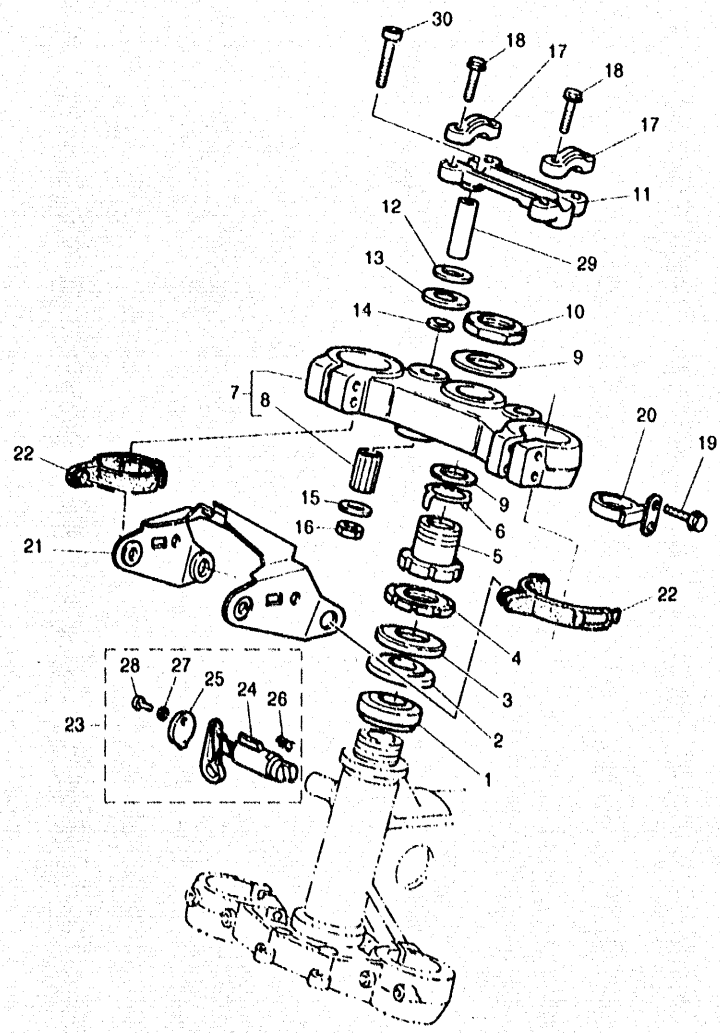


FIG. 22 STEERING

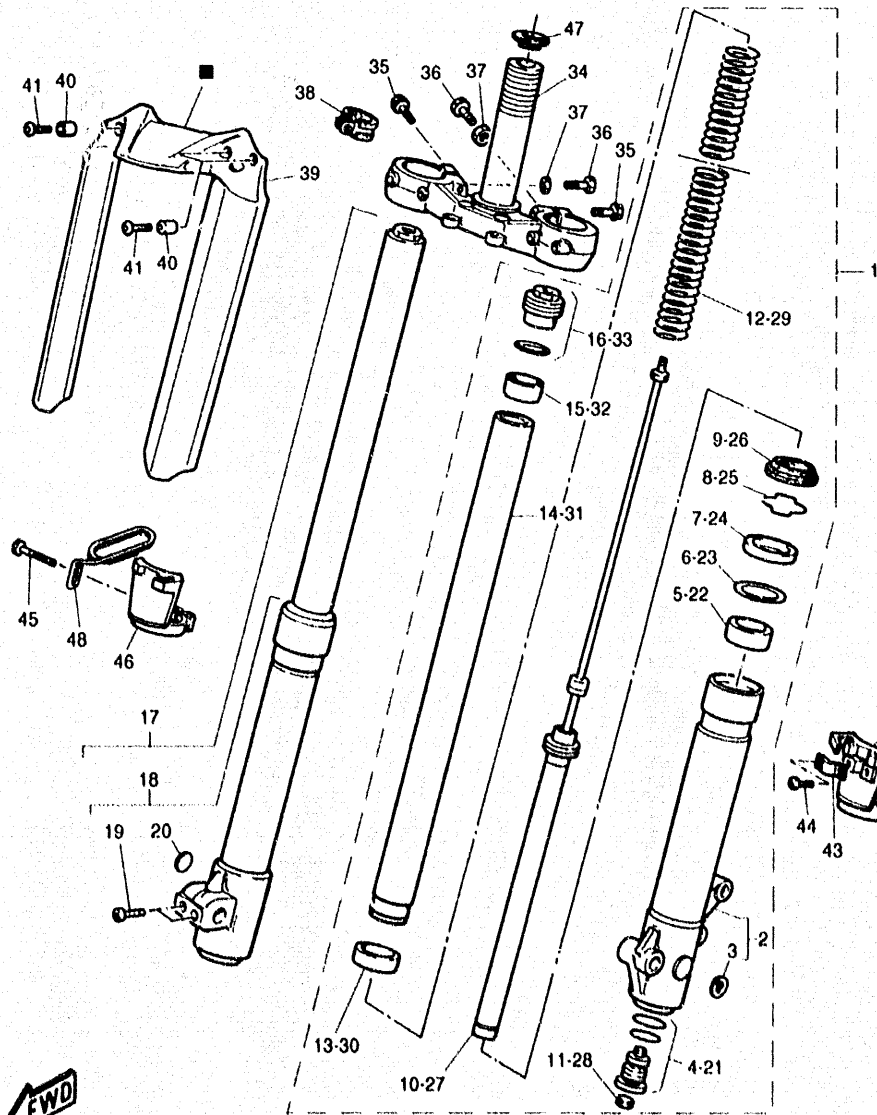
| REF. NO. | PART NO. | DESCRIPTION | Q.TY | REMARKS |
|----------|--------------|-------------|------|---------|
| 29 | 5CH-F3448-00 | SPACER | 2 | |
| 30 | 5CH-F3436-00 | BOLT | 2 | |



5CH1300-7220

D8

FIG. 23 FRONT FORK



| REF. NO. | PART NO. | DESCRIPTION | Q.TY | REMARKS |
|----------|--------------|----------------------------|------|---------|
| 1 | 5CH-F3102-00 | FR. FORK ASSY (L.H.) | 1 | |
| 2 | 5CH-F3126-00 | TUBE, outer 1 | 1 | |
| 3 | 5CH-F3108-00 | EMBLEM | 1 | |
| 4 | 5CH-F316A-00 | VALVE, comp. | 1 | |
| 5 | 5CH-F3125-00 | METAL, slide | 1 | |
| 6 | 5CH-F3146-00 | WASHER, oil seal | 1 | |
| 7 | 5CH-F3145-00 | OIL, seal | 1 | |
| 8 | 4GV-F3153-00 | RING, snap | 1 | |
| 9 | 5CH-F3144-00 | SEAL, dust | 1 | |
| 10 | 5CH-F3170-00 | CYLINDER COMP., front fork | 1 | |
| 11 | 4GV-F312G-00 | PLUG | 1 | |
| 12 | 5CH-F3141-00 | SPRING, front fork | 1 | |
| 13 | 5CH-F3135-00 | METAL, slide 2 | 1 | |
| 14 | 5CH-F3110-00 | INNER, tube assy 1 | 1 | |
| 15 | 5CH-F3118-00 | SPACER | 1 | |
| 16 | 5CH-F3111-00 | BOLT, cap | 1 | |
| 17 | 5CH-F3103-00 | FR. FORK ASSY (R.H.) | 1 | |
| 18 | 5CH-F3136-00 | TUBE, outer 2 | 1 | |
| 19 | 9131L-06020 | BOLT, hexagon socket head | 2 | |
| 20 | 5CH-F3108-00 | EMBLEM | 1 | |
| 21 | 5CH-F316A-00 | VALVE, comp. | 1 | |
| 22 | 5CH-F3125-00 | METAL, slide | 1 | |
| 23 | 5CH-F3146-00 | WASHER, oil seal | 1 | |
| 24 | 5CH-F3145-00 | OIL, seal | 1 | |
| 25 | 4GV-F3153-00 | RING, snap | 1 | |
| 26 | 5CH-F3144-00 | SEAL, dust | 1 | |
| 27 | 5CH-F3170-00 | CYLINDER COMP., front fork | 1 | |
| 28 | 4GV-F312G-00 | PLUG | 1 | |

NOTE: ■ COLORED-ROUGH MATERIAL

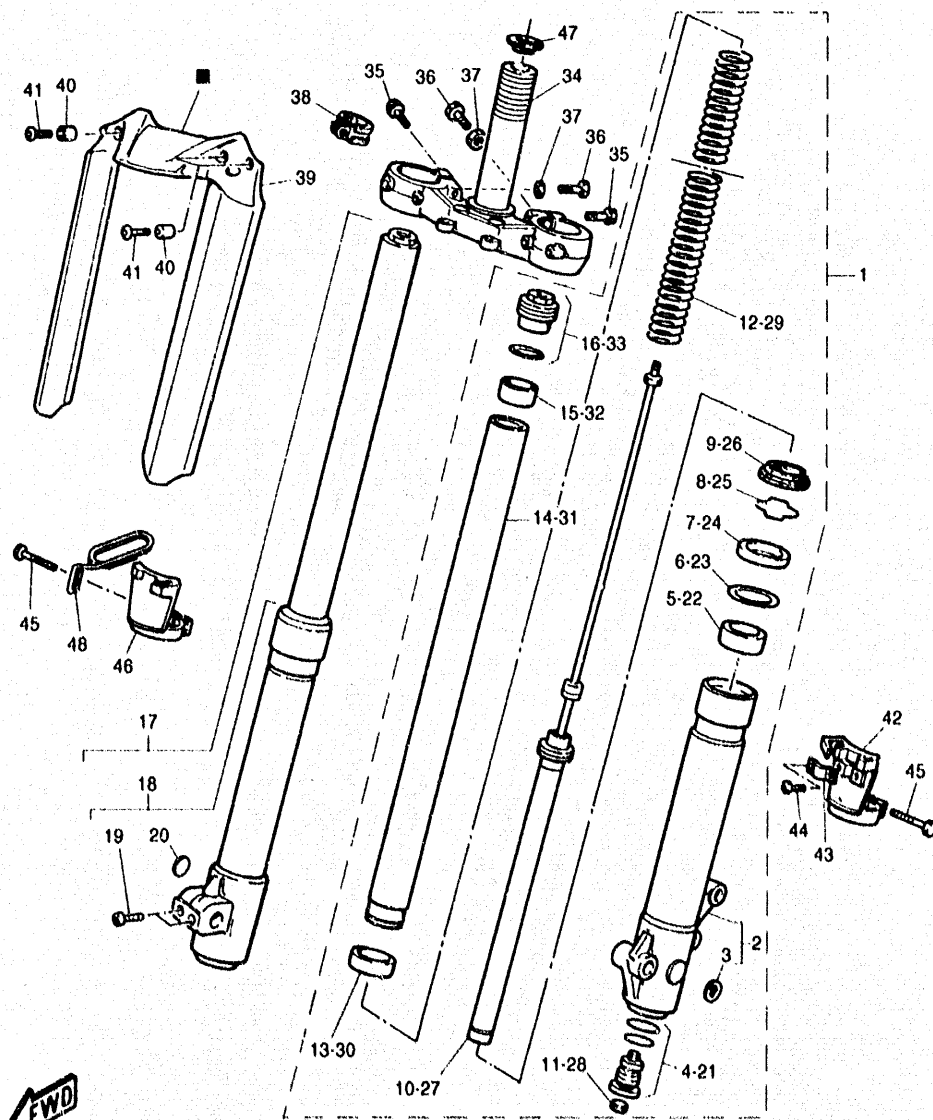


FIG. 23 FRONT FORK

| REF. NO. | PART NO. | DESCRIPTION | Q. TY | REMARKS |
|----------|--------------|--------------------------|-------|----------------------------|
| 29 | 5CH-F3141-00 | · SPRING, front fork | 1 | |
| 30 | 5CH-F3135-00 | · METAL, slide 2 | 1 | |
| 31 | 5CH-F3110-00 | · INNER, tube assy | 1 | |
| 32 | 5CH-F3118-00 | · SPACER | 1 | |
| 33 | 5CH-F3111-00 | · BOLT, cap | 1 | |
| 34 | 5CH-F3340-00 | UNDER BRACKET COMP. | 1 | |
| 35 | 9502L-08040 | BOLT, flange (small) | 4 | |
| 36 | 9701L-08016 | BOLT, hex. | 2 | |
| 37 | 9531L-08016 | NUT, hex. | 2 | |
| 38 | 5CH-F3389-00 | GUIDE, wire | 1 | |
| 39 | 5CH-F3472-00 | PROTECTOR | 1 | UR. PURPLISH WHITE SOLID 1 |
| 40 | 90387-05X02 | COLLAR | 4 | |
| 41 | 9850L-05012 | SCREW, pan head (+) | 4 | |
| 42 | 5CH-F314F-00 | PROTECTOR, guide comp. 1 | 1 | |
| 43 | 5CH-F314E-00 | COVER, hose | 1 | |
| 44 | 9850L-05016 | SCREW, pan head (+) | 2 | |
| 45 | 9701L-05040 | BOLT, hex. | 4 | |
| 46 | 5CH-F314G-00 | PROTECTOR, guide comp. 2 | 1 | |
| 47 | 5CH-F319U-00 | CAP | 1 | |
| 48 | 5CH-F3318-00 | HOLDER, wire 1 | 1 | |

NOTE: ■ COLORED-ROUGH MATERIAL

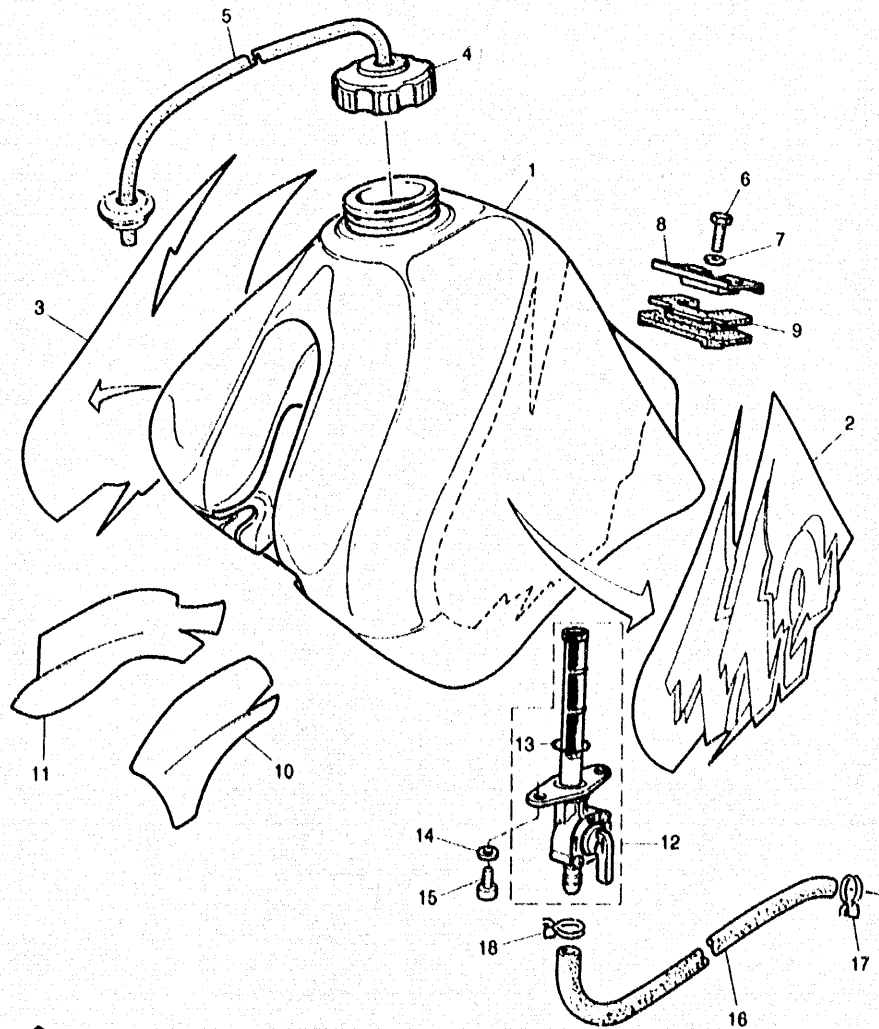


FIG. 24 FUEL TANK

| REF. NO. | PART NO. | DESCRIPTION | Q.TY | REMARKS |
|----------|-----------------|------------------------|------|--------------------------------|
| 1 | 5CH-F4110-00-P0 | FUEL TANK COMP. | 1 | UR. DUAL CG. OR (BLACK & WHITE |
| 2 | □ | EMBLEM, 1 | 1 | |
| 3 | □ | EMBLEM, 2 | 1 | |
| 4 | 5CH-F4610-00 | CAP, assy | 1 | |
| 5 | 90445-09378 | HOSE | 1 | |
| 6 | 97011-06016 | BOLT, hex. | 1 | |
| 7 | 9290L-06100 | WASHER, spring | 1 | |
| 8 | 34X-24186-01 | WASHER, special | 1 | |
| 9 | 4GV-F4182-00 | DAMPER, locating 2 | 1 | |
| 10 | 5CH-F416F-00 | INSULATOR, fuel tank 1 | 1 | |
| 11 | 5CH-F416G-00 | INSULATOR, fuel tank 2 | 1 | |
| 12 | 5CH-F4500-00 | FUEL COCK ASSY | 1 | |
| 13 | 93210-118C7 | O-RING | 1 | |
| 14 | 90202-05193 | WASHER, plate | 2 | |
| 15 | 9850L-06014 | SCREW, pan head (+) | 2 | |
| 16 | 5CH-F4311-00 | PIPE, fuel 1 | 1 | |
| 17 | 90467-11832 | CLIP | 1 | |
| 18 | 90467-11834 | CLIP | 1 | |

NOTE: □ GRAPHICS STICKED ON ITEM

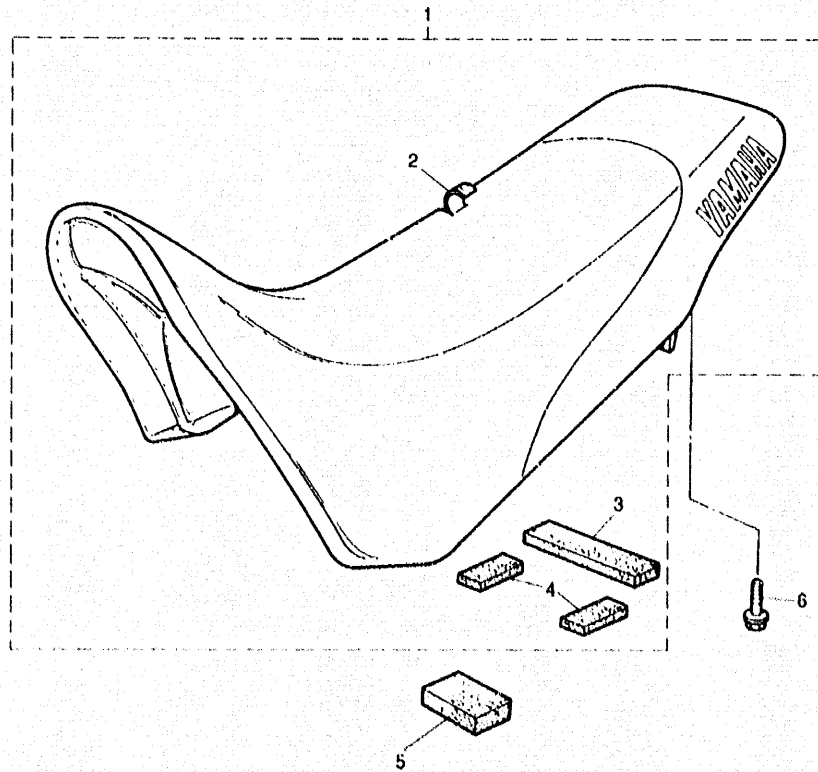


5CH1300-7240

D 11

FIG. 25 SEAT

| REF. NO. | PART NO. | DESCRIPTION | Q.TY | REMARKS |
|----------|--------------|-----------------------|------|-----------------|
| 1 | 5CH-F4770-00 | SEMI-DOUBLE SEAT ASSY | 1 | UR. BLACK & RED |
| 2 | 5CH-F4731-00 | COVER, seat | 1 | UR. BLACK & RED |
| 3 | 5CH-F4723-00 | DAMPER, seat | 1 | |
| 4 | 5CH-F4724-00 | DAMPER, seat | 2 | |
| 5 | 4SU-F8372-00 | DAMPER | 1 | |
| 6 | 9581L-06016 | BOLT, flg. | 2 | |



5CH1300-7250

D 12

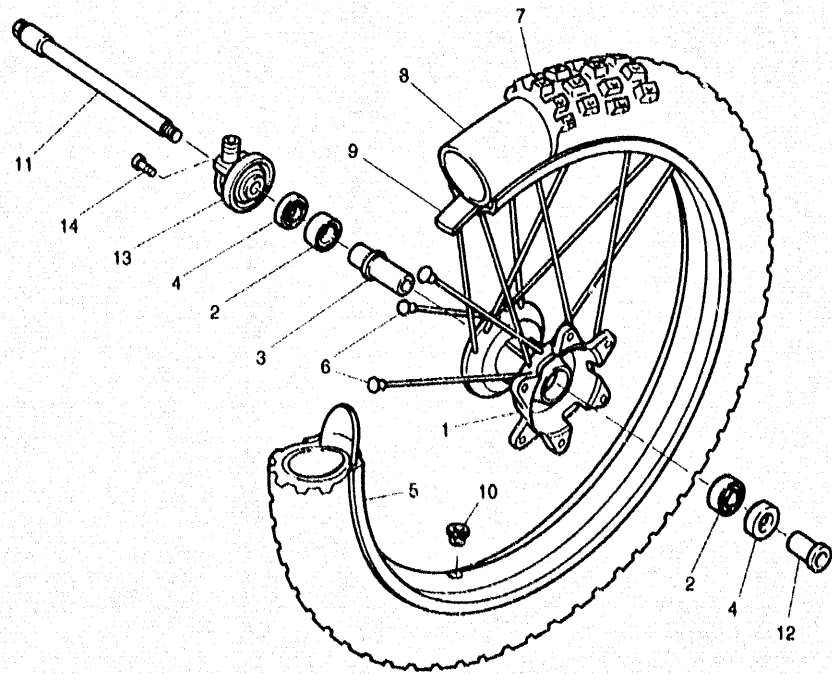


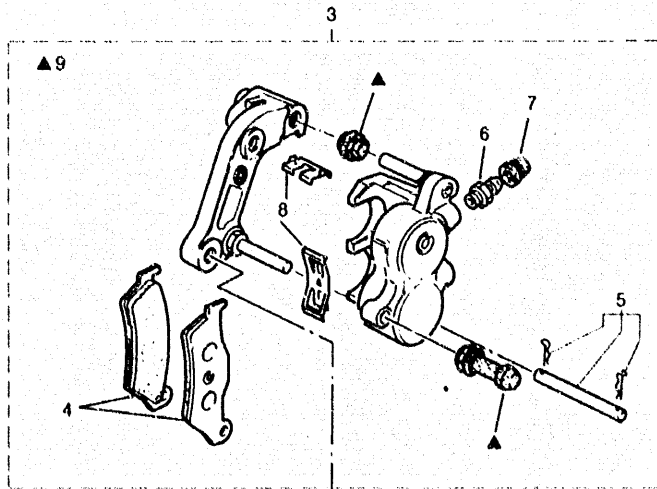
FIG. 26 FRONT WHEEL

| REF. NO. | PART NO. | DESCRIPTION | Q.TY | REMARKS |
|----------|--------------|-----------------------|------|-------------|
| 1 | 4GV-F5111-00 | HUB, front | 1 | |
| 2 | 93306-003Y6 | BEARING | 2 | |
| 3 | 4GV-F5117-00 | SPACER, bearing | 1 | |
| 4 | 93106-22032 | OIL, seal | 2 | |
| 5 | 94418-21587 | RIM (1.85 x 21") | 1 | |
| 6 | 5CH-F5104-00 | SPOKE, set front | 1 | |
| 7 | 94109-218J5 | TIRE (90/90-21") MT21 | 1 | UR. PIRELLI |
| 8 | 94209-21892 | TUBE (3.00-21") MA | 1 | UR. PIRELLI |
| 9 | 94309-21853 | BAND, rim | 1 | |
| 10 | 5CH-F5188-00 | CAP | 1 | |
| 11 | 5CH-F5181-00 | AXLE, wheel | 1 | |
| 12 | 90387-173Y0 | COLLAR | 1 | |
| 13 | 4GV-25190-00 | GEAR UNIT ASSY | 1 | |
| 14 | 9850M-05014 | SCREW, pan head (+) | 1 | |

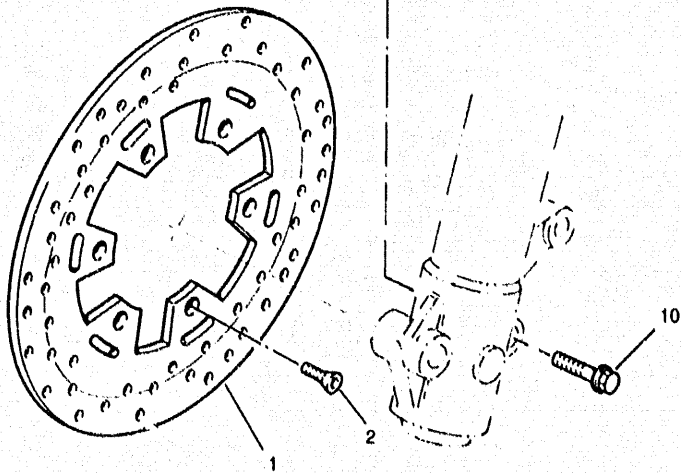


5CH1300-7280

FIG. 27 FRONT BRAKE CALIPER



| REF. NO. | PART NO. | DESCRIPTION | Q.TY | REMARKS |
|----------|--------------|---------------------|------|---------|
| 1 | 4GV-F582T-00 | DISC, brake (left) | 1 | |
| 2 | 90149-06272 | SCREW | 6 | |
| 3 | 5CH-F580T-00 | CALIPER ASSY (left) | 1 | |
| 4 | 4GV-F5911-00 | PAD, caliper 2 | 1 | |
| 5 | 4GV-F5924-10 | PIN, pad | 1 | |
| 6 | 4DL-F5824-00 | SCREW, bleed | 1 | |
| 7 | 4DL-F5917-00 | BOOT, caliper | 1 | |
| 8 | 4GV-F5919-20 | SUPPORT, pad | 1 | |
| 9 | 4GV-F5917-00 | BOOT, caliper | 1 | |
| 10 | 90105-08659 | BOLT, washer based | 2 | |



5CH1300-7270

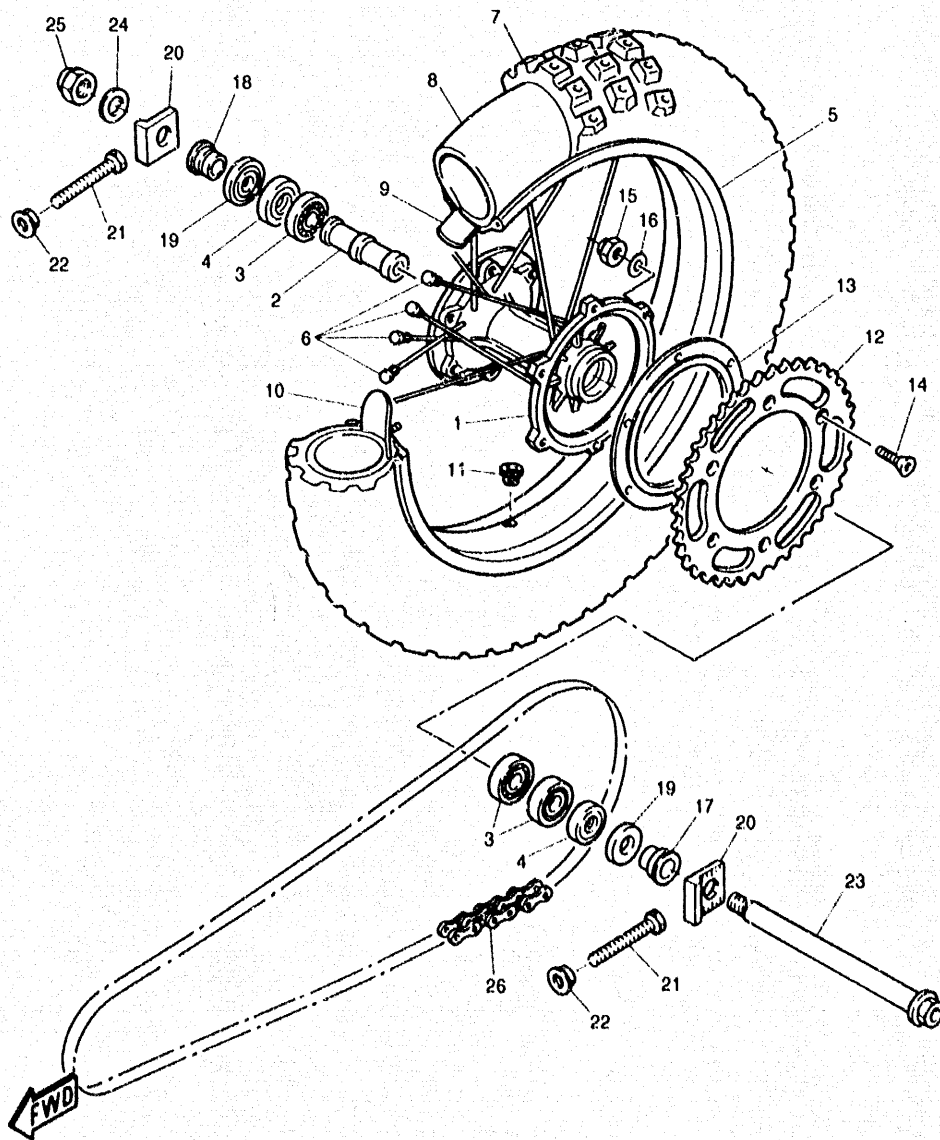


FIG. 28 REAR WHEEL

| REF. NO. | PART NO. | DESCRIPTION | Q.TY | REMARKS |
|----------|--------------|---------------------------|------|-------------|
| 1 | 4EW-25311-00 | HUB, rear | 1 | |
| 2 | 4EW-25317-00 | SPACER, bearing | 1 | |
| 3 | 93306-00418 | BEARING | 3 | |
| 4 | 93106-28023 | OIL SEAL | 2 | |
| 5 | 94425-18495 | RIM (2.50 x 18') | 1 | |
| 6 | 5CH-F5304-00 | SPOKE SET, rear | 1 | |
| 7 | 94113-18X00 | TIRE (130/90-18') MT21 | 1 | UR. PIRELLI |
| 8 | 94214-18891 | TUBE (4.50/5.10-18') MD18 | 1 | UR. PIRELLI |
| 9 | 94314-18554 | BAND, rim (4.00-18') | 1 | |
| 10 | 4GV-F5394-10 | SPACER, bead | 1 | |
| 11 | 5CH-F5188-00 | CAP | 1 | |
| 12 | 5CH-F5444-00 | SPROCKET, driven (44T) | 1 | |
| 13 | 4GV-F5414-00 | SPACER | 1 | |
| 14 | 9010S-085F2 | BOLT | 6 | |
| 15 | 9561L-08100 | NUT, U | 6 | |
| 16 | 90201-086P8 | WASHER, plate | 6 | |
| 17 | 90387-200Y2 | COLLAR | 1 | |
| 18 | 90387-203V0 | COLLAR | 1 | |
| 19 | 4V4-25367-00 | COVER, hub dust | 2 | |
| 20 | 3SP-25388-00 | PULLER, chain 1 | 2 | |
| 21 | 90101-08777 | BOLT | 2 | |
| 22 | 95707-08500 | NUT, flange | 2 | |
| 23 | 3XP-25381-00 | AXLE, wheel | 1 | |
| 24 | 90201-204M9 | WASHER, plate | 1 | |
| 25 | 90185-18104 | NUT, self-locking | 1 | |
| 26 | 94560-00112 | CHAIN | 1 | |

5CH1300-7280

CONTENTS

GENERAL SPEC.

ENGINE

| | | |
|---------|--------------------------|----|
| Fig. 1 | CYLINDER HEAD | 1 |
| Fig. 2 | CYLINDER | 3 |
| Fig. 3 | CRANKSHAFT, PISTON | 4 |
| Fig. 4 | VALVE | 6 |
| Fig. 5 | CAMSHAFT, CHAIN | 7 |
| Fig. 6 | OIL PUMP | 8 |
| Fig. 7 | INTAKE | 10 |
| Fig. 8 | CARBURETOR | 12 |
| Fig. 9 | EXHAUST | 15 |
| Fig. 10 | CRANKCASE | 16 |
| Fig. 11 | CRANKCASE COVER 1 | 17 |
| Fig. 12 | STARTER | 19 |
| Fig. 13 | CLUTCH | 21 |
| Fig. 14 | TRANSMISSION | 23 |
| Fig. 15 | SHIFT CAM, FORK | 25 |
| Fig. 16 | SHIFT SHAFT | 26 |

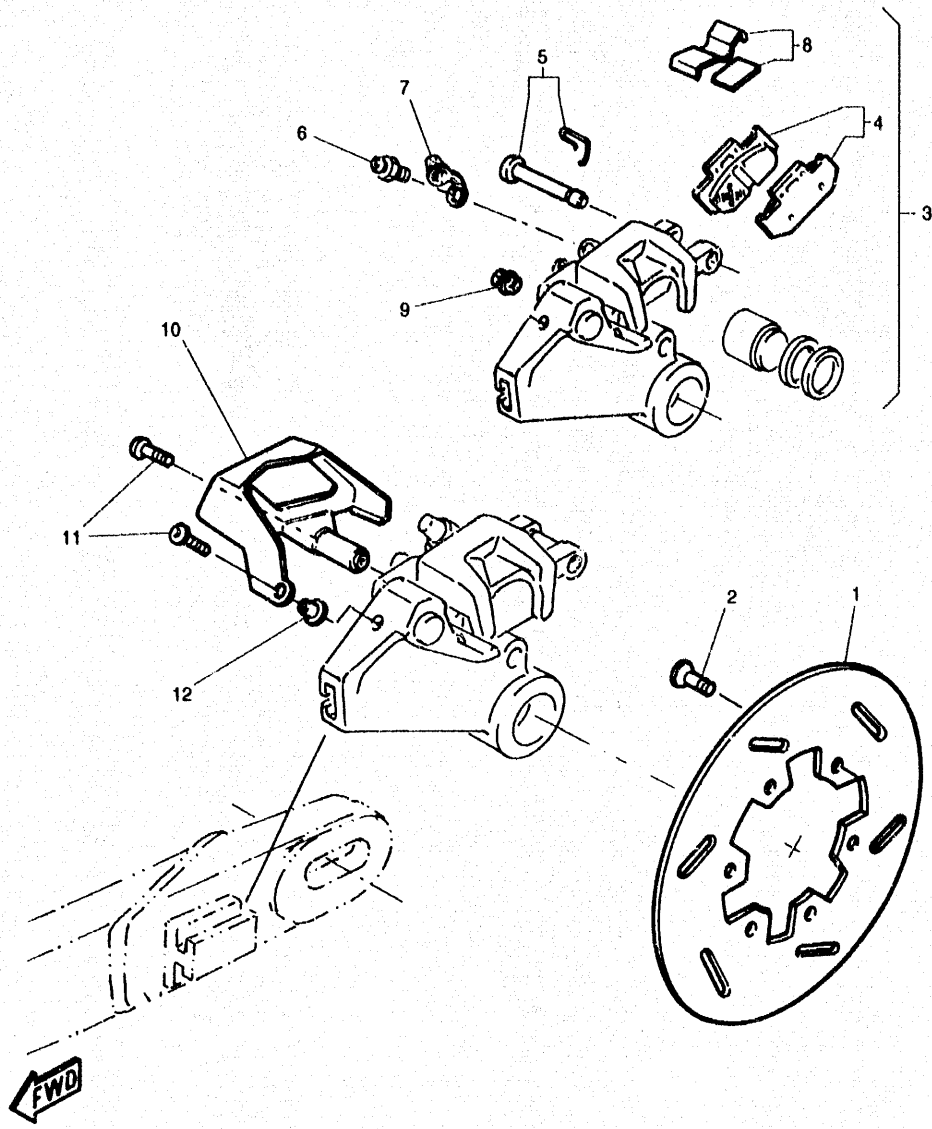
CHASSIS

| | | |
|---------|------------------------------|----|
| Fig. 17 | FRAME | 27 |
| Fig. 18 | FENDER | 29 |
| Fig. 19 | OIL TANK | 30 |
| Fig. 20 | REAR ARM | 31 |
| Fig. 21 | REAR SUSPENSION | 33 |
| Fig. 22 | STEERING | 34 |
| Fig. 23 | FRONT FORK | 36 |
| Fig. 24 | FUEL TANK | 38 |
| Fig. 25 | SEAT | 39 |
| Fig. 26 | FRONT WHEEL | 40 |
| Fig. 27 | FRONT BRAKE CALIPER | 41 |
| Fig. 28 | REAR WHEEL | 42 |
| Fig. 29 | REAR BRAKE CALIPER | 43 |
| Fig. 30 | STEERING HANDLE, CABLE | 44 |
| Fig. 31 | FRONT MASTER CYLINDER | 45 |
| Fig. 32 | STAND./FOOTREST | 46 |
| Fig. 33 | REAR MASTER CYLINDER | 47 |
| Fig. 34 | EMBLEMS | 48 |
| Fig. 35 | GENERATOR | 49 |
| Fig. 36 | FLASHER LIGHT | 50 |
| Fig. 37 | METER | 51 |
| Fig. 38 | HEADLIGHT | 52 |
| Fig. 39 | TAILLIGHT | 53 |
| Fig. 40 | HANDLE SWITCH, LEVER | 54 |
| Fig. 41 | ELECTRICAL 1 | 55 |
| Fig. 42 | ELECTRICAL 2 | 56 |

INDEX (GENERAL SPEC.)

NUMERICAL INDEX

FIG. 29 REAR BRAKE CALIPER



| REF. NO. | PART NO. | DESCRIPTION | Q.TY | REMARKS |
|----------|--------------|----------------------|------|---------|
| 1 | 4GV-F582W-00 | DISC, rear brake 2 | 1 | |
| 2 | 90149-06272 | SCREW | 6 | |
| 3 | 5CH-F580W-00 | CALIPER ASSY, rear 2 | 1 | |
| 4 | 4GV-F5811-00 | · PAD, caliper 2 | 1 | |
| 5 | 4GV-F5924-01 | · PIN, pad | 1 | |
| 6 | 3SH-F5824-00 | · SCREW, bleed | 1 | |
| 7 | 3SH-F5825-00 | · CAP | 1 | |
| 8 | 4GV-F5919-10 | · SUPPORT, pad | 1 | |
| 9 | 4GV-F5917-00 | · BOOT, caliper | 1 | |
| 10 | 5CH-F7491-00 | PROTECTOR | 1 | |
| 11 | 9201L-06012 | BOLT, button head | 2 | |
| 12 | 90387-06X01 | COLLAR | 1 | |

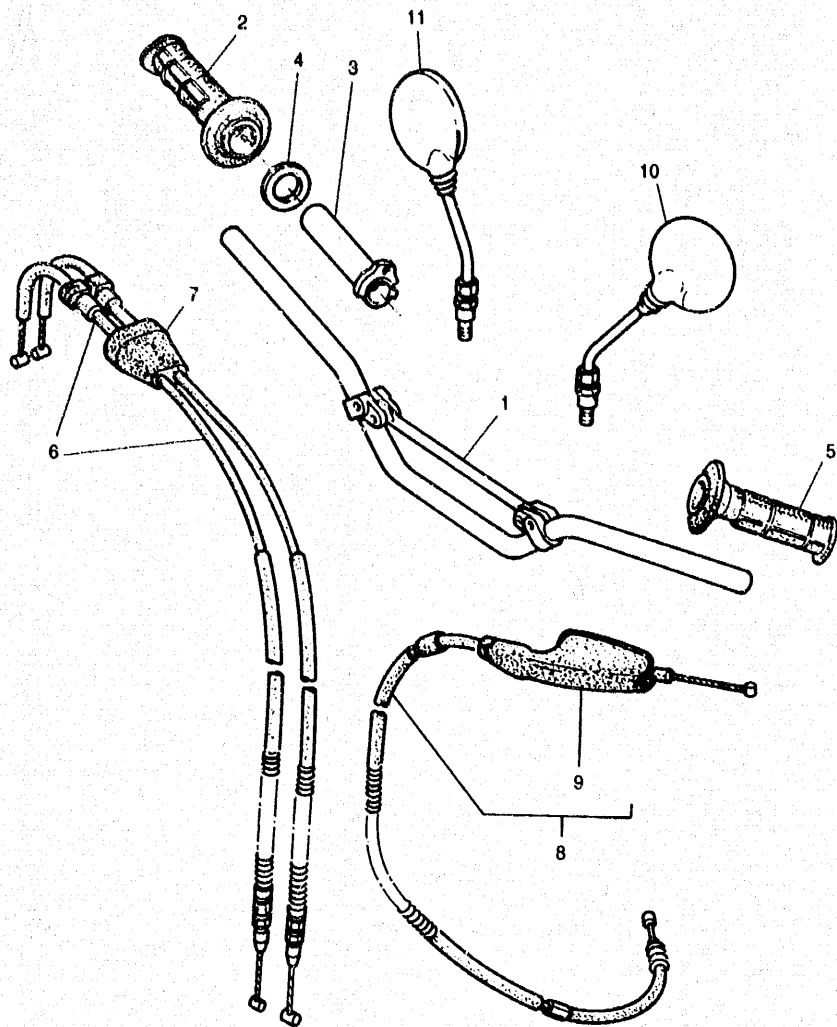


FIG. 30 STEERING HANDLE, CABLE

| REF. NO. | PART NO. | DESCRIPTION | Q.TY | REMARKS |
|----------|--------------|-----------------------------|------|---------|
| 1 | 5CH-F6111-00 | HANDLEBAR | 1 | |
| 2 | 5CH-F6242-00 | GRIP (R.H.) | 1 | |
| 3 | 4GV-F6243-00 | TUBE, throttle guide | 1 | |
| 4 | 4GV-F6249-00 | RING, leaf | 1 | |
| 5 | 5CH-F6241-00 | GRIP (L.H.) | 1 | |
| 6 | 5CH-F6302-00 | THROTTLE CABLE ASSY | 1 | |
| 7 | 4GV-F6316-00 | - BOOT, throttle | 1 | |
| 8 | 5CH-F6335-10 | CABLE, clutch | 1 | |
| 9 | 4GV-F6339-00 | - BOOT | 1 | |
| 10 | 5CH-F6280-00 | REAR VIEW MIRROR ASSY LEFT | 1 | |
| 11 | 5CH-F6290-00 | REAR VIEW MIRROR ASSY RIGHT | 1 | |



5CH1300-7300

E3

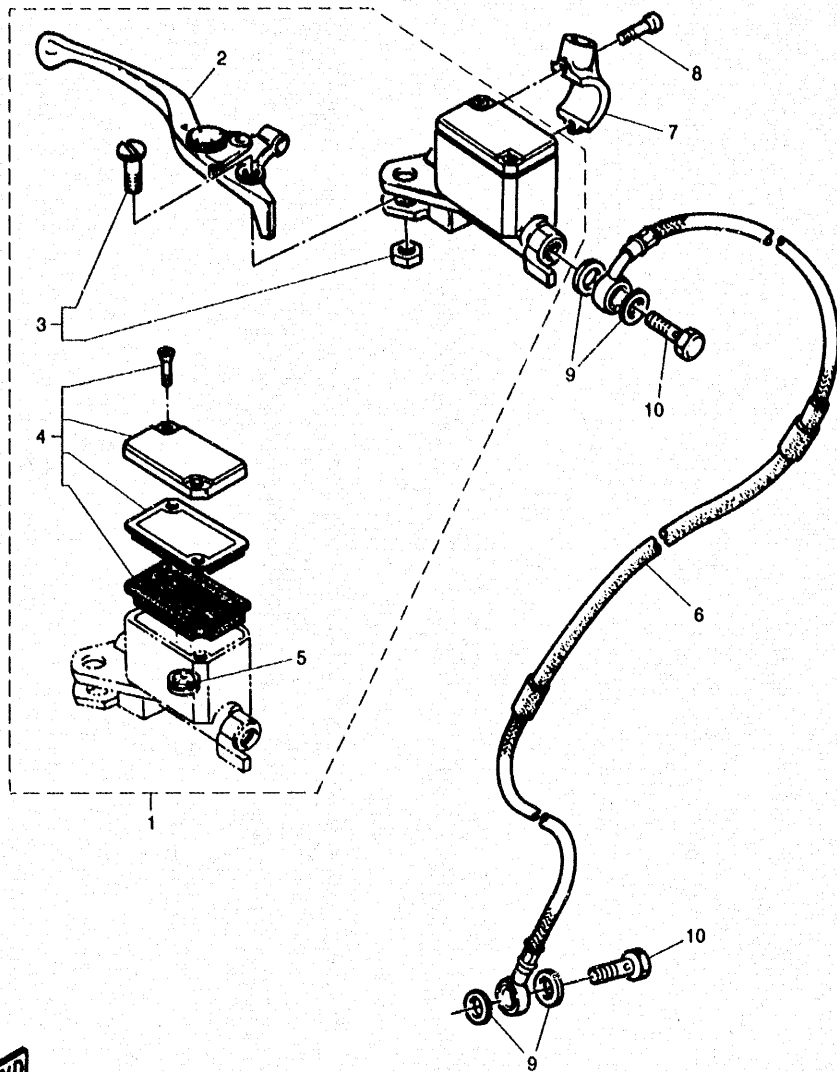


FIG. 31 FRONT MASTER CYLINDER

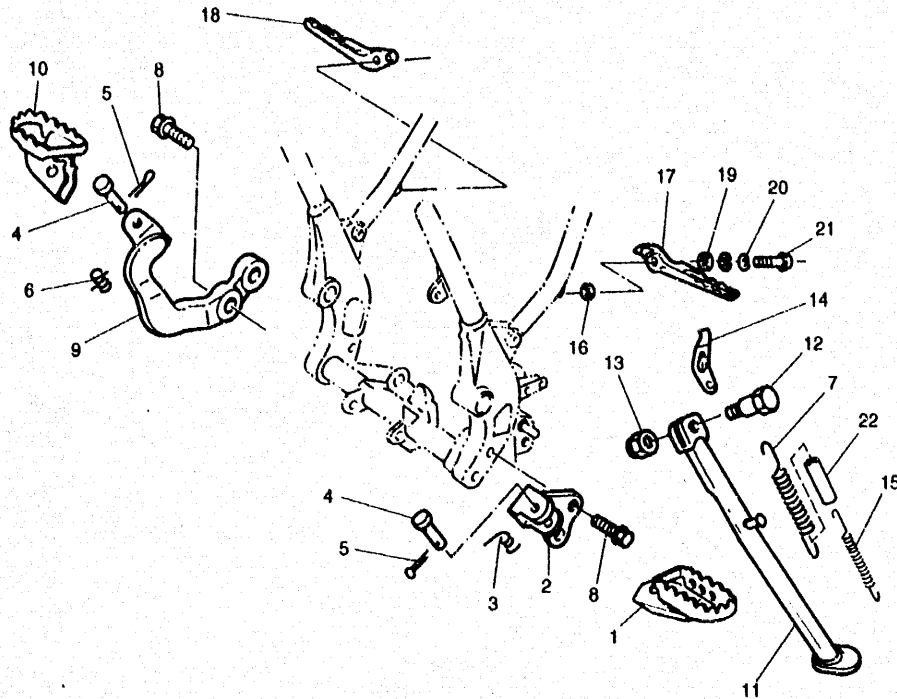
| REF. NO. | PART NO. | DESCRIPTION | Q.TY | REMARKS |
|----------|--------------|---------------------------|------|---------|
| 1 | 5CH-F583T-00 | MASTER CYLINDER ASSY | 1 | |
| 2 | 5CH-H3922-00 | LEVER 2 | 1 | |
| 3 | 5CH-F589F-00 | BOLT, lever | 1 | |
| 4 | 5CH-F5893-00 | RESERVOIR CAP ASSY | 1 | |
| 5 | 4GV-F589A-00 | COVER, dust | 1 | |
| 6 | 5CH-F5872-00 | HOSE, brake 1 | 1 | |
| 7 | 5CH-F5867-00 | BRACKET, master cylinder | 1 | |
| 8 | 9131M-06025 | BOLT, hexagon socket head | 2 | |
| 9 | 90201-10X01 | WASHER, plate | 4 | |
| 10 | 90401-10X00 | BOLT, union | 2 | |



5CH1300-7310

E4

FIG. 32 STAND./FOOTREST



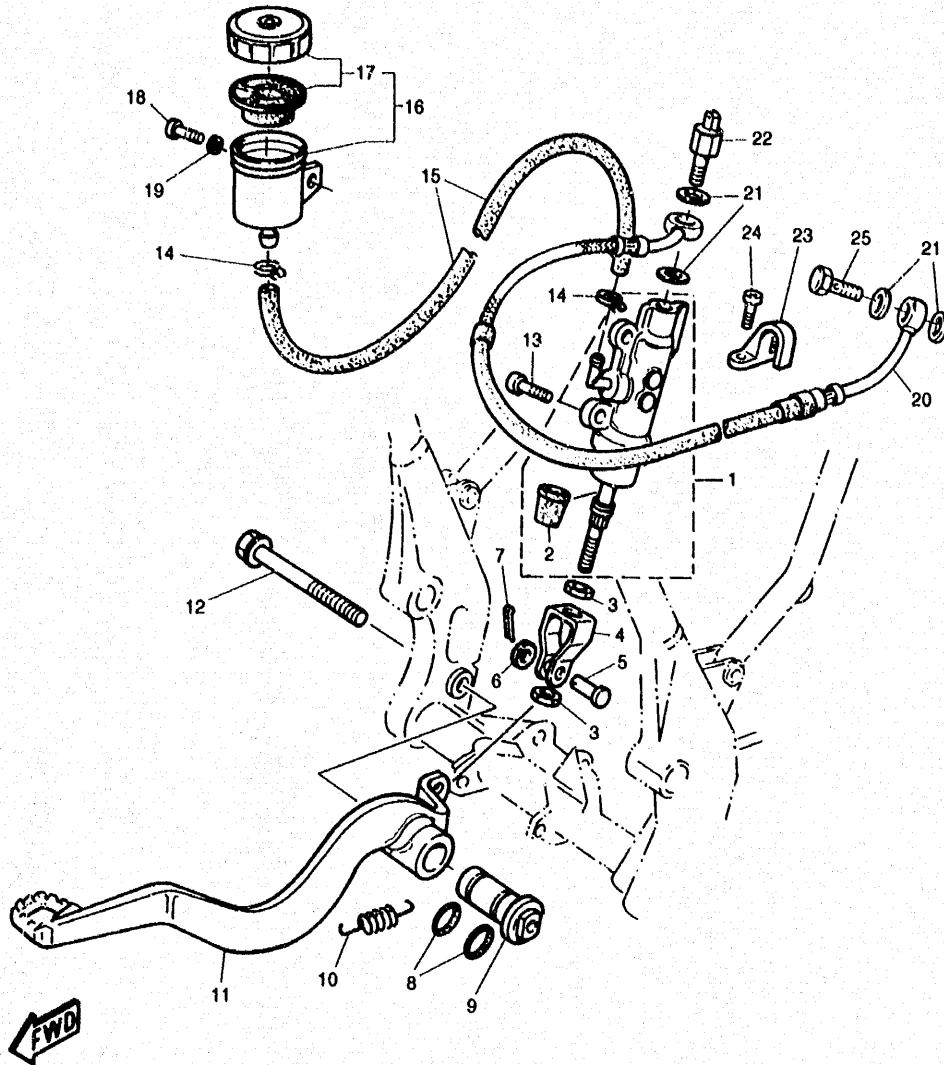
| REF. NO. | PART NO. | DESCRIPTION | Q.TY | REMARKS |
|----------|-----------------|---------------------|------|-----------|
| 1 | 4DA-27411-00 | FOOTREST, 1 | 1 | |
| 2 | 5CH-F7412-00 | BRACKET, 1 | 1 | |
| 3 | 90508-28777 | SPRING, torsion | 1 | |
| 4 | 90240-10101 | PIN, clevis | 2 | |
| 5 | 91401-25020 | PIN, cotter | 2 | |
| 6 | 90508-284A7 | SPRING, torsion | 1 | |
| 7 | 90506-32845 | SPRING, tension | 1 | |
| 8 | 95827-10030 | BOLT, flg. | 3 | |
| 9 | 5CH-F7422-00 | BRACKET, 2 | 1 | |
| 10 | 4GY-27421-00 | FOOTREST, 2 | 1 | |
| 11 | 5CH-F7311-00-33 | STAND, side | 1 | UR. BLACK |
| 12 | 90105-12616 | BOLT, flg. | 1 | |
| 13 | 90185-12119 | NUT, self-locking | 1 | |
| 14 | 4GV-F7315-10 | LINK | 1 | |
| 15 | 90506-20846 | SPRING, tension | 1 | |
| 16 | 90201-083P5 | WASHER, plate | 2 | |
| 17 | 4GV-F7431-00 | FOOTREST, rr. 1 | 1 | |
| 18 | 4GV-F7441-00 | FOOTREST, rr. 2 | 1 | |
| 19 | 90201-108M3 | WASHER, plate | 2 | |
| 20 | 90504-18005 | SPRING, compression | 2 | |
| 21 | 90109-085F5 | BOLT | 2 | |
| 22 | 4LW-F7351-00 | GUIDE, side stand | 1 | |



5CH1300-7320

E5

FIG. 33 REAR MASTER CYLINDER



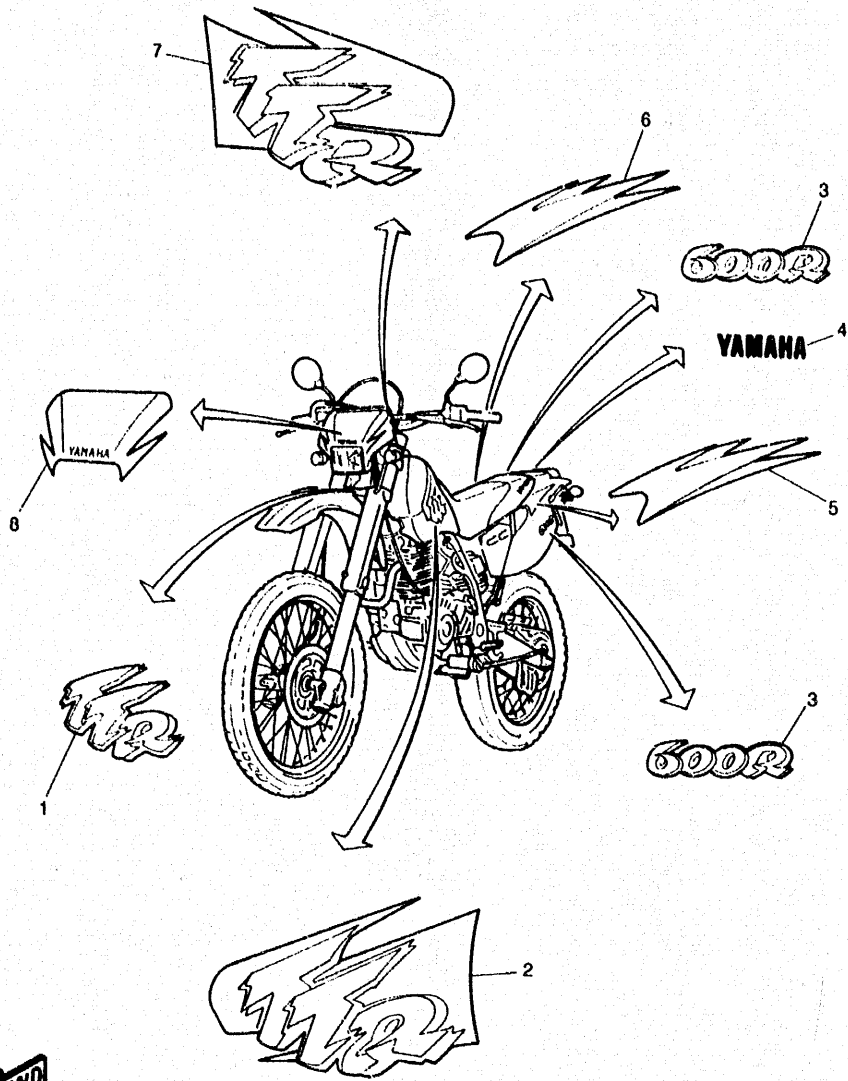
| REF. NO. | PART NO. | DESCRIPTION | Q.TY | REMARKS |
|----------|--------------|---------------------------|------|---------|
| 1 | 4GV-F583V-00 | REAR MASTER CYLINDER | 1 | |
| 2 | 4GV-F5862-00 | · BOOT, master cylinder | 1 | |
| 3 | 9530L-08700 | NUT, hex. | 2 | |
| 4 | 4GV-F7222-00 | JOINT | 1 | |
| 5 | 90240-08124 | PIN | 1 | |
| 6 | 90201-08083 | WASHER, plain | 1 | |
| 7 | 91401-16012 | PIN, split | 1 | |
| 8 | 93210-13016 | O-RING | 2 | |
| 9 | 4GV-F7213-01 | COLLAR | 1 | |
| 10 | 90506-18838 | SPRING | 1 | |
| 11 | 4GV-F7200-02 | PEDAL, brake | 1 | |
| 12 | 95817-10085 | BOLT, flg. | 1 | |
| 13 | 4GV-F7217-00 | BOLT | 2 | |
| 14 | 90467-11832 | CLIP | 2 | |
| 15 | 5CH-F5895-00 | HOSE, reserve | 1 | |
| 16 | 3SH-F5804-00 | TANK, reserve | 1 | |
| 17 | 3SH-F5852-50 | · CAP, reservoir | 1 | |
| 18 | 9131M-06020 | BOLT, hexagon socket head | 1 | |
| 19 | 9290M-06600 | WASHER, plain | 1 | |
| 20 | 5CH-F5873-00 | HOSE, brake 2 | 1 | |
| 21 | 90201-10X01 | WASHER, plain | 4 | |
| 22 | 4DL-H2530-00 | REAR STOP SWITCH ASSY | 1 | |
| 23 | 2VM-25876-00 | HOLDER, brake hose 2 | 2 | |
| 24 | 90167-04814 | SCREW, tapping | 4 | |
| 25 | 90401-10X00 | BOLT, union | 1 | |

5CH1300-7330

E 6

FIG. 34 EMBLEMS

| REF. NO. | PART NO. | DESCRIPTION | Q.TY | REMARKS |
|----------|--------------|----------------|------|---------|
| 1 | 5CH-F313B-00 | EMBLEM, 1 | 1 | |
| 2 | 5CH-F4161-00 | EMBLEM, 1 | 1 | |
| 3 | 5CH-F1781-00 | EMBLEM, 1 | 2 | |
| 4 | 99244-00080 | EMBLEM, Yamaha | 1 | |
| 5 | 5CH-F173E-00 | GRAPHIC, 1 | 1 | |
| 6 | 5CH-F173F-00 | GRAPHIC, 2 | 1 | |
| 7 | 5CH-F4162-00 | EMBLEM, 2 | 1 | |
| 8 | 5CH-F8368-00 | EMBLEM | 1 | |



5CH1300-7340

E7

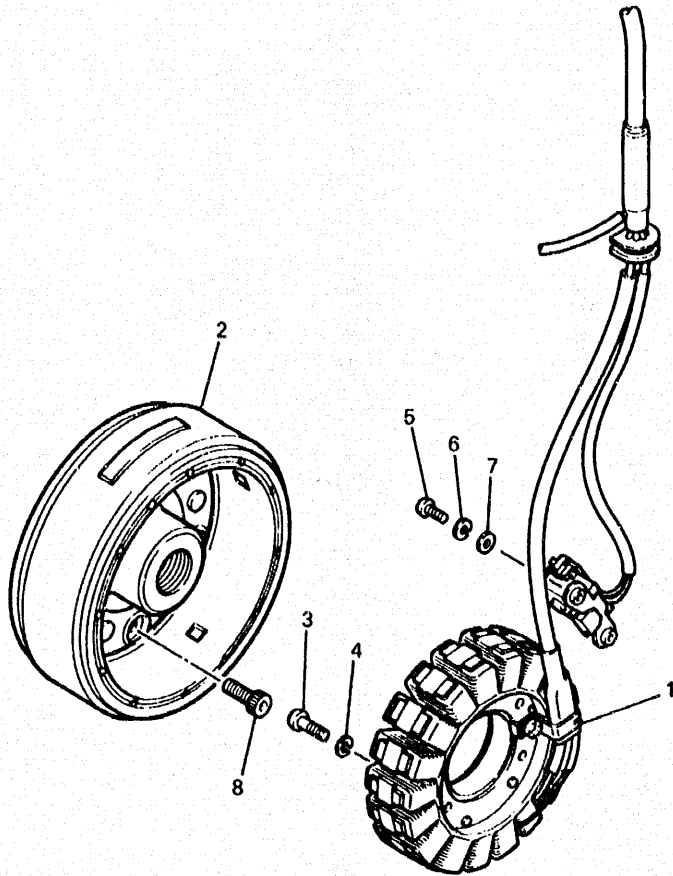


FIG. 35 GENERATOR

| REF. NO. | PART NO. | DESCRIPTION | Q.TY | REMARKS |
|----------|--------------|---------------------------|------|---------|
| 1 | 5CH-81410-00 | STATOR, assy | 1 | |
| 2 | 5CH-81450-00 | ROTOR, assy | 1 | |
| 3 | 98507-06030 | SCREW, pan head (+) | 3 | |
| 4 | 92907-06100 | WASHER, plain | 3 | |
| 5 | 98507-05016 | SCREW, pan head (+) | 2 | |
| 6 | 92907-05100 | WASHER, spring | 2 | |
| 7 | 92907-05600 | WASHER, plain | 2 | |
| 8 | 90110-08193 | BOLT, hexagon socket head | 3 | |

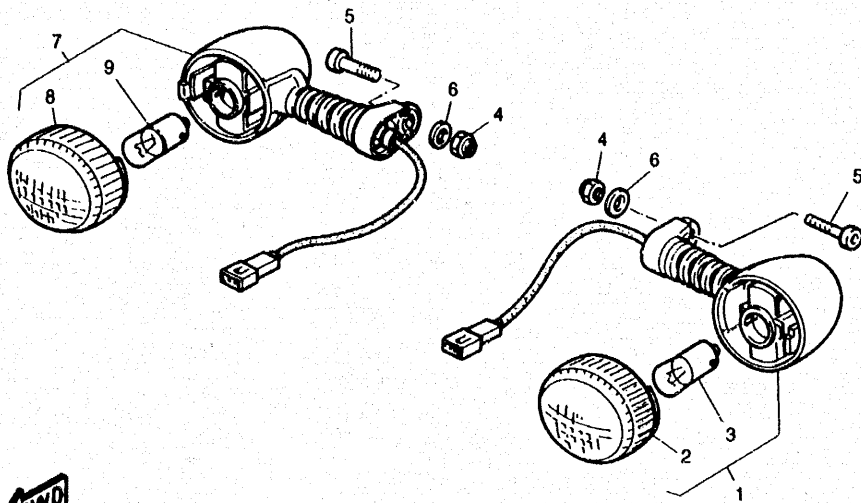
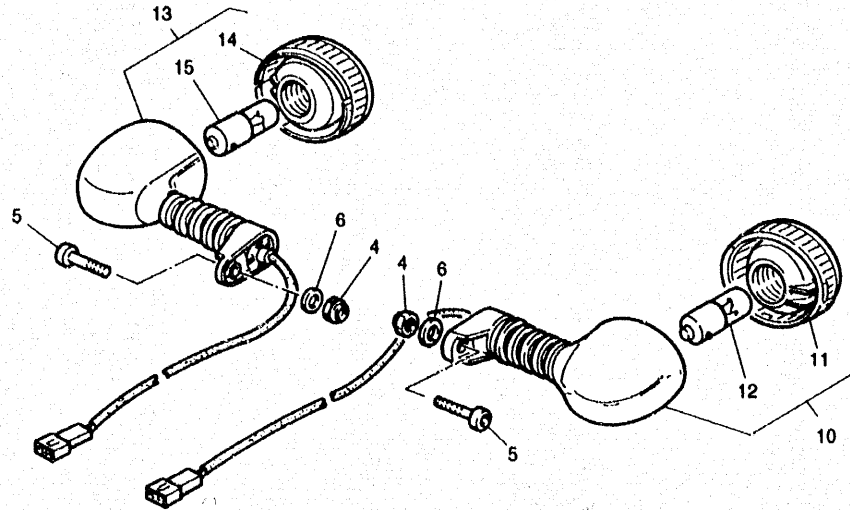


5CH1300-7350

E8

FIG. 36 FLASHER LIGHT

| REF. NO. | PART NO. | DESCRIPTION | Q.TY | REMARKS |
|----------|--------------|---------------------------|------|---------|
| 1 | 5CH-H3310-00 | FR. FLASHER LIGHT ASSY 1 | 1 | |
| 2 | 5CH-H3332-00 | - LENS, flasher | 1 | |
| 3 | 4DL-H3311-00 | - BULB, flasher 12V-10W | 1 | L.M. |
| 4 | 9571L-06300 | NUT, nylon | 4 | |
| 5 | 9131M-06020 | BOLT, hexagon socket head | 4 | |
| 6 | 9290L-06200 | WASHER, plain | 4 | |
| 7 | 5CH-H3320-00 | FR. FLASHER LIGHT ASSY 2 | 1 | |
| 8 | 5CH-H3322-00 | - LENS, flasher | 1 | |
| 9 | 4DL-H3311-00 | - BULB, flasher 12V-10W | 1 | L.M. |
| 10 | 5CH-H3330-00 | RR. FLASHER LIGHT ASSY 1 | 1 | |
| 11 | 5CH-H3322-00 | - LENS, flasher | 1 | |
| 12 | 4DL-H3311-00 | - BULB, flasher 12V-10W | 1 | L.M. |
| 13 | 5CH-H3340-00 | RR. FLASHER LIGHT ASSY 2 | 1 | |
| 14 | 5CH-H3332-00 | - LENS, flasher | 1 | |
| 15 | 4DL-H3311-00 | - BULB, flasher 12V-10W | 1 | L.M. |



5CH1300-7360

E9

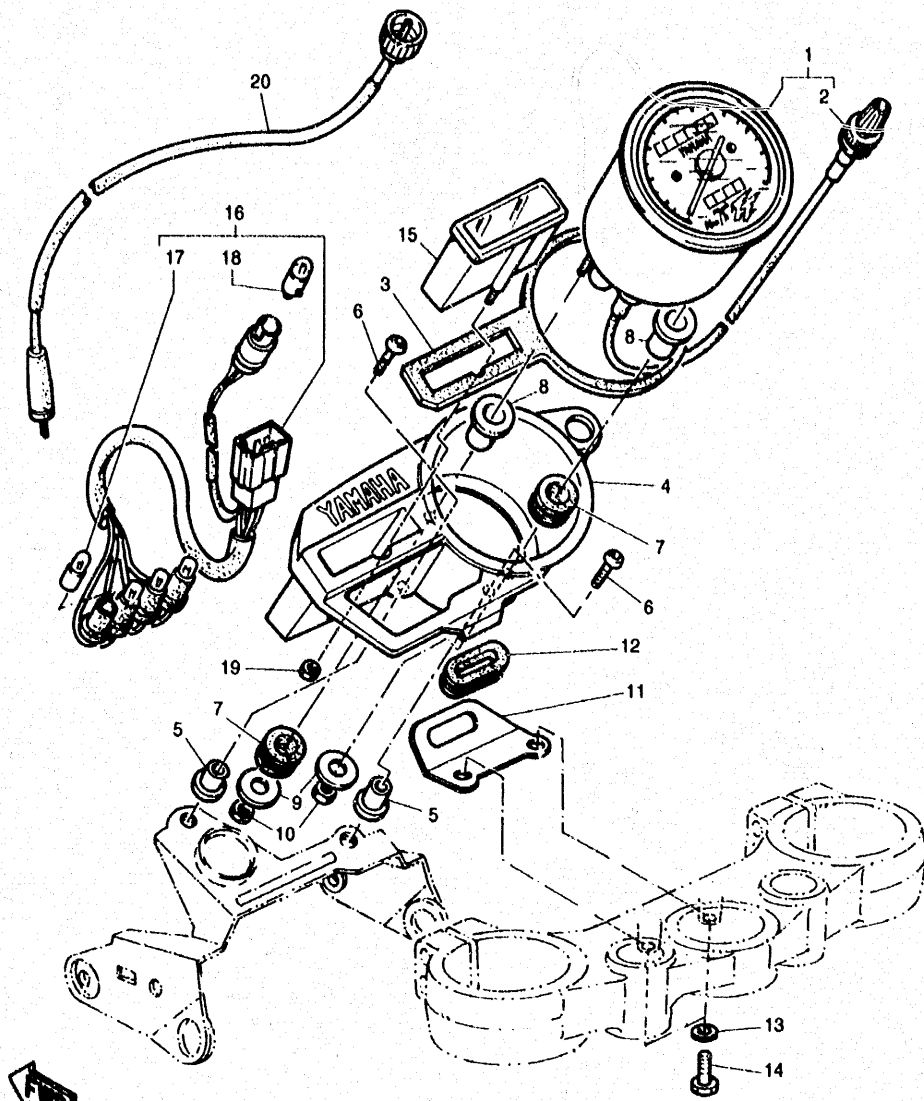


FIG. 37 METER

| REF. NO. | PART NO. | DESCRIPTION | Q.TY | REMARKS |
|----------|--------------|------------------------|------|---------|
| 1 | 5CH-H3570-00 | SPEEDOMETER ASSY | 1 | |
| 2 | 5CH-H3578-00 | · KNOB, tripmeter | 1 | |
| 3 | 5CH-H3513-00 | DAMPER | 1 | |
| 4 | 5CH-H3519-00 | BRACKET, meter | 1 | |
| 5 | 90387-06X00 | COLLAR | 2 | |
| 6 | 9201L-06016 | BOLT, button head | 2 | |
| 7 | 5CH-H3523-00 | DAMPER | 2 | |
| 8 | 90387-05X01 | COLLAR | 2 | |
| 9 | 9290L-06600 | WASHER, plain | 2 | |
| 10 | 90179-05X02 | NUT, nylon | 2 | |
| 11 | 5CH-H354B-00 | BRACKET, meter 1 | 1 | |
| 12 | 5CH-H3592-00 | DAMPER | 1 | |
| 13 | 9290L-06100 | WASHER, spring | 2 | |
| 14 | 9701L-06014 | BOLT, hex. | 2 | |
| 15 | 4GV-H3587-00 | BODY, pilot box | 1 | |
| 16 | 5CH-H3520-00 | SOCKET, cord assy | 1 | |
| 17 | | · BULB (12V-1.2W) | 4 | L.M. |
| 18 | | · BULB (12V-3W) | 1 | L.M. |
| 19 | 4GV-H354L-00 | NUT, shaft support | 1 | |
| 20 | 5CH-H3550-00 | SPEEDOMETER CABLE ASSY | 1 | |

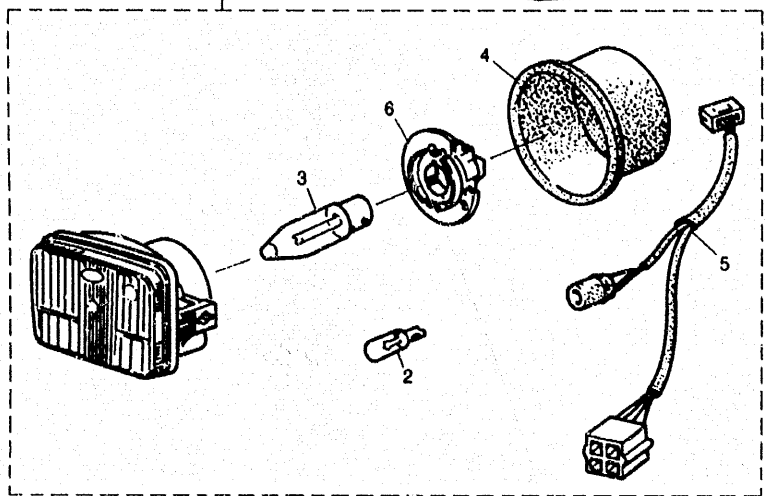
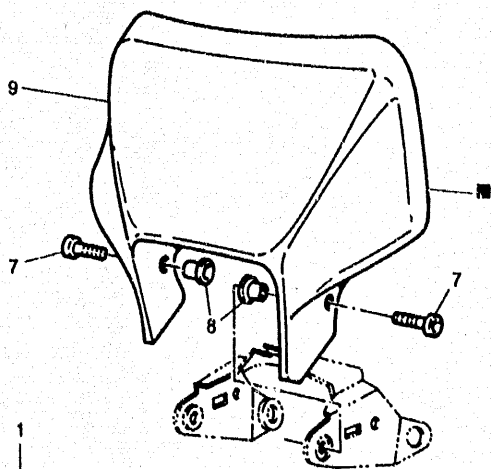


FIG. 38 HEADLIGHT

| REF. NO. | PART NO. | DESCRIPTION | Q.TY | REMARKS |
|----------|--------------|-------------------------|------|------------------|
| 1 | 5CH-H4310-10 | HEADLIGHT UNIT ASSY | 1 | |
| 2 | | · BULB (12V-5W) | 1 | L.M. |
| 3 | | · BULB H4 (12V-55/60 W) | 1 | • L.M. |
| 4 | 4LW-H4397-00 | COVER, socket | 1 | • |
| 5 | 5CH-H4312-10 | · SOCKET | 1 | |
| 6 | 4LW-H4393-00 | · HOLDER, bulb | 1 | • |
| 7 | 9581L-06016 | BOLT, flg. | 2 | |
| 8 | 90387-06X02 | COLLAR | 2 | |
| 9 | 5CH-F8351-00 | BODY, cowling | 1 | UR. YAMAHA BLACK |

NOTE: ■ COLORED · ROUGH MATERIAL



5CH1300-7380

E 11

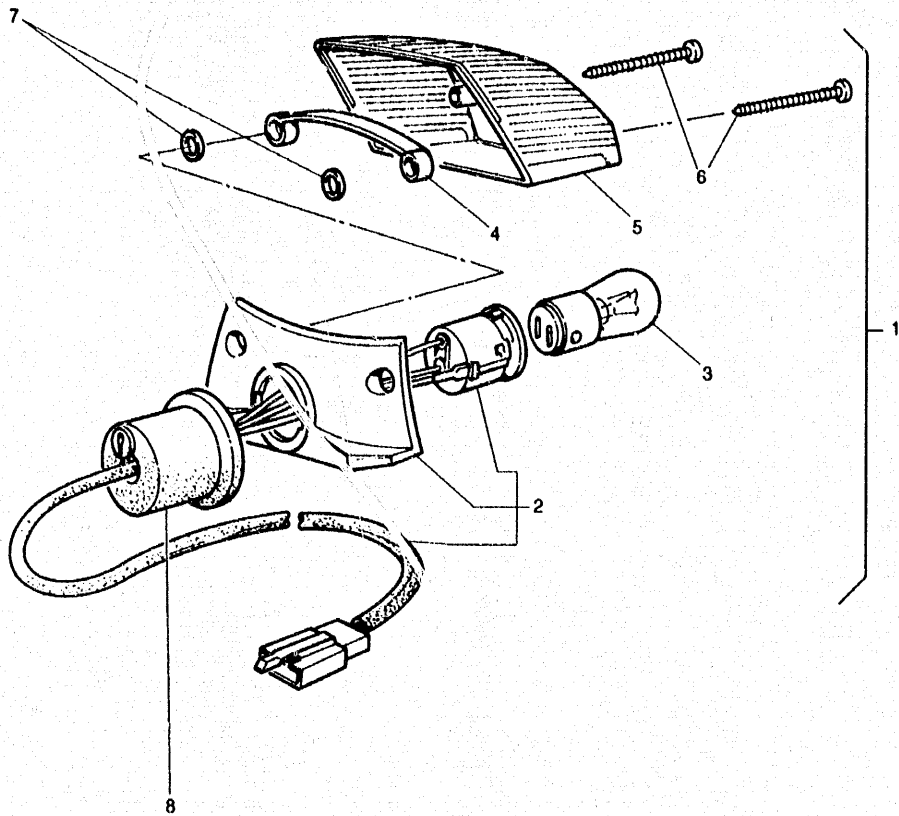


FIG. 39 TAILLIGHT

| REF. NO. | PART NO. | DESCRIPTION | Q.TY | REMARKS |
|----------|--------------|-----------------------|------|---------|
| 1 | 5CH-H4700-00 | TAIL LIGHT ASSY | 1 | |
| 2 | 5CH-H4720-00 | BASE ASSY | 1 | |
| 3 | 2VW-H4714-00 | BULB 12V-5/21W | 1 | L.M. |
| 4 | 5CH-H4731-00 | REFLECTOR, tail light | 1 | |
| 5 | 5CH-H4721-00 | LENS, tail | 1 | |
| 6 | 5CH-H4725-00 | SCREW, lens fitting | 2 | |
| 7 | 5CH-H4722-00 | WASHER | 2 | |
| 8 | 5CH-H4736-00 | DAMPER, tail | 1 | |



5CH1300-7390

E 12

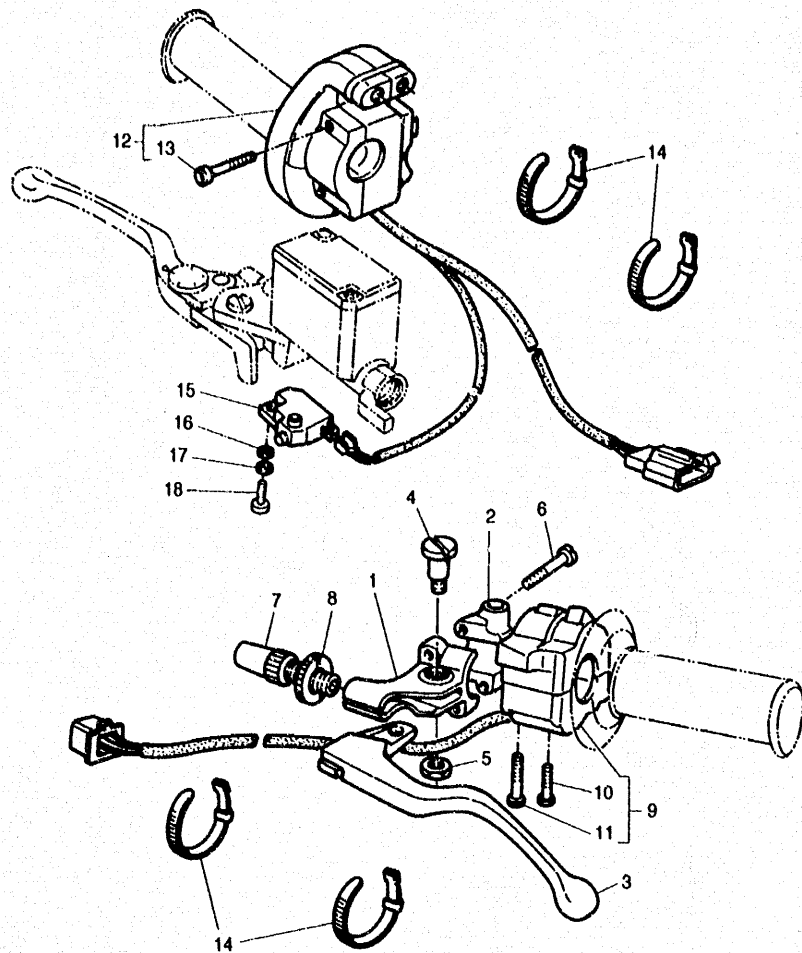


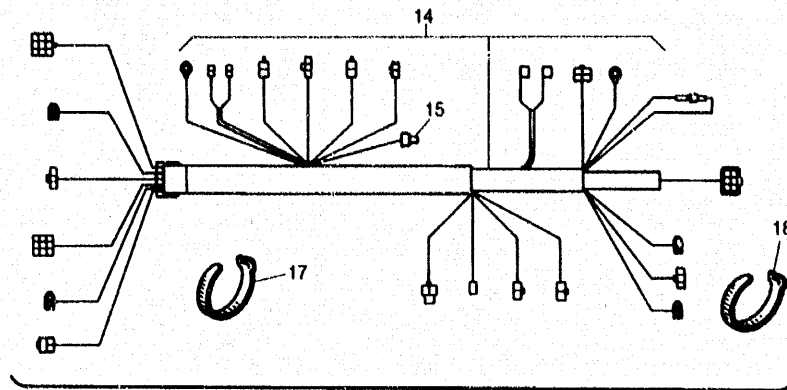
FIG. 40 HANDLE SWITCH, LEVER

| REF. NO. | PART NO. | DESCRIPTION | Q.TY | REMARKS |
|----------|--------------|----------------------------|------|---------|
| 1 | 5CH-H2911-00 | HOLDER, lever 1 | 1 | |
| 2 | 5CH-H2913-00 | HOLDER, lever lower 1 | 1 | |
| 3 | 5CH-H3912-00 | LEVER 1 | 1 | |
| 4 | 5CH-H3925-00 | SCREW, lever fitting | 1 | |
| 5 | 5CH-H3916-00 | NUT, lever fitting | 1 | |
| 6 | 9131M-06025 | BOLT, hexagon, socket head | 2 | |
| 7 | 90123-08X00 | BOLT | 1 | |
| 8 | 90179-08X01 | NUT | 1 | |
| 9 | 5CH-83972-00 | SWITCH, handle 4 | 1 | |
| 10 | 98507-05030 | SCREW, pan head (+) | 1 | |
| 11 | 98507-05040 | SCREW, pan head (+) | 1 | |
| 12 | 5CH-H397A-00 | SWITCH CASE ASSY | 1 | |
| 13 | 9850M-05016 | SCREW, pan head (+) | 2 | |
| 14 | 437-83936-01 | BAND, switch cord | 4 | |
| 15 | 3FV-83980-00 | FRONT STOP SWITCH ASSY | 1 | |
| 16 | 9290L-04600 | WASHER, plain | 1 | |
| 17 | 9290L-04100 | WASHER, spring | 1 | |
| 18 | 9850L-04012 | SCREW, pan head (+) | 1 | |

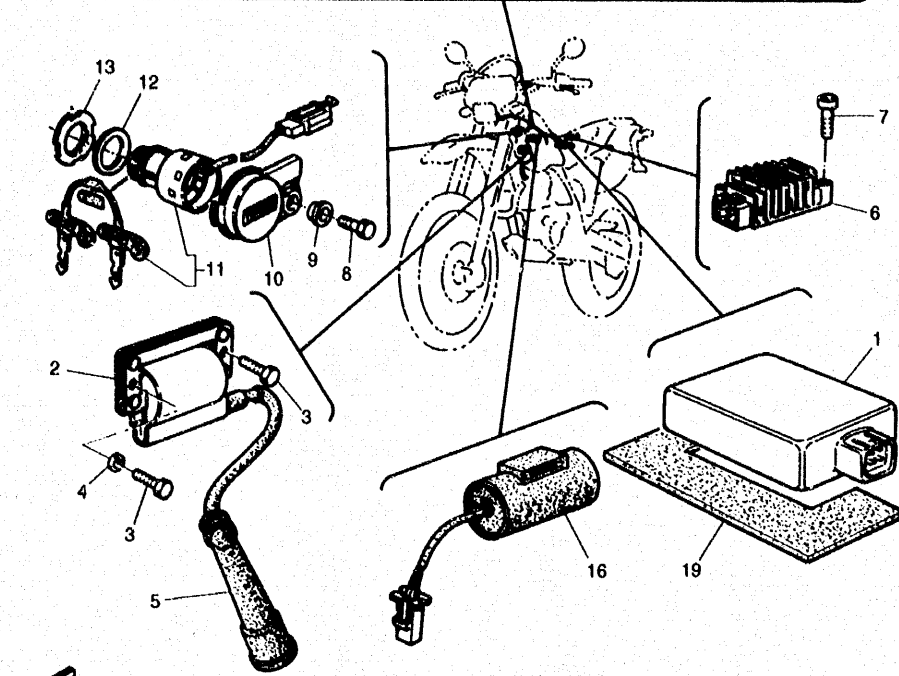


5CH1300-7400

FIG. 41 ELECTRICAL 1



| REF. NO. | PART NO. | DESCRIPTION | Q.TY | REMARKS |
|----------|--------------|----------------------------|------|---------|
| 1 | 5CH-85540-00 | CDI UNIT ASSY | 1 | |
| 2 | 5CH-82310-00 | IGNITION COIL ASSY | 1 | |
| 3 | 9701L-06020 | BOLT, hex. | 2 | |
| 4 | 9290L-06600 | WASHER, plain | 1 | |
| 5 | 371-82370-00 | PLUG CAP ASSY | 1 | |
| 6 | 3TJ-81960-02 | RECTIFIER & REGULATOR ASSY | 1 | |
| 7 | 9201L-06025 | BOLT, button head | 2 | |
| 8 | 9701L-06016 | BOLT, hex. | 1 | |
| 9 | 90387-06X01 | COLLAR | 1 | |
| 10 | 5CH-H252B-00 | COVER, main switch | 1 | |
| 11 | 5CH-H2501-00 | MAIN SWITCH STEERING LOCK | 1 | |
| 12 | 5CH-H2558-00 | WASHER | 1 | |
| 13 | 5CH-H2517-00 | WASHER, special | 1 | |
| 14 | 5CH-H2590-00 | WIRE, harness | 1 | |
| 15 | 3WP-81980-00 | DIODE | 1 | |
| 16 | 3TC-81965-00 | CONDENSER, smoothing | 1 | |
| 17 | 2AJ-F3192-50 | BAND | 2 | |
| 18 | 4GV-H3936-00 | BAND, switch cord | 6 | |
| 19 | 5CH-H235Y-00 | DAMPER, unit | 1 | |



FWD

5CH1300-7410

E 14

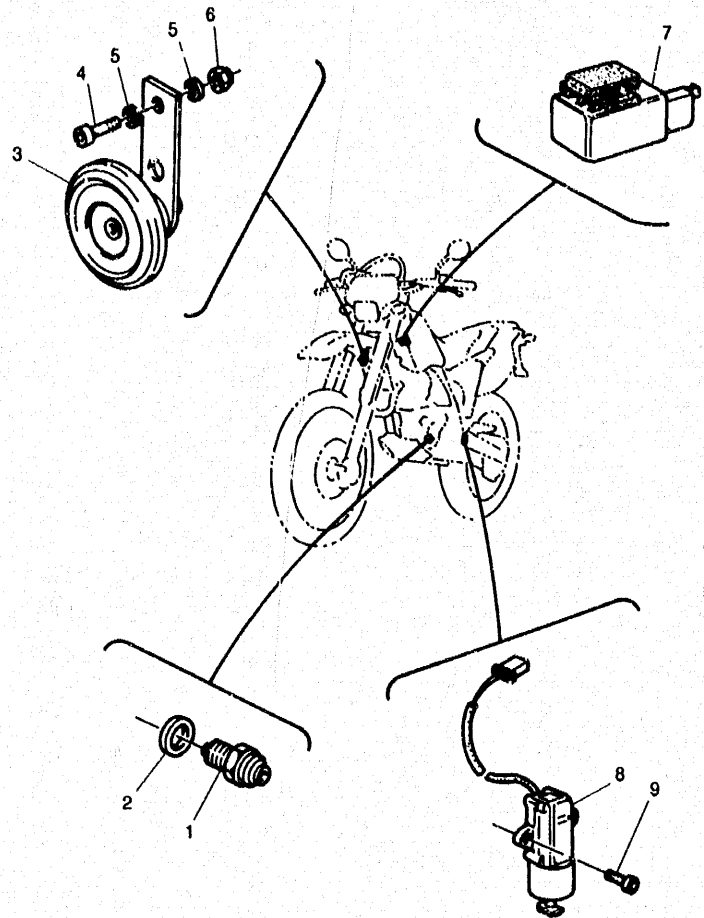


FIG. 42 ELECTRICAL 2

| REF. NO. | PART NO. | DESCRIPTION | Q.TY | REMARKS |
|----------|--------------|---------------------------|------|---------|
| 1 | 4KM-82540-00 | NEUTRAL SWITCH ASSY | 1 | |
| 2 | 90430-10148 | GASKET | 1 | |
| 3 | 4SU-H3371-00 | HORN | 1 | |
| 4 | 9131L-06012 | BOLT, hexagon socket head | 1 | |
| 5 | 9290L-06600 | WASHER, plain | 2 | |
| 6 | 90185-06837 | NUT, self-locking | 1 | |
| 7 | 3TY-83350-00 | FLASHER, relay assy | 1 | |
| 8 | 3LD-82566-50 | SWITCH, side stand | 1 | |
| 9 | 90110-05835 | BOLT, hexagon socket head | 2 | |



5CH1300-7420

E 15

CONTENTS

GENERAL SPEC.

ENGINE

| | | |
|---------|--------------------------|----|
| Fig. 1 | CYLINDER HEAD | 1 |
| Fig. 2 | CYLINDER | 3 |
| Fig. 3 | CRANKSHAFT, PISTON | 4 |
| Fig. 4 | VALVE | 6 |
| Fig. 5 | CAMSHAFT, CHAIN | 7 |
| Fig. 6 | OIL PUMP | 8 |
| Fig. 7 | INTAKE | 10 |
| Fig. 8 | CARBURETOR | 12 |
| Fig. 9 | EXHAUST | 15 |
| Fig. 10 | CRANKCASE | 16 |
| Fig. 11 | CRANKCASE COVER 1 | 17 |
| Fig. 12 | STARTER | 19 |
| Fig. 13 | CLUTCH | 21 |
| Fig. 14 | TRANSMISSION | 23 |
| Fig. 15 | SHIFT CAM, FORK | 25 |
| Fig. 16 | SHIFT SHAFT | 26 |

CHASSIS

| | | |
|---------|------------------------------|----|
| Fig. 17 | FRAME | 27 |
| Fig. 18 | FENDER | 29 |
| Fig. 19 | OIL TANK | 30 |
| Fig. 20 | REAR ARM | 31 |
| Fig. 21 | REAR SUSPENSION | 33 |
| Fig. 22 | STEERING | 34 |
| Fig. 23 | FRONT FORK | 36 |
| Fig. 24 | FUEL TANK | 38 |
| Fig. 25 | SEAT | 39 |
| Fig. 26 | FRONT WHEEL | 40 |
| Fig. 27 | FRONT BRAKE CALIPER | 41 |
| Fig. 28 | REAR WHEEL | 42 |
| Fig. 29 | REAR BRAKE CALIPER | 43 |
| Fig. 30 | STEERING HANDLE, CABLE | 44 |
| Fig. 31 | FRONT MASTER CYLINDER | 45 |
| Fig. 32 | STAND/FOOTREST | 46 |
| Fig. 33 | REAR MASTER CYLINDER | 47 |
| Fig. 34 | EMBLEMS | 48 |
| Fig. 35 | GENERATOR | 49 |
| Fig. 36 | FLASHER LIGHT | 50 |
| Fig. 37 | METER | 51 |
| Fig. 38 | HEADLIGHT | 52 |
| Fig. 39 | TAILLIGHT | 53 |
| Fig. 40 | HANDLE SWITCH, LEVER | 54 |
| Fig. 41 | ELECTRICAL 1 | 55 |
| Fig. 42 | ELECTRICAL 2 | 56 |

INDEX (GENERAL SPEC.)

NUMERICAL INDEX

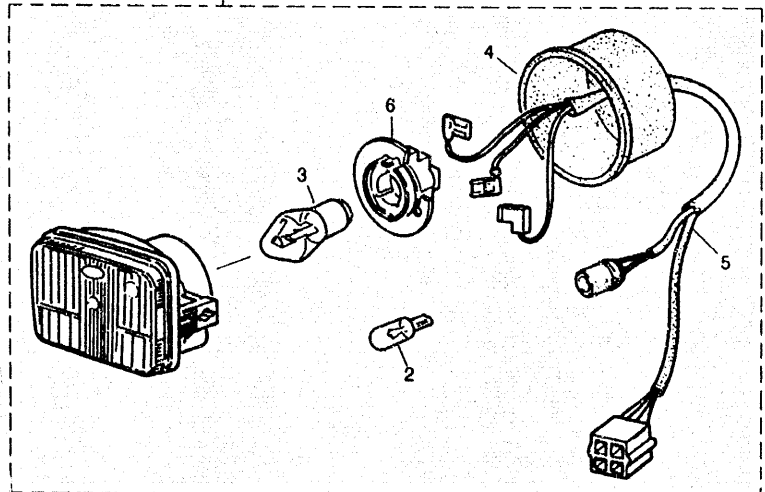
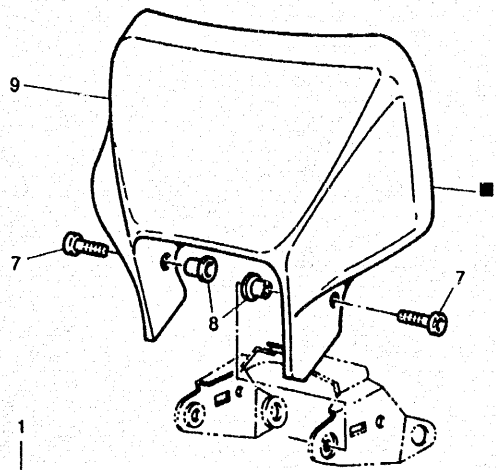


FIG. 43 HEADLIGHT (ONLY FOR AUSTRALIAN MARKET)

| REF. NO. | PART NO. | DESCRIPTION | Q.TY | REMARKS |
|----------|--------------|---------------------|------|------------------|
| 1 | 5CH-H4310-00 | HEADLIGHT UNIT ASSY | 1 | |
| 2 | | BULB (12V-5W) | 1 | L.M. |
| 3 | | BULB (12V-35/35W) | 1 | * L.M. |
| 4 | 4GV-H4397-00 | COVER | 1 | * |
| 5 | 5CH-H4312-00 | SOCKET | 1 | |
| 6 | 4GV-H4393-00 | HOLDER, bulb | 1 | * |
| 7 | 9581L-06016 | BOLT, flg. | 2 | |
| 8 | 90387-06X02 | COLLAR | 2 | |
| 9 | 5CH-F8351-00 | BODY, cowling | 1 | UR. YAMAHA BLACK |

NOTE: ■ COLORED - ROUGH MATERIAL

