

CONTENTS

GENERAL SPEC.

ENGINE

Fig. 1	CYLINDER HEAD.....	1
Fig. 2	CYLINDER.....	2
Fig. 3	CRANKSHAFT . PISTON.....	3
Fig. 4	VALVE.....	4
Fig. 5	CAMSHAFT . CHAIN.....	5
Fig. 6	OIL PUMP.....	6
Fig. 7	INTAKE.....	7
Fig. 8	CARBURETOR.....	9
Fig. 9	EXHAUST.....	11
Fig. 10	CRANKCASE.....	12
Fig. 11	CRANKCASE COVER 1.....	13
Fig. 12	STARTER.....	14
Fig. 13	CLUTCH.....	15
Fig. 14	TRANSMISSION.....	16
Fig. 15	SHIFT CAM. FORK.....	17
Fig. 16	SHIFT SHAFT.....	18

CHASSIS

Fig. 17	FRAME.....	19
Fig. 18	FENDER.....	21
Fig. 19	SIDE COVER/OIL TANK.....	22
Fig. 20	REAR ARM.....	23
Fig. 21	REAR SUSPENSION.....	25
Fig. 22	STEERING.....	26
Fig. 23	FRONT FORK.....	27
Fig. 24	FUEL TANK.....	29
Fig. 25	SEAT.....	30
Fig. 26	FRONT WHEEL.....	31
Fig. 27	FRONT BRAKE CALIPER.....	32
Fig. 28	REAR WHEEL.....	33
Fig. 29	REAR BRAKE CALIPER.....	34
Fig. 30	STEERING HANDLE, CABLE.....	35
Fig. 31	FRONT MASTER CYLINDER.....	36
Fig. 32	STAND/FOOTREST.....	37
Fig. 33	REAR MASTER CYLINDER.....	38
Fig. 34	EMBLEMS.....	39
Fig. 35	GENERATOR.....	40
Fig. 36	FLASHER LIGHT.....	41
Fig. 37	METER.....	42
Fig. 38	HEADLIGHT.....	43
Fig. 39	TAILLIGHT.....	44
Fig. 40	HANDLE SWITCH, LEVER.....	45
Fig. 41	ELECTRICAL 1.....	46
Fig. 42	ELECTRICAL 2.....	47

INDEX (GENERAL SPEC.)

NUMERICAL INDEX

INDIVIDUAL SPEC.

Fig. 43	FRAME.....	48
Fig. 44	FENDER.....	49
Fig. 45	FRONT WHEEL.....	50
Fig. 46	REAR WHEEL.....	51
Fig. 47	FLASHER LIGHT.....	52
Fig. 48	HEADLIGHT.....	53
Fig. 49	ELECTRICAL 1.....	54
Fig. 50	ELECTRICAL 2.....	55

INDEX (INDIVIDUAL SPEC.)

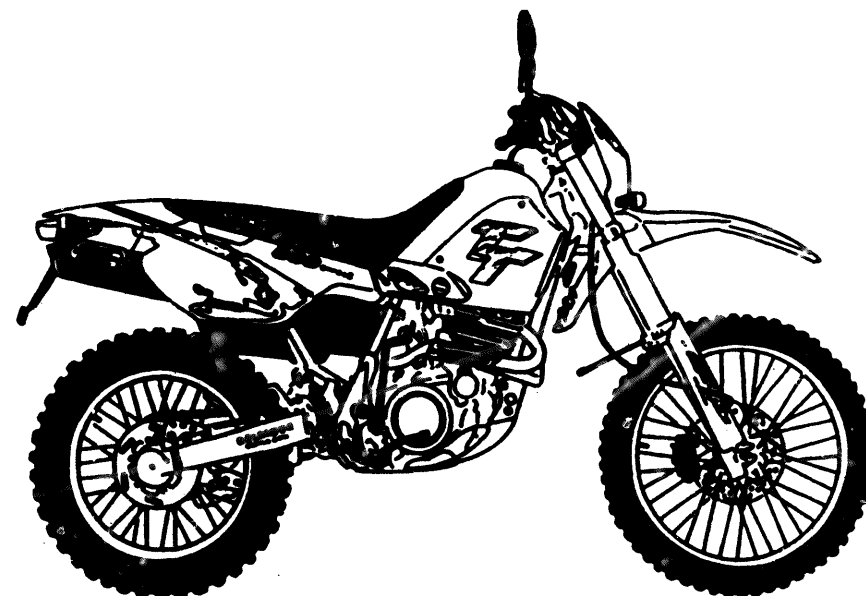
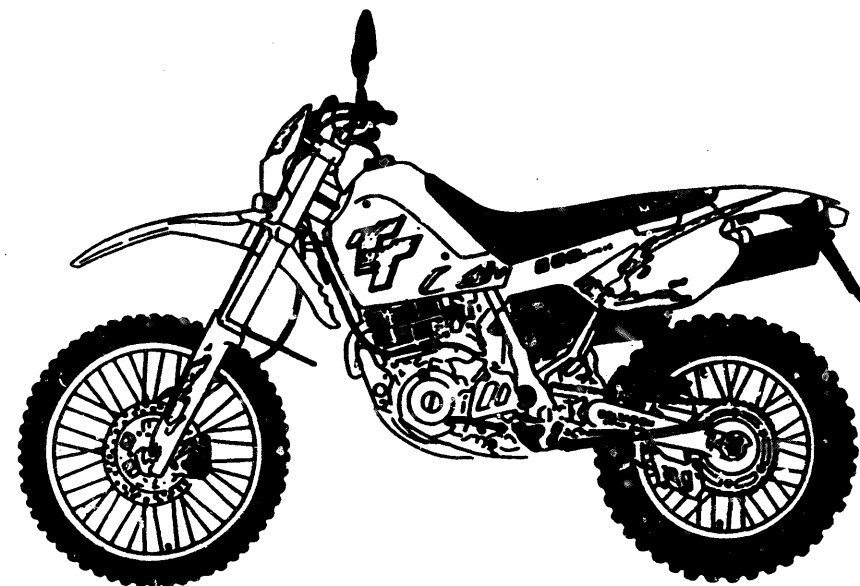
NUMERICAL INDEX



PARTS CATALOGUE

TT600S - '93 (4GV1)/(4LW1)
Italy/Europe

234GV-300E1



2008/5/21

A2

FOREWORD

This Parts Catalogue is related to the parts in use for the Yamaha TT600S '93 (4GV1)/(4LW1). When you are ordering replacement parts for the TT600S '93 (4GV1)/(4LW1), Catalogue and quote both part numbers and part names correctly.

1. Modifications or additions which have been made after issue of the Parts Catalogue will be announced in the Belgarda Parts News. It is advisable that according to the Yamaha Parts News you make necessary corrections to the Parts Catalogue on hand to keep it up-to-date.

2. Abbreviations
The following abbreviations are used in this Parts Catalogue.

- U.R. Use size (thickness) and/or number as required.
- u.n. Use as many as you need.
- A.P. Alternate Parts
- L.M. Local Made
- F # Frame No. (Applicable machine No.)

3. The parts marked with (*) in the parts number column of this Catalogue are not supplied with by Belgarda or Yamaha, those have to be found locally.

4. Parts, which are to be supplied in the form of assemblies, are listed with an indentation of one letter's space, and a dot (•) is put against the name of each part.

EXAMPLE
CARBURETOR ASS'Y
• JET, pilot
• NOZZLE, main

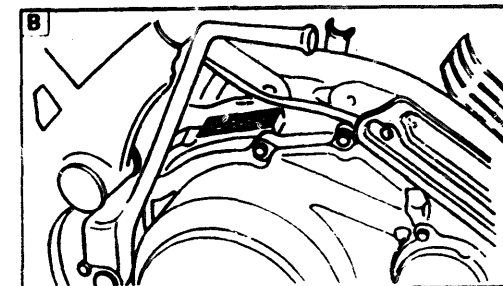
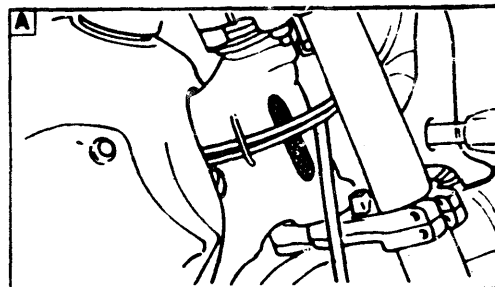
5. Indication of No. of constituent parts for assembly.
The numeral appearing to the right of each constituent part under the description indicates the quantity of such parts for each individual assembly unit.

EXAMPLE

REF. NO.	PART. NO.	DESCRIPTION	Q.TY.	REMARKS
1	2F5-83310-60	FRONT FLASHER LIGHT ASS'Y	2	
2	115-83311-60	• BULB (6V - 18W)	1	
3	M1-83309-60	• REFLECTOR	1	

6. Initial Serial No. and Color Code

A Frame Serial No.	4GV-000101 and following (I) / 4LW-020101 and following (F)
A Frame Serial No.	4LW-700101 and following (Europe)
A Frame Serial No.	ZDO4LW000P000101 and following (SP)
B Engine Serial No.	4GV-000101 and following (I) (Europe) (F) (SP)



Color Code	Color Name	Abbreviate
206	Purplish White Solid 1	PWS1

7. Applicable colors of graphics are represented in the "Remarks" column by the letter(s) appropriately picked out of the full word(s) showing such colors.

EXAMPLE

REF. NO.	PART. NO.	DESCRIPTION	Q.TY.	REMARKS
1	2N4-24110-00-X5	FUEL TANK COMP.	1	MAXIM RED
2	3J1-24240-10	• GRAPHIC, fuel tank set	1	for MXR

8. The parts marked with (•) in the remarks column of this catalogue are supplied by Belgarda.

CONTENTS

GENERAL SPEC.

ENGINE

Fig. 1	CYLINDER HEAD.....	1
Fig. 2	CYLINDER.....	2
Fig. 3	CRANKSHAFT . PISTON.....	3
Fig. 4	VALVE.....	4
Fig. 5	CAMSHAFT . CHAIN.....	5
Fig. 6	OIL PUMP.....	6
Fig. 7	INTAKE.....	7
Fig. 8	CARBURETOR.....	9
Fig. 9	EXHAUST.....	11
Fig. 10	CRANKCASE.....	12
Fig. 11	CRANKCASE COVER 1.....	13
Fig. 12	STARTER.....	14
Fig. 13	CLUTCH.....	15
Fig. 14	TRANSMISSION.....	16
Fig. 15	SHIFT CAM. FORK.....	17
Fig. 16	SHIFT SHAFT.....	18

CHASSIS

Fig. 17	FRAME.....	19
Fig. 18	FENDER.....	21
Fig. 19	SIDE COVER/OIL TANK.....	22
Fig. 20	REAR ARM.....	23
Fig. 21	REAR SUSPENSION.....	25
Fig. 22	STEERING.....	26
Fig. 23	FRONT FORK.....	27
Fig. 24	FUEL TANK.....	29
Fig. 25	SEAT.....	30
Fig. 26	FRONT WHEEL.....	31
Fig. 27	FRONT BRAKE CALIPER.....	32
Fig. 28	REAR WHEEL.....	33
Fig. 29	REAR BRAKE CALIPER.....	34
Fig. 30	STEERING HANDLE, CABLE.....	35
Fig. 31	FRONT MASTER CYLINDER.....	36
Fig. 32	STAND/FOOTREST.....	37
Fig. 33	REAR MASTER CYLINDER.....	38
Fig. 34	EMBLEMS.....	39
Fig. 35	GENERATOR.....	40
Fig. 36	FLASHER LIGHT.....	41
Fig. 37	METER.....	42
Fig. 38	HEADLIGHT.....	43
Fig. 39	TAILLIGHT.....	44
Fig. 40	HANDLE SWITCH, LEVER.....	45
Fig. 41	ELECTRICAL 1.....	46
Fig. 42	ELECTRICAL 2.....	47

INDEX (GENERAL SPEC.)

NUMERICAL INDEX

INDIVIDUAL SPEC.

Fig. 43	FRAME.....	48
Fig. 44	FENDER.....	49
Fig. 45	FRONT WHEEL.....	50
Fig. 46	REAR WHEEL.....	51
Fig. 47	FLASHER LIGHT.....	52
Fig. 48	HEADLIGHT.....	53
Fig. 49	ELECTRICAL 1.....	54
Fig. 50	ELECTRICAL 2.....	55

INDEX (INDIVIDUAL SPEC.)

NUMERICAL INDEX

CONTENTS

GENERAL SPEC.

ENGINE

Fig. 1	CYLINDER HEAD.....	1
Fig. 2	CYLINDER.....	2
Fig. 3	CRANKSHAFT . PISTON	3
Fig. 4	VALVE	4
Fig. 5	CAMSHAFT . CHAIN.....	5
Fig. 6	OIL PUMP.....	6
Fig. 7	INTAKE	7
Fig. 8	CARBURETOR.....	9
Fig. 9	EXHAUST.....	11
Fig. 10	CRANKCASE	12
Fig. 11	CRANKCASE COVER 1	13
Fig. 12	STARTER	14
Fig. 13	CLUTCH	15
Fig. 14	TRANSMISSION.....	16
Fig. 15	SHIFT CAM. FORK	17
Fig. 16	SHIFT SHAFT.....	18

CHASSIS

Fig. 17	FRAME	19
Fig. 18	FENDER.....	21
Fig. 19	SIDE COVER/OIL TANK	22
Fig. 20	REAR ARM.....	23
Fig. 21	REAR SUSPENSION	25
Fig. 22	STEERING.....	26
Fig. 23	FRONT FORK	27
Fig. 24	FUEL TANK	29
Fig. 25	SEAT.....	30
Fig. 26	FRONT WHEEL.....	31
Fig. 27	FRONT BRAKE CALIPER.....	32
Fig. 28	REAR WHEEL.....	33
Fig. 29	REAR BRAKE CALIPER.....	34
Fig. 30	STEERING HANDLE, CABLE	35
Fig. 31	FRONT MASTER CYLINDER	36
Fig. 32	STAND/FOOTREST	37
Fig. 33	REAR MASTER CYLINDER	38
Fig. 34	EMBLEMS	39
Fig. 35	GENERATOR	40
Fig. 36	FLASHER LIGHT.....	41
Fig. 37	METER	42
Fig. 38	HEADLIGHT	43
Fig. 39	TAILLIGHT.....	44
Fig. 40	HANDLE SWITCH, LEVER.....	45
Fig. 41	ELECTRICAL 1.....	46
Fig. 42	ELECTRICAL 2.....	47

INDEX (GENERAL SPEC.)

NUMERICAL INDEX

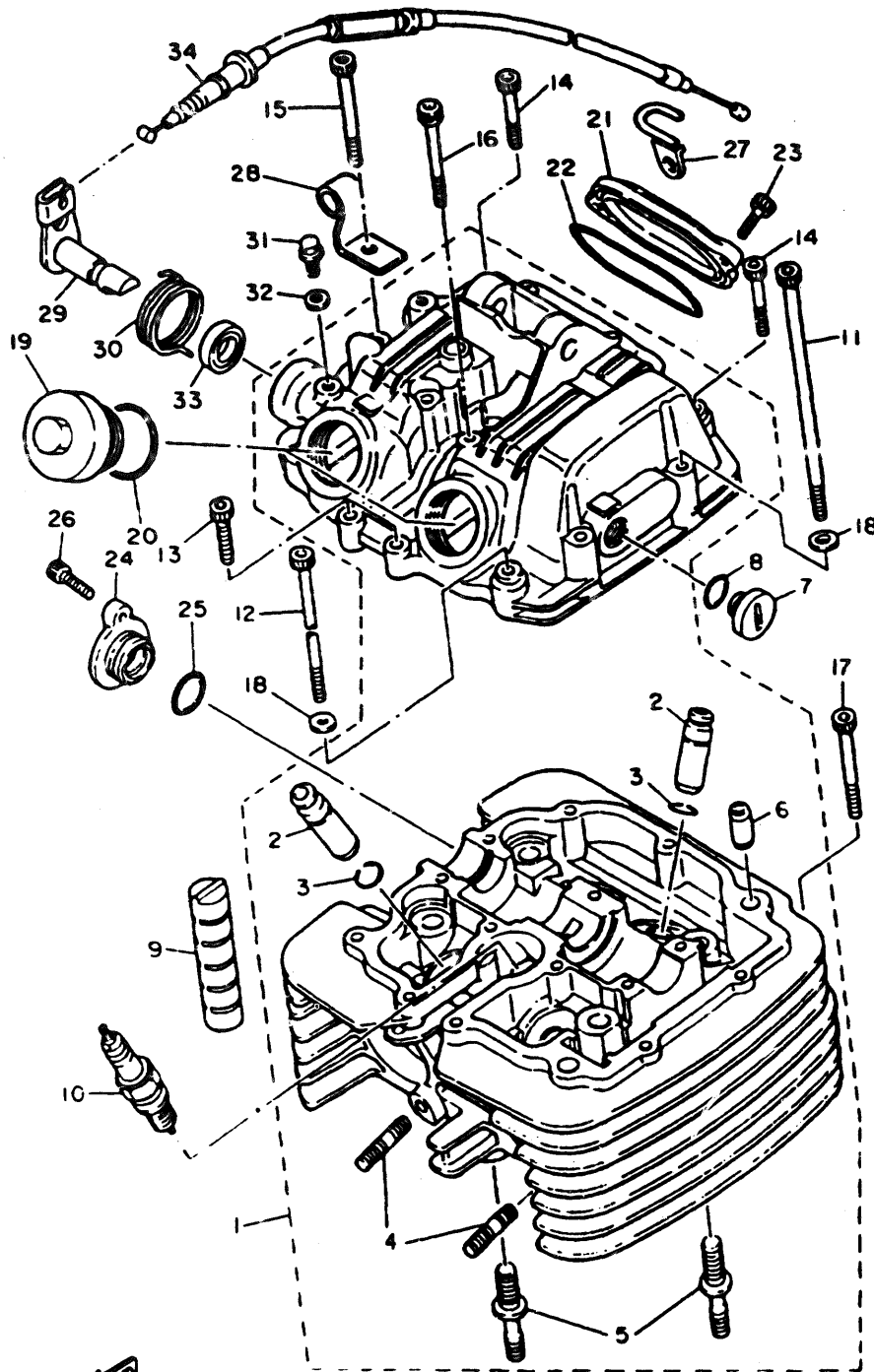
INDIVIDUAL SPEC.

Fig. 43	FRAME	48
Fig. 44	FENDER	49
Fig. 45	FRONT WHEEL.....	50
Fig. 46	REAR WHEEL.....	51
Fig. 47	FLASHER LIGHT.....	52
Fig. 48	HEADLIGHT	53
Fig. 49	ELECTRICAL 1.....	54
Fig. 50	ELECTRICAL 2.....	55

INDEX (INDIVIDUAL SPEC.)

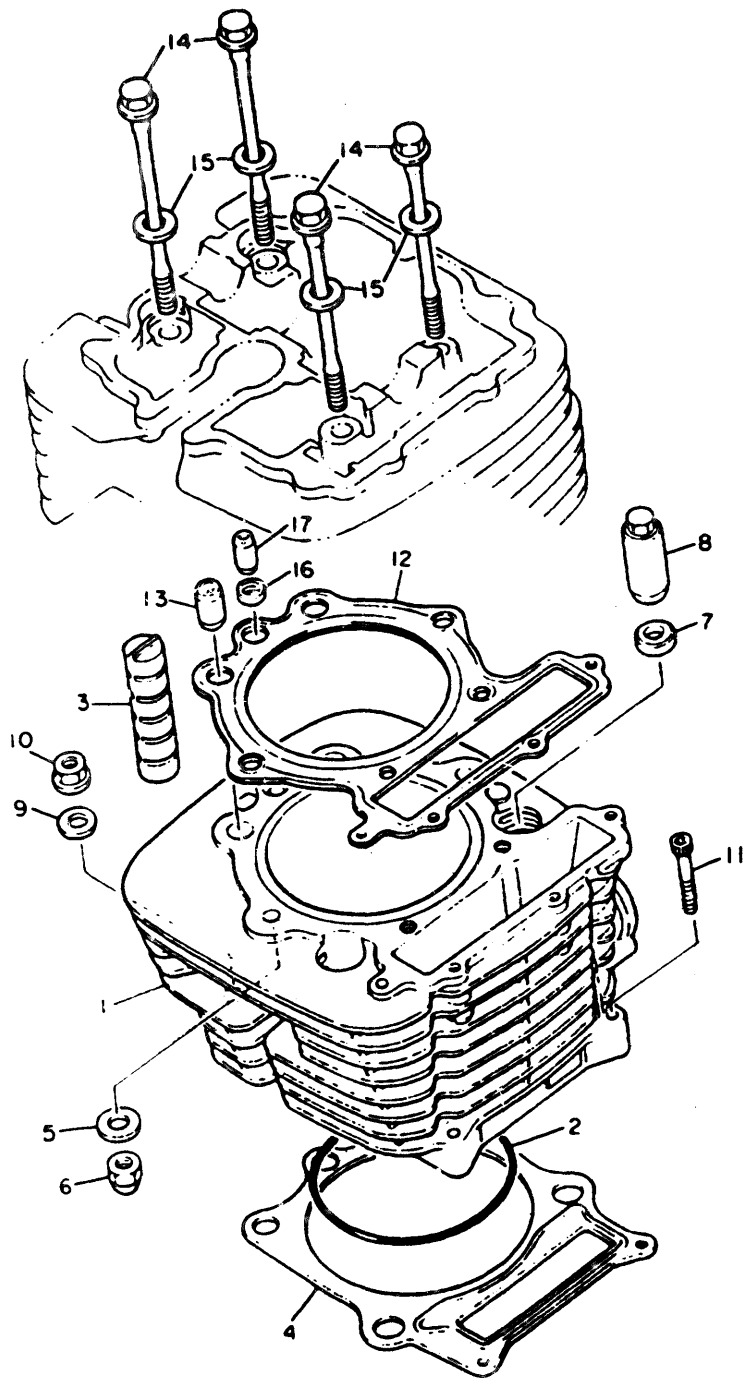
NUMERICAL INDEX

FIG. 1 CYLINDER HEAD



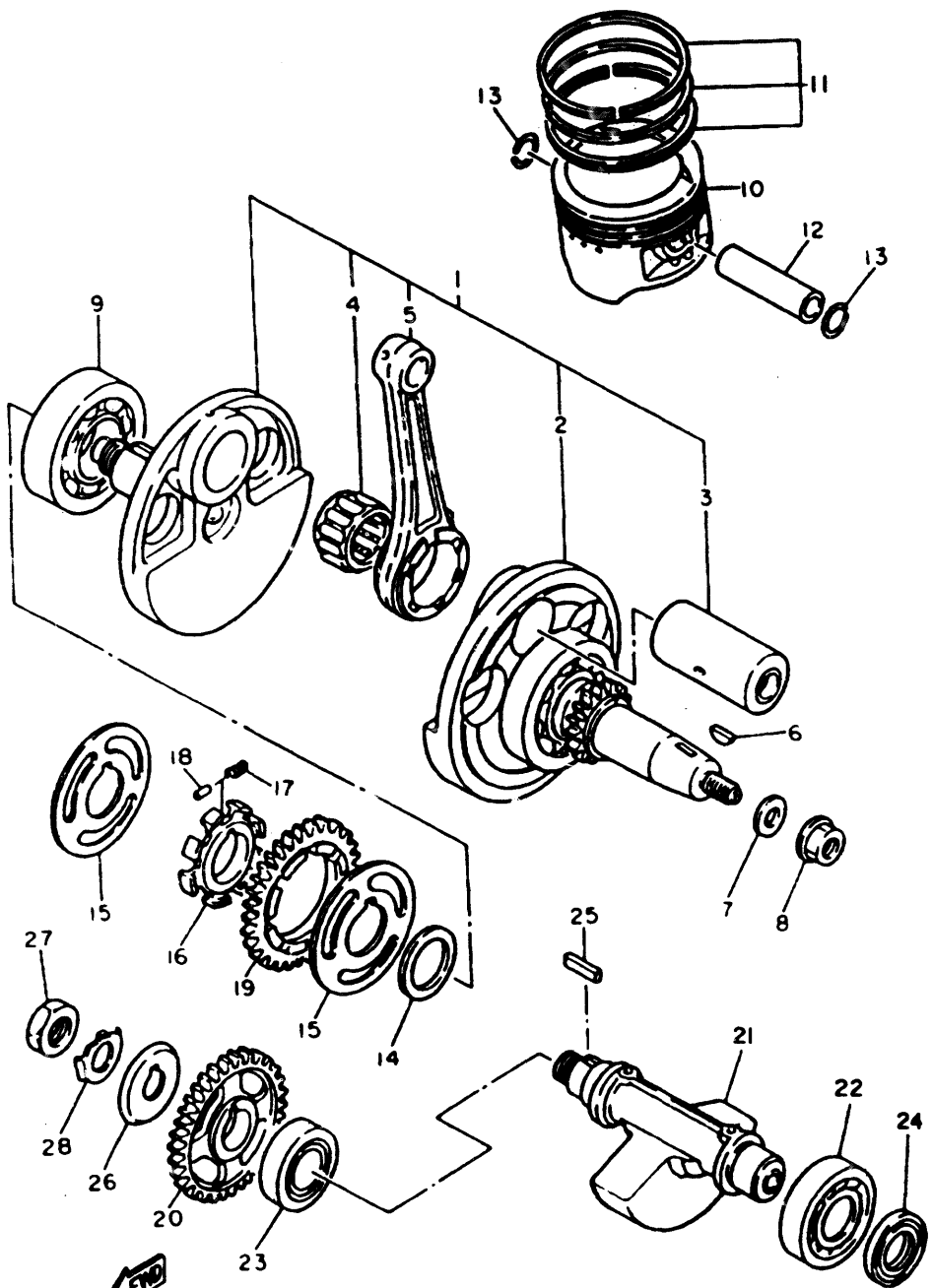
REF. NO.	PART. NO.	DESCRIPTION	Q.TY.	REMARKS
1	3TB-11101-00	CYLINDER HEAD ASSY	1	
2	4H7-11133-10	• GUIDE, intake valve	4	
3	93440-12052	• CIRCLIP	4	
4	90116-06475	• BOLT, stud	4	
5	90116-10378	• BOLT, stud	2	
6	99510-10114	• PIN, dowel	2	
7	90340-14068	PLUG, straight screw	1	
8	93210-13657	O-RING	1	
9	583-11127-00	ABSORBER 3	2	
10	94701-00241	PLUG, spark (NGK DPR8EA-9)	1	
11	91316-06125	BOLT	2	
12	91316-06115	BOLT	1	
13	91316-06025	BOLT	4	
14	91316-06040	BOLT	2	
15	91316-06055	BOLT	6	
16	90109-063E9	BOLT	1	
17	91316-06050	BOLT	1	
18	92906-06600	WASHER, plate	3	
19	1L9-11186-00	COVER, cylinder head side 2	2	
20	93210-32172	O-RING	2	
21	5Y1-11187-00	COVER, cylinder head side 3	1	
22	93210-62446	O-RING	1	
23	91316-06018	BOLT	2	
24	3TB-12215-00	CAP, tensioner case	1	
25	93210-19522	O-RING	1	
26	91316-06020	BOLT	1	
27	4GV-E2273-10	HOLDER, decompression	1	
28	1JK-12283-00	BRACKET, decompression	1	
29	1JK-12288-00	CAM, decompression	1	
30	90508-18551	SPRING, torsion	1	
31	90109-06418	BOLT	1	
32	90430-06014	GASKET	1	
33	93102-12321	OIL SEAL	1	
34	2WK-12292-00	CABLE, decompression	1	

FIG. 2 CYLINDER



REF. NO.	PART. NO.	DESCRIPTION	Q.TY.	REMARKS
1	3TB-11310-00	CYLINDER	1	
2	93210-97524	O-RING	1	
3	583-11127-00	ABSORBER 3	2	
4	1VJ-11351-00	GASKET, cylinder	1	
5	90201-080L8	WASHER, plate	2	
6	90176-08026	NUT, crown	2	
7	90201-10590	WASHER, plate	2	
8	90179-10201	NUT	2	
9	90201-10124	WASHER, plate	2	
10	90179-10279	NUT	2	
11	9i316-06035	BOLT	2	
12	2KF-11131-01	GASKET, cylinder head 1	1	
13	91810-05018	PIN, dowel	2	
14	90105-08505	BOLT, washer based	4	
15	90201-085L3	WASHER, plate	4	
16	90430-08178	GASKET	1	
17	99510-08016	PIN, dowel	1	

FIG. 3 CRANKSHAFT.PISTON



REF. NO.	PART. NO.	DESCRIPTION	Q.TY.	REMARKS
1	3TB-11400-00	CRANKSHAFT ASSY	1	
2	1VJ-W1141-00	• CRANK 1	1	
3	1VJ-11681-00	• PIN, crank 1	1	
4	93310-635D4	• BEARING, cylindrical	1	
5	3TB-11651-00	• ROD, connecting	1	
6	90280-16053	KEY, woodruff	1	
7	90201-140A6	WASHER, plate	1	
8	90179-14317	NUT	1	
9	93306-30702	BEARING (B6307)	1	
10	3TB-11631-00-Y0	PISTON (STD)	1	
10	3TB-11636-00	PISTON (0.50MM O/S)	1	AP
10	3TB-11638-00	PISTON (1.00MM O/S)	1	AP
11	34L-11610-00	PISTON RING SET (STD)	1	
11	34L-11610-20	PISTON RING SET (0.50MM O/S)	1	AP
11	34L-11610-40	PISTON RING SET (1.00MM O/S)	1	
12	1JK-11633-01	PIN, piston	1	
13	93450-24028	CIRCLIP	2	
14	90201-301F4	WASHER, plate	1	
15	34K-11565-02	WASHER, bearing cover	2	
16	5Y1-11496-01	BOSS, buffer	1	
17	90501-22721	SPRING, compression	8	
18	93605-10090	PIN, dowel	4	
19	2JT-11536-00	GEAR, drive	1	
20	5Y1-11531-00	GEAR, blance wt 44t	1	
21	34K-11454-00	WEIGHT 1	1	
22	93306-30525	BEARING (B6305)	1	
23	93306-30560	BEARING	1	
24	93101-25106	OIL SEAL	1	
25	90282-05013	KEY, straight	1	
26	34K-11145-00	PLATE, breather 2	1	
27	90170-16343	NUT	1	
28	90215-16242	WASHER, lock	1	

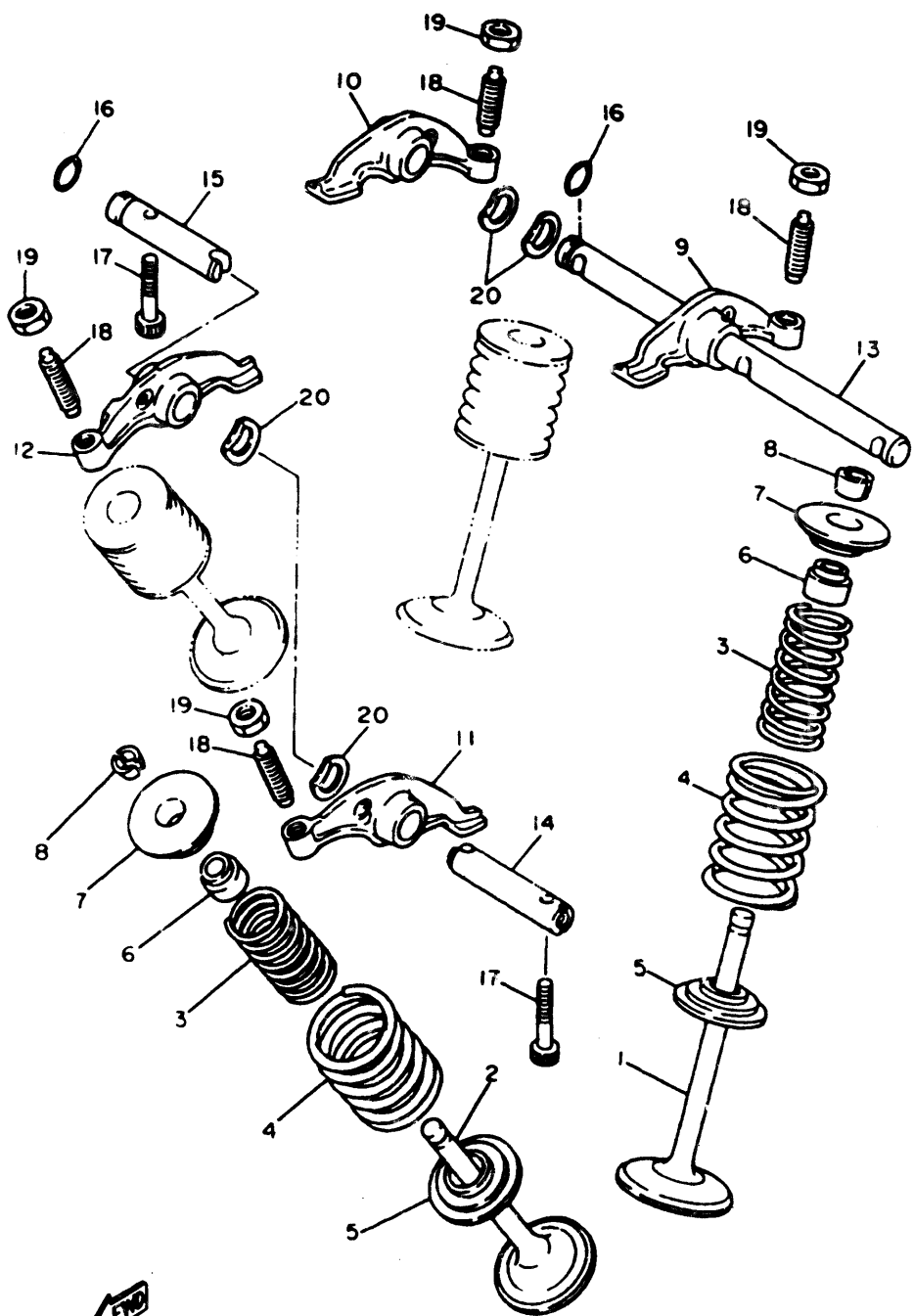
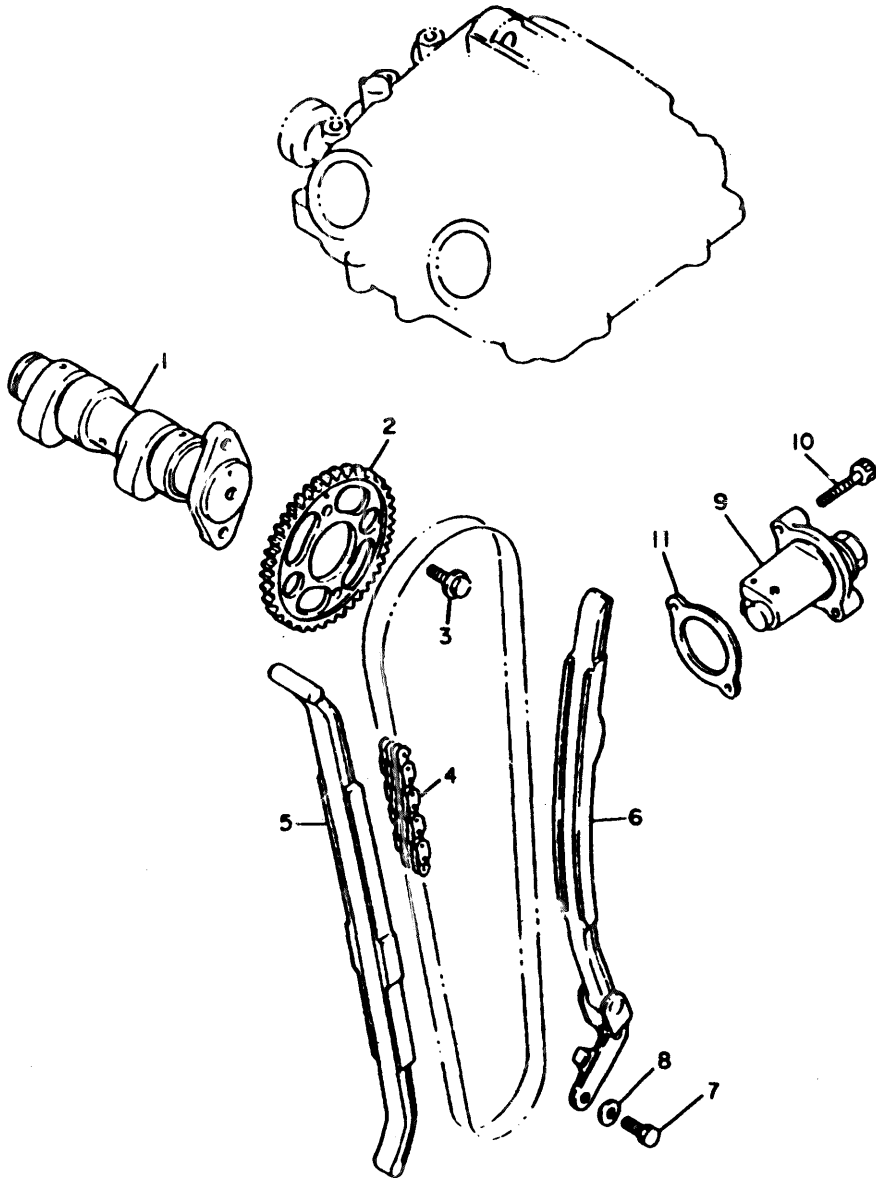


FIG. 4 VALVE

REF. NO.	PART. NO.	DESCRIPTION	Q.TY.	REMARKS
1	1VJ-12111-00	VALVE, intake	2	
2	1VJ-12121-00	VALVE, exhaust	2	
3	5Y1-12113-00	SPRING, valve inner	4	
4	5Y1-12114-00	SPRING, valve outer	4	
5	4H7-12116-00	SEAT, valve spring	4	
6	1J7-12119-01	SEAL, valve stem	4	
7	2F3-12117-00	RETAINER, valve spring	4	
8	1J7-12118-00	COTTER, valve	8	
9	34K-12151-00	ARM, valve rocker	1	
10	34K-12161-00	ARM, valve rocker 2	1	
11	34K-12162-00	ARM, valve rocker 3	1	
12	34K-12163-00	ARM, valve rocker 4	1	
13	2NX-12146-00	SHAFT, rocker	1	
14	2NX-12156-00	SHAFT, rocker 2	1	
15	2NX-12166-00	SHAFT, rocker 3	1	
16	93210-08521	O-RING	2	
17	90109-063E8	BOLT	2	
18	2NX-12159-00	SCREW, valve adjusting	4	
19	90170-06128	NUT	4	
20	90206-12074	WASHER, wave	4	

FIG. 5 CAMSHAFT CHAIN

REF. NO.	PART. NO.	DESCRIPTION	Q.TY.	REMARKS
1	1JK-12171-00	CAMSHAFT 1	1	
2	3TB-12176-00	SPROCKET, cam	1	
3	90105-07087	BOLT, washer based	2	
4	94590-27126	CHAIN	1	
5	34K-12231-00	GUIDE, stopper 1	1	
6	34K-12241-00	GUIDE, stopper 2	1	
7	97011-06016	BOLT	2	
8	92901-06600	WASHER, plate	2	
9	3TB-12210-00	TENSIONER ASSY, cam chain	1	
10	91316-06025	BOLT	2	
11	4DW-12213-00	GASKET, tensioner case	1	



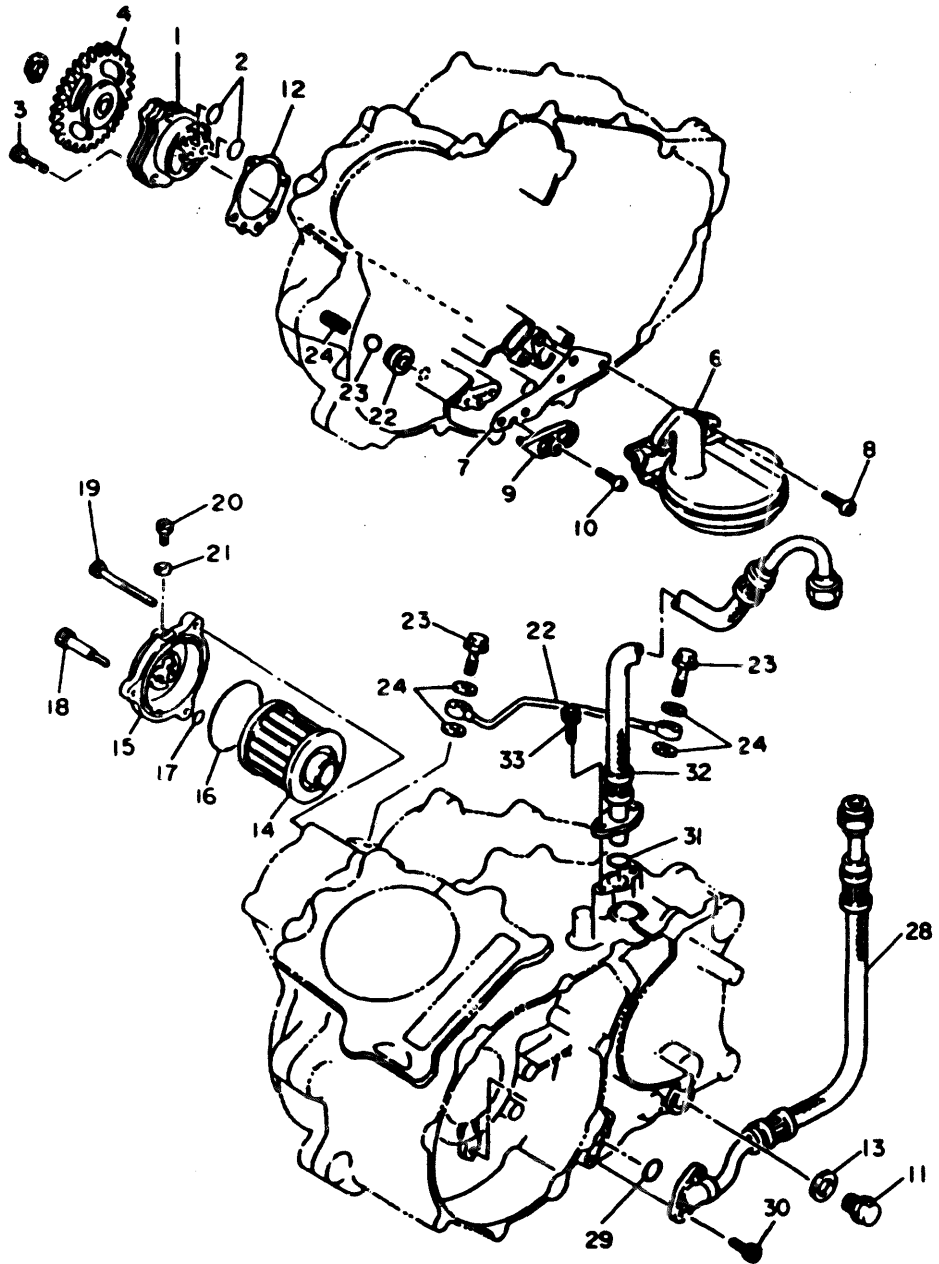
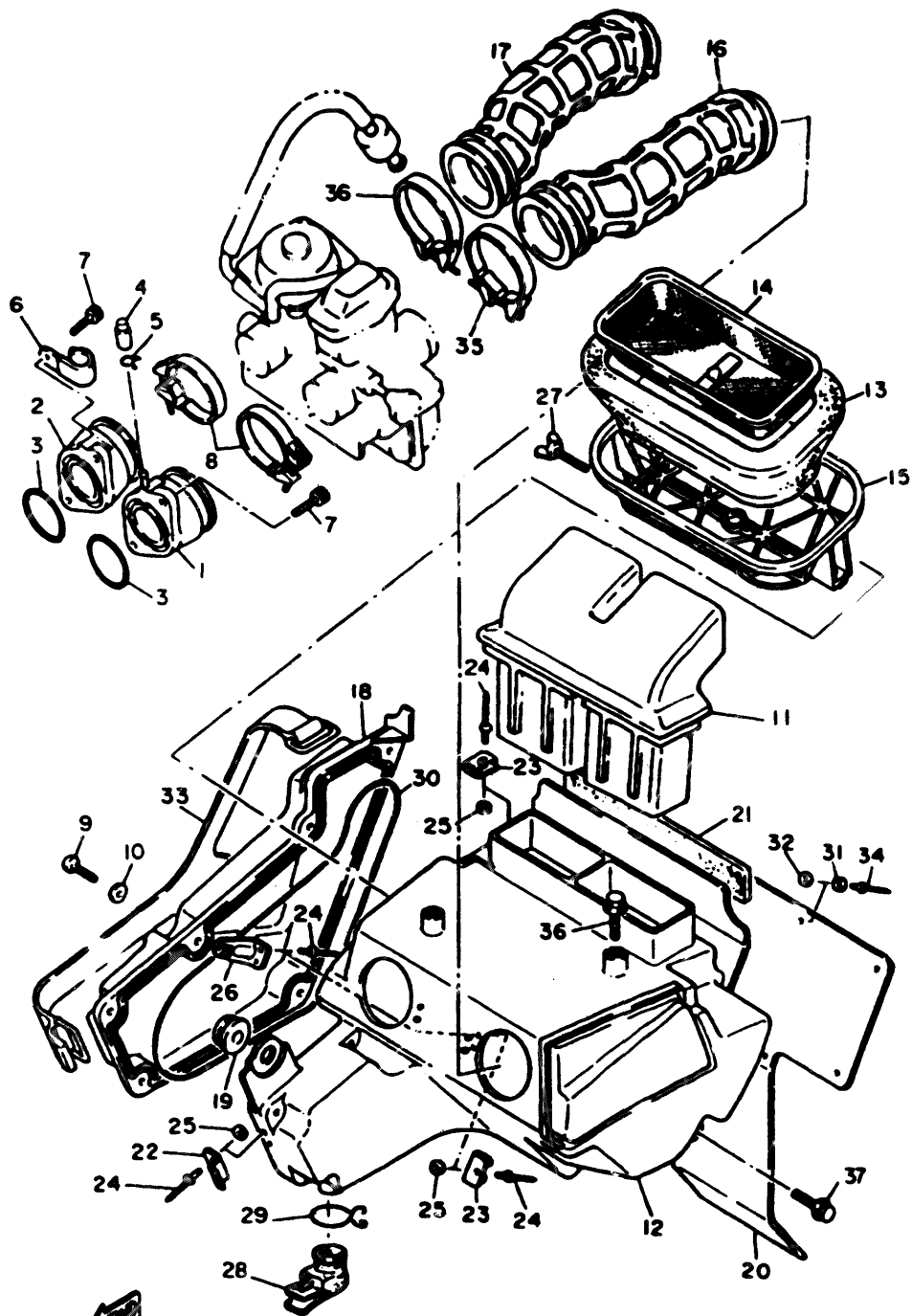


FIG. 6 OIL PUMP

REF. NO.	PART. NO.	DESCRIPTION	Q.TY.	REMARKS
1	3AJ-13300-01	OIL PUMP ASSY	1	
2	93210-13361	O-RING	2	
3	91316-06035	BOLT	3	
4	3AJ-13325-00	GEAR, pump driven	1	
5	99009-11400	CIRCLIP	1	
6	5Y1-W1343-00	STRAINER COMP.	1	
7	4DW-13415-00	SEAL, oil strainer	1	
8	98502-06016	SCREW, pan head	2	
9	5Y1-15427-01	COVER, cap 2	1	
10	98502-06016	SCREW, pan head	1	
11	90340-14132	PLUG	1	
12	35X-13329-00	GASKET, pump cover	1	
13	214-11198-01	GASKET	1	
14	4X7-13440-90	ELEMENT ASSY, oil cleaner	1	(4X7-13440-01)
15	2WK-13447-00	COVER, oil element	1	
16	93210-64297	O-RING	1	
17	93210-07135	O-RING	1	
18	90109-06419	BOLT	1	
19	91316-06080	BOLT	2	
20	90149-05110	SCREW	1	
21	90430-05126	GASKET	1	
22	3AJ-13161-00	PIPE, de livery 1	1	
23	90401-08133	BOLT, union	2	
24	90430-08204	GASKET	4	
25	583-13113-00	SEAT, cock ball	1	
26	93503-08007	BALL	1	
27	90501-043E0	SPRING, compression	1	
28	34K-13464-00	HOSE, oil 1	1	
29	93210-10197	O-RING	1	(93210-100A9)
30	91316-06016	BOLT	2	
31	93210-15171	O-RING	1	
32	34K-13465-00	HOSE, oil 2	1	
33	91316-06015	BOLT	2	



4GV1354-3070

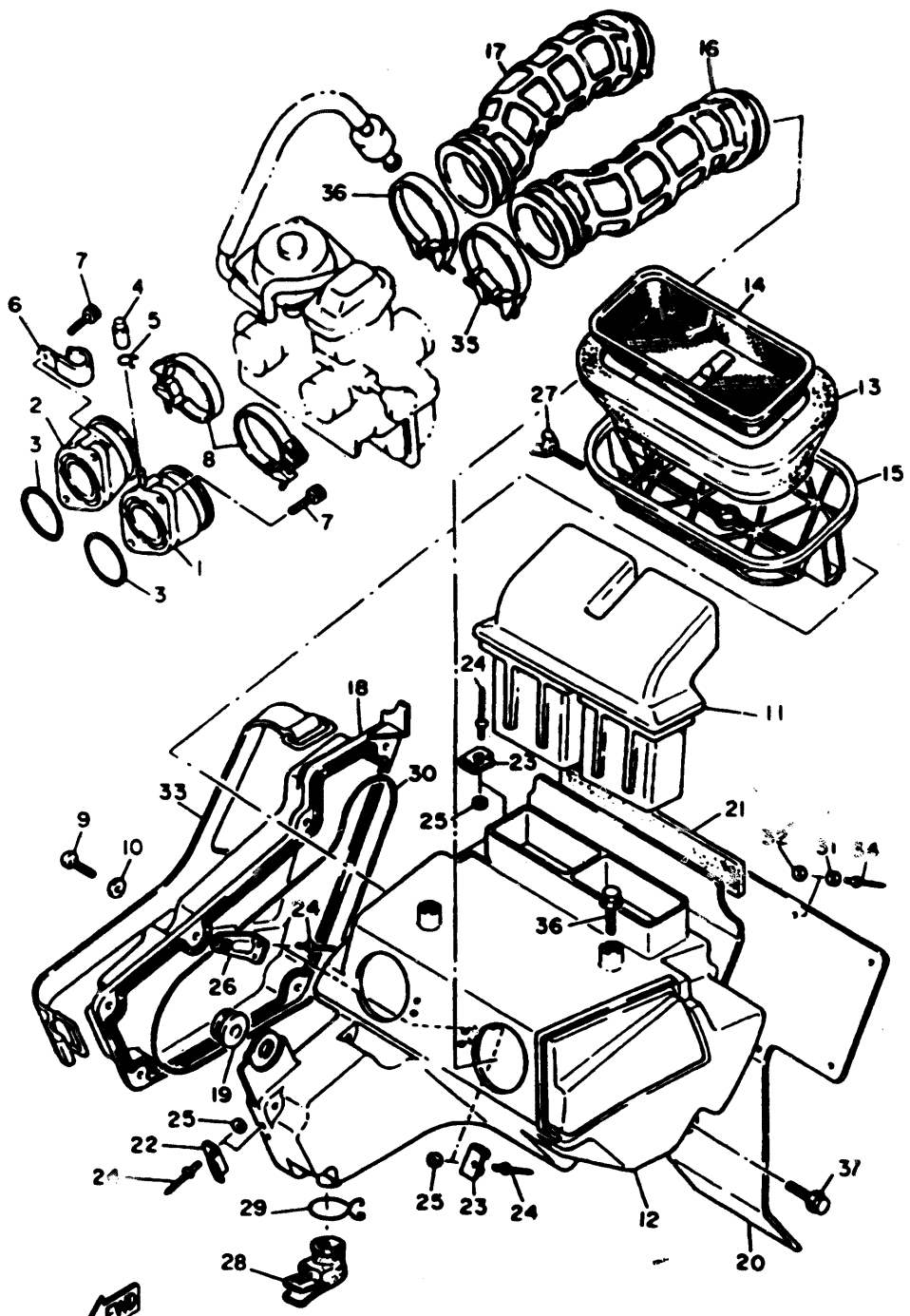
FIG. 7 INTAKE

REF. NO.	PART. NO.	DESCRIPTION	Q.TY.	REMARKS
1	43F-13586-01	JOINT, carburetor 1	1	
2	1VJ-13586-00	JT, carburetor 2	1	
3	93210-36549	O-RING	2	
4	16G-13589-00	PLUG, blind	1	
5	90467-10035	CLIP	1	
6	90465-06028	CLAMP	1	
7	91316-06020	BOLT	4	
8	90460-46206	CLAMP, hose	2	
9	98586-05016	SCREW, pan head	6	
10	92906-05600	WASHER, plate	6	
11	4GV-E4437-00	DUCT, 1	1	
12	34K-14401-01	AIR CLEANER CASE ASSY	1	
13	34K-14451-01	ELEMENT, air cleaner	1	
14	34K-14458-02	GUIDE	1	
15	34K-14473-02	GUIDE	1	
16	43F-14453-00	JOINT, air cleaner	1	
17	4GV-E4454-00	JOINT	1	
18	34K-14412-01	CAP, case 1	1	
19	90480-13398	GROMMET	1	
20	34K-21621-01	FLAP	1	
21	34K-14426-00	DAMPER	1	
22	26A-14436-00	HOOK	1	
23	34K-14484-00	PLATE, cleaner case fitting	2	
24	90267-40073	RIVET, blind	6	
25	92990-04200	WASHER, plain	4	
26	34K-14493-01	STAY, 1	1	
27	90122-05010	BOLT, wing	1	
28	4GV-E4457-00	SEAL	1	
29	90467-20030	CLIP	1	
30	51Y-14462-00	SEAL	1	
31	90201-047A2	WASHER, plate	7	
32	92990-04200	WASHER, plain	7	
33	34K-14455-00	BAND	1	
34	90267-40073	RIVET, blind	7	
35	90460-51059	CLAMP, hose	1	

B 3

FIG. 7 INTAKE

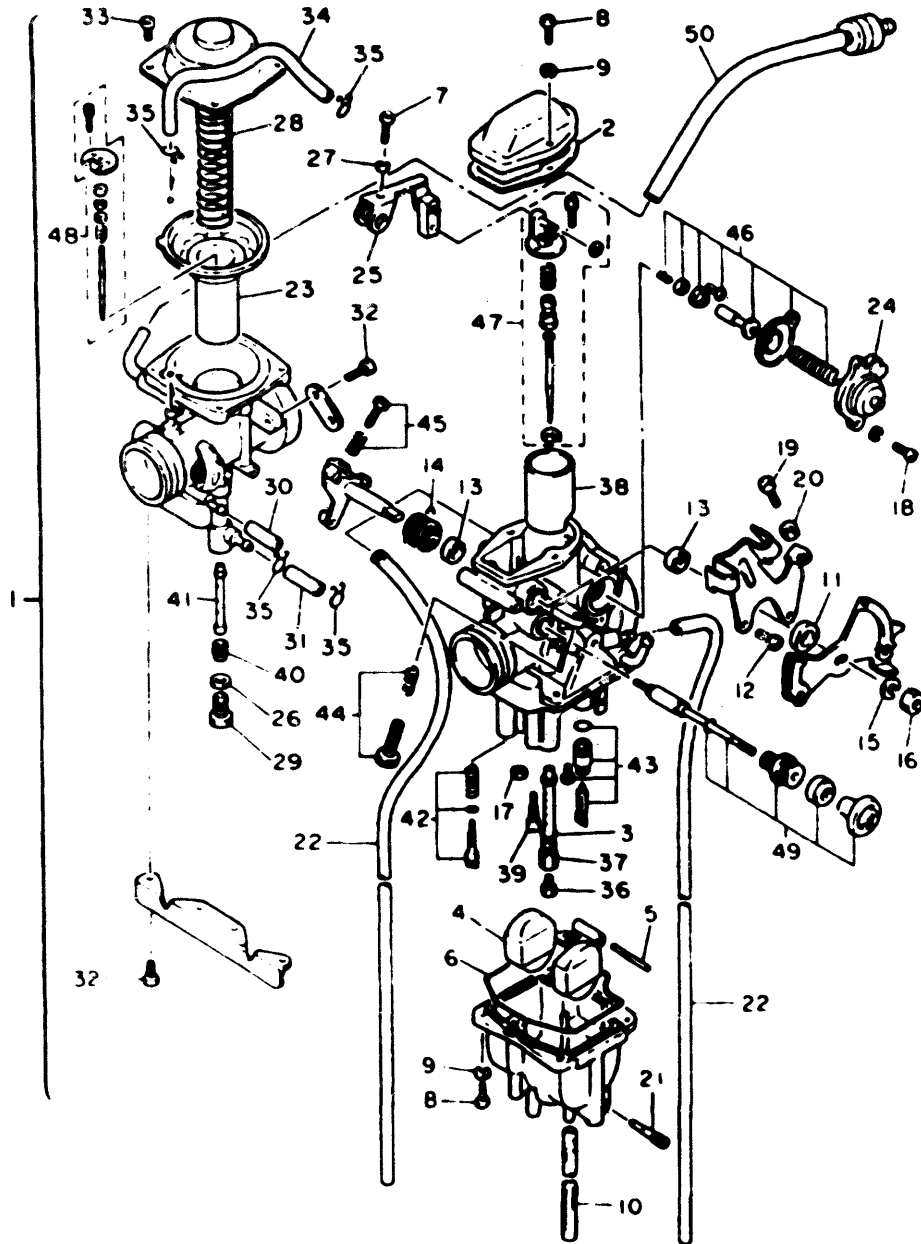
REF. NO.	PART. NO.	DESCRIPTION	Q.TY.	REMARKS
36	90460-58015	CLAMP, hose	1	
37	95811-06012	BOLT, fig.	3	



4GV1354-3070

B

FIG. 8 CARBURETOR



REF. NO.	PART. NO.	DESCRIPTION	Q.TY.	REMARKS
1	4GV-14301-00	CARBURETOR ASSY 1	1	
2	5Y1-14198-00	• GASKET	1	
3	360-24512-00	• GASKET	2	
4	2JN-14385-00	• FLOAT	1	
5	689-14386-00	• PIN, float	1	
6	5Y1-14384-00	• GSKT., float chamber	1	
7	98580-04016	• SCREW, pan head	1	
8	98503-04014	• SCREW, pan head	6	
9	92902-04100	• WASHER, spring	6	
10	1JK-14197-00	• PIPE	1	
11	1JK-14357-00	• COLLAR	1	
12	214-24535-00	• SCREW, pan head	2	
13	5Y1-14572-00	• SEAL	2	
14	1XL-14131-01	• SPRING, throttle valve	1	
15	5Y1-14356-00	• WASHER, spring	1	
16	5Y1-14358-00	• NUT	1	
17	5Y1-14536-00	• GASKET	1	
18	98501-04010	• SCREW, pan head	2	
19	5Y1-14216-00	• SCREW, pan head	1	
20	30X-14358-00	• NUT	1	
21	14T-14323-00	• SCREW, air adjst.	1	
22	1JK-14197-00	• PIPE	2	
23	1JK-14940-01	• DIAPHRAGM, assy	1	
24	2JN-14283-00	• COVER 1	1	
25	1JK-14291-00	• CONNECTER COMP.	1	
26	4KF-14227-00	• WASHER	1	
27	92990-04100	• WASHER, spring	1	
28	1VJ-14286-00	• SPRING	1	
29	7KF-14162-00	• BOLT, holding	1	
30	5Y1-14349-00	• PIPE	1	
31	30X-14148-00	• PIPE	1	
32	98501-05010	• SCREW, pan head	6	
33	98580-04010	• SCREW, pan head	4	
34	5Y1-14149-00	• PIPE	1	
35	5Y1-14159-00	• CLIP	4	

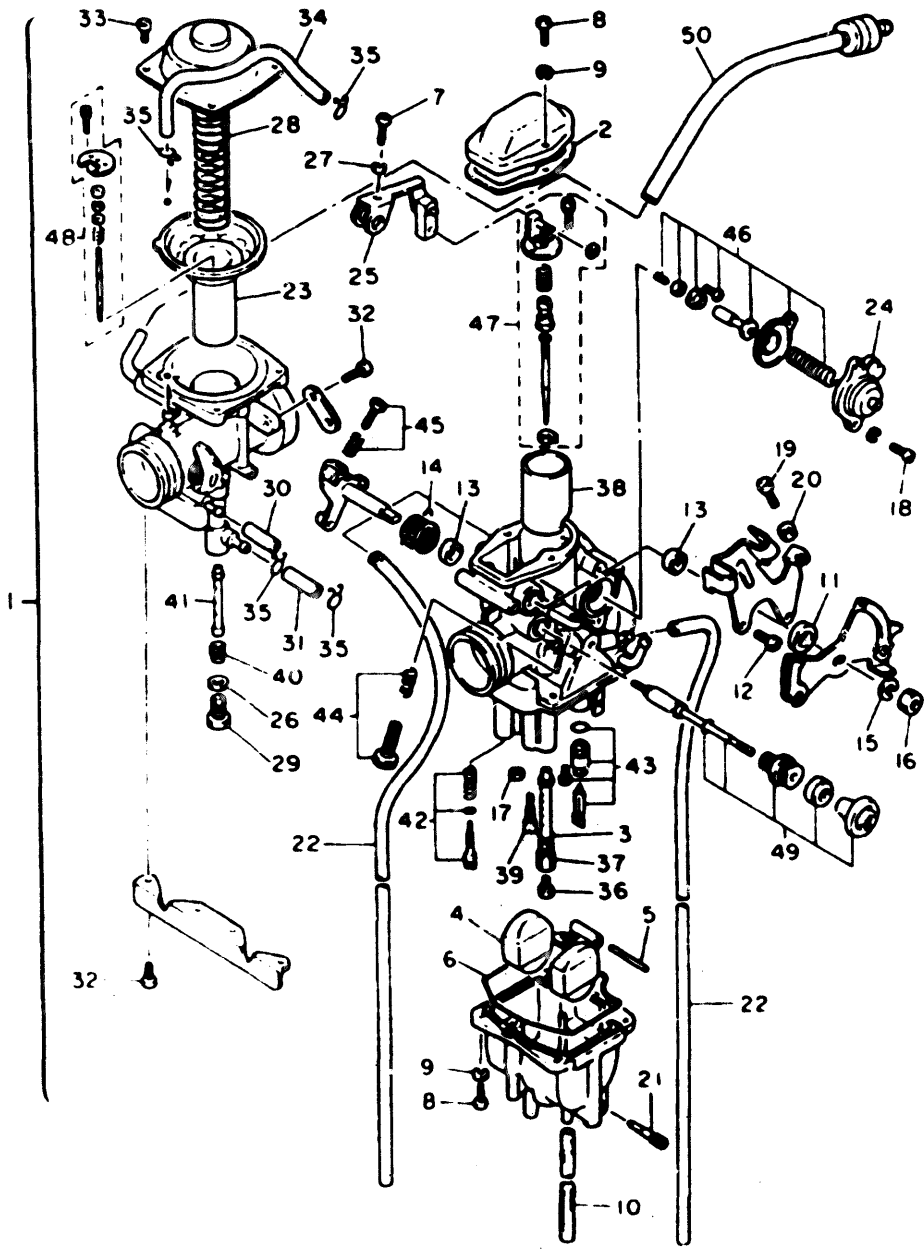


FIG. 8 CARBURETOR

REF. NO.	PART. NO.	DESCRIPTION	Q.TY.	REMARKS
36	288-14343-70	• JET, main (#140)	1	
36	288-14343-73	• JET, main (#145)	1	UR STD
36	288-14343-75	• JET, main (#150)	1	
37	2KF-14341-00	• NOZZLE, main	1	
38	1JK-14312-55	• VALVE, throttle 1	1	
39	43F-14342-24	• JET, pilot (#48)	1	
40	30X-14343-55	• JET, main (#110)	1	
41	2KF-14355-00	• NOZZLE, main 2	1	
42	51Y-14105-00	• PILOT SCREW SET	1	
43	2JN-14107-00	• NEEDLE VALVE SET	1	
44	3GV-1490K-00	• STOP SCREW SET	1	
45	2NX-14103-00	• THROTTLE SCREW SET	1	
46	1JK-1490A-00	• DIAPHRAGM SET,	1	
47	4GV-1490J-10	• NEEDLE SET	1	
48	4GV-1490J-00	• NEEDLE SET	1	
49	2KF-1410A-00	• STARTER SET	1	
50	3TD-14197-00	• PIPE	1	


3TB322-0080

B 11

FIG. 9 EXHAUST

REF. NO.	PART. NO.	DESCRIPTION	Q.TY.	REMARKS
1	4GV-E4611-00	PIPE, exhaust 1	1	*
2	3YF-14755-00	GSKT., silencer	1	
3	4GV-E4728-00	PROTECTOR, muffler 2	1	*
4	4GV-E4628-00	PROTECTOR, exhaust pipe	1	*
5	90164-06017	SCREW, tapping	2	
6	4BD-14766-00	WASHER	4	
7	90206-06090	WASHER, wave	2	
8	90179-06499	NUT	4	
9	3YF-14613-01	GSKT., ext. 1	2	
10	95711-08300-BL	NUT, nylon	1	*
11	4LW-E4711-00	MUFFL., 1	1	*
12	4GV-E4752-00	• PIPE, outlet	1	*
13	97316-06010	• BOLT, hex.	2	*
14	92900-06400	• WASHER, extl. toothed	2	*
15	4GV-F7114-00	STOPPER	2	*
16	90109-085E2	BOLT	1	
17	90109-085E3	BOLT	2	
18	90201-08326	WASHER, plain	3	
19	95026-08045	BOLT, flange	1	
20	98980-06010	SCREW, bind	2	
21	4BD-14766-00	WASHER	4	
22	90206-06090	WASHER, wave	2	
23	90204-08802	WASHER, sprg.	1	*

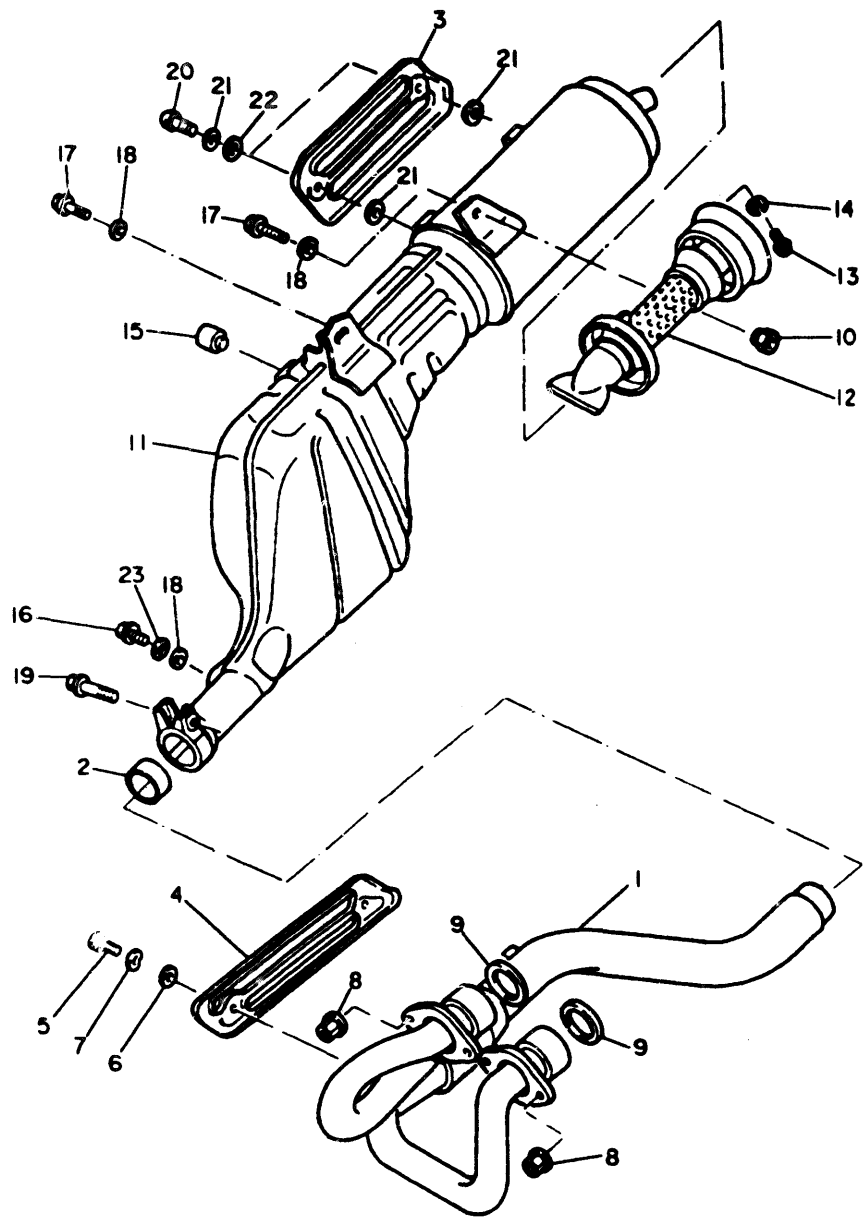
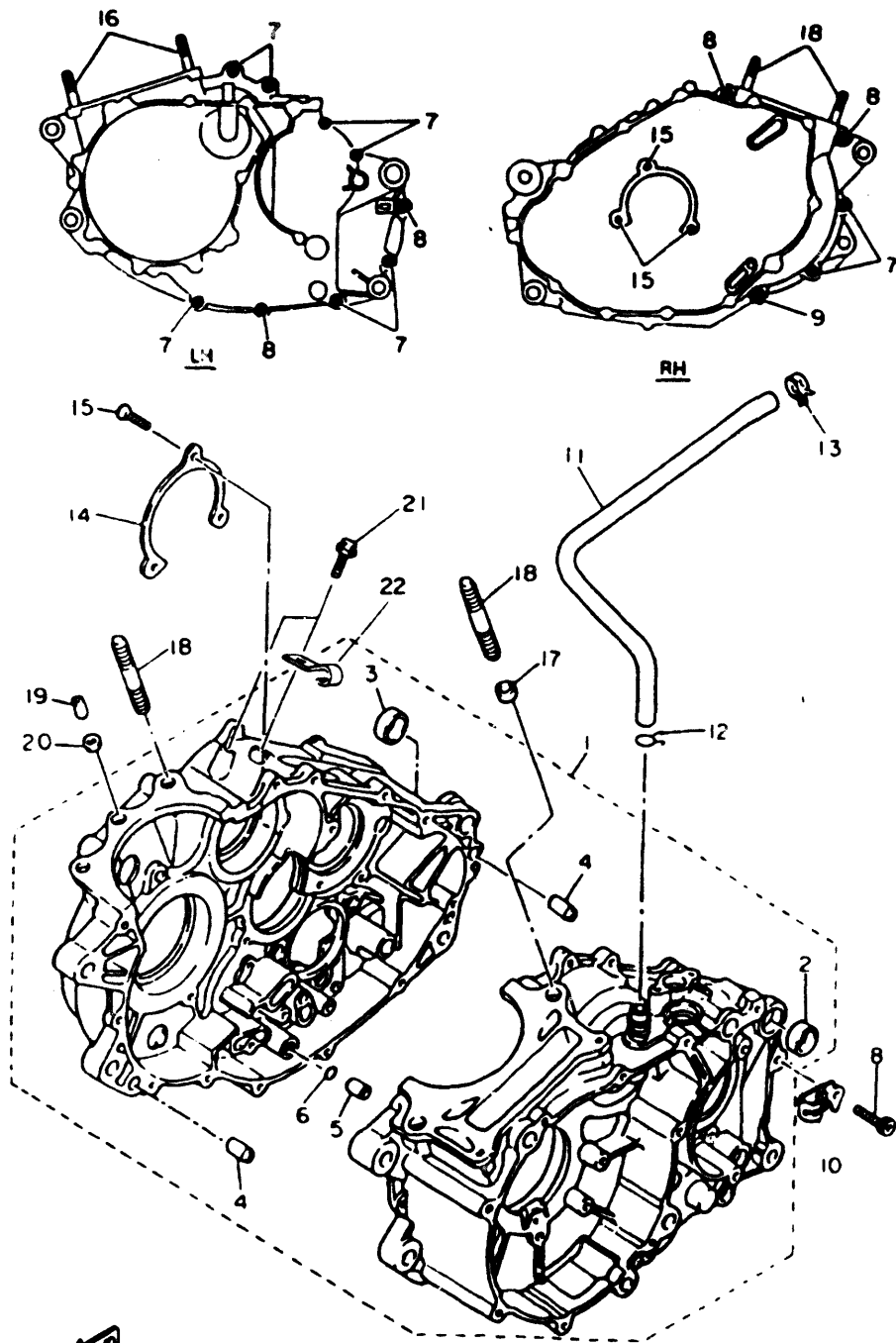
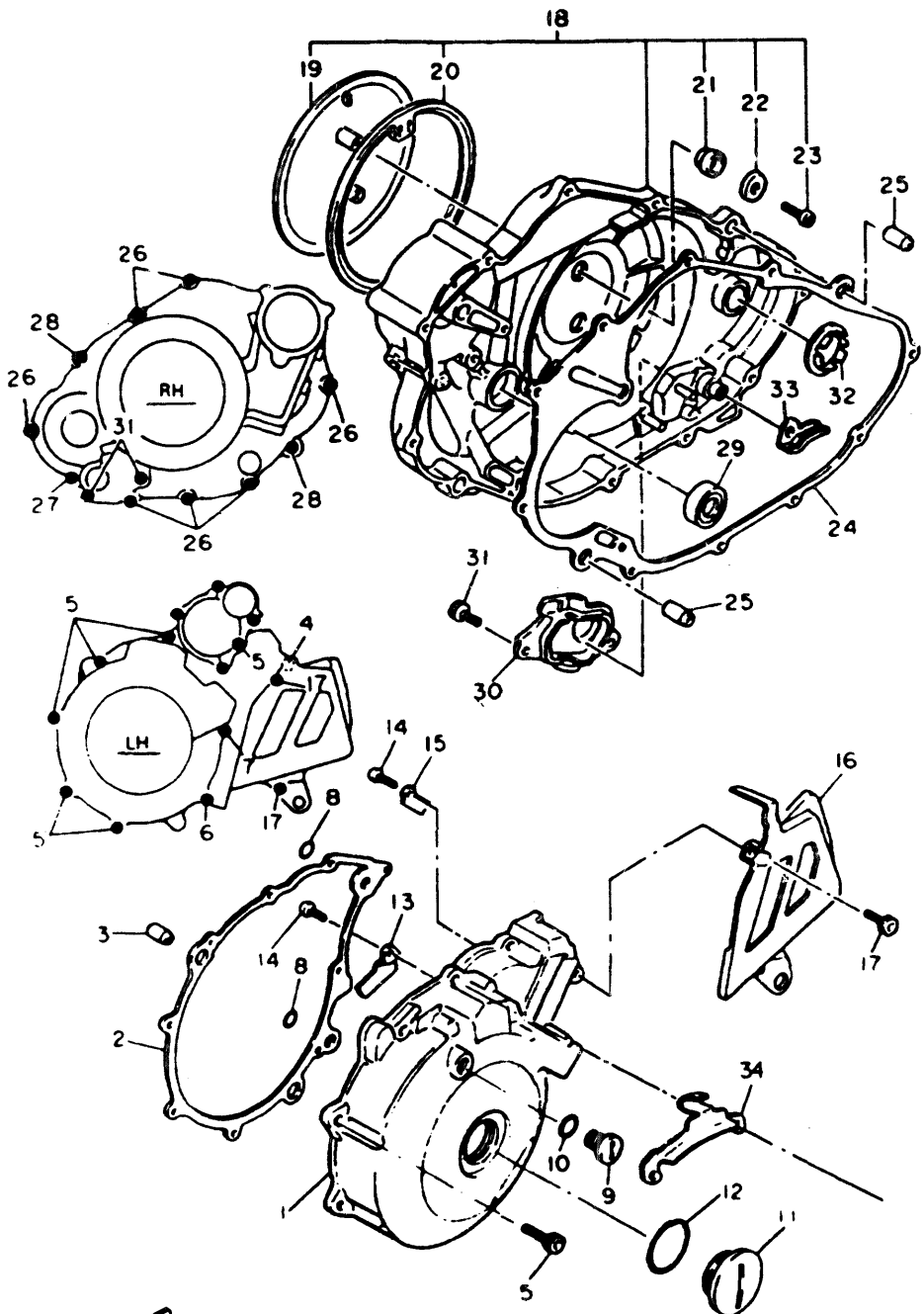


FIG. 10 CRANKCASE



REF. NO.	PART. NO.	DESCRIPTION	Q.TY.	REMARKS
1	3D6-15100-00	CRANKCASE ASSY	1	
2	90387-17783	• COLLAR	1	
3	90387-16782	• COLLAR	1	
4	99510-12016	• PIN, dowel	2	
5	99510-08016	• PIN, dowel	1	
6	93210-07135	• O-RING	1	
7	90110-06138	BOLT, hexagon socket head	9	
8	91316-06045	BOLT	4	
9	91316-06060	BOLT	1	
10	90465-08344	CLAMP	1	
11	34L-11166-00	PIPE, breather 1	1	
12	90467-14015	CLIP	1	
13	90467-17128	CLIP	1	
14	5Y1-15383-00	PLATE, bearing cover	1	
15	98701-06012	SCREW, flat head	3	
16	90116-10506	BOLT, stud	2	
17	99510-14016	PIN, dowel	2	
18	90116-10263	BOLT, stud	2	
19	99510-08016	PIN, dowel	1	
20	90430-08178	GASKET	1	
21	95811-06010	BOLT, flange	2	
22	3SH-F6394-00	HOLDER, WIRE	1	

FIG. 11 CRANKCASE COVER 1



REF. NO.	PART. NO.	DESCRIPTION	Q.TY.	REMARKS
1	4GV-E5411-00	COVER, crankcase 1	1	CIRCUIT SILVER
2	4DW-15451-00	GASKET, crankcase cover 1	1	
3	99510-12016	PIN, dowel	2	
4	91316-06035	BOLT	1	
5	91316-06025	BOLT	6	
6	91316-06050	BOLT	1	
7	91316-06050	BOLT	1	
8	93210-13361	O-RING	2	
9	90340-14120	PLUG, straight screw	1	CIRCUIT SILVER
10	93210-13657	O-RING	1	
11	90340-36121	PLUG, straight screw	1	CIRCUIT SILVER
12	93210-36510	O-RING	1	
13	90465-16301	CLAMP	1	
14	98511-06012	SCREW, pan head	2	
15	90462-16102	CLAMP	1	
16	3AJ-15421-00	COVER, crankcase, 2	1	CIRCUIT SILVER
17	91316-06016	BOLT	2	
18	3DS-15430-00	CRANKCASE COVER ASSY 3	1	CIRCUIT SILVER
19	2WK-15418-01	• COVER, chain case	1	
20	1JK-15449-00	• RING, rubber	1	
21	1JK-15486-00	• GROMMET	2	
22	90209-05279	• WASHER	2	
23	98580-05010	• SCREW, pan head	2	
24	4DW-15462-00	GASKET, crankcase cover 3	1	
25	99510-12016	PIN, dowel	2	
26	91316-06025	BOLT	7	
27	99110-06138	BOLT, hexagon socket head	1	
28	91316-06035	BOLT	2	
29	93101-14092	OIL SEAL (S7-14-25-5.5-1-HS)	1	
30	2WK-15417-00	COVER, cap	1	
31	91316-06016	BOLT	2	
32	5Y1-15645-00	SHIM, kick shaft	1	
33	5Y1-1562F-01	PLATE, decomp	1	
34	4GV-E5441-00	HOLDER, clutch hub	1	

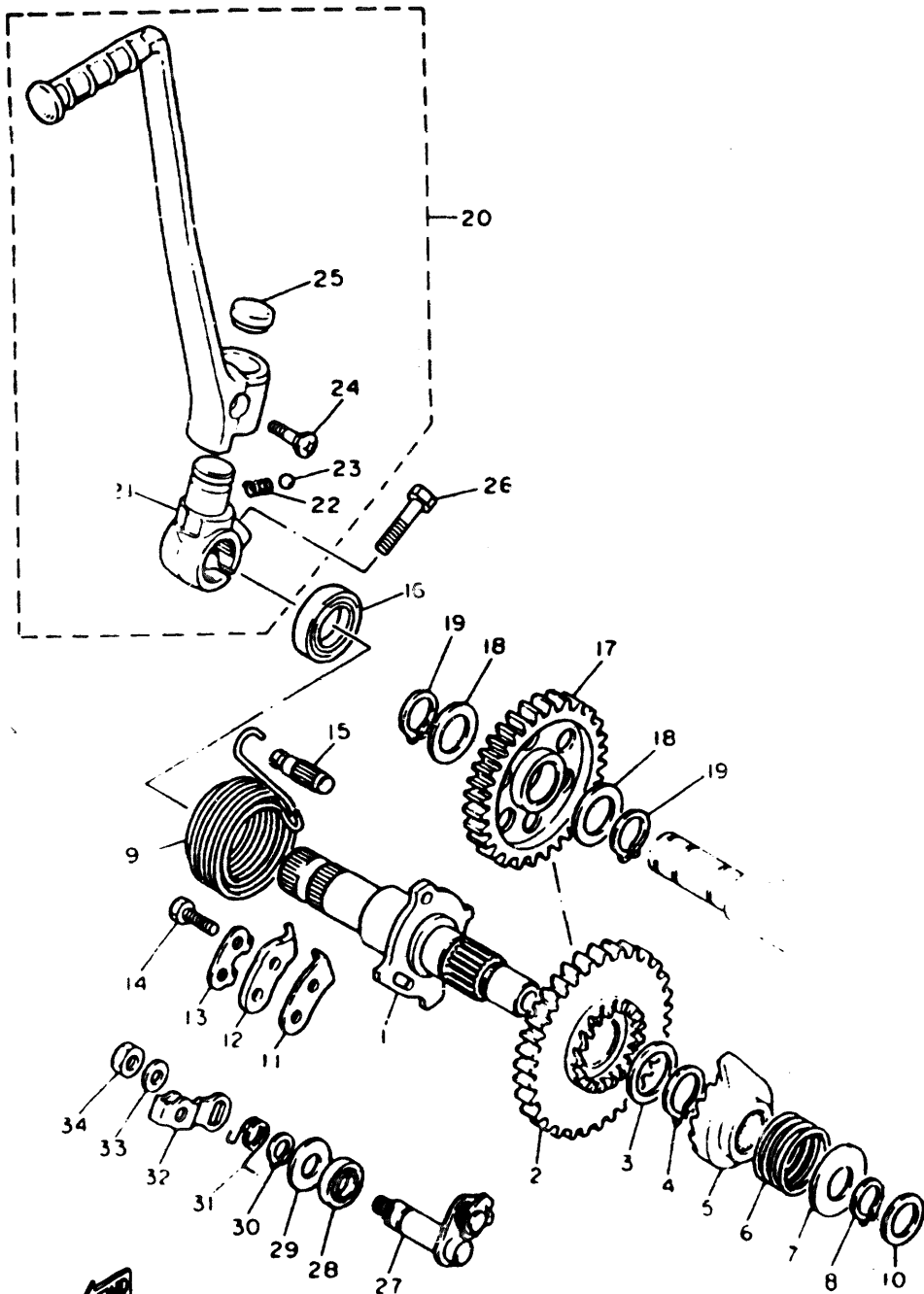


FIG. 12 STARTER

REF. NO.	PART. NO.	DESCRIPTION	Q.TY.	REMARKS
1	5Y1-15660-01	KICK AXLE ASSY	1	
2	34K-15641-00	GEAR, kick (35T)	1	
3	90201-20685	WASHER, plate (0.5T)	1	
4	93410-20038	CIRCLIP	1	
5	5Y1-15671-01	WHEEL, ratchet	1	
6	90501-16107	SPRING, compression	1	
7	90201-155K6	WASHER, plate	1	
8	99009-15400	CIRCLIP	1	
9	90508-32529	SPRING, torsion	1	
10	90201-15701	WASHER, plate (1.0T)	1	
11	2NX-15668-00	STOPPER	1	
12	2NX-15674-00	GUIDE, ratchet wheel	1	
13	214-15686-00	WASHER, lock	1	
14	97011-06016	BOLT	2	
15	248-15668-00	STOPPER	1	
16	93102-20108	OIL SEAL	1	
17	5Y1-15651-01	GEAR, kick idle	1	
18	90201-20276	WASHER, plate (1.0T)	2	
19	99009-20400	CIRCLIP	2	
20	5Y1-15620-02	KICK CRANK ASSY	1	
21	5Y1-15621-01	• BOSS, kick crank	1	
22	90501-12081	• SPRING, compression	1	
23	93507-32031	• BALL	1	
24	90152-06010	• SCREW, countersunk	1	
25	90336-18038	• PLUG, taper	1	
26	97011-08030	BOLT	1	
27	3Y1-1561A-02	DECOMP. LEVER ASSY	1	
28	93102-10207	OIL SEAL (SD 10-21-5 HS)	1	
29	90201-105J4	WASHER, plate	1	
30	99009-10400	CIRCLIP	1	
31	90508-14524	SPRING, torsion	1	
32	5Y1-1561G-00	LEVER, cable	1	
33	92901-06600	WASHER, plate	1	
34	95311-06700	NUT	1	

FWD
2KF300-7120

B 15

CONTENTS

GENERAL SPEC.

ENGINE

Fig. 1	CYLINDER HEAD.....	1
Fig. 2	CYLINDER.....	2
Fig. 3	CRANKSHAFT . PISTON.....	3
Fig. 4	VALVE	4
Fig. 5	CAMSHAFT . CHAIN.....	5
Fig. 6	OIL PUMP.....	6
Fig. 7	INTAKE	7
Fig. 8	CARBURETOR.....	9
Fig. 9	EXHAUST.....	11
Fig. 10	CRANKCASE	12
Fig. 11	CRANKCASE COVER 1	13
Fig. 12	STARTER	14
Fig. 13	CLUTCH	15
Fig. 14	TRANSMISSION.....	16
Fig. 15	SHIFT CAM. FORK.....	17
Fig. 16	SHIFT SHAFT.....	18

CHASSIS

Fig. 17	FRAME	19
Fig. 18	FENDER	21
Fig. 19	SIDE COVER/OIL TANK	22
Fig. 20	REAR ARM.....	23
Fig. 21	REAR SUSPENSION	25
Fig. 22	STEERING.....	26
Fig. 23	FRONT FORK	27
Fig. 24	FUEL TANK	29
Fig. 25	SEAT.....	30
Fig. 26	FRONT WHEEL.....	31
Fig. 27	FRONT BRAKE CALIPER.....	32
Fig. 28	REAR WHEEL.....	33
Fig. 29	REAR BRAKE CALIPER	34
Fig. 30	STEERING HANDLE, CABLE.....	35
Fig. 31	FRONT MASTER CYLINDER.....	36
Fig. 32	STAND/FOOTREST	37
Fig. 33	REAR MASTER CYLINDER	38
Fig. 34	EMBLEMS	39
Fig. 35	GENERATOR	40
Fig. 36	FLASHER LIGHT.....	41
Fig. 37	METER	42
Fig. 38	HEADLIGHT	43
Fig. 39	TAILLIGHT.....	44
Fig. 40	HANDLE SWITCH, LEVER.....	45
Fig. 41	ELECTRICAL 1.....	46
Fig. 42	ELECTRICAL 2.....	47

INDEX (GENERAL SPEC.)

NUMERICAL INDEX

INDIVIDUAL SPEC.

Fig. 43	FRAME	48
Fig. 44	FENDER	49
Fig. 45	FRONT WHEEL.....	50
Fig. 46	REAR WHEEL	51
Fig. 47	FLASHER LIGHT.....	52
Fig. 48	HEADLIGHT	53
Fig. 49	ELECTRICAL 1.....	54
Fig. 50	ELECTRICAL 2.....	55

INDEX (INDIVIDUAL SPEC.)

NUMERICAL INDEX

CONTENTS

GENERAL SPEC.

ENGINE

Fig. 1	CYLINDER HEAD.....	1
Fig. 2	CYLINDER.....	2
Fig. 3	CRANKSHAFT . PISTON.....	3
Fig. 4	VALVE.....	4
Fig. 5	CAMSHAFT . CHAIN.....	5
Fig. 6	OIL PUMP.....	6
Fig. 7	INTAKE.....	7
Fig. 8	CARBURETOR.....	9
Fig. 9	EXHAUST.....	11
Fig. 10	CRANKASE.....	12
Fig. 11	CRANKCASE COVER 1.....	13
Fig. 12	STARTER.....	14
Fig. 13	CLUTCH.....	15
Fig. 14	TRANSMISSION.....	16
Fig. 15	SHIFT CAM. FORK.....	17
Fig. 16	SHIFT SHAFT.....	18

CHASSIS

Fig. 17	FRAME.....	19
Fig. 18	FENDER.....	21
Fig. 19	SIDE COVER/OIL TANK.....	22
Fig. 20	REAR ARM.....	23
Fig. 21	REAR SUSPENSION.....	25
Fig. 22	STEERING.....	26
Fig. 23	FRONT FORK.....	27
Fig. 24	FUEL TANK.....	29
Fig. 25	SEAT.....	30
Fig. 26	FRONT WHEEL.....	31
Fig. 27	FRONT BRAKE CALIPER.....	32
Fig. 28	REAR WHEEL.....	33
Fig. 29	REAR BRAKE CALIPER.....	34
Fig. 30	STEERING HANDLE, CABLE.....	35
Fig. 31	FRONT MASTER CYLINDER.....	36
Fig. 32	STAND/FOOTREST.....	37
Fig. 33	REAR MASTER CYLINDER.....	38
Fig. 34	EMBLEMS.....	39
Fig. 35	GENERATOR.....	40
Fig. 36	FLASHER LIGHT.....	41
Fig. 37	METER.....	42
Fig. 38	HEADLIGHT.....	43
Fig. 39	TAILLIGHT.....	44
Fig. 40	HANDLE SWITCH, LEVER.....	45
Fig. 41	ELECTRICAL 1.....	46
Fig. 42	ELECTRICAL 2.....	47

INDEX (GENERAL SPEC.)

NUMERICAL INDEX

INDIVIDUAL SPEC.

Fig. 43	FRAME.....	48
Fig. 44	FENDER.....	49
Fig. 45	FRONT WHEEL.....	50
Fig. 46	REAR WHEEL.....	51
Fig. 47	FLASHER LIGHT.....	52
Fig. 48	HEADLIGHT.....	53
Fig. 49	ELECTRICAL 1.....	54
Fig. 50	ELECTRICAL 2.....	55

INDEX (INDIVIDUAL SPEC.)

NUMERICAL INDEX

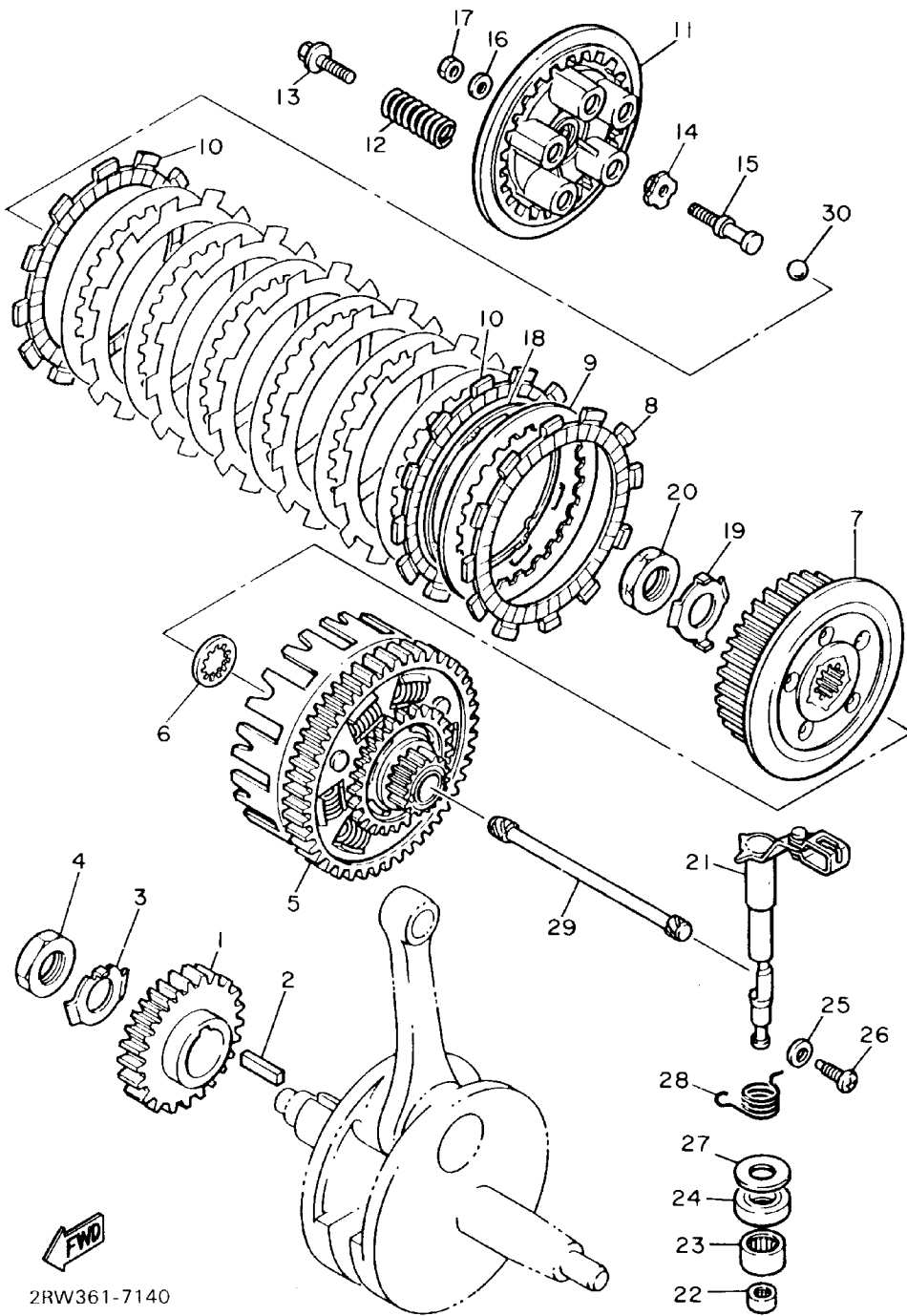
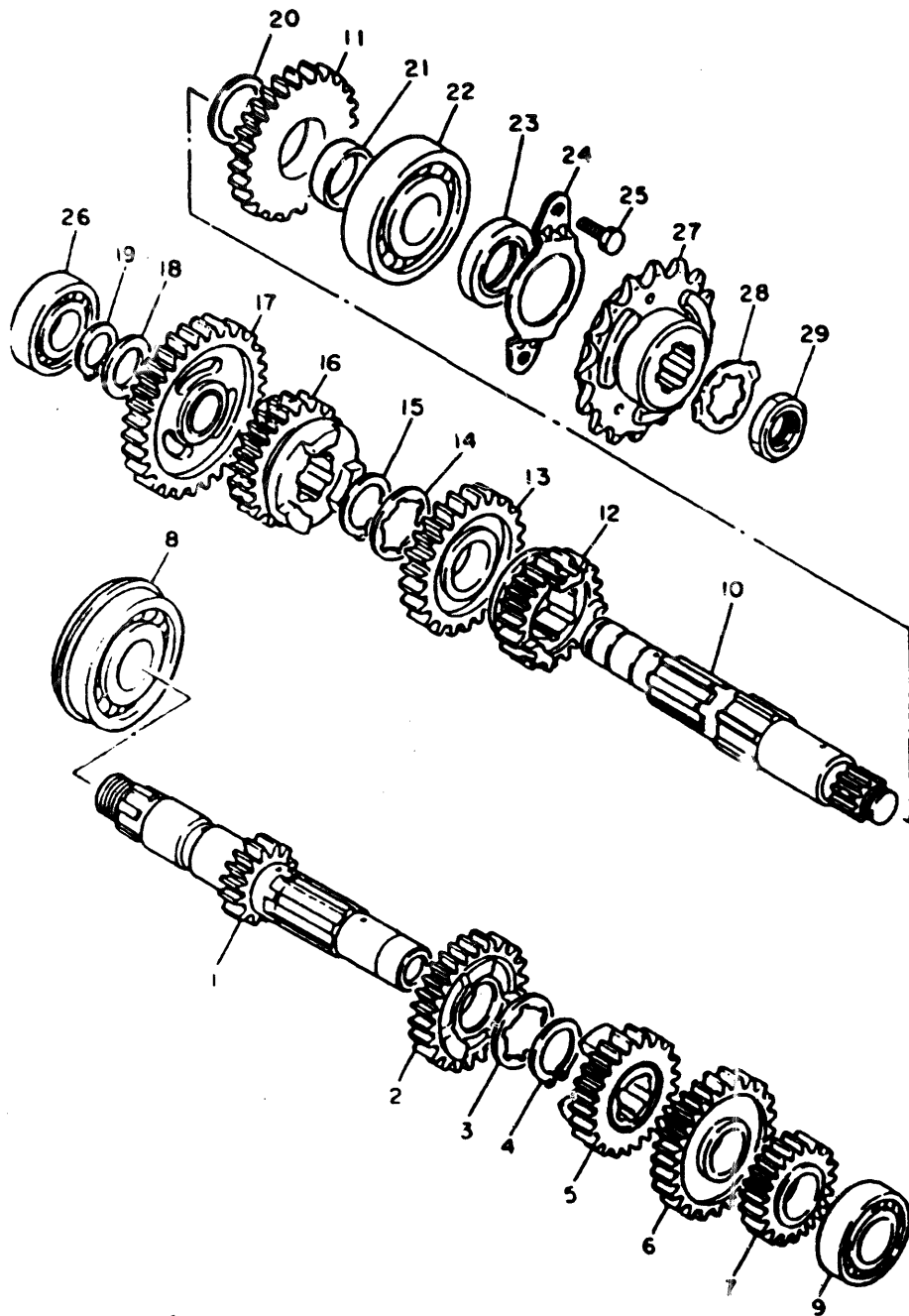


FIG. 13 CLUTCH

REF. NO.	PART. NO.	DESCRIPTION	Q.TY.	REMARKS
1	34K-16111-00	GEAR, primary drive (31T)	1	
2	90282-07042	KEY, straight	1	
3	90215-20197	WASHER, lock	1	
4	90170-20274	NUT	1	
5	1JK-16150-00	PRIMARY DRIVEN GEAR COMP. (74T)	1	
6	2JN-16154-00	PLATE, thrust 1	1	
7	2JN-16371-00	BOSS, clutch	1	
8	5Y1-16321-00	PLATE, friction	6	
9	360-16325-00	PLATE, clutch 2	7	
10	5Y1-16331-01	PLATE, friction 2	2	
11	5Y1-16351-00	PLATE, pressure 1	1	
12	90501-26148	SPRING, compression	5	
13	36159-06016	SCREW, with washer	5	
14	30X-16358-00	PLATE, push	1	
15	34K-16356-00	ROD, push 1	1	
16	92901-06200	WASHER, plain	1	
17	95601-06200	NUT	1	
18	5Y1-16383-00	SPRING, clutch boss	1	
19	90215-20231	WASHER, lock	1	
20	90170-20327	NUT	1	
21	4GV-16380-00	PUSH LEVER ASSY	1	
22	93317-11020	BEARING, cylindrical	1	
23	93315-11720	BEARING, cylindrical	1	
24	93102-17357	OIL SEAL	1	
25	90201-08087	WASHER, plate	1	
26	90149-08067	SCREW	1	
27	90201-17327	WASHER, plate	1	
28	90508-144A3	SPRING, torsion	1	
29	5Y1-16357-00	ROD, push 2	1	
30	93515-32029	BALL	1	

2RW361-7140

FIG. 14 TRANSMISSION



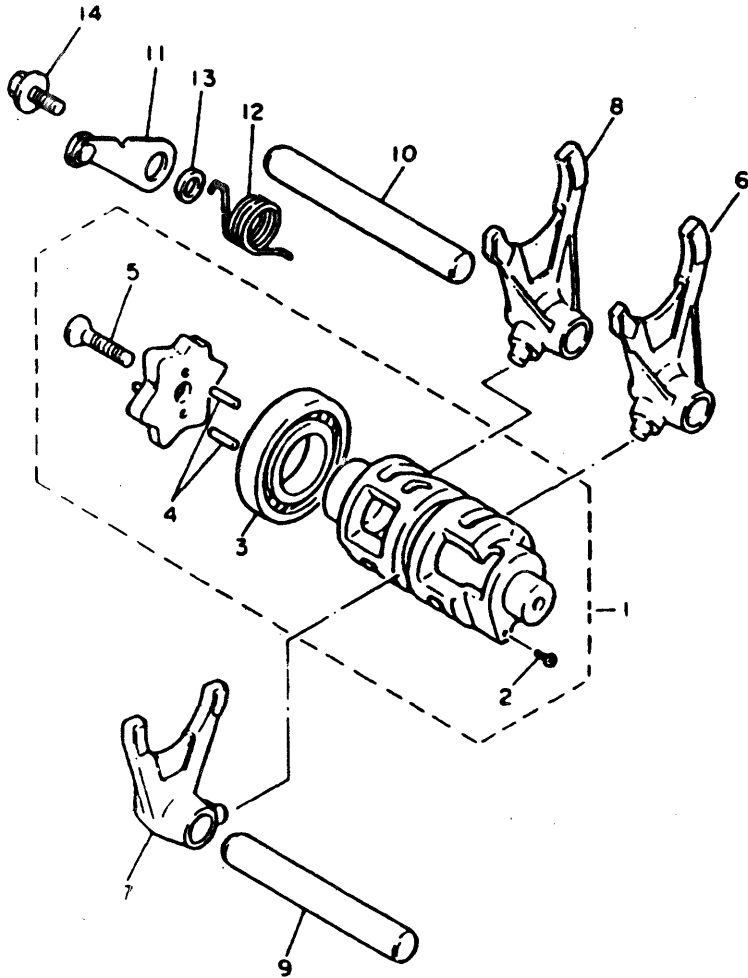
REF. NO.	PART. NO.	DESCRIPTION	Q.TY.	REMARKS
1	2RW-17411-00	AXLE, main (12T)	1	
2	34K-17141-00	GEAR, 4th pinion (22T)	1	
3	90209-22191	WASHER	1	
4	93440-25084	CIRCLIP	1	
5	1VJ-17131-00	GEAR, 3rd pinion (20T)	1	
6	3YP-17151-01	GEAR, 5th pinion (24T)	1	
7	34K-17121-01	GEAR, 2nd pinion (17T)	1	
8	93306-30540	BEARING (6305NRX1C3)	1	
9	93306-00431	BEARING	1	
10	3YP-17402-00	DRIVE AXLE ASSY (22T)	1	
11	3YP-17221-00	GEAR, 2nd wheel (27T)	1	
12	3YP-17251-01	GEAR, 5th wheel (19T)	1	
13	1VJ-17231-00	GEAR, 3rd wheel (24T)	1	
14	90209-22191	WASHER	1	
15	93440-25084	CIRCLIP	1	
16	3AJ-17241-00	GEAR, 4th wheel (21T)	1	
17	3AJ-17211-00	GEAR, 1st wheel (31T)	1	
18	90201-20276	WASHER, plate (1.0T)	1	
19	99009-20400	CIRCLIP	1	
20	90201-275P2	WASHER, plate	1	
21	0560-25376	SPACER	1	
22	93306-30535	BEARING	1	
23	93102-25226	OIL SEAL	1	
24	5Y1-17471-00	PLATE, cover	1	
25	97021-06014	BOLT	2	
26	93306-00426	BEARING	1	
27	2NX-17460-01	SPROCKET, drive (15T)	1	
28	90215-23265	WASHER, lock	1	
29	90179-18552	NUT	1	

3YP351-1140

C3

FIG. 15 SHIFT CAM.FORK

REF. NO.	PART. NO.	DESCRIPTION	Q.TY.	REMARKS
1	3YF-18540-00	SHIFT CAM ASSY	1	
2	136-18542-00	• POINT, neutral	1	
3	93316-00501	• BEARING, cylindrical	1	
4	93604-10011	• PIN, dowel	2	
5	90151-06017	• SCREW, countersunk	1	
6	5Y1-18511-00	FORK, shift 1	1	
7	5Y1-18512-00	FORK, shift 2	1	
8	5Y1-18513-00	FORK, shift 3	1	
9	3YF-18531-00	BAR, shift fork guide 1	1	
10	3XV-18535-00	BAR, shift fork guide 2	1	
11	34K-18140-00	STOPPER LEVER ASSY	1	
12	90508-26691	SPRING, torsion	1	
13	90387-063F7	COLLAR	1	
14	90159-06078	SCREW, with washer	1	



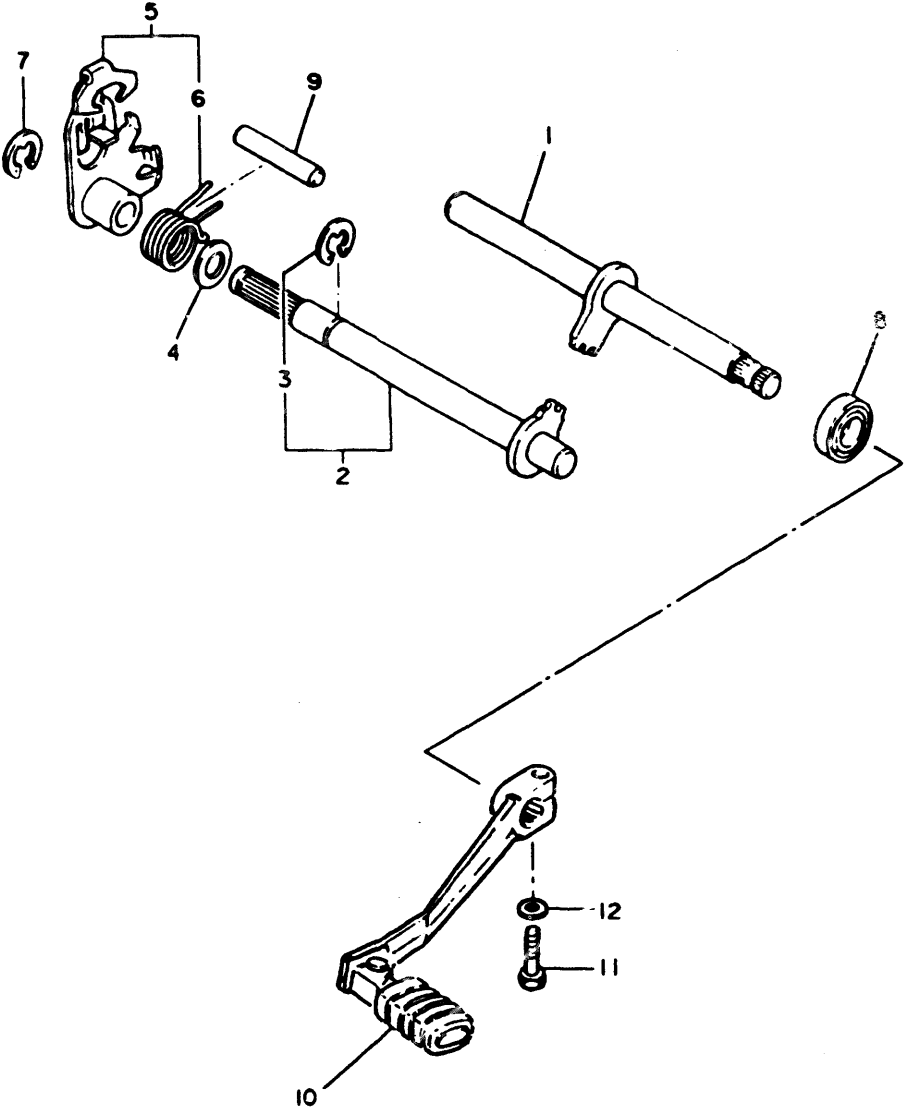
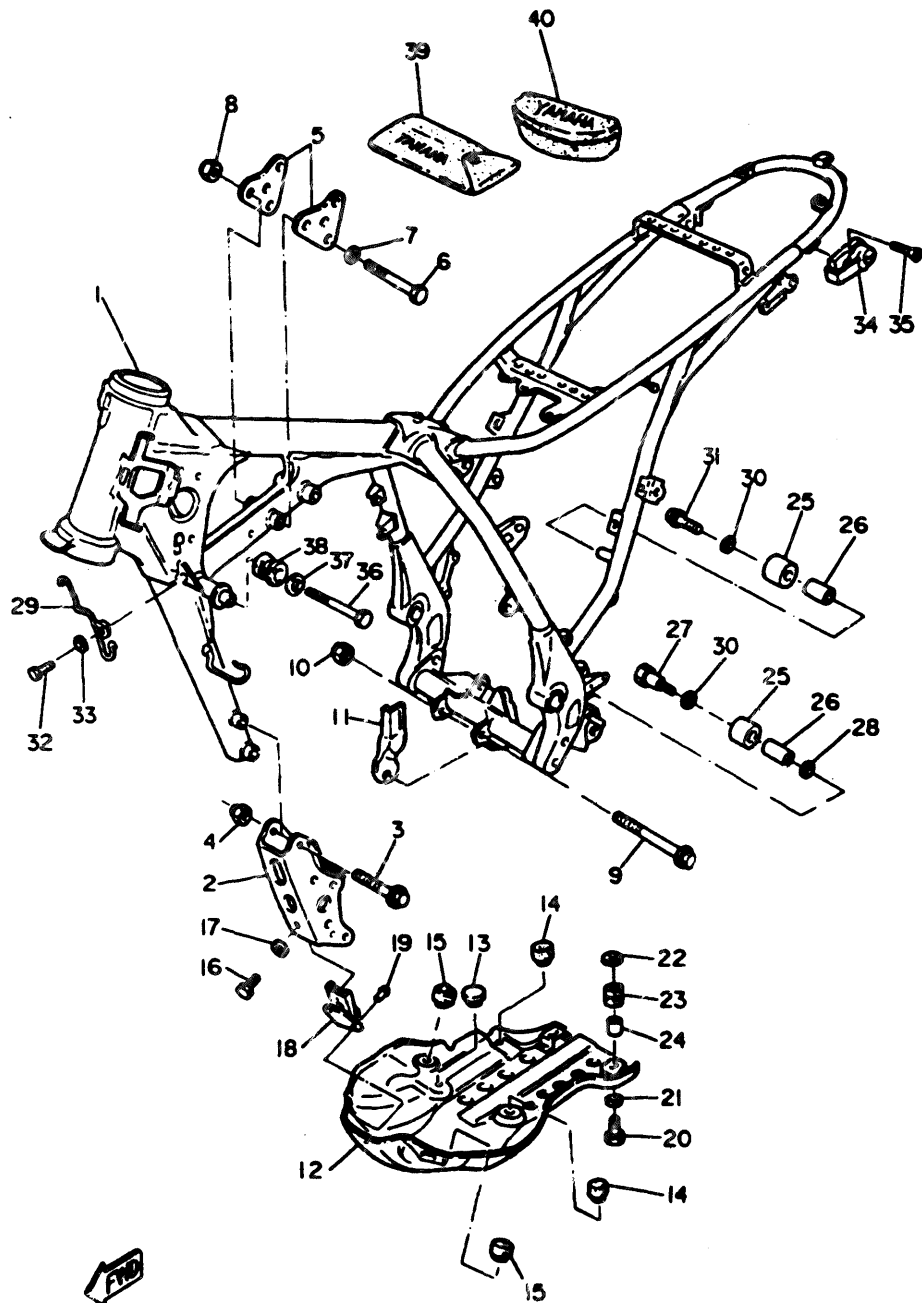


FIG. 16 SHIFT SHAFT

REF. NO.	PART. NO.	DESCRIPTION	Q.TY.	REMARKS
1	43F-18102-02	SHIFT SHAFT ASSY 2	1	
2	5Y1-18101-02	SHIFT SHAFT ASSY	1	
3	99006-10600	• CIRCLIP	1	
4	90201-12474	WASHER, plate	1	
5	34K-18120-00	SHIFT LEVER ASSY	1	
6	90508-29629	• SPRING, torsion	1	
7	99001-09600	CIRCLIP	1	
8	93102-12321	SEAL	1	
9	93608-33046	PIN, dowel	1	
10	4GV-E8110-01	SHIFT PEDAL ASSY	1	*
11	97386-06025-BL	BOLT	1	*
12	92906-06600-BL	WASHER, plain	1	*

FIG. 17 FRAME



REF. NO.	PART. NO.	DESCRIPTION	Q.TY.	REMARKS
1	4GV-F1110-00-UJ	FRAME COMPL.	1	RADICAL WHITE
2	4GV-F1316-00-UJ	STAY, E/G 3	1	RADICAL WHITE
3	90105-10286	BOLT, washer based	4	
4	90185-10060	NUT, self-lock	4	
5	4GV-F1315-00	STAY, E/G 2	2	
6	97011-10080	BOLT	3	
7	90201-10100	WASHER, spring	3	
8	90185-10060	NUT, self lock.	3	
9	95811-10110	BOLT, FLG.	1	
10	90185-10060	NUT, self lock.	1	
11	4GV-F176E-00	PLATE	1	
12	4GV-F1471-00	PROTECTOR, E/G	1	
13	2J5-21732-00	SEAL 1	1	
14	4N0-27114-00	STOPPER, main stand	2	
15	34L-21485-00	DAMPER, rubber	2	
16	97016-08016	BOLT	1	
17	92906-08100	WASHER, spring	1	
18	34L-21486-00	DAMPER.2	1	
19	90267-48079	RIVET, blind	2	
20	97011-06025	BOLT	2	
21	92906-06100	WASHER, spring	2	
22	90201-06067	WASHER, plate	2	
23	90480-14229	GROMMET	2	
24	90387-060A7	COLLAR	2	
25	30X-22178-00	TENSIONER	2	
26	4V4-22184-00	BUSH	2	
27	90109-08705	BOLT	1	
28	90201-13202	WASHER, plate	1	
29	4GV-F1161-00	HOLDER, wire	1	
30	90201-08753	WASHER, plate	2	
31	95811-08016	BOLT, flange	1	
32	91316-06012	BOLT, hex. socket head	1	
33	92906-06800	WASHER, plain	1	
34	55E-21308-00	HELMET, hanger	1	
35	90151-06025	SCREW, cross recessed	1	

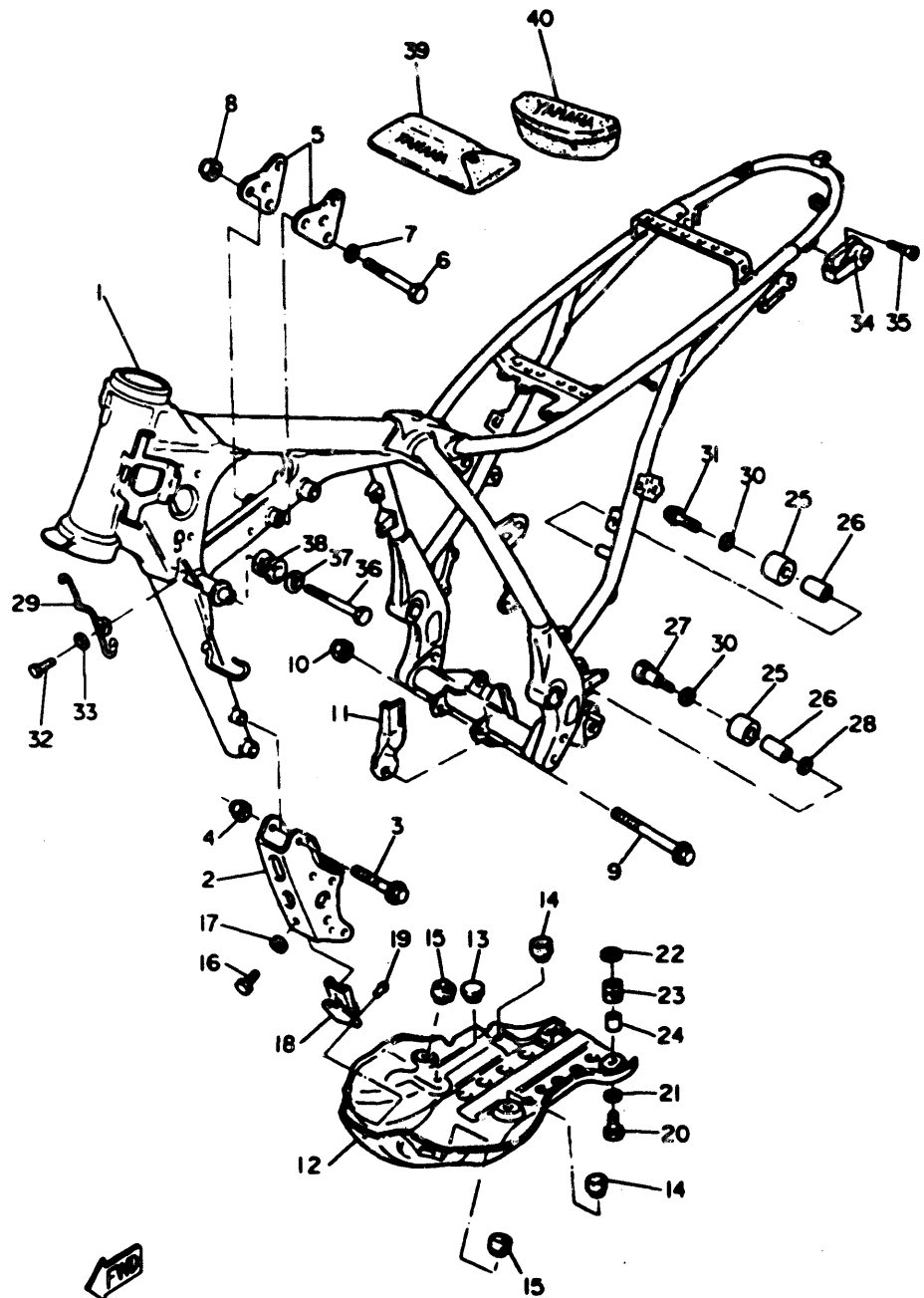


FIG. 17 FRAME

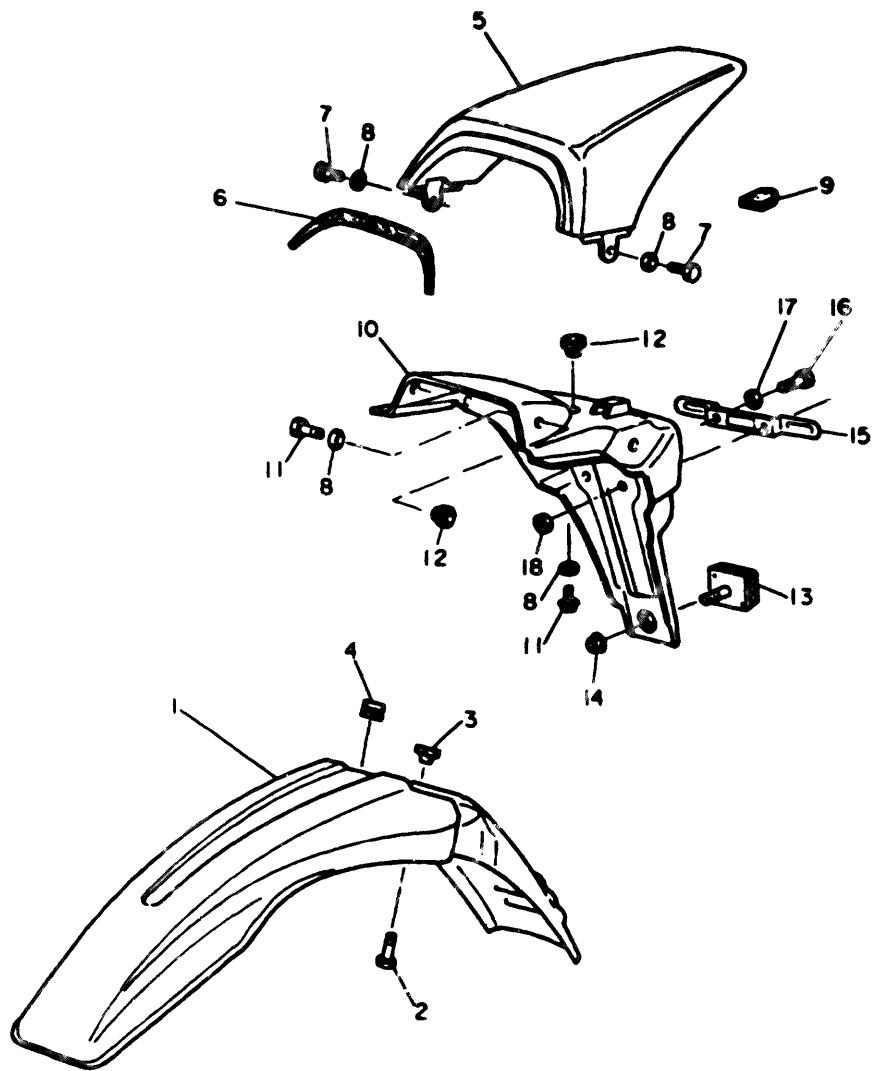
REF. NO.	PART. NO.	DESCRIPTION	Q.TY.	REMARKS
36	97382-08020-BL	BOLT, hex.	2	•
37	92901-08200-BL	WASHER, plain	2	•
38	3SH-F4181-00	GROMMET	2	•
39	4GV-F8100-00	TOOL, kit	1	•
40	4GV-F811E-00	BAG, tool	1	•



4GV1354-3170

C7

FIG. 18 FENDER



REF. NO.	PART. NO.	DESCRIPTION	Q.TY.	REMARKS
1	4GV-F1511-00	FR. FENDER	1	UR. PURPLISH WHITE SOLID 1
2	90119-06097	BOLT, hex. w/washer	4	
3	90387-052V8	COLLAR	4	
4	90480-12845	GROMMET	1	FROM FRAME NUMBER.....
4	90480-17844	GROMMET	1	
5	4GV-F1611-00	RR. FENDER	1	UR. PURPLISH WHITE SOLID 1
6	4GV-F1639-00	DAMPER	1	
7	97311-06014	BOLT, hex.	2	
8	92902-06200-BL	WASHER, plain	6	
9	90480-16185	GROMMET	1	
10	4GV-F1685-00	BRKT., licence	1	
11	97311-06016	BOLT, hex.	4	
12	90387-062M9	COLLAR	4	
13	4GV-H5130-00	RR. REFLECT. ASSY	1	
14	90185-06830	NUT, fig.	1	
15	3SH-H4551-00	BRKT., licence	1	
16	97316-06014	BOLT, hex.	2	
17	92906-06600	WASHER, plain	2	
18	95712-06300	NUT, nylon	2	

Note: ■ COLORED-ROUGH MATERIAL

FIG. 19 SIDE COVER / OIL TANK

REF. NO.	PART. NO.	DESCRIPTION	Q.TY.	REMARKS
1	4GV-F1711-00	COVER, side 1 LH.	1	UR. PURPLISH WHITE SOLID 1
2	90480-01141-BL	GROMMET	2	
3	90480-13398	GROMMET	2	
4	4GV-F174A-C0	INSULATOR	1	
5	90480-01141-BL	GROMMET	1	
6	4GV-F1721-00	COVER, side 2 RH.	1	UR. PURPLISH WHITE SOLID 1
7	4GV-F1731-00	COVER, side 3 LH.	1	UR. PURPLISH WHITE SOLID 1
8	90387-068G9	COLLAR	4	
9	90110-06015-BL	BOLT, hex. socket head	4	
10	4GV-F1741-00	COVER side, 4 RH.	1	UR. PURPLISH WHITE SOLID 1
11	90467-10008	CLIP	2	
12	90445-11748	HOSE	1	
13	90430-27124	GASKET	1	
14	34K-21771-00	BODY, cap	1	
15	95811-08012	BOLT, fig.	2	
16	95701-08500	NUT, fig.	1	
17	90387-088H0	COLLAR	1	
18	4GV-F1751-00-98	TANK, oil	1	UR. LOW GLOSS BLACK
19	90202-05187	WASHER	2	
20	4GV-F175N-00	COVER	1	
21	98506-06010	SCREW, pan head (*)	2	
22	90101-08859	ROLL	1	
23	90201-08087	WASHER, plain	1	
24	92906-08200	WASHER, plain	1	

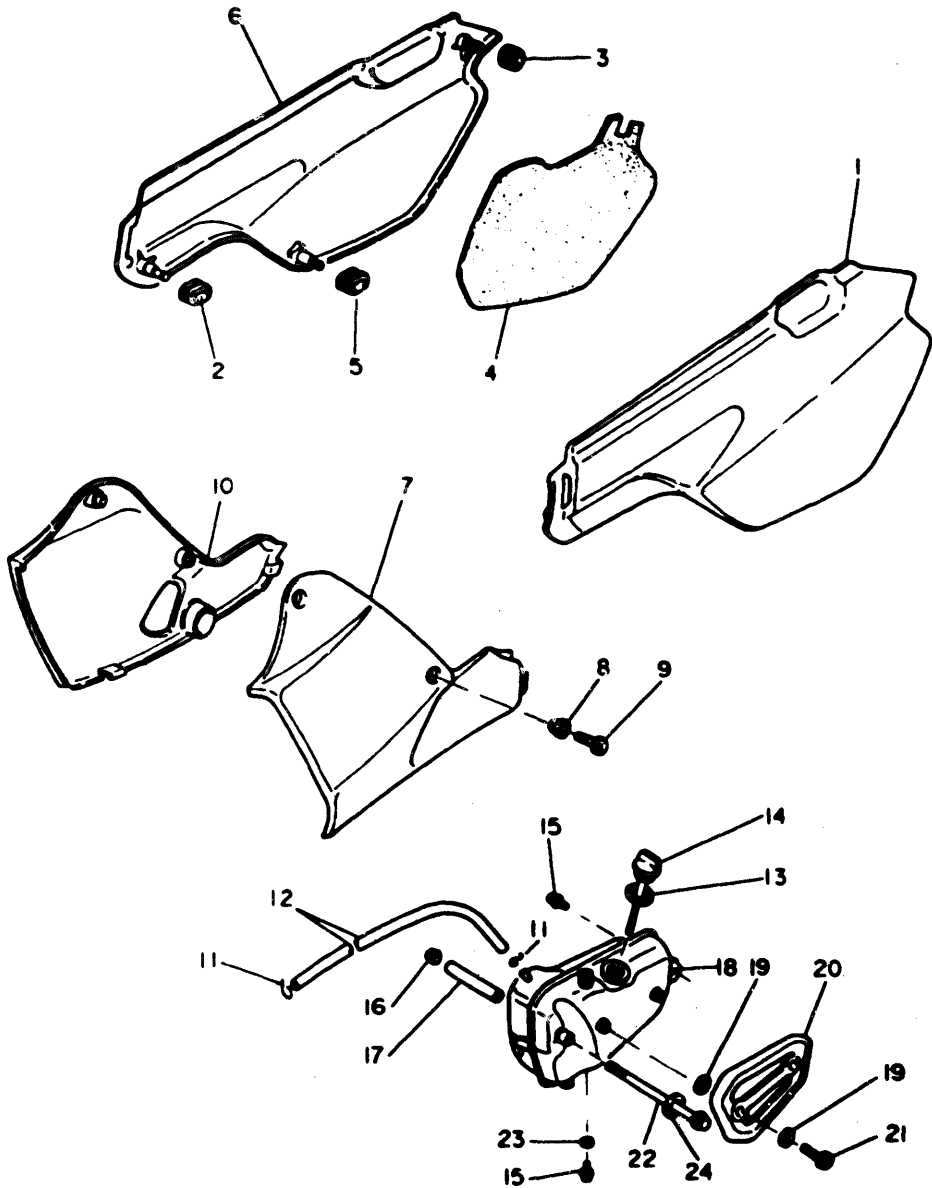
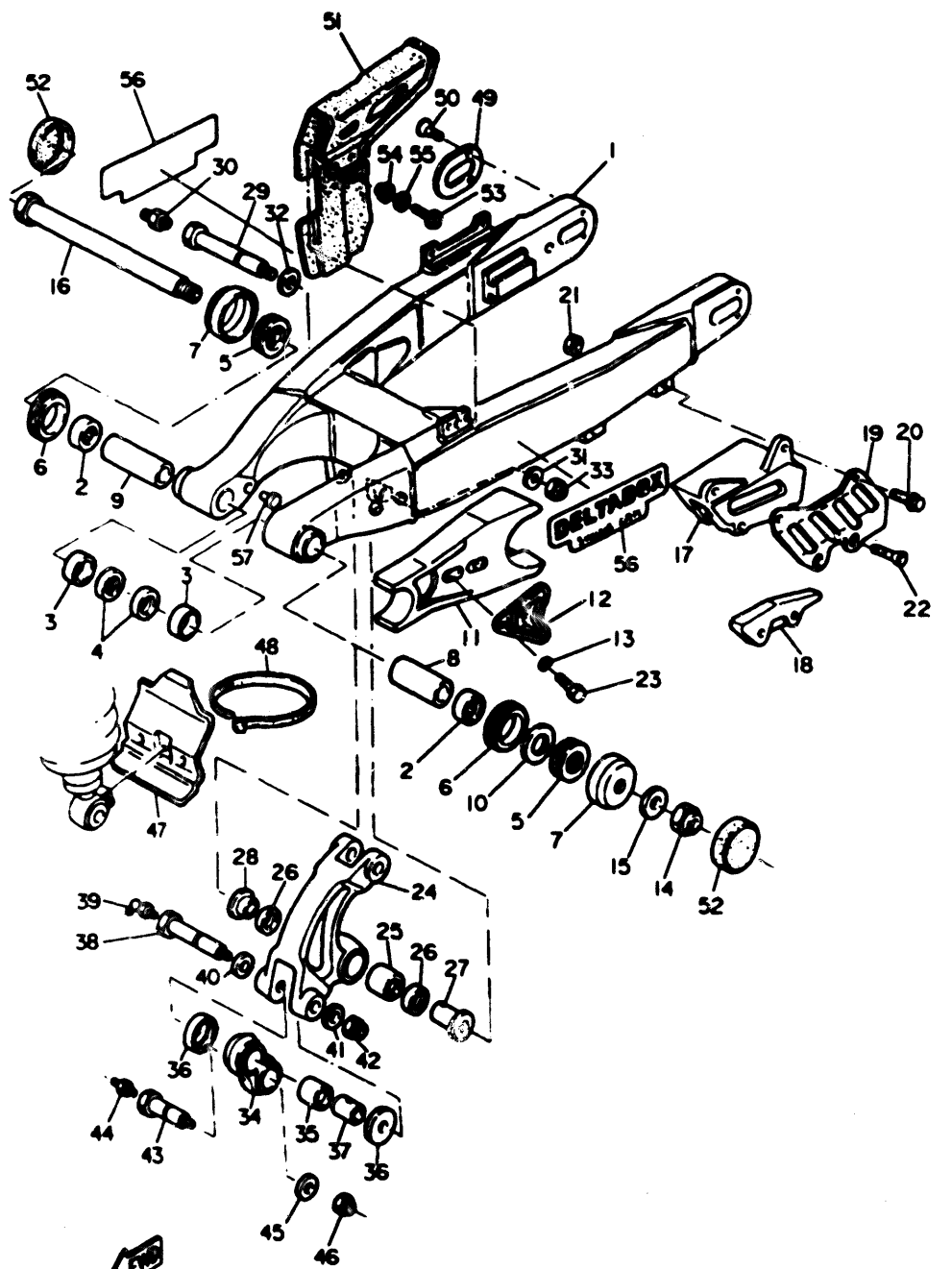


FIG. 29 REAR ARM



REF. NO.	PART. NO.	DESCRIPTION	Q.TY.	REMARKS
1	4GV-F2110-00	RR. ARM COMPL.	1	
2	93317-32231	BEARING, cylindrical	2	
3	90380-22111	BUSH, solid	2	
4	93106-22019	OIL SEAL (DC 22-20-8)	2	
5	93342-22208	BEARING	2	
6	93108-35004	OIL SEAL (35-41-8)	2	
7	3R4-22129-00	COVER, thrust 2	2	
8	1VJ-22123-00	BUSH, solid	1	
9	90380-16127	BUSH, solid	1	
10	156-22127-00	SHIM (0.3T)	1 UN	
11	4GV-F2151-00	SEAL, guard	1	
12	4GV-F2156-00	WASHER, plate	1	
13	92901-06100	WASHER, spring	2	
14	90185-14070	NUT, self locking	1	
15	90201-15238	WASHER, plate	1	
16	1VJ-22141-00	SHAFT, pivot	1	
17	3XP-22199-02	SUPPORT, chain	1	
18	3JD-22147-00	PROTECTOR, chain	1	
19	3JD-22128-00	COVER, trust 1	1	
20	90105-06801	BOLT, washer based	2	
21	95701-06500	NUT, fig.	2	
22	98701-06050	SCREW, flat head	2	
23	95023-06020	BOLT	2	
24	34K-2217A-00	ARM, relay	1	
25	93317-32034	BEARING, cylindrical	1	
26	93109-20029	OIL SEAL	2	
27	90387-147G6	COLLAR	1	
28	90387-147G7	COLLAR	1	
29	90109-12701	BOLT	1	
30	93700-06M03	NIPPLE, grease	1	
31	90201-120A5	WASHER, plate	1	
32	90201-142M6	WASHER, plate	1	
33	90185-12119	NUT, self lock.	1	
34	23X-2217F-00	ROD, connecting.1	1	
35	93315-31732	BEARING, cylindrical	2	

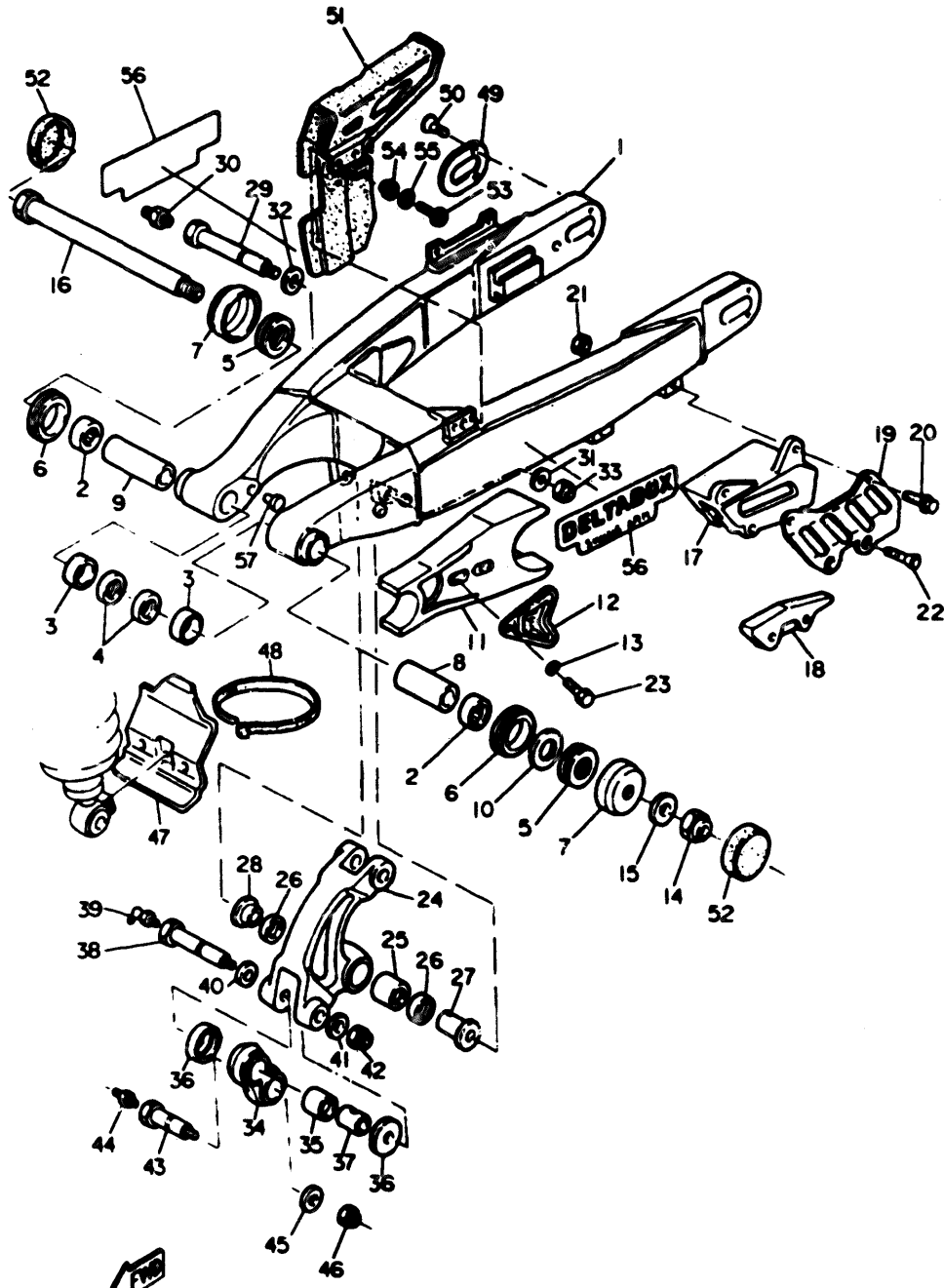


FIG. 28 REAR ARM

REF. NO.	PART. NO.	DESCRIPTION	Q.TY.	REMARKS
36	55K-22129-00	COVER, trust 2	4	
37	90387-121H1	COLLAR	2	
38	90109-10702	BOLT	1	
39	93700-08005	NIPPLE, grease	1	
40	90201-120E6	WASHER, plate	1	
41	90201-100E9	WASHER, plate	1	
42	90185-10120	NUT, self locking	1	
43	90109-10703	BOLT	1	
44	93700-06009	NIPPLE, grease	1	
45	90201-100F7	WASHER, plate	1	
46	95611-10100	NUT, U	1	
47	4GV-F1629-00	GUARD, mud	1	*
48	2AJ-F3192-50	CLAMP	1	*
49	3XJ-22355-00	PATCH A	2	
50	90151-04048	SCREW, counter sunk	4	
51	4GV-F2311-00	CASE, case	1	*
52	3LD-2219X-01	COVER	2	
53	98506-06016	SCREW, pan head (+)	2	*
54	90387-062M9	COLLAR	2	*
55	92906-06100	WASHER, spring	2	*
56	4GV-F218A-00	EMBLEM	2	*
57	90338-12826	PLUG	2	*

4GV1354-3200

C 11

FIG. 21 REAR SUSPENSION

REF. NO.	PART. NO.	DESCRIPTION	Q.TY.	REMARKS
1	4GV-F2210-00	RR. SHOCK ABSORBER ASSY	1	UR. VIVID YELLOW
2	1W1-22216-00	• BUSH	1	
3	4GV-F2217-00	• DAMPER	2	
4	4GV-F2214-00	• GUIDE, spring 1	1	
5	4GV-F2223-00	• SEAT, spring	1	
6	4GV-F2221-00	• COVER	2	
7	4GV-F2253-00	• COLLAR	2	
8	90185-10120	NUT, self lock.	1	
9	4GV-F2261-00	DAMPER, sub-tank	1	
10	90109-10690	BOLT	1	
11	90109-10700	BOLT	1	
12	90201-120E6	WASHER, plate	1	
13	90201-100E9	WASHER, plain	1	
14	90185-10120	NUT, self lock.	1	
15	34K-22262-00	HOLDER, sub-tank	1	
16	95811-06012	BOLT, fig.	1	

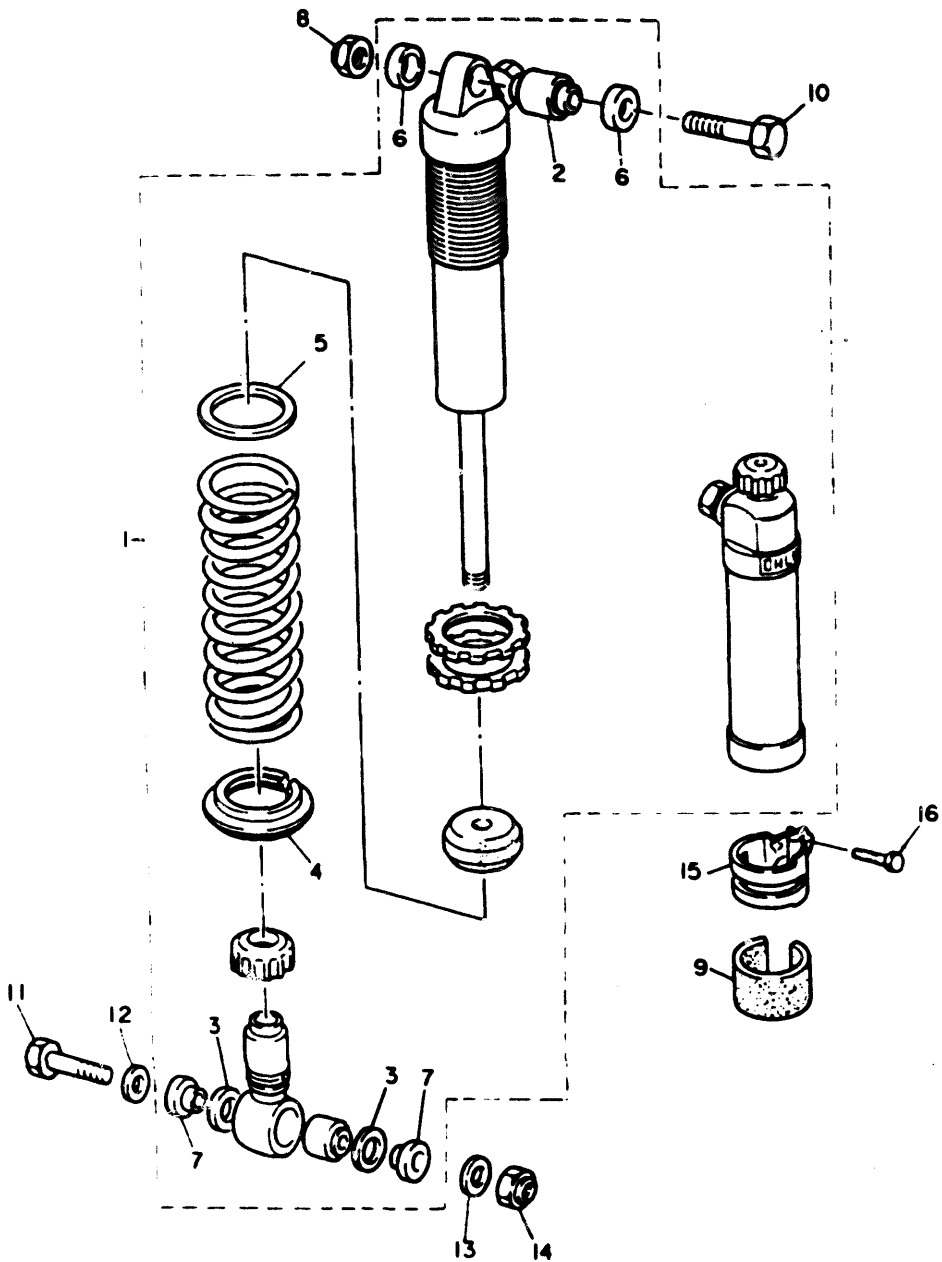
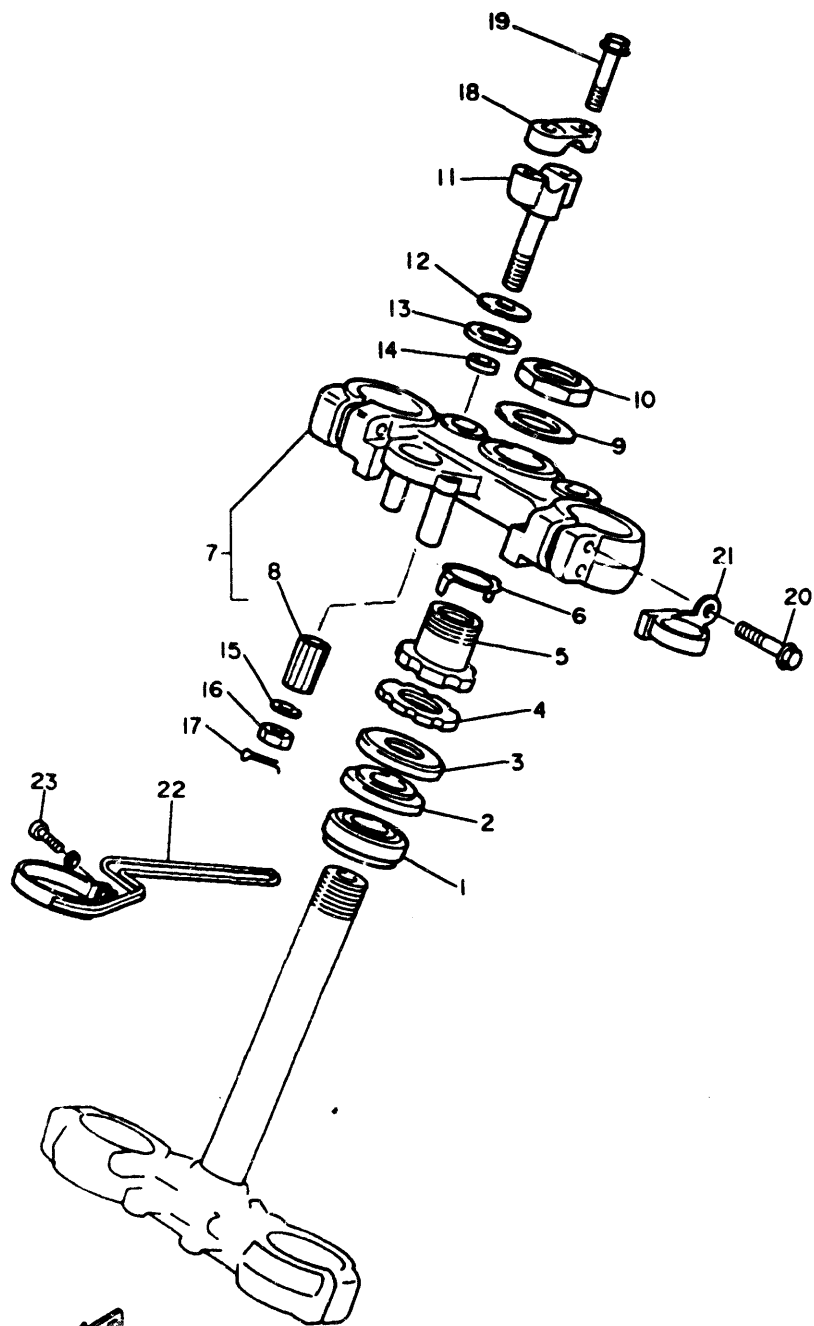


FIG. 22 STEERING



REF. NO.	PART. NO.	DESCRIPTION	Q.TY.	REMARKS
1	93332-00067	BEARING	1	*
2	93332-00068	BEARING	1	*
3	2HG-23416-00	COVER, ball race 2	1	
4	90179-28602	NUT	1	
5	90179-28603	NUT	1	
6	3SP-23416-00	WASHER, special	1	
7	4GV-WF341-00	CROWN, handle assy	1	*
3	307-22123-00	• BUSH, 1	2	
9	90201-365M5	WASHER, plate	1	
10	90170-36394	NUT	1	
11	4AA-23442-01-T9	HOLDER, handle under	2	COMPETITION SILVER
12	90201-123E8	WASHER, plate	2	
13	90202-14077	WASHER, plate	2	
14	90387-121E8	COLLAR	2	
15	90201-100A1	WASHER, plate	2	
16	90185-10037	NUT, self lock.	2	
17	91490-20020	PIN, cotter	2	
18	3SP-23441-00	HOLDER, handler upper	2	
19	95023-08035	BOLT	4	
20	95023-08035	BOLT	4	
21	3R4-23317-00	HOLDER, cable	1	
22	3XP-23318-00	HOLDER, cable	1	
23	98501-05016	SCREW, pan head	1	

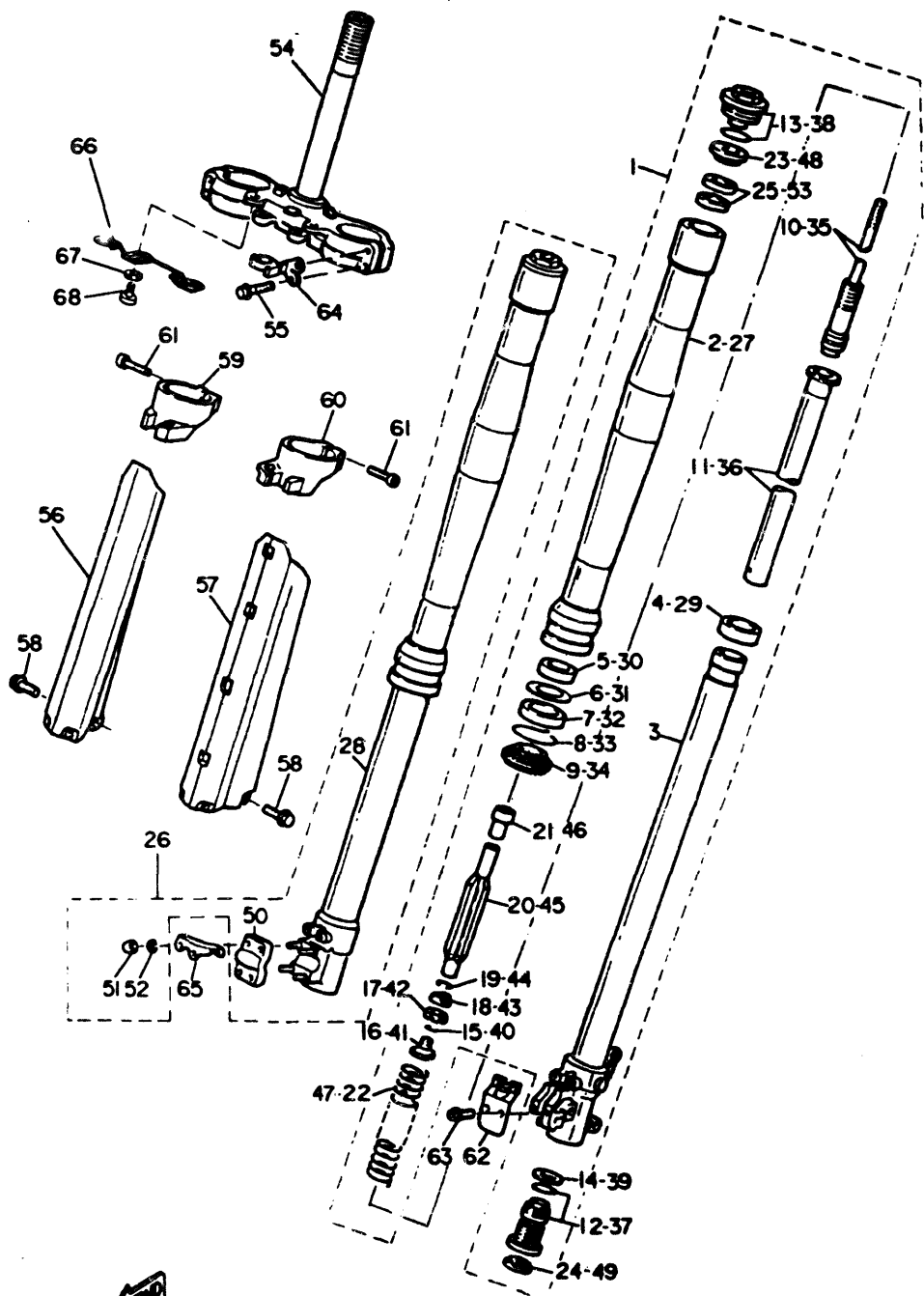
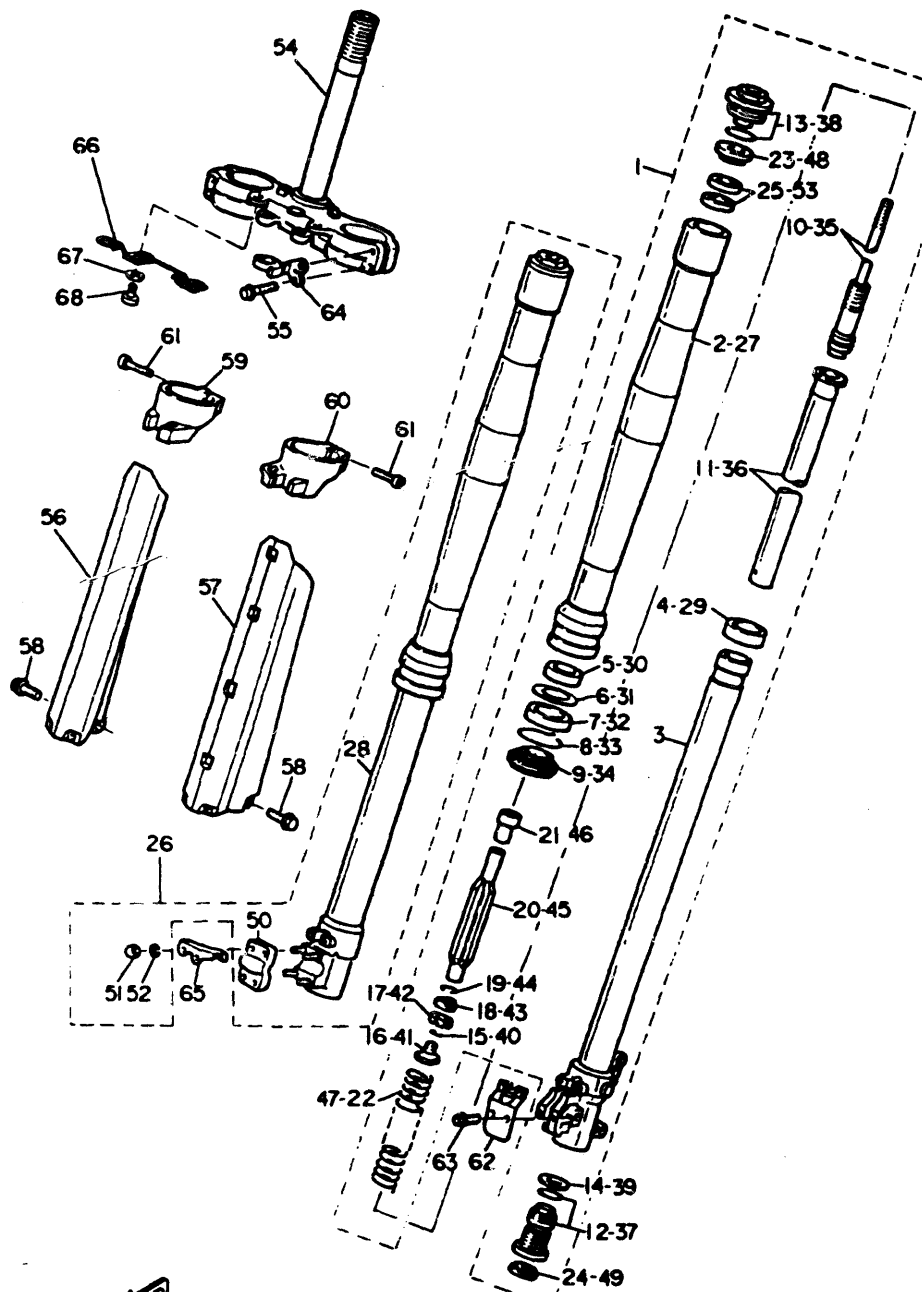


FIG. 23 FRONT FORK

REF. NO.	PART. NO.	DESCRIPTION	Q.TY.	REMARKS
1	4GV-23102-00	FR. FORK ASSY (LH.)	1	
2	4EW-23136-LO	• TUBE, outer 2	1	
3	4GV-23120-LO	• INNER, tube comp. 2	1	
4	3XJ-23171-LO	• PISTON, front fork	1	
5	3XJ-23125-LO	• METAL, slide 1	1	
6	4V4-23146-LO	• WASHER, oil seal	1	
7	4DA-23145-LO	• OIL SEAL	1	
8	4V4-23153-LO	• RING, snap	1	
9	4DA-23144-LO	• SEAL, dust.	1	
10	4DA-2314A-LO	• PISTON ROD ASSY	1	
11	4DA-23170-LO	• CYL. COMP. FRONT FORK	1	
12	4DC-2316A-MO	• VALVE COMP.	1	
13	4DA-23111-LO	• BOLT, cap	1	
14	2HH-23158-LO	• GASKET	1	
15	3XJ-23153-LO	• RING, snap	2	
16	3XJ-23113-LO	• COLLAR	1	
17	3XJ-23166-LO	• SPACER, oil lock	1	
18	3XJ-23778-LO	• NUT	1	
19	36Y-23147-10	• O-RING	1	
20	3XJ-23142-LO	• SEAT, spring upper	1	
21	4DA-23778-LO	• NUT	1	
22	4DA-23141-LO	• SPAG, front fork (K=0.390)	1	
23	3XJ-23143-LO	• SEAT, spring lower	1	
24	3JD-2312G-LO	• PLUG	1	
25	3XJ-23364-LO	• COLLAR 2	2	
26	4GV-23103-00	FRONT FORK ASSY (RH.)	1	
27	4EW-23136-LO	• TUBE, outer (RH.)	1	
28	4DA-23110-LO	• INNER TUBE COMP. 1	1	
29	3XJ-23171-LO	• PISTON, front fork	1	
30	3XJ-23125-LO	• METAL, slide 1	1	
31	4V4-23146-LO	• WASHER, oil seal	1	
32	4DA-23145-LO	• OIL SEAL	1	
33	4V4-23153-LO	• RING, snap	1	
34	4DA-23144-LO	• SEAL, dust.	1	
35	4DA-2314A-LO	• PISTON ROD ASSY	1	

FWD
4GV1354-3231

FIG. 23 FRONT FORK



REF. NO.	PART. NO.	DESCRIPTION	Q.TY.	REMARKS
36	4DA-23170-LO	• CYLINDER COMP., front fork	1	
37	4DC-2316A-MO	• VALVE COMP.	1	
38	4DA-23111-LO	• BOLT, cap	1	
39	2HH-23158-LO	• GASKET	1	
40	3XJ-23153-LO	• RING, snap	2	
41	3XJ-23113-LO	• COLLAR	1	
42	3XJ-23166-LO	• SPACER, oil lock	1	
43	3XJ-23778-LO	• NUT	1	
44	36Y-23147-10	• RING	1	
45	3XJ-23142-LO	• SEAT, spring upper	1	
46	4DA-23778-LO	• NUT	1	
47	4DA-23141-LO	• SPRING, front fork (K=0.390)	1	
48	3XJ-23143-LO	• SEAT, spring lower	1	
49	3JD-2312G-LO	• PLUG	1	
50	4EW-23167-LO	• HOLDER, axle	1	
51	5Y3-23393-00	• NUT, special	4	
52	92995-06100	• WASHER	4	
53	3XJ-23364-LO	• COLLAR, 2	2	
54	4DA-23340-LO	UNDER BRKT. COMP.	1	
55	95023-08040	BOLT	4	
56	3XP-2314J-LO	PROTECTOR COMP. 2	1	
57	3SP-2314H-LO	PROTECTOR COMP. 1	1	
58	3SP-23356-LO	BOLT, 2	6	
59	4DA-2314G-LO	• PROTECTOR GUIDE COMP. 2	1	
60	4DA-2314F-LO	• PROTECTOR GUIDE COMP. 1	1	
61	4V4-23194-LO	• SCREW, boot band	4	
62	4EW-2314E-LO	COVER, hose	1	
63	4DA-23346-LO	BOLT, 1	4	
64	34K-23389-00	GUIDE, cable	1	
65	4GV-F519F-00	STAY, 2	1	*
66	46V-F317M-00	STAY, 3	1	*
67	92901-06600	WASHER, plain	2	*
68	91311-06014	BOLT, hex socket head	2	*

4GV1354-3231

CONTENTS

GENERAL SPEC.

ENGINE

Fig. 1	CYLINDER HEAD.....	1
Fig. 2	CYLINDER.....	2
Fig. 3	CRANKSHAFT . PISTON.....	3
Fig. 4	VALVE	4
Fig. 5	CAMSHAFT . CHAIN.....	5
Fig. 6	OIL PUMP.....	6
Fig. 7	INTAKE	7
Fig. 8	CARBURETOR.....	9
Fig. 9	EXHAUST	11
Fig. 10	CRANKCASE	12
Fig. 11	CRANKCASE COVER 1	13
Fig. 12	STARTER	14
Fig. 13	CLUTCH	15
Fig. 14	TRANSMISSION.....	16
Fig. 15	SHIFT CAM. FORK	17
Fig. 16	SHIFT SHAFT.....	18

CHASSIS

Fig. 17	FRAME	19
Fig. 18	FENDER	21
Fig. 19	SIDE COVER/OIL TANK.....	22
Fig. 20	REAR ARM.....	23
Fig. 21	REAR SUSPENSION	25
Fig. 22	STEERING.....	26
Fig. 23	FRONT FORK	27
Fig. 24	FUEL TANK	29
Fig. 25	SEAT.....	30
Fig. 26	FRONT WHEEL.....	31
Fig. 27	FRONT BRAKE CALIPER.....	32
Fig. 28	REAR WHEEL.....	33
Fig. 29	REAR BRAKE CALIPER	34
Fig. 30	STEERING HANDLE, CABLE	35
Fig. 31	FRONT MASTER CYLINDER	36
Fig. 32	STAND/FOOTREST	37
Fig. 33	REAR MASTER CYLINDER	38
Fig. 34	EMBLEMS	39
Fig. 35	GENERATOR	40
Fig. 36	FLASHER LIGHT.....	41
Fig. 37	METER	42
Fig. 38	HEADLIGHT	43
Fig. 39	TAILLIGHT.....	44
Fig. 40	HANDLE SWITCH, LEVER	45
Fig. 41	ELECTRICAL 1.....	46
Fig. 42	ELECTRICAL 2.....	47

INDEX (GENERAL SPEC.)

NUMERICAL INDEX

INDIVIDUAL SPEC.

Fig. 43	FRAME	48
Fig. 44	FENDER	49
Fig. 45	FRONT WHEEL.....	50
Fig. 46	REAR WHEEL.....	51
Fig. 47	FLASHER LIGHT.....	52
Fig. 48	HEADLIGHT	53
Fig. 49	ELECTRICAL 1.....	54
Fig. 50	ELECTRICAL 2.....	55

INDEX (INDIVIDUAL SPEC.)

NUMERICAL INDEX

CONTENTS

GENERAL SPEC.

ENGINE

Fig. 1	CYLINDER HEAD.....	1
Fig. 2	CYLINDER.....	2
Fig. 3	CRANKSHAFT . PISTON.....	3
Fig. 4	VALVE.....	4
Fig. 5	CAMSHAFT . CHAIN.....	5
Fig. 6	OIL PUMP.....	6
Fig. 7	INTAKE.....	7
Fig. 8	CARBURETOR.....	9
Fig. 9	EXHAUST.....	11
Fig. 10	CRANKCASE.....	12
Fig. 11	CRANKCASE COVER 1.....	13
Fig. 12	STARTER.....	14
Fig. 13	CLUTCH.....	15
Fig. 14	TRANSMISSION.....	16
Fig. 15	SHIFT CAM. FORK.....	17
Fig. 16	SHIFT SHAFT.....	18

CHASSIS

Fig. 17	FRAME.....	19
Fig. 18	FENDER.....	21
Fig. 19	SIDE COVER/OIL TANK.....	22
Fig. 20	REAR ARM.....	23
Fig. 21	REAR SUSPENSION.....	25
Fig. 22	STEERING.....	26
Fig. 23	FRONT FORK.....	27
Fig. 24	FUEL TANK.....	29
Fig. 25	SEAT.....	30
Fig. 26	FRONT WHEEL.....	31
Fig. 27	FRONT BRAKE CALIPER.....	32
Fig. 28	REAR WHEEL.....	33
Fig. 29	REAR BRAKE CALIPER.....	34
Fig. 30	STEERING HANDLE, CABLE.....	35
Fig. 31	FRONT MASTER CYLINDER.....	36
Fig. 32	STAND /FOOTREST.....	37
Fig. 33	REAR MASTER CYLINDER.....	38
Fig. 34	EMBLEMS.....	39
Fig. 35	GENERATOR.....	40
Fig. 36	FLASHER LIGHT.....	41
Fig. 37	METER.....	42
Fig. 38	HEADLIGHT.....	43
Fig. 39	TAILLIGHT.....	44
Fig. 40	HANDLE SWITCH, LEVER.....	45
Fig. 41	ELECTRICAL 1.....	46
Fig. 42	ELECTRICAL 2.....	47

INDEX (GENERAL SPEC.)

NUMERICAL INDEX

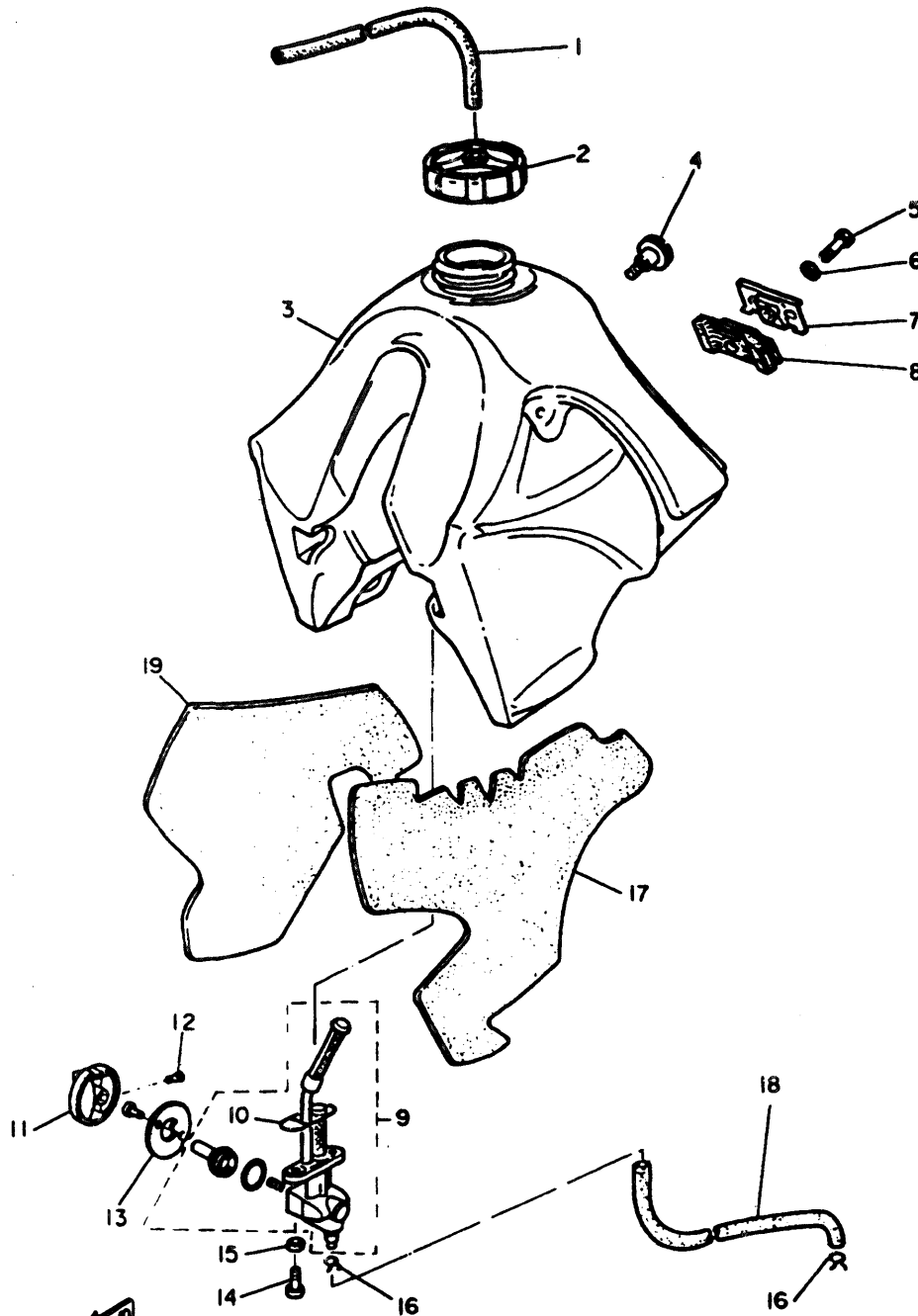
INDIVIDUAL SPEC.

Fig. 43	FRAME.....	48
Fig. 44	FENDER.....	49
Fig. 45	FRONT WHEEL.....	50
Fig. 46	REAR WHEEL.....	51
Fig. 47	FLASHER LIGHT.....	52
Fig. 48	HEADLIGHT.....	53
Fig. 49	ELECTRICAL 1.....	54
Fig. 50	ELECTRICAL 2.....	55

INDEX (INDIVIDUAL SPEC.)

NUMERICAL INDEX

FIG. 24 FUEL TANK



REF. NO.	PART. NO.	DESCRIPTION	Q.TY.	REMARKS
1	90445-09878	HOSE	1	*
2	4GV-F4610-00	CAP. ASSY	1	*
3	4GV-F4110-00-P0	FUEL, tank assy	1	UR. PURPLISH WHITE SOLID 1
4	3SH-F4122-00	SEAT, knee grip 2	1	*
5	97382-06016-BL	BOLT, hex.	1	*
6	92901-06100	WASHER, plain	1	*
7	34X-24186-01	WASHER, special	1	*
8	4GV-F4182-00	DAMPER, locating 2	1	*
9	4GV-F4500-00	FUEL, cock assy	1	*
10	3SH-F4512-00	GASKET	1	*
11	4FD-24524-00	LEVER, cock	1	*
12	91316-03008	SCREW, pan head	1	*
13	3SH-F4231-00	EMBLEM	1	*
14	90149-06011	SCREW	2	*
15	90202-05187	WASHER	2	*
16	00467-11832	CLIP	2	*
17	4GV-F416F-00	INSULATOR LH.	1	*
18	90445-10877	FUEL, hose	1	*
19	4GV-F416G-00	INSULATOR RH.	1	*

4GV1354-3240

D2

FIG. 25 SEAT

REF. NO.	PART. NO.	DESCRIPTION	Q.TY.	REMARKS
1	4GV-F4770-00	SEMI-DOUBLE SEAT ASSY	1	UR. FRENCH BLUE *
2	4GV-F4731-00	• COVER SEAT	1	UR. FRENCH BLUE *
3	4GV-F4734-00	• BAND	1	UR. FRENCH BLUE *
4	92901-06600	• WASHER, plain	2	*
5	97311-06016	• BOLT, hex.	2	*
6	91311-06016	BOLT, hex. socket head	2	*
7	92901-06200	WASHER, plain	2	*

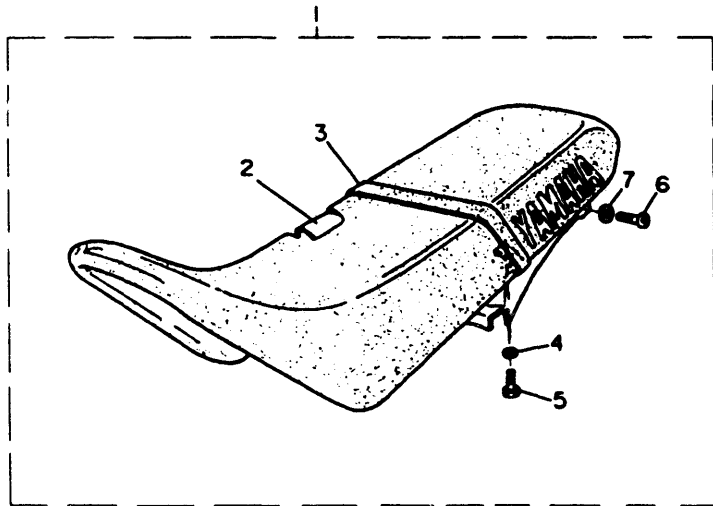


FIG. 26 FRONT WHEEL

REF. NO.	PART. NO.	DESCRIPTION	Q.TY.	REMARKS
1	4GV-25111-00	HUB, front	1	
2	93306-00316	BEARING	2	
3	90560-17379	SPACER	1	
4	93106-22032	OIL SEAL	2	
5	94418-21895	RIM (1,85-21)	1	*
6	4GV-F5104-00	SPOKE SET, front	1	*
7	94109-218J5	TIRE (90/90-21") MT21	1	PIRELLI *
8	94209-21892	TUBE (MA 3.00-21)	1	PIRELLI *
9	94309-21853	BAND, rim (3.00-21")	1	*
10	4GV-F5394-00	SPACER, bead	1	*
11	4GV-F5181-00	AXLE, wheel	1	*
12	90387-173Y0	COLLAR	1	*
13	4GV-25190-00	GEAR, unit assy	1	
14	146-25116-00	FLANGE, spacer 2	1	
15	98506-05014	SCREW, pan head (+)	1	*

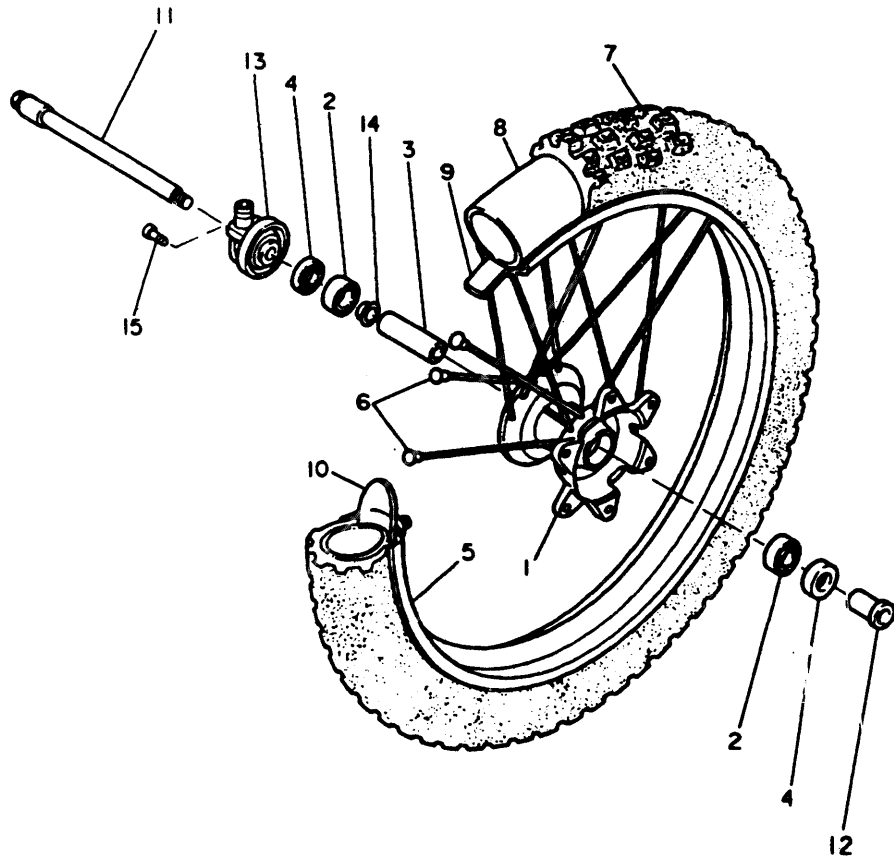
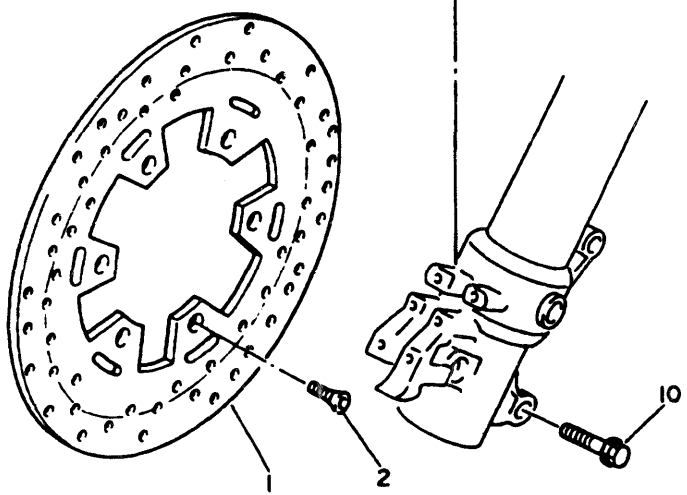
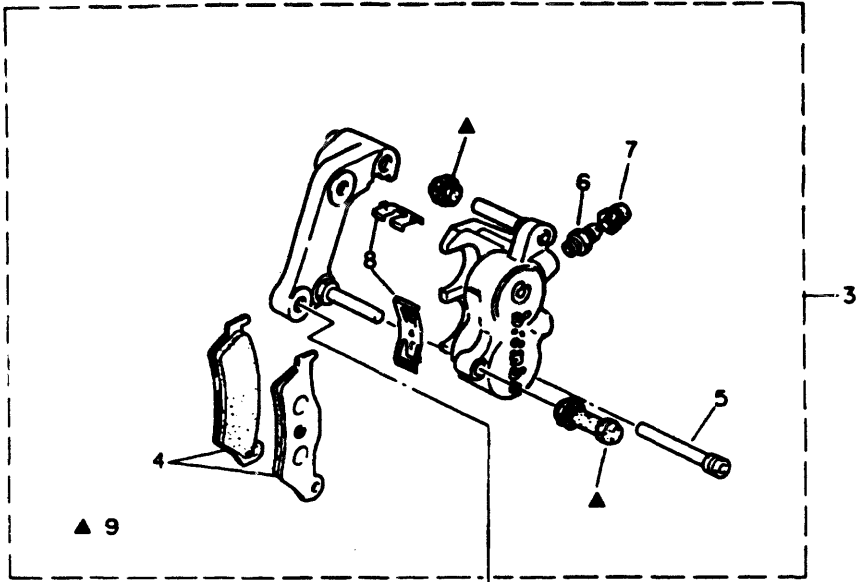


FIG. 27 FRONT BRAKE CALIPER

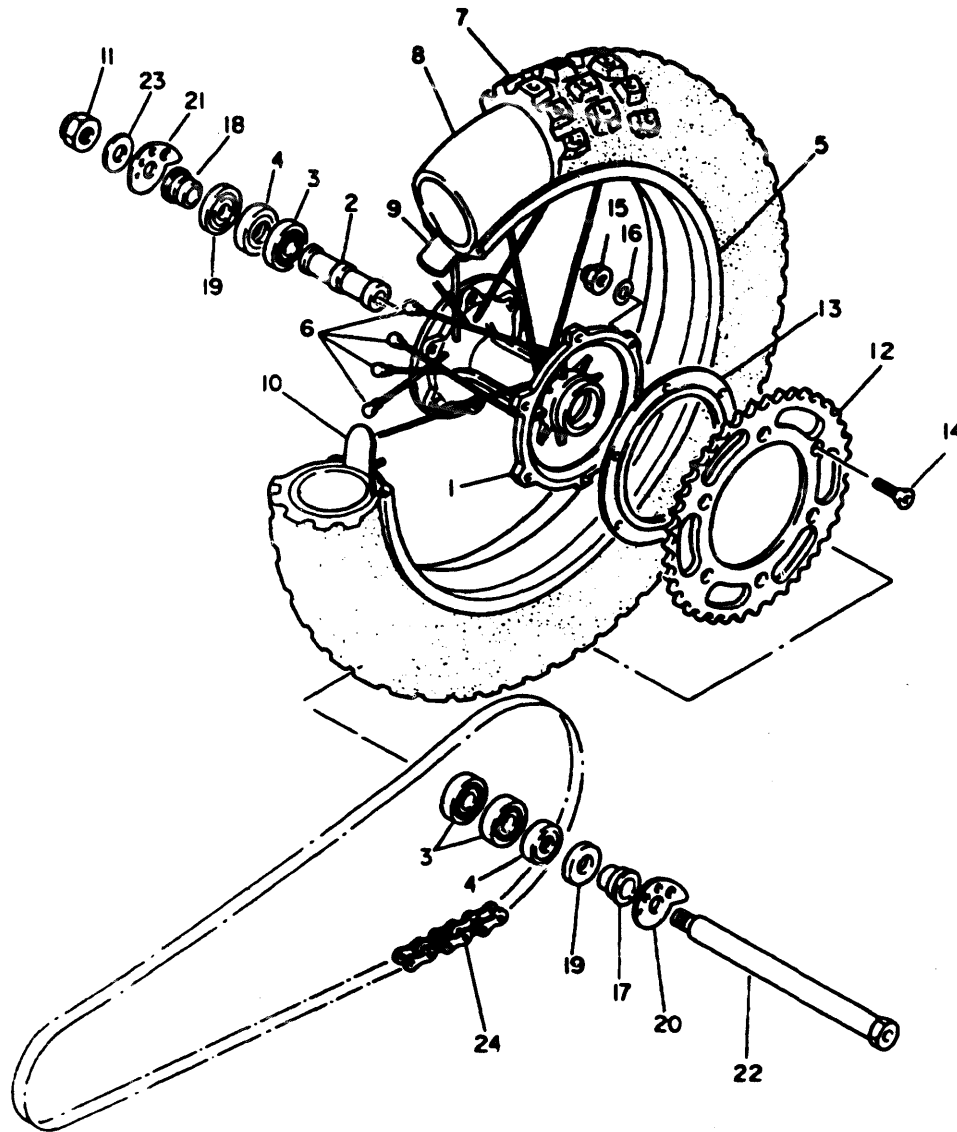
REF. NO.	PART. NO.	DESCRIPTION	Q.TY.	REMARKS
1	4GV-F582T-00	FR. DISK BRAKE LH.	1	*
2	90149-06272	SCREW	6	
3	4GV-F580T-10	FR. CALIPER ASSY	1	*
4	4GV-W0045-10	• BRAKE PAD KIT	1	*
5	4DL-F5824-00	• PIN	1	*
6	3SH-F5824-00	• SCREW, bleeder	1	*
7	3SH-F5825-00	• BOOT, cover	1	*
8	4GV-F5919-00	• SUPT. PAD ASSY	1	*
9	4GV-F5917-00	• BOOTS	1	*
10	90105-08659	BOLT, fig.	2	




4GV1354-3270

DS

FIG. 28 REAR WHEEL



REF. NO.	PART. NO.	DESCRIPTION	Q.TY.	REMARKS
1	4EW-25311-00	HUB, rear	1	
2	4EW-25317-00	SPACER, bearing	1	
3	93306-00418	BEARING	3	
4	93106-28023	OIL SEAL	2	
5	94425-18886	RIM (2.50x18")	1	
6	4GV-F5304-00	SPOKE SET, rear	1	
7	94114-188J6	TIRE (140/80-18") MT21	1	PIRELLI
8	94214-18891	TUBE (4.50/5.10-18") MD18	1	PIRELLI
9	94314-18854	BAND, rim (4.00-18")	1	
10	4GV-F5394-00	SPACER, bead	1	
11	90185-18104	NUT, self lock	1	
12	4GV-F5444-00	SPHOCKET, driven (44T)	1	
13	4GV-F5414-00	SPACER	1	
14	90109-085F2	BOLT	6	
15	95611-08100	NUT, U	6	
16	90201-081A6	WASHER, plate	6	
17	90387-200Y2	COLLAR	1	
18	90387-203V0	COLLAR	1	
19	4V4-25367-00	COVER, hub dust	2	
20	3SH-F5386-00	PULLER, chain 1	1	
21	3SH-F5389-00	PULLER, chain 2	1	
22	23X-25381-00	AXLE, wheel rr.	1	
23	90201-200R4	WASHER, plate	1	
24	94561-43110	CHAIN	1	

FIG. 29 REAR BRAKE CALIPER

REF. NO.	PART. NO.	DESCRIPTION	Q.TY.	REMARKS
1	4GV-F582W-00	DISK, rear brake RH.	1	
2	90149-06272	SCREW	6	
3	4AA-2580W-00	CALIPER ASSY, rear RH.	1	
4	3SP-W0057-50	• PISTON ASSY, caliper	1	
5	3JD-W0047-50	• CALIPER SEAL KIT	1	
6	3SP-25919-51	• SUPPORT, pad	1	
7	36Y-W0048-00	• BREED SCREW KIT	1	
8	3XP-W0046-00	• BRAKE PAD KIT, 2	1	
9	3SP-25924-51	• PIN, pad	2	
10	3XJ-25920-00	SUPT. BAKT. ASSY	1	
11	91311-06025	BOLT	2	
12	4GV-F7491-00	PROTECTOR	1	
13	92011-06012	BOLT, button head	2	

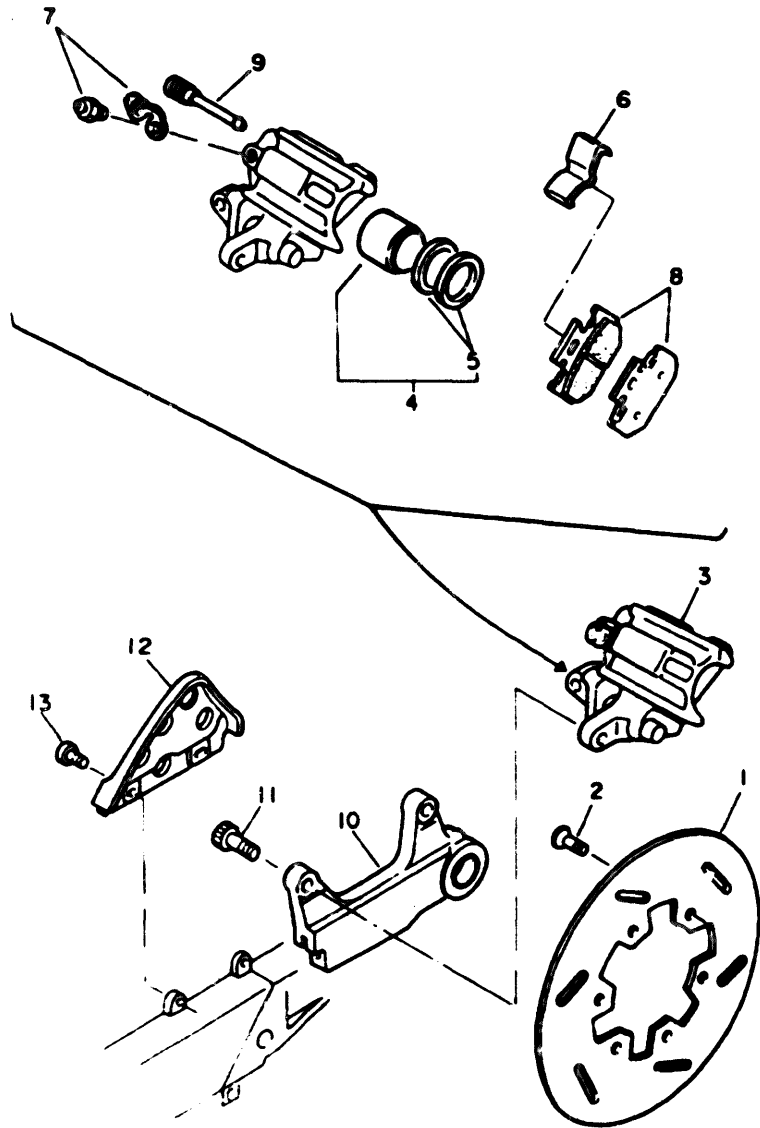


FIG. 20 STEERING HANDLE, CABLE

REF. NO.	PART. NO.	DESCRIPTION	Q.TY.	REMARKS
1	4GV-F6111-00	HANDLEBAR	1	•
2	4GV-F6242-00	GRIP, 2 (RH.)	1	•
3	3Y1-26243-01	TUBE, throttle g.	1	
4	3Y1-26240-00	RING, leaf	1	
5	4GV-F6241-00	GRIP, 1 (LH.)	1	•
6	1VJ-26302-00	THROTTLE CABLE ASSY	1	
7	4GV-F6335-00	CLUTCH, wire	1	•
8	4GV-F6330-00	• BOOT	1	•
9	90179-08148-BL	NUT	1	•
10	90123-08046-BL	BOLT, wire adjust.	1	•
11	3SH-F6280-10	MIRROR, assy LH.	1	•
12	3SH-F6290-10	MIRROR, assy RH.	1	•

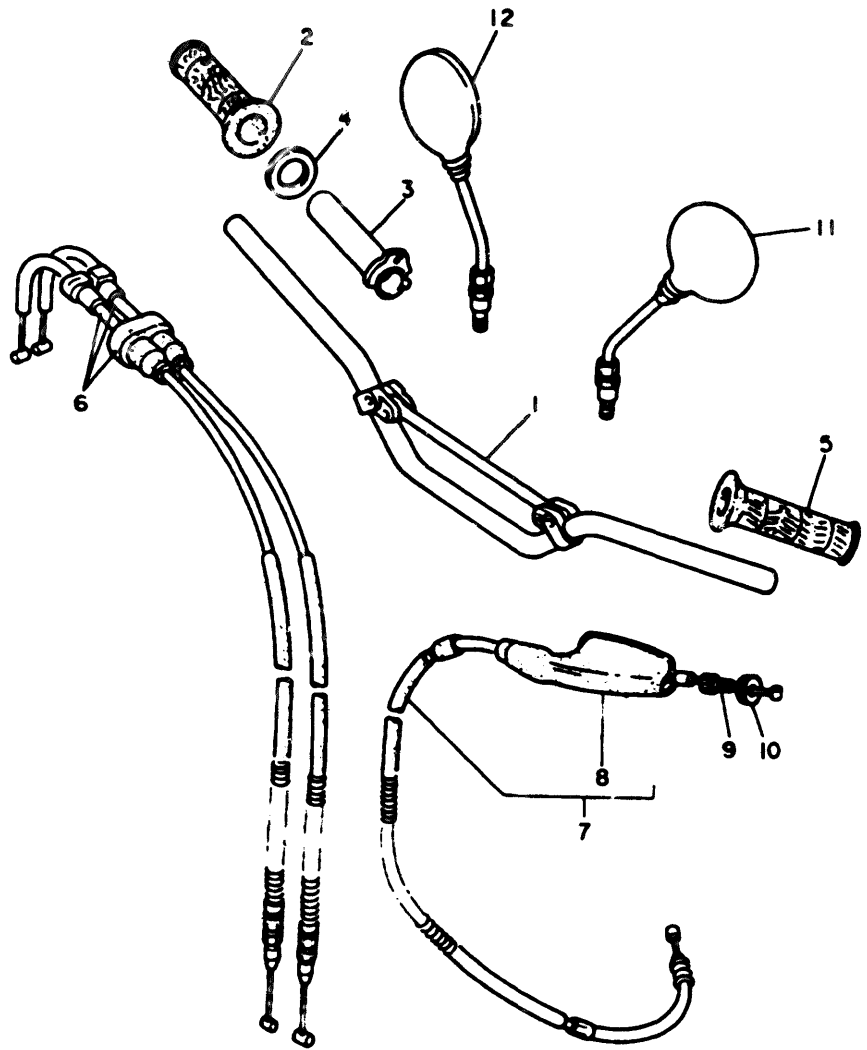
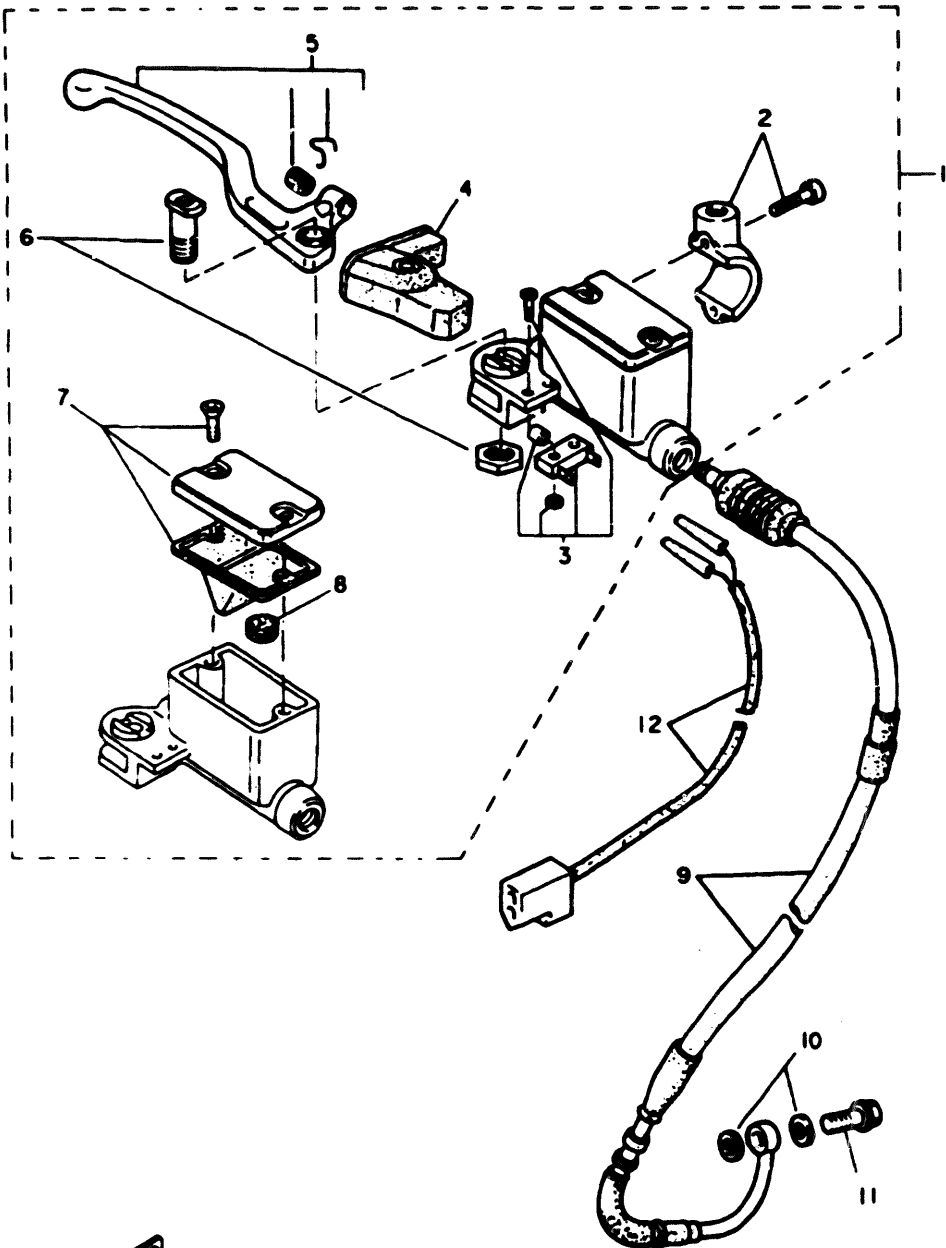


FIG. 31 FRONT MASTER CYLINDER

REF. NO.	PART. NO.	DESCRIPTION	Q.TY.	REMARKS
1	4GV-F563T-00	FR. MASTER CYL. ASSY	1	•
2	3SH-F5867-00	• BRKT, mas. cyl. assy	1	•
3	3SH-H398A-00	BODY STOP SW. ASSY	1	•
4	4GV-F6372-00	• COVER, handle lever	1	•
5	4GV-H3922-00	• LEVER, 2	1	•
6	3SH-F8200-20	• BOLT, lever kit	1	•
7	3SH-F5802-01	• CAP, reservoir kit	1	•
8	4GV-F589A-00	• COVER, connector	1	•
9	4GV-F5872-00	HOSE, brake	1	•
10	90201-108E6	WASHER, plain	2	•
11	90401-10034-3L	BOLT, union	1	•
12	3SH-H399J-00	CORD COMP.	1	•



4GV1354-3311

D9

FIG. 32 STAND, FOOTREST

REF. NO.	PART. NO.	DESCRIPTION	Q.TY.	REMARKS
1	23X-27411-02	FOOTREST, 1	1	
2	4GV-F7412-00-33	BRKT.,1	1	UR. BLACK
3	90508-20583	SPRG., torsion	2	
4	90240-10101	PIN, clevis	2	
5	91401-25020	PIN, cotter	2	
6	4GV-F742L-00	BRKT., 5	1	
7	90111-08801	BOLT, button head	1	
8	95826-10025	BOLT, fig.	3	
9	4GV-F7422-00-33	BRKT., 2	1	UR. BLACK
10	34K-27421-00	FOOTREST 2	1	
11	4GV-F7311-00-33	STAND, side	1	UR. BLACK
12	90105-12616	BOLT, fig.	1	
13	90185-12119	NUT, self-locking	1	
14	4GV-F7315-10	LINK	1	
15	90506-35473	SPRG., torsion	1	
16	90201-083P5	WASHER, plate	2	
17	4GV-F7431-00	FOOTREST, RR. 1	1	
18	4GV-F7441-00	FOOTREST, RR. 2	1	
19	92990-10800	WASHER, plate	2	
20	90504-18031	SPRING, compression	2	
21	90109-085F5	BOLT	2	

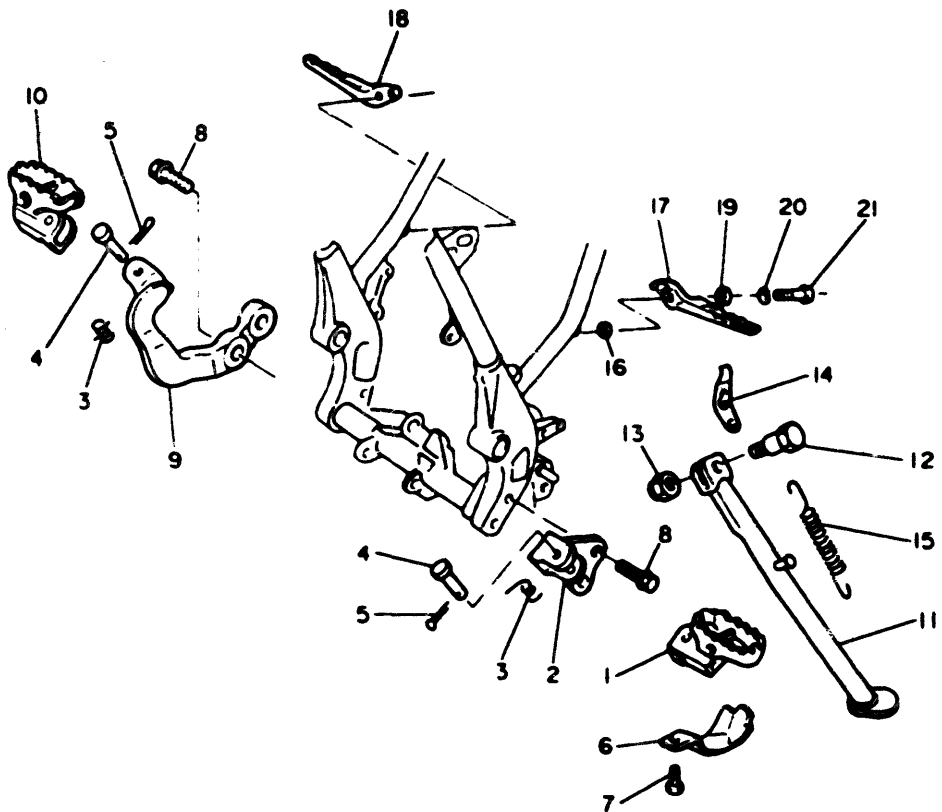
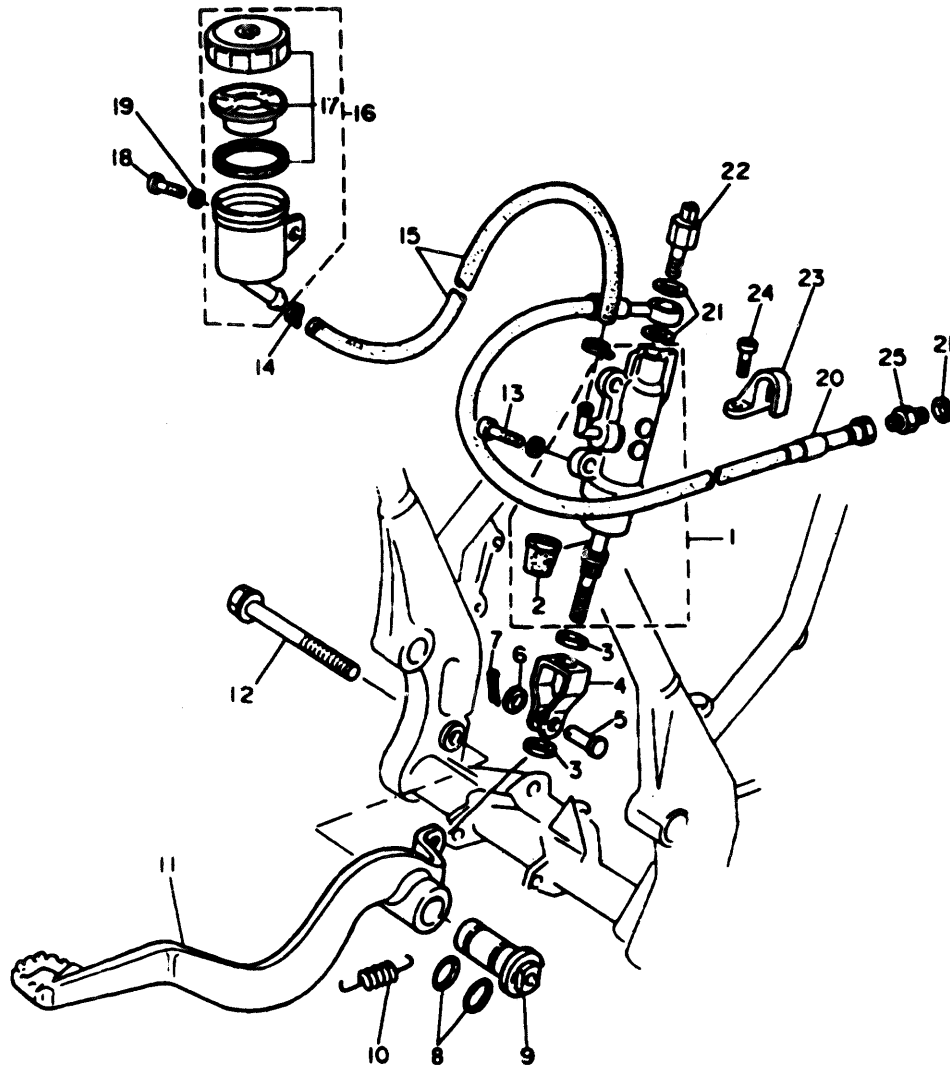


FIG. 33 REAR MASTER CYLINDER



REF. NO.	PART. NO.	DESCRIPTION	Q.TY.	REMARKS
1	4GV-F583V-00	RR. MASTER CYL.	1	*
2	4GV-F5862-00	• BOOT, mas. cyl.	1	*
3	95303-08800	NUT, hex.	2	*
4	4GV-F7222-00	JT.	1	*
5	90240-08124	PIN	1	*
6	90201-08083	WASHER, plain	1	*
7	91401-16012	PIN, split	1	*
8	93210-13016	O-RING	2	*
9	4GV-F7213-01	COLLAR	1	FROM FRAME NUMBER....
9	4GV-F7213-00	COLLAR	1	*
10	90506-18838	SPRG.	1	*
11	4GV-F7200-02	PEDAL, brake	1	FROM FRAME NUMBER....
11	4GV-F7200-01	PEDAL, brake	1	*
12	95826-10085	BOLT, fig.	1	*
13	4GV-F7217-00	BOLT	2	*
14	90467-11832	CLIP	2	*
15	4GV-F5895-00	HOSE, reserve	1	*
16	4GV-F5394-00	TANK, reserve	1	*
17	3SH-F5852-50	• CAP, reservoir	1	*
18	91311-06012	BOLT, hex. socket head	1	*
19	92901-06600	WASHER, plain	1	*
20	4GV-F5873-00	HOSE, brake 2	1	*
21	90201-108E6	WASHER, plain	3	*
22	4DL-H2530-00	RR. STOP SW. ASSY	1	*
23	2VM-25876-00	HOLDER, brake hose 2	2	*
24	97780-50110	SCREW, tapping	4	*
25	4GV-F5885-00	JT.	1	*

FIG. 34 EMBLEMS

REF. NO.	PART. NO.	DESCRIPTION	Q.TY.	REMARKS
1	4GV-F8390-00	GRAPHIC, set	1	*
2	4GV-F173F-00	GRAPHIC, 2 RH.	1	*
3	99243-00080	EMBLEM, YAMAHA	2	*
4	4GV-F1789-00	GRAPHIC, RH.	1	*
5	4GV-F1782-00	EMBLEM	2	*
6	4GV-F174H-00	GRAPHIC, 4 RH.	1	*
7	4GV-F165A-00	GRAPHIC, rr. fender set	1	*
8	4GV-F174G-00	GRAPHIC, 3 LH.	1	*
9	4GV-F173E-00	GRAPHIC, 1 LH.	1	*
10	4GV-F1788-00	GRAPHIC, LH.	1	*
11	4GV-F1781-00	EMBLEM	2	*
12	4GV-F313B-00	EMBLEM, 1 LH.	1	*
13	4GV-F313C-00	EMBLEM, 2 RH.	1	*

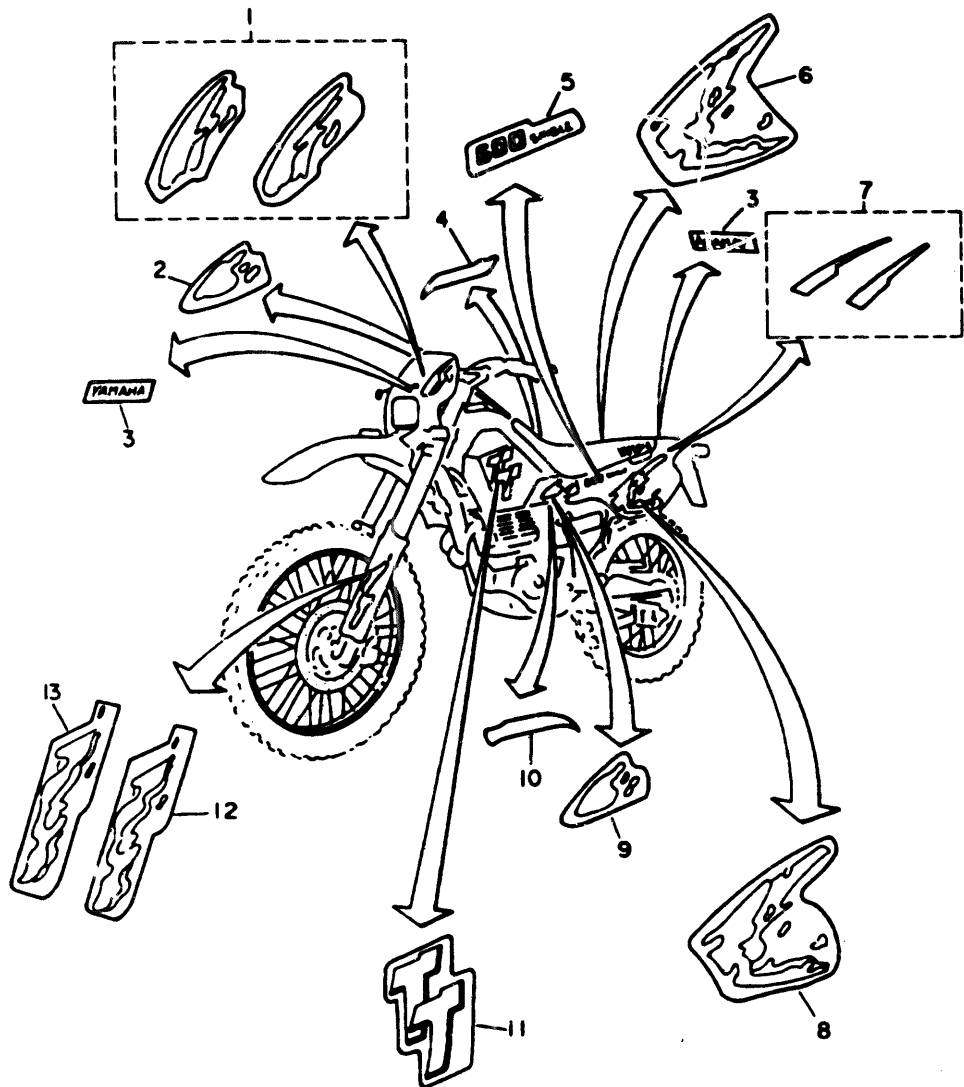
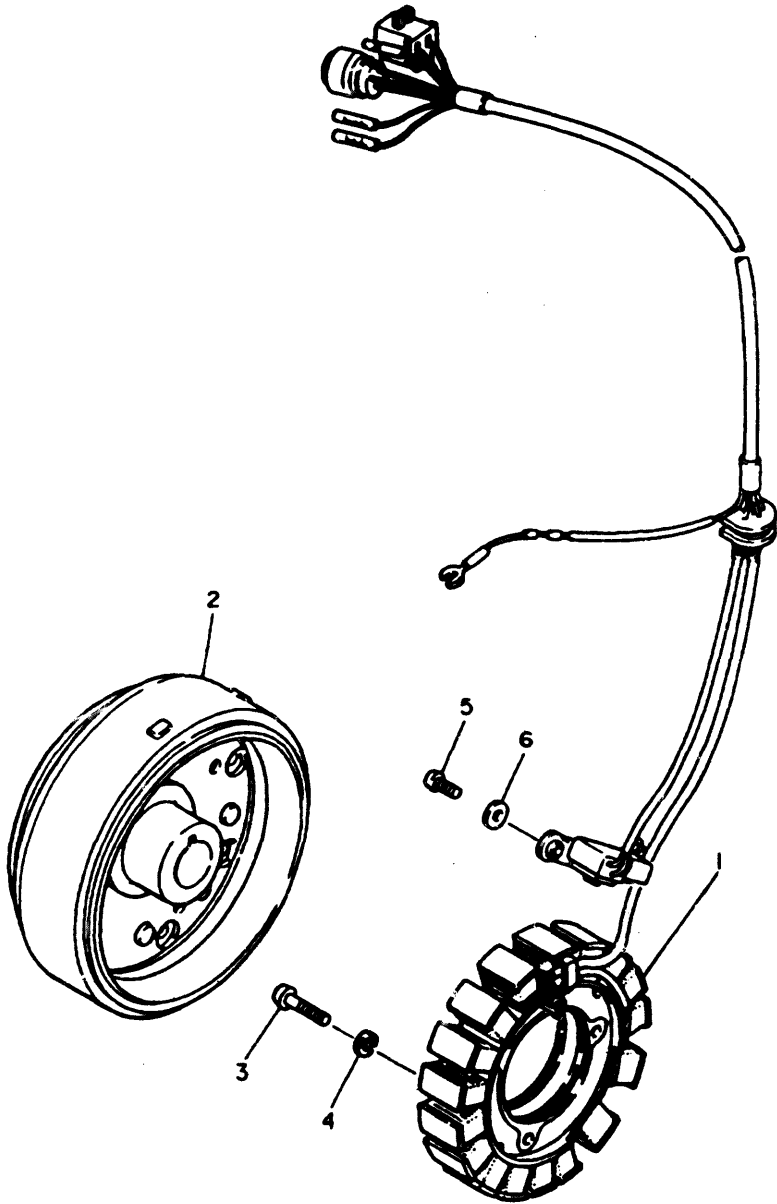


FIG. 35 GENERATOR

REF. NO.	PART. NO.	DESCRIPTION	Q.TY.	REMARKS
1	3YP-85510-00	STATOR, assy	1	
2	4GV-85550-00	ROTOR, assy	1	
3	98580-06035	SCREW, pan head	3	
4	92995-06100	WASHER	3	
5	98580-06020	SCREW, pan head	2	
6	90201-06643	WASHER, plate	2	

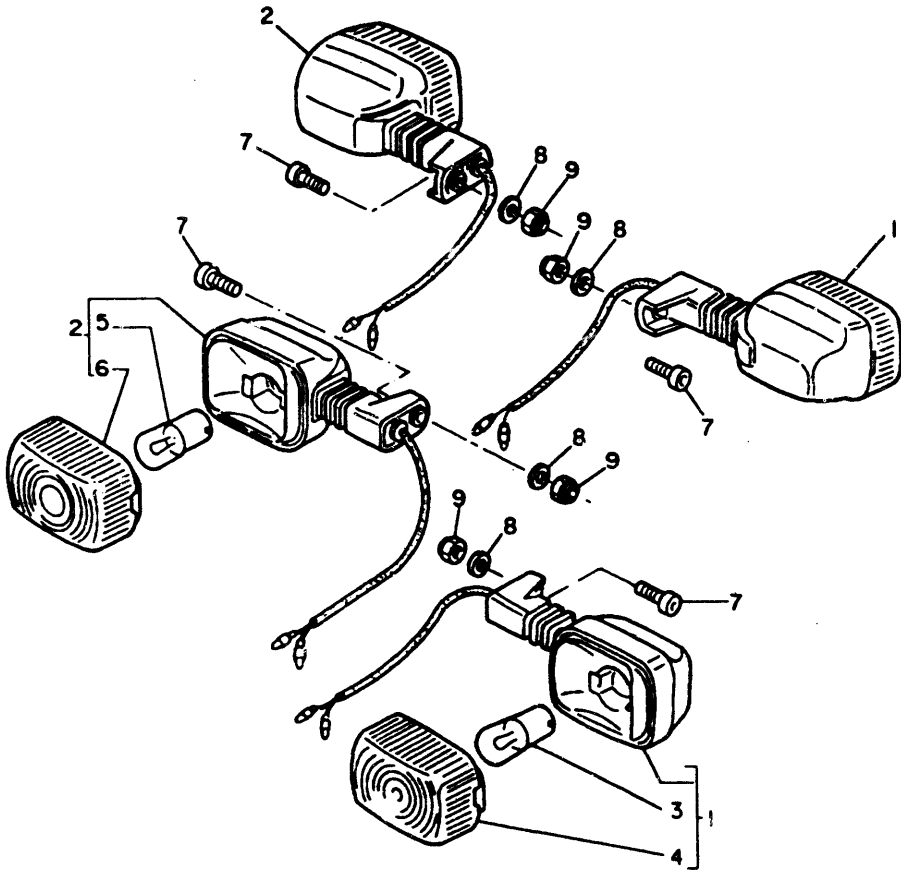


3YP351-1340

D 13

FIG. 36 FLASHER LIGHT

REF. NO.	PART. NO.	DESCRIPTION	Q.TY.	REMARKS
1	4GV-H3310-00	FLASHER, left assy 1 LH.	2	*
2	4GV-H3320-00	FLASHER, right assy 2 RH.	2	*
3	4DL-H3311-00	• BULB, flasher 12V-10W	2 L.M.	
4	4DL-H3332-00	• LENS, flasher	2	*
5	4DL-H3311-00	• BULB, flasher 12V-10W	2 L.M.	
6	4DL-H3332-00	• LENS, flasher	2	*
7	91316-06020	BOLT, hex. socket	4	*
8	92901-06200	WASHER, plain	4	*
9	95702-06100	NUT, nylon	4	*



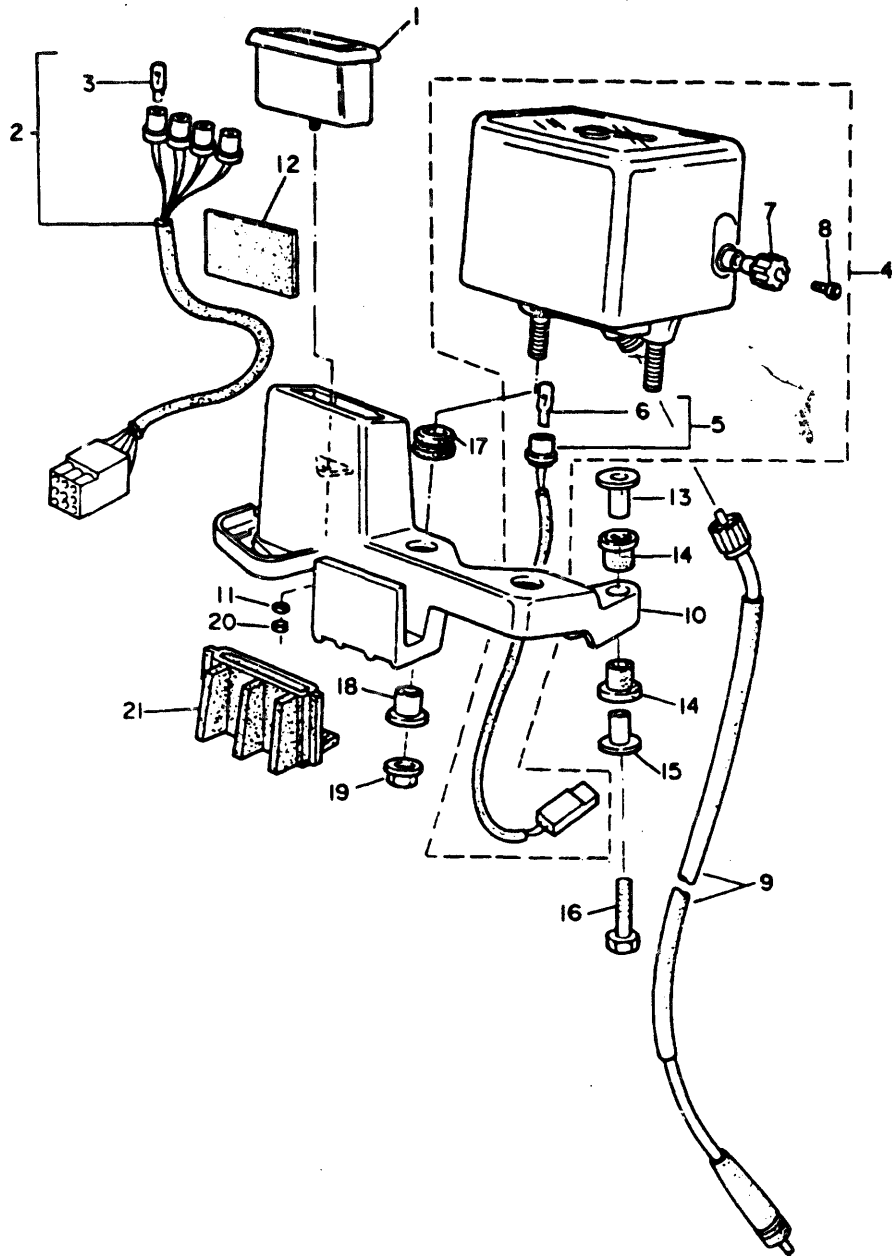


FIG. 37 METER

REF. NO.	PART. NO.	DESCRIPTION	Q.TY.	REMARKS
1	4GV-H3587-00	BODY, pilot light	1	*
2	4GV-H3520-00	SOCKET CORD ASSY	1	*
3		• BULB (12V-1.2W)	4	L.M. *
4	4GV-H3570-00	SPEEDOMETER ASSY	1	*
5	4GV-H3536-00	• SOCKET, meter assy	1	*
6		• BULB (12V-1.2W)	1	L.M. *
7	3SH-H3578-00	• KNOB, meter	1	*
8	4GV-H357R-00	• BOLT, meter	1	*
9	4GV-H3550-00	SPEEDO. CABLE ASSY	1	*
10	4GV-H3519-01	BRKT., meter	1	*
11	93210-038C3	O-RING	1	*
12	4GV-H3543-00	DAMPER, brkt.	1	*
13	90387-068H2	COLLAR	2	*
14	4GV-H3523-00	DAMPER	4	*
15	90387-068H5	COLLAR	2	*
16	90101-06040-BL	BOLT, hex.	2	*
17	90480-10020-BL	GROMMET	2	*
18	90387-06518-BL	COLLAR	2	*
19	90185-06830	NUT, fig.	2	*
20	4GV-F354L-00	NUT, shaft supt.	1	*
21	4GV-H3592-01	DAMPER	1	*

CONTENTS

GENERAL SPEC.

ENGINE

Fig. 1	CYLINDER HEAD.....	1
Fig. 2	CYLINDER.....	2
Fig. 3	CRANKSHAFT . PISTON.....	3
Fig. 4	VALVE	4
Fig. 5	CAMSHAFT . CHAIN.....	5
Fig. 6	OIL PUMP.....	6
Fig. 7	INTAKE	7
Fig. 8	CARBURETOR.....	9
Fig. 9	EXHAUST.....	11
Fig. 10	CRANKCASE	12
Fig. 11	CRANKCASE COVER 1	13
Fig. 12	STARTER	14
Fig. 13	CLUTCH	15
Fig. 14	TRANSMISSION.....	16
Fig. 15	SHIFT CAM. FORK	17
Fig. 16	SHIFT SHAFT.....	18

CHASSIS

Fig. 17	FRAME	19
Fig. 18	FENDER.....	21
Fig. 19	SIDE COVER/OIL TANK	22
Fig. 20	REAR ARM.....	23
Fig. 21	REAR SUSPENSION	25
Fig. 22	STEERING.....	26
Fig. 23	FRONT FORK	27
Fig. 24	FUEL TANK	29
Fig. 25	SEAT.....	30
Fig. 26	FRONT WHEEL.....	31
Fig. 27	FRONT BRAKE CALIPER.....	32
Fig. 28	REAR WHEEL	33
Fig. 29	REAR BRAKE CALIPER	34
Fig. 30	STEERING HANDLE, CABLE	35
Fig. 31	FRONT MASTER CYLINDER	36
Fig. 32	STAND /FOOTREST	37
Fig. 33	REAR MASTER CYLINDER	38
Fig. 34	EMBLEMS	39
Fig. 35	GENERATOR	40
Fig. 36	FLASHER LIGHT.....	41
Fig. 37	METER	42
Fig. 38	HEADLIGHT	43
Fig. 39	TAILLIGHT.....	44
Fig. 40	HANDLE SWITCH, LEVER.....	45
Fig. 41	ELECTRICAL 1.....	46
Fig. 42	ELECTRICAL 2.....	47

INDEX (GENERAL SPEC.)

NUMERICAL INDEX

INDIVIDUAL SPEC.

Fig. 43	FRAME	48
Fig. 44	FENDER	49
Fig. 45	FRONT WHEEL.....	50
Fig. 46	REAR WHEEL	51
Fig. 47	FLASHER LIGHT.....	52
Fig. 48	HEADLIGHT	53
Fig. 49	ELECTRICAL 1.....	54
Fig. 50	ELECTRICAL 2.....	55

INDEX (INDIVIDUAL SPEC.)

NUMERICAL INDEX

CONTENTS

GENERAL SPEC.

ENGINE

Fig. 1	CYLINDER HEAD.....	1
Fig. 2	CYLINDER.....	2
Fig. 3	CRANKSHAFT . PISTON.....	3
Fig. 4	VALVE.....	4
Fig. 5	CAMSHAFT . CHAIN.....	5
Fig. 6	OIL PUMP.....	6
Fig. 7	INTAKE.....	7
Fig. 8	CARBURETOR.....	9
Fig. 9	EXHAUST.....	11
Fig. 10	CRANKCASE.....	12
Fig. 11	CRANKCASE COVER 1.....	13
Fig. 12	STARTER.....	14
Fig. 13	CLUTCH.....	15
Fig. 14	TRANSMISSION.....	16
Fig. 15	SHIFT CAM. FORK.....	17
Fig. 16	SHIFT SHAFT.....	18

CHASSIS

Fig. 17	FRAME.....	19
Fig. 18	FENDER.....	21
Fig. 19	SIDE COVER/OIL TANK.....	22
Fig. 20	REAR ARM.....	23
Fig. 21	REAR SUSPENSION.....	25
Fig. 22	STEERING.....	26
Fig. 23	FRONT FORK.....	27
Fig. 24	FUEL TANK.....	29
Fig. 25	SEAT.....	30
Fig. 26	FRONT WHEEL.....	31
Fig. 27	FRONT BRAKE CALIPER.....	32
Fig. 28	REAR WHEEL.....	33
Fig. 29	REAR BRAKE CALIPER.....	34
Fig. 30	STEFFRING HANDLE, CABLE.....	35
Fig. 31	FRONT MASTER CYLINDER.....	36
Fig. 32	STAND/FOOTREST.....	37
Fig. 33	REAR MASTER CYLINDER.....	38
Fig. 34	EMBLEMS.....	39
Fig. 35	GENERATOR.....	40
Fig. 36	FLASHER LIGHT.....	41
Fig. 37	METER.....	42
Fig. 38	HEADLIGHT.....	43
Fig. 39	TAILLIGHT.....	44
Fig. 40	HANDLE SWITCH, LEVER.....	45
Fig. 41	ELECTRICAL 1.....	46
Fig. 42	ELECTRICAL 2.....	47

INDEX (GENERAL SPEC.)

NUMERICAL INDEX

INDIVIDUAL SPEC.

Fig. 43	FRAME.....	48
Fig. 44	FENDER.....	49
Fig. 45	FRONT WHEEL.....	50
Fig. 46	REAR WHEEL.....	51
Fig. 47	FLASHER LIGHT.....	52
Fig. 48	HEADLIGHT.....	53
Fig. 49	ELECTRICAL 1.....	54
Fig. 50	ELECTRICAL 2.....	55

INDEX (INDIVIDUAL SPEC.)

NUMERICAL INDEX

FIG. 38 HEADLIGHT

REF. NO.	PART. NO.	DESCRIPTION	Q.TY.	REMARKS
1	4GV-H4310-00	HEADLIGHT UNIT ASSY	1	*
2		• BULB (12V-5W)	1 L.M.	*
3		• BULB (12V-35/35W)	1 L.M.	*
4	4GV-H4397-00	COVER	1	*
5	4GV-H4312-00	• CORD, assy	1	*
6	4GV-H4393-00	• HOLDER, built	1	*
7	91311-06016	BOLT, hex. socket head	2	*
8	92901-06100	WASHER, sprg.	2	*
9	90387-06020	COLLAR	2	*
10	4GV-F8351-00	BODY, cowling	1	UR. PURPLISH WHITE SOLID 1
10	4GV-F8351-01	BODY, cowling	1	FROM FRAME NUMBER.....
11	90201-06072	WASHER, plain	1	*
12	90206-05600	WASHER, plain	1	*
13	97311-05012	BOLT, hex.	1	*
14	4GV-H4396-00	COVER	1	*

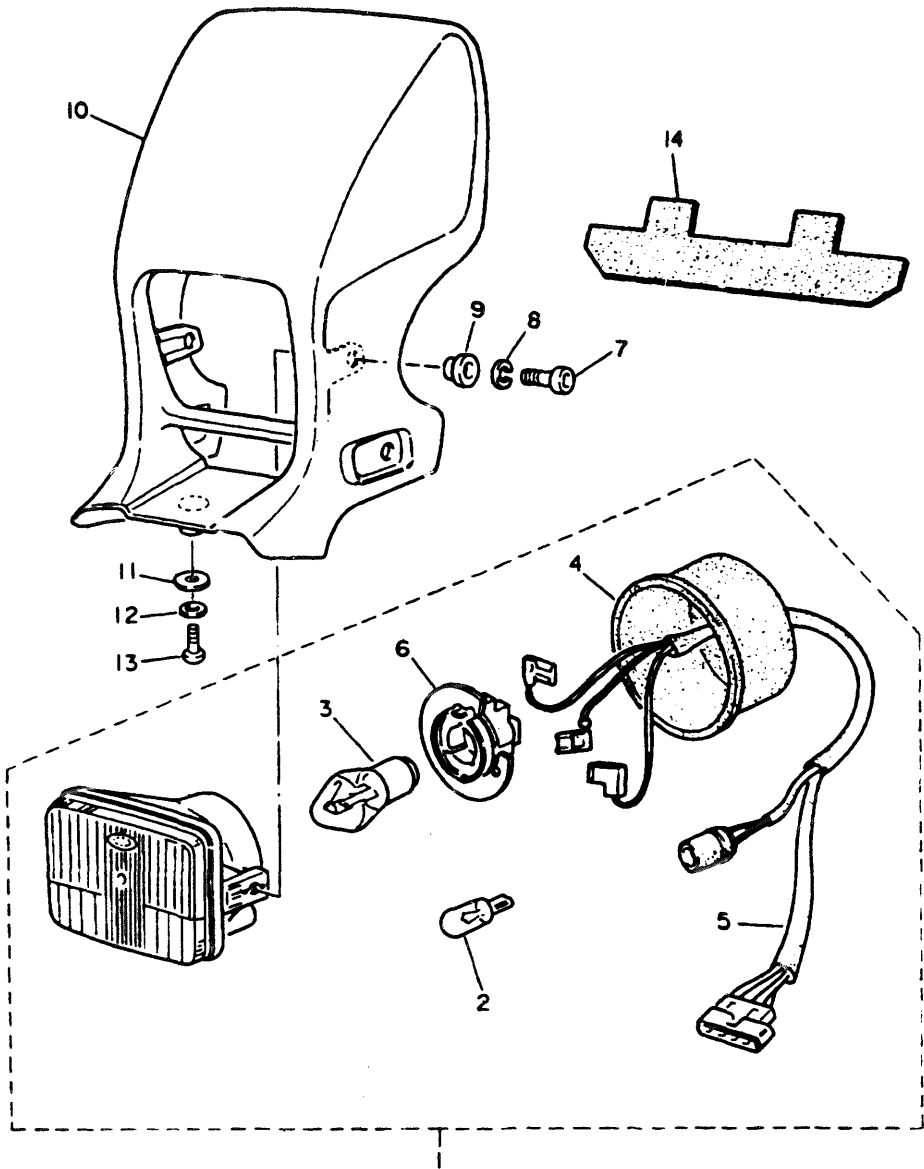


FIG. 39 TAILLIGHT

REF. NO.	PART. NO.	DESCRIPTION	Q.TY.	REMARKS
1	4GV-H4710-00	TAILLIGHT UNIT ASSY	1	*
2	4DL-H4721-00	• LENS TAIL ASSY	1	*
3	97701-40132	• SCREW, tapping (+)	2	*
4	4GV-H4714-00	• BULB, taillight (12V-21/5W)	1	*
5	4GV-H4736-00	DAMPER, taillight	2	*
6	4GV-H4737-00	DAMPER, taillight 2	1	*
7	4GV-H3523-00	DAMPER	2	*
8	90387-068H2	COLLAR	2	*
9	95702-06100	NUT, nylon	2	*

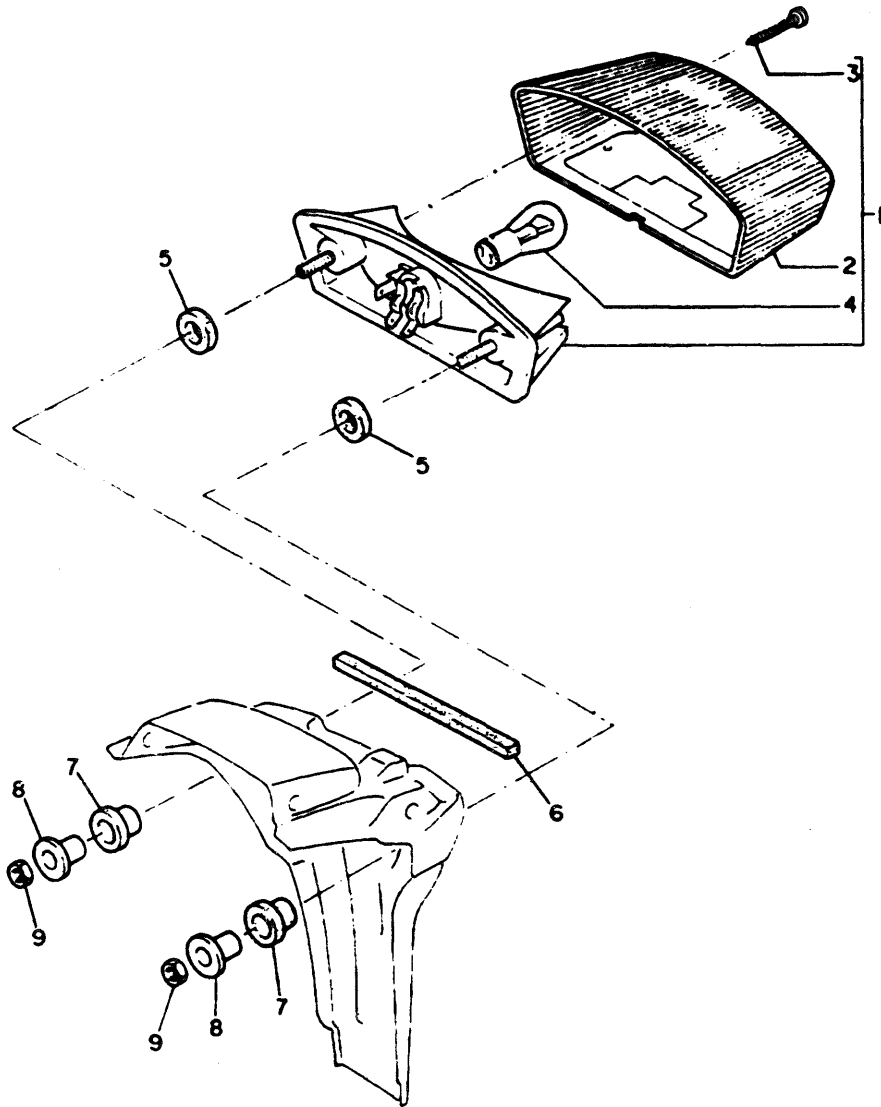
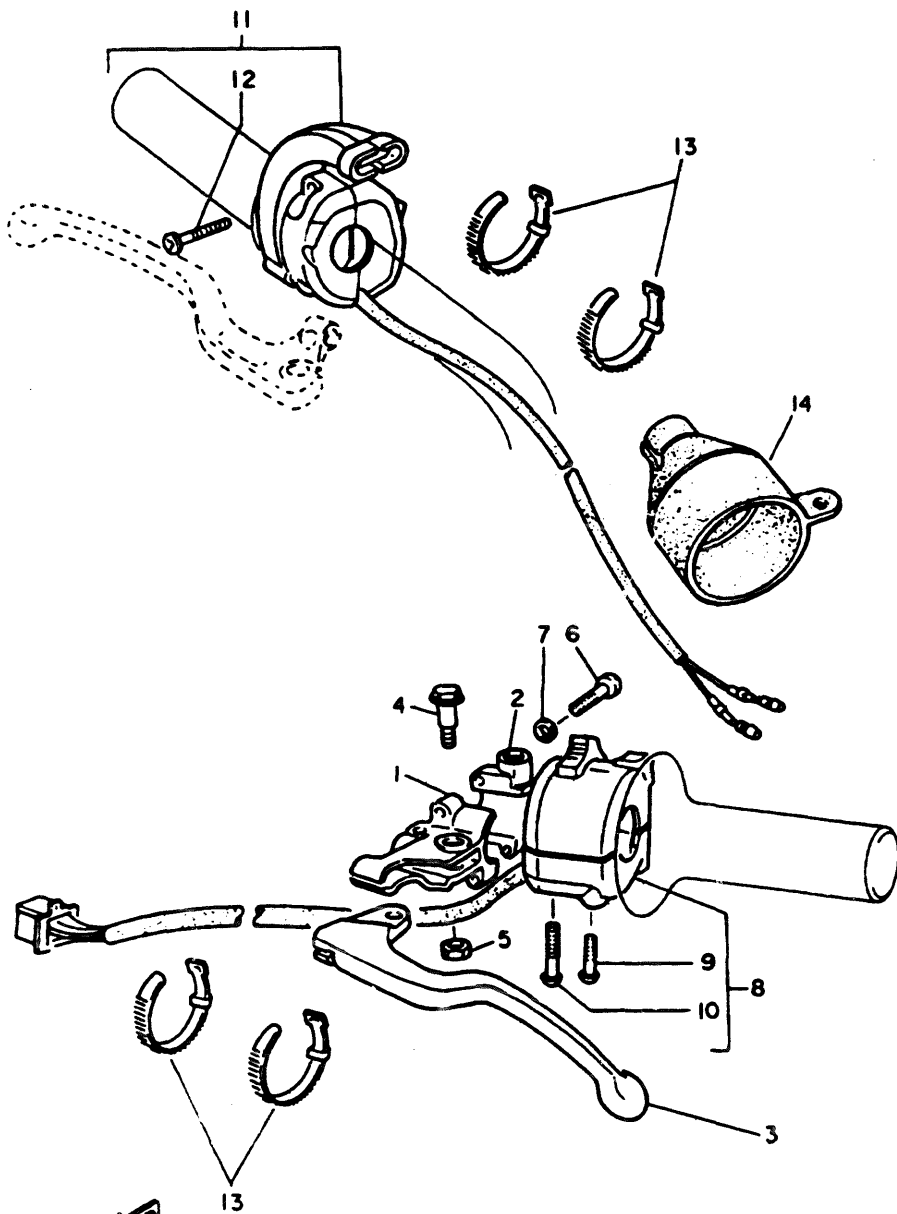


FIG. 40 HANDLE SWITCH, LEVER



REF. NO.	PART. NO.	DESCRIPTION	Q.TY.	REMARKS
1	1LN-82911-00	HOLDER, lever 1	1	
2	33G-82913-00	HOLDER, lever lower 1	1	
3	3FA-83912-00	LEVER 1	1	
4	90109-06799	BOLT	1	
5	95616-06100	NUT, U	1	
6	98506-05020	SCREW, pan head	2	
7	92906-05100	WASHER, spring	2	
8	3TB-8397A-00	SWITCH, case assy	1	
9	98506-05030	• SCREW, pan head	1	
10	98506-05035	• SCREW, pan head	1	
11	1KH-8397A-00	SWITCH CASE ASSY	1	
12	98506-05020	• SCREW, pan head	2	
13	437-83936-01	BAND, switch cord	4	
14	10V-82599-00	COVER	1	

4GV1354-3400

E4

FIG. 41 ELECTRICAL 1

REF. NO.	PART. NO.	DESCRIPTION	Q.TY.	REMARKS
1	3YP-85540-00	C.D.I. UNIT ASSY	1	
2	4GV-H2586-00	EXTN. WIRE HARNESS	1	•
3	26L-82131-00	BAND	1	
4	1VJ-82310-50	IGN. COIL ASSY	1	
5	1VJ-82317-00	DAMPER, ign. coil	1	
6	371-82370-00	PLUG, cap assy	1	
7	97311-05012	BOLT, hex.	1	•
8	92901-05600	WASHER, plain	1	•
9	4GV-H2316-00	BRKT, ign. coil	1	•
10	1NL-81965-00	CONDENSER, smoothing	1	
11	90109-060G4	BOLT	2	
12	3TY-82501-10	MAIN SW. STRG. LOCK ASSY	1	
13	12R-82591-00	BAND	13	
14	25G-83936-01	BAND	1	
15	4GV-H2590-00	WIRE HARNESS ASSY	1	•
16	98511-06012	SCREW, pan head	2	
17	47X-81960-A2	RECTIFIER REGULATOR ASSY	1	

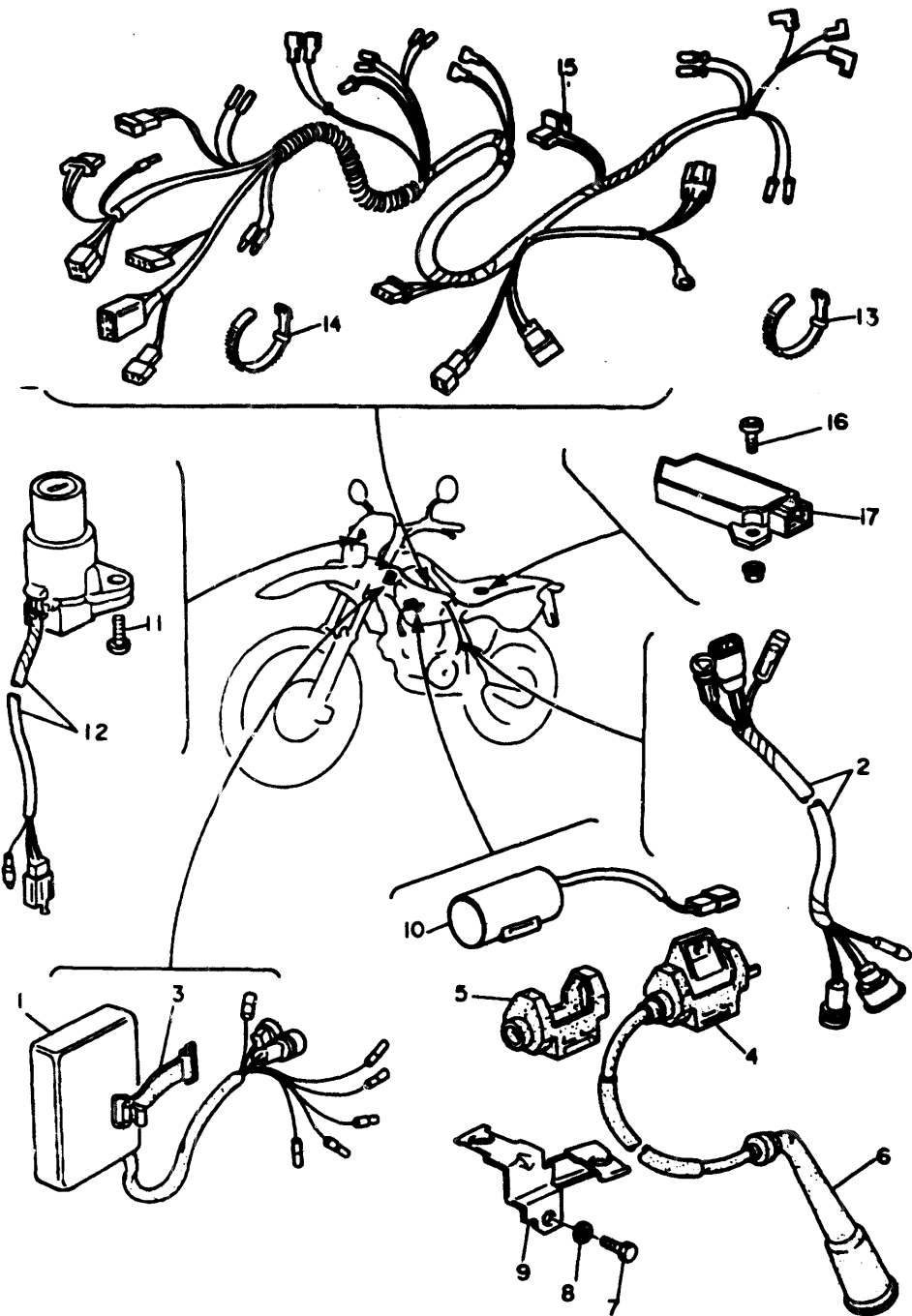
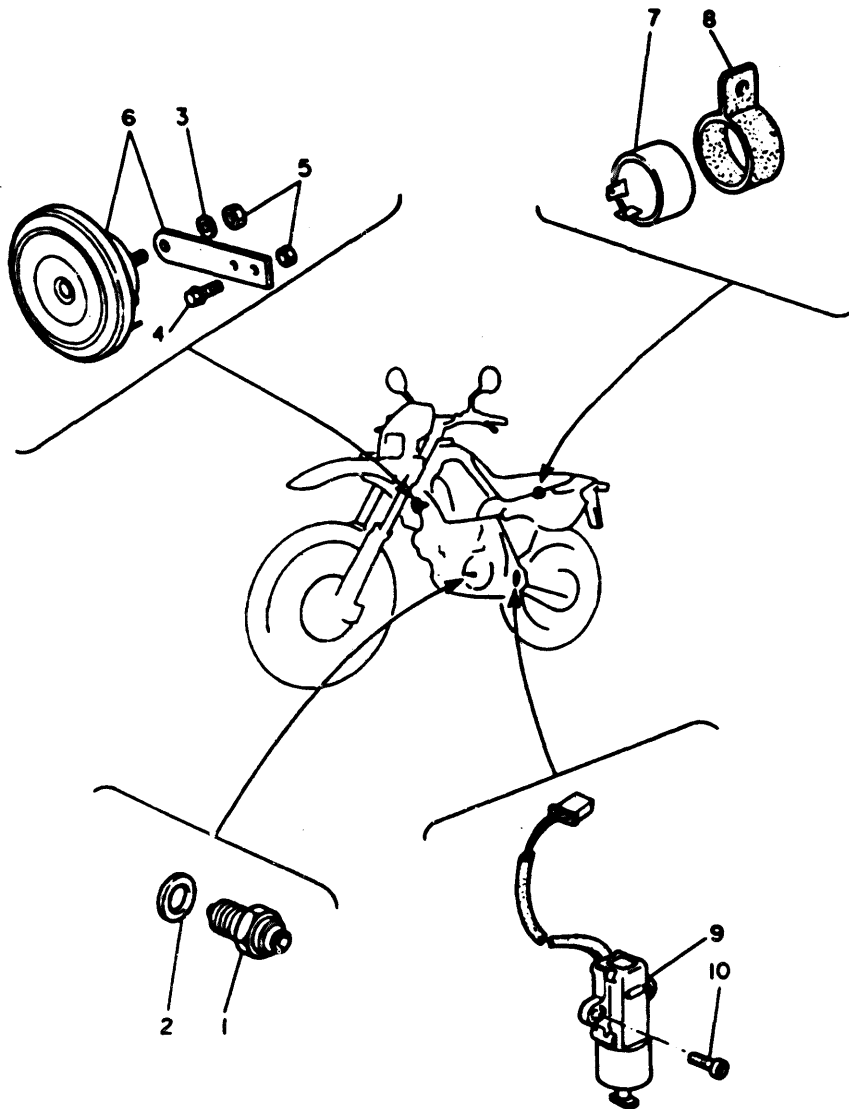


FIG. 42 ELECTRICAL 2



REF. NO.	PART. NO.	DESCRIPTION	Q.TY.	REMARKS
1	2H7-82540-00	NEUTRAL SW. ASSY	1	
2	90430-10171	GASKET	1	
3	92901-08800	WASHER, plain	1	•
4	91311-08012	BOLT, hex. socket head	1	•
5	95702-06100-BL	NUT, nylon	1	•
6	3WW-83371-01	HORN	1	
7	4DL-H3351-00	FLASHER, relay assy	1	•
8	4DL-H3350-00	DAMPER, relay	1	•
9	3LD-82566-40	SWITCH, side stand	1	
10	98586-05016	SCREW, pan head	2	

CONTENTS

GENERAL SPEC.

ENGINE

Fig. 1	CYLINDER HEAD.....	1
Fig. 2	CYLINDER.....	2
Fig. 3	CRANKSHAFT . PISTON.....	3
Fig. 4	VALVE	4
Fig. 5	CAMSHAFT . CHAIN.....	5
Fig. 6	OIL PUMP.....	6
Fig. 7	INTAKE	7
Fig. 8	CARBURETOR.....	9
Fig. 9	EXHAUST.....	11
Fig. 10	CRANKCASE	12
Fig. 11	CRANKCASE COVER 1	13
Fig. 12	STARTER.....	14
Fig. 13	CLUTCH	15
Fig. 14	TRANSMISSION.....	16
Fig. 15	SHIFT CAM. FORK.....	17
Fig. 16	SHIFT SHAFT.....	18

CHASSIS

Fig. 17	FRAME	19
Fig. 18	FENDER.....	21
Fig. 19	SIDE COVER/OIL TANK.....	22
Fig. 20	REAR ARM.....	23
Fig. 21	REAR SUSPENSION.....	25
Fig. 22	STEERING.....	26
Fig. 23	FRONT FORK	27
Fig. 24	FUEL TANK.....	29
Fig. 25	SEAT.....	30
Fig. 26	FRONT WHEEL.....	31
Fig. 27	FRONT BRAKE CALIPER.....	32
Fig. 28	REAR WHEEL.....	33
Fig. 29	REAR BRAKE CALIPER.....	34
Fig. 30	STEERING HANDLE, CABLE.....	35
Fig. 31	FRONT MASTER CYLINDER.....	36
Fig. 32	STAND/FOOTREST	37
Fig. 33	REAR MASTER CYLINDER	38
Fig. 34	EMBLEMS	39
Fig. 35	GENERATOR.....	40
Fig. 36	FLASHER LIGHT.....	41
Fig. 37	METER	42
Fig. 38	HEADLIGHT	43
Fig. 39	TAILLIGHT.....	44
Fig. 40	HANDLE SWITCH. LEVER.....	45
Fig. 41	ELECTRICAL 1.....	46
Fig. 42	ELECTRICAL 2.....	47

INDEX (GENERAL SPEC.)

NUMERICAL INDEX

INDIVIDUAL SPEC.

Fig. 43	FRAME	48
Fig. 44	FENDER.....	49
Fig. 45	FRONT WHEEL.....	50
Fig. 46	REAR WHEEL.....	51
Fig. 47	FLASHER LIGHT.....	52
Fig. 48	HEADLIGHT	53
Fig. 49	ELECTRICAL 1.....	54
Fig. 50	ELECTRICAL 2.....	55

INDEX (INDIVIDUAL SPEC.)

NUMERICAL INDEX

INDEX
(GENERAL SPEC.)

NUMERICAL INDEX

PART NO.	GRND NO.	PART NO.	GRND NO.	PART NO.	GRND NO.	PART NO.	GRND NO.	PART NO.	GRND NO.
4GV-E2273-10	B2	4GV-F2261-00	C12	4DL-9824-00	D5	4GV-H3650-00	D15	34L-11610-40	B4
4GV-E4437-00	B8	4GV-F2311-00	C11	4GV-111-00	D8	4GV-H357R-00	D15	3TB-11631-00-Y0	B4
4GV-E4454-00	B8	4GV-F3130-00	D12	4GV-FR2-10	D8	4GV-H3570-00	D15	1JK-11633-01	B4
4GV-E4457-00	B3	4GV-F313C-00	D12	4GV-FR2-2-1	D8	3SH-H357B-00	D15	3TB-11636-00	B4
4GV-E4611-00	B12	4GV-F317M-00	C15	3SH-FR200-10	D8	4GV-H3587-00	D15	3TB-11639-00	B4
4GV-E4628-00	B12	2AJ-F3182-50	C11	3SH-FR200-10	D8	4GV-H3582-01	D15	3TB-11661-00	B4
4LW-E4711-00	B12	4GV-F354L-00	D15	4GV-FR335-00	D8	4GV-H3622-00	D8	1VJ-11661-00	B4
4GV-E4728-00	B12	4GV-F4110-00-PO	D2	4GV-FR339-00	D8	3SH-H368A-00	D8	1VJ-12111-00	B5
4GV-E4752-00	B12	3SH-F4122-00	D2	4GV-FR372-00	D8	3SH-H368J-00	D8	5Y1-12113-00	B5
4GV-E5411-00	B14	4GV-F416F-00	D2	3SH-FR384-00	B13	4GV-H4310-00	E2	5Y1-12114-00	B5
4GV-E5441-00	B14	4GV-F416G-00	D2	4GV-F7114-00	B12	4GV-H4312-00	E2	4H7-12116-00	B5
4GV-E8110-01	C5	3SH-F4181-00	C7	4GV-F7200-01	D11	4GV-H4363-00	E2	2F3-12117-00	B5
4GV-F1110-00-UJ	C6	4GV-F4182-00	D2	4GV-F7200-02	D11	4GV-H4386-00	E2	1J7-12118-00	B5
4GV-F1161-00	C6	3SH-F4231-00	D2	4GV-F7213-00	D10	4GV-H4387-00	E2	1J7-12119-01	B5
4GV-F1315-00	C6	4GV-F4590-00	D2	4GV-F7213-01	D11	3SH-H4551-00	C8	1VJ-12121-00	B5
4GV-F1316-00-UJ	C6	3SH-F412-00	D2	4GV-F7217-00	D11	4GV-H4710-00	E3	2NX-12146-00	B5
4GV-F1471-00	C6	4GV-F110-00	D2	4GV-F7222-00	D11	4GV-H4714-00	E3	34K-12151-00	B5
4GV-F1511-00	C8	4GV-F4731-00	D3	4GV-F7311-00-33	D10	4DL-H4721-00	E3	2NX-12156-00	B5
4GV-F1611-00	C8	4GV-F4734-00	D3	4GV-F7315-10	D10	4GV-F7376-00	E3	2NX-12159-00	B5
4GV-F1629-00	C11	4GV-F4770-00	D3	4GV-F7412-00-33	D10	4GV-H4737-00	E3	34K-12161-00	B5
4GV-F1639-00	C8	4GV-F5104-00	D4	4GV-F742L-00	D10	4GV-H5130-00	C8	34K-12162-00	B5
4GV-F165A-00	D12	4GV-F5181-00	D4	4GV-F7422-00-33	D10	4GV-WF341-00	C13	34K-12163-00	B5
4GV-F1685-00	C8	4GV-F519F-00	C15	4GV-F7431-00	D10	4GV-W0045-10	D5	288-14343-70	B1
4GV-F1711-00	C9	4GV-F5304-00	D6	4GV-F7441-00	D10	3XP-W0046-00	D7	1JK-12171-00	B5
4GV-F1721-00	C9	3SH-F5368-00	D6	4GV-F7491-00	D7	3JD-W0047-50	D7	3TB-12176-00	B6
4GV-F173E-00	D12	3SH-F5369-00	D6	4GV-F8100-00	C7	36V-W0048-00	D7	3TB-12210-00	B6
4GV-F173F-00	D12	4GV-F5394-00	D6	4GV-F811E-00	C7	1SP-W0057-50	D7	4DW-12213-00	B6
4GV-F1731-00	C9	4GV-F5394-00	D4	3SH-FR200-20	D8	1VJ-W1141-00	B4	3TB-12215-00	B2
4GV-F174A-00	C9	4GV-F5414-00	D6	4GV-FR351-00	E2	5Y1-W1343-00	B7	34K-12231-00	B6
4GV-F174G-00	D12	4GV-F5444-00	D6	4GV-FR351-01	E2	3TB-11101-00	B2	34K-12241-00	B6
4GV-F174H-00	D12	4GV-F580T-10	D5	4GV-FR390-00	D12	583-11127-00	B2	1JK-12263-00	B2
4GV-F1741-00	C9	3SH-F5802-01	D9	4GV-H2316-00	E5	583-11127-00	B3	1JK-12268-00	B2
4GV-F175N-00	C9	4GV-F582T-00	D5	4DL-H2530-00	D11	4H7-11133-10	B2	2WK-12292-00	B2
4GV-F1751-00-88	C9	4GV-F582W-00	D7	4GV-H2586-00	E5	34K-11145-00	B4	583-13113-00	B7
4GV-F176E-00	C6	3SH-F5824-00	D5	4GV-H2590-00	E5	34L-11166-00	B13	3AJ-13161-00	B7
4GV-F1781-00	D12	3SH-F5825-00	D5	4GV-H3310-00	D14	2KF-11181-01	B3	3AJ-13300-01	B7
4GV-F1782-00	D12	4GV-F583T-00	D9	4DL-H3311-00	D14	1L9-11186-00	B2	3AJ-13325-00	B7
4GV-F1788-00	D12	4GV-F583V-00	D11	4DL-H3311-01	D14	5Y1-11187-00	B2	3SX-13329-00	B7
4GV-F1789-00	D12	3SH-F5852-50	D11	4GV-H3320-00	D14	214-11198-01	B7	4DW-13415-00	B7
4GV-F2110-00	C10	4GV-F5862-00	D11	4DL-H3332-00	D14	3TB-11310-00	B3	4K7-13440-80	B7
4GV-F2151-00	C10	3SH-F5867-00	D9	4DL-H3332-00	D14	1VJ-11351-00	B3	2WK-13447-00	B7
4GV-F2156-00	C10	4GV-F5872-00	D9	4DL-H3350-00	E6	3TB-11400-00	B4	34K-13464-00	B7
4GV-F218A-00	C11	4GV-F5873-00	D11	4DL-H3351-00	E6	34K-11454-00	B4	34K-13485-00	B7
4GV-F2210-00	C12	4GV-F5885-00	D11	4GV-H3519-01	D15	5Y1-11486-01	B4	166-13589-00	B8
4GV-F2214-00	C12	4GV-F588A-00	D9	4GV-H3520-00	D15	5Y1-11531-00	B4	43F-13589-01	B8
4GV-F2217-00	C12	4GV-F5894-00	D11	4GV-H3523-00	D15	2JT-11536-00	B4	1VJ-13596-00	B8
4GV-F2221-00	C12	4GV-F5895-00	D11	4GV-H3523-00	E3	34K-11585-02	B4	2KF-1410A-00	B11
4GV-F2223-00	C12	4GV-F5917-00	D5	4GV-H3536-00	D15	34L-11610-00	B4	2NX-14103-00	B11
4GV-F2253-00	C12	4GV-F5919-00	D5	4GV-H3543-00	D15	34L-11610-20	B4	51Y-14105-00	B11

NUMERICAL INDEX

PART NO.	GRND NO.	PART NO.	GRND NO.	PART NO.	GRND NO.	PART NO.	GRND NO.	PART NO.	GRND NO.
2JN-14167-00	B11	48D-14786-00	B12	3AJ-17211-00	C3	3XJ-23113-L0	C14	38P-23368-L0	C15
1XL-14131-01	B10	48D-14786-00	B12	3YP-17221-00	C3	3JD-23128-L0	C16	3XJ-23364-L0	C16
30X-14148-00	B10	1JK-1480A-00	B11	1VJ-17231-00	C3	3JD-23128-L0	C14	3XJ-23364-L0	C14
5Y1-14148-00	B10	4GV-1480J-00	B11	3AJ-17241-00	C3	48V-23130-L0	C14	34K-23368-00	C15
5Y1-14158-00	B10	4GV-1480J-10	B11	3YP-17251-01	C3	3XJ-23135-L0	C14	5Y3-23368-00	C15
7K7-14162-00	B10	36V-1480K-00	B11	3YP-17402-00	C3	3XJ-23135-L0	C14	2H6-23416-00	C13
1JK-14167-00	B10	1JK-1480-01	B10	2RW-17411-00	C3	4EW-23136-L0	C14	38P-23416-00	C13
3TD-14167-00	B11	306-15100-00	B13	2NX-17480-01	C3	4EW-23136-L0	C14	38P-23441-00	C13
1JK-14167-00	B10	5Y1-15383-00	B13	5Y1-17471-00	C3	4DA-2314A-L0	C14	4AA-23442-01-T9	C13
5Y1-14168-00	B10	2WK-15417-00	B14	3YP-18101-02	C5	4DA-2314A-L0	C14	5Y1-18101-02	C5
5Y1-14216-00	B10	2WK-15418-01	B14	43F-18102-02	C5	4EW-2314E-L0	C16	3XJ-23778-L0	C15
4KF-14227-00	B10	3AJ-15421-00	B14	34K-18120-00	C5	4DA-2314F-L0	C16	4DA-23778-L0	C14
1VJ-14286-00	B10	5Y1-15427-01	B7	34K-18140-00	C4	4DA-2314G-L0	C15	3XJ-23778-L0	C14
1JK-14291-00	B10	306-15430-00	B14	5Y1-18511-00	C4	38P-2314H-L0	C15	34K-24188-01	D2
2JN-14293-00	B10	1JK-15448-00	B14	3XP-2314J-L0	C15	380-24512-00	B10	380-24512-00	B10
4GV-14301-00	B10	4DW-15451-00	B14	5Y1-18513-00	C4	4DA-2314I-L0	C15	4FD-24524-00	D2
1JK-14312-55	B11	4DW-15462-00	B14	3YP-18531-00	C4	4DA-2314I-L0	C14	214-24535-00	B10
14T-14323-00	B10	1JK-15486-00	B14	3XV-18535-00	C4	3XJ-23142-L0	C14	46V-25111-00	D4
2KF-14341-00	B11	3Y1-1581A-02	B15	3YF-18540-00	C4	3XJ-23142-L0	C14	145-25116-00	C4
43F-14342-24	B11	5Y1-15816-00	B15	136-18542-00	C4	3XJ-23143-L0	C15	46V-25190-00	D4
30X-14343-55	B11	5Y1-1582F-01	B14	55E-21308-00	C8	3XJ-23143-L0	C14	4EW-25311-00	D6
288-14343-70	B11	5Y1-15820-02	B15	34L-21485-00	C8	4DA-23144-L0	C14	4EW-25317-00	D6
288-14343-73	B11	5Y1-15821-01	B15	34L-21486-00	C8	4DA-23144-L0	C14	4V4-25367-00	D6
288-14343-75	B11	34K-15841-00	B15	34K-15841-01	B8	4DA-23145-L0	C14	23X-25361-00	D6
5Y1-14348-00	B10	5Y1-15845-00	B14	2J5-21732-00	C8	4DA-23145-L0	C14	4AA-2580W-00	D7
2KF-14355-00	B11	5Y1-15851-01	B15	34K-21771-00	C9	4V4-23146-L0	C14	2VW-25876-00	D11
5Y1-14356-00	B10	5Y1-15880-01	B15	307-22123-00	C13	4V4-23146-L0	C14	38P-25919-51	D7
1JK-14357-00	B10	2NX-15888-00	B15	1VJ-22123-00	C10	36Y-23147-10	C15	3XJ-25920-01	D7
30X-14358-00	B10	246-15888-00	B15	156-22127-00	C10	36Y-23147-10	C14	38P-25924-51	D7
5Y1-14358-00	B10	5Y1-15871-01	B15	3JD-22128-00	C10	3XJ-23153-L0	C15	3Y1-26243-01	D8
5Y1-14384-00	B10	2NX-15874-00	B15	3R4-22129-00	C10	4V4-23153-L0	C14	3Y1-26248-00	D8
2JN-14385-00	B10	214-15888-00	B15	55K-22129-00	C11	4V4-23153-L0	C14	1VJ-26302-00	D8
889-14386-00	B10	34K-16111-00	C2	1VJ-22141-00	C10	3XJ-23153-L0	C14	4N0-27114-60	C6
34K-14401-01	B8	1JK-16190-00	C2	3JD-22147-00	C10	2HH-23158-L0	C14	23X-27411-02	D10
34K-14412-01	B8	2JN-16154-00	C2	34K-2217A-00	C10	2HH-23158-L0	C15	34K-27421-00	D10
34K-14426-00	B8	5Y1-16321-00	C2	23X-2217F-00	C10	4DC-2316A-MO	C14	47X-81980-A2	E5
28A-14436-00	B8	360-16325-00	C2	30K-22178-00	C8	4DC-2316A-MO	C15	1NL-81985-00	E5
34K-14461-01	B8	5Y1-16331-01	C2	4V4-22184-00	C6	3XJ-23166-L0	C14	28L-82131-00	E5
43F-14463-00	B8	5Y1-16351-00	C2	3LD-2218K-01	C11	3XJ-23166-L0	C15	1VJ-82310-50	E5
34K-14465-00	B8	34K-16358-00	C2	3XP-22188-02	C10	4EW-23167-L0	C15	1VJ-82317-00	E5
34K-14468-02	B8	5Y1-16357-00	C2	1W1-22216-00	C12	4DA-23170-L0	C14	371-82370-00	E5
51Y-14482-00	B8	30K-16358-00	C2	34K-22262-00	C12	4DA-23170-L0	C15	3TY-82501-10	E5
34K-14473-02	B8	2JN-16371-00	C2	3XJ-22365-00	C11	3XJ-23171-L0	C14	2H7-82540-00	E6
34K-14484-00	B8	4GV-16380-00	C2	4GV-23102-00	C14	3XJ-23171-L0	C14	3LD-82586-40	E6
34K-14483-01	B8	5Y1-16383-00	C2	4V4-23184-L0	C15	4V4-23184-L0	C15	12R-82581-00	E5
5Y1-14538-00	B10	34K-17121-01	C3	4DA-23110-L0	C14	3R4-23317-00	C13	10V-82588-00	E4
5Y1-14572-00	B10	1VJ-17131-00	C3	4DA-23111-L0	C15	3XP-23318-00	C13	1LN-82611-00	E4
3YF-14613-01	B12	34K-17141-00	C3	4DA-23111-L0	C14	4DA-23340-L0	C15	338-82913-00	E4
3YF-14756-00	B12	3YP-17151-01	C3	3XJ-23113-L0	C15	4DA-23346-L0	C15	3WW-83371-01	E6

NUMERICAL INDEX

PART NO.	GRND NO.	PART NO.	GRND NO.	PART NO.	GRND NO.	PART NO.	GRND NO.	PART NO.	GRND NO.
3FA-83012-00	E4	90151-08017	C4	90201-100F7	C11	90336-18038	B16	90467-10036	B8
437-43036-01	E4	90151-08025	C8	90201-10100	C8	90336-12626	C11	90467-11632	D11
256-43036-01	E5	90152-08010	B15	90201-10124	B3	90340-14088	B2	90467-11632	D2
3TB-4307A-00	E4	90159-08018	C2	90201-105J4	B15	90340-14120	B14	90467-14016	B13
1K04-8307A-00	E4	90159-08078	C4	90201-10590	B3	90340-14132	B7	90467-17128	B13
3YP-85510-00	D13	90164-08017	B12	90201-108E8	D8	90340-38121	B14	90467-20030	B8
3YP-85540-00	E5	90170-08128	B5	90201-108E8	D11	90340-38127	C10	90460-01141-BL	C8
4GV-85550-00	D13	90170-16343	B4	90201-120A8	C10	90340-22111	C10	90460-01141-BL	C8
90101-08040-BL	D15	90170-20274	C2	90201-120E8	C11	90347-080A7	C8	90460-10020-BL	D15
90101-08059	C9	90170-20327	C2	90201-120E8	C12	90347-08020	E2	90460-12946	C8
90105-08601	C10	90170-36394	C13	90201-123E8	C13	90347-082M8	C11	90460-13388	B8
90105-07087	B6	90176-08026	B3	90201-12474	C5	90347-082M8	C8	90460-13388	C8
90105-08505	B3	90178-08499	B12	90201-13202	C8	90347-082V8	C8	90460-14229	C8
90105-08659	D5	90178-08148-BL	D8	90201-140A6	B4	90347-083F7	C4	90460-16186	C8
90105-10286	C6	90178-10201	B3	90201-142M8	C10	90347-08518-BL	D15	90460-17844	C8
90105-12616	D10	90178-10279	B3	90201-15238	C10	90347-088E9	C8	90501-043E0	B7
90108-080G4	E5	90178-14317	B4	90201-155K8	B15	90347-088H2	D15	90501-12081	B15
90108-063E8	B5	90178-18552	C3	90201-15701	B15	90347-088H2	E3	90501-16107	B15
90108-063E9	B2	90178-28802	C13	90201-17327	C2	90347-088H5	D15	90501-22721	B4
90108-06418	B2	90178-28803	C13	90201-200R4	D6	90347-088H0	C8	90501-26148	C2
90108-06419	B7	90185-06830	D15	90201-20276	B15	90347-121E8	C13	90504-18031	D10
90108-06799	E4	90185-06830	C8	90201-20276	C3	90347-121H1	C11	90506-18838	B11
90108-085E2	B12	90185-10037	C13	90201-20685	B15	90347-147G6	C10	90506-35473	D10
90108-085E3	B12	90185-10060	C8	90201-275P2	C3	90347-147G7	C10	90506-14443	C2
90108-085F2	D6	90185-10060	C6	90201-301F4	B4	90347-16782	B13	90506-14624	B15
90108-085F5	D10	90185-10060	C6	90201-385M5	C13	90347-173Y0	4	90506-18661	B2
90108-08705	C6	90185-10120	C11	90202-05187	D2	90347-17783	J13	90506-20583	D10
90108-10690	C12	90185-10120	C12	90202-05187	C9	90347-200Y2	D6	90506-28881	C4
90108-10700	C12	90185-10120	C12	90202-14077	C13	90347-203V0	D6	90506-28829	C5
90108-10702	C11	90185-12119	D10	90204-08802	B12	90401-08133	B7	90506-32529	B15
90108-10703	C11	90185-12119	C10	90206-05800	E2	90401-10034-BL	D8	90580-17378	D4
90108-12701	C10	90185-14070	C10	90206-08080	B12	90430-05126	B7	90580-25378	C3
90110-08015-BL	C9	90185-18104	D8	90206-08080	B12	90430-06014	B2	91311-08012	E6
90110-06138	B13	90201-047A2	B8	90206-12074	B5	90430-08178	B13	91311-08012	D11
90110-06138	B14	90201-06067	C6	90209-05279	B14	90430-08178	B3	91311-08014	C15
90111-08801	D10	90201-08072	E2	90209-22181	C3	90430-08204	B7	91311-08016	E2
90116-06475	B2	90201-08643	D13	90209-22181	C3	90430-10171	E6	91311-08016	D3
90116-10263	B13	90201-080L8	B3	90215-16242	B4	90430-27124	C9	91311-08025	D7
90116-10378	B2	90201-08083	D11	90215-20187	C2	90446-08878	D2	91316-03008	D2
90116-10506	B13	90201-08087	C8	90215-20231	C2	90446-10677	D2	91316-08012	C6
90119-08097	C8	90201-08087	C2	90215-23285	C3	90446-11748	C9	91316-08016	B14
90122-05010	B8	90201-081A6	D6	90240-08124	D11	90480-46206	B8	91316-08016	B14
90123-08046-BL	D8	90201-083P5	D10	90240-10101	D10	90480-51058	B8	91316-08016	B7
90148-05110	B7	90201-083Z6	B12	90287-40073	B8	90480-58015	B9	91316-08016	B7
90148-08011	D2	90201-085L3	B3	90287-40073	B8	90482-16102	B14	91316-08018	B2
90148-08272	D5	90201-08753	C6	90287-48078	C6	90485-08028	B8	91316-08020	B2
90148-08272	D7	90201-100A1	C13	90280-18053	B4	90485-08344	B13	91316-08020	B8
90148-08067	C2	90201-100E9	C11	90282-05013	B4	90485-16301	B14	91316-08020	D14
90151-04048	C11	90201-100E9	C12	90282-07042	C2	90487-10008	C8	91316-08025	B14

NUMERICAL INDEX

PART NO.	GRND NO.	PART NO.	GRND NO.	PART NO.	GRND NO.	PART NO.	GRND NO.	PART NO.	GRND NO.
91316-08025	B14	92988-04108	B10	93316-08801	C4	96712-08309	C8	98588-08016	B8
91316-08025	B2	92988-04200	B8	93317-11020	C2	98811-08018	B13	98701-08012	B13
91316-08025	B6	92988-04200	B8	93317-32034	C10	98811-08012	B8	98701-08020	C10
91316-08036	B14	92988-10800	D10	93317-32213	C10	98811-08012	C12	98888-08018	B12
91316-08036	B14	92988-08100	D13	93322-08087	C13	98811-08012	J8	98901-08800	C5
91316-08036	B3	92988-08100	C16	93322-08088	C13	98811-08018	C8	98908-10800	C5
91316-08036	B7	93101-14082	B14	93342-22208	C10	98811-10119	C8	98908-10400	B15
91316-08040	B2	93101-26108	B4	93410-30038	B15	98836-10025	D10	98908-11400	B7
91316-08046	B13	93102-12037	B5	93440-12032	E2	98838-10085	D11	98908-15400	B15
91316-08050	B14	93102-12321	B2	93440-25084	C3	97011-08018	B15	98908-20400	C3
91316-08050	B14	93102-12321	C5	93440-25084	C3	97011-08018	B6	98908-20400	B15
91316-08050	B2	93102-17357	C2	93460-24028	B4	97011-08025	C8	98243-00080	D12
91316-08056	B2	93102-20108	B15	93803-08007	B7	97011-08030	B15	98510-08016	B3
91316-08080	B13	93102-25228	C3	93807-32031	B15	97011-10080	C8	98510-08016	B13
91316-08080	B7	93106-22018	C10	93615-32029	C2	97016-08018	C8	98510-08018	B13
91316-08115	B2	93106-22032	D4	93804-10011	C4	97021-08014	C3	98510-10114	B2
91316-08125	B2	93106-28023	D6	93805-10080	B4	97311-08012	E2	98510-12016	B14
91401-18012	D11	93106-30004	C10	93806-33046	C5	97311-08012	E5	98510-12016	B14
91401-25020	D10	93106-20029	C10	93700-08M03	C10	97311-08014	C8	98510-12016	B13
91480-20020	C13	93210-038C3	D15	93700-08005	C11	97311-08016	D3	98510-14016	B13
91810-05018	B3	93210-07135	B13	93700-08008	C11	97311-08016	C8		
92011-08012	D7	93210-07135	B7	94108-21835	D4	97316-08010	B12		
92900-08400	B12	93210-08621	B5	94114-18836	D6	97316-08014	C8		
92901-09800	E5	93210-10187	B7	94208-21882	D4	97382-08016-BL	D2		
92901-08100	E2	93210-13016	D11	94214-18881	D6	97382-08020-BL	C7		
92901-08100	D2	93210-13361	B14	94308-21853	D4	97388-08025-BL	C5		
92901-08100	C10	93210-13361	B7	94314-18854	D6	97780-40132	E3		
92901-08200	C2	93210-13657	B14	94418-21885	D4	97780-87110	D11		
92901-08200	D14	93210-13657	B2	94425-18886	D6	98501-04010	B10		
92901-08200	D3	93210-15171	B7	94881-43110	D6	98501-08010	B10		
92901-08800	B15	93210-18622	B2	94880-27126	B6	98501-08016	C13		
92901-08800	B6	93210-32172	B2	94701-00241	B2	98502-08016	B7		
92901-08800	E6	93210-38610	B14	95023-08020	C10	98502-08016	B7		
92901-08800	D11	93210-38648	B6	95023-08035	C13	98503-04014	B10		
92901-08900	C15	93210-62446	B2	95023-08035	C13	98506-08014	D4		
92901-08800	D3	93210-64297	B7	95023-08040	C15	98506-08020	E4		
92901-08200-BL	C7	93210-67524	B3	95026-08046	B12	98506-08020	E4		
92902-04100	B10	93308-00316	D4	95303-08800	D11	98506-08030	E4		
92902-08200-BL	C8	93308-00418	D6	95311-08700	B15	98506-08035	E4		
92906-05100	E4	93308-00428	C3	95801-08200	C2	98506-08010	C8		
92906-08800	B8	93308-00431	C3	95811-08100	D6	98506-08016	C11		
92906-05100	C11	93308-30625	B4	95811-10100	C11	98511-08012	B14		
92906-08100	C6	93308-30635	C3	95816-08100	E4	98511-08012	E5		
92906-08800	B2	93308-30640	C3	95701-08800	C10	98580-04010	B10		
92906-08800	C8	93308-30680	B4	95701-08800	C8	98580-04016	B10		
92906-08800	J	93308-30782	B4	95702-08180	D14	98580-08010	B14		
92906-08800-BL	C5	93318-636D4	B4	95702-08180	E3	98580-08020	D13		
92906-08100	C8	93316-11720	C2	95702-08180-BL	E6	98580-08035	D13		
92906-08200	C9	93316-31732	C10	95711-08300-BL	B12	98580-08016	B8		

CONTENTS

GENERAL SPEC.

ENGINE

Fig. 1	CYLINDER HEAD.....	1
Fig. 2	CYLINDER.....	2
Fig. 3	CRANKSHAFT . PISTON.....	3
Fig. 4	VALVE.....	4
Fig. 5	CAMSHAFT . CHAIN.....	5
Fig. 6	OIL PUMP.....	6
Fig. 7	INTAKE.....	7
Fig. 8	CARBURETOR.....	9
Fig. 9	EXHAUST.....	11
Fig. 10	CRANKCASE.....	12
Fig. 11	CRANKCASE COVER 1.....	13
Fig. 12	STARTER.....	14
Fig. 13	CLUTCH.....	15
Fig. 14	TRANSMISSION.....	16
Fig. 15	SHIFT CAM. FORK.....	17
Fig. 16	SHIFT SHAFT.....	18

CHASSIS

Fig. 17	FRAME.....	19
Fig. 18	FENDER.....	21
Fig. 19	SIDE COVER/OIL TANK.....	22
Fig. 20	REAR ARM.....	23
Fig. 21	REAR SUSPENSION.....	25
Fig. 22	STEERING.....	26
Fig. 23	FRONT FORK.....	27
Fig. 24	FUEL TANK.....	29
Fig. 25	SEAT.....	30
Fig. 26	FRONT WHEEL.....	31
Fig. 27	FRONT BRAKE CALIPER.....	32
Fig. 28	REAR WHEEL.....	33
Fig. 29	REAR BRAKE CALIPER.....	34
Fig. 30	STEERING HANDLE, CABLE.....	35
Fig. 31	FRONT MASTER CYLINDER.....	36
Fig. 32	STAND/FOOTREST.....	37
Fig. 33	REAR MASTER CYLINDER.....	38
Fig. 34	EMBLEMS.....	39
Fig. 35	GENERATOR.....	40
Fig. 36	FLASHER LIGHT.....	41
Fig. 37	METER.....	42
Fig. 38	HEADLIGHT.....	43
Fig. 39	TAILLIGHT.....	44
Fig. 40	HANDLE SWITCH, LEVER.....	45
Fig. 41	ELECTRICAL 1.....	46
Fig. 42	ELECTRICAL 2.....	47

INDEX (GENERAL SPEC.)

NUMERICAL INDEX

INDIVIDUAL SPEC.

Fig. 43	FRAME.....	48
Fig. 44	FENDER.....	49
Fig. 45	FRONT WHEEL.....	50
Fig. 46	REAR WHEEL.....	51
Fig. 47	FLASHER LIGHT.....	52
Fig. 48	HEADLIGHT.....	53
Fig. 49	ELECTRICAL 1.....	54
Fig. 50	ELECTRICAL 2.....	55

INDEX (INDIVIDUAL SPEC.)

NUMERICAL INDEX

CONTENTS

GENERAL SPEC.

ENGINE

Fig. 1	CYLINDER HEAD.....	1
Fig. 2	CYLINDER.....	2
Fig. 3	CRANKSHAFT, PISTON.....	3
Fig. 4	VALVE.....	4
Fig. 5	CAMSHAFT, CHAIN.....	5
Fig. 6	OIL PUMP.....	6
Fig. 7	INTAKE.....	7
Fig. 8	CARBURETOR.....	9
Fig. 9	EXHAUST.....	11
Fig. 10	CRANKCASE.....	12
Fig. 11	CRANKCASE COVER 1.....	13
Fig. 12	STARTER.....	14
Fig. 13	CLUTCH.....	15
Fig. 14	TRANSMISSION.....	16
Fig. 15	SHIFT CAM, FORK.....	17
Fig. 16	SHIFT SHAFT.....	18

CHASSIS

Fig. 17	FRAME.....	19
Fig. 18	FENDER.....	21
Fig. 19	SIDE COVER/OIL TANK.....	22
Fig. 20	REAR ARM.....	23
Fig. 21	REAR SUSPENSION.....	25
Fig. 22	STEERING.....	26
Fig. 23	FRONT FORK.....	27
Fig. 24	FUEL TANK.....	29
Fig. 25	SEAT.....	30
Fig. 26	FRONT WHEEL.....	31
Fig. 27	FRONT BRAKE CALIPER.....	32
Fig. 28	REAR WHEEL.....	33
Fig. 29	REAR BRAKE CALIPER.....	34
Fig. 30	STEERING HANDLE, CABLE.....	35
Fig. 31	FRONT MASTER CYLINDER.....	36
Fig. 32	STAND/FOOTREST.....	37
Fig. 33	REAR MASTER CYLINDER.....	38
Fig. 34	EMBLEMS.....	39
Fig. 35	GENERATOR.....	40
Fig. 36	FLASHER LIGHT.....	41
Fig. 37	METER.....	42
Fig. 38	HEADLIGHT.....	43
Fig. 39	TAILLIGHT.....	44
Fig. 40	HANDLE SWITCH, LEVER.....	45
Fig. 41	ELECTRICAL 1.....	46
Fig. 42	ELECTRICAL 2.....	47

INDEX (GENERAL SPEC.)

NUMERICAL INDEX

INDIVIDUAL SPEC.

Fig. 43	FRAME.....	48
Fig. 44	FENDER.....	49
Fig. 45	FRONT WHEEL.....	50
Fig. 46	REAR WHEEL.....	51
Fig. 47	FLASHER LIGHT.....	52
Fig. 48	HEADLIGHT.....	53
Fig. 49	ELECTRICAL 1.....	54
Fig. 50	ELECTRICAL 2.....	55

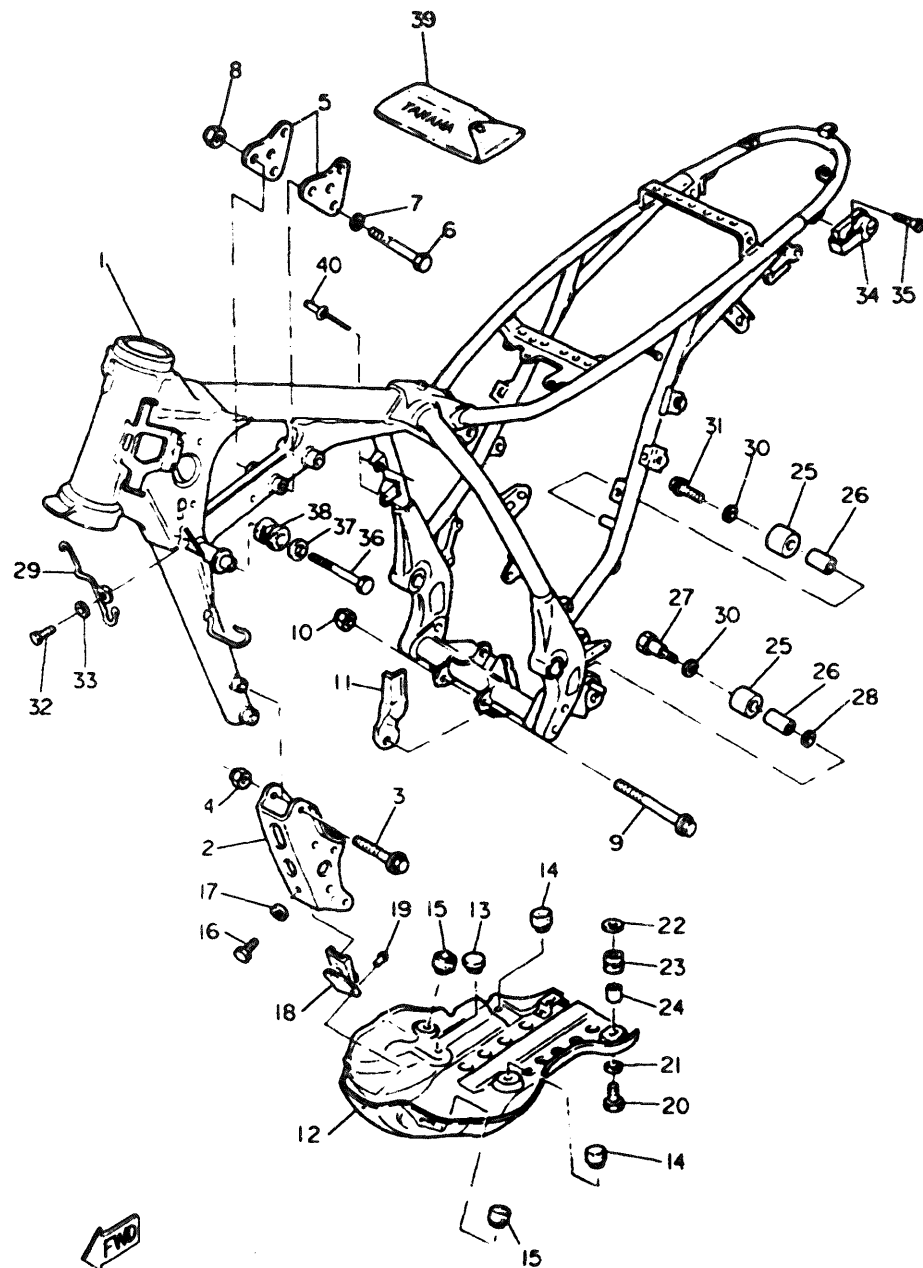
INDEX (INDIVIDUAL SPEC.)

NUMERICAL INDEX

INDIVIDUAL SPEC.

FIG. 43 FRAME

REF. NO.	PART. NO.	DESCRIPTION	Q.TY.	REMARKS
1	4LW-F1110-00-UJ	FRAME, compl.	1	RADICAL WHITE
39	4LW-F8100-00	TOOL, kit	1	
40	90267-32018	RIVET	2	



FYD
4LW1300-3430

FIG. 44 FENDER

REF. NO.	PART. NO.	DESCRIPTION	Q.TY.	REMARKS
19	4LW-H5132-00	BRKT., 1	1	•
20	90267-48839	RIVET	2	•
21	92906-05600	WASHER, plain	2	•

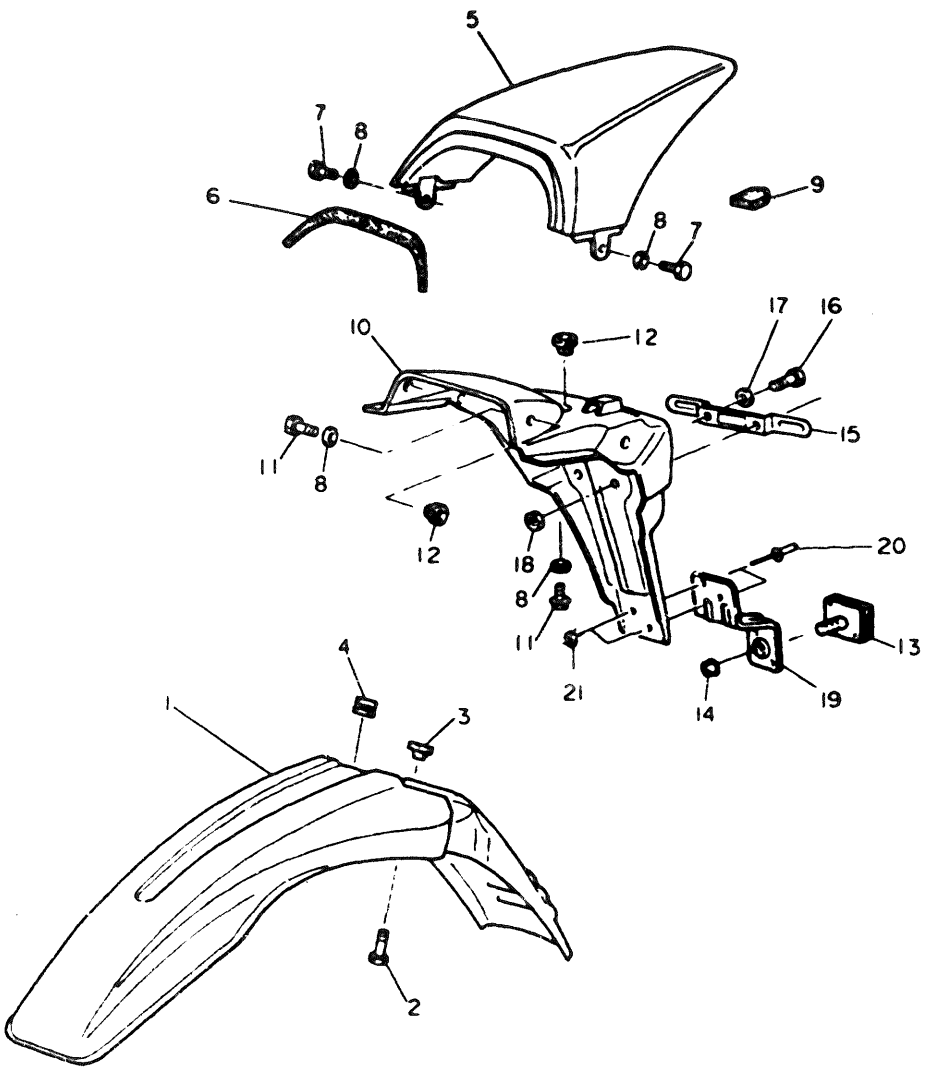


FIG. 45 FRONT WHEEL

REF. NO.	PART. NO.	DESCRIPTION	Q.TY.	REMARKS
7	94109-218K3	TIRE (90/90-21')	1	PIRELLI

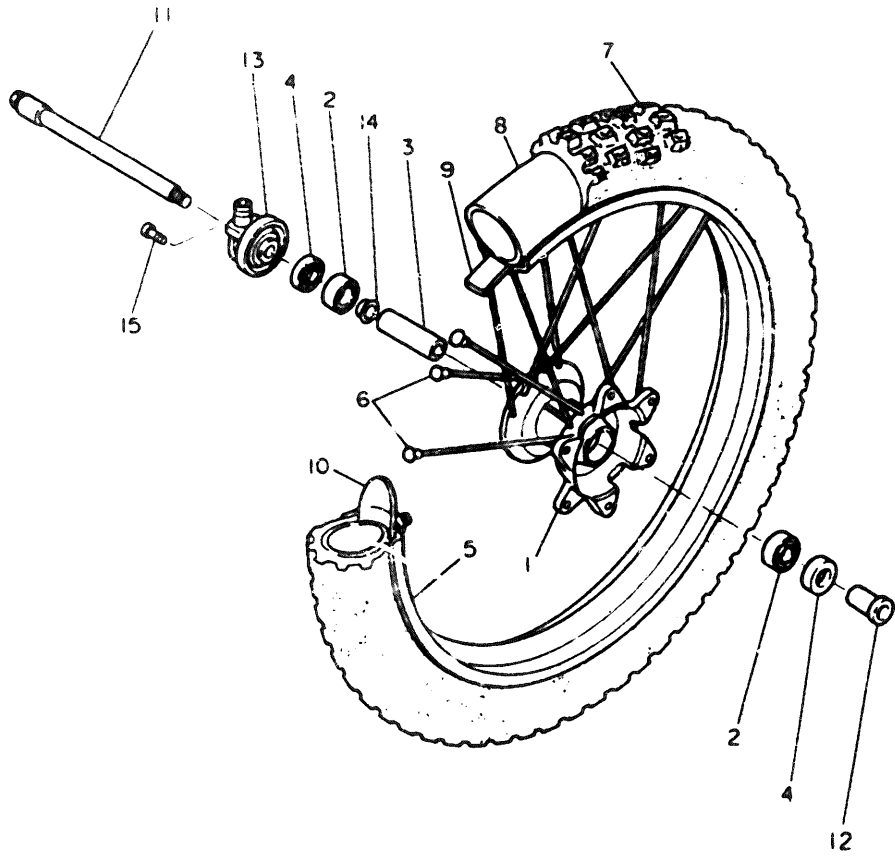


FIG. 46 REAR WHEEL

REF. NO.	PART. NO.	DESCRIPTION	Q.TY.	REMARKS
7	94113-188K4	TIRE (130/80-18") MT70	1	PIRELLI

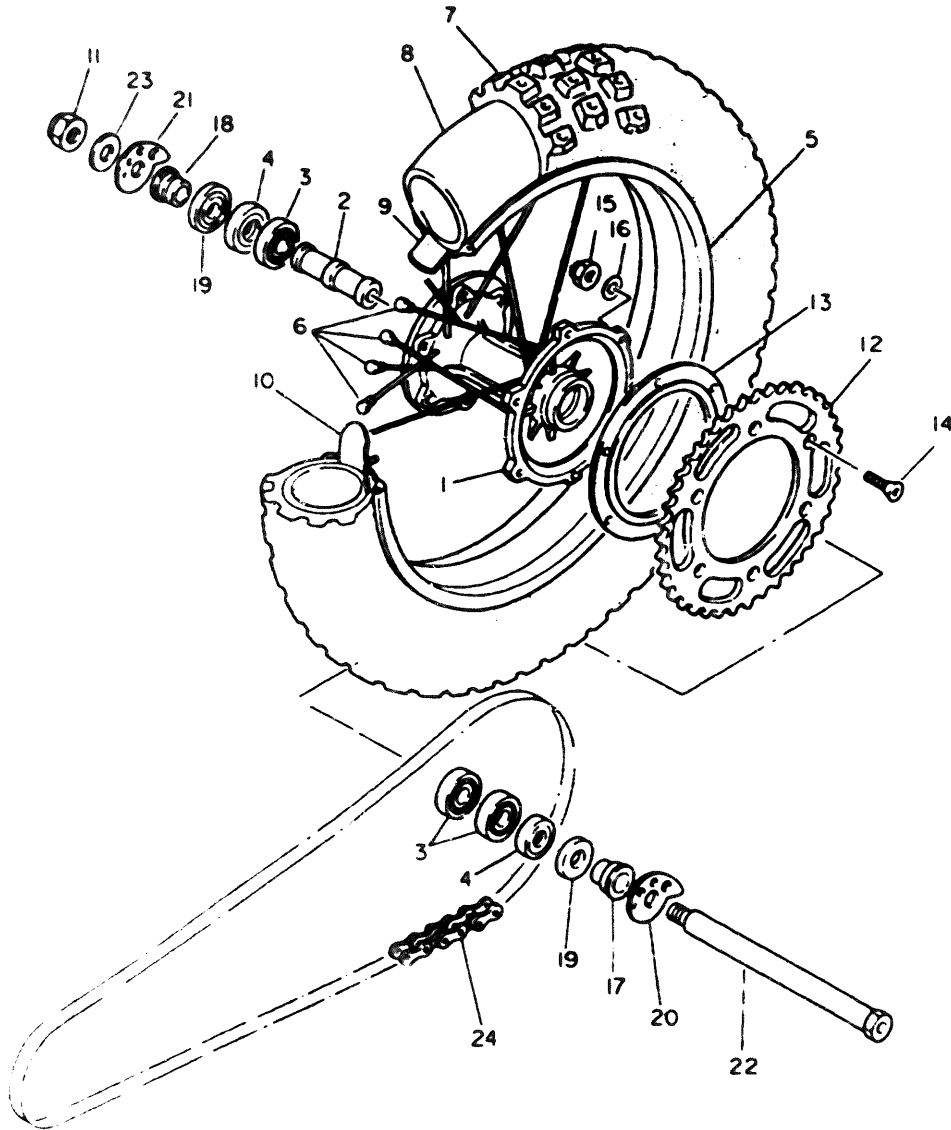


FIG. 47 FLASHER LIGHT

REF. NO.	PART. NO.	DESCRIPTION	Q.TY.	REMARKS
7	91316-06020	BOLT, hex.	2	•
10	4LW-H3318-00	STAY, flasher 1	2	•
11	91316-06050	BOLT, hex.	2	•

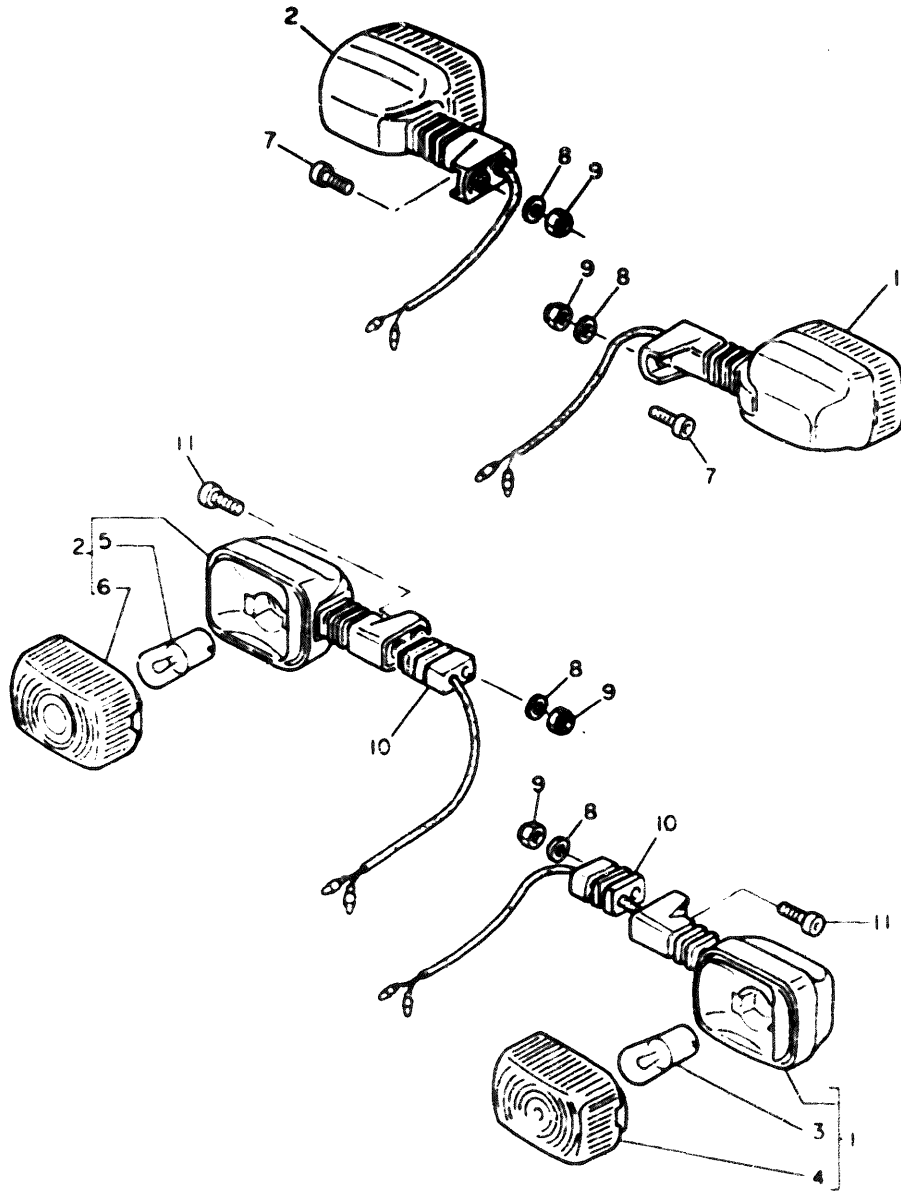
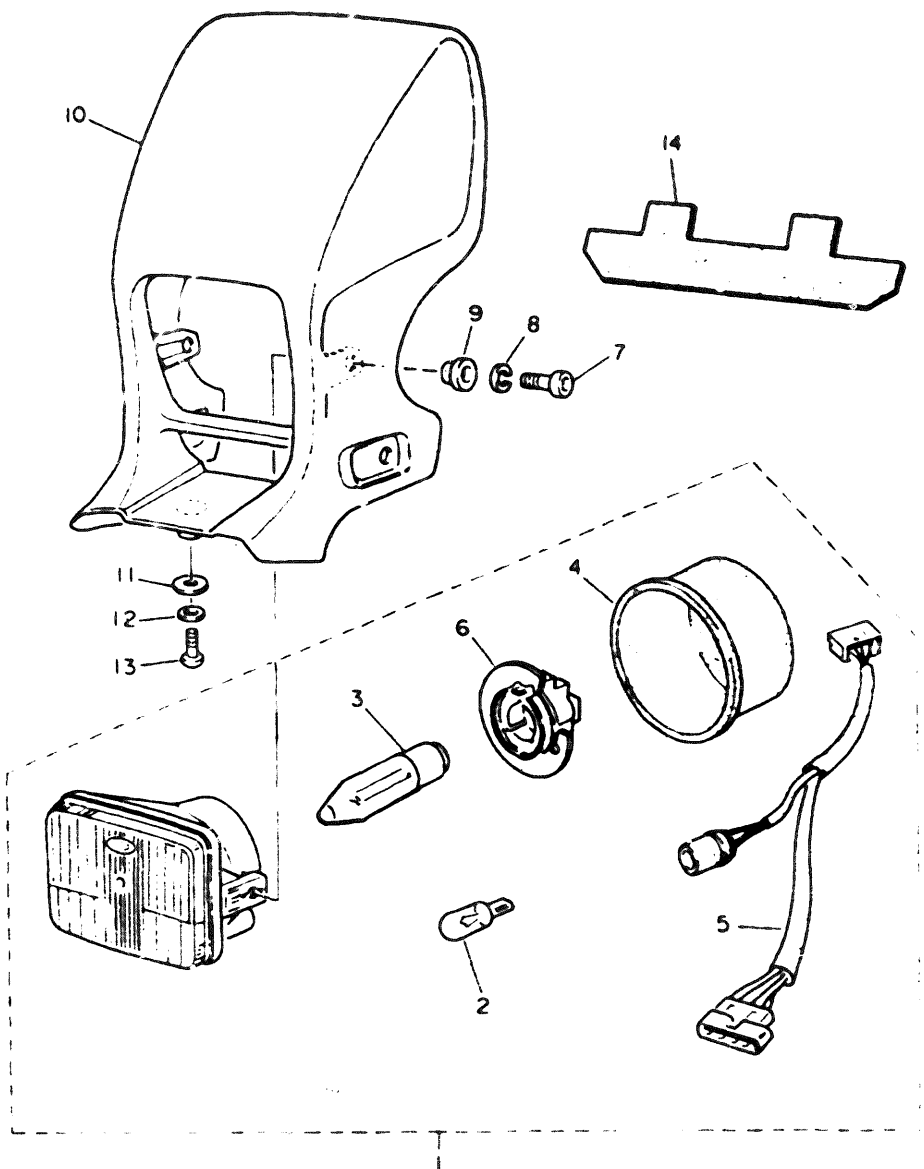


FIG. 48 HEADLIGHT

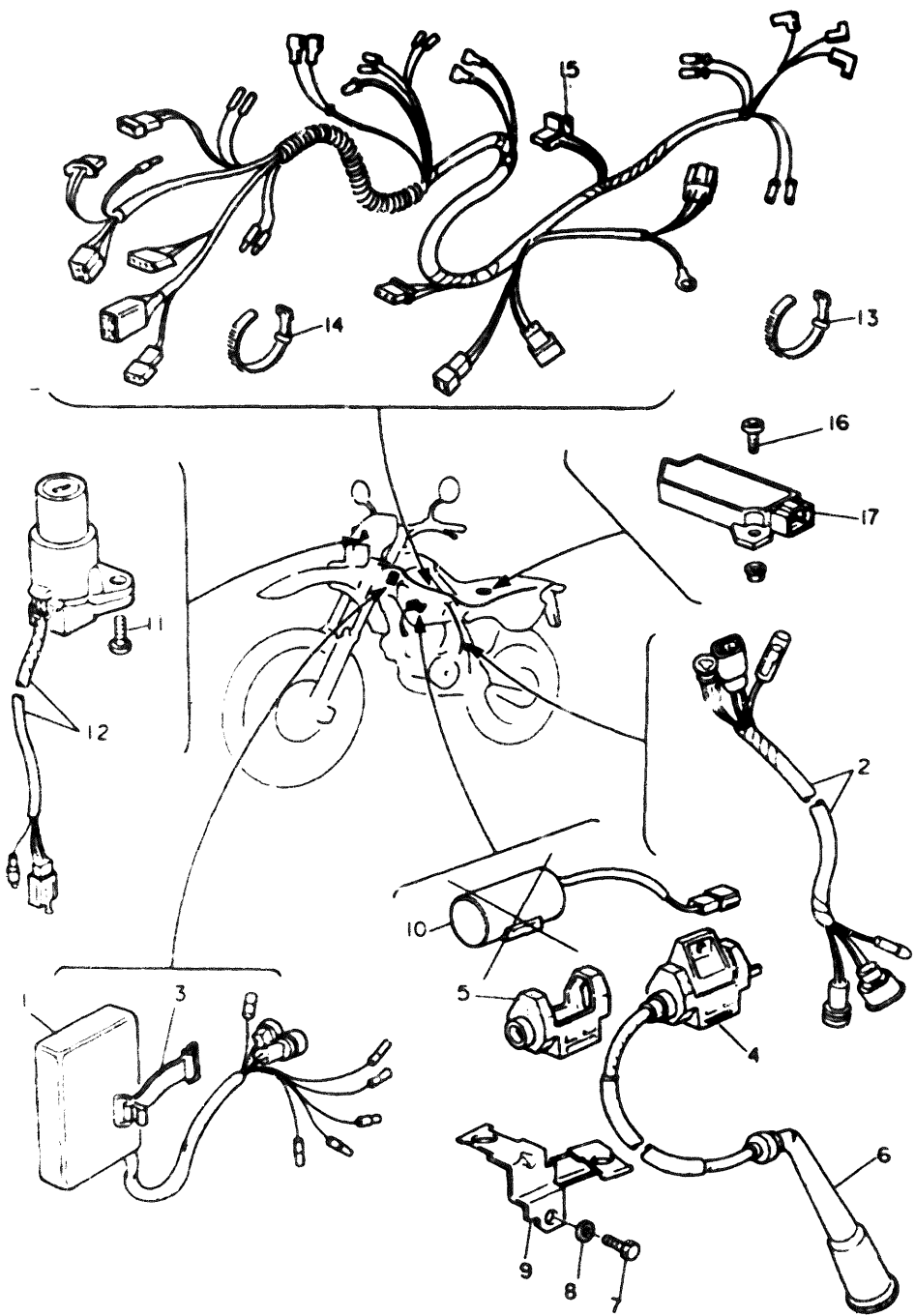
REF. NO.	PART. NO.	DESCRIPTION	Q.TY.	REMARKS
1	4LW-H4310-00	HEADLIGHT UNIT ASSY	1	•
2		• BULB (12V-5W)	1 L.M.	•
3		• BULB (12V-55/60W)	1 L.M.	•
4	4LW-H4397-00	COVER	1	•
5	4LW-H4312-00	• CORD, assy	1	•
6	4LW-H4393-00	• HOLDER, bulb	1	•



4LW1300-3480

FIG. 40 ELECTRICAL 1

REF. NO.	PART. NO.	DESCRIPTION	Q.TY.	REMARKS
1	3YP-85540-00	C.D.I. UNIT ASSY	1	
2	4GV-H2586-00	EXTN. WIRE HARNESS	1	
3	26L-82131-00	BAND	1	
4	1VJ-82310-50	IGN. COIL ASSY	1	
5	1VJ-82317-00	DAMPER, ign. coil	1	
6	371-82370-00	PLUG, cap assy	1	
7	97311-05012	BOLT, hex.	1	
8	92901-05600	WASHER, plain	1	
9	4GV-H2316-00	BRKT, ign. coil	1	
10	1NL-81965-00	CONDENSER, smoothing	1	
11	90109-060G4	BOLT	2	
12	3TY-82501-10	MAIN SW STRG LOCK ASSY	1	
13	12R-82591-0C	BAND	13	
14	25G-83936-01	BAND	1	
15	4GV-H2590-00	WIRE HARNESS ASSY	1	
16	98511-06012	SCREW, pan head	2	
17	47X-81960-A2	RECTIFIER REGULATOR ASSY	1	




4LW1300-3490

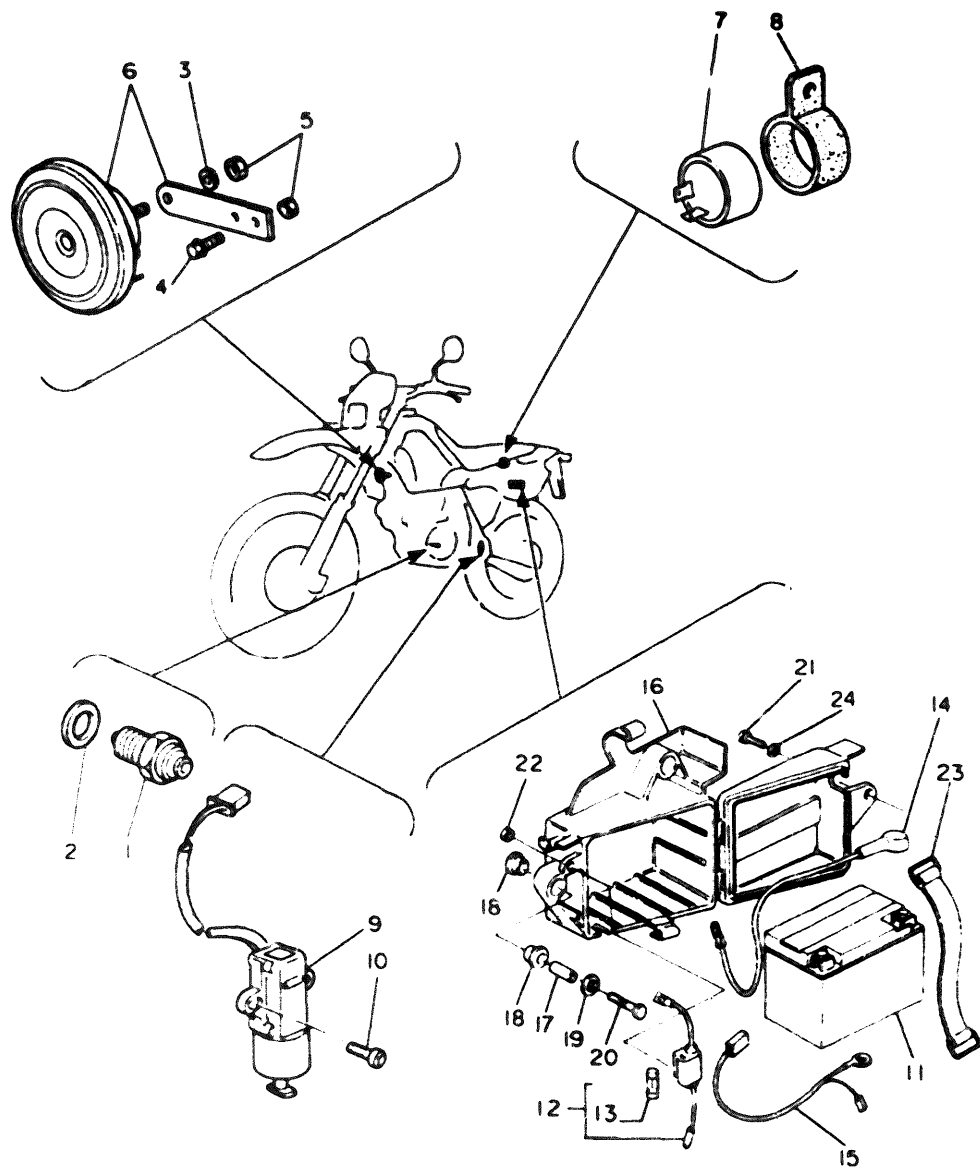


FIG. 50 ELECTRICAL 2

REF. NO.	PART. NO.	DESCRIPTION	Q.TY.	REMARKS
1	2H7-82540-00	NEUTRAL SW. ASSY	1	
2	90430-10171	GASKET	1	
3	92901-06600	WASHER, plain	1	
4	95702-06100-BL	NUT, nylon	1	
5	91311-06012	BOLT, hex. socket head	1	
6	3WW-83371-01	HORN	1	
7	4DL-H3351-00	FLASHER relay assy	1	
8	4DL-H3350-00	DAMPER relay	1	
9	3LD-82566-40	SWITCH, side stand	1	
10	98586-05016	SCREW, pan head	2	
11	4LW-H2110-00	BATTERY	1	
12	2UJ-82150-01	FUSE HOLDER ASSY	1	
13	148-82151-00	FUSE	1	
14	4LW-H2115-00	WIRE, plus lead	1	
15	4LW-H2580-00	EXTN. WIRE, harness 2	1	
16	4LW-F1776-00	BOX BATTERY	1	
17	90387-06676	COLLAR	2	
18	90480-15279	GROMMET	4	
19	90201-06067	WASHER, plain	2	
20	90101-06040	BOLT, hex	2	
21	97382-06016	BOLT, hex socket ex	1	
22	95306-06600	NUT, hex	1	
23	4LW-H2131-00	BAND, battery	1	
24	92902-06600	WASHER, plain	1	

CONTENTS

GENERAL SPEC.

ENGINE

Fig. 1	CYLINDER HEAD.....	1
Fig. 2	CYLINDER.....	2
Fig. 3	CRANKSHAFT, PISTON.....	3
Fig. 4	VALVE.....	4
Fig. 5	CAMSHAFT, CHAIN.....	5
Fig. 6	OIL PUMP.....	6
Fig. 7	INTAKE.....	7
Fig. 8	CARBURETOR.....	9
Fig. 9	EXHAUST.....	11
Fig. 10	CRANKCASE.....	12
Fig. 11	CRANKCASE COVER 1.....	13
Fig. 12	STARTER.....	14
Fig. 13	CLUTCH.....	15
Fig. 14	TRANSMISSION.....	16
Fig. 15	SHIFT CAM, FORK.....	17
Fig. 16	SHIFT SHAFT.....	18

CHASSIS

Fig. 17	FRAME.....	19
Fig. 18	FENDER.....	21
Fig. 19	SIDE COVER/OIL TANK.....	22
Fig. 20	REAR ARM.....	23
Fig. 21	REAR SUSPENSION.....	25
Fig. 22	STEERING.....	26
Fig. 23	FRONT FORK.....	27
Fig. 24	FUEL TANK.....	29
Fig. 25	SEAT.....	30
Fig. 26	FRONT WHEEL.....	31
Fig. 27	FRONT BRAKE CALIPER.....	32
Fig. 28	REAR WHEEL.....	33
Fig. 29	REAR BRAKE CALIPER.....	34
Fig. 30	STEERING HANDLE, CABLE.....	35
Fig. 31	FRONT MASTER CYLINDER.....	36
Fig. 32	STAND/FOOTREST.....	37
Fig. 33	REAR MASTER CYLINDER.....	38
Fig. 34	EMBLEMS.....	39
Fig. 35	GENERATOR.....	40
Fig. 36	FLASHER LIGHT.....	41
Fig. 37	METER.....	42
Fig. 38	HEADLIGHT.....	43
Fig. 39	TAILLIGHT.....	44
Fig. 40	HANDLE SWITCH, LEVER.....	45
Fig. 41	ELECTRICAL 1.....	46
Fig. 42	ELECTRICAL 2.....	47

INDEX (GENERAL SPEC.)

NUMERICAL INDEX

INDIVIDUAL SPEC.

Fig. 43	FRAME.....	48
Fig. 44	FENDER.....	49
Fig. 45	FRONT WHEEL.....	50
Fig. 46	REAR WHEEL.....	51
Fig. 47	FLASHER LIGHT.....	52
Fig. 48	HEADLIGHT.....	53
Fig. 49	ELECTRICAL 1.....	54
Fig. 50	ELECTRICAL 2.....	55

INDEX (INDIVIDUAL SPEC.)

NUMERICAL INDEX

INDEX
(INDIVIDUAL SPEC.)

