

# CONTENTS

## ENGINE

Cylinder .....	B2
Crankshaft, Piston .....	B3~B4
Water Pump .....	B5
Radiator, Hose .....	B6~B7
Oil Pump .....	B8
Intake .....	B9~B10
Carburetor .....	B11~B12
Exhaust .....	B13
Crankcase .....	B14
Crankcase Cover 1 .....	B15
Starter .....	C2
Clutch .....	C3
Transmission .....	C4~C5
Tachometer Gear .....	C6
Shift Cam, Fork .....	C7
Shift Shaft .....	C8

Front Brake Caliper .....	D9
Rear Wheel .....	D10
Rear Brake Caliper .....	D11
Steering Handle, Cable .....	D12
Front Master Cylinder .....	D13
Stand, Footrest .....	D14
Rear Master Cylinder .....	D15
Cowling 1 .....	E2
Generator .....	E3
Flasher Light .....	E4~E5
Meter .....	E6
Headlight .....	E7
Taillight .....	E8
Handle Switch, Lever .....	E9
Electrical 1 .....	E10
Electrical 2 .....	E11

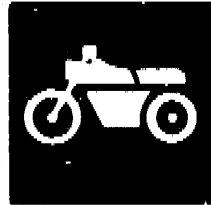
## CHASSIS

Frame .....	C9
Fender .....	C10
Side Cover .....	C11~C12
Oil Tank .....	C13
Rear Arm .....	C14~C15
Rear Suspension .....	D2
Steering .....	D3
Front Fork .....	D4~D5
Fuel Tank .....	D6
Seat .....	D7
Front Wheel .....	D8

## INDEX

Numerical Index .....	M1~M4
-----------------------	-------

**YAMAHA**



**PARTS  
CATALOGUE**

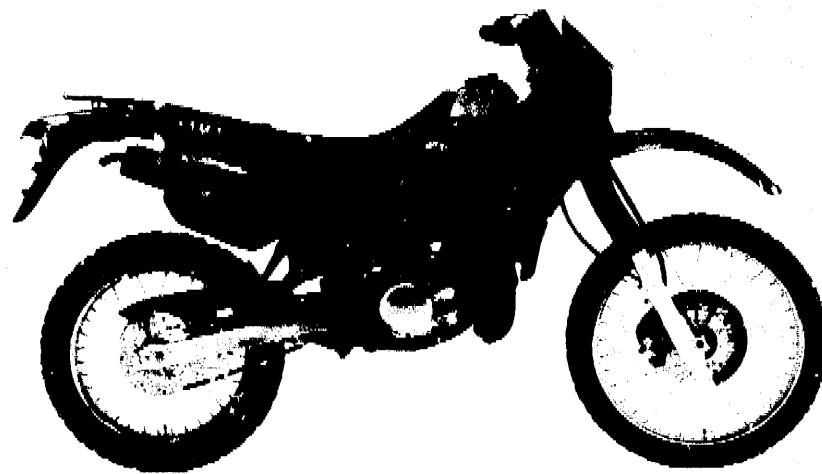
**DT125R'95 (3RN8) ENGLAND**

---

283RN-310E1

**YAMAHA**  
**GENUINE**  
Parts & Accessories

**A2**



**A3**

## FOREWORD

This Parts Catalogue is related to the parts for the model(s) in the below frame. When you are ordering replacement parts, please refer to this Parts Catalogue and quote both part numbers and part names correctly.

DT125P93(3RM48)

1. Modifications or additions which have been made after issue of the Parts Catalogue will be announced in the Yamaha Parts News.  
It is advisable that you make necessary corrections to the Parts Catalogue according to the Yamaha Parts News.

2. Abbreviations

The following abbreviations are used in this Parts Catalogue.

- "UR" Use specified parts number.
- "UN" Use as many as needed.
- "AP" Alternate Parts
- "LM" Local Made (Parts need to be ordered locally)
- "F#" Frame No. (Applicable machine No.)

3. Parts, which are to be supplied in an assembly, are listed with a dot (.) in front of the part name as shown below.

EXAMPLE

CARBURETOR ASSY  
 . JET, PILOT  
 . NOZZLE, MAIN

4. Number of component for assembly

The numeral appearing to the right of each component part indicates the quantity of parts for each assembly unit.

EXAMPLE

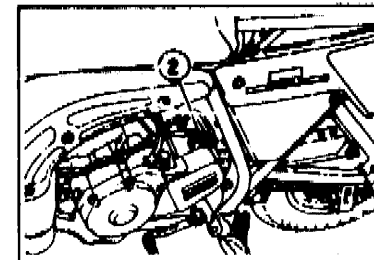
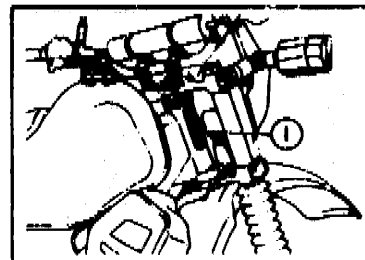
PART NO.	DESCRIPTION	Q'TY	REMARKS
2F5-83310-60	FRONT FLASHER LIGHT ASSY	2	
115-83311-60	. BULB (6V-18W)	1	

5. Applicable colors of graphics are represented in the "REMARKS" as shown below.

PART NO.	DESCRIPTION	Q'TY	REMARKS
2N4-24110-00-X5	FUEL TANK COMP.	1	MAXIM RED
3J1-24240-10	. GRAPHIC, FUEL TANK	1	for MXR

6. Applicable Serial No. and Color Code

①	Frame Serial No.	3MD-039101
②	Engine Serial No.	3MD-039101



Color Code	Color Name	Abbreviation
0033	YAMAHA BLACK	YB
0206	PURPLISH WHITE SOLID 1	PWS1

7. Note that the illustrations are for reference in finding parts numbers, not to be used for assembling. When assembling, please use the applicable service manual.
8. The asterisk (\*) before a reference number indicates modification items after the first edition.

A4

# CONTENTS

## ENGINE

Cylinder .....	B2
Crankshaft, Piston .....	B3~B4
Water Pump .....	B5
Radiator, Hose .....	B6~B7
Oil Pump .....	B8
Intake .....	B9~B10
Carburetor .....	B11~B12
Exhaust .....	B13
Crankcase .....	B14
Crankcase Cover 1 .....	B15
Starter .....	C2
Clutch .....	C3
Transmission .....	C4~C5
Tachometer Gear .....	C6
Shift Cam, Fork .....	C7
Shift Shaft .....	C8

Front Brake Caliper .....	D9
Rear Wheel .....	D10
Rear Brake Caliper .....	D11
Steering Handle, Cable .....	D12
Front Master Cylinder .....	D13
Stand, Footrest .....	D14
Rear Master Cylinder .....	D15
Cowling 1 .....	E2
Generator .....	E3
Flasher Light .....	E4~E5
Meter .....	E6
Headlight .....	E7
Taillight .....	E8
Handle Switch, Lever .....	E9
Electrical 1 .....	E10
Electrical 2 .....	E11

## CHASSIS

Frame .....	C9
Fender .....	C10
Side Cover .....	C11~C12
Oil Tank .....	C13
Rear Arm .....	C14~C15
Rear Suspension .....	D2
Steering .....	D3
Front Fork .....	D4~D5
Fuel Tank .....	D6
Seat .....	D7
Front Wheel .....	D8

## INDEX

Numerical Index .....	M1~M4
-----------------------	-------

# CONTENTS

## ENGINE

Cylinder .....	B2
Crankshaft. Piston .....	B3~B4
Water Pump .....	B5
Radiator. Hose .....	B6~B7
Oil Pump .....	B8
Intake .....	B9~B10
Carburetor .....	B11~B12
Exhaust .....	B13
Crankcase .....	B14
Crankcase Cover 1 .....	B16
Starter .....	C2
Clutch .....	C3
Transmission .....	C4~C5
Tachometer Gear .....	CJ
Shift Cam. Fork .....	C7
Shift Shaft .....	C8

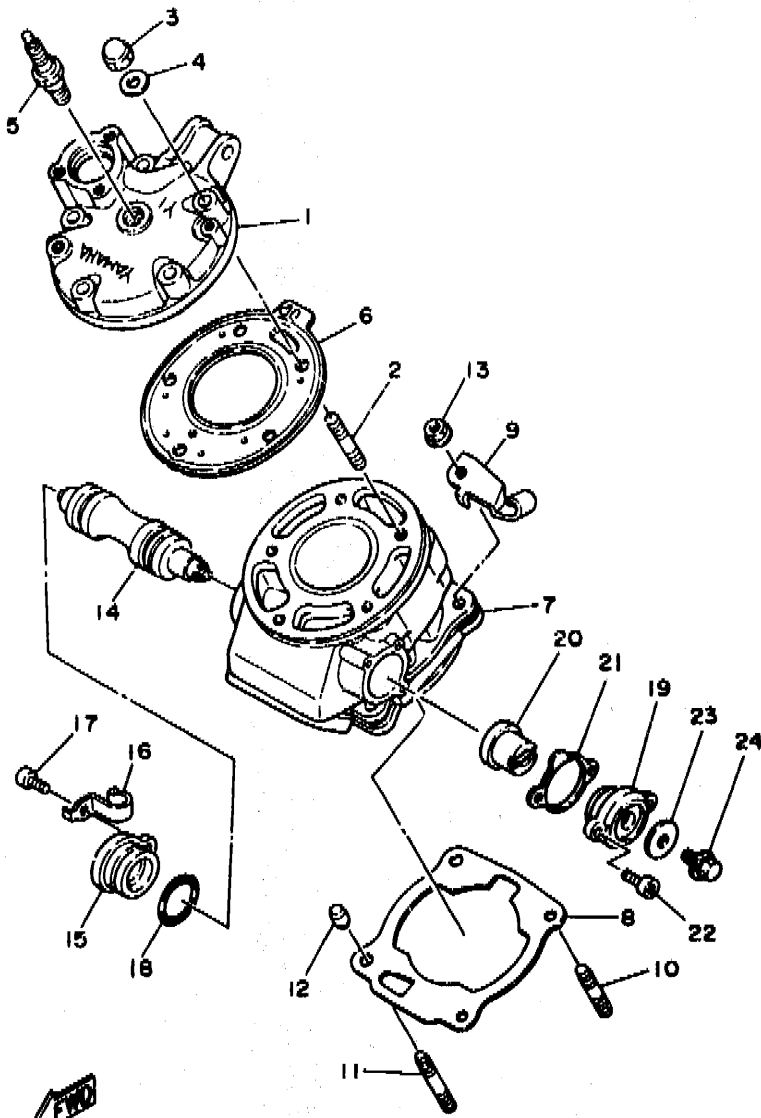
Front Brake Caliper .....	D9
Rear Wheel .....	D10
Rear Brake Caliper .....	D11
Steering Handle. Cable .....	D12
Front Master Cylinder .....	D13
Stand. Footrest .....	D14
Rear Master Cylinder .....	D15
Cowling 1 .....	E2
Generator .....	E3
Flasher Light .....	E4~E5
Meter .....	E6
Headlight .....	E7
Taillight .....	E8
Handle Switch. Lever .....	E9
Electrical 1 .....	E10
Electrical 2 .....	E11

## CHASSIS

Frame .....	C9
Fender .....	C10
Side Cover .....	C11~C12
Oil Tank .....	C13
Rear Arm .....	C14~C15
Rear Suspension .....	D2
Steering .....	D3
Front Fork .....	D4~D5
Fuel Tank .....	D6
Seat .....	D7
Front Wheel .....	D8

## INDEX

Numerical Index .....	M1~M4
-----------------------	-------



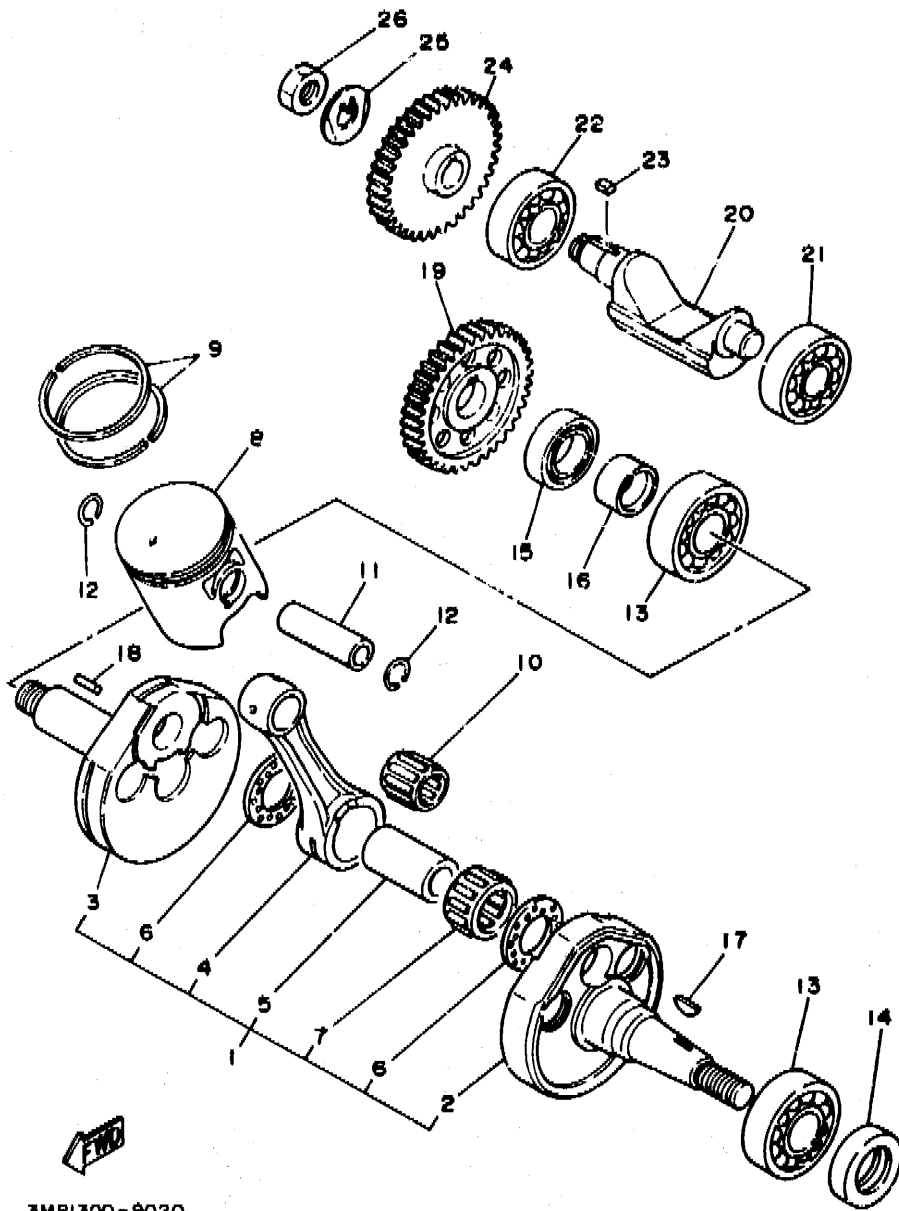
3MD1310-9010

FIG. 1 CYLINDER

REF. NO.	PART NO.	DESCRIPTION	Q'TY	REMARKS
1	38N-11111-02	HEAD, cylinder 1	1	
2	90116-08394	BOLT, stud	5	
3	90176-08040	NUT, crown	5	
4	90201-08649	WASHER, plate	5	
5	94701-00188	PLUG, spark (NGK BR9ES)	1	
6	3MB-11181-00	GASKET, cylinder head 1	1	
7	3MB-11311-00	CYLINDER 1	1	
8	38N-11351-10	GASKET, cylinder	1	
9	38N-15441-00	HOLDER, clutch cable	1	
10	90116-08318	BOLT, stud	2	
11	90116-08388	BOLT, stud	2	
12	99510-10114	PIN, dowel	2	
13	90179-08491	NUT	4	
14	3MB-1131A-00	VALVE 1	1	
15	38N-1131E-00	HOLDER 1	1	
16	90462-08174	CLAMP	1	
17	91317-05012	BOLT	1	
18	93210-30640	O-RING	1	
19	3DB-1131U-10	HOLDER 3	1	
20	3MD-1131F-00	HOLDER 2	1	
21	3RN-1131N-00	GASKET, holder	1	
22	91317-05016	BOLT	2	
23	90201-060A3	WASHER, plate	1	
24	90119-06061	BOLT, with washer	1	

FIG. 2 CRANKSHAFT. PISTON

REF. NO.	PART NO.	DESCRIPTION	Q'TY	REMARKS
1	3RM-11400-00	CRANKSHAFT ASSY	1	
2	3RM-11412-00	.CRANK 1	1	
3	3MB-11422-00	.CRANK 2	1	
4	2RH-11651-00	.ROD, connecting	1	
5	37F-11681-00	.PIN, crank 1	1	
6	90709-22257	.WASHER	2	
7	93310-523T3	.BEARING, cylindrical	1	
8	3MB-11631-01-95	PISTON (STD)	1	
	3MB-11635-01	PISTON (0.25MM O/S)	1	AP
	3MB-11636-01	PISTON (0.50MM O/S)	1	AP
9	3MB-11610-01	PISTON RING SET (STD)	1	
	3MB-11610-11	PISTON RING SET (1ST O/S)	1	AP
	3MB-11610-21	PISTON RING SET (2ND O/S)	1	AP
10	93310-31684	BEARING, cylindrical	1	
11	3MB-11633-00	PIN, piston	1	
12	93450-17129	CIRCLIP	2	
13	93306-30556	BEARING	2	
14	93102-25331	OIL SEAL	1	
15	93103-32171	OIL SEAL	1	
16	90387-702T9	COLLAR	1	
17	90280-03045	KEY, woodruff	1	
18	90282-05047	KEY, straight	1	
19	10V-11536-01	GEAR, drive	1	
20	2RH-11454-00	WEIGHT 1	1	
21	93306-30210	BEARING	1	
22	93306-20335	BEARING	1	
23	90282-05058	KEY, straight	1	
24	55K-11530-00	BALANCER WIEIGHT GEAR COMP.43T	1	



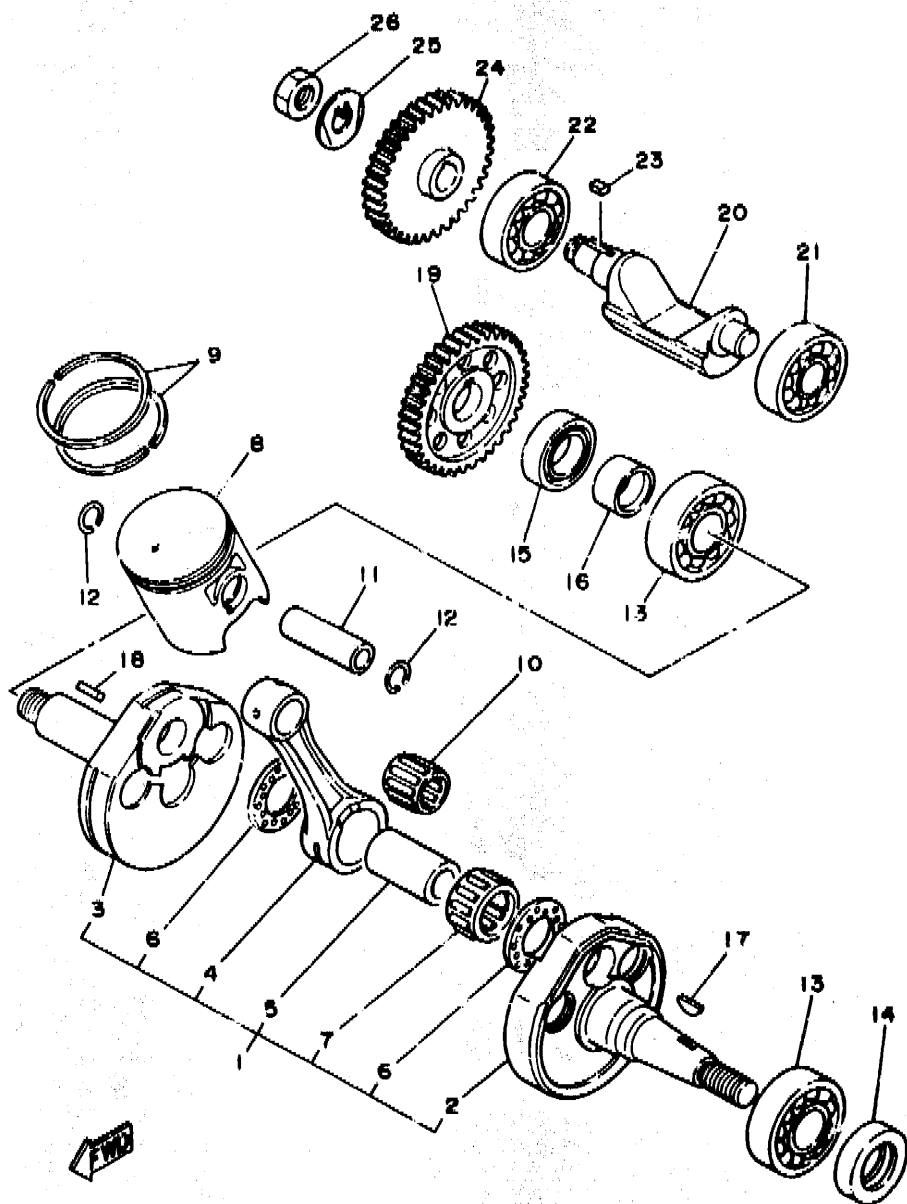
3MB1300-9020

**B3**



FIG. 2 CRANKSHAFT, PISTON

REF. NO.	PART NO.	DESCRIPTION	Q'TY	REMARKS
25	90215-12272	WASHER, lock	1	
26	90170-12370	NUT	1	

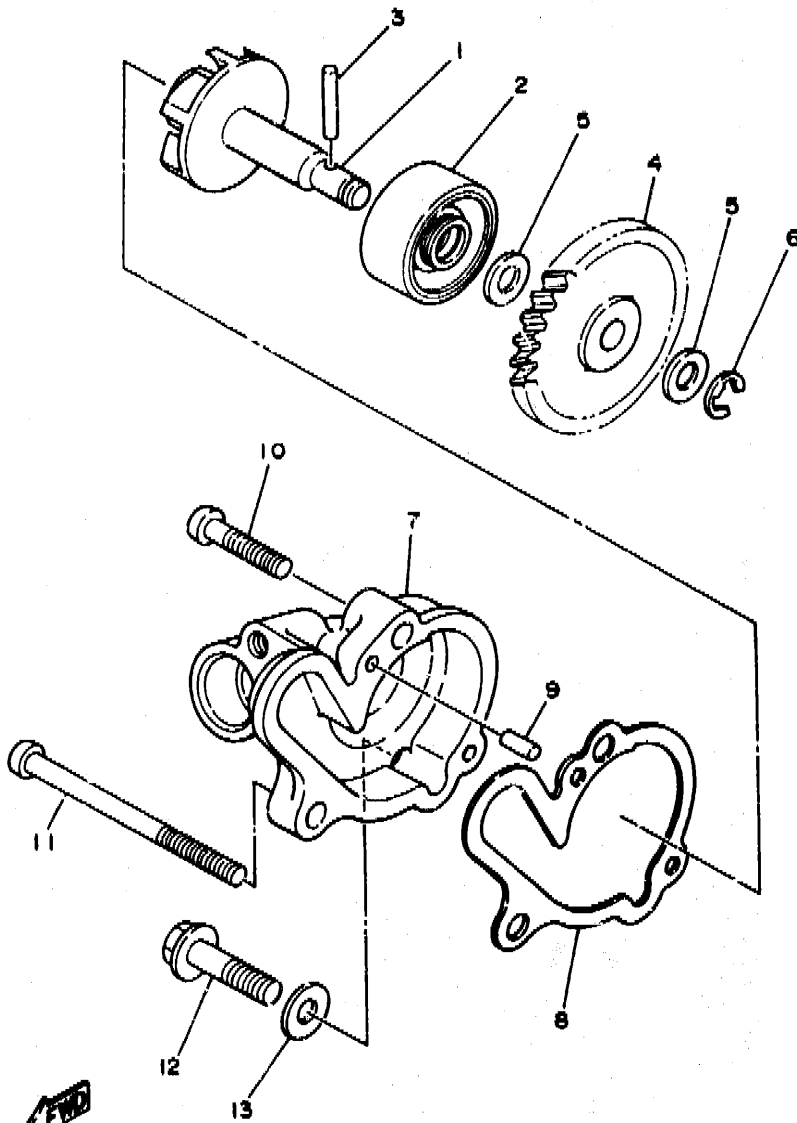


3MB1300-9020

**B4**

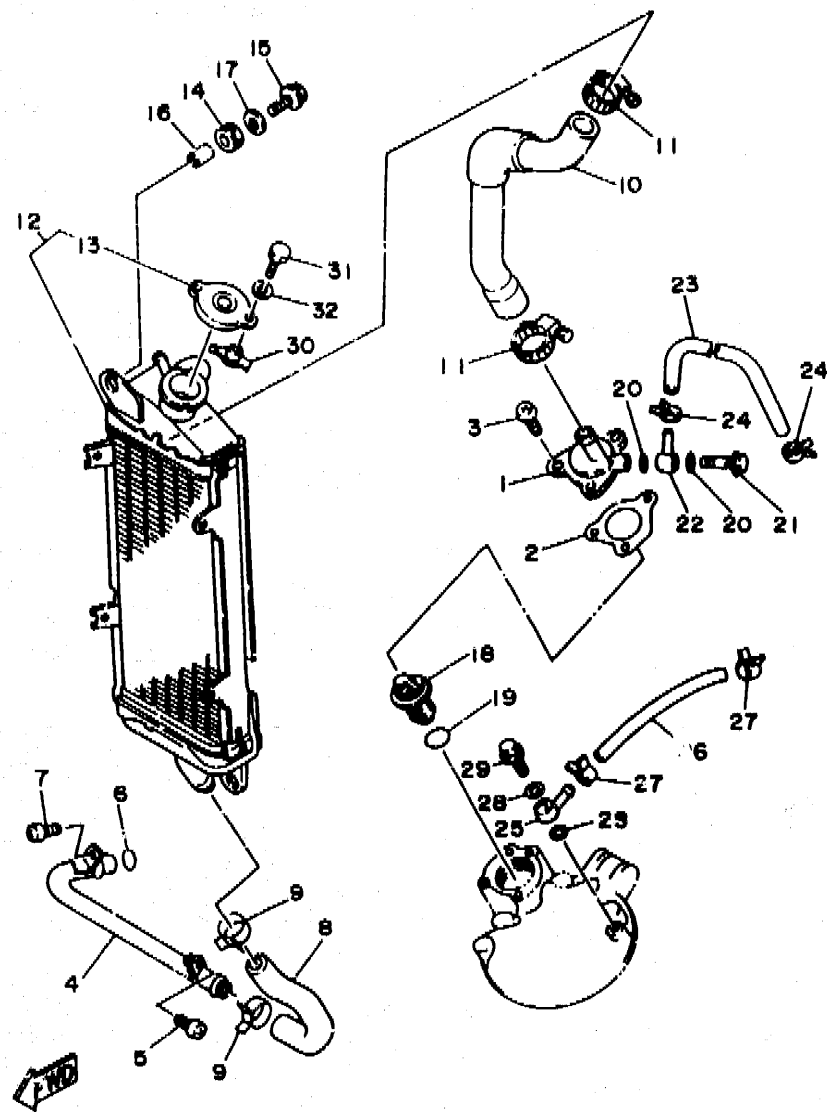
FIG. 3 WATER PUMP

REF. NO.	PART NO.	DESCRIPTION	Q'TY	REMARKS
1	36F-12450-00	IMPELLER SHAFT ASSY	1	
2	93103-10147	OIL SEAL	1	
3	93603-22028	PIN, dowel	1	
4	2RH-12459-00	GEAR, impeller shaft	1	
5	90201-08512	WASHER, plate	2	
6	99080-07600	CIRCLIP	1	
7	3BN-12422-11	COVER, housing	1	
8	3BN-12428-11	GASKET, housing cover 2	1	
9	93604-10011	PIN, dowel	2	
10	98507-06025	SCREW, pan head	1	
11	98507-06050	SCREW, pan head	1	
12	95R27-06025	BOLT, flange	1	
13	90430-06166	GASKET	1	



3BN300-8030

**B5**



4BL5351-5040

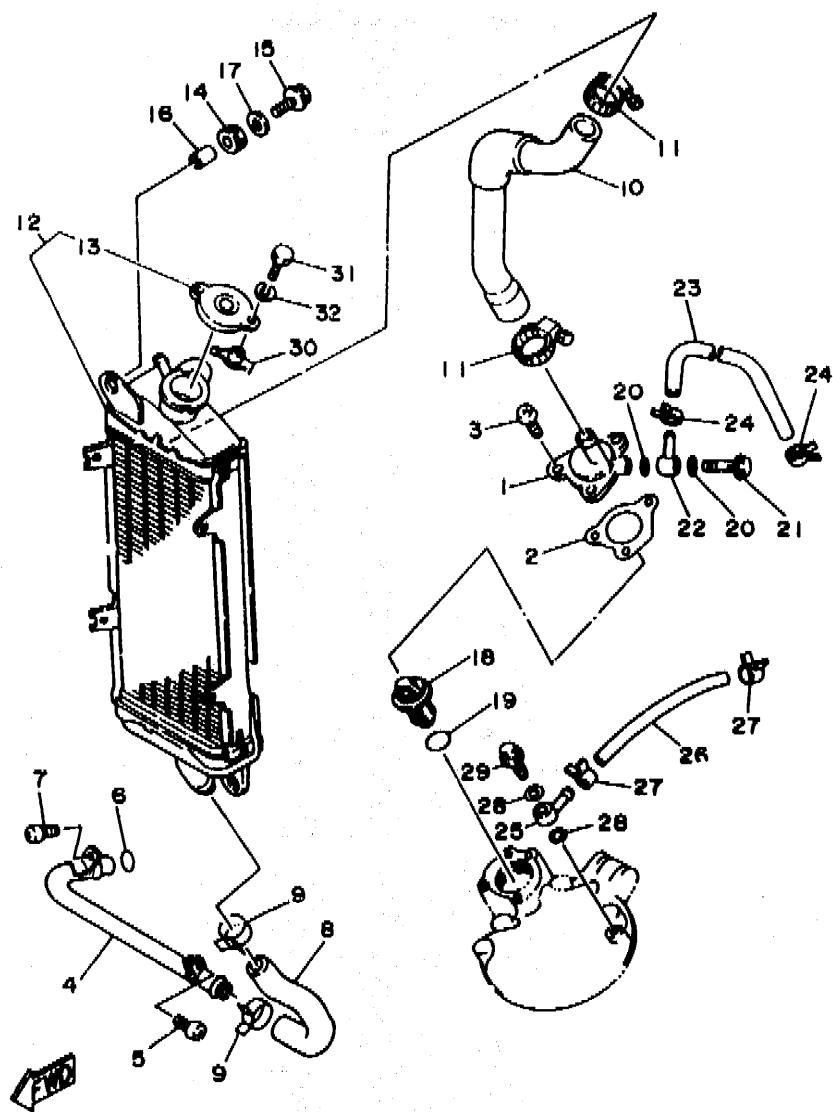
FIG. 4 RADIATOR HOSE

REF. NO.	PART NO.	DESCRIPTION	Q'TY	REMARKS
1	3BN-12469-00	JOINT 1	1	
2	3BN-12414-10	GASKET, cover	1	
3	98507-06020	SCREW, pan head	3	
4	3BN-12481-00	PIPE 1	1	
5	98507-06012	SCREW, pan head	1	
6	93210-12327	O-RING	1	
7	98507-06012	SCREW, pan head	1	
8	3BN-12482-00	PIPE 2	1	
9	90467-20050	CLIP	2	
10	3BN-12483-00	PIPE 3	1	
11	90450-28014	HOSE CLAMP ASSY	2	
12	3BN-12460-00	RADIATOR ASSY	1	
13	1KT-12462-00	.CAP, radiator	1	
14	90480-15363	GROMMET	2	
15	95817-06020	BOLT, flange	2	
16	90387-07390	COLLAR	2	
17	90201-06072	WASHER, plate	2	
18	3IX-12411-00	THERMOSTAT	1	
19	93210-27194	O-RING	1	
20	90430-06166	GASKET	2	
21	90401-06115	BOLT, union	1	
22	90405-06044	UNION	1	
23	2TV-12476-01	PIPE	1	
24	90467-10039	CLIP	2	
25	90405-06044	UNION	1	
26	2RH-12434-50	PIPE 4	1	
27	90467-10039	CLIP	2	
28	90430-06166	GASKET	2	

**B6**

FIG. 4 RADIATOR HOSE

REF. NO.	PART NO.	DESCRIPTION	Q'TY	REMARKS
29	90401-06115	BOLT, union	1	
30	1KT-12437-00	STOPPER	1	
31	97007-05012	BOLT	1	
32	92907-05600	WASHER	1	



4BL5351-5040

**B7**

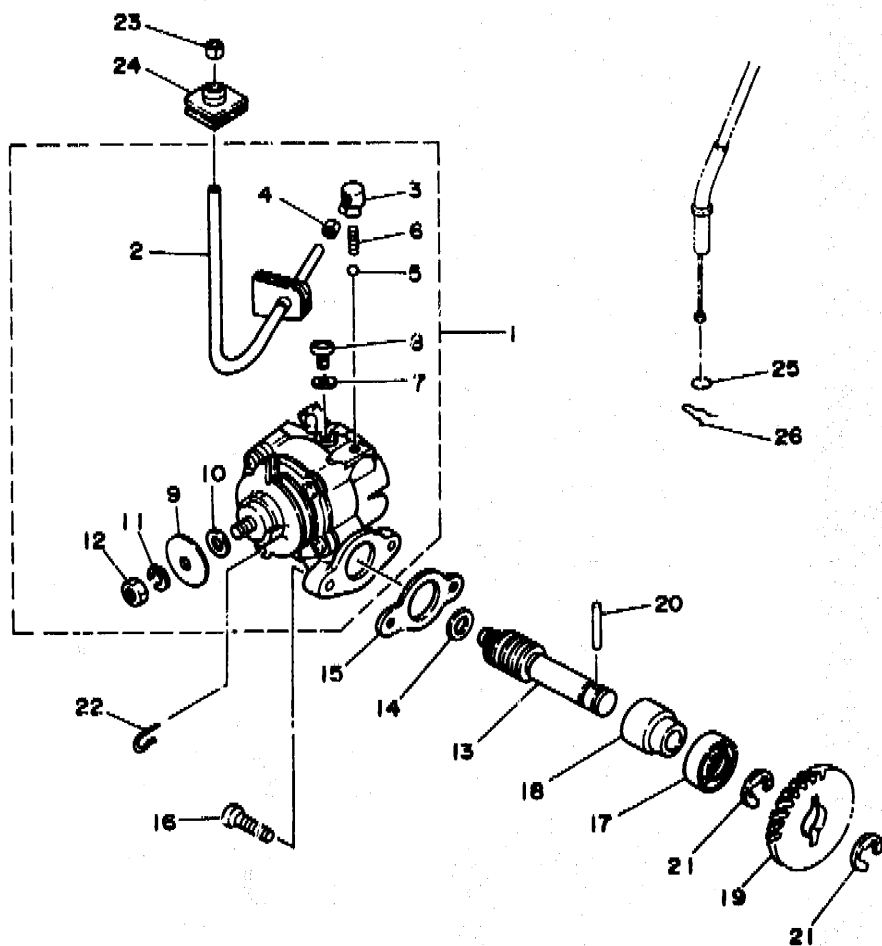
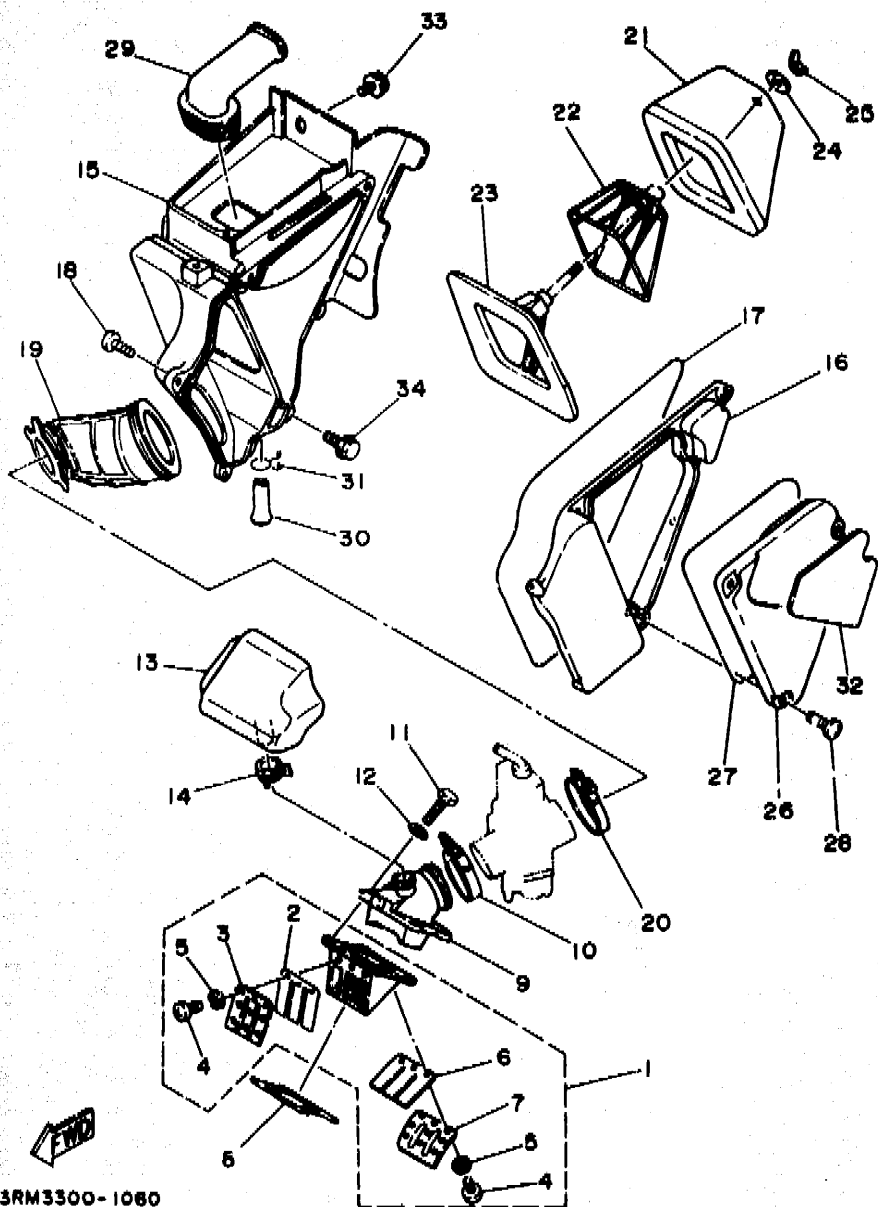


FIG. 5 OIL PUMP

REF. NO.	PART NO.	DESCRIPTION	Q'TY	REMARKS
1	3MB-13101-01	OIL PUMP ASSY	1	
2	90445-057F9	.HOSE	1	
3	353-13552-01	.NOZZLE	2	
4	90468-02033	.CLIP	1	
5	93505-32002	.BALL	1	
6	90501-02217	.SPRING, compression	1	
7	90500-04004	.GASKET	1	
8	98907-04006	.SCREW, bind	1	
9	137-13138-01	.PLATE, adjusting	1	
10	137-13137-00-10	.SHIM (1.0T)	1 UN	
11	92907-05100	.WASHER, spring	1	
12	95307-05600	.NUT	1	
13	55K-13175-01	SHAFT, worm	1	
14	90201-08624	WASHER, plate	1	
15	126-13116-01	GASKET, pump case	1	
16	98507-05014	SCREW, pan head	2	
17	93101-10090	OIL SEAL	1	
18	137-13176-00	METAL, worm shaft outer	1	
19	10V-13178-01	GEAR, pump drive	1	
20	93603-22028	PIN, dowel	1	
21	93430-08036	CIRCLIP	2	
22	363-13133-01	CLIP	1	
23	90468-02033	CLIP	1	
24	3BN-13174-00	HOLDER, oil pipe	1	
25	93210-07100	O-RING	1	
26	90468-08086	CLIP	1	

3BN300-8050

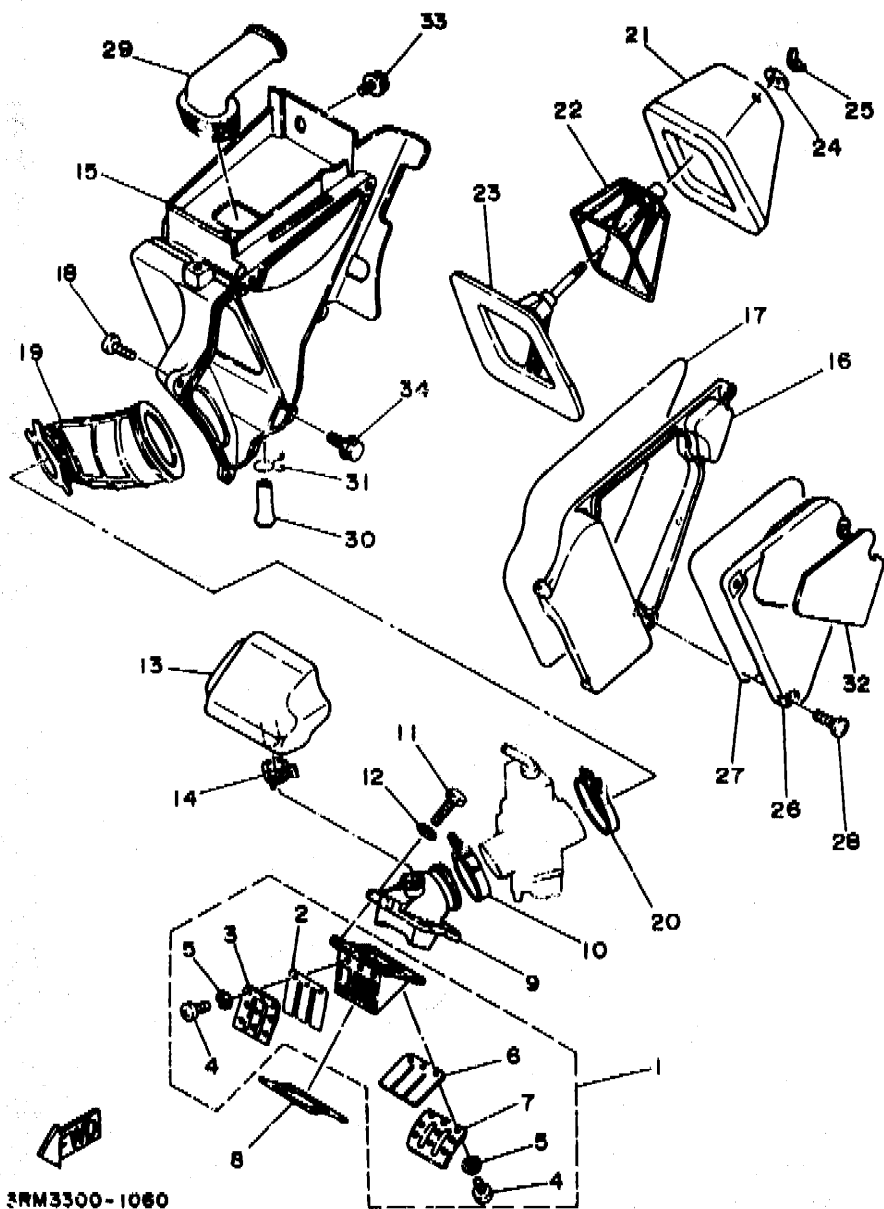
FIG. 6 INTAKE



3RM3300-1060

REF. NO.	PART NO.	DESCRIPTION	Q'TY	REMARKS
1	3MB-13610-00	REED VALVE ASSY	1	
2	2TV-13613-00	.REED, valve	1	
3	3BN-13616-00	.STOPPER, reed valve	1	
4	98507-03008	.SCREW, pan head	6	
5	92990-03100	.WASHER, spring	6	
6	3MB-13613-00	.REED, valve	1	
7	3MB-13616-00	.STOPPER, reed valve	1	
8	1KT-13621-01	GASKET, valve seat	1	
9	3ET-13565-00	JOINT, carburetor	1	
10	90450-44046	HOSE CLAMP ASSY	1	
11	97007-06025	BOLT	4	
12	92907-06600	WASHER, plate	4	
13	3ET-13581-00	CHAMBER, air	1	
14	90467-20050	CLIP	1	
15	3BN-14411-00	CASE, air cleaner 1	1	
16	3BN-14421-00	CASE, air cleaner 2	1	
17	3BN-14452-00	SEAL	1	
18	97707-50520	SCREW, tapping	6	
19	3MB-14453-00	JOINT, air cleaner 1	1	
20	1AE-13575-01	BAND	1	
21	3BN-14451-01	ELEMENT, air cleaner	1	
22	3BN-14458-00	GUIDE	1	
23	3BN-14459-00	HOLDER, guide	1	
24	90209-06096	WASHER	1	
25	90175-06012	NUT, wing	1	
26	3BN-14412-00	CAP, cleaner case 1	1	
27	3BN-14467-00	SEAL	1	
28	90154-05011	SCREW, binding	3	

**B9**



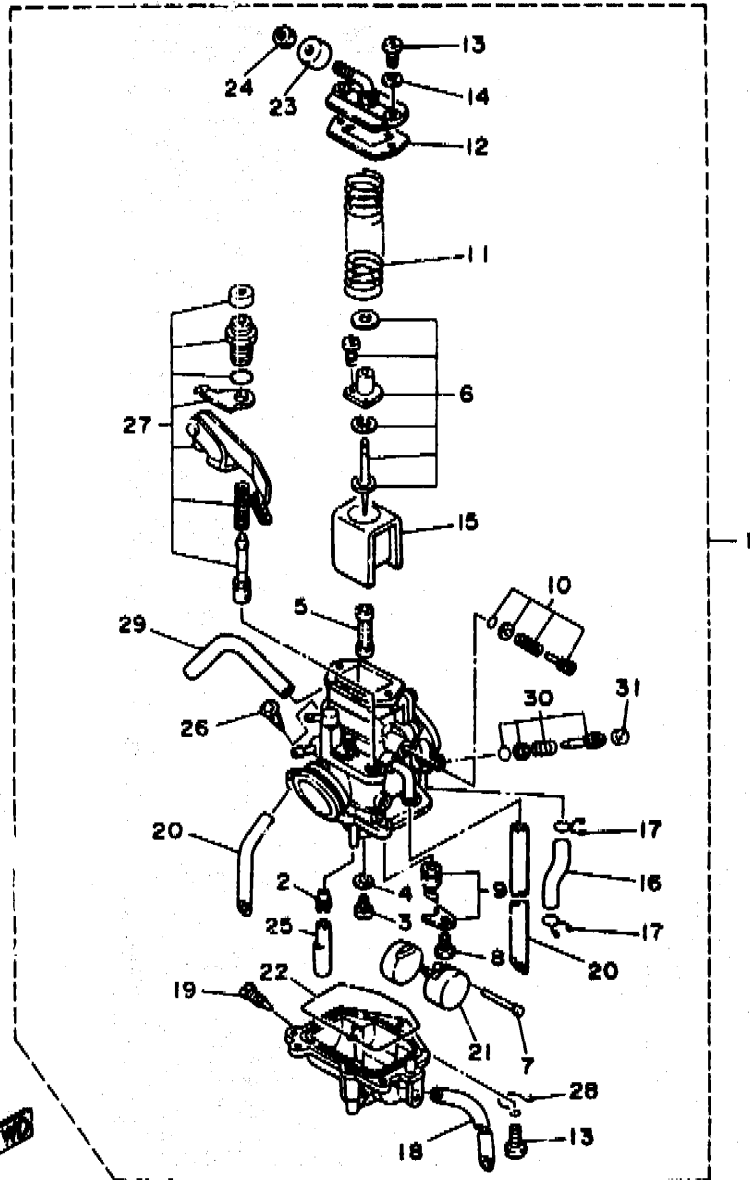
3RM3300-1060

FIG. 6 INTAKE

REF. NO.	PART NO.	DESCRIPTION	Q'TY	REMARKS
29	3ET-14437-00	DUCT	1	
30	34X-1443E-00	PIPE, drain	1	
31	90467-11106	CLIP	1	
32	3BN-14425-00	DAMPER 1	1	
33	90119-06056	BOLT, with washer	1	
34	90119-06123	BOLT, with washer	1	

FIG. 7 CARBURETOR

REF. NO.	PART NO.	DESCRIPTION	Q'TY	REMARKS
1	3MB-14101-00	CARBURETOR ASSY 1	1	
2	193-14142-22	.JET, pilot (# 22.5)	1	
3	137-14143-42-A1	.JET, main (#210)	1	
4	137-14153-00	.WASHER, main jet	1	
5	1KT-14141-52	.NOZZLE, main	1	
6	3ME-1490J-00	.NEEDLE SET	1	
7	537-14186-00	.PIN, float	1	
8	98580-04008	.SCREW, pan head	1	
9	2MA-14107-28	.NEEDLE VALVE SET	1	
10	3ET-14103-00	.THROTTLE SCREW SET	1	
11	1KT-14131-00	.SPRING, throttle valve	1	
12	1KT-14198-00	.GASKET	1	
13	98503-04014	.SCREW, pan head	5	
14	92902-04100	.WASHER, spring	2	
15	2TV-14112-25	.VALVE, throttle 1	1	
16	90445-07747	.HOSE	1	
17	8A7-14139-00	.CLIP, pipe	2	
18	3X3-14197-00	.PIPE	1	
19	12R-14191-00	.PLUG, drain	1	
20	3MB-14197-00	.PIPE	2	
21	2MA-14185-00	.FLOAT	1	
22	1KT-14147-00	.O-RING	1	
23	3X3-14169-00	.CAP	1	
24	127-14161-00	.NUT, cable adjusting	1	
25	3ET-14153-00	.WASHER, main jet	1	
26	1KT-14994-00	.NET, filter	1	
27	3ET-1410A-00	.STARTER SET	1	
28	25G-14937-00	.CLIP	1	



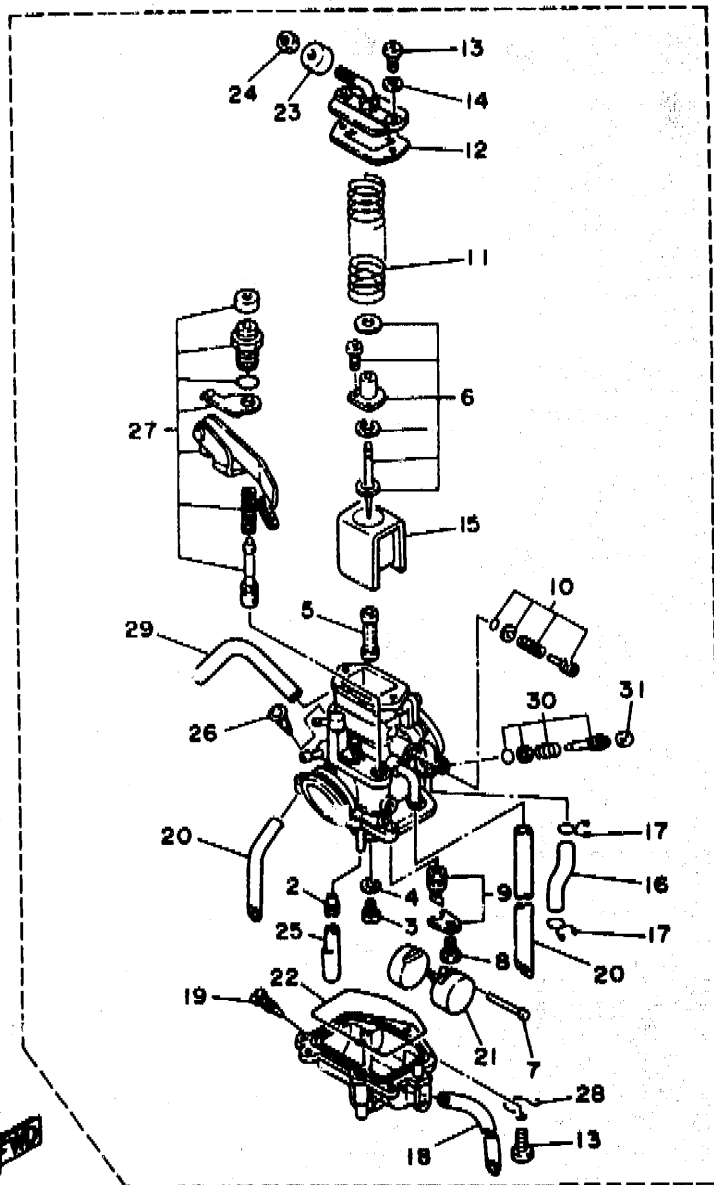
3MB1300-907C

**B11**



FIG. 7 CARBURETOR

REF. NO.	PART NO.	DESCRIPTION	Q'TY	REMARKS
29	493-14196-00	.PIPE	1	
30	3ME-14104-00	.AIR SCREW SET	1	
31	2RJ-14118-00	.CAP	1	

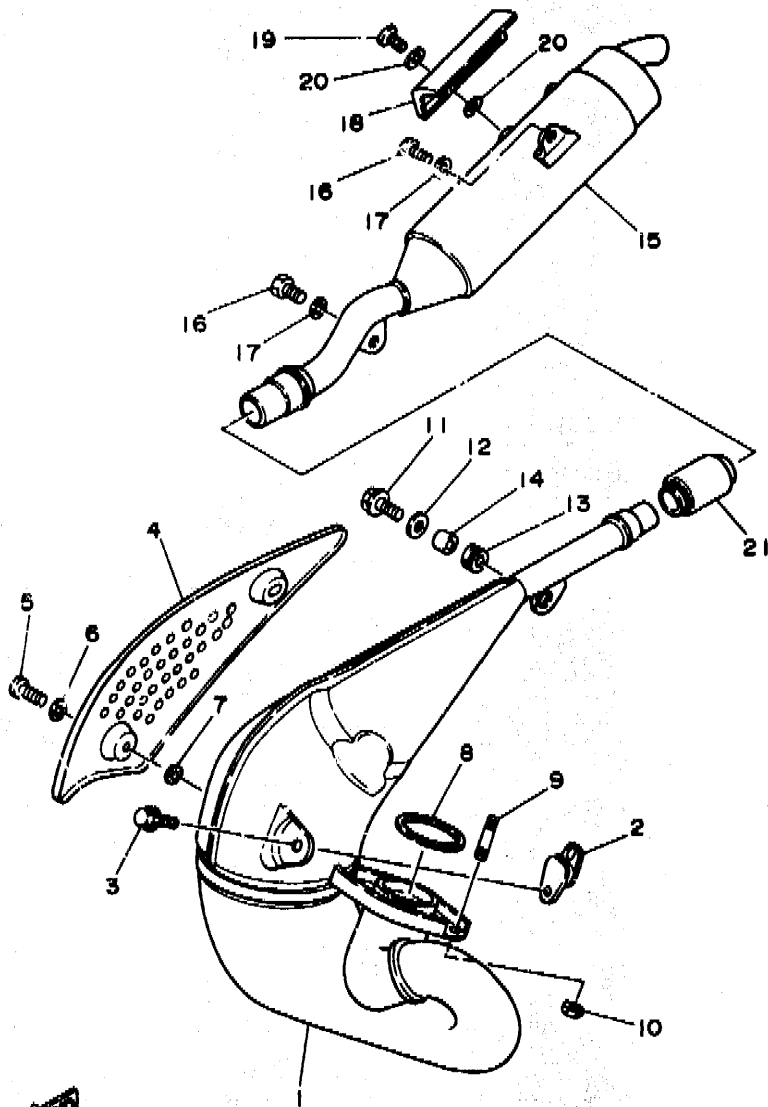


3MB1300-9070

**B12**

FIG. 8 EXHAUST

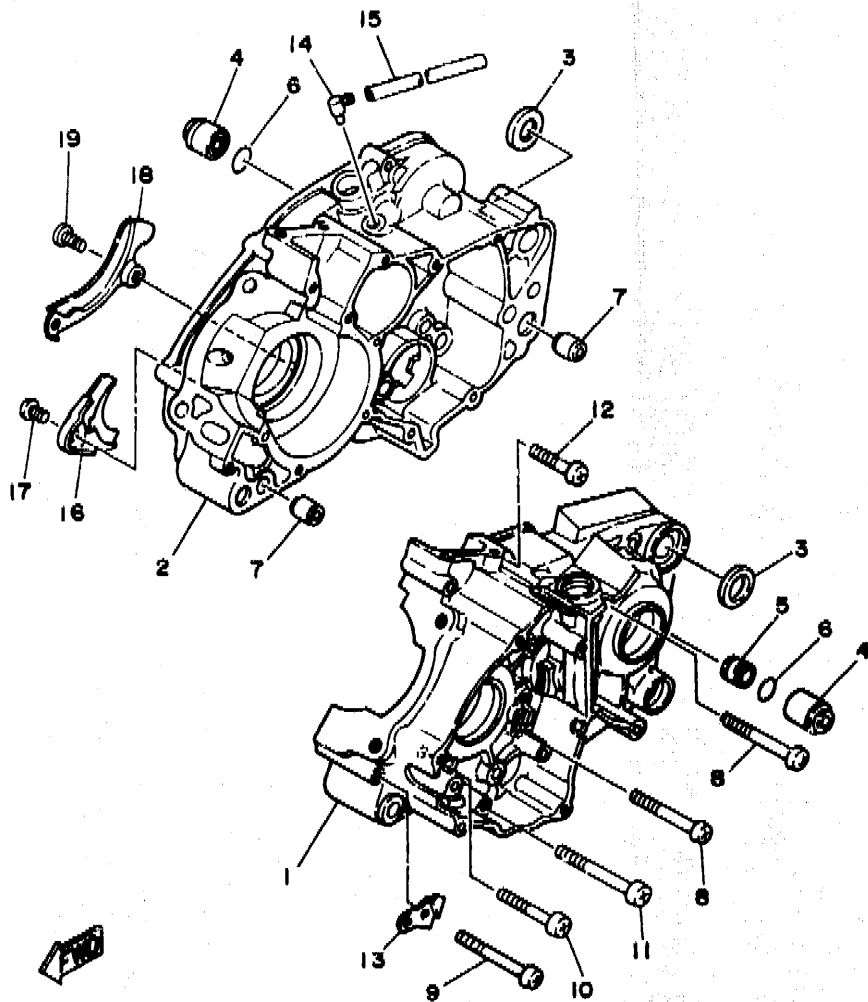
REF. NO.	PART NO.	DESCRIPTION	QTY	REMARKS
1	3MB-14610-01	EXHAUST PIPE ASSY 1	1	
2	565-14771-00	STAY, muffler 1	1	
3	95807-06012	BOLT, flange	2	
4	3BN-14718-00	PROTECTOR, muffler 1	1	
5	98907-06010	SCREW, bind	2	
6	90202-05187	WASHER, plate	2	
7	90202-05188	WASHER, plate	2	
8	3PA-14613-10	GASKET, exhaust pipe	1	
9	90116-08042	BOLT, stud	2	
10	90179-08270	NUT	2	
11	95807-06025	BOLT, flange	1	
12	90201-060A3	WASHER, plate	1	
13	90480-18411	GROMMET	1	
14	90387-105L0	COLLAR	1	
15	3MB-14753-00	SILENCER, exhaust	1	
16	90109-085E3	BOLT	2	
17	90201-08326	WASHER, plate	2	
18	3BN-14758-00	PROTECTOR, silencer	1	
19	98907-06008	SCREW, bind	2	
20	90202-05187	WASHER, plate	4	
21	2YK-14714-00	GASKET, muffler	1	



3MB1300-9080

**B13**

FIG. 9 CRANKCASE



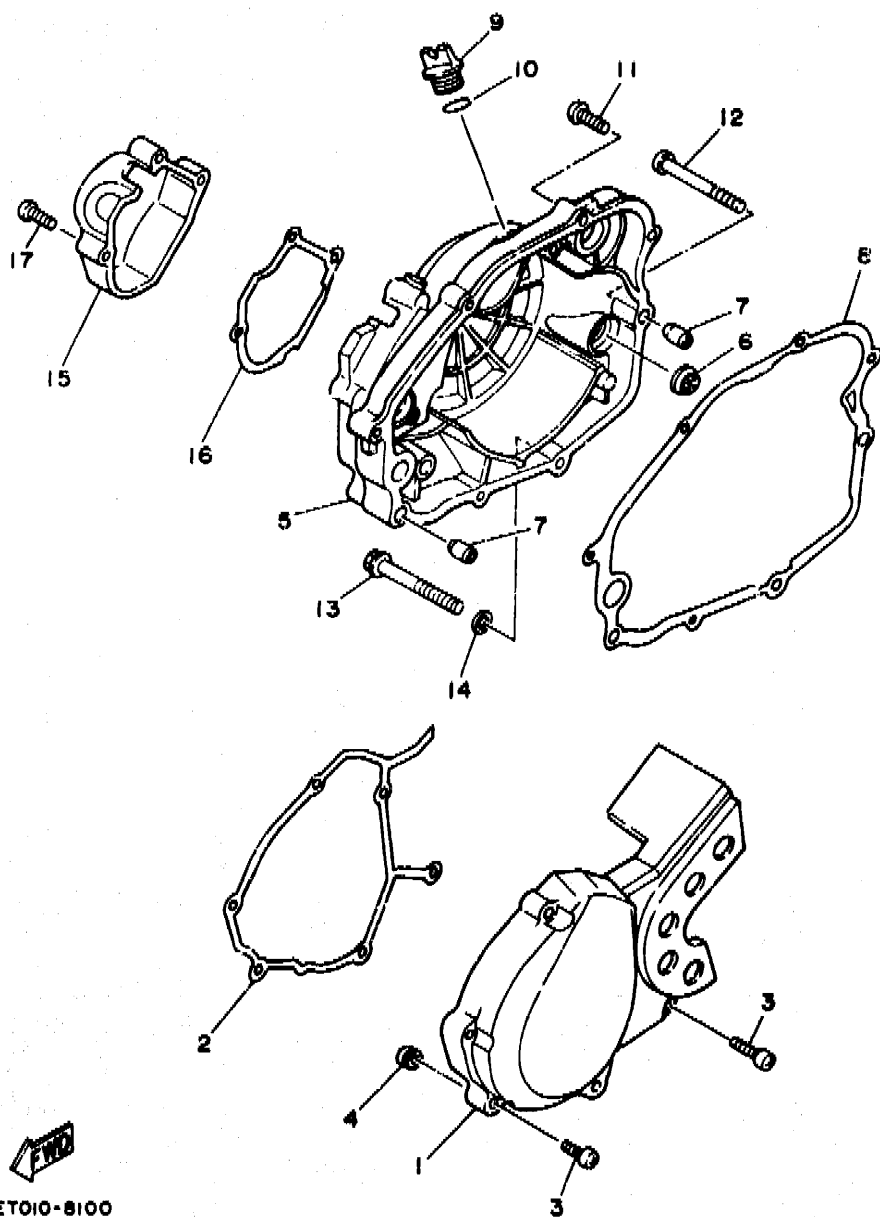
38N300-9090

REF. NO.	PART NO.	DESCRIPTION	Q'TY	REMARKS
1	38N-15111-04	CRANKCASE 1	1	
2	38N-15121-03	CRANKCASE 2	1	
3	90201-170M2	WASHER, plate	2	
4	328-15316-00	DAMPER, engine mount 1	2	
5	38N-15317-00	SPACER, engine mount	1	
6	93210-12154	O-RING	2	
7	99510-12016	PIN, dowel	2	
8	98507-06060	SCREW, pan head	4	
9	98507-06065	SCREW, pan head	1	
10	98507-06050	SCREW, pan head	5	
11	98507-06070	SCREW, pan head	2	
12	98507-06040	SCREW, pan head	1	
13	38N-15199-01	BRACKET	1	
14	583-15371-00	BREATHER	1	
15	90446-07349	HOSE	1	
16	37F-15128-00	HOLDER	1	
17	98507-08010	SCREW, pan head	1	
18	2RH-15492-00	COVER	1	
19	98507-06012	SCREW, pan head	2	

**B14**

FIG. 10 CRANKCASE COVER 1

REF. NO.	PART NO.	DESCRIPTION	Q'TY	REMARKS
1	3BN-15411-11	COVER, crankcase 1	1	
2	3ET-15379-00	SEAL, crankcase	1	
3	90157-06115	SCREW, pan head	6	
4	90480-094E1	GROMMET	6	
5	3BN-15421-10	COVER, crankcase 2	1	
6	3Y1-15361-00	GAUGE, level	1	
7	99530-10014	PIN, dowel	2	
8	3BN-15451-10	GASKET, crankcase cover 1	1	
9	1RG-15363-00	PLUG, oil	1	
10	93210-19123	O-RING	1	
11	98507-06030	SCREW, pan head	5	
12	98507-06040	SCREW, pan head	1	
13	95807-08080	BOLT, flange	1	
14	90201-08087	WASHER, plate	1	
15	3BN-15416-10	COVER, oil pump	1	
16	3BN-15456-10	GASKET, oil pump cover 1	1	
17	98507-06030	SCREW, pan head	3	



FWZ  
3E7010-8100

**B15**

# CONTENTS

## ENGINE

Cylinder .....	B2
Crankshaft, Piston .....	B3~B4
Water Pump .....	B5
Radiator, Hose .....	B6~B7
Oil Pump .....	B8
Intake .....	B9~B10
Carburetor .....	B11~B12
Exhaust .....	B13
Crankcase .....	B14
Crankcase Cover 1 .....	B15
Starter .....	C2
Clutch .....	C3
Transmission .....	C4~C5
Tachometer Gear .....	C6
Shift Cam, Fork .....	C7
Shift Shaft .....	C8

Front Brake Caliper .....	D9
Rear Wheel .....	D10
Rear Brake Caliper .....	D11
Steering Handle, Cable .....	D12
Front Master Cylinder .....	D13
Stand, Footrest .....	D14
Rear Master Cylinder .....	D15
Cowling 1 .....	E2
Generator .....	E3
Flasher Light .....	E4~E5
Meter .....	E6
Headlight .....	E7
Taillight .....	E8
Handle Switch, Lever .....	E9
Electrical 1 .....	E10
Electrical 2 .....	E11

## CHASSIS

Frame .....	C9
Fender .....	C10
Side Cover .....	C11~C12
Oil Tank .....	C13
Rear Arm .....	C14~C15
Rear Suspension .....	D2
Steering .....	D3
Front Fork .....	D4~D5
Fuel Tank .....	D6
Seat .....	D7
Front Wheel .....	D8

## INDEX

Numerical Index .....	M1~M4
-----------------------	-------

# CONTENTS

## ENGINE

Cylinder .....	B2
Crankshaft, Piston .....	B3~B4
Water Pump .....	B5
Radiator, Hose .....	B6~B7
Oil Pump .....	B8
Intake .....	B9~B10
Carburetor .....	B11~B12
Exhaust .....	B13
Crankcase .....	B14
Crankcase Cover 1 .....	B15
Starter .....	C2
Clutch .....	C3
Transmission .....	C4~C5
Tachometer Gear .....	C6
Shift Cam, Fork .....	C7
Shift Shaft .....	C8

Front Brake Caliper .....	D9
Rear Wheel .....	D10
Rear Brake Caliper .....	D11
Steering Handle, Cable .....	D12
Front Master Cylinder .....	D13
Stand, Footrest .....	D14
Rear Master Cylinder .....	D15
Cowling 1 .....	E2
Generator .....	E3
Flasher Light .....	E4~E5
Meter .....	E6
Headlight .....	E7
Taillight .....	E8
Handle Switch, Lever .....	E9
Electrical 1 .....	E10
Electrical 2 .....	E11

## CHASSIS

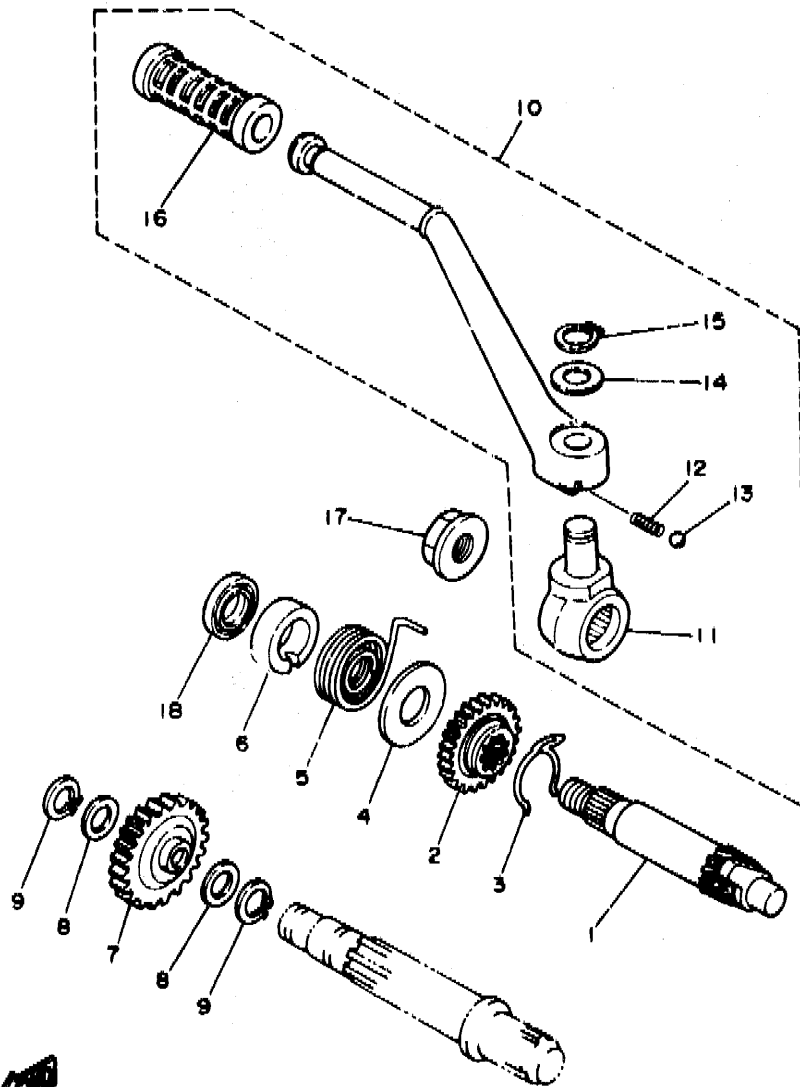
Frame .....	C9
Fender .....	C10
Side Cover .....	C11~C12
Oil Tank .....	C13
Rear Arm .....	C14~C15
Rear Suspension .....	D2
Steering .....	D3
Front Fork .....	D4~D5
Fuel Tank .....	D6
Seat .....	D7
Front Wheel .....	D8

## INDEX

Numerical Index .....	M1~M4
-----------------------	-------

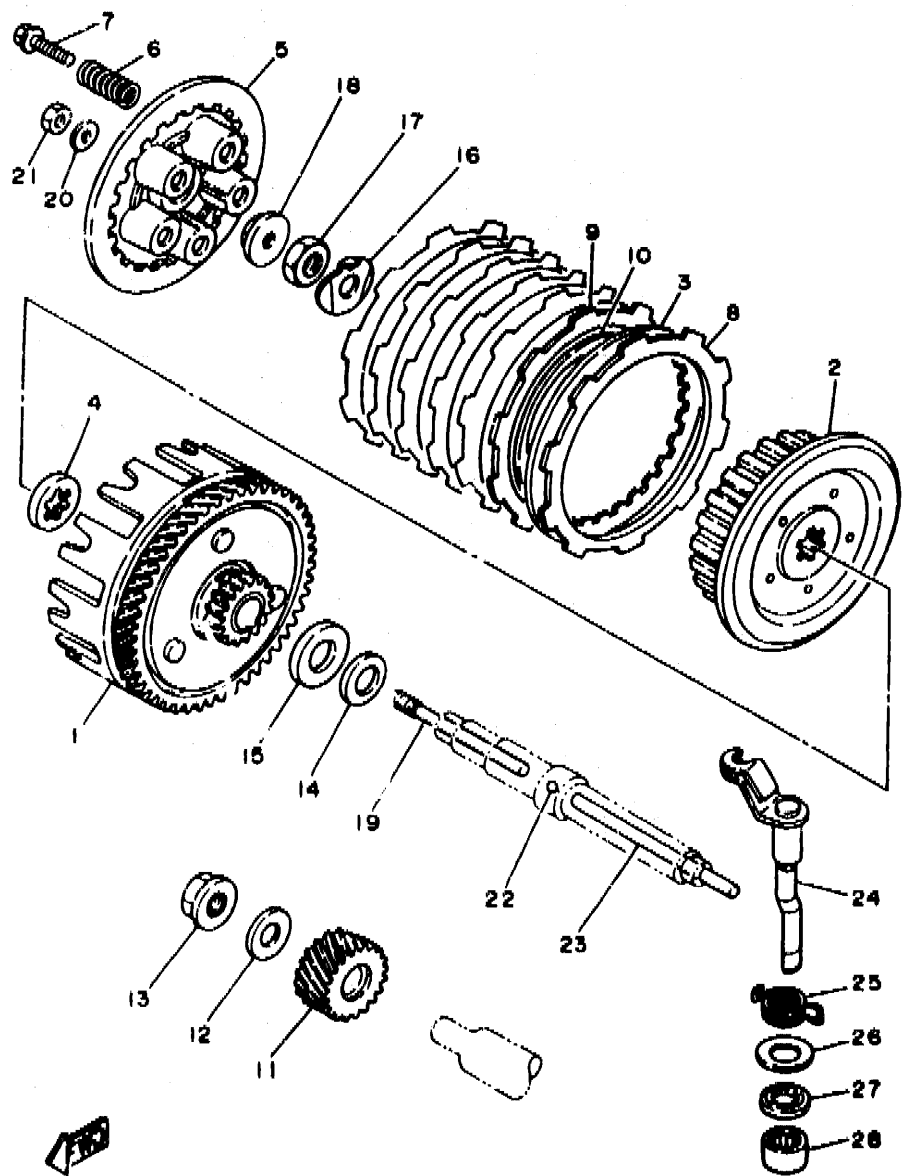
FIG. 11 STARTER

REF. NO.	PART NO.	DESCRIPTION	Q'TY	REMARKS
1	10V-15660-00	KICK AXLE ASSY	1	
2	10V-15641-00	GEAR, kick (23T)	1	
3	90468-26048	CLIP	1	
4	90201-200J7	WASHER, plate	1	
5	90508-26667	SPRING, torsion	1	
6	10V-15666-00	SPACER	1	
7	10V-15651-00	GEAR, kick idle (29T)	1	
8	90201-154E8	WASHER, plate	2	
9	99009-15400	CIRCLIP	2	
10	3BN-15620-00	KICK CRANK ASSY	1	
11	10V-15621-01	.BOSS, kick crank	1	
12	90501-12081	.SPRING, compression	1	
13	93507-32031	.BALL	1	
14	90201-12631	.WASHER, plate	1	
15	93430-08042	.CIRCLIP	1	
16	156-15618-01	.COVER, kick lever	1	
17	90179-12659	NUT	1	
18	93102-20589	OIL SEAL	1	



3BN300-8110

C2



4BL5351- 5130

FIG. 12 CLUTCH

REF. NO.	PART NO.	DESCRIPTION	QTY	REMARKS
1	3BN-16150-01	PRIMARY DRIVEN GEAR COMP.	1	
2	2TV-16371-00	BOSS, clutch	1	
3	1V1-16324-00	PLATE, clutch 1	6	
4	2TV-16154-00	PLATE, thrust 1	1	
5	37F-16351-00	PLATE, pressure 1	1	
6	90501-20644	SPRING, compression	5	
7	90119-05001	BOLT, with washer	5	
8	21V-16321-00	PLATE, friction	6	
9	1HX-16331-00	PLATE, friction 2	1	
10	3BN-16383-00	SPRING, clutch boss	1	
11	2JK-16111-01	GEAR, primary drive	1	
12	90201-120E8	WASHER, plate	1	
13	90179-12659	NUT	1	
14	90208-18046	WASHER, conical spring	1	
15	90201-180P2	WASHER, plate	1	
16	90215-12271	WASHER, lock	1	
17	90170-12370	NUT	1	
18	1W1-16358-01	PLATE, push	1	
19	1W1-16356-02	ROD, push 1	1	
20	92907-06200	WASHER	1	
21	95317-06600	NUT	1	
22	93503-16010	BALL	1	
23	3R1-16357-00	ROD, push 2	1	
24	3BN-16380-00	PUSH LEVER ASSY	1	
25	90508-18765	SPRING, torsion	1	
26	90201-14217	WASHER, plate	1	
27	93104-14004	OIL SEAL	1	
28	93315-21429	BEARING, cylindrical	1	

C3



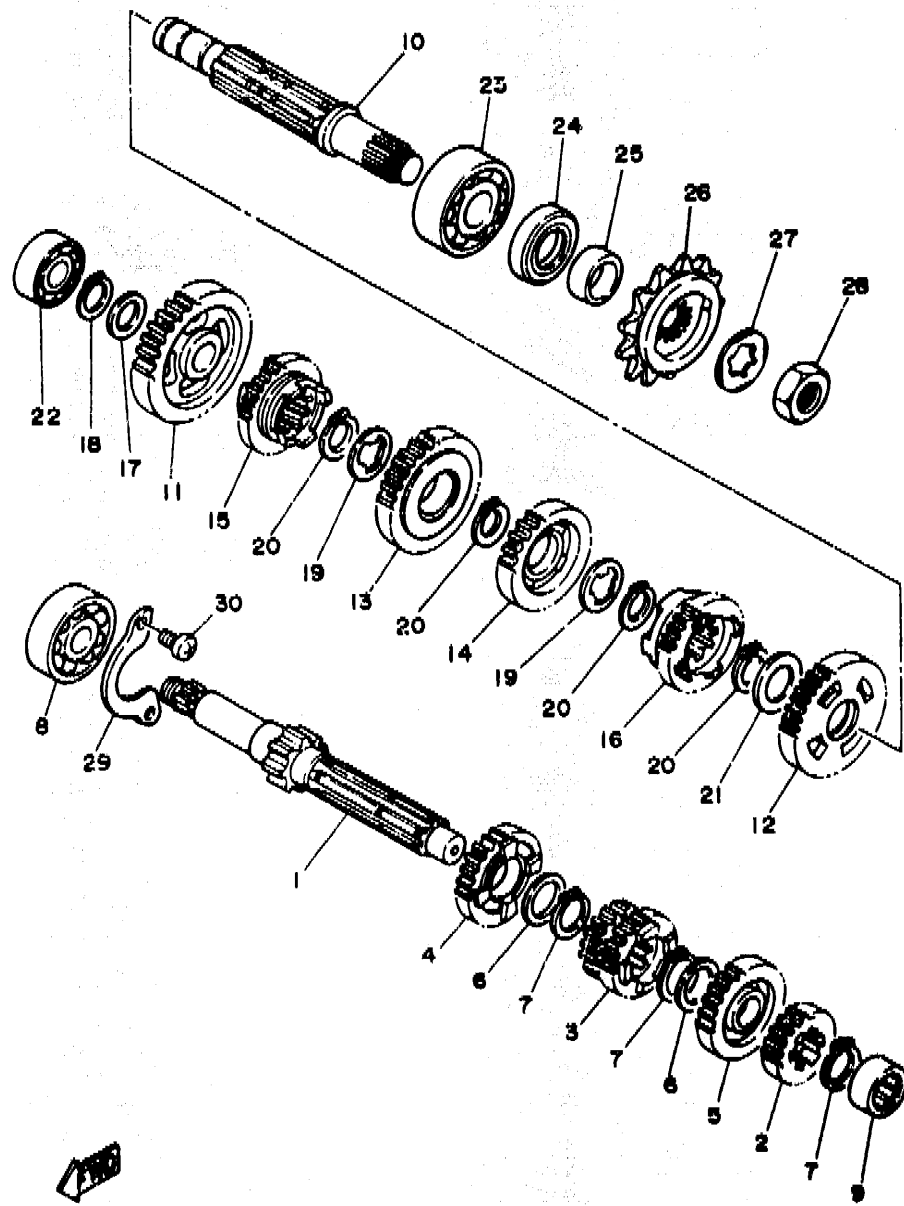


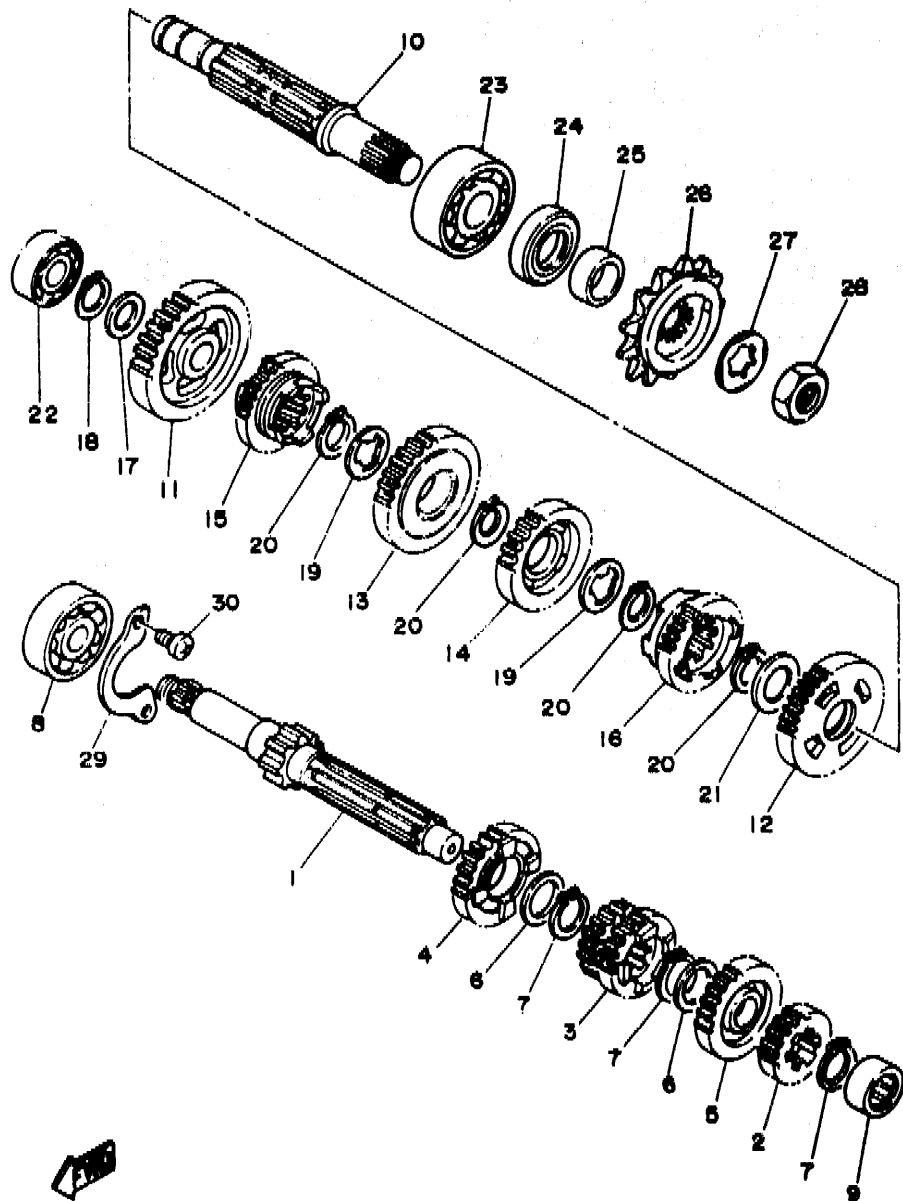
FIG. 13 TRANSMISSION

REF. NO.	PART NO.	DESCRIPTION	Q'TY	REMARKS
1	3MB-17411-01	AXLE, main	1	
2	3BN-17121-00	GEAR, 2nd pinion (16T)	1	
3	3BN-17131-01	GEAR, 3rd pinion	1	
4	3BN-17151-01	GEAR, 5th pinion (23T)	1	
5	3MB-17161-00	GEAR, 6th pinion	1	
6	90201-20266	WASHER, plate (1.0T)	2	
7	93410-20038	CIRCLIP	3	
8	93306-20431	BEARING (B6204Z)	1	
9	93311-31567	BEARING, cylindrical	1	
10	3BN-17421-00	AXLE, drive	1	
11	2TV-17211-01	GEAR, 1st wheel (34T)	1	
12	3BN-17221-00	GEAR, 2nd wheel (30T)	1	
13	3BN-17231-01	GEAR, 3rd wheel (24T)	1	
14	3XP-17241-00	GEAR, 4th wheel (24T)	1	
15	3BN-17251-02	GEAR, 5th wheel (22T)	1	
16	3XP-17261-00	GEAR, 6th wheel (18T)	1	
17	90201-154E8	WASHER, plate	1	
18	99009-15400	CIRCLIP	1	
19	90209-18135	WASHER	2	
20	93410-22039	CIRCLIP	4	
21	90201-22555	WASHER, plate	1	
22	93306-20201	BEARING (B6202)	1	
23	93306-30438	BEARING	1	
24	93102-26042	OIL SEAL	1	
25	90387-205U0	COLLAR	1	
26	3RM-17460-00	SPROCKET, drive (16T)	1	
27	90215-20283	WASHER, lock	1	
28	90179-16226	NUT	1	

3MB1300-9140

**C4**

FIG. 13 TRANSMISSION



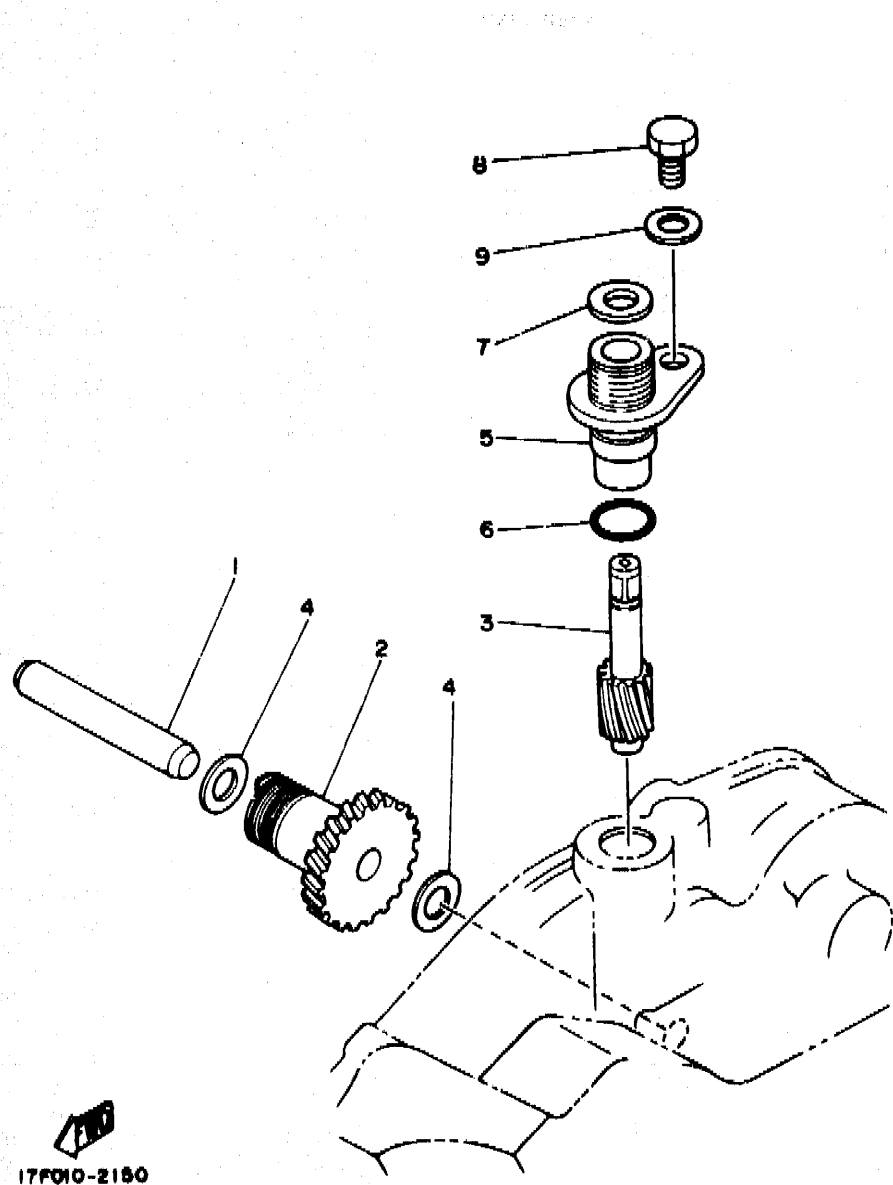
REF. NO.	PART NO.	DESCRIPTION	Q'TY	REMARKS
29	55K-17471-00	PLATE, cover	1	
30	98507-06012	SCREW, pan head	2	

3MB1300-9140

C5

FIG. 14 TACHOMETER GEAR

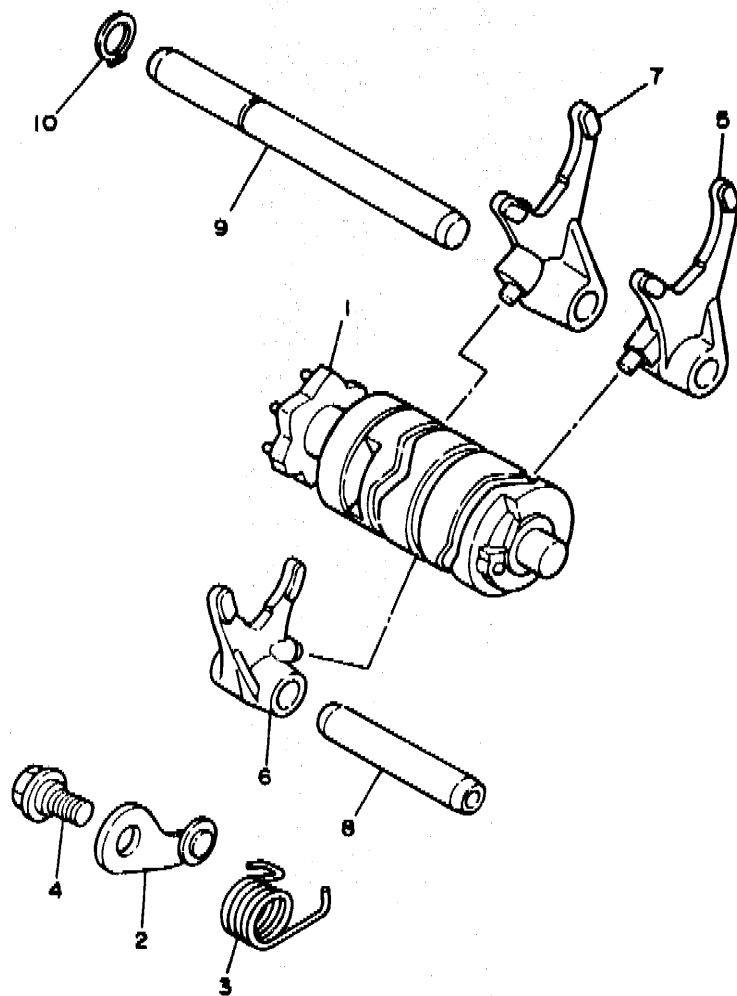
REF. NO.	PART NO.	DESCRIPTION	Q'TY	REMARKS
1	17F-17861-00	AXLE, drive gear	1	
2	17F-17831-00	GEAR, drive	1	
3	17F-17841-00	GEAR, driven	1	
4	90201-087H6	WASHER, plate	2	
5	4L0-17811-00	HOUSING, tachometer gear	1	
6	93210-12327	O-RING	1	
7	4L0-17818-00	GASKET	1	
8	97007-06010	BOLT	1	
9	92907-06600	WASHER, plate	1	



17F010-2150

C6

FIG. 15 SHIFT CAM. FORK



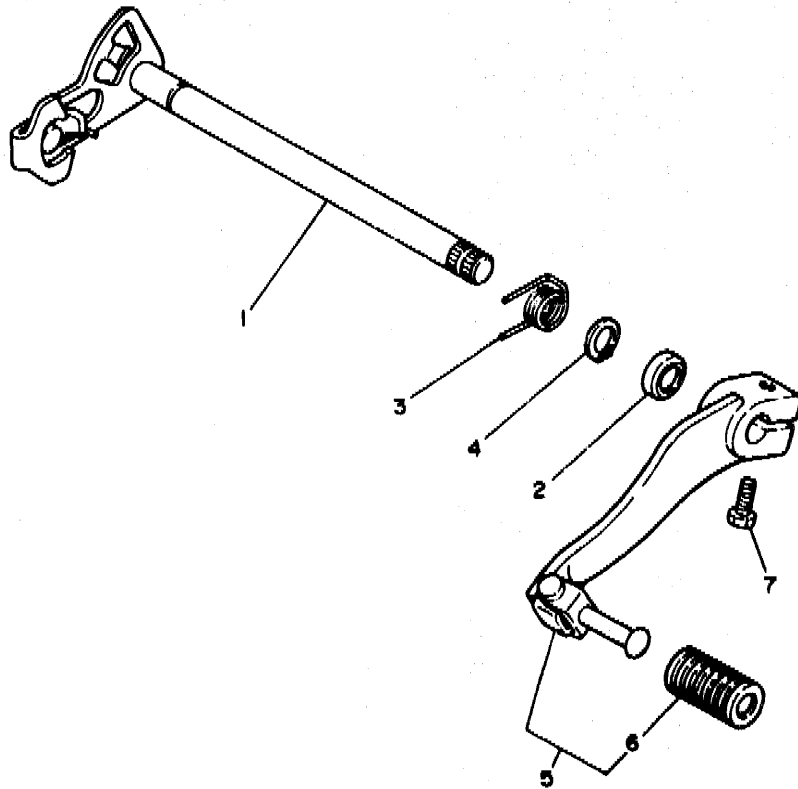
REF. NO.	PART NO.	DESCRIPTION	Q'TY	REMARKS
1	3XP-18540-00	SHIFT CAM ASSY	1	
2	3BN-18140-00	STOPPER LEVER ASSY	1	
3	90508-26561	SPRING, torsion		
4	90T09-063F7	BOLT	1	
5	55K-18511-01	FORK, shift 1	1	
6	2RH-18512-00	FORK, shift 2	1	
7	55K-18513-00	FORK, shift 3	1	
8	55K-18531-00	BAR, shift fork guide 1	1	
9	3BN-18535-00	BAR, shift fork guide 2	1	
10	99009-10400	CIRCLIP	1	

38N300-8150

C7

FIG. 16 SHIFT SHAFT

REF. NO.	PART NO.	DESCRIPTION	Q'TY	REMARKS
1	10W-18101-03	SHIFT SHAFT ASSY	1	
2	93101-12060	OIL SEAL	1	
3	90508-32553	SPRING, torsion	1	
4	99006-10600	CIRCLIP	1	
5	3BN-18110-00	SHIFT PEDAL ASSY	1	
6	1W6-18113-00	.COVER, shift pedal	1	
7	97017-06020	BOLT	1	

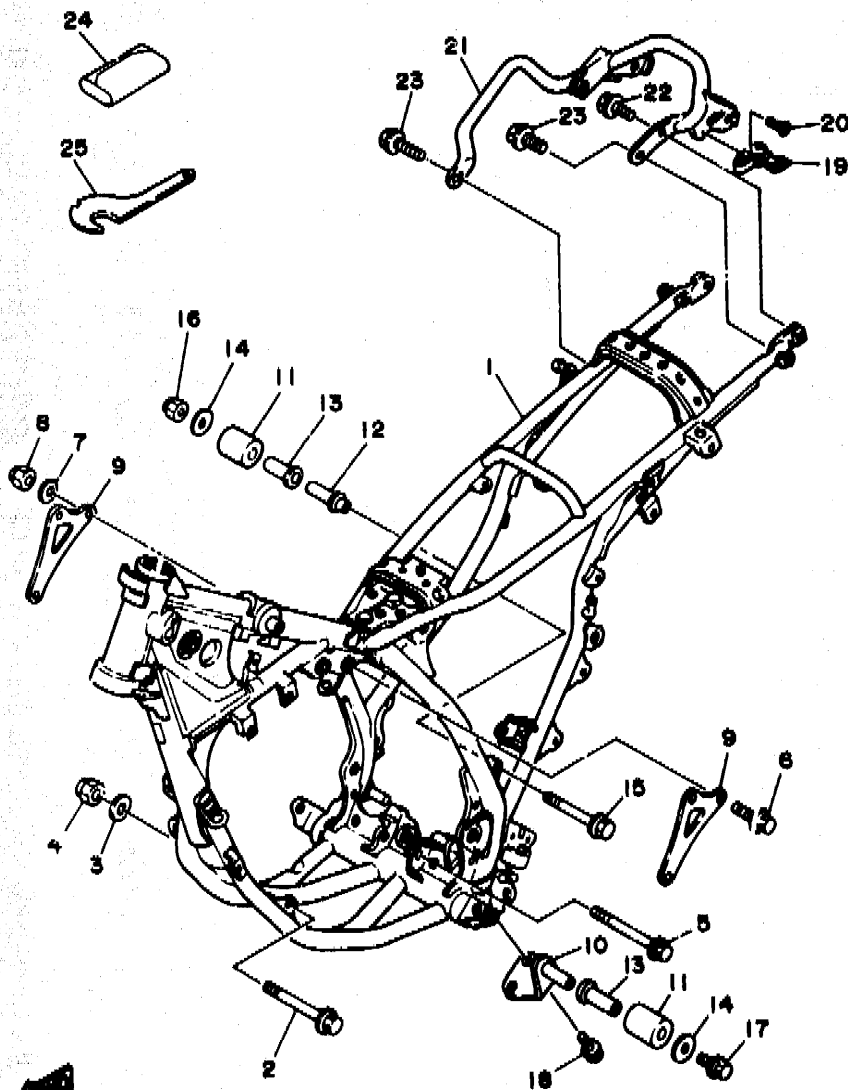


3BN300-8160

C8

FIG. 17 FRAME

REF. NO.	PART NO.	DESCRIPTION	Q'TY	REMARKS
1	3RM-21110-00-P0	FRAME COMP.	1	UR DEEP VIOLET SOLID 1
	3RM-21110-00-33	FRAME COMP.	1	UR YAMAHA BLACK
2	90105-10052	BOLT, washer based	1	
3	90201-100E9	WASHER, plate	1	
4	90185-10060	NUT, self-locking	1	
5	90105-08391	BOLT, washer based	1	
6	95817-08045	BOLT, flange	3	
7	90201-094G1	WASHER, plate	3	
8	90185-08089	NUT, self-locking	3	
9	3BN-21425-00	BRACKET, rear upper 1	2	
10	3BN-2141E-00	BRACKET 2	1	
11	30X-22178-00	TENSIONER	2	
12	2K7-2148A-00	SHAFT	1	
13	10V-22184-00	BUSH	2	
14	90201-08753	WASHER, plate	2	
15	95807-08050	BOLT, flange	1	
16	90185-08143	NUT, self-locking	1	
17	95027-0801?	BOLT, flange	1	
18	95827-06012	BOLT, flange	2	
19	5H0-21308-01	HELMET HANGER ASSY	1	
20	90151-06025	SCREW, countersunk	1	
21	3BN-21190-00-P1	REAR FRAME COMP.	1	UR DEEP VIOLET SOLID 1
	3BN-21190-00-33	REAR FRAME COMP.	1	UR YAMAHA BLACK
22	90119-06172	BOLT, with washer	2	
23	95827-06012	BOLT, flange	2	
24	3BN-28100-00	TOOL KIT	1	
25	10V-28135-00	SPANNER, special	1	

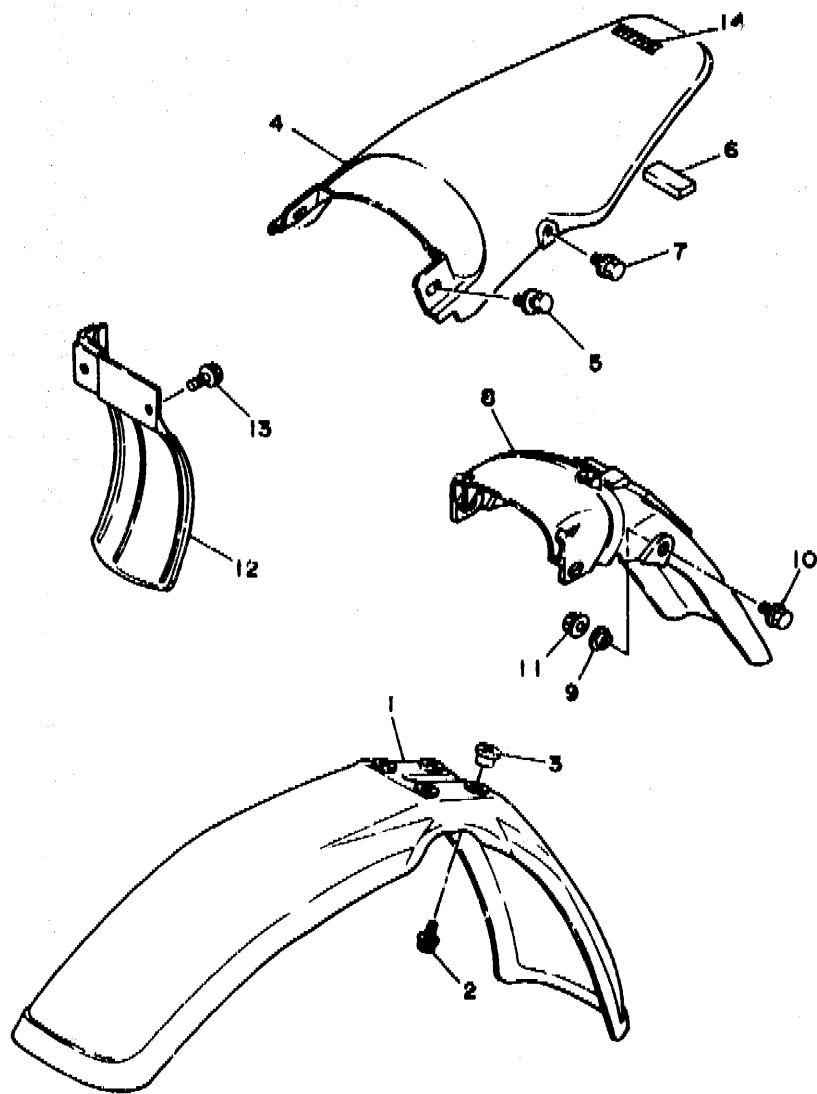


3BN300-8170

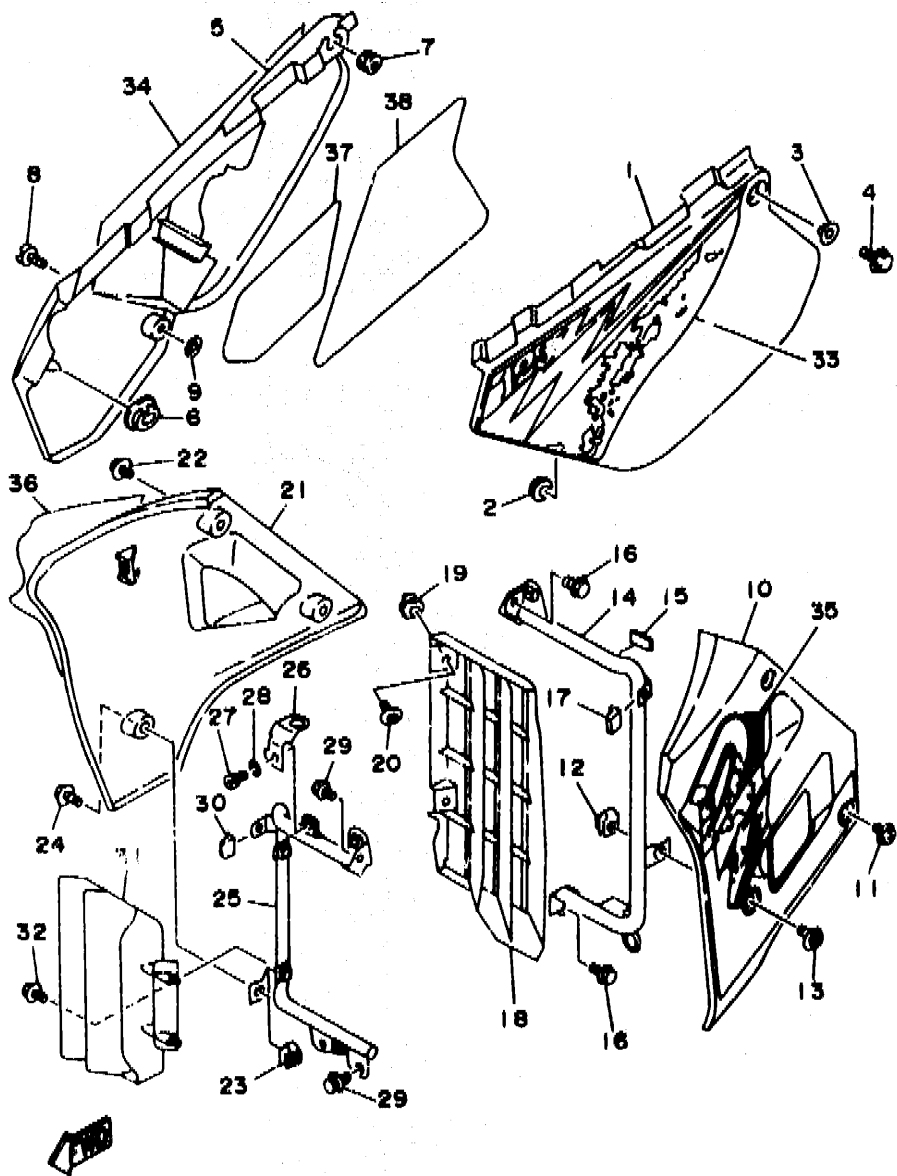
C9

FIG. 16 FENDER

REF. NO.	PART NO.	DESCRIPTION	Q'TY	REMARKS
1	3XJ-21511-01	FENDER, front	1	UR PURPLISH WHITE SOLID 1
	28K-21511-11	FENDER, front	1	UR YAMAHA BLACK
2	90119-06097	BOLT, with washer	4	
3	90387-062V8	COLLAR	4	
4	3BN-21611-40	FENDER, rear	1	UR PURPLISH WHITE SOLID 1
	3BN-21611-10	FENDER, rear	1	UR YAMAHA BLACK
5	90119-06042	BOLT, with washer	2	
6	3BN-21639-00	DAMPER 2	1	
7	95827-06012	BOLT, flange	2	
8	3BN-21685-00	BRACKET, license	1	
9	90560-08066	SPACER	2	
10	95827-08020	BOLT, flange	2	
11	95707-08500	NUT, flange	2	
12	3BN-21642-00	GUARD, flap	1	
13	90119-06194	BOLT, with washer	2	
14	99247-00080	EMBLEM, yamaha	1	UR FOR PWS1
	99246-00080	EMBLEM, yamaha	1	UR FOR YB



3RM3300-1180



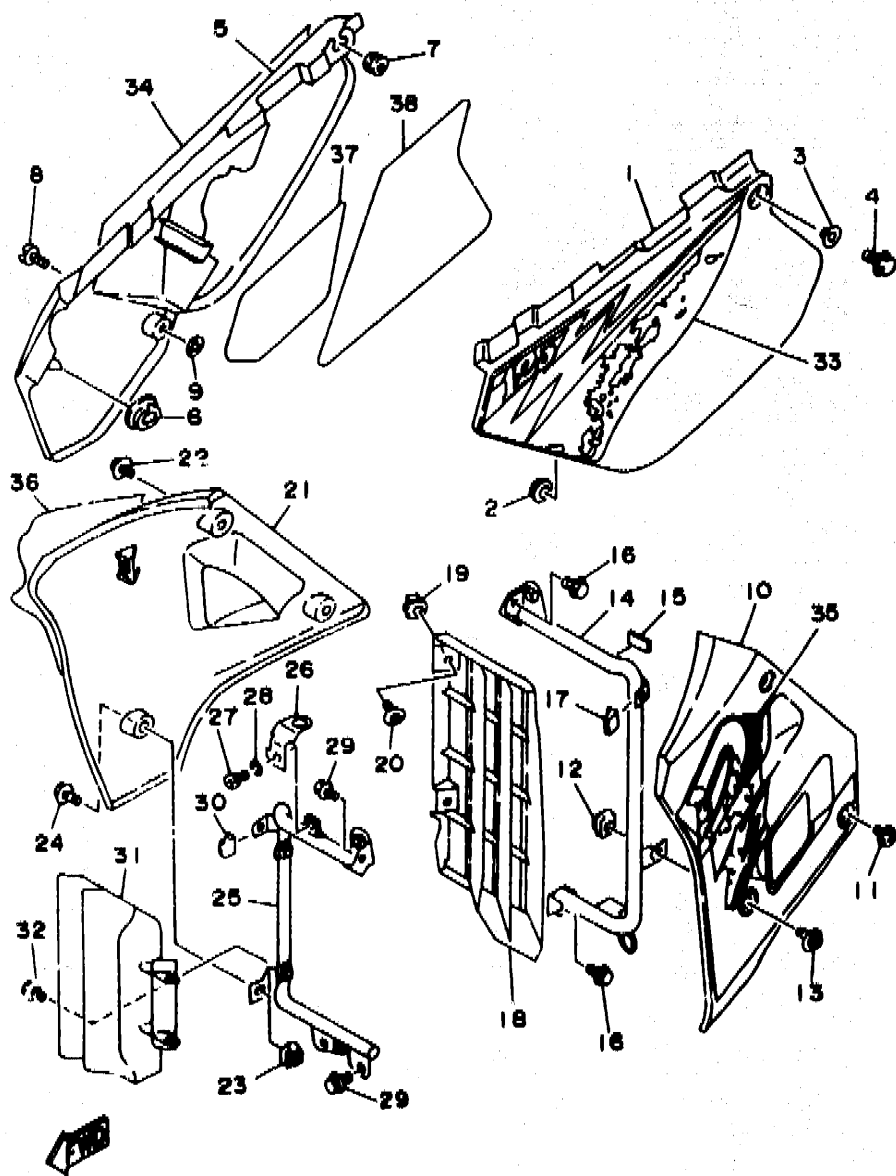
3RN8351-5/90

FIG. 19 SIDE COVER

REF. NO.	PART NO.	DESCRIPTION	Q'TY	REMARKS
1	3BN-21711-40	COVER, side 1	1	UR PURPLISH WHITE SOLID 1
	3BN-21711-10	COVER, side 1	1	UR YAMAHA BLACK
2	90480-13398	GROMMET	1	
3	90387-06500	COLLAR	1	
4	95807-06018	BOLT, flange	1	
5	3BN-21721-40-98	COVER, side 2	1	UR LOW GLOSS BLACK/ PURPLISH WHITE SOLID 1
	3BN-21721-11	COVER, side 2	1	UR YAMAHA BLACK
6	90480-01401	GROMMET	1	
7	90480-12325	GROMMET	1	
8	90149-06194	SCREW	1	
9	4U5-2176E-00	PLATE	1	
10	3BN-2137W-40	SCOOP, air 1	1	UR PURPLISH WHITE SOLID 1
	3BN-2137W-10	SCOOP, air 1	1	UR YAMAHA BLACK
11	90159-06160	SCREW, with washer	2	UR FOR PWS1
	90159-06165	SCREW, with washer	2	UR FOR YB
12	3BN-21791-00	NUT	1	
13	90159-05167	SCREW, with washer	1	UR FOR PWS1
	90159-05168	SCREW, with washer	1	UR FOR YB
14	3BN-2172K-00	BRACKET 1	1	
15	3TB-28217-00	DAMPER	2	
16	95807-06010	BOLT, flange	2	
17	90480-16185	GROMMET	1	
18	3BN-2172A-00	PANEL 1	1	
19	22W-21791-00	NUT	2	
20	90159-05162	SCREW, with washer	2	
21	3BN-2137X-40	SCOOP, air 2	1	UR PURPLISH WHITE SOLID 1
	3BN-2137X-10	SCOOP, air 2	1	UR YAMAHA BLACK
22	90159-06160	SCREW, with washer	2	UR FOR PWS1

C11



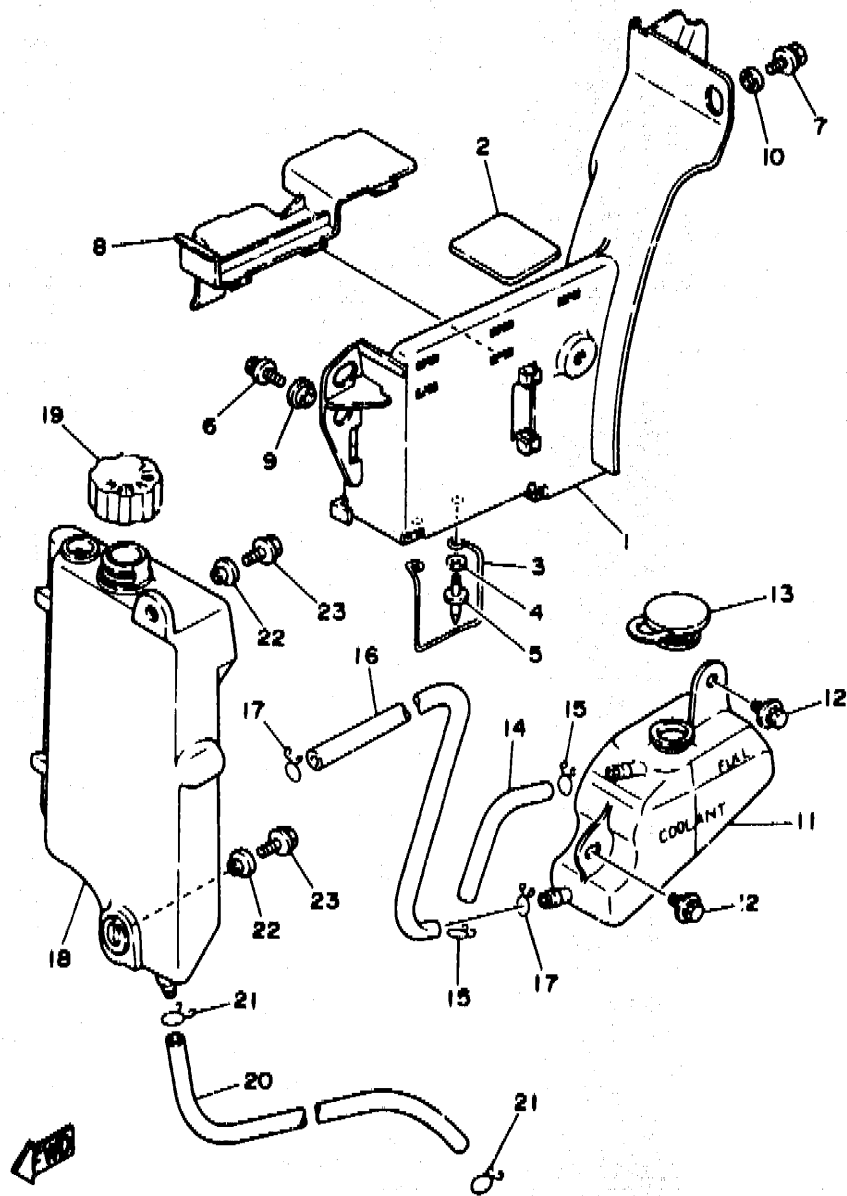


3RN8351-5190

FIG. 19 SIDE COVER

REF. NO.	PART NO.	DESCRIPTION	Q'TY	REMARKS
22	90159-06165	SCREW, with washer	2	UR FOR YB
23	3BN-21791-00	NUT	1	
24	90159-05167	SCREW, with washer	1	UR FOR PWS1
	90159-05168	SCREW, with washer	1	UR FOR YB
25	3BN-2172L-00	BRACKET 2	1	
26	3BN-2175H-00	STAY, lock	1	
27	98507-05010	SCREW, pan head	1	
28	92907-05100	WASHER, spring	1	
29	95807-06010	BOLT, flange	2	
30	90480-16185	GROMMET	1	
31	1LX-2172F-01	PANEL 2	1	
32	90159-05083	SCREW, with washer	2	
33	3RM-2173E-30	GRAPHIC 1	1	UR FOR PWS1
	3RM-2173E-50	GRAPHIC 1	1	UR FOR YB
34	3RM-2173F-30	GRAPHIC 2	1	UR FOR PWS1
	3RM-2173F-50	GRAPHIC 2	1	UR FOR YB
35	3RM-2174G-30	GRAPHIC 3	1	UR FOR PWS1
	3RM-2174G-50	GRAPHIC 3	1	UR FOR YB
36	3RM-2174H-30	GRAPHIC 4	1	UR FOR PWS1
	3RM-2174H-50	GRAPHIC 4	1	UR FOR YB
37	3BN-2174A-00	INSULATOR, side cover	1	
38	3BN-2174T-00	INSULATOR, side cover 2	1	

FIG. 20 OIL TANK



39N2381-0200

REF. NO.	PART NO.	DESCRIPTION	Q'TY	REMARKS
1	3BN-2177A-00	BOX	1	
2	3BN-21638-00	DAMPER 1	1	
3	3ET-21339-00	GUIDE, wire	1	
4	9C201-044H9	WASHER, plate	2	
5	90267-40029	RIVET, blind	2	
6	90119-06056	BOLT, with washer	1	
7	90119-06118	BOLT, with washer	1	
8	3BN-2176E-00	PLATE	1	
9	90560-08066	SPACER	1	
10	90387-082J1	COLLAR	1	
11	3BN-21871-00	TANK, recovery	1	
12	90119-06056	BOLT, with washer	2	
13	10V-21875-00	CAP	1	
14	90445-09073	HOSE	1	
15	90467-08003	CLIP	2	
16	3BN-21877-00	PIPE, overflow	1	
17	90467-10008	CLIP	2	
18	3BN-21751-00	TANK, oil	1	
19	3BN-21770-00	OIL TANK CAP ASSY	1	
20	3BN-13416-00	PIPE, oil 1	1	
21	90467-08003	CLIP	2	
22	90387-06681	COLLAR	2	
23	95807-06016	BOLT, flange	2	

VZL Name

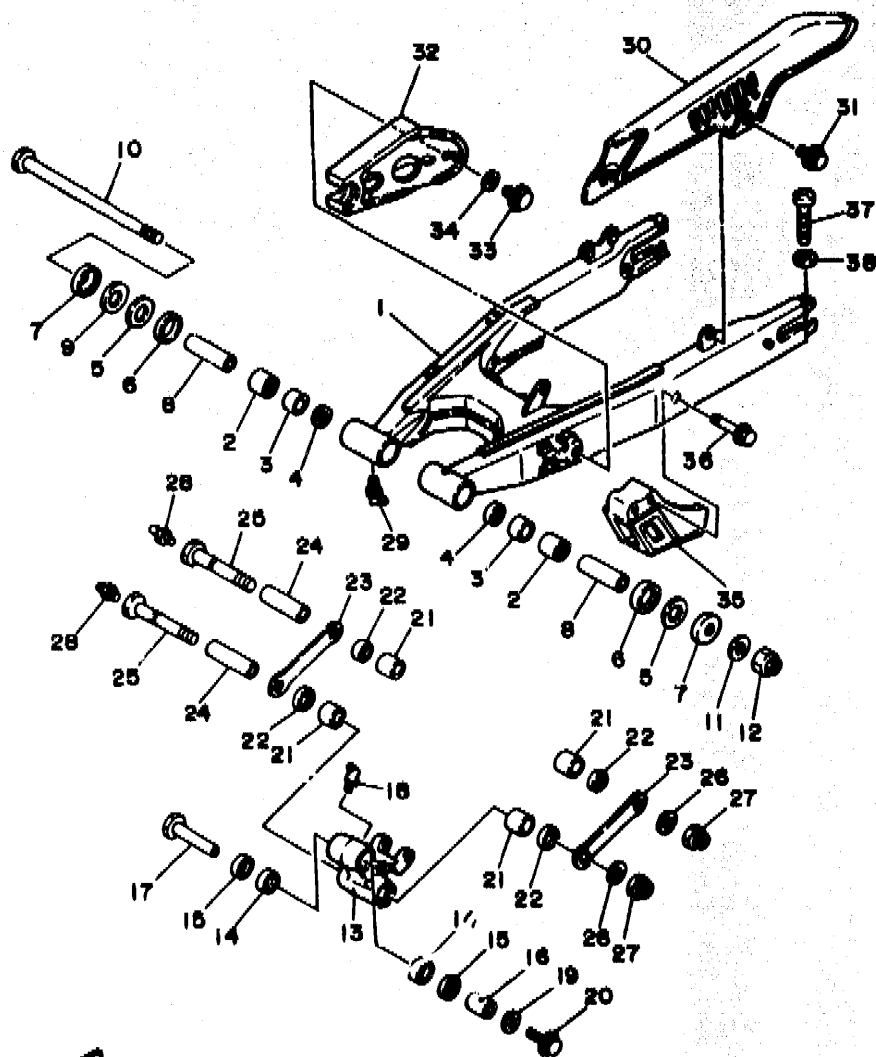


FIG. 21 REAR ARM

REF. NO.	PART NO.	DESCRIPTION	Q'TY	REMARKS
1	3BN-22110-01-35	REAR ARM COMP.	1	SILVER
2	93317-32231	BEARING, cylindrical	2	
3	90380-22111	BUSH, solid	2	
4	93106-22019	OIL SEAL (DC 22-28-8)	2	
5	90201-254H8	WASHER, plate	2	
6	93108-35004	OIL SEAL (35-41-8)	2	
7	30X-2219X-00	COVER	2	
8	90380-16077	BUSH, solid	2	
9	90201-251F6	WASHER, plate	2	UN
10	3R4-22141-00	SH/FT, pivot	1	
11	90201-164H4	WASHER, plate	1	
12	90185-16127	NUT, self-locking	1	
13	3BN-2217A-00	ARM, relay	1	
14	93315-32044	BEARING (YT2015)	2	IKO
15	93109-20029	OIL SEAL	2	
16	90387-164U7	COLLAR	1	
17	90402-10005	NUT, union	1	
18	93700-06005	NIPPLE, grease	1	
19	90201-106F2	WASHER, plate	1	
20	95817-10016	BOLT, flange	1	
21	90386-20120	BUSH	4	
22	93109-20029	OIL SEAL	4	
23	3BN-2217F-00	ROD, connecting 1	2	
24	90387-164U8	COLLAR	2	
25	90401-14136	BOLT, union	2	
26	90201-160F6	WASHER, plate	2	
27	90185-14070	NUT, self-locking	2	
28	93700-06004	NIPPLE, grease	2	

3MB1300-9220

C14

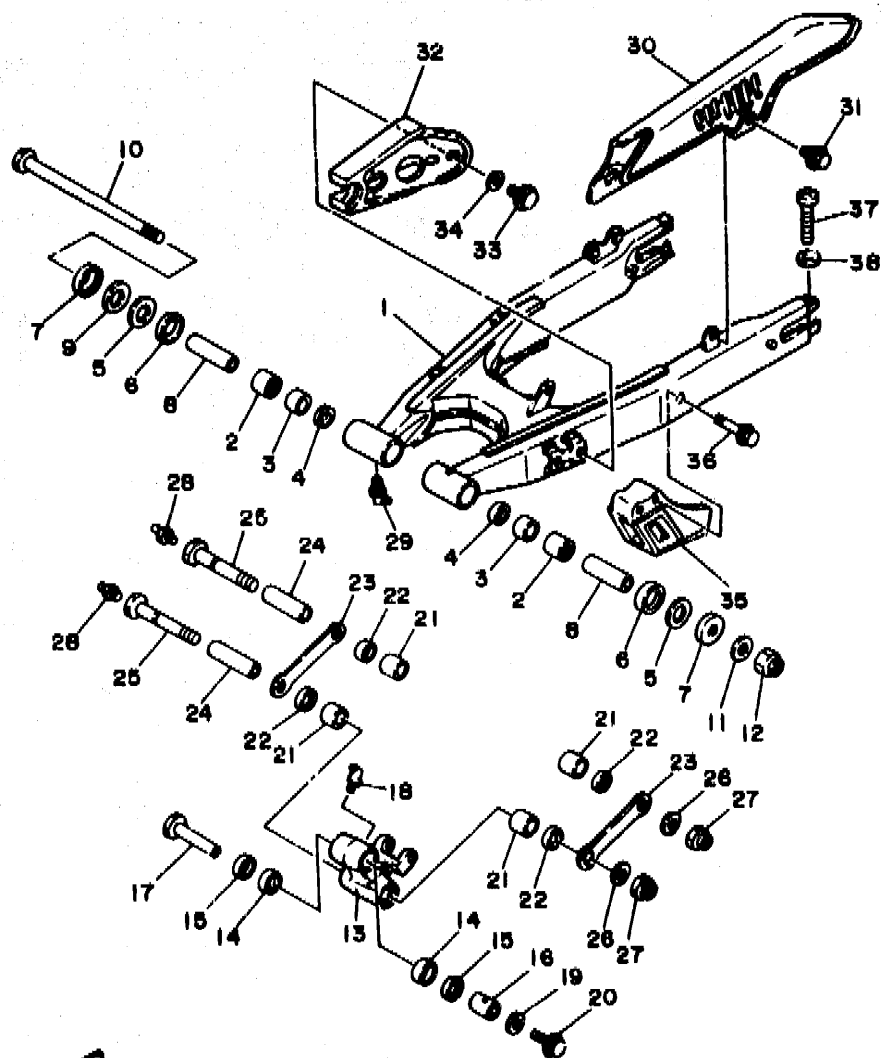


FIG. 21 REAR ARM

REF. NO.	PART NO.	DESCRIPTION	Q'TY	REMARKS
29	93700-06005	NIPPLE, grease	2	
30	3TB-22311-00	CASE, chain	1	
31	90119-06117	BOLT, with washer	2	
32	1LN-22151-00	SEAL, guard	1	
33	90119-06117	BOLT, with washer	2	
34	90209-06223	WASHER	2	
35	34X-22153-00	GUARD, chain	1	
36	95807-06050	BOLT, flange	2	
37	92017-06060	SCREW	2	
38	92907-06600	WASHER, plate	2	

3MB1300-9220

C15

# CONTENTS

## ENGINE

Cylinder .....	B2
Crankshaft, Piston .....	B3~B4
Water Pump .....	B5
Radiator, Hose .....	B6~B7
Oil Pump .....	B8
Intake .....	B9~B10
Carburetor .....	B11~B12
Exhaust .....	B13
Crankcase .....	B14
Crankcase Cover 1 .....	B15
Starter .....	C2
Clutch .....	C3
Transmission .....	C4~C5
Tachometer Gear .....	C6
Shift Cam, Fork .....	C7
Shift Shaft .....	C8

Front Brake Caliper .....	D9
Rear Wheel .....	D10
Rear Brake Caliper .....	D11
Steering Handle, Cable .....	D12
Front Master Cylinder .....	D13
Stand, Footrest .....	D14
Rear Master Cylinder .....	D15
Cowling 1 .....	E2
Generator .....	E3
Flasher Light .....	E4~E5
Meter .....	E6
Headlight .....	E7
Taillight .....	E8
Handle Switch, Lever .....	E9
Electrical 1 .....	E10
Electrical 2 .....	E11

## CHASSIS

Frame .....	C9
Fender .....	C10
Side Cover .....	C11~C12
Oil Tank .....	C13
Rear Arm .....	C14~C15
Rear Suspension .....	D2
Steering .....	D3
Front Fork .....	D4~D5
Fuel Tank .....	D6
Seat .....	D7
Front Wheel .....	D8

## INDEX

Numerical Index .....	M1~M4
-----------------------	-------

# CONTENTS

## ENGINE

Cylinder .....	B2
Crankshaft, Piston .....	B3~B4
Water Pump .....	B5
Radiator, Hose .....	B6~B7
Oil Pump .....	B8
Intake .....	B9~B10
Carburetor .....	B11~B12
Exhaust .....	B13
Crankcase .....	B14
Crankcase Cover 1 .....	B15
Starter .....	C2
Clutch .....	C3
Transmission .....	C4~C5
Tachometer Gear .....	C6
Shift Cam, Fork .....	C7
Shift Shaft .....	C8

Front Brake Caliper .....	D9
Rear Wheel .....	D10
Rear Brake Caliper .....	D11
Steering Handle, Cable .....	D12
Front Master Cylinder .....	D13
Stand, Footrest .....	D14
Rear Master Cylinder .....	D15
Cowling 1 .....	E2
Generator .....	E3
Flasher Light .....	E4~E5
Meter .....	E6
Headlight .....	E7
Taillight .....	E8
Handle Switch, Lever .....	E9
Electrical 1 .....	E10
Electrical 2 .....	E11

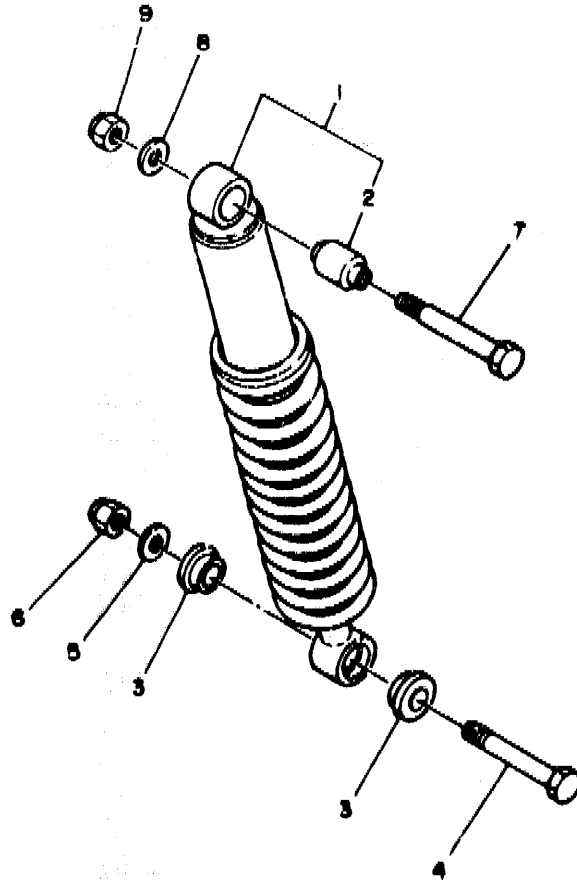
## CHASSIS

Frame .....	C9
Fender .....	C10
Side Cover .....	C11~C12
Oil Tank .....	C13
Rear Arm .....	C14~C15
Rear Suspension .....	D2
Steering .....	D3
Front Fork .....	D4~D5
Fuel Tank .....	D6
Seat .....	D7
Front Wheel .....	D8

## INDEX

Numerical Index .....	M1~M4
-----------------------	-------

FIG. 22 REAR SUSPENSION

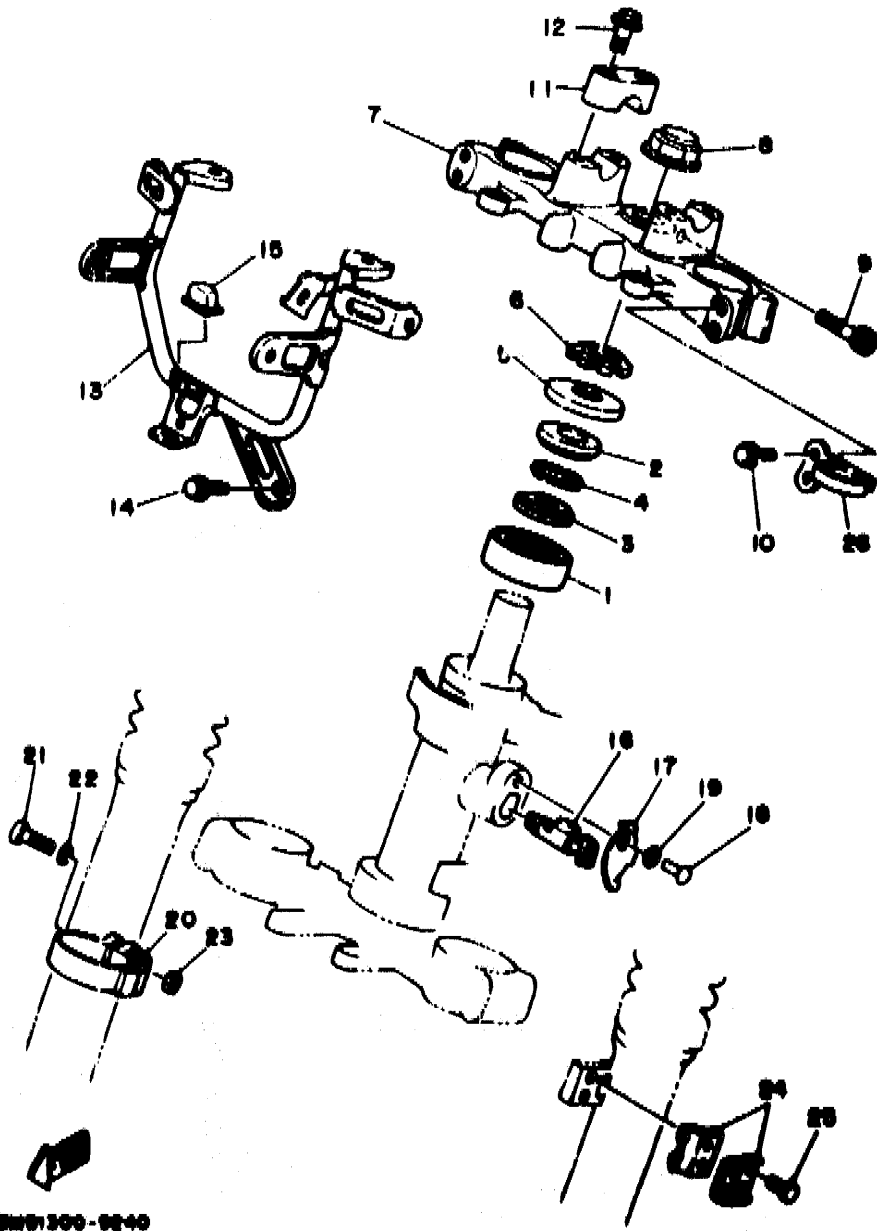


REF. NO.	PART NO.	DESCRIPTION	Q'TY	REMARKS
1	3RM-22210-10-6W	SHOCK ABSORBER ASSY, rear	1	NATIVE RED
2	1YW-22216-00	.BUSH, rear shock absorber	1	
3	90387-126H8	COLLAR	2	
4	90109-10704	BOLT	1	
5	90201-100E9	WASHER, plate	1	
6	90185-10120	NUT, self-locking	1	
7	90109-100E2	BOLT	1	
8	90201-100E9	WASHER, plate	1	
9	90185-10120	NUT, self-locking	1	

  
38N300-0220

FIG. 23 STEERING

REF. NO.	PART NO.	DESCRIPTION	QTY	REMARKS
1	93332-00008	BEARING	1	
2	22F-23411-01	RACE, ball 1	1	
3	22F-23412-01	RACE, ball 2	1	
4	93503-16010	BALL	22	
5	10V-23416-01	COVER, ball race 2	1	
6	90179-25033	NUT	1	
7	3BN-23435-00-35	CROWN, handle	1	SILVER
8	90176-22050	NUT	1	
9	91317-08035	BOLT	1	
10	95027-08040	BOLT, flange	4	
11	1E6-23441-10-35	HOLDER, handle upper	2	SILVER
12	95824-08035	BOLT, flange	4	
13	3BN-23174-00	STAY, headlight	1	
14	95817-06012	BOLT, flange	1	
15	30X-23445-00	DAMPER	1	
16	*	STEERING LOCK ASSY	1	LM
17	134-23464-10	CAP, handle lock	1	
18	90269-04003	RIVET	1	
19	90208-04029	WASHER, conical spring	1	
20	26A-23318-00	HOLDER, cable 1	1	
21	98507-05025	SCREW, pan head	1	
22	92907-05600	WASHER, plate	1	
23	95307-05600	NUT	1	
24	90465-14242	CLAMP	2	
25	91317-06012	BOLT	2	
26	3BN-23317-00	HOLDER, cable	1	

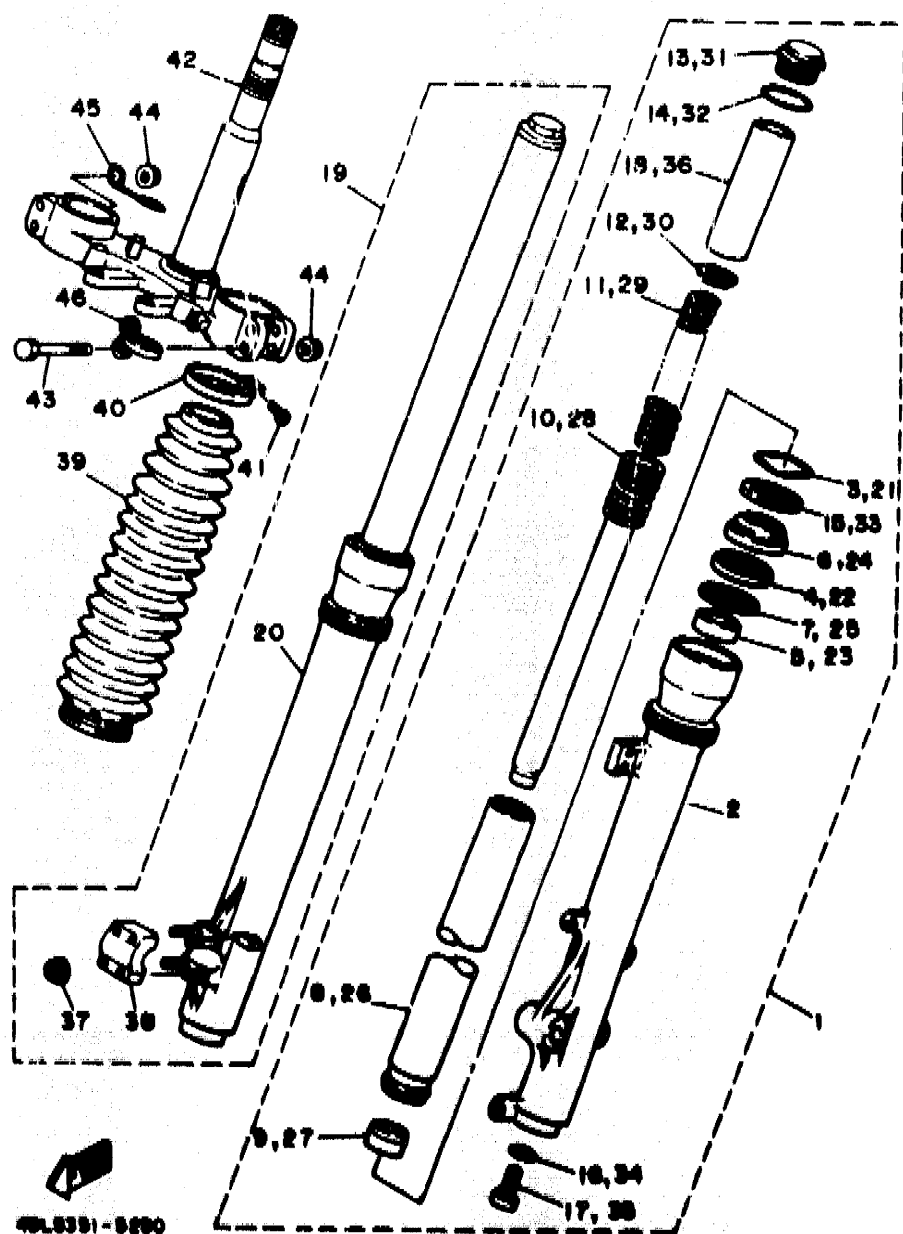


3M01300-0040



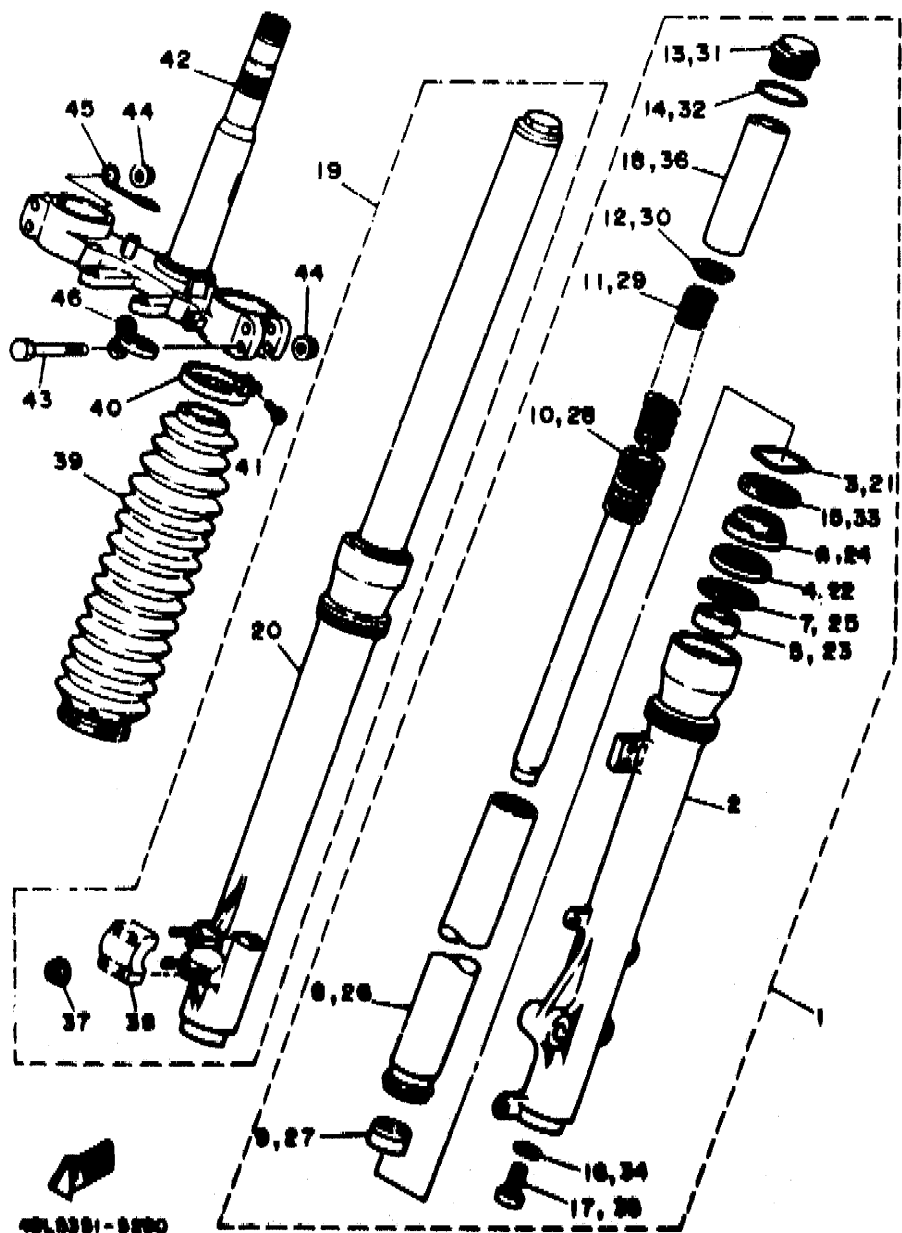


FIG. 24 FRONT FORK



REF. NO.	PART NO.	DESCRIPTION	Q'TY	REMARKS
1	3BN-23102-01	FRONT FORK ASSY (L.H)	1	
2	3FW-23126-70	.TUBE, outer 1	1	
3	26H-23156-00	.CLIP, oil seal	1	
4	3BN-23145-00	.OIL SEAL	1	
5	3JD-23125-L0	.METAL, slide 1	1	
6	43F-23144-10	.SEAL, dust	1	
7	36Y-23146-10	.WASHER, oil seal	1	
8	3BN-23110-00	.INNER TUBE COMP.1	1	
9	4V4-23173-L0	.SPINDLE, taper	1	
10	3BN-23170-00	.CYLINDER COMP., front fork	1	
11	3BN-23141-01	.SPRING, front fork	1	
12	43F-23142-10	.SEAT, spring upper	1	
13	3EN-23111-50	.BOLT, cap	1	
14	43F-23188-10	.O-RING	1	
15	3BN-23146-00	.WASHER, oil seal	1	
16	4V4-23158-L0	.GASKET	1	
17	4V4-23181-L0	.BOLT, hexagon socket head	1	
18	3BN-23118-01	.SPACER	1	
19	3BN-23103-01	FRONT FORK ASSY (R.H)	1	
20	3FW-23136-70	.TUBE, outer 2	1	
21	26H-23156-00	.CLIP, oil seal	1	
22	3BN-23145-00	.OIL SEAL	1	
23	3JD-23125-L0	.METAL, slide 1	1	
24	43F-23144-10	.SEAL, dust	1	
25	36Y-23146-10	.WASHER, oil seal	1	
26	3BN-23110-00	.INNER TUBE COMP.1	1	
27	4V4-23173-L0	.SPINDLE, taper	1	
28	3BN-23170-L0	.CYLINDER COMP., front fork	1	

D4



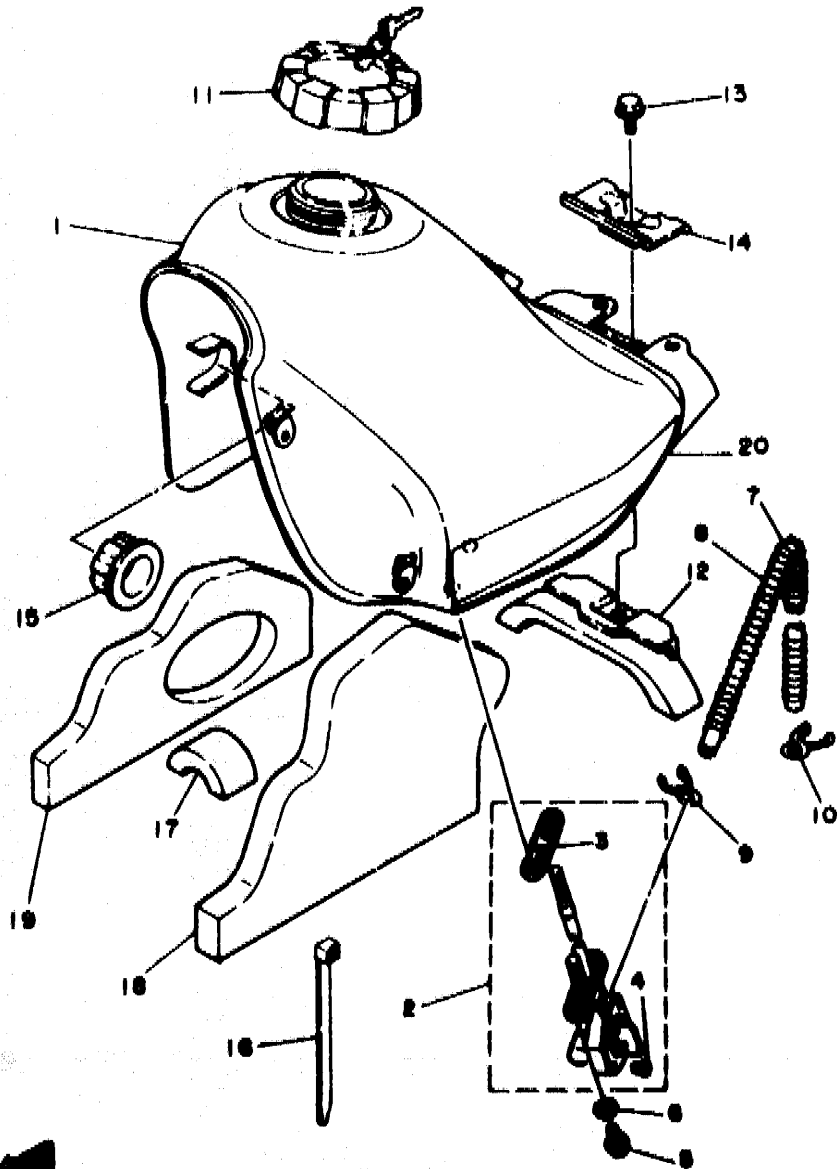
48L0391-0000

FIG. 24 FRONT FORK

REF. NO.	PART NO.	DESCRIPTION	Q'TY	REMARKS
29	3BN-23141-01	.SPRING, front fork	1	
30	43F-23142-10	.SEAT, spring upper	1	
31	3EN-23111-50	.BOLT, cap	1	
32	43F-23188-10	.O-RING	1	
33	3BN-23146-00	.WASHER, oil seal	1	
34	4V4-23158-L0	.GASKET	1	
35	4V4-23181-L0	.BOLT, hexagon socket head	1	
36	3BN-23118-01	.SPACER	1	
37	2KF-23127-01	.NUT, outer tube	4	
38	3XJ-23167-L0	.HOLDER, axle	1	
39	3BJ-23191-01	BOOT	2	UR DEEP VIOLET SOLID 1
	3TB-23191-11	BOOT	2	UR BLACK
40	43M-23192-L0	BAND	2	
41	98506-04018	SCREW, pan head	2	
42	3BN-23340-00	UNDER BRACKET COMP.	1	
43	95817-08055	BOLT, flange	4	
44	95701-08500	NUT, flange	4	
45	4V5-23389-00	GUIDE, cable	1	
56	3R4-23317-00	HOLDER, cable	1	



FIG. 25 FUEL TANK

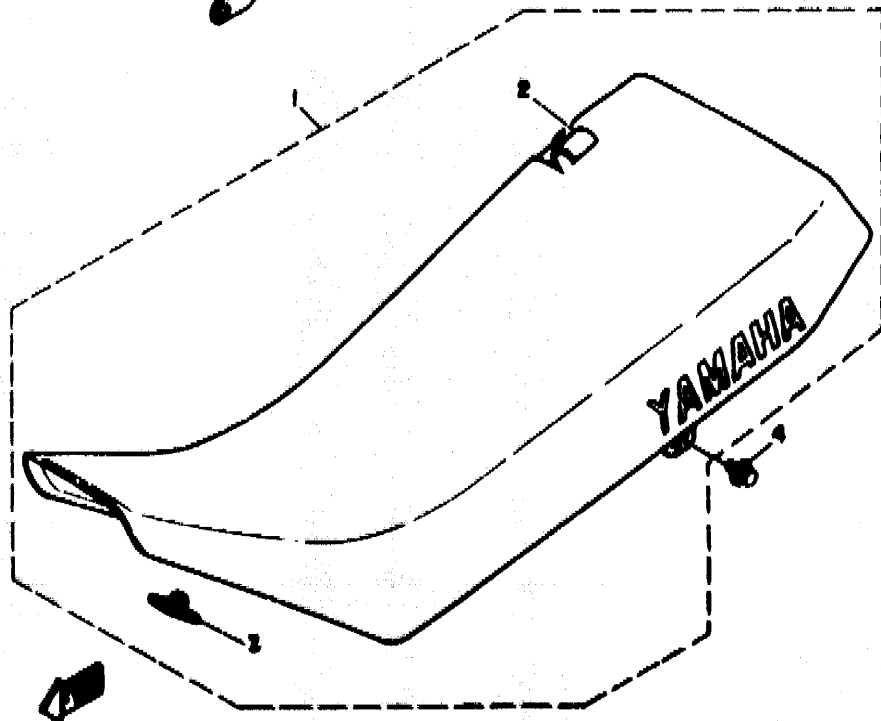
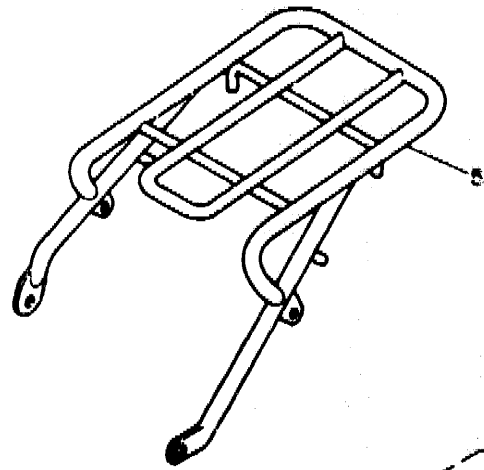


REF. NO.	PART NO.	DESCRIPTION	Q'TY	REMARKS
1	3BN-24110-00-PO	FUEL TANK COMP.	1	UR PURPLISH WHITE SOLID 1
	3BN-24110-00-33	FUEL TANK COMP.	1	UR YAMAHA BLACK
2	3BN-24500-00	FUEL COCK ASSY 1	1	
3	4X8-24512-00	.O-RING	1	
4	98503-03008	.SCREW, pan head	2	
5	90149-06011	SCREW	2	
6	90202-05193	WASHER, plate	2	
7	3ET-24311-00	PIPE, fuel 1	1	
8	90501-08410	SPRING, compression	1	
9	90467-08003	CLIP	1	
10	90467-10008	CLIP	1	
11	48Y-24602-00	CAP ASSY	1	
12	3BN-24182-00	DAMPER, locating 2	1	
13	95807-06014	BOLT, flange	1	
14	3AX-24186-01	WASHER, special	1	
15	26H-24181-00	DAMPER, locating 1	2	
16	90464-13080	CLAMP	1	
17	5X2-24184-00	DAMPER, locating 4	1	
18	3BN-2414H-00	DAMPER, plate 1	1	
19	3BN-2414J-00	DAMPER, plate 2	1	
20	3RM-24244-00	GRAPHIC, fuel tank 1	1	UR FOR PWS1
	3RM-24240-00	GRAPHIC SET	1	UR FOR YB

4BL5391-9200

FIG. 26 SEAT

REF. NO.	PART NO.	DESCRIPTION	Q'TY	REMARKS
1	3ET-24730-E0	DOUBLE SEAT ASSY	1	UR DEEP VIOLET SOLID 1
	3ET-24730-F0	DOUBLE SEAT ASSY	1	UR YAMAHA BLACK
2	3BN-24731-80	.COVER, seat	1	UR DEEP VIOLET SOLID 1
	3BN-24731-A0	.COVER, seat	1	UR YAMAHA BLACK
3	509-24724-00	.DAMPER, seat	2	
4	90119-06043	BOLT, with washer	2	
5	3BN-24830-00	SUB CARRIER ASSY	1	

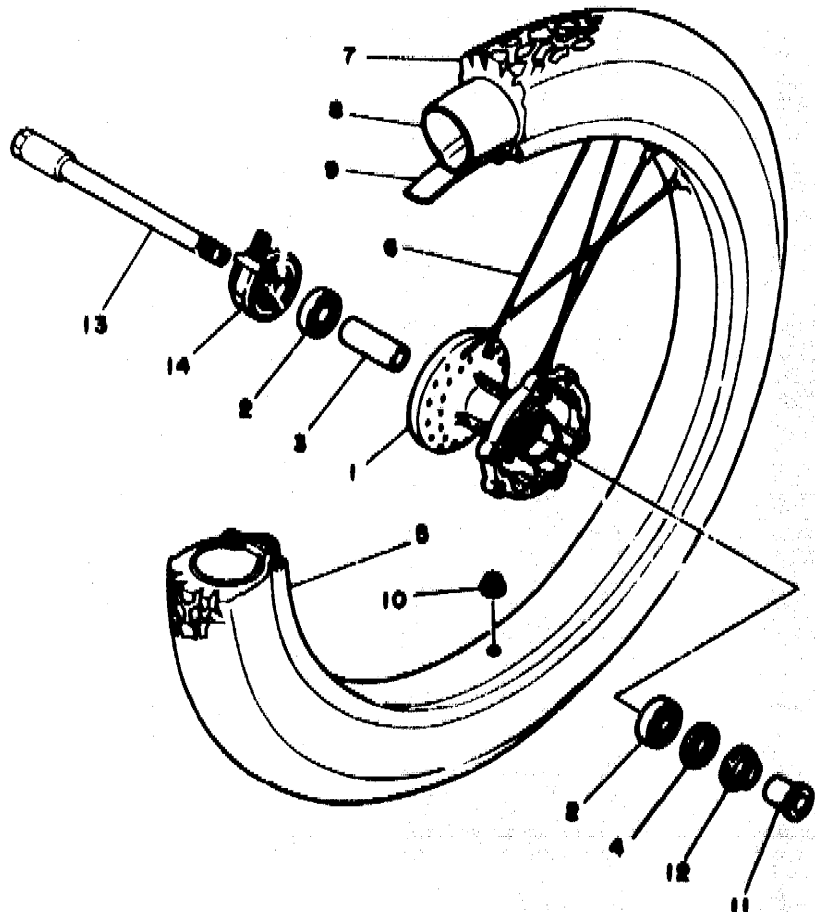


3BN 300 - 9880



FIG. 27 FRONT WHEEL

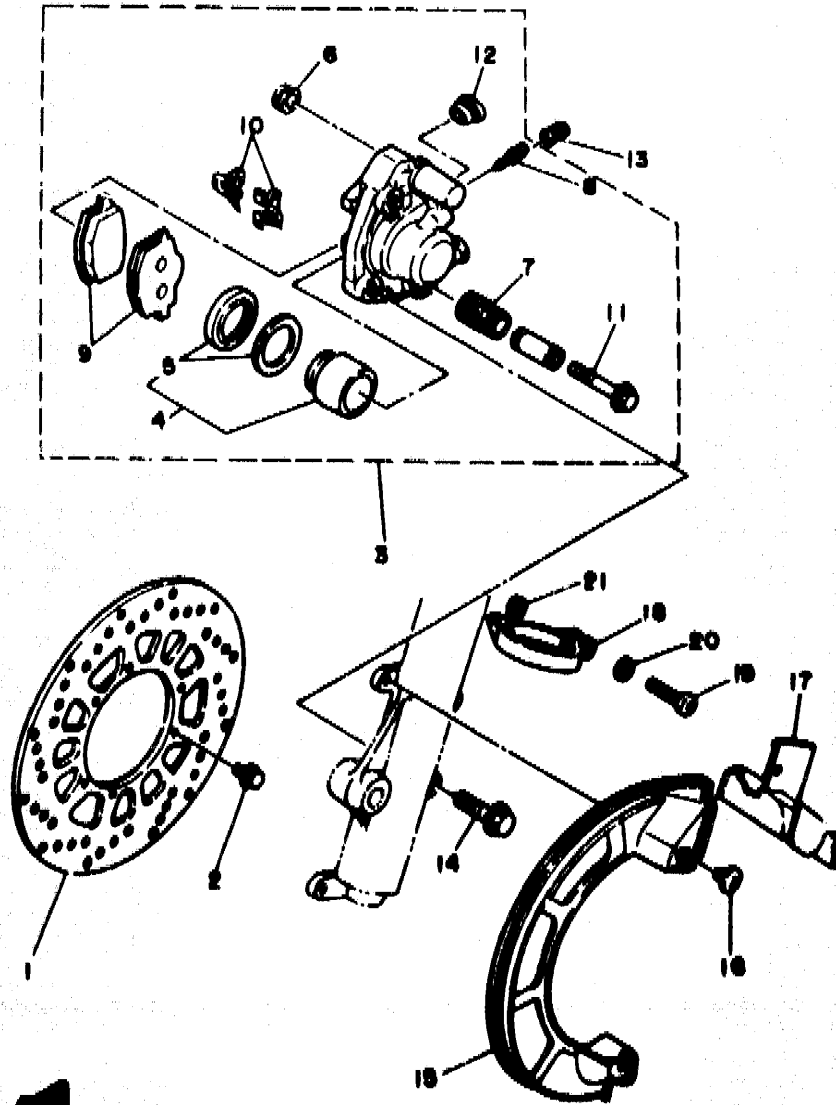
REF. NO.	PART NO.	DESCRIPTION	Q'TY	REMARKS
1	34X-25111-02-35	HUB, front	1	SILVER
2	93306-20209	BEARING (B6202)	2	
3	90560-15290	SPACER	1	
4	93102-20281	OIL SEAL (SD 20-35-5)	1	
5	94416-21392	RIM (1.60-21)	1	
6	34Y-25104-00	SPOKE SET, front	1	
7	94127-211X3	TIRE (2.75-21)	1	UR YOKOHAMA
	94127-214F2	TIRE (2.75-21)	1	UR BRIDGESTONE
8	94225-21186	TUBE (2.50-21)	1	UR YOKOHAMA
	94227-21123	TUBE (2.75-21)	1	UR BRIDGESTONE
9	94330-21084	BAND, rim (3.00-21)	1	BRIDGESTONE
10	90338-09130	PLUG	1	
11	90387-15600	COLLAR	1	
12	COVER, hub dust	1		
13	55U-25181-01	AXLE, wheel	1	
14	3XP-25190-00	GEAR UNIT ASSY	1	



58000-0270



FIG. 28 FRONT BRAKE CALIPER

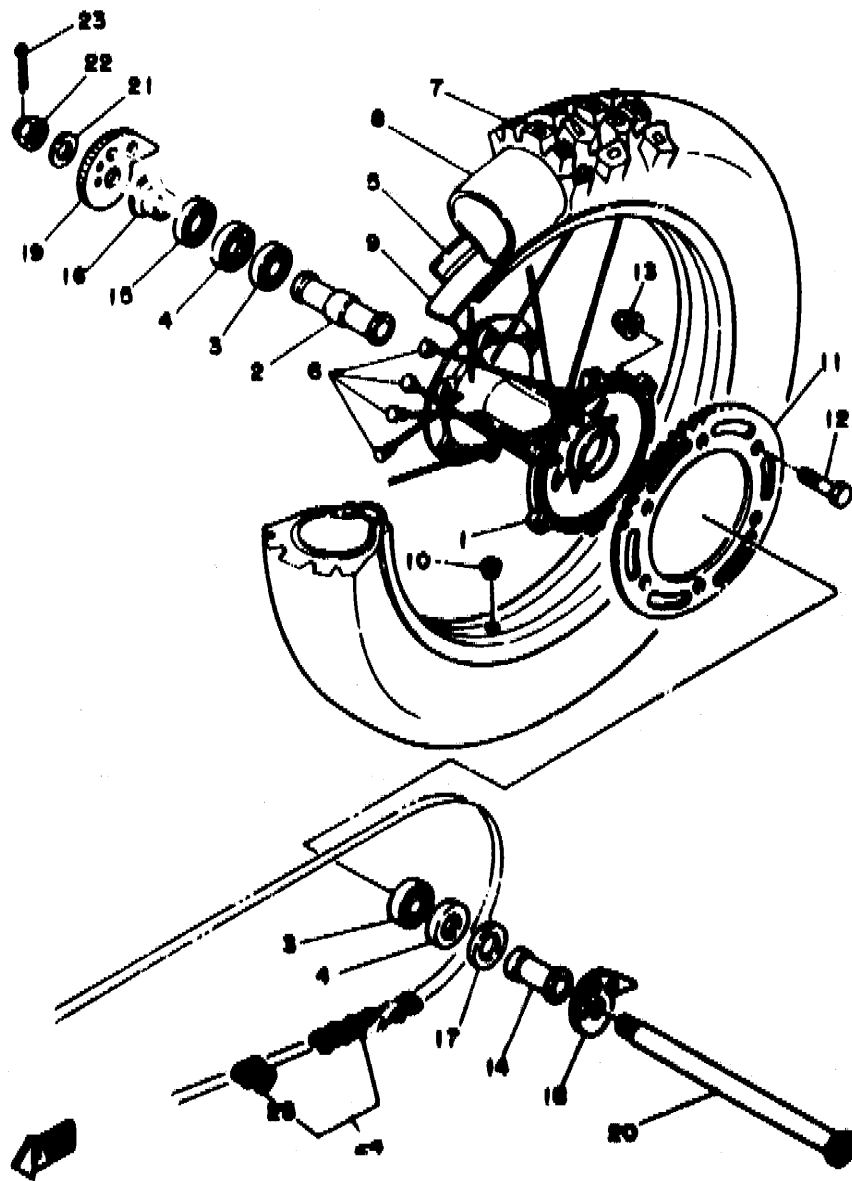


SET010-0270

REF. NO.	PART NO.	DESCRIPTION	Q'TY	REMARKS
1	38N-2582T-00	DISC, brake (LEFT)	1	
2	90109-06757	BOLT	6	
3	38N-2580T-10	CALIPER ASSY (LEFT)	1	
4	34X-W0057-00	.PISTON ASSY, caliper	1	
5	34X-W0047-00	..CALIPER SEAL KIT	1	
6	5R2-25937-00	.BOOT 2	1	
7	34X-25937-00	.BOOT 2	1	
8	47X-25824-00	.SCREW, bleed	1	
9	38N-W0045-01	.BRAKE PAD KIT	1	
10	34X-25919-00	.SUPPORT, pad	2	
11	34X-25926-00	.BOLT	1	
12	34X-25845-00	.CAP, indicator	1	
13	51L-25825-00	CAP	1	
14	90105-10638	BOLT, washer based	2	
15	38N-25715-20	COVER 1	1	UR PURPLISH WHITE SOLID 1
	55U-25715-00	COVER 1	1	UR BLACK
16	90159-06181	SCREW, with washer	2	
17	38N-25716-30	COVER 2	1	UR PURPLISH WHITE SOLID 1
	55U-25716-00	COVER 2	1	UR BLACK
18	3ET-25719-00	BAND	1	
19	98507-05016	SCREW, pan head	1	
20	92907-05600	WASHER	1	
21	95307-05600	NUT	1	

FIG. 29 REAR WHEEL

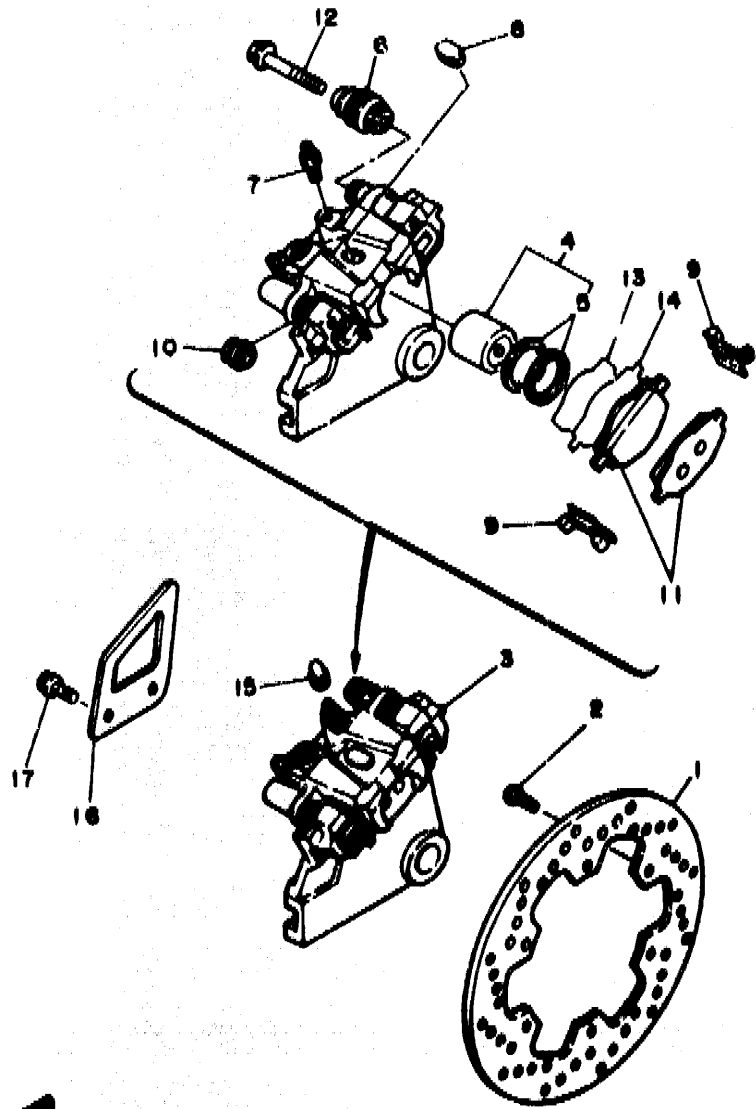
REF. NO.	PART NO.	DESCRIPTION	Q'TY	REMARKS
1	3BN-25311-01-35	HUB, rear	1	SILVER
2	90560-20340	SPACER	1	
3	93306-00438	BEARING	2	
4	93106-28023	OIL SEAL	2	
5	94418-18466	RIM (1.85-18)	1	
6	3BN-25304-00	SPOKE SET, rear	1	
7	94141-186T3	TIRE (4.10-18)	1	UR YOKOHAMA
	94141-186T1	TIRE (4.10-18)	1	UR BRIDGESTONE
8	94235-18085	TUBE (3.50-18)	1	UR YOKOHAMA
	94241-18153	TUBE (4.10-18)	1	UR BRIDGESTONE
9	94340-18086	BAND, rim (4.00-18)	1	UR BRIDGESTONE
	94345-18081	BAND, rim (4.50-18)	1	UR INOUE
10	90338-09130	PLUG	1	
11	3MB-25457-20	SPROCKET, driven (57T)	1	
12	90109-08618	BOLT	6	
13	90185-08146	NUT, self-locking	6	
14	90387-204U9	COLLAR	1	
15	4V4-25367-00	COVER, hub dust	1	
16	90387-202U8	COLLAR	1	
17	4V4-25367-00	COVER, hub dust	1	
18	3BN-25388-00	PULLER, chain 1	1	
19	3BN-25389-00	PULLER, chain 2	1	
20	3BN-25381-00	AXLE, wheel	1	
21	90201-204M9	WASHER, plate	1	
22	90171-18053	NUT, castle	1	
23	91401-30030	PIN, cotter	1	
24	94581-33134	CHAIN (D10428V2-134L)	1	
25	94861-33011	JOINT, chain (D10428V2-FJ)	1	



END1500-9300

**D10**

FIG. 30 REAR BRAKE CALIPER



REF. NO.	PART NO.	DESCRIPTION	Q'TY	REMARKS
1	38N-2582W-00	DISC, rear brake 2	1	
2	90149-06270	SCREW	6	
3	38N-2580W-10	CALIPER ASSY, rear 2	1	
4	2VN-W0057-00	.PISTON ASSY, caliper	1	
5	2NA-W0047-00	..CALIPER SEAL KIT	1	
6	34X-25937-00	.BOOT 2	1	
7	47X-25824-00	.SCREW, bleed	1	
8	34X-25845-00	.CAP, indicator	1	
9	2KF-25919-00	.SUPPORT, pad	2	
10	5R2-25937-00	.BOOT 2	1	
11	34X-W0046-02	.BRAKE PAD KIT, rear	1	
12	26V-25926-00	.BOLT	1	
13	2KF-25827-00	.SHIM, caliper	1	
14	2KF-25828-00	.SHIM, caliper	1	
15	51L-25825-00	CAP	1	
16	2KF-27491-00	PROTECTOR	1	
17	95804-06010	BOLT, flange	2	





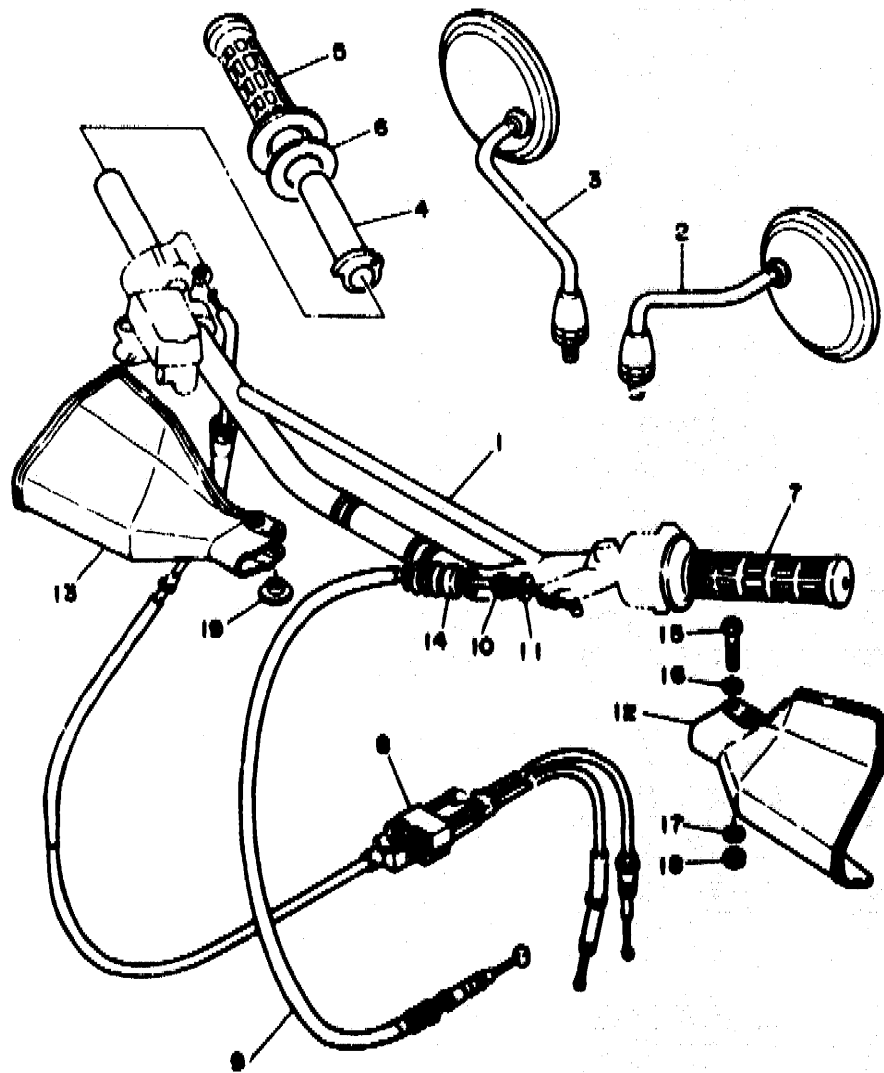


FIG. 31 STEERING HANDLE. CABLE

REF. NO.	PART NO.	DESCRIPTION	Q'TY	REMARKS
1	2JX-26111-00	HANDLEBAR	1	
2	55V-26280-00	REAR VIEW MIRROR ASSY (LEFT)	1	
3	55V-26290-00	REAR VIEW MIRROR ASSY (RIGHT)	1	
4	434-26243-00	TUBE, throttle guide	1	
5	1LX-26242-01	GRIP (RIGHT)	1	
6	1M1-26249-01	RING, leaf	1	
7	1LX-26241-01	GRIP (LEFT)	1	
8	3ET-26301-00	THROTTLE CABLE ASSY	1	
9	3BN-26335-00	CABLE, clutch	1	
10	90123-08046	BOLT	1	
11	90179-08148	NUT	1	
12	3BN-26141-20	GUARD, brush 1	1	UR PURPLISH WHITE SOLID 1
	2KF-26141-00	GUARD, brush 1	1	UR YAMAHA BLACK
13	3BN-26142-20	GUARD, brush 2	1	UR PURPLISH WHITE SOLID 1
	2YK-26142-10	GUARD, brush 2	1	UR YAMAHA BLACK
14	1E6-26342-00	BOOT, cable	1	
15	98507-06035	SCREW, pan head	1	
16	92907-06600	WASHER, plate	1	
17	92907-06600	WASHER, plate	1	
18	95307-06700	NUT	1	
19	90387-06500	COLLAR	1	

26200-5310

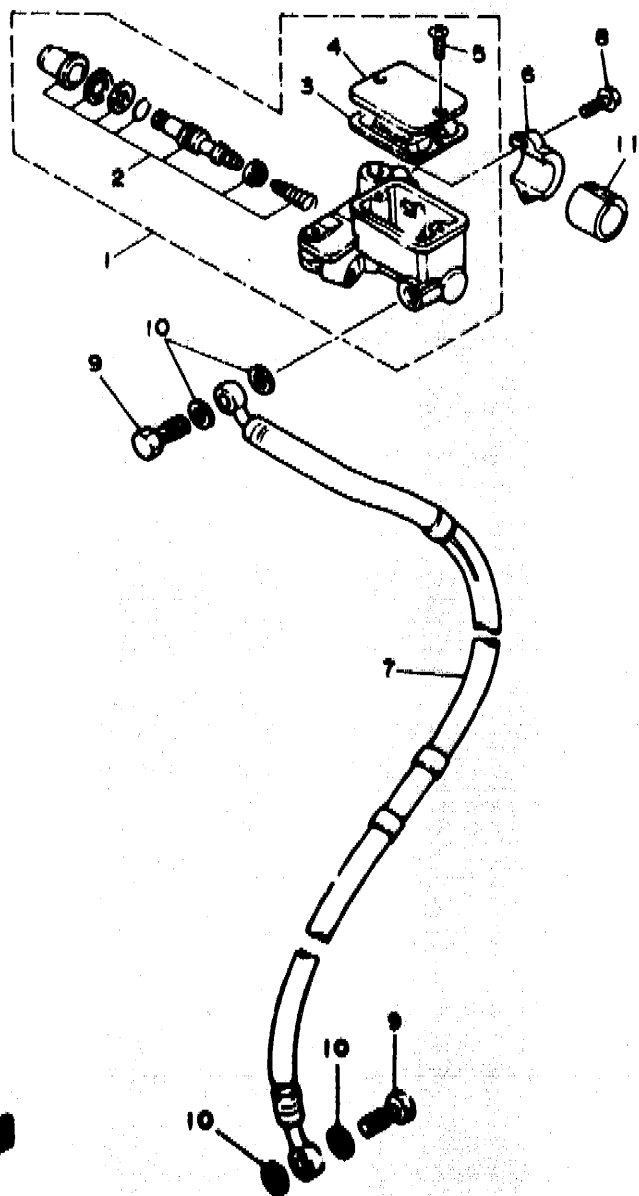


FIG. 32 FRONT MASTER CYLINDER

REF. NO.	PART NO.	DESCRIPTION	Q'TY	REMARKS
1	2KF-25850-00	MASTER CYLINDER ASSY	1	
2	59X-1/0041-00	.CYLINDER KIT, master	1	
3	55U-25854-00	.DIAPHRAGM, reservoir	1	
4	2KF-25852-01	.CAP, reservoir	1	
5	98707-04012	.SCREW, flat head	2	
6	56A-25867-00	BRACKET, master cylinder	1	
7	38N-25872-02	HOSE, brake 1	1	
8	95807-06022	BOLT, flange	2	
9	90401-10159	BOLT, union	2	
10	90201-10118	WASHER, plate	4	
11	90387-225N2	COLLAR	1	

40.0001-0000

**Dia**

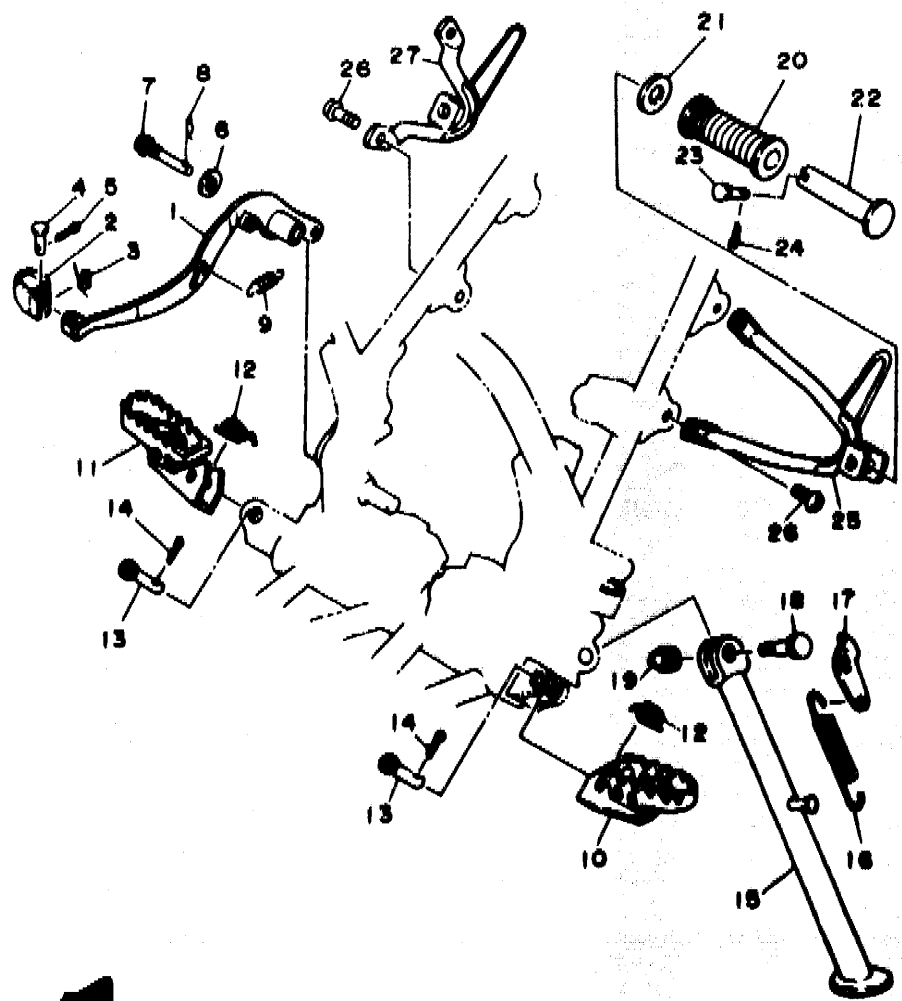
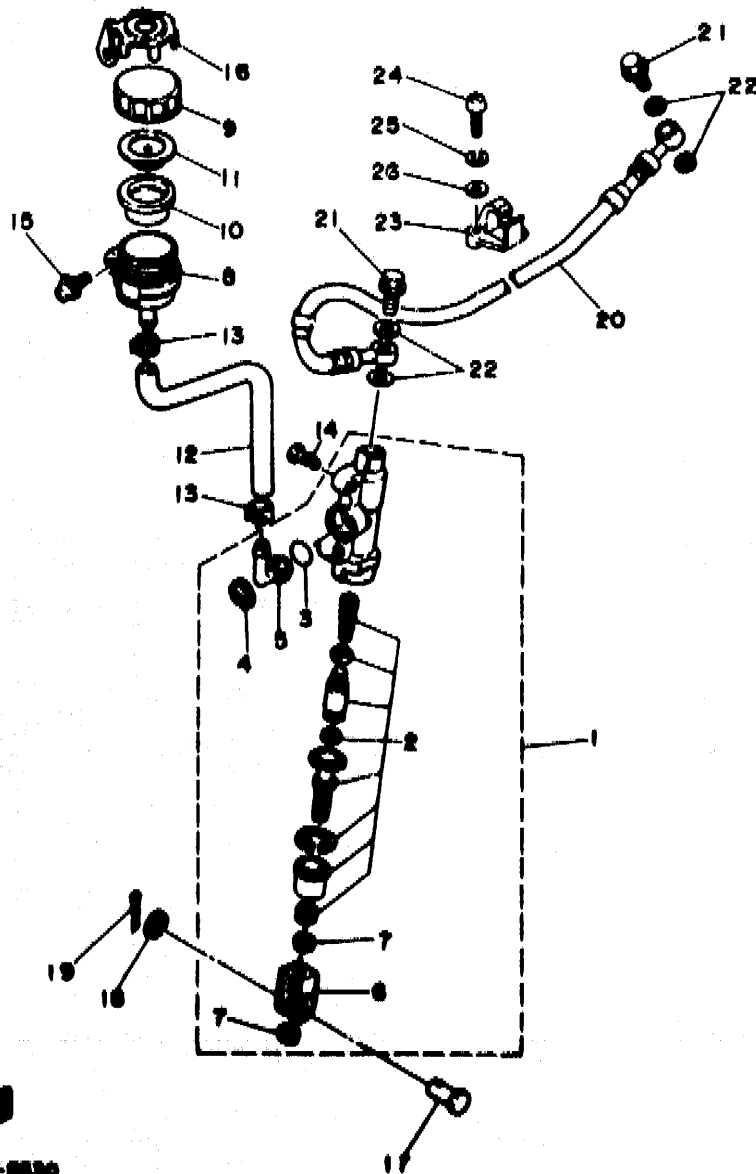


FIG. 33 STAND, FOOTREST

REF. NO.	PART NO.	DESCRIPTION	Q'TY	REMARKS
1	38N-27211-00	PEDAL, brake	1	
2	55V-27242-00	PEDAL, brake	1	
3	90508-14352	SPRING, torsion	1	
4	91701-06022	PIN, clevis	1	
5	91401-20015	PIN, cotter	1	
6	90201-086P8	WASHER, plate	1	
7	90149-08269	SCREW	1	
8	90468-10650	CLIP	1	
9	90506-18305	SPRING, tension	1	
10	3LD-27411-00	FOOTREST 1	1	
11	3LD-27421-00	FOOTREST 2	1	
12	90508-20583	SPRING, torsion	2	
13	90240-10101	PIN, clevis	2	
14	91401-25020	PIN, cotter	2	
15	38N-27311-03	STAND, side	1	
16	90506-29276	SPRING, tension	1	
17	42U-27315-01	LINK, side stand	1	
18	90109-10474	BOLT	1	
19	90185-10037	NUT, self-locking	1	
20	120-27433-00	COVER, rear footrest	2	
21	90201-20279	WASHER, plate	2	
22	120-27431-00	FOOTREST, rear 1	2	
23	90240-06009	PIN, clevis	2	
24	91401-16015	PIN, cotter	2	
25	38N-27432-00-33	BRACKET 1	1	YAMAHA BLACK
26	92017-08016	BOLT, button head	4	
27	38N-27442-00-33	BRACKET 2	1	YAMAHA BLACK

49L331-02-00

FIG. 34 REAR MASTER CYLINDER



REF. NO.	PART NO.	DESCRIPTION	Q'TY	REMARKS
1	3BN-2583V-00	RR. MASTER CYLINDER ASSY	1	
2	3BN-W0042-50	.CYLINDER KIT, master	1	
3	93210-15620	.O-RING	1	
4	2VN-25866-00	.CIRCLIP	1	
5	2VN-2582A-50	.JOINT	1	
6	2YK-27222-00	.JOINT	1	
7	95307-08600	.NUT	2	
8	2VN-25894-00	TANK, reservoir	1	
9	3XP-25852-50	CAP, reservoir	1	
10	2VN-25854-00	DIAPHRAGM, reservoir	1	
11	2VN-25855-00	BUSH, diaphragm	1	
12	3BN-25895-00	HOSE, reservoir	1	
13	90467-11044	CLIP	2	
14	92017-06016	BOLT, button head	2	
15	90159-06056	SCREW, with washer	1	
16	3ET-25888-00	COVER, reservoir tank	1	
17	50240-08124	PIN, clevis	1	
18	90201-08083	WASHER, plate	1	
19	91401-16012	PIN, cotter	1	
20	3BN-25873-02	HOSE, brake 2	1	
21	90401-10159	BOLT, union	2	
22	90201-10118	WASHER, plate	4	
23	2VN-25876-00	HOLDER, brake hose 2	2	
24	98907-05020	SCREW, pan head	4	
25	92907-05100	WASHER, spring	4	
26	92907-05600	WASHER, plate	4	

RE TOW-8830

**DIS**

# CONTENTS

## ENGINE

Cylinder .....	B2
Crankshaft, Piston .....	B3~B4
Water Pump .....	B5
Radiator, Hose .....	B6~B7
Oil Pump .....	B8
Intake .....	B9~B10
Carburetor .....	B11~B12
Exhaust .....	B13
Crankcase .....	B14
Crankcase Cover 1 .....	B15
Starter .....	C2
Clutch .....	C3
Transmission .....	C4~C5
Tachometer Gear .....	C6
Shift Cam, Fork .....	C7
Shift Shaft .....	C8

Front Brake Caliper .....	D9
Rear Wheel .....	D10
Rear Brake Caliper .....	D11
Steering Handle, Cable .....	D12
Front Master Cylinder .....	D13
Stand, Footrest .....	D14
Rear Master Cylinder .....	D15
Cowling 1 .....	E2
Generator .....	E3
Flasher Light .....	E4~E5
Meter .....	E6
Headlight .....	E7
Taillight .....	E8
Handle Switch, Lever .....	E9
Electrical 1 .....	E10
Electrical 2 .....	E11

## CHASSIS

Frame .....	C9
Fender .....	C10
Side Cover .....	C11~C12
Oil Tank .....	C13
Rear Arm .....	C14~C15
Rear Suspension .....	D2
Steering .....	D3
Front Fork .....	D4~D5
Fuel Tank .....	D6
Seat .....	D7
Front Wheel .....	D8

## INDEX

Numerical Index .....	M1~M4
-----------------------	-------

# CONTENTS

## ENGINE

Cylinder .....	B2
Crankshaft, Piston .....	B3~B4
Water Pump .....	B5
Radiator, Hose .....	B6~B7
Oil Pump .....	B8
Intake .....	B9~B10
Carburetor .....	B11~B12
Exhaust .....	B13
Crankcase .....	B14
Crankcase Cover 1 .....	B15
Starter .....	C2
Clutch .....	C3
Transmission .....	C4~C5
Tachometer Gear .....	C6
Shift Cam, Fork .....	C7
Shift Shaft .....	C8

Front Brake Caliper .....	D9
Rear Wheel .....	D10
Rear Brake Caliper .....	D11
Steering Handle, Cable .....	D12
Front Master Cylinder .....	D13
Stand, Footrest .....	D14
Rear Master Cylinder .....	D15
Cowling 1 .....	E2
Generator .....	E3
Flasher Light .....	E4~E5
Meter .....	E6
Headlight .....	E7
Taillight .....	E8
Handle Switch, Lever .....	E9
Electrical 1 .....	E10
Electrical 2 .....	E11

## CHASSIS

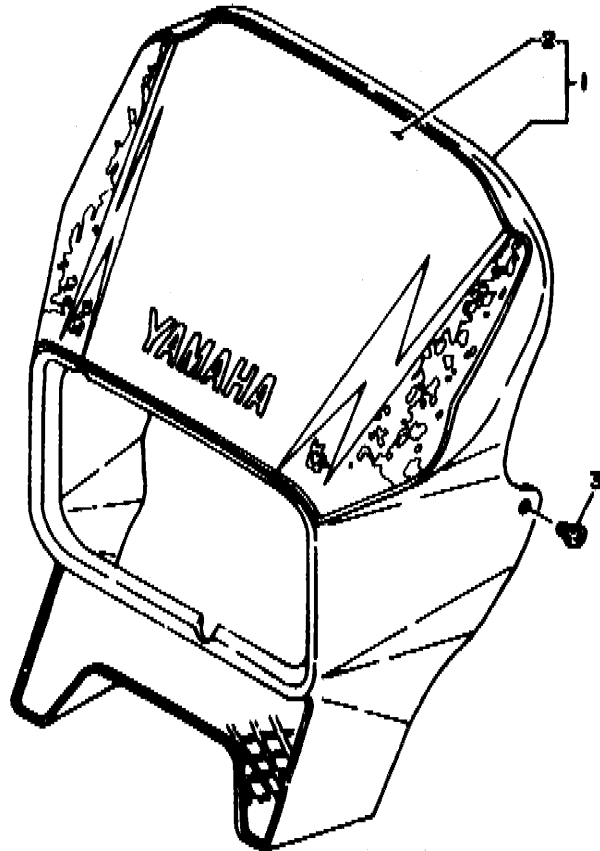
Frame .....	C9
Fender .....	C10
Side Cover .....	C11~C12
Oil Tank .....	C13
Rear Arm .....	C14~C15
Rear Suspension .....	D2
Steering .....	D3
Front Fork .....	D4~D5
Fuel Tank .....	D6
Seat .....	D7
Front Wheel .....	D8

## INDEX

Numerical Index .....	M1~M4
-----------------------	-------

FIG. 36 COMLING 1

REF. NO.	PART NO.	DESCRIPTION	Q'TY	REMARKS
1	3BN-Y2835-A0	COMLING ASSY	1	UR PIRPLISH WHITE SOLID 1
	2KF-Y2835-60	COMLING ASSY	1	UR YAMAHA BLACK
2	3RM-28391-30	.GRAPHIC 1	1	UR FOR PWS1
	3RM-28391-50	.GRAPHIC 1	1	UR FOR YB
3	98907-06010	SCREW, blind	2	

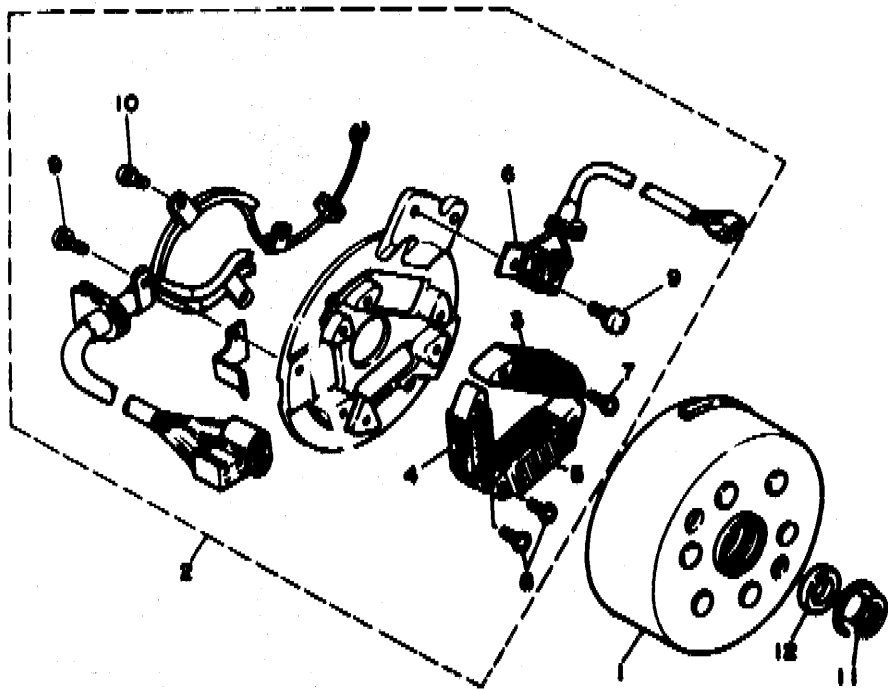


3RM6361-4380

E2

FIG. 35 GENERATOR

REF. NO.	PART NO.	DESCRIPTION	Q'TY	REMARKS
1	3NC-85550-00	ROTOR ASSY	1	
2	3BN-85560-00	BASE ASSY	1	
3	3BN-85520-00	.COIL, charge	1	
4	3BN-81313-00	.COIL, lighting 1	1	
5	3BN-81314-00	.COIL, lighting 2	1	
6	4KG-85595-00	.COIL, pulser	1	
7	98517-04016	.SCREW, pan head	2	
8	98517-04030	.SCREW, pan head	4	
9	98507-04008	.SCREW, pan head	2	
10	97607-04106	.SCREW, pan head with washer	3	
11	90179-12248	NUT	1	
12	90201-123L6	WASHER, plate	1	



38700-0000



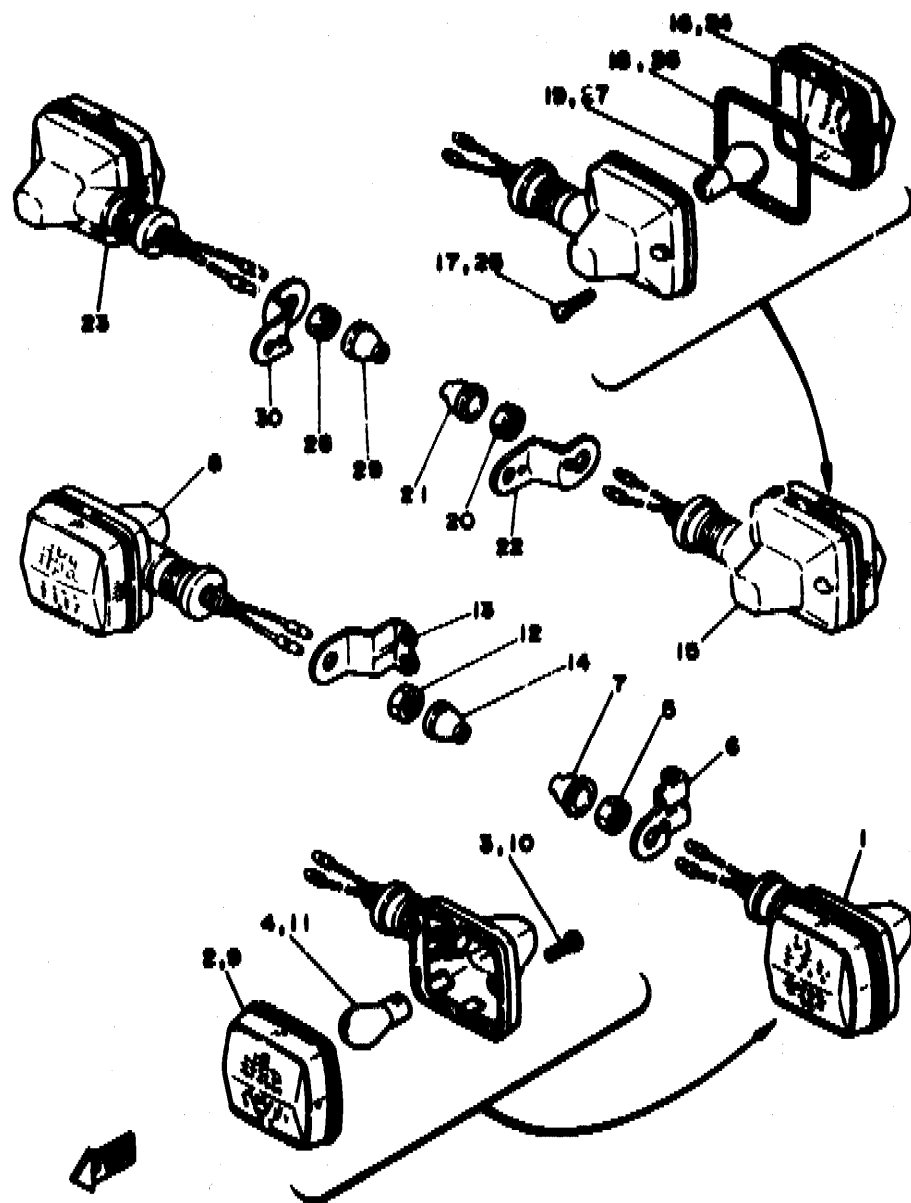


FIG. 37 FLASHER LIGHT

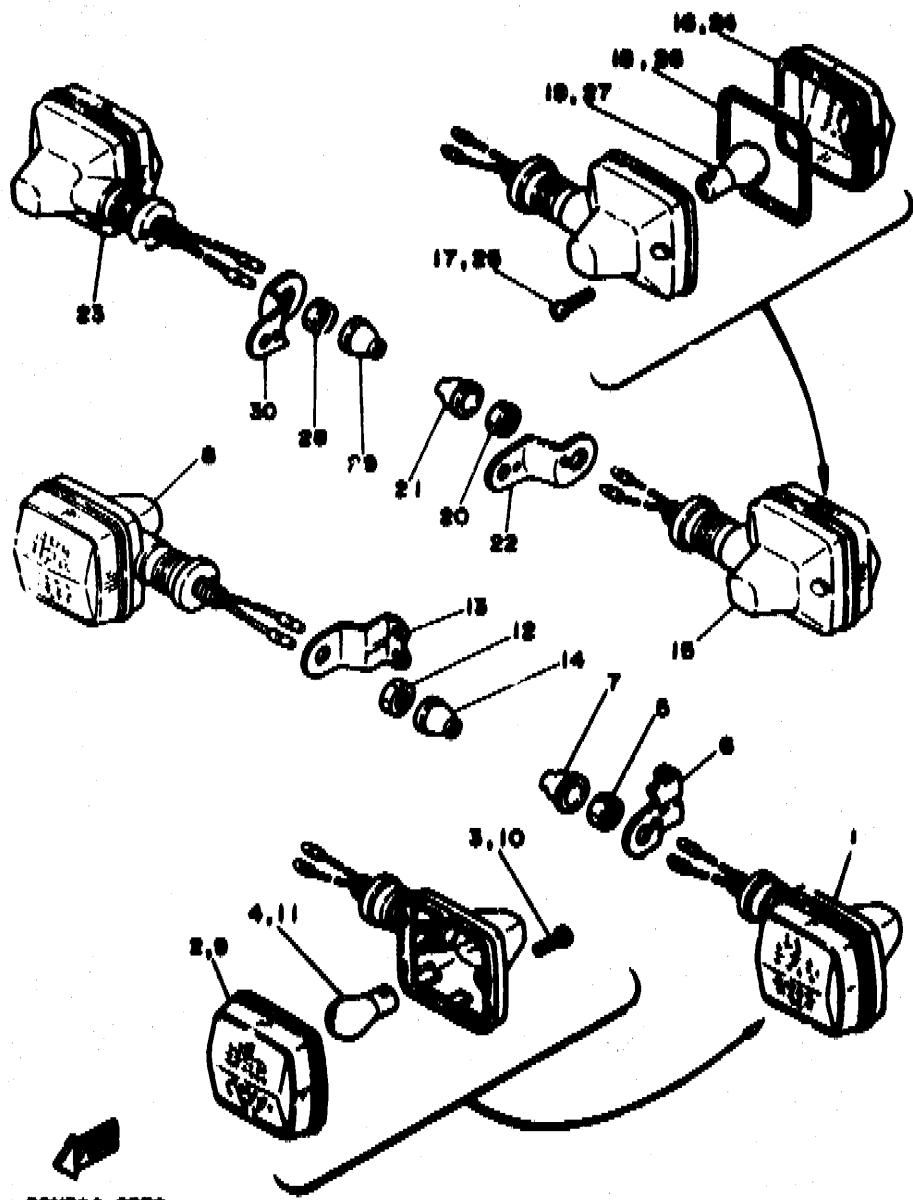
REV. NO.	PART NO.	DESCRIPTION	Q'TY	REMARKS
1	38N-83310-01	FRONT FLASHER LIGHT ASSY 1	1	
2	47J-83312-00	.LENS, flasher	1	
3	97707-40620	.SCREW, tapping	1	
4	306-83311-40	.BULB, flasher (12V-21W)	1	
5	95307-12700	NUT	1	
6	38N-83318-00	STAY, flasher 1	1	
7	10V-83365-00	CAP	1	
8	38N-83320-01	FRONT FLASHER LIGHT ASSY 2	1	
9	47J-83322-00	.LENS, flasher 2	1	
10	97707-40620	.SCREW, tapping	1	
11	306-83311-40	.BULB, flasher (12V-21W)	1	
12	95307-12700	NUT	1	
13	38N-83328-00	STAY, flasher 2	1	
14	10V-83365-00	CAP	1	
15	38N-83330-00	REAR FLASHER LIGHT ASSY 1	1	
16	2KF-83332-00	.LENS, flasher	1	
17	97707-40620	.SCREW, tapping	1	
18	47J-83313-00	.GASKET, flasher lens	1	
19	306-83311-40	.BULB, flasher (12V-21W)	1	
20	95307-12700	NUT	1	
21	10V-83365-00	CAP	1	
22	15A-83369-00	STAY, flasher 1	1	
23	38N-83340-00	REAR FLASHER LIGHT ASSY 2	1	
24	2KF-83342-00	.LENS, flasher 2	1	
25	97707-40620	.SCREW, tapping	1	
26	47J-83313-00	.GASKET, flasher lens	1	
27	306-83311-40	.BULB, flasher (12V-21W)	1	
28	95307-12700	NUT	1	

38N300-8370



FIG. 37 FLASHER LIGHT

REF. NO.	PART NO.	DESCRIPTION	Q'TY	REMARKS
29	10V-83365-00	CAP	1	
30	15A-83369-00	STAY, flasher 2	1	



282500-2870



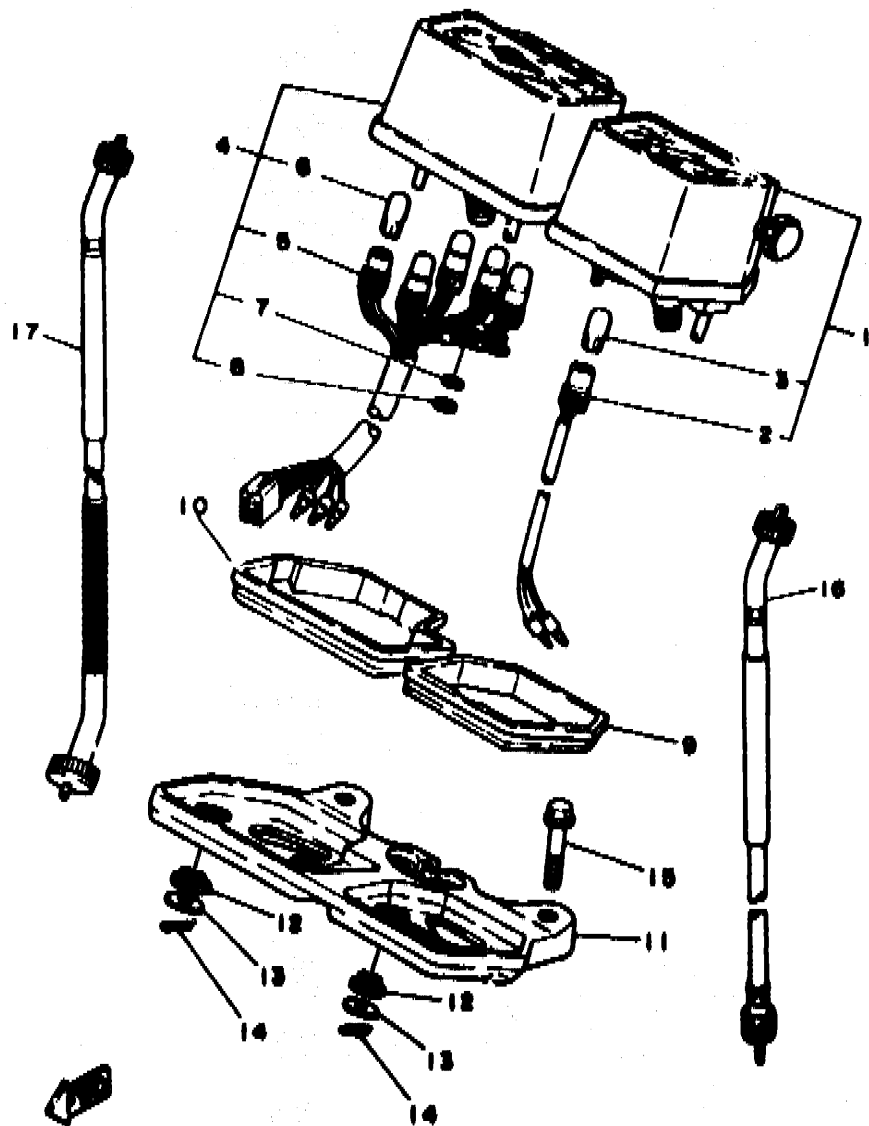


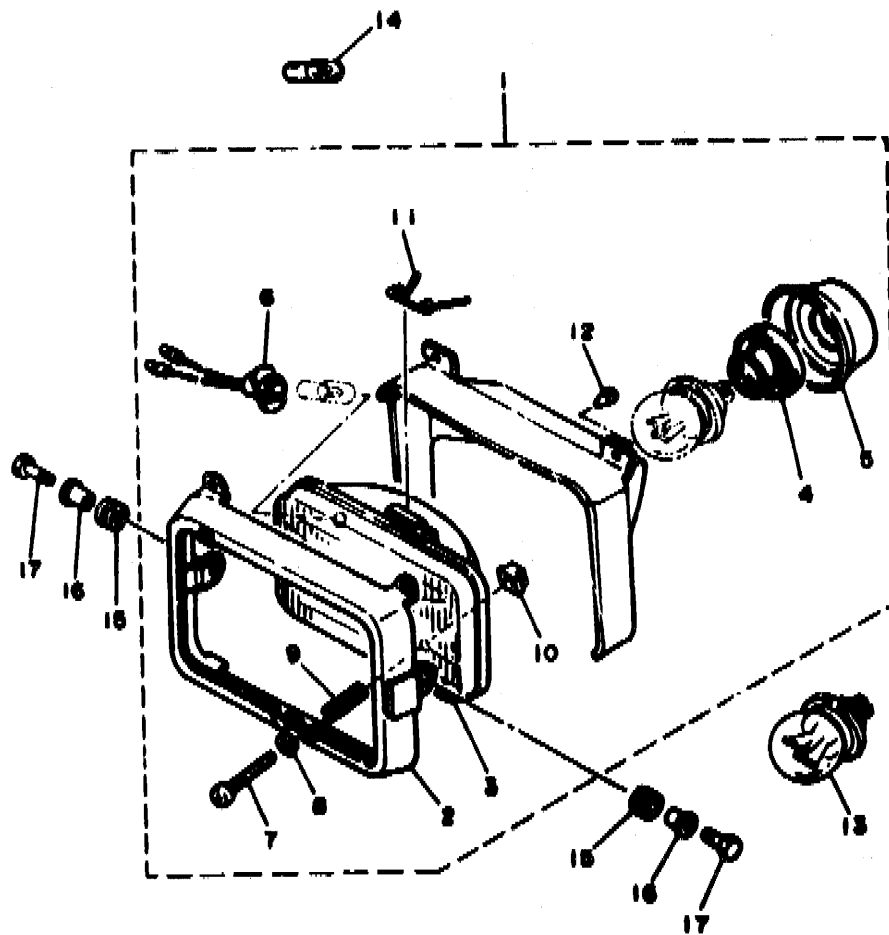
FIG. 30 METER

QTY.	PART NO.	DESCRIPTION	Q'TY	REMARKS
1	43F-83570-G1	SPEEDOMETER ASSY	1	
2	5Y1-83536-00	.SOCKET, meter	1	
3	461-84744-00	.BULB (12V-3.4W)	1	
4	3MB-83540-00	TACHOMETER ASSY	1	
5	17F-83520-00	.SOCKET CORD ASSY	1	
6	461-84744-00	.BULB (12V-3.4W)	5	
7	92990-03100	.WASHER, spring	3	
8	95301-03700	.NUT	3	
9	5Y1-83513-00	DAMPER	1	
10	17F-83541-00	DAMPER	1	
11	17F-83519-00	BRACKET, meter	1	
12	1M1-83526-00	DAMPER 2	4	
13	90201-06033	WASHER, plate	4	
14	90468-10050	CLIP	4	
15	95827-06040	BOLT	2	
16	1LN-83550-01	SPEEDOMETER CABLE ASSY	1	
17	38N-83560-10	TACHOMETER CABLE ASSY	1	

20100-8360

FIG. 20 HEADLIGHT

REF. NO.	PART NO.	DESCRIPTION	Q'TY	REMARKS
1	36A-84303-30	HEADLIGHT UNIT ASSY	1	
2	47J-84116-00	.RIM, headlight	1	
3	10W-84321-30	.LENS ASSY	1	
4	341-84393-40	.HOLDER, bulb	1	
5	46X-84396-00	.COVER	1	
6	34L-84346-00	.SOCKET, pilot light	1	
7	43F-84131-00	.SCREW, rim adjuster	2	
8	233-84127-60	.WASHER, special	2	
9	341-84332-60	.SPRING, screw	2	
10	198-84734-60	.NUT, adjusting	2	
11	5G2-84324-A0	.SPRING, reflector	1	
12	10V-84198-00	.CLIP, cover fitting	4	
13	*	BULB, head light (12V-45/40W)	1	LM
14	4E2-84347-00	BULB (12V-4W)	1	
15	90180-14023	GROMMET	2	
16	90337-06388	COLLAR	2	
17	9700.-06020	BOLT	2	



20N300-8390

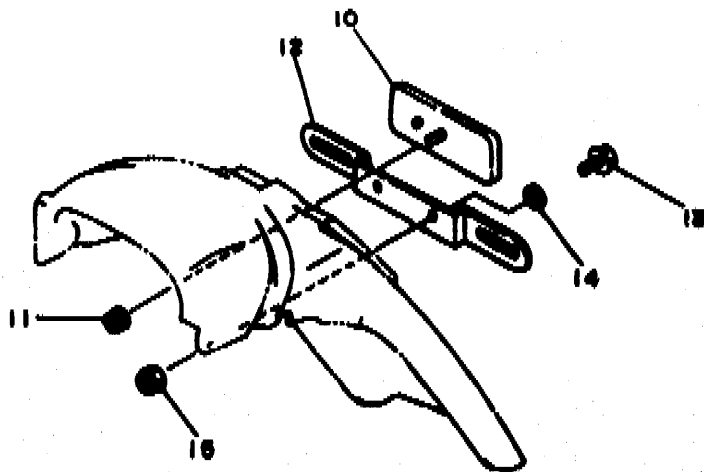
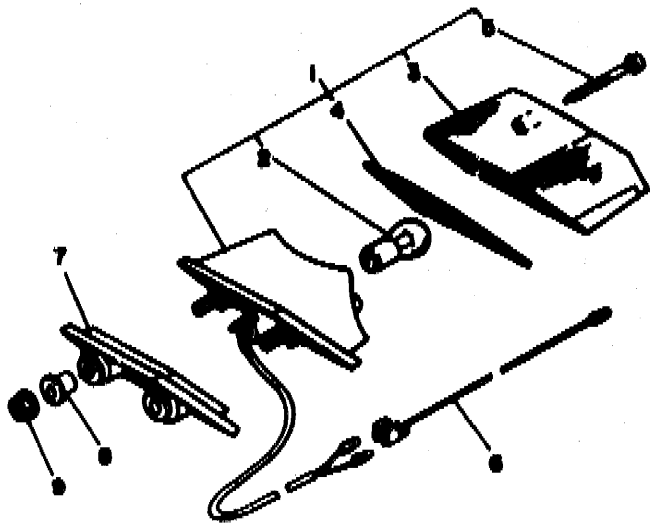


FIG. 40 TAILLIGHT

REF. NO.	PART NO.	DESCRIPTION	Q'TY	REMARKS
1	34Y-84710-E1	TAILLIGHT UNIT ASSY	1	
2	31L-84714-00	.BULB, taillight (12V-21/5W)	1	
3	34Y-84721-E0	.LENS, taillight	1	
4	34Y-84723-E0	.GASKET, tail lens	1	
5	97706-40530	.SCREW, tapping	2	
6	10V-84517-00	CORD, taillight	1	
7	34X-84527-00	DAMPER	1	
8	90387-07391	COLLAR	2	
9	95707-06500	NUT, flange	2	
10	3Y6-85130-02	REAR REFLECTOR ASSY	1	
11	95707-05500	NUT, flange	1	
12	36A-84551-00	BRACKET, licence	1	
13	95807-06014	BOLT, flange	2	
14	90201-065F3	WASHER, plate	2	
15	95607-06100	NUT, u	2	

48L5361-8480



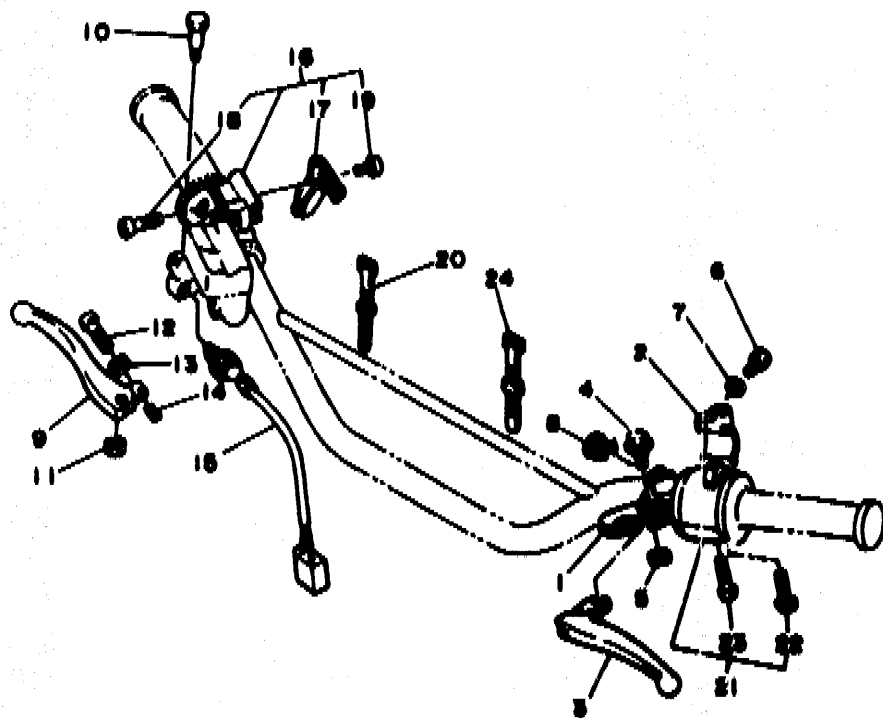
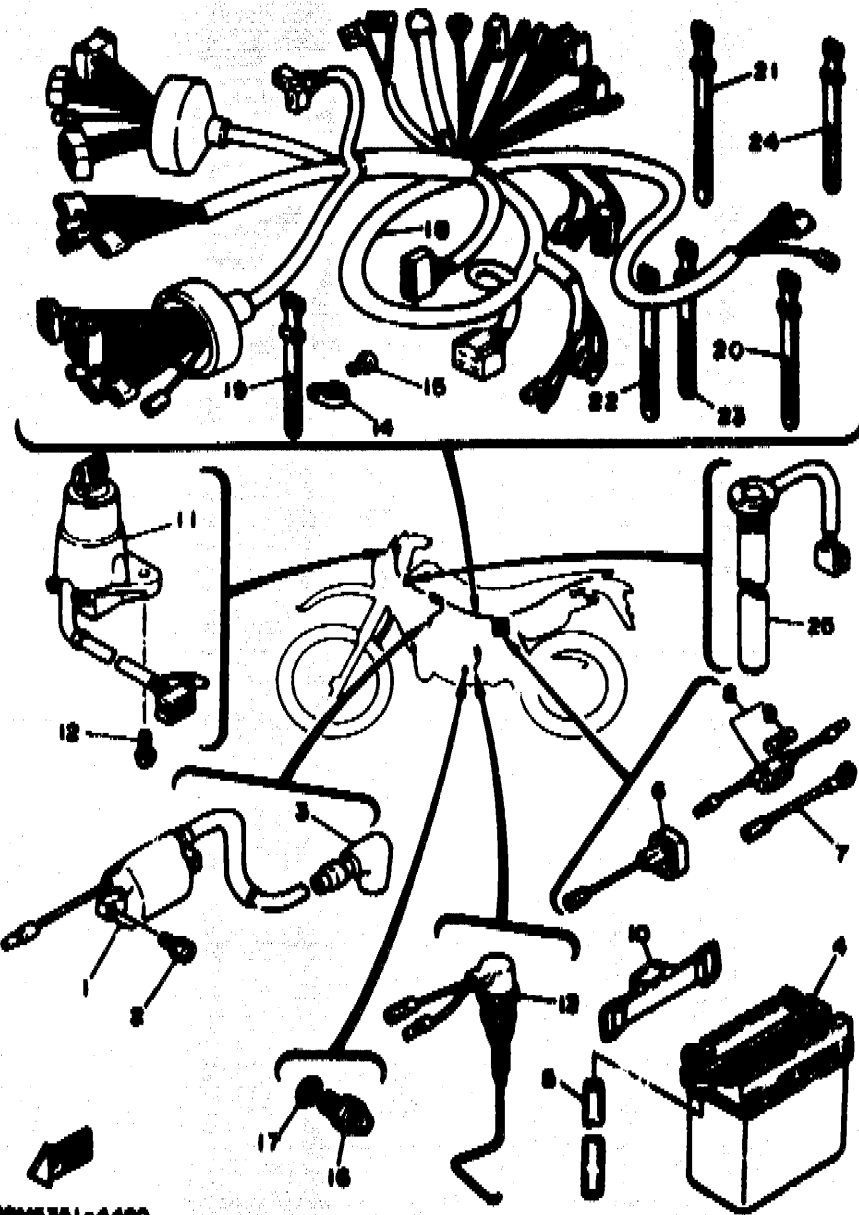


FIG. 41 HANDLE SWITCH LEVER

REF. NO.	PART NO.	DESCRIPTION	Q'TY	REMARKS
1	1LN-82911-00	HOLDER, lever 1	1	
2	33C-82913-00	HOLDER, lever lower 1	1	
3	3RN-83912-00	LEVER 1	1	
4	90109-06799	BOLT	1	
5	95607-06100	NUT, u	1	
6	98507-05020	SCREW, pan head	2	
7	92907-05100	WASHER, spring	2	
8	503-83956-00	CAP 1	1	
9	3RN-83922-00	LEVER 2	1	
10	90109-062A8	BOLT	1	
11	95607-06100	NUT, u	1	
12	90149-06131	SCREW	1	
13	90170-06010	NUT	1	
14	90501-10312	SPRING, compression	1	
15	34X-83980-01	FRONT STOP SWITCH ASSY	1	
16	47J-83976-01	SWITCH, handle 1	1	
17	33G-83956-01	.CAP 1	1	
18	98507-05020	.SCREW, pan head	2	
19	98906-04008	.SCREW, blind	1	
20	437-83936-01	BAND, switch cord	2	
21	30X-83972-00	SWITCH, handle 4	1	
22	98507-05030	.SCREW, pan head	1	
23	98507-05038	.SCREW, pan head	1	
24	437-83936-01	BAND, switch cord	2	



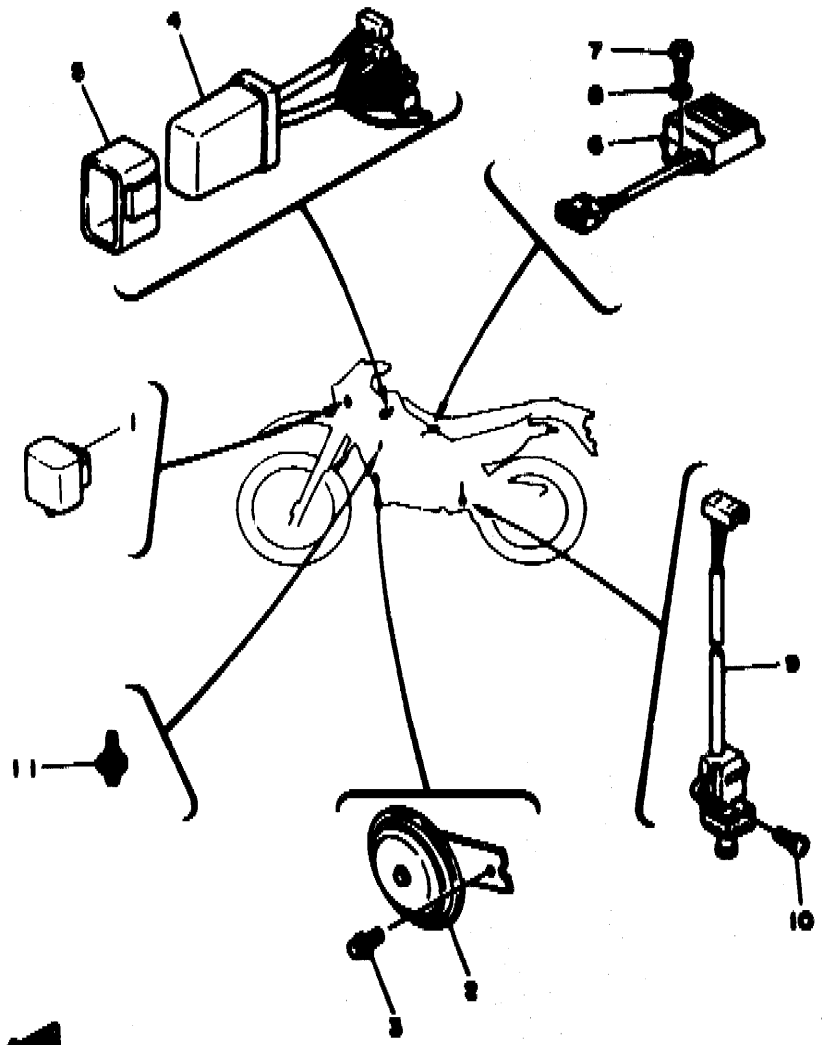
2RM331-4480

FIG. 42 ELECTRICAL 1

REF. NO.	PART NO.	DESCRIPTION	Q'TY	REMARKS
1	3RM-82310-01	IGNITION COIL ASSY	1	
2	90153-06059	SCREW, hexagon	2	
3	81E-82370-20	PLUG CAP ASSY	1	
4	30M-82110-79	BATTERY ASSY (FB3L-B)	1	
5	90445-084E3	HOSE	1	
6	2RM-82115-00	WIRE, plus lead	1	
7	55B-82116-00	WIRE, minus lead	1	
8	55K-82150-01	FUSE HOLDER ASSY	1	
9	116-82151-00	.FUSE (10A)	1	
10	38M-82131-00	BAND, battery	1	
11	3LY-82601-00	MAIN SWITCH STEERING LOCK	1	
12	90149-06228	SCREW	2	
13	38M-82530-02	STOP SWITCH ASSY	1	
14	90462-12176	CLAMP	1	
15	98506-05008	SCREW, pan head	1	
16	4KM-82540-00	NEUTRAL SWITCH ASSY	1	
17	296-82543-00	GASKET	1	
18	3RM-82590-00	WIRE HARNESS ASSY	1	
19	25G-83936-01	BAND, switch cord	1	
20	437-83936-01	BAND, switch cord	2	
21	12R-82591-00	BAND	3	
22	3TB-83936-00	BAND, switch cord	4	
23	437-83936-11	BAND, switch cord	1	
24	437-83936-01	BAND, switch cord	2	
25	38M-85720-00	OIL LEVEL GAUGE ASSY	1	

FIG. 43 ELECTRICAL 2

REF. NO.	PART NU.	DESCRIPTION	Q'TY	REMARKS
1	34L-83350-20	FLASHER RELAY ASSY	1	
2	3BH-83371-00	HORN	1	
3	95807-06012	BOLT, flange	1	
4	3MC-85540-00	C.D.I. UNIT ASSY	1	
5	3MB-85546-00	JAND	1	
6	3BH-81960-01	RECTIFIER & REGULATOR ASSY	1	
7	98507-06012	SCREW, pan head	2	
8	92907-06600	WASHER, plate	2	
9	3LD-82566-60	SWITCH, side stand	1	
10	98507-05014	SCREW, pan head	2	
11	11H-83591-00	THERMO UNIT	1	



34L-83350-20





# CONTENTS

## ENGINE

Cylinder .....	B2
Crankshaft, Piston .....	B3~B4
Water Pump .....	B5
Radiator, Hose .....	B6~B7
Oil Pump .....	B8
Intake .....	B9~B10
Carburetor .....	B11~B12
Exhaust .....	B13
Crankcase .....	B14
Crankcase Cover 1 .....	B15
Starter .....	C2
Clutch .....	C3
Transmission .....	C4~C5
Tachometer Gear .....	C6
Shift Cam, Fork .....	C7
Shift Shaft .....	C8

Front Brake Caliper .....	D9
Rear Wheel .....	D10
Rear Brake Caliper .....	D11
Steering Handle, Cable .....	D12
Front Master Cylinder .....	D13
Stand, Footrest .....	D14
Rear Master Cylinder .....	D15
Cowling 1 .....	E2
Generator .....	E3
Flasher Light .....	E4~E5
Meter .....	E6
Headlight .....	E7
Taillight .....	E8
Handle Switch, Lever .....	E9
Electrical 1 .....	E10
Electrical 2 .....	E11

## CHASSIS

Frame .....	C9
Fender .....	C10
Side Cover .....	C11~C12
Oil Tank .....	C13
Rear Arm .....	C14~C15
Rear Suspension .....	D2
Steering .....	D3
Front Fork .....	D4~D5
Fuel Tank .....	D6
Seat .....	D7
Front Wheel .....	D8

## INDEX

Numerical Index .....	M1~M4
-----------------------	-------

NUMERICAL INDEX

PART NO.	GRID NO.	PART NO.	GRID NO.	PART NO.	GRID NO.	PART NO.	GRID NO.	PART NO.	GRID NO.	PART NO.	GRID NO.
59X-W0041-00	D-13	2RH-12484-00	B-6	3BN-14425-00	B-10	1HX-16331-00	C-3	3BN-21425-00	C-9	30X-2219X-00	C-14
3BN-W0042-50	C-15	3MB-13101-01	B-8	34X-1443E-00	B-10	37F-16351-00	C-3	2K7-2148A-00	C-9	3RM-22210-10-6W	D-2
3BN-W0045-01	D-9	126-13116-01	B-8	3ET-14437-00	B-10	1W1-16356-02	C-3	28K-21511-11	C-10	1YW-22216-00	D-2
34X-W0046-02	D-11	363-13133-01	B-8	3DN-14451-01	B-9	3RT-16357-00	C-3	3XJ-21511-01	C-10	31B-22311-00	C-15
2N-W0047-00	D-11	137-13136-01	B-8	3BN-14452-00	B-9	1W1-16358-01	C-3	3BN-21611-10	C-10	3BN-23102-01	D-4
34X-W0047-00	D-9	137-13136-01	B-8	3MB-14453-00	B-9	2TV-16371-00	C-3	3BN-21611-40	C-10	3BN-23103-01	D-4
2VN-W0057-00	D-11	3BN-13174-00	B-8	3BN-14458-00	B-9	3BN-16380-00	C-3	3BN-21638-00	C-13	3BN-23170-00	D-4
34X-W0057-00	D-9	55K-13175-01	B-8	3BN-14459-00	B-9	3BN-16385-00	C-3	3BN-21639-00	C-10		D-4
2KF-Y2835-60	E-2	137-13176-00	B-8	3BN-14467-00	B-9	3BN-17121-00	C-4	3BN-21642-00	C-10	3EN-23111-50	D-4
3BN-Y2835-A0	E-2	10V-13178-01	B-8	3MB-14610-01	B-13	3BN-17131-01	C-4	3BN-21685-00	C-10		D-5
3BN-11111-02	D-2	3BN-13416-00	C-13	3PA-14613-10	B-13	3BN-17151-01	C-4	3BN-21711-10	C-11	3BN-23118-01	D-4
3MB-11181-00	B-2	353-13552-01	B-8	2YK-14714-00	B-13	3MB-17161-00	C-4	3BN-21711-40	C-11		D-5
3MB-1131A-00	B-2	3ET-13565-00	B-9	3BN-14718-00	B-13	2TV-17211-01	C-4	3BN-2172A-00	C-11	3JD-23125-L0	D-4
3BN-1131E-00	B-2	1AE-13575-01	B-9	3MB-14753-00	B-13	3BN-17221-00	C-4	1LX-2172F-01	C-12		D-4
3MD-1131F-00	B-2	3ET-13581-00	B-9	3BN-14758-00	B-13	3BN-17231-01	C-4	3BN-2172K-00	C-11	3FW-23126-70	D-4
3RN-1131M-00	B-2	3MB-13610-00	B-9	565-14771-00	B-13	3XP-17241-00	C-4	3BA-2172L-00	C-12	2KF-23127-01	D-5
3DB-1131U-10	D-2	2TV-13613-00	D-9	3ME-14903-00	B-11	3BN-17251-02	C-4	3BN-21721-11	C-11	3FW-23136-70	D-4
3MB-11311-00	B-2	3MB-13613-00	B-9	25G-14937-00	B-11	3XP-17261-00	C-4	3BN-21721-40-98	C-11	3BN-23141-01	D-4
3BN-11351-10	B-2	3BN-13616-00	B-9	1KT-14994-00	B-11	3MB-17411-01	C-4	3RM-2173E-30	C-12		D-5
3RN-11400-00	B-3	3MB-13616-00	B-9	3BN-15111-04	B-14	3BN-17421-00	C-4	3RM-2173E-50	C-12	43F-23142-10	D-4
3RM-11412-00	B-3	1KT-13621-01	B-9	3BN-15121-03	B-14	3RM-17460-00	C-4	3RM-2173F-30	C-12		D-5
3MB-11422-00	B-3	3ET-1410A-00	B-11	37F-15128-00	B-14	55K-17471-00	C-5	3RM-2173F-50	C-12	43F-23144-10	D-4
2RH-11454-00	B-3	3MB-14101-00	B-11	3BN-15199-01	B-14	4L0-17811-00	C-6	3BN-2174A-00	C-12		D-4
55K-11530-00	B-3	3ET-14103-00	B-11	3Z8-15313-00	B-14	4L0-17818-00	C-6	3RM-2174G-30	C-12	3BN-23145-00	D-4
10V-11536-01	B-3	3ME-14104-00	B-12	3BN-15317-00	B-14	17F-17831-00	C-6	3RM-2174G-50	C-12		D-4
3MB-11610-01	B-3	2MA-14107-28	B-11	3Y1-15361-00	B-15	17F-17841-00	C-6	3RM-2174H-30	C-12	3BN-23146-00	D-4
3MB-11610-11	B-3	2TV-14112-25	B-11	1RG-15363-00	B-15	17F-17861-00	C-6	3RM-2174H-50	C-12		D-5
3MB-11610-21	B-3	2RJ-14118-00	B-12	583-15371-00	B-14	10W-18101-03	C-8	3BN-2174T-00	C-12	36Y-23146-10	D-4
3MB-11631-01-95	D-3	1KT-14131-00	B-11	3ET-15379-00	B-15	3BN-18110-00	C-8	3BN-2175H-00	C-12		D-4
3MB-11633-00	B-3	8A7-14139-00	B-11	3BN-15411-11	B-15	1W6-18113-00	C-8	3BN-21751-00	C-13	26H-23156-00	D-4
3MB-11635-01	B-3	1KT-14141-52	B-11	3BN-15416-10	B-15	3BN-18140-00	C-7	3BN-2176E-00	C-13		D-4
3MB-11636-01	B-3	193-14142-22	B-11	3BN-15421-10	B-15	55K-18511-01	C-7	4U5-2176E-00	C-11	4VA-23158-L0	D-4
2RH-11651-00	B-3	137-14143-42-A1	B-11	3BN-15441-00	B-2	2RN-18512-00	C-7	3BN-2177A-00	C-13		D-5
37F-11681-00	B-3	1KT-14147-00	B-11	3BN-15451-10	B-15	55K-18513-00	C-7	3BN-21770-00	C-13	3XJ-23167-L0	D-5
34X-12411-00	B-6	137-14153-00	B-11	3BN-15466-10	B-15	55K-18531-00	C-7	22W-21791-00	C-11	3BN-23170-00	D-4
3BN-12414-10	B-6	3ET-14153-00	B-11	2RN-15492-00	B-14	3BN-18535-00	C-7	3BN-21791-00	C-11		D-4
3BN-12422-11	B-5	127-14161-00	B-11	156-15618-01	C-2	3XP-18540-00	C-7		C-12	4VA-23173-L0	D-4
3BN-12428-11	B-5	3X3-14169-00	B-11	3BN-15620-00	C-2	3RM-21110-00-P0	C-9	3BN-21871-00	C-13		D-4
1KT-12437-00	B-7	2MA-14185-00	B-11	10V-15621-01	C-2	3RM-21110-00-33	C-9	10V-21875-00	C-13	3BN-23174-00	D-3
36F-12450-00	B-5	537-14186-00	B-11	10V-15641-00	C-2	3BN-21190-00-P1	C-9	3BN-21877-00	C-13	4VA-23181-L0	D-4
2RH-12459-00	B-5	12R-14191-00	B-11	10V-15651-00	C-2	3BN-21190-00-33	C-9	3BN-22110-01-35	C-14		D-5
3BN-12460-00	B-6	493-14196-00	B-12	10V-15660-00	C-2	5HO-21308-01	C-9	3RA-22141-00	C-14	43F-23188-10	D-4
1KT-12467-00	B-6	3MB-14197-00	B-11	10V-15666-00	C-2	3ET-21339-00	C-13	1LN-22151-00	C-15		D-5
3BN-12469-00	B-6	3X3-14197-00	B-11	2JK-16111-01	C-3	3BN-2137W-10	C-11	34X-22153-00	C-15	3BJ-23191-01	D-5
2TV-12476-01	B-6	1KT-14198-00	B-11	3BN-16150-01	C-3	3BN-2137W-40	C-11	3BN-2217A-00	C-14	31B-23191-11	D-5
3RN-12481-00	B-6	3BN-14411-00	B-9	2TV-16154-00	C-3	3BN-2137X-10	C-11	3BN-2217F-00	C-14	43M-23192-L0	D-5
3BN-12482-00	B-6	3BN-14412-00	B-9	2TV-16321-00	C-3	3BN-2137X-40	C-11	30X-22178-00	C-9	3BN-23317-00	D-3
3BN-12483-00	B-6	3BN-14421-00	B-9	1V1-16324-00	C-3	3BN-2141E-00	C-9	10V-22184-00	C-9	3RA-23317-00	D-5

NUMERICAL INDEX

PART NO.	GRID NO.	PART NO.	GRID NO.	PART NO.	GRID NO.	PART NO.	GRID NO.	PART NO.	GRID NO.	PART NO.	GRID NO.
26A-23318-00	D-3	3BN-2580T-10	D-9	3BN-26335-00	D-12	3BN-83320-01	E-4	198-84334-60	E-7	90119-06118	C-13
3BN-23340-00	D-5	3BN-2580W-10	D-11	1E6-26342-00	D-12	47J-83322-00	E-4	34L-84346-00	E-7	90119-06123	B-10
4V5-23389-00	D-5	2VN-2582A-50	D-15	3BN-27211-00	D-14	3BN-83328-00	E-4	4E2-84347-00	E-7	90119-06172	C-9
22F-23411-01	D-3	3BN-2582T-00	D-9	2YK-27222-00	D-15	3BN-83330-00	E-4	34I-84393-40	E-7	90119-06194	C-10
22F-23412-01	D-3	3BN-2582W-00	D-11	55V-27242-00	D-14	2KF-83332-00	E-4	46X-84396-00	E-7	90123-08046	D-12
10V-23416-01	D-3	47X-25824-00	D-9	3BN-27311-03	D-9	3BN-83340-00	E-4	10V-84517-00	E-8	90149-06011	D-6
3BN-23435-00-35	D-3		D-11	42U-27315-01	D-14	2KF-83342-00	E-4	34X-84527-00	E-8	90149-06131	E-9
1E6-23441-10-35	D-3	51L-25825-00	D-9	3LD-27411-00	D-14	34L-83350-20	E-11	36A-84551-00	E-8	90149-06194	E-10
30X-23445-00	D-3		D-11	3LD-27421-00	D-14	10V-83365-00	E-4	34Y-84710-E1	E-8	90149-06228	C-11
134-23484-10	D-3	2KF-25827-00	D-11	120-27431-00	D-14		E-4	31L-84714-00	E-8	90149-06270	D-11
3BN-24110-00-PO	D-6	2KF-25828-00	D-11	3BN-27432-00-33	D-14		E-4	34Y-84721-E0	E-8	90149-08269	D-14
3BN-24110-00-33	D-6	3BN-2583V-00	D-15	120-27433-00	D-14		E-5	34Y-84723-E0	E-8	90151-06025	C-9
3BN-2414H-00	D-6	34X-25845-00	D-9	3BN-27442-00-33	D-14	15A-83368-00	E-4	4G1-84744-00	E-6	90153-06059	E-10
3BN-2414J-00	D-6		D-11	2KF-27491-00	D-11	15A-83369-00	E-5		E-6	90154-05011	B-9
26H-24181-00	D-6	2KF-25850-00	D-13	3BN-28100-00	C-9	3BN-83371-00	E-11	3Y6-85130-02	E-8	90157-06115	B-5
3BN-24182-00	D-6	2KF-25852-01	D-13	10V-28135-00	C-9	5Y1-83513-00	E-6	3BN-85520-00	E-3	90159-05083	C-12
5X2-24184-00	D-6	3XP-25852-50	D-15	3TB-28217-00	C-11	17F-83519-00	E-6	3NC-85540-00	E-11	90159-05163	C-11
34X-24186-01	D-6	2VN-25854-00	D-15	3RM-28391-30	E-2	17F-83520-00	E-6	3MB-85546-00	E-11	90159-05167	C-11
3RM-24240-00	D-6	55U-25854-00	D-13	3RM-28391-50	E-2	1M1-83526-00	E-6	3NC-85550-00	E-3		C-12
3RM-24244-00	D-6	2VN-25855-00	D-15	3BN-81313-00	E-3	5Y1-83536-00	E-6	3BN-85560-00	E-3	90159-05168	C-11
3ET-24311-00	D-6	2VN-25866-00	D-15	3BN-81314-00	E-3	3MB-83540-00	E-6	4KG-85595-00	E-3		C-12
3BN-24500-00	D-6	56A-25867-00	D-13	3BN-81960-01	E-11	17F-83541-00	E-6	3BN-85720-00	E-10	90159-06056	D-15
4XB-24512-00	D-6	3BN-25872-02	D-13	30W-82110-79	E-10	1LN-83550-01	E-6	90105-08391	C-9	90159-06160	C-11
48Y-24602-00	D-6	3BN-25873-02	D-15	2RH-82115-00	E-10	3BN-83560-10	E-6	90105-10052	C-9		C-11
509-24724-00	D-7	3BN-25876-00	D-15	558-82116-00	E-10	43F-83570-G1	E-6	90105-10638	D-9	90159-06165	C-11
3ET-24730-E0	D-7	3ET-25888-00	D-15	3BN-82131-00	E-10	11H-83591-00	E-11	90109-062A8	E-9		C-12
3ET-24730-F0	D-7	2VN-25894-00	D-15	55K-82150-01	E-10	3RN-83912-00	E-9	90109-063F7	C-7	90159-06181	D-9
3BN-24731-A0	D-7	3BN-25895-00	D-15	116-82151-00	E-10	3RN-83922-00	E-9	90109-06757	D-9	90170-06010	E-9
3BN-24731-B0	D-7	2KF-25919-00	D-11	3RW-82310-01	E-10	25G-83936-G1	E-10	90109-06799	E-9	90170-12370	B-4
3BN-24830-00	D-7	34X-25919-00	D-9	81E-82370-20	E-10	3TB-83936-00	E-10	90109-085E3	B-13		C-3
34Y-25104-00	D-8	2GV-25926-00	D-11	3LY-82501-00	E-10	437-83936-01	E-9	90109-08618	D-10	90171-18053	D-10
34X-25111-02-35	D-8	34X-25926-00	D-9	3BN-82530-02	E-10		E-9	90109-100E2	D-2	90175-06012	B-9
322-25118-00	D-8	34X-25937-00	D-9	4KM-82540-00	E-10		E-10	90109-10474	D-14	90176-08040	B-2
55U-25181-01	D-8		D-11	296-82543-00	E-10		E-10	90109-10704	D-2	90176-22050	D-3
3XP-25190-00	D-8	5R2-25937-01	D-9	3LD-82566-60	E-11	437-83936-11	E-10	90116-08042	B-13	90179-08148	D-12
3BN-25304-00	D-10		D-11	3RM-82590-00	E-10	336-83956-01	E-9	90116-08318	B-2	90179-08270	B-13
3BN-25311-01-35	D-10	2JX-26111-00	D-12	12R-82591-00	E-10	503-83956-00	E-9	90116-08388	B-2	90179-08491	B-2
4V4-25367-00	D-10	2KF-26141-00	D-12	1LN-82911-00	E-9	30X-83972-00	E-9	90116-08394	B-2	90179-12248	E-3
	D-10	3BN-26141-20	D-12	33G-82913-00	E-9	47J-83976-01	E-9	90119-05001	C-3	90179-12659	C-2
3BN-25381-00	D-10	2YK-26142-10	D-12	3BN-83310-01	E-4	34X-83980-01	E-9	90119-06042	C-10		C-3
3BN-25388-00	D-10	3BN-26142-20	D-12	306-83311-40	E-4	47J-84115-00	E-7	90119-06043	D-7	90179-16226	C-4
3BN-25389-00	D-10	1LX-26241-01	D-12		E-4	233-84127-60	E-7	90119-06056	B-10	90179-25033	D-3
3MB-25457-20	D-10	1LX-26242-01	D-12		E-4	43F-84131-00	E-7		C-13	90185-08089	C-9
3BN-25715-20	D-9	434-26243-00	D-12		E-4	10V-84198-00	E-7		C-13	90185-08143	C-9
55U-25715-00	D-9	1M1-26249-01	D-12	47J-83312-00	E-4	35A-84303-30	E-7	90119-06061	B-2	90185-08146	D-10
3BN-25716-30	D-9	55V-26280-00	D-12	47J-83313-00	E-4	10W-84321-30	E-7	90119-06097	E-7	90185-10037	D-14
55U-25716-00	D-9	55V-26290-00	D-12		E-4	562-84324-A0	E-7	90119-06117	C-15	90185-10060	C-9
3ET-25719-00	D-9	3ET-26301-00	D-12	3BN-83318-00	E-4	341-84332-60	E-7		C-15	90185-10120	D-2

NUMERICAL INDEX

PART NO.	GRID NO.	PART NO.	GRID NO.	PART NO.	GRID NO.	PART NO.	GRID NO.	PART NO.	GRID NO.	PART NO.	GRID NO.
90185-10120	D- 2	90209-06096	B- 9	90430-06166	B- 6	90508-20583	D-14	93106-22019	C-14	94227-21123	D- 8
90185-14070	C-14	90209-06223	C-15		B- 6	90508-26561	C- 7	93106-28023	D-10	94235-18085	D-10
90185-16127	C-14	90209-18135	C- 4	90445-057F9	B- 8	90508-26667	C- 2	93108-35004	C-14	94241-18153	D-10
90201-044H9	C-13	90209-22257	B- 3	90445-07747	B-11	90508-32553	C- 8	93109-20029	C-14	94330-21084	D- 8
90201-05033	E- 6	90215-12271	C- 3	90445-084E3	E-10	90560-08066	C-10		C-14	94340-18086	D-10
90201-060A3	B- 2	90215-12272	B- 4	90445-09073	C-13		C-13	93210-07100	B- 8	94345-18081	D-10
	B-13	90215-20283	C- 4	90446-07349	B-14	90560-15290	D- 8	93210-12154	B-14	94416-21392	D- 8
90201-06072	B- 6	90240-06009	D-14	90450-28014	B- 6	90560-20340	D-10	93210-12327	B- 6	94418-18466	D-10
90201-065F3	E- 8	90240-08124	D-15	90450-44046	B- 9	91317-05012	B- 2		C- 6	94581-33134	D-10
90201-08083	D-15	90240-10101	D-14	90462-08174	B- 2	91317-05016	B- 2	93210-15620	D-15	94681-33011	D-10
90201-08087	B-15	90267-40029	C-13	90462-12176	E-10	91317-06012	D- 3	93210-19123	B-15	94701-00188	B- 2
90201-08326	B-13	90269-04003	D- 3	90464-13080	D- 6	91317-08035	D- 3	93210-27194	B- 6	95027-08012	C- 9
90201-08512	B- 5	90280-03045	B- 3	90465-14242	D- 3	91401-16012	D-15	93210-30640	B- 2	95027-08040	D- 3
90201-086P8	D-14	90282-05047	B- 3	90467-08003	C-13	91401-16015	D-14	93306-00438	D-10	95301-03700	E- 6
90201-086E4	B- 8	90282-05058	B- 3		C-13	91401-20015	D-14	93306-20201	C- 4	95307-05600	B- 8
90201-08649	B- 2	90338-09130	D- 8		D- 6	91401-25020	D-14	93306-20209	D- 8		D- 3
90201-087H6	C- 6		D-10	90467-10008	C-13	91401-30030	D-10	93306-20335	B- 3		D- 9
90201-08753	C- 9	90380-16077	C-14		D- 6	91701-06022	D-14	93306-20431	C- 4	95307-06700	D-12
90201-08755	C- 9	90380-22111	C-14	90467-10039	B- 6	92017-06016	D-15	93306-30210	B- 3	95307-08600	D-15
90201-09461	C- 9	90386-20120	C-14		B- 6	92017-06060	C-15	93306-30438	C- 4	95307-12700	E- 4
90201-100E9	D- 2	90387-062V8	C-10	90467-11044	D-15	92017-08016	D-14	93306-30556	B- 3		E- 4
	D- 2	90387-063B8	E- 7	90467-11106	B-10	92902-04100	B-11	93310-31684	B- 3		E- 4
	D-13	90387-06500	C-11	90467-20050	B- 6	92907-05100	B- 8	93310-52373	B- 3		E- 4
90201-10118	D-15		D-12		B- 9		C-12	93311-31567	C- 4	95317-06600	C- 3
	C-14	90387-06681	C-13	90468-02033	B- 8		D-15	93315-21429	C- 3	95607-06100	E- 8
90201-106F2	C- 3	90387-07390	B- 6		B- 8		E- 9	93315-32044	C-14		E- 9
90201-120E8	E- 3	90387-07391	E- 8	90468-03086	B- 8	92907-05600	B- 7	93317-32231	C-14		E- 9
90201-123L6	C- 2	90387-082J1	C-13	90468-13050	D-14		D- 3	93332-00008	D- 3	95701-08500	D- 5
90201-12631	C- 3	90387-105L0	B-13		E- 6		D- 9	93410-20038	C- 4	95707-05500	E- 8
90201-14217	C- 2	90387-126H8	D- 2	90468-26048	C- 2		D-15	93410-22039	C- 4	95707-06500	E- 8
90201-154E8	C- 4	90387-15600	D- 8	90480-01401	C-11	92907-06200	C- 3	93430-08036	B- 8	95707-08500	C-10
	C-14	90387-164U7	C-14	90480-09481	B-15	92907-06600	B- 9	93430-08042	C- 2	95804-06010	D-11
90201-160F6	C-14	90387-164U8	C-14	90480-12325	C-11		C- 6	93450-17129	B- 3	95807-06010	C-11
90201-164H4	B-14	90387-202T9	B- 3	90480-13398	C-11		C-15	93503-16010	C- 3		C-12
90201-170M2	C- 3	90387-202U8	D-10	90480-14023	E- 7		D-12		D- 3	95807-06012	B-13
90201-180P2	C- 2	90387-204U9	D-10	90480-15363	B- 6		D-12	93505-32002	B- 8		E-11
90201-200J7	C- 4	90387-205U0	C- 4	90480-16185	C-11		E-11	93507-32031	C- 2	95807-06014	D- 6
90201-20266	D-14	90387-225M2	D-13		C-12	92990-03100	B- 9	93603-22028	B- 5		E- 8
90201-20279	D-10	90401-06115	B- 6	90480-18411	B-13		E- 6		B- 8	95807-06016	C-13
90201-204M9	C- 4		B- 7	90501-02217	B- 8		B- 8	93604-10011	B- 5	95807-06018	C-11
90201-22555	C-14	90401-10159	D-13	90501-08410	D- 6	93101-10090	C- 8	93700-06004	C-14	95807-06022	D-13
90201-251F6	C-14		D-15	90501-10312	E- 9	93101-12060	D- 8	93700-06005	C-14	95807-06025	B-13
90201-254H8	B-13	90401-14136	C-14	90501-12081	C- 2	93102-20281	C- 2		C-15	95807-06050	C-15
90202-05187	B-13	90402-10005	C-14	90501-20644	C- 3	93102-20309	B- 3	94127-211X3	D- 8	95807-06050	C- 9
	B-13	90405-06044	B- 6	90506-18305	D-14	93102-26042	C- 4	94127-214F2	D- 8	95807-08080	B-15
90202-05186	D- 6		B- 6	90506-29276	B- 6	93103-10147	D-14	94141-18611	D-10	95817-06012	D- 3
90202-05193	D- 3	90430-04004	B- 8	90508-14352	D-14	93103-32171	B- 3	94141-18613	D-10	95817-06020	B- 6
90208-04029	C- 3	90430-06166	B- 5	90508-18765	C- 3	93104-14004	C- 3	94225-21186	D- 8	95817-08045	C- 9

NUMERICAL INDEX

PART NO.	GRID NO.	PART NO.	GRID NO.	PART NO.	GRID NO.	PART NO.	GRID NO.	PART NO.	GRID NO.
95817-08055	D- 5	98507-06040	B-15						
95817-10016	C-14	98507-06050	B-14						
95824-08035	D- 3	98507-06060	B-14						
95827-06012	C- 9	98507-06065	B- 5						
	C- 9		B-14						
	C-10	98507-06070	B-14						
95827-06025	B- 5	98507-08010	B-14						
95827-06040	E- 6	98517-04016	E- 3						
95827-08020	C-10	98517-04030	E- 3						
97007-05012	B- 7	98580-04008	B-11						
97007-06010	C- 6	98707-04012	D- 3						
97007-06020	E- 7	98906-04008	E- 9						
97007-06025	B- 9	98907-04006	B- 8						
97017-06020	C- 8	98907-06008	B-13						
97607-04106	E- 3	98907-06010	B-13						
97706-40530	E- 8		E- 2						
97707-40620	E- 4	99006-10600	C- 8						
	E- 4	99009-10400	C- 7						
	E- 4	99009-15400	C- 2						
	E- 4		C- 4						
97707-50520	B- 9	99080-07600	B- 5						
98503-03008	D- 6	99246-00080	C-10						
98503-04014	B-11	99247-00080	C-10						
98506-04018	D- 5	99510-10114	B- 2						
98506-05008	E-10	99510-12016	B-14						
98507-03008	B- 9	99530-10014	B-15						
98507-04008	E- 3								
98507-05010	C-12								
98507-05014	B- 8								
	E-11								
98507-05016	D- 9								
98507-05020	D-15								
	E- 9								
	E- 9								
98507-05025	D- 3								
98507-05030	E- 9								
98507-05035	E- 9								
98507-06012	B- 6								
	B- 6								
	B-14								
	C- 5								
	E-11								
98507-06020	B- 6								
98507-06025	B- 5								
98507-06030	B-15								
	B-15								
98507-06035	D-12								
98507-06040	B-14								