

### CONTENTS

	ENGINE			
	CYLINDER	B2	REAR ARM	C7
	CRANKSHAFT.PISTON	B3	REAR SUSPENSION	C8
	WATER PUMP	B4	STEERING	C9
	RADIATOR	B5	FRONT FORK	C10
	OIL PUMP	B6	FUEL TANK	C11
	INTAKE	B7	SEAT	C12
	CARBURETOR	B8	FRONT WHEEL	C13
	EXHAUST	B9	FRONT BRAKE CALIPER	C14
	CRANKCASE	B10	REAR WHEEL	C15
	CRANKCASE COVER	B11	STEERING HANDLE CARLE	D2
	STARTER	B12	STAND FOOTREST	D3
	CLUTCH	B13	FRONT MASTER CYLINDER	D4
	TRANSMISSION	B14	COWLING	D5
	SHIFT CAM.FORK	B15	GENERATOR	D6
	SHIFT SHAFT	C2	FLASHER LIGHT	D7
			METER	D8
	CHASSIS		HEADLIGHT	D9
	FRAME	C3	TAILLIGHT	D10
	FENDER	C4	HANDLE CLUTCH	D11
	SIDE COVER	C5	ELECTRICAL 1	D12
	OIL TANK	C6	NUMERICAL INDEX M1 M2	M3

**YAMAHA**  
**GENUINE**  
Parts & Accessories

**DT50R'97 (5BK1)**  
**EUROPE**

**175BK - 300E1**  
**JANUARY 1998**

# FOREWORD

This Part Catalogue is related to the parts in use for the DT50'97

When you are ordering replacements parts for the DT50R'97, refer to this Parts Catalogue and quote both part numbers and part names correctly.

1. Modifications or additions which have been made after issue of the Parts Catalogue will be announced in the Parts News.

It is advisable that according to the Parts News you make necessary corrections to the Parts Catalogue on hand to keep it up-to-date.

2. Abbreviations.

The following abbreviations are used in this Parts Catalogue.

U.R. Use size (thickness) and/or number as required.

U.N. Use as many as you need.

A.P. Alternate Parts.

L.M. Local Made.

F.# Frame N° (Applicable machine N°)

3. The parts marked with (\*) in the parts number column of this Catalogue are not supplied with by Yamaha, those have to be found locally.

4. Parts, which are to supplied in the form of assemblies, are listed with an indentation of one letter's space, and a dot (.) is put against the name of each part.

**EXAMPLE** CARBURETOR ASS'Y  
                   .JET, pilot  
                   .NOZZLE, main

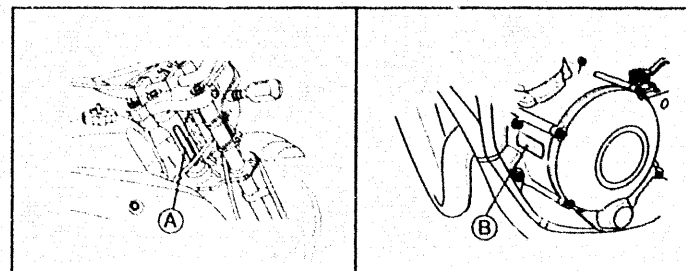
5. Indication of N° of constituent parts for assembly.

The numeral appearing to the right of each constituent part under the description indicates the quantity of such parts for each individual assembly unit.

Part N°	Description	Q'ty	Remarks
2F5-83310-60	FRONT FLASHER LIGHT ASS'Y	2	
115-83311-60	.BULB (6V-18W)	1	
1M1-83309-60	.REFLECTOR	1	

6. Initial Serial N° and Color Code.

(A) Frame Serial N°	VG55BK0000000101
(B) Engine Serial N°	5BK - 000101

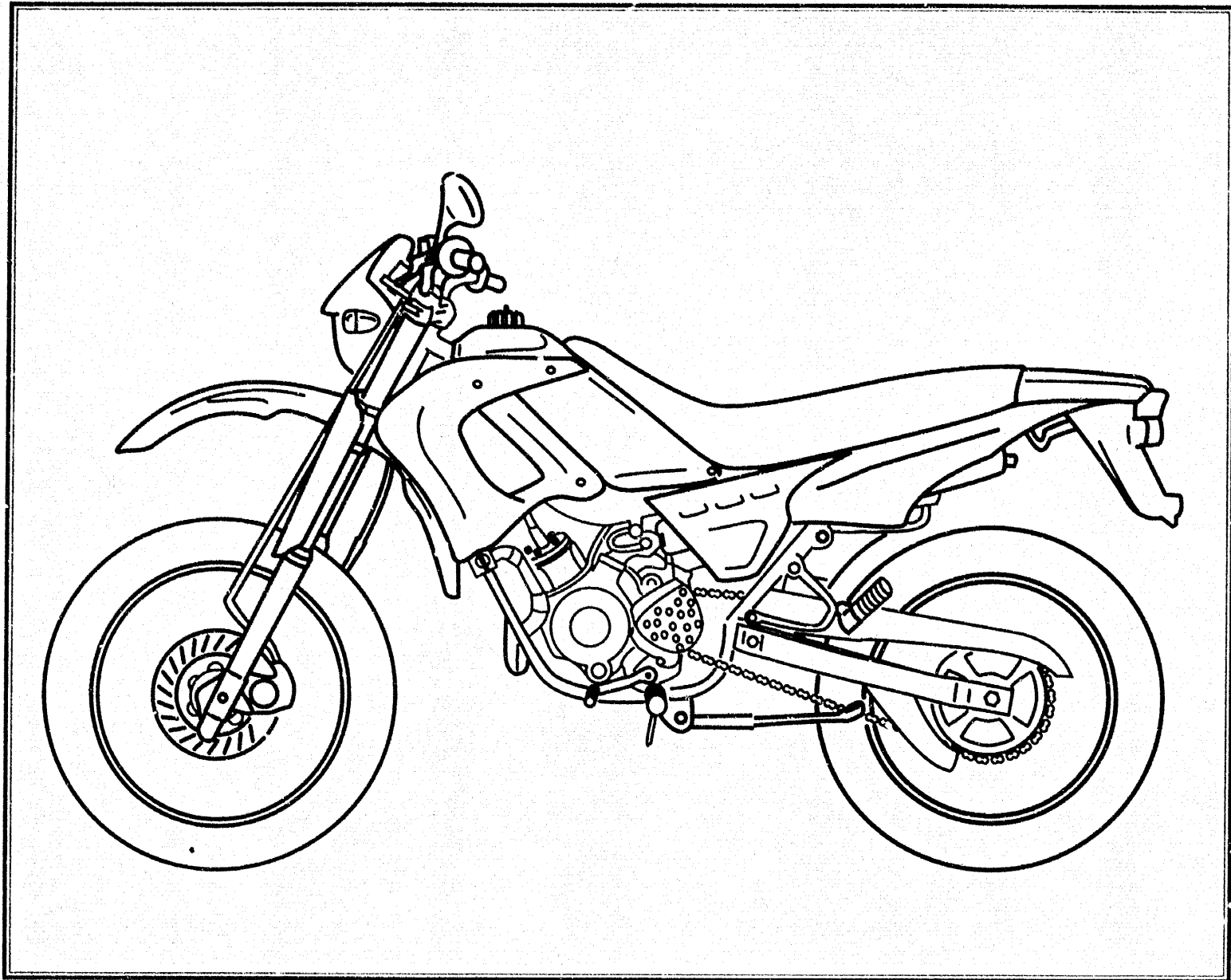


Color	Code Color	Name Abbreviate
00GH	RASPBERRY RED	RR
00EX	INK BLUE	IKB

7. Applicable colors of graphics are represented in the "Remarks" column by the letter(s) appropriately picked out of the full word(s) showing such colors.

**EXAMPLE**

Part N°	Description	Q'ty	Remarks
2N4-24110-00-X5	FUFL TANK COMPL.	1	
3J1-24240-10	.GRAPHIC, fuel tank set	1	



**A4**

## CONTENTS

	<b>ENGINE</b>		<b>REAR ARM</b>	<b>C7</b>
	CYLINDER	B2	REAR SUSPENSION	C8
	CRANKSHAFT.PISTON	B3	STEERING	C9
	WATER PUMP	B4	FRONT FORK	C10
	RADIATOR	B5	FUEL TANK	C11
	OIL PUMP	B6	SEAT	C12
	INTAKE	B7	FRONT WHEEL	C13
	CARBURETOR	B8	FRONT BRAKE CALIPER	C14
	EXHAUST	B9	REAR WHEEL	C15
	CRANKCASE	B10	STEERING HANDLE CABLE	D2
	CRANKCASE COVER	B11	STAND FOOTREST	D3
	STARTER	B12	FRONT MASTER CYLINDER	D4
	CLUTCH	B13	COWLING	D5
	TRANSMISSION	B14	GENERATOR	D6
	SHIFT CAM.FORK	B15	FLASHER LIGHT	D7
	SHIFT SHAFT	C2	METER	D8
	<b>CHASSIS</b>		HEADLIGHT	D9
	FRAME	C3	TAILLIGHT	D10
	FENDER	C4	HANDLE CLUTCH	D11
	SIDE COVER	C5	ELECTRICAL 1	D12
	OIL TANK	C6	NUMERICAL INDEX M1 M2	M3

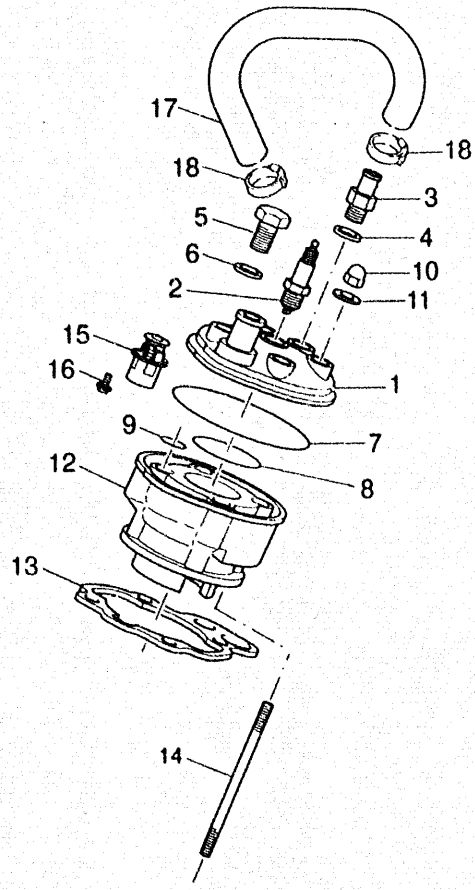


FIG 1 CYLINDER

REF	PART.N°	DESCRIPTION	QTY	REMARKS
1	4YV-E1111-00	HEAD, CYLINDER 1	1	
2	94701-00204	PLUG, SPARK	1	NGK BR8ES
3	4YV-E2584-00	GASKET,HOSE 3	1	
4	90430-08119	GASKET	1	
5	5BK-E131R-00	CAP, SEAL	1	
6	90430-14822	GASKET	1	
7	93211-048D9	O-RING	1	
8	93210-528E0	O-RING	1	
9	1TL-E6314-00	O-RING	4	
10	90176-07813	NUT, CROWN	4	
11	90201-078L0	WASHER, PLAIN	4	
12	4YV-E1311-00	CYLINDER 1	1	
13	4YV-E1351-00	GASKET, CYLINDER	1	
14	90116-07835	BOLT, STUD	4	
15	5BR-L2410-00	THERMOSTAT	1	
16	90159-04841	SCREW, WITH WASHER	2	
17	5BK-E2477-00	PIPE 7	1	
18	5BR-E2487-10	CLIP,2	2	



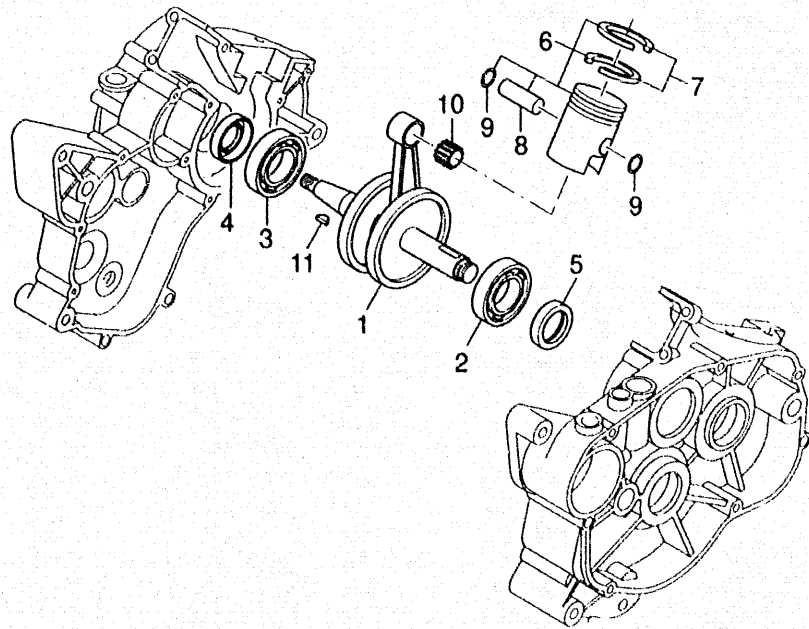


FIG 2 CRANKSHAFT. PISTON

REF	PART.N°	DESCRIPTION	QTY	REMARKS
1	4YV-E1400-00	CRANKSHAFT ASSY	1	
2	1TK-E1426-10	BEARING	1	
3	1TK-E1426-10	BEARING	1	
4	90899-71172	OIL SEAL	1	
5	93101-24835	OIL SEAL	1	
6	4YV-E1631-00	PISTON (STD)	1	
	4YV-E1635-00	PISTON (0.25MM O/S)	1	
	4YV-E1636-00	PISTON (0.50MM O/S)	1	
7	4YV-E1603-00	PISTON RING SET (STD)	1	
	4YV-E1604-00	PISTON RING SET (0.25MMO/S)	1	
	4YV-E1605-00	PISTON RING SET (0.50MMO/S)	1	
8	4YV-E1633-00	PIN, PISTON	1	
9	1TL-E1634-00	CIRCLIP	2	
10	1TL-E1202-00	BEARING	1	
11	1TL-E1545-00	KEY, WOODRUFF	1	



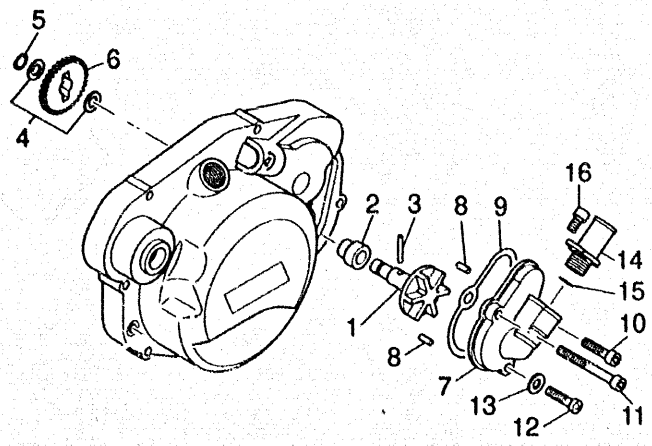


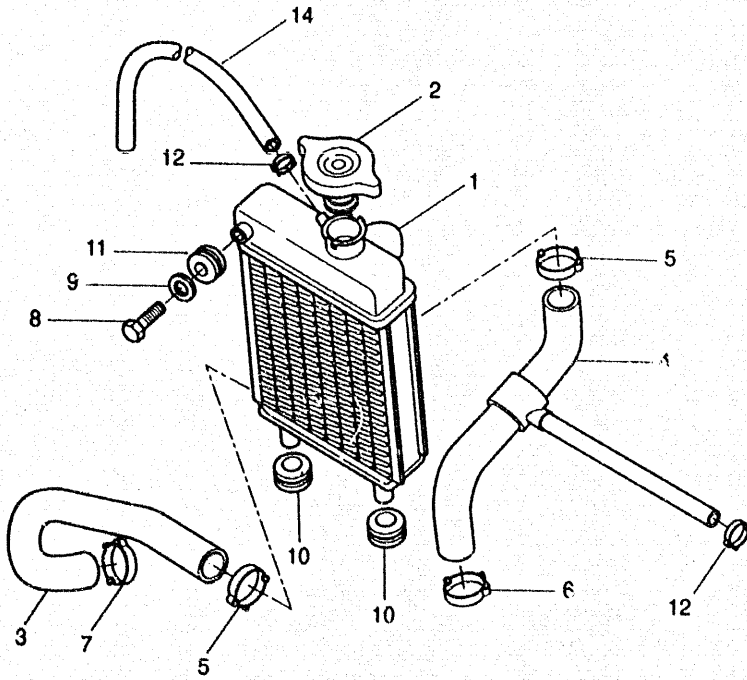
FIG 3 WATER PUMP

REF	PART.N°	DESCRIPTION	QTY	REMARKS
1	2VR-E2450-00	IMPELLER SHAFT ASSY	1	
2	93103-10812	OIL SEAL	1	
3	93603-22028	PIN, DOWEL	1	
4	90201-08512	WASHER, PLATE	2	
5	93410-08824	CIRCLIP	1	
6	3NC-E2459-00	GEAR, IMPELLER SHAFT	1	
7	3NC-E2422-00	COVER, HOUSING	1	
8	93604-10011	PIN, DOWEL	2	
9	3NC-E2428-00	GASKET, HOUSING COVER 2	1	
10	90110-06240	BOLT, HEXAGON SOCKET HEAD	1	
11	91317-06055	BOLT	1	
12	98907-06025	SCREW, BIND	1	
13	90430-06166	GASKET	1	
14	4YV-E2582-00	JOINT, HOSE 2	1	
15	93210-12327	O-RING	1	
16	90110-06210	BOLT	1	





FIG 4 RADIATOR. HOSE



REF	PART.N°	DESCRIPTION	QTY	REMARKS
1	5BK-E2460-00	RADIATOR ASSY	1	
2	5BK-E2462-00	CAP, RADIATOR	1	
3	5BK-E2482-01	PIPE 2	1	
4	5BK-E2483-02	PIPE 3	1	
5	5BK-E2486-00	CLIP 1	2	
6	5BK-E2486-10	CLIP 1	1	
7	5BR-E2487-00	CLIP,2	1	
8	NC7-67471-03	SCREW	1	
9	NE5-90741-00	WASHER	1	
10	5BK-E2465-10	DAMPER, RADIATOR	2	
11	6BK-E2465-00	DAMPER, RADIATOR	1	
12	5BR-E2487-10	CLIP,2	3	
14	5BK-E2484-00	PIPE 4	1	

FWD

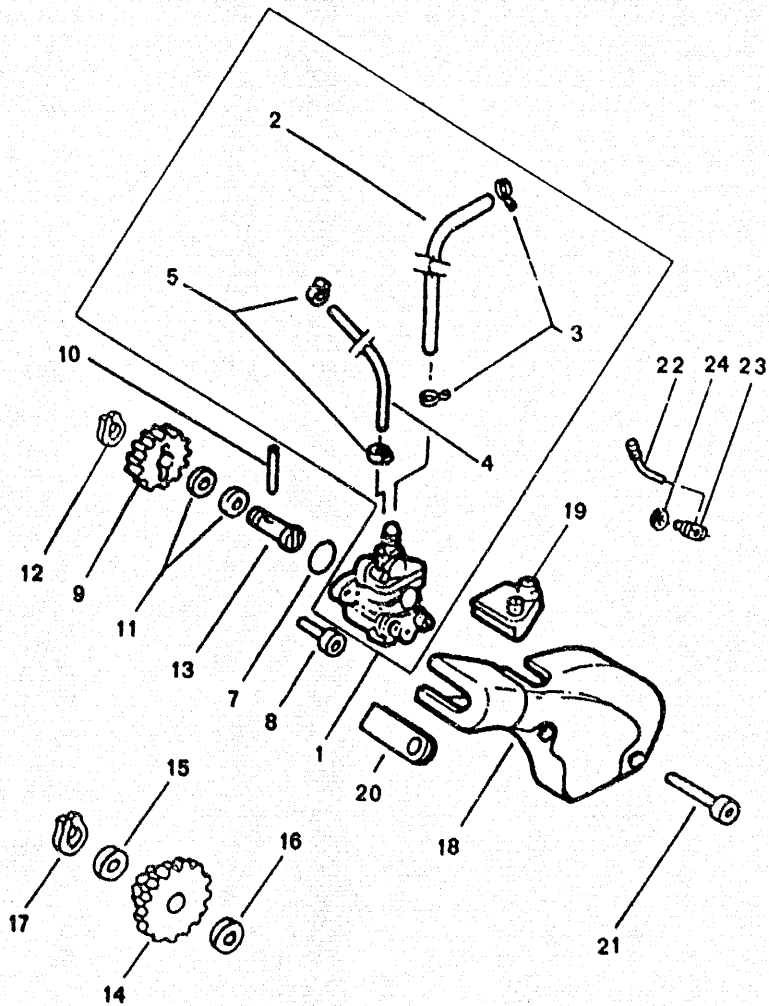
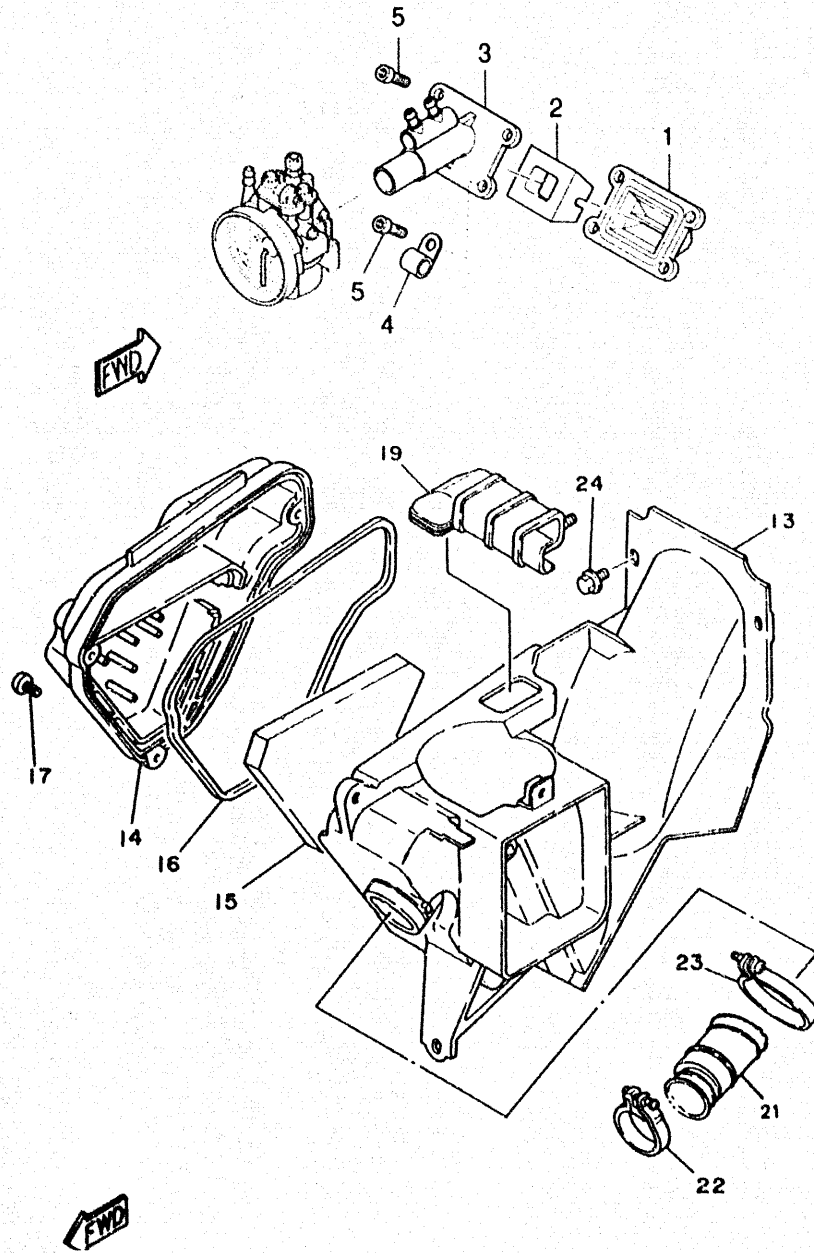


FIG 5 OIL PUMP

REF	PART.N°	DESCRIPTION	QTY	REMARKS
1	5BK-E3100-00	OIL PUMP ASSY	1	
2	5BK-E316F-00	HOSE, OIL 1	1	
3	93430-08036	CIRCLIP	2	
4	4YV-E316G-00	HOSE, OIL 2	1	
5	90468-02033	CLIP	2	
7	90201-198L2	WASHER, PLAIN	1	
8	91317-05016	BOLT	2	
9	4YV-E3178-00	GEAR, PUMP DRIVE	1	
10	93603-22028	PIN, DOWEL	1	
11	90201-088L3	WASHER, PLAIN	2	
12	93410-08824	CIRCLIP	1	
13	4YV-E3226-00	SHAFT, DRIVE GEAR	1	
14	4YV-E3179-00	GEAR, IDLE	1	
15	90201-088L3	WASHER, PLAIN	1	
16	90201-08512	WASHER, PLATE	1	
17	93410-08824	CIRCLIP	1	
18	4YV-E5416-00	COVER, OIL PUMP	1	
19	4YV-E3174-00	HOLDER, OIL PIPE	1	
20	4YV-E5379-00	SEAL, CRANKCASE	1	
21	91317-05035	BOLT	2	
22	4YV-E3228-00	ADJUSTER,OIL	1	
23	4YV-E5378-00	HOLDER	1	
24	90430-08119	GASKET	1	



FIG 6 INTAKE



REF	PART.N°	DESCRIPTION	QTY	REMARKS
1	4YV-E3610-00	REED VALVE ASSY	1	
2	4YV-E3625-00	SPACER, REED VALVE	1	
3	4YV-E3565-00	JOINT, CARBURETOR	1	
4	4YV-E5441-00	HOLDER, CLUTCH CABLE	1	
5	91312-06020	BOLT	4	
13	3HL-14420-00	AIR CLEANER ASSY 2	1	
14	5J1-14412-00	CAP, CLEANER CASE 1	1	
15	3T2-14451-00	ELEMENT, AIR CLEANER	1	
16	5T8-14452-00	SEAL	1	
17	97607-06218	SCREW, PAN HEAD WITH WASHER	3	
19	3T2-14437-00	DUCT	1	
21	5BK-E4453-00	JOINT, AIR CLEANER 1	1	
22	5BK-E4264-00	COLLAR	1	
23	5BK-E4265-00	COLLAR	1	
24	90119-06044	BOLT, WITH WASHER	5	

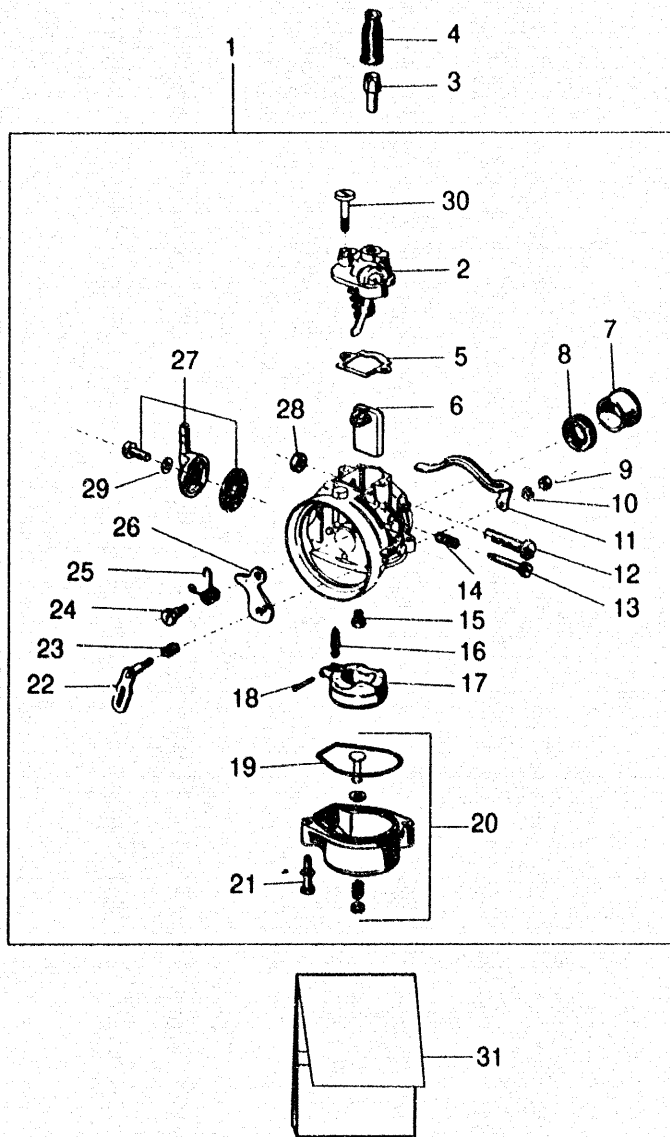


FIG 7 CARBURETOR

REF	PART.N°	DESCRIPTION	QTY	REMARKS
1	5BK-E4301-00	CARBURETOR ASSY 1	1	
2	5BK-E4168-00	.CAP, MIXING CHAMBER	1	
3	5BK-E4106-00	.CABLE ADJUST SCREW SET	1	
4	5BR-F6329-00	.CAP, RUBBER	1	
5		IN GASKET KIT REP 31		
6	NM5-14112-00	.VALVE, THROTTLE 1	1	
7	NJ9-E4156-00 01	.MOUNTING SLEEVE	1	
8		IN GASKET KIT REP 31		
9	5BK-E4439-00	.NUT	1	
10	5BK-E4179-00	WASHER, STARTER LEVER	1	
11	5BK-E4375-00	.LEVER, STARTER	1	
12	3HL-E4125-00	.SCREW	1	
13	5BK-E4103-00	.SCREW, SETTING	1	
14	5BK-E4134-00	.SPRING, AIR ADJUSTING	1	
15	5BK-E4343-00	.JET, MAIN	1	
16	NK5-E4392-00 01	.JET PILOT	1	
17	NU6-E4385-00	.FLOAT	1	
18	NJ9-E4186-00-01	.AXLE FLOAT	1	
19		IN GASKET KIT REP 31		
20	5BK-E4181-00	.BODY, FLOAT CHAMP'R 1	1	
21	NM5-14216-00	.SCREW	2	
22	5BK-E4376-00	.LEVER, STARTER 2	1	
23	5BK-E4275-00	.SPRING	1	
24	NU6-14216-00	.SCREW	1	
25	5BK-E4286-00	.SPRING	1	
26	5BK-E4178-00	.PLATE STARTER LEVER	1	
27	NU6-E4576-00	.FILTRE A ESSENCE COMPLET	1	
28	NC7-29561-00	.NUT	1	
29		IN GASKET KIT REP 31		
30	NU6-E4325-00	.CAP MOUNT SCREW	2	
31	5BK-W0001-00	.GASKET KIT	1	
		NOT ILLUSTRED		
	5BK-E2480-00	CARBURETOR REHEATING KIT	1	
	5BK-E4592-00	.SCREW	1	
	5BK-E2483-10	.PIPE 3	1	
	5BK-E2489-10	.CLIP,4	2	
	5BK-E2489-00	.CLIP,4	1	
	5BK-E2493-00	.CLAMP 3	1	
	5BK-E2477-10	.PIPE 7	1	
	5BK-E2489-20	.CLIP,4	2	



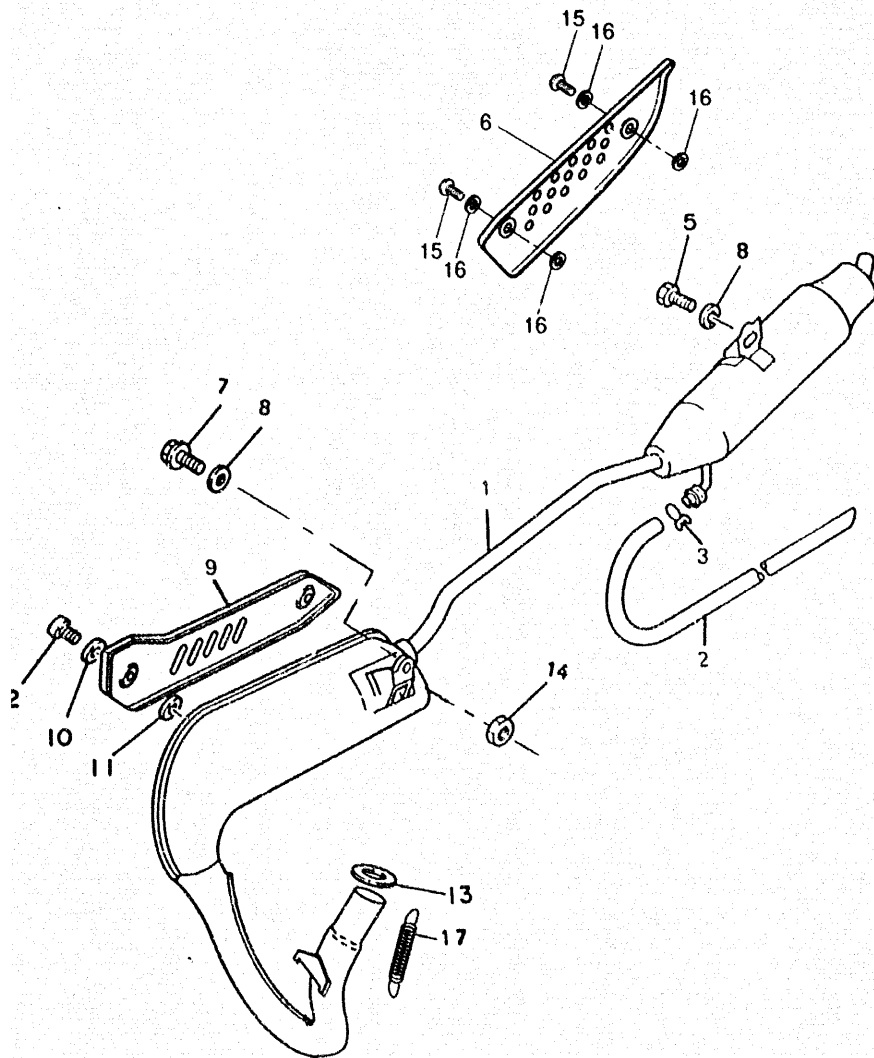


FIG 8 EXHAUST

REF	PART.N°	DESCRIPTION	QTY	REMARKS
1	5BK-E4703-00	MUFFLER COMP 1	1	
2	90445-117E0	HOSE (L850)	1	
3	90467-10008	CLIP	1	
5	97507-08416	BOLT, WITH WASHER	1	
6	5BK-E4758-00	PROTECTOR, SILENCER	1	
7	97507-06530	BOLT, WITH WASHER	1	
8	90201-06812	WASHER, PLATE	2	
9	3HL-E4718-00 11	PROTECTOR, MUFFLER 1	1	
10	90202-05187	WASHER, PLATE	2	
11	90202-05188	WASHER, PLATE	2	
12	98907-06010	SCREW, BIND	2	
13	93210-288E2	O-RING	1	
14	95707-06500	NUT, FLANGE	1	
15	NJ6-54041-00	SCREW, BIND	2	
16	3WX-14766-00	WASHER, PROTECTOR	4	
17	5BK-E4683-00	SPRING, HOOK	2	



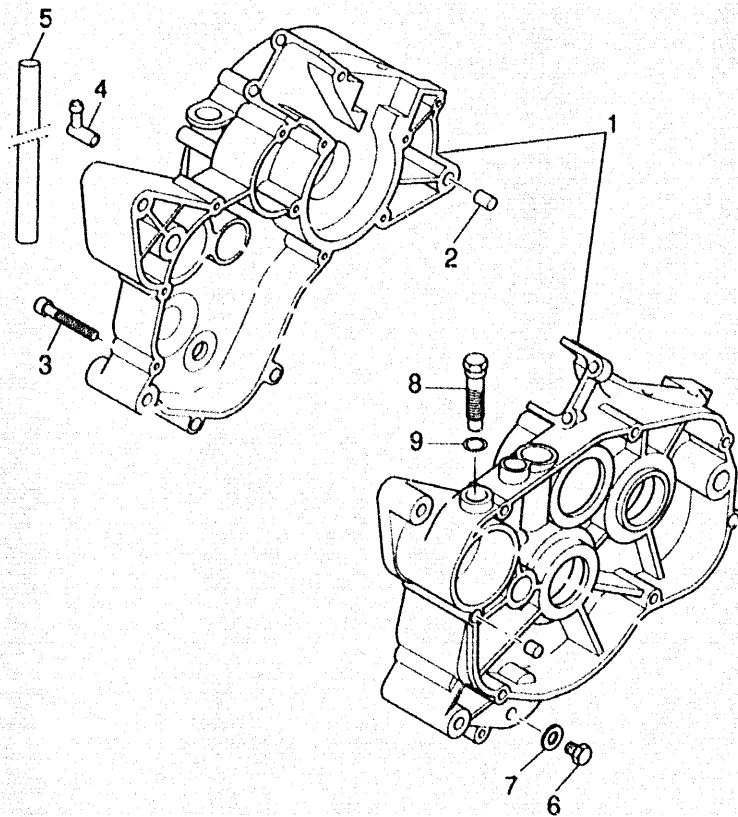


FIG 9 CRANKCASE

REF	PART.N°	DESCRIPTION	QTY	REMARKS
1	5BK-E5150-00	CRANKCASE ASSY	1	
2	91812-12805	PIN, DOWEL	2	
3	90110-06242	BOLT	1	
4	3FN-E5371-00	BREATHER	1	
5	5BK-E531A-00	HOSE,BREATHER	1	
6	90101-08873	BOLT	1	
7	90430-08119	GASKET	1	
8	90101-12874	BOLT	1	
9	90430-12823	GASKET	1	



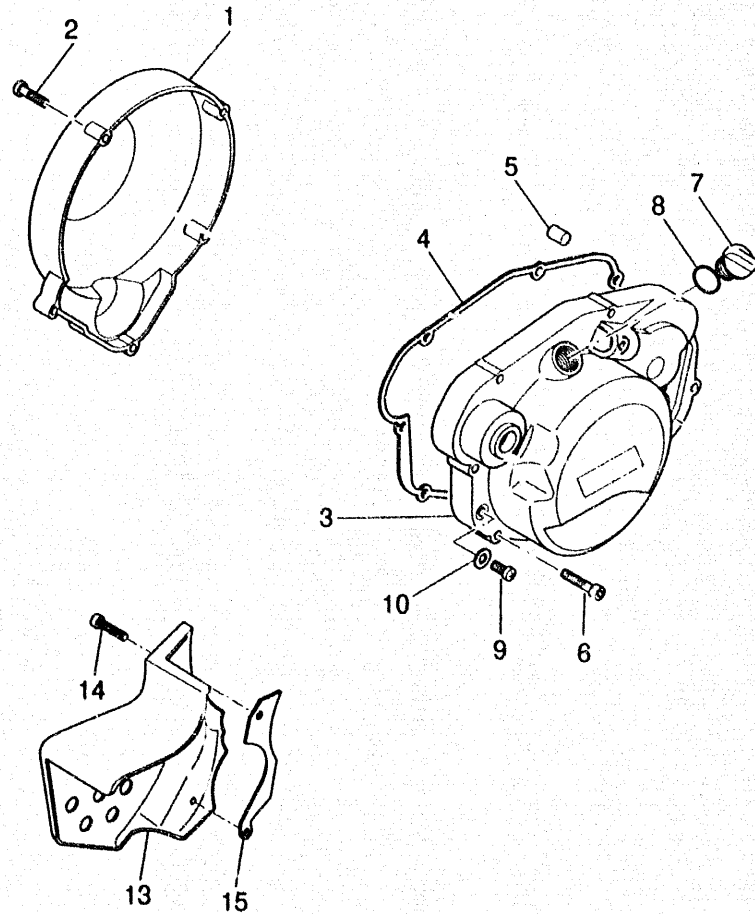


FIG 10 CRANKCASE COVER 1

REF	PART.N°	DESCRIPTION	QTY	REMARKC
1	4YV-E5411-00	COVER, CRANKCASE 1	1	
2	91317-05020	BOLT	5	
3	5BK-E5421-00	COVER, CRANKCASE 2	1	
4	4YV-E5461-00	GASKET,CRANK.COVER 2	1	
5	91809-08806	PIN, DOWEL	2	
6	90110-06138	BOLT	4	
7	4YV-E5363-00	PLUG, OIL	1	
8	93210-128E3	O-RING	1	
9	90154-06812	SCREW, BINDING	1	
10	90430-06166	GASKET	1	
13	5BK-E5431-10	COVER, CRANKCASE 3	1	
14	90110-05X01	BOLT	2	
15	5BK-E5589-00	PLATE, CLUTCH COVER	1	



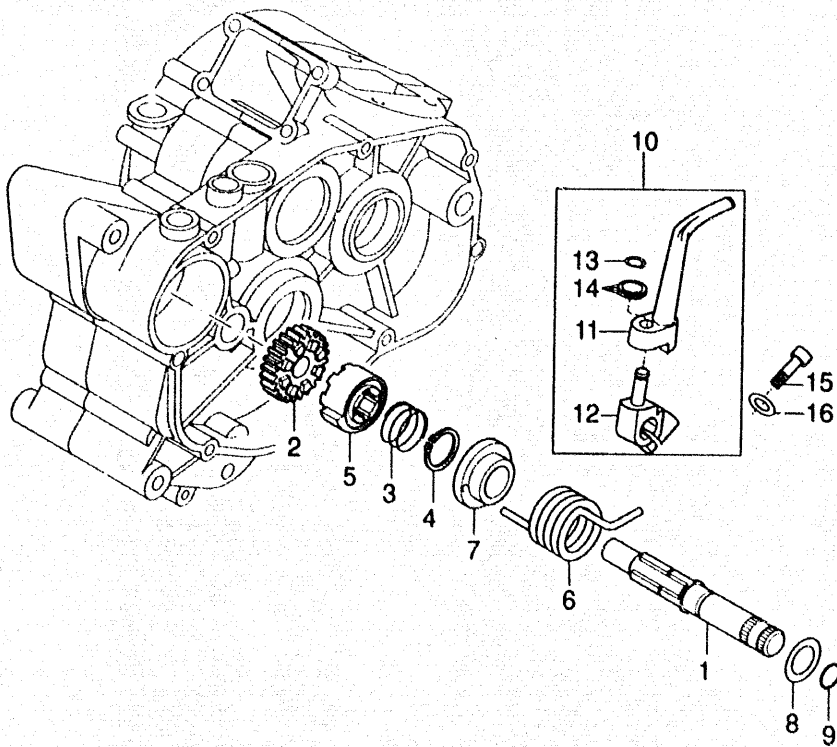


FIG 11 STARTER

REF	PART.N°	DESCRIPTION	QTY	REMARKS
1	5BK-E5661-00	AXLE, KICK	1	
2	5BK-E5651-00	GEAR, KICK IDLE	1	
3	5BK-E5634-00	SPRING, KICK PINION	1	
4	5BK-E5744-00	CIRCLIP	1	
5	5BK-E5641-00	GEAR, KICK	1	
6	5BK-E5625-00	SPRING, KICK CRANK	1	
7	5BK-E5767-00	SPRING	1	
8	5BK-E5615-00	WASHER	1	
9	3UD-E5663-00	O-RING	1	
10	5BK-E5620-00	KICK CRANK ASSY	1	
11	5BK-E5611-00	.CRANK, KICK	1	
12	5BK-E5621-00	.BOSS, KICK CRANK	1	
13	5BK-E5617-00	.CLIP, KICK LEVER	1	
14	5BK-E5616-00	.WASHER, KICK LEVER	4	
15	90101-06X01	SCREW H M6X25	1	
16	NU3-84138-00	WASHER, SPECIAL	1	





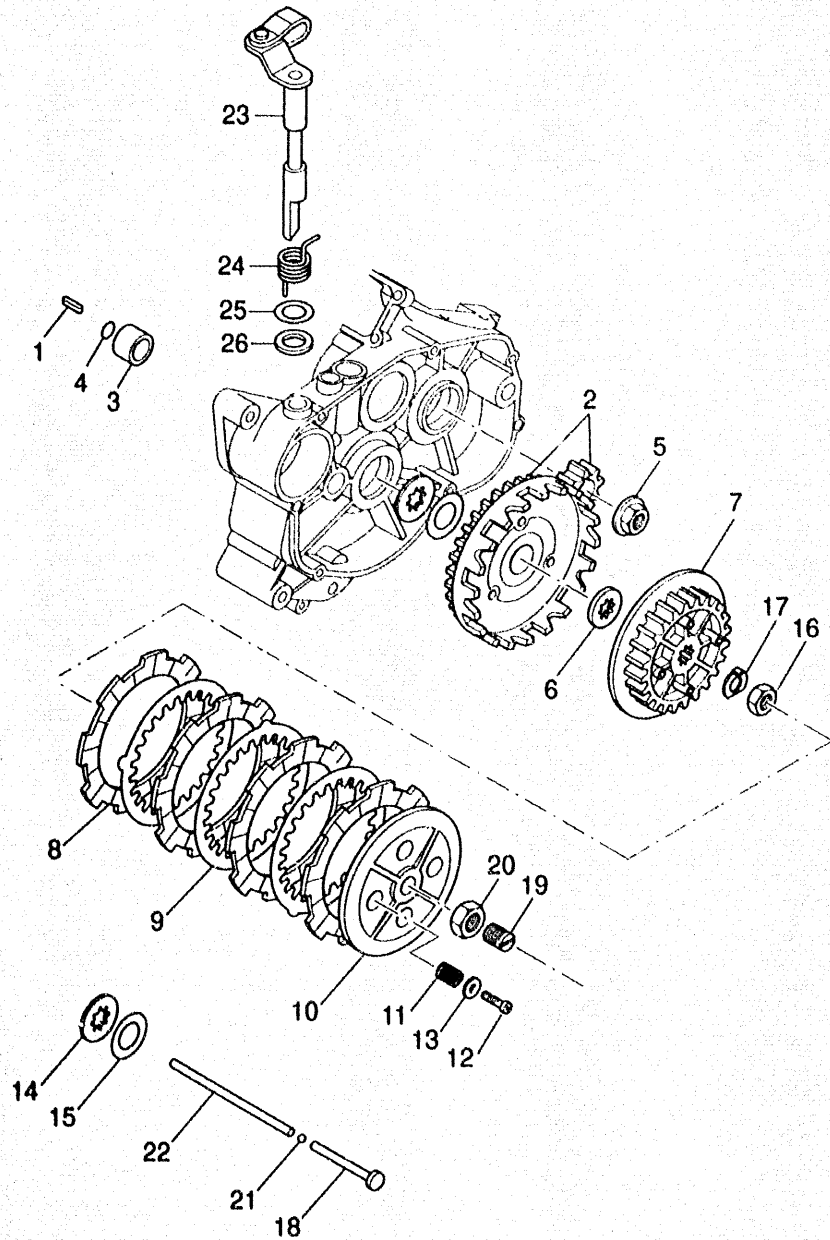
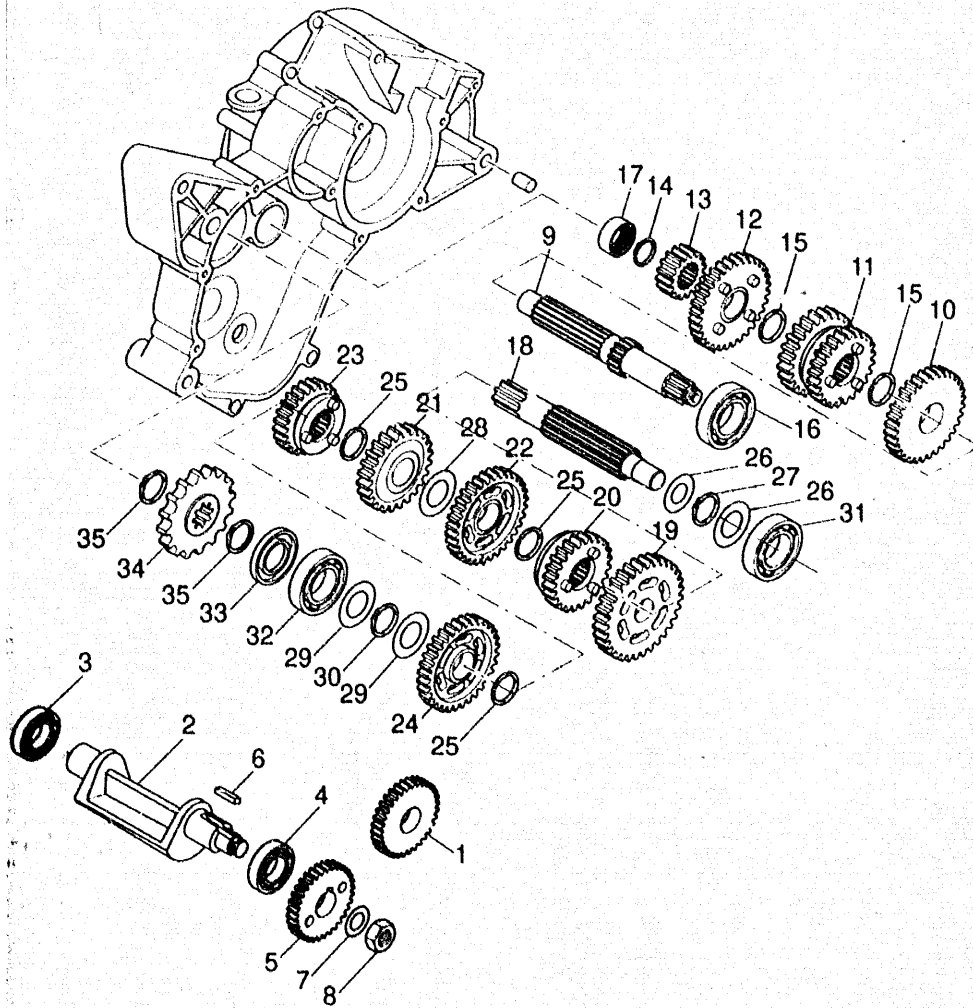


FIG 12 CLUTCH

REF	PART.N°	DESCRIPTION	QTY	REMARKS
1	90282-04806	KEY, STRAIGHT	1	
2	5BK-E6110-00	PRIMARY DRIVE GEAR ASSY	1	
3	90387-168P1	COLLAR	1	
4	3UD-E5663-00	O-RING	2	
5	90179-12657	NUT	1	
6	4YV-E6154-00	PLATE, THRUST 1	1	
7	4YV-E6371-00	BOSS, CLUTCH	1	
8	3NC-E6331-00	PLATE, FRICTION 2	4	
9	2AH-E6324-00	PLATE, CLUTCH 1	3	
10	4YV-E6351-00	PLATE, PRESSURE 1	1	
11	90501-20859	SPRING, COMPRESSION	4	
12	91312-05020	BOLT	4	
13	90201-058L4	WASHER, PLAIN	4	
14	4YV-E6164-00	PLATE, THRUST 2	1	
15	90208-17032	WASHER, CONICAL SPRING	1	
16	90170-12854	NUT	1	
17	90215-12271	WASHER, LOCK	1	
18	4YV-E6356-00	ROD, PUSH 1	1	
19	90113-14804	BOLT, SET	1	
20	90170-14855	NUT	1	
21	93503-16010	BALL	1	
22	4YV-E6357-00	ROD, PUSH 2	1	
23	4YV-E6381-00	PUSH LEVER COMP.	1	
24	90508-20846	SPRING, TORSION	1	
25	90201-158L5	WASHER, PLAIN	1	
26	1TL-E7465-00	OIL SEAL	1	



FIG 13 TRANSMISSION



REF	PART.N°	DESCRIPTION	QTY	REMARKS
1	4YV-E1536-00	GEAR, DRIVE	1	
2	4YV-E1454-00	WEIGHT 1	1	
3	93306-202X2	BEARING	1	
4	93306-203X6	BEARING	1	
5	4YV-E1531-00	GEAR, BALANCE WT	1	
6	90282-04807	KEY, STRAIGHT	1	
7	90201-128L1	WASHER, PLAIN	1	
8	90170-12853	NUT	1	
9	4YV-E7411-00	AXLE, MAIN	1	
10	4YV-E7151-00	GEAR, 5TH PINION	1	
11	4YV-E7131-00	GEAR, 3RD PINION	1	
12	4YV-E7161-00	GEAR, 6TH PINION	1	
13	4YV-E7121-00	GEAR, 2ND PINION	1	
14	93440-14815	CIRCLIP	1	
15	93440-18816	CIRCLIP	2	
16	93306-20301	BEARING	1	
17	93315-21429	BEARING, CYLINDRICAL	1	
18	4YV-E7421-00	AXLE, DRIVE	1	
19	4YV-F7211-00	GEAR, 1ST WHEEL	1	
20	4YV-E7251-00	GEAR, 5TH WHEEL	1	
21	4YV-E7241-00	GEAR, 4TH WHEEL	1	
22	4YV-E7231-00	GEAR, 3RD WHEEL	1	
23	4YV-E7261-00	GEAR, 6TH WHEEL	1	
24	4YV-E7221-00	GEAR, 2ND WHEEL	1	
25	93440-20825	CIRCLIP	3	
26	90201-148L6	WASHER, PLAIN	2	
27	93410-14815	CIRCLIP	1	
28	90201-208L7	WASHER, PLAIN	1	
29	90201-208L8	WASHER, PLAIN	2	
30	93410-20825	CIRCLIP	1	
31	93315-21429	BEARING, CYLINDRICAL	1	
32	93306-204X1	BEARING	1	
33	93102-20873	OIL SEAL	1	
34	4YV-E7640-00	SPROCKET, DRIVE	1	
35	93410-20825	CIRCLIP	2	



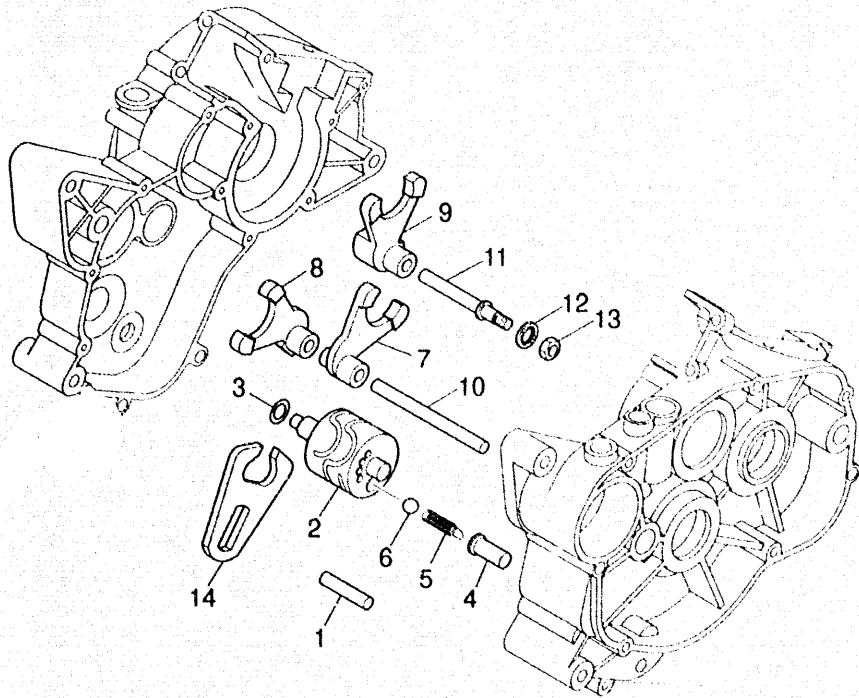


FIG 14 SHIFT CAM.FORK

REF	PART.N°	DESCRIPTION	QTY	REMARKS
1	4YV-E7861-00	AXLE, DRIVE GEAR	1	
2	4YV-E8540-00	SHIFT CAM ASSY	1	
3	90201-108L9	WASHER, PLAIN	1	
4	4YV-E8542-00	POINT, NEUTRAL	1	
5	90501-12660	SPRING, COMPRESSION	1	
6	93500-09827	BALL	1	
7	4YV-E8511-00	FORK, SHIFT 1	1	
8	4YV-E8512-00	FORK, SHIFT 2	1	
9	4YV-E8513-00	FORK, SHIFT 3	1	
10	4YV-E8531-00	BAR, SHIFT FORK GUIDE 1	1	
11	4YV-E8535-00	BAR, SHIFT FORK GUIDE 2	1	
12	90205-07801	WASHER, TOOTH	1	
13	90170-07856	NL.	1	
14	4YV-E8141-00	PLATE, STOPPER	1	

END

**CONTENTS**

<b>ENGINE</b>			
CYLINDER		B2	REAR ARM C7
CRANKSHAFT.PISTON		B3	REAR SUSPENSION C8
WATER PUMP		B4	STEERING C9
RADIATOR		B5	FRONT FORK C10
OIL PUMP		B6	FUEL TANK C11
INTAKE		B7	SEAT C12
CARBURETOR		B8	FRONT WHEEL C13
EXHAUST		B9	FRONT BRAKE CALIPER C14
CRANKCASE		B10	REAR WHEEL C15
CRANKCASE COVER		B11	STEERING HANDLE CABLE D2
STARTER		B12	STAND FOOTREST D3
CLUTCH		B13	FRONT MASTER CYLINDER D4
TRANSMISSION		B14	COWLING D5
SHIFT CAM.FORK		B15	GENERATOR D6
SHIFT SHAFT		C2	FLASHER LIGHT D7
	<b>CHASSIS</b>		METER D8
FRAME		C3	HEADLIGHT D9
FENDER		C4	TAILLIGHT D10
SIDE COVER		C5	HANDLE CLUTCH D11
OIL TANK		C6	ELECTRICAL 1 D12
			NUMERICAL INDEX M1 M2 M3

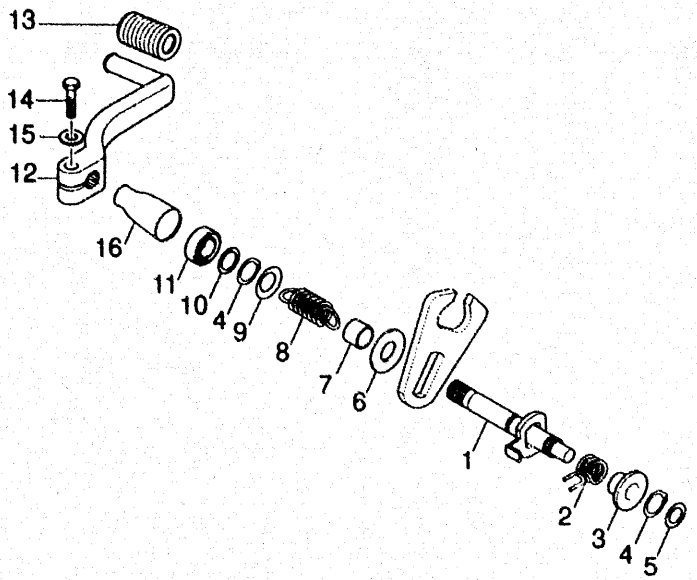


FIG 15 SHIFT SHAFT

REF	PART.N°	DESCRIPTION	QTY	REMARKS
1	4YV-E8101-00	SHIFT SHAFT ASSY	1	
2	90508-28847	SPRING, TORSION	1	
3	90381-12805	BUSH, SOLID	1	
4	99001-10600	CIRCLIP	2	
5	90201-108L9	WASHER, PLAIN	1	
6	90201-128M0	WASHER, PLAIN	1	
7	90387-128P2	COLLAR	1	
8	90501-18861	SPRING, COMPRESSION	1	
9	90201-128L1	WASHER, PLAIN	1	
10	90201-128M1	WASHER, PLAIN	1	
11	93101-12834	OIL SEAL	1	
12	5BK-E8110-00	SHIFT PEDAL ASSY	1	
13	5BK-E8113-00	COVER, SHIFT PEDAL	1	
14	90101-06X01	SCREW H M6X25	1	
15	NU3-84138-00	WASHER, SPECIAL	1	
16	5BK-E8129-00	COVER, SHIFT SHAFT	1	



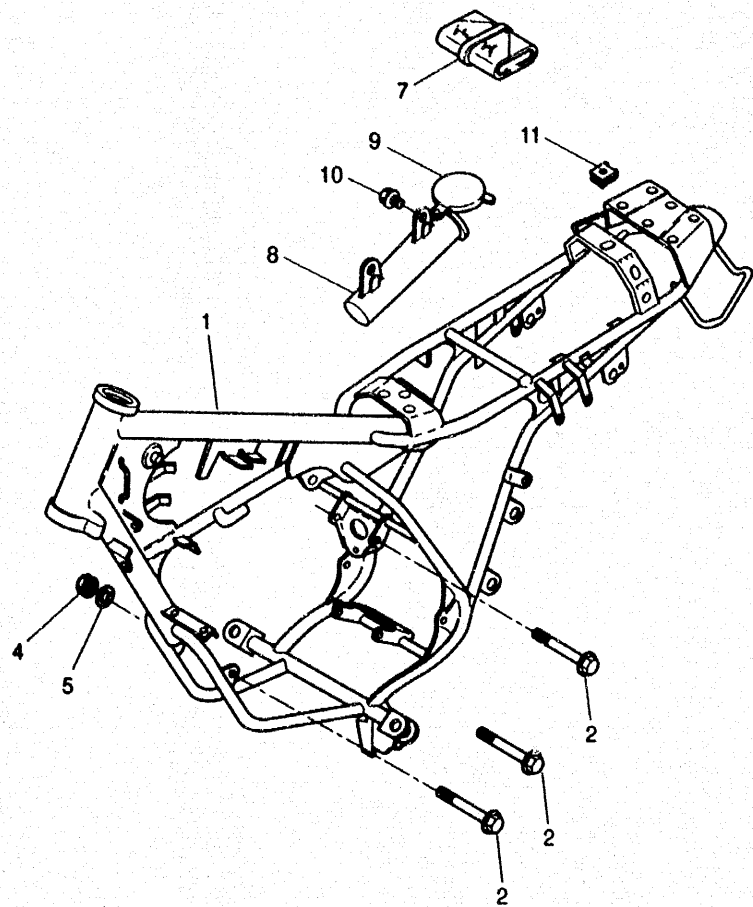


FIG 16 FRAME

REF	PART.N°	DESCRIPTION	QTY	REMARKS
1	5BK-F1110-00-33	FRAME COMP.	1	UR YAMAHA BLACK /RR
	5BK-F1110-00-P0	FRAME COMP.	1	UR PURPLISHWHITE SOLID 1
2	4CT-F134T-20	BOLT	3	
4	4CT-F1244-00	NUT	3	
5	4CT-F1187-00	WASHER, LOCK	6	
7	NL9-28100-00	TOOL KIT	1	
8	17W-28173-00	BOX, TOOL	1	
9	17W-28185-00	LID	1	
10	90119-06056	BOLT, WITH WASHER	2	
11	90183-05X00	NUT SPRING	4	
		NOT ILLUSTRATED		
	5BK-F1182-00	MANUFACTURER PLATE	1	
	90267-32801	RIVET, BLIND	2	
	5BK-F111N-00	LABEL, NOISE	1	
	4CU-F1568-10	LABEL, WARNING	1	



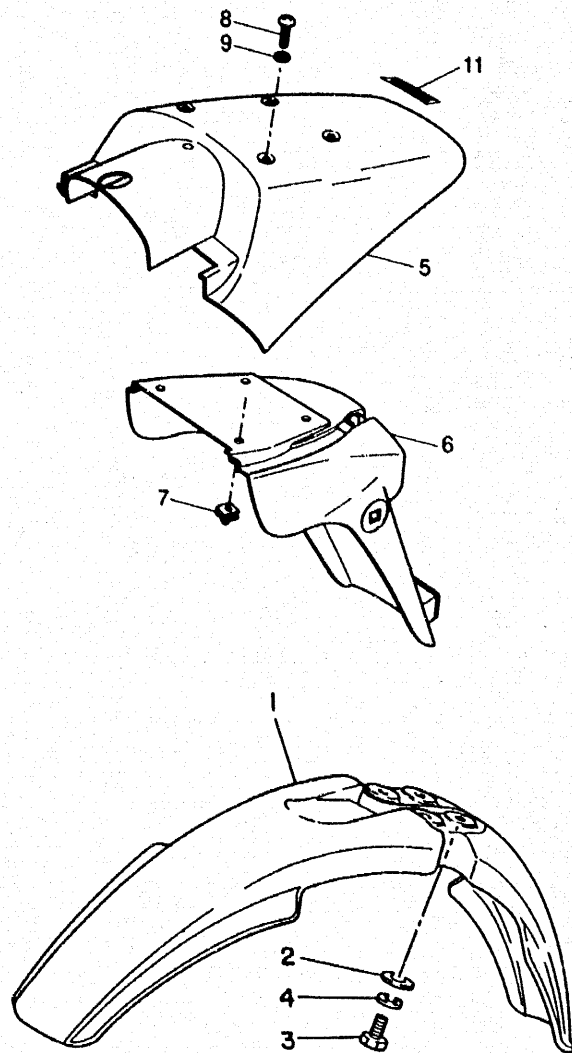


FIG 17 FENDER

REF	PART.N°	DESCRIPTION	QTY	REMARKS
1	5T8-F1511-60	FENDER, FRONT	1	UR RASPBERRY RED
1	5BK-F1511-00	FENDER, FRONT	1	UR INK BLUE
2	90201-065F3	WASHER, PLAIN	4	
3	NG3-98561-00	SCREW	4	
4	NB7-49470-00	WASHER	4	
5	5BK-F1611-00	FENDER, REAR	1	
6	5BK-F1621-00	FLAP	1	
7	90183-06X00	NUT, SPRING	4	
8	5BK-F1631-00	BOLT 1	4	
9	NU3-84138-00	WASHER, SPECIAL	4	
11	5BK-F8368-00	EMBLEM	1	UR /RR
	5BK-F8368-20	EMBLEM	1	UR /KB



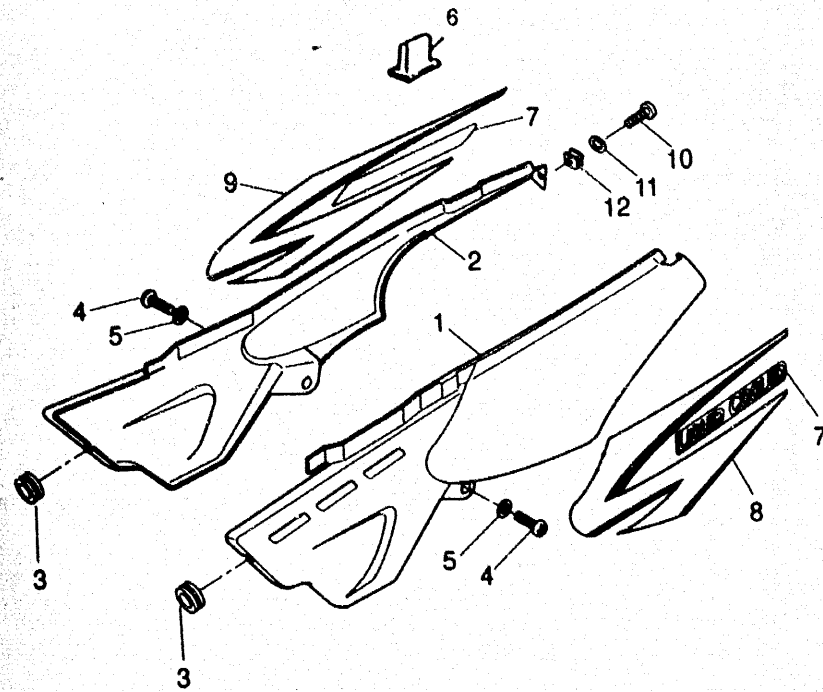


FIG 18 SIDE COVER

REF	PART.N°	DESCRIPTION	QTY	REMARKS
1	5BK-F1711-00-WL	COVER, SIDE 1	1	UR STARDUSTSILVER RR/KB
2	5BK-F1721-00-WL	COVER, SIDE 2	1	UR STARDUSTSILVER RR/KB
3	90480-12325	GROMMET	2	
4	5KB-F4453-00	SCREW	2	
5	NU3-84138-00	WASHER, SPECIAL	2	
6	43F-21773-00	GROMMET	1	
7	5BK-F173E-00	GRAPHIC 1	2	UR RASPBERRY RED
	5BK-F173E-10	GRAPHIC 1	2	UR INK BLUE
8	5BK-F174G-00	GRAPHIC 3	1	UR RR/KB
9	5BK-F174H-00	GRAPHIC 4	1	UR RASPBERRY RED
10	90167-05X02	SCREW TAPPING	2	
11	NE5-90471-00	WASHER	2	
12	90183-05X00	NUT SPRING	2	





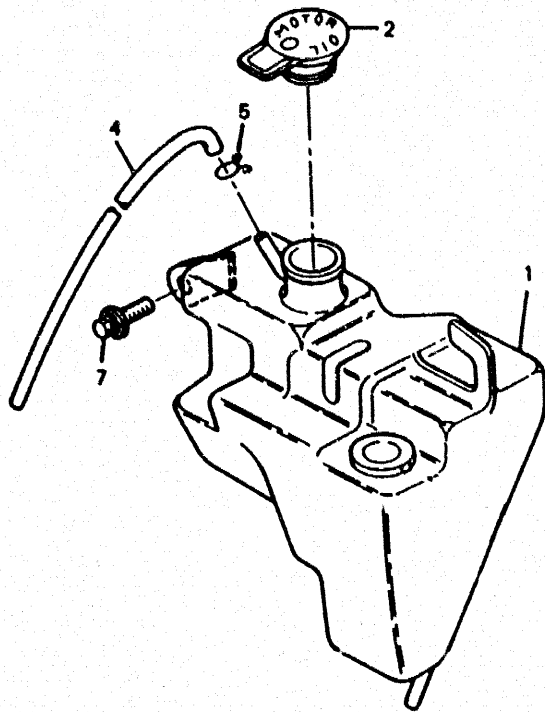
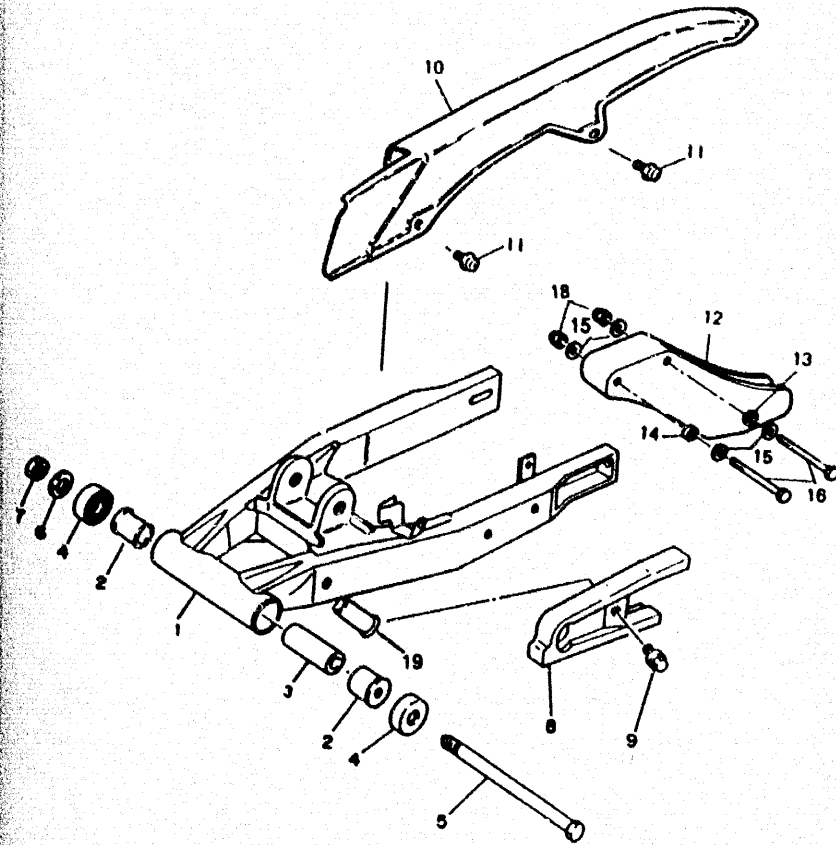


FIG 19 OIL TANK

REF	PART.N°	DESCRIPTION	QTY	REMARKS
1	3HL-F1751-00	TANK, OIL	1	
2	5T8-F1771-00	CAP,OIL TANK	1	
4	5T8-F1745-01	PIPE, OIL TANK BREAT	1	
5	90467-08003	CLIP	1	
7	90119-06044	BOLT, WITH WASHER	1	



FIG 20 REAR ARM



REF	PART.N°	DESCRIPTION	QTY	REMARKS
1	5BK-F2110-00	REAR ARM COMP.	1	
2	90386-18099	BUSH	2	
3	5BK-F2126-00	COLLAR, DISTANCE	1	
4	401-22128-01	COVER, THRUST 1	2	
5	5BK-F2141-00	SHAFT, PIVOT	1	
6	90201-10X02	WASHER, PLAIN	1	
7	95607-10100	BOLT, STUD	1	
8	34X-22151-01	SEAL, GUARD	1	
9	90159-06059	SCREW, WITH WASHER	1	
10	3MP-F2311-01	CASE, CHAIN	1	
11	90159-06058	SCREW, WITH WASHER	2	
12	3HL-F2153-10	GUARD, CHAIN	1	
13	NAO-10330-00	WASHER	1	
14	5BK-F2246-00	WASHER	1	
15	3HL-F2245-00	WASHER	4	
16	3HL-F2241-00	BOLT 1	2	
18	3VL H3916-00	NUT 1	2	
19	3HL-F2186-00	SPACER	1	



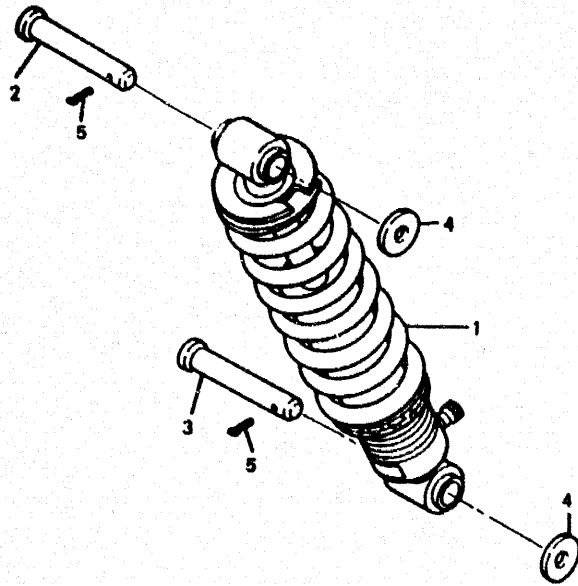


FIG 21 REAR SUSPENSION

REF	PART.N°	DESCRIPTION	QTY	REMARKS
1	5BK-F2210-00	SHOCK ABSORBER ASSY, REAR	1	
2	90240-10072	PIN, CLEVIS	1	
3	90240-10069	PIN, CLEVIS	1	
4	90201-10X02	WASHER, PLAIN	2	
5	91401-25020	PIN, COTTER	2	



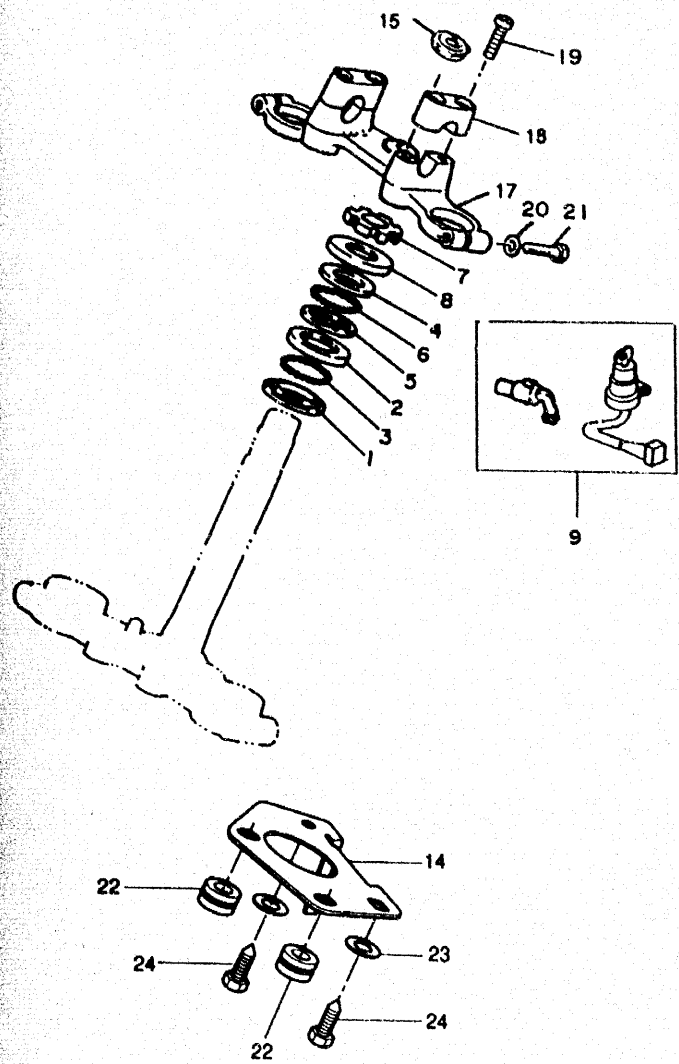


FIG 22 STEERING

REF	PART.N°	DESCRIPTION	QTY	REMARKS
1	156-23411-00	RACE, BALL 1	1	
2	156-23412-00	RACE, BALL 2	1	
3	93501-04011	BALL	1	
4	22F-23411-01	RACE, BALL 1	1	
5	22F-23412-01	RACE, BALL 2	1	
6	93503-160*0	BALL	2	
7	5BK-F3453-00	NUT, FITTING 1	1	
8	5T8-F3416-00	COVER, BALL RACE 2	1	
9	5BK-H2021-00	KEY SET	1	
14	5BK-H3519-00	BRACKET, METER	1	
15	5BK-F3454-00	NUT, FITTING 2	1	
17	5BK-F3435-00	CROWN, HANDLE	1	
18	5BK-F3441-00	HOLDER, HANDLE UPPER	2	
19	NI16-23452-00	SCREW CHC M8-30	4	
20	NU6-23451-00	SCREW H M8-20	2	
21	NU6-23456-00	WASHER	2	
22	5BK-H3513-00	DAMPER	2	
23	4CT-F1187-00	WASHER, LOCK	2	
24	NE7-98961-02	SCREW	2	



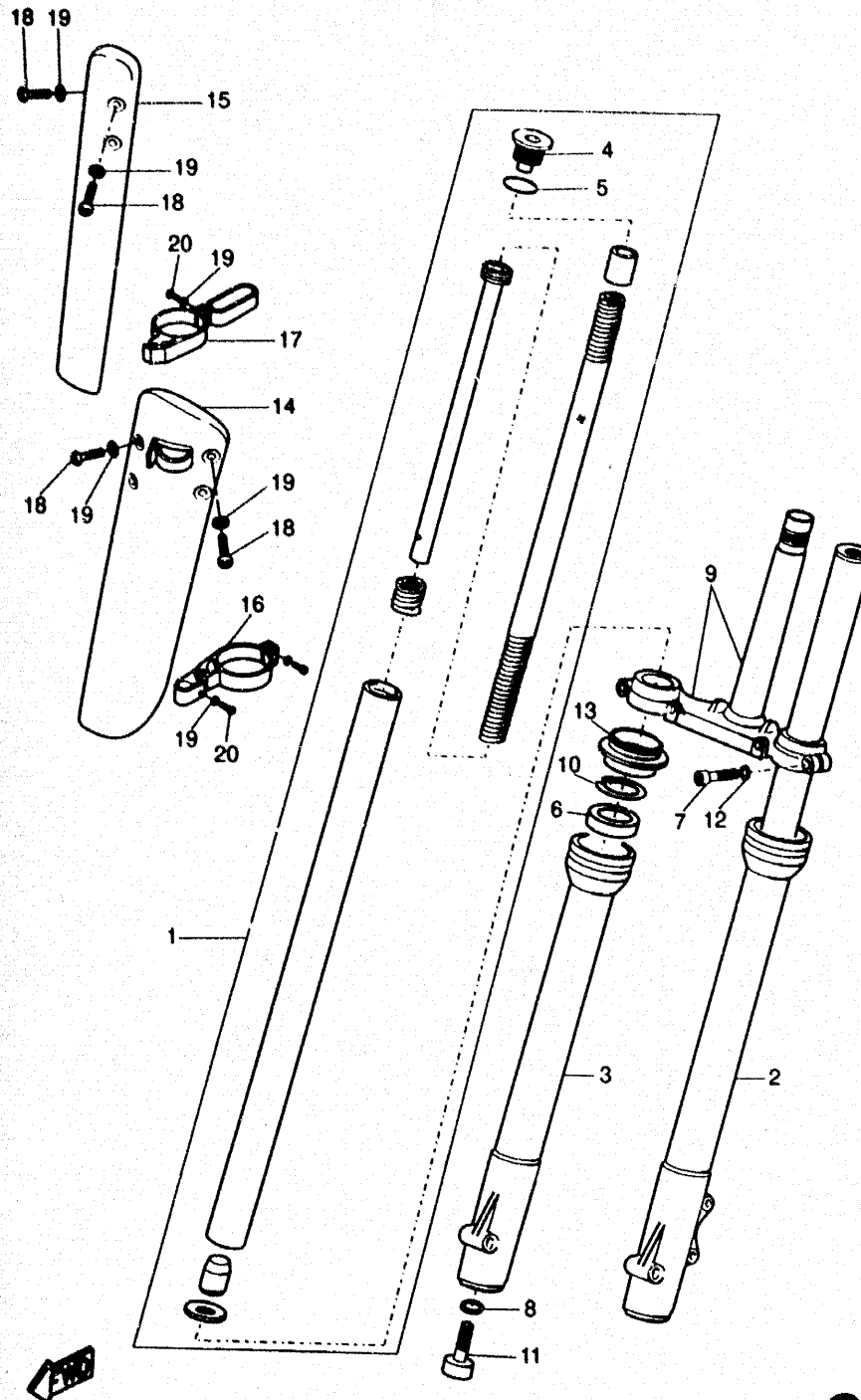


FIG 23 FRONT FORK

REF	PART.N°	DESCRIPTION	QTY	REMARKS
	5BK-F3360-00	ARM ASSY 1	1	REP:1+2+6+8+10+11+13
	5BK-F3370-00	TUBE RIGHT FRONT FORK	1	REP:1+3+6+8+10+11+13
1	5BK-F3110-00	INNER TUBE (RIGHT OR LEFT)	2	
2	5BK-F3126-00	TUBE, OUTER 1 LEFT	1	
3	5BK-F3136-00	TUBE, OUTER 2 RIGHT	1	
4	5BK-F3111-00	BOLT, CAP	2	
5	5BK-F3114-00	GASKET	2	
6	5BK-F3145-00	OIL SEAL	2	
7	5BK-F3456-00	WASHER	2	
8	5BK-F3452-00	BOLT, FITTING 2	2	
9	5BK-F3440-00	UNDER BRACKET SUB CCMP.	1	
10	3HL-F3156-00	CLIP, OIL SEAL	2	
11	3HL-F3181-00	BOLT, HEXAGON SOCKET	2	
12	4TD-F3112-00	WASHER, CAP	2	
13	NU6-23144-00	SEAL, DUST	2	
14	5BK-F314H-00	PROTECTOR COMP., 1	1	UR /PR
	5BK-F314H-10	PROTECTOR COMP., 1	1	UR /KB
15	5BK-F314J-00	PROTECTOR COMP., 2	1	UR /RR
	5BK-F314J-10	PROTECTOR COMP., 2	1	UR /KB
16	5BK-F314F-00	PROTECTOR GUIDE COMP., 1	1	UR /RR
	5BK-F314F-10	PROTECTOR GUIDE COMP., 1	1	UR /KB
17	5BK-F314G-00	PROTECTOR GUIDE COMP., 2	1	UR /RR
	5BK-F314G-10	PROTECTOR GUIDE COMP., 2	1	UR /KB
18	5BK-F3119-10	SCREW	8	
19	5BK-F3444-00	WASHER	8	
20	5BK-F3119-00	SCREW	5	

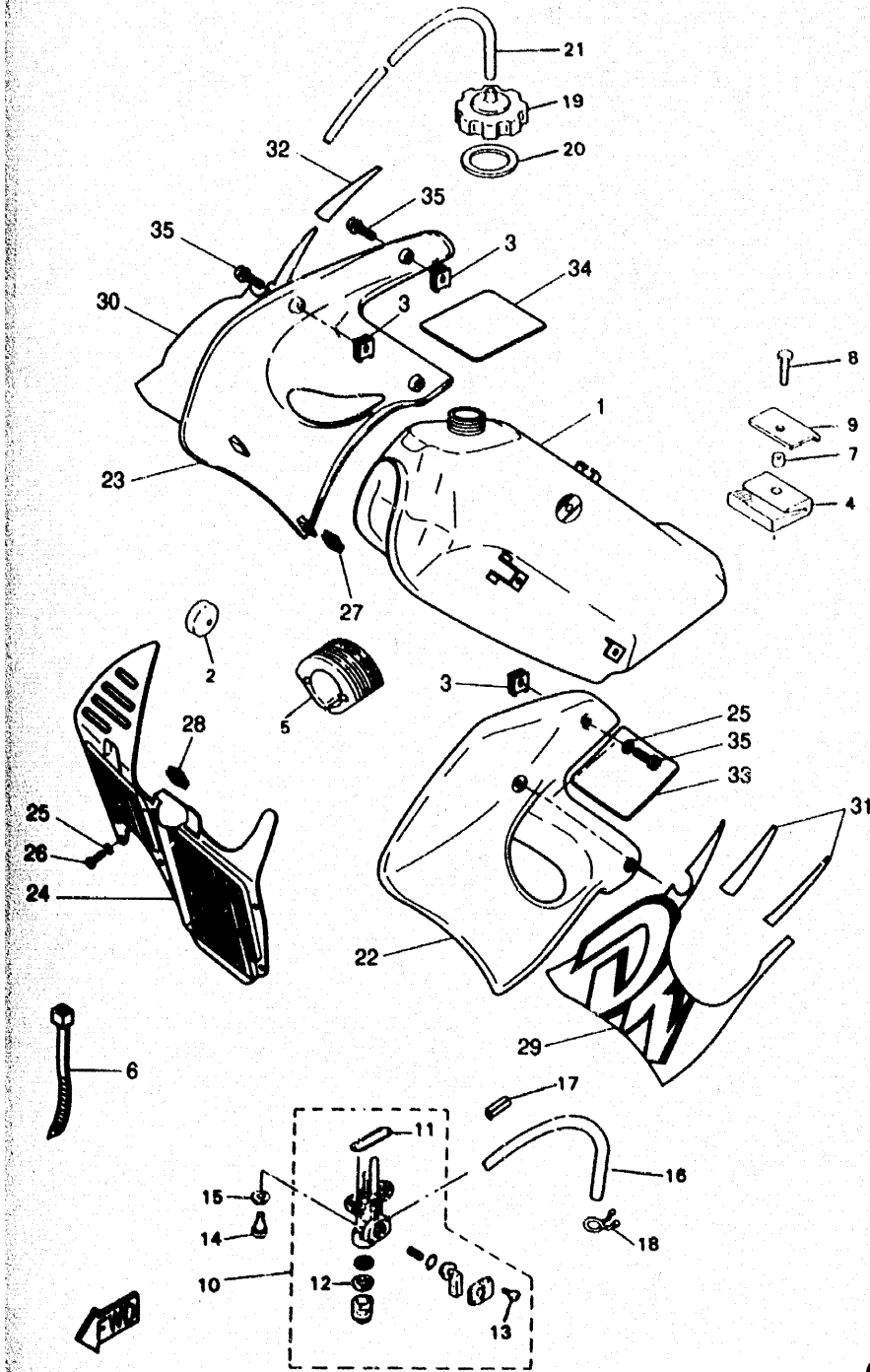
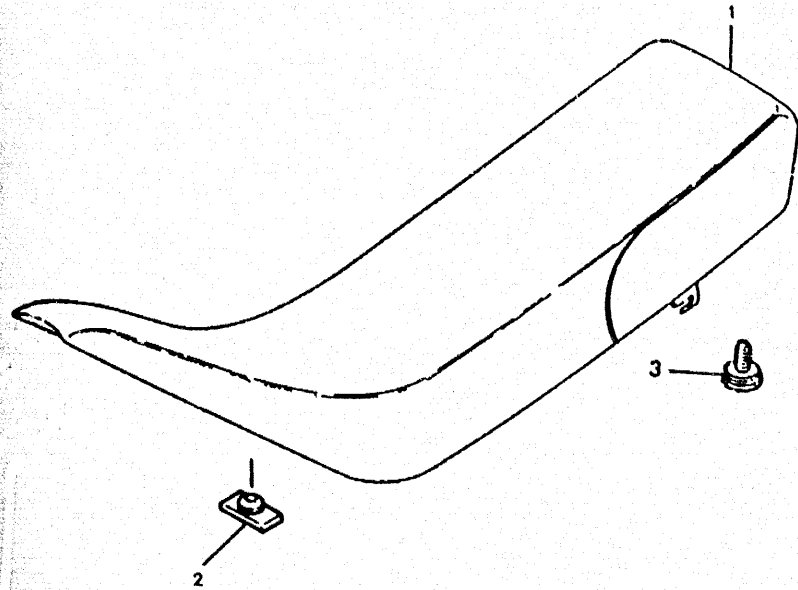


FIG 24 FUEL TANK

REF	PART.N°	DESCRIPTION	QTY	REMARKS
1	5BK-F4110-00-33	FUEL TANK COMP.	1	UR YAMAHA BLACK /RASP. RED
1	5BK-F4110-00-EX	FUEL TANK COMP.	1	UR INK BLUE
2	26H-24181-00	DAMPER, LOCATING 1	2	
3	90183-06X00	NUT, SPRING	4	
4	5T8-F4182-01	DAMPER, LOCATING 2	1	
5	34L-24184-00	DAMPER, LOCATING 4	1	
6	90465-13275	CLAMP	1	
7	90387-06825	COLLAR	1	
8	97507-06430	BOLT, WITH WASHER	1	
9	5T8-F4186-00	WASHER, SPECIAL	1	
10	5BK-F4500-00	FUEL COCK ASSY 1	1	
11	3VL-F4512-00	.GASKET	1	
12	5BK-F4522-00	.GASKET	1	
13	5BK-F4535-00	.SCREW, LEVER FITTING	2	
14	90149-06011	SCREW	2	
15	90202-05187	WASHER, PLATE	2	
16	4SB-F4312-20	PIPE 2	1	
17	90467-10008	CLIP	1	
18	NN1-2411M-00	CLIP	1	
19	5T8-F4611-00	CAP,FUEL TANK	1	
20	5T8-F4612-00	GASKET, CAP	1	
21	4CT-F416A-00	HOSE	1	
22	5BK-F137W-00	SCOOP, AIR 1	1	UR RASPBERRY RED
	5BK-F137W-10	SCOOP, AIR 1	1	UR INK BLUE
23	5BK-F137X-00	SCOOP, AIR 2	1	UR RASPBERRY RED
	5BK-F137X-10	SCOOP, AIR 2	1	UR INK BLUE
24	5BK-F172A-00	PANEL 1	1	
25	5BK-F4453-00	SCREW	6	
26	NU3-84138-00	WASHER, SPECIAL	6	
27	90183-05X00	NUT, SPRING	2	
28	5BK-F1723-00	NUT, LATCH CLAMP	4	
29	5BK-F179L-00	GRAPHIC 9	1	UR RASPBERRY RED
	5BK-F179L-10	GRAPHIC 9	1	UR INK BLUE
30	5BK-F179M-00	GRAPHIC 10	1	UR RASPBERRY RED
	5BK-F179M-10	GRAPHIC 10	1	UR INK BLUE
31	5BK-F179J-00	GRAPHIC,7	1	UR RASPBERRY RED
	5BK-F179J-10	GRAPHIC,7	1	UR INK BLUE
32	5BK-F179K-00	GRAPHIC,8	1	UR RASPBERRY RED
	5BK-F179K-10	GRAPHIC,8	1	UR INK BLUE
33	5BK-F4244-00	GRAPHIC, FUEL TANK 1	1	UR RASPBERRY RED
	5BK-F4244-10	GRAPHIC, FUEL TANK 1	1	UR INK BLUE
34	5BK-F4245-00	GRAPHIC, FUEL TANK 2	1	UR RASPBERRY RED
	5BK-F4245-10	GRAPHIC, FUEL TANK 2	1	UR INK BLUE
35	90167-05X02	SCREW, TAPPING	6	

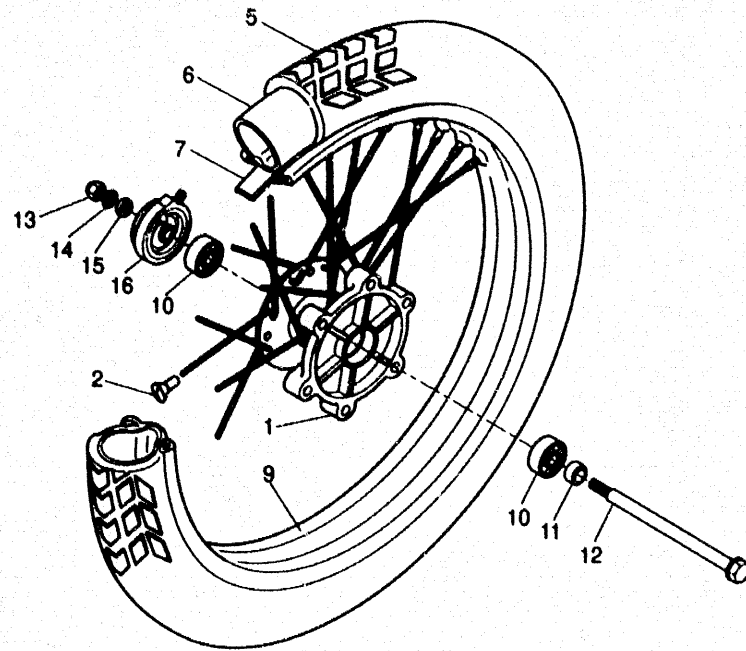
FIG 25 SEAT



REF	PART.N°	DESCRIPTION	QTY	REMARKS
1	5BK-F4730-00	DOUBLE SEAT ASSY	1	UR RR
1	5BK-F4730-10	DOUBLE SEAT ASSY	1	UR IKB
2	509-24724-00	DAMPER, SEAT	1	
3	3HL-F4739-00	BOLT, SEAT FITTING	1	
		NOT ILLUSTRATED		
	5BK-F4731-00	COVER, SEAT	1	UR RR
	5BK-F4731-10	COVER, SEAT	1	UR IKB



FIG 26 FRONT WHEEL



REF	PART.N°	DESCRIPTION	QTY	REMARKS
1	5BK-F5111-00	HUB, FRONT	1	
2	5BK-F5395-00	NIPPLE, SPOKE	36	
3	5BK-F5196-00	SPOKE, INNER 1	9	L = 201,5 - 97°
4	5BK-F5197-10	SPOKE 2	18	L = 199,5 - 95°
5	5BK-F510S-00	TIRE	1	PIRELLI 90/90-19
6	5BK-F510T-00	TUDE	1	
7	5BK-F510U-00	BAND RIM	1	
8	5BK-F5189-00	SPOKE SET, OUTER 2	9	L = 195,5 - 99°
9	5BK-F5144-00	RIM	1	
10	5BK-F582M-10	BEARING	2	
11	5BK-F5117-00	SPACER, BEARING	1	
12	5BK-F5181-00	AXLE, WHEEL	1	
13	5BK-F5182-00	NUT, AXLE	1	
14	5BK-F5384-00	WACHER, WHEEL	1	
15	5BK-F5183-00	COLLAR, WHEEL	1	
16	5BK-F5190-00	GEAR UNIT ASSY	1	

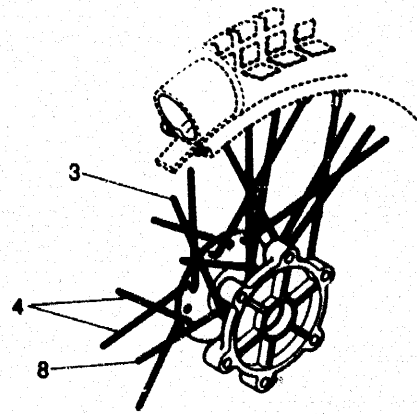
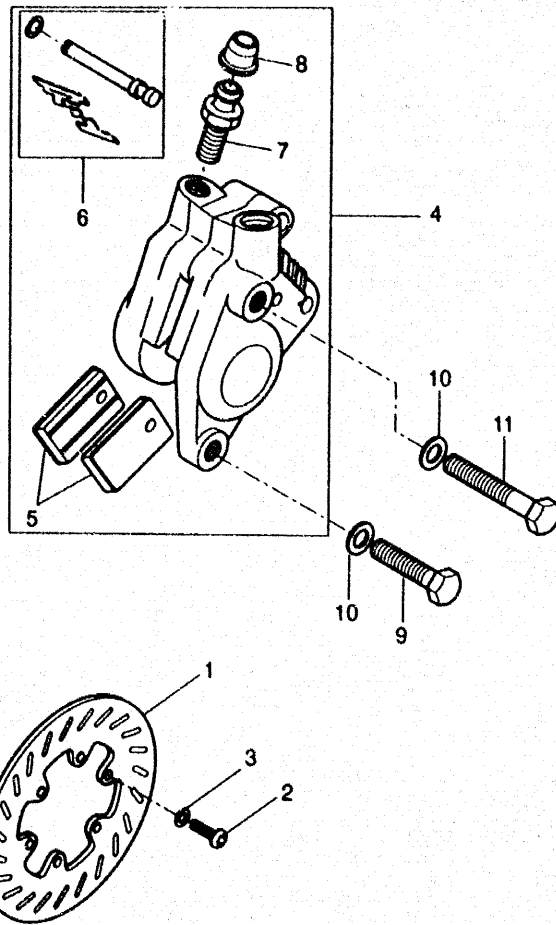




FIG 27 FRONT BRAKE CALIPER



REF	PART.N°	DESCRIPTION	QTY	REMARKS
1	5BK-F582T-00	DISC, BRAKE	1	
2	5BK-F5833-00	BOLT, FITTING	6	
3	5BK-F581N-00	WASHER, DISK	6	
4	5BK-F580T-00	CALIPER ASSY (LEFT)	1	
5	5BK-F5811-00	.PAD, CALIPER 2	1	
6	5BK-F5919-00	.SUPPORT, PAD ASSY	1	
7	5BK-F5824-00	.SCREW, BREED	1	
8	4VV-F5825-00	.CAP	1	
9	5BK-F3346-00	BOLT 1	1	
10	5BK-F3737-00	WASHER 1	2	
11	5BK-F3346-10	BOLT 1	1	



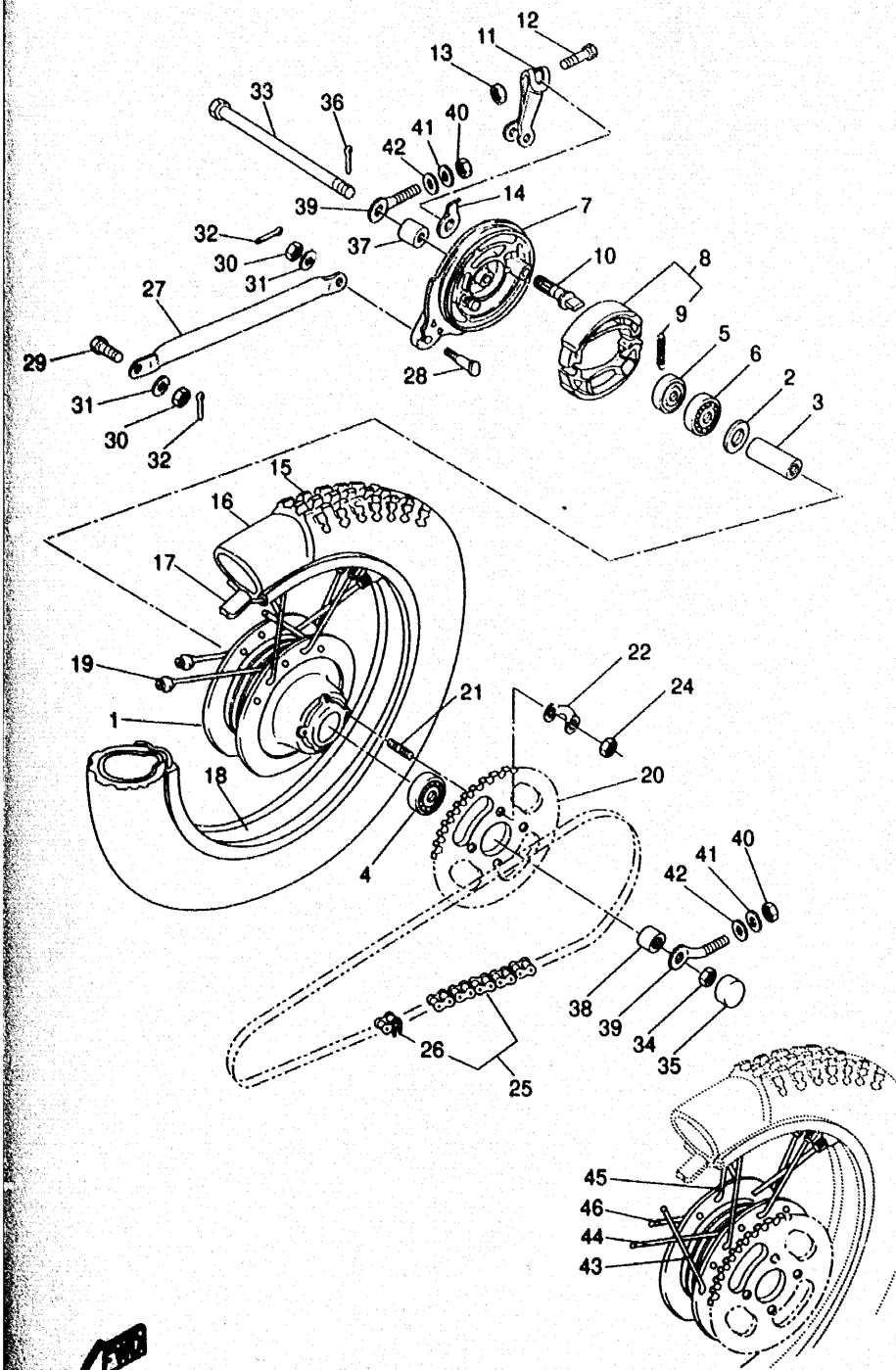


FIG 28 REAR WHEEL

REF	PART.N°	DESCRIPTION	QTY	REMARKS
1	5BK-F5311-01	HUB, REAR	1	
2	5T8-F5315-00	FLANGE, SPACER	1	
3	5BK-F5317-00	SPACER, BEARING	1	
5	93106-20033	OIL SEAL	1	
6	5BK-F582M-00	BEARING	2	
7	5T8-F5321-03	PLATF. BRAKE SHOE	1	
8	2JL-W2536-10	BRAKE SHOE COMP.	2	
9	90506-15260	SPRING	2	
10	4GL-25351-00	CAMSHAFT	1	
11	5R0-25355-00	LEVER, CAMSHAFT	1	
12	90101-06278	BOLT (L:130MM)	1	
13	95617-08100	NUT	1	
14	5T8-F533A-00	PLATE, INDICATOR	1	
15	5BK-F510S-10	TIRE	1	PIRELLI 110/80-18
16	5BK-F510T-10	TUBE	1	
17	5BK-F510U-00	BAND RIM	1	
18	5BK-F5344-00	RIM	1	
19	5BK-F5395-00	NIPPLE, SPOKE	36	
20	5BK-F5452-00	SPROCKET REAR WHEEL 52TH.	1	
21	90116-08X00	BOLT, STUD	4	
22	5T8-F5412-01	WASHER	2	
24	90170-08X00	NUT	4	
25	5BK-E1456-01	CHAIN, PRIMARY	1	
26	5BK-F381B-10	CONNECTING LINK	1	
27	5BK-F5371-00	BAR, TENSION	1	
28	90109-08183	BOLT	1	
29	90109-08368	BOLT	1	
30	95307-08700	NUT	2	
31	92907-08100	SCREW	2	
32	91490-20025	PIN, COTTER	2	
33	5BK-F5381-00	AXLE, WHEEL	1	
34	90171-12015	NUT, CASTLE	1	
35	5T8-F5188-00	CAP	1	
35	91490-30030	PIN, COTTER	1	
37	5BK-F5336-00	RING 2	1	
38	90387-12820	COLLAR	1	
39	102-25389-00	PULLER, CHAIN 2	2	
40	3VL-H3916-00	NUT 1	2	
41	3HL-F2244-00	WASHER 2	2	
42	92907-06600	WASHER	2	
43	5BK-F5396-01	SPOKE, INNER 2	9	L = 173 - 78°
44	5BK-F5397-01	SPOKE, OUTER 2	9	L = 175 - 102°
45	5BK-F5391-00	SPOKE, INNER 1	9	L = 168 - 102°
46	5BK-F5392-00	SPOKE, OUTER 1	9	L = 167,5 - 78°

### CONTENTS

	ENGINE			
	CYLINDER	B2	REAR ARM	C7
	CRANKSHAFT.PISTON	B3	REAR SUSPENSION	C8
	WATER PUMP	B4	STEERING	C9
	RADIATOR	B5	FRONT FORK	C10
	OIL PUMP	B6	FUEL TANK	C11
	INTAKE	B7	SEAT	C12
	CARBURETOR	B8	FRONT WHEEL	C13
	EXHAUST	B9	FRONT BRAKE CALIPER	C14
	CRANKCASE	B10	REAR WHEEL	C15
	CRANKCASE COVER	B11	STEERING HANDLE CABLE	D2
	STARTER	B12	STAND FOOTREST	D3
	CLUTCH	B13	FRONT MASTER CYLINDER	D4
	TRANSMISSION	B14	COWLING	D5
	SHIFT CAM.FORK	B15	GENERATOR	D6
	SHIFT SHAFT	B15	FLASHER LIGHT	D7
		C2	METER	D8
	CHASSIS		HEADLIGHT	D9
	FRAME	C3	TAILLIGHT	D10
	FENDER	C4	HANDLE CLUTCH	D11
	SIDE COVER	C5	ELECTRICAL 1	D12
	OIL TANK	C6	NUMERICAL INDEX M1 M2	M3

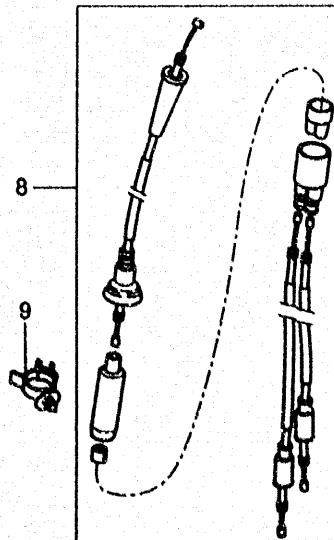
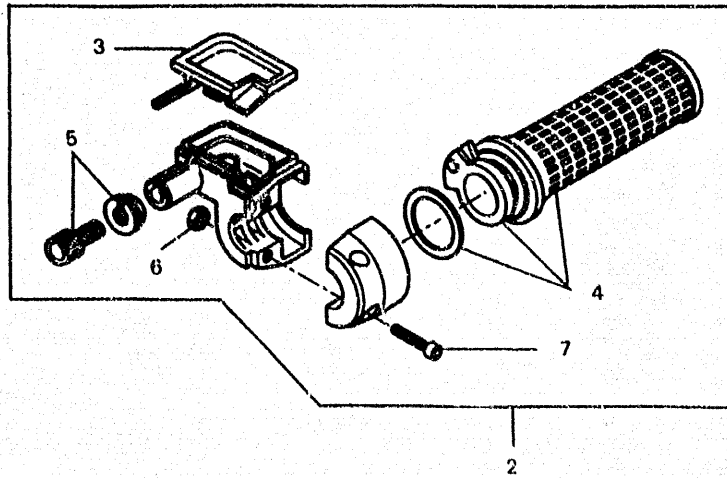
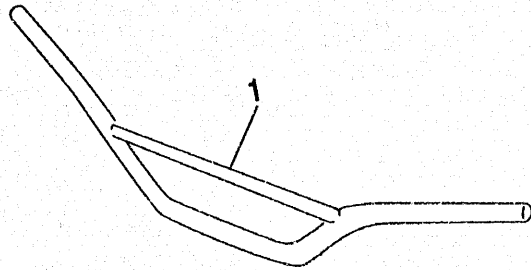


FIG 30 STEERING HANDLE. CABLE

REF	PART.N°	DESCRIPTION	QTY	REMARKS
1	5BK-F6111-00	HANDLEBAR	1	
2	5BK-F6240-10	GRIP ASSY	1	
3	NU6-26358-00	.CAP	1	
4	5BK-F6243-00	.TUBE, THROTTLE GUIDE	1	
5	NU6-26252-00	.NUT, ADJUSTING 2	1	
6	NU6-26333-00	.NUT	1	
7	NU6-26332-00	.BOLT	1	
8	5BK-F6260-00	CABLE ASSY, THROTTLE & PUMP	1	
9	5BK-F6391-00	CLIP, CABLE	1	
	5BK-F6137-00	NOT ILLUSTRATED LABEL	1	

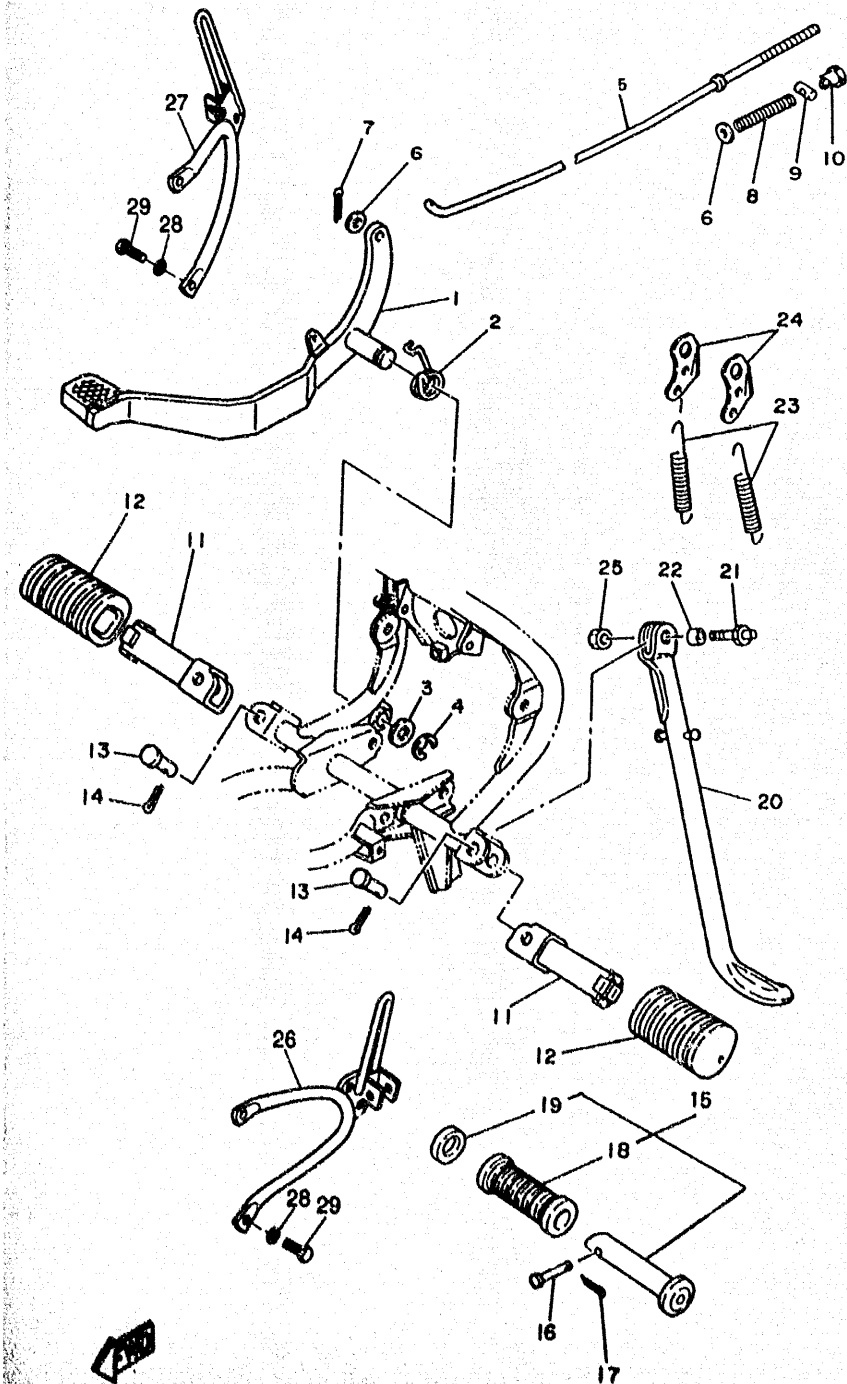


FIG 31 STAND. FOOTREST

REF	PART.N°	DESCRIPTION	QTY	REMARKS
1	5T8-F7211-00	PEDAL, BRAKE	1	
2	90508-32354	SPRING, TORSION	1	
3	90201-14813	WASHER, PLATE	1	
4	93430-10803	CIRCLIP	1	
5	5BK-F7231-00	ROD, BRAKE	1	
6	92907-06800	SCREW	2	
7	91401-20012	PIN, COTTER	1	
8	90501-10245	SPRING, COMPRESSION	1	
9	90249-12008	PIN	1	
10	90179-06411	NUT	1	
11	5T8-F7421-00	FOOTREST 2	2	
12	5T8-F7413-00	COVER, FOOTREST	2	
13	91701-08038	PIN, CLEVIS	2	
14	91490-20025	PIN, COTTER	2	
15	5T8-F7431-00	FOOTREST, REAR 1	2	
16	91701-06032	PIN, CLEVIS	2	
17	91401-16012	PIN, COTTER	2	
18	5T8-F7433-00	COVER, REAR FOOTREST	2	
19	90201-20X00	WASHER, PLAIN	2	
20	1NN-F7311-00	STAND, SIDE	1	
21	90109-08829	BOLT	1	
22	90387-08884	COLLAR	1	
23	90506-20041	SPRING TENSION	2	
24	5T8-F7315-00	LINK, SIDE STAND	2	
25	95307-08700	NUT	1	
26	5BK-F1153-01	BRACKET, REAR FOOTREST	1	
27	5BK-F1154-01	BRACKET, REAR FOOTRESR	1	
28	5BK-F7119-00	WASHER	4	
29	5BK-F7217-00	BOLT	4	

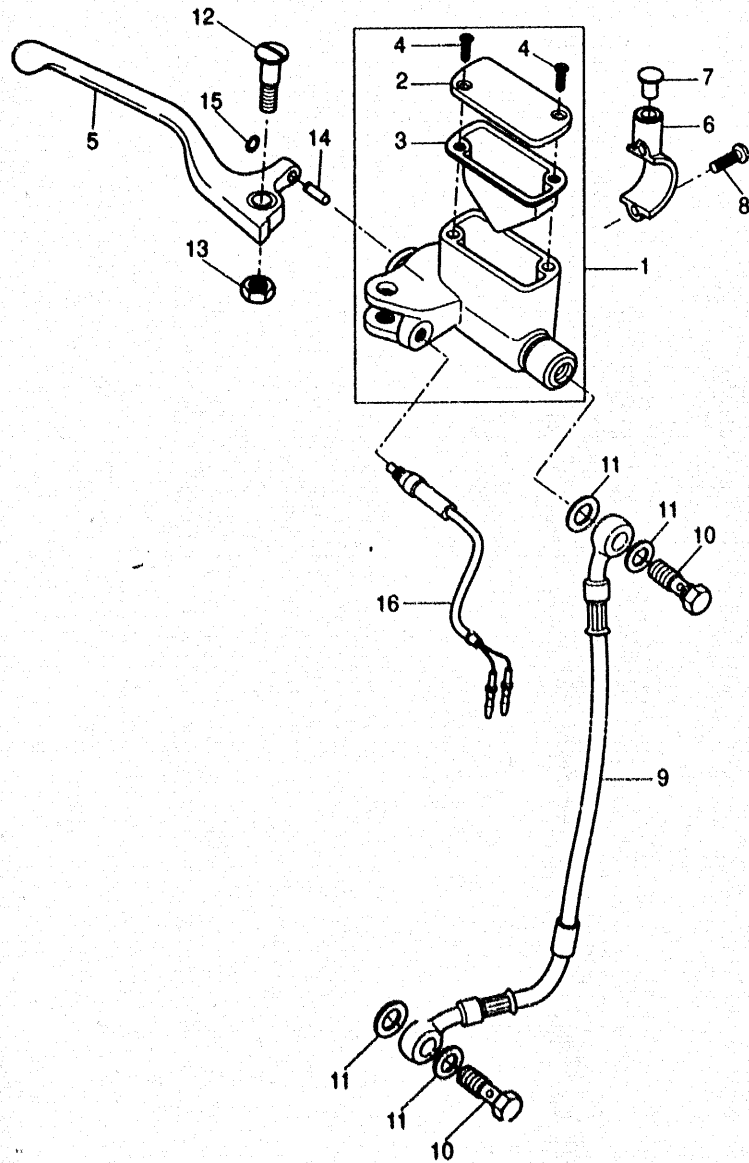


FIG 32 MASTER CYLINDER

REF	PART.N°	DESCRIPTION	QTY	REMARKS
1	5BK-F5850-00	MASTER CYLINDER ASSY	1	
2	5BK-F5852-00	.CAP, RESERVOIR	1	
3	5BK-F5854-00	.DIAPHRAGM, RESERVOIR	1	
4	5BK-F589H-00	.SCREW	2	
5	5BK-H3922-00	.LEVER 2	1	
6	5BK-F5867-00	.BRACKET, MASTER CYLINDER	1	
7	5BK-F6133-00	CAP	1	
9	5BK-F5872-00	HOSE, BRAKE 1	1	
10	90401-10X01	BOLT, UNION	2	
11	90201-10X03	WASHER, PLAIN	4	
12	5BK-H3925-00	.SCREW, LEVER FITTING	1	
13	5BK-H3916-00	.NUT, LEVER FITTING	1	
14	4TD-F5924-00	.STOPPER	1	
15	4TD-F5925-00	.CLIP	1	
16	5BK-H3980-00	FRONT STOP SWITCH ASSY	1	
	5BK-F5870-00	NOT ILLUSTRATED .REPAIRING KIT	1	

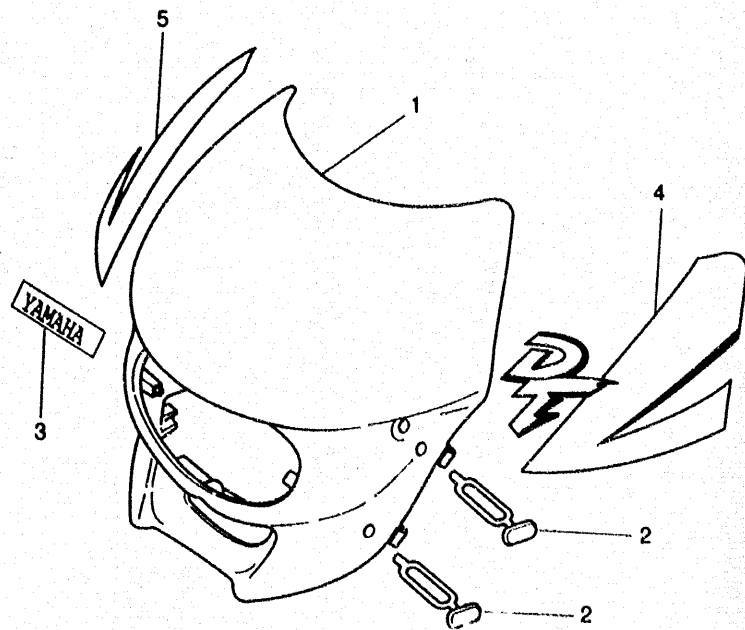


FIG 33 COWLING

REF	PART.N°	DESCRIPTION	QTY	REMARKS
1	5BK-F8351-00	BODY, COWLING	1	UR /RR
	5BK-F8351-10	BODY, COWLING	1	UR /KB
2	5BK-F8483-00	PLATE, RUBBER 1	4	
3	5BK-F8368-00	EMBLEM	1	UR /RR
	5BK-F8368-10	EMBLEM	1	UR /KB
4	5BK-F832B-00	GRAPHIC LEFT	1	UR /RR
	5BK-F832B-10	GRAPHIC LEFT	1	UR /KB
5	5BK-F832C-0C	GRAPHIC RIGHT	1	UR /RR
	5BK-F832C-10	GRAPHIC RIGHT	1	UR /KB



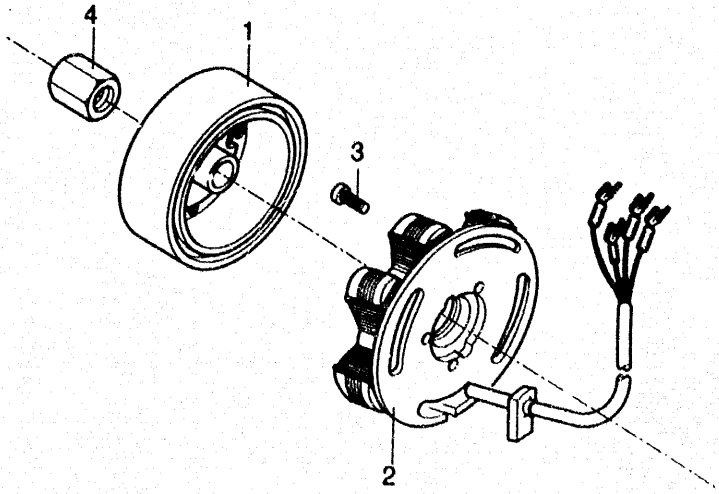


FIG 34 GENERATOR

REF	PART.N°	DESCRIPTION	QTY	REMARKS
1	5BK-H5550-00	ROTOR ASSY	1	
2	5BK-H5560-00	BASE ASSY	1	
3	91317-04010	BOLT	3	
4	90170-10857	NUT	1	





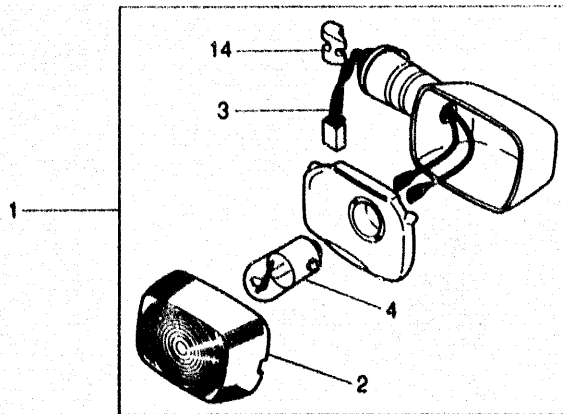
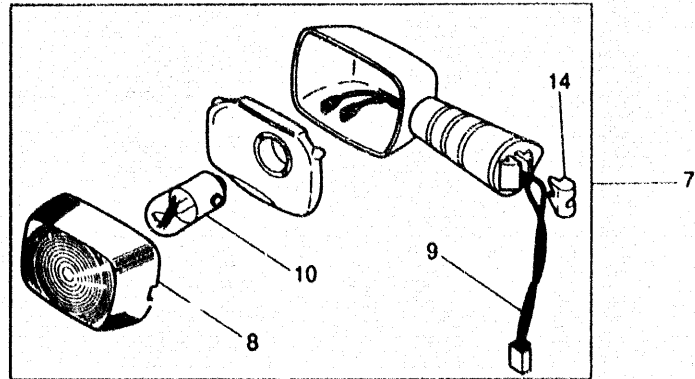
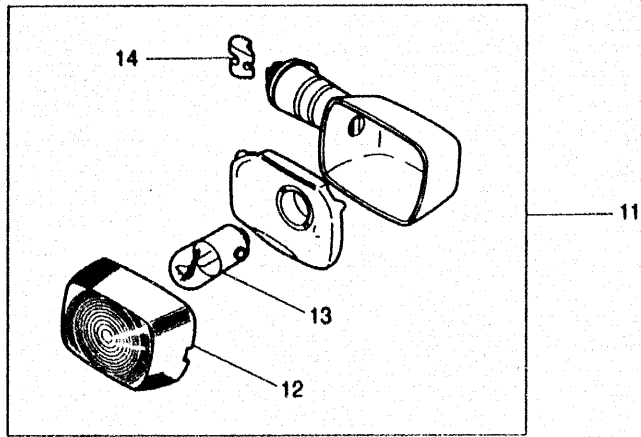
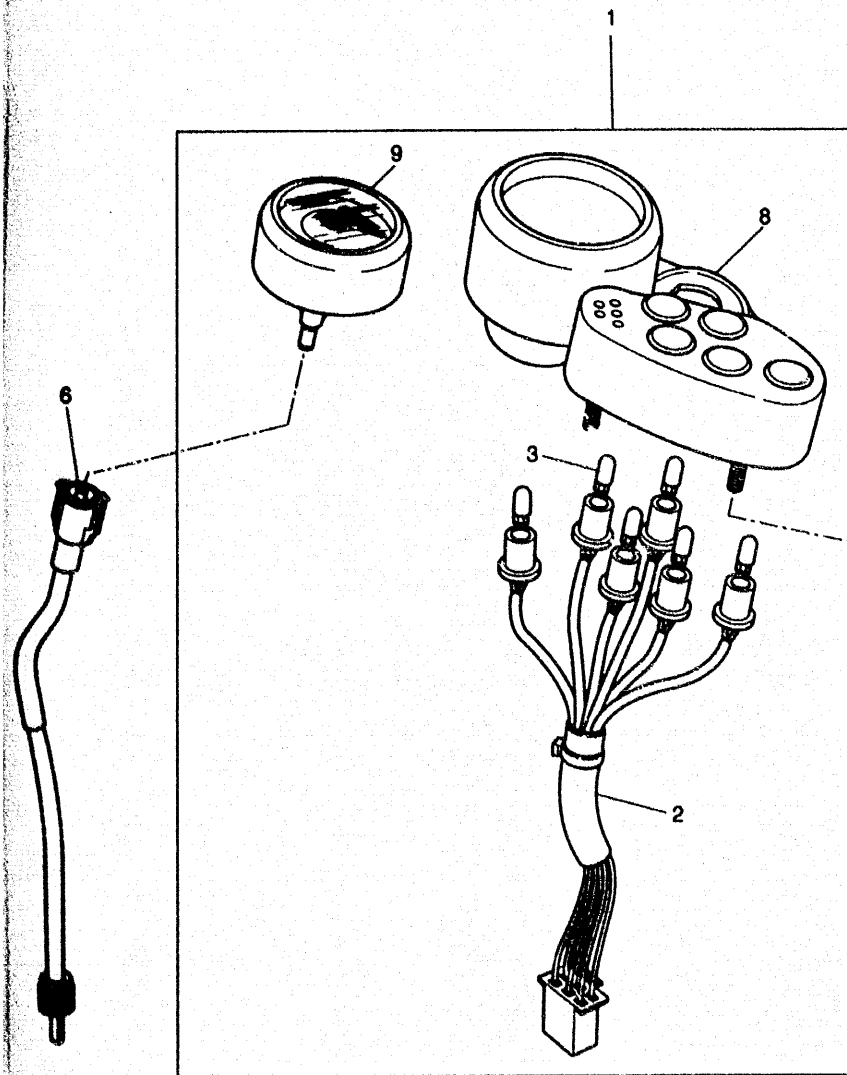


FIG 35 FLASHER LIGHT

REF	PART.N°	DESCRIPTION	QTY	REMARKS
1	5BK-H3310-00	FRONT FLASHER LIGHT ASSY 1	1	
2	5BK-H3312-00	.LENS, FLASHER	1	
3	5BK-H331E-00	.CORD ASSY	1	
4	NDH-H3311-00-01	.BULB	1	
7	5BK-H3320-00	FRONT FLASHER LIGHT ASSY 2	1	
8	5BK-H3312-00	.LENS, FLASHER	1	
9	5BK-H331R-00	.SOCKET COMP. 2	1	
10	NDH-H3311-00-01	.BULB	1	
11	NL9-83310-30	FRONT FLASHER LIGHT ASSY 1	2	
12	5BK-H3312-00	.LENS, FLASHER	1	
13	NDH-H3311-00-01	.BULB	1	
14	NLE-83319-00	.PLUG, BLIND	1	

FIG 36 METER



REF	PART.N°	DESCRIPTION	QTY	REMARKS
1	5BK-H3510-00	SPEEDOMETER ASSY	1	
2	5BK-H3520-00	.SOCKET CORD ASSY	1	
3	5BK-H3517-00	.BULB	1	
4	NE5-90741-00	WASHER	2	
5	3VL-H3916-00	NUT 1	2	
6	5BK-H3550-00	SPEEDOMETER CABLE ASSY	1	
7	5BK-H3513-00	.DAMPER	2	
8	5BK-H352H-00	.PANEL SPEEDOMETER COMP.	1	
9	5BK-H354A-00	.SPEEDOMETER	1	



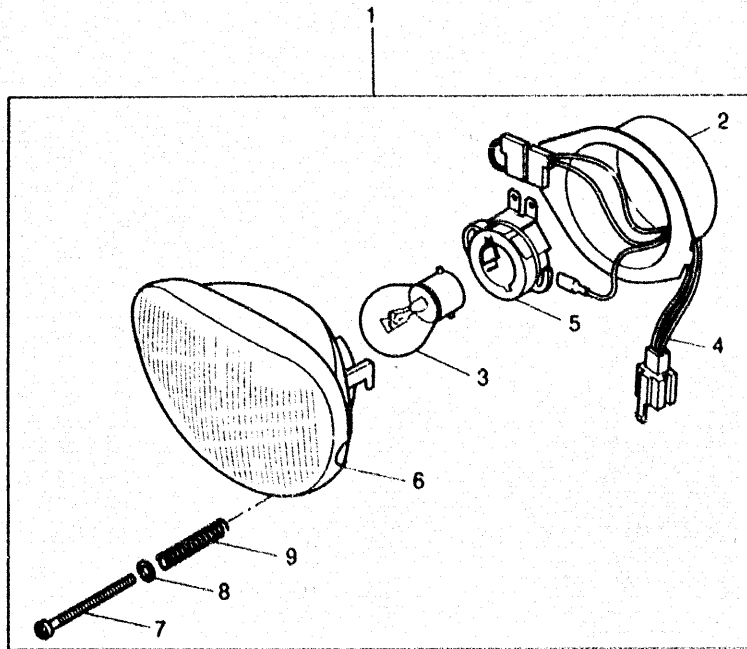


FIG 37 HEADLIGHT

REF	PART.N°	DESCRIPTION	QTY	REMARKS
1	5BK-H4310-10	HEADLIGHT UNIT ASSY	1	
2	5BK-H4396-00	.COVER	1	
3	4SB-H4314-00	.BULB, HEADLIGHT	1	
4	5BK-H4140-00	.SOCKET CORD ASSY	1	
5	5BK-H4112-00	.SOCKET	1	
6	5BK-H4320-00	.LENS ASSY	1	
7	4KH-H4331-10	SCREW, RIM ADJUSTING	1	
8	5BK-H4344-00	WASHER, PLAIN	1	
9	5BK-H4332-00	SPRING, SCREW	1	



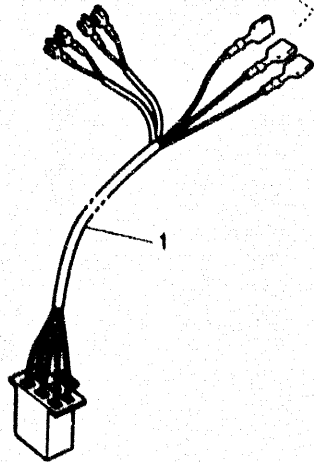
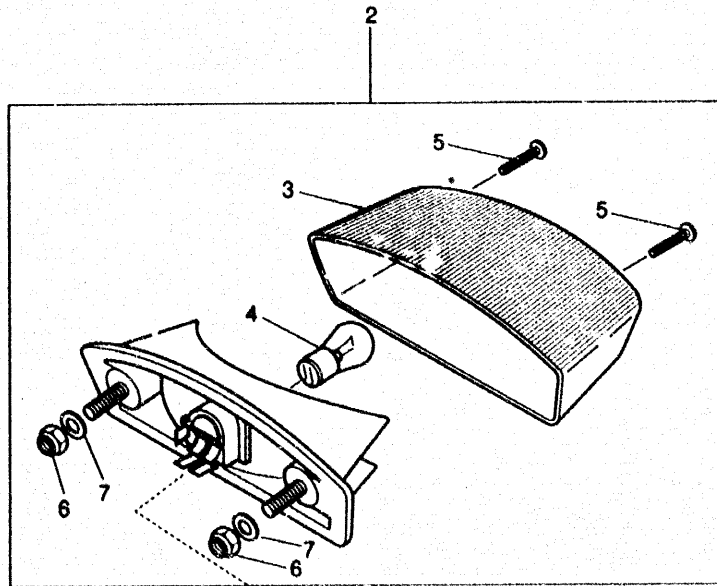


FIG 38 TAILLIGHT

REF	PART.N°	DESCRIPTION	QTY	REMARKS
1	5BK-H4517-00	CORD, TAILLIGHT	1	
2	5BK-H4710-00	TAILLIGHT UNIT ASSY	1	
3	5BK-H4721-00	.LENS, TAILLIGHT	1	
4	3HL-H4535-00	.BULB	1	
5	5BK-H4724-00	.SCREW, LENS FITTING	2	
6	3VL-H3916-00	NUT 1	2	
7	3HL-F2244-00	WASHER 2	2	
	3EC-H5111-00	REFLECTOR, FRONT 1	2	

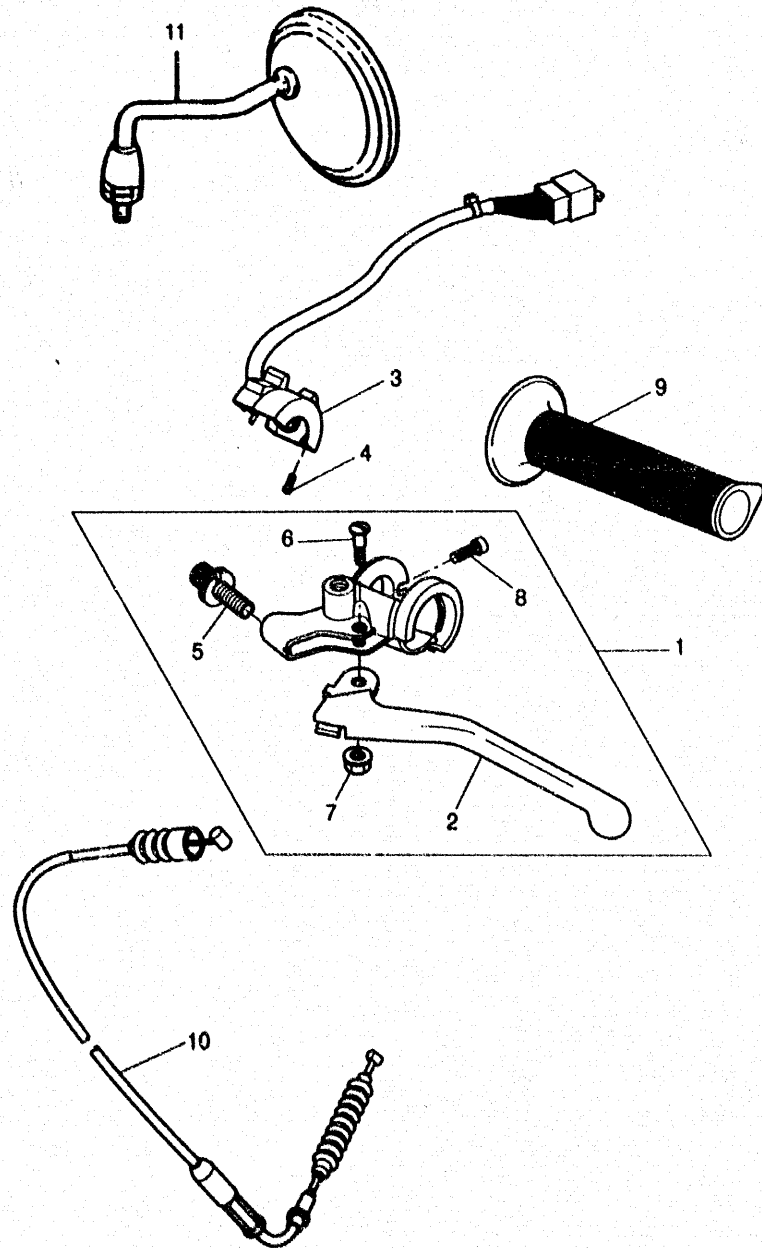


FIG 39 HANDLE SWITCH. LEVER

REF	PART.N°	DESCRIPTION	QTY	REMARKS
1	5BK-H2910-00	LEVER HOLDER ASSY (LEFT)	1	
2	NK6-H3912-00-01	.LH BRAKE LEVER	1	
3	5BK-H3976-00	SWITCH, HANDLE 1	1	
4	NG8-88181-00	SCREW	1	
5	90896-27208	.NUT ADJUSTING	1	
6	5BK-H3915-00	.SCREW, LEVER FITTING	1	
7	3VL-H3918-00	.NUT, LEVER FITTING	1	
8	5BK-H3945-00	.BOLT, LEVER	1	
9	5BK-F6241-00	GRIP (LEFT)	1	
10	5BK-F6335-00	CABLE, CLUTCH	1	
11	5BK-F6280-00	MIRROR (L)	1	



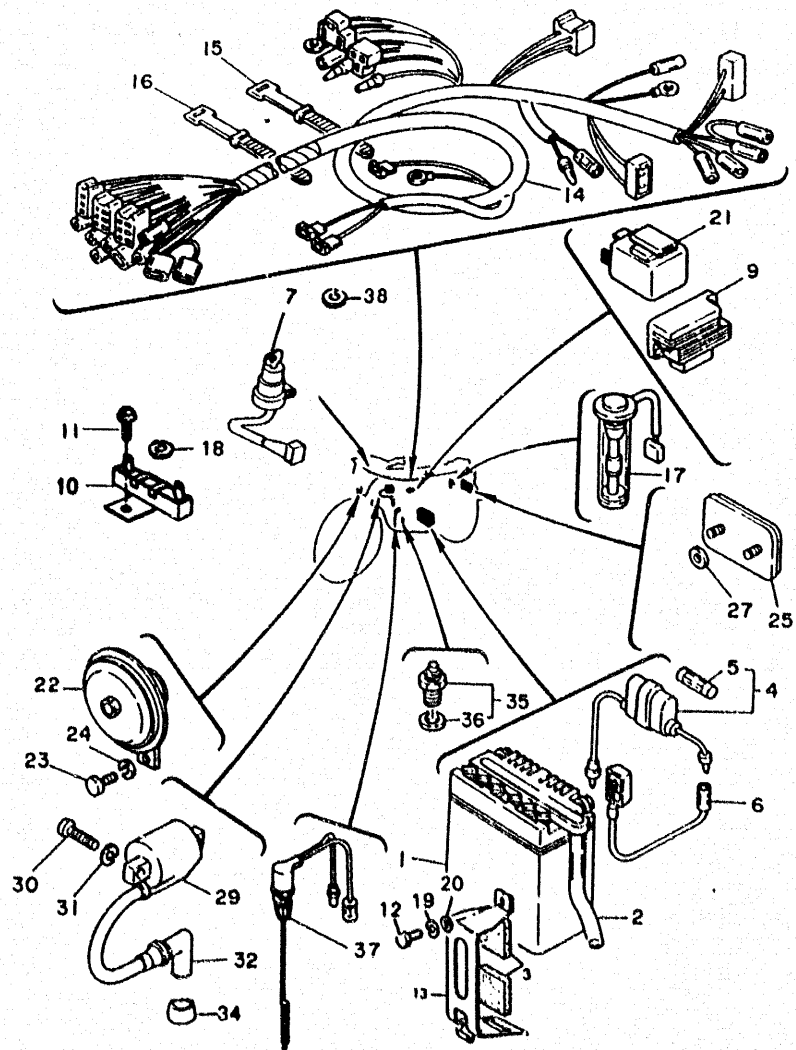


FIG 40 ELECTRICAL 1

REF	PART.N°	DESCRIPTION	QTY	REMARKS
1	3HL-82110-02	BATTERY ASSY	1	
2	90445-08171	HOSE	1	
3	3HL-H2122-00	SEAT, BATTERY	2	
4	5T8-H2150-00	FUSE HOLDER ASSY	1	
5	1A0-82151-00	FUSE	2	
6	10W-82115-00	WIRE, PLUS LEAD	1	
7	5BK-H2510-00	MAIN SWITCH ASSY	1	
9	5BK-H1960-00	RECTIFIER & REGULATOR ASSY	1	
10	5BK-H5370-00	RESISTANCE ASSY	1	
11	5BK-H1445-00	SCREW 1	1	
12	NJ9-63161-00	SCREW	1	
13	3HL-H2128-00	BRACKET, BATTERY	1	
14	5BK-H2590-00	WIRE HARNESS ASSY	1	
15	4VV-H3936-00	BAND, SWITCH CORD	5	
16	4KH-H3936-00	BAND, SWITCH CORD	2	
17	3HL-85720-01	OIL LEVEL GAUGE ASSY	1	
18	NU3-84138-00	WASHER, SPECIAL	1	
19	3HL-F2244-00	WASHER 2	2	
20	NU3-84138-00	WASHER, SPECIAL	1	
21	5BK-H3350-00	FLASHER RELAY ASSY	1	
22	4CU-H3371-00	HORN	1	
23	NG8-63221-00	BOLT	1	
24	NH8-52480-00	WASHER ONDUFLEX	1	
25	5BK-H5130-00	REAR REFLECTOR ASSY	1	
27	5BK-H4127-00	WASHER, SPECIAL	2	
29	5BK-H2310-00	IGNITION COIL ASSY	1	
30	NE5-32271-00	BOLT	2	
31	NU3-84138-00	WASHER, SPECIAL	2	
32	1J7-82370-00	PLUG CAP ASSY	1	
34	90430-09824	GASKET	1	
35	3NC-H2540-00	NEUTRAL SWITCH ASSY	1	
37	5BK-H2530-00	STOP SWITCH ASSY	1	
38	4CT-H2569-00	NUT, MAIN SWITCH	1	
		NOT ILLUSTRATED		
	3HL-H2377-00	LABEL	1	
	5BK-H2377-00	LABEL	1	
	5BK-H2716-00	CORD, SWITCH	1	



# NUMERICAL INDEX

NA0	10330 00	C7	NU3	84138 00	C11	5BK-	E2489 00	B8	4YV	E5416 00	B6	4YV	E8512 00	B15
NM5	14112 00	B8	NU3	84138 00	D12	5BK-	E2489 10	B8	5BK-	E5421 00	B11	4YV	E8513 00	B15
NM5	14216 00	B8	NU3	84138 00	D12	5BK-	E2489 20	B8	5BK-	E5431 10	B11	4YV	E8531 00	B15
NU6	14216 00	B8	NU3	84138 00	D12	5BK-	E2493 00	B8	4YV	E5441 00	B7	4YV	E8535 00	B15
5J1	14412 00	B7	3HL	85720 01	D12	4YV	E2582 00	B4	4YV	E5461 00	B11	4YV	E8540 00	B15
3HL	14420 00	B7	NG8	88181 00	D11	4YV	E2584 00	B2	5BK-	E5589 00	B11	4YV	E8542 00	B15
3T2	14437 00	B7	NE5	90471 00	C5	5BK-	E3100 00	B6	5BK-	E5611 00	B12	5BK-	F1110 00 33	C3
3T2	14451 00	B7	NE5	90741 00	B5	5BK-	E316F 00	B6	5BK-	E5615 00	B12	5BK-	F1110 00 PO	C3
5T8	14452 00	B7	NE5	90741 00	D8	4YV	E316G 00	B6	5BK-	E5616 00	B12	5BK-	F111N 00	C3
3WX	14766 00	B9	NG3	98561 00	C4	4YV	E3174 00	B6	5BK-	E5617 00	B12	5BK-	F1153 01	D3
43F	21773 00	C5	NE7-	98961 02	C9	4YV	E3178 00	B6	5BK-	E5620 00	B12	5BK-	F1154 01	D3
401	22128 01	C7	4YV	E1111 00	B2	4YV	E3179 00	B6	5BK-	E5621 00	B12	5BK-	F1182 00	C3
34X	22151 01	C7	1TL	E1202 00	B3	4YV	E3226 00	B6	5BK-	E5625 00	B12	4CT	F1187 00	C3
NU6	22144 00	C10	4YV	E1311 00	B2	4YV	E3228 00	B6	5BK-	E5634 00	B12	4CT	F1187 00	C9
156	23411 00	C9	5BK	E131R 00	B2	4YV	E3565 00	B7	5BK-	E5641 00	B12	4CT	F1244 00	C3
22F	23411 01	C9	4YV	E1351 00	B2	4YV	E3619 00	B7	5BK-	E5651 00	B12	4CT	F134T 20	C3
156	23412 00	C9	4YV	E1400 00	B3	4YV	E3625 00	B7	5BK-	E5671 00	B12	5BK-	F137W 00	C11
22F	23412 01	C9	1TK	E1426 10	B3	5BK	E4103 00	B8	3UD	E5663 00	B12	5BK-	F137W 10	C11
NU6	23451 00	C9	1TK	E1426 10	B3	5BK	E4106 00	B8	3UD	E5663 00	B13	5BK	F137X 00	C11
NU6	23452 00	C9	4YV	E1454 00	B14	3HL	E4125 00	B8	5BK	E5744 00	B12	5BK	F137X 10	C11
NU6	23456 00	C9	5BK	E1456 01	C15	5BK	E4134 00	B9	5BK	E5767 00	B12	5BK	F1511 00	C4
NN1	2411M 00	C11	4YV	E1531 00	B14	NJ9	E4156 00 01	B8	5BK	E6110 00	B13	5T8	F1511 60	C4
26H	24181 00	C11	4YV	E1536 00	B14	5BK	E4168 00	B8	4YV	E6154 00	B13	4CU	F1568 10	C3
34L	24184 00	C11	1TL	E1545 00	B3	5BK	E4178 00	B8	4YV	E6164 00	B12	5BK	F1611 00	C4
509	24724 00	C12	4YV	F1603 00	B3	5BK	E4179 00	B8	1TL	E6314 00	B2	5BK	F1621 00	C4
4GL	25351 00	C15	4YV	F1604 00	B3	5BK	E4181 00	B8	2AH	E6324 00	B13	5BK	F1631 00	C4
5R0	25355 00	C15	4YV	E1605 00	B3	NJ9	E4186 00 01	B8	3NC	E6331 00	B13	5BK	F1711 00 WI	C5
102	25389 00	C15	4YV	E1631 00	B3	5BK	E4264 00	B7	4YV	E6351 00	B13	5BK	F1721 00 WI	C5
NU6	26252 00	D2	4YV	E1633 00	B3	5BK	E4265 00	B7	4YV	E6356 00	B13	5BK	F1723 00	C11
NU6	26332 00	D2	1TL	F1634 00	B3	5BK	E4275 00	B8	4YV	E6367 00	B13	5BK	F172A 00	C11
NU6	26333 00	D2	4YV	F1635 00	B3	5BK	E4286 00	B8	4YV	E6371 00	B13	5BK	F173E 10	C5
NU6	26358 00	D2	4YV	F1636 00	B3	5BK	E4301 00	B8	4YV	E6381 00	B13	5BK	F173E 10	C5
NL9	28100 00	C3	5BR	E2410 00	B2	NU6	E4325 00	B8	4YV	E7121 00	B14	5T8	F1745 01	C6
17V	28173 00	C3	3NC	E2422 00	B4	5BK	E4343 00	B8	4YV	E7131 00	B14	5BK	F174G 00	C5
17V	28185 00	C3	3NC	E2428 00	B4	5BK	E4375 00	B8	4YV	E7151 00	B14	5BK	F174H 00	C5
NC7	29561 05	B8	2VR	E2450 00	B4	5BK	E4376 00	B8	4YV	E7161 00	B14	3HL	F1751 00	C6
NL5	32271 00	D12	3NC	E2459 00	B4	NU6	E4385 00	B8	4YV	E7211 00	B14	5T8	F1771 00	C6
NB7	49470 00	C5	5BK	E2460 00	B5	NK5	E4392 00 01	B8	4YV	E7221 00	B14	5BK	F179J 00	C11
NH8	52480 00	D12	5BK	E2462 00	B5	5BK	E4479 00	B8	4YV	E7231 00	B14	5BK	F179J 10	C11
NJ6	54041 00	B9	5BK	E2475 00	B5	5BK	E4453 00	B7	4YV	E7241 00	B14	5BK	F179K 00	C11
NJ9	63161 00	D12	5BK	E2465 10	B5	NU6	E4576 00	B8	4YV	E7251 00	B14	5BK	F179K 10	C11
NG8	63221 00	D12	5BK	E2477 00	B2	5BK	E4592 00	B8	4YV	E7261 00	B14	5BK	F179L 00	C11
NC7	67471 03	B5	5BK	E2477 10	B8	5BK	E4683 00	B9	4YV	E7411 00	B14	5BK	F179L 10	C11
3HL	82110 02	D12	5BK	E2480 00	B8	5BK	E4703 00	B9	4YV	E7421 00	B14	5BK	F175M 00	C11
10V	82115 00	D12	5BK	E2482 01	B5	3HL	E4718 00 11	B9	1TL	E7465 00	B13	5BK	F179M 10	C11
140	82151 00	D12	5BK	E2483 02	B5	5BK	E4758 00	B9	4YV	E7540 00	B14	5BK	E2110 00	C7
137	82370 00	D12	5BK	E2483 10	B8	5BK	E5150 00	B10	4YV	E7861 00	B15	5BK	E2126 00	C7
NL9	83310 30	D7	5BK	E2484 00	B5	5BK	E531A 00	B10	4YV	E8101 00	C2	5BK	E2141 00	C7
NLE	83319 00	D7	5BK	E2496 00	B5	4YV	E5363 00	B11	5BK	E8110 00	C2	3HL	F2153 10	C7
NU3	84138 00	B12	5BK	E2486 10	B5	3N	E5371 00	B10	5BK	E8113 00	C2	3HL	F2186 00	C7
NU3	84138 00	C2	5BR	E2457 00	B5	4YV	E5376 00	B6	5BK	E8129 00	C2	5BK	F2210 00	C8
NU3	84138 00	C4	5BR	E2467 10	B2	4YV	E5377 00	B6	4YV	E8145 00	B15	3HL	F2241 00	C7
NU3	84138 00	C5	5BR	E2487 10	B5	4YV	E5411 00	B11	4YV	E8511 00	B15	3HL	F2241 00	C15

# NUMERICAL INDEX

3HL F2244 00	D10	5BK F4522 00	C11	5BK F5850 00	D4	3NC H2540 00	D12	5BK H4710 00	D10
3HL F2244 00	D12	5BK F4535 00	C11	5BA F5857 00	D4	4CT H2569 00	D12	5BK H4721 00	D10
3HL F2245 00	C7	5TB F4611 00	C11	5BA F5854 00	D4	5BK H2590 00	D12	5BK H4724 00	D10
5BK F2246 00	C7	5TB F4612 00	C11	5BK F5867 00	D4	5BK H2716 00	D12	3EC H5111 00	D10
3MP F2311 01	C7	5BK F4730 00	C12	5BK F5870 00	D4	5BK H2910 00	D11	5BK H5130 00	D12
5BK F3110 00	C10	5BK F4730 10	C12	5BK F5872 00	D4	5BK H3210 00	D7	5BK H5370 00	D12
5BK F3111 00	C10	5BK F4731 00	C12	5BK F5891 00	D4	NDH H3311 00 01	D7	5BK H5550 00	D6
4TD F3112 00	C10	5BK F4731 10	C12	5BK F5919 00	C14	NDH H3311 00 01	D7	5BK H5560 00	D6
5BK F3114 00	C10	3HL F4739 00	C12	4TD F5924 00	D4	NDH H3311 00 01	D7	5BK W0001 00	B8
5BK F3119 00	C10	5BK F5105 00	C13	4TD F5925 00	D4	5BK H3312 00	D7	2JL W2536 10	C15
5BK F3119 10	C10	5BK F5105 10	C15	5BK F6111 00	D2	5BK H3312 00	D7		
5BK F3126 00	C10	5BK F510T 00	C13	5BK F6133 00	D4	5BK H3312 00	D7		
5BK F3136 00	C10	5BK F510T 10	C15	5BK F6137 00	D2	5BK H331E 00	D7		
5BK F3145 00	C10	5BK F510U 00	C13	5BK F6240 10	D2	5BK H331R 00	D7		
5BK F314F 00	C10	5BK F510U 00	C15	5BK F6241 00	D11	5BK H3320 00	D7		
5BK F314F 10	C10	5BK F5111 00	C13	5BK F6243 00	D2	5BK H3350 00	D12		
5BK F314G 00	C10	5BK F5117 00	C13	5BK F6260 00	D2	4CU H3371 00	D12		
5BK F314G 10	C10	5BK F5144 00	C13	5BK F6280 00	D11	5BK H3510 00	D8		
5BK F314H 00	C10	5BK F5181 00	C13	5BR F6329 00	B8	5BK H3513 00	C9		
5BK F314H 10	C10	5BK F5182 00	C13	5BK F6335 00	D11	5BK H3513 00	D8		
5BK F314J 00	C10	5BK F5183 00	C13	5BK F6391 00	D2	5BK H3517 00	D9		
5BK F314J 10	C10	5TB F5188 00	C15	5BK F7119 00	D3	5BK H3519 00	C9		
3HP F3156 00	C10	5BK F5189 00	C13	5TB F7211 00	D3	5BK H3520 00	D8		
3HL F3181 00	C10	5BK F5190 00	C13	5BK F7217 00	D3	5BK H352H 00	D8		
5BK F3346 00	C14	5BK F5196 00	C13	5BK F7231 00	D3	5BK H354A 00	D8		
5BK F3346 10	C14	5BK F5197 10	C13	1NN F7311 00	D5	5BK H3550 00	D9		
5BK F3360 00	C10	5BK F5311 C1	C15	5TB F7315 00	D3	3KG H3917 00 01	D11		
5BK F3370 00	C10	5TB F5215 00	C15	5TB F7413 00	D3	5BK H3915 00	D11		
5TB F3416 00	C9	5BK F5317 00	C15	5TB F7421 00	D3	3VL H3916 00	C7		
5BK F3435 00	C9	5TB F5321 03	C15	5TB F7431 00	D3	3VL H3916 00	C15		
5BK F3440 00	C10	5BK F5336 00	C15	5TB F7433 00	D3	3VL H3916 00	D8		
5BK F3441 00	C9	5TB F533A 00	C15	5BK F832B 00	D5	3VL H3916 00	D10		
5BK F3444 00	C10	5BK F5344 00	C15	5BK F832B 10	D5	3VL H3916 00	D11		
5BK F3452 00	C10	5BK F5371 00	C15	5BK F832C 00	D5	5BK H3916 00	D4		
5BK F3453 00	C9	5BK F5381 00	C15	5BK F832C 10	D5	5BK H3922 00	D4		
5BK F3454 00	C9	5BK F5384 00	C13	5BK F8351 00	D5	5BK H3925 00	D4		
5BK F3456 00	C10	5BK F5391 00	C15	5BK F8351 10	D5	4KH H3936 00	D12		
5BK F3737 00	C14	5BK F5392 00	C15	5BK F8368 00	C4	4VV H3936 00	D12		
5BK F381B 10	C15	5BK F5395 00	C13	5BK F8368 00	D5	5BK H3945 00	D11		
5BK F4110 00 33	C11	5BK F5395 00	C15	5BK F8368 10	D5	5BK H3976 00	D11		
5BK F4110 00 EX	C11	5BK F5396 01	C15	5BK F8368 20	C4	5BK H3980 00	D4		
4CT F416A 00	C11	5BK F5397 01	C15	5BK F8483 00	D5	5BK H4112 00	D9		
5TB F4182 01	C11	5TB F5412 01	C15	5BK H1445 00	D12	5BK H4127 00	D12		
5TB F4186 00	C11	5BK F5452 00	C15	5BK H196C 00	D12	5BK H4140 00	D9		
5BK F4242 00	C11	5BK F5501 00	C14	5BK H2021 00	C9	5BK H4310 10	C9		
5BK F4244 10	C11	5BK F5811 00	C14	3HL H2122 00	D12	4SB H4314 00	D9		
5BK F4245 00	C11	5BK F581N 00	C14	3HL H2128 00	D12	5BK H4320 00	D9		
5BK F4245 10	C11	5BK F5824 00	C14	5TB H2150 00	D12	4KH H4331 10	D9		
4SB F4312 20	C11	4VV F582F 00	C14	5BK H2310 00	D12	5BK H4332 00	D9		
5BK F4453 00	C11	5BK F582M 00	C15	3HL H2377 00	D12	5BK H4344 00	D9		
5KB F4453 00	C5	5BK F582T 10	C13	5BK H2377 00	D12	5BK H4396 00	D9		
5BK F4500 00	C11	5BK F582T 00	C15	5BK H2510 00	D12	5BK H4517 00	D10		
3VL F4512 00	C11	5BK F5833 00	C14	5BK H2530 00	D12	3HL H4535 00	D10		



# NUMERICAL INDEX

90101 06X01	B12	90201 128L1	B14	90508 20846	B13	93501 04011	C9
90101 06X01	C2	90201 128L1	C2	90508 28847	C2	93503 16010	B13
90101 08873	B10	90201 128M0	C2	90508 32354	D3	93503 16010	C9
90101 12874	B10	90201 128M1	C2	90896 27208	D11	93603 22028	B4
90109 08183	C15	90201 14P 3	D3	90899 71172	B3	93603 22028	B6
90109 08368	C15	90201 148L6	B14	91312 05020	B13	93604 10011	B4
90109 08829	D3	90201 158L5	B13	91312 06020	B7	94701 00204	B2
90110 05X01	B11	90201 198L2	B6	91317 04010	D6	95307 08700	C15
90110 06138	B11	90201 208L7	B14	91317 05016	B6	95307 08700	D3
90110 06210	B4	90201 208L8	B14	91317 05020	B11	95607 10100	C7
90110 06240	B4	90201 20X00	D3	91317 05035	B6	95617 06100	C15
90110 06242	B10	90202 05187	B9	91317 06055	B4	95707 06500	B9
90113 14804	B13	90202 05187	C11	91401 16012	D3	97507 06430	C11
90116 07835	B2	90202 05188	B9	91401 20012	D3	97507 06530	B9
90116 08X00	C15	90205 07801	B15	91401 25020	C8	97507 08416	B9
90119 06044	B7	90208 17032	B13	91490 20025	C15	97607 06218	B7
90119 06044	C6	90215 12271	B13	91490 20025	D3	98907 06010	B9
90119 06056	C3	90240 10069	C8	91490 30030	C15	98907 06025	B4
90149 06011	C11	90240 10072	C8	91701 06032	D3	99001 10600	C2
90154 05812	B11	90249 12008	D3	91701 08038	D3		
90159 04841	B2	90267 32801	C3	91809 08800	B11		
90159 06058	C7	90282 04806	B13	91812 12805	B10		
90159 06059	C7	90282 04807	B14	92907 06600	C15		
90167 05X02	C5	90381 12805	C2	92907 06600	D3		
90167 05X02	C11	90386 18099	C7	92907 08100	C15		
90170 07856	B15	90387 06825	C11	93101 12834	C2		
90170 08X00	C15	90387 08884	D3	93101 24835	B3		
90170 10857	D6	90387 12820	C15	93102 20873	B14		
90170 12853	B14	90387 128P2	C2	93103 10812	B4		
90170 12854	B13	90387 168P1	B13	93106 20033	C15		
90170 14855	B13	90401 10X01	D4	93210 12327	B4		
90171 12015	C15	90430 06166	B4	93210 128E3	B11		
90176 07813	B2	90430 06166	B11	93210 288E2	B9		
90179 06411	D3	90430 08119	B2	93210 528E0	B2		
90179 12657	B13	90430 08119	B6	93211 04809	B2		
90183 05X00	C3	90430 08119	B10	93306 202X2	B14		
90183 05X00	C5	90430 09824	B12	93306 20301	B14		
90183 05X00	C11	90430 12823	B10	93306 203X6	B14		
90183 06X00	C4	90430 14822	B2	93306 204X1	B14		
90183 06X00	C11	90445 08171	B12	93315 21429	B14		
90201 058L4	B13	90445 117L0	B9	93315 21429	B14		
90201 065F3	C4	90465 13275	C11	93410 08824	B4		
90201 06812	B9	90467 08003	C6	93410 08824	B6		
90201 078L0	B2	90467 10008	B9	93410 08824	B6		
90201 08512	B4	90467 10008	C11	93410 14815	B14		
90201 08512	B6	90468 02033	B6	93410 20825	B14		
90201 088L3	B6	90480 12325	C5	93410 20825	B14		
90201 088L3	B6	90501 10245	D3	93430 08030	B6		
90201 108L9	B15	90501 12800	B15	93430 10803	D3		
90201 108L9	C2	90501 18861	C7	93440 14815	B14		
90201 10X02	C7	90501 20859	B13	93440 18816	B14		
90201 10X02	C8	90506 15260	C15	93440 20825	B14		
90201 10X03	B4	90506 20041	D3	93500 09827	B15		