

YAMAHA

PARTS CATALOGUE

FZR600'90 (3HE3)

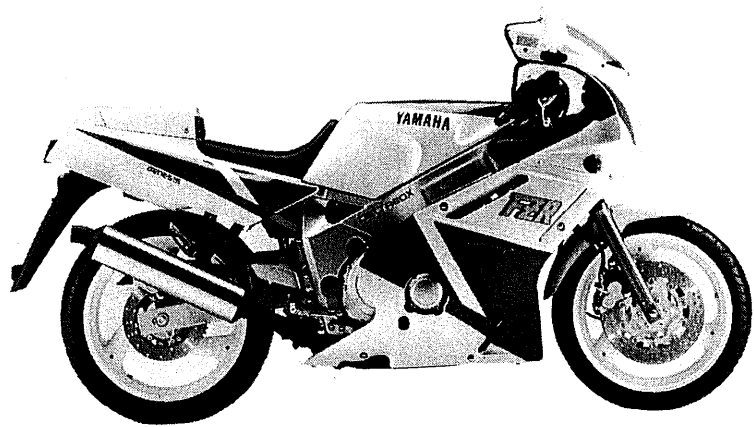
EUROPE

FZR600A (3HG2)

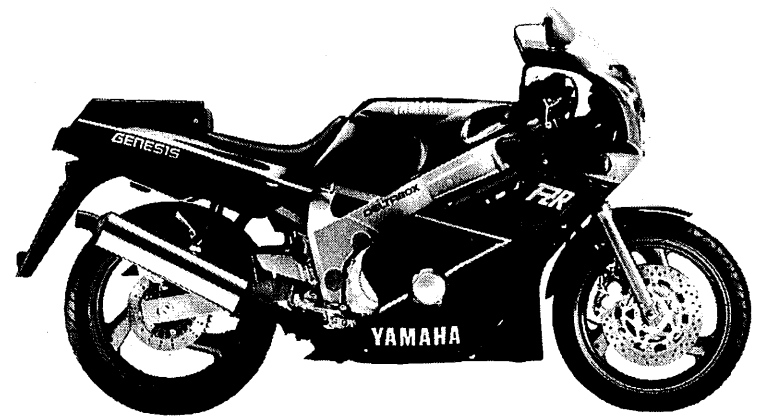
OCEANIA

103HE-300E1





SILKY WHITE (SW)



NEW YAMAHA BLACK (NYB)



FOREWORD

This Parts Catalogue is related to the parts in use for the Yamaha FZR600(3HE3/3HG2). When you are ordering replacement parts for the FZR600(3HE3/3HG2), refer to this Parts Catalogue and quote both part numbers and part names correctly.

1. Modifications or additions which have been made after issue of the Parts Catalogue will be announced in the Yamaha Parts News.
It is advisable that according to the Yamaha Parts News you make necessary corrections to the Parts Catalogue on hand to keep it up-to-date.

2. Abbreviations

The following abbreviations are used in this Parts Catalogue.

- U.R. Use size (thickness) and/or number as required.
- U.N. Use as many as you need.
- A.P. Alternate Parts
- L.M. Local Made
- F# Frame No. (Applicable machine No.)

3. The parts marked with (*) in the parts number column of this Catalogue are not supplied with by Yamaha, those have to be found locally.
4. Parts, which are to be supplied in the form of assemblies, are listed with an indention of one letter's space, and a dot (.) is put against the name of each part.

EXAMPLE CARBURETOR ASS'Y
 .JET, pilot
 .NOZZLE, main

5. Indication of No. of constituent parts for assembly

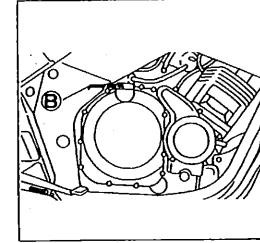
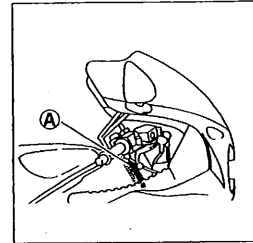
The numeral appearing to the right of each constituent part under the description indicates the quantity of such parts for each individual assembly unit.

EXAMPLE

Part No.	Description	Q'ty	Remarks
2F5-83310-60	FRONT FLASHER LIGHT ASS'Y	2	
115-83311-60	.BULB (6V-18W)	1	
1M1-83309-60	.REFLECTOR	1	

6. Initial Serial No. and Color Code

	3HE3 (EUROPE)	3HG2 (OCEANIA)
A Frame Serial No.	3HE-026101 and following	3HG-001101 and following
B Engine Serial No.	3HE-026101 and following	3HG-001101 and following



Color Code	Color Name	Abbreviate
GE	SILKY WHITE	SW
6G	NEW YAMAHA BLACK	NYB

7. Applicable colors of graphics are represented in the "Remarks" column by the letter(s) appropriately picked out of the full word(s) showing such colors.

EXAMPLE

Part No.	Description	Q'ty	Remarks
2N4-24110-00-X5	FUEL TANK COMP.	1	MAXIM RED
3J1-24240-10	.GRAPHIC, fuel tank set	1	for MXR

CONTENTS

GENERAL SPEC.

ENGINE

Fig. 1	CYLINDER HEAD	1
Fig. 2	CYLINDER	2
Fig. 3	CRANKSHAFT · PISTON	3
Fig. 4	VALVE	4
Fig. 5	CAMSHAFT · CHAIN	6
Fig. 6	WATER PUMP	7
Fig. 7	RADIATOR · HOSE	8
Fig. 8	OIL PUMP	9
Fig. 9	OIL COOLER	10
Fig. 10	OIL CLEANER	11
Fig. 11	INTAKE	12
Fig. 12	CARBURETOR	13
Fig. 13	EXHAUST	15
Fig. 14	CRANKCASE	16
Fig. 15	CRANKCASE COVER 1	18
Fig. 16	STARTER CLUTCH	20
Fig. 17	CLUTCH	21
Fig. 18	TRANSMISSION	22
Fig. 19	SHIFT CAM · FORK	24
Fig. 20	SHIFT SHAFT	25

CHASSIS

Fig. 21	FRAME	26
Fig. 22	FENDER	28
Fig. 23	SIDE COVER	30
Fig. 24	REAR ARM	32

Fig. 25	REAR SUSPENSION	34
Fig. 26	STEERING	35
Fig. 27	FRONT FORK	36
Fig. 28	FUEL TANK	38
Fig. 29	SEAT	41
Fig. 30	FRONT WHEEL	42
Fig. 31	FRONT BRAKE CALIPER	43
Fig. 32	REAR WHEEL	44
Fig. 33	REAR BRAKE CALIPER	46
Fig. 34	STEERING HANDLE · CABLE	47
Fig. 35	FRONT MASTER CYLINDER	48
Fig. 36	STAND · FOOTREST	49
Fig. 37	REAR MASTER CYLINDER	51
Fig. 38	COWLING 1	52
Fig. 39	GENERATOR	55
Fig. 40	STARTING MOTOR	56
Fig. 41	FLASHER LIGHT	57
Fig. 42	METER	58
Fig. 43	HEADLIGHT	60
Fig. 44	TAILLIGHT	61
Fig. 45	HANDLE SWITCH · LEVER	62
Fig. 46	ELECTRICAL 1	63
Fig. 47	ELECTRICAL 2	65

INDIVIDUAL SPEC.

FOR DENMARK, NORWAY, GREECE, PORTUGAL

Fig. 48	ALTERNATE (HEADLIGHT)	70
---------	-----------------------	----

FOR ENGLAND, OCEANIA

Fig. 49	ALTERNATE (METER/HEADLIGHT)	72
---------	--------------------------------	----

FOR ITALY

Fig. 50	ALTERNATE (HEADLIGHT)	74
---------	-----------------------	----

FOR NETHERLAND

Fig. 51	ALTERNATE (HEADLIGHT)	76
---------	-----------------------	----

FOR SWEDEN

Fig. 52	ALTERNATE (CASE · METER)	78
---------	--------------------------	----

FOR OCEANIA

Fig. 53	ALTERNATE (FENDER)	80
---------	--------------------	----

INDEX (GENERAL SPEC.)

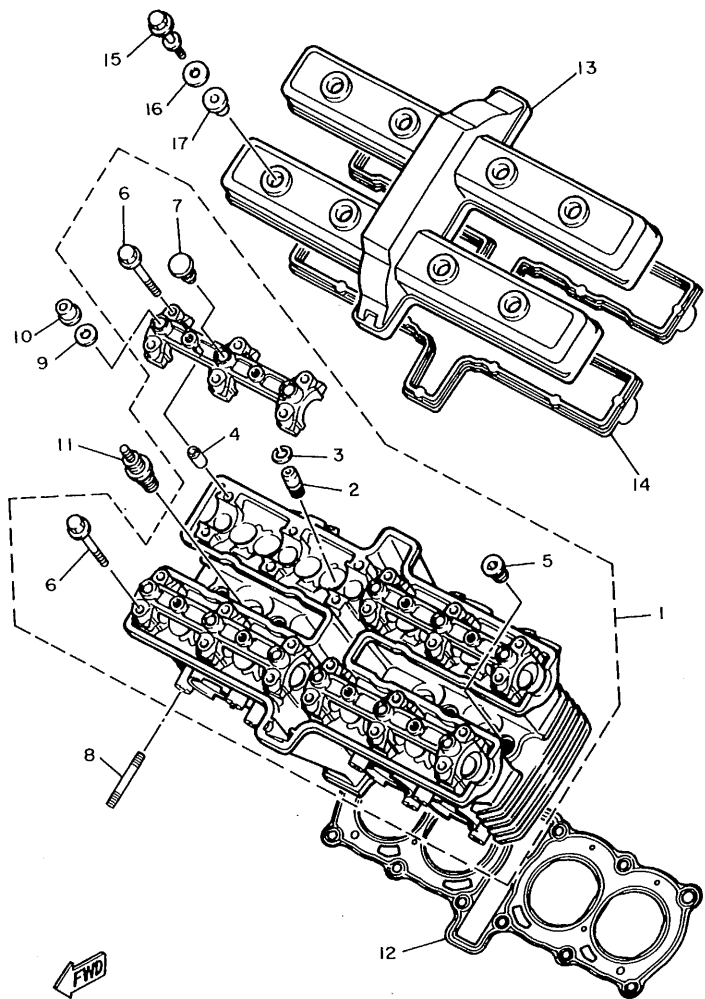
NUMERICAL INDEX

INDEX (INDIVIDUAL SPEC.)

NUMERICAL INDEX

GENERAL SPEC.

FIG. 1 CYLINDER HEAD

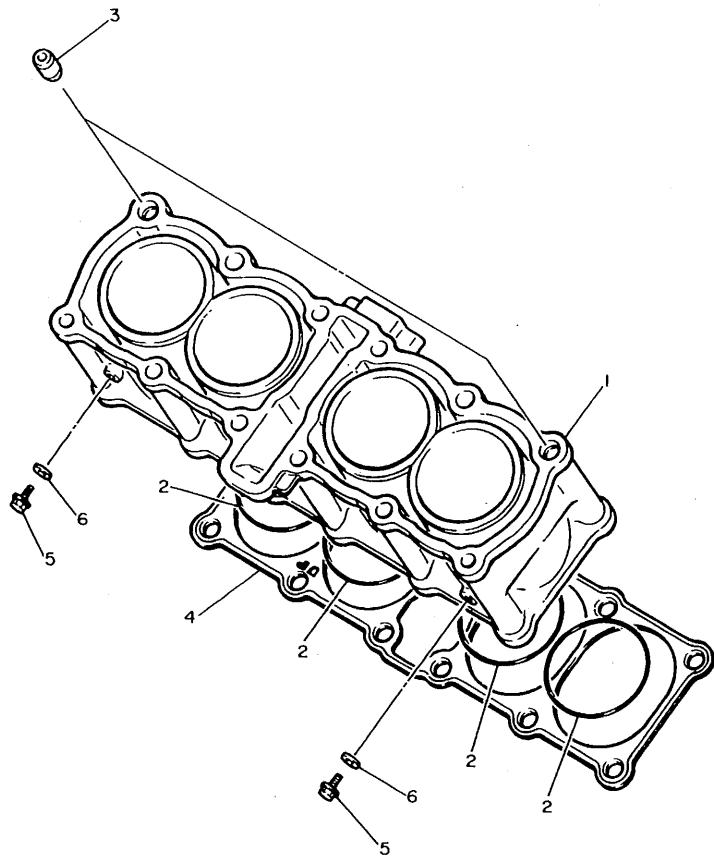


3HE332-9010

REF. NO.	PART NO.	DESCRIPTION	Q'TY	REMARKS
1	3HE-11101-00	CYLINDER HEAD ASSY	1	
2	1WG-11133-10	.GUIDE, intake valve	16	
3	93440-10153	.CIRCLIP	16	
4	99510-08016	.PIN, dowel	12	
5	90340-12112	.PLUG, straight screw	6	
6	90105-06384	.BOLT, washer based	24	
7	90338-08174	.PLUG	12	
8	90116-06437	BOLT, stud	8	
9	90201-087K2	WASHER, plate	12	
10	90179-08530	NUT	12	
11	94701-00318	PLUG, spark (NGK R CR9E)	4	UR
	94701-00319	PLUG, spark (ND U27ESR-N)	4	UR
12	3HE-11181-00	GASKET, cylinder head 1	1	
13	2TK-11191-00	COVER, cylinder head 1	1	
14	1WG-11193-00	GASKET, head cover 1	1	
15	90109-064F0	BOLT	8	
16	90209-11262	WASHER	8	
17	2GH-1111G-00	RUBBER, mount 1	8	

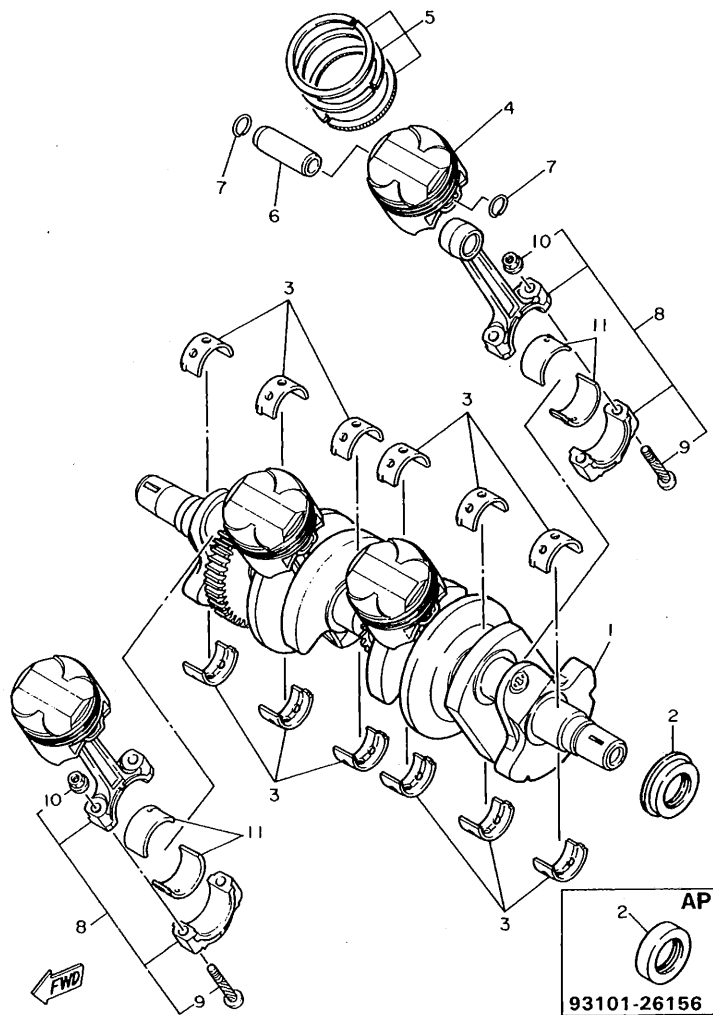
FIG. 2 CYLINDER

REF. NO.	PART NO.	DESCRIPTION	Q'TY	REMARKS
1	3HE-11310-00	CYLINDER	1	
2	93210-63442	O-RING	4	
3	99510-12016	PIN, dowel	2	
4	3HE-11351-00	GASKET, cylinder	1	
5	90153-06045	SCREW, hexagon	2	
6	90430-06014	GASKET	2	



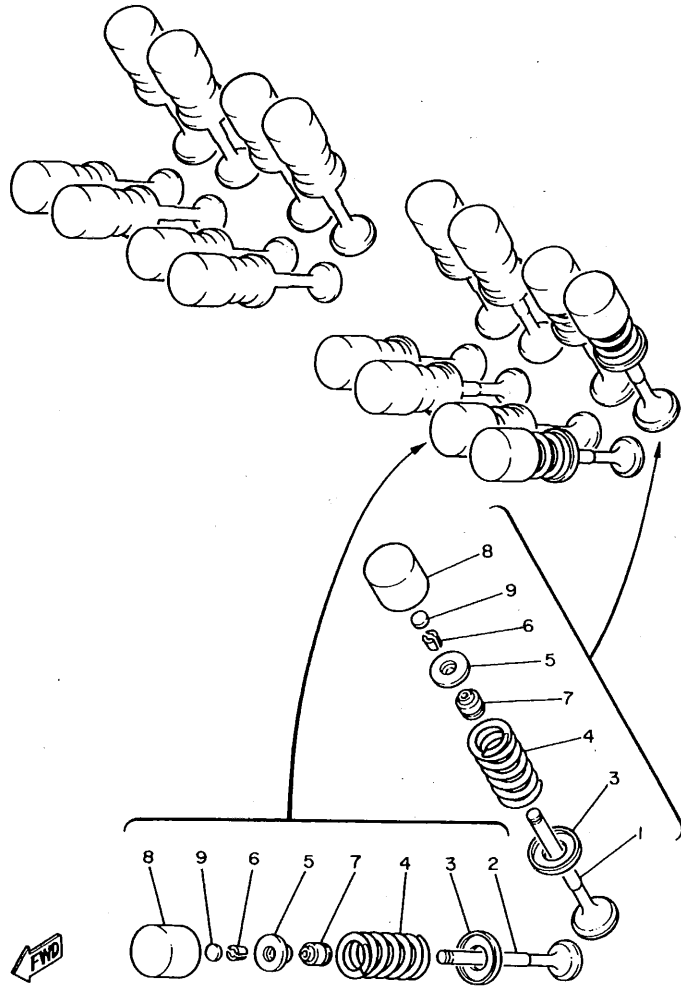
3HE332-9020

FIG. 3 CRANKSHAFT • PISTON



REF. NO.	PART NO.	DESCRIPTION	Q'TY	REMARKS
1	3HE-11411-00	CRANKSHAFT	1	
2	93101-26154	OIL SEAL	1	UR
	93101-26156	OIL SEAL	1	AP
3	1WG-11416-00	PLANE BEARING, crankshaft 1	12	UR BLUE
	1WG-11416-10	PLANE BEARING, crankshaft 1	12	UR BLACK
	1WG-11416-20	PLANE BEARING, crankshaft 1	12	UR BROWN
	1WG-11416-30	PLANE BEARING, crankshaft 1	12	UR GREEN
	1WG-11416-40	PLANE BEARING, crankshaft 1	12	UR YELLOW
4	3HE-11631-00	PISTON (STD)	4	
	3HE-11636-00	PISTON (0.50MM O / S)	4	AP
	3HE-11638-00	PISTON (1.00MM O / S)	4	AP
5	3HE-11610-00	PISTON RING SET (STD)	4	
	3HE-11610-20	PISTON RING SET (0.50MM O / S)	4	AP
	3HE-11610-40	PISTON RING SET (1.00MM O / S)	4	AP
6	3HE-11633-00	PIN, piston	4	
7	93450-17044	CIRCLIP	8	
8	3HE-11650-00	CONNECTING ROD ASSY	4	
9	1WG-11654-00	.BOLT, connecting rod	2	
10	90179-07531	.NUT	2	
11	1WG-11656-00	PLANE BEARING, connecting rod	8	UR BLUE
	1WG-11656-10	PLANE BEARING, connecting rod	8	UR BLACK
	1WG-11656-20	PLANE BEARING, connecting rod	8	UR BROWN
	1WG-11656-30	PLANE BEARING, connecting rod	8	UR GREEN

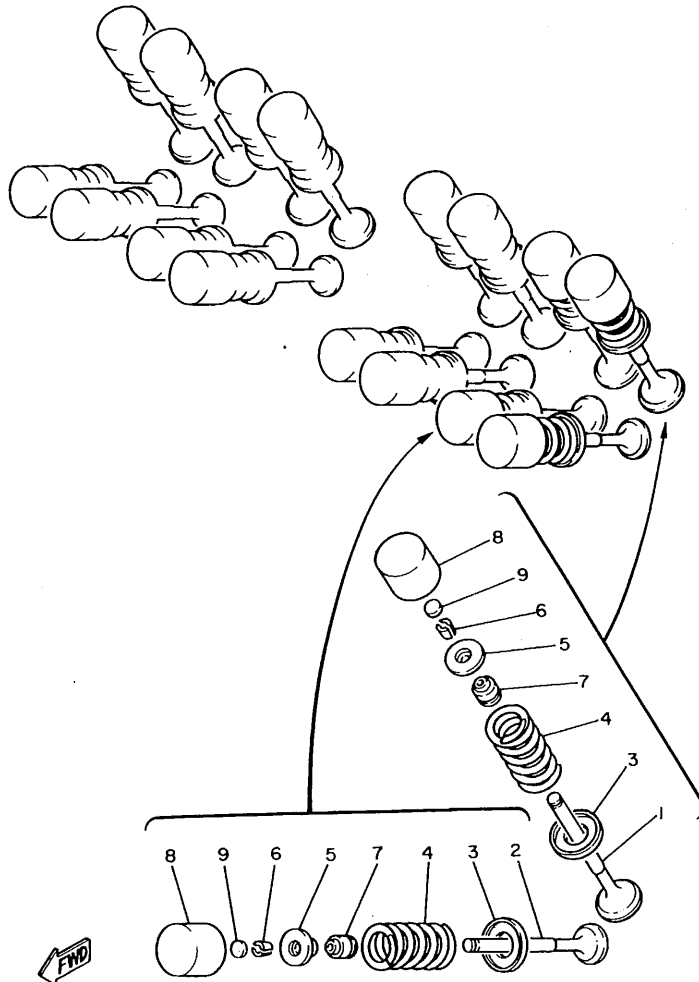
FIG. 4 VALVE



1WG010-6040

REF. NO.	PART NO.	DESCRIPTION	Q'TY	REMARKS
1	3HE-12111-00	VALVE, intake	8	
2	3HE-12121-00	VALVE, exhaust	8	
3	1WG-12116-00	SEAT, valve spring	16	
4	3HE-12113-00	SPRING, valve inner	16	
5	1WG-12117-00	RETAINER, valve spring	16	
6	1WG-12118-00	COTTER, valve	32	
7	1WG-12119-00	SEAL, valve stem	16	
8	1WG-12153-21	LIFTER, valve	16	UR BLUE
	1WG-12153-31	LIFTER, valve	16	UR RED
	1WG-12153-09	LIFTER, valve (O / S)	16	UR GREEN
9	1HX-12168-00	PAD, adjusting 2 (1.20)	16	UR
	1HX-12168-20	PAD, adjusting 2 (1.25)	16	UR
	1HX-12168-40	PAD, adjusting 2 (1.30)	16	UR
	1HX-12168-60	PAD, adjusting 2 (1.35)	16	UR
	1HX-12168-80	PAD, adjusting 2 (1.40)	16	UR
	1HX-12168-A0	PAD, adjusting 2 (1.45)	16	UR
	1HX-12168-F0	PAD, adjusting 2 (1.50)	16	UR
	1HX-12168-H0	PAD, adjusting 2 (1.55)	16	UR
	1HX-12168-K0	PAD, adjusting 2 (1.60)	16	UR
	1HX-12168-M0	PAD, adjusting 2 (1.65)	16	UR
	1HX-12168-R0	PAD, adjusting 2 (1.70)	16	UR
	1HX-12168-U0	PAD, adjusting 2 (1.75)	16	UR
	1HX-12168-W0	PAD, adjusting 2 (1.80)	16	UR
	1HX-12168-Y0	PAD, adjusting 2 (1.85)	16	UR
	1HX-12169-10	PAD, adjusting 2 (1.90)	16	UR
	1HX-12169-30	PAD, adjusting 2 (1.95)	16	UR
	1HX-12169-50	PAD, adjusting 2 (2.00)	16	UR
	1HX-12169-70	PAD, adjusting 2 (2.05)	16	UR

FIG. 4 VALVE

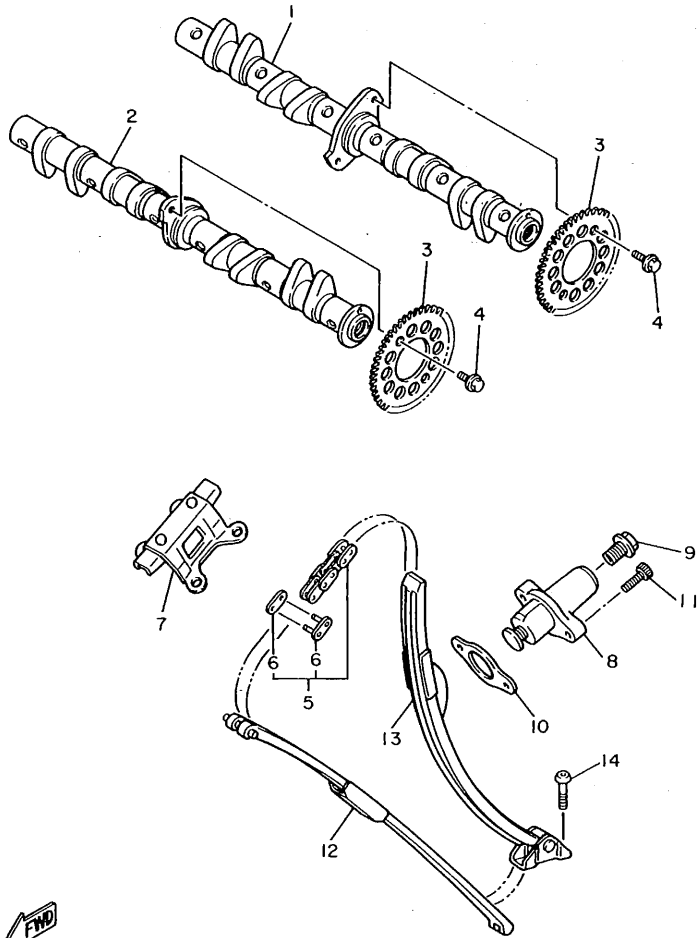


1WG010-6040

REF. NO.	PART NO.	DESCRIPTION	Q'TY	REMARKS
9	1HX-12169-90	PAD, adjusting 2 (2.10)	16	UR
	1HX-12169-E0	PAD, adjusting 2 (2.15)	16	UR
	1HX-12169-G0	PAD, adjusting 2 (2.20)	16	UR
	1HX-12169-J0	PAD, adjusting 2 (2.25)	16	UR
	1HX-12169-L0	PAD, adjusting 2 (2.30)	16	UR
	1HX-12169-N0	PAD, adjusting 2 (2.35)	16	UR
	1HX-12169-T0	PAD, adjusting 2 (2.40)	16	UR

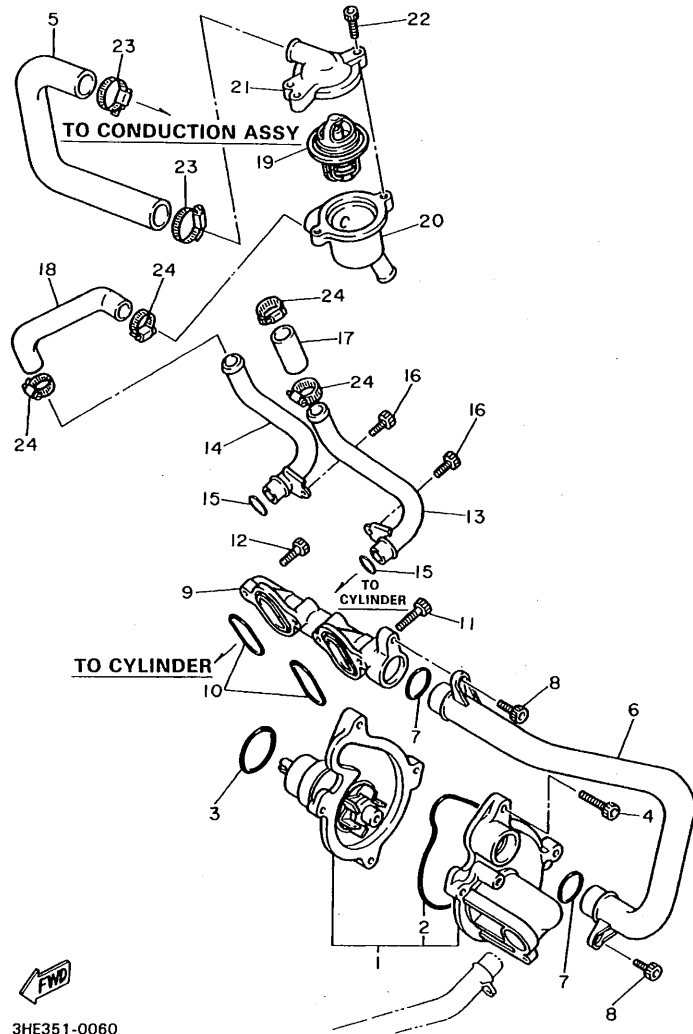
FIG. 5 CAMSHAFT • CHAIN

REF. NO.	PART NO.	DESCRIPTION	Q'TY	REMARKS
1	3HE-12171-00	CAMSHAFT 1	1	
2	3HE-12181-00	CAMSHAFT 2	1	
3	1WG-12176-00	SPROCKET, cam chain	2	
4	90105-07385	BOLT, washer based	4	
5	94581-32118	CHAIN (D.I.D. 215F DHA 118L)	1	
6	94681-32021	JOINT, chain (D.I.D.215F-LJ)	1	
7	1WG-12241-00	GUIDE, stopper 2	1	
8	3GM-12210-00	TENSIONER ASSY, cam chain	1	
9	90109-112F1	BOLT	1	
10	30X-12213-00	GASKET, tensioner case	1	
11	91316-06025	BOLT	2	
12	3HE-12251-00	DAMPER, chain 1	1	
13	3HE-12252-00	DAMPER, chain 2	1	
14	90109-065A8	BOLT	2	



3HE332-9050

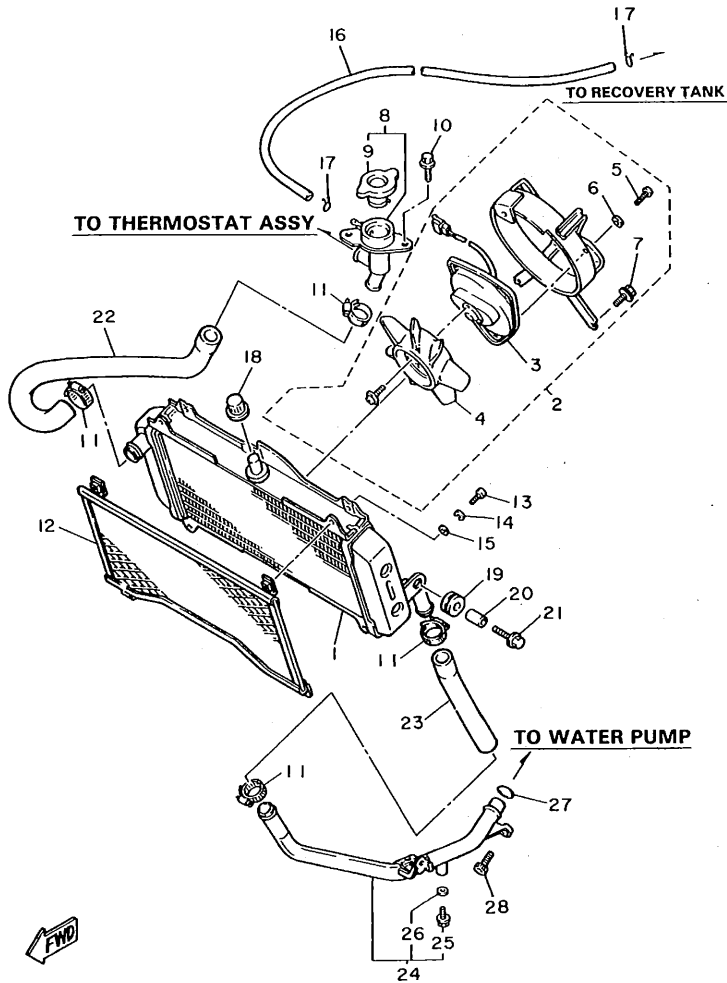
FIG. 6 WATER PUMP



3HE351-0060

REF. NO.	PART NO.	DESCRIPTION	Q'TY	REMARKS
1	2TK-12420-00	WATER PUMP ASSY	1	
2	1WG-12439-00	O-RING	1	
3	93210-33133	O-RING	1	
4	91316-06035	BOLT	2	
5	3HE-12579-00	HOSE 4	1	
6	1WG-12481-00	PIPE 1	1	
7	93210-21190	O-RING	2	
8	91316-06012	BOLT	2	
9	1WG-12446-01	JOINT	1	
10	93210-17746	O-RING	2	
11	91316-06040	BOLT	3	
12	91316-06025	BOLT	1	
13	1WG-12482-00	PIPE 2	1	
14	1WG-12483-00	PIPE 3	1	
15	93210-15566	O-RING	2	
16	91316-06012	BOLT	2	
17	3HE-12576-00	HOSE 1	1	
18	3HE-12577-00	HOSE 2	1	
19	46X-12410-00	THERMOSTAT ASSY	1	
20	1WG-12417-00	HOUSING, thermostat	1	
21	1WG-12413-01	COVER, thermostat	1	
22	91316-06020	BOLT	2	
23	90450-32015	HOSE CLAMP ASSY	2	
24	90450-28014	HOSE CLAMP ASSY	4	

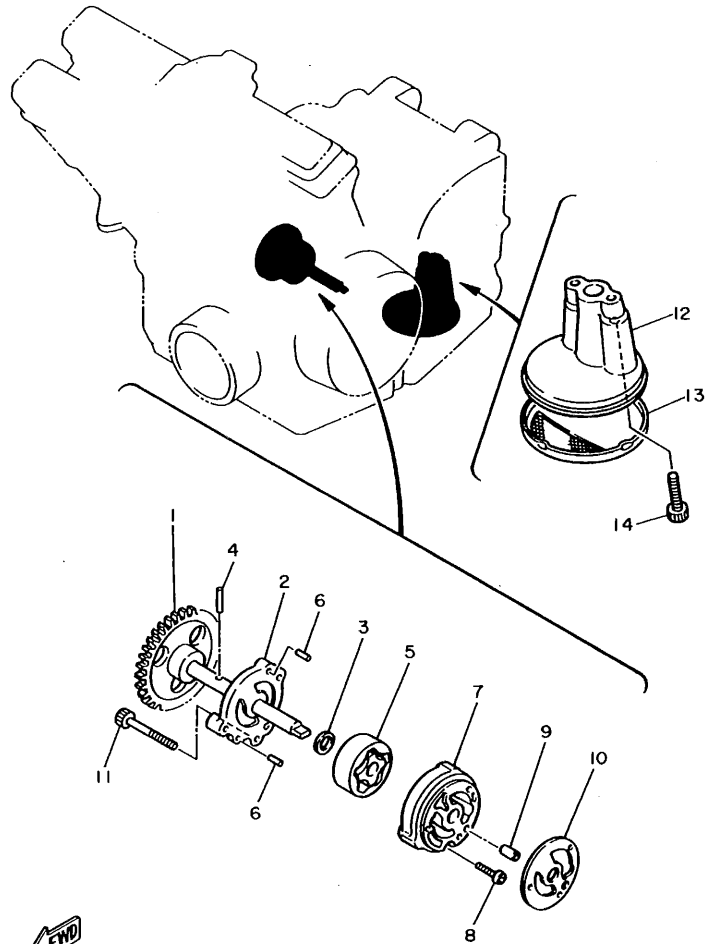
FIG. 7 RADIATOR HOSE



3HE332-9070

REF. NO.	PART NO.	DESCRIPTION	Q'TY	REMARKS
1	3HE-12461-00	RADIATOR ASSY	1	
2	3HE-12405-00	BLOWER ASSY	1	
3	1AA-12630-00	.MOTOR ASSY	1	
4	1UF-12611-00	.FAN	1	
5	98501-05008	.SCREW, pan head	3	
6	92901-05600	.WASHER, plate	3	
7	11H-12675-00	.BOLT, blower holding	3	
8	2TK-12590-00	CONDUCTION ASSY	1	
9	22W-12462-00	.CAP, radiator	1	
10	95826-06010	BOLT, flange	2	
11	90450-32015	HOSE CLAMP ASSY	4	
12	3HE-12498-00	PROTECTOR	1	
13	92506-06012	SCREW, pan head	4	
14	92906-06100	WASHER, spring	4	
15	92906-06600	WASHER, plate	4	
16	90445-096E8	HOSE	1	
17	90467-08003	CLIP	2	
18	90338-20188	PLUG	1	
19	90480-15483	GROMMET	2	
20	90387-07392	COLLAR	2	
21	95816-06025	BOLT, flange	2	
22	3HE-12578-00	HOSE 3	1	
23	3HE-12588-00	HOSE 5	1	
24	2TK-12484-00	PIPE 4	1	
25	90153-06045	.SCREW, hexagon	1	
26	90430-06014	.GASKET	1	
27	93210-21190	O-RING	1	
28	90110-06142	BOLT, hexagon socket head	1	

FIG. 8 OIL PUMP

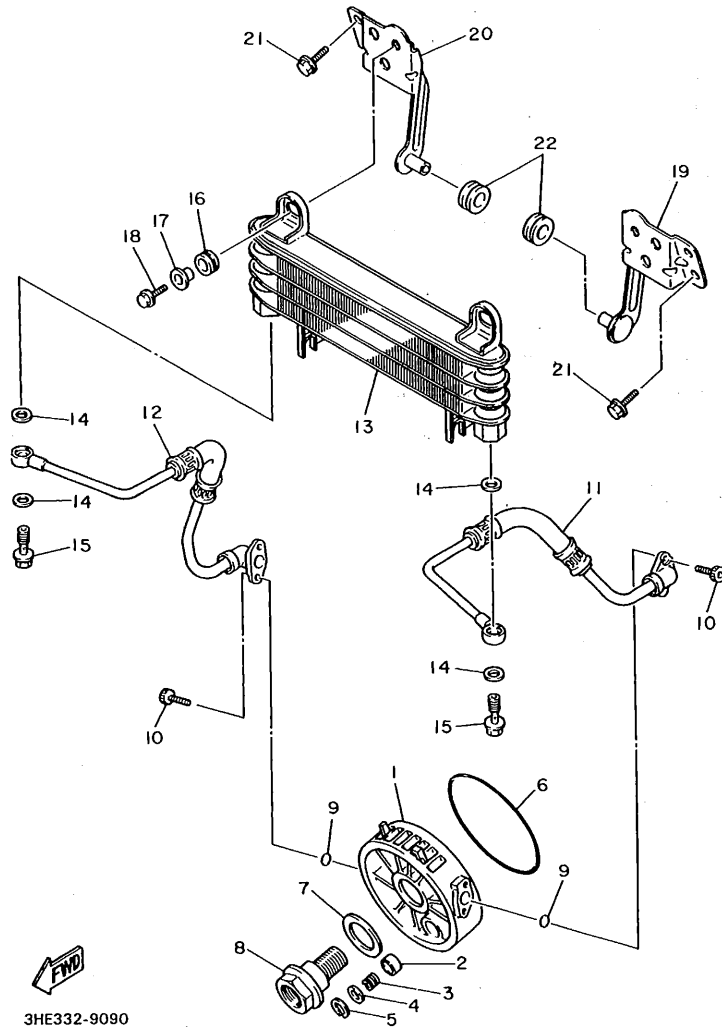


REF. NO.	PART NO.	DESCRIPTION	Q'TY	REMARKS
1	1WG-13330-01	PUMP SHAFT ASSY	1	
2	1WG-13316-00	COVER, pump	1	
3	90201-113K2	WASHER, plate	1	
4	93603-17070	PIN, dowel	1	
5	1WG-13310-00	ROTOR ASSY 1	1	
6	93603-09106	PIN, dowel	2	
7	1WG-13336-00	HOUSING, rotor	1	
8	92501-06020	SCREW, pan head	1	
9	99510-08012	PIN, dowel	1	
10	1WG-13329-00	GASKET, pump cover	1	
11	90110-06130	BOLT, hexagon socket head	3	
12	1WG-13412-00	HOUSING, strainer	1	
13	4H7-13411-02	STRAINER, oil	1	
14	90110-06099	BOLT, hexagon socket head	2	



3HE332-9080

FIG. 9 OIL COOLER

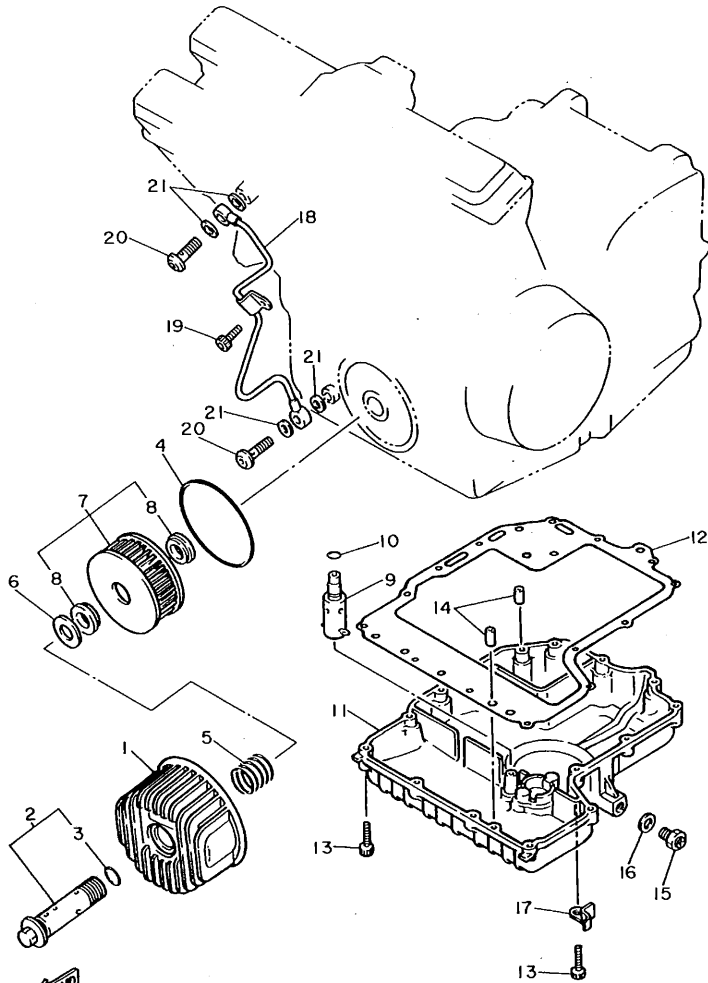


REF. NO.	PART NO.	DESCRIPTION	Q'TY	REMARKS
1	5N1-13461-00	PLATE, adaptor	1	
2	2H9-13493-00	PLUNGER	1	
3	90501-12413	SPRING, compression	1	
4	90209-06173	WASHER	1	
5	99009-17500	CIRCLIP	1	
6	93210-87723	O-RING	1	
7	90201-25526	WASHER, plate (T2.0)	1	
8	90401-20089	BOLT, union	1	
9	93210-10197	O-RING	2	
10	91311-06016	BOLT	4	
11	3HE-13464-00	HOSE, oil 1	1	
12	3HE-13465-00	HOSE, oil 2	1	
13	2TK-13470-00	OIL COOLER ASSY	1	
14	90430-12202	GASKET	4	
15	90401-12122	BOLT, union	2	
16	90480-15235	GROMMET	2	
17	90387-067K8	COLLAR	2	
18	95826-06020	BOLT, flange	2	
19	2TK-21498-00	BRACKET, oil cooler	1	
20	2TK-21499-00	BRACKET, oil cooler	1	
21	91026-06012	BOLT	4	
22	90480-13383	GROMMET	2	



3HE332-9090

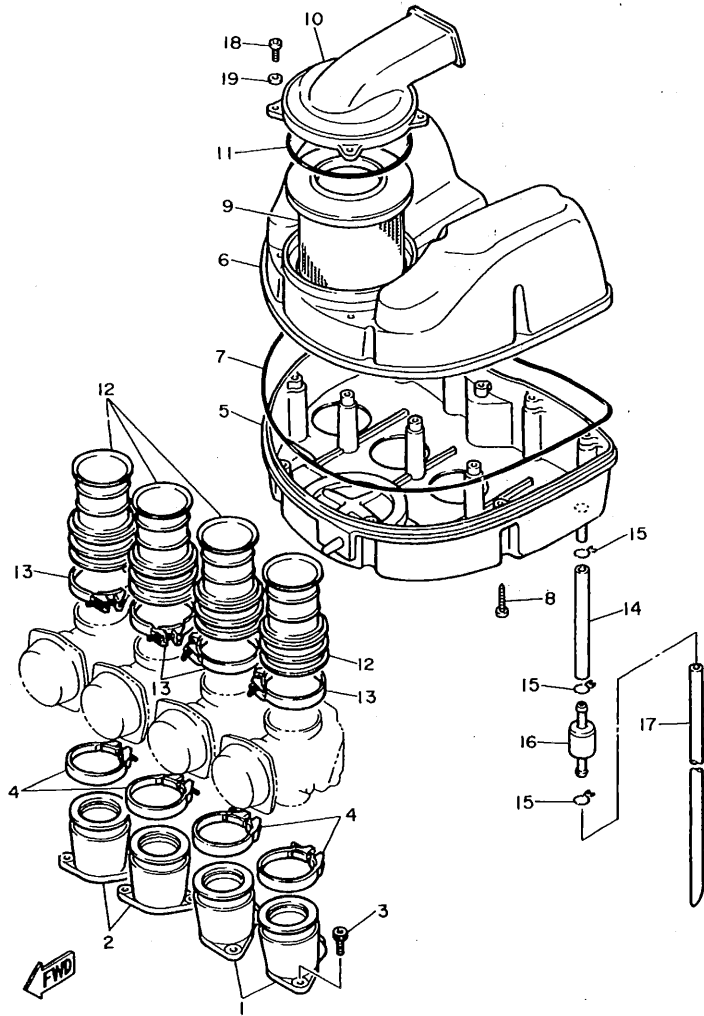
FIG. 10 OIL CLEANER



3HE332-9100

REF. NO.	PART NO.	DESCRIPTION	Q'TY	REMARKS
1	4H7-13447-00	COVER, oil element	1	
2	1L9-13340-01	BY-PASS VALVE ASSY	1	
3	93210-16629	.O-RING	1	
4	93210-87723	O-RING	1	
5	90501-20422	SPRING, compression	1	
6	90201-21608	WASHER, plate	1	
7	1L9-13441-11	ELEMENT, oil cleaner	1	
8	90480-23193	.GROMMET	2	
9	11H-13490-00	RELIEF VALVE ASSY	1	
10	93210-10096	O-RING	1	
11	1WG-13417-00	COVER, strainer	1	
12	1WG-13414-01	GASKET, strainer cover	1	
13	91316-06025	BOLT	14	
14	99510-08016	PIN, dowel	2	
15	11H-13455-00	PLUG	1	
16	214-11198-01	GASKET	1	
17	90465-10306	CLAMP	1	
18	3HE-13161-00	PIPE, delivery 1	1	
19	91316-06012	BOLT	1	
20	90401-10124	BOLT, union	2	
21	90430-10188	GASKET	4	

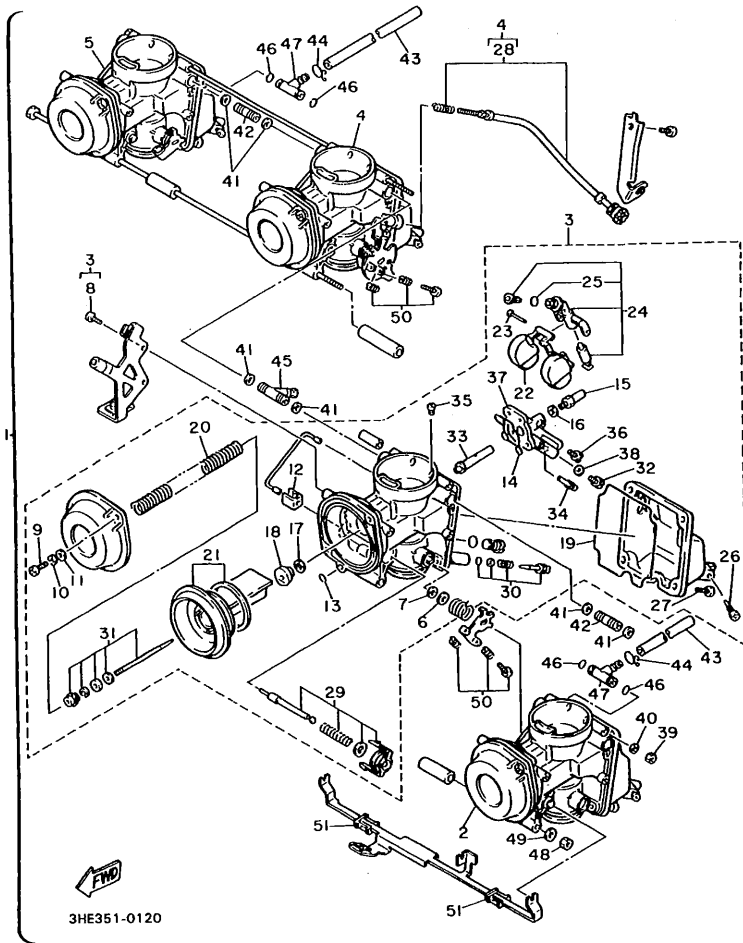
FIG. 11 INTAKE



3HE332-9110

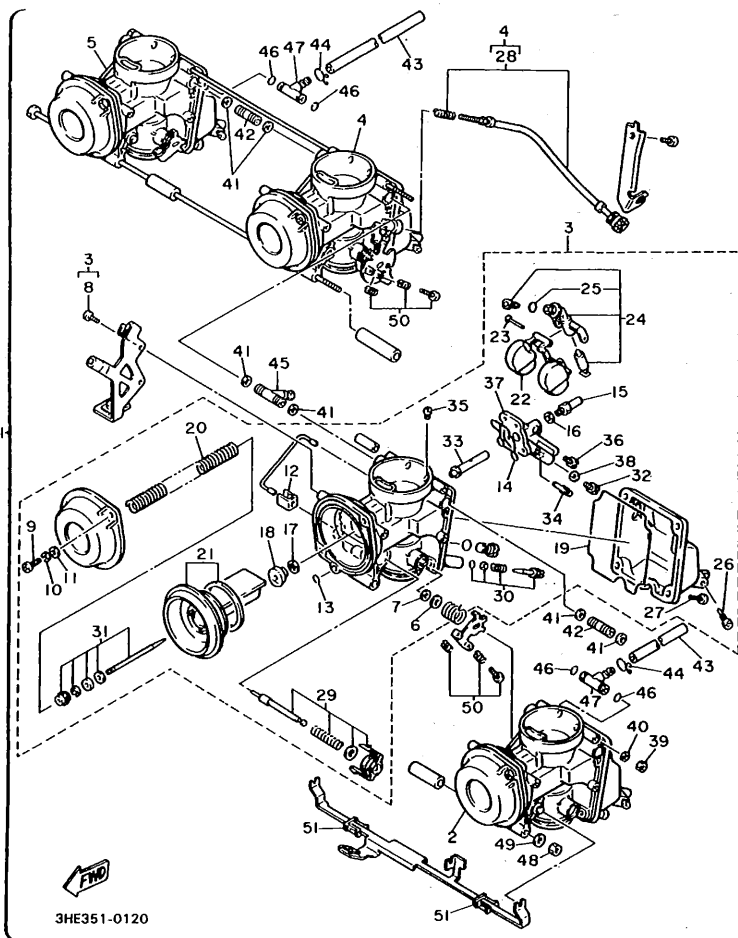
REF. NO.	PART NO.	DESCRIPTION	Q'TY	REMARKS
1	3HE-13586-00	JOINT, carburetor 1	2	
2	3HE-13596-00	JOINT, carburetor 2	2	
3	91316-06020	BOLT	8	
4	90450-49020	HOSE CLAMP ASSY	4	
5	3HE-14411-00	CASE, air cleaner 1	1	
6	1WG-14421-00	CASE, air cleaner 2	1	
7	1VJ-14462-00	SEAL	1	
8	97780-50125	SCREW, tapping	11	
9	1WG-14451-00	ELEMENT, air cleaner	1	
10	3HE-14412-00	CAP, cleaner case 1	1	
11	5T0-14457-00	SEAL	1	
12	3HE-14453-00	JOINT, air cleaner 1	4	
13	90460-58015	CLAMP, hose	4	
14	90445-11452	HOSE	1	
15	90467-10008	CLIP	3	
16	4X7-2149Y-00	FILTER ASSY	1	
17	90445-115E8	HOSE	1	
18	98501-05016	SCREW, pan head	4	
19	92901-05600	WASHER, plate	4	

FIG. 12 CARBURETOR



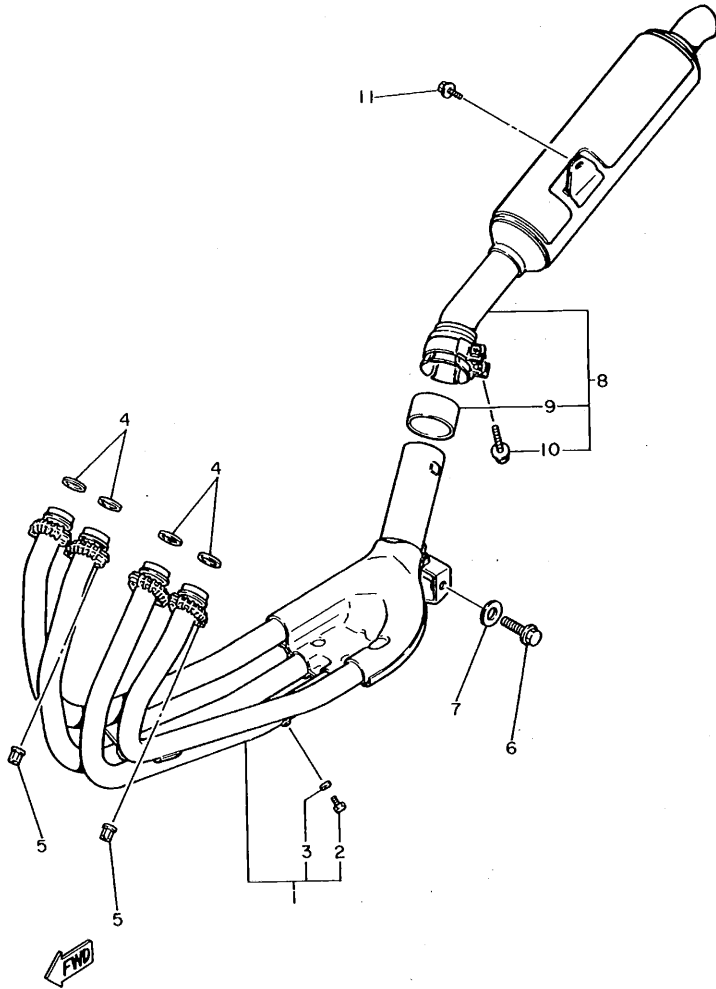
REF. NO.	PART NO.	DESCRIPTION	Q'TY	REMARKS
1	3HE-14900-01	CARBURETOR ASSY	1	
2	3HE-14901-01	..CARBURETOR ASSY 1	1	
3	3HE-14902-01	..CARBURETOR ASSY 2	1	
4	3HE-14903-01	..CARBURETOR ASSY 3	1	
5	3HE-14904-01	..CARBURETOR ASSY 4	1	
6	1A8-14953-00	..WASHER	1	
7	256-14997-00	..SEAL	1	UR # 1.4
	256-14997-00	..SEAL	2	UR # 2.3
8	98580-04010	..SCREW, pan head	2	
9	98506-05016	..SCREW, pan head	2	
10	92906-05100	..WASHER, spring	2	
11	92906-05600	..WASHER, plate	2	
12	3EN-14243-00	..PLATE	1	
13	3EN-14239-00	..SEAL	1	
14	3GM-14147-00	..O-RING	1	
15	1AE-14565-00	..SCREW	1	
16	137-14153-00	..WASHER, main jet	1	
17	1AE-14147-00	..O-RING	1	
18	3EN-1411A-00	..BLOCK JET ASSY	1	
19	3GM-14997-00	..SEAL	1	
20	3HE-14933-00	..SPRING, diaphragm	1	
21	3HE-14940-00	..DIAPHRAGM ASSY	1	
22	3HE-14985-00	..FLOAT	1	
23	353-14186-00	..PIN, float	1	
24	3HE-14107-12	..NEEDLE VALVE SET	1	
25	3EN-14147-00	...O-RING	1	
26	12R-14191-00	..PLUG, drain	1	
27	98501-05012	..SCREW, pan head	2	

FIG. 12 CARBURETOR



REF. NO.	PART NO.	DESCRIPTION	Q'TY	REMARKS
28	3HE-14103-00	..THROTTLE SCREW SET	1	
29	3EN-1410A-00	..STARTER SET	1	
30	12R-14105-00	..PILOT SCREW SET	1	
31	3HE-1490J-00	..NEEDLE SET	1	
32	3G2-1423A-72	..JET, main (#107.5)	1	
33	3EN-14141-90	..NOZZLE, main	1	
34	4G0-14142-30	..JET, pilot (# 30)	1	
35	830-1423A-73	..JET, pilot air (#112.5)	1	
36	3G2-1423A-61	..JET, starter (#52.5)	1	
37	3HE-1411A-00	..BLOCK JET ASSY	1	
38	1AE-14227-00	..WASHER	1	
39	95303-05600	.NUT	1	
40	2GV-14953-00	.WASHER	1	
41	3EN-14997-00	.SEAL	6	
42	3EN-14163-00	.SPACER	2	
43	3EN-14197-00	.PIPE	2	
44	8U9-14139-00	.CLIP, pipe	2	
45	3EN-14988-00	.PIPE, starter connecting	1	
46	822-14147-00	.O-RING	4	
47	17A-14251-00	.NIPPLE	2	
48	95303-06600	.NUT	1	
49	92990-06600	.WASHER, plate	1	
50	3EN-1490K-00	..STOP SCREW SET	3	
51	3EN-14261-00	..HOLDER	2	

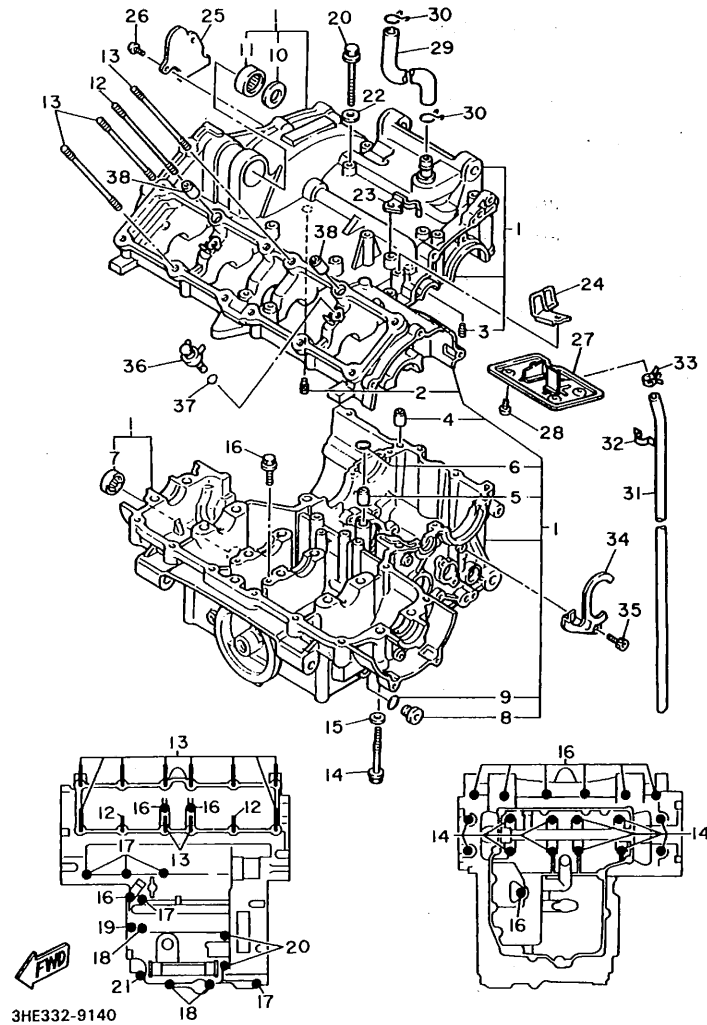
FIG. 13 EXHAUST



3HE351-0130

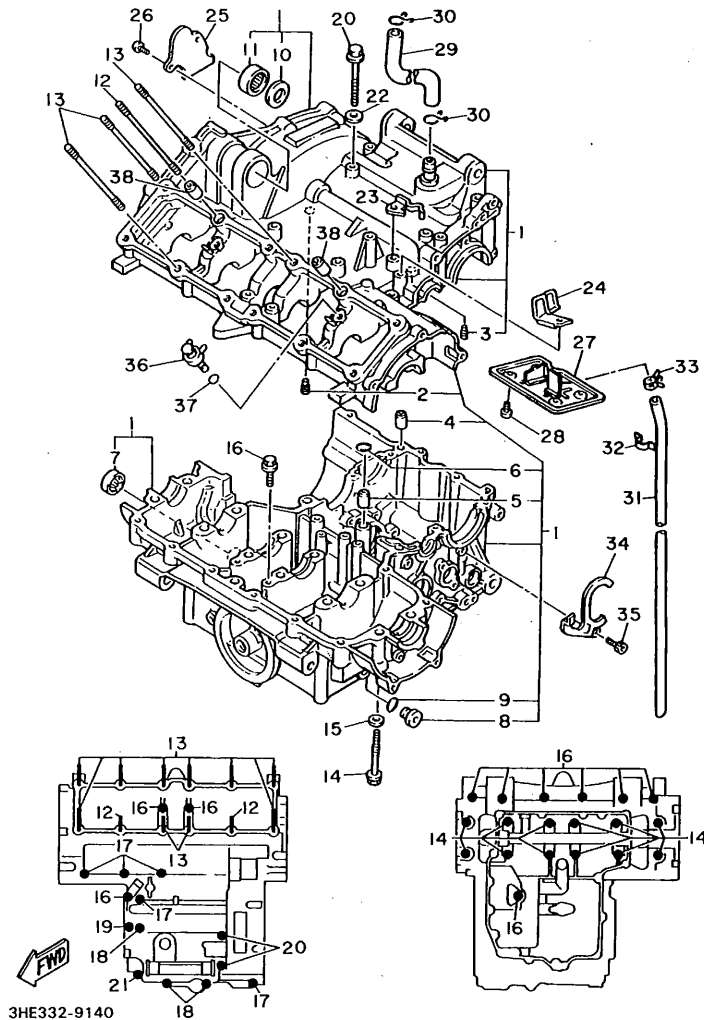
REF. NO.	PART NO.	DESCRIPTION	Q'TY	REMARKS
1	3HE-14602-00	EXHAUST PIPE COMP.	1	
2	90101-06576	.BOLT	4	
3	92906-06600	.WASHER, plate	4	
4	5Y1-14613-00	GASKET, exhaust pipe	4	
5	90179-06500	NUT	8	
6	95816-08030	BOLT, flange	1	
7	90201-08730	WASHER, plate	1	
8	3HE-14710-10	MUFFLER ASSY 1	1	
9	3HE-14755-00	.GASKET, silencer	1	
10	95816-08045	.BOLT, flange	1	
11	95816-08012	BOLT, flange	1	

FIG. 14 CRANKCASE



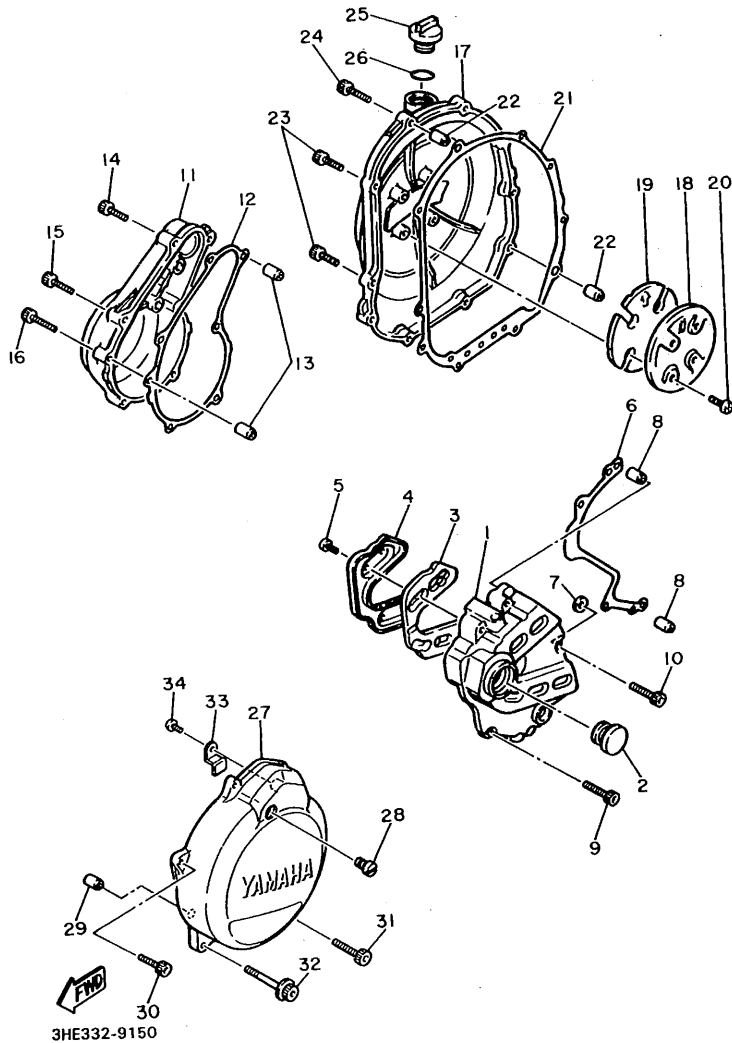
REF. NO.	PART NO.	DESCRIPTION	Q'TY	REMARKS
1	3HE-15100-00	CRANKCASE ASSY	1	
2	11H-15138-00	.NOZZLE 1	1	
3	26H-15138-00	.NOZZLE 1	1	
4	99510-12016	.PIN, dowel	1	
5	1HX-15138-00	.NOZZLE 1	1	
6	93210-12152	.O-RING	1	
7	2H7-15361-00	.GAUGE, level	1	
8	36Y-15189-00	.PLUG	2	
9	93210-16629	.O-RING	2	
10	90201-237K5	.WASHER, plate	1	
11	93315-32516	.BEARING, cylindrical	1	
12	90116-08526	BOLT, stud	2	
13	90116-08525	BOLT, stud	10	
14	90105-08429	BOLT, washer based	12	
15	90201-087K3	WASHER, plate	12	
16	95816-06040	BOLT, flange	10	
17	95816-06050	BOLT, flange	5	
18	95816-06070	BOLT, flange	3	
19	95816-06080	BOLT, flange	1	
20	95816-06090	BOLT, flange	2	
21	95816-08070	BOLT, flange	1	
22	90430-06166	GASKET	1	
23	90465-10307	CLAMP	1	
24	90465-10308	CLAMP	1	
25	3HE-11165-00	PLATE, breather	1	
26	98501-06012	SCREW, pan head	2	
27	3HE-11145-00	PLATE, breather 2	1	
28	98501-06012	SCREW, pan head	4	

FIG. 14 CRANKCASE



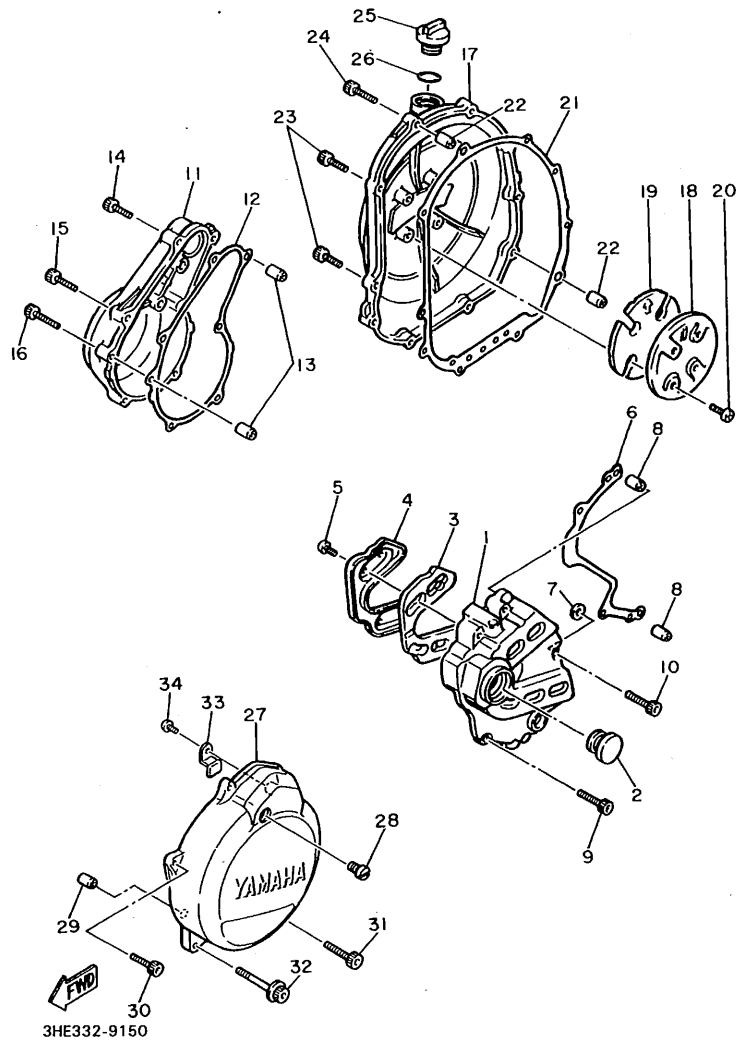
REF. NO.	PART NO.	DESCRIPTION	Q'TY	REMARKS
29	1WG-11166-00	PIPE, breather 1	1	
30	90467-14015	CLIP	2	
31	90445-116E9	HOSE	1	
32	90465-06289	CLAMP	1	
33	90467-10038	CLIP	1	
34	1WG-15381-00	PLATE, bearing cover	1	
35	91316-06012	BOLT	2	
36	3HE-15105-00	NOZZLE ASSY	2	
37	93210-06632	O-RING	2	
38	99510-12016	PIN, dowel	2	

FIG. 15 CRANKCASE COVER 1



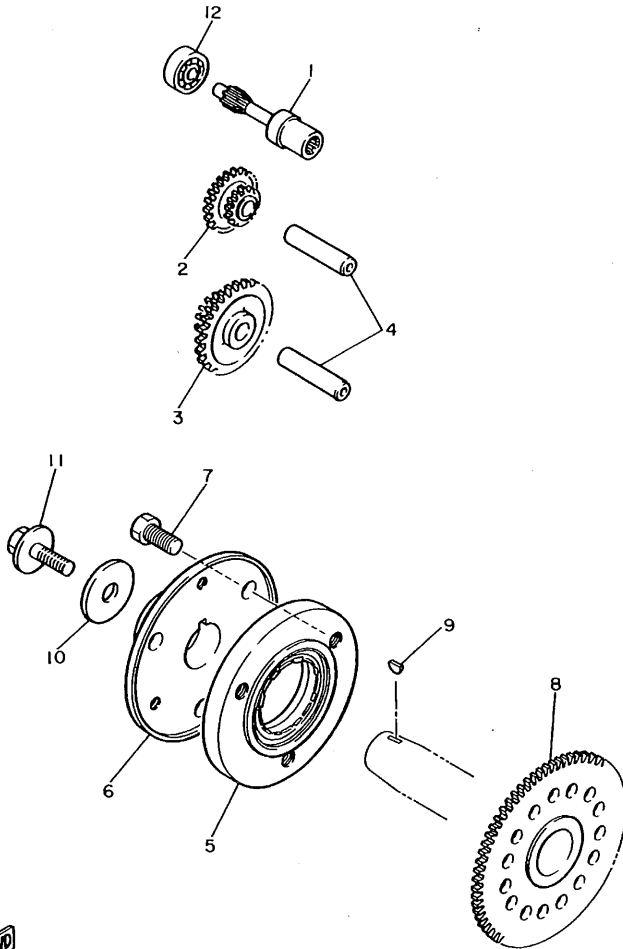
REF. NO.	PART NO.	DESCRIPTION	Q'TY	REMARKS
1	2TK-15411-00	COVER, crankcase 1	1	
2	1L9-15417-00	COVER, cap	1	
3	1WG-15316-00	DAMPER, engine mount 1	1	
4	1WG-15427-00	COVER, cap 2	1	
5	98901-05008	SCREW, bind	4	
6	1WG-15451-01	GASKET, crankcase cover 1	1	
7	1UF-15467-00	GASKET	1	
8	99510-08016	PIN, dowel	2	
9	90110-06149	BOLT, hexagon socket head	4	
10	90110-06148	BOLT, hexagon socket head	1	
11	2TK-15421-00	COVER, crankcase 2	1	
12	1WG-15461-00	GASKET, crankcase cover 2	1	
13	99510-08016	PIN, dowel	2	
14	91311-06025	BOLT	2	
15	91311-06035	BOLT	4	
16	91311-06045	BOLT	1	
17	2TK-15431-01	COVER, crankcase 3	1	
18	1WG-15425-00	COVER, generator 2	1	
19	1WG-15326-00	DAMPER, engine mount 2	1	
20	98901-05008	SCREW, bind	4	
21	1WG-15462-00	GASKET, crankcase cover 3	1	
22	99510-08016	PIN, dowel	2	
23	91311-06025	BOLT	8	
24	91311-06035	BOLT	2	
25	3F9-15362-00	PLUG, oil level	1	
26	93210-27194	O-RING	1	
27	3HE-15415-01	COVER, generator	1	
28	90340-08M04	PLUG, straight screw	1	

FIG. 15 CRANKCASE COVER 1



REF. NO.	PART NO.	DESCRIPTION	Q'TY	REMARKS
29	99510-08016	PIN, dowel	2	
30	91311-06025	BOLT	3	
31	91311-06035	BOLT	1	
32	90109-063F9	BOLT	1	
33	90462-10182	CLAMP	1	
34	98501-06010	SCREW, pan head	1	

FIG. 16 STARTER CLUTCH

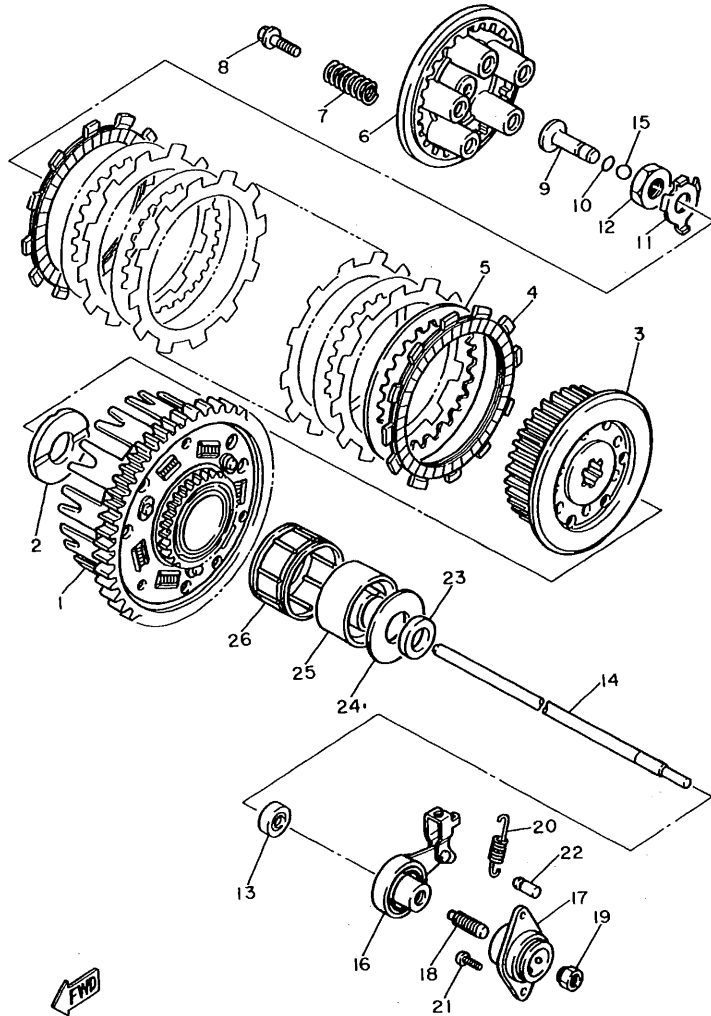


REF. NO.	PART NO.	DESCRIPTION	Q'TY	REMARKS
1	3HE-15521-00	SHAFT 1	1	
2	3HE-15512-00	GEAR, idler 1	1	
3	3HE-15517-00	GEAR, idler 2	1	
4	4H7-15521-00	SHAFT 1	2	
5	3HE-15590-00	STARTER ONE-WAY ASSY	1	
6	3HE-15524-00	WHEEL, starter	1	
7	91316-08020	BOLT	3	
8	3HE-15515-01	GEAR 3	1	
9	90280-05048	KEY, woodruff	1	
10	90201-107K6	WASHER, plate	1	
11	90105-10445	BOLT, washer based	1	
12	93306-20006	BEARING (B6200)	1	NTN



3HE332-9160

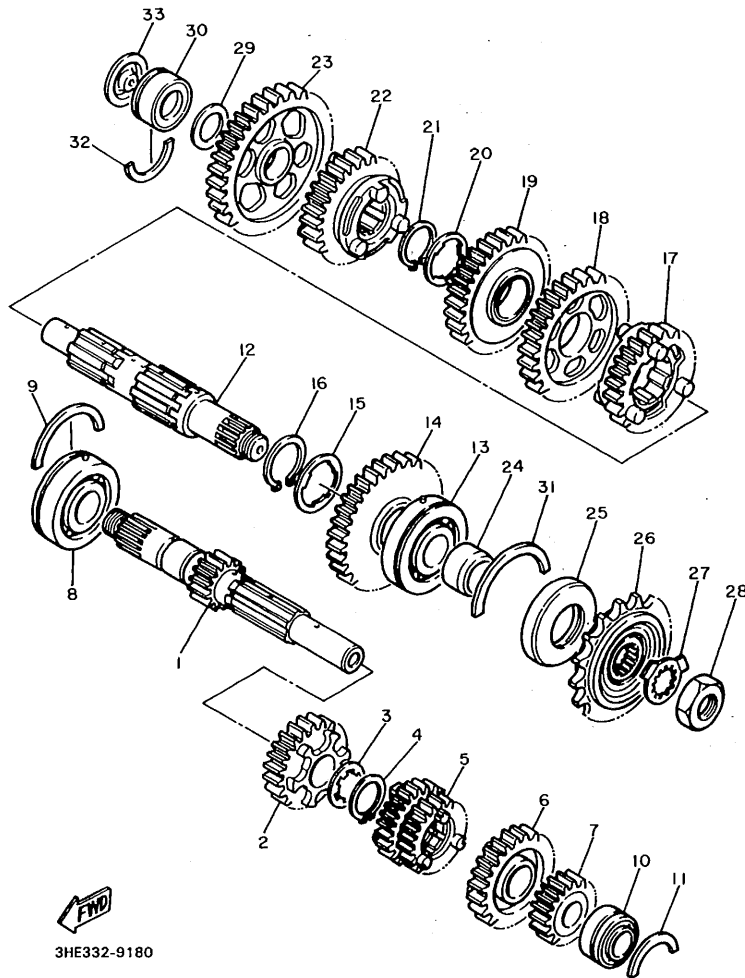
FIG. 17 CLUTCH



3HE332-9170

REF. NO.	PART NO.	DESCRIPTION	Q'TY	REMARKS
1	3HE-16150-00	PRIMARY DRIVEN GEAR COMP.	1	
2	1WG-16154-00	PLATE, thrust 1	1	
3	3HE-16371-00	BOSS, clutch	1	
4	21V-16321-00	PLATE, friction	9	
5	131-16324-00	PLATE, clutch 1	8	
6	2TK-16351-00	PLATE, pressure 1	1	
7	90501-227E0	SPRING, compression	5	
8	90119-05001	BOLT, with washer	5	
9	1WG-16356-00	ROD, push 1	1	
10	93210-48364	O-RING	1	
11	90215-18225	WASHER, lock	1	
12	90170-18221	NUT	1	
13	93109-08058	OIL SEAL (SD07 8-21-5.5 HS)	1	
14	1WG-16357-01	ROD, push 2	1	
15	93505-16006	BALL	1	
16	1WG-16340-01	PUSH LEVER ASSY	1	
17	1WG-16304-00	BALL SCREW HOUSING ASSY	1	
18	90113-08021	BOLT, set	1	
19	90179-08179	NUT	1	
20	90506-09232	SPRING, tension	1	
21	90157-05065	SCREW, pan head	2	
22	132-16346-00	HOOK, spring	1	
23	90387-212R3	COLLAR	1	
24	1WG-16164-00	PLATE, thrust 2	1	
25	1WG-16181-00	SPACER 1	1	
26	93310-345R8	BEARING, cylindrical	1	

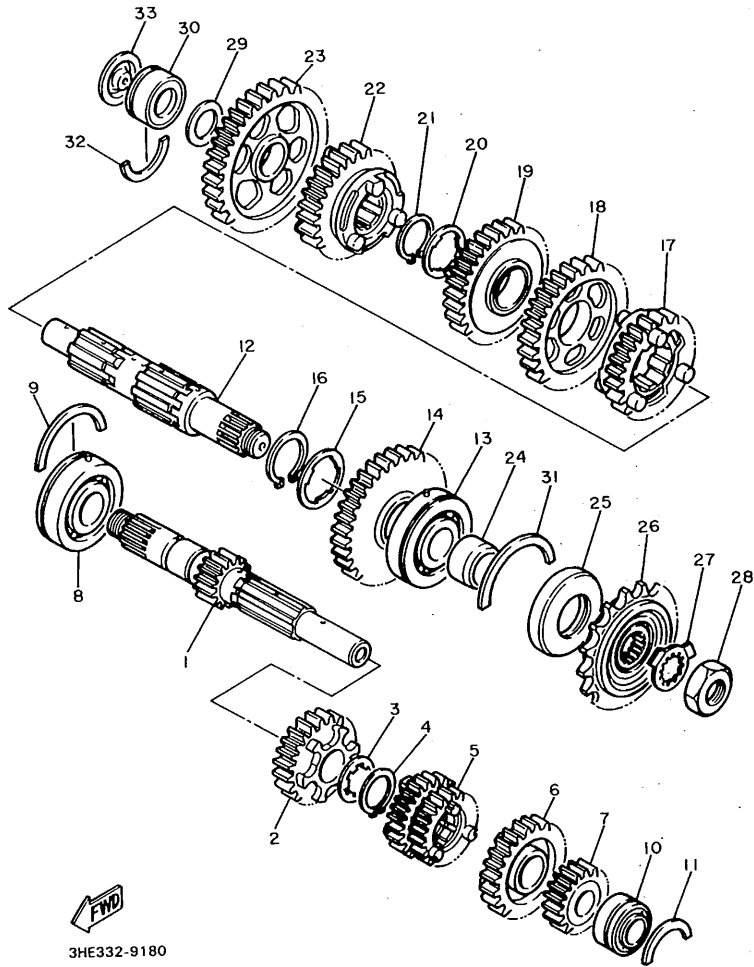
FIG. 18 TRANSMISSION



3HE332-9180

REF. NO.	PART NO.	DESCRIPTION	Q'TY	REMARKS
1	3HE-17411-00	AXLE, main (15T)	1	
2	3HE-17151-00	GEAR, 5th pinion (26T)	1	
3	90209-18208	WASHER	1	
4	93410-22039	CIRCLIP	1	
5	3HE-17131-00	GEAR, 3rd pinion (21T)	1	
6	3HE-17161-00	GEAR, 6th pinion (27T)	1	
7	3HE-17121-01	GEAR, 2nd pinion (22T)	1	
8	93306-37205	BEARING (83B285C3)	1	
9	93440-54152	CIRCLIP	1	
10	93399-99933	BEARING	1	
11	278-17425-00	CIRCLIP 2	1	
12	3HE-17421-00	AXLE, drive	1	
13	93306-30550	BEARING	1	
14	3HE-17221-01	GEAR, 2nd wheel (43T)	1	
15	90209-27192	WASHER	1	
16	93440-30077	CIRCLIP	1	
17	3HE-17261-00	GEAR, 6th wheel (30T)	1	
18	3HE-17231-00	GEAR, 3rd wheel (31T)	1	
19	3HE-17241-00	GEAR, 4th wheel (28T)	1	
20	90209-22191	WASHER	1	
21	93440-25084	CIRCLIP	1	
22	3HE-17251-00	GEAR, 5th wheel (31T)	1	
23	3HE-17211-00	GEAR, 1st wheel (42T)	1	
24	90387-255V4	COLLAR	1	
25	93102-35109	OIL SEAL (SD-35-62-6 HS)	1	
26	3HE-17460-00	SPROCKET, drive (15T)	1	
27	90215-21022	WASHER, lock	1	
28	90179-18020	NUT	1	

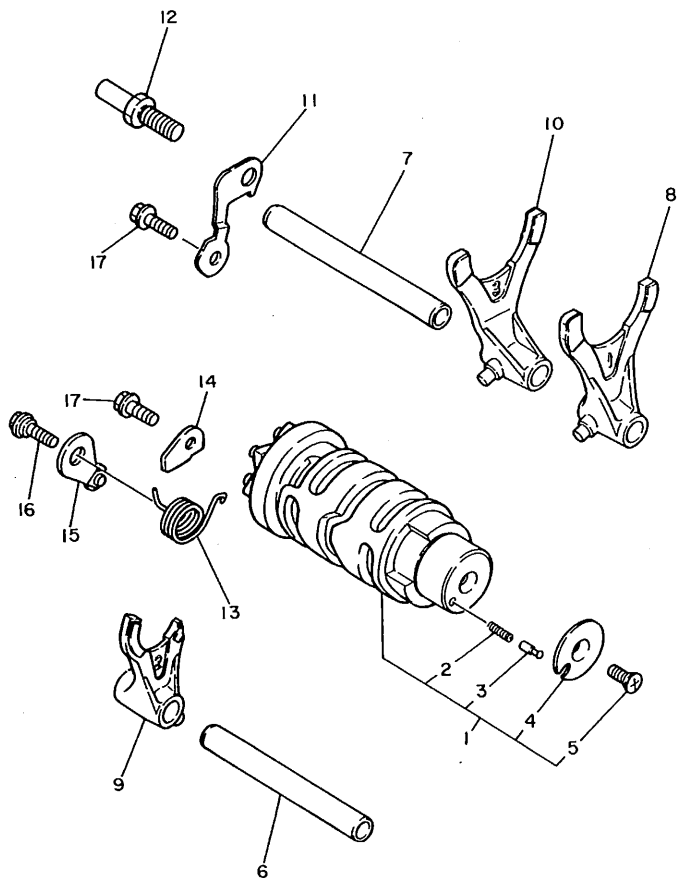
FIG. 18 TRANSMISSION



3HE332-9180

REF. NO.	PART NO.	DESCRIPTION	Q'TY	REMARKS
29	90201-20276	WASHER, plate (1.0T)	1	
30	93311-42045	BEARING (20NG3315NE)	1	
31	278-17424-01	CIRCLIP 1	1	
32	278-17425-00	CIRCLIP 2	1	
33	4G0-17433-01	NOZZLE	1	

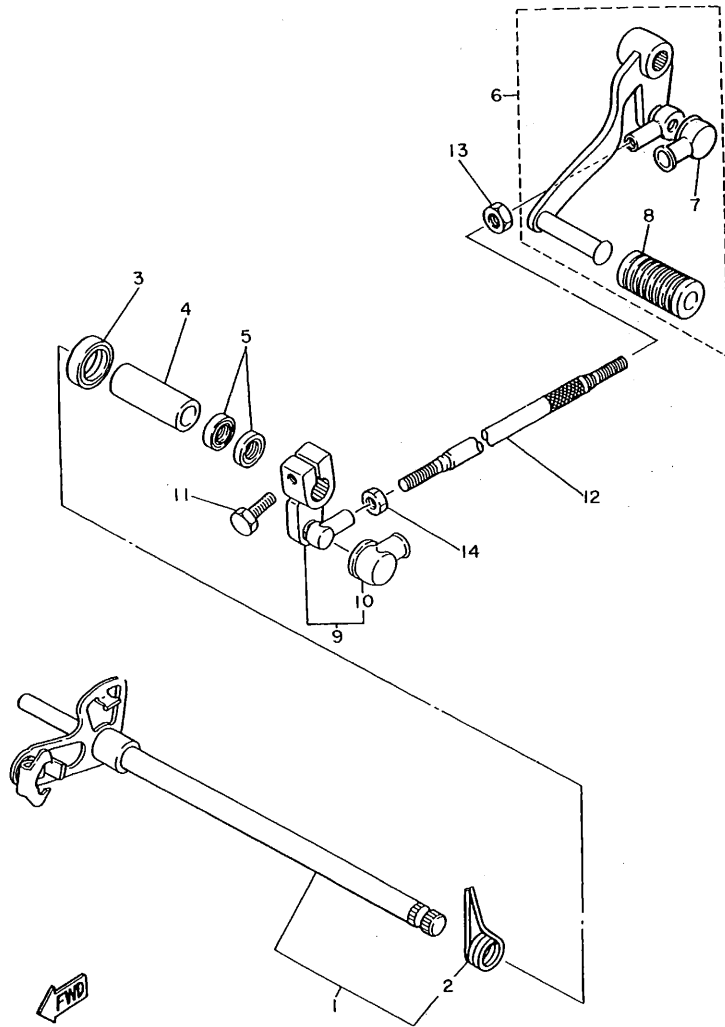
FIG. 19 SHIFT CAM • FORK



1WG010-6180

REF. NO.	PART NO.	DESCRIPTION	Q'TY	REMARKS
1	1WG-18540-01	SHIFT CAM ASSY	1	
2	90501-06022	.SPRING, compression	1	
3	278-18542-00	.POINT, neutral	1	
4	278-18566-00	.PLATE, side 2	1	
5	98701-05012	.SCREW, flat head	1	
6	1WG-18531-00	BAR, shift fork guide 1	1	(L=102.2)
7	1WG-18535-00	BAR, shift fork guide 2	1	(L=108)
8	1WG-18511-00	FORK, shift 1	1	
9	1WG-18512-00	FORK, shift 2	1	
10	1WG-18513-00	FORK, shift 3	1	
11	1WG-18536-00	STOPPER, shift bar	1	
12	1HX-18127-00	STOPPER, screw	1	
13	90508-23707	SPRING, torsion	1	
14	1WG-18562-00	PLATE, stopper 2	1	
15	36Y-18140-00	STOPPER LEVER ASSY	1	
16	90109-063F7	BOLT	1	
17	95822-06016	BOLT, flange	2	

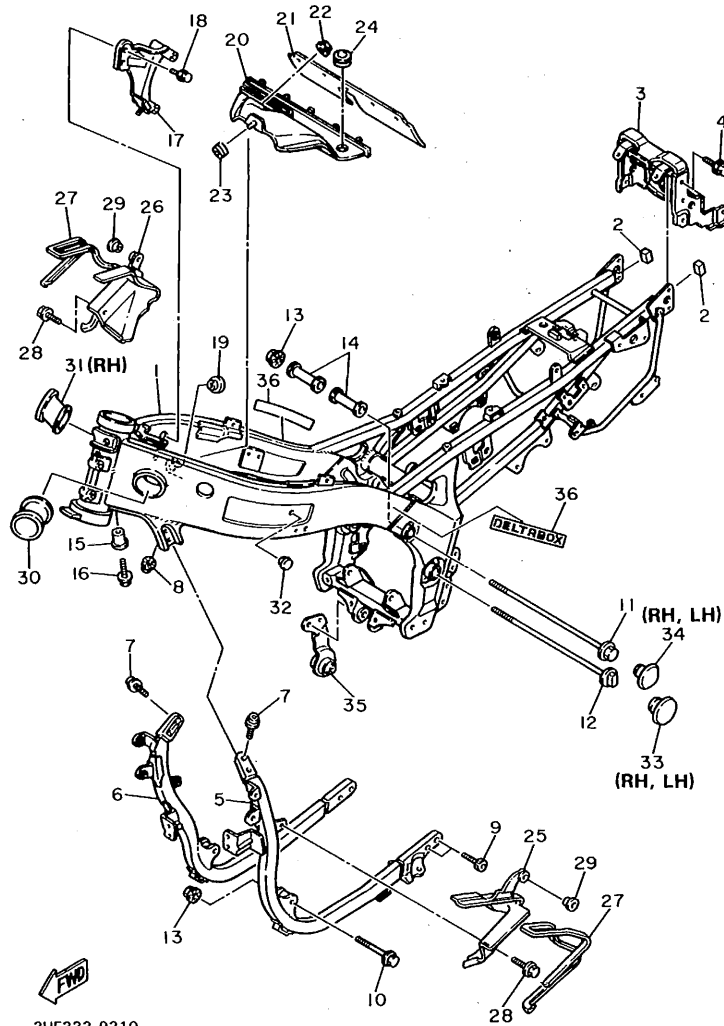
FIG. 20 SHIFT SHAFT



3HE332-9200

REF. NO.	PART NO.	DESCRIPTION	Q'TY	REMARKS
1	3EN-18101-00	SHIFT SHAFT ASSY	1	
2	90508-32682	.SPRING, torsion	1	
3	93102-12106	OIL SEAL (SD 12-22-5 HS)	1	
4	90560-12211	SPACER	1	
5	93109-12053	OIL SEAL (SDO 12 / 18 / 4-1)	2	
6	3HE-18110-00	SHIFT PEDAL ASSY	1	
7	2H9-18154-00	.COVER, dust	1	
8	132-18113-01	.COVER, shift pedal	1	
9	1WG-18112-01	ARM, shift	1	
10	2H9-18154-00	.COVER, dust	1	
11	97011-06020	BOLT	1	
12	1WG-18115-00	ROD, shift	1	
13	90170-06228	NUT	1	
14	95303-06700	NUT	1	

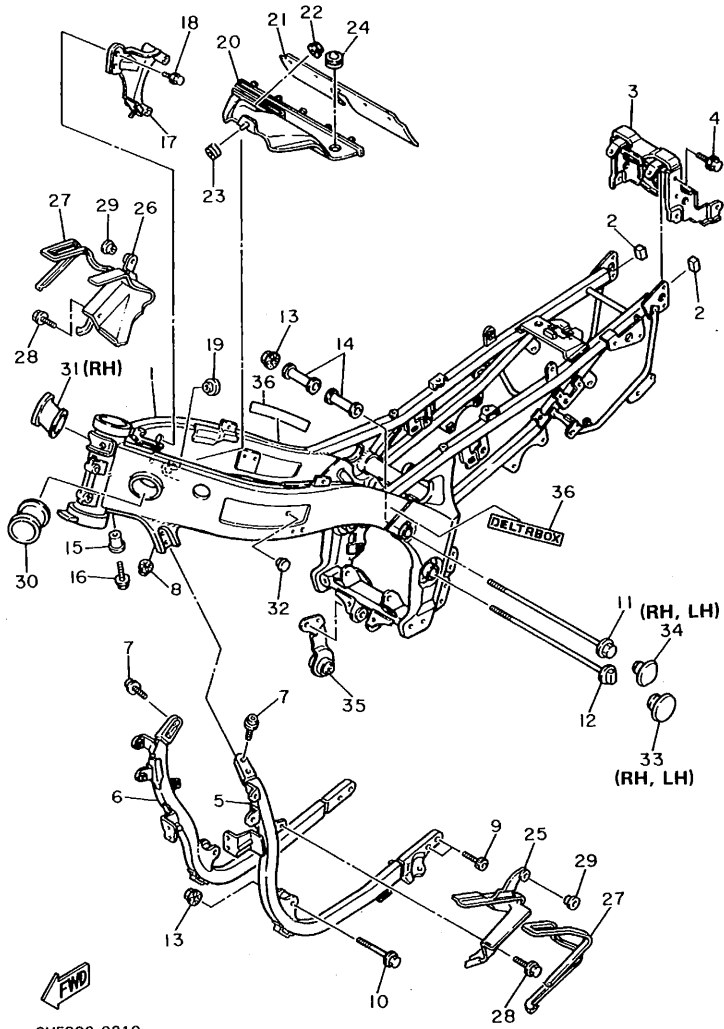
FIG. 21 FRAME



3HE332-9210

REF. NO.	PART NO.	DESCRIPTION	Q'TY	REMARKS
1	3HE-21110-00-T9	FRAME COMP.	1	COMPETITION SILVER
2	1WG-2143A-00	CAP	2	
3	3HE-2117E-00	BRACKET, taillight	1	
4	95801-06010	BOLT, flange	4	
5	3HE-21140-00-T9	DOWN TUBE COMP.	1	COMPETITION SILVER
6	3HE-21150-00-T9	DOWN TUBE COMP.2	1	COMPETITION SILVER
7	90105-10436	BOLT, washer based	4	
8	95701-10500	NUT, flange	4	
9	91311-08020	BOLT	4	
10	91011-10080	BOLT, flange	2	
11	91011-10295	BOLT, flange	1	
12	91011-10165	BOLT, flange	1	
13	95701-10500	NUT, flange	4	
14	1WG-21459-00	SPACER	2	
15	1WG-2142M-00	BRACKET, radiator 3	1	
16	91012-06016	BOLT, flange	1	
17	3HE-21238-00	BRACKET	1	
18	91012-06012	BOLT, flange	1	
19	90480-18171	GROMMET	1	
20	3HE-2137Y-00	GUIDE, air	1	
21	1WG-2139W-00	COVER	1	
22	95702-06600	NUT, with washer	1	
23	90480-01401	GROMMET	1	
24	90480-13398	GROMMET	1	
25	3HE-2137W-00	SCOOP, air 1	1	
26	3HE-2137X-00	SCOOP, air 2	1	
27	3HE-2139U-00	DAMPER 2	2	
28	90119-06093	BOLT, with washer	3	

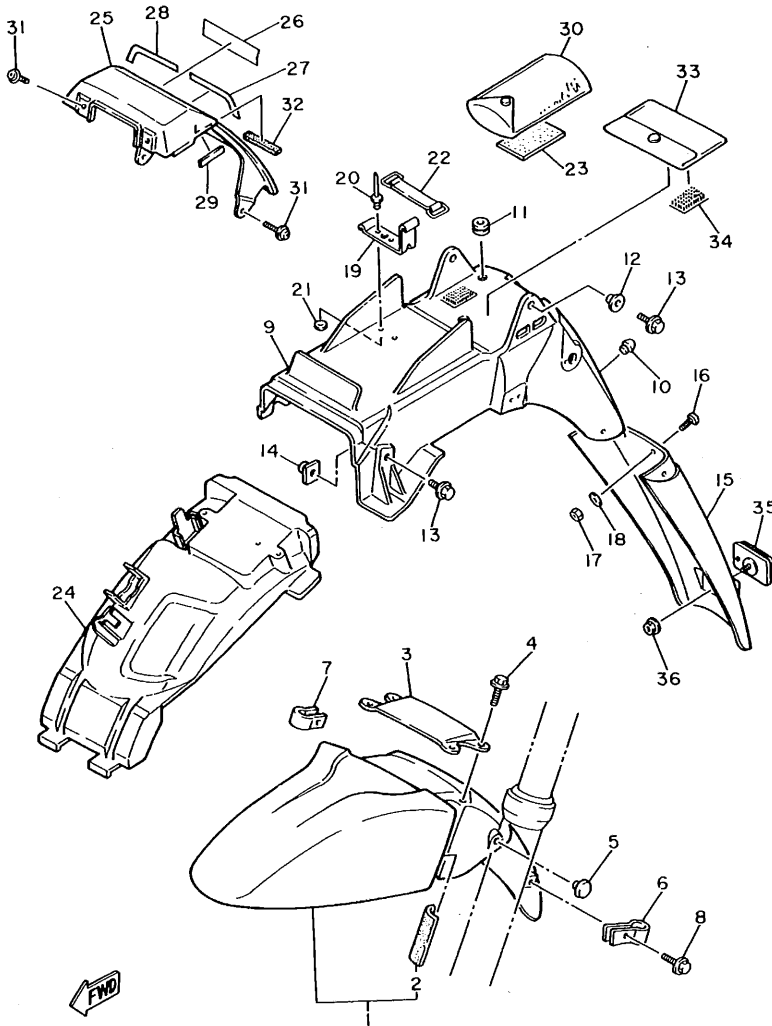
FIG. 21 FRAME



3HE332-9210

REF. NO.	PART NO.	DESCRIPTION	Q'TY	REMARKS
29	90387-06681	COLLAR	2	
30	3HE-2117M-00	COVER 2	1	
31	3HE-2117N-00	COVER 3	1	
32	90338-15202	PLUG	2	
33	3HE-2117R-00	COVER 4	2	
34	3HE-2117T-00	COVER 5	2	
35	3HE-21446-00	STAY, muffler 2	1	
36	3HE-2118E-00	EMBLEM 1	2	

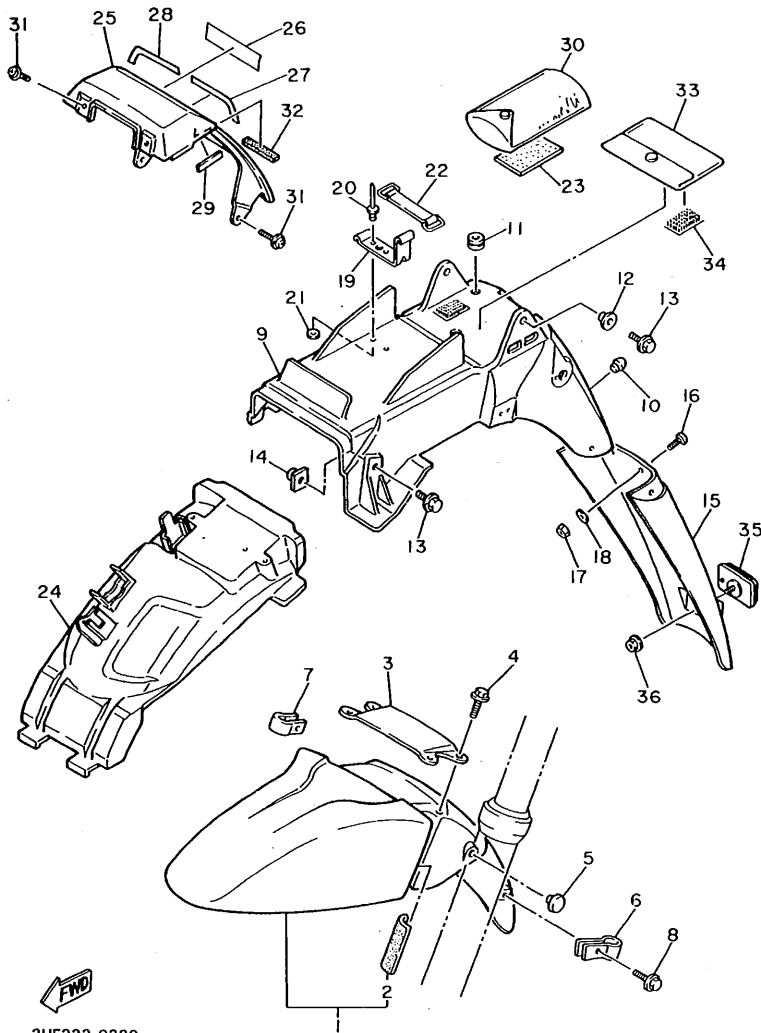
FIG. 22 FENDER



3HE332-0220

REF. NO.	PART NO.	DESCRIPTION	Q'TY	REMARKS
1	3FH-21510-00-0X	FRONT FENDER COMP.	1	UR SILKY WHITE
	3FH-21510-00-2X	FRONT FENDER COMP.	1	UR NEW YAMAHA BLACK
2	1KH-21717-00	•DAMPER, side cover	2	
3	46X-2313A-00	BRACE, fork	1	
4	90105-06456	BOLT, washer based	4	
5	90338-12192	PLUG	1	
6	3EN-25875-00	HOLDER, brake hose 1	1	
7	2R8-25876-00	HOLDER, brake hose 2	1	
8	95023-06025	BOLT	2	
9	3HE-21611-00	FENDER, rear	1	
10	4G0-21639-00	DAMPER 2	1	
11	90480-10258	GROMMET	2	
12	90387-066M3	COLLAR	2	
13	90119-06108	BOLT, with washer	4	
14	31A-14477-00	PLATE	2	
15	3HE-21621-00	FLAP	1	
16	90149-04278	SCREW	4	
17	95606-04100	NUT, u	4	
18	90201-047A2	WASHER, plate	4	
19	25G-28379-00	HOOK	1	
20	90267-40076	RIVET, blind	2	
21	90201-044A2	WASHER, plate	2	
22	122-82131-00	BAND, battery	1	
23	34M-21649-00	DAMPER	1	
24	3HE-21629-00	GUARD, mud	1	
25	3HE-21651-00-GE	COVER, rear fender	1	UR SILKY WHITE
	3HE-21651-00-6G	COVER, rear fender	1	UR NEW YAMAHA BLACK UR FOR SW
26	99233-00025	EMBLEM, yamaha	1	UR FOR NYB
	99236-00025	EMBLEM, yamaha	1	

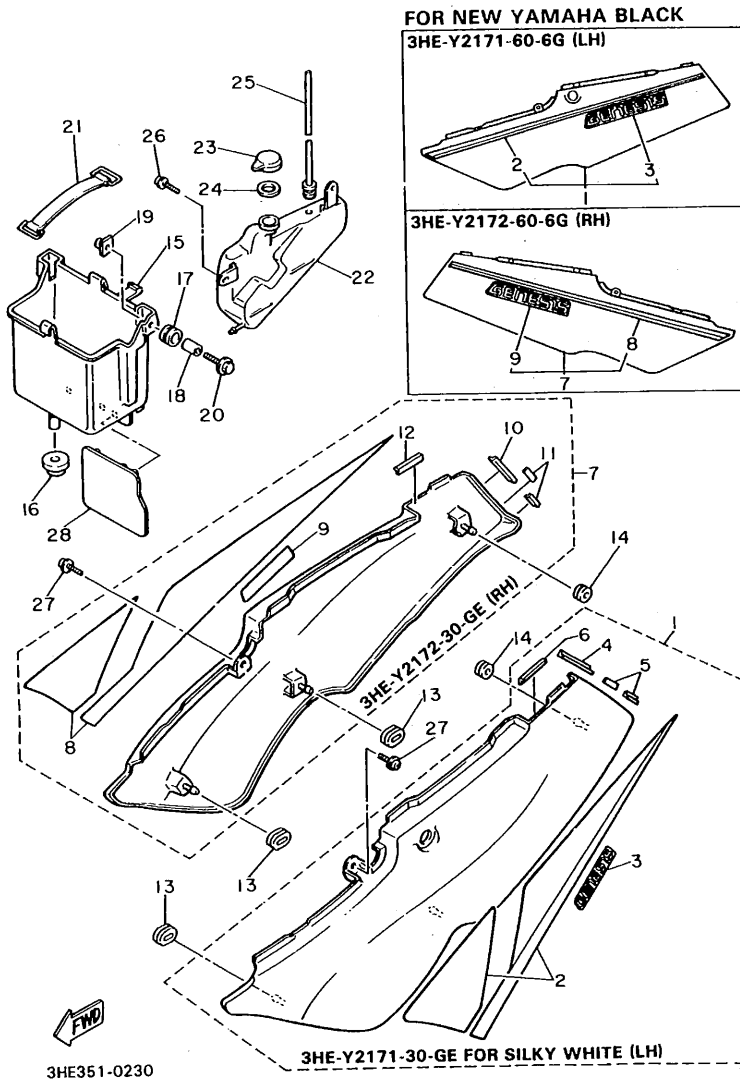
FIG. 22 FENDER



3HE332-0220

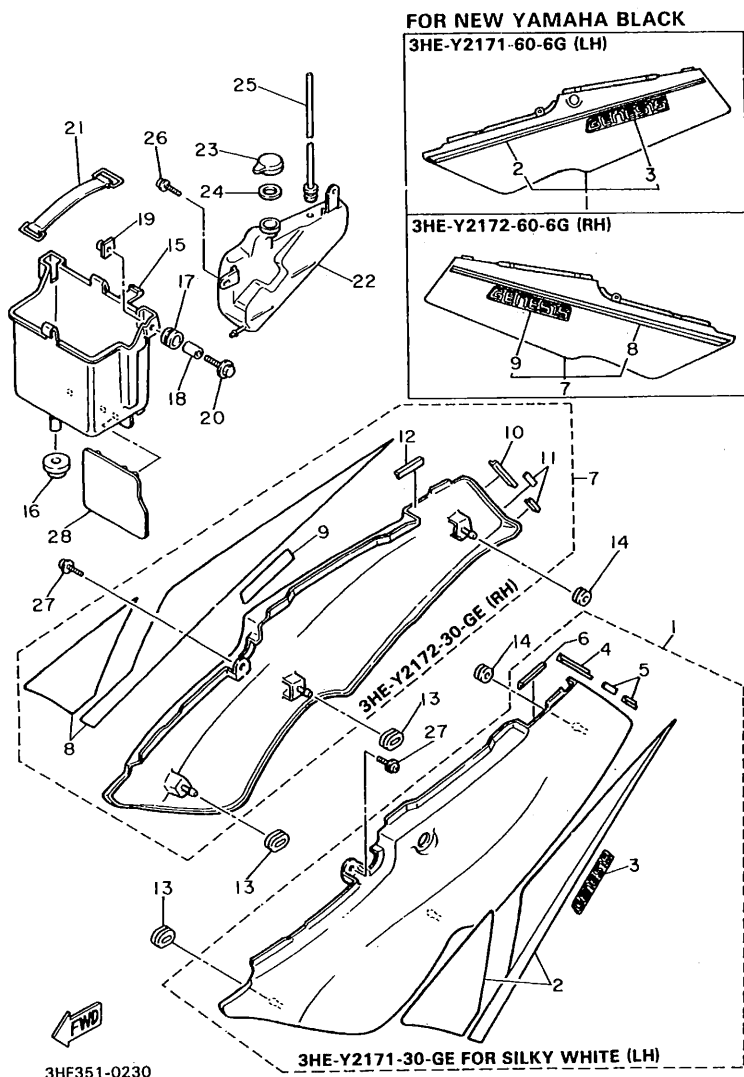
REF. NO.	PART NO.	DESCRIPTION	Q'TY	REMARKS
27	2GH-21575-00	SEAL 1	1	
28	2GH-21576-00	SEAL 2	1	
29	2GH-21735-00	SEAL 2	2	
30	1WG-W2810-00	TOOL KIT	1	
31	90159-06033	SCREW, with washer	4	
32	J44-78248-00	SEAL 4	1	
33	4N0-28186-00	POUCH	1	
34	4K5-2814E-10	HOOK	2	
35	3G1-85130-01	REAR REFLECTOR ASSY	1	
36	95701-05500	NUT, flange	1	

FIG. 23 SIDE COVER



REF. NO.	PART NO.	DESCRIPTION	Q'TY	REMARKS
1	3HE-Y2171-30-GE	COVER, side 1	1	UR SILKY WHITE
	3HE-Y2171-60-6G	COVER, side 1	1	UR NEW YAMAHA BLACK UR FOR SW
2	3HE-2173L-30	.GRAPHIC SET 1	1	UR FOR NYB
	3HE-21788-40	.GRAPHIC	1	UR FOR SW
3	3HE-21781-30	.EMBLEM 1	1	UR FOR NYB
	3HE-21781-40	.EMBLEM 1	1	
4	3HE-21735-00	.SEAL 2	1	
5	3HE-21732-00	.SEAL 1	2	
6	2GH-21735-00	.SEAL 2	1	
7	3HE-Y2172-30-GE	COVER, side 2	1	UR SILKY WHITE
	3HE-Y2172-60-6G	COVER, side 2	1	UR NEW YAMAHA BLACK UR FOR SW
8	3HE-2174L-30	.GRAPHIC SET 2	1	UR FOR NYB
	3HE-21789-40	.GRAPHIC	1	UR FOR SW
9	3HE-21781-30	.EMBLEM 1	1	UR FOR NYB
	3HE-21781-40	.EMBLEM 1	1	
10	3HE-21735-00	.SEAL 2	1	
11	3HE-21732-00	.SEAL 1	1	
12	2GH-21735-00	.SEAL 2	1	
13	90480-01401	GROMMET	4	
14	90480-14052	GROMMET	2	
15	1WG-2177G-00	BOX, battery	1	
16	90480-22362	GROMMET	1	
17	90480-14229	GROMMET	2	
18	90387-07391	COLLAR	2	
19	31A-14477-00	PLATE	2	
20	90119-06097	BOLT, with washer	2	
21	120-82131-00	BAND, battery	1	
22	1WG-21871-00	TANK, recovery	1	

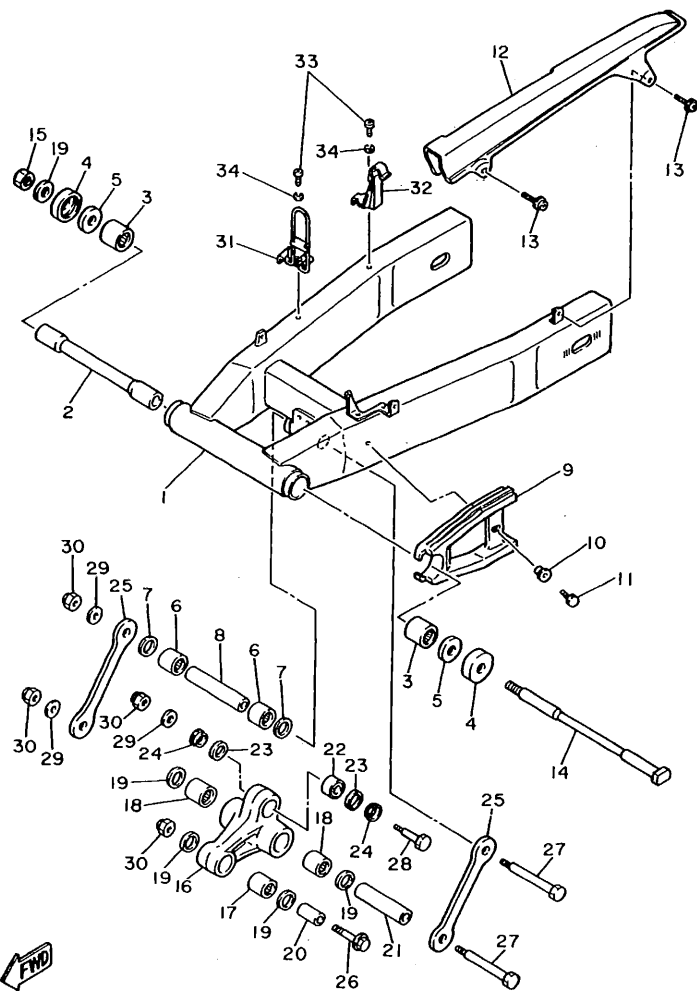
FIG. 23 SIDE COVER



3HE351-0230

REF. NO.	PART NO.	DESCRIPTION	Q'TY	REMARKS
23	4L0-21875-00	CAP	1	
24	1AA-21874-00	GASKET	1	
25	1WG-21816-00	PIPE 1	1	
26	90159-06056	SCREW, with washer	2	
27	90159-06033	SCREW, with washer	2	
28	34X-21691-00	FLAP	1	

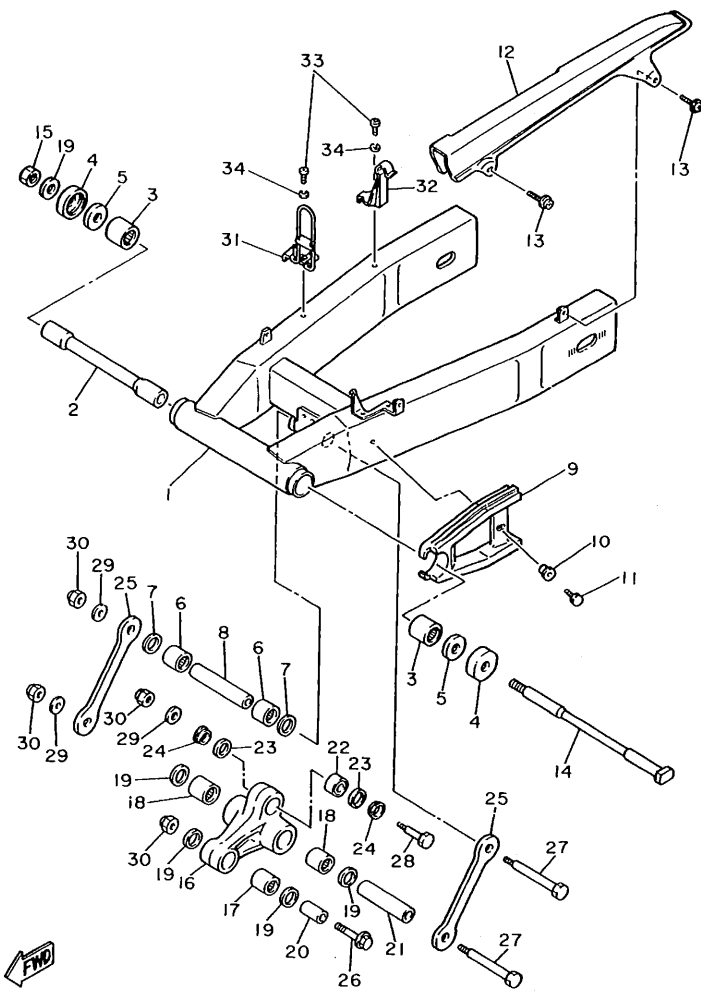
FIG. 24 REAR ARM



3HE332-9240

REF. NO.	PART NO.	DESCRIPTION	Q'TY	REMARKS
1	3HE-22110-10-T9	REAR ARM COMP.	1	COMPETITION SILVER
2	33M-22184-00	BUSH	1	
3	93320-32403	BEARING	2	
4	4X7-22129-00	COVER, thrust 2	2	
5	90201-161J3	WASHER, plate	2	
6	93317-21746	BEARING, cylindrical	2	
7	93109-17048	OIL SEAL (SDO 17-24-4)	2	
8	90387-122R5	COLLAR	1	
9	3HE-22151-10	SEAL, guard	1	
10	90387-06681	COLLAR	1	
11	97313-06016	BOLT	1	
12	1KT-22311-00	CASE, chain	1	
13	90159-06084	SCREW, with washer	2	
14	46X-22141-00	SHAFT, pivot	1	
15	90185-14070	NUT, self-locking	1	
16	1WG-2217A-00	ARM, relay	1	
17	93317-31701	BEARING, cylindrical	1	
18	93317-21746	BEARING, cylindrical	2	
19	93109-17048	OIL SEAL (SDO 17-24-4)	4	
20	90387-102R4	COLLAR	1	
21	90387-122R5	COLLAR	1	
22	93399-99919	BEARING	1	
23	93101-16131	OIL SEAL	2	
24	90387-124W2	COLLAR	2	
25	1WG-2217M-00	ARM 1	2	
26	90105-10376	BOLT, washer based	1	
27	90101-10658	BOLT	2	
28	90101-10659	BOLT	1	

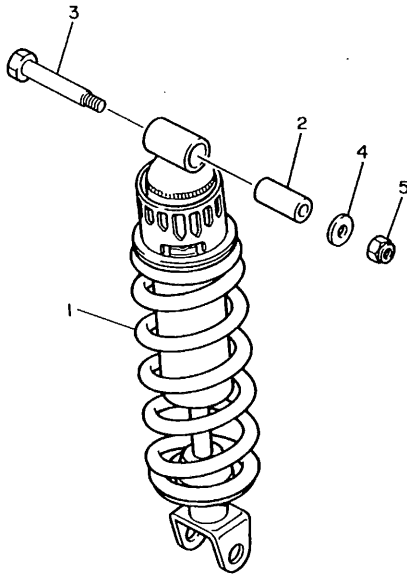
FIG. 24 REAR ARM



REF. NO.	PART NO.	DESCRIPTION	Q'TY	REMARKS
29	90201-101J1	WASHER, plate	3	
30	95611-10100	NUT, u	4	
31	2GH-25875-50	HOLDER, brake hose 1	1	
32	3HE-25875-00	HOLDER, brake hose 1	1	
33	92501-06020	SCREW, pan head	2	
34	92990-06100	WASHER, spring	2	

3HE332-9240

FIG. 25 REAR SUSPENSION

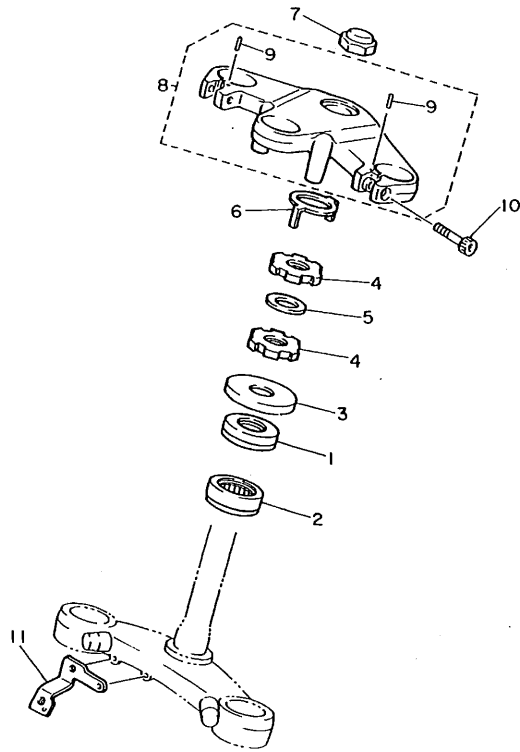


REF. NO.	PART NO.	DESCRIPTION	Q'TY	REMARKS
1	3HE-22210-00	SHOCK ABSORBER ASSY, rear	1	
2	90387-124T2	COLLAR	1	
3	90109-10554	BOLT	1	
4	90201-101J1	WASHER, plate	1	
5	95602-10100	NUT, u	1	



. 3HE332-9250

FIG. 26 STEERING

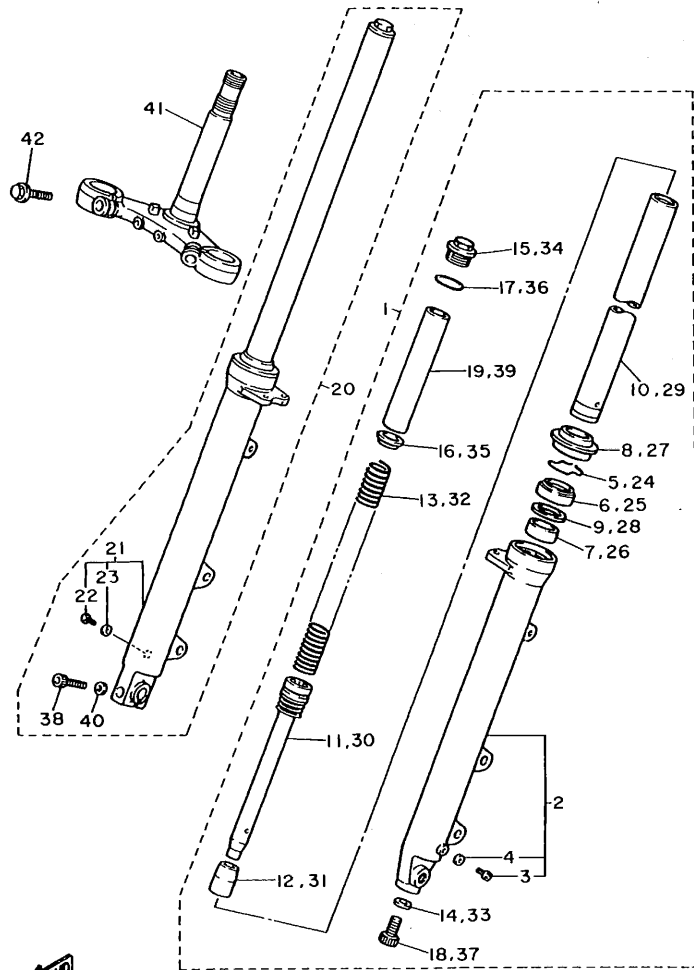


REF. NO.	PART NO.	DESCRIPTION	Q'TY	REMARKS
1	93332-00023	BEARING	1	
2	93332-00008	BEARING	1	
3	1J7-23415-00	COVER, ball race 1	1	
4	90179-25033	NUT	2	
5	90202-26142	WASHER, plate	1	
6	26H-23418-01	WASHER, special	1	
7	90176-22050	NUT, crown	1	
8	3HE-23435-00	CROWN, handle	1	
9	91609-40210	PIN, spring	2	
10	91311-08030	BOLT	2	
11	3HE-2317E-00	STAY	1	



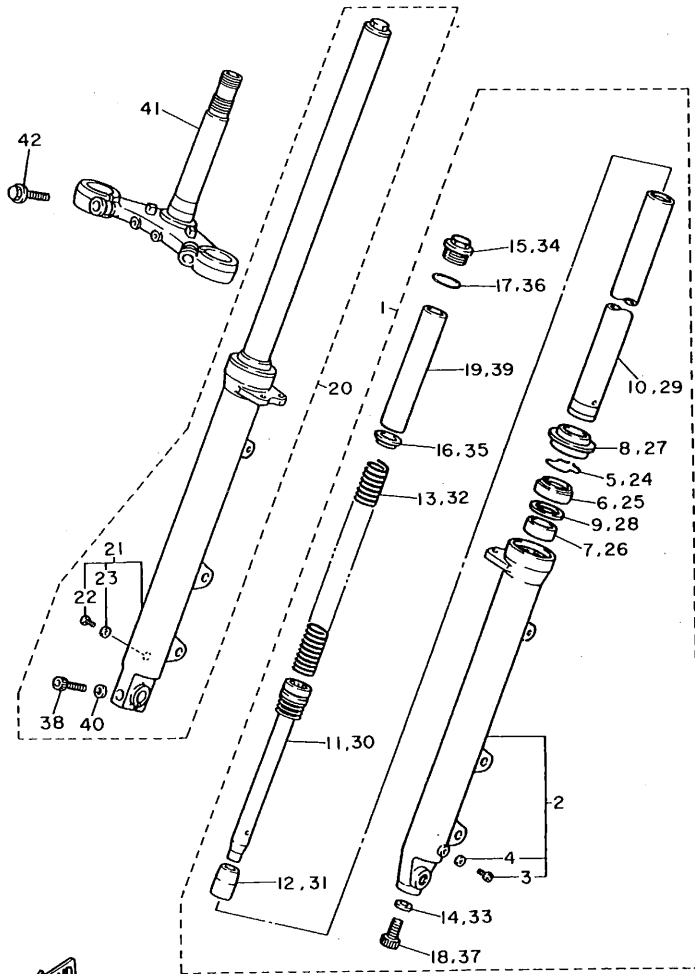
3HE332-9260

FIG. 27 FRONT FORK



REF. NO.	PART NO.	DESCRIPTION	Q'TY	REMARKS
1	3HE-23102-10	FRONT FORK ASSY (L.H)	1	
2	3HE-23126-10	.TUBE, outer 1	1	
3	4H7-23119-00	..PLUG, drain	1	
4	122-23129-00	..GASKET, drain plug	1	
5	3R4-23153-00	.RING, snap	1	
6	3EN-23145-00	.OIL SEAL	1	
7	2YK-23125-00	.METAL, slide 1	1	
8	3EN-23144-00	.SEAL, dust	1	
9	4V2-23146-L0	.WASHER, oil seal	1	
10	3HE-23110-00	.INNER TUBE COMP.1	1	
11	3HE-23170-00	.CYLINDER COMP., front fork	1	
12	2YK-23173-00	.SPINDLE, taper	1	
13	3HE-23141-00	.SPRING, front fork	1	
14	509-23158-L0	.GASKET	1	
15	3EN-23111-00	.BOLT, cap	1	
16	1FK-23142-00	.SEAT, spring upper	1	
17	1W4-23114-L0	.GASKET	1	
18	278-23181-50	.BOLT, hexagon socket head	1	
19	1WG-23118-00	.SPACER	1	
20	3HE-23103-10	FRONT FORK ASSY (R.H)	1	
21	3HE-23136-10	.TUBE, outer 2	1	
22	4H7-23119-00	..PLUG, drain	1	
23	122-23129-00	..GASKET, drain plug	1	
24	3R4-23153-00	.RING, snap	1	
25	3EN-23145-00	.OIL SEAL	1	
26	2YK-23125-00	.METAL, slide 1	1	
27	3EN-23144-00	.SEAL, dust	1	
28	4V2-23146-L0	.WASHER, oil seal	1	

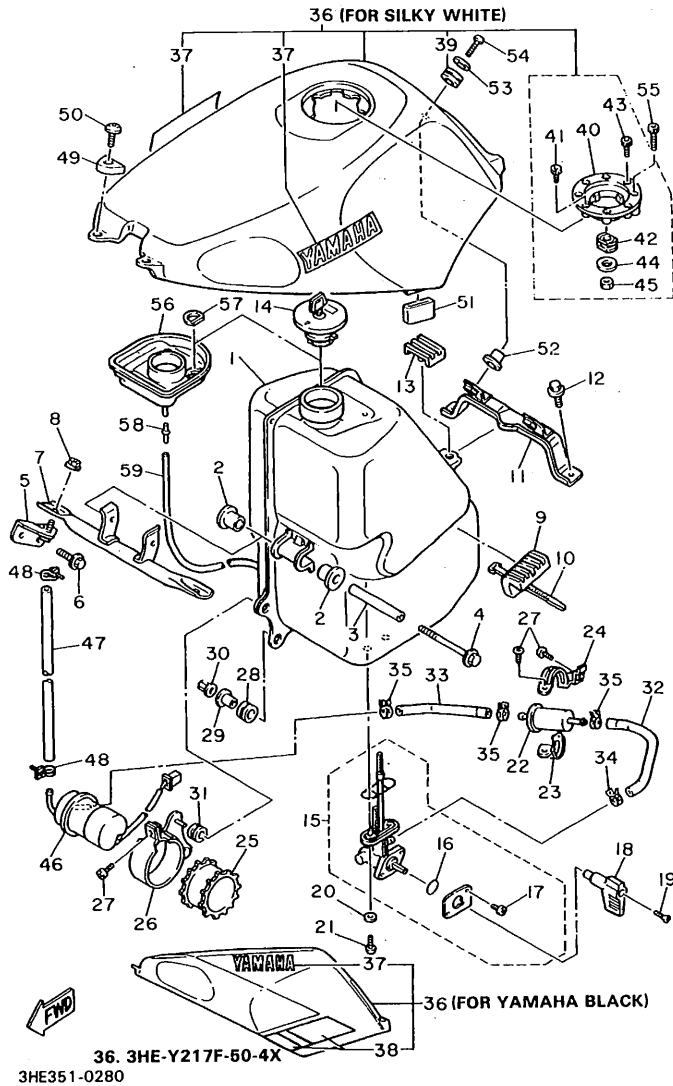
FIG: 27 FRONT FORK



3HE332-9270

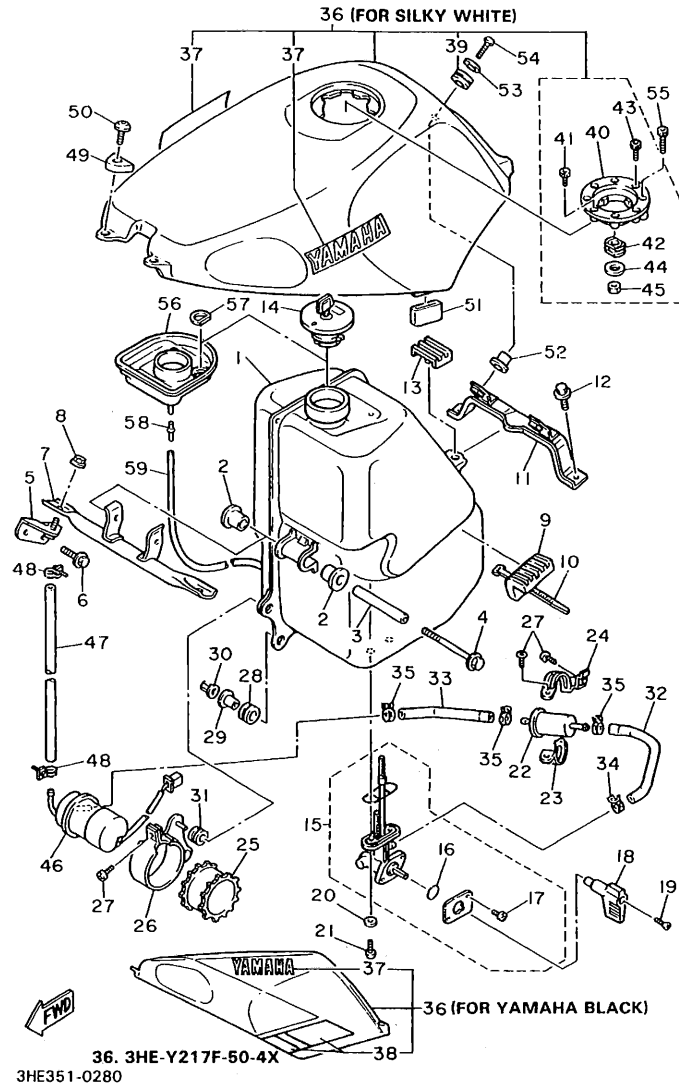
REF. NO.	PART NO.	DESCRIPTION	Q'TY	REMARKS
29	3HE-23110-00	.INNER TUBE COMP.1	1	
30	3HE-23170-00	.CYLINDER COMP., front fork	1	
31	2YK-23173-00	.SPINDLE, taper	1	
32	3HE-23141-00	.SPRING, front fork	1	
33	509-23158-L0	.GASKET	1	
34	3EN-23111-00	.BOLT, cap	1	
35	1FK-23142-00	.SEAT, spring upper	1	
36	1W4-23114-L0	.GASKET	1	
37	278-23181-50	.BOLT, hexagon socket head	1	
38	1WG-23128-00	.BOLT, axle holder	1	
39	1WG-23118-00	.SPACER	1	
40	90201-08085	.WASHER, plate	1	
41	1WG-23340-00	UNDER BRACKET COMP.	1	
42	3Y1-23346-00	BOLT 1	2	

FIG. 28 FUEL TANK



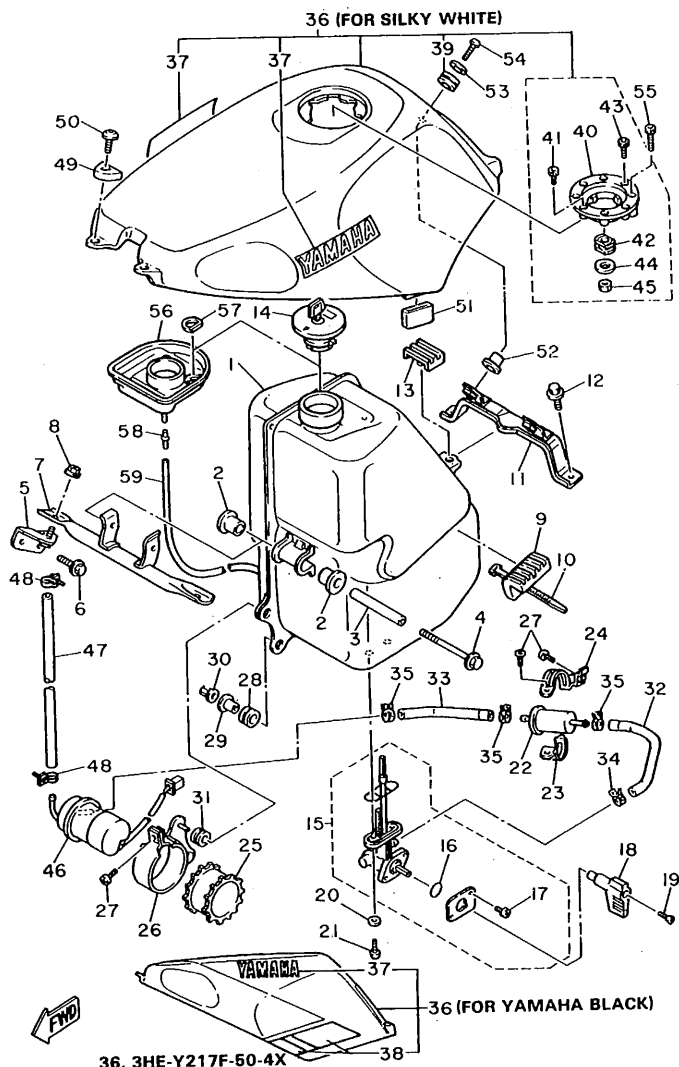
REF. NO.	PART NO.	DESCRIPTION	Q'TY	REMARKS
1	3HE-24110-10	FUEL TANK COMP.	1	
2	1HX-24181-00	DAMPER, locating 1	2	
3	90387-06380	COLLAR	1	
4	91002-06080	BOLT, flange	1	
5	3EN-21346-00	BRACKET, tank fitting	2	
6	91001-06016	BOLT, flange	4	
7	1WG-21345-00	BRACKET, tank fitting	1	
8	90179-08410	NUT	2	
9	1HX-24182-00	DAMPER, locating 2	2	
10	90465-13169	CLAMP	2	
11	1WG-21348-00	BRACKET, tank fitting	1	
12	91001-06016	BOLT, flange	2	
13	1WG-24185-00	DAMPER, locating 5	1	
14	3HE-24602-10	CAP ASSY	1	UR FOR EUROPE
	1WG-24602-00	CAP ASSY	1	UR FOR OCEANIA
15	3HE-24500-00	FUEL COCK ASSY 1	1	
16	4X8-24512-00	O-RING	1	
17	98503-03008	SCREW, pan head	2	
18	3HE-24524-00	LEVER, cock	1	
19	98606-04016	SCREW, oval head	1	
20	90202-06010	WASHER, plate	2	
21	90149-06011	SCREW	2	
22	1FK-24560-00	FILTER ASSY	1	
23	26H-24568-00	BAND, filter	1	
24	1WG-24566-00	BRACKET, filter	1	
25	1WG-24398-01	BAND 1	1	
26	3HE-24491-00	BRACKET, fuel pump	1	
27	98906-05014	SCREW, bind	3	
28	90480-14229	GROMMET	1	

FIG. 28 FUEL TANK



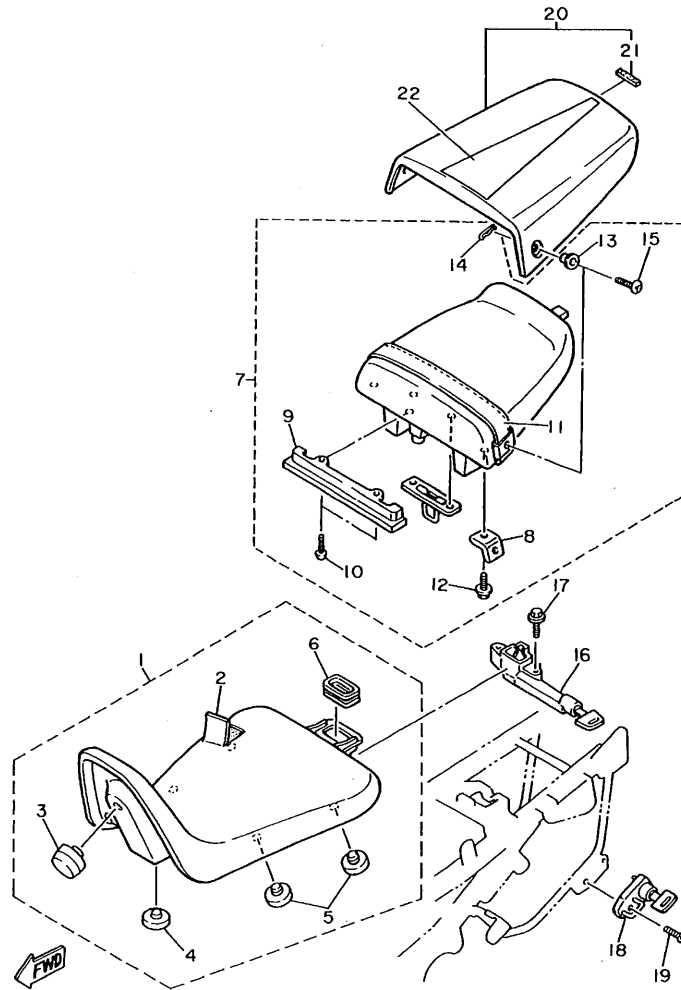
REF. NO.	PART NO.	DESCRIPTION	Q'TY	REMARKS
29	90387-07391	COLLAR	1	
30	95706-06500	NUT, flange	1	
31	90480-11454	GROMMET	1	
32	1WG-24311-00	PIPE, fuel 1	1	
33	90445-137F4	HOSE	1	
34	90467-10091	CLIP	1	
35	90467-11044	CLIP	3	
36	3HE-Y217F-30-3X	COVER, top (FUEL TANK)	1	UR SILKY WHITE / FINE RED
	3HE-Y217F-50-4X	COVER, top (FUEL TANK)	1	UR YAMAHA BLACK / STAR SILVER
37	99223-00040	.EMBLEM, yamaha	2	UR FOR SW
	99226-00040	.EMBLEM, yamaha	2	UR FOR NYB
38	3HE-24250-40	.GRAPHIC SET	1	FOR NYB
39	90480-18418	.GROMMET	2	
40	3HE-24614-00	.PLATE, cap	1	
41	90110-06134	.BOLT, hexagon socket head	3	
42	1WG-24665-00	.DAMPER	3	
43	90110-06133	.BOLT, hexagon socket head	3	
44	90201-06067	.WASHER, plate	3	
45	95303-06600	.NUT	3	
46	3EN-13907-00	FUEL PUMP COMP.	1	
47	90445-146F9	HOSE	1	
48	90467-13123	CLIP	2	
49	1WG-24183-00	DAMPER, locating 3	2	
50	90154-06040	SCREW, binding	2	
51	4X7-21719-00	GROMMET	2	
52	90387-112R6	COLLAR	2	
53	90201-06697	WASHER, plate	2	
54	98501-06025	SCREW, pan head	2	

FIG. 28 FUEL TANK



REF. NO.	PART NO.	DESCRIPTION	Q'TY	REMARKS
55	90110-06170	BOLT, hexagon socket head	2	
56	1WG-2414A-00	COVER, filler	1	
57	1WG-24622-00	WASHER, ring	2	
58	90560-03220	SPACER	1	
59	90445-070F1	HOSE	1	

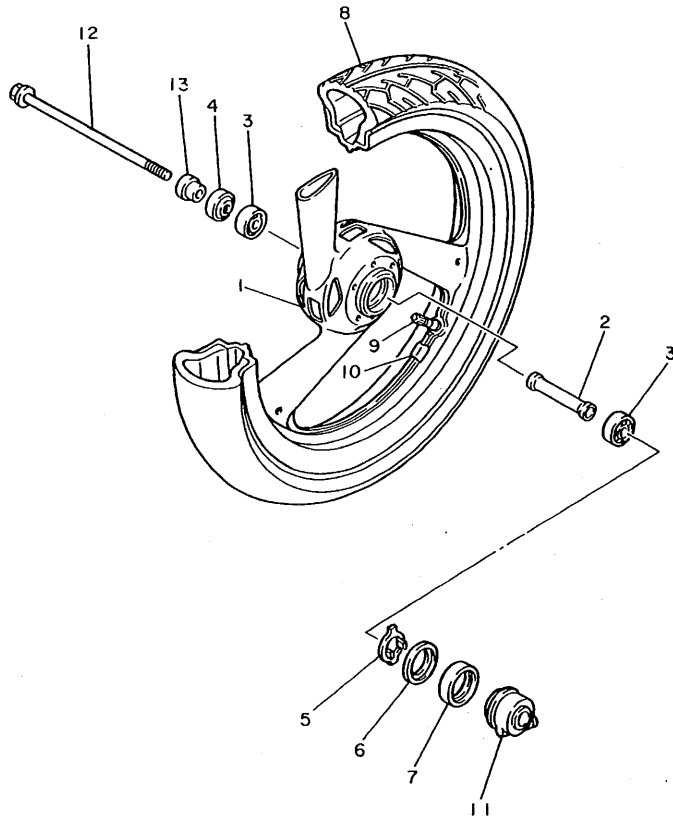
FIG. 29 SEAT



3HE351-0290

REF. NO.	PART NO.	DESCRIPTION	Q'TY	REMARKS
1	3HE-24710-00	SINGLE SEAT ASSY	1	
2	3HE-24711-00	.COVER, single seat	1	
3	1T4-24741-00	.PAD, seat	1	
4	116-24741-00	.PAD, seat	1	
5	22W-24741-00	.PAD, seat	4	
6	3HE-24742-00	.GROMMET	1	
7	3HE-24750-00	TANDEM SEAT ASSY	1	
8	4K0-24748-00	.BRACKET, seat	2	
9	3HE-24796-00	.COVER	1	
10	90154-05032	.SCREW, binding	2	
11	3HE-24734-00	.BAND, seat	1	
12	95801-06016	.BOLT, flange	2	
13	4L0-24712-11	.PLATE	2	
14	90468-10050	.CLIP	2	
15	47X-24739-00	.BOLT, seat fitting	2	
16	3HE-24705-01	SEAT LOCK ASSY	1	
17	91002-06030	BOLT, flange	2	
18	26H-21308-00	HELMET HANGER ASSY	1	
19	90149-06150	SCREW	1	
20	3HE-24791-00-GE	COVER, seat back	1	UR SILKY WHITE FOR EUROPE
	3HE-24791-00-6M	COVER, seat back	1	UR STAR SILVER FOR EUROPE
21	1KH-83523-00	.DAMPER	1	
22	3HE-24767-30	GRAPHIC, tail cover	1	FOR SW FOR EUROPE

FIG. 30 FRONT WHEEL

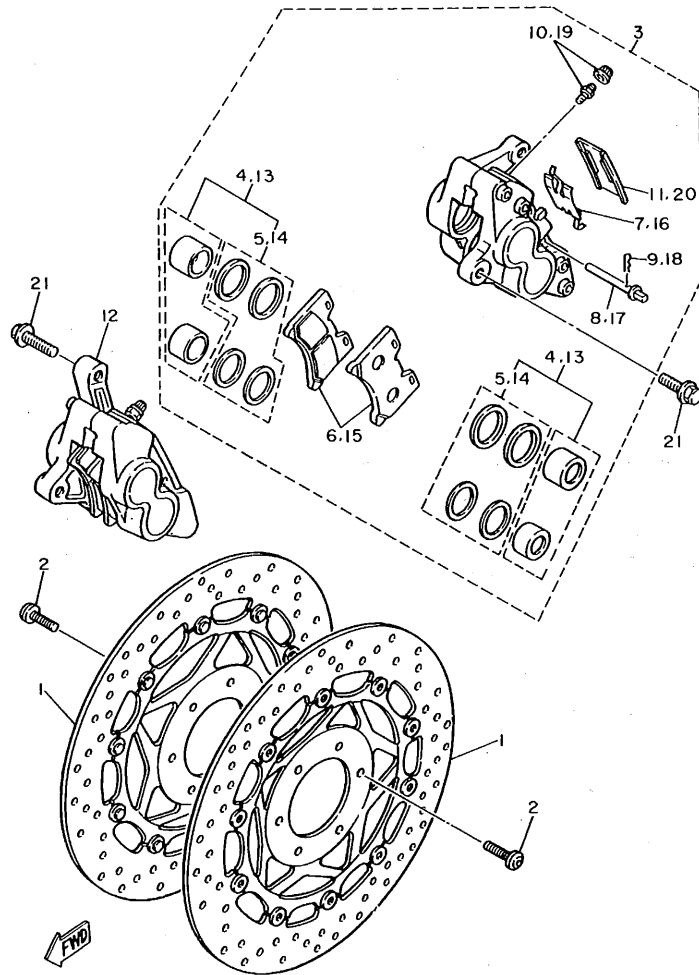


REF. NO.	PART NO.	DESCRIPTION	Q'TY	REMARKS
1	3HE-25168-00-UA	CAST WHEEL, front	1	UR CAST WHEEL WHITE FOR SW UR HI TECH SILVER FOR NYB
	3HE-25168-00-WG	CAST WHEEL, front	1	
2	90560-15314	SPACER	1	
3	93306-30203	BEARING (B6302Z)	2	
4	93102-22014	OIL SEAL	1	
5	341-25149-00	CLUTCH, meter	1	
6	341-25846-00	RETAINER, clutch	1	
7	93105-45017	OIL SEAL	1	
8	94111-173U4	TIRE (MCS 110 / 70V17-V240 G549)	1	UR BRIDGESTONE
	94111-173U2	TIRE (110 / 70V17-V240 K275F)	1	UR DUNLOP
	*	TIRE (110 / 70 V17 54V MT79)	1	UR PIRELLI
9	93900-00030	VALVE, rim	1	
10	29L-25398-00	BALANCER, wheel (10G)	1	UR
	29L-25398-10	BALANCER, wheel (20G)	1	UR
	29L-25398-20	BALANCER, wheel (30G)	1	UR
11	1WG-25190-00	GEAR UNIT ASSY	1	
12	42X-25181-00	AXLE, wheel	1	
13	90387-15550	COLLAR	1	



3HE332-9300

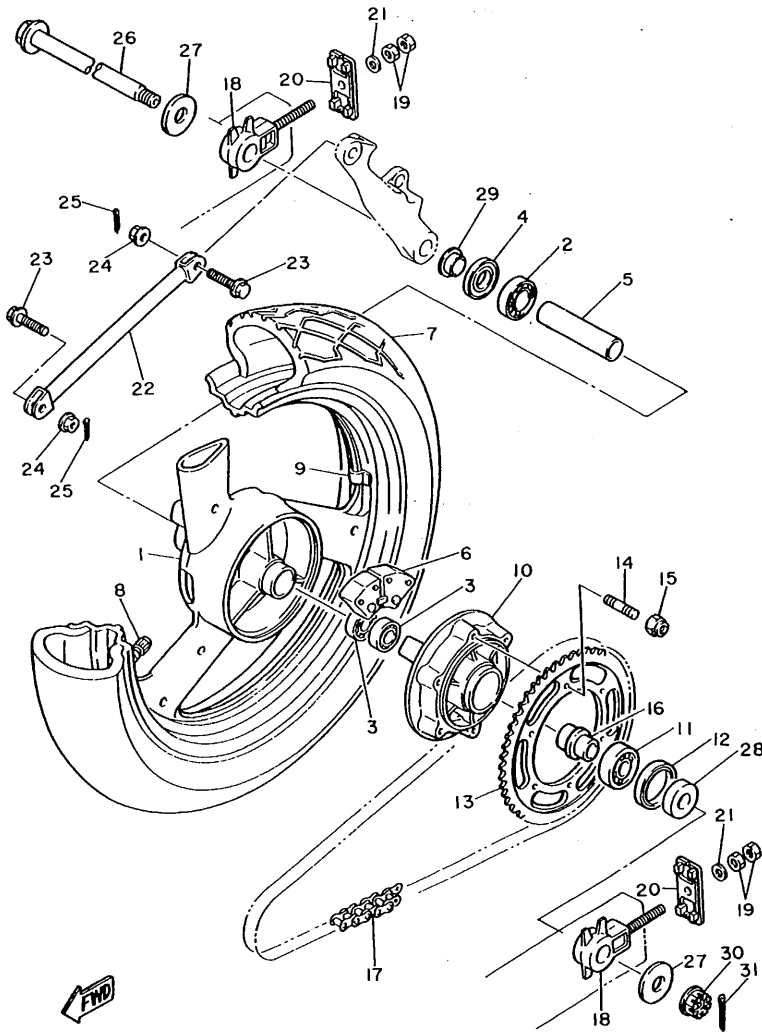
FIG. 31 FRONT BRAKE CALIPER



3HE351-0310

REF. NO.	PART NO.	DESCRIPTION	Q'TY	REMARKS
1	3RG-2581T-00	DISC BRAKE ASSY (LEFT)	2	
2	90109-08718	BOLT	12	
3	3HE-2580T-50	CALIPER ASSY (LEFT)	1	
4	3HE-W0057-50	.PISTON ASSY, caliper	2	
5	3HE-W0047-50	..CALIPER SEAL KIT	2	
6	3GM-W0045-00	.BRAKE PAD KIT	1	
7	3GM-25919-00	.SUPPORT, pad	1	
8	3GM-25924-00	.PIN, pad	2	
9	1KT-25925-00	.CLIP	2	
10	1J3-W0048-00	.BREED SCREW KIT	1	
11	1KT-25836-00	.COVER, dust	1	
12	3HE-2580U-50	CALIPER ASSY (RIGHT)	1	
13	3HE-W0057-50	.PISTON ASSY, caliper	2	
14	3HE-W0047-50	..CALIPER SEAL KIT	2	
15	3GM-W0045-00	.BRAKE PAD KIT	1	
16	3GM-25919-00	.SUPPORT, pad	1	
17	3GM-25924-00	.PIN, pad	2	
18	1KT-25925-00	.CLIP	2	
19	1J3-W0048-00	.BREED SCREW KIT	1	
20	1KT-25836-00	.COVER, dust	1	
21	90105-10308	BOLT, washer based	4	

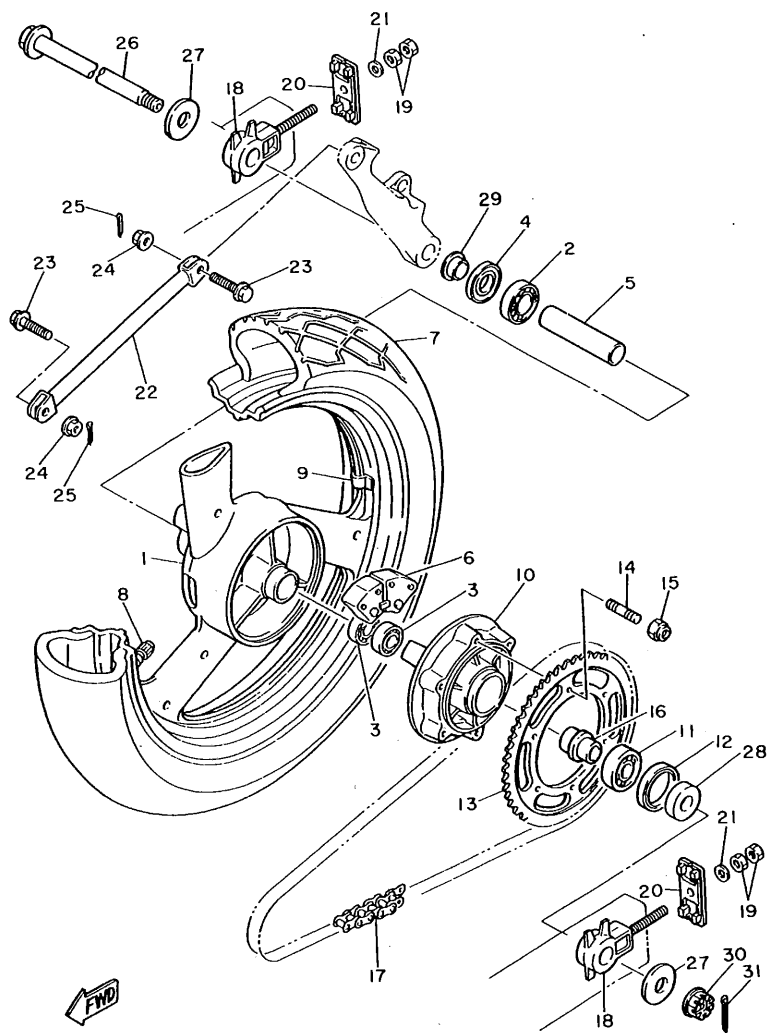
FIG. 32 REAR WHEEL



3HE300-9320

REF. NO.	PART NO.	DESCRIPTION	Q'TY	REMARKS
1	3HE-25338-00-UA	CAST WHEEL, rear	1	UR CAST WHEEL WHITE FOR SW UR HI TECH SILVER FOR NYB
	3HE-25338-00-WG	CAST WHEEL, rear	1	
2	93306-30306	BEARING (B6303)	1	
3	93306-20310	BEARING (B6203DU)	2	
4	93102-25044	OIL SEAL	1	
5	90387-174V8	COLLAR	1	
6	1UF-25364-00	DAMPER	3	
7	94113-183U5	TIRE (MCS-130 / 70-V18-V240)	1	UR BRIDGESTONE
	94113-183U3	TIRE (130 / 70 V18-V240 K275)	1	UR DUNLOP
	*	TIRE (130 / 70 V18 63V MT78)	1	UR PIRELLI
8	93900-00030	VALVE, rim	1	
9	29L-25398-00	BALANCER, wheel (10G)	1	UR
	29L-25398-10	BALANCER, wheel (20G)	1	UR
	29L-25398-20	BALANCER, wheel (30G)	1	UR
10	1AE-25366-00	CLUTCH, hub	1	
11	93306-37203	BEARING	1	
12	93105-42024	OIL SEAL	1	
13	1AE-25446-21	SPROCKET, driven (46T)	1	
14	90116-10485	BOLT, stud	6	
15	95601-10200	NUT, self-locking	6	
16	90387-177K0	COLLAR	1	
17	94581-42106	CHAIN (D.I.D.50 VA-6-106L)	1	
18	3HE-25388-00	PULLER, chain 1	2	
19	95303-08600	NUT	4	
20	3HE-22174-00	END 1	2	
21	92901-08600	WASHER, plate	2	
22	36Y-25371-00	BAR, tension	1	
23	90105-08321	BOLT, washer based	2	

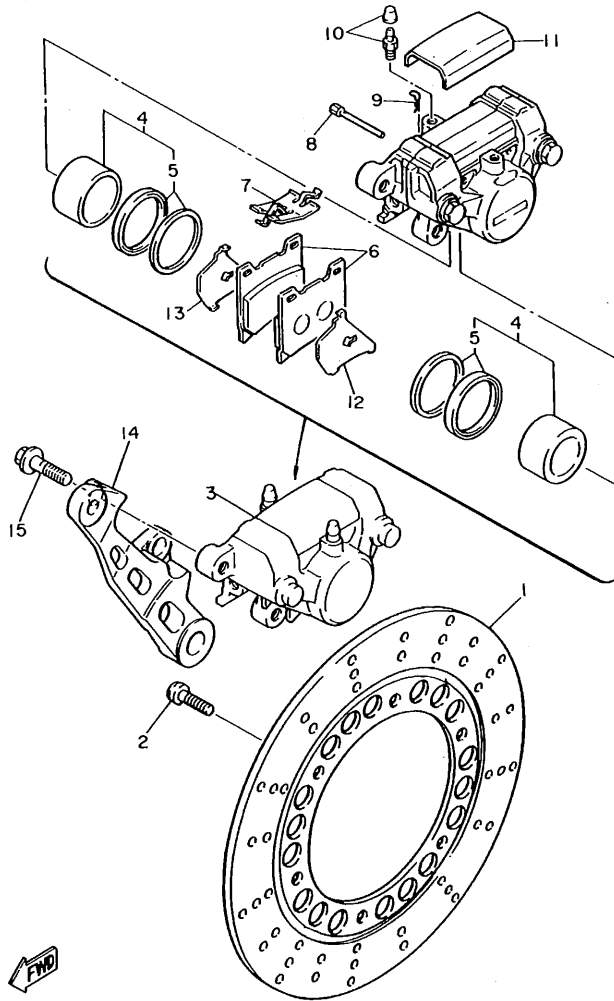
FIG. 32 REAR WHEEL



3HE300-9320

REF. NO.	PART NO.	DESCRIPTION	Q'TY.	REMARKS
24	95701-08500	NUT, flange	2	
25	91401-20015	PIN, cotter	2	
26	3HE-25381-00	AXLE, wheel	1	
27	90201-177K7	WASHER, plate	2	
28	90387-174V9	COLLAR	1	
29	90387-173L5	COLLAR	1	
30	90171-16024	NUT, castle	1	
31	91401-30030	PIN, cotter	1	

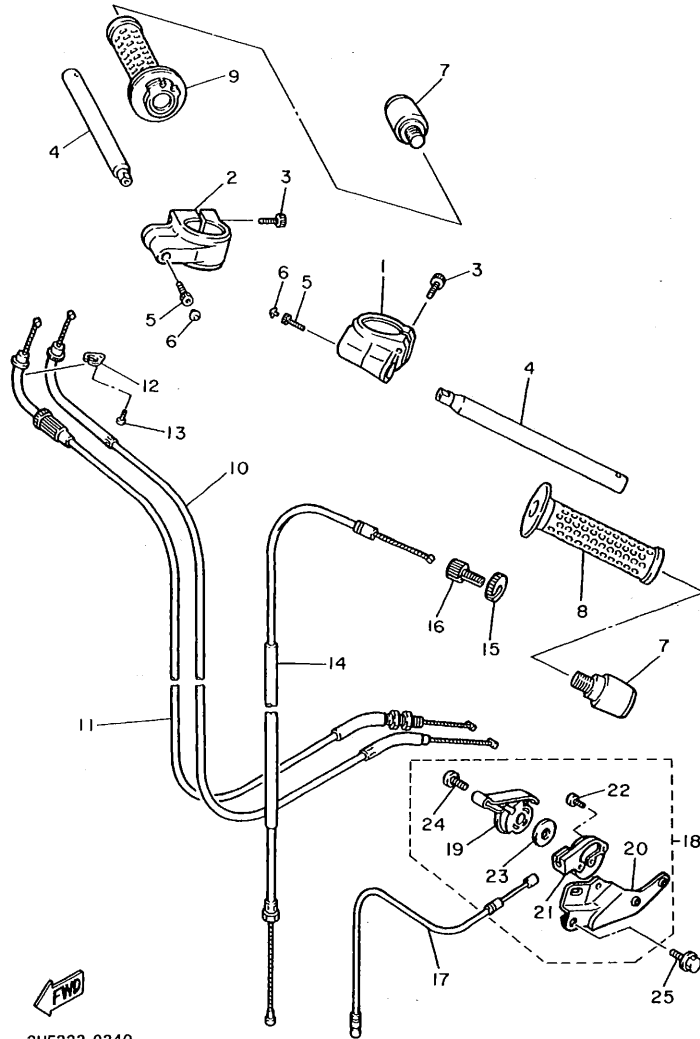
FIG. 33 REAR BRAKE CALIPER



3HE351-0330

REF. NO.	PART NO.	DESCRIPTION	Q'TY	REMARKS
1	2NX-25831-00	DISC, brake (RIGHT)	1	
2	90109-08718	BOLT	6	
3	3HE-2580W-00	CALIPER ASSY, rear 2	1	
4	31A-W0057-00	.PISTON ASSY, caliper	2	
5	31A-W0047-00	..CALIPER SEAL KIT	1	
6	1FK-W0046-01	..BRAKE PAD KIT, 2	1	
7	29L-25919-00	..SUPPORT, pad	1	
8	1KT-25924-00	..PIN, pad	2	
9	26H-25925-00	..CLIP	2	
10	1J3-W0048-00	..BREED SCREW KIT	2	
11	51J-25836-00	..COVER, dust	1	
12	1FK-25827-00	..SHIM, caliper	1	
13	1FK-25828-00	..SHIM, caliper	1	
14	3HE-25819-00	BRACKET, caliper	1	
15	90105-10308	BOLT, washer based	2	

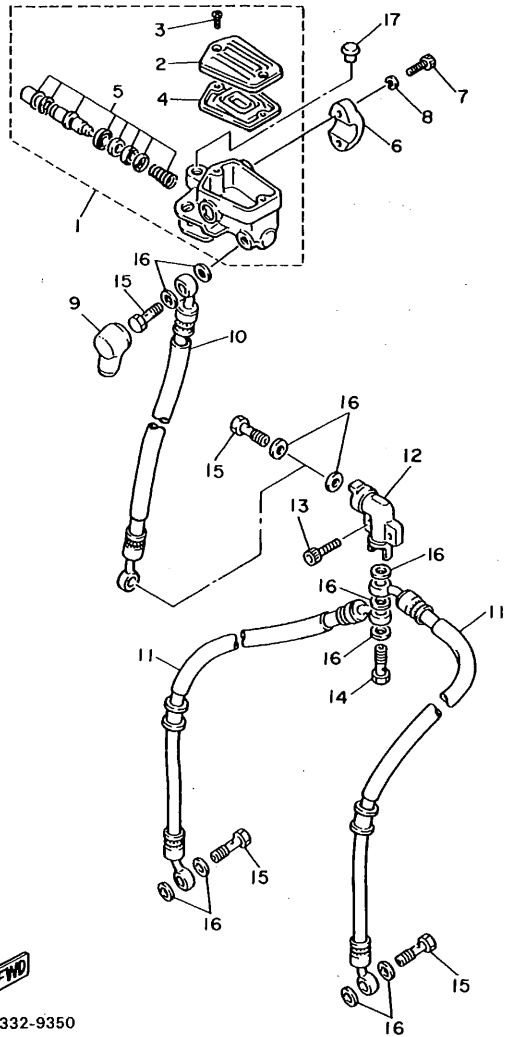
FIG. 34 STEERING HANDLE • CABLE



3HE332-9340

REF. NO.	PART NO.	DESCRIPTION	Q'TY	REMARKS
1	3HE-26121-00	BOSS, handle (LEFT)	1	
2	3HE-26122-00	BOSS, handle (RIGHT)	1	
3	91311-06020	BOLT	4	
4	3HE-26111-00	HANDLEBAR	2	
5	91316-08025	BOLT	2	
6	341-23469-00	CAP, bolt	2	
7	51J-26246-00	END, grip	2	
8	1KG-26241-00	GRIP	1	
9	3FH-26240-00	GRIP ASSY	1	
10	3EN-26311-00	CABLE, throttle 1	1	
11	3EN-26312-00	CABLE, throttle 2	1	
12	5H0-26393-00	HOLDER	1	
13	98506-05008	SCREW, pan head	1	
14	1WG-26335-00	CABLE, clutch	1	
15	90179-08316	NUT	1	
16	90123-08083	BOLT	1	
17	3EN-26331-00	CABLE, starter 1	1	
18	3HE-83940-00	STARTER ASSY	1	
19	1WG-83941-00	.LEVER, starter	1	
20	3HE-28357-00	.STAY 2	1	
21	1WG-83942-00	.COVER, starter	1	
22	98906-03006	.SCREW, bind	2	
23	90209-10131	.WASHER	1	
24	98906-06008	.SCREW, bind	1	
25	91006-06020	BOLT, flange	1	

FIG. 35 FRONT MASTER CYLINDER

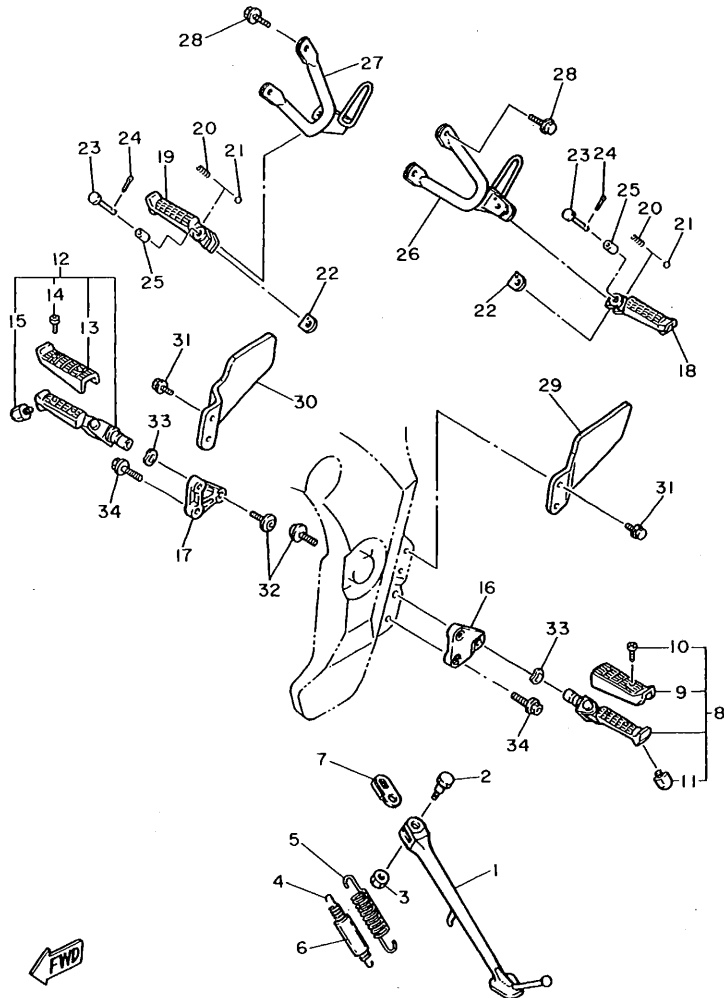


REF. NO.	PART NO.	DESCRIPTION	Q'TY	REMARKS
1	3HE-2583T-00	MASTER CYLINDER ASSY	1	
2	3HE-25852-00	.CAP, reservoir	1	
3	98706-04012	.SCREW, flat head	2	
4	36Y-25854-00	.DIAPHRAGM, reservoir	1	
5	36Y-W0041-00	.CYLINDER KIT, master	1	
6	36Y-25867-00	BRACKET, master cylinder	1	
7	91316-06025	BOLT	2	
8	92906-06100	WASHER, spring	2	
9	4L0-25862-00	BOOT, master cylinder	1	
10	3HE-25872-00	HOSE, brake 1	1	
11	3HE-25873-10	HOSE, brake 2	2	
12	11U-25885-00	JOINT	1	
13	91316-06025	BOLT	2	
14	90401-10044	BOLT, union	1	
15	90401-10034	BOLT, union	4	
16	90201-10118	WASHER, plate	11	
17	90338-09012	PLUG	2	



3HE332-9350

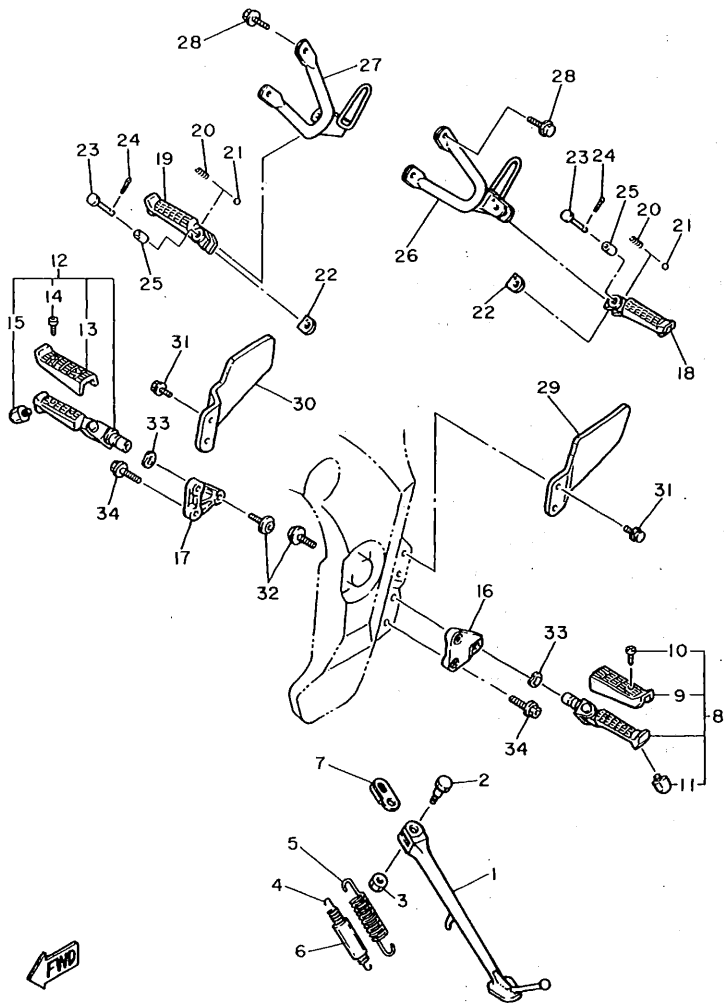
FIG. 36 STAND • FOOTREST



3HE332-9360

REF. NO.	PART NO.	DESCRIPTION	Q'TY	REMARKS
1	2KT-27311-00	STAND, side	1	
2	90109-10474	BOLT	1	
3	90185-10037	NUT, self-locking	1	
4	90506-18224	SPRING, tension	1	
5	90506-26225	SPRING, tension	1	
6	1TX-27351-00	GUIDE, side stand	1	
7	2KT-27315-00	LINK, side stand	1	
8	3HE-27410-00	FRONT FOOTREST ASSY (LEFT)	1	
9	2GH-27413-00	.COVER, footrest	1	
10	98506-05010	.SCREW, pan head	2	
11	3HE-27435-00	.BOLT	1	
12	3HE-27420-00	FRONT FOOTREST ASSY (RIGHT)	1	
13	2GH-27413-00	.COVER, footrest	1	
14	98506-05010	.SCREW, pan head	2	
15	3HE-27435-00	.BOLT	1	
16	3HE-27442-00	BRACKET 2	1	
17	3HE-27443-00	BRACKET 3	1	
18	1HX-27431-00	FOOTREST, rear 1	1	
19	1HX-27441-00	FOOTREST, rear 2	1	
20	90501-12743	SPRING, compression	2	
21	93501-04011	BALL	2	
22	1HX-27437-00	WASHER, special	2	
23	91701-06035	PIN, clevis	2	
24	91401-20015	PIN, cotter	2	
25	90387-064H8	COLLAR	2	
26	3HE-27411L-00	BRACKET 4	1	
27	3HE-2742L-01	BRACKET 5	1	
28	95821-08025	BOLT, flange	4	

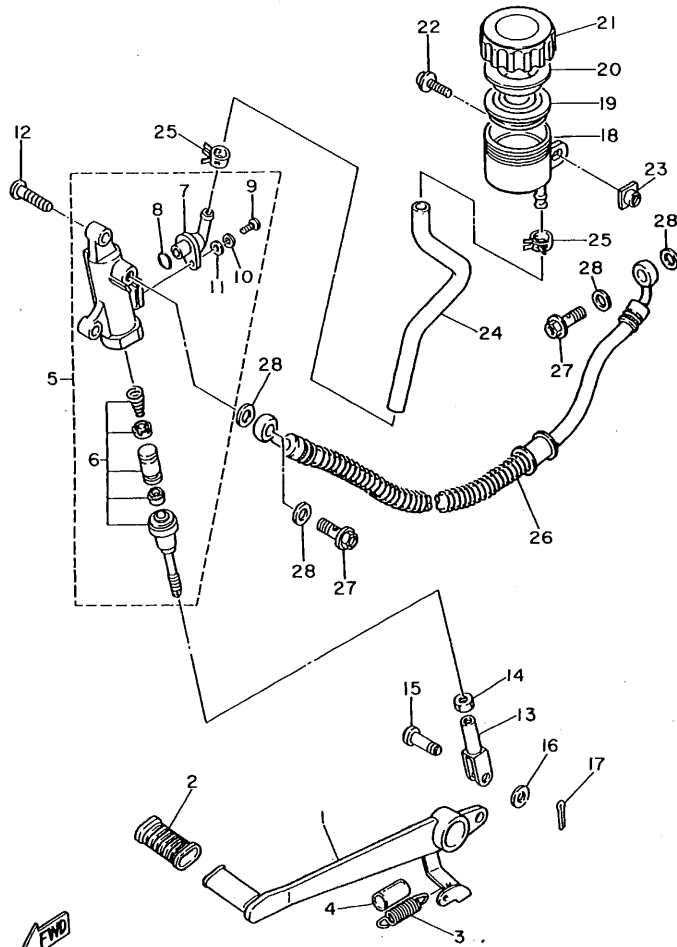
FIG. 36 STAND • FOOTREST



REF. NO.	PART NO.	DESCRIPTION	Q'TY	REMARKS
29	3HE-27445-01	PLATE 1	1	
30	3HE-27446-01	PLATE 2	1	
31	95023-06016	BOLT	4	
32	90109-103A9	BOLT	2	
33	90206-17084	WASHER, wave	2	
34	95023-08025	BOLT	4	

3HE332-9360

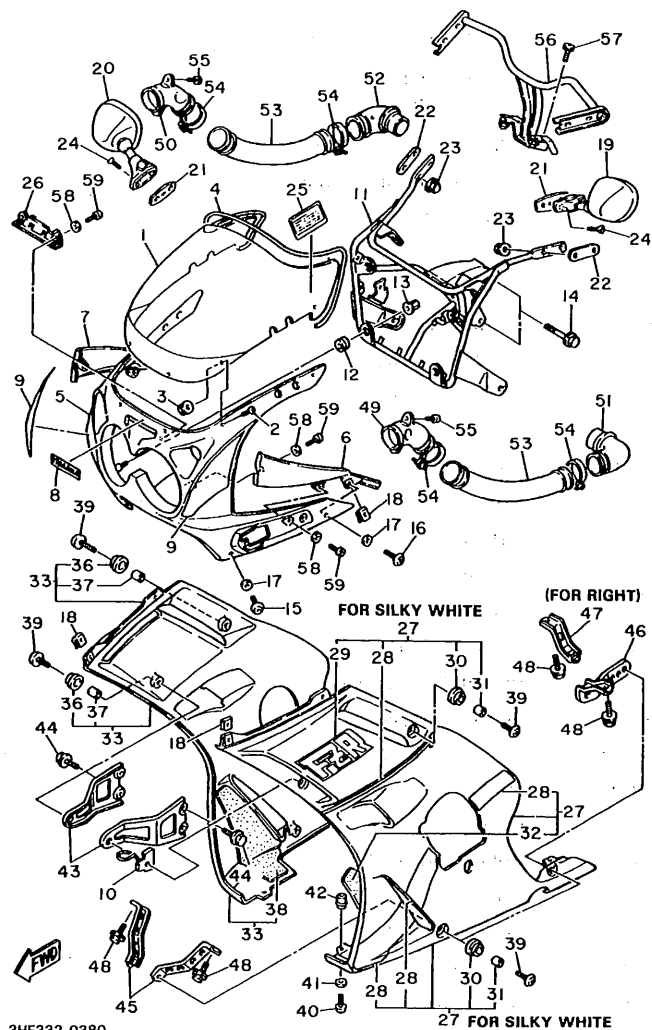
FIG. 37 REAR MASTER CYLINDER



3HE351-0370

REF. NO.	PART NO.	DESCRIPTION	QTY	REMARKS
1	3HE-27211-00	PEDAL, brake	1	
2	22N-18113-00	COVER, shift pedal	1	
3	90506-20377	SPRING, tension	1	
4	90446-17267	HOSE	1	
5	1WG-25850-50	MASTER CYLINDER ASSY	1	
6	1WG-W0042-50	.CYLINDER KIT, master	1	
7	36Y-2582A-50	.JOINT	1	
8	93210-15620	.O-RING	1	
9	98511-04012	.SCREW, pan head	1	
10	92901-04100	.WASHER, spring	1	
11	92901-04600	.WASHER, plate	1	
12	92016-08025	SCREW	2	
13	31A-27222-00	JOINT	1	
14	95303-08700	NUT	1	
15	90240-08013	PIN, clevis	1	
16	90201-08083	WASHER, plate	1	
17	91401-20015	PIN, cotter	1	
18	31A-25894-01	TANK, reservoir	1	
19	360-25854-00	DIAPHRAGM, reservoir	1	
20	2GU-25855-00	BUSH, diaphragm	1	
21	2KF-25852-50	CAP, reservoir	1	
22	90159-06056	SCREW, with washer	1	
23	31A-14477-00	PLATE	1	
24	1WG-25895-00	HOSE, reservoir	1	
25	90467-14057	CLIP	2	
26	3HE-25872-50	HOSE, brake 1	1	
27	90401-10096	BOLT, union	2	
28	90201-10118	WASHER, plate	4	

FIG. 38 COWLING 1

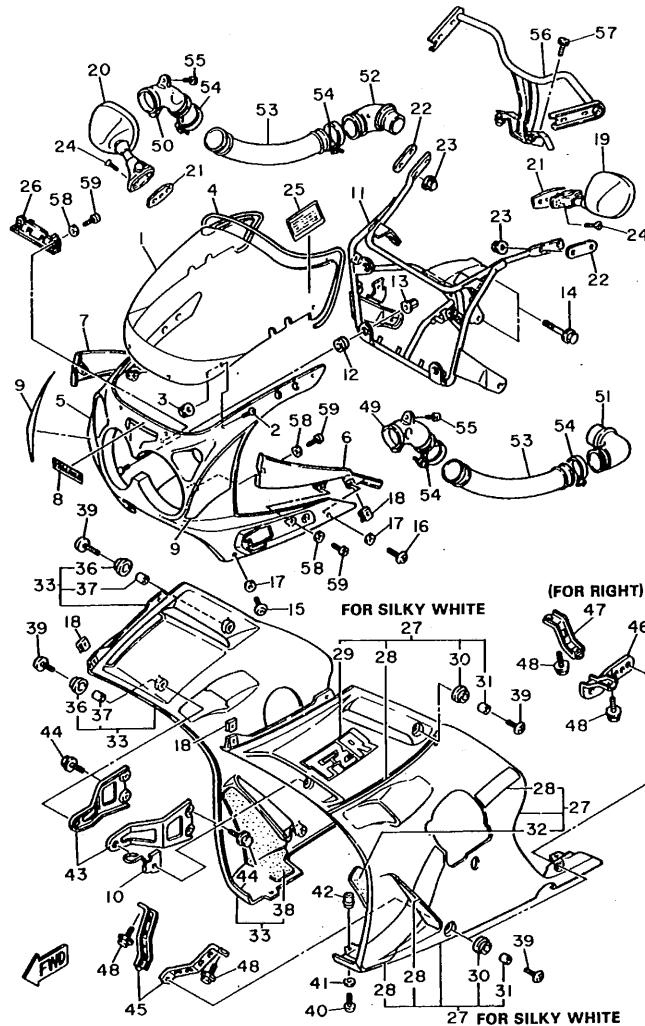


3HE332-0380

27 FOR SILKY WHITE

REF. NO.	PART NO.	DESCRIPTION	Q'TY	REMARKS
1	3HE-28381-10	WINDSHIELD	1	
2	90150-05020	SCREW, round head	6	
3	95706-05500	NUT, flange	6	
4	36Y-28348-00	MOLE 4	1	
5	3HE-2835G-00-GE	BODY, front upper 1	1	UR SILKY WHITE
	3HE-2835G-00-6M	BODY, front upper 1	1	UR STAR SILVER
6	3EN-2835U-00	PANEL 1	1	UR FOR SW
	3EN-2835U-20	PANEL 1	1	UR FOR NYB
7	3EN-2835V-00	PANEL 2	1	UR FOR SW
	3EN-2835V-20	PANEL 2	1	UR FOR NYB
8	99233-00020	EMBLEM, yamaha	1	UR FOR SW
	99234-00020	EMBLEM, yamaha	1	UR FOR NYB
9	3HE-28390-30	GRAPHIC SET, cowling	1	FOR SW
10	3HE-21596-00	HOLDER	1	
11	3HE-28356-20	STAY 1	1	
12	90480-14229	GROMMET	4	
13	90179-06500	NUT	4	
14	95806-08035	BOLT, flange	2	
15	90110-05079	BOLT, hexagon socket head	2	
16	90149-05224	SCREW	2	
17	90202-05180	WASHER, plate	4	
18	90183-05024	NUT, spring	4	
19	3HE-26280-00	REAR VIEW MIRROR ASSY(LEFT)	1	UR WHITE FOR SW FOR EUROPE
	3HE-26280-20	REAR VIEW MIRROR ASSY(LEFT)	1	UR GRAY FOR NYB FOR EUROPE
	3HG-26280-00	REAR VIEW MIRROR ASSY(LEFT)	1	UR WHITE FOR SW FOR OCEANIA
	3HG-26280-20	REAR VIEW MIRROR ASSY(LEFT)	1	UR GRAY FOR NYB FOR OCEANIA
20	3HE-26290-00	REAR VIEW MIRROR ASSY(RIGHT)	1	UR WHITE FOR SW FOR EUROPE
	3HE-26290-20	REAR VIEW MIRROR ASSY(RIGHT)	1	UR GRAY FOR NYB FOR EUROPE

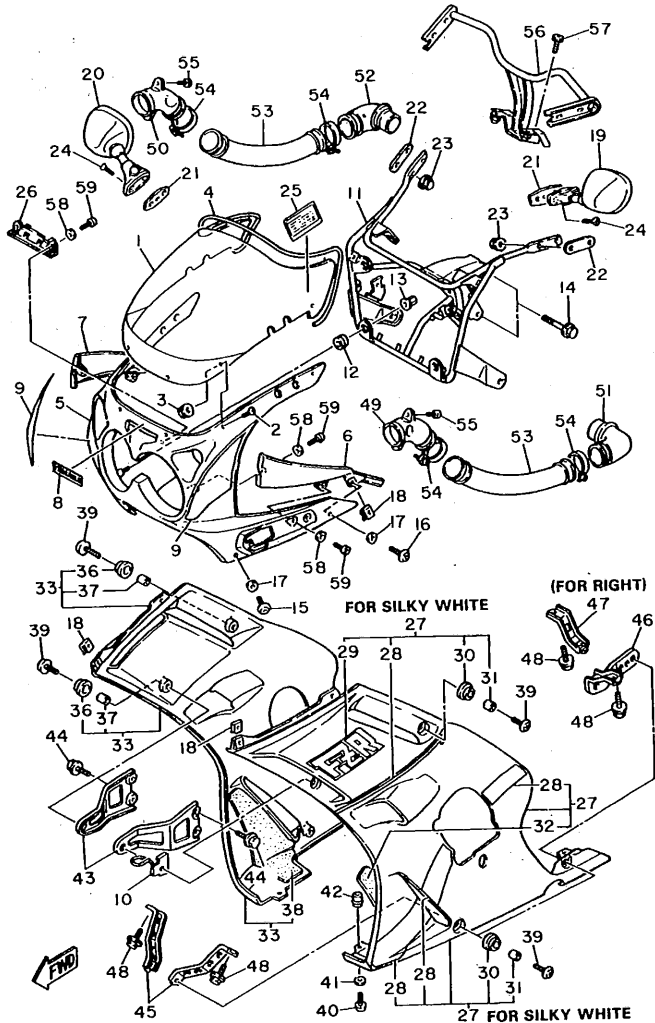
FIG. 38 COWLING 1



3HE332-0380

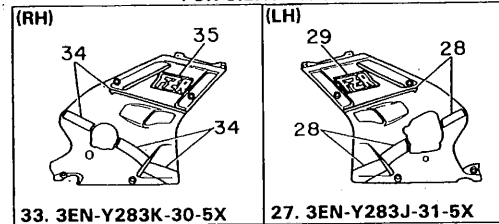
REF. NO.	PART NO.	DESCRIPTION	Q'TY	REMARKS
20	3HG-26290-00	REAR VIEW MIRROR ASSY (RIGHT)	1	UR WHITE FOR SW FOR OCEANIA UR GRAY FOR NYB FOR OCEANIA
	3HG-26290-20	REAR VIEW MIRROR ASSY (RIGHT)	1	
21	1AE-26298-00	PLATE, mirror fitting 1	2	
22	3CV-26298-00	PLATE, mirror fitting 1	2	
23	90176-06055	NUT, crown	4	
24	92706-06025	SCREW, flat head	4	
25	3CK-2835Y-00	LABEL, caution	1	
26	3EN-28313-00	LID	1	
27	3EN-Y283J-31-5X	BODY, front lower 1	1	UR SILKY WHITE/ FINE RED UR NEW YAMAHA BLACK UR FOR SW
	3EN-Y283J-61-6G	BODY, front lower 1	1	
28	3HE-2836V-30	.GRAPHIC SET 3, cowling	1	UR FOR NYB
	3HE-2836V-41	.GRAPHIC SET 3, cowling	1	
29	3GM-28328-30	.EMBLEM	1	UR FOR SW
	99236-00065	.EMBLEM, yamaha	1	UR FOR NYB
30	90480-13398	.GROMMET	4	
31	90387-067K6	.COLLAR	4	
32	3HE-2848K-00	.SEAT 2	1	
33	3EN-Y283K-30-5X	BODY, front lower 2	1	UR SILKY WHITE/ FINE RED UR NEW YAMAHA BLACK UR FOR SW
	3EN-Y283K-60-6G	BODY, front lower 2	1	
34	3HE-2836W-30	.GRAPHIC SET 4, cowling	1	UR FOR NYB
	3HE-2836W-41	.GRAPHIC SET 4, cowling	1	
35	3GM-28338-30	.EMBLEM	1	UR FOR SW
	99236-00065	.EMBLEM, yamaha	1	UR FOR NYB
36	90480-13398	.GROMMET	4	
37	90387-067K6	.COLLAR	4	
38	3HE-2848L-00	.SEAT 3	1	
39	90110-06078	BOLT, hexagon socket head	8	
40	90149-05224	SCREW	2	

FIG. 38 COWLING 1



REF. NO.	PART NO.	DESCRIPTION	Q'TY	REMARKS
41	90202-05180	WASHER, plate	2	
42	90179-05523	NUT	2	
43	3HE-2831U-00	STAY, side 1	2	
44	91026-06012	BOLT	2	
45	1WG-2836A-00	BRACKET 1	2	
46	3EN-2836A-00	BRACKET 1	1	
47	1WG-2836E-00	BRACKET 2	1	
48	91026-06010	BOLT	4	
49	3EN-2838N-00	DUCT 1	1	
50	3EN-2838R-00	DUCT 2	1	
51	3EN-2838T-00	DUCT 3	1	
52	3EN-2838U-00	DUCT 4	1	
53	3HE-2838J-01	DUCT 5	2	
54	90460-49058	CLAMP, hose	4	
55	90154-06046	SCREW, binding	4	
56	3HE-2831W-00	STAY, mirror 1	1	
57	91316-06016	BOLT	2	
58	92906-05200	WASHER, plain	6	
59	97706-50614	SCREW, tapping	6	

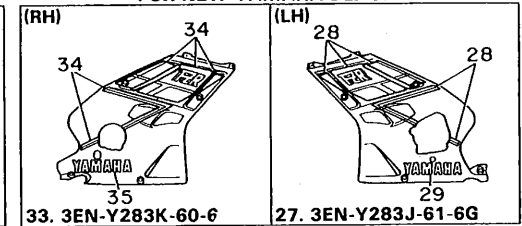
FOR SILKY WHITE



33. 3EN-Y283K-30-5X

27. 3EN-Y283J-31-5X

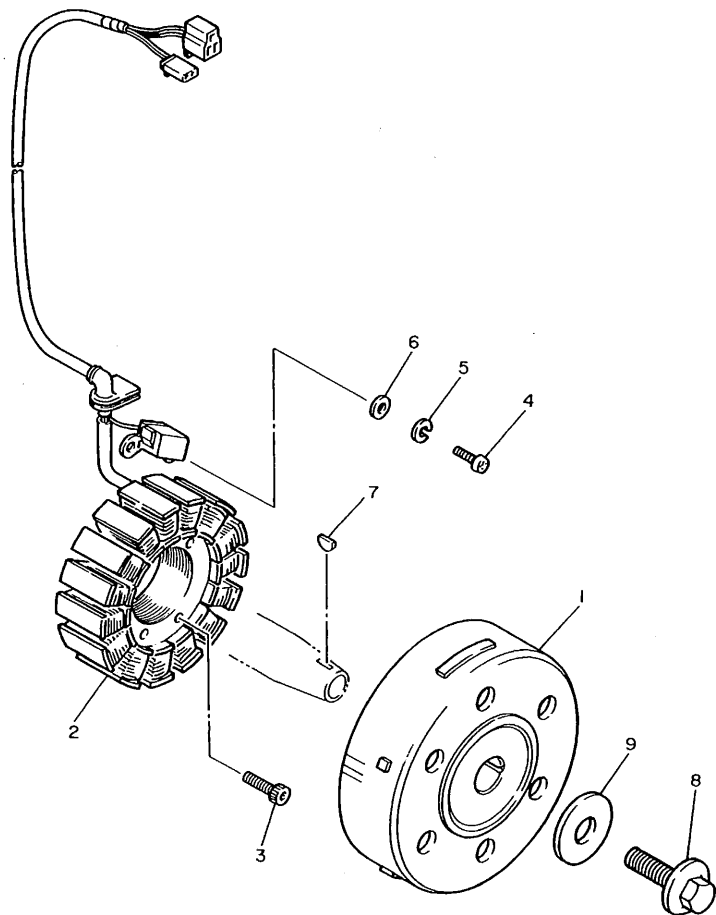
FOR NEW YAMAHA BLACK



33. 3EN-Y283K-60-6

27. 3EN-Y283J-61-6G

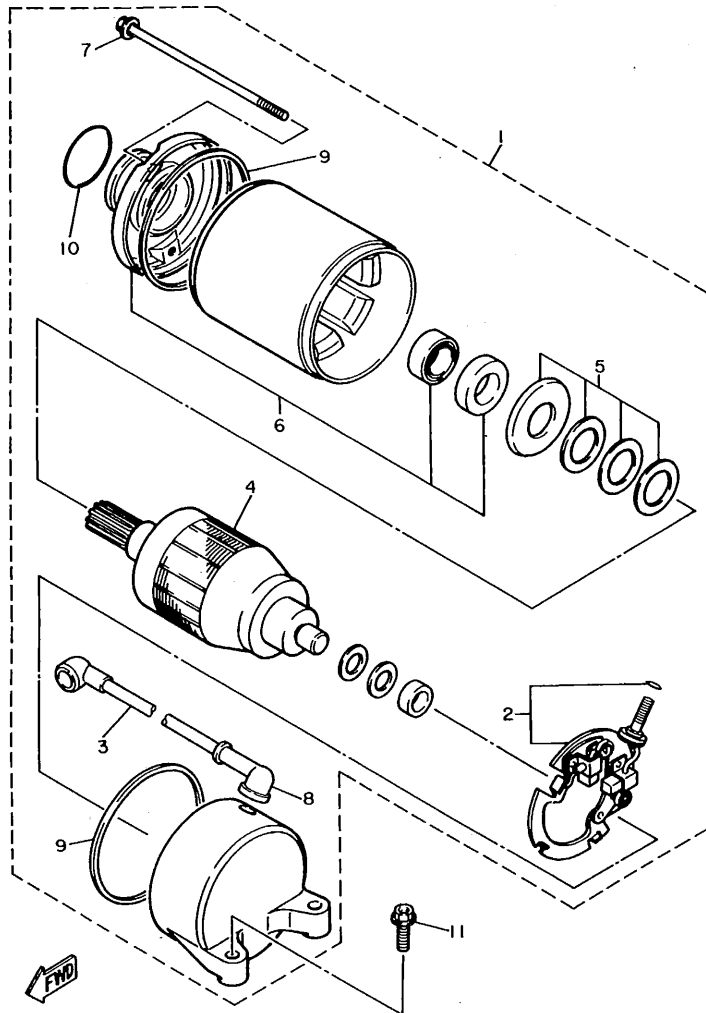
FIG. 39 GENERATOR



REF. NO.	PART NO.	DESCRIPTION	Q'TY	REMARKS
1	3HE-81450-00	ROTOR ASSY	1	
2	3HE-81410-00	STATOR ASSY	1	
3	91311-06035	BOLT	3	
4	98501-05016	SCREW, pan head	2	
5	92901-05100	WASHER, spring	2	
6	92901-05600	WASHER, plate	2	
7	90280-03047	KEY, woodruff	1	
8	90105-10430	BOLT, washer based	1	
9	90201-107K6	WASHER, plate	1	


3HE332-9390

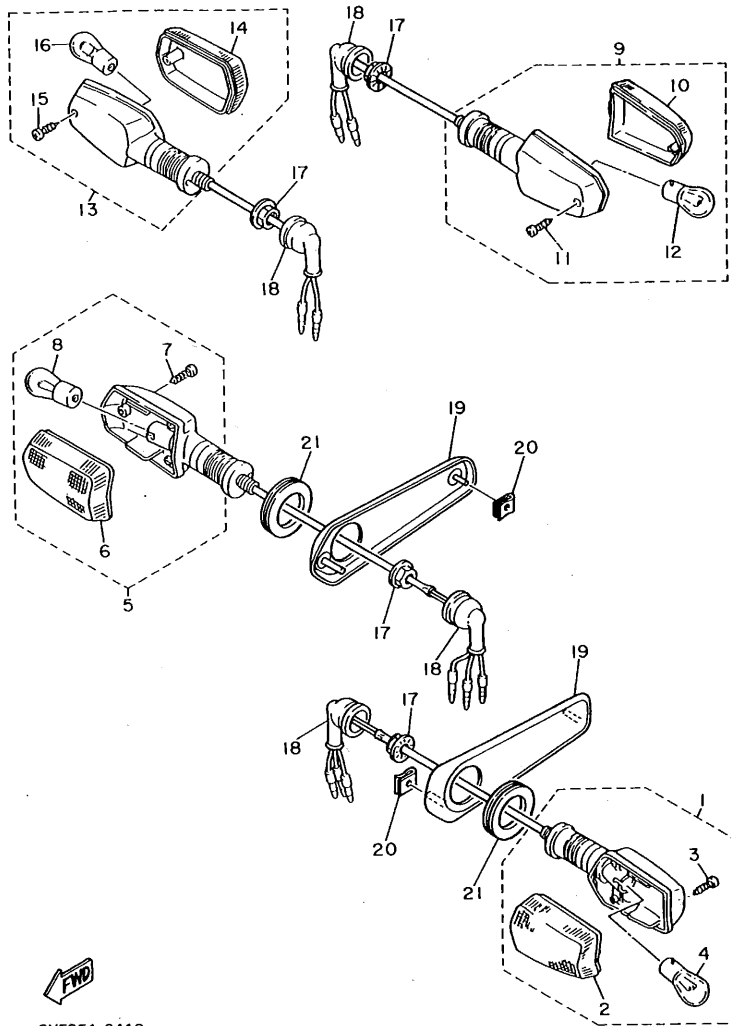
FIG. 40 STARTING MOTOR



3HE332-9400

REF. NO.	PART NO.	DESCRIPTION	Q'TY	REMARKS
1	3HE-81800-00	STARTING MOTOR ASSY	1	
2	3HE-81840-00	.BRUSH HOLDER ASSY	1	
3	1HX-81815-00	.CORD, starter motor	1	
4	3HE-81850-00	.ARMATURE ASSY	1	
5	3AJ-81809-00	.WASHER KIT	1	
6	3HE-81830-00	.FRONT BRACKET ASSY	1	
7	3HE-81826-00	.BOLT	1	
8	4G0-81871-00	.CAP	1	
9	11H-81844-00	.GASKET	2	
10	26H-81847-00	.O-RING	1	
11	95023-06025	BOLT	2	

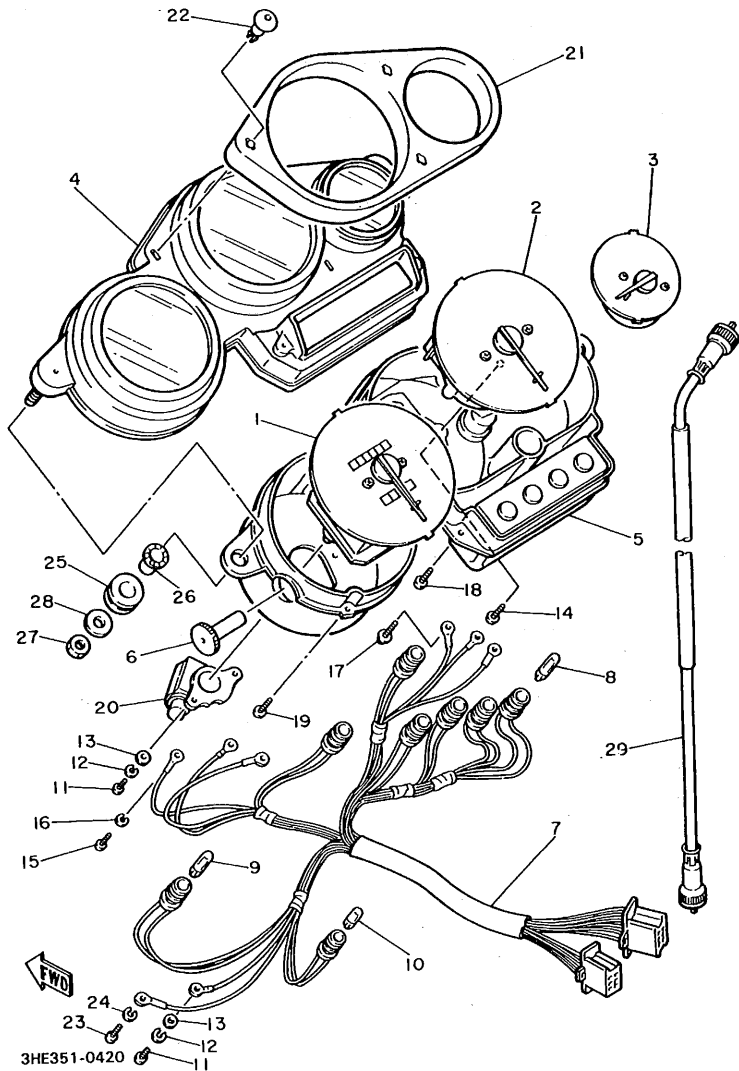
FIG. 41 FLASHER LIGHT



3HE351-0410

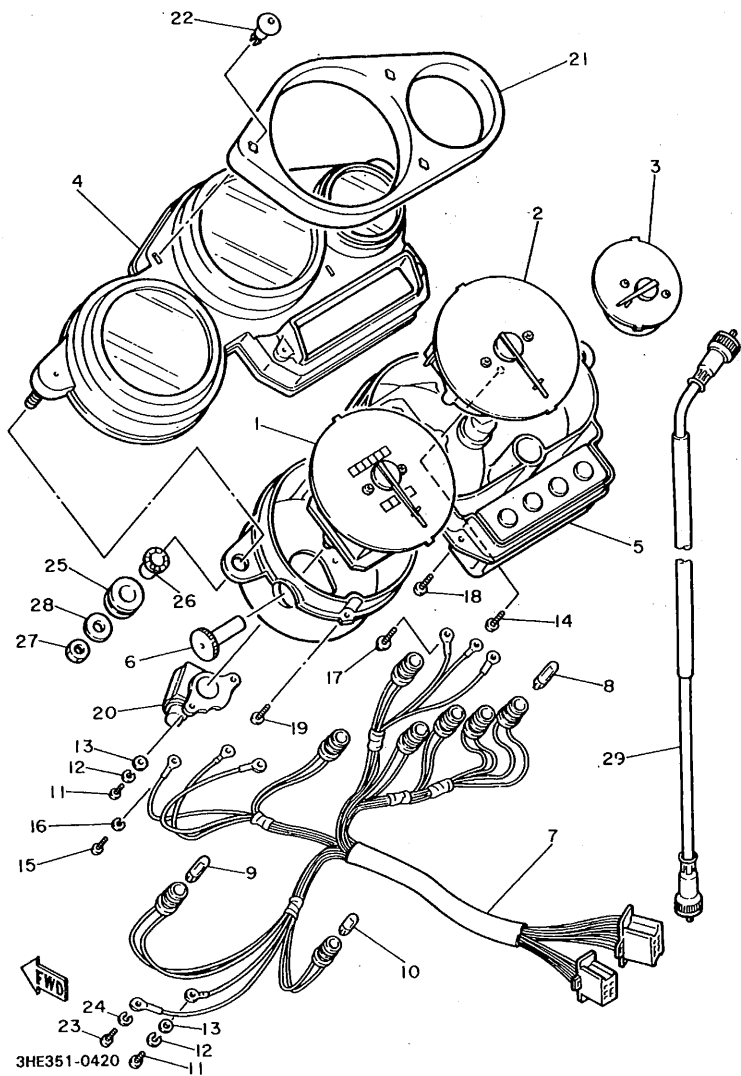
REF. NO.	PART NO.	DESCRIPTION	Q'TY	REMARKS
1	51J-83310-00	FRONT FLASHER LIGHT ASSY 1	1	
2	51L-83332-01	.LENS, flasher	1	
3	97706-40620	.SCREW, tapping	1	
4	306-83311-40	.BULB, flasher (12V-21W)	1	
5	51J-83320-00	FRONT FLASHER LIGHT ASSY 2	1	
6	51L-83332-01	.LENS, flasher	1	
7	97706-40620	.SCREW, tapping	1	
8	306-83311-40	.BULB, flasher (12V-21W)	1	
9	51J-83330-00	REAR FLASHER LIGHT ASSY 1	1	
10	1VU-83332-00	.LENS, flasher	1	
11	97706-40620	.SCREW, tapping	1	
12	306-83311-40	.BULB, flasher (12V-21W)	1	
13	51J-83340-00	REAR FLASHER LIGHT ASSY 2	1	
14	1VU-83342-00	.LENS, flasher 2	1	
15	97706-40620	.SCREW, tapping	1	
16	306-83311-40	.BULB, flasher (12V-21W)	1	
17	95701-12500	NUT, flange	4	
18	18G-83365-00	CAP	4	
19	2MA-28365-30	COVER	2	UR WHITE
	2MA-28365-40	COVER	2	UR BLACK
20	90183-04045	NUT, spring	4	
21	90480-35526	GROMMET	2	

FIG. 42 METER



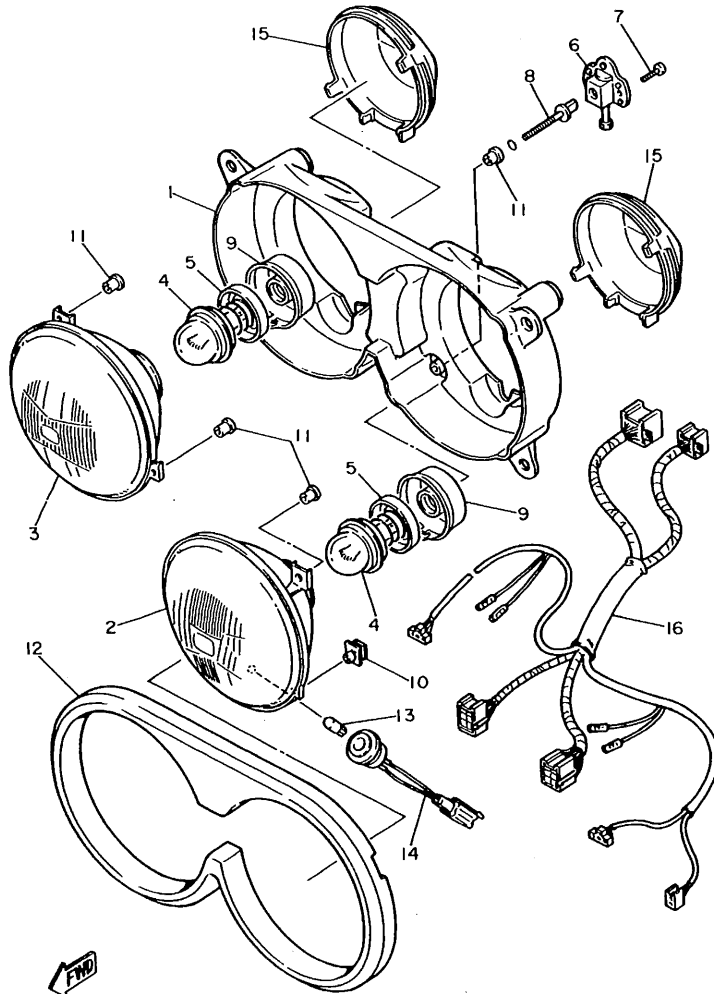
REF. NO.	PART NO.	DESCRIPTION	Q'TY	REMARKS
1	3HE-83570-50	SPEEDOMETER ASSY	1	
2	3GM-83540-00	TACHOMETER ASSY	1	
3	3EN-83590-50	WATER TEMPERATURE ASSY	1	
4	3GM-83559-00	COVER, meter	1	
5	3GM-8353H-00	CASE, inner	1	
6	2GH-83578-00	KNOB, trip meter	1	
7	3HE-83509-50	SOCKET CORD ASSY	1	
8	4G1-84744-00	BULB (12V-3.4W)	4	
9	3GM-83517-00	BULB(12V-1.7W)	3	
10	2GV-83517-00	BULB, (12V-1.7W)	1	
11	98580-04010	SCREW, pan head	4	
12	92902-04100	WASHER, spring	4	
13	92901-04600	WASHER, plate	4	
14	90167-04057	SCREW, tapping	2	
15	98580-03010	SCREW, pan head	3	
16	92990-03100	WASHER, spring	3	
17	90159-03102	SCREW, with washer	3	
18	90164-04008	SCREW, tapping	4	
19	90167-03058	SCREW, tapping	1	
20	3GM-83520-00	SOCKET CORD ASSY	1	
21	3GM-83513-00	DAMPER	1	
22	3GM-83525-00	CLIP	3	
23	98501-03012	SCREW, pan head	1	
24	92990-03100	WASHER, spring	1	
25	90480-14229	GROMMET	2	
26	90387-07391	COLLAR	2	
27	95316-06600	NUT	2	
28	90201-06059	WASHER, plate	2	

FIG. 42 METER



REF. NO.	PART NO.	DESCRIPTION	Q'TY	REMARKS
29	1RH-83550-00	SPEEDOMETER CABLE ASSY	1	

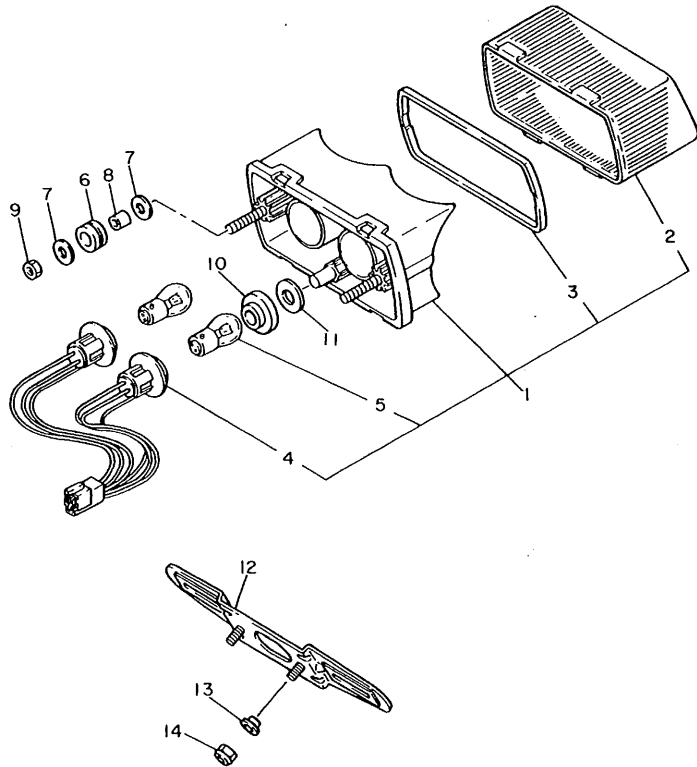
FIG. 43 HEADLIGHT



REF. NO.	PART NO.	DESCRIPTION	Q'TY	REMARKS
1	3HE-84330-00	BODY ASSY	1	
2	2GH-84320-10	LENS ASSY	1	
3	2GH-8432A-30	LENS ASSY	1	
4	*	BULB, head light (12V45 / 40W)	2	LM
5	341-84393-40	HOLDER, bulb	2	
6	46X-8430M-00	GEAR UNIT ASSY	2	
7	97706-40616	SCREW, tapping	4	
8	2AX-84331-00	SCREW, rim adjusting	2	
9	46X-84396-00	COVER	2	
10	3AJ-8431U-00	HOLDER	2	
11	51L-84334-00	NUT, adjusting	4	
12	3HE-84366-00	DAMPER, headlight 1	1	
13	4E2-84347-00	BULB (12V-4W)	1	
14	2HW-84312-00	SOCKET	1	
15	46X-84397-01	COVER, socket	2	
16	3HE-84359-50	CORD, headlight	1	


3HE332-0430

FIG. 44 TAILLIGHT

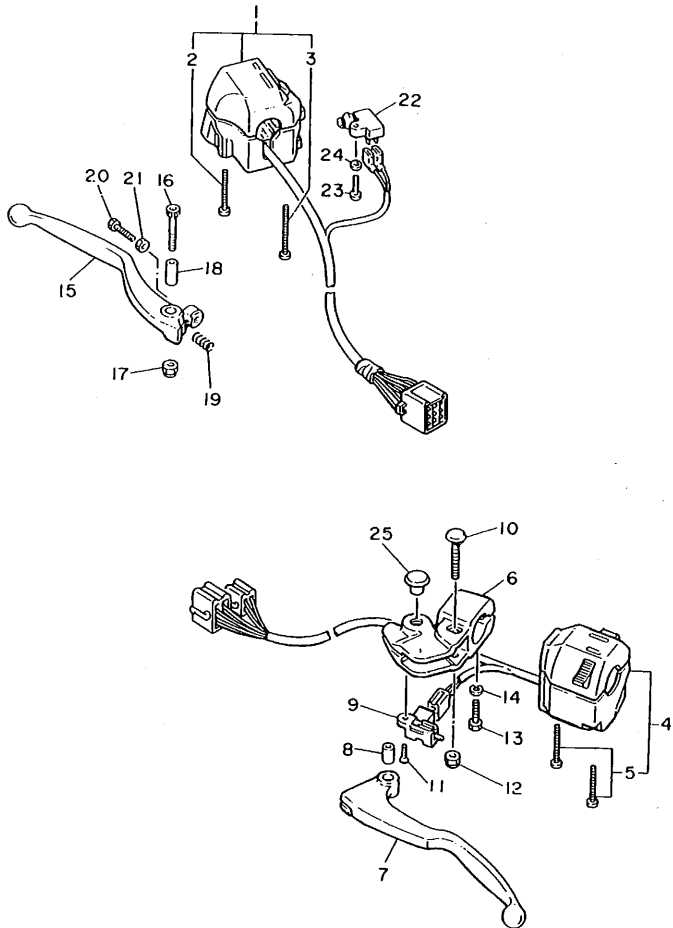


REF. NO.	PART NO.	DESCRIPTION	Q'TY	REMARKS
1	47X-84710-E0	TAILLIGHT UNIT ASSY	1	
2	47X-84721-00	.LENS, taillight	1	
3	47X-84723-00	.GASKET, tail lens	1	
4	47X-84735-00	.CORD ASSY	1	
5	31L-84714-00	.BULB, taillight (12V-21 / 5W)	2	
6	90480-18276	GROMMET	2	
7	90201-063J2	WASHER, plate	4	
8	90387-060A7	COLLAR	2	
9	95303-06600	NUT	2	
10	90480-15259	GROMMET	1	
11	92906-10200	WASHER	1	
12	1KH-84751-00-90	BRACKET, license	1	UNI-CHROME (BLACK)
13	90387-061M0	COLLAR	2	
14	95616-06100	NUT, u	2	



3HE351-0440

FIG. 45 HANDLE SWITCH • LEVER

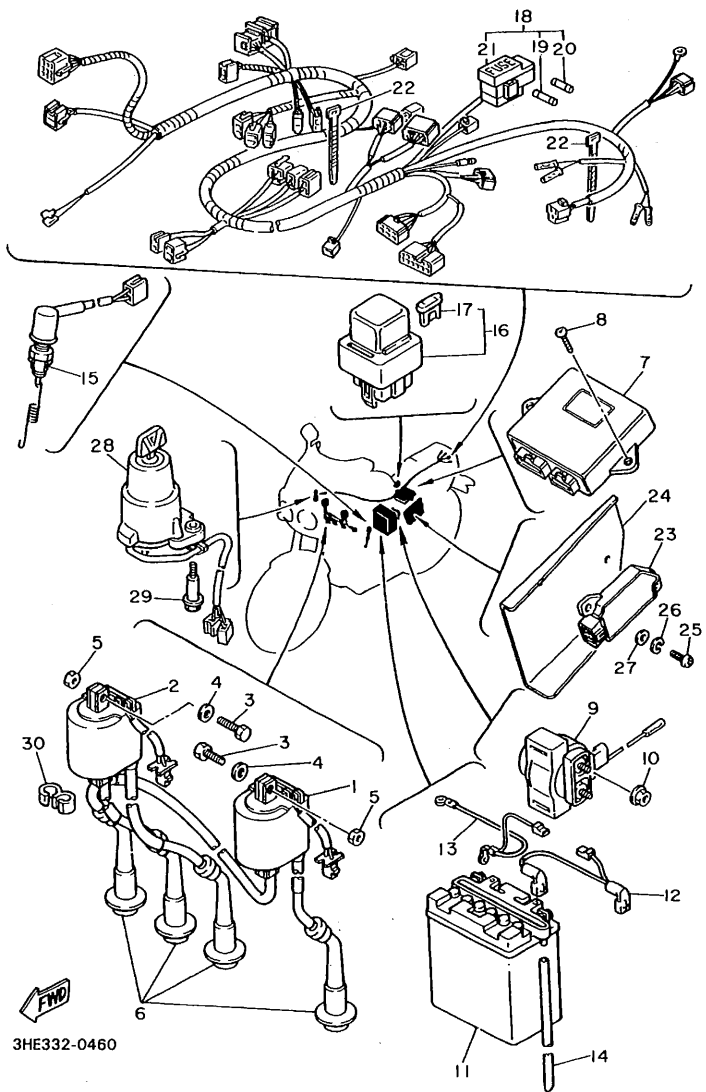


REF. NO.	PART NO.	DESCRIPTION	Q'TY	REMARKS
1	3HE-83963-00	SWITCH, handle 3 (RIGHT)	1	
2	98506-05040	.SCREW, pan head	1	
3	98506-05045	.SCREW, pan head	1	
4	3HE-83972-00	SWITCH, handle 4	1	
5	97806-05035	.SCREW, pan head	2	
6	29L-82911-01	HOLDER, lever 1	1	
7	3HE-83912-00	LEVER 1	1	
8	31A-83913-00	COLLAR, lever 1	1	
9	31A-82917-00	SWITCH	1	
10	31A-83945-00	BOLT, lever	1	
11	98702-03008	SCREW, flat head	1	
12	95616-06100	NUT, u	1	
13	97001-06025	BOLT	1	
14	92906-06100	WASHER, spring	1	
15	1FK-83922-00	LEVER 2	1	
16	90110-06074	BOLT, hexagon socket head	1	
17	95616-06100	NUT, u	1	
18	36Y-83913-00	COLLAR, lever 1	1	
19	90501-10312	SPRING, compression	1	
20	90149-06288	SCREW	1	
21	90170-06355	NUT	1	
22	36Y-83980-01	FRONT STOP SWITCH ASSY	1	
23	98506-04018	SCREW, pan head	1	
24	92906-04600	WASHER, plate	1	
25	90338-09012	PLUG	1	AP



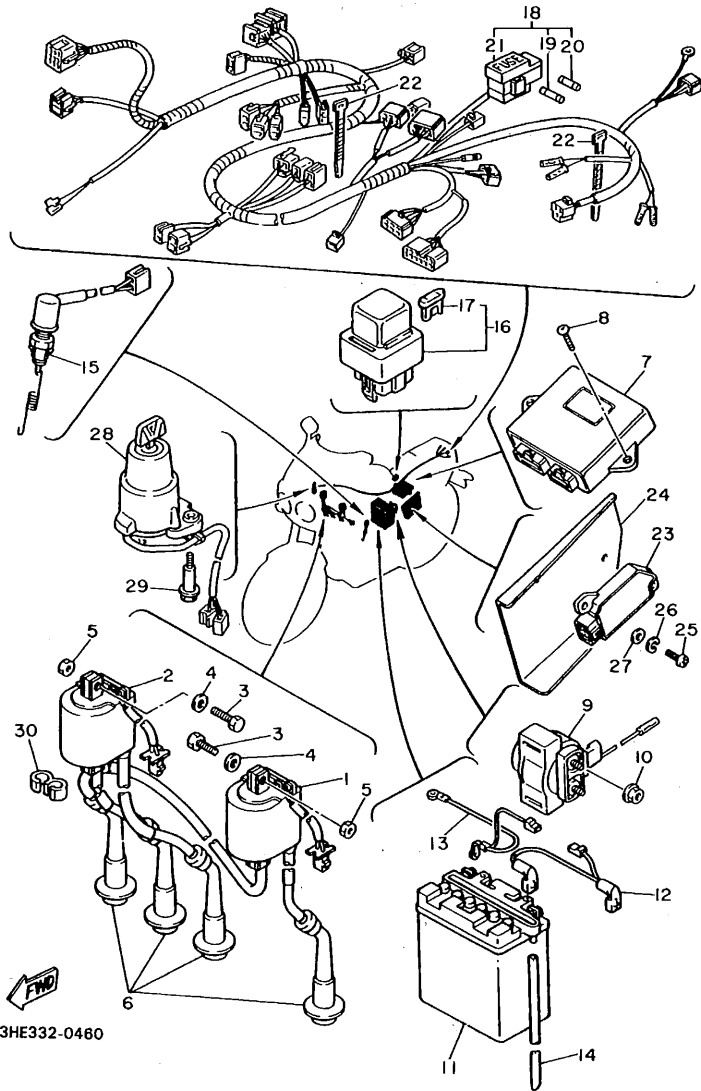
3HE332-9450

FIG. 46 ELECTRICAL 1



REF. NO.	PART NO.	DESCRIPTION	Q'TY	REMARKS
1	3HE-82310-01	IGNITION COIL ASSY	1	#1, #4
2	3HE-82320-00	IGNITION COIL ASSY	1	#2, #3
3	97006-06065	BOLT	2	
4	92906-06600	WASHER, plate	2	
5	95316-06600	NUT	2	
6	1WG-82370-00	PLUG CAP ASSY	4	
7	3HE-82305-00	IGNITOR UNIT ASSY	1	
8	97702-60520	SCREW, tapping	2	
9	36Y-81940-00	STARTER RELAY ASSY	1	
10	95701-06500	NUT, flange	2	
11	1VJ-82110-60	BATTERY ASSY (GM12AZ-3A-2)	1	
12	1WG-82115-00	WIRE, plus lead	1	
13	3HE-82116-00	WIRE, minus lead	1	
14	90445-08719	HOSE	1	
15	1KT-82530-01	STOP SWITCH ASSY	1	
16	1AE-82150-00	FUSE HOLDER ASSY	1	
17	1AE-82151-00	.FUSE (12V 30A)	2	
18	3HE-82590-00	WIRE HARNESS ASSY	1	
19	2GH-82151-00	.FUSE (20A)	4	
20	42X-82151-00	.FUSE (10A)	2	
21	1AE-82172-00	.COVER, fuse box	1	
22	90464-13073	CLAMP	2	
23	47X-81960-A1	RECTIFIER & REGULATOR ASSY	1	
24	3HE-81975-00	PLATE, rectifier fitting	1	
25	92501-06020	SCREW, pan head	2	
26	92990-06100	WASHER, spring	2	
27	92990-06600	WASHER, plate	2	
28	3HE-82501-00	MAIN SWITCH STEERING LOCK	1	UR FOR EUROPE

FIG. 46 ELECTRICAL 1



3HE332-0480

REF. NO.	PART NO.	DESCRIPTION	Q'TY	REMARKS
28	3HG-82501-00	MAIN SWITCH STEERING LOCK	1	UR FOR OCEANIA
29	90109-06614	BOLT	2	UR FOR EUROPE
	90149-06228	SCREW	2	UR FOR OCEANIA
30	90464-10075	CLAMP	1	



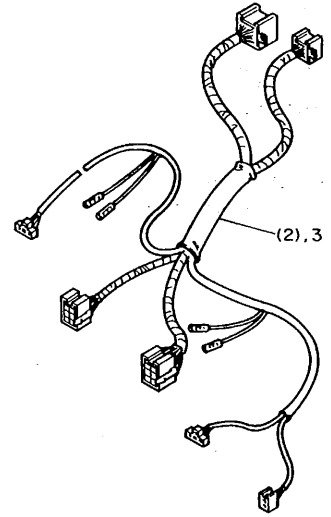
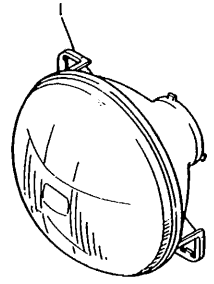
INDIVIDUAL SPEC.

**FOR DENMARK
NORWAY
GREECE
PORTUGAL**

The following pages provides a listing of only the parts that meet the specifications peculiar to your market. For those parts not appearing in these pages, refer to the "GENERAL SPEC" section.

FIG. 48 HEADLIGHT

REF. NO.	PART NO.	DESCRIPTION	Q'TY	REMARKS
1	2GH-8432A-10	LENS ASSY	1	
2	3HE-84359-50	CORD, headlight	*	
3	3HE-84359-90	CORD, headlight	1	

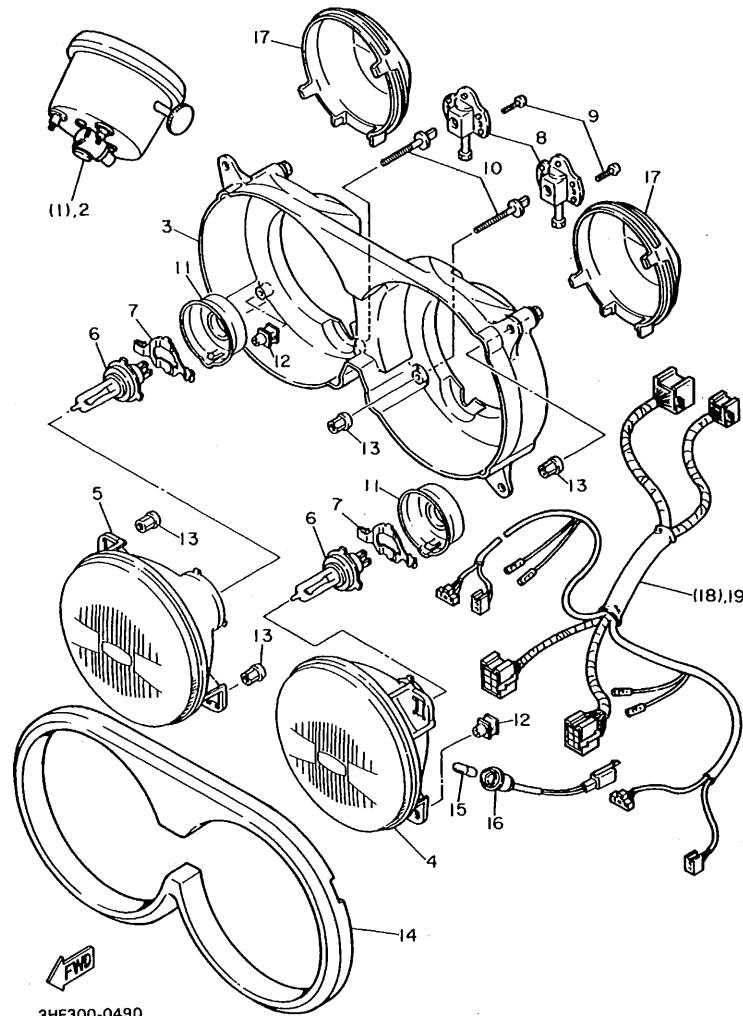


3HE300-0480

FOR ENGLAND OCEANIA

The following pages provides a listing of only the parts that meet the specifications peculiar to your market. For those parts not appearing in these pages, refer to the "GENERAL SFEC" section.

FIG. 49 METER, HEADLIGHT



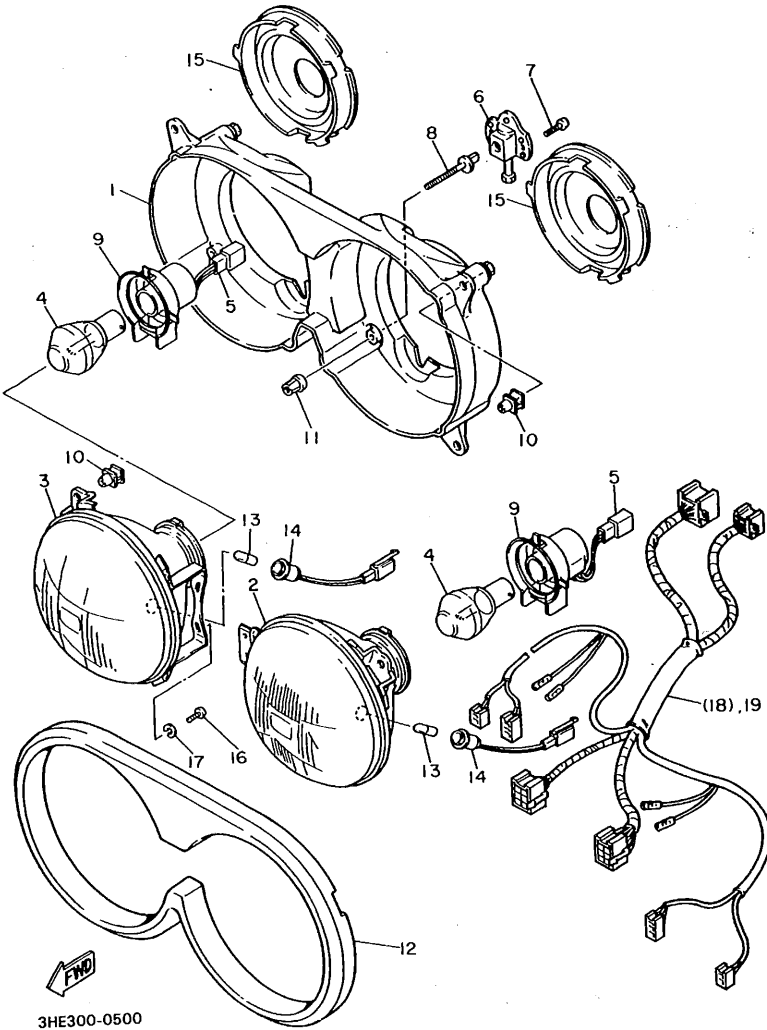
3HE300-0490

REF. NO.	PART NO.	DESCRIPTION	Q'TY	REMARKS
1	3HE-83570-50	SPEEDOMETER ASSY	*	UR KPH
2	3HE-83570-60	SPEEDOMETER ASSY	1	UR MPH
3	3HE-84330-00	BODY ASSY	1	
4	2RG-84320-E0	LENS ASSY	1	
5	2RG-8432A-E0	LENS ASSY	1	
6	1FM-84314-H0	BULB (12V-35 / 35W)	2	HALOGEN
7	2F9-84375-00	FITTING PLATE, bulb	2	
8	46X-8430M-00	GEAR UNIT ASSY	2	
9	97706-40616	SCREW, tapping	4	
10	2AX-84331-00	SCREW, rim adjusting	2	
11	2F9-84397-01	COVER, socket	2	
12	3AJ-8431U-00	HOLDER	2	
13	51L-84334-00	NUT, adjusting	4	
14	3HE-84366-00	DAMPER, headlight 1	1	
15	123-83516-21	BULB (12V-3.4W)	2	
16	2LA-84312-00	SOCKET	2	
17	46X-84397-01	COVER, socket	2	
18	3HE-84359-50	CORD, headlight	*	
19	3HE-84359-80	CORD, headlight	1	

FOR ITALY

The following pages provides a listing of only the parts that meet the specifications peculiar to your market. For those parts not appearing in these pages, refer to the "GENERAL SPEC" section.

FIG. 50 HEADLIGHT



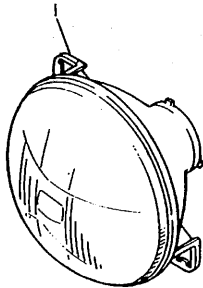
REF. NO.	PART NO.	DESCRIPTION	Q'TY	REMARKS
1	3HE-84330-10	BODY ASSY	1	
2	2GH-84320-00	LENS ASSY	1	
3	2GH-8432A-00	LENS ASSY	1	
4	*	BULB, headlight (12V-35 / 35W)	2	LM
5	14A-84112-40	SOCKET	2	
6	46X-8430M-00	GEAR UNIT ASSY	1	
7	97706-40616	SCREW, tapping	2	
8	2AX-84331-00	SCREW, rim adjusting	1	
9	5T8-84397-00	COVER, socket	2	
10	3AJ-8431U-00	HOLDER	2	
11	51L-84334-00	NUT, adjusting	1	
12	3HE-84366-00	DAMPER, headlight 1	1	
13	*	BULB (12V-3W)	2	LM
14	2LA-84312-00	SOCKET	2	
15	2LA-84397-00	COVER, socket	2	
16	98580-04008	SCREW, pan head	2	
17	92902-04100	WASHER, spring	2	
18	3HE-84359-50	CORD, headlight	*	
19	3HE-84359-60	CORD, headlight	1	

FOR NETHERLAND

The following pages provides a listing of only the parts that meet the specifications peculiar to your market. For those parts not appearing in these pages, refer to the "GENERAL SPEC" section.

FIG. 51 HEADLIGHT

REF. NO.	PART NO.	DESCRIPTION	Q'TY	REMARKS
1	2GH-8432A-20	LENS ASSY (RIGHT)	1	



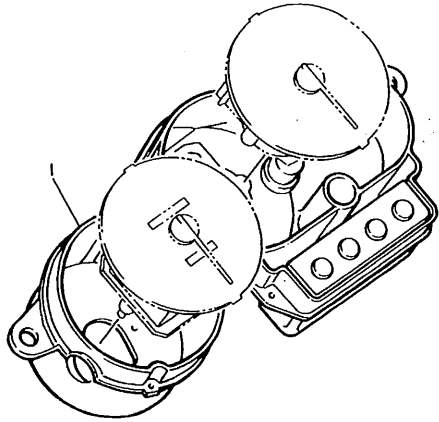
3HE1300-9510

FOR SWEDEN

The following pages provides a listing of only the parts that meet the specifications peculiar to your market. For those parts not appearing in these pages, refer to the "GENERAL SPEC" section.

FIG. 52 CASE, METER

REF. NO.	PART NO.	DESCRIPTION	Q'TY	REMARKS
1	3LE-8353H-00	CASE, inner	1	



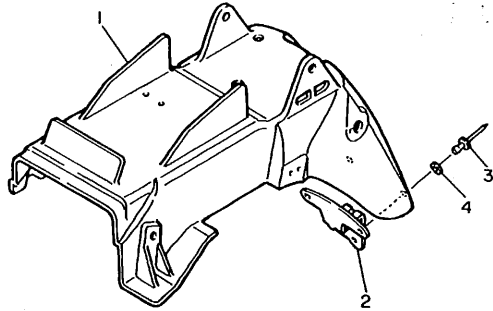
3HE300-0520

FOR OCEANIA

The following pages provides a listing of only the parts that meet the specifications peculiar to your market. For those parts not appearing in these pages, refer to the "GENERAL SPEC" section.

FIG. 53 FENDER

REF. NO.	PART NO.	DESCRIPTION	Q'TY	REMARKS
1	3HE-21611-10	FENDER, rear	1	
2	3HE-85132-00	BRACKET, reflector	1	
3	90267-40076	RIVET, blind	2	
4	90201-044A2	WASHER, plate	2	



3HE300-0530

INDEX

(GENERAL SPEC.)

NUMERICAL INDEX

PART NO.	GRID NO.	PART NO.	GRID NO.	PART NO.	GRID NO.
36Y-W0041-00	E - 7	1WG-11656-00	B - 4	46X-12410-00	B - 8
1WG-W0042-50	E - 10	1WG-11656-10	B - 4	1WG-12413-01	B - 8
3GM-W0045-00	E - 2	1WG-11656-20	B - 4	1WG-12417-00	B - 8
1FK-W0046-01	E - 5	1WG-11656-30	B - 4	2TK-12420-00	B - 8
3HE-W0047-50	E - 2	3HE-12111-00	B - 5	1WG-12439-00	B - 8
31A-W0047-00	E - 5	3HE-12113-00	B - 5	1WG-12446-01	B - 8
1J3-W0048-00	E - 2	1WG-12116-00	B - 5	3HE-12461-00	B - 9
	E - 5	1WG-12117-00	B - 5	22W-12462-00	B - 9
3HE-W0057-50	E - 2	1WG-12118-00	B - 5	1WG-12481-00	B - 8
31A-W0057-00	E - 5	1WG-12119-00	B - 5	1WG-12482-00	B - 8
1WG-W2810-00	D - 2	3HE-12121-00	B - 5	1WG-12483-00	B - 8
3HE-Y217F-30-3X	D-12	1WG-12153-09	B - 5	2TK-12484-00	B - 9
3HE-Y217F-50-4X	D-12	1WG-12153-21	B - 5	3HE-12498-00	B - 9
3HE-Y2171-30-GE	D - 3	1WG-12153-31	B - 5	3HE-12576-00	B - 8
3HE-Y2171-60-6G	D - 3	1HX-12168-A0	B - 5	3HE-12577-00	B - 8
3HE-Y2172-30-GE	D - 3	1HX-12168-F0	B - 5	3HE-12578-00	B - 9
3HE-Y2172-60-6G	D - 3	1HX-12168-H0	B - 5	3HE-12579-00	B - 8
3EN-Y283J-31-5X	E-12	1HX-12168-K0	B - 5	3HE-12588-00	B - 9
3EN-Y283J-61-6G	E-12	1HX-12168-M0	B - 5	2TK-12590-00	B - 9
3EN-Y283K-30-5X	E-12	1HX-12168-R0	B - 5	1UF-12611-00	B - 9
3EN-Y283K-60-6G	E-12	1HX-12168-U0	B - 5	1AA-12630-00	B - 9
3HE-11101-00	B - 2	1HX-12168-W0	B - 5	11H-12675-00	B - 9
2GH-1111G-00	B - 2	1HX-12168-Y0	B - 5	3HE-13161-00	B - 12
1WG-11133-10	B - 2	1HX-12168-00	B - 5	1WG-13310-00	B - 10
3HE-11145-00	C - 3	1HX-12168-20	B - 5	1WG-13316-00	B - 10
3HE-11165-00	C - 3	1HX-12168-40	B - 5	1WG-13329-00	B - 10
1WG-11166-00	C - 4	1HX-12168-60	B - 5	1WG-13330-01	B - 10
3HE-11181-00	B - 2	1HX-12168-80	B - 5	1WG-13336-00	B - 10
2TK-11191-00	B - 2	1HX-12169-E0	B - 6	1L9-13340-01	B - 12
1WG-11193-00	B - 2	1HX-12169-G0	B - 6	4H7-13411-02	B - 10
214-11198-01	B-12	1HX-12169-J0	B - 6	1WG-13412-00	B - 10
3HE-11310-00	B - 3	1HX-12169-L0	B - 6	1WG-13414-01	B - 12
3HE-11351-00	B - 3	1HX-12169-N0	B - 6	1WG-13417-00	B - 12
3HE-11411-00	B - 4	1HX-12169-T0	B - 6	1L9-13441-11	B - 12
1WG-11416-00	B - 4	1HX-12169-10	B - 5	4H7-13447-00	B - 12
1WG-11416-10	B - 4	1HX-12169-30	B - 5	11H-13455-00	B - 12
1WG-11416-20	B - 4	1HX-12169-50	B - 5	5N1-13461-00	B - 11
1WG-11416-30	B - 4	1HX-12169-70	B - 5	3HE-13464-00	B - 11
1WG-11416-40	B - 4	1HX-12169-90	B - 6	3HE-13465-00	B - 11
3HE-11610-00	B - 4	3HE-12171-00	B - 7	2TK-13470-00	B - 11
3HE-11610-20	B - 4	1WG-12176-00	B - 7	11H-13490-00	B - 12
3HE-11610-40	B - 4	3HE-12181-00	B - 7	2H9-13493-00	B - 11
3HE-11631-00	B - 4	3GM-12210-00	B - 7	3HE-13586-00	B - 13
3HE-11633-00	B - 4	30X-12213-00	B - 7	3HE-13596-00	B - 13
3HE-11636-00	B - 4	1WG-12241-00	B - 7	3EN-13907-00	D - 12
3HE-11638-00	B - 4	3HE-12251-00	B - 7	3EN-1410A-00	B - 15
3HE-11650-00	B - 4	3HE-12252-00	B - 7	3HE-14103-00	B - 15
1WG-11654-00	B - 4	3HE-12405-00	B - 9	12R-14105-00	B - 15

NUMERICAL INDEX

PART NO.	GRID NO.	PART NO.	GRID NO.	PART NO.	GRID NO.
3HE-14107-12	B - 14	2GV-14953-00	B - 15	3HE-17121-01	C - 9
3EN-1411A-00	B - 14	3HE-14985-00	B - 14	3HE-17131-00	C - 9
3HE-1411A-00	B - 15	3EN-14988-00	B - 15	3HE-17151-00	C - 9
8U9-14139-00	B - 15	256-14997-00	B - 14	3HE-17161-00	C - 9
3EN-14141-90	B - 15	3EN-14997-00	B - 15	3HE-17211-00	C - 9
4G0-14142-30	B - 15	3GM-14997-00	B - 14	3HE-17221-01	C - 9
1FN-14147-00	B - 14	3HE-15100-00	C - 3	3HE-17231-00	C - 9
3EN-14147-00	B - 14	3HE-15105-00	C - 4	3HE-17241-00	C - 9
3GM-14147-00	B - 14	1HX-15138-00	C - 3	3HE-17251-00	C - 9
822-14147-00	B - 15	11H-15138-00	C - 3	3HE-17261-00	C - 9
137-14153-00	B - 14	26H-15138-00	C - 3	3HE-17271-00	C - 9
3EN-14163-00	B - 15	36Y-15189-00	C - 3	3HE-17421-00	C - 9
353-14186-00	B - 14	1WG-15316-00	C - 5	278-17424-01	C - 10
3HE-14191-00	B - 14	1WG-15326-00	C - 5	278-17425-00	C - 9
3EN-14197-00	B - 15	2H7-15361-00	C - 3		C - 10
1AE-14227-00	B - 15	3F9-15362-00	C - 5	4G0-17433-01	C - 10
3G2-1423A-61	B - 15	1WG-15381-00	C - 4	3HE-17460-00	C - 9
3G2-1423A-72	B - 15	2TK-15411-00	C - 5	3EN-18101-00	C - 12
830-1423A-73	B - 15	3HE-15415-01	C - 5	3HE-18110-00	C - 12
3EN-14239-00	B - 14	1L9-15417-00	C - 5	1WG-18112-01	C - 12
3EN-14243-00	B - 14	2TK-15421-00	C - 5	132-18113-01	C - 12
17A-14251-00	B - 15	1WG-15425-00	C - 5	22N-18113-00	E - 10
3EN-14261-00	B - 15	1WG-15427-00	C - 5	1WG-18115-00	C - 12
3HE-14411-00	B - 13	2TK-15431-01	C - 5	1HX-18127-00	C - 11
3HE-14412-00	B - 13	1WG-15451-01	C - 5	36Y-18140-00	C - 11
1WG-14421-00	B - 13	1WG-15461-00	C - 5	2H9-18154-00	C - 12
1WG-14451-00	B - 13	1WG-15462-00	C - 5	1WG-18511-00	C - 11
3HE-14453-00	B - 13	1UF-15467-00	C - 5	1WG-18512-00	C - 11
5T0-14457-00	B - 13	3HE-15512-00	C - 7	1WG-18513-00	C - 11
1VJ-14462-00	B - 13	3HE-15515-01	C - 7	1WG-18531-00	C - 11
31A-14477-00	C - 15	3HE-15517-00	C - 7	1WG-18535-00	C - 11
	D - 3	3HE-15521-00	C - 7	1WG-18536-00	C - 11
	E - 10	4H7-15521-00	C - 7	1WG-18540-01	C - 11
1AE-14565-00	B - 14	3HE-15524-00	C - 7	278-18542-00	C - 11
3HE-14602-00	C - 2	3HE-15590-00	C - 7	1WG-18562-00	C - 11
5Y1-14613-00	C - 2	3HE-16150-00	C - 8	278-18566-00	C - 11
1WG-14710-10	C - 2	1WG-16154-00	C - 8	3HE-21110-00-T9	C - 13
3HE-14755-00	C - 2	1WG-16164-00	C - 8	3HE-21140-00-T9	C - 13
3HE-1490J-00	B - 15	1WG-16181-00	C - 8	3HE-21150-00-T9	C - 13
3EN-1490K-00	B - 15	1WG-16304-00	C - 8	3HE-2117E-00	C - 13
3HE-14900-01	B - 14	21V-16321-00	C - 8	3HE-2117M-00	C - 14
3HE-14901-01	B - 14	131-16324-00	C - 8	3HE-2117N-00	C - 14
3HE-14902-01	B - 14	1WG-16340-01	C - 8	3HE-2117R-00	C - 14
3HE-14903-01	B - 14	132-16346-00	C - 8	3HE-2117T-00	C - 14
3HE-14904-01	B - 14	2TK-16351-00	C - 8	3HE-2118E-00	C - 14
3HE-14933-00	B - 14	1WG-16356-00	C - 8	3HE-21238-00	C - 13
3HE-14940-00	B - 14	1WG-16357-01	C - 8	26H-21308-00	D - 14
1A8-14953-00	B - 14	3HE-16371-00	C - 8	1WG-21345-00	D - 11

NUMERICAL INDEX

PART NO.	GRID NO.	PART NO.	GRID NO.
3EN-21346-00	D-11	1WG-2217A-00	D-5
1WG-21348-00	D-11	1WG-2217M-00	D-5
3HE-2137W-00	C-13	3HE-22174-00	E-3
3HE-2137X-00	C-13	33M-22184-00	D-5
3HE-2137Y-00	C-13	3HE-22210-00	D-7
3HE-2139U-00	C-13	1KT-22311-00	D-5
1WG-2139W-00	C-13	3HE-23102-10	D-9
1WG-2142M-00	C-13	3HE-23103-10	D-9
1WG-2143A-00	C-13	3HE-23110-00	D-9
3HE-21446-00	C-14		D-10
1WG-21459-00	C-13	3EN-23111-00	D-9
4X7-2149Y-00	B-13		D-10
2TK-21498-00	B-11	1W4-23114-L0	D-10
2TK-21499-00	B-11		D-10
3FH-21510-00-0X	C-15	1WG-23118-00	D-9
3FH-21510-00-2X	C-15		D-10
2GH-21575-00	D-2	4H7-23119-00	D-9
2GH-21576-00	D-2	2YK-23125-00	D-9
3HE-21596-00	E-11	3HE-23126-10	D-9
3HE-21611-00	C-15	1WG-23128-00	D-10
3HE-21621-00	C-15	122-23129-00	D-9
3HE-21629-00	C-15	46X-2313A-00	C-15
4G0-21639-00	C-15	3HE-23136-10	D-9
34M-21649-00	C-15	3HE-23141-00	D-9
3HE-21651-00-GE	C-15		D-10
3HE-21651-00-6G	C-15	1FK-23142-00	D-9
34X-21691-00	D-4		D-10
1KH-21717-00	C-15	3EN-23144-00	D-9
4X7-21719-00	D-12	3EN-23145-00	D-9
3HE-2173L-30	D-3	4V2-23146-L0	D-9
3HE-21732-00	D-3	3R4-23153-00	D-9
2GH-21735-00	D-2	509-23158-L0	D-9
	D-3		D-10
3HE-21735-00	D-3	3HE-2317E-00	D-8
3HE-2174L-30	D-3	3HE-23170-00	D-9
1WG-2177G-00	D-3		D-10
3HE-21781-30	D-3	2YK-23173-00	D-9
3HE-21781-40	D-3		D-10
3HE-21788-40	D-3	278-23181-50	D-9
3HE-21789-40	D-3		D-10
1WG-21816-00	D-4	1WG-23340-00	D-10
1WG-21871-00	D-3	3Y1-23346-00	D-10
1AA-21874-00	D-4	1J7-23415-00	D-8
4L0-21875-00	D-4	26H-23418-01	D-8
3HE-22110-10-T9	D-5	3HE-23435-00	D-8
4X7-22129-00	D-5	341-23469-00	E-6
46X-22141-00	D-5	3HE-24110-10	D-11
3HE-22151-10	D-5	1WG-2414A-00	D-13

PART NO.	GRID NO.	PART NO.	GRID NO.
1HX-24181-00	D-11	1HX-24182-00	D-11
1WG-24183-00	E-3	1WG-24185-00	D-11
3HE-24250-40	D-12	1WG-24311-00	D-12
1WG-24398-01	D-11	3HE-24491-00	D-11
3HE-24500-00	D-11	4X8-24512-00	D-11
3HE-24524-00	D-11	1FK-24560-00	D-11
1WG-24566-00	D-11	26H-24568-00	D-11
1WG-24602-00	D-11	3HE-24602-10	D-11
3HE-24614-00	D-12	1WG-24622-00	D-13
1WG-24665-00	D-12	3HE-24705-01	D-14
3HE-24710-00	D-14	3HE-24711-00	D-14
4L0-24712-11	D-14	3HE-24734-00	D-14
47X-24739-00	D-14	1T4-24741-00	D-14
116-24741-00	D-14	22W-24741-00	D-9
3HE-24742-00	D-14	4K0-24748-00	D-14
3HE-24750-00	D-14	3HE-24750-00	D-14
3HE-24767-30	D-14	3HE-24791-00-GE	D-14
3HE-24791-00-6M	D-14	3HE-24796-00	D-14
341-25149-00	D-15	3HE-25168-00-UA	D-15
3HE-25168-00-WG	D-15	42X-25181-00	D-15
1WG-25190-00	D-15	1WG-25190-00	D-15
3HE-25338-00-UA	E-3	3HE-25338-00-WG	E-3
1UF-25364-00	E-3	1AE-25366-00	E-3
36Y-25371-00	E-3	3HE-25381-00	E-4
3HE-25388-00	E-3	29L-25398-00	D-15

PART NO.	GRID NO.	PART NO.	GRID NO.
29L-25398-00	E-3	29L-25398-10	D-15
29L-25398-10	E-3	29L-25398-10	D-12
29L-25398-20	D-15	1AE-25446-21	E-3
3HE-25807-50	E-2	3HE-25807-50	E-2
3HE-2580U-50	E-2	3HE-2580W-00	E-5
3HE-2581T-00	E-5	3HE-25819-00	E-5
36Y-2582A-50	E-10	36Y-25827-00	E-5
1FK-25828-00	E-5	1FK-25828-00	E-5
3HE-2583T-00	E-7	2NX-25831-00	E-5
1KT-25836-00	E-2	51J-25836-00	E-5
341-25846-00	D-15	1WG-25850-50	E-10
2KF-25852-50	E-10	3HE-25852-00	E-7
3HE-25854-00	E-7	36Y-25854-00	D-14
360-25854-00	E-10	2GU-25855-00	D-14
4L0-25862-00	E-7	36Y-25867-00	D-14
3HE-25872-00	E-7	3HE-25872-00	D-14
3HE-25873-10	E-10	3HE-25873-10	D-14
2GH-25875-50	D-6	3EN-25875-00	C-15
3HE-25875-00	C-15	2R8-25876-00	C-15
11U-25885-00	E-7	31A-25894-01	E-10
1WG-25895-00	E-10	29L-25919-00	E-10
3GM-25919-00	E-5	1KT-25924-00	E-5
3GM-25924-00	E-2	26H-25925-00	E-2
3HE-26111-00	E-6	3HE-26111-00	E-6
3HE-26121-00	E-6	3HE-26122-00	E-6
3FH-26240-00	E-6	1KG-26241-00	E-6

NUMERICAL INDEX

PART NO.	GRID NO.	PART NO.	GRID NO.
51J-26246-00	E-6	3CK-2835Y-00	E-12
3HE-26280-00	E-11	3HE-28356-20	E-11
3HE-26280-20	E-11	3HE-28357-00	E-6
3HG-26280-00	E-11	1WG-2836A-00	E-13
3HG-26280-20	E-11	3EN-2836A-00	E-13
3HE-26290-00	E-11	1WG-2836E-00	E-13
3HE-26290-20	E-11	3HE-2836V-30	E-12
3HG-26290-00	E-12	3HE-2836V-41	E-12
3HG-26290-20	E-12	3HE-2836W-30	E-12
1AE-26298-00	E-12	3HE-2836W-41	E-12
3CV-26298-00	E-12	2MA-28365-30	F-2
3EN-26311-00	E-6	2MA-28365-40	F-2
3EN-26312-00	E-6	25G-28379-00	C-15
3EN-26331-00	E-6	3HE-2838J-01	E-13
1WG-26335-00	E-6	3EN-2838N-00	E-13
5H0-26393-00	E-6	3EN-2838R-00	E-13
3HE-27211-00	E-10	3EN-2838T-00	E-13
31A-27222-00	E-10	3EN-2838U-00	E-13
2KT-27311-00	E-8	3HE-28381-10	E-11
2KT-27315-00	E-8	3HE-28390-30	E-11
1TX-27351-00	E-8	3HE-2848K-00	E-12
3HE-2741L-00	E-8	3HE-2848L-00	E-12
3HE-27410-00	E-8	J44-78248-00	D-2
2GH-27413-00	E-8	3HE-81410-00	E-14
3HE-2742L-01	E-8	3HE-81450-00	E-14
3HE-27420-00	E-8	3HE-81800-00	E-15
1HX-27431-00	E-8	3AJ-81809-00	E-15
3HE-27435-00	E-8	1HX-81815-00	E-15
1HX-27437-00	E-8	3HE-81826-00	E-15
1HX-27441-00	E-8	3HE-81830-00	E-15
3HE-27442-00	E-8	3HE-81840-00	E-15
3HE-27443-00	E-8	11H-81844-00	E-15
3HE-27445-01	E-9	26H-81847-00	E-15
3HE-27446-01	E-9	3HE-81850-00	E-15
4K5-2814E-10	D-2	4G0-81871-00	E-15
4N0-28186-00	D-2	36Y-81940-00	F-8
3HE-2831U-00	E-13	3EN-81950-00	F-10
3HE-2831W-00	E-13	47X-81960-A1	F-8
3EN-28313-00	E-12	3HE-81975-00	F-8
3GM-28328-30	E-12	1VJ-82110-60	F-8
3GM-28338-30	E-12	1WG-82115-00	F-8
36Y-28348-00	E-11	3HE-82116-00	F-8
3HE-2835G-00-GE	E-11	120-82131-00	D-3
3HE-2835G-00-6M	E-11	122-82131-00	C-15
3EN-2835U-00	E-11	1AE-82150-00	F-8
3EN-2835U-20	E-11	1AE-82151-00	F-8
3EN-2835V-00	E-11	2GH-82151-00	F-8
3EN-2835V-20	E-11	42X-82151-00	F-8

NUMERICAL INDEX

PART NO.	GRID NO.	PART NO.	GRID NO.	PART NO.	GRID NO.
1AE-82172-00	F - 8	1WG-83942-00	E - 6	90109-08718	E - 5
3HE-82305-00	F - 8	31A-83945-00	F - 7	90109-103A9	E - 9
3HE-82310-01	F - 8	3HE-83963-00	F - 7	90109-10474	E - 8
3HE-82320-00	F - 8	3HE-83972-00	F - 7	90109-10554	D - 7
1WG-82370-00	F - 8	36Y-83980-01	F - 7	90109-112F1	B - 7
3HE-82501-00	F - 8	46X-8430M-00	F - 5	90110-05079	E - 11
3HG-82501-00	F - 9	3AJ-8431U-00	F - 5	90110-06074	F - 7
2GH-82509-00	F - 10	2HW-84312-00	F - 5	90110-06078	E - 12
1KT-82530-01	F - 8	2GH-8432A-30	F - 5	90110-06099	B - 10
1AE-82540-00	F - 10	2GH-84320-10	F - 5	90110-06130	B - 10
1WG-82541-00	F - 10	3HE-84330-00	F - 5	90110-06133	D - 12
2EL-82560-00	F - 10	2AX-84331-00	F - 5	90110-06134	D - 12
3FH-82566-00	F - 10	51L-84334-00	F - 5	90110-06142	B - 9
3HE-82590-00	F - 8	4E2-84347-00	F - 5	90110-06148	C - 5
29L-82911-01	F - 7	3HE-84359-50	F - 5	90110-06149	C - 5
31A-82917-00	F - 7	3HE-84366-00	F - 5	90110-06170	D - 13
51J-83310-00	F - 2	341-84393-40	F - 5	90113-08021	C - 8
306-83311-40	F - 2	46X-84396-00	F - 5	90116-06437	B - 2
51J-83320-00	F - 2	46X-84397-01	F - 5	90116-08525	C - 3
51J-83330-00	F - 2	47X-84710-E0	F - 6	90116-08526	C - 3
1VU-83332-00	F - 2	31L-84714-00	F - 6	90116-10485	E - 3
51L-83332-01	F - 2	47X-84721-00	F - 6	90119-05001	C - 8
51J-83340-00	F - 2	47X-84723-00	F - 6	90119-06093	C - 13
1VU-83342-00	F - 2	47X-84735-00	F - 6	90119-06097	D - 3
2UJ-83350-00	F - 10	4G1-84744-00	F - 3	90119-06108	C - 15
18G-83365-00	F - 2	1KH-84751-00-90	F - 6	90123-08083	E - 6
3HE-83371-00	F - 10	3G1-85130-01	D - 2	90149-04278	C - 15
3HE-83509-50	F - 3	1WG-85720-00	F - 10	90149-05224	E - 11
3GM-83513-00	F - 3	90101-06576	C - 2	90201-08083	E - 12
2GV-83517-00	F - 3	90101-10658	D - 5	90149-06011	D - 11
3GM-83517-00	F - 3	90101-10659	D - 5	90149-06150	D - 14
3GM-83520-00	F - 3	90105-06384	B - 2	90149-06228	F - 9
1KH-83523-00	D - 14	90105-06456	C - 15	90149-06288	F - 7
3GM-83525-00	F - 3	90105-07385	B - 7	90150-05020	E - 11
3GM-8353H-00	F - 3	90105-08321	E - 3	90152-05016	F - 10
3GM-83540-00	F - 3	90105-08429	C - 3	90153-06045	B - 3
1RH-83550-00	F - 4	90105-10308	E - 2		B - 9
3GM-83559-00	F - 3		E - 5	90154-05032	D - 14
3HE-83570-50	F - 3	90105-10376	D - 5	90154-06040	D - 12
2GH-83578-00	F - 3	90105-10430	E - 14	90154-06046	E - 13
3EN-83590-50	F - 3	90105-10436	C - 13	90157-05065	C - 8
11H-83591-00	F - 10	90105-10445	C - 7	90159-03102	F - 3
3HE-83912-00	F - 7	90109-063F7	C - 11	90159-06033	D - 2
31A-83913-00	F - 7	90109-063F9	C - 6	90201-20276	D - 4
36Y-83913-00	F - 7	90109-064F0	B - 2	90201-21608	D - 4
1FK-83922-00	F - 7	90109-065A8	B - 7	90201-237K5	D - 4
3HE-83940-00	E - 6	90109-06614	F - 9	90201-25526	E - 10
1WG-83941-00	E - 6	90109-08718	E - 2	90202-05180	D - 5

NUMERICAL INDEX

PART NO.	GRID NO.	PART NO.	GRID NO.	PART NO.	GRID NO.
90167-03058	F - 3	90202-06010	D - 11	90401-10034	E - 7
90167-04057	F - 3	90202-26142	D - 8	90401-10044	E - 7
90170-06228	C - 12	90206-17084	E - 9	90401-10096	E - 10
90170-06355	F - 7	90209-06173	B - 11	90401-10124	B - 12
90170-18221	C - 8	90209-10131	E - 6	90401-12122	B - 11
90171-16024	E - 4	90209-11262	B - 2	90401-20089	B - 11
90176-06055	E - 12	90209-18208	C - 9	90430-06014	B - 3
90176-22050	D - 8	90209-22191	C - 9		B - 9
90179-05523	E - 13	90209-27192	C - 9	90430-06166	C - 3
90179-06500	C - 2	90215-18225	C - 8	90430-10188	B - 12
	E - 11	90215-21022	C - 9	90430-12202	B - 11
90179-07531	B - 4	90240-08013	E - 10	90445-070F1	D - 13
90179-08179	C - 8	90267-40076	C - 15	90445-08719	F - 8
90179-08316	E - 6	90280-03047	E - 14	90445-096E8	B - 9
90179-08410	D - 11	90280-05048	C - 7	90445-11452	B - 13
90179-08530	B - 2	90338-08174	B - 2	90445-115E8	B - 13
90179-18020	C - 9	90338-09012	E - 7	90445-116E9	C - 4
90179-25033	D - 8		F - 7	90445-137F4	D - 12
90183-04045	F - 2	90338-12192	C - 15	90445-146F9	D - 12
90183-05024	E - 11	90338-15202	C - 14	90446-17267	E - 10
90185-10037	E - 8	90338-20188	B - 9	90450-28014	B - 8
90185-14070	D - 5	90340-08M04	C - 5	90450-32015	B - 8
90201-044A2	C - 15	90340-12112	B - 2		B - 9
90201-047A2	C - 15	90387-060A7	F - 6	90450-49020	B - 13
90201-06059	F - 3	90387-061M0	F - 6	90460-49058	E - 13
90201-06067	D - 12	90387-06380	D - 11	90460-58015	B - 13
90201-063J2	F - 6	90387-064H8	E - 8	90462-10182	C - 6
90201-06697	D - 12	90387-066M3	C - 15	90464-10075	F - 9
90201-08083	E - 10	90387-06681	C - 14	90464-13073	F - 8
90201-08085	D - 10		D - 5	90465-06289	C - 4
90201-087K2	B - 2	90387-067K6	E - 12	90465-10306	B - 12
90201-087K3	C - 3	90387-067K8	B - 11	90465-10307	C - 3
90201-08730	C - 2	90387-07391	D - 3	90465-10308	C - 3
90201-101J1	D - 6		D - 12	90465-13169	D - 11
	D - 7		F - 3	90467-08003	B - 9
90201-10118	E - 7	90387-07392	B - 9	90467-10008	B - 13
	E - 10	90387-102R4	D - 5	90467-10038	C - 4
90201-107K6	C - 7	90387-112R6	D - 12	90467-10091	D - 12
	E - 14	90387-122R5	D - 5	90467-11044	D - 12
90201-113K2	B - 10	90387-124T2	D - 7	90467-13123	D - 12
90201-161J3	D - 5	90387-124W2	D - 5	90467-14015	C - 4
90201-177K7	E - 4	90387-15550	D - 15	90467-14057	E - 10
90201-20276	C - 10	90387-173L5	E - 4	90468-10050	D - 14
90201-21608	B - 12	90387-174V8	E - 3	90480-01401	C - 13
90201-237K5	C - 3	90387-174V9	E - 4		D - 3
90201-25526	B - 11	90387-177K0	E - 3	90480-10258	C - 15
90202-05180	E - 11	90387-212R3	C - 8	90480-11454	D - 12
	E - 13	90387-255V4	C - 9	90480-13383	B - 11

NUMERICAL INDEX

NUMERICAL INDEX

PART NO.	GRID NO.	PART NO.	GRID NO.	PART NO.	GRID NO.	PART NO.	GRID NO.	PART NO.	GRID NO.	PART NO.	GRID NO.
90480-13398	C-13	91311-06035	C-5	92906-06600	B-9	93315-32516	C-3	95616-06100	F-7	98506-05010	E-8
	E-12		C-6		C-2	93317-21746	D-5	95701-05500	D-2	98506-05016	B-14
90480-14052	D-3	91311-06045	C-5	92906-10200	F-6	93317-31701	D-5	95701-06500	F-8	98506-05040	F-7
90480-14229	D-3	91311-08020	C-13	92990-03100	F-3	93320-32403	D-5	95701-08500	E-4	98506-05045	F-7
	D-11	91311-08030	D-8	92990-06100	D-6	93332-00008	D-8	95701-10500	C-13	98511-04012	E-10
	E-11	91316-06012	B-8		F-8	93332-00023	D-8	95701-12500	F-2	98580-03010	F-3
	F-3		B-12	92990-06600	B-15	93399-99919	D-5	95702-06600	C-13	98580-04010	B-14
90480-15235	B-11		C-4	92990-06600	F-8	93399-99933	C-9	95706-05500	E-11		F-3
90480-15259	F-6	91316-06012	E-13	93101-16131	D-5	93410-22039	C-9	95706-06500	D-12	98606-04016	D-11
90480-15483	B-9	91316-06016	B-8	93101-26154	D-5	93440-10153	B-2	95801-06010	C-13	98701-05012	C-11
90480-18171	C-13	91316-06020	B-13	93101-26154	B-4	93440-25084	C-9	95801-06016	D-14	98702-03008	F-7
90480-18276	F-6		B-7	93101-26156	B-4	93440-30077	C-9	95806-08035	E-11	98706-04012	E-7
90480-18418	D-12	91316-06025	B-8	93102-12106	C-12	93440-54152	C-9	95816-06025	B-9	98901-05008	C-5
90480-22362	D-3		B-8	93102-22014	D-15	93450-17044	B-4	95816-06040	C-3	98906-03006	E-6
90480-23193	B-12		E-7	93102-25044	E-3	93501-04011	E-8	95816-06050	C-3	98906-05014	D-11
90480-35526	F-2		B-8	93102-35109	C-9	93505-16006	C-8	95816-06070	C-3	98906-06008	E-6
90501-06022	C-11	91316-06035	B-8	93105-42024	E-3	93603-09106	B-10	95816-06080	C-3	99009-17500	B-11
90501-10312	F-7	91316-06040	C-7	93105-45017	D-15	93603-09106	B-10	95816-06090	C-3	99223-00040	D-12
90501-12413	B-11	91316-08020	E-6	93109-08058	C-8	93603-17070	D-15	95816-06090	C-2	99226-00040	D-12
90501-12743	E-8	91316-08025	E-4	93109-12053	C-12	93900-00030	E-3	95816-08012	C-2	99233-00020	E-11
90501-20422	B-12	91401-20015	E-4	93109-17048	D-5	94111-173U2	D-15	95816-08030	C-2	99233-00025	C-15
90501-227E0	C-8		E-8	93210-06632	C-4	94111-173U4	D-15	95816-08045	C-3	99234-00020	E-11
90506-09232	C-8		E-10	93210-10096	B-12	94113-183U3	E-3	95816-08070	E-8	99236-00025	C-15
90506-18224	E-8	91401-30030	E-4	93210-10197	B-11	94113-183U5	E-3	95821-08025	C-11	99236-00065	E-12
90506-20377	E-10	91609-40210	D-8	93210-12152	C-3	94581-32118	E-3	95822-06016	B-9	99510-08012	B-10
90506-26225	E-8	91701-06035	E-8	93210-15566	B-8	94581-42106	E-3	95826-06010	B-11	99510-08016	B-2
90508-23707	C-11	92016-08025	E-10	93210-15620	E-10	94681-32021	B-7	97006-06020	F-7		B-12
90508-32682	C-12	92501-06020	B-10	93210-16629	B-12	94701-00318	B-2	97006-06065	F-8		C-5
90560-03220	D-13		D-6		C-3	94701-00319	B-2	97011-06025	C-12		C-6
90560-12211	C-12		F-8	93210-17746	B-8	95023-06016	E-9	97011-06020	D-5	99510-12016	B-3
90560-15314	D-15	92506-06012	B-9	93210-21190	B-8	95023-06025	C-15	97313-06016	F-8		C-3
91001-06016	D-11	92706-06025	E-12		B-9	95023-08025	E-15	97702-60520	F-8		C-4
91002-06030	D-14	92901-04100	E-10	93210-27194	C-5	95026-06016	E-9	97706-40616	F-5		
91002-06080	D-11	92901-04600	E-10	93210-29196	F-10	95303-05600	F-10	97706-40620	F-2		
91006-06020	E-6		F-3	93210-33133	B-8	95303-06600	B-15	97706-50614	E-13		
91011-10080	C-13	92901-05100	E-14	93210-48364	C-8		B-15	97780-50125	B-13		
91011-10165	C-13	92901-05600	B-9	93210-63442	B-3		B-15	97806-05035	F-7		
91011-10295	C-13		B-13	93210-87723	B-11		D-12	98501-03012	F-3		
91012-06012	C-13		E-14		B-12	95303-06700	F-6	98501-05008	B-9		
91012-06016	C-13	92901-08600	E-3	93306-20006	C-7	95303-08700	C-12	98501-05012	B-14		
91026-06010	E-13	92902-04100	F-3	93306-20310	E-3	95303-08700	E-3	98501-05016	B-13		
91026-06012	B-11	92906-04600	F-7	93306-30203	E-3	95316-06600	E-10		E-14		
	E-13	92906-05100	B-14	93306-30306	D-15		F-3	98501-06010	C-6		
	F-10	92906-05200	E-13	93306-30550	E-3	95601-10200	F-8	98501-06012	C-3		
	B-11	92906-05600	B-14	93306-37203	C-9	95602-10100	E-3	98501-06025	D-12		
91311-06016	E-6	92906-06100	B-9	93306-37205	E-3	95606-04100	D-7	98502-06016	F-10		
91311-06020	C-5		E-7	93310-345R8	C-9	95611-10100	C-15	98503-03008	D-11		
91311-06025	C-6		F-7	93311-42045	C-8	95616-06100	D-6	98506-04018	F-7		
	C-6		F-7		C-10		F-6	98506-05008	E-6		

INDEX

(INDIVIDUAL SPEC.)



COPY RIGHT: ALL RIGHTS RESERVED
NO PART OF THIS PUBLICATION MAY BE
REPRODUCED WITHOUT PERMISSION.



YAMAHA

YAMAHA MOTOR CO., LTD.
2500 SHINGAI IWATA-SHI SHIZUOKA-KEN JAPAN

PRINTED IN JAPAN

First edition Oct., 1989

ITP