

# CONTENTS

## ENGINE

Cylinder Head .....	B2
Cylinder .....	B3
Crankshaft · Piston .....	B4
Valve .....	B5 ~ B6
Camshaft · Chain .....	B7
Water Pump .....	B8
Radiator · Hose .....	B9
Oil Pump .....	B10
Oil Cooler .....	B11
Intake .....	B12
Emission Control Device .....	B13 ~ B14
Carburetor .....	B15 ~ C2
Exhaust .....	C3
Crankcase .....	C4 ~ C5
Crankcase Cover 1 .....	C6 ~ C7
Starter Clutch .....	C8
Clutch .....	C9
Transmission .....	C10 ~ C11
Shift Cam · Fork .....	C12
Shift Shaft .....	C13

## CHASSIS

Frame .....	C14 ~ C15
Fender .....	D2 ~ D3
Side Cover .....	D4 ~ D5
Rear Arm .....	D6 ~ D7
Rear Suspension .....	D8

Steering .....	D9
Front Fork .....	D10 ~ D11
Fuel Tank .....	D12 ~ D14
Seat .....	D15
Front Wheel .....	E2
Front Brake Caliper .....	E3
Rear Wheel .....	E4 ~ E5
Rear Brake Caliper .....	E6
Steering Handle · Cable .....	E7
Front Master Cylinder .....	E8
Stand · Footrest .....	E9 ~ E10
Rear Master Cylinder .....	F11
Cowling 1 .....	E12 ~ E14
Generator .....	E15
Starting Motor .....	F2
Flasher Light .....	F3
Meter .....	F4 ~ F5
Headlight .....	F6
Taillight .....	F7
Handle Switch · Lever .....	F8
Electrical 1 .....	F9
Electrical 2 .....	F10

## INDEX

NUMERICAL INDEX .....	L1 ~ L4
-----------------------	---------

**YAMAHA**



**PARTS  
CATALOGUE**

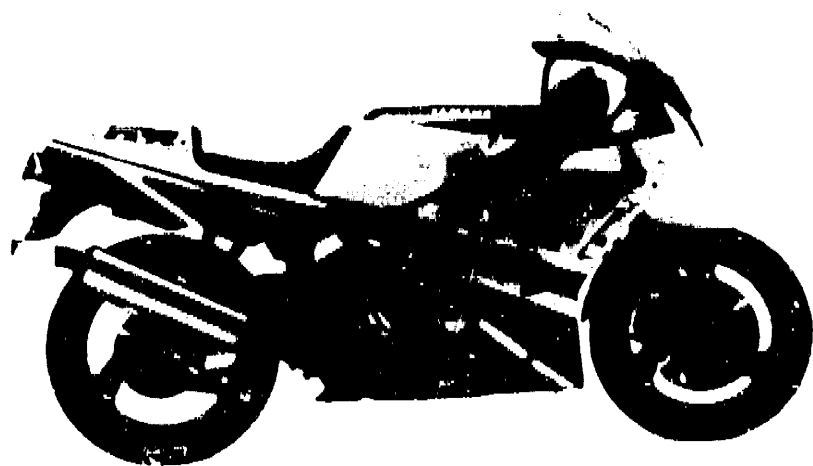
**FZR600'93 (3HF5)**  
SWITZERLAND

---

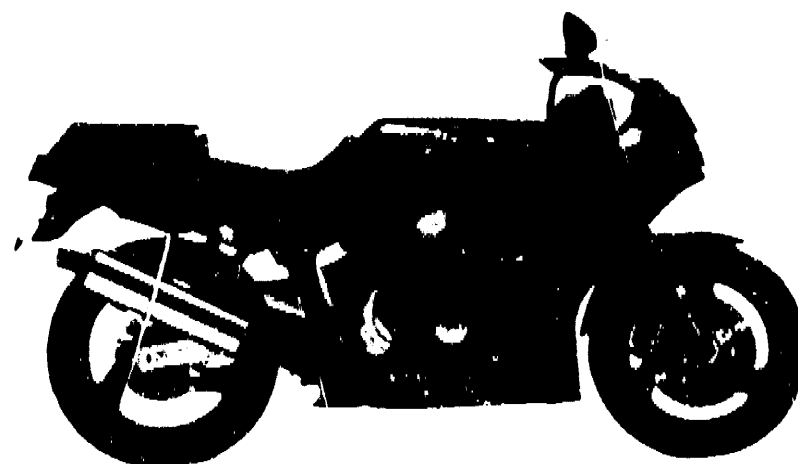
**YAMAHA**  
**GENUINE**  
Parts & Accessories

233HF-361E1

**A2**



SILKY WHITE (SW)



BLUISH BLACK (BIB)

A3

## FOREWORD

This Parts Catalogue is related to the parts in use for the Yamaha FZR600S'93 (3HF5). When you are ordering replacement parts for the FZR600S'93 (3HF5), refer to this Parts Catalogue and quote both part numbers and part names correctly.

1. Modifications or additions which have been made after issue of the Parts Catalogue will be announced in the Yamaha Parts News. It is advisable that according to the Yamaha Parts News you make necessary corrections to the Parts Catalogue on hand to keep it up-to-date.

### 2. Abbreviations

The following abbreviations are used in this Parts Catalogue.

- U R. Use size (thickness) and/or number as required.
- U N. Use as many as you need.
- A P. Alternate Parts
- L M. Local Made
- F# Frame No. (Applicable machine No.)

3. The parts marked with (\*) in the parts number column of this Catalogue are not supplied with by Yamaha, those have to be found locally.
4. Parts, which are to be supplied in the form of assemblies, are listed with an indication of one letter's space, and a dot (.) is put against the name of each part.

**EXAMPLE** CARBURETOR ASS'Y  
                   .JET, pilot  
                   .NOZZLE, main

### 5. Indication of No. of constituent parts for assembly

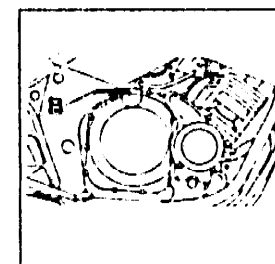
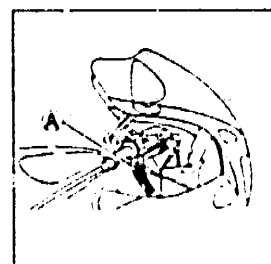
The numeral appearing to the right of each constituent part under the description indicates the quantity of such parts for each individual assembly unit.

**EXAMPLE**

Part No.	Description	Qty	Remarks
2F5-83310-60	FRONT FLASHER LIGHT ASS'Y	2	
115-83311-60	.BULB (6V-18W)	1	
1M1-83309-60	.REFLECTOR	1	

### 6. Initial Serial No. and Color Code

<b>A</b> Frame Serial No.	3HF-008101 and following
<b>B</b> Engine Serial No.	3HF-008101 and following



Color Code	Color Name	Abbreviate
00GE	SILKY WHITE	SW
00MW	BLUISH BLACK	BIB

7. Applicable colors of graphics are represented in the "Remarks" column by the letter(s) appropriately picked out of the full word(s) showing such colors.

**EXAMPLE**

Part No.	Description	Qty	Remarks
2N4-24110-00-X5	FUEL TANK COMP.	1	MAXIM RED
3J1-24240-10	.GRAPHIC, fuel tank set	1	for MXR



# CONTENTS

## ENGINE

Cylinder Head .....	B2
Cylinder .....	B3
Crankshaft · Piston .....	B4
Valve .....	B5 ~ B6
Camshaft · Chain .....	B7
Water Pump .....	B8
Radiator · Hose .....	B9
Oil Pump .....	B10
Oil Cooler .....	B11
Intake .....	B12
Emission Control Device .....	B13 ~ B14
Carburetor .....	B15 ~ C2
Exhaust .....	C3
Crankcase .....	C4 ~ C5
Crankcase Cover 1 .....	C6 ~ C7
Starter Clutch .....	C8
Clutch .....	C9
Transmission .....	C10 ~ C11
Shift Cam · Fork .....	C12
Shift Shaft .....	C13

## CHASSIS

Frame .....	C14 ~ C15
Fender .....	D2 ~ D3
Side Cover .....	D4 ~ D5
Rear Arm .....	D6 ~ D7
Rear Suspension .....	D8

Steering .....	D9
Front Fork .....	D10 ~ D11
Fuel Tank .....	D12 ~ D14
Seat ..	D15
Front Wheel .....	E2
Front Brake Caliper .....	E3
Rear Wheel .....	E4 ~ E5
Rear Brake Caliper .....	E6
Steering Handle · Cable .....	E7
Front Master Cylinder .....	E8
Stand · Footrest .....	E9 ~ E10
Rear Master Cylinder .....	E11
Cowling 1 .....	E12 ~ E14
Generator .....	E15
Starting Motor .....	F2
Flasher Light .....	F3
Meter .....	F4 ~ F5
Headlight .....	F6
Taillight .....	F7
Handle Switch · Lever .....	F8
Electrical 1 .....	F9
Electrical 2 .....	F10

## INDEX

NUMERICAL INDEX .....	L1 ~ L4
-----------------------	---------

# CONTENTS

## ENGINE

Cylinder Head .....	B2
Cylinder .....	B3
Crankshaft · Piston .....	B4
Valve .....	B5 ~ B6
Camshaft · Chain .....	B7
Water Pump .....	B8
Radiator · Hose .....	B9
Oil Pump .....	B10
Oil Cooler .....	B11
Intake .....	B12
Emission Control Device .....	B13 ~ B14
Carburetor .....	B15 ~ C2
Exhaust .....	C3
Crankcase .....	C4 ~ C5
Crankcase Cover 1 .....	C6 ~ C7
Starter Clutch .....	C8
Clutch .....	C9
Transmission .....	C10 ~ C11
Shift Cam · Fork .....	C12
Shift Shaft .....	C13

## CHASSIS

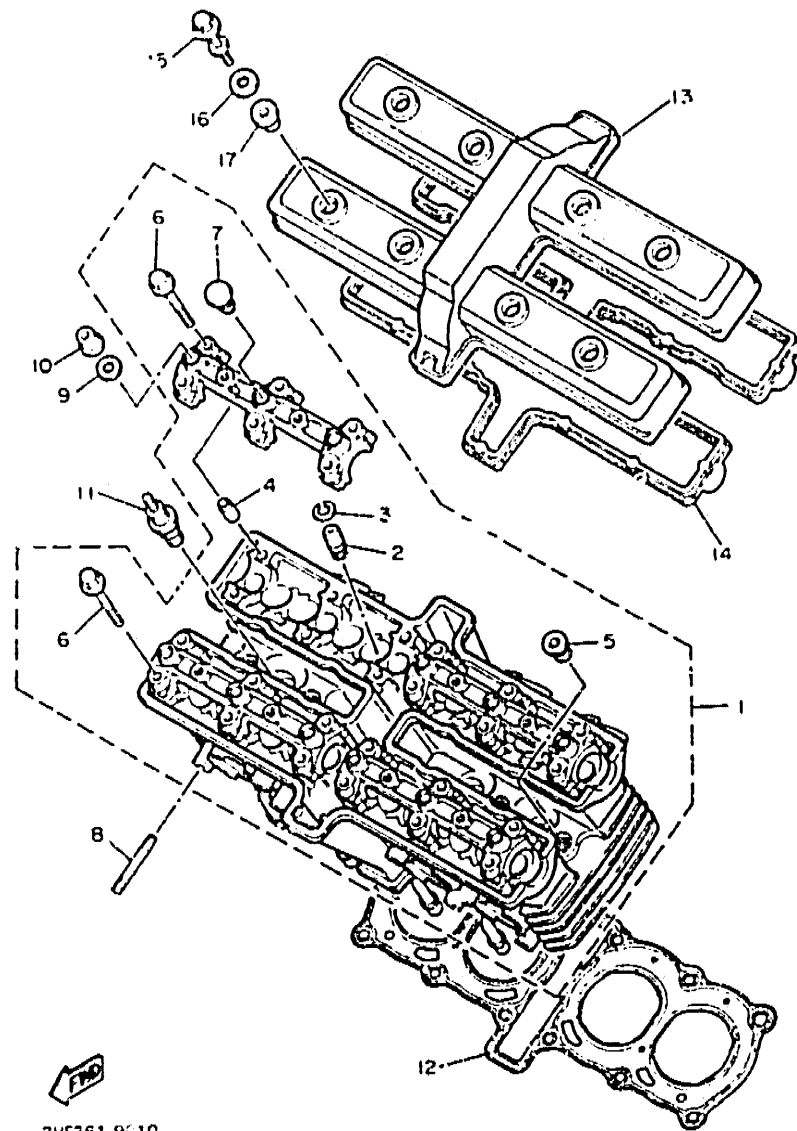
Frame .....	C14 ~ C15
Fender .....	D2 ~ D3
Side Cover .....	D4 ~ D5
Rear Arm .....	D6 ~ D7
Rear Suspension .....	D8

Steering .....	D9
Front Fork .....	D10 ~ D11
Fuel Tank .....	D12 ~ D14
Seat .....	D15
Front Wheel .....	E2
Front Brake Caliper .....	E3
Rear Wheel .....	E4 ~ E5
Rear Brake Caliper .....	E6
Steering Handle · Cable .....	E7
Front Master Cylinder .....	E8
Stand · Footrest .....	E9 ~ E10
Rear Master Cylinder .....	E11
Cowling 1 .....	E12 ~ E14
Generator .....	E15
Starting Motor .....	F2
Flasher Light .....	F3
Meter .....	F4 ~ F5
Headlight .....	F6
Taillight .....	F7
Handle Switch · Lever .....	F8
Electrical 1 .....	F9
Electrical 2 .....	F10

## INDEX

NUMERICAL INDEX .....	L1 ~ L4
-----------------------	---------

FIG. 1 CYLINDER HEAD

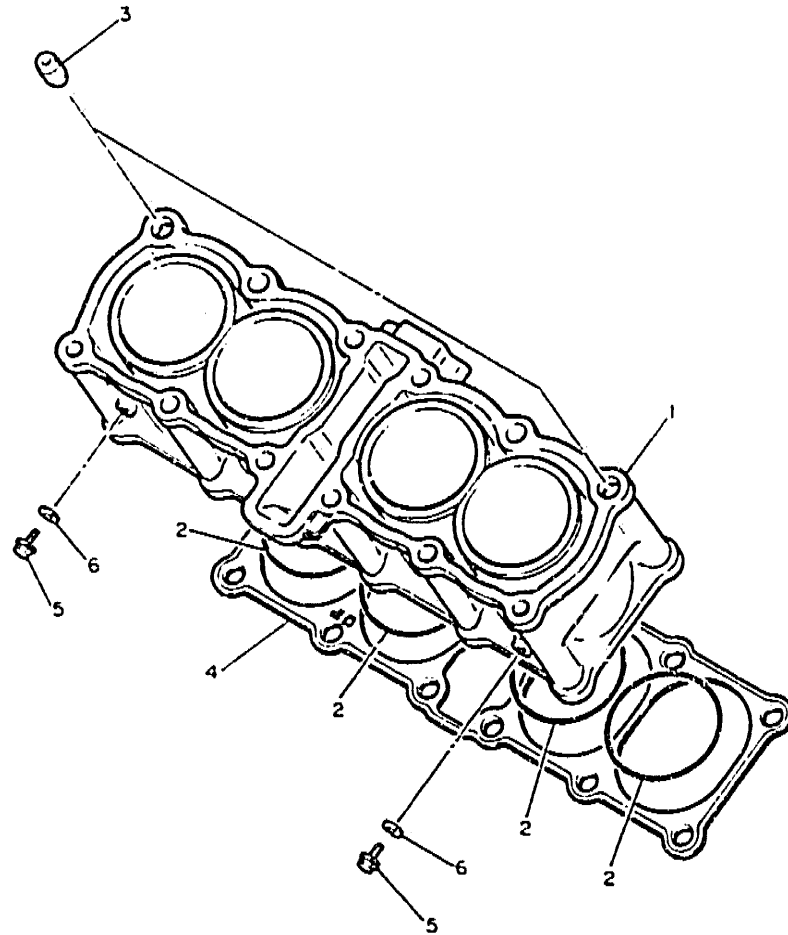


3HF361-9610

REF. NO.	PART NO.	DESCRIPTION	QTY	REMARKS
1	3HW-11101-00	CYLINDER HEAD ASSY	1	
2	1WG-11133-10	.GUIDE, intake valve	16	
3	93440-10153	.CIRCLIP	16	
4	99510-08016	.PIN, dowel	12	
5	90340-12112	.PLUG, straight screw	6	
6	90105-06384	.BOLT, washer based	24	
7	90338-08174	.PLUG	12	
8	90116-06437	BOLT, stud	8	
9	90201-087K2	WASHER, plate	12	
10	90179-08530	NUT	12	
11	94701-00318	PLUG, spark (NGK R CR9E)	4	UR
	94701-00319	PLUG, spark (ND U27ESR-N)	4	UR
12	3HE-11181-C	GASKET, cylinder head 1	1	
13	2TK-11191-00	COVER, cylinder head 1	1	
14	1WG-11193-00	GASKET, head cover 1	1	
15	90109-064F0	BOLT	8	
16	90209-11262	WASHER	8	
17	2GH-1111G-00	RUBBER, mount 1	8	

B2

FIG. 2 CYLINDER



REF. NO.	PART NO.	DESCRIPTION	QTY	REMARKS
1	3HW-11310-00	CYLINDER	1	
2	93210-63442	O-RING	4	
3	99510-12016	PIN, dowel	2	
4	3HE-11351-00	GASKET, cylinder	1	
5	90153-06045	SCREW, hexagon	2	
6	90430-06014	GASKET	2	

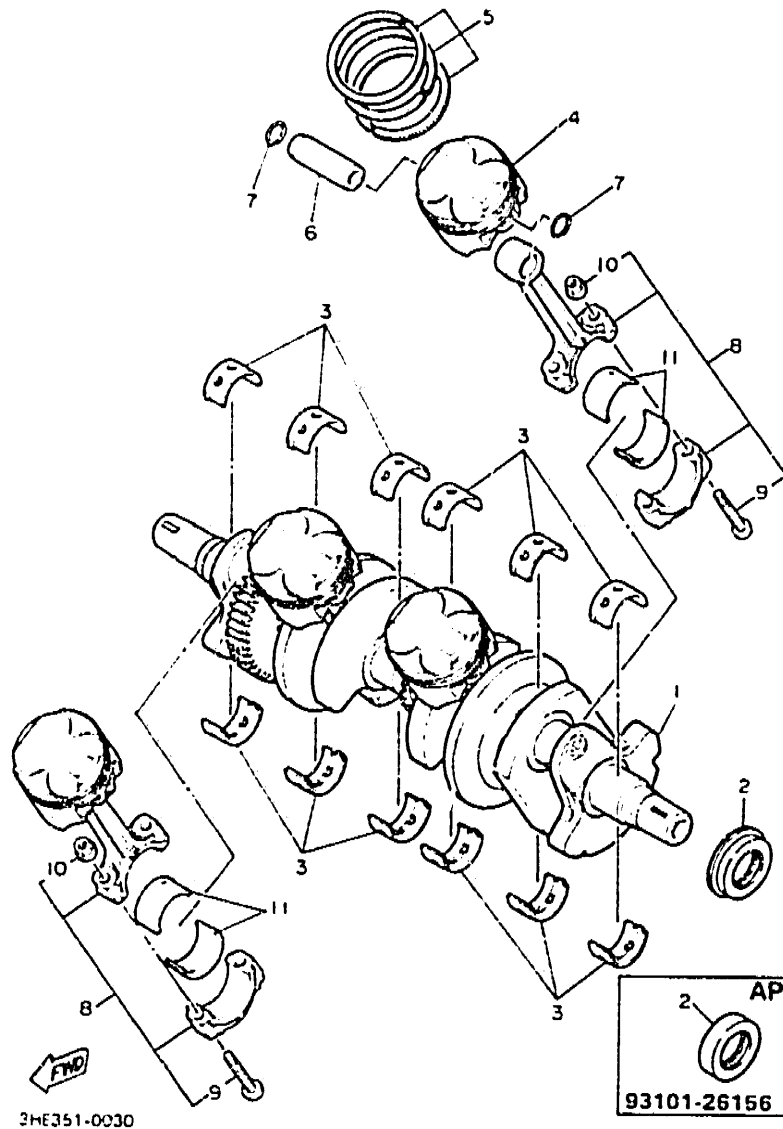


3HE332-SQ20

**B3**



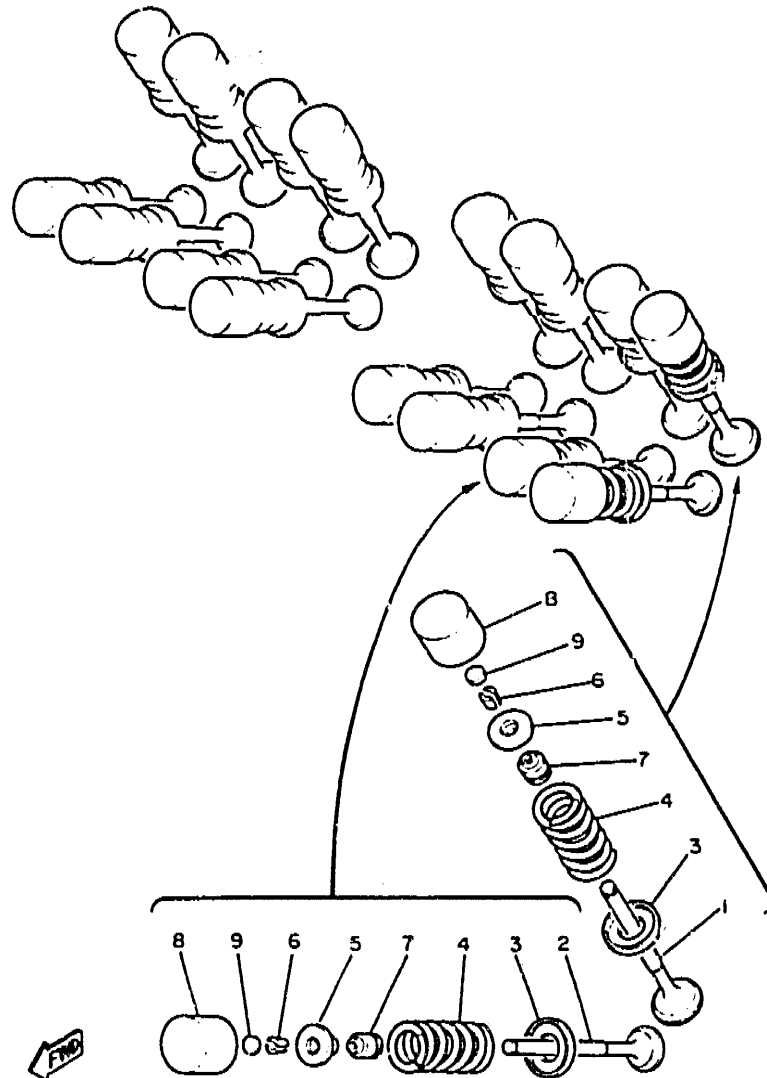
FIG. 3 CRANKSHAFT. PISTON



REF. NO.	PART NO.	DESCRIPTION	Q'TY	REMARKS
1	3HE-11411-00	CRANKSHAFT	1	
2	93101-26154	OIL SEAL	1	UR
	93101-28158	OIL SEAL	1	AP
3	1WG-11416-00	PLANE BEARING, crankshaft 1	12	UR BLUE
	1WG-11416-10	PLANE BEARING, crankshaft 1	12	UR BLACK
	1WG-11416-20	PLANE BEARING, crankshaft 1	12	UR BROWN
	1WG-11416-30	PLANE BEARING, crankshaft 1	12	UR GREEN
	1WG-11416-40	PLANE BEARING, crankshaft 1	12	UR YELLOW
4	3HE-11631-00	PISTON (STD)	4	
	3HE-11636-00	PISTON (0.50MM O/S)	4	AP
	3HE-11638-00	PISTON (1.00MM O/S)	4	AP
5	3HE-11610-00	PISTON RING SET (STD)	4	
	3HE-11610-20	PISTON RING SET (0.50MM O/S)	4	AP
	3HE-11610-40	PISTON RING SET (1.00MM O/S)	4	AP
6	3HE-11633-00	PIN, piston	4	
7	93450-17044	CIRCLIP	8	
8	3HE-11650-01	CONNECTING ROD ASSY	4	
9	1WG-11654-00	.BOLT, connecting rod	2	
10	90179-07531	.NUT	2	
11	1WG-11656-00	PLANE BEARING, connecting rod	8	UR BLUE
	1WG-11656-10	PLANE BEARING, connecting rod	8	UR BLACK
	1WG-11656-20	PLANE BEARING, connecting rod	8	UR BROWN
	1WG-11656-30	PLANE BEARING, connecting rod	8	UR GREEN

**B4**

FIG. 4 VALVE



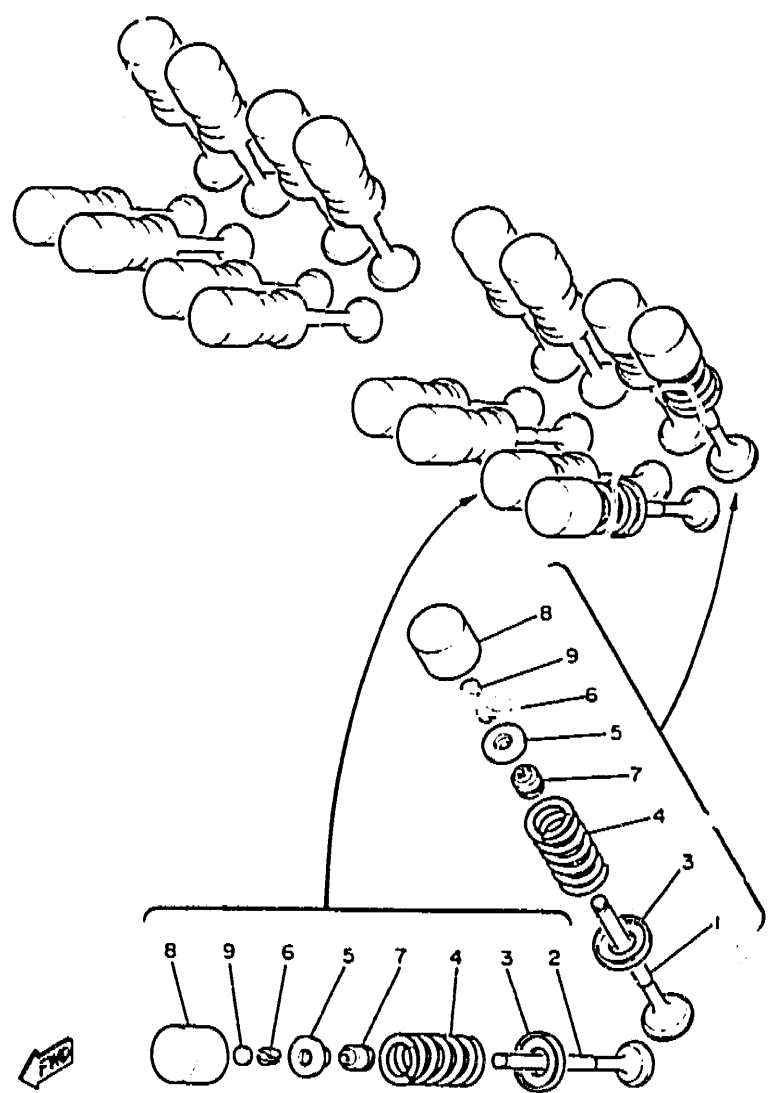
1WG010-6040

REF. NO.	PART NO.	DESCRIPTION	Q'TY	REMARKS
1	3HE-12111-01	VALVE, intake	8	
2	3HE-12121-00	VALVE, exhaust	8	
3	1WG-12116-00	SEAT, valve spring	16	
4	3HE-12113-00	SPRING, valve inner	16	
5	1WG-12117-00	RETAINER, valve spring	16	
6	1WG-12118-00	COTTER, valve	32	
7	1WG-12119-00	SEAL, valve stem	16	
8	1WG-12153-21	LIFTER, valve	16	UR BLUE
	1WG-12153-31	LIFTER, valve	16	UR RED
	1WG-12153-09	LIFTER, valve (O/S)	16	UR WHITE
9	1HX-12168-00	PAD, adjusting 2 (1.20)	16	UR
	1HX-12168-20	PAD, adjusting 2 (1.25)	16	UR
	1HX-12168-40	PAD, adjusting 2 (1.30)	16	UR
	1HX-12168-60	PAD, adjusting 2 (1.35)	16	UR
	1HX-12168-80	PAD, adjusting 2 (1.40)	16	UR
	1HX-12168-A0	PAD, adjusting 2 (1.45)	16	UR
	1HX-12168-F0	PAD, adjusting 2 (1.50)	16	UR
	1HX-12168-H1	PAD, adjusting 2 (1.55)	16	UR
	1HX-12168-K1	PAD, adjusting 2 (1.60)	16	UR
	1HX-12168-M1	PAD, adjusting 2 (1.65)	16	UR
	1HX-12168-R1	PAD, adjusting 2 (1.70)	16	UR
	1HX-12168-U1	PAD, adjusting 2 (1.75)	16	UR
	1HX-12168-W1	PAD, adjusting 2 (1.80)	16	UR
	1HX-12168-Y1	PAD, adjusting 2 (1.85)	10	UR
	1HX-12169-11	PAD, adjusting 2 (1.90)	16	UR
	1HX-12169-31	PAD, adjusting 2 (1.95)	16	UR
	1HX-12169-50	PAD, adjusting 2 (2.00)	16	UR
	1HX-12169-70	PAD, adjusting 2 (2.05)	16	UR

B5

FIG. 4 VALVE

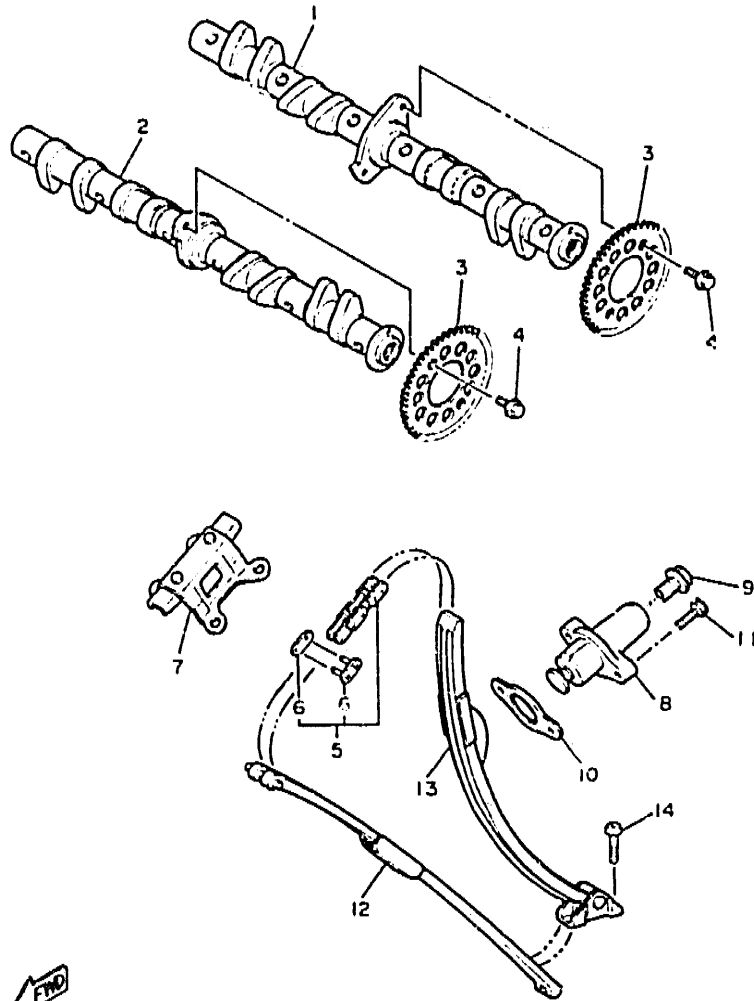
REF. NO.	PART NO.	DESCRIPTION	QTY	REMARKS
9	1HX-12169-90	PAD, adjusting 2 (2.10)	16	UR
	1HX-12169-E0	PAD, adjusting 2 (2.15)	16	UR
	1HX-12169-G0	PAD, adjusting 2 (2.20)	16	UR
	1HX-12169-J0	PAD, adjusting 2 (2.25)	16	UR
	1HX-12169-L0	PAD, adjusting 2 (2.30)	16	UR
	1HX-12169-N0	PAD, adjusting 2 (2.35)	16	UR
	1HX-12169-T0	PAD, adjusting 2 (2.40)	16	UR



1WG010-6040

B6

FIG. 5 CAMSHAFT. CHAIN



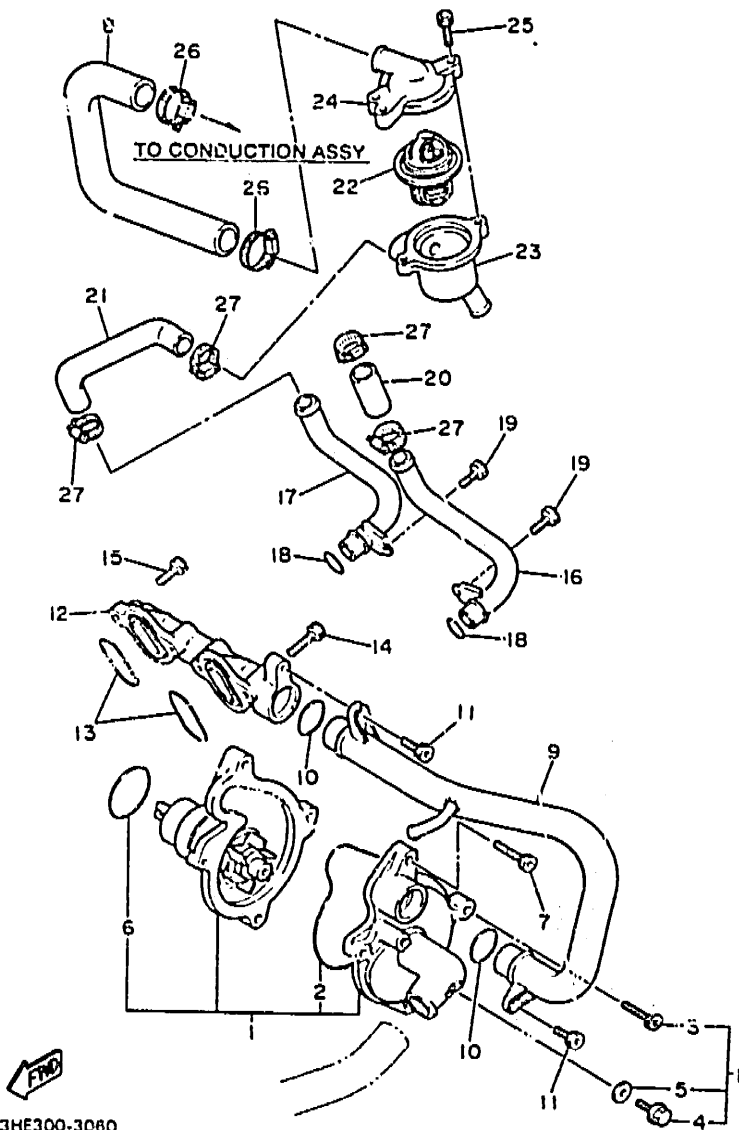
REF. NO.	PART NO.	DESCRIPTION	Q'TY	REMARKS
1	3HE-12171-00	CAMSHAFT 1	1	
2	3HE-12181-00	CAMSHAFT 2	1	
3	1WG-12176-00	SPROCKET, cam chain	2	
4	90105-07385	BOLT, washer based	4	
5	94581-32118	CHAIN (D.I.D. 215F DHA 118L)	1	
6	94681-32021	JOINT, chain (D.I.D.215F-LJ)	1	
7	1WG-12241-00	GUIDE, stopper 2	1	
8	3GM-12210-00	TENSIONER ASSY, cam chain	1	
9	90109-112F1	BOLT	1	
10	4BE-12213-00	GASKET, tensioner case	1	
11	91316-06025	BOLT	2	
12	3HE-12251-00	DAMPER, chain 1	1	
13	3HE-12252-00	DAMPER, chain 2	1	
14	90109-065A8	BOLT	2	



3HE332-9050

**B7**

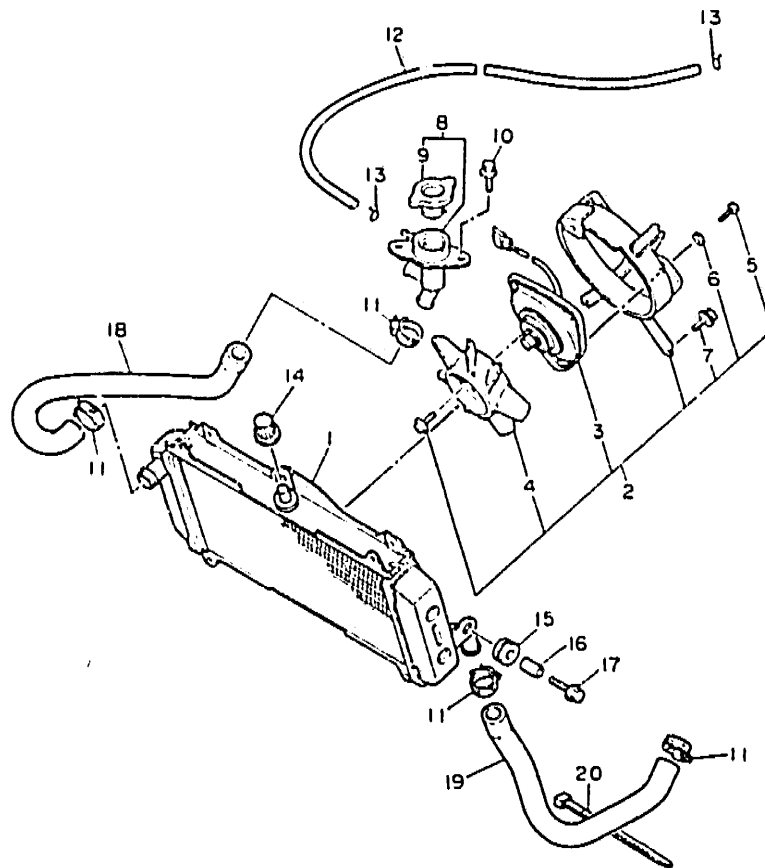
FIG. 6 WATER PUMP



3HE300-3080

REF. NO.	PART NO.	DESCRIPTION	QTY	REMARKS
1	3TJ-Y1242-00	WATER PUMP ASSY	1	
2	1WG-12439-00	.O-RING	1	
3	91311-06025	.BOLT	2	
4	95026-06012	.BOLT, flange	1	
5	90430-06014	.GASKET	1	
6	93210-33133	.O-RING	1	
7	91316-06035	BOLT	2	
8	3HE-12579-00	HOSE 4	1	
9	1WG-12481-00	PIPE 1	1	
10	93210-21190	O-RING	2	
11	91316-06012	BCLT	2	
12	1WG-12446-01	JOINT	1	
13	93210-17746	O-RING	2	
14	91316-06040	BCLT	3	
15	91316-06025	BOLT	1	
16	1WG-12482-00	PIPE 2	1	
17	1WG-12483-00	PIPE 3	1	
18	93210-15560	O-RING	2	
19	91316-06012	BOLT	2	
20	3HE-12576-00	HOSE 1	1	
21	3HE-12577-00	HOSE 2	1	
22	46X-12410-00	THERMOSTAT ASSY	1	
23	1WG-12417-00	HOUSING, thermostat	1	
24	1WG-12413-01	COVER, thermostat	1	
25	91311-06020	BOLT	2	
26	90450-32051	HOSE CLAMP ASSY	2	
27	90450-28014	HOSE CLAMP ASSY	4	

FIG. 7 RADIATOR HOSE



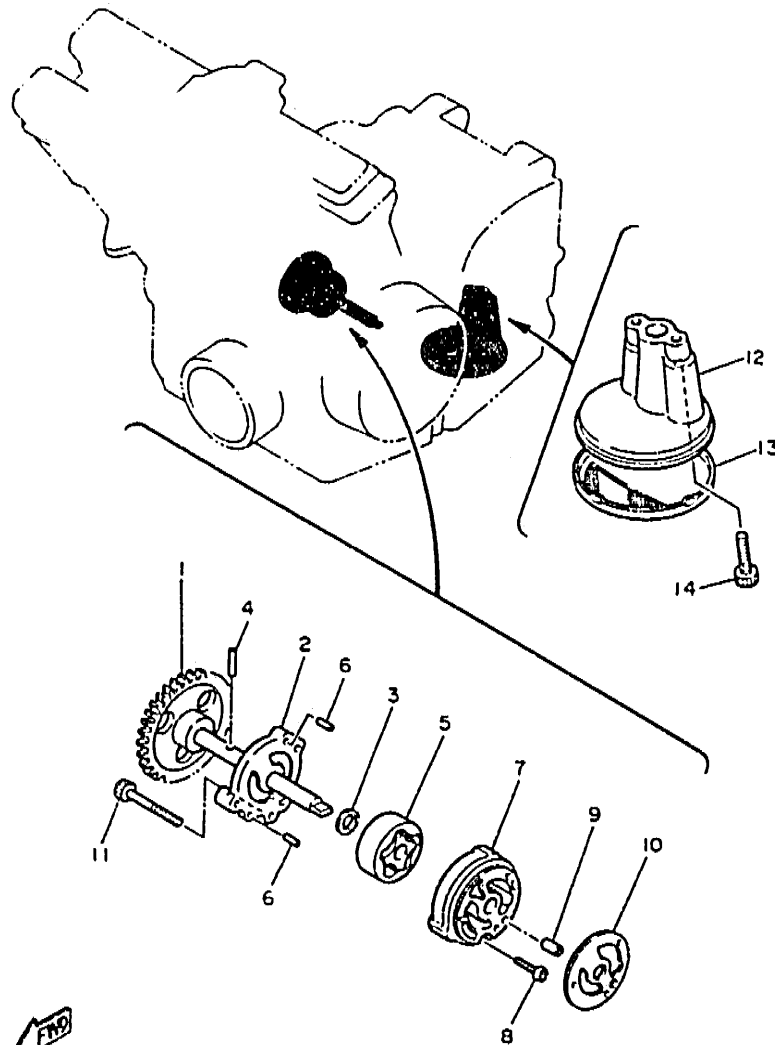
REF. NO.	PART NO.	DESCRIPTION	QTY	REMARKS
1	3HE-12461-00	RADIATOR ASSY	1	
2	3HE-12405-00	BLOWER ASSY	1	
3	1AA-12630-00	MOTOR ASSY	1	
4	1UF-12611-00	FAN	1	
5	98501-05008	SCREW, pan head	3	
6	92901-05600	WASHER, plate	3	
7	90119-06044	BOLT, with washer	3	
8	2TK-12590-00	CONDUCTION ASSY	1	
9	22W-12462-00	CAP, radiator	1	
10	95626-06010	BOLT, flange	2	
11	90450-32051	HOSE CLAMP ASSY	4	
12	90445-096E8	HOSE	1	
13	90467-08003	CLIP	2	
14	90338-20188	PLUG	1	
15	90480-15483	GROMMET	2	
16	90387-07392	COLLAR	2	
17	95816-06025	BOLT, flange	2	
18	3HE-12578-00	HOSE 3	1	
19	3HE-12588-10	HOSE 5	1	
20	25G-83936-01	BAND, switch cord	1	



3HH110-1070

B9

FIG. 8 OIL PUMP



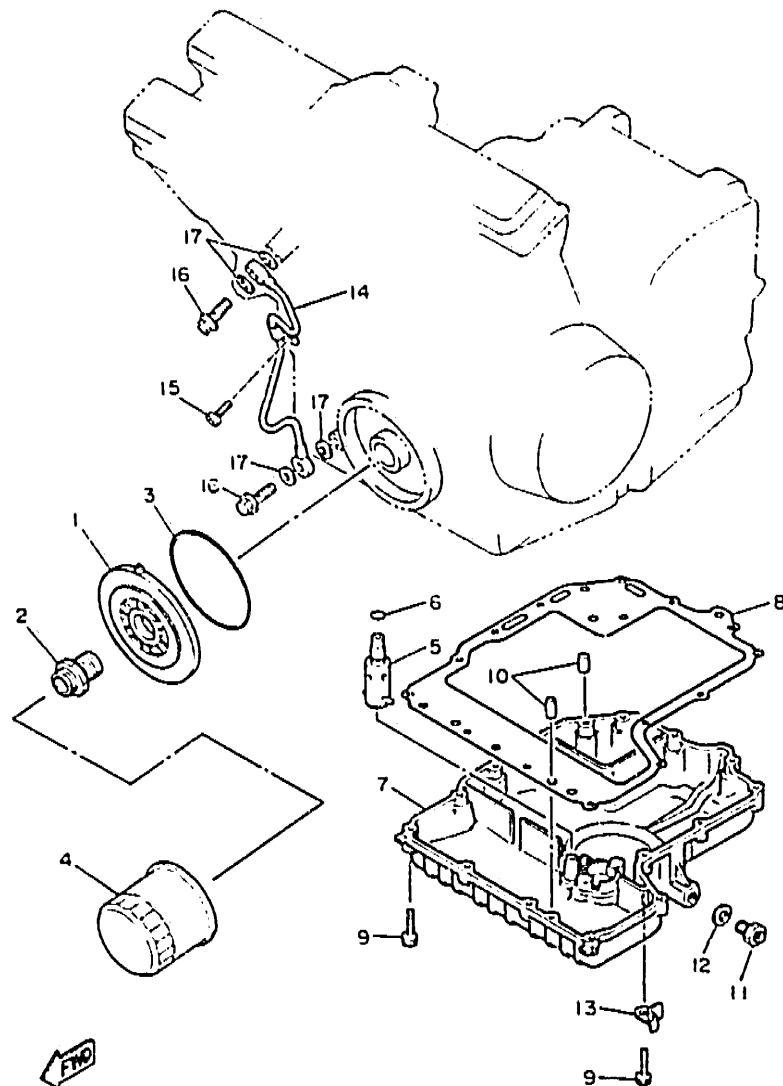
REF. NO.	PART NO.	DESCRIPTION	Q'TY	REMARKS
1	1WG-13330-01	PUMP SHAFT ASSY	1	
2	1WG-13316-00	COVER, pump	1	
3	90201-113K2	WASHER, plate	1	
4	93603-17070	PIN, dowel	1	
5	1WG-13310-00	ROTOR ASSY 1	1	
6	93603-09106	PIN, dowel	2	
7	1WG-13336-00	HOUSING, rotor	1	
8	98501-06020	SCREW, pan head	1	
9	99510-08012	PIN, dowel	1	
10	1WG-13329-00	GASKET, pump cover	1	
11	90110-06130	BOLT, hexagon socket head	3	
12	1WG-13412-00	HOUSING, strainer	1	
13	4H7-13411-02	STRAINER, oil	1	
14	90110-06099	BOLT, hexagon socket head	2	



3HE332-9080

**B10**

FIG. 9 OIL COOLER



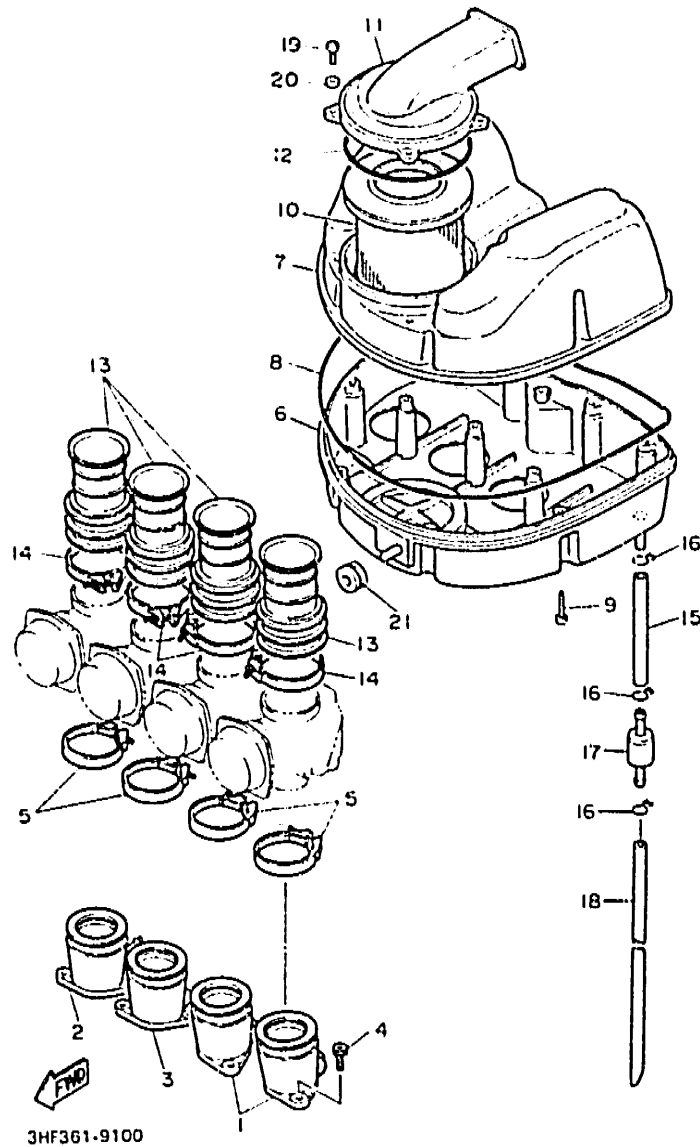
3HH110-1090

REF. NO.	PART NO.	DESCRIPTION	Q'TY	REMARKS
1	3TJ-13461-00	PLATE, adaptor	1	
2	90401-20145	BOLT, union	1	
3	93210-87723	O-RING	1	
4	3FV-13440-00	ELEMENT ASSY, oil cleaner	1	
5	11H-13490-00	RELIEF VALVE ASSY	1	
6	93210-10096	O-RING	1	
7	1WG-13417-00	COVER, strainer	1	
8	3HE-13414-10	GASKET, strainer cover	1	
9	91316-66025	BOLT	14	
10	99510-08016	PIN, dowel	2	
11	3VD-13455-00	PLUG	1	
12	214-11198-01	GASKET	1	
13	90465-10306	CLAMP	1	
14	3HE-13161-00	PIPE, delivery 1	1	
15	91316-06012	BOLT	1	
16	90401-10106	BOLT, union	2	
17	90430-10171	GASKET	4	

B11

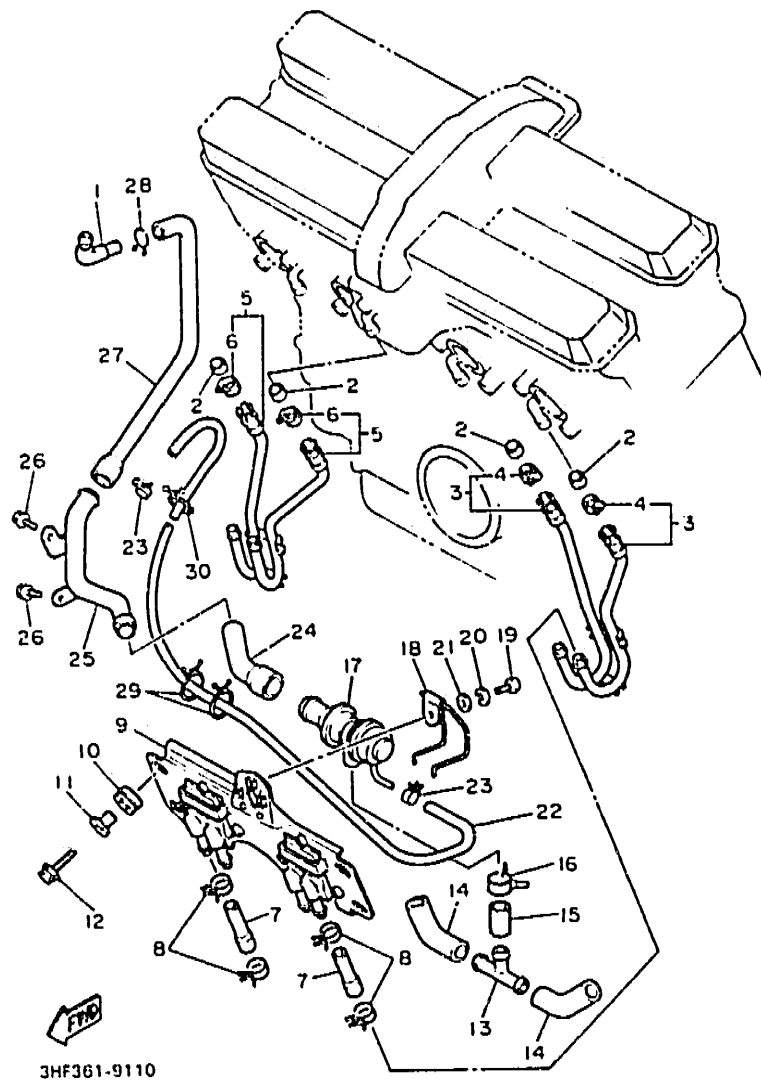


FIG. 10 INTAKE



REF. NO.	PART NO.	DESCRIPTION	Q'TY	REMARKS
1	3HF-13586-00	JOINT, carburetor 1	2	# 1, 2
2	3HF-13597-00	JOINT, carburetor 3	1	# 4
3	3HF-13590-00	JOINT, carburetor 2	1	# 3
4	91516-06020	BOLT	8	
5	90450-49020	HOSE CLAMP ASSY	4	
6	3HW-14411-00	CASE, air cleaner 1	1	
7	1WG-14421-00	CASE, air cleaner 2	1	
8	1VJ-14462-00	SEAL	1	
9	97780-50125	SCREW, tapping	11	
10	1WG-14451-00	ELEMENT, air cleaner	1	
11	3HE-14412-00	CAP, cleaner case 1	1	
12	5T0-14457-00	SEAL	1	
13	3HE-14453-00	JOINT, air cleaner 1	4	
14	90460-58015	CLAMP, hose	4	
15	90445-11452	HOSE	1	
16	90467-10008	CLIP	3	
17	4X7-2149Y-00	FILTER ASSY	1	
18	90445-115E8	HOSE	1	
19	98501-05016	SCREW, pan head	4	
20	92901-05600	WASHER, plate	4	
21	31A-14435-00	GROMMET	1	

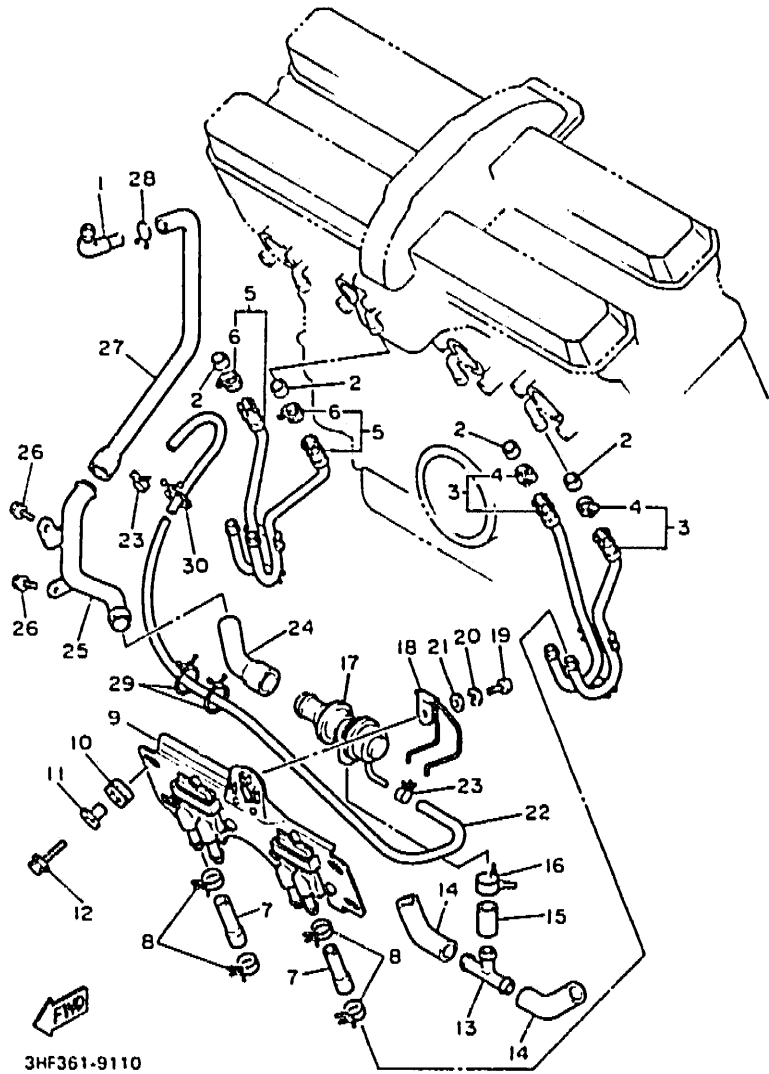
FIG. 11 EMISSION CONTROL DEVICE



REF. NO.	PART NO.	DESCRIPTION	QTY	REMARKS
1	31A-14419-00	PIPE	1	
2	3BM-14714-00	GASKET, muffler	4	
3	3HW-14872-00	PIPE 2	1	
4	90450-22052	.HOSE CLAMP ASSY	2	
5	3HW-14873-00	PIPE 3	1	
6	90450-22052	.HOSE CLAMP ASSY	2	
7	2LJ-14883-00	HOSE, bend 3	4	
8	90468-08104	CLIP	8	
9	3HW-14808-00	REED VALVE ASSY	1	
10	90480-14229	GROMMET	4	
11	90387-07391	COLLAR	4	
12	95026-06025	BOLT, flange	4	
13	2LJ-14874-00	PIPE 4	1	
14	2LJ-14881-00	HOSE, bend 1	2	
15	2LJ-14882-00	HOSE, bend 2	1	
16	90467-17089	CLIP	1	
17	3HF-14840-00	AIR CUT VALVE ASSY	1	
18	90462-20188	CLAMP	1	
19	92506-06016	SCREW, pan head	1	
20	92906-06100	WASHER, spring	1	
21	92906-06600	WASHER, flat	1	
22	90445-090G9	HOSE	1	
23	90467-08092	CLIP	2	
24	3HW-14885-00	HOSE, bend 5	1	
25	3HW-14875-00	PIPE 5	1	
26	95026-06012	BOLT, flange	2	
27	3HW-14884-00	HOSE, bend 4	1	
28	90467-14015	CLIP	1	

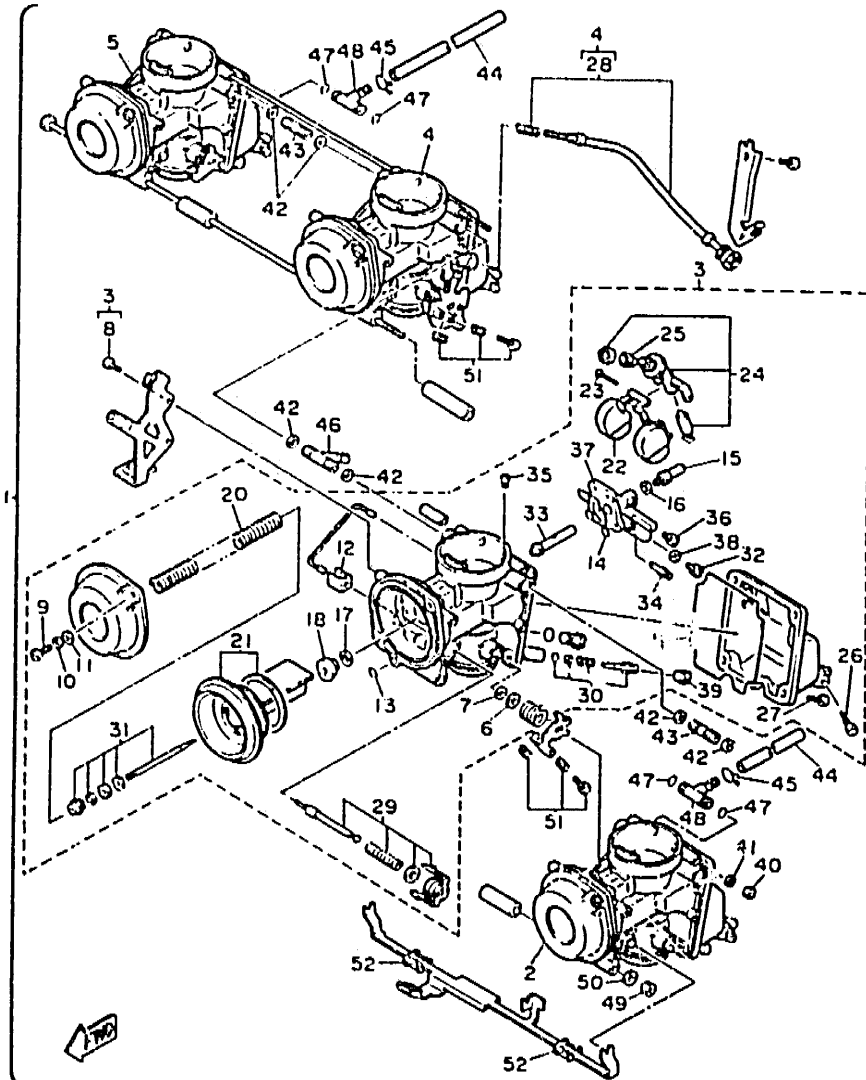
FIG. 11 EMISSION CONTROL DEVICE

REF. NO.	PART NO.	DESCRIPTION	Q'TY	REMARKS
29	90464-30040	CLAMP	2	
30	90464-23041	CLAMP	1	



**B14**

FIG. 12 CARBURETOR



3HF361-1120

REF. NO.	PART NO.	DESCRIPTION	QTY	REMARKS
1	3HF-14900-04	CARBURETOR ASSY	1	
2	3HF-14901-04	..CARBURETOR ASSY 1	1	
3	3HF-14902-04	..CARBURETOR ASSY 2	1	
4	3HF-14903-04	..CARBURETOR ASSY 3	1	
5	3HF-14904-04	..CARBURETOR ASSY 4	1	
6	1AB-14953-00	..WASHER	1	
7	256-14997-00	..SEAL	1	UR
	256-14997-00	..SEAL	2	UR
8	98580-04010	..SCREW, pan head	2	
9	98506-05016	..SCREW, pan head	2	
10	92906-05100	..WASHER, spring	2	
11	92906-05600	..WASHER, plate	2	
12	3EN-14243-00	..PLATE	1	
13	3EN-14239-00	..SEAL	1	
14	3GM-14147-00	..O-RING	1	
15	1AE-14565-00	..SCREW	1	
16	137-14153-00	..WASHER, main jet	1	
17	1AE-14147-00	..O-RING	1	
18	3EN-1411E-00	..BLOCK, jet	1	
19	3GM-14997-00	..SEAL	1	
20	3HE-14933-00	..SPRING, d'aphragm	1	
21	3HE-14940-00	..DIAPHRAGM ASSY	1	
22	3HE-14985-00	..FLOAT	1	
23	35- 4186-00	..PIN, float	1	
24	3HH-14107-10	..NEEDLE VALVE SET	1	
25	3EN-14147-00	..O-RING	1	
26	12R-14191-00	..PLUG, drain	1	
27	98501-05012	..SCREW, pan head	2	

# CONTENTS

## ENGINE

Cylinder Head .....	B2
Cylinder .....	B3
Crankshaft · Piston .....	B4
Valve .....	B5 ~ B6
Camshaft · Chain .....	B7
Water Pump .....	B8
Radiator · Hose .....	B9
Oil Pump .....	B10
Oil Cooler .....	B11
Intake .....	B12
Emission Control Device .....	B13 ~ B14
Carburetor .....	B15 ~ C2
Exhaust .....	C3
Crankcase .....	C4 ~ C5
Crankcase Cover 1 .....	C6 ~ C7
Starter Clutch .....	C8
Clutch .....	C9
Transmission .....	C10 ~ C11
Shift Cam · Fork .....	C12
Shift Shaft .....	C13

## CHASSIS

Frame .....	C14 ~ C15
Fender .....	D2 ~ D3
Side Cover .....	D4 ~ D5
Rear Arm ..	D6 ~ D7
Rear Suspension .....	D8

Steering .....	D9
Front Fork .....	D10 ~ D11
Fuel Tank .....	D12 ~ D14
Seat .....	D15
Front Wheel .....	E2
Front Brake Caliper .....	E3
Rear Wheel .....	E4 ~ E5
Rear Brake Caliper .....	E6
Steering Handle · Cable .....	E7
Front Master Cylinder .....	E8
Stand · Footrest .....	E9 ~ E10
Rear Master Cylinder .....	E11
Cowling 1 .....	E12 ~ E14
Generator .....	E15
Starting Motor .....	F2
Flasher Light .....	F3
Meter .....	F4 ~ F5
Headlight .....	F6
Taillight .....	F7
Handle Switch · Lever .....	F8
Electrical 1 .....	F9
Electrical 2 .....	F10

## INDEX

NUMERICAL INDEX .....	L1 ~ L4
-----------------------	---------

# CONTENTS

## ENGINE

Cylinder Head .....	B2
Cylinder .....	B3
Crankshaft · Piston .....	B4
Valve .....	B5 ~ B6
Camshaft · Chain .....	B7
Water Pump .....	B8
Radiator · Hose .....	B9
Oil Pump .....	B10
Oil Cooler .....	B11
Intake .....	B12
Emission Control Device .....	B13 ~ B14
Carburetor .....	B15 ~ C2
Exhaust .....	C3
Crankcase .....	C4 ~ C5
Crankcase Cover 1 .....	C6 ~ C7
Starter Clutch .....	C8
Clutch .....	C9
Transmission .....	C10 ~ C11
Shift Cam · Fork .....	C12
Shift Shaft .....	C13

## CHASSIS

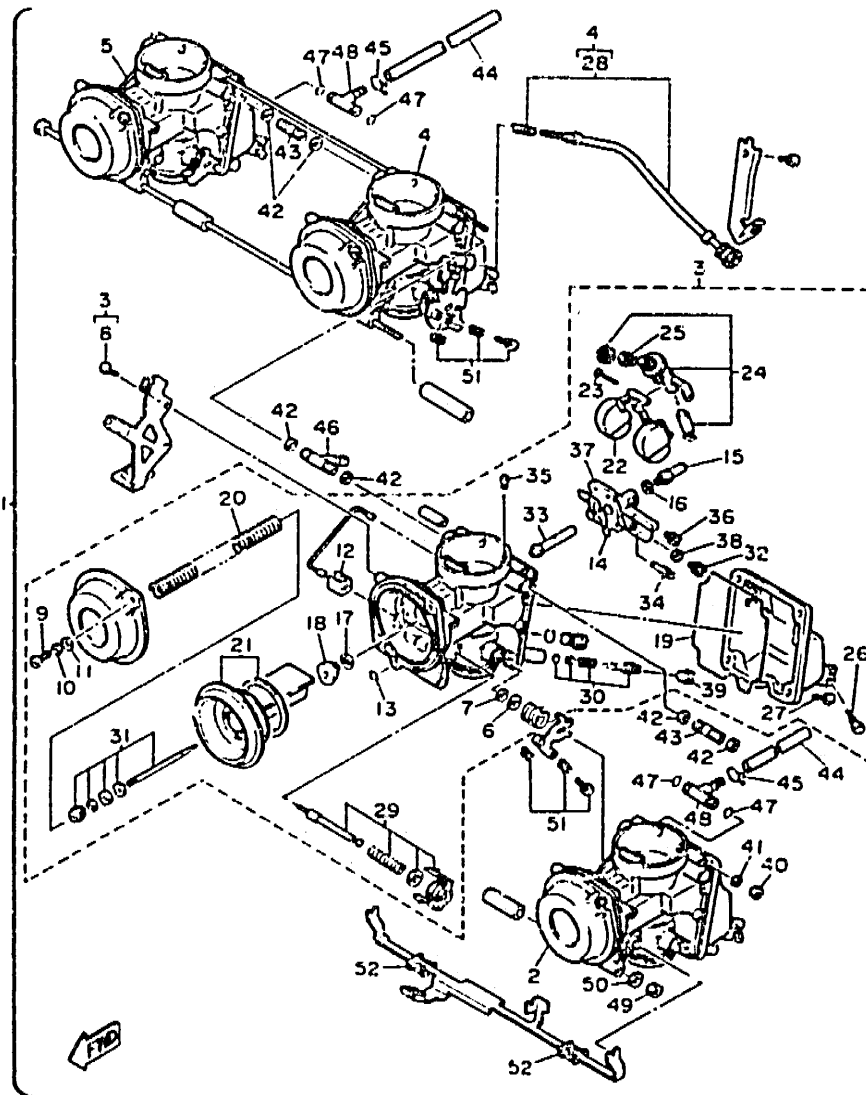
Frame .....	C14 ~ C15
Fender .....	D2 ~ D3
Side Cover .....	D4 ~ D5
Rear Arm .....	D6 ~ D7
Rear Suspension .....	D8

Steering .....	D9
Front Fork .....	D10 ~ D11
Fuel Tank .....	D12 ~ D14
Seat .....	D15
Front Wheel .....	E2
Front Brake Caliper .....	E3
Rear Wheel .....	E4 ~ E5
Rear Brake Caliper .....	E6
Steering Handle · Cable .....	E7
Front Master Cylinder .....	E8
Stand · Footrest .....	E9 ~ E10
Rear Master Cylinder .....	E11
Cowling 1 .....	E12 ~ E14
Generator .....	E15
Starting Motor .....	F2
Flasher Light .....	F3
Meter .....	F4 ~ F5
Headlight .....	F6
Taillight .....	F7
Handle Switch · Lever .....	F8
Electrical 1 .....	F9
Electrical 2 .....	F10

## INDEX

NUMERICAL INDEX .....	L1 ~ L4
-----------------------	---------

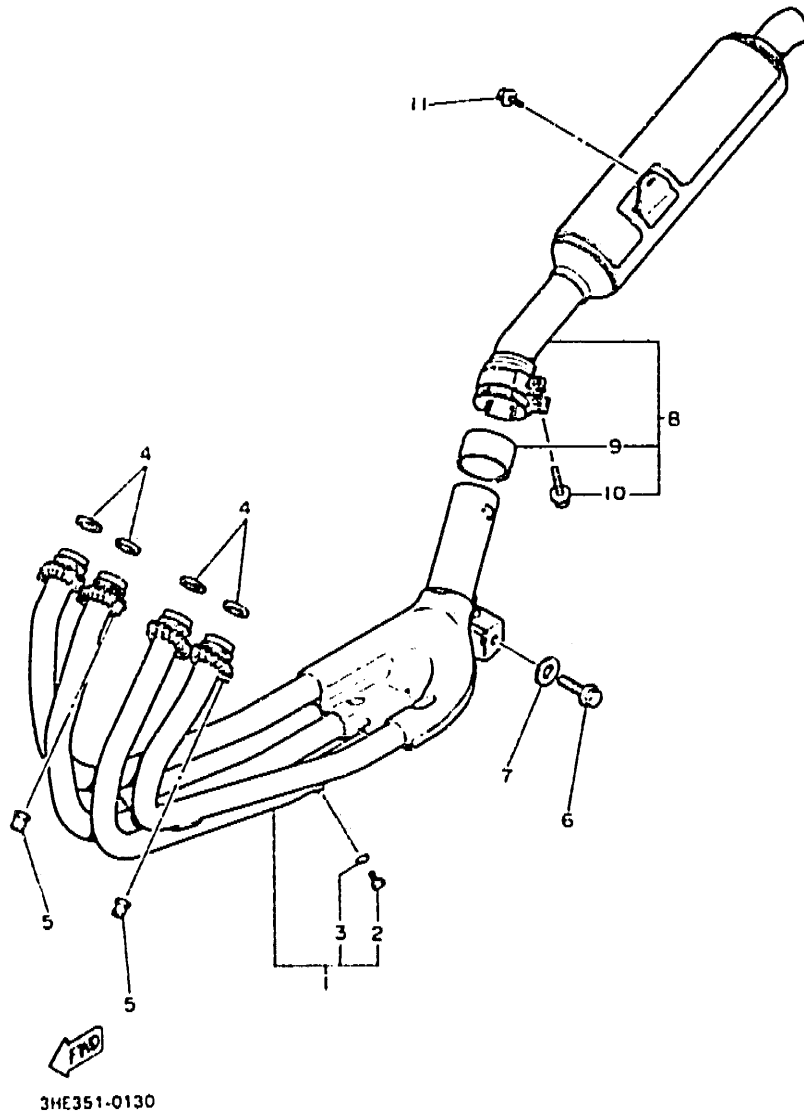
FIG. 12 CARBURETOR



3HF361-1120

REF. NO.	PART NO.	DESCRIPTION	QTY	REMARKS
28	3HE-14103-00	..THROTTLE SCREW SET	1	
29	3EN-1410A-00	..STARTER SET	1	
30	12R-14105-00	..PILOT SCREW SET	1	
31	3HE-1490J-00	..NEEDLE SET	1	
32	3G2-1423A-72	..JET, main (#101.5)	1	
33	3EN-14141-90	..NOZZLE, main	1	
34	4G0-14142-32-A0	..JET, pilot (#22.5)	1	
35	830-1423A-77	..JET, pilot air (#132.5)	1	
36	3G2-1423A-61	..JET, starter (#57.5)	1	
37	3HE-1411A-00	..BLOCK JET ASSY	1	
38	1AE-14227-00	..O-RING	1	
39	2RJ-14118-00	..CAP	1	
40	95303-05600	..NUT	1	
41	2GV-14953-00	..WASHER	1	
42	3EN-14997-00	..SEAL	6	
43	3HE-14163-00	..SPACER	2	
44	3EN-14197-00	..PIPE	2	
45	8U9-14139-00	..CLIP, pipe	2	
46	3EN-14988-00	..PIPE, starter connecting	1	
47	822-14137-00	..O-RING	4	
48	17A-14251-00	..NIPPLE	2	
49	95303-06600	..NUT	1	
50	92990-06600	..WASHER, plate	1	
51	3EN-1496K-00	..STOP SCREW SET	3	
52	3EN-14261-00	..HOLDER	2	

FIG. 13 EXHAUST

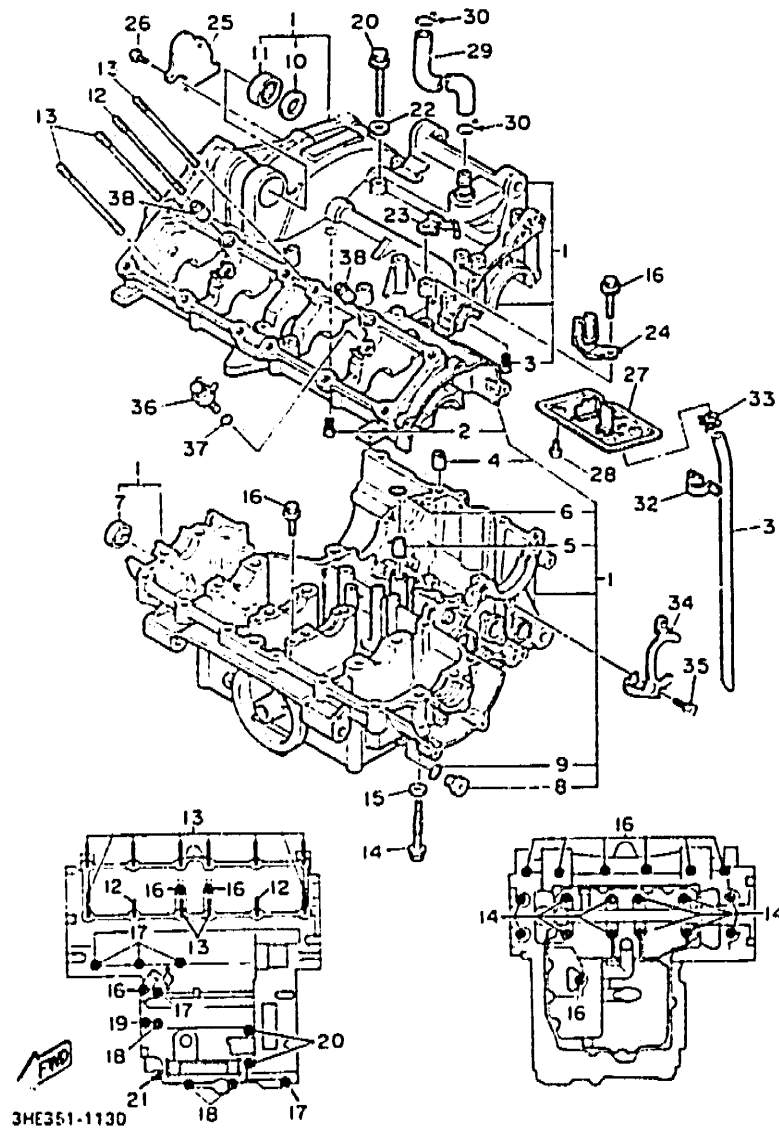


REF. NO.	PART NO.	DESCRIPTION	QTY	REMARKS
1	3HE-14602-00	EXHAUST PIPE COMP.	1	
2	901C1-06576	.BOLT	4	
3	92906-06800	.WASHER, plate	4	
4	3YF-14613-01	GASKET, exhaust pipe	4	
5	90179-06499	NUT	8	
6	95816-08030	BOLT, flange	1	
7	90201-03730	WASHER, plate	1	
8	3HE-14710-10	EXHAUST PIPER ASSY 1	1	
9	3HE-14755-00	.GASKET, silencer	1	
10	95816-08045	.BOLT, flange	1	
11	95816-09012	BOLT, flange	1	

C3



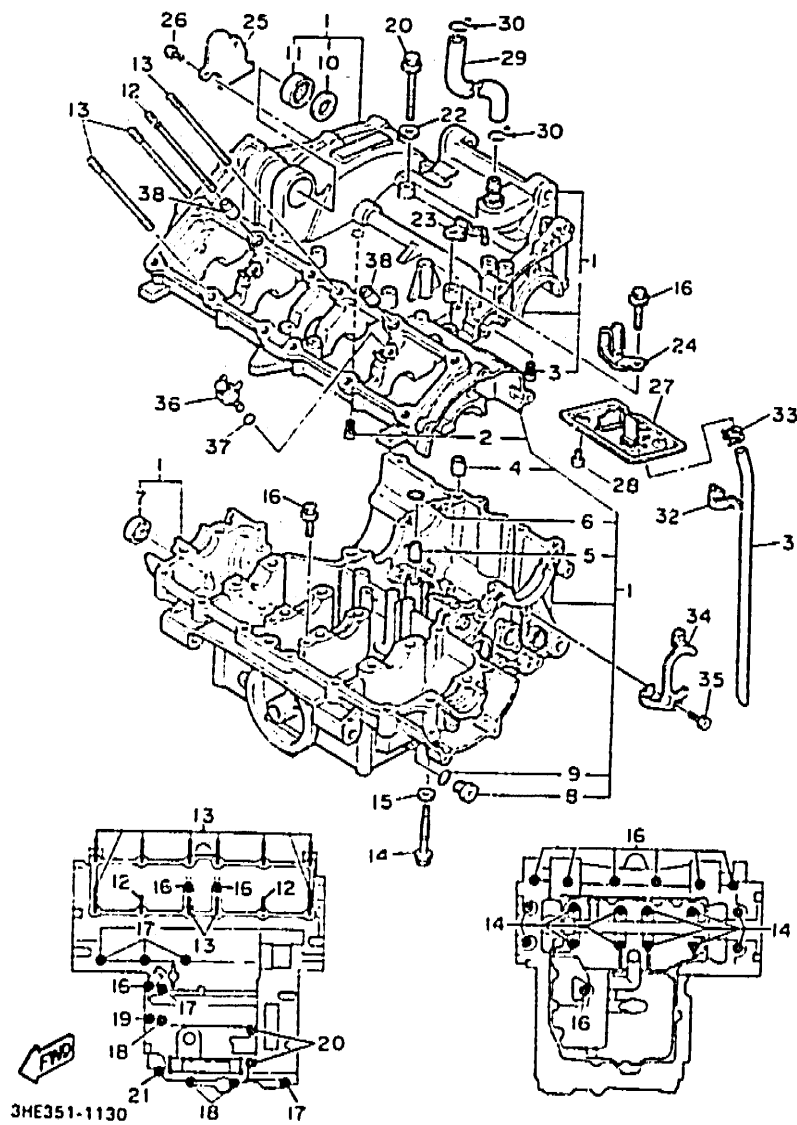
FIG. 14 CRANKCASE



REF. NO.	PART NO.	DESCRIPTION	QTY	REMARKS
1	3HE-15100-10	CRANKCASE ASSY	1	
2	11H-15138-00	.NOZZLE 1	1	
3	26H-15138-00	.NOZZLE 1	1	
4	99510-12016	.PIN, dowel	1	
5	1HX-15138-00	.NOZZLE 1	1	
6	93210-12152	.O-RING	1	
7	2H7-15361-00	.GAUGE, level	1	
8	36Y-15129-00	.PLUG	2	
9	93210-16029	.O-RING	2	
10	90201-237K5	.WASHER, plate	1	
11	93315-32516	.BEARING, cylindrical	1	
12	90116-08526	BOLT, stud	2	
13	90116-08525	BOLT, stud	10	
14	90105-08630	BOLT, washer based	12	
15	90201-087K3	WASHER, plate	12	
16	95816-06040	BOLT, flange	10	
17	95816-06050	BOLT, flange	5	
18	95816-06070	BOLT, flange	3	
19	95816-06090	BOLT, flange	1	
20	95816-06090	BOLT, flange	2	
21	95816-08070	BOLT, flange	1	
22	90430-08166	GASKET	1	
23	90465-10307	CLAMP	1	
24	90465-10308	CLAMP	1	
25	3HE-11165-00	PLATE, breather	1	
26	98501-06012	SCREW, pan head	2	
27	3HE-11145-00	PLATE, breather 2	1	
28	98501-06012	SCREW, pan head	4	

C4

FIG. 14 CRANKCASE



REF. NO.	PART NO.	DESCRIPTION	Q'TY	REMARKS
29	1WG-11166-00	PIPE, breather 1	1	
30	90467-14015	CLIP	2	
31	90445-118E9	HOSE	1	
32	90465-06289	CLAMP	1	
33	90467-10C38	CLIP	1	
34	1WG-15381-00	PLATE, bearing cover	1	
35	91316-06012	BOLT	2	
36	3HE-15105-00	NOZZLE ASSY	2	
37	93210-06632	O-RING	2	
38	99510-12016	PIN, dowel	2	

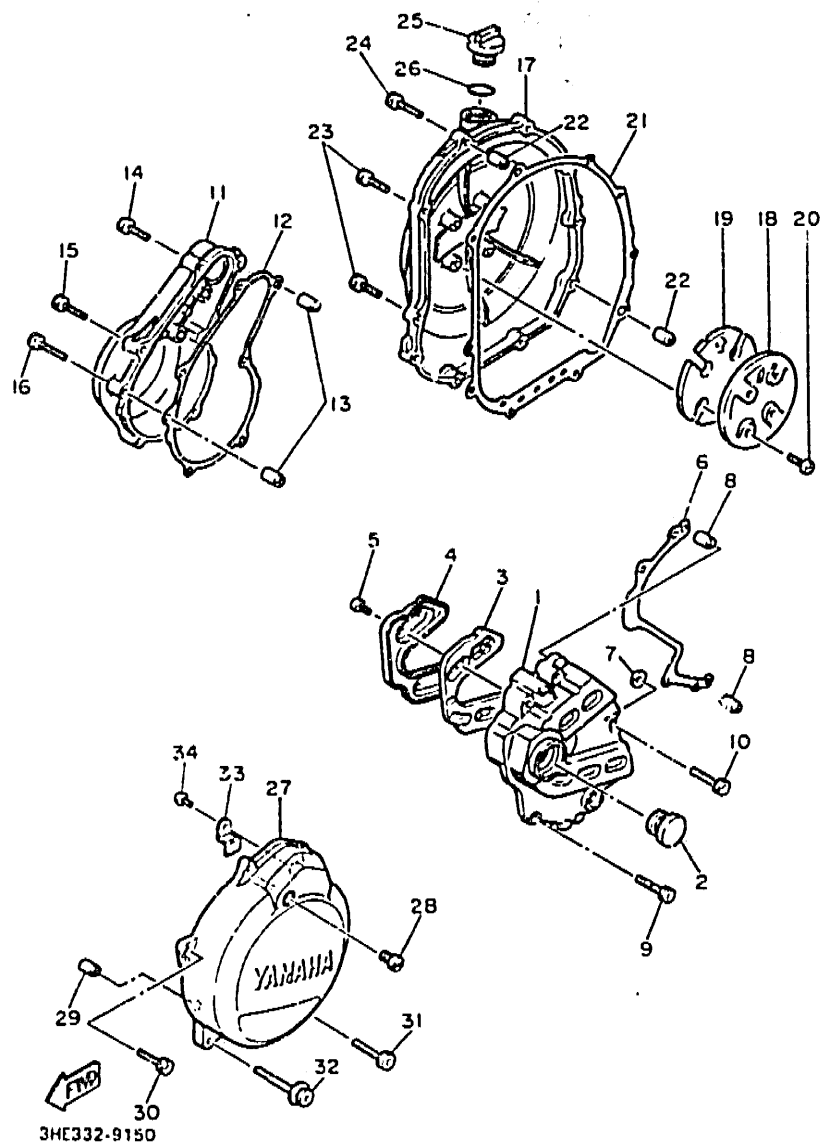
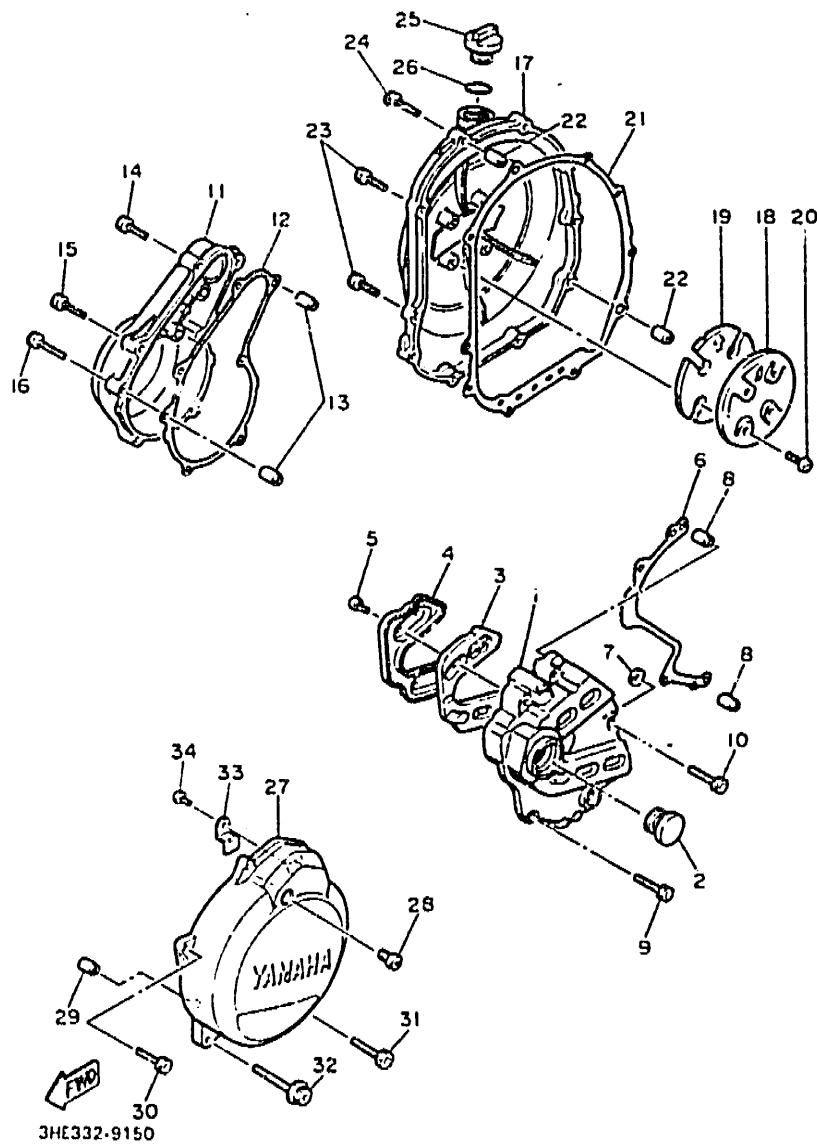


FIG. 15 CRANKCASE COVER 1

REF. NO.	FART NO.	DESCRIPTION	QTY	REMARKS
1	2TK-15411-00	COVER, crankcase 1	1	
2	1L9-15417-00	COVER, cap	1	
3	1WG-15316-00	DAMPER, engine mount 1	1	
4	1WG-15427-00	COVER, cap 2	1	
5	9G901-05008	SCREW, bind	4	
6	3HE-15451-10	GASKET, crankcase cover 1	1	
7	3HE-15467-10	GASKET	1	
8	99510-08016	PIN, dowel	2	
9	90110-06149	BOLT, hexagon socket head	4	
10	90110-06148	BOLT, hexagon socket head	1	
11	2TK-15421-00	COVER, crankcase 2	1	
12	3HE-15461-10	GASKET, crankcase cover 2	1	
13	99510-08016	PIN, dowel	2	
14	91311-06025	BOLT	2	
15	91311-06035	BOLT	4	
16	91311-06045	BOLT	1	
17	2TK-15431-01	COVER, crankcase 3	1	
18	1WG-15425-00	COVER, generator 2	1	
19	1WG-15326-00	DAMPER, engine mount 2	1	
20	98901-05008	SCREW, bind	4	
21	3HE-15462-10	GASKET, crankcase cover 3	1	
22	99510-08016	PIN, dowel	2	
23	91311-06025	BOLT	8	
24	91311-06035	BOLT	2	
25	3F9-15362-00	PLUG, oil level	1	
26	93210-27194	O-RING	1	
27	3HE-15415-01	COVER, generator	1	
28	90340-08M04	PLUG, straight screw	1	

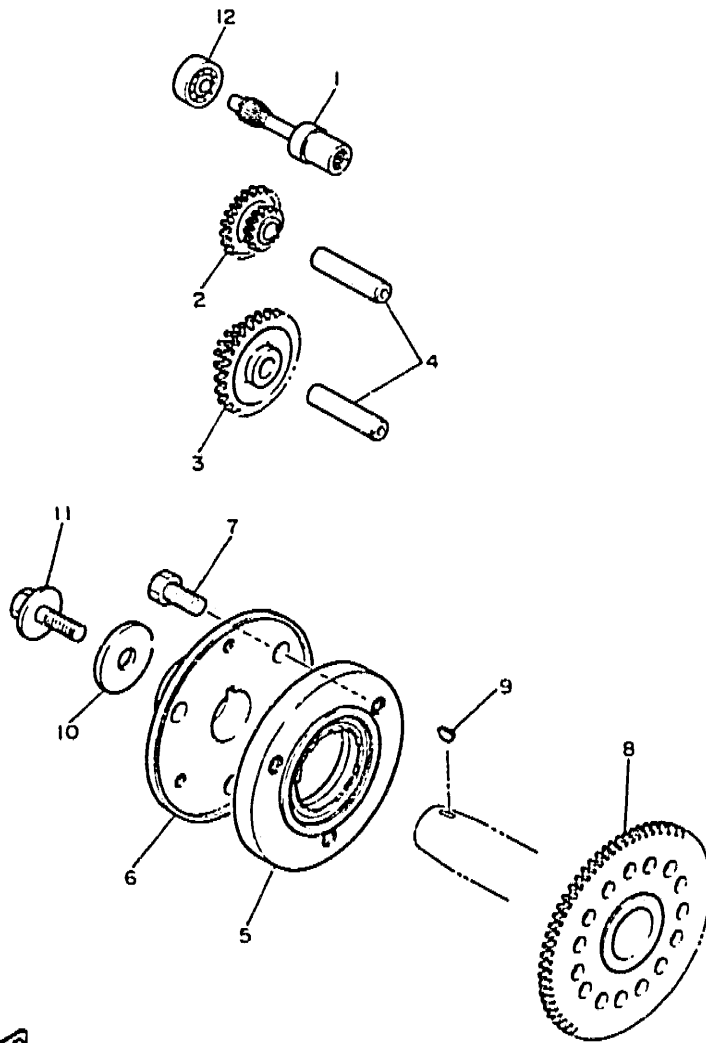
FIG. 15 CRANKCASE COVER 1



REF. NO.	PART NO.	DESCRIPTION	QTY	REMARKS
29	99510-08016	PIN, dowel	2	
30	91311-06025	BOLT	3	
31	91311-06035	BOLT	1	
32	91311-06035	BOLT	1	
33	90462-10182	CLAMP	1	
34	98501-06010	SCREW, pan head	1	

FIG. 16 STARTER CLUTCH

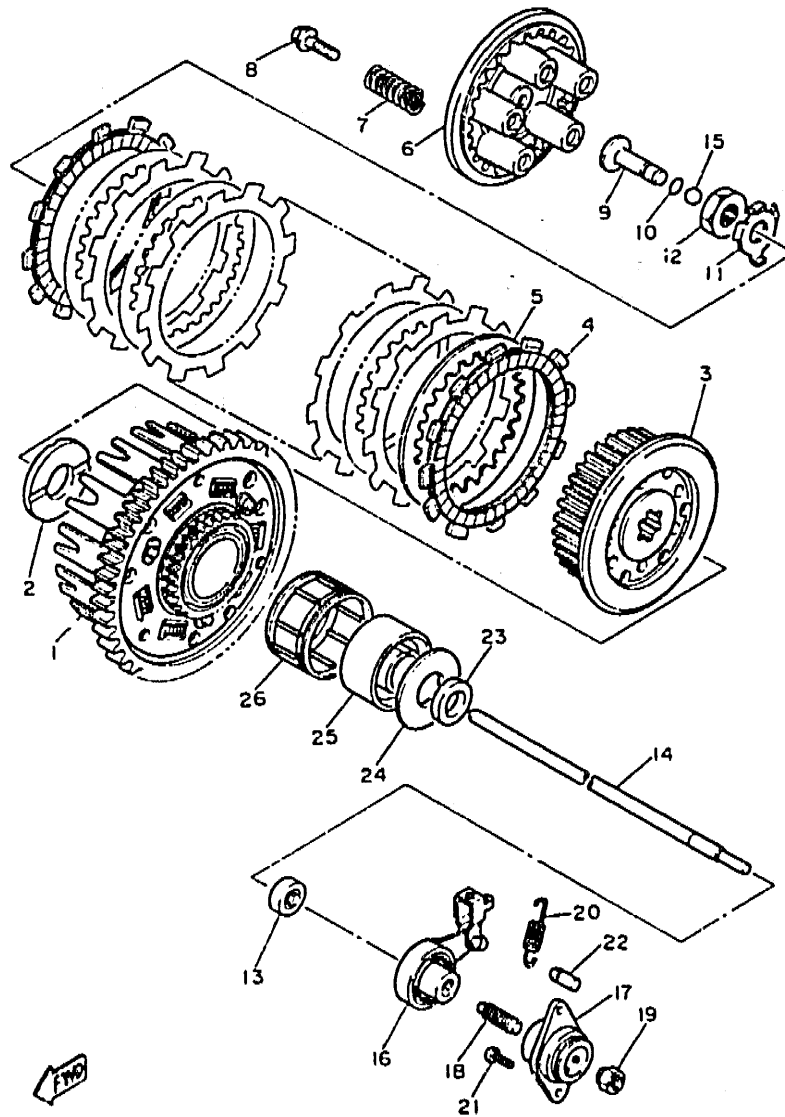
REF. NO.	PART NO.	DESCRIPTION	QTY	REMARKS
1	3HE-15521-00	SHAFT 1	1	
2	3HE-15512-00	GEAR, idler 1	1	
3	3HE-15517-00	GEAR, idler 2	1	
4	3TJ-15521-00	SHAFT 1	2	
5	3HE-15590-01	STARTER ONE-WAY ASSY	1	
6	3HE-15524-00	WHEEL, starter	1	
7	91316-08020	BOLT	3	
9	3HE-15515-01	GEAR 3	1	
9	90280-16053	KEY, woodruff	1	
10	90201-107K6	WASHER, plate	1	
11	90105-10445	BOLT, washer based	1	
12	93306-20006	BEARING (86200)	1	NTN



3HE332-9160

C8

FIG. 17 CLUTCH



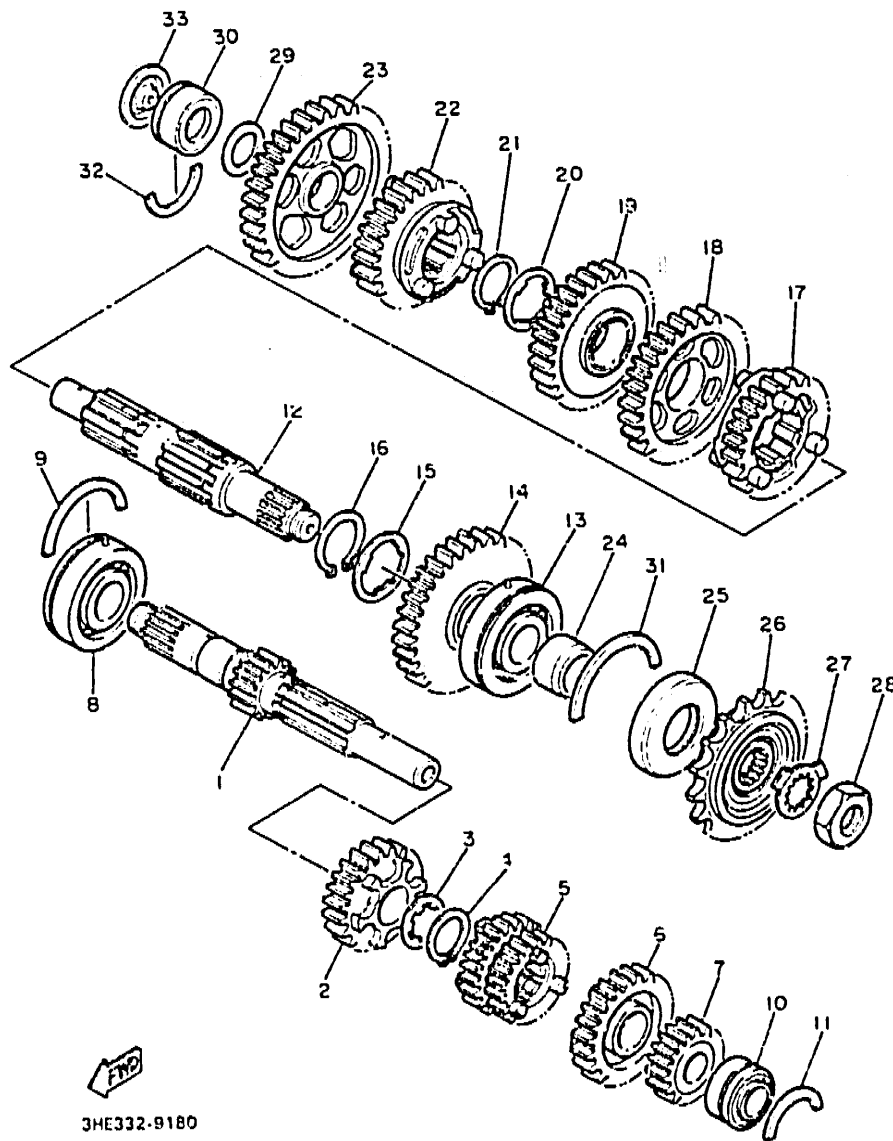
FTW

3HE332-9170

REF. NO.	PART NO.	DESCRIPTION	Q'TY	REMARKS
1	3HE-16150-00	PRIMARY DRIVEN GEAR COMP.	1	
2	1WG-16154-00	PLATE, thrust 1	1	
3	3HE-16371-00	BOSS, clutch	1	
4	21V-16321-00	PLATE, friction	9	
5	131-16324-00	PLATE, clutch 1	8	
6	2TK-16351-00	PLATE, pressure 1	1	
7	90501-227E0	SPRING, compression	5	
8	90119-05001	BOLT, with washer	5	
9	1WG-16356-00	ROD, push 1	1	
10	93210-48364	O-RING	1	
11	90215-18225	WASHER, lock	1	
12	90170-18221	NUT	1	
13	93109-08058	OIL SEAL (SD07 8-21-5.5 HS)	1	
14	1WG-16357-01	ROD, push 2	1	
15	93505-16006	BALL	1	
16	1WG-16340-01	PUSH LEVER ASSY	1	
17	1WG-16304-00	BALL SCREW HOUSING ASSY	1	
18	90113-08021	BOLT, set	1	
19	90179-08179	NUT	1	
20	90506-09232	SPRING, tension	1	
21	90157-05065	SCREW, pan head	2	
22	132-16348-00	HOOK, spring	1	
23	90387-212R3	COLLAR	1	
24	1WG-16164-00	PLATE, thrust 2	1	
25	1WG-16181-00	SPACER 1	1	
26	93310-345R8	BEARING, cylindrical	1	

C9

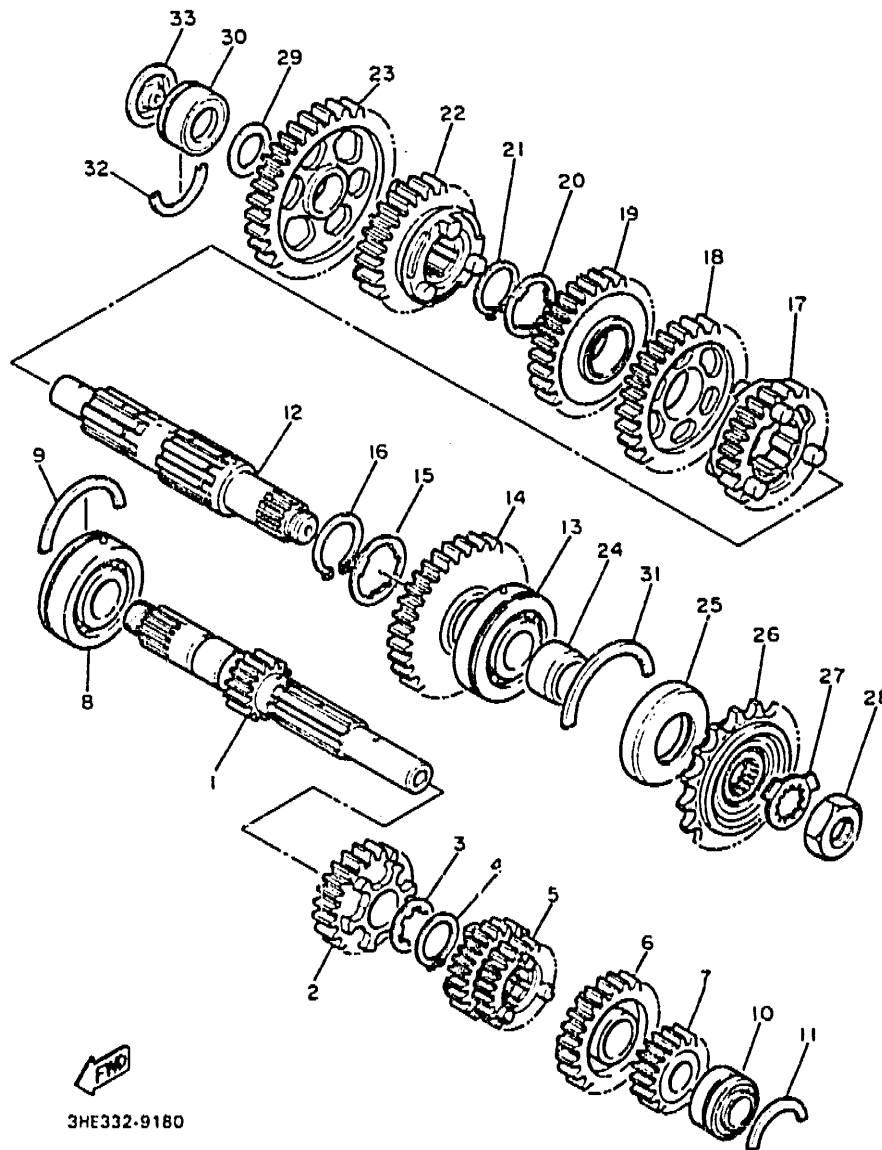
FIG. 113 TRANSMISSION



REF. NO.	PART NO.	DESCRIPTION	QTY	REMARKS
1	3HE-17411-10	AXLE, main (13T)	1	
2	3HE-17151-00	GEAR, 5th pinion (26T)	1	
3	90209-18208	WASHER	1	
4	93410-22039	CIRCLIP	1	
5	3HE-17131-00	GEAR, 3rd pinion (21T)	1	
6	3HE-17161-00	GEAR, 5th pinion (27T)	1	
7	3HE-17121-10	GEAR, 2nd pinion (22T)	1	
8	93306-37205	BEARING (83B285C3)	1	
9	93440-54152	CIRCLIP	1	
10	93399-99933	BEARING	1	
11	278-17425-00	CIRCLIP 2	1	
12	3HE-17421-00	AXLE, drive	1	
13	93306-30550	BEARING	1	
14	3HE-17221-10	GEAR, 2nd wheel (37T)	1	
15	90209-27192	WASHER	1	
16	93440-30077	CIRCLIP	1	
17	3HE-17281-10	GEAR, 6th wheel (30T)	1	
18	3HE-17231-00	GEAR, 3rd wheel (31T)	1	
19	3HE-17241-00	GEAR, 4th wheel (28T)	1	
20	90209-22191	WASHER	1	
21	93440-25084	CIRCLIP	1	
22	3HE-17251-00	GEAR, 5th wheel (31T)	1	
23	3HE-17211-10	GEAR, 1st wheel (42T)	1	
24	90387-255V4	COLLAR	1	
25	93102-35109	OIL SEAL (SD-35-62-6 HS)	1	
26	3HE-17460-00	SPROCKET, drive (15T)	1	
27	90215-21022	WASHER, lock	1	
28	90179-18020	NUT	1	

C10

FIG. 18 TRANSMISSION



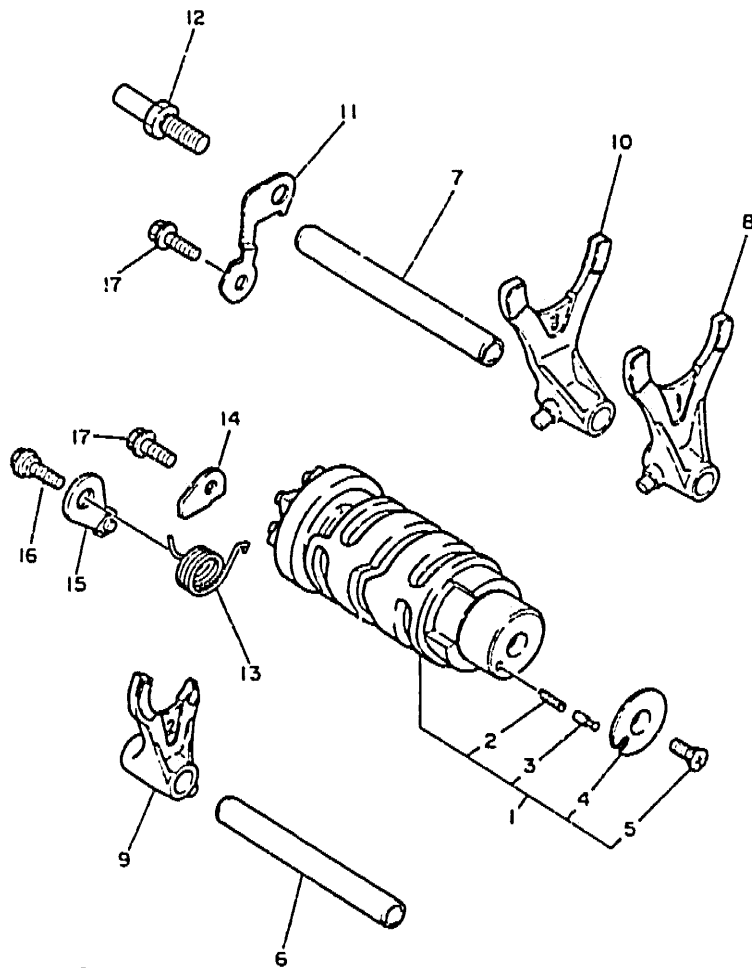
3HE332-9180

REF. NO.	PART NO.	DESCRIPTION	Q'TY	REMARKS
29	90201-202/6	WASHER, plate (1.0T)	1	
30	93311-42045	BEARING (20NG3315NE)	1	
31	278-17424-01	CIRCLIP 1	1	
32	278-17425-00	CIRCLIP 2	1	
33	4G0-17433-01	NOZZLE	1	

C11



FIG. 19 SHIFT CAM • FORK

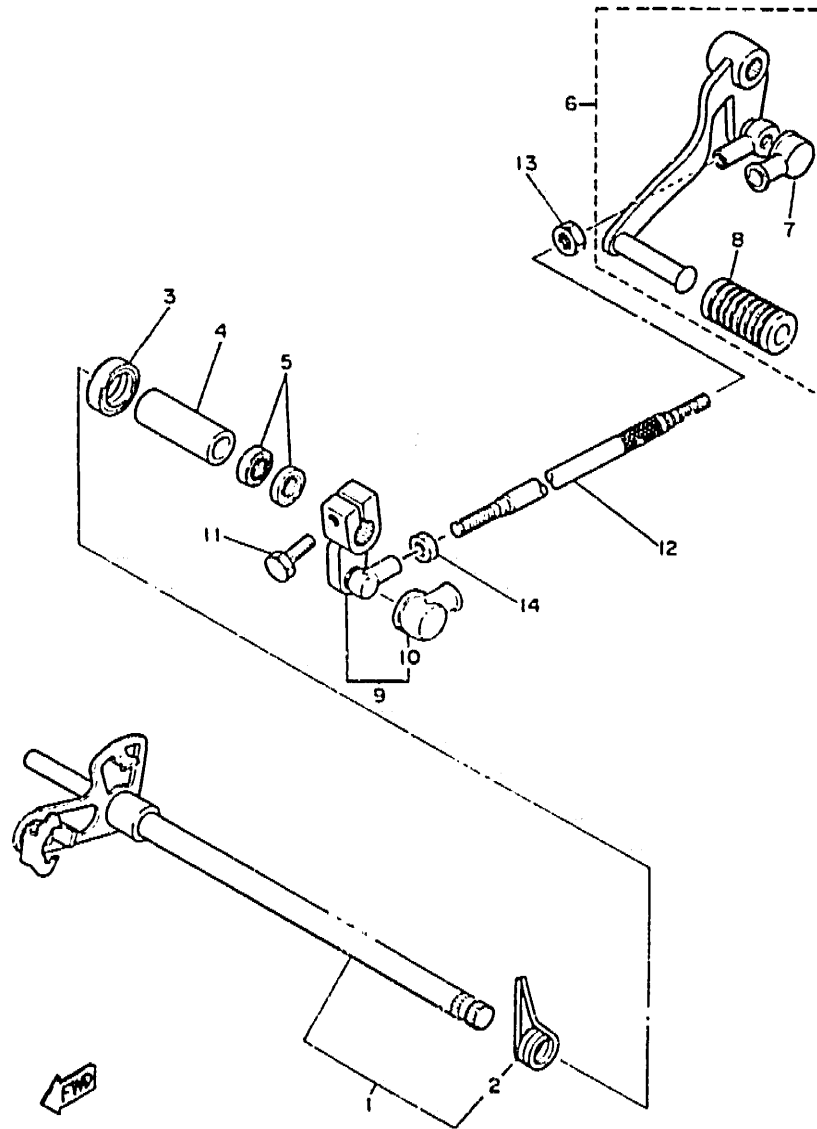


1WG010-6180

REF. NO.	PART NO.	DESCRIPTION	QTY	REMARKS
1	1WG-18540-01	SHIFT CAM ASSY	1	
2	90501-06022	.SPRING, compression	1	
3	278-18542-00	.POINT, neutral	1	
4	278-18566-00	.PLATE, side 2	1	
5	98701-05012	.SCREW, flat head	1	
6	1WG-18531-00	BAR, shift fork guide 1 (L=102)	1	
7	1WG-18535-00	BAR, shift fork guide 2 (L=108)	1	
8	1WG-18511-00	FORK, shift 1	1	
9	1WG-18512-00	FORK, shift 2	1	
10	1WG-18513-00	FORK, shift 3	1	
11	1WG-18536-00	STOPPER, shift bar	1	
12	1HX-18127-00	STOPPER, screw	1	
13	90508-23707	SPRING, torsion	1	
14	1WG-18562-00	PLATE, stopper 2	1	
15	36Y-18140-00	STOPPER LEVER ASSY	1	
16	90109-063F7	BOLT	1	
17	95822-06016	BOLT, flange	2	

C12

FIG. 20 SHIFT SHAFT

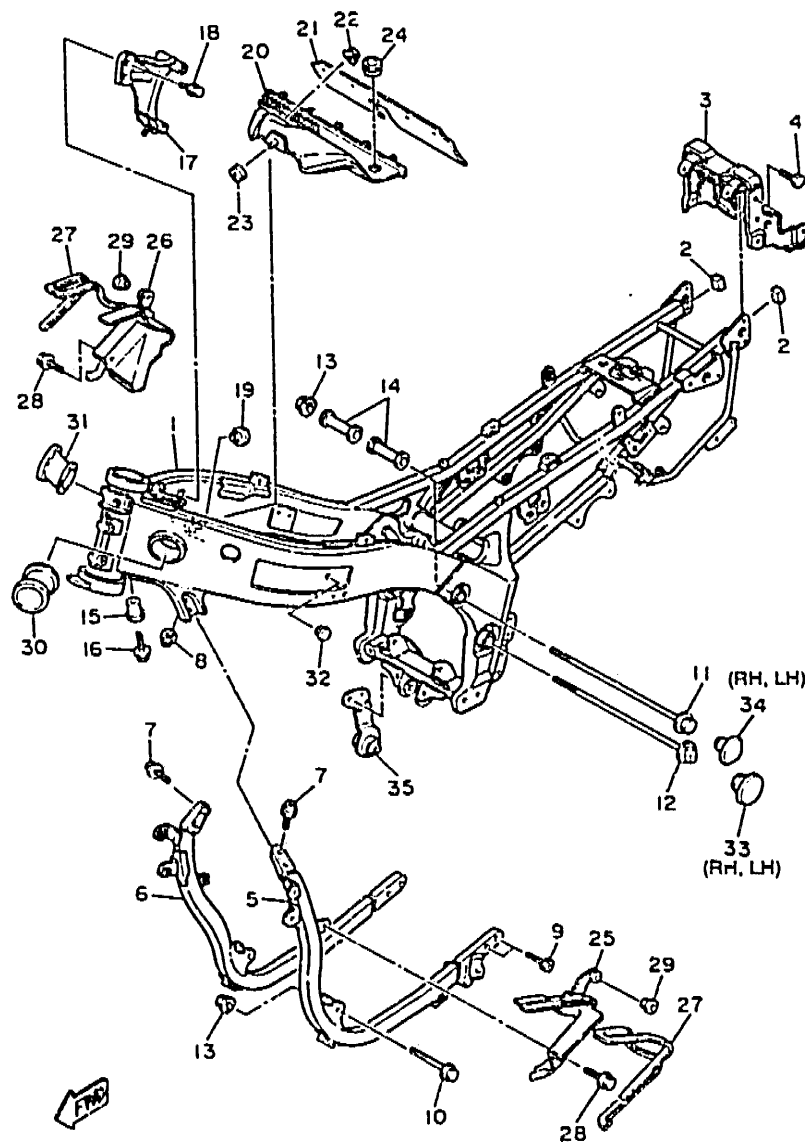


3HE332-9200

REF. NO.	PART NO.	DESCRIPTION	QTY	REMARKS
1	3EN-18101-01	SHIFT SHAFT ASSY	1	
2	90508-32682	.SPRING, torsion	1	
3	93102-12106	OIL SEAL (SD 12-22-5 HS)	1	
4	90560-12211	SPACER	1	
5	93109-12053	OIL SEAL (SDO 12/18/4-1)	2	
6	3HE-18110-00	SHIFT PEDAL ASSY	1	
7	2H9-18154-00	.COVER, dust	1	
8	132-18113-01	.COVER, shift pedal	1	
9	1WG-18112-01	ARM, shift	1	
10	2H9-18154-00	.COVER, dust	1	
11	98021-06020	BOLT	1	
12	1WG-18115-00	ROD, shift	1	
13	90170-06228	NUT(COUNTER CLOCKWISE)	1	
14	95303-06700	NUT	1	

C13

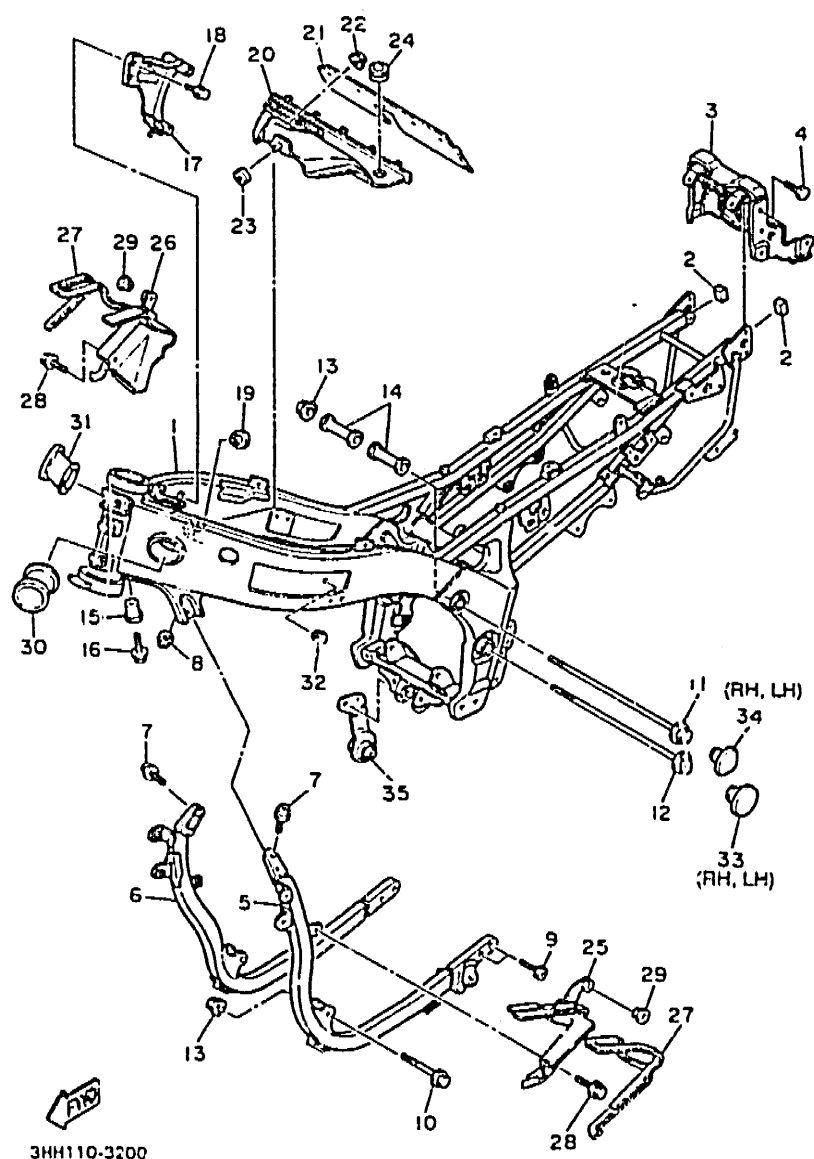
FIG. 21 FRAME



3HH110-3200

REF. NO.	PART NO.	DESCRIPTION	QTY	REMARKS
1	3HE-21110-01-T9	FRAME COMP.	1	COMPETITION SILVER
2	1WG-2143A-00	CAP	2	
3	3HE-2117E-00	BRACKET, taillight	1	
4	90109-06757	BOLT	4	
5	3HW-21140-00-T9	DOWN TUBE COMP.	1	COMPETITION SILVER
6	3HW-21150-00-T9	DOWN TUBE COMP.2	1	COMPETITION SILVER
7	90105-10436	BOLT, washer based	4	
8	95701-10500	NUT, flange	4	
9	91311-08020	BOLT	4	
10	95811-10080	BOLT, flange	2	
11	91011-10295	BOLT, flange	1	
12	91011-10165	BOLT, flange	1	
13	95701-10500	NUT, flange	4	
14	1WG-21459-00	SPACER	2	
15	1WG-2142M-00	BRACKET, radiator 3	1	
16	91012-06016	BOLT, flange	1	
17	3HE-21238-00	BRACKET	1	
18	91012-06012	BOLT, flange	1	
19	90480-18171	GROMMET	1	
20	3HE-2137Y-00	GUIDE, air	1	
21	1WG-2139W-00	COVER	1	
22	95702-06600	NUT, with washer	1	
23	90480-01401	GROMMET	1	
24	90480-13398	GROMMET	1	
25	3HE-2137W-00	SCOOP, air 1	1	
26	3HE-2137X-00	SCOOP, air 2	1	
27	3HE-2139U-00	DAMPER 2	2	
28	90119-05093	BOLT, with washer	3	

C14



3HH110-3200

FIG. 21 FRAME

REF. NO.	PART NO.	DESCRIPTION	QTY	REMARKS
29	90387-06681	COLLAR	2	
30	3HE-2117M-00	COVER 2	1	
31	3HE-2117N-00	COVER 3	1	
32	90338-15202	PLUG	2	
33	3HE-2117R-00	COVER 4	2	
34	3HE-2117T-00	COVER 5	2	
35	3HE-21446-00	STAY, muffler 2	1	

# CONTENTS

## ENGINE

Cylinder Head .....	B2
Cylinder .....	B3
Crankshaft · Piston .....	B4
Valve .....	B5 ~ B6
Camshaft · Chain .....	B7
Water Pump .....	B8
Radiator · Hose .....	B9
Oil Pump .....	B10
Oil Cooler .....	B11
Intake .....	B12
Emission Control Device .....	B13 ~ B14
Carburetor .....	B15 ~ C2
Exhaust .....	C3
Crankcase .....	C4 ~ C5
Crankcase Cover 1 .....	C6 ~ C7
Starter Clutch .....	C8
Clutch .....	C9
Transmission .....	C10 ~ C11
Shift Cam · Fork .....	C12
Shift Shaft .....	C13

## CHASSIS

Frame .....	C14 ~ C15
Fender .....	D2 ~ D3
Side Cover .....	D4 ~ D5
Rear Arm .....	D6 ~ D7
Rear Suspension .....	D8

Steering .....	D9
Front Fork .....	D10 ~ D11
Fuel Tank .....	D12 ~ D14
Seat .....	D15
Front Wheel .....	E2
Front Brake Caliper .....	E3
Rear Wheel .....	E4 ~ E5
Rear Brake Caliper .....	E6
Steering Handle · Cable .....	E7
Front Master Cylinder .....	E8
Stand · Footrest .....	E9 ~ E10
Rear Master Cylinder .....	E11
Cowling 1 .....	E12 ~ E14
Generator .....	E15
Starting Motor .....	F2
Flasher Light .....	F3
Meter .....	F4 ~ F5
Headlight .....	F6
Taillight .....	F7
Handle Switch · Lever .....	F8
Electrical 1 .....	F9
Electrical 2 .....	F10

## INDEX

NUMERICAL INDEX .....	L1 ~ L4
-----------------------	---------

# CONTENTS

## ENGINE

Cylinder Head .....	B2
Cylinder .....	B3
Crankshaft - Piston .....	B4
Valve .....	B5 ~ B6
Camshaft - Chain .....	B7
Water Pump .....	B8
Radiator - Hose .....	B9
Oil Pump .....	B10
Oil Cooler .....	B11
Intake .....	B12
Emission Control Device .....	B13 ~ B14
Carburetor .....	B15 ~ C2
Exhaust .....	C3
Crankcase .....	C4 ~ C5
Crankcase Cover 1 .....	C6 ~ C7
Starter Clutch .....	C3
Clutch .....	C3
Transmission .....	C10 ~ C11
Shift Cam - Fork .....	C12
Shift Shaft .....	C13

## CHASSIS

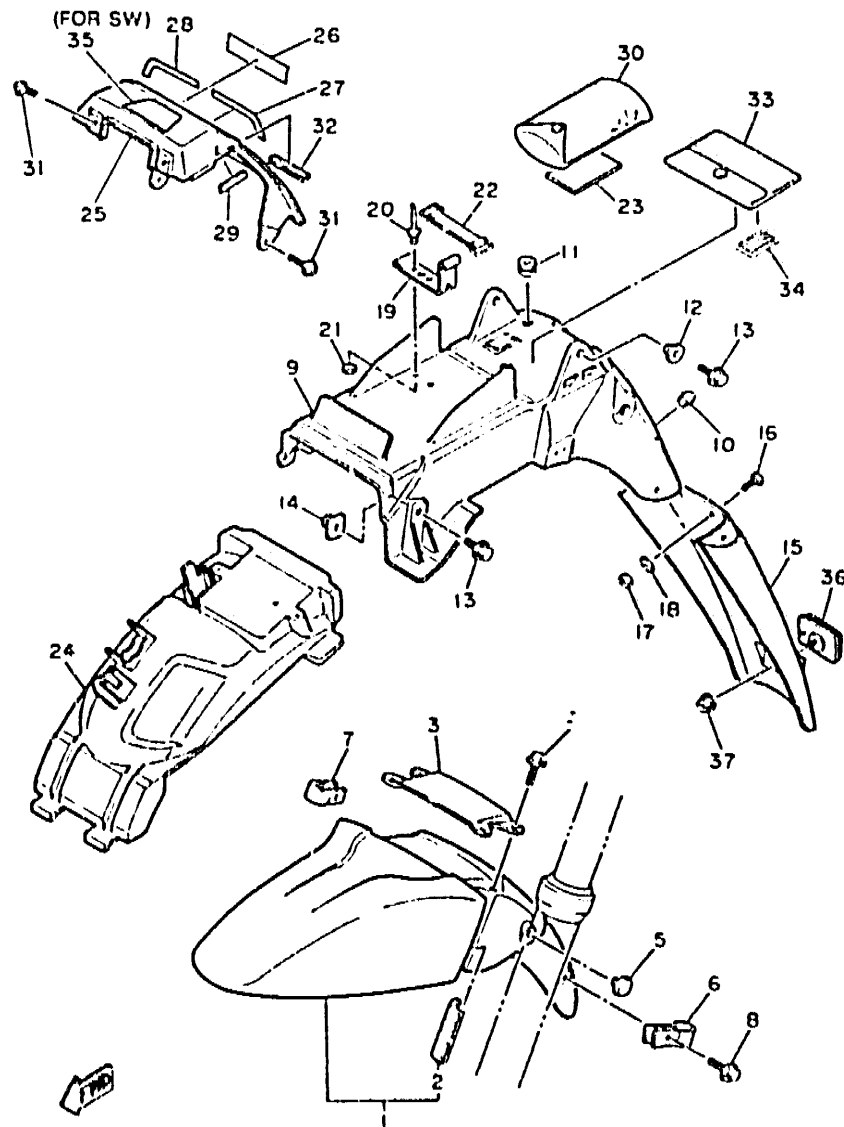
Frame .....	C14 ~ C15
Fender .....	D2 ~ D3
Side Cover .....	D4 ~ D5
Rear Arm .....	D6 ~ D7
Rear Suspension .....	D8

Steering .....	D9
Front Fork .....	D10 ~ D11
Fuel Tank .....	D12 ~ D14
Seat .....	D15
Front Wheel .....	E2
Front Brake Caliper .....	E3
Rear Wheel .....	E4 ~ E5
Rear Brake Caliper .....	E6
Steering Handle - Cable .....	E7
Front Master Cylinder .....	E8
Stand - Footrest .....	E9 ~ E10
Rear Master Cylinder .....	E11
Cowling 1 .....	E12 ~ E14
Generator .....	E15
Starting Motor .....	F2
Flasher Light .....	F3
Meter .....	F4 ~ F5
Headlight .....	F6
Taillight .....	F7
Handle Switch - Lever .....	F8
Electrical 1 .....	F9
Electrical 2 .....	F10

## INDEX

NUMERICAL INDEX .....	L1 ~ L4
-----------------------	---------

FIG. 22 FENDER

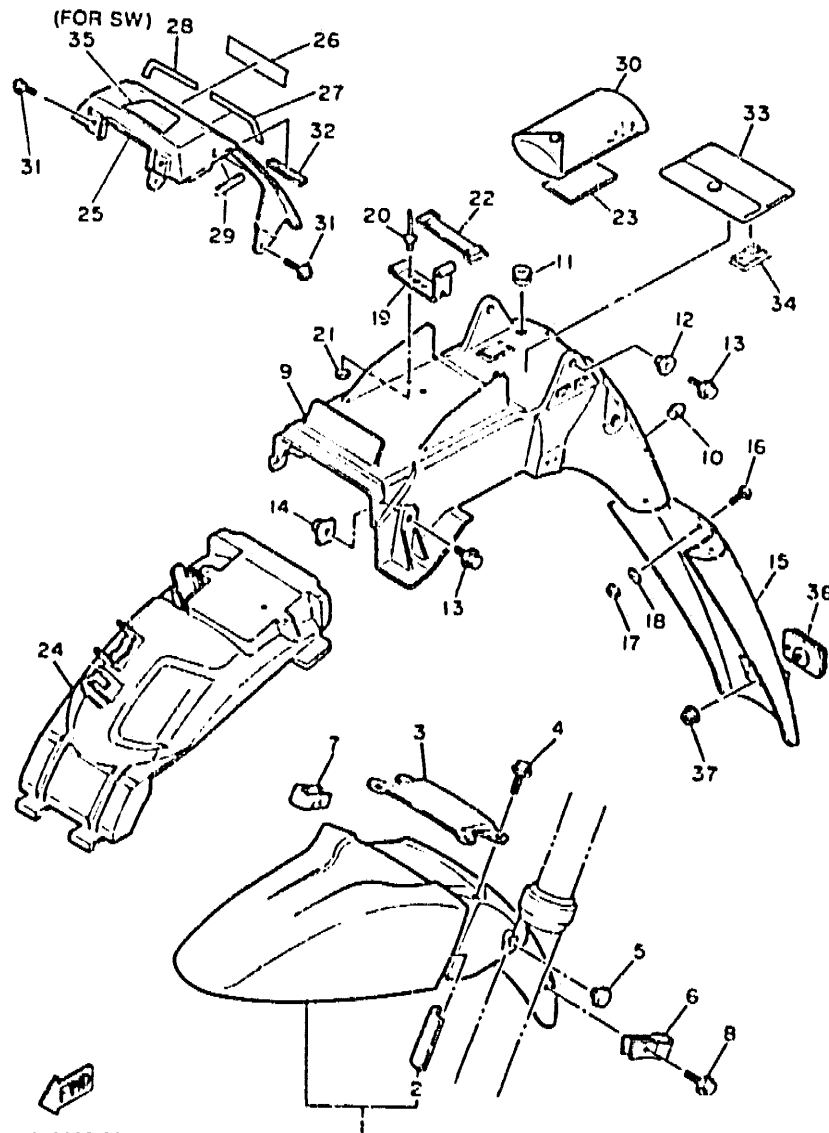


3HE332-2210

REF. NO.	PART NO.	DESCRIPTION	Q'TY	REMARKS
1	3FH-21510-00-0X	FRONT FENDER COMP.	1	UR SILKY WHITE
	3FH-21510-00-9X	FRONT FENDER COMP.	1	UR BLUISH ELACK
2	1KH-21717-00	DAMPER, side cover	2	
3	46X-2313A-00	BRACE, fork	1	
4	90105-06456	BOLT, washer based	4	
5	9C338-12192	PLUG	1	
6	3EN-25875-00	HOLDER, brake hose 1	1	
7	2RB-25876-00	HOLDER, brake hose 2	1	
8	95023-06025	BOLT	2	
9	3HE-21611-00	FENDER, rear	1	
10	4G0-21639-00	DAMPER 2	1	
11	90480-10258	GROMMET	2	
12	90387-066M3	COLLAR	2	
13	90119-06108	BOLT, with washer	4	
14	31A-14477-00	PLATE	2	
15	3HE-21621-00	FLAP	1	
16	90149-04278	SCREW	4	
17	95606-04100	NUT, u	4	
18	90201-047A2	WASHER, plate	4	
19	25G-28379-00	HOOK	1	
20	90267-40076	RIVET, blind	2	
21	90201-044A2	WASHER, plate	2	
22	122-82131-00	BAND, battery	1	
23	34M-21649-00	DAMPER	1	
24	3HE-21629-00	GUARD, mud	1	
25	3HE-21651-00-GE	COVER, rear fender	1	UR SILKY WHITE
	3HE-21651-00-MW	COVER, rear fender	1	UR BLUISH BLACK
26	99234-00080	EMBLEM, yamaha	1	UP FOR SW

D2

FIG. 22 FENDER



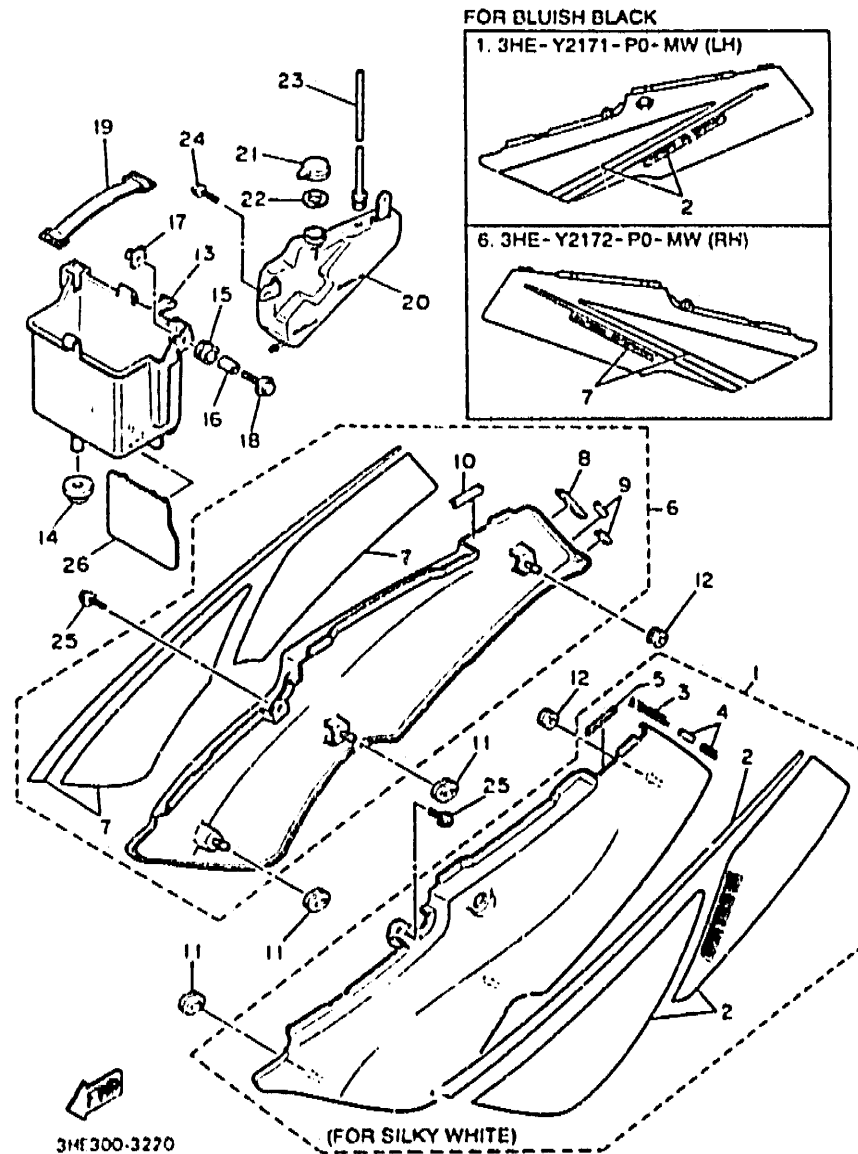
3HE332-2210

REF. NO.	PART NO.	DESCRIPTION	Q'TY	REMARKS
26	99230-00080	EMBLEM, yamaha	1	UR FOR BIB
27	2GH-21575-00	SEAL 1	1	
28	2GH-21576-00	SEAL 2	1	
29	2GH-21735-00	SEAL 2	2	
30	1WG-V2810-00	TOOL KIT	1	
31	90159-06033	SCREW, with washer	4	
32	J44-78248-00	SEAL 4	1	
33	4N0-2R186-00	POUCH	1	
34	4K5-2814E-10	HOOK	2	
35	3HE-21663-71	GRAPHIC	1	FOR SW
36	3G1-85130-01	REAR REFLECTOR ASSY	1	
37	95701-05500	NUT, flange	1	

D3

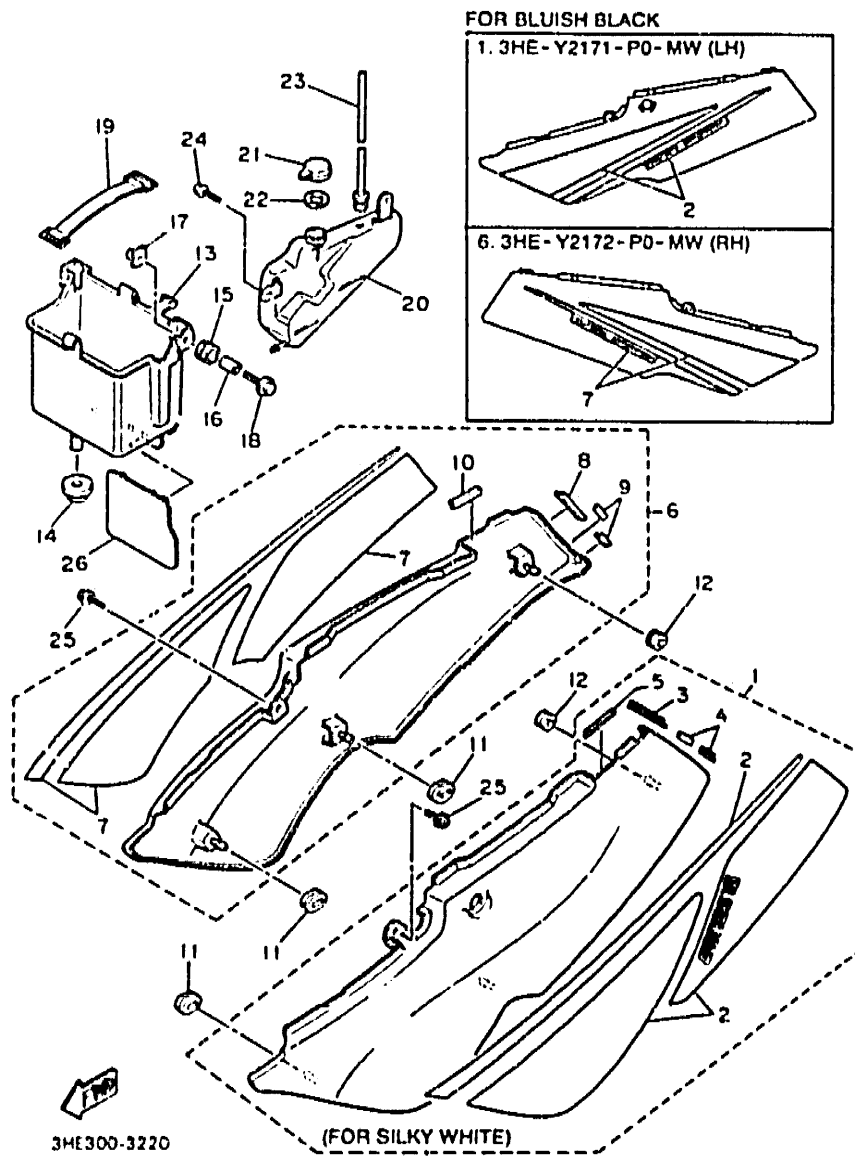


FIG. 23 SIDE COVER



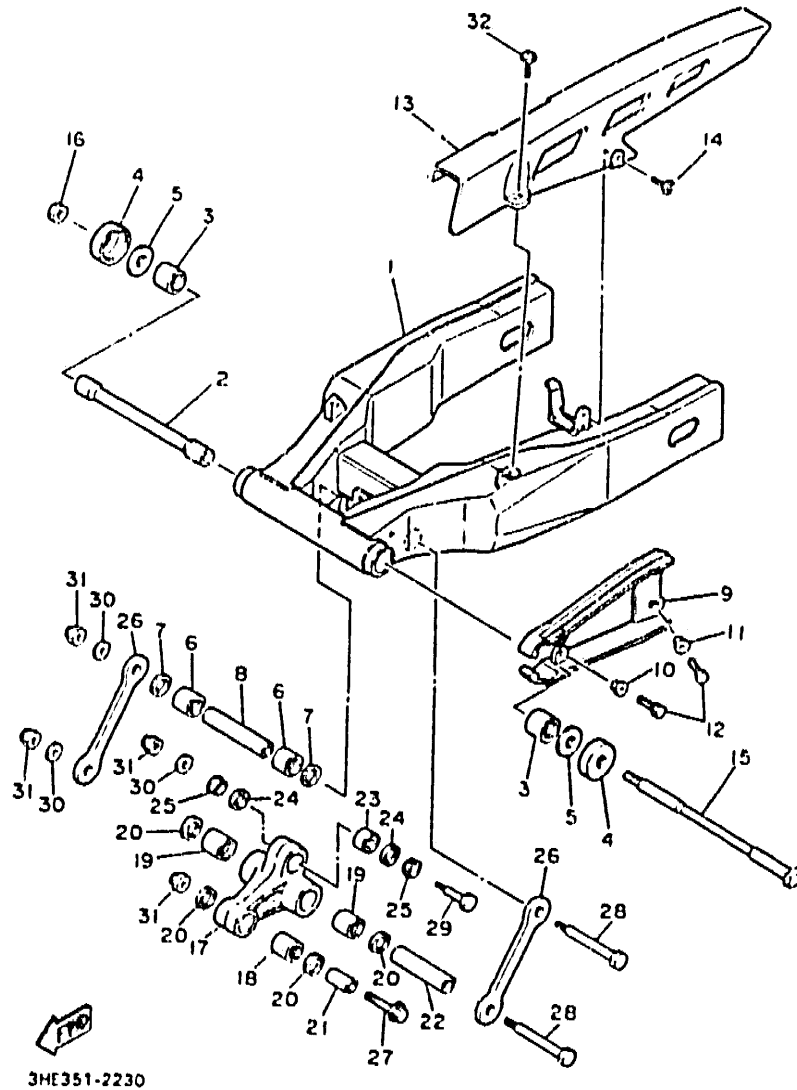
REF. NO.	PART NO.	DESCRIPTION	Q'TY	REMARKS
1	3HE-Y2171-N0-GE	COVER, side 1	1	UR SILKY WHITE
	3HE-Y2171-P0-MW	COVER, side 1	1	UR BLUISH BLACK
2	3HE-2173L-80	.GRAPHIC SET 1	1	UR FOR SW
	3HH-2173L-50	.GRAPHIC SET 1	1	UR FOR BIB
3	3HE-21735-00	.SEAL 2	1	
4	3HE-21732-00	.SEAL 1	2	
5	2GH-21735-00	.SEAL 2	1	
6	3HE-Y2172-N0-GE	COVER, side 2	1	UR SILKY WHITE
	3HE-Y2172-P0-MW	COVER, side 2	1	UR BLUISH BLACK
7	3HE-2174L-80	.GRAPHIC SET 2	1	UR FOR SW
	3HH-2174L-50	.GRAPHIC SET 2	1	UR FOR BIB
8	3HE-21735-00	.SEAL 2	1	
9	3HE-21732-00	.SEAL 1	2	
10	2GH-21735-00	.SEAL 2	1	
11	90480-01401	GROMMET	4	
12	90480-14052	GROMMET	2	
13	1WG-2177G-00	BOX, battery	1	
14	90480-22302	GROMMET	1	
15	90480-14229	GROMMET	2	
16	90387-07391	COLLAR	2	
17	31A-14477-00	PLATE	2	
18	90119-06097	BOLT, with washer	2	
19	120-82131-00	BAND, battery	1	
20	1WG-21871-00	TANK, recovery	1	
21	4L0-21875-00	CAP	1	
22	1AA-21874-00	GASKET	1	

FIG. 23 SIDE COVER



REF. NO.	PART NO.	DESCRIPTION	Q'TY	REMARKS
23	3GM-21816-00	PIPE 1	1	
24	90159-06056	SCREW, with washer	2	
25	90159-06033	SCREW, with washer	2	
26	34X-21691-00	FLAP	1	

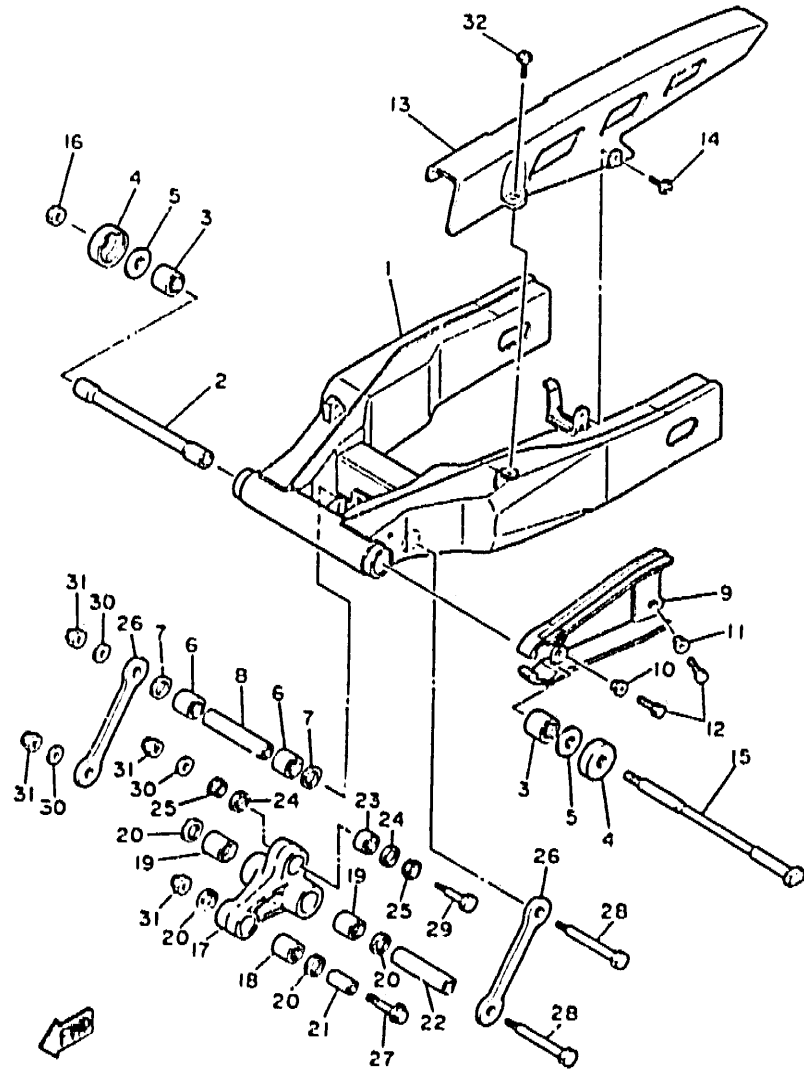
FIG. 24 REAR ARM



REF. NO.	PART NO.	DESCRIPTION	Q'TY	REMARKS
1	3HH-22110-00-T9	REAR ARM COMP.	1	COMPETITION SILVER
2	33M-22184-00	BUSH	1	
3	93320-32403	BEARING	2	
4	4X7-22129-00	COVER, thrust 2	2	
5	90201-161J3	WASHER, plate	2	
6	93317-21746	BEARING, cylindrical	2	
7	93109-17048	OIL SEAL (SDO 17-24-4)	2	
8	90387-122R5	COLLAR	1	
9	3HH-22151-00	SEAL, guard	1	
10	90387-06681	COLLAR	2	
11	90387-062M3	COLLAR	2	
12	97313-06016	BOLT	4	
13	3GM-22311-00	CASE, chain	1	
14	90159-06084	SCREW, with washer	1	
15	46X-22141-00	SHAFT, pivot	1	
16	90185-14070	NUT, self-locking	1	
17	1WG-2217A-00	ARM, relay	1	
18	93317-31701	BEARING, cylindrical	1	
19	93317-21746	BEARING, cylindrical	2	
20	93109-17048	OIL SEAL (SDO 17-24-4)	4	
21	90387-102R4	COLLAR	1	
22	90387-122R5	COLLAR	1	
23	83399-99919	BEARING	1	
24	93101-16131	OIL SEAL	2	
25	90387-124W2	COLLAR	2	
26	1WG-2217M-00	ARM 1	2	
27	90105-10376	BOLT, washer based	1	
28	90101-10658	BOLT	2	

D6

FIG. 24 REAR ARM

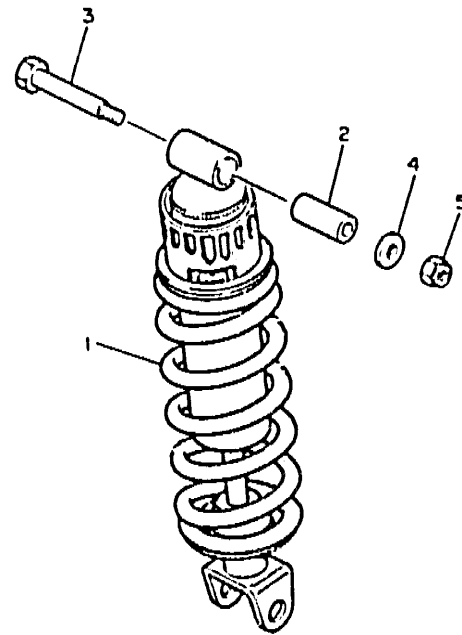


3HE351-2230

REF. NO.	PART NO.	DESCRIPTION	Q'TY	REMARKS
29	90101-10659	BOLT	1	
30	90201-101J1	WASHER, plate	3	
31	95011-10100	NUT, u	4	
32	90159-06093	SCREW, with washer	1	

D7

FIG. 25 REAR SUSPENSION



REF. NO.	PART NO.	DESCRIPTION	Q'TY	REMARKS
1	3HE-22210-10	SHOCK ABSORBER ASSY, rear	1	
2	90387-124T2	COLLAR	1	
3	90109-10554	BOLT	1	
4	90201-101J1	WASHER, plate	1	
5	95602-10100	NUT, u	1	

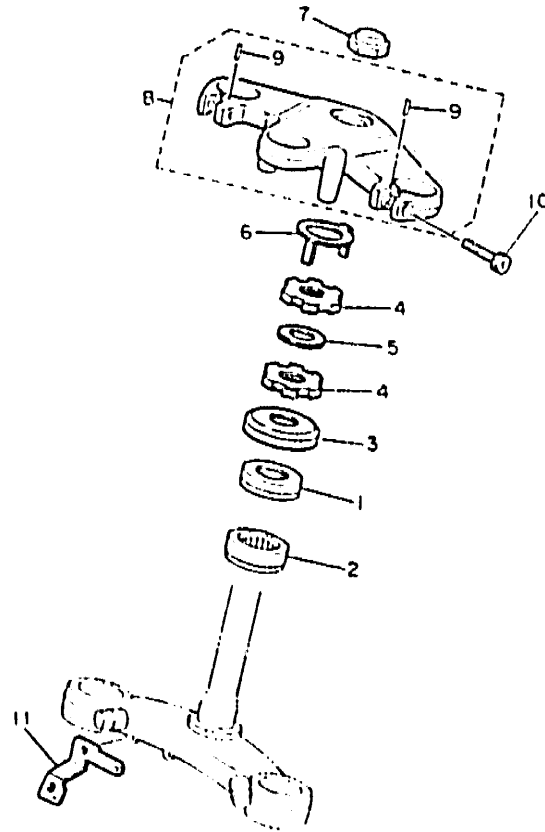


3HE332-9250

**D8**

FIG. 26 STEERING

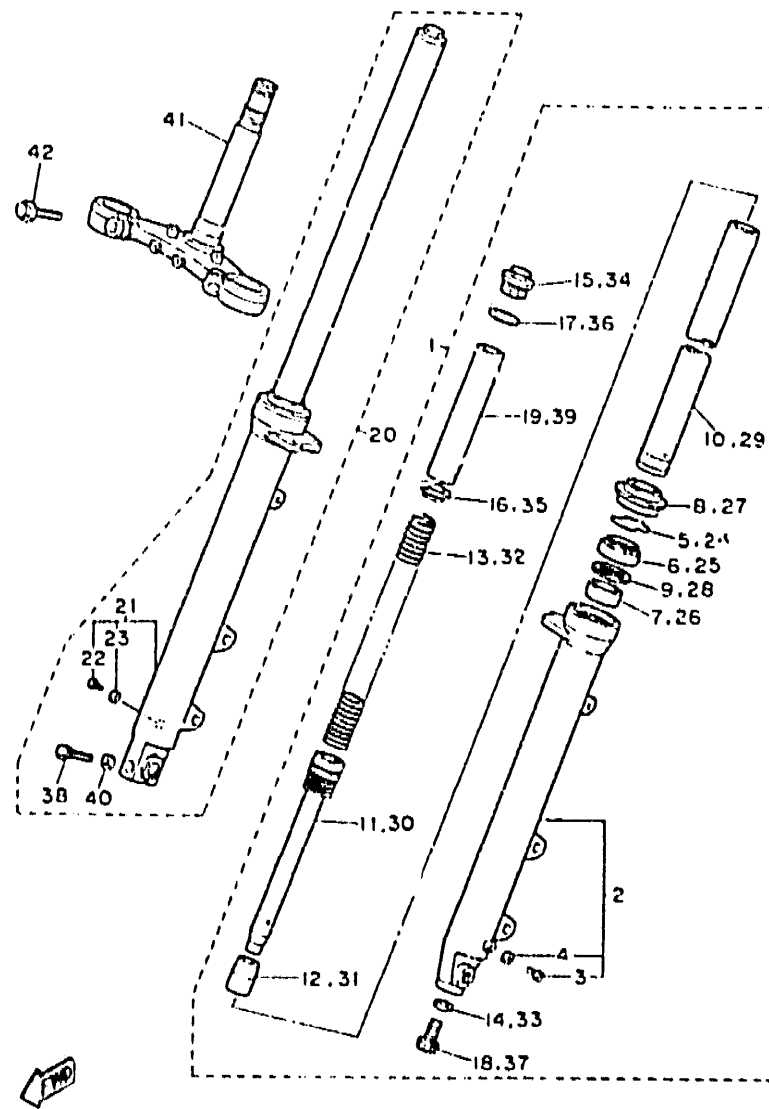
REF. NO.	PART NO.	DESCRIPTION	Q'TY	REMARKS
1	93332-00001	BEARING	1	
2	93332-00008	BEARING	1	
3	3HE-23416-00	COVER, ball race	1	
4	90178-25033	NUT	2	
5	90202-26142	WASHER, plate	1	
6	26H-23418-01	WASHER, special	1	
7	90176-22050	NUT, crown	1	
8	3HE-23435-00	CROWN, handle	1	
9	91609-40210	PIN, spring	2	
10	91311-08030	BOLT	2	
11	3HE-2317E-00	STAY	1	



3HE351-1250

D9

FIG. 27 FRONT FORK

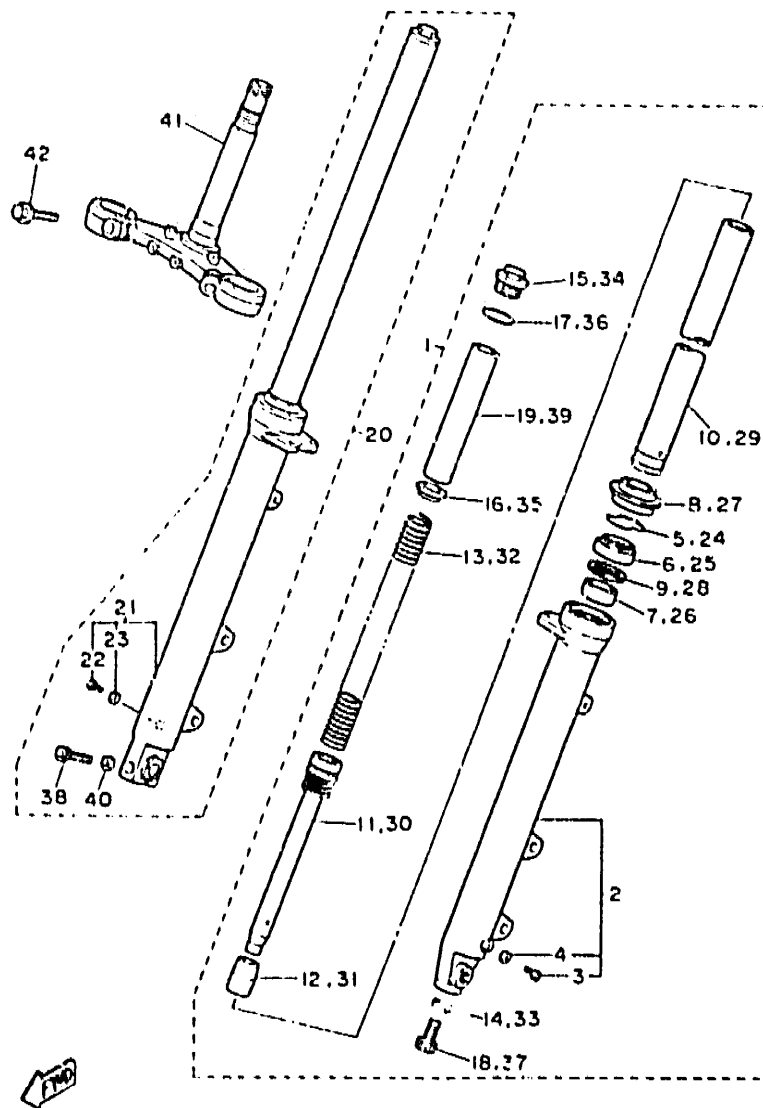


3HE332-9270

REF. NO.	PART NO.	DESCRIPTION	QTY	REMARKS
1	3HE-23102-10	FRONT FORK ASSY (L.H)	1	
2	3HE-23126-10	.TUBE, outer 1	1	
3	4H7-23119-00	..PLUG, drain	1	
4	122-23129-00	..GASKET, drain plug	1	
5	3R4-23153-00	.RING, snap	1	
6	3EN-23145-00	.OIL SEAL	1	
7	2YK-23125-00	.METAL, slide 1	1	
8	3EN-23144-00	.SEAL, dust	1	
9	4V2-23146-L0	.WASHER, oil seal	1	
10	3HE-23110-00	.INNER TUBE COMP.1	1	
11	3HE-23170-00	.CYLINDER COMP., front fork.	1	
12	2YK-23173-00	.SPINDLE, taper	1	
13	3HE-23141-00	.SPRING, front fork	1	
14	509-23158-L0	.GASKET	1	
15	3EN-23111-00	.BOLT, cap	1	
16	1FK-23142-00	.SEAT, spring upper	1	
17	1W4-23114-L0	.GASKET	1	
18	278-23161-50	.BOLT, hexagon socket head	1	
19	1WG-23118-00	.SPACER	1	
20	3HE-23103-10	FRONT FORK ASSY (R.H)	1	
21	3HE-23136-10	.TUBE, outer 2	1	
22	4H7-23119-00	..PLUG, drain	1	
23	122-23129-00	..GASKET, drain plug	1	
24	3R4-23153-00	.RING, snap	1	
25	3EN-23145-00	.OIL SEAL	1	
26	2YK-23125-00	.METAL, slide 1	1	
27	3EN-23144-00	.SEAL, dust	1	
28	4V2-23146-L0	.WASHER, oil seal	1	

D10

FIG. 27 FRONT FORK



3HE332-0270

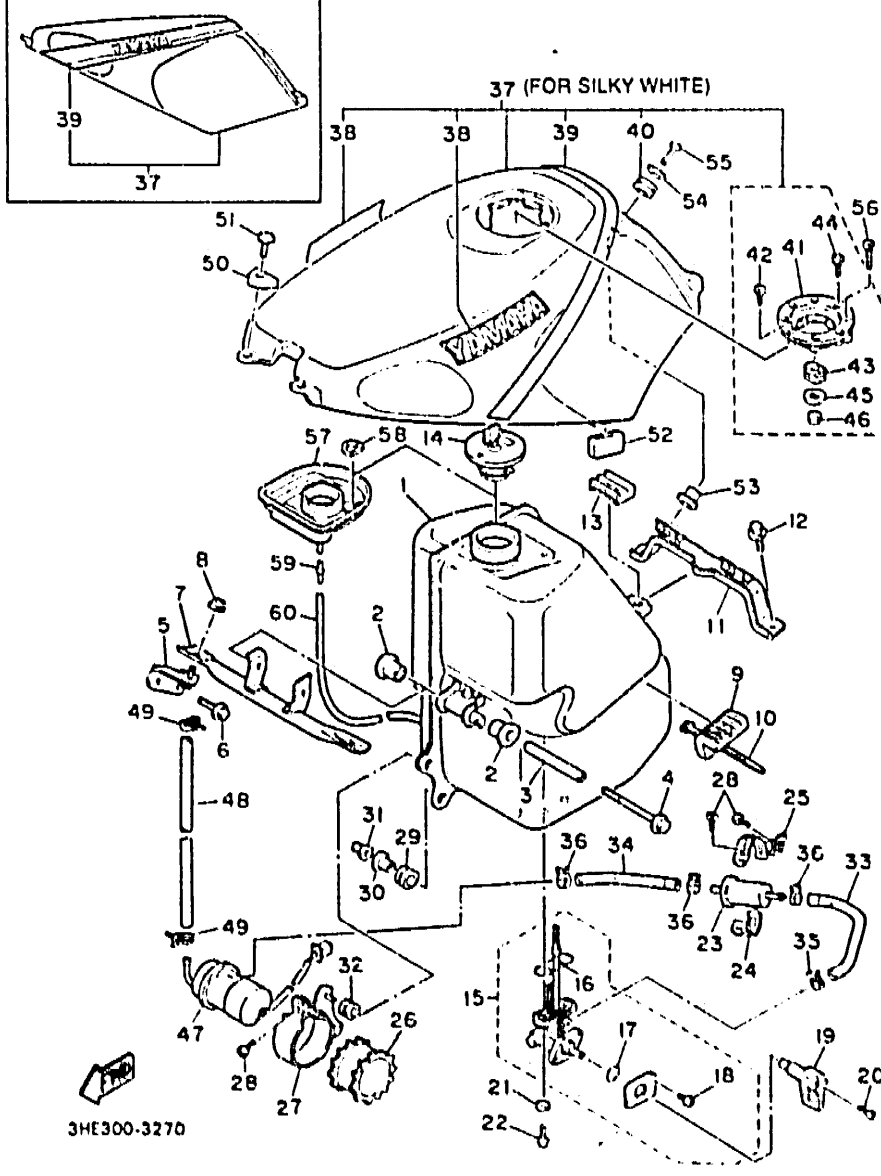
REF. NO.	PART NO.	DESCRIPTION	Q'TY	REMARKS
29	3HE-23110-00	.INNER TUBE COMP.1	1	
30	3HE-23170-00	.CYLINDER COMP., front fork	1	
31	2YK-23173-00	.SPINDLE, taper	1	
32	3HE-23141-00	.SPRING, front fork	1	
33	509-23158-L0	.GASKET	1	
34	3EN-23111-00	.BOLT, cap	1	
35	1FK-23142-00	.SEAT, spring upper	1	
36	1W4-23114-L0	.GASKET	1	
37	27B-23181-50	.BOLT, hexagon socket head	1	
38	1WG-23128-00	.BOLT, axle holder	1	
39	1WG-23118-00	.SPACER	1	
40	90201-08085	.WASHER, plate	1	
41	1WG-23340-00	UNDER BRACKET COMP.	1	
42	3Y1-23346-00	BOLT 1	2	

D11



FIG. 28 FUEL TANK

FOR BLUISH BLACK  
37. 3HE-Y21 'F-K0-MW



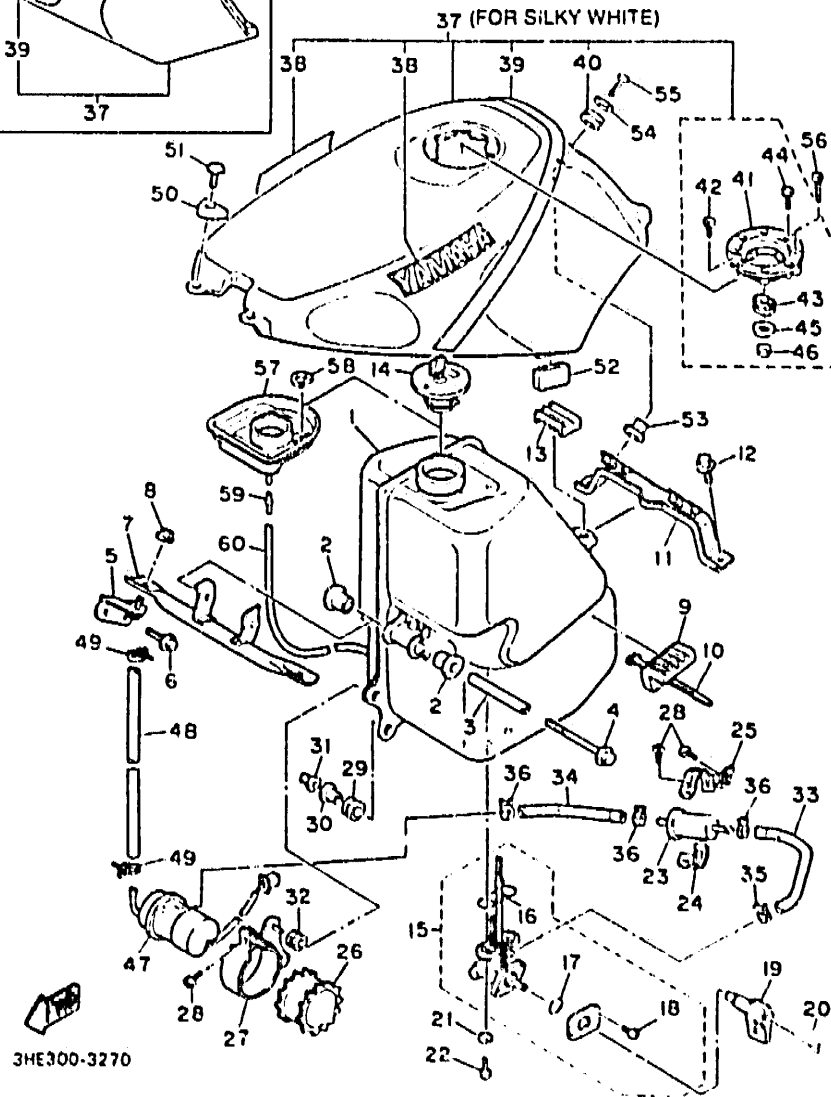
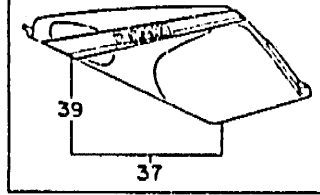
3HE300-3270

**D12**

REF. NO.	PART NO.	DESCRIPTION	Q'TY	REMARKS
1	3HE-24110-10	FUEL TANK COMP.	1	
2	1HX-24181-00	DAMPER, locating 1	2	
3	90387-06380	COLLAR	1	
4	91002-06080	BOLT, flange	1	
5	3EN-21346-00	BRACKET, tank fitting	2	
6	91001-06016	BOLT, flange	4	
7	1WG-21345-00	BRACKET, tank fitting	1	
8	90179-08410	NUT	2	
9	1HX-24182-00	DAMPER, locating 2	2	
10	90465-13169	CLAMP	2	
11	1WG-21348-00	BRACKET, tank fitting	1	
12	91001-06016	BOLT, flange	2	
13	1WG-24185-00	DAMPER, locating 5	1	
14	3HE-24602-10	CAP ASSY	1	
15	3HE-24500-00	FUEL COCK ASSY 1	1	
16	4X8-24512-00	O-RING	1	
17	3AJ-24534-00	SEAL, cock	1	
18	98503-03008	SCREW, pan head	2	
19	3HE-24524-00	LEVER, cock	1	
20	98606-04016	SCREW, oval head	1	
21	90202-05193	WASHER, plate	2	
22	90149-06011	SCREW	2	
23	1FK-24560-00	FILTER ASSY	1	
24	26H-24568-00	BAND, filter	1	
25	1WG-24566-00	BRACKET, filter	1	
26	1WG-24398-01	BAND 1	1	
27	3HE-24491-00	BRACKET, fuel pump	1	
28	98906-05014	SCREW, bind	3	

FIG. 28 FUEL TANK

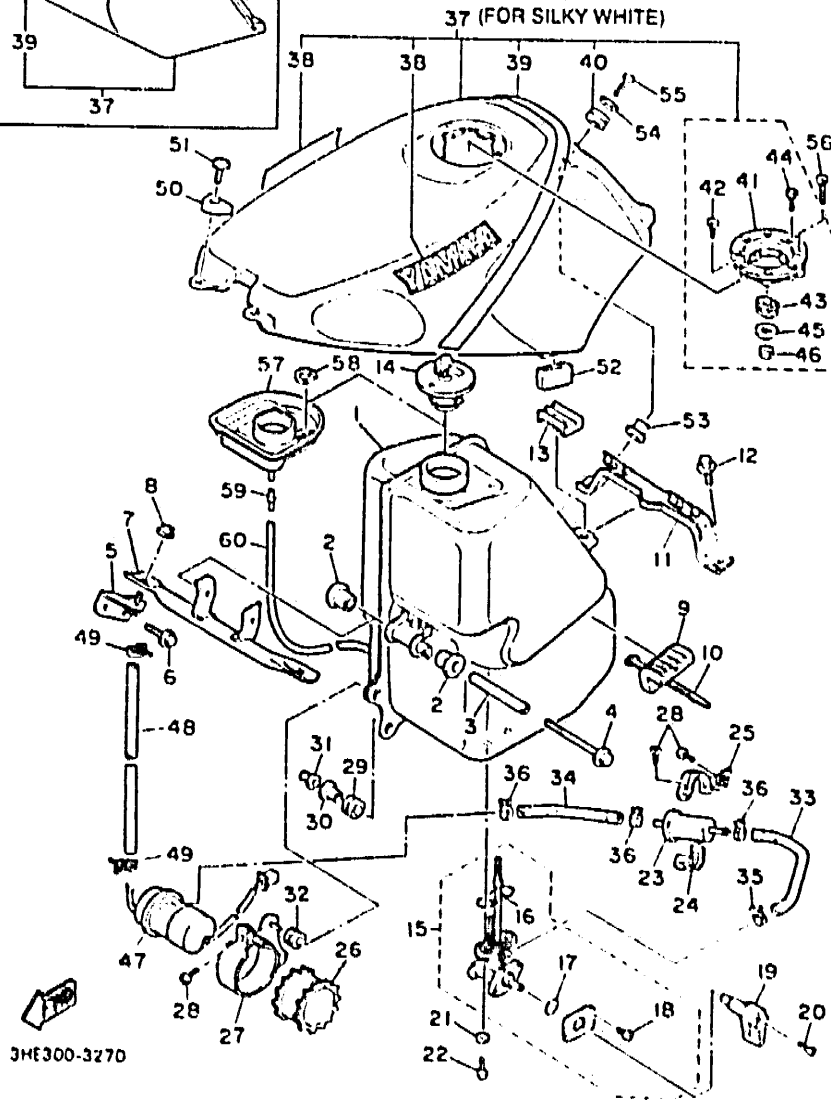
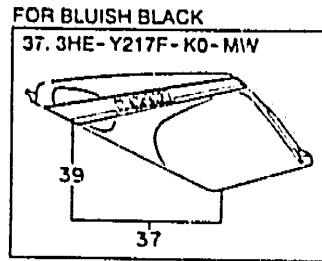
FOR BLUISH BLACK  
37. 3HE-Y217F-K0-MW



REF. NO.	PART NO.	DESCRIPTION	Q'TY	REMARKS
29	90480-14229	GROMMET	1	
30	90387-07391	COLLAR	1	
31	95706-06500	NUT, flange	1	
32	90480-11454	GROMMET	1	
33	1WG-24311-00	PIPE, fuel 1	1	
34	90445-137F4	HOSE	1	
35	90467-10135	CLIP	1	
36	90467-11044	CLIP	3	
37	3HE-Y217F-N0-0Y	COVER, top (FUEL TANK)	1	UR SILKY WHITE/ VIVID RED
	3HE-Y217F-K0-MW	COVER, top (FUEL TANK)	1	UR BLUISH BLACK
38	99226-00160	EMBLEM, yamaha	2	FOR SW
39	3HE-24244-90	GRAPHIC, fuel tank 1	1	UR FOR SW
	3HH-24244-50	GRAPHIC, fuel tank 1	1	UR FOR BID
40	90480-18495	GROMMET	2	
41	3HE-24614-00	PLATE, cap	1	
42	90110-06134	BOLT, hexagon socket head	3	
43	1WG-24665-00	DAMPER	3	
44	90110-06123	BOLT, hexagon socket head	3	
45	90201-06067	WASHER, plate	3	
46	95303-06600	NUT	3	
47	3EN-13907-00	FUEL PUMP COMP.	1	
48	90445-146F9	HOSE	1	
49	90467-13123	CLIP	2	
50	1WG-24183-00	DAMPER, locating 3	2	
51	90154-06040	SCREW, binding	2	
52	90477-21713-00	GROMMET	2	
53	90387-112R6	COLLAR	2	

D13

FIG. 28 FUEL TANK

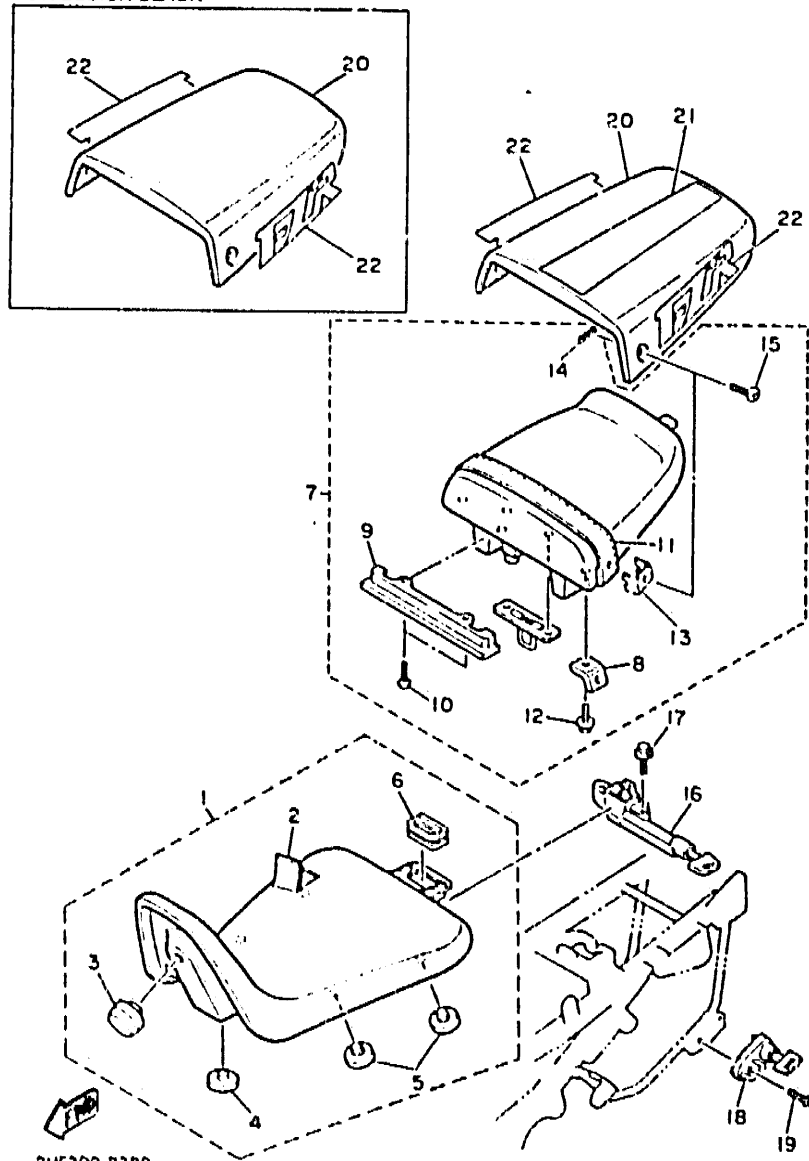


REF. NO.	PART NO.	DESCRIPTION	Q'TY	REMARKS
54	90201-06697	WASHER, plate	2	
55	98501-06025	SCREW, pan head	2	
55	90110-06170	BOLT, hexagon socket head	2	
57	1WG-2414A-00	COVER, filler	1	
58	1WG-24622-00	WASHER, ring	2	
59	90560-03220	SPACER	1	
60	90445-070F1	HOSE	1	

D14

FIG. 29 SEAT

FOR BLUISH BLACK



REF. NO.	PART NO.	DESCRIPTION	Q'TY	FFMARKS
1	3HE-24710-00	SINGLE SEAT ASSY	1	
2	3HE-24711-00	.COVER, single seat	1	
3	1T4-24741-00	.PAD, seat	1	
4	116-24741-00	.PAD, seat	1	
5	22W-24741-00	.PAD, seat	4	
6	3HE-24742-00	.GROMMET	1	
7	3HE-24750-00	TANDEM SEAT ASSY	1	
8	4K0-24749-00	.BRACKET, seat	2	
9	3HE-24796-00	.COVER	1	
10	90154-05032	.SCREW, binding	2	
11	3HE-24734-00	.BAND, seat	1	
12	95811-06016	.BOLT, flange	2	
13	4L0-24712-11	.PLATE	2	
14	90468-10050	.CLIP	2	
15	47X-24739-00	.BOLT, seat fitting	2	
16	3HE-24705-02	SEAT LOCK ASSY	1	
17	91002-06030	BOLT, flange	2	
18	26H-21308-00	HELMET HANGER ASSY	1	
19	90149-06150	SCREW	1	
20	3HE-24791-00-GE	COVER, seat back	1	UR SILKY WHITE
	3HE-24791-00-MW	COVER, seat back	1	UR BLUISH BLACK
21	3HE-2478M-71	SEAT GRAPHIC SET	1	FOR SW
22	3HE-2467G-80	EMBLEM	2	UR FOR SW
	3MH-24786-10	EMBLEM	2	UR FOR 91B

# CONTENTS

## ENGINE

Cylinder Head .....	B2
Cylinder .....	B3
Crankshaft · Piston .....	B4
Valve .....	B5 ~ B6
Camshaft · Chain .....	B7
Water Pump .....	B8
Radiator · Hose .....	B9
Oil Pump .....	B10
Oil Cooler .....	B11
Intake .....	B12
Emission Control Device .....	B13 ~ B14
Carburetor .....	B15 ~ C2
Exhaust .....	C3
Crankcase .....	C4 ~ C5
Crankcase Cover 1 .....	C6 ~ C7
Starter Clutch .....	C8
Clutch .....	C9
Transmission .....	C10 ~ C11
Shift Cam · Fork .....	C12
Shift Shaft .....	C13

## CHASSIS

Frame .....	C14 ~ C15
Fender .....	D2 ~ D3
Side Cover .....	D4 ~ D5
Rear Arm .....	D6 ~ D7
Rear Suspension .....	D8

Steering .....	D9
Front Fork .....	D10 ~ D11
Fuel Tank .....	D12 ~ D14
Seat .....	D15
Front Wheel .....	E2
Front Brake Caliper .....	E3
Rear Wheel .....	E4 ~ E5
Rear Brake Caliper .....	E6
Steering Handle · Cable .....	E7
Front Master Cylinder .....	E8
Stand · Footrest .....	E9 ~ E10
Rear Master Cylinder .....	E11
Cowling 1 .....	E12 ~ E14
Generator .....	E15
Starting Motor .....	F2
Flasher Light .....	F3
Meter .....	F4 ~ F5
Headlight .....	F6
Taillight .....	F7
Handle Switch · Lever .....	F8
Electrical 1 .....	F9
Electrical 2 .....	F10

## INDEX

NUMERICAL INDEX .....	L1 ~ L4
-----------------------	---------

# CONTENTS

## ENGINE

Cylinder Head .....	B2
Cylinder .....	B3
Crankshaft · Piston .....	B4
Valve .....	B5 ~ B6
Camshaft · Chain .....	B7
Water Pump .....	B8
Radiator · Hose .....	B9
Oil Pump .....	B10
Oil Cooler .....	B11
Intake .....	B12
Emission Control Device .....	B13 ~ B14
Carburetor .....	B15 ~ C2
Exhaust .....	C3
Crankcase .....	C4 ~ C5
Crankcase Cover 1 .....	C6 ~ C7
Starter Clutch .....	C8
Clutch .....	C9
Transmission .....	C10 ~ C11
Shift Cam · Fork .....	C12
Shift Shaft .....	C13

## CHASSIS

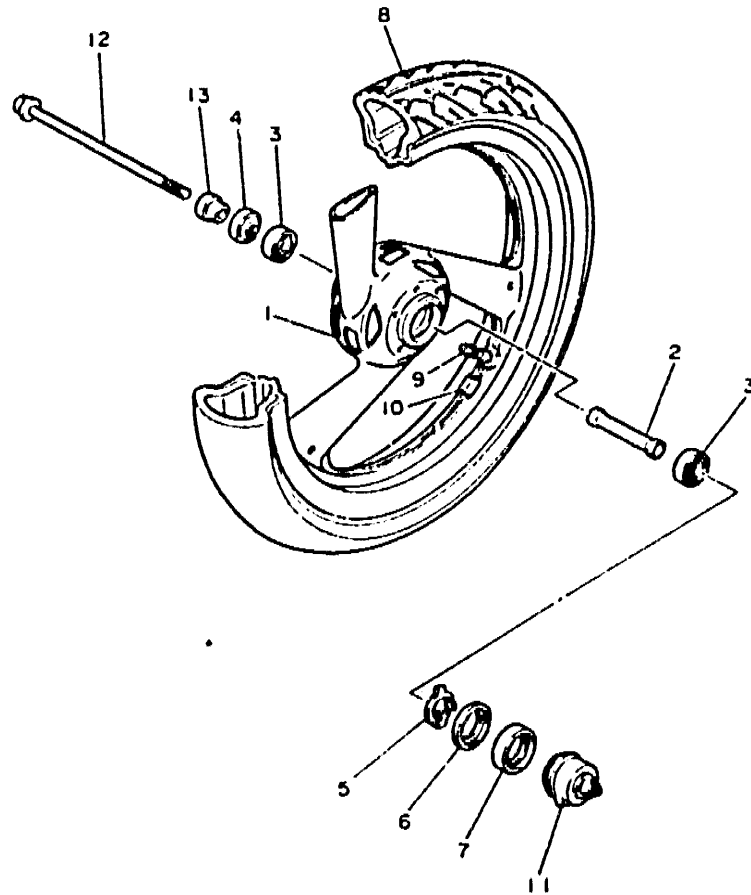
Frame .....	C14 ~ C15
Fender .....	D2 ~ D3
Side Cover .....	D4 ~ D5
Rear Arm .....	D6 ~ D7
Rear Suspension .....	D8

Steering .....	D9
Front Fork .....	D10 ~ D11
Fuel Tank .....	D12 ~ D14
Seat .....	D15
Front Wheel .....	E2
Front Brake Caliper .....	E3
Rear Wheel .....	E4 ~ E5
Rear Brake Caliper .....	E6
Steering Handle · Cable .....	E7
Front Master Cylinder .....	EC
Stand · Footrest .....	E9 ~ E10
Rear Master Cylinder .....	E11
Cowling 1 .....	E12 ~ E14
Generator .....	E15
Starting Motor .....	F2
Flasher Light .....	F3
Meter .....	F4 ~ F5
Headlight .....	F6
Taillight .....	F7
Handle Switch · Lever .....	F8
Electrical 1 .....	F9
Electrical 2 .....	F10

## INDEX

NUMERICAL INDEX .....	L1 ~ L4
-----------------------	---------

FIG. 30 FRONT WHEEL



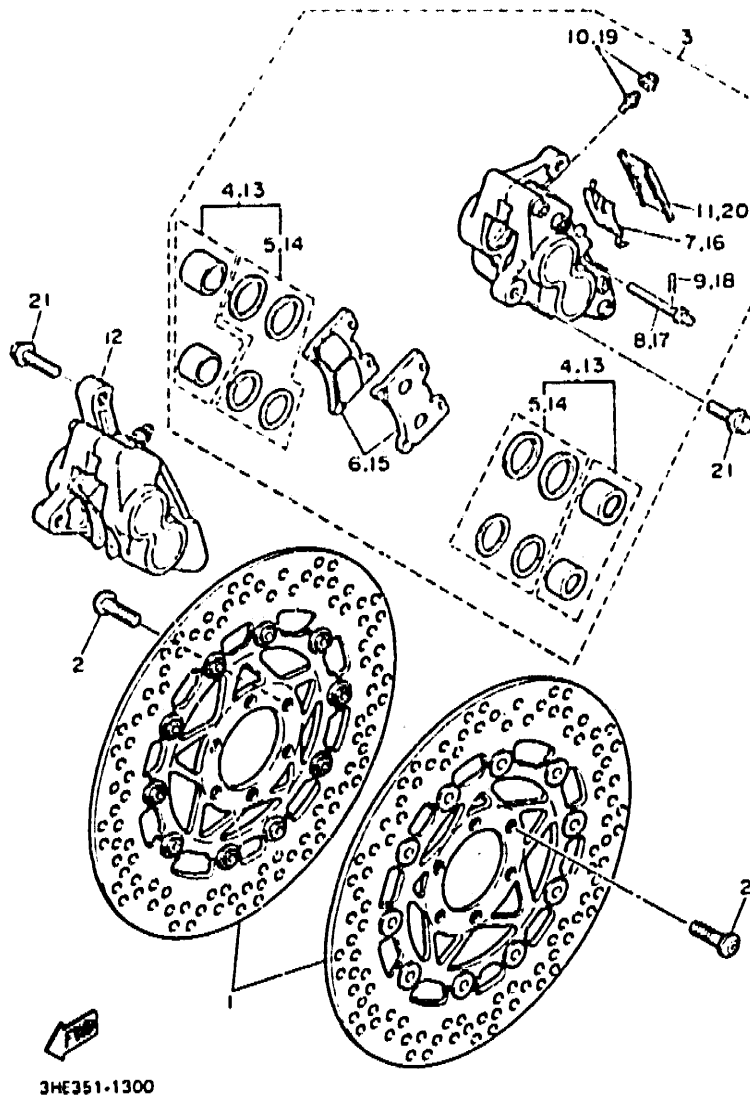
REF. NO.	PART NO.	DESCRIPTION	QTY	REMARKS
1	3HE-25168-00-P0	CAST WHEEL, front	1	UR DEEP REDDISH PURPLE SOLID 1 FOR B18 UR ROMANTIQUE ROUGE FOR SW
	3HE-25168-00-TR	CAST WHEEL, front	1	
2	90560-15314	SPACER	1	
3	93306-30203	BEARING (B6302Z)	2	
4	93102-22014	OIL SEAL	1	
5	341-25149-00	CLUTCH, meter	1	
6	341-25846-00	RETAINER, clutch	1	
7	93105-45017	OIL SEAL	1	
8	*	TIRE (110/70 ZR17 MP7SPORT)	1	LM PIRELLI
9	93900-00030	VALVE, rim	1	
10	29L-25398-00	BALANCER, wheel (10G)	1	UR
	29L-25398-10	BALANCER, wheel (20G)	1	UR
	29L-25398-20	BALANCER, wheel (30G)	1	UR
11	1WG-25190-00	GEAR UNIT ASSY	1	
12	42X-25181-00	AXLE, wheel	1	
13	90387-15550	COLLAR	1	



3HE332-9300

**E2**

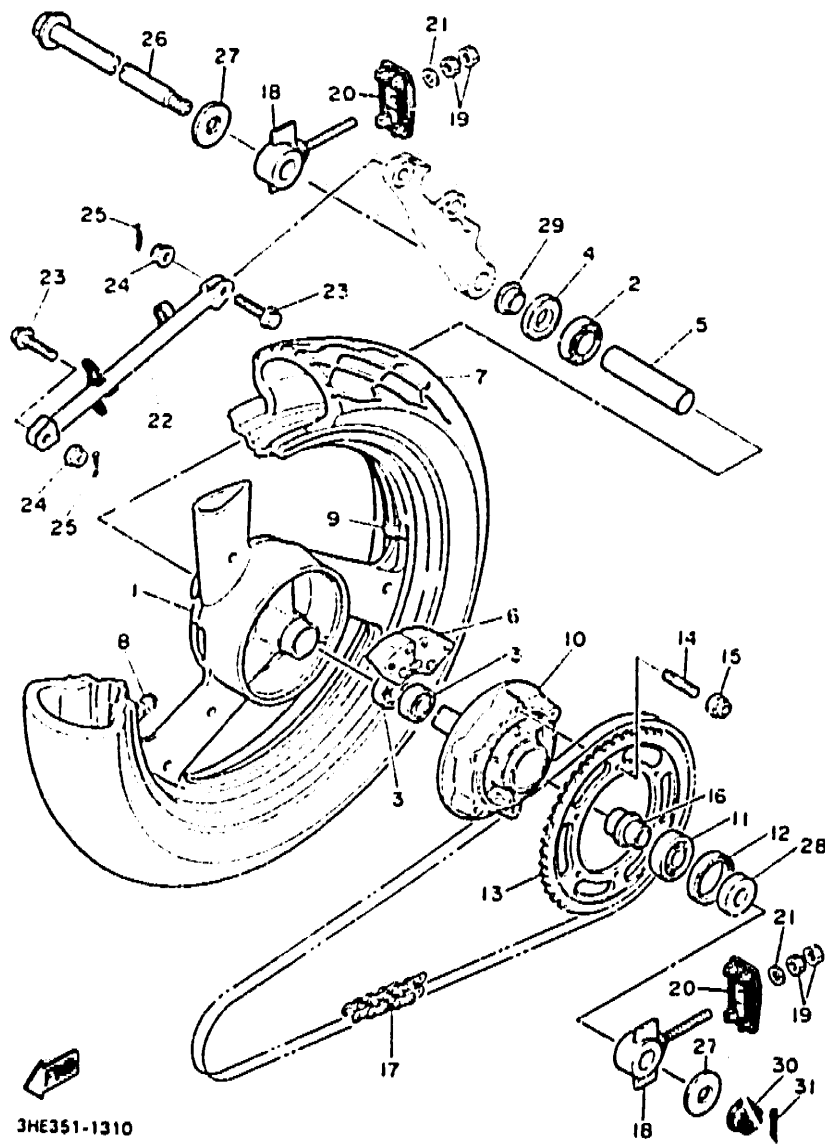
FIG. 31 FRONT BRAKE CALIPER



REF. ITC.	PART NO.	DESCRIPTION	QTY	REMARKS
1	3HE-2581T-00	DISC BRAKE ASSY (LEFT)	2	
2	90109-08718	BOLT	12	
3	3HE-2580T-51	CALIPER ASSY (LEFT)	1	
4	3HE-W0057-50	.PISTON ASSY, caliper	2	
5	3HE-W0047-50	..CALIPER SEAL KIT	2	
6	3GM-W0045-01	.BRAKE PAD KIT	1	
7	3GM-25919-00	.SUPPORT, pad	1	
8	3HE-25924-00	.PIN, pad	2	
9	3GM-25925-00	.CLIP	2	
10	1J3-W0048-00	.BREED SCREW KIT	1	
11	1KT-25836-00	.COVER, dust	1	
12	3HE-2580U-51	CALIPER ASSY (RIGHT)	1	
13	3HE-W0057-50	.PISTON ASSY, caliper	2	
14	3HE-W0047-50	..CALIPER SEAL KIT	2	
15	3GM-W0045-01	.BRAKE PAD KIT	1	
16	3GM-25919-00	.SUPPORT, pad	1	
17	3HE-25924-00	.PIN, pad	2	
18	3GM-25925-00	.CLIP	2	
19	1J3-W0048-00	.BREED SCREW KIT	1	
20	1KT-25836-00	.COVER, dust	1	
21	90105-10308	BOLT, washer based	4	

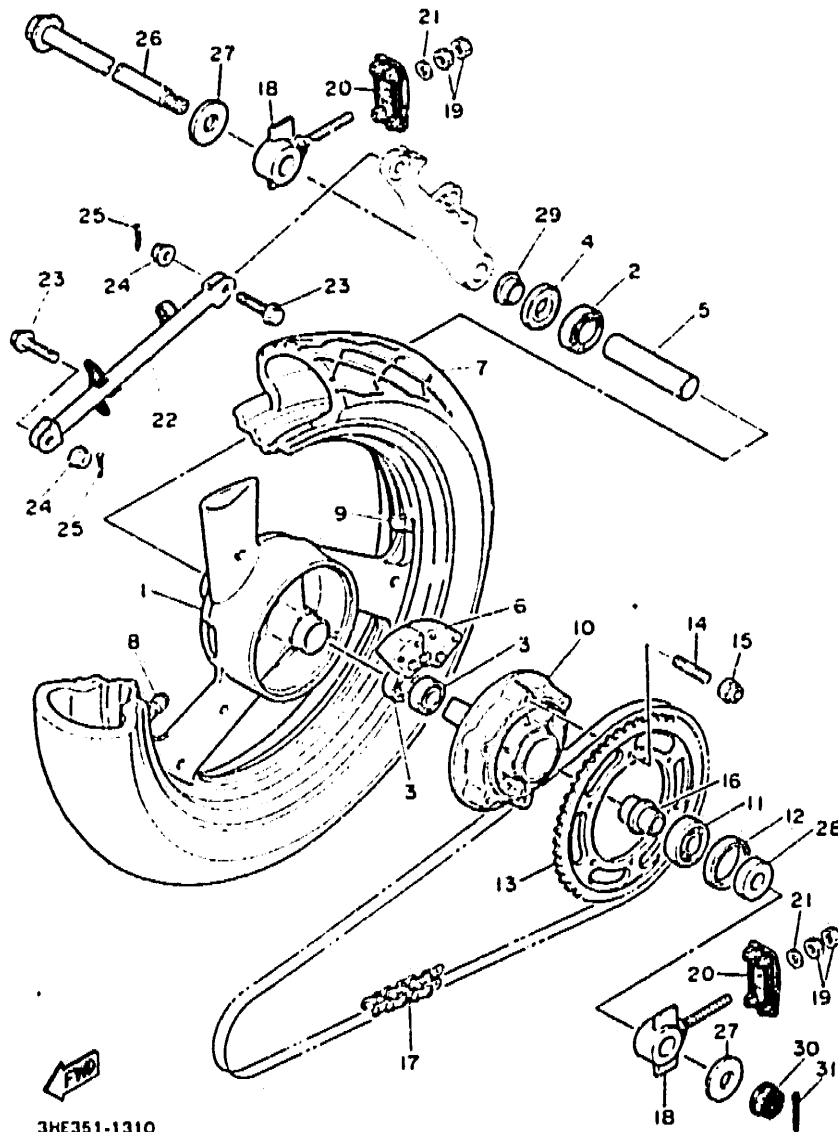


FIG. 32 REAR WHEEL



REF. NO.	PART NO.	DESCRIPTION	QTY	REMARKS
1	3HE-25338-50-P0	CAST WHEEL, rear	1	UR DEEP REDDISH PURPLE
	3HE-25338-50-TR	CAST WHEEL, rear	1	SOLID 1 FOR B1B UR ROMANTIQUE ROUGE FOR SW
2	93306-30306	BEARING (B6303)	1	
3	93306-20310	BEARING (B8203DU)	2	
4	93102-25044	OIL SEAL	1	
5	90387-174V8	COLLAR	1	
6	1UF-25364-00	DAMPER	3	
7	*	TIRE (140/60 ZR18 MP7SPORT)	1	LM PIRELLI
8	93900-00030	VALVE, rim	1	
9	29L-25398-00	BALANCER, wheel (10G)	1	UR
	29L-25398-10	BALANCER, wheel (20G)	1	UR
	29L-25398-20	BALANCER, wheel (30G)	1	UR
10	1UF-25368-00	CLUTCH, hub	1	
11	93306-37207	BEARING	1	
12	93105-42024	OIL SEAL	1	
13	1AE-25445-21	SPROCKET, driven (45T)	1	
14	90116-10485	BOLT, stud	6	
15	95601-10200	NUT, self-locking	6	
16	90387-177K0	COLLAR	1	
17	94581-42106	CHAIN (D.I.D 50 VA-6-106L)	1	
18	3HH-25388-00	PULLER, chain 1	2	
19	95303-08600	NUT	4	
20	3HH-22174-00	END 1	2	
21	92901-08600	WASHER, plate	2	
22	3HE-25371-50	BAR, tension	1	
23	90105-08321	BOLT, washer based	2	
24	96701-08500	NUT, flange	2	
25	91401-20015	PIN, cotter	2	
26	3HE-25381-00	AXLE, wheel	1	

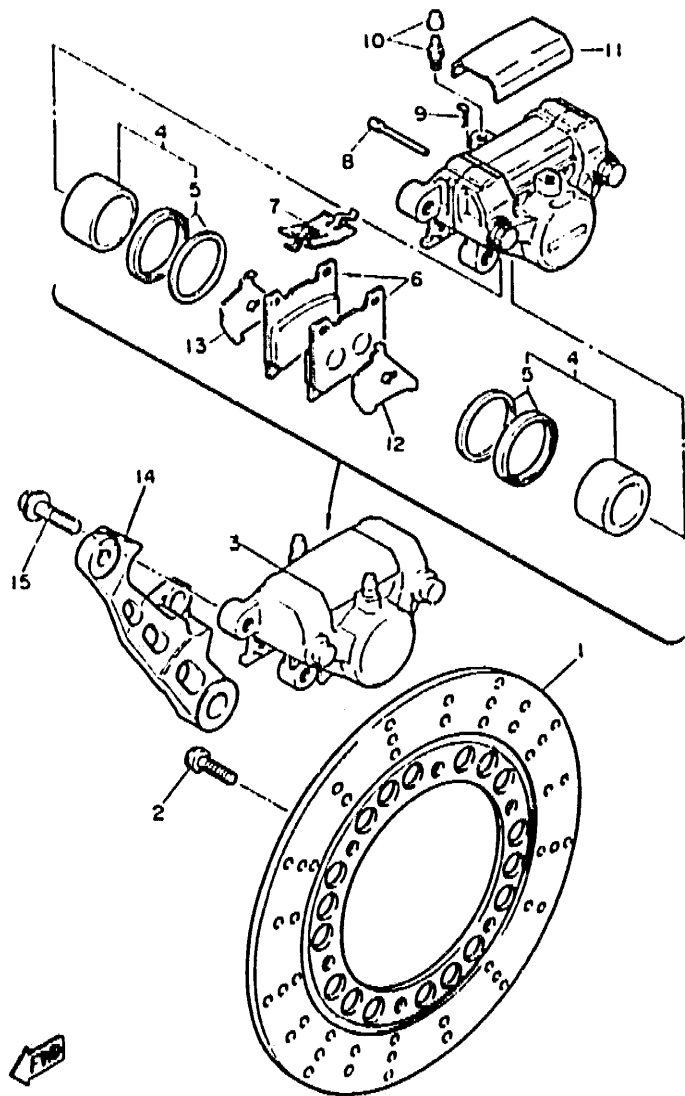
FIG. 32 REAR WHEEL



REF. NO.	PART NO.	DESCRIPTION	QTY	REMARKS
27	90201-177K7	WASHER, plate	2	
28	90387-177Y5	COLLAR	1	
29	90387-173L5	COLLAR	1	
30	90171-160Z4	NUT, castle	1	
31	91401-30030	PIN, cotter	1	

E5

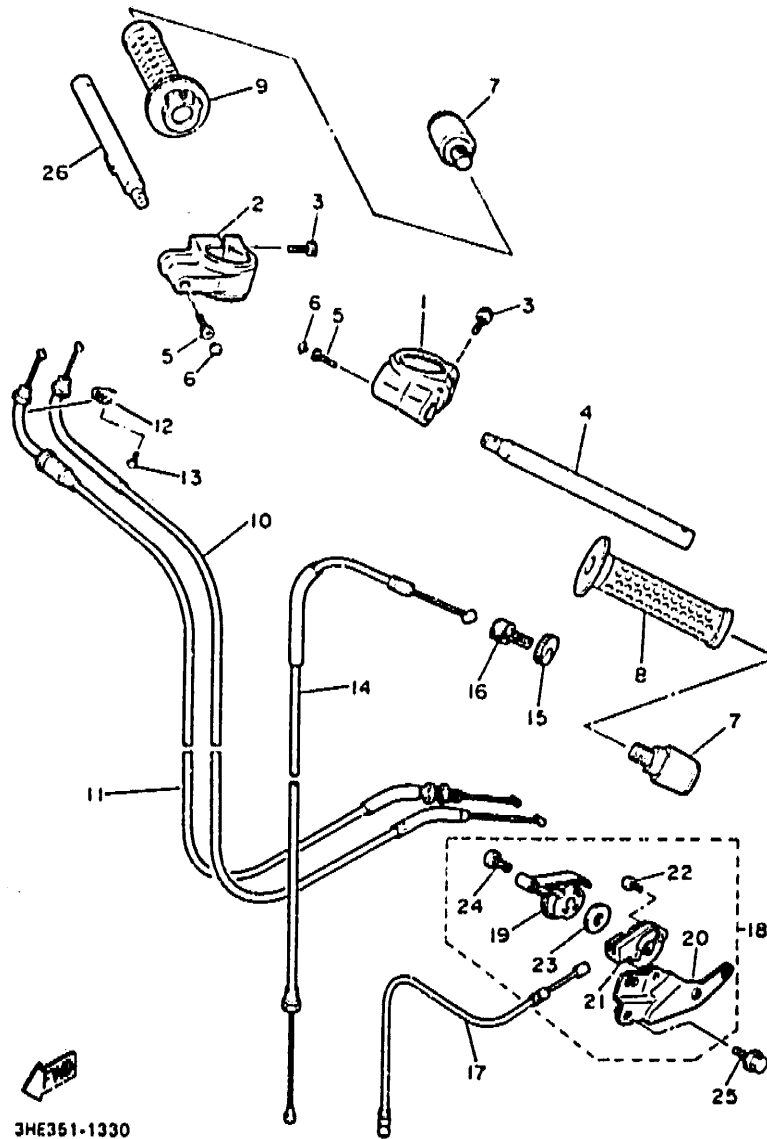
FIG. 33 REAR BRAKE CALIPER



3HE351-0330

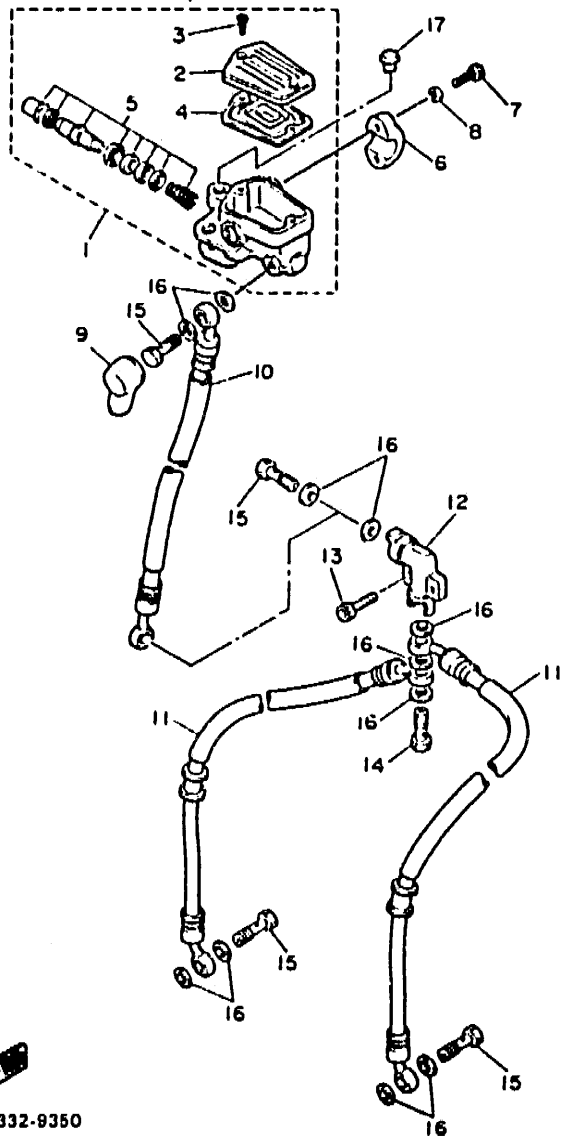
REF. NO.	PART NO.	DESCRIPTION	QTY	REMARKS
1	2NX-25831-00	DISC, brake (RIGHT)	1	
2	90109-08718	BOLT	6	
3	3HE-2580W-00	CALIPER ASSY, rear 2	1	
4	31A-W0057-00	.PISTON ASSY, caliper	1	
5	31A-W0047-00	..CALIPER SEAL KIT	1	
6	1FK-W0046-01	.BRAKE PAD KIT, 2	1	
7	1WG-25919-00	.SUPPORT, pad	1	
8	3HE-25924-00	.PIN, pad	2	
9	3HE-25925-00	.CLIP	2	
10	1J3-W0048-00	.BREED SCREW KIT	2	
11	51J-25836-00	.COVER, dust	1	
12	1FK-25827-00	.SHIM, caliper	1	
13	1FK-25828-00	.SHIM, caliper	1	
14	3HE-25819-01	BRACKET, caliper	1	
15	90105-10308	BOLT, washer based	2	

FIG. 34 STEERING HANDLE - CABLE



REF. NO.	PART NO.	DESCRIPTION	QTY	REMARKS
1	3HE-23121-00	BOSS, handle (LEFT)	1	
2	3HE-26122-00	BOSS, handle (RIGHT)	1	
3	91211-06020	BOLT	4	
4	3HE-26.11-00	HANDLEBAR	1	
5	91316-08625	BOLT	2	
6	341-23469-00	CAP. bolt	2	
7	51J-26246-00	END, grip	2	
8	1KG-26241-00	GRIP (LEFT)	1	
9	3FH-26240-00	GRIP ASSY	1	
10	3EN-26311-00	CABLE, throttle 1	1	
11	3HE-26312-00	CABLE, throttle 2	1	
12	5HO-26383-00	HOLDER	1	
13	98500-05008	SCREW, pan head	1	
14	3HE-26335-01	CABLE, clutch	1	
15	90179-08316	NUT	1	
16	90123-08083	BOLT	1	
17	3EN-26331-00	CABLE, starter 1	1	
18	3HE-83940-00	STARTER ASSY	1	
19	1WG-83941-00	LEVER, starter	1	
20	3HE-28357-00	STAY 2	1	
21	1WG-83942-00	COVER, starter	1	
22	98906-03006	SCREW, bind	2	
23	90209-10131	WASHER	1	
24	98906-06006	SCREW, bind	1	
25	95826-06020	BOLT, flange	1	
26	3HE-26112 00	BAR, handle	1	

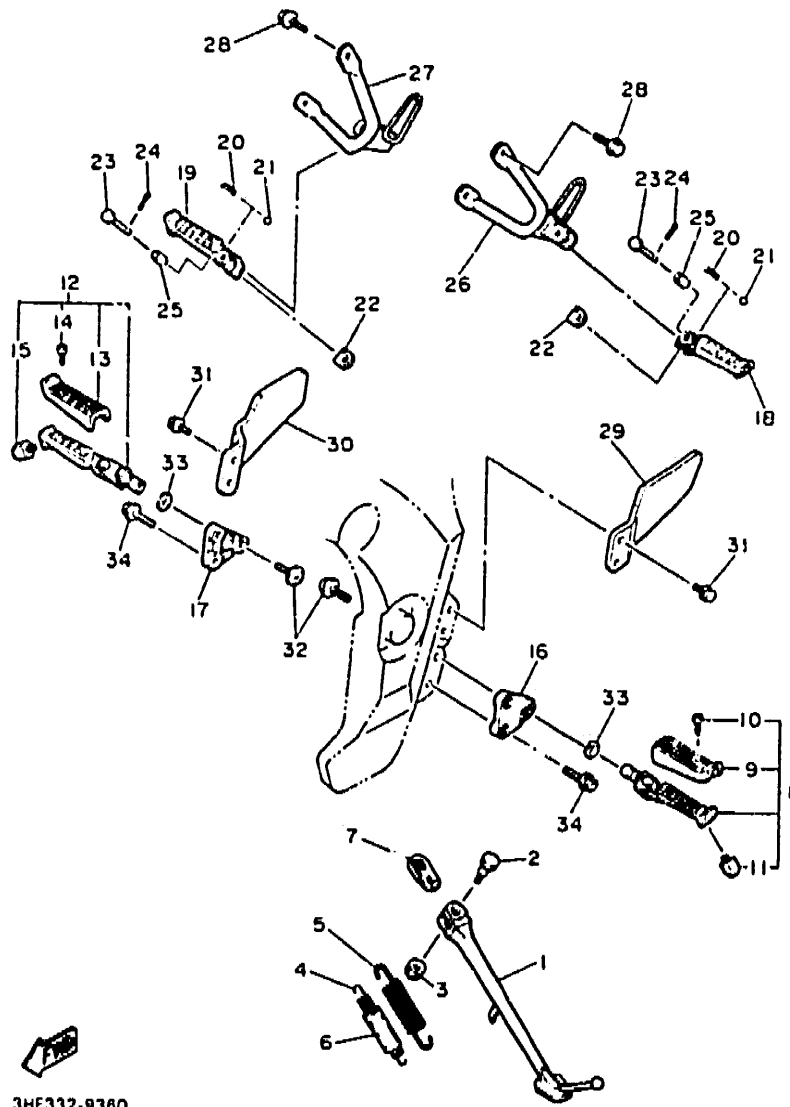
FIG. 35 FRONT MASTER CYLINDER



3HE332-9350

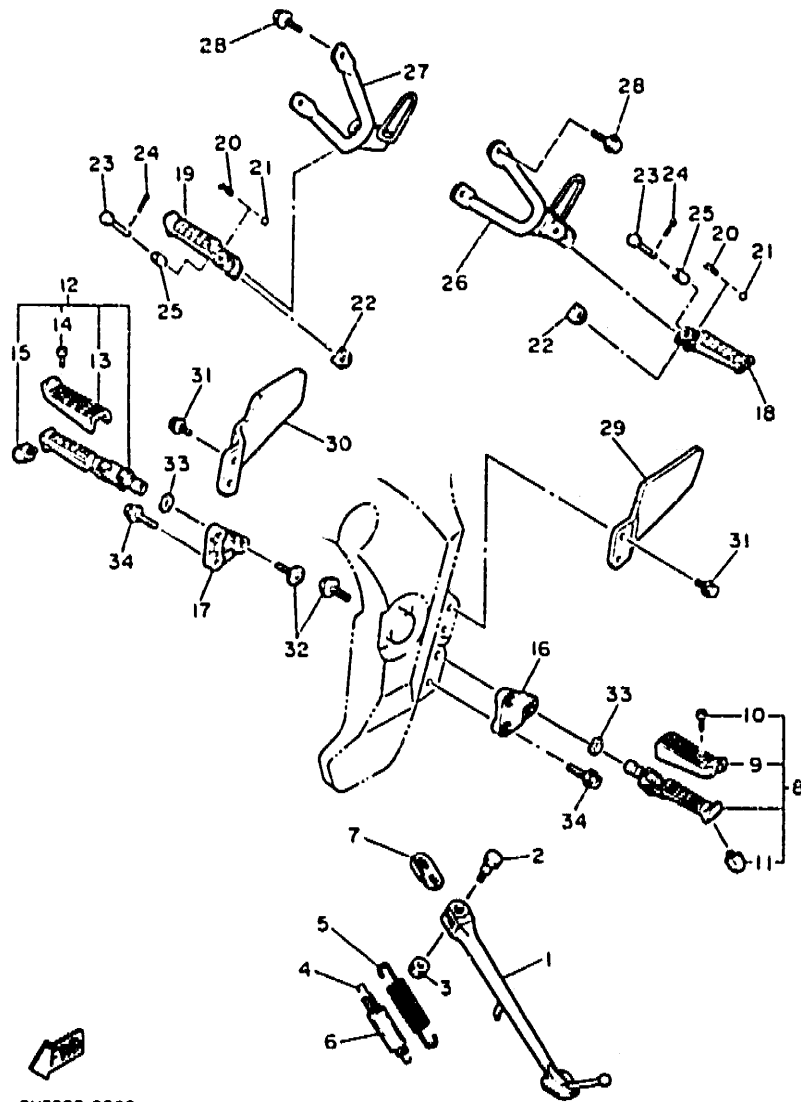
REF. NO.	PART NO.	DESCRIPTION	Q'TY	REMARKS
1	3HE-2583T-00	MASTER CYLINDER ASSY	1	
2	3HE-25852-00	.CAP, reservoir	1	
3	98706-04012	.SCREW, flat head	2	
4	36Y-25854-00	.DIAPHRAGM, reservoir	1	
5	36Y-W0041-00	.CYLINDER KIT, master	1	
6	36Y-25807-00	BRACKET, master cylinder	1	
7	91311-04025	BOLT	2	
8	9250J-06100	WASHER, spring	2	
9	4L0-25862-00	BOOT, master cylinder	1	
10	3HE-25872-01	HOSE, brake 1	1	
11	3HE-25873-11	HOSE, brake 2	2	
12	11U-25885-00	JOINT	1	
13	91316-06025	BOLT	2	
14	90401-10044	BOLT, union	1	
15	90401-10034	BOLT, union	4	
16	90201-10118	WASHER, plate	11	
17	90338-09012	PLUG	2	

FIG. 36 STAND . FOOTREST



REF. NO.	PART NO.	DESCRIPTION	Q'TY	REMARKS
1	2KT-27311-00	STAND, side	1	
2	90109-10474	BOLT	1	
3	90185-10037	NUT, self-locking	1	
4	90508-18224	SPRING, tension	1	
5	90508-26225	SPRING, tension	1	
6	1TX-27351-00	GUIDE, side stand	1	
7	2KT-27315-00	LINK, side stand	1	
8	3HE-27410-00	FRONT FOOTREST ASSY (LEFT)	1	
9	2GH-27413-00	.COVER, footrest	1	
10	90157-05079	.SCREW, pan head	2	
11	3HE-27435-00	.BOLT	1	
12	3HE-27420-00	FRONT FOOTREST ASSY (RIGHT)	1	
13	2GH-27413-00	.COVER, footrest	1	
14	90157-05079	.SCREW, pan head	2	
15	3HE-27435-00	.BOLT	1	
16	3HE-27442-00	BRACKET 2	1	
17	3HE-27443-00	BRACKET 3	1	
18	1HX-27431-00	FOOTREST, rear 1	1	
19	1HX-27441-00	FOOTREST, rear 2	1	
20	90501-12743	SPRING, compression	2	
21	93501-04011	BALL	2	
22	1HX-27437-00	WASHER, special	2	
23	91701-08035	PIN, clevis	2	
24	91401-20015	PIN, cotter	2	
25	90387-084H8	COLLAR	2	
26	3HE-2741L-00	BRACKET 4	1	
27	3HE-2742L-01	BRACKET 5	1	
28	95821-08025	BOLT, flange	4	

FIG. 36 STAND • FOOTREST

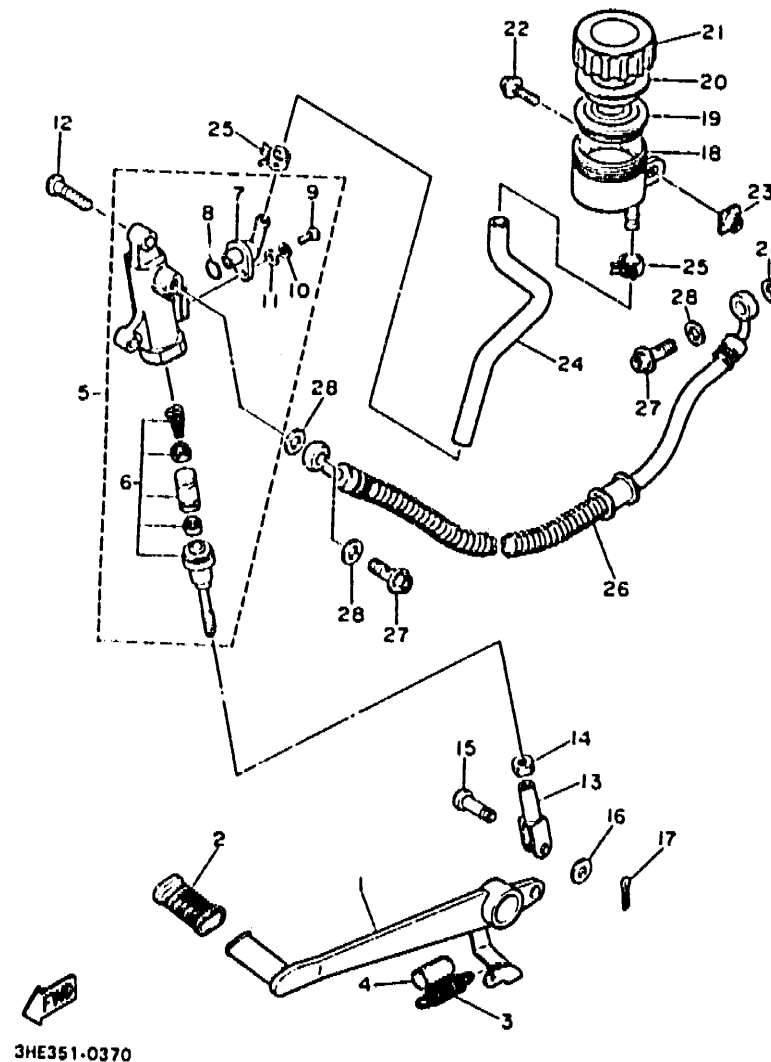


3HE332-9360

REF. NO.	PART NO.	DESCRIPTION	Q'TY	REMARKS
29	3HE-27446-01	PLATE 1	1	
30	3HE-27448-01	PLATE 2	1	
31	95023-08018	BOLT	4	
32	90109-103A9	BOLT	2	
33	90206-17084	WASHER, wave	2	
34	95023-08025	BOLT	4	

E10

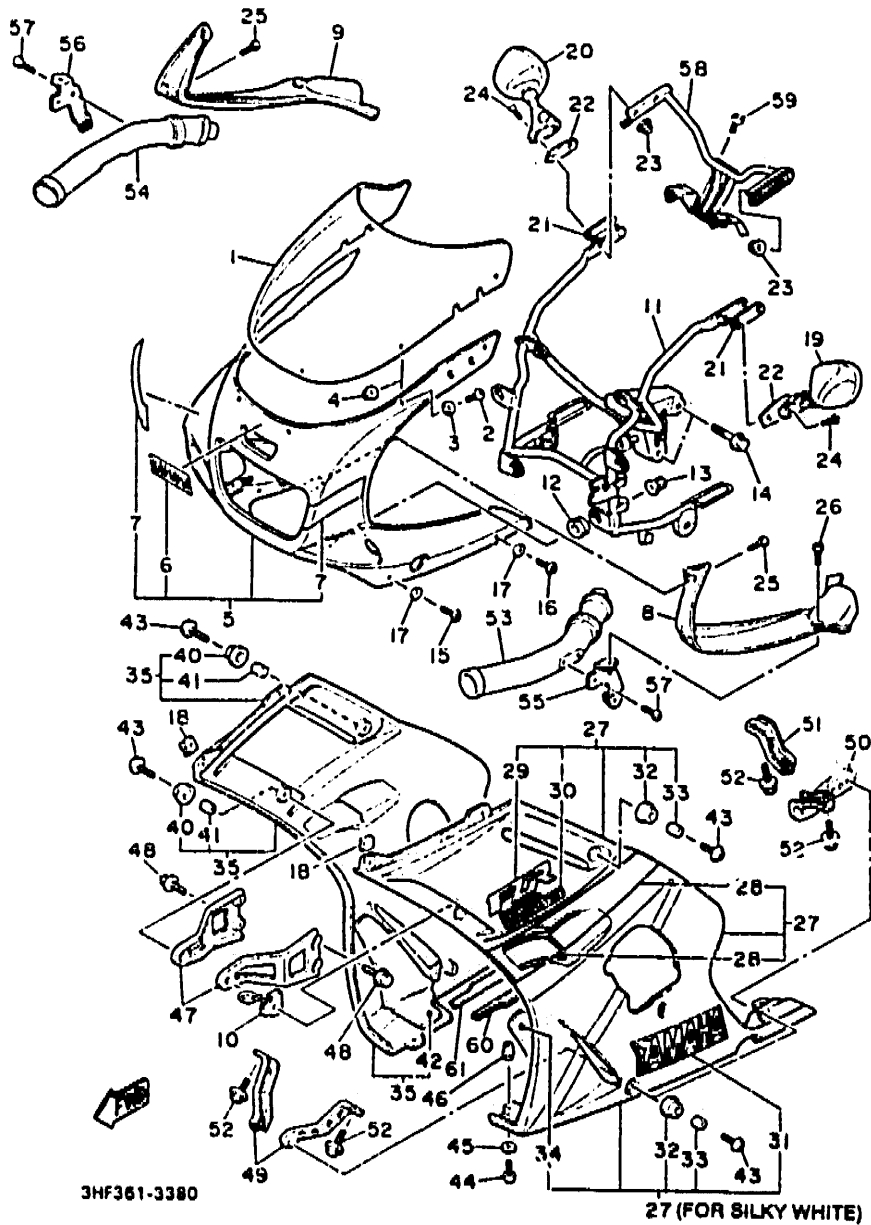
FIG. 37 REAR MASTER CYLINDER



R.F. NO.	PART NO.	DESCRIPTION	QTY	REMARKS
1	3HE-27211-00	PEDAL, brake	1	
2	22N-18113-00	COVER, shift pedal	1	
3	90506-20377	SPRING, tension	1	
4	90446-17287	HOSE	1	
5	1WG-25850-50	MASTER CYLINDER ASSY	1	
6	1WG-W0042-50	.CYLINDER KIT, master	1	
7	36Y-2582A-50	.JOINT	1	
8	93210-15620	.O-RING	1	
9	98511-04012	.SCREW, pan head	1	
10	92901-04100	.WASHER, spring	1	
11	92901-04600	.WASHER, plate	1	
12	92016-08025	SCREW	2	
13	31A-27222-00	JOINT	1	
14	95303-08700	NUT	1	
15	90240-08013	PIN, clevis	1	
16	90201-02083	WASHER, plate	1	
17	91401-20015	PIN, cotter	1	
18	31A-25894-01	TANK, reservoir	1	
19	360-25854-00	DIAPHRAGM, reservoir	1	
20	2GU-25855-00	BUSH, diaphragm	1	
21	2KF-25852-50	CAP, reservoir	1	
22	90159-06056	SCREW, with washer	1	
23	31A-14477-00	PLATE	1	
24	1WG-25895-00	HOSE, reservoir	1	
25	90487-14057	CLIP	2	
26	3HE-25872-60	HOSE, brake 1	1	
27	90401-10096	BOLT, union	2	
28	90201-10118	WASHER, plate	4	



FIG. 38 COWLING 1



REF. NO.	PART NO.	DESCRIPTION	QTY	REMARKS
1	3HE-28381-50	WINDSHIELD	1	
2	90149-05273	SCREW	6	
3	3HX-28215-00	WASHER, special	6	
4	95706-05500	NUT, flange	6	
5	3HE-Y283G-G0-MW	BODY, front upper 1	1	UR BLUISH BLACK
	3HE-Y283G-FO-OX	BODY, front upper 1	1	UR SILKY WHITE/ VIVID RED
6	99236-00080	.EMBLEM, yamaha	1	
7	3HE-28390-A0	.GRAPHIC SET, cowling	1	UR FOR BIB
	3HE-28390-90	.GRAPHIC SET, cowling	1	UR FOR SW
8	3HE-2835U-50	PANEL 1	1	
9	3HE-2835V-50	PANEL 2	1	
10	3HE-21598-00	HOLDER	1	
11	3HE-78358-50	STAY 1	1	
12	90480-14229	GROMMET	4	
13	90179-06499	NUT	4	
14	90105-08652	FOLT, washer based	2	
15	0-05201	BOLT, hexagon socket head	2	
16	90149-05299	SCREW	2	
17	90202-05180	WASHER, plate	4	
18	90183-05024	NUT, spring	2	
19	3HE-28280-00	REAR VIEW MIRROR ASSY(LEFT)	1	UR WHITE
	3HE-28280-10	REAR VIEW MIRROR ASSY(LEFT)	1	UR BLACK
20	3HE-28280-00	REAR VIEW MIRROR ASSY(RIGHT)	1	UR WHITE
	3HE-28290-10	REAR VIEW MIRROR ASSY(RIGHT)	1	UR BLACK
21	3CV-28298-00	PLATE, mirror fitting 1	2	
22	3CV-28299-00	PLATE, mirror fitting 2	2	
23	90178-06066	NUT, crown	4	

FIG. 38 COWLING 1

REF. NO.	PART NO.	DESCRIPTION	QTY	REMARKS
24	98706-06030	SCREW, flat head	4	
25	90167-05041	SCREW, tapping	4	
26	90110-05201	BOLT, hexagon socket head	2	
27	3EN-Y283J-V1-9X	BGDY, front lower 1	1	UR SILKY WHITE/ VIVID RED
	3EN-Y283J-U1-MW	BODY, front lower 1	1	UR BLUISH BLACK
28	3HE-28301-90	.GRAPHIC SET, lower cover 1	1	UR FOR SW
	3HH-28301-50	.GRAPHIC SET, lower cover 1	1	UR FOR BIB
29	3HE-28315-90	.EMBLEM (FZR)	1	UR FOR SW
	3HH-28315-50	.EMBLEM (FZR)	1	UR FOR BIB
30	3LG-28328-00	.EMBLEM (DELTABOX COMBINATION)	11	FOR SW
31	99236-00240	.EMBLEM, yamaha	1	UR FOR SW
	99236-00220	.EMBLEM, yamaha	1	UR FOR BIB
32	90460-13398	.GROMMET	4	
33	90387-067K6	.COLLAR	4	
34	3HE-2848K-00	.SEAT 2	1	
35	3EN-Y283K-V0-9X	BODY, front lower 2	1	UR SILKY WHITE/ VIVID RED
	3EN-Y283K-U0-MW	BODY, front lower 2	1	UR BLUISH BLACK
36	3HE-28303-90	.GRAPHIC SET, lower cover 2	1	UR FOR SW
	3HH-28303-50	.GRAPHIC SET, lower cover 2	1	UR FOR BIB
37	3HE-28315-90	.EMBLEM (FZR)	1	UR FOR SW
	3HH-28315-50	.EMBLEM (FZR)	1	UR FOR BIB
38	3LG-28328-00	.EMBLEM (DELTABOX COMBINATION)	1	FOR SW
39	99236-00240	.EMBLEM, yamaha	1	UR FOR SW
	99236-00220	.EMBLEM, yamaha	1	UR FOR BIB
40	90460-13398	.GROMMET	4	
41	90387-067K6	.COLLAR	4	
42	3HE-2848L-00	.SEAT 3	1	
43	90110-06200	BOLT, hexagon socket head	8	
44	90149-06299	SCREW	2	
45	90202-06180	WASHER, plate	2	
46	90179-06621	NUT	2	
47	3HE-2831U-00	STAY, side 1	2	

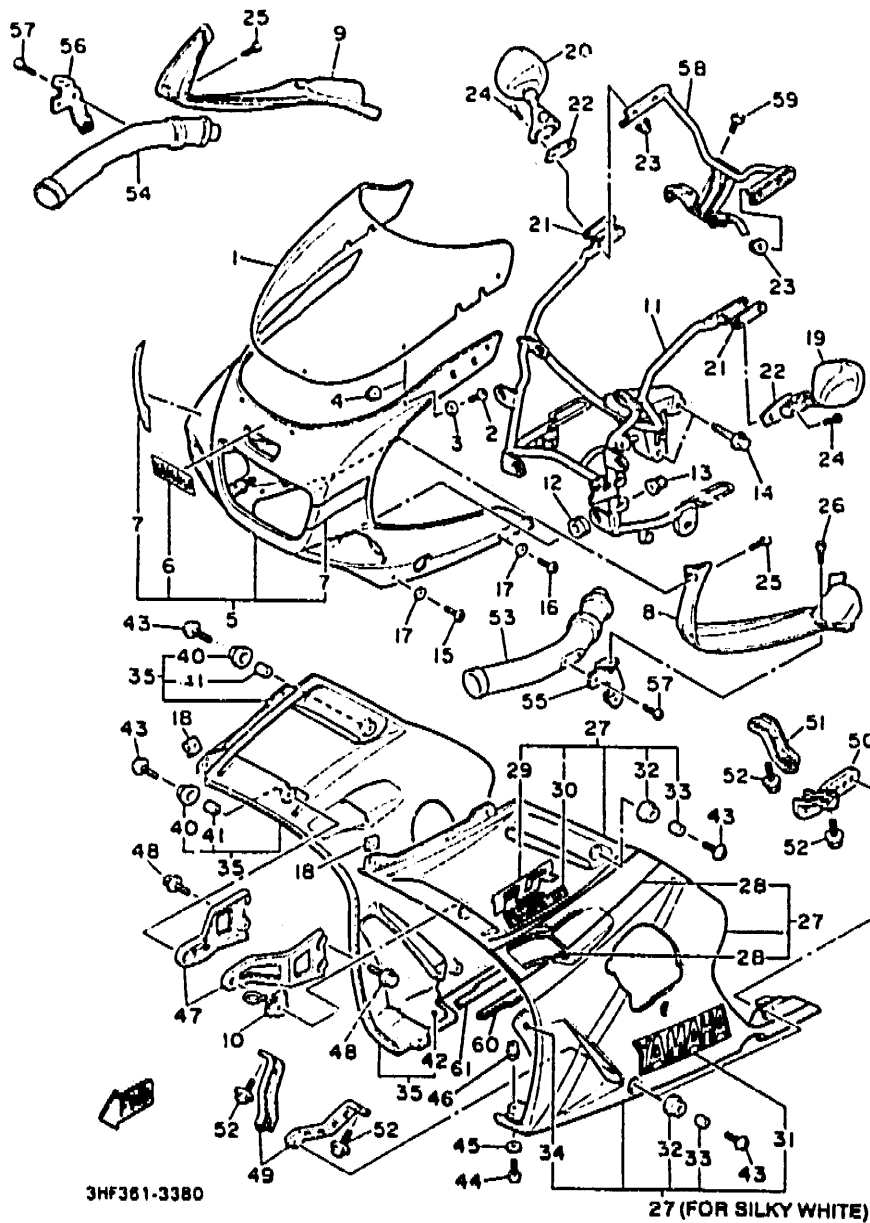
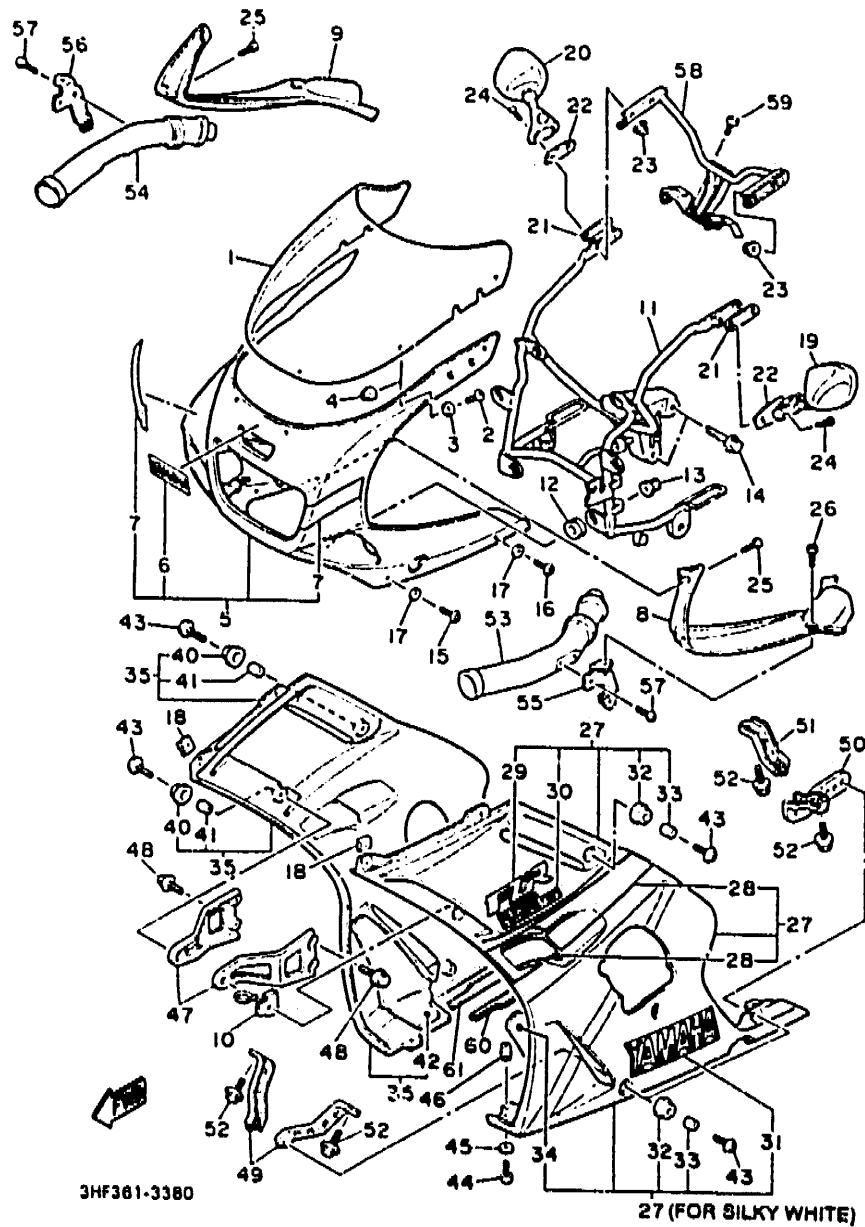
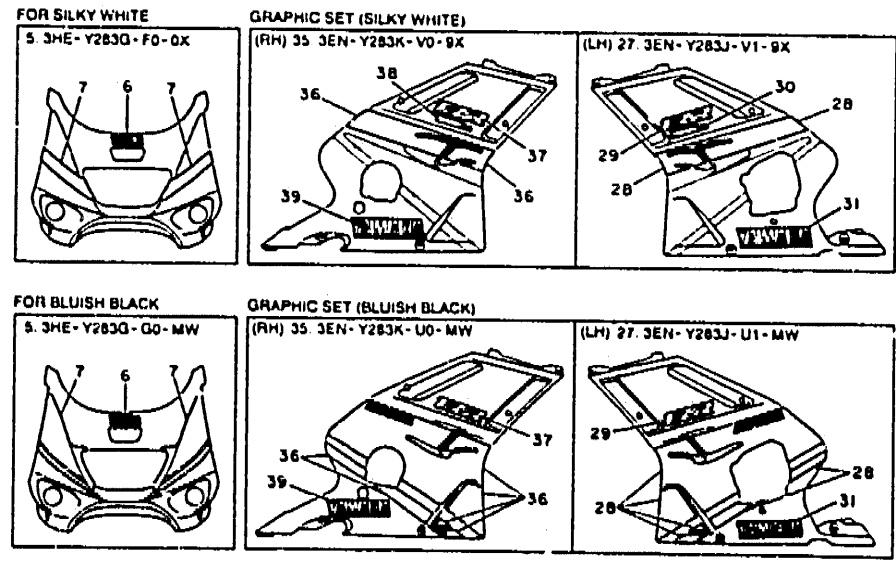


FIG. 38 COWLING 1



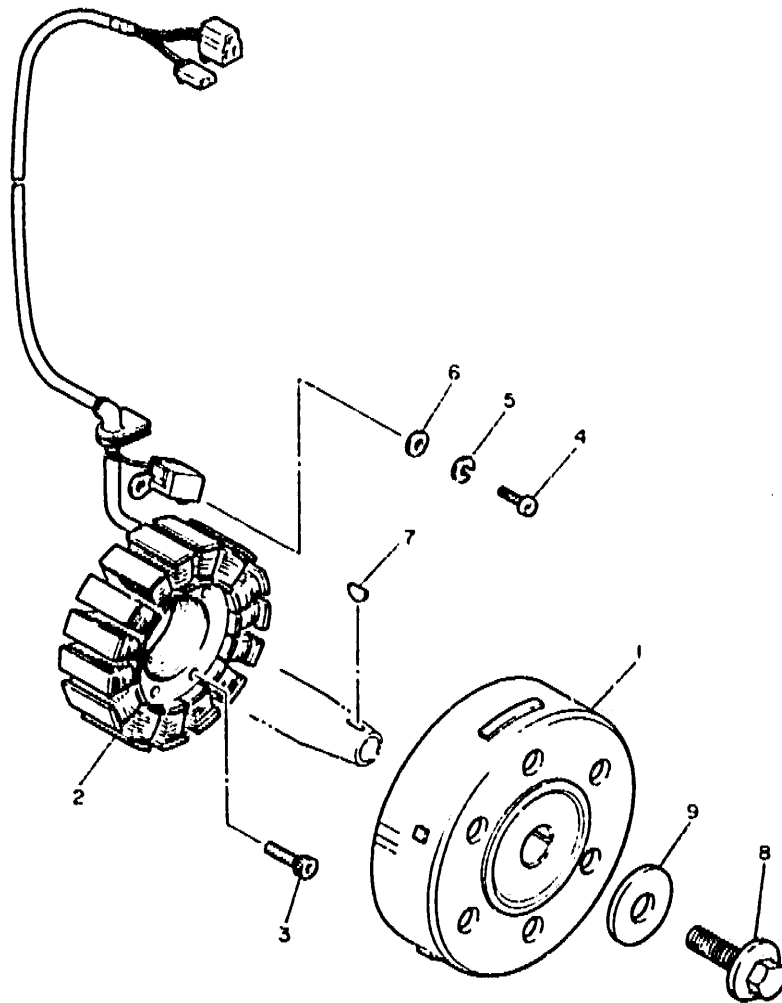
REF. NO.	PART NO.	DESCRIPTION	Q'TY	REMARKS
48	91026-06012	BOLT	2	
49	1WG-2836A-00	BRACKET 1	2	
50	3EN-2836A-01	BRACKET 1	1	
51	1WG-2836E-00	BRACKET 2	1	
52	91026-06010	BOLT	4	
53	3HE-2838N-50	DUCT 1	1	
54	3HE-2838R-50	DUCT 2	1	
55	3HE-28413-50	STAY, front guard 1	1	
56	3HE-28414-50	STAY, front guard 2	1	
57	97706-40512	SCREW, tapping	4	
58	3HE-2831W-50	STAY, mirror 1	1	
59	91316-06C16	BOLT	2	
60	3HF-2848M-00	SEAT 4	1	
61	3HF-2848N-00	SEAT 5	1	



3HF361-3380

27 (FOR SILKY WHITE)

FIG. 30 GENERATOR



REF. NO.	PART NO.	DESCRIPTION	QTY	REMARKS
1	3HE-81450-00	ROTOR ASSY	1	
2	3HE-81410-01	STATOR ASSY	1	
3	91311-06030	BOLT	3	
4	98501-05016	SCREW, pan head	2	
5	92901-05100	WASHER, spring	2	
5	92901-05600	WASHER, plate	2	
7	50280-03047	KEY, woodruff	1	
8	90105-10430	BOLT, washer based	1	
9	90201-107K6	WASHER, plate	1	



3HE332-9390

# CONTENTS

## ENGINE

Cylinder Head .....	B2
Cylinder .....	B3
Crankshaft · Piston .....	B4
Valve .....	B5 ~ B6
Camshaft · Chain .....	B7
Water Pump .....	B8
Radiator · Hose .....	B9
Oil Pump .....	B10
Oil Cooler .....	B11
Intake .....	B12
Emission Control Device .....	B13 ~ B14
Carburetor .....	B15 ~ C2
Exhaust .....	C3
Crankcase .....	C4 ~ C5
Crankcase Cover 1 .....	C6 ~ C7
Starter Clutch .....	C8
Clutch .....	C9
Transmission .....	C10 ~ C11
Shift Cam · Fork .....	C12
Shift Shaft .....	C13

## CHASSIS

Frame .....	C14 ~ C15
Fender .....	D2 ~ D3
Side Cover .....	D4 ~ D5
Rear Arm .....	D6 ~ D7
Rear Suspension .....	D8

Steering .....	D9
Front Fork .....	D10 ~ D11
Fuel Tank .....	D12 ~ D14
Seat .....	D15
Front Wheel .....	E2
Front Brake Caliper .....	E3
Rear Wheel .....	E4 ~ E5
Rear Brake Caliper .....	E6
Steering Handle · Cable .....	E7
Front Master Cylinder .....	E8
Stand · Footrest .....	E9 ~ E10
Rear Master Cylinder .....	E11
Cowling 1 .....	E12 ~ E14
Generator .....	E15
Starting Motor .....	F2
Flasher Light .....	F3
Meter .....	F4 ~ F5
Headlight .....	F6
Taillight .....	F7
Handle Switch · Lever .....	F8
Electrical 1 .....	F9
Electrical 2 .....	F10

## INDEX

NUMERICAL INDEX .....	L1 ~ L4
-----------------------	---------

# CONTENTS

## ENGINE

Cylinder Head .....	B2
Cylinder .....	B3
Crankshaft · Piston .....	B4
Valve .....	B5 ~ B6
Camshaft · Chain .....	B7
Water Pump .....	B8
Radiator · Hose .....	B9
Oil Pump .....	B10
Oil Cooler .....	B11
Intake .....	B12
Emission Control Device .....	B13 ~ B14
Carburetor .....	B15 ~ C2
Exhaust .....	C3
Crankcase .....	C4 ~ C5
Crankcase Cover 1 .....	C6 ~ C7
Starter Clutch .....	C8
Clutch .....	C9
Transmission .....	C10 ~ C11
Shift Cam · Fork .....	C12
Shift Shaft .....	C13

## CHASSIS

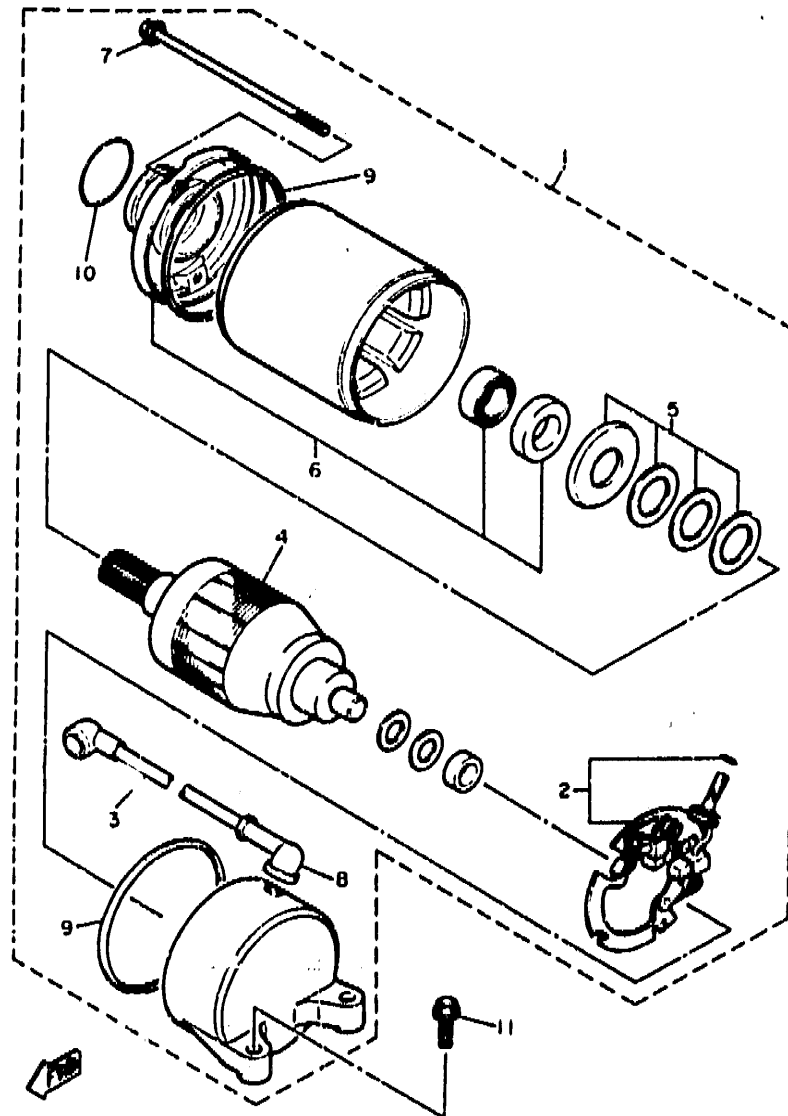
Frame .....	C14 ~ C15
Fender .....	D2 ~ D3
Skid Cover .....	D4 ~ D5
Rear Arm .....	D6 ~ D7
Rear Suspension .....	D8

Steering .....	D9
Front Fork .....	D10 ~ D11
Fuel Tank .....	D12 ~ D14
Seat .....	D15
Front Wheel .....	E2
Front Brake Caliper .....	E3
Rear Wheel .....	E4 ~ E5
Rear Brake Caliper .....	E6
Steering Handle · Cable .....	E7
Front Master Cylinder .....	E8
Stand · Footrest .....	E9 ~ E10
Rear Master Cylinder .....	E11
Cowling 1 .....	E12 ~ E14
Generator .....	E15
Starting Motor .....	F2
Flasher Light .....	F3
Meter .....	F4 ~ F5
Headlight .....	F6
Taillight .....	F7
Handle Switch · Lever .....	F8
Electrical 1 .....	F9
Electrical 2 .....	F10

## INDEX

NUMERICAL INDEX .....	L1 ~ L4
-----------------------	---------

FIG. 40 STARTING MOTOR

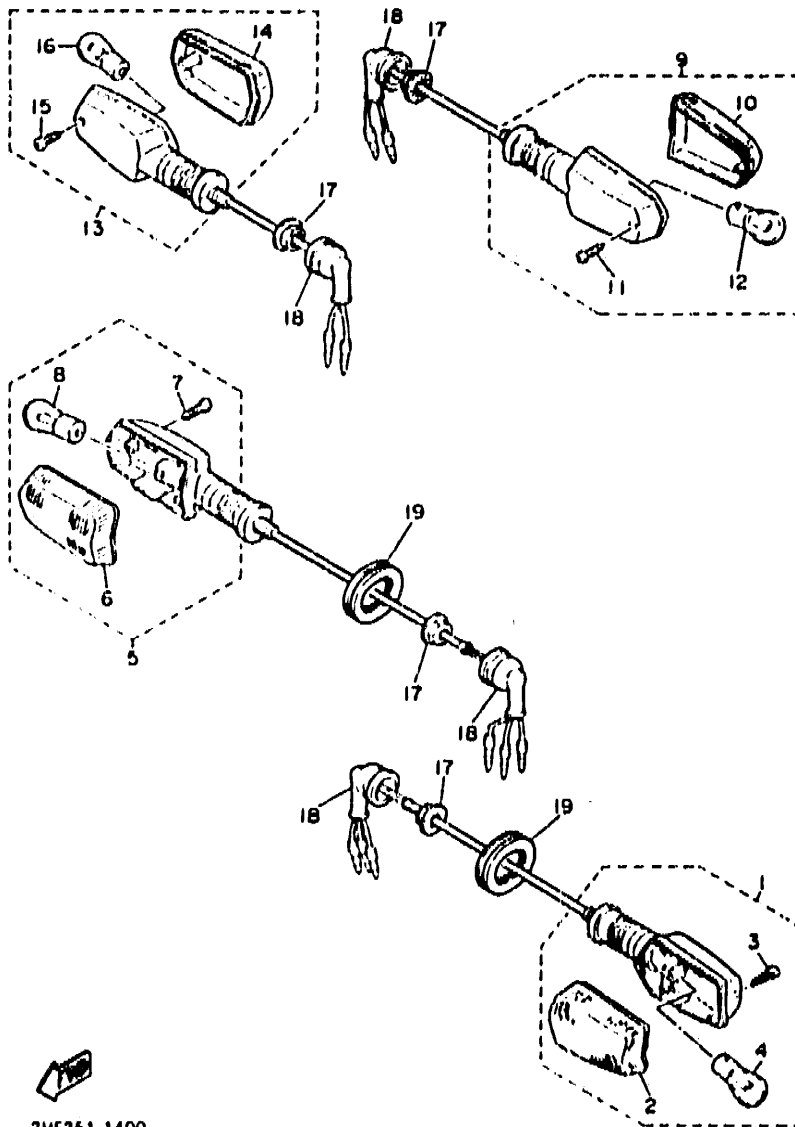


3HE332-0400

REF. NO.	PART NO.	DESCRIPTION	QTY	REMARKS
1	3HW-81800-00	STARTING MOTOR ASSY	1	
2	3HE-81840-00	BRUSH HOLDER ASSY	1	
3	1HX-81815-00	CORD, starter motor	1	
4	3HE-81860-00	ARMATURE ASSY	1	
5	3AJ-81809-00	WASHER KIT	1	
6	3HE-81830-00	FRONT BRACKET ASSY	1	
7	3HE-81826-00	BOLT	1	
8	4G0-81871-00	CAP	1	
9	11H-81844-00	GASKET	2	
10	26H-81847-00	O-RING	1	
11	96023-08025	BOLT	2	

F2

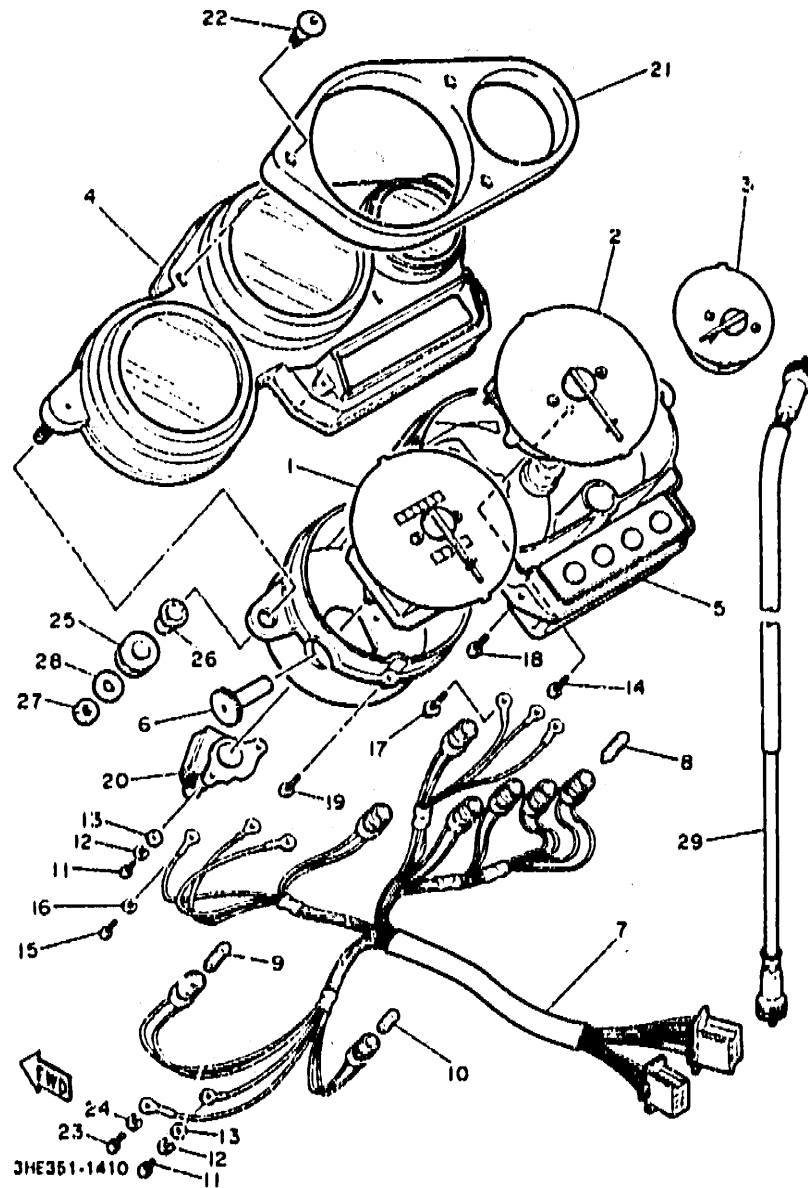
FIG. 41 FLASHER LIGHT



REF. NO.	PART NO.	DESCRIPTION	Q'TY	REMARKS
1	51J-83310-00	FRONT FLASHER LIGHT ASSY 1	1	
2	51L-83332-01	.LENS, flasher	1	
3	97706-40620	.SCREW, tapping	1	
4	306-83311-40	.BULB, flasher (12V-21W)	1	
5	51J-83320-00	FRONT FLASHER LIGHT ASSY 2	1	
6	51L-83342-01	.LENS, flasher 2	1	
7	97706-40620	.SCREW, tapping	1	
8	306-83311-40	.BULB, flasher (12V-21W)	1	
9	51J-83330-00	REAR FLASHER LIGHT ASSY 1	1	
10	1VU-83332-00	.LENS, flasher	1	
11	97706-40620	.SCREW, tapping	1	
12	306-83311-40	.BULB, flasher (12V-21W)	1	
13	51J-83340-00	REAR FLASHER LIGHT ASSY 2	1	
14	1VU-83342-00	.LENS, flasher 2	1	
15	97706-40620	.SCREW, tapping	1	
16	306-83311-40	.BULB, flasher (12V-21W)	1	
17	96701-12500	NUT, flange	4	
18	18G-83365-00	CAP	4	
19	3HE-83345-60	PLUG, blind	2	



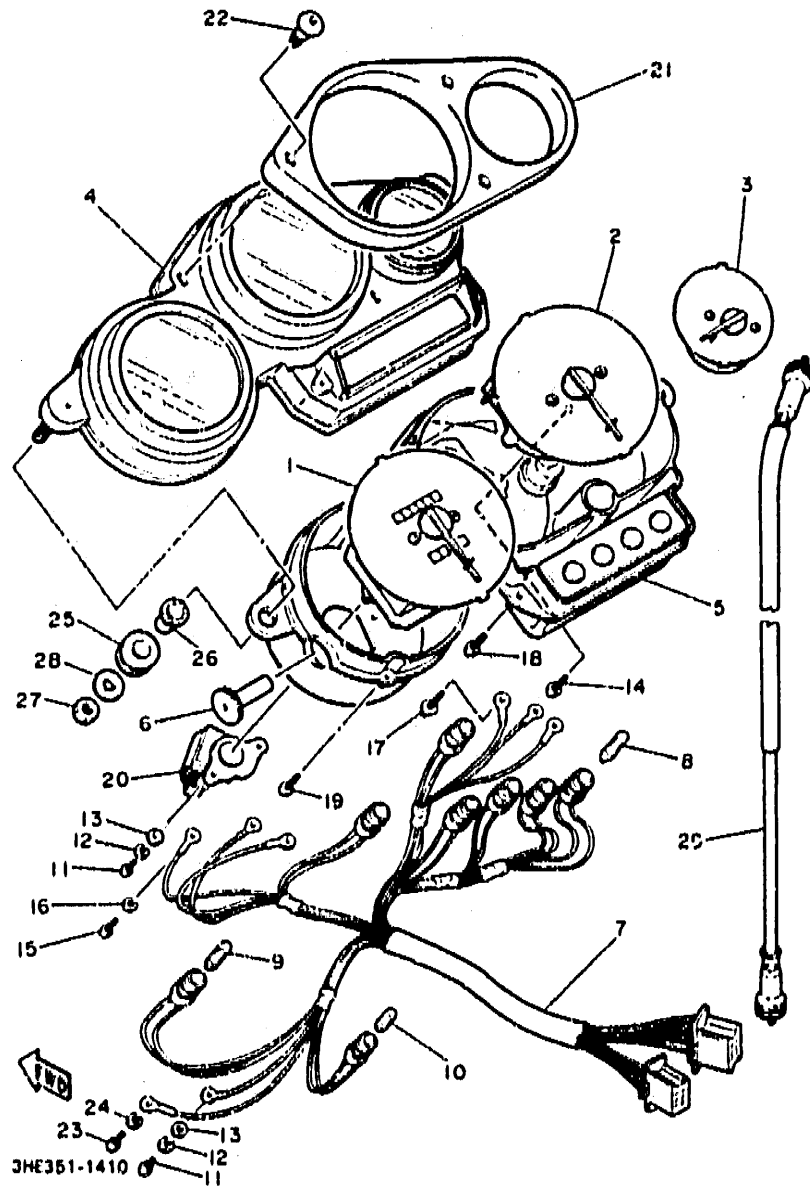
FIG. 42 METER



REF. NO.	PART NO.	DESCRIPTION	QTY	REMARKS
1	3HE-83670-50	SPEEDOMETER ASSY	1	
2	3GM-83640-00	TACHOMETER ASSY	1	
3	3EN-87690-50	WATER TEMPERATURE ASSY	1	
4	3GM-83669-00	COVER, meter	1	
5	3LE-8363H-00	CASE, inner	1	
6	2GH-83678-00	KNOB, trip meter	1	
7	3HE-83609-50	SOCKET COND ASSY	1	
8	4G1-84744-00	BULB (12V-3.4W)	4	
9	3GM-83617-00	BULB(12V-1.7W)	3	
10	2GV-83617-00	BULB, (12V-1.76V, T6.5)	1	
11	98580-04010	SCREW, pan head	4	
12	92902-04100	WASHER, spring	4	
13	92901-04600	WASHER, plate	4	
14	90167-04057	SCREW, tapping	2	
15	98580-03010	SCREW, pan head	3	
16	92990-03100	WASHER, spring	3	
17	90159-03102	SCREW, with washer	3	
18	90164-04008	SCREW, tapping	4	
19	90167-03038	SCREW, tapping	1	
20	3GM-83620-00	SOCKET CORD ASSY	1	
21	3GM-83613-00	DAMPER	1	
22	3GM-83625-00	CLIP	3	
23	98501-03012	SCREW, pan head	1	
24	92990-03100	WASHER, spring	1	
25	90480-14229	GROMMET	2	
26	90387-07391	COLLAR	2	
27	95316-08600	NUT	2	
28	90201-08069	WASHER, plate	2	

F4

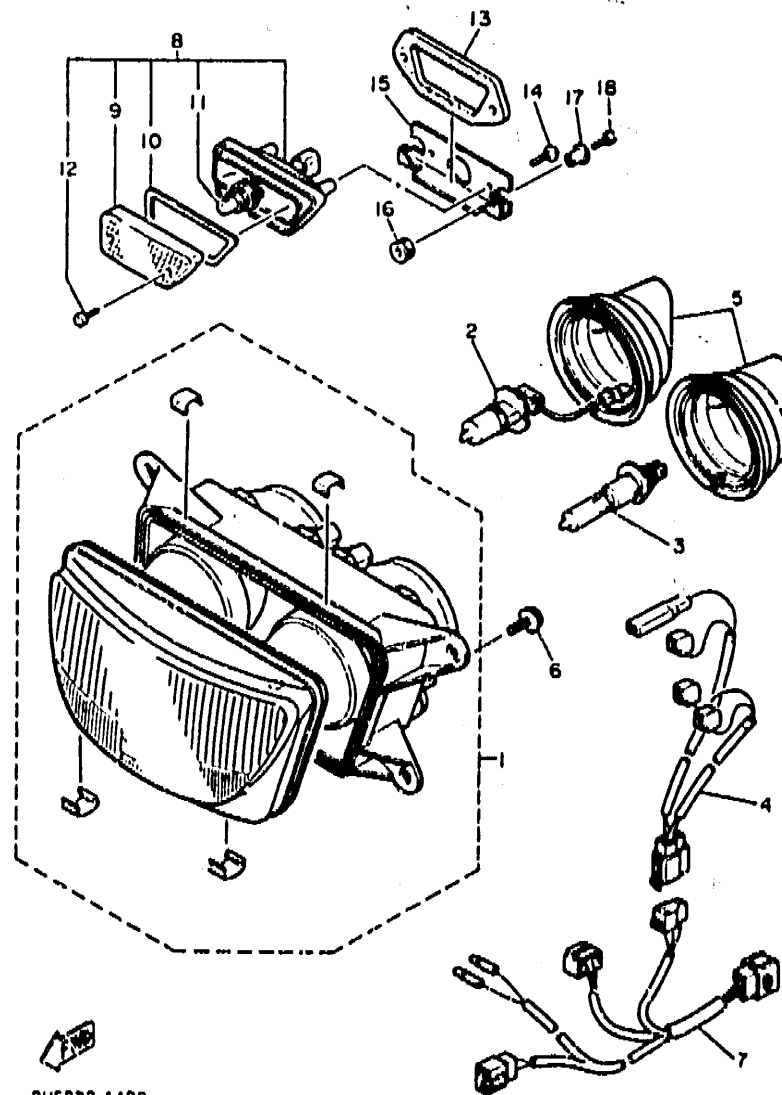
FIG. 42 METER



REF. NO.	PART NO.	DESCRIPTION	QTY	REMARKS
28	3ET-83560-01	SPEEDOMETER CABLE ASSY	1	

F5

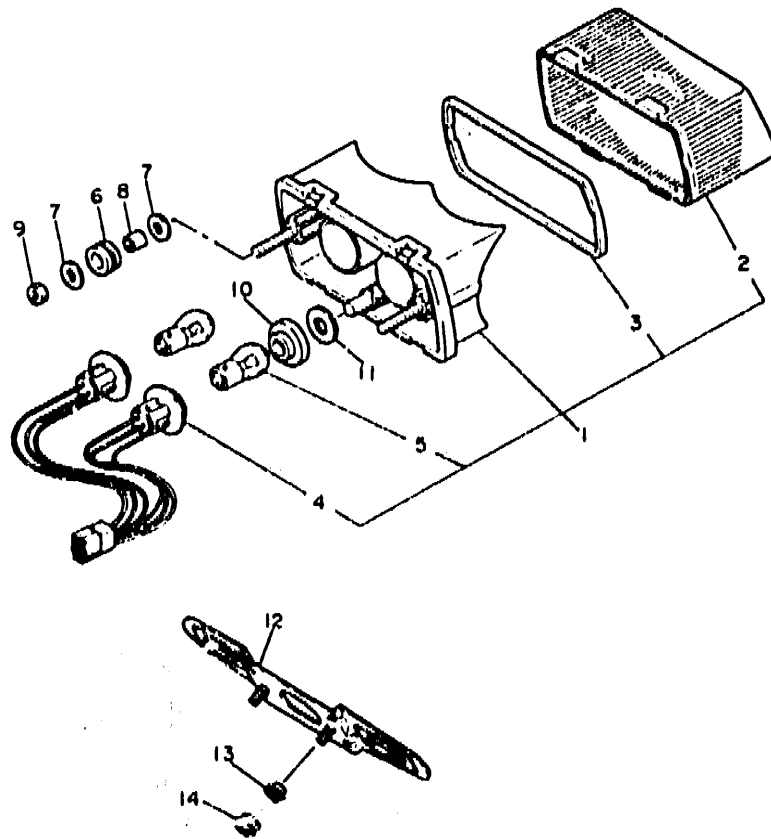
FIG. 43 HEADLIGHT



3HE332-1420

REF. NO.	PART NO.	DESCRIPTION	QTY	REMARKS
1	3GM-84320-40	LENS ASSY	1	
2	*	BULB (12V-86W-H3)	1	LM HALOGEN
3	*	BULB (12V-86W)	1	LM HALOGEN
4	3GM-84340-40	SOCKET CO. ASSY 1	1	
5	3GM-84387-40	COVER, socket	2	
6	3TJ-84361-00	SCREW	1	
7	3HE-84368-80	CORD, headlight	1	
8	3GM-84301-00	PILOT LIGHT ASSY 1	1	
9	3GM-84321-00	.LENS ASSY	1	
10	3GM-84322-00	.GASKET, lens	1	
11	2JE-84744-00	.BULB (12V 6W)	1	
12	3GM-84192-00	.SCREW(M4,L=12)	2	
13	3GM-84367-50	DAMPER, headlight 2	1	
14	90167-06041	SCREW, tapping	2	
15	3GM-8431R-00	STAY, setting	1	
16	90480-10617	GROMMET	2	
17	90387-082Uf	COLLAR	2	
18	90167-06037	SCREW, tapping	2	

FIG. 44 TAILLIGHT

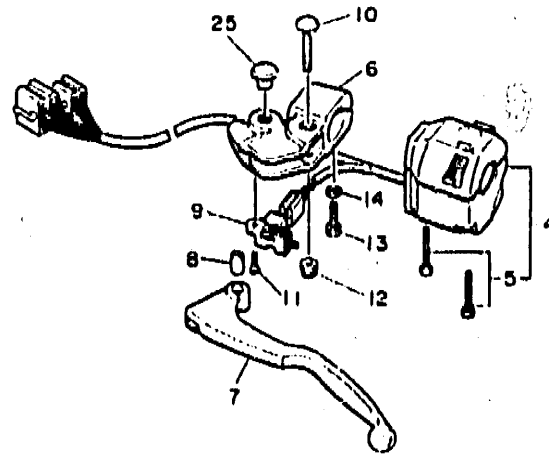
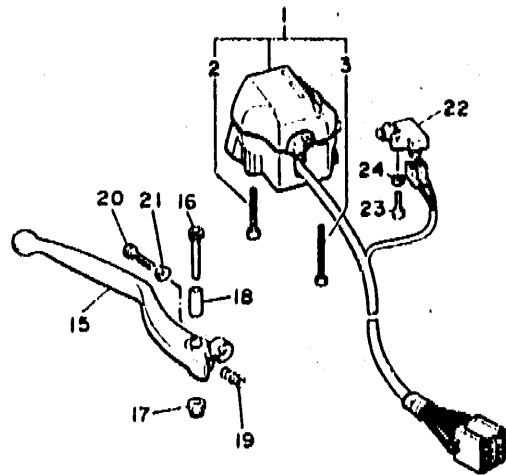


3HE351-0440

REF. NO.	PART NO.	DESCRIPTION	QTY	REMARKS
1	47X-84710-E0	TAILLIGHT UNIT ASSY	1	
2	47X-84721-00	.LENS, taillight	1	
3	47X-84723-00	.GASKET, tail lens	1	
4	47X-84735-00	.CORD ASSY	1	
5	31L-84714-00	.BULB, taillight (12V-21/5W)	2	
6	90480-18276	GROMMET	2	
7	90201-063J2	WASHER, plate	4	
8	90387-060A7	COLLAR	2	
9	95303-06600	NUT	2	
10	90480-15259	GROMMET	1	
11	92906-10200	WASHER	1	
12	1KH-84751-00-90	BRACKET, license	1	*UNI-CHROME (BLACK CHROMATE)
13	90387-061M0	COLLAR	2	
14	95618-06100	NUT, u	2	

F7

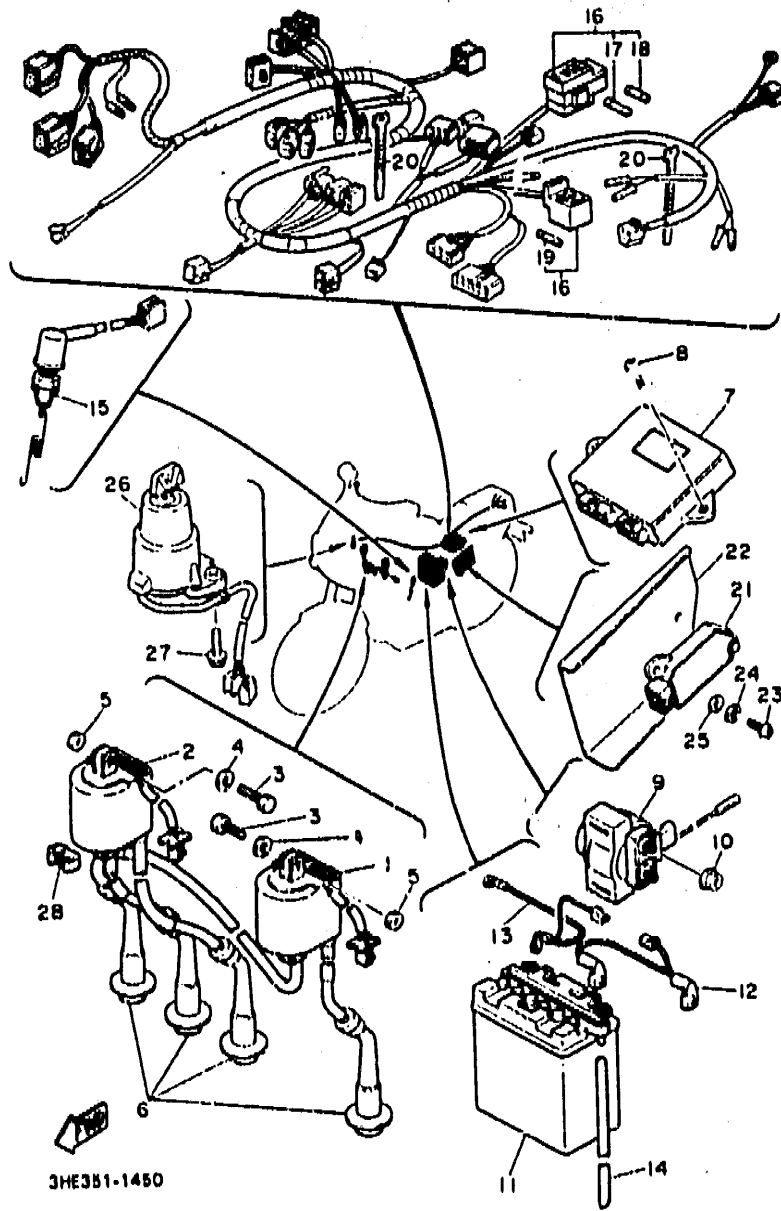
FIG. 45 HANDLE SWITCH - LEVER



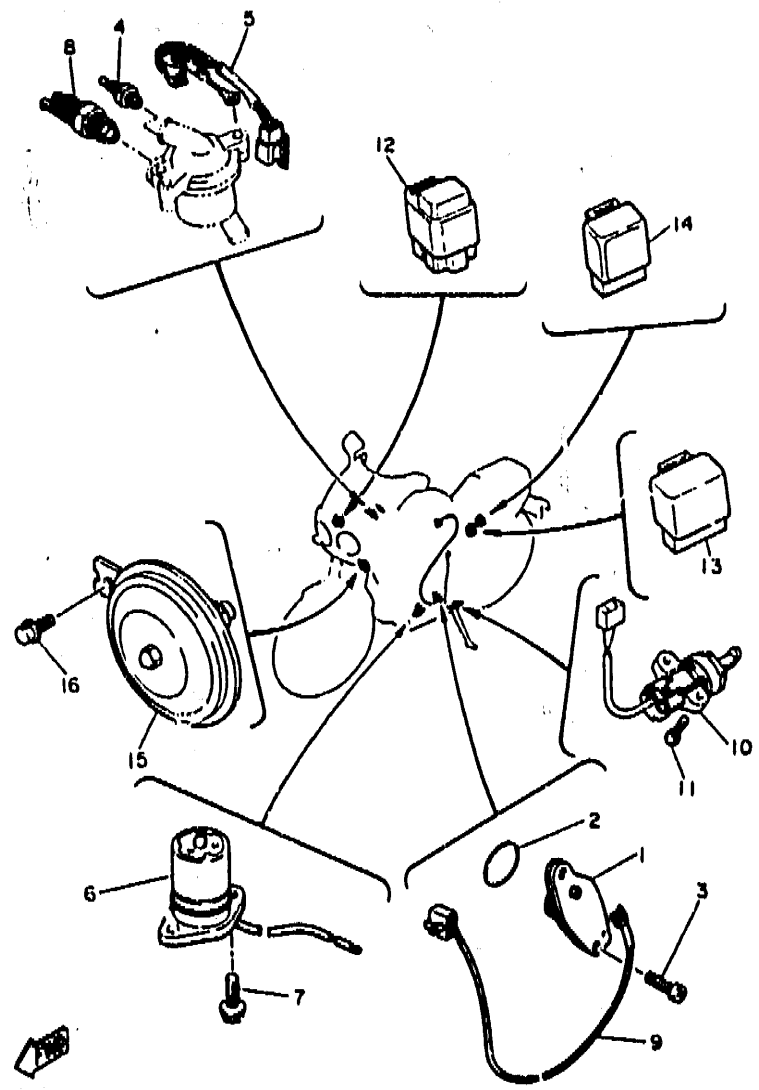
3HE332-9450

REF. NO.	PART NO.	DESCRIPTION	QTY	REMARKS
1	3HE-83853-00	SWITCH, handle 3 (RIGHT)	1	
2	98808-06040	.SCREW, pan head	1	
3	98808-06048	.SCREW, pan head	1	
4	3HE-83872-00	SWITCH, handle 4	1	
5	97808-06035	.SCREW, pan head	2	
6	29L-82811-01	HOLDER, lever 1	1	
7	3HE-83812-00	LEVER 1	1	
8	31A-83913-00	COLLAR, lever 1	1	
9	31A-82817-00	SWITCH	1	
10	31A-83848-00	BOLT, lever	1	
11	98702-03008	SCREW, flat head	1	
12	96618-06100	NUT, u	1	
13	97001-06025	BOLT	1	
14	82808-06100	WASHER, spring	1	
15	1FK-83822-00	LEVER 2	1	
16	90110-06074	BOLT, hexagon socket head	1	
17	96618-06100	NUT, u	1	
18	38Y-83913-01	COLLAR, lever 1	1	
19	90501-10312	SPRING, compression	1	
20	90149-06131	SCREW	1	
21	90170-06355	NUT	1	
22	36Y-83980-01	FRONT STOP SWITCH ASSY	1	
23	98808-04018	SCREW, pan head	1	
24	82808-04800	WASHER, plate	1	
25	90338-06012	PLUG	1	

FIG. 48 ELECTRICAL 1



REF. NO.	PART NO.	DESCRIPTION	Q'TY	REMARKS
1	3HE-82310-01	IGNITION COIL ASSY	1	# 1, 4
2	3HE-82320-00	IGNITION COIL ASSY	1	# 2, 3
3	97008-06085	SOLT	2	
4	92906-06600	WASHER, plate	2	
5	96316-06600	NUT	2	
6	1WG-82370-00	PLUG CAP ASSY	4	
7	3HF-82306-00	IGNITOR UNIT ASSY	1	
8	97702-60620	SCREW, tapping	2	
9	36Y-81940-00	STARTER RELAY ASSY	1	
10	96701-06600	NUT, flange	2	
11	1VJ-82110-60	BATTERY ASSY (GM12AZ-3A-2)	1	
12	1WG-82116-00	WIRE, plus lead	1	
13	3HE-82116-00	WIRE, minus lead	1	
14	90446-08719	HOSE	1	
15	1KT-82630-02	STOP SWITCH ASSY	1	
16	3HE-82690-20	WIRE HARNESS ASSY	1	
17	2GH-82161-00	.FUSE (20A)	2	
18	42X-82161-00	.FUSE (10A)	4	
19	1AE-82161-00	.FUSE (12V 30A)	2	
20	90464-13073	CLAMP	2	
21	47X-81960-A7	RECTIFIER & REGULATOR ASSY	1	
22	3HE-81975-00	PLATE, rectifier fitting	1	
23	98501-06020	SCREW, pan head	2	
24	92990-06100	WASHER, spring	2	
25	92990-06600	WASHER, plate	2	
26	3HE-82601-00	MAIN SWITCH STEERING LOCK	1	
27	90108-06614	BOLT	2	
28	90464-10075	CLAMP	1	



3HE300-1480

FIG. 47 ELECTRICAL 2

REF. NO.	PART NO.	DESCRIPTION	QTY	REMARKS
1	1AE-82640-00	NEUTRAL SWITCH ASSY	1	
2	93210-29198	O-RING	1	
3	98502-08018	SCREW, pan head	2	
4	11H-83591-00	THERMO UNIT	1	
5	2GH-82508-00	WIRE, sub lead	1	
6	1WG-86720-00	OIL LEVEL GAUGE ASSY	1	
7	95026-08018	BOLT, flange	2	
8	2EL-82560-00	THERMO SWITCH ASSY	1	
9	1WG-82541-00	WIRE, lead	1	
10	3MD-82666-00	SWITCH, side stand	1	
11	90157-C5078	SCREW, pan head	2	
12	25G-81960-01	RELAY ASSY	1	
13	3EN-81960-00	RELAY ASSY	1	
14	2UJ-83360-00	FLASHER RELAY ASSY	1	
15	3HE-83371-00	HORN	1	
16	91026-08012	BOLT	1	

# CONTENTS

## ENGINE

Cylinder Head .....	B2
Cylinder .....	B3
Crankshaft · Piston .....	B4
Valve .....	B5 ~ B6
Camshaft · Chain .....	B7
Water Pump .....	B8
Radiator · Hose .....	D9
Oil Pump .....	B10
Oil Cooler .....	B11
Intake .....	B12
Emission Control Device .....	B13 ~ B14
Carburetor .....	B15 ~ C2
Exhaust .....	C3
Crankcase .....	C4 ~ C5
Crankcase Cover 1 .....	C6 ~ C7
Starter Clutch .....	C8
Clutch .....	C9
Transmission .....	C10 ~ C11
Shift Cam · Fork .....	C12
Shift Shaft .....	C13

## CHASSIS

Frame .....	C14 ~ C15
Fender .....	D2 ~ D3
Side Cover .....	D4 ~ D5
Rear Arm .....	D6 ~ D7
Rear Suspension .....	D8

Steering .....	D9
Front Fork .....	D10 ~ D11
Fuel Tank .....	D12 ~ D14
Seat .....	D15
Front Wheel .....	E2
Front Brake Caliper .....	E3
Rear Wheel .....	E4 ~ E5
Rear Brake Caliper .....	E6
Steering Handle · Cable .....	E7
Front Master Cylinder .....	E8
Stand · Footrest .....	E9 ~ E10
Rear Master Cylinder .....	E11
Cowling 1 .....	E12 ~ E14
Generator .....	E15
Starting Motor .....	F2
Flasher Light .....	F3
Meter .....	F4 ~ F5
Headlight .....	F6
Taillight .....	F7
Handle Switch · Lever .....	F8
Electrical 1 .....	F9
Electrical 2 .....	F10

## INDEX

NUMERICAL INDEX .....	L1 ~ L4
-----------------------	---------



NUMERICAL INDEX

PART NO.	REF NO.	PART NO.	REF NO.
36Y-W0041-00	E-8	3HE-12251-00	B-4
1WG-W0042-50	C-2	3HE-12252-00	B-4
3GM-W0045-01	B-4	3HE-12405-00	B-4
1FK-W0046-01	B-4	46X-12410-00	B-4
3HE-W0047-50	B-4	1WG-12413-01	B-4
31A-W0047-00	B-4	1WG-12417-00	B-4
1J3-W0048-00	B-4	3TJ-12420-00	B-4
		1WG-12439-00	B-5
3HE-W0057-50	B-5	1WG-12446-01	B-5
31A-W0057-00	B-5	3HE-12461-00	B-5
1WG-W2810-00	D-2	22W-12462-00	B-5
3TJ-Y1242-00	B-5	1WG-12481-00	B-5
3HE-Y217F-K0-MW	B-5	1WG-12482-00	B-5
3HE-Y217F-N0-0Y	B-5	1WG-12483-00	B-5
3HE-Y2171-P0-GE	B-5	3HE-12576-00	B-5
3HE-Y2171-P0-MW	B-5	3HE-12577-00	B-5
3HE-Y2177-N0-GE	B-5	3HE-12578-00	B-5
3HE-Y2177-P0-MW	B-5	3HE-12579-00	B-5
3HE-Y283G-00-0E	B-5	3HE-12583-10	B-5
3HE-Y283G-00-MW	B-5	2TK-12590-00	B-5
3EN-Y283J-01-MW	B-5	1UF-12611-00	B-5
3EN-Y283J-V1-0X	B-5	1AA-12630-00	B-5
3EN-Y283K-U0-1MW	B-5	1HX-12637-00	B-5
3EN-Y283K-V0-0X	B-5	1WG-13310-00	B-5
3HW-11101-00	B-2	1WG-13316-00	B-5
2GH-11116-00	B-2	1WG-13329-00	B-5
1WG-11123-10	B-2	1WG-13330-01	B-5
3HE-11145-00	C-4	1WG-13336-00	B-5
3HE-11165-00	C-4	4H7-13411-02	B-5
1WG-11166-00	C-6	1WG-13412-00	B-5
3HE-11181-00	B-2	3HE-13414-10	B-5
2TK-11191-00	B-2	1WG-13417-10	B-6
1WG-11193-00	B-2	3FV-13440-00	B-6
214-11198-01	B-11	3VD-13455-00	B-6
3HW-11310-00	B-3	3TJ-13461-00	B-6
3HE-11351-00	B-3	11H-13490-00	B-6
3HE-11411-00	B-4	2HF-13586-00	B-6
1WG-11416-00	B-4	3HF-13596-00	B-5
1WG-11416-10	B-4	3HF-13597-00	B-5
1WG-11416-20	B-4	3EN-13907-00	D-13
1WG-11416-30	B-4	3EN-1410A-00	C-2
1WG-11416-40	B-4	3HE-14103-00	C-2
3HE-11610-00	B-4	12R-14105-00	C-2
3HE-11610-20	B-4	3HH-14107-10	B-15
3HE-11610-40	B-4	3HE-1411A-00	C-2
3HE-11631-00	B-4	2EN-1411E-00	B-15
3HE-11633-00	B-4	2RJ-14118-00	C-2
3HE-11636-00	B-4	8U9-14139-00	C-2

NUMERICAL INDEX

PART NO.	REF NO.	PART NO.	REF NO.	PART NO.	REF NO.	PART NO.	REF NO.
3EN-14141-90	C-2	3HE-1490J-00	C-2	1WG-16181-00	C-9		
4G0-14142-32-A0	C-2	3EN-1490K-00	C-2	1WG-16304-00	C-9		
1AE-14147-00	B-15	3HF-14900-04	B-15	21V-16321-00	C-9		
3EN-14147-00	B-15	3HF-14901-04	B-15	131-16324-00	C-9		
3GM-14147-00	B-15	3HF-14902-04	B-15	1WG-16340-01	C-9		
822-14147-00	C-2	3HF-14903-04	B-15	132-16346-00	C-9		
137-14153-00	B-15	3HF-14904-04	B-15	2TK-16351-00	C-9		
3HE-14163-00	C-2	3HE-14933-00	B-15	1WG-16356-00	C-9		
353-14186-00	B-15	3HE-14940-00	B-15	1WG-16357-01	C-9		
12R-14191-00	B-15	1A8-14953-00	B-15	3HE-16371-00	C-9		
3EN-14197-00	C-2	2GV-14953-00	C-2	3HE-17121-10	C-10		
1AE-14227-00	C-2	3HE-14985-00	B-15	3HE-17131-00	C-10		
3G2-1423A-61	C-2	3EN-14988-00	C-2	3HE-17151-00	C-10		
3G2-1423A-72	C-2	256-14997-00	B-15	3HE-17161-00	C-10		
830-1423A-77	C-2	3EN-14997-00	C-2	3HE-17211-10	C-10		
3EN-14239-00	B-15	3GM-14997-00	B-15	3HE-17221-10	C-10		
3EN-14243-00	B-15	3HE-15100-10	C-4	3HE-17231-00	C-10		
17A-14251-00	C-2	3HE-15105-00	C-5	3HE-17241-00	C-10		
3EN-14261-00	C-2	1HX-15138-00	C-4	3HE-17251-00	C-10		
3HW-14411-00	B-12	11H-15138-00	C-4	3HE-17261-10	C-10		
3HE-14412-00	B-12	26H-15138-00	C-4	3HE-17411-10	C-10		
31A-14419-00	B-13	36Y-15189-00	C-4	3HE-17421-00	C-10		
1WG-14421-00	B-12	1WG-15316-00	C-6	278-17424-01	C-11		
31A-14435-00	B-12	1WG-15326-00	C-6	278-17425-00	C-10		
1WG-14451-00	B-12	2H7-15361-00	C-4		C-11		
3HE-14453-00	B-12	3F9-15362-00	C-6	4G0-17433-01	C-11		
5T0-14457-00	B-12	1WG-15381-00	C-5	3HE-17460-00	C-10		
1VJ-14462-00	B-12	2TK-15411-00	C-6	3EN-18101-01	C-13		
31A-14477-00	D-2	3HE-15415-01	C-6	3HE-18110-00	C-13		
	D-4	119-15417-00	C-6	1WG-18111-01	C-13		
	E-11	2TK-15421-00	C-6	132-18111-01	C-13		
1AE-14665-00	B-15	1WG-15425-00	C-6	22N-18113-00	E-11		
3HE-14602-00	C-3	1WG-15427-00	C-6	1WG-18115-00	C-13		
3YF-14613-01	C-3	2TK-15431-01	C-6	1HX-18127-00	C-12		
3HE-14710-10	C-3	3HE-15451-10	C-6	36Y-18140-00	C-12		
3BM-14714-00	B-13	3HE-15461-10	C-6	2H9-18154-00	C-13		
3HE-14755-00	C-3	3HE-15462-10	C-6	1WG-18511-00	C-12		
3HW-14808-00	B-13	3HE-15467-10	C-6	1WG-18512-00	C-12		
3HF-14840-00	B-13	3HE-15512-00	C-8	1WG-18513-00	C-12		
3HW-14872-00	B-13	3HE-15515-00	C-8	1WG-18531-00	C-12		
3HW-14873-00	B-13	3HE-15517-00	C-8	1WG-18535-00	C-12		
2LJ-14874-00	B-13	3HE-15521-00	C-8	1WG-18536-00	C-12		
3HW-14875-00	B-13	3TJ-15521-00	C-8	1WG-18540-01	C-12		
2LJ-14881-00	B-13	3HE-15524-00	C-8	278-18542-00	C-12		
2LJ-14882-00	B-13	3HE-15590-01	C-8	1WG-18562-00	C-12		
2LJ-14883-00	B-13	3HE-16150-00	C-9	278-18566-00	C-12		
3HW-14884-00	B-13	1WG-16154-00	C-9	3HE-21110-01-T9	C-14		
3HW-14885-00	B-13	1WG-16164-00	C-9	3HW-21140-00-T9	C-14		

NUMERICAL INDEX

PART NO.	REF NO.	PART NO.	REF NO.	PART NO.	REF NO.
3HW-21150-00-T9	C-14	1WG-21871-00	D-4	3Y1-23346-00	D-11
3HE-2117E-00	C-14	1AA-21874-00	D-4	3HE-23416-00	D-9
3HE-2117M-00	C-15	4L0-21875-00	D-4	26H-23418-01	D-9
3HE-2117N-00	C-15	3HH-22110-00-T9	D-6	3HE-23435-00	D-9
3HE-2117R-00	C-15	4X7-22129-00	D-6	341-23469-00	E-7
3HE-2117T-00	C-15	46X-22141-00	D-6	3HE-24110-10	D-12
3HE-21238-00	C-14	3HH-22161-00	J-6	1WG-2414A-00	D-14
26H-21308-00	D-15	1WG-2217A-00	D-6	1HX-24181-00	D-12
1WG-21345-00	D-12	1WG-2217M-00	D-6	1HX-24182-00	D-12
3EN-21346-00	D-12	3HH-22174-00	E-4	1WG-24183-00	D-13
1WG-21348-00	D-12	33M-22184-00	D-6	1WG-24185-00	D-12
3HE-2137W-00	C-14	3HE-22210-10	D-8	3HE-24244-90	D-13
3HE-2137X-00	C-14	3GM-22311-00	D-6	3HH-24244-50	D-13
3HE-2137Y-00	C-14	3HE-23102-10	D-10	1WG-24311-00	D-13
3HE-2139U-00	C-14	3HE-23103-10	D-10	1WG-24398-01	D-12
1WG-2139W-00	C-14	3HE-23110-00	D-10	3HE-24491-00	D-12
1WG-2142M-00	C-14		D-11	3HE-24500-00	D-12
1WG-2143A-00	C-14	3EN-23111-00	D-10	4X8-24512-00	D-12
3HE-21446-00	C-15		D-11	3HE-24524-00	D-12
1WG-21459-00	C-14	1W4-23114-L0	D-10	3AJ-24534-00	D-12
4X7-2149Y-00	B-12		D-11	1FK-24560-00	D-12
3FH-21510-00-0X	D-2	1WG-23118-00	D-10	1WG-24566-00	D-12
3FH-21510-00-9X	D-2		D-11	26H-24568-00	D-12
2GH-21575-00	D-3	4H7-23119-00	D-10	3HE-24602-10	D-12
2GH-21576-00	D-3	2YK-23125-00	D-10	3HE-24614-00	D-13
3HE-21596-00	E-12	3HE-23126-10	D-10	1WG-24622-00	D-14
3HE-21611-00	D-2	1WG-23128-00	D-11	1WG-24665-00	D-12
3HE-21621-00	D-2	122-23129-00	D-10	3HE-2467G-80	D-15
3HE-21629-00	D-2	46X-2313A-00	D-2	3HE-24705-01	D-15
4G0-21639-00	D-2	3HE-23136-10	D-10	3HE-24710-00	D-15
34M-21649-00	D-2	3HE-23141-00	D-10	3HE-24711-00	D-15
3HE-21651-00-GE	D-2		D-11	4L0-24712-11	D-15
3HE-21651-00-MW	D-2	1FK-23142-00	D-10	3HE-24734-00	D-15
3HE-21663-71	D-3		D-11	47X-24739-00	D-15
24X-21691-00	D-5	3EN-23144-00	D-10	1T4-24741-00	D-15
1KH-21717-00	D-2	3EN-23145-00	D-10	116-24741-00	D-15
4X7-21719-00	D-13	4V2-23146-L0	D-10	22W-24741-00	D-15
3HE-2173L-80	D-4	3R4-23153-00	D-10	3HE-24742-00	D-15
3HH-2173L-50	D-4	509-23158-L0	G-10	4K0-24748-00	D-15
3HE-21732-00	D-4		D-11	3HE-24760-00	D-15
2GH-21735-00	D-3	3HE-2317E-00	D-9	3HE-2478M-71	D-15
	D-4	3HE-23170-00	D-16	3HH-24786-10	D-15
	D-4		D-11	3HE-24791-00-GE	D-15
3HE-21735-00	D-4		D-10	3HE-24791-00-MW	D-15
3HE-21737-80	D-4	2YK-23173-00	D-11	3HE-24795-00	D-15
3HE-2174L-80	D-4		D-10	341-25149-00	E-2
3HH-2174L-50	D-4	278-23181-50	D-10	3HE-25168-00-PO	E-2
1WG-2177G-00	D-4		D-11	3HE-25168-00-TR	E-2
3GM-21816-00	D-5	1WG-23340-00	D-11		

NUMERICAL INDEX

PART NO.	REF NO.	PART NO.	REF NO.	PART NO.	REF NO.
42X-25181-00	E-2	3HE-25924-00	E-3	3HE-28315-00	E-13
1WG-25190-00	E-2	3HE-25925-00	E-6	3HH-28315-50	E-13
3HE-25338-50-PO	E-4	3GM-25925-00	E-3	3LG-28328-00	E-13
3HE-25338-50-TR	E-4	3HE-26111-00	E-7	3MF-2835U-50	E-12
1UF-25364-00	E-4	3HE-26112-00	E-7	3JJ-2835Y-10	E-14
1UF-25366-00	E-4	3HE-26121-00	E-7	3HE-28356-50	E-12
3HE-25371-50	E-4	3HE-26122-00	E-7	3HE-23357-00	E-7
3HE-25381-00	E-4	3FH-26240-00	E-7	1WG-2836A-00	E-14
3HH-25388-00	E-4	1KG-26241-00	E-7	3EN-2836A-01	E-14
29L-25398-00	E-2	51J-26246-00	E-7	1WG-2836E-00	E-14
	E-4	3HE-26280-00	E-12	25G-28379-00	D-2
29L-25398-10	F-2	3HE-26280-10	E-12	3HE-2838N-50	E-14
	E-4	3HE-26290-00	E-12	3HE-2838R-50	E-14
	E-2	3HE-26290-10	E-12	3HE-28381-50	E-12
	E-4	3CV-26298-00	E-12	3HE-28390-A0	E-12
1AE-25445-21	E-3	3CV-26299-00	E-12	3HE-28390-90	E-12
3HE-25501-51	E-3	3EN-26311-00	E-7	3HE-28413-50	E-14
3HE-2580U-51	E-3	3HE-26312-00	E-7	3HE-28414-50	E-14
3HE-2580W-00	E-6	3EN-26331-00	E-7	3HE-2848K-00	E-13
3HE-2581T-00	E-3	3HE-26335-01	E-7	3HE-2848L-00	E-13
3HE-25819-00	E-6	5HO-26393-00	E-7	3HF-2848M-00	E-14
36Y-2582A-50	E-11	3HE-27211-00	E-11	3HF-2848N-00	E-14
1FK-25827-00	E-6	31A-27222-00	E-11	J44-78248-00	D-3
1FK-25828-00	E-6	2KT-27311-00	E-9	3HE-81410-01	E-15
3HE-2583T-00	E-8	2KT-27315-00	E-9	3HE-81450-00	E-15
2NX-25831-00	E-6	1TX-27351-00	E-9	3HW-81100-00	F-2
1KT-25835-00	E-3	3HE-2741L-00	E-9	3AJ-81809-00	F-2
51J-25836-00	E-6	3HE-27410-00	E-9	1HX-81815-00	F-2
341-25846-00	E-7	2GH-27413-00	E-9	3HE-81816-00	F-2
1WG-25850-50	E-11	3HE-2742L-01	E-9	3HE-81810-00	F-2
2KF-25852-50	E-11	3HE-27420-00	E-9	3HE-81840-00	F-2
3HE-25852-00	E-8	1HX-27431-00	E-9	11H-81844-00	F-2
3GY-25854-00	E-8	3HE-27435-00	E-9	26H-81847-00	F-2
360-25854-00	E-11	1HX-27437-00	E-9	3HE-81850-00	F-2
2GU-25855-00	E-11	1HX-27441-00	E-9	4G0-81871-00	F-2
4L0-25862-00	E-8	3HE-27442-00	E-9	36Y-81940-00	F-9
3GY-25867-00	E-8	3HE-27443-00	E-9	25G-81950-01	F-10
3HE-25872-01	E-8	3HE-27445-01	E-10	3EN-81950-00	F-10
3HE-25872-60	E-11	3HE-27446-01	E-10	47X-81960-A2	F-9
3HE-25873-11	E-8	4K5-2814E-10	D-3	3HE-81975-00	F-9
3EN-25875-00	D-2	4N0-28186-00	D-3	1VJ-82110-60	F-9
2R8-25876-00	D-2	3HX-28215-00	E-12	1WG-82110-00	F-9
11U-25885-00	E-8	3HE-28301-90	E-13	3HE-82116-00	F-9
31A-25894-01	E-11	3HH-28301-50	E-13	120-82131-00	D-4
1WG-25895-00	E-11	3HE-28303-90	E-13	122-82131-00	D-2
1WG-25919-00	E-6	3HH-28303-50	E-13	1AC-82151-00	F-9
3GM-25919-00	E-3	3HE-2831U-00	E-13	2GH-82151-00	F-9
3HE-25924-00	E-6	3HE-2831W-50	E-14	42X-82151-00	F-9



NUMERICAL INDEX

PART NO.	REF NO.	PART NO.	REF NO.
90468-10050	D-15	91311-06035	C-6
90480-01401	C-14		C-7
	D-4		F-15
90480-10258	D-2	91311-06045	C-5
90480-10517	F-6	91311-08020	C-14
90480-11454	D-13	91311-08030	D-9
90480-13398	C-14	91316-06012	B-8
	E-13		B-11
90480-14052	D-4		C-5
90480-14229	B-13	91316-06016	F-14
	D-4	91316-06020	B-12
	D-13	91316-06025	B-7
	E-12		B-8
	F-4		B-11
	F-7		E-8
90480-15259	R-9	91316-06025	B-8
90480-15463	C-14	91316-06040	B-8
90480-18171	F-7	91316-08020	C-8
90480-18276	D-13	91316-08025	E-7
90480-18495	D-4	91401-20015	F-4
90480-22362	C-12		E-9
90501-06022	F-8		E-11
90501-10312	E-9	91401-30030	E-5
90501-12743	C-9	91609-40210	D-9
90501-227E0	C-9	91701-06025	E-9
90506-05232	E-9	92016-08025	E-11
90506-18224	F-11	92506-06016	B-13
90506-20377	E-9	92901-04100	E-11
90506-26225	C-12	92901-04600	E-11
90508-23707	C-13		F-4
90508-32682	D-14	92901-05100	E-15
90560-03220	C-13	92901-05600	B-9
90560-12211	E-2		B-12
90560-15314	D-12		E-15
91001-06016	D-15	92901-08600	E-4
91002-06030	D-12	92902-04100	F-4
91002-06080	C-14	92906-04600	F-8
91011-10165	C-14	92906-05100	B-15
91011-10295	C-14	92906-05600	B-15
91012-06012	C-14	92906-06100	B-13
91012-06016	E-14		E-8
91026-06010	E-14		F-8
91026-06012	F-10	92905-06600	B-13
	B-8		C-3
91311-06020	E-7		F-9
	B-8	92906-10200	F-7
91311-06025	C-6	92990-03100	F-4
	C-7	92990-06100	F-9

NUMERICAL INDEX

PART NO.	REF NO.	PART NO.	REF NO.
92990-06600	C-2	93440-30077	C-10
	F-9	93440-54152	C-10
	D-6	93450-17044	B-4
93101-16131	B-4	93501-04011	E-9
93101-26154	B-4	93505-16006	C-9
93101-26156	C-13	93603-09106	B-10
93102-12106	E-2	93603-17070	B-10
93102-22014	E-4	93900-00030	E-2
93102-25044	E-4		E-4
93102-35109	C-10		E-4
93105-42024	E-4	94581-32118	B-7
93105-45017	E-2	94581-42106	E-4
93109-08058	C-9	94681-32021	B-7
93109-12053	C-13	94701-00318	B-2
93109-17048	D-6	94701-00319	B-2
93210-06632	C-5	95023-06016	E-10
93210-10096	B-11	95023-06025	D-2
93210-12152	C-4		F-2
93210-15566	B-8	95023-08025	E-10
93210-15620	E-11	95026-06012	B-8
93210-16629	C-4		B-13
93210-17746	B-8	95026-06016	F-10
93210-21190	B-8	95026-06025	B-13
93210-27194	C-6	95303-05600	C-2
93210-29198	F-10	95303-05600	C-2
93210-33133	B-8		D-13
93210-33664	C-9		F-7
93210-63442	B-3	95303-06700	C-13
93210-87723	B-11	95303-08600	E-4
93306-20006	C-8	95303-08700	F-11
93306-20310	F-4	95316-06606	F-4
93306-30203	E-2		F-9
93306-30306	E-4	95601-10200	E-4
93306-30550	C-10	95602-10100	D-8
93306-37205	C-10	95606-04100	D-2
93306-37207	E-4	95611-10100	D-7
93310-34688	C-9	95616-06100	F-7
93311-42045	C-11		F-9
93316-32516	C-4	95701-05500	D-3
93317-21746	D-6	95701-06500	F-9
93317-31701	D-6	95701-08500	E-4
93320-32403	D-6	95701-10500	C-14
93332-00001	D-9	95701-12500	F-3
93332-00008	D-9	95702-06600	C-14
93369-95919	D-6	95706-05500	D-13
93399-99953	C-10		F-12
93410-22039	C-10	95811-06016	D-15
93440-10153	B-2	95811-10080	C-14
93440-25084	C-10	95316-06025	B-9
		95816-06040	C-4
		95816-06050	C-4
		95816-06070	C-4
		95816-06080	C-4
		95816-06090	C-4
		95816-08012	C-3
		95816-08030	C-3
		95816-08045	C-3
		95816-08070	C-4
		95821-08025	E-9
		95822-06016	C-12
		95826-06010	B-9
		95826-06020	E-7
		97001-06L25	F-8
		97006-06055	F-9
		97313-06016	D-6
		97702-60520	F-9
		97706-40512	E-14
		97706-40620	F-3
		97780-50125	B-12
		97806-05025	F-8
		98021-06020	C-13
		98501-03012	F-4
		98501-05008	B-9
		98501-05012	B-15
		98501-05016	B-12
			E-15
		98501-06010	C-7
		98501-06012	C-4
		98501-06020	B-10
			F-9
		98501-06025	D-14
		98502-06016	F-10
		98503-03008	D-12
		98506-04018	F-8
		98506-05008	F-7
		98506-05016	B-15
		98506-05040	F-8
		98506-05045	F-8
		98511-04012	E-11
		98580-03010	F-4
		98580-04010	B-15
			F-4
		98606-04016	D-12
		98701-05012	C-12
		98702-03008	F-8
		98706-04012	E-8
		98706-06030	E-13