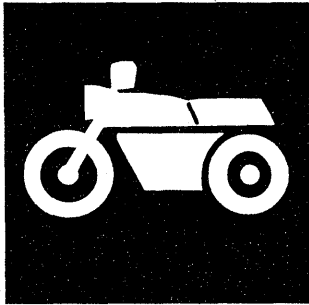


YAMAHA



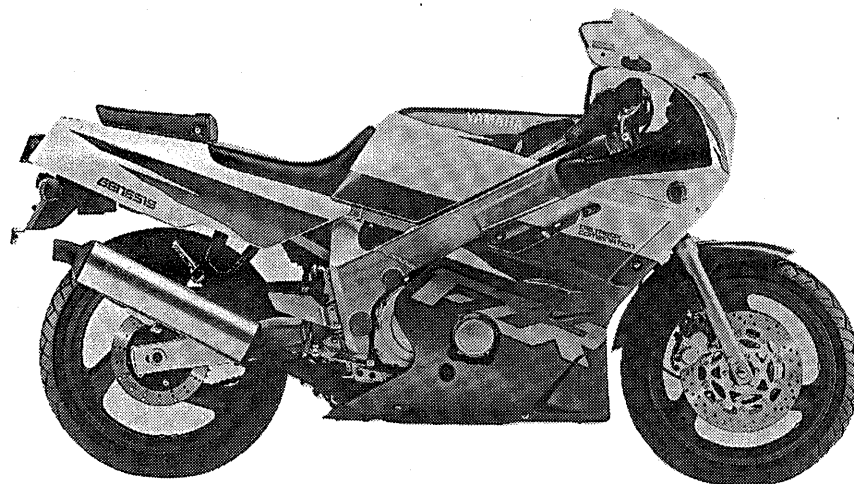
**PARTS
CATALOGUE**

FZR600H (3HHG) U49

FZR600HC (3UU7) CALIFORNIA

YAMAHA
GENUINE
Parts & Accessories

163HH-100E1



BLUISH WHITE COCKTAIL 1 (0390)

A3

FOREWORD

This Parts Catalogue is related to the parts for the model(s) in the below frame. When you are ordering replacement parts, please refer to this Parts Catalogue and quote both part numbers and part names correctly.

FZR600H (3HHG) , FZR600HC(3UU7)

1. Modifications or additions which have been made after issue of the Parts Catalogue will be announced in the Yamaha Parts News.
It is advisable that you make necessary corrections to the Parts Catalogue according to the Yamaha Parts News.

2. Abbreviations
The following abbreviations are used in this Parts Catalogue.

"UR" Use specified parts number.
 "UN" Use as many as needed.
 "AP" Alternate Parts
 "LM" Local Made (Parts need to be ordered locally)
 "F#" Frame No. (Applicable machine No.)

3. Parts, which are to be supplied in an assembly, are listed with a dot (.) in front of the part name as shown below.

EXAMPLE

CARBURETOR ASSY
 . JET, PILOT
 . NOZZLE, MAIN

4. Number of component for assembly
The numeral appearing to the right of each component part indicates the quantity of parts for each assembly unit.

EXAMPLE

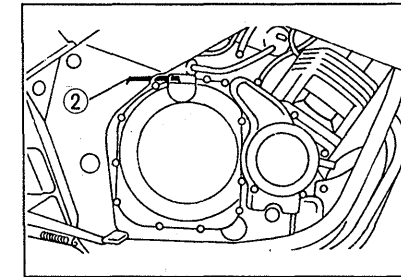
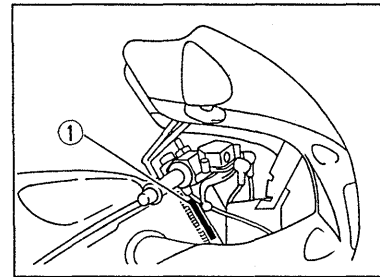
PART NO.	DESCRIPTION	Q'TY	REMARKS
2F5-83310-60	FRONT FLASHER LIGHT ASSY	2	
115-83311-60	. BULB (6V-18W)	1	

5. Applicable colors of graphics are represented in the "REMARKS" as shown below.

PART NO.	DESCRIPTION	Q'TY	REMARKS
2N4-24110-00-X5	FUEL TANK COMP.	1	MAXIM RED
3J1-24240-10	. GRAPHIC, FUEL TANK	1	for MXR

6. Applicable Serial No. and Color Code

3HHG	① Frame Serial No.	3HH-092101	~
	② Engine Serial No.	3HH-092101	~
3UU7	① Frame Serial No.	3UU-017101	~
	② Engine Serial No.	3UU-017101	~



Color Code	Color Name	Abbreviation
0390	BLUISH WHITE COCKTAIL 1	BWC1
00WL	STARDUST SILVER	STDS

7. Note that the illustrations are for reference in finding parts numbers, not to be used for assembling. When assembling, please use the applicable service manual.

8. The asterisk (*) before a reference number indicates modification items after the first edition.

A4

CONTENTS

ENGINE

Cylinder Head	B2
Cylinder	B3
Crankshaft · Piston	B4
Valve	B5 ~ B6
Camshaft · Chain	B7
Water Pump	B8
Radiator · Hose	B9
Oil Pump	B10
Oil Cleaner	B11
Intake	B12
Emission Control Device (FOR CALIF.)	B13 ~ B14
Carburetor	B15 ~ C3
Exhaust (FOR NON CALIF.)	C4
Exhaust 2 (FOR CALIF.)	C5
Crankcase	C6 ~ C7
Crankcase Cover 1	C8 ~ C9
Starter Clutch	C10
Clutch	C11
Transmission	C12 ~ C13
Shift Cam · Fork	C14
Shift Shaft	C15

CHASSIS

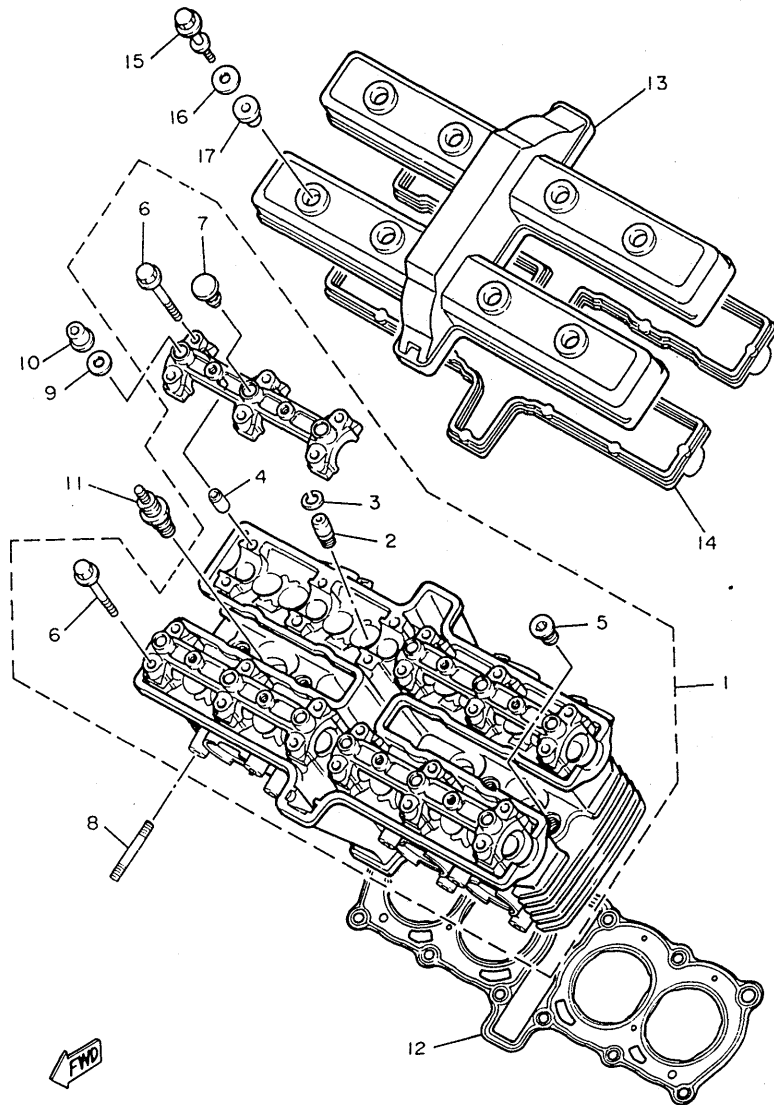
Frame	D2 ~ D3
Fender	D4 ~ D5
Side Cover	D6 ~ D7
Rear Arm	D8 ~ D9

Rear Suspension	D10
Steering	D11
Front Fork	D12 ~ D13
Fuel Tank	D14 ~ E2
Fuel Tank 2 (FOR CALIF.)	E3
Seat	E4
Front Wheel	E5
Front Brake Caliper	E6
Rear Wheel	E7 ~ E8
Rear Brake Caliper	E9
Steering Handle · Cable	E10
Front Master Cylinder	E11
Stand · Footrest	E12 ~ E13
Rear Master Cylinder	E14
Cowling 1	E15 ~ F3
Generator	F4
Starting Motor	F5
Flasher Light	F6
Meter	F7 ~ F8
Headlight	F9
Taillight	F10
Handle Switch · Lever	F11
Electrical 1	F12 ~ F13
Electrical 2	F14

INDEX

NUMERICAL INDEX	L1 ~ L5
-----------------------	---------

FIG. 1 CYLINDER HEAD

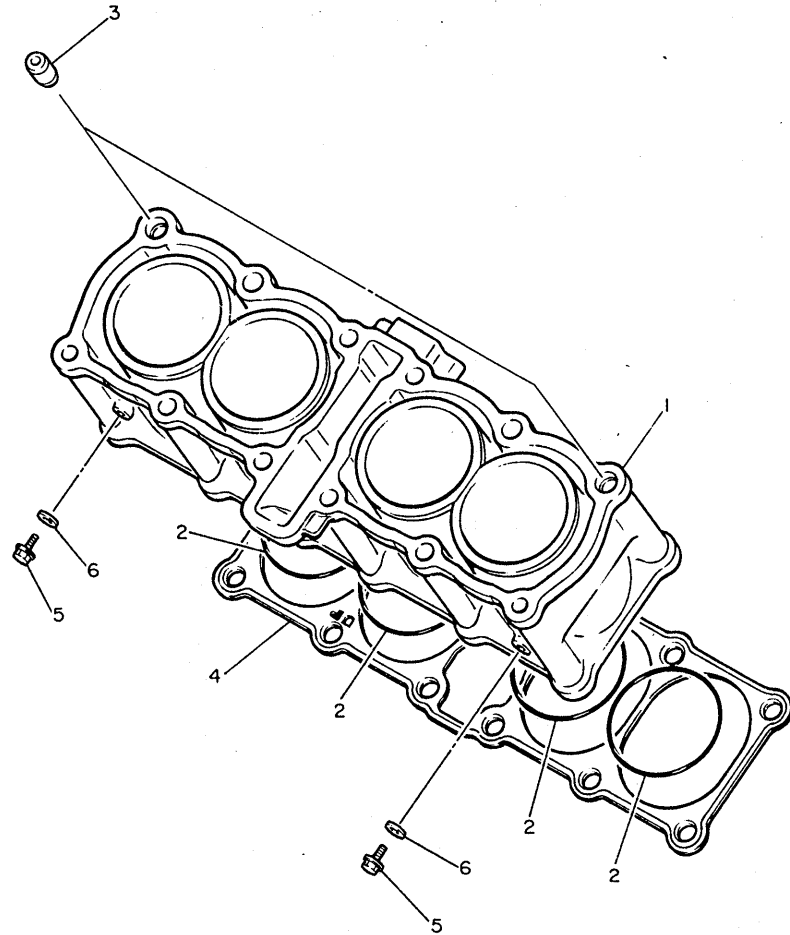


REF. NO.	PART NO.	DESCRIPTION	Q'TY	REMARKS
1	3HE-11101-00	CYLINDER HEAD ASSY	1	UR FOR NON CALIF.
	3HW-11101-00	CYLINDER HEAD ASSY	1	UR FOR CALIF.
2	1WG-11133-10	.GUIDE, INTAKE VALVE	16	
3	93440-10153	.CIRCLIP	16	
4	99510-08016	.PIN, DOWEL	12	
5	90340-12112	.PLUG, STRAIGHT SCREW	6	
6	90105-06384	.BOLT, WASHER BASED	24	
7	90338-08174	.PLUG	12	
8	90116-06437	BOLT, STUD	8	
9	90201-087K2	WASHER, PLATE	12	
10	90179-08530	NUT	12	
11	94701-00318	PLUG, SPARK (NGK R CR9E)	4	UR
	94701-00319	PLUG, SPARK (ND U27ESR-N)	4	UR
12	3HE-11181-00	GASKET, CYLINDER HEAD 1	1	
13	2TK-11191-00	COVER, CYLINDER HEAD 1	1	
14	1WG-11193-00	GASKET, HEAD COVER 1	1	
15	90109-064F0	BOLT	8	
16	90209-11262	WASHER	8	
17	2GH-1111G-00	RUBBER, MOUNT 1	8	

FWD
3HE332-9010

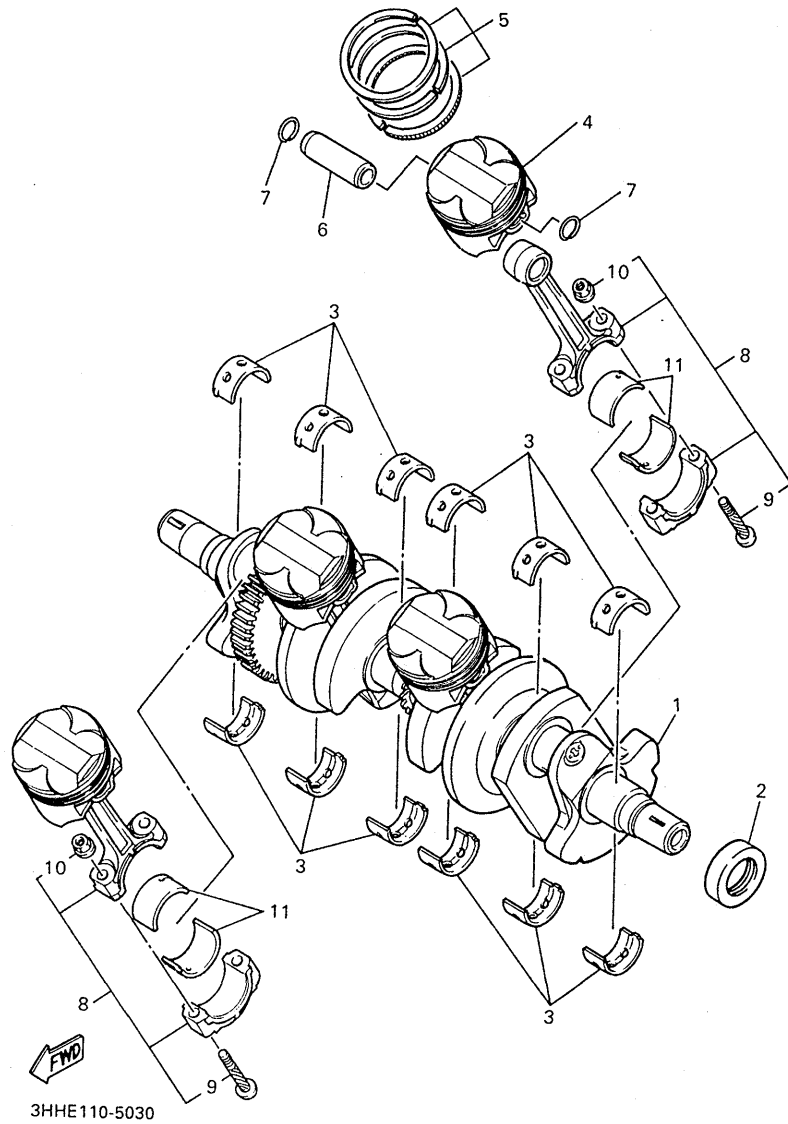
FIG. 2 CYLINDER

REF. NO.	PART NO.	DESCRIPTION	Q'TY	REMARKS
1	3HE-11310-00	CYLINDER	1	UR FOR NON CALIF.
	3HW-11310-00	CYLINDER	1	UR FOR CALIF.
2	93210-63442	O-RING	4	
3	99510-12016	PIN, DOWEL	2	
4	3HE-11351-00	GASKET, CYLINDER	1	
5	95807-06010	BOLT, FLANGE	2	
6	90430-06014	GASKET	2	



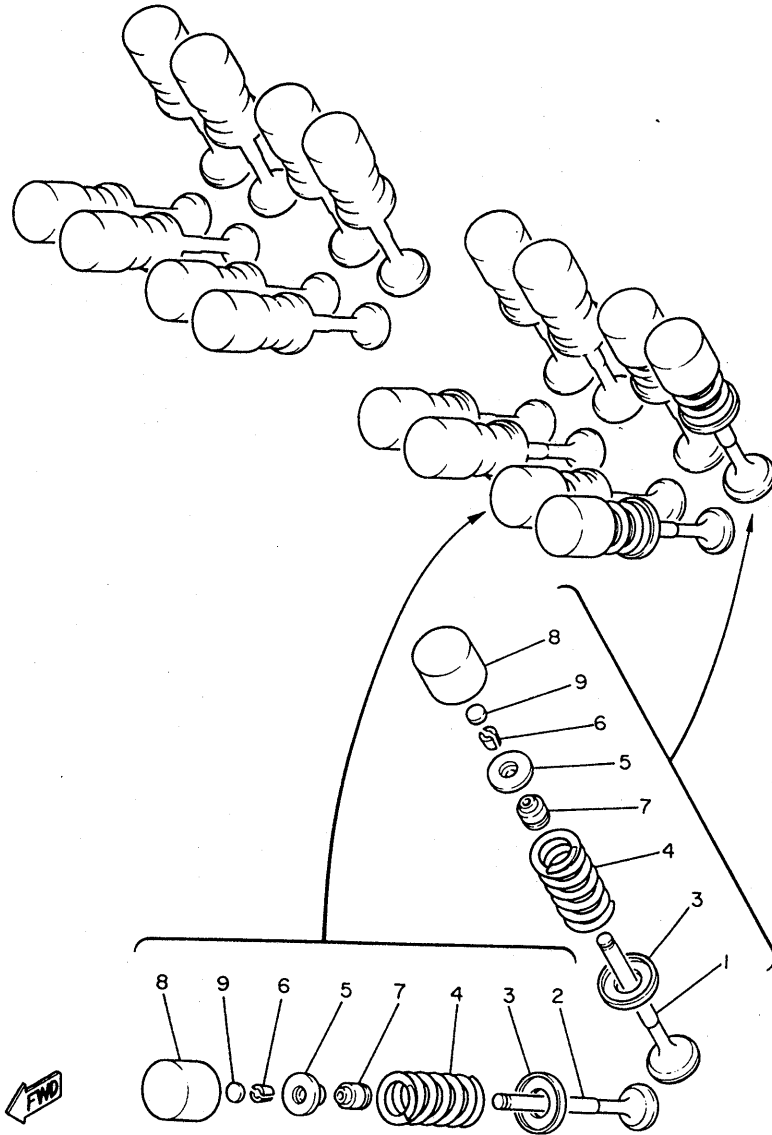
3HE332-9020

FIG. 3 CRANKSHAFT • PISTON



REF. NO.	PART NO.	DESCRIPTION	Q'TY	REMARKS
1	3HE-11411-00	CRANKSHAFT	1	
2	93101-26156	OIL SEAL	1	
3	1WG-11416-00	PLANE BEARING, CRANKSHAFT 1	12	UR BLUE
	1WG-11416-10	PLANE BEARING, CRANKSHAFT 1	12	UR BLACK
	1WG-11416-20	PLANE BEARING, CRANKSHAFT 1	12	UR BROWN
	1WG-11416-30	PLANE BEARING, CRANKSHAFT 1	12	UR GREEN
	1WG-11416-40	PLANE BEARING, CRANKSHAFT 1	12	UR YELLOW
4	3HE-11631-00	PISTON (STD)	4	
	3HE-11636-00	PISTON (0.50MM O/S)	4	AP
	3HE-11638-00	PISTON (1.00MM O/S)	4	AP
5	3HE-11610-00	PISTON RING SET (STD)	4	
	3HE-11610-20	PISTON RING SET (0.50MM O/S)	4	AP
	3HE-11610-40	PISTON RING SET (1.00MM O/S)	4	AP
6	3HE-11633-00	PIN, PISTON	4	
7	93450-17044	CIRCLIP	8	
8	3HE-11650-01	CONNECTING ROD ASSY	4	
9	1WG-11654-00	.BOLT, CONNECTING ROD	2	
10	90179-07531	.NUT	2	
11	1WG-11656-00	PLANE BEARING, CONNECTING ROD	8	UR BLUE
	1WG-11656-10	PLANE BEARING, CONNECTING ROD	8	UR BLACK
	1WG-11656-20	PLANE BEARING, CONNECTING ROD	8	UR BROWN
	1WG-11656-30	PLANE BEARING, CONNECTING ROD	8	UR GREEN

FIG. 4 VALVE

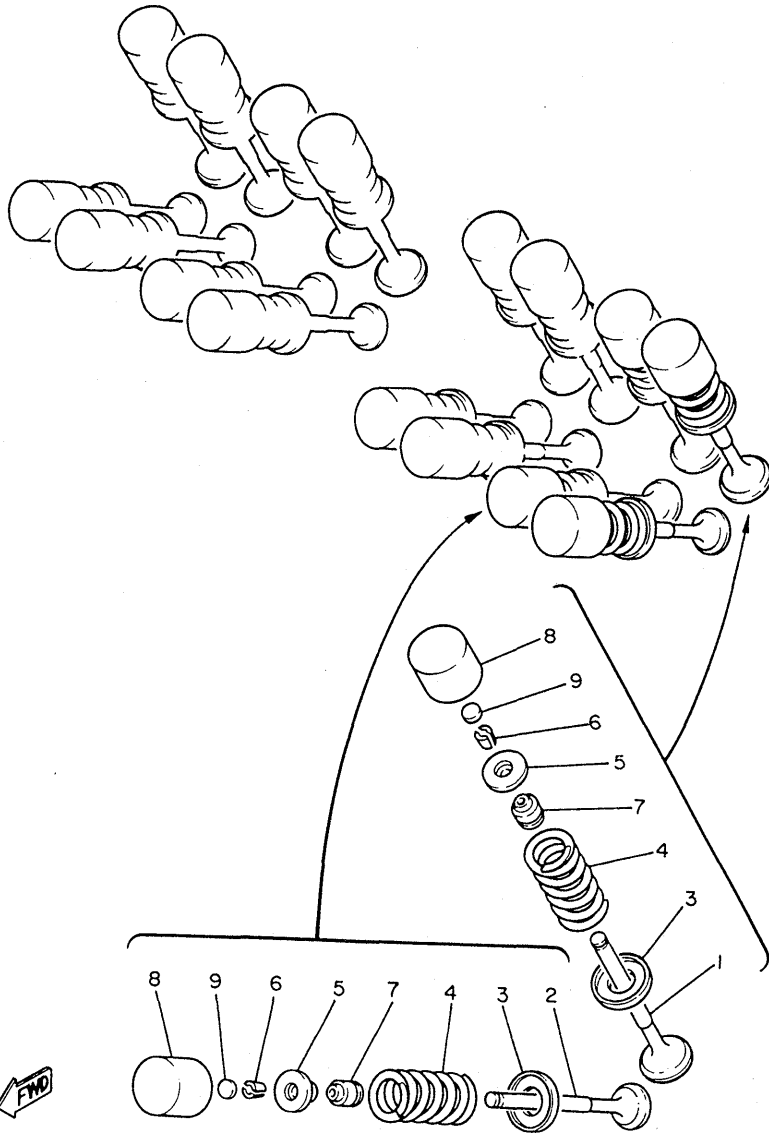


1WG010-6040

REF. NO.	PART NO.	DESCRIPTION	Q'TY	REMARKS
1	3HE-12111-01	VALVE, INTAKE	8	
2	3HE-12121-00	VALVE, EXHAUST	8	
3	1WG-12116-00	SEAT, VALVE SPRING	16	
4	3HE-12113-00	SPRING, VALVE INNER	16	
5	1WG-12117-00	RETAINER, VALVE SPRING	16	
6	1WG-12118-00	COTTER, VALVE	32	
7	1WG-12119-00	SEAL, VALVE STEM	16	
8	1WG-12153-21	LIFTER, VALVE	16	UR BLUE
	1WG-12153-31	LIFTER, VALVE	16	UR RED
	1WG-12153-09	LIFTER, VALVE (O/S)	16	AP WHITE
9	1HX-12168-00	PAD, ADJUSTING 2 (1.20)	16	UR
	1HX-12168-20	PAD, ADJUSTING 2 (1.25)	16	UR
	1HX-12168-40	PAD, ADJUSTING 2 (1.30)	16	UR
	1HX-12168-60	PAD, ADJUSTING 2 (1.35)	16	UR
	1HX-12168-80	PAD, ADJUSTING 2 (1.40)	16	UR
	1HX-12168-A0	PAD, ADJUSTING 2 (1.45)	16	UR
	1HX-12168-F0	PAD, ADJUSTING 2 (1.50)	16	UR
	1HX-12168-H1	PAD, ADJUSTING 2 (1.55)	16	UR
	1HX-12168-K1	PAD, ADJUSTING 2 (1.60)	16	UR
	1HX-12168-M1	PAD, ADJUSTING 2 (1.65)	16	UR
	1HX-12168-R1	PAD, ADJUSTING 2 (1.70)	16	UR
	1HX-12168-U1	PAD, ADJUSTING 2 (1.75)	16	UR
	1HX-12168-W1	PAD, ADJUSTING 2 (1.80)	16	UR
	1HX-12168-Y1	PAD, ADJUSTING 2 (1.85)	16	UR
	1HX-12169-11	PAD, ADJUSTING 2 (1.90)	16	UR
	1HX-12169-31	PAD, ADJUSTING 2 (1.95)	16	UR
	1HX-12169-50	PAD, ADJUSTING 2 (2.00)	16	UR
	1HX-12169-70	PAD, ADJUSTING 2 (2.05)	16	UR

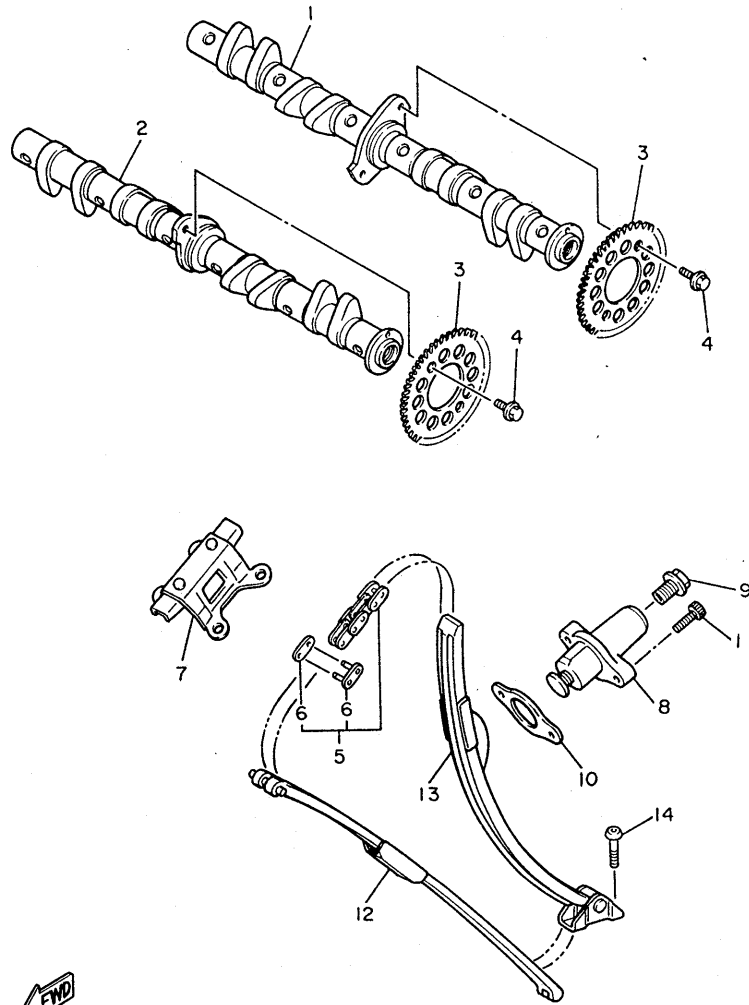
FIG. 4 VALVE

REF. NO.	PART NO.	DESCRIPTION	Q'TY	REMARKS
9	1HX-12169-90	PAD, ADJUSTING 2 (2.10)	16	UR
	1HX-12169-E0	PAD, ADJUSTING 2 (2.15)	16	UR
	1HX-12169-G0	PAD, ADJUSTING 2 (2.20)	16	UR
	1HX-12169-J0	PAD, ADJUSTING 2 (2.25)	16	UR
	1HX-12169-L0	PAD, ADJUSTING 2 (2.30)	16	UR
	1HX-12169-N0	PAD, ADJUSTING 2 (2.35)	16	UR
	1HX-12169-T0	PAD, ADJUSTING 2 (2.40)	16	UR



1WG010-6040

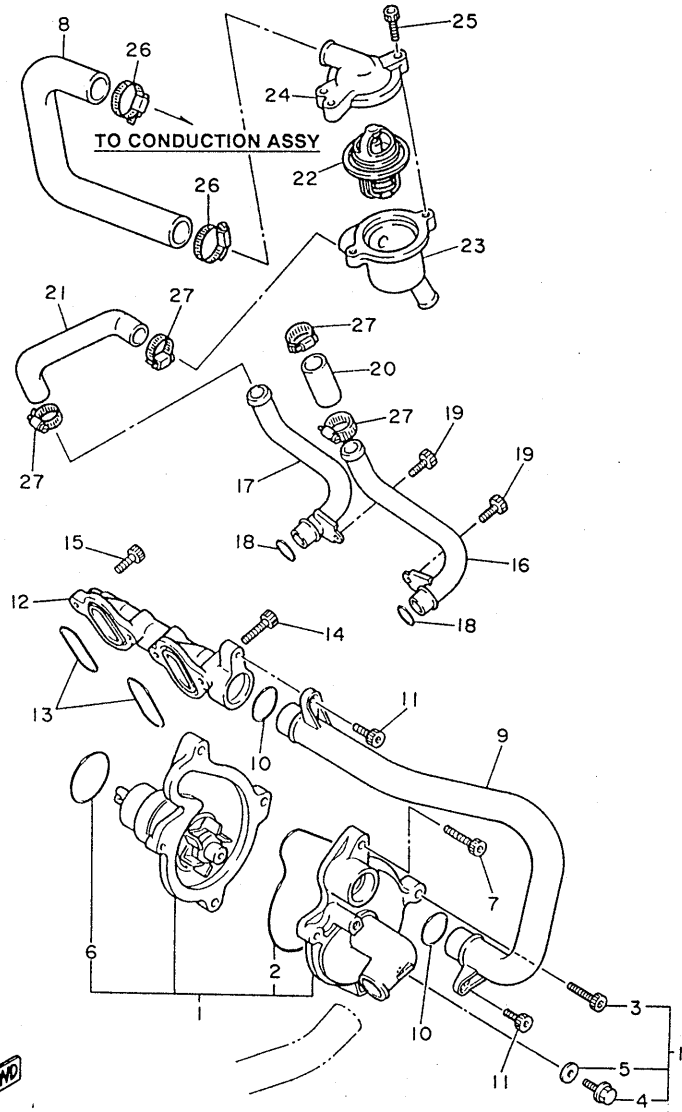
FIG. 5 CAMSHAFT • CHAIN



3HE332-9050

REF. NO.	PART NO.	DESCRIPTION	Q'TY	REMARKS
1	3HE-12171-00	CAMSHAFT 1	1	UR FOR NON CALIF.
	3UU-12171-00	CAMSHAFT 1	1	UR FOR CALIF.
2	3HE-12181-00	CAMSHAFT 2	1	UR FOR NON CALIF.
	3UU-12181-00	CAMSHAFT 2	1	UR FOR CALIF.
3	1WG-12176-00	SPROCKET, CAM CHAIN	2	
4	90105-07385	BOLT, WASHER BASED	4	
5	94581-32118	CHAIN (D.I.D. 215F DHA 118L)	1	
6	94681-32021	JOINT, CHAIN (D.I.D.215F-LJ)	1	
7	1WG-12241-00	GUIDE, STOPPER 2	1	
8	3GM-12210-00	TENSIONER ASSY, CAM CHAIN	1	
9	90109-112F1	BOLT	1	
10	4BE-12213-00	GASKET, TENSIONER CASE	1	
11	91317-06025	BOLT	2	
12	3HE-12251-00	DAMPER, CHAIN 1	1	
13	3HE-12252-00	DAMPER, CHAIN 2	1	
14	90109-065A8	BOLT	2	

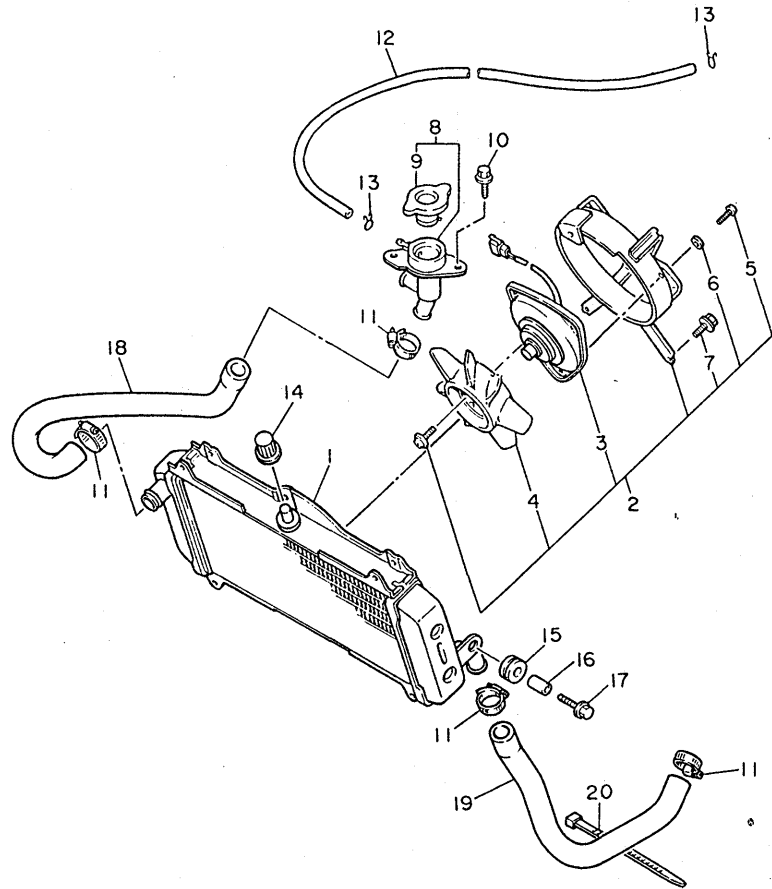
FIG. 6 WATER PUMP



3HH110-3060

REF. NO.	PART NO.	DESCRIPTION	Q'TY	REMARKS
1	3TJ-Y1242-00	WATER PUMP ASSY	1	
2	1WG-12439-00	.O-RING	1	
3	91317-06025	.BOLT	2	
4	95027-06012	.BOLT, FLANGE	1	
5	90430-06014	.GASKET	1	
6	93210-33133	.O-RING	1	
7	91317-06035	BOLT	2	
8	3HE-12579-00	HOSE 4	1	
9	1WG-12481-00	PIPE 1	1	
10	93210-21190	O-RING	2	
11	91317-06012	BOLT	2	
12	1WG-12446-01	JOINT	1	
13	93210-17746	O-RING	2	
14	91317-06040	BOLT	3	
15	91317-06025	BOLT	1	
16	1WG-12482-00	PIPE 2	1	
17	1WG-12483-00	PIPE 3	1	
18	93210-15566	O-RING	2	
19	91317-06012	BOLT	2	
20	3HE-12576-00	HOSE 1	1	
21	3HE-12577-00	HOSE 2	1	
22	46X-12410-00	THERMOSTAT ASSY	1	
23	1WG-12417-00	HOUSING, THERMOSTAT	1	
24	1WG-12413-01	COVER, THERMOSTAT	1	
25	91317-06020	BOLT	2	
26	90450-32051	HOSE CLAMP ASSY	2	
27	90450-28014	HOSE CLAMP ASSY	4	

FIG. 7 RADIATOR • HOSE



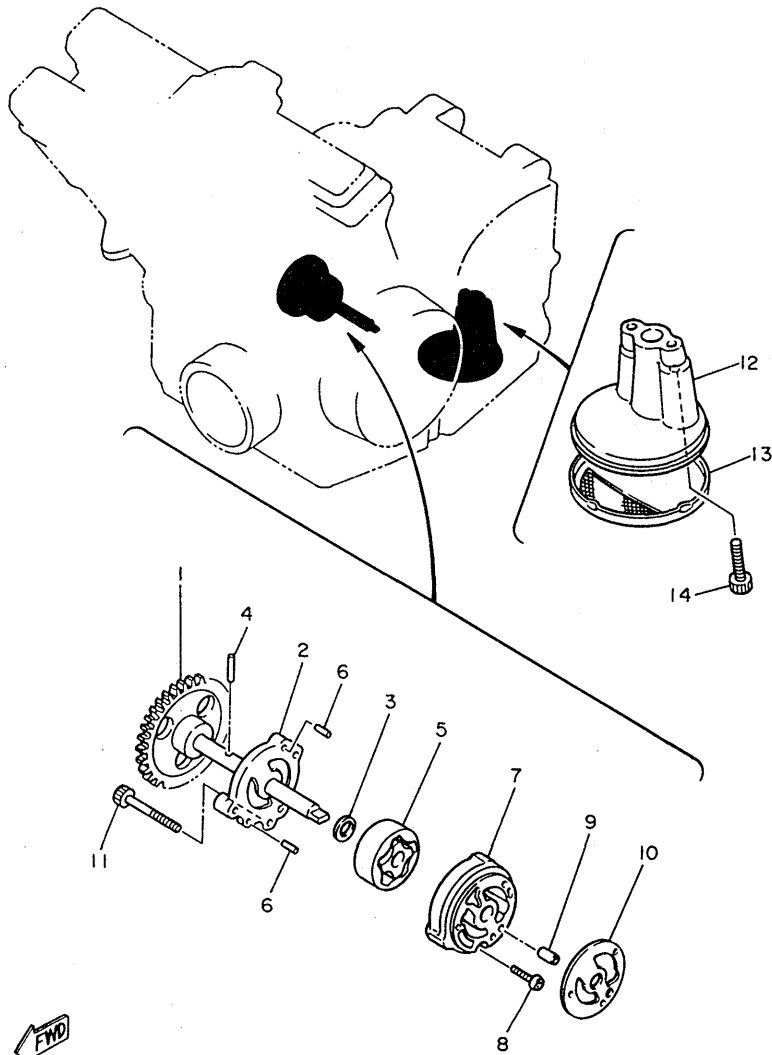
REF. NO.	PART NO.	DESCRIPTION	Q'TY	REMARKS
1	3HE-12461-00	RADIATOR ASSY	1	
2	3HE-12405-00	BLOWER ASSY	1	
3	1AA-12630-00	•MOTOR ASSY	1	
4	1UF-12611-00	•FAN	1	
5	98507-05008	•SCREW, PAN HEAD	3	
6	92901-05600	•WASHER, PLATE	3	
7	90119-06044	•BOLT, WITH WASHER	3	
8	2TK-12590-00	CONDUCTION ASSY	1	
9	22W-12462-00	•CAP, RADIATOR	1	
10	95807-06010	BOLT, FLANGE	2	
11	90450-32051	HOSE CLAMP ASSY	4	
12	90445-096E8	HOSE	1	
13	90467-08003	CLIP	2	
14	90338-20188	PLUG	1	
15	90480-15483	GROMMET	2	
16	90387-07392	COLLAR	2	
17	95817-06025	BOLT, FLANGE	2	
18	3HE-12578-00	HOSE 3	1	
19	3HE-12588-10	HOSE 5	1	
20	25G-83936-01	BAND, SWITCH CORD	1	



3HH110-1070

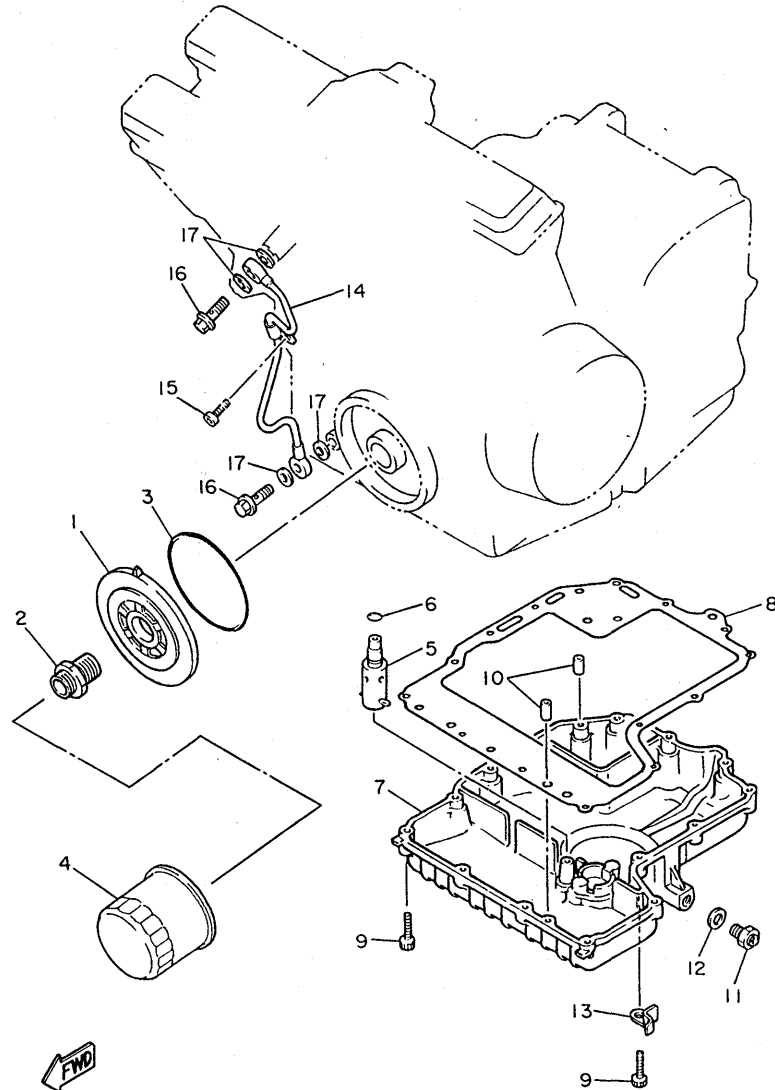
FIG. 8 OIL PUMP

REF. NO.	PART NO.	DESCRIPTION	Q'TY	REMARKS
1	1WG-13330-01	PUMP SHAFT ASSY	1	
2	1WG-13316-00	COVER, PUMP	1	
3	90201-113K2	WASHER, PLATE	1	
4	93603-17070	PIN, DOWEL	1	
5	1WG-13310-00	ROTOR ASSY 1	1	
6	93603-09106	PIN, DOWEL	2	
7	1WG-13336-00	HOUSING, ROTOR	1	
8	98517-06020	SCREW, PAN HEAD	1	
9	99510-08012	PIN, DOWEL	1	
10	1WG-13329-00	GASKET, PUMP COVER	1	
11	90110-06130	BOLT, HEXAGON SOCKET HEAD	3	
12	1WG-13412-00	HOUSING, STRAINER	1	
13	4H7-13411-02	STRAINER, OIL	1	
14	90110-06225	BOLT, HEXAGON SOCKET HEAD	2	



3HE332-9080

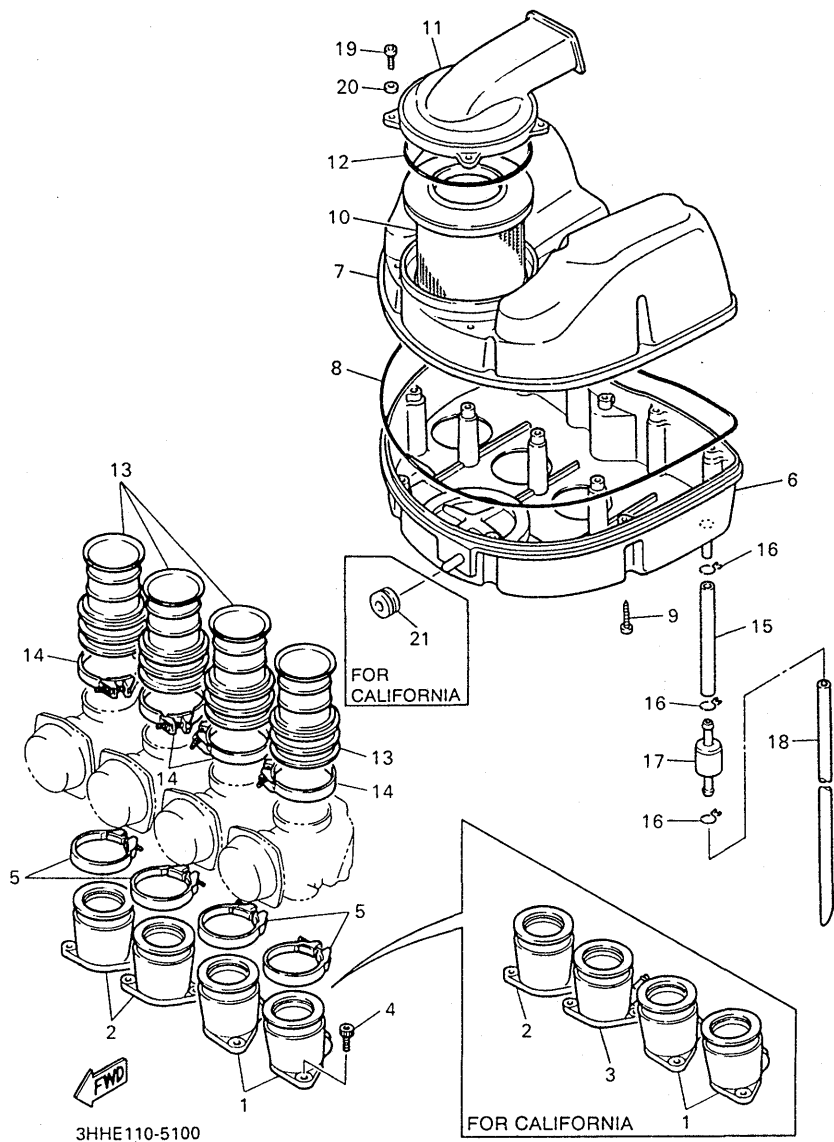
FIG. 9 OIL COOLER



3HH110-1090

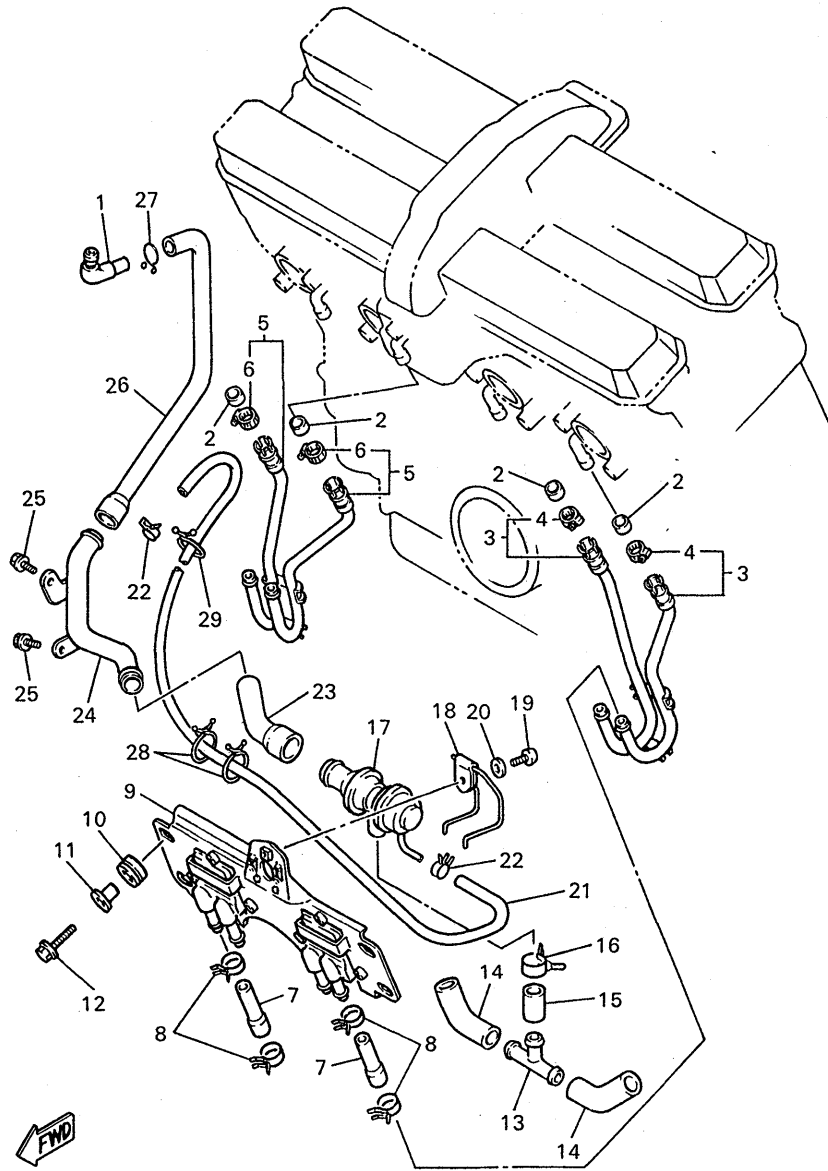
REF. NO.	PART NO.	DESCRIPTION	Q'TY	REMARKS
1	3TJ-13461-00	PLATE, ADAPTOR	1	
2	90401-20145	BOLT, UNION	1	
3	93210-87723	O-RING	1	
4	3FV-13440-00	ELEMENT ASSY, OIL CLEANER	1	
5	11H-13490-00	RELIEF VALVE ASSY	1	
6	93210-10096	O-RING	1	
7	1WG-13417-00	COVER, STRAINER	1	
8	3HE-13414-10	GASKET, STRAINER COVER	1	
9	91317-06025	BOLT	14	
10	99510-08016	PIN, DOWEL	2	
11	3VD-13455-00	PLUG	1	
12	214-11198-01	GASKET	1	
13	90465-10306	CLAMP	1	
14	3HE-13161-00	PIPE, DELIVERY 1	1	
15	91317-06012	BOLT	1	
16	90401-10106	BOLT, UNION	2	
17	90430-10171	GASKET	4	

FIG. 10 INTAKE



REF. NO.	PART NO.	DESCRIPTION	Q'TY	REMARKS
1	3HE-13586-00	JOINT, CARBURETOR 1	2	
2	3HE-13596-00	JOINT, CARBURETOR 2	2	UR FOR NON CALIF.
	3HE-13596-00	JOINT, CARBURETOR 2	1	UR FOR CALIF.
3	3HW-13596-00	JOINT, CARBURETOR 2	1	FOR CALIF.
4	91317-06020	BOLT	8	
5	90450-49020	HOSE CLAMP ASSY	4	
6	3HE-14411-00	CASE, AIR CLEANER 1	1	UR FOR NON CALIF.
	3HW-14411-00	CASE, AIR CLEANER 1	1	UR FOR CALIF.
7	1WG-14421-00	CASE, AIR CLEANER 2	1	
8	1VJ-14462-00	SEAL	1	
9	97707-50125	SCREW, TAPPING	11	
10	1WG-14451-00	ELEMENT, AIR CLEANER	1	
11	3HE-14412-00	CAP, CLEANER CASE 1	1	
12	5T0-14457-00	SEAL	1	
13	3HE-14453-00	JOINT, AIR CLEANER 1	4	
14	90460-58015	CLAMP, HOSE	4	
15	90445-11452	HOSE	1	
16	90467-10008	CLIP	3	
17	4X7-2149Y-00	FILTER ASSY	1	
18	90445-115E8	HOSE	1	
19	98507-05016	SCREW, PAN HEAD	4	
20	92907-05600	WASHER, PLATE	4	
21	31A-14435-00	GROMMET	1	FOR CALIF.

FIG. 11 EMISSION CONTROL DEVICE (FOR CALIF.)



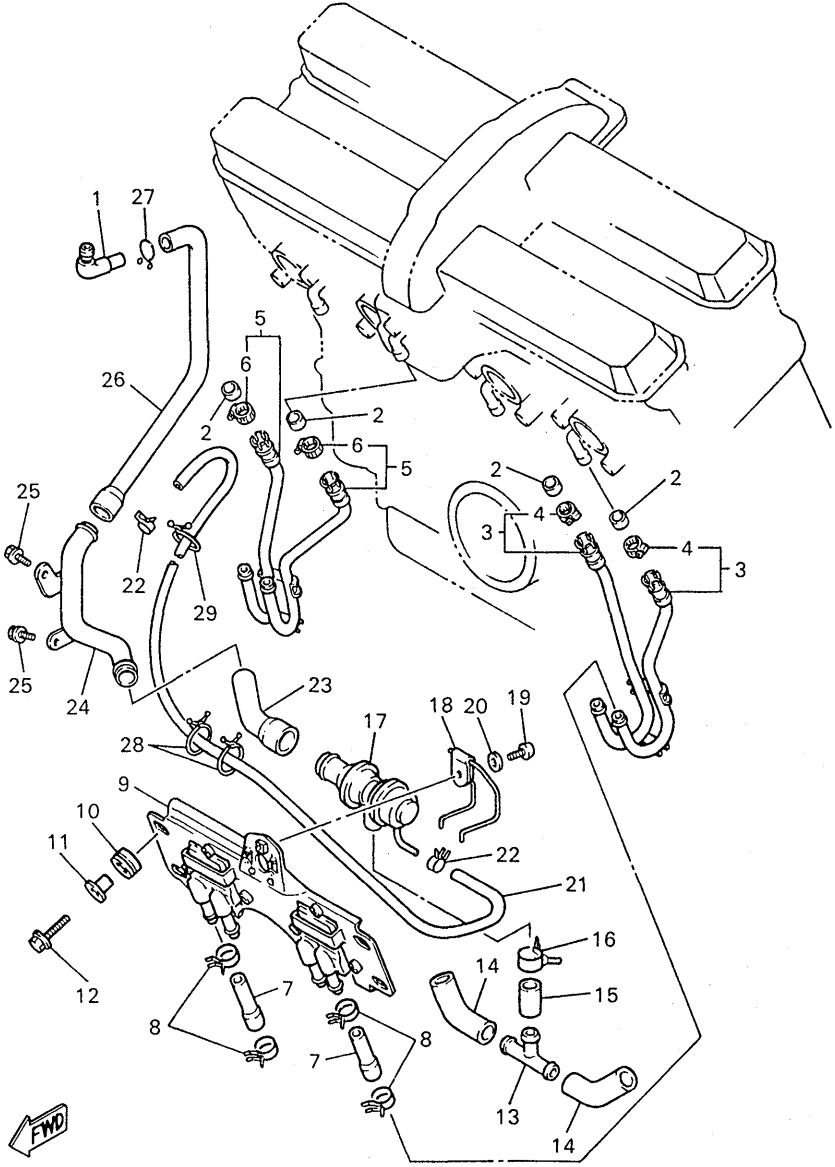
3HHG110-6110

REF. NO.	PART NO.	DESCRIPTION	Q'TY	REMARKS
1	31A-14419-00	PIPE	1	
2	42H-14714-10	GASKET, MUFFLER	4	
3	3HW-14872-00	PIPE 2	1	
4	90450-22052	HOSE CLAMP ASSY	2	
5	3HW-14873-00	PIPE 3	1	
6	90450-22052	HOSE CLAMP ASSY	2	
7	2LJ-14883-00	HOSE, BEND 3	4	
8	90468-08104	CLIP	8	
9	3HW-14808-00	REED VALVE ASSY	1	
10	90480-14229	GROMMET	4	
11	90387-07391	COLLAR	4	
12	95027-06025	BOLT, FLANGE	4	
13	2LJ-14874-00	PIPE 4	1	
14	2LJ-14881-00	HOSE, BEND 1	2	
15	2LJ-14882-00	HOSE, BEND 2	1	
16	90467-17089	CLIP	1	
17	3HF-14840-00	AIR CUT VALVE ASS'Y	1	
18	90462-20188	CLAMP	1	
19	98507-06016	SCREW, PAN HEAD	1	
20	92907-06600	WASHER, PLATE	1	
21	90445-090G9	HOSE	1	
22	90467-08092	CLIP	2	
23	3HW-14885-00	HOSE, BEND 5	1	
24	3HW-14875-00	PIPE 5	1	
25	95027-06012	BOLT, FLANGE	2	
26	3HW-14884-00	HOSE, BEND 4	1	
27	90467-14015	CLIP	1	
28	90464-30040	CLAMP	2	

FIG. 11 EMISSION CONTROL DEVICE (FOR CALIF.)

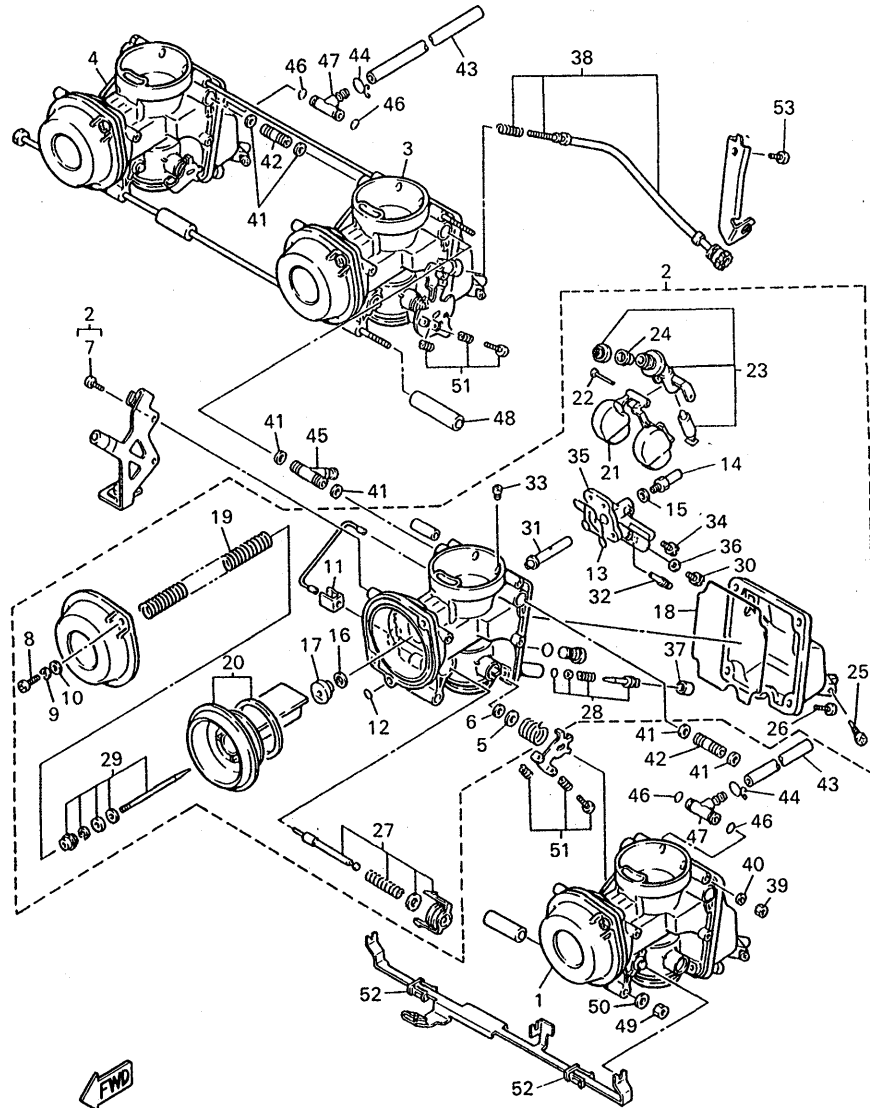
REF. NO.	PART NO.	DESCRIPTION	Q'TY	REMARKS
----------	----------	-------------	------	---------

29	90464-23041	CLAMP	1	
----	-------------	-------	---	--



3HHG110-6110

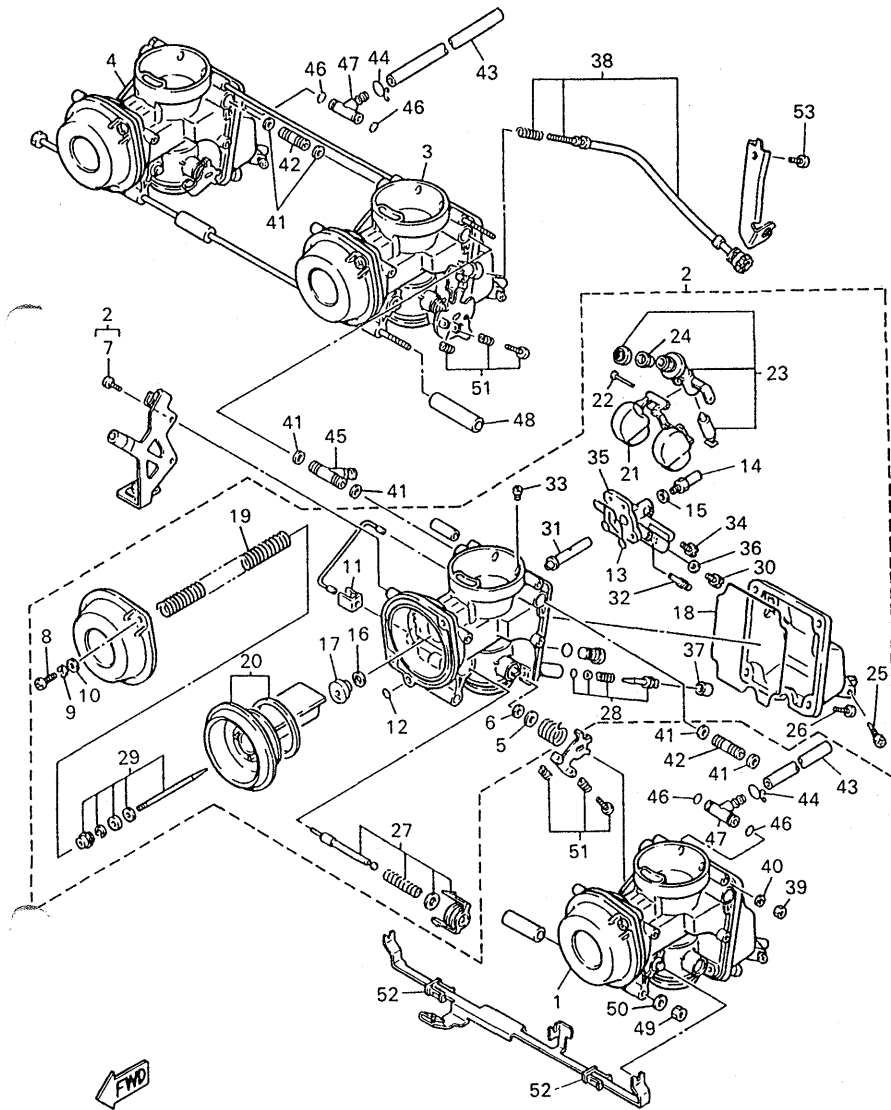
FIG. 12 CARBURETOR



3HHE110-5120

REF. NO.	PART NO.	DESCRIPTION	Q'TY	REMARKS
1	3HH-14901-04	CARBURETOR ASSY 1	1	UR FOR NON CALIF.
	3UU-14901-04	CARBURETOR ASSY 1	1	UR FOR CALIF.
2	3HH-14902-04	CARBURETOR ASSY 2	1	UR NON CALIF.
	3UU-14902-04	CARBURETOR ASSY 2	1	UR FOR CALIF.
3	3HH-14903-04	CARBURETOR ASSY 3	1	UR FOR NON CALIF.
	3UU-14903-04	CARBURETOR ASSY 3	1	UR FOR CALIF.
4	3HH-14904-04	CARBURETOR ASSY 4	1	UR FOR NON CALIF.
	3UU-14904-04	CARBURETOR ASSY 4	1	UR FOR CALIF.
5	1A8-14953-00	•WASHER	1	
6	256-14997-00	•SEAL	1	UR #1,4
	256-14997-00	•SEAL	2	UR #2,3
7	98580-04010	•SCREW, PAN HEAD	2	
8	98507-05016	•SCREW, PAN HEAD	2	
9	92906-05100	•WASHER, SPRING	2	
10	92907-05600	•WASHER, PLATE	2	
11	3EN-14243-00	•PLATE	1	
12	3EN-14239-00	•SEAL	1	
13	3GM-14147-00	•O-RING	1	
14	1AE-14565-00	•SCREW	1	
15	137-14153-00	•WASHER, MAIN JET	1	
16	1AE-14147-00	•O-RING	1	
17	3EN-1411A-00	•BLOCK JET ASSY	1	
18	3GM-14997-00	•SEAL	1	
19	3HE-14933-00	•SPRING, DIAPHRAGM	1	
20	3HE-14940-00	•DIAPHRAGM ASSY	1	
21	3HE-14985-00	•FLOAT	1	
22	353-14186-00	•PIN, FLOAT	1	
23	3HH-14107-10	•NEEDLE VALVE SET	1	

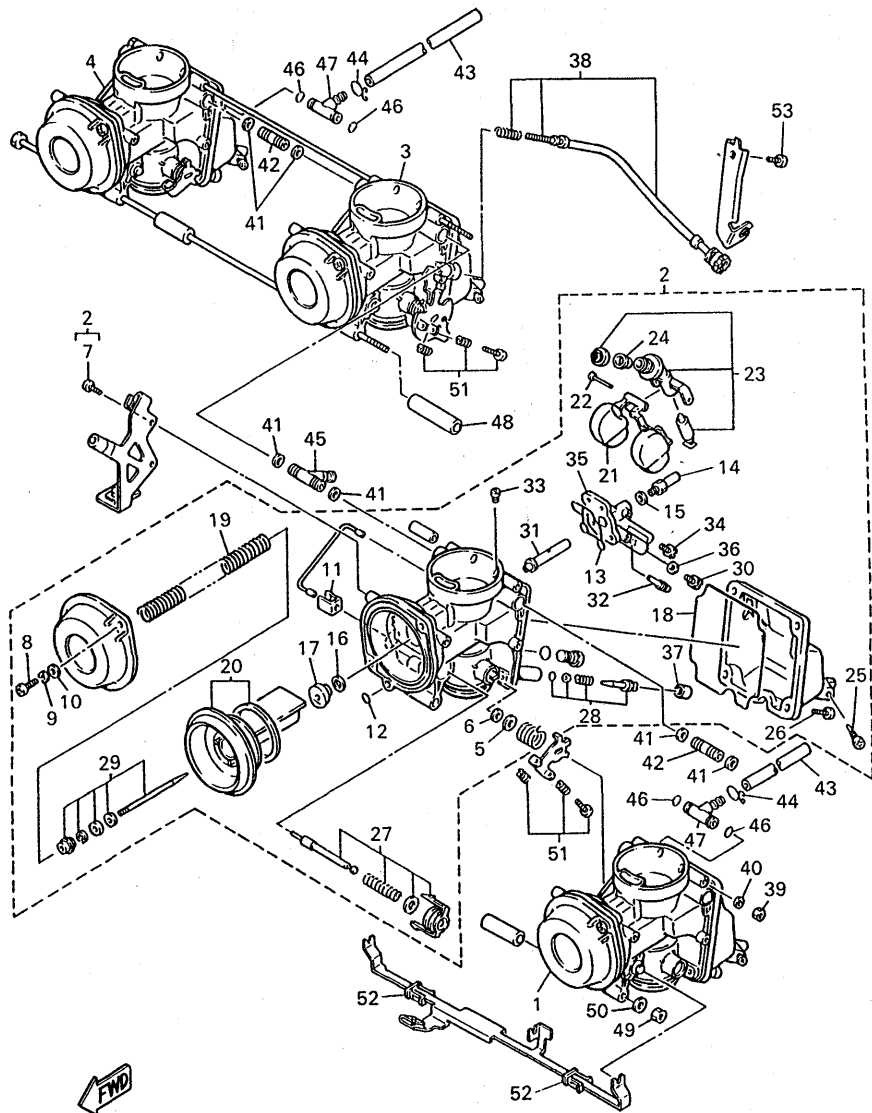
FIG. 12 CARBURETOR



3HHE110-5120

REF. NO.	PART NO.	DESCRIPTION	Q'TY	REMARKS
24	3EN-14147-00	•O-RING	1	
25	12R-14191-00	•PLUG, DRAIN	1	
26	98507-05012	•SCREW, PAN HEAD	2	
27	3EN-1410A-01	•STARTER SET	1	
28	12R-14105-00	•PILOT SCREW SET	1	
29	3HH-1490J-00	•NEEDLE SET	1	
30	3G2-1423A-72	•JET, MAIN (#107.5)	1	
31	3EN-14141-90	•NOZZLE, MAIN	1	
32	4G0-14142-32-A0	•JET, PILOT (# 32.5)	1	
33	830-1423A-77	•JET, PILOT AIR (#132.5)	1	
34	3G2-1423A-61	•JET, STARTER (#52.5)	1	UR FOR NON CALIF.
	3G2-14231-10	•JET, POWER (# 50)	1	UR FOR CALIF.
35	3HE-1411A-00	•BLOCK JET ASSY	1	
36	1AE-14227-00	•O-RING	1	
37	3F9-14118-00	•CAP	1	
38	3HE-14103-00	THROTTLE SCREW SET	1	
39	95380-05600	NUT	1	
40	2GV-14953-00	WASHER	1	
41	3EN-14997-00	SEAL	6	
42	3HE-14163-00	SPACER	2	
43	3EN-14197-00	PIPE	2	
44	8U9-14139-00	CLIP, PIPE	2	
45	3EN-14988-00	PIPE, STARTER CONNECTING	1	
46	822-14147-00	O-RING	4	
47	17A-14251-00	NIPPLE	2	
48	3HE-14148-00	PIPE	1	
49	95380-06600	NUT	1	
50	92990-06600	WASHER, PLATE	1	

FIG. 12 CARBURETOR



FWD

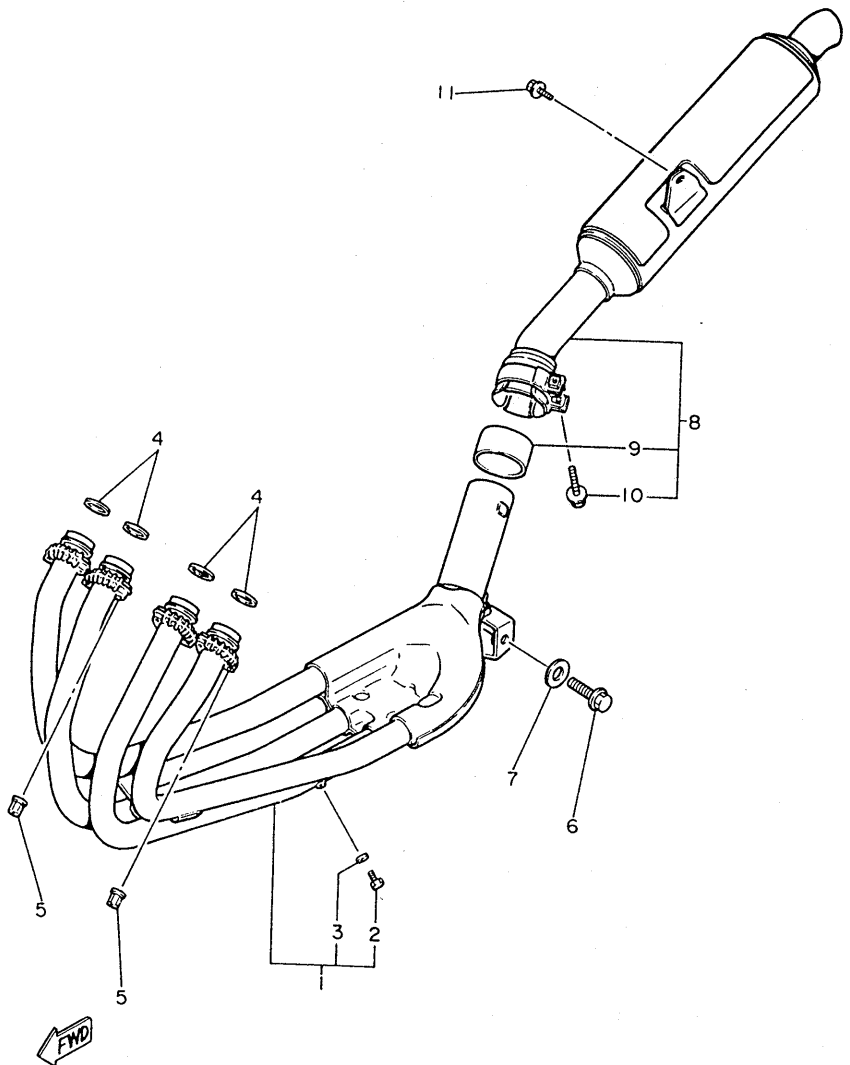
3HHE110-5120

REF. NO.	PART NO.	DESCRIPTION	Q'TY	REMARKS
51	3EN-1490K-00	STOP SCREW SET	3	
52	3EN-14261-00	HOLDER	2	
53	98507-05008	SCREW, PAN HEAD	1	

C3

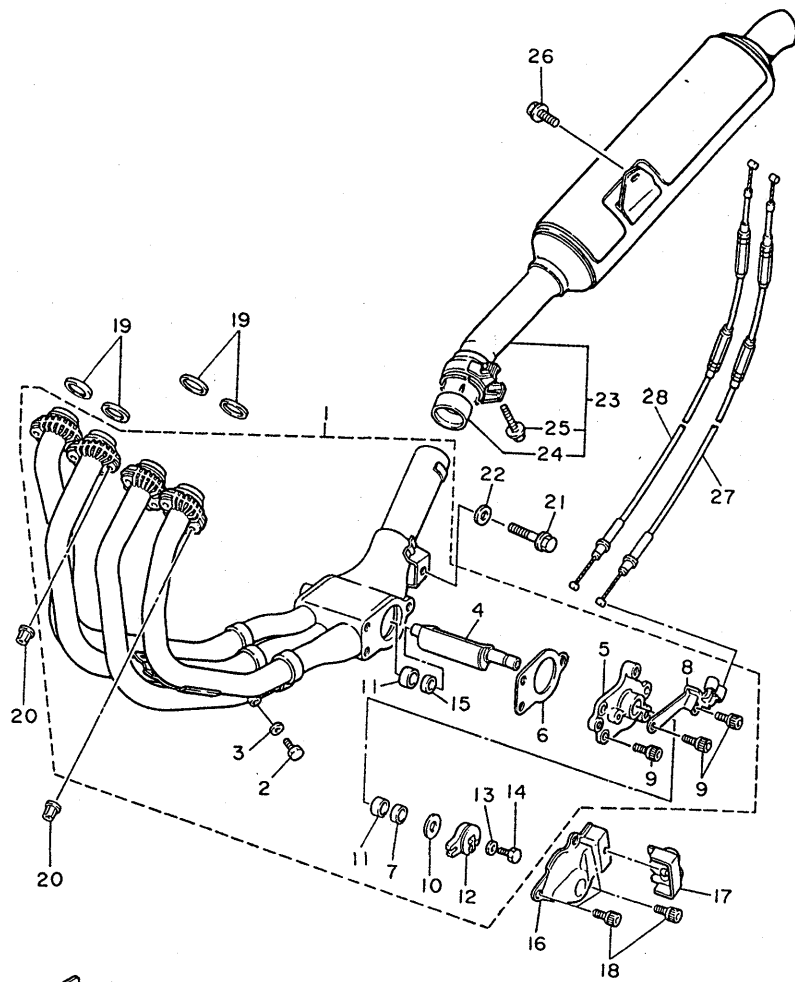
FIG. 13 EXHAUST (FOR NON CALIF.)

REF. NO.	PART NO.	DESCRIPTION	Q'TY	REMARKS
1	3HE-14602-00	EXHAUST PIPE COMP.	1	
2	90101-06576	•BOLT	4	
3	92907-06600	•WASHER, PLATE	4	
4	3YF-14613-01	GASKET, EXHAUST PIPE	4	
5	90179-06668	NUT	8	
6	95817-08030	BOLT, FLANGE	1	
7	90201-08730	WASHER, PLATE	1	
8	3HH-14710-10	MUFFLER ASSY 1	1	
9	3HE-14755-00	•GASKET, SILENCER	1	
10	95817-08045	•BOLT, FLANGE	1	
11	95817-08012	BOLT, FLANGE	1	



3HE351-0130

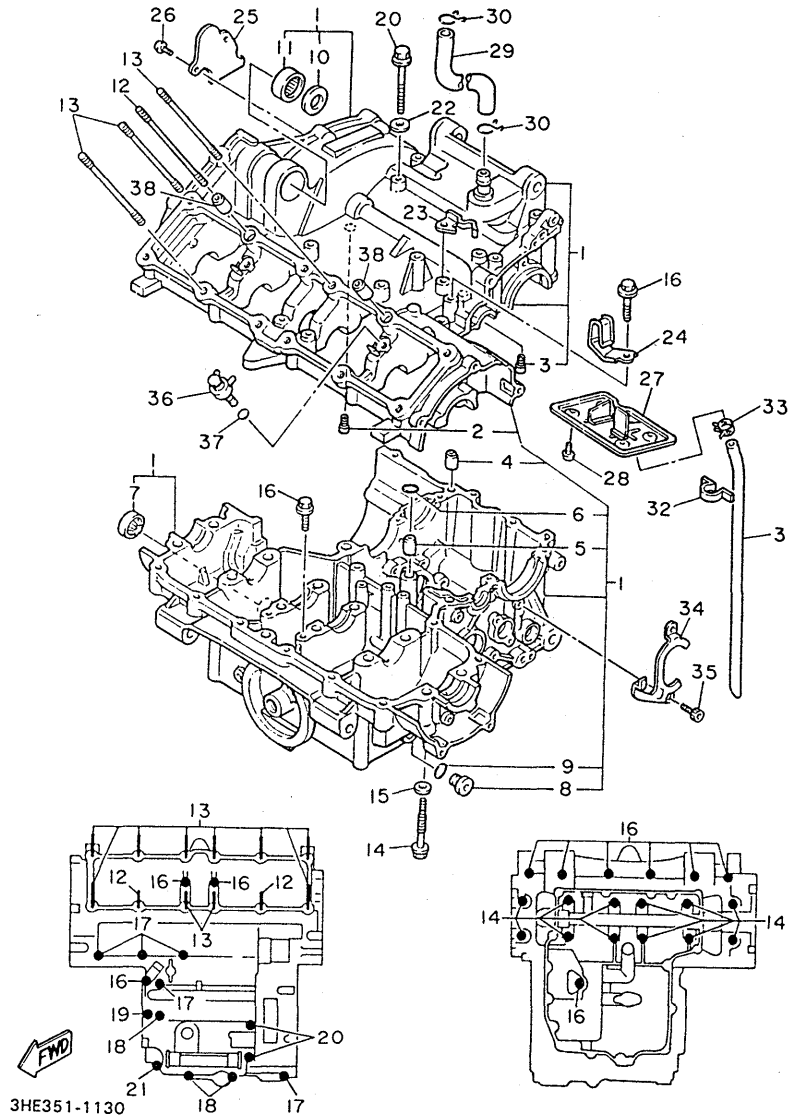
FIG. 14 EXHAUST 2 (FOR CALIF.)



3UU110-1130

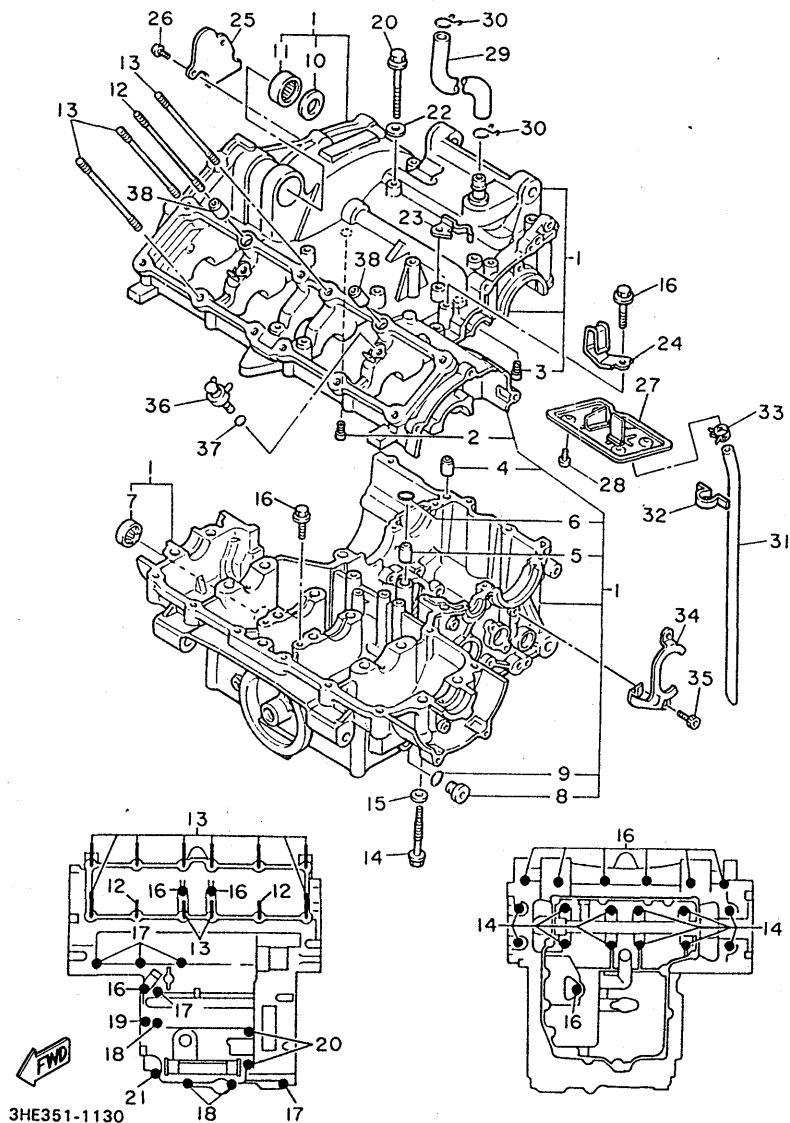
REF. NO.	PART NO.	DESCRIPTION	Q'TY	REMARKS
1	3HW-14610-00	EXHAUST PIPE ASSY 1	1	
2	90101-06576	•BOLT	4	
3	92907-06600	•WASHER, PLATE	4	
4	3FH-14821-01	•ARM, SHAFT (VALVE)	1	
5	3FH-14811-00	•HOUSING	1	
6	3FH-14815-00	•GASKET	1	
7	2TK-14845-00	•DUST SEAL ASSY	1	
8	2TK-14867-01	•BRACKET	1	
9	90119-06115	•BOLT, WITH WASHER	3	
10	90201-106M5	•WASHER, PLATE	1	
11	90380-10197	•BUSH, SOLID	2	
12	2TK-14865-01	•PULLEY	1	
13	92990-05200	•WASHER, PLAIN	1	
14	97017-05012	•BOLT	1	
15	90387-106U7	•COLLAR	1	
16	4HD-14826-00	PROTECTOR, EXHAUST	1	
17	3EN-14624-10	COVER, EXHAUST	1	
18	90119-06131	BOLT, WITH WASHER	3	
19	3YF-14613-01	GASKET, EXHAUST PIPE	4	
20	90179-06668	NUT	8	
21	95817-08030	BOLT, FLANGE	1	
22	90201-08730	WASHER, PLATE	1	
23	3HH-14710-10	MUFFLER ASSY 1	1	
24	3HE-14755-00	•GASKET, SILENCER	1	
25	95817-08045	•BOLT, FLANGE	1	
26	95817-08012	BOLT, FLANGE	1	
27	3HX-1133E-03	CABLE, PULLEY 1	1	
28	3HX-1133F-03	CABLE, PULLEY 2	1	

FIG. 15 CRANKCASE



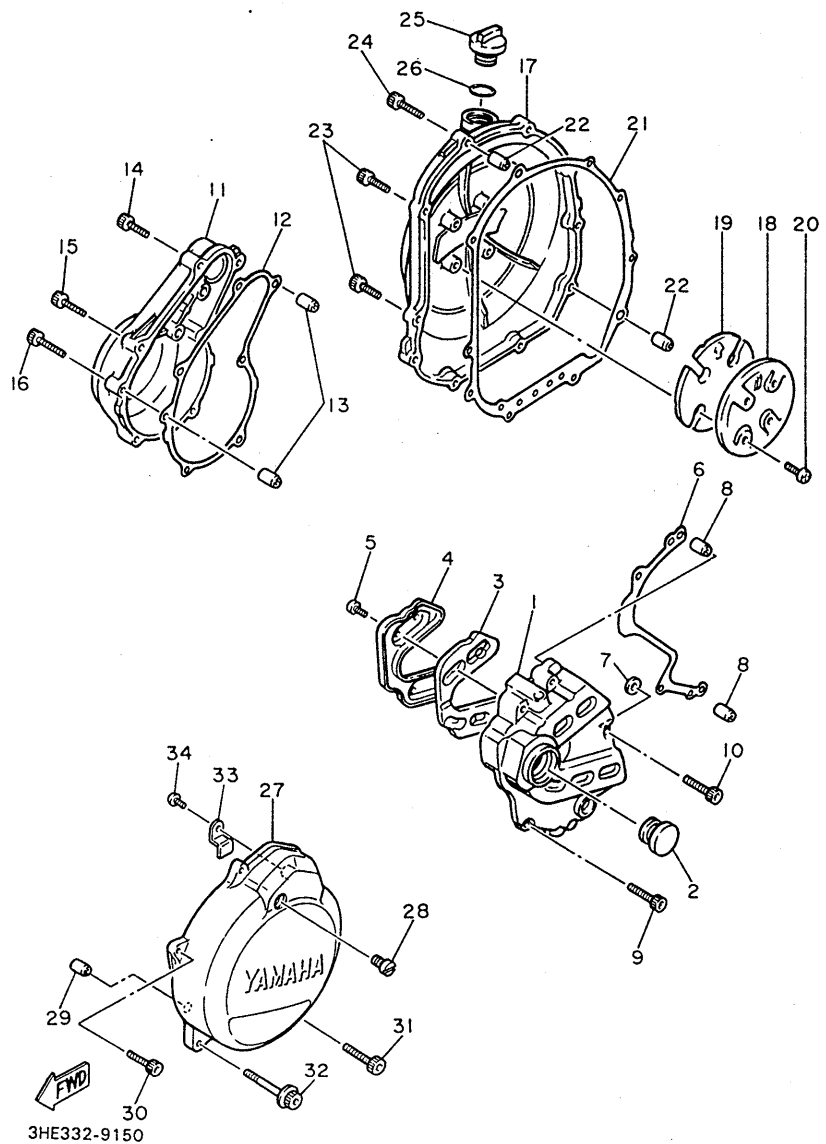
REF. NO.	PART NO.	DESCRIPTION	Q'TY	REMARKS
1	3HE-15100-10	CRANKCASE ASSY	1	
2	11H-15138-00	.NOZZLE 1	1	
3	26H-15138-00	.NOZZLE 1	1	
4	99510-12016	.PIN, DOWEL	1	
5	1HX-15138-00	.NOZZLE 1	1	
6	93210-12152	.O-RING	1	
7	2H7-15361-00	.GAUGE, LEVEL	1	
8	36Y-15189-00	.PLUG	2	
9	93210-16629	.O-RING	2	
10	90201-237K5	.WASHER, PLATE	1	
11	93315-32516	.BEARING, CYLINDRICAL	1	
12	90116-08526	BOLT, STUD	2	
13	90116-08525	BOLT, STUD	10	
14	90105-08630	BOLT, WASHER BASED	12	
15	90201-087K3	WASHER, PLATE	12	
16	95817-06040	BOLT, FLANGE	10	
17	95817-06050	BOLT, FLANGE	5	
18	95817-06070	BOLT, FLANGE	3	
19	95817-06080	BOLT, FLANGE	1	
20	95817-06090	BOLT, FLANGE	2	
21	95817-08070	BOLT, FLANGE	1	
22	90430-06166	GASKET	1	
23	90465-10307	CLAMP	1	
24	90465-10308	CLAMP	1	
25	3HE-11165-00	PLATE, BREATHER	1	
26	98517-06012	SCREW, PAN HEAD	2	
27	3HE-11145-00	PLATE, BREATHER 2	1	
28	98517-06012	SCREW, PAN HEAD	4	

FIG. 15 CRANKCASE



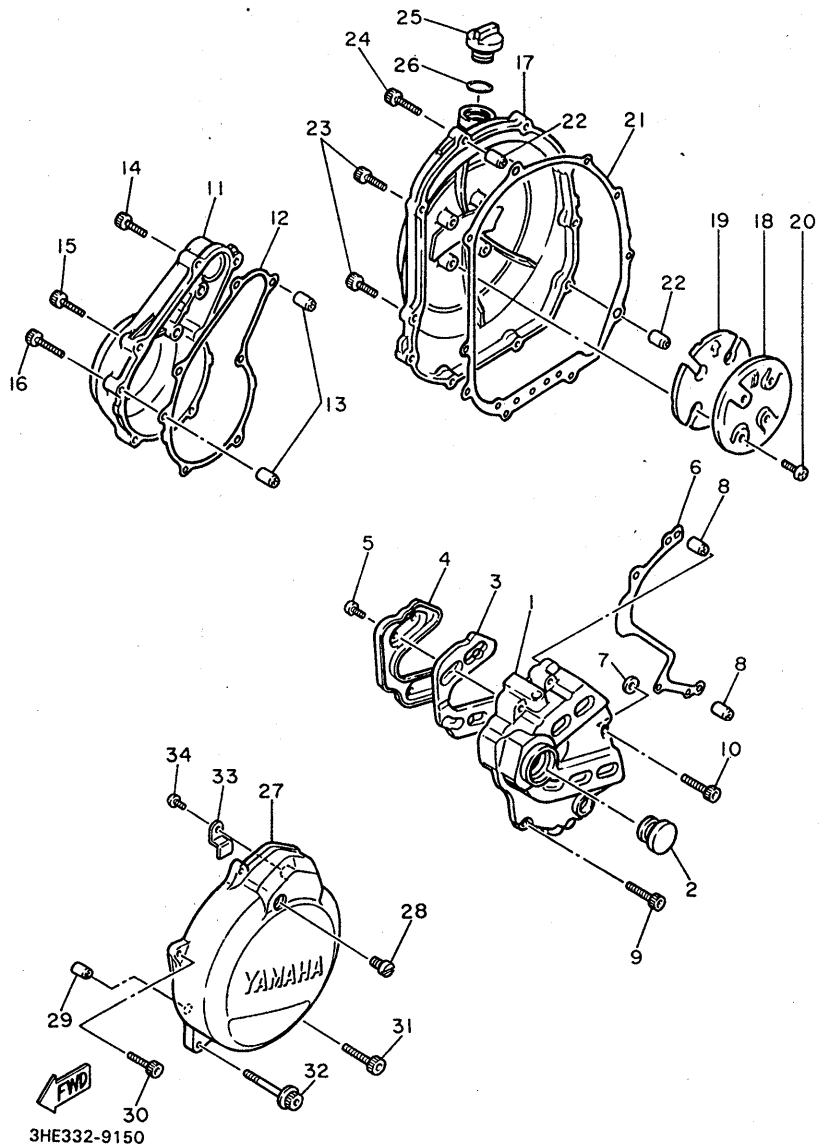
REF. NO.	PART NO.	DESCRIPTION	Q'TY	REMARKS
29	1WG-11166-00	PIPE, BREATHER 1	1	
30	90467-14015	CLIP	2	
31	90445-116E9	HOSE	1	
32	90465-06289	CLAMP	1	
33	90467-10038	CLIP	1	
34	1WG-15381-00	PLATE, BEARING COVER	1	
35	91317-06012	BOLT	2	
36	3HE-15105-00	NOZZLE ASSY	2	
37	93210-06632	O-RING	2	
38	99510-12016	PIN, DOWEL	2	

FIG. 16 CRANKCASE COVER 1



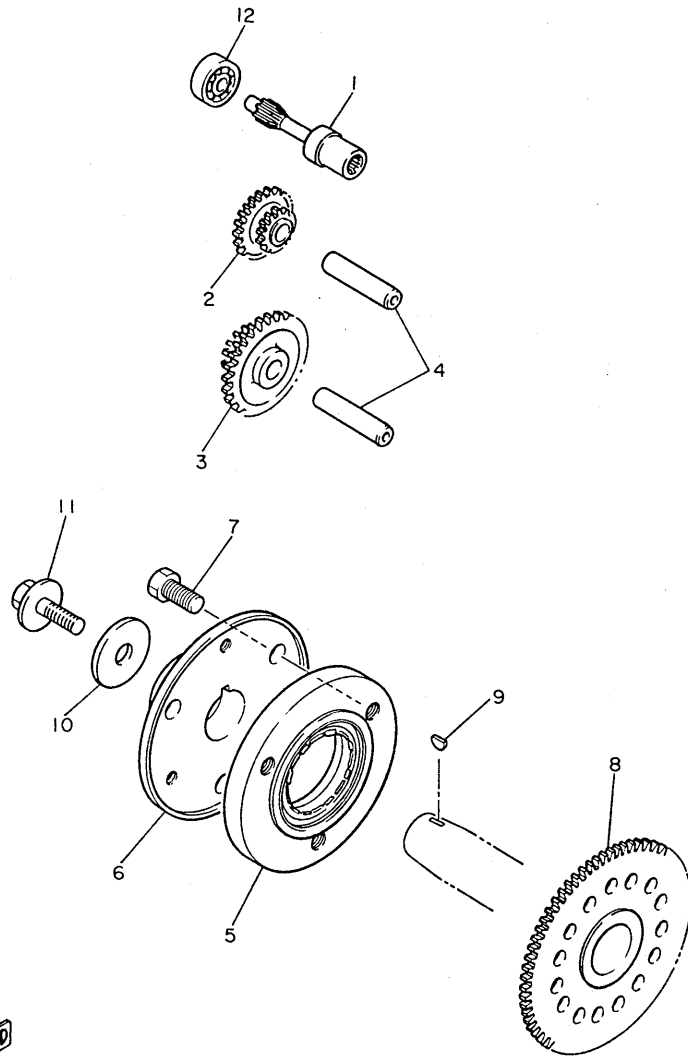
REF. NO.	PART NO.	DESCRIPTION	Q'TY	REMARKS
1	2TK-15411-00	COVER, CRANKCASE 1	1	
2	1L9-15417-00	COVER, CAP	1	
3	1WG-15316-00	DAMPER, ENGINE MOUNT 1	1	
4	1WG-15427-00	COVER, CAP 2	1	
5	98907-05008	SCREW, BIND	4	
6	3HE-15451-10	GASKET, CRANKCASE COVER 1	1	
7	3HE-15467-10	GASKET	1	
8	99510-08016	PIN, DOWEL	2	
9	90110-06149	BOLT, HEXAGON SOCKET HEAD	4	
10	90110-06130	BOLT, HEXAGON SOCKET HEAD	1	
11	2TK-15421-00	COVER, CRANKCASE 2	1	
12	3HE-15461-10	GASKET, CRANKCASE COVER 2	1	
13	99510-08016	PIN, DOWEL	2	
14	91317-06025	BOLT	2	
15	91317-06035	BOLT	4	
16	91317-06045	BOLT	1	
17	2TK-15431-01	COVER, CRANKCASE 3	1	
18	1WG-15425-00	COVER, GENERATOR 2	1	
19	1WG-15326-00	DAMPER, ENGINE MOUNT 2	1	
20	98907-05008	SCREW, BIND	4	
21	3HE-15462-10	GASKET, CRANKCASE COVER 3	1	
22	99510-08016	PIN, DOWEL	2	
23	91314-06025	BOLT	8	
24	91317-06035	BOLT	2	
25	3F9-15362-00	PLUG, OIL LEVEL	1	
26	93210-27778	O-RING	1	
27	3HE-15415-01	COVER, GENERATOR	1	
28	90340-08M04	PLUG, STRAIGHT SCREW	1	

FIG. 16 CRANKCASE COVER 1



REF. NO.	PART NO.	DESCRIPTION	Q'TY	REMARKS
29	99510-08016	PIN, DOWEL	2	
30	91317-06025	BOLT	3	
31	91317-06035	BOLT	1	
32	91317-06035	BOLT	1	
33	90462-10182	CLAMP	1	
34	98507-06010	SCREW, PAN HEAD	1	

FIG. 17 STARTER CLUTCH

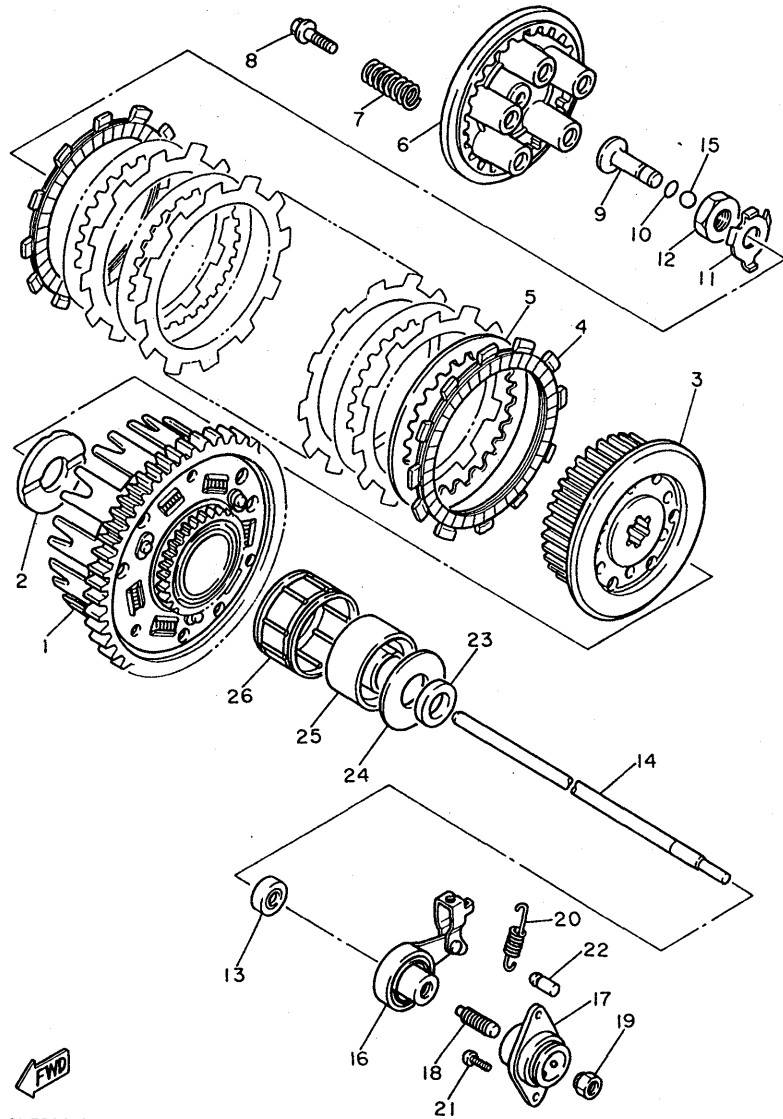


REF. NO.	PART NO.	DESCRIPTION	Q'TY	REMARKS
1	3HE-15521-00	SHAFT 1	1	
2	3HE-15512-00	GEAR, IDLER 1	1	
3	3HE-15517-00	GEAR, IDLER 2	1	
4	3TJ-15521-00	SHAFT 1	2	
5	3HE-15590-02	STARTER ONE-WAY ASSY	1	
6	3HE-15524-00	WHEEL, STARTER	1	
7	91317-08020	BOLT	3	
8	4JH-15515-00	GEAR 3	1	
9	90280-16053	KEY, WOODRUFF	1	
10	90201-107K6	WASHER, PLATE	1	
11	90105-10445	BOLT, WASHER BASED	1	
12	93306-20006	BEARING (B6200)	1	NTN



3HE332-9160

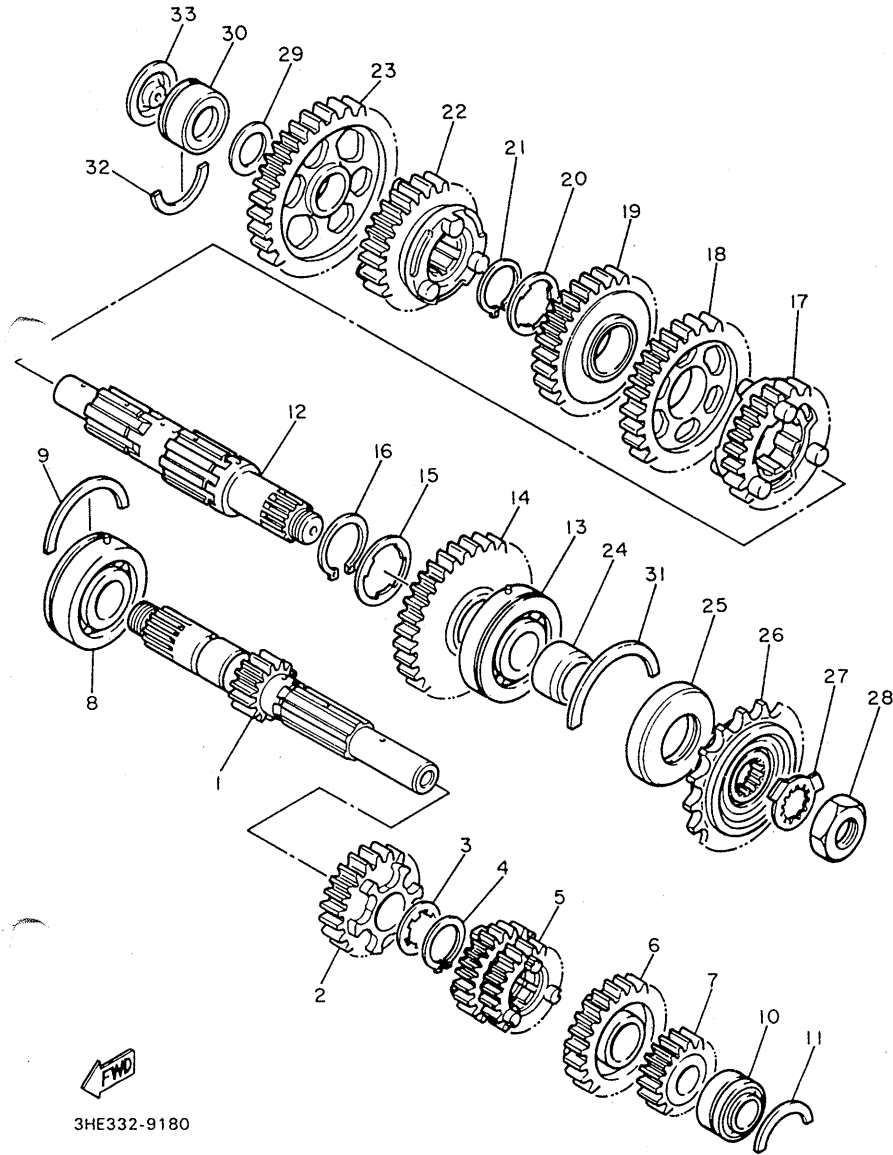
FIG. 18 CLUTCH



3HE332-9170

REF. NO.	PART NO.	DESCRIPTION	Q'TY	REMARKS
1	3HE-16150-00	PRIMARY DRIVEN GEAR COMP.	1	
2	1WG-16154-00	PLATE, THRUST 1	1	
3	3HE-16371-00	BOSS, CLUTCH	1	
4	21V-16321-00	PLATE, FRICTION	9	
5	131-16324-00	PLATE, CLUTCH 1	8	
6	2TK-16351-00	PLATE, PRESSURE 1	1	
7	90501-227E0	SPRING, COMPRESSION	5	
8	90119-05001	BOLT, WITH WASHER	5	
9	1WG-16356-00	ROD, PUSH 1	1	
10	93210-48364	O-RING	1	
11	90215-18225	WASHER, LOCK	1	
12	90170-18221	NUT	1	
13	93109-08058	OIL SEAL (SD07 8-21-5.5 HS)	1	
14	1WG-16357-01	ROD, PUSH 2	1	
15	93505-16006	BALL	1	
16	1WG-16340-01	PUSH LEVER ASSY	1	
17	1WG-16304-00	BALL SCREW HOUSING ASSY	1	
18	90113-08021	BOLT, SET	1	
19	90179-08179	NUT	1	
20	90506-11488	SPRING, TENSION	1	
21	90157-05065	SCREW, PAN HEAD	2	
22	132-16346-00	HOOK, SPRING	1	
23	90387-212R3	COLLAR	1	
24	1WG-16164-00	PLATE, THRUST 2	1	
25	1WG-16181-00	SPACER 1	1	
26	93310-345R8	BEARING, CYLINDRICAL	1	

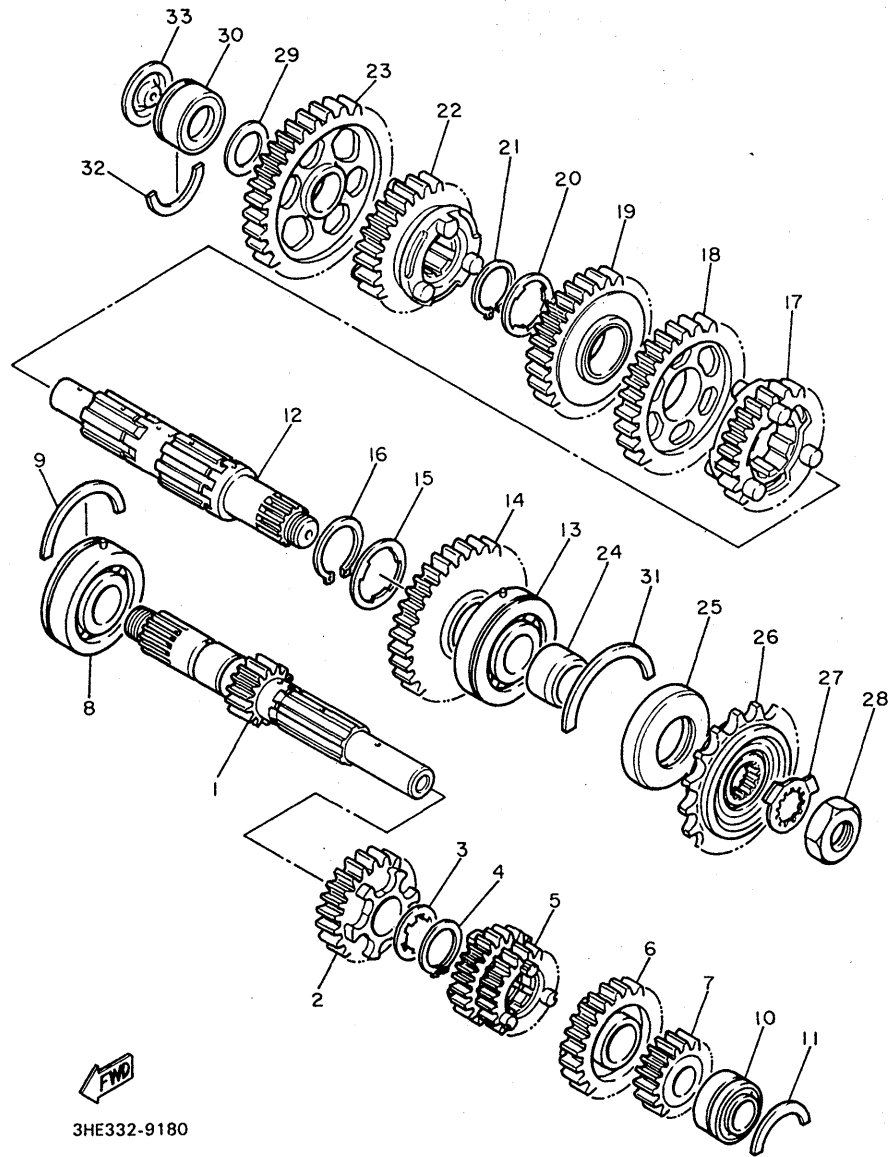
FIG. 19 TRANSMISSION



3HE332-9180

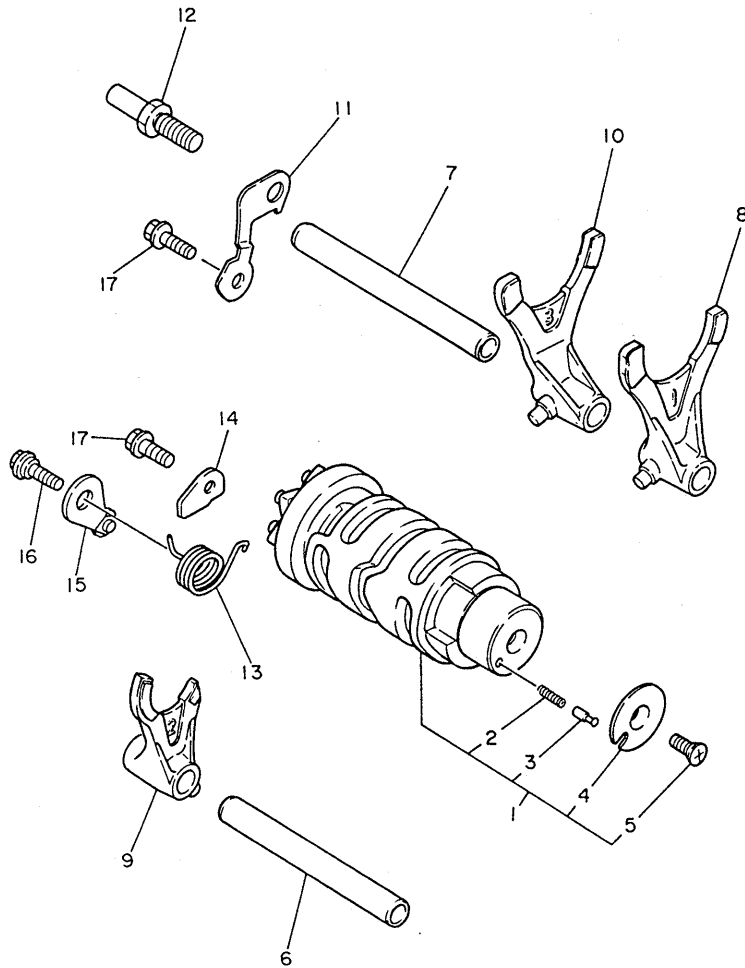
REF. NO.	PART NO.	DESCRIPTION	Q'TY	REMARKS
1	3HE-17411-10	AXLE, MAIN (13T)	1	
2	3HE-17151-00	GEAR, 5TH PINION (26T)	1	
3	90209-18208	WASHER	1	
4	93410-22039	CIRCLIP	1	
5	3HE-17131-00	GEAR, 3RD PINION (21T)	1	
6	3HE-17161-00	GEAR, 6TH PINION (27T)	1	
7	3HE-17121-10	GEAR, 2ND PINION (22T)	1	
8	93306-37208	BEARING	1	
9	93440-54152	CIRCLIP	1	
10	93399-99933	BEARING	1	
11	278-17425-00	CIRCLIP 2	1	
12	3HE-17421-00	AXLE, DRIVE	1	
13	93306-30550	BEARING	1	
14	3HE-17221-10	GEAR, 2ND WHEEL (37T)	1	
15	90209-27192	WASHER	1	
16	93440-30077	CIRCLIP	1	
17	3HE-17261-10	GEAR, 6TH WHEEL (30T)	1	
18	3HE-17231-00	GEAR, 3RD WHEEL (31T)	1	
19	3HE-17241-00	GEAR, 4TH WHEEL (28T)	1	
20	90209-22191	WASHER	1	
21	93440-25084	CIRCLIP	1	
22	3HE-17251-00	GEAR, 5TH WHEEL (31T)	1	
23	3HE-17211-10	GEAR, 1ST WHEEL (42T)	1	
24	90387-255V4	COLLAR	1	
25	93102-35109	OIL SEAL (SD-35-62-6 HS)	1	
26	3HE-17460-00	SPROCKET, DRIVE (15T)	1	
27	90215-21022	WASHER, LOCK	1	
28	90179-18020	NUT	1	

FIG. 19 TRANSMISSION



REF. NO.	PART NO.	DESCRIPTION	Q'TY	REMARKS
29	90201-20276	WASHER, PLATE (1.0T)	1	
30	93311-42045	BEARING (20NG3315NE)	1	
31	278-17424-01	CIRCLIP 1	1	
32	278-17425-00	CIRCLIP 2	1	
33	4G0-17433-01	NOZZLE		

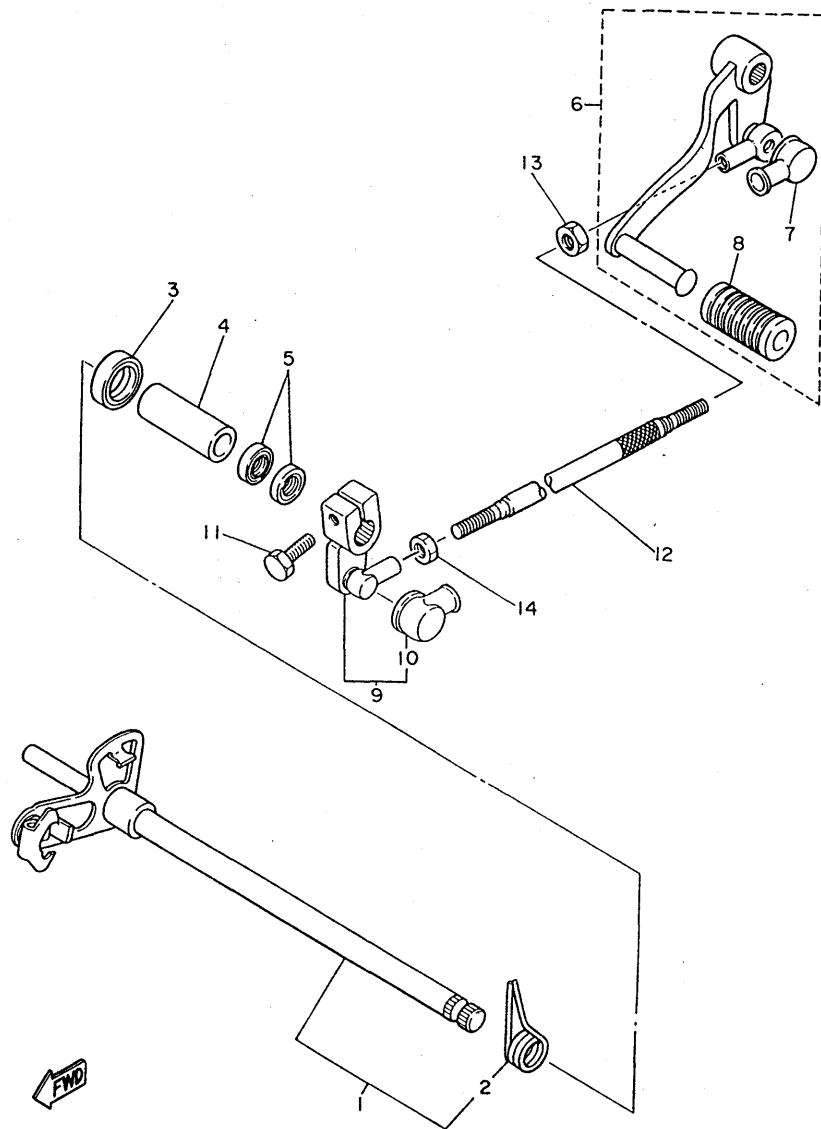
FIG. 20 SHIFT CAM • FORK



1WG010-6180

REF. NO.	PART NO.	DESCRIPTION	Q'TY	REMARKS
1	1WG-18540-01	SHIFT CAM ASSY	1	
2	90501-06022	•SPRING, COMPRESSION	1	
3	278-18542-00	•POINT, NEUTRAL	1	
4	278-18566-00	•PLATE, SIDE 2	1	
5	98707-05012	•SCREW, FLAT HEAD	1	
6	1WG-18531-01	BAR, SHIFT FORK GUIDE 1	1	
7	1WG-18535-01	BAR, SHIFT FORK GUIDE 2	1	
8	1WG-18511-00	FORK, SHIFT 1	1	
9	1WG-18512-00	FORK, SHIFT 2	1	
10	1WG-18513-00	FORK, SHIFT 3	1	
11	1WG-18536-00	STOPPER, SHIFT BAR	1	
12	1HX-18127-00	STOPPER, SCREW	1	
13	90508-23707	SPRING, TORSION	1	
14	1WG-18562-00	PLATE, STOPPER 2	1	
15	36Y-18140-00	STOPPER LEVER ASSY	1	
16	90109-063F7	BOLT	1	
17	95817-06016	BOLT, FLANGE	2	

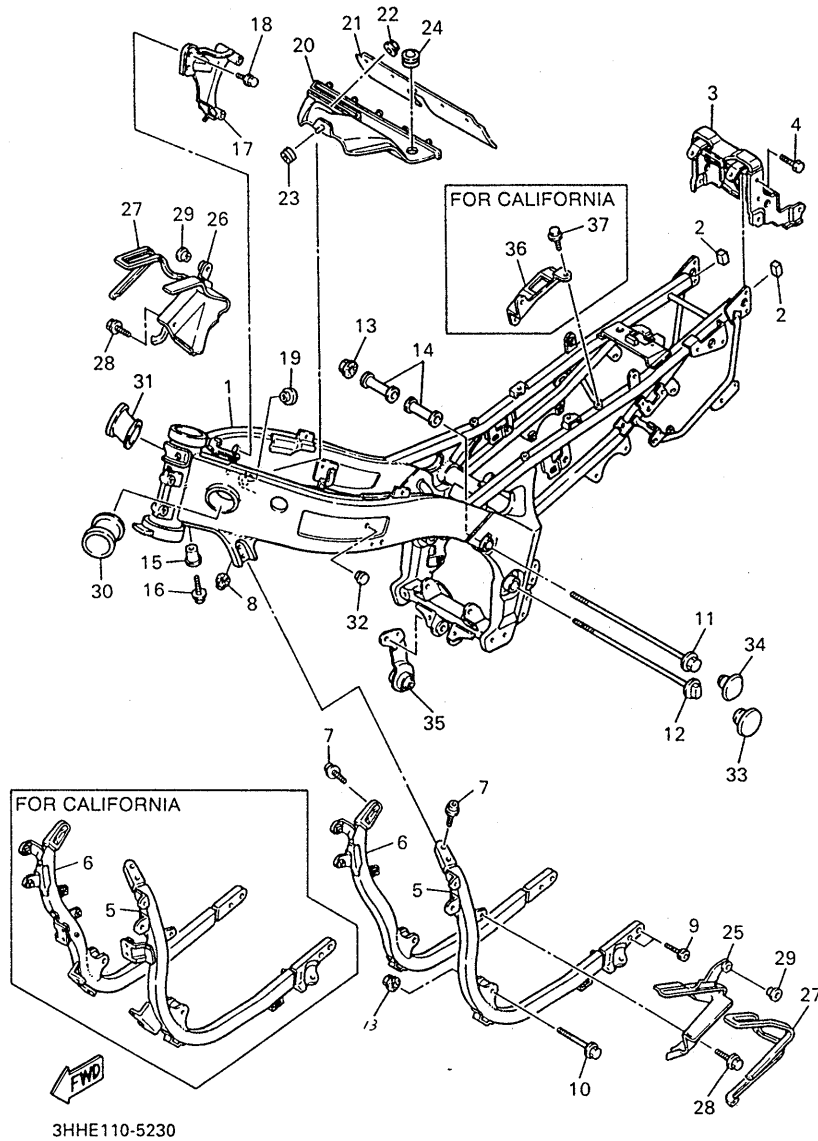
FIG. 21 SHIFT SHAFT



3HE332-9200

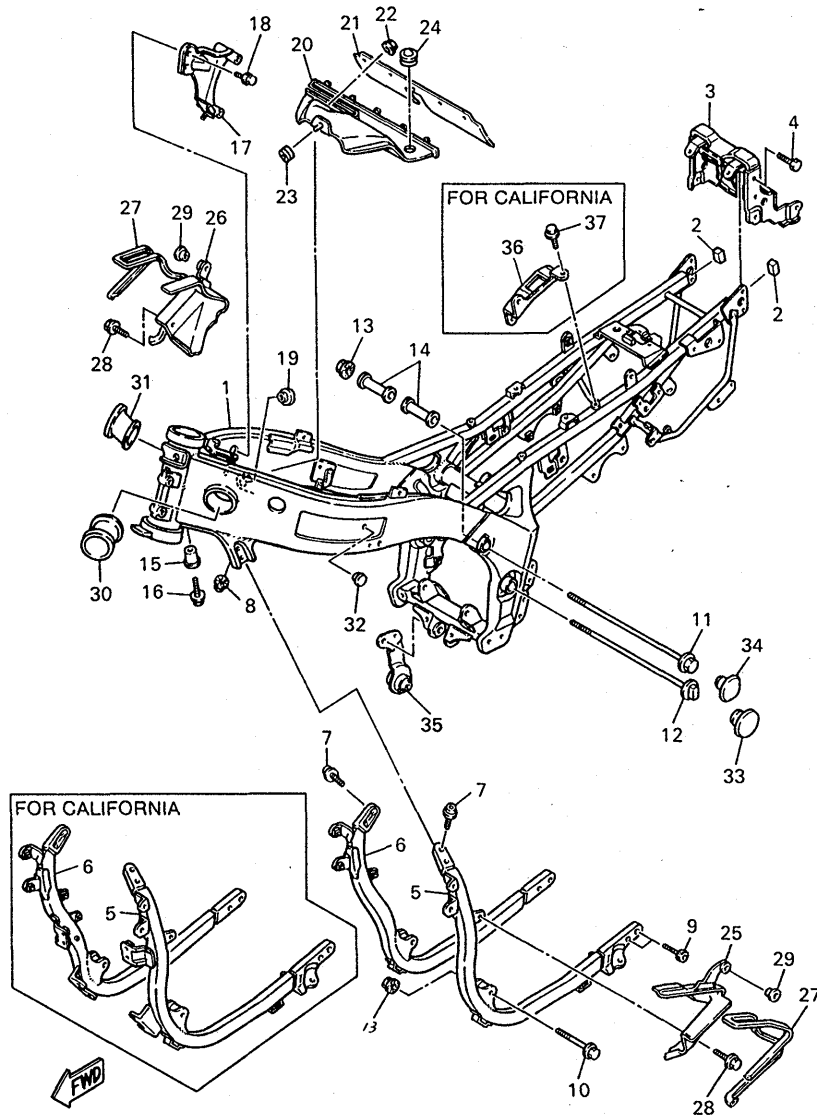
REF. NO.	PART NO.	DESCRIPTION	Q'TY	REMARKS
1	3EN-18101-01	SHIFT SHAFT ASSY	1	
2	90508-32682	•SPRING, TORSION	1	
3	93102-12106	OIL SEAL (SD 12-22-5 HS)	1	
4	90560-12211	SPACER	1	
5	93109-12053	OIL SEAL (SDO 12/18/4-1)	2	
6	3HE-18110-00	SHIFT PEDAL ASSY	1	
7	2H9-18154-00	•COVER, DUST	1	
8	132-18113-01	•COVER, SHIFT PEDAL	1	
9	1WG-18112-01	ARM, SHIFT	1	
10	2H9-18154-00	•COVER, DUST	1	
11	97027-06020	BOLT	1	
12	1WG-18115-00	ROD, SHIFT	1	
13	90170-06228	NUT(COUNTER CLOCKWISE)	1	
14	95304-06700	NUT	1	

FIG. 22 FRAME



REF. NO.	PART NO.	DESCRIPTION	Q'TY	REMARKS
1	3HE-21110-01-T9	FRAME COMP.	1	UR COMPETITION SILVER FOR NON CALIF. UR COMPETITION SILVER FOR CALIF.
	3HW-21110-01-T9	FRAME COMP.	1	
2	1WG-2143A-00	CAP	2	
3	3HE-2117E-00	BRACKET, TAILLIGHT	1	
4	90109-06757	BOLT	4	
5	3HH-21140-01-T9	DOWN TUBE COMP.	1	UR COMPETITION SILVER FOR NON CALIF. UR COMPETITION SILVER FOR CALIF.
	3HW-21140-00-T9	DOWN TUBE COMP.	1	
6	3HH-21150-01-T9	DOWN TUBE COMP.2	1	UR COMPETITION SILVER FOR NON CALIF. UR COMPETITION SILVER FOR CALIF.
	3HW-21150-00-T9	DOWN TUBE COMP.2	1	
7	90105-10436	BOLT, WASHER BASED	4	
8	95707-10500	NUT, FLANGE	4	
9	91317-08020	BOLT	4	
10	95817-10080	BOLT, FLANGE	2	
11	95817-10295	BOLT, FLANGE	1	
12	95817-10165	BOLT, FLANGE	1	
13	95707-10500	NUT, FLANGE	4	
14	1WG-21459-00	SPACER	2	
15	1WG-2142M-00	BRACKET, RADIATOR 3	1	
16	95817-06016	BOLT, FLANGE	1	
17	3HE-21238-00	BRACKET	1	
18	95817-06012	BOLT, FLANGE	1	
19	90480-18171	GROMMET	1	
20	3HE-2137Y-00	GUIDE, AIR	1	
21	1WG-2139W-00	COVER	1	
22	95707-06600	NUT, WITH WASHER	1	
23	90480-01401	GROMMET	1	
24	90480-13398	GROMMET	1	
25	3HE-2137W-00	SCOOP, AIR 1	1	

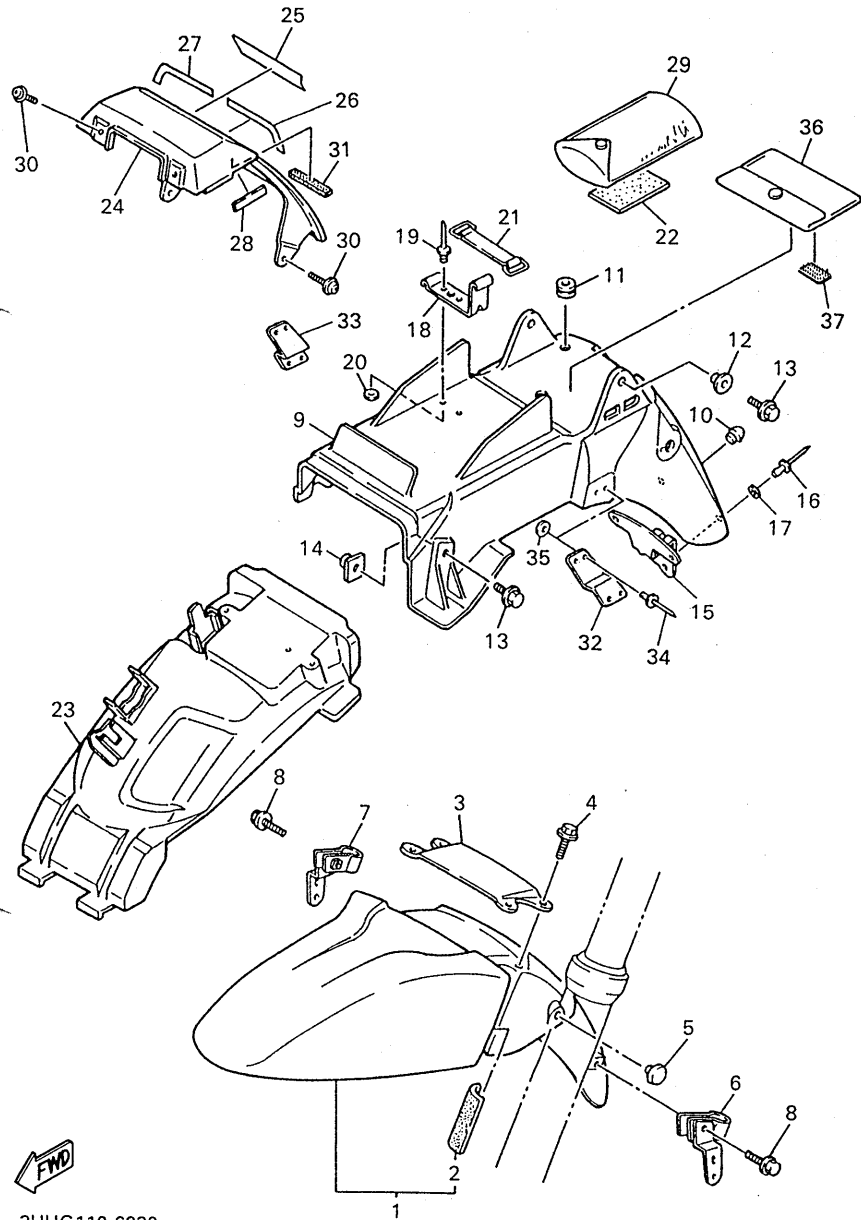
FIG. 22 FRAME



3HHE110-5230

REF. NO.	PART NO.	DESCRIPTION	Q'TY	REMARKS
26	3HE-2137X-00	SCOOP, AIR 2	1	
27	3HE-2139U-00	DAMPER 2	2	
28	90119-06079	BOLT, WITH WASHER	3	
29	90387-06681	COLLAR	2	
30	3HE-2117M-00	COVER 2	1	
31	3HE-2117N-00	COVER 3	1	
32	90338-15202	PLUG	2	
33	3HE-2117R-00	COVER 4	2	
34	3HE-2117T-00	COVER 5	2	
35	3HE-21446-00	STAY, MUFFLER 2	1	
36	3HW-2149T-00	BRACKET, SERVO MOTOR	1	FOR CALIF.
37	95807-06016	BOLT, FLANGE	2	FOR CALIF.

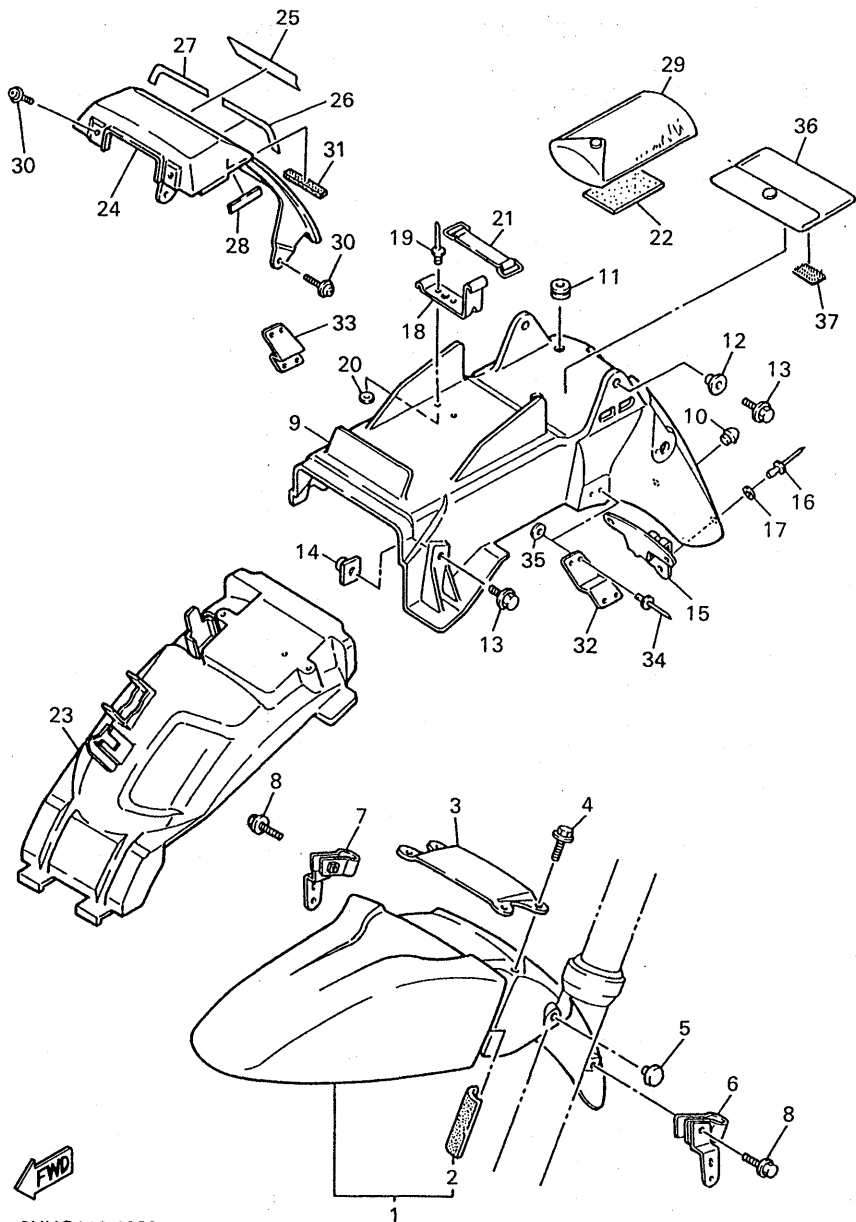
FIG. 23 FENDER



3HHG110-6230

REF. NO.	PART NO.	DESCRIPTION	Q'TY	REMARKS
1	3FH-21510-00-P0	FRONT FENDER COMP.	1	UR DEEP VIOLET METALLIC 1 UR STARDUST SILVER
	3FH-21510-00-WL	FRONT FENDER COMP.	1	
2	26H-21746-00	.DAMPER	2	
3	46X-2313A-00	BRACE, FORK	1	
4	90105-06456	BOLT, WASHER BASED	4	
5	90338-12192	PLUG	1	
6	3FH-25875-00	HOLDER, BRAKE HOSE 1	1	
7	3FH-25876-00	HOLDER, BRAKE HOSE 2	1	
8	95027-06025	BOLT	2	
9	3HE-21611-10	FENDER, REAR	1	
10	2MG-21639-00	DAMPER 2	1	
11	90480-10258	GROMMET	2	
12	90387-066M3	COLLAR	2	
13	90119-06108	BOLT, WITH WASHER	4	
14	31A-14477-00	PLATE	2	
15	3HE-85132-01	BRACKET, REFLECTOR 1	1	
16	90267-40029	RIVET, BLIND	2	
17	90201-044A2	WASHER, PLATE	2	
18	25G-28379-00	HOOK	1	
19	90267-40076	RIVET, BLIND	2	
20	90201-044A2	WASHER, PLATE	2	
21	26L-82131-00	BAND, BATTERY	1	
22	34M-21649-00	DAMPER	1	
23	3HE-21629-00	GUARD, MUD	1	
24	3HE-21651-00-P4	COVER, REAR FENDER	1	UR BLUISH WHITE COCKTAIL 1 UR STARDUST SILVER
	3HE-21651-00-WL	COVER, REAR FENDER	1	
25	99234-00080	EMBLEM, YAMAHA	1	UR FOR BWC1
	99236-00080	EMBLEM, YAMAHA	1	UR FOR STDS

FIG. 23 FENDER

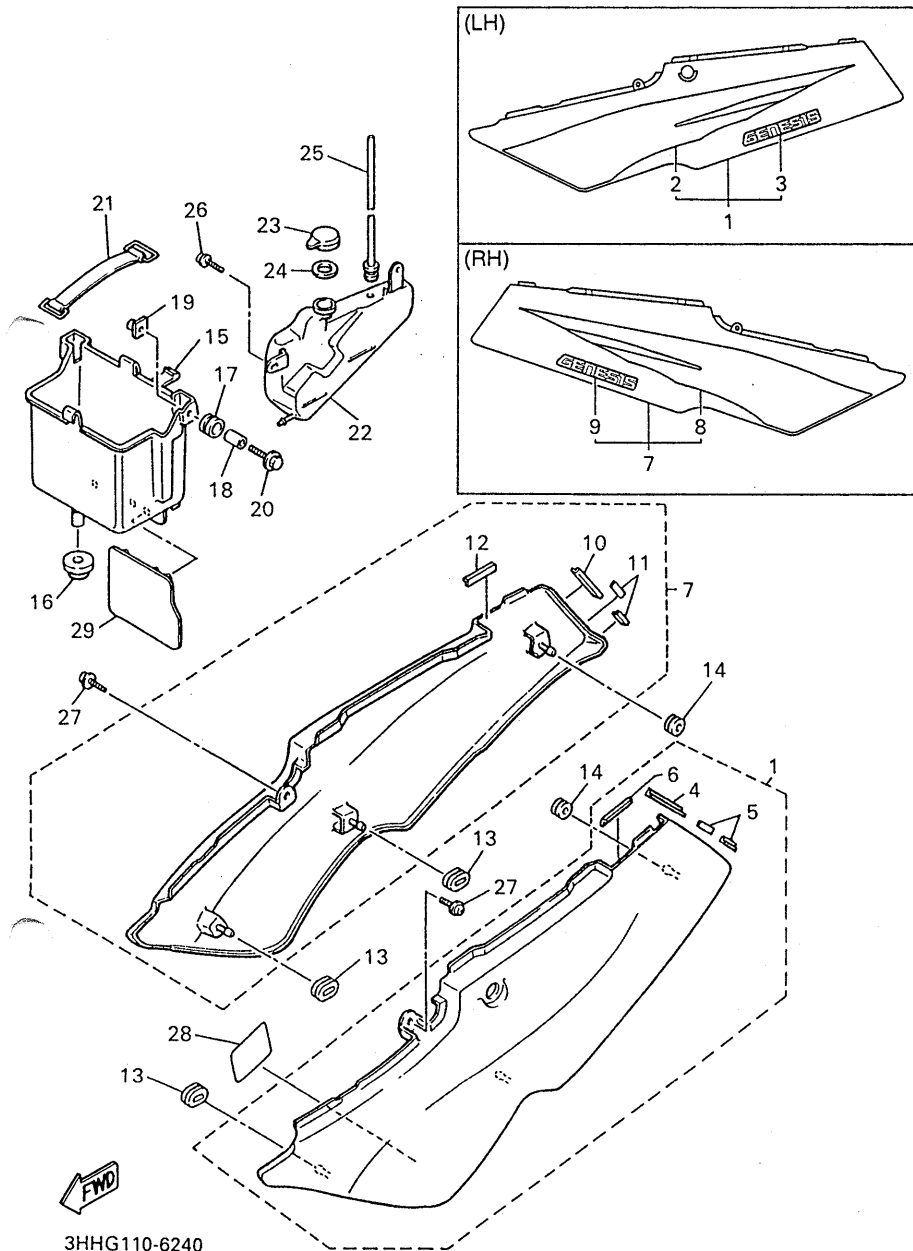


3HHG110-6230

D5

REF. NO.	PART NO.	DESCRIPTION	Q'TY	REMARKS
26	2GH-21575-00	SEAL 1	1	
27	2GH-21576-00	SEAL 2	1	
28	2GH-21735-00	SEAL 2	2	
29	1WG-28100-01	TOOL KIT	1	
30	90159-06033	SCREW, WITH WASHER	4	
31	J44-78248-00	SEAL 4	1	
32	2LJ-21688-00	BRACKET, REAR STAY	1	
33	2LJ-21689-00	BRACKET, REAR STAY 2	1	
34	90267-40076	RIVET, BLIND	4	
35	90201-044A2	WASHER, PLATE	4	
36	4U7-28186-00	POUCH	1	
37	4K5-2814E-10	HOOK	1	

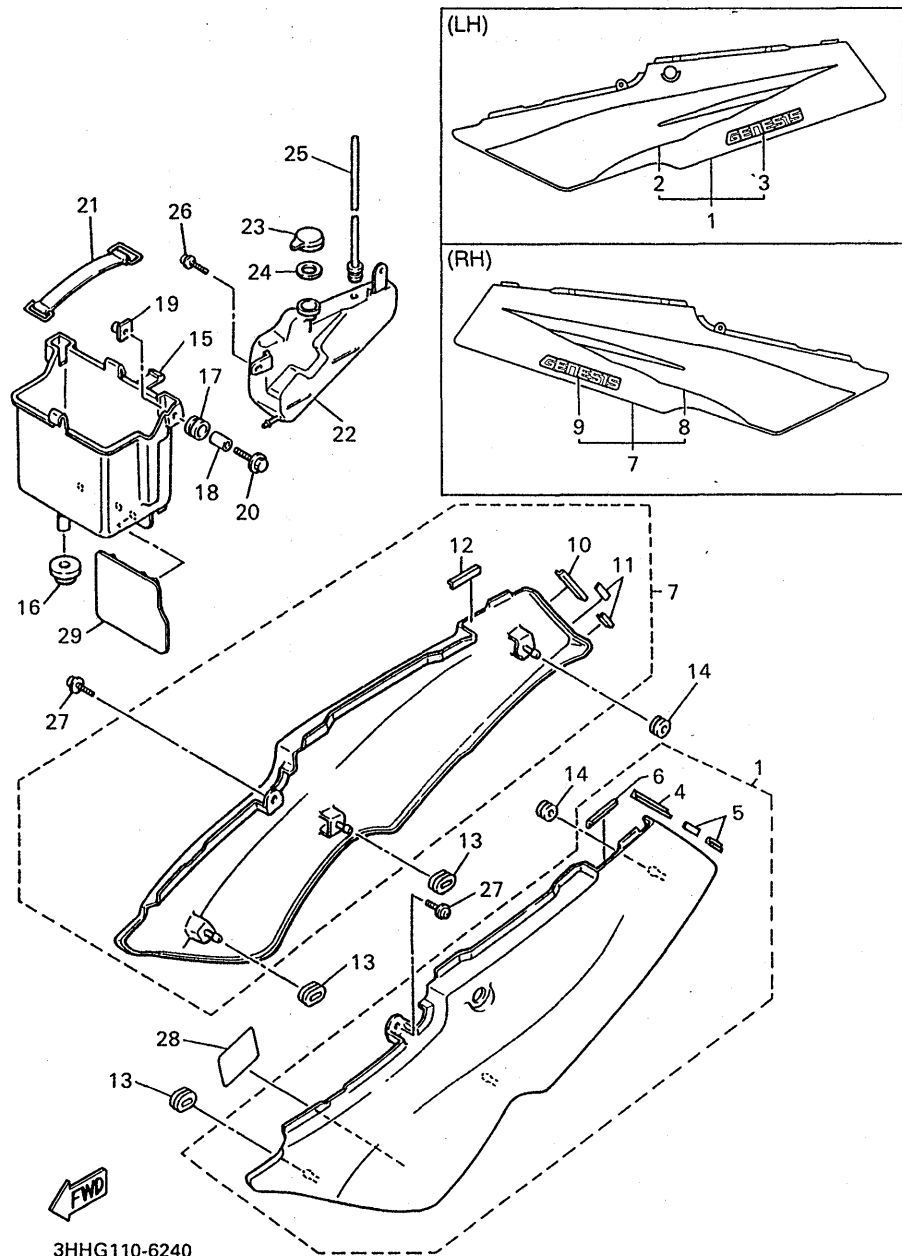
FIG. 24 SIDE COVER



3HHG110-6240

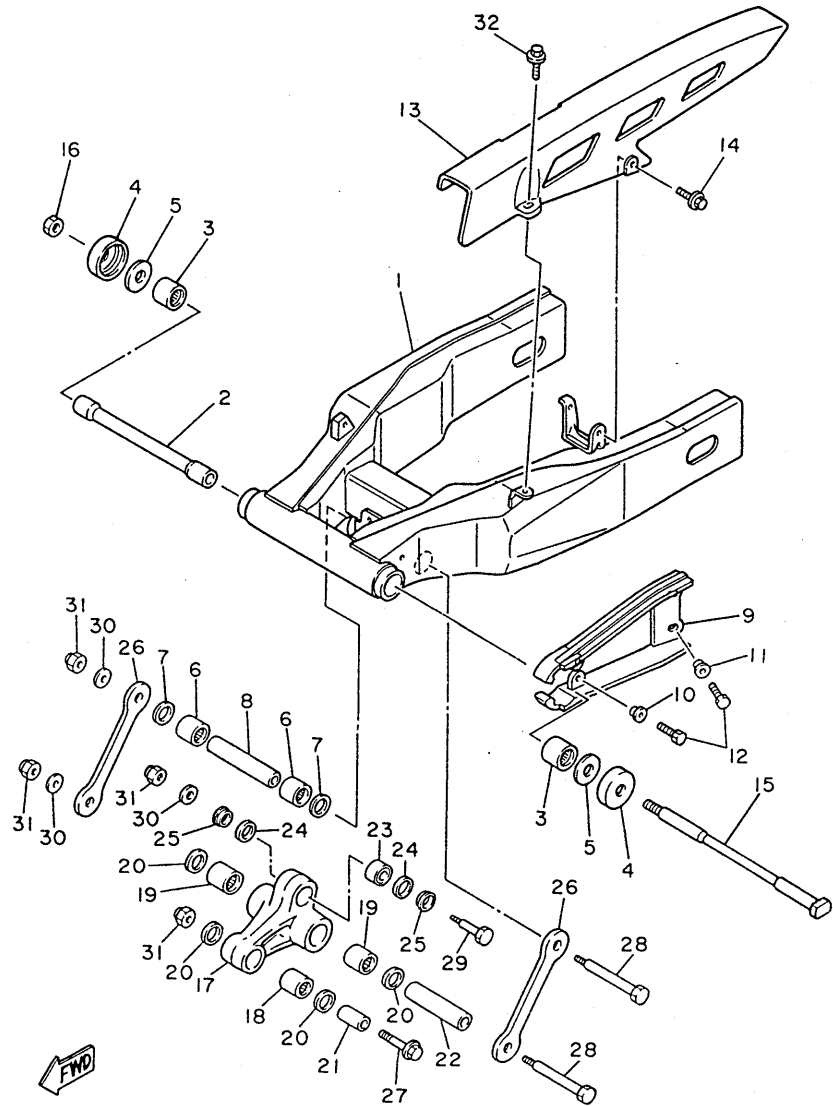
REF. NO.	PART NO.	DESCRIPTION	Q'TY	REMARKS
1	3HE-Y2171-0H-P1	COVER, SIDE 1	1	UR BLUISH WHITE COCKTAIL 1
	3HE-Y2171-0J-WL	COVER, SIDE 1	1	UR STARDUST SILVER UR FOR BWC1
2	3HH-2173E-70	•GRAPHIC 1	1	UR FOR STDS
	3HH-2173E-80	•GRAPHIC 1	1	UR FOR BWC1
3	3LE-28315-20	•EMBLEM	1	UR FOR STDS
	3LE-28315-30	•EMBLEM	1	UR FOR BWC1
4	3HE-21735-00	•SEAL 2	1	
5	3HE-21732-00	•SEAL 1	2	
6	2GH-21735-00	•SEAL 2	1	
7	3HE-Y2172-W0-P1	COVER, SIDE 2	1	UR BLUISH WHITE COCKTAIL 1
	3HE-Y2172-X0-WL	COVER, SIDE 2	1	UR STARDUST SILVER UR FOR BWC1
8	3HH-2173F-70	•GRAPHIC 2	1	UR FOR STDS
	3HH-2173F-80	•GRAPHIC 2	1	UR FOR BWC1
9	3LE-28315-20	•EMBLEM	1	UR FOR STDS
	3LE-28315-30	•EMBLEM	1	UR FOR BWC1
10	3HE-21735-00	•SEAL 2	1	
11	3HE-21732-00	•SEAL 1	2	
12	2GH-21735-00	•SEAL 2	1	
13	90480-01401	GROMMET	4	
14	90480-14052	GROMMET	2	
15	1WG-2177G-00	BOX, BATTERY	1	
16	90480-22362	GROMMET	1	
17	90480-14229	GROMMET	2	
18	90387-07391	COLLAR	2	
19	31A-14477-00	PLATE	2	
20	90119-06097	BOLT, WITH WASHER	2	
21	120-82131-00	BAND, BATTERY	1	
22	1WG-21871-00	TANK, RECOVERY	1	

FIG. 24 SIDE COVER



REF. NO.	PART NO.	DESCRIPTION	Q'TY	REMARKS
23	4L0-21875-00	CAP	1	
24	1AA-21874-00	GASKET	1	
25	3GM-21816-00	PIPE 1	1	
26	90159-06033	SCREW, WITH WASHER	2	
27	90159-06033	SCREW, WITH WASHER	2	
28	3HH-2179V-80	PLATE, EPA 1(NON CALIFORNIA)	1	UR
	3UU-2179R-61	PLATE, EPA 2(CALIFORNIA)	1	UR
29	34X-21691-00	FLAP	1	

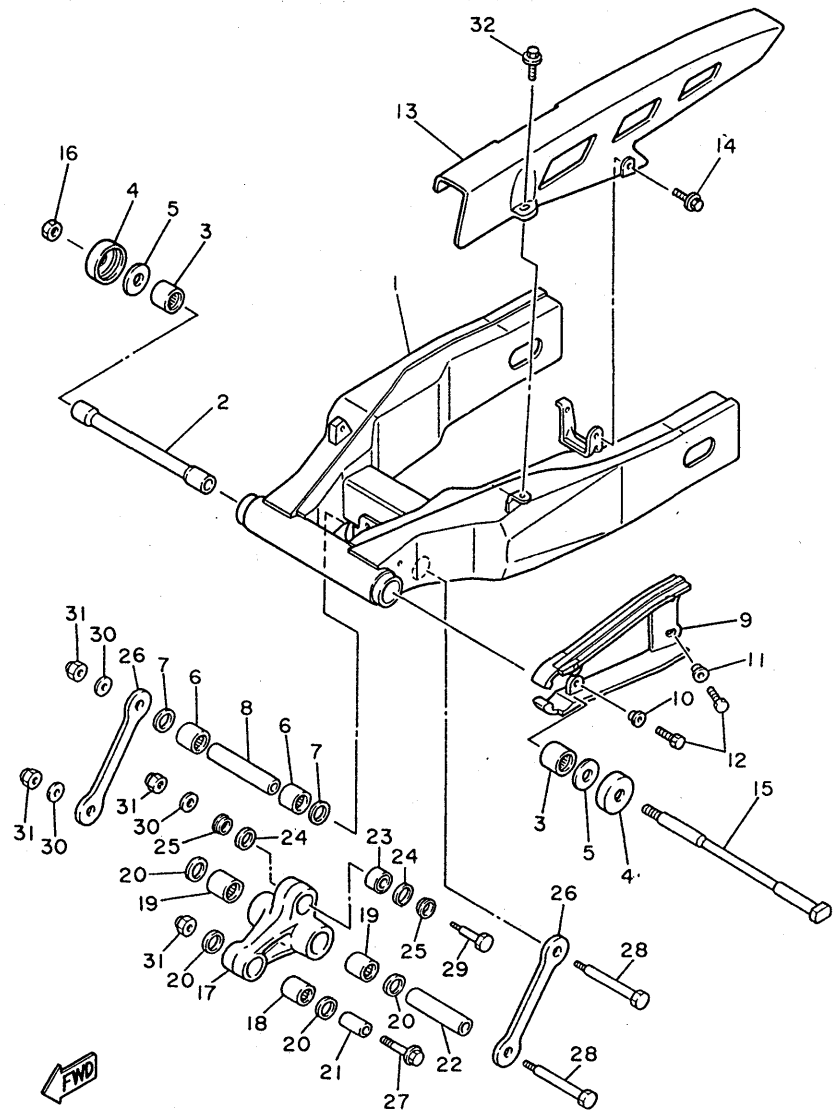
FIG. 25 REAR ARM



3HHE110-5260

REF. NO.	PART NO.	DESCRIPTION	Q'TY	REMARKS
1	3HH-22110-00-T9	REAR ARM COMP.	1	COMPETITION SILVER
2	33M-22184-00	BUSH	1	
3	93320-32403	BEARING	2	
4	4X7-22129-00	COVER, THRUST 2	2	
5	90201-161J3	WASHER, PLATE	2	
6	93317-21746	BEARING, CYLINDRICAL	2	
7	93109-17048	OIL SEAL (SDO 17-24-4)	2	
8	90387-122R5	COLLAR	1	
9	3HH-22151-00	SEAL, GUARD	1	
10	90387-06681	COLLAR	2	
11	90387-062M9	COLLAR	2	
12	97095-06016	BOLT	4	
13	3GM-22311-00	CASE, CHAIN	1	
14	90119-06108	BOLT, WITH WASHER	1	
15	46X-22141-00	SHAFT, PIVOT	1	
16	90185-14070	NUT, SELF-LOCKING	1	
17	1WG-2217A-00	ARM, RELAY	1	
18	93317-31701	BEARING, CYLINDRICAL	1	
19	93317-21746	BEARING, CYLINDRICAL	2	
20	93109-17048	OIL SEAL (SDO 17-24-4)	4	
21	90387-102R4	COLLAR	1	
22	90387-122R5	COLLAR	1	
23	93399-99919	BEARING	1	
24	93101-16131	OIL SEAL	2	
25	90387-124W2	COLLAR	2	
26	1WG-2217M-00	ARM 1	2	
27	90105-10376	BOLT, WASHER BASED	1	
28	90101-10658	BOLT	2	

FIG. 25 REAR ARM



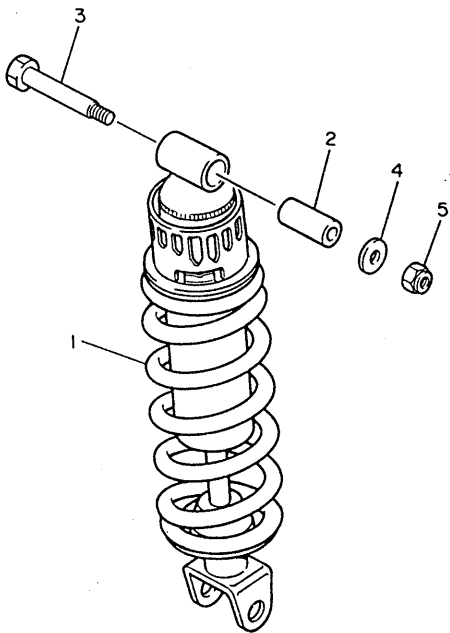
3HHE110-5260

REF. NO.	PART NO.	DESCRIPTION	Q'TY	REMARKS
29	90101-10659	BOLT	1	
30	90201-101J1	WASHER, PLATE	3	
31	95617-10100	NUT, U	4	
32	90119-06117	BOLT, WITH WASHER	1	

D9

FIG. 26 REAR SUSPENSION

REF. NO.	PART NO.	DESCRIPTION	Q'TY	REMARKS
1	3HE-22210-10	SHOCK ABSORBER ASSY, REAR	1	
2	90387-124T2	COLLAR	1	
3	90109-10554	BOLT	1	
4	90201-101J1	WASHER, PLATE	1	
5	95607-10100	NUT, U	1	

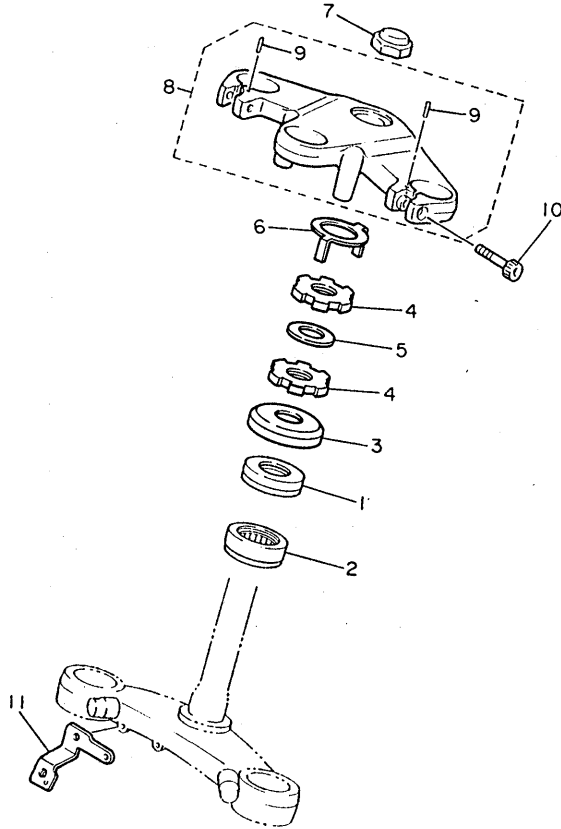


3HE332-9250

D10

FIG. 27 STEERING

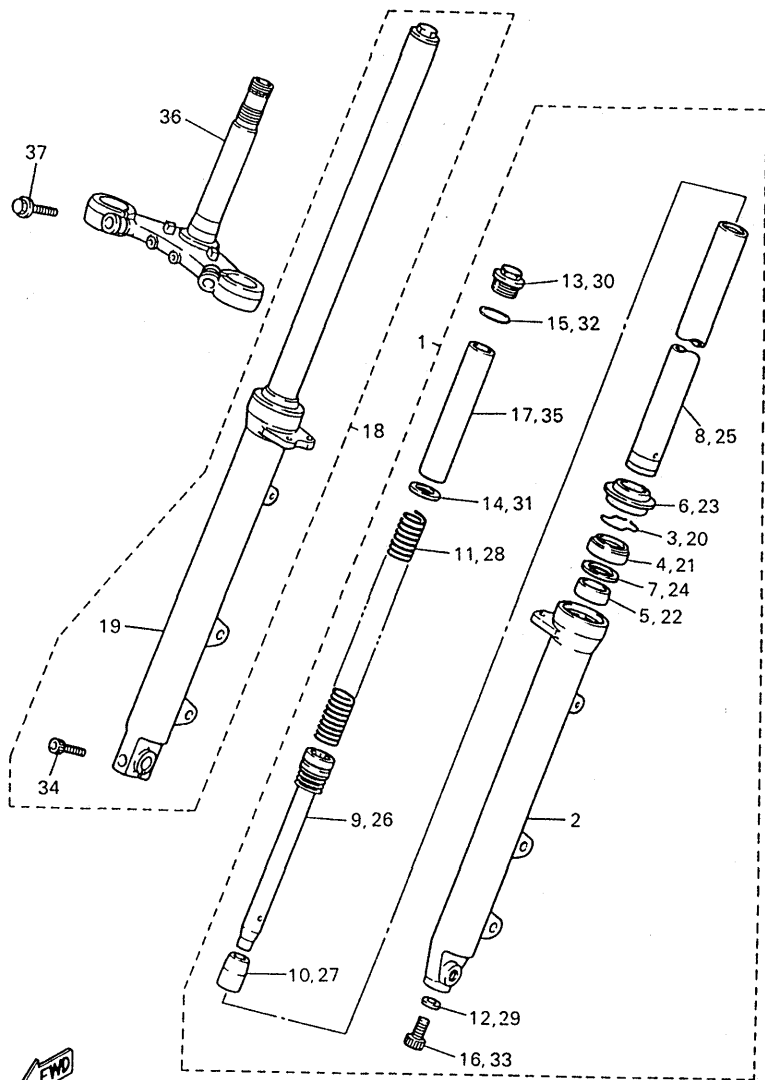
REF. NO.	PART NO.	DESCRIPTION	Q'TY	REMARKS
1	93332-00001	BEARING	1	
2	93332-00008	BEARING	1	
3	3HE-23416-00	COVER, BALL RACE 2	1	
4	90179-25033	NUT	2	
5	90202-26142	WASHER, PLATE	1	
6	26H-23418-01	WASHER, SPECIAL	1	
7	90176-22050	NUT, CROWN	1	
8	3HE-23435-00	CROWN, HANDLE	1	
9	91609-40210	•PIN, SPRING	2	
10	91317-08030	BOLT	2	
11	3HE-2317E-00	STAY	1	



3HE351-1250

D11

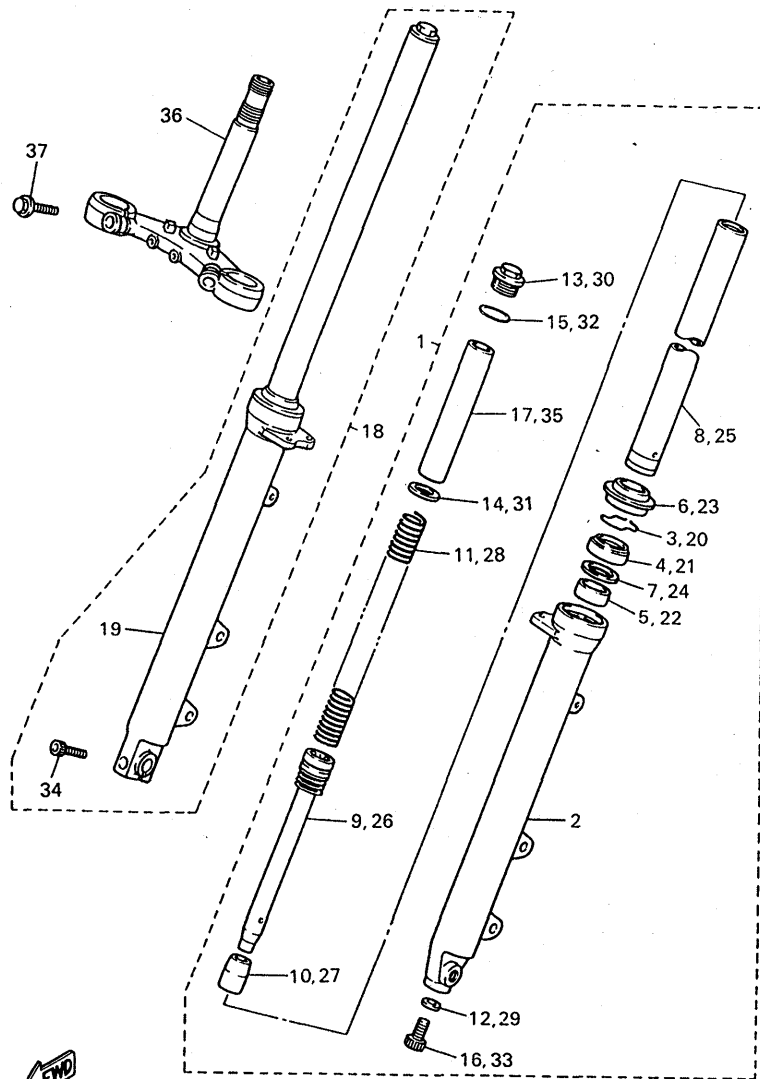
FIG. 28 FRONT FORK



3HHE110-5290

REF. NO.	PART NO.	DESCRIPTION	Q'TY	REMARKS
1	3HE-23102-10	FRONT FORK ASSY (L.H)	1	
2	3HE-23126-10	.TUBE, OUTER (LEFT)	1	
3	3R4-23153-00	.RING, SNAP	1	
4	3EN-23145-00	.OIL SEAL	1	
5	2YK-23125-00	.METAL, SLIDE 1	1	
6	3EN-23144-01	.SEAL, DUST	1	
7	4V2-23146-L0	.WASHER, OIL SEAL	1	
8	3BF-23110-50	.INNER TUBE COMP.1	1	
9	3HE-23170-00	.CYLINDER COMP, FRONT FORK	1	
10	2YK-23173-00	.SPINDLE, TAPER	1	
11	3HE-23141-00	.SPRING, FRONT FORK	1	
12	509-23158-L0	.GASKET	1	
13	3EN-23111-00	.BOLT, CAP	1	
14	4DN-23149-40	.WASHER, SPRING UPPER	1	
15	1W4-23114-L0	.GASKET	1	
16	278-23181-50	.BOLT, HEXAGON SOCKET HEAD	1	
17	1WG-23118-00	.SPACER	1	
18	3HE-23103-10	FRONT FORK ASSY (R.H)	1	
19	3HE-23136-10	.TUBE, OUTER (RIGHT)	1	
20	3R4-23153-00	.RING, SNAP	1	
21	3EN-23145-00	.OIL SEAL	1	
22	2YK-23125-00	.METAL, SLIDE 1	1	
23	3EN-23144-01	.SEAL, DUST	1	
24	4V2-23146-L0	.WASHER, OIL SEAL	1	
25	3BF-23110-50	.INNER TUBE COMP.1	1	
26	3HE-23170-00	.CYLINDER COMP, FRONT FORK	1	
27	2YK-23173-00	.SPINDLE, TAPER	1	
28	3HE-23141-00	.SPRING, FRONT FORK	1	

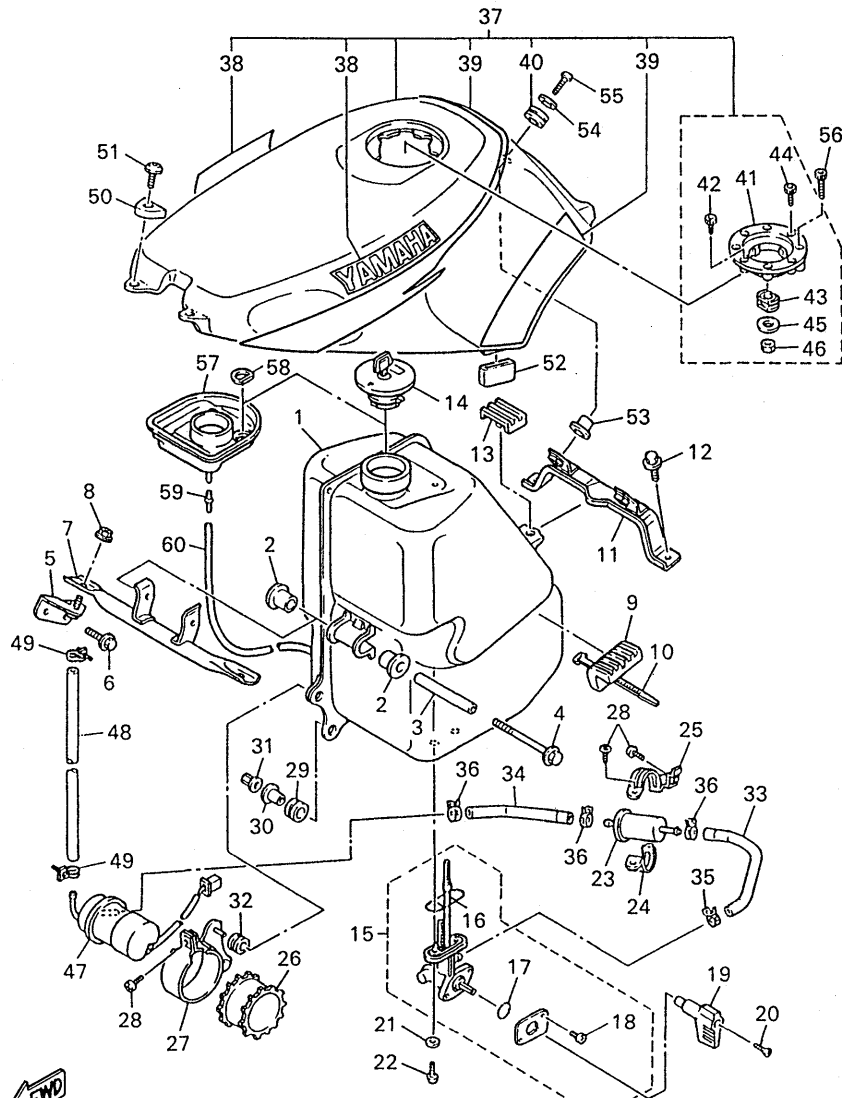
FIG. 28 FRONT FORK



3HHE110-5290

REF. NO.	PART NO.	DESCRIPTION	Q'TY	REMARKS
29	509-23158-L0	•GASKET	1	
30	3EN-23111-00	•BOLT, CAP	1	
31	4DN-23149-40	•WASHER, SPRING UPPER	1	
32	1W4-23114-L0	•GASKET	1	
33	278-23181-50	•BOLT, HEXAGON SOCKET HEAD	1	
34	1WG-23128-00	•BOLT, AXLE HOLDER	1	
35	1WG-23118-00	•SPACER	1	
36	1WG-23340-00	UNDER BRACKET COMP.	1	
37	2NX-23356-00	BOLT 2	2	

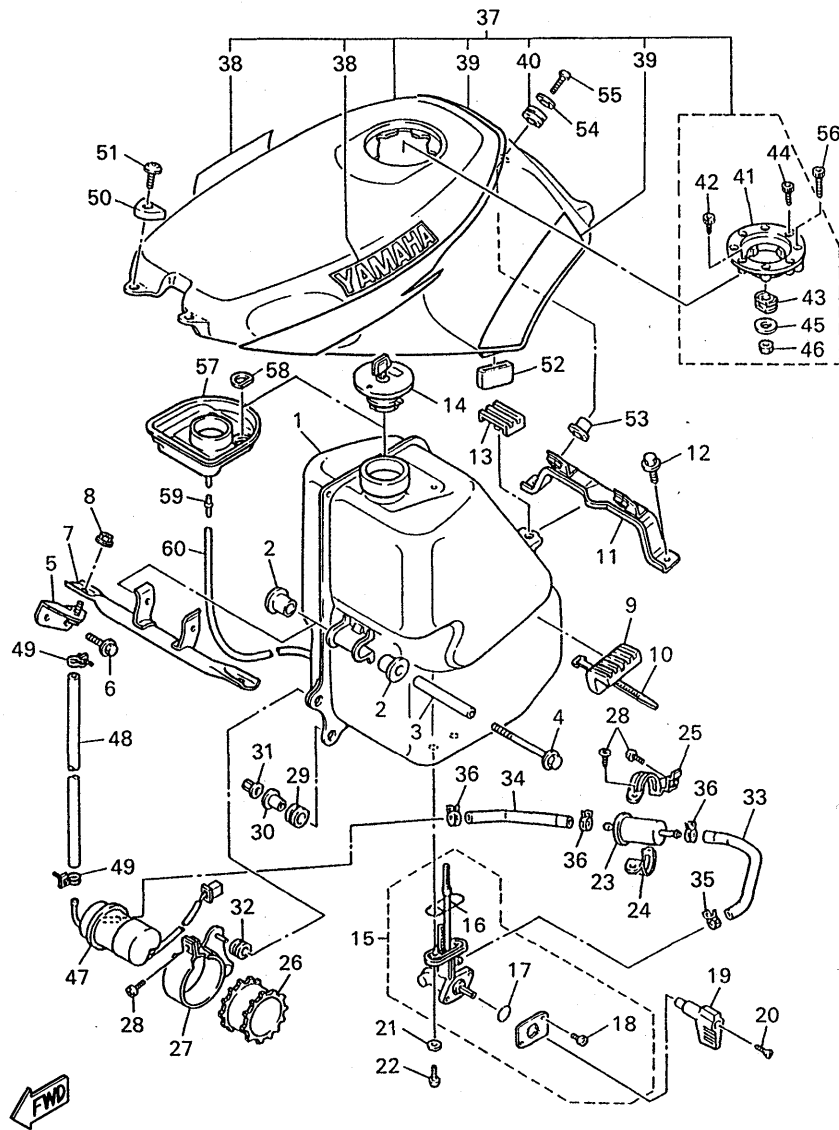
FIG. 29 FUEL TANK



3HHG110-6290

REF. NO.	PART NO.	DESCRIPTION	Q'TY	REMARKS
1	3HE-24110-10	FUEL TANK COMP.	1	UR FOR NON CALIF.
	3HE-24110-00	FUEL TANK COMP.	1	UR FOR CALIF.
2	1HX-24181-00	DAMPER, LOCATING 1	2	
3	90387-06380	COLLAR	1	
4	95807-06080	BOLT, FLANGE	1	
5	3EN-21346-00	BRACKET, TANK FITTING	2	
6	95807-06016	BOLT, FLANGE	4	
7	1WG-21345-00	BRACKET, TANK FITTING	1	
8	90179-08410	NUT	2	
9	1HX-24182-00	DAMPER, LOCATING 2	2	
10	90464-13080	CLAMP	2	
11	1WG-21348-00	BRACKT, TANK FITTING	1	
12	95807-06016	BOLT, FLANGE	2	
13	1WG-24185-00	DAMPER, LOCATING 5	1	
14	1WG-24602-00	CAP ASSY	1	UR FOR NON CALIF.
	3FH-24602-00	CAP ASSY	1	UR FOR CALIF.
15	3HE-24500-00	FUEL COCK ASSY 1	1	
16	4X8-24512-00	.O-RING	1	
17	3AJ-24534-00	.SEAL, COCK	1	
18	98503-03008	.SCREW, PAN HEAD	2	
19	3HE-24524-00	LEVER, COCK	1	
20	98707-04018	SCREW, FLAT HEAD	1	
21	90202-05187	WASHER, PLATE	2	
22	90149-06011	SCREW	2	
23	1FK-24560-00	FILTER ASSY	1	
24	26H-24568-00	BAND, FILTER	1	
25	1WG-24566-00	BRACKET, FILTER	1	
26	1WG-24398-01	BAND 1	1	

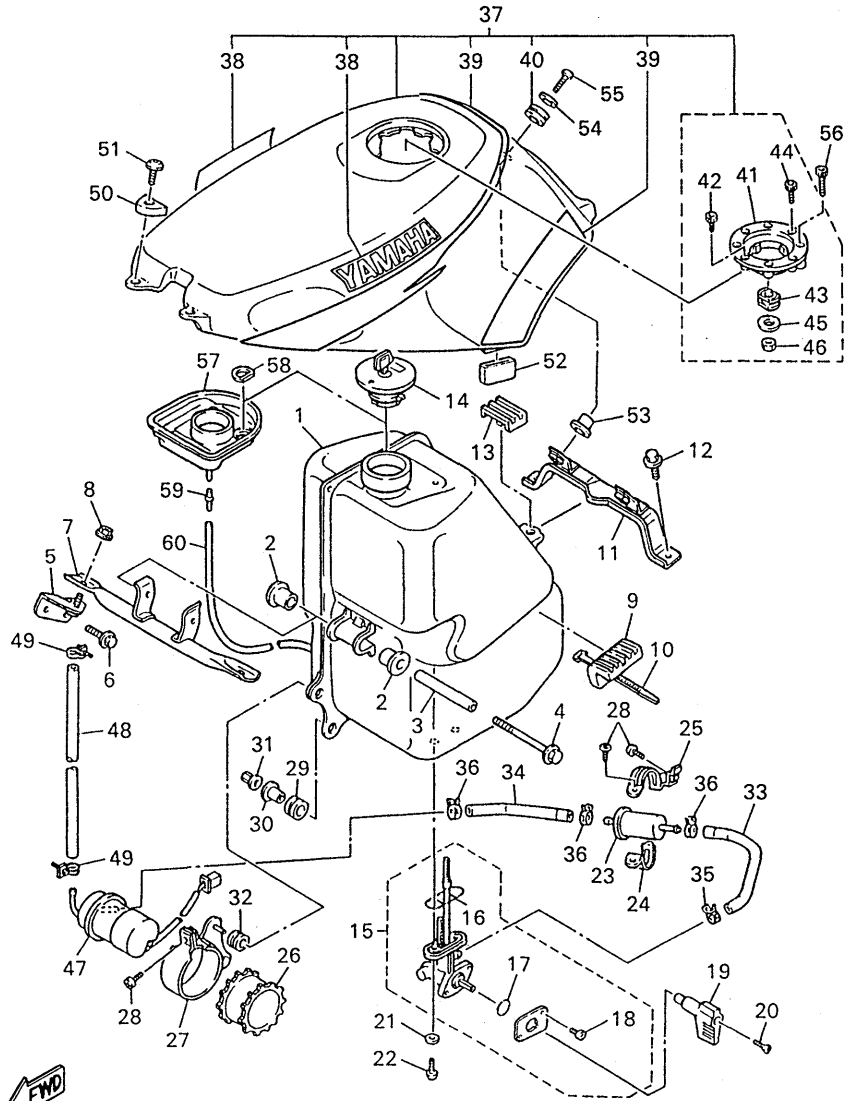
FIG. 29 FUEL TANK



3HHG110-6290

REF. NO.	PART NO.	DESCRIPTION	Q'TY	REMARKS
27	3HE-24491-00	BRACKET, FUEL PUMP	1	
28	98907-05014	SCREW, BIND	3	
29	90480-14229	GROMMET	1	
30	90387-07391	COLLAR	1	
31	95707-06500	NUT, FLANGE	1	
32	90480-11454	GROMMET	1	
33	1WG-24311-00	PIPE, FUEL 1	1	
34	90445-137F4	HOSE	1	
35	90467-10135	CLIP	1	
36	90467-11044	CLIP	3	
37	3HE-Y217F-0F-3Y	COVER, TOP (FUEL TANK)	1	UR BLUISH WHITE COCKTAIL 1 /DEEP VIOLET METALLIC 1
	3HE-Y217F-G0-4Y	COVER, TOP (FUEL TANK)	1	UR STARDUST SILVER /NEW BLACK BLUE UR FOR BWC1
38	99221-00140	•EMBLEM, YAMAHA	2	
	99226-00140	•EMBLEM, YAMAHA	2	UR FOR STDS
39	3HH-24240-40	•GRAPHIC SET	1	UR FOR BWC1
	3HH-24240-50	•GRAPHIC SET	1	UR FOR STDS
40	90480-18495	•GROMMET	2	
41	3HE-24614-00	•PLATE, CAP	1	
42	90110-06134	•BOLT, HEXAGON SOCKET HEAD	3	
43	1WG-24665-00	•DAMPER	3	
44	90110-06133	•BOLT, HEXAGON SOCKET HEAD	3	
45	90201-06765	•WASHER, PLATE	3	
46	95317-06600	•NUT	3	
47	3EN-13907-00	FUEL PUMP COMP.	1	
48	90445-146F9	HOSE	1	
49	90467-13123	CLIP	2	
50	1WG-24183-00	DAMPER, LOCATING 3	2	
51	90154-06040	SCREW, BINDING	2	

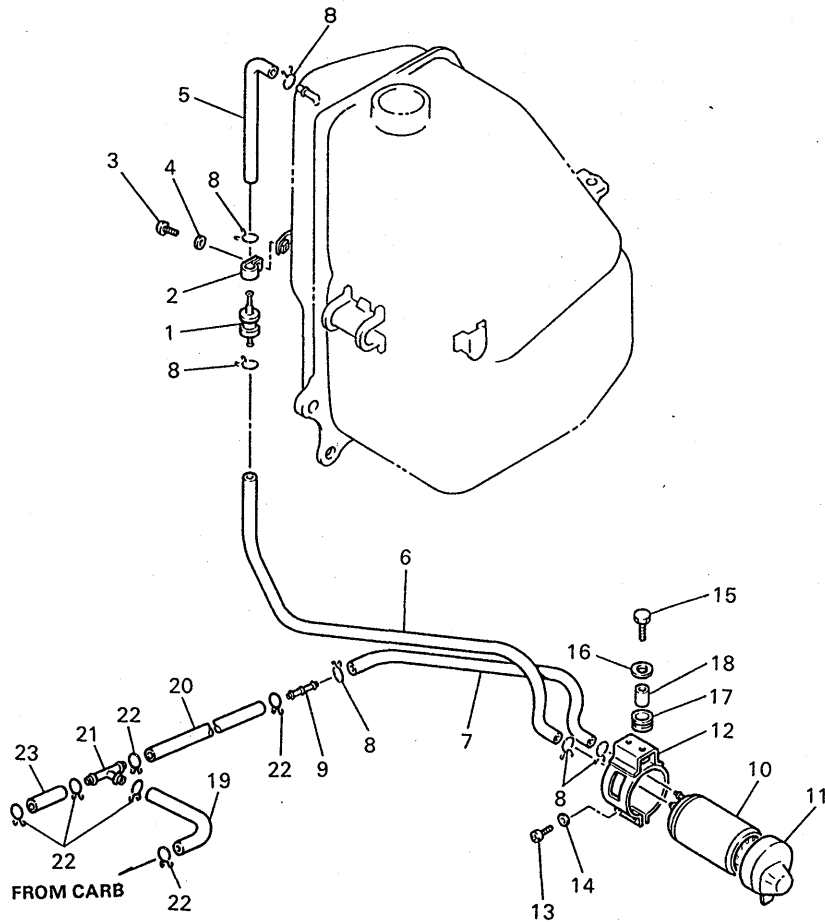
FIG. 29 FUEL TANK



REF. NO.	PART NO.	DESCRIPTION	Q'TY	REMARKS
52	4X7-21719-00	GROMMET	2	
53	90387-112R6	COLLAR	2	
54	90201-06697	WASHER, PLATE	2	
55	98507-06025	SCREW, PAN HEAD	2	
56	90110-06170	BOLT, HEXAGON SOCKET HEAD	2	
57	1WG-2414A-00	COVER, FILLER	1	
58	1WG-24622-00	WASHER, RING	2	
59	90560-03220	SPACER	1	
60	90445-070F1	HOSE	1	

3HHG110-6290

FIG. 30 FUEL TANK 2 (FOR CALIF.)

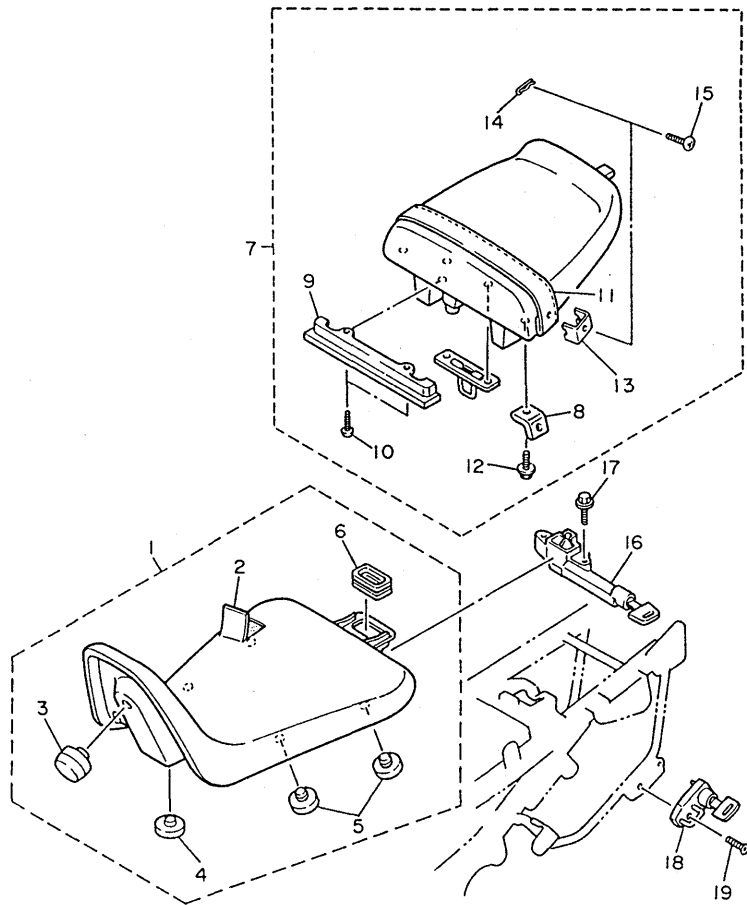


REF. NO.	PART NO.	DESCRIPTION	Q'TY	REMARKS
1	25H-24180-00	ROLL OVER VALVE ASSY	1	
2	90461-15100	CLAMP	1	
3	98507-05010	SCREW, PAN HEAD	1	
4	92907-05600	WASHER	1	
5	3FH-24313-00	PIPE 3	1	
6	90445-11706	HOSE	1	
7	90445-11501	HOSE	1	
8	90467-10008	CLIP	6	
9	42H-24119-00	TUBE, CONNECTING	1	
10	3FH-24170-00	CANISTER ASSY	1	
11	2JU-2419E-00	COVER, CANISTER	1	
12	3FH-24190-00	CANISTER HOLDER ASSY	1	
13	98507-05016	SCREW, PAN HEAD	2	
14	92907-05600	WASHER	2	
15	97007-06020	BOLT	2	
16	90201-06059	WASHER, PLATE	2	
17	90480-15058	GROMMET	2	
18	90387-060A7	COLLAR	2	
19	3HW-24312-00	PIPE 2	1	
20	90445-11611	HOSE	1	
21	3H3-24376-00	PIPE, JOINT 1	1	
22	90467-10008	CLIP	6	
23	90445-11732	HOSE	1	



3HHG110-6300

FIG. 31 SEAT

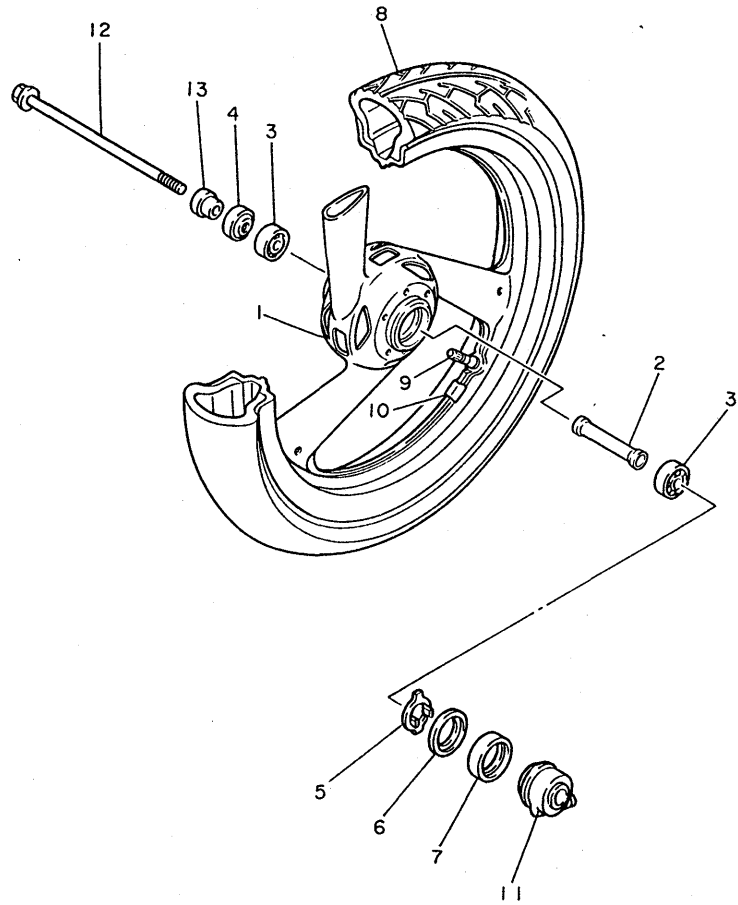


REF. NO.	PART NO.	DESCRIPTION	Q'TY	REMARKS
1	3HE-24710-00	SINGLE SEAT ASSY	1	
2	3HE-24711-00	.COVER, SINGLE SEAT	1	
3	1T4-24741-00	.PAD, SEAT	1	
4	116-24741-00	.PAD, SEAT	1	
5	22W-24741-00	.PAD, SEAT	4	
6	3HE-24742-00	.GROMMET	1	
7	3HE-24750-00	TANDEM SEAT ASSY	1	
8	4K0-24748-00	.BRACKET, SEAT	2	
9	3HE-24796-00	.COVER	1	
10	90164-05026	.SCREW, TAPPING	2	
11	3HE-24734-00	.BAND, SEAT	1	
12	95817-06016	.BOLT, FLANGE	2	
13	4L0-24712-11	.PLATE	2	
14	90468-10050	.CLIP	2	
15	47X-24739-00	.BOLT, SEAT FITTING	2	
16	3HE-24705-02	SEAT LOCK ASSY	1	
17	95807-06030	BOLT, FLANGE	2	
18	26H-21308-00	HELMET HANGER ASSY	1	
19	90149-06150	SCREW	1	



3HH110-2280

FIG. 32 FRONT WHEEL



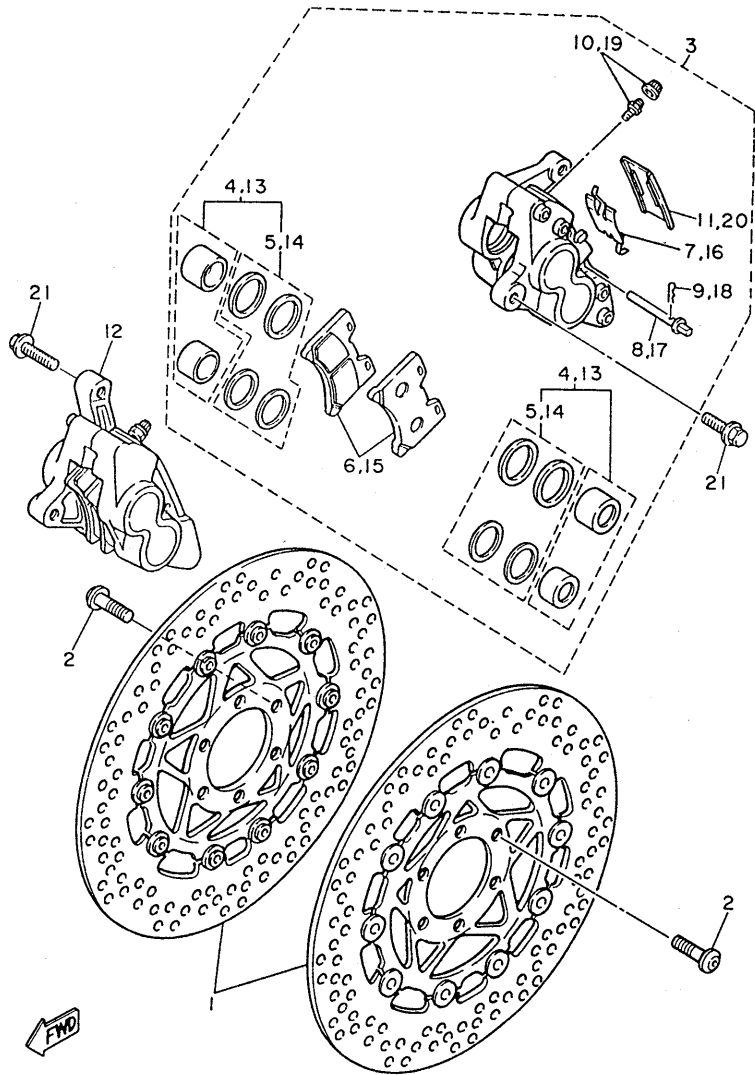
REF. NO.	PART NO.	DESCRIPTION	Q'TY	REMARKS
1	3HE-25168-00-FH	CAST WHEEL, FRONT	1	UR FIRE RED FOR BWC1
	3HE-25168-00-33	CAST WHEEL, FRONT	1	UR YAMAHA BLACK FOR STDS
2	90560-15314	SPACER	1	
3	93306-30202	BEARING	2	
4	93102-22014	OIL SEAL	1	
5	341-25149-00	CLUTCH, METER	1	
6	341-25846-00	RETAINER, CLUTCH	1	
7	93105-45017	OIL SEAL	1	
8	94111-175X5	TIRE (MCS110/70 VR17 V240)	1	UR BRIDGESTONE FOR NON CALIF.
	94111-173X4	TIRE (110/70 VR17 V240)	1	UR DUNLOP FOR CALIF.
9	93900-00030	VALVE, RIM	1	
10	29L-25398-00	BALANCER, WHEEL (10G)	1	UR
	29L-25398-10	BALANCER, WHEEL (20G)	1	UR
	29L-25398-20	BALANCER, WHEEL (30G)	1	UR
11	4X8-25190-01	GEAR UNIT ASSY	1	
12	42X-25181-00	AXLE, WHEEL	1	
13	90387-15550	COLLAR	1	



3HE332-9300

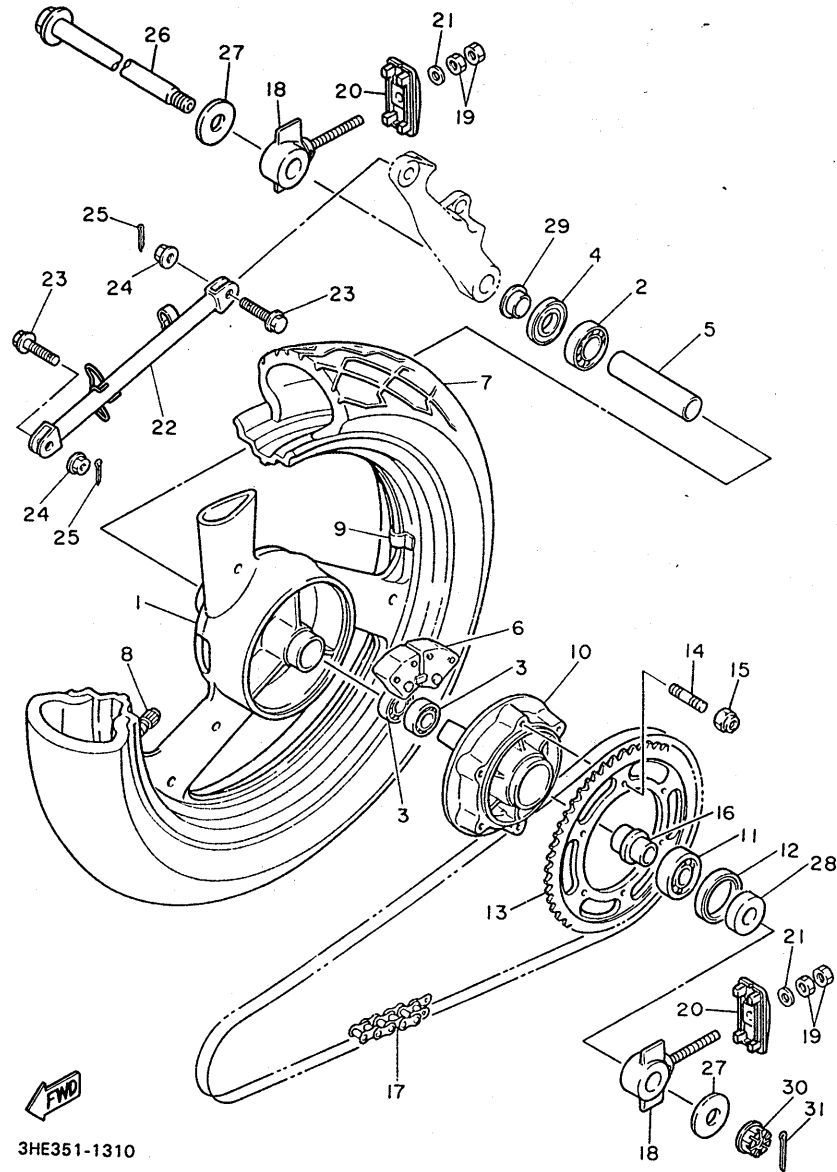
FIG. 33 FRONT BRAKE CALIPER

REF. NO.	PART NO.	DESCRIPTION	Q'TY	REMARKS
1	4HM-2581T-00	DISC BRAKE ASSY	2	
2	90109-08718	BOLT	12	
3	3HE-2580T-60	CALIPER ASSY (LEFT)	1	
4	3HE-W0057-50	•PISTON ASSY, CALIPER	2	
5	3HE-W0047-50	••CALIPER SEAL KIT	2	
6	3GM-W0045-02	•BRAKE PAD KIT	1	
7	3GM-25919-00	•SUPPORT, PAD	1	
8	3HE-25924-00	•PIN, PAD	2	
9	3GM-25925-00	•CLIP	2	
10	1J3-W0048-00	•BREED SCREW KIT	1	
11	1KT-25836-00	•COVER, DUST	1	
12	3HE-2580U-60	CALIPER ASSY (RIGHT)	1	
13	3HE-W0057-50	•PISTON ASSY, CALIPER	2	
14	3HE-W0047-50	••CALIPER SEAL KIT	2	
15	3GM-W0045-02	•BRAKE PAD KIT	1	
16	3GM-25919-00	•SUPPORT, PAD	1	
17	3HE-25924-00	•PIN, PAD	2	
18	3GM-25925-00	•CLIP	2	
19	1J3-W0048-00	•BREED SCREW KIT	1	
20	1KT-25836-00	•COVER, DUST	1	
21	90105-10638	BOLT, WASHER BASED	4	



3HE351-1300

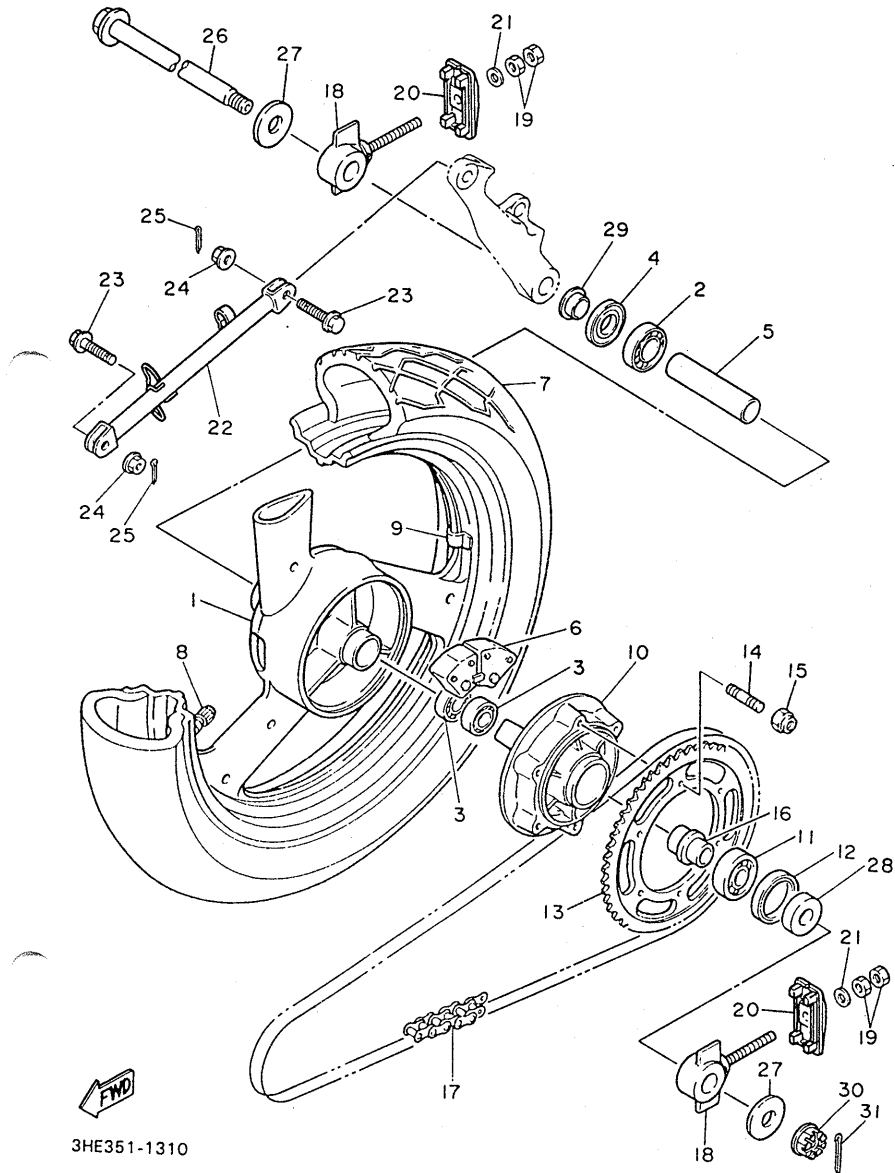
FIG. 34 REAR WHEEL



3HE351-1310

REF. NO.	PART NO.	DESCRIPTION	Q'TY	REMARKS
1	3HE-25338-50-FH	CAST WHEEL, REAR	1	UR FIRE RED FOR BWC1
	3HE-25338-50-33	CAST WHEEL, REAR	1	UR YAMAHA BLACK FOR STD5
2	93306-30309	BEARING (B6303ZZ)	1	
3	93306-20314	BEARING (B6203)	2	
4	93102-25044	OIL SEAL	1	
5	90387-174V8	COLLAR	1	
6	1UF-25364-00	DAMPER	3	
7	94114-185X6	TIRE (MCS 140/60 VR18 V240)	1	UR BRIDGESTONE FOR NON CALIF.
	94114-183X5	TIRE (140/60 VR18 V240)	1	UR DUNLOP FOR CALIF.
8	93900-00030	VALVE, RIM	1	
9	29L-25398-00	BALANCER, WHEEL (10G)	1	UR
	29L-25398-10	BALANCER, WHEEL (20G)	1	UR
	29L-25398-20	BALANCER, WHEEL (30G)	1	UR
10	1UF-25366-00	CLUTCH, HUB	1	
11	93306-37207	BEARING	1	
12	93105-42024	OIL SEAL	1	
13	1AE-25445-21	SPROCKET, DRIVEN (45T)	1	
14	90116-10485	BOLT, STUD	6	
15	95607-10200	NUT, SELF-LOCKING	6	
16	90387-177K0	COLLAR	1	
17	94581-59106	CHAIN (D.I.D.50 VA-7-106L)	1	
18	3HH-25388-00	PULLER, CHAIN 1	2	
19	95307-08600	NUT	4	
20	3HH-22174-00	END 1	2	
21	92907-08600	WASHER, PLATE	2	
22	3HE-25371-51	BAR, TENSION	1	
23	90105-08321	BOLT, WASHER BASED	2	
24	95707-08500	NUT, FLANGE	2	

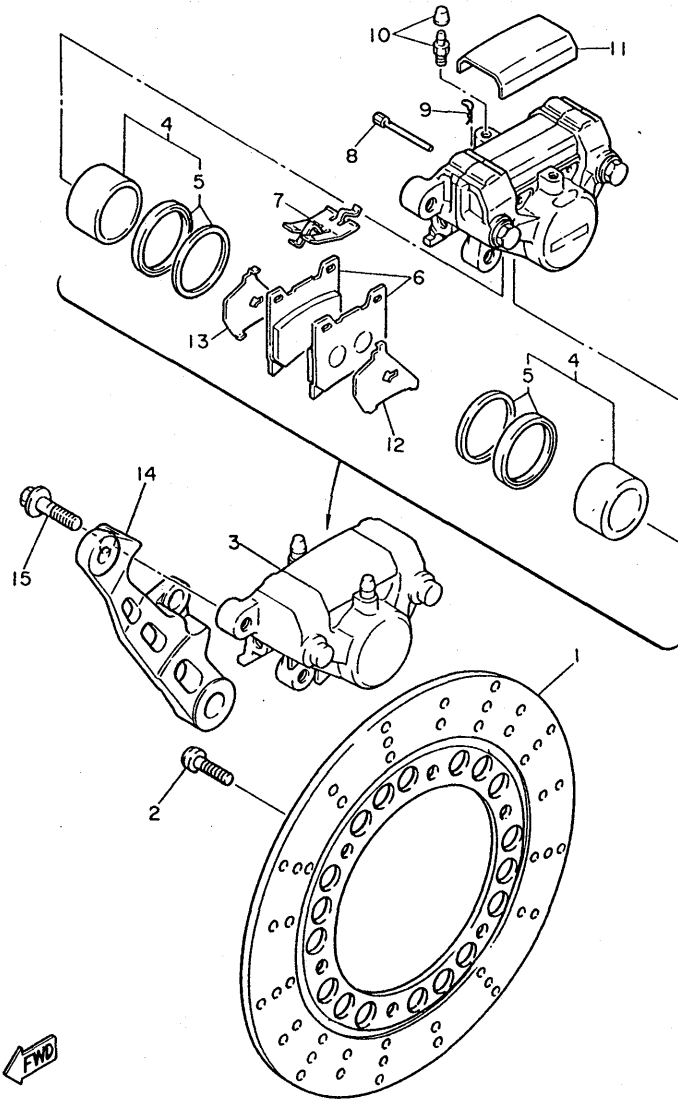
FIG. 34 REAR WHEEL



3HE351-1310

REF. NO.	PART NO.	DESCRIPTION	Q'TY	REMARKS
25	91490-20020	PIN, COTTER	2	
26	3HE-25381-01	AXLE, WHEEL	1	
27	90201-177K7	WASHER, PLATE	2	
28	90387-177Y5	COLLAR	1	
29	90387-173L5	COLLAR	1	
30	90171-16024	NUT, CASTLE	1	
31	91401-30030	PIN, COTTER	1	

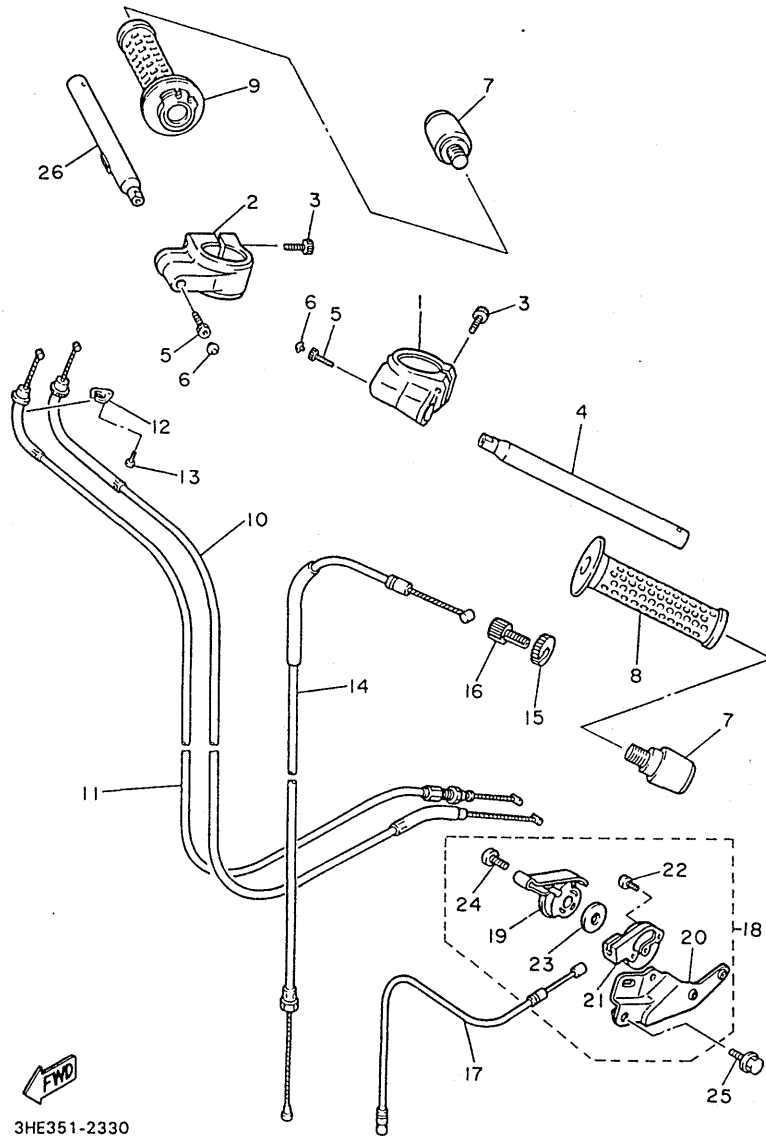
FIG. 35 REAR BRAKE CALIPER



3HE351-0330

REF. NO.	PART NO.	DESCRIPTION	Q'TY	REMARKS
1	2NX-25831-00	DISC, BRAKE (RIGHT)	1	
2	90109-08718	BOLT	6	
3	3HE-2580W-00	CALIPER ASSY, REAR 2	1	
4	31A-W0057-00	•PISTON ASSY, CALIPER	1	
5	31A-W0047-00	••CALIPER SEAL KIT	1	
6	1FK-W0046-01	•BRAKE PAD KIT 2	1	
7	1WG-25919-00	•SUPPORT, PAD	1	
8	3HE-25924-00	•PIN, PAD	2	
9	3GM-25925-00	•CLIP	2	
10	1J3-W0048-00	•BREED SCREW KIT	2	
11	51J-25836-00	•COVER, DUST	1	
12	1FK-25827-00	•SHIM, CALIPER	1	
13	1FK-25828-00	•SHIM, CALIPER	1	
14	3HE-25819-01	BRACKET, CALIPER	1	
15	90105-10638	BOLT, WASHER BASED	2	

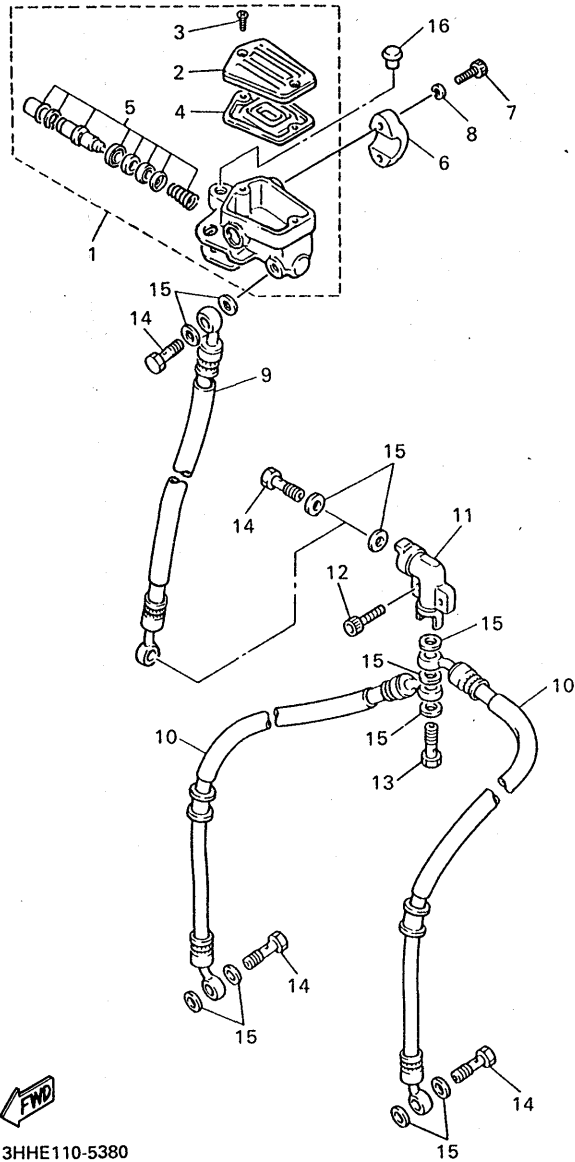
FIG. 36 STEERING HANDLE • CABLE



3HE351-2330

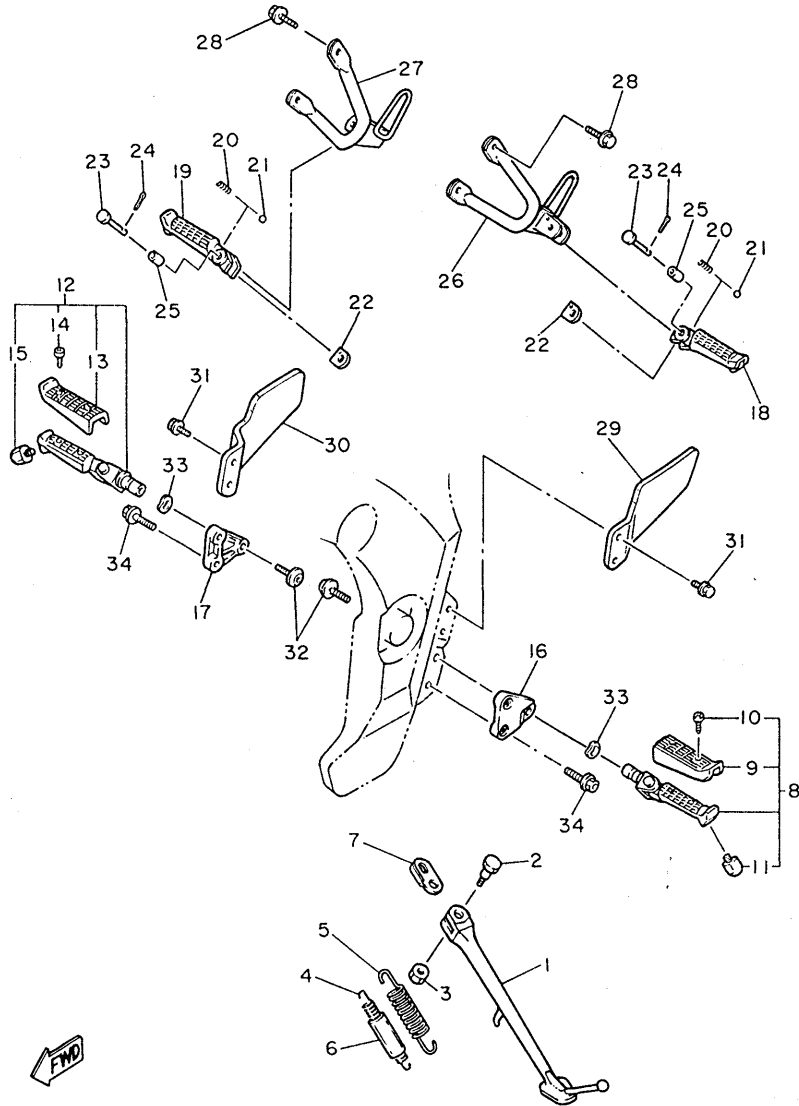
REF. NO.	PART NO.	DESCRIPTION	Q'TY	REMARKS
1	3HE-26121-00	BOSS, HANDLE (LEFT)	1	
2	3HE-26122-00	BOSS, HANDLE (RIGHT)	1	
3	91317-06020	BOLT	4	
4	3HE-26111-00	HANDLEBAR	1	
5	91317-08025	BOLT	2	
6	341-23469-00	CAP, BOLT	2	
7	51J-26246-00	END, GRIP	2	
8	1KG-26241-00	GRIP (LEFT)	1	
9	3FH-26240-00	GRIP ASSY	1	
10	3EN-26311-00	CABLE, THROTTLE 1	1	
11	3HE-26312-00	CABLE, THROTTLE 2	1	
12	5H0-26393-00	HOLDER	1	
13	98507-05008	SCREW, PAN HEAD	1	
14	3HE-26335-01	CABLE, CLUTCH	1	
15	90179-08148	NUT	1	
16	90123-08046	BOLT	1	
17	3EN-26331-00	CABLE, STARTER 1	1	
18	3HE-83940-00	STARTER ASSY	1	
19	1WG-83941-00	LEVER, STARTER	1	
20	3HE-28357-00	STAY 2	1	
21	1WG-83942-00	COVER, STARTER	1	
22	98907-03006	SCREW, BIND	2	
23	90209-10131	WASHER	1	
24	98907-06008	SCREW, BIND	1	
25	95807-06020	BOLT, FLANGE	1	
26	3HE-26112-00	BAR, HANDLE	1	

FIG. 37 FRONT MASTER CYLINDER



REF. NO.	PART NO.	DESCRIPTION	Q'TY	REMARKS
1	3HE-2583T-00	MASTER CYLINDER ASSY	1	
2	3HE-25852-00	•CAP, RESERVOIR	1	
3	98707-04012	•SCREW, FLAT HEAD	2	
4	36Y-25854-00	•DIAPHRAGM, RESERVOIR	1	
5	36Y-W0041-00	•CYLINDER KIT, MASTER	1	
6	36Y-25867-00	BRACKET, MASTER CYLINDER	1	
7	91317-06025	BOLT	2	
8	92907-06100	WASHER, SPRING	2	
9	3HE-25872-02	HOSE, BRAKE 1	1	
10	3HE-25873-12	HOSE, BRAKE 2	2	
11	11U-25885-00	JOINT	1	
12	91317-06025	BOLT	2	
13	90401-10160	BOLT, UNION	1	
14	90401-10159	BOLT, UNION	4	
15	90201-10118	WASHER, PLATE	11	
16	90338-09012	PLUG	1	

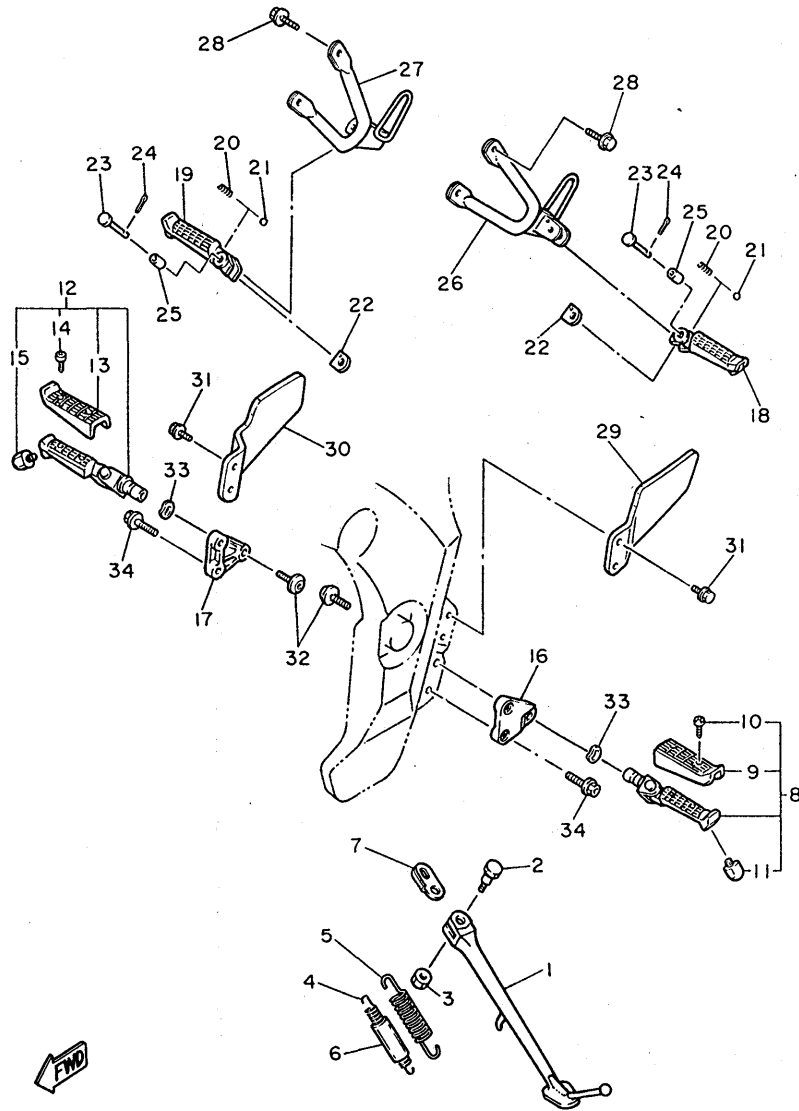
FIG. 38 STAND • FOOTREST



3HE332-9360

REF. NO.	PART NO.	DESCRIPTION	Q'TY	REMARKS
1	2KT-27311-00	STAND, SIDE	1	
2	90109-10474	BOLT	1	
3	90185-10037	NUT, SELF-LOCKING	1	
4	90506-18224	SPRING, TENSION	1	
5	90506-26225	SPRING, TENSION	1	
6	1TX-27351-00	GUIDE, SIDE STAND	1	
7	2KT-27315-00	LINK, SIDE STAND	1	
8	3HE-27410-00	FRONT FOOTREST ASSY (LEFT)	1	
9	2GH-27413-00	.COVER, FOOTREST	1	
10	90157-05079	.SCREW, PAN HEAD	2	
11	3HE-27435-00	.BOLT	1	
12	3HE-27420-00	FRONT FOOTREST ASSY (RIGHT)	1	
13	2GH-27413-00	.COVER, FOOTREST	1	
14	90157-05079	.SCREW, PAN HEAD	2	
15	3HE-27435-00	.BOLT	1	
16	3HE-27442-00	BRACKET 2	1	
17	3HE-27443-00	BRACKET 3	1	
18	1HX-27431-00	FOOTREST, REAR 1	1	
19	1HX-27441-00	FOOTREST, REAR 2	1	
20	90501-12743	SPRING, COMPRESSION	2	
21	93501-04011	BALL	2	
22	1HX-27437-00	WASHER, SPECIAL	2	
23	91701-06035	PIN, CLEVIS	2	
24	91490-20020	PIN, COTTER	2	
25	90387-064H8	COLLAR	2	
26	3HE-2741L-00	BRACKET 4	1	
27	3HE-2742L-01	BRACKET 5	1	
28	95817-08025	BOLT, FLANGE	4	

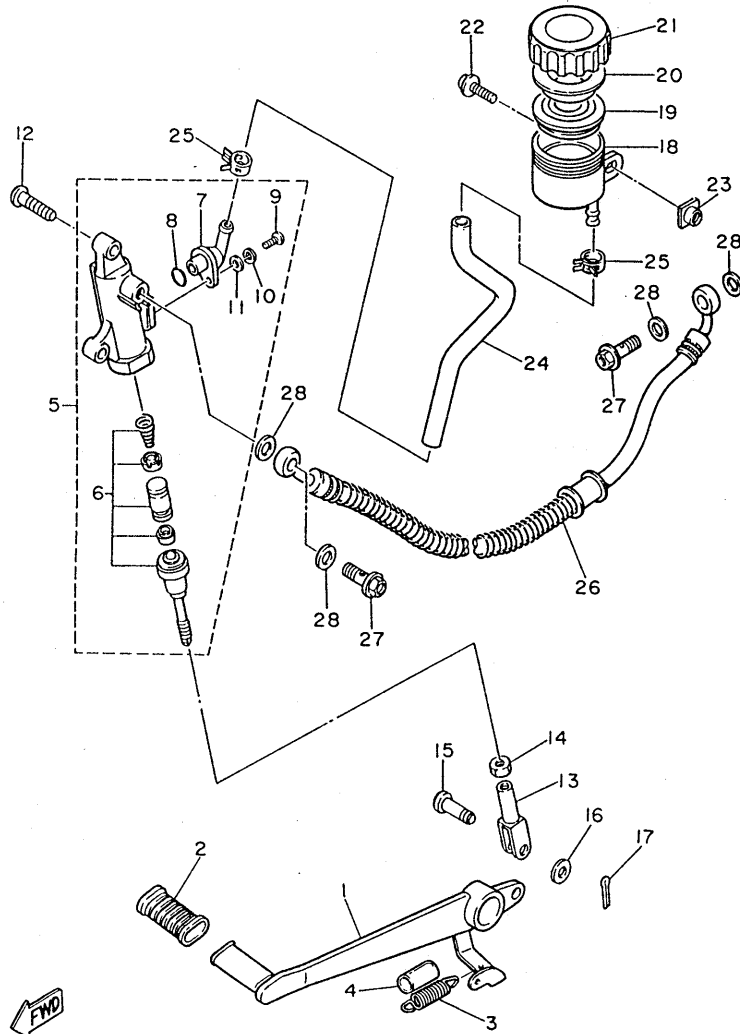
FIG. 38 STAND • FOOTREST



3HE332-9360

REF. NO.	PART NO.	DESCRIPTION	Q'TY	REMARKS
29	3HE-27445-01	PLATE 1	1	
30	3HE-27446-01	PLATE 2	1	
31	95024-06016	BOLT, FLANGE	4	
32	90109-103A9	BOLT	2	
33	90206-17084	WASHER, WAVE	2	
34	95024-08025	BOLT, FLANGE	4	

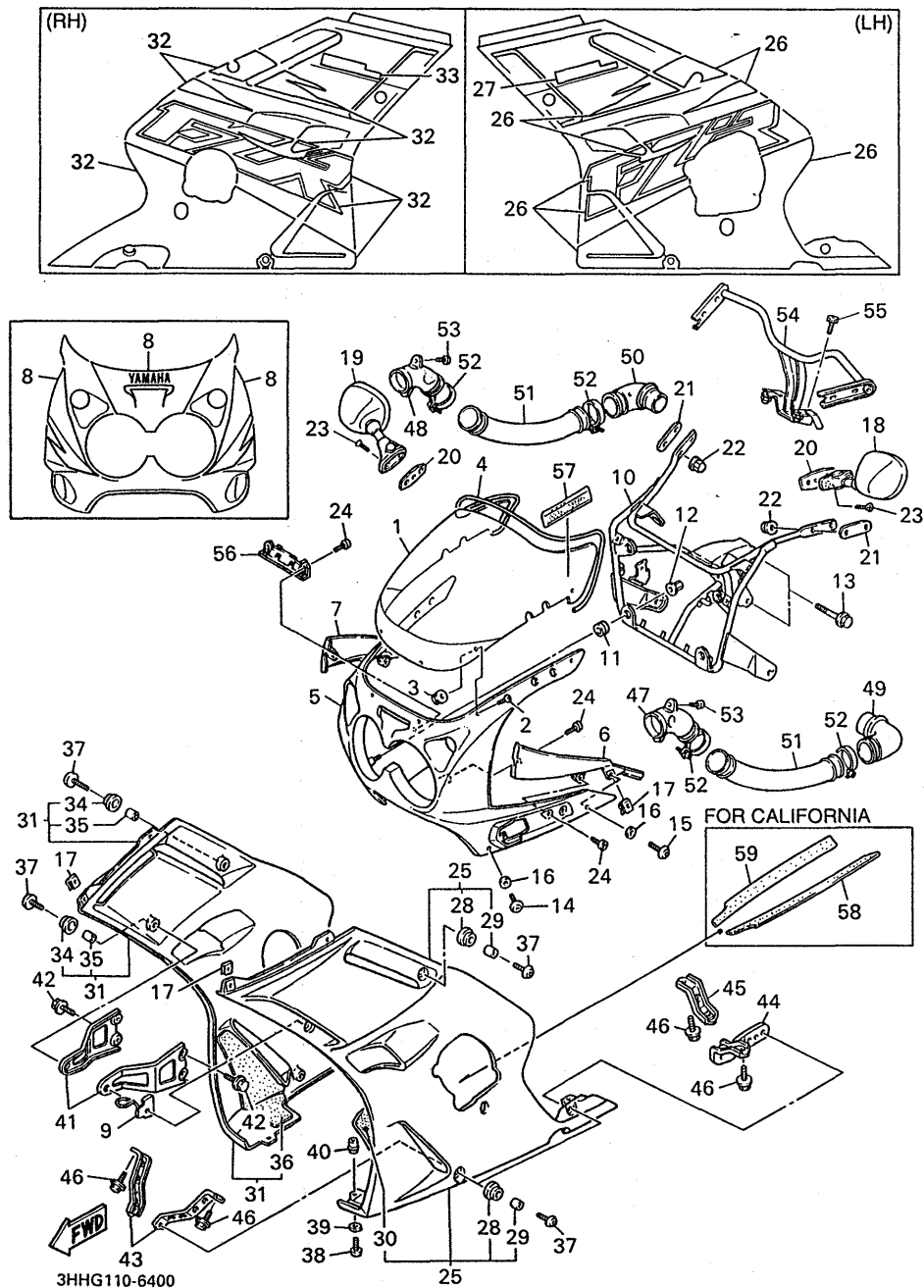
FIG. 39 REAR MASTER CYLINDER



3HE351-0370

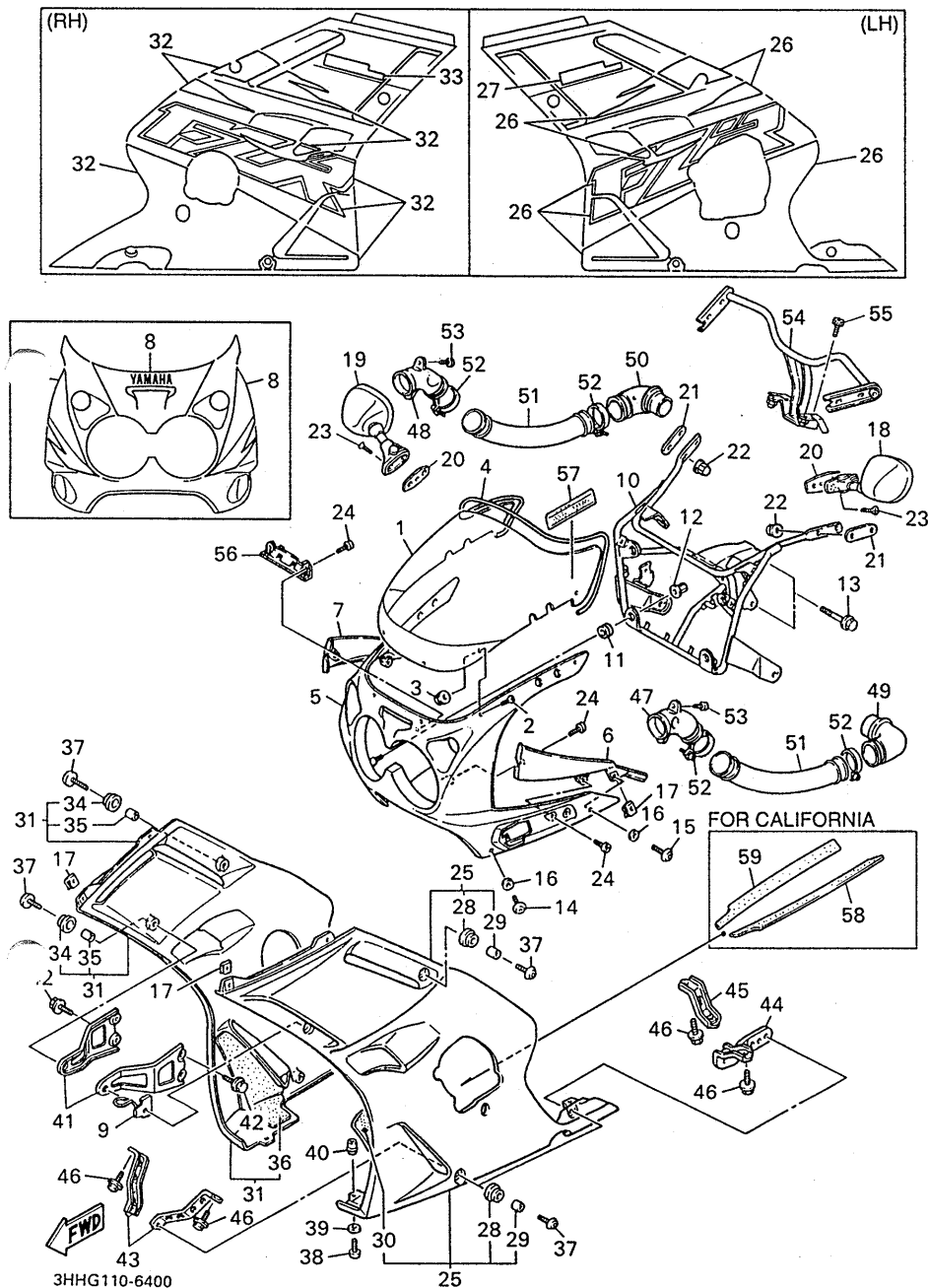
REF. NO.	PART NO.	DESCRIPTION	Q'TY	REMARKS
1	3HE-27211-00	PEDAL, BRAKE	1	
2	22N-18113-00	COVER, SHIFT PEDAL	1	
3	90506-20377	SPRING, TENSION	1	
4	90446-17267	HOSE	1	
5	1WG-25850-50	MASTER CYLINDER ASSY	1	
6	1WG-W0042-50	.CYLINDER KIT, MASTER	1	
7	36Y-2582A-50	.JOINT	1	
8	93210-15620	.O-RING	1	
9	98517-04012	.SCREW, PAN HEAD	1	
10	92901-04100	.WASHER, SPRING	1	
11	92901-04600	.WASHER, PLATE	1	
12	92017-08025	SCREW	2	
13	31A-27222-00	JOINT	1	
14	95307-08700	NUT	1	
15	90240-08013	PIN, CLEVIS	1	
16	90201-08083	WASHER, PLATE	1	
17	91490-20020	PIN, COTTER	1	
18	31A-25894-01	TANK, RESERVOIR	1	
19	360-25854-00	DIAPHRAGM, RESERVOIR	1	
20	2GU-25855-00	BUSH, DIAPHRAGM	1	
21	2KF-25852-50	CAP, RESERVOIR	1	
22	90159-06056	SCREW, WITH WASHER	1	
23	31A-14477-00	PLATE	1	
24	1WG-25895-00	HOSE, RESERVOIR	1	
25	90467-14057	CLIP	2	
26	3HE-25872-61	HOSE, BRAKE 1	1	
27	90401-10159	BOLT, UNION	2	
28	90201-10118	WASHER, PLATE	4	

FIG. 40 COWLING 1



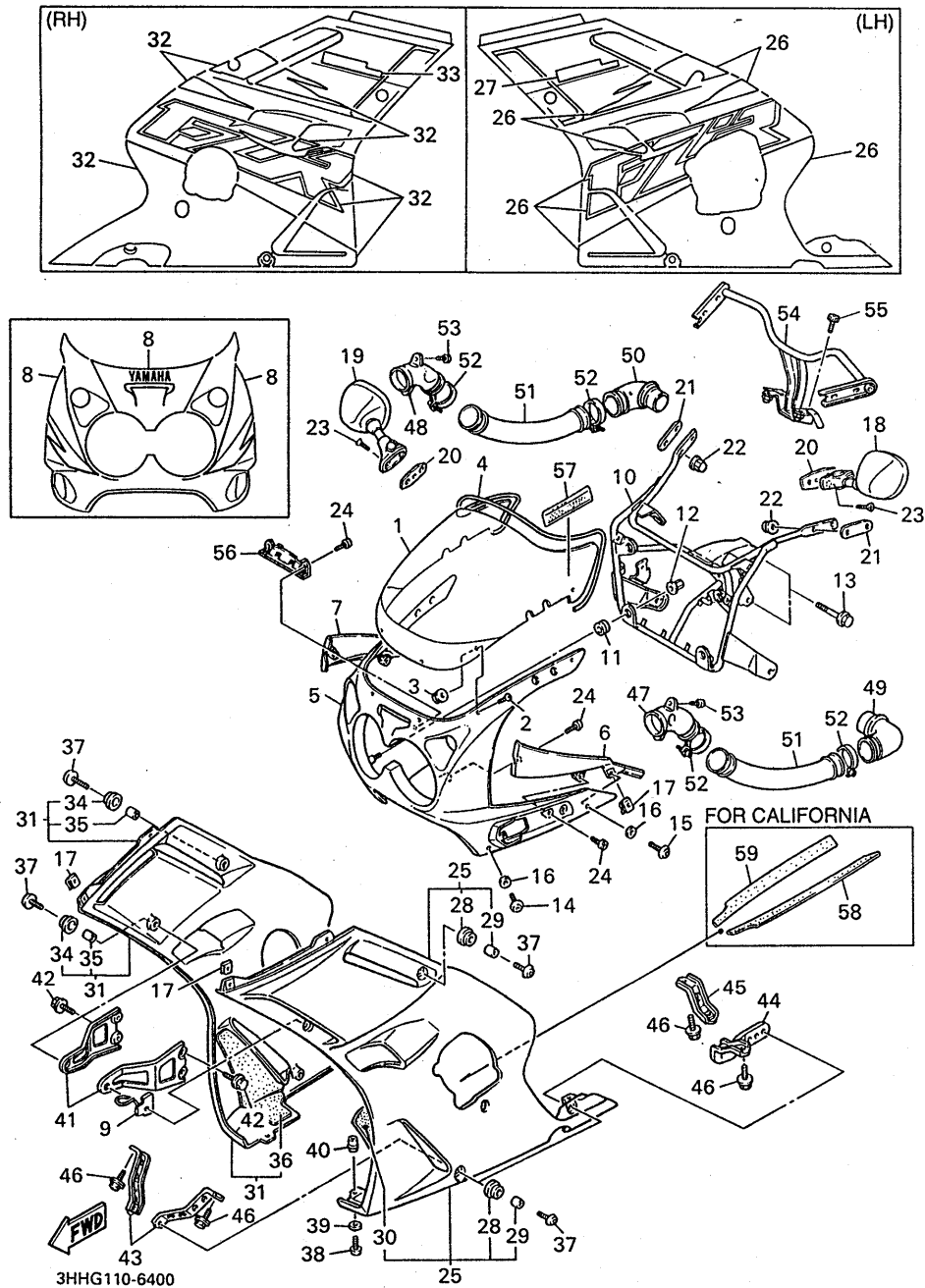
REF. NO.	PART NO.	DESCRIPTION	Q'TY	REMARKS
1	3HH-28381-10	WINDSHIELD	1	
2	90150-05020	SCREW, ROUND HEAD	6	
3	95707-05500	NUT, FLANGE	6	
4	36Y-28348-00	MOLE 4	1	
5	3HE-2835G-00-P1	BODY, FRONT UPPER 1	1	UR BLUISH WHITE
	3HE-2835G-00-WL	BODY, FRONT UPPER 1	1	COCKTAIL 1
				UR STARDUST SILVER
6	3EN-2835U-20	PANEL 1	1	
7	3EN-2835V-20	PANEL 2	1	
8	3HH-28390-90	GRAPHIC SET, COWLING	1	UR FOR BWC1
	3HH-28390-A0	GRAPHIC SET, COWLING	1	UR FOR STDS
9	3HE-21596-00	HOLDER	1	
10	3HE-28356-30	STAY 1	1	
11	90480-14229	GROMMET	4	
12	90179-06500	NUT	4	
13	90105-08748	BOLT, WASHER BASED	2	
14	90110-05201	BOLT, HEXAGON SOCKET HEAD	2	
15	90149-05299	SCREW	2	
16	90202-05180	WASHER, PLATE	4	
17	90183-05024	NUT, SPRING	4	
18	3HE-26280-00	REAR VIEW MIRROR ASSY(LEFT)	1	UR WHITE
	3HE-26280-10	REAR VIEW MIRROR ASSY(LEFT)	1	UR BLACK
19	3HE-26290-00	REAR VIEW MIRROR ASSY(RIGHT)	1	UR WHITE
	3HE-26290-10	REAR VIEW MIRROR ASSY(RIGHT)	1	UR BLACK
20	1AE-26298-00	PLATE, MIRROR FITTING 1	2	
21	3CV-26298-00	PLATE, MIRROR FITTING 1	2	
22	90176-06055	NUT, CROWN	4	
23	98707-06025	SCREW, FLAT HEAD	4	
24	97707-50014	SCREW, TAPPING	6	

FIG. 40 COWLING 1



REF. NO.	PART NO.	DESCRIPTION	Q'TY	REMARKS
25	3EN-Y283J-0G-2Y	BODY, FRONT LOWER 1	1	UR BLUISH WHITE COCKTAIL 1/FIRE RED
	3EN-Y283J-0H-3Y	BODY, FRONT LOWER 1	1	UR STARDUST SILVER/FIRE RED UR FOR BWC1
26	3HH-28301-A0	•GRAPHIC SET, LOWER COVER 1	1	UR FOR STDS
	3HH-28301-B0	•GRAPHIC SET, LOWER COVER 1	1	UR FOR STDS
27	3LE-28368-20	•EMBLEM	1	UR FOR BWC1
	3LE-28368-00	•EMBLEM	1	UR FOR STDS
28	90480-13398	•GROMMET	4	
29	90387-067K6	•COLLAR	4	
30	3HE-2848K-00	•SEAT 2	1	
31	3EN-Y283K-0M-2Y	BODY, FRONT LOWER 2	1	UR BLUISH WHITE COCKTAIL 1/FIRE RED
	3EN-Y283K-0N-3Y	BODY, FRONT LOWER 2	1	UR STARDUST SILVER/FIRE RED UR FOR BWC1
32	3HH-28303-A0	•GRAPHIC SET, LOWER COVER 2	1	UR FOR STDS
	3HH-28303-B0	•GRAPHIC SET, LOWER COVER 2	1	UR FOR STDS
33	3LE-28368-20	•EMBLEM	1	UR FOR BWC1
	3LE-28368-00	•EMBLEM	1	UR FOR STDS
34	90480-13398	•GROMMET	4	
35	90387-067K6	•COLLAR	4	
36	3HE-2848L-00	•SEAT 3	1	
37	90110-06200	BOLT, HEXAGON SOCKET HEAD	8	
38	90149-05299	SCREW	2	
39	90202-05180	WASHER, PLATE	2	
40	90179-05523	NUT	2	
41	3HE-2831U-00	STAY, SIDE 1	2	
42	95807-06012	BOLT, FLANGE	2	
43	1WG-2836A-00	BRACKET 1	2	
44	3EN-2836A-01	BRACKET 1	1	
45	1WG-2836E-00	BRACKET 2	1	
46	95807-06010	BOLT, FLANGE	4	

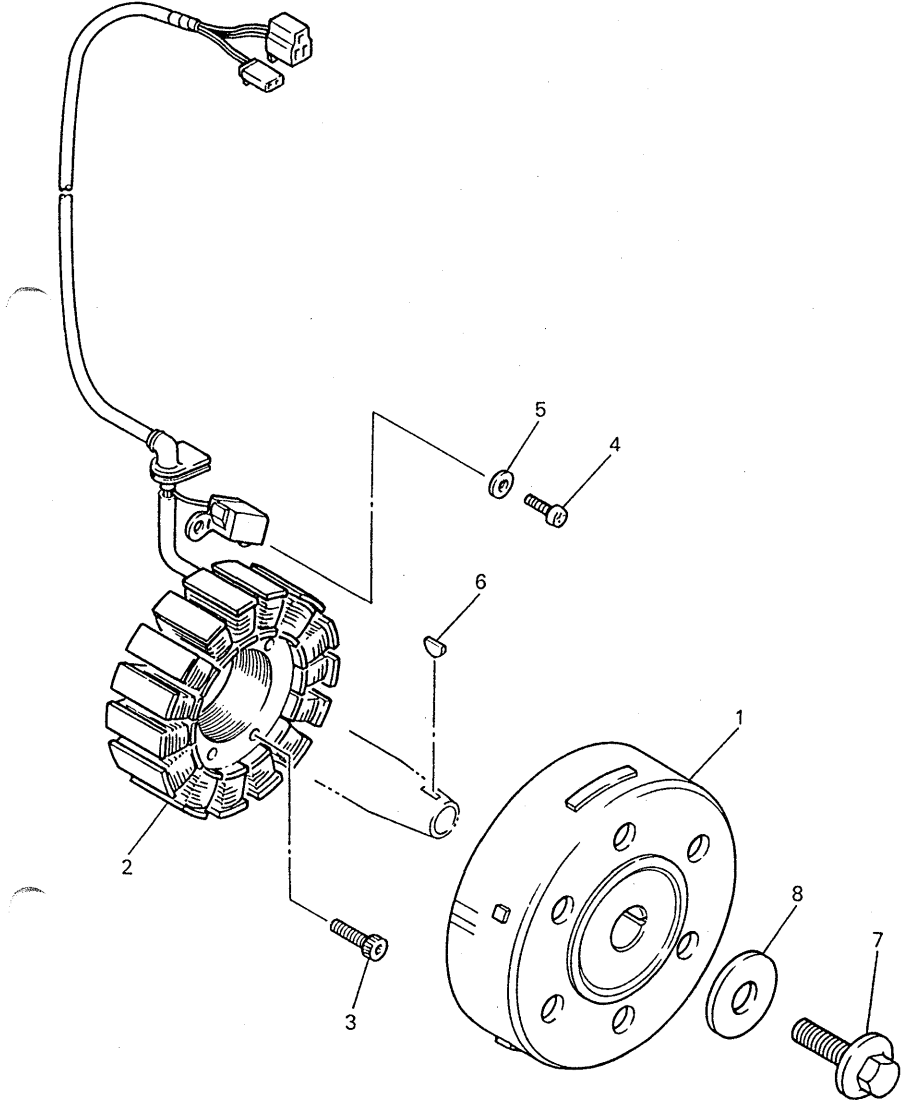
FIG. 40 COWLING 1



REF. NO.	PART NO.	DESCRIPTION	Q'TY	REMARKS
47	3EN-2838N-00	DUCT 1	1	
48	3EN-2838R-00	DUCT 2	1	
49	3EN-2838T-00	DUCT 3	1	
50	3EN-2838U-00	DUCT 4	1	
51	3HE-2838J-01	DUCT 5	2	
52	90460-49058	CLAMP, HOSE	4	
53	90154-06046	SCREW, BINDING	4	
54	3HE-2831W-00	STAY, MIRROR 1	1	
55	91317-06016	BOLT	2	
56	3EN-28313-00	LID	1	
57	3JJ-2835Y-00	LABEL, CAUTION	1	
58	3HF-2848M-00	SEAT 4	1	FOR CALIF.
59	3HF-2848N-00	SEAT 5	1	FOR CALIF.

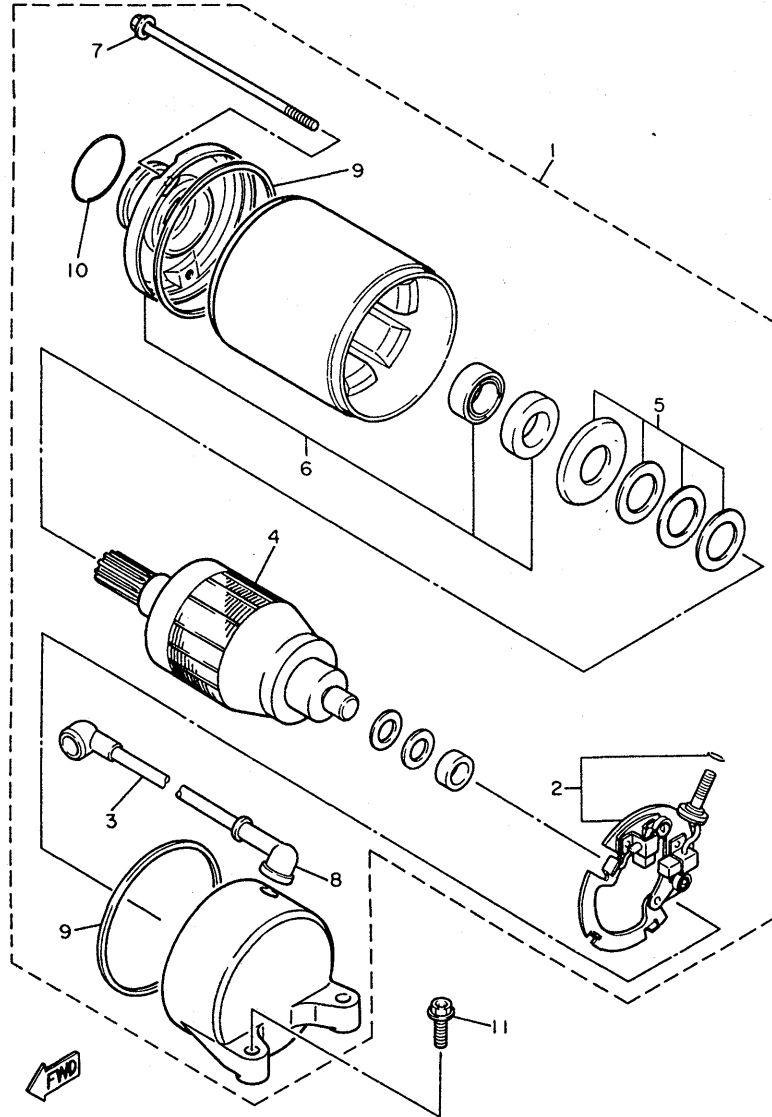
FIG. 41 GENERATOR

REF. NO.	PART NO.	DESCRIPTION	Q'TY	REMARKS
1	3HE-81450-00	ROTOR ASSY	1	
2	3HE-81410-01	STATOR ASSY	1	
3	91317-06035	BOLT	3	
4	98507-05016	SCREW, PAN HEAD	2	
5	92907-05600	WASHER, PLATE	2	
6	90280-03047	KEY, WOODRUFF	1	
7	90105-10430	BOLT, WASHER BASED	1	
8	90201-107K6	WASHER, PLATE	1	



3HHG110-6410

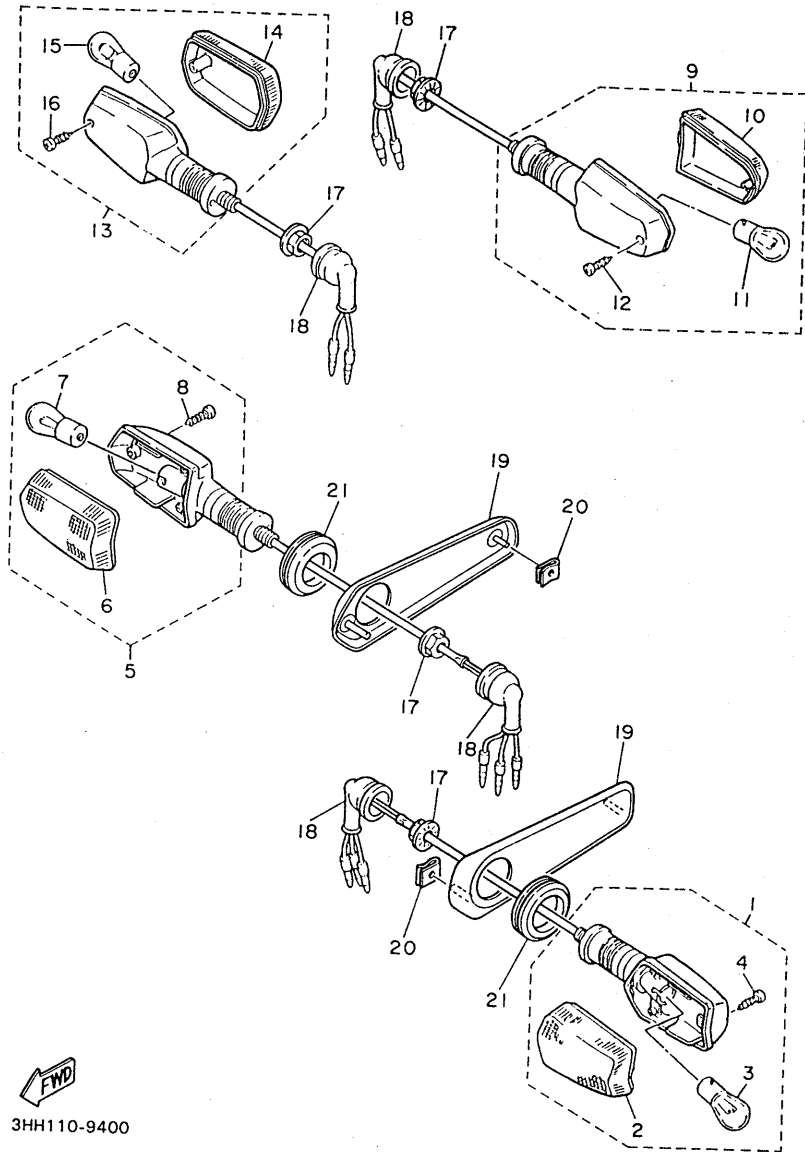
FIG. 42 STARTING MOTOR



3HE332-9400

REF. NO.	PART NO.	DESCRIPTION	Q'TY	REMARKS
1	3HW-81800-00	STARTING MOTOR ASSY	1	
2	3HE-81840-00	•BRUSH HOLDER ASSY	1	
3	1HX-81815-00	•CORD, STARTER MOTOR	1	
4	3HE-81850-00	•ARMATURE ASSY	1	
5	3AJ-81809-00	•WASHER KIT	1	
6	3HE-81830-00	•FRONT BRACKET ASSY	1	
7	3HE-81826-00	•BOLT	1	
8	5H0-81871-00	•CAP	1	
9	11H-81844-00	•GASKET	2	
10	26H-81847-00	•O-RING	1	
11	95027-06025	BOLT	2	

FIG. 43 FLASHER LIGHT

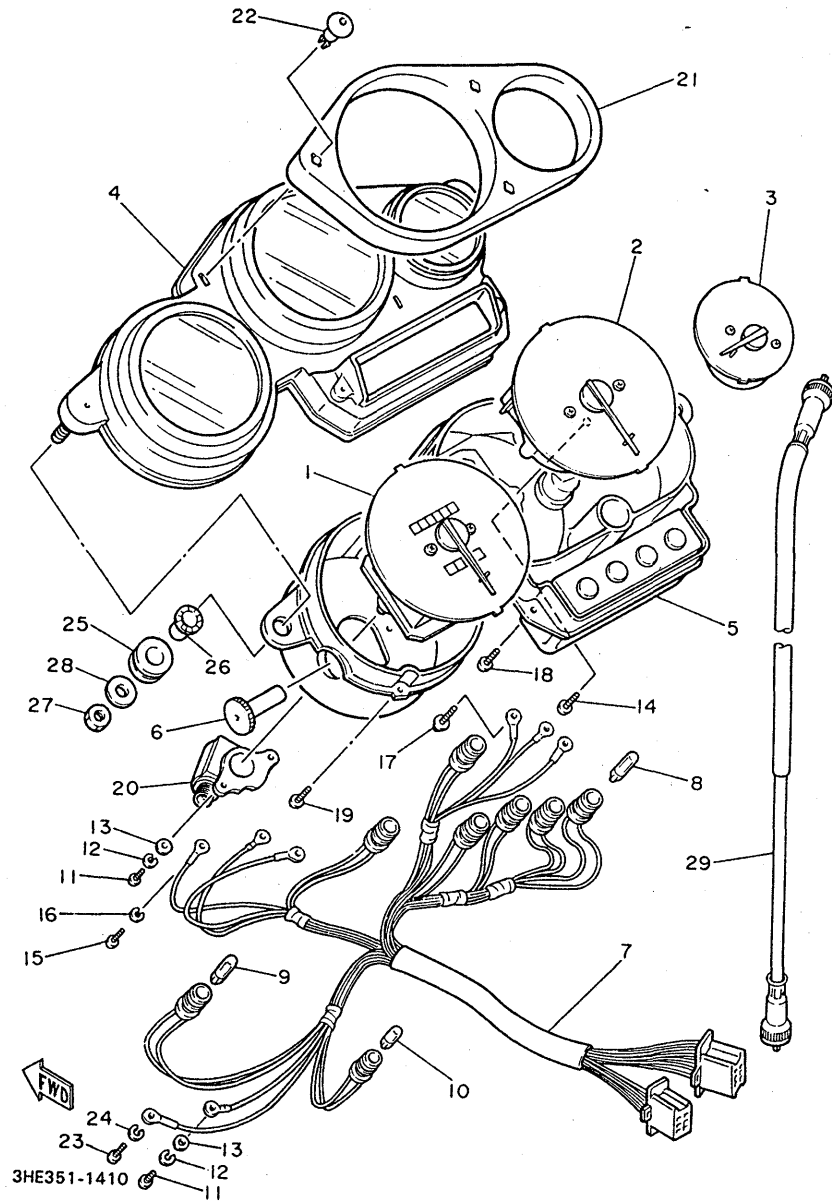


REF. NO.	PART NO.	DESCRIPTION	Q'TY	REMARKS
1	1UF-83310-00	FRONT FLASHER LIGHT ASSY 1	1	
2	51L-83332-01	.LENS, FLASHER	1	
3	256-84714-61	.BULB (12V-27/8W)	1	
4	97707-40620	.SCREW, TAPPING	1	
5	1UF-83320-00	FRONT FLASHER LIGHT ASSY 2	1	
6	51L-83342-01	.LENS, FLASHER 2	1	
7	256-84714-61	.BULB (12V-27/8W)	1	
8	97707-40620	.SCREW, TAPPING	1	
9	1UF-83330-00	REAR FLASHER LIGHT ASSY 1	1	
10	51L-83342-01	.LENS, FLASHER 2	1	
11	256-83311-70	.BULB (12V-27W)	1	
12	97707-40620	.SCREW, TAPPING	1	
13	1UF-83340-00	FLASHER LIGHT ASSY 2	1	
14	51L-83332-01	.LENS, FLASHER	1	
15	256-83311-70	.BULB (12V-27W)	1	
16	97707-40620	.SCREW, TAPPING	1	
17	95707-12500	NUT, FLANGE	4	
18	18G-83365-00	CAP	4	
19	2MA-28365-31	COVER	2	UR WHITE FOR BWC1
	2MA-28365-41	COVER	2	UR BLACK FOR STDS
20	90183-04045	NUT, SPRING	4	
21	90480-35526	GROMMET	2	



3HH110-9400

FIG. 44 METER



REF. NO.	PART NO.	DESCRIPTION	Q'TY	REMARKS
1	3HE-83570-60	SPEEDOMETER ASSY	1	
2	3GM-83540-00	TACHOMETER ASSY	1	
3	3EN-83590-50	WATER TEMPERATURE ASSY	1	
4	3GM-83559-00	COVER, METER	1	
5	3GM-8353H-00	CASE, UNDER	1	
6	2GH-83578-00	KNOB, TRIP METER	1	
7	3HE-83509-50	SOCKET CORD ASSY	1	
8	4G1-84744-00	BULB (12V-3.4W)	4	
9	3GM-83517-00	BULB(12V-1.7W)	3	
10	2GV-83517-00	BULB, (12V-1.7W, T6.5)	1	
11	98507-04010	SCREW, PAN HEAD	4	
12	92907-04100	WASHER	4	
13	92907-04600	WASHER	4	
14	90167-04057	SCREW, TAPPING	2	
15	98507-03010	SCREW, PAN HEAD	3	
16	92907-03100	WASHER	3	
17	90159-03102	SCREW, WITH WASHER	3	
18	90164-04008	SCREW, TAPPING	4	
19	90167-03058	SCREW, TAPPING	1	
20	4FM-83520-00	SOCKET CORD ASSY	1	
21	3GM-83513-00	DAMPER	1	
22	3GM-83525-00	CLIP	3	
23	98507-03012	SCREW, PAN HEAD	1	
24	92907-03100	WASHER	1	
25	90480-14229	GROMMET	2	
26	90387-07391	COLLAR	2	
27	95317-06600	NUT	2	
28	90201-06059	WASHER, PLATE	2	

FIG. 44 METER

REF. NO.	PART NO.	DESCRIPTION	Q'TY	REMARKS
29	1RH-83550-01	SPEEDOMETER CABLE ASSY	1	

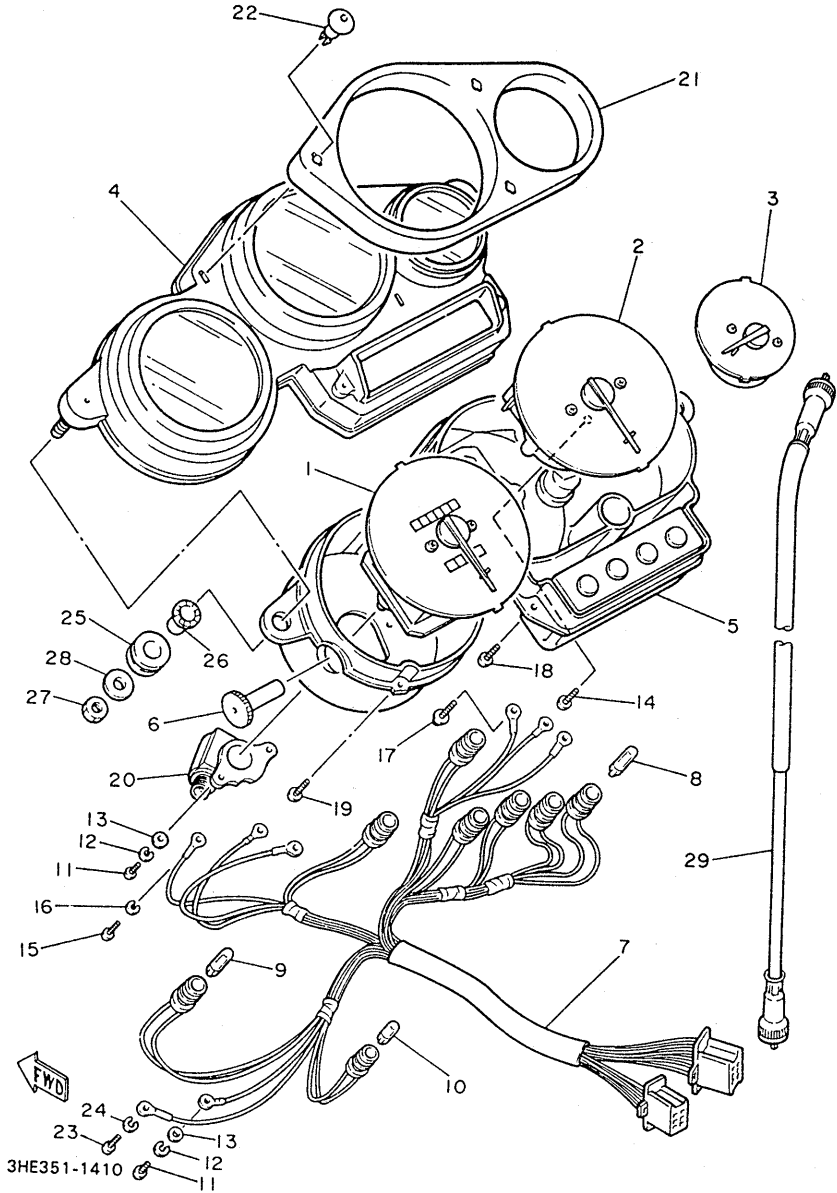
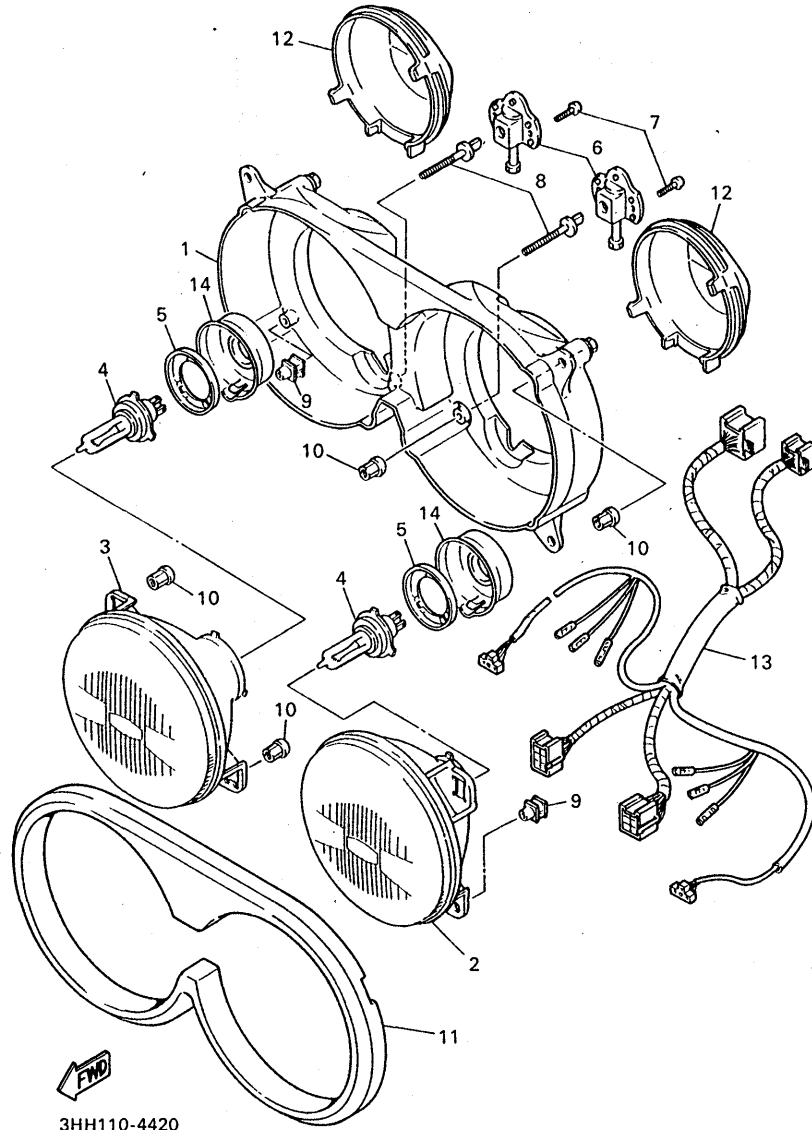


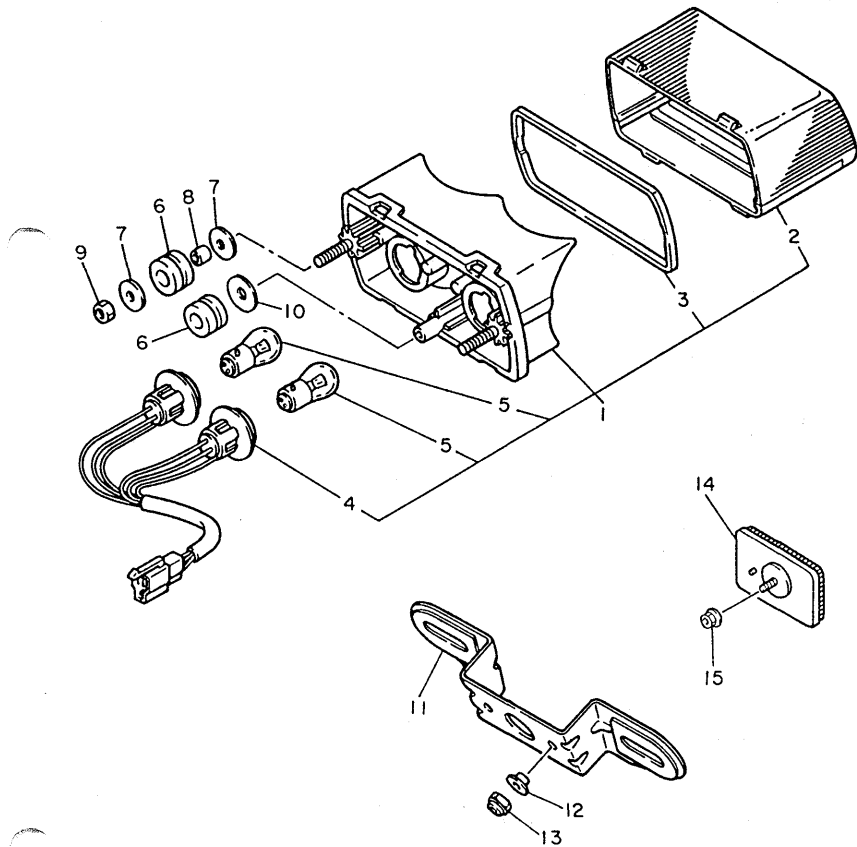
FIG. 45 HEADLIGHT



3HH110-4420

REF. NO.	PART NO.	DESCRIPTION	Q'TY	REMARKS
1	3HE-84330-00	BODY ASSY	1	
2	2AX-84320-A0	LENS ASSY	1	
3	2AX-8432A-A0	LENS ASSY	1	
4	1FM-84314-H0	BULB (12V-35/35W)	2	HALOGEN
5	2F9-84375-00	SETTING PLATE, BULB	2	
6	3MA-8430M-00	GEAR UNIT ASSY	2	
7	97707-40616	SCREW, TAPPING	4	
8	2AX-84331-00	SCREW, RIM ADJUSTING	2	
9	3AJ-8431U-00	HOLDER	2	
10	51L-84334-00	NUT, ADJUSTING	4	
11	3HE-84366-00	DAMPER, HEADLIGHT 1	1	
12	46X-84397-01	COVER, SOCKET	2	
13	3HH-84359-30	CORD, HEADLIGHT	1	
14	2F9-84397-01	COVER, SOCKET	2	

FIG. 46 TAILLIGHT

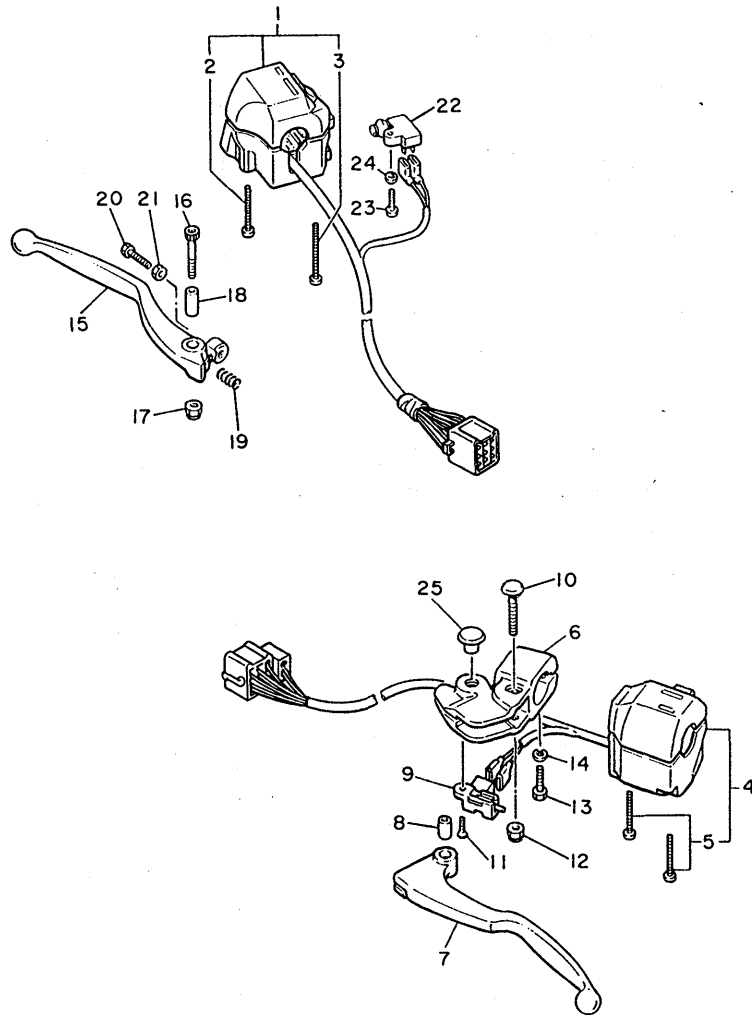


REF. NO.	PART NO.	DESCRIPTION	Q'TY	REMARKS
1	52X-84710-60	TAILLIGHT UNIT ASSY	1	
2	47X-84721-00	.LENS, TAILLIGHT	1	
3	47X-84723-00	.GASKET, TAIL LENS	1	
4	47X-84735-00	.CORD ASSY	1	
5	256-84714-61	.BULB (12V-27/8W)	2	
6	90480-18407	GROMMET	3	
7	90201-063J2	WASHER, PLATE	4	
8	90387-060N3	COLLAR	2	
9	95307-06600	NUT	2	
10	92907-10200	WASHER	1	
11	2LJ-84751-00-90	BRACKET, LICENSE	1	*UNI-CHROME (BLACK CHROMATE)
12	90387-061M0	COLLAR	2	
13	95617-06100	NUT, U	2	
14	3G1-85130-01	REAR REFLECTOR ASSY	1	
15	95707-05500	NUT, FLANGE	1	



3HH110-9430

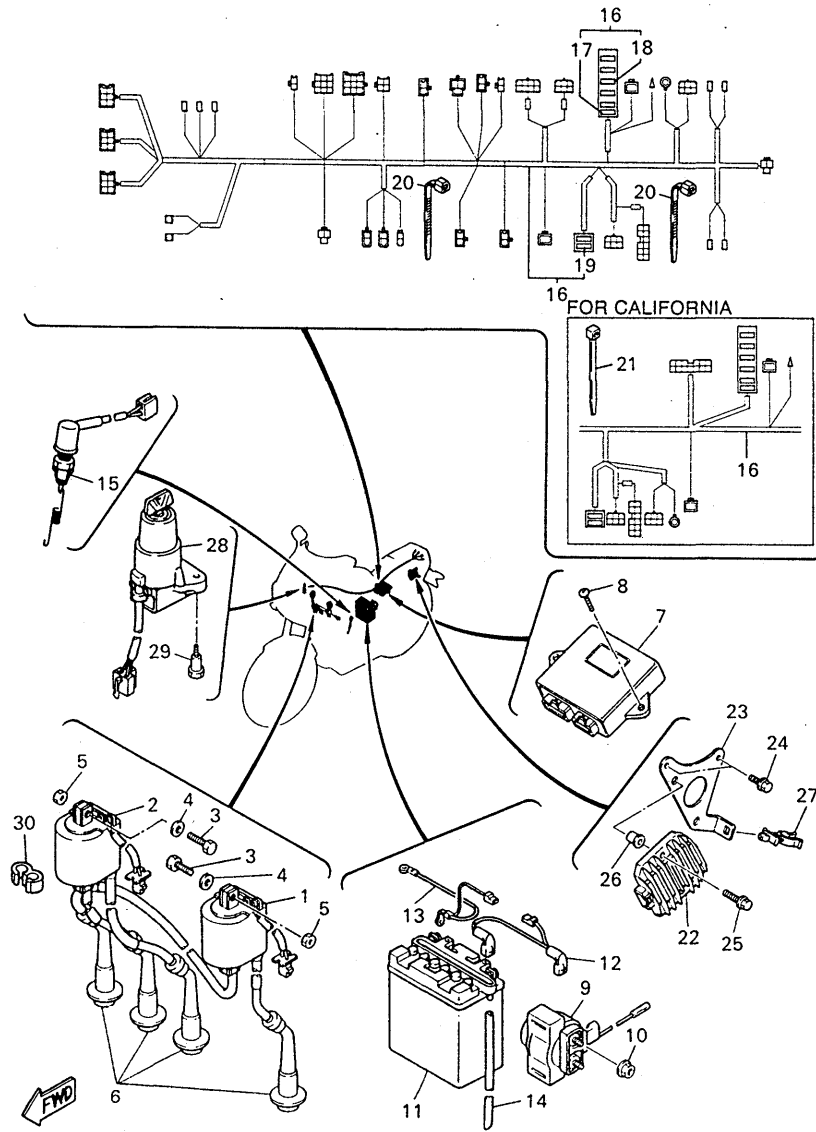
FIG. 47 HANDLE SWITCH • LEVER



REF. NO.	PART NO.	DESCRIPTION	Q'TY	REMARKS
1	3HH-83975-00	SWITCH, HANDLE 2	1	
2	98507-05040	•SCREW, PAN HEAD	1	
3	98507-05045	•SCREW, PAN HEAD	1	
4	3HH-83973-00	SWITCH, HANDLE 3	1	
5	98507-05035	•SCREW, PAN HEAD	2	
6	29L-82911-01	HOLDER, LEVER 1	1	
7	3HE-83912-00	LEVER 1	1	
8	31A-83913-00	COLLAR, LEVER 1	1	
9	31A-82917-00	SWITCH	1	
10	31A-83945-00	BOLT, LEVER	1	
11	98707-03008	SCREW, FLAT HEAD	1	
12	95607-06100	NUT, U	1	
13	97007-06025	BOLT	1	
14	92907-06100	WASHER	1	
15	1FK-83922-00	LEVER 2	1	
16	90110-06074	BOLT, HEXAGON SOCKET HEAD	1	
17	95607-06100	NUT, U	1	
18	36Y-83913-01	COLLAR, LEVER 1	1	
19	90501-10312	SPRING, COMPRESSION	1	
20	90149-06131	SCREW	1	
21	90170-06010	NUT	1	
22	J45-82503-01	SWITCH, ALARM	1	
23	98507-04016	SCREW, PAN HEAD	1	
24	92907-04600	WASHER	1	
25	90338-09012	PLUG	1	


3HH110-9440

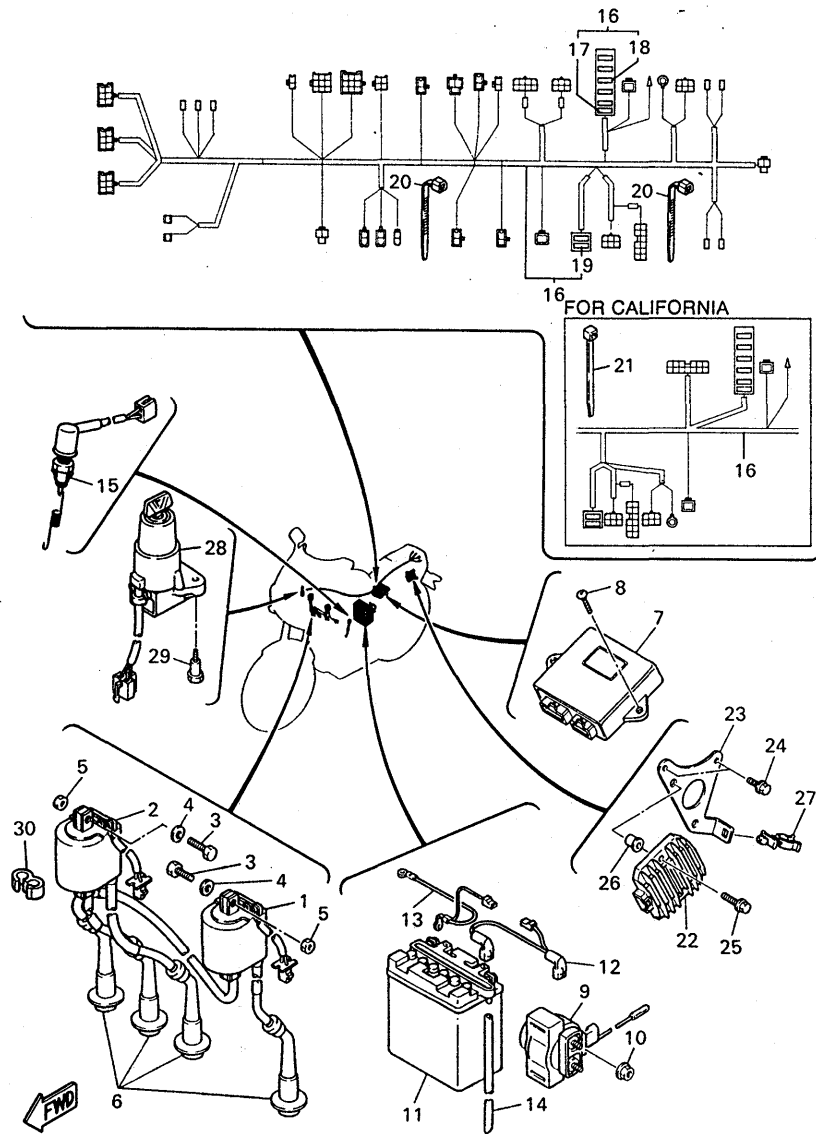
FIG. 48 ELECTRICAL 1



3HHE110-5490

REF. NO.	PART NO.	DESCRIPTION	Q'TY	REMARKS
1	3HE-82310-01	IGNITION COIL ASSY	1	#1,#4
2	3HE-82320-00	IGNITION COIL ASSY	1	#2,#3
3	97007-06065	BOLT	2	
4	92907-06600	WASHER, PLATE	2	
5	95317-06600	NUT	2	
6	1WG-82370-00	PLUG CAP ASSY	4	
7	3HE-82305-00	IGNITOR UNIT ASSY	1	UR FOR NON CALIF.
	3UU-82305-10	IGNITOR UNIT ASSY	1	UR FOR CALIF.
8	97707-60520	SCREW, TAPPING	2	
9	36Y-81940-00	STARTER RELAY ASSY	1	
10	95707-06500	NUT, FLANGE	2	
11	2GV-82110-G0	BATTERY ASSY (GM12AZ-3A-2)	1	
12	1WG-82115-00	WIRE, PLUS LEAD	1	
13	3HE-82116-00	WIRE, MINUS LEAD	1	
14	90445-08719	HOSE	1	
15	1KT-82530-02	STOP SWITCH ASSY	1	
16	3HH-82590-11	WIRE HARNESS ASSY	1	UR FOR NON CALIF.
	3UU-82590-01	WIRE HARNESS ASSY	1	UR FOR CALIF.
17	2GH-82151-00	•FUSE (20A-BL)	2	
18	42X-82151-00	•FUSE (10A-BL)	4	
19	1AE-82151-00	•FUSE (30A-BL)	2	
20	90464-13073	CLAMP	2	
21	90464-13080	CLAMP	1	FOR CALIF.
22	4JH-81960-00	RECTIFIER & REGULATOR ASSY	1	
23	3HH-81975-00	PLATE, RECTIFIER FITTING	1	
24	95807-06010	BOLT, FLANGE	2	
25	95807-06025	BOLT, FLANGE	2	
26	90179-06520	NUT	2	

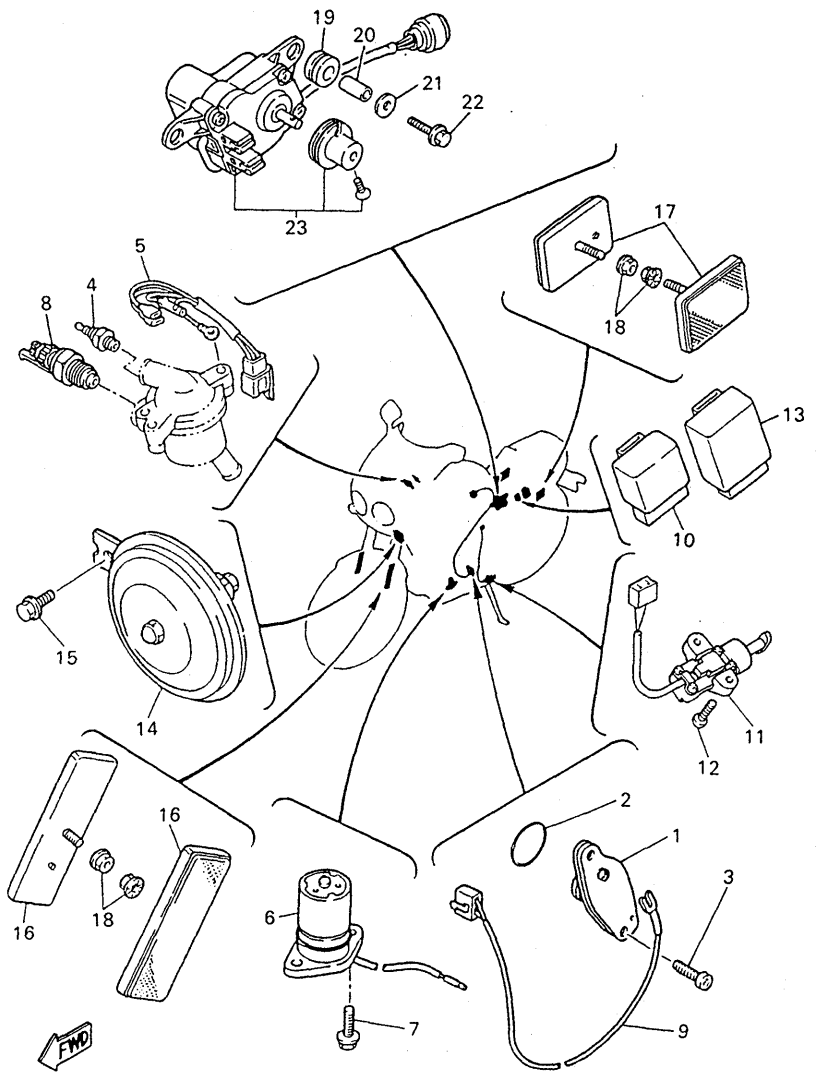
FIG. 48 ELECTRICAL 1



REF. NO.	PART NO.	DESCRIPTION	Q'TY	REMARKS
27	90464-11107	CLAMP	1	
28	3JV-82501-00	MAIN SWITCH STEERING LOCK	1	
29	90149-06228	SCREW	2	
30	90464-10075	CLAMP	1	

FIG. 49 ELECTRICAL 2

REF. NO.	PART NO.	DESCRIPTION	Q'TY	REMARKS
1	1AE-82540-00	NEUTRAL SWITCH ASSY	1	
2	93210-29196	O-RING	1	
3	98507-06016	SCREW, PAN HEAD	2	
4	11H-83591-00	THERMO UNIT	1	
5	2GH-82509-00	WIRE, SUB LEAD	1	
6	1WG-85720-00	OIL LEVEL GAUGE ASSY	1	
7	95027-06016	BOLT, FLANGE	2	
8	3LN-82560-01	THERMO SWITCH ASSY	1	
9	1WG-82541-00	WIRE, LEAD	1	
10	3EN-81950-00	RELAY ASSY	1	
11	3LD-82566-50	SWITCH, SIDE STAND	1	
12	90157-05079	SCREW, PAN HEAD	2	
13	2UJ-83350-00	FLASHER RELAY ASSY	1	
14	3HE-83371-00	HORN	1	
15	95807-06012	BOLT, FLANGE	1	
16	11H-85110-01	REFLECTOR ASSY	2	
17	3G1-85130-01	REAR REFLECTOR ASSY	2	
18	95707-05500	NUT, FLANGE	4	
19	90480-14023	GROMMET	2	FOR CALIF.
20	90387-07392	COLLAR	2	FOR CALIF.
21	90201-06059	WASHER, PLATE	2	FOR CALIF.
22	95807-06025	BOLT, FLANGE	2	FOR CALIF.
23	3LN-85820-00	SERVO MOTOR ASSY	1	FOR CALIF.



3UU110-4480

NUMERICAL INDEX

PART NO.	GRID NO.	PART NO.	GRID NO.	PART NO.	GRID NO.
36Y-W0041-00	E - 11	3HE-11636-00	B - 4	3HE-12251-00	B - 7
1WG-W0042-50	E - 14	3HE-11638-00	B - 4	3HE-12252-00	B - 7
3GM-W0045-02	E - 6	3HE-11650-01	B - 4	3HE-12405-00	B - 9
1FK-W0046-01	E - 9	1WG-11654-00	B - 4	46X-12410-00	B - 8
3HE-W0047-50	E - 6	1WG-11656-00	B - 4	1WG-12413-01	B - 8
31A-W0047-00	E - 9	1WG-11656-10	B - 4	1WG-12417-00	B - 8
1J3-W0048-00	E - 6	1WG-11656-20	B - 4	1WG-12439-00	B - 8
	E - 9	1WG-11656-30	B - 4	1WG-12446-01	B - 8
3HE-W0057-50	E - 6	3HE-12111-01	B - 5	3HE-12461-00	B - 9
31A-W0057-00	E - 9	3HE-12113-00	B - 5	22W-12462-00	B - 9
3TJ-Y1242-00	B - 8	1WG-12116-00	B - 5	1WG-12481-00	B - 8
3HE-Y217F-G0-4Y	D - 15	1WG-12117-00	B - 5	1WG-12482-00	B - 8
3HE-Y217F-0F-3Y	D - 15	1WG-12118-00	B - 5	1WG-12483-00	B - 8
3HE-Y2171-0H-P1	D - 6	1WG-12119-00	B - 5	3HE-12576-00	B - 8
3HE-Y2171-0J-WL	D - 6	3HE-12121-00	B - 5	3HE-12577-00	B - 8
3HE-Y2172-W0-P1	D - 6	1WG-12153-09	B - 5	3HE-12578-00	B - 9
3HE-Y2172-X0-WL	D - 6	1WG-12153-21	B - 5	3HE-12579-00	B - 8
3EN-Y283J-0G-2Y	F - 2	1WG-12153-31	B - 5	3HE-12588-10	B - 9
3EN-Y283J-0H-3Y	F - 2	1HX-12168-A0	B - 5	2TK-12590-00	B - 9
3EN-Y283K-0M-2Y	F - 2	1HX-12168-F0	B - 5	1UF-12611-00	B - 9
3EN-Y283K-0N-3Y	F - 2	1HX-12168-H1	B - 5	1AA-12630-00	B - 9
3HE-11101-00	B - 2	1HX-12168-K1	B - 5	3HE-13161-00	B - 11
3HW-11101-00	B - 2	1HX-12168-M1	B - 5	1WG-13310-00	B - 10
2GH-1111G-00	B - 2	1HX-12168-R1	B - 5	1WG-13316-00	B - 10
1WG-11133-10	B - 2	1HX-12168-U1	B - 5	1WG-13329-00	B - 10
3HE-11145-00	C - 6	1HX-12168-Y1	B - 5	1WG-13330-01	B - 10
3HE-11165-00	C - 6	1HX-12168-00	B - 5	1WG-13336-00	B - 10
1WG-11166-00	C - 7	1HX-12168-20	B - 5	4H7-13411-02	B - 10
3HE-11181-00	B - 2	1HX-12168-40	B - 5	1WG-13412-00	B - 10
2TK-11191-00	B - 2	1HX-12168-60	B - 5	3HE-13414-10	B - 11
1WG-11193-00	B - 2	1HX-12168-80	B - 5	1WG-13417-00	B - 11
214-11198-01	B - 11	1HX-12169-J0	B - 6	3FV-13440-00	B - 11
3HE-11310-00	B - 3	1HX-12169-L0	B - 6	3VD-13455-00	B - 11
3HW-11310-00	B - 3	1HX-12169-N0	B - 6	3TJ-13461-00	B - 11
3HX-1133E-03	C - 5	1HX-12169-T0	B - 6	11H-13490-00	B - 11
3HX-1133F-03	C - 5	1HX-12169-11	B - 5	3HE-13586-00	B - 12
3HE-11351-00	B - 3	1HX-12169-31	B - 5	3HE-13596-00	B - 12
3HE-11411-00	B - 4	1HX-12169-50	B - 5	3HW-13596-00	B - 12
1WG-11416-00	B - 4	1HX-12169-70	B - 5	3EN-13907-00	D - 15
G-11416-10	B - 4	1HX-12169-90	B - 6	3EN-1410A-01	C - 2
1WG-11416-20	B - 4	3HE-12171-00	B - 7	3HE-14103-00	C - 2
1WG-11416-30	B - 4	3UU-12171-00	B - 7	12R-14105-00	C - 2
1WG-11416-40	B - 4	1WG-12176-00	B - 7	3HH-14107-10	B - 15
3HE-11610-00	B - 4	3HE-12181-00	B - 7	3EN-1411A-00	B - 15
3HE-11610-20	B - 4	3UU-12181-00	B - 7	3HE-1411A-00	C - 2
3HE-11610-40	B - 4	3GM-12210-00	B - 7	3F9-14118-00	C - 2
3HE-11631-00	B - 4	4BE-12213-00	B - 7	8U9-14139-00	C - 2
3HE-11633-00	B - 4	1WG-12241-00	B - 7	3EN-14141-90	C - 2

NUMERICAL INDEX

PART NO.	GRID NO.	PART NO.	GRID NO.	PART NO.	GRID NO.
4G0-14142-32-A0	C - 2	4HD-14826-00	C - 5	1WG-15425-00	C - 8
1AE-14147-00	B - 15	3HF-14840-00	B - 13	1WG-15427-00	C - 8
3EN-14147-00	C - 2	2TK-14845-00	C - 5	2TK-15431-01	C - 8
3GM-14147-00	B - 15	2TK-14865-01	C - 5	3HE-15451-10	C - 8
822-14147-00	C - 2	2TK-14867-01	C - 5	3HE-15461-10	C - 8
3HE-14148-00	C - 2	3HW-14872-00	B - 13	3HE-15462-10	C - 8
137-14153-00	B - 15	3HW-14873-00	B - 13	3HE-15467-10	C - 8
3HE-14163-00	C - 2	2LJ-14874-00	B - 13	3HE-15512-00	C - 10
353-14186-00	B - 15	3HW-14875-00	B - 13	4JH-15515-00	C - 10
12R-14191-00	C - 2	2LJ-14881-00	B - 13	3HE-15517-00	C - 10
3EN-14197-00	C - 2	2LJ-14882-00	B - 13	3HE-15521-00	C - 10
1AE-14227-00	C - 2	2LJ-14883-00	B - 13	3HE-15524-00	C - 10
3G2-1423A-61	C - 2	3HW-14884-00	B - 13	3HE-15524-00	C - 10
3G2-1423A-72	C - 2	3HW-14885-00	B - 13	3HE-15590-02	C - 10
830-1423A-77	C - 2	3HH-1490J-00	C - 2	3HE-16150-00	C - 11
3G2-14231-10	C - 2	3EN-1490K-00	C - 3	1WG-16154-00	C - 11
3EN-14239-00	B - 15	3HH-14901-04	B - 15	1WG-16164-00	C - 11
3EN-14243-00	B - 15	3UU-14901-04	B - 15	1WG-16181-00	C - 11
17A-14251-00	C - 2	3HH-14902-04	B - 15	1WG-16304-00	C - 11
3EN-14261-00	C - 3	3UU-14902-04	B - 15	21V-16321-00	C - 11
3HE-14411-00	B - 12	3HH-14903-04	B - 15	131-16324-00	C - 11
3HW-14411-00	B - 12	3UU-14903-04	B - 15	1WG-16340-01	C - 11
3HE-14412-00	B - 12	3HH-14904-04	B - 15	132-16346-00	C - 11
31A-14419-00	B - 13	3UU-14904-04	B - 15	2TK-16351-00	C - 11
1WG-14421-00	B - 12	3HE-14933-00	B - 15	1WG-16356-00	C - 11
31A-14435-00	B - 12	3HE-14940-00	B - 15	1WG-16357-01	C - 11
1WG-14451-00	B - 12	1A8-14953-00	B - 15	3HE-16371-00	C - 11
3HE-14453-00	B - 12	2GV-14953-00	C - 2	3HE-17121-10	C - 12
5T0-14457-00	B - 12	3HE-14985-00	B - 15	3HE-17131-00	C - 12
1VJ-14462-00	B - 12	3EN-14988-00	C - 2	3HE-17151-00	C - 12
31A-14477-00	D - 4	256-14997-00	B - 15	3HE-17161-00	C - 12
	D - 6	3EN-14997-00	C - 2	3HE-17211-10	C - 12
	E - 14	3GM-14997-00	B - 15	3HE-17221-10	C - 12
	B - 15	3HE-15100-10	C - 6	3HE-17231-00	C - 12
1AE-14565-00	C - 4	3HE-15105-00	C - 7	3HE-17241-00	C - 12
3HE-14602-00	C - 4	1HX-15138-00	C - 6	3HE-17251-00	C - 12
3HW-14610-00	C - 5	11H-15138-00	C - 6	3HE-17261-10	C - 12
3YF-14613-01	C - 4	26H-15138-00	C - 6	3HE-17411-10	C - 12
	C - 5	36Y-15189-00	C - 6	3HE-17421-00	C - 12
3EN-14624-10	C - 5	1WG-15316-00	C - 8	278-17424-01	C - 13
3HH-14710-10	C - 4	1WG-15326-00	C - 8	278-17425-00	C - 12
	C - 5	2H7-15361-00	C - 6		C - 13
42H-14714-10	B - 13	3F9-15362-00	C - 8	4G0-17433-01	C - 13
3HE-14755-00	C - 4	1WG-15381-00	C - 7	3HE-17460-00	C - 12
	C - 5	2TK-15411-00	C - 8	3EN-18101-01	C - 15
3HW-14808-00	B - 13	3HE-15415-01	C - 8	3HE-18110-00	C - 15
3FH-14811-00	C - 5	1L9-15417-00	C - 8	1WG-18112-01	C - 15
3FH-14815-00	C - 5	2TK-15421-00	C - 8	132-18113-01	C - 15
3FH-14821-01	C - 5				

NUMERICAL INDEX

PART NO.	GRID NO.
22N-18113-00	E -14
1WG-18115-00	C -15
1HX-18127-00	C -14
36Y-18140-00	C -14
2H9-18154-00	C -15
1WG-18511-00	C -14
1WG-18512-00	C -14
1WG-18513-00	C -14
1WG-18531-01	C -14
1WG-18535-01	C -14
1WG-18536-00	C -14
1WG-18540-01	C -14
278-18542-00	C -14
1WG-18562-00	C -14
278-18566-00	C -14
3HE-21110-01-T9	D - 2
3HW-21110-01-T9	D - 2
3HH-21140-01-T9	D - 2
3HW-21140-00-T9	D - 2
3HH-21150-01-T9	D - 2
3HW-21150-00-T9	D - 2
3HE-2117E-00	D - 2
3HE-2117M-00	D - 3
3HE-2117N-00	D - 3
3HE-2117R-00	D - 3
3HE-2117T-00	D - 3
3HE-21238-00	D - 2
26H-21308-00	E - 4
1WG-21345-00	D -14
3EN-21346-00	D -14
1WG-21348-00	D -14
3HE-2137W-00	D - 2
3HE-2137X-00	D - 3
3HE-2137Y-00	D - 2
3HE-2139U-00	D - 3
1WG-2139W-00	D - 2
1WG-2142M-00	D - 2
1WG-2143A-00	D - 2
3HE-21446-00	D - 3
1WG-21459-00	D - 2
3HW-2149T-00	D - 3
4X7-2149Y-00	B -12
3FH-21510-00-PO	D - 4
3FH-21510-00-WL	D - 4
2GH-21575-00	D - 5
2GH-21576-00	D - 5
3HE-21596-00	E -15
3HE-21611-10	D - 4

PART NO.	GRID NO.
3HE-21629-00	D - 4
2MG-21639-00	D - 4
34M-21649-00	D - 4
3HE-21651-00-P4	D - 4
3HE-21651-00-WL	D - 4
2LJ-21688-00	D - 5
2LJ-21689-00	D - 5
34X-21691-00	D - 7
4X7-21719-00	E - 2
3HH-2173E-70	D - 6
3HH-2173E-80	D - 6
3HH-2173F-70	D - 6
3HH-2173F-80	D - 6
3HE-21732-00	D - 6
2GH-21735-00	D - 5
	D - 6
3HE-21735-00	D - 6
26H-21746-00	D - 4
1WG-2177G-00	D - 6
3UU-2179R-61	D - 7
3HH-2179V-80	D - 7
3GM-21816-00	D - 7
1WG-21871-00	D - 6
1AA-21874-00	D - 7
4L0-21875-00	D - 7
3HH-22110-00-T9	D - 8
4X7-22129-00	D - 8
46X-22141-00	D - 8
3HH-22151-00	D - 8
1WG-2217A-00	D - 8
1WG-2217M-00	D - 8
3HH-22174-00	E - 7
33M-22184-00	D - 8
3HE-22210-10	D -10
3GM-22311-00	D - 8
3HE-23102-10	D -12
3HE-23103-10	D -12
3BF-23110-50	D -12
3EN-23111-00	D -12
	D -13
	D -13
	D -13
1W4-23114-L0	D -12
	D -13
	D -12
	D -13
2YK-23125-00	D -12
3HE-23126-10	D -12
1WG-23128-00	D -13
46X-2313A-00	D - 4

PART NO.	GRID NO.
3HE-23136-10	D -12
3HE-23141-00	D -12
3EN-23144-01	D -12
3EN-23145-00	D -12
4V2-23146-L0	D -12
4DN-23149-40	D -12
	D -13
3R4-23153-00	D -12
509-23158-L0	D -12
	D -13
	D -11
3HE-2317E-00	D -12
3HE-23170-00	D -12
2YK-23173-00	D -12
278-23181-50	D -12
	D -13
1WG-23340-00	D -13
2NX-23356-00	D -13
3HE-23416-00	D -11
26H-23418-01	D -11
3HE-23435-00	D -11
341-23469-00	E -10
3HE-24110-00	D -14
3HE-24110-10	D -14
42H-24119-00	E - 3
1WG-2414A-00	E - 2
3FH-24170-00	E - 3
25H-24180-00	E - 3
1HX-24181-00	D -14
1HX-24182-00	D -14
1WG-24183-00	D -15
1WG-24185-00	D -14
2JU-2419E-00	E - 3
3FH-24190-00	E - 3
3HH-24240-40	D -15
3HH-24240-50	D -15
1WG-24311-00	D -15
3HW-24312-00	E - 3
3FH-24313-00	E - 3
3H3-24376-00	E - 3
1WG-24398-01	D -14
3HE-24491-00	D -15
3HE-24500-00	D -14
4X8-24512-00	D -14
3HE-24524-00	D -14
3AJ-24534-00	D -14
1FK-24560-00	D -14
1WG-24566-00	D -14
26H-24568-00	D -14

PART NO.	GRID NO.
1WG-24602-00	D -14
3FH-24602-00	D -14
3HE-24614-00	D -15
1WG-24622-00	E - 2
1WG-24665-00	D -15
3HE-24705-02	E - 4
3HE-24710-00	E - 4
3HE-24711-00	E - 4
4L0-24712-11	E - 4
3HE-24734-00	E - 4
47X-24739-00	E - 4
1T4-24741-00	E - 4
116-24741-00	E - 4
22W-24741-00	E - 4
3HE-24742-00	E - 4
4K0-24748-00	E - 4
3HE-24750-00	E - 4
3HE-24796-00	E - 4
341-25149-00	E - 5
3HE-25168-00-FH	E - 5
3HE-25168-00-33	E - 5
42X-25181-00	E - 5
4X8-25190-01	E - 5
3HE-25338-50-FH	E - 7
3HE-25338-50-33	E - 7
1UF-25364-00	E - 7
1UF-25366-00	E - 7
3HE-25371-51	E - 7
3HE-25381-01	E - 8
3HH-25388-00	E - 7
29L-25398-00	E - 5
	E - 7
29L-25398-10	E - 5
	E - 7
	E - 7
	E - 6
	E - 6
	E - 6
	E - 9
	E - 6
	E - 9
	E - 9
	E - 14
	E - 9
	E - 9
	E - 9
	E - 9
	E - 11
	E - 9
	E - 6

NUMERICAL INDEX

PART NO.	GRID NO.
51J-25836-00	E - 9
341-25846-00	E - 5
1WG-25850-50	E -14
2KF-25852-50	E -14
3HE-25852-00	E -11
36Y-25854-00	E -11
360-25854-00	E -14
2GU-25855-00	E -14
36Y-25867-00	E -11
3HE-25872-02	E -11
3HE-25872-61	E -14
3HE-25873-12	E -11
3FH-25875-00	D - 4
3FH-25876-00	D - 4
11U-25885-00	E -11
31A-25894-01	E -14
1WG-25895-00	E -14
1WG-25919-00	E - 9
3GM-25919-00	E - 6
3HE-25924-00	E - 6
	E - 9
3GM-25925-00	E - 6
	E - 9
	E -10
3HE-26111-00	E -10
3HE-26112-00	E -10
3HE-26121-00	E -10
3HE-26122-00	E -10
3FH-26240-00	E -10
1KG-26241-00	E -10
51J-26246-00	E -10
3HE-26280-00	E -15
3HE-26280-10	E -15
3HE-26290-00	E -15
3HE-26290-10	E -15
1AE-26298-00	E -15
3CV-26298-00	E -15
3EN-26311-00	E -10
3HE-26312-00	E -10
3EN-26331-00	E -10
3HE-26335-01	E -10
5H0-26393-00	E -10
3HE-27211-00	E -14
31A-27222-00	E -14
2KT-27311-00	E -12
2KT-27315-00	E -12
1TX-27351-00	E -12
3HE-2741L-00	E -12
3HE-27410-00	E -12

PART NO.	GRID NO.
2GH-27413-00	E -12
3HE-2742L-01	E -12
3HE-27420-00	E -12
1HX-27431-00	E -12
3HE-27435-00	E -12
1HX-27437-00	E -12
1HX-27441-00	E -12
3HE-27442-00	E -12
3HE-27443-00	E -12
3HE-27445-01	E -13
3HE-27446-01	E -13
1WG-28100-01	D - 5
4K5-2814E-10	D - 5
4U7-28186-00	D - 5
3HH-28301-A0	F - 2
3HH-28301-B0	F - 2
3HH-28303-A0	F - 2
3HH-28303-B0	F - 2
3HE-2831U-00	F - 2
3HE-2831W-00	F - 3
3EN-28313-00	F - 3
3LE-28315-20	D - 6
3LE-28315-30	D - 6
36Y-28348-00	E -15
3HE-2835G-00-P1	E -15
3HE-2835G-00-WL	E -15
3EN-2835U-20	E -15
3EN-2835V-20	E -15
3JJ-2835Y-00	F - 3
3HE-28356-30	E -15
3HE-28357-00	E -10
1WG-2836A-00	F - 2
3EN-2836A-01	F - 2
1WG-2836E-00	F - 2
2MA-28365-31	F - 6
2MA-28365-41	F - 6
3LE-28368-00	F - 2
3LE-28368-20	F - 2
25G-28379-00	D - 4
3HE-2838J-01	F - 2
3EN-2838N-00	F - 2
3EN-2838R-00	F - 3
3EN-2838T-00	F - 3
3EN-2838U-00	F - 3
3HH-28381-10	E -15
3HH-28390-A0	E -15
3HH-28390-90	E -15
3HE-2848K-00	F - 2

NUMERICAL INDEX

NUMERICAL INDEX

PART NO.	GRID NO.	PART NO.	GRID NO.	PART NO.	GRID NO.	PART NO.	GRID NO.	PART NO.	GRID NO.	PART NO.	GRID NO.
90430-06166	C - 6	90467-17089	B -13	91317-06025	C - 9	93105-45017	E - 5	94111-175X5	E - 5	95807-06025	F -12
90430-10171	B -11	90468-08104	B -13		E -11	93109-08058	C -11	94114-183X5	E - 7		F -14
90445-070F1	E - 2	90468-10050	E - 4	91317-06035	B - 8	93109-12053	C -15	94114-185X6	E - 7	95807-06030	E - 4
90445-08719	F -12	90480-01401	D - 2		C - 8	93109-17048	D - 8	94581-32118	B - 7	95807-06080	D -14
90445-090G9	B -13		D - 6		C - 9	93210-06632	C - 7	94581-59106	E - 7	95817-06012	D - 2
90445-096E8	B - 9	90480-10258	D - 4		F - 4	93210-10096	B -11	94681-32021	B - 7	95817-06016	C -14
90445-11452	B -12	90480-11454	D -15	91317-06040	B - 8	93210-12152	C - 6	94701-00318	B - 2		D - 2
90445-115E8	B -12	90480-13398	D - 2	91317-06045	C - 8	93210-15566	B - 8	94701-00319	B - 2		E - 4
90445-11501	E - 3		F - 2	91317-08020	C -10	93210-15620	E -14	95024-06016	E -13	95817-06025	B - 9
90445-116E9	C - 7	90480-14023	F -14		D - 2	93210-16629	C - 6	95024-08025	E -13	95817-06040	C - 6
90445-11611	E - 3	90480-14052	D - 6	91317-08025	E -10	93210-17746	B - 8	95027-06012	B - 8	95817-06050	C - 6
90445-11706	E - 3	90480-14229	B -13	91317-08030	D -11	93210-21190	B - 8		B -13	95817-06070	C - 6
90445-11732	E - 3		D - 6	91401-30030	E - 8	93210-27778	C - 8	95027-06016	F -14	95817-06080	C - 6
90445-137F4	D -15		D -15	91490-20020	E - 8	93210-29196	F -14	95027-06025	B -13	95817-06090	C - 6
90445-146F9	D -15		E -15		E -12	93210-33133	B - 8		D - 4	95817-08012	C - 4
90446-17267	E -14		F - 7		E -14	93210-48364	C -11		F - 5		C - 5
90450-22052	B -13	90480-15058	E - 3	91609-40210	D -11	93210-63442	B - 3	95304-06700	C -15	95817-08025	E -12
90450-28014	B - 8	90480-15483	B - 9	91701-06035	E -12	93210-87723	B -11	95307-06600	F -10	95817-08030	C - 4
90450-32051	B - 8	90480-18171	D - 2	92017-08025	E -14	93306-20006	C -10	95307-08600	E - 7		C - 5
	B - 9	90480-18407	F -10	92901-04100	E -14	93306-20314	E - 7	95307-08700	E -14	95817-08045	C - 4
90450-49020	B -12	90480-18495	D -15	92901-04600	E -14	93306-30202	E - 5	95317-06600	D -15		C - 5
90460-49058	F - 3	90480-22362	D - 6	92901-05600	B - 9	93306-30309	E - 7		F - 7	95817-08070	C - 6
90460-58015	B -12	90480-35526	F - 6	92906-05100	B -15	93306-30550	C -12		F -12	95817-10080	D - 2
90461-15100	E - 3	90501-06022	C -14	92907-03100	F - 7	93306-37207	E - 7	95380-05600	C - 2	95817-10165	D - 2
90462-10182	C - 9	90501-10312	F -11	92907-04100	F - 7	93306-37208	C -12	95380-06600	C - 2	95817-10295	D - 2
90462-20188	B -13	90501-12743	E -12	92907-04600	F - 7	93310-345R8	C -11	95607-06100	F -11	97007-06020	E - 3
90464-10075	F -13	90501-227E0	C -11		F -11	93311-42045	C -13	95607-10100	D -10	97007-06025	F -11
90464-11107	F -13	90506-11488	C -11	92907-05600	B -12	93315-32516	C - 6	95607-10200	E - 7	97007-06065	F -12
90464-13073	F -12	90506-18224	E -12		B -15	93317-21746	D - 8	95617-06100	F -10	97017-05012	C - 5
90464-13080	D -14	90506-20377	E -14		E - 3	93317-31701	D - 8	95617-10100	D - 9	97027-06020	C -15
	F -12	90506-26225	E -12		F - 4	93320-32403	D - 8	95707-05500	E -15	97095-06016	D - 8
90464-23041	B -14	90508-23707	C -14	92907-06100	E -11	93332-00001	D -11		F -10	97707-40616	F - 9
90464-30040	B -13	90508-32682	C -15		F -11	93332-00008	D -11		F -14	97707-40620	F - 6
90465-06289	C - 7	90560-03220	E - 2	92907-06600	B -13	93399-99919	D - 8	95707-06500	D -15	97707-50014	E -15
90465-10306	B -11	90560-12211	C -15		C - 4	93399-99933	C -12		F -12	97707-50125	B -12
90465-10307	C - 6	90560-15314	E - 5		C - 5	93410-22039	C -12	95707-06600	D - 2	97707-60520	F -12
90465-10308	C - 6	91314-06025	C - 8		F -12	93440-10153	B - 2	95707-08500	E - 7	98503-03008	D -14
90467-08003	B - 9	91317-06012	B - 8	92907-08600	E - 7	93440-25084	C -12	95707-10500	D - 2	98507-03010	F - 7
90467-08092	B -13		B -11	92907-10200	F -10	93440-30077	C -12	95707-12500	F - 6	98507-03012	F - 7
90467-10008	B -12		C - 7	92990-05200	C - 5	93440-54152	C -12	95807-06010	B - 3	98507-04010	F - 7
	E - 3	91317-06016	F - 3	92990-06600	C - 2	93450-17044	B - 4		B - 9	98507-04016	F -11
90467-10038	C - 7	91317-06020	B - 8	93101-16131	D - 8	93501-04011	E -12		F - 2	98507-05008	B - 9
90467-10135	D -15		B -12	93101-26156	B - 4	93505-16006	C -11		F -12		C - 3
90467-11044	D -15		E -10	93102-12106	C -15	93603-09106	B -10	95807-06012	F - 2		E -10
90467-13123	D -15	91317-06025	B - 7	93102-22014	E - 5	93603-17070	B -10		F -14	98507-05010	E - 3
90467-14015	B -13		B - 8	93102-25044	E - 7	93900-00030	E - 5	95807-06016	D - 3	98507-05012	C - 2
	C - 7		B -11	93102-35109	C -12		E - 7		D -14	98507-05016	B -12
90467-14057	E -14		C - 8	93105-42024	E - 7	94111-173X4	E - 5	95807-06020	E -10		B -15

NUMERICAL INDEX

PART NO.	GRID NO.
98507-05016	E - 3
	F - 4
98507-05035	F -11
98507-05040	F -11
98507-05045	F -11
98507-06010	C - 9
98507-06016	B -13
	F -14
98507-06025	E - 2
98517-04012	E -14
98517-06012	C - 6
98517-06020	B -10
80-04010	B -15
98707-03008	F -11
98707-04012	E -11
98707-04018	D -14
98707-05012	C -14
98707-06025	E -15
98907-03006	E -10
98907-05008	C - 8
98907-05014	D -15
98907-06008	E -10
99221-00140	D -15
99226-00140	D -15
99234-00080	D - 4
99236-00080	D - 4
99510-08012	B -10
99510-08016	B - 2
	B -11
	C - 8
	C - 9
99510-12016	B - 3
	C - 6
	C - 7
?????-??????	B - 5
?????-??????	B - 6

NUMERICAL INDEX

PART NO.	GRID NO.	PART NO.	GRID NO.	PART NO.	GRID NO.	PART NO.	GRID NO.
----------	----------	----------	----------	----------	----------	----------	----------

*COPYRIGHT: All rights reserved. No part of this publication
may be reproduced without permission.*

YAMAHA

YAMAHA MOTOR CO., LTD.

2500 SHINGA I IWATA SHIZUOKA JAPAN

SERVICE INFORMATION DIV.

Printed in Japan
First edition APR., 1995