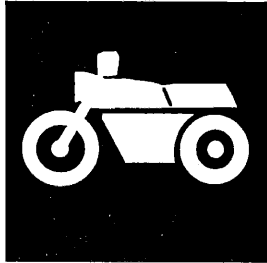


**YAMAHA**



**PARTS  
CATALOGUE**

**FZR600R'95 (4JH4) EUROPE**

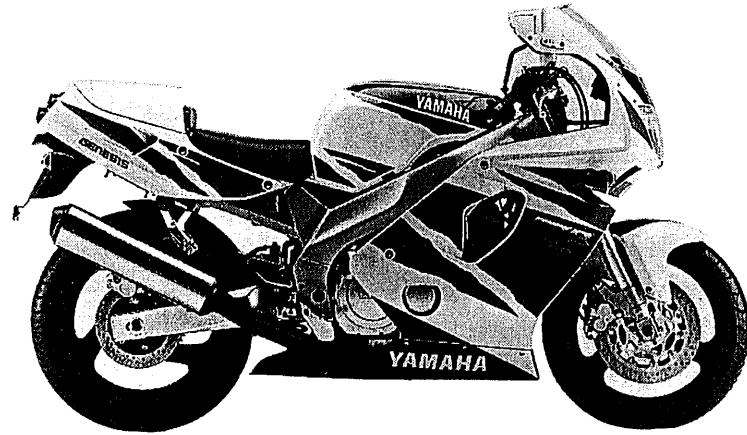
**FZR600R'95 (4MM2) SWITZERLAND**

---

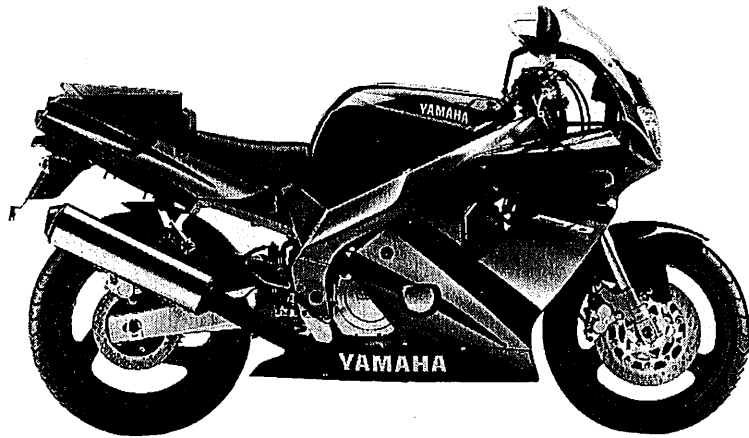
**YAMAHA**  
**GENUINE**  
Parts & Accessories

154JH-300E2

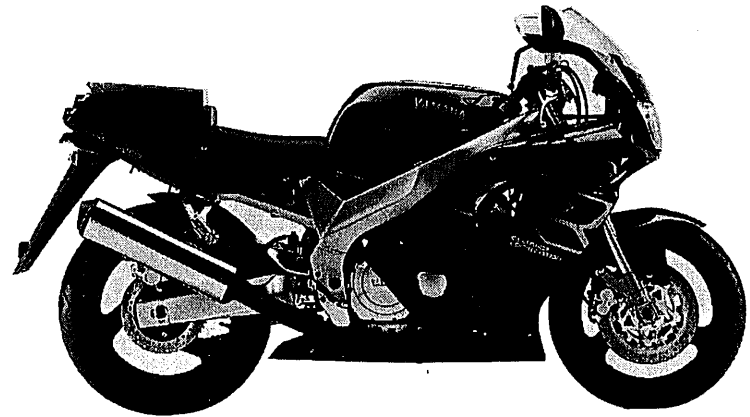




BLUISH WHITE COCKTAIL 1 (0390)



BLACK 2 (004B)



GRACEFUL MAROON (00R0)

A3



## FOREWORD

This Parts Catalogue is related to the parts for the model(s) in the below frame. When you are ordering replacement parts, please refer to this Parts Catalogue and quote both part numbers and part names correctly.

FZR600R'95 (4JH4,4MM2)

1. Modifications or additions which have been made after issue of the Parts Catalogue will be announced in the Yamaha Parts News.  
It is advisable that you make necessary corrections to the Parts Catalogue according to the Yamaha Parts News.

2. Abbreviations

The following abbreviations are used in this Parts Catalogue.

- "UR" Use specified parts number.
- "UN" Use as many as needed.
- "AP" Alternate Parts
- "LM" Local Made (Parts need to be ordered locally)
- "F#" Frame No. (Applicable machine No.)

3. Parts, which are to be supplied in an assembly, are listed with a dot (.) in front of the part name as shown below.

EXAMPLE

CARBURETOR ASSY  
 . JET, PILOT  
 . NOZZLE, MAIN

4. Number of component for assembly

The numeral appearing to the right of each component part indicates the quantity of parts for each assembly unit.

EXAMPLE

PART NO.	DESCRIPTION	Q'TY	REMARKS
2F5-83310-60	FRONT FLASHER LIGHT ASSY	2	
115-83311-60	. BULB (6V-18W)	1	

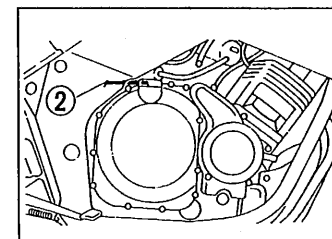
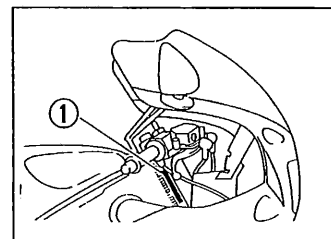
5. Applicable colors of graphics are represented in the "REMARKS" as shown below.

PART NO.	DESCRIPTION	Q'TY	REMARKS
2N4-24110-00-XS	FUEL TANK COMP.	1	MAXIM RED
3J1-24240-10	. GRAPHIC, FUEL TANK	1	for MXR

6. Applicable Serial No. and Color Code

4JH4	①	Rahmen-Serien-Nr.	4JH-031101 ~
	②	Motor-Serien-Nr.	4JH-031101 ~

4MM2	①	Rahmen-Serien-Nr.	4MM-004101 ~
	②	Motor-Serien-Nr.	4MM-004101 ~



Color Code	Color Name	Abbreviation
0390	BLUISH WHITE COCKTAIL 1	BWC1
004B	BLACK2	BL2
00R0	GRACEFUL MAROON	GRM

7. Note that the illustrations are for reference in finding parts numbers, not to be used for assembling. When assembling, please use the applicable service manual.
8. The asterisk (\*) before a reference number indicates modification items after the first edition.

# CONTENTS

## GENERAL SPEC. ENGINE

Cylinder Head .....	B2
Cylinder .....	B3
Crankshaft · Piston .....	B4
Valve .....	B5 ~ B6
Camshaft · Chain .....	B7
Water Pump .....	B8
Radiator · Hose .....	B9
Oil Pump .....	B10
Oil Cleaner .....	B11
Intake .....	B12 ~ B13
Emission Control Device (FOR CHE/AUT SWE) .....	B14 ~ B15
Carburetor .....	C2 ~ C4
Exhaust .....	C5
Crankcase .....	C6 ~ C7
Crankcase Cover 1 .....	C8 ~ C9
Starter .....	C10
Clutch .....	C11
Transmission .....	C12 ~ C13
Shift Cam · Fork .....	C14
Shift Shaft .....	C15

## CHASSIS

Frame .....	D2 ~ D3
Fender .....	D4 ~ D5
Side Cover .....	D6 ~ D7
Rear Arm .....	D8 ~ D9

Rear Suspension .....	D10
Steering .....	D11
Front Fork .....	D12 ~ D13
Fuel Tank .....	D14 ~ D15
Seat .....	E2
Front Wheel .....	E3
Front Brake Caliper .....	E4
Rear Wheel .....	E5 ~ E6
Rear Brake Caliper .....	E7
Steering Handle · Cable .....	E8
Front Master Cylinder .....	E9 ~ E10
Stand · Footrest .....	E11 ~ E12
Rear Master Cylinder .....	E13 ~ E14
Cowling 1 .....	E15 ~ F2
Cowling 2 .....	F3 ~ F4
Generator .....	F5
Pick Up Coil · Governor .....	F6
Starting Motor .....	F7
Flasher Light .....	F8
Meter .....	F9
Headlight .....	F10
Taillight .....	F11
Electrical 1 .....	F12
Electrical 2 .....	F13 ~ F14

## INDIVIDUAL SPEC. FOR ENGLAND

Alternate (Meter) .....	G2
Alternate (Headlight) .....	G3

## FOR HOLLAND

Alternate (Headlight) .....	G5
-----------------------------	----

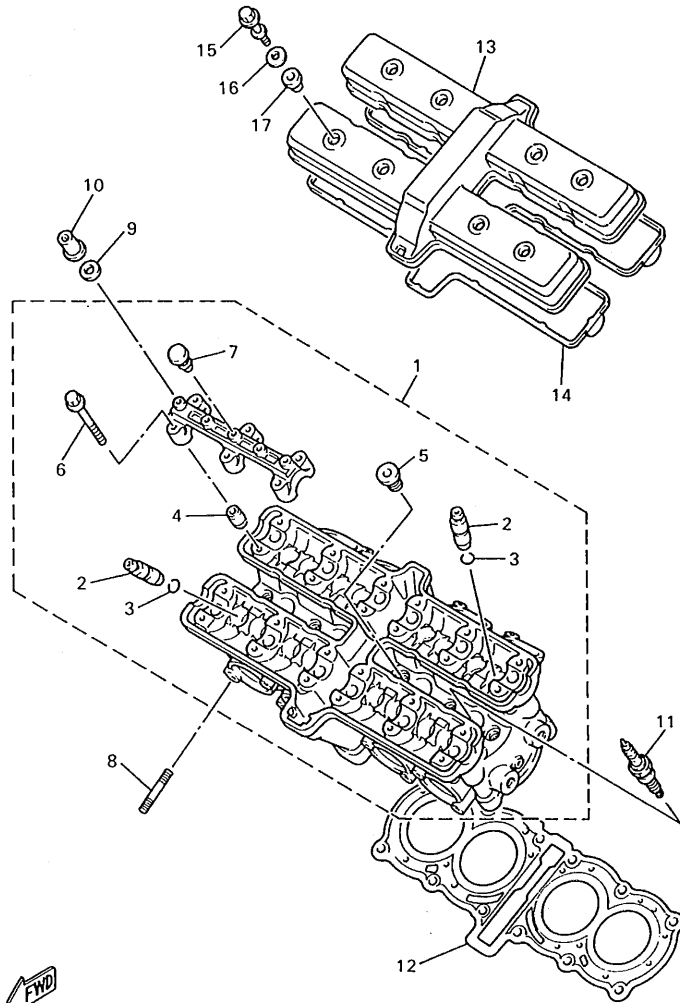
## FOR ITALY

Alternate (Headlight) .....	G7
-----------------------------	----

## INDEX

NUMERICAL INDEX .....	L1 ~ L5
-----------------------	---------

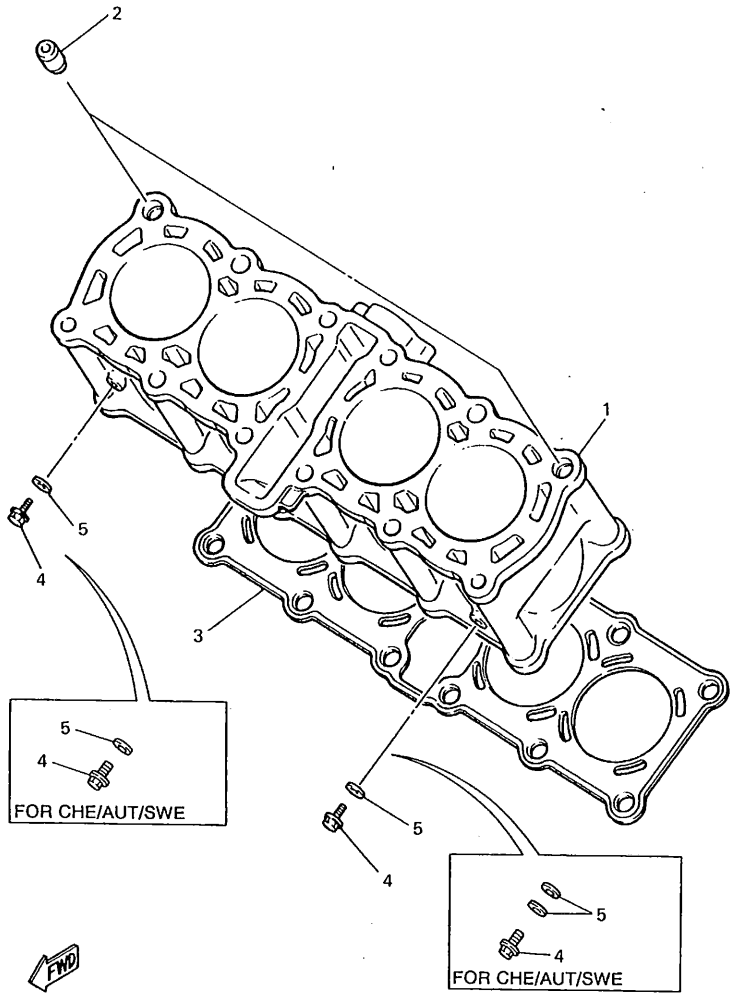
FIG. 1 CYLINDER HEAD



REF. NO.	PART NO.	DESCRIPTION	Q'TY	REMARKS
1	4JH-11101-00	CYLINDER HEAD ASSY	1	UR
	4MM-11101-00	CYLINDER HEAD ASSY	1	UR FOR CHE/AUT/SWE
2	3TJ-11133-10	•GUIDE, INTAKE VALVE	16	
3	93440-07149	•CIRCLIP	16	
4	99510-08016	•PIN, DOWEL	12	
5	90340-12112	•PLUG, STRAIGHT SCREW	6	
6	90105-06384	•BOLT, WASHER BASED	24	
7	90338-08174	•PLUG	12	
8	90116-06437	BOLT, STUD	8	
9	90201-090P4	WASHER, PLATE	12	
10	90179-09612	NUT	12	
11	94701-00318	PLUG, SPARK (NGK R CR9E)	4	UR
	94701-00319	PLUG, SPARK (ND U27ESR-N)	4	UR
12	4JH-11181-00	GASKET, CYLINDER HEAD 1	1	
13	3TJ-11191-00	COVER, CYLINDER HEAD 1	1	
14	3TJ-11193-00	GASKET, HEAD COVER 1	1	
15	90109-064F0	BOLT	8	
16	90209-11262	WASHER	8	
17	2GH-1111G-00	RUBBER, MOUNT 1	8	

4JH351-4010

FIG. 2 CYLINDER



5  
4  
FOR CHE/AUT/SWE

5  
4  
FOR CHE/AUT/SWE

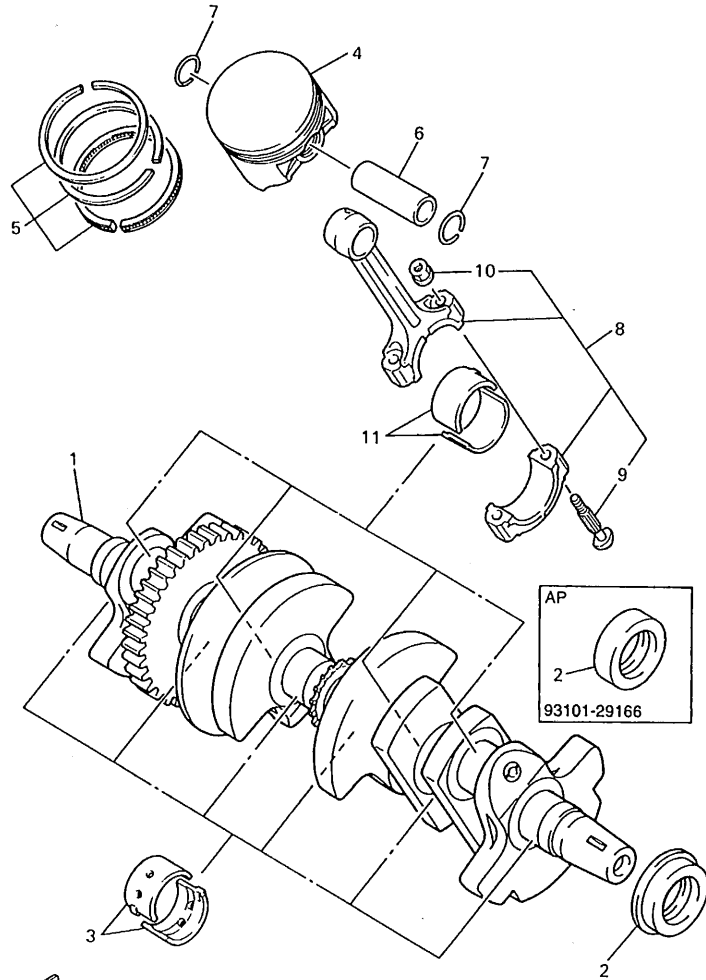


4JH300-4020

REF. NO.	PART NO.	DESCRIPTION	Q'TY	REMARKS
1	4JH-11311-00	CYLINDER 1	1	UR
	4MM-11311-00	CYLINDER 1	1	UR FOR CHE/AUT/SWE
2	91810-08016	PIN, DOWEL	2	
3	3TJ-11351-00	GASKET, CYLINDER	1	
4	90153-06045	SCREW, HEXAGON	2	UR
	95807-06014	BOLT, FLANGE	2	UR FOR CHE/AUT/SWE
5	90430-06014	GASKET	2	UR
	90430-06014	GASKET	3	UR FOR CHE/AUT/SWE



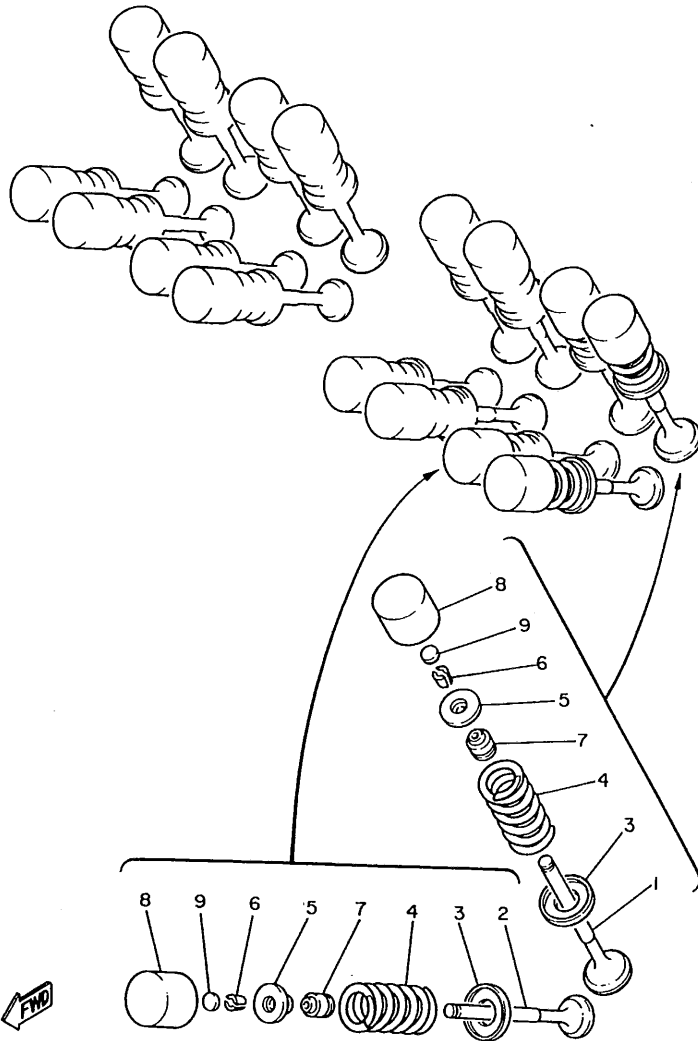
FIG. 3 CRANKSHAFT • PISTON



4JH351-5030

REF. NO.	PART NO.	DESCRIPTION	Q'TY	REMARKS
1	4JH-11411-00	CRANKSHAFT	1	
2	93101-29165	OIL SEAL	1	UR
	93101-29166	OIL SEAL	1	AP
3	1WG-11416-00	PLANE BEARING, CRANKSHAFT 1	12	UR BLUE
	1WG-11416-10	PLANE BEARING, CRANKSHAFT 1	12	UR BLACK
	1WG-11416-20	PLANE BEARING, CRANKSHAFT 1	12	UR BROWN
	1WG-11416-30	PLANE BEARING, CRANKSHAFT 1	12	UR GREEN
	1WG-11416-40	PLANE BEARING, CRANKSHAFT 1	12	UR YELLOW
	1WG-11416-50	PLANE BEARING, CRANKSHAFT 1	12	UR PINK
4	4JH-11631-00	PISTON (STD)	4	
5	4JH-11603-00	PISTON RING SET (STD)	4	
6	4JH-11633-00	PIN, PISTON	4	
7	90468-12069	CLIP	8	
8	4JH-11650-00	CONNECTING ROD ASSY	4	
9	4JH-11654-00	•BOLT, CONNECTING ROD	2	
10	90179-07652	•NUT	2	
11	1WG-11656-00	PLANE BEARING, CONNECTING ROD	8	UR BLUE
	1WG-11656-10	PLANE BEARING, CONNECTING ROD	8	UR BLACK
	1WG-11656-20	PLANE BEARING, CONNECTING ROD	8	UR BROWN
	1WG-11656-30	PLANE BEARING, CONNECTING ROD	8	UR GREEN

FIG. 4 VALVE

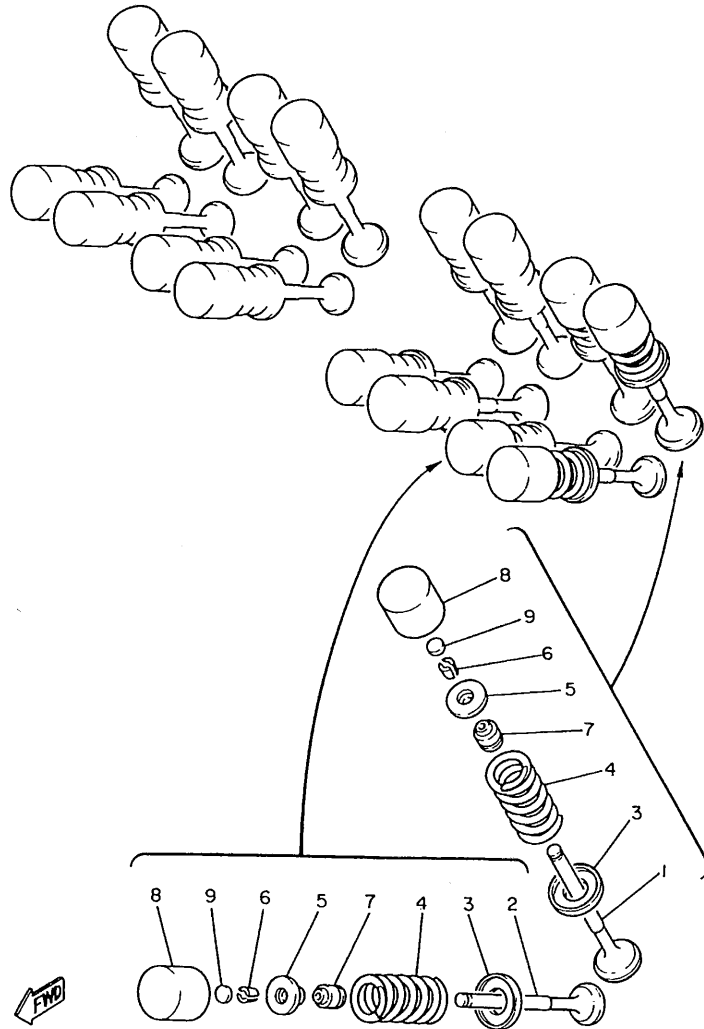


1WG010-6040

REF. NO.	PART NO.	DESCRIPTION	Q'TY	REMARKS
1	4JH-12111-00	VALVE, INTAKE	8	
2	4JH-12121-00	VALVE, EXHAUST	8	
3	1WG-12116-00	SEAT, VALVE SPRING	16	
4	4JH-12113-00	SPRING, VALVE INNER	16	
5	3TJ-12117-00	RETAINER, VALVE SPRING	16	
6	1HX-12118-00	COTTER, VALVE	32	
7	1HX-12119-00	SEAL, VALVE STEM	16	
8	3FV-12153-10	LIFTER, VALVE	16	UR YELLOW
	3FV-12153-09	LIFTER, VALVE (O/S)	16	UR GREEN
9	1HX-12168-00	PAD, ADJUSTING 2 (1.20)	16	UR
	1HX-12168-20	PAD, ADJUSTING 2 (1.25)	16	UR
	1HX-12168-40	PAD, ADJUSTING 2 (1.30)	16	UR
	1HX-12168-60	PAD, ADJUSTING 2 (1.35)	16	UR
	1HX-12168-80	PAD, ADJUSTING 2 (1.40)	16	UR
	1HX-12168-A0	PAD, ADJUSTING 2 (1.45)	16	UR
	1HX-12168-F0	PAD, ADJUSTING 2 (1.50)	16	UR
	1HX-12168-H1	PAD, ADJUSTING 2 (1.55)	16	UR
	1HX-12168-K1	PAD, ADJUSTING 2 (1.60)	16	UR
	1HX-12168-M1	PAD, ADJUSTING 2 (1.65)	16	UR
	1HX-12168-R1	PAD, ADJUSTING 2 (1.70)	16	UR
	1HX-12168-U1	PAD, ADJUSTING 2 (1.75)	16	UR
	1HX-12168-W1	PAD, ADJUSTING 2 (1.80)	16	UR
	1HX-12168-Y1	PAD, ADJUSTING 2 (1.85)	16	UR
	1HX-12169-11	PAD, ADJUSTING 2 (1.90)	16	UR
	1HX-12169-31	PAD, ADJUSTING 2 (1.95)	16	UR
	1HX-12169-50	PAD, ADJUSTING 2 (2.00)	16	UR
	1HX-12169-70	PAD, ADJUSTING 2 (2.05)	16	UR
	1HX-12169-90	PAD, ADJUSTING 2 (2.10)	16	UR

FIG. 4 VALVE

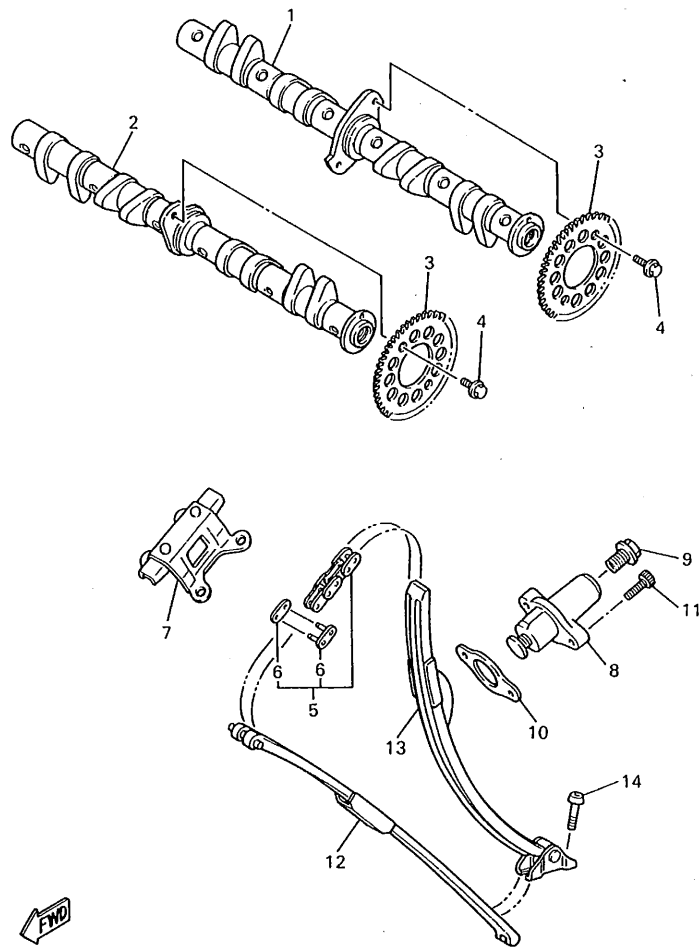
REF. NO.	PART NO.	DESCRIPTION	Q'TY	REMARKS
9	1HX-12169-E0	PAD, ADJUSTING 2 (2.15)	16	UR
	1HX-12169-G0	PAD, ADJUSTING 2 (2.20)	16	UR
	1HX-12169-J0	PAD, ADJUSTING 2 (2.25)	16	UR
	1HX-12169-L0	PAD, ADJUSTING 2 (2.30)	16	UR
	1HX-12169-N0	PAD, ADJUSTING 2 (2.35)	16	UR
	1HX-12169-T0	PAD, ADJUSTING 2 (2.40)	16	UR



1WG010-6040

**B6**

FIG. 5 CAMSHAFT • CHAIN

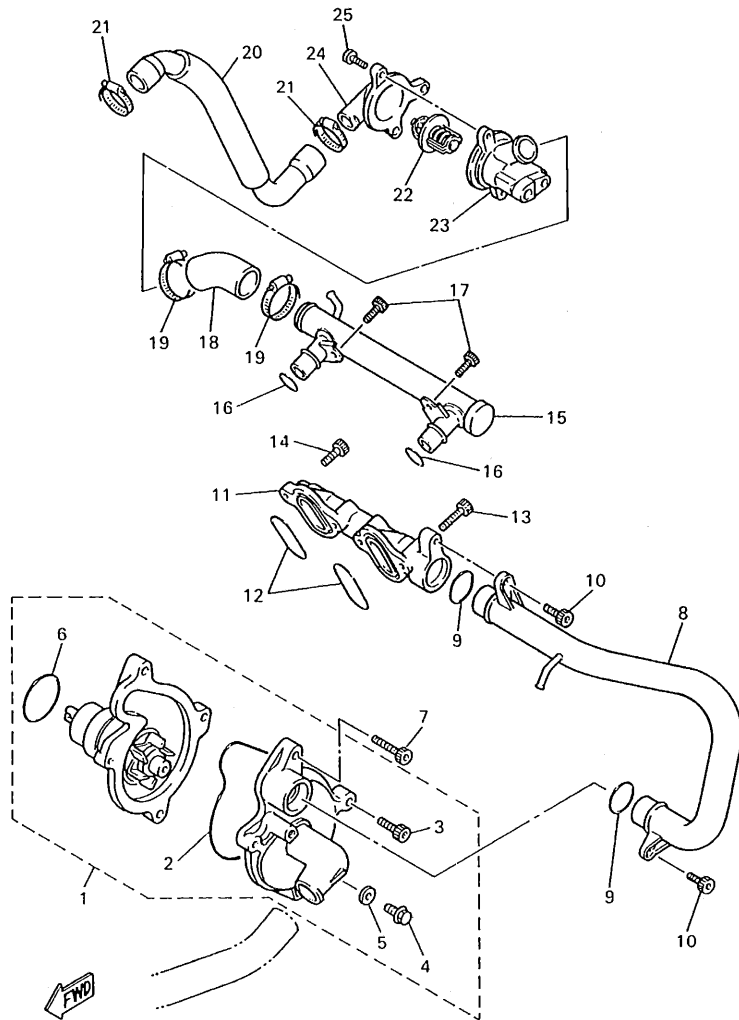


REF. NO.	PART NO.	DESCRIPTION	Q'TY	REMARKS
1	4JH-12171-00	CAMSHAFT 1	1	
2	4JH-12181-00	CAMSHAFT 2	1	
3	1WG-12176-00	SPROCKET, CAM CHAIN	2	
4	90105-07385	BOLT, WASHER BASED	4	
5	94581-32118	CHAIN (D.I.D. 215F DHA 118L)	1	
6	94681-32021	JOINT, CHAIN (D.I.D.215F-LJ)	1	
7	3TJ-12241-00	GUIDE, STOPPER 2	1	
8	3GM-12210-00	TENSIONER ASSY, CAM CHAIN	1	
9	90109-112F1	BOLT	1	
10	4BE-12213-00	GASKET, TENSIONER CASE	1	
11	91317-06025	BOLT	2	
12	3HE-12251-00	DAMPER, CHAIN 1	1	
13	4JH-12252-00	DAMPER, CHAIN 2	1	
14	90109-065A8	BOLT	2	

FWD

4JH351-4050

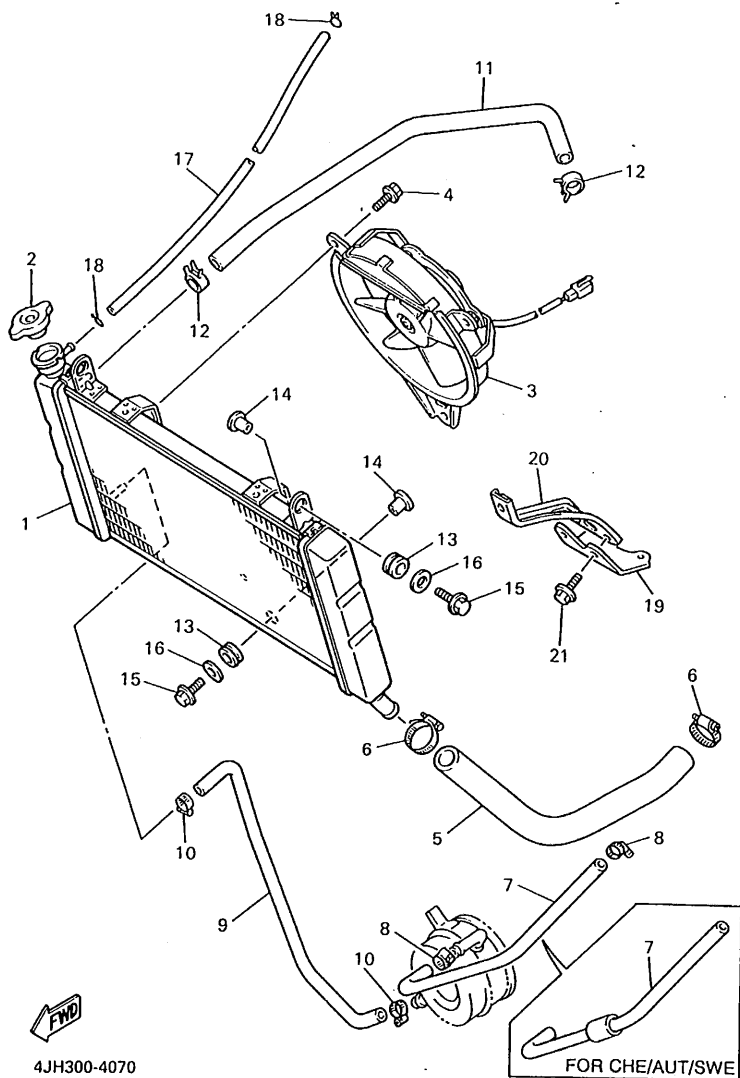
FIG. 6 WATER PUMP



4JH351-4060

REF. NO.	PART NO.	DESCRIPTION	Q'TY	REMARKS
1	3TJ-Y1242-00	WATER PUMP ASSY	1	
2	1WG-12439-00	•O-RING	1	
3	91317-06025	•BOLT	2	
4	95027-06012	•BOLT, FLANGE	1	
5	90430-06014	•GASKET	1	
6	93210-33133	•O-RING	1	
7	91317-06035	BOLT	2	
8	4JH-12481-00	PIPE 1	1	
9	93210-21190	O-RING	2	
10	91317-06010	BOLT	2	
11	1WG-12446-01	JOINT	1	
12	93210-17746	O-RING	2	
13	91317-06040	BOLT	3	
14	91317-06025	BOLT	1	
15	4JH-12482-00	PIPE 2	1	
16	93210-15566	O-RING	2	
17	91317-06010	BOLT	2	
18	3TJ-12576-00	HOSE 1	1	
19	90450-32051	HOSE CLAMP ASSY	2	
20	4JH-12577-00	HOSE 2	1	
21	90450-32051	HOSE CLAMP ASSY	2	
22	4JH-12410-00	THERMOSTAT ASSY	1	
23	3TJ-12417-00	HOUSING, THERMOSTAT	1	
24	3TJ-12413-00	COVER, THERMOSTAT	1	
25	91317-06020	BOLT	2	

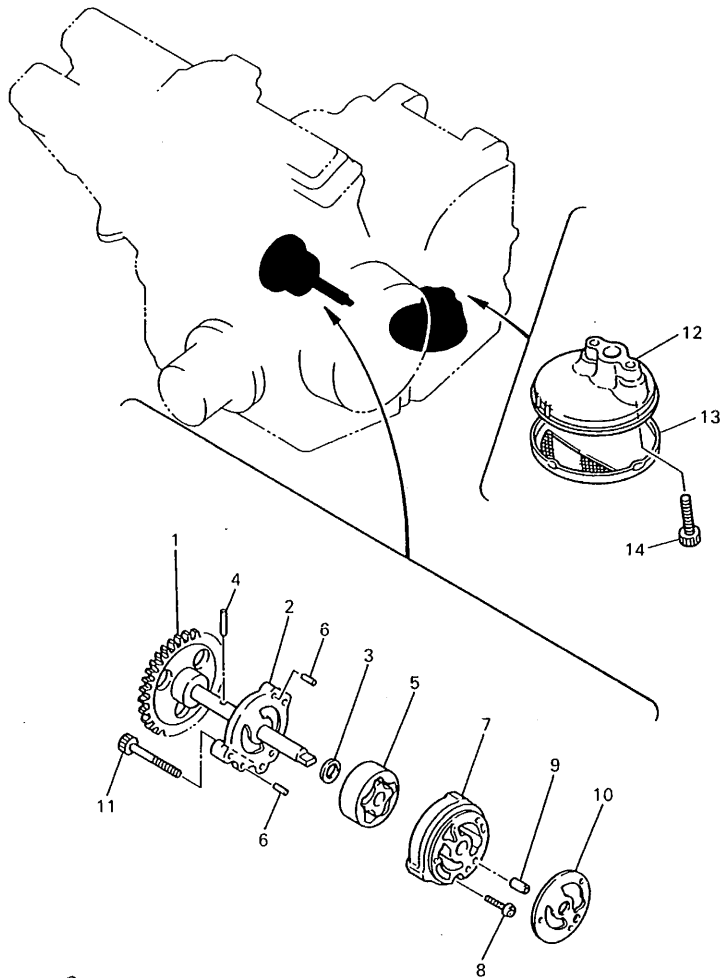
FIG. 7 RADIATOR • HOSE



4JH300-4070

REF. NO.	PART NO.	DESCRIPTION	Q'TY	REMARKS
1	4JH-12461-00	RADIATOR ASSY	1	
2	4JH-12462-00	CAP, RADIATOR	1	
3	4JH-12405-00	BLOWER ASSY	1	
4	95811-06010	BOLT, FLANGE	3	
5	4JH-12578-00	HOSE 3	1	
6	90450-32051	HOSE CLAMP ASSY	2	
7	3TJ-12579-00	HOSE 4	1	UR
	4MM-12579-00	HOSE 4	1	UR FOR CHE/AUT/SWE
8	90450-17036	HOSE CLAMP ASSY	2	
9	4JH-12588-00	HOSE 5	1	
10	90450-17036	HOSE CLAMP ASSY	2	
11	4JH-1243A-00	HOSE 1	1	
12	90467-11090	CLIP	2	
13	90480-15363	GROMMET	3	
14	90387-07391	COLLAR	3	
15	95807-06025	BOLT, FLANGE	3	
16	90201-063J2	WASHER, PLATE	3	
17	90445-095E9	HOSE	1	
18	90467-08003	CLIP	2	
19	4JH-1244F-00	BRACKET 1	1	
20	4JH-2142K-00	BRACKET, RADIATOR	1	
21	95817-06012	BOLT, FLANGE	2	

FIG. 8 OIL PUMP

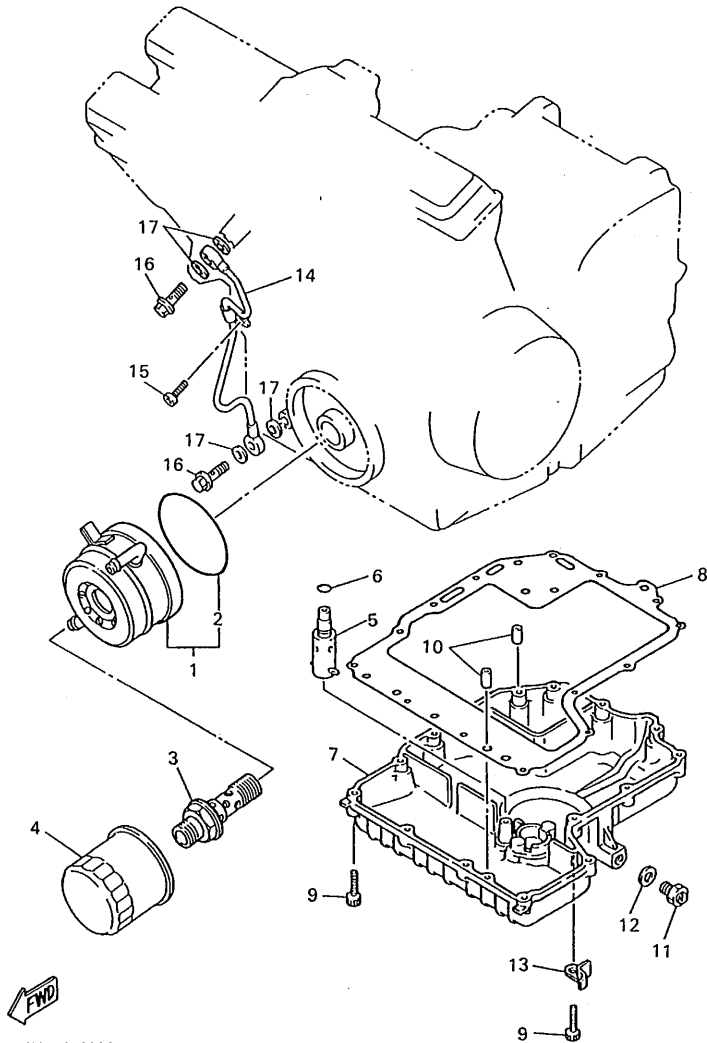


REF. NO.	PART NO.	DESCRIPTION	Q'TY	REMARKS
1	4JH-13330-00	PUMP SHAFT ASSY	1	
2	1WG-13316-00	COVER, PUMP	1	
3	90201-113K2	WASHER, PLATE	1	
4	93603-17070	PIN, DOWEL	1	
5	1WG-13310-00	ROTOR ASSY 1	1	
6	93603-09106	PIN, DOWEL	2	
7	1WG-13336-00	HOUSING, ROTOR	1	
8	98507-06020	SCREW, PAN HEAD	1	
9	99510-08012	PIN, DOWEL	1	
10	1WG-13329-00	GASKET, PUMP COVER	1	
11	90110-06130	BOLT, HEXAGON SOCKET HEAD	3	
12	3TJ-13412-00	HOUSING, STRAINER	1	
13	4H7-13411-02	STRAINER, OIL	1	
14	90110-06225	BOLT, HEXAGON SOCKET HEAD	2	



4JH351-4080

FIG. 9 OIL COOLER



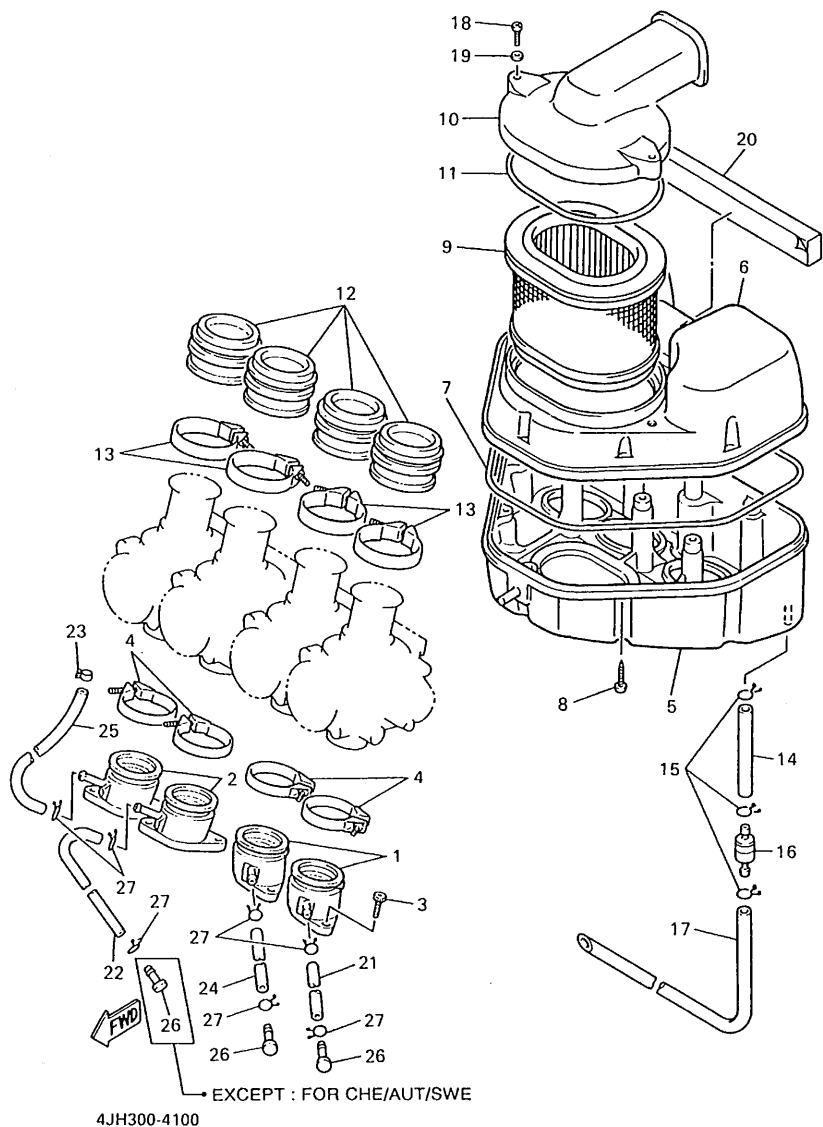
4JH300-5090

REF. NO.	PART NO.	DESCRIPTION	Q'TY	REMARKS
1	4JH-13470-00	OIL COOLER ASSY	1	
* 2	4JH-13473-00	O-RING	1	
3	90401-20158	BOLT, UNION	1	
4	3FV-13440-00	ELEMENT ASSY, OIL CLEANER	1	
5	11H-13490-00	RELIEF VALVE ASSY	1	
6	93210-10096	O-RING	1	
7	4JH-13417-00	COVER, STRAINER	1	
8	3HE-13414-10	GASKET, STRAINER COVER	1	
9	91317-06025	BOLT	14	
10	99510-08016	PIN, DOWEL	2	
11	3VD-13455-00	PLUG	1	
12	214-11198-01	GASKET	1	
13	90465-10306	CLAMP	1	
14	3HE-13161-00	PIPE, DELIVERY 1	1	
15	91317-06010	BOLT	1	
16	90401-10106	BOLT, UNION	2	
17	90430-10171	GASKET	4	

**B11**



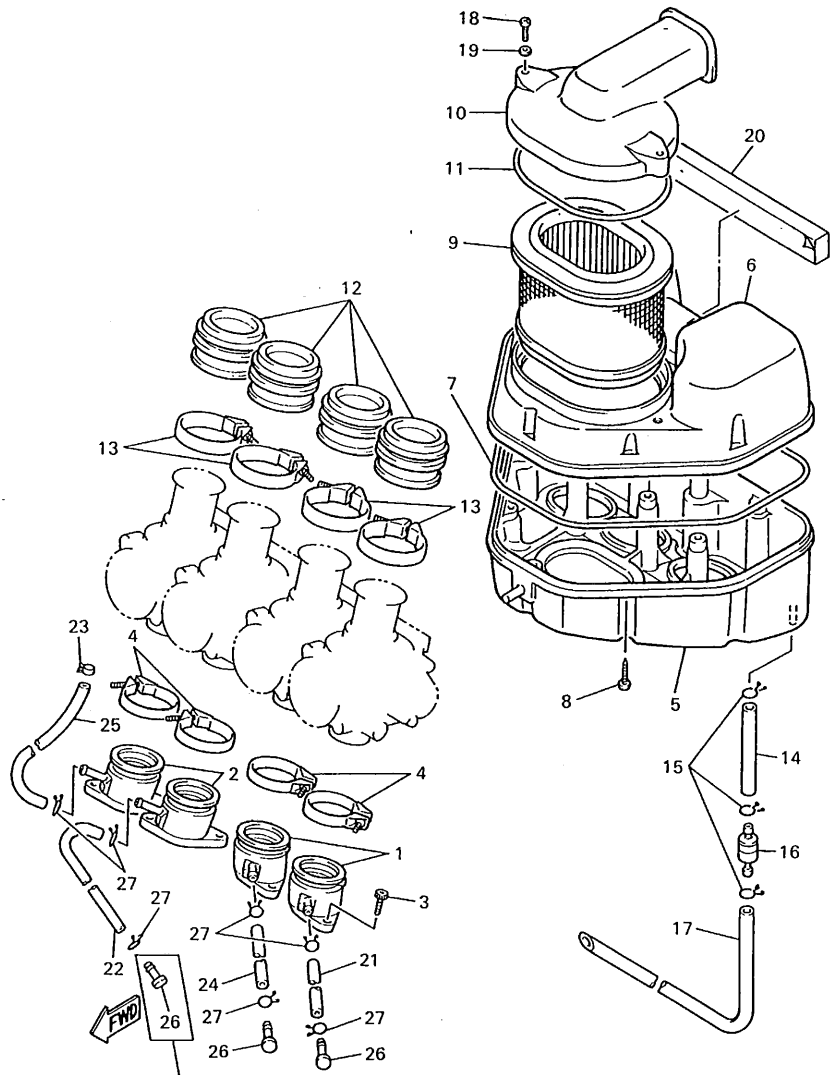
FIG. 10 INTAKE



REF. NO.	PART NO.	DESCRIPTION	Q'TY	REMARKS
1	4JH-13586-00	JOINT, CARBURETOR 1	2	
2	4JH-13596-00	JOINT, CARBURETOR 2	2	
3	91317-06020	BOLT	8	
4	90450-52074	HOSE CLAMP ASSY	4	
5	4JH-14411-00	CASE, AIR CLEANER 1	1	UR
	4MM-14411-00	CASE, AIR CLEANER 1	1	UR FOR CHE/AUT/SWE
6	4JH-14421-00	CASE, AIR CLEANER 2	1	
7	4FM-14452-00	SEAL	1	
8	97707-50525	SCREW, TAPPING	10	
9	4JH-14451-00	ELEMENT, AIR CLEANER	1	
10	4JH-14412-00	CAP, CLEANER CASE 1	1	
11	1VJ-14462-00	SEAL	1	
12	4JH-14453-00	JOINT, AIR CLEANER 1	4	
13	90460-60165	CLAMP, HOSE	4	
14	90445-11452	HOSE	1	
15	90467-10008	CLIP	3	
16	4X7-2149Y-00	FILTER ASSY	1	
17	90445-075G7	HOSE	1	
18	98507-05030	SCREW, PAN HEAD	2	
19	92907-05600	WASHER, PLATE	2	
20	4JH-14467-00	SEAL	1	
21	90445-09488	HOSE	1	
22	90445-09496	HOSE	1	
23	90467-08092	CLIP	1	
24	90445-09683	HOSE	1	
25	90445-090E5	HOSE	1	
26	90338-05240	PLUG	3	UR
	90338-05240	PLUG	2	UR FOR CHE/AUT/SWE

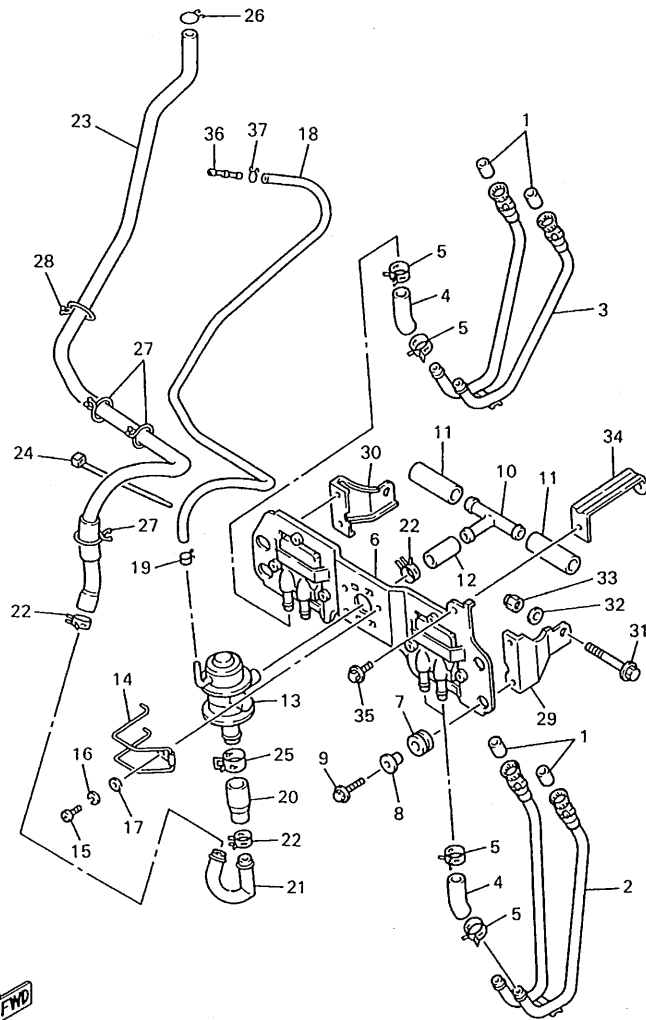
FIG. 10 INTAKE

REF. NO.	PART NO.	DESCRIPTION	Q'TY	REMARKS
27	90467-08017	CLIP	7	



EXCEPT : FOR CHE/AUT/SWE  
4JH300-4100

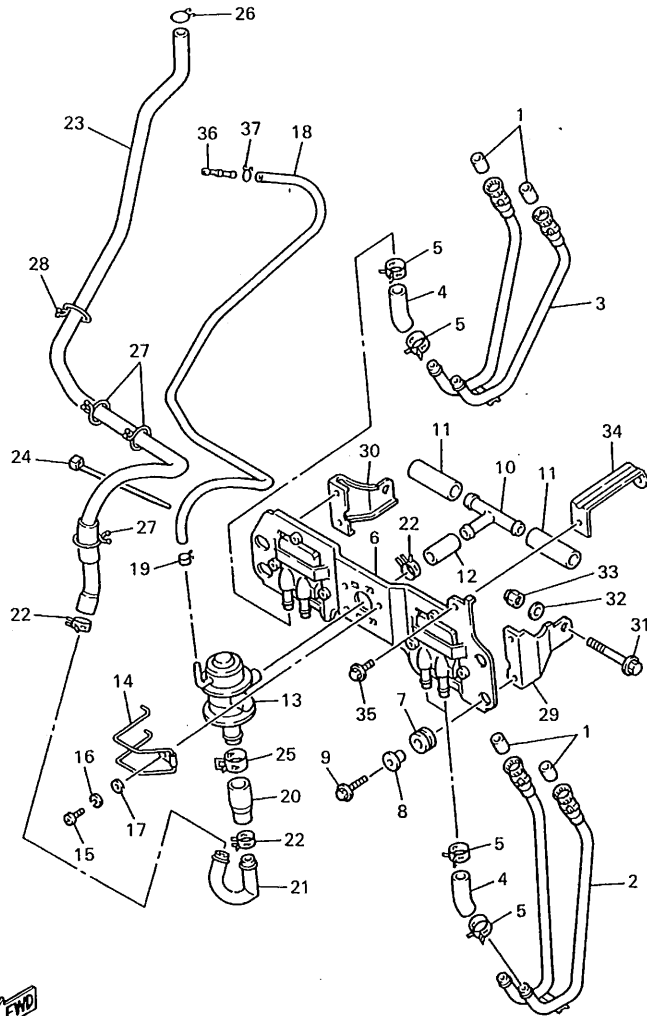
FIG. 11 EMISSION CONTROL DEVICE (FOR CHE/AUT/SWE)



4JH300-5110

REF. NO.	PART NO.	DESCRIPTION	Q'TY	REMARKS
1	42H-14714-10	GASKET, MUFFLER	4	
2	4MM-14872-00	PIPE 2	1	
3	4MM-14873-00	PIPE 3	1	
4	2LJ-14883-00	HOSE, BEND 3	4	
5	90468-08104	CLIP	8	
6	4MM-14808-00	REED VALVE ASSY	1	
7	90480-14229	GROMMET	4	
8	90387-07391	COLLAR	4	
9	95027-06025	BOLT, FLANGE	4	
10	2LJ-14874-00	PIPE 4	1	
11	4MM-14881-00	HOSE, BEND 1	2	
12	2LJ-14882-00	HOSE, BEND 2	1	
13	4MM-14840-00	AIR CUT VALVE ASS'Y	1	
14	90462-20188	CLAMP	1	
15	98507-06016	SCREW, PAN HEAD	1	
16	92907-06100	WASHER, SPRING	1	
17	92907-06600	WASHER, PLATE	1	
18	90445-091J2	HOSE	1	
19	90467-08092	CLIP	1	
20	4MM-14885-00	HOSE, BEND 5	1	
21	4MM-14875-00	PIPE 5	1	
22	90467-19051	CLIP	3	
23	4MM-14884-00	HOSE, BEND 4	1	
24	90464-12196	CLAMP	1	
25	90467-23067	CLIP	1	
26	90467-14015	CLIP	1	
27	90464-23041	CLAMP	3	
28	90464-30040	CLAMP	1	

FIG. 11 EMISSION CONTROL DEVICE (FOR CHE/AUT/SWE)

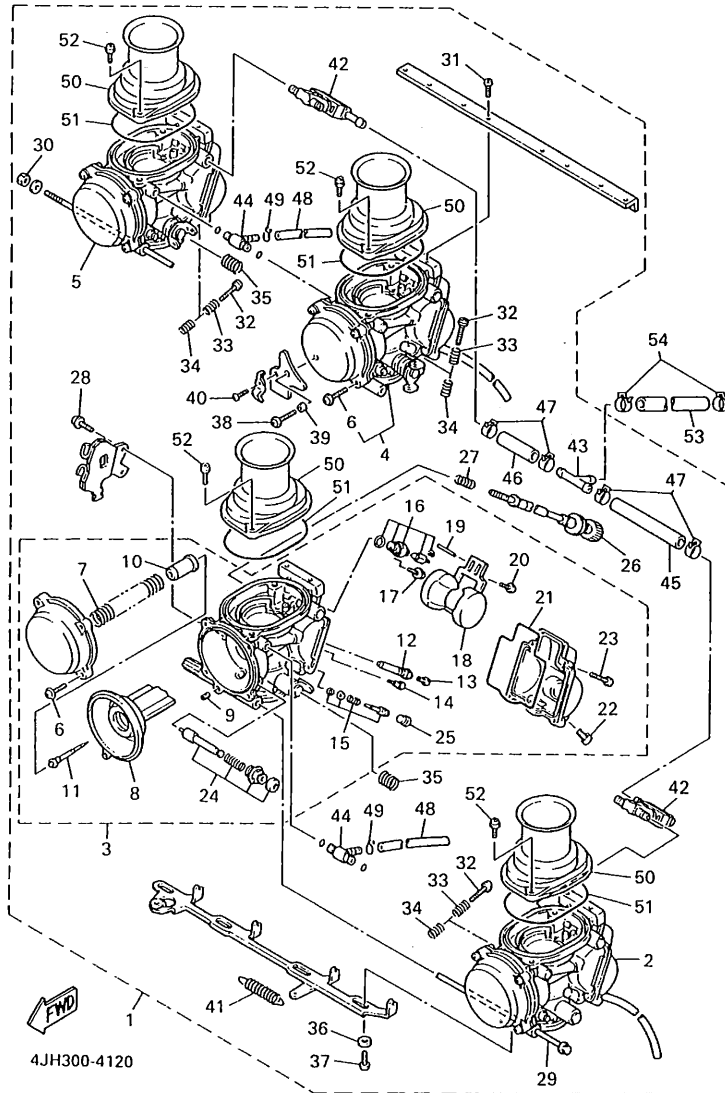


REF. NO.	PART NO.	DESCRIPTION	Q'TY	REMARKS
29	4MM-14868-00	BRACKET 2	1	
30	4MM-14869-00	BRACKET 3	1	
31	90105-10169	BOLT, WASHER BASED	2	
32	92907-10600	WASHER, PLATE	2	
33	95617-10100	NUT, U	2	
34	4MM-14849-00	BRACKET	1	
35	95807-06010	BOLT, FLANGE	1	
36	4MM-13582-00	PIPE	1	
37	90467-08017	CLIP	1	



4JH300-5110

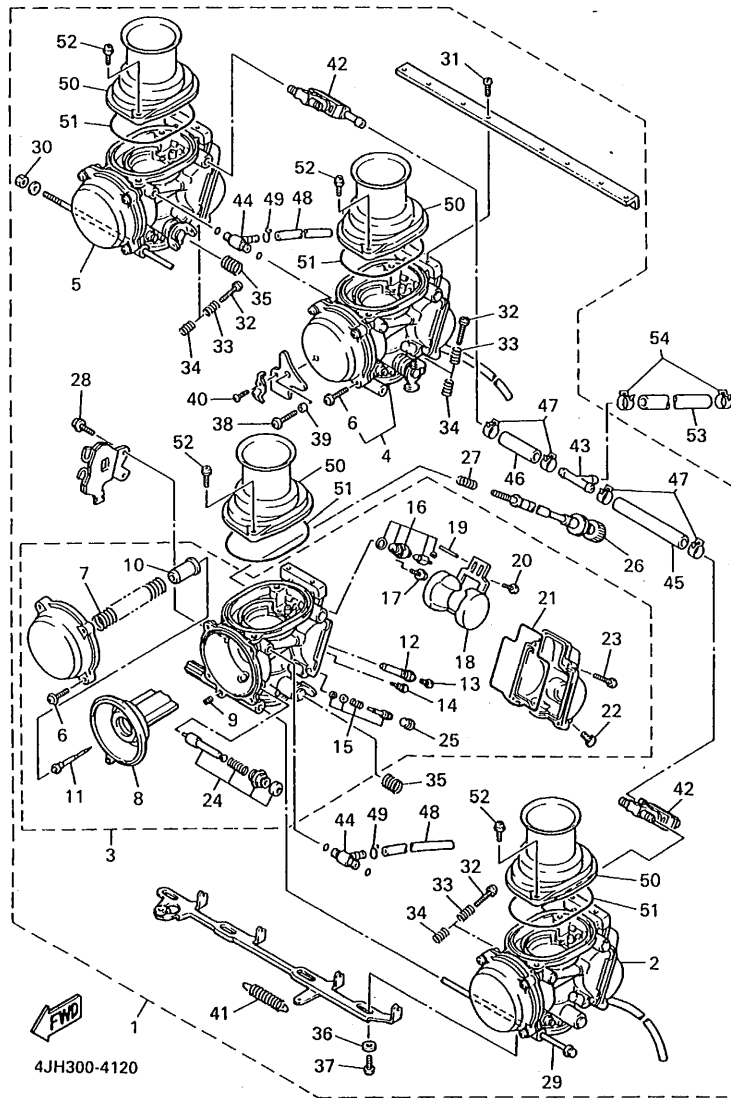
FIG. 12 CARBURETOR



4JH300-4120

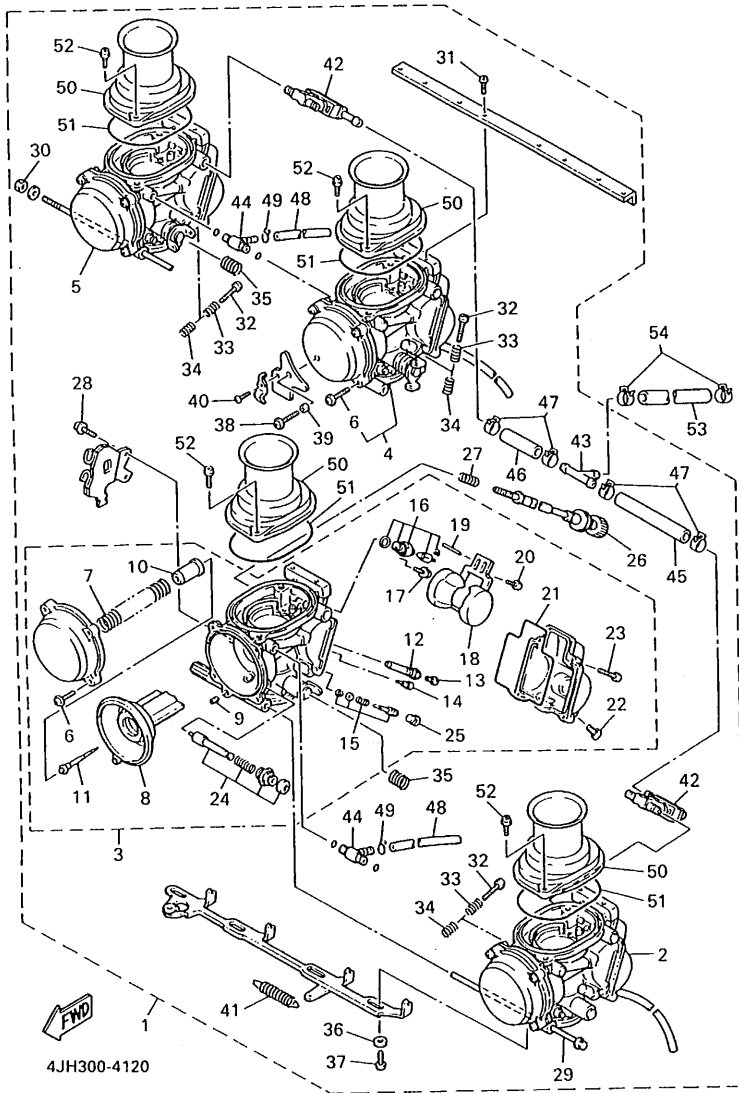
REF. NO.	PART NO.	DESCRIPTION	Q'TY	REMARKS
1	4JH-14900-00	CARBURETOR ASSY	1	UR
	4MM-14900-00	CARBURETOR ASSY	1	UR FOR CHE/AUT/SWE UR
2	4JH-14901-00	..CARBURETOR ASSY 1	1	
	4MM-14901-00	..CARBURETOR ASSY 1	1	UR FOR CHE/AUT/SWE UR
3	4JH-14902-00	..CARBURETOR ASSY 2	1	
	4MM-14902-00	..CARBURETOR ASSY 2	1	UR FOR CHE/AUT/SWE UR
4	4JH-14903-00	..CARBURETOR ASSY 3	1	
	4MM-14903-00	..CARBURETOR ASSY 3	1	UR FOR CHE/AUT/SWE UR
5	4JH-14904-00	..CARBURETOR ASSY 4	1	
	4MM-14904-00	..CARBURETOR ASSY 4	1	UR FOR CHE/AUT/SWE UR
6	4JH-14216-00	..SCREW	3	UR #3
	4JH-14216-00	..SCREW	4	UR #1, 2, 4
7	4JH-14933-00	..SPRING, DIAPHRAGM	1	
8	4JH-14940-00	..DIAPHRAGM ASSY	1	UR
	4MM-14940-00	..DIAPHRAGM ASSY	1	UR FOR CHE/AUT/SWE
9	4JH-14515-00	..JET	1	
10	4JH-14936-00	..SEAT, SPRING	1	
11	4JH-14916-00	..NEEDLE	1	UR
	4MM-14916-00	..NEEDLE	1	UR FOR CHE/AUT/SWE
12	4JH-1414G-00	..PIPE, MAIN BREED	1	
13	3TJ-14943-81	..JET, MAIN (#118)	1	UR
	3TJ-14943-30	..JET, MAIN (#115)	1	UR FOR CHE/AUT/SWE
14	4JH-14948-01	..JET (#35)	1	
15	4JH-14105-00	..PILOT SCREW SET	1	
16	4JH-14107-00	..NEEDLE VALVE SET	1	
17	3TJ-14216-40	..SCREW	1	
18	4JH-14985-00	..FLOAT	1	
19	663-14548-00	..PIN, FLOAT ARM	1	

FIG. 12 CARBURETOR



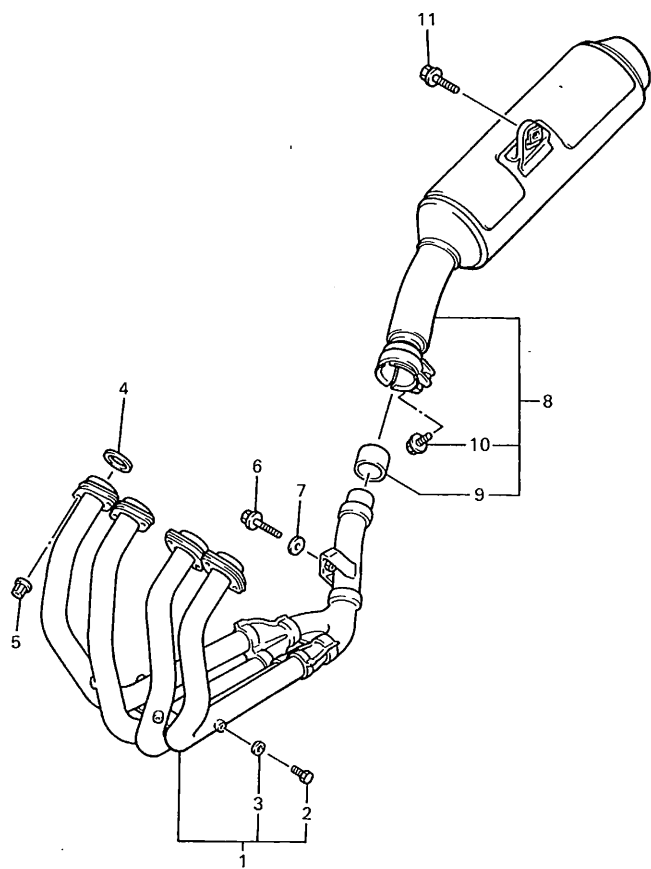
REF. NO.	PART NO.	DESCRIPTION	Q'TY	REMARKS
20	98580-04008	..SCREW, PAN HEAD	1	
21	4JH-14984-00	..GASKET, FLOAT CHAMBER	1	
22	3TJ-14191-40	..PLUG, DRAIN	1	
23	98503-04014	..SCREW, PAN HEAD	4	
24	4JH-1410A-00	..STARTER SET	1	
25	4MM-14118-00	..CAP	1	UR FOR CHE/AUT/SWE
26	4JH-14922-00	..SCREW, THROTTLE	1	
27	4JH-14934-00	..SPRING, THROTTLE STOP	1	
28	4JH-14429-00	..SCREW	1	
29	4JH-14162-00	..BOLT, HOLDING	1	
30	4JH-14358-00	..NUT	1	
31	4JH-14325-00	..SCREW, PAN HEAD	8	
32	4JH-14121-00	..SCREW, THROTTLE STOP	3	
33	7A9-14555-00	..SPRING	3	
34	4JH-14133-00	..SPRING, THROTTLE STOP	3	
35	4JH-14487-00	..SPRING	2	
36	90202-06056	..WASHER, PLATE	6	
37	3TJ-14245-40	..SCREW, GUIDE	3	
38	4JH-14565-00	..SCREW	1	
39	4JH-14264-00	..COLLAR	1	
40	4JH-14567-00	..SCREW	1	
41	4JH-14935-00	..SPRING	1	
42	4JH-14350-00	..PIPE ADAPTOR ASSY	2	
43	4JH-13918-00	..PIPE T	1	
44	4JH-14197-00	..PIPE	2	
45	4JH-14294-00	..HOSE	1	
46	4JH-14298-00	..PIPE	1	
47	4JH-14137-00	..CLIP	4	

FIG. 12 CARBURETOR



REF. NO.	PART NO.	DESCRIPTION	Q'TY	REMARKS
48	3TJ-14148-40	•PIPE	2	
49	3TJ-14937-40	•CLIP	2	
50	4JH-1440F-00	•JOINT, AIR FILTER 1	4	
51	4JH-14561-00	•O-RING	4	
52	4JH-14245-00	•SCREW, GUIDE	8	
53	90445-142H0	HOSE	1	
54	90467-13123	CLIP	2	

FIG. 13 EXHAUST



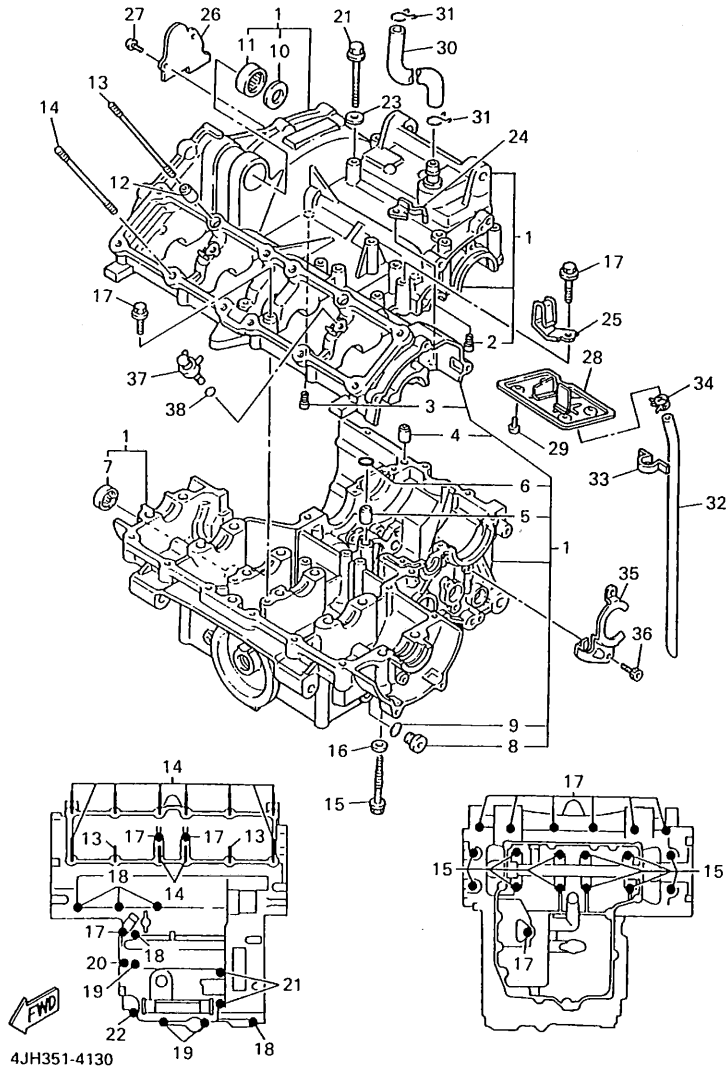
REF. NO.	PART NO.	DESCRIPTION	Q'TY	REMARKS
1	4JH-14602-00	EXHAUST PIPE COMP.	1	
2	90101-06576	.BOLT	4	
3	92907-06600	.WASHER	4	
4	3YF-14613-01	GASKET, EXHAUST PIPE	4	
5	90179-06499	NUT	8	
6	95817-08030	BOLT, FLANGE	1	
7	90201-08730	WASHER, PLATE	1	
8	4JH-14710-00	MUFFLER ASSY 1	1	
9	3XW-14714-00	.GASKET, MUFFLER	1	
10	95817-08025	.BOLT, FLANGE	1	
11	95817-08020	BOLT, FLANGE	1	



4JH351-4120

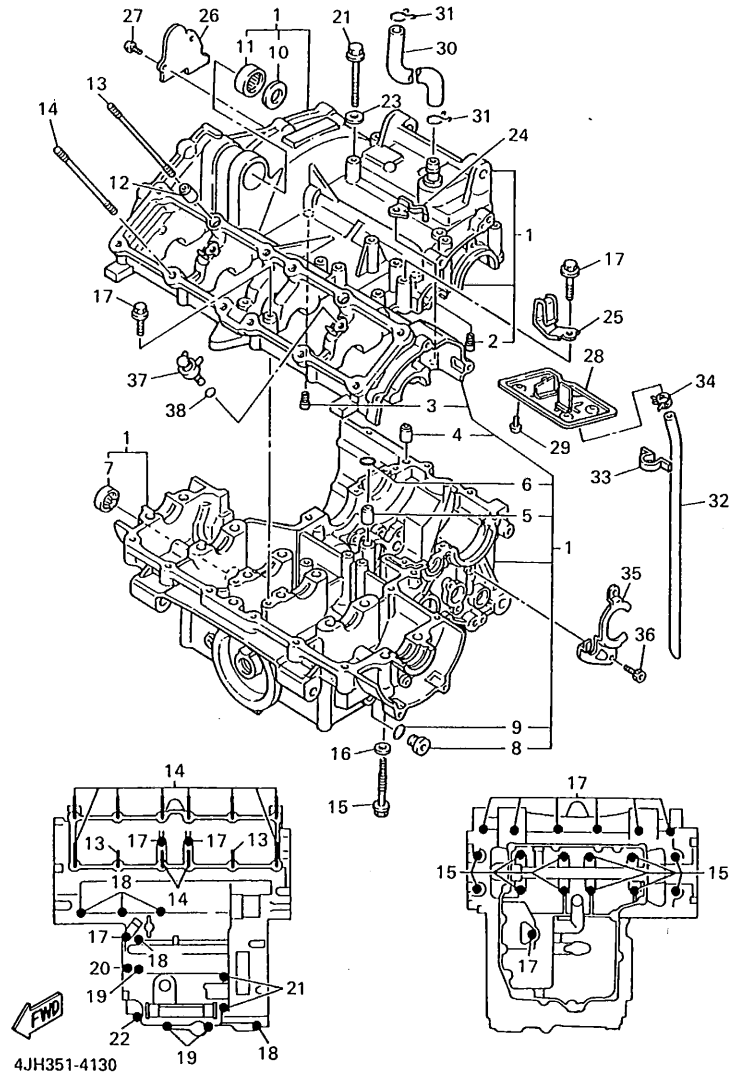


FIG. 14 CRANKCASE



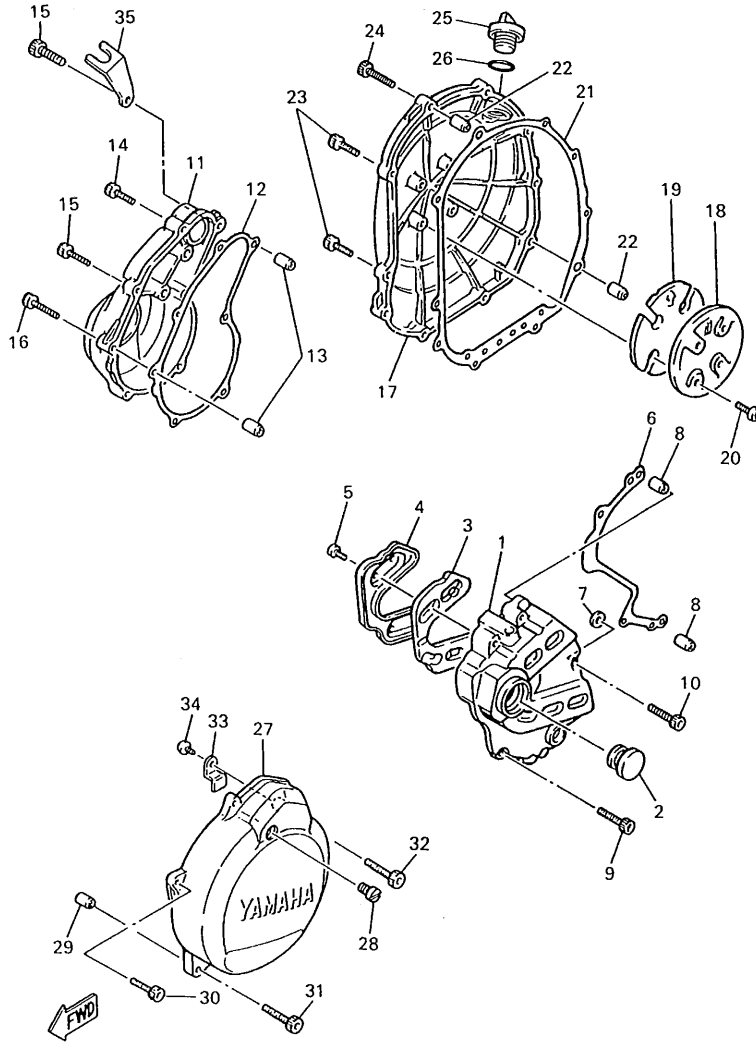
REF. NO.	PART NO.	DESCRIPTION	Q'TY	REMARKS
1	4JH-15100-00	CRANKCASE ASSY	1	
2	11H-15138-00	•NOZZLE 1	1	
3	26H-15138-00	•NOZZLE 1	1	
4	99510-12016	•PIN, DOWEL	1	
5	4JH-15138-00	•NOZZLE 1	1	
6	93210-12152	•O-RING	1	
7	2H7-15361-00	•GAUGE, LEVEL	1	
8	36Y-15189-00	•PLUG	2	
9	93210-16629	•O-RING	2	
10	90201-237K5	•WASHER, PLATE	1	
11	93315-32516	•BEARING, CYLINDRICAL	1	
12	91810-08016	PIN, DOWEL	2	
13	90116-09583	BOLT, STUD	2	
14	90116-09584	BOLT, STUD	10	
15	90105-08630	BOLT, WASHER BASED	12	
16	90201-087K3	WASHER, PLATE	12	
17	95817-06040	BOLT, FLANGE	10	
18	95817-06050	BOLT, FLANGE	5	
19	95817-06070	BOLT, FLANGE	3	
20	95817-06080	BOLT, FLANGE	1	
21	95817-06090	BOLT, FLANGE	2	
22	95817-08070	BOLT, FLANGE	1	
23	90430-06166	GASKET	1	
24	90465-10307	CLAMP	1	
25	90465-10308	CLAMP	1	
26	4JH-11165-00	PLATE, BREATHER	1	
27	98517-06012	SCREW, PAN HEAD	2	
28	3HE-11145-00	PLATE, BREATHER 2	1	

FIG. 14 CRANKCASE



REF. NO.	PART NO.	DESCRIPTION	Q'TY	REMARKS
29	98517-06012	SCREW, PAN HEAD	4	
30	1WG-11166-00	PIPE, BREATHER 1	1	
31	90467-14015	CLIP	2	
32	90445-116E9	HOSE	1	
33	90465-06289	CLAMP	1	
34	90467-10038	CLIP	1	
35	4JH-15381-00	PLATE, BEARING COVER	1	
36	91317-06012	BOLT	2	
37	3HE-15105-00	NOZZLE ASSY	2	
38	93210-06632	O-RING	2	

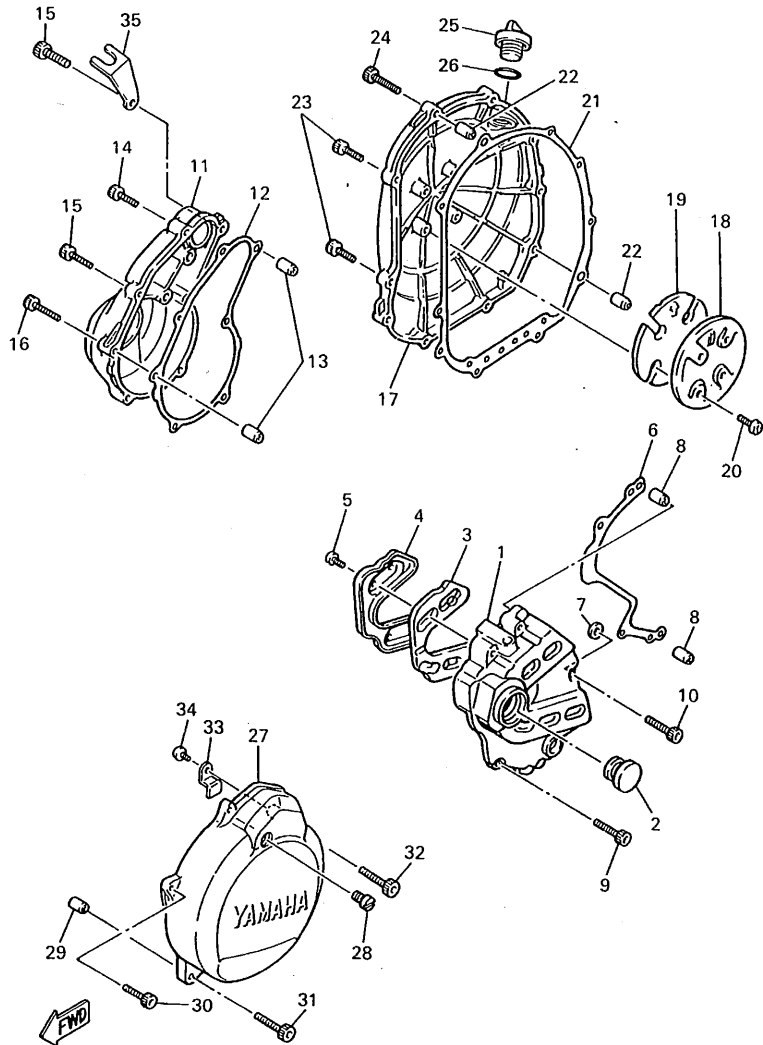
FIG. 15 CRANKCASE COVER 1



4JH351-4140

REF. NO.	PART NO.	DESCRIPTION	Q'TY	REMARKS
1	4JH-15411-00	COVER, CRANKCASE 1	1	
2	1L9-15417-00	COVER, CAP	1	
3	1WG-15316-00	DAMPER, ENGINE MOUNT 1	1	
4	1WG-15427-00	COVER, CAP 2	1	
5	98907-05008	SCREW, BIND	4	
6	3HE-15451-10	GASKET, CRANKCASE COVER 1	1	
7	3HE-15467-10	GASKET	1	
8	99510-08016	PIN, DOWEL	2	
9	90110-06149	BOLT, HEXAGON SOCKET HEAD	4	
10	90110-06130	BOLT, HEXAGON SOCKET HEAD	1	
11	4JH-15421-00	COVER, CRANKCASE 2	1	
12	4JH-15461-00	GASKET, CRANKCASE COVER 2	1	
13	99510-08016	PIN, DOWEL	2	
14	91317-06025	BOLT	2	
15	91317-06035	BOLT	4	
16	91317-06045	BOLT	1	
17	4JH-15431-00	COVER, CRANKCASE 3	1	
18	1WG-15425-00	COVER, GENERATOR 2	1	
19	1WG-15326-00	DAMPER, ENGINE MOUNT 2	1	
20	98907-05008	SCREW, BIND	4	
21	4JH-15462-00	GASKET, CRANKCASE COVER 3	1	
22	99510-08016	PIN, DOWEL	2	
23	91317-06025	BOLT	8	
24	91317-06035	BOLT	2	
25	3F9-15362-00	PLUG, OIL LEVEL	1	
26	93210-27778	O-RING	1	
27	4JH-15415-00	COVER, GENERATOR	1	
28	90340-08M04	PLUG, STRAIGHT SCREW	1	

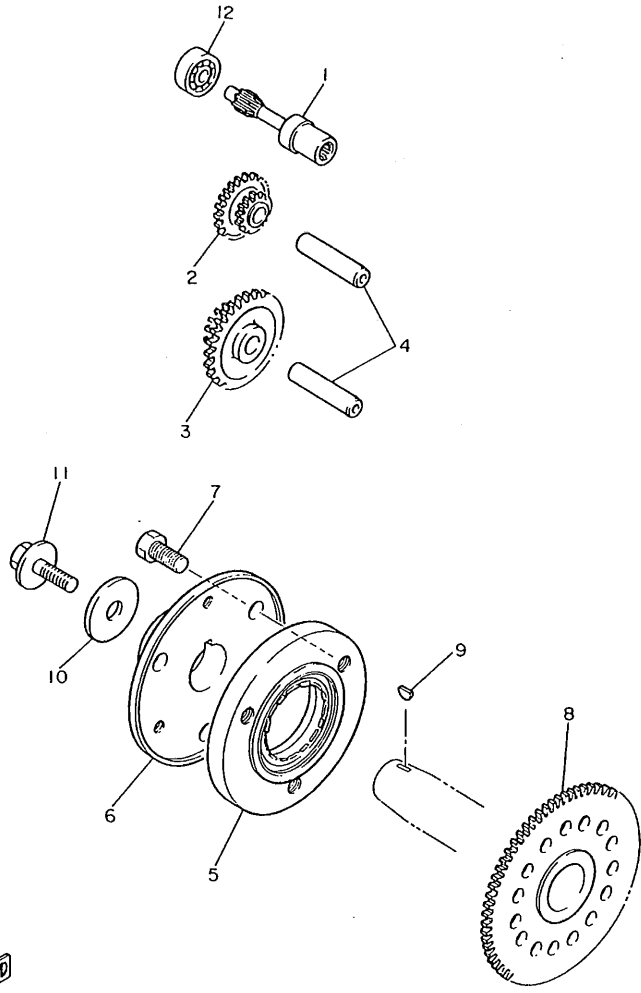
FIG. 15 CRANKCASE COVER 1



4JH351-4140

REF. NO.	PART NO.	DESCRIPTION	Q'TY	REMARKS
29	99510-08016	PIN, DOWEL	2	
30	91317-06025	BOLT	3	
31	91317-06035	BOLT	1	
32	91317-06035	BOLT	1	
33	90462-10182	CLAMP	1	
34	98507-06010	SCREW, PAN HEAD	1	
35	4JH-14413-00	STAY	1	

FIG. 16 STARTER



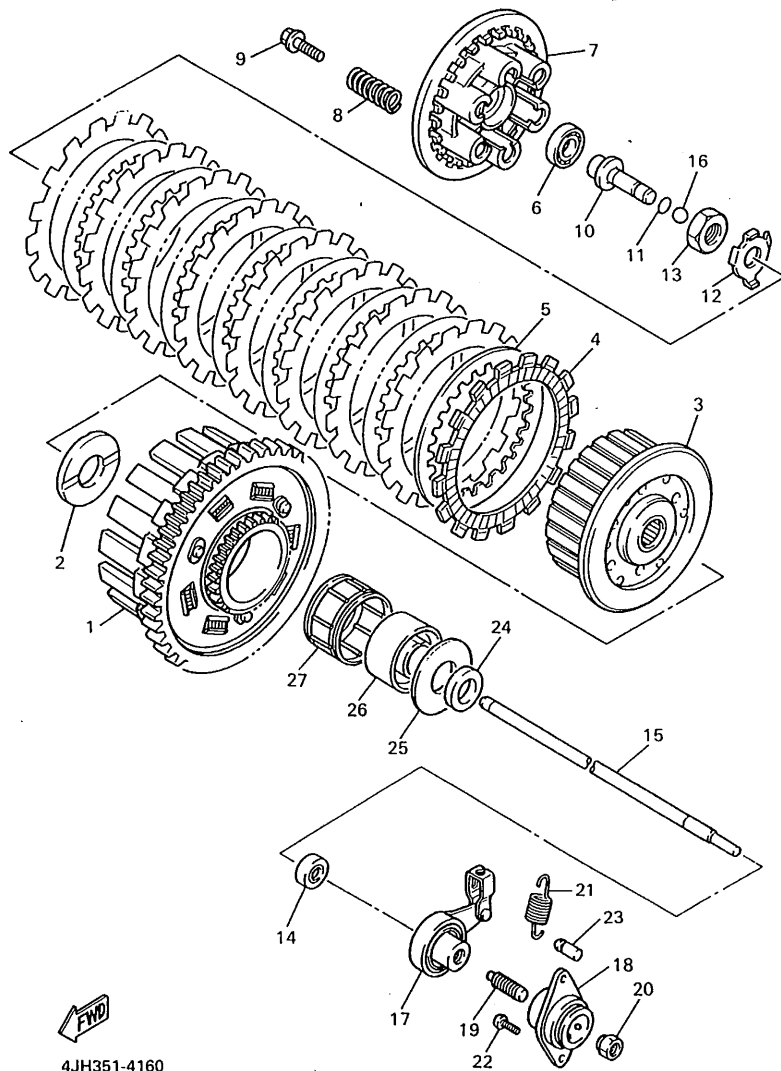
REF. NO.	PART NO.	DESCRIPTION	Q'TY	REMARKS
1	3HE-15521-00	SHAFT 1	1	
2	3HE-15512-00	GEAR, IDLER 1	1	
3	3HE-15517-00	GEAR, IDLER 2	1	
4	3TJ-15521-00	SHAFT 1	2	
5	3HE-15590-02	STARTER ONE-WAY ASSY	1	
6	3HE-15524-00	WHEEL, STARTER	1	
7	91317-08020	BOLT	3	
8	4JH-15515-00	GEAR 3	1	
9	90280-16053	KEY, WOODRUFF	1	
10	90201-107K6	WASHER, PLATE	1	
11	90105-10445	BOLT, WASHER BASED	1	
12	93306-20006	BEARING (B6200)	1	NTN



3HE332-9160

**C10**

FIG. 17 CLUTCH

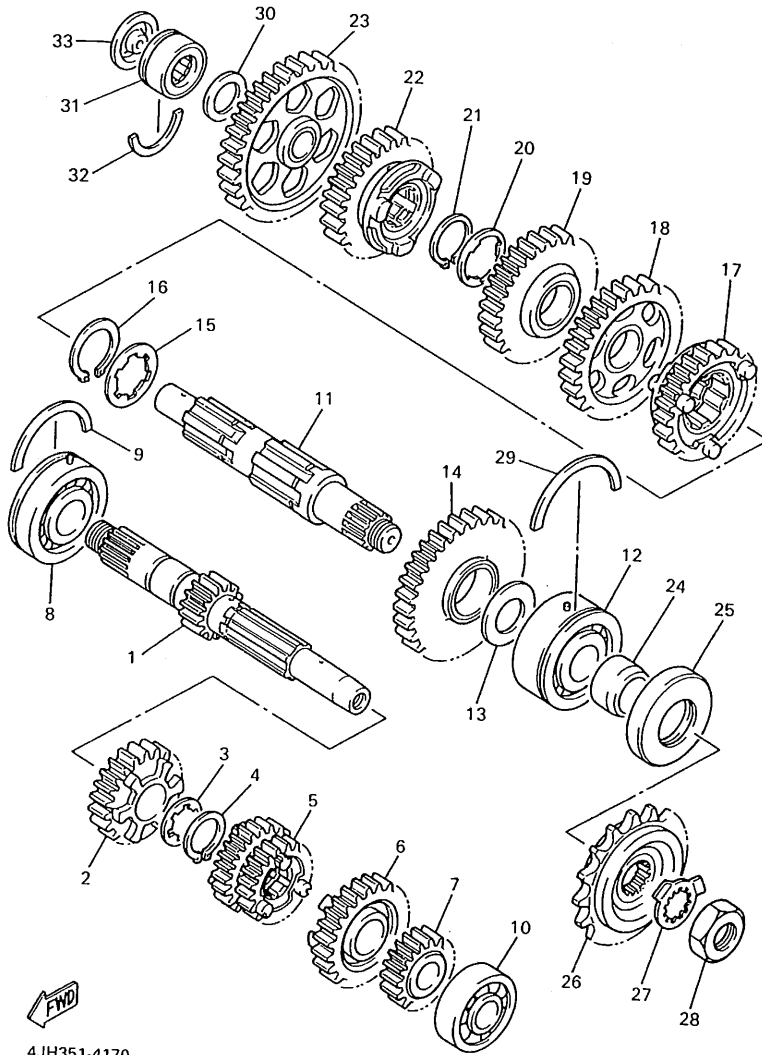


4JH351-4160

REF. NO.	PART NO.	DESCRIPTION	Q'TY	REMARKS
1	4JH-16150-00	PRIMARY DRIVEN GEAR COMP.	1	
2	1WG-16154-00	PLATE, THRUST 1	1	
3	4JH-16371-00	BOSS, CLUTCH	1	
4	4JH-16321-00	PLATE, FRICTION	9	
5	1LX-16324-00	PLATE, CLUTCH 1	8	
6	93306-00105	BEARING (B6001)	1	
7	4JH-16351-00	PLATE, PRESSURE 1	1	
8	90501-224J9	SPRING, COMPRESSION	6	
9	90159-06092	SCREW, WITH WASHER	6	
10	4JH-16356-00	ROD, PUSH 1	1	
11	93210-48364	O-RING	1	
12	90215-18225	WASHER, LOCK	1	
13	90170-18221	NUT	1	
14	93109-08058	OIL SEAL (SD07 8-21-5.5 HS)	1	
15	4JH-16357-00	ROD, PUSH 2	1	
16	93505-16006	BALL	1	
17	4JH-16340-00	PUSH LEVER ASSY	1	
18	1WG-16304-00	BALL SCREW HOUSING ASSY	1	
19	90113-08021	BOLT, SET	1	
20	90179-08179	NUT	1	
21	90506-11488	SPRING, TENSION	1	
22	90157-05065	SCREW, PAN HEAD	2	
23	132-16346-00	HOOK, SPRING	1	
24	90387-212R3	COLLAR	1	
25	1WG-16164-00	PLATE, THRUST 2	1	
26	1WG-16181-00	SPACER 1	1	
27	93310-345R8	BEARING, CYLINDRICAL	1	

**C11**

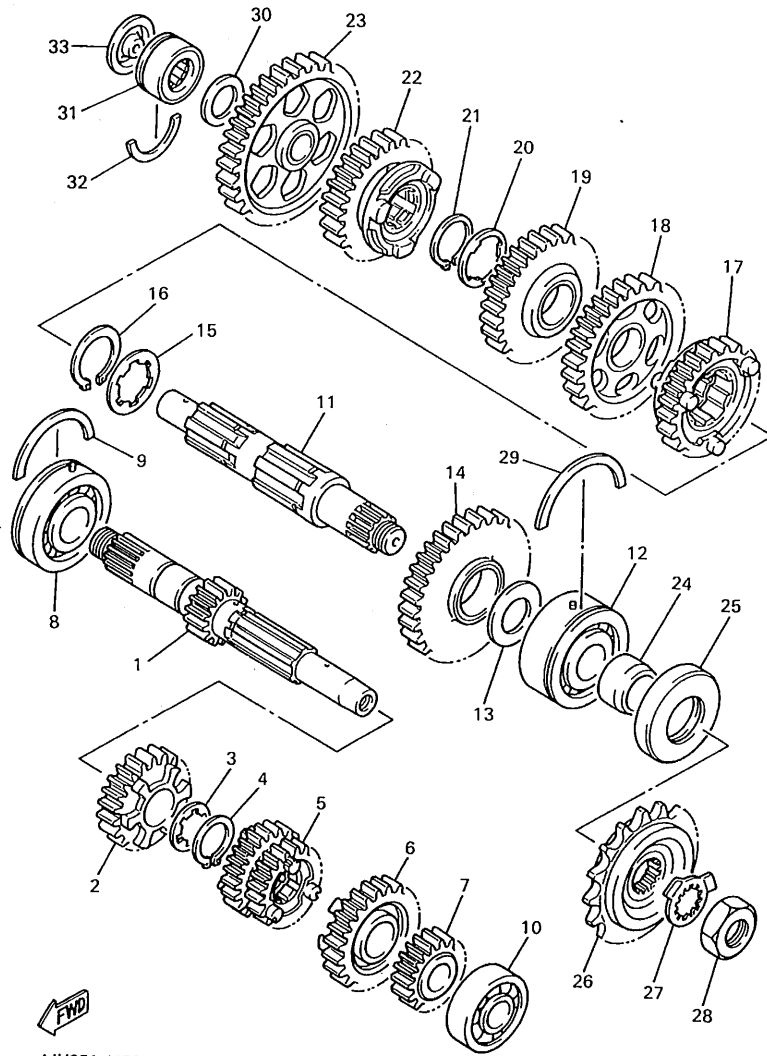
FIG. 18 TRANSMISSION



4JH351-4170

REF. NO.	PART NO.	DESCRIPTION	Q'TY	REMARKS
1	4JH-17411-00	AXLE, MAIN (13T)	1	
2	4JH-17151-00	GEAR, 5TH PINION (21T)	1	
3	90209-22191	WASHER	1	
4	93440-25084	CIRCLIP	1	
5	4JH-17131-00	GEAR, 3RD PINION (22T)	1	
6	4JH-17161-00	GEAR, 6TH PINION (27T)	1	
7	4JH-17121-00	GEAR, 2ND PINION (19T)	1	
8	93306-37208	BEARING	1	
9	93440-54152	CIRCLIP	1	
10	93306-20464	BEARING	1	
11	4JH-17421-00	AXLE, DRIVE	1	
12	93305-20509	BEARING	1	
13	90201-25291	WASHER, PLATE	1	
14	4JH-17221-00	GEAR, 2ND WHEEL (37T)	1	
15	90209-27336	WASHER	1	
16	93440-30077	CIRCLIP	1	
17	4JH-17261-00	GEAR, 6TH WHEEL (29T)	1	
18	4JH-17231-00	GEAR, 3RD WHEEL (34T)	1	
19	4JH-17241-00	GEAR, 4TH WHEEL (28T)	1	
20	90209-22191	WASHER	1	
21	93440-25084	CIRCLIP	1	
22	4JH-17251-00	GEAR, 5TH WHEEL (25T)	1	
23	4JH-17211-00	GEAR, 1ST WHEEL (37T)	1	
24	90387-2504A	COLLAR	1	
25	93102-35368	OIL SEAL	1	
26	3HE-17460-00	SPROCKET, DRIVE (15T)	1	
27	90215-21022	WASHER, LOCK	1	
28	90179-18020	NUT	1	

FIG. 18 TRANSMISSION

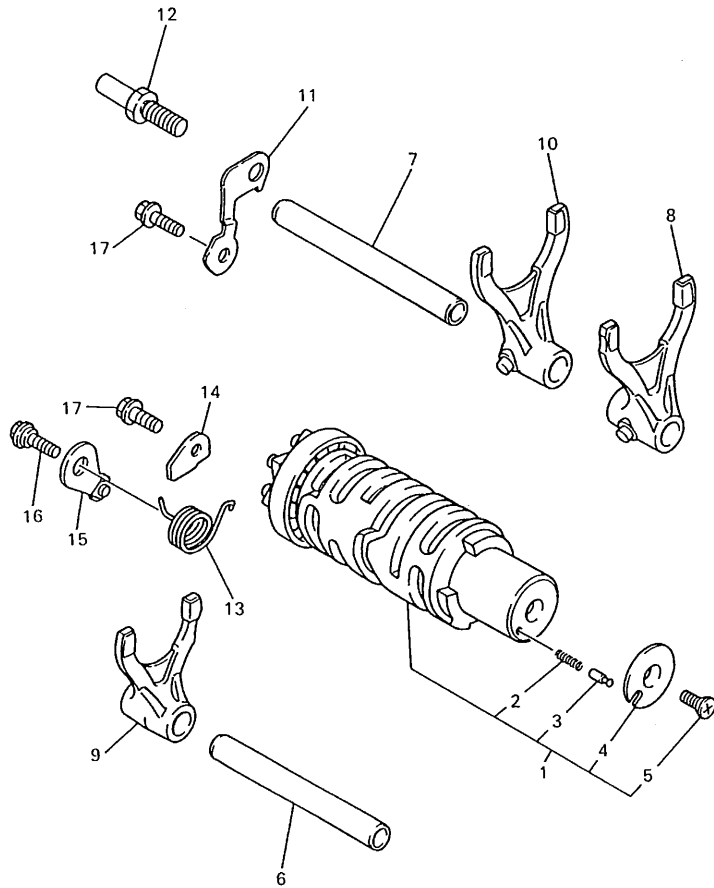


4JH351-4170

REF. NO.	PART NO.	DESCRIPTION	Q'TY	REMARKS
29	93440-52014	CIRCLIP	1	
30	90201-20276	WASHER, PLATE (1.0T)	1	
31	93311-42045	BEARING (20NG3315NE)	1	
32	278-17425-00	CIRCLIP 2	1	
33	4G0-17433-01	NOZZLE	1	



FIG. 19 SHIFT CAM • FORK

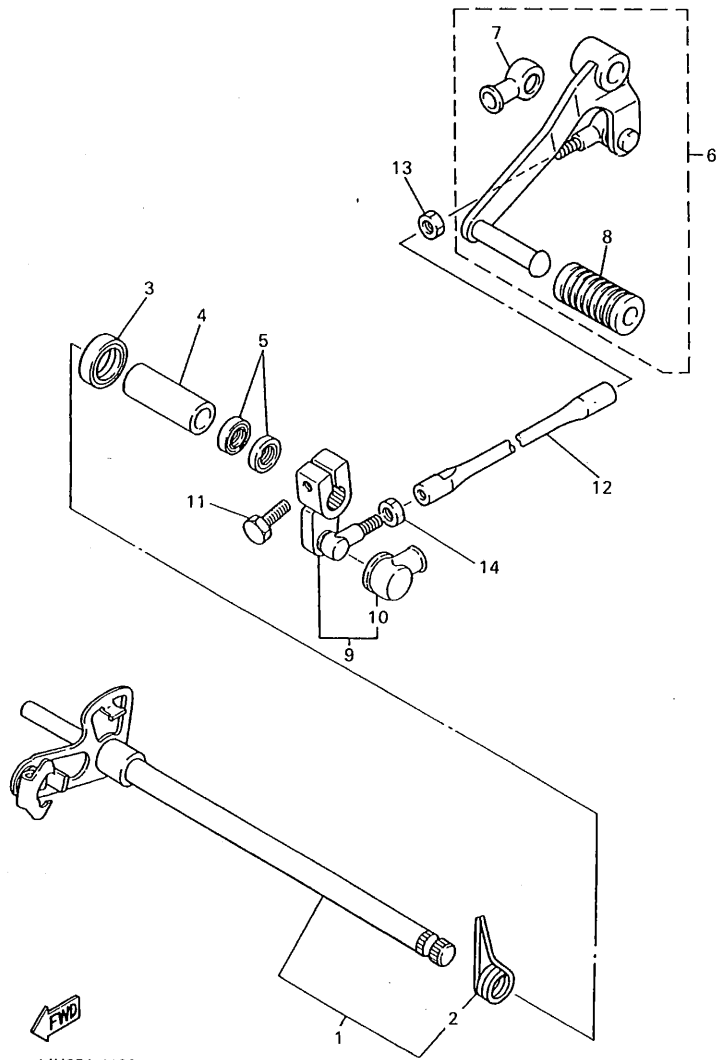


REF. NO.	PART NO.	DESCRIPTION	Q'TY	REMARKS
1	4JH-18540-00	SHIFT CAM ASSY	1	
2	90501-06022	•SPRING, COMPRESSION	1	
3	278-18542-00	•POINT, NEUTRAL	1	
4	278-18566-00	•PLATE, SIDE 2	1	
5	98707-05012	•SCREW, FLAT HEAD	1	
6	4JH-18531-00	BAR, SHIFT FORK GUIDE 1	1	
7	4JH-18535-00	BAR, SHIFT FORK GUIDE 2	1	
8	4JH-18511-00	FORK, SHIFT 1	1	
9	4JH-18512-00	FORK, SHIFT 2	1	
10	4JH-18513-00	FORK, SHIFT 3	1	
11	1WG-18536-00	STOPPER, SHIFT BAR	1	
12	1HX-18127-00	STOPPER, SCREW	1	
13	90508-237A0	SPRING, TORSION	1	
14	1WG-18562-00	PLATE, STOPPER 2	1	
15	36Y-18140-00	STOPPER LEVER ASSY	1	
16	90109-063F7	BOLT	1	
17	95827-06016	BOLT, FLANGE	2	



4JH351-4180

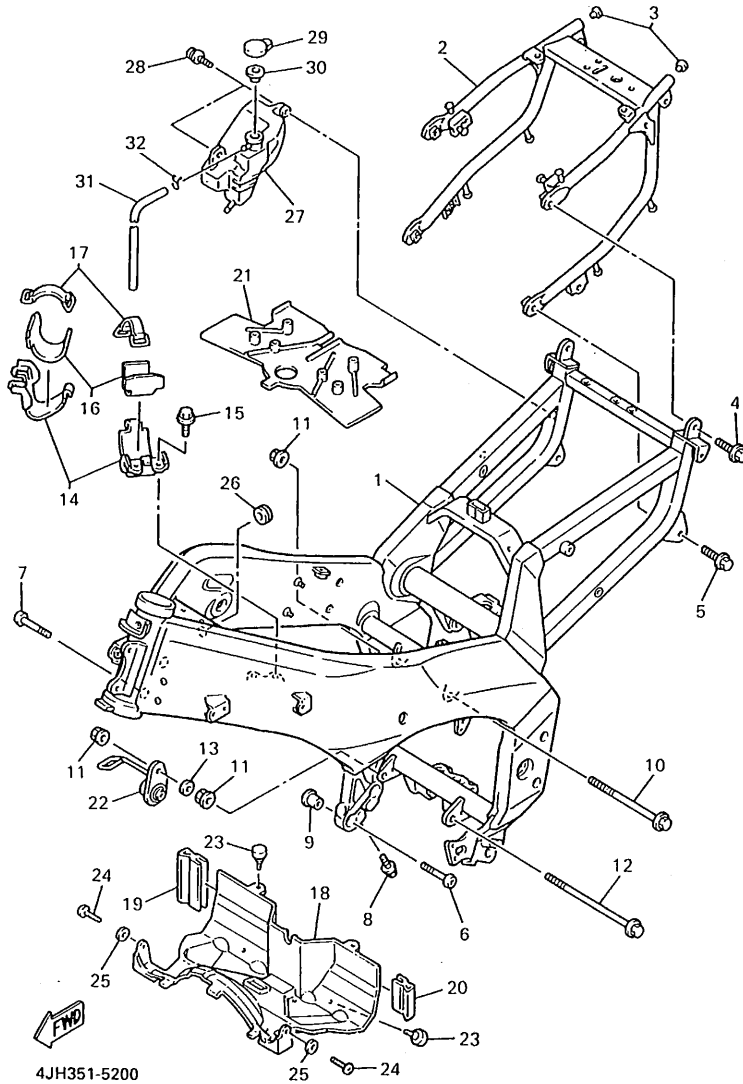
FIG. 20 SHIFT SHAFT



4JH351-4190

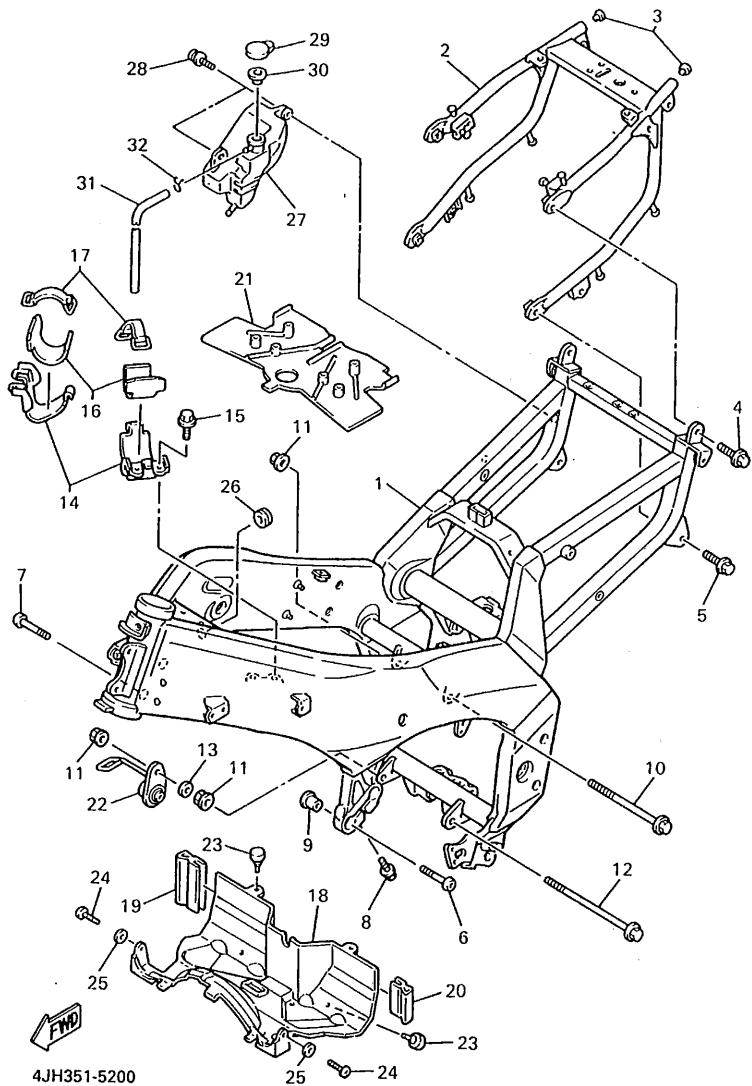
REF. NO.	PART NO.	DESCRIPTION	Q'TY	REMARKS
1	4JH-18101-00	SHIFT SHAFT ASSY	1	
2	90508-32682	.SPRING, TORSION	1	
3	93102-12106	OIL SEAL	1	
4	90560-12211	SPACER	1	
5	93109-12053	OIL SEAL (SDO 12/18/4-1)	2	
6	4JH-18110-00	SHIFT PEDAL ASSY	1	
7	2H9-18154-00	.COVER, DUST	1	
8	132-18113-01	.COVER, SHIFT PEDAL	1	
9	4JH-18130-00	SHIFT SHAFT ASSY	1	
10	2H9-18154-00	.COVER, DUST	1	
11	97027-06020	BOLT	1	
12	4JH-18115-00	ROD, SHIFT	1	
13	90170-08358	NUT	1	
14	95304-08700	NUT	1	

FIG. 21 FRAME



REF. NO.	PART NO.	DESCRIPTION	Q'TY	REMARKS
1	4JH-21110-10-T9	FRAME COMP.	1	COMPETITION SILVER
2	4FM-21645-01	STAY, REAR	1	
3	90338-16148	PLUG	2	
4	95817-08016	BOLT, FLANGE	2	
5	95817-08035	BOLT, FLANGE	2	
6	91317-10045	BOLT	2	
7	91317-10050	BOLT	2	
8	95817-10025	BOLT, FLANGE	2	
9	90387-115V8	COLLAR	2	
10	90105-10130	BOLT, WASHER BASED	1	
11	95707-10500	NUT, FLANGE	3	
12	95827-10175	BOLT, FLANGE	1	
13	90201-10774	WASHER, PLATE	1	
14	4JH-21359-00	BRACKET, COIL	2	
15	95817-06012	BOLT, FLANGE	4	
16	4JH-21488-00	DAMPER	2	
17	3TJ-82131-00	BAND, BATTERY	2	
18	4JH-2117M-00	COVER 2	1	
19	4JH-21208-00	SEAL SET, 1	1	
20	4JH-21209-00	SEAL SET, 2	1	
21	4JH-2117N-01	COVER 3	1	
22	4JH-21446-00	STAY, MUFFLER 2	1	
23	36Y-21639-00	DAMPER 2	4	
24	98507-06016	SCREW, PAN HEAD	2	
25	92907-06600	WASHER, PLATE	2	
26	90480-18171	GROMMET	1	
27	4FM-21871-00	TANK, RECOVERY	1	
28	90159-06033	SCREW, WITH WASHER	2	

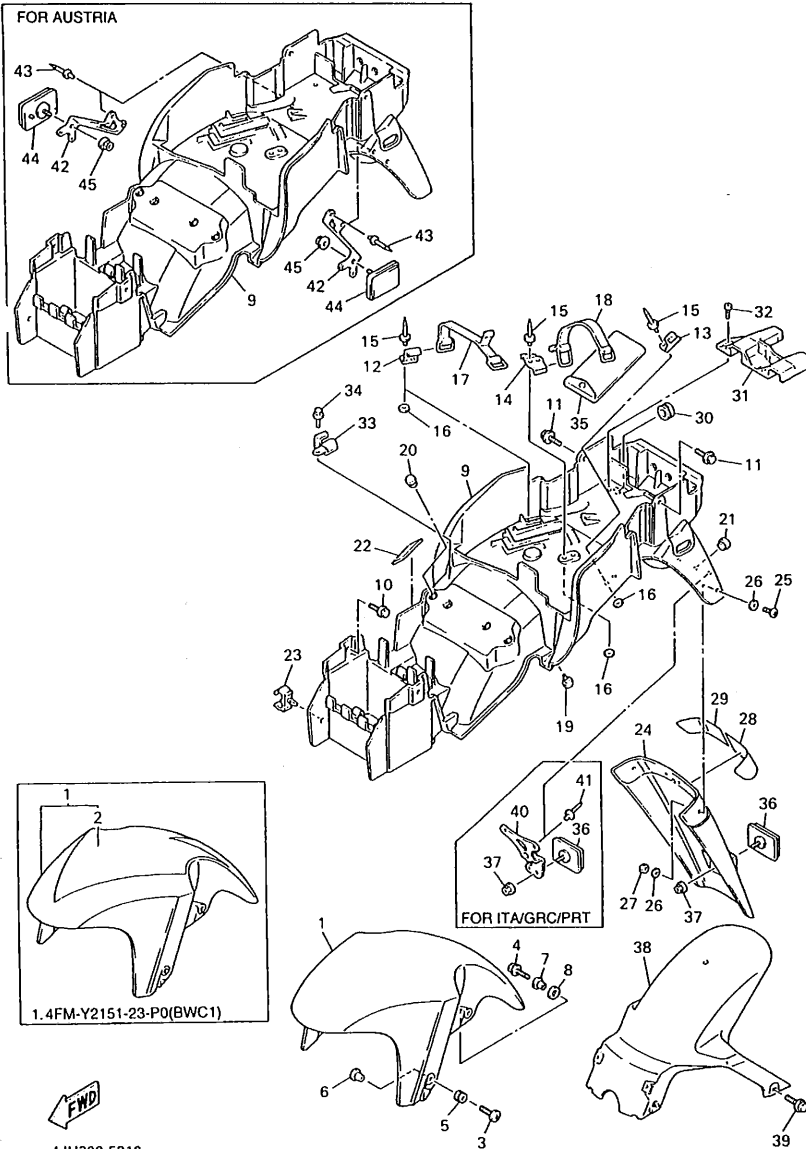
FIG. 21 FRAME



REF. NO.	PART NO.	DESCRIPTION	Q'TY	REMARKS
29	4L0-21875-00	CAP	1	
30	1AA-21874-00	GASKET	1	
31	90445-08786	HOSE	1	
32	90467-08003	CLIP	1	

D3

FIG. 22 FENDER

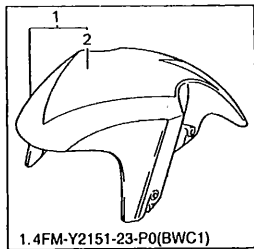
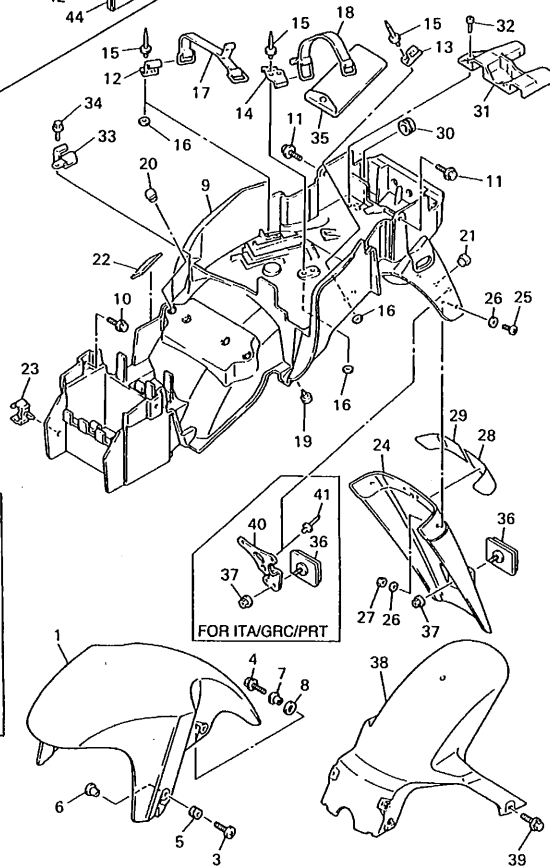
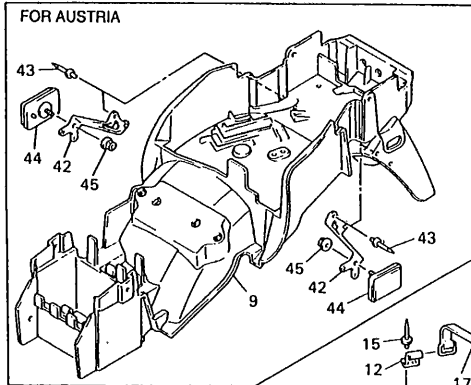


REF. NO.	PART NO.	DESCRIPTION	Q'TY	REMARKS
1	4FM-Y2151-23-P0	FENDER, FRONT	1	UR BLUISH WHITE
	4FM-21511-03-R0	FENDER, FRONT	1	COCKTAIL 1
	4FM-21511-03-4B	FENDER, FRONT	1	UR GRACEFUL MAROON UR BLACK 2
2	4JH-21569-00	GRAPHIC 1	1	FOR BWC1
3	90154-06061	SCREW, BINDING	2	
4	95807-06016	BOLT, FLANGE	2	
5	90480-12072	GROMMET	2	
6	90387-065J6	COLLAR	2	
7	90387-087L0	COLLAR	2	
8	4FM-28372-00	DAMPER	2	
9	4FM-21611-03	FENDER, REAR	1	UR
	4FM-21611-13	FENDER, REAR	1	UR FOR AUSTRIA
10	90119-06118	BOLT, WITH WASHER	2	
11	90119-06205	BOLT, WITH WASHER	2	
12	3VD-21366-00	HOOK, TOOL BAND	1	
13	1M1-21366-00	HOOK, TOOL BAND	1	
14	4JH-2161A-00	BRACKET 3	1	
15	90267-40076	RIVET, BLIND	6	
16	90201-04018	WASHER, PLATE	6	
17	4J2-82131-01	BAND, BATTERY	1	
18	36X-2811G-00	BAND	1	
19	35T-24724-00	DAMPER, SEAT	2	
20	90338-10132	PLUG	1	
21	90338-07043	PLUG	1	
22	3XV-21778-00	DAMPER, LOCATING 1	1	
23	90464-09130	CLAMP	1	
24	3GM-21621-00	FLAP	1	
25	90149-04278	SCREW	4	

4JH300-5210

D4

FIG. 22 FENDER

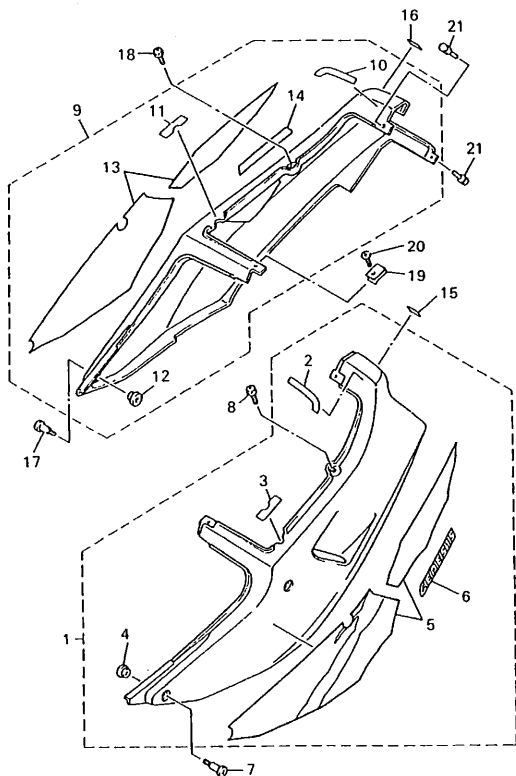
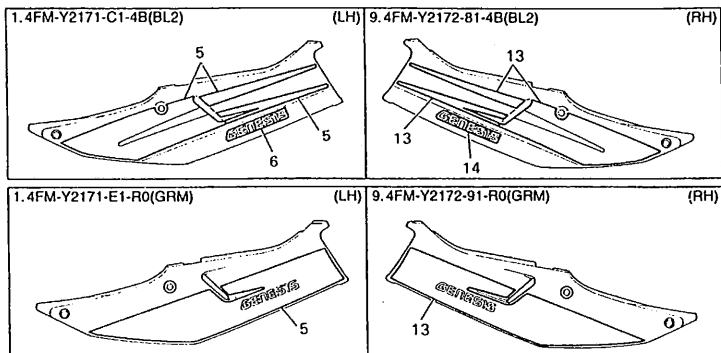


4JH300-5210

REF. NO.	PART NO.	DESCRIPTION	Q'TY	REMARKS
26	90201-04018	WASHER, PLATE	8	
27	95607-04100	NUT, U	4	
28	3GM-21649-00	DAMPER	1	
29	3GM-21649-10	DAMPER	1	
30	90480-10258	GROMMET	2	
31	4JH-2163A-00	COVER, REAR FENDER 1	1	
32	97707-60016	SCREW, TAPPING	2	
33	4JH-21366-00	HOOK, TOOL BAND	1	
34	95807-06016	BOLT, FLANGE	1	
35	1WG-28100-01	TOOL KIT	1	
36	3G1-85130-01	REAR REFLECTOR ASSY	1	
37	95707-05500	NUT, FLANGE	1	
38	4JH-21650-00	REAR FENDER COMP.	1	
39	90119-06194	BOLT, WITH WASHER	3	
40	4FM-85132-00	BRACKET, REFLECTOR 1	1	FOR ITA/GRC/PRT
41	90267-40029	RIVET, BLIND	2	FOR ITA/GRC/PRT
42	4FM-21688-00	BRACKET, REAR STAY	2	FOR AUSTRIA
43	90267-40029	RIVET, BLIND	4	FOR AUSTRIA
44	23V-85110-00	REFLECTOR ASSY	2	FOR AUSTRIA
45	95707-05500	NUT, FLANGE	2	FOR AUSTRIA

D5

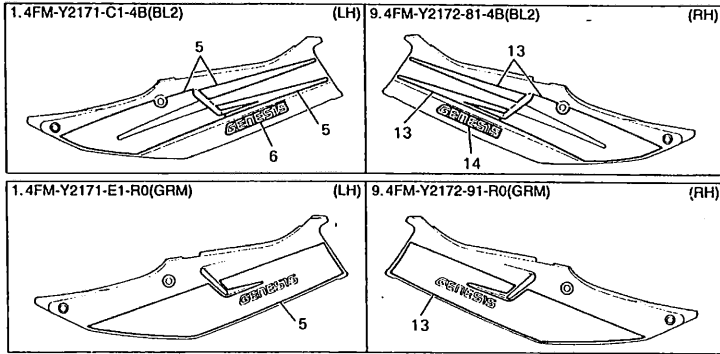
FIG. 23 SIDE COVER



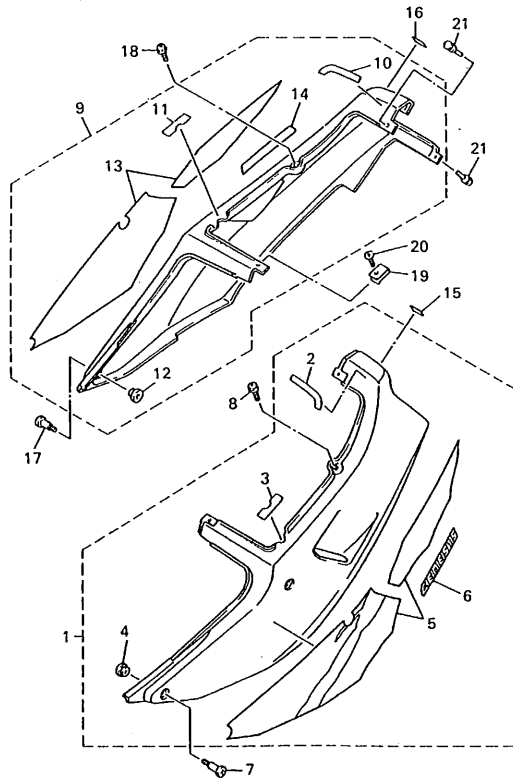
4JH351-5220

REF. NO.	PART NO.	DESCRIPTION	Q'TY	REMARKS
1	4FM-Y2171-B1-P0	COVER, SIDE 1	1	UR BLUISH WHITE
	4FM-Y2171-C1-4B	COVER, SIDE 1	1	COCKTAIL 1
	4FM-Y2171-E1-R0	COVER, SIDE 1	1	UR BLACK 2
2	3GM-21575-00	.SEAL 1	1	UR GRACEFUL
3	4FM-2173T-00	.TAPE 1	1	MAROON
4	90480-13398	.GROMMET	2	
5	4JH-2173L-20	.GRAPHIC SET 1	1	UR FOR BWC1
	4JH-2173L-30	.GRAPHIC SET 1	1	UR FOR BL2
	4JH-2173E-00	.GRAPHIC 1	1	UR FOR GRM
6	4JH-21781-10	.EMBLEM 1	1	UR FOR BWC1, BL2
7	90150-06036	SCREW, ROUND HEAD	2	
8	90159-06093	SCREW, WITH WASHER	1	
9	4FM-Y2172-71-P0	COVER, SIDE 2	1	UR BLUISH WHITE
	4FM-Y2172-81-4B	COVER, SIDE 2	1	COCKTAIL 1
	4FM-Y2172-91-R0	COVER, SIDE 2	1	UR BLACK 2
10	3GM-21576-00	.SEAL 2	1	UR GRACEFUL
11	4FM-2173T-00	.TAPE 1	1	MAROON
12	90480-13398	.GROMMET	2	
13	4JH-2174L-20	.GRAPHIC SET 2	1	UR FOR BWC1
	4JH-2174L-30	.GRAPHIC SET 2	1	UR FOR BL2
	4JH-2173F-00	.GRAPHIC 2	1	UR FOR GRM
14	4JH-21781-10	.EMBLEM 1	1	UR FOR BWC1, BL2
15	3TU-2178A-00	LABEL	1	
16	3TU-2178A-00	LABEL	1	
17	90150-06036	SCREW, ROUND HEAD	2	
18	90159-06093	SCREW, WITH WASHER	1	
19	90183-04064	NUT, SPRING	1	
20	97707-40010	SCREW, TAPPING	1	

FIG. 23 SIDE COVER



REF. NO.	PART NO.	DESCRIPTION	Q'TY	REMARKS
21	90480-04166	GROMMET	2	

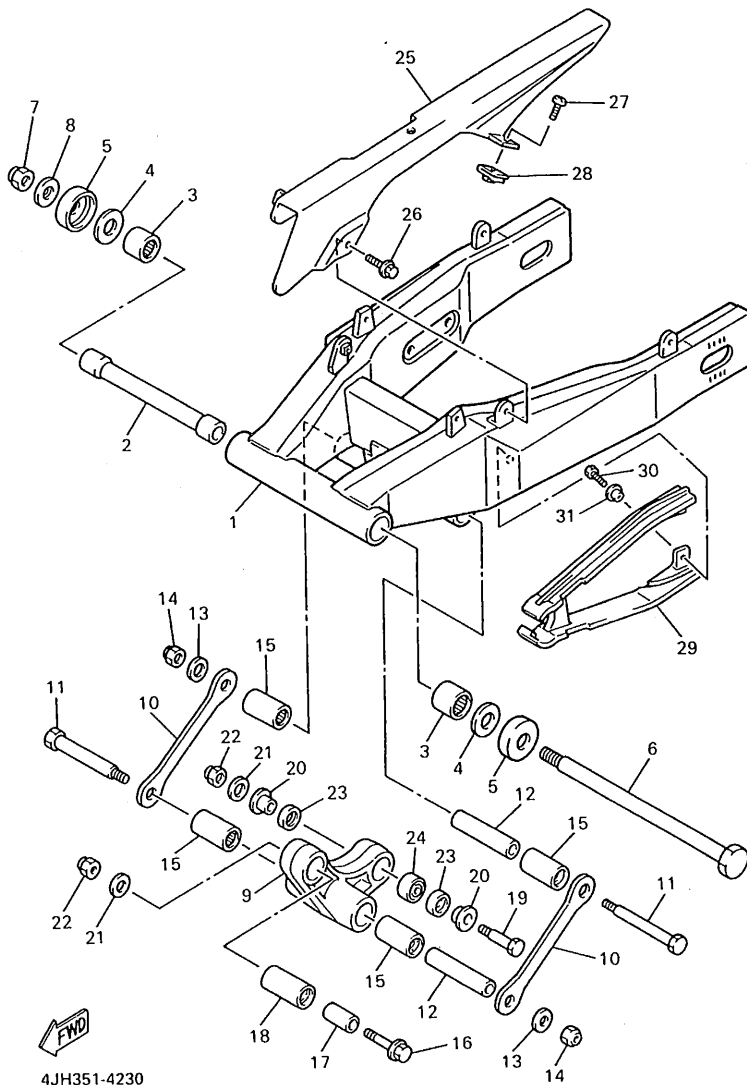


4JH351-5220

D7



FIG. 24 REAR ARM

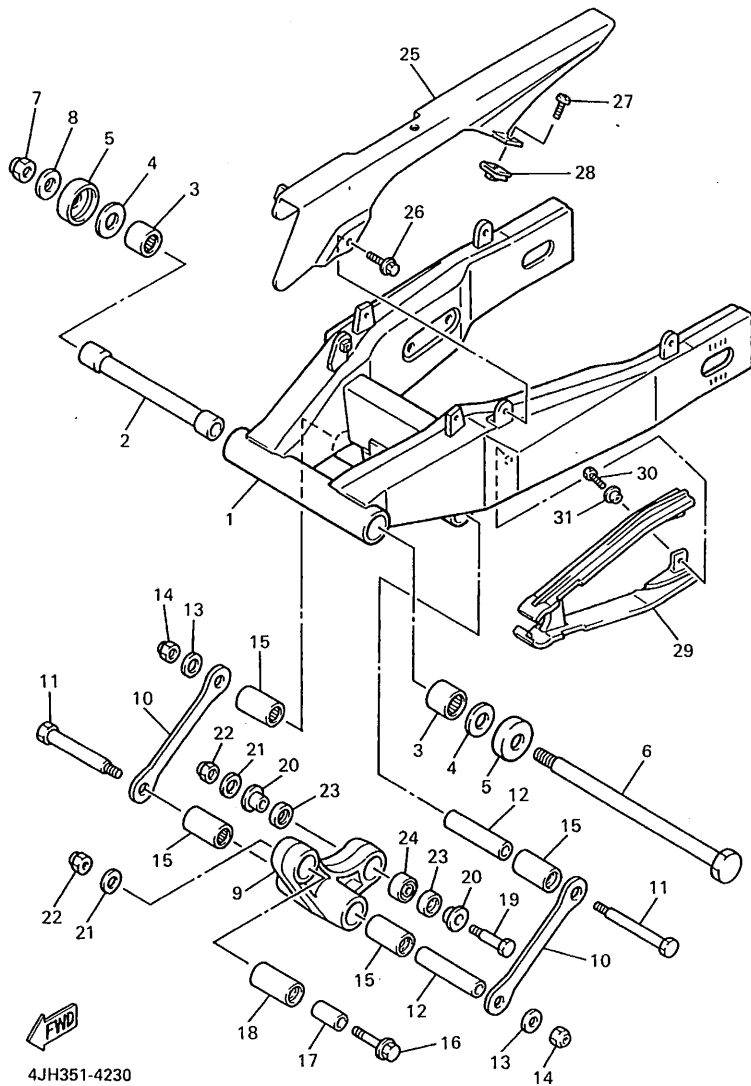


4JH351-4230

REF. NO.	PART NO.	DESCRIPTION	Q'TY	REMARKS
1	4JH-22110-00-T9	REAR ARM COMP.	1	COMPETITION SILVER
2	47X-22184-00	BUSH	1	
3	93320-32403	BEARING	2	
4	90201-161J3	WASHER, PLATE	2	
5	4X7-22129-00	COVER, THRUST 2	2	
6	1UY-22141-00	SHAFT, PIVOT	1	
7	90185-16127	NUT, SELF-LOCKING	1	
8	90201-160F6	WASHER, PLATE	1	
9	3GM-2217A-00	ARM, RELAY	1	
10	3GM-2217M-00	ARM 1	2	
11	90101-12673	BOLT	2	
12	90387-126T1	COLLAR	2	
13	90201-126A7	WASHER, PLATE	2	
14	95617-12100	NUT, U	2	
15	93317-41761	BEARING, CYLINDRICAL	4	
16	90105-10727	BOLT, WASHER BASED	1	
17	90387-100T8	COLLAR	1	
18	93317-42060	BEARING, CYLINDRICAL	1	
19	90101-10659	BOLT	1	
20	90387-124W2	COLLAR	2	
21	90201-101J1	WASHER, PLATE	2	
22	95607-10100	NUT, U	2	
23	93101-16131	OIL SEAL	2	
24	93399-99919	BEARING	1	
25	4JH-22311-00	CASE, CHAIN	1	
26	90119-06194	BOLT, WITH WASHER	1	
27	90154-05013	SCREW, BINDING	2	
28	90183-05024	NUT, SPRING	2	

D8

FIG. 24 REAR ARM



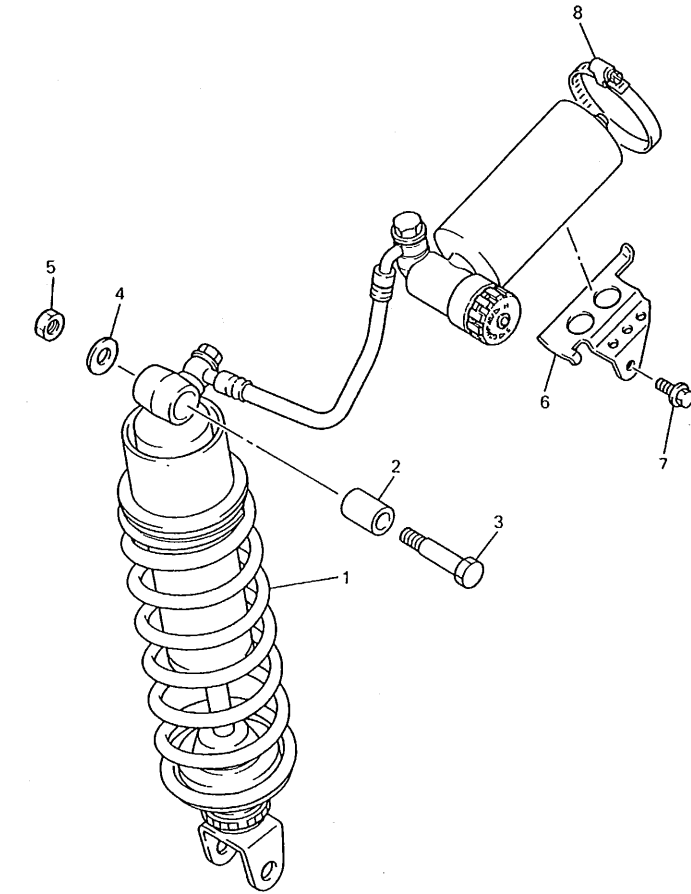
REF. NO.	PART NO.	DESCRIPTION	Q'TY	REMARKS
29	4JH-22151-00	SEAL, GUARD	1	
30	97007-06014	BOLT	2	
31	90387-062M9	COLLAR	2	

  
4JH351-4230

**D9**

FIG. 25 REAR SUSPENSION

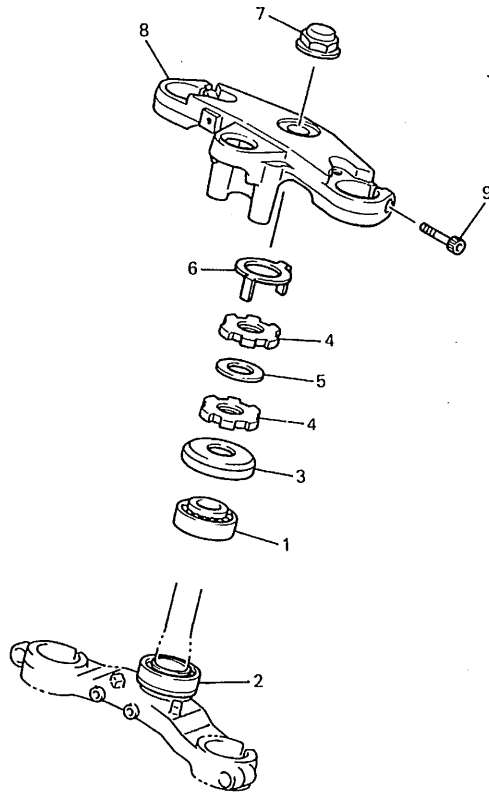
REF. NO.	PART NO.	DESCRIPTION	Q'TY	REMARKS
1	4JH-22210-30	SHOCK ABSORBER ASSY, REAR	1	
2	90387-124T2	COLLAR	1	
3	90109-10554	BOLT	1	
4	90201-101J1	WASHER, PLATE	1	
5	95607-10100	NUT, U	1	
6	4FM-22262-00	HOLDER, SUB TANK	1	
7	95807-06016	BOLT, FLANGE	1	
8	90450-32008	HOSE CLAMP ASSY	1	



4JH351-5240

FIG. 26 STEERING

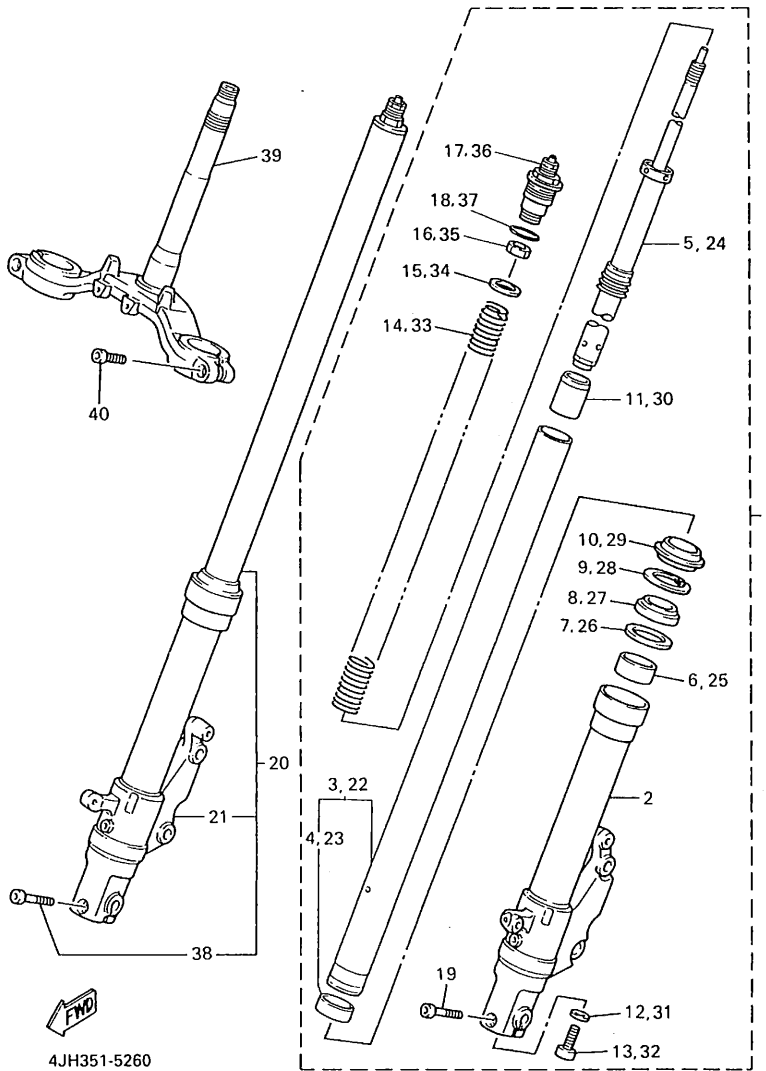
REF. NO.	PART NO.	DESCRIPTION	Q'TY	REMARKS
1	93332-00001	BEARING	1	
2	93332-00008	BEARING	1	
3	3HE-23416-00	COVER, BALL RACE 2	1	
4	90179-25033	NUT	2	
5	90202-26142	WASHER, PLATE	1	
6	26H-23418-01	WASHER, SPECIAL	1	
7	90176-22050	NUT, CROWN	1	
8	4JH-23435-00	CROWN, HANDLE	1	
9	91317-08030	BOLT	2	



4JH351-4250

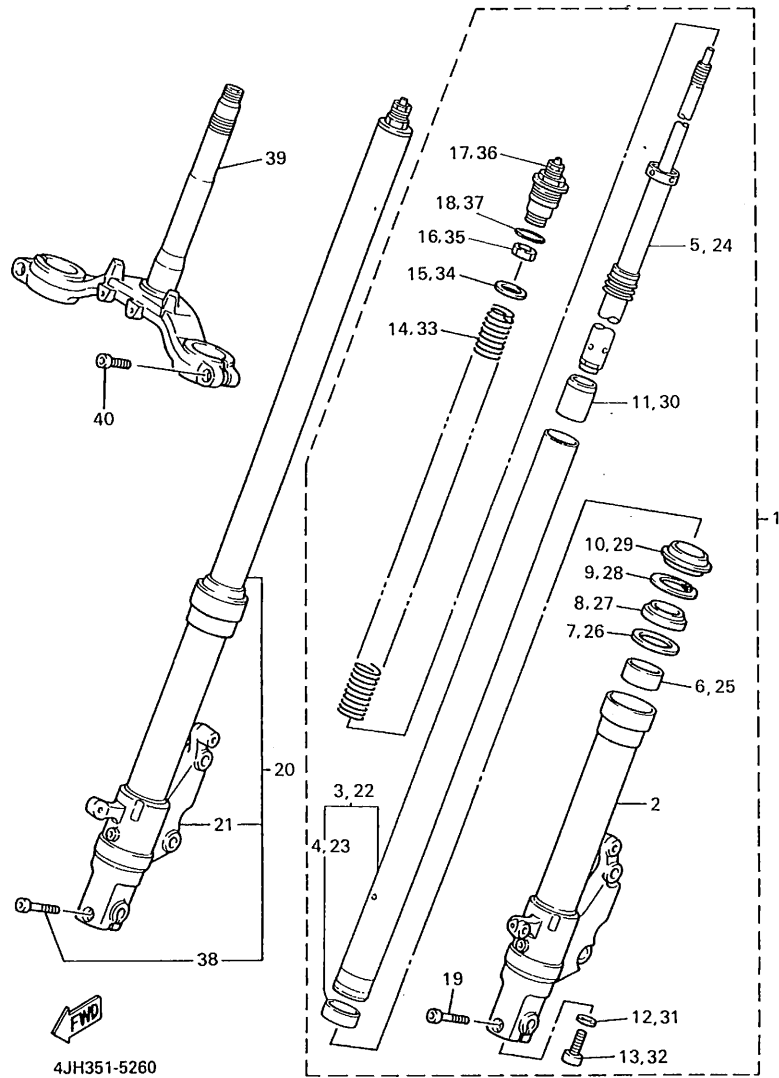
**D11**

FIG. 27 FRONT FORK



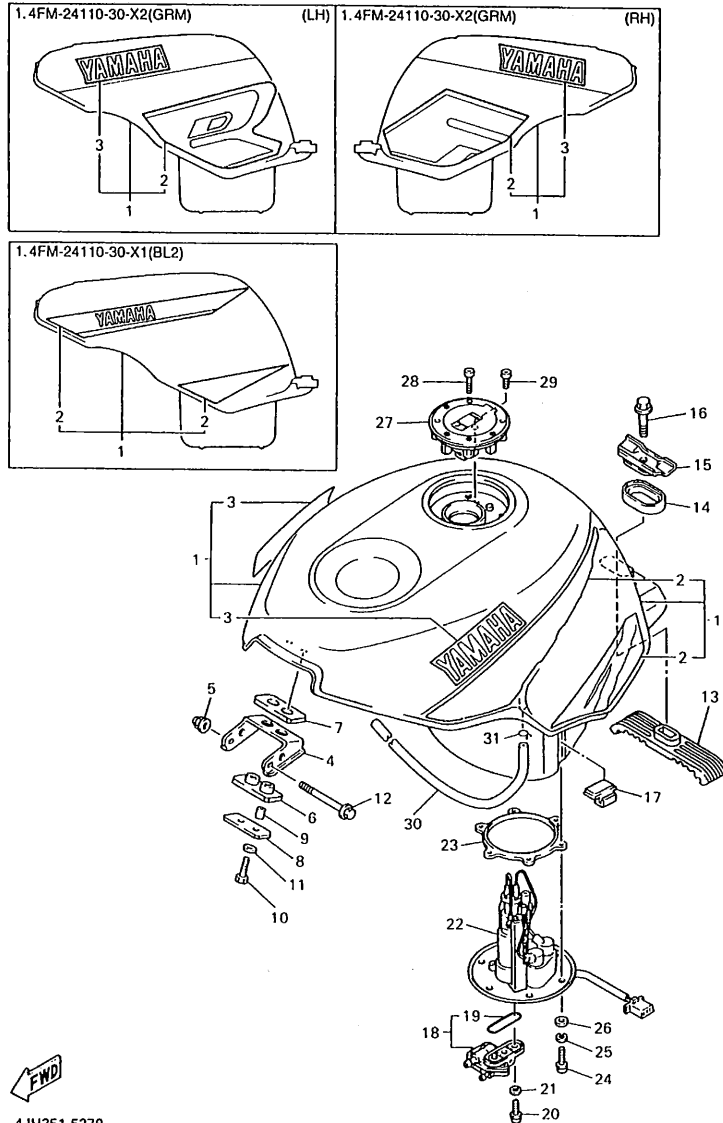
REF. NO.	PART NO.	DESCRIPTION	Q'TY	REMARKS
1	4JH-23102-10	FRONT FORK ASSY (L.H)	1	
2	4JH-23126-10	•TUBE, OUTER (LEFT)	1	
3	4JH-23110-10	•INNER TUBE COMP.1	1	
4	3JD-23171-L0	•PISTON, FRONT FORK	1	
5	4JH-23170-10	•CYLINDER COMP., FRONT FORK	1	
6	3GM-23125-50	•METAL, SLIDE 1	1	
7	36Y-23146-10	•WASHER, OIL SEAL	1	
8	3SP-23145-L0	•OIL SEAL	1	
9	26H-23156-00	•CLIP, OIL SEAL	1	
10	3XV-23144-50	•SEAL, DUST	1	
11	3LC-23173-00	•SPINDLE, TAPER	1	
12	2K8-23158-L0	•GASKET	1	
13	3LC-23181-00	•BOLT, HEXAGON SOCKET HEAD	1	
14	4JH-23141-10	•SPRING, FRONT FORK	1	
15	3LC-23149-00	•WASHER, SPRING UPPER	1	
16	3LC-23357-00	•NUT	1	
17	4JH-23111-10	•BOLT, CAP	1	
18	43F-23188-10	•O-RING	1	
19	91314-10045	•BOLT	1	
20	4JH-23103-10	FRONT FORK ASSY (R.H)	1	
21	4JH-23136-10	•TUBE, OUTER (RIGHT)	1	
22	4JH-23110-10	•INNER TUBE COMP.1	1	
23	3JD-23171-L0	•PISTON, FRONT FORK	1	
24	4JH-23170-10	•CYLINDER COMP., FRONT FORK	1	
25	3GM-23125-50	•METAL, SLIDE 1	1	
26	36Y-23146-10	•WASHER, OIL SEAL	1	
27	3SP-23145-L0	•OIL SEAL	1	
28	26H-23156-00	•CLIP, OIL SEAL	1	

FIG. 27 FRONT FORK



REF. NO.	PART NO.	DESCRIPTION	Q'TY	REMARKS
29	3XV-23144-50	•SEAL, DUST	1	
30	3LC-23173-00	•SPINDLE, TAPER	1	
31	2K8-23158-L0	•GASKET	1	
32	3LC-23181-00	•BOLT, HEXAGON SOCKET HEAD	1	
33	4JH-23141-10	•SPRING, FRONT FORK	1	
34	3LC-23149-00	•WASHER, SPRING UPPER	1	
35	3LC-23357-00	•NUT	1	
36	4JH-23111-10	•BOLT, CAP	1	
37	43F-23188-10	•O-RING	1	
38	91314-10045	•BOLT	1	
39	4JH-23340-00	UNDER BRACKET COMP.	1	
40	91314-12030	BOLT	2	

FIG. 28 FUEL TANK

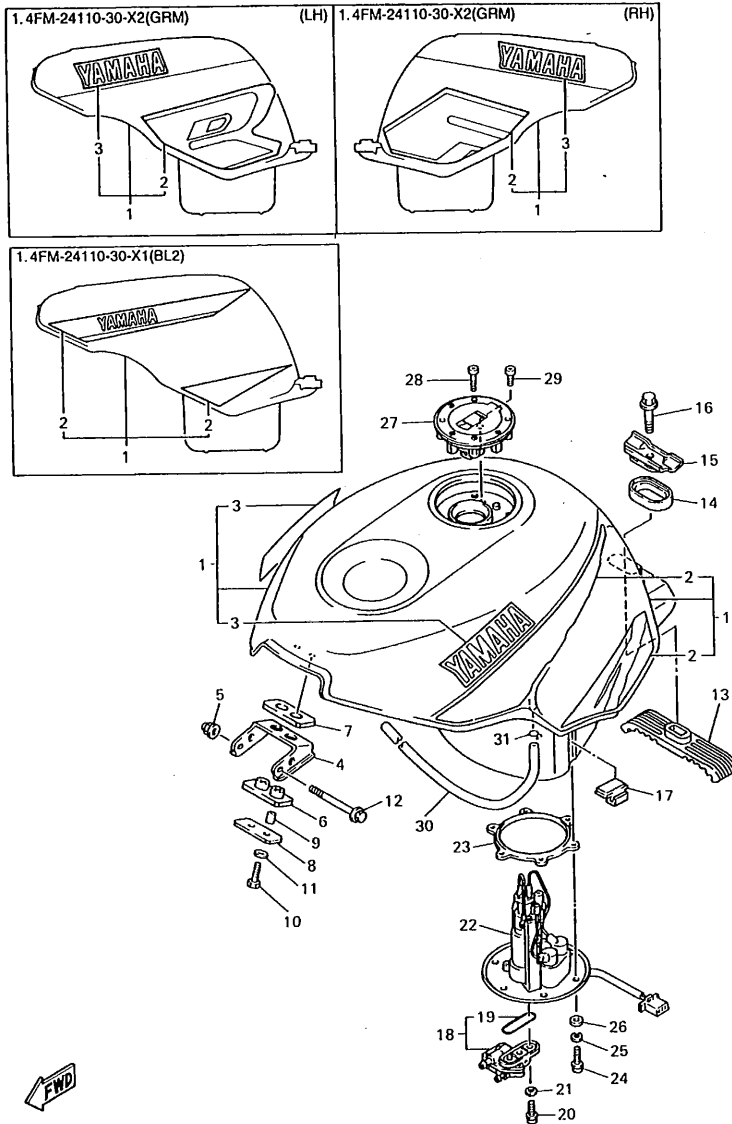


REF. NO.	PART NO.	DESCRIPTION	Q'TY	REMARKS
1	4FM-24110-30-X1	FUEL TANK COMP.	1	UR BLACK 2
	4FM-24110-30-X2	FUEL TANK COMP	1	UR GRACEFUL MAROON/VERY DARK MAGENTA COCKTAIL 1
	4FM-24110-30-09	FUEL TANK COMP.	1	UR BLUISHWHITE COCKTAIL 1/ VERY DARK VIOLET COCKTAIL 2
2	4JH-24240-20	•GRAPHIC SET	1	UR FOR BWC1
	4JH-24240-30	•GRAPHIC SET	1	UR FOR BL 2
	4JH-24240-40	•GRAPHIC SET	1	UR FOR GRM
3	99226-00160	•EMBLEM, YAMAHA	2	UR FOR BWC1
	99227-00160	•EMBLEM, YAMAHA	2	UR FOR GRM
4	4FM-24191-00	BRACKET, FUEL TANK 1	1	
5	90176-06055	NUT, CROWN	1	
6	2GH-24181-00	DAMPER, LOCATING 1	1	
7	2GH-24183-00	DAMPER, LOCATING 3	1	
8	2GH-24186-00	WASHER, SPECIAL	1	
9	90387-06299	COLLAR	2	
10	97007-06025	BOLT	2	
11	92907-06600	WASHER, PLATE	2	
12	95817-06075	BOLT, FLANGE	1	
13	33M-24182-01	DAMPER, LOCATING 2	1	
14	3Y6-24183-00	DAMPER, LOCATING 3	1	
15	4FM-24187-00	WASHER, SPECIAL	1	
16	95817-08035	BOLT, FLANGE	1	
17	4JH-24183-00	DAMPER, LOCATING 3	2	
18	3FV-24500-01	FUEL COCK ASSY 1	1	
19	4X8-24512-00	•O-RING	1	
20	90149-06008	SCREW	2	
21	90202-05187	WASHER, PLATE	2	
22	4FM-13910-00	FUEL PUMP ASSY	1	
23	4FM-2414G-00	SEAL	1	



4JH351-5270

FIG. 28 FUEL TANK



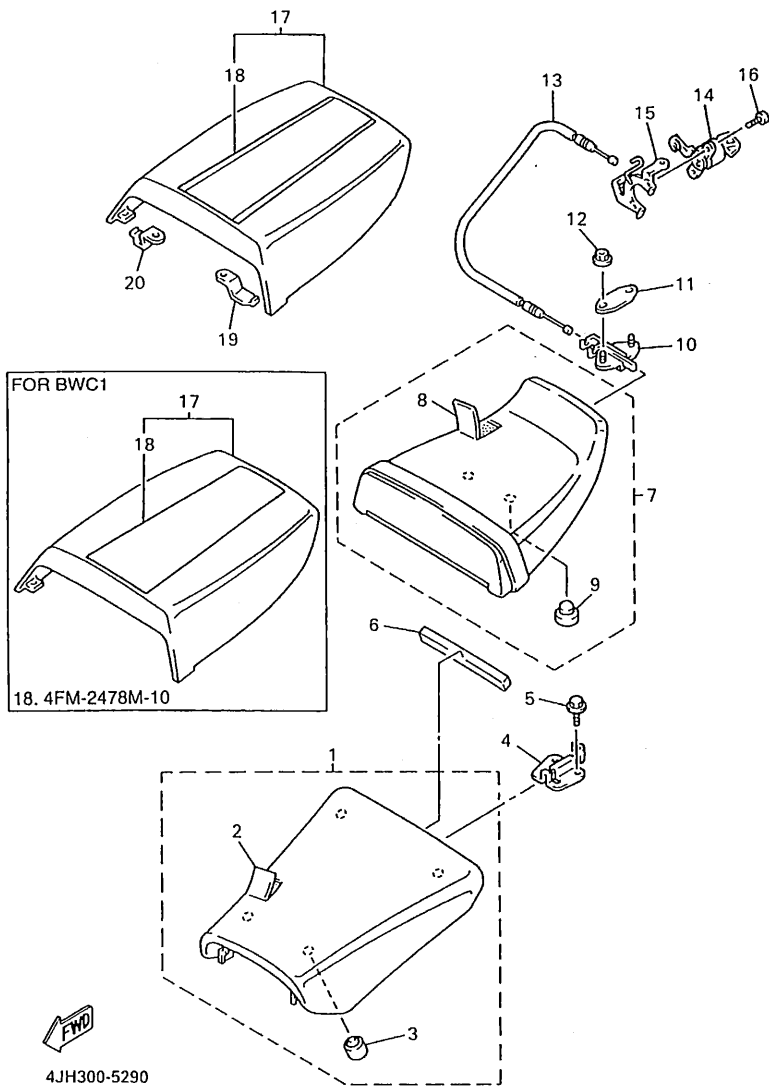
REF. NO.	PART NO.	DESCRIPTION	Q'TY	REMARKS
24	98507-05016	SCREW, PAN HEAD	6	
25	92907-05100	WASHER, SPRING	6	
26	92907-05600	WASHER, PLATE	6	
27	4FM-24602-00	CAP ASSY	1	
28	90110-05112	BOLT, HEXAGON SOCKET HEAD	3	
29	91317-05010	BOLT	1	
30	90445-107H3	HOSE	1	
31	90467-09006	CLIP	1	



4JH351-5270



FIG. 29 SEAT

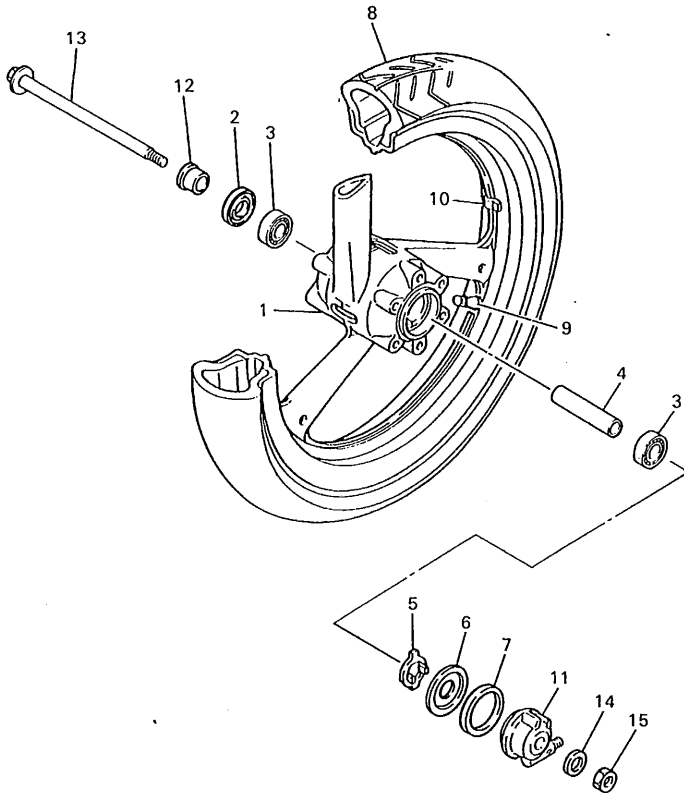


REF. NO.	PART NO.	DESCRIPTION	Q'TY	REMARKS
1	4JH-24710-00	SINGLE SEAT ASSY	1	
2	4JH-24711-00	.COVER, SINGLE SEAT	1	
3	278-27114-00	.STOPPER, MAIN STAND	4	
4	4FM-24780-00	SEAT LOCK ASSY	1	
5	95807-06016	BOLT, FLANGE	2	
6	88T-77198-00	DAMPER 1	1	
7	4FM-24750-00	TANDEM SEAT ASSY	1	
8	4FM-24751-00	.COVER, TANDEM SEAT	1	
9	509-24724-00	.DAMPER, SEAT	2	
10	4BP-24780-00	SEAT LOCK ASSY	1	
11	4BP-24792-00	PLATE	1	
12	95707-06500	NUT, FLANGE	2	
13	4FM-2478E-01	CABLE, SEAT LOCK	1	
14	3CK-W2470-00	SEAT LOCK ASSY	1	
15	4FM-2117K-00	LINING, SIDE COVER 2	1	
16	90149-06308	SCREW	2	
17	4FM-Y2479-60-P0	COVER, SEAT	1	UR BLUISH WHITE
	4FM-Y2479-70-4B	COVER, SEAT	1	COCKTAIL 1
	4FM-24791-00-R0	COVER, SEAT	1	UR BLACK 2
* 18	4FM-2478M-10	.GRAPHIC, SEAT	1	UR GRACEFUL
	4JH-2478M-20	.GRAPHIC, SEAT	1	MAROON
				UR FOR BWC1
19	4FM-2475J-00	BRACKET, SEAT LEVER 2	1	
20	4FM-2475H-00	BRACKET, SEAT LEVER 1	1	



4JH300-5290

FIG. 30 FRONT WHEEL



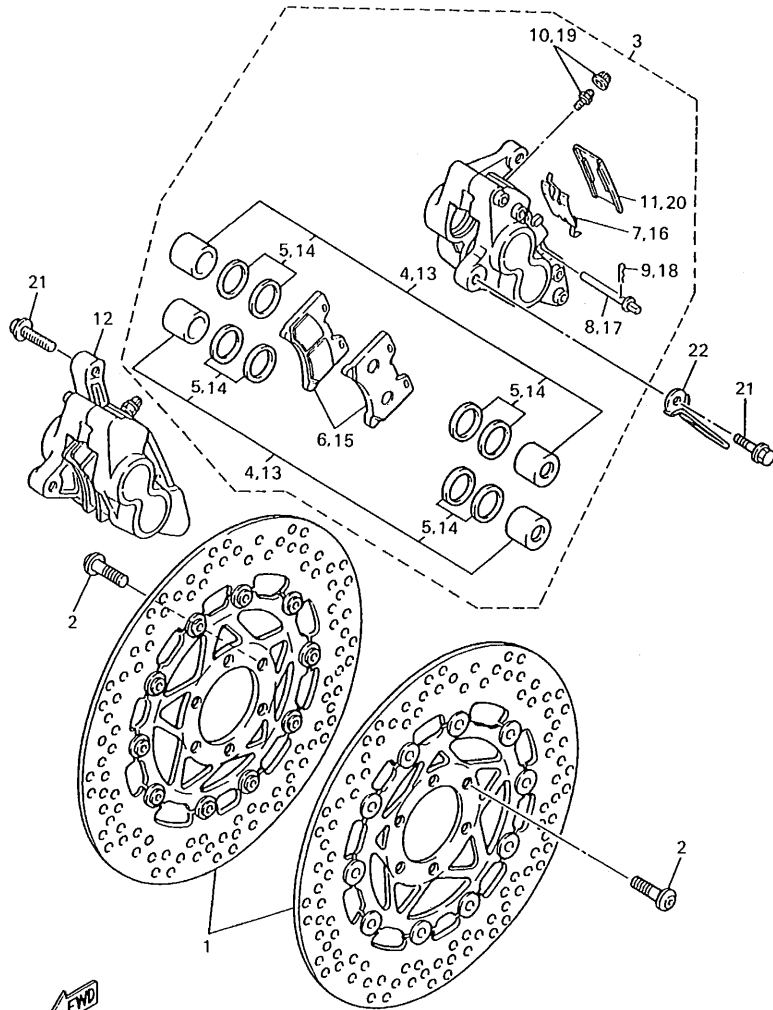
REF. NO.	PART NO.	DESCRIPTION	Q'TY	REMARKS
1	3TJ-25168-00-P1	CAST WHEEL, FRONT	1	UR DULL BLUE METALLIC 2 FOR BL2 UR BLUIISH BLACK 2 FOR BWC1, GRM
	3TJ-25168-00-7B	CAST WHEEL, FRONT	1	
2	93102-23252	OIL SEAL	1	
3	93306-20314	BEARING (B6203)	2	
4	90560-17358	SPACER	1	
5	341-25149-00	CLUTCH, METER	1	
6	341-25846-00	RETAINER, CLUTCH	1	
7	93105-45017	OIL SEAL	1	
8	94112-1703C	TIRE (120/60ZR17 D202F)	1	UR DUNLOP
	*	TIRE (120/60ZR17 ME Z1)	1	UR LM METZELER FOR BEL/FIN/DNK
9	93900-00030	VALVE, RIM	1	
10	29L-25398-00	BALANCER, WHEEL (10G)	1	UR
	29L-25398-10	BALANCER, WHEEL (20G)	1	UR
	29L-25398-20	BALANCER, WHEEL (30G)	1	UR
11	4HM-25190-00	GEAR UNIT ASSY	1	
12	90387-177V5	COLLAR	1	
13	4JH-25181-00	AXLE, WHEEL	1	
14	92907-14200	WASHER, PLAIN	1	
15	90170-14349	NUT	1	



4JH351-4290

E3

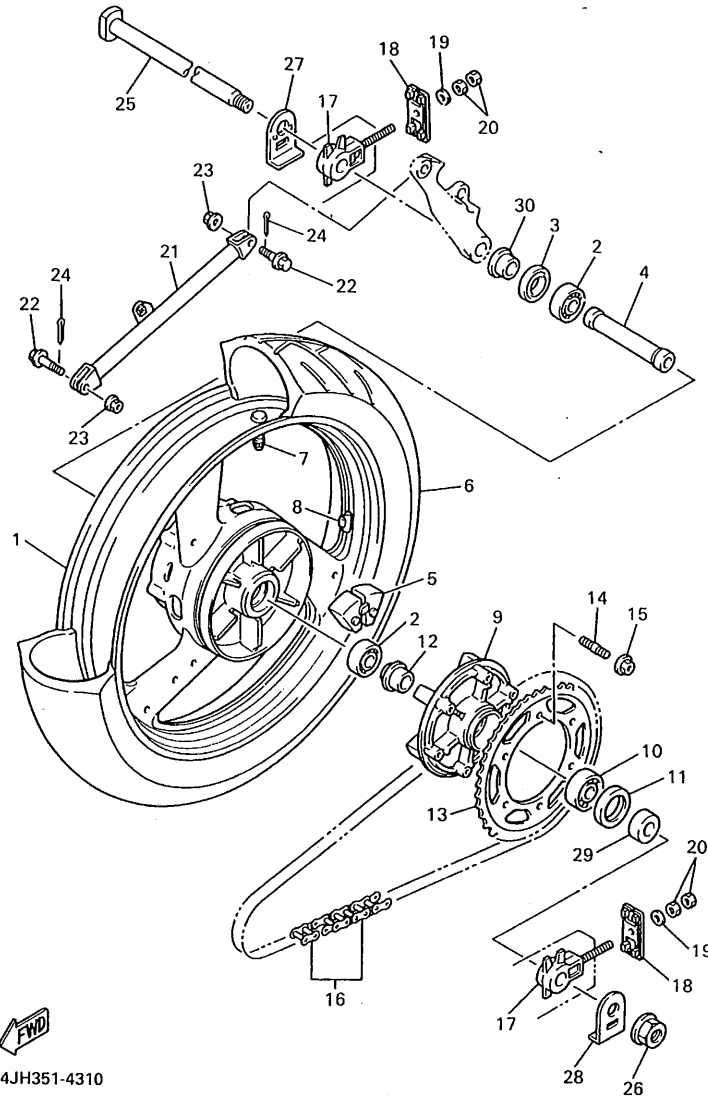
FIG. 31 FRONT BRAKE CALIPER



REF. NO.	PART NO.	DESCRIPTION	Q'TY	REMARKS
1	4HM-2581T-00	DISC BRAKE ASSY	2	
2	90109-08718	BOLT	12	
3	3HE-2580T-60	CALIPER ASSY (LEFT)	1	
4	3HE-W0057-50	•PISTON ASSY, CALIPER	2	
5	3HE-W0047-50	••CALIPER SEAL KIT	2	
6	3GM-W0045-02	•BRAKE PAD KIT	1	
7	3GM-25919-00	•SUPPORT, PAD	1	
8	3HE-25924-00	•PIN, PAD	2	
9	3GM-25925-00	•CLIP	2	
10	1J3-W0048-00	•BREED SCREW KIT	1	
11	1KT-25836-00	•COVER, DUST	1	
12	3HE-2580U-60	CALIPER ASSY (RIGHT)	1	
13	3HE-W0057-50	•PISTON ASSY, CALIPER	2	
14	3HE-W0047-50	••CALIPER SEAL KIT	2	
15	3GM-W0045-02	•BRAKE PAD KIT	1	
16	3GM-25919-00	•SUPPORT, PAD	1	
17	3HE-25924-00	•PIN, PAD	2	
18	3GM-25925-00	•CLIP	2	
19	1J3-W0048-00	•BREED SCREW KIT	1	
20	1KT-25836-00	•COVER, DUST	1	
21	90105-10638	BOLT, WASHER BASED	4	
22	4FM-21596-00	HOLDER	1	

4JH351-4300

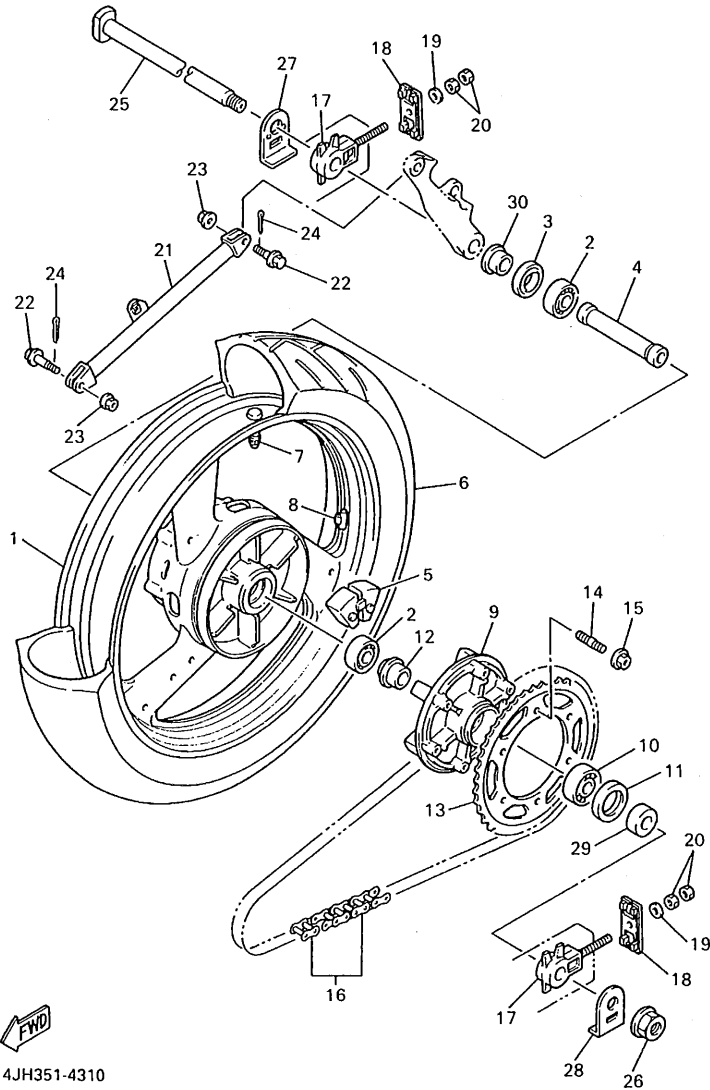
FIG. 32 REAR WHEEL



4JH351-4310

REF. NO.	PART NO.	DESCRIPTION	Q'TY	REMARKS
1	4JH-25338-00-P1	CAST WHEEL, REAR	1	UR DULL BLUE METALLIC 2 FOR BL2 UR BLUIISH BLACK 2 FOR BWC1, GRM
	4JH-25338-00-7B	CAST WHEEL, REAR	1	
2	93306-20469	BEARING	2	
3	93102-28022	OIL SEAL	1	
4	90387-2004F	COLLAR	1	
5	4FM-25364-00	DAMPER	6	
6	*	TIRE (160/60ZR17 ME Z1)	1	UR LM METZELER FOR BEL/FIN/DNK UR DUNLOP
	94116-1703G	TIRE (160/60ZR17 D202)	1	
7	93900-00030	VALVE, RIM	1	
8	29L-25398-00	BALANCER, WHEEL (10G)	1	UR
	29L-25398-10	BALANCER, WHEEL (20G)	1	UR
	29L-25398-20	BALANCER, WHEEL (30G)	1	UR
9	4FM-25366-00	CLUTCH, HUB	1	
10	93306-20644	BEARING	1	
11	93102-40211	OIL SEAL	1	
12	90387-2004E	COLLAR	1	
13	4JH-25447-00	SPROCKET, DRIVEN (47T)	1	
14	90116-10575	BOLT, STUD	6	
15	95617-10200	NUT, SELF-LOCKING	6	
16	94581-59108	CHAIN (DID50VA7-108LE)	1	
17	3XW-25388-00	PULLER, CHAIN 1	2	
18	4JH-22174-00	END 1	2	
19	92907-08600	WASHER, PLATE	2	
20	95307-08600	NUT	4	
21	4JH-25371-00	BAR, TENSION	1	
22	90105-08321	BOLT, WASHER BASED	2	
23	95707-08500	NUT, FLANGE	2	
24	91490-20020	PIN, COTTER	2	

FIG. 32 REAR WHEEL



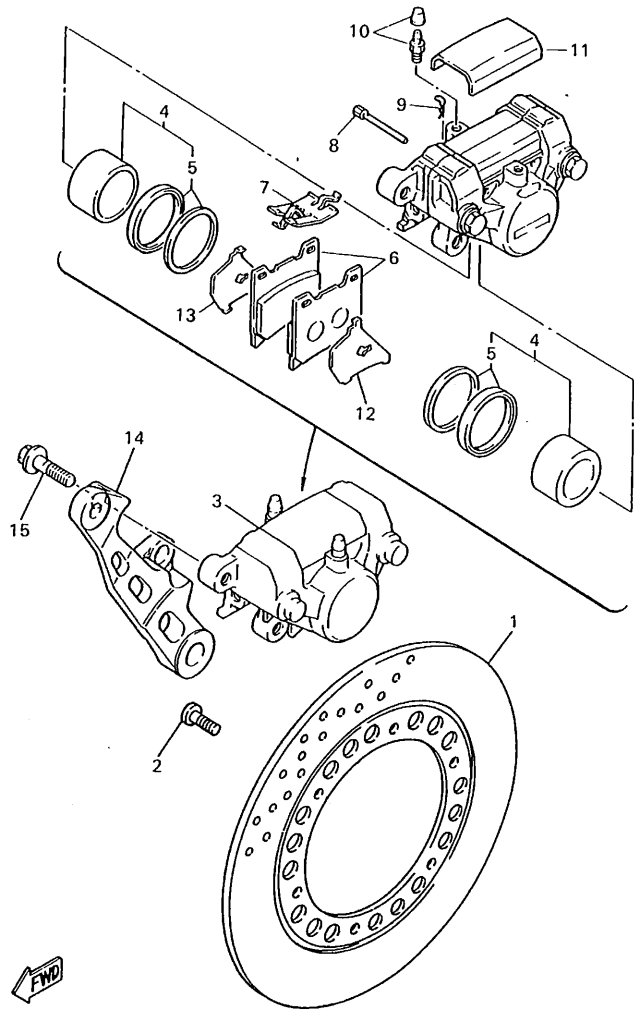
REF. NO.	PART NO.	DESCRIPTION	Q'TY	REMARKS
25	3GM-25381-A0	AXLE, WHEEL	1	
26	95607-18200	NUT, SELF-LOCKING	1	
27	4JH-25384-02	WASHER, WHEEL	1	
28	4JH-25384-11	WASHER, WHEEL	1	
29	90387-2004C	COLLAR	1	
30	90387-2004D	COLLAR	1	

FWD

4JH351-4310

E6

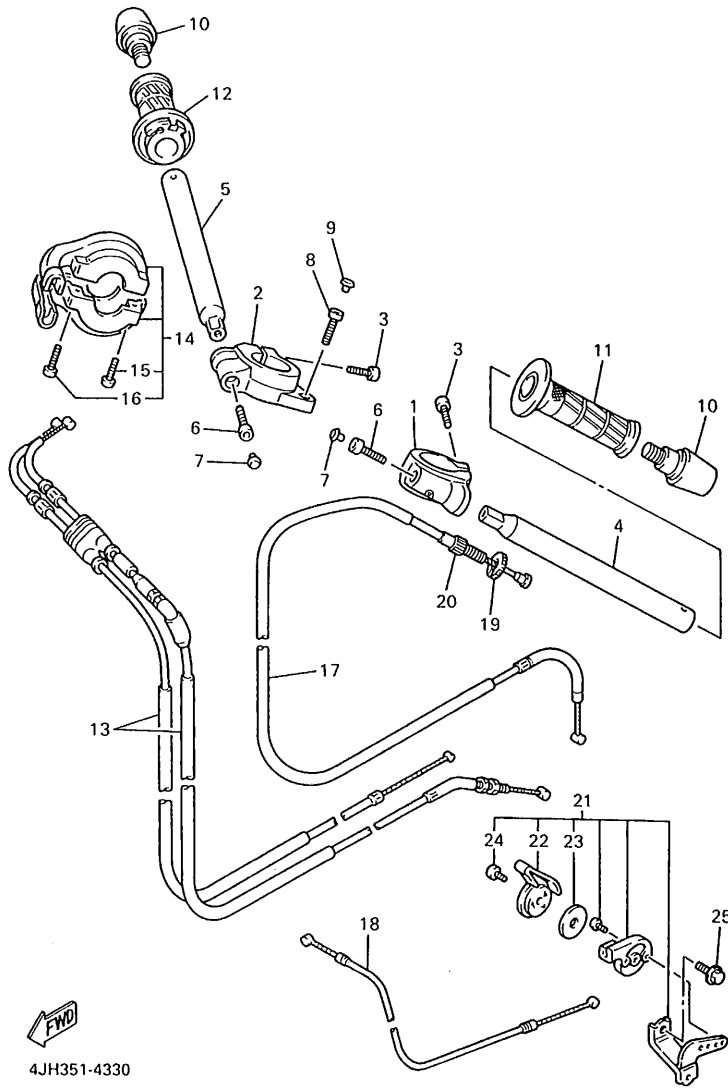
FIG. 33 REAR BRAKE CALIPER



4JH351-4320

REF. NO.	PART NO.	DESCRIPTION	Q'TY	REMARKS
1	4JH-2582W-00	DISC, REAR BRAKE 2	1	
2	90109-081F0	BOLT	6	
3	3HE-2580W-10	CALIPER ASSY, REAR 2	1	
4	31A-W0057-00	PISTON ASSY, CALIPER	1	
5	31A-W0047-00	CALIPER SEAL KIT	1	
6	1FK-W0046-02	BRAKE PAD KIT 2	1	
7	29L-25919-A0	SUPPORT, PAD	1	
8	3HE-25924-00	PIN, PAD	2	
9	3HE-25925-00	CLIP	2	
10	1J3-W0048-00	BREED SCREW KIT	2	
11	42H-25836-00	COVER, DUST	1	
12	1FK-25827-00	SHIM, CALIPER	1	
13	1FK-25828-00	SHIM, CALIPER	1	
14	4JH-25819-00	BRACKET, CALIPER	1	
15	90105-10638	BOLT, WASHER BASED	2	

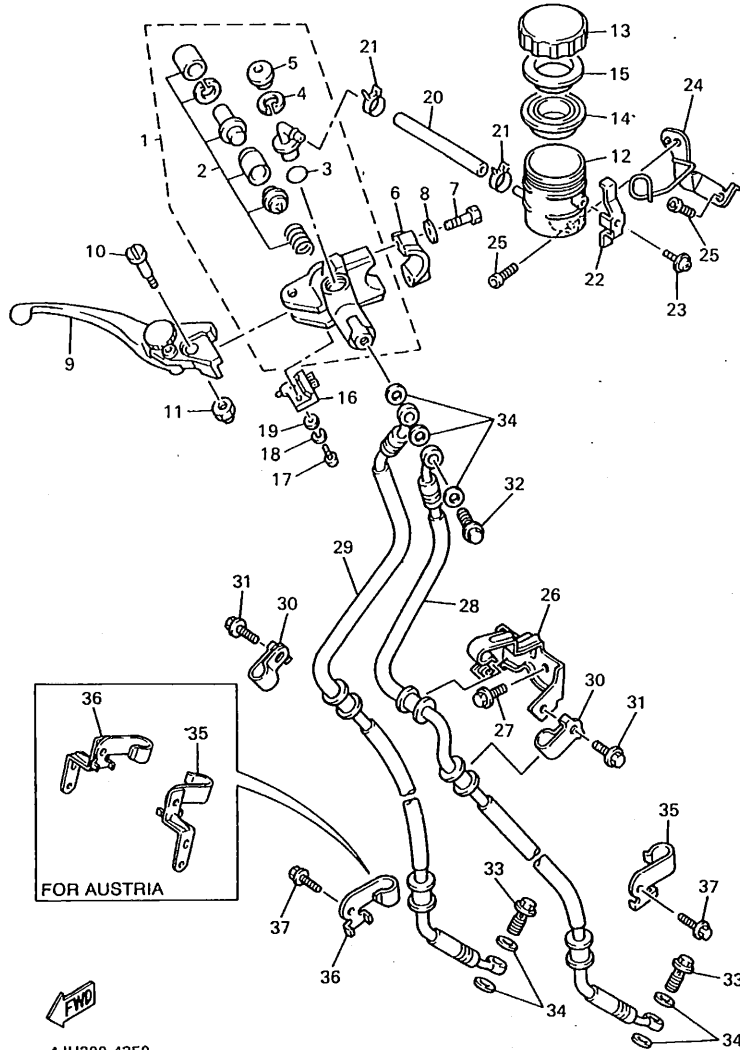
FIG. 34 STEERING HANDLE • CABLE



4JH351-4330

REF. NO.	PART NO.	DESCRIPTION	Q'TY	REMARKS
1	4JH-26121-00	BOSS, HANDLEBAR (L.H)	1	
2	4JH-26122-00	BOSS, HANDLEBAR (R.H)	1	
3	91317-06020	BOLT	4	
4	4JH-26111-00	BAR, HANDLE (L.H)	1	
5	4JH-26112-00	BAR, HANDLE (R.H)	1	
6	91317-08025	BOLT	2	
7	341-23469-00	CAP, BOLT	2	
8	91317-06025	BOLT	2	
9	10L-23469-00	CAP, BOLT	2	
10	36Y-26246-00	END, GRIP	2	
11	4FM-26241-00	GRIP (LEFT)	1	
12	4JD-26240-00	GRIP ASSY	1	
13	4JH-26302-00	THROTTLE CABLE ASSY	1	
14	3LN-26270-01	CABLE CONNECTOR CAP ASSY	1	
15	98507-05020	•SCREW, PAN HEAD	1	
16	98507-05025	•SCREW, PAN HEAD	1	
17	4JH-26335-00	CABLE, CLUTCH	1	
18	4JH-26331-00	CABLE, STARTER 1	1	
19	90179-08148	NUT	1	
20	90123-08046	BOLT	1	
21	4JH-83940-00	STARTER ASSY	1	
22	1WG-83941-00	•LEVER, STARTER	1	
23	90209-10131	•WASHER	1	
24	98907-06008	•SCREW, BIND	1	
25	95807-06010	BOLT, FLANGE	1	

FIG. 35 FRONT MASTER CYLINDER

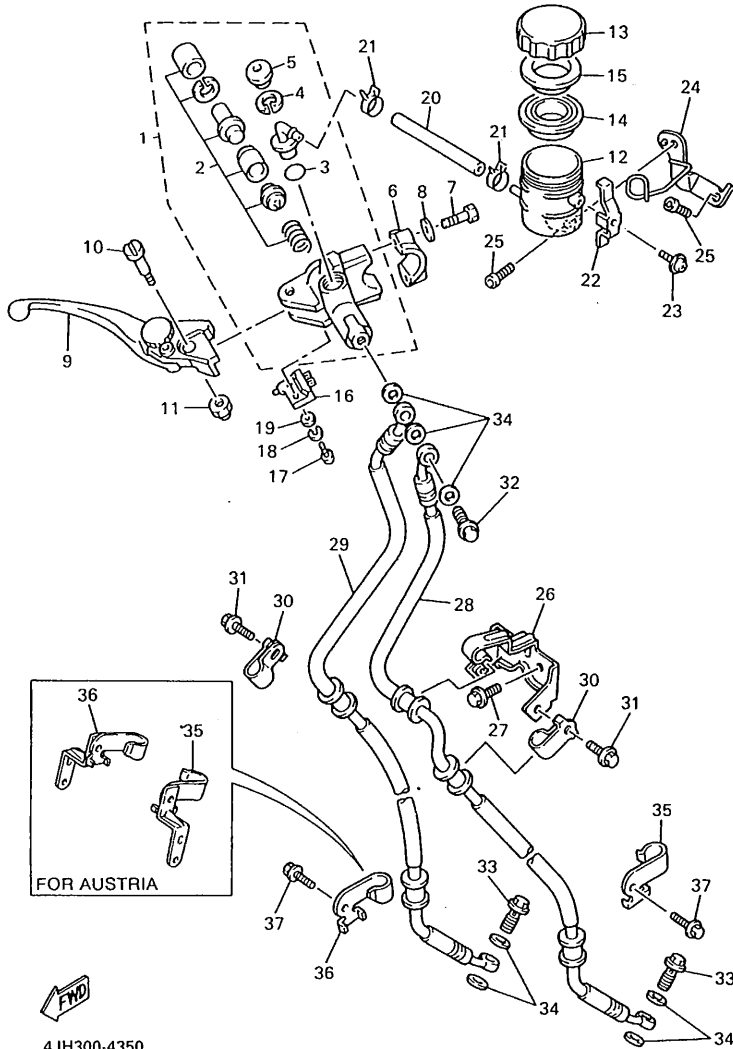


4JH300-4350

REF. NO.	PART NO.	DESCRIPTION	Q'TY	REMARKS
1	3GM-W2587-50	MASTER CYLINDER SUB ASSY	1	
2	3GM-W0041-50	.CYLINDER KIT, MASTER	1	
3	93210-15620	.O-RING	1	
4	2VN-25866-00	.CIRCLIP	1	
5	3FV-2589A-00	.COVER, DUST	1	
6	56A-25867-00	BRACKET, MASTER CYLINDER	1	
7	97016-06025	BOLT	2	
8	92906-06600	WASHER, PLATE	2	
9	3TJ-83922-01	LEVER 2	1	
10	3FV-2589F-00	BOLT, LEVER	1	
11	95617-06100	NUT, U	1	
12	3FV-25894-00	TANK, RESERVOIR	1	
13	3GM-25852-50	CAP, RESERVOIR	1	
14	3FV-25854-00	DIAPHRAGM, RESERVOIR	1	
15	2J2-25855-50	BUSH,DIAPHRAGM	1	
16	3FV-83980-00	FRONT STOP SWITCH ASSY	1	
17	98517-04012	SCREW, PAN HEAD	1	
18	92990-04100	WASHER, SPRING	1	
19	92901-04600	WASHER, PLATE	1	
20	3GM-2585F-00	HOSE	1	
21	3PA-24356-00	CLIP, PIPE 1	2	
22	3FV-2589G-00	HOLDER	1	
23	3GM-2589H-00	SCREW, WITH WASHER	1	
24	4JH-26292-00	STAY	1	
25	91317-06012	BOLT	2	
26	4JH-2134K-00	BRACKET, HORN	1	
27	95817-06012	BOLT, FLANGE	2	
28	4JH-25872-00	HOSE, BRAKE 1	1	

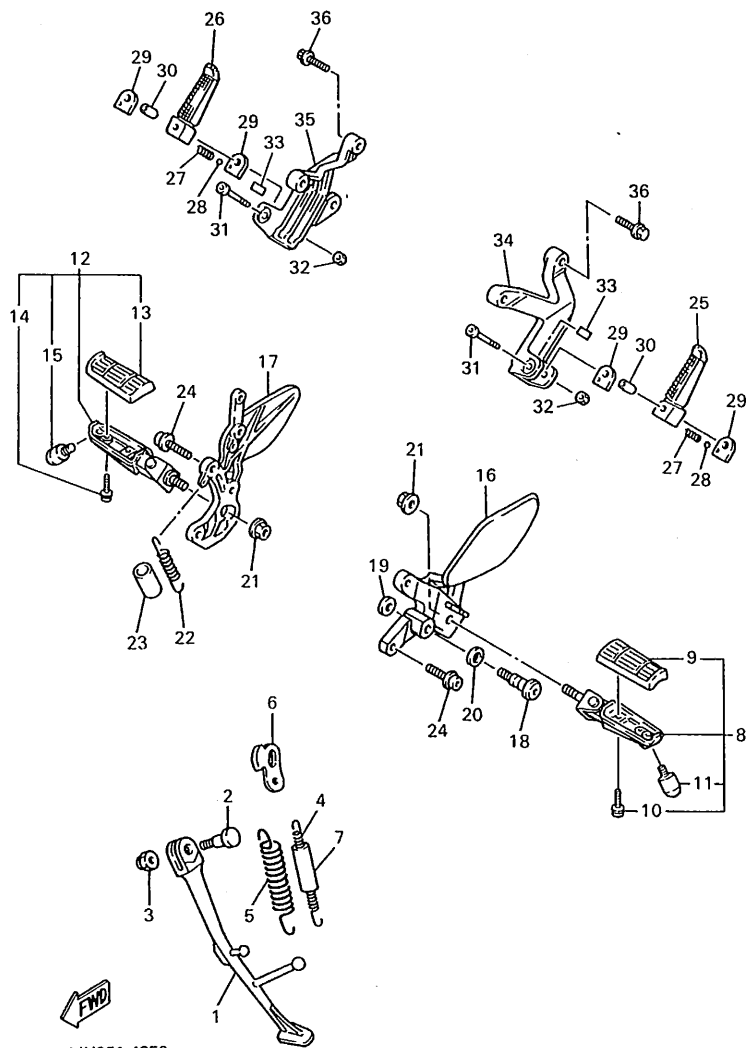


FIG. 35 FRONT MASTER CYLINDER



REF. NO.	PART NO.	DESCRIPTION	Q'TY	REMARKS
29	4JH-25873-00	HOSE, BRAKE 2	1	
30	90461-10132	CLAMP	2	
31	95817-06012	BOLT, FLANGE	2	
32	90401-10160	BOLT, UNION	1	
33	90401-10159	BOLT, UNION	2	
34	90201-10118	WASHER, PLATE	7	
35	3MA-25876-12	HOLDER, BRAKE HOSE 2	1	UR
	4NA-25875-01	HOLDER, BRAKE HOSE 1	1	UR FOR AUSTRIA
36	3MA-25876-22	HOLDER, BRAKE HOSE 2	1	UR
	4NA-25876-01	HOLDER, BRAKE HOSE 2	1	UR FOR AUSTRIA
37	95817-06012	BOLT, FLANGE	2	

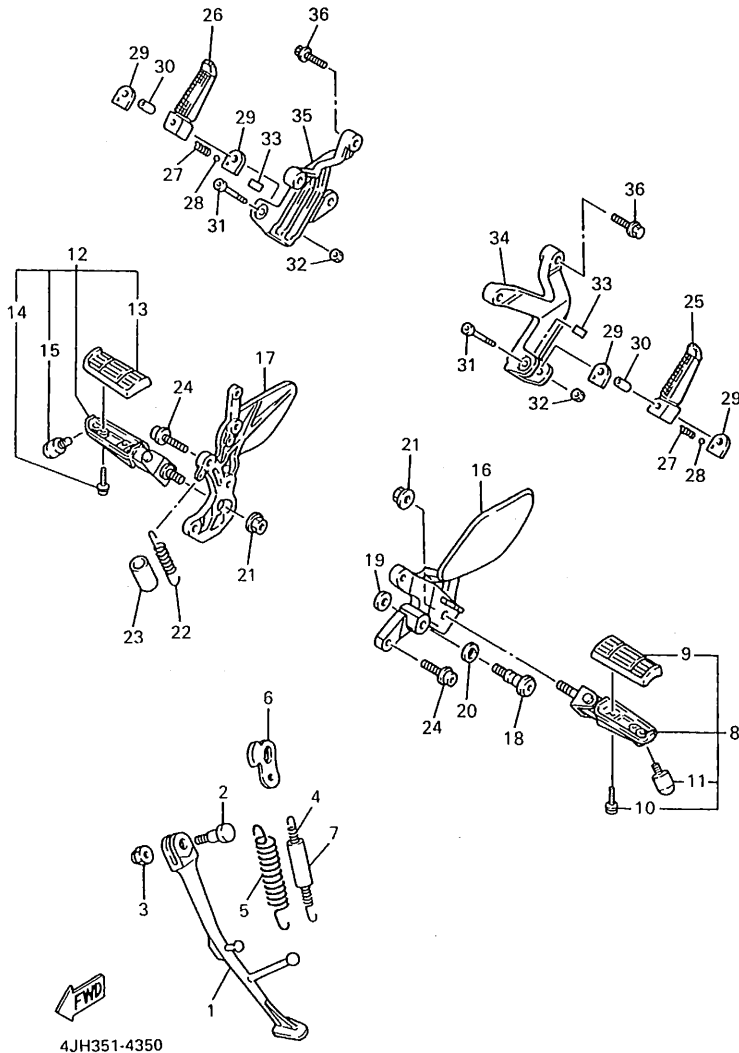
FIG. 36 STAND • FOOTREST



4JH351-4350

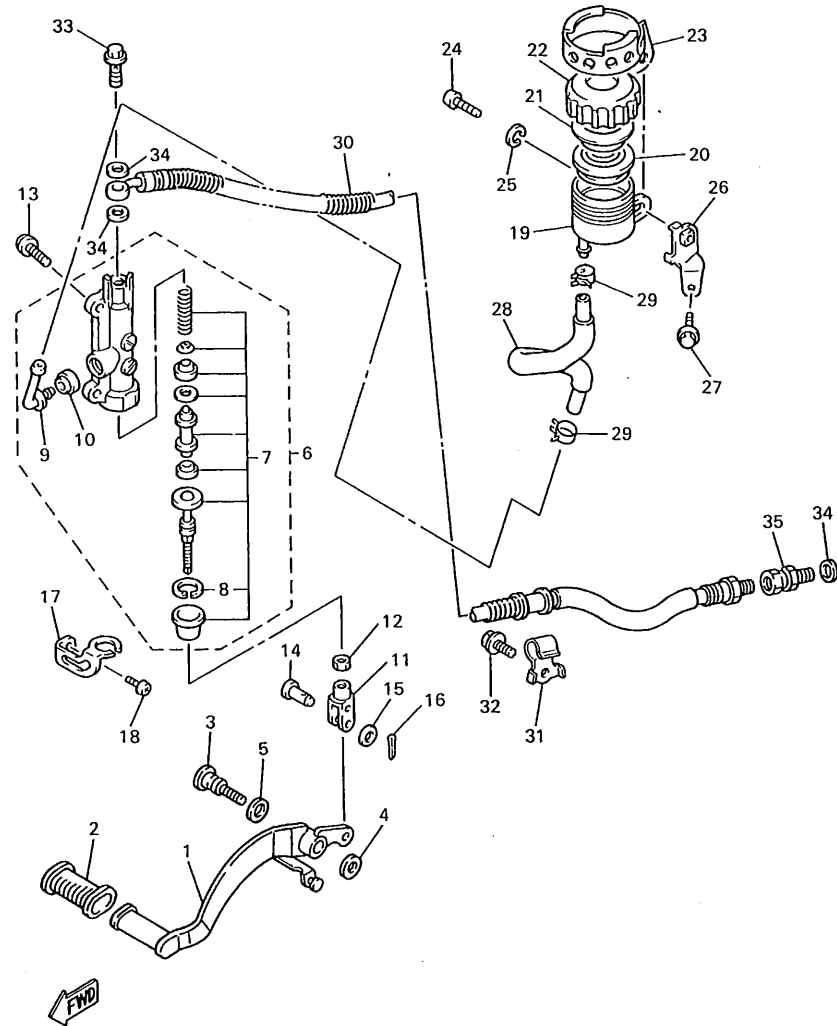
REF. NO.	PART NO.	DESCRIPTION	Q'TY	REMARKS
1	4FM-27311-00	STAND, SIDE	1	
2	90109-104E6	BOLT	1	
3	90185-10037	NUT, SELF-LOCKING	1	
4	90506-18224	SPRING, TENSION	1	
5	90506-26225	SPRING, TENSION	1	
6	4FM-27315-00	LINK, SIDE STAND	1	
7	1TX-27351-00	GUIDE, SIDE STAND	1	
8	4JH-27410-00	FRONT FOOTREST ASSY (LEFT)	1	
9	3YX-27413-00	COVER, FOOTREST	1	
10	90159-05122	SCREW, WITH WASHER	2	
11	3HE-27435-00	BOLT	1	
12	4JH-27420-00	FRONT FOOTREST ASSY (RIGHT)	1	
13	3YX-27413-00	COVER, FOOTREST	1	
14	90159-05122	SCREW, WITH WASHER	2	
15	3HE-27435-00	BOLT	1	
16	4FM-27442-00	BRACKET 2	1	
17	4FM-27443-00	BRACKET 3	1	
18	4BP-27434-01	BOLT	1	
19	90201-08326	WASHER, PLATE	1	
20	90201-127J6	WASHER, PLATE	1	
21	90179-10247	NUT	2	
22	90506-20377	SPRING, TENSION	1	
23	90446-17346	HOSE	1	
24	91317-08025	BOLT	4	
25	3XV-27431-00	FOOTREST, REAR 1	1	
26	3XV-27441-10	FOOTREST, REAR 2	1	
27	90501-12743	SPRING, COMPRESSION	2	
28	93501-04011	BALL	2	

FIG. 36 STAND • FOOTREST



REF. NO.	PART NO.	DESCRIPTION	Q'TY	REMARKS
29	1HX-27437-00	WASHER, SPECIAL	4	
30	90387-064H8	COLLAR	2	
31	91317-06045	BOLT	2	
32	95607-06100	NUT, U	2	
33	1HX-27415-00	PLATE, FOOTREST	2	
34	4JH-2741L-01	BRACKET 4	1	
35	4JH-2742L-01	BRACKET 5	1	
36	95817-08035	BOLT, FLANGE	2	

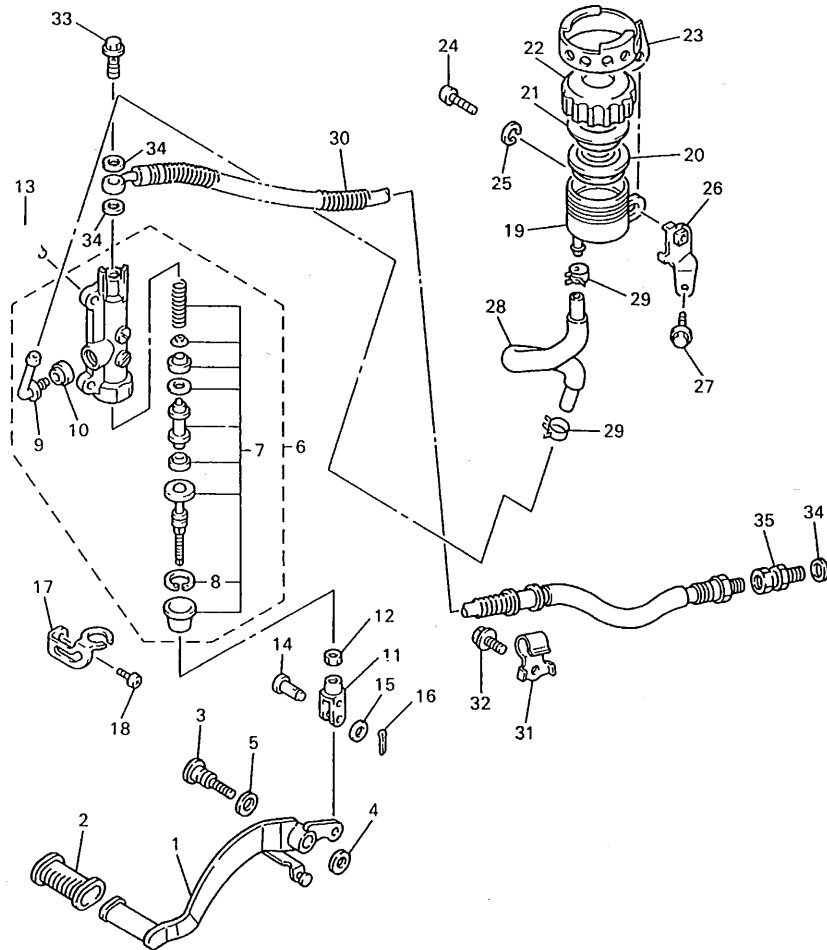
FIG. 37 REAR MASTER CYLINDER



4JH351-4360

REF. NO.	PART NO.	DESCRIPTION	Q'TY	REMARKS
1	4JH-27211-00	PEDAL, BRAKE	1	
2	22N-18113-00	COVER, SHIFT PEDAL	1	
3	3YF-27261-00	SHAFT	1	
4	90201-104R2	WASHER, PLATE	1	
5	90206-14086	WASHER, WAVE	1	
6	4BH-2583V-00	RR. MASTER CYLINDER ASSY.	1	
7	4BH-W0042-50	.CYLINDER KIT, MASTER	1	
8	3LN-2585G-00	..CIRCLIP	1	
9	4BP-2582A-00	.JOINT	1	
10	4BP-2585F-00	.BUSH	1	
11	47X-27222-00	JOINT	1	
12	95307-08700	NUT	1	
13	92017-08020	BOLT, BUTTON HEAD	2	
14	90240-08124	PIN, CLEVIS	1	
15	90201-08083	WASHER, PLATE	1	
16	91490-20020	PIN, COTTER	1	
17	4FM-2144G-00	STAY, STOP SWITCH	1	
18	98507-06010	SCREW, PAN HEAD	1	
19	31A-25894-01	TANK, RESERVOIR	1	
20	360-25854-00	DIAPHRAGM, RESERVOIR	1	
21	2GU-25855-00	BUSH,DIAPHRAGM	1	
22	2KF-25852-50	CAP, RESERVOIR	1	
23	3PJ-25888-00	COVER, RESERVOIR TANK	1	
24	98507-06020	SCREW, PAN HEAD	1	
25	92907-06100	WASHER, SPRING	1	
26	4FM-2133G-00	BRACKET, RESERVER	1	
27	95807-06016	BOLT, FLANGE	1	
28	4JH-25895-00	HOSE, RESERVOIR	1	

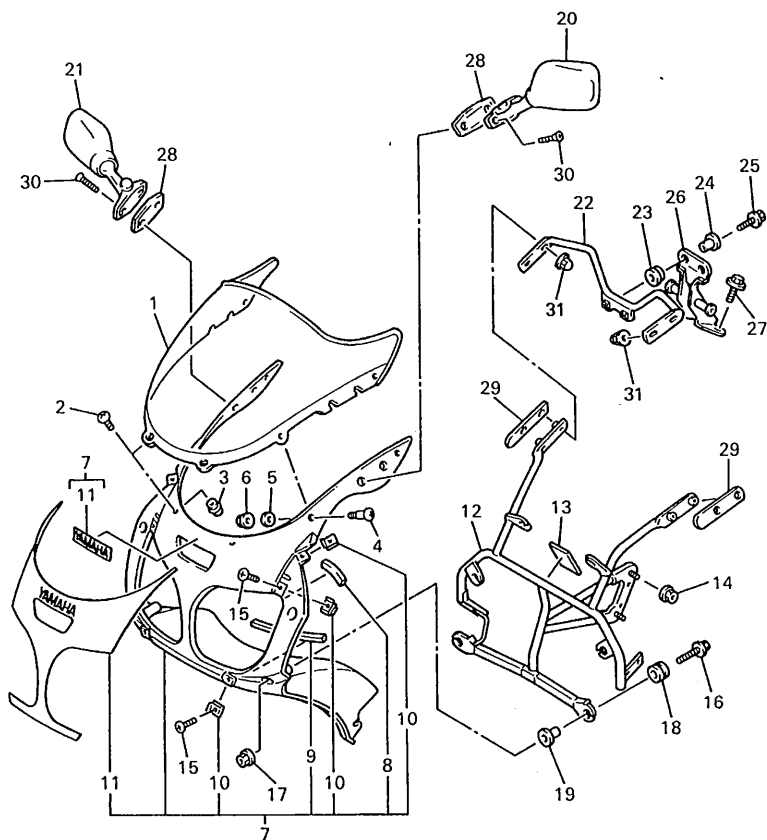
FIG. 37 REAR MASTER CYLINDER



REF. NO.	PART NO.	DESCRIPTION	Q'TY	REMARKS
29	90467-14057	CLIP	2	
30	4JH-25874-01	HOSE, BRAKE	1	
31	90461-08031	CLAMP	1	
32	95817-06012	BOLT, FLANGE	1	
33	90401-10159	BOLT, UNION	1	
34	90201-10118	WASHER, PLATE	3	
35	3LC-25885-00	JOINT	1	

4JH351-4360

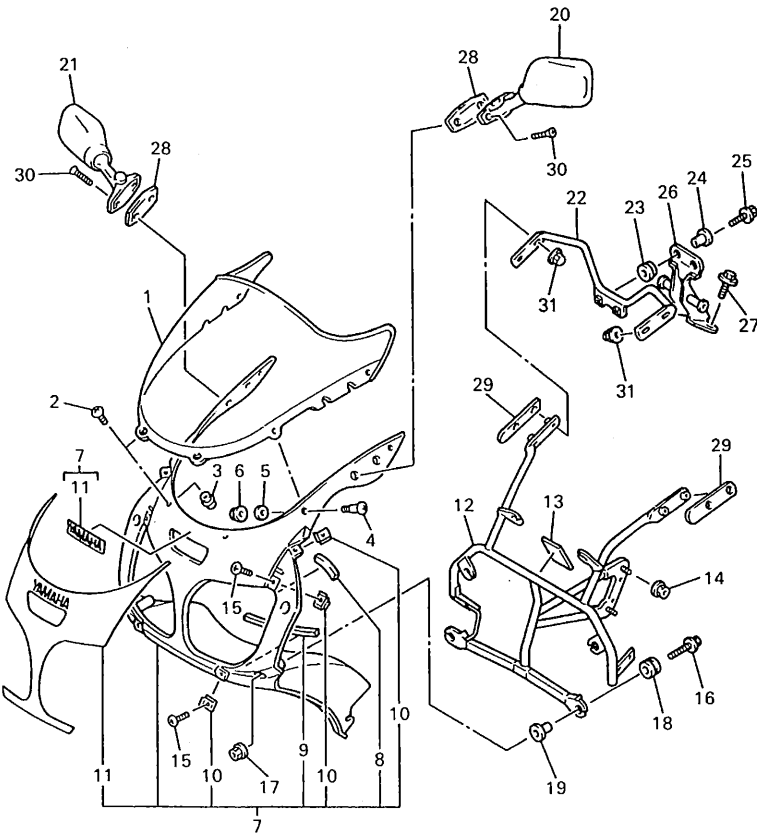
FIG. 38 COWLING 1



4JH351-4370

REF. NO.	PART NO.	DESCRIPTION	Q'TY	REMARKS
1	4JH-28381-00	WINDSHIELD	1	
2	90150-05023	SCREW, ROUND HEAD	2	
3	90179-05523	NUT	2	
4	90149-05273	SCREW	4	
5	4FM-28215-00	WASHER, SPECIAL	4	
6	95707-05500	NUT, FLANGE	4	
7	4JH-Y2835-10-P2	COWLING ASSY	1	UR VERY DARK
	4JH-Y2835-40-P0	COWLING ASS'Y	1	MAGENTA COCKTAIL 1
	4JH-Y2835-50-4B	COWLING ASS'Y	1	UR BLUISH WHITE
				COCKTAIL 1
				UR BLACK 2
8	89X-77167-00	•TRIM 3	2	
9	3MA-21649-00	•DAMPER	2	
10	90183-05024	•NUT, SPRING	6	
11	4JH-28390-10	•GRAPHIC SET, COWLING	1	UR FOR BWC1
	99236-00100	•EMBLEM, YAMAHA	1	UR FOR BL2
	99237-00100	•EMBLEM, YAMAHA	1	UR FOR GRM
12	4JH-28356-00	STAY 1	1	
13	51L-28371-00	DAMPER	1	
14	95617-08200	NUT, SELF-LOCKING	2	
15	90154-05059	SCREW, BINDING	6	
16	95807-06030	BOLT, FLANGE	4	
17	95607-06200	NUT, SELF-LOCKING	4	
18	90480-14229	GROMMET	4	
19	90387-07391	COLLAR	4	
20	4FM-26280-00	REAR VIEW MIRROR ASSY(LEFT)	1	UR WHITE
	4FM-26280-10	REAR VIEW MIRROR ASSY(LEFT)	1	UR BLACK
21	4FM-26290-00	REAR VIEW MIRROR ASSY(RIGHT)	1	UR WHITE
	4FM-26290-10	REAR VIEW MIRROR ASSY(RIGHT)	1	UR BLACK
22	4JH-2831W-00	STAY, MIRROR 1	1	

FIG. 38 COWLING 1

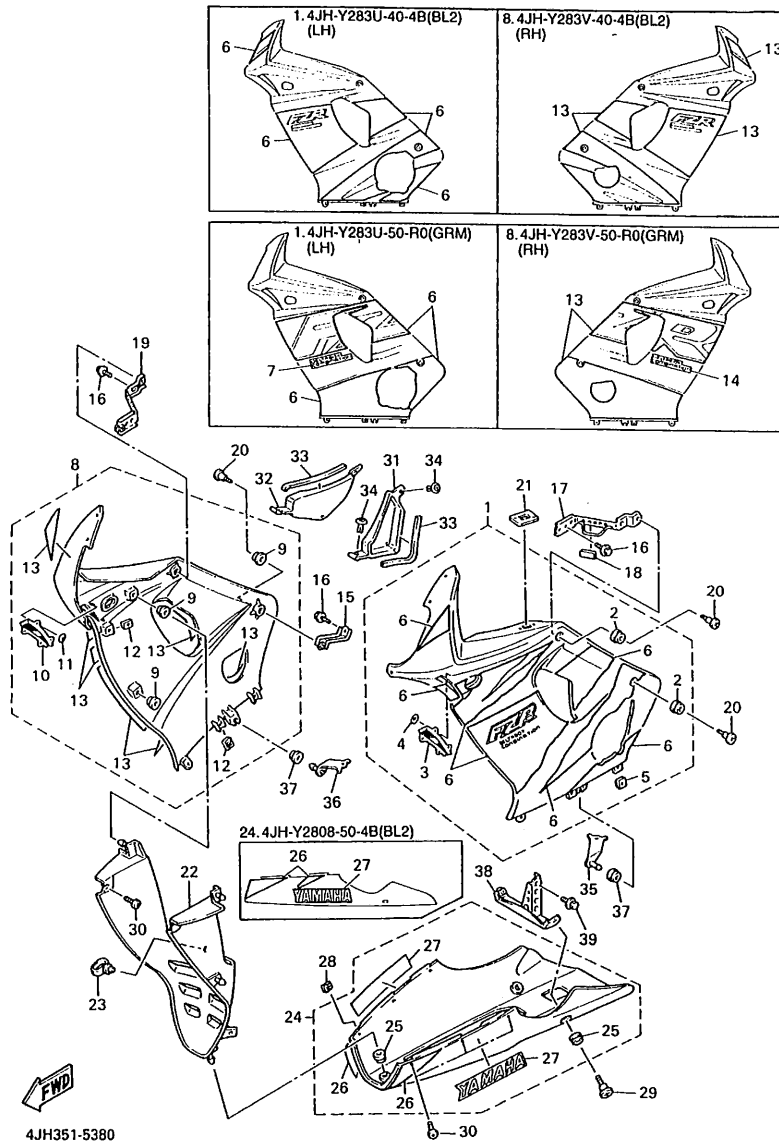


REF. NO.	PART NO.	DESCRIPTION	Q'TY	REMARKS
23	90480-13398	GROMMET	2	
24	90387-067N5	COLLAR	2	
25	95027-06016	BOLT, FLANGE	2	
26	4JH-2832W-00	STAY, MIRROR 2	1	
27	95027-06012	BOLT, FLANGE	2	
28	4FM-26299-00	PLATE, MIRROR FITTING 2	2	
29	3XV-26298-00	PLATE, MIRROR FITTING 1	2	
30	98707-06025	SCREW, FLAT HEAD	4	
31	90176-06055	NUT, CROWN	4	



4JH351-4370

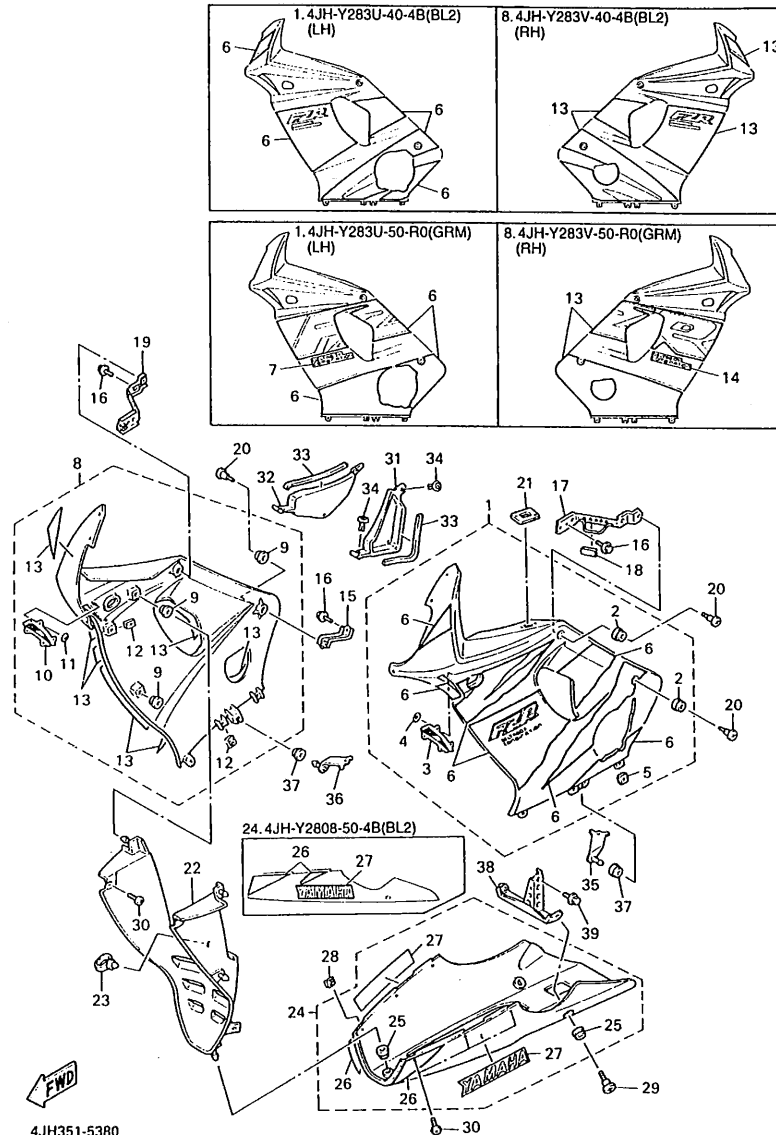
FIG. 39 COWLING 2



REF. NO.	PART NO.	DESCRIPTION	Q'TY	REMARKS
1	4JH-Y283U-30-P1	PANEL ASSEMBLY 1	1	UR BLUISH WHITE COCKTAIL 1 UR BLACK 2
	4JH-Y283U-40-4B	PANEL ASSEMBLY 1	1	
	4JH-Y283U-50-R0	PANEL ASSEMBLY 1	1	
2	90480-13398	•GROMMET	4	UR GRACEFUL MAROON
3	4JH-2172A-00	•PANEL 1	1	
4	90183-03010	•NUT, SPRING	4	
5	90183-05024	•NUT, SPRING	3	
6	4JH-28301-20	•GRAPHIC SET, LOWER COVER 1	1	UR FOR BWC1
	4JH-28301-30	•GRAPHIC SET, LOWER COVER 1	1	UR FOR BL2
	4JH-28301-40	•GRAPHIC SET, LOWER COVER 1	1	UR FOR GRM
7	4JH-28368-00	•EMBLEM	1	UR FOR GRM
8	4JH-Y283V-30-P1	PANEL ASSEMBLY 2	1	UR BLUISH WHITE COCKTAIL 1 UR BLACK 2
	4JH-Y283V-40-4B	PANEL ASSEMBLY 2	1	
	4JH-Y283V-50-R0	PANEL ASSEMBLY 2	1	
9	90480-13398	•GROMMET	4	UR GRACEFUL MAROON
10	4JH-2172F-00	•PANEL 2	1	
11	90183-03010	•NUT, SPRING	4	
12	90183-05024	•NUT, SPRING	3	
13	4JH-28303-20	•GRAPHIC SET, LOWER COVER 2	1	UR FOR BWC1
	4JH-28303-30	•GRAPHIC SET, LOWER COVER 2	1	UR FOR BL2
	4JH-28303-40	•GRAPHIC SET, LOWER COVER 2	1	UR FOR GRM
14	4JH-28368-00	•EMBLEM	1	UR FOR GRM
15	4JH-2832U-00	STAY, SIDE 1	1	
16	95807-06010	BOLT, FLANGE	5	
17	4JH-2836H-00	BRACKET 5	1	
18	3VD-24188-00	MOLD, FUEL TANK	1	
19	4JH-2836J-00	BRACKET 6	1	
20	90150-06036	SCREW, ROUND HEAD	4	



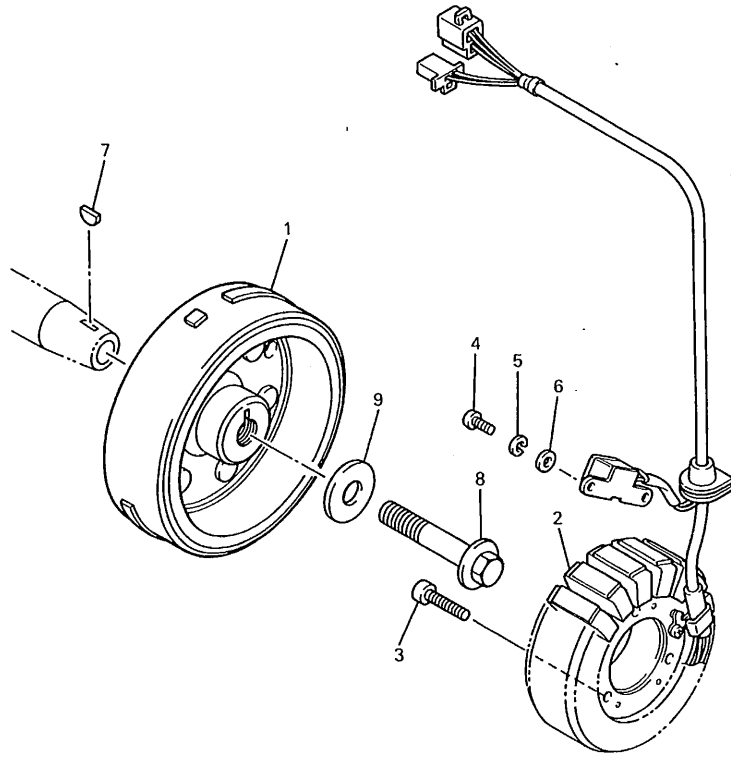
FIG. 39 COWLING 2



REF. NO.	PART NO.	DESCRIPTION	Q'TY	REMARKS
21	3FV-28365-00	COVER	1	
22	4JH-2836K-00-P0	PANEL, INNER 1	1	UR BLUISH WHITE
	4JH-2836K-00-R0	PANEL, INNER 1	1	UR GRACEFUL MAROON
	4JH-2836K-00-4B	PANEL, INNER 1	1	UR BLACK 2
23	1A8-21518-00	HOLDER, CABLE	1	
24	4JH-Y2808-40-P3	COVER ASSY, UNDER	1	UR VERY DARK VIOLET COCKTAIL 1
	4JH-Y2808-50-4B	COVER ASSY, UNDER	1	UR BLACK 2
	4JH-Y2808-60-P4	COVER ASSY, UNDER	1	UR VERY DARK MAGENTA COCKTAIL 1
25	90480-13398	•GROMMET	3	
26	4JH-28304-20	•GRAPHICSET, LOWER COVER 3	1	UR FOR BWC1
	4JH-28304-30	•GRAPHICSET, LOWER COVER 3	1	UR FOR BL2
27	99236-00280	•EMBLEM, YAMAHA	2	UR FOR BWC1
	99236-00300	•EMBLEM, YAMAHA	2	UR FOR BL2
28	90183-05024	NUT, SPRING	2	
29	90150-06036	SCREW, ROUND HEAD	2	
30	90154-05059	SCREW, BINDING	8	
31	4JH-28396-00	PLATE 1	1	
32	4JH-28397-00	PLATE 2	1	
33	4DN-21669-00	SEAL	4	
34	90269-07036	RIVET	4	
35	4JH-2836F-00	BRACKET 3	1	
36	4JH-2836G-00	BRACKET 4	1	
37	90480-12320	GROMMET	2	
38	4JH-2831T-00	STAY, SUPPORT 1	1	
39	95807-06010	BOLT, FLANGE	1	

FIG. 40 GENERATOR

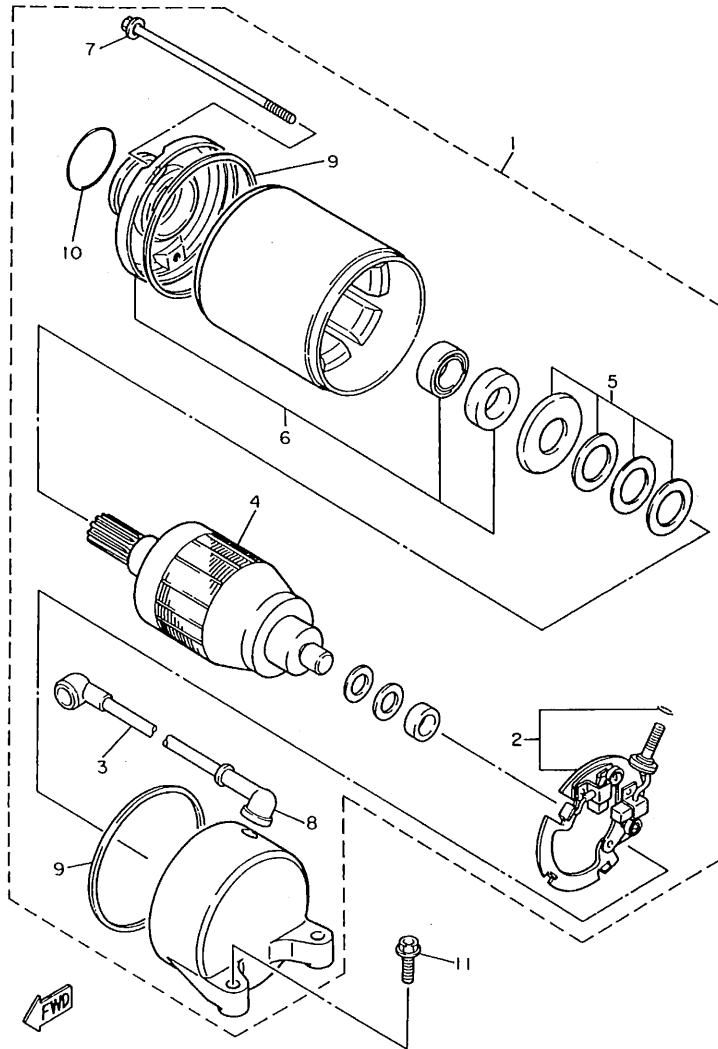
REF. NO.	PART NO.	DESCRIPTION	Q'TY	REMARKS
1	4JH-81450-00	ROTOR ASSY	1	
2	4JH-81410-00	STATOR ASSY	1	
3	91317-06035	BOLT	3	
4	98507-05016	SCREW, PAN HEAD	2	
5	92907-05100	WASHER, SPRING	2	
6	90201-05027	WASHER, PLATE	2	
7	90280-03047	KEY, WOODRUFF	1	
8	90105-10430	BOLT, WASHER BASED	1	
9	90201-107K6	WASHER, PLATE	1	



4JH351-4390

F5

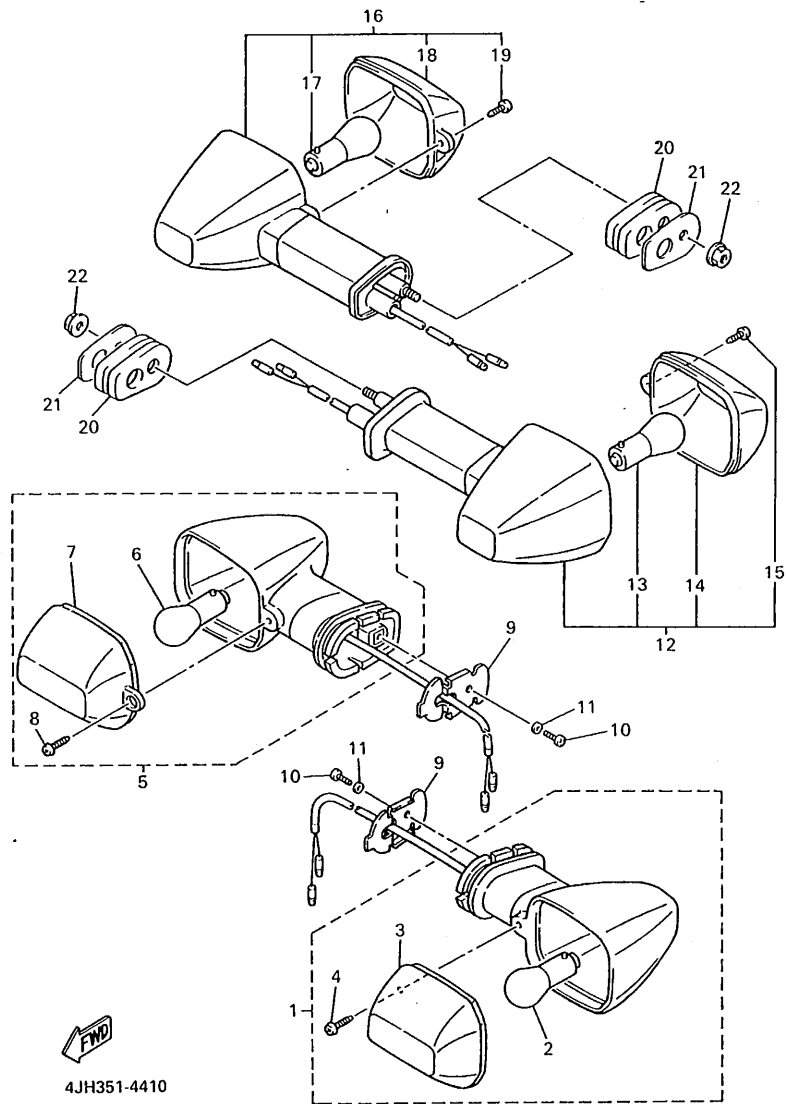
FIG. 41 STARTING MOTOR



3HE332-9400

REF. NO.	PART NO.	DESCRIPTION	Q'TY	REMARKS
1	3HW-81800-00	STARTING MOTOR ASSY	1	
2	3HE-81840-00	•BRUSH HOLDER ASSY	1	
3	1HX-81815-00	•CORD, STARTER MOTOR	1	
4	3HE-81850-00	•ARMATURE ASSY	1	
5	3AJ-81809-00	•WASHER KIT	1	
6	3HE-81830-00	•FRONT BRACKET ASSY	1	
7	3HE-81826-00	•BOLT	1	
8	5H0-81871-00	•CAP	1	
9	11H-81844-00	•GASKET	2	
10	26H-81847-00	•O-RING	1	
11	95027-06025	BOLT	2	

FIG. 42 FLASHER LIGHT

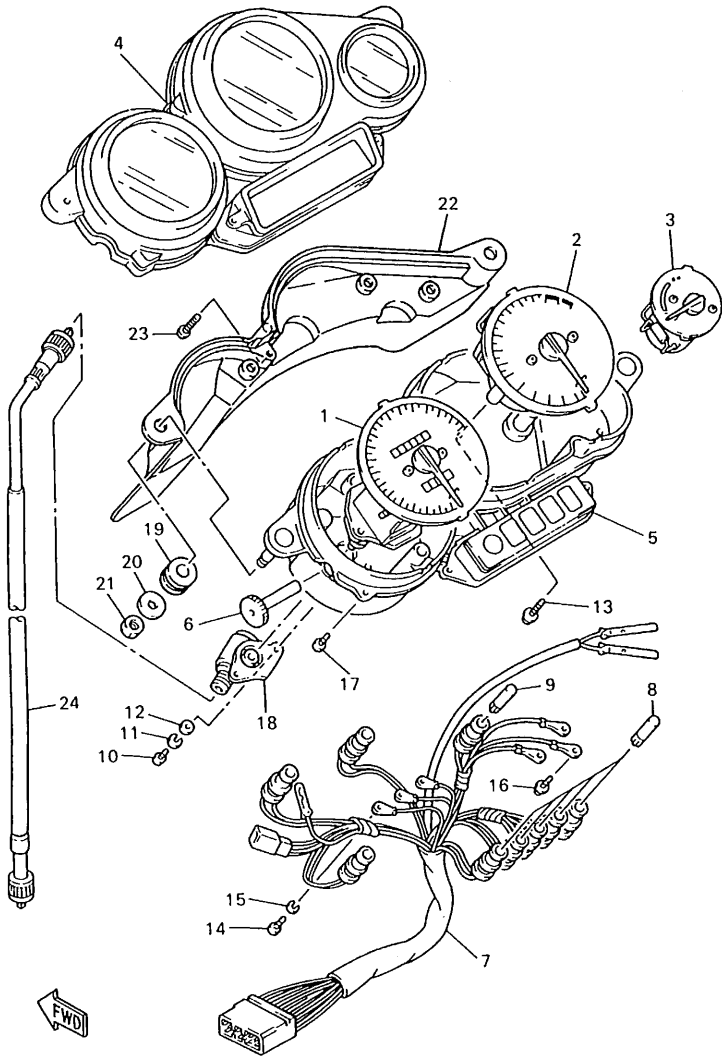


4JH351-4410

REF. NO.	PART NO.	DESCRIPTION	Q'TY	REMARKS
1	4JH-83310-00	FRONT FLASHER LIGHT ASSY 1	1	
2	306-83311-40	•BULB, FLASHER (12V-21W)	1	
3	4JH-83332-00	•LENS, FLASHER	1	
4	97702-40610	•SCREW, TAPPING	1	
5	4JH-83320-00	FRONT FLASHER LIGHT ASSY 2	1	
6	306-83311-40	•BULB, FLASHER (12V-21W)	1	
7	4JH-83342-00	•LENS, FLASHER 2	1	
8	97702-40610	•SCREW, TAPPING	1	
9	4JH-83318-00	STAY, FLASHER 1	2	
10	98507-04008	SCREW, PAN HEAD	2	
11	92907-04600	WASHER, PLATE	2	
12	4JH-83330-00	REAR FLASHER LIGHT ASSY 1	1	UR
	4JH-83330-10	REAR FLASHER LIGHT ASSY 1	1	UR FOR AUSTRIA
13	306-83311-40	•BULB, FLASHER (12V-21W)	1	
14	4JH-83332-00	•LENS, FLASHER	1	
15	97702-40610	•SCREW, TAPPING	1	
16	4JH-83340-00	FLASHER LIGHT ASSY 2	1	UR
	4JH-83340-10	FLASHER LIGHT ASSY 2	1	UR FOR AUSTRIA
17	306-83311-40	•BULB, FLASHER (12V-21W)	1	
18	4JH-83342-00	•LENS, FLASHER 2	1	
19	97702-40610	•SCREW, TAPPING	1	
20	4FM-83345-00	PLUG, BLIND	2	
21	4FM-83369-00	STAY, FLASHER 2	2	
22	95707-06500	NUT, FLANGE	2	

F7

FIG. 43 METER

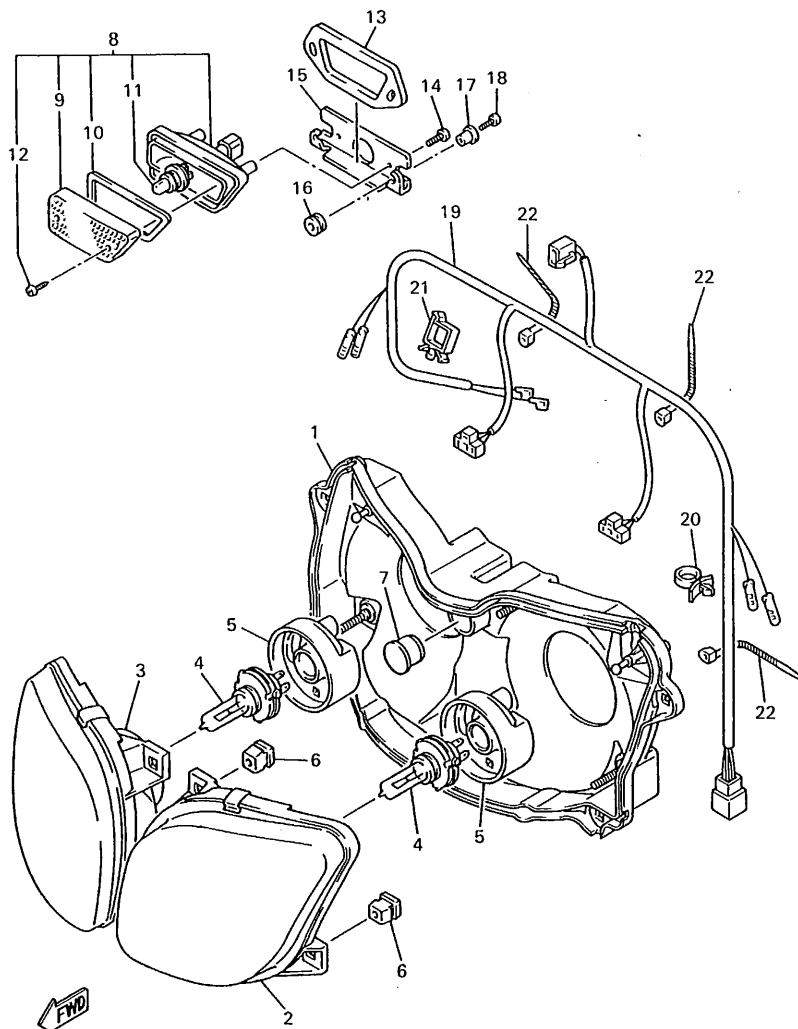


REF. NO.	PART NO.	DESCRIPTION	Q'TY	REMARKS
1	4FM-83570-00	SPEEDOMETER ASSY	1	
2	4FM-83540-00	TACHOMETER ASSY	1	
3	4FM-83590-00	WATER TEMPERATURE ASSY	1	
4	4FM-83559-00	COVER, METER	1	
5	4FM-8353H-40	CASE, UNDER	1	
6	2GH-83578-00	KNOB, TRIP METER	1	
7	4FM-83509-00	SOCKET CORD ASSY	1	
8	4G1-84744-00	BULB (12V-3.4W)	5	
9	2GV-83517-00	BULB, (12V-1.7W, T6.5)	4	
10	98580-04010	SCREW, PAN HEAD	4	
11	92990-04100	WASHER, SPRING	4	
12	92901-04600	WASHER, PLATE	4	
13	97902-04122	SCREW, WITH WASHER	2	
14	98580-03010	SCREW, PAN HEAD	3	
15	92990-03100	WASHER, SPRING	3	
16	90159-03102	SCREW, WITH WASHER	3	
17	90164-04023	SCREW, TAPPING	5	
18	4FM-83520-00	SOCKET CORD ASSY	1	
19	90480-14585	GROMMET	2	
20	90201-06059	WASHER, PLATE	2	
21	95317-06600	NUT	2	
22	3GM-87278-A0	COVER, METER	1	
23	97707-40012	SCREW, TAPPING	1	
24	4JH-83550-00	SPEEDOMETER CABLE ASSY	1	



4JH351-4420

FIG. 44 HEADLIGHT

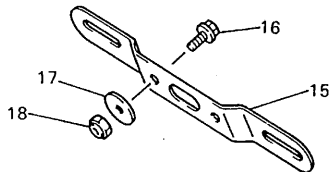
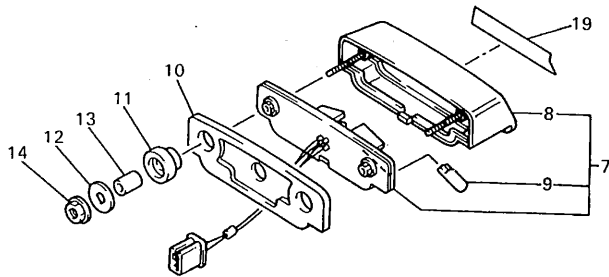
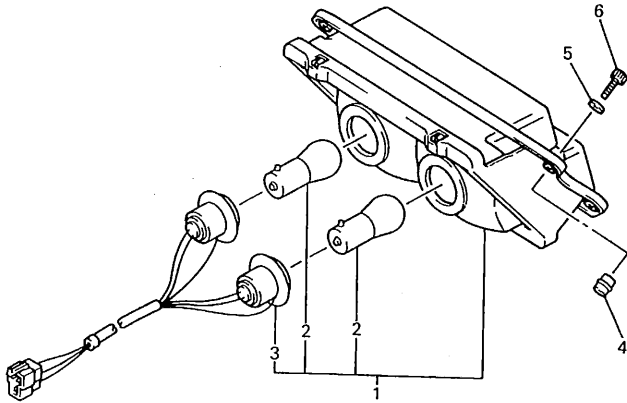


4JH351-4430

REF. NO.	PART NO.	DESCRIPTION	Q'TY	REMARKS
1	4FM-84330-41	BODY ASSY	1	
2	4FM-84320-10	LENS ASSY	1	
3	4FM-8432A-10	LENS ASSY	1	
4	2F9-84314-00	BULB (12V-60/55W)	2	(H4)HALOGEN
5	4JG-84397-00	COVER, SOCKET	2	
6	51L-84334-00	NUT, ADJUSTING	4	
7	90338-24112	PLUG	1	
8	3GM-84301-00	PILOT LIGHT ASSY 1	1	
9	3GM-84321-00	•LENS ASSY	1	
10	3GM-84322-00	•GASKET, LENS	1	
11	2JE-84744-00	•BULB (12V 5W)	1	
12	3GM-84192-00	•SCREW(M4,L=12)	2	
13	3GM-84367-50	DAMPER, HEADLIGHT 2	1	
14	97707-50012	SCREW, TAPPING	2	
15	3GM-8431R-00	STAY, SETTING	1	
16	90480-10517	GROMMET	2	
17	90387-052U5	COLLAR	2	
18	90167-05037	SCREW, TAPPING	2	
19	4JH-84359-00	CORD, HEADLIGHT	1	
20	90464-13133	CLAMP	1	
21	90464-16021	CLAMP	1	
22	90464-13073	CLAMP	3	

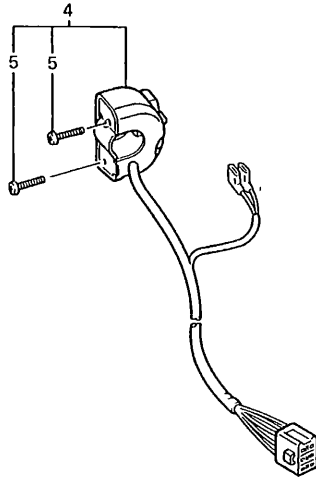
FIG. 45 TAILLIGHT

REF. NO.	PART NO.	DESCRIPTION	Q'TY	REMARKS
1	4FM-84710-00	TAILLIGHT UNIT ASSY	1	
2	31L-84714-00	•BULB, TAILLIGHT (12V-21/5W)	2	
3	4FM-84735-00	•CORD ASSY	1	
4	90179-05523	NUT	4	
5	92907-05600	WASHER, PLATE	4	
6	90110-05112	BOLT, HEXAGON SOCKET HEAD	4	
7	4FM-84745-00	LICENCE LIGHT UNIT ASSY	1	
8	4FM-84749-00	•BODY, LICENCE LIGHT	1	
9	2JE-84744-00	•BULB (12V 5W)	2	
10	3F9-84742-00	SEAT, BASE	1	
11	3F9-84553-00	DAMPER	2	
12	90201-05033	WASHER, PLATE	2	
13	90387-06241	COLLAR	2	
14	95707-05500	NUT, FLANGE	2	
15	3YF-84751-00	BRACKET, LICENSE	1	
16	95027-06016	BOLT, FLANGE	2	
17	90201-06059	WASHER, PLATE	2	
18	95607-06100	NUT, U	2	
19	99237-00080	EMBLEM, YAMAHA	1	

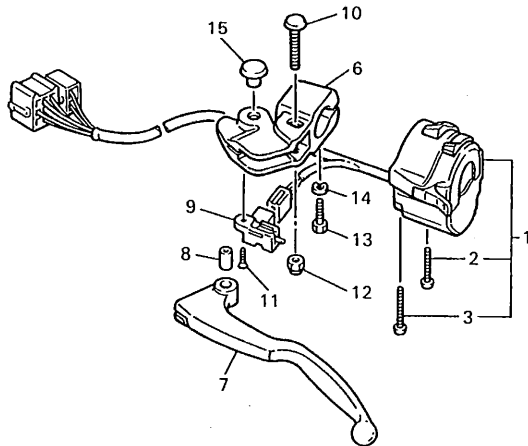


4HD300-3460

FIG. 46 HANDLE SWITCH • LEVER



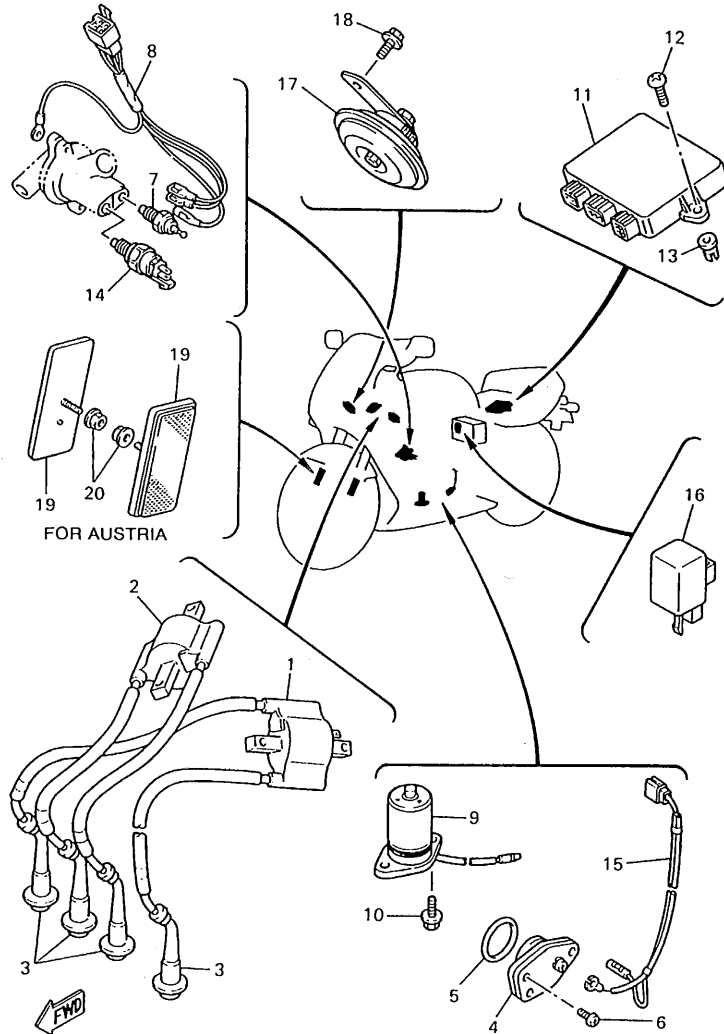
REF. NO.	PART NO.	DESCRIPTION	Q'TY	REMARKS
1	4BR-83969-01	SWITCH, HANDLE 5	1	
2	98507-05030	•SCREW, PAN HEAD	1	
3	98507-05040	•SCREW, PAN HEAD	1	
4	4FM-83975-00	SWITCH, HANDLE 2	1	
5	98507-05018	•SCREW, PAN HEAD	2	
6	29L-82911-01	HOLDER, LEVER 1	1	
7	3LN-83912-00	LEVER 1	1	
8	31A-83913-00	COLLAR, LEVER 1	1	
9	31A-82917-00	SWITCH	1	
10	31A-83945-00	BOLT, LEVER	1	
11	98707-03008	SCREW, FLAT HEAD	1	
12	95607-06100	NUT, U	1	
13	97007-06025	BOLT	1	
14	92907-06100	WASHER, SPRING	1	
15	90338-09012	PLUG	1	



4JH351-4450



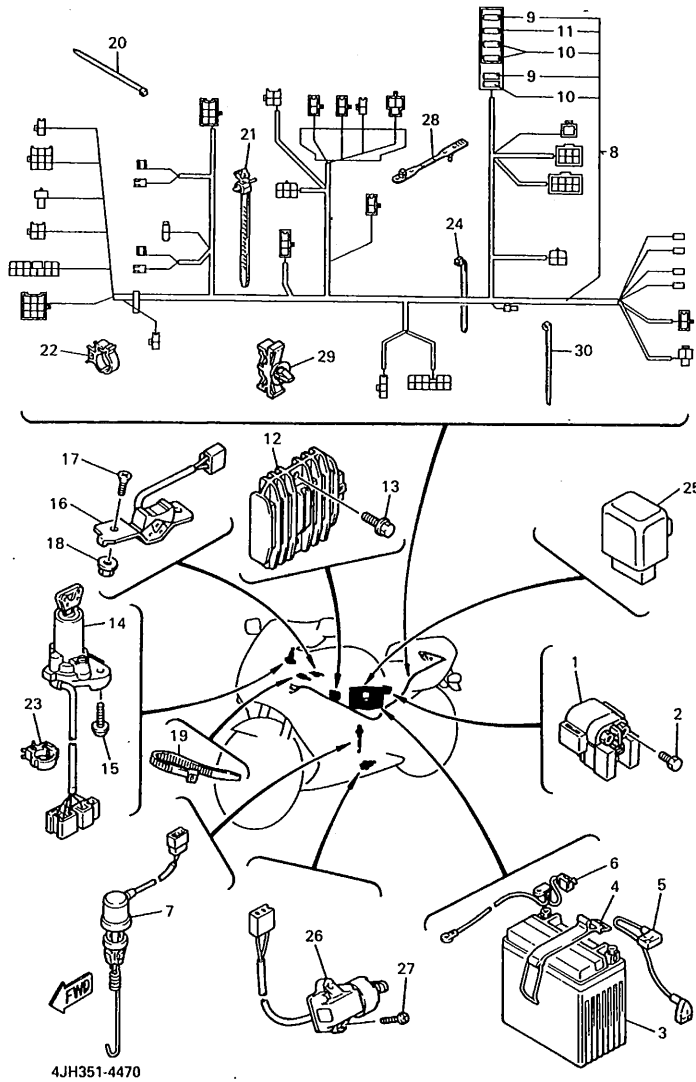
FIG. 47 ELECTRICAL 1



4JH300-4470

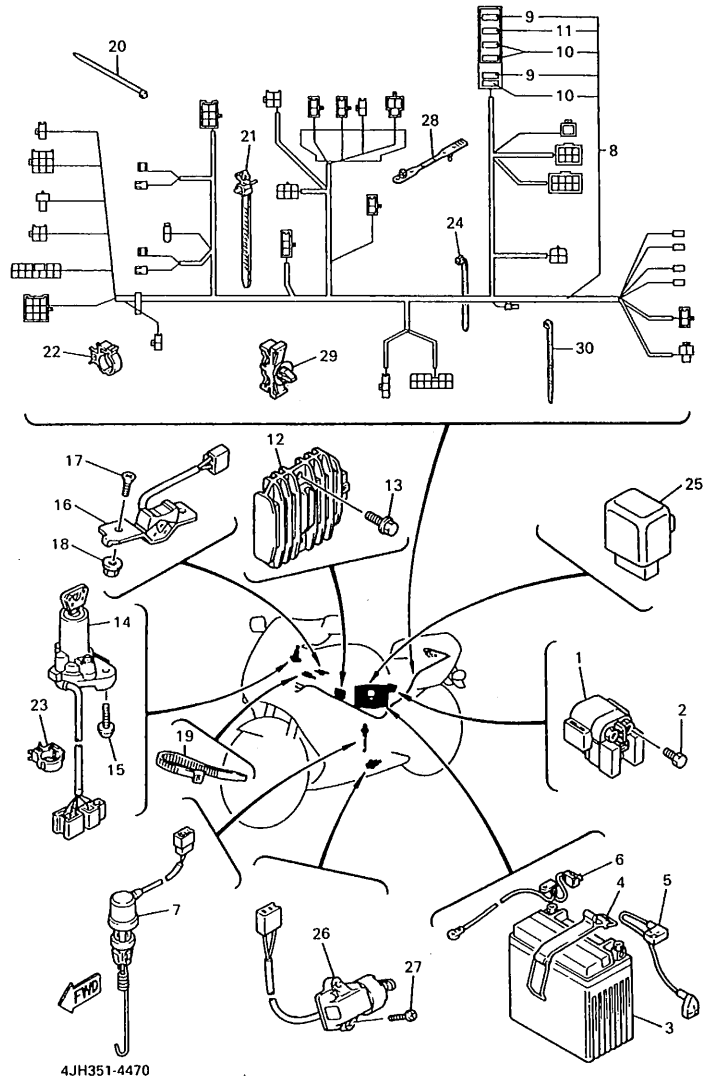
REF. NO.	PART NO.	DESCRIPTION	Q'TY	REMARKS
1	4JH-82310-00	IGNITION COIL ASSY	1	
2	4JH-82320-00	IGNITION COIL ASSY	1	
3	1WG-82370-00	PLUG CAP ASSY	4	
4	1AE-82540-00	NEUTRAL SWITCH ASSY	1	
5	93210-29196	O-RING	1	
6	98507-06016	SCREW, PAN HEAD	2	
7	11H-83591-00	THERMO UNIT	1	
8	3TJ-82583-00	WIRE, SUB LEAD	1	
9	4JH-85720-00	OIL LEVEL GAUGE ASSY	1	
10	95027-06016	BOLT, FLANGE	2	
11	4JH-82305-00	IGNITOR UNIT ASSY	1	UR
	4JH-82305-30	IGNITOR UNIT ASSY	1	UR FOR CHE/AUT/SWE
12	97707-60016	SCREW, TAPPING	2	
13	90338-08226	PLUG	2	
14	3LN-82560-00	THERMO SWITCH ASSY	1	
15	1WG-82541-00	WIRE, LEAD	1	
16	3GM-83350-00	FLASHER RELAY ASSY	1	
17	34Y-83371-00	HORN	1	
18	95807-06010	BOLT, FLANGE	1	
19	11H-85110-01	REFLECTOR ASSY	2	FOR AUSTRIA
20	95707-05500	NUT, FLANGE	2	FOR AUSTRIA

FIG. 48 ELECTRICAL 2



REF. NO.	PART NO.	DESCRIPTION	Q'TY	REMARKS
1	4DN-81940-00	STARTER RELAY ASSY	1	
2	95027-06008	BOLT	2	
3	3VD-82100-00	BATTERY ASSY (YTX12-BS)	1	
4	4BP-82131-00	BAND, BATTERY	1	
5	4JH-82115-00	WIRE, PLUS LEAD	1	
6	4JH-82116-00	WIRE, MINUS LEAD	1	
7	1KT-82530-02	STOP SWITCH ASSY	1	
8	4JH-82590-00	WIRE HARNESS ASSY	1	
9	2GH-82151-00	•FUSE (20A-BL)	2	
10	2KW-82151-00	•FUSE (7.5A-BL)	3	
11	36Y-82151-00	•FUSE (15A-BL)	1	
12	4JH-81960-00	RECTIFIER & REGULATOR ASSY	1	
13	95807-06020	BOLT, FLANGE	2	
14	4JH-82501-01	MAIN SWITCH STEERING LOCK	1	
15	90109-080G5	BOLT	2	
16	3TJ-83964-10	SWITCH	1	
17	98780-05016	SCREW, FLAT HEAD	2	
18	95707-05500	NUT, FLANGE	2	
19	1UA-82591-00	BAND	2	
20	90464-13073	CLAMP	3	
21	90464-12089	CLAMP	5	
22	90464-10190	CLAMP	2	
23	90464-15192	CLAMP	1	
24	90464-15195	CLAMP	3	
25	3EN-81950-00	RELAY ASSY	1	
26	3LD-82566-50	SWITCH, SIDE STAND	1	
27	90157-05079	SCREW, PAN HEAD	2	
28	90464-07121	CLAMP	2	

FIG. 48 ELECTRICAL 2



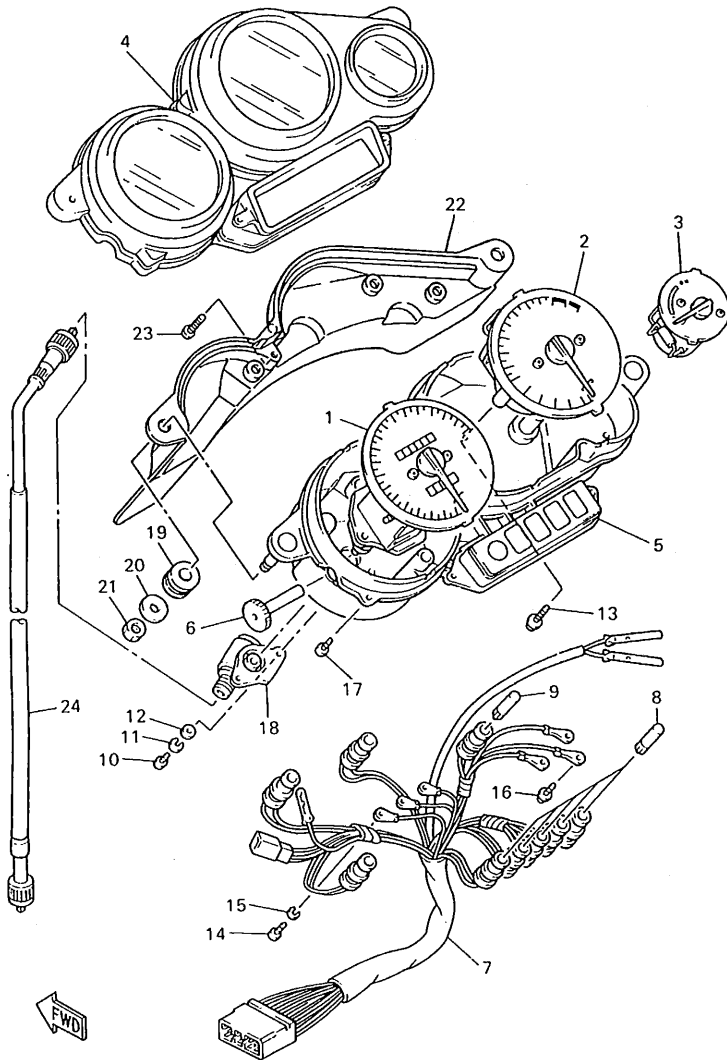
REF. NO.	PART NO.	DESCRIPTION	Q'TY	REMARKS
29	90464-08211	CLAMP	2	
30	25G-83936-01	BAND, SWITCH CORD	2	

# FOR ENGLAND

The following pages provides a listing of only the parts that meet the specifications peculiar to your market. For those parts not appearing in these pages, refer to the "GENERAL SPEC." section.

**F15**

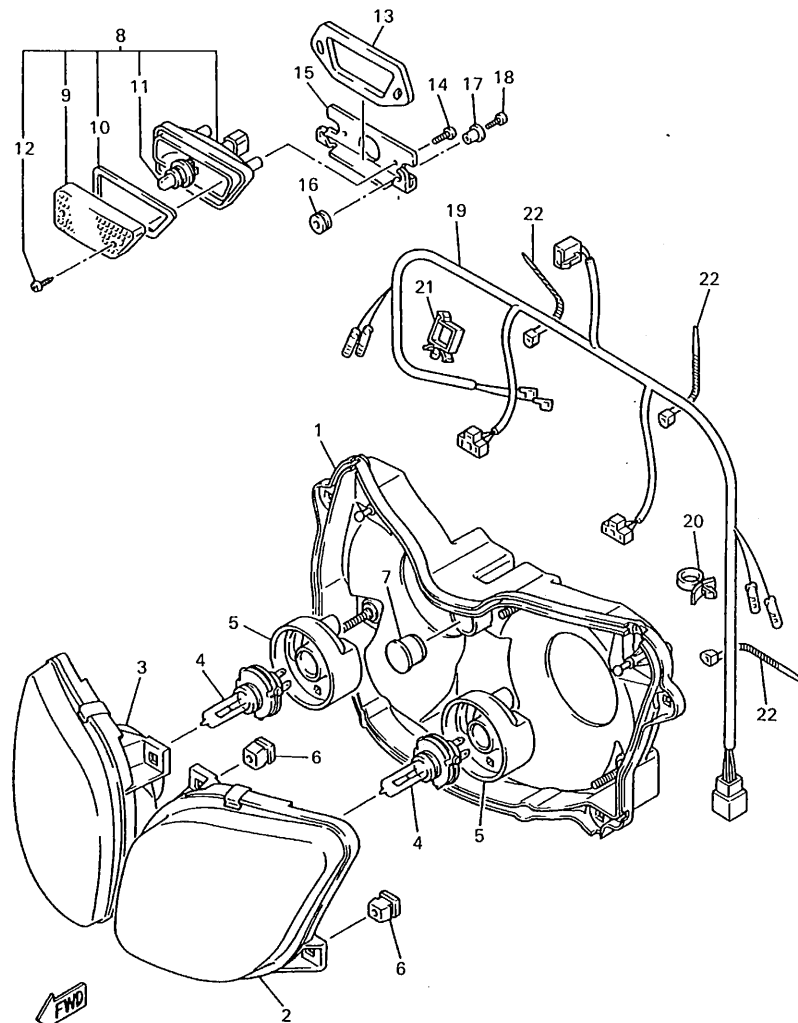
FIG. 49 ALTERNATE (METER)



REF. NO.	PART NO.	DESCRIPTION	Q'TY	REMARKS
1	4FM-83570-10	SPEEDOMETER ASSY	1	
2	4FM-83540-00	TACHOMETER ASSY	1	
3	4FM-83590-00	WATER TEMPERATURE ASSY	1	
4	4FM-83559-00	COVER, METER	1	
5	4FM-8353H-50	CASE, UNDER	1	
6	2GH-83578-00	KNOB, TRIP METER	1	
7	4FM-83509-00	SOCKET CORD ASSY	1	
8	4G1-84744-00	BULB (12V-3.4W)	5	
9	2GV-83517-00	BULB, (12V-1.7W, T6.5)	4	
10	98580-04010	SCREW, PAN HEAD	4	
11	92990-04100	WASHER, SPRING	4	
12	92901-04600	WASHER, PLATE	4	
13	97902-04122	SCREW, WITH WASHER	2	
14	98580-03010	SCREW, PAN HEAD	3	
15	92990-03100	WASHER, SPRING	3	
16	90159-03102	SCREW, WITH WASHER	3	
17	90164-04023	SCREW, TAPPING	5	
18	4FM-83520-00	SOCKET CORD ASSY	1	
19	90480-14585	GROMMET	2	
20	90201-06059	WASHER, PLATE	2	
21	95317-06600	NUT	2	
22	3GM-87278-A0	COVER, METER	1	
23	97707-40012	SCREW, TAPPING	1	
24	4JH-83550-00	SPEEDOMETER CABLE ASSY	1	

4JH351-4420

FIG. 50 ALTERNATE (HEADLIGHT)



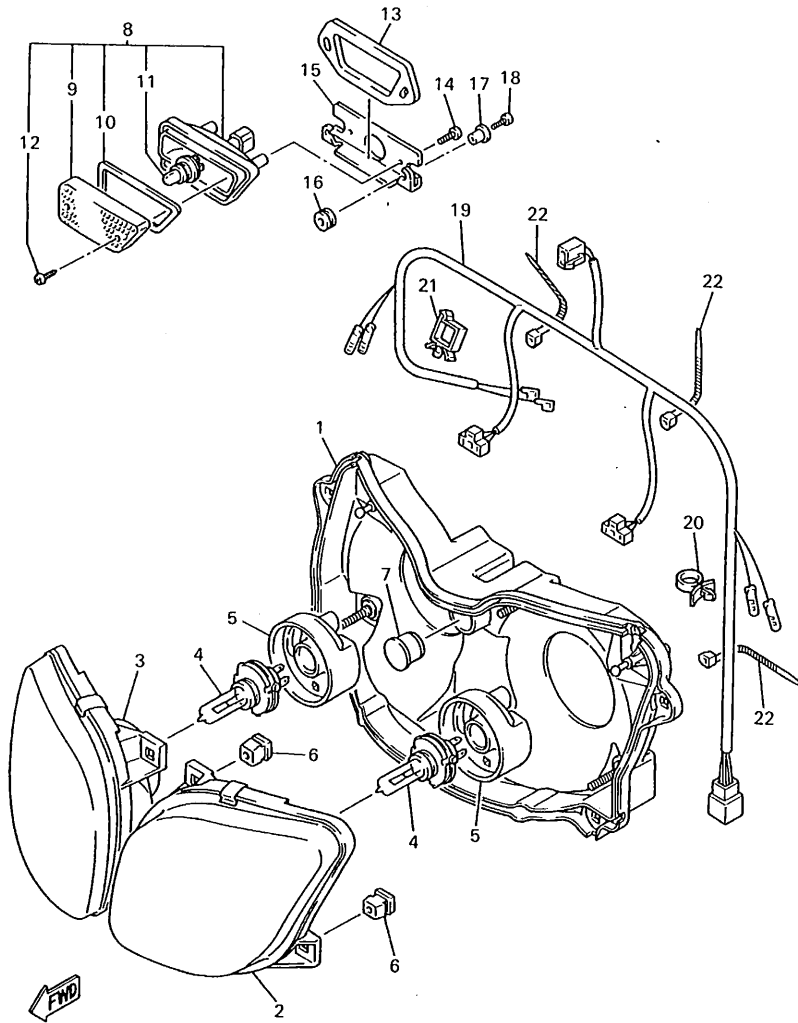
4JH351-4430

REF. NO.	PART NO.	DESCRIPTION	Q'TY	REMARKS
1	4FM-84330-41	BODY ASSY	1	
2	4FM-84320-40	LENS ASSY	1	
3	4FM-8432A-40	LENS ASSY	1	
4	1FM-84314-H0	BULB (12V-35/35W)	2	HALOGEN
5	4JG-84397-00	COVER, SOCKET	2	
6	51L-84334-00	NUT, ADJUSTING	4	
7	90338-24112	PLUG	1	
8	3GM-84301-00	PILOT LIGHT ASSY 1	1	
9	3GM-84321-00	LENS ASSY	1	
10	3GM-84322-00	GASKET, LENS	1	
11	2JE-84744-00	BULB (12V 5W)	1	
12	3GM-84192-00	SCREW(IM4,L=12)	2	
13	3GM-84367-50	DAMPER, HEADLIGHT 2	1	
14	97707-50012	SCREW, TAPPING	2	
15	3GM-8431R-00	STAY, SETTING	1	
16	90480-10517	GROMMET	2	
17	90387-052U5	COLLAR	2	
18	90167-05037	SCREW, TAPPING	2	
19	4JH-84359-10	CORD, HEADLIGHT	1	
20	90464-13133	CLAMP	1	
21	90464-16021	CLAMP	1	
22	90464-13073	CLAMP	3	

# FOR HOLLAND

The following pages provides a listing of only the parts that meet the specifications peculiar to your market. For those parts not appearing in these pages, refer to the "GENERAL SPEC." section.

FIG. 51 ALTERNATE (HEADLIGHT)



4JH351-4430

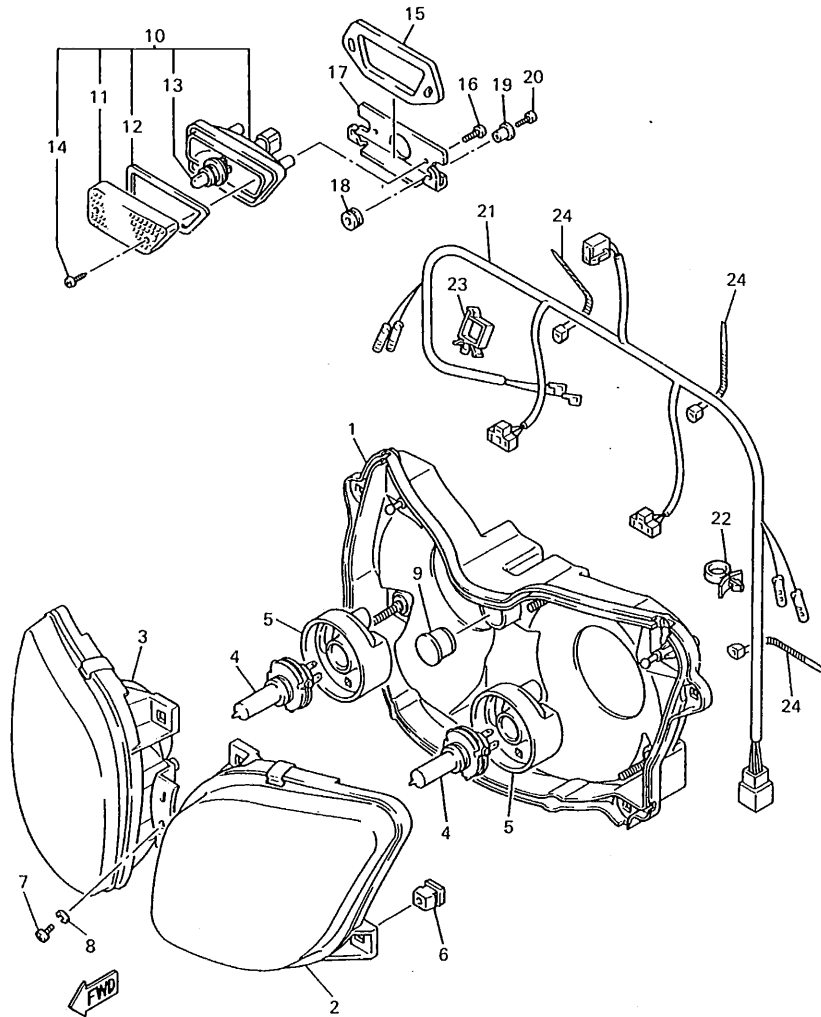
REF. NO.	PART NO.	DESCRIPTION	Q'TY	REMARKS
1	4FM-84330-41	BODY ASSY	1	
2	4FM-84320-10	LENS ASSY	1	
3	4FM-8432A-20	LENS ASSY	1	
4	2F9-84314-00	BULB (12V-60/55W)	2	(H4) HALOGEN
5	4JG-84397-00	COVER, SOCKET	2	
6	51L-84334-00	NUT, ADJUSTING	4	
7	90338-24112	PLUG	1	
8	3GM-84301-00	PILOT LIGHT ASSY 1	1	
9	3GM-84321-00	LENS ASSY	1	
10	3GM-84322-00	GASKET, LENS	1	
11	2JE-84744-00	BULB (12V 5W)	1	
12	3GM-84192-00	SCREW(M4,L=12)	2	
13	3GM-84367-50	DAMPER, HEADLIGHT 2	1	
14	97707-50012	SCREW, TAPPING	2	
15	3GM-8431R-00	STAY, SETTING	1	
16	90480-10517	GROMMET	2	
17	90387-052U5	COLLAR	2	
18	90167-05037	SCREW, TAPPING	2	
19	4JH-84359-00	CORD, HEADLIGHT	1	
20	90464-13133	CLAMP	1	
21	90464-16021	CLAMP	1	
22	90464-13073	CLAMP	3	



# FOR ITALY

The following pages provides a listing of only the parts that meet the specifications peculiar to your market. For those parts not appearing in these pages, refer to the "GENERAL SPEC." section.

FIG. 52 ALTERNATE (HEADLIGHT)



4JH300-4520

REF. NO.	PART NO.	DESCRIPTION	Q'TY	REMARKS
1	4FM-84330-31	BODY ASSY	1	
2	4FM-84320-30	LENS ASSY	1	
3	4FM-8432A-30	LENS ASSY	1	
4	1FM-84314-H0	BULB (12V-35/35W)	2	HALOGEN
5	4JG-84397-00	COVER, SOCKET	2	
6	51L-84334-00	NUT, ADJUSTING	2	
7	98507-04008	SCREW, PAN HEAD	2	
8	92907-04100	WASHER, SPRING	2	
9	90338-24112	PLUG	1	
10	3GM-84301-00	PILOT LIGHT ASSY 1	1	
11	3GM-84321-00	•LENS ASSY	1	
12	3GM-84322-00	•GASKET, LENS	1	
13	2JE-84744-00	•BULB (12V 5W)	1	
14	3GM-84192-00	•SCREW(M4,L=12)	2	
15	3GM-84367-50	DAMPER, HEADLIGHT 2	1	
16	97707-50012	SCREW, TAPPING	2	
17	3GM-8431R-00	STAY, SETTING	1	
18	90480-10517	GROMMET	2	
19	90387-052U5	COLLAR	2	
20	90167-05037	SCREW, TAPPING	2	
21	4JH-84359-10	CORD, HEADLIGHT	1	
22	90464-13133	CLAMP	1	
23	90464-16021	CLAMP	1	
24	90464-13073	CLAMP	3	

### NUMERICAL INDEX

PART NO.	GRID NO.	PART NO.	GRID NO.	PART NO.	GRID NO.
3GM-W0041-50	E - 9	4JH-11411-00	B - 4	1HX-12169-70	B - 5
4BH-W0042-50	E -13	1WG-11416-00	B - 4	1HX-12169-90	B - 5
3GM-W0045-02	E - 4	1WG-11416-10	B - 4	4JH-12171-00	B - 7
1FK-W0046-02	E - 7	1WG-11416-20	B - 4	1WG-12176-00	B - 7
3HE-W0047-50	E - 4	1WG-11416-30	B - 4	4JH-12181-00	B - 7
31A-W0047-00	E - 7	1WG-11416-40	B - 4	3GM-12210-00	B - 7
1J3-W0048-00	E - 4	1WG-11416-50	B - 4	4BE-12213-00	B - 7
	E - 7	4JH-11603-00	B - 4	3TJ-12241-00	B - 7
3HE-W0057-50	E - 4	4JH-11631-00	B - 4	3HE-12251-00	B - 7
31A-W0057-00	E - 7	4JH-11633-00	B - 4	4JH-12252-00	B - 7
3CK-W2470-00	E - 2	4JH-11650-00	B - 4	4JH-12405-00	B - 9
3GM-W2587-50	E - 9	4JH-11654-00	B - 4	4JH-12410-00	B - 8
Y1242-00	B - 8	1WG-11656-00	B - 4	3TJ-12413-00	B - 8
4FM-Y2151-23-P0	D - 4	1WG-11656-10	B - 4	3TJ-12417-00	B - 8
4FM-Y2171-B1-P0	D - 6	1WG-11656-20	B - 4	4JH-1243A-00	B - 9
4FM-Y2171-C1-4B	D - 6	1WG-11656-30	B - 4	1WG-12439-00	B - 8
4FM-Y2171-E1-R0	D - 6	4JH-12111-00	B - 5	4JH-1244F-00	B - 9
4FM-Y2172-71-P0	D - 6	4JH-12113-00	B - 5	1WG-12446-01	B - 8
4FM-Y2172-81-4B	D - 6	1WG-12116-00	B - 5	4JH-12461-00	B - 9
4FM-Y2172-91-R0	D - 6	3TJ-12117-00	B - 5	4JH-12462-00	B - 9
4FM-Y2479-60-P0	E - 2	1HX-12118-00	B - 5	4JH-12481-00	B - 8
4FM-Y2479-70-4B	E - 2	1HX-12119-00	B - 5	4JH-12482-00	B - 8
4JH-Y2808-40-P3	F - 4	4JH-12121-00	B - 5	3TJ-12576-00	B - 8
4JH-Y2808-50-4B	F - 4	3FV-12153-09	B - 5	4JH-12577-00	B - 8
4JH-Y2808-60-P4	F - 4	3FV-12153-10	B - 5	4JH-12578-00	B - 9
4JH-Y283U-30-P1	F - 3	1HX-12168-A0	B - 5	3TJ-12579-00	B - 9
4JH-Y283U-40-4B	F - 3	1HX-12168-F0	B - 5	4MM-12579-00	B - 9
4JH-Y283U-50-R0	F - 3	1HX-12168-H1	B - 5	4JH-12588-00	B - 9
4JH-Y283V-30-P1	F - 3	1HX-12168-K1	B - 5	3HE-13161-00	B -11
4JH-Y283V-40-4B	F - 3	1HX-12168-M1	B - 5	1WG-13310-00	B -10
4JH-Y283V-50-R0	F - 3	1HX-12168-R1	B - 5	1WG-13316-00	B -10
4JH-Y2835-10-P2	E -15	1HX-12168-U1	B - 5	1WG-13329-00	B -10
4JH-Y2835-40-P0	E -15	1HX-12168-W1	B - 5	4JH-13330-00	B -10
4JH-Y2835-50-4B	E -15	1HX-12168-Y1	B - 5	1WG-13336-00	B -10
4JH-11101-00	B - 2	1HX-12168-00	B - 5	4H7-13411-02	B -10
4MM-11101-00	B - 2	1HX-12168-20	B - 5	3TJ-13412-00	B -10
2GH-1111G-00	B - 2	1HX-12168-40	B - 5	3HE-13414-10	B -11
3TJ-11133-10	B - 2	1HX-12168-60	B - 5	4JH-13417-00	B -11
E-11145-00	C - 6	1HX-12168-80	B - 5	3FV-13440-00	B -11
H-11165-00	C - 6	1HX-12169-E0	B - 6	3VD-13455-00	B -11
1WG-11166-00	C - 7	1HX-12169-G0	B - 6	4JH-13470-00	B -11
4JH-11181-00	B - 2	1HX-12169-J0	B - 6	11H-13490-00	B -11
3TJ-11191-00	B - 2	1HX-12169-L0	B - 6	4MM-13582-00	B -15
3TJ-11193-00	B - 2	1HX-12169-N0	B - 6	4JH-13586-00	B -12
214-11198-01	B -11	1HX-12169-T0	B - 6	4JH-13596-00	B -12
4JH-11311-00	B - 3	1HX-12169-10	B - 5	4FM-13910-00	D -14
4MM-11311-00	B - 3	1HX-12169-31	B - 5	4JH-13918-00	C - 3
3TJ-11351-00	B - 3	1HX-12169-50	B - 5	4JH-1410A-00	C - 3

### NUMERICAL INDEX

PART NO.	GRID NO.	PART NO.	GRID NO.	PART NO.	GRID NO.
4JH-14105-00	C - 2	4MM-14868-00	B -15	4JH-15415-00	C - 8
4JH-14107-00	C - 2	4MM-14869-00	B -15	1L9-15417-00	C - 8
4MM-14118-00	C - 3	4MM-14872-00	B -14	4JH-15421-00	C - 8
4JH-14121-00	C - 3	4MM-14873-00	B -14	1WG-15425-00	C - 8
4JH-14133-00	C - 3	2LJ-14874-00	B -14	1WG-15427-00	C - 8
4JH-14137-00	C - 3	4MM-14875-00	B -14	4JH-15431-00	C - 8
4JH-1414G-00	C - 2	4MM-14881-00	B -14	3HE-15451-10	C - 8
3TJ-14148-40	C - 4	2LJ-14882-00	B -14	4JH-15461-00	C - 8
4JH-14162-00	C - 3	2LJ-14883-00	B -14	4JH-15462-00	C - 8
3TJ-14191-40	C - 3	4MM-14884-00	B -14	3HE-15467-10	C - 8
4JH-14197-00	C - 3	4MM-14885-00	B -14	3HE-15512-00	C -10
3TJ-14216-40	C - 2	4JH-14900-00	C - 2	4JH-15515-00	C -10
4JH-14216-00	C - 2	4MM-14900-00	C - 2	3HE-15517-00	C -10
3TJ-14245-40	C - 3	4JH-14901-00	C - 2	3HE-15521-00	C -10
4JH-14245-00	C - 4	4MM-14901-00	C - 2	3TJ-15521-00	C -10
4JH-14264-00	C - 3	4JH-14902-00	C - 2	3HE-15524-00	C -10
4JH-14294-00	C - 3	4MM-14902-00	C - 2	3HE-15590-02	C -10
4JH-14298-00	C - 3	4JH-14903-00	C - 2	4JH-16150-00	C -11
4JH-14325-00	C - 3	4MM-14903-00	C - 2	1WG-16154-00	C -11
4JH-14350-00	C - 3	4JH-14904-00	C - 2	1WG-16164-00	C -11
4JH-14358-00	C - 3	4MM-14904-00	C - 2	1WG-16181-00	C -11
4JH-1440F-00	C - 4	4JH-14916-00	C - 2	1WG-16304-00	C -11
4JH-14411-00	B -12	4MM-14916-00	C - 2	4JH-16321-00	C -11
4MM-14411-00	B -12	4JH-14922-00	C - 3	1LX-16324-00	C -11
4JH-14412-00	B -12	4JH-14933-00	C - 2	4JH-16340-00	C -11
4JH-14413-00	C - 9	4JH-14934-00	C - 3	132-16346-00	C -11
4JH-14421-00	B -12	4JH-14935-00	C - 3	4JH-16351-00	C -11
4JH-14429-00	C - 3	4JH-14936-00	C - 2	4JH-16356-00	C -11
4JH-14451-00	B -12	3TJ-14937-40	C - 4	4JH-16357-00	C -11
4FM-14452-00	B -12	4JH-14940-00	C - 2	4JH-16371-00	C -11
4JH-14453-00	B -12	4MM-14940-00	C - 2	4JH-17121-00	C -12
1VJ-14462-00	B -12	3TJ-14943-30	C - 2	4JH-17131-00	C -12
4JH-14467-00	B -12	3TJ-14943-81	C - 2	4JH-17151-00	C -12
4JH-14487-00	C - 3	4JH-14948-01	C - 2	4JH-17161-00	C -12
4JH-14515-00	C - 2	4JH-14984-00	C - 3	4JH-17211-00	C -12
663-14548-00	C - 2	4JH-14985-00	C - 2	4JH-17221-00	C -12
7A9-14555-00	C - 3	4JH-15100-00	C - 6	4JH-17231-00	C -12
4JH-14561-00	C - 4	3HE-15105-00	C - 7	4JH-17241-00	C -12
4JH-14565-00	C - 3	11H-15138-00	C - 6	4JH-17251-00	C -12
4JH-14567-00	C - 3	26H-15138-00	C - 6	4JH-17261-00	C -12
4JH-14602-00	C - 5	4JH-15138-00	C - 6	4JH-17411-00	C -12
3YF-14613-01	C - 5	36Y-15189-00	C - 6	4JH-17421-00	C -12
4JH-14710-00	C - 5	1WG-15316-00	C - 8	278-17425-00	C -13
3XW-14714-00	C - 5	1WG-15326-00	C - 8	4G0-17433-01	C -13
42H-14714-10	B -14	2H7-15361-00	C - 6	3HE-17460-00	C -12
4MM-14808-00	B -14	3F9-15362-00	C - 8	4JH-18101-00	C -15
4MM-14840-00	B -14	4JH-15381-00	C - 7	4JH-18110-00	C -15
4MM-14849-00	B -15	4JH-15411-00	C - 8	132-18113-01	C -15

NUMERICAL INDEX

NUMERICAL INDEX

PART NO.	GRID NO.	PART NO.	GRID NO.	PART NO.	GRID NO.	PART NO.	GRID NO.	PART NO.	GRID NO.	PART NO.	GRID NO.
22N-18113-00	E -13	3GM-21649-10	D - 5	2K8-23158-L0	D -12	4JH-2478M-20	E - 2	2VN-25866-00	E - 9	1TX-27351-00	E -11
4JH-18115-00	C -15	3MA-21649-00	E -15		D -13	4BP-24780-00	E - 2	56A-25867-00	E - 9	4JH-2741L-01	E -12
1HX-18127-00	C -14	4JH-21650-00	D - 5	4JH-23170-10	D -12	4FM-24780-00	E - 2	4JH-25872-00	E - 9	4JH-27410-00	E -11
4JH-18130-00	C -15	4DN-21669-00	F - 4	3JD-23171-L0	D -12	4FM-24791-00-R0	E - 2	4JH-25873-00	E -10	3YX-27413-00	E -11
36Y-18140-00	C -14	4FM-21688-00	D - 5	3LC-23173-00	D -12	4BP-24792-00	E - 2	4JH-25874-01	E -14	1HX-27415-00	E -12
2H9-18154-00	C -15	4JH-21724-00	F - 3		D -13	341-25149-00	E - 3	4NA-25875-01	E -10	4JH-2742L-01	E -12
4JH-18511-00	C -14	4JH-2172F-00	F - 3	3LC-23181-00	D -12	3TJ-25168-00-P1	E - 3	3MA-25876-12	E -10	4JH-27420-00	E -11
4JH-18512-00	C -14	4JH-2173E-00	D - 6		D -13	3TJ-25168-00-7B	E - 3	3MA-25876-22	E -10	3XV-27431-00	E -11
4JH-18513-00	C -14	4JH-2173F-00	D - 6	43F-23188-10	D -12	4JH-25181-00	E - 3	4NA-25876-01	E -10	4BP-27434-01	E -11
4JH-18531-00	C -14	4JH-2173L-20	D - 6		D -13	4HM-25190-00	E - 3	3LC-25885-00	E -14	3HE-27435-00	E -11
4JH-18535-00	C -14	4JH-2173L-30	D - 6	4JH-23340-00	D -13	4JH-25338-00-P1	E - 5	3PJ-25888-00	E -13	1HX-27437-00	E -12
1WG-18536-00	C -14	4FM-2173T-00	D - 6	3LC-23357-00	D -12	4JH-25338-00-7B	E - 5	3FV-2589A-00	E - 9	3XV-27441-10	E -11
4JH-18540-00	C -14	4JH-2174L-20	D - 6		D -13	4FM-25364-00	E - 5	3FV-2589F-00	E - 9	4FM-27442-00	E -11
278-18542-00	C -14	4JH-2174L-30	D - 6	3HE-23416-00	D -11	4FM-25366-00	E - 5	3FV-2589G-00	E - 9	4FM-27443-00	E -1
1WG-18562-00	C -14	3XV-21778-00	D - 4	26H-23418-01	D -11	4JH-25371-00	E - 5	3GM-2589H-00	E - 9	1WG-28100-01	D - 5
278-18566-00	C -14	3TU-2178A-00	D - 6	4JH-23435-00	D -11	3GM-25381-A0	E - 6	3FV-2589A-00	E - 9	36X-2811G-00	D - 4
4JH-21110-10-T9	D - 2	4JH-21781-10	D - 6	10L-23469-00	E - 8	4JH-25384-02	E - 6	31A-25894-01	E -13	4FM-28215-00	E -15
4FM-2117K-00	E - 2	4FM-21871-00	D - 2	341-23469-00	E - 8	4JH-25384-11	E - 6	4JH-25895-00	E -13	4JH-28301-20	F - 3
4JH-2117M-00	D - 2	1AA-21874-00	D - 3	4FM-24110-30-X1	D -14	3XW-25388-00	E - 5	29L-25919-A0	E - 7	4JH-28301-30	F - 3
4JH-2117N-01	D - 2	4L0-21875-00	D - 3	4FM-24110-30-X2	D -14	29L-25398-00	E - 3	3GM-25919-00	E - 4	4JH-28301-40	F - 3
4JH-21208-00	D - 2	4JH-22110-00-T9	D - 8	4FM-24110-30-09	D -14		E - 5	3HE-25924-00	E - 4	4JH-28303-20	F - 3
4JH-21209-00	D - 2	4X7-22129-00	D - 8	4FM-2414G-00	D -14	29L-25398-10	E - 3		E - 7	4JH-28303-30	F - 3
4FM-2133G-00	E -13	1UY-22141-00	D - 8	2GH-24181-00	D -14		E - 5	3GM-25925-00	E - 4	4JH-28303-40	F - 3
4JH-2134K-00	E - 9	4JH-22151-00	D - 9	33M-24182-01	D -14	29L-25398-20	E - 3	3HE-25925-00	E - 7	4JH-28304-20	F - 4
4JH-21359-00	D - 2	3GM-2217A-00	D - 8	2GH-24183-00	D -14		E - 5	4JH-26111-00	E - 8	4JH-28304-30	F - 4
1M1-21366-00	D - 4	3GM-2217M-00	D - 8	3Y6-24183-00	D -14	4JH-25447-00	E - 5	4JH-26112-00	E - 8	4JH-2831T-00	F - 4
3VD-21366-00	D - 4	4JH-22174-00	E - 5	4JH-24183-00	D -14	3HE-2580T-60	E - 4	4JH-26121-00	E - 8	4JH-2831W-00	E -15
4JH-21366-00	D - 5	47X-22184-00	D - 8	2GH-24186-00	D -14	3HE-2580U-60	E - 4	4JH-26122-00	E - 8	4JH-2832U-00	F - 3
4JH-2142K-00	B - 9	4JH-22210-30	D -10	4FM-24187-00	D -14	3HE-2580W-10	E - 7	4JD-26240-00	E - 8	4JH-2832W-00	F - 2
4FM-2144G-00	E -13	4FM-22262-00	D -10	3VD-24188-00	F - 3	4HM-2581T-00	E - 4	4FM-26241-00	E - 8	4JH-28356-00	E -15
4JH-21446-00	D - 2	4JH-22311-00	D - 8	4FM-24191-00	D -14	4JH-25819-00	E - 7	36Y-26246-00	E - 8	4JH-2836F-00	F - 4
4JH-21488-00	D - 2	4JH-23102-10	D -12	4JH-24240-20	D -14	4BP-2582A-00	E -13	3LN-26270-01	E - 8	4JH-2836G-00	F - 4
4X7-2149Y-00	B -12	4JH-23103-10	D -12	4JH-24240-30	D -14	4JH-2582W-00	E - 7	4FM-26280-00	E -15	4JH-2836H-00	F - 3
4FM-21511-03-R0	D - 4	4JH-23110-10	D -12	4JH-24240-40	D -14	1FK-25827-00	E - 7	4FM-26280-10	E -15	4JH-2836J-00	F - 3
4FM-21511-03-4B	D - 4	4JH-23111-10	D -12	3PA-24356-00	E - 9	1FK-25828-00	E - 7	4FM-26290-00	E -15	4JH-2836K-00-P0	F - 4
1A8-21518-00	F - 4		D -13	3FV-24500-01	D -14	4BH-2583V-00	E -13	4FM-26290-10	E -15	4JH-2836K-00-R0	F - 4
4JH-21569-00	D - 4	3GM-23125-50	D -12	4X8-24512-00	D -14	1KT-25836-00	E - 4	4JH-26292-00	E - 9	4JH-2836K-00-4B	F - 4
3GM-21575-00	D - 6	4JH-23126-10	D -12	4FM-24602-00	D -15	42H-25836-00	E - 7	3XV-26298-00	F - 2	3FV-28365-00	F - 4
3GM-21576-00	D - 6	4JH-23136-10	D -12	4JH-24710-00	E - 2	341-25846-00	E - 3	4FM-26299-00	F - 2	4JH-28368-00	F - 3
4FM-21596-00	E - 4	4JH-23141-10	D -12	4JH-24711-00	E - 2	3GM-2585F-00	E - 9	4JH-26302-00	E - 8	51L-28371-00	E -15
4JH-2161A-00	D - 4		D -13	35T-24724-00	D - 4	4BP-2585F-00	E -13	4JH-26331-00	E - 8	4FM-28372-00	D - 4
4FM-21611-03	D - 4	3XV-23144-50	D -12	509-24724-00	E - 2	3LN-2585G-00	E -13	4JH-26335-00	E - 8	4JH-28381-00	E -15
4FM-21611-13	D - 4		D -13	4FM-2475H-00	E - 2	2KF-25852-50	E -13	278-27114-00	E - 2	4JH-28390-10	E -15
3GM-21621-00	D - 4	3SP-23145-L0	D -12	4FM-2475J-00	E - 2	3GM-25852-50	E - 9	4JH-27211-00	E -13	4JH-28396-00	F - 4
4JH-2163A-00	D - 5	36Y-23146-10	D -12	4FM-24750-00	E - 2	3FV-25854-00	E - 9	47X-27222-00	E -13	4JH-28397-00	F - 4
36Y-21639-00	D - 2	3LC-23149-00	D -12	4FM-24751-00	E - 2	360-25854-00	E -13	3YF-27261-00	E -13	89X-77167-00	E -15
4FM-21645-01	D - 2		D -13	4FM-2478E-01	D -13	2GU-25855-00	E -13	4FM-27311-00	E -11	88T-77198-00	E - 2
3GM-21649-00	D - 5	26H-23156-00	D -12	4JH-2478M-10	E - 2	2J2-25855-50	E - 9	4FM-27315-00	E -11	4JH-81410-00	F - 5

NUMERICAL INDEX

PART NO.	GRID NO.	PART NO.	GRID NO.
4JH-81450-00	F - 5	4JH-83342-00	F - 7
3HW-81800-00	F - 6	4FM-83345-00	F - 7
3AJ-81809-00	F - 6	3GM-83350-00	F -12
1HX-81815-00	F - 6	4FM-83369-00	F - 7
3HE-81826-00	F - 6	34Y-83371-00	F -12
3HE-81830-00	F - 6	4FM-83509-00	F - 8
3HE-81840-00	F - 6		G - 2
11H-81844-00	F - 6	2GV-83517-00	F - 8
26H-81847-00	F - 6		G - 2
3HE-81850-00	F - 6	4FM-83520-00	F - 8
5HO-81871-00	F - 6		G - 2
4JH-81940-00	F -13	4FM-8353H-40	F - 8
4JH-81950-00	F -13	4FM-8353H-50	G - 2
4JH-81960-00	F -13	4FM-83540-00	F - 8
3VD-82100-00	F -13		G - 2
4JH-82115-00	F -13	4JH-83550-00	F - 8
4JH-82116-00	F -13		G - 2
3TJ-82131-00	D - 2	4FM-83559-00	F - 8
4BP-82131-00	F -13		G - 2
4J2-82131-01	D - 4	4FM-83570-00	F - 8
2GH-82151-00	F -13	4FM-83570-10	G - 2
2KW-82151-00	F -13	2GH-83578-00	F - 8
36Y-82151-00	F -13		G - 2
4JH-82305-00	F -12	4FM-83590-00	F - 8
4JH-82305-30	F -12		G - 2
4JH-82310-00	F -12	11H-83591-00	F -12
4JH-82320-00	F -12	3LN-83912-00	F -11
1WG-82370-00	F -12	31A-83913-00	F -11
4JH-82501-01	F -13	3TJ-83922-01	E - 9
1KT-82530-02	F -13	25G-83936-01	F -14
1AE-82540-00	F -12	4JH-83940-00	E - 8
1WG-82541-00	F -12	1WG-83941-00	E - 8
3LN-82560-00	F -12	31A-83945-00	F -11
3LD-82566-50	F -13	3TJ-83964-10	F -13
3TJ-82583-00	F -12	4BR-83969-01	F -11
4JH-82590-00	F -13	4FM-83975-00	F -11
1UA-82591-00	F -13	3FV-83980-00	E - 9
29L-82911-01	F -11	3GM-84192-00	F - 9
4-82917-00	F -11		G - 3
4JH-83310-00	F - 7		G - 5
306-83311-40	F - 7		G - 7
4JH-83318-00	F - 7	3GM-84301-00	F - 9
4JH-83320-00	F - 7		G - 3
4JH-83330-00	F - 7		G - 5
4JH-83330-10	F - 7		G - 7
4JH-83332-00	F - 7	3GM-8431R-00	F - 9
4JH-83340-00	F - 7		G - 3
4JH-83340-10	F - 7		G - 5

PART NO.	GRID NO.	PART NO.	GRID NO.
3GM-8431R-00	G - 7		
1FM-84314-H0	G - 3		
	G - 7		
2F9-84314-00	F - 9		
	G - 5		
	F - 9	4FM-8432A-10	F - 9
	G - 5	4FM-8432A-20	G - 5
	G - 7	4FM-8432A-30	G - 7
	G - 3	4FM-8432A-40	G - 3
	F - 9	4FM-84320-10	F - 9
	G - 5		G - 5
	G - 7	4FM-84320-30	G - 7
	G - 3	4FM-84320-40	G - 3
	F - 9	3GM-84321-00	F - 9
	G - 3		G - 3
	G - 5	90101-06576	G - 5
	G - 7	90101-10659	G - 7
	F - 9	90101-12673	F - 9
	G - 3	90105-06384	G - 3
	G - 5	90105-07385	G - 5
	G - 7	90105-08321	G - 7
	G - 7	90105-08630	G - 7
	F - 9	90105-10130	F - 9
	G - 3	90105-10169	G - 3
	G - 5	90105-10430	G - 5
	F - 9	90105-10445	F - 9
	G - 3	90105-10638	G - 3
	G - 5		G - 5
	G - 7	90105-10727	G - 7
	F - 9	90109-063F7	F - 9
	G - 5	90109-064F0	G - 5
	G - 3	90109-065A8	G - 3
	G - 7	90109-080G5	G - 7
	F - 9	90109-081F0	F - 9
	G - 3	90109-08718	G - 3
	G - 5	90109-104E6	G - 5
	G - 7	90109-10554	G - 7
	F - 9	90109-112F1	F - 9
	G - 3	90110-05112	G - 3
	G - 5		G - 5
	G - 7	90110-06130	G - 7
	F -10	3F9-84553-00	F -10
	F -10	4FM-84710-00	F -10
	F -10	31L-84714-00	F -10
	F -10	4FM-84735-00	F -10
	F -10	3F9-84742-00	F -10
	F - 9	2JE-84744-00	F - 9
	F -10		F -10

NUMERICAL INDEX

PART NO.	GRID NO.	PART NO.	GRID NO.
90116-10575	E - 5	90179-25033	D -11
90119-06118	D - 4	90183-03010	F - 3
90119-06194	D - 5	90183-04064	D - 6
	D - 8	90183-05024	D - 8
	D - 4		E -15
90119-06205	E - 8		F - 3
90123-08046	D - 4		F - 4
90149-04278	E -15	90185-10037	E -11
90149-05273	D -14	90185-16127	D - 8
90149-06008	E - 2	90201-04018	D - 4
90149-06308	E -15		D - 5
90150-05023	D - 6	90201-05027	F - 5
90150-06036	F - 3	90201-05033	F -10
	F - 4	90201-06059	F - 8
90153-06045	B - 3		F -10
90154-05013	D - 8		G - 2
90154-05059	E -15	90201-063J2	B - 9
	F - 4	90201-08083	E -13
90154-06061	D - 4	90201-08326	E -11
90157-05065	C -11	90201-087K3	C - 6
90157-05079	F -13	90201-08730	C - 5
90159-03102	F - 8	90201-090P4	B - 2
	G - 2	90201-101J1	D - 8
90159-05122	E -11		D -10
90159-06033	D - 2	90201-10118	E -10
90159-06092	C -11		E -14
90159-06093	D - 6	90201-104R2	E -13
90164-04023	F - 8	90201-107K6	C -10
	G - 2		F - 5
90167-05037	F - 9	90201-10774	D - 2
	G - 3	90201-113K2	B -10
	B - 7	90201-126A7	D - 8
	F -13	90201-127J6	E -11
	E - 7	90201-160F6	D - 8
90170-08358	E - 3	90201-161J3	D - 8
90170-14349	C -11	90201-20276	C -13
90170-18221	D -14	90201-237K5	C - 6
90176-06055	F - 2	90201-25291	C -12
	D -11	90202-05187	D -14
90176-22050	E -15	90202-06056	C - 3
90179-05523	F -10	90202-26142	D -11
	B -10		D -11
	C - 8	90206-14086	E -13
90179-06499	C - 8	90209-10131	E - 8
90179-07652	B - 4	90209-11262	B - 2
90179-08148	E - 8	90209-22191	C -12
90179-08179	C -11	90209-27336	C -12
90179-09612	B - 2	90215-18225	C -11
90179-10247	E -11	90215-21022	C -12
90179-18020	C -12		

NUMERICAL INDEX

NUMERICAL INDEX

PART NO.	GRID NO.	PART NO.	GRID NO.	PART NO.	GRID NO.	PART NO.	GRID NO.	PART NO.	GRID NO.	PART NO.	GRID NO.
90240-08124	E -13	90401-10160	E -10	90464-16021	G - 5	90506-18224	E -11	92907-05100	D -15	93306-20469	E - 5
90267-40029	D - 5	90401-20158	B -11		G - 7	90506-20377	E -11		F - 5	93306-20644	E - 5
90267-40076	D - 4	90430-06014	B - 3	90464-23041	B -14	90506-26225	E -11	92907-05600	B -12	93306-37208	C -12
90269-07036	F - 4		B - 8	90464-30040	B -14	90508-237A0	C -14		D -15	93310-345R8	C -11
90280-03047	F - 5	90430-06166	C - 6	90465-06289	C - 7	90508-32682	C -15		F -10	93311-42045	C -13
90280-16053	C -10	90430-10171	B -11	90465-10306	B -11	90560-12211	C -15	92907-06100	B -14	93315-32516	C - 6
90338-05240	B -12	90445-075G7	B -12	90465-10307	C - 6	90560-17358	E - 3		E -13	93317-41761	D - 8
90338-07043	D - 4	90445-08786	D - 3	90465-10308	C - 6	91314-10045	D -12		F -11	93317-42060	D - 8
90338-08174	B - 2	90445-090E5	B -12	90467-08003	B - 9		D -13	92907-06600	B -14	93320-32403	D - 8
90338-08226	F -12	90445-091J2	B -14		D - 3	91314-12030	D -13		C - 5	93332-00001	D -11
90338-09012	F -11	90445-09488	B -12	90467-08017	B -13	91317-05010	D -15		D - 2	93332-00008	D -11
90338-10132	D - 4	90445-09496	B -12		B -15	91317-06010	B - 8		D -14	93399-99919	D - 8
90338-16148	D - 2	90445-095E9	B - 9	90467-08092	B -12		B -11	92907-08600	E - 5	93440-07149	B - 2
90338-24112	F - 9	90445-09683	B -12		B -14	91317-06012	C - 7	92907-10600	B -15	93440-25084	C -11
	G - 3	90445-107H3	D -15	90467-09006	D -15		E - 9	92907-14200	E - 3	93440-30077	C -12
	G - 5	90445-11452	B -12	90467-10008	B -12	91317-06020	B - 8	92990-03100	F - 8	93440-52014	C -13
	G - 7	90445-118E9	C - 7	90467-10038	C - 7		B -12		G - 2	93440-54152	C -12
90340-08M04	C - 8	90445-142H0	C - 4	90467-11090	B - 9		E - 8	92990-04100	E - 9	93501-04011	E -11
90340-12112	B - 2	90446-17346	E -11	90467-13123	C - 4	91317-06025	B - 7		F - 8	93505-16006	C -11
90387-052U5	F - 9	90450-17036	B - 9	90467-14015	B -14		B - 8		G - 2	93603-09106	B -10
	G - 3	90450-32008	D -10		C - 7		B -11	93101-16131	D - 8	93603-17070	B -10
	G - 5	90450-32051	B - 8	90467-14057	E -14		C - 8	93101-29165	B - 4	93900-00030	E - 3
	G - 7		B - 9	90467-19051	B -14		C - 9	93101-29166	B - 4		E - 5
90387-062M9	D - 9	90450-52074	B -12	90467-23067	B -14		E - 8	93102-12106	C -15	94112-1703C	E - 3
90387-06241	F -10	90460-60165	B -12	90468-08104	B -14	91317-06035	B - 8	93102-23252	E - 3	94116-1703G	E - 5
90387-06299	D -14	90461-08031	E -14	90468-12069	B - 4		C - 8	93102-28022	E - 5	94581-32118	B - 7
90387-064H8	E -12	90461-10132	E -10	90480-04166	D - 7		C - 9	93102-35368	C -12	94581-59108	E - 5
90387-065J6	D - 4	90462-10182	C - 9	90480-10258	D - 5		F - 5	93102-40211	E - 5	94681-32021	B - 7
90387-067N5	F - 2	90462-20188	B -14	90480-10517	F - 9	91317-06040	B - 8	93105-45017	E - 3	94701-00318	B - 2
90387-07391	B - 9	90464-07121	F -13		G - 3	91317-06045	C - 8	93109-08058	C -11	94701-00319	B - 2
	B -14	90464-08211	F -14		G - 5		E -12	93109-12053	C -15	95027-06008	F -13
	E -15	90464-09130	D - 4		G - 7	91317-08020	C -10	93210-06632	C - 7	95027-06012	B - 8
	D - 4	90464-10190	F -13	90480-12072	D - 4	91317-08025	E - 8	93210-10096	B -11		F - 2
90387-087L0	D - 8	90464-12089	F -13	90480-12320	F - 4		E -11	93210-12152	C - 6	95027-06016	F - 2
90387-115V8	D - 2	90464-12196	B -14	90480-13398	D - 6	91317-08030	D -11	93210-15566	B - 8		F -10
90387-124T2	D -10	90464-13073	F - 9		F - 2	91317-10045	D - 2	93210-15620	E - 9		F -12
90387-124W2	D - 8		F -13		F - 3	91317-10050	D - 2	93210-16629	C - 6	95027-06025	B -14
90387-126T1	D - 8		G - 3		F - 4	91490-20020	E - 5	93210-17746	B - 8		F - 6
90387-177V5	E - 3		G - 5	90480-14229	B -14		E -13	93210-21190	B - 8	95304-08700	C -15
90387-2004C	E - 6		G - 7		E -15	91810-08016	B - 3	93210-27778	C - 8	95307-08600	E - 7
90387-2004D	E - 6	90464-13133	F - 9	90480-14585	F - 8		C - 6	93210-29196	F -12	95307-08700	E -13
90387-2004E	E - 5		G - 3		G - 2	92017-08020	E -13	93210-33133	B - 8	95317-06600	F - 8
90387-2004F	E - 5		G - 5	90480-15363	B - 9	92901-04600	E - 9	93210-48364	C -11		G - 2
90387-212R3	C -11		G - 7	90480-18171	D - 2		F - 8	93305-20509	C -12	95607-04100	D - 5
90387-2504A	C -12	90464-15192	F -13	90501-06022	C -14		G - 2	93306-00105	C -11	95607-06100	E -12
90401-10106	B -11	90464-15195	F -13	90501-12743	E -11	92906-06600	E - 9	93306-20006	C -10		F -10
90401-10159	E -10	90464-16021	F - 9	90501-224J9	C -11	92907-04100	G - 7	93306-20314	E - 3		F -11
	E -14		G - 3	90506-11488	C -11	92907-04600	F - 7	93306-20464	C -12	95607-06200	E -15

NUMERICAL INDEX

PART NO.	GRID NO.	PART NO.	GRID NO.
95607-10100	D- 8	95817-08035	D-14
	D-10		E-12
95607-18200	E- 6	95817-08070	C- 6
95617-06100	E- 9	95817-10025	D- 2
95617-08200	E-15	95827-06016	C-14
95617-10100	B-15	95827-10175	D- 2
95617-10200	E- 5	97007-06014	D- 9
95617-12100	D- 8	97007-06025	D-14
95707-05500	D- 5		F-11
	E-15	97016-06025	E- 9
	F-10	97027-06020	C-15
	F-12	97702-40610	F- 7
	F-13	97707-40010	D- 6
95707-06500	E- 2	97707-40012	F- 8
	F- 7		G- 2
95707-08500	E- 5	97707-50012	F- 9
95707-10500	D- 2		G- 3
95807-06010	B-15		G- 5
	E- 8		G- 7
	F- 3	97707-50525	B-12
	F- 4	97707-60016	D- 5
	F-12		F-12
95807-06014	B- 3	97902-04122	F- 8
95807-06016	D- 4		G- 2
	D- 5	98503-04014	C- 3
	D-10	98507-04008	F- 7
	E- 2		G- 7
	E-13	98507-05016	D-15
95807-06020	F-13		F- 5
95807-06025	B- 9	98507-05018	F-11
95807-06030	E-15	98507-05020	E- 8
95811-06010	B- 9	98507-05025	E- 8
95817-06012	B- 9	98507-05030	B-12
	D- 2		F-11
	E- 9	98507-05040	F-11
	E-10	98507-06010	C- 9
	E-14		E-13
95817-06040	C- 6	98507-06016	B-14
95817-06050	C- 6		D- 2
95817-06070	C- 6		F-12
95817-06075	D-14	98507-06020	B-10
95817-06080	C- 6		E-13
95817-06090	C- 6	98517-04012	E- 9
95817-08016	D- 2	98517-06012	C- 6
95817-08020	C- 5		C- 7
95817-08025	C- 5	98580-03010	F- 8
95817-08030	C- 5		G- 2
95817-08035	D- 2	98580-04008	C- 3

NUMERICAL INDEX

PART NO.	GRID NO.	PART NO.	GRID NO.
98580-04010	F- 8		
	G- 2		
98707-03008	F-11		
98707-05012	C-14		
98707-06025	F- 2		
98780-05016	F-13		
98907-05008	C- 8		
98907-06008	E- 8		
99226-00160	D-14		
99227-00160	D-14		
99236-00100	E-15		
99236-00280	F- 4		
99236-00300	F- 4		
99237-00080	F-10		
99237-00100	E-15		
99510-08012	B-10		
99510-08016	B- 2		
	B-11		
	C- 8		
	C- 9		
	C- 6		
99510-12016			







*COPYRIGHT: All rights reserved. No part of this publication  
may be reproduced without permission.*

**YAMAHA**

YAMAHA MOTOR CO., LTD.  
2500 SHINGA I IWATA SHIZUOKA JAPAN  
- SERVICE INFORMATION DIV.

---

Printed in Japan  
Second edition APR., 1995