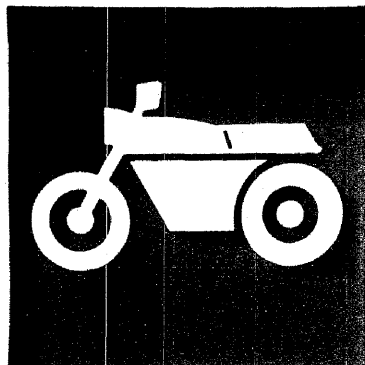


YAMAHA

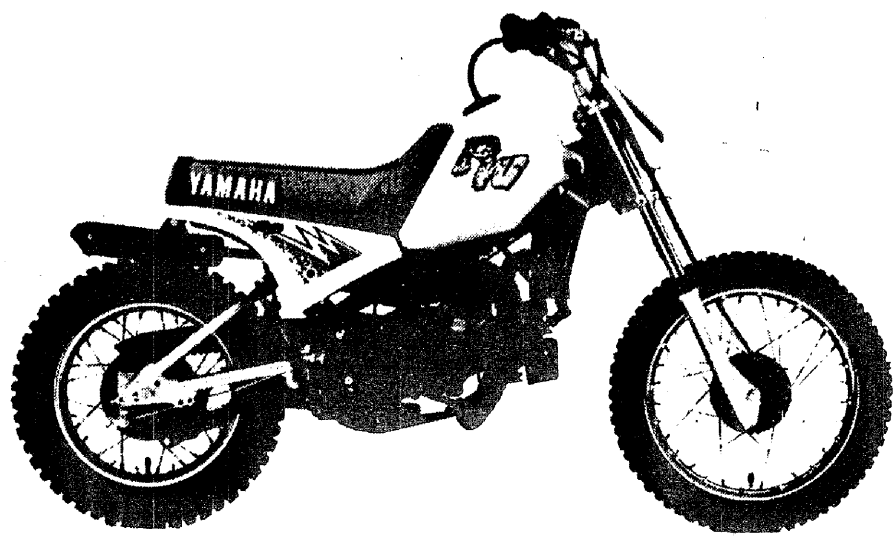


**PARTS
CATALOGUE**

PW80'94 (4BC4) EUROPE

YAMAHA
GENUINE
Parts & Accessories

144BC-300E1



A3

FOREWORD

This Parts Catalogue is related to the parts in use for the Yamaha PW80'94 (4BC4).
When you are ordering replacement parts for the PW80'94 (4BC4), refer to this Parts Catalogue and quote both part numbers and part names correctly.

1. Modifications or additions which have been made after issue of the Parts Catalogue will be announced in the Yamaha Parts News.
It is advisable that according to the Yamaha Parts News you make necessary corrections to the Parts Catalogue on hand to keep it up-to-date.

2. Abbreviations

The following abbreviations are used in this Parts Catalogue.

- U.R. Use size (thickness) and/or number as required.
- U.N. Use as many as you need.
- A.P. Alternate Parts
- L.M. Local Made
- F# Frame No. (Applicable machine No.)

3. The parts marked with (*) in the parts number column of this Catalogue are not supplied with by Yamaha, those have to be found locally.
4. Parts, which are to be supplied in the form of assemblies, are listed with an indention of one letter's space, and a dot (.) is put against the name of each part.

EXAMPLE CARBURETOR ASS'Y
 .JET, pilot
 .NOZZLE, main

5. Indication of No. of constituent parts for assembly

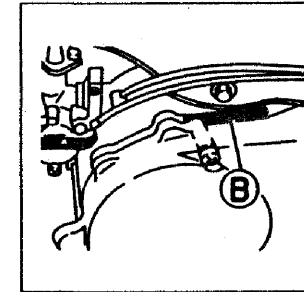
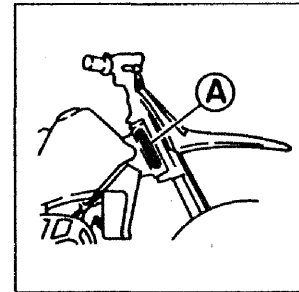
The numeral appearing to the right of each constituent part under the description indicates the quantity of such parts for each individual assembly unit.

EXAMPLE

Part No.	Description	Q'ty	Remarks
2F5-83310-60	FRONT FLASHER LIGHT ASS'Y	2	
115-83311-60	.BULB (6V-18W)	1	
1M1-83309-60	.REFLECTOR	1	

6. Initial Serial No. and Color Code

A Frame Serial No.	4BC-022101 and following
B Engine Serial No.	4BC-022101 and following



Color Code	Color Name	Abbreviate
0206	PURPLISH WHITE SOLID 1	PWS 1

7. Applicable colors of graphics are represented in the "Remarks" column by the letter(s) appropriately picked out of the full word(s) showing such colors.

EXAMPLE

Part No.	Description	Q'ty	Remarks
2N4-24110-00-X5	FUEL TANK COMP.	1	MAXIM RED
3J1-24240-10	.GRAPHIC, fuel tank set	1	for MXR

CONTENTS

ENGINE

Cylinder	B2
Crankshaft · Piston	B3
Oil Pump	B4
Intake	B5
Carburetor	B6
Exhaust	B7
Crankcase	B8
Crankcase Cover 1	B9
Starter	B10
Clutch	B11 ~ B12
Transmission	B13
Shift Cam · Fork	B14
Shift Shaft	B15

CHASSIS

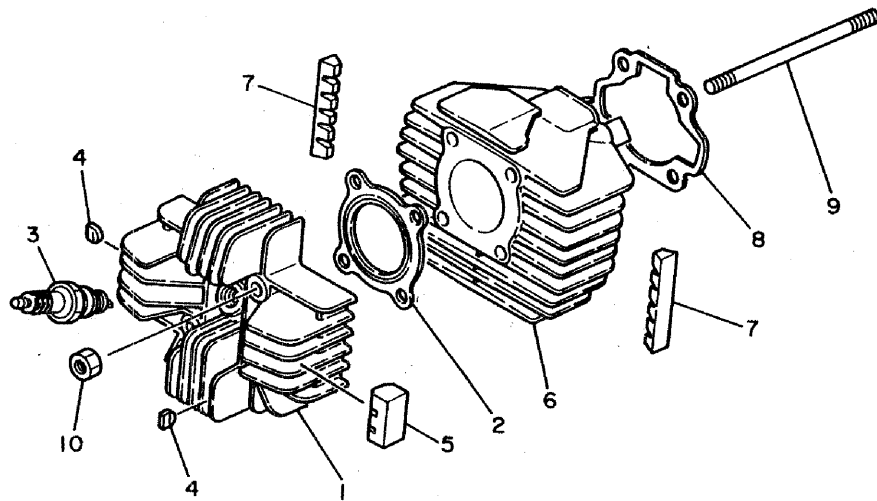
Frame	C2
Front Fender	C3
Side Cover	C4
Oil Tank	C5
Rear Arm · Suspension	C6

Steering	C7
Front Fork	C8 ~ C9
Fuel Tank	C10
Seat	C11
Front Wheel	C12
Rear Wheel	C13 ~ C14
Steering Handle · Cable	C15
Stand · Footrest	D2
Generator	D3
Handle Switch · Lever	D4
Electrical 1	D5

INDEX

NUMERICAL INDEX	L1 ~ L2
-----------------------	---------

FIG. 1 CYLINDER

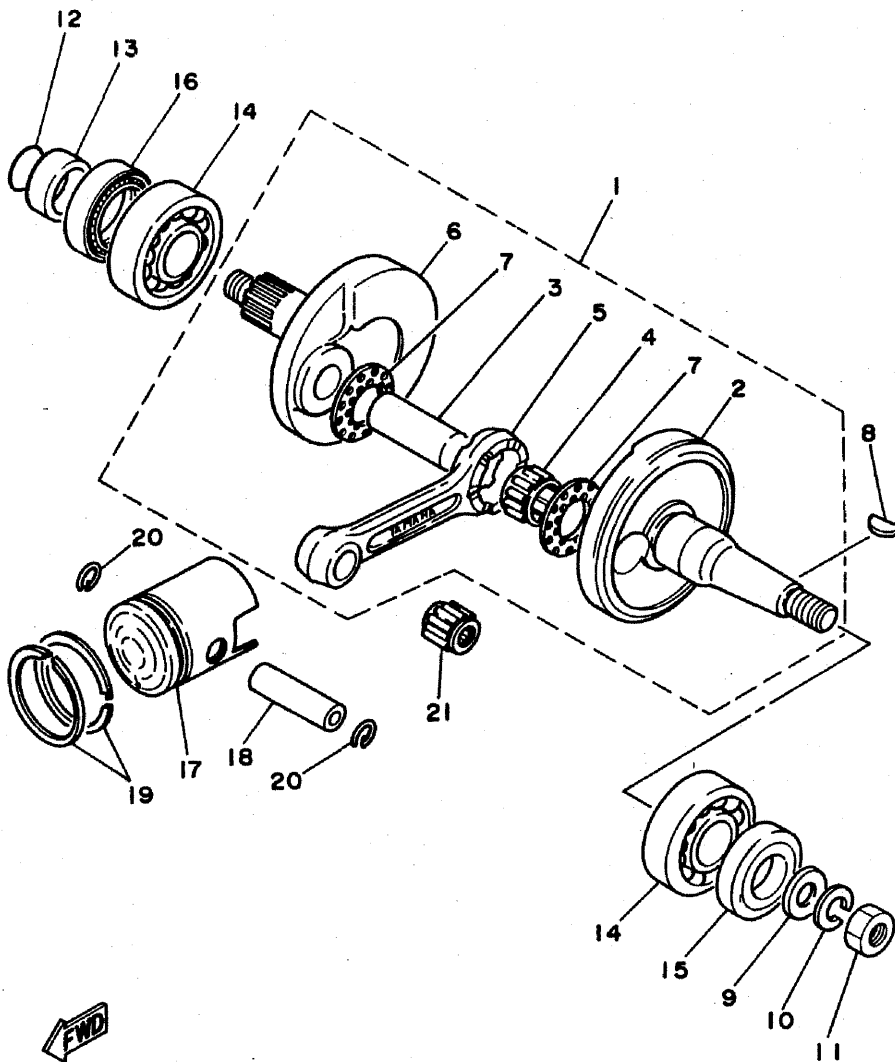


REF. NO.	PART NO.	DESCRIPTION	Q'TY	REMARKS
1	21W-11111-00	HEAD, cylinder 1	1	
2	1W7-11181-00	GASKET, cylinder head 1	1	
3	94701-00108	PLUG, spark (NGK BP6HS)	1	UR
	94703-00108	PLUG, spark (NGK BP6HS)	1	UR FOR JAPAN
	94701-00175	PLUG, spark (ND-W20FP)	1	UR
	94703-00175	PLUG, spark (ND-W20FP)	1	UR FOR JAPAN
4	463-11161-01	ABSORBER 1	4	
5	21W-11162-00	ABSORBER 2	1	
6	3E5-11311-01	CYLINDER 1	1	
7	3E5-11162-00	ABSORBER 2	2	
8	4AW-11351-00	GASKET, cylinder	1	
9	90116-07035	BOLT, stud	4	
10	90179-07381	NUT	4	



3RV110-1010

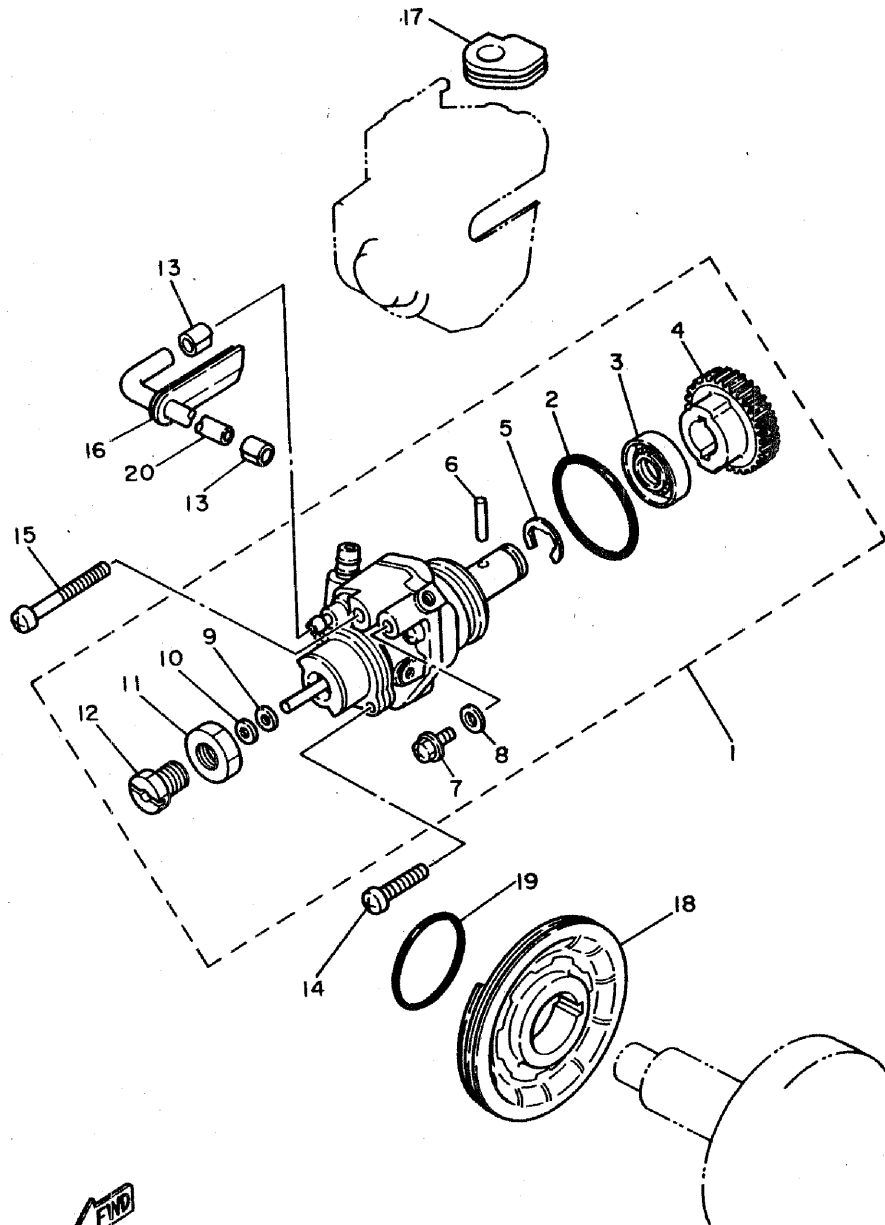
FIG. 2 CRANKSHAFT • PISTON



3RV110-1020

REF. NO.	PART NO.	DESCRIPTION	Q'TY	REMARKS
1	1HA-11400-00	CRANKSHAFT ASSY	1	
2	1W7-11412-00	.CRANK 1	1	
3	2Y1-11681-00	.PIN, crank 1	1	
4	93310-420F2	.BEARING, cylindrical	1	
5	1W7-11651-00	.ROD, connecting	1	
6	1HA-11422-00	.CRANK 2	1	
7	90209-20159	.WASHER	2	
8	90280-03017	KEY, woodruff	1	
9	92990-12600	WASHER, plate	1	
10	92901-12100	WASHER, spring	1	
11	95311-12600	NUT	1	
12	93210-180A6	O-RING	1	
13	90387-20603	COLLAR	1	
14	93306-20529	BEARING (B6205C4)	2	
15	93103-25098	OIL SEAL	1	
16	93103-32171	OIL SEAL	1	
17	3E5-11631-00-97	PISTON (STD)	1	UR
	3E5-11635-00	PISTON (0.25MM O/S)	1	AP
	3E5-11636-00	PISTON (0.50MM O/S)	1	AP
18	527-11633-00	PIN, piston	1	
19	14N-11610-00	PISTON RING SET (STD)	1	UR
	14N-11610-10	PISTON RING SET (0.25MM O/S)	1	AP
	14N-11610-20	PISTON RING SET (0.50MM O/S)	1	AP
20	93450-13022	CIRCLIP	2	
21	93310-11268	BEARING, cylindrical	1	

FIG. 3 OIL PUMP

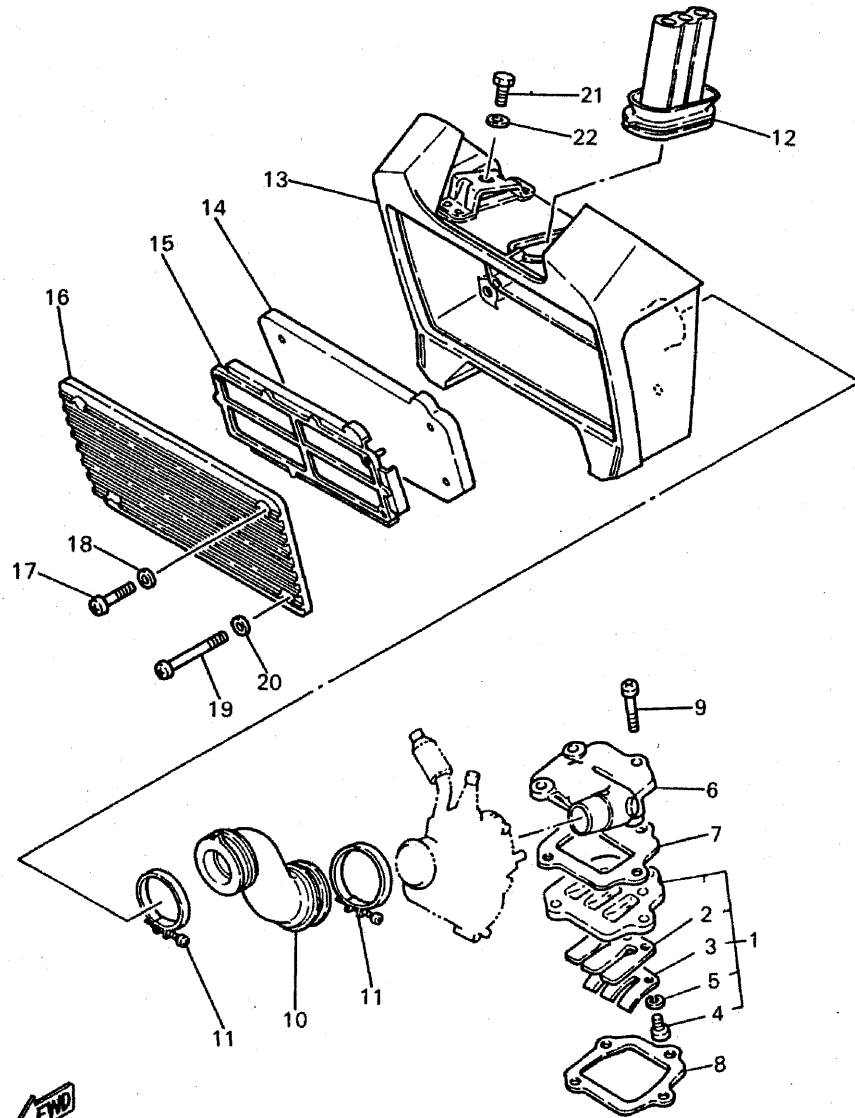


REF. NO.	PART NO.	DESCRIPTION	Q'TY	REMARKS
1	3KX-13101-01	OIL PUMP ASSY	1	
2	93210-26240	.O-RING	1	
3	93101-10090	.OIL SEAL	1	
4	2T5-13124-00	.GEAR, worm wheel (71T)	1	
5	99080-07600	.CIRCLIP	1	
6	93603-14026	.PIN, dowel	1	
7	90149-04135	.SCREW	1	
8	90430-04004	.GASKET	1	
9	296-13147-00	.SHIM	1	
10	384-13138-00	.PLATE, adjusting	1	
11	90170-10105	.NUT	1	
12	90401-10029	.BOLT, union	1	
13	90468-02033	CLIP	2	
14	98501-05020	SCREW, pan head	1	
15	98501-05035	SCREW, pan head	1	
16	90480-10005	GROMMET	1	
17	384-13174-00	HOLDER, oil pipe	1	
18	53F-13178-00	GEAR, pump drive	1	
19	93210-29282	O-RING	1	
20	384-13161-02	PIPE, delivery 1	1	



3RV110-1030

FIG. 4 INTAKE

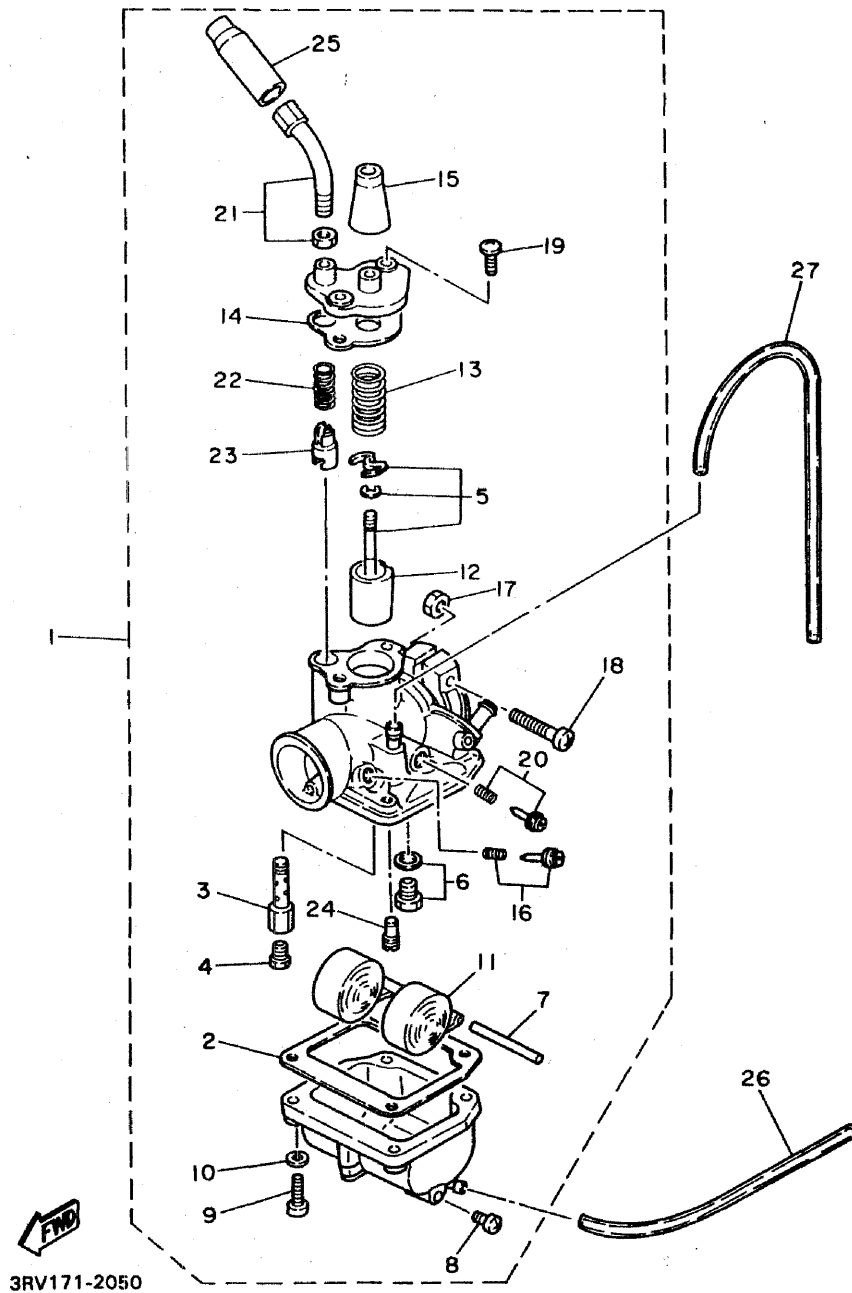


REF. NO.	PART NO.	DESCRIPTION	Q'TY	REMARKS
1	300-13610-04	REED VALVE ASSY	1	
2	56J-13613-00	.REED, valve	1	
3	300-13616-00	.STOPPER, reed valve	1	
4	98580-03008	.SCREW, pan head	3	
5	92990-03100	.WASHER, spring	3	
6	21W-13555-00	MANIFOLD, intake	1	
7	300-13622-10	GASKET, valve seat	1	
8	300-13621-10	GASKET, valve seat	1	
9	98501-06030	SCREW, pan head	4	
10	21W-14453-00	JOINT, air cleaner 1	1	
11	90460-37130	CLAMP, hose	2	
12	5U8-14454-00	JOINT	1	
13	3RV-W1441-10	AIR CLEANER CASE COMP.	1	
14	21W-14451-00	ELEMENT, air cleaner	1	
15	21W-14458-00	GUIDE	1	
16	21W-14412-00	CAP, cleaner case 1	1	
17	98506-05025	SCREW, pan head	2	
18	92906-05600	WASHER, plate	2	
19	98506-05050	SCREW, pan head	2	
20	92906-05600	WASHER, plate	2	
21	97016-08016	BOLT	2	
22	92906-08600	WASHER, plate	2	



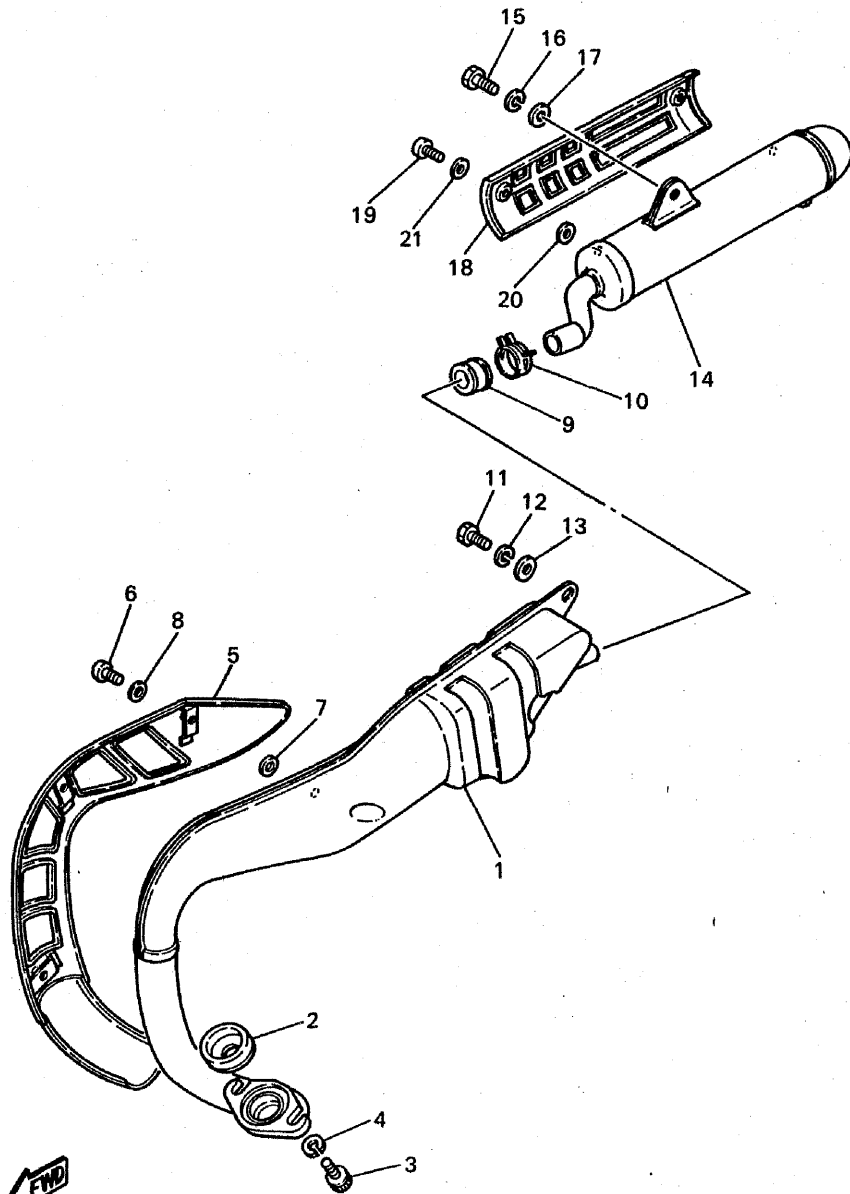
3RV100-4040

FIG. 5 CARBURETOR



REF. NO.	PART NO.	DESCRIPTION	Q'TY	REMARKS
1	21W-14101-00	CARBURETOR ASSY 1	1	
2	296-14184-01	.GASKET, float chamber	1	
3	127-14141-14	.NOZZLE, main	1	
4	127-14143-25	.JET, main (#125)	1	UR STD
	127-14143-24	.JET, main (#120)	1	UR
	127-14143-26	.JET, main (#130)	1	UR
5	21W-1490J-00	.NEEDLE SET	1	
6	21W-14107-12	.NEEDLE VALVE SET	1	
7	127-14186-00	.PIN, float	1	
8	12R-14191-00	.PLUG, drain	1	
9	98506-04018	.SCREW, pan head	4	
10	92902-04100	.WASHER, spring	4	
11	2E9-14185-00	.FLOAT	1	
12	296-14112-25	.VALVE, throttle 1	1	
13	296-14131-00	.SPRING, throttle valve	1	
14	296-14198-01	.GASKET	1	
15	307-14169-10	.CAP	1	
16	12G-14104-00	.AIR SCREW SET	1	
17	95303-05600	.NUT	1	
18	98501-05030	.SCREW, pan head	1	
19	98580-04010	.SCREW, pan head	2	
20	12G-14103-00	.THROTTLE SCREW SET	1	
21	21W-14503-00	.ADJUST SCREW SET	1	
22	127-14135-00	.SPRING, plunger	1	
23	58E-14171-00	.PLUNGER, starter	1	
24	193-14142-15-A0	.JET, pilot (# 15)	1	
25	1R0-14169-00	.CAP	1	
26	90445-05390	HOSE	1	
27	90445-07036	HOSE	1	

FIG. 6 EXHAUST

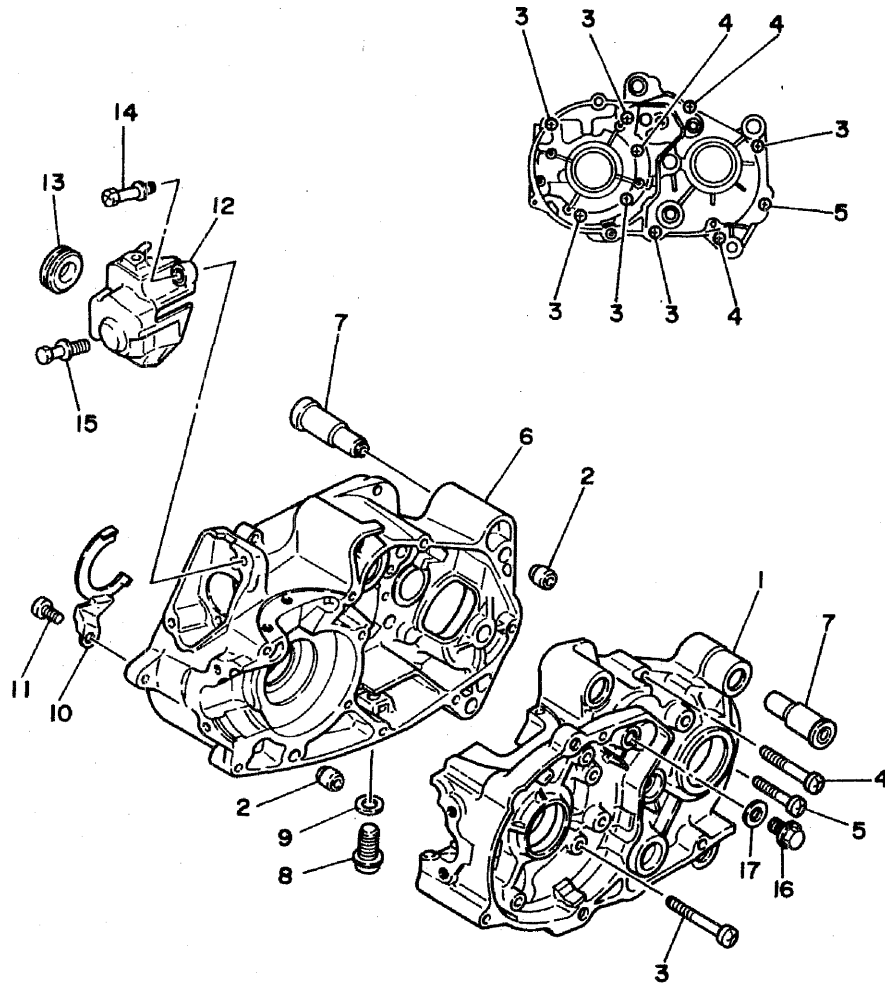


REF. NO.	PART NO.	DESCRIPTION	Q'TY	REMARKS
1	21W-14610-02	EXHAUST PIPE ASSY 1	1	
2	21W-14613-00	GASKET, exhaust pipe	1	
3	97001-08020	BOLT	2	
4	92990-08100	WASHER, spring	2	
5	21W-14708-00	PROTECTOR ASSY	1	
6	98501-05006	SCREW, pan head	3	
7	90430-04167	GASKET	3	
8	90430-05008	GASKET	3	
9	4X4-14714-00	GASKET, muffler	1	
10	90467-22048	CLIP	1	
11	97313-08016	BOLT	1	
12	92990-08100	WASHER, spring	1	
13	92901-08600	WASHER, plate	1	
14	21W-14753-02	SILENCER, exhaust	1	
15	97313-08016	BOLT	1	
16	92990-08100	WASHER, spring	1	
17	92901-08600	WASHER, plate	1	
18	21W-14758-00	PROTECTOR, silencer	1	
19	98501-05006	SCREW, pan head	2	
20	90430-04167	GASKET	2	
21	90430-05008	GASKET	2	

 4BC300-3060

B7

FIG. 7 CRANKCASE

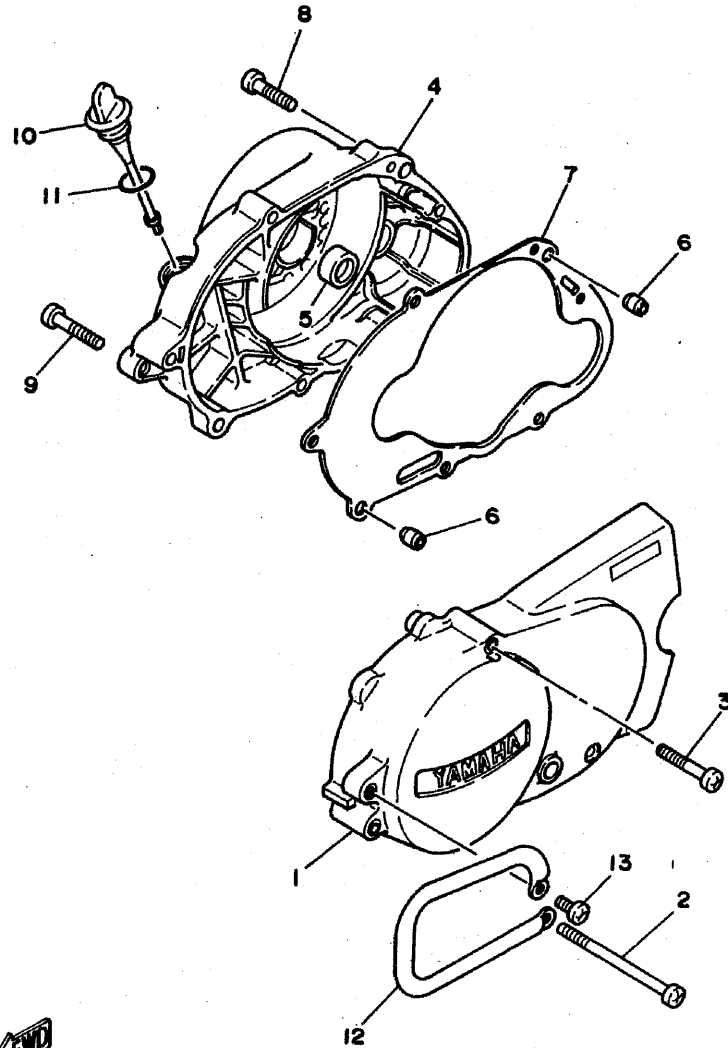


REF. NO.	PART NO.	DESCRIPTION	Q'TY	REMARKS
1	1W7-15111-03	CRANKCASE 1	1	
2	99510-12016	PIN, dowel	2	
3	98501-06050	SCREW, pan head	6	
4	98503-06045	SCREW, pan head	3	
5	98501-06035	SCREW, pan head	1	
6	1W7-15121-03	CRANKCASE 2	1	
7	296-15316-00	DAMPER, engine mount 1	6	
8	90340-12005	PLUG, straight screw	1	
9	90430-12207	GASKET	1	
10	300-15128-00	HOLDER	1	
11	98511-08010	SCREW, pan head	1	
12	517-15416-01	COVER, oil pump	1	
13	90480-21436	GROMMET	1	
14	90149-06157	SCREW	1	
15	90101-06394	BOLT	1	
16	90105-10147	BOLT, washer based	1	
17	90430-10215	GASKET	1	



3RV110-1070

FIG. 8 CRANKCASE COVER 1

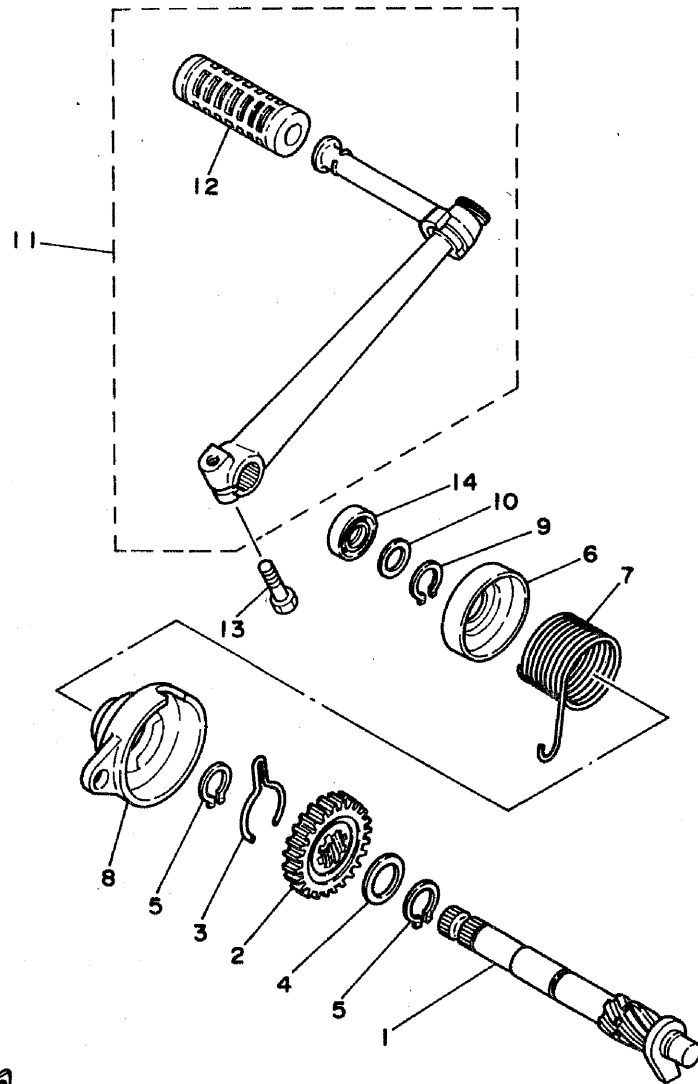


REF. NO.	PART NO.	DESCRIPTION	Q'TY	REMARKS
1	21W-15411-00	COVER, crankcase 1	1	
2	98506-06100	SCREW, pan head	1	
3	98506-06045	SCREW, pan head	3	
4	5R7-15421-00	COVER, crankcase 2	1	
5	93104-11053	OIL SEAL	1	
6	99530-10014	PIN, dowel	2	
7	4AW-15451-00	GASKET, crankcase cover 1	1	
8	98506-06035	SCREW, pan head	6	
9	98506-06040	SCREW, pan head	1	
10	517-15362-02	PLUG, oil level	1	
11	93210-21190	O-RING	1	
12	21W-15491-01	PROTECTOR	1	
13	98506-06012	SCREW, pan head	1	



3RV110-1080

FIG. 9 STARTER



REF. NO.	PART NO.	DESCRIPTION	Q'TY	REMARKS
1	3E5-15660-00	KICK AXLE ASSY	1	
2	3E5-15641-00	GEAR, kick (21T)	1	
3	90468-23093	CLIP	1	
4	90201-20266	WASHER, plate (1.0T)	1	
5	99009-20400	CIRCLIP	2	
6	3E5-15676-00	COVER, spring	1	
7	90508-26136	SPRING, torsion	1	
8	3E5-15664-00	GUIDE, spring	1	
9	99009-17400	CIRCLIP	1	
10	90201-15701	WASHER, plate (1.0T)	1	
11	21W-15620-00	KICK CRANK ASSY	1	
12	156-15618-01	COVER, kick lever	1	
13	97011-06025	BOLT	1	
14	93109-15001	OIL SEAL	1	

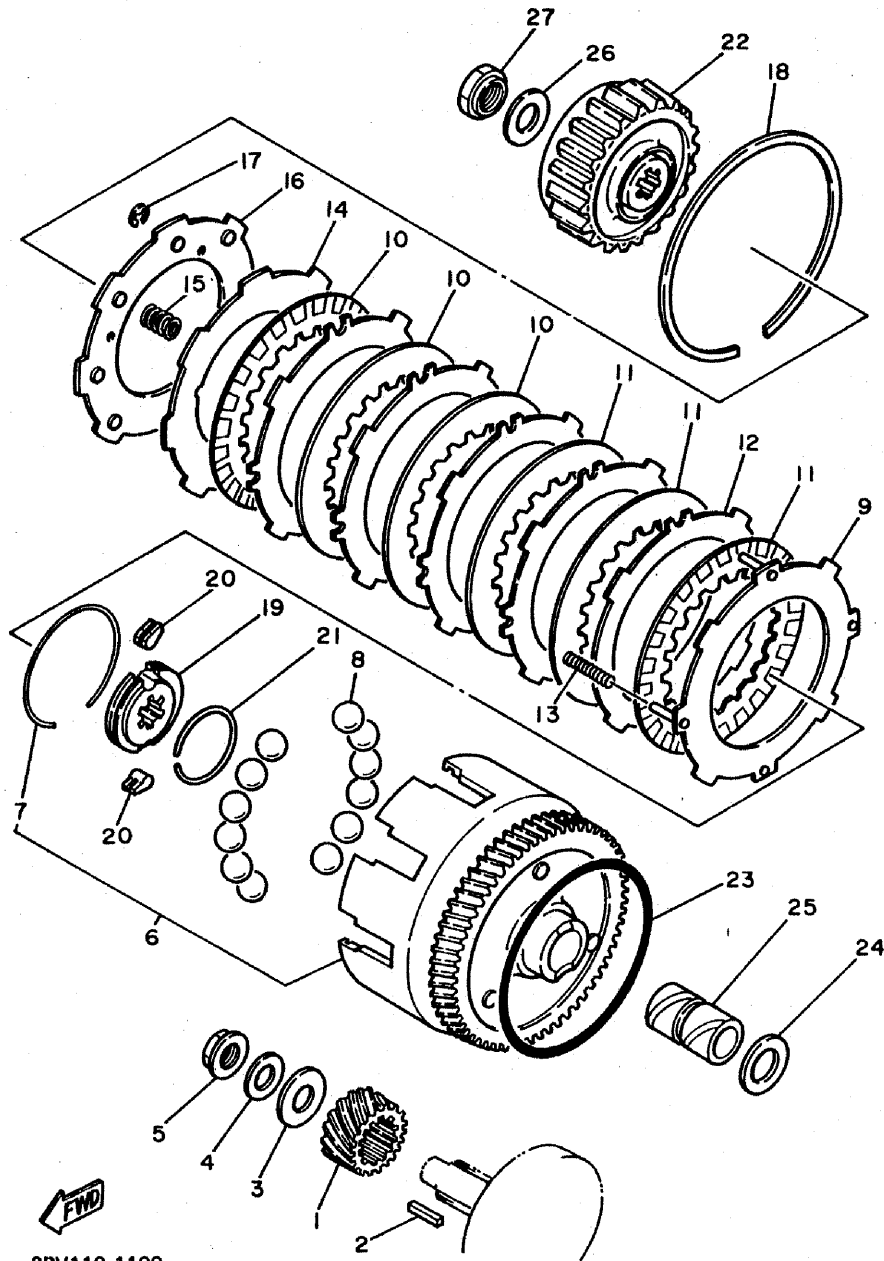


3RV110-1090

B10

FIG. 10 CLUTCH

REF. NO.	PART NO.	DESCRIPTION	Q'TY	REMARKS
1	56H-16110-00-30	PRIMARY DRIVE GEAR ASSY	1	
2	90282-04064	KEY, straight	1	
3	90209-12280	WASHER	1	
4	90208-12015	WASHER, conical spring	1	
5	90179-12244	NUT	1	
6	3E5-16150-01-30	PRIMARY DRIVEN GEAR COMP.	1	
7	90468-16090	.CLIP	1	
8	93505-08030	BALL	12	
9	527-16520-10	PLATE, thrust weight	1	
10	3E5-16521-00	PLATE, friction	3	
11	3E5-16521-00	PLATE, friction	3	
12	517-16524-10	PLATE, clutch 1 (1.2T)	5	UR
	517-16524-20	PLATE, clutch 1 (1.4T)	5	UR
	517-16524-30	PLATE, clutch 1 (1.6T)	5	UR
13	90501-10602	SPRING, compression	4	PINK
14	517-16550-10	PRESSURE PLATE ASSY	1	
15	90501-12088	SPRING, compression	6	
16	517-16561-01	PLATE, pressure 2	1	
17	93430-03013	CIRCLIP	2	
18	93451-08094	CIRCLIP	1	
19	517-16180-00	ONE WAY BOSS COMP.	1	
20	384-15635-00	PAWL, kick	2	
21	2T4-15637-00	SPRING, pawl	1	
22	527-16571-01	BOSS, clutch	1	
23	93210-98202	O-RING	1	
24	122-16164-00	PLATE, thrust 2	1	
25	90560-17146	SPACER	1	
26	90208-16019	WASHER, conical spring	1	

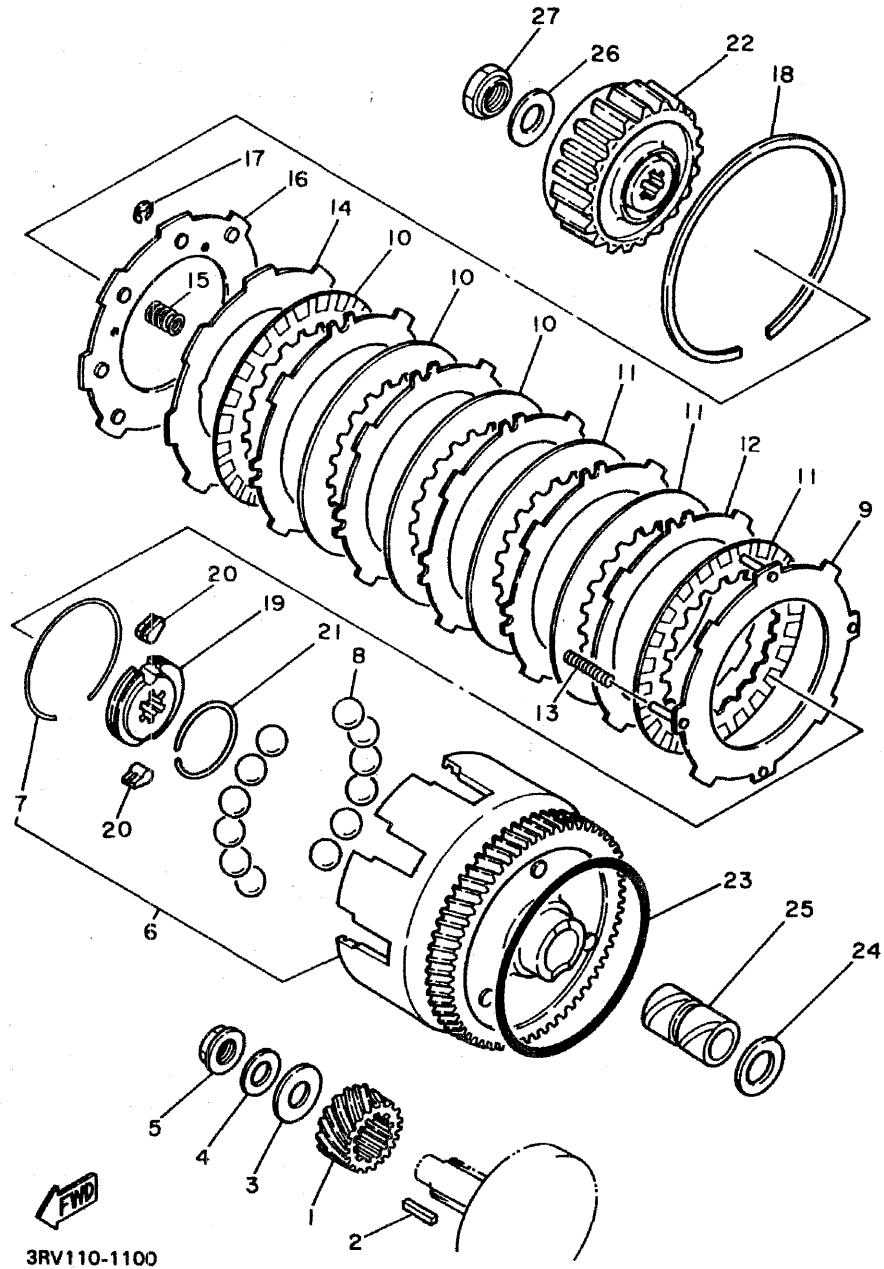


3RV110-1100

B11

FIG. 10 CLUTCH

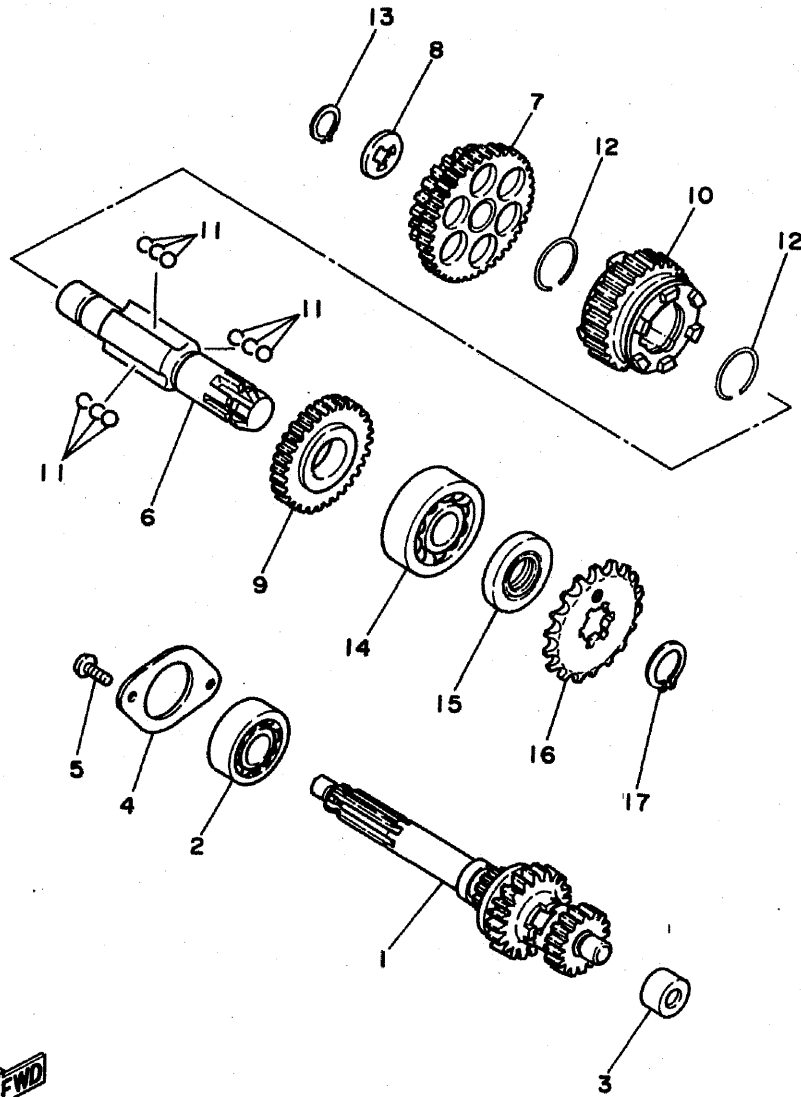
REF. NO.	PART NO.	DESCRIPTION	Q'TY	REMARKS
27	90179-16190	NUT	1	



3RV110-1100

B12

FIG. 11 TRANSMISSION

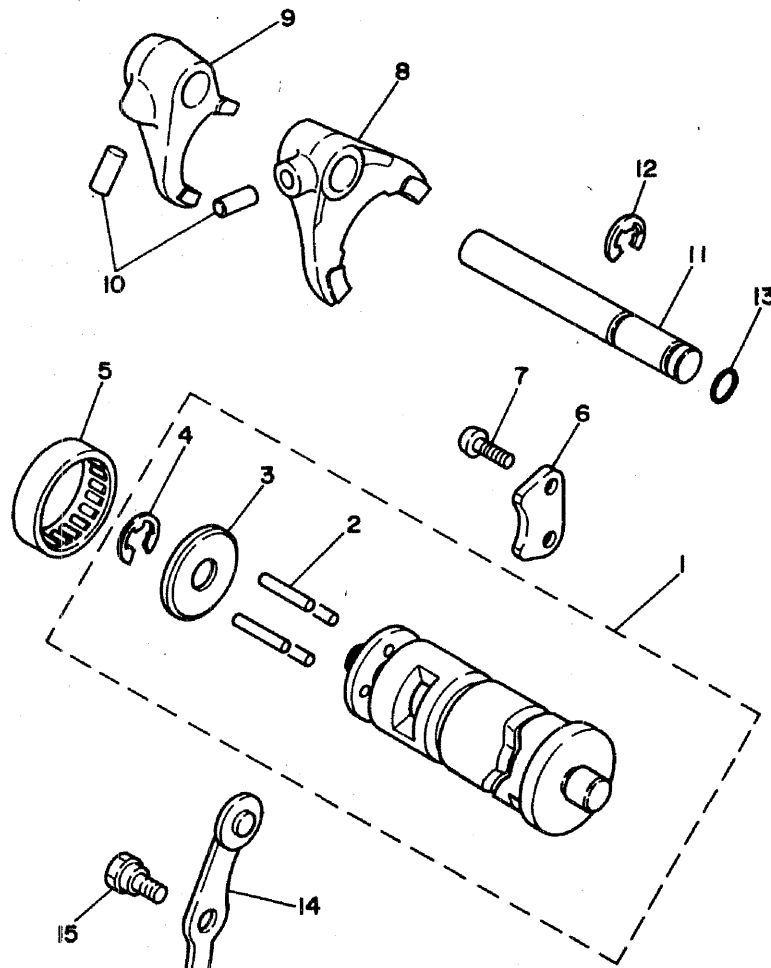


REF. NO.	PART NO.	DESCRIPTION	Q'TY	REMARKS
1	21W-17410-00	MAIN AXLE COMP.	1	
2	93306-20301	BEARING	1	
3	93320-41202	BEARING (BK1212V1)	1	
4	296-17471-00	PLATE, cover	1	
5	98501-06012	SCREW, pan head	2	
6	1W7-17421-10	AXLE, drive	1	
7	1W7-17211-12	GEAR, 1st wheel (39T/26T)	1	
8	90209-15178	WASHER (0.6T)	1	UR
	90209-15179	WASHER (0.8T)	1	UR
	90209-15180	WASHER (1.0T)	1	UR
9	1W7-17221-20	GEAR, 2nd wheel (29T)	1	
10	21W-17231-00	GEAR, 3rd wheel (22T)	1	
11	93509-32012	BALL	9	
12	93450-28049	CIRCLIP	2	
13	93440-15012	CIRCLIP	1	
14	93306-20401	BEARING (B6204)	1	
15	93102-20143	OIL SEAL	1	
16	93812-15063	SPROCKET,drive 15t(5171746152)	1	
17	93410-20038	CIRCLIP	1	



3RV110-1110

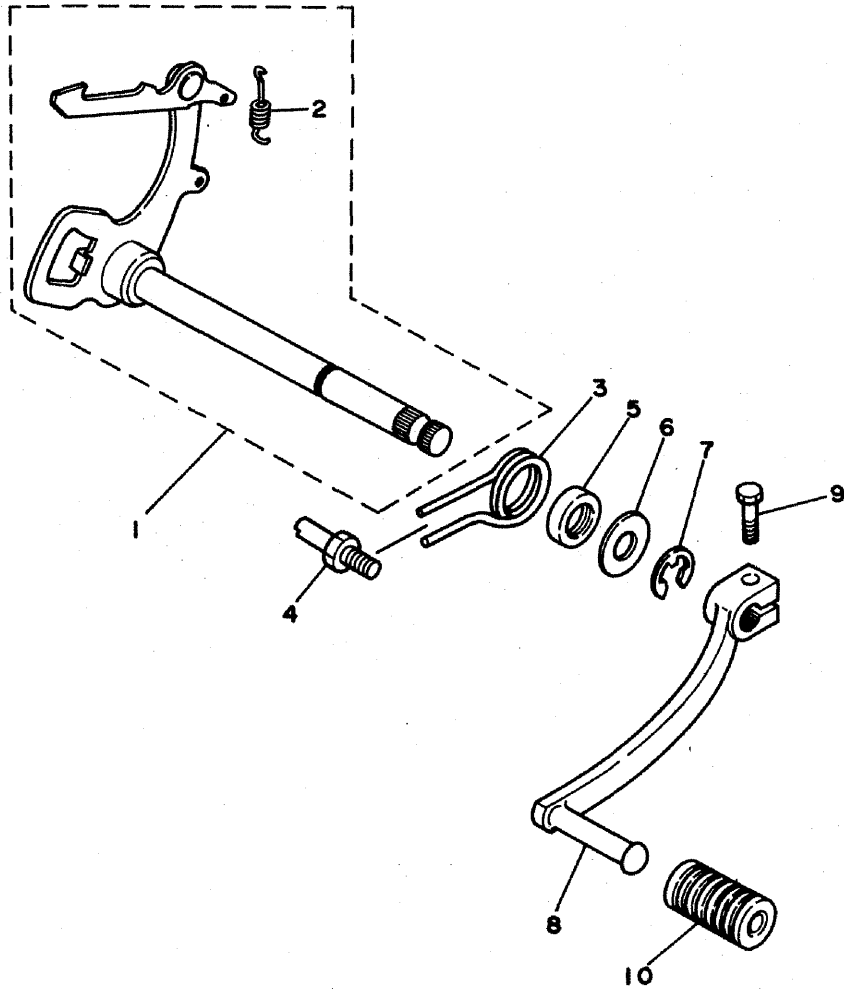
FIG. 12 SHIFT CAM • FORK



REF. NO.	PART NO.	DESCRIPTION	Q'TY	REMARKS
1	21W-18540-01	SHIFT CAM ASSY	1	
2	93604-22050	•PIN, dowel	4	
3	296-18561-00	•PLATE, side 1	1	
4	99001-09600	•CIRCLIP	1	
5	93315-23208	BEARING, cylindrical	1	
6	296-18562-01	PLATE, stopper 2	1	
7	90150-06032	SCREW, round head	2	
8	58H-18511-00	FORK, shift 1	1	
9	1W7-18512-02	FORK, shift 2	1	
10	93606-14081	PIN, dowel	2	
11	2N8-18531-00	BAR, shift fork guide 1	1	
12	99006-10600	CIRCLIP	1	
13	93210-08006	O-RING	1	
14	296-18140-02	STOPPER LEVER ASSY	1	
15	90109-063F6	BOLT	1	
16	90506-10184	SPRING, tension	1	
17	132-16346-00	HOOK, spring	1	

 3RV110-1120

FIG. 13 SHIFT SHAFT



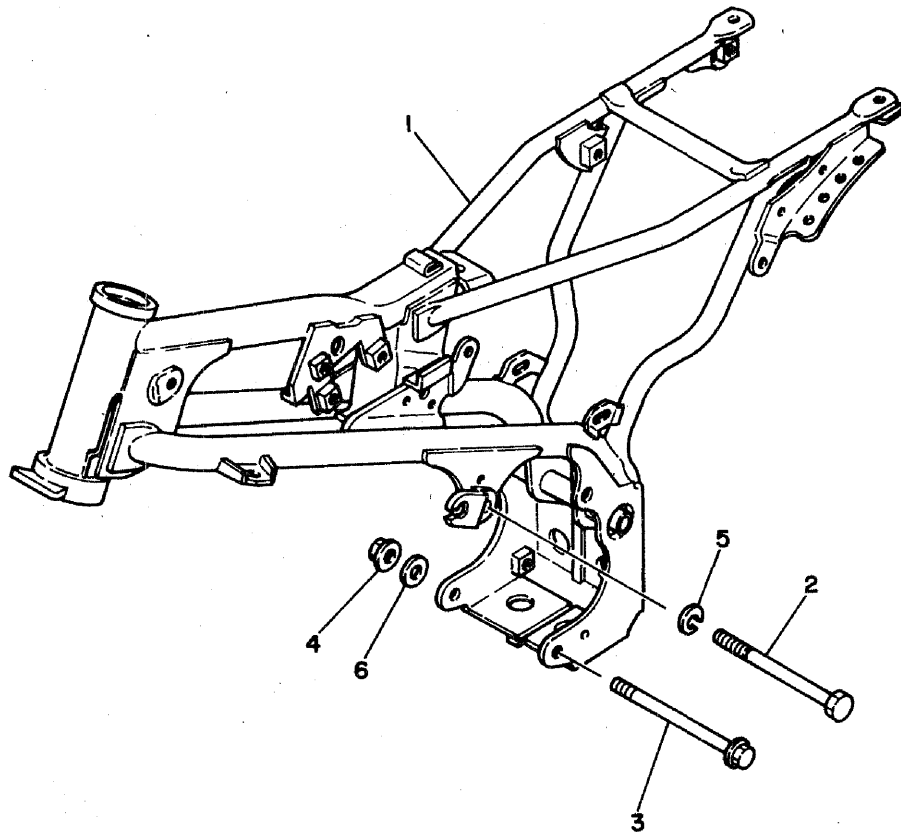
REF. NO.	PART NO.	DESCRIPTION	Q'TY	REMARKS
1	58H-18101-02	SHIFT SHAFT ASSY	1	
2	90506-08122	.SPRING, tension	1	
3	90508-32263	SPRING, torsion	1	
4	278-18127-01	STOPPER, screw	1	
5	93102-12106	OIL SEAL (SD 12-22-5 HS)	1	
6	90201-12575	WASHER, plate	1	
7	99006-10600	CIRCLIP	1	
8	21W-18111-00	PEDAL, shift	1	
9	97011-06020	BOLT	1	
10	132-18113-01	COVER, shift pedal	1	



3RV110-1130

FIG. 14 FRAME

REF. NO.	PART NO.	DESCRIPTION	Q'TY	REMARKS
1	21W-21110-02-33	FRAME COMP.	1	YAMAHA BLACK
2	90101-08286	BOLT	1	
3	95811-08120	BOLT, flange	2	
4	95701-08500	NUT, flange	2	
5	92990-08100	WASHER, spring	1	
6	90201-081A6	WASHER, plate	2	

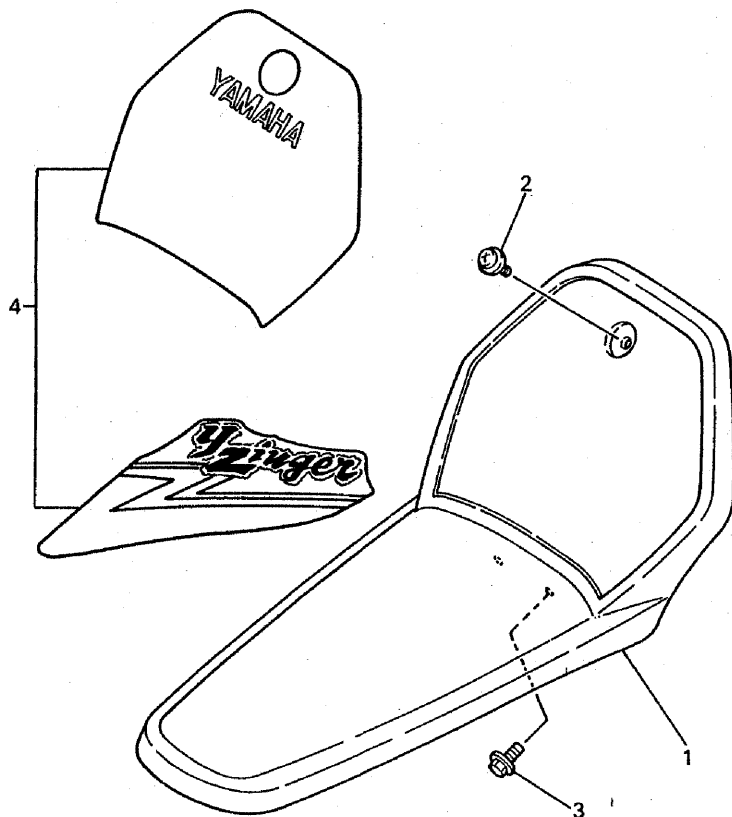


3RV110-1140

C2

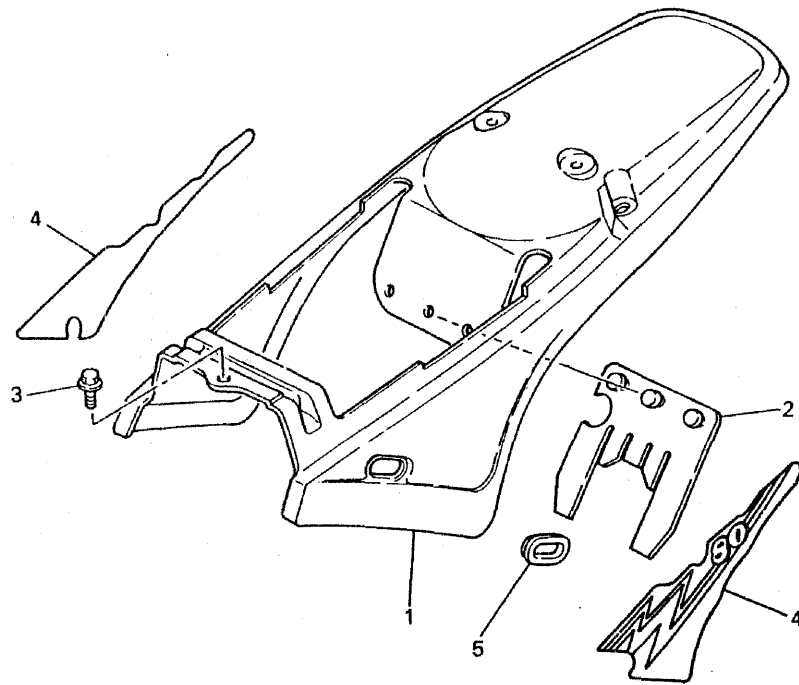
FIG. 15 FRONT FENDER

REF. NO.	PART NO.	DESCRIPTION	Q'TY	REMARKS
1	3RV-21511-00	FENDER, front	1	
2	90159-06033	SCREW, with washer	1	
3	90119-06043	BOLT, with washer	2	
4	3RV-21570-00	GRAPHIC SET, front fender	1	



3RV100-4150

FIG. 16 SIDE COVER

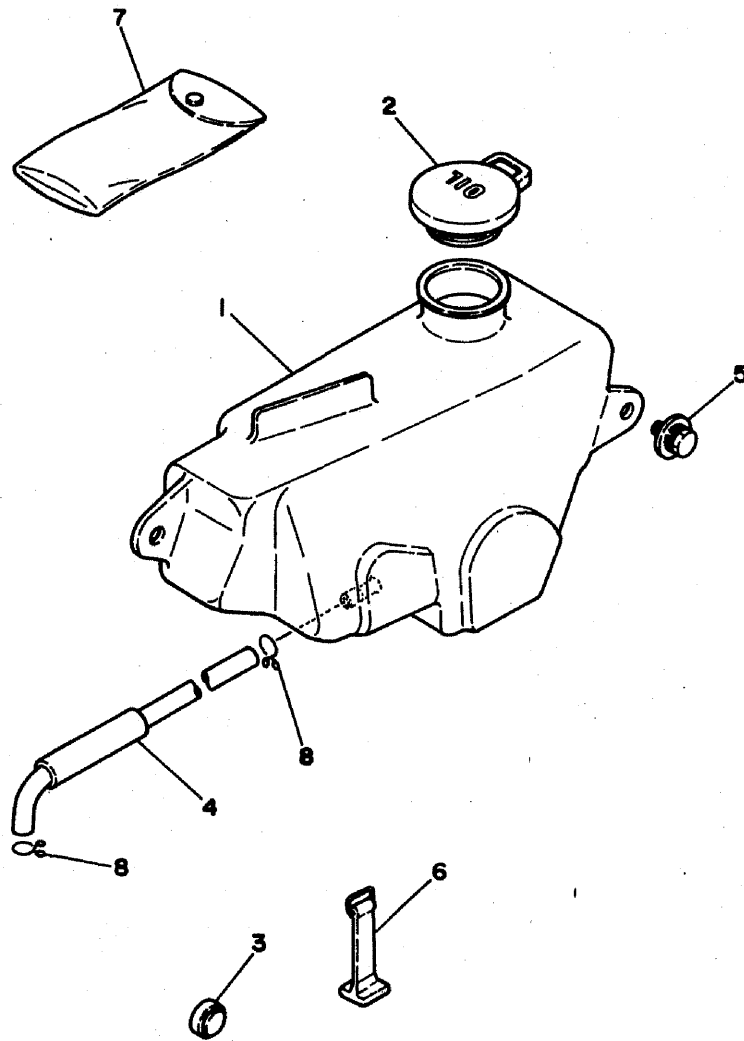


REF. NO.	PART NO.	DESCRIPTION	Q'TY	REMARKS
1	3RV-21711-00	COVER, side 1	1	
2	4V0-21621-00	FLAP	1	
3	90159-06016	SCREW, with washer	3	
4	3RV-2173L-20	GRAPHIC SET 1	1	
5	21W-21719-00	GROMMET	1	



4BC351-4160

FIG. 17 OIL TANK



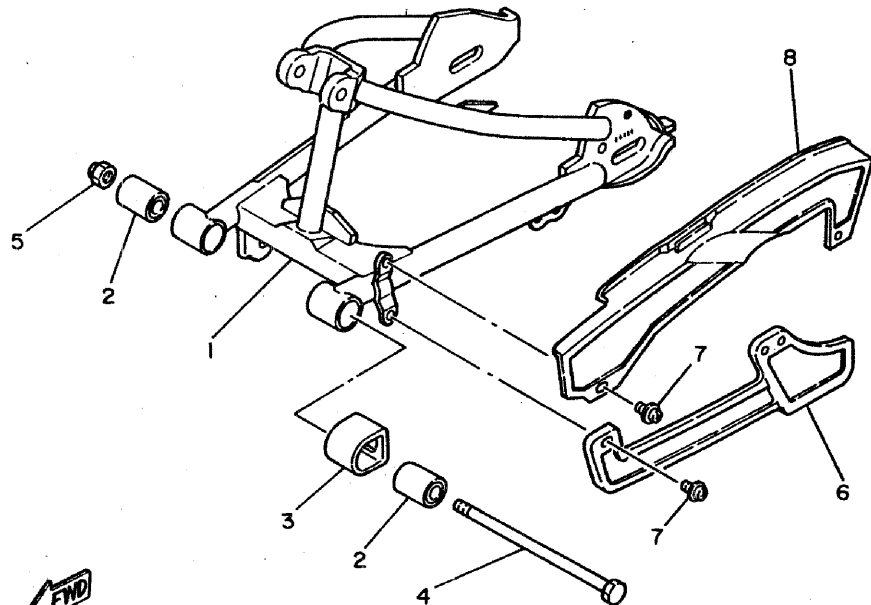
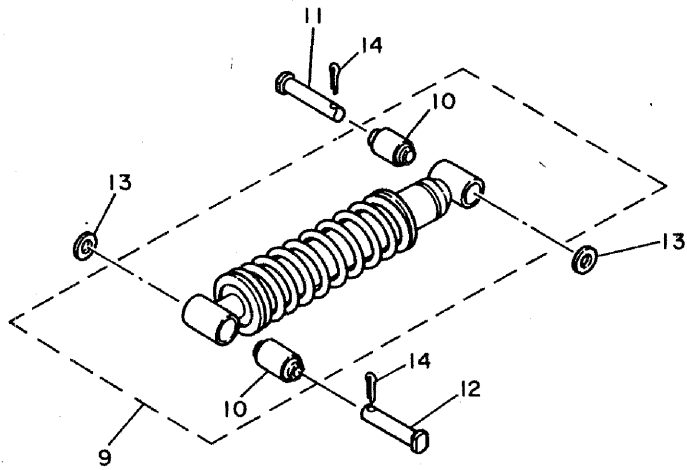
REF. NO.	PART NO.	DESCRIPTION	Q'TY	REMARKS
1	21W-21751-01	TANK, oil	1	
2	5R2-21771-00	BODY, cap	1	
3	22W-24181-00	DAMPER, locating 1	1	
4	21W-21766-00	PIPE, oil	1	
5	90119-06056	BOLT, with washer	2	
6	21W-21646-00	BAND	2	
7	3R0-28100-00	TOOL KIT	1	
8	90467-08003	CLIP	2	



3RV110-1170

C5

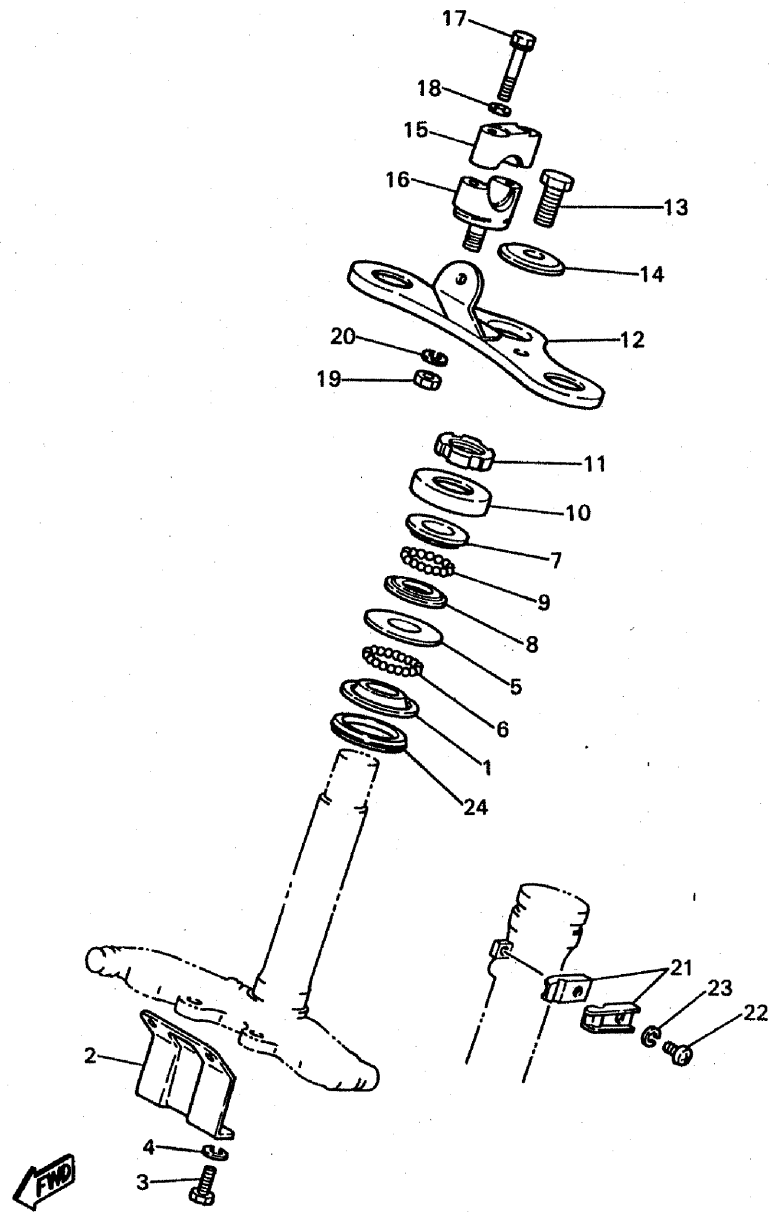
FIG. 18 REAR ARM • SUSPENSION



3RV110-1180

REF. NO.	PART NO.	DESCRIPTION	Q'TY	REMARKS
1	21W-22110-00-35	REAR ARM COMP.	1	SILVER
2	102-22123-00	BUSH 1	2	
3	3R0-22151-00	SEAL, guard	1	
4	288-22141-00	SHAFT, pivot	1	
5	90185-10037	NUT, self-locking	1	
6	21W-22199-00	SUPPORT, chain	1	
7	90159-05028	SCREW, with washer	5	
8	21W-22311-00	CASE, chain	1	
9	3RV-22210-10	SHOCK ABSORBER ASSY, rear	1	UR
	3RV-22210-20	SHOCK ABSORBER ASSY, rear	1	UR FOR JAPAN
10	3M7-22216-00	BUSH, rear shock absorber	2	
11	90240-10072	PIN, clevis	1	
12	90240-10069	PIN, clevis	1	
13	90201-106H5	WASHER, plate	2	
14	91401-25020	PIN, cotter	2	

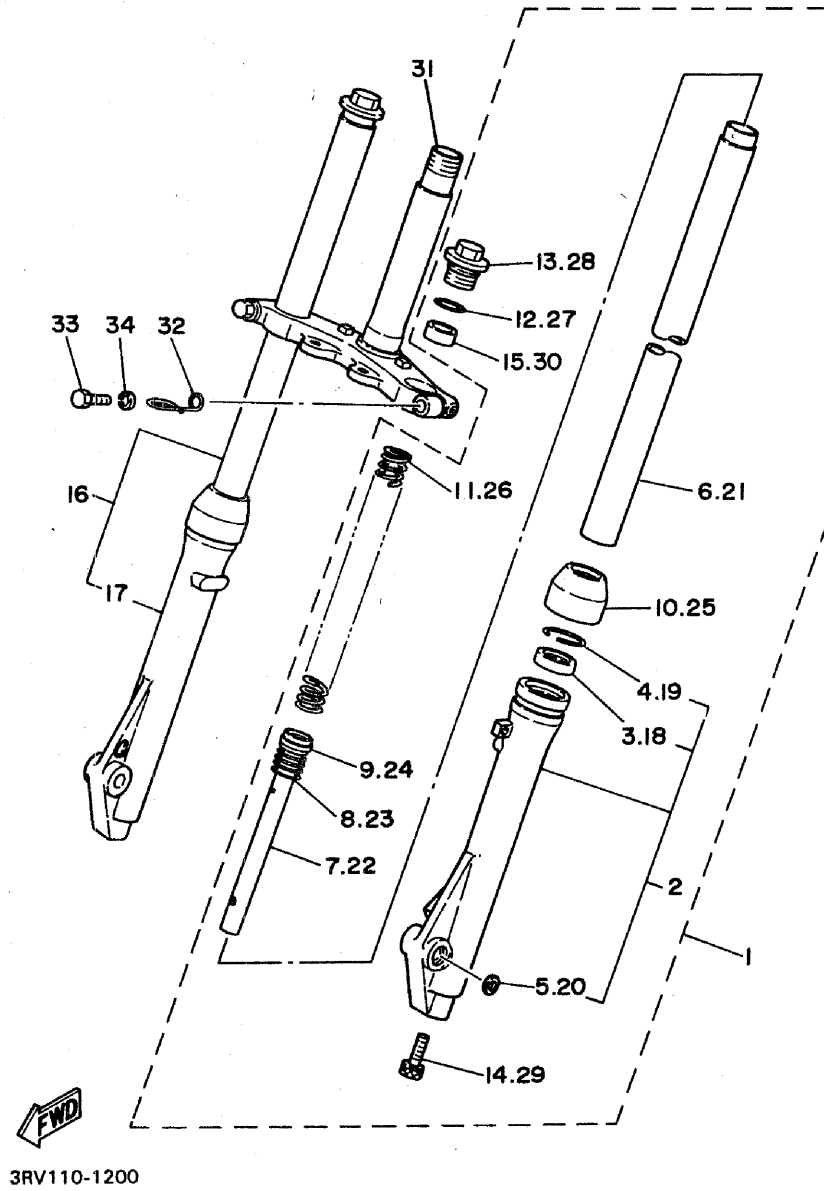
FIG. 19 STEERING



4BC300-3190

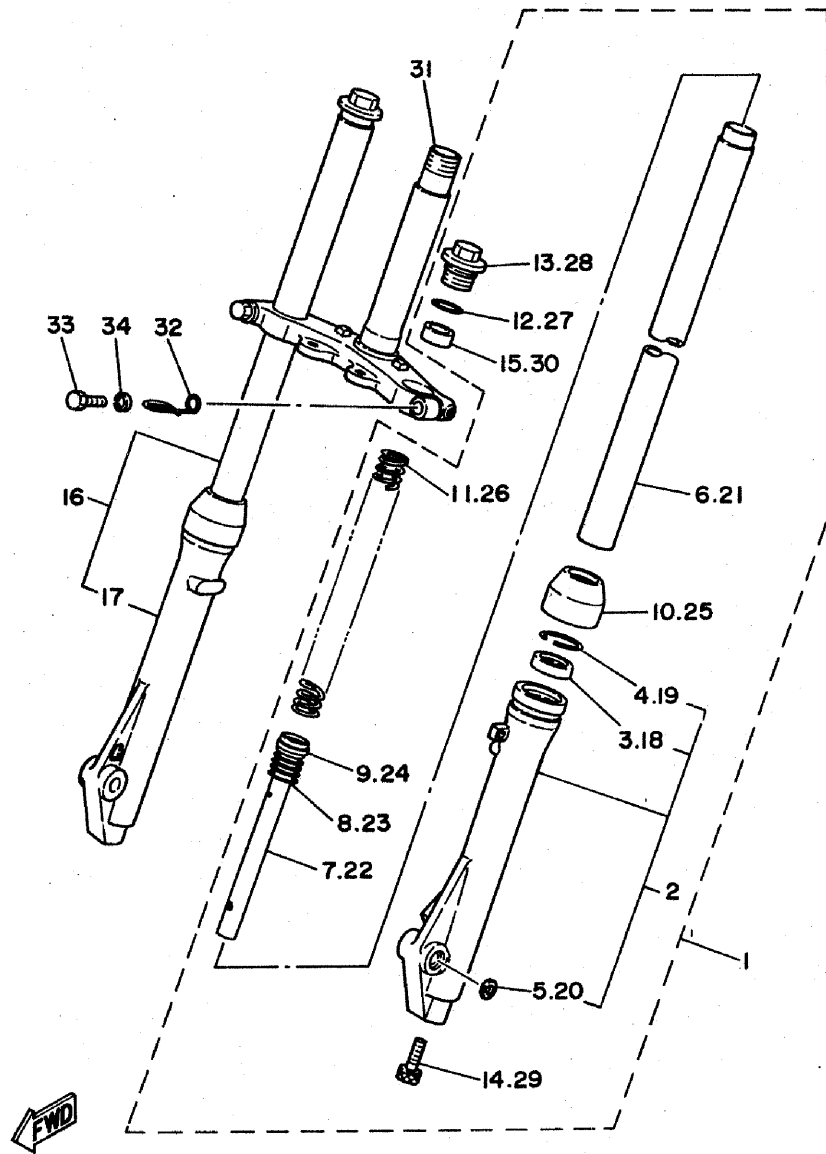
REF. NO.	PART NO.	DESCRIPTION	Q'TY	REMARKS
1	156-23411-00	RACE, ball 1	1	
2	21W-23486-00	STAY, plate	1	
3	97313-06016	BOLT	2	
4	92990-06100	WASHER, spring	2	
5	156-23412-00	RACE, ball 2	1	
6	93501-04011	BALL	19	
7	22F-23411-01	RACE, ball 1	1	
8	22F-23412-01	RACE, ball 2	1	
9	93503-16010	BALL	22	
10	122-23416-00	COVER, ball race 2	1	
11	90179-25051	NUT	1	
12	3RV-23435-00	CROWN, handle	1	
13	90105-10006	BOLT, washer based	1	
14	90209-10021	WASHER	1	
15	3RV-23441-00	HOLDER, handle upper	2	
16	462-23442-00-35	HOLDER, handle lower	2	SILVER
17	97013-06035	BOLT	4	
18	92901-06600	WASHER, plate	4	
19	95303-10600	NUT	2	
20	92901-10100	WASHER, spring	2	
21	90462-14055	CLAMP	2	
22	98501-06012	SCREW, pan head	1	
23	92990-06100	WASHER, spring	1	
24	164-23462-00	SEAL, steering	1	

FIG. 20 FRONT FORK



REF. NO.	PART NO.	DESCRIPTION	Q'TY	REMARKS
1	3RV-23102-00	FRONT FORK ASSY (L.H)	1	
2	3R0-23126-00-35	.TUBE, outer 1	1	SILVER
3	3M7-23145-00	..OIL SEAL	1	
4	3M7-23156-00	..CLIP, oil seal	1	
5	3R0-23392-00	..WASHER, special	1	
6	21W-23110-00	..INNER TUBE COMP.1	1	
7	3R0-23170-00	..CYLINDER COMP., front fork	1	
8	2J5-23151-00	..SPRING, rebound	1	
9	2J5-23157-00	..RING, piston	1	
10	3M7-23144-00	..SEAL, dust	1	
11	21W-23141-00	..SPRING, front fork	1	
12	2J5-23147-00	..O-RING	1	
13	3M7-23111-01	..BOLT, cap	1	
14	3M7-23181-00	..BOLT, hexagon socket head	1	WITH WASHER
15	3M7-23142-00	..SEAT, spring upper	1	
16	3RV-23103-00	FRONT FORK ASSY (R.H)	1	
17	3R0-23136-00-35	.TUBE, outer 2	1	SILVER
18	3M7-23145-00	..OIL SEAL	1	
19	3M7-23156-00	..CLIP, oil seal	1	
20	3R0-23392-00	..WASHER, special	1	
21	21W-23110-00	..INNER TUBE COMP.1	1	
22	3R0-23170-00	..CYLINDER COMP., front fork	1	
23	2J5-23151-00	..SPRING, rebound	1	
24	2J5-23157-00	..RING, piston	1	
25	3M7-23144-00	..SEAL, dust	1	
26	21W-23141-00	..SPRING, front fork	1	
27	2J5-23147-00	..O-RING	1	
28	3M7-23111-01	..BOLT, cap	1	

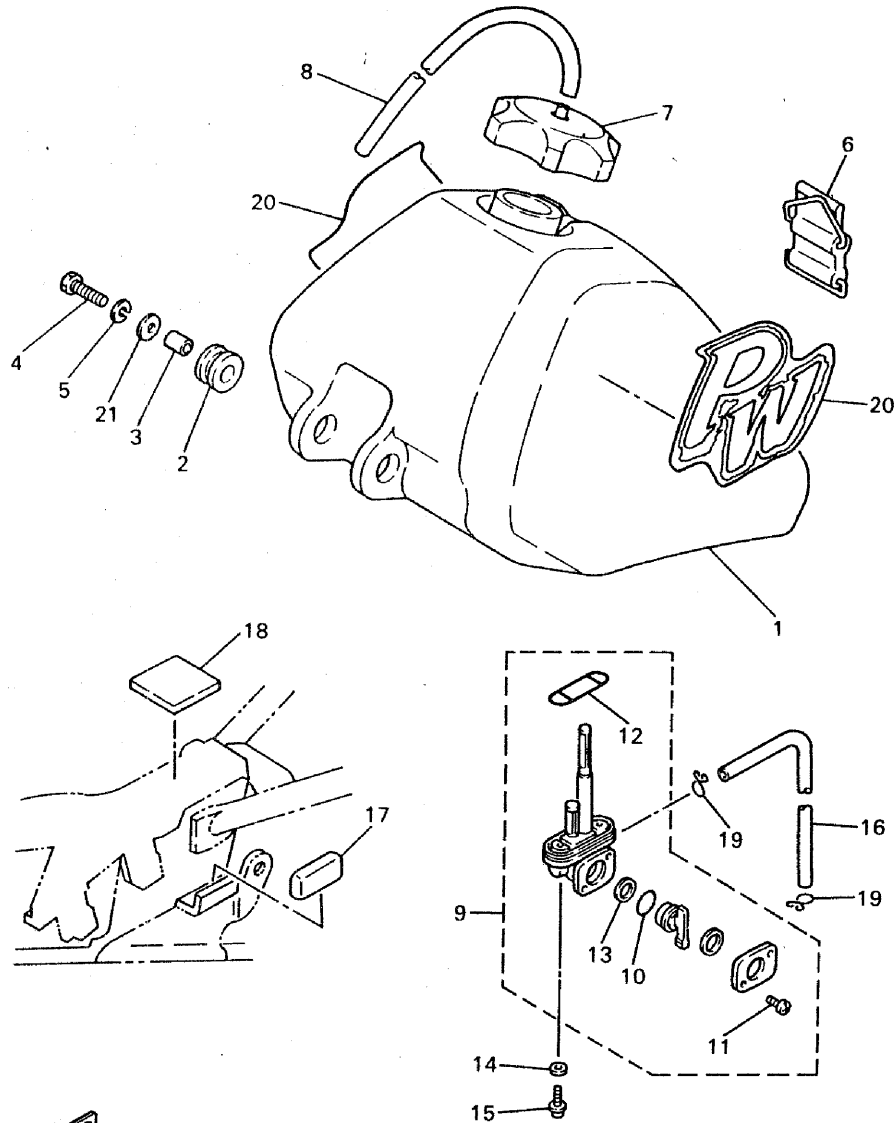
FIG. 20 FRONT FORK



3RV110-1200

REF. NO.	PART NO.	DESCRIPTION	Q'TY	REMARKS
29	3M7-23181-00	.BOLT, hexagon socket head	1	WITH WASHER
30	3M7-23142-00	.SEAT, spring upper	1	
31	21W-23340-00	UNDER BRACKET COMP.	1	
32	3R0-23318-00	HOLDER, cable 1	1	
33	451-23346-00	BOLT 1	2	
34	92901-10100	WASHER, spring	2	

FIG. 21 FUEL TANK



REF. NO.	PART NO.	DESCRIPTION	Q'TY	REMARKS
1	3RV-24110-00	FUEL TANK COMP.	1	
2	90480-18290	GROMMET	2	
3	90387-07598	COLLAR	2	
4	97021-06030	BOLT	2	
5	92990-06100	WASHER, spring	2	
6	59V-24173-00	BAND, tank fitting 1	1	
7	2FG-24610-00	CAP ASSY	1	
8	90445-09111	HOSE	1	
9	4BC-24500-00	FUEL COCK ASSY 1	1	
10	3AJ-24534-00	.SEAL, cock	1	
11	98503-03008	.SCREW, pan head	2	
12	4X8-24512-00	.GASKET	1	
13	3AJ-24523-00	.VALVE	1	
14	90202-05193	WASHER, plate	2	
15	90149-06011	SCREW	2	
16	90445-09083	HOSE	1	
17	21W-24181-00	DAMPER, locating 1	2	
18	51L-28371-00	DAMPER	1	
19	90467-08003	CLIP	2	
20	3RV-24240-00	GRAPHIC SET	1	
21	90201-06072	WASHER, plate	2	

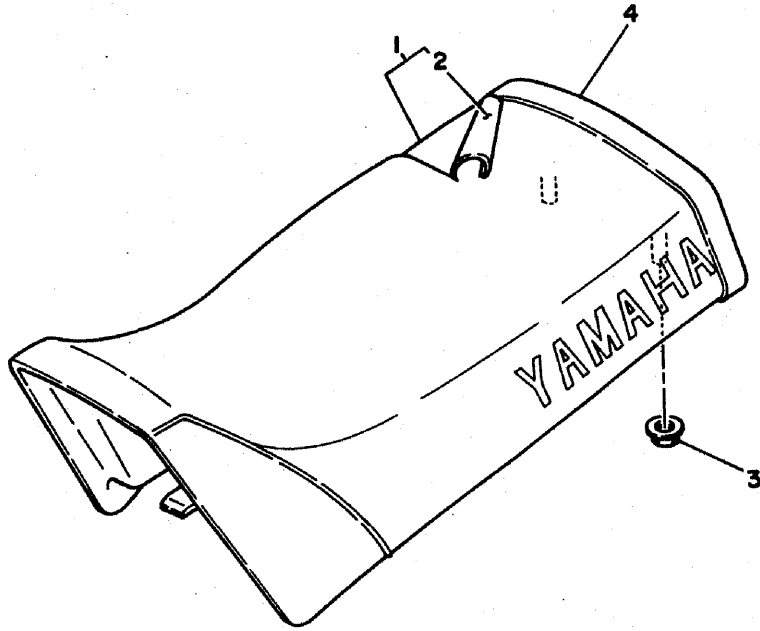


3RV100-4210

C10

FIG. 22 SEAT

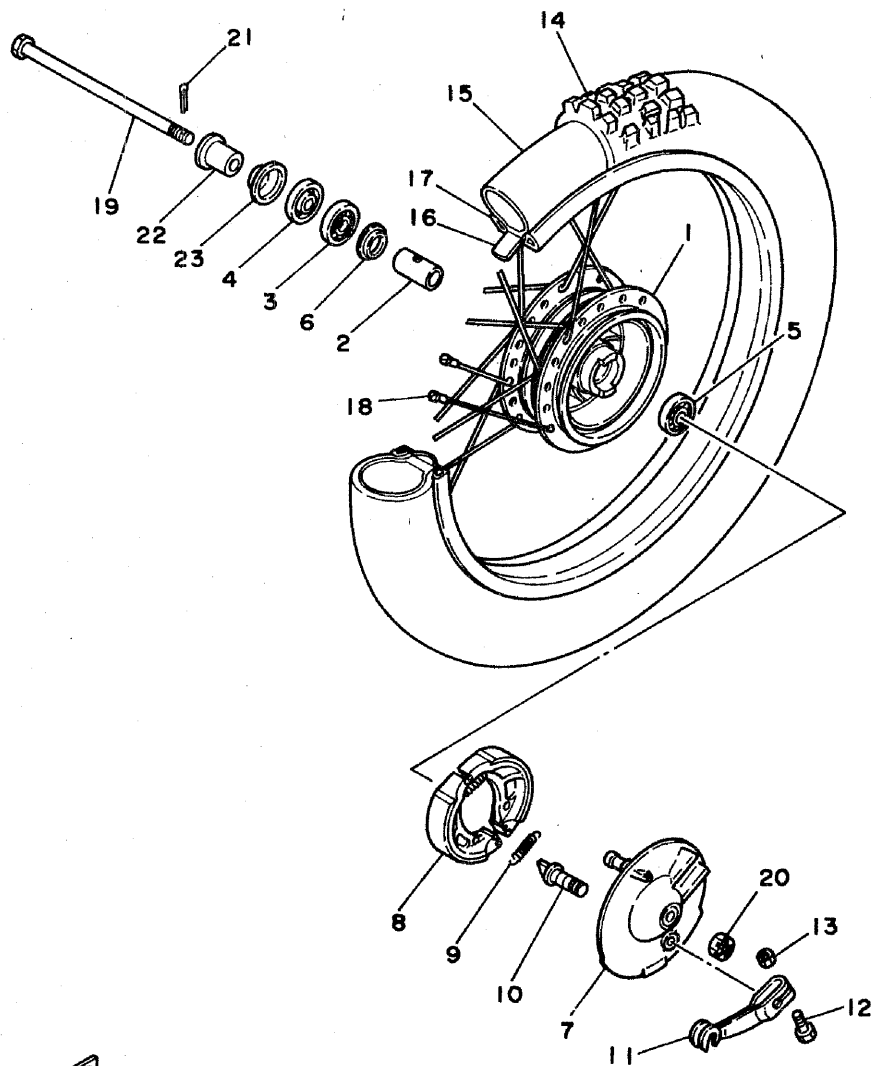
REF. NO.	PART NO.	DESCRIPTION	Q'TY	REMARKS
1	3RV-24770-10	SEMI-DOUBLE SEAT ASSY	1	
2	3RV-24731-10	.COVER, seat	1	
3	90179-06403	NUT	2	
4	3RV-24734-10	BAND, seat	1	



3RV110-1220

C11

FIG. 23 FRONT WHEEL



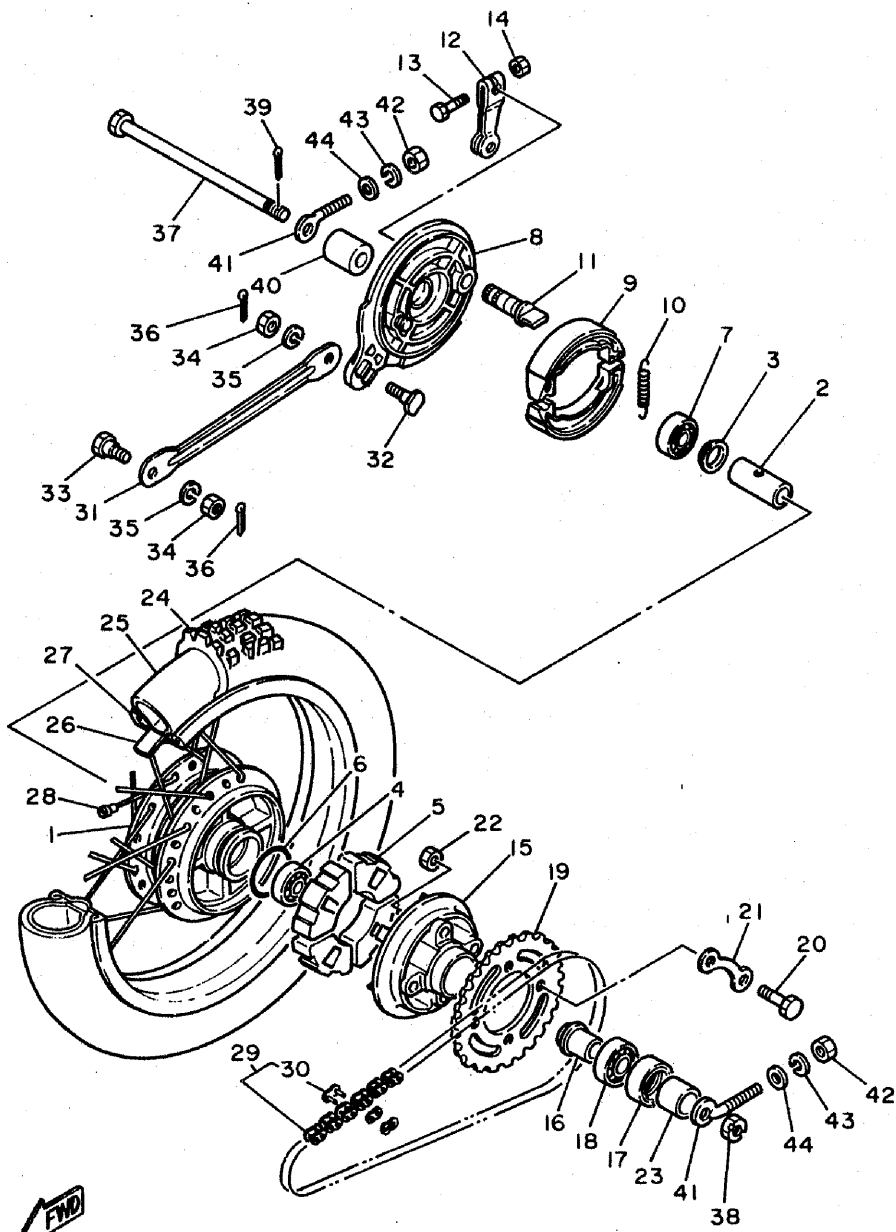
REF. NO.	PART NO.	DESCRIPTION	Q'TY	REMARKS
1	451-25111-00-98	HUB, front	1	LOW GLOSS BLACK
2	90560-10103	SPACER	1	
3	93306-20006	BEARING (B6200)	1	NTN
4	93106-17006	OIL SEAL	1	
5	93306-20009	BEARING (B6200RS)	1	
6	2E9-25116-00	FLANGE, spacer 2	1	
7	3R0-25121-00-98	PLATE, brake shoe	1	LOW GLOSS BLACK
8	3EC-W2535-00	BRAKE SHOE SET	1	
9	90506-14081	SPRING, tension	2	
10	1YT-25351-00	CAMSHAFT	1	
11	451-25155-00	LEVER, camshaft 1	1	
12	90101-06291	BOLT	1	
13	95303-06600	NUT	1	
14	94125-14642	TIRE (2.50-14)	1	INOUE MK-2
15	94225-14147	TUBE (2.50-14)	1	INOUE
16	94325-14099	BAND, rim (2.50-14)	1	INOUE
17	94414-14227	RIM (1.40-14)	1	TAKASAGO
18	3R0-25104-00	SPOKE SET, front	1	
19	353-25181-03	AXLE, wheel	1	
20	90171-10004	NUT, castle	1	
21	91401-20020	PIN, cotter	1	
22	90387-10744	COLLAR	1	
23	451-25118-00	COVER, hub dust	1	



3RV110-1230

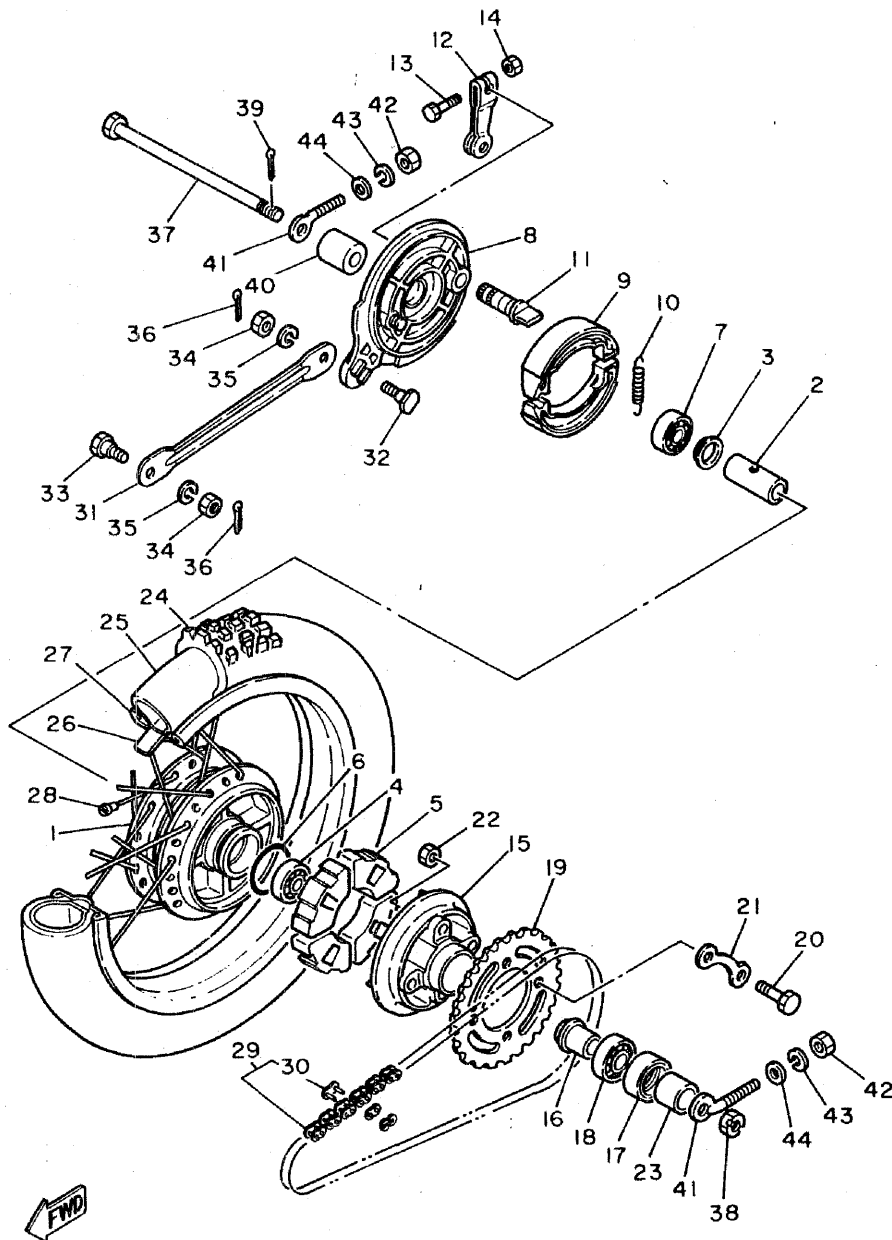
FIG. 24 REAR WHEEL

REF. NO.	PART NO.	DESCRIPTION	Q'TY	REMARKS
1	21W-25311-00-98	HUB, rear	1	LOW GLOSS BLACK
2	90560-12145	SPACER	1	
3	109-25315-00	FLANGE, spacer	1	
4	93306-30102	BEARING (B6301)	1	
5	304-25364-01	DAMPER	4	
6	93210-41041	O-RING	1	
7	93306-30103	BEARING	1	
8	1M3-25321-02-98	PLATE, brake shoe	1	LOW GLOSS BLACK
9	4BE-W2536-00	BRAKE SHOE KIT 2	1	
10	90506-15260	SPRING, tension	2	
11	3Y6-25351-00	CAMSHAFT	1	
12	538-25355-00	LEVER, camshaft	1	
13	90101-06278	BOLT	1	
14	95303-06600	NUT	1	
15	296-25366-01-98	CLUTCH, hub	1	LOW GLOSS BLACK
16	21W-25387-00	AXLE, sprocket	1	
17	93106-30004	OIL SEAL	1	
18	93306-00406	BEARING (B6004Z)	1	
19	21W-25432-10	SPROCKET, driven (32T)	1	
20	90101-08672	BOLT	4	
21	102-25412-00	WASHER	2	
22	90170-08366	NUT	4	
23	90387-207G3	COLLAR	1	
24	94130-12720	TIRE (3.00-12)	1	INOUE MK-2
25	94230-12208	TUBE (3.00-12)	1	SUMITOMO
26	94330-12100	BAND, rim (3.00-12)	1	INOUE
27	94416-12334	RIM (1.60-12)	1	TAKASAGO
28	21W-25304-00	SPOKE SET, rear	1	



3RV4110-1240

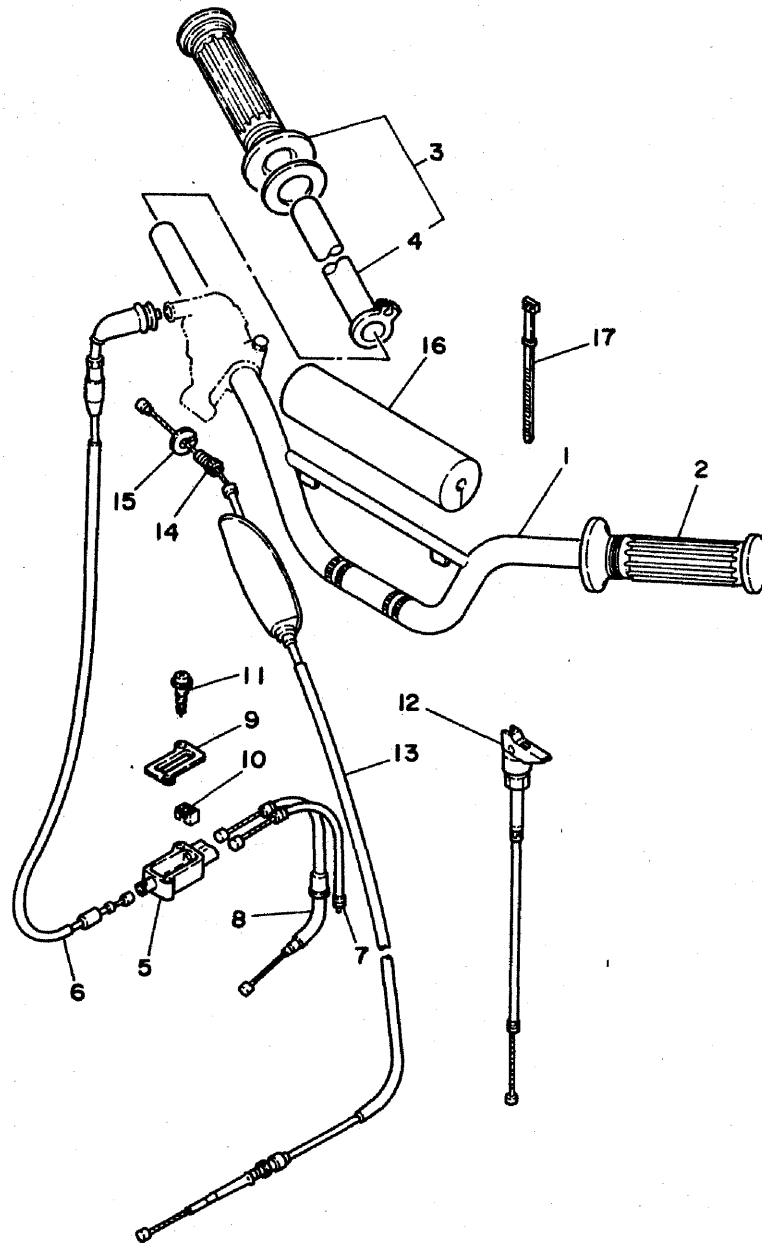
FIG. 24 REAR WHEEL



3RV4110-1240

REF. NO.	PART NO.	DESCRIPTION	Q'TY	REMARKS
29	94580-52084	CHAIN	1	D.I.D. 420M 84L
30	94680-52001	JOINT, chain(D.I.D.-420M)	1	DAIDO
31	21W-25371-00	BAR, tension	1	
32	90109-08183	BOLT	1	
33	90109-08368	BOLT	1	
34	95303-08700	NUT	2	
35	92990-08100	WASHER, spring	2	
36	91401-20015	PIN, cotter	2	
37	367-25381-00	AXLE, wheel	1	
38	90171-12005	NUT, castle	1	
39	91401-30030	PIN, cotter	1	
40	90387-12412	COLLAR	1	
41	102-25389-00	PULLER, chain 2	2	
42	95303-06600	NUT	2	
43	92990-06100	WASHER, spring	2	
44	90201-061A5	WASHER, plate	2	

FIG. 25 STEERING HANDLE. CABLE



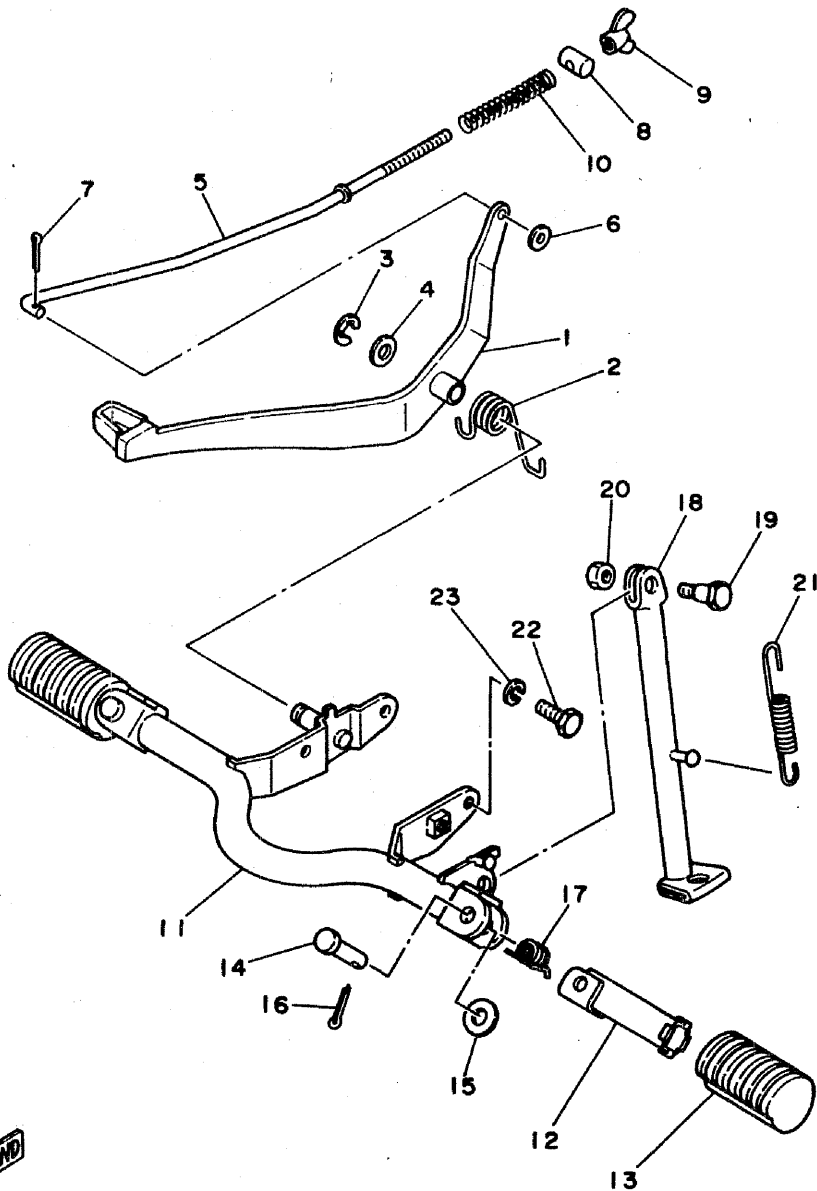
REF. NO.	PART NO.	DESCRIPTION	Q'TY	REMARKS
1	3RV-26111-00	HANDLEBAR	1	
2	2N3-26241-00	GRIP (LEFT)	1	BLACK
3	21W-26240-00	GRIP ASSY	1	
4	434-26243-12	.TUBE, throttle guide	1	
5	21W-26261-00	CONNECTOR, cable	1	
6	21W-26311-00	CABLE, throttle 1	1	
7	21W-26312-00	CABLE, throttle 2	1	
8	21W-26321-00	CABLE, pump	1	
9	21W-26262-00	CAP, cable connector	1	
10	21W-26263-00	PIECE, connecting	1	
11	90167-03004	SCREW, tapping	2	
12	21W-26331-00	CABLE, starter 1	1	
13	21W-26341-00	CABLE, brake	1	
14	90123-08013	BOLT	1	
15	90179-08148	NUT	1	
16	21W-26124-00	PROTECTOR, handlebar	1	
17	437-83936-11	BAND, switch cord	2	

FWD

3RV110-1250

C15

FIG. 26 STAND • FOOTREST

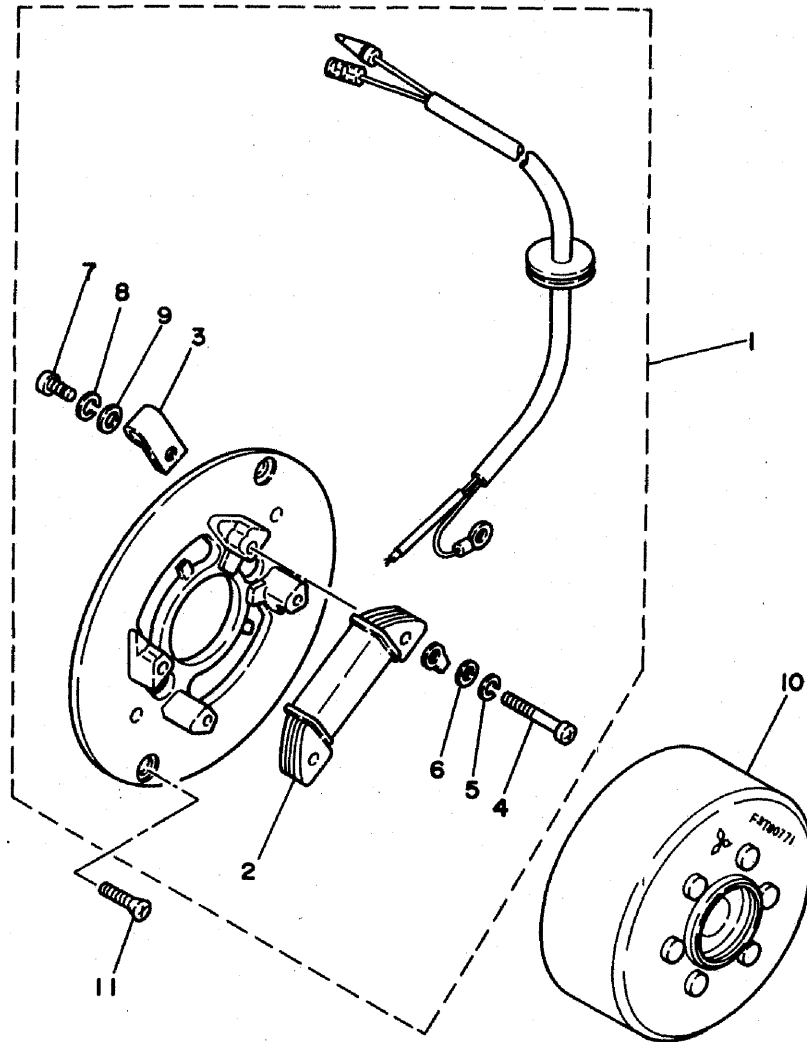


3RV110-1260

REF. NO.	PART NO.	DESCRIPTION	Q'TY	REMARKS
1	21W-27211-00	PEDAL, brake	1	
2	90508-29578	SPRING, torsion	1	
3	99001-09600	CIRCLIP	1	
4	92902-12600	WASHER, plate	1	
5	21W-27231-00	ROD, brake	1	
6	92901-06600	WASHER, plate	1	
7	91401-20015	PIN, cotter	1	
8	90249-12008	PIN	1	
9	90175-06013	NUT, wing	1	
10	90501-10245	SPRING, compression	1	
11	21W-27411-01-33	FOOTREST 1	1	YAMAHA BLACK
12	214-27421-00	FOOTREST 2	2	UNICHROME (BLACK)
13	214-27413-00	COVER, footrest	2	
14	91701-08038	PIN, clevis	2	
15	92901-08600	WASHER, plate	2	
16	91401-25015	PIN, cotter	2	
17	90508-20023	SPRING, torsion	2	
18	21W-27311-01	STAND, side	1	
19	90109-08666	BOLT	1	
20	95303-08700	NUT	1	
21	90506-26270	SPRING, tension	1	
22	97011-08020	BOLT	2	
23	92990-08100	WASHER, spring	2	

D2

FIG. 27 GENERATOR



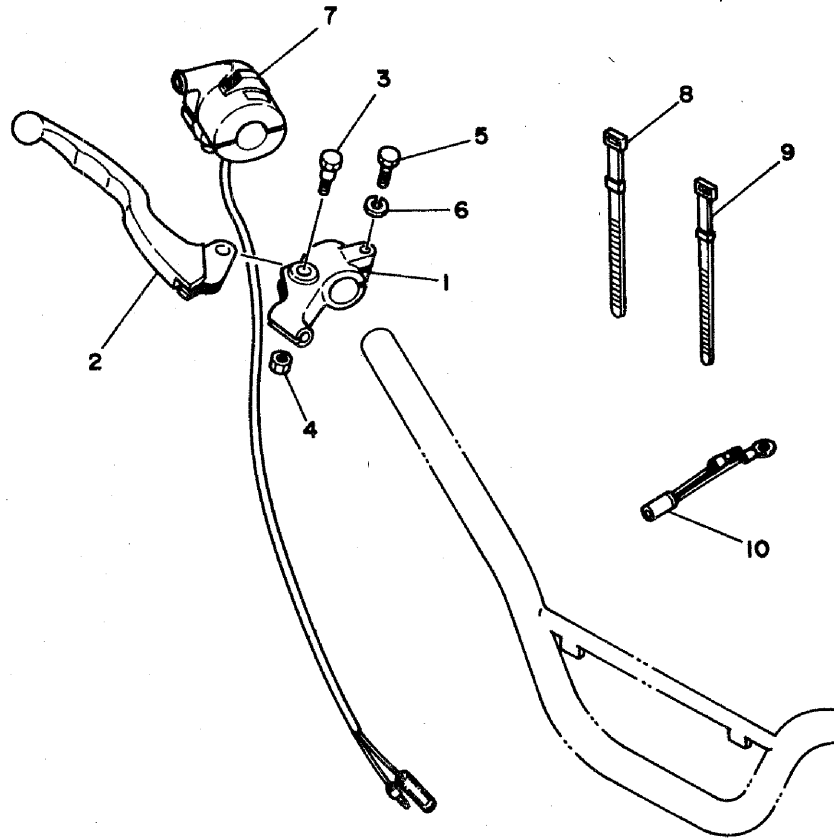
REF. NO.	PART NO.	DESCRIPTION	Q'TY	REMARKS
1	1RY-85510-20	STATOR ASSY	1	
2	1RY-85512-20	.COIL, source	1	
3	104-81328-20	.CLAMP	1	
4	98511-04025	.SCREW, pan head	2	
5	92902-04100	.WASHER, spring	2	
6	92901-04600	.WASHER, plate	2	
7	98580-04008	.SCREW, pan head	1	
8	92902-04100	.WASHER, spring	1	
9	92901-04600	.WASHER, plate	1	
10	21W-85550-20	ROTOR ASSY	1	
11	98701-05016	SCREW, flat head	2	



3RV110-1270

D3

FIG. 28 HANDLE SWITCH • LEVER

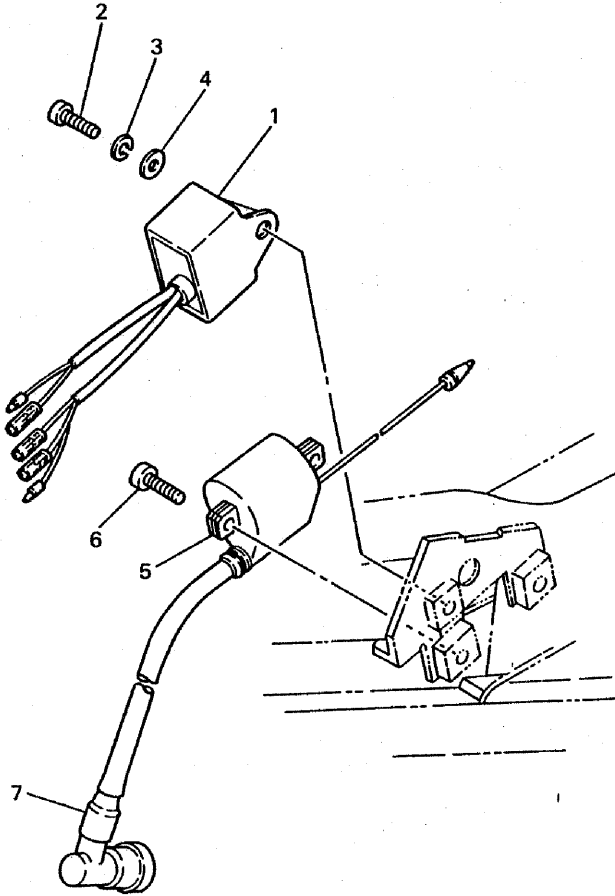


REF. NO.	PART NO.	DESCRIPTION	Q'TY	REMARKS
1	233-82921-31	HOLDER, lever 2	1	
2	23X-83922-00	LEVER 2	1	
3	90109-06798	BOLT	1	
4	95601-06100	NUT, u	1	
5	97001-06022	BOLT	1	
6	92990-06100	WASHER, spring	1	
7	21W-83976-00	SWITCH, handle 1	1	
8	437-83936-01	BAND, switch cord	1	
9	437-83936-11	BAND, switch cord	1	
10	4V0-82519-00	WIRE, earth lead	1	



3RV110-1280

FIG. 29 ELECTRICAL 1



REF. NO.	PART NO.	DESCRIPTION	Q'TY	REMARKS
1	21W-85540-20	C.D.I. UNIT ASSY	1	
2	98501-06020	SCREW, pan head	1	
3	92990-06100	WASHER, spring	1	
4	92901-06600	WASHER, plate	1	
5	43G-82310-40	IGNITION COIL ASSY	1	
6	98501-06020	SCREW, pan head	2	
7	166-82370-20	PLUG CAP ASSY	1	



3RV100-4290

D5

INDEX

NUMERICAL INDEX

PART NO.	GRID NO.	PART NO.	GRID NO.
3RV-W1441-10	B - 5	307-14169-10	B - 6
3EC-W2535-00	C - 12	58E-14171-00	B - 6
4BE-W2536-00	C - 13	296-14184-01	B - 6
21W-11111-00	B - 2	2E9-14185-00	B - 6
463-11161-01	B - 2	127-14186-00	B - 6
21W-11162-00	B - 2	12R-14191-00	B - 6
3E5-11162-00	B - 2	296-14198-01	B - 6
1W7-11181-00	B - 2	21W-14412-00	B - 5
3E5-11311-01	B - 2	21W-14451-00	B - 5
4AW-11351-00	B - 2	21W-14453-00	B - 5
1HA-11400-00	B - 3	5U8-14454-00	B - 5
1W7-11412-00	B - 3	21W-14458-00	B - 5
1HA-11422-00	B - 3	21W-14503-00	B - 6
14N-11610-00	B - 3	21W-14610-02	B - 7
14N-11610-10	B - 3	21W-14613-00	B - 7
14N-11610-20	B - 3	21W-14708-00	B - 7
3E5-11631-00-97	B - 3	4X4-14714-00	B - 7
527-11633-00	B - 3	21W-14753-02	B - 7
3E5-11635-00	B - 3	21W-14758-00	B - 7
3E5-11636-00	B - 3	21W-1490J-00	B - 6
1W7-11651-00	B - 3	1W7-15111-03	B - 8
2Y1-11681-00	B - 3	1W7-15121-03	B - 8
3KX-13101-01	B - 4	300-15128-00	B - 8
2T5-13124-00	B - 4	296-15316-00	B - 8
384-13138-00	B - 4	517-15362-02	B - 9
296-13147-00	B - 4	21W-15411-00	B - 9
384-13161-02	B - 4	517-15416-01	B - 8
384-13174-00	B - 4	5R7-15421-00	B - 9
53F-13178-00	B - 4	4AW-15451-00	B - 9
21W-13555-00	B - 5	21W-15491-01	B - 9
300-13610-04	B - 5	156-15618-01	B - 10
56J-13613-00	B - 5	21W-15620-00	B - 10
300-13616-00	B - 5	384-15635-00	B - 11
300-13621-10	B - 5	2T4-15637-00	B - 11
300-13622-10	B - 5	3E5-15641-00	B - 10
21W-14101-00	B - 6	3E5-15660-00	B - 10
12G-14103-00	B - 6	3E5-15664-00	B - 10
12G-14104-00	B - 6	3E5-15676-00	B - 10
21W-14107-12	B - 6	56H-16110-00-30	B - 11
296-14112-25	B - 6	3E5-16150-01-30	B - 11
296-14131-00	B - 6	122-16164-00	B - 11
127-14135-00	B - 6	517-16180-00	B - 11
127-14141-14	B - 6	132-16346-00	B - 14
193-14142-15-AO	B - 6	527-16520-10	B - 11
127-14143-24	B - 6	3E5-16521-00	B - 11
127-14143-25	B - 6	517-16524-10	B - 11
127-14143-26	B - 6	517-16524-20	B - 11
1R0-14169-00	B - 6	517-16524-30	B - 11

PART NO.	GRID NO.	PART NO.	GRID NO.
517-16550-10	B - 11	517-16561-01	B - 11
517-16561-01	B - 11	527-16571-01	B - 11
527-16571-01	B - 11	1W7-17211-12	B - 13
1W7-17211-12	B - 13	1W7-17221-20	B - 13
1W7-17221-20	B - 13	21W-17231-00	B - 13
21W-17231-00	B - 13	21W-17410-00	B - 13
21W-17410-00	B - 13	1W7-17421-10	B - 13
1W7-17421-10	B - 13	296-17471-00	B - 13
296-17471-00	B - 13	58H-18101-02	B - 15
58H-18101-02	B - 15	21W-18111-00	B - 15
21W-18111-00	B - 15	132-18113-01	B - 15
132-18113-01	B - 15	278-18127-01	B - 15
278-18127-01	B - 15	296-18140-02	B - 14
296-18140-02	B - 14	58H-18511-00	B - 14
58H-18511-00	B - 14	1W7-18512-02	B - 14
1W7-18512-02	B - 14	2N8-18531-00	B - 14
2N8-18531-00	B - 14	21W-18540-01	B - 14
21W-18540-01	B - 14	296-18561-00	B - 14
296-18561-00	B - 14	296-18562-01	B - 14
296-18562-01	B - 14	21W-21110-02-33	C - 2
21W-21110-02-33	C - 2	3RV-21511-00	C - 3
3RV-21511-00	C - 3	3RV-21570-00	C - 3
3RV-21570-00	C - 3	4V0-21621-00	C - 4
4V0-21621-00	C - 4	21W-21646-00	C - 5
21W-21646-00	C - 5	3RV-21711-00	C - 4
3RV-21711-00	C - 4	21W-21719-00	C - 4
21W-21719-00	C - 4	3RV-2173L-20	C - 4
3RV-2173L-20	C - 4	21W-21751-01	C - 5
21W-21751-01	C - 5	21W-21766-00	C - 5
21W-21766-00	C - 5	5R2-21771-00	C - 5
5R2-21771-00	C - 5	21W-22110-00-35	C - 6
21W-22110-00-35	C - 6	102-22123-00	C - 6
102-22123-00	C - 6	288-22141-00	C - 6
288-22141-00	C - 6	3R0-22151-00	C - 6
3R0-22151-00	C - 6	21W-22199-00	C - 6
21W-22199-00	C - 6	3RV-22210-10	C - 6
3RV-22210-10	C - 6	3RV-22210-20	C - 6
3RV-22210-20	C - 6	3M7-22216-00	C - 6
3M7-22216-00	C - 6	21W-22311-00	C - 6
21W-22311-00	C - 6	3RV-23102-00	C - 8
3RV-23102-00	C - 8	3RV-23103-00	C - 8
3RV-23103-00	C - 8	21W-23110-00	C - 8
21W-23110-00	C - 8	3M7-23111-01	C - 8
3M7-23111-01	C - 8	3R0-23126-00-35	C - 8
3R0-23126-00-35	C - 8	3R0-23136-00-35	C - 8
3R0-23136-00-35	C - 8	21W-23141-00	C - 8
21W-23141-00	C - 8	3M7-23142-00	C - 8

PART NO.	GRID NO.	PART NO.	GRID NO.
3M7-23142-00	C - 9	3M7-23144-00	C - 8
3M7-23144-00	C - 8	3M7-23145-00	C - 8
3M7-23145-00	C - 8	2J5-23147-00	C - 8
2J5-23147-00	C - 8	2J5-23151-00	C - 8
2J5-23151-00	C - 8	3M7-23156-00	C - 8
3M7-23156-00	C - 8	2J5-23157-00	C - 8
2J5-23157-00	C - 8	3R0-23170-00	C - 8
3R0-23170-00	C - 8	3M7-23181-00	C - 8
3M7-23181-00	C - 8	3R0-23318-00	C - 9
3R0-23318-00	C - 9	21W-23340-00	C - 9
21W-23340-00	C - 9	451-23346-00	C - 9
451-23346-00	C - 9	3R0-23392-00	C - 8
3R0-23392-00	C - 8	156-23411-00	C - 7
156-23411-00	C - 7	22F-23411-01	C - 7
22F-23411-01	C - 7	22F-23412-01	C - 7
22F-23412-01	C - 7	156-23412-00	C - 7
156-23412-00	C - 7	122-23416-00	C - 7
122-23416-00	C - 7	3RV-23435-00	C - 7
3RV-23435-00	C - 7	3RV-23441-00	C - 7
3RV-23441-00	C - 7	462-23442-00-35	C - 7
462-23442-00-35	C - 7	164-23462-00	C - 7
164-23462-00	C - 7	21W-23486-00	C - 7
21W-23486-00	C - 7	3RV-24110-00	C - 10
3RV-24110-00	C - 10	59V-24173-00	C - 10
59V-24173-00	C - 10	21W-24181-00	C - 10
21W-24181-00	C - 10	22W-24181-00	C - 5
22W-24181-00	C - 5	3RV-24240-00	C - 10
3RV-24240-00	C - 10	4BC-24500-00	C - 10
4BC-24500-00	C - 10	4X8-24512-00	C - 10
4X8-24512-00	C - 10	3AJ-24523-00	C - 10
3AJ-24523-00	C - 10	3AJ-24534-00	C - 10
3AJ-24534-00	C - 10	2FG-24610-00	C - 10
2FG-24610-00	C - 10	3RV-24731-10	C - 11
3RV-24731-10	C - 11	3RV-24734-10	C - 11
3RV-24734-10	C - 11	3RV-24770-10	C - 11
3RV-24770-10	C - 11	3R0-25104-00	C - 12
3R0-25104-00	C - 12	451-25111-00-98	C - 12
451-25111-00-98	C - 12	2E9-25116-00	C - 12
2E9-25116-00	C - 12	451-25118-00	C - 12
451-25118-00	C - 12	3R0-25121-00-98	C - 12
3R0-25121-00-98	C - 12	451-25155-00	C - 12
451-25155-00	C - 12	353-25181-03	C - 12
353-25181-03	C - 12	21W-25304-00	C - 13
21W-25304-00	C - 13	21W-25311-00-98	C - 13
21W-25311-00-98	C - 13	109-25315-00	C - 13
109-25315-00	C - 13	1M3-25321-02-98	C - 13

NUMERICAL INDEX

PART NO.	GRID NO.	PART NO.	GRID NO.
1YT-25351-00	C - 12	90101-06394	B - 8
3Y6-25351-00	C - 13	90101-08286	C - 2
538-25355-00	C - 13	90101-08672	C - 13
304-25364-01	C - 13	90105-10006	C - 7
296-25366-01-98	C - 13	90105-10147	B - 8
21W-25371-00	C - 14	90109-063F6	B - 14
367-25381-00	C - 14	90109-06798	D - 4
21W-25387-00	C - 13	90109-08183	C - 14
102-25389-00	C - 14	90109-08368	C - 14
102-25412-00	C - 13	90109-08666	D - 2
21W-25432-10	C - 13	90116-07035	B - 2
3RV-26111-00	C - 15	90119-06043	C - 3
21W-26124-00	C - 15	90119-06056	C - 5
21W-26240-00	C - 15	90123-08013	C - 15
2N3-26241-00	C - 15	90149-04135	B - 4
434-26243-12	C - 15	90149-06011	C - 10
21W-26261-00	C - 15	90149-06157	B - 8
21W-26262-00	C - 15	90150-06032	B - 14
21W-26263-00	C - 15	90159-05028	C - 6
21W-26311-00	C - 15	90159-06016	C - 4
21W-26312-00	C - 15	90159-06033	C - 3
21W-26321-00	C - 15	90167-03004	C - 15
21W-26331-00	C - 15	90170-08366	C - 13
21W-26341-00	C - 15	90170-10105	B - 4
21W-27211-00	D - 2	90171-10004	C - 12
21W-27231-00	D - 2	90171-12005	C - 14
21W-27311-01	D - 2	90175-06013	D - 2
21W-27411-01-33	D - 2	90179-06403	C - 11
214-27413-00	D - 2	90179-07381	B - 2
214-27421-00	D - 2	90179-08148	C - 15
3R0-28100-00	C - 5	90179-12244	B - 11
51L-28371-00	C - 10	90179-16190	B - 12
104-81328-20	D - 3	90179-25051	C - 7
43G-82310-40	D - 5	90185-10037	C - 6
166-82370-20	D - 5	90201-06072	C - 10
4V0-82519-00	D - 4	90201-061A5	C - 14
233-82921-31	D - 4	90201-081A6	C - 2
23X-83922-00	D - 4	90201-106H5	C - 6
437-83936-01	D - 4	90201-12575	B - 15
437-83936-11	C - 15	90201-15701	B - 10
21W-83976-00	D - 4	90201-20266	B - 10
1RY-85510-20	D - 3	90202-05193	C - 10
1RY-85512-20	D - 3	90208-12015	B - 11
21W-85540-20	D - 5	90208-16019	B - 11
21W-85550-20	D - 3	90209-10021	C - 7
21W-85550-20	D - 3	90209-12280	B - 11
90101-06278	C - 13	90209-15178	B - 13
90101-06291	C - 12	90209-15179	B - 13

NUMERICAL INDEX

PART NO.	GRID NO.	PART NO.	GRID NO.
90209-15180	B - 13	90560-17146	B - 11
90209-20159	B - 3	91401-20015	C - 14
90240-10069	C - 6		D - 2
90240-10072	C - 6	91401-20020	C - 12
90249-12008	D - 2	91401-25015	D - 2
90280-03017	B - 3	91401-25020	C - 6
90282-04064	B - 11	91401-30030	C - 14
90340-12005	B - 8	91701-08038	D - 2
90387-07598	C - 10	92901-04600	D - 3
90387-10744	C - 12	92901-06600	C - 7
90387-12412	C - 14		D - 2
90387-20603	B - 3		D - 5
90387-207G3	C - 13	92901-08600	B - 7
90401-10029	B - 4		D - 2
90430-04004	B - 4	92901-10100	C - 7
90430-04167	B - 7		C - 9
90430-05008	B - 7	92901-12100	B - 3
90430-10215	B - 8	92902-04100	B - 6
90430-12207	B - 8		D - 3
90445-05390	B - 6	92902-12600	D - 2
90445-07036	B - 6	92906-05600	B - 5
90445-09083	C - 10	92906-08600	B - 5
90445-09111	C - 10	92990-03100	B - 5
90460-37130	B - 5	92990-06100	C - 7
90462-14055	C - 7		C - 10
90467-08003	C - 5		C - 14
	C - 10		D - 4
90467-22048	B - 7		D - 5
90468-02033	B - 4	92990-08100	B - 7
90468-16090	B - 11		C - 2
90468-23093	B - 10		C - 14
90480-10005	B - 4		D - 2
90480-18290	C - 10	92990-12600	B - 3
90480-21436	B - 8	93101-10090	B - 4
90501-10245	D - 2	93102-12106	B - 15
90501-10602	B - 11	93102-20143	B - 13
90501-12088	B - 11	93103-25098	B - 3
90506-08122	B - 15	93103-32171	B - 3
90506-10184	B - 14	93104-11053	B - 9
90506-14081	C - 12	93106-17006	C - 12
90506-15260	C - 13	93106-30004	C - 13
90506-26270	D - 2	93109-15001	B - 10
90508-20023	D - 2	93210-08006	B - 14
90508-26136	B - 10	93210-180A6	B - 3
90508-29578	D - 2	93210-21190	B - 9
90508-32263	B - 15	93210-26240	B - 4
90560-10103	C - 12	93210-29282	B - 4
90560-12145	C - 13	93210-41041	C - 13

NUMERICAL INDEX

PART NO.	GRID NO.	PART NO.	GRID NO.
95311-12600	B - 3	99510-12016	B - 8
95601-06100	D - 4	99530-10014	B - 9
95701-08500	C - 2		
95811-08120	C - 2		
97001-06022	D - 4		
97001-08020	B - 7		
97011-06022	B - 15		
97001-08020	B - 7		
97011-06025	B - 10		
97011-08020	D - 2		
97016-08016	B - 5		
97021-06030	C - 10		
97013-06035	C - 7		
97313-06016	C - 7		
97313-08016	B - 7		
98501-05006	B - 7		
98501-05020	B - 4		
98501-05030	B - 6		
98501-05035	B - 4		
98501-06012	B - 13		
	C - 7		
98501-06020	D - 5		
98501-06030	B - 5		
98501-06035	B - 8		
98501-06050	B - 8		
98503-03008	C - 10		
98503-06045	B - 8		
98506-04018	B - 6		
98506-05025	B - 5		
98506-05050	B - 5		
98506-06012	B - 9		
98506-06035	B - 9		
98506-06040	B - 9		
98506-06045	B - 9		
98506-06100	B - 9		
98511-04025	D - 3		
98511-08010	B - 8		
98580-03008	B - 5		
98580-04008	D - 3		
98580-04010	B - 6		
98701-05016	D - 3		
99001-09600	B - 14		
	D - 2		
99006-10600	B - 14		
	B - 15		
99009-17400	B - 10		
99009-20400	B - 10		
99080-07600	B - 4		

*COPYRIGHT : All rights reserved. No part of this publication
may be reproduced without permission.*

YAMAHA
YAMAHA MOTOR CO., LTD.
2500 SHINGAI IWATA SHIZUOKA JAPAN
PARTS OPERATIONS

Printed in Japan
First edition May, 1993

