

# CONTENTS

## ENGINE

Cylinder .....	B2
Crankshaft - Piston .....	B3
Oil Pump .....	B4
Intake .....	B5 - B6
Carburetor .....	B7
Exhaust .....	B8
Crankcase .....	B9
Crankcase Cover 1 .....	B10
Starter .....	B11
Clutch .....	B12 - B13
Transmission .....	B14
Shift Cam - Fork .....	B15
Shift Shaft .....	C2

## CHASSIS

Frame .....	C3
Front Fender .....	C4
Side Cover .....	C5
Oil Tank .....	C6
Rear Arm - Suspension .....	C7

Steering .....	C8
Front Fork .....	C9 - C10
Fuel Tank .....	C11
Seat .....	C12
Front Wheel .....	C13
Rear Wheel .....	C14 - C15
Steering Handle - Cable .....	D2
Stand - Footrest .....	D3
Generator .....	D4
Handle Switch - Lever .....	D5
Electrical 1 .....	D8

## INDEX

NUMERICAL INDEX .....	L1 - L2
-----------------------	---------

**YAMAHA**



**PARTS  
CATALOGUE**

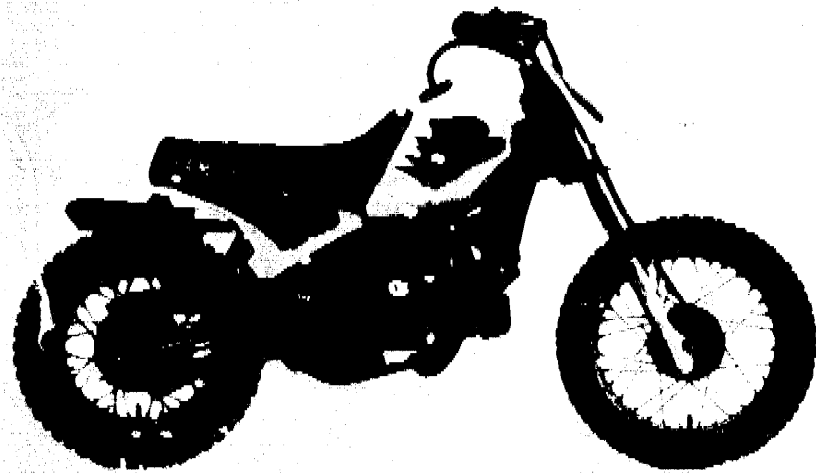
**PW80'95 (4BC5) EUROPE, S.AFRICA**

---

**YAMAHA  
GENUINE  
PARTS CATALOGUE**

4BC5-300E2

**A2**



A3

# FOREWORD

This Parts Catalogue is related to the parts for the model(s) in the below frame. When you are ordering replacement parts, please refer to this Parts Catalogue and quote both part numbers and part names correctly.

PW80'95 (4BC5)

1. Modifications or additions which have been made after issue of the Parts Catalogue will be announced in the Yamaha Parts News. It is advisable that you make necessary corrections to the Parts Catalogue according to the Yamaha Parts News.

2. Abbreviations  
The following abbreviations are used in this Parts Catalogue.

"UR" Use specified parts number.  
 "UN" Use as many as needed.  
 "AP" Alternate Parts  
 "LM" Local Made (Parts need to be ordered locally)  
 "F#" Frame No. (Applicable machine No.)

3. Parts, which are to be supplied in an assembly, are listed with a dot (.) in front of the part name as shown below.

EXAMPLE  
 CARBURETOR ASSY  
 . JET, PILOT  
 . NOZZLE, MAIN

4. Number of component for assembly  
The numeral appearing to the right of each component part indicates the quantity of parts for each assembly unit.

EXAMPLE

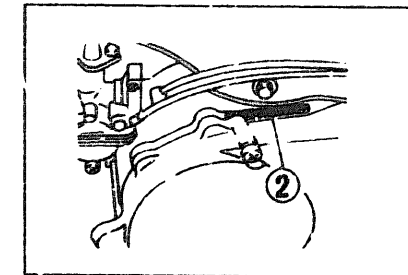
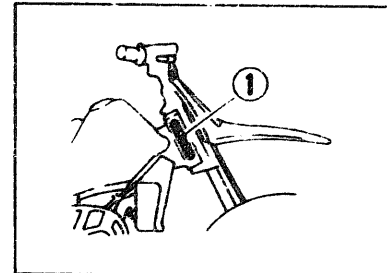
PART NO.	DESCRIPTION	Q'TY	REMARKS
2F5-83310-60	FRONT FLASHER LIGHT ASSY	2	
115-83311-60	. BULB (6V-18W)	1	

5. Applicable colors of graphics are represented in the "REMARKS" as shown below.

PART NO.	DESCRIPTION	Q'TY	REMARKS
2N4-24110-00-X5	FUEL TANK COMP.	1	MAXIM RED
3J1-24240-10	. GRAPHIC, FUEL TANK	1	for MYR

6. Applicable Serial No. and Color Code

① Frame Serial No.	4BC-033101	~
② Engine Serial No.	4BC-033101	~



Color Code	Color Name	Abbreviation
0206	PURPLISH WHITE SOLID 1	PWS1

7. Note that the illustrations are for reference in finding parts numbers, not to be used for assembling. When assembling, please use the applicable service manual.
8. The asterisk (\*) before a reference number indicates modification items after the first edition.

# CONTENTS

## ENGINE

Cylinder .....	B2
Crankshaft - Piston .....	B3
Oil Pump .....	B4
Intake .....	B5 - B6
Carburetor .....	B7
Exhaust .....	B8
Crankcase .....	B9
Crankcase Cover 1 .....	B10
Starter .....	B11
Clutch .....	B12 - B13
Transmission .....	B14
Shift Cam - Fork .....	B15
Shift Shaft .....	C2

## CHASSIS

Frame .....	C3
Front Fender .....	C4
Side Cover .....	C5
Oil Tank .....	C6
Rear Arm - Suspension .....	C7

Steering .....	C8
Front Fork .....	C9 - C10
Fuel Tank .....	C11
Seat .....	C12
Front Wheel .....	C13
Rear Wheel .....	C14 - C15
Steering Handle - Cable .....	D2
Stand - Footrest .....	D3
Generator .....	D4
Handle Switch - Lever .....	D5
Electrical 1 .....	D6

## INDEX

NUMERICAL INDEX .....	L1 - L2
-----------------------	---------

# CONTENTS

## ENGINE

Cylinder .....	B2
Crankshaft - Piston .....	B3
Oil Pump .....	B4
Intake .....	B5 ~ B6
Carburetor .....	B7
Exhaust .....	B8
Crankcase .....	B9
Crankcase Cover 1 .....	B10
Starter .....	B11
Clutch .....	B12 ~ B13
Transmission .....	B14
Shift Cam - Fork .....	B15
Shift Shaft .....	C2

## CHASSIS

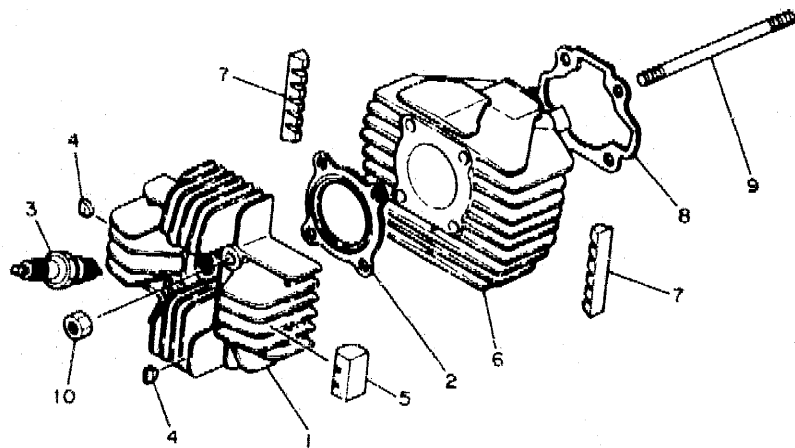
Frame .....	C3
Front Fender .....	C4
Side Cover .....	C5
Oil Tank .....	C6
Rear Arm - Suspension .....	C7

Steering .....	C8
Front Fork .....	C9 ~ C10
Fuel Tank .....	C11
Seat .....	C12
Front Wheel .....	C13
Rear Wheel .....	C14 ~ C15
Steering Handle - Cable .....	D2
Stand - Footrest .....	D3
Generator .....	D4
Handle Switch - Lever .....	D5
Electrical 1 .....	D6

## INDEX

NUMERICAL INDEX .....	L1 ~ L2
-----------------------	---------

FIG. 1 CYLINDER



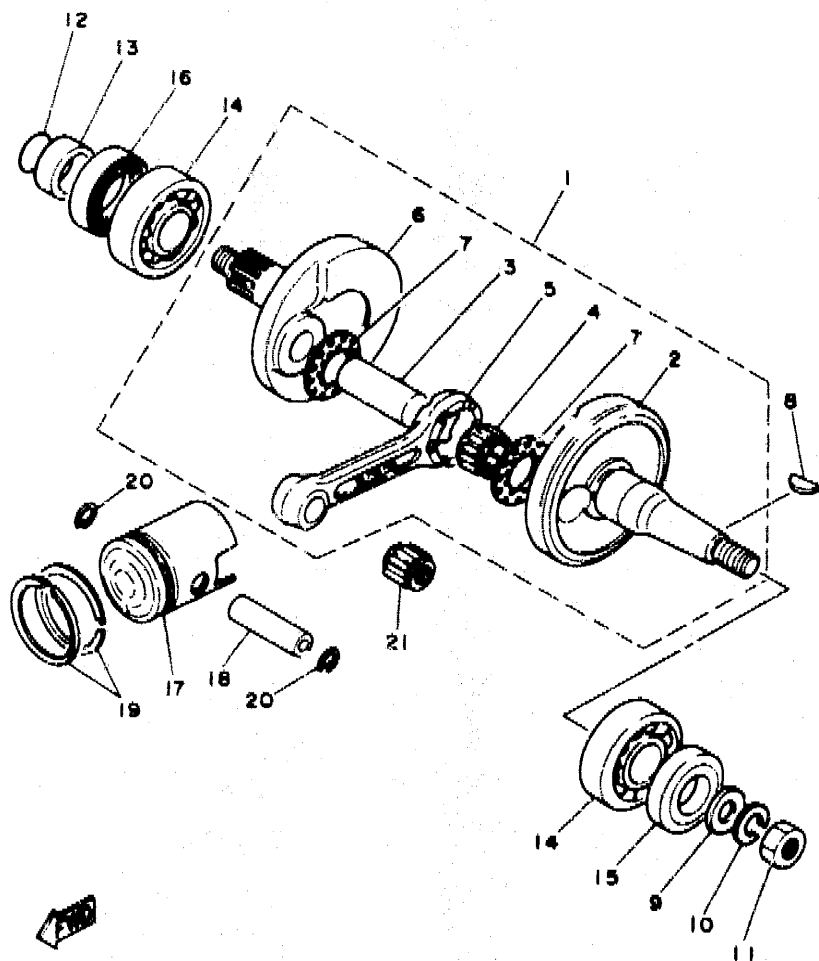
REF. NO.	PART NO.	DESCRIPTION	Q'TY	REMARKS
1	21W-11111-00	HEAD, cylinder 1	1	
2	1W7-11181-00	GASKET, cylinder head 1	1	
3	94701-00108	PLUG, spark (NGK BP6HS)	1	UR
	94703-00108	PLUG, spark (NGK BP6HS)	1	UR FOR JAPAN
	94701-00175	PLUG, spark (ND-W20FP)	1	UR
	94703-00175	PLUG, spark (ND-W20FP)	1	UR FOR JAPAN
4	463-11181-01	ABSORBER 1	4	
5	21W-11162-00	ABSORBER 2	1	
6	3E5-11311-01	CYLINDER 1	1	
7	3E5-11162-00	ARSORBER 2	2	
8	4AW-11351-00	GASKET, cylinder	1	
9	90116-07035	BOLT, stud	4	
10	90179-07381	NUT	4	



3RV110-1010

**B2**

FIG. 2 CRANKSHAFT • PISTON

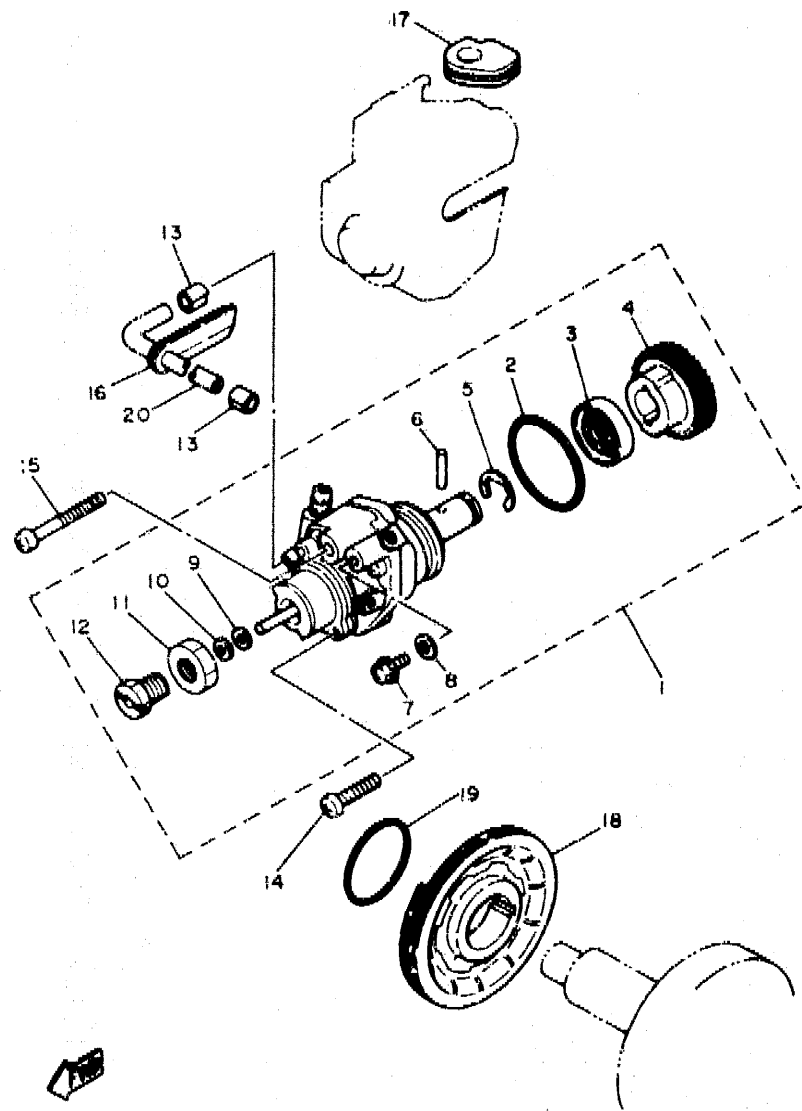


3RV110-102C

REF. NO.	PART NO.	DESCRIPTION	Q'TY	REMARKS
1	1HA-11400-00	CRANKSHAFT ASSY	1	
2	1W7-11412-00	•CRANK 1	1	
3	2Y1-11681-00	•PIN, crank 1	1	
4	93310-420F2	•BEARING, cylindrical	1	
5	1W7-11651-00	•ROD, connecting	1	
6	1HA-11422-00	•CRANK 2	1	
7	90209-20159	•WASHER	2	
8	90280-03017	KEY, woodruff	1	
9	92907-12600	WASHER, plate	1	
10	92907-12100	WASHER, spring	1	
11	96317-12600	NUT	1	
12	93210-180A6	O-RING	1	
13	90387-20603	COLLAR	1	
14	93306-20529	BEARING (B6205C4)	2	
15	93103-25098	OIL SEAL	1	
16	93103-32099	OIL SEAL	1	
17	3E5-11631-00-97	PISTON (STD)	1	UR
	3E5-11635-00	PISTON (0.25MM O/S)	1	AP
	3E5-11636-00	PISTON (0.50MM O/S)	1	AP
18	527-11633-00	PIN, piston	1	
19	14N-11610-00	PISTON RING SET (STD)	1	UR
	14N-11610-10	PISTON RING SET (0.25MM O/S)	1	AP
	14N-11610-20	PISTON RING SET (0.50MM O/S)	1	AP
20	93450-13022	CIRCLIP	2	
21	93310-11268	BEARING, cylindrical	1	



FIG. 3 OIL PUMP

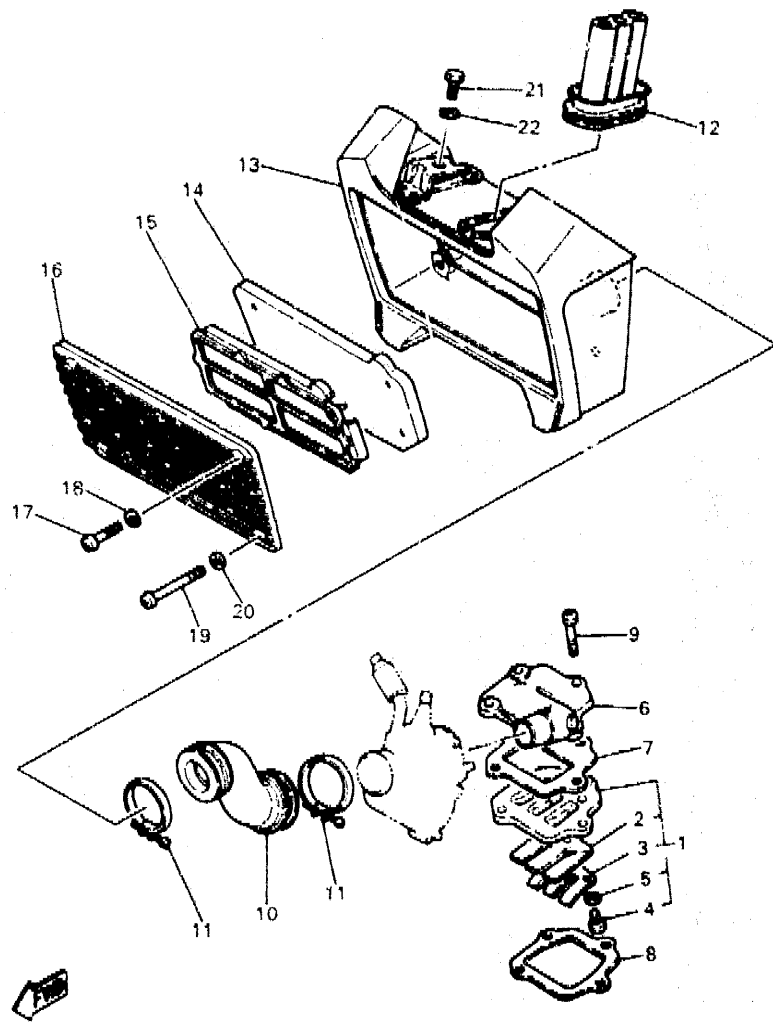


3RV110-1030

REF. NO.	PART NO.	DESCRIPTION	QTY	REMARKS
1	3KX-13101-01	OIL PUMP ASSY	1	
2	93210-26240	O-RING	1	
3	93101-10090	OIL SEAL	1	
4	2T5-13124-00	GEAR, worm wheel (71T)	1	
5	99080-07600	CIRCLIP	1	
6	93603-14026	PIN, dowel	1	
7	90149-04135	SCREW	1	
8	90430-04004	GASKET	1	
9	296-13147-00	SHIM	1	
10	384-13138-00	PLATE, adjusting	1	
11	90170-10105	NUT	1	
12	90401-10029	BOLT, union	1	
13	90468-02033	CLIP	2	
14	98507-05020	SCREW, pan head	1	
15	98507-05035	SCREW, pan head	1	
16	90480-10005	GROMMET	1	
17	384-13174-00	HOLDER, oil pipe	1	
18	53F-13178-00	GEAR, pump drive	1	
19	93210-28282	O-RING	1	
20	384-13161-02	PIPE, delivery 1	1	

B4

FIG. 4 INTAKE

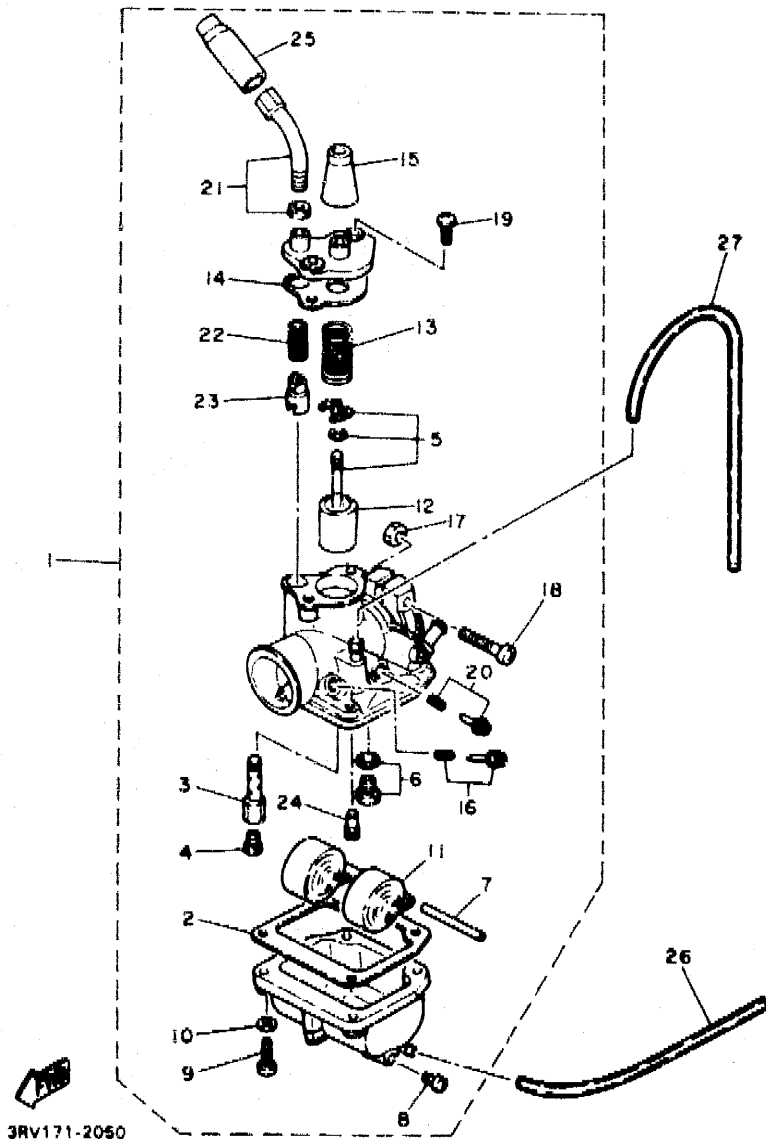


3RV100-4040

REF. NO.	PART NO.	DESCRIPTION	Q'TY	REMARKS
1	300-13610-04	REED VALVE ASSY	1	
2	56J-13613-00	-REED, valve	1	
3	300-13616-00	-STOPPER, reed valve	1	
4	98507-03008	-SCREW, pan head	3	
5	92907-03100	-WASHER, spring	3	
6	21W-13555-00	MANIFOLD, intake	1	
7	300-13622-10	GASKET, valve seat	1	
8	300-13621-10	GASKET, valve seat	1	
9	98507-06030	SCREW, pan head	4	
10	21W-14453-00	JOINT, air cleaner 1	1	
11	90450-37130	CLAMP, hose	2	
12	5U8-14454-00	JOINT	1	
13	3RV-W1441-20	AIR CLEANER CASE COMP.	1	
14	21W-14451-00	ELEMENT, air cleaner	1	
15	21W-14458-00	GUIDE	1	
16	21W-14412-00	CAP, cleaner case 1	1	
17	98507-05025	SCREW, pan head	2	
18	92907-05600	WASHER, plate	2	
19	98507-05060	SCREW, pan head	2	
20	92907-05600	WASHER, plate	2	
21	97007-08016	BOLT	2	
22	92907-06600	WASHER, plate	2	

**B5**

FIG. 5 CARBURETOR

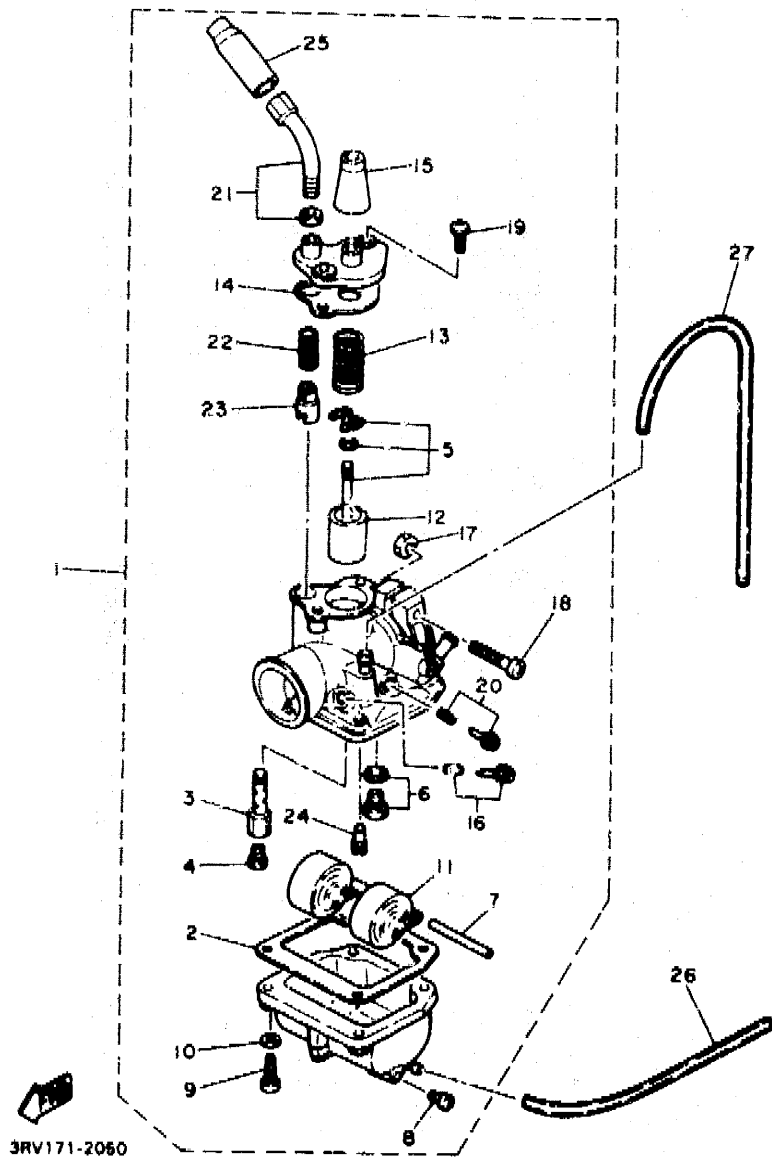


REF. NO.	PART NO.	DESCRIPTION	QTY	REMARKS
1	21W-14101-00	CARBURETOR ASSY 1	1	
2	296-14184-01	.GASKET, float chamber	1	
3	127-14141-14	.NOZZLE, main	1	
4	127-14143-25	.JET, main (#125)	1	UR STD
	127-14143-24	.JET, main (#120)	1	UR
	127-14143-26	.JET, main (#130)	1	UR
6	21W-1490J-00	.NEEDLE SET	1	
6	21W-14107-12	.NEEDLE VALVE SET	1	
7	127-14186-00	.FIN, float	1	
8	12R-14191-00	.PLUG, drain	1	
9	98508-04018	.SCREW, pan head	4	
10	92902-04100	.WASHER, spring	4	
11	2E9-14185-00	.FLOAT	1	
12	296-14112-25	.VALVE, throttle 1	1	
13	296-14131-00	.SPRING, throttle valve	1	
14	296-14198-01	.GASKET	1	
15	307-14163-10	.CAP	1	
16	12G-14104-00	.AIR SCREW SEAT	1	
17	96303-05600	.NUT	1	
18	98501-06030	.SCREW, pan head	1	
19	98580-04010	.SCREW, pan head	2	
20	12G-14103-00	.THROTTLE SCREW SET	1	
21	21W-14803-00	.ADJUST SCREW SET	1	
22	127-14136-00	.SPRING, plunger	1	
23	58E-14171-00	.PLUNGER, starter	1	
24	197-14142-16-A0	.JET, pilot (#15)	1	
25	1R0-14188-00	.CAP	1	
26	90445-05390	HOSE	1	

B6

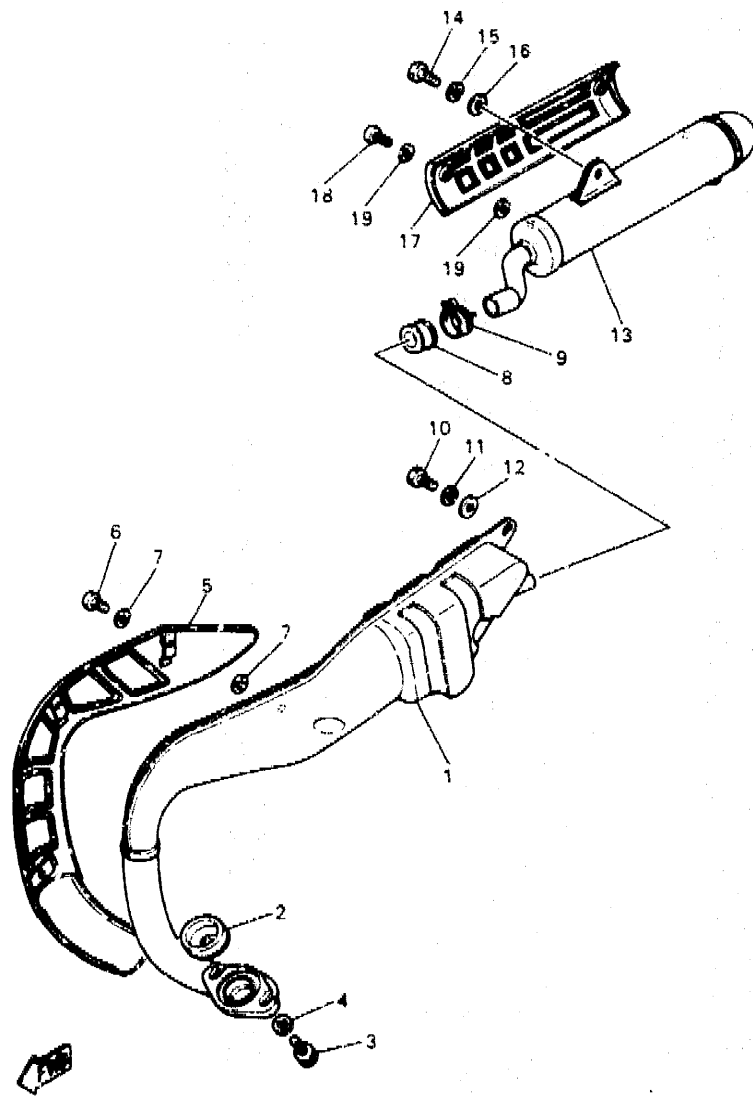
FIG. 5 CARBIJRETOR

REF. NO.	PART NO.	DESCRIPTION	Q'TY	REMARKS
27	90446-07036	HOSE	1	



B7

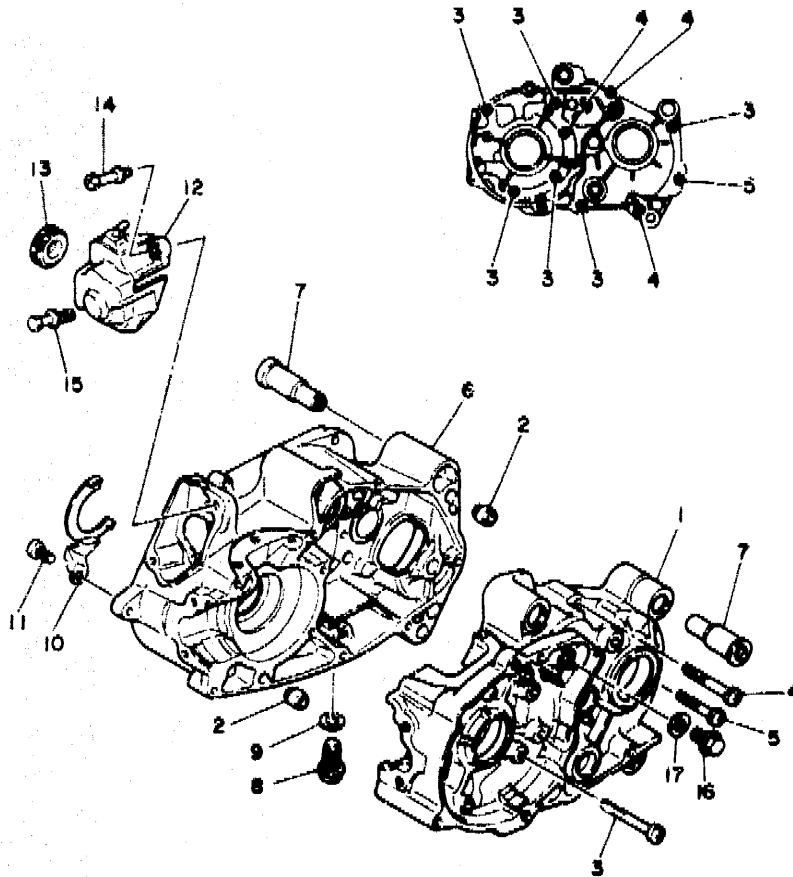
FIG. 6 EXHAUST



3RV100-5060

REF. NO.	PART NO.	DESCRIPTION	Q'TY	REMARKS
1	21W-14610-02	EXHAUST PIPE ASSY 1	1	
2	3RV-14623-00	GASKET, exhaust pipe	1	
3	97007-08020	BOLT	2	
4	92907-08100	WASHER, spring	2	
5	21W-14708-00	PROTECTOR ASSY	1	
6	98507-05006	SCREW, pan head	3	
7	3RV-14766-00	WASHER, protector	6	
8	4X4-14714-00	GASKET, muffler	1	
9	90467-22048	CLIP	1	
10	97007-08016	BOLT	1	
11	92907-08100	WASHER, spring	1	
12	92907-08600	WASHER, plate	1	
13	21W-14753-02	SILENCER, exhaust	1	
14	97007-08016	BOLT	1	
15	92907-08100	WASHER, spring	1	
16	92907-08600	WASHER, plate	1	
17	21W-14758-00	PROTECTOR, silencer	1	
18	98507-05006	SCREW, pan head	2	
19	3RV-14766-00	WASHER, protector	4	

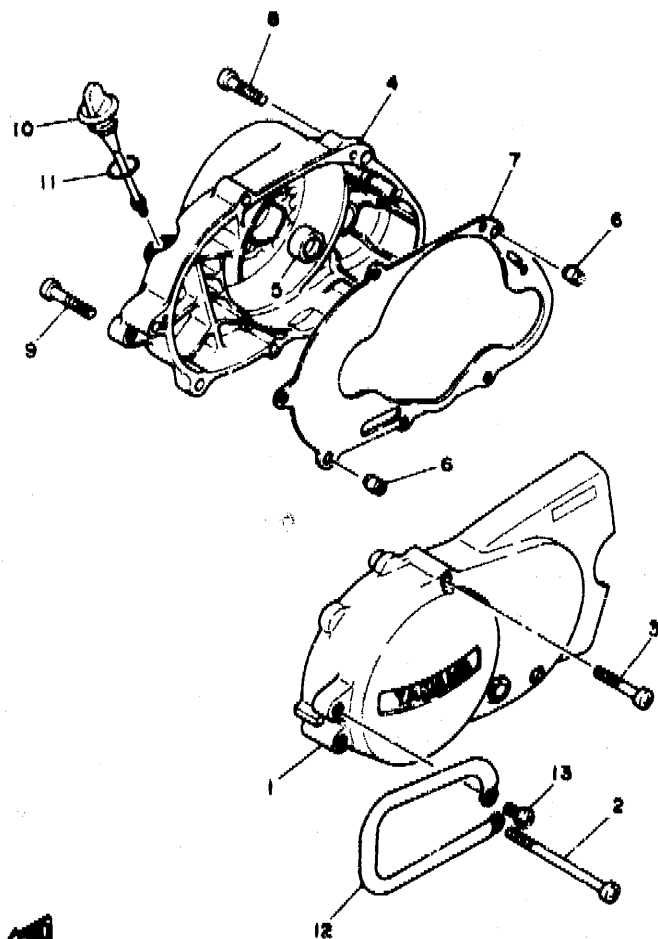
FIG. 7 CRANKCASE



3RV110-1070

REF. NO.	PART NO.	DESCRIPTION	Q'TY	REMARKS
1	1W7-15111-03	CRANKCASE 1	1	
2	99510-12016	PIN, dowel	2	
3	98507-06050	SCREW, pan head	6	
4	98507-05045	SCREW, pan head	3	
5	98507-06035	SCREW, pan head	1	
6	1W7-15121-03	CRANKCASE 2	1	
7	5T9-15316-01	DAMPER, engine mount 1	6	
8	90340-12005	PLUG, straight screw	1	
9	90430-12207	GASKET	1	
10	300-15128-00	HOLDER	1	
11	98507-08010	SCREW, pan head	1	
12	517-15416-01	COVER, oil pump	1	
13	90480-21436	GROMMET	2	
14	90149-06157	SCREW	1	
15	90101-06394	BOLT	1	
16	90105-10147	BOLT, washer based	1	
17	90430-10215	GASKET	1	

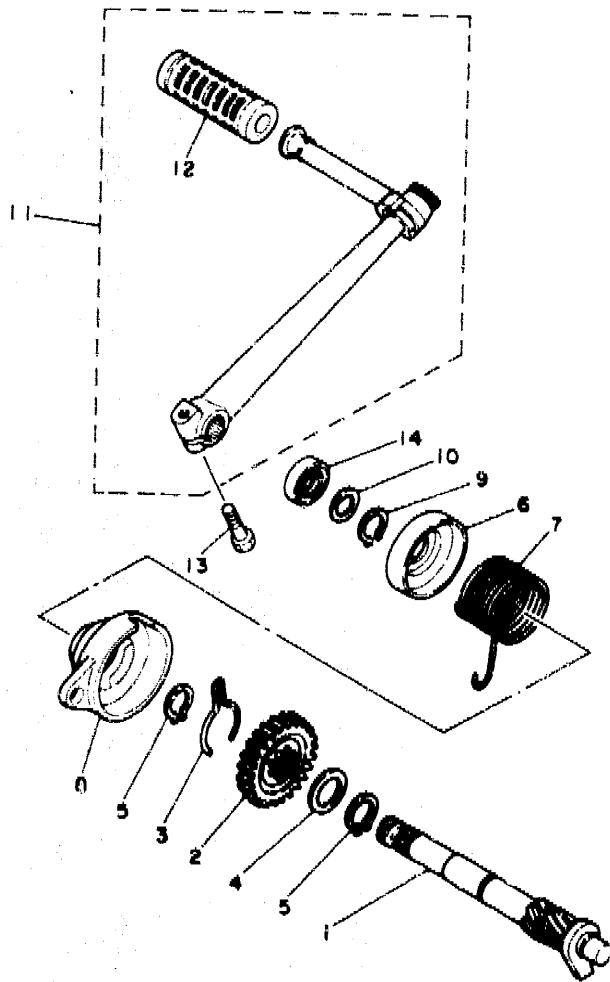
FIG. 8 CRANKCASE COVER 1



3RV110-1080

REF. NO.	PART NO.	DESCRIPTION	Q'TY	REMARKS
1	21W-15411-00	COVER, crankcase 1	1	
2	98507-06100	SCREW, pan head	1	
3	98507-06045	SCREW, pan head	3	
4	5R7-15421-00	COVER, crankcase 2	1	
5	93104-11053	OIL SEAL	1	
6	98530-10014	PIN, dowel	2	
7	4AW-15451-00	GASKET, crankcase cover 1	1	
8	98507-06035	SCREW, pan head	6	
9	98507-06040	SCREW, pan head	1	
10	517-15362-02	PLUG, oil level	1	
11	93210-19123	O-RING	1	
12	21W-15491-01	PROTECTOR	1	
13	98507-06012	SCREW, pan head	1	

FIG. 9 STARTER



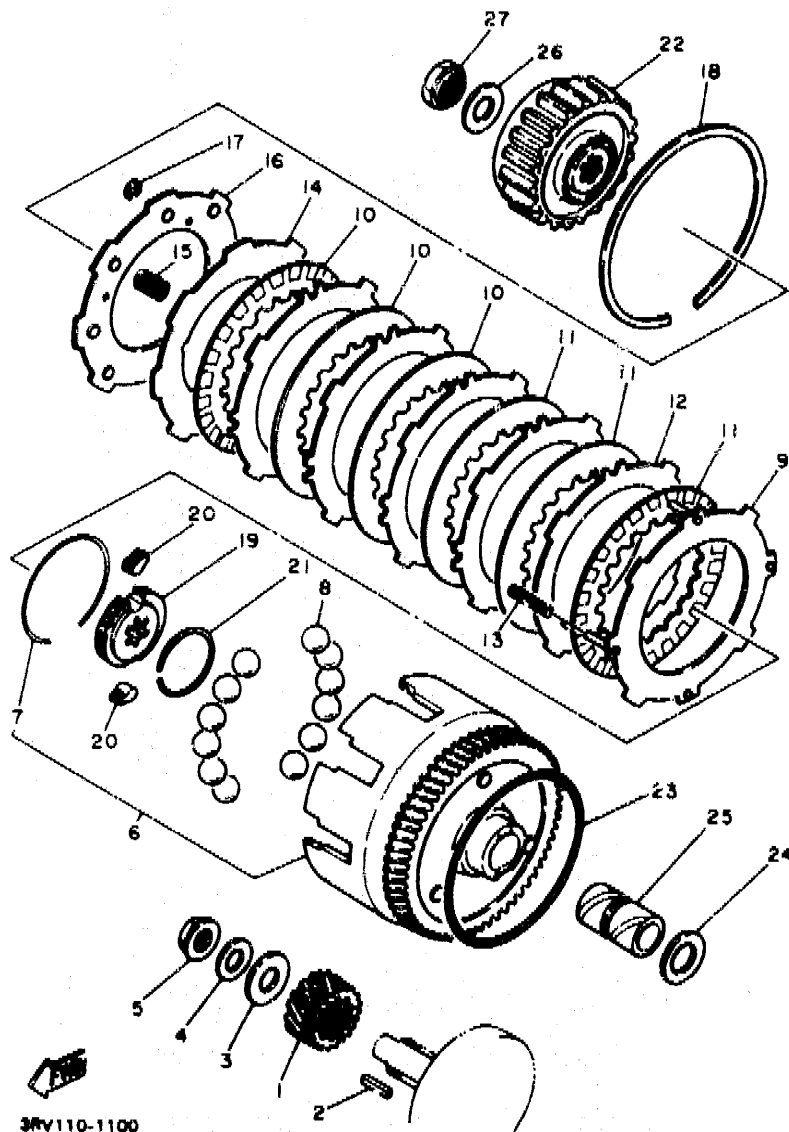
3RV110-1090

REF. NO.	PART NO.	DESCRIPTION	QTY	REMARKS
1	3E5-15660-00	KICK AXLE ASSY	1	
2	3E5-15641-00	GEAR, kick (21T)	1	
3	90468-23194	CLIP	1	
4	90201-20286	WASHER, plate (1.0T)	1	
5	99009-20400	CIRCLIP	2	
6	3E5-15676-00	COVER, spring	1	
7	90608-26136	SPRING, torsion	1	
8	3E5-15664-00	GUIDE, spring	1	
9	99009-17400	CIRCLIP	1	
10	90201-15701	WASHER, plate (1.0T)	1	
11	21W-15620-00	KICK CRANK ASSY	1	
12	156-15618-01	COVER, kick lever	1	
13	97017-06025	BOLT	1	
14	93109-15001	OIL SEAL	1	

**B11**

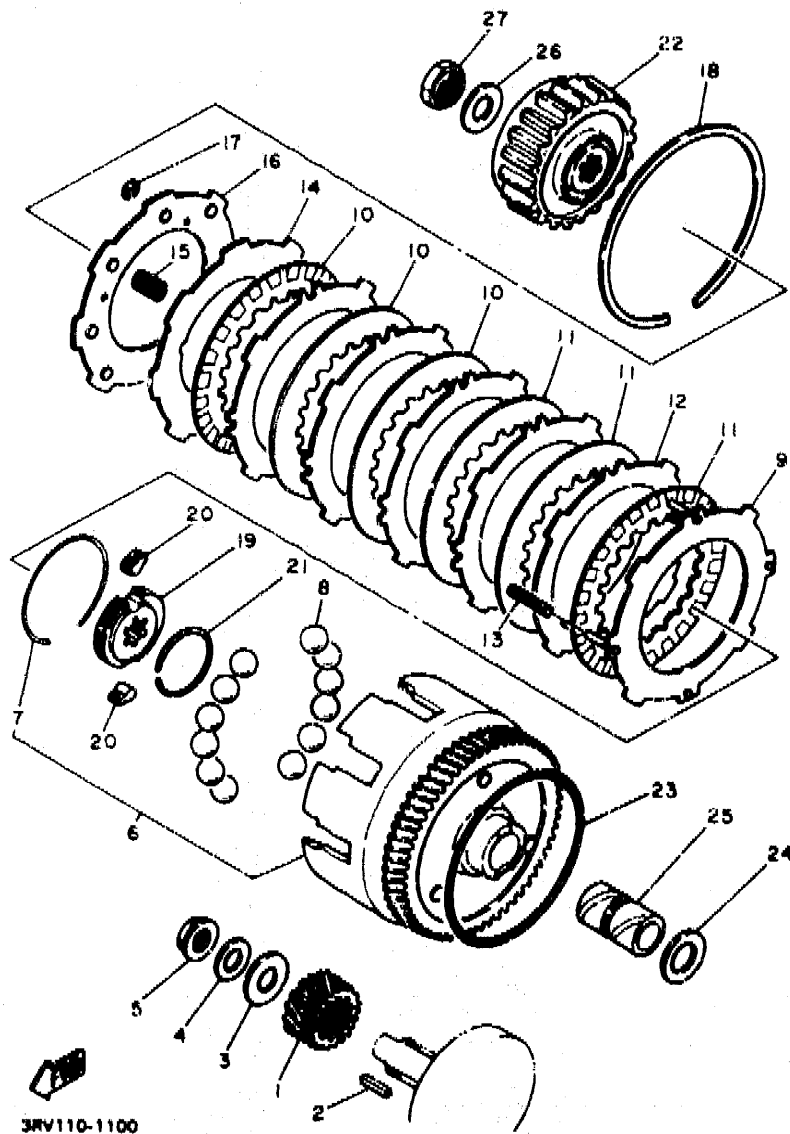


FIG. 10 CLUTCH



REF. NO.	PART NO.	DESCRIPTION	QTY	REMARKS
1	56H-16110-00-30	PRIMARY DRIVE GEAR ASSY	1	
2	30282-04064	KEY, straight	1	
3	90208-12280	WASHER	1	
4	90208-12015	WASHER, conical spring	1	
5	90179-12658	NUT	1	
6	3E5-16150-01-30	PRIMARY DRIVEN GEAR COMP.	1	
7	90488-16090	CLIP	1	
8	93506-08030	BALL	12	
9	527-16520-10	PLATE, thrust weight	1	
10	3E5-16521-00	PLATE, friction	3	
11	3E5-16521-00	PLATE, friction	3	
12	517-16524-10	PLATE, clutch 1 (1.2T)	5	UR
	517-16524-20	PLATE, clutch 1 (1.4T)	5	UR
	517-16524-30	PLATE, clutch 1 (1.6T)	5	UR
13	90501-10602	SPRING, compression	4	PINK
14	517-16550-10	PRESSURE PLATE ASSY	1	
15	90501-12068	SPRING, compression	6	
16	517-16551-01	PLATE, pressure 2	1	
17	93430-03013	CIRCLIP	2	
18	93451-08094	CIRCLIP	1	
19	517-16180-00	ONE WAY BOSS COMP.	1	
20	304-15636-00	PAWL, kick	2	
21	274-15637-00	SPRING, pawl	1	
22	527-16571-01	BOSS, clutch	1	
23	93210-98202	O-RING	1	
24	122-16164-00	PLATE, thrust 2	1	
25	90580-17145	SPACER	1	
26	90208-18019	WASHER, conical spring	1	

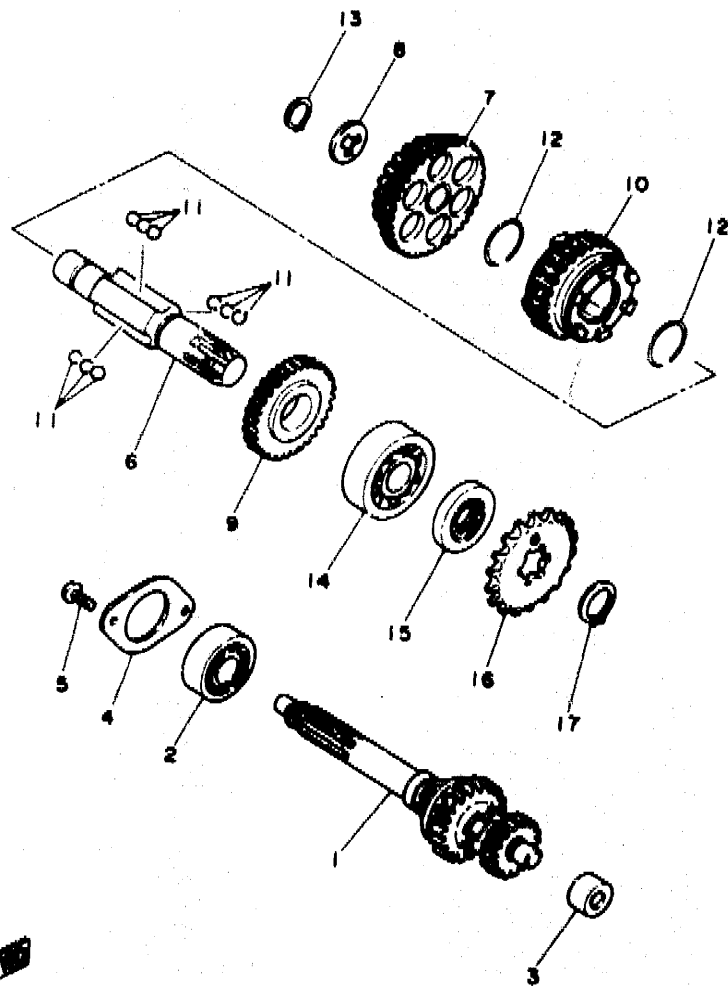
FIG. 10 CLUTCH



REF. NO.	PART NO.	DESCRIPTION	Q'TY	REMARKS
27	90179-16190	NUT	1	

**B13**

FIG. 11 TRANSMISSION

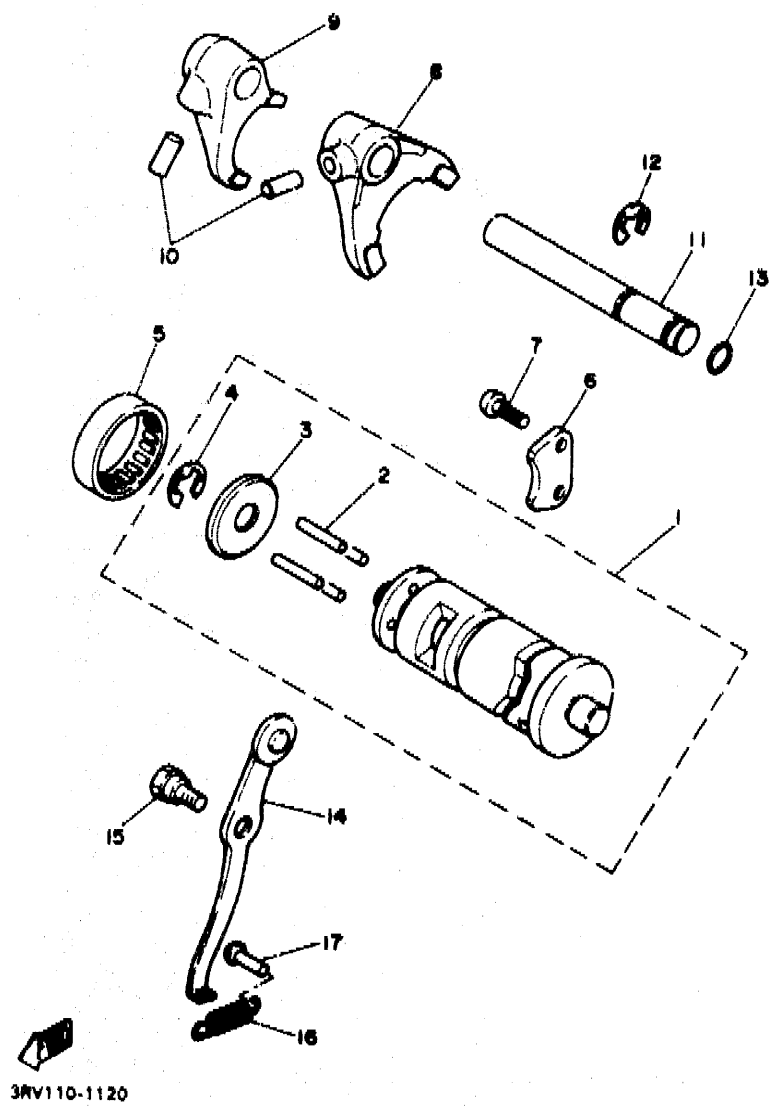


REF. NO.	PART NO.	DESCRIPTION	Q'TY	REMARKS
1	21W-17410-00	MAIN AXLE COMP.	1	
2	93306-20301	BEARING	1	
3	93320-41202	BEARING (BK1212V1)	1	
4	296-17471-00	PLATE, cover	1	
5	98507-06012	SCREW, pan head	2	
6	1W7-17421-10	AXLE, drive	1	
7	1W7-17211-12	GEAR, 1st wheel (39T/26T)	1	
8	90209-15178	WASHER (0.8T)	1	UR
	90209-15179	WASHER (0.8T)	1	UR
	90209-15180	WASHER (1.0T)	1	UR
9	1W7-17221-20	GEAR, 2nd wheel (29T)	1	
10	21W-17231-00	GEAR, 3rd wheel (22T)	1	
11	93509-32012	BALL	9	
12	93450-28048	CIRCLIP	2	
13	93440-15012	CIRCLIP	1	
14	93306-20401	BEARING (B6204)	1	
15	93102-20143	OIL SEAL	1	
16	93812-15063	SPROCKET, drive 18t(5171748152)	1	
17	93410-20038	CIRCLIP	1	

3RV110-1110

**B14**

FIG. 12 SHIFT CAM • FORK



REF. NO.	PART NO.	DESCRIPTION	Q'TY	REMARKS
1	21W-18540-01	SHIFT CAM ASSY	1	
2	93804-22060	-PIN, dowel	4	
3	296-18561-00	-PLATE, side 1	1	
4	99001-10600	-CIRCLIP	1	
5	93315-23208	BEARING, cylindrical	1	
6	296-18562-01	PLATE, stopper 2	1	
7	90150-08032	SCREW, round head	2	
8	58H-18511-00	FORK, shift 1	1	
9	1W7-18512-02	FORK, shift 2	1	
10	93806-14081	PIN, dowel	2	
11	2N8-18531-00	BAR, shift fork guide 1	1	
12	99006-10600	CIRCLIP	1	
13	83210-08006	O-RING	1	
14	296-18140-02	STOPPER LEVER ASSY	1	
15	90109-063F6	BOLT	1	
16	90506-10184	SPRING, tension	1	
17	132-16346-00	HOOK, spring	1	

# CONTENTS

## ENGINE

Cylinder .....	B2
Crankshaft · Piston .....	B3
Oil Pump .....	B4
Intake .....	B5 ~ B6
Carburetor .....	B7
Exhaust .....	B8
Crankcase .....	B9
Crankcase Cover 1 .....	B10
Starter .....	B11
Clutch .....	B12 ~ B13
Transmission .....	B14
Shift Cam · Fork .....	B15
Shift Shaft .....	C2

## CHASSIS

Frame .....	C3
Front Fender .....	C4
Side Cover .....	C5
Oil Tank .....	C6
Rear Arm · Suspension .....	C7

Steering .....	C8
Front Fork .....	C9 ~ C10
Fuel Tank .....	C11
Seat .....	C12
Front Wheel .....	C13
Rear Wheel .....	C14 ~ C15
Steering Handle · Cable .....	D2
Stand · Footrest .....	D3
Generator .....	D4
Handle Switch · Lever .....	D5
Electrical 1 .....	D6

## INDEX

NUMERICAL INDEX .....	L1 ~ L2
-----------------------	---------

# CONTENTS

## ENGINE

Cylinder .....	B2
Crankshaft - Piston .....	B3
Oil Pump .....	B4
Intake .....	B5 - B6
Carburetor .....	B7
Exhaust .....	B8
Crankcase .....	B9
Crankcase Cover 1 .....	B10
Starter .....	B11
Clutch .....	B12 - B13
Transmission .....	B14
Shift Cam - Fork .....	B15
Shift Shaft .....	C2

## CHASSIS

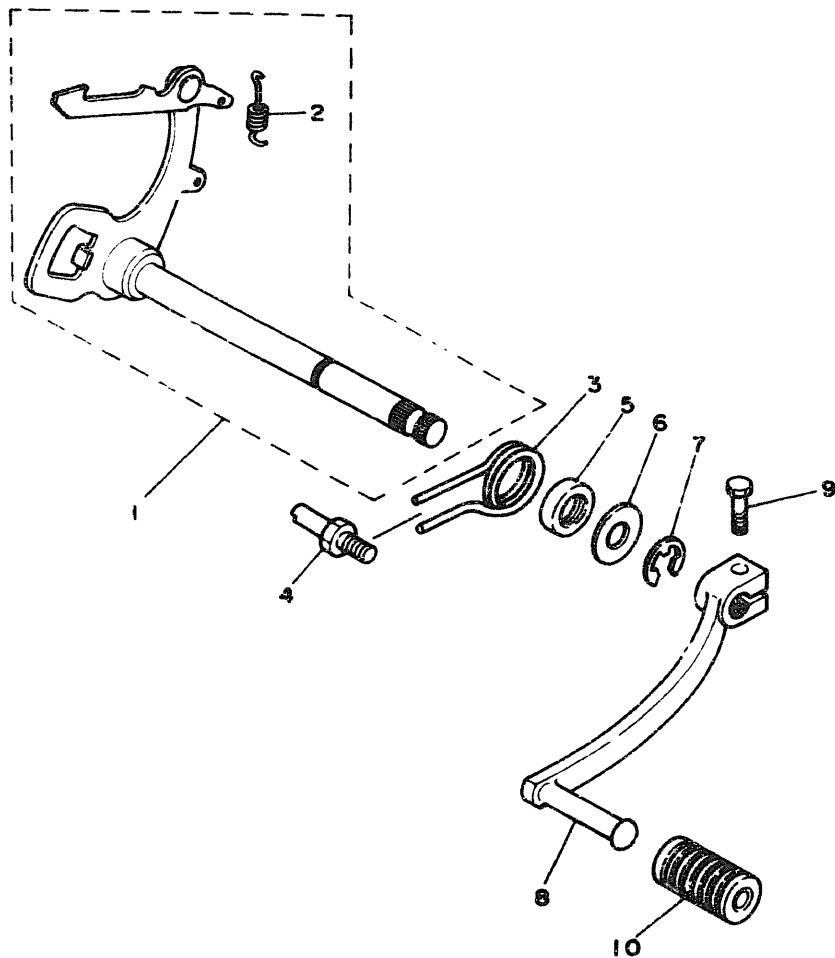
Frame .....	C3
Front Fender .....	C4
Side Cover .....	C5
Oil Tank .....	C6
Rear Arm - Suspension .....	C7

Steering .....	C8
Front Fork .....	C9 - C10
Fuel Tank .....	C11
Seat .....	C12
Front Wheel .....	C13
Rear Wheel .....	C14 - C15
Steering Handle - Cable .....	D2
Stand - Footrest .....	D3
Generator .....	D4
Handle Switch - Lever .....	D5
Electrical 1 .....	D6

## INDEX

NUMERICAL INDEX .....	L1 - L2
-----------------------	---------

FIG. 13 SHIFT SHAFT



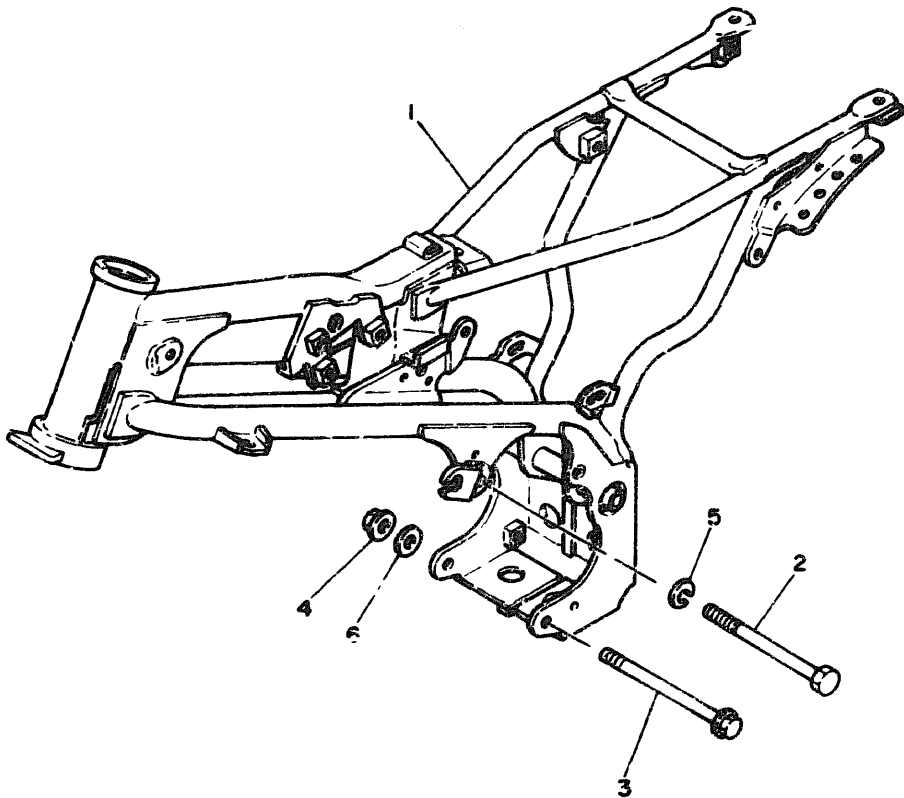
REF. NO.	PART NO.	DESCRIPTION	Q'TY	REMARKS
1	58H-18101-03	SHIFT SHAFT ASSY	1	
2	90506-08122	•SPRING, tension	1	
3	90508-32263	SPRING, torsion	1	
4	278-18127-01	STOPPER, screw	1	
5	93102-12106	OIL SEAL (SD 12-22-5 HS)	1	
6	90201-12575	WASHER, plate	1	
7	99006-10600	CIRCLIP	1	
8	21W-18111-00	PEDAL, shift	1	
9	97027-06020	BOLT	1	
10	132-18113-01	COVER, shift pedal	1	



3RV110-1130

FIG. 14 FRAME

REF. NO.	PART NO.	DESCRIPTION	Q'TY	REMARKS
1	21W-21110-02-33	FRAME COMP.	1	YAMAHA BLACK
2	90101-08286	BOLT	1	
3	95827-08120	BOLT, flange	2	
4	9E707-08500	NUT, flange	2	
5	92907-08100	WASHER, spring	1	
6	90201-081A6	WASHER, plate	2	

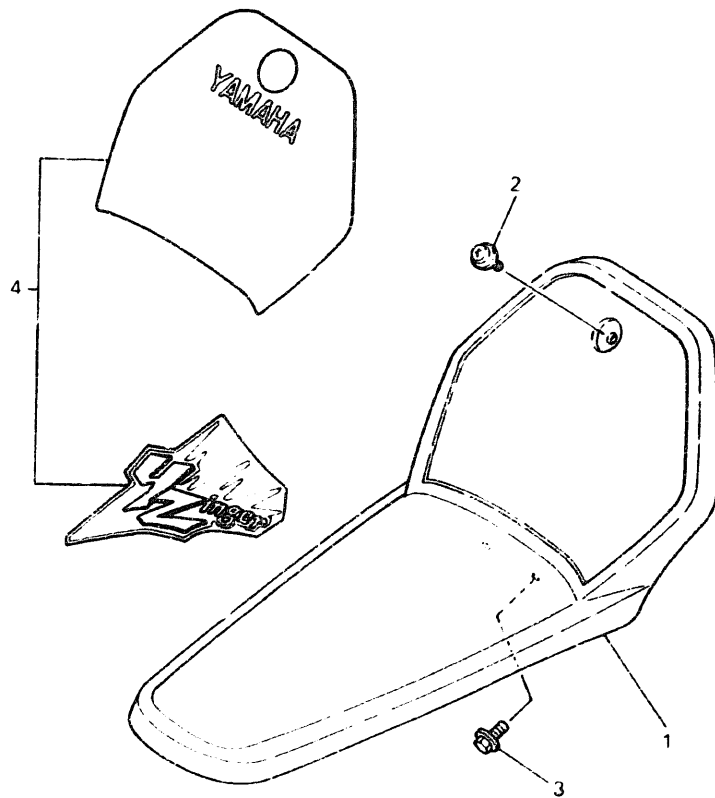


3RV110-1140



FIG. 15 FRONT FENDER

REF. NO.	PART NO.	DESCRIPTION	Q'TY	REMARKS
1	3RV-21511-00	FENDER, front	1	
2	90159-06033	SCREW, with washer	1	
3	90119-06043	BOLT, with washer	2	
4	3RV-21570-30	GRAPHIC SET, front fender	1	

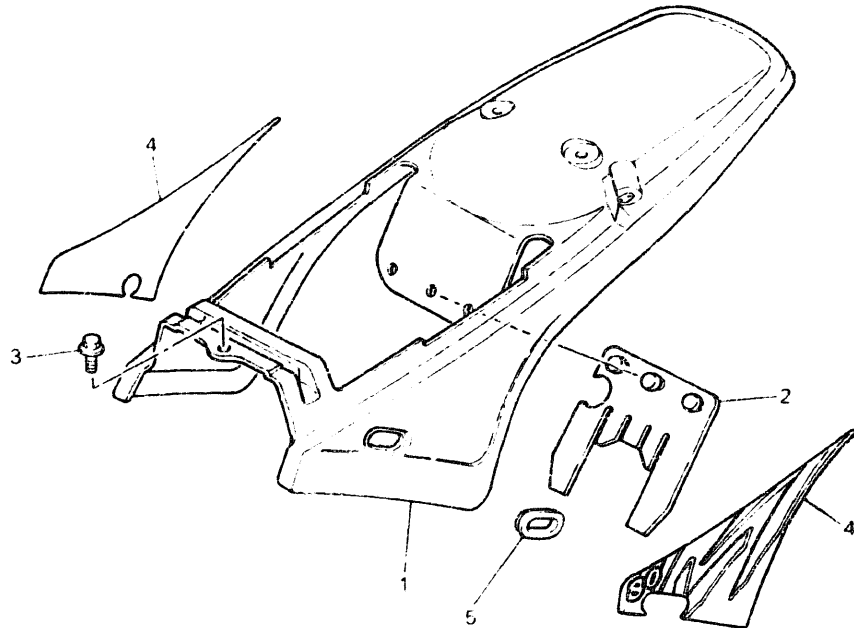


3RV100-5150

C4

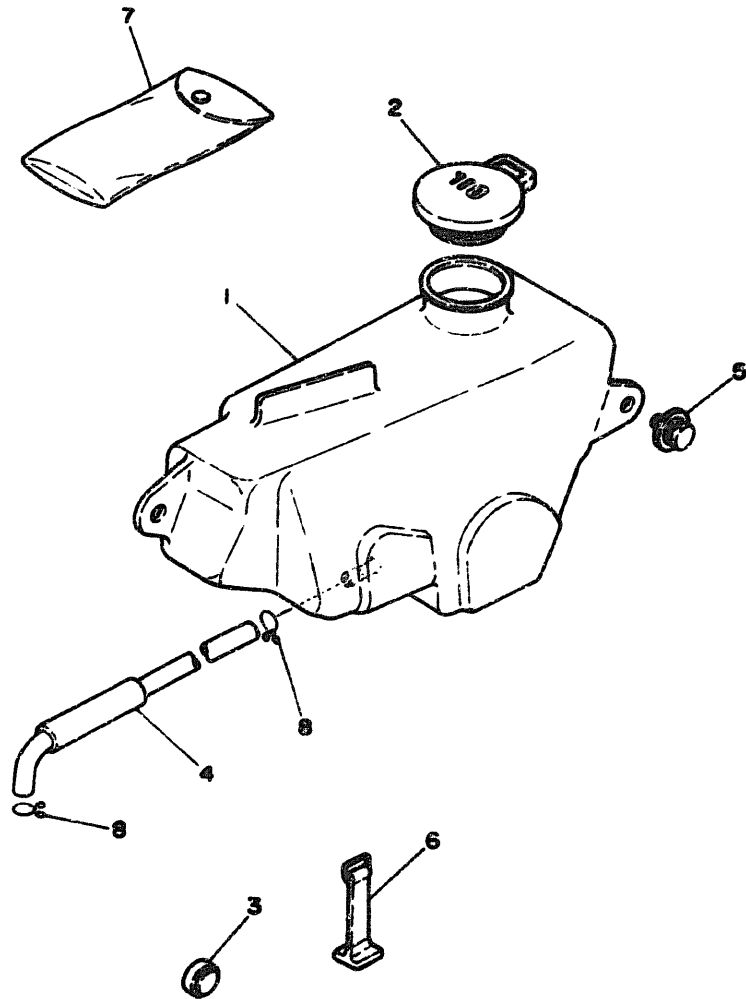
FIG. 16 SIDE COVER

REF. NO.	PART NO.	DESCRIPTION	Q'TY	REMARKS
1	3RV-21711-00	COVER, side 1	1	
2	4V0-21621-00	FLAP	1	
3	90159-06016	SCREW, with washer	3	
4	3RV-2173L-30	GRAPHIC SET 1	1	
5	21W-21719-00	GROMMET	1	



4BC351 5160

FIG. 17 OIL TANK



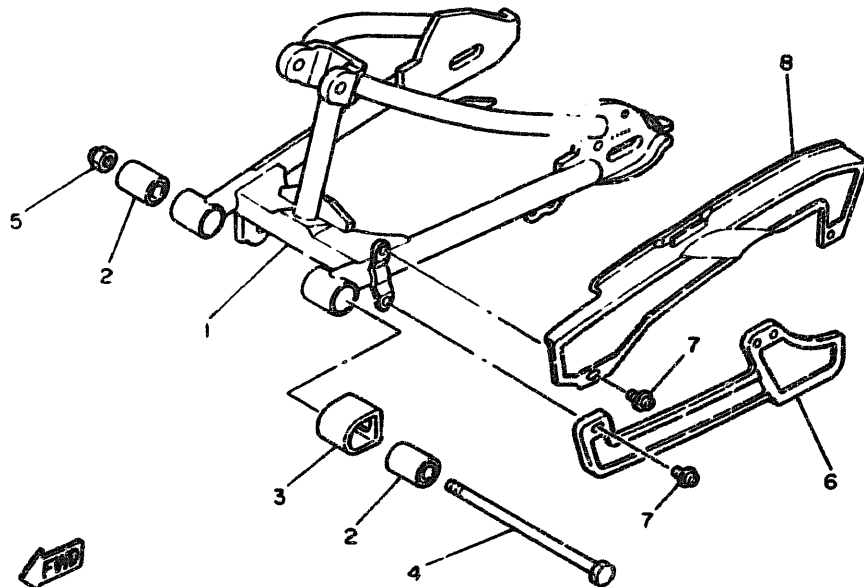
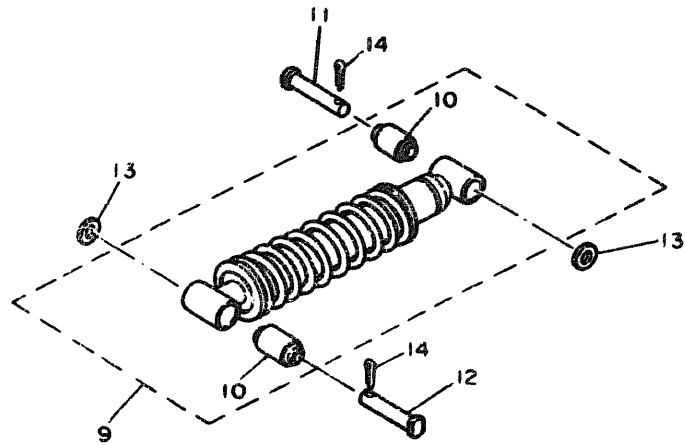
REF. NO.	PART NO.	DESCRIPTION	Q'TY	REMARKS
1	21W-21751-01	TANK, oil	1	
2	5R2-21771-00	BODY, cap	1	
3	22W-24181-00	DAMPER, locating 1	1	
4	21W-21766-00	PIPE, oil	1	
5	90119-06056	BOLT, with washer	2	
6	21W-21646-00	BAND	2	
7	3R0-28100-00	TOOL KIT	1	
8	90467-08003	CLIP	2	



3RV110-1170

C6

FIG. 18 REAR ARM • SUSPENSION

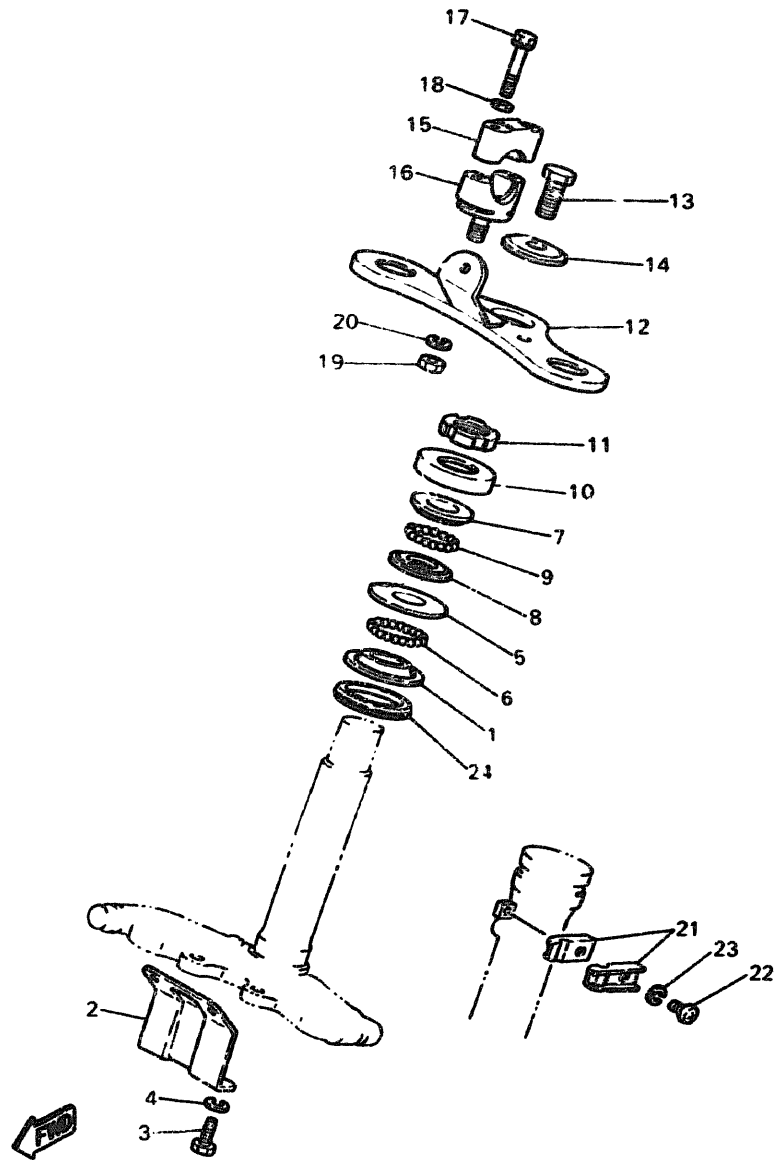


REF. NO.	PART NO.	DESCRIPTION	QTY	REMARKS
1	21W-22110-00-35	REAR ARM COMP.	1	SILVER
2	102-22123-00	BUSH 1	2	
3	3R0-22151-00	SEAL, guard	1	
4	288-22141-00	SHAFT, pivot	1	
5	90185-10037	NUT, self-locking	1	
6	21W-22199-00	SUPPORT, chain	1	
7	90159-05028	SCREW, with washer	5	
8	21W-22311-00	CASE, chain	1	
9	3RV-22210-10	SHOCK ABSORBER ASSY, rear	1	UR
	3RV-22210-20	SHOCK ABSORBER ASSY, rear	1	UR FOR JAPAN
10	3M7-22216-00	BUSH, rear shock absorber	2	
11	90240-10072	PIN, clevis	1	
12	90240-10069	PIN, clevis	1	
13	90201-106H5	WASHER, plate	2	
14	91401-25020	PIN, cotter	2	



3RV110-1180

FIG. 19 STEERING

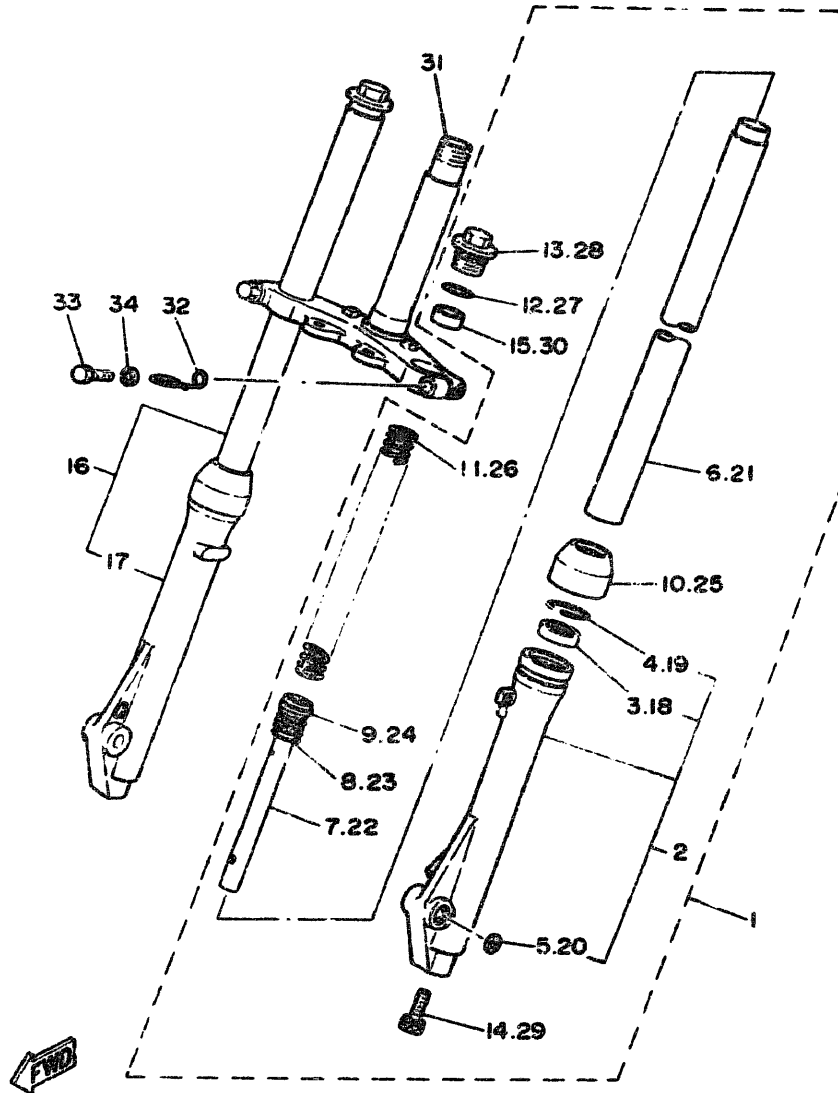


48C300-3190

REF. NO.	PART NO.	DESCRIPTION	Q'TY	REMARKS
1	156-23411-00	RACE, ball 1	1	
2	21W-23486-00	STAY, plate	1	
3	97007-06016	BOLT	2	
4	92907-06100	WASHER, spring	2	
5	156-23412-00	RACE, ball 2	1	
6	93501-04011	BALL	19	
7	22F-23411-01	RACE, ball 1	1	
8	22F-23412-01	RACE, ball 2	1	
9	93503-16010	BALL	22	
10	122-23416-00	COVER, ball race 2	1	
11	90179-25051	NUT	1	
12	3RV-23435-00	CROWN, handle	1	
13	90105-13006	BOLT, washer based	1	
14	90209-1C160	WASHER	1	
15	3RV-23441-00	HOLDER, handle upper	2	
16	462-23442-00-35	HOLDER, handle lower	2	SILVER
17	97014-06035	BOLT	4	
18	92990-06600	WASHER, plate	4	
19	95307-10600	NUT	2	
20	92907-10100	WASHER, spring	2	
21	90462-14055	CLAMP	2	
22	98507-06012	SCREW, pan head	1	
23	92907-06100	WASHER, spring	1	
24	164-23462-00	SEAL, steering	1	



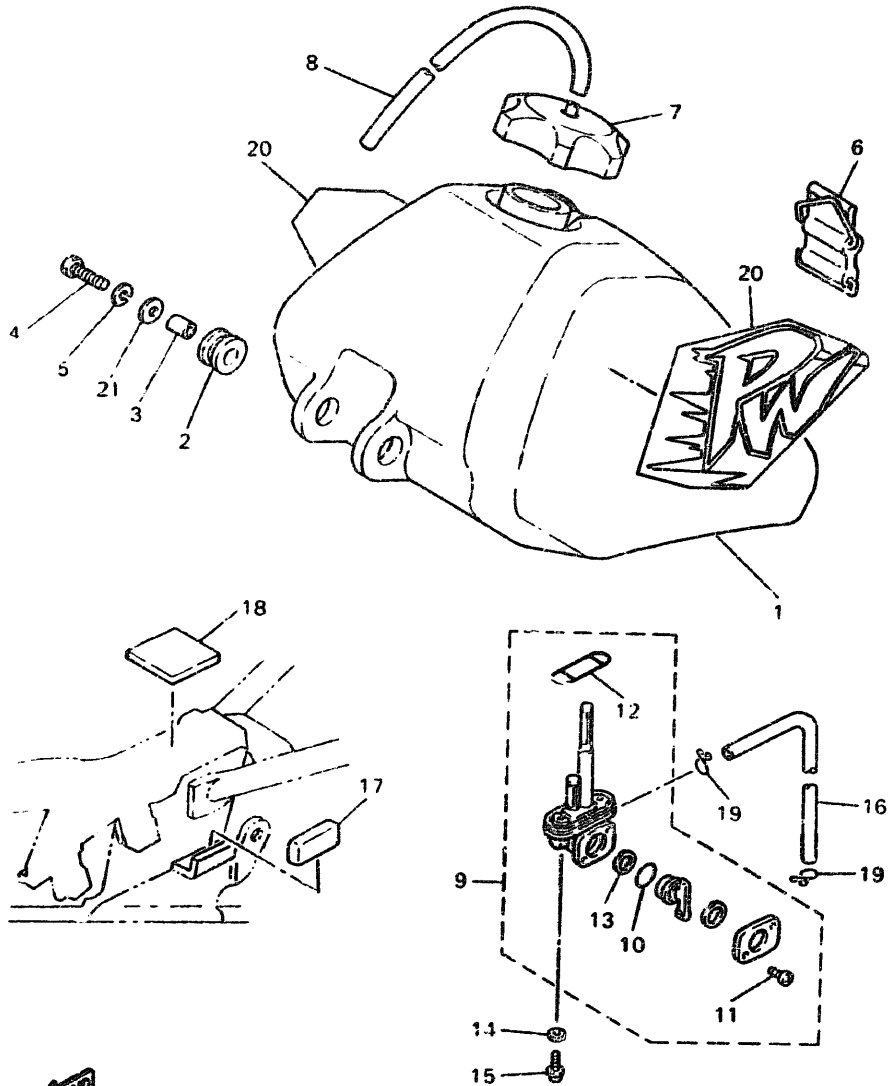
FIG. 20 FRONT FORK



REF. NO.	PART NO.	DESCRIPTION	QTY	REMARKS
29	3M7-23181-00	-BOLT, hexagon socket head	1	WITH WASHER
30	3M7-23142-00	-SEAT, spring upper	1	
31	21W-23340-00	UNDER BRACKET COMP.	1	
32	3R0-23318-00	HOLDER, cable 1	1	
33	451-23346-00	BOLT 1	2	
34	92901-10100	WASHER, spring	2	

3RV110-1200

FIG. 21 FUEL TANK



REF. NO.	PART NO.	DESCRIPTION	Q'TY	REMARKS
1	3RV-24110-00	FUEL TANK COMP.	1	
2	90480-18290	GROMMET	2	
3	90387-07598	COLLAR	2	
4	97027-06030	BOLT	2	
5	92907-06100	WASHER, spring	2	
6	59V-24173-00	BAND, tank fitting 1	1	
7	2FG-24610-00	CAP ASSY	1	
8	90445-09111	HOSE	1	
9	4BC-24500-00	FUEL COCK ASSY 1	1	
10	3AJ-24534-00	•SEAL, cock	1	
11	98503-03008	•SCREW, pan head	2	
12	4XB-24512-00	•GASKET	1	
13	3AJ-24523-00	•VALVE	1	
14	90202-05193	WASHER, plate	2	
15	90149-05011	SCREW	2	
16	90445-09083	HOSE	1	
17	21W-24161-00	DAMPER, locating 1	2	
18	51L-28371-00	DAMPER	1	
19	90467-08003	CLIP	2	
20	3RV-24240-30	GRAPHIC SET	1	
21	90201-06072	WASHER, plate	2	

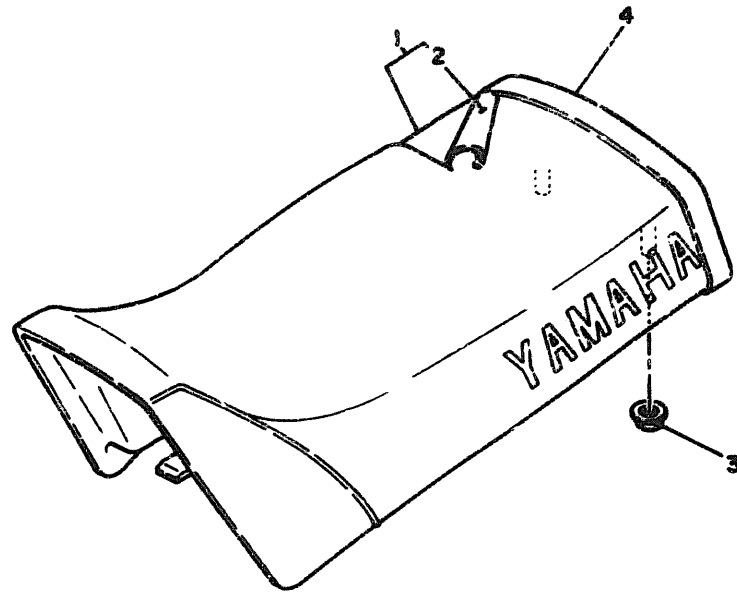


3RV100-5210

C11



FIG. 22 SEAT



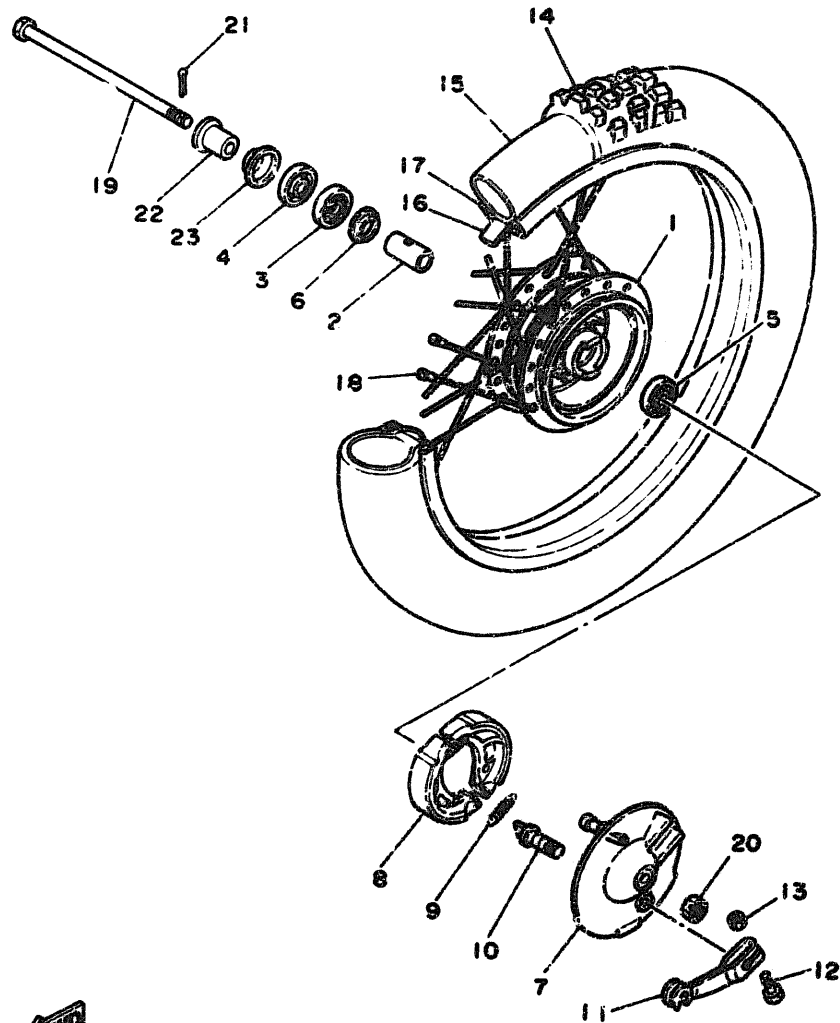
REF. NO.	PART NO.	DESCRIPTION	QTY	REMARKS
1	3RV-24770-20	SEMI-DOUBLE SEAT ASSY	1	
2	3RV-24731-20	COVER, seat	1	
3	90179-06403	NUT	2	
4	3RV-24734-20	BAND, seat	1	



3RV110-1220

**C12**

FIG. 23 FRONT WHEEL

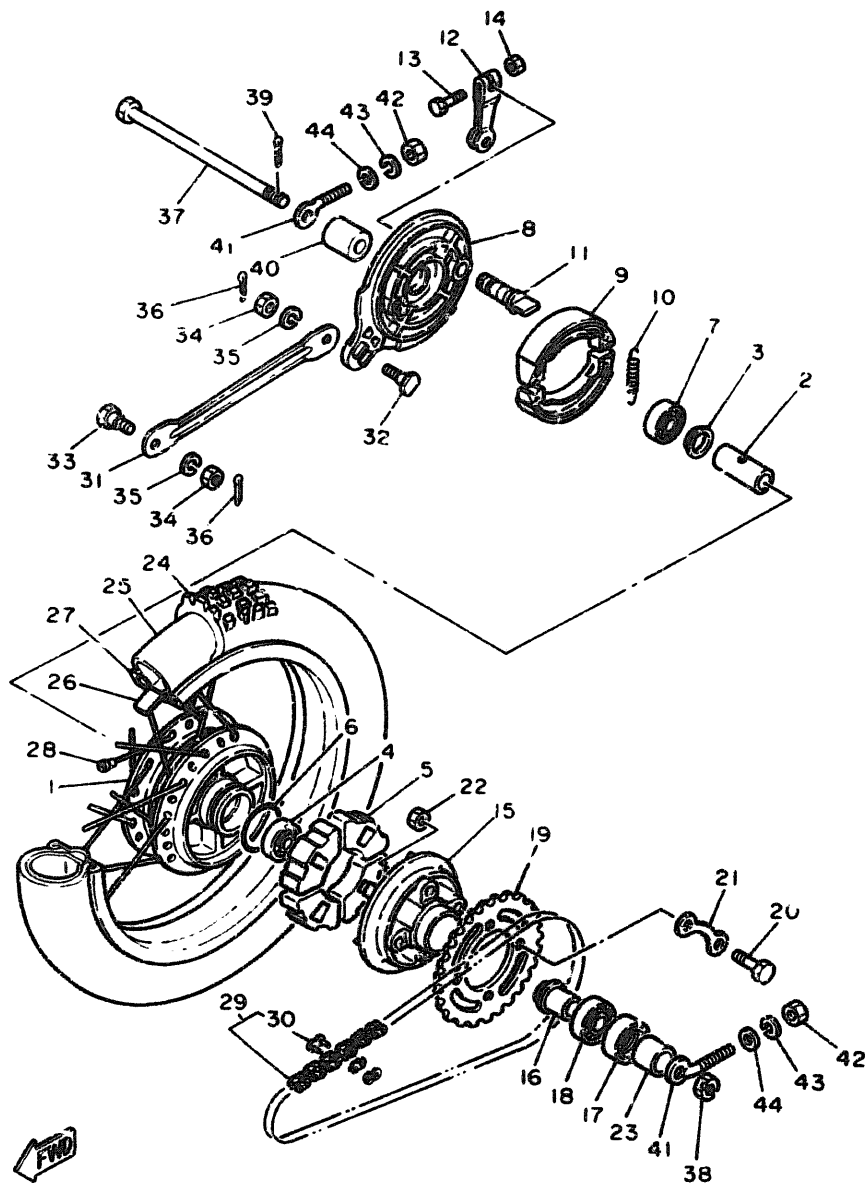


REF. NO.	PART NO.	DESCRIPTION	QTY	REMARKS
1	451-25111-00-98	HUB, front	1	LOW GLOSS BLACK
2	90560-10103	SPACER	1	
3	93306-20006	BEARING (B6200)	1	NTN
4	93106-17006	OIL SEAL	1	
5	93306-20009	BEARING (B6200RS)	1	
6	2E9-25116-00	FLANGE, spacer 2	1	
7	3R0-25121-00-98	PLATE, brake shoe	1	LOW GLOSS BLACK
8	3EC-W2535-00	BRAKE SHOE SET	1	
9	90506-14091	SPRING, tension	2	
10	1YT-25351-00	CAMSHAFT	1	
11	451-25155-00	LEVER, camshaft 1	1	
12	9U101-06291	BOLT	1	
13	95307-06600	NUT	1	
14	94125-14642	TIRE (2.50-14)	1	INOUE MK-2
15	94225-14147	TUBE (2.50-14)	1	INOUE
16	94325-14099	BAND, rim (2.50-14)	1	INOUE
17	94414-14227	RIM (1.40-14)	1	TAKASAGO
18	3R0-25104-00	SPOKE SET, front	1	
19	3E3-25181-03	AXLE, wheel	1	
20	90171-10004	NUT, castle	1	
21	91401-20020	PIN, cotter	1	
22	90387-10744	COLLAR	1	
23	451-25118-00	COVER, hub dust	1	



CRV110-1230

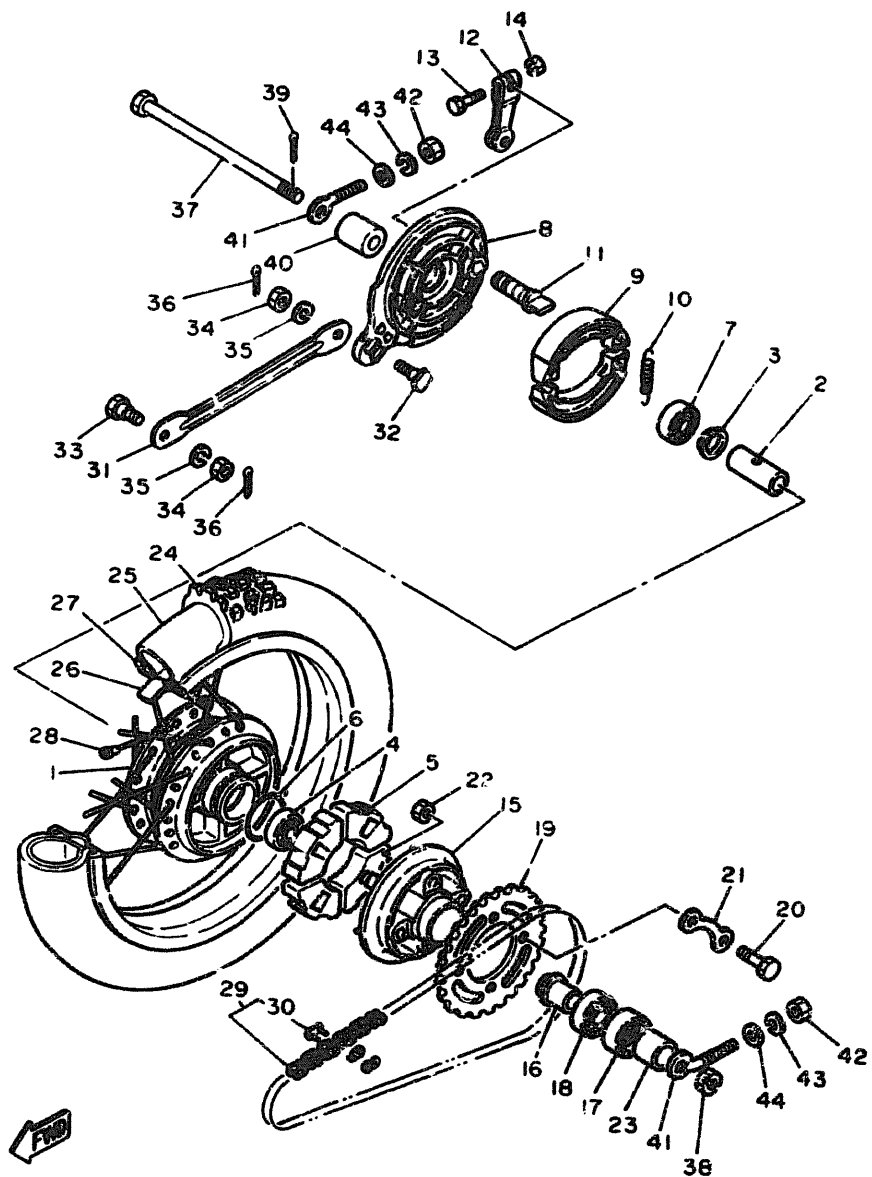
FIG. 24 REAR WHEEL



3RV4110-1240

REF. NO.	PART NO.	DESCRIPTION	Q'TY	REMARKS
1	21W-25311-00-98	HUB, rear	1	LOW GLOSS BLACK
2	90560-12145	SPACER	1	
3	109-25315-00	FLANGE, spacer	1	
4	93306-30102	BEARING (B6301)	1	
5	304-25364-01	DAMPER	4	
6	93210-41041	O-RING	1	
7	93306-30103	BEARING	1	
8	1M3-25321-02-98	PLATE, brake shoe	1	LOW GLOSS BLACK
9	48E-W2536-00	BRAKE SHOE KIT 2	1	
10	90506-15260	SPRING, tension	2	
11	3V6-25351-00	CAMSHAFT	1	
12	538-25355-00	LEVER, camshaft	1	
13	90101-06278	BOLT	1	
14	95307-06600	NUT	1	
15	296-25366-01-98	CLUTCH, hub	1	LOW GLOSS BLACK
16	21W-25387-00	AXLE, sprocket	1	
17	93106-30004	OIL SEAL	1	
18	93306-00406	BEARING (B6004Z)	1	
19	21W-25432-10	SPROCKET, driven (32T)	1	
20	90101-08672	BOLT	4	
21	102-25412-00	WASHER	2	
22	90170-08366	NUT	4	
23	90387-207G3	COLLAR	1	
24	94130-12720	TIRE (3.00-12)	1	INOUE MK-2
25	94230-12208	TUBE (3.00-12)	1	SUMITOMO
26	94330-12100	BAND, rim (3.00-12)	1	INOUE
27	94416-12334	RIM (1.60-12)	1	TAKASAGO
28	21W-25304-00	SPOKE SET, rear	1	

FIG. 24 REAR WHEEL



REF. NO.	PART NO.	DESCRIPTION	Q'TY	REMARKS
29	94580-52084	CHAIN	1	D.I.D. 420M 84L
30	94680-52001	JOINT, chain(D.I.D.-420M)	1	DAIDO
31	21W-25371-00	BAR, tension	1	
32	90109-08183	BOLT	1	
33	90109-08368	BOLT	1	
34	95307-08700	NUT	2	
35	92907-08100	WASHER, spring	2	
36	91401-20015	PIN, cotter	2	
37	367-25381-01	AXLE, wheel	1	
38	90171-12005	UT, castle	1	
39	91401-30030	PIN, cotter	1	
40	90387-12412	COLLAR	1	
41	102-25389-00	FULLER, chain 2	2	
42	95307-06600	NUT	2	
43	92907-06100	WASHER, spring	2	
44	90201-061A5	WASHER, plate	2	

3RV4110-1240

C15

# CONTENTS

## ENGINE

Cylinder .....	B2
Crankshaft · Piston .....	B3
Oil Pump .....	B4
Intake .....	B5 - B6
Carburetor .....	B7
Exhaust .....	B8
Crankcase .....	B9
Crankcase Cover 1 .....	B10
Starter .....	B11
Clutch .....	B12 - B13
Transmission .....	B14
Shift Cam · Fork .....	B15
Shift Shaft .....	C2

## CHASSIS

Frame .....	C3
Front Fender .....	C4
Side Cover .....	C5
Oil Tank .....	C6
Rear Arm · Suspension .....	C7

Steering .....	C8
Front Fork .....	C9 - C10
Fuel Tank .....	C11
Seat .....	C12
Front Wheel .....	C13
Rear Wheel .....	C14 - C15
Steering Handle · Cable .....	D2
Stand · Footrest .....	D3
Generator .....	D4
Handle Switch · Lever .....	D5
Electrical 1 .....	D6

## INDEX

NUMERICAL INDEX .....	L1 - L2
-----------------------	---------

# CONTENTS

## ENGINE

Cylinder .....	B2
Crankshaft · Piston .....	B3
Oil Pump .....	B4
Intake .....	B5 ~ B6
Carburetor .....	B7
Exhaust .....	B8
Crankcase .....	B9
Crankcase Cover 1 .....	B10
Starter .....	B11
Clutch .....	B12 ~ B13
Transmission .....	B14
Shift Cam · Fork .....	B15
Shift Shaft .....	C2

## CHASSIS

Frame .....	C3
Front Fender .....	C4
Side Cover .....	C5
Oil Tank .....	C6
Rear Arm · Suspension .....	C7

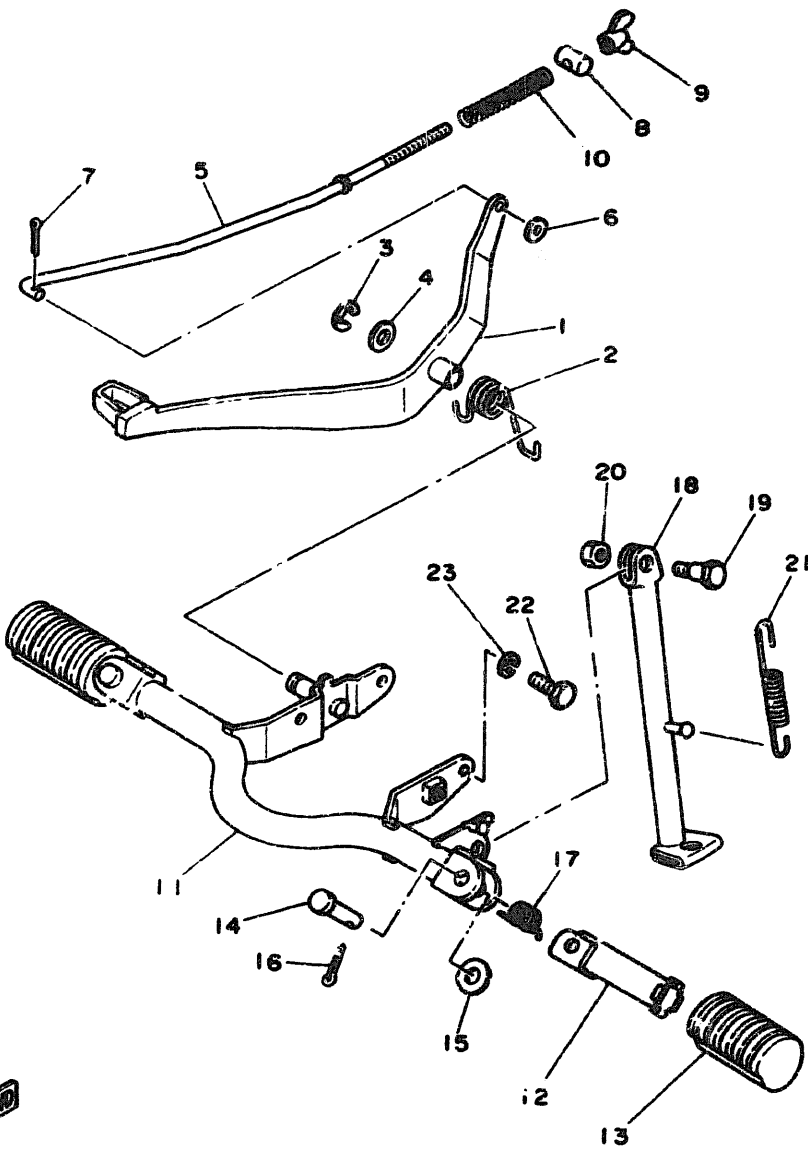
Steering .....	C8
Front Fork .....	C9 ~ C10
Fuel Tank .....	C11
Seat .....	C12
Front Wheel .....	C13
Rear Wheel .....	C14 ~ C15
Steering Handle · Cable .....	D2
Stand · Footrest .....	D3
Generator .....	D4
Handle Switch · Lever .....	D5
Electrical 1 .....	D6

## INDEX

NUMERICAL INDEX .....	L1 ~ L2
-----------------------	---------



FIG. 26 STAND • FOOTREST



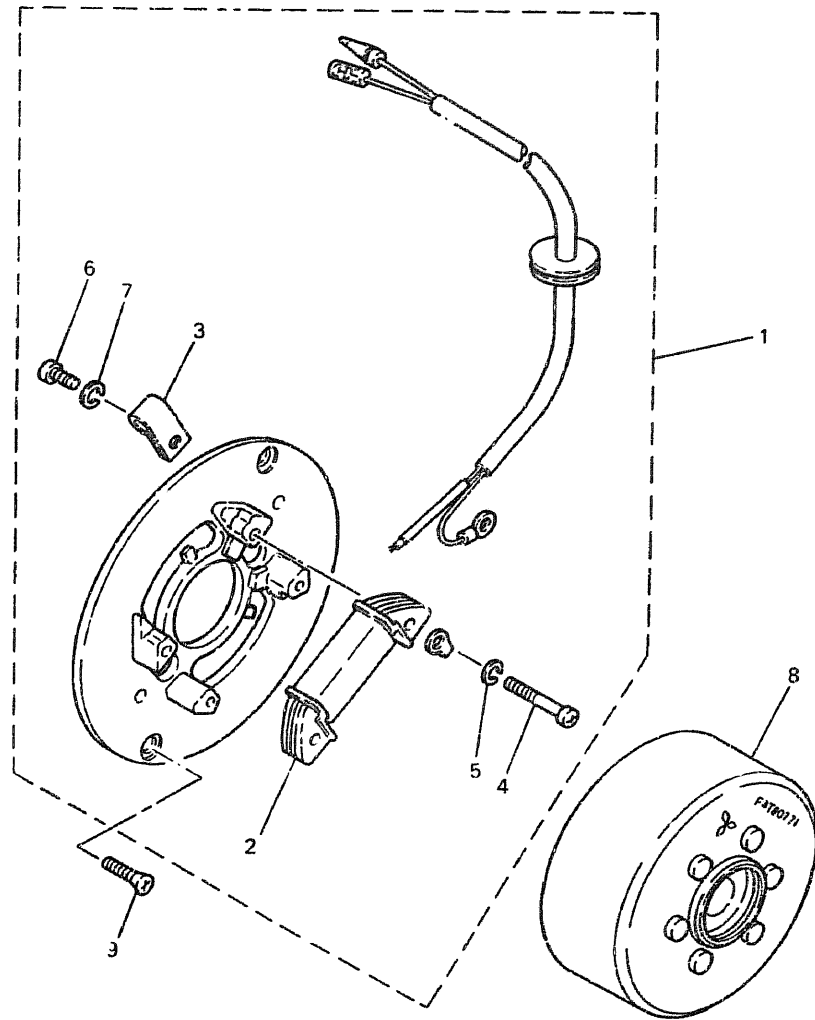
REF. NO.	PART NO.	DESCRIPTION	Q'TY	REMARKS
1	21W-27211-00	PEDAL, brake	1	
2	90508-29578	SPRING, torsion	1	
3	99001-09600	CIRCLIP	1	
4	92907-12600	WASHER, plate	1	
5	21W-27231-00	ROD, brake	1	
6	92907-06600	WASHER, plate	1	
7	91401-20015	PIN, cotter	1	
8	90249-12008	PIN	1	
9	90175-06013	NUT, wing	1	
10	90501-10245	SPRING, compression	1	
11	21W-27411-01-33	FOOTREST 1	1	YAMAHA BLACK
12	214-27421-00	FOOTREST 2	2	UNICHROME (BLACK)
13	214-27413-00	COVER, footrest	2	
14	91701-08038	PIN, clevis	2	
15	92907-08600	WASHER, plate	2	
16	91401-25015	PIN, cotter	2	
17	90508-20023	SPRING, torsion	2	
18	21W-27311-01	STAND, side	1	
19	90109-08666	BOLT	1	
20	95307-08700	NUT	1	
21	90506-26270	SPRING, tension	1	
22	97027-08020	BOLT	2	
23	92907-08100	WASHER, spring	2	

3RV110-1280

**D3**



FIG. 27 GENERATOR



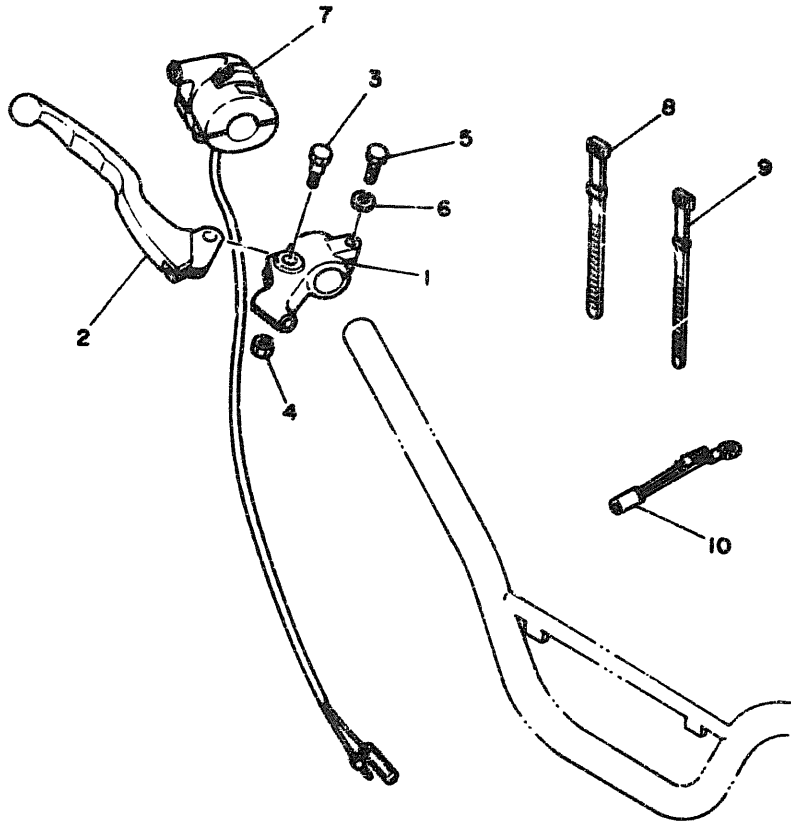
REF. NO.	PART NO.	DESCRIPTION	Q'TY	REMARKS
1	21W-85510-21	STATOR ASSY	1	
2	21W-85512-21	•COIL, source	1	
3	104-81328-20	•CLAMP	1	
4	98511-04025	•SCREW, pan head	2	
5	92902-04100	•WASHER, spring	2	
6	98580-04008	•SCREW, pan head	1	
7	92902-04100	•WASHER, spring	1	
8	21W-85550-21	ROTOR ASSY	1	
9	98707-05016	SCREW, flat head	2	



3RV110-5271

D4

FIG. 28 HANDLE SWITCH • LEVER



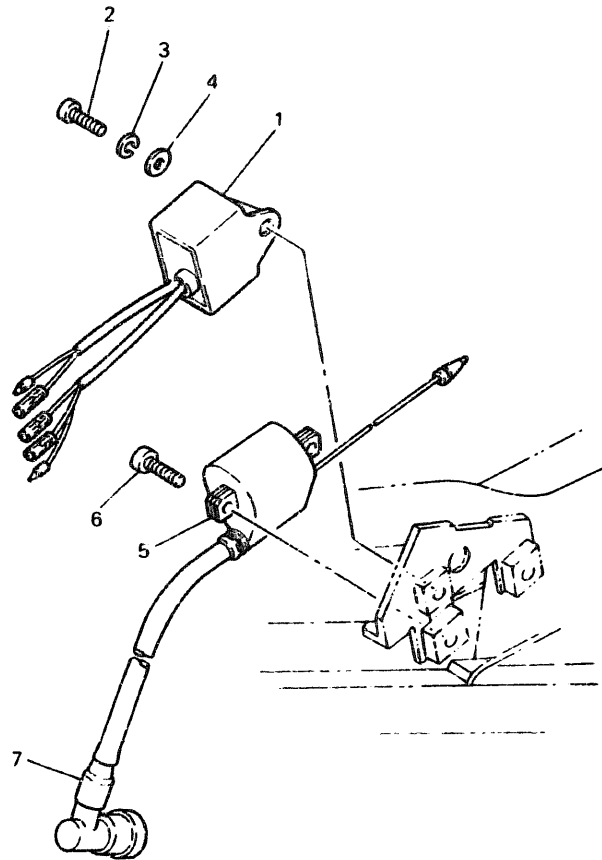
REF. NO.	PART NO.	DESCRIPTION	Q'TY	REMARKS
1	233-82921-31	HOLDER, lever 2	1	
2	23X-83922-00	LEVER 2	1	
3	90109-06798	BOLT	1	
4	95607-06100	NUT, u	1	
5	97007-06022	BOLT	1	
6	92907-06100	WASHER, spring	1	
7	21W-83976-00	SWITCH, handle 1	1	
8	437-83936-01	BAND, switch cord	1	
9	437-83936-11	BAND, switch cord	1	
10	4V0-82519-00	WIRE, earth lead	1	



3RV110-1280

D5

FIG. 29 ELECTRICAL 1



REF. NO.	PART NO.	DESCRIPTION	Q'TY	REMARKS
1	21W-85540-20	C.D.I. UNIT ASSY	1	
2	98507-06020	SCREW, pan head	1	
3	92907-06100	WASHER, spring	1	
4	92907-06600	WASHER, plate	1	
5	20N-82310-40	IGNITION COIL ASSY	1	
6	98507-06020	SCREW, pan head	2	
7	166-82370-20	PLUG CAP ASSY	1	



3RV100-4290

D6

# CONTENTS

## ENGINE

Cylinder .....	B2
Crankshaft · Piston .....	B3
Oil Pump .....	B4
Intake .....	B5 - B6
Carburetor .....	B7
Exhaust .....	B8
Crankcase .....	B9
Crankcase Cover 1 .....	B10
Starter .....	B11
Clutch .....	B12 - B13
Transmission .....	B14
Shift Cam · Fork .....	B15
Shift Shaft .....	C2

## CHASSIS

Frame .....	C3
Front Fender .....	C4
Side Cover .....	C5
Oil Tank .....	C6
Rear Arm · Suspension .....	C7

Steering .....	C8
Front Fork .....	C9 - C10
Fuel Tank .....	C11
Seat .....	C12
Front Wheel .....	C13
Rear Wheel .....	C14 - C15
Steering Handle · Cable .....	D2
Stand · Footrest .....	D3
Generator .....	D4
Handle Switch · Lever .....	D5
Electrical 1 .....	D6

## INDEX

NUMERICAL INDEX .....	L1 - L2
-----------------------	---------

NUMERICAL INDEX

PART NO.	GRID NO.	PART NO.	GRID NO.	PART NO.	GRID NO.
3RV-W1441-20	B-5	307-14169-10	B-6	517-16524-30	B-12
3EC-W2535-00	C-13	58E-14171-00	B-6	517-16550-10	B-12
4BE-W2536-00	C-14	296-14184-01	B-6	517-16551-01	B-12
21W-11111-00	B-2	2E9-14185-00	B-6	527-16571-01	B-12
463-11161-01	B-2	127-14186-00	B-6	1W7-17211-12	B-14
21W-11162-00	B-2	12R-14191-00	B-6	1W7-17221-20	B-14
3E5-11162-00	B-2	296-14198-01	B-6	21W-17231-00	B-14
1W7-11181-00	B-2	21W-14412-00	B-5	21W-17410-00	B-14
3E5-11311-01	B-2	21W-14451-00	B-5	1W7-17421-10	B-14
4AW-11351-00	B-2	21W-14453-00	B-5	296-17471-00	B-14
1HA-11400-00	B-3	5UR-14454-00	B-5	58H-18101-03	C-2
1W7-11412-00	B-3	21W-14458-00	B-5	21W-18111-00	C-2
1HA-11422-00	B-3	21W-14503-00	B-6	132-18113-01	C-2
14N-11610-00	B-3	21W-14510-02	B-8	278-18127-01	C-2
14N-11610-10	B-3	3RV-14623-00	B-8	296-18140-02	B-15
14N-11616-20	B-3	21W-14708-00	B-8	58H-18511-00	B-15
3E5-11631-00-87	B-3	4X4-14714-00	B-8	1W7-18512-02	B-15
527-11633-00	B-3	21W-14753-02	B-8	2N8-18531-00	B-15
3E5-11635-00	B-3	21W-14758-00	B-8	21W-18540-01	B-15
3E5-11636-00	B-3	3RV-14766-00	B-8	296-18561-00	B-15
1W7-11651-00	B-3	21W-1490J-00	B-6	296-18562-01	B-15
2Y1-11681-00	B-3	1W7-15111-03	B-9	21W-21110-02-33	C-3
3KX-13101-01	B-4	1W7-15121-03	B-9	3RV-21511-00	C-4
2T5-13124-00	B-4	300-15126-00	B-9	3RV-21570-30	C-4
384-13138-00	B-4	579-15316-01	B-9	4V0-21621-00	C-5
296-13147-00	B-4	517-15362-02	B-10	21W-21646-00	C-5
384-13161-02	B-4	21W-15411-00	B-10	3RV-21711-00	C-5
384-13174-00	B-4	517-15416-01	B-9	21W-21719-00	C-5
53F-13178-00	B-4	5R7-15421-00	B-10	3RV-2173L-30	C-5
21W-13555-00	B-5	4AW-15451-00	B-10	21W-21751-01	C-6
300-13510-04	B-5	21W-15491-01	B-10	21W-21766-00	C-6
56J-13613-00	B-5	156-15518-01	B-11	5R2-21771-00	C-6
300-13616-00	B-5	21W-15620-00	B-11	21W-22110-00-35	C-7
300-13621-10	B-5	384-15635-00	B-12	102-22123-00	C-7
300-13622-10	B-5	2T4-15637-00	B-12	288-22141-00	C-7
21W-14101-00	B-6	3E5-15641-00	B-11	3R0-22151-00	C-7
12G-14103-00	B-6	3E5-15650-00	B-11	21W-22199-00	C-7
12G-14104-00	B-6	3E5-15664-00	B-11	3RV-22210-10	C-7
21W-14107-12	B-6	3E5-15676-00	B-11	3RV-22210-20	C-7
296-14112-25	B-6	58H-16110-00-30	B-12	3M7-22216-00	C-7
296-14131-00	B-6	3E5-16150-01-30	B-12	21W-22311-00	C-7
127-14135-00	B-6	122-16164-00	B-12	3MV-23102-00	C-9
127-14141-14	B-6	517-16180-00	B-12	3RV-23103-00	C-9
193-14142-15-A0	B-6	132-16346-00	B-15	21W-23110-00	C-9
127-14143-24	B-6	527-16520-10	B-12	3M7-23111-01	C-9
127-14143-25	B-6	3E5-16521-00	B-12	3R0-23126-00-35	C-9
127-14143-26	B-6	517-16524-10	B-12	3R0-23136-00-35	C-9
3R0-14169-00	B-6	517-16524-20	B-12	21W-23141-00	C-9

NUMERICAL INDEX

PART NO.	GRID NO.	PART NO.	GRID NO.	PART NO.	GRID NO.
3M7-23142-00	C-9	1M3-25321-02-98	C-14	90101-06291	C-13
	C-10	1Y7-25351-00	C-13	90101-06394	B-9
	C-9	3Y6-25351-00	C-14	90101-08286	C-3
	C-9	538-25355-00	C-14	90101-08672	C-14
	C-9	3G4-25364-01	C-14	90105-10006	C-6
	C-9	296-25366-01-96	C-14	90105-10147	B-9
	C-9	21W-25371-00	C-15	90109-033F6	B-15
	C-9	367-25381-01	C-15	90109-06798	D-5
	C-9	21W-25387-00	C-14	90109-08183	C-15
	C-9	102-25389-00	C-15	90109-08368	C-15
	C-10	102-25412-00	C-14	90109-08666	D-3
	C-10	21W-25432-10	C-14	90116-07035	B-2
	C-10	3RV-26111-00	D-2	90119-06043	C-4
	C-10	21W-26124-00	D-2	90119-06056	C-6
	C-9	21W-26240-00	D-2	90123-09013	D-2
	C-8	2N3-26241-00	D-2	90149-04135	B-4
	C-8	434-26243-12	D-2	90149-06011	C-11
	C-8	21W-26261-00	D-2	90149-06157	B-9
	C-8	21W-26262-00	D-2	90150-06032	B-15
	C-8	21W-26263-00	D-2	90159-05078	C-7
	C-8	21W-26311-01	D-2	90159-06016	C-5
	C-8	21W-26312-00	D-2	90159-06033	C-4
	C-8	21W-26321-01	D-2	90157-03004	D-2
	C-8	21W-26331-00	D-2	90170-08366	C-14
	C-8	21W-26341-00	D-2	90170-10105	B-4
	C-11	21W-27211-00	D-3	90171-10004	C-13
	C-11	21W-27231-00	D-3	90171-12005	C-15
	C-11	21W-27311-01	D-3	90175-06013	D-3
	C-6	21W-27411-01-33	D-3	90179-06403	C-12
	C-11	214-27413-00	D-3	90179-07381	B-2
	C-11	214-27421-00	D-3	90179-08148	D-2
	C-11	3R0-28100-00	C-6	90179-12659	B-12
	C-11	51L-28371-00	C-11	90179-16190	B-13
	C-11	104-21328-20	D-4	90179-25051	C-6
	C-11	20N-82310-40	D-6	90185-10027	C-7
	C-12	166-82370-20	D-8	90201-05072	C-11
	C-12	4V0-82519-00	D-5	90201-061A5	C-15
	C-12	233-82921-31	D-5	90201-081A6	C-3
	C-13	23X-83622-00	D-5	90201-106H5	C-7
	C-13	437-83536-01	D-5	90201-12575	C-2
	C-13	437-83536-11	D-2	90201-16701	B-11
	C-13	21W-82976-00	D-5	90201-20266	B-11
	C-13	21W-85510-21	D-4	90202-05193	C-11
	C-13	18Y-85512-20	D-4	90208-12015	B-12
	C-14	21W-85540-20	D-6	90208-16018	B-12
	C-14	21W-85550-21	D-4	90209-10160	C-8
	C-14	90101-06278	C-14	90209-12280	B-12
				90209-15178	B-14

L1

