



**YAMAHA**

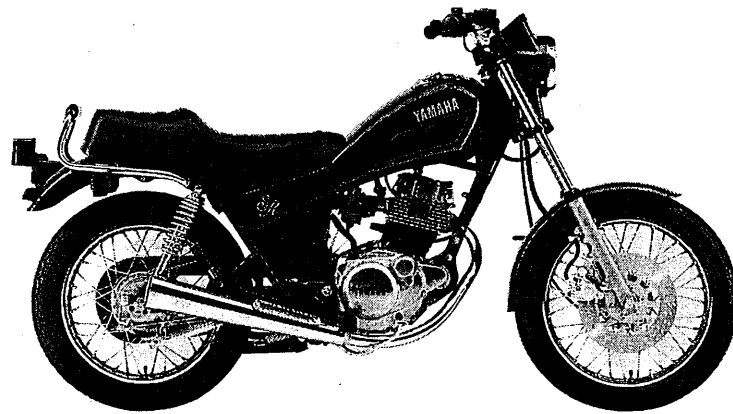
**PARTS CATALOGUE**

**SR125'92 (3MW3)**

**EUROPE**

| 23MW-300E1

**A2**



A3

# FOREWORD

This Parts Catalogue is related to the parts in use for the Yamaha SR125'92(3MW3).  
When you are ordering replacement parts for the SR125'92(3MW3), refer to this Parts Catalogue and quote both part numbers and part names correctly.

1. Modifications or additions which have been made after issue of the Parts Catalogue will be announced in the Yamaha Parts News.

It is advisable that according to the Yamaha Parts News you make necessary corrections to the Parts Catalogue on hand to keep it up-to-date.

2. Abbreviations

The following abbreviations are used in this Parts Catalogue.

- U.R. Use size (thickness) and/or number as required.
- U.N. Use as many as you need.
- A.P. Alternate Parts
- L.M. Local Made
- F# Frame No. (Applicable machine No.)

3. The parts marked with (+) in the parts number column of this Catalogue are not supplied with by Yamaha, those have to be found locally.
4. Parts, which are to be supplied in the form of assemblies, are listed with an indention of one letter's space, and a dot ( . ) is put against the name of each part.

**EXAMPLE** CARBURETOR ASS'Y  
     . JET, pilot  
     . NOZZLE, main

5. Indication of No. of constituent parts for assembly

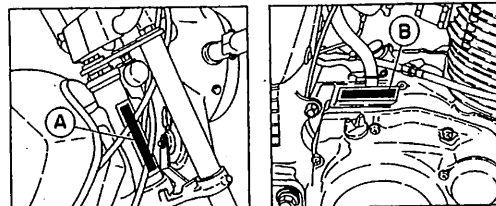
The numeral appearing to the right of each constituent part under the description indicates the quantity of such parts for each individual assembly unit.

**EXAMPLE**

Part No.	Description	Q'ty	Remarks
2F5-83310-60	FRONT FLASHER LIGHT ASS'Y	2	
115-83311-60	. BULB (6V-18W)	1	
1M1-83309-60	. REFLECTOR	1	

6. Initial Serial No. and Color Code

(A) Frame Serial No.	10F-037101 and following
(B) Engine Serial No.	10F-037101 and following



Color Code	Color Name	Abbreviate
00FF	GLITTERING BLACK	GRB
00TK	CAMELLIA GREEN	CMG

7. Applicable colors of graphics are represented in the "Remarks" column by the letter(s) appropriately picked out of the full word(s) showing such colors.

**EXAMPLE**

Part No.	Description	Q'ty	Remarks
2N4-24110-00-X5	FUEL TANK COMP.	1	MAXIM RED
3J1-24240-10	. GRAPHIC, fuel tank set	1	for MXR

# CONTENTS

## GENERAL SPEC.

### ENGINE

Cylinder Head .....	B2
Cylinder .....	B3
Crankshaft. Piston .....	B4 ~ B5
Valve .....	B6
Camshaft. Chain .....	B7
Oil Pump .....	B8
Intake .....	B9
Carburetor .....	B10 ~ B11
Exhaust .....	B12
Crankcase .....	B13
Crankcase Cover 1 .....	B14
Starter .....	B15
Clutch .....	C2
Transmission .....	C3
Shift Cam. Fork .....	C4
Shifter .....	C5

### CHASSIS

Frame .....	C6
Fender .....	C7
Side Cover .....	C8
Rear Arm .....	C9
Steering .....	C10
Front Fork .....	C11 ~ C12
Fuel Tank .....	C13
Seat .....	C14
Front Wheel .....	C15

Front Brake Caliper .....	D2
Rear Wheel .....	D3 ~ D4
Steering Handle. Cable .....	D5
Front Master Cylinder .....	D6
Stand. Footrest .....	D7 ~ D8
Generator .....	D9
Starting Motor .....	D10
Flasher Light .....	D11
Meter .....	D12
Headlight (FRENCH SPEC.).....	D13
Taillight .....	D14
Handle Switch. Lever .....	D15
Electrical 1 .....	E2
Electrical 2 .....	E3

### INDEX (GENERAL SPEC.)

Numerical Index .....	L2 ~ L4
-----------------------	---------

## INDIVIDUAL SPEC.

### FOR ENGLAND

Alternate (Electrical) .....	E5
------------------------------	----

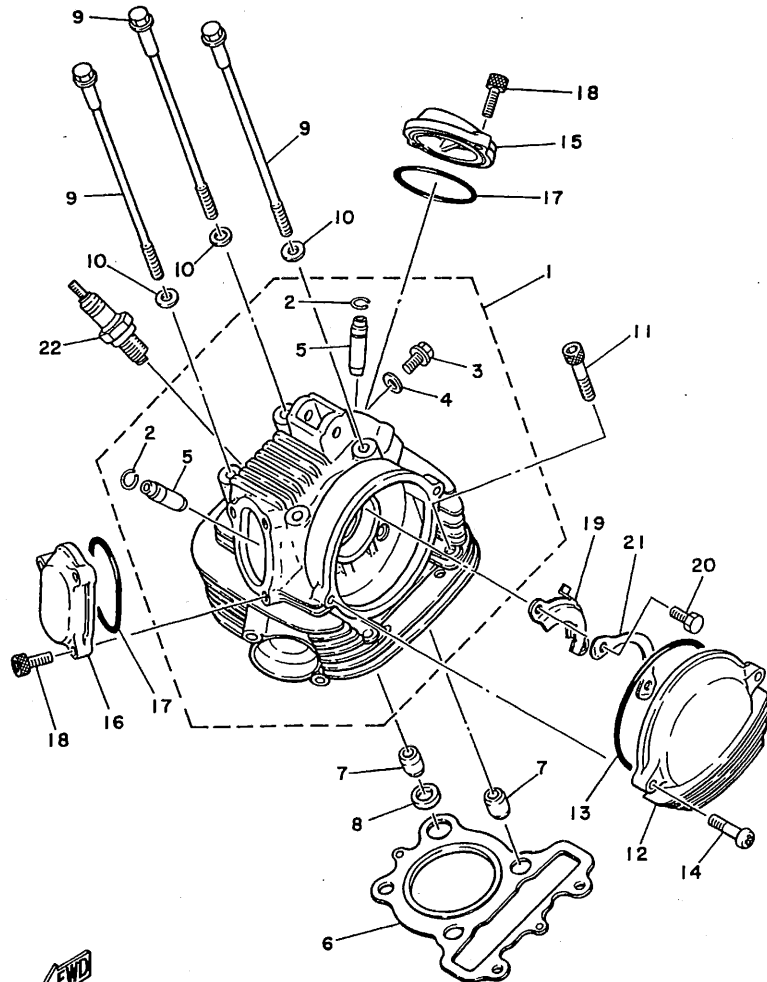
### FOR OTHER COUNTRIES

Alternate (Electrical) .....	E7
------------------------------	----

### INDEX (INDIVIDUAL SPEC.)

Numerical Index .....	M2
-----------------------	----

FIG. 1 CYLINDER HEAD



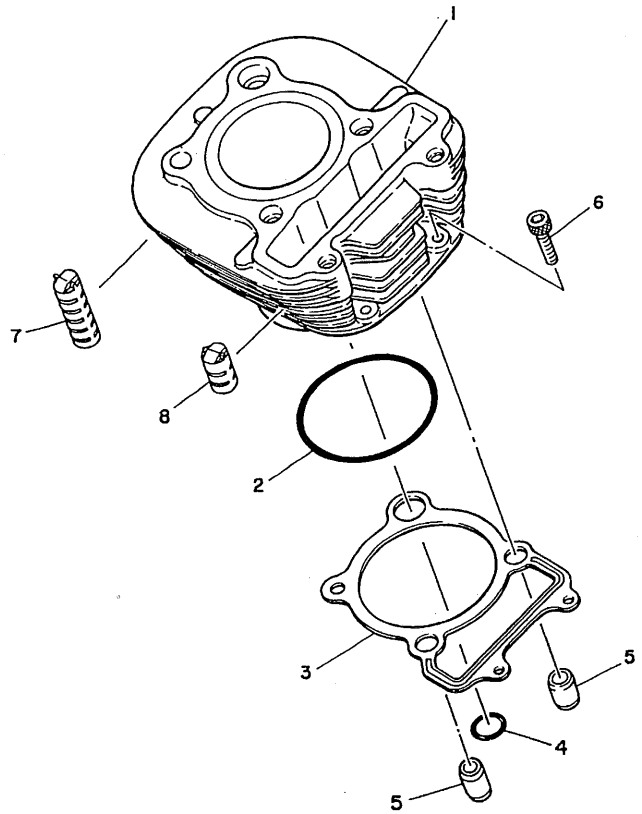
REF. NO.	PART NO.	DESCRIPTION	Q'TY	REMARKS
1	5N0-11110-00	CYLINDER HEAD ASSY	1	
2	93440-10085	.CIRCLIP	2	
3	90153-06029	.SCREW, hexagon	1	
4	90430-06014	.GASKET	1	
5	5H0-11133-10	.GUIDE, intake valve	2	
6	3NS-11181-00	GASKET, cylinder head 1	1	
7	99530-14016	PIN, dowel	3	
8	90430-14131	GASKET	1	
9	90105-08195	BOLT, washer based	4	
10	90201-080L7	WASHER, plate	4	
11	91316-08045	BOLT	2	
12	5H0-11185-00	COVER, cylinder head side 1	1	
13	93211-05471	O-RING	1	
14	98501-06020	SCREW, pan head	2	
15	5H0-11186-00	COVER, cylinder head side 2	1	
16	5H0-11187-00	COVER, cylinder head side 3	1	
17	93210-57634	O-RING	2	
18	91316-06018	BOLT	5	
19	5H0-1111F-00	PLATE	1	
20	97003-06012	BOLT	2	
21	90215-06184	WASHER, lock	1	
22	94701-00333	PLUG, spark (NGK DR8EA)	1	



3MWI35I-9011

FIG. 2 CYLINDER

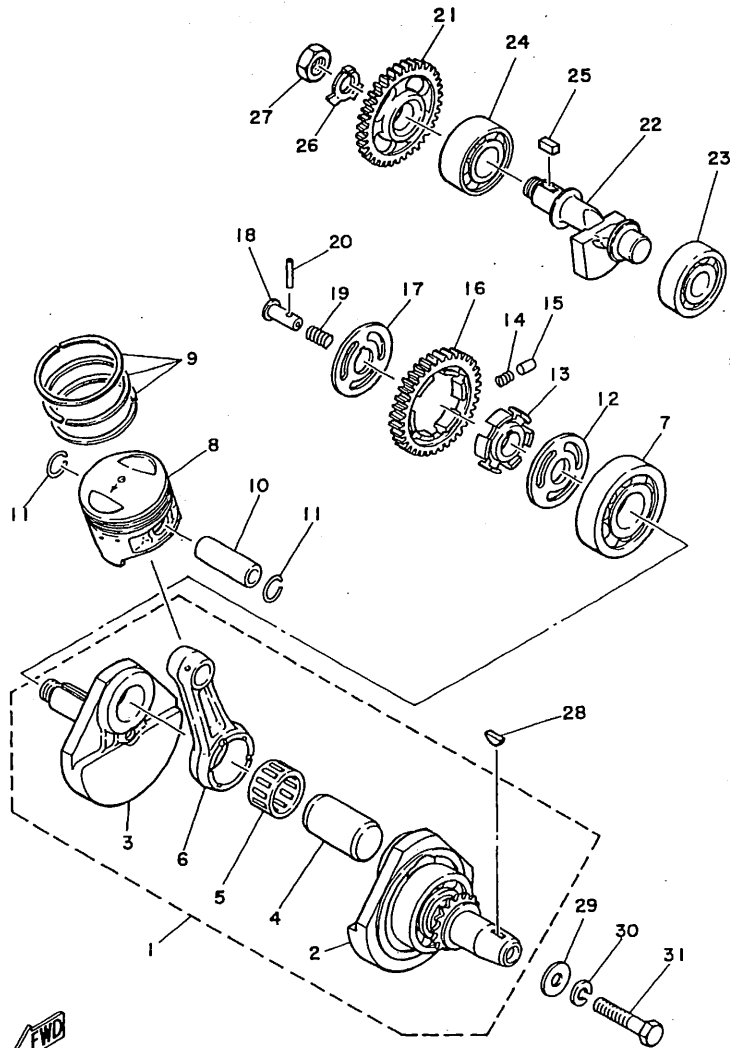
REF. NO.	PART NO.	DESCRIPTION	Q'TY	REMARKS
1	25A-11310-01	CYLINDER	1	
2	93210-63489	O-RING	1	
3	40D-11351-00	GASKET, cylinder	1	
4	93210-13361	O-RING	1	
5	99530-14016	PIN, dowel	2	
6	91316-06025	BOLT	2	
7	5H0-11161-00	ABSORBER 1	2	
8	5H0-11161-00	ABSORBER 1	2	



5H0110-0020

**B3**

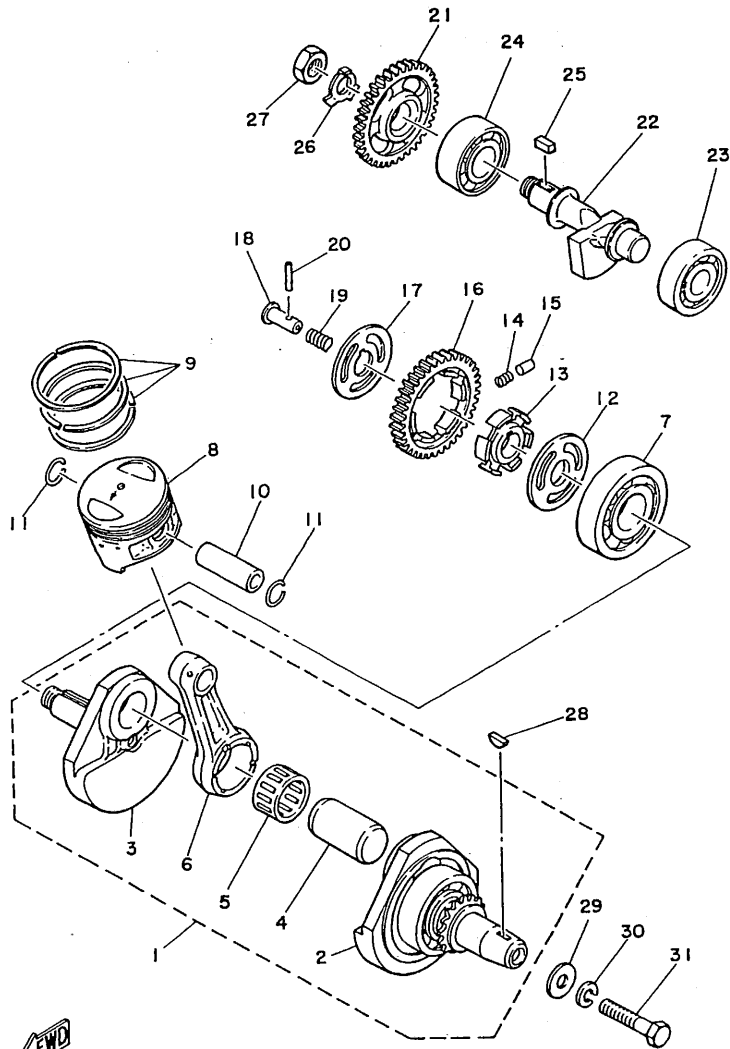
FIG. 3 CRANKSHAFT. PISTON



REF. NO.	PART NO.	DESCRIPTION	Q'TY	REMARKS
1	5N0-11400-00	CRANKSHAFT ASSY	1	
2	5N0-11412-09	.CRANK 1	1	
3	5N0-11422-00	.CRANK 2	1	
4	5H0-11681-00	.PIN, crank 1	1	
5	93310-530J3	.BEARING, cylindrical	1	
6	5N0-11651-00	.ROD, connecting	1	
7	93306-30615	BEARING (B6306)	1	
8	25A-11631-00-Y0	PISTON (STD)	1	
	25A-11636-00	PISTON (0.50MM O/S)	1	AP
	25A-11638-00	PISTON (1.00MM O/S)	1	AP
9	15E-11610-00	PISTON RING SET (STD)	1	
	15E-11610-20	PISTON RING SET (0.50MM O/S)	1	AP
	15E-11610-40	PISTON RING SET (1.00MM O/S)	1	AP
10	5N0-11633-00	PIN, piston	1	
11	93450-16068	CIRCLIP	2	
12	90201-201E4	WASHER, plate	1	
13	5H0-11496-00	BOSS, buffer	1	
14	90501-21133	SPRING, compression	6	
15	93605-10090	PIN, dowel	3	
16	5H0-11536-00	GEAR, drive (38T)	1	
17	90214-20023	WASHER, claw	1	
18	90240-07083	PIN, clevis	1	
19	90501-07629	SPRING, compression	1	
20	93602-13177	PIN, dowel	1	
21	5H0-11531-00	GEAR, balance weight (38T)	1	
22	15E-11454-00	WEIGHT 1	1	
23	93306-30427	BEARING	1	
24	93306-30427	BEARING	1	

**B4**

FIG. 3 CRANKSHAFT. PISTON



REF. NO.	PART NO.	DESCRIPTION	Q'TY	REMARKS
25	90282-05013	KEY, straight	1	
26	90215-14205	WASHER, lock	1	
27	90170-14284	NUT	1	
28	90280-16053	KEY, woodruff	1	
29	90201-102J5	WASHER, plate	1	
30	92901-10100	WASHER, spring	1	
31	90101-10188	BOLT	1	

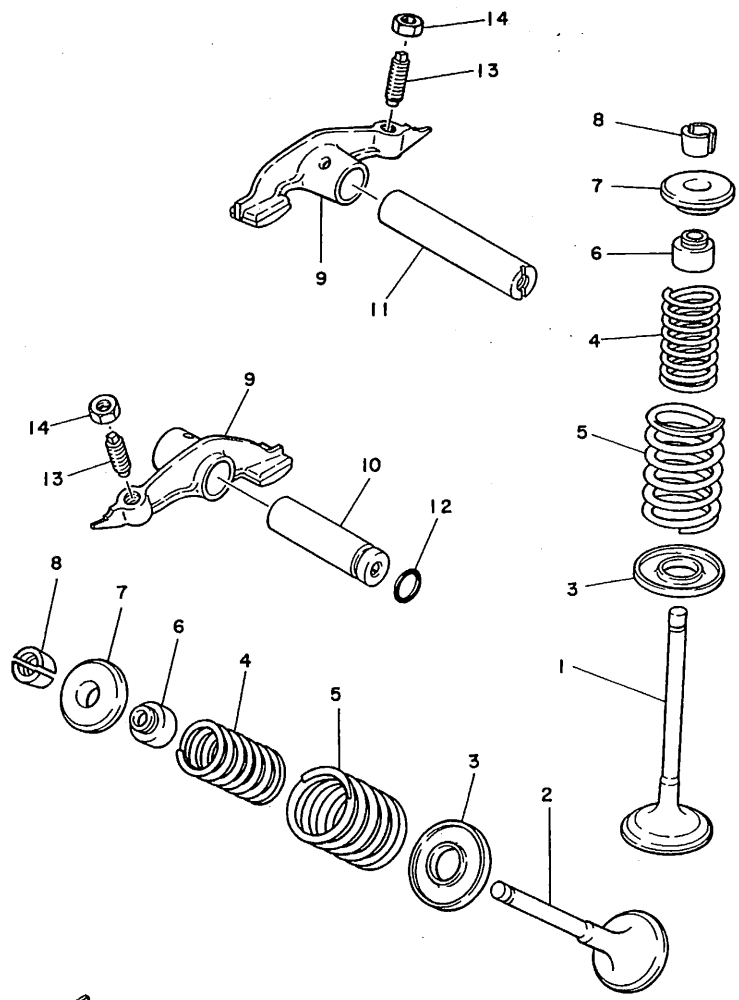


19W010-2030

**B5**



FIG. 4 VALVE



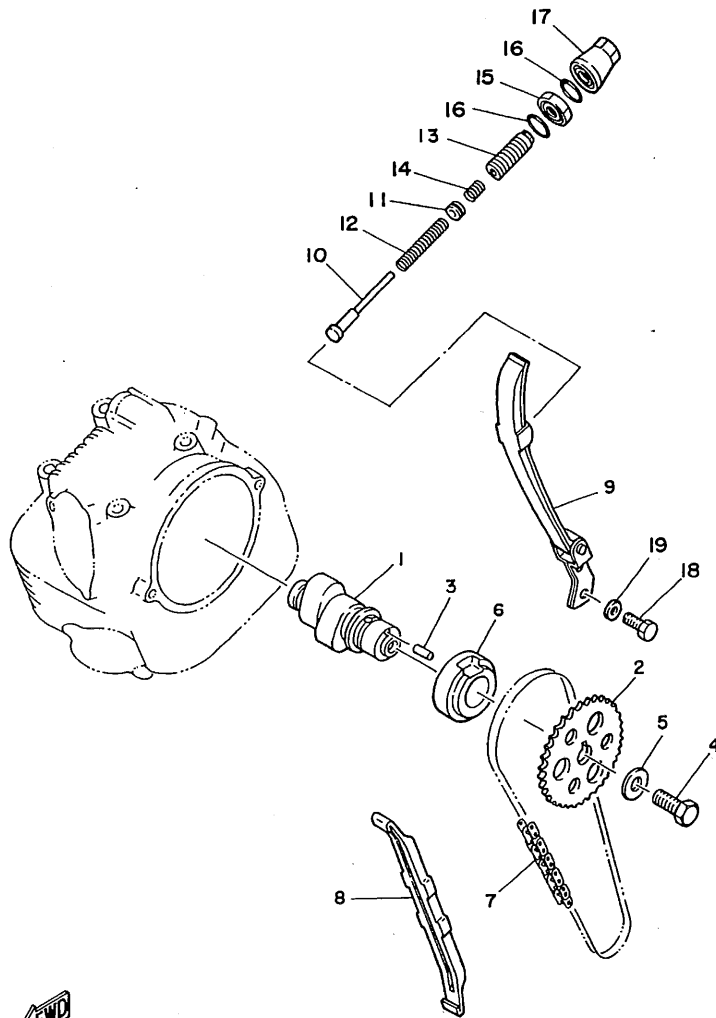
REF. NO.	PART NO.	DESCRIPTION	Q'TY	REMARKS
1	5N0-12111-00	VALVE, intake	1	
2	5N0-12121-00	VALVE, exhaust	1	
3	4G0-12116-01	SEAT, valve spring	2	
4	4G0-12113-01	SPRING, valve inner	2	YELLOW
5	4G0-12114-01	SPRING, valve outer	2	YELLOW
6	5H0-12119-00	SEAL, valve stem	2	
7	4G0-12117-00	RETAINER, valve spring	2	
8	4G0-12118-00	COTTER, valve	4	
9	36X-12151-00	ARM, valve rocker	2	
10	5H0-12156-00	SHAFT, rocker 2	1	
11	5H0-12146-00	SHAFT, rocker	1	
12	93210-09350	O-RING	1	
13	3Y1-12159-00	SCREW, valve adjusting	2	
14	90170-06128	NUT	2	



IKH010-6040

**B6**

FIG. 5 CAMSHAFT. CHAIN

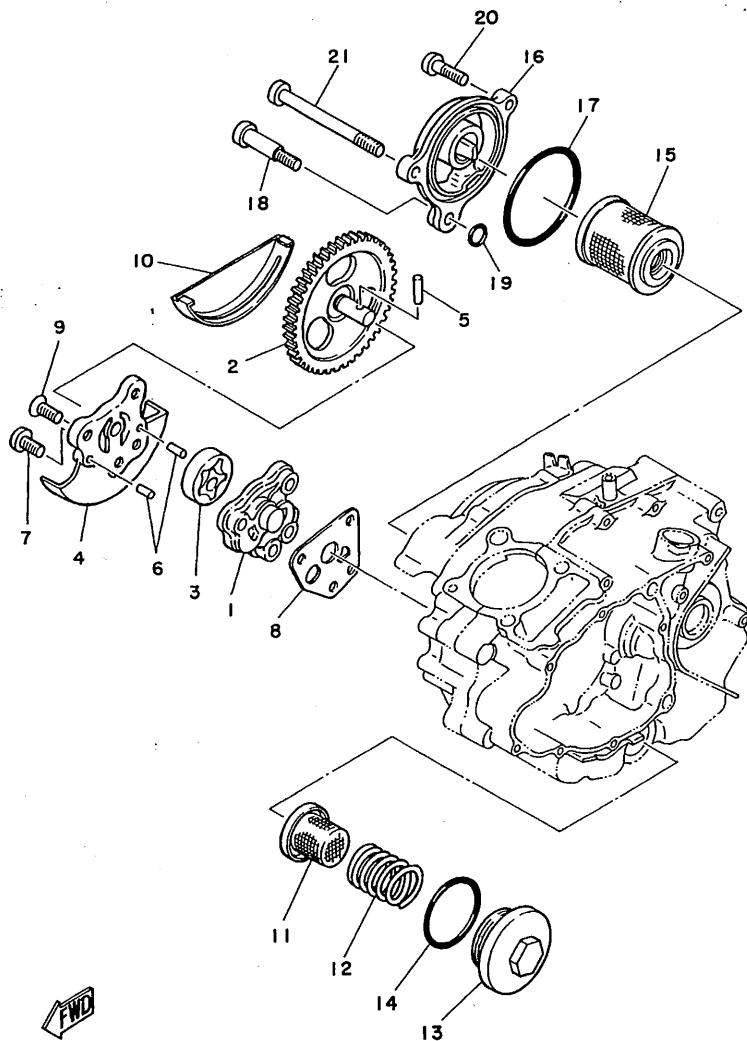


REF. NO.	PART NO.	DESCRIPTION	Q'TY	REMARKS
1	5N0-12171-10	CAMSHAFT 1	1	
2	5H0-12176-00	SPROCKET, cam chain (40T)	1	
3	93604-10011	PIN, dowel	1	
4	90101-10303	BOLT	1	
5	90201-10774	WASHER, plate	1	
6	90387-255F3	COLLAR	1	
7	94580-41104	CHAIN	1	
8	5H0-12231-00	GUIDE, stopper 1	1	
9	5N0-12241-00	GUIDE, stopper 2	1	
10	25A-12217-00	ROD, chain tensioner	1	
11	3Y1-12232-00	DAMPER	1	
12	90501-10587	SPRING, compression	1	
13	90149-14182	SCREW	1	
14	90501-22721	SPRING, compression	1	
15	90179-14298	NUT	1	
16	93210-16629	O-RING	2	
17	3Y1-12212-00	CASE, chain tensioner	1	
18	97011-06016	BOLT	2	
19	92901-06600	WASHER, plate	2	



3MWI351-9050

**B7**

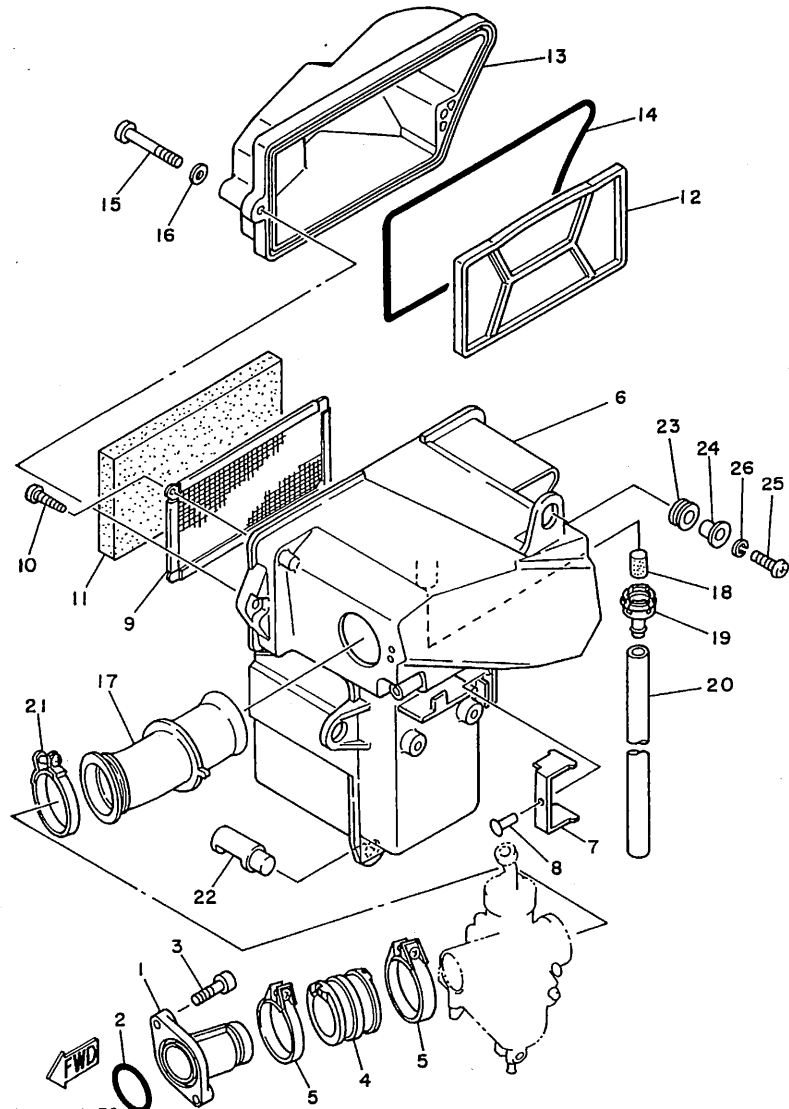


5H0110-0060

FIG. 6 OIL PUMP

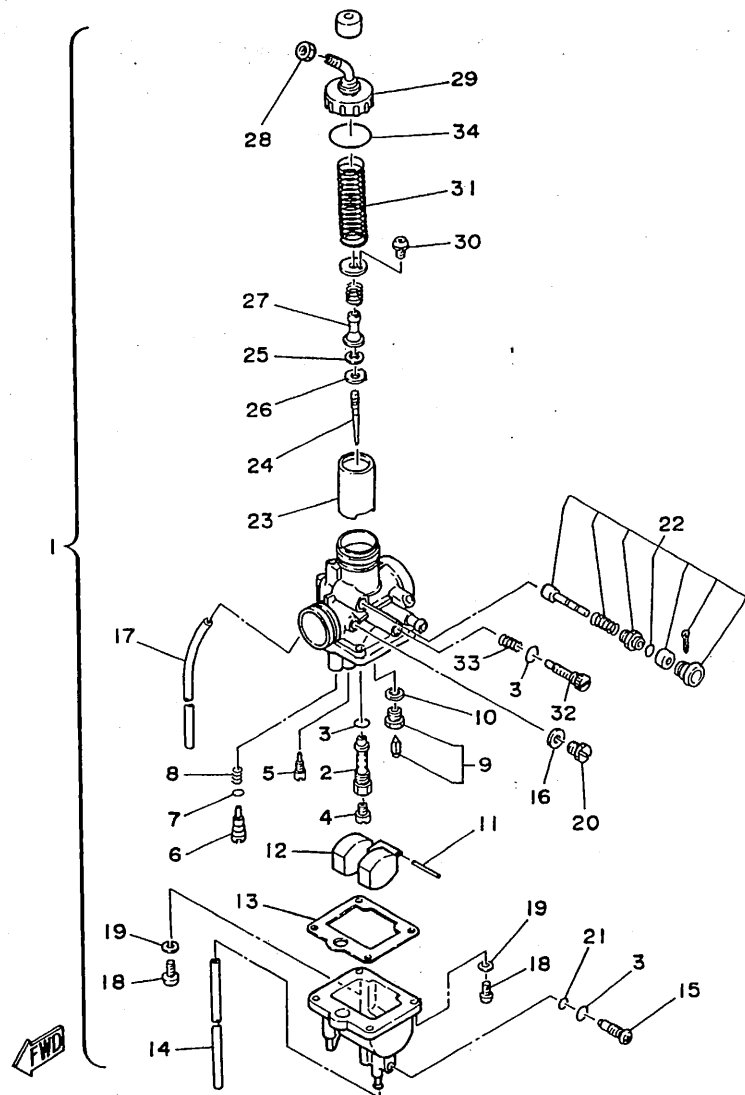
REF. NO.	PART NO.	DESCRIPTION	Q'TY	REMARKS
1	5H0-13336-00	HOUSING, rotor	1	
2	5H0-13326-00	GEAR, pump driven 2 (45T)	1	
3	5H0-13310-00	ROTOR ASSY 1	1	
4	5H0-13316-00	COVER, pump	1	
5	93603-12030	PIN, dowel	1	
6	93603-07073	PIN, dowel	2	
7	90151-06010	SCREW, countersunk	1	
8	4BE-13329-00	GASKET, pump cover	1	
9	98701-06030	SCREW, flat head	3	
10	5H0-13327-00	COVER, pump gear	1	
11	51Y-13411-00	STRAINER, oil	1	
12	90501-18576	SPRING, compression	1	
13	5H0-15351-00	PLUG, drain	1	
14	93210-35389	O-RING	1	
15	5H0-13440-00	ELEMENT ASSY, oil cleaner	1	
16	5H0-13447-00	COVER, oil element	1	
17	93210-54175	O-RING	1	
18	90109-06419	BOLT	1	
19	93210-07135	O-RING	1	
20	98501-06020	SCREW, pan head	1	
21	98501-06075	SCREW, pan head	1	

FIG. 7 INTAKE



REF. NO.	PART NO.	DESCRIPTION	Q'TY	REMARKS
1	5H0-13586-00	JOINT, carburetor 1	1	
2	93210-34474	O-RING	1	
3	91316-06020	BOLT	2	
4	5H0-13596-00	JOINT, carburetor 2	1	
5	90460-43179	CLAMP, hose	2	
6	5H0-14411-00	CASE, air cleaner 1	1	
7	5H0-2172K-00	BRACKET 1	1	
8	90267-40080	RIVET, blind	1	
9	5H0-14472-00	PLATE, element	1	
10	97701-40510	SCREW, panhead tapping	2	
11	5H0-14451-00	ELEMENT, air cleaner	1	
12	5H0-14468-00	PLATE, element fitting	1	
13	5H0-14412-00	CAP, cleaner case 1	1	
14	5H0-14452-00	SEAL	1	
15	98501-05046	SCREW, pan head	2	
16	92901-05600	WASHER, plate	2	
17	5H0-14453-00	JOINT, air cleaner 1	1	
18	5H0-14462-00	SEAL	1	
19	5H0-14419-00	PIPE	1	
20	90446-11176	HOSE	1	
21	90460-45040	CLAMP, hose	1	
22	5H0-21746-00	DAMPER	1	
23	90480-10297	GROMMET	2	
24	90387-06024	COLLAR	2	
25	98502-06016	SCREW, pan head	2	
26	92990-06100	WASHER, spring	2	

FIG. 8 CARBURETOR



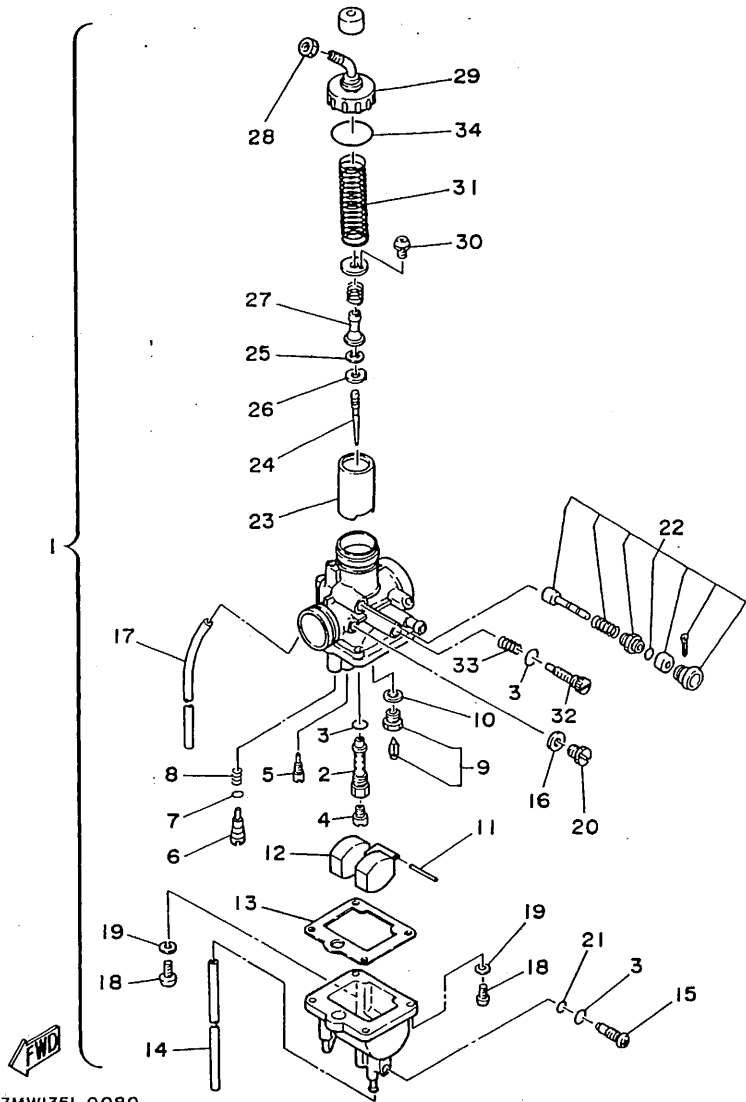
3MW1351-9080

REF. NO.	PART NO.	DESCRIPTION	Q'TY	REMARKS
1	5N0-14301-00	CARBURETOR ASSY 1	1	
2	5N0-14341-00	.NOZZLE, main	1	
3	360-24512-00	.GASKET	3	
4	288-14343-54	.JET, main (#108)	1	
5	367-14342-19	.JET, pilot (# 38)	1	
6	5H0-14323-00	.SCREW, air adjusting	1	
7	1E7-14147-00	.O-RING	1	
8	288-14334-00	.SPRING, air adjusting	1	
9	654-14390-20	.NEEDLE VALVE ASSY	1	
10	367-14195-00	.GASKET	1	
11	626-14386-00	.PIN, float	1	
12	367-14385-00	.FLOAT	1	
13	5H0-14384-00	.GASKET, float chamber	1	
14	36F-14396-00	.PIPE	1	
15	5H0-14115-00	.PLUG, screw	1	
16	5H0-14126-00	.GASKET	1	
17	5H0-14348-00	.PIPE 1	1	
18	98503-04014	.SCREW, pan head	4	
19	92901-04100	.WASHER, spring	4	
20	5H0-14991-00	.SCREW	1	
21	5H0-14397-00	.PIPE	1	
22	5H0-1410A-00	.STARTER SET	1	
23	5H0-14312-23	.VALVE, throttle 1	1	
24	5N0-14336-00	.NEEDLE	1	
25	389-14137-00	.CLIP	1	
26	5H0-14918-00	.RING	1	
27	5H0-14227-00	.WASHER	1	
28	288-14161-00	.NUT, cable adjusting	1	

**B10**

FIG. 8 CARBURETOR

REF. NO.	PART NO.	DESCRIPTION	Q'TY	REMARKS
29	5H0-14168-00	.CAP, mixing chamber	1	
30	98501-03006	.SCREW, pan head	1	
31	5H0-14331-00	.SPRING, throttle valve	1	
32	5H0-14211-00	.SCREW, pilot adjusting	1	
33	5H0-14212-00	.SPRING, pilot adjusting	1	
34	1J2-14147-00	.O-RING	1	

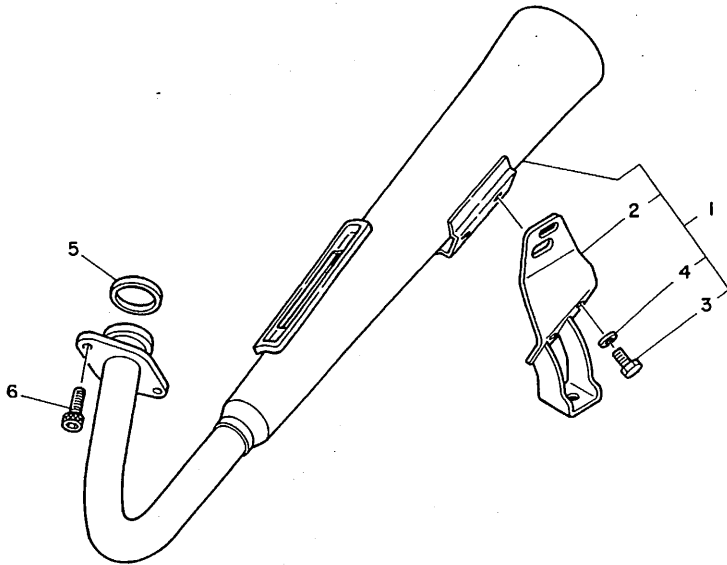


3MW1351-9080

**B11**

FIG. 9 EXHAUST

REF. NO.	PART NO.	DESCRIPTION	Q'TY	REMARKS
1	10F-14710-00	MUFFLER ASSY 1	1	
2	5H0-14771-00	.STAY, muffler 1	1	
3	97011-08016	.BOLT	2	
4	92902-08100	.WASHER, spring	2	
5	4BE-14613-00	GASKET, exhaust pipe	1	
6	91316-06020	BOLT	2	

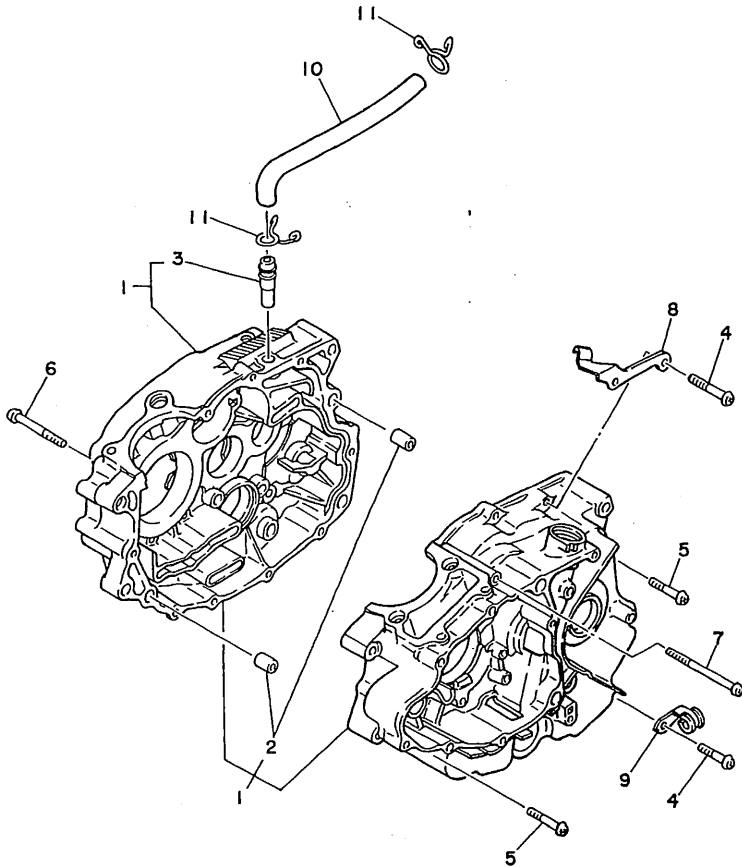


5H0110-0090

**B12**

FIG. 10 CRANKCASE

REF. NO.	PART NO.	DESCRIPTION	Q'TY	REMARKS
1	5N0-15100-00	CRANKCASE ASSY	1	
2	99510-12016	.PIN, dowel	2	
3	371-11167-01	.PIPE, breather 2	1	
4	98501-06030	SCREW, pan head	7	
5	98501-06040	SCREW, pan head	2	
6	98501-06060	SCREW, pan head	1	
7	98511-06085	SCREW, pan head	2	
8	3MW-15441-00	HOLDER, clutch cable	1	
9	90462-06080	CLAMP	1	
10	5H0-11166-00	PIPE, breather 1	1	
11	90467-14015	CLIP	2	



5H0110-0100

**B13**



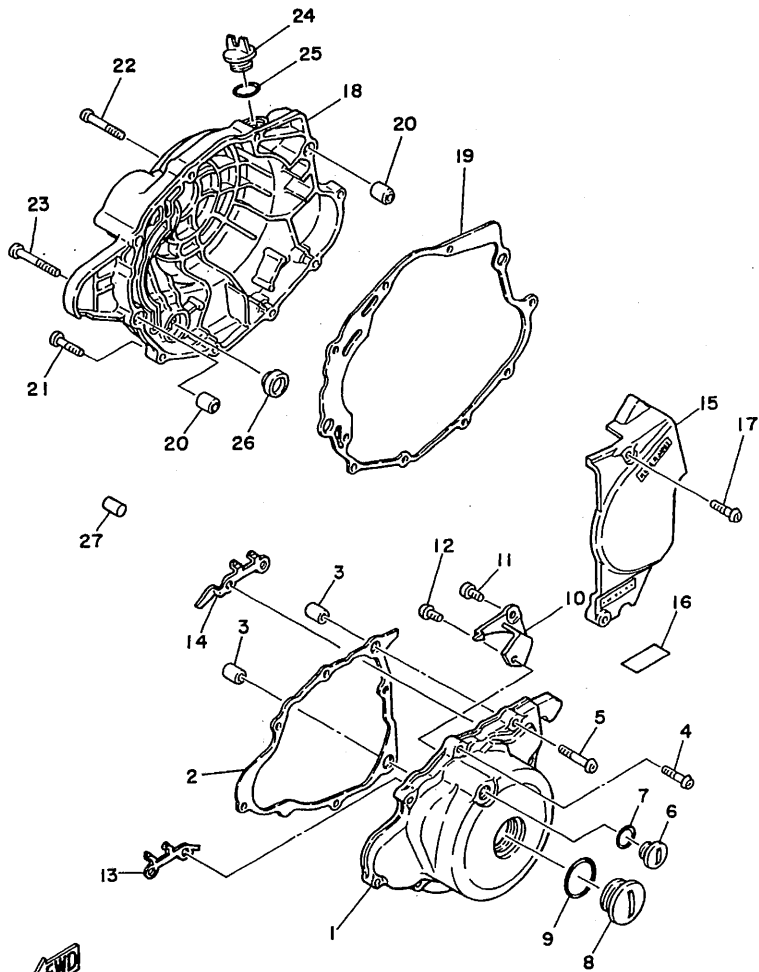
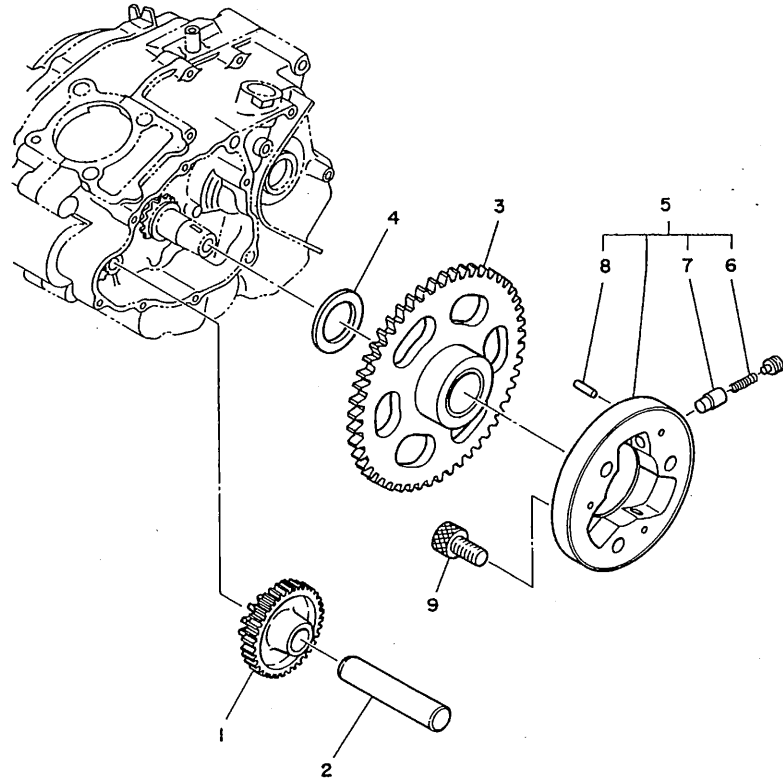


FIG. 11 CRANKCASE COVER 1

REF. NO.	PART NO.	DESCRIPTION	QTY	REMARKS
1	5H0-15411-00	COVER, crankcase 1	1	
2	4BE-15451-00	GASKET, crankcase cover 1	1	
3	99510-12016	PIN, dowel	2	
4	98501-06025	SCREW, pan head	6	
5	98501-06035	SCREW, pan head	2	
6	90340-14068	PLUG, straight screw	1	
7	93210-14369	O-RING	1	
8	90340-32069	PLUG, straight screw	1	
9	93210-32172	O-RING	1	
10	90465-06175	CLAMP	1	
11	98501-06010	SCREW, pan head	1	
12	98501-04006	SCREW, pan head	1	
13	90462-16096	CLAMP	1	
14	90462-16097	CLAMP	1	
15	5N0-15420-00	CRANKCASE COVER ASSY 2	1	
16	5H0-15377-00	GUIDE, inlet	1	
17	98501-06025	SCREW, pan head	2	
18	5H0-15431-00	COVER, crankcase 3	1	
19	4BD-15462-00	GASKET, crankcase cover 3	1	
20	99510-12016	PIN, dowel	2	
21	98501-06025	SCREW, pan head	5	
22	98501-06040	SCREW, pan head	2	
23	98501-06050	SCREW, pan head	2	
24	1RG-15363-00	PLUG, oil	1	
25	93210-19123	O-RING	1	
26	3Y1-15361-00	GAUGE, level	1	
27	5H0-11127-00	ABSORBER 3	1	

5H0110-0110

FIG. 12 STARTER



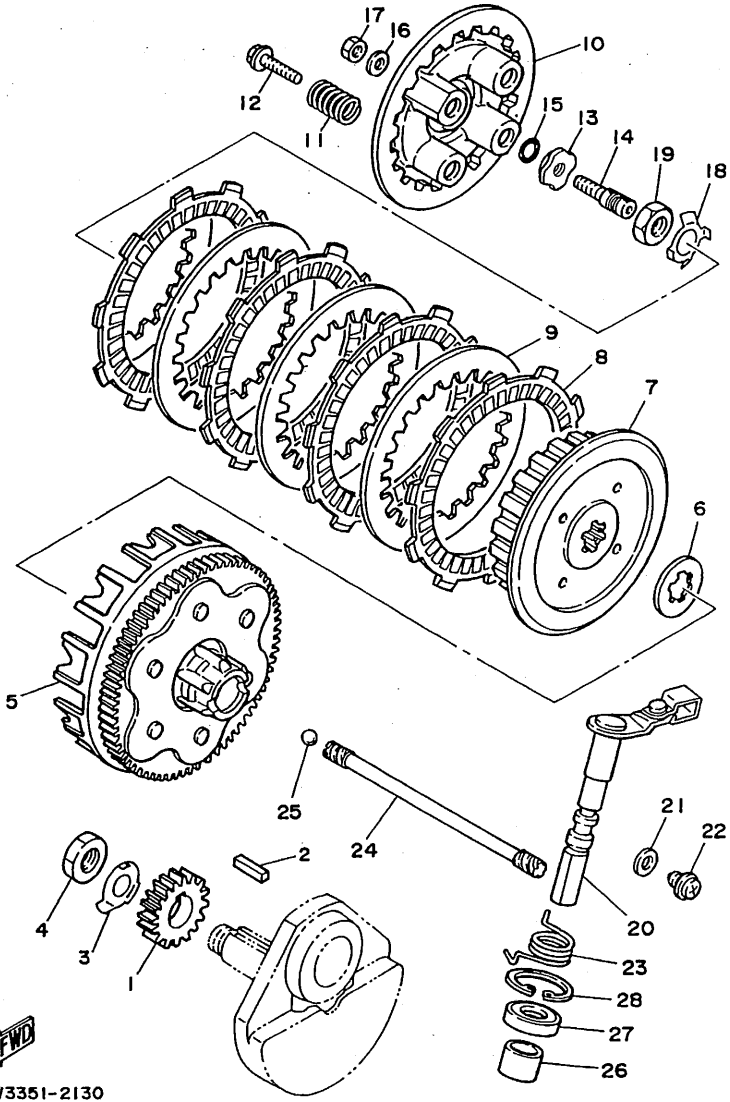
REF. NO.	PART NO.	DESCRIPTION	Q'TY	REMARKS
1	2HT-15512-00	GEAR, idler 1	1	
2	5H0-15521-00	SHAFT 1	1	
3	5H0-15517-00	GEAR, idler 2 (56T)	1	
4	4A0-17216-00-10	SHIM (1.0T)	1	
5	4H7-15580-10	STARTER CLUTCH OUTER ASSY	1	
6	90501-04596	.SPRING, compression	3	
7	341-15583-05	.CAP, starter clutch spring	3	
8	93615-12088	.PIN, dowel	3	
9	91316-08016	BOLT	3	



5H0110-0140

**B15**

FIG. 13 CLUTCH

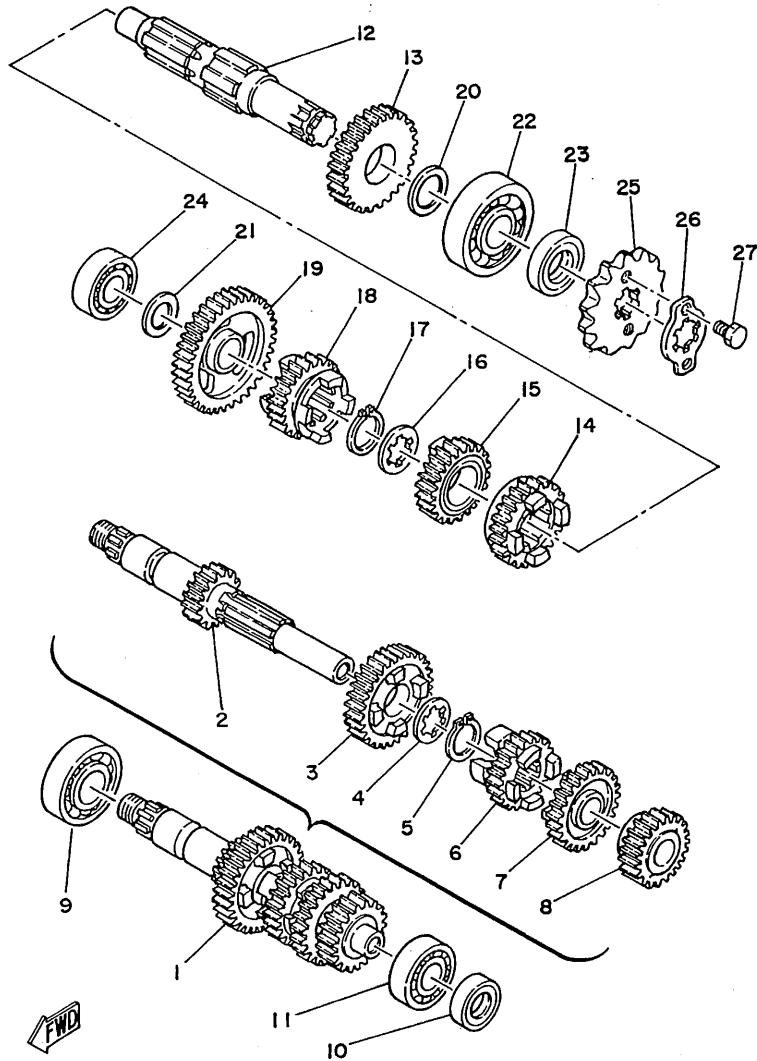


REF. NO.	PART NO.	DESCRIPTION	Q'TY	REMARKS
1	5H0-16111-00	GEAR, primary drive (22T)	1	
2	90282-05043	KEY, straight	1	
3	90215-14205	WASHER, lock	1	
4	90170-14284	NUT	1	
5	5H0-16150-01	PRIMARY DRIVEN GEAR COMP. (73T)	1	
6	5H0-16154-00	PLATE, thrust 1	1	
7	5H0-16371-01	BOSS, clutch	1	
8	537-16321-00	PLATE, friction	4	
9	137-16324-00	PLATE, clutch 1	3	
10	5N0-16351-00	PLATE, pressure 1	1	
11	90501-23630	SPRING, compression	4	
12	90159-05011	SCREW, with washer	4	
13	30X-16358-00	PLATE, push	1	
14	5H0-16356-01	ROD, push 1	1	
15	93210-48364	O-RING	1	
16	92901-06200	WASHER, plain	1	
17	95303-06600	NUT	1	
18	90215-14224	WASHER, lock	1	
19	90170-14284	NUT	1	
20	3MW-16380-00	PUSH LEVER ASSY	1	
21	90201-08087	WASHER, plate	1	
22	90149-08067	SCREW	1	
23	90508-18495	SPRING, torsion	1	
24	5H0-16357-00	ROD, push 2	1	
25	93505-16006	BALL	1	
26	90386-14103	BUSH	1	
27	93102-14209	OIL SEAL	1	
28	93420-28055	CIRCLIP	1	

3MW3351-2130

C2

FIG. 14 TRANSMISSION

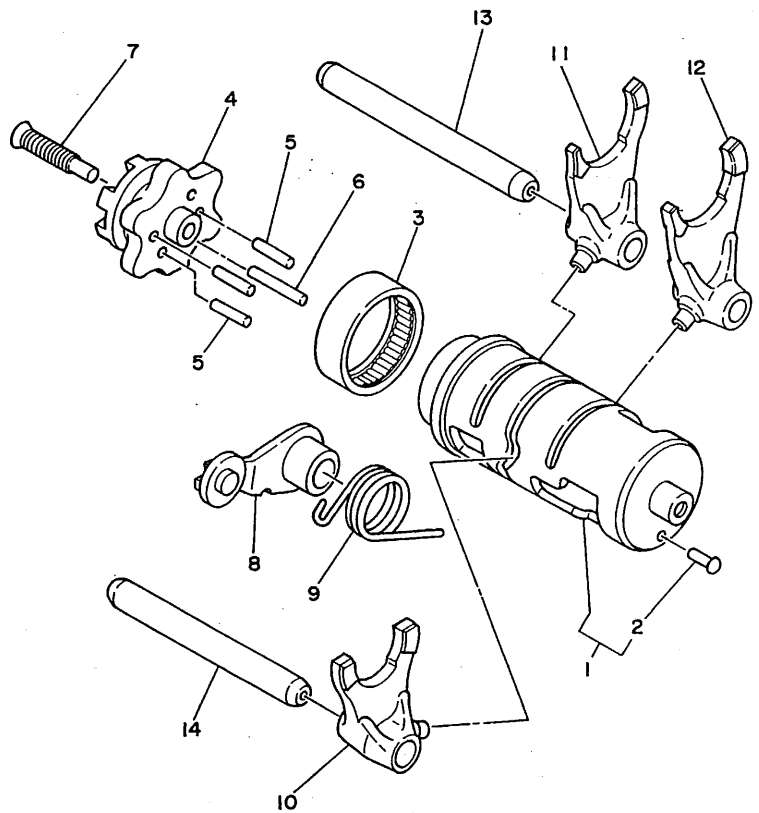


5N0010-0160

REF. NO.	PART NO.	DESCRIPTION	Q'TY	REMARKS
1	5N0-17410-00	MAIN AXLE COMP.	1	
2	5H0-17411-01	.AXLE, main (16T)	1	
3	5H0-17141-02	.GEAR, 5th pinion (29T)	1	
4	90209-16209	.WASHER	1	
5	93410-20038	.CIRCLIP	1	
6	5N0-17131-00	.GEAR, 3rd pinion (24T)	1	
7	5N0-17141-00	.GEAR, 4th pinion (27T)	1	
8	5N0-17121-00	.GEAR, 2nd pinion (21T)	1	
9	93306-20421	BEARING (B6204)	1	
10	93101-15101	OIL SEAL	1	
11	93306-20211	BEARING	1	
12	5N0-17421-00	AXLE, drive	1	
13	5N0-17221-00	GEAR, 2nd wheel (31T)	1	
14	5N0-17241-00	GEAR, 4th wheel (25T)	1	
15	5N0-17231-00	GEAR, 3rd wheel (27T)	1	
16	90209-18208	WASHER	1	
17	93410-22039	CIRCLIP	1	
18	5H0-17241-01	GEAR, 4th wheel (23T)	1	
19	5H0-17211-01	GEAR, 1st wheel (36T)	1	
20	90201-203E7	WASHER, plate	1	
21	90201-154E8	WASHER, plate	1	
22	93306-30424	BEARING (B6304A3)	1	
23	93102-20242	OIL SEAL	1	
24	93306-20211	BEARING	1	
25	93822-14043	SPROCKET,drive 14T (5N01746141)	1	
26	5H0-17456-00	HOLDER, sprocket	1	
27	97011-06010	BOLT	2	

FIG. 15 SHIFT CAM. FORK

REF. NO.	PART NO.	DESCRIPTION	Q'TY	REMARKS
1	5N0-18540-00	SHIFT CAM ASSY	1	
2	136-18542-00	.POINT, neutral	1	
3	93315-23607	BEARING, cylindrical	1	
4	5H0-18185-01	SEGMENT	1	
5	93604-16092	PIN, dowel	3	
6	93604-20156	PIN, dowel	1	
7	90151-06013	SCREW, countersunk	1	
8	460-18140-00	STOPPER LEVER ASSY	1	
9	90508-26493	SPRING, torsion	1	
10	5H0-18511-00	FORK, shift 1	1	
11	5H0-18512-00	FORK, shift 2	1	
12	5N0-18513-00	FORK, shift 3	1	
13	5H0-18531-00	BAR, shift fork guide 1	1	
14	3Y1-18535-00	BAR, shift fork guide 2	1	

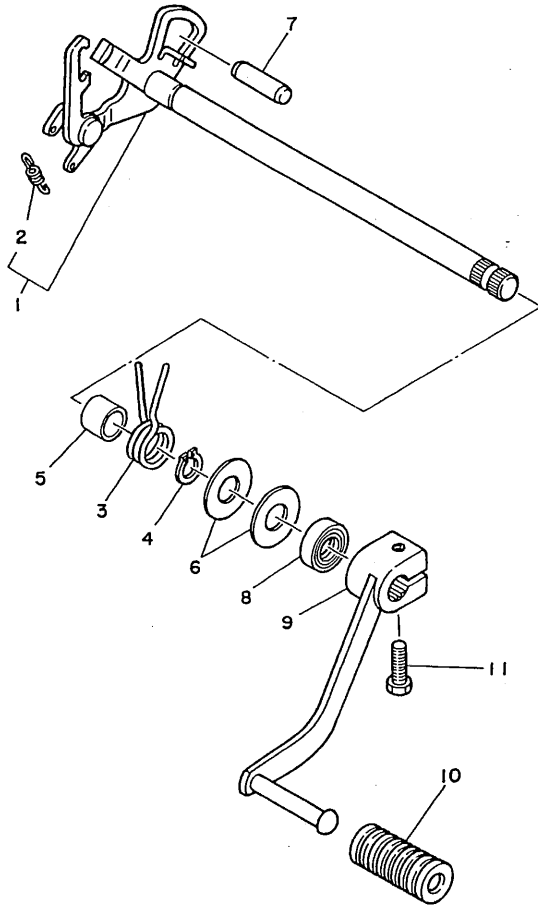


2JW352-7150

C4

FIG. 16 SHIFTER

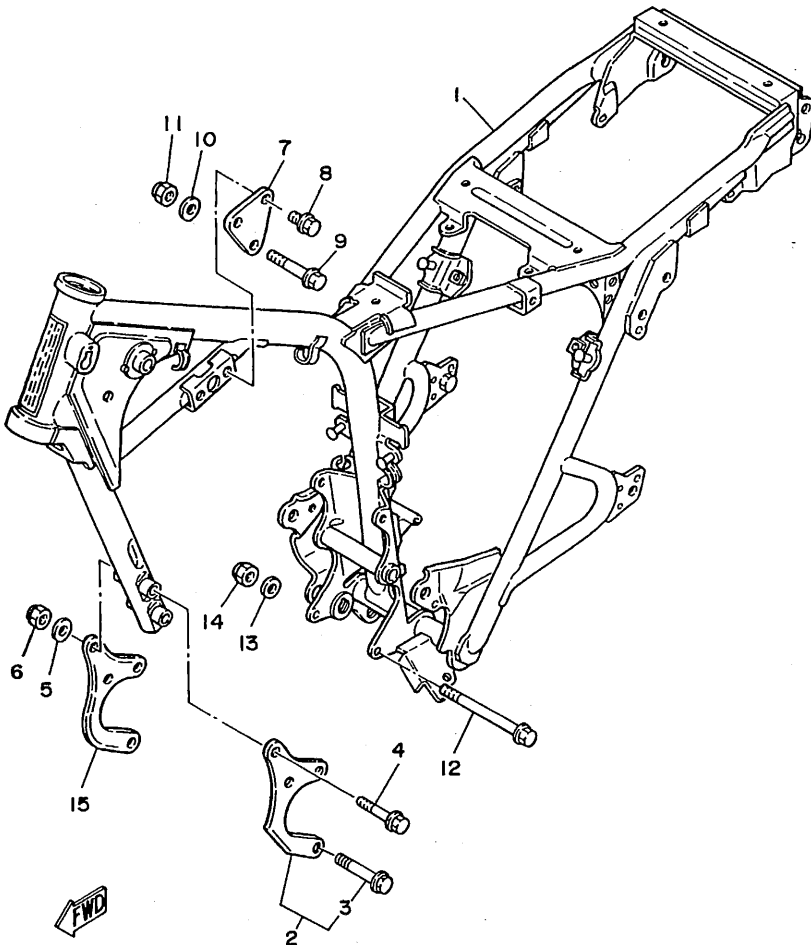
REF. NO.	PART NO.	DESCRIPTION	Q'TY	REMARKS
1	5H0-18120-02	SHIFT LEVER ASSY	1	
2	90506-08227	.SPRING, tension	1	
3	90508-32534	SPRING, torsion	1	
4	99006-10600	CIRCLIP	1	
5	90387-124F4	COLLAR	1	
6	90201-12588	WASHER, plate	2	
7	93608-30152	PIN, dowel	1	
8	93102-12106	OIL SEAL (SD 12*22-5 HS)	1	
9	5H0-18111-00	PEDAL, shift	1	
10	132-18113-01	COVER, shift pedal	1	
11	97011-06020	BOLT	1	



HE110-1180

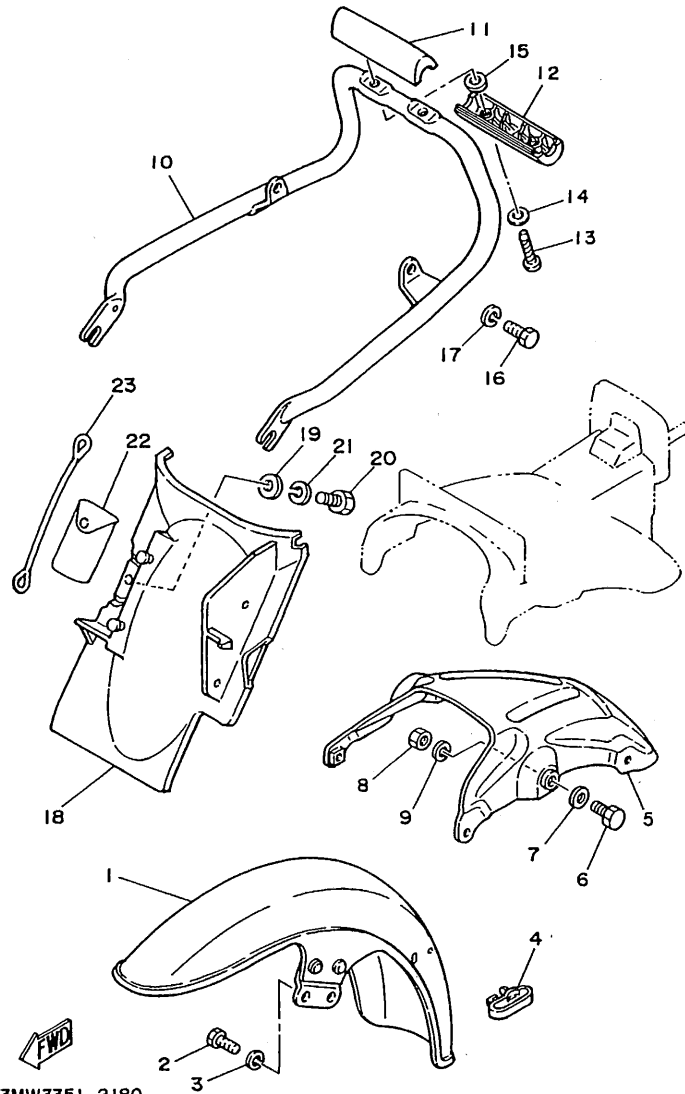
FIG. 17 FRAME

REF. NO.	PART NO.	DESCRIPTION	Q'TY	REMARKS
1	10F-21110-F1-33	FRAME COMP.	1	YAMAHA BLACK
2	5H0-21316-00	STAY, engine 3	1	
3	95811-08065	.BOLT, flange	1	
4	95811-08065	BOLT, flange	3	
5	90201-094G1	WASHER, plate	4	
6	90185-08089	NUT, self-locking	4	
7	5H0-21315-00	STAY, engine 2	1	
8	95811-08014	BOLT, flange	2	
9	95811-08050	BOLT, flange	1	
10	90201-094G1	WASHER, plate	1	
11	90185-08089	NUT, self-locking	1	
12	95811-08110	BOLT, flange	2	
13	90201-094G1	WASHER, plate	2	
14	90185-08089	NUT, self-locking	2	
15	5H0-21317-00	STAY, engine 3	1	



3MWI35I-9171

FIG. 18 FENDER

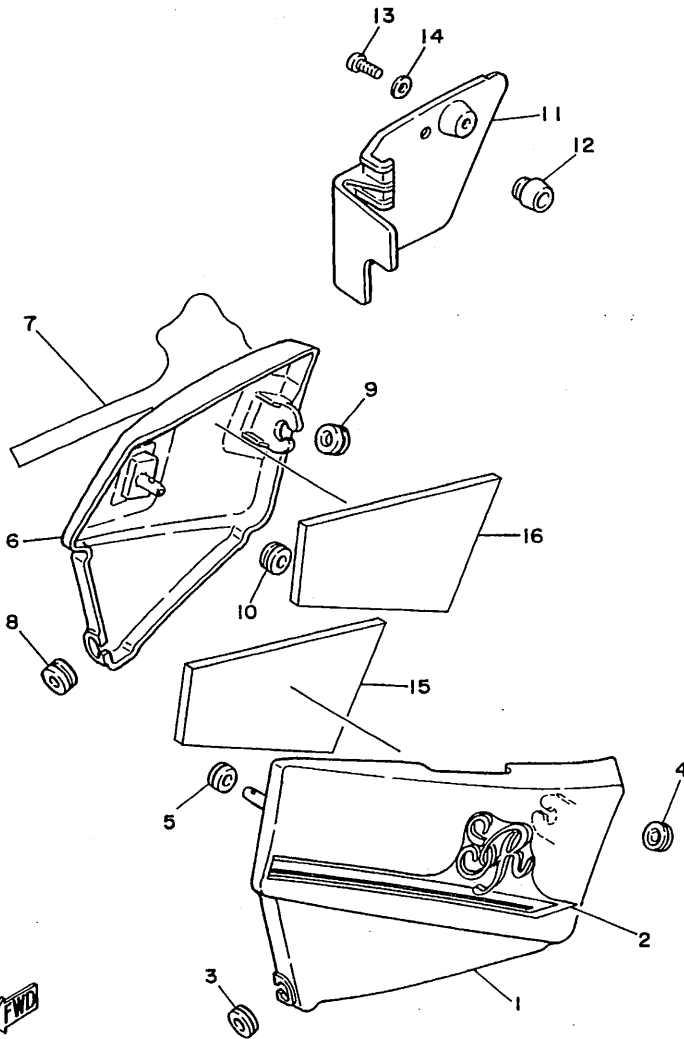


3MW3351-2180

REF. NO.	PART NO.	DESCRIPTION	Q'TY	REMARKS
1	5H0-21510-00-FF	FRONT FENDER COMP.	1	UR GLITTERING BLACK
	5H0-21510-00-TK	FRONT FENDER COMP.	1	UR CAMELLIA GREEN
2	97003-08020	BOLT	4	
3	92990-08100	WASHER, spring	4	
4	5H0-21518-01	HOLDER, cable	1	
5	5H0-21670-00	REINF. COMP.	1	
6	97016-08025	BOLT	2	
7	92906-08600	WASHER, plate	2	
8	95303-08600	NUT	2	
9	92902-08100	WASHER, spring	2	
10	5H0-21645-00	STAY, rear	1	
11	5H0-2164A-00	GRIP 1	1	
12	5H0-2164E-00	GRIP 2	1	
13	97702-50530	SCREW, tapping	2	
14	92901-05600	WASHER, plate	2	
15	90202-07127	WASHER, plate	2	
16	97011-08016	BOLT	2	
17	92902-08100	WASHER, spring	2	
18	5H0-21629-00	GUARD, mud	1	
19	90201-06067	WASHER, plate	1	
20	97313-06016	BOLT	1	
21	92990-06100	WASHER, spring	1	
22	54G-28100-00	TOOL KIT	1	
23	256-21376-00	BAND, tool	1	



FIG. 19 SIDE COVER

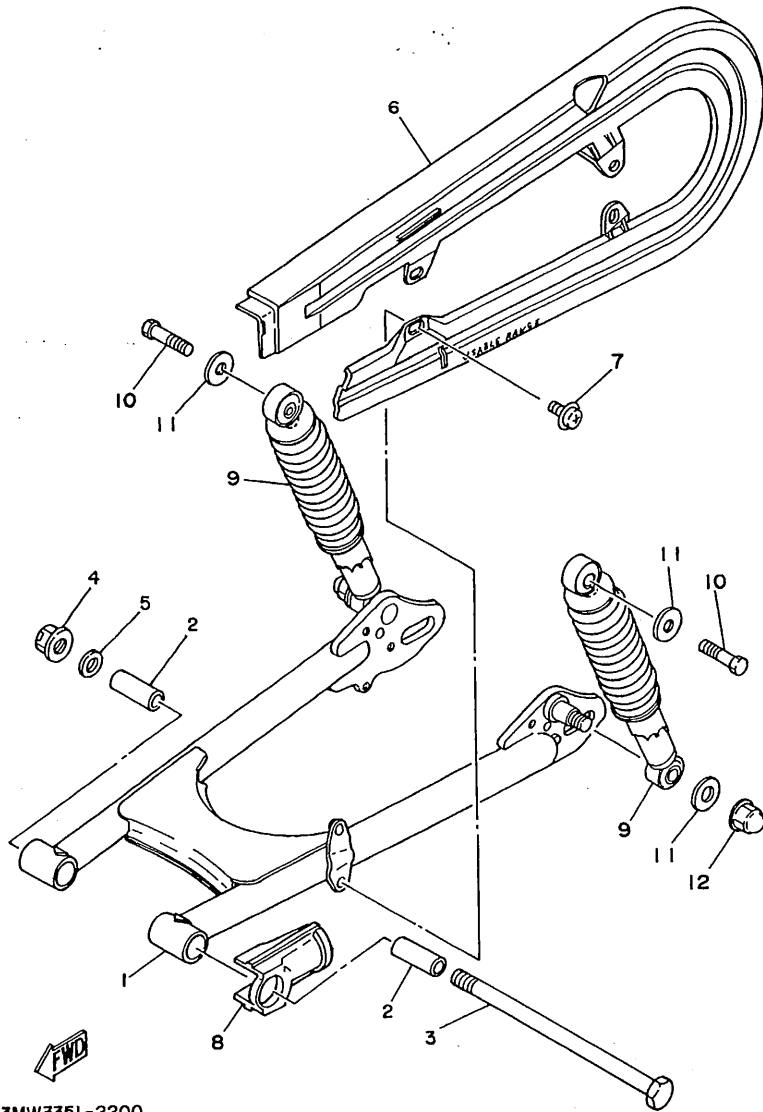


REF. NO.	PART NO.	DESCRIPTION	Q'TY	REMARKS
1	5H0-21711-00-FF	COVER, side 1	1	UR GLITTERING BLACK
	5H0-21711-00-TK	COVER, side 1	1	UR CAMELLIA GREEN
2	3MW-2173E-20	GRAPHIC 1	1	UR FOR GRB
	3MW-2173E-30	GRAPHIC 1	1	UR FOR CMG
3	90480-16301	GROMMET	1	
4	90480-12053	GROMMET	1	
5	90480-12296	GROMMET	1	
6	5H0-21721-00-FF	COVER, side 2	1	UR GLITTERING BLACK
	5H0-21721-00-TK	COVER, side 2	1	UR CAMELLIA GREEN
7	3MW-2173F-20	GRAPHIC 2	1	UR FOR GRB
	3MW-2173F-30	GRAPHIC 2	1	UR FOR CMG
8	90480-16301	GROMMET	1	
9	90480-12053	GROMMET	1	
10	90480-12296	GROMMET	1	
11	5H0-28185-00	LID	1	
12	5H0-82121-00	PAD, battery	1	
13	98506-06016	SCREW, pan head	1	
14	92906-06600	WASHER, plate	1	
15	3MW-21746-00	DAMPER	1	
16	3MW-21747-00	DAMPER	1	

3MW3351-2190

C8

FIG. 20 REAR ARM



REF. NO.	PART NO.	DESCRIPTION	Q'TY	REMARKS
1	5H0-22110-00-33	REAR ARM COMP.	1	YAMAHA BLACK
2	307-22123-00	BUSH 1	2	
3	2R6-22141-00	SHAFT, pivot	1	
4	90185-12072	NUT, self-locking	1	
5	90201-12190	WASHER, plate	1	
6	5H0-22311-00	CASE, chain	1	
7	90159-06093	SCREW, with washer	4	
8	5H0-22152-00	SEAL, guard	1	
9	5U0-22210-00-93	SHOCK ABSORBER ASSY, rear	2	CHROME MEKKI
10	90106-10025	BOLT	2	
11	90201-10437	WASHER, plate	4	
12	90176-10013	NUT, crown	2	

3MW3351-2200

C9

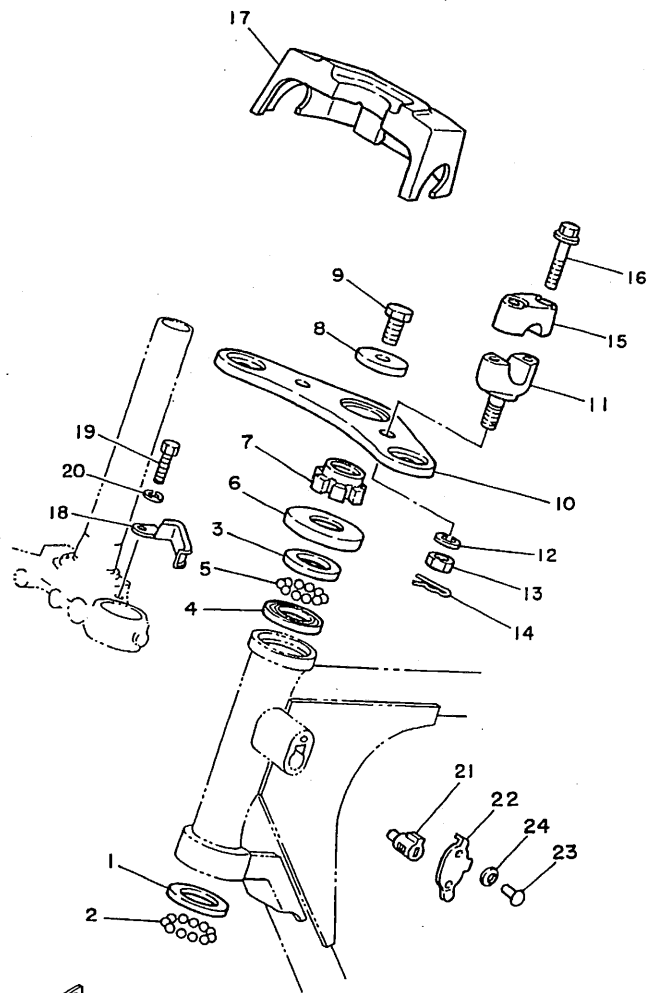
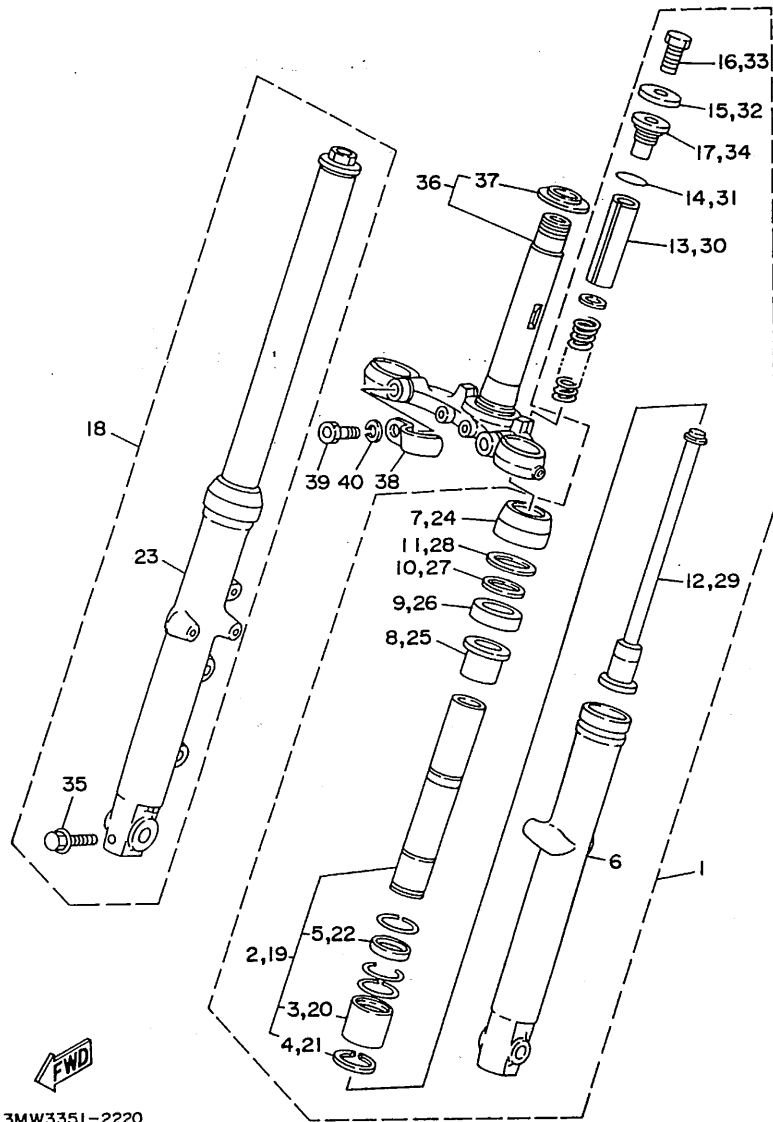


FIG. 21 STEERING

REF. NO.	PART NO.	DESCRIPTION	Q'TY	REMARKS
1	156-23412-00	RACE, ball 2	1	
2	93501-04011	BALL	19	
3	22F-23411-00	RACE, ball 1	1	
4	22F-23412-00	RACE, ball 2	1	
5	93503-16010	BALL	22	
6	122-23416-00	COVER, ball race 2	1	
7	90179-25051	NUT	1	
8	90209-10021	WASHER	1	
9	90105-10006	BOLT, washer based	1	
10	5H0-23435-00-98	CROWN, handle	1	LOW GLOSS BLACK
11	5H0-23442-01-98	HOLDER, handle lower	2	LOW GLOSS BLACK
12	92901-10100	WASHER, spring	2	
13	95303-10700	NUT	2	
14	90468-12006	CLIP	2	
15	1E6-23441-00	HOLDER, handle upper	2	
16	95811-08035	BOLT, flange	4	
17	5H0-26213-00	COVER, upper	1	
18	5H0-23317-00	HOLDER, cable	1	
19	97026-06010	BOLT	1	
20	92906-06100	WASHER, spring	1	
21	*	STEERING LOCK ASSY	1	LM
22	134-23484-10	CAP, handle lock	1	
23	90269-04003	RIVET	1	
24	90208-04029	WASHER, conical spring	1	

10F361-1230

FIG. 22 FRONT FORK

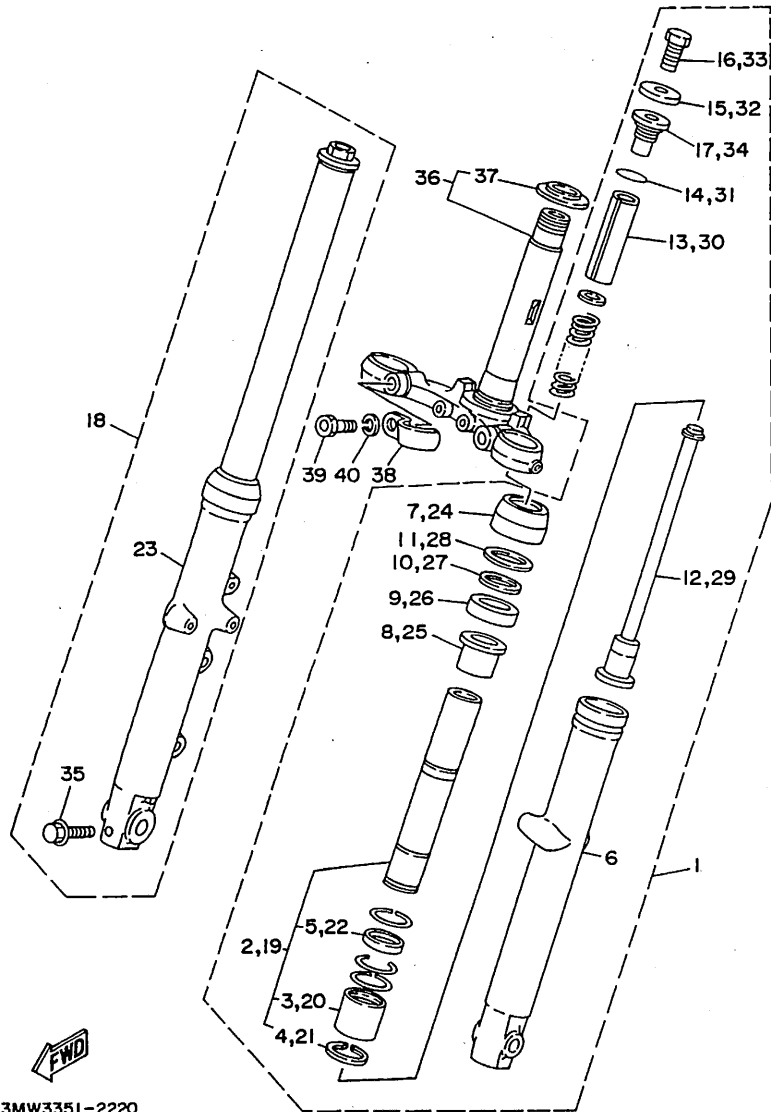


REF. NO.	PART NO.	DESCRIPTION	Q'TY	REMARKS
1	3MW-23102-00-PO	FRONT FORK ASSY (L.H)	1	GRAY METALLIC 1
2	3MW-23110-00	.INNER TUBE COMP.1	1	
3	5H0-23189-00	..FREE-PISTON, front fork	1	
4	93440-27091	..CIRCLIP	1	
5	5H0-23113-00	..COLLAR	1	
6	3MW-23126-00-PO	.TUBE, outer 1	1	GRAY METALLIC 1
7	5H0-23144-00	.SEAL, dust	1	
8	5H0-23125-00	.METAL, slide 1	1	
9	93110-30008	.OIL SEAL	1	
10	5H0-23146-00	.WASHER, oil seal	1	
11	99009-42500	.CIRCLIP	1	
12	5H0-23170-00	.CYLINDER COMP., front fork	1	
13	5H0-23118-00	.SPACER	1	
14	93210-21276	.O-RING	1	
15	90201-103E6	.WASHER, plate	1	
16	90101-10513	.BOLT	1	
17	3MW-23111-00	.BOLT, cap	1	
18	3MW-23103-00-PO	FRONT FORK ASSY (R.H)	1	GRAY METALLIC 1
19	3MW-23110-00	.INNER TUBE COMP.1	1	
20	5H0-23189-00	..FREE-PISTON, front fork	1	
21	93440-27091	..CIRCLIP	1	
22	5H0-23113-00	..COLLAR	1	
23	3MW-23136-00-PO	.TUBE, outer 2	1	GRAY METALLIC 1
24	5H0-23144-00	.SEAL, dust	1	
25	5H0-23125-00	.METAL, slide 1	1	
26	93110-30008	.OIL SEAL	1	
27	5H0-23146-00	.WASHER, oil seal	1	
28	99009-42500	.CIRCLIP	1	

3MW3351-2220

C11

FIG. 22 FRONT FORK

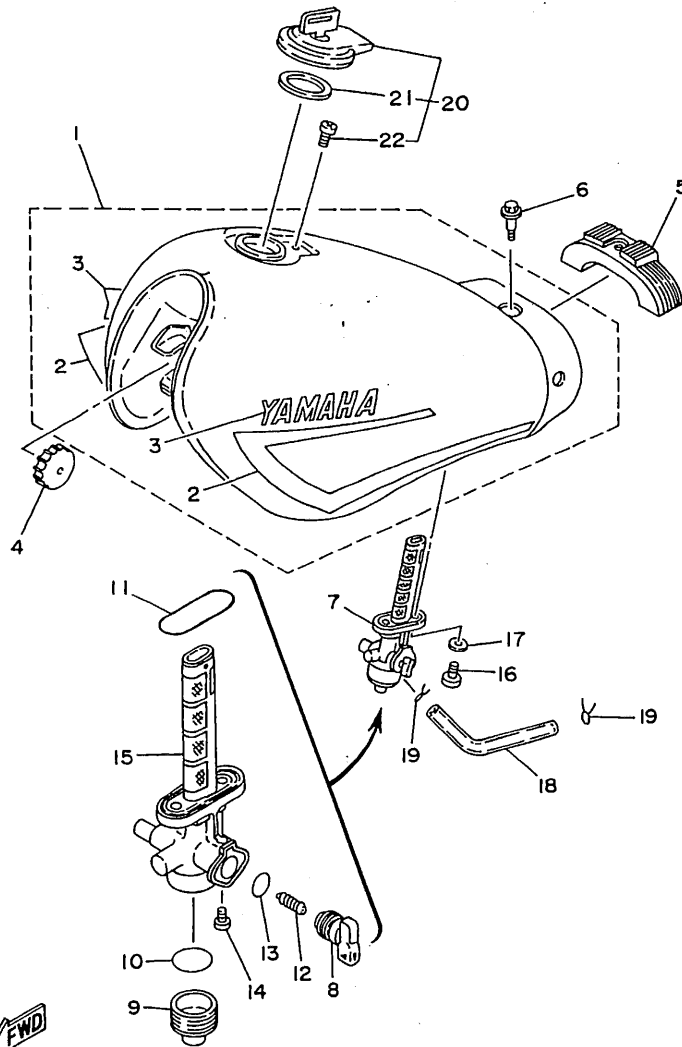


REF. NO.	PART NO.	DESCRIPTION	Q'TY	REMARKS
29	5H0-23170-00	.CYLINDER COMP., front fork	1	
30	5H0-23118-00	.SPACER	1	
31	93210-21276	.O-RING	1	
32	90201-103E6	.WASHER, plate	1	
33	90101-10513	.BOLT	1	
34	3MW-23111-00	.BOLT, cap	1	
35	95811-08045	.BOLT, flange	1	
36	3MW-23340-00	UNDER BRACKET COMP.	1	
37	156-23411-00	.RACE, ball 1	1	
38	5H0-23318-00	HOLDER, cable 1	1	
39	97023-10035	BOLT	2	
40	92901-10100	WASHER, spring	2	

3MW3351-2220

C12

FIG. 23 FUEL TANK

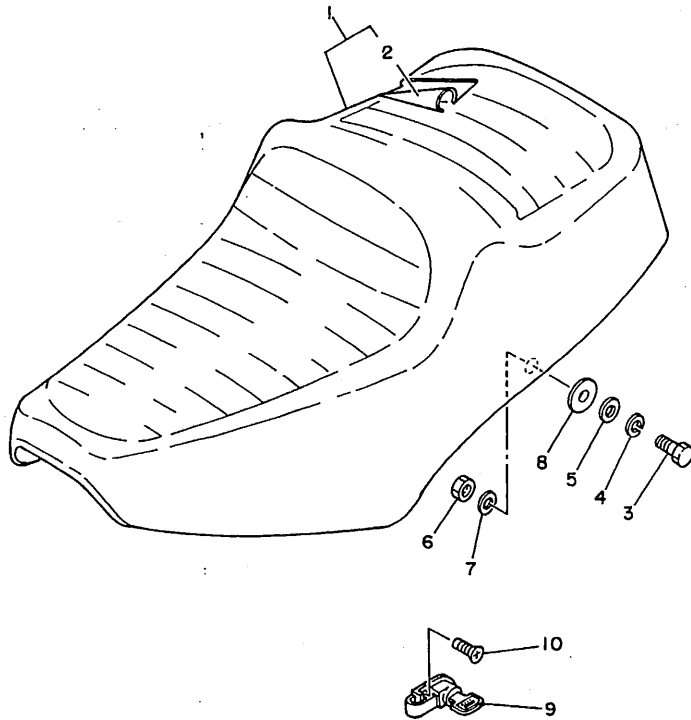


REF. NO.	PART NO.	DESCRIPTION	Q'TY	REMARKS
1	5H0-24110-00-X5	FUEL TANK COMP.	1	UR GLITTERING BLACK
	5H0-24110-00-X6	FUEL TANK COMP.	1	UR CAMELLIA GREEN
2	3MW-24240-20	.GRAPHIC SET	1	UR FOR GRB
	3MW-24240-30	.GRAPHIC SET	1	UR FOR CMG
3	99225-00030	.EMBLEM, yamaha	2	
4	278-24181-00	DAMPER, locating 1	2	
5	5H0-24182-00	DAMPER, locating 2	1	
6	90109-06610	BOLT	1	
7	5H0-24500-00	FUEL COCK ASSY 1	1	
8	4L0-24524-00	.LEVER, cock	1	
9	1A0-24521-01	.CUP, filter	1	
10	498-24522-00	.GASKET	1	
11	214-24512-00	.GASKET	1	
12	1A0-24529-01	.SPRING	1	
13	1A0-24512-00	.O-RING	1	
14	619-24535-00	.SCREW, lever fitting	1	
15	4L0-24536-00	.STRAINER	1	
16	90149-06011	SCREW	2	
17	90202-05193	WASHER, plate	2	
18	5H0-24311-00	PIPE, fuel 1	1	
19	90467-09006	CLIP	2	
20	4X7-24602-01	CAP ASSY	1	
21	4X7-24612-00	.GASKET, cap	1	
22	98506-05010	.SCREW, pan head	1	

3MW3351-2230

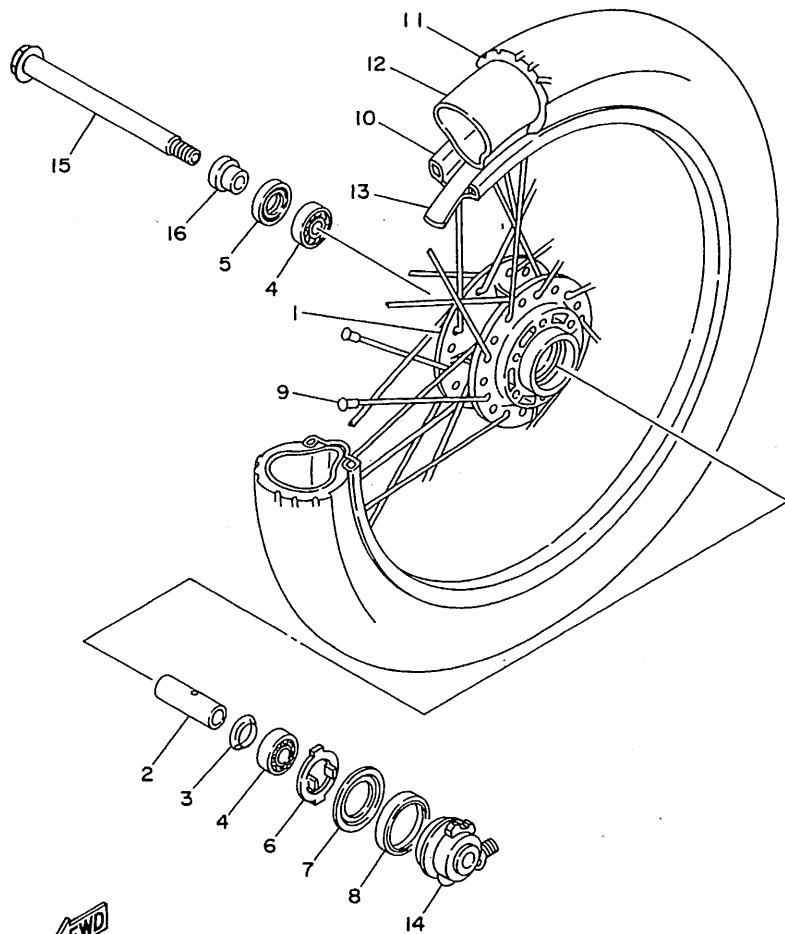
FIG. 24 SEAT

REF. NO.	PART NO.	DESCRIPTION	Q'TY	REMARKS
1	3MW-24730-00	DOUBLE SEAT ASSY	1	
2	3MW-24731-00	.COVER, seat	1	
3	97011-06025	BOLT	2	
4	92990-06100	WASHER, spring	2	
5	92901-06600	WASHER, plate	2	
6	95303-06600	NUT	2	
7	92990-06600	WASHER, plate	2	
8	90387-08564	COLLAR	2	
9	55E-21308-00	HELMET HANGER ASSY	1	
10	90151-06014	SCREW, countersunk	1	



5H0110-0260

C14



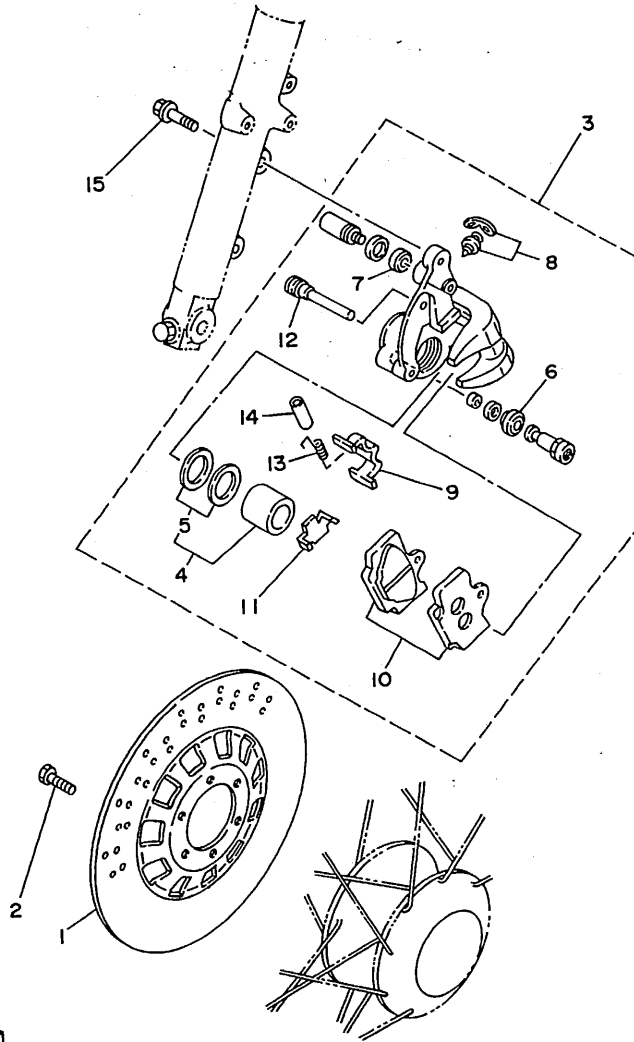
3MW3351-2250

FIG. 25 FRONT WHEEL

REF. NO.	PART NO.	DESCRIPTION	Q'TY	REMARKS
1	2UJ-25111-00-38	HUB, front	1	CLEAR (WITH BUFF)
2	90560-15161	SPACER	1	
3	146-25115-00	FLANGE, spacer 1	1	
4	93306-30203	BEARING (B6302Z)	2	
5	93102-22014	OIL SEAL	1	
6	341-25149-00	CLUTCH, meter	1	
7	341-25846-00	RETAINER, clutch	1	
8	93105-45017	OIL SEAL	1	
9	3MW-25104-00	SPOKE SET, front	1	
10	94416-17507	RIM (1.60-17)	1	
11	94130-174E0	TIRE (3.00-17)	1	UR YOKOHAMA
	94130-17455	TIRE (3.00-17)	1	UR INOUE
12	94227-17106	TUBE (2.75-17)	1	INOUE
13	94332-17112	BAND, rim (3.25-17)	1	INOUE
14	1WG-25190-00	GEAR UNIT ASSY	1	
15	3M5-25181-00	AXLE, wheel	1	
16	90387-154E0	COLLAR	1	



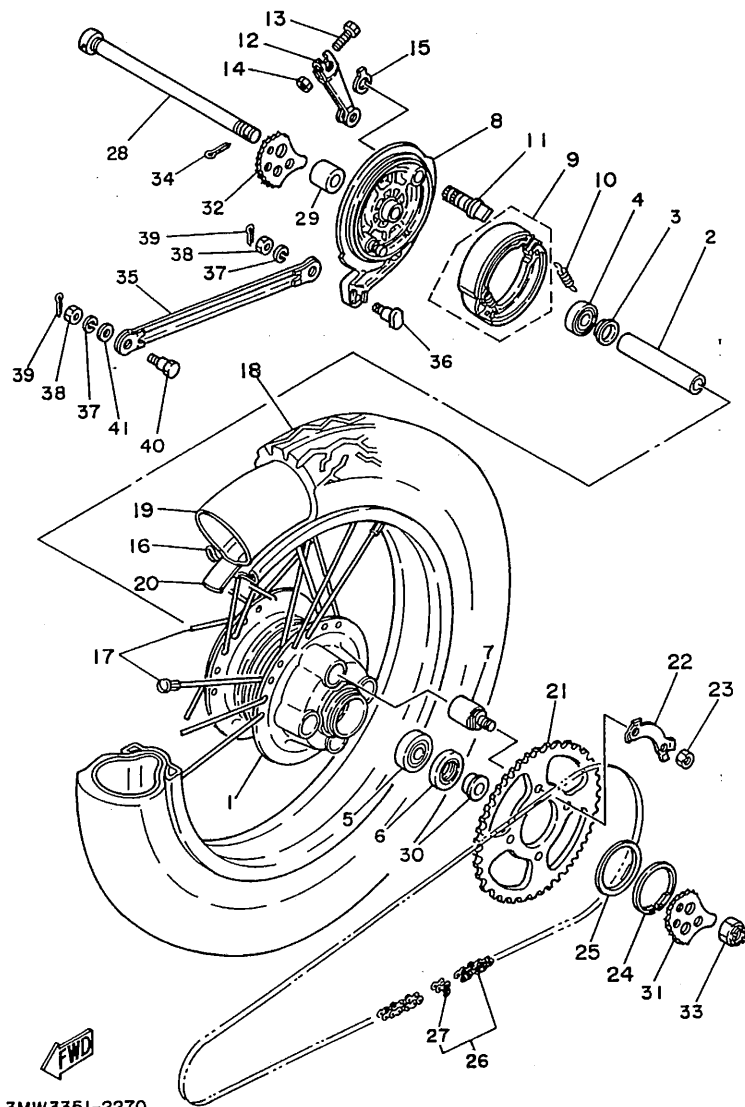
FIG. 26 FRONT BRAKE CALIPER



REF. NO.	PART NO.	DESCRIPTION	Q'TY	REMARKS
1	3MW-2582U-00	DISC, brake (RIGHT)	1	
2	90109-08718	BOLT	6	
3	3MW-2580U-00	CALIPER ASSY (RIGHT)	1	
4	2JK-W0057-00	.PISTON ASSY, caliper	1	
5	2JK-W0047-00	..CALIPER SEAL KIT	1	
6	5R2-25937-00	.BOOT 2	1	
7	4X8-25917-00	.BOOT, caliper	1	
8	51L-W0048-00	.BREED SCREW KIT	1	
9	11H-25919-00	.SUPPORT, pad	1	
10	3MW-W0045-00	.BRAKE PAD KIT	1	
11	11U-25827-00	.SHIM, caliper	1	
12	34L-25924-00	.PIN, pad	1	
13	29L-25936-00	.SPRING	1	
14	29L-25935-00	.COVER, spring	1	
15	90105-10634	BOLT, washer based	2	

3MW3351-2260

D2



3MW3351-2270

FIG. 27 REAR WHEEL

REF. NO.	PART NO.	DESCRIPTION	Q'TY	REMARKS
1	3MW-25311-00-38	HUB, rear	1	CLEAR (WITH BUFF)
2	90560-15313	SPACER	1	
3	146-25116-00	FLANGE, spacer 2	1	
4	93306-20224	BEARING	1	
5	93306-30203	BEARING (B6302Z)	1	
6	93102-22014	OIL SEAL	1	
7	2R7-25364-00	DAMPER	4	
8	5H0-25321-00-38	PLATE, brake shoe	1	CLEAR (WITH BUFF)
9	2JL-W2536-01	BRAKE SHOE SET	1	
10	90506-18288	SPRING, tension	2	
11	3Y6-25351-00	CAMSHAFT	1	
12	5H0-25355-00	LEVER, camshaft	1	
13	90101-06278	BOLT	1	
14	95303-06600	NUT	1	
15	3Y6-2533A-01	PLATE, indicator	1	
16	94418-16506	RIM (1.85-16)	1	
17	3MW-25304-00	SPOKE SET, rear	1	
18	94135-16456	TIRE (3.50-16)	1	UR INOUE
	94135-16453	TIRE (3.50-16)	1	UR YOKOHAMA
19	94232-16166	TUBE (3.25-16)	1	INOUE
20	94330-16058	BAND, rim (3.00-16)	1	INOUE
21	5H0-25449-11	SPROCKET, driven (49T)	1	
22	5H0-25412-00	WASHER	2	
23	90170-10219	NUT	4	
24	93410-52034	CIRCLIP	1	
25	90201-543E4	WASHER, plate	1	
26	94580-33120	CHAIN, drive (DID428DS-120L)	1	
27	94680-33001	.JOINT, chain (D.I.D.428DS)	1	

D3

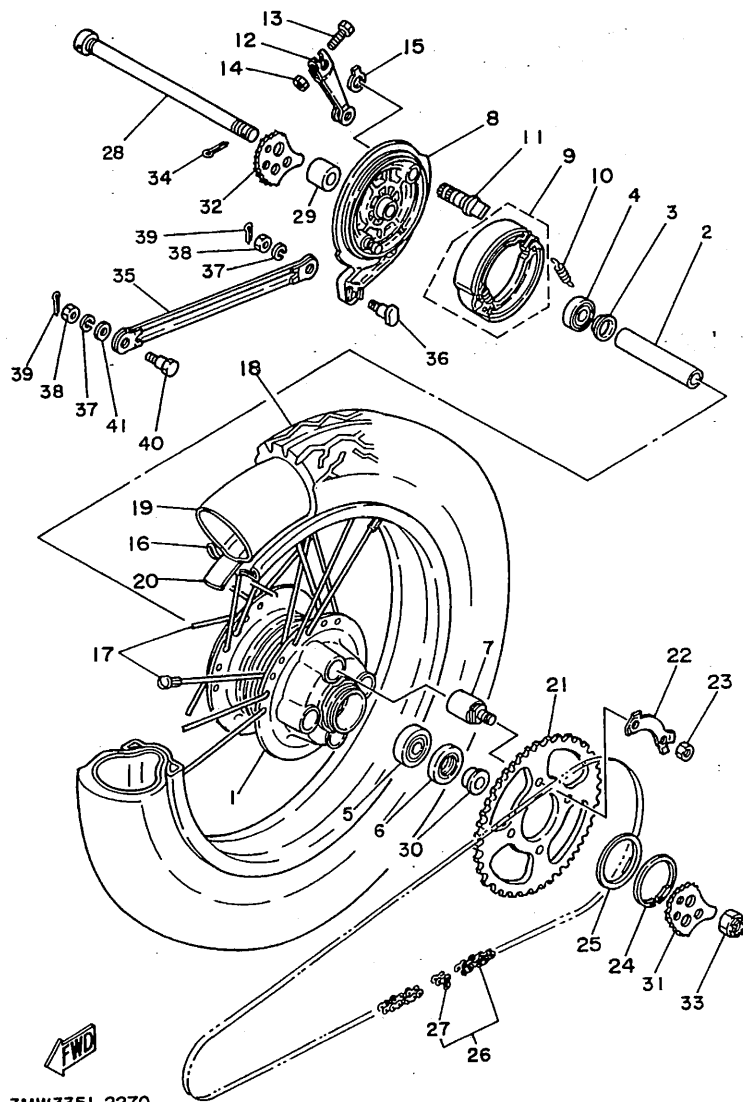


FIG. 27 REAR WHEEL

REF. NO.	PART NO.	DESCRIPTION	Q'TY	REMARKS
28	5H0-25381-00	AXLE, wheel	1	
29	90387-154E0	COLLAR	1	
30	90387-154E1	COLLAR	1	
31	5H0-25388-00	PULLER, chain 1	1	
32	5H0-25389-00	PULLER, chain 2	1	
33	90171-14020	NUT, castle	1	
34	91401-30030	PIN, cotter	1	
35	451-25371-01	BAR, tension	1	
36	90109-08620	BOLT	1	
37	92990-08100	WASHER, spring	2	
38	95303-08700	NUT	2	
39	91490-20020	PIN, cotter	2	
40	90109-08368	BOLT	1	
41	92901-08600	WASHER, plate	2	

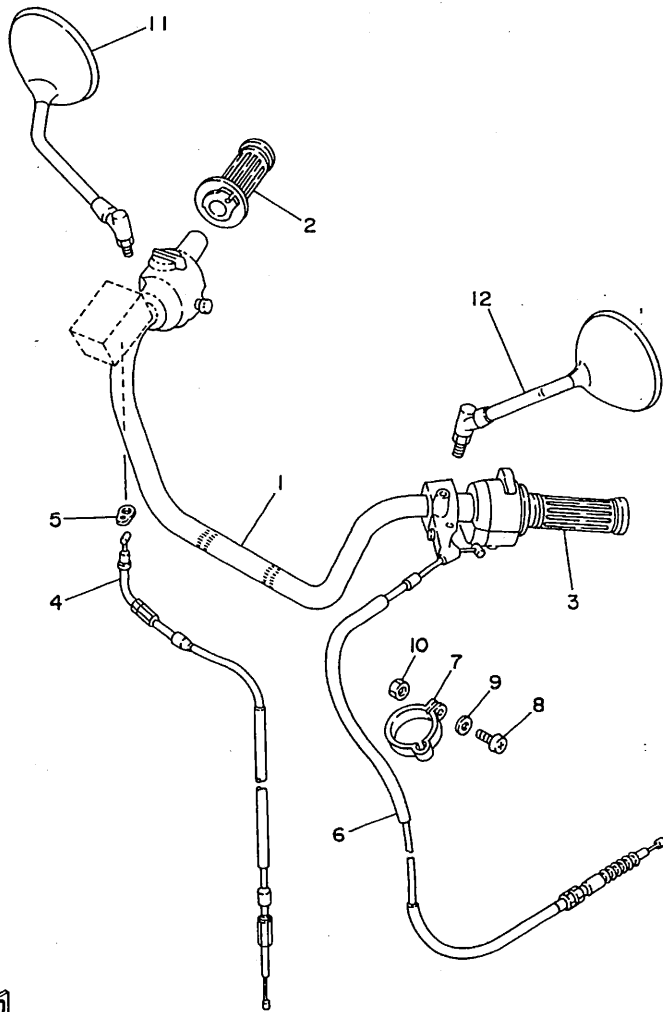


FIG. 28 STEERING HANDLE. CABLE

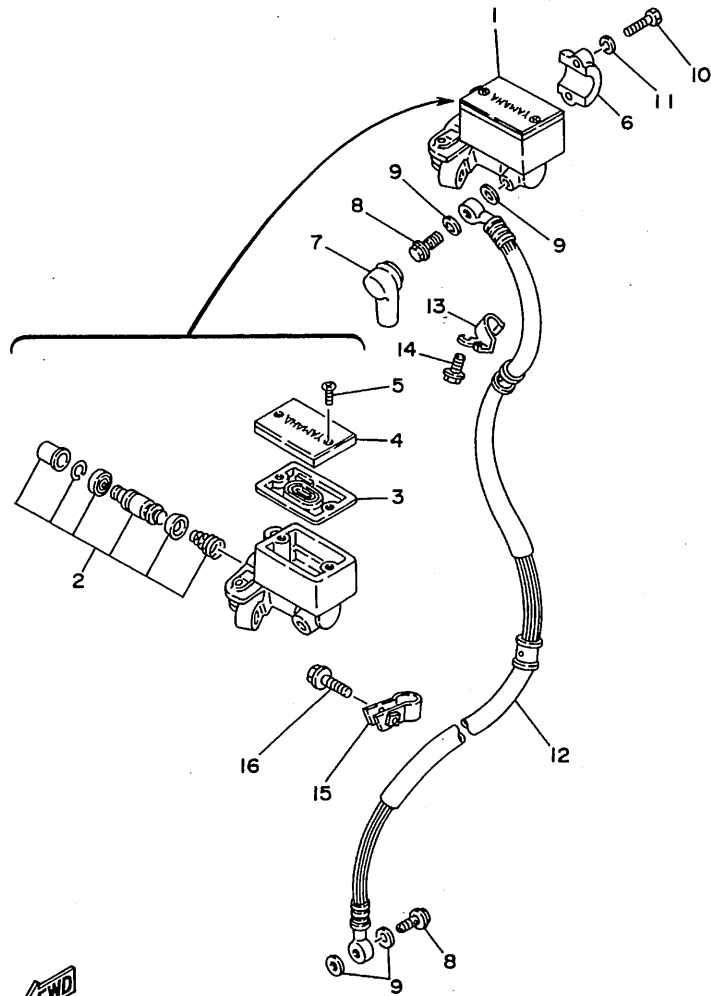
REF. NO.	PART NO.	DESCRIPTION	Q'TY	REMARKS
1	4G0-26111-00	HANDLEBAR	1	
2	2H7-26240-00	GRIP ASSY	1	
3	2H7-26241-00	GRIP (LEFT)	1	
4	3MW-26311-00	CABLE, throttle 1	1	
5	584-26393-02	HOLDER	1	
6	3MW-26335-00	CABLE, clutch	1	
7	3Y6-26397-00	BAND	1	
8	98501-05016	SCREW, pan head	1	
9	92901-05600	WASHER, plate	1	
10	95303-05600	NUT	1	
11	1J7-26290-G0	BACK MIRROR AASY (RIGHT)	1	
12	1J7-26290-F0	BACK MIRROR ASSY (LEFT)	1	



3MW3351-2280

D5

FIG. 29 FRONT MASTER CYLINDER

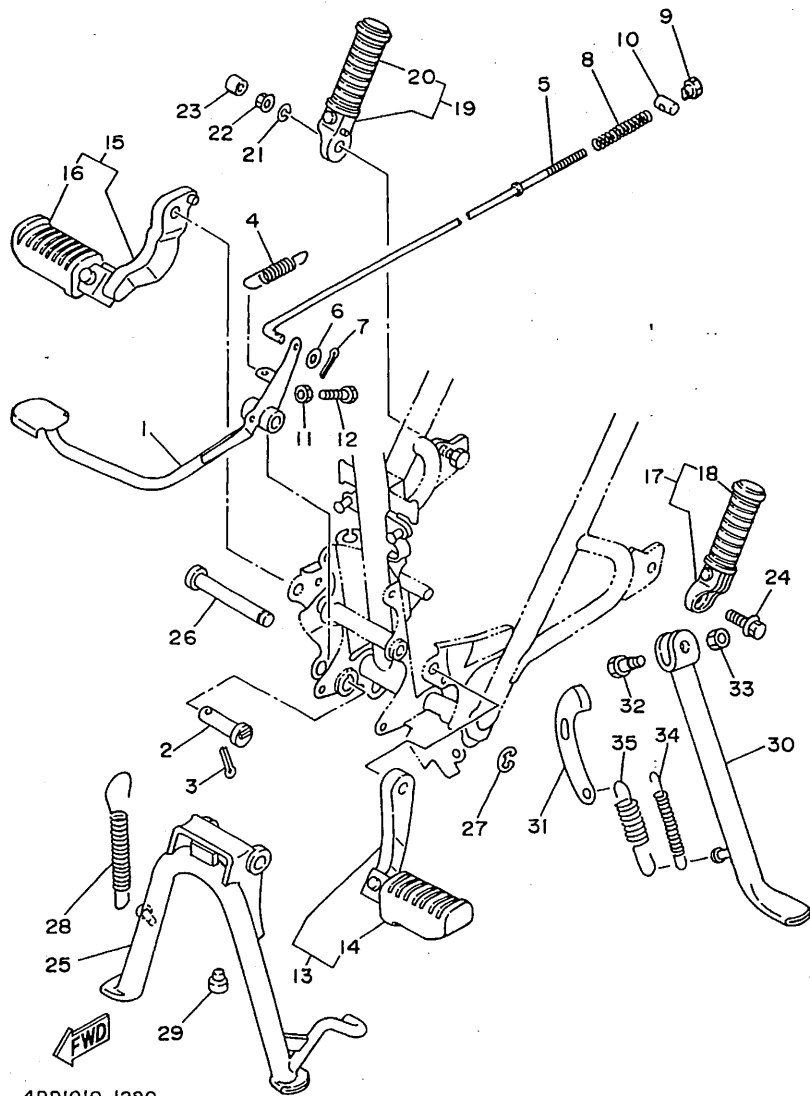


REF. NO.	PART NO.	DESCRIPTION	Q'TY	REMARKS
1	2RJ-25870-00	MASTER CYLINDER SUB ASSY	1	
2	23L-W0041-00	.CYLINDER KIT, master	1	
3	4L0-25854-00	.DIAPHRAGM, reservoir	1	
4	4H7-25852-00	.CAP, reservoir	1	
5	98706-04012	.SCREW, flat head	2	
6	4L0-25867-00	BRACKET, master cylinder	1	
7	4L0-25862-00	BOOT, master cylinder	1	
8	90401-10096	BOLT, union	2	
9	90201-10118	WASHER, plate	4	
10	97016-06025	BOLT	2	
11	92906-06100	WASHER, spring	2	
12	3MW-25872-00	HOSE, brake 1	1	
13	3DM-25886-00	HOLDER, brake hose	1	
14	90119-06203	BOLT, with washer	1	
15	3MW-25876-01	HOLDER, brake hose 2	1	
16	95811-06025	BOLT, flange	1	



3MW3351-2290

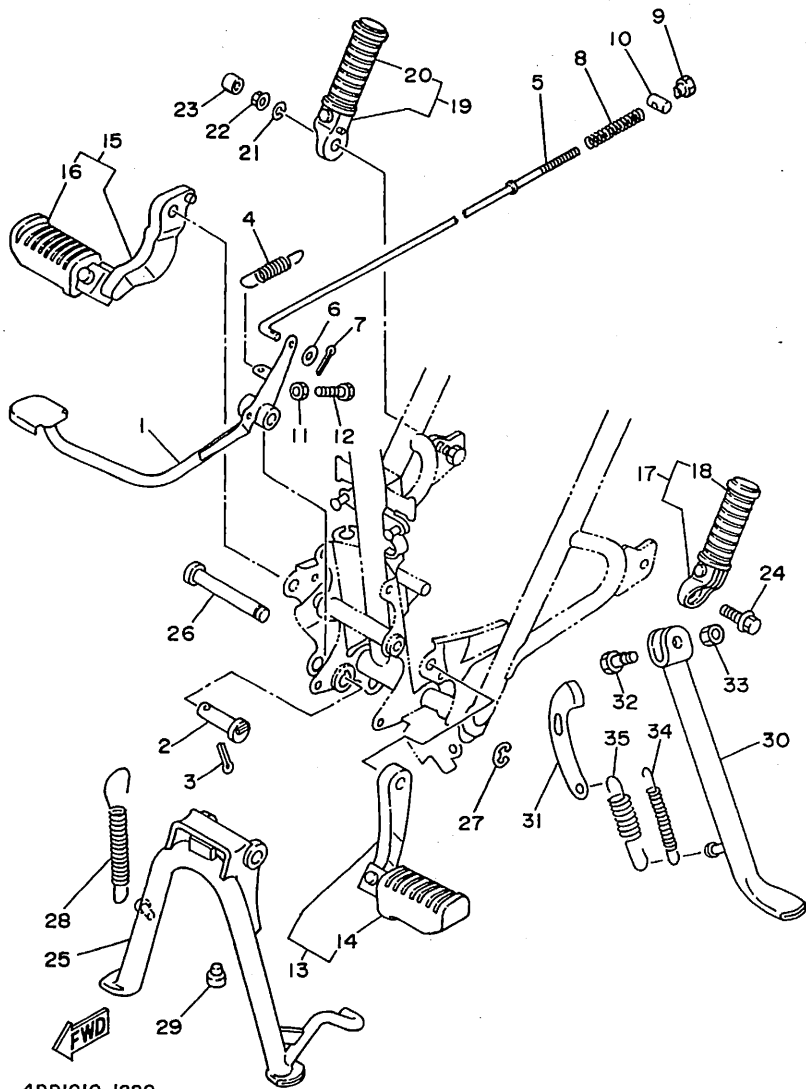
D6



4DD1010-1280

FIG. 30 STAND. FOOTREST

REF. NO.	PART NO.	DESCRIPTION	Q'TY	REMARKS
1	5H0-27211-00-93	PEDAL, brake	1	CHROME MEKKI
2	5H0-27212-00	SHAFT, brake pedal	1	
3	91401-30030	PIN, cotter	1	
4	90506-20115	SPRING, tension	1	
5	3Y6-27231-00	ROD, brake	1	
6	92901-06200	WASHER, plain	1	
7	91490-20020	PIN, cotter	1	
8	90501-10245	SPRING, compression	1	
9	90179-06176	NUT	1	
10	90249-12008	PIN	1	
11	90170-06184	NUT	1	
12	90101-06410	BOLT	1	
13	5H0-27410-00-R4	FRONT FOOTREST ASSY (LEFT)	1	BLACK (FOR ELECTRODEPOSIT)
14	5H0-27413-00	.COVER, footrest	1	
15	5H0-27420-00-R4	FRONT FOOTREST ASSY (RIGHT)	1	BLACK (FOR ELECTRODEPOSIT)
16	5H0-27413-00	.COVER, footrest	1	
17	5H0-27430-00	REAR FOOTREST ASSY 1	1	
18	120-27433-00	.COVER, rear footrest	1	
19	5H0-27440-00	REAR FOOTREST ASSY 2	1	
20	120-27433-00	.COVER, rear footrest	1	
21	92901-10100	WASHER, spring	1	
22	95701-10500	NUT, flange	1	
23	262-21399-00	CAP	1	
24	95821-10016	BOLT, flange	1	
25	5H0-27111-00-R4	STAND, main	1	BLACK (FOR ELECTRODEPOSIT)
26	5H0-27112-00	SHAFT, main stand	1	
27	93430-12008	CIRCLIP	1	
28	90506-40268	SPRING, tension	1	



4DDI010-1280

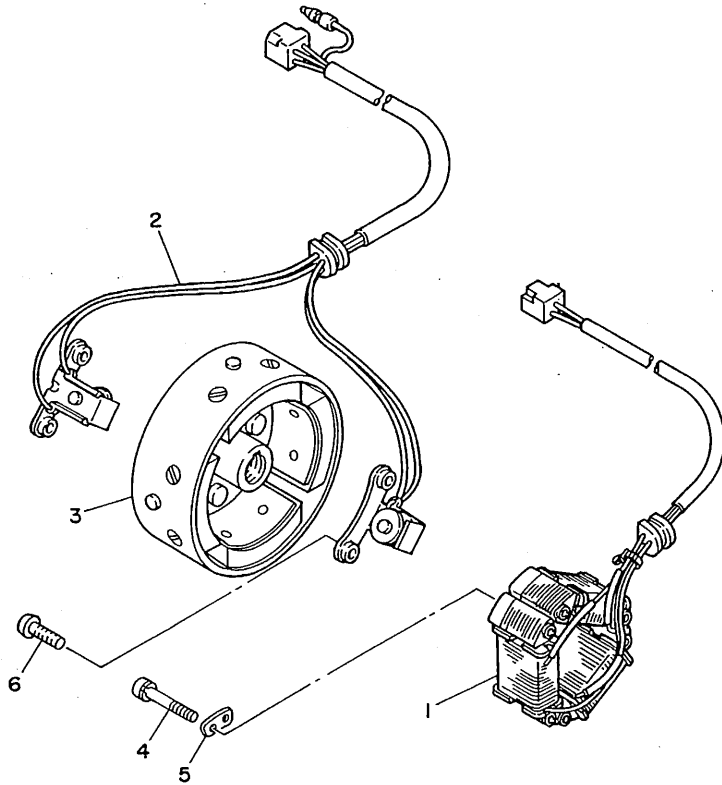
FIG. 30 STAND. FOOTREST

REF. NO.	PART NO.	DESCRIPTION	Q'TY	REMARKS
29	371-27114-00	STOPPER, main stand	1	
30	5H0-27311-00-R4	STAND, side	1	BLACK (FOR ELECTRODEPOSIT)
31	5H0-27315-00	LINK, side stand	1	
32	90109-08032	BOLT	1	
33	90185-08055	NUT, self-locking	1	
34	90506-18224	SPRING, tension	1	
35	90506-26225	SPRING, tension	1	

D8

FIG. 31 GENERATOR

REF. NO.	PART NO.	DESCRIPTION	Q'TY	REMARKS
1	5HO-81410-M0	STATOR ASSY	1	
2	5HO-85580-M0	COIL, pulser	1	
3	5HO-81350-M0	ROTOR ASSY	1	
4	90159-04041	SCREW, with washer	6	
5	5HO-81539-M0	PLATE, coil	3	
6	98501-06020	SCREW, pan head	4	



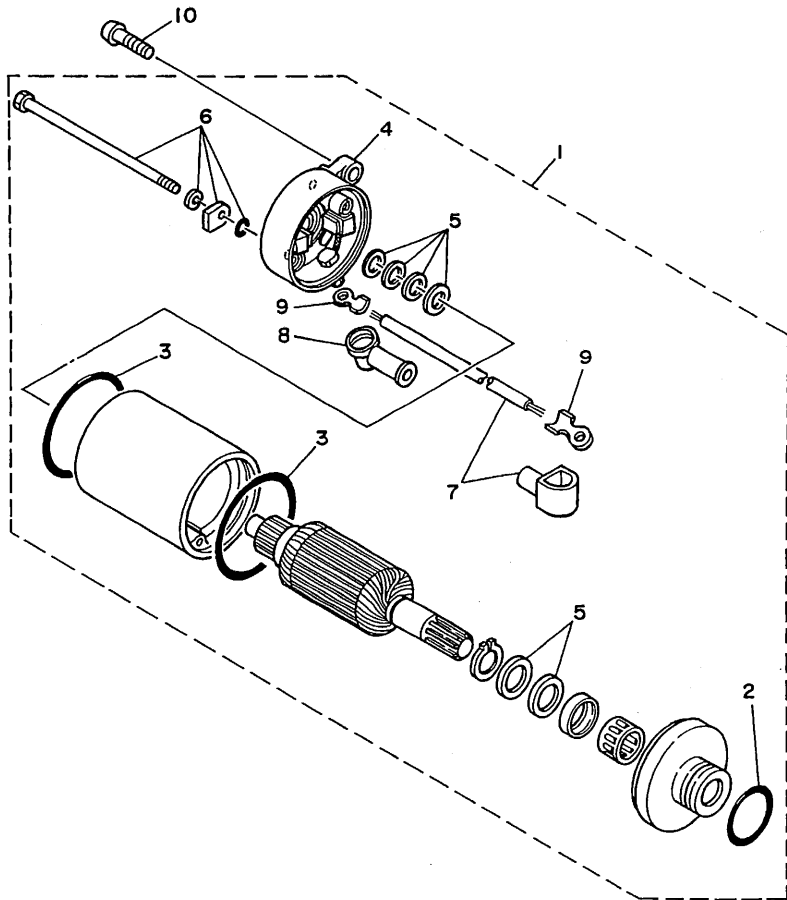
3MW3351-2310

D9



FIG. 32 STARTING MOTOR

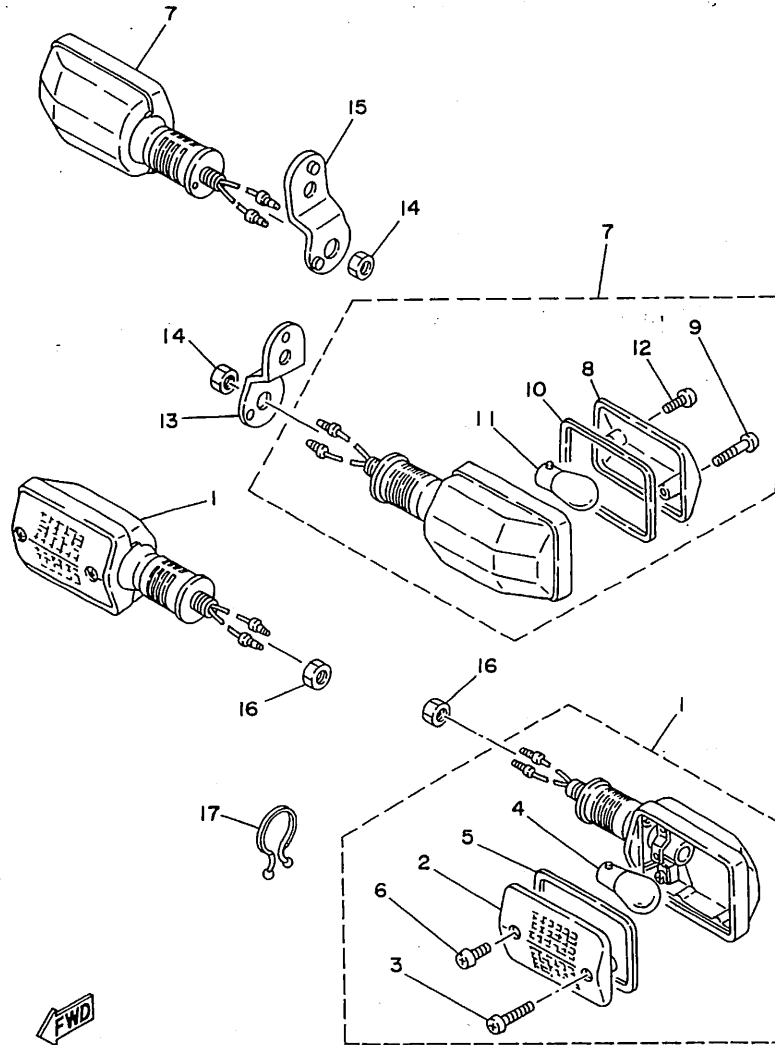
REF. NO.	PART NO.	DESCRIPTION	Q'TY	REMARKS
1	5HO-81800-61	STARTING MOTOR ASSY	1	
2	5HO-81847-01	.O-RING	1	
3	5HO-81844-01	.GASKET	2	
4	5HO-81820-01	.REAR BRACKET ASSY	1	
5	5HO-81809-00	.WASHER KIT	1	
6	5HO-81826-00	.BOLT	1	
7	5HO-81815-00	.CORD, starter motor	1	
8	5HO-81871-00	.CAP	1	
9	5HO-81818-00	.BLUSH AND BOLT	1	
10	98501-06025	SCREW, pan head	1	



3MW1351-9300

D10

FIG. 33 FLASHER LIGHT

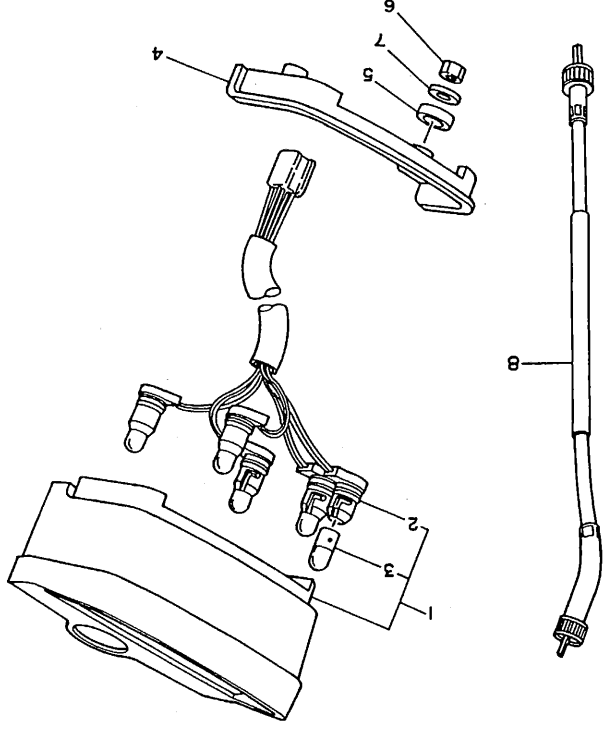


REF. NO.	PART NO.	DESCRIPTION	Q'TY	REMARKS
1	3MW-83310-10	FRONT FLASHER LIGHT ASSY 1	2	
2	5Y1-83312-00	.LENS, flasher	1	
3	97706-40530	.SCREW, tapping	1	
4	306-83311-40	.BULB, flasher (12V-21W)	1	
5	5Y1-83313-00	.GASKET, flasher lens	1	
6	98511-04012	.SCREW, pan head	1	
7	3MW-83330-00	REAR FLASHER LIGHT ASSY 1	2	
8	5Y1-83312-00	.LENS, flasher	1	
9	97706-40530	.SCREW, tapping	1	
10	5Y1-83313-00	.GASKET, flasher lens	1	
11	306-83311-40	.BULB, flasher (12V-21W)	1	
12	98511-04012	.SCREW, pan head	1	
13	5H0-83318-00	STAY, flasher 1	1	
14	95311-12700	NUT	2	
15	5H0-83328-00	STAY, flasher 2	1	
16	95311-12700	NUT	2	
17	90464-23041	CLAMP	1	

3MW3351-2330

FIG. 34 METER

REF. NO.	PART NO.	DESCRIPTION	Q'TY	REMARKS
1	5U0-83510-F0-FF	SPEEDOMETER ASSY	1	UR GLITTERING BLACK
1	5U0-83510-F0-TK	SPEEDOMETER ASSY	1	UR CAMELLIA GREEN
2	5H0-83536-00	.SOCKET, meter	1	
3	4G1-84744-00	.BULB (12V-3.4W)	5	
4	5H0-83541-00	DAMPER	1	
5	5H0-83592-00	DAMPER	2	
6	95303-06600	NUT	2	
7	90201-06057	WASHER, plate	2	
8	3M0-83550-00	SPEEDOMETER CABLE ASSY	1	



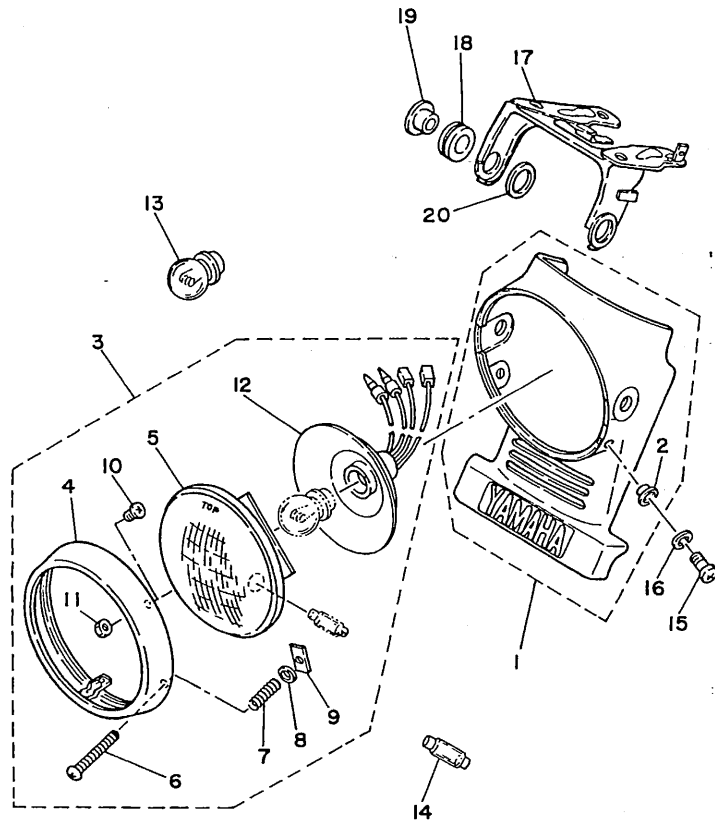
3M0-83550-2340



D12

U-12

FIG. 35 HEADLIGHT (FRENCH SPEC.)



REF. NO.	PART NO.	DESCRIPTION	Q'TY	REMARKS
1	5H0-84330-00-FF	BODY ASSY	1	UR GLITTERING BLACK
	5H0-84330-00-TK	BODY ASSY	1	UR CAMELLIA GREEN
2	1L9-84327-60	.WASHER, special	2	
3	10F-84303-20	HEADLIGHT UNIT ASSY	1	
4	5H0-84315-00	.RIM, headlight	1	
5	10F-84320-20	.LENS ASSY	1	
6	2H7-84331-00	.SCREW, rim adjusting	2	
7	1L9-84332-60	.SPRING, screw	2	
8	1L9-84327-60	.WASHER, special	2	
9	1L9-84334-60	.NUT, adjusting	2	
10	98501-05012	.SCREW, pan head	1	
11	25G-84326-H0	.NUT	1	
12	10F-84340-20	.SOCKET CORD ASSY 1	1	
13	*	BULB (12V-36/36W)	1	LM
14	*	BULB (12V-4W)	1	LM
15	98580-05016	SCREW, pan head	2	
16	92901-05100	WASHER, spring	2	
17	5H0-84318-00	STAY, headlight 1	1	
18	5H0-84336-00	DAMPER, headlight	2	
19	5H0-84338-00	COLLAR, body fitting	2	
20	90201-12195	WASHER, plate	2	

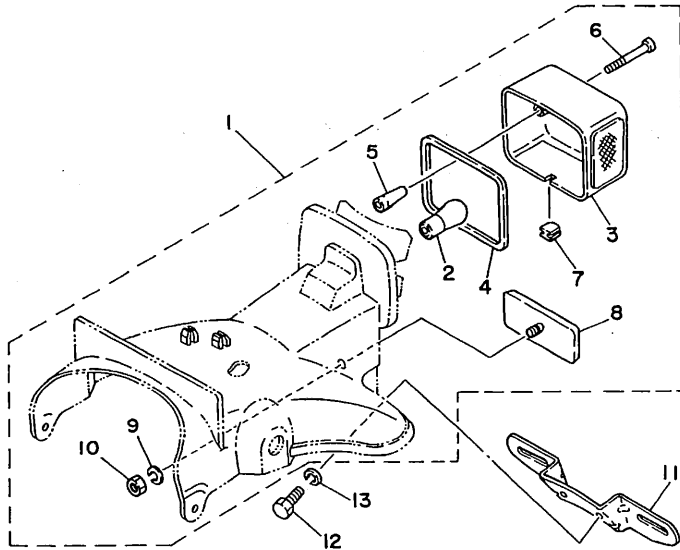


10F351-1330

D13

FIG. 36 TAILLIGHT

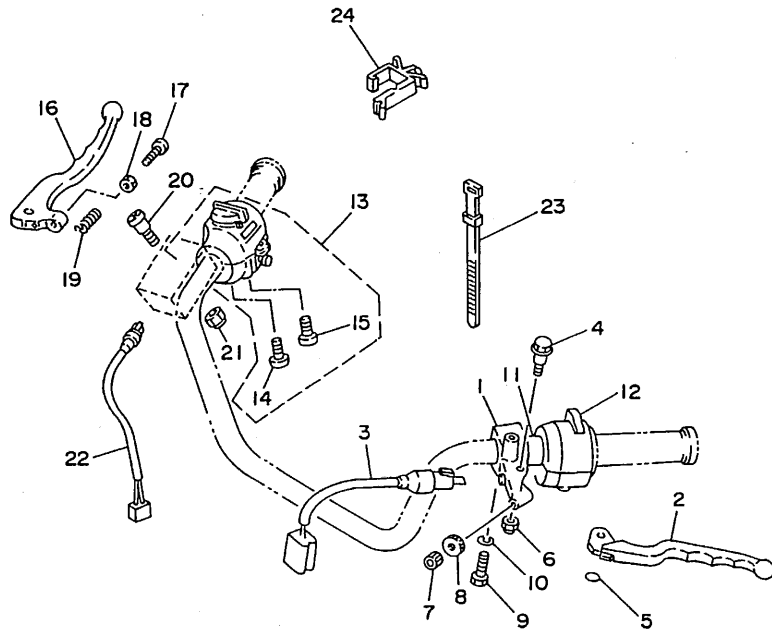
REF. NO.	PART NO.	DESCRIPTION	Q'TY	REMARKS
1	10F-84700-21-FF	TAILLIGHT ASSY	1	UR GLITTERING BLACK
	10F-84700-21-TK	TAILLIGHT ASSY	1	UR CAMELLIA GREEN
2	31L-84714-00	.BULB, taillight (12V-21/5W)	1	
3	1M8-84521-40	.LENS, taillight	1	
4	3Y1-84545-00	.GASKET, lens	1	
5	5H0-84729-00	.SPACER	2	
6	3Y1-84524-00	.SCREW, lens fitting	2	
7	1A2-84718-40	.GROMMET	1	
8	3Y6-85130-02	.REAR REFLECTOR ASSY	1	
9	92990-05100	.WASHER, spring	1	
10	95303-05600	.NUT	1	
11	5N0-84751-00	BRACKET, license	1	
12	97016-06016	BOLT	2	
13	92906-06100	WASHER, spring	2	



10F310-1340

**D14**

FIG. 37 HANDLE SWITCH. LEVER



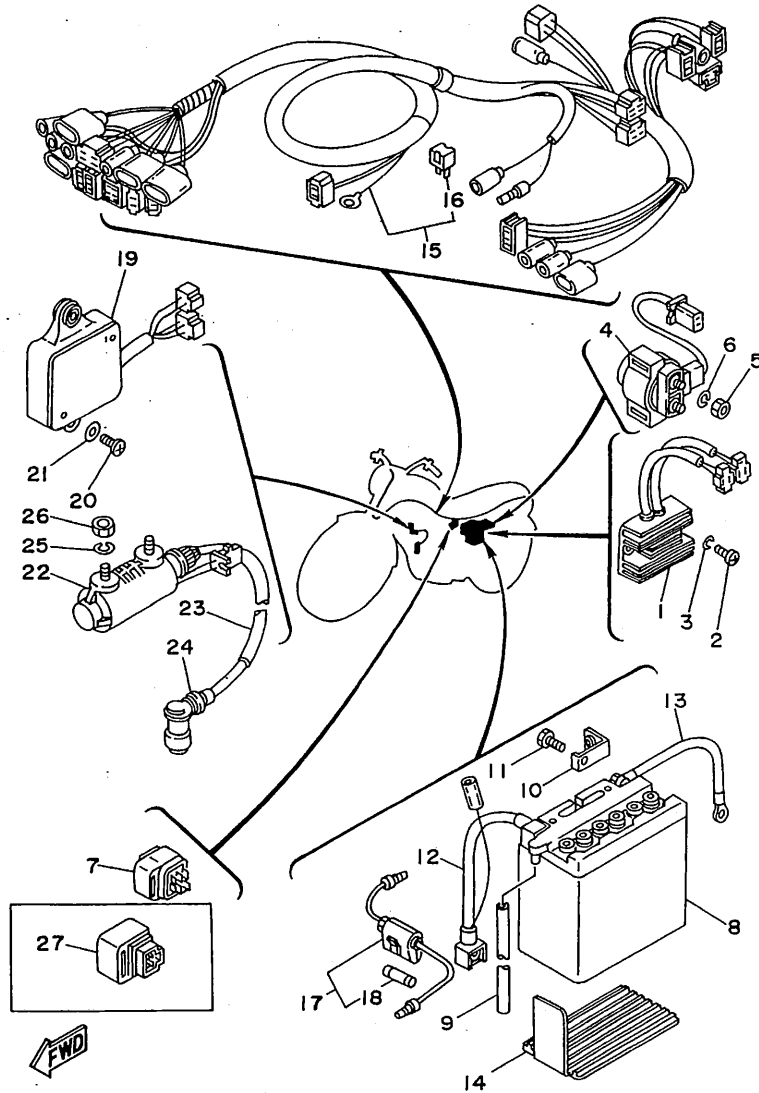
REF. NO.	PART NO.	DESCRIPTION	Q'TY	REMARKS
1	11U-82911-00	HOLDER, lever 1	1	
2	1AA-83912-00	LEVER 1	1	
3	3MW-82917-00	SWITCH	1	
4	90109-06799	BOLT	1	
5	93210-11368	O-RING	1	
6	95616-06100	NUT, u	1	
7	90123-08046	BOLT	1	
8	90179-08148	NUT	1	
9	97011-06025	BOLT	1	
10	92906-06100	WASHER, spring	1	
11	90387-22591	COLLAR	1	
12	3MW-83973-00	SWITCH, handle 3	1	
13	3MW-83963-00	SWITCH, handle 3 (RIGHT)	1	
14	98506-05030	.SCREW, pan head	1	
15	98506-05040	.SCREW, pan head	1	
16	2W1-83922-00	LEVER 2	1	
17	90149-06153	SCREW	1	
18	90170-06010	NUT	1	
19	90501-10312	SPRING, compression	1	
20	90109-06577	BOLT	1	
21	95601-06100	NUT, u	1	
22	3MW-83980-00	FRONT STOP SWITCH ASSY	1	
23	437-83936-01	BAND, switch cord	2	
24	90464-16025	CLAMP	2	



3MW3351-2370

D15

FIG. 38 ELECTRICAL 1



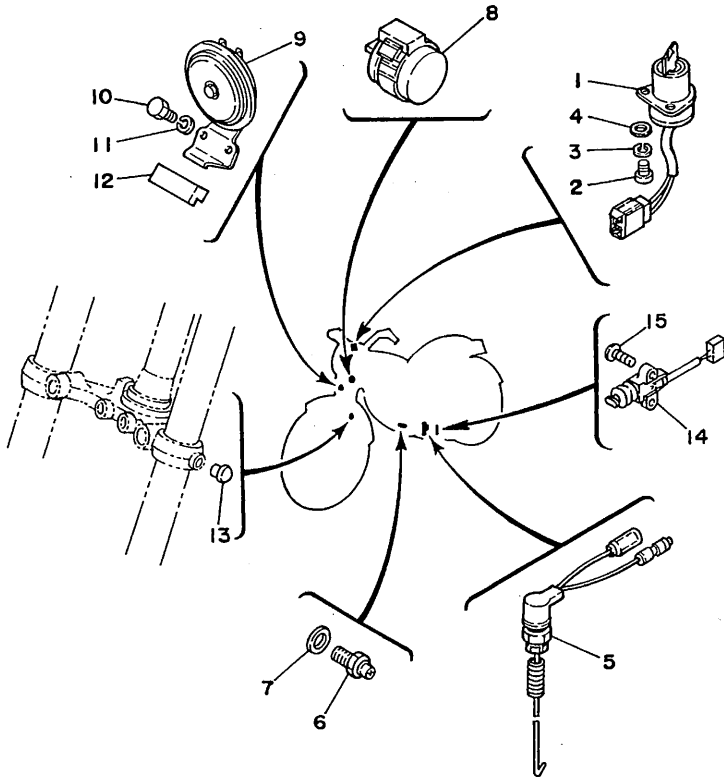
3MW3351-2380

REF. NO.	PART NO.	DESCRIPTION	Q'TY	REMARKS
1	5H0-81960-A0	RECTIFIER & REGULATOR ASSY	1	
2	98502-06016	SCREW, pan head	2	
3	92990-06600	WASHER, plate	2	
4	3AY-81940-00	STARTER RELAY ASSY	1	
5	95303-06700	NUT	2	
6	92990-06100	WASHER, spring	2	
7	12R-81950-01	RELAY ASSY	1	
8	165-82110-61	BATTERY ASSY (12N7-3B-1,GS)	1	
9	90445-08045	HOSE	1	
10	5G2-82103-00	TERMINAL 1	2	
11	90153-06032	SCREW, hexagon	2	
12	5H0-82115-00	WIRE, plus lead	1	
13	5H0-82116-00	WIRE, minus lead	1	
14	5H0-82122-00	SEAT, battery	1	
15	3MW-82590-10	WIRE HARNESS ASSY	1	
16	3WP-81980-00	.RECTIFIER 2	1	
17	2UJ-82150-01	FUSE HOLDER ASSY	1	
18	148-82151-00	.FUSE (20A)	1	
19	5H0-82305-M0	IGNITOR UNIT ASSY	1	
20	98980-06020	SCREW, bind	2	
21	90201-06067	WASHER, plate	2	
22	3Y6-82310-60	IGNITION COIL ASSY	1	
23	4X7-82341-00	CORD, high tension 1	1	
24	55X-82370-00	PLUG CAP ASSY	1	
25	92990-06100	WASHER, spring	2	
26	95303-06600	NUT	2	
27	4U8-81950-02	RELAY ASSY	1	FOR SIDE STAND

**E2**

FIG. 39 ELECTRICAL 2

REF. NO.	PART NO.	DESCRIPTION	Q'TY	REMARKS
1	5H0-82508-00	MAIN SWITCH ASSY	1	
2	98580-04010	SCREW, pan head	2	
3	92902-04100	WASHER, spring	2	
4	92901-04600	WASHER, plate	2	
5	3J0-82530-02	STOP SWITCH ASSY	1	
6	2H7-82540-00	NEUTRAL SWITCH ASSY	1	
7	90430-10171	GASKET	1	
8	3Y8-83350-20	FLASHER RELAY ASSY	1	
9	10F-83371-00	HORN	1	
10	97003-06012	BOLT	2	
11	92990-06100	WASHER, spring	2	
12	360-21717-01	DAMPER, side cover	1	
13	90338-04010	PLUG	2	
14	5H0-82566-00	SWITCH, side stand	1	
15	90152-05020	SCREW, countersunk	2	



3MW3351-2390

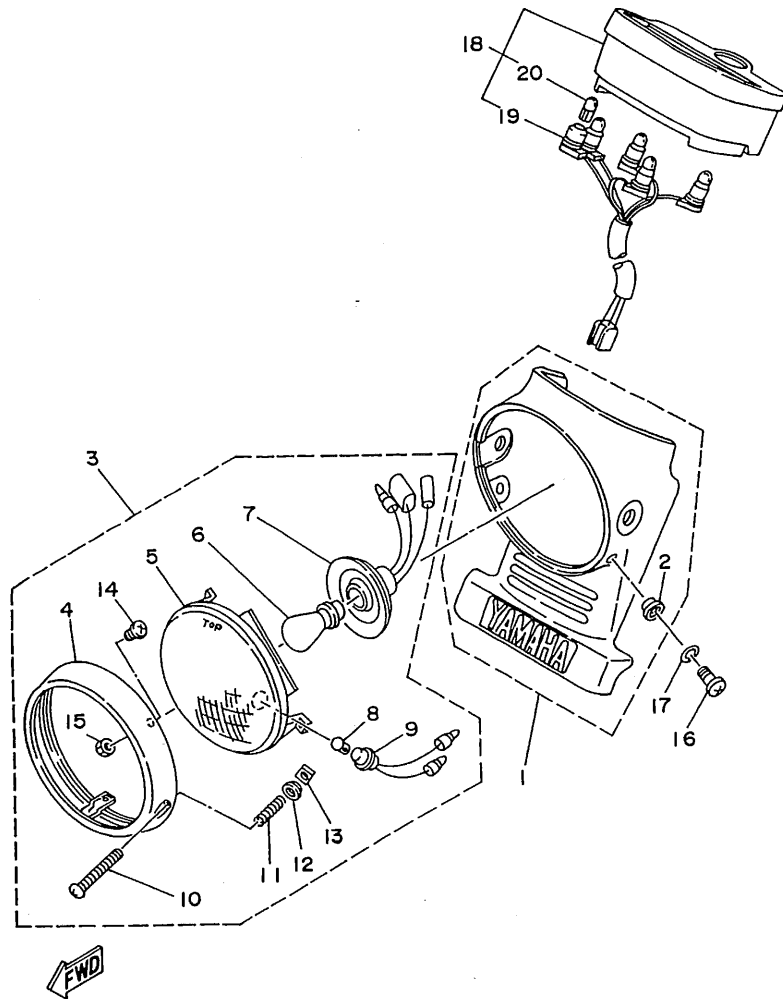
E3



# FOR ENGLAND

The following pages provides a listing of only the parts that meet the specifications peculiar to your market. For those parts not appearing in these pages, refer to the "GENERAL SPEC" section.

FIG. 40 ALTERNATE(ELECTRICAL)



REF. NO.	PART NO.	DESCRIPTION	Q'TY	REMARKS
1	5H0-84330-00-FF	BODY ASSY	1	UR GLITTERING BLACK
	5H0-84330-00-TK	BODY ASSY	1	UR CAMELLIA GREEN
2	1L9-84327-60	.WASHER, special	2	
3	5N0-84310-00	HEADLIGHT UNIT ASSY	1	
4	5H0-84315-00	.RIM, headlight	1	
5	5N0-84320-00	.LENS ASSY	1	
6	851-84314-00	.BULB (12V-35/35W)	1	
7	5N0-84350-00	.SOCKET CORD ASSY 2	1	
8	123-83516-21	.BULB (12V-3.4W)	1	
9	5N0-84340-00	.SOCKET CORD ASSY 1	1	
10	2H7-84331-00	.SCREW, rim adjusting	2	
11	1L9-84332-60	.SPRING, screw	2	
12	1L9-84327-60	.WASHER, special	2	
13	1L9-84334-60	.NUT, adjusting	2	
14	98501-05012	.SCREW, pan head	1	
15	25G-84326-H0	.NUT	1	
16	98580-05016	SCREW, pan head	2	
17	92901-05100	WASHER, spring	2	
18	3MW-83510-00-FF	SPEEDOMETER ASSY	1	UR GLITTERING BLACK
	3MW-83510-00-TK	SPEEDOMETER ASSY	1	UR CAMELLIA GREEN
19	5H0-83536-00	.SOCKET, meter	1	
20	4G1-84744-00	.BULB (12V-3.4W)	5	

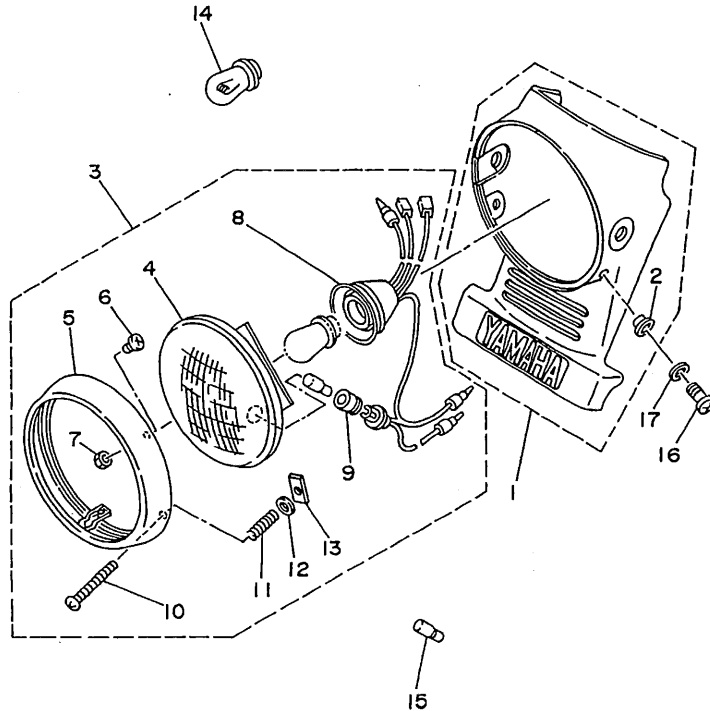
3MW3300-2400

E5

# FOR OTHER COUNTRIES

The following pages provides a listing of only the parts that meet the specifications peculiar to your market. For those parts not appearing in these pages, refer to the "GENERAL SPEC" section.

FIG. 41 ALTERNATE(ELECTRICAL)



REF. NO.	PART NO.	DESCRIPTION	Q'TY	REMARKS
1	5H0-84330-00-FF	BODY ASSY	1	UR GLITTERING BLACK
	5H0-84330-00-TK	BODY ASSY	1	UR CAMELLIA GREEN
2	1L9-84327-60	.WASHER, special	2	
3	10G-84303-40	HEADLIGHT UNIT ASSY	1	
4	10G-84320-40	.LENS ASSY	1	
5	5H0-84315-00	.RIM, headlight	1	
6	98501-05012	.SCREW, pan head	1	
7	25G-84326-H0	.NUT	1	
8	10G-84340-40	.SOCKET CORD ASSY 1	1	
9	10G-84354-00	.GROMMET	1	
10	2H7-84331-00	.SCREW, rim adjusting	2	
11	1L9-84332-60	.SPRING, screw	2	
12	1L9-84327-60	.WASHER, special	2	
13	1L9-84334-60	.NUT, adjusting	2	
14	*	BULB (12V-35/35W)	1	LM
15	*	BULB (12V-4W)	1	LM
16	98580-05016	SCREW, pan head	2	
17	92901-05100	WASHER, spring	2	



3MW3300-2410

E7

# **INDEX**

**(GENERAL SPEC.)**









# **INDEX**

**(INDIVIDUAL SPEC.)**

NUMERICAL INDEX

PART NO.	GRID NO.	PART NO.	GRID NO.	PART NO.	GRID NO.	PART NO.	GRID NO.	PART NO.	GRID NO.
3MW-83510-00-FF	E- 5								
3MW-83510-00-TK	E- 5								
123-83516-21	E- 5								
5HO-83536-00	E- 5								
10G-84303-40	E- 7								
5NO-84310-00	E- 5								
851-84314-00	E- 5								
5HO-84315-00	E- 5								
	E- 7								
10G-84320-40	E- 7								
5NO-84320-00	E- 5								
25G-84326-HO	E- 5								
	E- 7								
1L9-84327-60	E- 5								
	E- 5								
	E- 7								
	E- 7								
5HO-84330-00-FF	E- 5								
	E- 7								
5HO-84330-00-TK	E- 5								
	E- 7								
2H7-84331-00	E- 5								
	E- 7								
1L9-84332-60	E- 5								
	E- 7								
1L9-84334-60	E- 5								
	E- 7								
10G-84340-40	E- 7								
5NO-84340-00	E- 5								
5NO-84350-00	E- 5								
10G-84354-00	E- 7								
4G1-84744-00	E- 5								
92901-05100	E- 5								
	E- 7								
98501-05012	E- 5								
	E- 7								
98580-05016	E- 5								
	E- 7								



