

YAMAHA

PARTS CATALOGUE

TDM850'91 (3VD1)

EUROPE

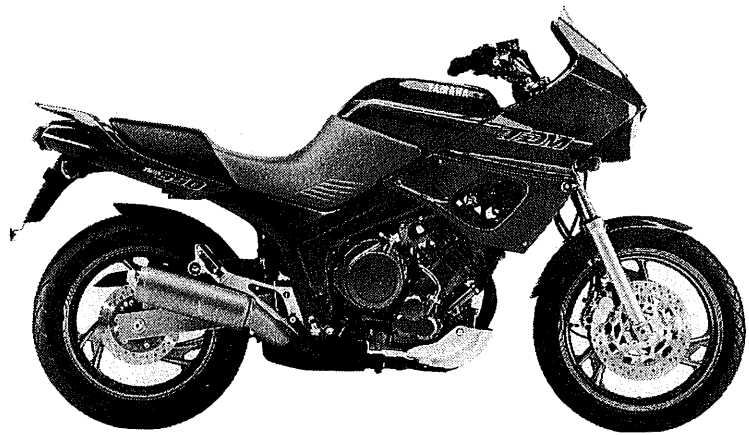
TDM850'91 (4CN1)

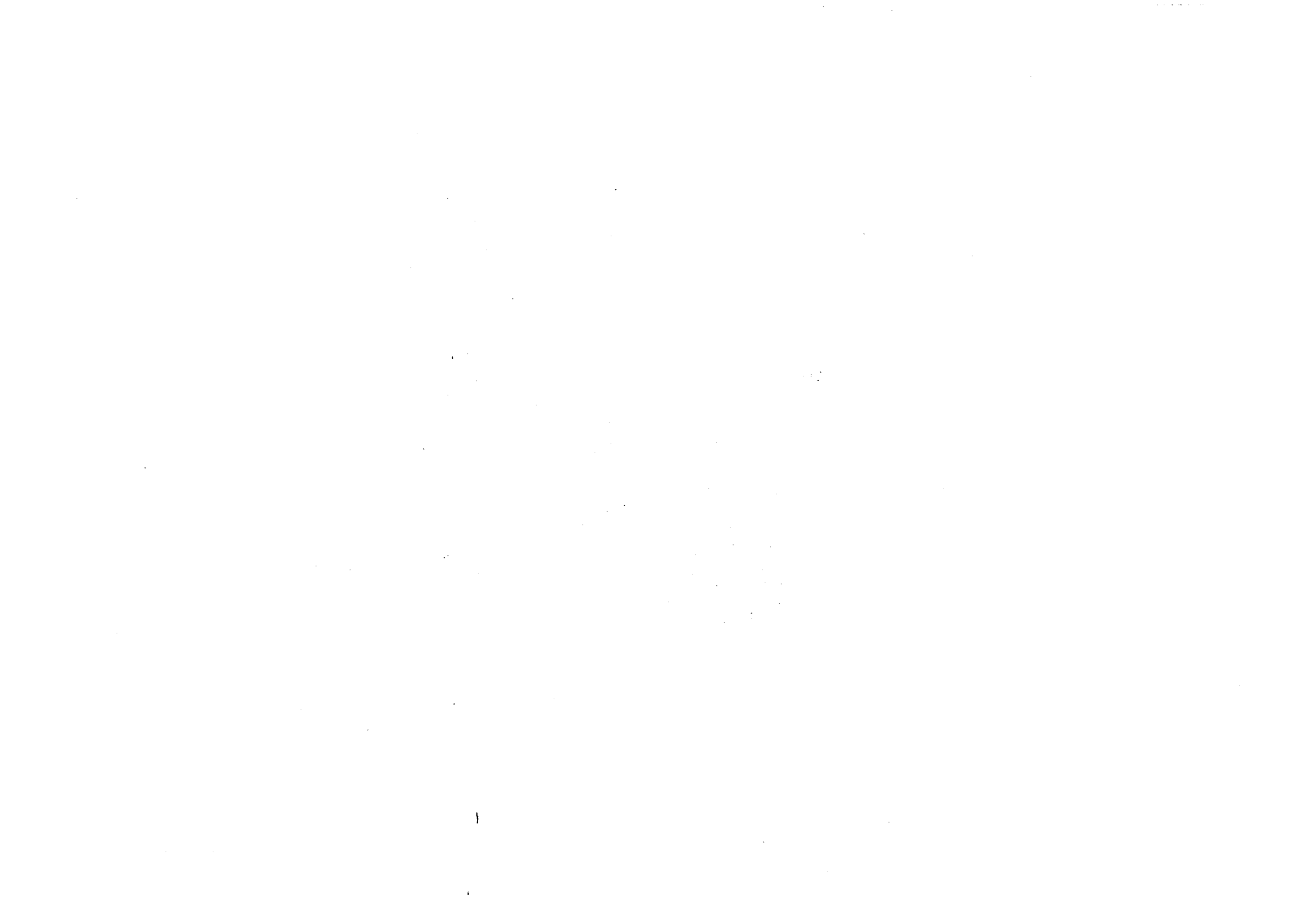
SWITZERLAND AUSTRIA

TDM850B (4CF1)

OCEANIA

113VD-300E1





FOREWORD

This Parts Catalogue is related to the parts for the Yamaha TDM850 '91 (3VD1/4CN1/4CF1). When you are ordering replacement parts for the TDM850'91 (3VD1/4CN1/4CF1), refer to this Parts Catalogue and quote both part numbers and part names correctly.

1. Modifications or additions which have been made after issue of the Parts Catalogue will be announced in the Yamaha Parts News.
It is advisable that according to the Yamaha Parts News you make necessary corrections to the Parts Catalogue on hand to keep it up-to-date.

2. Abbreviations

The following abbreviations are used in this Parts Catalogue.

- U.R. Use size (thickness) and/or number as required.
- U.N. Use as many as you need.
- A.P. Alternate Parts
- L.M. Local Made
- F# Frame No. (Applicable machine No.)

3. The parts marked with (*) in the parts number column of this Catalogue are not supplied with by Yamaha, those have to be found locally.

4. Parts, which are to be supplied in the form of assemblies, are listed with an indentation of one letter's space, and a dot (.) is put against the name of each part.

EXAMPLE CARBURETOR ASS'Y
 . JET, pilot
 . NOZZLE, main

5. Indication of No. of constituent parts for assembly

The numeral appearing to the right of each constituent part under the description indicates the quantity of such parts for each individual assembly unit.

EXAMPLE

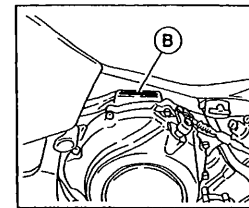
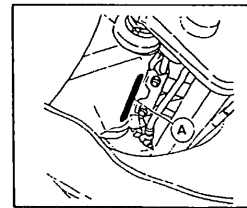
Part No.	Description	Q'ty	Remarks
2F5-83310-60	FRONT FLASHER LIGHT ASS'Y	2	
115-83311-60	. BULB (6V-18W)	1	
1M1-83309-60	. REFLECTOR	1	

6. Initial Serial No. and Color Code

3VD1	(A) Frame Serial No.	3VD-000101 and following
	(B) Engine Serial No.	3VD-000101 and following

4CN1	(A) Frame Serial No.	4CN-000101 and following
	(B) Engine Serial No.	4CN-000101 and following

4CF1	(A) Frame Serial No.	4CF-000101 and following
	(B) Engine Serial No.	4CF-000101 and following



Color Code	Color Name	Abbreviate
004B 0121	BLACK 2 VIVID RED COCKTAIL 1	BL2 VRC1

7. Applicable colors of graphics are represented in the "Remarks" column by the letter(s) appropriately picked out of the full word(s) showing such colors.

EXAMPLE

Part No.	Description	Q'ty	Remarks
2N4-24110-00-X5	FUEL TANK COMP.	1	MAXIM RED
3J1-24240-10	. GRAPHIC, fuel tank set	1	for MXR

GENERAL SPEC.

ENGINE

Cylinder Head	B2
Cylinder	B3
Crankshaft. Piston	B4 ~ B5
Valve	B6 ~ B7
Camshaft. Chain	B8
Water Pump	B9
Radiator. Hose	B10 ~ B11
Oil Pump	B12 ~ B13
Intake	B14 ~ B15
Carburetor	C2 ~ C4
Exhaust	C5
Crankcase	C6 ~ C7
Crankcase Cover 1	C8 ~ C9
Starter Clutch	C10
Clutch	C11 ~ C12
Transmission	C13 ~ C14
Shift Cam. Fork	C15
Shift Shaft	D2

CHASSIS

Frame	D3 ~ D4
Fender	D5 ~ D6
Oil Tank	D7
Rear Arm	D8
Rear Suspension	D9
Steering	D10
Front Fork	D11 ~ D12
Fuel Tank	D13 ~ D14
Seat	D15

CONTENTS

Front Wheel	E2
Front Brake Caliper	E3
Rear Wheel	E4 ~ E5
Rear Brake Caliper	E6
Steering Handle. Cable	E7
Front Master Cylinder	E8 ~ E9
Stand. Footrest	E10 ~ E11
Rear Master Cylinder	E12 ~ E13
Cowling 1	E14 ~ E15
Generator	F2
Flasher Light	F3
Meter	F4
Headlight	F5 ~ F6
Taillight	F7
Handle Switch. Lever	F8
Electrical 1	F9
Electrical 2	F10

INDEX (GENERAL SPEC.)

Numerical Index	L2 ~ L6
-----------------------	---------

INDIVIDUAL SPEC.

FOR BELGIUM PORTUGAL SWEDEN SWITZERLAND

Alternate (Headlight)	F12
-----------------------------	-----

FOR FINLAND

Alternate (Fender, Headlight)	F14
------------------------------------	-----

FOR DENMARK GREECE NORWAY

Alternate (Fender, Headlight)	G2
------------------------------------	----

FOR ENGLAND OCEANIA

Alternate (Meter, Headlight)	G4
------------------------------------	----

FOR ITALY

Alternate (Headlight)	G6
-----------------------------	----

FOR HOLLAND

Alternate (Headlight)	G8
-----------------------------	----

FOR SWITZERLAND

Alternate (Carburetor, Fender) ..	G10
-----------------------------------	-----

FOR AUSTRIA

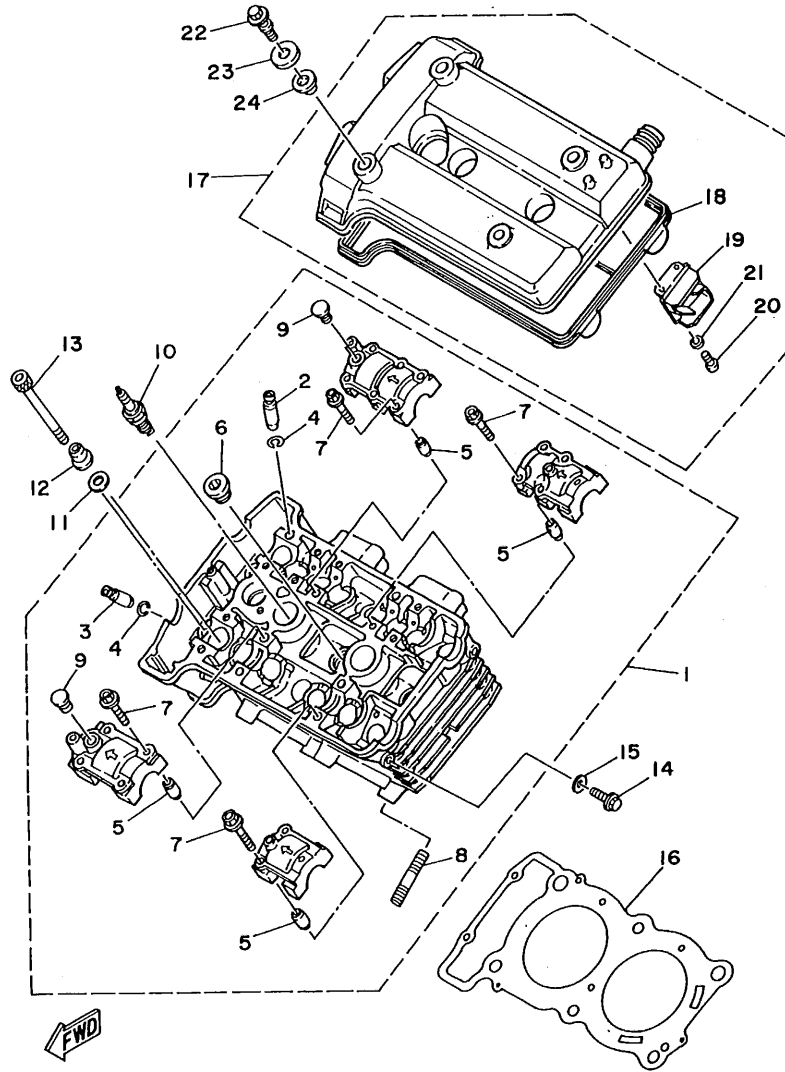
Alternate (Carburetor, Chassis) ..	G12
Alternate (Headlight)	G13

INDEX (INDIVIDUAL SPEC.)

Numerical Index	M2
-----------------------	----

GENERAL SPEC.

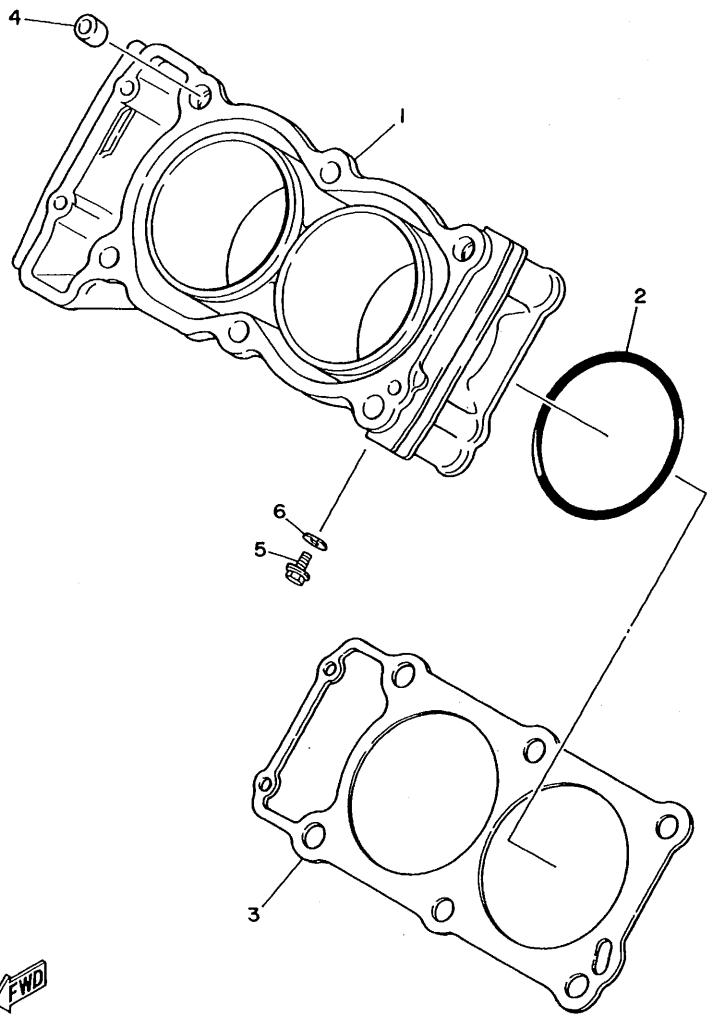
FIG. 1 CYLINDER HEAD



3LD1351-9010

REF. NO.	PART NO.	DESCRIPTION	Q'TY	REMARKS
1	3VD-11101-00	CYLINDER HEAD ASSY	1	
2	3LD-11133-10	.GUIDE, intake valve	6	
3	3LD-11134-10	.GUIDE, exhaust valve	4	
4	93440-10109	.CIRCLIP	10	
5	99510-08016	.PIN, dowel	8	
6	90340-18101	.PLUG, straight screw	2	
7	90105-06153	.BOLT, washer based	16	
8	90116-08321	.BOLT, stud	4	
9	90338-10150	.PLUG	2	
10	94701-00361	PLUG, spark (NGK-DPR9EA)	2	
11	90201-103M4	WASHER, plate	6	
12	90179-10414	NUT	6	
13	91316-06150	BOLT	2	
14	95026-08012	BOLT, flange	1	
15	90430-08143	GASKET	1	
16	3VD-11181-00	GASKET, cylinder head 1	1	
17	3VD-Y1119-00	COVER ASSY, cylinder head	1	
18	3LD-11193-00	.GASKET, head cover 1	1	
19	3LD-11160-01	.BREATHER ASSY	1	
20	98501-04006	.SCREW, pan head	2	
21	92901-04100	.WASHER, spring	2	
22	90109-064F0	BOLT	4	
23	90209-11262	WASHER	4	
24	2GH-1111G-00	RUBBER, mount 1	4	

FIG. 2 CYLINDER

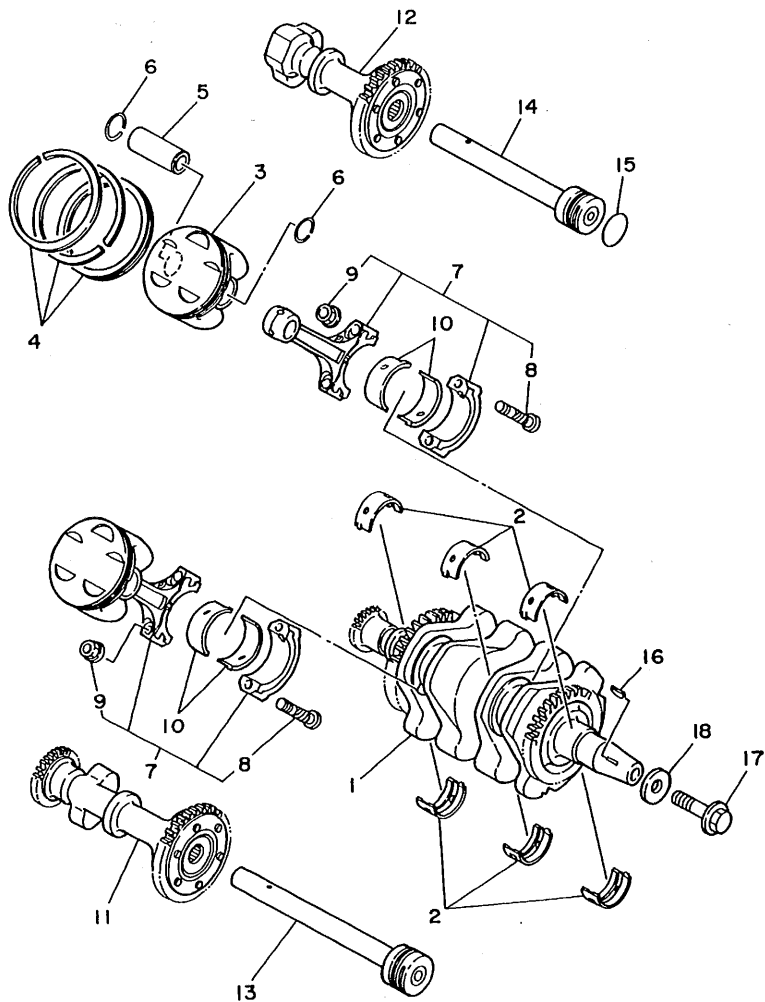


REF. NO.	PART NO.	DESCRIPTION	Q'TY	REMARKS
1	3VD-11310-00	CYLINDER	1	
2	93210-90785	O-RING	2	
3	3VD-11351-00	GASKET, cylinder	1	
4	99530-14016	PIN, dowel	2	
5	90153-06045	SCREW, hexagon	1	
6	90430-06014	GASKET	1	



3LD1351-9020

B3



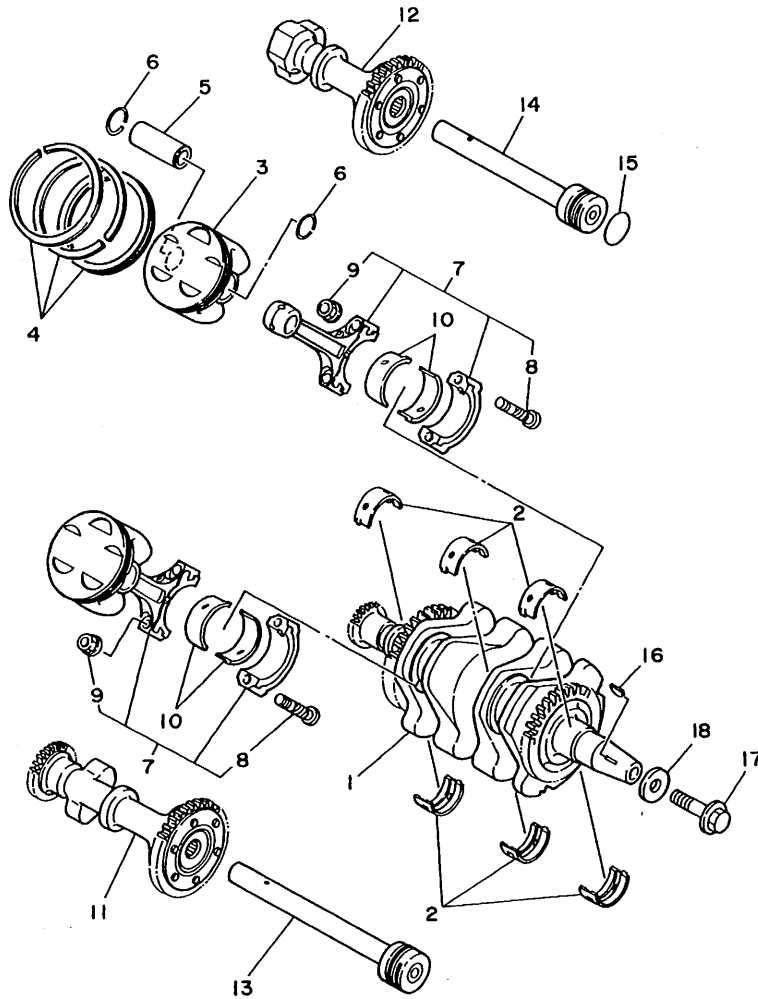
3LD135I-9030

FIG. 3 CRANKSHAFT. PISTON

REF. NO.	PART NO.	DESCRIPTION	Q'TY	REMARKS
1	3VD-11400-01	CRANKSHAFT ASSY	1	
2	3LD-11416-00	PLANE BEARING, crankshaft 1	6	UR BLUE
	3LD-11416-10	PLANE BEARING, crankshaft 1	6	UR BLACK
	3LD-11416-20	PLANE BEARING, crankshaft 1	6	UR BROWN
	3LD-11416-30	PLANE BEARING, crankshaft 1	6	UR GREEN
	3LD-11416-40	PLANE BEARING, crankshaft 1	6	UR YELLOW
	3LD-11416-50	PLANE BEARING, crankshaft 1	6	UR PINK
	3LD-11416-60	PLANE BEARING, crankshaft 1	6	UR RED
3	3VD-11631-00	PISTON (STD)	2	
	3VD-11636-00	PISTON (0.50MM O/S)	2	AP
	3VD-11638-00	PISTON (1.00MM O/S)	2	AP
4	3VD-11610-00	PISTON RING SET (STD)	2	
	3VD-11610-20	PISTON RING SET (0.50MM O/S)	2	AP
	3VD-11610-40	PISTON RING SET (1.00MM O/S)	2	AP
5	3LD-11633-00	PIN, piston	2	
6	93450-22027	CIRCLIP	4	
7	3VD-11650-00	CONNECTING ROD ASSY	2	
8	3LD-11654-00	.BOLT, connecting rod	2	
9	90179-09379	.NUT	2	
10	3LD-11656-00	PLANE BEARING, connecting rod	4	UR BLUE
	3LD-11656-10	PLANE BEARING, connecting rod	4	UR BLACK
	3LD-11656-20	PLANE BEARING, connecting rod	4	UR BROWN
	3LD-11656-30	PLANE BEARING, connecting rod	4	UR GREEN
11	3LD-11500-00	BALANCER ASSY	1	
12	3VD-11510-00	BALANCER ASSY, 2	1	
13	3LD-11583-00	SHAFT, balancer 1	1	
14	3LD-11584-00	SHAFT, balancer 2	1	
15	93210-30660	O-RING	1	

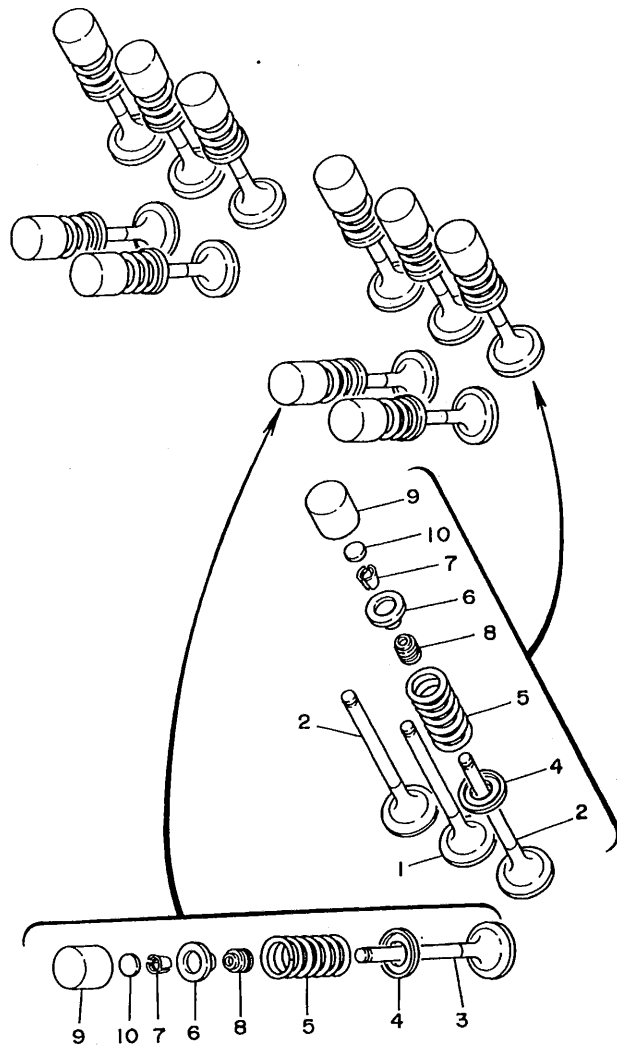
FIG. 3 CRANKSHAFT. PISTON

REF. NO.	PART NO.	DESCRIPTION	Q'TY	REMARKS
16	90280-05029	KEY, woodruff	1	
17	90105-12584	BOLT, washer based	1	
18	90201-121H0	WASHER, plate	1	



3LD135I-9030

B5



3LD135I-9040

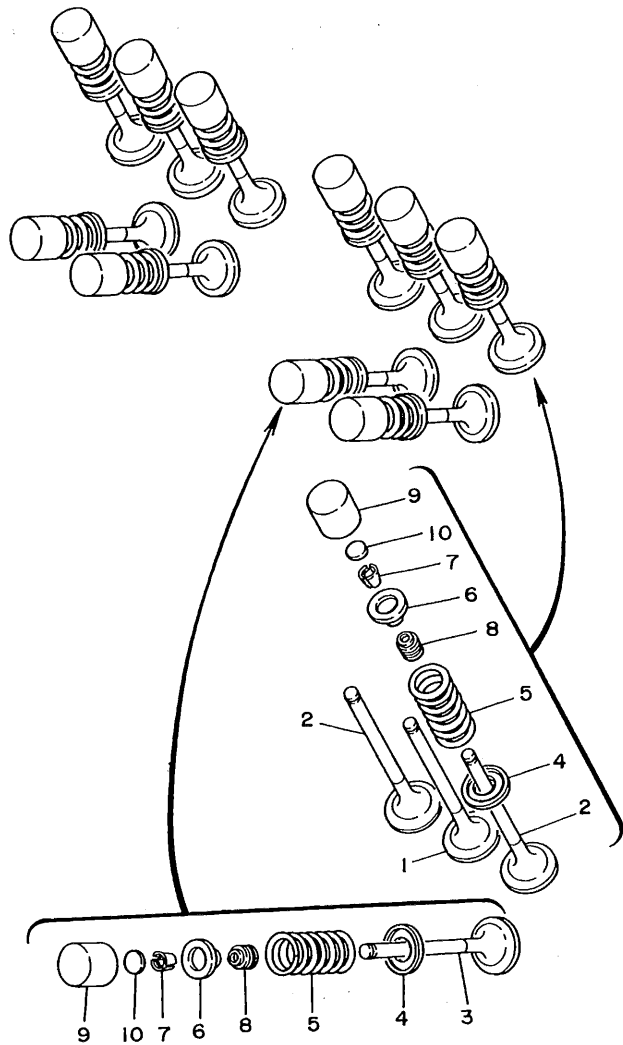
FIG. 4 VALVE

REF. NO.	PART NO.	DESCRIPTION	Q'TY	REMARKS
1	3LD-12111-00	VALVE, intake (3LD.)	2	
2	3LD-12112-00	VALVE, intake 2 (3LD.)	4	
3	3LD-12121-00	VALVE, exhaust (3LD)	4	
4	1WG-12116-00	SEAT, valve spring	10	
5	3LD-12113-00	SPRING, valve inner	10	BLUE
6	3LD-12117-00	RETAINER, valve spring	10	
7	3LD-12118-00	COTTER, valve	20	
8	51Y-12119-00	SEAL, valve stem	10	
9	1WG-12153-21	LIFTER, valve	10	UR BLUE
	1WG-12153-31	LIFTER, valve	10	UR RED
	1WG-12153-09	LIFTER, valve (O/S)	10	AP WHITE
10	3LD-12168-00	PAD, adjusting (1.20)	10	UR
	3LD-12168-20	PAD, adjusting (1.25)	10	UR
	3LD-12168-40	PAD, adjusting (1.30)	10	UR
	3LD-12168-60	PAD, adjusting (1.35)	10	UR
	3LD-12168-80	PAD, adjusting (1.40)	10	UR
	3LD-12168-A0	PAD, adjusting (1.45)	10	UR
	3LD-12168-F0	PAD, adjusting (1.50)	10	UR
	3LD-12168-H0	PAD, adjusting (1.55)	10	UR
	3LD-12168-K0	PAD, adjusting (1.60)	10	UR
	3LD-12168-M0	PAD, adjusting (1.65)	10	UR
	3LD-12168-R0	PAD, adjusting (1.70)	10	UR
	3LD-12168-U0	PAD, adjusting (1.75)	10	UR
	3LD-12168-W0	PAD, adjusting (1.80)	10	UR
	3LD-12168-Y0	PAD, adjusting (1.85)	10	UR
	3LD-12169-10	PAD, adjusting (1.90)	10	UR
	3LD-12169-30	PAD, adjusting (1.95)	10	UR
	3LD-12169-50	PAD, adjusting (2.00)	10	UR

B6

FIG. 4 VALVE

REF. NO.	PART NO.	DESCRIPTION	Q'TY	REMARKS
10	3LD-12169-70	PAD, adjusting (2.05)	10	UR
	3LD-12169-90	PAD, adjusting (2.10)	10	UR
	3LD-12169-E0	PAD, adjusting (2.15)	10	UR
	3LD-12169-G0	PAD, adjusting (2.20)	10	UR
	3LD-12169-J0	PAD, adjusting (2.25)	10	UR
	3LD-12169-L0	PAD, adjusting (2.30)	10	UR
	3LD-12169-N0	PAD, adjusting (2.35)	10	UR
	3LD-12169-T0	PAD, adjusting (2.40)	10	UR



3LD1351-9040

B7

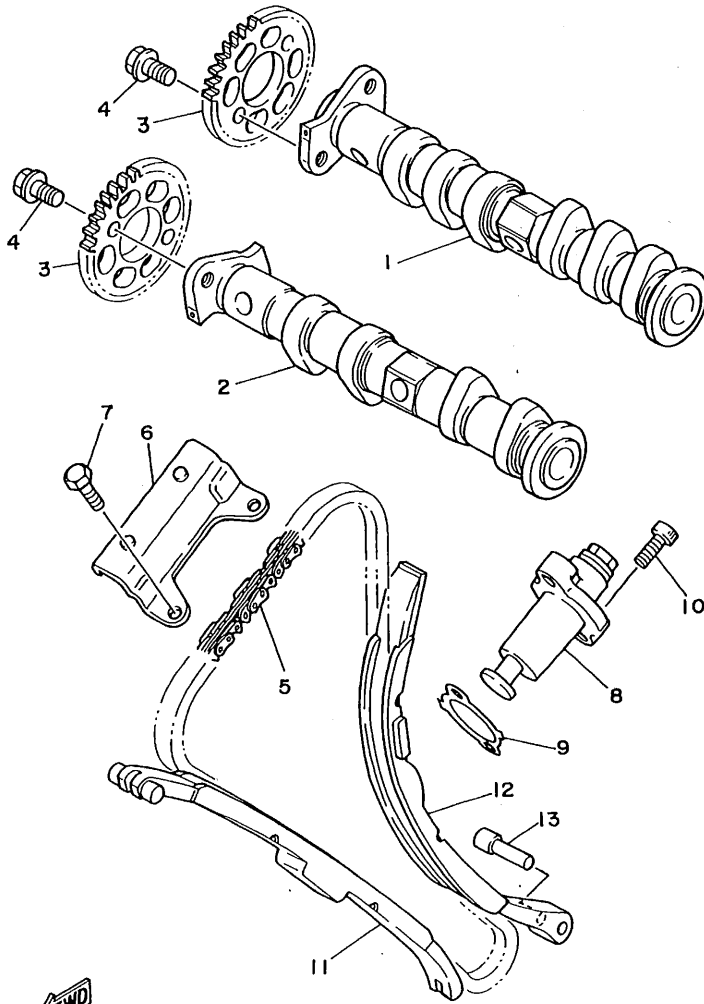


FIG. 5 CAMSHAFT. CHAIN

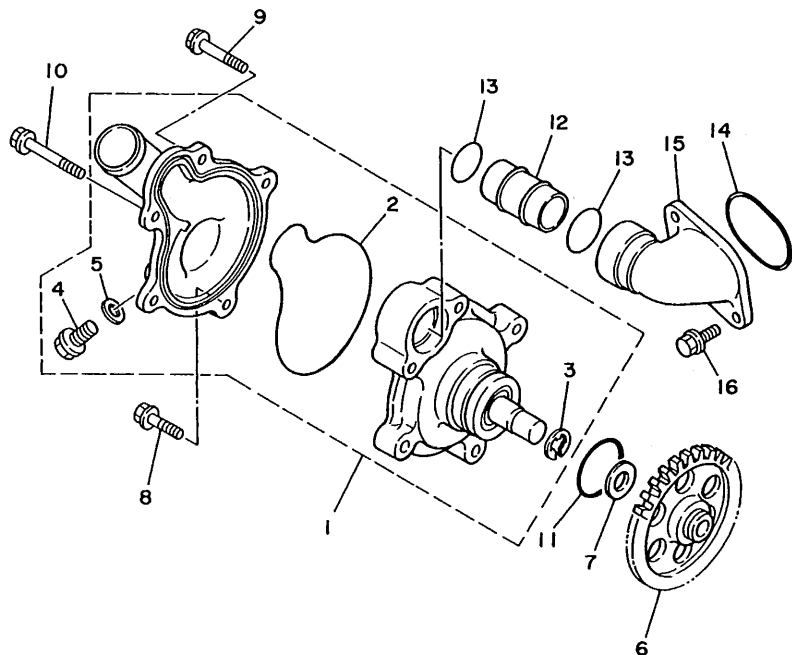
REF. NO.	PART NO.	DESCRIPTION	Q'TY	REMARKS
1	3LD-12171-00	CAMSHAFT 1	1	
2	3LD-12181-00	CAMSHAFT 2	1	
3	3LD-12176-00	SPROCKET, cam chain	2	
4	90105-07342	BOLT, washer based	4	
5	94591-40138	CHAIN (82RH2015-138L)	1	
6	3LD-12241-00	GUIDE, stopper 2	1	
7	97026-06012	BOLT	1	
8	3VD-12210-00	TENSIONER ASSY, cam chain	1	
9	3VD-12213-00	GASKET, tensioner case	1	
10	91316-06025	BOLT	2	
11	3LD-12251-00	DAMPER, chain 1	1	
12	3LD-12252-00	DAMPER, chain 2	1	
13	3LD-12247-00	SHAFT, tensioner	1	



3LD1351-9050

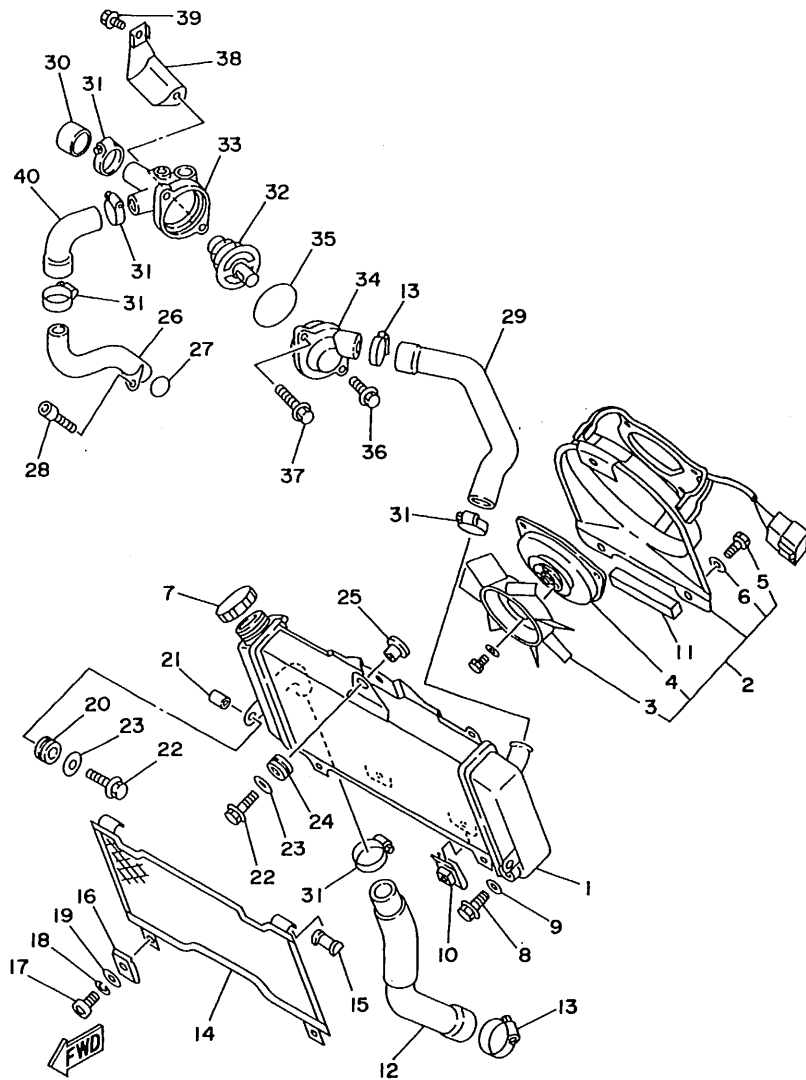
FIG. 6 WATER PUMP

REF. NO.	PART NO.	DESCRIPTION	Q'TY	REMARKS
1	3VD-12420-00	WATER PUMP ASSY	1	
2	3LD-12439-00	.O-RING	1	
3	99009-12400	.CIRCLIP	1	
4	95026-06012	.BOLT, flange	1	
5	90430-06014	.GASKET	1	
6	3VD-12459-00	GEAR, impeller shaft	1	
7	90201-127E1	WASHER, plate	1	
8	95026-06030	BOLT, flange	1	
9	95026-06045	BOLT, flange	1	
10	95026-06060	BOLT, flange	1	
11	93210-33133	O-RING	1	
12	3LD-12481-00	PIPE 1	1	
13	93210-21190	O-RING	2	
14	93210-36788	O-RING	1	
15	3VD-12469-00	JOINT 1	1	
16	95026-06016	BOLT, flange	2	



3LD1351-9060

B9



3VD1351-1070

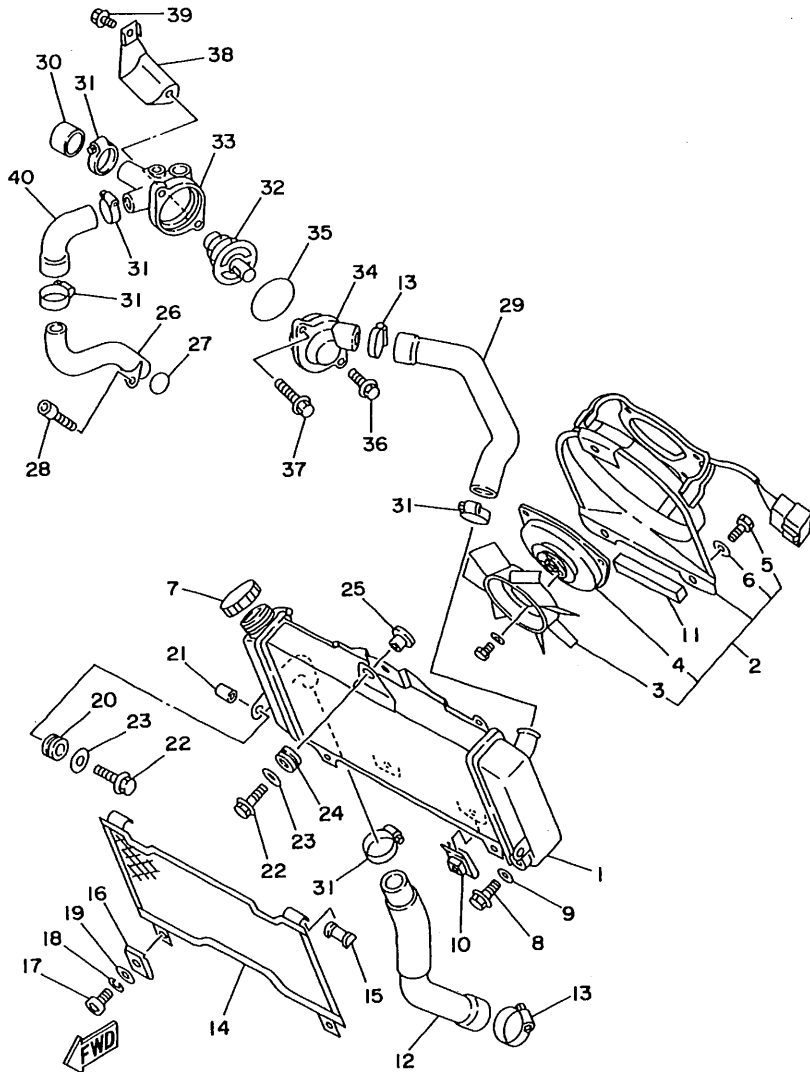
FIG. 7 RADIATOR. HOSE

REF. NO.	PART NO.	DESCRIPTION	Q'TY	REMARKS
1	3VD-12461-00	RADIATOR ASSY	1	
2	1UF-12405-00	BLOWER ASSY	1	
3	1UF-12611-00	.FAN	1	
4	26H-12630-00	.MOTOR ASSY	1	
5	98501-05008	.SCREW, pan head	3	
6	92901-05600	.WASHER, plate	3	
7	26H-12462-00	CAP, radiator	1	
8	1AA-12561-00	PLUG, drain cock	1	
9	1AA-12435-00	GASKET	1	
10	1AA-12535-00	PLATE	3	
11	3VD-12465-00	DAMPER, radiator	1	
12	3VD-12578-00	HOSE 3	1	
13	90450-38040	HOSE CLAMP ASSY	2	
14	1UF-12467-00	COVER, radiator	1	
15	1UF-12435-00	GASKET	2	
16	90183-05024	NUT, spring	2	
17	98506-05010	SCREW, pan head	2	
18	92906-05100	WASHER, spring	2	
19	92906-05600	WASHER, plate	2	
20	90480-15363	GROMMET	2	
21	90387-07392	COLLAR	2	
22	95816-06025	BOLT, flange	3	
23	90201-06697	WASHER, plate	3	
24	90480-18276	GROMMET	1	
25	90387-07037	COLLAR	1	
26	3VD-12482-00	PIPE 2	1	
27	93210-18417	O-RING	1	
28	91316-06016	BOLT	1	

B10

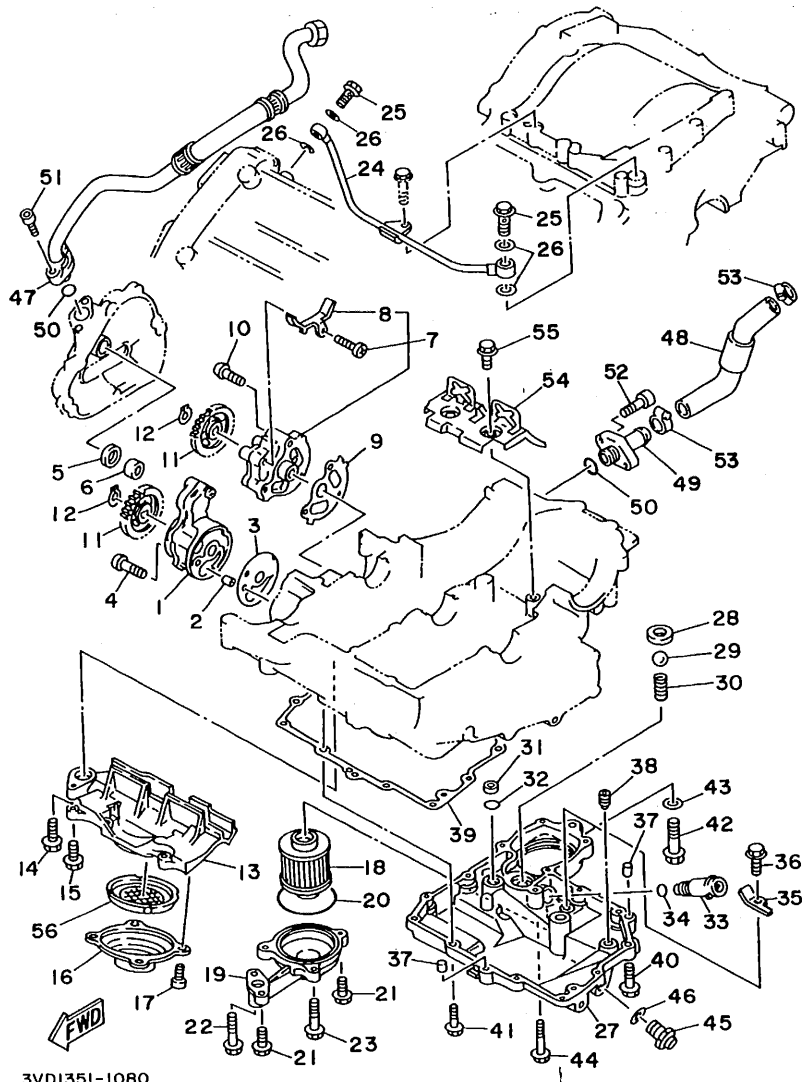
FIG. 7 RADIATOR. HOSE

REF. NO.	PART NO.	DESCRIPTION	Q'TY	REMARKS
29	3VD-12577-00	HOSE 1/2	1	
30	3VD-12567-00	CAP, water	1	
31	90450-32051	HOSE CLAMP ASSY	5	
32	1AE-12410-00	THERMOSTAT ASSY	1	
33	1UF-12417-01	HOUSING, thermostat	1	
34	1UF-12413-00	COVER, thermostat	1	
35	93210-49046	O-RING	1	
36	95026-06020	BOLT, flange	1	
37	95026-06030	BOLT, flange	1	
38	3VD-1244E-00	BRACKET 1	1	
39	95026-06010	BOLT, flange	1	
40	3VD-12579-00	HOSE 4	1	



3VD1351-1070

B11



3VDI351-1080

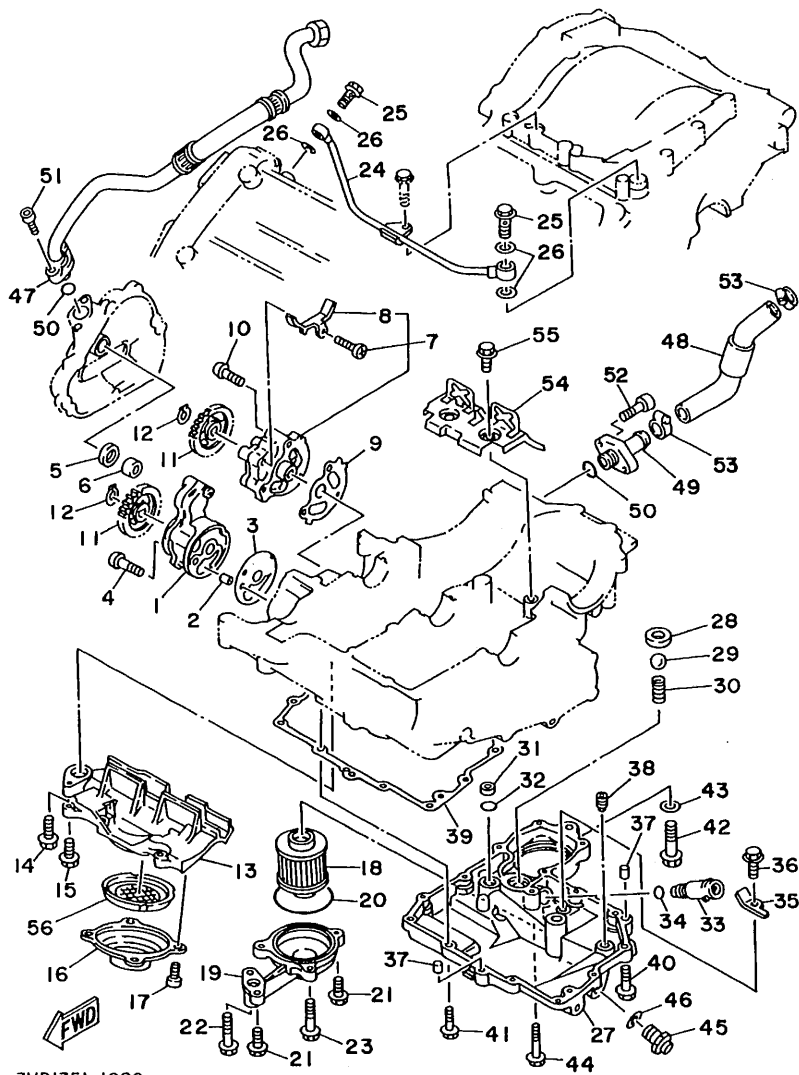
FIG. 8 OIL PUMP

REF. NO.	PART NO.	DESCRIPTION	Q'TY	REMARKS
1	3LD-13300-00	OIL PUMP ASSY	1	
2	99510-08012	PIN, dowel	1	
3	3LD-13329-00	GASKET, pump cover	1	
4	98503-06045	SCREW, pan head	3	
5	90430-14131	GASKET	1	
6	90387-120W5	COLLAR	1	
7	3LD-13303-00	OIL PUMP ASSY, 2	1	
8	3LD-13371-00	.PLATE	1	
9	3LD-13339-00	GASKET, pump cover	1	
10	98501-06035	SCREW, pan head	3	
11	3VD-13325-00	GEAR, pump driven	2	
12	99009-11400	CIRCLIP	2	
13	3VD-13412-00	HOUSING, strainer	1	
14	95026-06025	BOLT, flange	1	
15	95026-06020	BOLT, flange	4	
16	3VD-13411-00	STRAINER, oil	1	
17	98501-06010	SCREW, pan head	4	
18	4X7-13440-90	ELEMENT ASSY, oil cleaner	1	
19	3LD-13447-00	COVER, oil element	1	
20	93210-64297	O-RING	1	
21	95026-06020	BOLT, flange	2	
22	95026-06030	BOLT, flange	1	
23	95026-06040	BOLT, flange	2	
24	3LD-13161-00	PIPE, delivery 1	1	
25	90401-10106	BOLT, union	2	
26	90430-10171	GASKET	4	
27	3VD-13417-00	COVER, strainer	1	
28	3LD-13113-00	SEAT, check ball	1	

B12

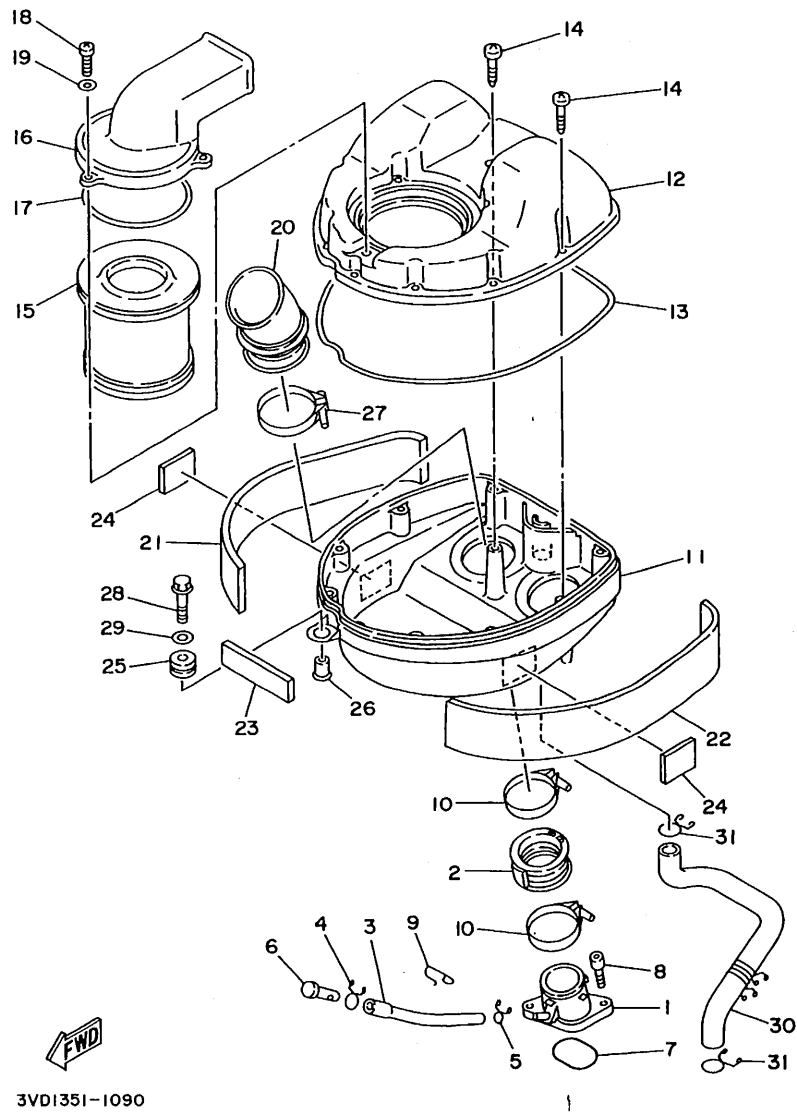
FIG. 8 OIL PUMP

REF. NO.	PART NO.	DESCRIPTION	Q'TY	REMARKS
29	93505-08030	BALL	1	
30	90501-104F9	SPRING, compression	1	
31	90387-106W6	COLLAR	1	
32	93210-12790	O-RING	1	
33	11H-13490-00	RELIEF VALVE ASSY	1	
34	93210-10096	O-RING	1	
35	3LD-13151-00	STAY	1	
36	90105-06553	BOLT, washer based	1	
37	99510-08016	PIN, dowel	2	
38	4H7-15138-00	NOZZLE 1	1	
39	3VD-13414-00	GASKET, strainer cover	1	
40	90105-06456	BOLT, washer based	2	
41	95026-06025	BOLT, flange	11	
42	95021-10040	BOLT, flange	1	
43	90430-10171	GASKET	1	
44	95026-06035	BOLT, flange	1	
45	3VD-13455-00	PLUG	1	
46	214-11198-01	GASKET	1	
47	3VD-13464-00	HOSE, oil 1	1	
48	3VD-13465-00	HOSE, oil 2	1	
49	3VD-13416-00	PIPE, oil 1	1	
50	93210-13657	O-RING	2	
51	91316-06020	BOLT	2	
52	90110-06093	BOLT, hexagon socket head	2	
53	90460-27270	CLAMP, hose	2	
54	3VD-13317-00	PLATE, baffle	1	
55	90105-06553	BOLT, washer based	2	
56	3VD-13415-00	SEAL, oil strainer	1	



3VD1351-1080

B13



3VD1351-1090

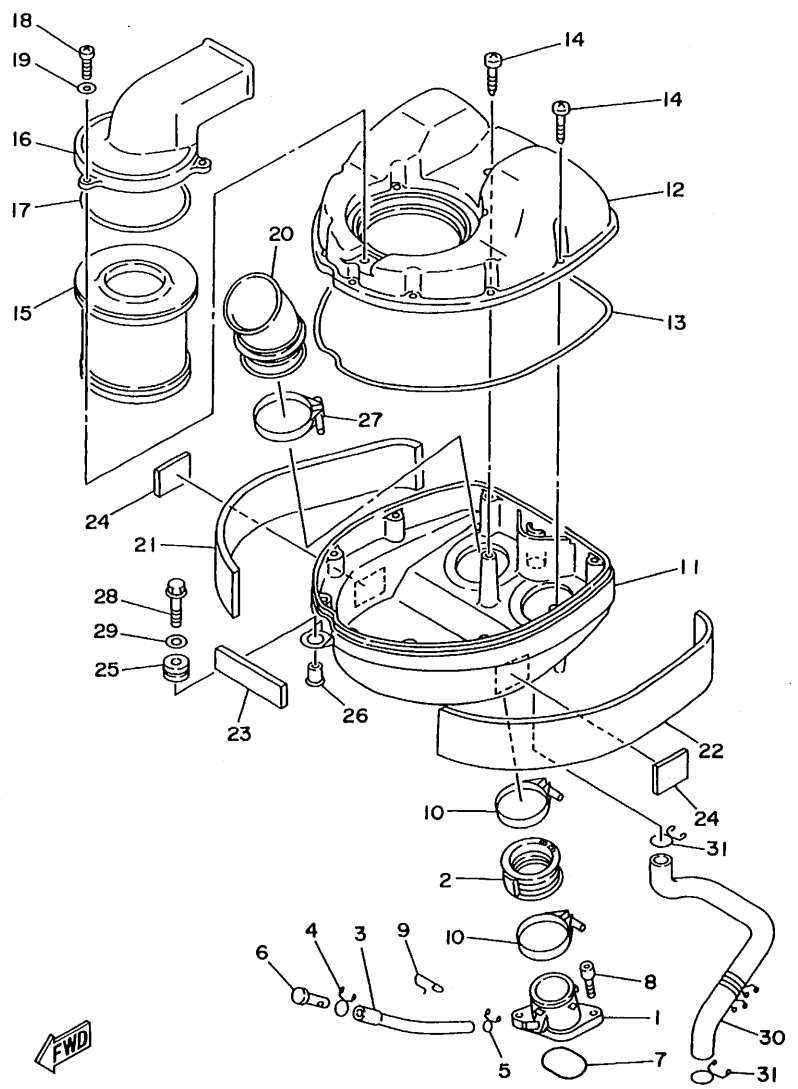
FIG. 9 INTAKE

REF. NO.	PART NO.	DESCRIPTION	Q'TY	REMARKS
1	3LD-13586-01	JOINT, carburetor 1	2	
2	3LD-13597-00	JOINT, carburetor 3	2	
3	1VJ-13929-00	PIPE, impulse	1	
4	90467-08017	CLIP	1	
5	90467-08021	CLIP	1	
6	90240-06040	PIN, clevis	1	
7	93210-44545	O-RING	2	
8	91316-06020	BOLT	4	
9	90465-20035	CLAMP	1	
10	90450-57044	HOSE CLAMP ASSY	4	
11	3VD-14411-00	CASE, air cleaner 1	1	
12	3VD-14421-00	CASE, air cleaner 2	1	
13	1VJ-14462-00	SEAL	1	
14	97780-50125	SCREW, tapping	10	
15	1AE-14451-00	ELEMENT, air cleaner	1	
16	3VD-14422-00	CAP, cleaner case 2	1	
17	5T0-14457-00	SEAL	1	
18	98501-05016	SCREW, pan head	3	
19	92901-05600	WASHER, plate	3	
20	3GM-14453-00	JOINT, air cleaner 1	2	
21	3VD-14425-00	DAMPER 1	1	
22	3VD-14426-00	DAMPER 2	1	
23	3VD-14426-00	DAMPER 3	1	
24	3BB-22261-00	DAMPER, sub tank	2	
25	90480-14023	GROMMET	1	
26	90387-060M9	COLLAR	1	
27	90450-67033	HOSE CLAMP ASSY	2	
28	97001-06030	BOLT	1	

B14

FIG. 9 INTAKE

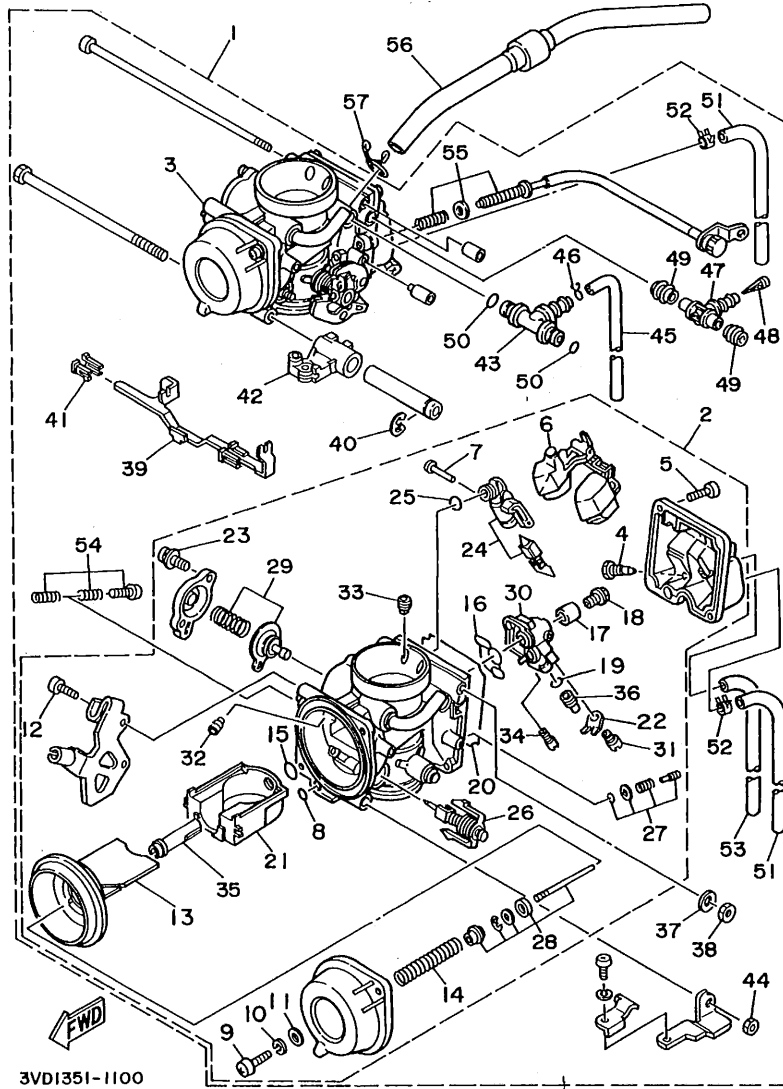
REF. NO.	PART NO.	DESCRIPTION	Q'TY	REMARKS
29	90201-06052	WASHER, plate	1	
30	3VD-11166-00	PIPE, breather 1	1	
31	90467-22080	CLIP	2	



FWD
3VD1351-1090

B15

FIG. 10 CARBURETOR

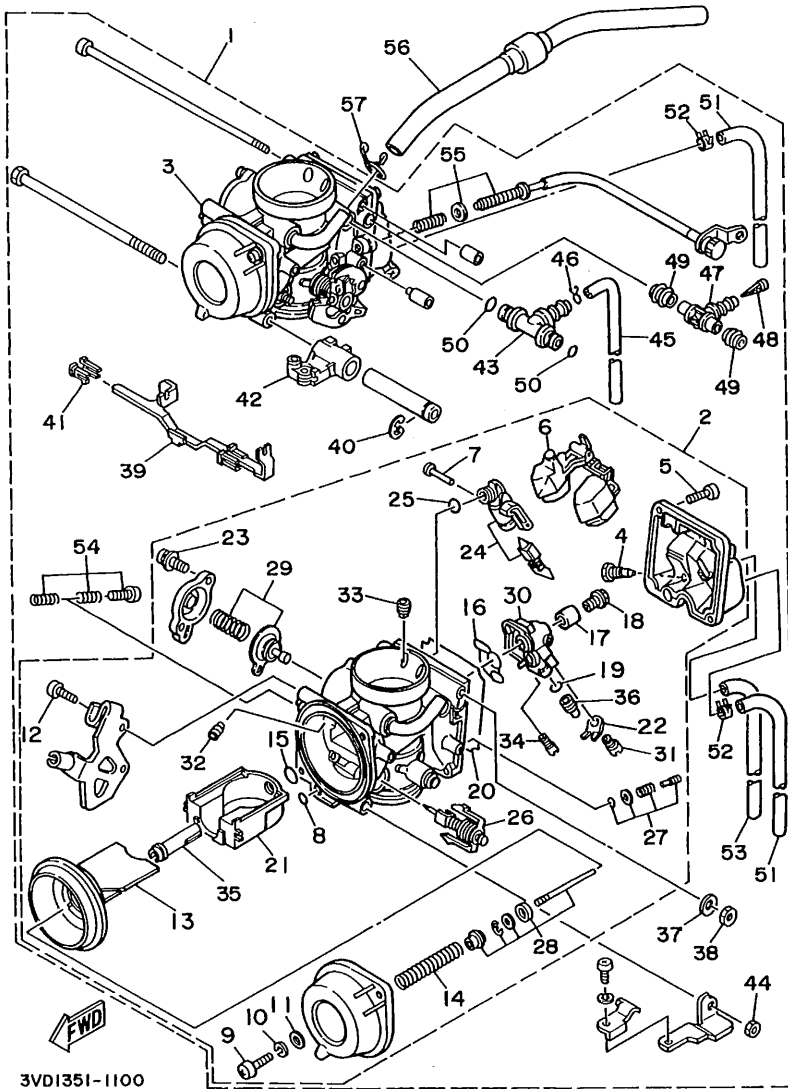


REF. NO.	PART NO.	DESCRIPTION	Q'TY	REMARKS
1	3VD-14900-00	CARBURETOR ASSY	1	
2	3VD-14901-00	..CARBURETOR ASSY 1	1	
3	3VD-14902-00	..CARBURETOR ASSY 2	1	
4	3FV-14191-00	..PLUG, drain	1	
5	98501-05012	..SCREW, pan head	4	
6	3GM-14985-00	..FLOAT	1	
7	53L-14186-00	..PIN, float	1	
8	3FV-14147-00	..O-RING	1	
9	98506-05016	..SCREW, pan head	2	
10	92906-05100	..WASHER, spring	2	
11	92906-05600	..WASHER, plate	2	
12	98580-04008	..SCREW, pan head	2	
13	3GM-14940-00	..DIAPHRAGM ASSY	1	
14	3VD-14933-00	..SPRING, diaphragm	1	
15	1AE-14147-00	..O-RING	1	
16	3LF-14147-00	..O-RING	1	
17	3GM-14153-00	..WASHER, main jet	1	
18	1HX-14565-00	..SCREW	1	
19	3LD-14147-00	..O-RING	1	
20	3GM-14997-00	..SEAL	1	
21	3GM-1411E-00	..BLOCK, jet	1	
22	3LD-14945-00	..JET	1	
23	97601-04312	..SCREW, pan head with washer	2	
24	3GM-14107-17	..NEEDLE VALVE SET	1	
25	3EN-14147-00	..O-RING	1	
26	3EN-1410A-00	..STARTER SET	1	
27	12R-14105-00	..PILOT SCREW SET	1	
28	3VD-1490J-00	..NEEDLE SET	1	

C2

FIG. 10 CARBURETOR

REF. NO.	PART NO.	DESCRIPTION	Q'TY	REMARKS
29	3LD-1490H-00	..DIAPHRAGM SET, 5	1	
30	3LD-1411A-00	..BLOCK JET ASSY	1	
31	620-14231-14	..JET, main (# 70)	1	
32	239-14172-14	..PILOT JET, air (1.4)	1	
33	830-14231-14	..JET, main (# 70)	1	
34	460-14142-37-A0	..JET, pilot (#37.5)	1	
35	36M-14141-94	..NOZZLE, main	1	
36	3LD-1423A-79	..JET, main (#142.5)	1	
37	92901-05600	.WASHER, plate	1	
38	95303-05600	.NUT	1	
39	3LD-14986-00	.LEVER, starter	1	
40	3LD-14919-00	.CLIP	1	
41	3EN-14261-00	.HOLDER	2	
42	36M-14974-00	.LEVER, connect	1	
43	3LD-14988-00	.PIPE, starter connecting	1	
44	95303-06600	.NUT	1	
45	2LH-14197-00	.PIPE	1	
46	8U9-14139-00	.CLIP, pipe	1	
47	3EN-14988-00	.PIPE, starter connecting	1	
48	1KT-14994-00	.NET, filter	1	
49	3EN-14997-00	.SEAL	2	
50	822-14147-00	.O-RING	2	
51	3VD-14987-00	.HOSE	2	
52	3LD-14139-00	.CLIP, pipe	2	
53	3JE-14197-00	.PIPE	1	
54	3EN-1490K-00	.STOP SCREW SET	1	
55	3VD-14103-00	.THROTTLE SCREW SET	1	
56	3VD-14148-01	PIPE	2	

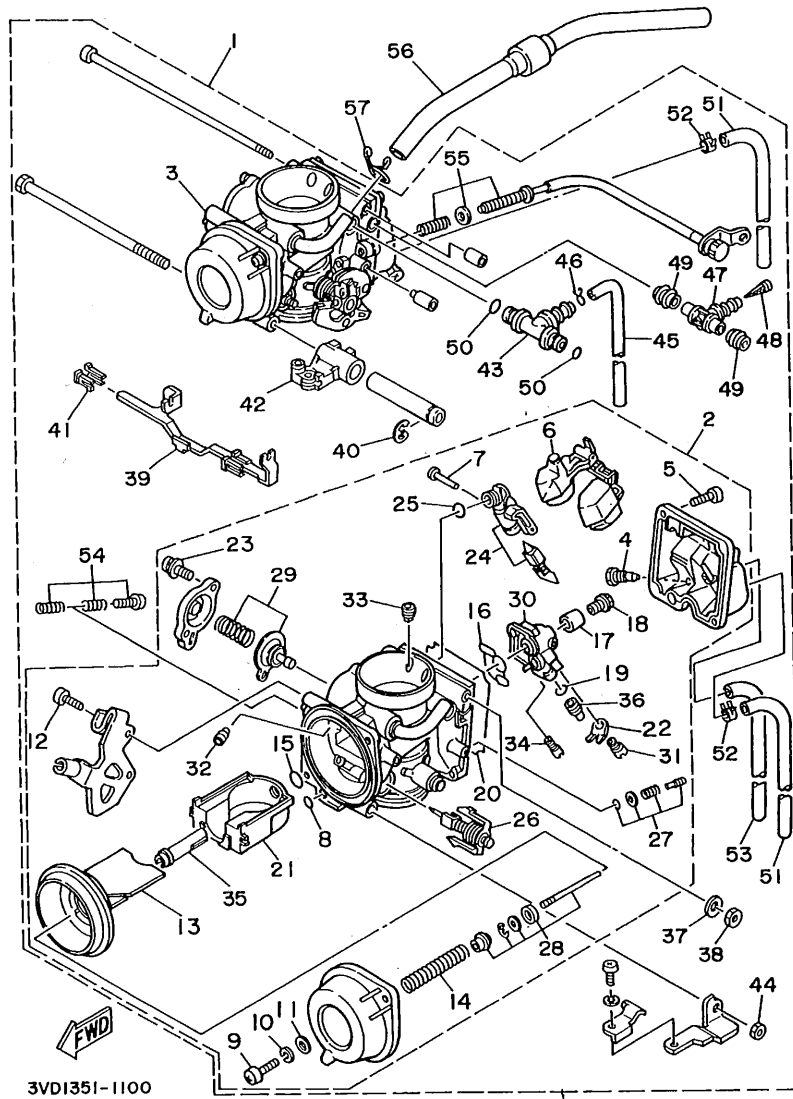


3VD1351-1100

C3

FIG. 10 CARBURETOR

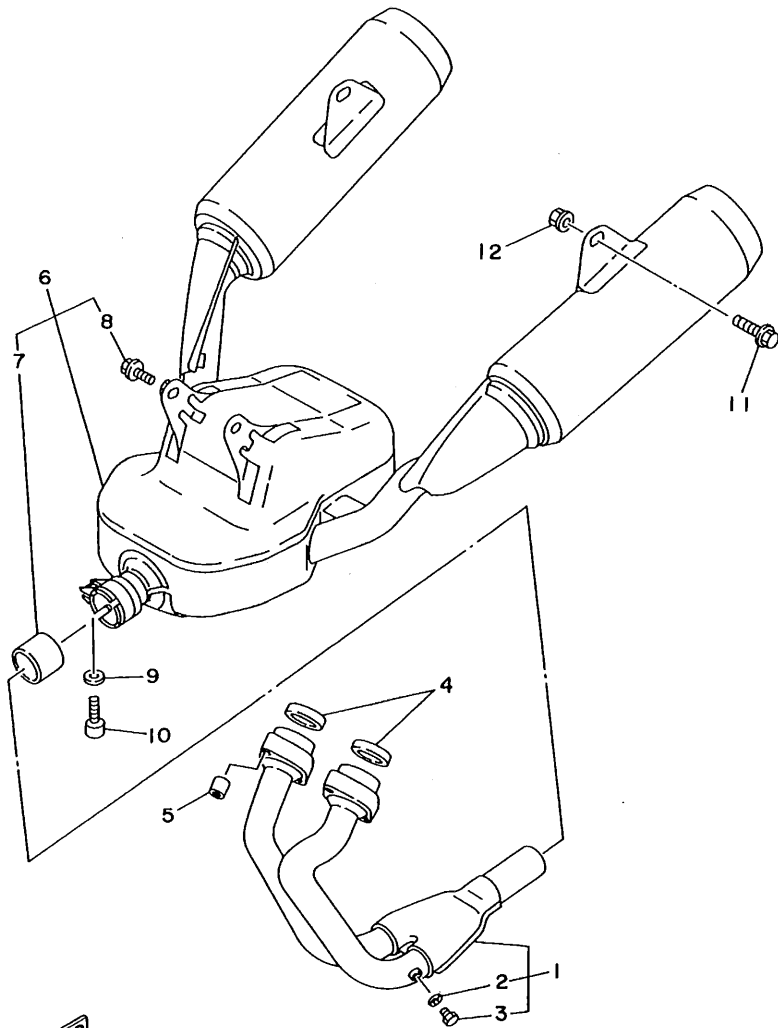
REF. NO.	PART NO.	DESCRIPTION	Q'TY	REMARKS
57	90467-12052	CLIP	2	



3VDI351-1100

C4

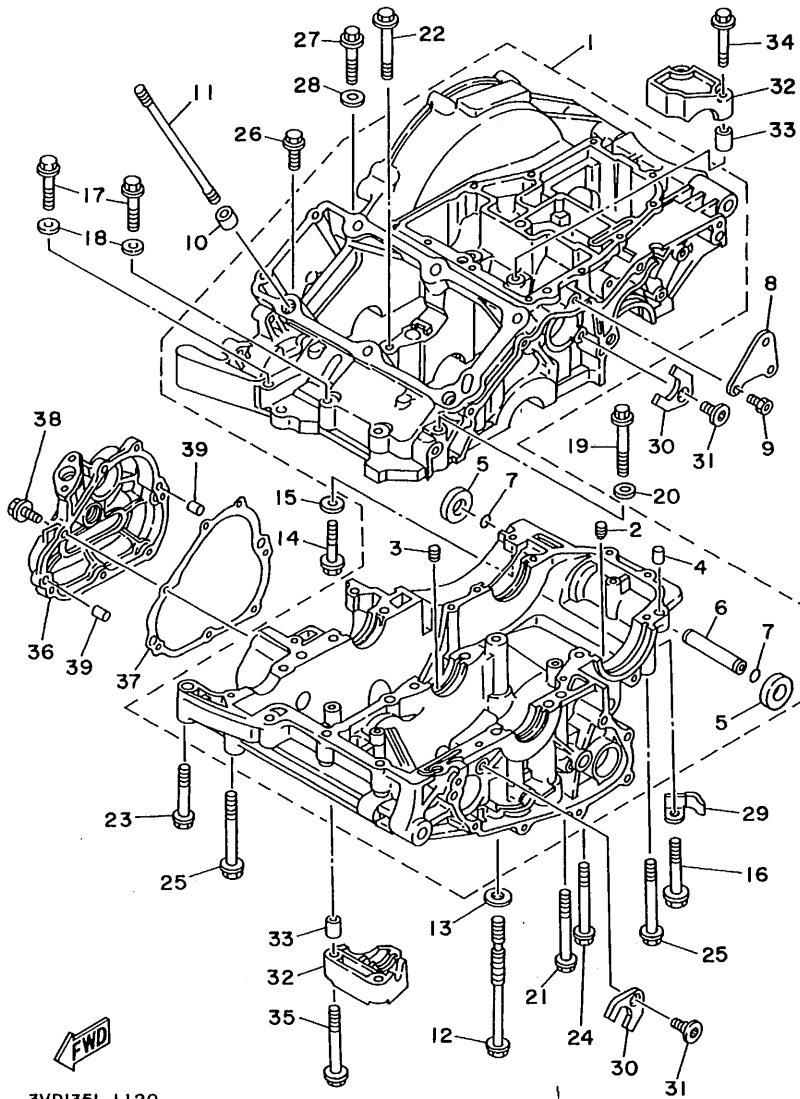
FIG. 11 EXHAUST



REF. NO.	PART NO.	DESCRIPTION	Q'TY	REMARKS
1	3VD-14602-00	EXHAUST PIPE COMP.	1	
2	92906-06600	.WASHER, plate	2	
3	90101-06576	.BOLT	2	
4	3VD-14613-00	GASKET, exhaust pipe	2	
5	90179-08345	NUT	4	
6	3VD-14710-01	MUFFLER ASSY 1	1	
7	3VD-14755-00	.GASKET, silencer	1	
8	99999-01790	.BOLT, frange	1	
9	90201-081H4	WASHER, plate	1	
10	91316-08110	BOLT	1	
11	90105-10316	BOLT, washer based	2	
12	95701-10500	NUT, flange	2	

3VD135I-1110

C5



3VD1351-1120

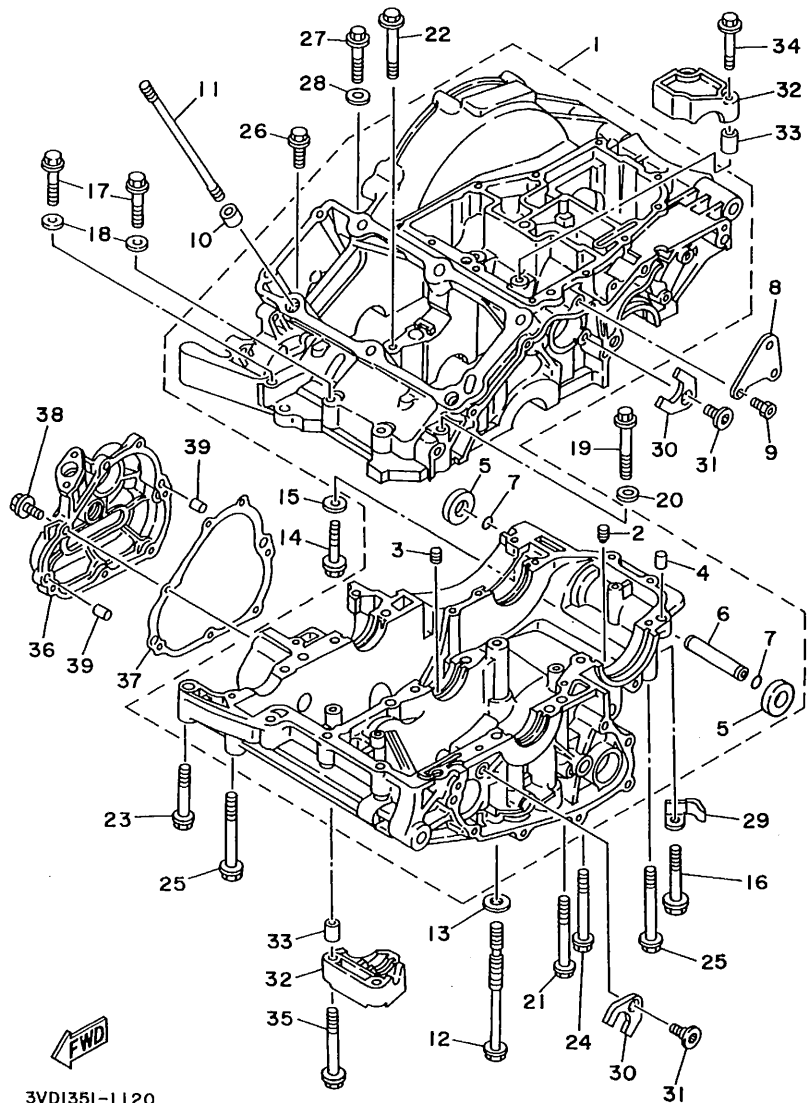
FIG. 12 CRANKCASE

REF. NO.	PART NO.	DESCRIPTION	Q'TY	REMARKS
1	3VD-15100-00	CRANKCASE ASSY	1	
2	4H7-15138-00	.NOZZLE 1	1	
3	4G0-15138-00	.NOZZLE 1	1	
4	99530-10014	.PIN, dowel	1	
5	3VD-15316-00	.DAMPER, engine mount 1	2	
6	3VD-15317-00	.SPACER, engine mount	1	
7	93210-12154	.O-RING	2	
8	3VD-15199-00	BRACKET	1	
9	91316-08016	BOLT	2	
10	99530-14016	PIN, dowel	2	
11	3LD-11361-00	BOLT, cylinder holding 1	6	
12	90105-10560	BOLT, washer based	6	
13	90201-10131	WASHER, plate	6	
14	95816-06040	BOLT, flange	1	
15	90201-066F0	WASHER, plate	1	
16	95816-06055	BOLT, flange	3	
17	95816-08050	BOLT, flange	3	
18	90201-08087	WASHER, plate	2	
19	95816-08060	BOLT, flange	1	
20	90201-08087	WASHER, plate	1	
21	95816-06070	BOLT, flange	4	
22	95816-08065	BOLT, flange	1	
23	95816-08050	BOLT, flange	1	
24	95816-08070	BOLT, flange	1	
25	95816-08075	BOLT, flange	4	
26	95816-06025	BOLT, flange	1	
27	95816-06040	BOLT, flange	1	
28	90201-066F0	WASHER, plate	1	

C6

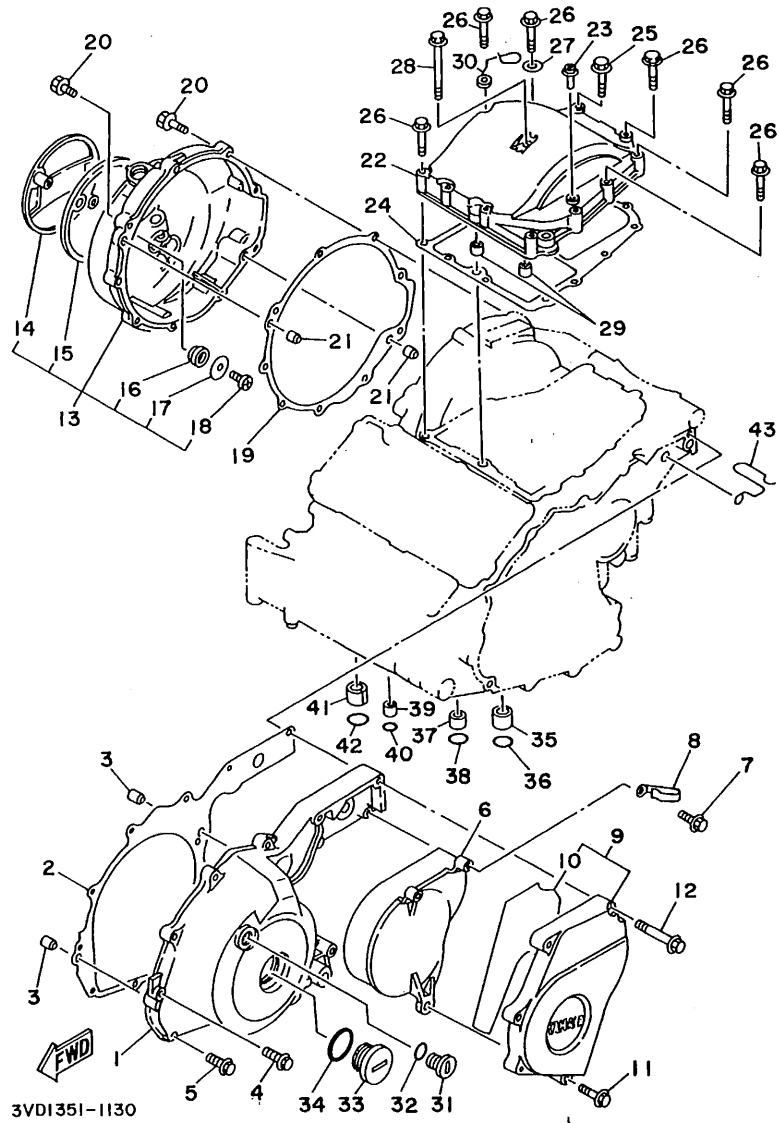
FIG. 12 CRANKCASE

REF. NO.	PART NO.	DESCRIPTION	Q'TY	REMARKS
29	90465-08341	CLAMP	1	
30	3LD-15191-00	PLATE	2	
31	90149-06285	SCREW	2	
32	3LD-15118-00	HOLDER	2	
33	99510-08016	PIN, dowel	4	
34	95816-06045	BOLT, flange	2	
35	95816-06070	BOLT, flange	2	
36	3VD-15416-00	COVER, oil pump	1	
37	3VD-15456-00	GASKET, oil pump cover 1	1	
38	95026-06020	BOLT, flange	7	
39	99510-08012	PIN, dowel	2	



3VD1351-1120

C7



3VD1351-1130

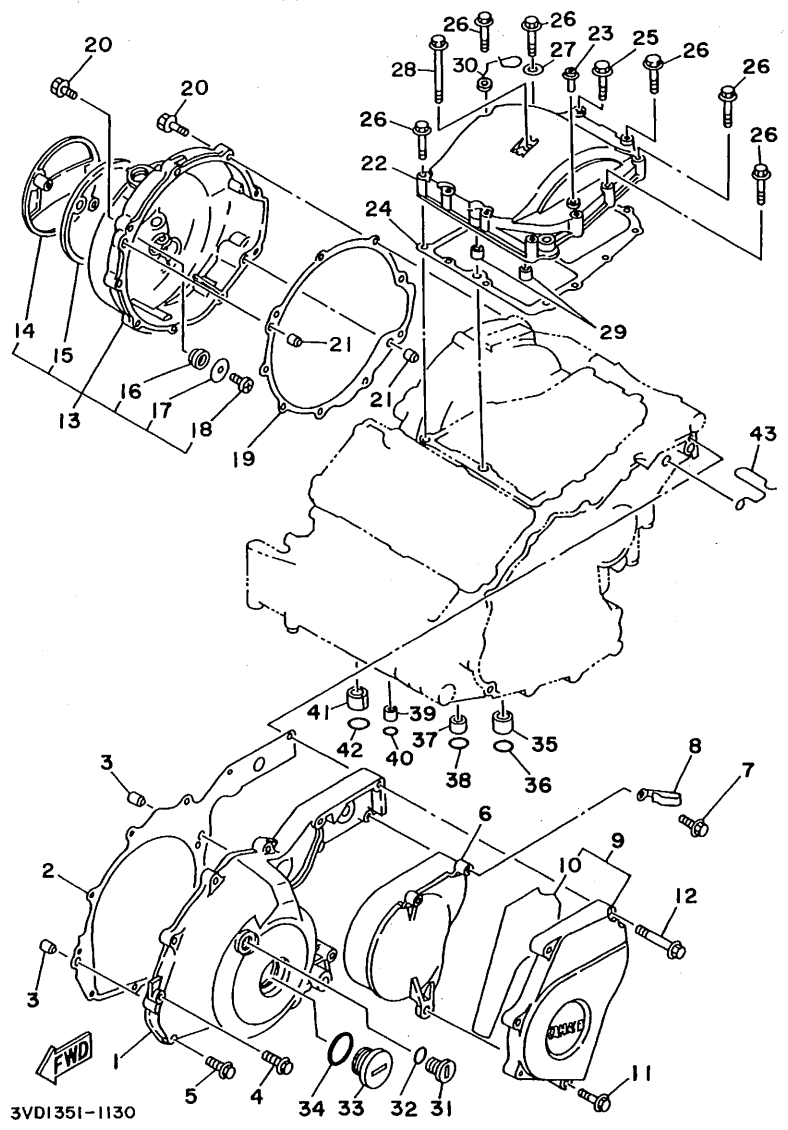
FIG. 13 CRANKCASE COVER 1

REF. NO.	PART NO.	DESCRIPTION	Q'TY	REMARKS
1	3VD-15411-00	COVER, crankcase 1	1	
2	3VD-15451-00	GASKET, crankcase cover 1	1	
3	99510-08012	PIN, dowel	2	
4	95026-06025	BOLT, flange	8	
5	90105-06456	BOLT, washer based	1	
6	3LD-15418-00	COVER, chain case	1	
7	95026-06025	BOLT, flange	2	
8	90465-08277	CLAMP	2	
9	3VD-15420-00	CRANKCASE COVER ASSY 2	1	
10	3VD-15326-00	.DAMPER, engine mount 2	1	
11	95026-06030	BOLT, flange	1	
12	95026-06055	BOLT, flange	4	
13	3VD-15430-00	CRANKCASE COVER ASSY 3	1	
14	3VD-15417-00	.COVER, cap	1	
15	3LD-15449-00	.RING, rubber	1	
16	1JK-15486-00	.GROMMET	2	
17	90209-05279	.WASHER	2	
18	98501-05010	.SCREW, pan head	2	
19	3VD-15462-00	GASKET, crankcase cover 3	1	
20	95026-06025	BOLT, flange	9	
21	99510-08012	PIN, dowel	2	
22	3VD-15425-00	COVER, generator 2	1	
23	583-11126-00	PIPE, breather 3	1	
24	3VD-15463-00	GASKET, carburetor cover 2	1	
25	95023-06035	BOLT	1	
26	95026-06035	BOLT, flange	10	
27	90201-066F0	WASHER, plate	1	
28	95026-06070	BOLT, flange	1	

C8

FIG. 13 CRANKCASE COVER 1

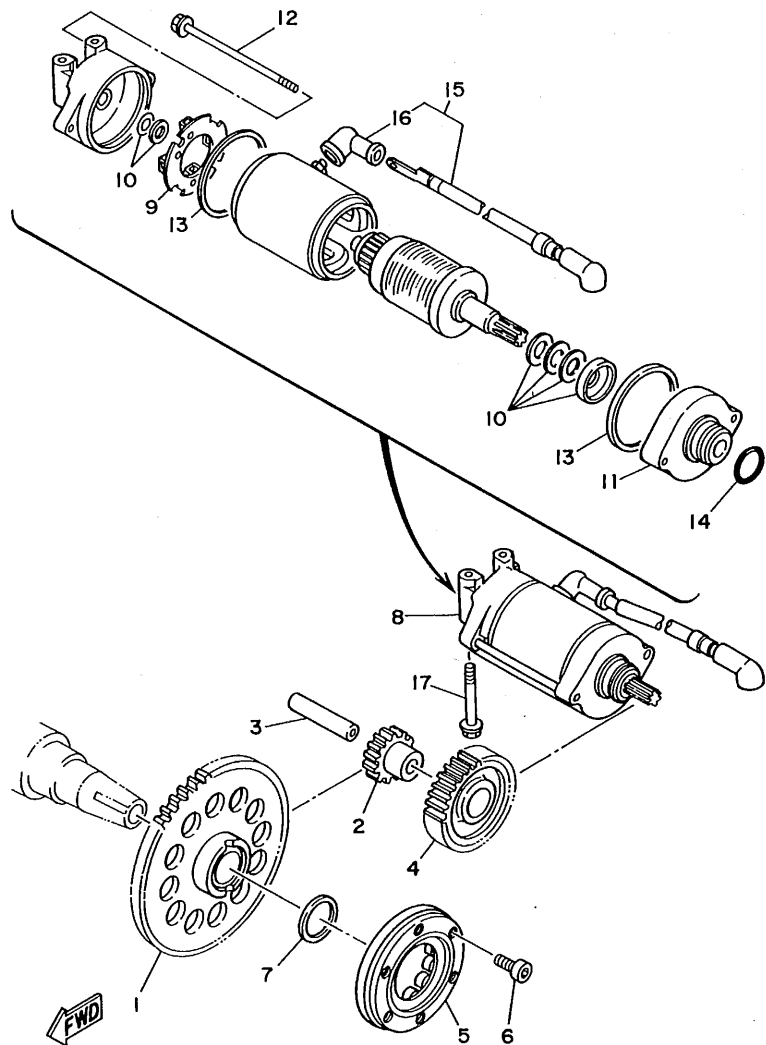
REF. NO.	PART NO.	DESCRIPTION	Q'TY	REMARKS
29	99530-10014	PIN, dowel	2	
30	90465-26349	CLAMP	1	
31	90340-14138	PLUG, straight screw	1	
32	93210-14369	O-RING	1	
33	90340-32137	PLUG, straight screw	1	
34	93210-32172	O-RING	1	
35	90387-086W7	COLLAR	1	
36	93210-10096	O-RING	1	
37	90387-106W6	COLLAR	1	
38	93210-12790	O-RING	1	
39	90387-06761	COLLAR	1	
40	93210-07438	O-RING	1	
41	90387-130W6	COLLAR	1	
42	93210-15566	O-RING	1	
43	90465-20342	CLAMP	1	



3VD1351-1130

C9

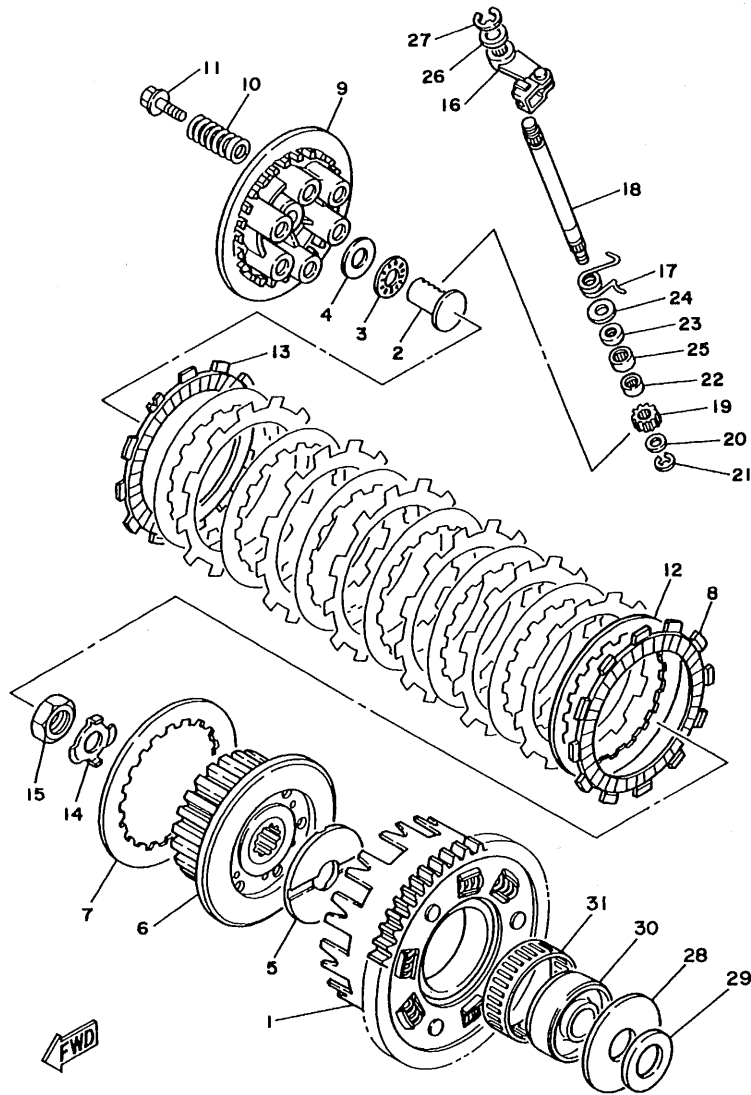
FIG. 14 STARTER CLUTCH



REF. NO.	PART NO.	DESCRIPTION	Q'TY	REMARKS
1	3LD-15515-00	GEAR 3	1	
2	3LD-15517-00	GEAR, idler 2	1	
3	26H-15521-00	SHAFT 1	1	
4	3LD-15512-00	GEAR, idler 1	1	
5	3LD-15590-00	STARTER ONE-WAY ASSY	1	
6	91316-06018	BOLT	3	
7	90201-301P3	WASHER, plate	1	
8	3LD-81800-00	STARTING MOTOR ASSY	1	
9	3AJ-81801-00	.BRUSH SET	1	
10	3AJ-81809-00	.WASHER KIT	1	
11	3AJ-81830-00	.FRONT BRACKET ASSY	1	
12	3AJ-81826-00	.BOLT	2	
13	11H-81844-00	.GASKET	2	
14	26H-81847-00	.O-RING	1	
15	3LD-81815-00	.CORD, starter motor	1	
16	4G0-81871-00	..CAP	1	
17	95811-06050	BOLT, flange	2	

3LDI351-9140

C10



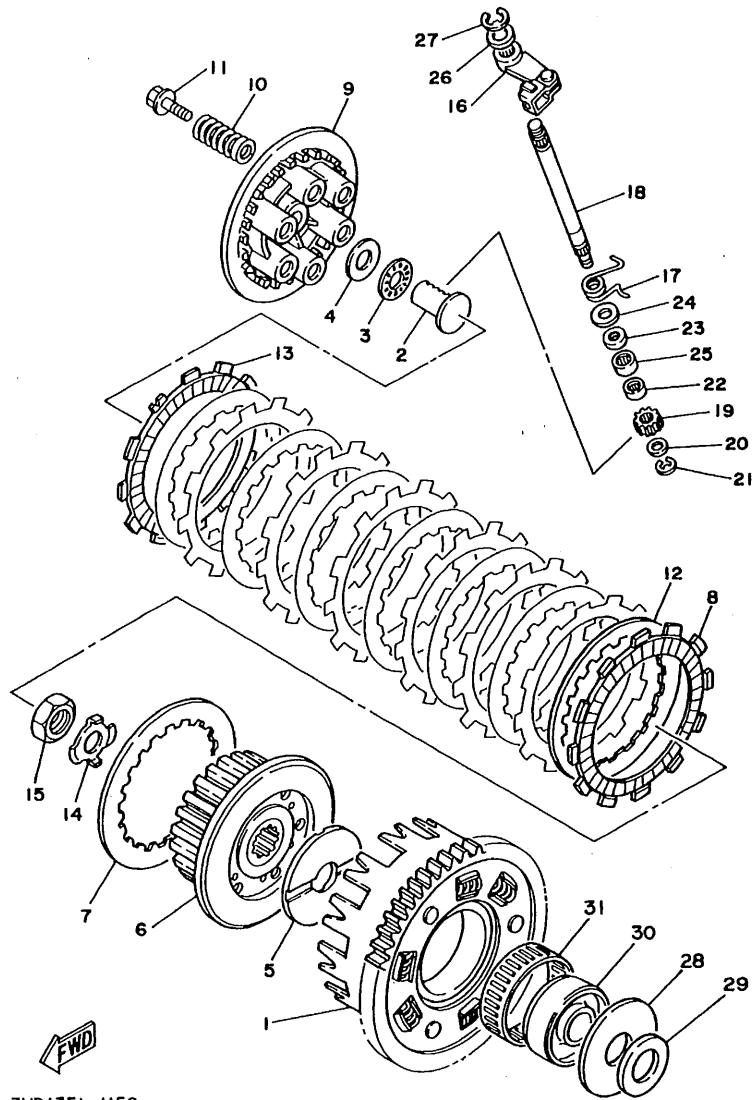
3VD1351-1150

FIG. 15 CLUTCH

REF. NO.	PART NO.	DESCRIPTION	Q'TY	REMARKS
1	3VD-16150-00	PRIMARY DRIVEN GEAR COMP.	1	
2	3LD-1637A-00	ROD PUSH ASSY	1	
3	93340-21505	BEARING, thrust	1	
4	90201-150H2	WASHER, plate	1	
5	4H7-16154-00	PLATE, thrust 1	1	
6	3VD-16371-01	BOSS, clutch	1	
7	168-16324-00	PLATE, clutch 1	1	
8	4H7-16321-00	PLATE, friction	7	
9	3LD-16351-00	PLATE, pressure 1	1	
10	90501-225A9	SPRING, compression	6	
11	90159-06123	SCREW, with washer	6	
12	31A-16325-00	PLATE, clutch 2	7	
13	31A-16321-00	PLATE, friction	1	
14	90215-20231	WASHER, lock	1	
15	90170-20327	NUT	1	
16	3VD-16340-00	PUSH LEVER ASSY	1	
17	90508-161A4	SPRING, torsion	1	
18	3LD-16382-00	AXLE, push lever	1	
19	3LD-16398-00	PINION, releas	1	
20	92901-08600	WASHER, plate	1	
21	99080-07600	CIRCLIP	1	
22	93317-11020	BEARING, cylindrical	1	
23	93102-12224	OIL SEAL	1	
24	90201-12M34	WASHER, plate	1	
25	93315-11206	BEARING, cylindrical	1	
26	90201-10119	WASHER, plate	1	
27	99009-10400	CIRCLIP	1	
28	3VD-16164-00	PLATE, thrust 2	1	

C11

FIG. 15 CLUTCH

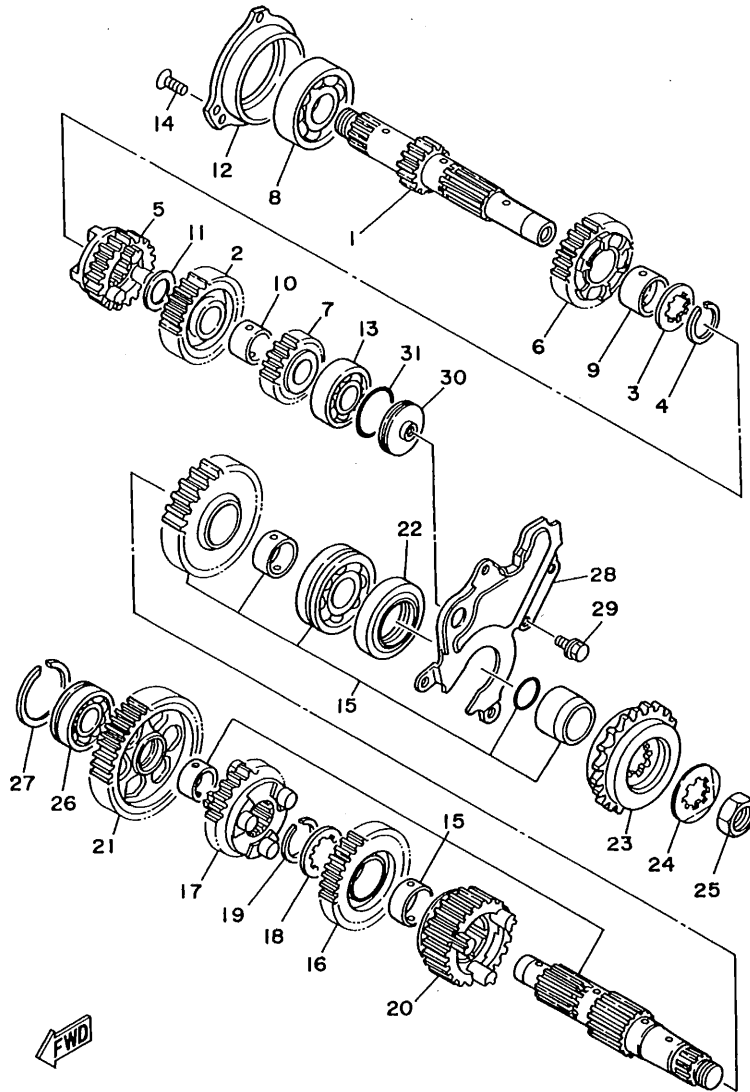


REF. NO.	PART NO.	DESCRIPTION	Q'TY	REMARKS
29	3VD-16154-00	PLATE, thrust 1	1	
30	3LD-16181-00	SPACER 1	1	
31	93310-36588	BEARING, cylindrical	1	

3VD1351-1150

C12

FIG. 16 TRANSMISSION



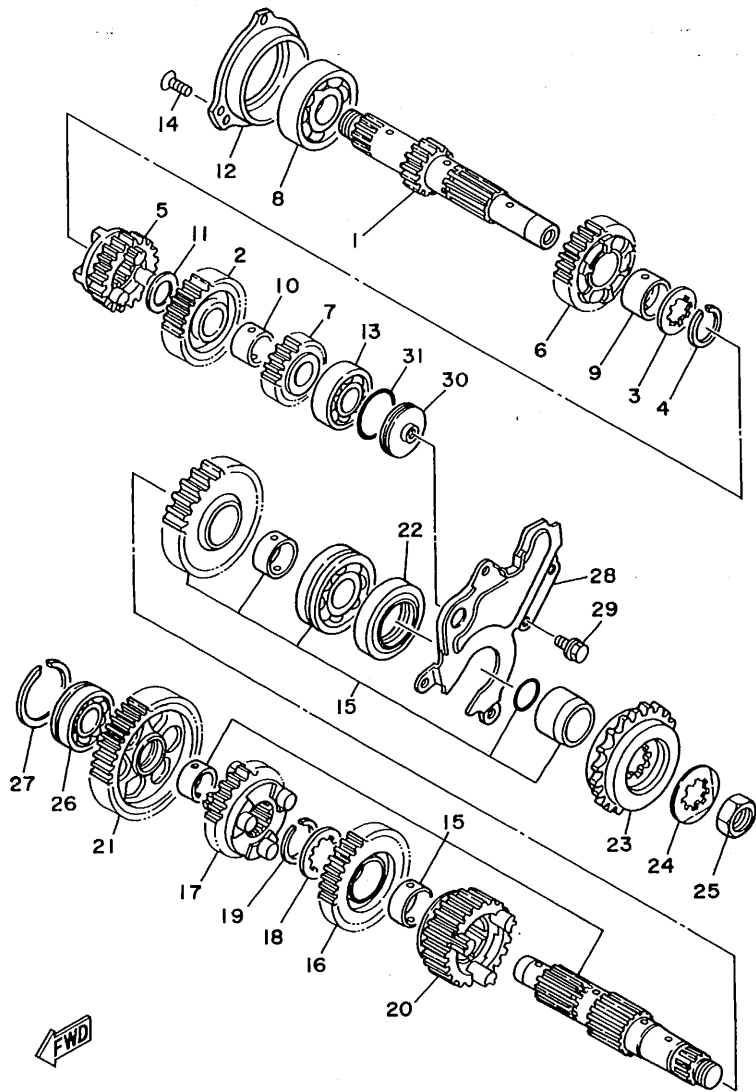
3LD3351-0160

REF. NO.	PART NO.	DESCRIPTION	Q'TY	REMARKS
1	3LD-17411-00	AXLE, main (13T)	1	
2	3VD-17151-00	GEAR, 5th pinion (30T)	1	
3	90209-22191	WASHER	1	
4	93440-25084	CIRCLIP	1	
5	3VD-17131-00	GEAR, 3rd pinion (22T)	1	
6	3VD-17141-00	GEAR, 4th pinion (27T)	1	
7	3LD-17121-00	GEAR, 2nd pinion (21T)	1	
8	93306-30525	BEARING (B6305)	1	
9	90387-253M6	COLLAR	1	
10	90387-203M7	COLLAR	1	
11	90201-200K3	WASHER, plate	1	
12	3LD-15163-10	HOUSING, bearing 1	1	
13	93306-20464	BEARING	1	
14	90149-06286	SCREW	3	
15	3LD-17402-00	DRIVE AXLE ASSY	1	
16	3VD-17231-00	GEAR, 3rd wheel (29T)	1	
17	3VD-17241-00	GEAR, 4th wheel (29T)	1	
18	90209-25196	WASHER	1	
19	93440-28062	CIRCLIP	1	
20	3VD-17251-00	GEAR, 5th wheel (27T)	1	
21	3LD-17211-00	GEAR, 1st wheel (37T)	1	
22	93102-35381	SEAL OIL (SD6-35-62-5-1L-HS)	1	
23	3VD-17460-00	SPROCKET, drive (16T)	1	
24	90215-21022	WASHER, lock	1	
25	90179-18020	NUT	1	
26	93306-20455	BEARING	1	
27	93440-45144	CIRCLIP	1	
28	3LD-17471-00	PLATE, cover	1	

C13

FIG. 16 TRANSMISSION

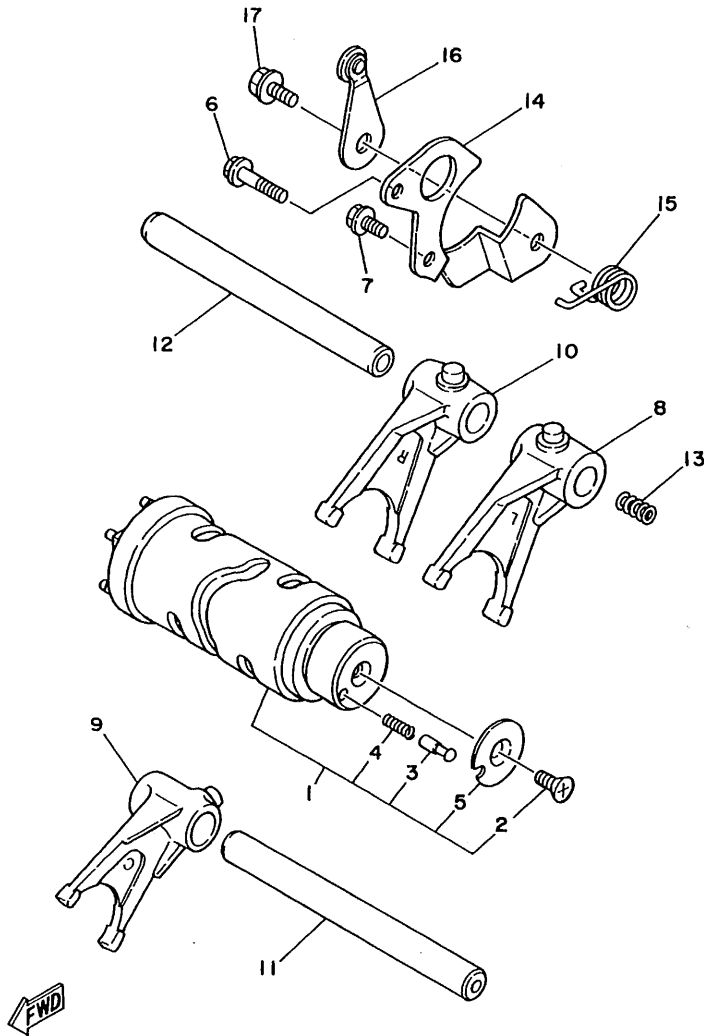
REF. NO.	PART NO.	DESCRIPTION	Q'TY	REMARKS
29	95811-06012	BOLT, flange	5	
30	3LD-15414-00	COVER, air cleaner	1	
31	93210-33133	O-RING	1	



3LD3351-0160

C14

FIG. 17 SHIFT CAM. FORK

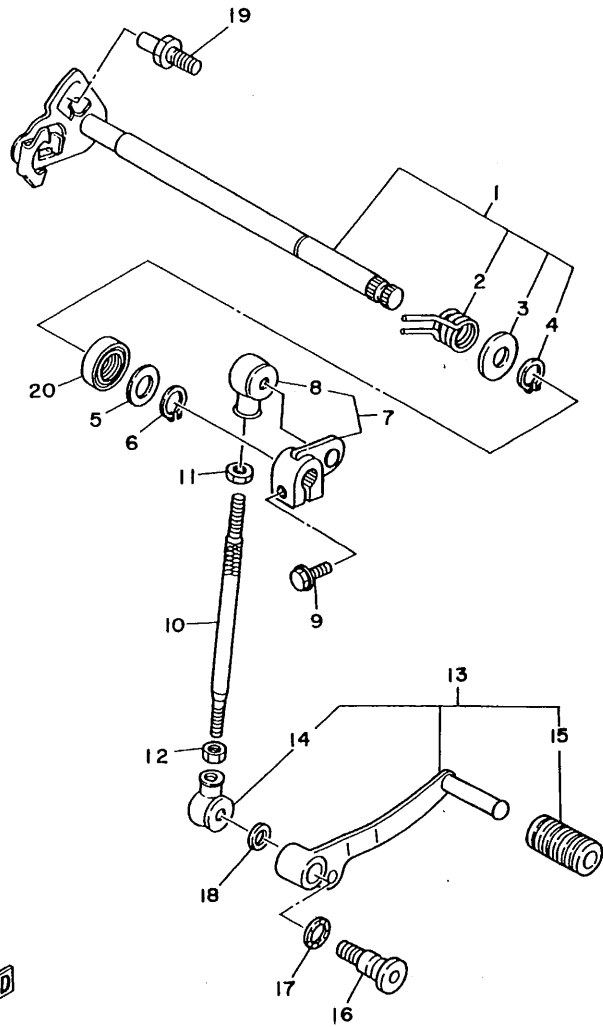


REF. NO.	PART NO.	DESCRIPTION	Q'TY	REMARKS
1	3VD-18540-00	SHIFT CAM ASSY	1	
2	98701-05012	.SCREW, flat head	1	
3	278-18542-00	.POINT, neutral	1	
4	90501-06022	.SPRING, compression	1	
5	278-18566-00	.PLATE, side 2	1	
6	90105-06597	BOLT, washer based	1	
7	90105-06397	BOLT, washer based	1	
8	3LD-18511-00	FORK, shift 1 (L)	1	
9	3LD-18512-00	FORK, shift 2 (C)	1	
10	3LD-18513-00	FORK, shift 3 (R)	1	
11	3VD-18531-00	BAR, shift fork guide 1	1	
12	3VD-18535-00	BAR, shift fork guide 2	1	
13	90501-071F1	SPRING, compression	1	
14	3LD-18536-00	STOPPER, shift bar	1	
15	90508-262A2	SPRING, torsion	1	
16	36Y-18140-00	STOPPER LEVER ASSY	1	
17	90109-063F8	BOLT	1	

3LD1351-9170

C15

FIG. 18 SHIFT SHAFT

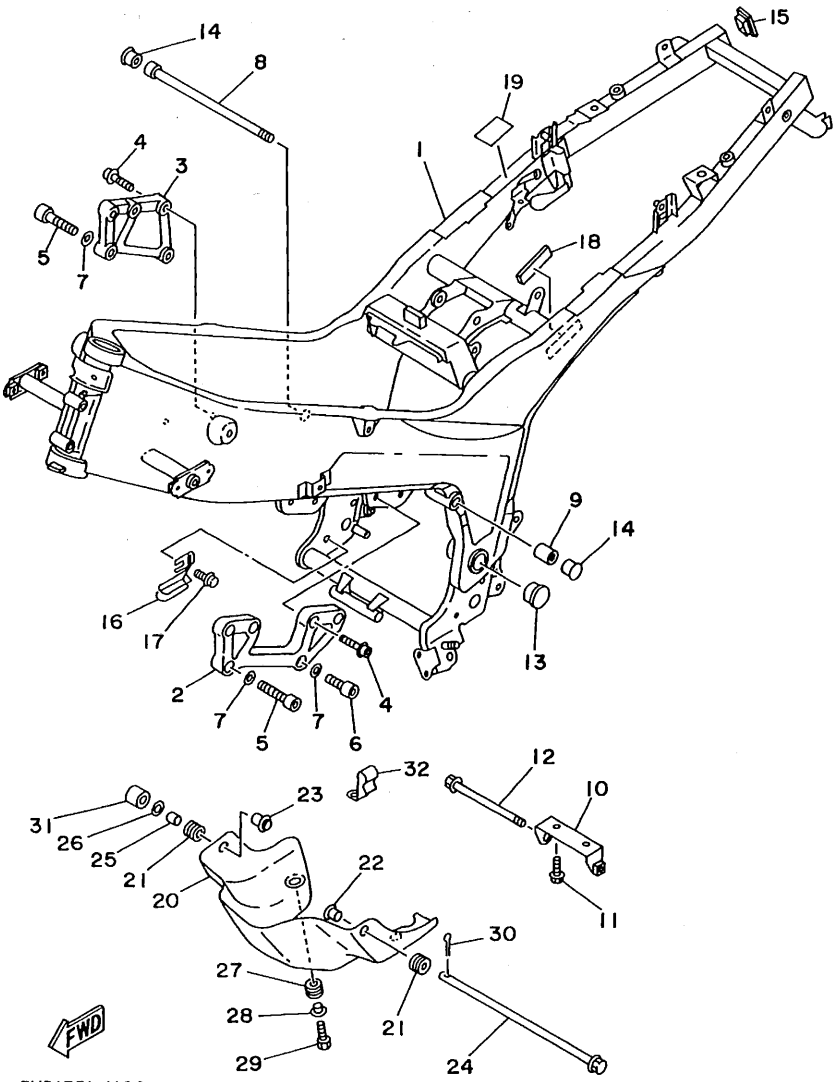


REF. NO.	PART NO.	DESCRIPTION	Q'TY	REMARKS
1	3LD-18101-01	SHIFT SHAFT ASSY	1	
2	90508-32682	.SPRING, torsion	1	
3	90201-191J4	.WASHER, plate	1	
4	99009-19400	.CIRCLIP	1	
5	90201-12575	WASHER, plate	1	
6	99006-10600	CIRCLIP	1	
7	3LD-18130-00	SHIFT SHAFT ASSY	1	
8	2H9-18154-00	.COVER, dust	1	
9	95826-06020	BOLT, flange	1	
10	3VD-18115-00	ROD, shift	1	
11	90170-06228	NUT (COUNTER CLOCKWISE)	1	
12	95303-06700	NUT	1	
13	3VD-18110-00	SHIFT PEDAL ASSY	1	
14	2H9-18154-00	.COVER, dust	1	
15	132-18113-01	.COVER, shift pedal	1	
16	2YK-27434-01	BOLT	1	
17	90206-12074	WASHER, wave	1	
18	90201-081H4	WASHER, plate	1	
19	4G0-18127-00	STOPPER, screw	1	
20	93102-12106	OIL SEAL (SD 12-22-5 HS)	1	

3VD1351-1180

FIG. 19 FRAME

REF. NO.	PART NO.	DESCRIPTION	Q'TY	REMARKS
1	3VD-21110-00-LY	FRAME COMP.	1	MIDNIGHT GRAY
2	3VD-21411-00	BRACKET, engine 1	1	
3	3VD-21419-00	BRACKET, engine 2	1	
4	90109-085F7	BOLT	7	
5	91316-10045	BOLT	3	
6	91316-10030	BOLT	1	
7	90201-100F7	WASHER, plate	4	
8	90110-10175	BOLT, hexagon socket head	1	
9	90179-10377	NUT	1	
10	3VD-21489-00	BRACKET, engine lower	1	
11	95821-08020	BOLT, flange	2	
12	90105-10328	BOLT, washer based	1	
13	3SX-2135F-00	COVER	2	
14	3LD-2143A-00	CAP	2	
15	3VD-2143A-00	CAP	2	
16	3VD-21164-00	HOLDER, cable	1	
17	95826-06010	BOLT, flange	1	
18	34M-21639-00	DAMPER 2	1	
19	3YL-12232-00	DAMPER	1	
20	3VD-15491-00	PROTECTOR	1	
21	90480-15397	GROMMET	2	
22	3VD-15598-00	COLLAR	1	
23	3VD-15764-00	COLLAR 1	1	
24	3VD-15659-00	SHAFT	1	
25	3VD-15327-00	SPACER, engine mount	1	
26	90201-08326	WASHER, plate	1	
27	90480-14023	GROMMET	2	
28	90387-07391	COLLAR	2	

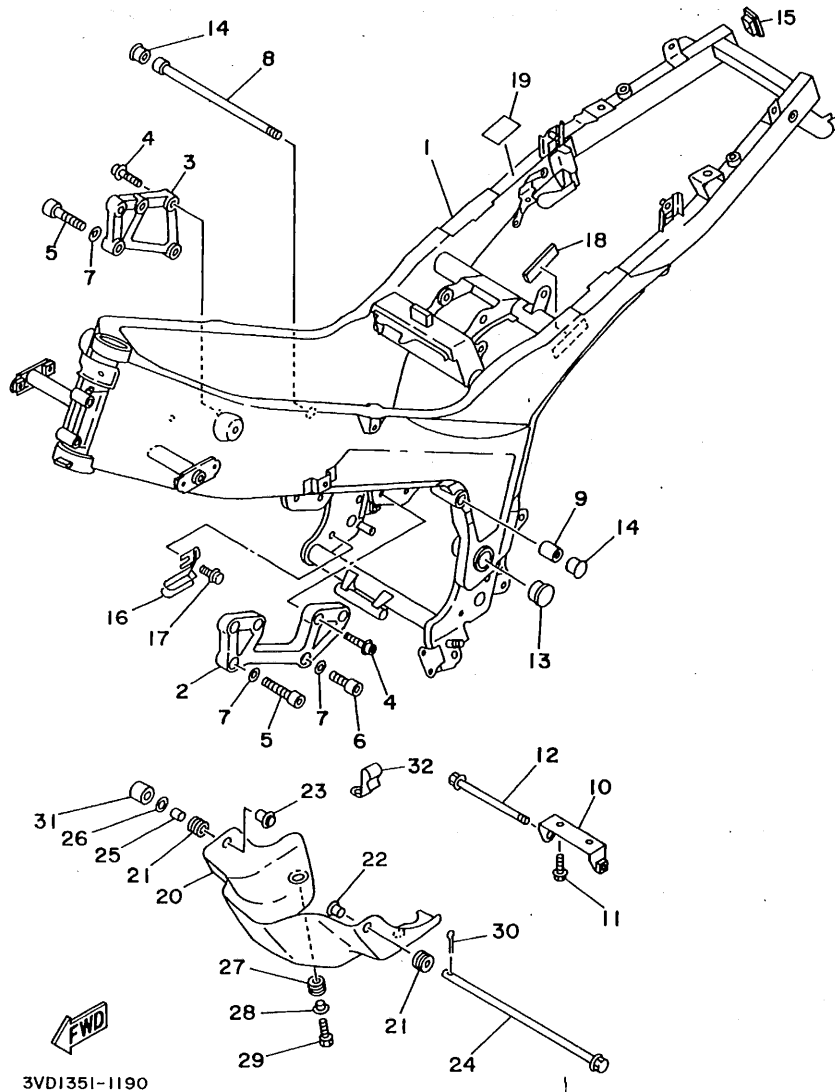


3VD1351-1190

D3

FIG. 19 FRAME

REF. NO.	PART NO.	DESCRIPTION	Q'TY	REMARKS
29	97011-06025	BOLT	2	
30	91401-25020	PIN, cotter	1	
31	10V-25188-00	CAP	1	
32	90465-08252	CLAMP	1	

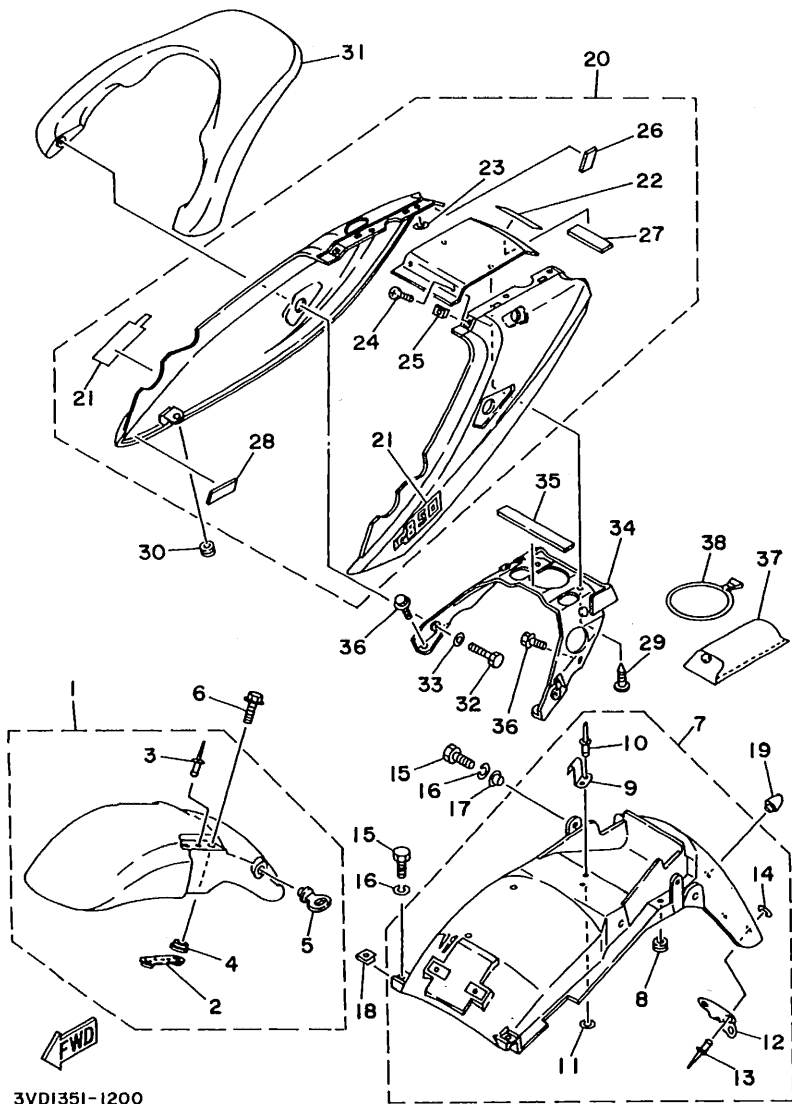


3VD1351-1190

D4

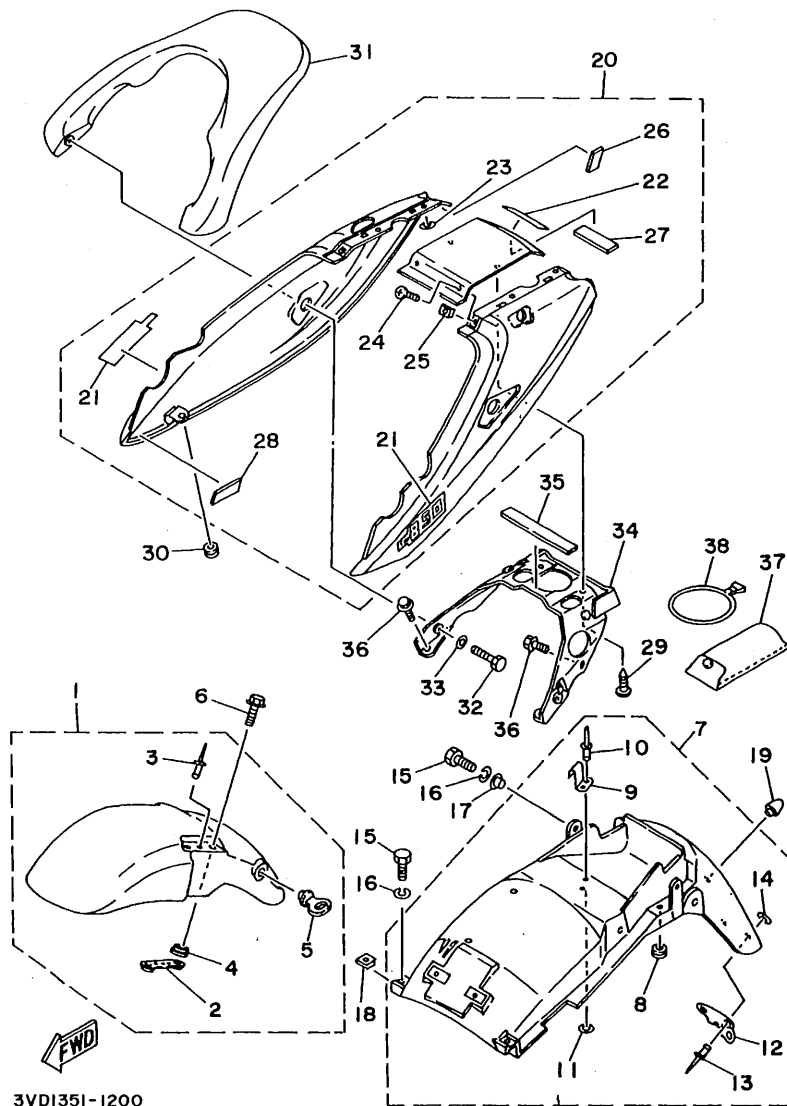
FIG. 20 FENDER

REF. NO.	PART NO.	DESCRIPTION	Q'TY	REMARKS
1	3VD-Y2151-00-P0	FRONT FENDER COMP.	1	UR VIVID RED COCKTAIL 1
	3VD-Y2151-00-4B	FRONT FENDER COMP.	1	UR BLACK 2
2	3GM-21512-00	.BRACKET, fender	2	
3	90267-32071	.RIVET, blind	2	
4	90387-065T2	.COLLAR	4	
5	1A8-21518-00	.HOLDER, cable	1	
6	90105-06605	BOLT, washer based	4	
7	3VD-Y2161-00	REAR FENDER COMP.	1	
8	90480-10258	.GROMMET	2	
9	3VD-21366-00	.HOOK, tool band	1	
10	90267-40073	.RIVET, blind	2	
11	92990-04200	.WASHER, plain	2	
12	3HE-85132-00	.BRACKET, reflector 1	1	
13	90267-40076	.RIVET, blind	2	
14	90201-044A2	.WASHER, plate	2	
15	97011-06020	BOLT	4	
16	92990-06100	WASHER, spring	4	
17	90387-07717	COLLAR	2	
18	90183-06023	NUT, spring	2	
19	4G0-21639-00	DAMPER 2	1	
20	3VD-W247K-00-4B	COVER, rear fender	1	UR BLACK 2
	3VD-W247K-10-P0	COVER, rear fender	1	UR VIVID RED COCKTAIL 1
21	3VD-21737-00	.EMBLEM	2	UR FOR BL 2
	3VD-21737-10	.EMBLEM	2	UR FOR VRC1
22	99236-00020	.EMBLEM, yamaha (SILVER)	1	
23	90183-08014	.NUT, spring	4	
24	98906-05012	.SCREW, bind	2	
25	90183-05024	.NUT, spring	2	



3VDI35I-1200

D5



3VDI351-1200

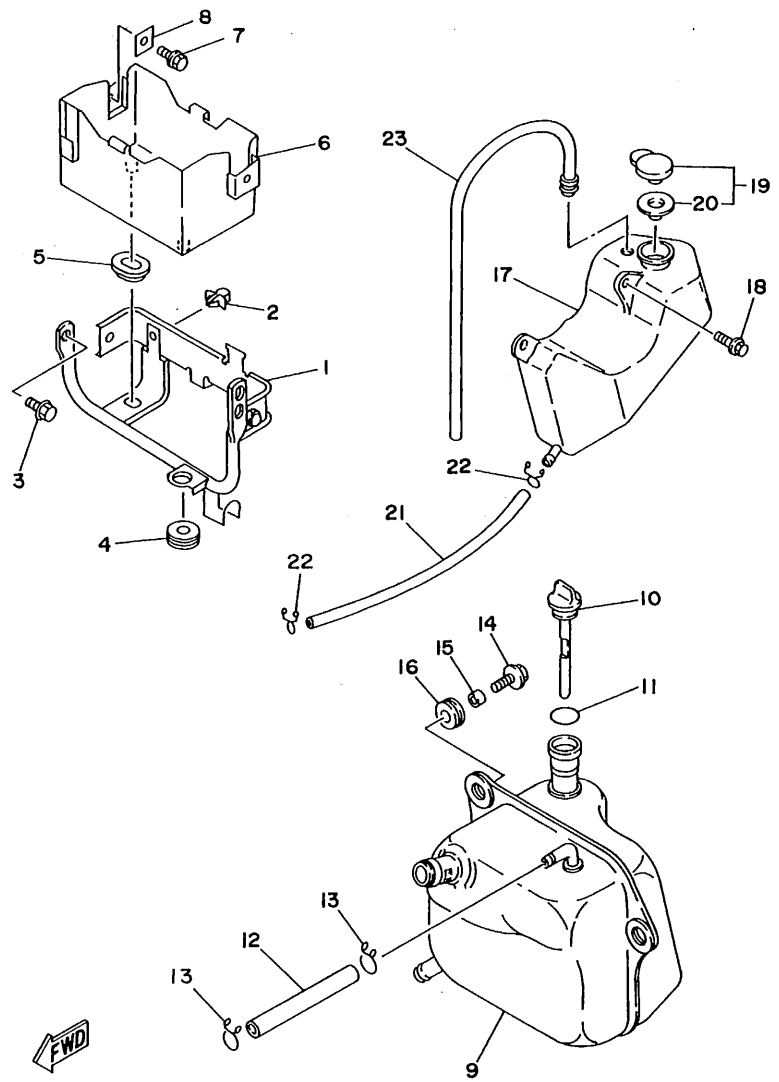
FIG. 20 FENDER

REF. NO.	PART NO.	DESCRIPTION	Q'TY	REMARKS
26	5H0-8235Y-M0	.DAMPER	2	
27	1AE-2837J-00	.DAMPER 5	1	
28	1KT-21717-00	.DAMPER, side cover	2	
29	97706-50012	SCREW, tapping	2	
30	90480-12320	GROMMET	2	
31	3VD-21645-00-P0	STAY, rear	1	UR VIVID RED COCKTAIL 1
	3VD-21645-00-4B	STAY, rear	1	UR BLACK 2
32	97026-08035	BOLT	4	
33	92906-08600	WASHER, plate	4	
34	3VD-2117E-00	BRACKET, taillight	1	
35	J44-78248-00	SEAL 4	1	
36	95816-08016	BOLT, flange	4	
37	3VD-28100-00	TOOL KIT	1	
38	3YX-21376-00	BAND, tool	1	

D6

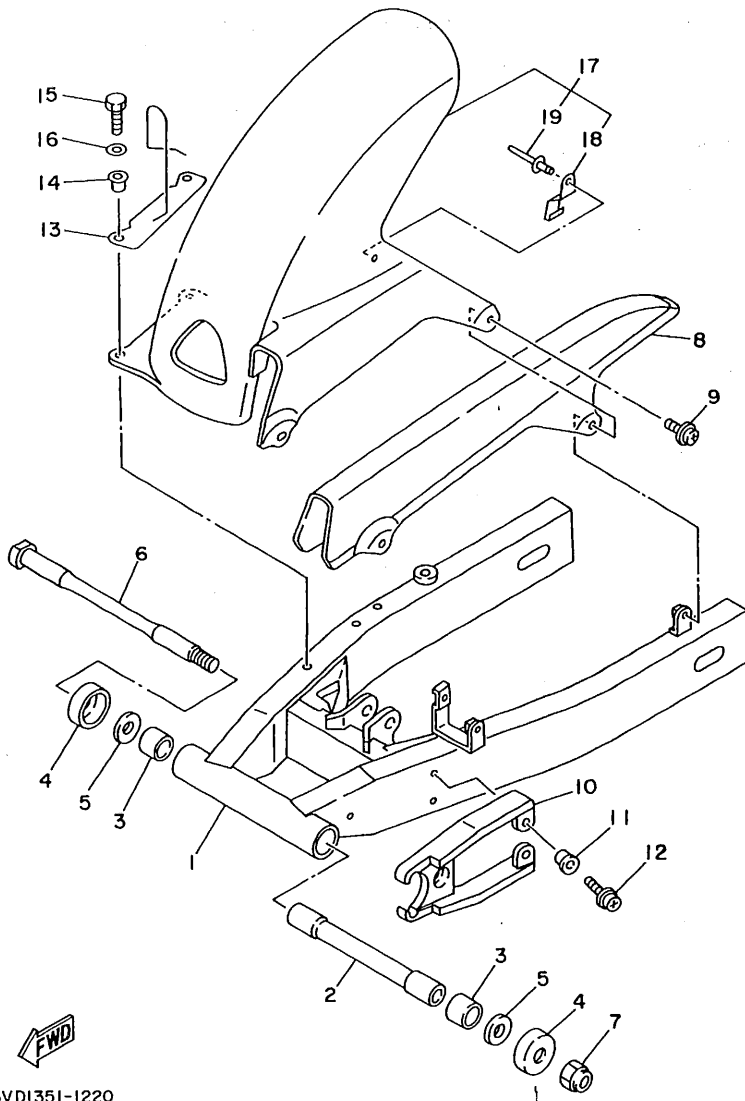
FIG. 21 OIL TANK

REF. NO.	PART NO.	DESCRIPTION	Q'TY	REMARKS
1	3VD-22535-00	STAY, battery 1	1	
2	90464-11163	CLAMP	1	
3	95811-06012	BOLT, flange	3	
4	90480-16233	GROMMET	1	
5	90480-01401	GROMMET.	1	
6	3VD-2177G-00	BOX, battery	1	
7	95811-06012	BOLT, flange	2	
8	90209-07319	WASHER	2	
9	3VD-21750-00	OIL TANK ASSY	1	
10	3VD-21761-00	GAUGE, level	1	
11	93210-21190	O-RING	1	
12	90445-110H5	HOSE	1	
13	90467-10008	CLIP	2	
14	90119-06096	BOLT, with washer	3	
15	90387-060A7	COLLAR	3	
16	90480-16233	GROMMET	3	
17	3VD-21871-00	TANK, recovery	1	
18	90119-06056	BOLT, with washer	2	
19	1AA-21815-00	CAP	1	
20	1AA-21874-00	GASKET	1	
21	90445-095E9	HOSE	1	
22	90467-08017	CLIP	2	
23	1KF-21816-00	PIPE 1	1	



3VD1351-1210

D7



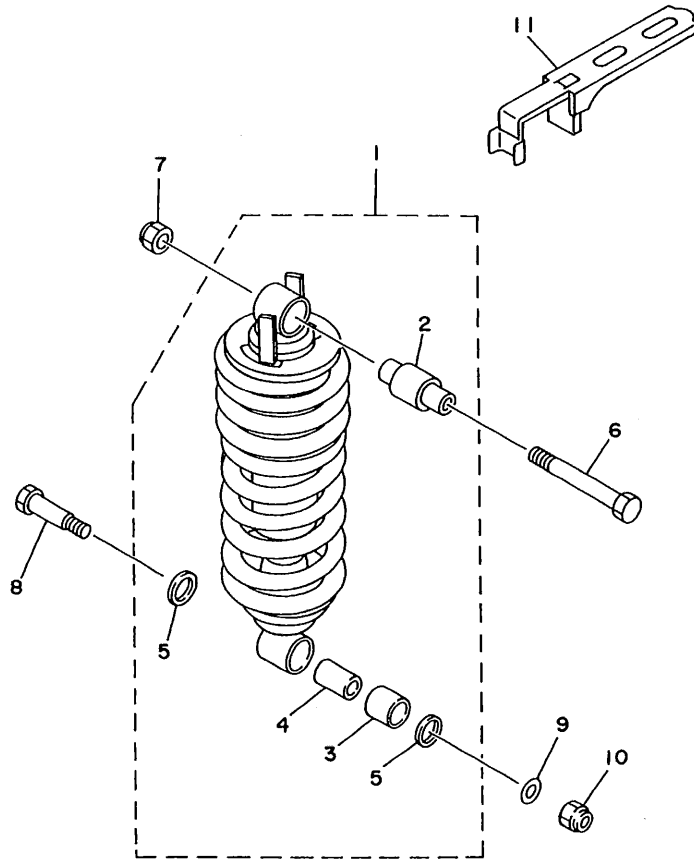
3VDI351-I220

FIG. 22 REAR ARM

REF. NO.	PART NO.	DESCRIPTION	Q'TY	REMARKS
1	3VD-22110-00	REAR ARM COMP.	1	
2	33M-22184-00	BUSH	1	
3	93320-32403	BEARING	2	
4	4X7-22129-00	COVER, thrust 2	2	
5	90201-161J3	WASHER, plate	2	
6	46X-22141-00	SHAFT, pivot	1	
7	90185-14070	NUT, self-locking	1	
8	3VD-22311-00	CASE, chain	1	
9	90159-06071	SCREW, with washer	2	
10	3VD-22151-00	SEAL, guard	1	
11	90387-06681	COLLAR	3	
12	90159-06084	SCREW, with washer	3	
13	3VD-25875-00	HOLDER, brake hose 1	1	
14	90387-064J1	COLLAR	2	
15	97011-06025	BOLT	2	
16	92906-06600	WASHER, plate	2	
17	3VD-W2165-00	FENDER COMP., rear tire	1	
18	3VD-2164F-00	.STAY 1	1	
19	90267-40110	.RIVET, blind	1	

D8

FIG. 23 REAR SUSPENSION



REF. NO.	PART NO.	DESCRIPTION	Q'TY	REMARKS
1	3VD-22210-00	SHOCK ABSORBER ASSY, rear	1	
2	3VD-22216-00	.BUSH, rear shock absorber	1	
3	90384-18190	.BUSH, bimetal formed	1	
4	90387-127X0	.COLLAR	1	
5	93109-18020	.OIL SEAL	2	
6	90109-125F1	BOLT	1	
7	95601-12100	NUT, u	1	
8	90101-10659	BOLT	1	
9	90201-124G9	WASHER, plate	1	
10	95611-10100	NUT, u	1	
11	3VD-22464-00	KNOB, control	1	

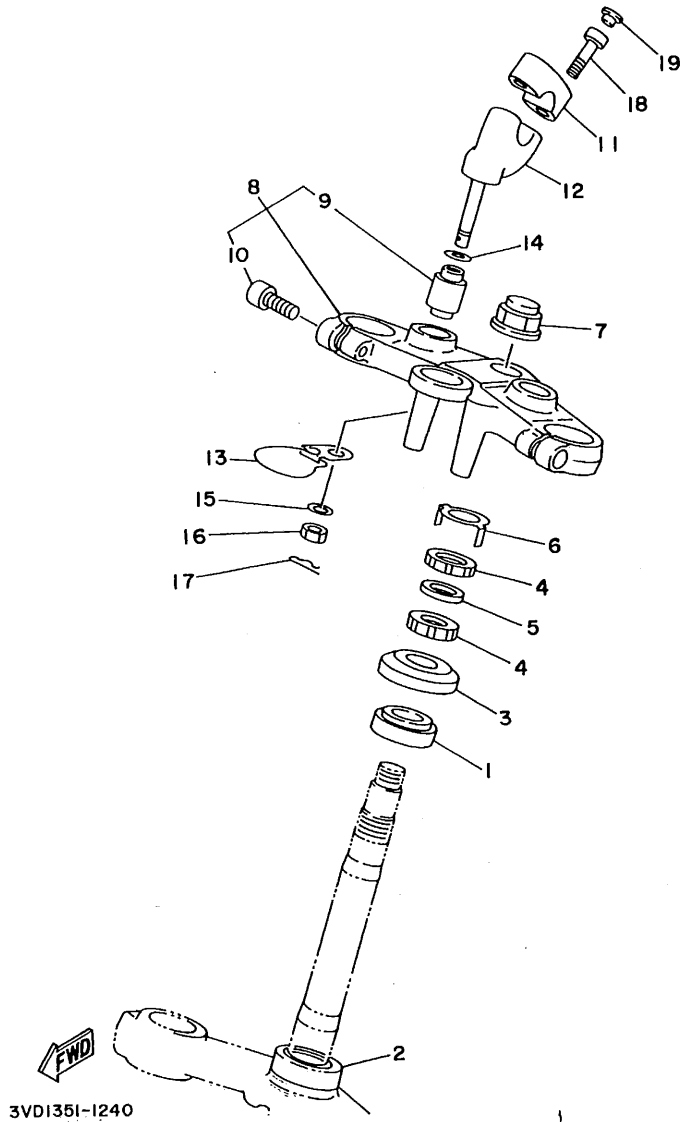


3VD1351-1230

D9

FIG. 24 STEERING

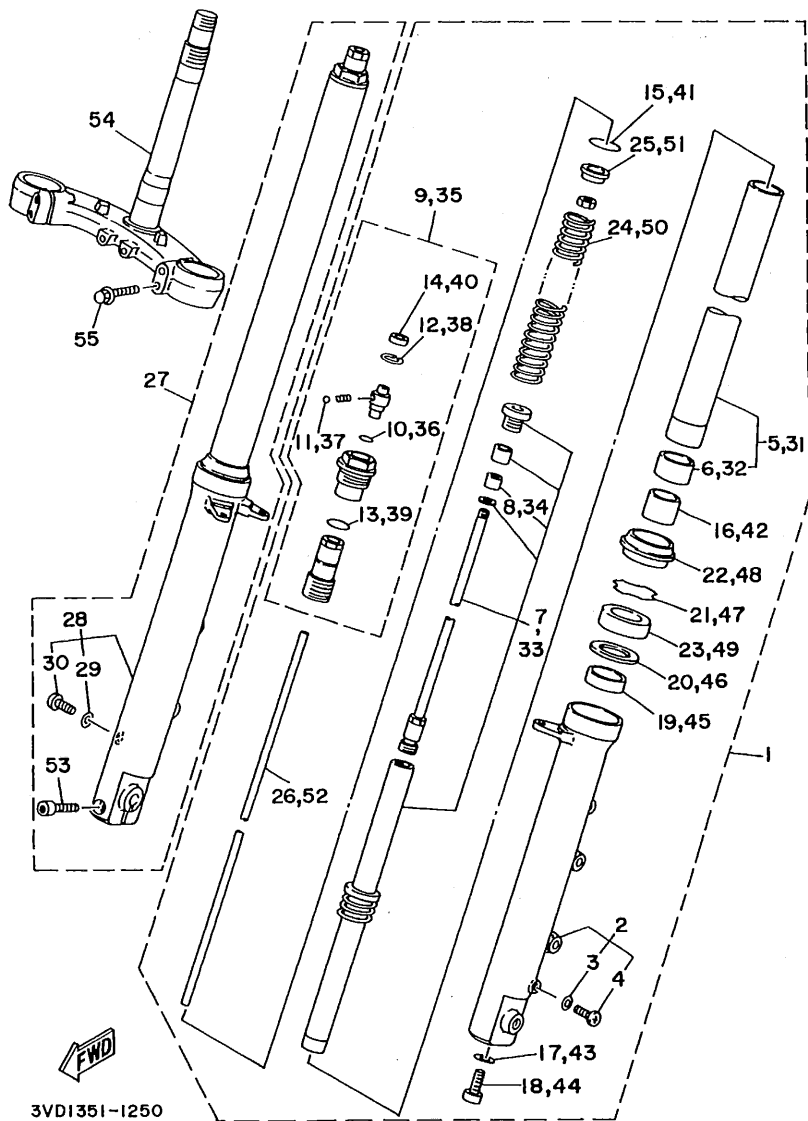
REF. NO.	PART NO.	DESCRIPTION	Q'TY	REMARKS
1	93332-00023	BEARING	1	
2	93332-00008	BEARING	1	
3	3HE-23416-00	COVER, ball race 2	1	
4	90179-25033	NUT	2	
5	90202-26142	WASHER, plate	1	
6	26H-23418-01	WASHER, special	1	
7	90176-22050	NUT, crown	1	
8	3VD-Y2343-00	CROWN, handle	1	
9	3VD-23434-00	.HOLDER, damper	2	
10	91316-08030	.BOLT	2	
11	3VD-23441-00	HOLDER, handle upper	2	
12	3VD-23442-00	HOLDER, handle lower	2	
13	3VD-23389-00	GUIDE, cable	1	
14	90201-100A1	WASHER, plate	3	
15	92901-10100	WASHER, spring	2	
16	95303-10700	NUT	2	
17	90468-12006	CLIP	2	
18	91316-08030	BOLT	4	
19	341-23469-00	CAP, bolt	4	



3VD135I-1240

FIG. 25 FRONT FORK

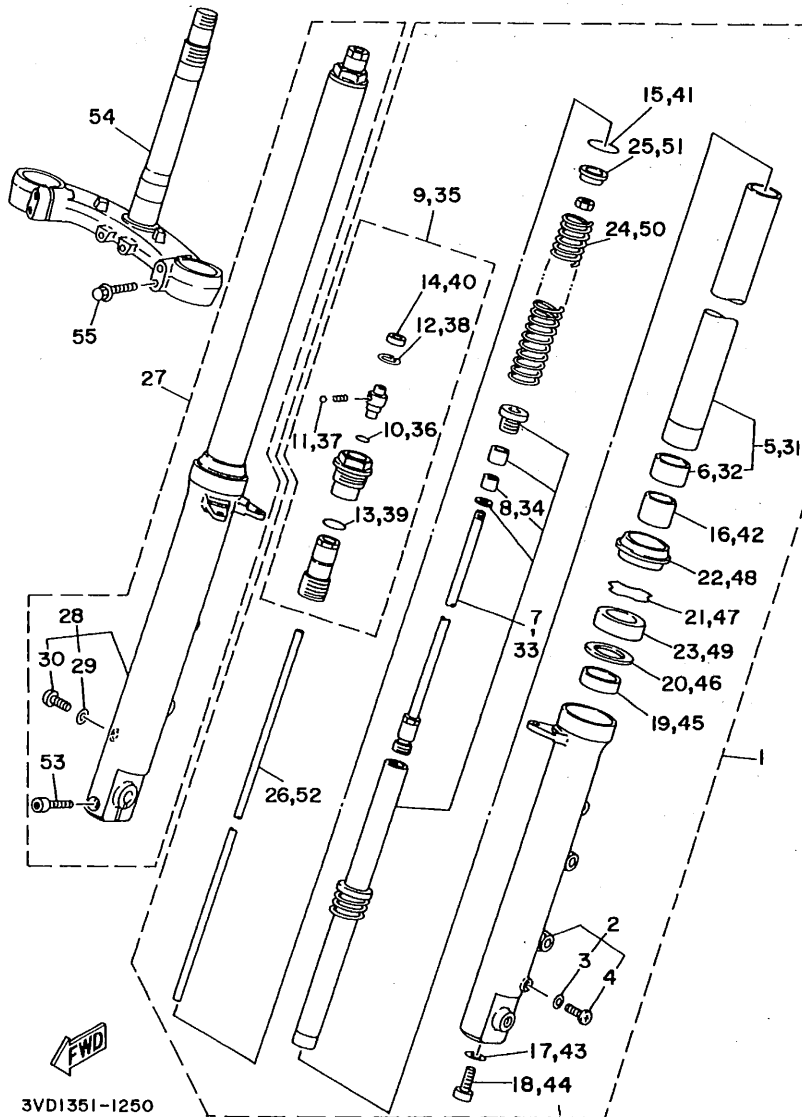
REF. NO.	PART NO.	DESCRIPTION	Q'TY	REMARKS
1	3VD-23102-00	FRONT FORK ASSY (L.H)	1	
2	3VD-23106-00	.OUTER TUBE COMP. (L.H)	1	
3	5U8-23129-00	..GASKET, drain plug	1	
4	98501-04006	..SCREW, pan head	1	
5	3VD-23110-00	.INNER TUBE COMP.1	1	
6	3VD-23135-00	..METAL, slide 2	1	
7	3VD-2330E-00	.DAMPER ASSY	1	
8	3VD-2312K-00	..PISTON, front fork	1	
9	3VD-23111-00	.BOLT, cap	1	
10	93210-09350	..O-RING	1	
11	93503-16010	..BALL	1	
12	3VD-23183-00	..CIRCLIP	1	
13	93210-18N01	..O-RING	1	
14	3VD-2319U-00	..CAP	1	
15	93210-35N02	.O-RING	1	
16	3VD-23173-00	.SPINDLE, taper	1	
17	90430-10171	.GASKET	1	
18	91311-10025	.BOLT	1	
19	3VD-23125-00	.METAL, slide 1	1	
20	3VD-23115-00	.GUIDE, cover upper	1	
21	3VD-23156-00	.CLIP, oil seal	1	
22	3VD-23144-00	.SEAL, dust	1	
23	3VD-23145-00	.OIL SEAL	1	
24	3VD-23141-00	.SPRING, front fork	1	
25	3VD-23142-00	.SEAT, spring upper	1	
26	3VD-2318Y-00	.PLUNGER	1	
27	3VD-23103-00	FRONT FORK ASSY (R.H)	1	
28	3VD-23107-00	.OUTER TUBE COMP. (R.H)	1	



3VD1351-1250

D11

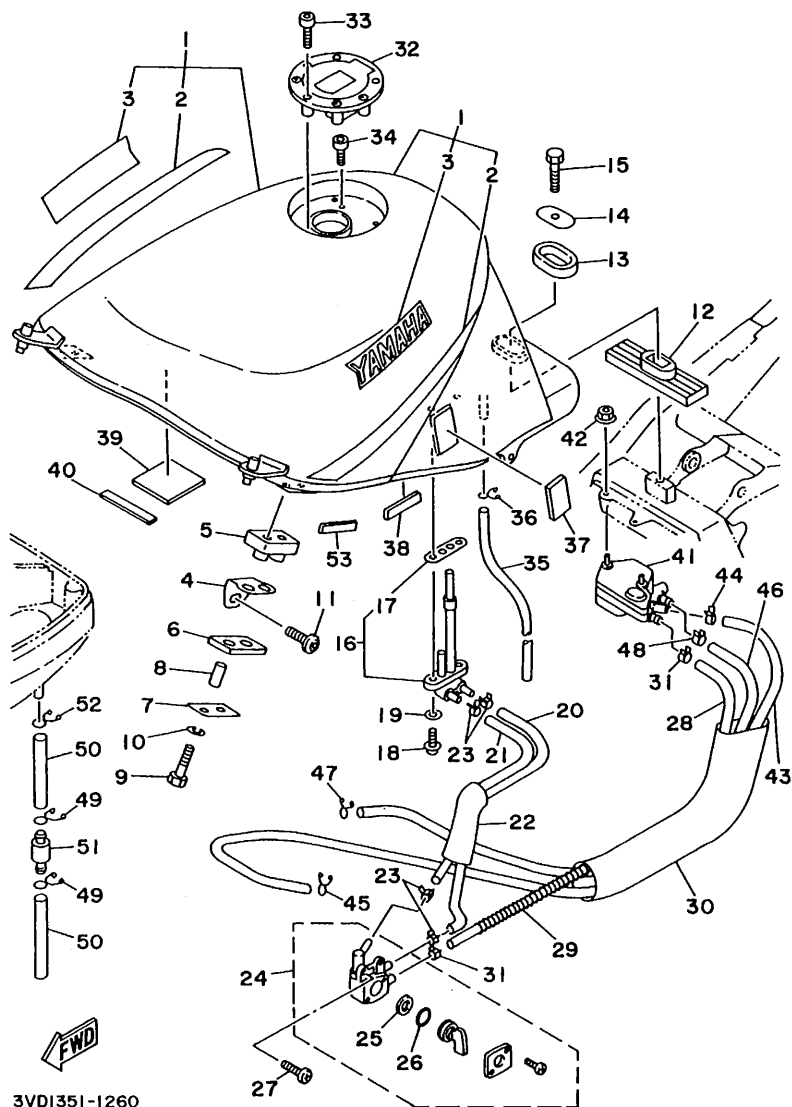
FIG. 25 FRONT FORK



REF. NO.	PART NO.	DESCRIPTION	Q'TY	REMARKS
29	5U8-23129-00	..GASKET, drain plug	1	
30	98501-04006	..SCREW, pan head	1	
31	3VD-23110-00	..INNER TUBE COMP.1	1	
32	3VD-23135-00	..METAL, slide 2	1	
33	3VD-2330E-00	..DAMPER ASSY	1	
34	3VD-2312K-00	..PISTON, front fork	1	
35	3VD-23111-00	..BOLT, cap	1	
36	93210-09350	..O-RING	1	
37	93503-16010	..BALL	1	
38	3VD-23183-00	..CIRCLIP	1	
39	93210-18N01	..O-RING	1	
40	3VD-2319U-00	..CAP	1	
41	93210-35N02	..O-RING	1	
42	3VD-23173-00	..SPINDLE, taper	1	
43	90430-10171	..GASKET	1	
44	91311-10025	..BOLT	1	
45	3VD-23125-00	..METAL, slide 1	1	
46	3VD-23115-00	..GUIDE, cover upper	1	
47	3VD-23156-00	..CLIP, oil seal	1	
48	3VD-23144-00	..SEAL, dust	1	
49	3VD-23145-00	..OIL SEAL	1	
50	3VD-23141-00	..SPRING, front fork	1	
51	3VD-23142-00	..SEAT, spring upper	1	
52	3VD-2318Y-00	..PLUNGER	1	
53	91311-08040	..BOLT	1	
54	3VD-23340-00	UNDER BRACKET COMP.	1	
55	95811-08035	BOLT, flange	4	

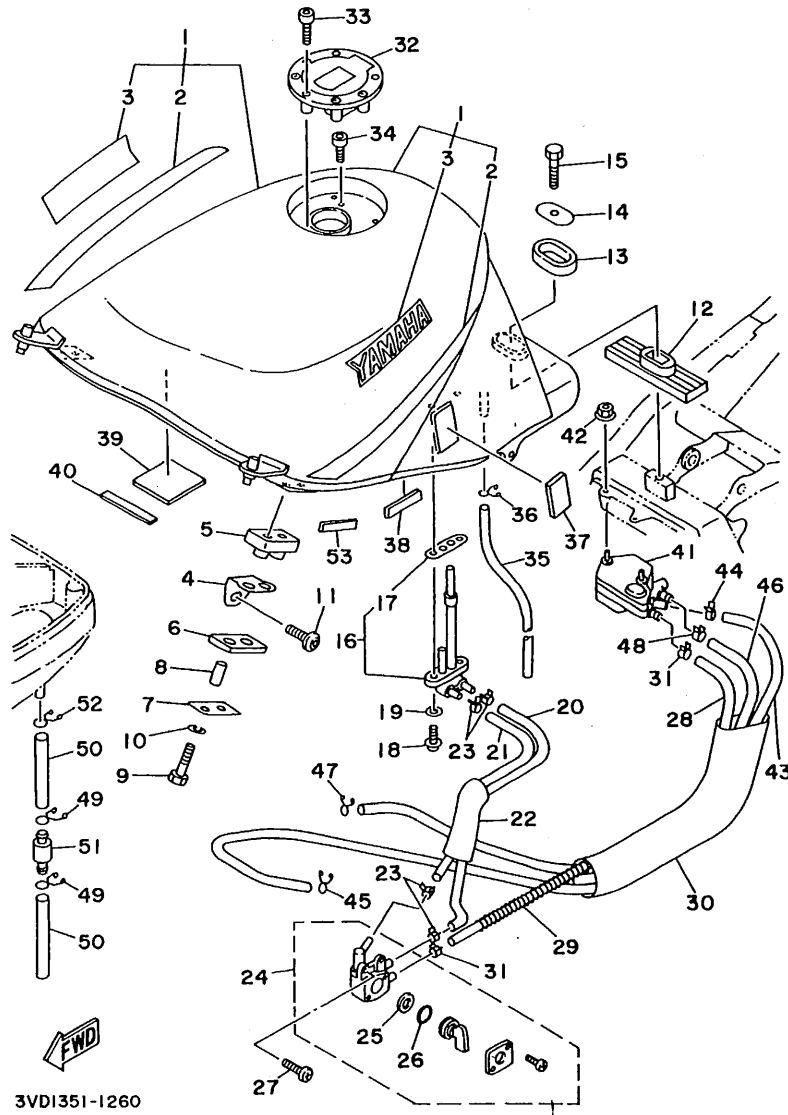
FIG. 26 FUEL TANK

REF. NO.	PART NO.	DESCRIPTION	Q'TY	REMARKS
1	3VD-24110-00-01	FUEL TANK COMP.	1	UR BLACK 2
	3VD-24110-00-02	FUEL TANK COMP.	1	UR VIVID RED COCKTAIL 1
2	3VD-24240-00	.GRAPHIC SET	1	UR FOR BL 2
	3VD-24240-10	.GRAPHIC SET	1	UR FOR VRC 1
3	99226-00030	.EMBLEM, yamaha	2	
4	3VD-24191-00	BRACKET, fuel tank 1	2	
5	3VD-24181-00	DAMPER, locating 1	2	
6	47X-24183-00	DAMPER, locating 3	2	
7	47X-24186-00	WASHER, special	2	
8	90387-060N3	COLLAR	4	
9	97001-06035	BOLT	4	
10	92990-06100	WASHER, spring	4	
11	90109-086A0	BOLT	2	
12	2GH-24184-00	DAMPER, locating 4	1	
13	3Y6-24183-00	DAMPER, locating 3	1	
14	12R-24186-00	WASHER, special	1	
15	97002-08030	BOLT	1	
16	3VD-24560-00	FILTER ASSY	1	
17	4X8-24512-00	.O-RING	1	
18	90149-06011	SCREW	2	
19	90202-05193	WASHER, plate	2	
20	3VD-24311-00	PIPE, fuel 1	1	
21	3VD-24313-00	PIPE 3	1	
22	1JK-24327-00	PROTECTOR, pipe	1	
23	90467-10091	CLIP	4	
24	3LN-24500-00	FUEL COCK ASSY 1	1	
25	3AJ-24523-00	.VALVE	1	
26	3AJ-24534-00	.SEAL, cock	1	



3VD1351-1260

D13

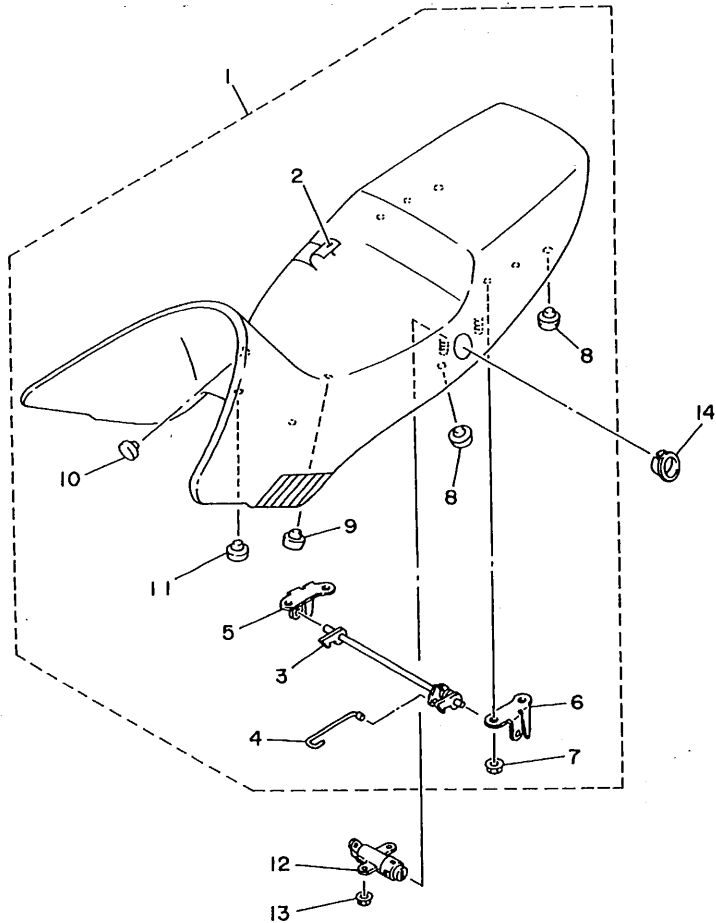


3VDI351-1260

FIG. 26 FUEL TANK

REF. NO.	PART NO.	DESCRIPTION	Q'TY	REMARKS
27	95026-06010	BOLT, flange	2	
28	90445-112H2	HOSE	1	
29	90501-085G0	SPRING, compression	1	
30	3VD-24327-00	PROTECTOR, pipe	1	
31	90467-10091	CLIP	2	
32	3XC-24602-00	CAP ASSY	1	
33	90110-05112	BOLT, hexagon socket head	3	
34	91311-05010	BOLT	1	
35	90445-102G9	HOSE	1	
36	90467-09006	CLIP	1	
37	3VD-2411H-00	HOOK, side cover 2	2	
38	1HX-24188-01	MOLD, fuel tank	1	
39	51L-28371-00	DAMPER	3	
40	J44-78248-00	SEAL 4	2	
41	3LD-13910-00	FUEL PUMP ASSY	1	
42	95706-05500	NUT, flange	2	
43	3VD-13929-00	PIPE, impulse	1	
44	90467-08017	CLIP	1	
45	90467-08021	CLIP	1	
46	3VD-14294-00	HOSE	1	
47	90467-11106	CLIP	1	
48	90467-10091	CLIP	1	
49	90467-10008	CLIP	2	
50	90445-11153	HOSE	2	
51	4X7-2149Y-00	FILTER ASSY	1	
52	90467-11102	CLIP	1	
53	3VD-24188-00	MOLD, fuel tank	2	

FIG. 27 SEAT



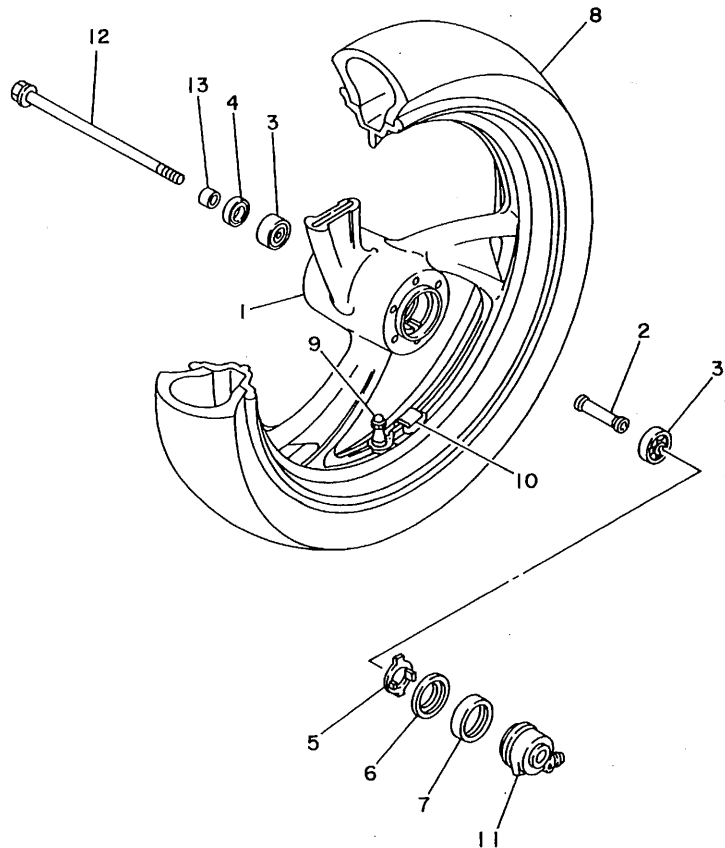
REF. NO.	PART NO.	DESCRIPTION	Q'TY	REMARKS
1	3VD-24730-00	DOUBLE SEAT ASSY	1	
2	3VD-2470F-00	.COVER, seat	1	
3	3VD-24776-00	.LEVER, seat	1	
4	1JK-2478F-00	.ROD, connecting	1	
5	3VD-24728-00	.BRACKET, seat	1	
6	3VD-24718-00	.BRACKET, seat	1	
7	95701-06500	.NUT, flange	4	
8	1T4-24741-00	.PAD, seat	4	
9	1L9-24741-00	.PAD, seat	1	
10	116-24741-00	.PAD, seat	1	
11	22W-24741-00	.PAD, seat	2	
12	51X-24705-00	SEAT LOCK ASSY	1	
13	95701-05500	NUT, flange	2	
14	1AE-24796-00	COVER	1	



3VD1351-1270

D15

FIG. 28 FRONT WHEEL



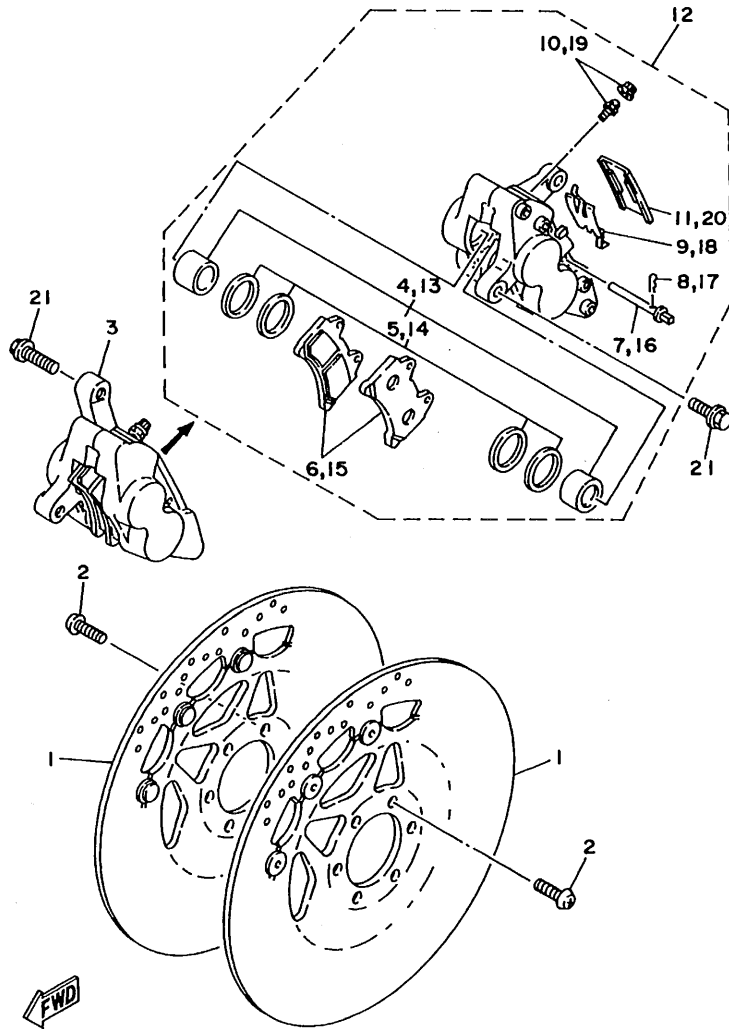
REF. NO.	PART NO.	DESCRIPTION	Q'TY	REMARKS
1	3VD-25168-00-WN	CAST WHEEL, front	1	CIRCUIT SILVER
2	90560-17233	SPACER	1	
3	93306-30309	BEARING (B6303ZZ)	2	
4	93102-28022	OIL SEAL	1	
5	341-25149-00	CLUTCH, meter	1	
6	341-25846-00	RETAINER, clutch	1	
7	93105-45017	OIL SEAL	1	
8	94111-186X9	TIRE (MCS.110/80-18 58H G547P)	1	UR BRIDGESTONE
	94111-187X0	TIRE (110/80-17 58H K505F)	1	UR DUNLOP
9	93900-00030	VALVE, rim	1	
10	29L-25398-00	BALANCER, wheel (10G)	1	UR
	29L-25398-10	BALANCER, wheel (20G)	1	UR
	29L-25398-20	BALANCER, wheel (30G)	1	UR
11	26H-25190-00	GEAR UNIT ASSY	1	
12	3GM-25181-00	AXLE, wheel	1	
13	90387-177R1	COLLAR	1	



3VD1351-1280

E2

FIG. 29 FRONT BRAKE CALIPER

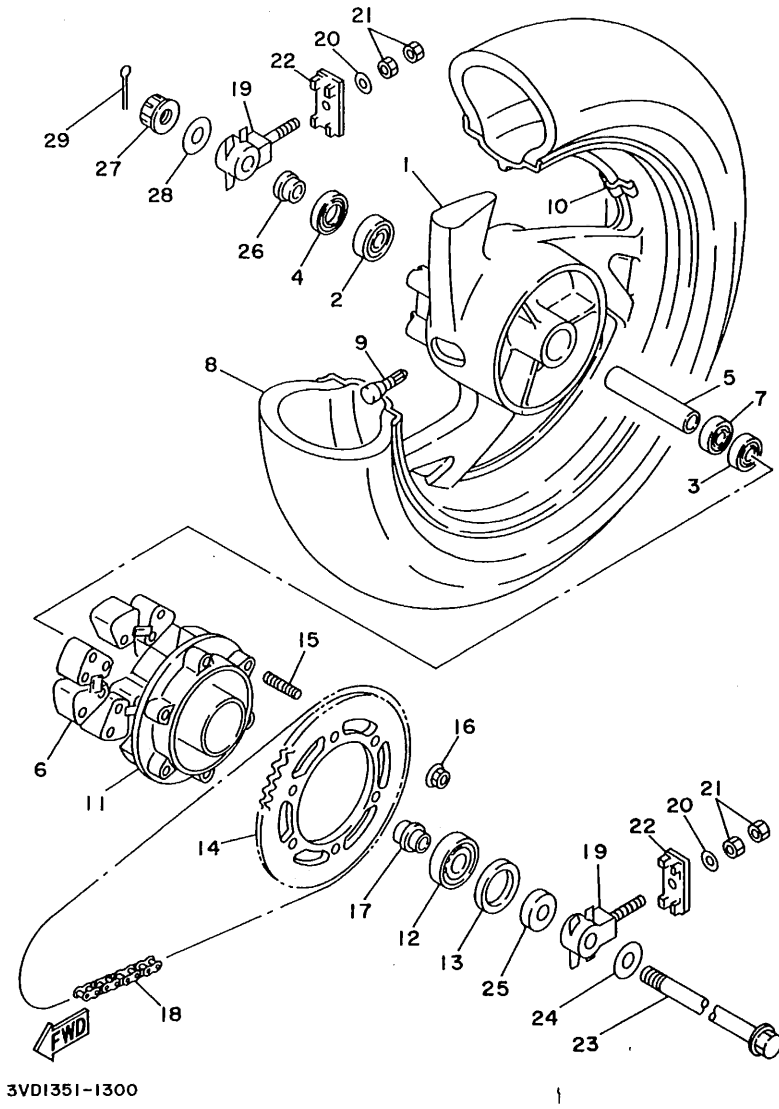


REF. NO.	PART NO.	DESCRIPTION	Q'TY	REMARKS
1	3RG-2581T-00	DISC BRAKE ASSY	2	
2	90109-08718	BOLT	12	
3	3XW-2580T-00	CALIPER ASSY (LEFT)	1	
4	1NL-W0057-00	.PISTON ASSY, caliper	2	
5	1NL-W0047-00	..CALIPER SEAL KIT	1	
6	2GH-W0045-01	.BRAKE PAD KIT	1	
7	3HE-25924-00	.PIN, pad	2	
8	3GM-25925-00	.CLIP	2	
9	2GH-25919-00	.SUPPORT, pad	1	
10	1J3-W0048-00	.BREED SCREW KIT	1	
11	1KT-25836-00	.COVER, dust	1	
12	3XW-2580U-00	CALIPER ASSY (RIGHT)	1	
13	1NL-W0057-00	.PISTON ASSY, caliper	2	
14	1NL-W0047-00	..CALIPER SEAL KIT	1	
15	2GH-W0045-01	.BRAKE PAD KIT	1	
16	3HE-25924-00	.PIN, pad	2	
17	3GM-25925-00	.CLIP	2	
18	2GH-25919-00	.SUPPORT, pad	1	
19	1J3-W0048-00	.BREED SCREW KIT	1	
20	1KT-25836-00	.COVER, dust	1	
21	90105-10638	BOLT, washer based	4	

3VD1351-1290

E3

FIG. 30 REAR WHEEL



REF. NO.	PART NO.	DESCRIPTION	Q'TY	REMARKS
1	3VD-25338-00-WN	CAST WHEEL, rear	1	CIRCUIT SILVER
2	93306-30309	BEARING (B6303ZZ)	1	
3	93306-20310	BEARING (B6203DU)	1	
4	93102-25044	OIL SEAL	1	
5	90387-173M5	COLLAR	1	
6	1UF-25364-00	DAMPER	3	
7	93306-20310	BEARING (B6203DU)	1	
8	94115-176X7	TIRE (MCS 150/70-17 69H G548)	1	UR BRIDGESTONE
	94115-176X8	TIRE (150/70-17 69H K505)	1	UR DUNLOP
9	93900-00030	VALVE, rim	1	
10	29L-25398-00	BALANCER, wheel (10G)	1	UR
	29L-25398-10	BALANCER, wheel (20G)	1	UR
	29L-25398-20	BALANCER, wheel (30G)	1	UR
11	1UF-25366-00	CLUTCH, hub	1	
12	93306-37203	BEARING	1	
13	93105-42024	OIL SEAL	1	
14	3VD-25444-20	SPROCKET, driven (44T)	1	
15	90116-10485	BOLT, stud	6	
16	95601-10200	NUT, self-locking	6	
17	90387-177K0	COLLAR	1	
18	94581-46114	CHAIN (D.I.D.525HV-114LE)	1	
19	3HE-25388-00	PULLER, chain 1	2	
20	92901-08200	WASHER, plain	2	
21	95303-08600	NUT	4	
22	3HE-22174-00	END 1	2	
23	1AE-25381-00	AXLE, wheel	1	
24	90201-177K7	WASHER, plate	1	
25	90387-174V9	COLLAR	1	

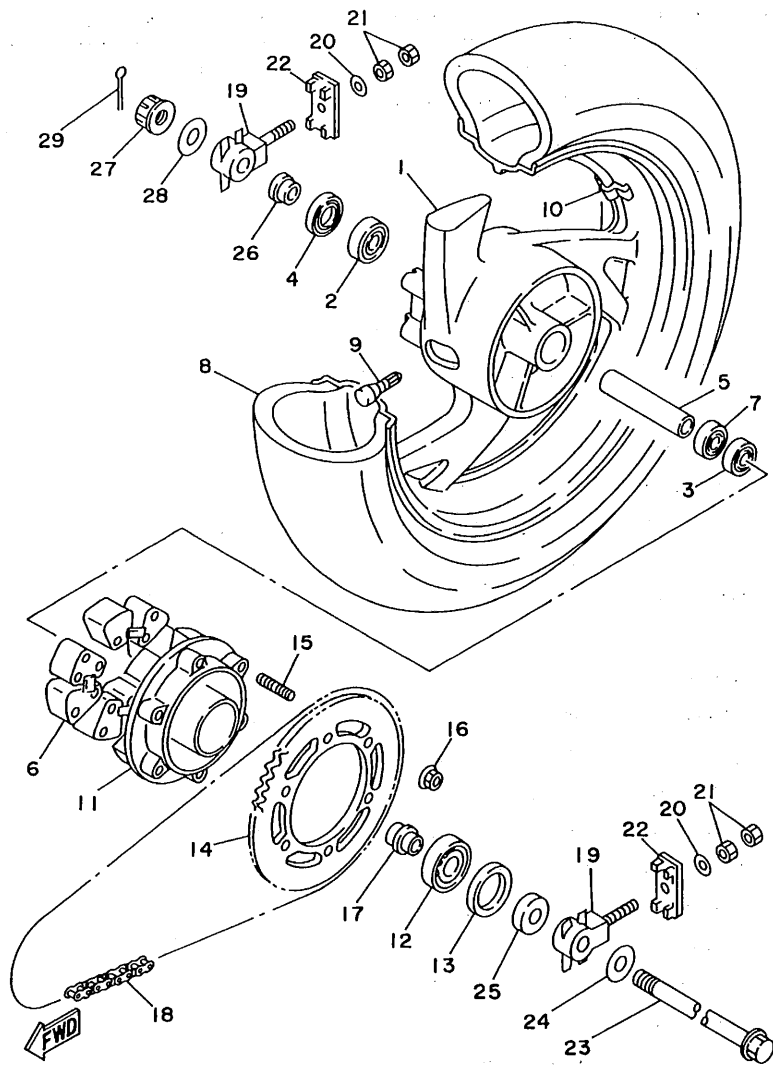


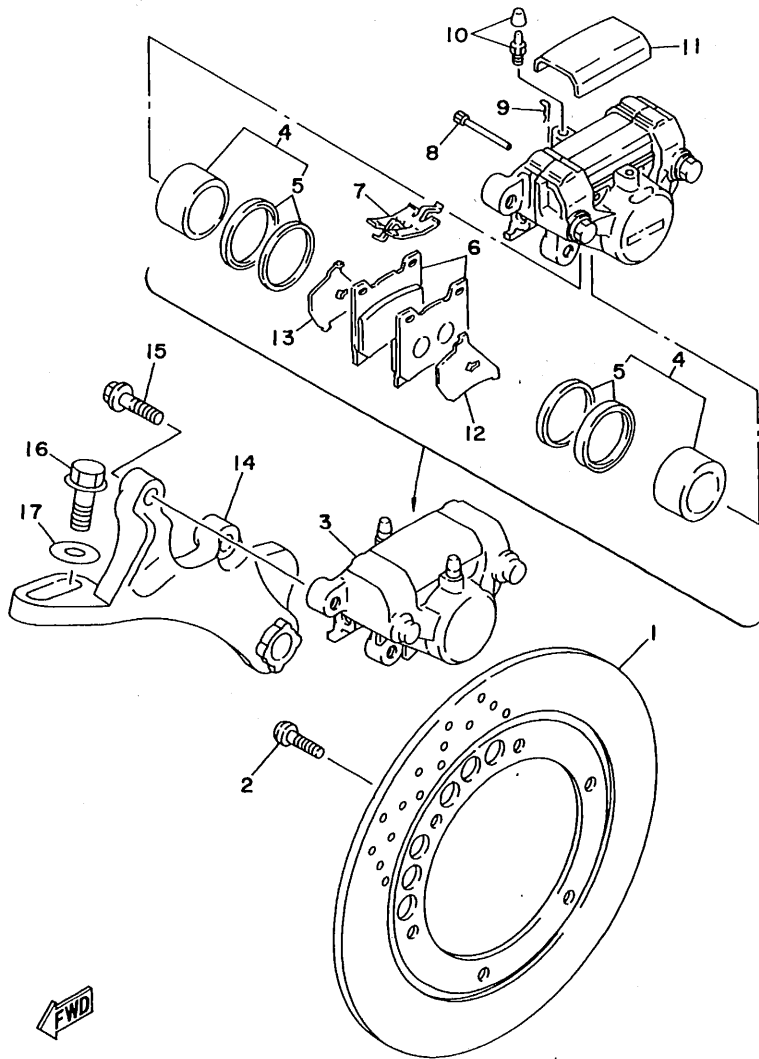
FIG. 30 REAR WHEEL

REF. NO.	PART NO.	DESCRIPTION	Q'TY	REMARKS
26	90387-170J6	COLLAR	1	
27	90171-16024	NUT, castle	1	
28	90201-165L8	WASHER, plate	1	
29	91401-30030	PIN, cotter	1	

3VDI351-1300

E5

FIG. 31 REAR BRAKE CALIPER



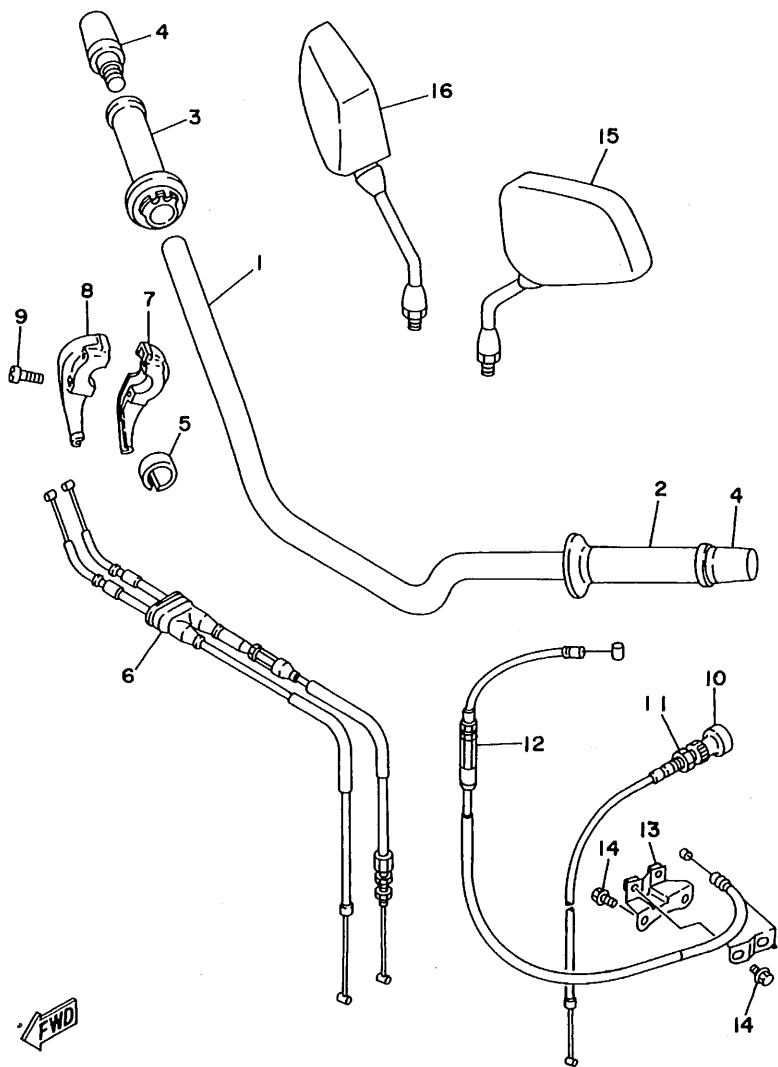
REF. NO.	PART NO.	DESCRIPTION	Q'TY	REMARKS
1	3VD-25831-00	DISC, brake (RIGHT)	1	
2	90109-08718	BOLT	6	
3	3HE-2580W-00	CALIPER ASSY, rear 2	1	
4	31A-W0057-00	.PISTON ASSY, caliper	1	
5	31A-W0047-00	..CALIPER SEAL KIT	1	
6	1FK-W0046-01	.BRAKE PAD KIT, 2	1	
7	29L-25919-00	.SUPPORT, pad	1	
8	3HE-25924-00	.PIN, pad	2	
9	3HE-25925-00	.CLIP	2	
10	1J3-W0048-00	.BREED SCREW KIT	2	
11	51J-25836-00	.COVER, dust	1	
12	1FK-25827-00	.SHIM, caliper	1	
13	1FK-25828-00	.SHIM, caliper	1	
14	3VD-25819-00	BRACKET, caliper	1	
15	90105-10638	BOLT, washer based	2	
16	95811-10030	BOLT, flange	1	
17	90201-10437	WASHER, plate	1	

3VD1351-1310

E6

FIG. 32 STEERING HANDLE, CABLE

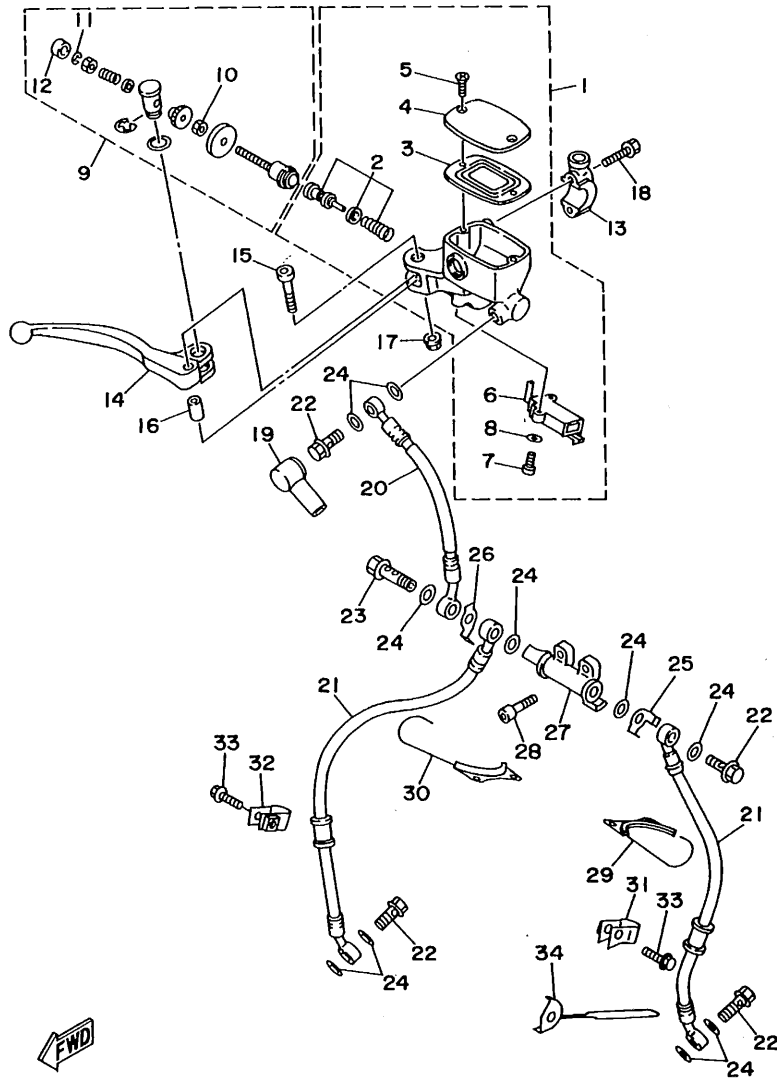
REF. NO.	PART NO.	DESCRIPTION	Q'TY	REMARKS
1	3VD-26111-00	HANDLEBAR	1	
2	1KG-26241-00	GRIP (LEFT)	1	
3	3FH-26240-00	GRIP ASSY	1	
4	51J-26246-00	END, grip	2	
5	90387-22660	COLLAR	1	
6	3VD-26302-00	THROTTLE CABLE ASSY	1	
7	3XW-26281-01	CAP, grip upper	1	
8	3XW-26282-01	CAP, grip lower	1	
9	98506-05035	SCREW, pan head	2	
10	3VD-26331-00	CABLE, starter 1	1	
11	1VJ-26333-00	NUT	1	
12	3VD-26335-00	CABLE, clutch	1	
13	3VD-26292-00	STAY	1	
14	95816-06012	BOLT, flange	4	
15	3VD-26280-00	REAR VIEW MIRROR ASSY (LEFT)	1	FOR EUROPE
	3VD-26280-10	REAR VIEW MIRROR ASSY (LEFT)	1	FOR OCEANIA
16	3VD-26290-00	REAR VIEW MIRROR ASSY (RIGHT)	1	FOR EUROPE
	3VD-26290-10	REAR VIEW MIRROR ASSY (RIGHT)	1	FOR OCEANIA



3VD1351-1320

E7

FIG. 33 FRONT MASTER CYLINDER



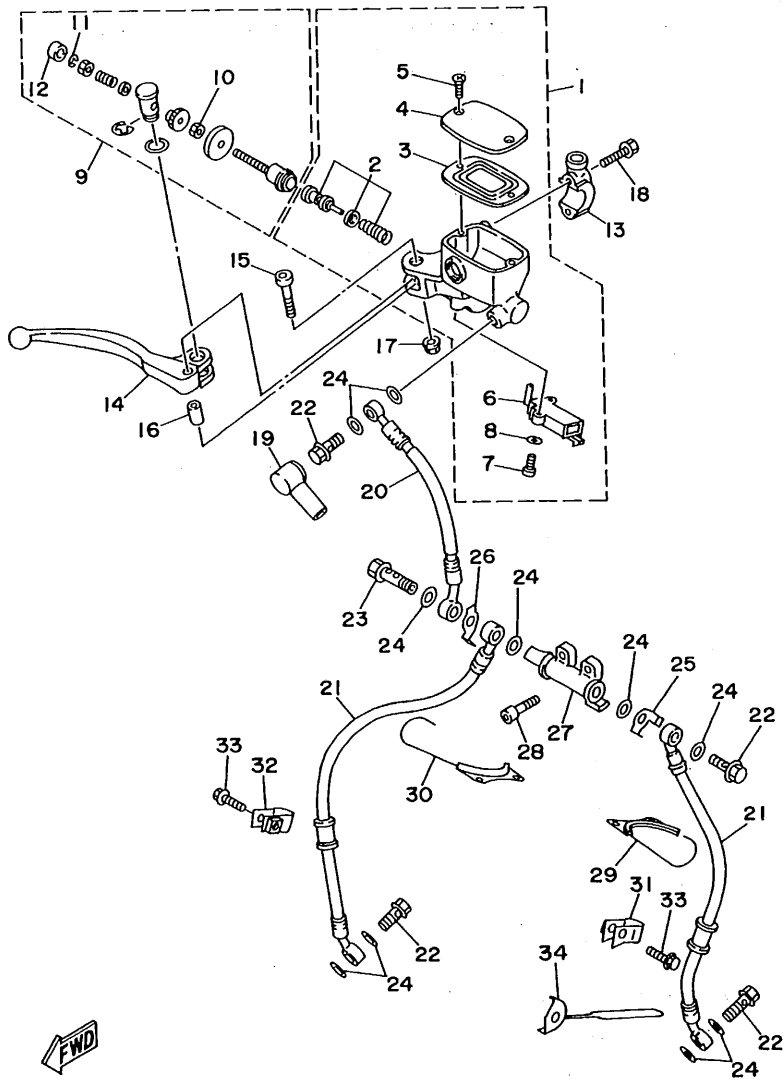
REF. NO.	PART NO.	DESCRIPTION	Q'TY	REMARKS
1	3VD-W2587-00	MASTER CYLINDER SUB ASSY	1	
2	3VD-W0041-50	.CYLINDER KIT, master	1	
3	3YX-25854-00	.DIAPHRAGM, reservoir	1	
4	3YX-25852-00	.CAP, reservoir	1	
5	98701-04012	.SCREW, flat head	2	
6	3YX-83980-00	.FRONT STOP SWITCH ASSY	1	
7	98506-04012	.SCREW, pan head	2	
8	92906-04600	.WASHER, plate	2	
9	3YX-W0091-00	SCREW KIT, master cylinder	1	
10	95303-06600	.NUT	1	
11	3YX-25866-00	.CIRCLIP	1	
12	3YX-2583H-00	.BOOT	1	
13	3YX-25867-00	BRACKET, master cylinder	1	
14	3YX-83922-00	LEVER 2	1	
15	3YX-2589F-00	BOLT, lever	1	
16	3YX-25838-00	SLEEVE, caliper	1	
17	95616-06100	NUT, u	1	
18	95026-06030	BOLT, flange	2	
19	4L0-25862-00	BOOT, master cylinder	1	
20	3VD-25872-00	HOSE, brake 1	1	
21	3VD-25874-00	HOSE, brake	2	
22	90401-10096	BOLT, union	4	
23	90401-10095	BOLT, union	1	
24	90201-10118	WASHER, plate	10	
25	3VD-25834-00	WASHER, lock	1	
26	3VD-25844-00	WASHER, lock	1	
27	42H-25885-00	JOINT	1	
28	91316-06025	BOLT	2	

3VD1351-1330

E8

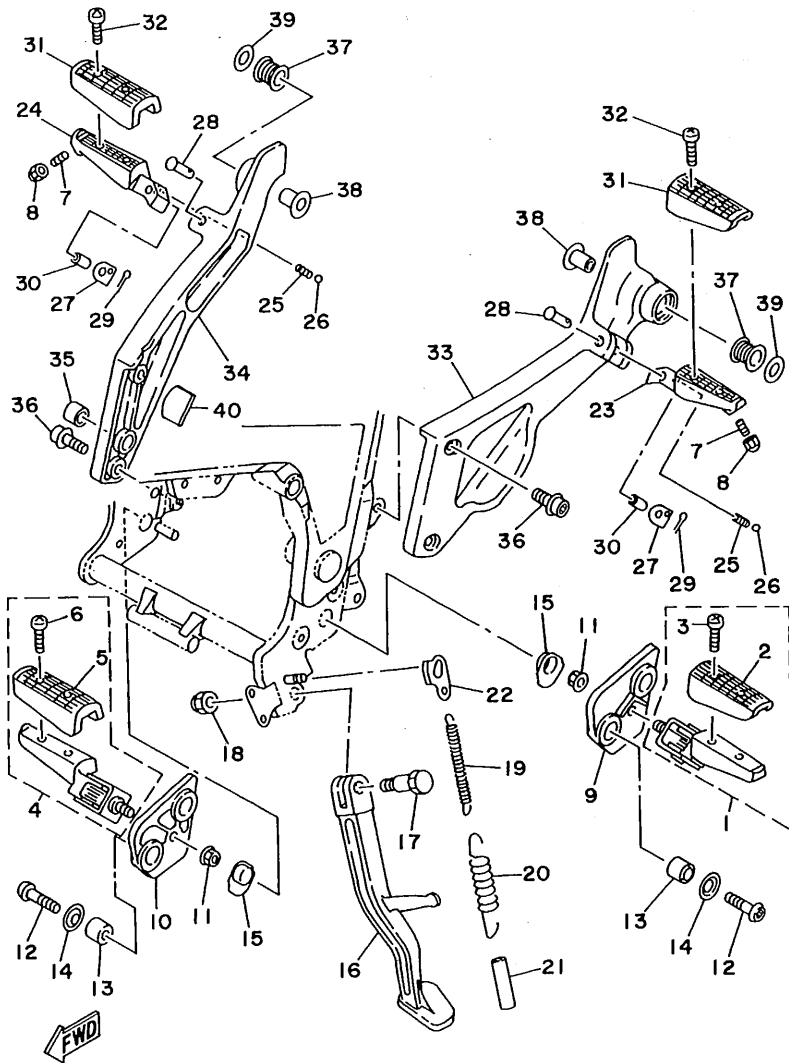
FIG. 33 FRONT MASTER CYLINDER

REF. NO.	PART NO.	DESCRIPTION	Q'TY	REMARKS
29	3VD-26131-00	GUIDE, cable 1	1	
30	3VD-26132-00	GUIDE, cable 2	1	
31	3EN-25875-00	HOLDER, brake hose 1	1	
32	2R8-25876-00	HOLDER, brake hose 2	1	
33	95023-06025	BOLT	2	
34	3VD-23317-00	HOLDER, cable	1	



3VD1351-1330

E9



3VDI351-1340

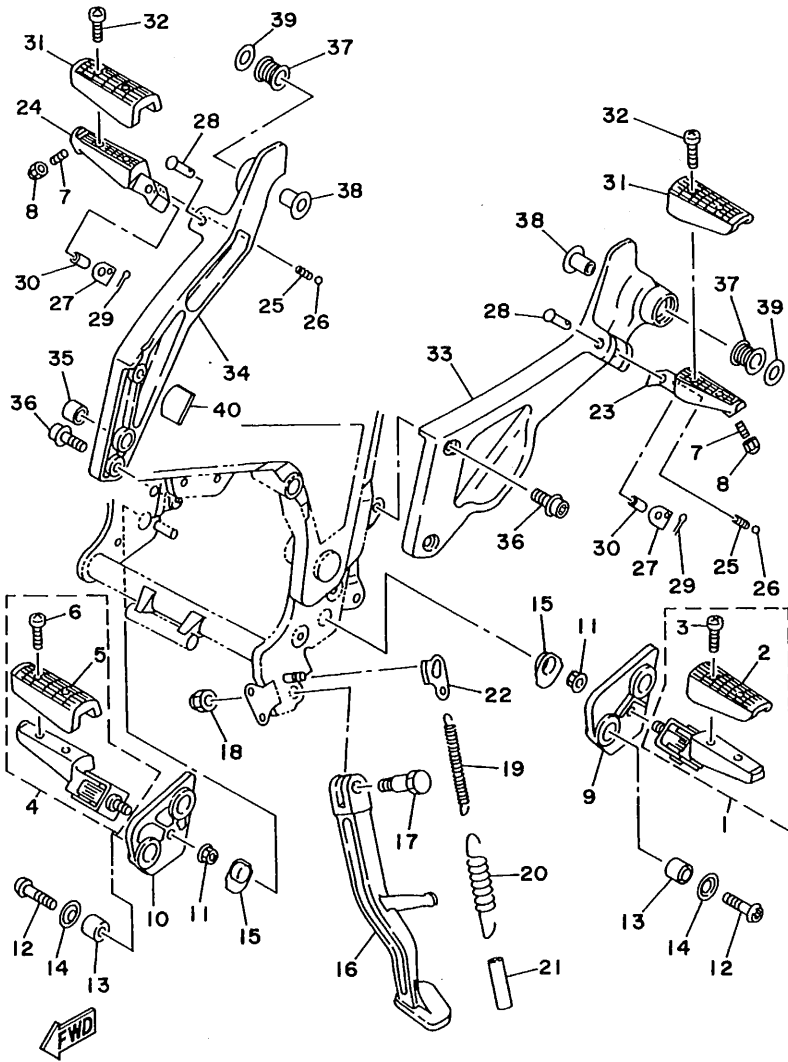
FIG. 34 STAND, FOOTREST

REF. NO.	PART NO.	DESCRIPTION	Q'TY	REMARKS
1	1UA-27410-00	FRONT FOOTREST ASSY (LEFT)	1	
2	2GH-27413-00	.COVER, footrest	1	
3	90157-05079	.SCREW, pan head	2	
4	1UA-27420-00	FRONT FOOTREST ASSY (RIGHT)	1	
5	2GH-27413-00	.COVER, footrest	1	
6	90157-05079	.SCREW, pan head	2	
7	90113-08038	BOLT, set	2	
8	95303-08800	NUT, crown	2	
9	3VD-27442-00	BRACKET 2	1	
10	3VD-27443-00	BRACKET 3	1	
11	90179-10247	NUT	2	
12	90110-08071	BOLT, hexagon socket head	4	
13	1NL-27424-00	DAMPER, footrest 2	4	
14	90209-08295	WASHER	4	
15	3VD-27414-00	DAMPER, footrest	2	
16	3VD-27311-00	STAND, side	1	
17	90109-104E6	BOLT	1	
18	90185-10037	NUT, self-locking	1	
19	90506-18224	SPRING, tension	1	
20	90506-26225	SPRING, tension	1	
21	1TX-27351-00	GUIDE, side stand	1	
22	3VD-27315-00	LINK, side stand	1	
23	2GH-27431-00	FOOTREST, rear 1	1	
24	2GH-27441-00	FOOTREST, rear 2	1	
25	90501-12743	SPRING, compression	2	
26	93501-04011	BALL	2	
27	1HX-27437-00	WASHER, special	2	
28	91701-06040	PIN, clevis	2	

E10

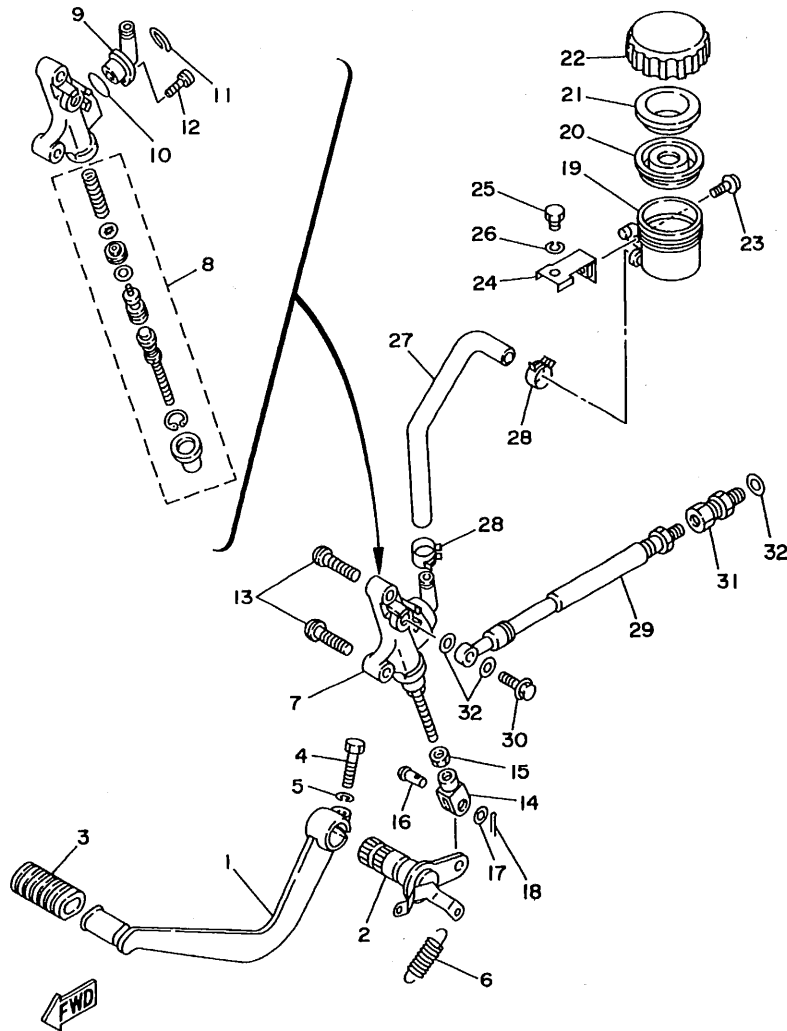
FIG. 34 STAND. FOOTREST

REF. NO.	PART NO.	DESCRIPTION	Q'TY	REMARKS
29	91401-20015	PIN, cotter	2	
30	90387-064H8	COLLAR	2	
31	2GH-27413-00	COVER, footrest	2	
32	90157-05079	SCREW, pan head	4	
33	3VD-27412-00	BRACKET, footrest 1	1	
34	3VD-27422-00	BRACKET, footrest 2	1	
35	90380-20213	BUSH, solid	1	
36	90110-08199	BOLT, hexagon socket head	4	
37	36Y-27424-00	DAMPER, footrest 2	2	
38	90387-104L8	COLLAR	2	
39	90201-10669	WASHER, plate	2	
40	3VD-2139X-00	DAMPER	1	



3VDI351-1340

FIG. 35 REAR MASTER CYLINDER



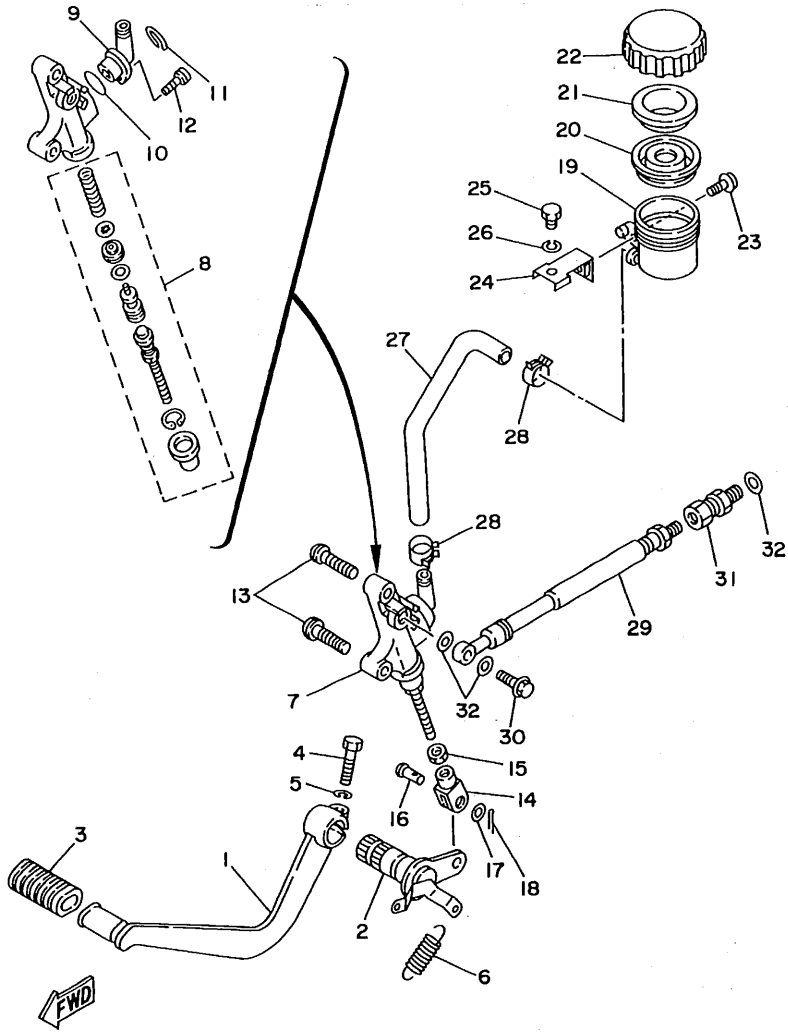
3VD1351-1350

REF. NO.	PART NO.	DESCRIPTION	Q'TY	REMARKS
1	3VD-27211-00	PEDAL, brake	1	
2	3VD-27212-00	SHAFT, brake pedal	1	
3	3VD-18113-00	COVER, shift pedal	1	
4	90101-06278	BOLT	1	
5	92990-06100	WASHER, spring	1	
6	90506-20192	SPRING, tension	1	
7	3VD-2583V-00	RR. MASTER CYLINDER ASSY.	1	
8	3VD-W0042-50	.CYLINDER KIT, master	1	
9	3LN-2582A-00	.JOINT	1	
10	3LN-2585F-00	.O-RING	1	
11	3LN-2585G-00	.CIRCLIP	1	
12	3LN-2585H-00	.SCREW,set	1	
13	92016-08030	SCREW	2	
14	47X-27222-00	JOINT	1	
15	95303-08700	NUT	1	
16	90240-08013	PIN, clevis	1	
17	90201-08083	WASHER, plate	1	
18	91401-20015	PIN, cotter	1	
19	47X-25894-00	TANK, reservoir	1	
20	360-25854-00	DIAPHRAGM, reservoir	1	
21	2GU-25855-00	BUSH,diaphragm	1	
22	2KF-25852-50	CAP, reservoir	1	
23	90159-06056	SCREW, with washer	1	
24	3VD-2582E-00	HOLDER, reserve tank	1	
25	97011-06010	BOLT	1	
26	92901-06700	WASHER, wave	1	
27	3VD-25895-00	HOSE, reservoir	1	
28	90467-14057	CLIP	2	

E12

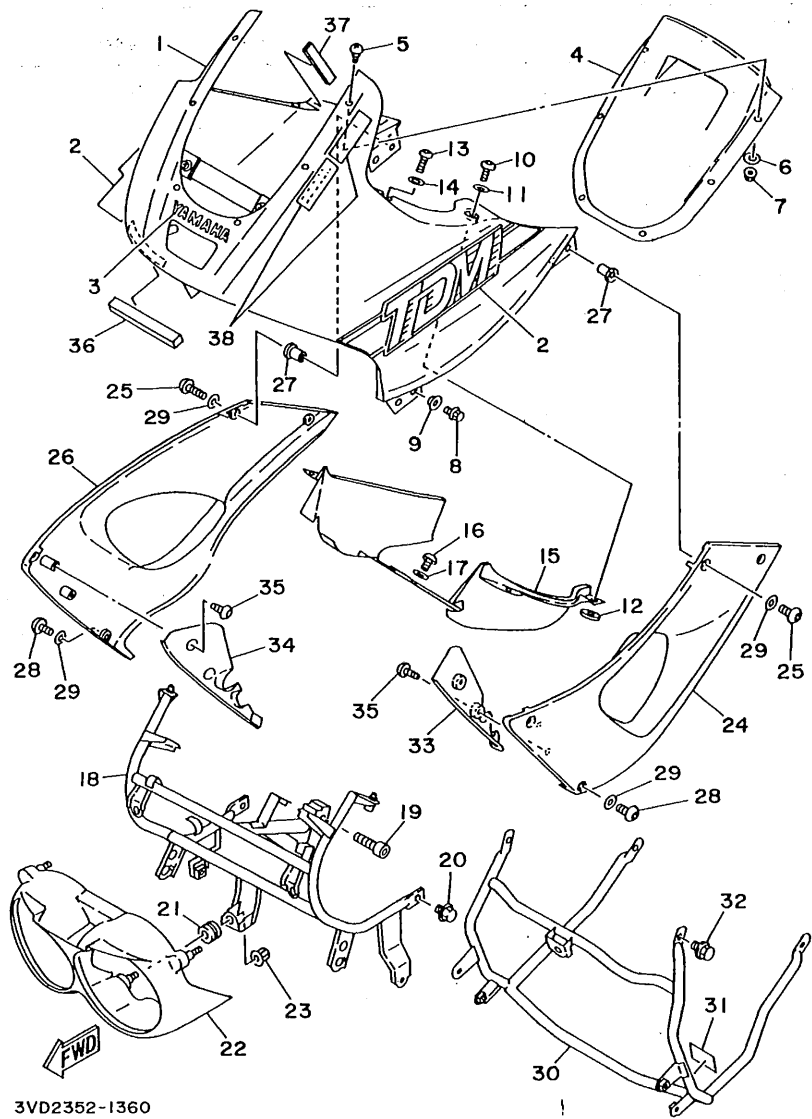
FIG. 35 REAR MASTER CYLINDER

REF. NO.	PART NO.	DESCRIPTION	Q'TY	REMARKS
29	3VD-25872-50	HOSE, brake 1	1	
30	90401-10096	BOLT, union	1	
31	3LC-25885-00	JOINT	1	
32	90201-10118	WASHER, plate	3	



3VD1351-1350

E13



3VD2352-1360

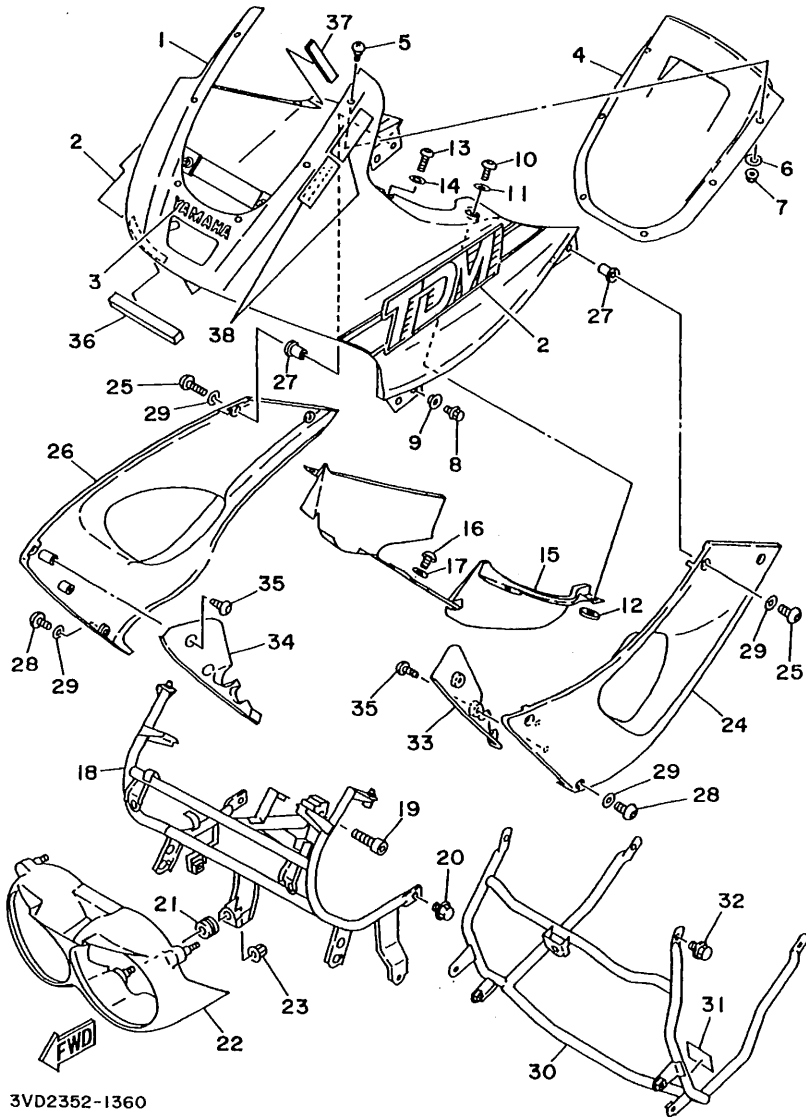
FIG. 36 COWLING 1

REF. NO.	PART NO.	DESCRIPTION	Q'TY	REMARKS
1	3VD-28350-00-P0	COWLING ASSY	1	UR VIVID RED COCKTAIL 1
	3VD-28350-00-4B	COWLING ASSY	1	UR BLACK 2
2	3VD-28390-01	GRAPHIC SET, cowling	1	UR FOR BL 2
	3VD-28390-11	GRAPHIC SET, cowling	1	UR FOR VRC 1
3	99236-00025	EMBLEM, yamaha	1	
4	3VD-28381-00	WINDSHIELD	1	
5	90149-05273	SCREW	6	
6	3HX-28215-00	WASHER, special	6	
7	95706-05500	NUT, flange	6	
8	95811-06012	BOLT, flange	4	
9	90387-072Y3	COLLAR	4	
10	90110-05201	BOLT, hexagon socket head	2	
11	90202-05180	WASHER, plate	2	
12	90202-08111	WASHER, plate	2	
13	90149-05244	SCREW	2	
14	90201-05660	WASHER, plate	2	
15	3VD-2837M-00	PANEL, console 2	1	
16	90110-05201	BOLT, hexagon socket head	1	
17	90202-05180	WASHER, plate	1	
18	3VD-28356-00	STAY 1	1	
19	91316-08035	BOLT	2	
20	95811-08012	BOLT, flange	2	
21	90480-14229	GROMMET	3	
22	3VD-28365-00	COVER	1	
23	90179-06500	NUT	3	
24	3VD-2835U-00-P0	PANEL 1	1	UR VIVID RED COCKTAIL 1
	3VD-2835U-00-4B	PANEL 1	1	UR BLACK 2
25	90149-05299	SCREW	4	

E14

FIG. 36 COWLING 1

REF. NO.	PART NO.	DESCRIPTION	Q'TY	REMARKS
26	3VD-2835V-00-P0	PANEL 2	1	UR VIVID RED COCKTAIL 1
	3VD-2835V-00-4B	PANEL 2	1	UR BLACK 2
27	90179-05523	NUT	8	
28	90149-05299	SCREW	4	
29	90202-05180	WASHER, plate	8	
30	3VD-28322-00	STAY 2	1	
31	3YL-12232-00	DAMPER	2	
32	95811-08012	BOLT, flange	4	
33	3VD-2837N-00	GRILL, air intake 1	1	
34	3VD-2837R-00	GRILL, air intake 2	1	
35	97701-50012	SCREW, tapping	4	
36	3VD-28371-00	DAMPER	2	
37	2TV-21638-00	DAMPER 1	2	
38	3JJ-2835Y-00	LABEL, caution	1	UR ENGLISH
	3JJ-2835Y-10	LABEL, caution	1	UR FRENCH

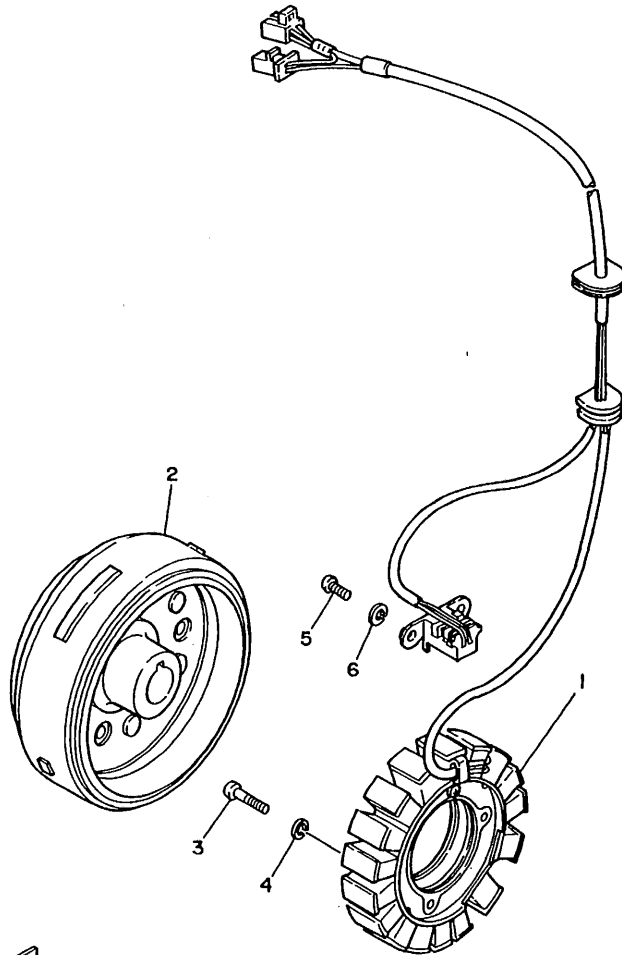


3VD2352-1360

E15

FIG. 37 GENERATOR

REF. NO.	PART NO.	DESCRIPTION	Q'TY	REMARKS
1	3LD-81410-00	STATOR ASSY	1	
2	3VD-81450-00	ROTOR ASSY	1	
3	98501-06030	SCREW, pan head	3	
4	92990-06100	WASHER, spring	3	
5	98501-05016	SCREW, pan head	2	
6	92990-05100	WASHER, spring	2	

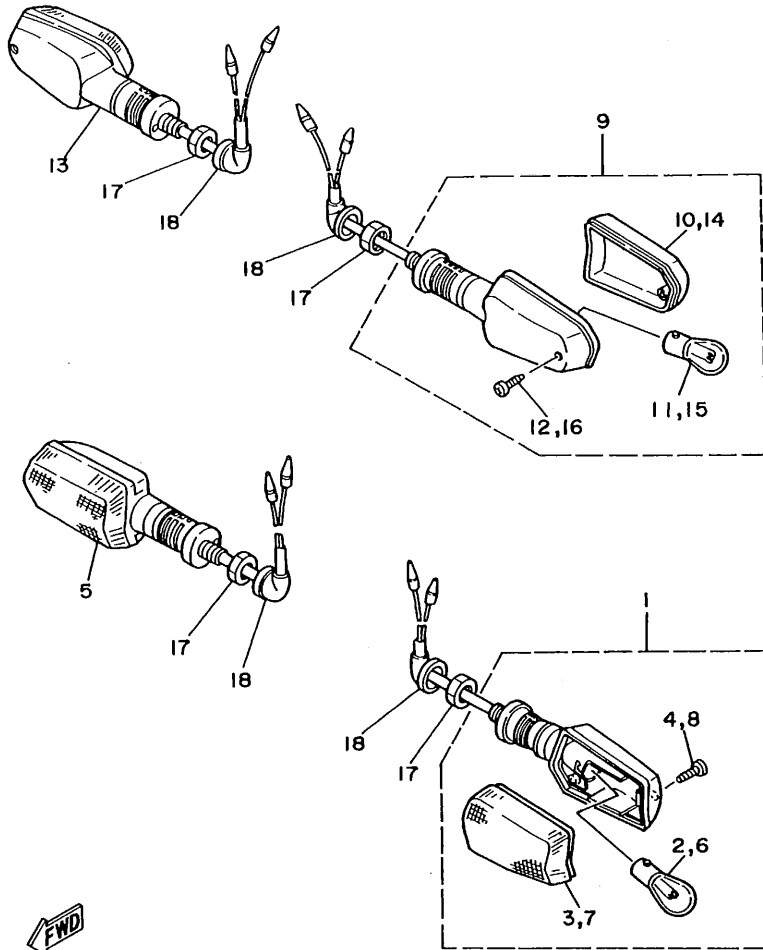


3LDI351-9370

F2

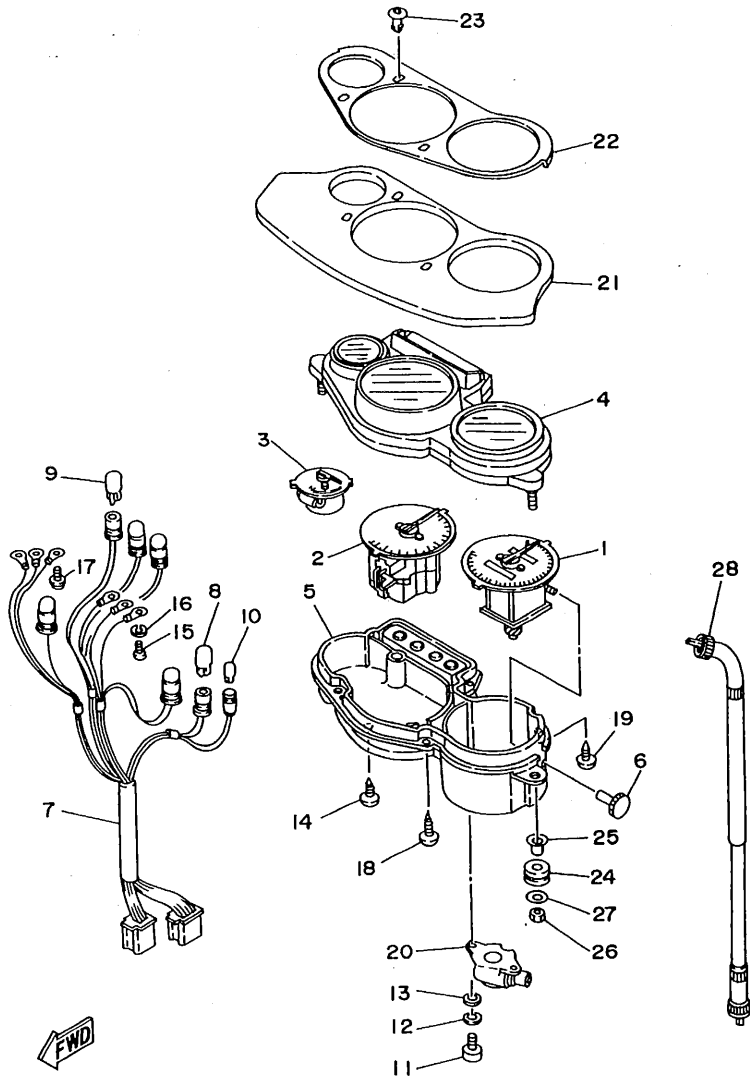
FIG. 38 FLASHER LIGHT

REF. NO.	PART NO.	DESCRIPTION	Q'TY	REMARKS
1	3GM-83310-00	FRONT FLASHER LIGHT ASSY 1	1	
2	306-83311-40	.BULB, flasher (12V-21W)	1	
3	51L-83332-01	.LENS, flasher	1	
4	97706-40620	.SCREW, tapping	1	
5	3GM-83320-00	FRONT FLASHER LIGHT ASSY 2	1	
6	306-83311-40	.BULB, flasher (12V-21W)	1	
7	51L-83342-01	.LENS, flasher 2	1	
8	97706-40620	.SCREW, tapping	1	
9	3VD-83330-00	REAR FLASHER LIGHT ASSY 1	1	
10	1VU-83332-00	.LENS, flasher	1	
11	306-83311-40	.BULB, flasher (12V-21W)	1	
12	97706-40620	.SCREW, tapping	1	
13	3VD-83340-00	REAR FLASHER LIGHT ASSY 2	1	
14	1VU-83342-00	.LENS, flasher 2	1	
15	306-83311-40	.BULB, flasher (12V-21W)	1	
16	97706-40620	.SCREW, tapping	1	
17	95306-12600	NUT	4	
18	18G-83365-00	CAP	4	



3VD135I-1380

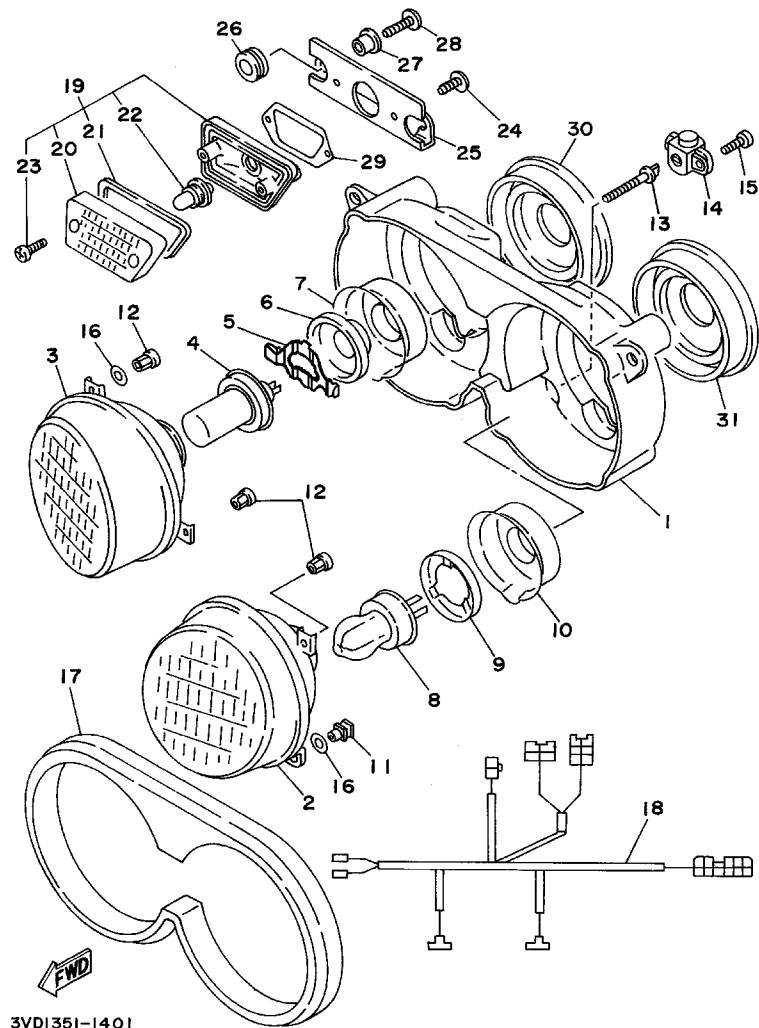
FIG. 39 METER



REF. NO.	PART NO.	DESCRIPTION	Q'TY	REMARKS
1	3VD-83570-00	SPEEDOMETER ASSY	1	
2	3VD-83540-00	TACHOMETER ASSY	1	
3	3GM-83590-00	WATER TEMPERATURE ASSY	1	
4	3VD-83559-00	COVER, meter	1	
5	3VD-8353H-00	CASE, inner	1	
6	2GH-83578-00	KNOB, trip meter	1	
7	3VD-83509-00	SOCKET CORD ASSY	1	
8	4G1-84744-00	BULB (12V-3.4W)	3	
9	4G1-84744-00	BULB (12V-3.4W)	3	
10	42X-83517-00	BULB (12V-3W)	1	
11	98580-04010	SCREW, pan head	4	
12	92902-04100	WASHER, spring	4	
13	92901-04600	WASHER, plate	4	
14	90167-04057	SCREW, tapping	2	
15	98580-03010	SCREW, pan head	3	
16	92990-03100	WASHER, spring	3	
17	90159-03102	SCREW, with washer	3	
18	90164-04008	SCREW, tapping	4	
19	90167-03058	SCREW, tapping	1	
20	3GM-83520-00	SOCKET CORD ASSY	1	
21	3VD-83513-00	DAMPER	1	
22	3VD-83611-00	PANEL, meter	1	
23	3GM-83525-00	CLIP	3	
24	90480-14229	GROMMET	2	
25	90387-07391	COLLAR	2	
26	95316-06600	NUT	2	
27	90201-06059	WASHER, plate	2	
28	1FK-83550-10	SPEEDOMETER CABLE ASSY	1	

FWD
3VDI35I-1390

F4



3VDI351-1401

FIG. 40 HEADLIGHT (FRENCH SPEC.)

REF. NO.	PART NO.	DESCRIPTION	Q'TY	REMARKS
1	3VD-84330-00	BODY ASSY	1	
2	3VD-84320-10	LENS ASSY	1	
3	3VD-8432A-00	LENS ASSY	1	
4	*	BULB (12V-55W)	1	LM HALOGEN
5	2LA-84375-00	FITTING PLATE, bulb	1	
6	2LA-84393-00	HOLDER, bulb	1	
7	2GH-84397-00	COVER, socket	1	
8	*	BULB (12V-60/55W)	1	LM HALOGEN
9	2F9-84375-00	SETTING PLATE, bulb	1	
10	2F9-84397-01	COVER, socket	1	
11	3AJ-8431U-00	HOLDER	2	
12	51L-84334-00	NUT, adjusting	4	
13	2AX-84331-00	SCREW, rim adjusting	2	
14	3MA-8430M-00	GEAR UNIT ASSY	2	
15	97706-40616	SCREW, tapping	4	
16	3GM-84344-00	WASHER, plain	2	
17	3HE-84366-00	DAMPER, headlight 1	1	
18	3VD-84359-00	CORD, headlight	1	
19	3GM-84301-00	PILOT LIGHT ASSY 1	1	
20	3GM-84321-00	.LENS ASSY	1	
21	3GM-84322-00	.GASKET, lens	1	
22	2JE-84744-00	.BULB (12V-5W)	1	
23	3GM-84192-00	.SCREW (M4,l=12)	2	
24	90167-05041	SCREW, tapping	2	
25	3GM-8431R-00	STAY, setting	1	
26	90480-10517	GROMMET	2	
27	90387-052U5	COLLAR	2	
28	90167-05037	SCREW, tapping	2	

FIG. 40 HEADLIGHT (FRENCH SPEC.)

REF. NO.	PART NO.	DESCRIPTION	Q'TY	REMARKS
29	3GM-84367-10	DAMPER, headlight 2	1	
30	2LA-84397-00	COVER	1	
31	2LA-84397-10	COVER	1	

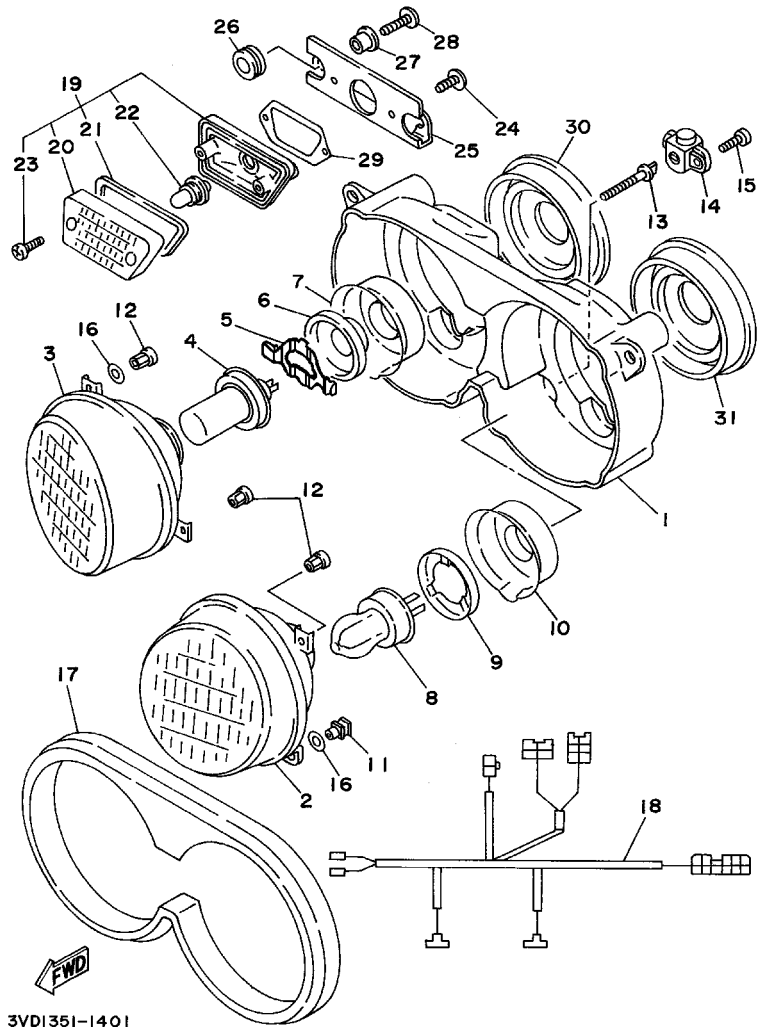
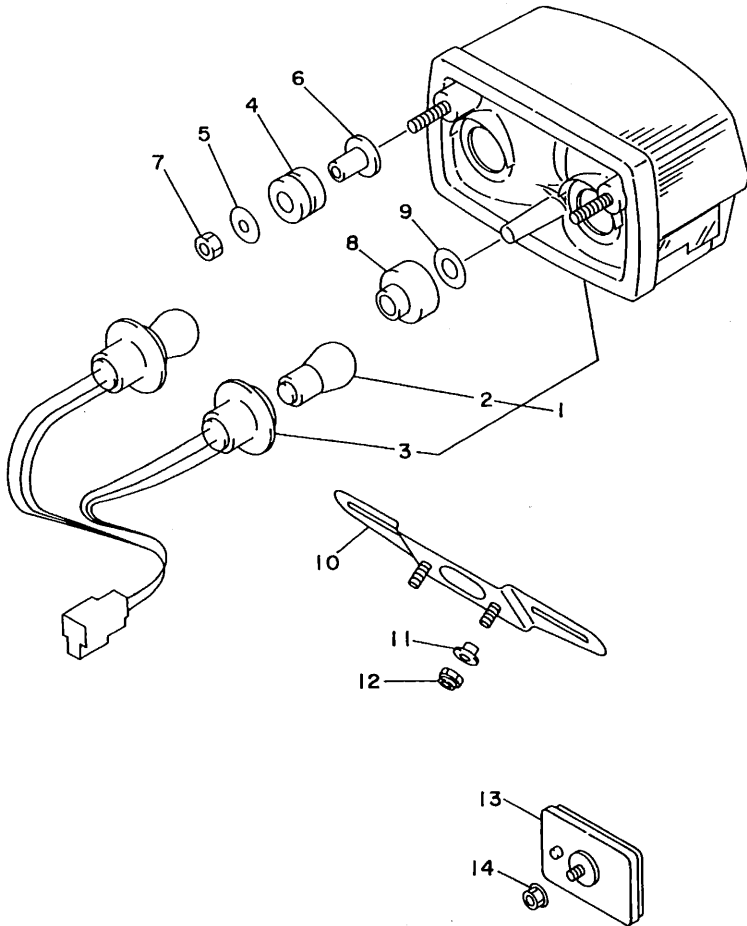


FIG. 41 TAILLIGHT

REF. NO.	PART NO.	DESCRIPTION	Q'TY	REMARKS
1	3GM-84710-20	TAILLIGHT UNIT ASSY	1	
2	31L-84714-00	.BULB, taillight (12V-21/5W)	2	
3	3LK-8473A-00	.CORD ASSY	1	
4	90480-18276	GROMMET	2	
5	90201-063J2	WASHER, plate	2	
6	90387-062W4	COLLAR	2	
7	95303-06600	NUT	2	
8	90480-15259	GROMMET	1	
9	90201-105J4	WASHER, plate	1	
10	1KH-84751-00-90	BRACKET, license	1	UNI-CHROME (BLACK CHROMATE)
11	90387-07717	COLLAR	2	
12	95616-06100	NUT, u	2	
13	3G1-85130-01	REAR REFLECTOR ASSY	1	
14	95701-05500	NUT, flange	1	



3VDI351-1410

F7

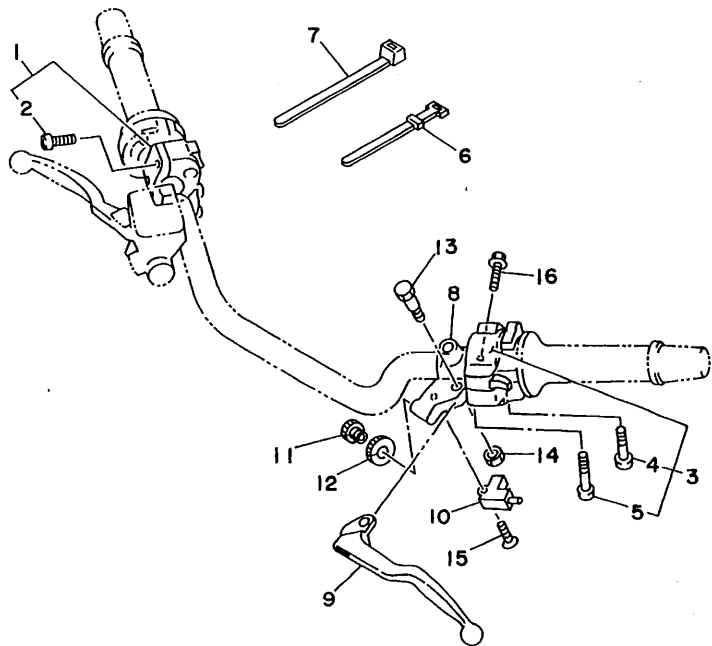


FIG. 42 HANDLE SWITCH. LEVER

REF. NO.	PART NO.	DESCRIPTION	Q'TY	REMARKS
1	3VD-83975-00	SWITCH, handle 2	1	
2	98506-05022	.SCREW, pan head	2	
3	3VD-83969-00	SWITCH, handle 5	1	
4	98506-05030	.SCREW, pan head	1	
5	98506-05040	.SCREW, pan head	1	
6	437-83936-01	BAND, switch cord	2	
7	90465-13169	CLAMP	2	
8	3YX-82911-00	HOLDER, lever 1	1	
9	3YX-83912-00	LEVER 1	1	
10	3YX-82917-00	SWITCH	1	
11	90123-08046	BOLT	1	
12	90179-08316	NUT	1	
13	3YX-83945-00	BOLT, lever	1	
14	95616-06100	NUT, u	1	
15	341-83333-70	SCREW, lens fitting	1	
16	95026-06020	BOLT, flange	1	

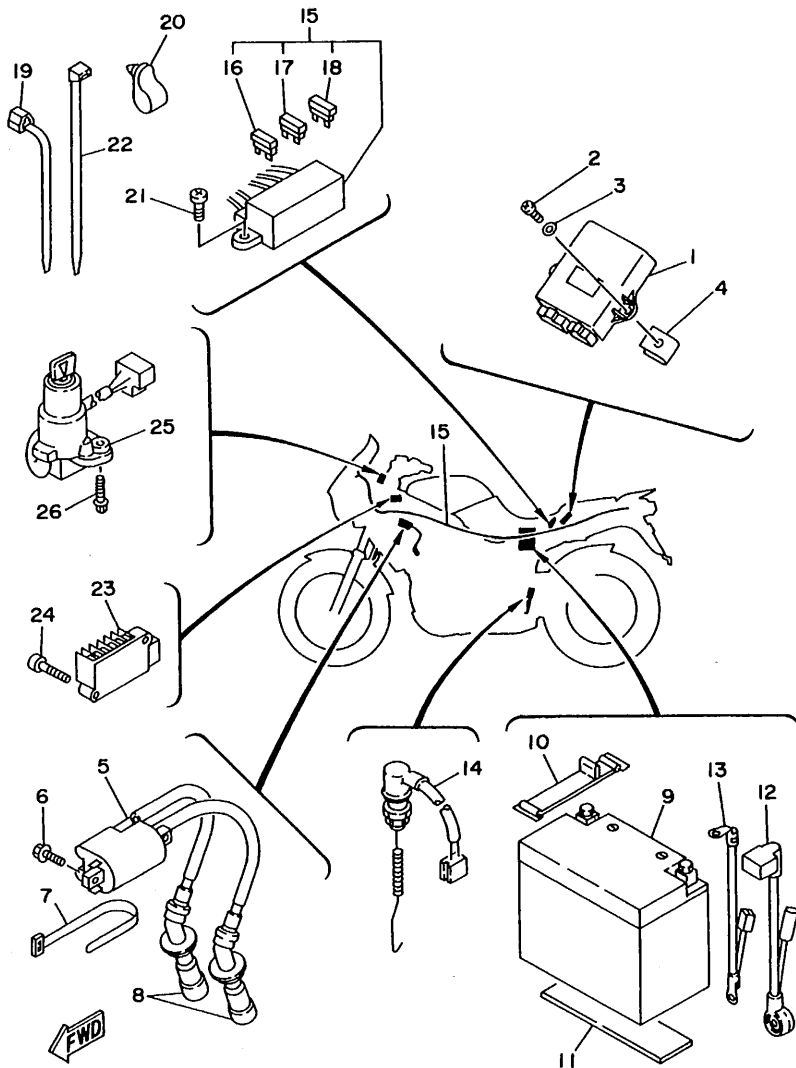


3VD1351-1420

F8

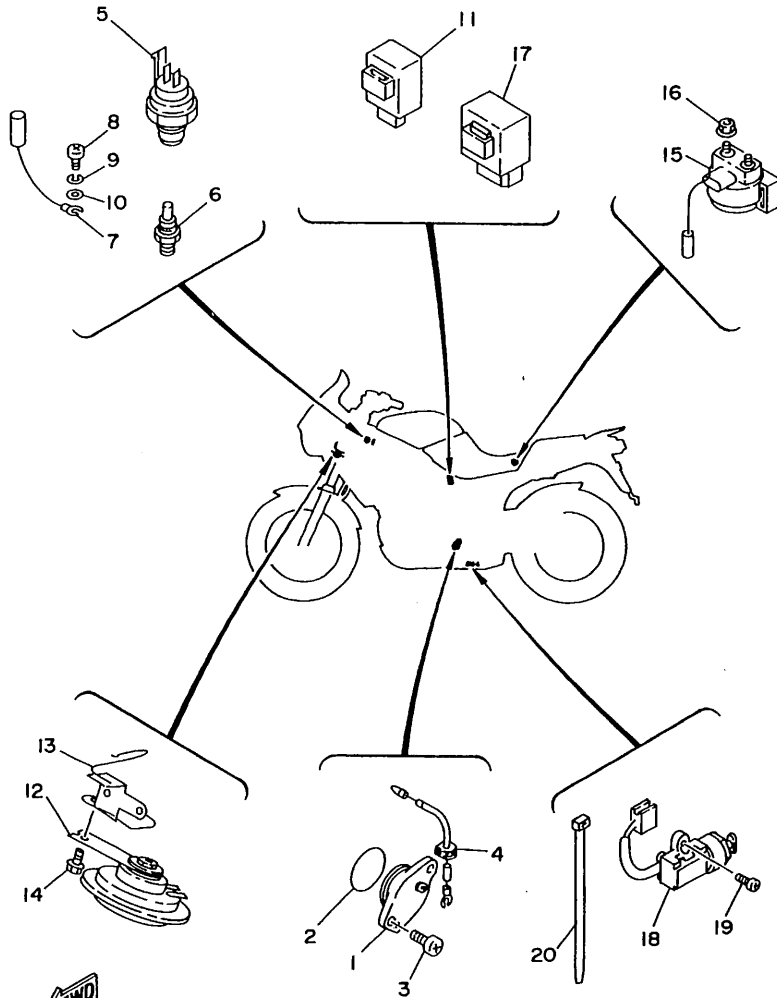
FIG. 43 ELECTRICAL 1

REF. NO.	PART NO.	DESCRIPTION	Q'TY	REMARKS
1	3VD-82305-00	IGNITOR UNIT ASSY	1	
2	98506-06016	SCREW, pan head	2	
3	92906-06600	WASHER, plate	2	
4	90183-06023	NUT, spring	2	
5	3VD-82310-00	IGNITION COIL ASSY	1	
6	95811-06020	BOLT, flange	2	
7	25G-83936-01	BAND, switch cord	1	
8	3LD-82370-00	PLUG CAP ASSY	2	
9	3VD-82100-00	BATTERY ASSY (YTX12-BS)	1	
10	3VD-82131-00	BAND, battery	1	
11	5X2-24183-00	DAMPER, locating 3	1	
12	3VD-82115-00	WIRE, plus lead	1	
13	3VD-82116-00	WIRE, minus lead	1	
14	3VD-82530-00	STOP SWITCH ASSY	1	
15	3VD-82590-00	WIRE HARNESS ASSY	1	
16	1AE-82151-00	.FUSE (12V 30A)	2	
17	2GH-82151-00	.FUSE (20A)	2	
18	42X-82151-00	.FUSE (10A)	4	
19	90464-13073	CLAMP	2	
20	90464-12027	CLAMP	3	
21	98906-06012	SCREW, bind	2	
22	90465-13169	CLAMP	1	
23	3TJ-81960-00	RECTIFIER & REGULATOR ASSY	1	
24	91316-06025	BOLT	2	
25	3VD-82501-00	MAIN SWITCH STEERING LOCK	1	
26	90109-06614	BOLT	2	



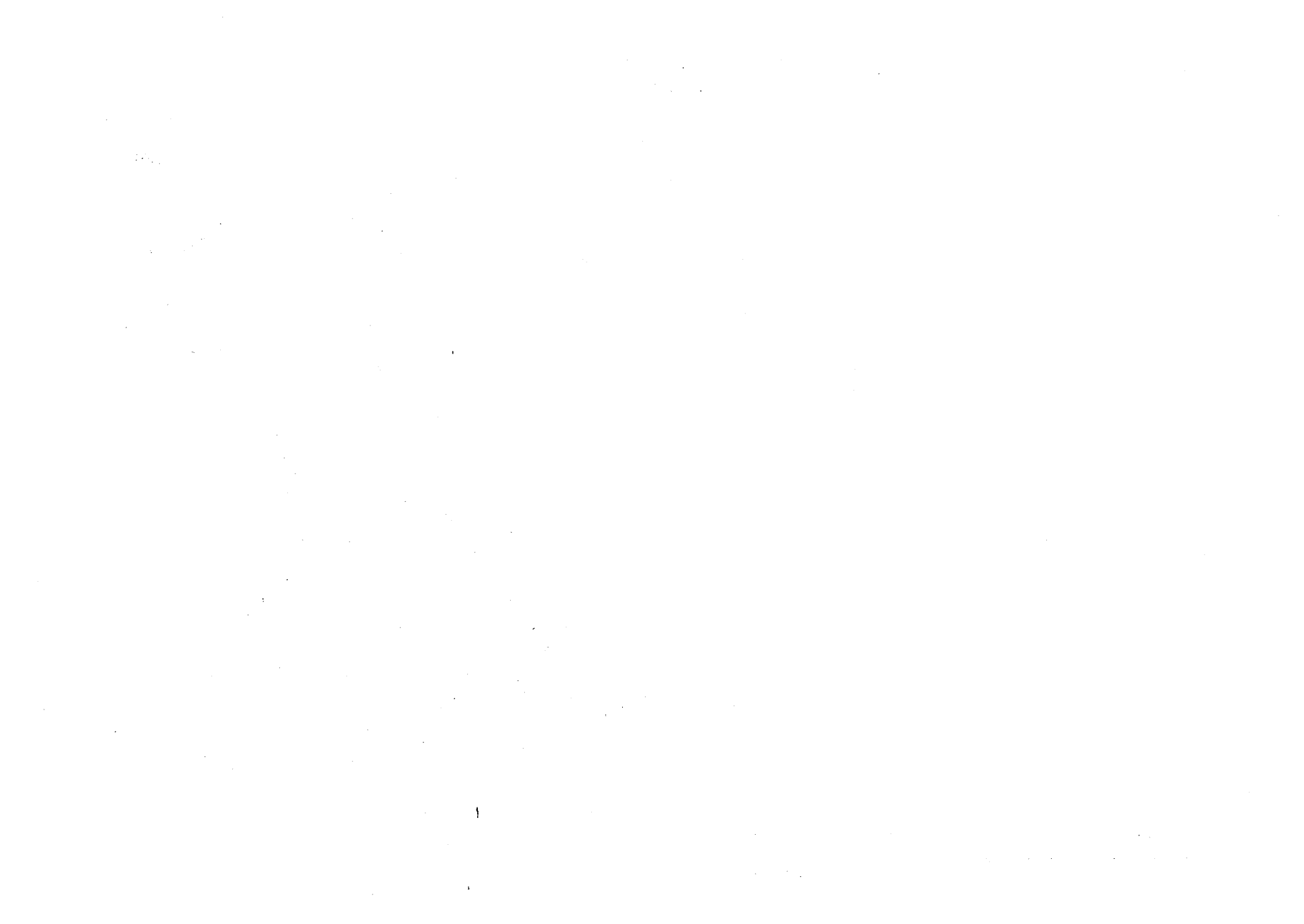
3VD1351-1430

FIG. 44 ELECTRICAL 2



3VD1351-1440

REF. NO.	PART NO.	DESCRIPTION	Q'TY	REMARKS
1	1AE-82540-00	NEUTRAL SWITCH ASSY	1	
2	93210-29196	O-RING	1	
3	98502-06016	SCREW, pan head	2	
4	3LD-82541-00	WIRE, lead	1	
5	2EL-82560-00	THERMO SWITCH ASSY	1	
6	11H-83591-00	THERMO UNIT	1	
7	26H-83354-00	WIRE, earth lead 1	1	
8	98580-04008	SCREW, pan head	1	
9	92902-04100	WASHER, spring	1	
10	92901-04600	WASHER, plate	1	
11	3YA-83350-00	FLASHER RELAY ASSY	1	
12	2TV-83371-00	HORN	1	
13	3VD-2317E-00	STAY	1	
14	91026-06010	BOLT	1	
15	36Y-81940-00	STARTER RELAY ASSY	1	
16	95701-06500	NUT, flange	2	
17	2UJ-81950-00	RELAY ASSY	1	
18	3MD-82566-00	SWITCH, side stand	1	
19	90157-05079	SCREW, pan head	2	
20	90465-13169	CLAMP	1	



INDIVIDUAL SPEC.

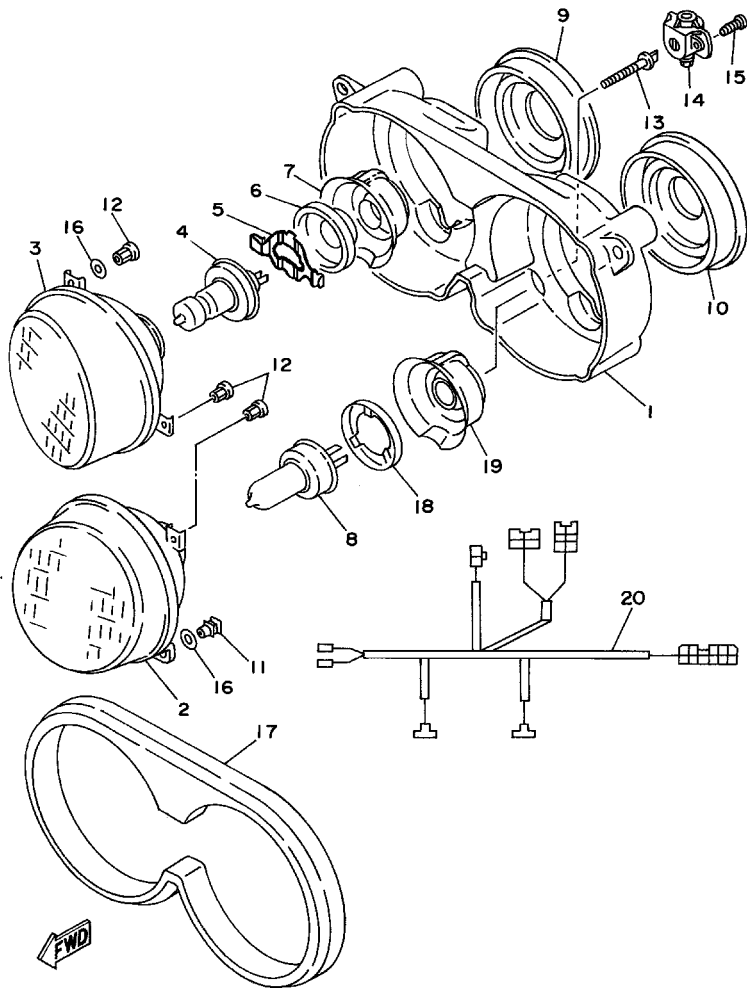
FOR BELGIUM

FOR PORTUGAL

FOR SWEDEN

FOR SWITZERLAND

The following pages provides a listing of only the parts that meet the specifications peculiar to your market. For those parts not appearing in these pages, refer to the "GENERAL SPEC" section.



3VD1300-1451

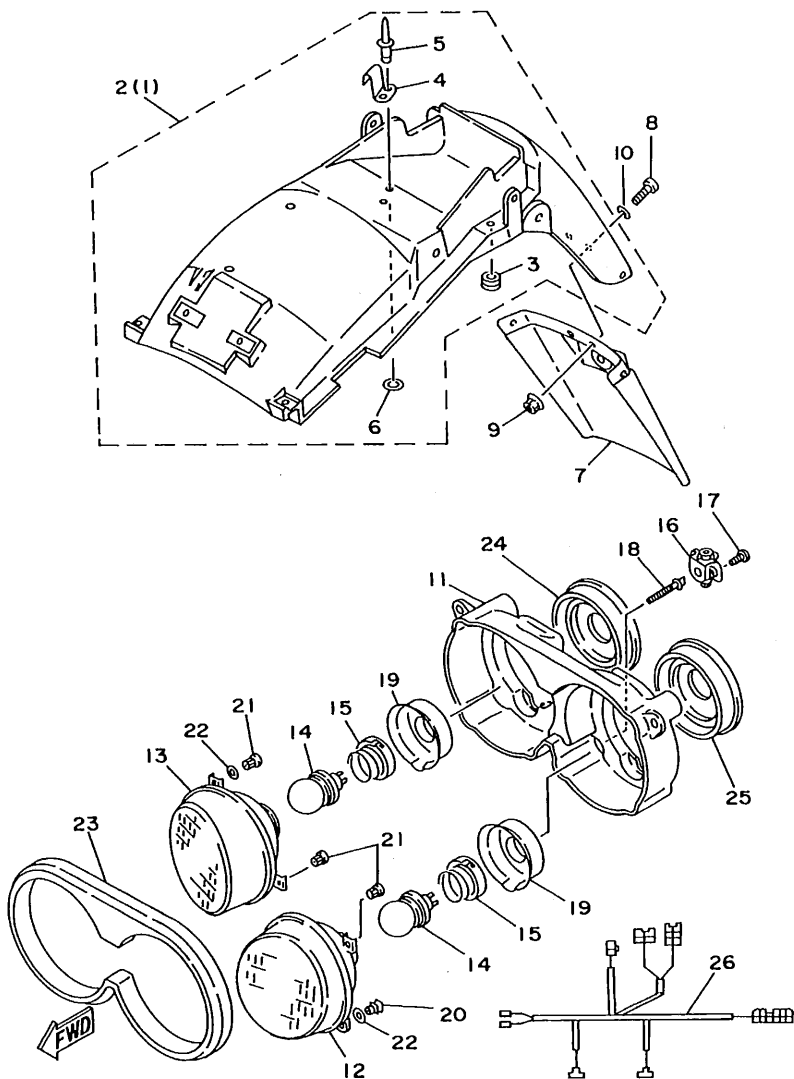
FIG. 45 ALTERNATE (HEADLIGHT)

REF. NO.	PART NO.	DESCRIPTION	Q'TY	REMARKS
1	3VD-84330-00	BODY ASSY	1	
2	3VD-84320-10	LENS ASSY	1	
3	3VD-8432A-10	LENS ASSY	1	
4	*	BULB (12V-55W)	1	LM HALOGEN
5	2LA-84375-00	FITTING PLATE, bulb	1	
6	2LA-84393-00	HOLDER, bulb	1	
7	2GH-84397-00	COVER, socket	1	
8	2F9-84314-00	BULB (12V-60/55W)	1	HALOGEN
9	2LA-84397-00	COVER, socket	1	
10	2LA-84397-10	COVER, socket	1	
11	3AJ-8431U-00	HOLDER	2	
12	51L-84334-00	NUT, adjusting	4	
13	2AX-84331-00	SCREW, rim adjusting	2	
14	3MA-8430M-00	GEAR UNIT ASSY	2	
15	97706-40616	SCREW, tapping	4	
16	3GM-84344-00	WASHER, plain	2	
17	3HE-84366-00	DAMPER, headlight 1	1	
18	2F9-84375-00	SETTING PLATE, bulb	1	
19	2F9-84397-01	COVER, socket	1	
20	3VD-84359-00	CORD, headlight	1	

FOR FINLAND

The following pages provides a listing of only the parts that meet the specifications peculiar to your market. For those parts not appearing in these pages, refer to the "GENERAL SPEC" section.

FIG. 46 ALTERNATE (FENDER, HEADLIGHT)



3VDI300-1460

REF. NO.	PART NO.	DESCRIPTION	Q'TY	REMARKS
1	3VD-Y2161-00	FENDER, rear	*	
2	3VD-Y2161-60	REAR FENDER COMP.	1	
3	90480-10258	.GROMMET	2	
4	3VD-21366-00	.HOOK, tool band	1	
5	90267-40073	.RIVET, blind	2	
6	92990-04200	.WASHER, plain	2	
7	3LD-21621-01	FLAP	1	
8	90149-04278	SCREW	4	
9	95606-04100	NUT, u	4	
10	90201-047A2	WASHER, plate	8	
11	3VD-84330-00	BODY ASSY	1	
12	3VD-84320-20	LENS ASSY	1	
13	3VD-8432A-40	LENS ASSY	1	
14	*	BULB, head light (12V-45/40W)	2 LM	
15	341-84393-40	HOLDER, bulb	2	
16	3MA-8430M-00	GEAR UNIT ASSY	2	
17	97706-40616	SCREW, tapping	4	
18	2AX-84331-00	SCREW, rim adjusting	2	
19	46X-84396-00	COVER	2	
20	3AJ-8431U-00	HOLDER	2	
21	51L-84334-00	NUT, adjusting	4	
22	3GM-84344-00	WASHER, plain	2	
23	3HE-84366-00	DAMPER, headlight 1	1	
24	2LA-84397-00	COVER	1	
25	2LA-84397-10	COVER	1	
26	3VD-84359-00	CORD, headlight	1	

* For convenience of reference:

Disregard the items asterisked (*) in the "QTY" column. These are intended for GENERAL SPEC, and NOT for INDIVIDUAL SPEC.

F14

FOR DENMARK

FOR GREECE

FOR NORWAY

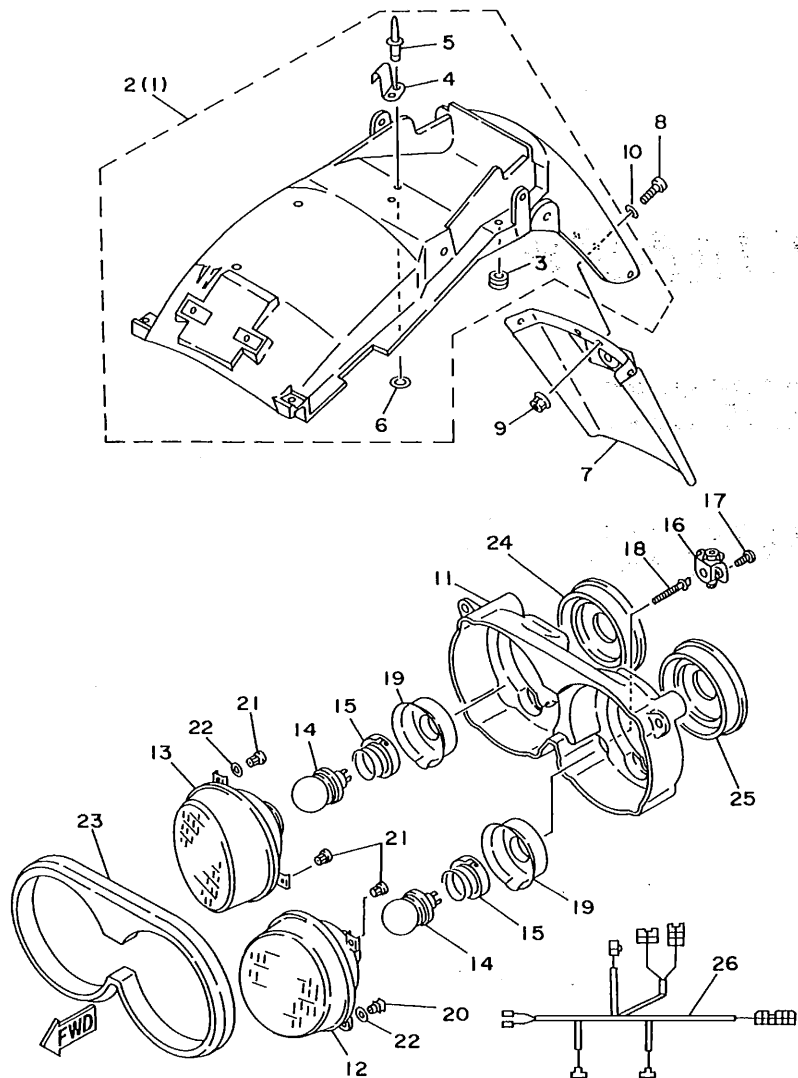
The following pages provides a listing of only the parts that meet the specifications peculiar to your market. For those parts not appearing in these pages, refer to the "GENERAL SPEC" section.

FIG. 47 ALTERNATE (FENDER, HEADLIGHT)

REF. NO.	PART NO.	DESCRIPTION	Q'TY	REMARKS
1	3VD-W2161-00	FENDER, rear	*	FOR GREECE
2	3VD-Y2161-60	REAR FENDER COMP.	1	
3	90480-10258	.GROMMET	2	
4	3VD-21366-00	.HOOK, tool band	1	
5	90267-40073	.RIVET, blind	2	
6	92990-04200	.WASHER, plain	2	FOR DENMARK, NORWAY
7	3LD-21621-01	FLAP	1	
8	90149-04278	SCREW	4	
9	95606-04100	NUT, u	4	
10	90201-047A2	.WASHER, plate	8	
11	3VD-84330-00	BODY ASSY	1	
12	3VD-84320-20	LENS ASSY	1	
13	3VD-8432A-20	LENS ASSY	1	
14	*	BULB, head light (12V-45/40W)	2	LM
15	341-84393-40	HOLDER, bulb	2	
16	3MA-8430M-00	GEAR UNIT ASSY	2	
17	97706-40616	SCREW, tapping	4	
18	2AX-84331-00	SCREW, rim adjusting	2	
19	46X-84396-00	COVER	2	
20	3AJ-8431U-00	HOLDER	2	
21	51L-84334-00	NUT, adjusting	4	
22	3GM-84344-00	WASHER, plain	2	
23	3HE-84366-00	DAMPER, headlight 1	1	
24	2LA-84397-00	COVER	1	
25	2LA-84397-10	COVER	1	
26	3VD-84359-10	CORD, headlight	1	

* For convenience of reference:

Disregard the items asterisked (*) in the "QTY" column. These are intended for GENERAL SPEC, and NOT for INDIVIDUAL SPEC.



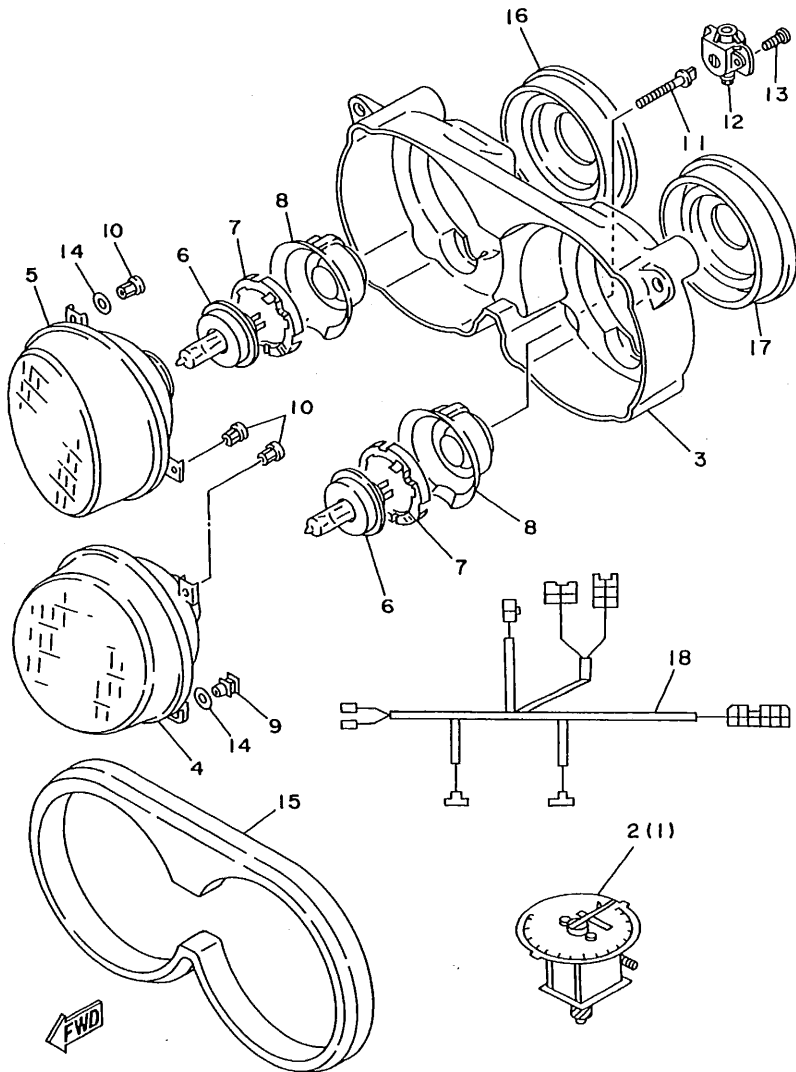
3VDI300-1460

G2

FOR ENGLAND

FOR OCEANIA

The following pages provides a listing of only the parts that meet the specifications peculiar to your market. For those parts not appearing in these pages, refer to the "GENERAL SPEC" section.



3VD1300-1480

FIG. 48 ALTERNATE (METER, HEADLIGHT)

REF. NO.	PART NO.	DESCRIPTION	Q'TY	REMARKS
1	3VD-83570-00	SPEEDOMETER ASSY	*	KPH
2	3VD-83570-10	SPEEDOMETER ASSY	1	MPH
3	3VD-84330-00	BODY ASSY	1	
4	3VD-84320-50	LENS ASSY	1	
5	3VD-8432A-50	LENS ASSY	1	
6	1FM-84314-H0	BULB (12V-35/35W)	2	HALOGEN
7	2F9-84375-00	SETTING PLATE, bulb	2	
8	2F9-84397-01	COVER, socket	2	
9	3AJ-8431U-00	HOLDER	2	
10	51L-84334-00	NUT, adjusting	4	
11	2AX-84331-00	SCREW, rim adjusting	2	
12	3MA-8430M-00	GEAR UNIT ASSY	2	
13	97706-40616	SCREW, tapping	4	
14	3GM-84344-00	WASHER, plain	2	
15	3HE-84366-00	DAMPER, headlight 1	1	
16	2LA-84397-00	COVER	1	
17	2LA-84397-10	COVER	1	
18	3VD-84359-10	CORD, headlight	1	

* For convenience of reference:

Disregard the items asterisked (*) in the "QTY" column. These are intended for GENERAL SPEC. and NOT for INDIVIDUAL SPEC.

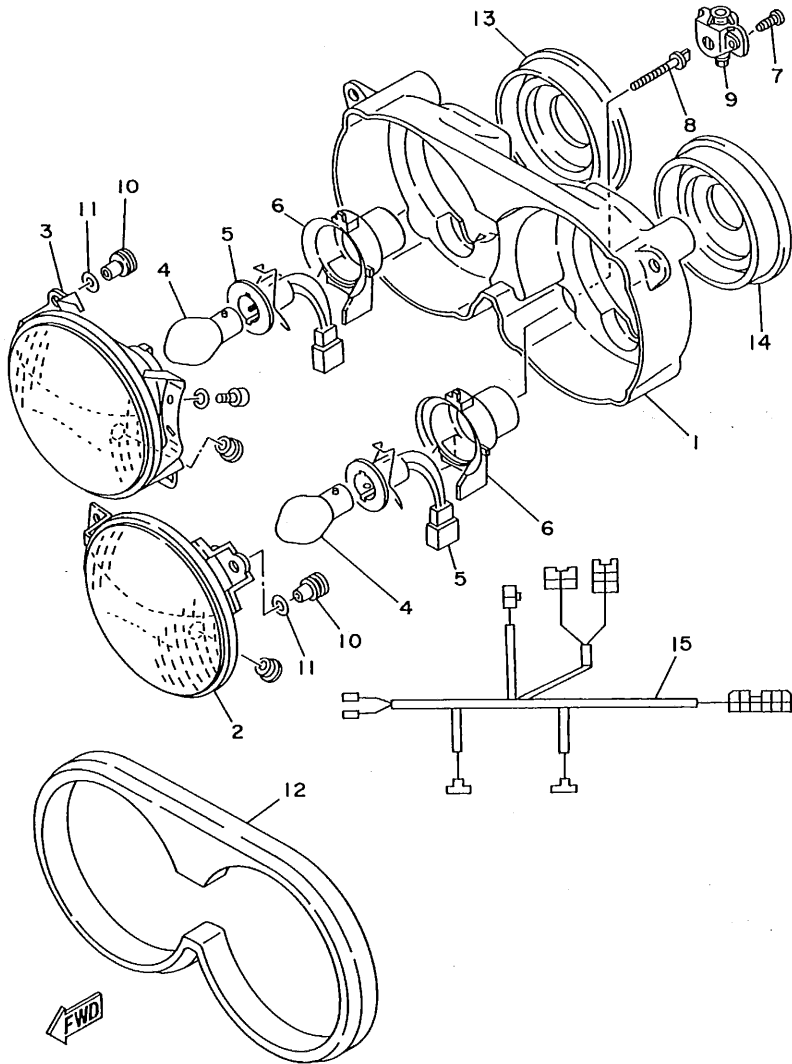
G4

FOR ITALY

The following pages provides a listing of only the parts that meet the specifications peculiar to your market. For those parts not appearing in these pages, refer to the "GENERAL SPEC" section.

FIG. 49 ALTERNATE (HEADLIGHT)

REF. NO.	PART NO.	DESCRIPTION	Q'TY	REMARKS
1	3VD-84330-60	BODY ASSY	1	
2	2GH-84320-00	LENS ASSY	1	
3	2GH-8432A-00	LENS ASSY	1	
4	*	BULB, headlight (12V-35/35W)	2	LM
5	14A-84112-40	SOCKET	2	
6	5T8-84397-00	COVER, socket	2	
7	97706-40616	SCREW, tapping	4	
8	2AX-84331-00	SCREW, rim adjusting	2	
9	3MA-8430M-00	GEAR UNIT ASSY	1	
10	3AJ-8431U-00	HOLDER	2	
11	3GM-84344-00	WASHER, plain	2	
12	3HE-84366-00	DAMPER, headlight 1	1	
13	2LA-84397-00	COVER	1	
14	2LA-84397-10	COVER	1	
15	3VD-84359-20	CORD, headlight	1	



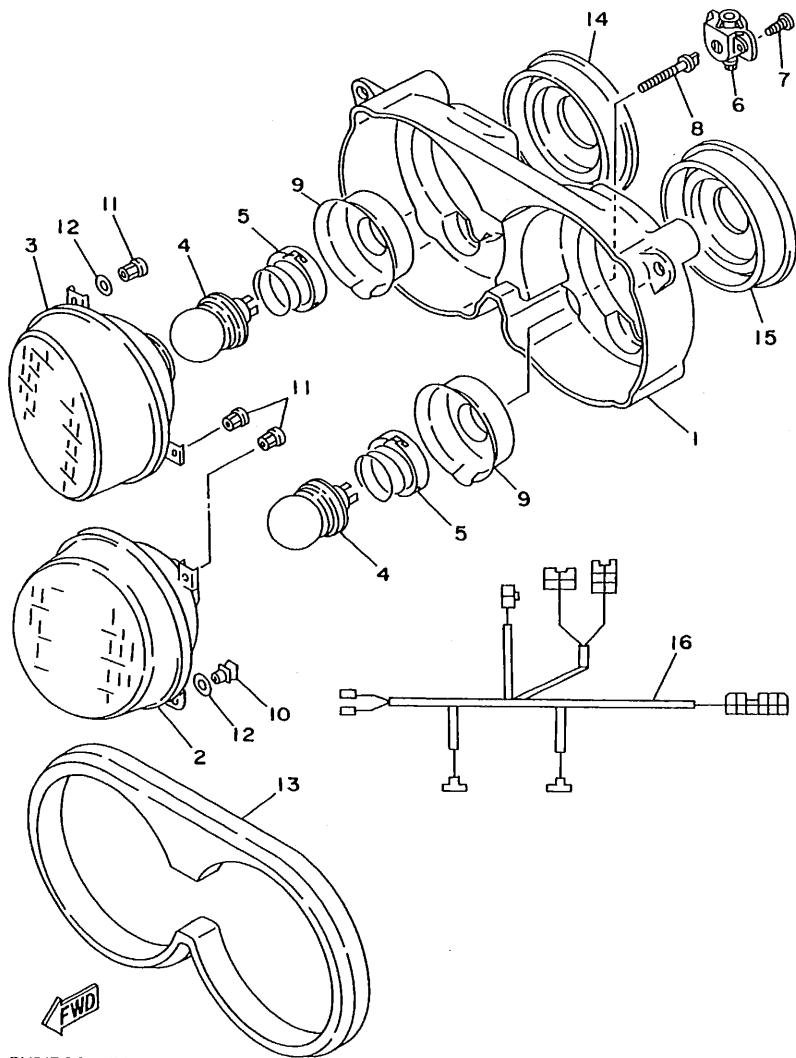
3VDI300-1490

FOR HOLLAND

The following pages provides a listing of only the parts that meet the specifications peculiar to your market. For those parts not appearing in these pages, refer to the "GENERAL SPEC" section.

FIG. 50 ALTERNATE (HEADLIGHT)

REF. NO.	PART NO.	DESCRIPTION	Q'TY	REMARKS
1	3VD-84330-00	BODY ASSY	1	
2	3VD-84320-20	LENS ASSY	1	
3	3VD-8432A-30	LENS ASSY	1	
4	*	BULB, head light (12V-45/40W)	2 LM	
5	341-84393-40	HOLDER, bulb	2	
6	3MA-8430M-00	GEAR UNIT ASSY	2	
7	97706-40616	SCREW, tapping	4	
8	2AX-84331-00	SCREW, rim adjusting	2	
9	46X-84396-00	COVER	2	
10	3AJ-8431U-00	HOLDER	2	
11	51L-84334-00	NUT, adjusting	4	
12	3GM-84344-00	WASHER, plain	2	
13	3HE-84366-00	DAMPER, headlight 1	1	
14	2LA-84397-00	COVER	1	
15	2LA-84397-10	COVER	1	
16	3VD-84359-00	CORD, headlight	1	



3VD1300-1500

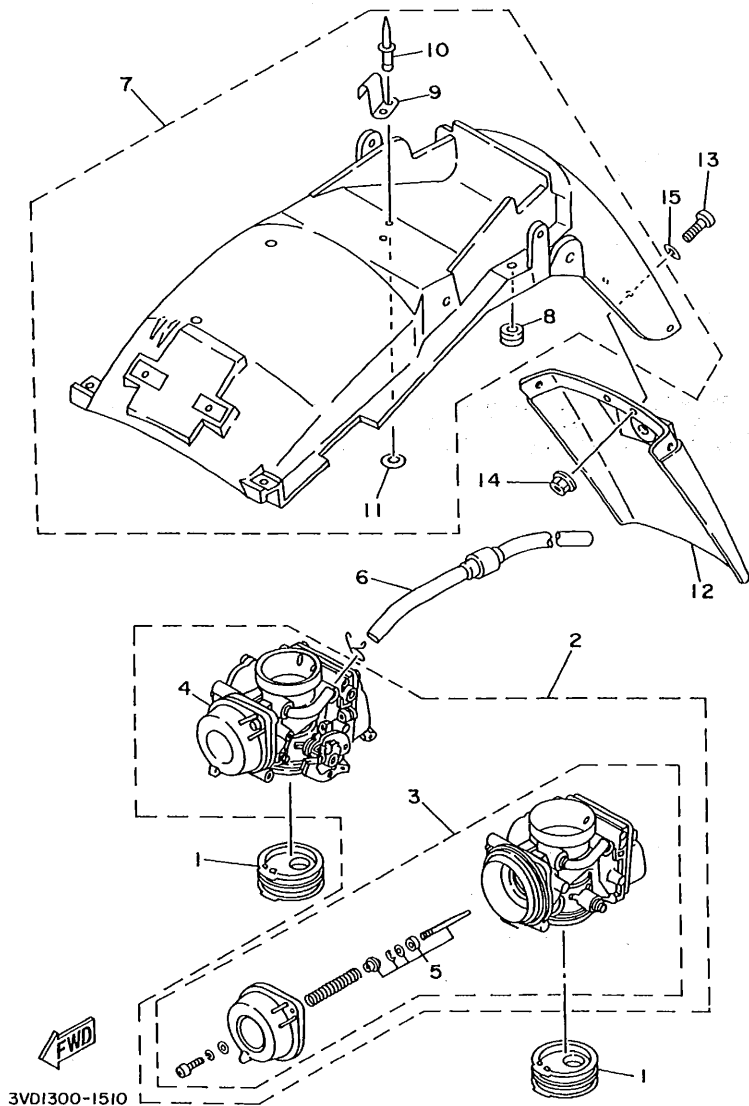
FOR SWITZERLAND

The following pages provides a listing of only the parts that meet the specifications peculiar to your market. For those parts not appearing in these pages, refer to the "GENERAL SPEC" section.

FIG. 51 ALTERNATE (CARBURETOR, FENDER)

REF. NO.	PART NO.	DESCRIPTION	Q'TY	REMARKS
1	3TD-13597-00	JOINT, carburetor 3	2	
2	4CN-14900-00	CARBURETOR ASSY	1	
3	4CN-14901-00	.CARBURETOR ASSY 1	1	
4	4CN-14902-00	.CARBURETOR ASSY 2	1	
5	4CN-1490J-00	..NEEDLE SET	1	
6	4CM-14148-00	PIPE	2	
7	3VD-Y2161-60	REAR FENDER COMP.	1	
8	90480-10258	.GROMMET	2	
9	3VD-21366-00	.HOOK, tool band	1	
10	90267-40073	.RIVET, blind	2	
11	92990-04200	.WASHER, plain	2	
12	3LD-21621-01	FLAP	1	
13	90149-04278	SCREW	4	
14	95606-04100	NUT, u	4	
15	90201-047A2	WASHER, plate	4	

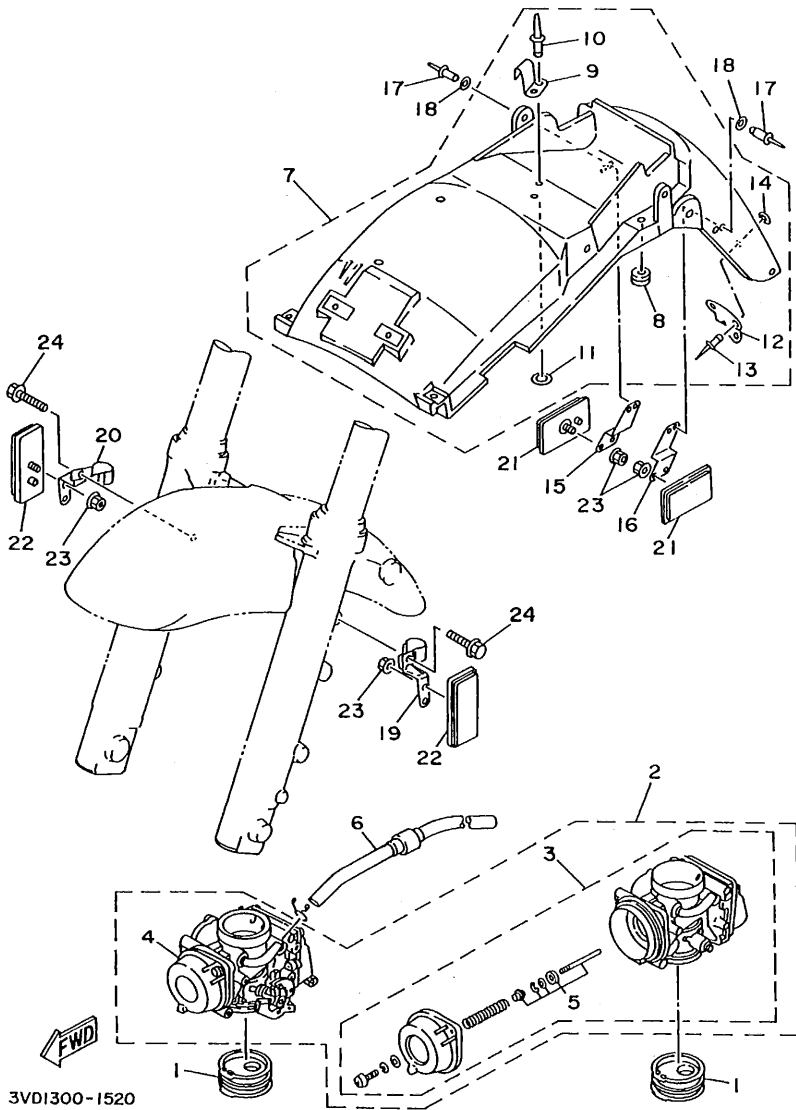
As for the remaining parts not listed here, Refer to the carburetor section (Fig. 10) on Grid No. of C2, C3 and C4.



FOR AUSTRIA

The following pages provides a listing of only the parts that meet the specifications peculiar to your market. For those parts not appearing in these pages, refer to the "GENERAL SPEC" section.

**NOTE: FOR THE FRAME NO. STARTING WITH 4CN,
REFER TO THIS INDIVIDUAL SPEC.
FOR THE FRAME NO. STARTING WITH 3VD,
REFER TO THIS GENERAL SPEC.**



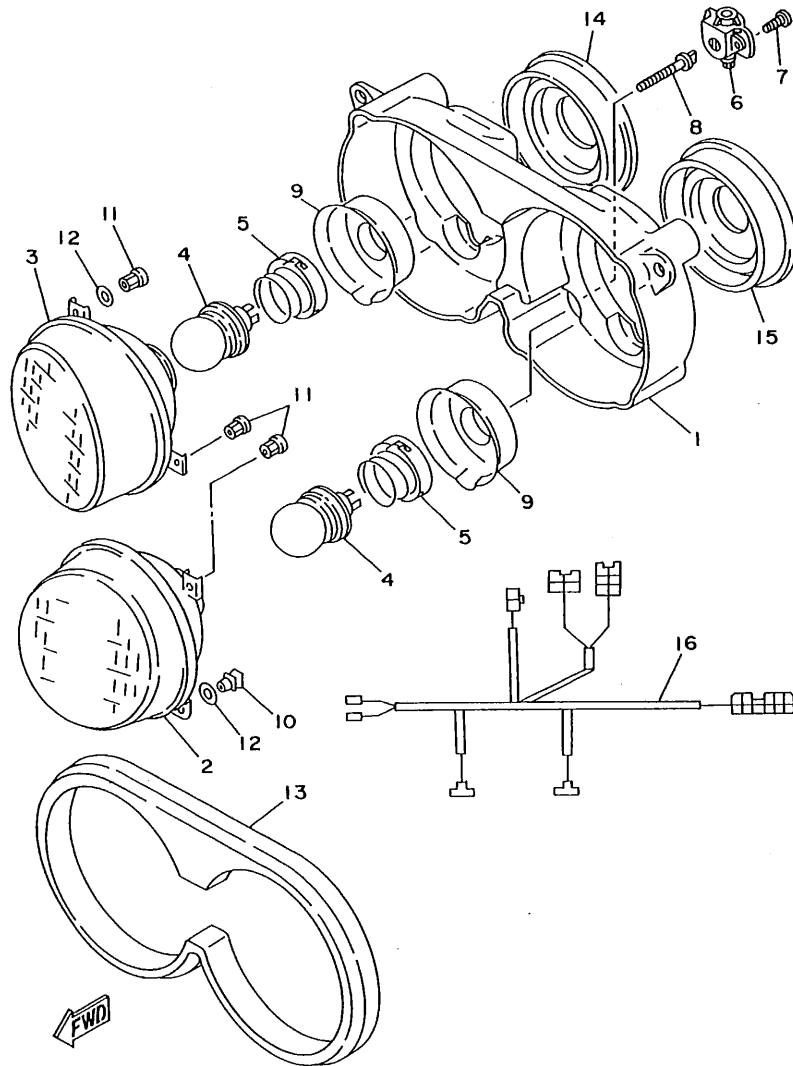
3VD1300-1520

FIG. 52 ALTERNATE (CARBURETOR, CHASSIS)

REF. NO.	PART NO.	DESCRIPTION	Q'TY	REMARKS
1	3TD-13597-00	JOINT, carburetor 3	2	
2	4CN-14900-00	CARBURETOR ASSY	1	
3	4CN-14901-00	.CARBURETOR ASSY 1	1	
4	4CN-14902-00	.CARBURETOR ASSY 2	1	
5	4CN-1490J-00	..NEEDLE SET	1	
6	4CM-14148-00	PIPE	2	
7	3VD-Y2161-50	REAR FENDER COMP.	1	
8	90480-10258	.GROMMET	2	
9	3VD-21366-00	.HOOK, tool band	1	
10	90267-40073	.RIVET, blind	2	
11	92990-04200	.WASHER, plain	2	
12	3HE-85132-00	.BRACKET	1	
13	90267-40076	.RIVET, blind	2	
14	90201-044A2	.WASHER, plate	2	
15	2LJ-21688-00	BRACKET, rear stay	1	
16	2LJ-21689-00	BRACKET, rear stay 2	1	
17	90267-40076	RIVET, blind	4	
18	90201-044A2	WASHER, plate	4	
19	3VD-25876-00	HOLDER, brake hose 2	1	
20	3VD-25886-00	HOLDER, brake hose	1	
21	23V-85110-00	REFLECTOR ASSY	2	
22	11H-85110-01	REFLECTOR ASSY	2	
23	95701-05500	NUT, flange	4	
24	95021-06016	BOLT	2	

As for the remaining parts not listed here, Refer to the carburetor section (Fig. 10) on Grid No. of C2, C3 and C4.

FIG. 53 ALTERNATE (HEADLIGHT)



REF. NO.	PART NO.	DESCRIPTION	Q'TY	REMARKS
1	3VD-84330-00	BODY ASSY	1	
2	3VD-84320-20	LENS ASSY	1	
3	3VD-8432A-40	LENS ASSY	1	
4	*	BULB, head light (12V-45/40W)	2 LM	
5	341-84393-40	HOLDER, bulb	2	
6	3MA-8430M-00	GEAR UNIT ASSY	2	
7	97706-40616	SCREW, tapping	4	
8	2AX-84331-00	SCREW, rim adjusting	2	
9	46X-84396-00	COVER	2	
10	3AJ-8431U-00	HOLDER	2	
11	51L-84334-00	NUT, adjusting	4	
12	3GM-84344-00	WASHER, plain	2	
13	3HE-84366-00	DAMPER, headlight 1	1	
14	2LA-84397-00	COVER	1	
15	2LA-84397-10	COVER	1	
16	3VD-84359-00	CORD, headlight	1	

3VDI300-1500

INDEX

(GENERAL SPEC.)

NUMERICAL INDEX

PART NO.	GRID NO.	PART NO.	GRID NO.	PART NO.	GRID NO.	PART NO.	GRID NO.	PART NO.	GRID NO.	PART NO.	GRID NO.
3VD-W0041-50	E- 8	3LD-11584-00	B- 4	3LD-12169-70	B- 7	3VD-13411-00	B-12	3VD-14422-00	B-14	3VD-15420-00	C- 8
3VD-W0042-50	E-12	3VD-11610-00	B- 4	3LD-12169-90	B- 7	3VD-13412-00	B-12	3VD-14425-00	B-14	3VD-15425-00	C- 8
2GH-W0045-01	E- 3	3VD-11610-20	B- 4	3LD-12171-00	B- 8	3VD-13414-00	B-13	3VD-14426-00	B-14	3VD-15430-00	C- 8
	E- 3	3VD-11610-40	B- 4	3LD-12176-00	B- 8	3VD-13415-00	B-13	1AE-14451-00	B-14	3LD-15449-00	C- 8
1FK-W0046-01	E- 6	3VD-11631-00	B- 4	3LD-12181-00	B- 8	3VD-13416-00	B-13	3GM-14453-00	B-14	3VD-15451-00	C- 8
1NL-W0047-00	E- 3	3LD-11633-00	B- 4	3VD-12210-00	B- 8	3VD-13417-00	B-12	5TO-14457-00	B-14	3VD-15456-00	C- 7
	E- 3	3VD-11636-00	B- 4	3VD-12213-00	B- 8	4X7-13440-90	B-12	1VJ-14462-00	B-14	3VD-15462-00	C- 8
31A-W0047-00	E- 6	3VD-11638-00	B- 4	3YL-12232-00	D- 3	3LD-13447-00	B-12	1HX-14565-00	C- 2	3VD-15463-00	C- 8
1J3-W0048-00	E- 3	3VD-11650-00	B- 4		E-15	3VD-13455-00	B-13	3VD-14602-00	C- 5	1JK-15486-00	C- 8
	E- 3	3LD-11654-00	B- 4	3LD-12241-00	B- 8	3VD-13464-00	B-13	3VD-14613-00	C- 5	3VD-15491-00	D- 3
	E- 6	3LD-11656-00	B- 4	3LD-12247-00	B- 8	3VD-13465-00	B-13	3VD-14710-01	C- 5	3LD-15512-00	C-10
1NL-W0057-00	E- 3	3LD-11656-10	B- 4	3LD-12251-00	B- 8	11H-13490-00	B-13	3VD-14755-00	C- 5	3LD-15515-00	C-10
	E- 3	3LD-11656-20	B- 4	3LD-12252-00	B- 8	3LD-13586-01	B-14	3LD-1490H-00	C- 3	3LD-15517-00	C-10
31A-W0057-00	E- 6	3LD-11656-30	B- 4	1UF-12405-00	B-10	3LD-13597-00	B-14	3VD-1490J-00	C- 2	26H-15521-00	C-10
3YX-W0091-00	E- 8	3LD-12111-00	B- 6	1AE-12410-00	B-11	3LD-13910-00	D-14	3EN-1490K-00	C- 3	3LD-15590-00	C-10
3VD-W2165-00	D- 8	3LD-12112-00	B- 6	1UF-12413-00	B-11	1VJ-13929-00	B-14	3VD-14900-00	C- 2	3VD-15598-00	D- 3
3VD-W247K-00-4B	D- 5	3LD-12113-00	B- 6	1UF-12417-01	B- 6	3VD-13929-00	D-14	3VD-14901-00	C- 2	3VD-15659-00	D- 3
3VD-W247K-10-PO	D- 5	1WG-12116-00	B- 6	3VD-12420-00	B- 9	3EN-1410A-00	C- 2	3VD-14902-00	C- 2	3VD-15764-00	D- 3
3VD-W2587-00	E- 8	3LD-12117-00	B- 6	1AA-12435-00	B-10	3VD-14103-00	C- 3	3LD-14919-00	C- 3	3VD-16150-00	C-11
3VD-Y1119-00	B- 2	3LD-12118-00	B- 6	1UF-12435-00	B-10	12R-14105-00	C- 2	3VD-14933-00	C- 2	3VD-16154-00	C-12
3VD-Y2151-00-PO	D- 5	51Y-12119-00	B- 6	3LD-12439-00	B- 9	3GM-14107-17	C- 2	3GM-14940-00	C- 2	4H7-16154-00	C-11
3VD-Y2151-00-4B	D- 5	3LD-12121-00	B- 6	3VD-1244E-00	B-11	3LD-1411A-00	C- 3	3LD-14945-00	C- 2	3VD-16164-00	C-11
3VD-Y2161-00	D- 5	1WG-12153-09	B- 6	3VD-12459-00	B- 9	3GM-1411E-00	C- 2	3GM-14974-00	C- 3	3LD-16181-00	C-12
3VD-Y2343-00	D-10	1WG-12153-21	B- 6	3VD-12461-00	B-10	3LD-14139-00	C- 3	3GM-14985-00	C- 2	3TA-16321-00	C-11
3VD-11101-00	B- 2	1WG-12153-31	B- 6	26H-12462-00	B-10	8U9-14139-00	C- 3	3LD-14986-00	C- 3	4H7-16321-00	C-11
2GH-1111G-00	B- 2	3LD-12168-A0	B- 6	3VD-12465-00	B-10	3GM-14141-94	C- 3	3VD-14987-00	C- 3	168-16324-00	C-11
583-11126-00	C- 8	3LD-12168-F0	B- 6	1UF-12467-00	B-10	4G0-14142-37-A0	C- 3	3EN-14988-00	C- 3	3TA-16325-00	C-11
3LD-11133-10	B- 2	3LD-12168-H0	B- 6	3VD-12469-00	B- 9	1AE-14147-00	C- 2	3LD-14988-00	C- 3	3VD-16340-00	C-11
3LD-11134-10	B- 2	3LD-12168-K0	B- 6	3LD-12481-00	B- 6	3EN-14147-00	C- 2	1KT-14994-00	C- 3	3LD-16351-00	C-11
3LD-11160-01	B- 2	3LD-12168-M0	B- 6	3VD-12482-00	B-10	3FV-14147-00	C- 2	3EN-14997-00	C- 3	3LD-1637A-00	C-11
3VD-11166-00	B-15	3LD-12168-R0	B- 6	1AA-12535-00	B-10	3LD-14147-00	C- 2	3GM-14997-00	C- 2	3VD-16371-01	C-11
3VD-11181-00	B- 2	3LD-12168-U0	B- 6	1AA-12561-00	B-10	3LF-14147-00	C- 2	3VD-15100-00	C- 6	3LD-16382-00	C-11
3LD-11193-00	B- 2	3LD-12168-W0	B- 6	3VD-12567-00	B-11	822-14147-00	C- 3	3LD-15118-00	C- 7	3LD-16398-00	C-11
214-11198-01	B-13	3LD-12168-Y0	B- 6	3VD-12577-00	B-11	3VD-14148-01	C- 3	4G0-15138-00	C- 6	3LD-17121-00	C-13
3VD-11310-00	B- 3	3LD-12168-00	B- 6	3VD-12578-00	B-10	3GM-14153-00	C- 2	4H7-15138-00	B-13	3VD-17131-00	C-13
3VD-11351-00	B- 3	3LD-12168-20	B- 6	3VD-12579-00	B-11	239-14172-14	C- 3		C- 6	3VD-17141-00	C-13
3LD-11361-00	C- 6	3LD-12168-40	B- 6	1UF-12611-00	B-10	53L-14186-00	C- 2	3LD-15163-10	C-13	3VD-17151-00	C-13
3VD-11400-01	B- 4	3LD-12168-60	B- 6	26H-12630-00	B-10	3FV-14191-00	C- 2	3LD-15191-00	C- 7	3LD-17211-00	C-13
3LD-11416-00	B- 4	3LD-12168-80	B- 6	3LD-13113-00	B-12	2LH-14197-00	C- 3	3VD-15199-00	C- 6	3VD-17231-00	C-13
3LD-11416-10	B- 4	3LD-12169-E0	B- 7	3LD-13151-00	B-13	3JE-14197-00	C- 3	3VD-15316-00	C- 6	3VD-17241-00	C-13
3LD-11416-20	B- 4	3LD-12169-G0	B- 7	3LD-13161-00	B-12	3LD-1423A-79	C- 3	3VD-15317-00	C- 6	3VD-17251-00	C-13
3LD-11416-30	B- 4	3LD-12169-J0	B- 7	3LD-13300-00	B-12	620-14231-14	C- 3	3VD-15326-00	C- 8	3LD-17402-00	C-13
3LD-11416-40	B- 4	3LD-12169-L0	B- 7	3LD-13303-00	B-12	830-14231-14	C- 3	3VD-15327-00	D- 3	3LD-17411-00	C-13
3LD-11416-50	B- 4	3LD-12169-NO	B- 7	3VD-13317-00	B-13	3EN-14261-00	C- 3	3VD-15411-00	C- 8	3VD-17460-00	C-13
3LD-11416-60	B- 4	3LD-12169-TO	B- 7	3VD-13325-00	B-12	3VD-14294-00	D-14	3LD-15414-00	C-14	3LD-17471-00	C-13
3LD-11500-00	B- 4	3LD-12169-10	B- 6	3LD-13329-00	B-12	3VD-14411-00	B-14	3VD-15416-00	C- 7	3LD-18101-01	D- 2
3VD-11510-00	B- 4	3LD-12169-30	B- 6	3LD-13339-00	B-12	3VD-14426-00	B-14	3VD-15417-00	C- 8	3VD-18110-00	D- 2
3LD-11583-00	B- 4	3LD-12169-50	B- 6	3LD-13371-00	B-12	3VD-14421-00	B-14	3LD-15418-00	C- 8	132-18113-01	D- 2

NUMERICAL INDEX

PART NO.	GRID NO.	PART NO.	GRID NO.	PART NO.	GRID NO.	PART NO.	GRID NO.	PART NO.	GRID NO.	PART NO.	GRID NO.
3VD-18113-00	E-12	4X7-22129-00	D- 8	3VD-2330E-00	D-11	341-25149-00	E- 2	3VD-25872-50	E-13	1UA-27420-00	E-10
3VD-18115-00	D- 2	46X-22141-00	D- 8		D-12	3VD-25168-00-WN	E- 2	3VD-25874-00	E- 8	3VD-27422-00	E-11
4G0-18127-00	D- 2	3VD-22151-00	D- 8	3VD-23317-00	E- 9	3GM-25181-00	E- 2	3EN-25875-00	E- 9	1NL-27424-00	E-10
3LD-18130-00	D- 2	3HE-22174-00	E- 4	3VD-23340-00	D-12	10V-25188-00	D- 4	3VD-25875-00	D- 8	36Y-27424-00	E-11
36Y-18140-00	C-15	33M-22184-00	D- 8	3VD-23389-00	D-10	26H-25190-00	E- 2	2R8-25876-00	E- 9	2GH-27431-00	E-10
2H9-18154-00	D- 2	3VD-22210-00	D- 9	3HE-23416-00	D-10	3VD-25338-00-WN	E- 4	3LC-25885-00	E-13	2YK-27434-01	D- 2
	D- 2	3VD-22216-00	D- 9	26H-23418-01	D-10	1UF-25364-00	E- 4	42H-25885-00	E- 8	1HX-27437-00	E-10
3LD-18511-00	C-15	3BB-22261-00	B-14	3VD-23434-00	D-10	1XF-25366-00	E- 4	3YX-2589F-00	E- 4	2GH-27441-00	E-10
3LD-18512-00	C-15	3VD-22311-00	D- 8	3VD-23441-00	D-10	1AE-25381-00	E- 4	47X-25894-00	E-12	3VD-27442-00	E-10
3LD-18513-00	C-15	3VD-22464-00	D- 9	3VD-23442-00	D-10	3HE-25388-00	E- 4	3VD-25895-00	E-12	3VD-27443-00	E-10
3VD-18531-00	C-15	3VD-22535-00	D- 7	341-23469-00	D-10	29L-25398-00	E- 2	2GH-25919-00	E- 3	3VD-28100-00	D- 6
3VD-18535-00	C-15	3VD-23102-00	D-11	3VD-2411H-00	D-14		E- 4		E- 3	3HX-28215-00	E-14
3LD-18536-00	C-15	3VD-23103-00	D-11	3VD-24110-00-01	D-13	29L-25398-10	E- 2	29L-25919-00	E- 6	3VD-28322-00	E-15
3VD-18540-00	C-15	3VD-23106-00	D-11	3VD-24110-00-02	D-13		E- 4	3HE-25924-00	E- 3	3VD-2835U-00-PO	E-14
278-18542-00	C-15	3VD-23107-00	D-11	3VD-24181-00	D-13	29L-25398-20	E- 2		E- 3	3VD-2835U-00-4B	E-14
278-18566-00	C-15	3VD-23110-00	D-11	3Y6-24183-00	D-13		E- 4		E- 6	3VD-2835V-00-PO	E-15
3VD-21110-00-LY	D- 3		D-12	47X-24183-00	D-13	3VD-25444-20	E- 4	3GM-25925-00	E- 3	3VD-2835V-00-4B	E-15
3VD-21164-00	D- 3	3VD-23111-00	D-11	5X2-24183-00	F- 9	3XW-2580T-00	E- 3		E- 3	3VD-2835V-00-4B	E-15
3VD-2117E-00	D- 6		D-12	26H-24184-00	D-13	3XW-2580U-00	E- 3	3HE-25925-00	E- 6	3JJ-2835Y-10	E-15
3SX-2135F-00	D- 3	3VD-23115-00	D-11	12R-24186-00	D-13	3HE-2580W-00	E- 6	3VD-26111-00	E- 7	3VD-28350-00-PO	E-14
3VD-21366-00	D- 5		D-12	47X-24186-00	D-13	3RG-2581T-00	E- 3	3VD-26131-00	E- 9	3VD-28350-00-4B	E-14
3YX-21376-00	D- 6	3VD-2312K-00	D-11	1HX-24188-01	D-14	3VD-25819-00	E- 6	3VD-26132-00	E- 9	3VD-28356-00	E-14
3VD-2139X-00	E-11		D-12	3VD-24188-00	D-14	3LN-2582A-00	E-12	3FH-26240-00	E- 7	3VD-28365-00	E-14
3VD-21411-00	D- 3	3VD-23125-00	D-11	3VD-24191-00	D-13	3VD-2582E-00	E-12	1KG-26241-00	E- 7	1AE-2837J-00	D- 6
3VD-21419-00	D- 3		D-12	3VD-24240-00	D-13	1FK-25827-00	E- 6	51J-26246-00	E- 7	3VD-2837M-00	E-14
3LD-2143A-00	D- 3	5U8-23129-00	D-11	3VD-24240-10	D-13	1FK-25828-00	E- 6	3VD-26280-00	E- 7	3VD-2837N-00	E-15
3VD-2143A-00	D- 3		D-12	3VD-24311-00	D-13	3YX-2583H-00	E- 8	3VD-26280-10	E- 7	3VD-2837R-00	E-15
3VD-21489-00	D- 3	3VD-23135-00	D-11	3VD-24313-00	D-13	3VD-2583V-00	E-12	3XW-26281-01	E- 7	3VD-28371-00	E-15
4X7-2149Y-00	D-14		D-12	1JK-24327-00	D-13	3VD-25831-00	E- 6	3XW-26282-01	E- 7	51L-28371-00	D-14
3GM-21512-00	D- 5	3VD-23141-00	D-11	3VD-24327-00	D-14	3VD-25834-00	E- 8	3VD-26290-00	E- 7	3VD-28381-00	E-14
1A8-21518-00	D- 5		D-12	3LN-24500-00	D-13	1KT-25836-00	E- 3	3VD-26290-10	E- 7	3VD-28390-01	E-14
2TV-21638-00	E-15	3VD-23142-00	D-11	4X8-24512-00	D-13		E- 3	3VD-26292-00	E- 7	3VD-28390-11	E-14
34M-21639-00	D- 3		D-12	3AJ-24523-00	D-13	51J-25836-00	E- 6	3VD-26302-00	E- 7	J44-78248-00	D- 6
4G0-21639-00	D- 5	3VD-23144-00	D-11	3AJ-24534-00	D-13	3YX-25838-00	E- 8	3VD-26331-00	E- 7		D-14
3VD-2164F-00	D- 8		D-12	3VD-24560-00	D-13	3VD-25844-00	E- 8	1VJ-26333-00	E- 7	3LD-81410-00	F- 2
3VD-21645-00-PO	D- 6	3VD-23145-00	D-11	3XC-24602-00	D-14	341-25846-00	E- 2	3VD-26335-00	E- 7	3VD-81450-00	F- 2
3VD-21645-00-4B	D- 6		D-12	3VD-2470F-00	D-15	3LN-2585F-00	E-12	3VD-27211-00	E-12	3LD-81800-00	C-10
1KT-21717-00	D- 6	3VD-23156-00	D-11	51X-24705-00	D-15	3LN-25856-00	E-12	3VD-27212-00	E-12	3AJ-81801-00	C-10
3VD-21737-00	D- 5		D-12	3VD-24718-00	D-15	3LN-2585H-00	E-12	47X-27222-00	E-12	3AJ-81809-00	C-10
3VD-21737-10	D- 5	3VD-2317E-00	F-10	3VD-24728-00	D-15	2KF-25852-50	E-12	3VD-27311-00	E-10	3LD-81815-00	C-10
3VD-21750-00	D- 7	3VD-23173-00	D-11	3VD-24730-00	D-15	3YX-25852-00	E- 8	3VD-27315-00	E-10	3AJ-81826-00	C-10
3VD-21761-00	D- 7		D-12	1L9-24741-00	D-15	3YX-25854-00	E- 8	1TX-27351-00	E-10	3AJ-81830-00	C-10
3VD-2177G-00	D- 7	3VD-2318Y-00	D-11	1T4-24741-00	D-15	360-25854-00	E-12	1UA-27410-00	E-10	11H-81844-00	C-10
1AA-21815-00	D- 7		D-12	116-24741-00	D-15	2GU-25855-00	E-12	3VD-27412-00	E-11	26H-81847-00	C-10
1KF-21816-00	D- 7	3VD-23183-00	D-11	22W-24741-00	D-15	4L0-25862-00	E- 8	2GH-27413-00	E-10	4G0-81871-00	C-10
3VD-21871-00	D- 7		D-12	3VD-24776-00	D-15	3YX-25866-00	E- 8		E-10	36Y-81940-00	F-10
1AA-21874-00	D- 7	3VD-2319U-00	D-11	1JK-2478F-00	D-15	3YX-25867-00	E- 8		E-11	2UJ-81950-00	F-10
3VD-22110-00	D- 8		D-12	1AE-24796-00	D-15	3VD-25872-00	E- 8	3VD-27414-00	E-10	3TJ-81960-00	F- 9

NUMERICAL INDEX

PART NO.	GRID NO.	PART NO.	GRID NO.	PART NO.	GRID NO.	PART NO.	GRID NO.	PART NO.	GRID NO.	PART NO.	GRID NO.
3VD-82100-00	F- 9	3GM-83590-00	F- 4	90105-06456	B-13	90159-06056	E-12	90201-10118	E-13	90387-060A7	D- 7
3VD-82115-00	F- 9	11H-83591-00	F-10		C- 8	90159-06071	D- 8	90201-10119	C-11	90387-060M9	B-14
3VD-82116-00	F- 9	3VD-83611-00	F- 4	90105-06553	B-13	90159-06084	D- 8	90201-10131	C- 6	90387-060N3	D-13
3VD-82131-00	F- 9	3YX-83912-00	F- 8		B-13	90159-06123	C-11	90201-103M4	B- 2	90387-062W4	F- 7
1AE-82151-00	F- 9	3YX-83922-00	E- 8	90105-06597	C-15	90164-04008	F- 4	90201-10437	E- 6	90387-064H8	E-11
2GH-82151-00	F- 9	25G-83936-01	F- 9	90105-06605	D- 5	90167-03058	F- 4	90201-105J4	F- 7	90387-064J1	D- 8
42X-82151-00	F- 9	437-83936-01	F- 8	90105-07342	B- 8	90167-04057	F- 4	90201-10669	E-11	90387-065T2	D- 5
3VD-82305-00	F- 9	3YX-83945-00	F- 8	90105-10316	C- 5	90167-05037	F- 5	90201-12M34	C-11	90387-06681	D- 8
3VD-82310-00	F- 9	3VD-83969-00	F- 8	90105-10328	D- 3	90167-05041	F- 5	90201-121H0	B- 5	90387-06761	C- 9
5H0-8235Y-M0	D- 6	3VD-83975-00	F- 8	90105-10560	C- 6	90170-06228	D- 2	90201-12469	D- 9	90387-07037	B-10
3LD-82370-00	F- 9	3YX-83980-00	E- 8	90105-10638	E- 3	90170-20327	C-11	90201-12575	D- 2	90387-072Y3	E-14
3VD-82501-00	F- 9	3GM-84192-00	F- 5		E- 6	90171-16024	E- 5	90201-127E1	B- 9	90387-07391	D- 3
3VD-82530-00	F- 9	3MA-8430M-00	F- 5	90105-12584	B- 5	90176-22050	D-10	90201-150H2	C-11		F- 4
1AE-82540-00	F-10	3GM-84301-00	F- 5	90109-063F8	C-15	90179-05523	E-15	90201-161J3	D- 8	90387-07392	B-10
3LD-82541-00	F-10	3GM-8431R-00	F- 5	90109-064F0	B- 2	90179-06500	E-14	90201-165L8	E- 5	90387-07717	D- 5
2EL-82560-00	F-10	3AJ-8431U-00	F- 5	90109-06614	F- 9	90179-08316	F- 8	90201-177K7	E- 4		F- 7
3MD-82566-00	F-10	3VD-8432A-00	F- 5	90109-085F7	D- 3	90179-08345	C- 5	90201-191J4	D- 2	90387-086W7	C- 9
3VD-82590-00	F- 9	3VD-84320-10	F- 5	90109-086A0	D-13	90179-09379	B- 4	90201-200K3	C-13	90387-104L8	E-11
3YX-82911-00	F- 8	3GM-84321-00	F- 5	90109-08718	E- 3	90179-10247	E-10	90201-301P3	C-10	90387-106W6	B-13
3YX-82917-00	F- 8	3GM-84322-00	F- 5		E- 6	90179-10377	D- 3	90202-05180	E-14		C- 9
3GM-83310-00	F- 3	3VD-84330-00	F- 5	90109-104E6	E-10	90179-10414	B- 2		E-14	90387-120W5	B-12
306-83311-40	F- 3	2AX-84331-00	F- 5	90109-125F1	D- 9	90179-18020	C-13		E-15	90387-127X0	D- 9
	F- 3	51L-84334-00	F- 5	90110-05112	D-14	90179-25033	D-10	90202-05193	D-13	90387-130W6	C- 9
	F- 3	3GM-84344-00	F- 5	90110-05201	E-14	90183-05024	B-10	90202-08111	E-14	90387-170J6	E- 5
	F- 3	3VD-84359-00	F- 5		E-14		D- 5	90202-26142	D-10	90387-173M5	E- 4
3GM-83320-00	F- 3	3HE-84366-00	F- 5	90110-06093	B-13	90183-06023	D- 5	90206-12074	D- 2	90387-174V9	E- 4
3VD-83330-00	F- 3	3GM-84367-10	F- 6	90110-08071	E-10		F- 9	90209-05279	C- 8	90387-177K0	E- 4
1VU-83332-00	F- 3	2F9-84375-00	F- 5	90110-08199	E-11	90183-08014	D- 5	90209-07319	D- 7	90387-177R1	E- 2
51L-83332-01	F- 3	2LA-84375-00	F- 5	90110-10175	D- 3	90185-10037	E-10	90209-08295	E-10	90387-203M7	C-13
341-83333-70	F- 8	2LA-84393-00	F- 5	90113-08038	E-10	90185-14070	D- 8	90209-11262	B- 2	90387-22660	E- 7
3VD-83340-00	F- 3	2F9-84397-01	F- 5	90116-08321	B- 2	90201-044A2	D- 5	90209-22191	C-13	90387-253M6	C-13
1VU-83342-00	F- 3	2GH-84397-00	F- 5	90116-10485	E- 4	90201-05660	E-14	90209-25196	C-13	90401-10095	E- 8
51L-83342-01	F- 3	2LA-84397-00	F- 6	90119-06056	D- 7	90201-06052	B-15	90215-20231	C-11	90401-10096	E- 8
3YA-83350-00	F-10	2LA-84397-10	F- 6	90119-06096	D- 7	90201-06059	F- 4	90215-21022	C-13		E-13
26H-83354-00	F-10	3GM-84710-20	F- 7	90123-08046	F- 8	90201-063J2	F- 7	90240-06040	B-14	90401-10106	B-12
18G-83365-00	F- 3	31L-84714-00	F- 7	90149-05244	E-14	90201-066F0	C- 6	90240-08013	E-12	90430-06014	B- 3
2TY-83371-00	F-10	3LK-8473A-00	F- 7	90149-05273	E-14		C- 6	90267-32071	D- 5		B- 9
3VD-83509-00	F- 4	2JE-84744-00	F- 5	90149-05299	E-14		C- 8	90267-40073	D- 5	90430-08143	B- 2
3VD-83513-00	F- 4	4G1-84744-00	F- 4		E-15	90201-06697	B-10	90267-40076	D- 5	90430-10171	B-12
42X-83517-00	F- 4		F- 4	90149-06011	D-13	90201-08083	E-12	90267-40110	D- 8		B-13
3GM-83520-00	F- 4	1KH-84751-00-90	F- 7	90149-06285	C- 7	90201-08087	C- 6	90280-05029	B- 5		D-11
3GM-83525-00	F- 4	3G1-85130-01	F- 7	90149-06286	C-13		C- 6	90338-10150	B- 2		D-12
3VD-8353H-00	F- 4	3HE-85132-00	D- 5	90153-06045	B- 3	90201-081H4	C- 5	90340-14138	C- 9	90430-14131	B-12
3VD-83540-00	F- 4	90101-06278	E-12	90157-05079	E-10		D- 2	90340-18101	B- 2	90445-095E9	D- 7
1FK-83550-10	F- 4	90101-06576	C- 5		E-10	90201-08326	D- 3	90340-32137	C- 9	90445-102G9	D-14
3VD-83559-00	F- 4	90101-10659	D- 9		E-11	90201-100A1	D-10	90380-20213	E-11	90445-110H5	D- 7
3VD-83570-00	F- 4	90105-06153	B- 2		F-10	90201-100F7	D- 3	90384-18190	D- 9	90445-11153	D-14
2GH-83578-00	F- 4	90105-06397	C-15	90159-03102	F- 4	90201-10118	E- 8	90387-052U5	F- 5	90445-112H2	D-14

NUMERICAL INDEX

PART NO.	GRID NO.	PART NO.	GRID NO.	PART NO.	GRID NO.	PART NO.	GRID NO.	PART NO.	GRID NO.	PART NO.	GRID NO.
90450-32051	B-11	90480-18276	F- 7	92901-08600	C-11	93210-33133	C-14	95026-06020	B-11	95811-06012	D- 7
90450-38040	B-10	90501-06022	C-15	92901-10100	D-10	93210-35N02	D-11		B-12		D- 7
90450-57044	B-14	90501-071F1	C-15	92902-04100	F- 4		D-12		B-12		E-14
90450-67033	B-14	90501-08560	D-14		F-10	93210-36788	B- 9		C- 7	95811-06020	F- 9
90460-27270	B-13	90501-104F9	B-13	92906-04600	E- 8	93210-44545	B-14		F- 8	95811-06050	C-10
90464-11163	D- 7	90501-12743	E-10	92906-05100	E-10	93210-49046	B-11	95026-06025	B-12	95811-08012	E-14
90464-12027	F- 9	90501-225A9	C-11		C- 2	93210-64297	B-12		B-13		E-15
90464-13073	F- 9	90506-18224	E-10	92906-05600	B-10	93210-90785	B- 3		C- 8	95811-08035	D-12
90465-08252	D- 4	90506-20192	E-12		C- 2	93306-20310	E- 4		C- 8	95811-10030	E- 6
90465-08277	C- 8	90506-26225	E-10	92906-06600	C- 5		E- 4		C- 8	95816-06012	E- 7
90465-08341	C- 7	90508-161A4	C-11		D- 8	93306-20455	C-13	95026-06030	B- 9	95816-06025	B-10
90465-13169	F- 8	90508-262A2	C-15		F- 9	93306-20464	C-13		B-11		C- 6
	F- 9	90508-32682	D- 2	92906-08600	D- 6	93306-30309	E- 2		B-12	95816-06040	C- 6
	F-10	90560-17233	E- 2	92990-03100	F- 4		E- 4		C- 8		C- 6
90465-20035	B-14	91026-06010	F-10	92990-04200	D- 5	93306-30525	C-13		E- 8	95816-06045	C- 7
90465-20342	C- 9	91311-05010	D-14	92990-05100	F- 2	93306-37203	E- 4	95026-06035	B-13	95816-06055	C- 6
90465-26349	C- 9	91311-08040	D-12	92990-06100	D- 5	93310-36588	C-12		C- 8	95816-06070	C- 6
90467-08017	B-14	91311-10025	D-11		D-13	93315-11206	C-11	95026-06040	B-12		C- 7
	D- 7		D-12		E-12	93317-11020	C-11	95026-06045	B- 9	95816-08016	D- 6
	D-14	91316-06016	B-10		F- 2	93320-32403	D- 8	95026-06055	C- 8	95816-08050	C- 6
90467-08021	B-14	91316-06018	C-10	93102-12106	D- 2	93332-00008	D-10	95026-06060	B- 9		C- 6
	D-14	91316-06020	B-13	93102-12224	C-11	93332-00023	D-10	95026-06070	C- 8	95816-08060	C- 6
90467-09006	D-14		B-14	93102-25044	E- 4	93340-21505	C-11	95026-08012	B- 2	95816-08065	C- 6
90467-10008	D- 7	91316-06025	B- 8	93102-28022	E- 2	93440-10109	B- 2	95303-05600	C- 3	95816-08070	C- 6
	D-14		E- 8	93102-35381	C-13	93440-25084	C-13	95303-06600	C- 3	95816-08075	C- 6
90467-10091	D-13		F- 9	93105-42024	E- 4	93440-28062	C-13		E- 8	95821-08020	D- 3
	D-14	91316-06150	B- 2	93105-45017	E- 2	93440-45144	C-13		F- 7	95826-06010	D- 3
	D-14	91316-08016	C- 6	93109-18020	D- 9	93450-22027	B- 4	95303-06700	D- 2	95826-06020	D- 2
90467-11102	D-14	91316-08030	D-10	93210-07438	C- 9	93501-04011	E-10	95303-08600	E- 4	97001-06030	B-14
90467-11106	D-14		D-10	93210-09350	D-11	93503-16010	D-11	95303-08700	E-12	97001-06035	D-13
90467-12052	C- 4	91316-08035	E-14		D-12		D-12	95303-08800	E-10	97002-08030	D-13
90467-14057	E-12	91316-08110	C- 5	93210-10096	B-13	93505-08030	B-13	95303-10700	D-10	97011-06010	E-12
90467-22080	B-15	91316-10030	D- 3		C- 9	93900-00030	E- 2	95306-12600	F- 3	97011-06020	D- 5
90468-12006	D-10	91316-10045	D- 3	93210-12154	C- 6		E- 4	95316-06600	F- 4	97011-06025	D- 4
90480-01401	D- 7	91401-20015	E-11	93210-12790	B-13	94111-186X9	E- 2	95601-10200	E- 4		D- 8
90480-10258	D- 5		E-12		C- 9	94111-187X0	E- 2	95601-12100	D- 9	97026-06012	B- 8
90480-10517	F- 5	91401-25020	D- 4	93210-13657	B-13	94115-176X7	E- 4	95611-10100	D- 9	97026-08035	D- 6
90480-12320	D- 6	91401-30030	E- 5	93210-14369	C- 9	94115-176X8	E- 4	95616-06100	E- 8	97601-04312	C- 2
90480-14023	B-14	91701-06040	E-10	93210-15566	C- 9	94581-46114	E- 4		F- 7	97701-50012	E-15
	D- 3	92016-08030	E-12	93210-18N01	D-11	94591-40138	B- 8		F- 8	97706-40616	F- 5
90480-14229	E-14	92901-04100	B- 2		D-12	94701-00361	B- 2	95701-05500	D-15	97706-40620	F- 3
	F- 4	92901-04600	F- 4	93210-18417	B-10	95021-10040	B-13		F- 7		F- 3
90480-15259	F- 7		F-10	93210-21190	B- 9	95023-06025	E- 9	95701-06500	D-15		F- 3
90480-15363	B-10	92901-05600	B-10		D- 7	95023-06035	C- 8		F-10		F- 3
90480-15397	D- 3		B-14	93210-29196	F-10	95026-06010	B-11	95701-10500	C- 5	97706-50012	D- 6
90480-16233	D- 7		C- 3	93210-30660	B- 4		D-14	95706-05500	D-14	97780-50125	B-14
	D- 7	92901-06700	E-12	93210-32172	C- 9	95026-06012	B- 9		E-14	98501-04006	B- 2
90480-18276	B-10	92901-08200	E- 4	93210-33133	B- 9	95026-06016	B- 9	95811-06012	C-14		D-11

NUMERICAL INDEX

PART NO.	GRID NO.	PART NO.	GRID NO.	PART NO.	GRID NO.	PART NO.	GRID NO.	PART NO.	GRID NO.
98501-04006	D-12								
98501-05008	B-10								
98501-05010	C- 8								
98501-05012	C- 2								
98501-05016	B-14								
	F- 2								
98501-06010	B-12								
98501-06030	F- 2								
98501-06035	B-12								
98502-06016	F-10								
98503-06045	B-12								
98506-04012	E- 8								
98506-05010	B-10								
98506-05016	C- 2								
98506-05022	F- 8								
98506-05030	F- 8								
98506-05035	E- 7								
98506-05040	F- 8								
98506-06016	F- 9								
98580-03010	F- 4								
98580-04008	C- 2								
	F-10								
98580-04010	F- 4								
98701-04012	E- 8								
98701-05012	C-15								
98906-05012	D- 5								
98906-06012	F- 9								
99006-10600	D- 2								
99009-10400	C-11								
99009-11400	B-12								
99009-12400	B- 9								
99009-19400	D- 2								
99080-07600	C-11								
99226-00030	D-13								
99236-00020	D- 5								
99236-00025	E-14								
99510-08012	B-12								
	C- 7								
	C- 8								
	C- 8								
99510-08016	B- 2								
	B-13								
	C- 7								
99530-10014	C- 6								
	C- 9								
99530-14016	B- 3								
	C- 6								
99999-01790	C- 5								

INDEX

(INDIVIDUAL SPEC.)

NUMERICAL INDEX

PART NO.	GRID NO.	PART NO.	GRID NO.	PART NO.	GRID NO.	PART NO.	GRID NO.	PART NO.	GRID NO.	PART NO.	GRID NO.
3VD-Y2161-50	G-12	3VD-8432A-30	G- 8	3HE-84366-00	G- 4	90267-40076	G-12				
3VD-Y2161-60	F-14	3VD-8432A-40	F-14		G- 6	90480-10258	F-14				
	G- 2		G-13		G- 8		G- 2				
	G-10	3VD-8432A-50	G- 4		G-13		G-10				
3TD-13597-00	G-10	2GH-84320-00	G- 6	2F9-84375-00	F-12		G-12				
	G-12	3VD-84320-10	F-12		G- 4	92990-04200	F-14				
4CM-14148-00	G-10	3VD-84320-20	F-14	2LA-84375-00	F-12		G- 2				
	G-12		G- 2	2LA-84393-00	F-12		G-10				
4CN-1490J-00	G-10		G- 8	341-84393-40	F-14		G-12				
	G-12		G-13		G- 2	95021-06016	G-12				
4CN-14900-00	G-10	3VD-84320-50	G- 4		G- 8	95606-04100	F-14				
	G-12	3VD-84330-00	F-12		G-13		G- 2				
4CN-14901-00	G-10		F-14	46X-84396-00	F-14		G-10				
	G-12		G- 2		G- 2	95701-05500	G-12				
4CN-14902-00	G-10		G- 4		G- 8	97706-40616	F-12				
	G-12		G- 8		G-13		F-14				
3VD-21366-00	F-14		G-13	2F9-84397-01	F-12		G- 2				
	G- 2	3VD-84330-60	G- 6		G- 4		G- 4				
	G-10	2AX-84331-00	F-12	2GH-84397-00	F-12		G- 6				
	G-12		F-14	2LA-84397-00	F-12		G- 8				
3LD-21621-01	F-14		G- 2		F-14		G-13				
	G- 2		G- 4		G- 2		G- 2				
	G-10		G- 6		G- 6		G- 6				
2LJ-21688-00	G-12		G- 8		G- 8		G- 8				
2LJ-21689-00	G-12		G-13		G-13		G-13				
3VD-25876-00	G-12	51L-84334-00	F-12	2LA-84397-10	F-12		F-12				
3VD-25886-00	G-12		F-14		F-14		F-14				
3VD-83570-10	G- 4		G- 2		G- 2		G- 2				
14A-84112-40	G- 6		G- 4		G- 6		G- 6				
3MA-8430M-00	F-12		G- 6		G- 8		G- 8				
	F-14		G- 8		G-13		G-13				
	G- 2		G-13	5T8-84397-00	G- 6		G- 6				
	G- 4	3GM-84344-00	F-12	11H-85110-01	G-12		G-12				
	G- 6		F-14	23V-85110-00	G-12		G-12				
	G- 8		G- 2	3HE-85132-00	G-12		G-12				
	G-13		G- 4	90149-04278	F-14		F-14				
3AJ-8431U-00	F-12		G- 8		G- 2		G- 2				
	F-14		G-13		G-10		G-10				
	G- 2	3VD-84359-00	F-12	90201-044A2	G-12		G-12				
	G- 4		F-14		G-12		G-12				
	G- 6		G- 8	90201-047A2	F-14		F-14				
	G- 8		G-13		G- 2		G- 2				
	G-13	3VD-84359-10	G- 2		G-10		G-10				
1FM-84314-H0	G- 4		G- 4	90267-40073	F-14		F-14				
2F9-84314-00	F-12	3VD-84359-20	G- 6		G- 2		G- 2				
2GH-8432A-00	G- 6	3HE-84366-00	F-12		G-10		G-10				
3VD-8432A-10	F-12		F-14		G-12		G-12				
3VD-8432A-20	G- 2		G- 2	90267-40076	G-12		G-12				



COPY RIGHT: ALL RIGHTS RESERVED
NO PART OF THIS PUBLICATION MAY BE
REPRODUCED WITHOUT PERMISSION.



YAMAHA

YAMAHA MOTOR CO., LTD.
2500 SHINGAI IWATA-SHI SHIZUOKA-KEN JAPAN

PRINTED IN JAPAN
First editlon Feb., 1991

T6