

YAMAHA



**PARTS
CATALOGUE**

TT250R'96 (4MR2) ENGLAND

164MR-310E1

YAMAHA
GENUINE
Parts & Accessories

2009/2/16

NEWS NO.	DATE	COMMENT
PE0-MC-080072	Dec.,27,2008	MOD:TT250R*/TTR250* FIG. 8 CARBURETOR ILLUSTRATION CORRECTION

A2

FOREWORD

This Parts Catalogue is related to the parts for the model(s) in the below frame. When you are ordering replacement parts, please refer to this Parts Catalogue and quote both part numbers and part names correctly.

TT250R'96(4MR2)

1. Modifications or additions which have been made after issue of the Parts Catalogue will be announced in the Yamaha Parts News.
It is advisable that you make necessary corrections to the Parts Catalogue according to the Yamaha Parts News.

2. Abbreviations
The following abbreviations are used in this Parts Catalogue.

- "UR" Use specified parts number.
- "UN" Use as many as needed.
- "AP" Alternate Parts
- "LM" Local Made (Parts need to be ordered locally)
- "F#" Frame No. (Applicable machine No.)

3. Parts, which are to be supplied in an assembly, are listed with a dot (.) in front of the part name as shown below.

EXAMPLE
 CARBURETOR ASSY
 . JET, PILOT
 . NOZZLE, MAIN

4. Number of component for assembly
The numeral appearing to the right of each component part indicates the quantity of parts for each assembly unit.

EXAMPLE

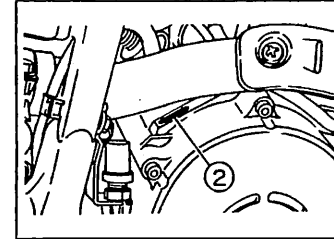
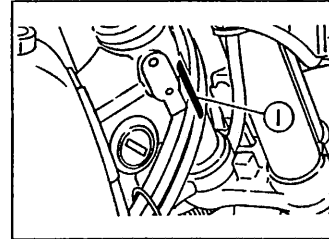
PART NO.	DESCRIPTION	Q'TY	REMARKS
2F5-83310-60	FRONT FLASHER LIGHT ASSY	2	
115-83311-60	. BULB (6V-18W)	1	

5. Applicable colors of graphics are represented in the "REMARKS" as shown below.

PART NO.	DESCRIPTION	Q'TY	REMARKS
2N4-24110-00-X5	FUEL TANK COMP.	1	MAXIM RED
3J1-24240-10	. GRAPHIC, FUEL TANK	1	for MXR

6. Applicable Serial No. and Color Code

①	Frame Serial No.	4MR-002101	~
②	Engine Serial No.	4MR-002101	~



Color Code	Color Name	Abbreviation
0206	PURPLISH WHITE SOLID 1	PWS1

7. Note that the illustrations are for reference in finding parts numbers, not to be used for assembling. When assembling, please use the applicable service manual.
8. The asterisk (*) before a reference number indicates modification items after the first edition.

A3

CONTENTS

ENGINE

Cylinder Head.....	B2
Cylinder	B3
Crankshaft. Piston.....	B4
Valve	B5~B6
Camshaft. Chain.....	B7
Oil Pump	B8
Intake	B9~B10
Carburetor	B11~B12
Exhaust	B13
Crankcase	B14
Crankcase Cover 1.....	B15~C2
Starter Clutch	C3
Clutch	C4
Transmission	C5
Shift Cam. Fork	C6
Shift Shaft.....	C7

CHASSIS

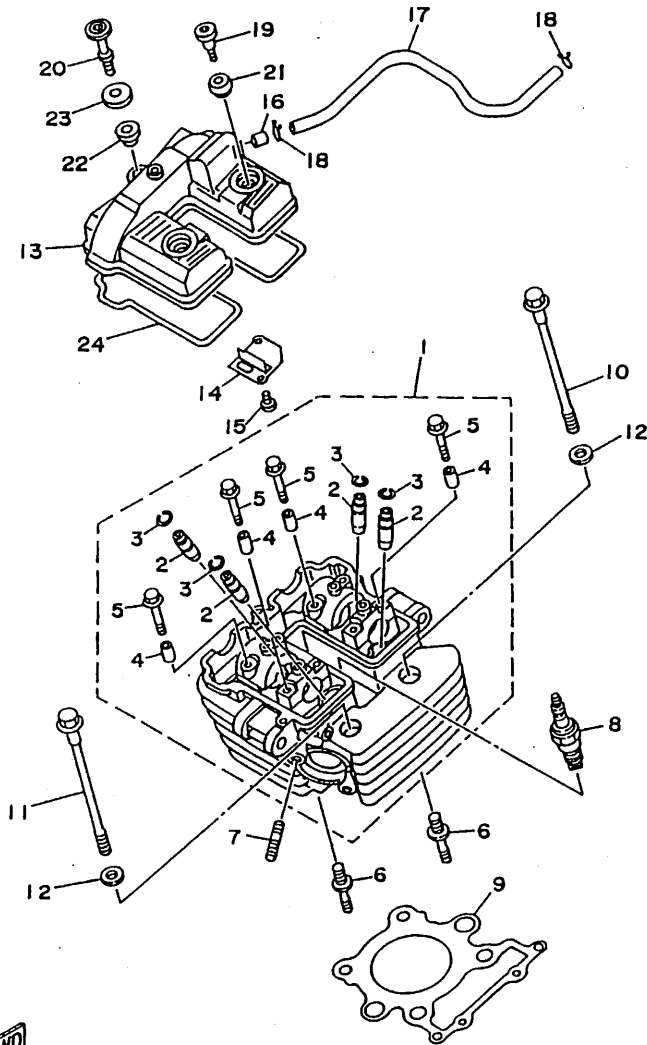
Frame	C8~C9
Fender	C10
Side Cover	C11
Rear Arm	C12~C13
Rear Suspension.....	C14
Steering	C15~D2
Front Fork.....	D3~D5
Fuel Tank	D6
Seat	D7
Front Wheel.....	D8
Front Brake Caliper	D9

Rear Wheel	D10
Rear Brake Caliper.....	D11
Steering Handle. Cable	D12
Front Master Cylinder.....	D13
Stand. Footrest.....	D14
Rear Master Cylinder	D15
Generator	E2
Starting Motor.....	E3
Flasher Light.....	E4
Meter	E5
Headlight	E6
Taillight	E7
Handle Switch. Lever	E8
Electrical 1.....	E9~E10
Electrical 2.....	E11

INDEX

Numerical Index	M1~M4
-----------------------	-------

FIG. 1 CYLINDER HEAD

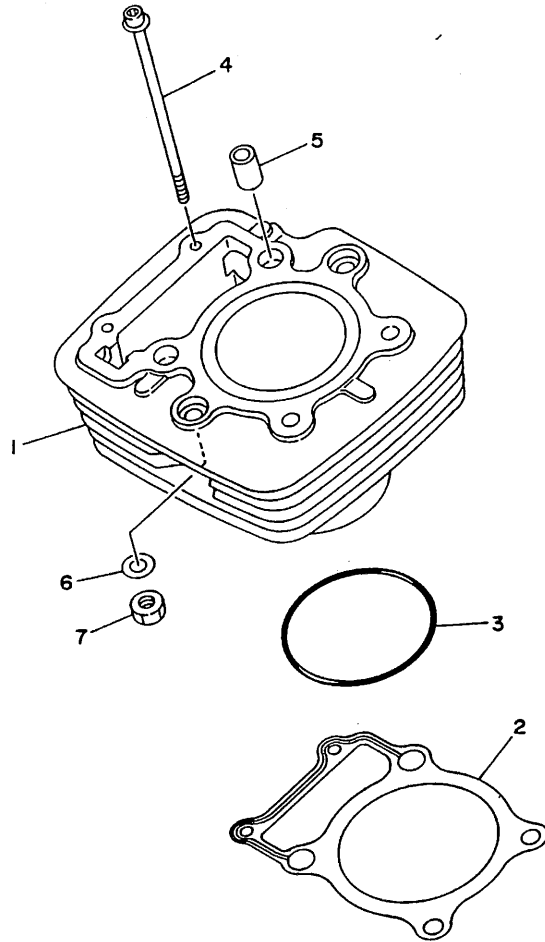


REF. NO.	PART NO.	DESCRIPTION	Q'TY	REMARKS
1	4GY-11102-01	CYLINDER HEAD ASSY	1	
2	4GY-11133-10	.GUIDE, INTAKE VALVE	4	
3	93440-09141	.CIRCLIP	4	
4	99510-08016	.PIN, DOWEL	8	
5	90105-06384	.BOLT, WASHER BASED	8	
6	90116-10578	BOLT, STUD	2	
7	95617-08325	BOLT, STUD	2	
8	94701-00319	PLUG, SPARK (ND U27ESR-N)	1	UR
	94701-00318	PLUG, SPARK (NGK R CR9E)	1	UR
9	4GY-11181-00	GASKET, CYLINDER HEAD 1	1	
10	90105-10608	BOLT, WASHER BASED	3	
11	90105-10745	BOLT, WASHER BASED	1	
12	90201-102G9	WASHER, PLATE	4	
13	4RR-11191-00	COVER, CYLINDER HEAD 1	1	
14	4RR-11165-01	PLATE, BREATHER	1	
15	98507-05010	SCREW, PAN HEAD	2	
16	59V-11167-00	PIPE, BREATHER 2	1	
17	4RR-11166-00	PIPE, BREATHER 1	1	
18	90467-12052	CLIP	2	
19	90109-066F0	BOLT	2	
20	90109-06605	BOLT	1	
21	4BR-1111G-09	RUBBER, MOUNT 1	2	
22	2GH-1111G-00	RUBBER, MOUNT 1	1	
23	90209-11262	WASHER	1	
24	4GY-11193-00	GASKET, HEAD COVER 1	1	



4MR2310-6010

FIG. 2 CYLINDER



REF. NO.	PART NO.	DESCRIPTION	Q'TY	REMARKS
1	4GY-11310-00	CYLINDER	1	
2	4GY-11351-00	GASKET, CYLINDER	1	
3	93210-78544	O-RING	1	
4	90105-06406	BOLT, WASHER BASED	2	
5	99530-14016	PIN, DOWEL	2	
6	90201-094G1	WASHER, PLATE	2	
7	95337-08600	NUT	2	

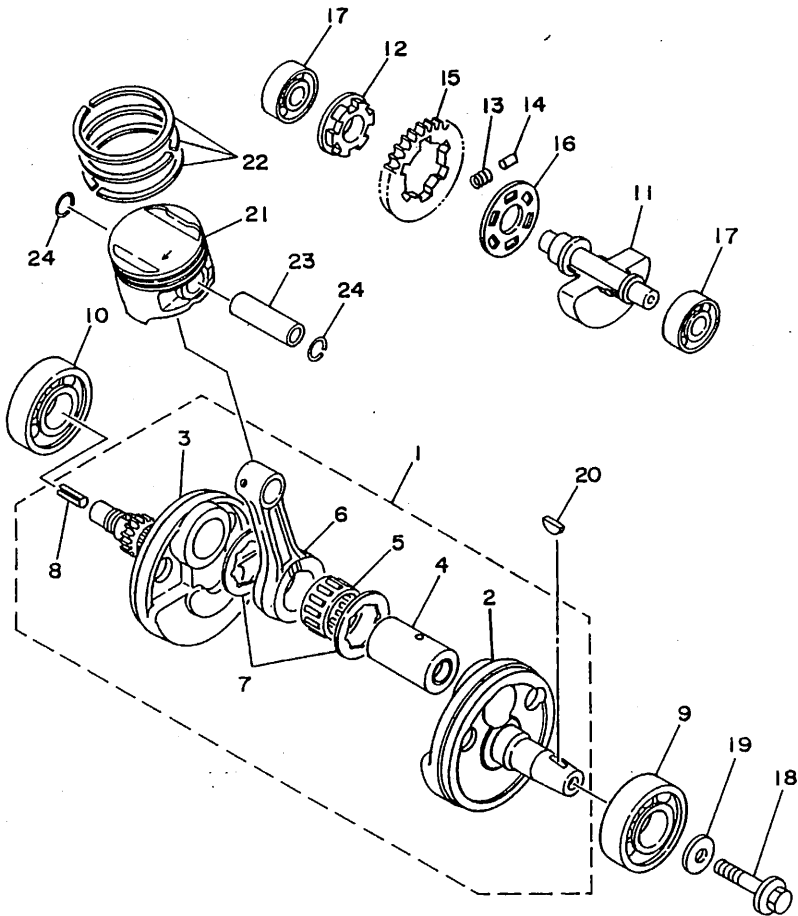


4GY1010-3020

B3

FIG. 3 CRANKSHAFT. PISTON

REF. NO.	PART NO.	DESCRIPTION	Q'TY	REMARKS
1	4GY-11400-00	CRANKSHAFT ASSY	1	
2	4GY-11412-00	.CRANK 1	1	
3	4GY-11412-00	.CRANK 2	1	
4	4GY-11681-00	.PIN, CRANK 1	1	
5	93310-632D7	.BEARING, CYLINDRICAL	1	
6	4GY-11651-00	.ROD, CONNECTING	1	
7	90209-32328	.WASHER	2	
8	90254-07017	.PIN, SPRING	1	
9	93306-37804	BEARING	1	
10	93306-37802	BEARING	1	
11	4GY-11454-00	WEIGHT 1	1	
12	4GY-11496-00	BOSS, BUFFER	1	
13	90501-22721	SPRING, COMPRESSION	6	
14	93605-10090	PIN, DOWEL	3	
15	4GY-11531-00	GEAR, BALANCE WT	1	
16	4GY-11533-00	PLATE, ABSORBER	1	
17	93306-30210	BEARING	2	
18	90105-10430	BOLT, WASHER BASED	1	
19	90201-102R1	WASHER, PLATE	1	
20	90280-16053	KEY, WOODRUFF	1	
21	4GY-11631-00-C0	PISTON (STD)	1	
	4GY-11636-00	PISTON (0.50MM O/S)	1	AP
	4GY-11638-00	PISTON (1.00MM O/S)	1	AP
22	4GY-11603-00	PISTON RING SET (STD)	1	
	4GY-11605-00	PISTON RING SET (0.50MM O/S)	1	AP
	4GY-11607-00	PISTON RING SET (1.00MM O/S)	1	AP
23	30X-11633-03	PIN, PISTON	1	
24	93450-19052	CIRCLIP	2	



4GY1010-3030

B4

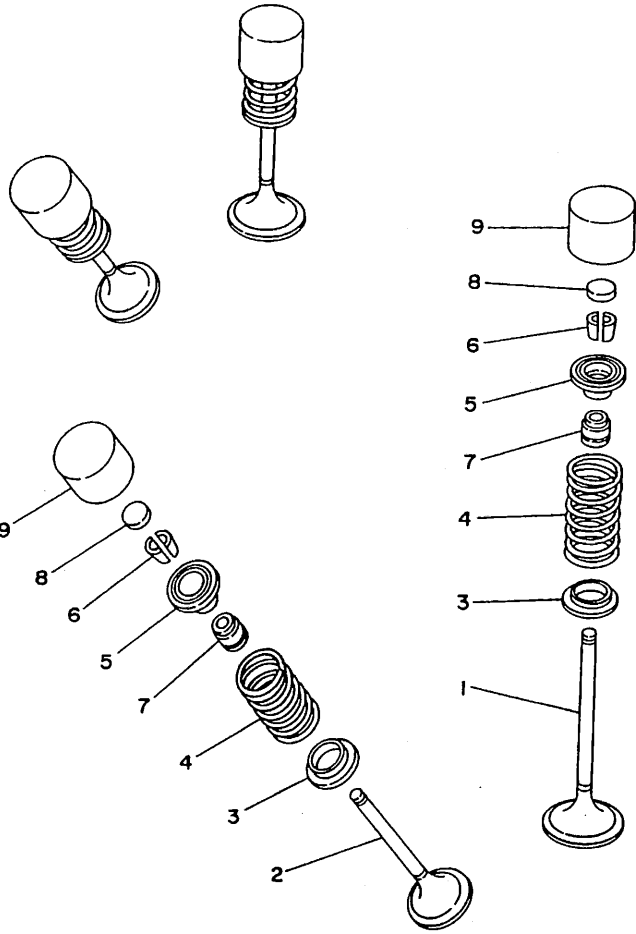


FIG. 4 VALVE

REF. NO.	PART NO.	DESCRIPTION	Q'TY	REMARKS
1	4GY-12111-00	VALVE, INTAKE	2	
2	4GY-12121-00	VALVE, EXHAUST	2	
3	2GH-12116-00	SEAT, VALVE SPRING	4	
4	4GY-12113-00	SPRING, VALVE INNER	4	
5	4GY-12117-00	RETAINER, VALVE SPRING	4	
6	1AA-12118-00	COTTER, VALVE	8	
7	33M-12119-00	SEAL, VALVE STEM	4	
8	3LD-12168-00	PAD, ADJUSTING (1.20)	4	UR
	3LD-12168-20	PAD, ADJUSTING (1.25)	4	UR
	3LD-12168-40	PAD, ADJUSTING (1.30)	4	UR
	3LD-12168-60	PAD, ADJUSTING (1.35)	4	UR
	3LD-12168-80	PAD, ADJUSTING (1.40)	4	UR
	3LD-12168-A0	PAD, ADJUSTING (1.45)	4	UR
	3LD-12168-F0	PAD, ADJUSTING (1.50)	4	UR
	3LD-12168-H1	PAD, ADJUSTING (1.55)	4	UR
	3LD-12168-K1	PAD, ADJUSTING (1.60)	4	UR
	3LD-12168-M1	PAD, ADJUSTING (1.65)	4	UR
	3LD-12168-R1	PAD, ADJUSTING (1.70)	4	UR
	3LD-12168-U1	PAD, ADJUSTING (1.75)	4	UR
	3LD-12168-W1	PAD, ADJUSTING (1.80)	4	UR
	3LD-12168-Y1	PAD, ADJUSTING (1.85)	4	UR
	3LD-12169-11	PAD, ADJUSTING (1.90)	4	UR
	3LD-12169-31	PAD, ADJUSTING (1.95)	4	UR
	3LD-12169-50	PAD, ADJUSTING (2.00)	4	UR
	3LD-12169-70	PAD, ADJUSTING (2.05)	4	UR
	3LD-12169-90	PAD, ADJUSTING (2.10)	4	UR
	3LD-12169-E0	PAD, ADJUSTING (2.15)	4	UR
	3LD-12169-G0	PAD, ADJUSTING (2.20)	4	UR

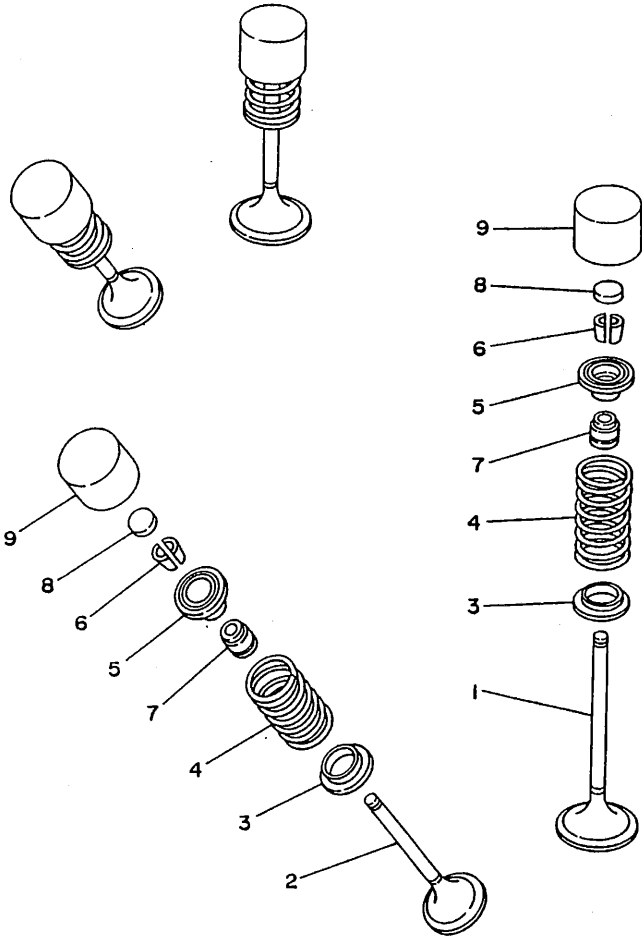


46Y1010-3040

B5

FIG. 4 VALVE

REF. NO.	PART NO.	DESCRIPTION	Q'TY	REMARKS
8	3LD-12169-J0	PAD, ADJUSTING (2.25)	4 UR	
	3LD-12169-L0	PAD, ADJUSTING (2.30)	4 UR	
	3LD-12169-N0	PAD, ADJUSTING (2.35)	4 UR	
	3LD-12169-T0	PAD, ADJUSTING (2.40)	4 UR	
9	1WG-12153-21	LIFTER, VALVE	4 UR BLUE	
	1WG-12153-31	LIFTER, VALVE	4 UR RED	



FWD
4GY1010-3040

B6

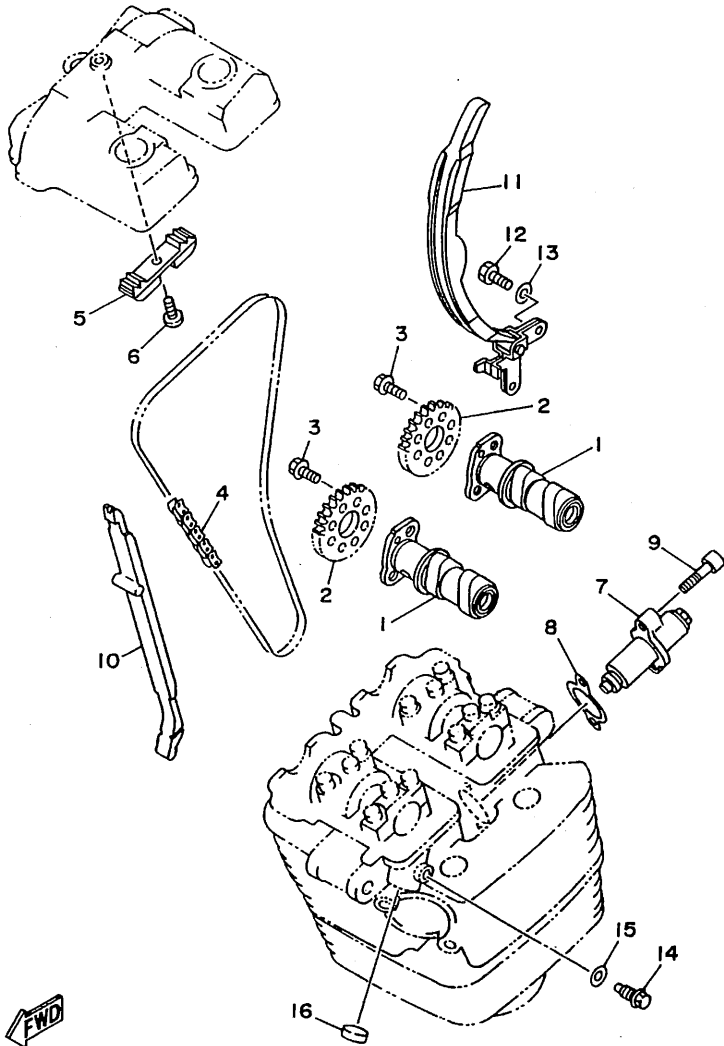


FIG. 5 CAMSHAFT. CHAIN

REF. NO.	PART NO.	DESCRIPTION	Q'TY	REMARKS
1	4GY-12171-00	CAMSHAFT 1	2	
2	4GY-12176-00	SPROCKET, CAM CHAIN	2	
3	90105-07385	BOLT, WASHER BASED	4	
4	94591-43122	CHAIN	1	
5	4GY-12241-00	GUIDE, STOPPER 2	1	
6	98507-06008	SCREW, PAN HEAD	1	
7	3GC-12210-10	TENSIONER ASSY, CAM CHAIN	1	
8	4BE-12213-00	GASKET, TENSIONER CASE	1	
9	91317-06025	BOLT	2	
10	4GY-12251-00	DAMPER, CHAIN 1	1	
11	4GY-12252-00	DAMPER, CHAIN 2	1	
12	97017-06016	BOLT	2	
13	92907-06600	WASHER, PLATE	2	
14	90109-06418	BOLT	1	
15	90430-06014	GASKET	1	
16	90338-18067	PLUG	1	



46Y1010-3050

B7

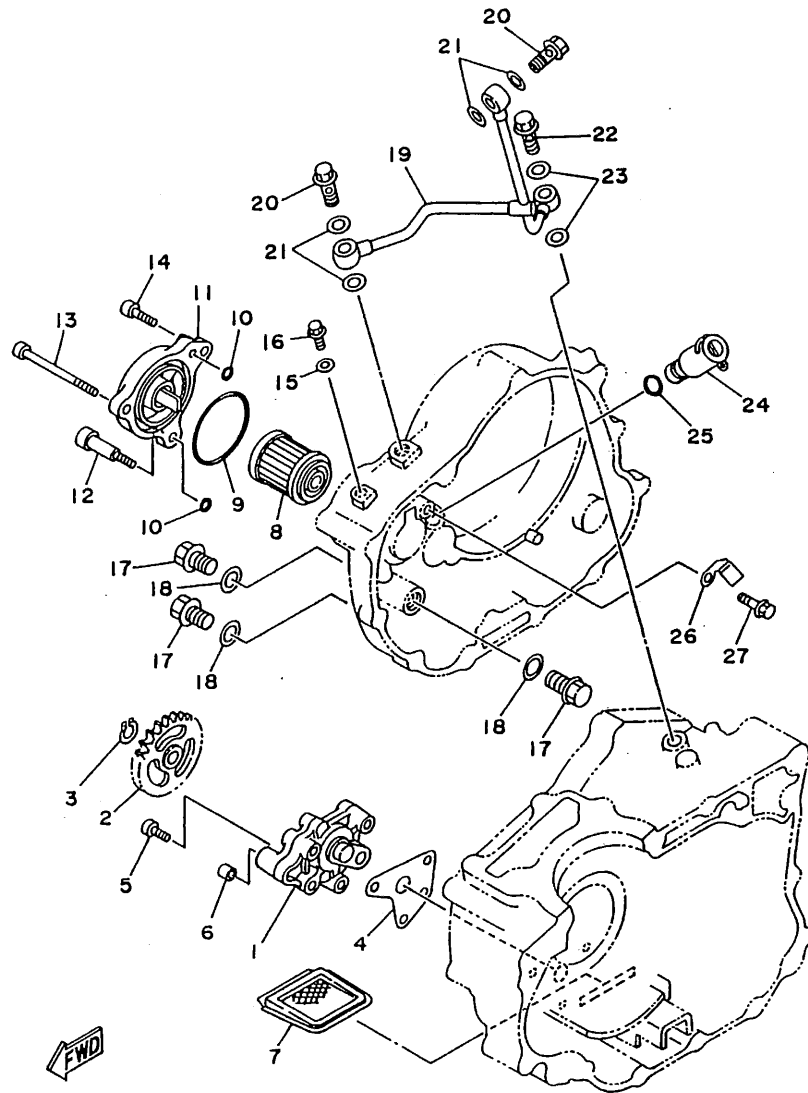
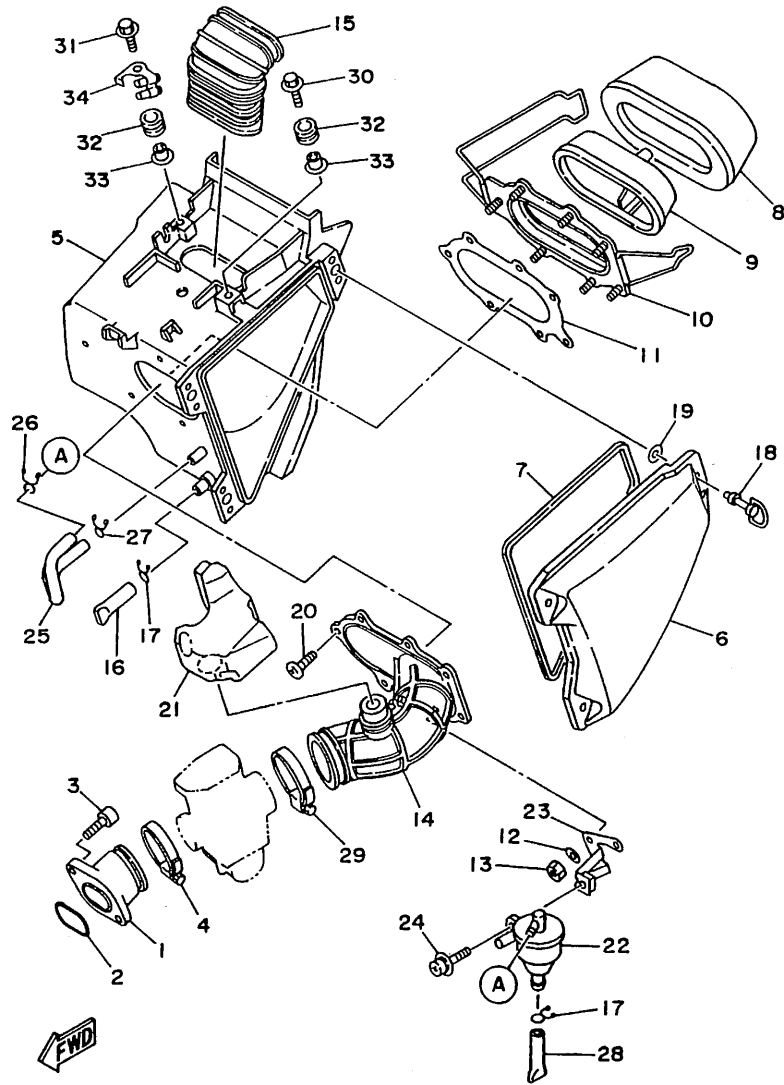


FIG. 6 OIL PUMP

REF. NO.	PART NO.	DESCRIPTION	Q'TY	REMARKS
1	4GY-13300-00	OIL PUMP ASSY	1	
2	4GY-13326-00	GEAR, PUMP DRIVEN 2	1	
3	99009-11400	CIRCLIP	1	
4	4GY-13329-00	GASKET, PUMP COVER	1	
5	98507-06035	SCREW, PAN HEAD	3	
6	90430-06156	GASKET	1	
7	22F-13411-00	STRAINER, OIL	1	
8	1UY-13440-02	ELEMENT ASSY, OIL CLEANER	1	
9	93210-54175	O-RING	1	
10	93210-07135	O-RING	2	
11	4GY-13447-00	COVER, OIL ELEMENT	1	
12	90109-06419	BOLT	1	
13	91317-06070	BOLT	1	
14	91317-06020	BOLT	1	
15	90430-06014	GASKET	1	
16	90153-06045	SCREW, HEXAGON	1	
17	90340-12065	PLUG, STRAIGHT SCREW	3	
18	90430-12213	GASKET	3	
19	4GY-13161-00	PIPE, DELIVERY 1	1	
20	90401-10159	BOLT, UNION	2	
21	90430-10171	GASKET	4	
22	90401-08133	BOLT, UNION	1	
23	90201-08087	WASHER, PLATE	2	
24	4GY-13490-00	RELIEF VALVE ASSY	1	
25	93210-10096	O-RING	1	
26	4GY-13151-00	STAY	1	
27	90105-06553	BOLT, WASHER BASED	1	

4MR2310-6060

FIG. 7 INTAKE



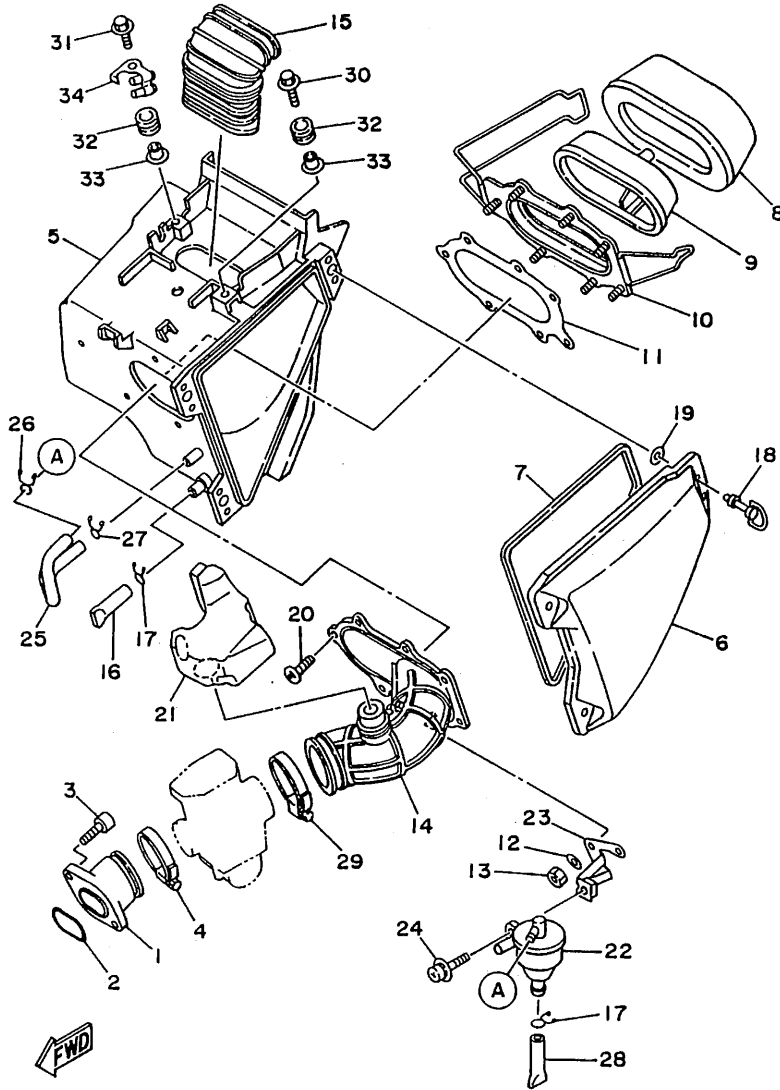
46Y1010-3070

REF. NO.	PART NO.	DESCRIPTION	Q'TY	REMARKS
1	4GY-13586-00	JOINT, CARBURETOR 1	1	
2	93210-40659	O-RING	1	
3	91317-06020	BOLT	2	
4	90460-52210	CLAMP, HOSE	1	
5	4GY-14401-00	AIR CLEANER CASE ASSY	1	
6	4GY-14412-00	CAP, CLEANER CASE 1	1	
7	1VJ-14462-00	SEAL	1	
8	1LN-14451-00	ELEMENT, AIR CLEANER	1	
9	4GY-14458-00	GUIDE	1	
10	4GY-14459-00	HOLDER, GUIDE	1	
11	1LN-14462-00	SEAL	1	
12	92907-05200	WASHER, PLAIN	3	
13	95607-05100	NUT, U	5	
14	4GY-14453-00	JOINT, AIR CLEANER 1	1	
15	4GY-14437-00	DUCT	1	
16	3AJ-1443E-00	PIPE, DRAIN	1	
17	90467-15012	CLIP	2	
18	4GY-28386-00	HEAD	3	
19	2TK-21757-00	WASHER, SPECIAL 1	3	
20	90154-05004	SCREW, BINDING	2	
21	4GY-13591-00	CHAMBER, AIR 2	1	
22	4GY-15370-00	BREATHER ASSY	1	
23	4GY-14413-00	STAY	1	
24	90159-06056	SCREW, WITH WASHER	1	
25	4GY-11167-00	PIPE, BREATHER 2	1	
26	90467-11106	CLIP	1	
27	90467-12052	CLIP	1	
28	4GY-1443E-00	PIPE, DRAIN	1	

B9

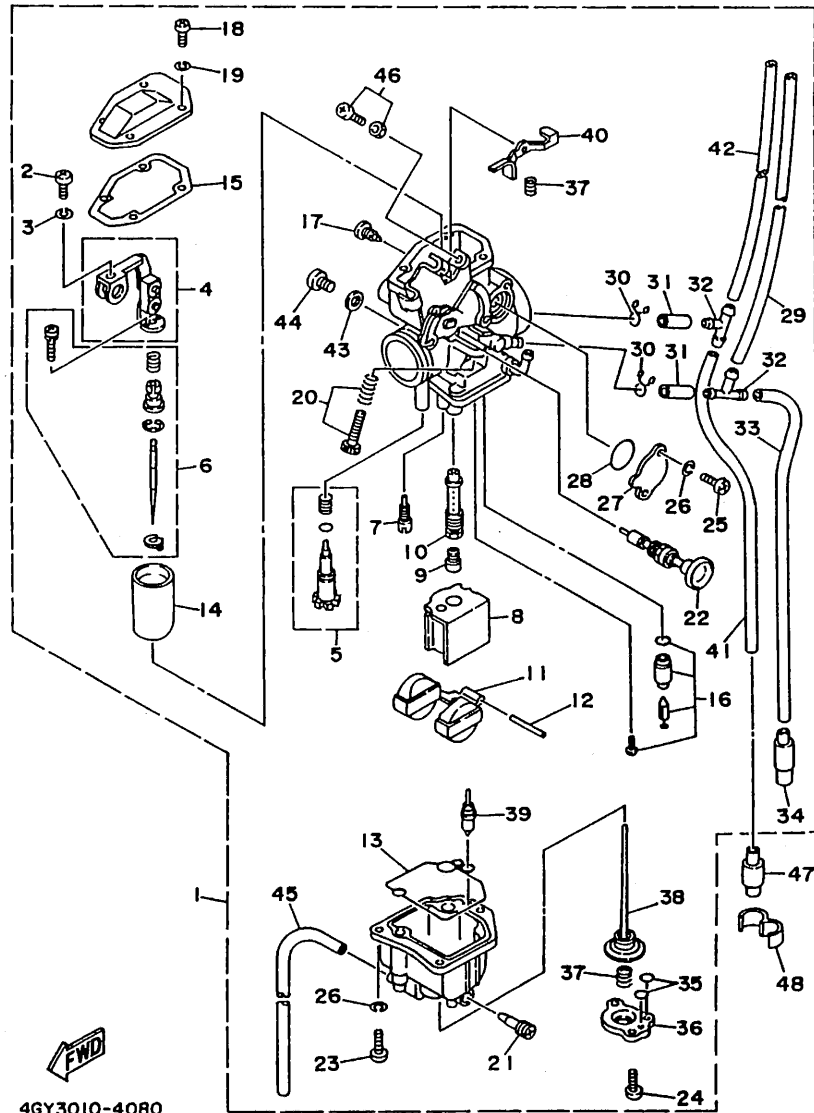
FIG. 7 INTAKE

REF. NO.	PART NO.	DESCRIPTION	Q'TY	REMARKS
29	90460-58015	CLAMP, HOSE	1	
30	90119-06096	BOLT, WITH WASHER	1	
31	90119-06097	BOLT, WITH WASHER	2	
32	90480-13428	GROMMET	3	
33	90387-06737	COLLAR	3	
34	4GY-14485-00	PIPE, JOINT	1	




4GY1010-3070

B10



46Y3010-4080

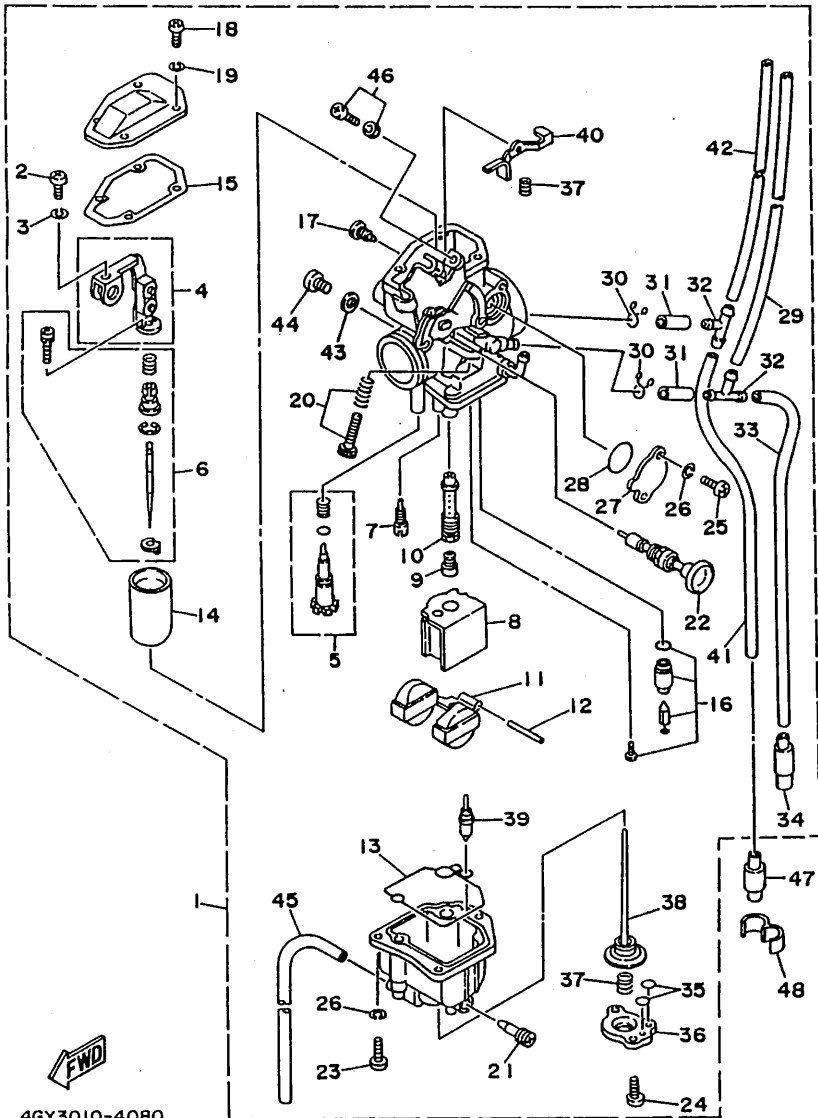
FIG. 8 CARBURETOR

REF. NO.	PART NO.	DESCRIPTION	Q'TY	REMARKS
1	4GY-14301-20	CARBURETOR ASSY 1	1	
2	98580-04016	.SCREW, PAN HEAD	1	
3	92990-04100	.WASHER, SPRING	1	
4	4GY-14292-00	.BRACKET 2	1	
5	4GY-14105-00	.PILOT SCREW SET	1	
6	4GY-1490J-00	.NEEDLE SET	1	
7	43F-14342-25	.JET, PILOT (#50)	1	
8	4GY-14153-00	.WASHER, MAIN JET	1	
9	4GY-14329-74	.JET, MAIN (#147)	1	
10	4RR-14341-00	.NOZZLE, MAIN	1	
11	2JN-14385-00	.FLOAT	1	
12	6E5-14386-01	.PIN, FLOAT	1	
13	4GY-14384-00	.GASKET, FLOAT CHAMBER	1	
14	4GY-14312-40	.VALVE, THROTTLE 1	1	
15	4GY-14198-00	.GASKET	1	
16	4GY-14107-00	.NEEDLE VALVE SET	1	
17	4GY-14326-00	.SCREW, GUIDE	1	
18	98580-04008	.SCREW, PAN HEAD	4	
19	92901-04100	.WASHER, SPRING	4	
20	3GV-1490K-00	.STOP SCREW SET	1	
21	14T-14104-00	.AIR SCREW SET	1	
22	2KF-1410A-00	.STARTER SET	1	
23	98503-04014	.SCREW, PAN HEAD	3	
24	214-24535-00	.SCREW, LEVER FITTING	2	
25	98501-04006	.SCREW, PAN HEAD	2	
26	92901-04100	.WASHER, SPRING	5	
27	4GY-14293-00	.COVER 1	1	
28	1HV-14147-00	.O-RING	1	

B11

FIG. 8 CARBURETOR

REF. NO.	PART NO.	DESCRIPTION	Q'TY	REMARKS
29	3YF-14149-00	.PIPE	1	
30	3YF-14159-00	.CLIP	2	
31	4GY-14149-00	.PIPE	2	
32	90413-07007	.WAY 3	2	
33	4GY-14149-10	.PIPE	1	
34	24W-14193-00	.PIPE	1	
35	5YI-14397-00	.O-RING	2	
36	4GY-14958-00	.COVER, DIAPHRAGM	1	
37	6G8-14275-00	.SPRING	2	
38	4GY-14940-00	.DIAPHRAGM ASSY	1	
39	4GY-14272-00	.VALVE, CHECK SEAT	1	Go to P/N : PE0-MC-080072
40	4GY-14276-00	.LEVER	1	
41	4GY-14149-20	.PIPE	1	
42	3YF-14196-00	.PIPE	1	
43	5H0-14126-00	.GASKET	1	
44	5H0-14991-00	.SCREW	1	
45	1JK-14197-00	.PIPE	1	
46	4GY-1490K-00	.STOP SCREW SET	1	
47	24W-14193-00	PIPE	1	
48	90468-15064	CLIP	1	



4GY3010-4080

B12

PARTS NEWS

News No. PE0-MC-080072

Date: Dec./27/2008

Signature: K.Otsuka

 Cause Revision Notice Correction Sales Unit Change Others

Model	TT250R (See the "List of Models and CATALOGUE No's below.")	
Subject	PARTS CATALOGUE CORRECTIONS	
CATALOGUE NO.	See the "List of Models and CATALOGUE No's below."	
Time of YPEC Revision	Text, Illustration --> Jan../30/2009	PDF Replace --> Jan./30/2009
(YPEC = Yamaha Parts Electrical Catalogue = Website parts catalogue)		

FIG. 8 CARBURETOR SEC. ILLUSTRATION CORRECTION

1. LIST of Models and CATALOGUE No's.

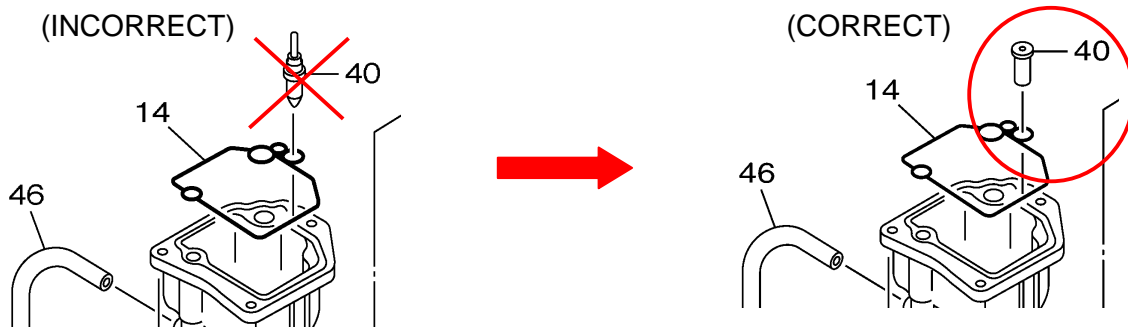
The applicable MODELS, MODEL CODES, and CATALOGUE No's are as follows.

MODEL NAME	MODEL CODE	CATALOGUE NO.	FIG. NO.	REF. NO.
TT250RF	4MR1	144MR-700E1	8	39
TT250R'96	4MR2	264MR-310E1	8	39
TT250R'98	4RR4	184RR-200S1	8	39
TTR250L/LC	5GF1/5GF2	195GF-110E1	8	39
TTR250L	5GF3	195GF-171E2	8	39
TTR250M/MC/M	5GF4/5GF5/5GF6	105GF-100E2	8	39
TTR250N/NC/N	5GF7/5GF8/5GF9	115GF-100E1	8	39
TTR250P/PC/P	5GFA/5GFB/5GFC	1A5GF-100E1	8	39
TTR250R/RC/R	5GFD/5GFE/5GFF	1B5GF-100E1	8	39
TTR250S/SC/S	5GFG/5GFH/5GFJ	1C5GF-100E1	8	39
TTR250T/TC/T	5GFK/5GFL/5GFM	1D5GF-100E1	8	39
TTR250V/VC/V	5GFN/5GFP/5GFR	1E5GF-100E1	8	39
TT250RG	4PX1	154PX-700E1	8	39
TT250RJ	4PX3	174PX-700E1	8	39
TT250RL	4PX5	194PX-700E1	8	39
TT250RM	4PX6	104PX-700E1	8	39
TT250RN	4PX7	114PX-700E1	8	40
TT250RP	4PX8	1A4PX-700E1	8	40
TT250R	4PX8	1A4PX-351F1	8	40
TT250RR	4PX9	1B4PX-700E1	8	40
TT250RS	4PXA	1C4PX-700E1	8	40
TT250RT	4PXB	1D4PX-700E1	8	40
TT250RV	4PXC	1E4PX-700E1	8	40
TT250RW	4PXD	1F4PX-700E1	8	40
TT250RX	4PXE	1G4PX-700E1	8	40
TT250RY	4PXF	1H4PX-700E1	8	40

2. LIST CORRECTION

REF. NO.	P/No.	PART NAME	Q'TY	REMARKS
39 or 40	4GY-14272-00	. VALVE, CHECK SEAT	1	*There is no change

3. ILLUSTRATION CORRECTION

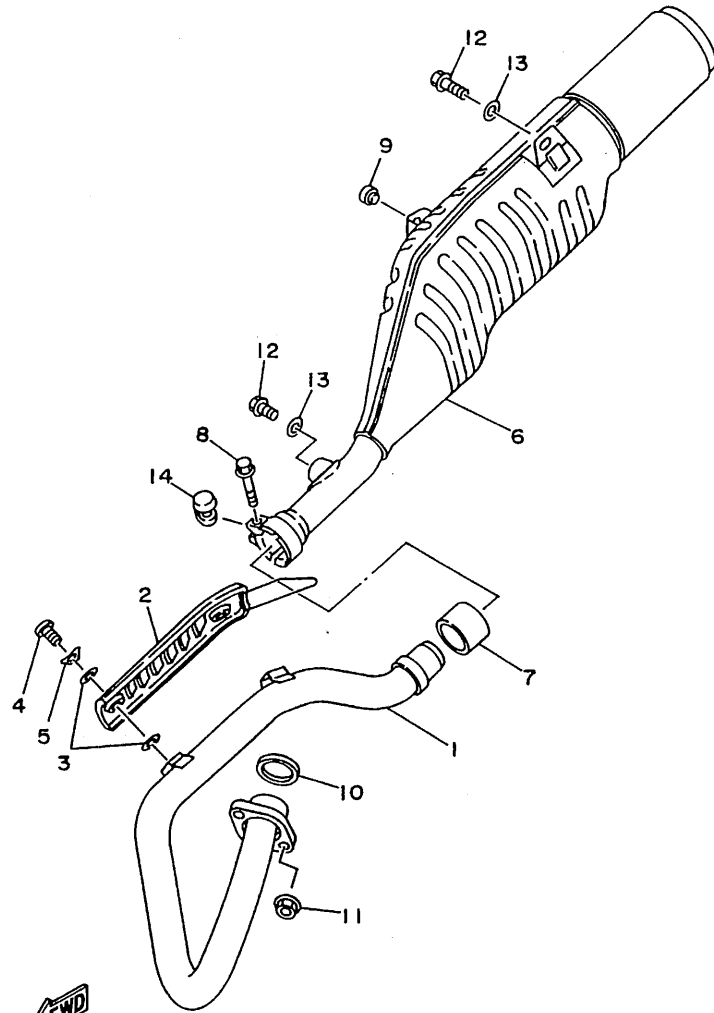


Thank you very much for your cooperation.

Parts Manager	Service Manager	Parts Manager File
---------------	-----------------	--------------------

 YAMAHA MOTOR CO.,LTD
 2500 Shingai Iwata Shizuoka 438-8501.Japan
 Technical Publication Dept.

FIG. 9 EXHAUST



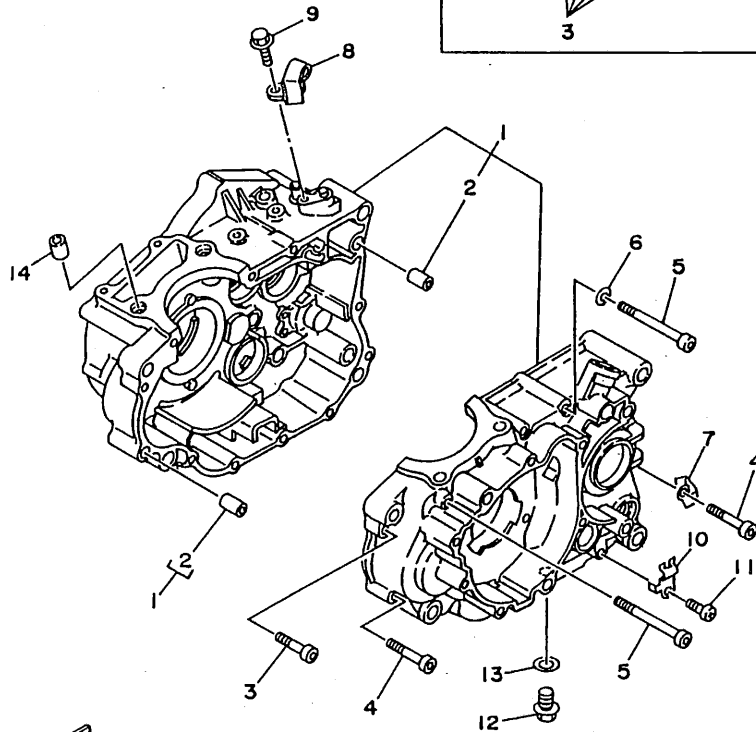
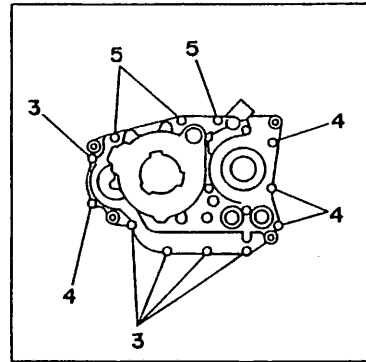
4GY1010-3090

REF. NO.	PART NO.	DESCRIPTION	Q'TY	REMARKS
1	4GY-14611-01	PIPE, EXHAUST 1	1	
2	4GY-14628-00	PROTECTOR, EXHAUST PIPE	1	
3	4BD-14766-00	WASHER, PROTECTOR	4	
4	98980-06010	SCREW, BIND	2	
5	90206-06090	WASHER, WAVE	2	
6	4GY-14711-02	MUFFLER 1	1	
7	4EL-14714-00	GASKET, MUFFLER	1	
8	95027-08040	BOLT, FLANGE	1	
9	22W-24181-00	DAMPER, LOCATING 1	2	
10	4FM-14613-00	GASKET, EXHAUST PIPE	1	
11	90179-08410	NUT	2	
12	90109-08260	BOLT	2	
13	90201-08326	WASHER, PLATE	2	
14	4GY-14799-00	CAP	1	

B13

FIG. 10 CRANKCASE

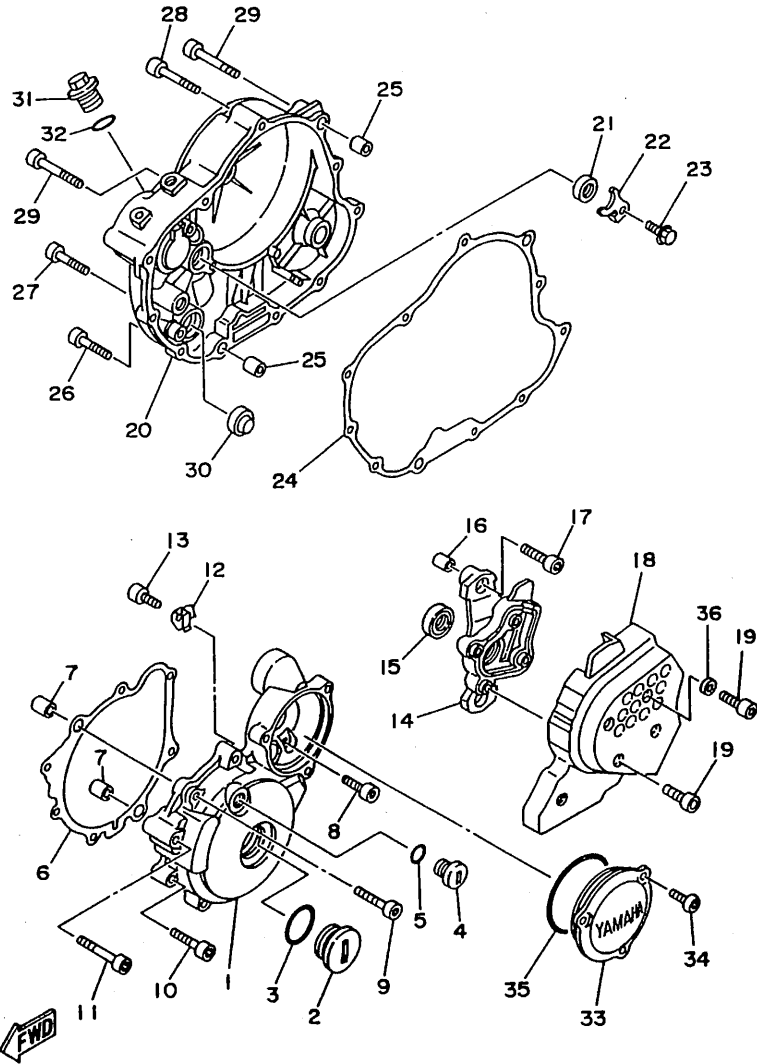
REF. NO.	PART NO.	DESCRIPTION	Q'TY	REMARKS
1	4RR-15100-00	CRANKCASE ASSY	1	
2	99530-10014	.PIN, DOWEL	2	
3	91317-06030	BOLT, HEXAGON SOCKET HEAD	5	
4	91317-06045	BOLT, HEXAGON SOCKET HEAD	4	
5	91317-06070	BOLT, HEXAGON SOCKET HEAD	3	
6	90430-06014	GASKET	1	
7	90462-08225	CLAMP	2	
8	4GY-15441-00	HOLDER, CLUTCH CABLE	1	
9	95817-06016	BOLT, FLANGE	1	
10	90462-10215	CLAMP	1	
11	98507-06010	SCREW, PAN HEAD	1	
12	90340-12059	PLUG, STRAIGHT SCREW	1	
13	90430-12213	GASKET	1	
14	99530-14016	PIN, DOWEL	2	



4MR2310-6100

B14

FIG. 11 CRANKCASE COVER 1



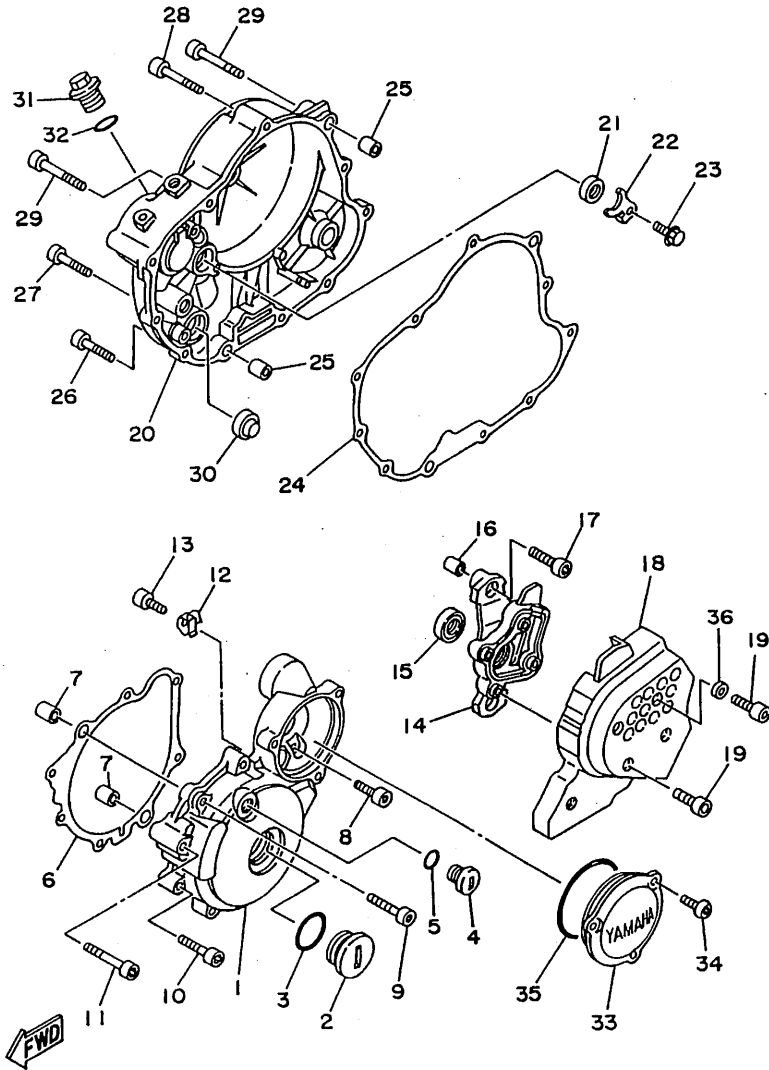
46Y1010-3110

REF. NO.	PART NO.	DESCRIPTION	Q'TY	REMARKS
1	4GY-15411-02	COVER, CRANKCASE 1	1	
2	90340-32126	PLUG, STRAIGHT SCREW	1	
3	93210-32172	O-RING	1	
4	90340-14128	PLUG, STRAIGHT SCREW	1	
5	93210-14369	O-RING	1	
6	4GY-15451-00	GASKET, CRANKCASE COVER 1	1	
7	99530-10014	PIN, DOWEL	2	
8	90110-06224	BOLT, HEXAGON SOCKET HEAD	1	
9	91317-06040	BOLT, HEXAGON SOCKET HEAD	2	
10	91317-06030	BOLT, HEXAGON SOCKET HEAD	4	
11	91317-06045	BOLT, HEXAGON SOCKET HEAD	1	
12	90465-12373	CLAMP	1	
13	91317-05012	BOLT, HEXAGON SOCKET HEAD	1	
14	4GY-1541E-00	STAY, COVER 2	1	
15	93106-15034	OIL SEAL	1	
16	99530-10014	PIN, DOWEL	2	
17	90110-06224	BOLT, HEXAGON SOCKET HEAD	2	
18	4GY-15421-00	COVER, CRANKCASE 2	1	
19	91317-06016	BOLT, HEXAGON SOCKET HEAD	5	
20	4GY-15431-00	COVER, CRANKCASE 3	1	
21	93101-14164	OIL SEAL	1	
22	4GY-15118-00	HOLDER	1	
23	90105-06553	BOLT, WASHER BASED	1	
24	4GY-15461-00	GASKET, CRANKCASE COVER 2	1	
25	99530-10014	PIN, DOWEL	2	
26	91317-06025	BOLT, HEXAGON SOCKET HEAD	6	
27	91317-06035	BOLT, HEXAGON SOCKET HEAD	1	
28	91317-06040	BOLT, HEXAGON SOCKET HEAD	1	

B15

FIG. 11 CRANKCASE COVER 1

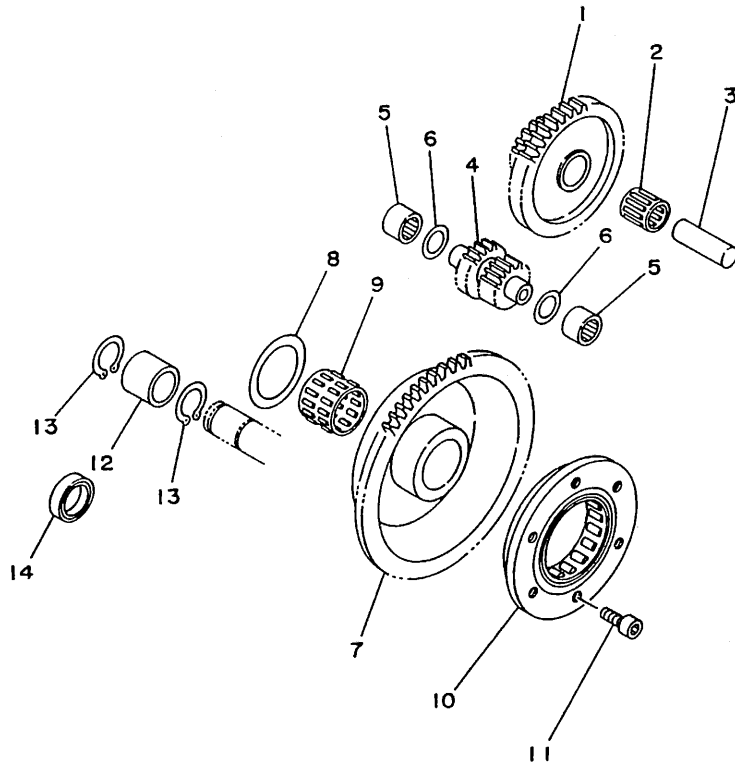
REF. NO.	PART NO.	DESCRIPTION	Q'TY	REMARKS
29	91317-06050	BOLT, HEXAGON	2	
30	3Y1-15361-00	GAUGE, LEVEL	1	
31	90340-20143	PLUG, STRAIGHT SCREW	1	
32	93210-19123	O-RING	1	
33	4GY-15415-01	COVER, GENERATOR	1	
34	92017-06016	SCREW	3	
35	93210-74M35	O-RING	1	
36	90430-06226	GASKET	2	



46Y1010-3110

C2

FIG. 12 STARTER CLUTCH



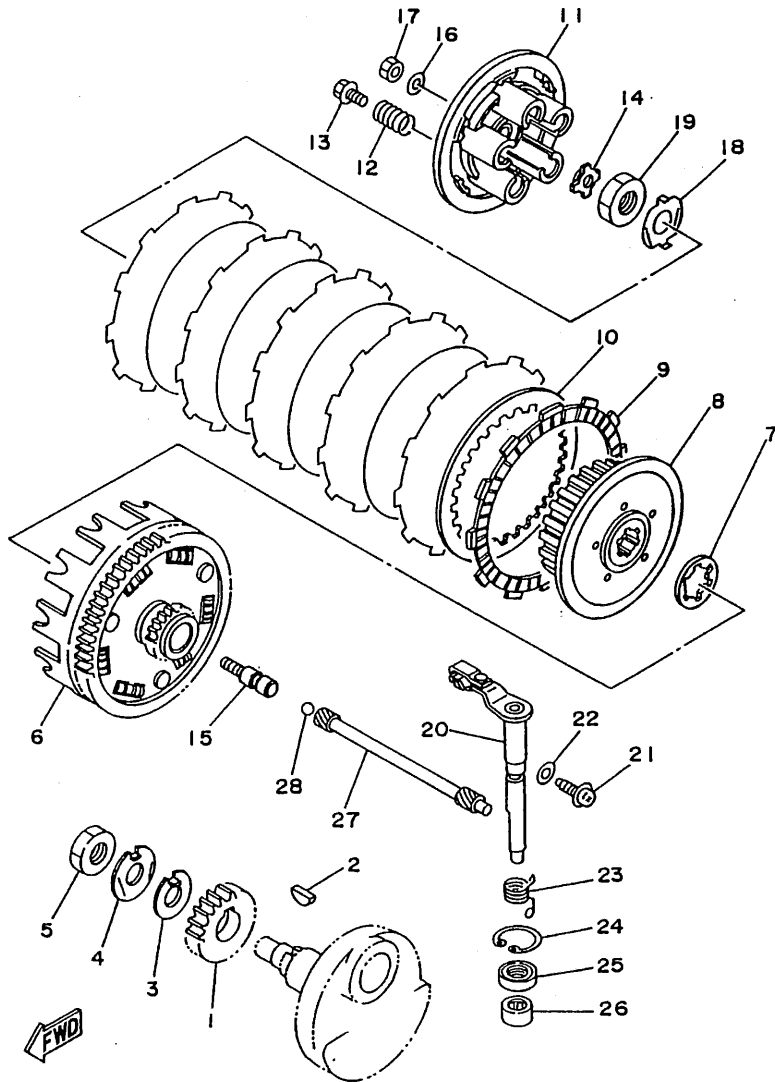
REF. NO.	PART NO.	DESCRIPTION	Q'TY	REMARKS
1	4GY-15512-01	GEAR, IDLER 1	1	
2	93310-212R6	BEARING, CYLINDRICAL	1	
3	4GY-15521-00	SHAFT 1	1	
4	4GY-15517-01	GEAR, IDLER 2	1	
5	93315-11206	BEARING, CYLINDRICAL	2	
6	296-13147-00	SHIM	2	
7	4GY-15515-00	GEAR 3	1	
8	90201-25291	WASHER, PLATE	1	
9	93310-225N0	BEARING, CYLINDRICAL	1	
10	4GY-15590-00	STARTER ONE-WAY ASSY	1	
11	90110-06091	BOLT, HEXAGON SOCKET HEAD	6	
12	90560-17265	SPACER	1	
13	99009-17400	CIRCLIP	2	
14	55X-15167-00	PLUG, BLIND 1	1	



46Y1010-3120

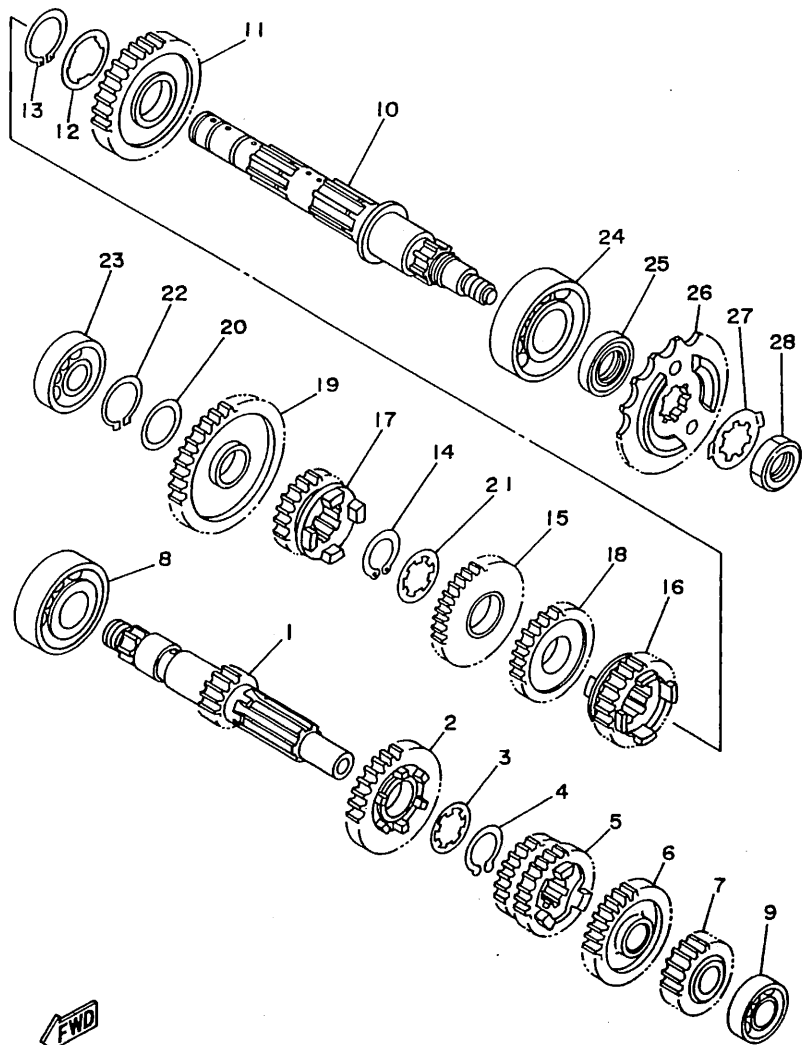
FIG. 13 CLUTCH

REF. NO.	PART NO.	DESCRIPTION	Q'TY	REMARKS
1	4GY-16111-00	GEAR, PRIMARY DRIVE	1	
2	90280-07055	KEY, WOODRUFF	1	
3	90214-16063	WASHER, CLAW	1	
4	90215-16286	WASHER, LOCK	1	
5	90170-16182	NUT	1	
6	4GY-16150-00	PRIMARY DRIVEN GEAR COMP.	1	
7	30X-16154-00	PLATE, THRUST 1	1	
8	4GY-16371-01	BOSS, CLUTCH	1	
9	3XJ-16321-00	PLATE, FRICTION	6	
10	3XJ-16324-00	PLATE, CLUTCH 1	5	
11	4GY-16351-00	PLATE, PRESSURE 1	1	
12	90501-23763	SPRING, COMPRESSION	5	
13	90159-06010	SCREW, WITH WASHER	5	
14	1W1-16358-01	PLATE, PUSH	1	
15	4DN-16356-00	ROD, PUSH 1	1	
16	92907-06200	WASHER, PLAIN	1	
17	95307-06600	NUT	1	
18	90215-16289	WASHER, LOCK	1	
19	90170-16326	NUT	1	
20	4GY-16380-01	PUSH LEVER ASSY	1	
21	90149-08067	SCREW	1	
22	90201-08087	WASHER, PLATE	1	
23	90508-206A6	SPRING, TORSION	1	
24	99009-20500	CIRCLIP	1	
25	93102-12224	OIL SEAL	1	
26	93315-11206	BEARING, CYLINDRICAL	1	
27	4GY-16357-00	ROD, PUSH 2	1	
28	93511-32027	BALL	1	



4PX1700-5130

C4



4GY1010-3140

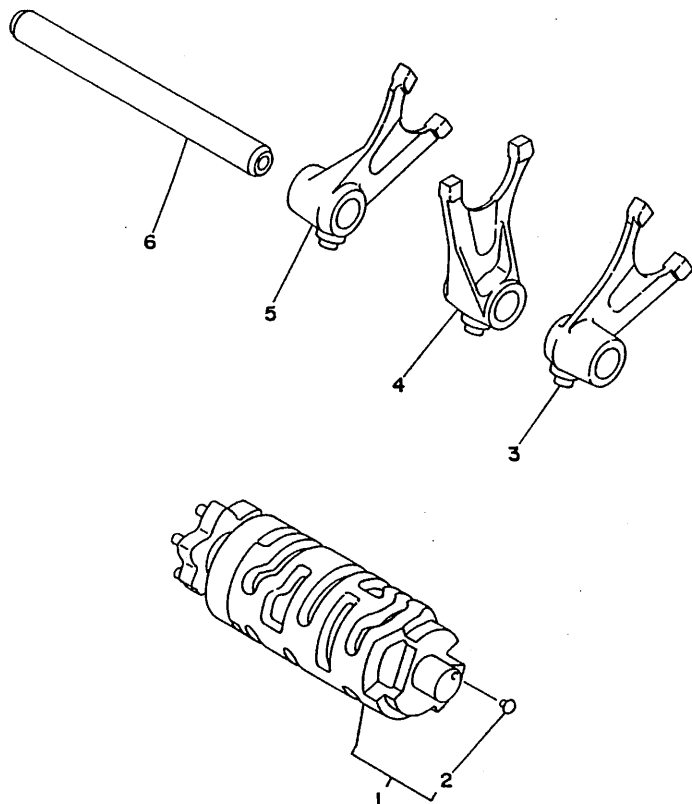
FIG. 14 TRANSMISSION

REF. NO.	PART NO.	DESCRIPTION	Q'TY	REMARKS
1	4GY-17411-00	AXLE, MAIN	1	
2	4GY-17161-01	GEAR, 6TH PINION	1	
3	90209-18208	WASHER	1	
4	93410-22039	CIRCLIP	1	
5	4GY-17131-00	GEAR, 3RD PINION	1	
6	55V-17151-02	GEAR, 5TH PINION (27T)	1	
7	51Y-17121-00	GEAR, 2ND PINION (16T)	1	
8	93306-20427	BEARING (62/22-9-C3)	1	
9	93306-00320	BEARING	1	
10	4GY-17402-00	DRIVE AXLE ASSY	1	
11	4GY-17221-00	GEAR, 2ND WHEEL	1	
12	90209-23241	WASHER	1	
13	93410-26067	CIRCLIP	1	
14	93410-22039	CIRCLIP	1	
15	4GY-17231-00	GEAR, 3RD WHEEL	1	
16	4GY-17251-00	GEAR, 5TH WHEEL	1	
17	4GY-17261-01	GEAR, 6TH WHEEL	1	
18	4GY-17241-00	GEAR, 4TH WHEEL	1	
19	4GY-17211-00	GEAR, 1ST WHEEL	1	
20	90201-17764	WASHER, PLATE	1	
21	90209-18208	WASHER	1	
22	93410-17037	CIRCLIP	1	
23	93306-20332	BEARING	1	
24	93306-20529	BEARING (B6205C4)	1	
25	93102-25226	OIL SEAL	1	
26	4GY-17460-00	SPROCKET, DRIVE	1	
27	90215-23265	WASHER, LOCK	1	
28	90179-18552	NUT	1	

C5

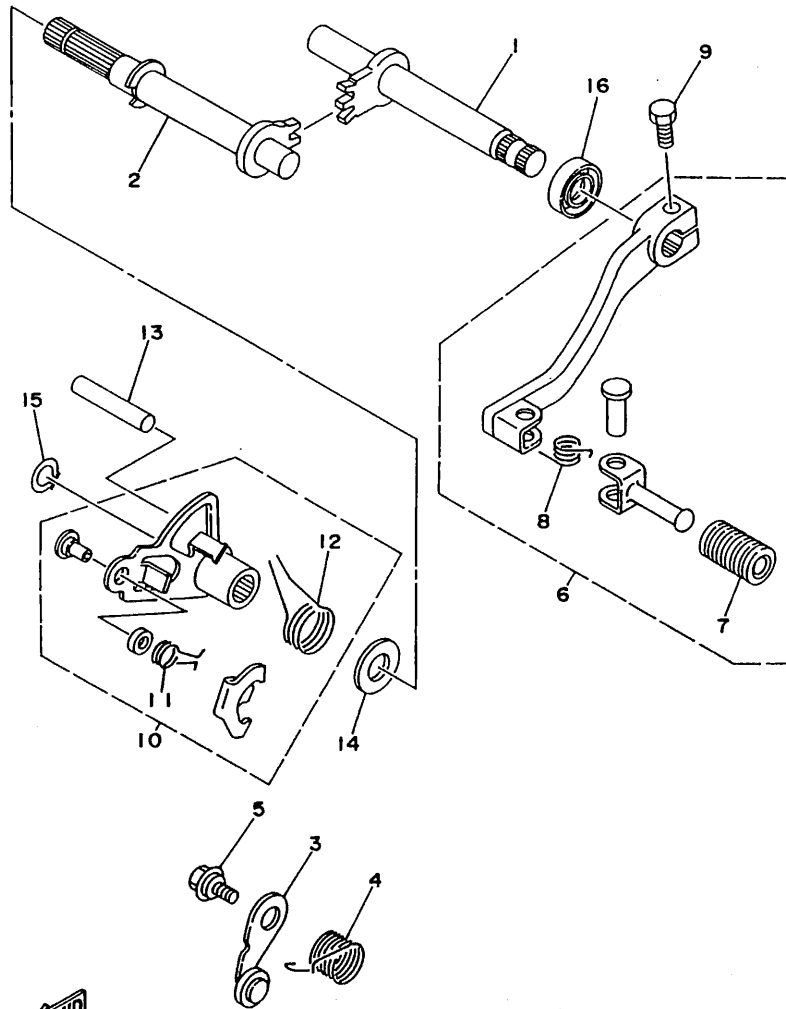
FIG. 15 SHIFT CAM. FORK

REF. NO.	PART NO.	DESCRIPTION	Q'TY	REMARKS
1	4GY-18540-00	SHIFT CAM ASSY	1	
2	136-18542-00	.POINT, NEUTRAL	2	
3	4GY-18511-00	FORK, SHIFT 1	1	
4	4GY-18512-00	FORK, SHIFT 2	1	
5	4GY-18513-00	FORK, SHIFT 3	1	
6	4GY-18531-00	BAR, SHIFT FORK GUIDE 1	1	



4GY1010-3150

C6



4GY1010-3160

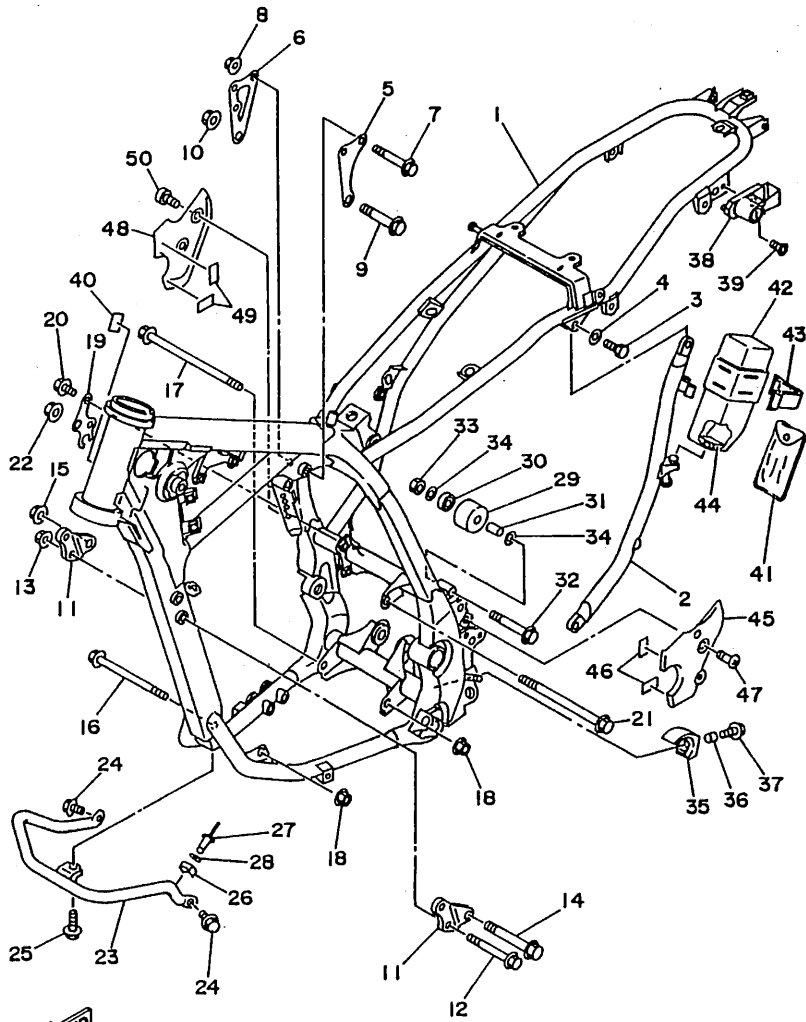
FIG. 16 SHIFT SHAFT

REF. NO.	PART NO.	DESCRIPTION	Q'TY	REMARKS
1	4GY-18101-00	SHIFT SHAFT ASSY	1	
2	4GY-18102-00	SHIFT SHAFT ASSY 2	1	
3	4GY-18140-00	STOPPER LEVER ASSY	1	
4	90508-26561	SPRING, TORSION	1	
5	90109-063F7	BOLT	1	
6	4GY-18110-00	SHIFT PEDAL ASSY	1	
7	1W6-18113-00	.COVER, SHIFT PEDAL	1	
8	90508-14525	.SPRING, TORSION	1	
9	97027-06020	BOLT	1	
10	4GY-18120-00	SHIFT LEVER ASSY	1	
11	90508-09420	.SPRING, TORSION	1	
12	90508-32682	.SPRING, TORSION	1	
13	93608-43228	PIN, DOWEL	1	
14	90201-12474	WASHER, PLATE	1	
15	99001-09600	CIRCLIP	1	
16	93102-14209	OIL SEAL	1	

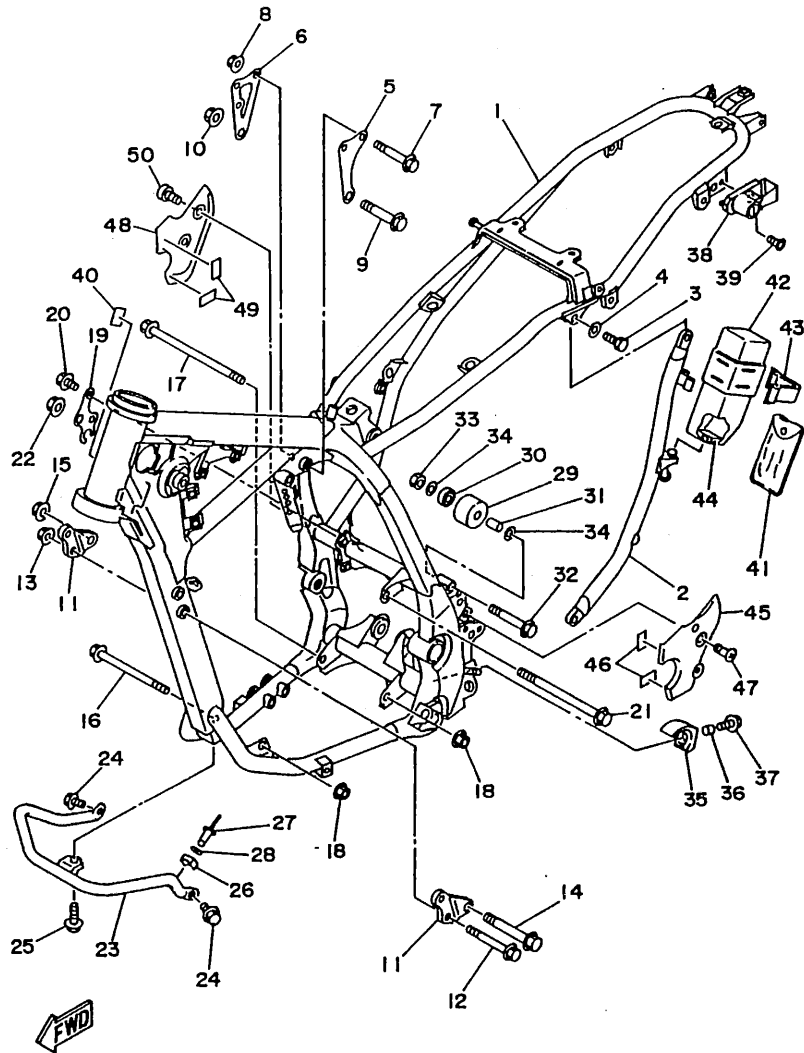
C7

FIG. 17 FRAME

REF. NO.	PART NO.	DESCRIPTION	Q'TY	REMARKS
1	4RR-21110-00-PO	FRAME COMP.	1	DEEP VIOLET SOLID 1
2	4GY-21105-00-PO	BACK STAY SUB COMP. 1	1	DEEP VIOLET SOLID 1
3	90106-08053	BOLT	2	
4	90201-08086	WASHER, PLATE	2	
5	4GY-21315-00	STAY, ENGINE 2	1	
6	4GY-21318-01	STAY, ENGINE 5	1	
7	95817-08055	BOLT, FLANGE	2	
8	95617-08200	NUT, SELF-LOCKING	2	
9	90105-10232	BOLT, WASHER BASED	1	
10	95617-10200	NUT, SELF-LOCKING	1	
11	4GY-21319-00	STAY, ENGINE 6	2	
12	95817-08070	BOLT, FLANGE	2	
13	95617-08200	NUT, SELF-LOCKING	2	
14	90105-10609	BOLT, WASHER BASED	1	
15	95617-10200	NUT, SELF-LOCKING	1	
16	90105-10050	BOLT, WASHER BASED	1	
17	90105-10444	BOLT, WASHER BASED	1	
18	95617-10200	NUT, SELF-LOCKING	2	
19	4GY-21317-00	STAY, ENGINE 3	1	
20	95817-08016	BOLT, FLANGE	2	
21	90105-10183	BOLT, WASHER BASED	1	
22	95617-10200	NUT, SELF-LOCKING	1	
23	4GY-21471-00	PROTECTOR, ENGINE	1	
24	95817-06012	BOLT, FLANGE	2	
25	95817-06012	BOLT, FLANGE	1	
26	4GY-21486-00	DAMPER 2	1	
27	90267-32071	RIVET, BLIND	1	
28	90201-03313	WASHER, PLATE	1	



4MR2310-6170

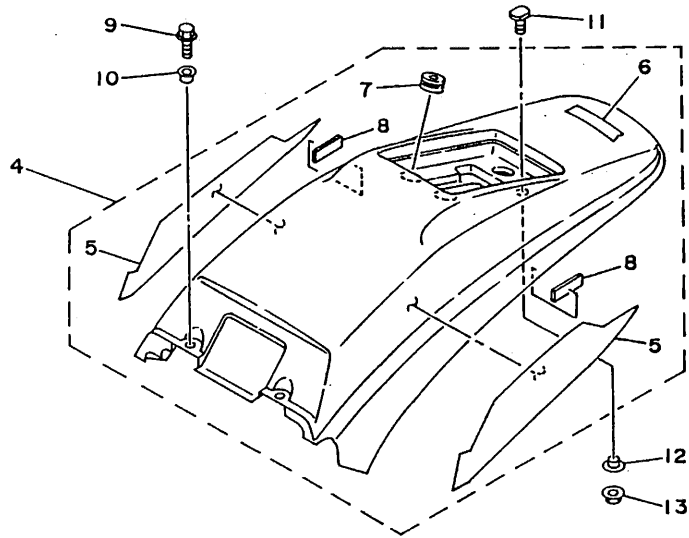


4MR2310-6170

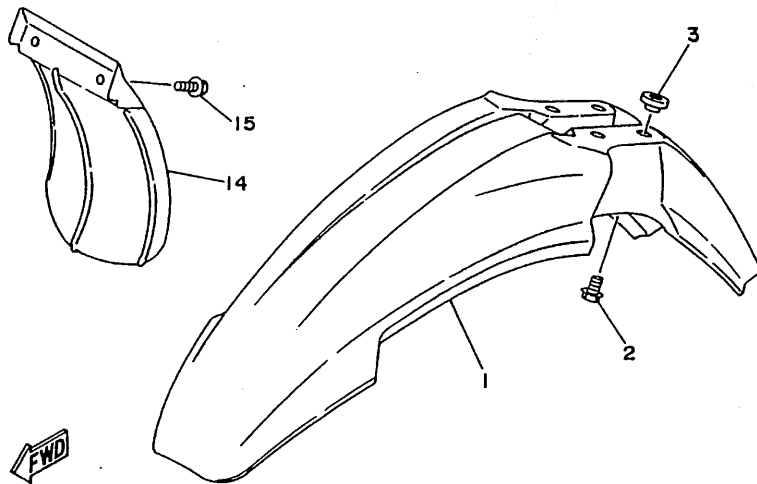
FIG. 17 FRAME

REF. NO.	PART NO.	DESCRIPTION	Q'TY	REMARKS
29	4EW-22178-00	TENSIONER	1	
30	93300-60804	BEARING	1	
31	90387-086N4	COLLAR	1	
32	95027-08060	BOLT, FLANGE	1	
33	90170-08158	NUT	1	
34	90201-086P8	WASHER, PLATE	2	
35	4ES-22178-00	TENSIONER	1	
36	90387-06216	COLLAR	1	
37	90119-06118	BOLT, WITH WASHER	1	
38	26H-21308-00	HELMET HANGER ASSY	1	
39	90149-06154	SCREW	1	
40	1JK-21268-00	SEAL	1	
41	4GY-28100-00	TOOL KIT	1	
42	4GY-21107-00	TOOL BOX COMP.	1	
43	120-82131-00	BAND, BATTERY	1	
44	4GY-28267-00	DAMPER 5	1	
45	4RR-2117F-00	COVER	1	
46	4RR-21485-00	DAMPER, RUBBER 1	2	
47	90150-06021	SCREW, ROUND HEAD	2	
48	4RR-2117M-00	COVER 2	1	
49	4RR-21485-00	DAMPER, RUBBER 1	2	
50	90150-06021	SCREW, ROUND HEAD	2	

FIG. 18 FENDER

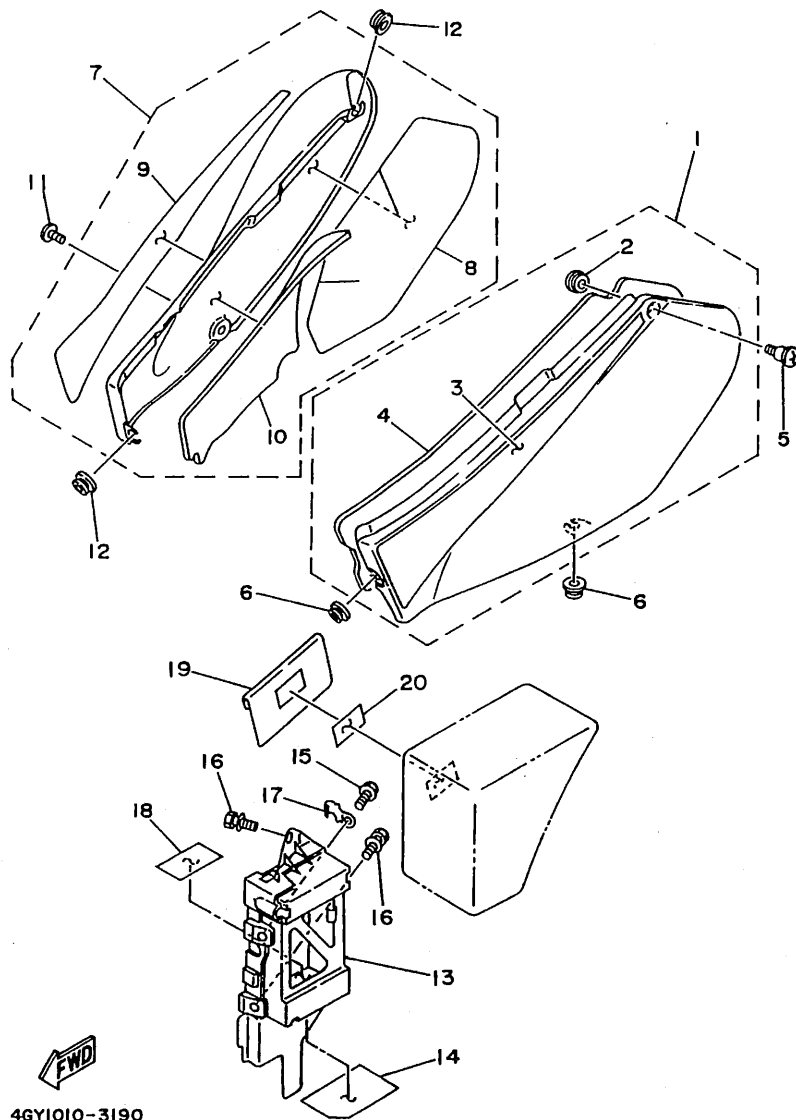


REF. NO.	PART NO.	DESCRIPTION	Q'TY	REMARKS
1	4GY-21511-00	FENDER, FRONT	1	
2	90119-06063	BOLT, WITH WASHER	4	
3	90387-06681	COLLAR	4	
4	4GY-Y2161-J0	REAR FENDER COMP.	1	
5	4RR-2165A-00	.GRAPHIC SET, REAR FENDER	1	
6	99247-00080	.EMBLEM, YAMAHA	1	
7	90480-14023	.GROMMET	3	
8	3XV-21717-00	.DAMPER, SIDE COVER	2	
9	97017-06016	BOLT, FLANGE	2	
10	90387-064J1	COLLAR	2	
11	90109-064A5	BOLT	1	
12	90387-06648	COLLAR	1	
13	95607-06200	NUT, SELF-LOCKING	1	
14	4GY-21642-00	GUARD, FLAP	1	
15	90119-06194	BOLT, WITH WASHER	2	



4MR2310-6180

C10



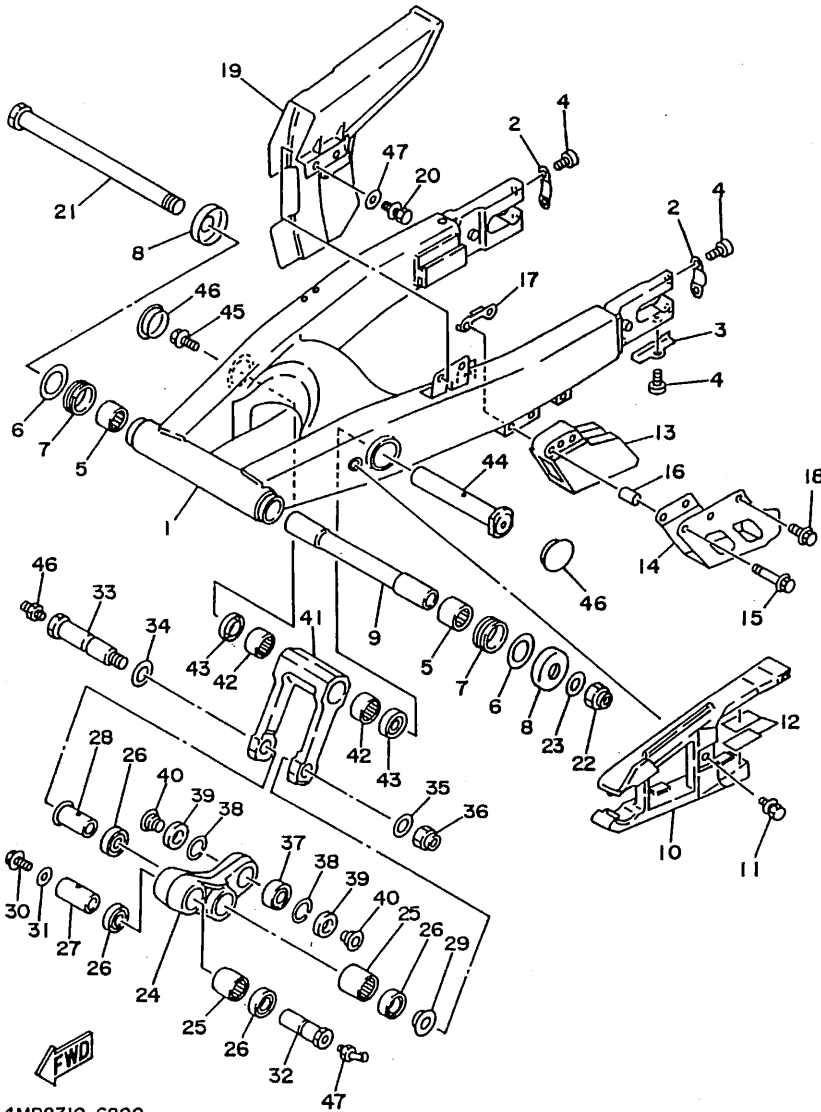
4GY1010-3190

FIG. 19 SIDE COVER

REF. NO.	PART NO.	DESCRIPTION	Q'TY	REMARKS
1	4GY-Y2171-40	COVER, SIDE 1	1	
2	90480-13018	.GROMMET	1	
3	4RR-2173E-00	.GRAPHIC 1	1	
4	4GY-21746-00	.DAMPER	1	
5	90150-06036	SCREW, ROUND HEAD	1	
6	90480-12320	GROMMET	2	
7	4GY-Y2172-40	COVER, SIDE 2	1	
8	4GY-2174A-00	.INSULATOR, SIDE COVER	1	
9	4RR-2173F-00	.GRAPHIC 2	1	
10	4GY-21747-00	.DAMPER	1	
11	90150-06031	SCREW, ROUND HEAD	1	
12	90480-12320	GROMMET	2	
13	4GY-2177G-00	BOX, BATTERY	1	
14	4GY-2174T-00	INSULATOR, SIDE COVER 2	1	
15	90101-06664	BOLT	1	
16	90119-06094	BOLT, WITH WASHER	2	
17	4GY-21365-00	HOOK, BATTERY BAND	1	
18	4GY-82123-00	SEAT, BATTERY	1	
19	4U7-28186-00	POUCH	1	
20	4K5-2814E-10	HOOK	1	

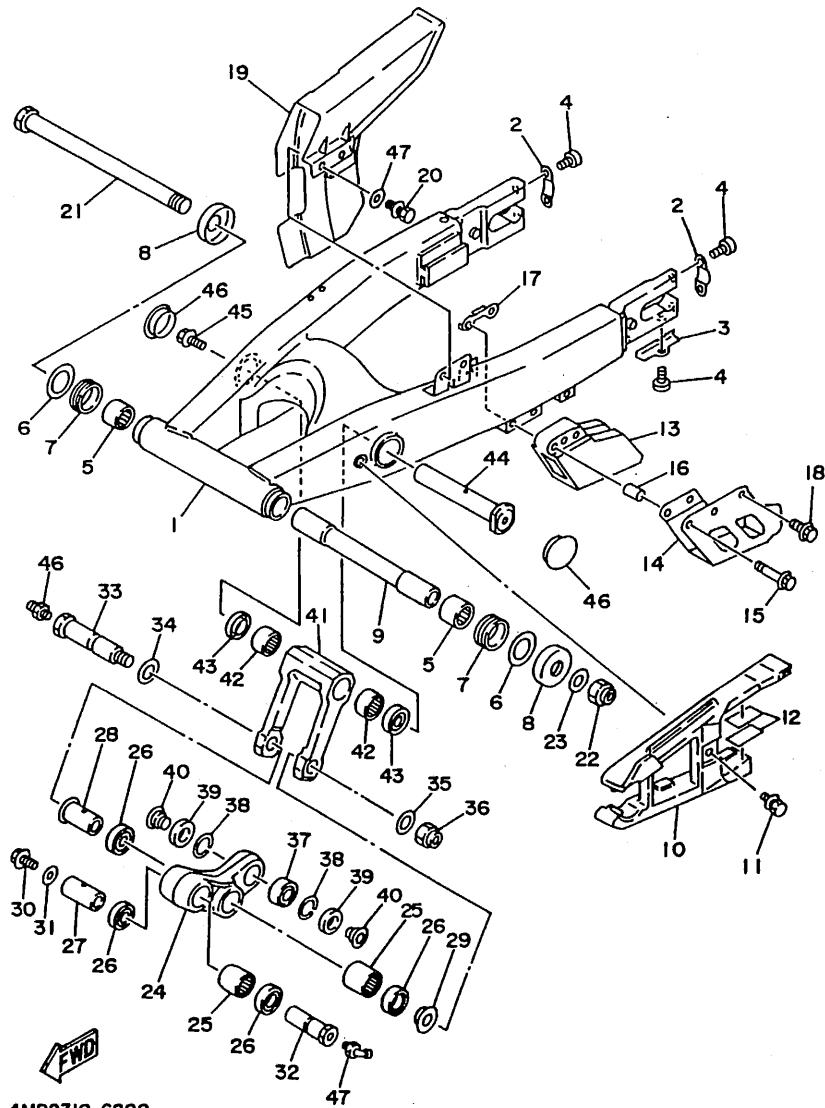
FIG. 20 REAR ARM

REF. NO.	PART NO.	DESCRIPTION	Q'TY	REMARKS
1	4RR-22110-00	REAR ARM COMP.	1	
2	4GY-22177-00	END 3	2	
3	4GY-22165-00	BRACKET	1	
4	98507-05010	SCREW, PAN HEAD	5	
5	93315-22251	BEARING, CYLINDRICAL	2	
6	90201-254H8	WASHER, PLATE	2	
7	93108-35004	OIL SEAL (35-41-8)	2	
8	30X-2219X-00	COVER	2	
9	29L-22184-00	BUSH	1	
10	4GY-22151-00	SEAL, GUARD	1	
11	90119-06096	BOLT, WITH WASHER	1	
12	22F-2139X-00	DAMPER	2	
13	4RR-22199-00	SUPPORT, CHAIN	1	
14	4RR-22128-00	COVER, THRUST I	1	
15	95027-06050	BOLT, FLANGE	2	
16	90387-060N3	COLLAR	2	
17	4RR-22143-00	NUT	1	
18	95027-06010	BOLT, FLANGE	1	
19	34K-22311-01	CASE, CHAIN	1	
20	90119-06203	BOLT, WITH WASHER	2	
21	5X6-22141-01	SHAFT, PIVOT	1	
22	90185-16127	NUT, SELF-LOCKING	1	
23	90201-164H4	WASHER, PLATE	1	
24	4GY-2217A-00	ARM, RELAY	1	
25	93315-32053	BEARING, CYLINDRICAL	2	
26	93109-20029	OIL SEAL	4	
27	90387-166X1	COLLAR	1	
28	90387-1606R	COLLAR	1	



4MR2310-6200

C12

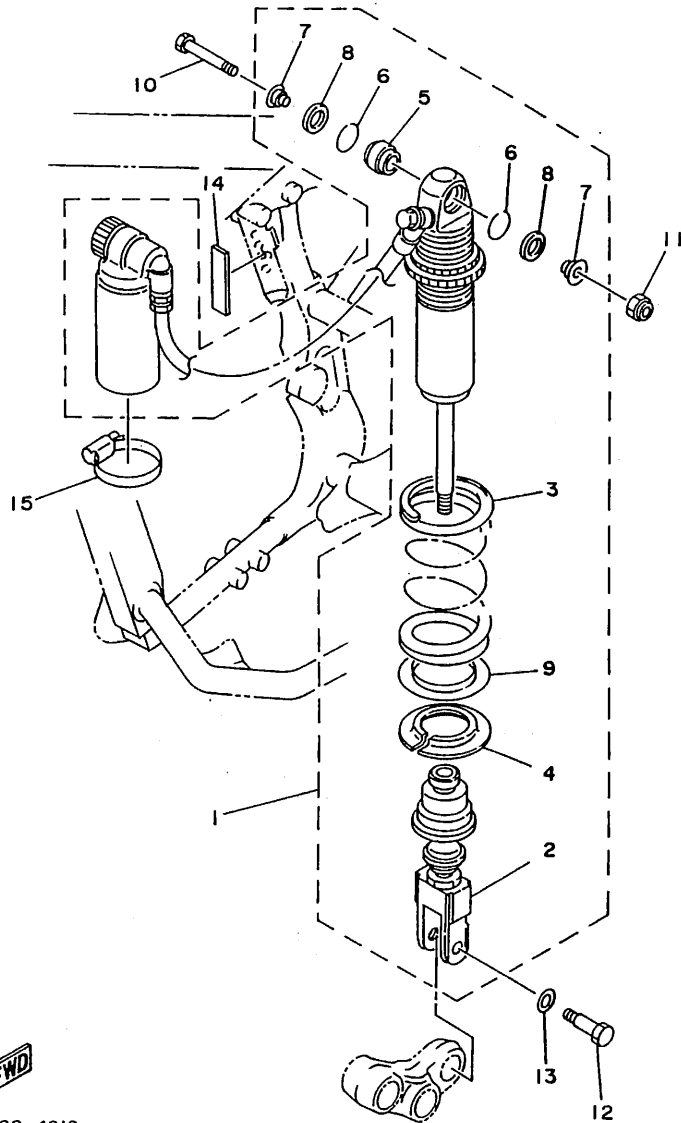


4MR2310-6200

FIG. 20 REAR ARM

REF. NO.	PART NO.	DESCRIPTION	Q'TY	REMARKS
29	90387-164N2	COLLAR	1	
30	95817-10016	BOLT, FLANGE	1	
31	90201-106F2	WASHER, PLATE	1	
32	90179-10665	NUT	1	
33	90401-14163	BOLT, UNION	1	
34	90201-164H4	WASHER, PLATE	1	
35	90201-14740	WASHER, PLATE	1	
36	90185-14070	NUT, SELF-LOCKING	1	
37	93399-99935	BEARING	1	
38	93440-30113	CIRCLIP	2	
39	3XJ-22475-00	SEAL, DUST	2	
40	90387-103X9	COLLAR	2	
41	4GY-2217F-00	ROD, CONNECTING 1	1	
42	93315-32052	BEARING	2	
43	93109-20029	OIL SEAL	2	
44	90179-12666	NUT	1	
45	95817-12016	BOLT, FLANGE	1	
46	1HX-2135F-10	COVER	2	
47	90201-06778	WASHER, PLATE	2	

FIG. 21 REAR SUSPENSION

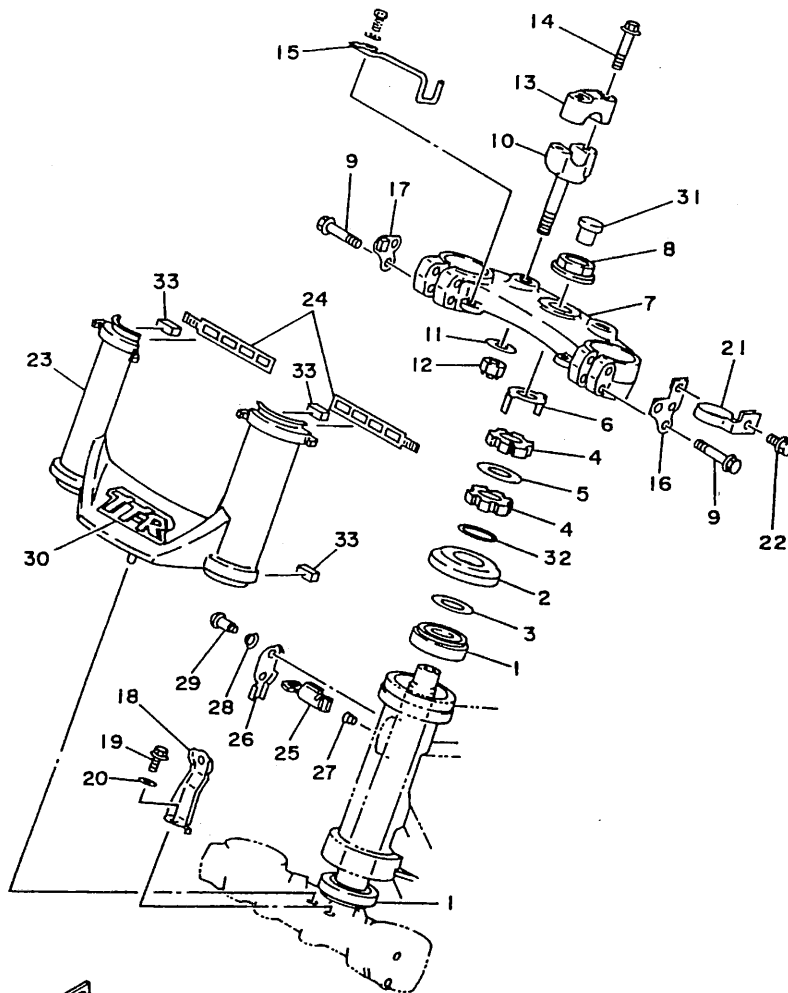


REF. NO.	PART NO.	DESCRIPTION	Q'TY	REMARKS
1	4GY-22210-12-PO	SHOCK ABSORBER ASSY, REAR	1	LIGHT REDDISH YELLOW SOLID 1
2	4GY-22219-00	.BRACKET, UPPER	1	
3	4GY-22212-01-PO	.SPRING	1	LIGHT REDDISH YELLOW SOLID 1
4	3LD-22214-01	.GUIDE, SPRING 1	1	
5	93399-99936	.BEARING	1	
6	93440-30113	.CIRCLIP	2	
7	90387-100Y3	.COLLAR	2	
8	38V-22211-00	.COVER	2	
9	3XP-22224-00	.GUIDE, SPRING 2	1	
10	3SP-22241-00	BOLT 1	1	
11	95617-10200	NUT, SELF-LOCKING	1	
12	90105-10614	BOLT, WASHER BASED	1	
13	90201-08759	WASHER, PLATE	1	
14	4GY-22261-00	DAMPER, SUB TANK	1	
15	90460-55233	CLAMP, HOSE	2	

4MR1700-4210

C14

FIG. 22 STEERING



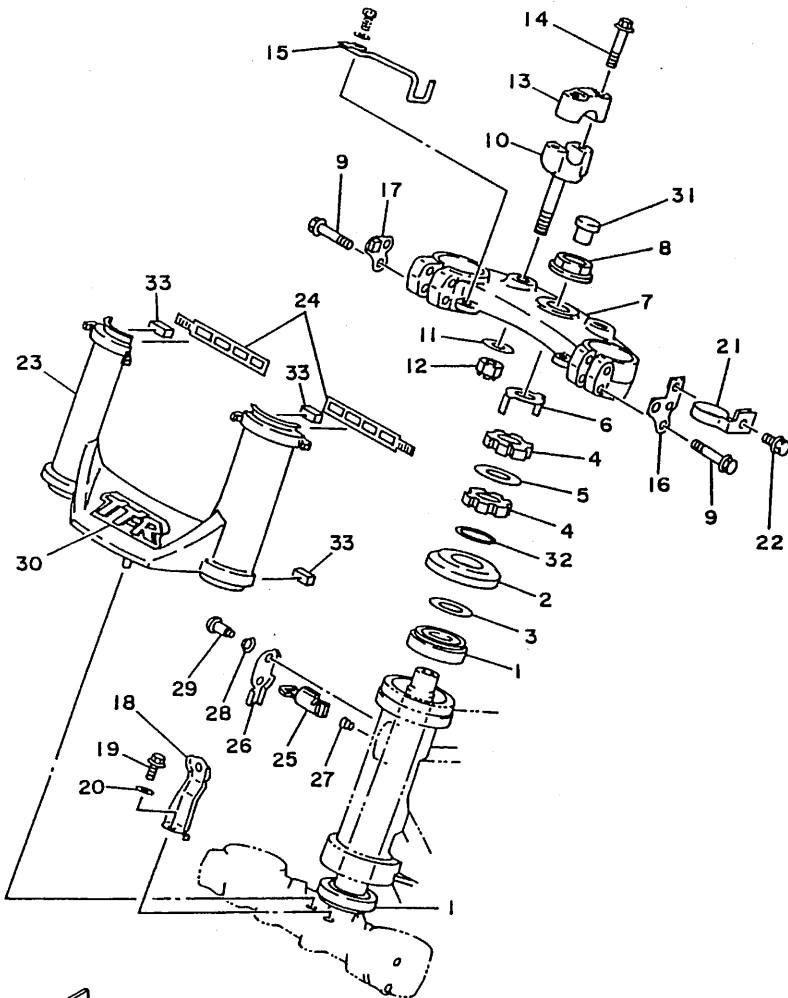
4MR2310-6220

REF. NO.	PART NO.	DESCRIPTION	Q'TY	REMARKS
1	93332-00078	BEARING	2	
2	4GY-23416-00	COVER, BALL RACE 2	1	
3	90201-282R3	WASHER, PLATE	1	
4	90179-28543	NUT	2	
5	90202-28216	WASHER, PLATE	1	
6	4GY-23418-00	WASHER, SPECIAL	1	
7	4RR-23435-00	CROWN, HANDLE	1	
8	90179-24542	NUT	1	
9	95027-08040	BOLT, FLANGE	4	
10	3SR-23442-01	HOLDER, HANDLE LOWER	2	
11	92990-12200	WASHER, PLAIN	2	
12	95617-12100	NUT, U	2	
13	1E6-23441-10-35	HOLDER, HANDLE UPPER	2	SILVER
14	95024-08035	BOLT	4	
15	4GY-26279-00	GUIDE, CABLE	1	
16	4RR-2831V-00	STAY, HEAD LIGHT 1	1	
17	4RR-2832V-00	STAY, HEAD LIGHT 2	1	
18	4GY-23174-00	STAY, HEADLIGHT	1	
19	97027-06012	BOLT	1	
20	92907-06600	WASHER, PLATE	1	
21	4GY-23389-00	GUIDE, CABLE	1	
22	90105-05361	BOLT, WASHER BASED	1	
23	4GY-23472-00	PROTECTOR	1	
24	4GY-23192-00	BAND	2	
25	2A6-23408-00	STEERING LOCK ASSY	1	
26	4GY-23484-00	CAP, HANDLE LOCK	1	
27	90502-09024	SPRING, CONICAL	1	
28	90208-04029	WASHER, CONICAL SPRING	1	

C15

FIG. 22 STEERING

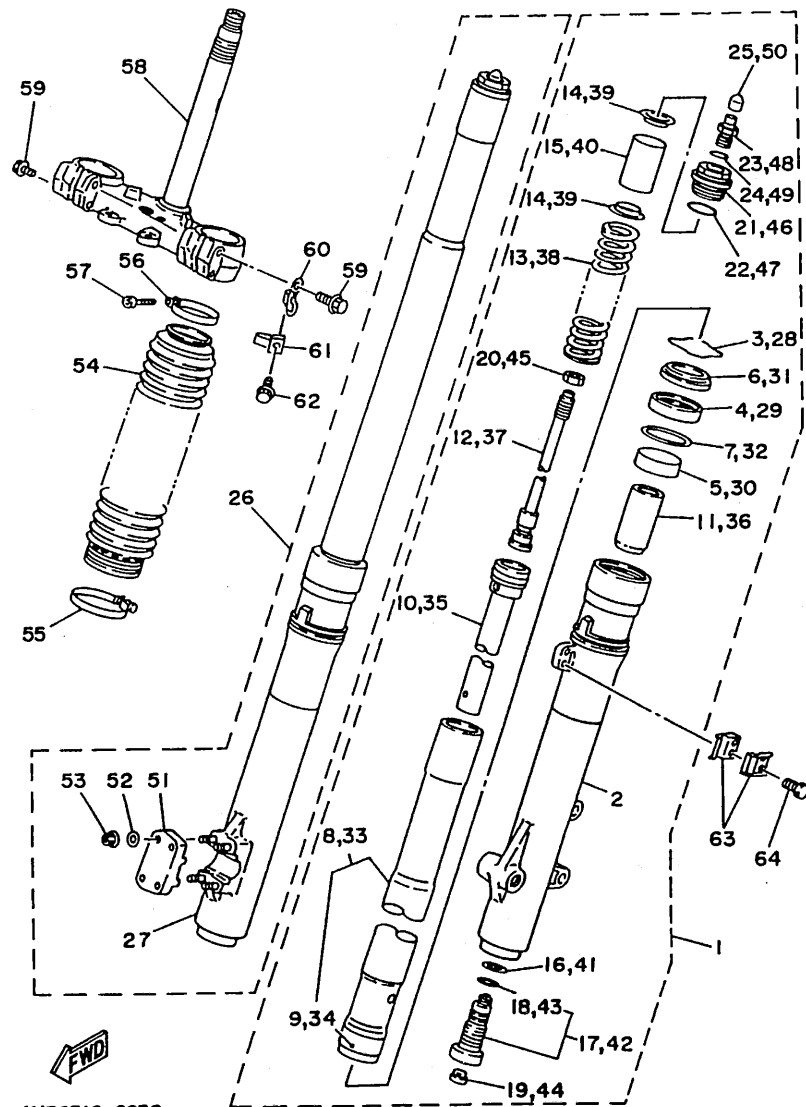
REF. NO.	PART NO.	DESCRIPTION	Q'TY	REMARKS
29	90269-04003	RIVET	1	
30	4GY-23395-20	EMBLEM	1	
31	3K7-84154-10	GROMMET	1	
32	90201-284R9	WASHER, PLATE	1	
33	1HX-28227-00	DAMPER 2	4	




4MR2310-6220

D2

FIG. 23 FRONT FORK



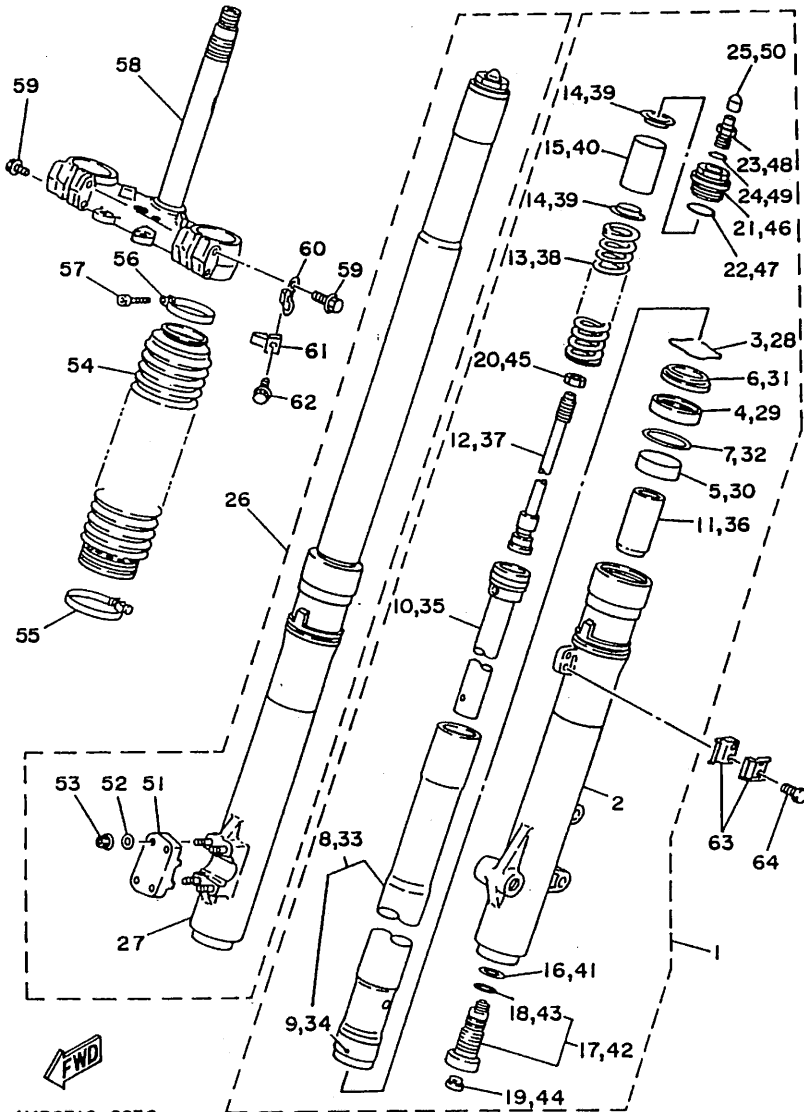
4MR2310-6230

REF. NO.	PART NO.	DESCRIPTION	Q'TY	REMARKS
1	4GY-23102-01	FRONT FORK ASSY (L.H)	1	
2	4GY-23126-00	.TUBE, OUTER (LEFT)	1	
3	4V4-23153-L0	.RING, SNAP	1	
4	2VM-23145-L0	.OIL SEAL	1	
5	3XJ-23125-L0	.METAL, SLIDE 1	1	
6	2VM-23144-L0	.SEAL, DUST	1	
7	4V4-23146-L0	.WASHER, OIL SEAL	1	
8	4GY-23110-00	.INNER TUBE COMP. 1	1	
9	3XJ-23171-L0	.PISTON, FRONT FORK	1	
10	4GY-23170-00	.CYLINDER COMP., FRONT FORK	1	
11	2VM-23173-L0	.SPINDLE, TAPER	1	
12	4GY-2314A-01	.PISTON ROD ASSY	1	
13	4GY-23141-00	.SPRING, FRONT FORK	1	
14	4V4-23142-L0	.SEAT, SPRING UPPER	2	
15	4GY-23118-01	.SPACER	1	
16	2HH-23158-L0	.GASKET	1	
17	4GY-2316A-01	.VALVE COMP.	1	
18	3XP-23188-00	.O-RING	1	
19	55Y-23126-M0	.PLUG	1	
20	3XJ-23357-L0	.NUT	1	
21	2VM-23111-L0	.BOLT, CAP	1	
22	4V4-23188-L0	.O-RING	1	
23	23X-23190-L0	.AIR VALVE COMP.	1	
24	3J2-23147-00	.O-RING	1	
25	2VN-23185-L0	.COVER, VALVE	1	
26	4GY-23103-01	FRONT FORK ASSY (R.H)	1	
27	4GY-23136-00	.TUBE, OUTER (RIGHT)	1	
28	4V4-23153-L0	.RING, SNAP	1	

D3

FIG. 23 FRONT FORK

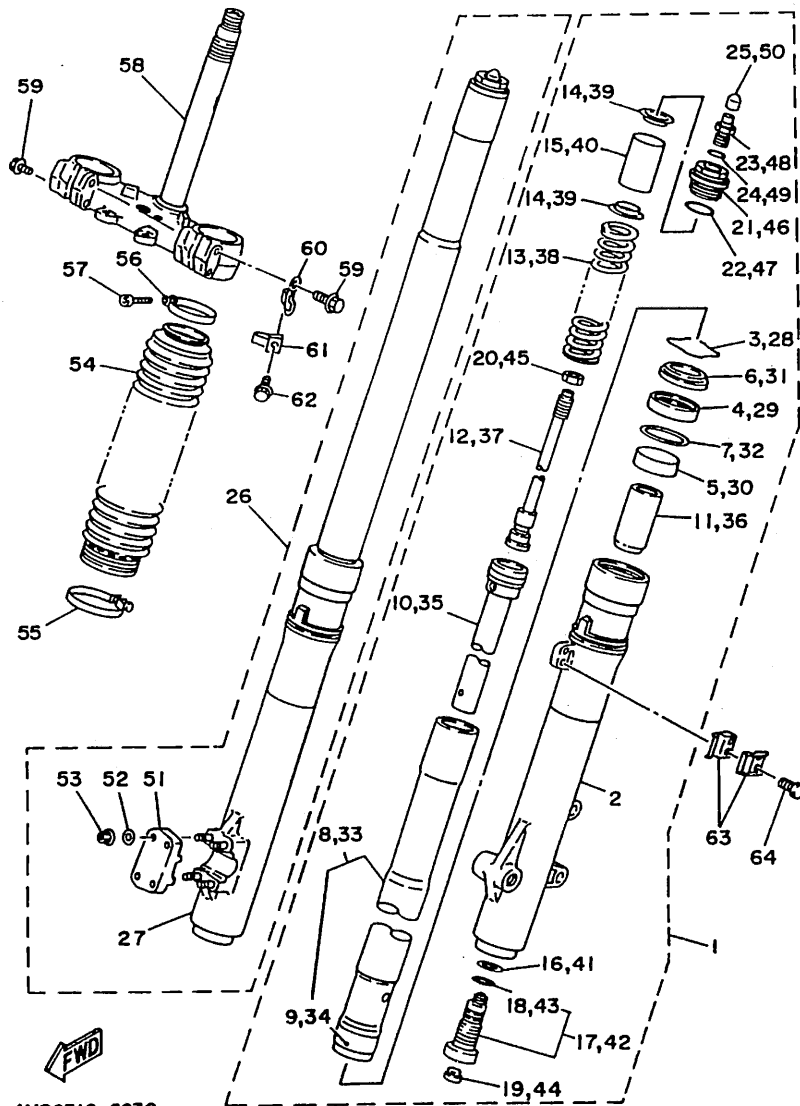
REF. NO.	PART NO.	DESCRIPTION	Q'TY	REMARKS
29	2VM-23145-L0	.OIL SEAL	1	
30	3XJ-23125-L0	.METAL, SLIDE 1	1	
31	2VM-23144-L0	.SEAL, DUST	1	
32	4V4-23146-L0	.WASHER, OIL SEAL	1	
33	4GY-23110-00	.INNER TUBE COMP. 1	1	
34	3XJ-23171-L0	.PISTON, FRONT FORK	1	
35	4GY-23170-00	.CYLINDER COMP., FRONT FORK	1	
36	2VM-23173-L0	.SPINDLE, TAPER	1	
37	4GY-2314A-01	.PISTON ROD ASSY	1	
38	4GY-23141-00	.SPRING, FRONT FORK	1	
39	4V4-23142-L0	.SEAT, SPRING UPPER	2	
40	4GY-23118-01	.SPACER	1	
41	2HH-23158-L0	.GASKET	1	
42	4GY-2316A-01	.VALVE COMP.	1	
43	3XP-23188-00	.O-RING	1	
44	55Y-2312G-M0	.PLUG	1	
45	3XJ-23357-L0	.NUT	1	
46	2VM-23111-L0	.BOLT, CAP	1	
47	4V4-23188-L0	.O-RING	1	
48	23X-23190-L0	.AIR VALVE COMP.	1	
49	3J2-23147-00	.O-RING	1	
50	2VN-23185-L0	.COVER, VALVE	1	
51	3XJ-23167-L0	.HOLDER, AXLE	1	
52	92901-06600	.WASHER, PLATE	4	
53	5Y3-23393-00	.NUT, SPECIAL	4	
54	4GY-23191-10	BOOT	2	
55	3LD-23489-00	BAND	2	
56	43M-23192-L0	BAND	2	



4MR2310-6230

D4

FIG. 23 FRONT FORK



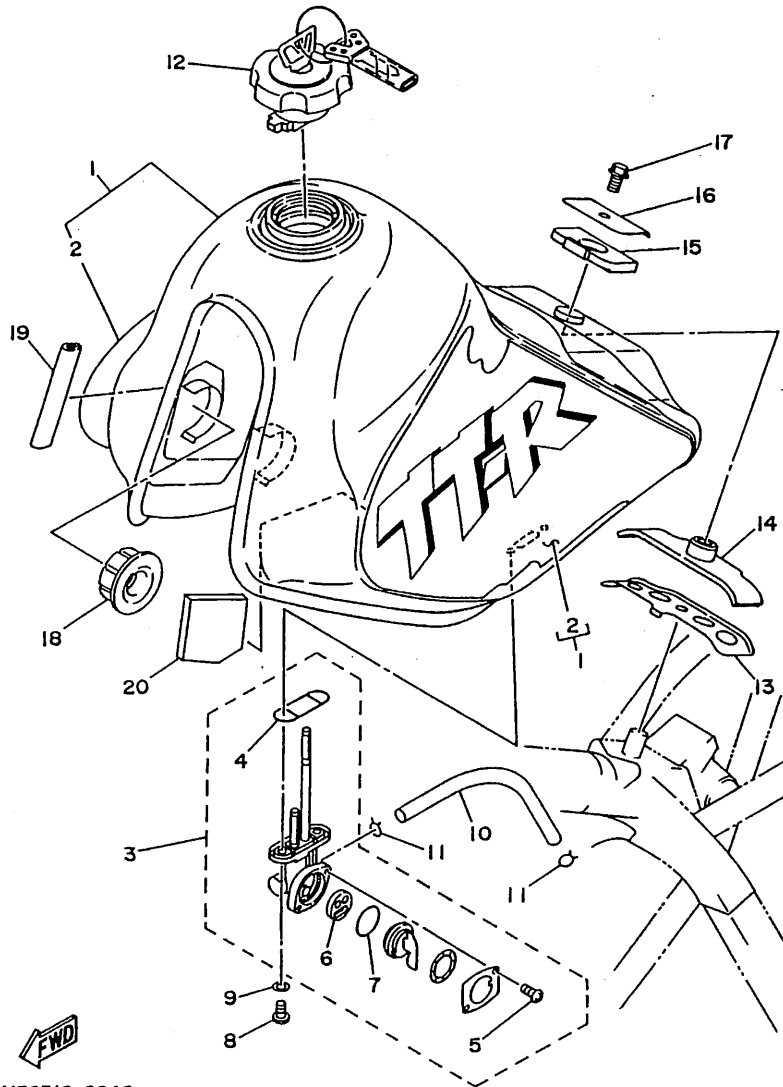
4MR2310-6230

REF. NO.	PART NO.	DESCRIPTION	Q'TY	REMARKS
57	98507-04018	SCREW, PAN HEAD	2	
58	4RR-23340-00	UNDER BRACKET COMP.	1	
59	95024-08040	BOLT	4	
60	4RR-2331E-00	GUIDE, CABLE	1	
61	4GY-23389-00	GUIDE, CABLE	1	
62	90105-05361	BOLT, WASHER BASED	1	
63	90465-16258	CLAMP	2	
64	91317-06012	BOLT	2	

D5

FIG. 24 FUEL TANK

REF. NO.	PART NO.	DESCRIPTION	Q'TY	REMARKS
1	4GY-24110-00-03	FUEL TANK COMP.	1	PURPLISH WHITE SOLID 1
2	4RR-24240-00	.GRAPHIC SET	1	
3	23F-24500-01	FUEL COCK ASSY 1	1	
4	4X8-24512-00	.O-RING	1	
5	98503-03008	.SCREW, PAN HEAD	2	
6	3AJ-24523-00	.VALVE	1	
7	3AJ-24534-00	.SEAL, COCK	1	
8	90149-06011	SCREW	2	
9	90202-05187	WASHER, PLATE	2	
10	90445-100E9	HOSE	1	
11	90467-09006	CLIP	2	
12	11H-24602-03	CAP ASSY	1	
13	4GY-24187-00	WASHER, SPECIAL	1	
14	1KH-24182-00	DAMPER, LOCATING 2	1	
15	30X-24183-01	DAMPER, LOCATING 3	1	
16	30X-24186-01	WASHER, SPECIAL	1	
17	95817-06012	BOLT, FLANGE	1	
18	4H7-24181-00	DAMPER, LOCATING 1	2	
19	4GY-24188-00	MOLD, FUEL TANK	1	
20	29N-14425-00	DAMPER 1	1	

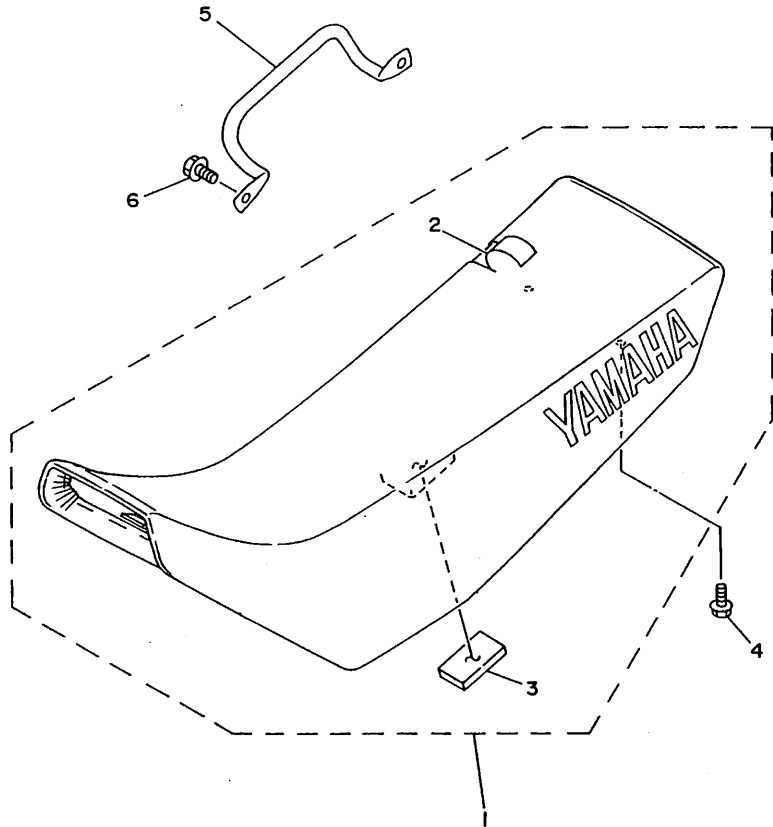


4MR2310-6240

D6

FIG. 25 SEAT

REF. NO.	PART NO.	DESCRIPTION	Q'TY	REMARKS
1	4GY-24730-10	DOUBLE SEAT ASSY	1	
2	4GY-24731-00	.COVER, SEAT	1	
3	3TB-24185-00	.DAMPER, LOCATING 5	1	
4	95807-06016	BOLT, FLANGE	2	
5	4GY-2127A-00	HANDLE, STANDING	1	
6	95817-08016	BOLT, FLANGE	1	



4MR1700-4250

D7

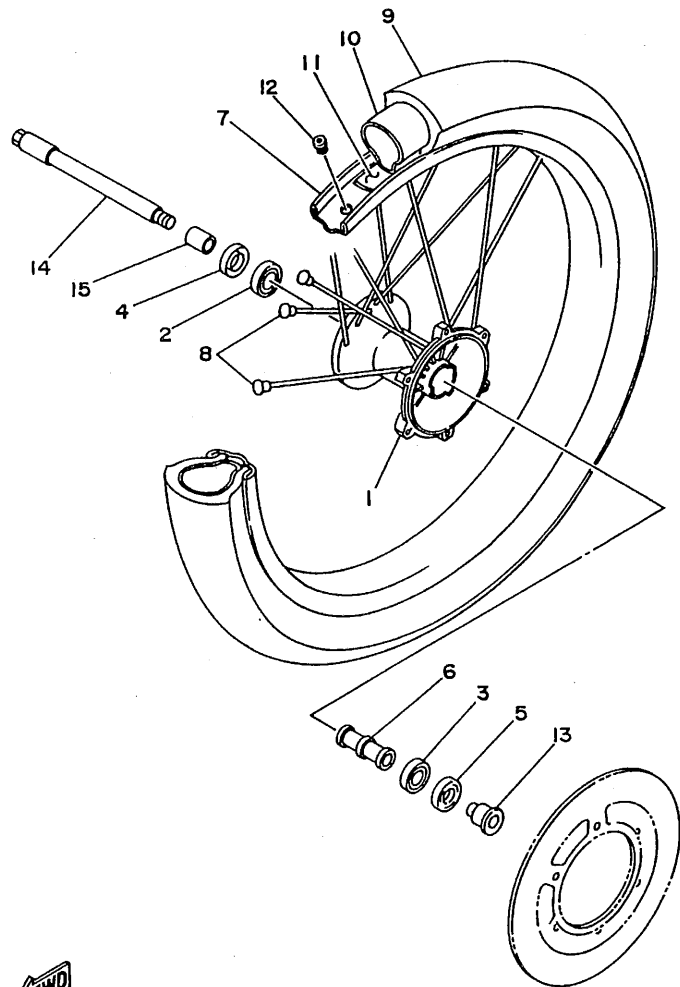


FIG. 26 FRONT WHEEL

REF. NO.	PART NO.	DESCRIPTION	Q'TY	REMARKS
1	4GY-25111-00-35	HUB, FRONT	1	SILVER
2	93306-20226	BEARING	1	KOYO
3	93306-00316	BEARING	1	
4	93106-20021	OIL SEAL	1	
5	93106-22032	OIL SEAL	1	
6	90560-15240	SPACER	1	
7	94416-21518	RIM (1.60-21)	1	
8	3LD-25104-00	SPOKE SET, FRONT	1	
9	94130-2105H	TIRE (3.00-21 51P TW51)	1	BRIDGESTONE
10	94227-21123	TUBE (2.75-21)	1	
11	94330-21084	BAND, RIM (3.00-21)	1	
12	90480-10068	GROMMET	1	
13	90387-1501X	COLLAR	1	
14	4GY-25181-00	AXLE, WHEEL	1	
15	90387-156R7	COLLAR	1	

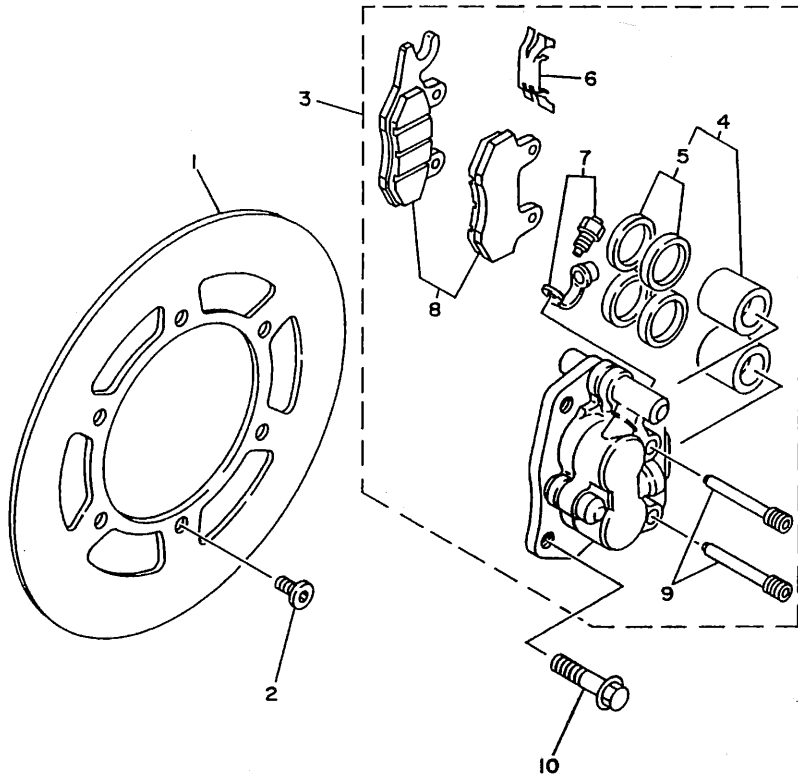


4GY1010-3260

D8

FIG. 27 FRONT BRAKE CALIPER

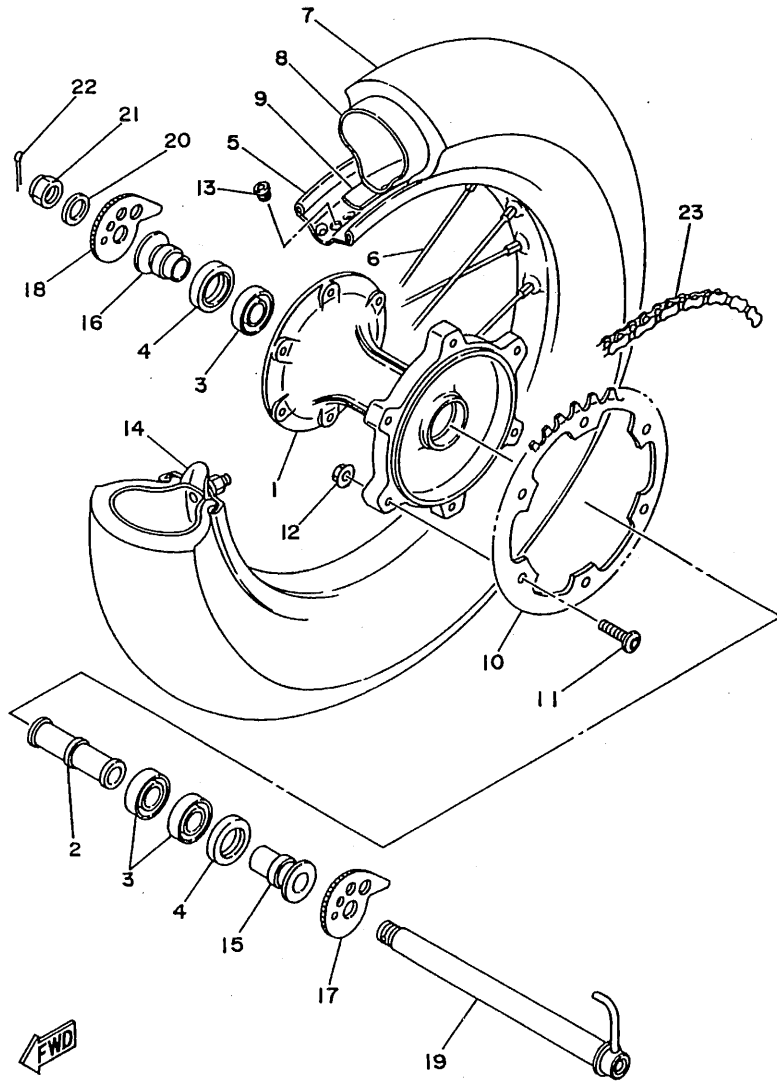
REF. NO.	PART NO.	DESCRIPTION	Q'TY	REMARKS
1	3XP-2582T-00	DISC, BRAKE	1	
2	90109-065F3	BOLT	6	
3	4GY-2580T-01	CALIPER ASSY (LEFT)	1	
4	4EW-W0057-00	.PISTON ASSY, CALIPER	1	
5	3JD-W0047-00	..CALIPER SEAL KIT	1	
6	3SP-25919-01	.SUPPORT, PAD	1	
7	36Y-W0048-00	.BLEED SCREW KIT	1	
8	4GY-W0045-00	.BRAKE PAD KIT	1	
9	3GD-25933-00	.PIN, PAD	2	
10	90105-10316	BOLT, WASHER BASED	2	



4GY1010-3270

D9

FIG. 28 REAR WHEEL

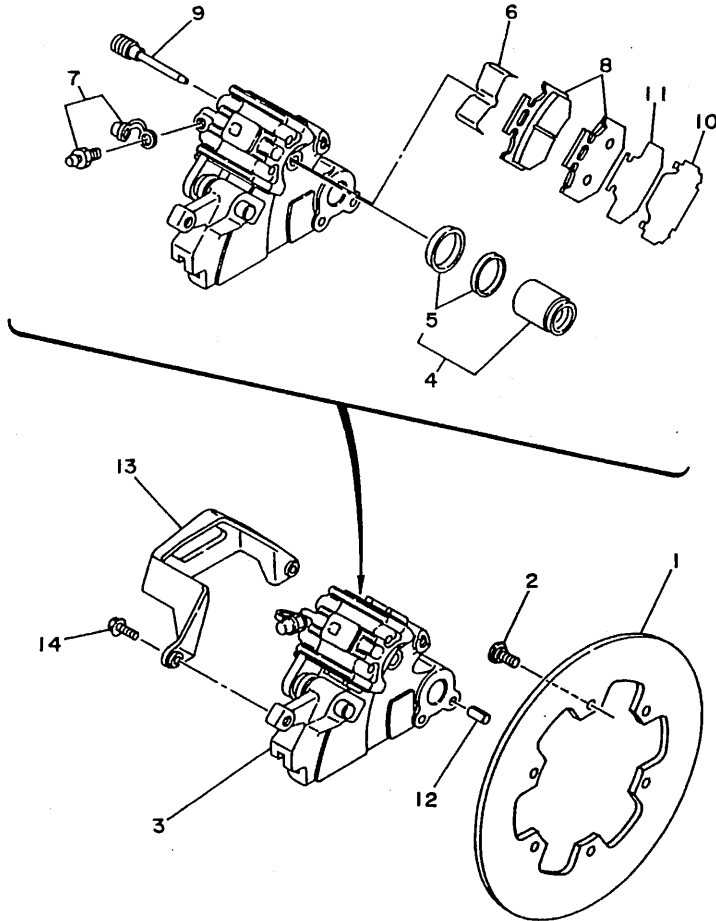


REF. NO.	PART NO.	DESCRIPTION	Q'TY	REMARKS
1	4GY-25311-00-35	HUB, REAR	1	SILVER
2	90560-20278	SPACER	1	
3	93306-07202	BEARING	3	
4	93106-28023	OIL SEAL	2	
5	94421-18519	RIM (2.15-18)	1	
6	2VN-25304-00	SPOKE SET, REAR	1	
7	94146-1805J	TIRE (4.60-18 63P TW52B)	1	BRIDGESTONE
8	94212-18188	TUBE (120/90-18)	1	
9	94340-18086	BAND, RIM (4.00-18)	1	
10	2YY-25444-01	SPROCKET, DRIVEN (44T)	1	
11	90110-08071	BOLT, HEXAGON SOCKET HEAD	6	
12	95617-08200	NUT, SELF-LOCKING	6	
13	90480-10068	GROMMET	1	
14	39X-25394-00	SPACER, BEAD	1	
15	90387-2001U	COLLAR	1	
16	90387-2001V	COLLAR	1	
17	3BN-25388-00	PULLER, CHAIN 1	1	
18	3BN-25389-00	PULLER, CHAIN 2	1	
19	4GY-25381-00	AXLE, WHEEL	1	
20	90201-204M9	WASHER, PLATE	1	
21	90171-18053	NUT, CASTLE	1	
22	91401-25030	PIN, COTTER	1	
23	94581-51106	CHAIN, DRIVE (DID520V2-106L)	1	

4GY1010-3280

FIG. 29 REAR BRAKE CALIPER

REF. NO.	PART NO.	DESCRIPTION	Q'TY	REMARKS
1	4GY-2582W-00	DISC, REAR BRAKE 2	1	
2	90109-065F3	BOLT	6	
3	4GY-2580W-00	CALIPER ASSY, REAR 2	1	
4	3SP-W0057-50	.PISTON ASSY, CALIPER	1	
5	3JD-W0047-50	..CALIPER SEAL KIT	1	
6	4GY-25919-50	.SUPPORT, PAD	1	
7	36Y-W0048-00	.BLEED SCREW KIT	1	
8	4GY-W0046-00	.BRAKE PAD KIT 2	1	
9	3SP-25924-51	.PIN, PAD	2	
10	4GY-25827-50	.SHIM, CALIPER	1	
11	4GY-22898-50	.INSULATOR, HEAT	1	
12	91690-60016	PIN, SPRING	2	
13	4GY-27491-00	PROTECTOR	1	
14	95027-06016	BOLT	2	

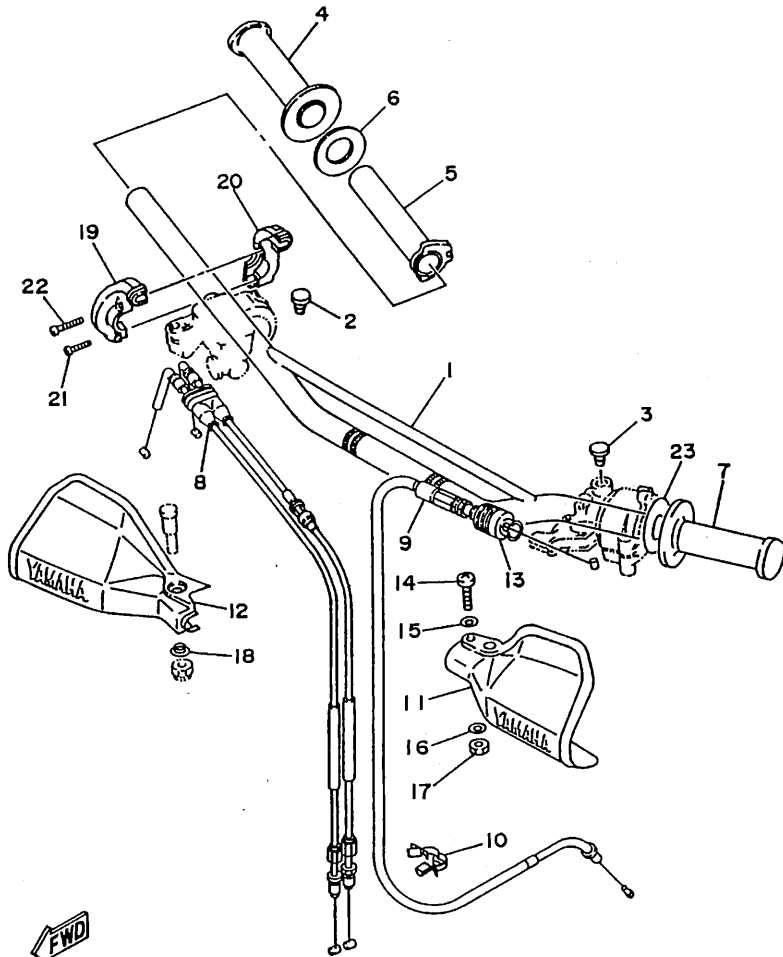


4GY3010-4310

D11

FIG. 30 STEERING HANDLE. CABLE

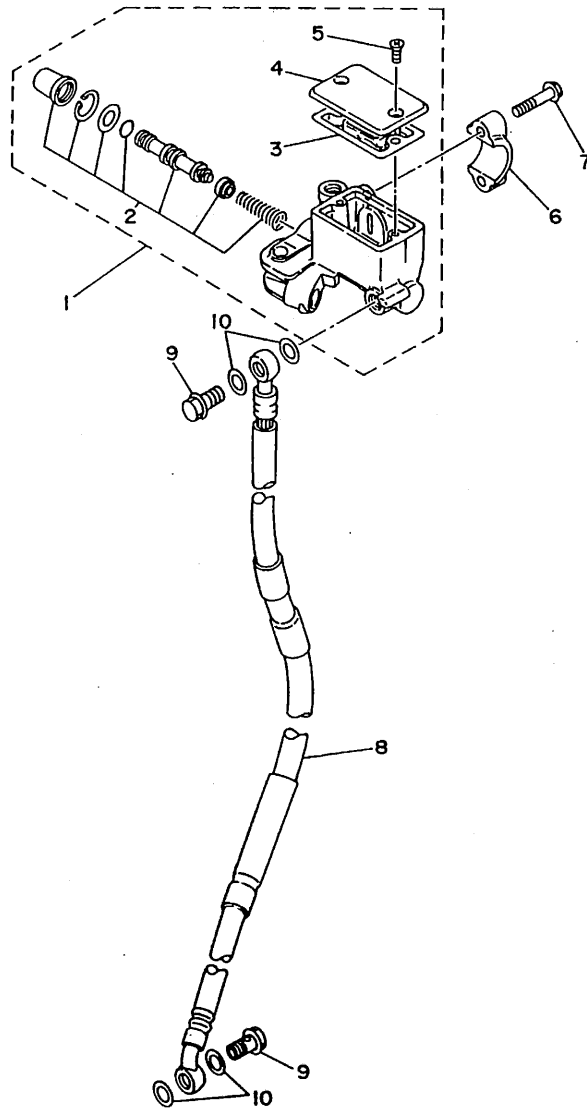
REF. NO.	PART NO.	DESCRIPTION	Q'TY	REMARKS
1	4GY-26111-00	HANDLEBAR	1	
2	90338-09012	PLUG	1	
3	90338-09012	PLUG	1	
4	4GY-26242-00	GRIP (RIGHT)	1	
5	3Y1-26243-01	TUBE, THROTTLE GUIDE	1	
6	3Y1-26249-00	RING, LEAF	1	
7	4GY-26241-00	GRIP (LEFT)	1	
8	4GY-26302-01	THROTTLE CABLE ASSY	1	
9	4GY-26335-01	CABLE, CLUTCH	1	
10	90464-10193	CLAMP	1	
11	3BN-26141-20	GUARD, BRUSH 1	1	PURPLISH WHITE SOLID 1
12	3BN-26142-20	GUARD, BRUSH 2	1	PURPLISH WHITE SOLID 1
13	1E6-26342-00	BOOT, CABLE	1	
14	98507-06035	SCREW, PAN HEAD	1	
15	92907-06600	WASHER, PLATE	1	
16	92907-06600	WASHER, PLATE	1	
17	95617-06100	NUT, U	1	
18	90387-06500	COLLAR	1	
19	34K-26281-00	CAP, GRIP UPPER	1	
20	1VJ-26282-00	CAP, GRIP LOWER	1	
21	98507-05020	SCREW, PAN HEAD	1	
22	98507-05025	SCREW, PAN HEAD	1	
23	4RR-26129-00	WASHER	1	



4MR2310-6300

D12

FIG. 31 FRONT MASTER CYLINDER



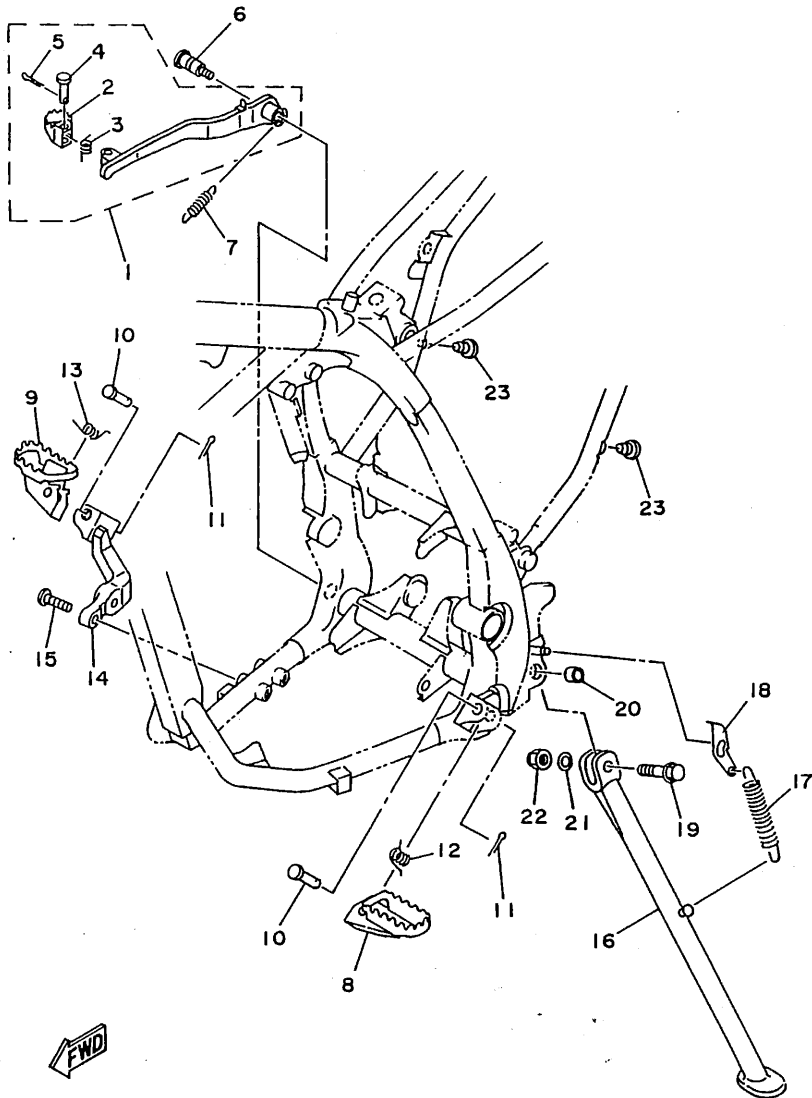
REF. NO.	PART NO.	DESCRIPTION	Q'TY	REMARKS
1	4GY-25870-01	MASTER CYLINDER SUB ASSY	1	
2	3RW-W0041-02	.CYLINDER KIT, MASTER	1	
3	3RW-25854-00	.DIAPHRAGM, RESERVOIR	1	
4	4GY-25852-00	.CAP, RESERVOIR	1	
5	98707-04012	.SCREW, FLAT HEAD	2	
6	56A-25867-00	BRACKET, MASTER CYLINDER	1	
7	95027-06025	BOLT, FLANGE	2	
8	4GY-25872-11	HOSE, BRAKE 1	1	
9	90401-10159	BOLT, UNION	2	
10	90201-10118	WASHER, PLATE	4	



4MRI700-4310

D13

FIG. 32 STAND, FOOTREST



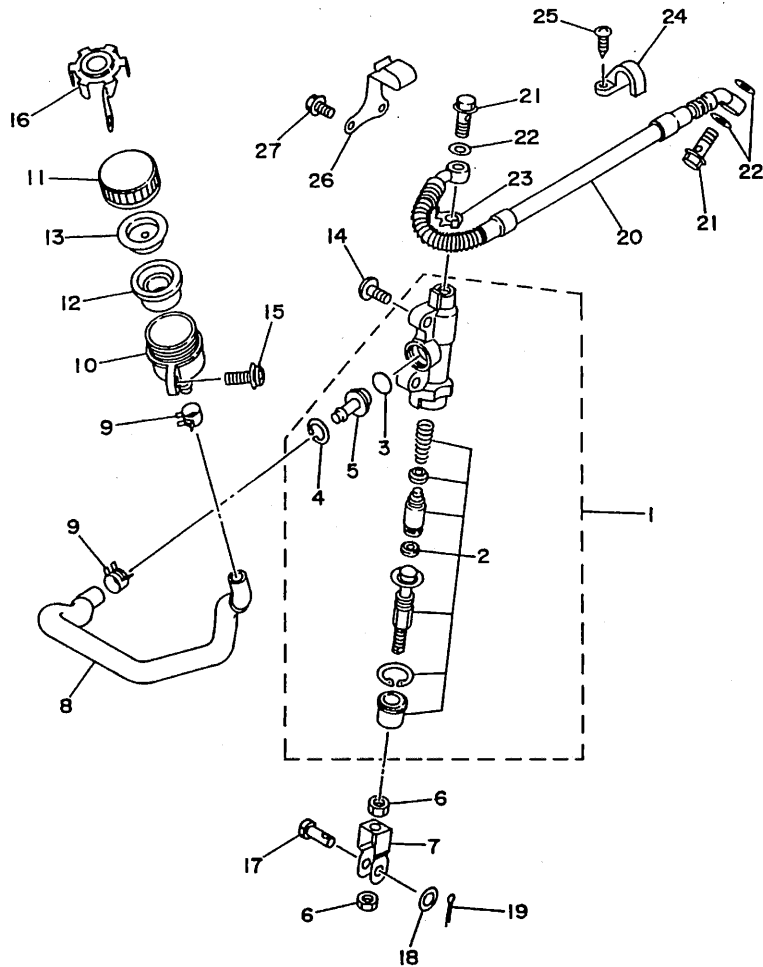
REF. NO.	PART NO.	DESCRIPTION	Q'TY	REMARKS
1	4GY-27200-00	PEDAL, BRAKE	1	
2	55V-27242-00	.PEDAL, BRAKE	1	
3	90508-14352	.SPRING, TORSION	1	
4	91701-06022	.PIN, CLEVIS	1	
5	91490-20020	.PIN, COTTER	1	
6	4GY-27217-00	BOLT	1	
7	90506-20369	SPRING, TENSION	1	
8	4DA-27411-00	FOOTREST 1	1	
9	4GY-27421-00	FOOTREST 2	1	
10	90240-10117	PIN, CLEVIS	2	
11	91401-25020	PIN, COTTER	2	
12	90508-28777	SPRING, TORSION	1	
13	90508-284A7	SPRING, TORSION	1	
14	4GY-27422-00	BRACKET, FOOTREST 2	1	
15	90111-10008	BOLT	2	
16	4GY-27311-01	STAND, SIDE	1	
17	90506-35473	SPRING, TENSION	1	
18	4GY-27315-00	LINK, SIDE STAND	1	
19	90105-10728	BOLT, WASHER BASED	1	
20	90387-1003G	COLLAR	1	
21	92990-10200	WASHER, PLAIN	1	
22	95617-10100	NUT, U	1	
23	90338-07124	PLUG	2	



4MR1700-4320

D14

FIG. 33 REAR MASTER CYLINDER



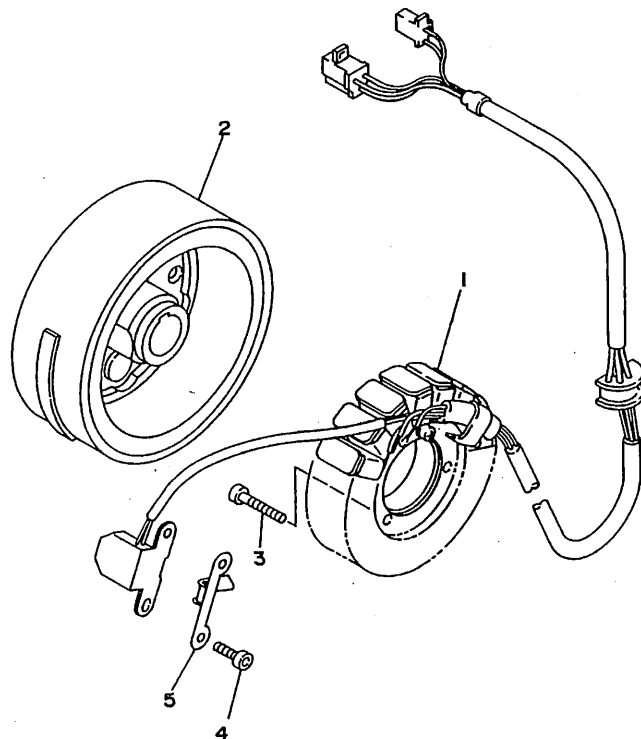
REF. NO.	PART NO.	DESCRIPTION	Q'TY	REMARKS
1	4GY-2583V-00	RR. MASTER CYLINDER ASSY	1	
2	4GY-W0042-00	.CYLINDER KIT, MASTER	1	
3	93210-15620	.O-RING	1	
4	2VN-25866-00	.CIRCLIP	1	
5	3PA-2582A-50	.JOINT	1	
6	95317-08600	NUT	2	
7	4GY-27222-00	JOINT	1	
8	4GY-25895-00	HOSE, RESERVOIR	1	
9	90467-11044	CLIP	2	
10	2VN-25894-00	TANK, RESERVOIR	1	
11	3XP-25852-50	CAP, RESERVOIR	1	
12	2VN-25854-00	DIAPHRAGM, RESERVOIR	1	
13	2VN-25855-00	BUSH, DIAPHRAGM	1	
14	92017-08016	BOLT, BUTTON HEAD	2	
15	95807-06014	BOLT, FLANGE	1	
16	3ET-25888-00	COVER, RESERVOIR TANK	1	
17	90240-08120	PIN, CLEVIS	1	
18	92901-08600	WASHER, PLATE	1	
19	91401-25020	PIN, COTTER	1	
20	4GY-25873-01	HOSE, BRAKE 2	1	
21	90401-10159	BOLT, UNION	2	
22	90201-10118	WASHER, PLATE	3	
23	4FU-25844-00	WASHER, LOCK	1	
24	2VM-25876-00	HOLDER, BRAKE HOSE 2	1	
25	97707-50510	SCREW, TAPPING	2	
26	90462-12195	CLAMP	1	
27	95027-06012	BOLT	2	

46Y1010-3330

D15

FIG. 34 GENERATOR

REF. NO.	PART NO.	DESCRIPTION	Q'TY	REMARKS
1	4GY-81410-01	STATOR ASSY	1	
2	4RR-81450-00	ROTOR ASSY	1	
3	91317-05025	BOLT	3	
4	91317-05012	BOLT	2	
5	90465-08358	CLAMP	1	

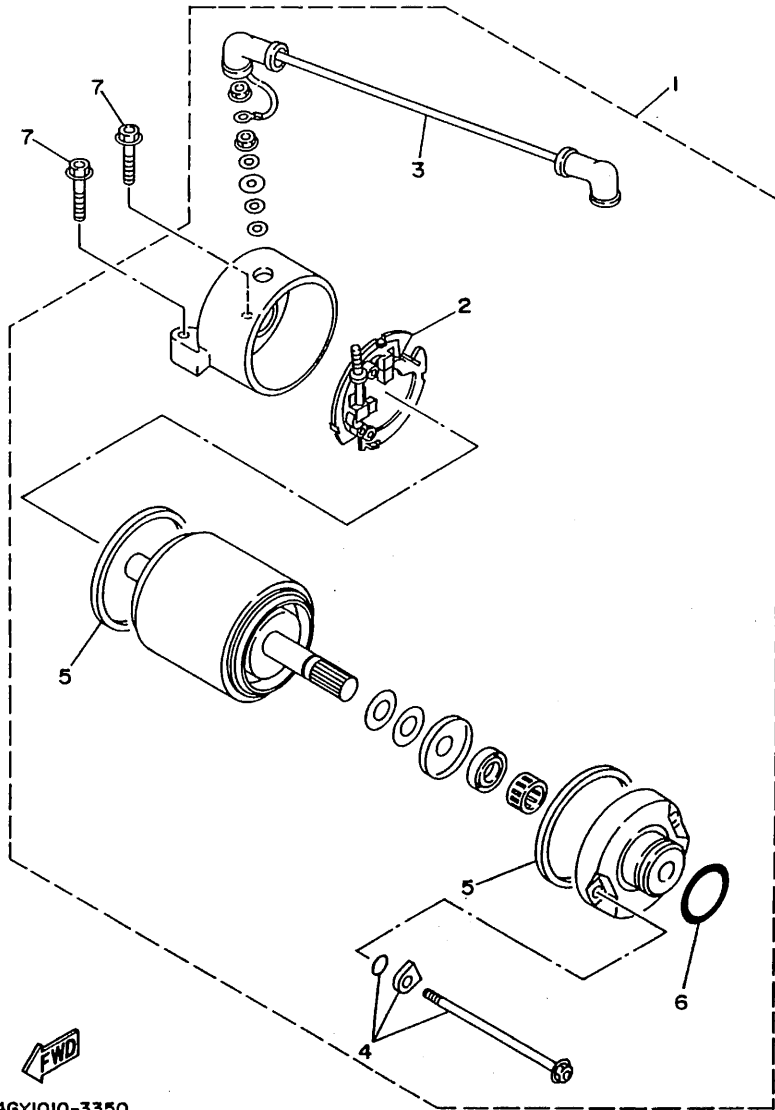


4GY1010-3340

E2

FIG. 35 STARTING MOTOR

REF. NO.	PART NO.	DESCRIPTION	Q'TY	REMARKS
1	4GY-81800-01	STARTING MOTOR ASSY	1	
2	3KS-81840-00	.BRUSH HOLDER ASSY	1	
3	4GY-81815-01	.CORD, STARTER MOTOR	1	
4	3WP-81826-00	.BOLT	2	
5	11H-81844-00	.GASKET	2	
6	26H-81847-00	.O-RING	1	
7	90105-06717	BOLT, WASHER BASED	2	

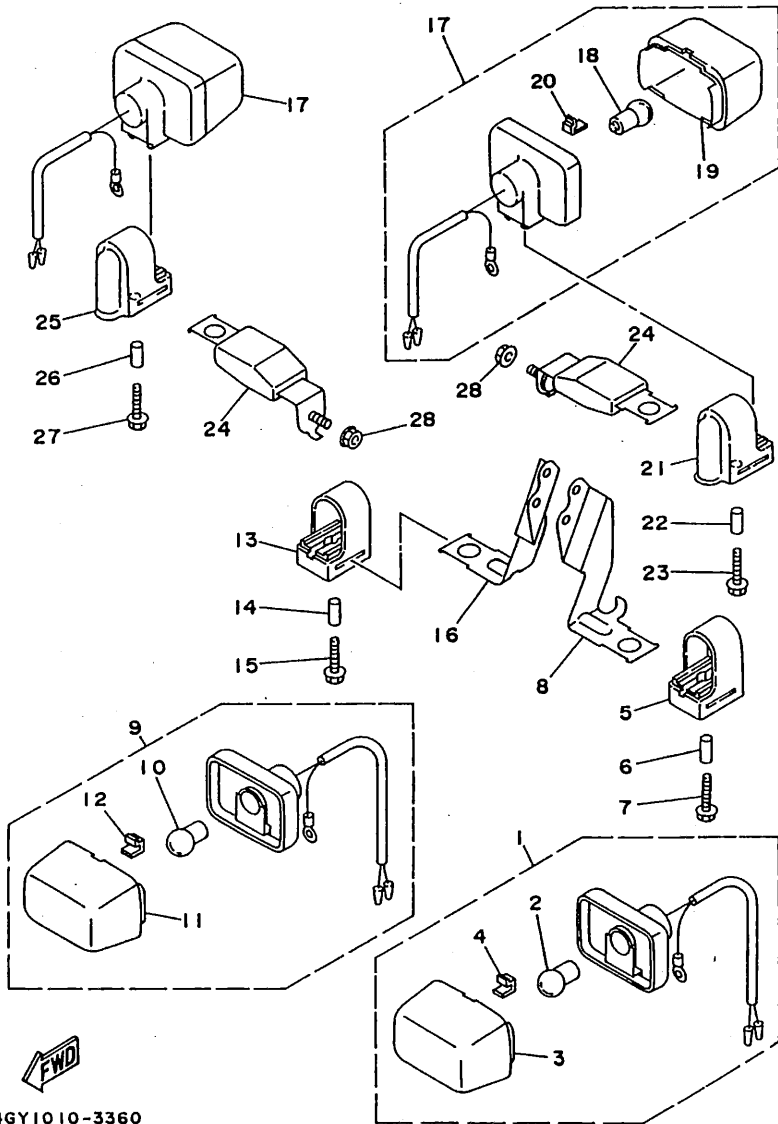


4GY1010-3350

E3

FIG. 36 FLASHER LIGHT

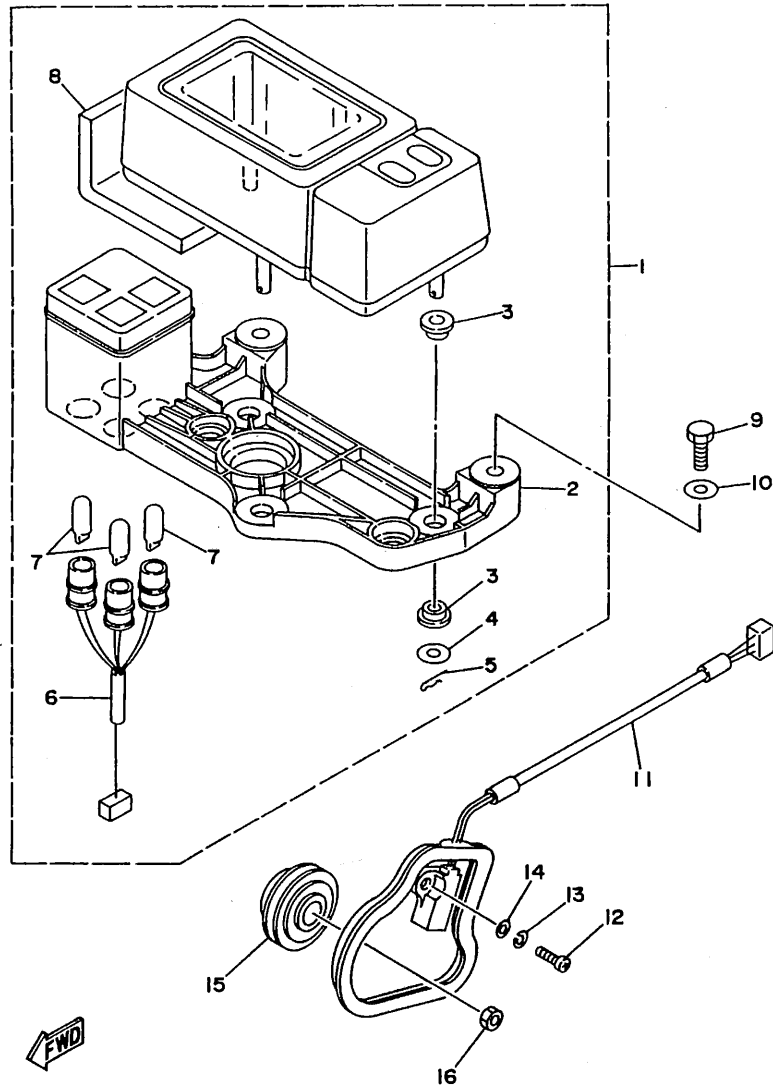
REF. NO.	PART NO.	DESCRIPTION	Q'TY	REMARKS
1	4AV-83310-10	FLASHER LIGHT ASSY 1	1	
2	851-84744-00	.BULB (12V-10W)	1	
3	2T4-83312-00	.LENS, FLASHER	1	
4	1KH-83345-00	.PLUG, BLIND	1	
5	1KH-83321-00	DAMPER, FLASHER 1	1	
6	90387-05285	COLLAR	1	
7	90159-05011	SCREW, WITH WASHER	1	
8	4GY-83318-00	STAY, FLASHER 1	1	
9	4GY-83320-00	FRONT FLASHER LIGHT ASSY 2	1	
10	851-84744-00	.BULB (12V-10W)	1	
11	2T4-83312-00	.LENS, FLASHER	1	
12	1KH-83345-00	.PLUG, BLIND	1	
13	1KH-83321-00	DAMPER, FLASHER 1	1	
14	90387-05285	COLLAR	1	
15	90159-05011	SCREW, WITH WASHER	1	
16	4GY-83328-00	STAY, FLASHER 2	1	
17	3XP-83310-00	FRONT FLASHER LIGHT ASSY 1	2	
18	851-84744-00	.BULB (12V-10W)	1	
19	2T4-83312-00	.LENS, FLASHER	1	
20	1KH-83345-00	.PLUG, BLIND	1	
21	1KH-83321-00	DAMPER, FLASHER 1	1	
22	90387-05285	COLLAR	1	
23	90159-05011	SCREW, WITH WASHER	1	
24	4GY-83368-00	STAY, FLASHER 1	2	
25	1KH-83321-00	DAMPER, FLASHER 1	1	
26	90387-05285	COLLAR	1	
27	90159-05011	SCREW, WITH WASHER	1	
28	95707-08500	NUT, FLANGE	2	



4GY1010-3360

E4

FIG. 37 METER



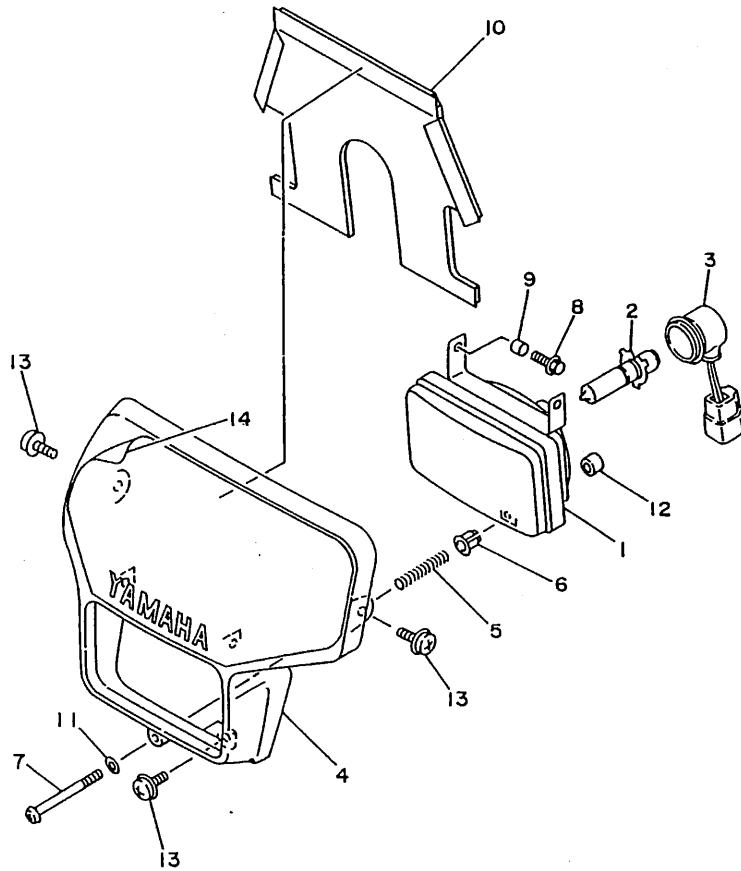
REF. NO.	PART NO.	DESCRIPTION	Q'TY	REMARKS
1	4GY-83500-21	SPEEDOMETER ASSY	1	
2	4GY-83519-21	.BRACKET, METER	1	
3	4GY-83523-00	.DAMPER	6	
4	90201-05033	.WASHER, PLATE	3	
5	90468-10050	.CLIP	3	
6	4GY-83586-20	.SOCKET ASSY	1	
7	4GY-83517-20	.BULB (12V-3W)	3	
8	4GY-83513-00	.DAMPER	1	
9	97027-06030	BOLT	2	
10	92907-06600	WASHER, PLATE	2	
11	4GY-83755-01	SENSOR, SPEED	1	
12	98507-05016	SCREW, PAN HEAD	1	
13	92907-05100	WASHER, SPRING	1	
14	92907-05200	WASHER, PLAIN	1	
15	4GY-8354W-00	ROTOR	1	
16	95307-10700	NUT	1	

4GY1010-3370

E5

FIG. 38 HEADLIGHT

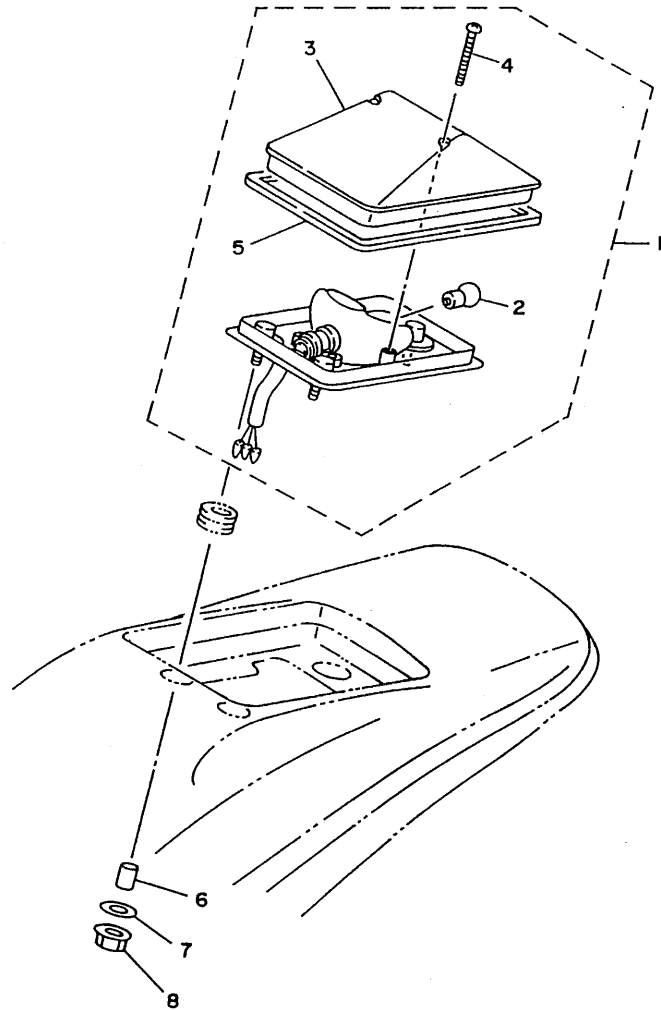
REF. NO.	PART NO.	DESCRIPTION	Q'TY	REMARKS
1	4GY-84320-00	LENS ASSY	1	
2	3FW-84314-00	BULB, HEADLIGHT	1	
3	3FW-84340-00	SOCKET CORD ASSY 1	1	
4	4GY-84311-00	BODY, HEADLIGHT	1	
5	4GY-84332-00	SPRING, SCREW	1	
6	50W-84334-00	NUT, ADJUSTING	1	
7	98580-04055	SCREW, PAN HEAD	1	
8	55U-84337-00	BOLT, SPECIAL	2	
9	55U-84328-00	SPACER	2	
10	3XP-84196-00	COVER, SOCKET	1	
11	92901-04600	WASHER, PLATE	1	
12	2RR-84178-00	PLUG	1	
13	90159-06189	SCREW, WITH WASHER	3	
14	4RR-28391-00	GRAPHIC 1	1	



4MR2310-6380

E6

FIG. 39 TAILLIGHT



REF. NO.	PART NO.	DESCRIPTION	Q'TY	REMARKS
1	4GY-84710-00	TAILLIGHT UNIT ASSY	1	
2	31L-84714-00	.BULB, TAILLIGHT (12V-21/5W)	1	
3	4GY-84733-00	.LENS, TAILLIGHT	1	
4	97706-40530	.SCREW, TAPPING	2	
5	4GY-84723-00	.GASKET, TAIL LENS	1	
6	90387-065L5	COLLAR	3	
7	90201-06057	WASHER, PLATE	3	
8	95707-06500	NUT, FLANGE	3	



4MR1700-4390

E7

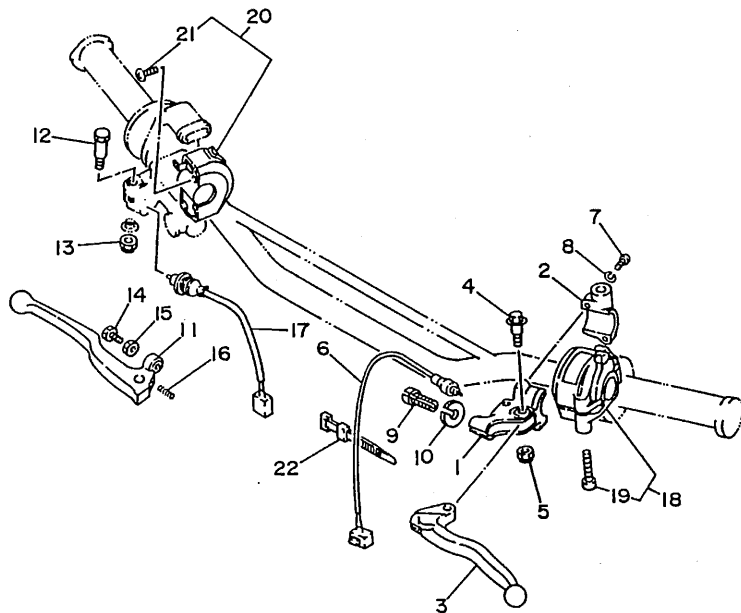


FIG. 40 HANDLE SWITCH. LEVER

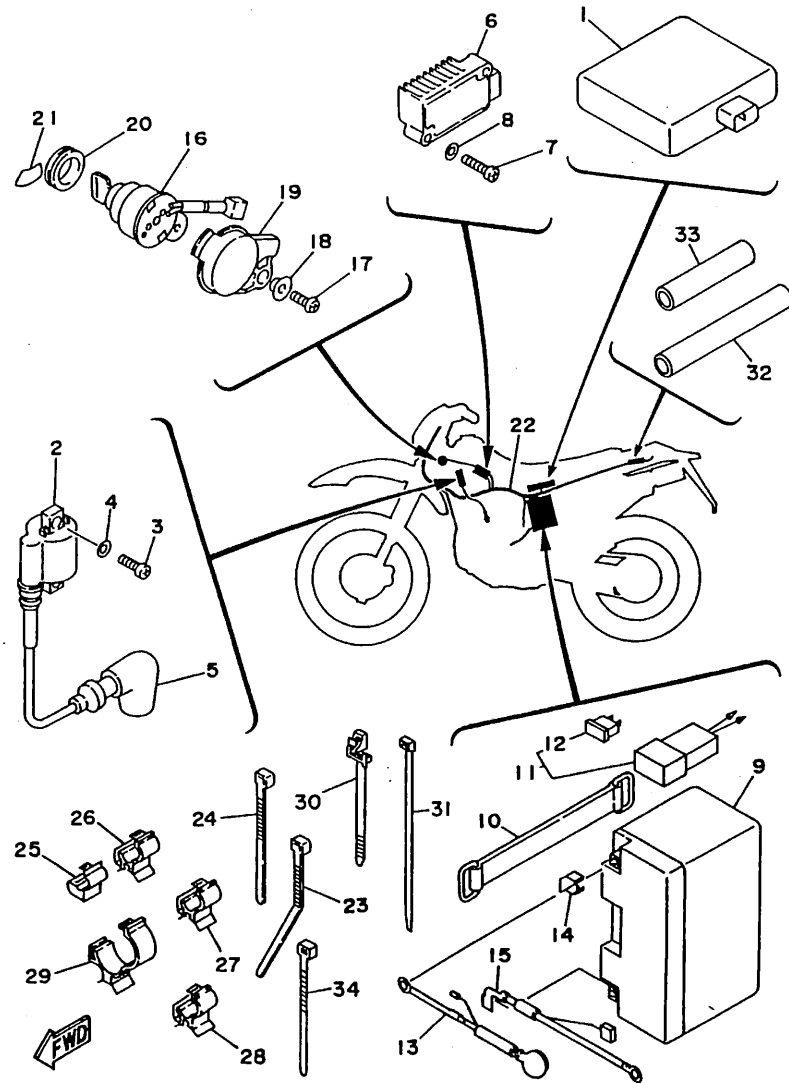
REF. NO.	PART NO.	DESCRIPTION	Q'TY	REMARKS
1	1LN-82911-00	HOLDER, LEVER 1	1	
2	33G-82913-00	HOLDER, LEVER LOWER 1	1	
3	4GY-83912-00	LEVER 1	1	
4	90109-06799	BOLT	1	
5	95617-06100	NUT, U	1	
6	4GY-82917-00	SWITCH	1	
7	98507-05020	SCREW, PAN HEAD	2	
8	92907-05100	WASHER, SPRING	2	
9	90123-08046	BOLT	1	
10	90179-08148	NUT	1	
11	55Y-83922-00	LEVER 2	1	
12	90109-062A8	BOLT	1	
13	95617-06100	NUT, U	1	
14	90143-06024	SCREW, HEXAGON	1	
15	90170-06010	NUT	1	
16	90501-10312	SPRING, COMPRESSION	1	
17	2UJ-83980-00	FRONT STOP SWITCH ASSY	1	
18	4RR-83972-00	SWITCH, HANDLE 4	1	
19	98507-05030	.SCREW, PAN HEAD	2	
20	4GY-83975-00	SWITCH, HANDLE 2	1	
21	98507-05018	.SCREW, PAN HEAD	2	
22	437-83936-01	BAND, SWITCH CORD	4	



4GY1010-3400

E8

FIG. 41 ELECTRICAL 1



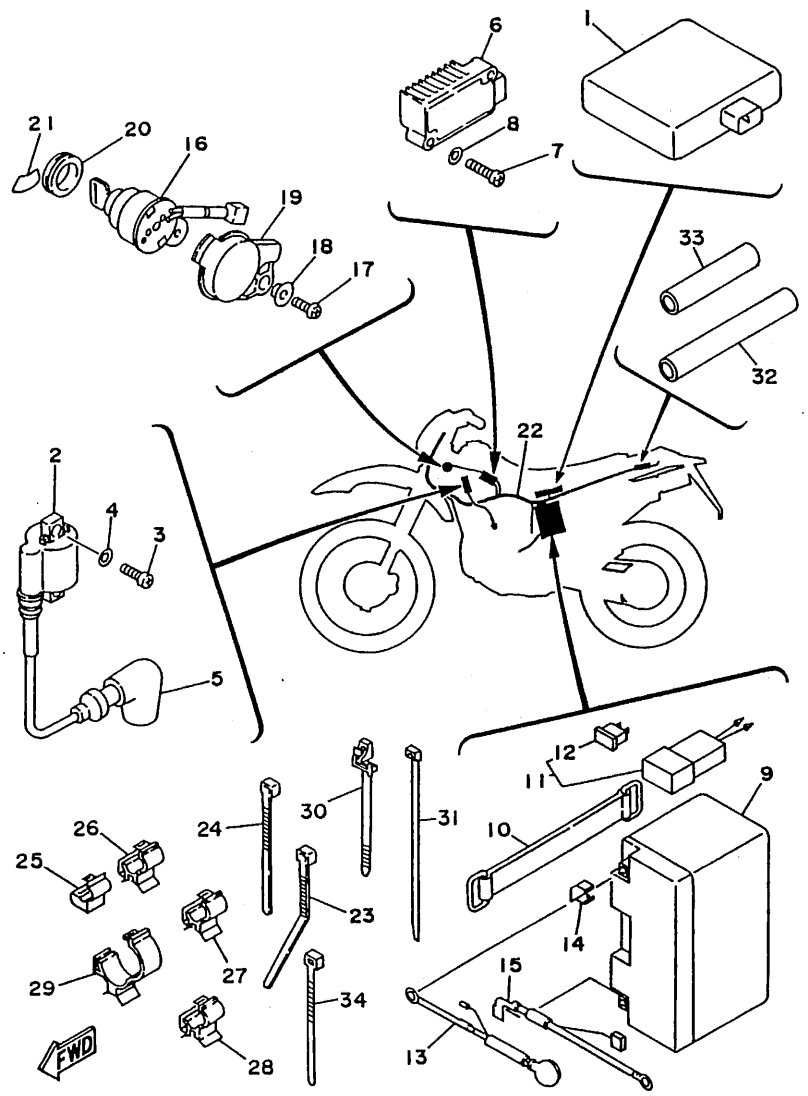
4MR2310-6410

REF. NO.	PART NO.	DESCRIPTION	Q'TY	REMARKS
1	4GY-85540-00	C.D.I. UNIT ASSY	1	
2	1UY-82310-41	IGNITION COIL ASSY	1	
3	98517-06020	SCREW, PAN HEAD	2	
4	92907-06600	WASHER, PLATE	2	
5	1LN-82370-00	PLUG CAP ASSY	1	
6	3TJ-81960-01	RECTIFIER & REGULATOR ASSY	1	
7	98517-06030	SCREW, PAN HEAD	2	
8	92907-06600	WASHER, PLATE	2	
9	4GY-82100-00	BATTERY (GS GT7B-4)	1	
10	133-82131-00	BAND, BATTERY	1	
11	4RR-82150-00	FUSE HOLDER ASSY	1	
12	36Y-82151-00	.FUSE (15A-BL)	1	
13	4RR-82115-00	WIRE, PLUS LEAD	1	
14	4GY-82119-00	COVER, LEAD WIRE	1	
15	4GY-82116-00	WIRE, MINUS LEAD	1	
16	4GY-82510-00	MAIN SWITCH ASSY	1	
17	90149-06228	SCREW	1	
18	90387-087L0	COLLAR	1	
19	4GY-82568-01	COVER, MAIN SWITCH	1	
20	90480-24222	GROMMET	1	
21	4GY-82505-00	EMBLEM, MAIN SWITCH	1	
22	4RR-82590-00	WIRE HARNESS ASSY	1	
23	12R-82591-00	BAND	7	
24	437-83936-01	BAND, SWITCH CORD	1	
25	90464-05188	CLAMP	1	
26	90464-08189	CLAMP	2	
27	90464-15195	CLAMP	1	
28	90464-15192	CLAMP	4	

E9

FIG. 41 ELECTRICAL 1

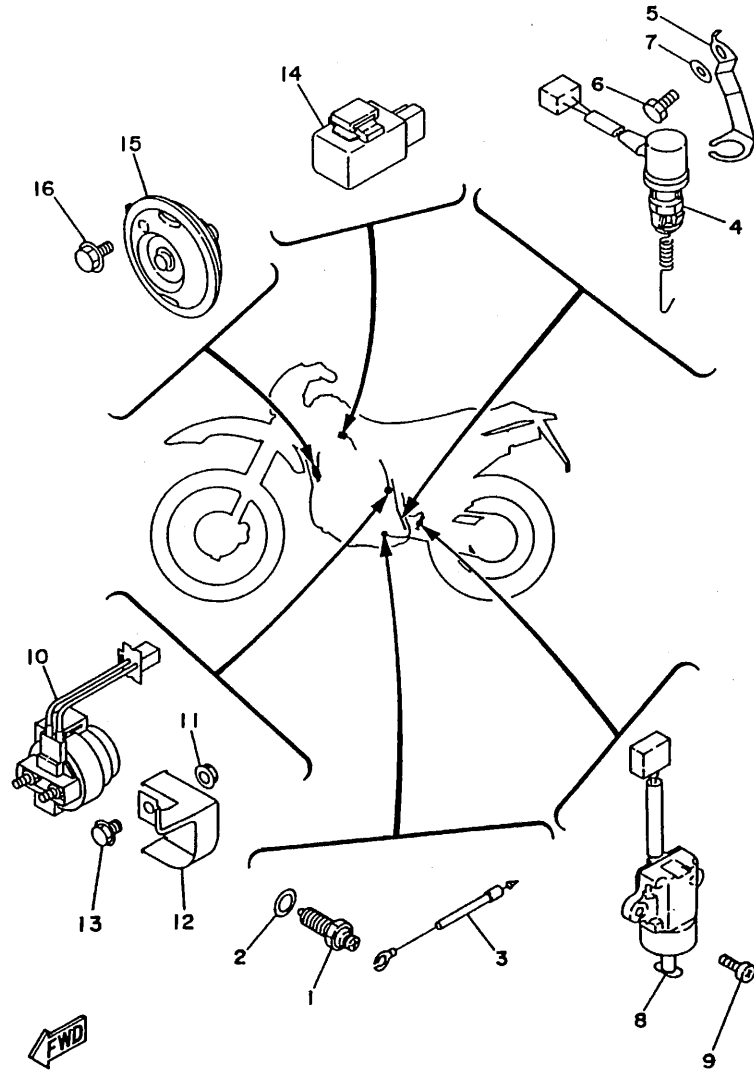
REF. NO.	PART NO.	DESCRIPTION	Q'TY	REMARKS
29	90464-20191	CLAMP	2	
30	90464-15200	CLAMP	1	
31	1UA-82591-00	CLAMP	4	
32	90446-15377	HOSE	1	
33	90446-15376	HOSE	1	
34	90464-14117	CLAMP	1	



4MR2310-6410

E10

FIG. 42 ELECTRICAL 2



REF. NO.	PART NO.	DESCRIPTION	Q'TY	REMARKS
1	4GY-82540-10	NEUTRAL SWITCH ASSY	1	
2	90430-10148	GASKET	1	
3	4GY-82509-00	WIRE, SUB LEAD	1	
4	4GY-82530-00	STOP SWITCH ASSY	1	
5	4GY-82539-00	STAY, STOP SWITCH	1	
6	97017-06016	BOLT	1	
7	92907-06600	WASHER, PLATE	1	
8	3LD-82566-30	SWITCH, SIDE STAND	1	
9	98507-05014	SCREW, PAN HEAD	2	
10	3SX-81940-00	STARTER RELAY ASSY	1	
11	95707-06500	NUT, FLANGE	2	
12	4GY-81953-00	STAY, RELAY	1	
13	95027-06012	BOLT, FLANGE	1	
14	3TY-83350-00	FLASHER RELAY ASSY	1	
15	3FW-83371-00	HORN	1	
16	95817-06012	BOLT, FLANGE	1	

4MR2310-6420

E11

NUMERICAL INDEX

PART NO.	GRID NO.	PART NO.	GRID NO.	PART NO.	GRID NO.	PART NO.	GRID NO.	PART NO.	GRID NO.	PART NO.	GRID NO.
3RW-00041-02	D-13	4GY-12121-00	B- 5	14T-14104-00	B-11	4GY-14711-02	B-13	4GY-17261-01	C- 5	4RR-22128-00	C-12
4GY-00042-00	D-15	1WG-12153-21	B- 6	4GY-14105-00	B-11	4EL-14714-00	B-13	4GY-17402-00	C- 5	5X6-22141-01	C-12
4GY-00045-00	D- 9	1WG-12153-31	B- 6	4GY-14107-00	B-11	4BD-14766-00	B-13	4GY-17411-00	C- 5	4RR-22143-00	C-12
4GY-00046-00	D-11	3LD-12168-A0	B- 5	5HO-14126-00	B-12	4GY-14799-00	B-13	4GY-17460-00	C- 5	4GY-22151-00	C-12
3JD-00047-00	D- 9	3LD-12168-FO	B- 5	1HV-14147-00	B-11	4GY-1490J-00	B-11	4GY-18101-00	C- 7	4GY-22165-00	C-12
3JD-00047-50	D-11	3LD-12168-HI	B- 5	3YF-14149-00	B-12	3GV-1490K-00	B-11	4GY-18102-00	C- 7	4GY-2217A-00	C-12
36Y-00048-00	D- 9	3LD-12168-KI	B- 5	4GY-14149-00	B-12	4GY-1490K-00	B-12	4GY-18110-00	C- 7	4GY-2217F-00	C-13
	D-11	3LD-12168-MI	B- 5	4GY-14149-10	B-12	4GY-14940-00	B-12	1W6-18113-00	C- 7	4GY-22177-00	C-12
	D-11	3LD-12168-R1	B- 5	4GY-14149-20	B-12	4GY-14958-00	B-12	4GY-18120-00	C- 7	4ES-22178-00	C- 9
3SP-00057-50	D- 9	3LD-12168-U1	B- 5	4GY-14153-00	B-11	5HO-14991-00	B-12	4GY-18140-00	C- 7	4GY-22178-00	C- 9
4GY-W1142-00	B- 4	3LD-12168-W1	B- 5	3YF-14159-00	B-12	4RR-15100-00	B-14	4GY-18511-00	C- 6	29L-22184-00	C-12
4GY-Y2161-J0	C-10	3LD-12168-Y1	B- 5	24W-14193-00	B-12	4GY-15118-00	B-15	4GY-18512-00	C- 6	30X-2219X-00	C-12
4GY-Y2171-40	C-11	3LD-12168-00	B- 5		B-12	55X-15167-00	C- 3	4GY-18513-00	C- 6	4RR-22199-00	C-12
4GY-Y2172-40	C-11	3LD-12168-20	B- 5	3YF-14196-00	B-12	3Y1-15361-00	C- 2	4GY-18531-00	C- 6	4GY-22210-12-PO	C-14
4GY-11102-01	B- 2	3LD-12168-40	B- 5	1JK-14197-00	B-12	4GY-15370-00	B- 9	4GY-18540-00	C- 6	38V-22211-00	C-14
2GH-11116-00	B- 2	3LD-12168-60	B- 5	4GY-14198-00	B-11	4GY-1541E-00	B-15	136-18542-00	C- 6	4GY-22212-01-PO	C-14
4BR-11116-09	B- 2	3LD-12168-80	B- 5	4GY-14272-00	B-12	4GY-15411-02	B-15	4GY-21105-00-PO	C- 8	3LD-22214-01	C-14
4GY-11133-10	B- 2	3LD-12169-E0	B- 5	6G8-14275-00	B-12	4GY-15415-01	C- 2	4GY-21107-00	C- 9	4GY-22219-00	C-14
4RR-11165-01	B- 2	3LD-12169-G0	B- 5	4GY-14276-00	B-12	4GY-15421-00	B-15	4RR-21110-00-PO	C- 8	3XP-22224-00	C-14
4RR-11166-00	B- 2	3LD-12169-J0	B- 6	4GY-14292-00	B-11	4GY-15431-00	B-15	4RR-2117F-00	C- 9	3SP-22241-00	C-14
4GY-11167-00	B- 9	3LD-12169-L0	B- 6	4GY-14293-00	B-11	4GY-15441-00	B-14	4RR-2117M-00	C- 9	4GY-22261-00	C-14
59V-11167-00	B- 2	3LD-12169-NO	B- 6	4GY-14301-20	B-11	4GY-15451-00	B-15	1JK-21268-00	C- 9	34K-22311-01	C-12
4GY-11181-00	B- 2	3LD-12169-T0	B- 6	4GY-14312-40	B-11	4GY-15461-00	B-15	4GY-2127A-00	D- 7	3XJ-22475-00	C-13
4RR-11191-00	B- 2	3LD-12169-11	B- 5	4GY-14326-00	B-11	4GY-15512-01	C- 3	26H-21308-00	C- 9	4GY-22898-50	D-11
4GY-11193-00	B- 2	3LD-12169-31	B- 5	4GY-14329-74	B-11	4GY-15515-00	C- 3	4GY-21315-00	C- 8	4GY-23102-01	D- 3
4GY-11310-00	B- 3	3LD-12169-50	B- 5	4RR-14341-00	B-11	4GY-15517-01	C- 3	4GY-21317-00	C- 8	4GY-23103-01	D- 3
4GY-11351-00	B- 3	3LD-12169-70	B- 5	43F-14342-25	B-11	4GY-15521-00	C- 3	4GY-21318-01	C- 8	4GY-23110-00	D- 3
4GY-11400-00	B- 4	3LD-12169-90	B- 5	4GY-14384-00	B-11	4GY-15590-00	C- 3	4GY-21319-00	C- 8		D- 4
4GY-11412-00	B- 4	4GY-12171-00	B- 7	2JN-14385-00	B-11	4GY-16111-00	C- 4	1HX-2135F-10	C-13	2VM-23111-L0	D- 3
4GY-11454-00	B- 4	4GY-12176-00	B- 7	6E5-14386-01	B-11	4GY-16150-00	C- 4	4GY-21365-00	C-11		D- 4
4GY-11496-00	B- 4	3GC-12210-10	B- 7	5Y1-14397-00	B-12	30X-16154-00	C- 4	22F-2139X-00	C-12	4GY-23118-01	D- 3
4GY-11531-00	B- 4	4BE-12213-00	B- 7	4GY-14401-00	B- 9	3XJ-16321-00	C- 4	4GY-21471-00	C- 8		D- 4
4GY-11533-00	B- 4	4GY-12241-00	B- 7	4GY-14412-00	B- 9	3XJ-16324-00	C- 4	4RR-21485-00	C- 9	55Y-2312G-M0	D- 3
4GY-11603-00	B- 4	4GY-12251-00	B- 7	4GY-14413-00	B- 9	4GY-16351-00	C- 4		C- 9		D- 4
4GY-11605-00	B- 4	4GY-12252-00	B- 7	29N-14425-00	D- 6	4DN-16356-00	C- 4	4GY-21486-00	C- 4	3XJ-23125-L0	D- 3
4GY-11607-00	B- 4	296-13147-00	C- 3	3AJ-1443E-00	B- 9	4GY-16357-00	C- 4	4GY-21511-00	C-10		D- 4
4GY-11631-00-CO	B- 4	4GY-13151-00	B- 8	4GY-1443E-00	B- 9	1W1-16358-01	C- 4	4GY-21642-00	C-10	4GY-23126-00	D- 3
30X-11633-03	B- 4	4GY-13161-00	B- 8	4GY-14437-00	B- 9	4GY-16371-01	C- 4	4RR-2165A-00	C-10	4GY-23136-00	D- 3
4GY-11636-00	B- 4	4GY-13300-00	B- 8	1LN-14451-00	B- 9	4GY-16380-01	C- 4	3XV-21717-00	C-10	4GY-2314A-01	D- 3
4GY-11638-00	B- 4	4GY-13326-00	B- 8	4GY-14453-00	B- 9	51Y-17121-00	C- 5	4RR-2173E-00	C-11		D- 4
4GY-11651-00	B- 4	4GY-13329-00	B- 8	4GY-14458-00	B- 9	4GY-17131-00	C- 5	4RR-2173F-00	C-11	4GY-23141-00	D- 3
4GY-11681-00	B- 4	22F-13411-00	B- 8	4GY-14459-00	B- 9	55V-17151-02	C- 5	4GY-2174A-00	C-11		D- 4
4GY-12111-00	B- 5	1UY-13440-02	B- 8	1LN-14462-00	B- 9	4GY-17161-01	C- 5	4GY-2174T-00	C-11	4V4-23142-L0	D- 3
4GY-12113-00	B- 5	4GY-13447-00	B- 8	1VJ-14462-00	B- 9	4GY-17211-00	C- 5	4GY-21746-00	C-11		D- 4
2GH-12116-00	B- 5	4GY-13490-00	B- 8	4GY-14485-00	B-10	4GY-17221-00	C- 5	4GY-21747-00	C-11	2VM-23144-L0	D- 3
4GY-12117-00	B- 5	4GY-13586-00	B- 9	4GY-14611-01	B-13	4GY-17231-00	C- 5	2TK-21757-00	B- 9		D- 4
1AA-12118-00	B- 5	4GY-13591-00	B- 9	4FM-14613-00	B-13	4GY-17241-00	C- 5	4GY-2177G-00	C-11	2VM-23145-L0	D- 3
33M-12119-00	B- 5	2KF-1410A-00	B-11	4GY-14628-00	B-13	4GY-17251-00	C- 5	4RR-22110-00	C-12		D- 4

NUMERICAL INDEX

PART NO.	GRID NO.	PART NO.	GRID NO.	PART NO.	GRID NO.	PART NO.	GRID NO.	PART NO.	GRID NO.	PART NO.	GRID NO.
4V4-23146-L0	D- 3	4H7-24181-00	D- 6	3SP-25919-01	D- 9	4GY-82100-00	E- 9	4GY-8354W-00	E- 5	90105-10745	B- 2
	D- 4	1KH-24182-00	D- 6	4GY-25919-50	D-11	4RR-82115-00	E- 9	4GY-83586-20	E- 5	90106-08053	C- 8
3J2-23147-00	D- 3	30X-24183-01	D- 6	3SP-25924-51	D-11	4GY-82116-00	E- 9	4GY-83755-01	E- 5	90109-062A8	E- 8
	D- 4	3TB-24185-00	D- 7	3GD-25933-00	D- 9	4GY-82119-00	E- 9	4GY-83912-00	E- 8	90109-063F7	C- 7
4V4-23153-L0	D- 3	30X-24186-01	D- 6	4GY-26111-00	D-12	4GY-82123-00	C-11	55Y-83922-00	E- 8	90109-064A5	C-10
	D- 3	4GY-24187-00	D- 6	4RR-26129-00	D-12	120-82131-00	C- 9	437-83936-01	E- 8	90109-06418	B- 7
2HH-23158-L0	D- 3	4GY-24188-00	D- 6	3BN-26141-20	D-12	133-82131-00	E- 9		E- 9	90109-06419	B- 8
	D- 4	4RR-24240-00	D- 6	3BN-26142-20	D-12	4RR-82150-00	E- 9	4RR-83972-00	E- 8	90109-065F3	D- 9
4GY-2316A-01	D- 3	23F-24500-01	D- 6	4GY-26241-00	D-12	36Y-82151-00	E- 9	4GY-83975-00	E- 8		D-11
	D- 4	4X8-24512-00	D- 6	4GY-26242-00	D-12	1UY-82310-41	E- 9	2UJ-83980-00	E- 8	90109-066F0	B- 2
3XJ-23167-L0	D- 4	3AJ-24523-00	D- 6	3YI-26243-01	D-12	1LN-82370-00	E- 9	3K7-84154-10	D- 2	90109-06605	B- 2
4GY-23170-00	D- 3	3AJ-24534-00	D- 6	3YI-26249-00	D-12	4GY-82505-00	E- 9	2RR-84178-00	E- 6	90109-06799	E- 8
	D- 4	214-24535-00	B-11	4GY-26279-00	C-15	4GY-82509-00	E-11	3XP-84196-00	E- 6	90109-08260	B-13
3XJ-23171-L0	D- 3	11H-24602-03	D- 6	34K-26281-00	D-12	4GY-82510-00	E- 9	4GY-84311-00	E- 6	90110-06091	C- 3
	D- 4	4GY-24730-10	D- 7	1VJ-26282-00	D-12	4GY-82530-00	E-11	3FW-84314-00	E- 6	90110-06224	B-15
2VM-23173-L0	D- 3	4GY-24731-00	D- 7	4GY-26302-01	D-12	4GY-82539-00	E-11	4GY-84320-00	E- 6		B-15
	D- 4	3LD-25104-00	D- 8	4GY-26335-01	D-12	4GY-82540-10	E-11	55U-84328-00	E- 6	90110-08071	D-10
4GY-23174-00	C-15	4GY-25111-00-35	D- 8	1E6-26342-00	D-12	3LD-82566-30	E-11	4GY-84332-00	E- 6	90111-10008	D-14
2VN-23185-L0	D- 3	4GY-25181-00	D- 8	4GY-27200-00	D-14	4GY-82568-01	E- 9	50W-84334-00	E- 6	90116-10578	B- 2
	D- 4	2VN-25304-00	D-10	4GY-27217-00	D-14	4RR-82590-00	E- 9	55U-84337-00	E- 6	90119-06063	C-10
3XP-23188-00	D- 3	4GY-25311-00-35	D-10	4GY-27222-00	D-15	1UA-82591-00	E-10	3FW-84340-00	E- 6	90119-06094	C-11
	D- 4	4GY-25381-00	D-10	55V-27242-00	D-14	12R-82591-00	E- 9	4GY-84710-00	E- 7	90119-06096	B-10
4V4-23188-L0	D- 3	3BN-25388-00	D-10	4GY-27311-01	D-14	1LN-82911-00	E- 8	31L-84714-00	E- 7		C-12
	D- 4	3BN-25389-00	D-10	4GY-27315-00	D-14	33G-82913-00	E- 8	4GY-84723-00	E- 7	90119-06097	B-10
23X-23190-L0	D- 3	39X-25394-00	D-10	4DA-27411-00	D-14	4GY-82917-00	E- 8	4GY-84733-00	E- 7	90119-06118	C- 9
	D- 4	2YY-25444-01	D-10	4GY-27421-00	D-14	3XP-83310-00	E- 4	851-84744-00	E- 4	90119-06194	C-10
4GY-23191-10	D- 4	4GY-2580T-01	D- 9	4GY-27422-00	D-14	4AW-83310-10	E- 4		E- 4	90119-06203	C-12
4GY-23192-00	C-15	4GY-2580W-00	D-11	4GY-27491-00	D-11	2T4-83312-00	E- 4		E- 4	90123-08046	E- 8
43M-23192-L0	D- 4	3PA-2582A-50	D-15	4GY-28100-00	C- 9		E- 4	4GY-85540-00	E- 9	90143-06024	E- 8
4RR-2331E-00	D- 5	3XP-2582T-00	D- 9	4K5-2814E-10	C-11		E- 4	90101-06664	C-11	90149-06011	D- 6
4RR-23340-00	D- 5	4GY-2582W-00	D-11	4U7-28186-00	C-11	4GY-83318-00	E- 4	90105-05361	C-15	90149-06154	C- 9
3XJ-23357-L0	D- 3	4GY-25827-50	D-11	1HX-28227-00	D- 2	4GY-83320-00	E- 4		D- 5	90149-06228	E- 9
	D- 4	4GY-2583V-00	D-15	4GY-28267-00	C- 9	1KH-83321-00	E- 4	90105-06384	B- 2	90149-08067	C- 4
4GY-23389-00	C-15	4FU-25844-00	D-15	4RR-2831V-00	C-15		E- 4	90105-06406	B- 3	90150-06021	C- 9
	D- 5	3XP-25852-50	D-15	4RR-2832V-00	C-15		E- 4	90105-06553	B- 8		C- 9
5Y3-23393-00	D- 4	4GY-25852-00	D-13	4GY-28386-00	B- 9		E- 4		B-15	90150-06031	C-11
4GY-23395-20	D- 2	2VN-25854-00	D-15	4RR-28391-00	E- 6	4GY-83328-00	E- 4	90105-06717	E- 3	90150-06036	C-11
2A6-23408-00	C-15	3RW-25854-00	D-13	4GY-81410-01	E- 2	1KH-83345-00	E- 4	90105-07385	B- 7	90153-06045	B- 8
4GY-23416-00	C-15	2VN-25855-00	D-15	4RR-81450-00	E- 2		E- 4	90105-10050	C- 8	90154-05004	B- 9
4GY-23418-00	C-15	2VN-25866-00	D-15	4GY-81800-01	E- 3		E- 4	90105-10183	C- 8	90159-05011	E- 4
4RR-23435-00	C-15	56A-25867-00	D-13	4GY-81815-01	E- 3	3TY-83350-00	E-11	90105-10232	C- 8		E- 4
1E6-23441-10-35	C-15	4GY-25870-01	D-13	3WP-81826-00	E- 3	4GY-83368-00	E- 4	90105-10316	D- 9		E- 4
3SR-23442-01	C-15	4GY-25872-11	D-13	3K5-81840-00	E- 3	3FW-83371-00	E-11	90105-10430	B- 4		E- 4
4GY-23472-00	C-15	4GY-25873-01	D-15	11H-81844-00	E- 3	4GY-83500-21	E- 5	90105-10444	C- 8	90159-06010	C- 4
4GY-23484-00	C-15	2VM-25876-00	D-15	26H-81847-00	E- 3	4GY-83513-00	E- 5	90105-10608	B- 2	90159-06056	B- 9
3LD-23489-00	D- 4	3ET-25888-00	D-15	3SX-81940-00	E-11	4GY-83517-20	E- 5	90105-10609	C- 8	90159-06189	E- 6
4GY-24110-00-03	D- 6	2VN-25894-00	D-15	4GY-81953-00	E-11	4GY-83519-21	E- 5	90105-10614	C-14	90170-06010	E- 8
22W-24181-00	B-13	4GY-25895-00	D-15	3TJ-81960-01	E- 9	4GY-83523-00	E- 5	90105-10728	D-14	90170-08158	C- 9

NUMERICAL INDEX

PART NO.	GRID NO.	PART NO.	GRID NO.	PART NO.	GRID NO.	PART NO.	GRID NO.	PART NO.	GRID NO.	PART NO.	GRID NO.
90170-16182	C- 4	90215-16286	C- 4	90413-07007	B-12	90501-23763	C- 4	92907-05100	E- 8	93310-225N0	C- 3
90170-16326	C- 4	90215-16289	C- 4	90430-06014	B- 7	90502-09024	C-15	92907-05200	B- 9	93310-63207	B- 4
90171-18053	D-10	90215-23265	C- 5		B- 8	90506-20369	D-14		E- 5	93315-11206	C- 3
90179-08148	E- 8	90240-08120	D-15		B-14	90506-35473	D-14	92907-06200	C- 4		C- 4
90179-08410	B- 8	90240-10117	D-14	90430-06156	B- 8	90508-09420	C- 7	92907-06600	B- 7	93315-22251	C-12
90179-10665	C-13	90254-07017	B- 4	90430-06226	C- 2	90508-14352	D-14		C-15	93315-32052	C-13
90179-12666	C-13	90267-32071	C- 8	90430-10148	E-11	90508-14525	C- 7		D-12	93315-32053	C-12
90179-18552	C- 5	90269-04003	D- 2	90430-10171	B- 8	90508-206A6	C- 4		D-12	93332-00078	C-15
90179-24542	C-15	90280-07055	C- 4	90430-12213	B- 8	90508-26561	C- 7		E- 5	93399-99935	C-13
90179-28543	C-15	90280-16053	B- 4		B-14	90508-284A7	D-14		E- 9	93399-99936	C-14
90185-14070	C-13	90338-07124	D-14	90445-100E9	D- 6	90508-28777	D-14		E- 9	93410-17037	C- 5
90185-16127	C-12	90338-09012	D-12	90446-15376	E-10	90508-32682	C- 7		E-11	93410-22039	C- 5
90201-03313	C- 8		D-12	90446-15377	E-10	90560-15240	D- 8	92990-04100	B-11		C- 5
90201-05033	E- 5	90338-18067	B- 7	90460-52210	B- 9	90560-17265	C- 3	92990-10200	D-14	93410-26067	C- 5
90201-06057	E- 7	90340-12059	B-14	90460-55233	C-14	90560-20278	C-15	92990-12200	C-15	93440-09141	B- 2
90201-06778	C-13	90340-12065	B- 8	90460-58015	B-10	91317-05012	B-15	93101-14164	B-15	93440-30113	C-13
90201-08086	C- 8	90340-14128	B-15	90462-08225	B-14		E- 2	93102-12224	C- 4		C-14
90201-08087	B- 8	90340-20143	C- 2	90462-10215	B-14	91317-05025	E- 2	93102-14209	C- 7	93450-19052	B- 4
	C- 4	90340-32126	B-15	90462-12195	D-15	91317-06012	D- 5	93102-25226	C- 5	93511-32027	C- 4
90201-08326	B-13	90387-05285	E- 4	90464-05188	E- 9	91317-06016	B-15	93106-15034	B-15	93605-10090	B- 4
90201-086P8	C- 9		E- 4	90464-08189	E- 9	91317-06020	B- 8	93106-20021	D- 8	93608-43228	C- 7
90201-08759	C-14		E- 4	90464-10193	D-12		B- 9	93106-22032	D- 8	94130-2105H	D- 8
90201-094G1	B- 3		E- 4	90464-14117	E-10	91317-06025	B- 7	93106-28023	D-10	94146-1805J	D-10
90201-10118	D-13	90387-060N3	C-12	90464-15192	E- 9		B-15	93108-35004	C-12	94212-18188	D-10
	D-15	90387-06216	C- 9	90464-15195	E- 9	91317-06030	B-14	93109-20029	C-12	94227-21123	D- 8
90201-102G9	B- 2	90387-064J1	C-10	90464-15200	E-10		B-15		C-13	94330-21084	D- 8
90201-102R1	B- 4	90387-065L5	E- 7	90464-20191	E-10	91317-06035	B-15	93210-07135	B- 8	94340-18086	D-10
90201-106F2	C-13	90387-06500	D-12	90465-08358	E- 2	91317-06040	B-15	93210-10096	B- 8	94416-21518	D- 8
90201-12474	C- 7	90387-06648	C-10	90465-12373	B-15		B-15	93210-14369	B-15	94421-18519	D-10
90201-14740	C-13	90387-06681	C-10	90465-16258	D- 5	91317-06045	B-14	93210-15620	D-15	94581-51106	D-10
90201-164H4	C-12	90387-06737	B-10	90467-09006	D- 6		B-15	93210-19123	C- 2	94591-43122	B- 7
	C-13	90387-086N4	C- 9	90467-11044	D-15	91317-06050	C- 2	93210-32172	B-15	94701-00318	B- 2
90201-177G4	C- 5	90387-087L0	E- 9	90467-11106	B- 9	91317-06070	B- 8	93210-40659	B- 9	94701-00319	B- 2
90201-204M9	D-10	90387-100Y3	C-14	90467-12052	B- 2		B-14	93210-54175	B- 8	95024-08035	C-15
90201-25291	C- 3	90387-1003G	D-14		B- 9	91401-25020	D-14	93210-74M35	C- 2	95024-08040	D- 5
90201-254H8	C-12	90387-103X9	C-13	90467-15012	B- 9		D-15	93210-78544	B- 3	95027-06010	C-12
90201-282R3	C-15	90387-1501X	D- 8	90468-10050	E- 5	91401-25030	D-10	93300-60804	C- 9	95027-06012	D-15
90201-284R9	D- 2	90387-156R7	D- 8	90468-15064	B-12	91490-20020	D-14	93306-00316	D- 8		E-11
90202-05187	D- 6	90387-1606R	C-12	90480-10068	D- 8	91690-60016	D-11	93306-00320	C- 5	95027-06016	D-11
90202-28216	C-15	90387-164N2	C-13		D-10	91701-06022	D-14	93306-07202	D-10	95027-06025	D-13
90206-06090	B-13	90387-166X1	C-12	90480-12320	C-11	92017-06016	C- 2	93306-20226	D- 8	95027-06050	C-12
90208-04029	C-15	90387-2001U	D-10		C-11	92017-08016	D-15	93306-20332	C- 5	95027-08040	B-13
90209-11262	B- 2	90387-2001V	D-10	90480-13018	D-10	92901-04100	B-11	93306-20427	C- 5		C-15
90209-18208	C- 5	90401-08133	B- 8	90480-13428	B- 8		B-11	93306-20529	C- 5	95027-08060	C- 9
	C- 5	90401-10159	B- 8	90480-14023	C-10	92901-04600	E- 6	93306-30210	B- 4	95307-06600	C- 4
90209-23241	C- 5		D-13	90480-24222	E- 9	92901-06600	D- 4	93306-37802	B- 4	95307-10700	E- 5
90209-32328	B- 4		D-15	90501-10312	E- 8	92901-08600	D-15	93306-37804	B- 4	95317-08600	D-15
90214-16063	C- 4	90401-14163	C-13	90501-22721	B- 4	92907-05100	E- 5	93310-212R6	C- 3	95337-08600	B- 3

NUMERICAL INDEX

PART NO.	GRID NO.	PART NO.	GRID NO.	PART NO.	GRID NO.	PART NO.	GRID NO.	PART NO.	GRID NO.
95607-05100	B- 9	98507-05018	E- 8						
95607-06200	C-10	98507-05020	D-12						
95617-06100	D-12		E- 8						
	E- 8	98507-05025	D-12						
	E- 8	98507-05030	E- 8						
95617-08200	C- 8	98507-06008	B- 7						
	C- 8	98507-06010	B-14						
	D-10	98507-06035	B- 8						
95617-08325	B- 2		D-12						
95617-10100	D-14	98517-06020	E- 9						
95617-10200	C- 8	98517-06030	E- 9						
	C- 8	98580-04008	B-11						
	C- 8	98580-04016	B-11						
	C- 8	98580-04055	E- 6						
	C-14	98707-04012	D-13						
95617-12100	C-15	98980-06010	B-13						
95707-06500	E- 7	99001-09600	C- 7						
	E-11	99009-11400	B- 8						
95707-08500	E- 4	99009-17400	C- 3						
95807-06014	D-15	99009-20500	C- 4						
95807-06016	D- 7	99247-00080	C-10						
95817-06012	C- 8	99510-08016	B- 2						
	C- 8	99530-10014	B-14						
	D- 6		B-15						
	E-11		B-15						
95817-06016	B-14		B-15						
95817-08016	C- 8	99530-14016	B- 3						
	D- 7		B-14						
95817-08055	C- 8								
95817-08070	C- 8								
95817-10016	C-13								
95817-12016	C-13								
97017-06016	B- 7								
	C-10								
	E-11								
97027-06012	C-15								
97027-06020	C- 7								
97027-06030	E- 5								
97706-40530	E- 7								
97707-50510	D-15								
98501-04006	B-11								
98503-03008	D- 6								
98503-04014	B-11								
98507-04018	D- 5								
98507-05010	B- 2								
	C-12								
98507-05014	E-11								
98507-05016	E- 5								

