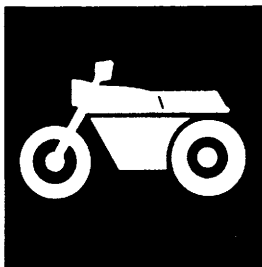


**YAMAHA**



**PARTS  
CATALOGUE**

**XV1100L (4XNA) XV1100LC (4XNB)U49**

**XV1100SL(4XNC)XV1100SLC(4XND)CALIFORNIA**

---

**YAMAHA**  
**GENUINE**  
Parts & Accessories

194XN-110E1

# FOREWORD

This Parts Catalogue is related to the parts for the model(s) in the below frame. When you are ordering replacement parts, please refer to this Parts Catalogue and quote both part numbers and part names correctly.

XV1100SL(4XNA/4XNB/4XNC/4XND)

1. Modifications or additions which have been made after issue of the Parts Catalogue will be announced in the Yamaha Parts News. It is advisable that you make necessary corrections to the Parts Catalogue according to the Yamaha Parts News.

2. Abbreviations  
The Following abbreviations are used in this Parts Catalogue.

"UR" Use specified parts number.  
 "UN" Use as many as needed.  
 "AP" Alternate Parts  
 "LM" Local Made (Parts need to be ordered locally)  
 "F#" Frame No. (Applicable machine No.)

3. Parts, which are to be supplied in an assembly, are listed with a dot(.) in front of the part name as shown below.

EXAMPLE  
 CARBURETOR ASSY  
 .JET, PILOT  
 .NOZZLE, MAIN

4. Number of component for assembly  
The numeral appearing to the right of each component part indicates the quantity of parts for each assembly unit.

EXAMPLE

| PART NO.     | DESCRIPTION              | Q'TY | REMARKS |
|--------------|--------------------------|------|---------|
| 2F5-83310-60 | FRONT FLASHER LIGHT ASSY | 2    |         |
| 115-83311-60 | .BULB (6V-18W)           | 1    |         |
| 1M1-83309-60 | .REFLECTOR               | 1    |         |

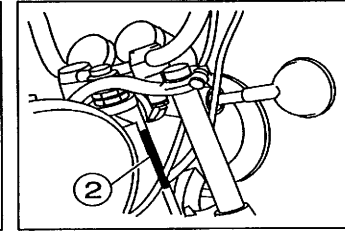
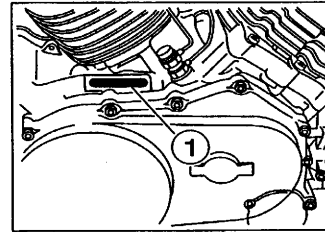
5. Applicable colors of graphics are represented in the "REMARKS" as shown below.

| PART NO.        | DESCRIPTION         | Q'TY | REMARKS |
|-----------------|---------------------|------|---------|
| 2N4-24110-00-X5 | .FUEL TANK COMP.    | 2    | MXR     |
| 3J1-24240-10    | .GRAPHIC, FUEL TANK | 1    | for MXR |

6. Applicable Serial No.

① Engine Serial No.

② Frame Serial No.



7. Note that the illustrations for reference in finding parts numbers, not to be used for assembling. When assembling, please use the applicable service manual.
8. The asterisk (\*) before a reference number indicates modification items after the first edition.



# CONTENTS

## ENGINE

|                          |    |
|--------------------------|----|
| CYLINDER HEAD .....      | 1  |
| CYLINDER .....           | 3  |
| CRANKSHAFT. PISTON ..... | 4  |
| VALVE .....              | 5  |
| CAMSHAFT. CHAIN .....    | 6  |
| OIL PUMP .....           | 8  |
| OIL CLEANER .....        | 9  |
| INTAKE .....             | 10 |
| CARBURETOR .....         | 13 |
| EXHAUST .....            | 15 |
| CRANKCASE .....          | 17 |
| CRANKCASE COVER 1 .....  | 18 |
| STARTER CLUTCH .....     | 20 |
| CLUTCH .....             | 21 |
| TRANSMISSION .....       | 23 |
| MIDDLE DRIVE GEAR .....  | 24 |
| SHIFT CAM. FORK .....    | 26 |
| SHIFT SHAFT .....        | 27 |

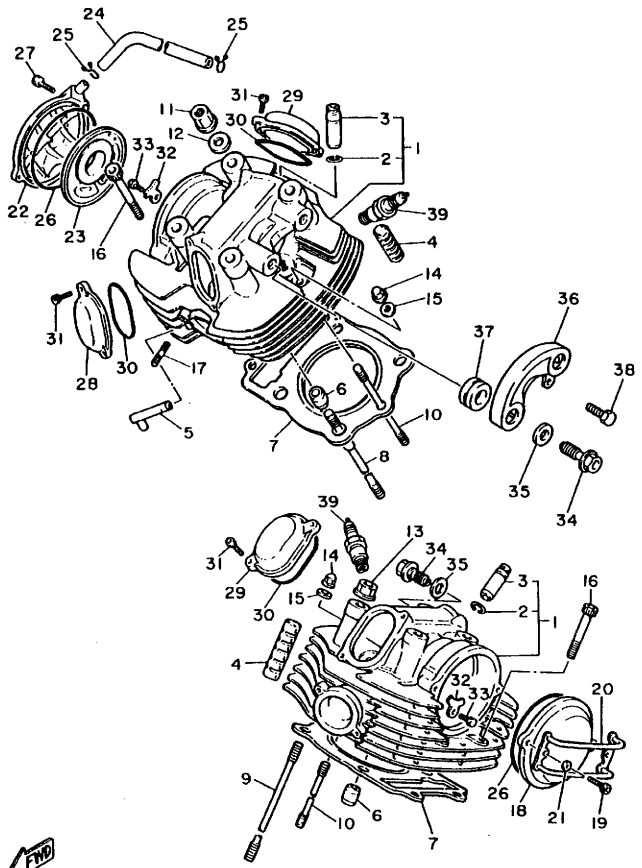
## CHASSIS

|                            |    |
|----------------------------|----|
| FRAME .....                | 28 |
| FENDER .....               | 29 |
| SIDE COVER .....           | 31 |
| REAR ARM. SUSPENSION ..... | 32 |
| DRIVE SHAFT .....          | 33 |
| STEERING .....             | 35 |
| FRONT FORK .....           | 36 |
| FUEL TANK .....            | 38 |
| SEAT .....                 | 41 |
| FRONT WHEEL .....          | 42 |
| FRONT BRAKE CALIPER .....  | 43 |
| REAR WHEEL .....           | 44 |

|                              |    |
|------------------------------|----|
| STEERING HANDLE. CABLE ..... | 46 |
| FRONT MASTER CYLINDER .....  | 47 |
| STAND. FOOTREST .....        | 48 |
| GENERATOR .....              | 51 |
| STARTING MOTOR .....         | 52 |
| FLASHER LIGHT .....          | 53 |
| METER .....                  | 54 |
| HEADLIGHT .....              | 55 |
| TAILLIGHT .....              | 57 |
| HANDLE SWITCH. LEVER .....   | 58 |
| ELECTRICAL 1 .....           | 59 |
| ELECTRICAL 2 .....           | 61 |

## INDEX

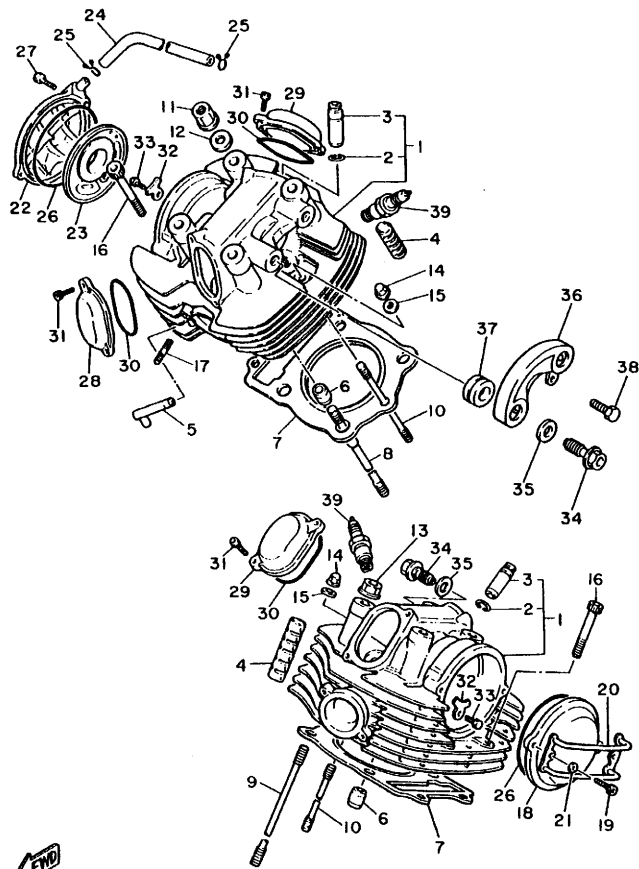
|                       |    |
|-----------------------|----|
| NUMERICAL INDEX ..... | 62 |
|-----------------------|----|



1TE110-6010

FIG. 1 CYLINDER HEAD

| REF. NO. | PART NO.     | DESCRIPTION                  |      |      |      |      | REMARKS |
|----------|--------------|------------------------------|------|------|------|------|---------|
|          |              |                              | 4XNA | 4XNB | 4XNC | 4XND |         |
| 1        | 1TA-11102-02 | CYLINDER HEAD ASSY           | 2    | 2    | 2    | 2    |         |
| 2        | 93440-14086  | .CIRCLIP                     | 2    | 2    | 2    | 2    |         |
| 3        | 4X7-11133-10 | .GUIDE, IN./EX. VALVE        | 2    | 2    | 2    | 2    |         |
| 4        | 4X7-11127-00 | ABSORBER 3                   | 8    | 8    | 8    | 8    |         |
| 5        | 42H-14873-01 | PIPE 3                       | 2    | 2    | 2    | 2    |         |
| 6        | 91817-30011  | PIN, DOWEL                   | 4    | 4    | 4    | 4    |         |
| 7        | 42H-11181-00 | GASKET, CYLINDER HEAD 1      | 2    | 2    | 2    | 2    |         |
| 8        | 4X7-11363-01 | BOLT, CYLINDER HOLDING 3     | 4    | 4    | 4    | 4    |         |
| 9        | 90116-12469  | BOLT, STUD                   | 4    | 4    | 4    | 4    |         |
| 10       | 90116-10344  | BOLT, STUD                   | 2    | 2    | 2    | 2    |         |
| 11       | 90179-12326  | NUT                          | 4    | 4    | 4    | 4    |         |
| 12       | 90201-125A3  | WASHER, PLATE                | 4    | 4    | 4    | 4    |         |
| 13       | 90179-12325  | NUT                          | 4    | 4    | 4    | 4    |         |
| 14       | 90176-10075  | NUT, CROWN                   | 2    | 2    | 2    | 2    |         |
| 15       | 90201-101A4  | WASHER, PLATE                | 2    | 2    | 2    | 2    |         |
| 16       | 91314-08050  | BOLT                         | 4    | 4    | 4    | 4    |         |
| 17       | 90116-08104  | BOLT, STUD                   | 4    | 4    | 4    | 4    |         |
| 18       | 42X-11185-01 | COVER, CYLINDER HEAD SIDE 1  | 1    | 1    | 1    | 1    |         |
| 19       | 91314-06016  | BOLT                         | 2    | 2    | 2    | 2    |         |
| 20       | 42X-11152-00 | BRACKET, CYLINDER HEAD COVER | 1    | 1    | 1    | 1    |         |
| 21       | 90202-05208  | WASHER, PLATE                | 2    | 2    | 2    | 2    |         |
| 22       | 42X-1111H-01 | COVER, CYLINDER HEAD SIDE 4  | 1    | 1    | 1    | 1    |         |
| 23       | 42X-11165-00 | PLATE, BREATHER              | 1    | 1    | 1    | 1    |         |
| 24       | 42X-11166-01 | PIPE, BREATHER 1             | 1    | 1    | 1    | 1    |         |
| 25       | 90467-14015  | CLIP                         | 2    | 2    | 2    | 2    |         |
| 26       | 93210-92448  | O-RING                       | 2    | 2    | 2    | 2    |         |
| 27       | 91314-06025  | BOLT                         | 2    | 2    | 2    | 2    |         |



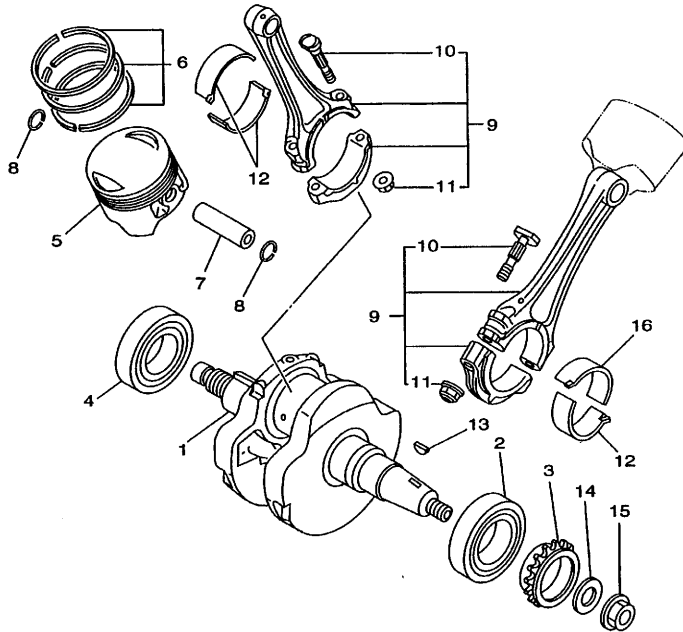
1TE110-6010

FIG. 1 CYLINDER HEAD

| REF. NO. | PART NO.     | DESCRIPTION                 | 4XNA | 4XNB | 4XNC | 4XND | REMARKS |
|----------|--------------|-----------------------------|------|------|------|------|---------|
|          |              |                             |      |      |      |      |         |
| 28       | 42H-11186-01 | COVER, CYLINDER HEAD SIDE 2 | 2    | 2    | 2    | 2    |         |
| 29       | 4X7-11187-01 | COVER, CYLINDER HEAD SIDE 3 | 2    | 2    | 2    | 2    |         |
| 30       | 93210-62446  | O-RING                      | 4    | 4    | 4    | 4    |         |
| 31       | 91314-06016  | BOLT                        | 8    | 8    | 8    | 8    |         |
| 32       | 4X7-1111F-00 | PLATE                       | 2    | 2    | 2    | 2    |         |
| 33       | 97017-08020  | BOLT                        | 2    | 2    | 2    | 2    |         |
| 34       | 90401-16065  | BOLT, UNION                 | 2    | 2    | 2    | 2    |         |
| 35       | 90430-17168  | GASKET                      | 2    | 2    | 2    | 2    |         |
| 36       | 1RM-1112E-00 | COVER, CYLINDER HEAD 3      | 1    | 1    | 1    | 1    |         |
| 37       | 90480-23444  | GROMMET                     | 2    | 2    | 2    | 2    |         |
| 38       | 91317-06010  | BOLT                        | 1    | 1    | 1    | 1    |         |
| 39       | 94701-00218  | PLUG, SPARK (NGK BPR7ES)    | 2    | 2    | 2    | 2    | UR      |
|          | 94701-00220  | PLUG, SPARK (ND W22EPR-U)   | 2    | 2    | 2    | 2    | UR      |



FIG. 3 CRANKSHAFT. PISTON

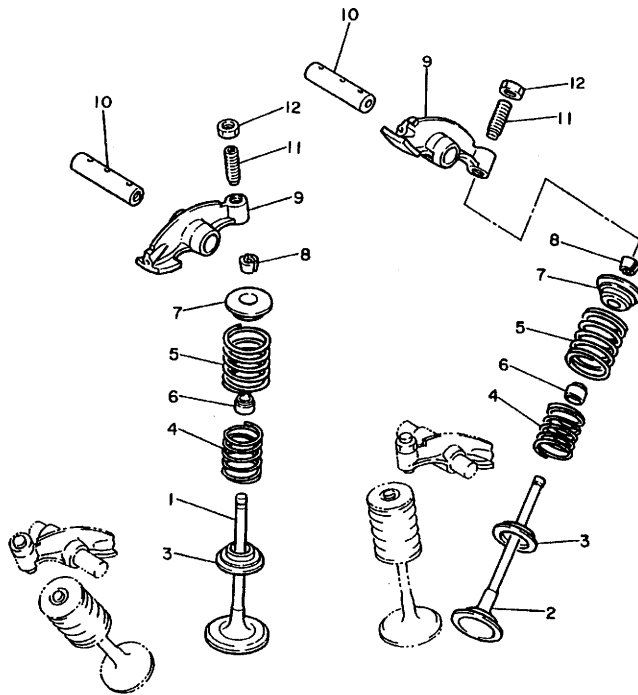


4XN3100-8030

| REF. NO. | PART NO.        | DESCRIPTION                   | 4XNA | 4XNB | 4XNC | 4XND | REMARKS   |
|----------|-----------------|-------------------------------|------|------|------|------|-----------|
| 1        | 1TA-11411-00    | CRANKSHAFT                    | 1    | 1    | 1    | 1    |           |
| 2        | 93306-30808     | BEARING                       | 1    | 1    | 1    | 1    |           |
| 3        | 4X7-13354-00    | SPROCKET, DRIVE               | 1    | 1    | 1    | 1    |           |
| 4        | 93306-30808     | BEARING                       | 1    | 1    | 1    | 1    |           |
| 5        | 1TA-11631-00-A0 | PISTON (STD)                  | 2    | 2    | 2    | 2    |           |
|          | 1TA-11636-00    | PISTON (0.50MM O/S)           | 2    | 2    | 2    | 2    | AP        |
|          | 1TA-11638-00    | PISTON (1.00MM O/S)           | 2    | 2    | 2    | 2    | AP        |
| 6        | 1TA-11610-00    | PISTON RING SET (STD)         | 2    | 2    | 2    | 2    |           |
|          | 1TA-11610-20    | PISTON RING SET (0.50MM O/S)  | 2    | 2    | 2    | 2    | AP        |
|          | 1TA-11610-40    | PISTON RING SET (1.00MM O/S)  | 2    | 2    | 2    | 2    | AP        |
| 7        | 5A8-11633-00    | PIN, PISTON                   | 2    | 2    | 2    | 2    |           |
| 8        | 93450-24028     | CIRCLIP                       | 4    | 4    | 4    | 4    |           |
| 9        | 5A8-11650-00    | CONNECTING ROD ASSY           | 2    | 2    | 2    | 2    |           |
| 10       | 4X7-11654-01    | .BOLT, CONNECTING ROD         | 2    | 2    | 2    | 2    |           |
| 11       | 90179-09379     | .NUT                          | 2    | 2    | 2    | 2    |           |
| 12       | 4X7-11656-00    | PLANE BEARING, CONNECTING ROD | 3    | 3    | 3    | 3    | UR BLUE   |
|          | 4X7-11656-10    | PLANE BEARING, CONNECTING ROD | 3    | 3    | 3    | 3    | UR BLACK  |
|          | 4X7-11656-20    | PLANE BEARING, CONNECTING ROD | 3    | 3    | 3    | 3    | UR BROWN  |
|          | 4X7-11656-30    | PLANE BEARING, CONNECTING ROD | 3    | 3    | 3    | 3    | UR GREEN  |
|          | 4X7-11656-40    | PLANE BEARING, CONNECTING ROD | 3    | 3    | 3    | 3    | UR YELLOW |
| 13       | 90280-05048     | KEY, WOODRUFF                 | 1    | 1    | 1    | 1    |           |
| 14       | 90201-165H4     | WASHER, PLATE                 | 1    | 1    | 1    | 1    |           |
| 15       | 90179-16448     | NUT                           | 1    | 1    | 1    | 1    |           |
| 16       | 5G5-11656-00    | PLANE BEARING, CONNECTING ROD | 1    | 1    | 1    | 1    | UR BLACK  |
|          | 5G5-11656-10    | PLANE BEARING, CONNECTING ROD | 1    | 1    | 1    | 1    | UR BROWN  |
|          | 5G5-11656-20    | PLANE BEARING, CONNECTING ROD | 1    | 1    | 1    | 1    | UR GREEN  |



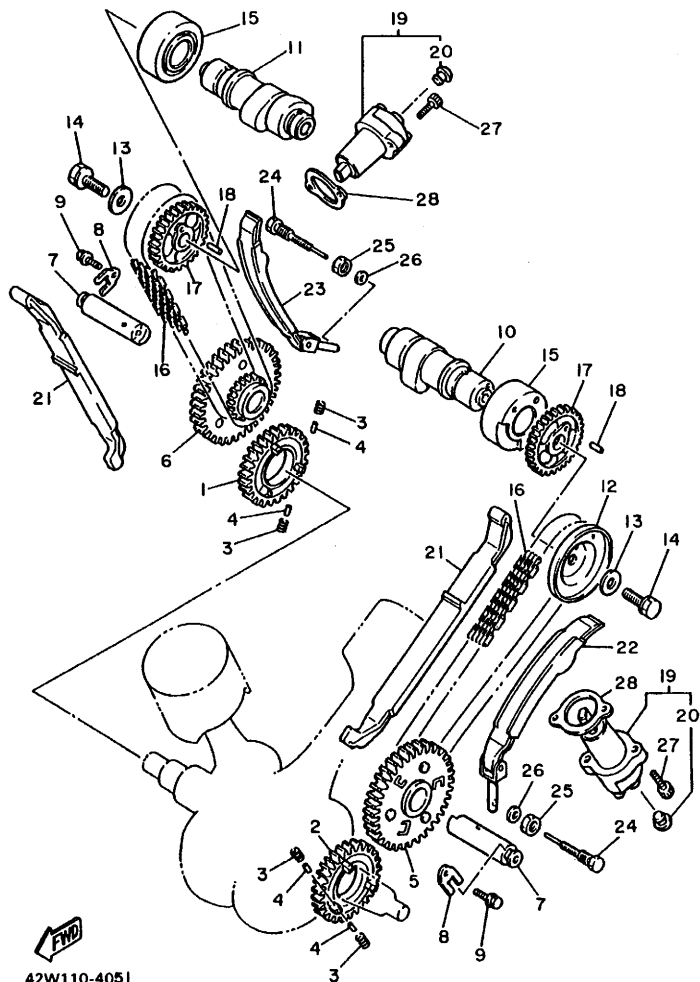
FIG. 4 VALVE



| REF. NO. | PART NO.     | DESCRIPTION            | 4XNA | 4XNB | 4XNC | 4XND | REMARKS |
|----------|--------------|------------------------|------|------|------|------|---------|
|          |              |                        |      |      |      |      |         |
| 1        | 2J2-12111-01 | VALVE, INTAKE          | 2    | 2    | 2    | 2    |         |
| 2        | 5A8-12121-00 | VALVE, EXHAUST         | 2    | 2    | 2    | 2    |         |
| 3        | 4X7-12116-00 | SEAT, VALVE SPRING     | 4    | 4    | 4    | 4    |         |
| 4        | 1TA-12113-00 | SPRING, VALVE INNER    | 4    | 4    | 4    | 4    |         |
| 5        | 1TA-12114-00 | SPRING, VALVE OUTER    | 4    | 4    | 4    | 4    |         |
| 6        | 341-12119-02 | SEAL, VALVE STEM       | 4    | 4    | 4    | 4    |         |
| 7        | 4X7-12117-00 | RETAINER, VALVE SPRING | 4    | 4    | 4    | 4    |         |
| 8        | 4X7-12118-00 | COTTER, VALVE          | 8    | 8    | 8    | 8    |         |
| 9        | 42X-12151-00 | ARM, VALVE ROCKER      | 4    | 4    | 4    | 4    |         |
| 10       | 4X7-12156-01 | SHAFT, ROCKER 2        | 4    | 4    | 4    | 4    |         |
| 11       | 4X7-12159-00 | SCREW, VALVE ADJUSTING | 4    | 4    | 4    | 4    |         |
| 12       | 90170-08173  | NUT                    | 4    | 4    | 4    | 4    |         |



5E3171-1050

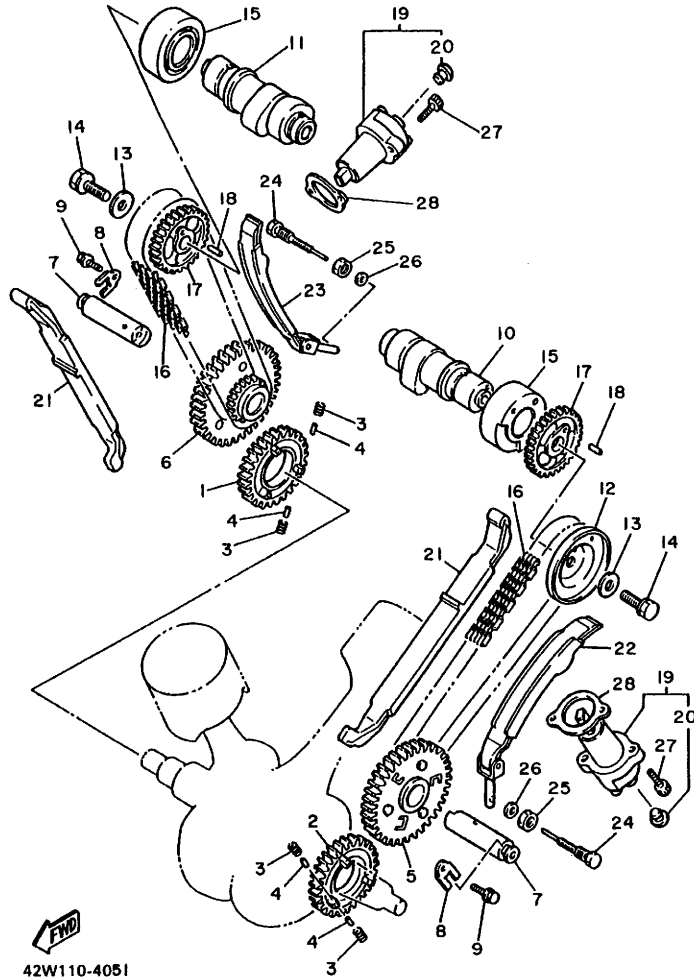


42W110-4051

FIG. 5 CAMSHAFT. CHAIN

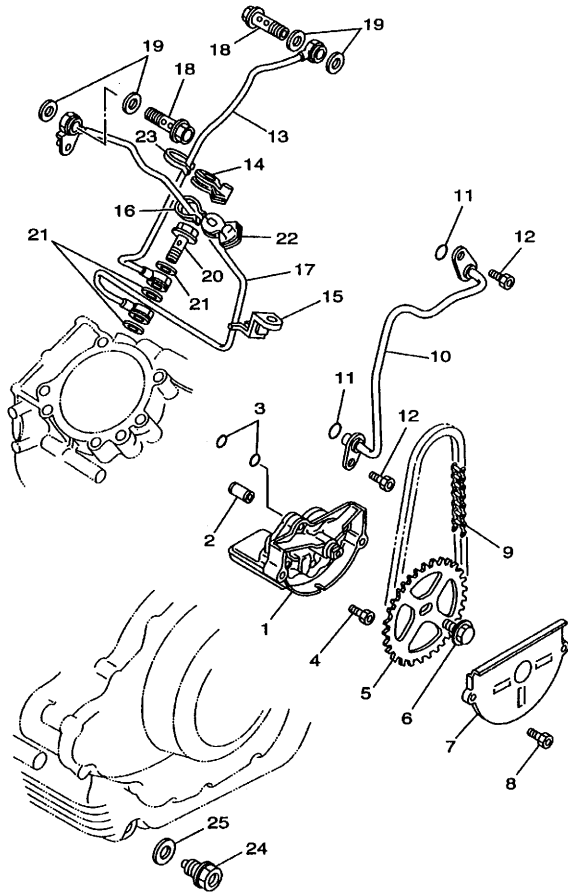
| REF. NO. | PART NO.     | DESCRIPTION               | 4XNA | 4XNB | 4XNC | 4XND | REMARKS |
|----------|--------------|---------------------------|------|------|------|------|---------|
|          |              |                           |      |      |      |      |         |
| 1        | 4X7-11536-00 | GEAR, DRIVE (35T)         | 1    | 1    | 1    | 1    |         |
| 2        | 4X7-11534-00 | GEAR, BREAKER DRIVE (35T) | 1    | 1    | 1    | 1    |         |
| 3        | 90501-21133  | SPRING, COMPRESSION       | 12   | 12   | 12   | 12   |         |
| 4        | 93605-10090  | PIN, DOWEL                | 12   | 12   | 12   | 12   |         |
| 5        | 4X7-11540-02 | CAM CHAIN SPROCKET ASSY 1 | 1    | 1    | 1    | 1    |         |
| 6        | 4X7-11550-01 | CAM CHAIN SPROCKET ASSY 2 | 1    | 1    | 1    | 1    |         |
| 7        | 4X7-12247-01 | SHAFT, TENSIONER          | 2    | 2    | 2    | 2    |         |
| 8        | 90209-06205  | WASHER                    | 2    | 2    | 2    | 2    |         |
| 9        | 90105-06154  | BOLT, WASHER BASED        | 2    | 2    | 2    | 2    |         |
| 10       | 42H-12171-00 | CAMSHAFT 1                | 1    | 1    | 1    | 1    |         |
| 11       | 42H-12181-00 | CAMSHAFT 2                | 1    | 1    | 1    | 1    |         |
| 12       | 42X-11145-00 | PLATE, BREATHER 2         | 1    | 1    | 1    | 1    |         |
| 13       | 90201-10591  | WASHER, PLATE             | 2    | 2    | 2    | 2    |         |
| 14       | 90101-10303  | BOLT                      | 2    | 2    | 2    | 2    |         |
| 15       | 90380-25125  | BUSH, SOLID               | 2    | 2    | 2    | 2    |         |
| 16       | 94590-45098  | CHAIN                     | 2    | 2    | 2    | 2    |         |
| 17       | 4X7-12176-00 | SPROCKET, CAM CHAIN (28T) | 2    | 2    | 2    | 2    |         |
| 18       | 93604-10011  | PIN, DOWEL                | 2    | 2    | 2    | 2    |         |
| 19       | 4X7-12210-01 | TENSIONER ASSY, CAM CHAIN | 2    | 2    | 2    | 2    |         |
| 20       | 90338-06121  | .PLUG                     | 1    | 1    | 1    | 1    |         |
| 21       | 4X7-12231-00 | GUIDE, STOPPER 1          | 2    | 2    | 2    | 2    |         |
| 22       | 4X7-12241-00 | GUIDE, STOPPER 2          | 1    | 1    | 1    | 1    |         |
| 23       | 4X7-12221-00 | GUIDE, STOPPER 3          | 1    | 1    | 1    | 1    |         |
| 24       | 90109-08592  | BOLT                      | 2    | 2    | 2    | 2    |         |
| 25       | 95307-08700  | NUT                       | 2    | 2    | 2    | 2    |         |
| 26       | 92907-06600  | WASHER, PLATE             | 2    | 2    | 2    | 2    |         |
| 27       | 91314-06025  | BOLT                      | 4    | 4    | 4    | 4    |         |

FIG. 5 CAMSHAFT. CHAIN



42W110-4051

| REF. NO. | PART NO.     | DESCRIPTION            | 4XNA | 4XNB | 4XNC | 4XND | REMARKS |
|----------|--------------|------------------------|------|------|------|------|---------|
| 28       | 4DW-12213-00 | GASKET, TENSIONER CASE | 2    | 2    | 2    | 2    |         |
|          |              |                        |      |      |      |      |         |
|          |              |                        |      |      |      |      |         |
|          |              |                        |      |      |      |      |         |
|          |              |                        |      |      |      |      |         |
|          |              |                        |      |      |      |      |         |
|          |              |                        |      |      |      |      |         |
|          |              |                        |      |      |      |      |         |
|          |              |                        |      |      |      |      |         |
|          |              |                        |      |      |      |      |         |



3JLV100-8060

FIG. 6 OIL PUMP

| REF. NO. | PART NO.     | DESCRIPTION            | 4XNA | 4XNB | 4XNC | 4XND | REMARKS |
|----------|--------------|------------------------|------|------|------|------|---------|
| 1        | 10L-13300-00 | OIL PUMP ASSY          | 1    | 1    | 1    | 1    |         |
| 2        | 99510-08016  | PIN, DOWEL             | 1    | 1    | 1    | 1    |         |
| 3        | 93210-07135  | O-RING                 | 2    | 2    | 2    | 2    |         |
| 4        | 91317-06040  | BOLT                   | 3    | 3    | 3    | 3    |         |
| 5        | 4X7-13355-00 | SPROCKET, DRIVEN (35T) | 1    | 1    | 1    | 1    |         |
| 6        | 90105-06154  | BOLT, WASHER BASED     | 1    | 1    | 1    | 1    |         |
| 7        | 10L-13327-00 | COVER, PUMP GEAR       | 1    | 1    | 1    | 1    |         |
| 8        | 91317-06010  | BOLT                   | 2    | 2    | 2    | 2    |         |
| 9        | 94580-25066  | CHAIN                  | 1    | 1    | 1    | 1    |         |
| 10       | 4X7-13171-00 | PIPE, DELIVERY 2       | 1    | 1    | 1    | 1    |         |
| 11       | 93210-07135  | O-RING                 | 2    | 2    | 2    | 2    |         |
| 12       | 91317-06010  | BOLT                   | 2    | 2    | 2    | 2    |         |
| 13       | 4X7-13405-00 | OIL PIPE COMP. 1       | 1    | 1    | 1    | 1    |         |
| 14       | 4X7-15485-01 | CLAMP                  | 1    | 1    | 1    | 1    |         |
| 15       | 4X7-15484-00 | CLAMP 2                | 1    | 1    | 1    | 1    |         |
| 16       | 90468-05113  | CLIP                   | 1    | 1    | 1    | 1    |         |
| 17       | 1RM-13406-00 | OIL PIPE COMP. 2       | 1    | 1    | 1    | 1    |         |
| 18       | 90401-16067  | BOLT, UNION            | 2    | 2    | 2    | 2    |         |
| 19       | 90430-17168  | GASKET                 | 4    | 4    | 4    | 4    |         |
| 20       | 90401-10102  | BOLT, UNION            | 1    | 1    | 1    | 1    |         |
| 21       | 90430-15169  | GASKET                 | 3    | 3    | 3    | 3    |         |
| 22       | 4X7-15485-01 | CLAMP                  | 1    | 1    | 1    | 1    |         |
| 23       | 90468-05113  | CLIP                   | 1    | 1    | 1    | 1    |         |
| 24       | 90340-14135  | PLUG, STRAIGHT SCREW   | 1    | 1    | 1    | 1    |         |
| 25       | 214-11198-01 | GASKET                 | 1    | 1    | 1    | 1    |         |

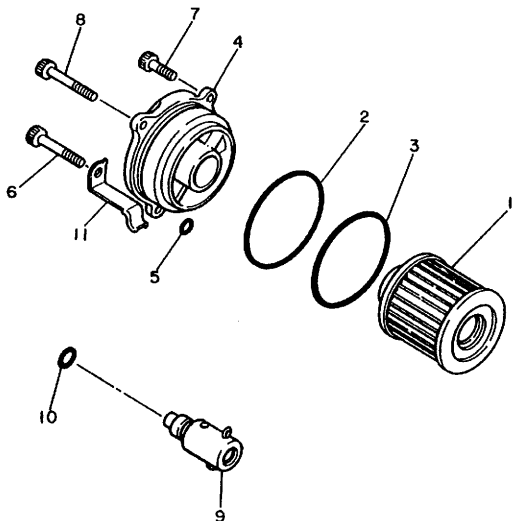
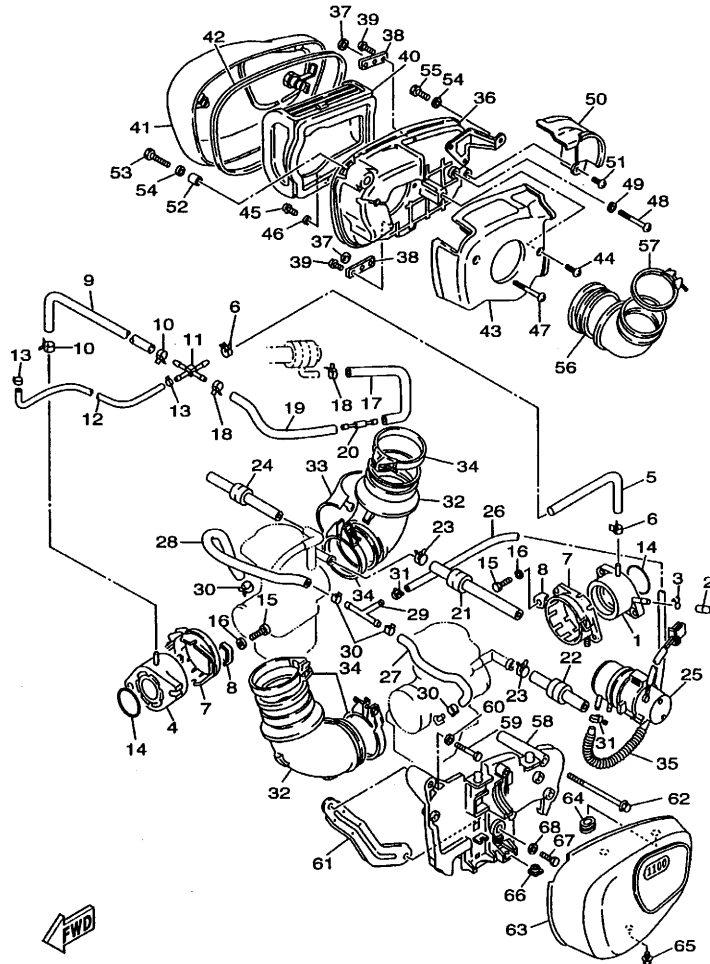


FIG. 7 OIL CLEANER

| REF. NO. | PART NO.     | DESCRIPTION               | 4XNA | 4XNB | 4XNC | 4XND | REMARKS |
|----------|--------------|---------------------------|------|------|------|------|---------|
|          |              |                           |      |      |      |      |         |
| 1        | 4X7-13440-01 | ELEMENT ASSY, OIL CLEANER | 1    | 1    | 1    | 1    |         |
| 2        | 93210-56459  | O-RING                    | 1    | 1    | 1    | 1    |         |
| 3        | 93210-54452  | O-RING                    | 1    | 1    | 1    | 1    |         |
| 4        | 1RM-13447-00 | COVER, OIL ELEMENT        | 1    | 1    | 1    | 1    |         |
| 5        | 93210-07135  | O-RING                    | 1    | 1    | 1    | 1    |         |
| 6        | 90109-06667  | BOLT                      | 1    | 1    | 1    | 1    |         |
| 7        | 91314-06020  | BOLT                      | 1    | 1    | 1    | 1    |         |
| 8        | 91314-08050  | BOLT                      | 1    | 1    | 1    | 1    |         |
| 9        | 4G0-13490-01 | RELIEF VALVE ASSY         | 1    | 1    | 1    | 1    |         |
| 10       | 93210-10096  | O-RING                    | 1    | 1    | 1    | 1    |         |
| 11       | 90462-10098  | CLAMP                     | 1    | 1    | 1    | 1    |         |



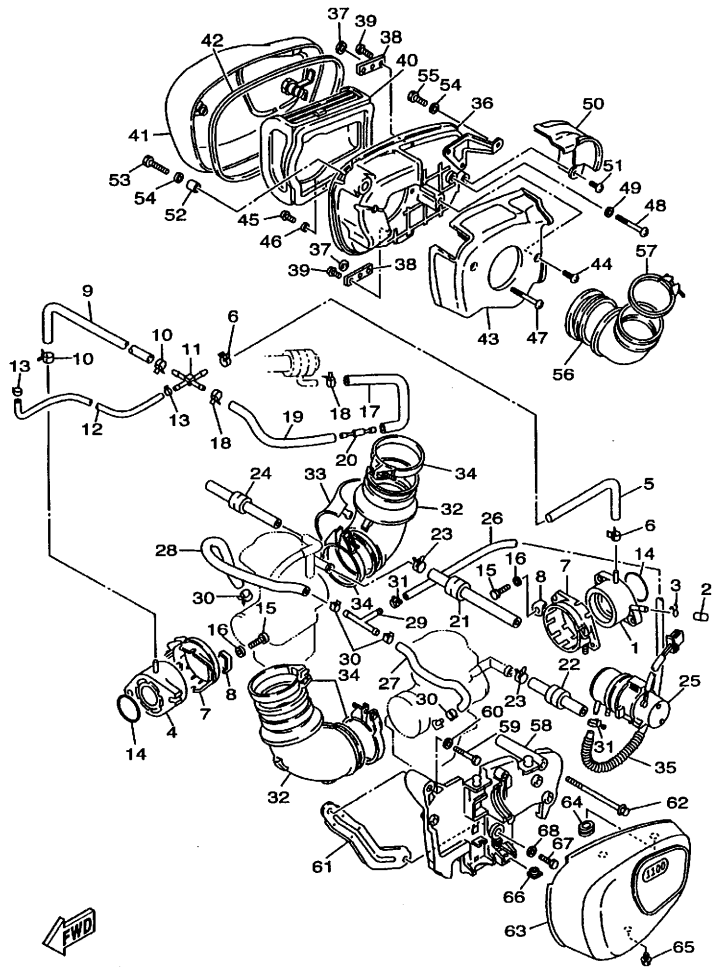
5E3171-1070



3LPE300-7090

FIG. 8 INTAKE

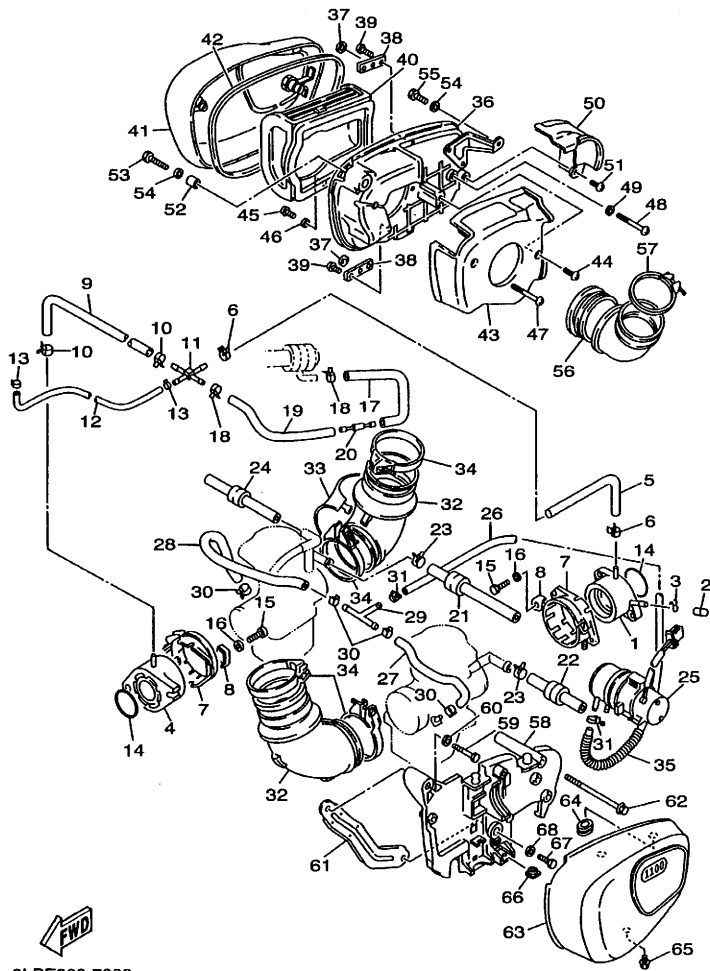
| REF. NO. | PART NO.     | DESCRIPTION            | 4XNA | 4XNB | 4XNC | 4XND | REMARKS |
|----------|--------------|------------------------|------|------|------|------|---------|
|          |              |                        |      |      |      |      |         |
| 1        | 1TA-13586-00 | JOINT, CARBURETOR 1    | 1    | 1    | 1    | 1    |         |
| 2        | 16G-13569-00 | PLUG, BLIND            | 1    | 1    | 1    | 1    |         |
| 3        | 90467-10035  | CLIP                   | 1    | 1    | 1    | 1    |         |
| 4        | 24M-13586-01 | JOINT, CARBURETOR 1    | 1    | 1    | 1    | 1    |         |
| 5        | 3CG-13542-00 | HOSE, VACUUM SENSING 1 | 1    | 1    | 1    | 1    |         |
| 6        | 90467-08092  | CLIP                   | 2    | 2    | 2    | 2    |         |
| 7        | 42X-13564-01 | COVER, MANIFOLD        | 2    | 2    | 2    | 2    |         |
| 8        | 42X-13578-00 | WASHER                 | 2    | 2    | 2    | 2    |         |
| 9        | 42X-13544-00 | HOSE, VACUUM SENSING 2 | 1    | 1    | 1    | 1    |         |
| 10       | 90467-08092  | CLIP                   | 2    | 2    | 2    | 2    |         |
| 11       | 1TA-13595-00 | JOINT                  | 1    | 1    | 1    | 1    |         |
| 12       | 42H-13532-00 | HOSE, VACUUM SENSING 3 | 1    | 1    | 1    | 1    |         |
| 13       | 90467-07093  | CLIP                   | 2    | 2    | 2    | 2    |         |
| 14       | 93210-44545  | O-RING                 | 2    | 2    | 2    | 2    |         |
| 15       | 97027-06020  | BOLT                   | 4    | 4    | 4    | 4    |         |
| 16       | 92907-06600  | WASHER, PLATE          | 4    | 4    | 4    | 4    |         |
| 17       | 1TA-13534-00 | HOSE, VACUUM SENSING 5 | 1    | 1    | 1    | 1    |         |
| 18       | 90467-08092  | CLIP                   | 2    | 2    | 2    | 2    |         |
| 19       | 1TA-13535-00 | HOSE, VACUUM SENSING 5 | 1    | 1    | 1    | 1    |         |
| 20       | 41R-14489-00 | NOZZLE                 | 1    | 1    | 1    | 1    |         |
| 21       | 3CG-14197-00 | PIPE                   | 1    | 1    | 1    | 1    |         |
| 22       | 3CG-14987-00 | HOSE                   | 1    | 1    | 1    | 1    |         |
| 23       | 90467-14057  | CLIP                   | 2    | 2    | 2    | 2    |         |
| 24       | 3CG-14396-00 | PIPE                   | 1    | 1    | 1    | 1    |         |
| 25       | 42H-13907-00 | FUEL PUMP COMP.        | 1    | 1    | 1    | 1    |         |
| 26       | 42H-13971-00 | PIPE, FUEL 1           | 1    | 1    | 1    | 1    |         |
| 27       | 1TA-14349-00 | PIPE                   | 1    | 1    | 1    | 1    |         |



3LPE300-7090

FIG. 8 INTAKE

| REF. NO. | PART NO.     | DESCRIPTION           | 4XNA | 4XNB | 4XNC | 4XND | REMARKS |
|----------|--------------|-----------------------|------|------|------|------|---------|
|          |              |                       |      |      |      |      |         |
| 28       | 1TA-14348-00 | PIPE 1                | 1    | 1    | 1    | 1    |         |
| 29       | 90413-07023  | WAY 3                 | 1    | 1    | 1    | 1    |         |
| 30       | 90467-10135  | CLIP                  | 4    | 4    | 4    | 4    |         |
| 31       | 90460-12256  | CLAMP, HOSE           | 2    | 2    | 2    | 2    |         |
| 32       | 10L-14453-01 | JOINT, AIR CLEANER 1  | 2    | 2    | 2    | 2    |         |
| 33       | 10L-14407-00 | COVER, JOINT          | 1    | 1    | 1    | 1    |         |
| 34       | 90460-65169  | CLAMP, HOSE           | 4    | 4    | 4    | 4    |         |
| 35       | 90501-100F8  | SPRING, COMPRESSION   | 1    | 1    | 1    | 1    |         |
| 36       | 42X-14401-01 | AIR CLEANER CASE ASSY | 1    | 1    | 1    | 1    |         |
| 37       | 92907-04600  | WASHER                | 2    | 2    | 2    | 2    |         |
| 38       | 42X-14477-00 | PLATE                 | 2    | 2    | 2    | 2    |         |
| 39       | 97707-40112  | SCREW, TAPPING        | 4    | 4    | 4    | 4    |         |
| 40       | 42X-14451-00 | ELEMENT, AIR CLEANER  | 1    | 1    | 1    | 1    |         |
| 41       | 1TA-14422-00 | CAP, CLEANER CASE 2   | 1    | 1    | 1    | 1    |         |
| 42       | 42X-14452-00 | SEAL                  | 1    | 1    | 1    | 1    |         |
| 43       | 1TA-1441A-00 | COVER, CLEANER CASE 1 | 1    | 1    | 1    | 1    |         |
| 44       | 97707-50508  | SCREW, TAPPING        | 1    | 1    | 1    | 1    |         |
| 45       | 98507-05012  | SCREW, PAN HEAD       | 1    | 1    | 1    | 1    |         |
| 46       | 92907-05600  | WASHER, PLATE         | 1    | 1    | 1    | 1    |         |
| 47       | 98507-06080  | SCREW, PAN HEAD       | 1    | 1    | 1    | 1    |         |
| 48       | 98507-06050  | SCREW, PAN HEAD       | 1    | 1    | 1    | 1    |         |
| 49       | 92907-06600  | WASHER, PLATE         | 1    | 1    | 1    | 1    |         |
| 50       | 1TA-1441E-00 | COVER, CLEANER CASE 2 | 1    | 1    | 1    | 1    |         |
| 51       | 97707-50508  | SCREW, TAPPING        | 1    | 1    | 1    | 1    |         |
| 52       | 90387-07598  | COLLAR                | 1    | 1    | 1    | 1    |         |
| 53       | 91317-06030  | BOLT                  | 1    | 1    | 1    | 1    |         |
| 54       | 92907-06200  | WASHER                | 2    | 2    | 2    | 2    |         |

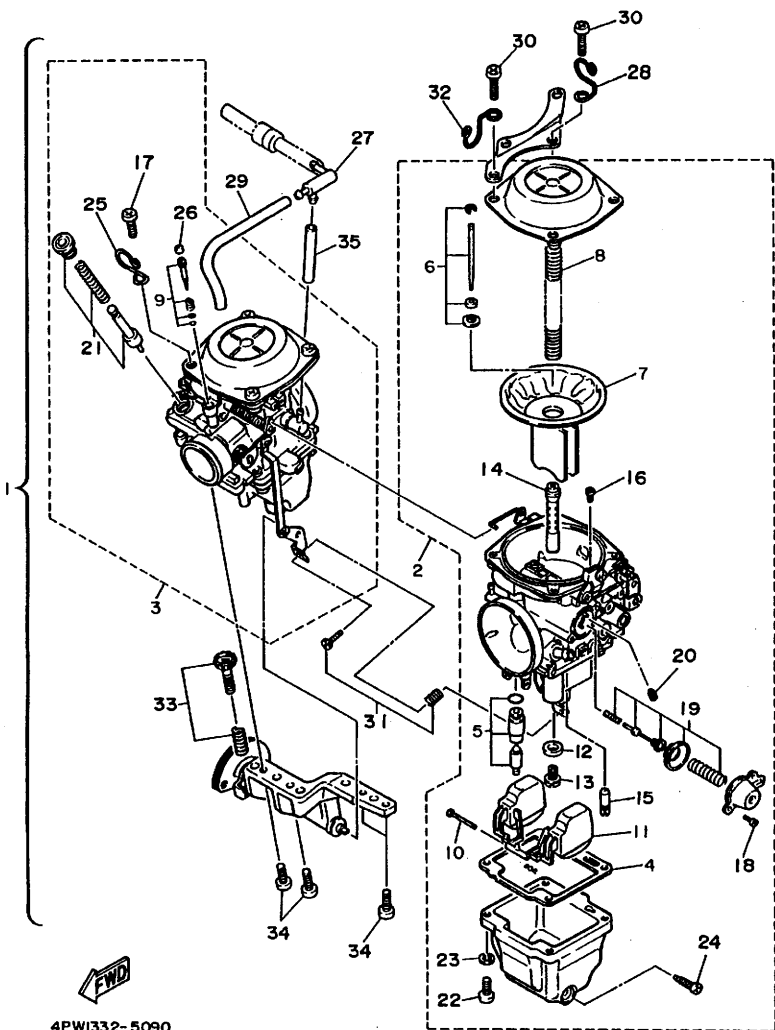


3LPE300-7090

FIG. 8 INTAKE

| REF. NO. | PART NO.     | DESCRIPTION                 | 4XNA | 4XNB | 4XNC | 4XND | REMARKS |
|----------|--------------|-----------------------------|------|------|------|------|---------|
|          |              |                             |      |      |      |      |         |
| 55       | 91317-06012  | BOLT                        | 1    | 1    | 1    | 1    |         |
| 56       | 42X-14485-00 | PIPE, JOINT                 | 1    | 1    | 1    | 1    |         |
| 57       | 90460-65169  | CLAMP, HOSE                 | 1    | 1    | 1    | 1    |         |
| 58       | 42X-14663-02 | PLATE, AIR CLEANER          | 1    | 1    | 1    | 1    |         |
| 59       | 91317-06090  | BOLT                        | 1    | 1    | 1    | 1    |         |
| 60       | 92907-06200  | WASHER                      | 1    | 1    | 1    | 1    |         |
| 61       | 42X-14484-00 | PLATE, CLEANER CASE FITTING | 1    | 1    | 1    | 1    |         |
| 62       | 95807-06025  | BOLT, FLANGE                | 1    | 1    | 1    | 1    |         |
| 63       | 1TA-14603-00 | COVER 1                     | 1    | 1    | 1    | 1    |         |
| 64       | 90480-14074  | GROMMET                     | 2    | 2    | 2    | 2    |         |
| 65       | 95807-06014  | BOLT, FLANGE                | 1    | 1    | 1    | 1    |         |
| 66       | 12R-14484-01 | PLATE, CLEANER CASE FITTING | 1    | 1    | 1    | 1    |         |
| 67       | 91317-06035  | BOLT                        | 1    | 1    | 1    | 1    |         |
| 68       | 92907-06200  | WASHER                      | 1    | 1    | 1    | 1    |         |





4PW1332-5090

FIG. 9 CARBURETOR

| REF. NO. | PART NO.     | DESCRIPTION           | 4XNA | 4XNB | 4XNC | 4XND | REMARKS |
|----------|--------------|-----------------------|------|------|------|------|---------|
|          |              |                       |      |      |      |      |         |
| 1        | 3CF-14900-01 | CARBURETOR ASSY       | 1    |      | 1    |      |         |
|          | 3CG-14900-01 | CARBURETOR ASSY       |      | 1    |      | 1    |         |
| 2        | 3CF-14901-01 | CARBURETOR ASSY 1     | 1    |      | 1    |      |         |
|          | 3CG-14901-01 | CARBURETOR ASSY 1     |      | 1    |      | 1    |         |
| 3        | 3CF-14902-01 | CARBURETOR ASSY 2     | 1    |      | 1    |      |         |
|          | 3CG-14902-01 | CARBURETOR ASSY 2     |      | 1    |      | 1    |         |
| 4        | 3CF-14984-01 | GASKET, FLOAT CHAMBER | 1    | 1    | 1    | 1    |         |
| 5        | 3CF-14107-15 | NEEDLE VALVE SET      | 1    | 1    | 1    | 1    |         |
| 6        | 3CF-1490J-00 | NEEDLE SET            | 1    | 1    | 1    | 1    |         |
| 7        | 3CF-14940-00 | DIAPHRAGM ASSY        | 1    | 1    | 1    | 1    |         |
| 8        | 3CF-14933-00 | SPRING, DIAPHRAGM     | 1    | 1    | 1    | 1    |         |
| 9        | 12R-14105-00 | PILOT SCREW SET       | 1    | 1    | 1    | 1    |         |
| 10       | 537-14186-00 | PIN, FLOAT            | 1    | 1    | 1    | 1    |         |
| 11       | 2VA-14185-00 | FLOAT                 | 1    | 1    | 1    | 1    |         |
| 12       | 137-14153-00 | WASHER, MAIN JET      | 1    | 1    | 1    | 1    |         |
| 13       | 620-14231-25 | JET, MAIN (#125)      | 1    | 1    | 1    | 1    | UR #2   |
|          | 620-1423A-75 | JET, MAIN (#122.5)    | 1    | 1    | 1    | 1    | UR #1   |
| 14       | 3CF-14141-93 | NOZZLE, MAIN          | 1    | 1    | 1    | 1    |         |
| 15       | 4G0-14142-40 | JET, PILOT (# 40)     | 1    | 1    | 1    | 1    |         |
| 16       | 3G2-14231-12 | JET, POWER (# 60)     | 1    | 1    | 1    | 1    |         |
| 17       | 98507-05010  | SCREW, PAN HEAD       | 4    | 4    | 4    | 4    |         |
| 18       | 98507-04008  | SCREW, PAN HEAD       | 2    | 2    | 2    | 2    |         |
| 19       | 3CF-1490H-00 | DIAPHRAGM SET 5       | 1    | 1    | 1    | 1    |         |
| 20       | 1HX-14231-28 | JET, MAIN (#140)      | 1    | 1    | 1    | 1    |         |
| 21       | 3CF-1410A-00 | STARTER SET           | 1    | 1    | 1    | 1    |         |
| 22       | 98502-05016  | SCREW, PAN HEAD       | 4    | 4    | 4    | 4    |         |
| 23       | 92902-05100  | WASHER, SPRING        | 4    | 4    | 4    | 4    |         |



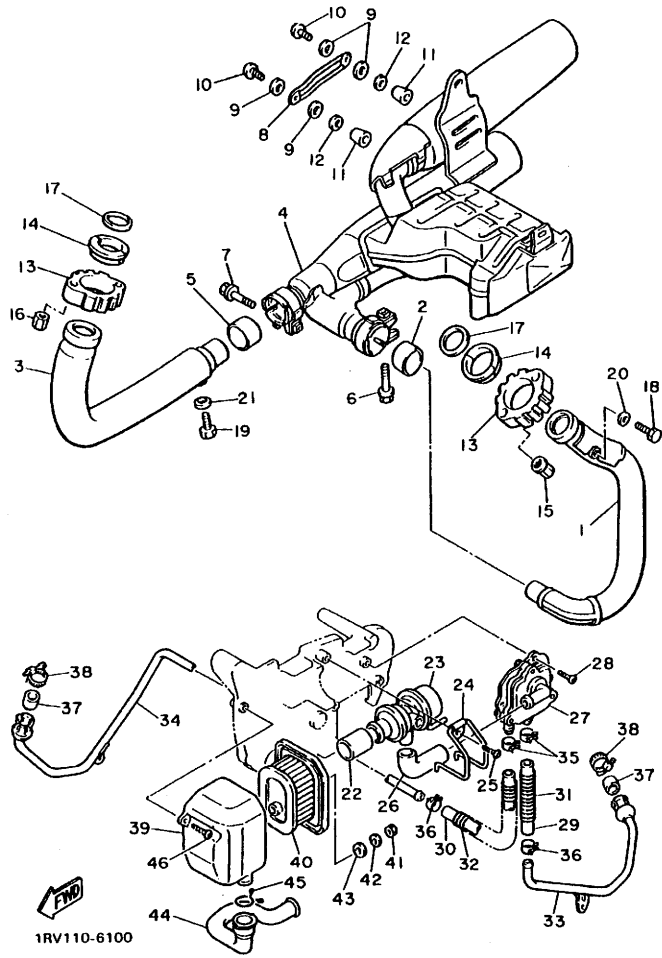
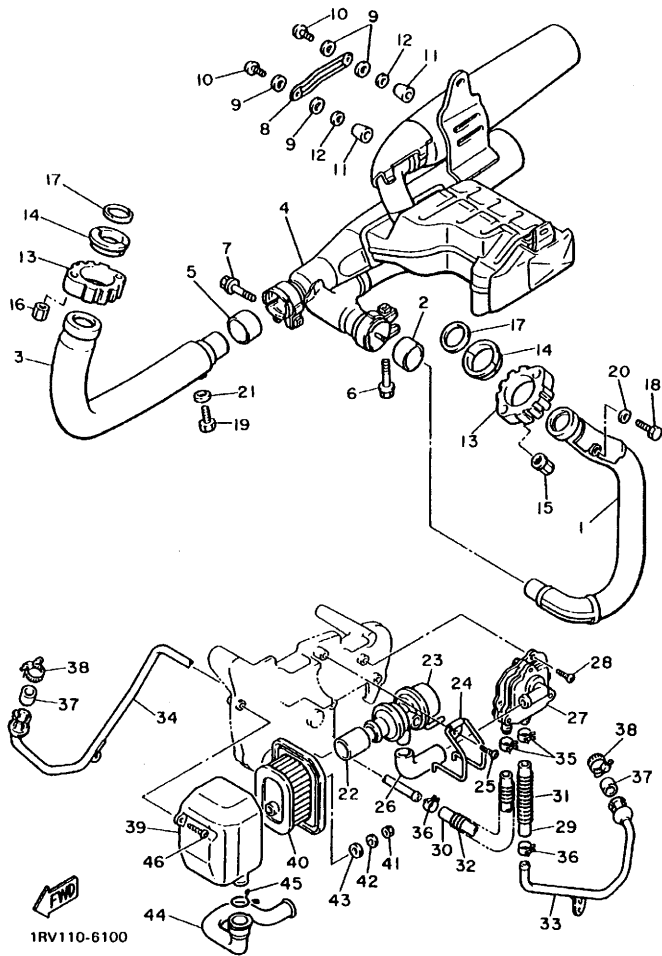


FIG. 10 EXHAUST

| REF. NO. | PART NO.     | DESCRIPTION          | 4XNA | 4XNB | 4XNC | 4XND | REMARKS |
|----------|--------------|----------------------|------|------|------|------|---------|
|          |              |                      |      |      |      |      |         |
| 1        | 42H-14611-00 | PIPE, EXHAUST 1      | 1    | 1    | 1    | 1    |         |
| 2        | 3EG-14714-00 | GASKET, MUFFLER      | 1    | 1    | 1    | 1    |         |
| 3        | 1TA-14621-00 | PIPE, EXHAUST 2      | 1    | 1    | 1    | 1    |         |
| 4        | 1TA-14711-00 | MUFFLER 1            | 1    | 1    | 1    | 1    |         |
| 5        | 3YF-14755-00 | GASKET, SILENCER     | 1    | 1    | 1    | 1    |         |
| 6        | 95027-08045  | BOLT, FLANGE         | 1    | 1    | 1    | 1    |         |
| 7        | 95027-08045  | BOLT, FLANGE         | 1    | 1    | 1    | 1    |         |
| 8        | 42X-14748-01 | PROTECTOR, MUFFLER 4 | 1    | 1    | 1    | 1    |         |
| 9        | 4BD-14766-00 | WASHER, PROTECTOR    | 4    | 4    | 4    | 4    |         |
| 10       | 98904-06010  | SCREW, BIND          | 2    | 2    | 2    | 2    |         |
| 11       | 42X-1479H-00 | COVER, 1             | 2    | 2    | 2    | 2    |         |
| 12       | 92907-06200  | WASHER               | 2    | 2    | 2    | 2    |         |
| 13       | 57A-14612-01 | NUT, RING            | 2    | 2    | 2    | 2    |         |
| 14       | 42X-1468A-00 | RING, SILENCER 1     | 2    | 2    | 2    | 2    |         |
| 15       | 90179-08210  | NUT                  | 2    | 2    | 2    | 2    |         |
| 16       | 90179-08673  | NUT                  | 2    | 2    | 2    | 2    |         |
| 17       | 3EG-14613-00 | GASKET, EXHAUST PIPE | 2    | 2    | 2    | 2    |         |
| 18       | 90101-06576  | BOLT                 | 1    | 1    | 1    | 1    |         |
| 19       | 90101-06576  | BOLT                 | 1    | 1    | 1    | 1    |         |
| 20       | 92990-06600  | WASHER, PLATE        | 1    | 1    | 1    | 1    |         |
| 21       | 92990-06600  | WASHER, PLATE        | 1    | 1    | 1    | 1    |         |
| 22       | 42H-14882-00 | HOSE, BEND 2         | 1    | 1    | 1    | 1    |         |
| 23       | 1TA-14840-00 | AIR CUT VALVE ASS'Y  | 1    | 1    | 1    | 1    |         |
| 24       | 90462-20188  | CLAMP                | 1    | 1    | 1    | 1    |         |
| 25       | 97707-60114  | SCREW, TAPPING       | 1    | 1    | 1    | 1    |         |
| 26       | 42H-14883-00 | HOSE, BEND 3         | 1    | 1    | 1    | 1    |         |
| 27       | 42H-14808-00 | REED VALVE ASSY      | 1    | 1    | 1    | 1    |         |

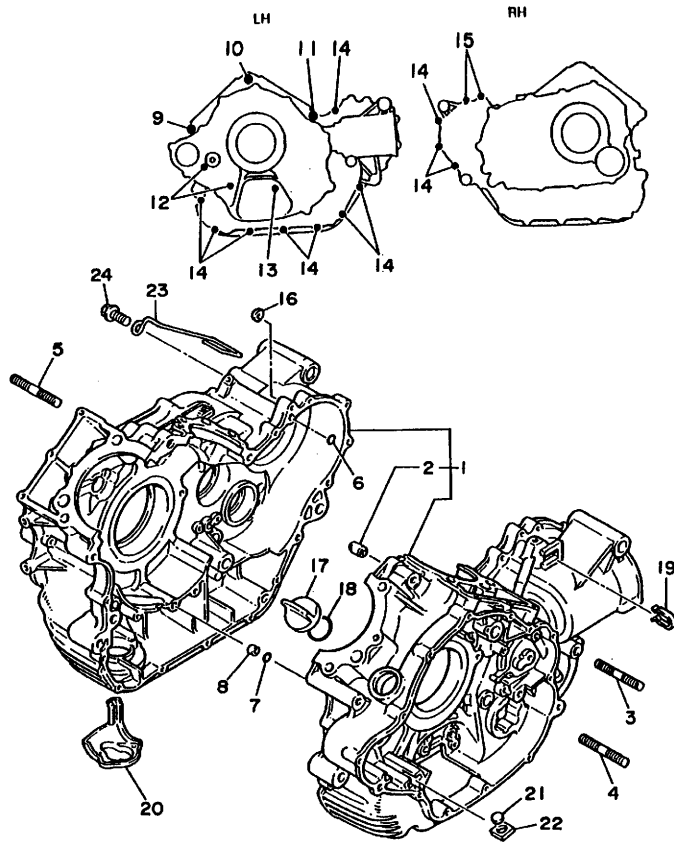


1RV110-6100

FIG. 10 EXHAUST

| REF. NO. | PART NO.     | DESCRIPTION         | 4XNA | 4XNB | 4XNC | 4XND | REMARKS |
|----------|--------------|---------------------|------|------|------|------|---------|
|          |              |                     |      |      |      |      |         |
| 28       | 97707-60114  | SCREW, TAPPING      | 3    | 3    | 3    | 3    |         |
| 29       | 42H-14884-00 | HOSE, BEND 4        | 1    | 1    | 1    | 1    |         |
| 30       | 42H-14885-00 | HOSE, BEND 5        | 1    | 1    | 1    | 1    |         |
| 31       | 90501-101J3  | SPRING, COMPRESSION | 1    | 1    | 1    | 1    |         |
| 32       | 90501-101J4  | SPRING, COMPRESSION | 1    | 1    | 1    | 1    |         |
| 33       | 42H-14871-01 | PIPE 1              | 1    | 1    | 1    | 1    |         |
| 34       | 42H-14872-02 | PIPE 2              | 1    | 1    | 1    | 1    |         |
| 35       | 90468-08104  | CLIP                | 2    | 2    | 2    | 2    |         |
| 36       | 90467-16098  | CLIP                | 2    | 2    | 2    | 2    |         |
| 37       | 42H-14714-10 | GASKET, MUFFLER     | 2    | 2    | 2    | 2    |         |
| 38       | 90460-15227  | CLAMP, HOSE         | 2    | 2    | 2    | 2    |         |
| 39       | 42H-14857-00 | CASE, AIR CLEANER   | 1    | 1    | 1    | 1    |         |
| 40       | 42H-14858-00 | CAP, CASE           | 1    | 1    | 1    | 1    |         |
| 41       | 95307-05600  | NUT                 | 1    | 1    | 1    | 1    |         |
| 42       | 92907-05200  | WASHER              | 1    | 1    | 1    | 1    |         |
| 43       | 90202-05057  | WASHER, PLATE       | 1    | 1    | 1    | 1    |         |
| 44       | 1TA-14881-00 | HOSE, BEND 1        | 1    | 1    | 1    | 1    |         |
| 45       | 90467-22080  | CLIP                | 1    | 1    | 1    | 1    |         |
| 46       | 97707-60114  | SCREW, TAPPING      | 1    | 1    | 1    | 1    |         |

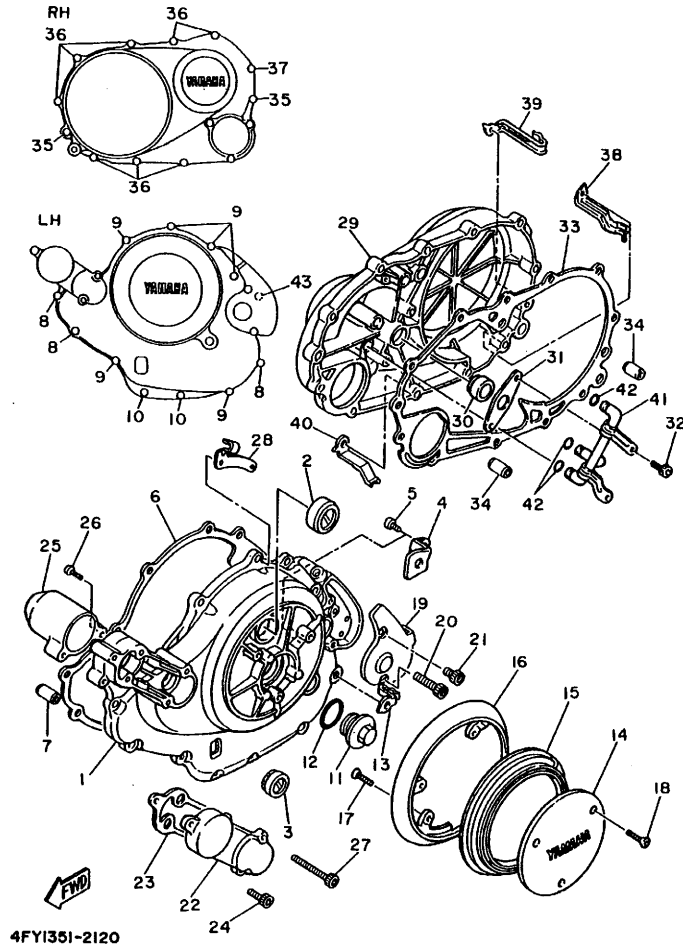
FIG. 11 CRANKCASE



| REF. NO. | PART NO.     | DESCRIPTION        | 4XNA | 4XNB | 4XNC | 4XND | REMARKS |
|----------|--------------|--------------------|------|------|------|------|---------|
|          |              |                    |      |      |      |      |         |
| 1        | 42H-15100-01 | CRANKCASE ASSY     | 1    | 1    | 1    | 1    |         |
| 2        | 99530-14016  | .PIN, DOWEL        | 3    | 3    | 3    | 3    |         |
| 3        | 95617-10620  | BOLT, STUD         | 1    | 1    | 1    | 1    |         |
| 4        | 95617-10620  | BOLT, STUD         | 1    | 1    | 1    | 1    |         |
| 5        | 95617-10670  | BOLT, STUD         | 1    | 1    | 1    | 1    |         |
| 6        | 93210-07135  | O-RING             | 1    | 1    | 1    | 1    |         |
| 7        | 93210-07135  | O-RING             | 1    | 1    | 1    | 1    |         |
| 8        | 90387-064E8  | COLLAR             | 1    | 1    | 1    | 1    |         |
| 9        | 91317-10100  | BOLT               | 1    | 1    | 1    | 1    |         |
| 10       | 91317-10070  | BOLT               | 1    | 1    | 1    | 1    |         |
| 11       | 91317-10060  | BOLT               | 1    | 1    | 1    | 1    |         |
| 12       | 91317-06080  | BOLT               | 2    | 2    | 2    | 2    |         |
| 13       | 91317-06055  | BOLT               | 1    | 1    | 1    | 1    |         |
| 14       | 91317-06030  | BOLT               | 11   | 11   | 11   | 11   |         |
| 15       | 91314-06030  | BOLT               | 2    | 2    | 2    | 2    |         |
| 16       | 90430-06014  | GASKET             | 1    | 1    | 1    | 1    |         |
| 17       | 57A-15363-11 | PLUG, OIL          | 1    | 1    | 1    | 1    |         |
| 18       | 93210-29198  | O-RING             | 1    | 1    | 1    | 1    |         |
| 19       | 90465-10168  | CLAMP              | 1    | 1    | 1    | 1    |         |
| 20       | 4X7-15491-00 | PROTECTOR          | 1    | 1    | 1    | 1    |         |
| 21       | 4X7-13419-00 | PLUG               | 1    | 1    | 1    | 1    |         |
| 22       | 90480-20302  | GROMMET            | 1    | 1    | 1    | 1    |         |
| 23       | 42X-21164-00 | HOLDER, CABLE      | 1    | 1    | 1    | 1    |         |
| 24       | 90105-10275  | BOLT, WASHER BASED | 1    | 1    | 1    | 1    |         |

  
3LP7300-4110

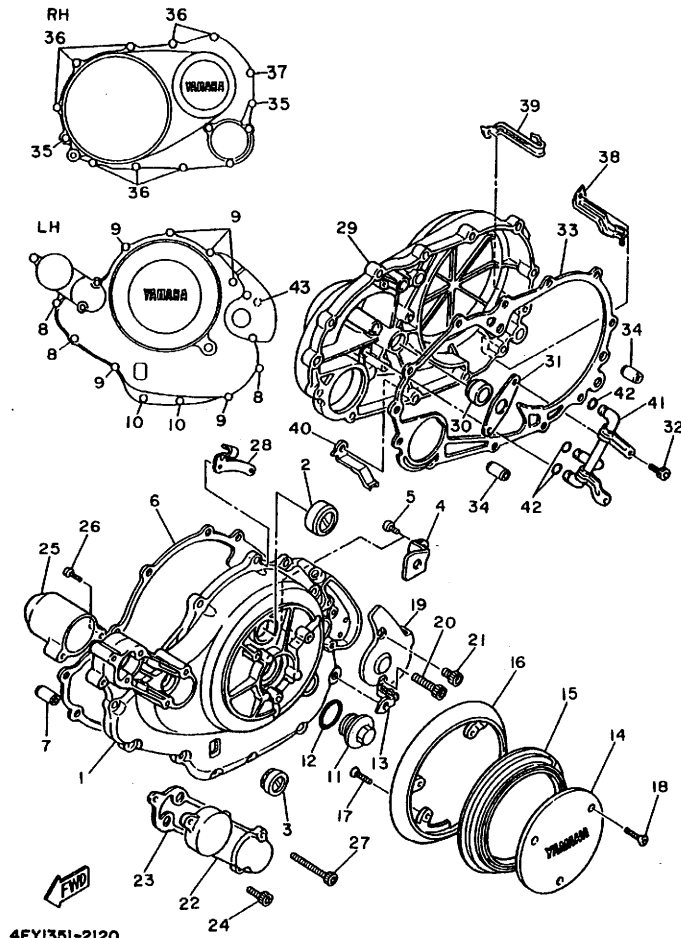
FIG. 12 CRANKCASE COVER 1



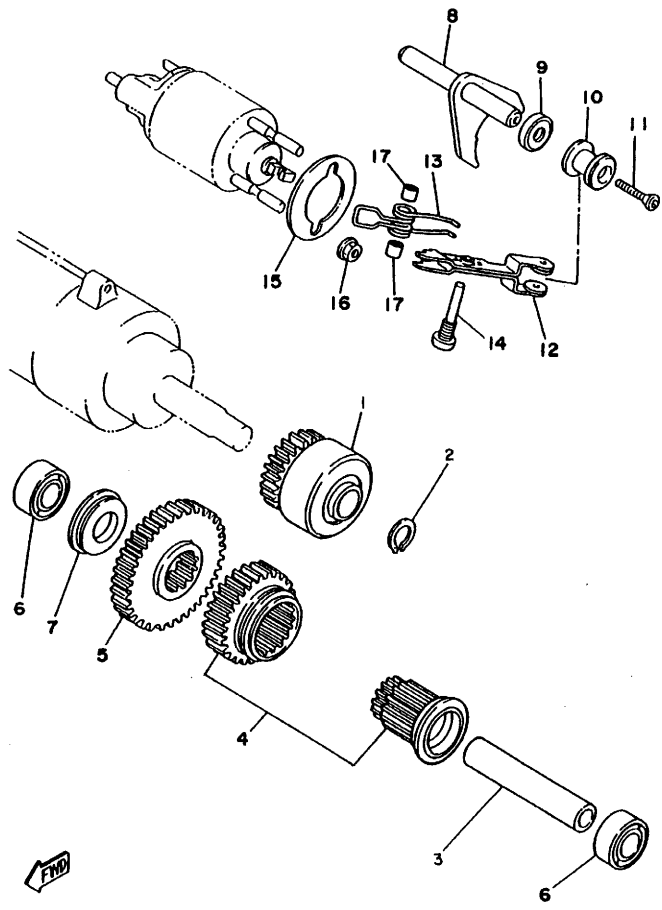
4FY135I-2120

| REF. NO. | PART NO.     | DESCRIPTION                 | 4XNA | 4XNB | 4XNC | 4XND | REMARKS |
|----------|--------------|-----------------------------|------|------|------|------|---------|
|          |              |                             |      |      |      |      |         |
| 1        | 1RM-15411-01 | COVER, CRANKCASE 1          | 1    | 1    | 1    | 1    |         |
| 2        | 4X7-15361-00 | GAUGE, LEVEL                | 1    | 1    | 1    | 1    |         |
| 3        | 2H7-15361-00 | GAUGE, LEVEL                | 1    | 1    | 1    | 1    |         |
| 4        | 90465-08309  | CLAMP                       | 1    | 1    | 1    | 1    |         |
| 5        | 98507-06010  | SCREW, PAN HEAD             | 1    | 1    | 1    | 1    |         |
| 6        | 3EG-15451-00 | GASKET, CRANKCASE COVER 1   | 1    | 1    | 1    | 1    |         |
| 7        | 99530-10014  | PIN, DOWEL                  | 2    | 2    | 2    | 2    |         |
| 8        | 91314-06040  | BOLT                        | 3    | 3    | 3    | 3    |         |
| 9        | 91314-06030  | BOLT                        | 6    | 6    | 6    | 6    |         |
| 10       | 91314-06020  | BOLT                        | 2    | 2    | 2    | 2    |         |
| 11       | 1L9-11186-00 | COVER, CYLINDER HEAD SIDE 2 | 1    | 1    | 1    | 1    |         |
| 12       | 93210-32172  | O-RING                      | 1    | 1    | 1    | 1    |         |
| 13       | 90462-08076  | CLAMP                       | 1    | 1    | 1    | 1    |         |
| 14       | 1RM-15415-01 | COVER, GENERATOR            | 1    | 1    | 1    | 1    |         |
| 15       | 1RM-15455-00 | GASKET 1                    | 1    | 1    | 1    | 1    |         |
| 16       | 3JK-15425-00 | COVER, GENERATOR 2          | 1    | 1    | 1    | 1    |         |
| 17       | 98704-06016  | SCREW, FLAT HEAD            | 3    | 3    | 3    | 3    |         |
| 18       | 98707-06014  | SCREW, FLAT HEAD            | 3    | 3    | 3    | 3    |         |
| 19       | 42X-15417-01 | COVER, CAP                  | 1    | 1    | 1    | 1    |         |
| 20       | 91314-06055  | BOLT                        | 1    | 1    | 1    | 1    |         |
| 21       | 91314-06016  | BOLT                        | 1    | 1    | 1    | 1    |         |
| 22       | 1RM-15419-00 | COVER, SHIFTER 1            | 1    | 1    | 1    | 1    |         |
| 23       | 3EG-15459-00 | GASKET, SHIFTER COVER       | 1    | 1    | 1    | 1    |         |
| 24       | 91314-06016  | BOLT                        | 2    | 2    | 2    | 2    |         |
| 25       | 5A8-15429-00 | COVER, SHIFTER              | 1    | 1    | 1    | 1    |         |
| 26       | 98507-06030  | SCREW, PAN HEAD             | 2    | 2    | 2    | 2    |         |
| 27       | 91314-06065  | BOLT                        | 1    | 1    | 1    | 1    |         |

FIG. 12 CRANKCASE COVER 1



| REF. NO. | PART NO.     | DESCRIPTION               | 4XNA | 4XNB | 4XNC | 4XND | REMARKS |
|----------|--------------|---------------------------|------|------|------|------|---------|
|          |              |                           |      |      |      |      |         |
| 28       | 42X-15441-00 | HOLDER, CLUTCH CABLE      | 1    | 1    | 1    | 1    |         |
| 29       | 1RM-W1542-01 | COVER, CRANKCASE 3        | 1    | 1    | 1    | 1    |         |
| 30       | 93101-14102  | OIL SEAL                  | 1    | 1    | 1    | 1    |         |
| 31       | 4X7-15388-00 | PLATE, BEARING COVER      | 1    | 1    | 1    | 1    |         |
| 32       | 91317-06016  | BOLT                      | 2    | 2    | 2    | 2    |         |
| 33       | 3EG-15462-00 | GASKET, CRANKCASE COVER 3 | 1    | 1    | 1    | 1    |         |
| 34       | 99530-10120  | PIN, DOWEL                | 2    | 2    | 2    | 2    |         |
| 35       | 91314-06040  | BOLT                      | 2    | 2    | 2    | 2    |         |
| 36       | 91314-06025  | BOLT                      | 8    | 8    | 8    | 8    |         |
| 37       | 91380-06030  | BOLT                      | 1    | 1    | 1    | 1    |         |
| 38       | 90462-10143  | CLAMP                     | 1    | 1    | 1    | 1    |         |
| 39       | 90462-10085  | CLAMP                     | 2    | 2    | 2    | 2    |         |
| 40       | 90462-12142  | CLAMP                     | 1    | 1    | 1    | 1    |         |
| 41       | 1RM-13161-00 | PIPE, DELIVERY 1          | 1    | 1    | 1    | 1    |         |
| 42       | 93210-07135  | O-RING                    | 3    | 3    | 3    | 3    |         |
| 43       | 90110-06093  | BOLT, HEXAGON SOCKET HEAD | 1    | 1    | 1    | 1    |         |

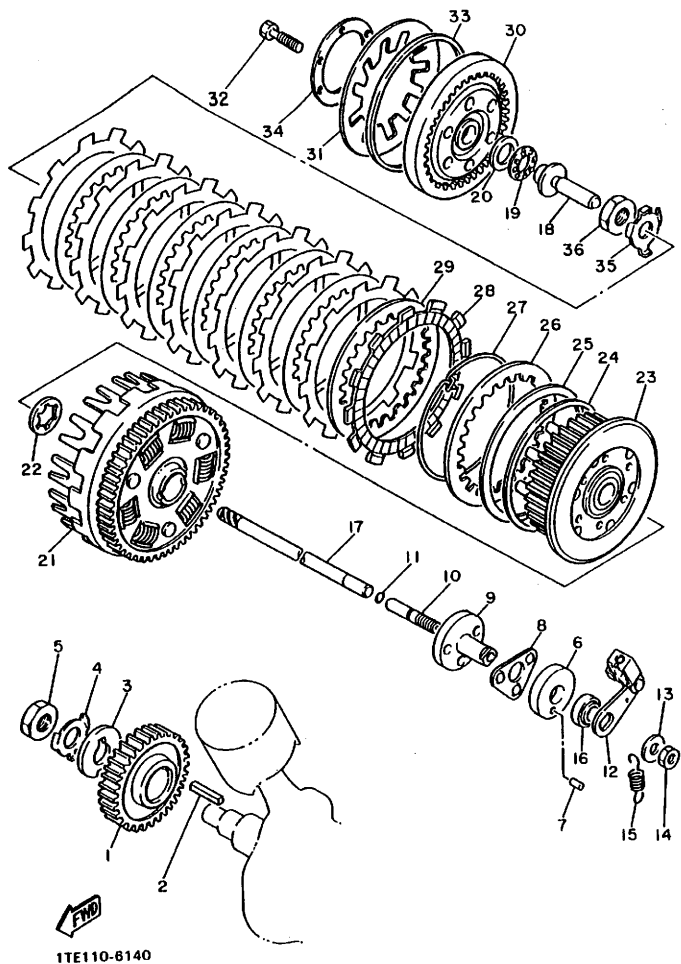


4PW3332-6130

FIG. 13 STARTER CLUTCH

| REF. NO. | PART NO.     | DESCRIPTION         | 4XNA | 4XNB | 4XNC | 4XND | REMARKS |
|----------|--------------|---------------------|------|------|------|------|---------|
|          |              |                     |      |      |      |      |         |
| 1        | 3LP-15570-00 | STARTER CLUTCH ASSY | 1    | 1    | 1    | 1    |         |
| 2        | 99009-13400  | CIRCLIP             | 1    | 1    | 1    | 1    |         |
| 3        | 4X7-15521-00 | SHAFT 1             | 1    | 1    | 1    | 1    |         |
| 4        | 3LP-W1551-00 | GEAR, IDLER SET     | 1    | 1    | 1    | 1    |         |
| 5        | 1TA-15512-00 | GEAR, IDLER 1       | 1    | 1    | 1    | 1    |         |
| 6        | 90387-172E5  | COLLAR              | 2    | 2    | 2    | 2    |         |
| 7        | 90387-170E5  | COLLAR              | 1    | 1    | 1    | 1    |         |
| 8        | 5A8-15550-00 | DRIVE LEVER ASSY    | 1    | 1    | 1    | 1    |         |
| 9        | 93102-10247  | OIL SEAL            | 1    | 1    | 1    | 1    |         |
| 10       | 5A8-15542-01 | COLLAR 2            | 1    | 1    | 1    | 1    |         |
| 11       | 90151-06013  | SCREW, COUNTERSUNK  | 1    | 1    | 1    | 1    |         |
| 12       | 5A8-15556-00 | LEVER, DRIVE        | 1    | 1    | 1    | 1    |         |
| 13       | 90508-26494  | SPRING, TORSION     | 1    | 1    | 1    | 1    |         |
| 14       | 90149-08166  | SCREW               | 1    | 1    | 1    | 1    |         |
| 15       | 3EG-15568-00 | GASKET              | 1    | 1    | 1    | 1    |         |
| 16       | 95707-06500  | NUT, FLANGE         | 2    | 2    | 2    | 2    |         |
| 17       | 90387-0801M  | COLLAR              | 2    | 2    | 2    | 2    |         |



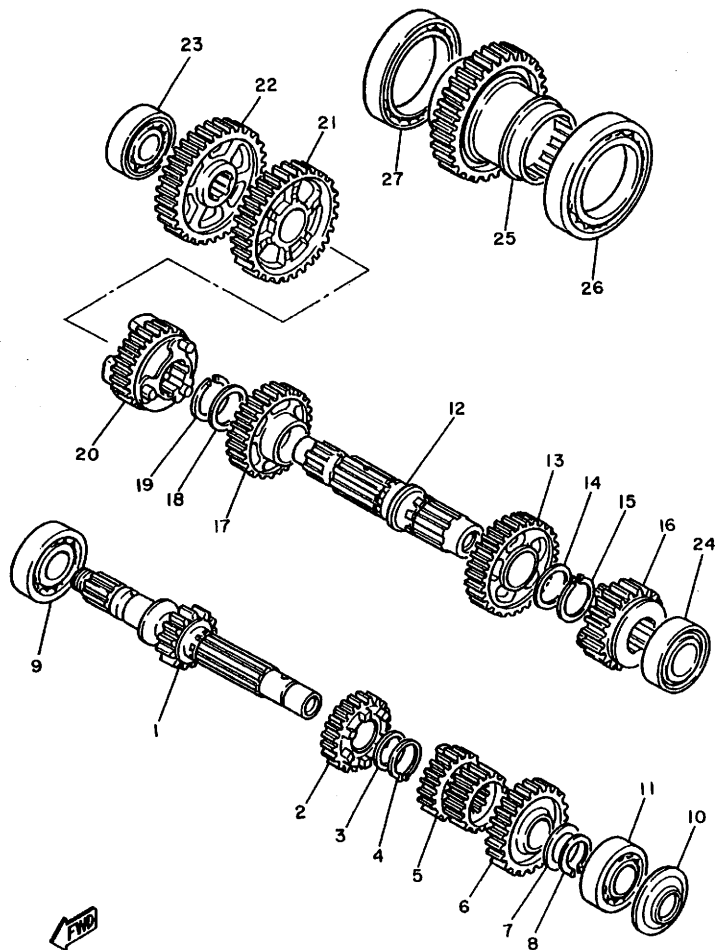


ITE110-6140

FIG. 14 CLUTCH

| REF. NO. | PART NO.     | DESCRIPTION               | 4XNA | 4XNB | 4XNC | 4XND | REMARKS |
|----------|--------------|---------------------------|------|------|------|------|---------|
|          |              |                           |      |      |      |      |         |
| 1        | 4X7-16111-00 | GEAR, PRIMARY DRIVE (47T) | 1    | 1    | 1    | 1    |         |
| 2        | 90282-07042  | KEY, STRAIGHT             | 1    | 1    | 1    | 1    |         |
| 3        | 90214-20022  | WASHER, CLAW              | 1    | 1    | 1    | 1    |         |
| 4        | 90215-20182  | WASHER, LOCK              | 1    | 1    | 1    | 1    |         |
| 5        | 90170-20274  | NUT                       | 1    | 1    | 1    | 1    |         |
| 6        | 2H7-16396-00 | HOUSING, PUSH SCREW       | 1    | 1    | 1    | 1    |         |
| 7        | 93606-07082  | PIN, DOWEL                | 1    | 1    | 1    | 1    |         |
| 8        | 2H7-16395-01 | RETAINER, BALL            | 1    | 1    | 1    | 1    |         |
| 9        | 2H7-16341-00 | SCREW, PUSH               | 1    | 1    | 1    | 1    |         |
| 10       | 2H7-16343-00 | SCREW, ADJUSTING          | 1    | 1    | 1    | 1    |         |
| 11       | 93210-48364  | O-RING                    | 1    | 1    | 1    | 1    |         |
| 12       | 4X7-16340-00 | PUSH LEVER ASSY           | 1    | 1    | 1    | 1    |         |
| 13       | 92907-08200  | WASHER                    | 1    | 1    | 1    | 1    |         |
| 14       | 95307-08700  | NUT                       | 1    | 1    | 1    | 1    |         |
| 15       | 90506-10069  | SPRING, TENSION           | 1    | 1    | 1    | 1    |         |
| 16       | 93104-14059  | OIL SEAL                  | 1    | 1    | 1    | 1    |         |
| 17       | 4X7-16357-00 | ROD, PUSH 2               | 1    | 1    | 1    | 1    |         |
| 18       | 4X7-16356-00 | ROD, PUSH 1               | 1    | 1    | 1    | 1    |         |
| 19       | 93340-21505  | BEARING                   | 1    | 1    | 1    | 1    |         |
| 20       | 90201-151A7  | WASHER, PLATE (T=1.0)     | 1    | 1    | 1    | 1    |         |
| 21       | 4X7-16150-02 | PRIMARY DRIVEN GEAR COMP. | 1    | 1    | 1    | 1    |         |
| 22       | 3Y1-16154-00 | PLATE, THRUST 1           | 1    | 1    | 1    | 1    |         |
| 23       | 1TA-16371-00 | BOSS, CLUTCH              | 1    | 1    | 1    | 1    |         |
| 24       | 4X7-16384-00 | PLATE, SEAT               | 1    | 1    | 1    | 1    |         |
| 25       | 4X7-16383-01 | SPRING, CLUTCH BOSS       | 1    | 1    | 1    | 1    |         |
| 26       | 4X7-16324-00 | PLATE, CLUTCH 1           | 1    | 1    | 1    | 1    |         |
| 27       | 4X7-16385-00 | RING, CLUTCH BOSS         | 1    | 1    | 1    | 1    |         |





5E3171-1170

FIG. 15 TRANSMISSION

| REF. NO. | PART NO.     | DESCRIPTION                   | 4XNA | 4XNB | 4XNC | 4XND | REMARKS |
|----------|--------------|-------------------------------|------|------|------|------|---------|
|          |              |                               |      |      |      |      |         |
| 1        | 1TA-17411-00 | AXLE, MAIN                    | 1    | 1    | 1    | 1    |         |
| 2        | 4X7-17141-00 | GEAR, 4TH PINION (31T)        | 1    | 1    | 1    | 1    |         |
| 3        | 90209-22191  | WASHER                        | 1    | 1    | 1    | 1    |         |
| 4        | 99009-25400  | CIRCLIP                       | 1    | 1    | 1    | 1    |         |
| 5        | 4X7-17121-00 | GEAR, 2ND/3RD PINION (24/28T) | 1    | 1    | 1    | 1    |         |
| 6        | 42X-17151-00 | GEAR, 5TH PINION (34T)        | 1    | 1    | 1    | 1    |         |
| 7        | 90201-20276  | WASHER, PLATE (1.0T)          | 1    | 1    | 1    | 1    |         |
| 8        | 99009-20400  | CIRCLIP                       | 1    | 1    | 1    | 1    |         |
| 9        | 93306-30525  | BEARING (B6305)               | 1    | 1    | 1    | 1    |         |
| 10       | 93104-20068  | OIL SEAL                      | 1    | 1    | 1    | 1    |         |
| 11       | 93306-30424  | BEARING (B6304A3)             | 1    | 1    | 1    | 1    |         |
| 12       | 4X7-17402-00 | DRIVE AXLE ASSY               | 1    | 1    | 1    | 1    |         |
| 13       | 4X7-17221-00 | GEAR, 2ND WHEEL (40T)         | 1    | 1    | 1    | 1    |         |
| 14       | 90209-27192  | WASHER                        | 1    | 1    | 1    | 1    |         |
| 15       | 93440-30077  | CIRCLIP                       | 1    | 1    | 1    | 1    |         |
| 16       | 42X-17251-00 | GEAR, 5TH WHEEL (29T)         | 1    | 1    | 1    | 1    |         |
| 17       | 4X7-17231-00 | GEAR, 3RD WHEEL (36T)         | 1    | 1    | 1    | 1    |         |
| 18       | 90209-27192  | WASHER                        | 1    | 1    | 1    | 1    |         |
| 19       | 93440-30077  | CIRCLIP                       | 1    | 1    | 1    | 1    |         |
| 20       | 4X7-17241-00 | GEAR, 4TH WHEEL (32T)         | 1    | 1    | 1    | 1    |         |
| 21       | 1TA-17211-00 | GEAR, 1ST WHEEL(39T)          | 1    | 1    | 1    | 1    |         |
| 22       | 4PP-17582-00 | GEAR, MIDDLE DRIVE (46T)      | 1    | 1    | 1    | 1    |         |
| 23       | 93306-20401  | BEARING (B6204)               | 1    | 1    | 1    | 1    |         |
| 24       | 93306-20550  | BEARING (B6205DU8)            | 1    | 1    | 1    | 1    |         |
| 25       | 4PP-17583-00 | GEAR, MIDDLE DRIVEN (45T)     | 1    | 1    | 1    | 1    |         |
| 26       | 93316-01201  | BEARING (B16012)              | 1    | 1    | 1    | 1    |         |
| 27       | 93306-91201  | BEARING (B6912)               | 1    | 1    | 1    | 1    |         |

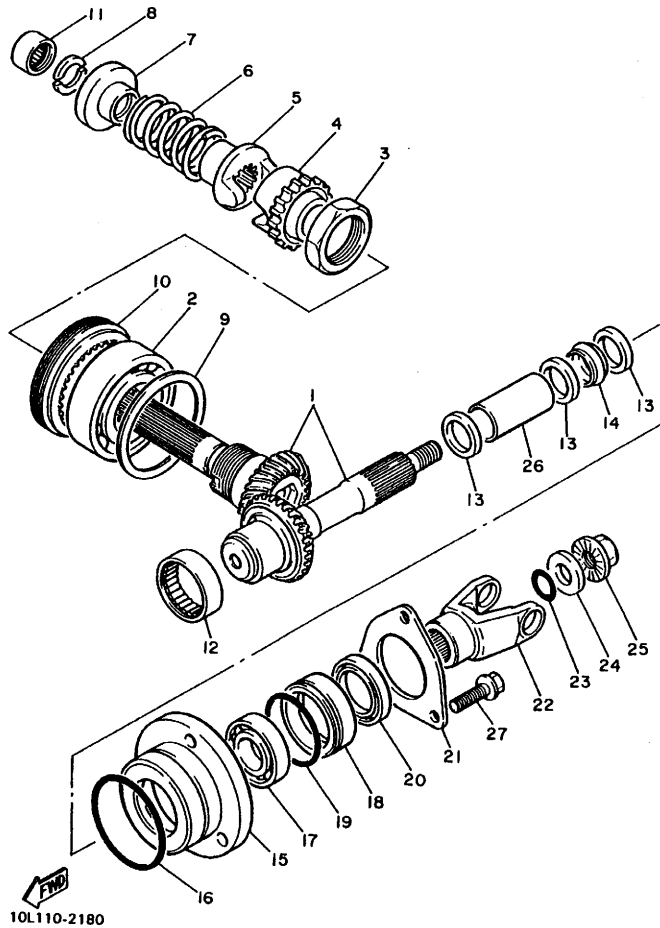
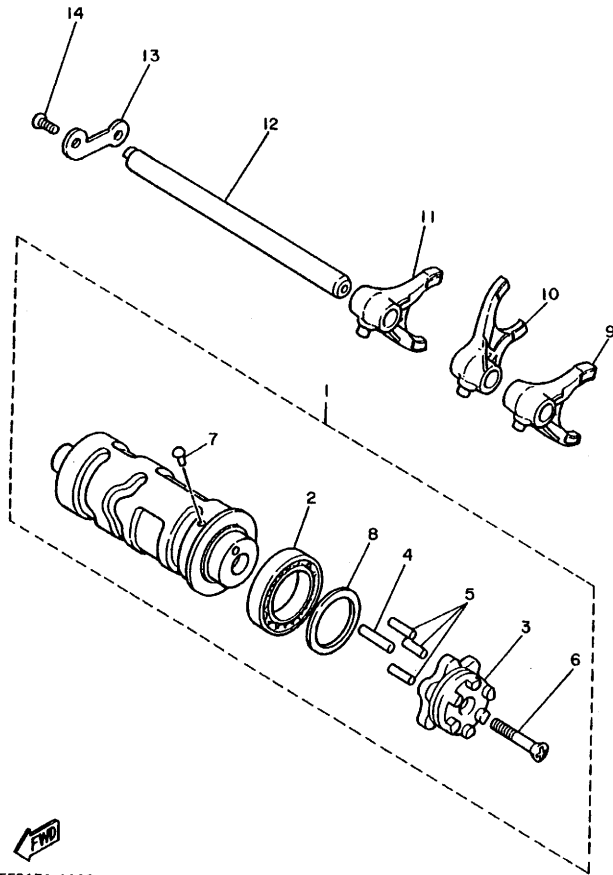


FIG. 16 MIDDLE DRIVE GEAR

| REF. NO. | PART NO.        | DESCRIPTION            | 4XNA | 4XNB | 4XNC | 4XND | REMARKS |
|----------|-----------------|------------------------|------|------|------|------|---------|
| 1        | 1TA-Y1757-00    | MIDDLE GEAR COMP.      | 1    | 1    | 1    | 1    |         |
| 2        | 93306-20901     | BEARING (B6209RSH2-C2) | 1    | 1    | 1    | 1    |         |
| 3        | 90179-44328     | NUT                    | 1    | 1    | 1    | 1    |         |
| 4        | 42X-17526-01    | CAM, DRIVE             | 1    | 1    | 1    | 1    |         |
| 5        | 31A-17527-00    | CAM, DRIVEN            | 1    | 1    | 1    | 1    |         |
| 6        | 90501-70762     | SPRING, COMPRESSION    | 1    | 1    | 1    | 1    |         |
| 7        | 4X7-17524-00    | HOLDER                 | 1    | 1    | 1    | 1    |         |
| 8        | 3H5-17529-00    | WASHER, THRUST         | 2    | 2    | 2    | 2    |         |
| 9        | 4X7-17531-00-15 | SHIM, PINION (0.15T)   | 1    | 1    | 1    | 1    | UR      |
|          | 4X7-17531-00-30 | SHIM, PINION (0.30T)   | 1    | 1    | 1    | 1    | UR      |
|          | 4X7-17531-00-50 | SHIM, PINION (0.50T)   | 1    | 1    | 1    | 1    | UR      |
| 10       | 90179-88336     | NUT                    | 1    | 1    | 1    | 1    |         |
| 11       | 93317-22021     | BEARING                | 1    | 1    | 1    | 1    |         |
| 12       | 93311-44051     | BEARING                | 1    | 1    | 1    | 1    |         |
| 13       | 90201-255A6     | WASHER, PLATE          | 3    | 3    | 3    | 3    |         |
| 14       | 1J7-46129-Y1    | SPACER, EXPANSION      | 1    | 1    | 1    | 1    |         |
| 15       | 4X7-17551-00    | HOUSING, BEARING       | 1    | 1    | 1    | 1    |         |
| 16       | 93210-71360     | O-RING                 | 1    | 1    | 1    | 1    |         |
| 17       | 93306-20548     | BEARING (B6205RC2)     | 1    | 1    | 1    | 1    |         |
| 18       | 4X7-17554-00    | RETAINER, BEARING      | 1    | 1    | 1    | 1    |         |
| 19       | 93210-52449     | O-RING                 | 1    | 1    | 1    | 1    |         |
| 20       | 93101-35099     | OIL SEAL               | 1    | 1    | 1    | 1    |         |
| 21       | 4X7-17558-00    | PLATE, BEARING         | 1    | 1    | 1    | 1    |         |
| 22       | 4X7-17556-00    | YOKE, JOINT            | 1    | 1    | 1    | 1    |         |
| 23       | 93210-14359     | O-RING                 | 1    | 1    | 1    | 1    |         |
| 24       | 90201-14633     | WASHER, PLATE          | 1    | 1    | 1    | 1    |         |
| 25       | 90179-14317     | NUT                    | 1    | 1    | 1    | 1    |         |

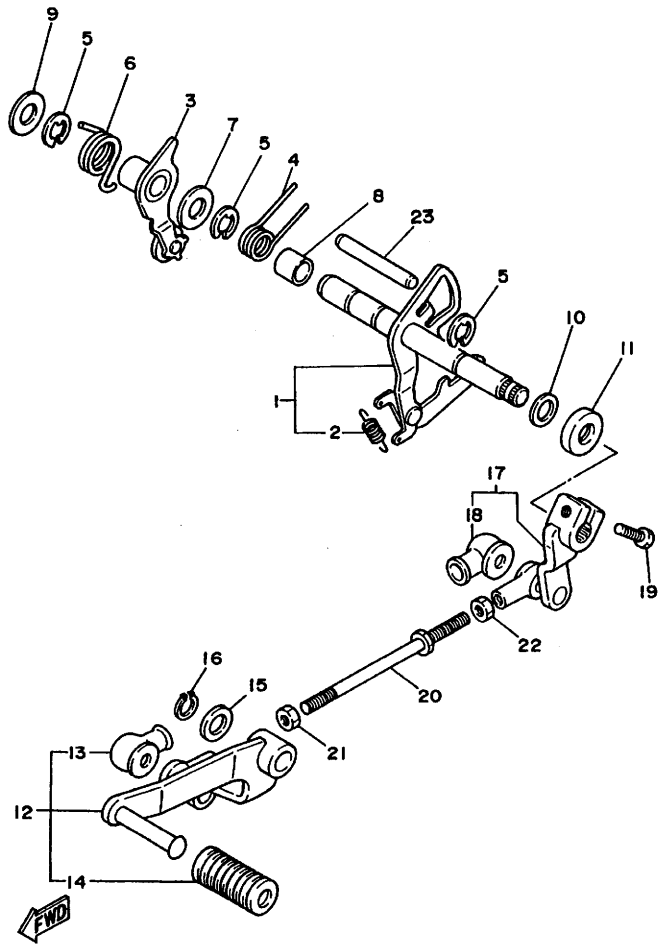


FIG. 17 SHIFT CAM. FORK



  
5E3171-1180

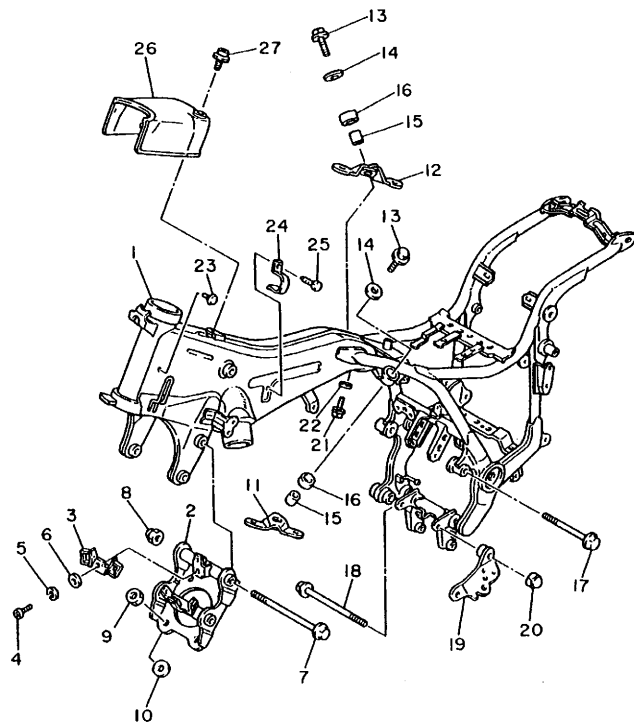
| REF. NO. | PART NO.     | DESCRIPTION             | 4XNA | 4XNB | 4XNC | 4XND | REMARKS |
|----------|--------------|-------------------------|------|------|------|------|---------|
|          |              |                         |      |      |      |      |         |
| 1        | 4X7-18540-01 | SHIFT CAM ASSY          | 1    | 1    | 1    | 1    |         |
| 2        | 93306-90602  | .BEARING                | 1    | 1    | 1    | 1    |         |
| 3        | 4G0-18185-01 | .SEGMENT                | 1    | 1    | 1    | 1    |         |
| 4        | 93604-20156  | .PIN, DOWEL             | 1    | 1    | 1    | 1    |         |
| 5        | 93604-16092  | .PIN, DOWEL             | 3    | 3    | 3    | 3    |         |
| 6        | 98701-05035  | .SCREW, FLAT HEAD       | 1    | 1    | 1    | 1    |         |
| 7        | 136-18542-00 | .POINT, NEUTRAL         | 1    | 1    | 1    | 1    |         |
| 8        | 90201-30297  | .WASHER, PLATE          | 1    | 1    | 1    | 1    |         |
| 9        | 4X7-18511-00 | FORK, SHIFT 1           | 1    | 1    | 1    | 1    |         |
| 10       | 4X7-18512-00 | FORK, SHIFT 2           | 1    | 1    | 1    | 1    |         |
| 11       | 4X7-18513-00 | FORK, SHIFT 3           | 1    | 1    | 1    | 1    |         |
| 12       | 4X7-18531-00 | BAR, SHIFT FORK GUIDE 1 | 1    | 1    | 1    | 1    |         |
| 13       | 4X7-18536-00 | STOPPER, SHIFT BAR      | 1    | 1    | 1    | 1    |         |
| 14       | 90151-06041  | SCREW, COUNTERSUNK      | 2    | 2    | 2    | 2    |         |



3EF2361-9180

FIG. 18 SHIFT SHAFT

| REF. NO. | PART NO.     | DESCRIPTION              | 4XNA | 4XNB | 4XNC | 4XND | REMARKS |
|----------|--------------|--------------------------|------|------|------|------|---------|
|          |              |                          |      |      |      |      |         |
| 1        | 4X7-18120-01 | SHIFT LEVER ASSY         | 1    | 1    | 1    | 1    |         |
| 2        | 90506-08227  | .SPRING, TENSION         | 1    | 1    | 1    | 1    |         |
| 3        | 4X7-18140-00 | STOPPER LEVER ASSY       | 1    | 1    | 1    | 1    |         |
| 4        | 90508-32535  | SPRING, TORSION          | 1    | 1    | 1    | 1    |         |
| 5        | 99001-10600  | CIRCLIP                  | 3    | 3    | 3    | 3    |         |
| 6        | 90508-29531  | SPRING, TORSION          | 1    | 1    | 1    | 1    |         |
| 7        | 90201-12588  | WASHER, PLATE            | 1    | 1    | 1    | 1    |         |
| 8        | 90387-124F4  | COLLAR                   | 1    | 1    | 1    | 1    |         |
| 9        | 90201-12588  | WASHER, PLATE            | 1    | 1    | 1    | 1    |         |
| 10       | 90201-12166  | WASHER, PLATE            | 1    | 1    | 1    | 1    |         |
| 11       | 93102-12106  | OIL SEAL (SD 12-22-5 HS) | 1    | 1    | 1    | 1    |         |
| 12       | 42X-18110-01 | SHIFT PEDAL ASSY         | 1    | 1    | 1    | 1    |         |
| 13       | 2H9-18154-00 | .COVER, DUST             | 1    | 1    | 1    | 1    |         |
| 14       | 132-18113-01 | .COVER, SHIFT PEDAL      | 1    | 1    | 1    | 1    |         |
| 15       | 90201-12688  | WASHER, PLATE            | 1    | 1    | 1    | 1    |         |
| 16       | 99009-12400  | CIRCLIP                  | 1    | 1    | 1    | 1    |         |
| 17       | 42X-18112-01 | ARM, SHIFT               | 1    | 1    | 1    | 1    |         |
| 18       | 2H9-18154-00 | .COVER, DUST             | 1    | 1    | 1    | 1    |         |
| 19       | 97024-06020  | BOLT                     | 1    | 1    | 1    | 1    |         |
| 20       | 29L-18115-00 | ROD, SHIFT               | 1    | 1    | 1    | 1    |         |
| 21       | 90170-06228  | NUT (COUNTER CLOCKWISE)  | 1    | 1    | 1    | 1    |         |
| 22       | 95304-06700  | NUT                      | 1    | 1    | 1    | 1    |         |
| 23       | 93608-50158  | PIN, DOWEL               | 1    | 1    | 1    | 1    |         |



3EF1361-8190

FIG. 19 FRAME

| REF. NO. | PART NO.        | DESCRIPTION         | 4XNA | 4XNB | 4XNC | 4XND | REMARKS |
|----------|-----------------|---------------------|------|------|------|------|---------|
|          |                 |                     |      |      |      |      |         |
| 1        | 3CF-21110-00-33 | FRAME COMP.         | 1    | 1    | 1    | 1    | YB      |
| 2        | 42X-21317-00    | STAY, ENGINE 3      | 1    | 1    | 1    | 1    |         |
| 3        | 42X-21359-00    | BRACKET, COIL       | 1    | 1    | 1    | 1    |         |
| 4        | 98507-06012     | SCREW, PAN HEAD     | 1    | 1    | 1    | 1    |         |
| 5        | 92907-06100     | WASHER, SPRING      | 1    | 1    | 1    | 1    |         |
| 6        | 92907-06600     | WASHER, PLATE       | 1    | 1    | 1    | 1    |         |
| 7        | 90105-10297     | BOLT, WASHER BASED  | 2    | 2    | 2    | 2    |         |
| 8        | 90176-10075     | NUT, CROWN          | 2    | 2    | 2    | 2    |         |
| 9        | 90179-12657     | NUT                 | 4    | 4    | 4    | 4    |         |
| 10       | 90201-125A3     | WASHER, PLATE       | 4    | 4    | 4    | 4    |         |
| 11       | 42X-21315-01    | STAY, ENGINE 2      | 1    | 1    | 1    | 1    |         |
| 12       | 42X-21316-01    | STAY, ENGINE 3      | 1    | 1    | 1    | 1    |         |
| 13       | 90105-10298     | BOLT, WASHER BASED  | 2    | 2    | 2    | 2    |         |
| 14       | 90201-105H3     | WASHER, PLATE       | 2    | 2    | 2    | 2    |         |
| 15       | 90387-100E2     | COLLAR              | 2    | 2    | 2    | 2    |         |
| 16       | 4X7-21485-00    | DAMPER, RUBBER 1    | 2    | 2    | 2    | 2    |         |
| 17       | 90105-10299     | BOLT, WASHER BASED  | 2    | 2    | 2    | 2    |         |
| 18       | 90105-10300     | BOLT, WASHER BASED  | 1    | 1    | 1    | 1    |         |
| 19       | 42X-21458-01    | BRACKET, SIDE STAND | 1    | 1    | 1    | 1    |         |
| 20       | 90176-10075     | NUT, CROWN          | 2    | 2    | 2    | 2    |         |
| 21       | 90105-06069     | BOLT, WASHER BASED  | 1    | 1    | 1    | 1    |         |
| 22       | 90202-05193     | WASHER, PLATE       | 1    | 1    | 1    | 1    |         |
| 23       | 90338-07043     | PLUG                | 2    | 2    | 2    | 2    |         |
| 24       | 90462-08138     | CLAMP               | 2    | 2    | 2    | 2    |         |
| 25       | 97707-50508     | SCREW, TAPPING      | 2    | 2    | 2    | 2    |         |
| 26       | 42X-2139R-00    | COVER 2             | 1    | 1    | 1    | 1    |         |
| 27       | 90159-06058     | SCREW, WITH WASHER  | 1    | 1    | 1    | 1    |         |



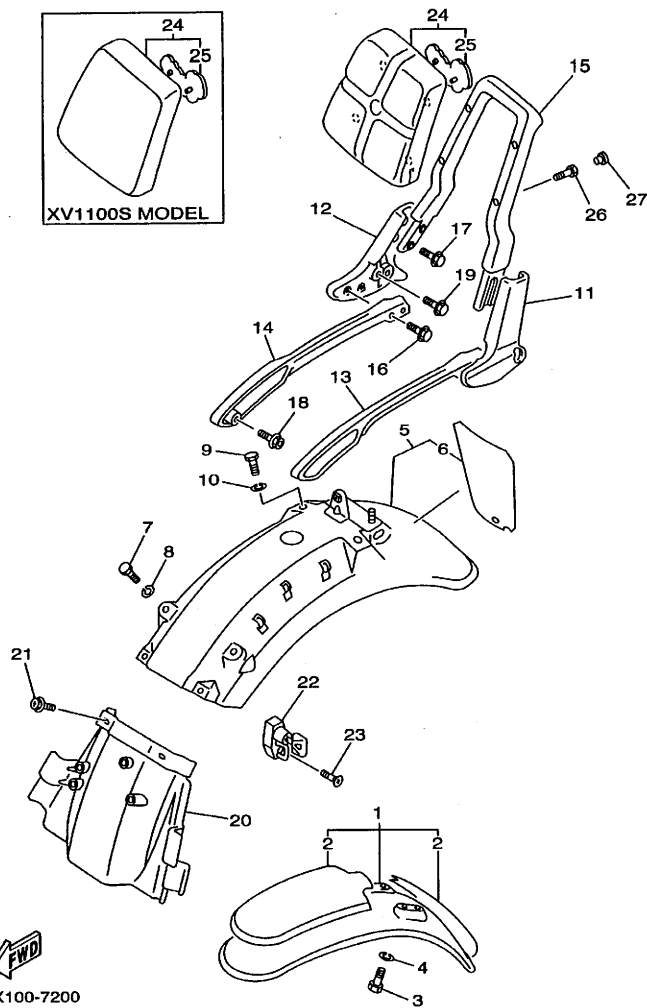
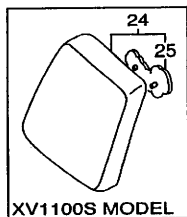
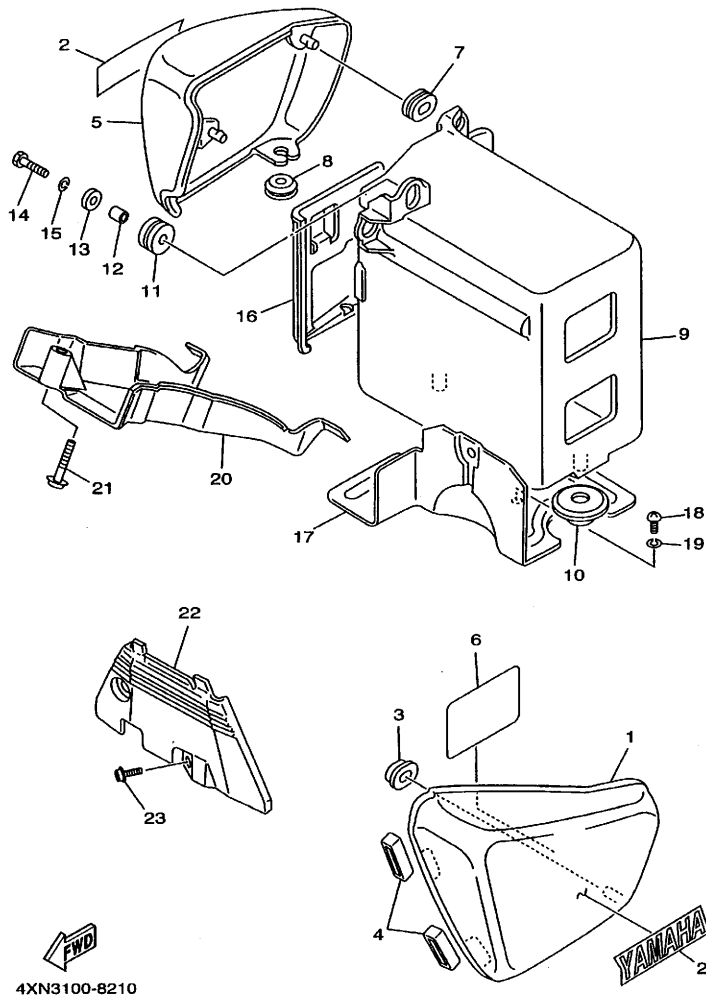


FIG. 20 FENDER

| REF. NO. | PART NO.        | DESCRIPTION                | 4XNA | 4XNB | 4XNC | 4XND | REMARKS |
|----------|-----------------|----------------------------|------|------|------|------|---------|
|          |                 |                            |      |      |      |      |         |
| 1        | 1MY-Y2151-P0-PF | FRONT FENDER COMP.         | 1    | 1    |      |      | DRM2    |
|          | 1MY-Y2151-R0-33 | FRONT FENDER COMP.         |      |      | 1    | 1    | YB      |
| 2        | 3JK-21570-G0    | .GRAPHIC SET, FRONT FENDER | 1    | 1    |      |      |         |
|          | 4XN-21570-00    | .GRAPHIC SET, FRONT FENDER |      |      | 1    | 1    |         |
| 3        | 97027-06012     | BOLT                       | 4    | 4    | 4    | 4    |         |
| 4        | 92907-06100     | WASHER, SPRING             | 4    | 4    | 4    | 4    |         |
| 5        | 1RM-Y2161-01-P8 | REAR FENDER COMP.          | 1    | 1    |      |      | DRM2    |
|          | 1RM-Y2161-G1-33 | REAR FENDER COMP.          |      |      | 1    | 1    | YB      |
| 6        | 3JK-21675-F0    | .GRAPHIC, REAR FENDER      | 1    | 1    |      |      |         |
|          | 4XN-21675-00    | .GRAPHIC, REAR FENDER      |      |      | 1    | 1    |         |
| 7        | 97027-06012     | BOLT                       | 2    | 2    | 2    | 2    |         |
| 8        | 92907-06100     | WASHER, SPRING             | 2    | 2    | 2    | 2    |         |
| 9        | 97027-08012     | BOLT                       | 2    | 2    | 2    | 2    |         |
| 10       | 92907-08100     | WASHER, SPRING             | 2    | 2    | 2    | 2    |         |
| 11       | 1RM-2164F-00    | STAY 1                     | 1    | 1    | 1    | 1    |         |
| 12       | 1RM-2164G-00    | STAY 2                     | 1    | 1    | 1    | 1    |         |
| 13       | 3JK-2164H-00    | STAY 3                     | 1    | 1    | 1    | 1    |         |
| 14       | 3JK-2164J-00    | STAY 4                     | 1    | 1    | 1    | 1    |         |
| 15       | 42H-2164A-02    | GRIP 1                     | 1    | 1    | 1    | 1    |         |
| 16       | 95817-06016     | BOLT, FLANGE               | 4    | 4    | 4    | 4    |         |
| 17       | 95827-06016     | BOLT, FLANGE               | 4    | 4    | 4    | 4    |         |
| 18       | 90149-08225     | SCREW                      | 2    | 2    | 2    | 2    |         |
| 19       | 90105-10217     | BOLT, WASHER BASED         | 2    | 2    | 2    | 2    |         |
| 20       | 42X-21629-00    | GUARD, MUD                 | 1    | 1    | 1    | 1    |         |
| 21       | 90159-06128     | SCREW, WITH WASHER         | 2    | 2    | 2    | 2    |         |
| 22       | 4R8-21308-00    | HELMET HANGER ASSY         | 1    | 1    | 1    | 1    |         |
| 23       | 90149-06154     | SCREW                      | 1    | 1    | 1    | 1    |         |





4XN3100-8210

FIG. 21 SIDE COVER

| REF. NO. | PART NO.        | DESCRIPTION                  | 4XNA | 4XNB | 4XNC | 4XND | REMARKS |
|----------|-----------------|------------------------------|------|------|------|------|---------|
| 1        | 42X-21711-00-P8 | COVER, SIDE 1                | 1    | 1    |      |      | DRM2    |
|          | 42X-21711-00-33 | COVER, SIDE 1                |      |      | 1    | 1    | YB      |
| 2        | 99237-00080     | EMBLEM, YAMAHA               | 2    | 2    |      |      |         |
| 3        | 90480-01141     | GROMMET                      | 1    | 1    | 1    | 1    |         |
| 4        | 3LP-21717-00    | DAMPER                       | 2    | 2    | 2    | 2    |         |
| 5        | 42X-21721-00-P8 | COVER, SIDE 2                | 1    | 1    |      |      | DRM2    |
|          | 42X-21721-00-33 | COVER, SIDE 2                |      |      | 1    | 1    | YB      |
| 6        | 3JK-2179V-A0    | PLATE, EPA 1(NON CALIFORNIA) | 1    | 1    |      |      |         |
|          | 3JK-2179R-A0    | PLATE, EPA 2(CALIFORNIA)     |      | 1    |      | 1    |         |
| 7        | 90480-01141     | GROMMET                      | 2    | 2    | 2    | 2    |         |
| 8        | 90480-12053     | GROMMET                      | 1    | 1    | 1    | 1    |         |
| 9        | 42X-21171-00    | BOX                          | 1    | 1    | 1    | 1    |         |
| 10       | 90480-20384     | GROMMET                      | 2    | 2    | 2    | 2    |         |
| 11       | 90480-16233     | GROMMET                      | 1    | 1    | 1    | 1    |         |
| 12       | 90387-07674     | COLLAR                       | 1    | 1    | 1    | 1    |         |
| 13       | 90201-06380     | WASHER, PLATE                | 1    | 1    | 1    | 1    |         |
| 14       | 97007-06020     | BOLT                         | 1    | 1    | 1    | 1    |         |
| 15       | 92907-06100     | WASHER, SPRING               | 1    | 1    | 1    | 1    |         |
| 16       | 42X-28185-00    | LID                          | 1    | 1    | 1    | 1    |         |
| 17       | 42X-2172W-02    | COVER                        | 1    | 1    | 1    | 1    |         |
| 18       | 98507-06010     | SCREW, PAN HEAD              | 2    | 2    | 2    | 2    |         |
| 19       | 92907-06100     | WASHER, SPRING               | 2    | 2    | 2    | 2    |         |
| 20       | 42X-2176E-00    | PLATE                        | 1    | 1    | 1    | 1    |         |
| 21       | 90159-06110     | SCREW, WITH WASHER           | 1    | 1    | 1    | 1    |         |
| 22       | 42X-2117F-00    | COVER                        | 1    | 1    | 1    | 1    |         |
| 23       | 90159-06033     | SCREW, WITH WASHER           | 2    | 2    | 2    | 2    |         |

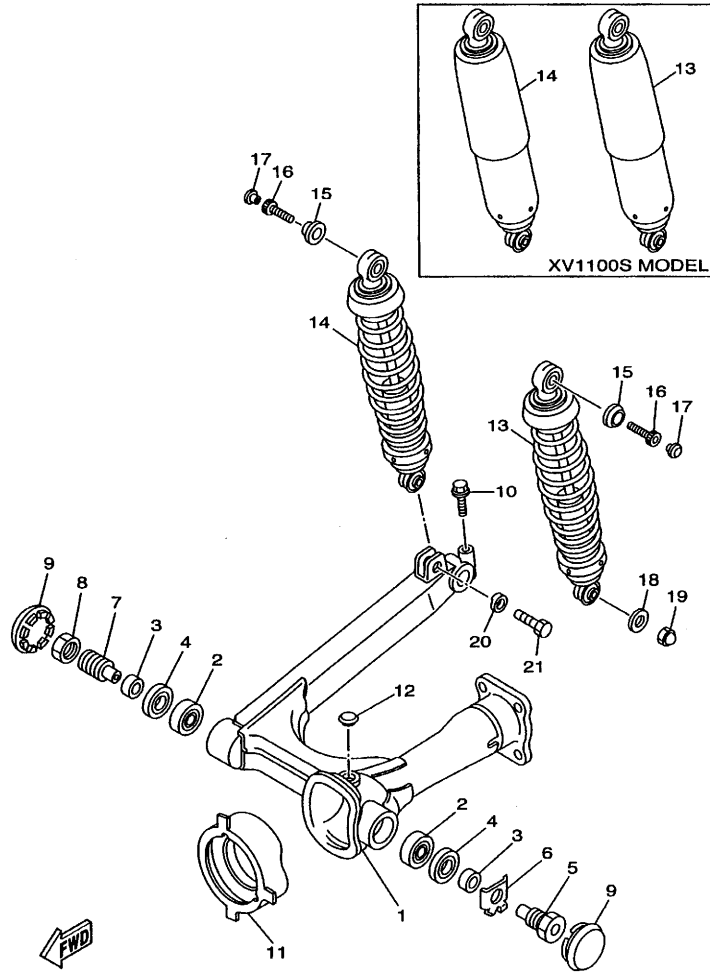
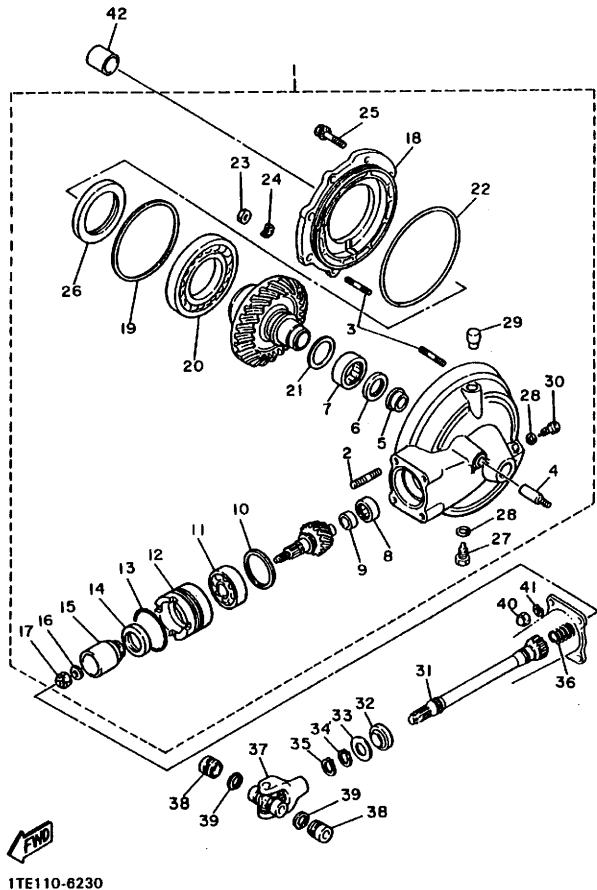


FIG. 22 REAR ARM. SUSPENSION

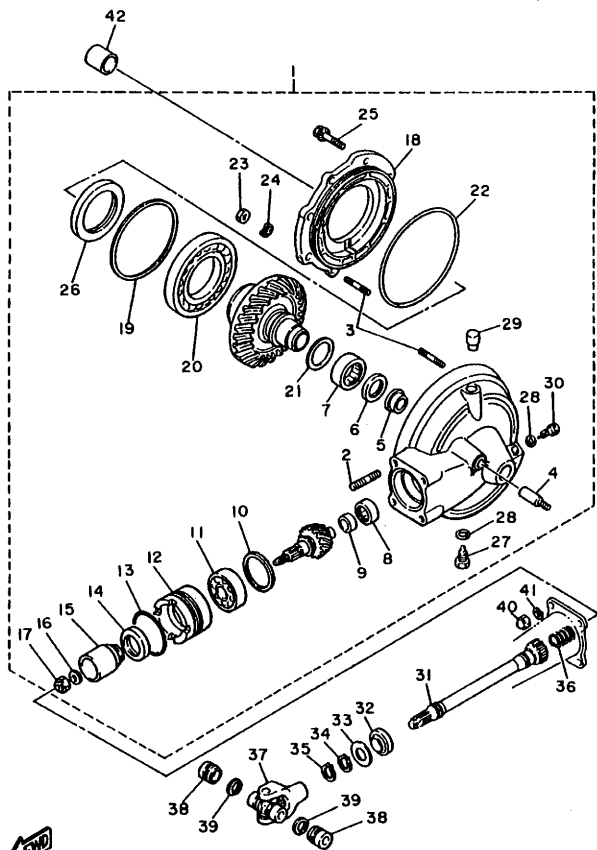
| REF. NO. | PART NO.        | DESCRIPTION               | 4XNA | 4XNB | 4XNC | 4XND | REMARKS |
|----------|-----------------|---------------------------|------|------|------|------|---------|
|          |                 |                           |      |      |      |      |         |
| 1        | 1RM-22110-01-35 | REAR ARM COMP.            | 1    | 1    | 1    | 1    | SL      |
| 2        | 93332-00010     | BEARING                   | 2    | 2    | 2    | 2    |         |
| 3        | 90387-17543     | COLLAR                    | 2    | 2    | 2    | 2    |         |
| 4        | 93102-25017     | OIL SEAL                  | 2    | 2    | 2    | 2    |         |
| 5        | 42X-22141-00    | SHAFT, PIVOT              | 1    | 1    | 1    | 1    |         |
| 6        | 90215-22238     | WASHER, LOCK              | 1    | 1    | 1    | 1    |         |
| 7        | 1J7-22141-00    | SHAFT, PIVOT              | 1    | 1    | 1    | 1    |         |
| 8        | 1J7-22143-00    | NUT                       | 1    | 1    | 1    | 1    |         |
| 9        | 2H7-2219X-00    | COVER                     | 2    | 2    | 2    | 2    |         |
| 10       | 95024-08035     | BOLT, FLANGE              | 1    | 1    | 1    | 1    |         |
| 11       | 4X7-22189-01    | BOOT, RUBBER              | 1    | 1    | 1    | 1    |         |
| 12       | 90338-20113     | PLUG                      | 1    | 1    | 1    | 1    |         |
| 13       | 3JK-22210-01    | SHOCK ABSORBER ASSY, REAR | 1    | 1    |      |      |         |
|          | 3JK-22210-10    | SHOCK ABSORBER ASSY, REAR |      |      | 1    | 1    |         |
| 14       | 3JK-22220-01    | SHOCK ABSORBER ASSY, REAR | 1    | 1    |      |      |         |
|          | 3JK-22220-10    | SHOCK ABSORBER ASSY, REAR |      |      |      | 1    | 1       |
| 15       | 57A-22243-01    | WASHER 1                  | 2    | 2    | 2    | 2    |         |
| 16       | 91317-08020     | BOLT                      | 2    | 2    | 2    | 2    |         |
| 17       | 90338-08163     | PLUG                      | 2    | 2    | 2    | 2    |         |
| 18       | 90201-105R9     | WASHER, PLATE             | 1    | 1    | 1    | 1    |         |
| 19       | 90176-10073     | NUT, CROWN                | 1    | 1    | 1    | 1    |         |
| 20       | 92903-10100     | WASHER, SPRING            | 1    | 1    | 1    | 1    |         |
| 21       | 90106-10052     | BOLT                      | 1    | 1    | 1    | 1    |         |



1TE110-6230

FIG. 23 DRIVE SHAFT

| REF. NO. | PART NO.        | DESCRIPTION                 | 4XNA | 4XNB | 4XNC | 4XND | REMARKS |
|----------|-----------------|-----------------------------|------|------|------|------|---------|
|          |                 |                             |      |      |      |      |         |
| 1        | 56W-46101-02    | REAR AXLE GEAR CASE ASSY    | 1    | 1    | 1    | 1    |         |
| 2        | 90116-10362     | .BOLT, STUD                 | 4    | 4    | 4    | 4    |         |
| 3        | 90116-08360     | .BOLT, STUD                 | 6    | 6    | 6    | 6    |         |
| 4        | 90116-10249     | .BOLT, STUD                 | 1    | 1    | 1    | 1    |         |
| 5        | 4H7-46153-00    | .COLLAR, GUIDE              | 1    | 1    | 1    | 1    |         |
| 6        | 93101-30084     | .OIL SEAL                   | 1    | 1    | 1    | 1    |         |
| 7        | 93311-43729     | .BEARING                    | 1    | 1    | 1    | 1    |         |
| 8        | 93317-41510     | .BEARING                    | 1    | 1    | 1    | 1    |         |
| 9        | 2H7-46122-00    | .RACE, INNER                | 1    | 1    | 1    | 1    |         |
| 10       | 1J7-17537-Y0-30 | .SHIM, THRUST (0.30T)       | 1    | 1    | 1    | 1    | UR      |
|          | 1J7-17537-Y0-40 | .SHIM, THRUST (0.40T)       | 1    | 1    | 1    | 1    | UR      |
|          | 1J7-17537-Y0-50 | .SHIM, THRUST (0.50T)       | 1    | 1    | 1    | 1    | UR      |
| 11       | 93306-30533     | .BEARING (B6305RB1 SPECIAL) | 1    | 1    | 1    | 1    |         |
| 12       | 4H7-46125-00    | .RETAINER, BEARING          | 1    | 1    | 1    | 1    |         |
| 13       | 93210-60426     | .O-RING                     | 1    | 1    | 1    | 1    |         |
| 14       | 93101-38098     | .OIL SEAL                   | 1    | 1    | 1    | 1    |         |
| 15       | 4H7-46123-00    | .COUPLING, GEAR             | 1    | 1    | 1    | 1    |         |
| 16       | 90201-14632     | .WASHER, PLATE              | 1    | 1    | 1    | 1    |         |
| 17       | 90185-14070     | .NUT, SELF-LOCKING          | 1    | 1    | 1    | 1    |         |
| 18       | 4H7-46152-00    | .HOUSING, BEARING           | 1    | 1    | 1    | 1    |         |
| 19       | 1J7-46117-Y0-30 | .SHIM, RING GEAR (0.30T)    | 1    | 1    | 1    | 1    | UR      |
|          | 1J7-46117-Y0-40 | .SHIM, RING GEAR (0.40T)    | 1    | 1    | 1    | 1    | UR      |
|          | 1J7-46117-Y0-50 | .SHIM, RING GEAR (0.50T)    | 1    | 1    | 1    | 1    | UR      |
| 20       | 93316-01403     | .BEARING                    | 1    | 1    | 1    | 1    |         |
| 21       | 22U-46118-00-12 | .SHIM, THRUST (1.2T)        | 1    | 1    | 1    | 1    | UR      |
|          | 22U-46118-00-14 | .SHIM, THRUST (1.4T)        | 1    | 1    | 1    | 1    | UR      |
|          | 22U-46118-00-16 | .SHIM, THRUST (1.6T)        | 1    | 1    | 1    | 1    | UR      |



1TE110-6230

FIG. 23 DRIVE SHAFT

| REF. NO. | PART NO.        | DESCRIPTION           | 4XNA | 4XNB | 4XNC | 4XND | REMARKS |
|----------|-----------------|-----------------------|------|------|------|------|---------|
|          |                 |                       |      |      |      |      |         |
| 21       | 22U-46118-00-18 | .SHIM, THRUST (1.8T)  | 1    | 1    | 1    | 1    | UR      |
|          | 22U-46118-00-20 | .SHIM, THRUST (2.0T)  | 1    | 1    | 1    | 1    | UR      |
| 22       | 93211-44348     | .O-RING               | 1    | 1    | 1    | 1    |         |
| 23       | 95317-08600     | .NUT                  | 6    | 6    | 6    | 6    |         |
| 24       | 92907-08700     | .WASHER               | 6    | 6    | 6    | 6    |         |
| 25       | 95827-10025     | .BOLT, FLANGE         | 2    | 2    | 2    | 2    |         |
| 26       | 93102-70167     | .OIL SEAL             | 1    | 1    | 1    | 1    |         |
| 27       | 90340-14109     | .PLUG, STRAIGHT SCREW | 1    | 1    | 1    | 1    |         |
| 28       | 214-11198-01    | .GASKET               | 2    | 2    | 2    | 2    |         |
| 29       | 56W-17590-00    | .BREATHER COMP.       | 1    | 1    | 1    | 1    |         |
| 30       | 90340-14042     | .PLUG, STRAIGHT SCREW | 1    | 1    | 1    | 1    |         |
| 31       | 4X7-46172-00    | SHAFT, DRIVE          | 1    | 1    | 1    | 1    |         |
| 32       | 93108-23007     | OIL SEAL              | 1    | 1    | 1    | 1    |         |
| 33       | 90201-231A2     | WASHER, PLATE         | 1    | 1    | 1    | 1    |         |
| 34       | 93410-23056     | CIRCLIP               | 1    | 1    | 1    | 1    |         |
| 35       | 93410-22039     | CIRCLIP               | 1    | 1    | 1    | 1    |         |
| 36       | 90501-16491     | SPRING, COMPRESSION   | 1    | 1    | 1    | 1    |         |
| 37       | 4X7-46180-00    | CROSS JOINT COMP.     | 1    | 1    | 1    | 1    |         |
| 38       | 93311-21044     | BEARING               | 2    | 2    | 2    | 2    |         |
| 39       | 93440-20088     | CIRCLIP               | 2    | 2    | 2    | 2    |         |
| 40       | 90176-10075     | NUT, CROWN            | 4    | 4    | 4    | 4    |         |
| 41       | 92903-10100     | WASHER, SPRING        | 4    | 4    | 4    | 4    |         |
| 42       | 90387-172A5     | COLLAR                | 1    | 1    | 1    | 1    |         |

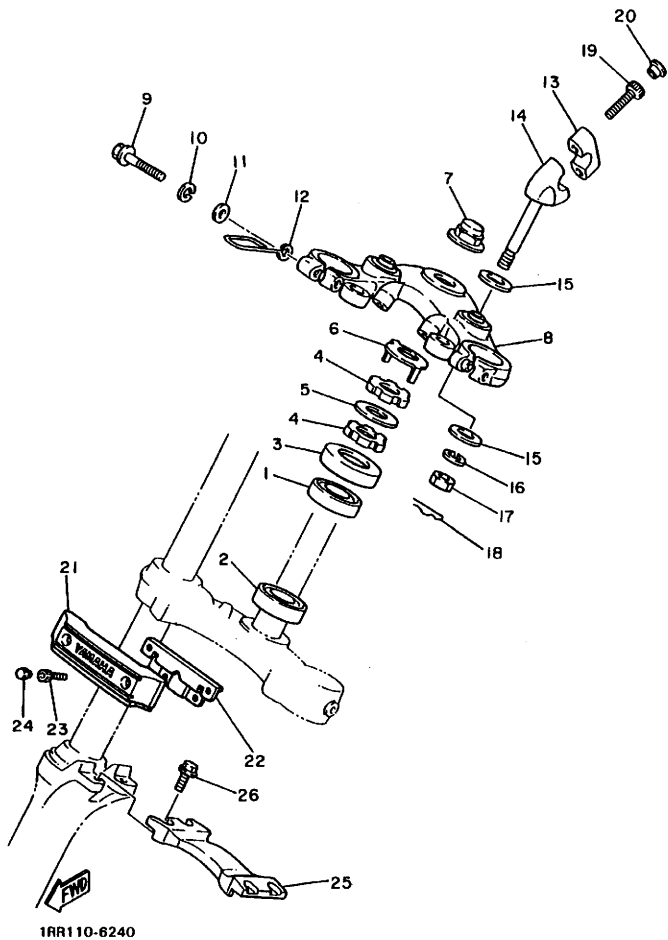
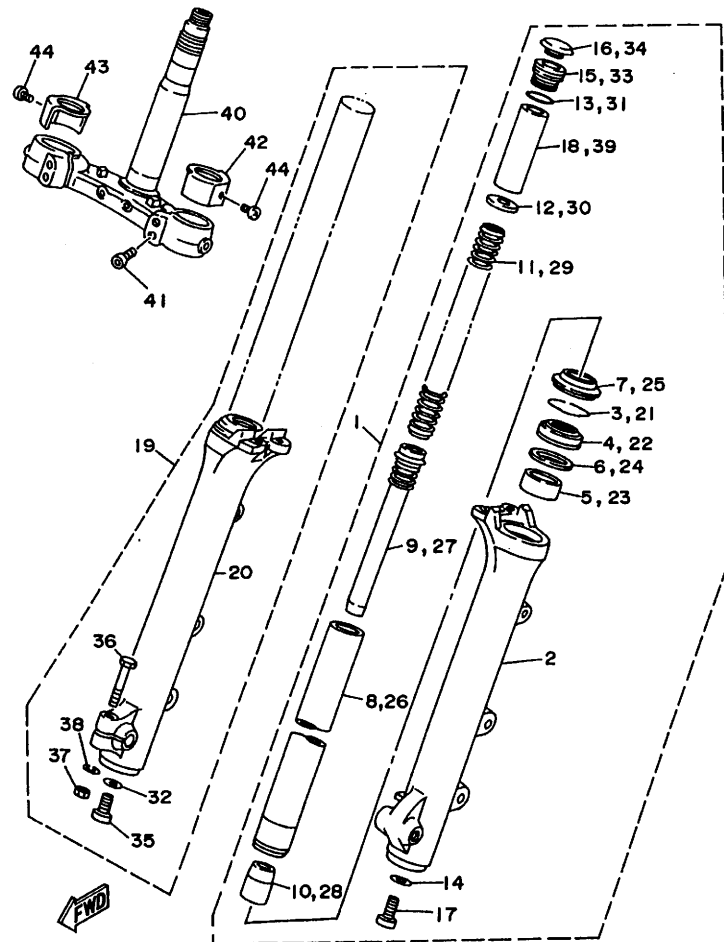


FIG. 24 STEERING

| REF. NO. | PART NO.        | DESCRIPTION          | 4XNA | 4XNB | 4XNC | 4XND | REMARKS |
|----------|-----------------|----------------------|------|------|------|------|---------|
|          |                 |                      |      |      |      |      |         |
| 1        | 93332-00001     | BEARING              | 1    | 1    | 1    | 1    |         |
| 2        | 93332-00008     | BEARING              | 1    | 1    | 1    | 1    |         |
| 3        | 1J7-23415-00    | COVER, BALL RACE 1   | 1    | 1    | 1    | 1    |         |
| 4        | 90179-25033     | NUT                  | 2    | 2    | 2    | 2    |         |
| 5        | 90202-26142     | WASHER, PLATE        | 1    | 1    | 1    | 1    |         |
| 6        | 26H-23418-01    | WASHER, SPECIAL      | 1    | 1    | 1    | 1    |         |
| 7        | 90176-22050     | NUT, CROWN           | 1    | 1    | 1    | 1    |         |
| 8        | 42X-W2341-01-38 | CROWN, HANDLE        | 1    | 1    | 1    | 1    | CLP     |
| 9        | 95024-08045     | BOLT, FLANGE         | 2    | 2    | 2    | 2    |         |
| 10       | 92903-08100     | WASHER, SPRING       | 2    | 2    | 2    | 2    |         |
| 11       | 92903-08600     | WASHER, PLATE        | 2    | 2    | 2    | 2    |         |
| 12       | 1UF-23317-01    | HOLDER, CABLE        | 2    | 2    | 2    | 2    |         |
| 13       | 4H7-23441-00-38 | HOLDER, HANDLE UPPER | 2    | 2    | 2    | 2    | CLP     |
| 14       | 42X-23442-00-38 | HOLDER, HANDLE LOWER | 2    | 2    | 2    | 2    | CLP     |
| 15       | 90201-10141     | WASHER, PLATE        | 4    | 4    | 4    | 4    |         |
| 16       | 92907-10100     | WASHER, SPRING       | 2    | 2    | 2    | 2    |         |
| 17       | 95307-10700     | NUT                  | 2    | 2    | 2    | 2    |         |
| 18       | 90468-12006     | CLIP                 | 2    | 2    | 2    | 2    |         |
| 19       | 91314-08030     | BOLT                 | 4    | 4    | 4    | 4    |         |
| 20       | 90338-08163     | PLUG                 | 4    | 4    | 4    | 4    |         |
| 21       | 1RM-23122-00    | COVER, OUTER 1       | 1    | 1    | 1    | 1    |         |
| 22       | 1RM-2317E-00    | STAY                 | 1    | 1    | 1    | 1    |         |
| 23       | 92014-06012     | BOLT, BUTTON HEAD    | 2    | 2    | 2    | 2    |         |
| 24       | 90338-08163     | PLUG                 | 4    | 4    | 4    | 4    |         |
| 25       | 42X-2313A-00    | BRACE, FORK          | 1    | 1    | 1    | 1    |         |
| 26       | 95024-08020     | BOLT, FLANGE         | 4    | 4    | 4    | 4    |         |

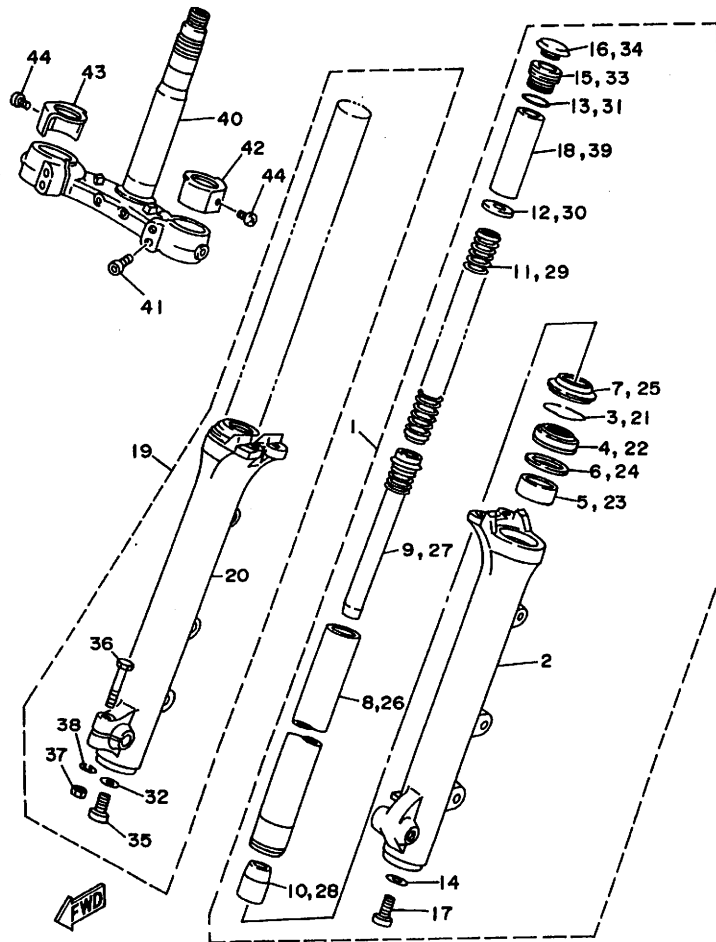


3LP9332-5250

FIG. 25 FRONT FORK

| REF. NO. | PART NO.     | DESCRIPTION                 | 4XNA | 4XNB | 4XNC | 4XND | REMARKS |
|----------|--------------|-----------------------------|------|------|------|------|---------|
| 1        | 3JK-23102-13 | FRONT FORK ASSY (L.H)       | 1    | 1    | 1    | 1    |         |
| 2        | 3JK-23126-10 | .TUBE, OUTER (LEFT)         | 1    | 1    | 1    | 1    |         |
| 3        | 3R4-23153-00 | .RING, SNAP                 | 1    | 1    | 1    | 1    |         |
| 4        | 4DN-23145-00 | .OIL SEAL                   | 1    | 1    | 1    | 1    |         |
| 5        | 2YK-23125-00 | .METAL, SLIDE 1             | 1    | 1    | 1    | 1    |         |
| 6        | 4V2-23146-L0 | .WASHER, OIL SEAL           | 1    | 1    | 1    | 1    |         |
| 7        | 4DN-23144-00 | .SEAL, DUST                 | 1    | 1    | 1    | 1    |         |
| 8        | 3JK-23110-12 | .INNER TUBE COMP.1          | 1    | 1    | 1    | 1    |         |
| 9        | 42H-23170-00 | .CYLINDER COMP., FRONT FORK | 1    | 1    | 1    | 1    |         |
| 10       | 3JK-23173-12 | .SPINDLE, TAPER             | 1    | 1    | 1    | 1    |         |
| 11       | 42H-23141-00 | .SPRING, FRONT FORK         | 1    | 1    | 1    | 1    |         |
| 12       | 4FY-23149-00 | .WASHER, SPRING UPPER       | 1    | 1    | 1    | 1    |         |
| 13       | 1W1-23114-L0 | .GASKET                     | 1    | 1    | 1    | 1    |         |
| 14       | 509-23158-L0 | .GASKET                     | 1    | 1    | 1    | 1    |         |
| 15       | 3KM-23111-01 | .BOLT, CAP                  | 1    | 1    | 1    | 1    |         |
| 16       | 42H-23168-00 | .CAP, FRONT FORK            | 1    | 1    | 1    | 1    |         |
| 17       | 278-23181-50 | .BOLT, HEXAGON SOCKET HEAD  | 1    | 1    | 1    | 1    |         |
| 18       | 42X-23118-00 | .SPACER                     | 1    | 1    | 1    | 1    |         |
| 19       | 3JK-23103-13 | FRONT FORK ASSY (R.H)       | 1    | 1    | 1    | 1    |         |
| 20       | 3JK-23136-10 | .TUBE, OUTER (RIGHT)        | 1    | 1    | 1    | 1    |         |
| 21       | 3R4-23153-00 | .RING, SNAP                 | 1    | 1    | 1    | 1    |         |
| 22       | 4DN-23145-00 | .OIL SEAL                   | 1    | 1    | 1    | 1    |         |
| 23       | 2YK-23125-00 | .METAL, SLIDE 1             | 1    | 1    | 1    | 1    |         |
| 24       | 4V2-23146-L0 | .WASHER, OIL SEAL           | 1    | 1    | 1    | 1    |         |
| 25       | 4DN-23144-00 | .SEAL, DUST                 | 1    | 1    | 1    | 1    |         |
| 26       | 3JK-23110-12 | .INNER TUBE COMP.1          | 1    | 1    | 1    | 1    |         |
| 27       | 42H-23170-00 | .CYLINDER COMP., FRONT FORK | 1    | 1    | 1    | 1    |         |





3LP9332-5250

FIG. 25 FRONT FORK

| REF. NO. | PART NO.     | DESCRIPTION                | 4XNA | 4XNB | 4XNC | 4XND | REMARKS |
|----------|--------------|----------------------------|------|------|------|------|---------|
|          |              |                            |      |      |      |      |         |
| 28       | 3JK-23173-12 | .SPINDLE, TAPER            | 1    | 1    | 1    | 1    |         |
| 29       | 42H-23141-00 | .SPRING, FRONT FORK        | 1    | 1    | 1    | 1    |         |
| 30       | 4FY-23149-00 | .WASHER, SPRING UPPER      | 1    | 1    | 1    | 1    |         |
| 31       | 1W1-23114-L0 | .GASKET                    | 1    | 1    | 1    | 1    |         |
| 32       | 509-23158-L0 | .GASKET                    | 1    | 1    | 1    | 1    |         |
| 33       | 3KM-23111-01 | .BOLT, CAP                 | 1    | 1    | 1    | 1    |         |
| 34       | 42H-23168-00 | .CAP, FRONT FORK           | 1    | 1    | 1    | 1    |         |
| 35       | 278-23181-50 | .BOLT, HEXAGON SOCKET HEAD | 1    | 1    | 1    | 1    |         |
| 36       | 4V4-23346-L0 | .BOLT 1                    | 1    | 1    | 1    | 1    |         |
| 37       | 95311-08600  | .NUT                       | 1    | 1    | 1    | 1    |         |
| 38       | 92901-08100  | .WASHER, SPRING            | 1    | 1    | 1    | 1    |         |
| 39       | 42X-23118-00 | .SPACER                    | 1    | 1    | 1    | 1    |         |
| 40       | 42H-23340-00 | UNDER BRACKET COMP.        | 1    | 1    | 1    | 1    |         |
| 41       | 91311-08030  | BOLT                       | 4    | 4    | 4    | 4    |         |
| 42       | 1RM-23132-00 | COVER (L.H)                | 1    | 1    | 1    | 1    |         |
| 43       | 1RM-23132-10 | COVER (R.H)                | 1    | 1    | 1    | 1    |         |
| 44       | 1RM-23119-00 | SCREW                      | 2    | 2    | 2    | 2    |         |

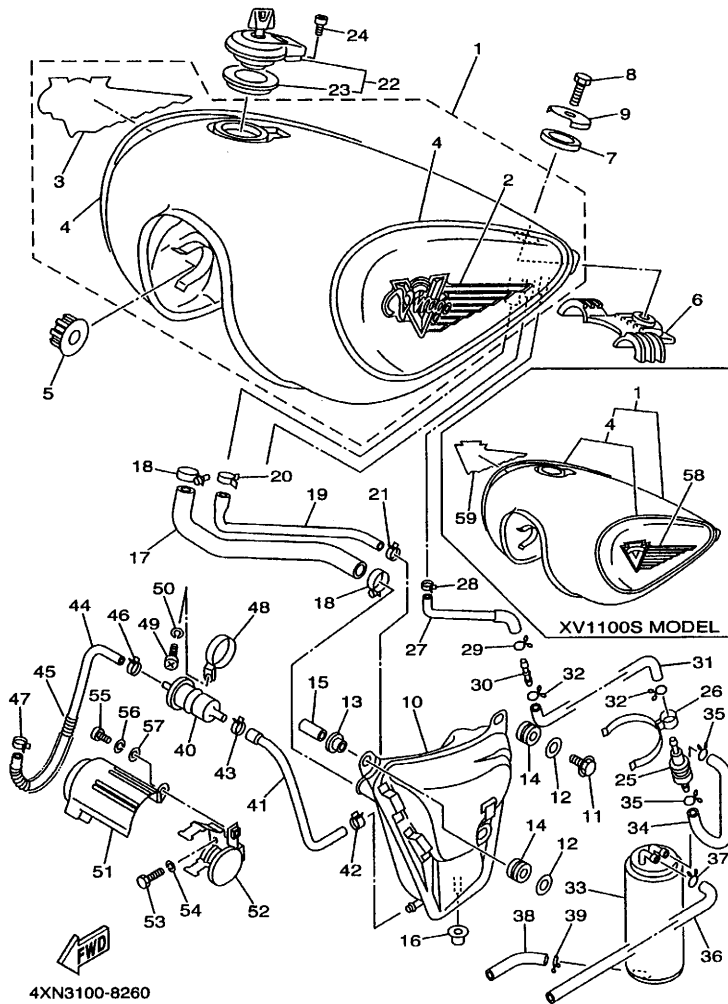


FIG. 26 FUEL TANK

| REF. NO. | PART NO.        | DESCRIPTION        | 4XNA | 4XNB | 4XNC | 4XND | REMARKS  |
|----------|-----------------|--------------------|------|------|------|------|----------|
| 1        | 3DR-Y2410-00-01 | FUEL TANK COMP.    | 1    |      |      |      | DRM2/IPB |
|          | 1TA-Y2410-00-01 | FUEL TANK COMP.    |      | 1    |      |      | DRM2/IPB |
|          | 3DR-Y2410-00-02 | FUEL TANK COMP.    |      |      | 1    |      | YB       |
|          | 1TA-Y2410-00-02 | FUEL TANK COMP.    |      |      |      | 1    | YB       |
| 2        | 3JL-24161-C0    | .EMBLEM 1          | 1    | 1    |      |      |          |
| 3        | 3JL-24162-C0    | .EMBLEM 2          | 1    | 1    |      |      |          |
| 4        | 3JL-24240-P0    | .GRAPHIC SET       | 1    | 1    |      |      |          |
|          | 4XN-24240-00    | .GRAPHIC SET       |      |      |      | 1 1  |          |
| 5        | 4H7-24181-00    | DAMPER, LOCATING 1 | 2    | 2    | 2    | 2    |          |
| 6        | 42X-24182-00    | DAMPER, LOCATING 2 | 1    | 1    | 1    | 1    |          |
| 7        | 42X-24183-00    | DAMPER, LOCATING 3 | 1    | 1    | 1    | 1    |          |
| 8        | 97007-08016     | BOLT               | 1    | 1    | 1    | 1    |          |
| 9        | 42X-24186-00    | WASHER, SPECIAL    | 1    | 1    | 1    | 1    |          |
| 10       | 42H-24280-00    | TANK, FUEL         | 1    | 1    | 1    | 1    |          |
| 11       | 91317-06020     | BOLT               | 1    | 1    | 1    | 1    |          |
| 12       | 90201-06557     | WASHER, PLATE      | 2    | 2    | 2    | 2    |          |
| 13       | 90387-062L2     | COLLAR             | 1    | 1    | 1    | 1    |          |
| 14       | 90480-13163     | GROMMET            | 2    | 2    | 2    | 2    |          |
| 15       | 90560-06258     | SPACER             | 1    | 1    | 1    | 1    |          |
| 16       | 90480-10408     | GROMMET            | 1    | 1    | 1    | 1    |          |
| 17       | 42H-24316-00    | PIPE 6             | 1    | 1    | 1    | 1    |          |
| 18       | 90460-16192     | CLAMP, HOSE        | 2    | 2    | 2    | 2    |          |
| 19       | 42H-24317-00    | PIPE 7             | 1    | 1    | 1    | 1    |          |
| 20       | 90467-12053     | CLIP               | 1    | 1    | 1    | 1    |          |
| 21       | 90467-10135     | CLIP               | 1    | 1    | 1    | 1    |          |
| 22       | 4X7-24602-04    | CAP ASSY           | 1    |      |      | 1    |          |
|          | 20K-24602-04    | CAP ASSY           |      |      |      | 1    |          |

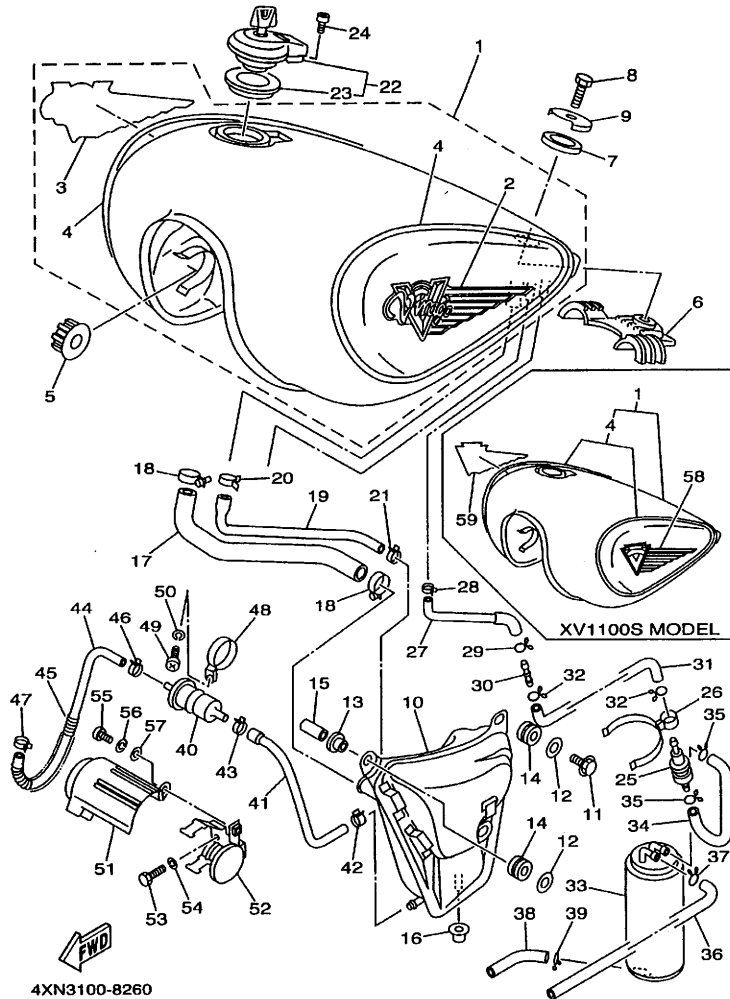
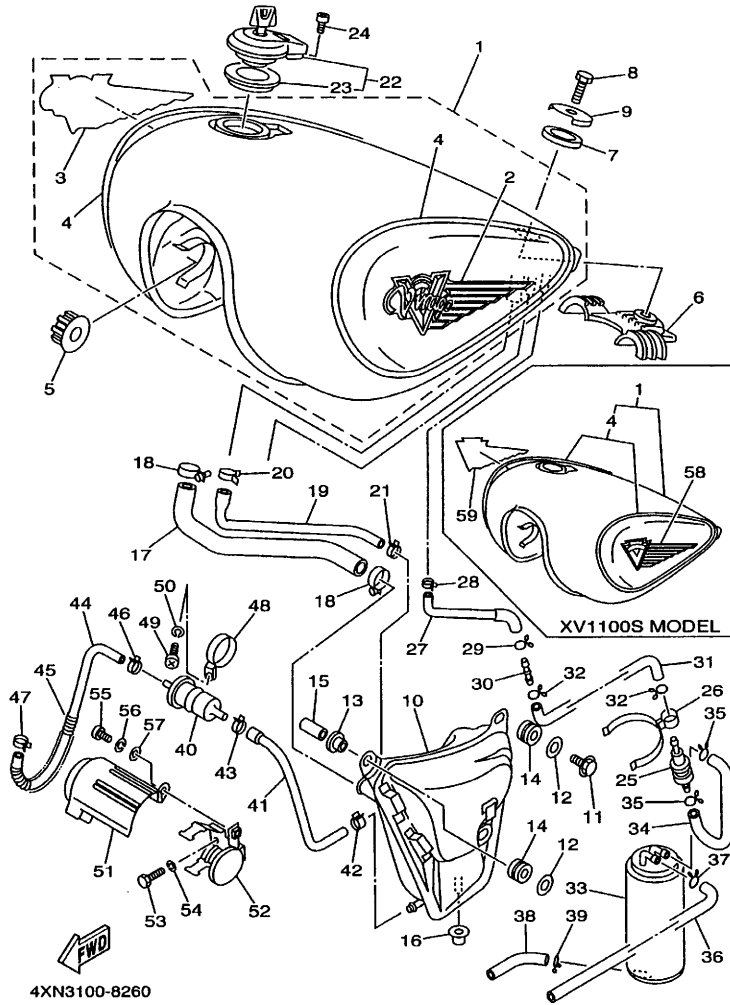


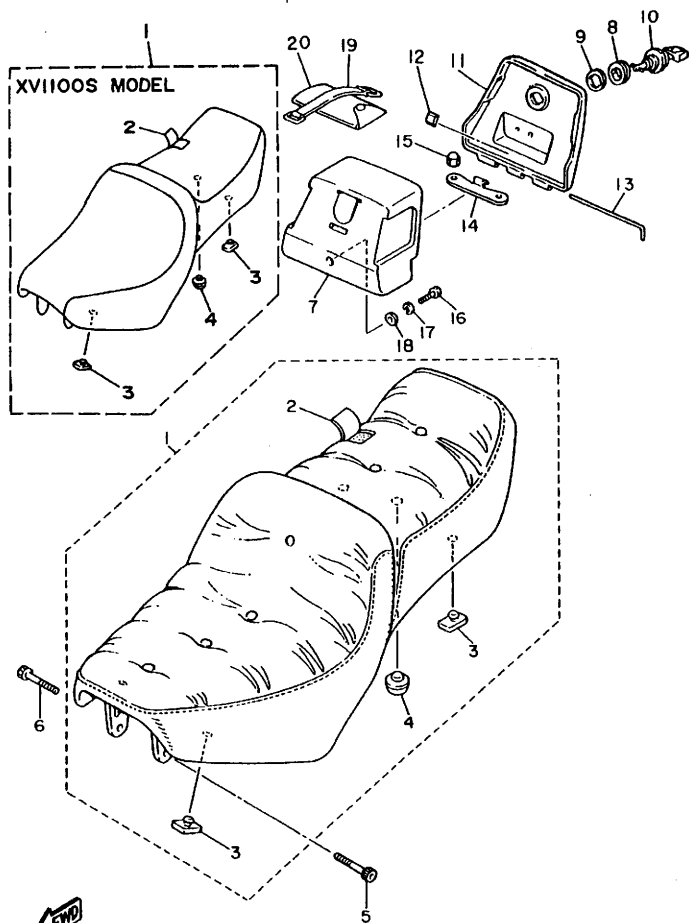
FIG. 26 FUEL TANK

| REF. NO. | PART NO.     | DESCRIPTION          | 4XNA | 4XNB | 4XNC | 4XND | REMARKS |
|----------|--------------|----------------------|------|------|------|------|---------|
|          |              |                      |      |      |      |      |         |
| 23       | 4X7-24612-00 | .GASKET, CAP         | 1    | 1    | 1    | 1    |         |
| 24       | 91317-05010  | BOLT                 | 1    | 1    | 1    | 1    |         |
| 25       | 25H-24180-00 | ROLL OVER VALVE ASSY |      | 1    |      | 1    |         |
| 26       | 42H-2419A-00 | HOLDER               |      | 1    |      | 1    |         |
| 27       | 42H-24376-01 | PIPE, JOINT 1        |      |      | 1    | 1    |         |
| 28       | 90467-08092  | CLIP                 |      | 1    |      | 1    |         |
| 29       | 90467-09006  | CLIP                 |      | 1    |      | 1    |         |
| 30       | 42H-24119-00 | TUBE, CONNECTING     |      | 1    |      | 1    |         |
| 31       | 42H-24377-01 | PIPE, JOINT 3        |      |      | 1    | 1    |         |
| 32       | 90467-09006  | CLIP                 |      | 2    |      | 2    |         |
| 33       | 42H-24170-00 | CANISTER ASSY        |      | 1    |      | 1    |         |
| 34       | 42H-24378-01 | PIPE, JOINT 4        |      | 1    |      | 1    |         |
| 35       | 90467-09006  | CLIP                 |      | 2    |      | 2    |         |
| 36       | 90445-10366  | HOSE                 |      | 1    |      | 1    |         |
| 37       | 90467-09006  | CLIP                 |      | 1    |      | 1    |         |
| 38       | 90445-11587  | HOSE                 |      | 1    |      | 1    |         |
| 39       | 90467-11106  | CLIP                 |      | 1    |      | 1    |         |
| 40       | 1FK-24560-00 | FILTER ASSY          | 1    | 1    | 1    | 1    |         |
| 41       | 42H-24311-00 | PIPE, FUEL 1         | 1    | 1    | 1    | 1    |         |
| 42       | 90467-10135  | CLIP                 | 1    | 1    | 1    | 1    |         |
| 43       | 90467-12053  | CLIP                 | 1    | 1    | 1    | 1    |         |
| 44       | 42H-24315-00 | PIPE 5               | 1    | 1    | 1    | 1    |         |
| 45       | 90501-101J5  | SPRING, COMPRESSION  | 1    | 1    | 1    | 1    |         |
| 46       | 90467-12053  | CLIP                 | 1    | 1    | 1    | 1    |         |
| 47       | 90467-10135  | CLIP                 | 1    | 1    | 1    | 1    |         |
| 48       | 90465-08256  | CLAMP                | 1    | 1    | 1    | 1    |         |
| 49       | 98507-06010  | SCREW, PAN HEAD      | 1    | 1    | 1    | 1    |         |

FIG. 26 FUEL TANK



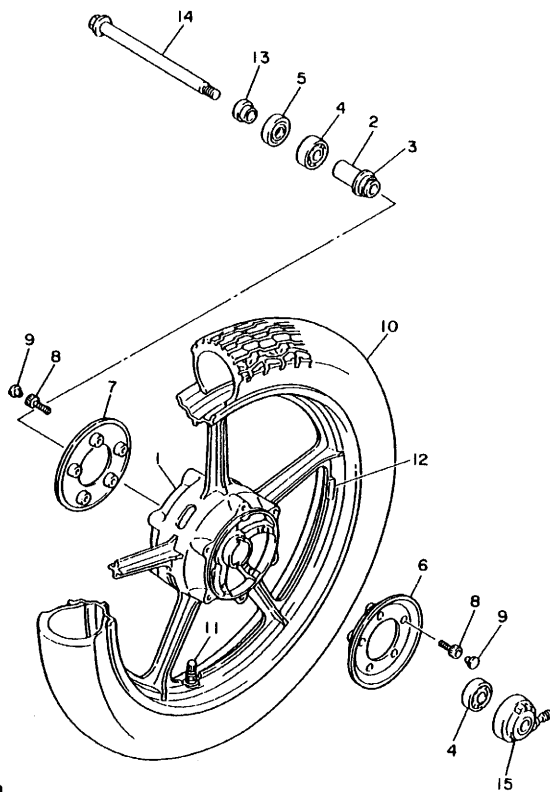
| REF. NO. | PART NO.     | DESCRIPTION        | 4XNA | 4XNB | 4XNC | 4XND | REMARKS |
|----------|--------------|--------------------|------|------|------|------|---------|
| 50       | 92907-06100  | WASHER, SPRING     | 1    | 1    | 1    | 1    |         |
| 51       | 42H-24452-00 | COVER              | 1    | 1    | 1    | 1    |         |
| 52       | 3JK-24491-00 | BRACKET, FUEL PUMP | 1    | 1    | 1    | 1    |         |
| 53       | 97007-06012  | BOLT               | 2    | 2    | 2    | 2    |         |
| 54       | 92907-06100  | WASHER, SPRING     | 2    | 2    | 2    | 2    |         |
| 55       | 98507-06012  | SCREW, PAN HEAD    | 1    | 1    | 1    | 1    |         |
| 56       | 92907-06100  | WASHER, SPRING     | 1    | 1    | 1    | 1    |         |
| 57       | 92907-06600  | WASHER, PLATE      | 1    | 1    | 1    | 1    |         |
| 58       | 3JK-24161-00 | EMBLEM 1           |      |      | 1    | 1    |         |
| 59       | 3JK-24162-00 | EMBLEM 2           |      |      | 1    | 1    |         |



3JKS100-6270

FIG. 27 SEAT

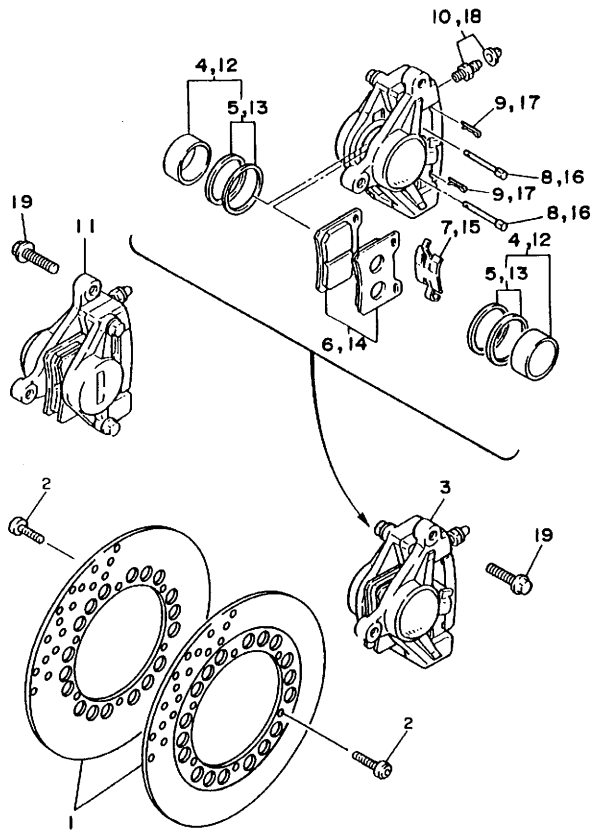
| REF. NO. | PART NO.     | DESCRIPTION               | 4XNA | 4XNB | 4XNC | 4XND | REMARKS |
|----------|--------------|---------------------------|------|------|------|------|---------|
|          |              |                           |      |      |      |      |         |
| 1        | 3CF-24730-10 | DOUBLE SEAT ASSY          | 1    | 1    |      |      |         |
|          | 3JK-24730-00 | DOUBLE SEAT ASSY          |      |      | 1    | 1    |         |
| 2        | 3CF-24731-10 | .COVER, SEAT              | 1    | 1    |      |      |         |
|          | 3JK-24731-00 | .COVER, SEAT              |      |      | 1    | 1    |         |
| 3        | 509-24724-00 | .DAMPER, SEAT             | 4    | 4    | 4    | 4    |         |
| 4        | 1L9-24741-A0 | .PAD, SEAT                | 1    | 1    | 1    | 1    |         |
| 5        | 91317-06016  | BOLT                      | 1    | 1    | 1    | 1    |         |
| 6        | 90110-06077  | BOLT, HEXAGON SOCKET HEAD | 1    | 1    | 1    | 1    |         |
| 7        | 42X-2473R-00 | BOX 1                     | 1    | 1    | 1    | 1    |         |
| 8        | 90480-24186  | GROMMET                   | 1    | 1    | 1    | 1    |         |
| 9        | 90201-225A4  | WASHER, PLATE (T1.0)      | 1    | 1    | 1    | 1    |         |
| 10       | 5A8-21708-00 | LOCK ASSY 2               | 1    | 1    | 1    | 1    |         |
| 11       | 42X-2473T-00 | LID 1                     | 1    | 1    | 1    | 1    |         |
| 12       | 3CF-24723-00 | DAMPER, SEAT              | 1    | 1    | 1    | 1    |         |
| 13       | 42X-2177K-00 | PIN, HINGE                | 1    | 1    | 1    | 1    |         |
| 14       | 1RM-2162G-00 | PLATE 1                   | 1    | 1    | 1    | 1    |         |
| 15       | 90176-06065  | NUT, CROWN                | 2    | 2    | 2    | 2    |         |
| 16       | 97007-06016  | BOLT                      | 1    | 1    | 1    | 1    |         |
| 17       | 92907-06100  | WASHER, SPRING            | 1    | 1    | 1    | 1    |         |
| 18       | 90201-06057  | WASHER, PLATE             | 1    | 1    | 1    | 1    |         |
| 19       | 5H9-21376-00 | BAND, TOOL                | 1    | 1    | 1    | 1    |         |
| 20       | 42X-28100-10 | TOOL KIT                  | 1    | 1    | 1    | 1    |         |



1TE110-6280

FIG. 28 FRONT WHEEL

| REF. NO. | PART NO.        | DESCRIPTION               | 4XNA | 4XNB | 4XNC | 4XND | REMARKS        |
|----------|-----------------|---------------------------|------|------|------|------|----------------|
|          |                 |                           |      |      |      |      |                |
| 1        | 58W-25188-00-P1 | CAST WHEEL, FRONT         | 1    | 1    | 1    | 1    | LYGM5          |
| 2        | 90560-15116     | SPACER                    | 1    | 1    | 1    | 1    |                |
| 3        | 146-25115-00    | FLANGE, SPACER 1          | 1    | 1    | 1    | 1    |                |
| 4        | 93306-30202     | BEARING                   | 2    | 2    | 2    | 2    |                |
| 5        | 93102-22014     | OIL SEAL                  | 1    | 1    | 1    | 1    |                |
| 6        | 56W-2512A-00    | CAP, WHEEL (LEFT)         | 1    | 1    | 1    | 1    |                |
| 7        | 56W-2512A-10    | CAP, WHEEL (RIGHT)        | 1    | 1    | 1    | 1    |                |
| 8        | 90110-06091     | BOLT, HEXAGON SOCKET HEAD | 10   | 10   | 10   | 10   |                |
| 9        | 90338-06162     | PLUG                      | 10   | 10   | 10   | 10   |                |
| 10       | 94110-1904N     | TIRE (100/90-19 57H)      | 1    | 1    | 1    | 1    | UR BRIDGESTONE |
|          | 94110-1904P     | TIRE (100/90-19 57H)      | 1    | 1    | 1    | 1    | UR DUNLOP      |
| 11       | 93900-00031     | VALVE, RIM                | 1    | 1    | 1    | 1    |                |
| 12       | 29L-25398-00    | BALANCER, WHEEL (10G)     | 1    | 1    | 1    | 1    | UN             |
|          | 29L-25398-10    | BALANCER, WHEEL (20G)     | 1    | 1    | 1    | 1    | UN             |
|          | 29L-25398-20    | BALANCER, WHEEL (30G)     | 1    | 1    | 1    | 1    | UN             |
| 13       | 90387-15550     | COLLAR                    | 1    | 1    | 1    | 1    |                |
| 14       | 42X-25181-00    | AXLE, WHEEL               | 1    | 1    | 1    | 1    |                |
| 15       | 42X-25190-00    | GEAR UNIT ASSY            | 1    | 1    | 1    | 1    |                |

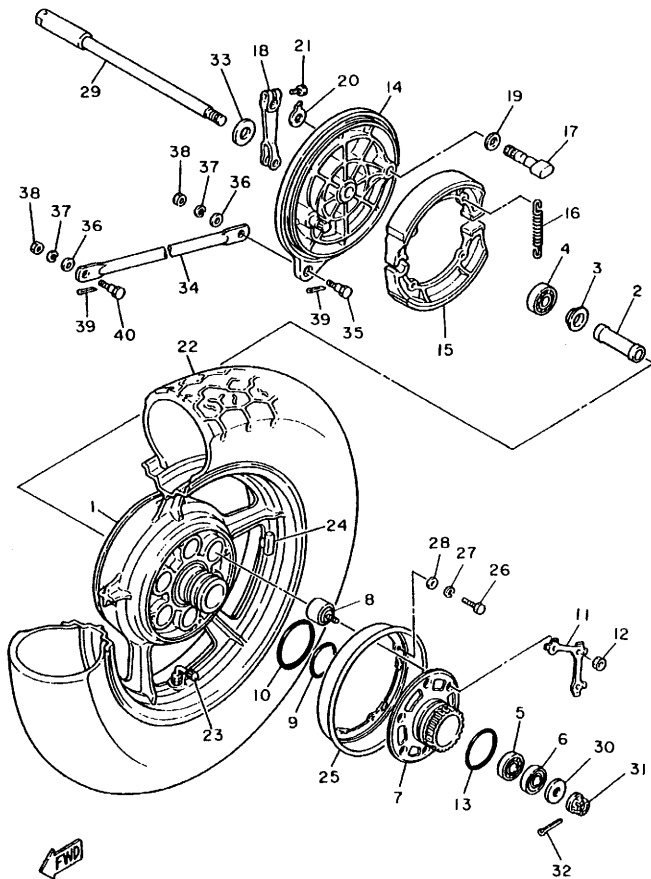


**FTD**  
4PPIOIO-5290

**FIG. 29 FRONT BRAKE CALIPER**

| REF. NO. | PART NO.     | DESCRIPTION            | 4XNA | 4XNB | 4XNC | 4XND | REMARKS |
|----------|--------------|------------------------|------|------|------|------|---------|
|          |              |                        |      |      |      |      |         |
| 1        | 4PP-2582T-00 | DISC, BRAKE            | 2    | 2    | 2    | 2    |         |
| 2        | 90109-08718  | BOLT                   | 12   | 12   | 12   | 12   |         |
| 3        | 42H-2580T-00 | CALIPER ASSY (LEFT)    | 1    | 1    | 1    | 1    |         |
| 4        | 26H-W0057-00 | .PISTON ASSY, CALIPER  | 1    | 1    | 1    | 1    |         |
| 5        | 26H-W0047-00 | ..CALIPER SEAL KIT     | 1    | 1    | 1    | 1    |         |
| 6        | 1FK-W0046-02 | ..BRAKE PAD KIT 2      | 1    | 1    | 1    | 1    |         |
| 7        | 29L-25919-00 | ..SUPPORT, PAD         | 1    | 1    | 1    | 1    |         |
| 8        | 1KT-25924-00 | ..PIN, PAD             | 2    | 2    | 2    | 2    |         |
| 9        | 26H-25925-00 | ..CLIP                 | 2    | 2    | 2    | 2    |         |
| 10       | 26H-W0048-00 | ..BLEED SCREW KIT      | 1    | 1    | 1    | 1    |         |
| 11       | 42H-2580U-00 | CALIPER ASSY (RIGHT)   | 1    | 1    | 1    | 1    |         |
| 12       | 26H-W0057-00 | ..PISTON ASSY, CALIPER | 1    | 1    | 1    | 1    |         |
| 13       | 26H-W0047-00 | ..CALIPER SEAL KIT     | 1    | 1    | 1    | 1    |         |
| 14       | 1FK-W0046-02 | ..BRAKE PAD KIT 2      | 1    | 1    | 1    | 1    |         |
| 15       | 29L-25919-00 | ..SUPPORT, PAD         | 1    | 1    | 1    | 1    |         |
| 16       | 1KT-25924-00 | ..PIN, PAD             | 2    | 2    | 2    | 2    |         |
| 17       | 26H-25925-00 | ..CLIP                 | 2    | 2    | 2    | 2    |         |
| 18       | 26H-W0048-00 | ..BLEED SCREW KIT      | 1    | 1    | 1    | 1    |         |
| 19       | 90105-10638  | BOLT, WASHER BASED     | 4    | 4    | 4    | 4    |         |

FIG. 30 REAR WHEEL

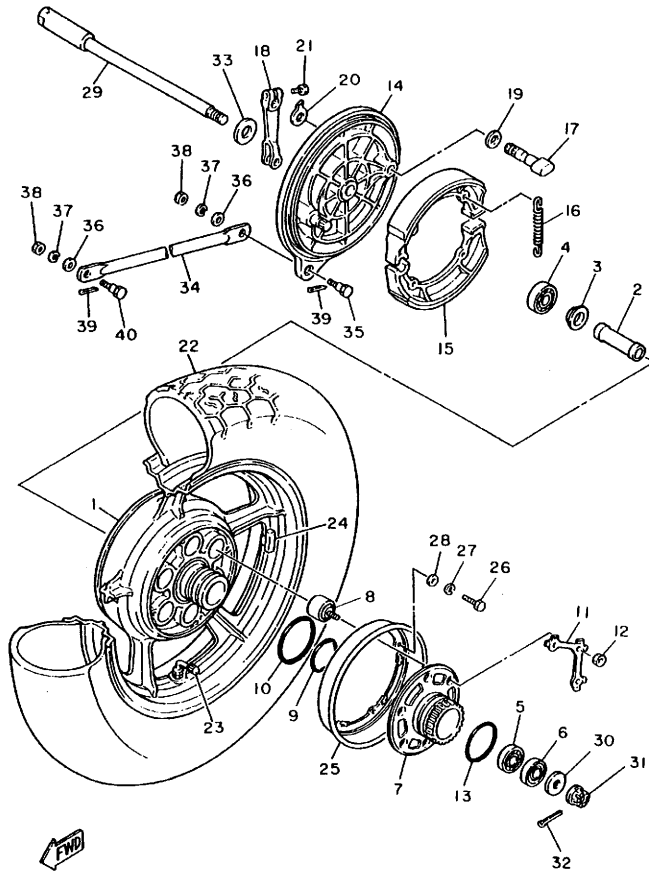


42G110-4300

| REF. NO. | PART NO.        | DESCRIPTION           | 4XNA | 4XNB | 4XNC | 4XND | REMARKS        |
|----------|-----------------|-----------------------|------|------|------|------|----------------|
|          |                 |                       |      |      |      |      |                |
| 1        | 42H-25338-01-P1 | CAST WHEEL, REAR      | 1    | 1    | 1    | 1    | LYGMS          |
| 2        | 90560-17249     | SPACER                | 1    | 1    | 1    | 1    |                |
| 3        | 148-25315-00    | FLANGE, SPACER        | 1    | 1    | 1    | 1    |                |
| 4        | 93306-30306     | BEARING (B6303)       | 1    | 1    | 1    | 1    |                |
| 5        | 93306-20309     | BEARING (B6203)       | 1    | 1    | 1    | 1    |                |
| 6        | 93306-20310     | BEARING (B6203DU)     | 1    | 1    | 1    | 1    |                |
| 7        | 16G-25366-01    | CLUTCH, HUB           | 1    | 1    | 1    | 1    |                |
| 8        | 42H-25364-00    | DAMPER                | 6    | 6    | 6    | 6    |                |
| 9        | 93210-48530     | O-RING                | 1    | 1    | 1    | 1    |                |
| 10       | 93210-59531     | O-RING                | 1    | 1    | 1    | 1    |                |
| 11       | 16G-25412-00    | WASHER                | 2    | 2    | 2    | 2    |                |
| 12       | 90170-10219     | NUT                   | 6    | 6    | 6    | 6    |                |
| 13       | 93210-57428     | O-RING                | 1    | 1    | 1    | 1    |                |
| 14       | 42H-25321-02    | PLATE, BRAKE SHOE     | 1    | 1    | 1    | 1    |                |
| 15       | 3DR-W2536-00    | BRAKE SHOE SET        | 1    | 1    | 1    | 1    |                |
| 16       | 90507-20002     | SPRING, TENSION       | 2    | 2    | 2    | 2    |                |
| 17       | 4H7-25351-00    | CAMSHAFT              | 1    | 1    | 1    | 1    |                |
| 18       | 3CF-25355-00    | LEVER, CAMSHAFT       | 1    | 1    | 1    | 1    |                |
| 19       | 90201-14577     | WASHER, PLATE         | 1    | 1    | 1    | 1    |                |
| 20       | 4H7-2533A-02    | PLATE, INDICATOR      | 1    | 1    | 1    | 1    |                |
| 21       | 90101-06764     | BOLT                  | 1    | 1    | 1    | 1    |                |
| 22       | 94114-1504R     | TIRE (140/90-15 70H)  | 1    | 1    | 1    | 1    | UR BRIDGESTONE |
|          | 94114-1504S     | TIRE (140/90-15 70H)  | 1    | 1    | 1    | 1    | UR DUNLOP      |
| 23       | 93900-00025     | VALVE, RIM            | 1    | 1    | 1    | 1    |                |
| 24       | 29L-25398-00    | BALANCER, WHEEL (10G) | 1    | 1    | 1    | 1    | UN             |
|          | 29L-25398-10    | BALANCER, WHEEL (20G) | 1    | 1    | 1    | 1    | UN             |
|          | 29L-25398-20    | BALANCER, WHEEL (30G) | 1    | 1    | 1    | 1    | UN             |



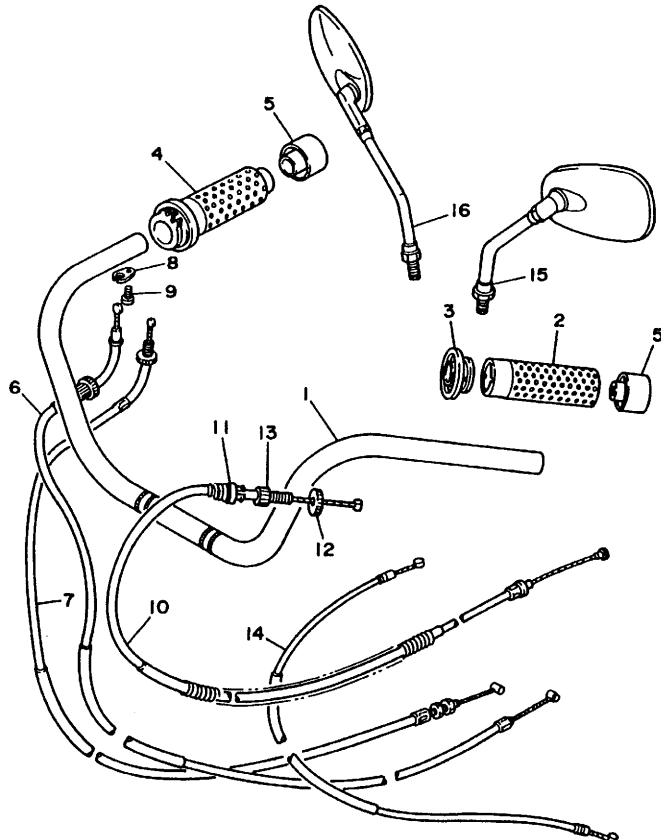
FIG. 30 REAR WHEEL



42G110-4300

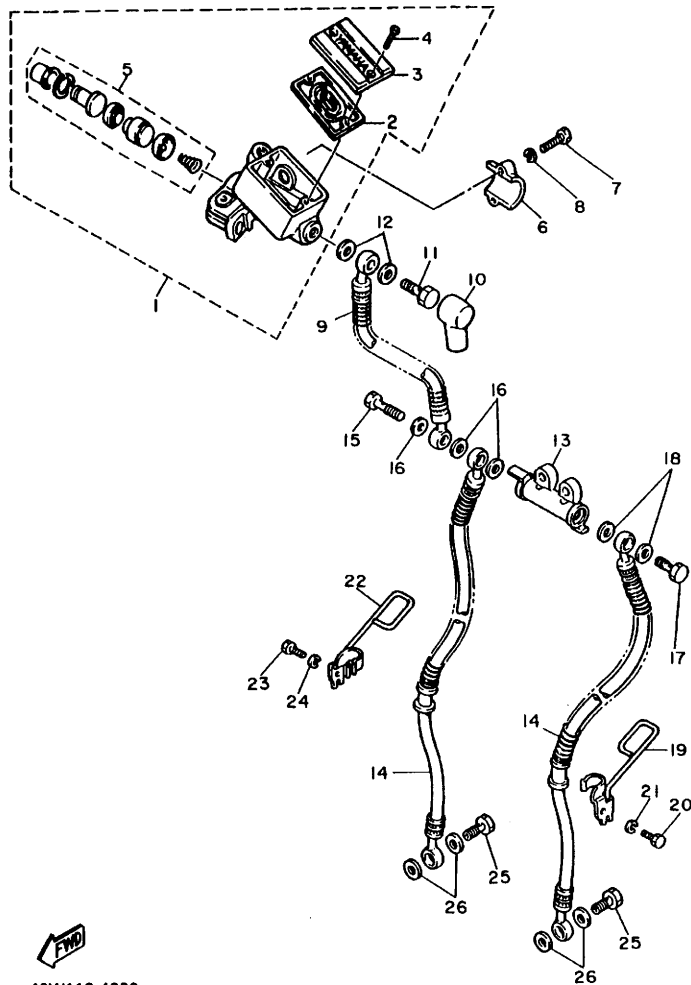
| REF. NO. | PART NO.     | DESCRIPTION    | 4XNA | 4XNB | 4XNC | 4XND | REMARKS |
|----------|--------------|----------------|------|------|------|------|---------|
|          |              |                |      |      |      |      |         |
| 25       | 16G-25327-00 | COVER, PLATE   | 1    | 1    | 1    | 1    |         |
| 26       | 97027-05020  | BOLT           | 4    | 4    | 4    | 4    |         |
| 27       | 92907-05100  | WASHER, SPRING | 4    | 4    | 4    | 4    |         |
| 28       | 92907-05600  | WASHER, PLATE  | 4    | 4    | 4    | 4    |         |
| 29       | 42X-25381-00 | AXLE, WHEEL    | 1    | 1    | 1    | 1    |         |
| 30       | 90201-146R0  | WASHER, PLATE  | 1    | 1    | 1    | 1    |         |
| 31       | 90171-14044  | NUT, CASTLE    | 1    | 1    | 1    | 1    |         |
| 32       | 91401-30030  | PIN, COTTER    | 1    | 1    | 1    | 1    |         |
| 33       | 4H7-25377-00 | COLLAR, WHEEL  | 1    | 1    | 1    | 1    |         |
| 34       | 42X-25371-02 | BAR, TENSION   | 1    | 1    | 1    | 1    |         |
| 35       | 90109-08406  | BOLT           | 1    | 1    | 1    | 1    |         |
| 36       | 92903-08600  | WASHER, PLATE  | 2    | 2    | 2    | 2    |         |
| 37       | 92903-08100  | WASHER, SPRING | 2    | 2    | 2    | 2    |         |
| 38       | 95304-08700  | NUT            | 2    | 2    | 2    | 2    |         |
| 39       | 91401-20015  | PIN, COTTER    | 2    | 2    | 2    | 2    |         |
| 40       | 90109-08368  | BOLT           | 1    | 1    | 1    | 1    |         |

FIG. 31 STEERING HANDLE. CABLE



3JK4110-0310

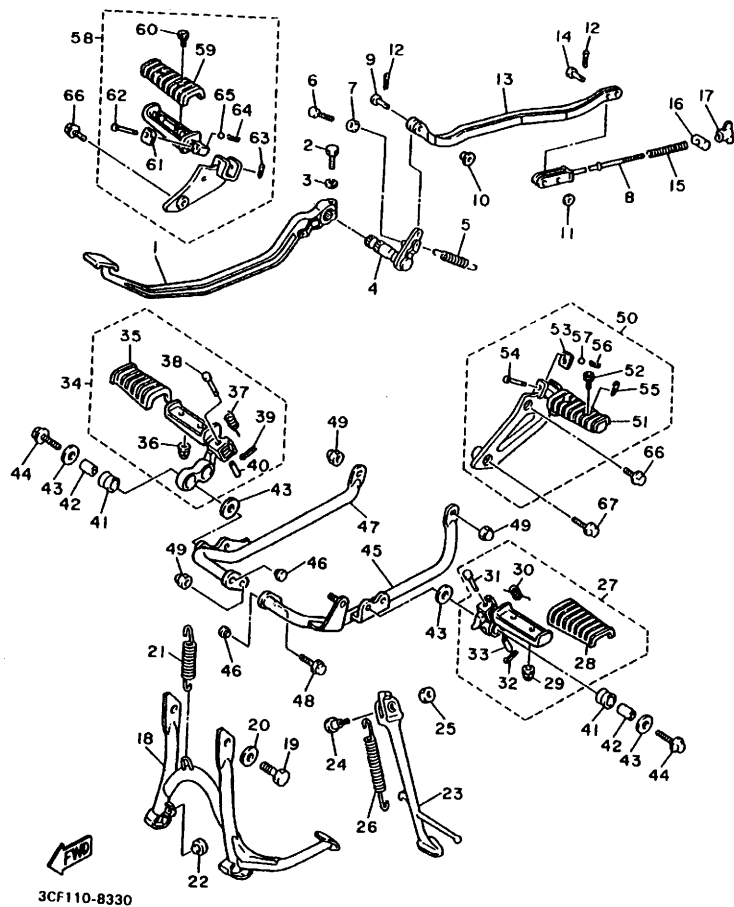
| REF. NO. | PART NO.     | DESCRIPTION                   | 4XNA | 4XNB | 4XNC | 4XND | REMARKS |
|----------|--------------|-------------------------------|------|------|------|------|---------|
|          |              |                               |      |      |      |      |         |
| 1        | 3CF-W2611-10 | HANDLEBAR                     | 1    | 1    | 1    | 1    |         |
| 2        | 3JB-26241-00 | GRIP (LEFT)                   | 1    | 1    | 1    | 1    |         |
| 3        | 3JB-26273-00 | ROTOR                         | 1    | 1    | 1    | 1    |         |
| 4        | 3JB-26240-00 | GRIP ASSY                     | 1    | 1    | 1    | 1    |         |
| 5        | 3JB-2628J-00 | CAP, GRIP                     | 2    | 2    | 2    | 2    |         |
| 6        | 3CF-26311-00 | CABLE, THROTTLE 1             | 1    | 1    | 1    | 1    |         |
| 7        | 3CF-26312-00 | CABLE, THROTTLE 2             | 1    | 1    | 1    | 1    |         |
| 8        | 5H0-26393-00 | HOLDER                        | 1    | 1    | 1    | 1    |         |
| 9        | 98507-05008  | SCREW, PAN HEAD               | 1    | 1    | 1    | 1    |         |
| 10       | 57A-26335-00 | CABLE, CLUTCH                 | 1    | 1    | 1    | 1    |         |
| 11       | 1E6-26342-00 | BOOT, CABLE                   | 1    | 1    | 1    | 1    |         |
| 12       | 90179-08148  | NUT                           | 1    | 1    | 1    | 1    |         |
| 13       | 90123-08046  | BOLT                          | 1    | 1    | 1    | 1    |         |
| 14       | 3CF-26331-01 | CABLE, STARTER 1              | 1    | 1    | 1    | 1    |         |
| 15       | 1AA-26280-02 | REAR VIEW MIRROR ASSY (LEFT)  | 1    | 1    | 1    | 1    |         |
| 16       | 1AA-26290-02 | REAR VIEW MIRROR ASSY (RIGHT) | 1    | 1    | 1    | 1    |         |



42W110-4320

FIG. 32 FRONT MASTER CYLINDER

| REF. NO. | PART NO.     | DESCRIPTION              | 4XNA | 4XNB | 4XNC | 4XND | REMARKS |
|----------|--------------|--------------------------|------|------|------|------|---------|
|          |              |                          |      |      |      |      |         |
| 1        | 22R-25850-02 | MASTER CYLINDER ASSY     | 1    | 1    | 1    | 1    |         |
| 2        | 4K0-25854-00 | .DIAPHRAGM, RESERVOIR    | 1    | 1    | 1    | 1    |         |
| 3        | 2GV-25852-00 | .CAP, RESERVOIR          | 1    | 1    | 1    | 1    |         |
| 4        | 98706-04012  | .SCREW, FLAT HEAD        | 2    | 2    | 2    | 2    |         |
| 5        | 4K0-W0041-50 | .CYLINDER KIT, MASTER    | 1    | 1    | 1    | 1    |         |
| 6        | 4L0-25867-00 | BRACKET, MASTER CYLINDER | 1    | 1    | 1    | 1    |         |
| 7        | 97007-06025  | BOLT                     | 2    | 2    | 2    | 2    |         |
| 8        | 92907-06600  | WASHER, PLATE            | 2    | 2    | 2    | 2    |         |
| 9        | 42H-25872-02 | HOSE, BRAKE 1            | 1    | 1    | 1    | 1    |         |
| 10       | 4L0-25862-01 | BOOT, MASTER CYLINDER    | 1    | 1    | 1    | 1    |         |
| 11       | 90401-10159  | BOLT, UNION              | 1    | 1    | 1    | 1    |         |
| 12       | 90201-10118  | WASHER, PLATE            | 2    | 2    | 2    | 2    |         |
| 13       | 42H-25885-01 | JOINT                    | 1    | 1    | 1    | 1    |         |
| 14       | 42H-25873-02 | HOSE, BRAKE 2            | 2    | 2    | 2    | 2    |         |
| 15       | 90401-10160  | BOLT, UNION              | 1    | 1    | 1    | 1    |         |
| 16       | 90201-10118  | WASHER, PLATE            | 3    | 3    | 3    | 3    |         |
| 17       | 90401-10159  | BOLT, UNION              | 1    | 1    | 1    | 1    |         |
| 18       | 90201-10118  | WASHER, PLATE            | 2    | 2    | 2    | 2    |         |
| 19       | 42X-25875-00 | HOLDER, BRAKE HOSE 1     | 1    | 1    | 1    | 1    |         |
| 20       | 97007-06010  | BOLT                     | 1    | 1    | 1    | 1    |         |
| 21       | 92907-06100  | WASHER, SPRING           | 1    | 1    | 1    | 1    |         |
| 22       | 42X-25876-00 | HOLDER, BRAKE HOSE 2     | 1    | 1    | 1    | 1    |         |
| 23       | 97007-06010  | BOLT                     | 1    | 1    | 1    | 1    |         |
| 24       | 92907-06100  | WASHER, SPRING           | 1    | 1    | 1    | 1    |         |
| 25       | 90401-10159  | BOLT, UNION              | 2    | 2    | 2    | 2    |         |
| 26       | 90201-10118  | WASHER, PLATE            | 4    | 4    | 4    | 4    |         |

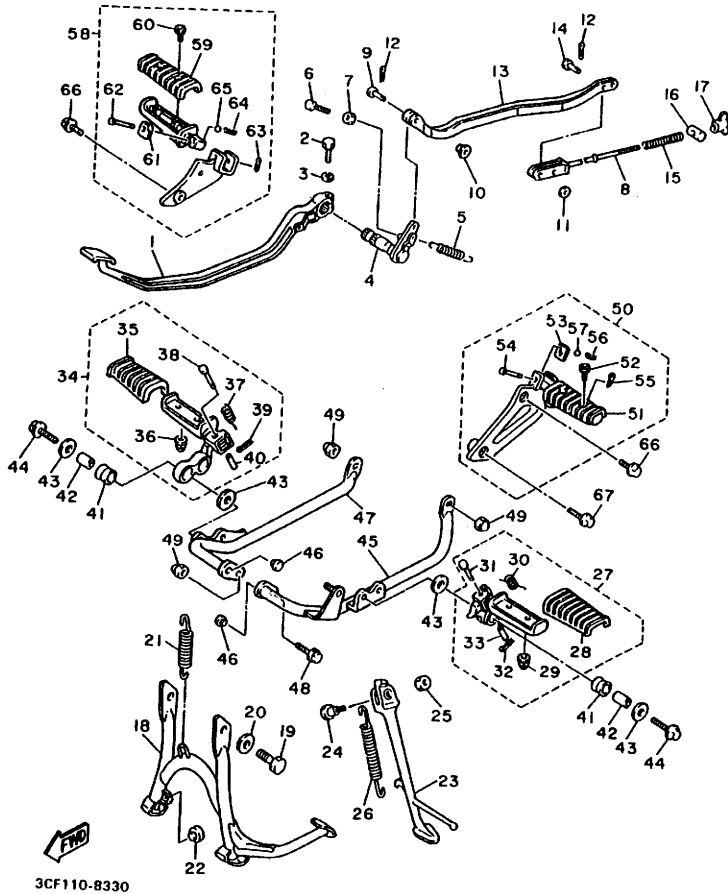


3CF110-8330

FIG. 33 STAND, FOOTREST

| REF. NO. | PART NO.        | DESCRIPTION                | 4XNA | 4XNB | 4XNC | 4XND | REMARKS |
|----------|-----------------|----------------------------|------|------|------|------|---------|
| 1        | 3CF-27211-00-93 | PEDAL, BRAKE               | 1    | 1    | 1    | 1    | CM      |
| 2        | 90109-06468     | BOLT                       | 1    | 1    | 1    | 1    |         |
| 3        | 92903-06100     | WASHER, SPRING             | 1    | 1    | 1    | 1    |         |
| 4        | 42X-27212-01    | SHAFT, BRAKE PEDAL         | 1    | 1    | 1    | 1    |         |
| 5        | 90506-20192     | SPRING, TENSION            | 1    | 1    | 1    | 1    |         |
| 6        | 90101-06478     | BOLT                       | 1    | 1    | 1    | 1    |         |
| 7        | 90170-06184     | NUT                        | 1    | 1    | 1    | 1    |         |
| 8        | 3CF-27231-01    | ROD, BRAKE                 | 1    | 1    | 1    | 1    |         |
| 9        | 90240-06057     | PIN, CLEVIS                | 1    | 1    | 1    | 1    |         |
| 10       | 90560-06201     | SPACER                     | 1    | 1    | 1    | 1    |         |
| 11       | 92907-06200     | WASHER                     | 2    | 2    | 2    | 2    |         |
| 12       | 91401-20012     | PIN, COTTER                | 3    | 3    | 3    | 3    |         |
| 13       | 3CF-27241-00    | ROD, JOINT                 | 1    | 1    | 1    | 1    |         |
| 14       | 90240-06103     | PIN, CLEVIS                | 2    | 2    | 2    | 2    |         |
| 15       | 90501-10245     | SPRING, COMPRESSION        | 1    | 1    | 1    | 1    |         |
| 16       | 90249-12008     | PIN                        | 1    | 1    | 1    | 1    |         |
| 17       | 90175-06019     | NUT, WING                  | 1    | 1    | 1    | 1    |         |
| 18       | 42X-27111-00-R4 | STAND, MAIN                | 1    | 1    | 1    | 1    | HPB     |
| 19       | 97007-10016     | BOLT                       | 2    | 2    | 2    | 2    |         |
| 20       | 90201-10141     | WASHER, PLATE              | 2    | 2    | 2    | 2    |         |
| 21       | 90506-35149     | SPRING, TENSION            | 1    | 1    | 1    | 1    |         |
| 22       | 371-27114-00    | STOPPER, MAIN STAND        | 1    | 1    | 1    | 1    |         |
| 23       | 42X-27311-00-93 | STAND, SIDE                | 1    | 1    | 1    | 1    | CM      |
| 24       | 90109-101G3     | BOLT                       | 1    | 1    | 1    | 1    |         |
| 25       | 95304-10700     | NUT                        | 1    | 1    | 1    | 1    |         |
| 26       | 90507-29009     | SPRING, TENSION            | 1    | 1    | 1    | 1    |         |
| 27       | 3CF-27410-00-93 | FRONT FOOTREST ASSY (LEFT) | 1    | 1    | 1    | 1    | CM      |

FIG. 33 STAND. FOOTREST



3CF110-8330

| REF. NO. | PART NO.        | DESCRIPTION                 | 4XNA | 4XNB | 4XNC | 4XND | REMARKS |
|----------|-----------------|-----------------------------|------|------|------|------|---------|
|          |                 |                             |      |      |      |      |         |
| 28       | 1NH-27413-00    | .COVER, FOOTREST            | 1    | 1    | 1    | 1    |         |
| 29       | 95601-06100     | .NUT, U                     | 2    | 2    | 2    | 2    |         |
| 30       | 90508-18696     | .SPRING, TORSION            | 1    | 1    | 1    | 1    |         |
| 31       | 90240-08084     | .PIN, CLEVIS                | 1    | 1    | 1    | 1    |         |
| 32       | 91401-25015     | .PIN, COTTER                | 1    | 1    | 1    | 1    |         |
| 33       | 90387-087K5     | .COLLAR                     | 1    | 1    | 1    | 1    |         |
| 34       | 1RM-27420-00-93 | FRONT FOOTREST ASSY (RIGHT) | 1    | 1    | 1    | 1    | CM      |
| 35       | 1NH-27413-00    | .COVER, FOOTREST            | 1    | 1    | 1    | 1    |         |
| 36       | 95607-06100     | .NUT, U                     | 2    | 2    | 2    | 2    |         |
| 37       | 90508-18696     | .SPRING, TORSION            | 1    | 1    | 1    | 1    |         |
| 38       | 90240-08084     | .PIN, CLEVIS                | 1    | 1    | 1    | 1    |         |
| 39       | 91401-25015     | .PIN, COTTER                | 1    | 1    | 1    | 1    |         |
| 40       | 90387-087K5     | .COLLAR                     | 1    | 1    | 1    | 1    |         |
| 41       | 4X7-27414-00    | DAMPER, FOOTREST            | 4    | 4    | 4    | 4    |         |
| 42       | 90387-107A7     | COLLAR                      | 4    | 4    | 4    | 4    |         |
| 43       | 90201-100A1     | WASHER, PLATE               | 8    | 8    | 8    | 8    |         |
| 44       | 90109-100G0     | BOLT                        | 4    | 4    | 4    | 4    |         |
| 45       | 3CF-27471-02    | BAR, FOOTREST 1             | 1    | 1    | 1    | 1    |         |
| 46       | 90338-09161     | PLUG                        | 2    | 2    | 2    | 2    |         |
| 47       | 3CF-27472-02    | BAR, FOOTREST 2             | 1    | 1    | 1    | 1    |         |
| 48       | 90105-10050     | BOLT, WASHER BASED          | 1    | 1    | 1    | 1    |         |
| 49       | 90176-10075     | NUT, CROWN                  | 3    | 3    | 3    | 3    |         |
| 50       | 1RM-27430-02    | REAR FOOTREST ASSY 1        | 1    | 1    | 1    | 1    |         |
| 51       | 1NH-27433-00    | .COVER, REAR FOOTREST       | 1    | 1    | 1    | 1    |         |
| 52       | 98516-06012     | .SCREW, PAN HEAD            | 2    | 2    | 2    | 2    |         |
| 53       | 1HX-27437-00    | .WASHER, SPECIAL            | 1    | 1    | 1    | 1    |         |
| 54       | 91701-06038     | .PIN, CLEVIS                | 1    | 1    | 1    | 1    |         |

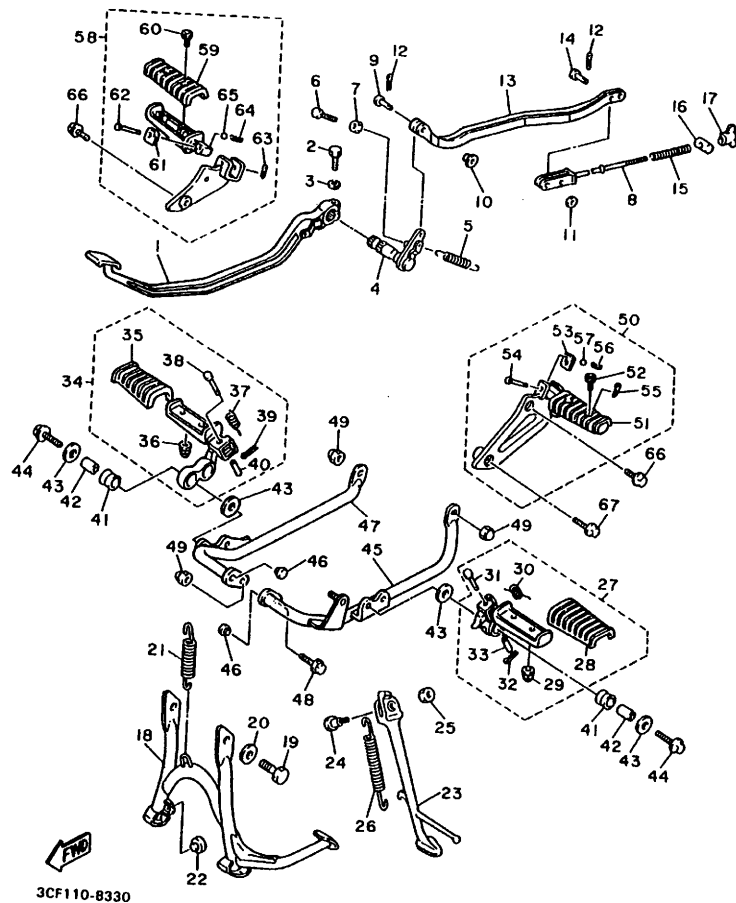
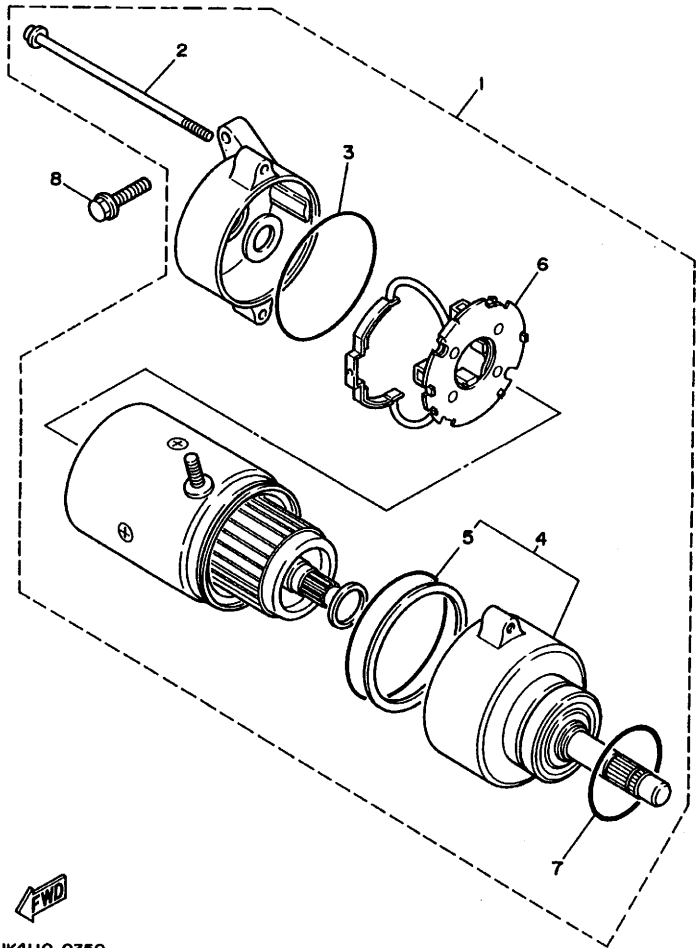


FIG. 33 STAND. FOOTREST

| REF. NO. | PART NO.     | DESCRIPTION           | 4XNA | 4XNB | 4XNC | 4XND | REMARKS |
|----------|--------------|-----------------------|------|------|------|------|---------|
|          |              |                       |      |      |      |      |         |
| 55       | 91401-16012  | .PIN, COTTER          | 1    | 1    | 1    | 1    |         |
| 56       | 90501-12743  | .SPRING, COMPRESSION  | 1    | 1    | 1    | 1    |         |
| 57       | 93501-04004  | .BALL                 | 1    | 1    | 1    | 1    |         |
| 58       | 1RM-27440-01 | REAR FOOTREST ASSY 2  | 1    | 1    | 1    | 1    |         |
| 59       | 1NH-27433-00 | .COVER, REAR FOOTREST | 1    | 1    | 1    | 1    |         |
| <hr/>    |              |                       |      |      |      |      |         |
| 60       | 98516-06012  | .SCREW, PAN HEAD      | 2    | 2    | 2    | 2    |         |
| 61       | 1HX-27437-00 | .WASHER, SPECIAL      | 1    | 1    | 1    | 1    |         |
| 62       | 91701-06038  | .PIN, CLEVIS          | 1    | 1    | 1    | 1    |         |
| 63       | 91401-16012  | .PIN, COTTER          | 1    | 1    | 1    | 1    |         |
| 64       | 90501-12743  | .SPRING, COMPRESSION  | 1    | 1    | 1    | 1    |         |
| <hr/>    |              |                       |      |      |      |      |         |
| 65       | 93501-04004  | .BALL                 | 1    | 1    | 1    | 1    |         |
| 66       | 95024-08020  | BOLT, FLANGE          | 3    | 3    | 3    | 3    |         |
| 67       | 95024-08045  | BOLT, FLANGE          | 1    | 1    | 1    | 1    |         |
| <hr/>    |              |                       |      |      |      |      |         |
| <hr/>    |              |                       |      |      |      |      |         |
| <hr/>    |              |                       |      |      |      |      |         |
| <hr/>    |              |                       |      |      |      |      |         |
| <hr/>    |              |                       |      |      |      |      |         |



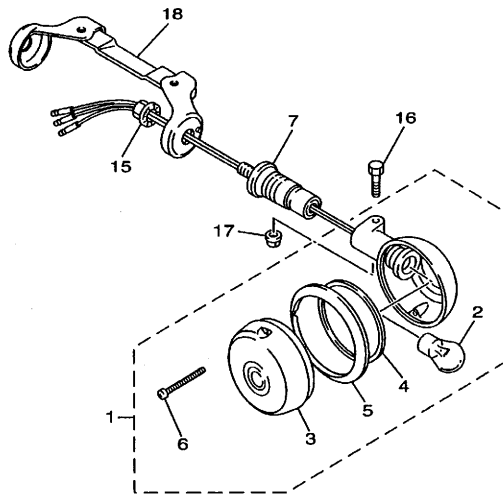
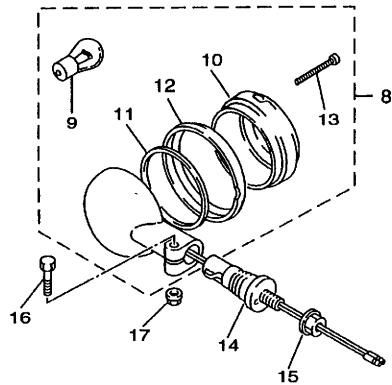


3JK4110-0350

FIG. 35 STARTING MOTOR

| REF. NO. | PART NO.     | DESCRIPTION         | 4XNA | 4XNB | 4XNC | 4XND | REMARKS |
|----------|--------------|---------------------|------|------|------|------|---------|
|          |              |                     |      |      |      |      |         |
| 1        | 5A8-81800-10 | STARTING MOTOR ASSY | 1    | 1    | 1    | 1    |         |
| 2        | 5A8-81826-10 | .BOLT               | 2    | 2    | 2    | 2    |         |
| 3        | 11H-81844-00 | .GASKET             | 1    | 1    | 1    | 1    |         |
| 4        | 5A8-81830-10 | .FRONT BRACKET ASSY | 1    | 1    | 1    | 1    |         |
| 5        | 5A8-81847-10 | ..O-RING            | 1    | 1    | 1    | 1    |         |
| 6        | 5A8-81840-10 | .BRUSH HOLDER ASSY  | 1    | 1    | 1    | 1    |         |
| 7        | 1J7-81847-60 | .O-RING             | 1    | 1    | 1    | 1    |         |
| 8        | 95814-06025  | BOLT, FLANGE        | 2    | 2    | 2    | 2    |         |
|          |              |                     |      |      |      |      |         |
|          |              |                     |      |      |      |      |         |
|          |              |                     |      |      |      |      |         |
|          |              |                     |      |      |      |      |         |
|          |              |                     |      |      |      |      |         |
|          |              |                     |      |      |      |      |         |
|          |              |                     |      |      |      |      |         |



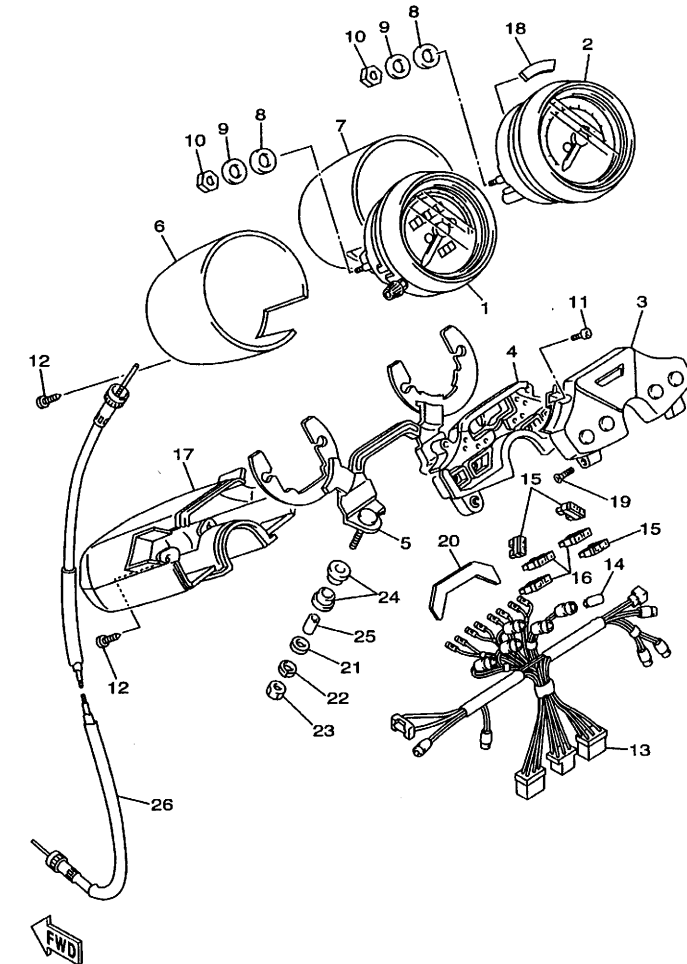


**FWD**  
3LPE332-7360

**FIG. 36 FLASHER LIGHT**

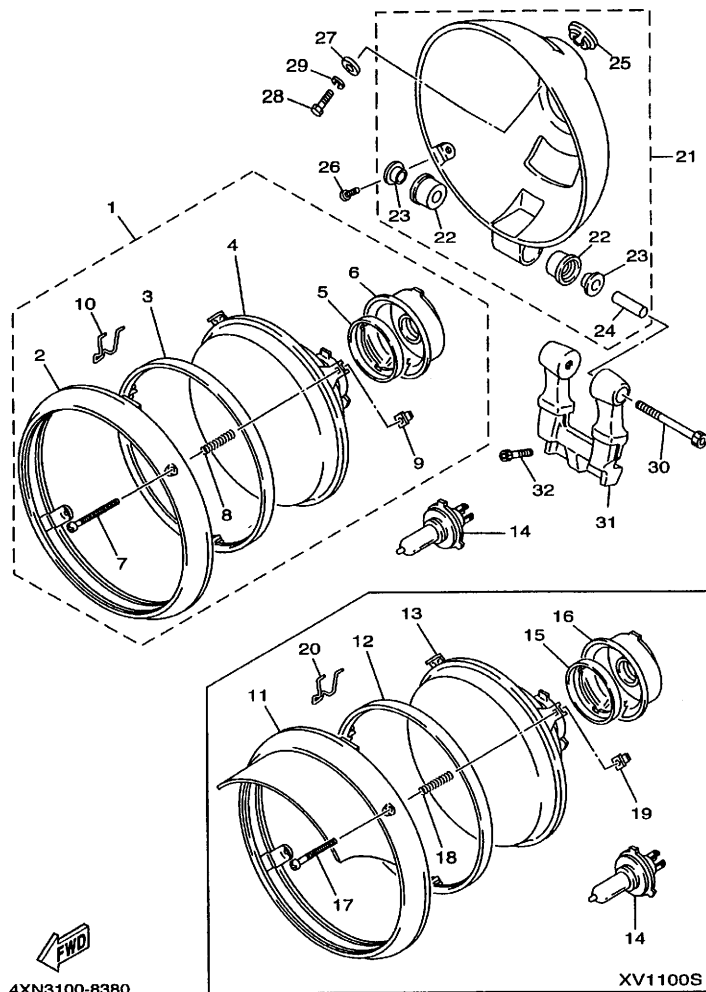
| REF. NO. | PART NO.     | DESCRIPTION                | 4XNA | 4XNB | 4XNC | 4XND | REMARKS |
|----------|--------------|----------------------------|------|------|------|------|---------|
| 1        | 42X-83310-K0 | FRONT FLASHER LIGHT ASSY 1 | 2    | 2    | 2    | 2    |         |
| 2        | 256-84714-61 | .BULB (12V-27/8W)          | 1    | 1    | 1    | 1    |         |
| 3        | 42X-83312-00 | .LENS, FLASHER             | 1    | 1    | 1    | 1    |         |
| 4        | 42X-83313-00 | .GASKET, FLASHER LENS      | 1    | 1    | 1    | 1    |         |
| 5        | 42X-83363-00 | .LENS, RIM                 | 1    | 1    | 1    | 1    |         |
| 6        | 57M-83358-00 | .SCREW, SPECIAL            | 2    | 2    | 2    | 2    |         |
| 7        | 1AA-83318-00 | STAY, FLASHER 1            | 2    | 2    | 2    | 2    |         |
| 8        | 42X-83330-K0 | REAR FLASHER LIGHT ASSY 1  | 2    | 2    | 2    | 2    |         |
| 9        | 256-83311-70 | .BULB (12V-27W)            | 1    | 1    | 1    | 1    |         |
| 10       | 42X-83312-00 | .LENS, FLASHER             | 1    | 1    | 1    | 1    |         |
| 11       | 42X-83313-00 | .GASKET, FLASHER LENS      | 1    | 1    | 1    | 1    |         |
| 12       | 42X-83363-00 | .LENS, RIM                 | 1    | 1    | 1    | 1    |         |
| 13       | 57M-83358-00 | .SCREW, SPECIAL            | 2    | 2    | 2    | 2    |         |
| 14       | 1AA-83318-00 | STAY, FLASHER 1            | 2    | 2    | 2    | 2    |         |
| 15       | 95707-12500  | NUT, FLANGE                | 4    | 4    | 4    | 4    |         |
| 16       | 95024-06030  | BOLT, FLANGE               | 4    | 4    | 4    | 4    |         |
| 17       | 95704-06500  | NUT, FLANGE                | 4    | 4    | 4    | 4    |         |
| 18       | 42X-83328-00 | STAY, FLASHER 2            | 1    | 1    | 1    | 1    |         |

FIG. 37 METER



3LPE332-7370

| REF. NO. | PART NO.     | DESCRIPTION            | 4XNA | 4XNB | 4XNC | 4XND | REMARKS         |
|----------|--------------|------------------------|------|------|------|------|-----------------|
|          |              |                        |      |      |      |      |                 |
| 1        | 1RM-83570-A0 | SPEEDOMETER ASSY       | 1    | 1    | 1    | 1    |                 |
| 2        | 1RM-83540-00 | TACHOMETER ASSY        | 1    | 1    | 1    | 1    |                 |
| 3        | 3CF-8353E-01 | CASE, METER UPPER      | 1    | 1    | 1    | 1    |                 |
| 4        | 3CF-8353H-00 | CASE, UNDER            | 1    | 1    | 1    | 1    |                 |
| 5        | 1FG-83519-00 | BRACKET, METER         | 1    | 1    | 1    | 1    |                 |
| 6        | 42X-83507-00 | COVER, SPEEDOMETER     | 1    | 1    | 1    | 1    | METALLIC CHROME |
| 7        | 42X-83508-00 | COVER, TACHOMETER      | 1    | 1    | 1    | 1    | METALLIC CHROME |
| 8        | 12R-83523-00 | DAMPER                 | 4    | 4    | 4    | 4    |                 |
| 9        | 90201-05725  | WASHER, PLATE          | 4    | 4    | 4    | 4    |                 |
| 10       | 95307-05600  | NUT                    | 4    | 4    | 4    | 4    |                 |
| 11       | 98507-04008  | SCREW, PAN HEAD        | 2    | 2    | 2    | 2    |                 |
| 12       | 97707-40014  | SCREW, TAPPING         | 6    | 6    | 6    | 6    |                 |
| 13       | 1RM-83509-00 | SOCKET CORD ASSY       | 1    | 1    | 1    | 1    |                 |
| 14       | 42X-83517-00 | BULB (12V-3W)          | 10   | 10   | 10   | 10   |                 |
| 15       | 42X-82151-30 | FUSE                   | 3    | 3    | 3    | 3    |                 |
| 16       | 42X-82151-20 | FUSE (10A)             | 3    | 3    | 3    | 3    |                 |
| 17       | 42X-83559-00 | COVER, METER           | 1    | 1    | 1    | 1    |                 |
| 18       | 1FK-83523-00 | DAMPER                 | 1    | 1    | 1    | 1    |                 |
| 19       | 98707-04010  | SCREW, FLAT HEAD       | 2    | 2    | 2    | 2    |                 |
| 20       | 55R-83579-00 | COVER, METER 2         | 1    | 1    | 1    | 1    |                 |
| 21       | 92907-06200  | WASHER                 | 2    | 2    | 2    | 2    |                 |
| 22       | 92907-06100  | WASHER, SPRING         | 2    | 2    | 2    | 2    |                 |
| 23       | 95307-06600  | NUT                    | 2    | 2    | 2    | 2    |                 |
| 24       | 584-83541-00 | DAMPER                 | 4    | 4    | 4    | 4    |                 |
| 25       | 90387-06249  | COLLAR                 | 2    | 2    | 2    | 2    |                 |
| 26       | 57A-83550-00 | SPEEDOMETER CABLE ASSY | 1    | 1    | 1    | 1    |                 |

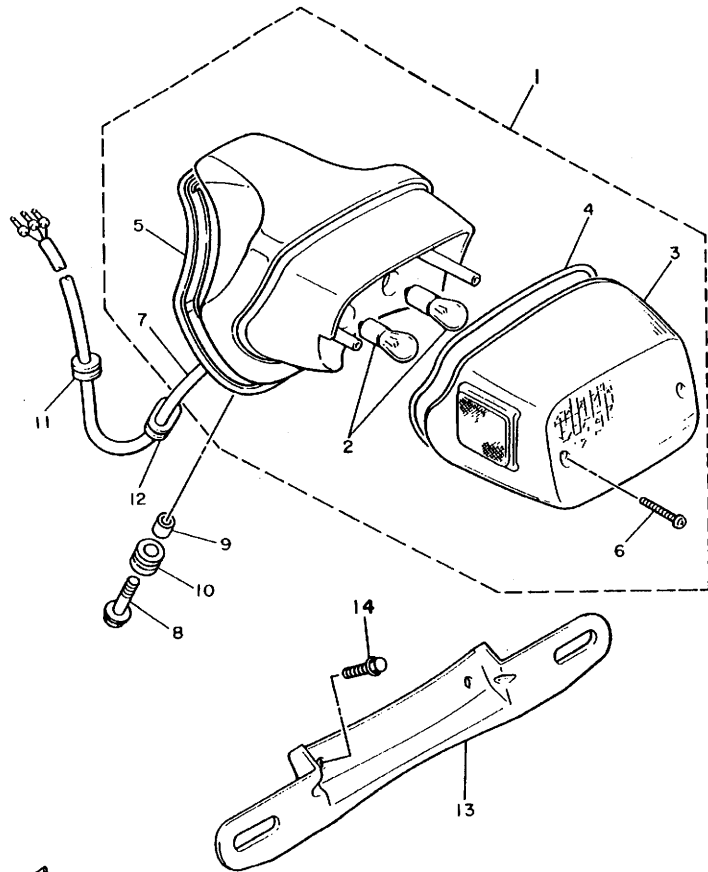


4XN3100-8380

FIG. 38 HEADLIGHT

| REF. NO. | PART NO.     | DESCRIPTION           | 4XNA | 4XNB | 4XNC | 4XND | REMARKS     |
|----------|--------------|-----------------------|------|------|------|------|-------------|
|          |              |                       |      |      |      |      |             |
| 1        | 42X-84303-A1 | HEADLIGHT UNIT ASSY   | 1    | 1    |      |      |             |
| 2        | 42X-84315-01 | .RIM, HEADLIGHT       | 1    | 1    |      |      |             |
| 3        | 5Y3-84395-00 | .RING, RETAINING      | 1    | 1    |      |      |             |
| 4        | 42X-84321-A0 | .LENS ASSY            | 1    | 1    |      |      |             |
| 5        | 2F9-84375-00 | .SETTING PLATE, BULB  | 1    | 1    |      |      |             |
| 6        | 2F9-84397-01 | .COVER, SOCKET        | 1    | 1    |      |      |             |
| 7        | 341-84331-60 | .SCREW, RIM ADJUSTING | 2    | 2    |      |      |             |
| 8        | 1A0-84332-60 | .SPRING, SCREW        | 2    | 2    |      |      |             |
| 9        | 198-84334-60 | .NUT, ADJUSTING       | 2    | 2    |      |      |             |
| 10       | 42X-84124-60 | .SPRING, SET          | 1    | 1    |      |      |             |
| 11       | 3JK-84315-00 | RIM, HEADLIGHT        |      |      | 1    | 1    |             |
| 12       | 5Y3-84395-00 | RING, RETAINING       |      |      | 1    | 1    |             |
| 13       | 42X-84321-A0 | LENS ASSY             |      |      | 1    | 1    |             |
| 14       | 2F9-84314-00 | BULB (12V-60/55W)     | 1    | 1    | 1    | 1    | (H4)HALOGEN |
| 15       | 2F9-84375-00 | SETTING PLATE, BULB   |      |      | 1    | 1    |             |
| 16       | 2F9-84397-01 | COVER, SOCKET         |      |      | 1    | 1    |             |
| 17       | 341-84331-60 | SCREW, RIM ADJUSTING  |      |      | 2    | 1    |             |
| 18       | 1A0-84332-60 | SPRING, SCREW         |      |      | 2    | 2    |             |
| 19       | 198-84334-60 | NUT, ADJUSTING        |      |      | 2    | 2    |             |
| 20       | 42X-84124-60 | SPRING, SET           |      |      | 1    | 1    |             |
| 21       | 2UJ-84330-00 | BODY ASSY             | 1    | 1    | 1    | 1    |             |
| 22       | 42X-84345-00 | .DAMPER, HEADLIGHT    | 2    | 2    | 2    | 2    |             |
| 23       | 1FK-84338-00 | .COLLAR, BODY FITTING | 2    | 2    | 2    | 2    |             |
| 24       | 2UJ-84338-00 | .COLLAR, BODY FITTING | 1    | 1    | 1    | 1    |             |
| 25       | 42X-84366-00 | .DAMPER, HEADLIGHT 1  | 1    | 1    | 1    | 1    |             |
| 26       | 90157-05084  | SCREW, PAN HEAD       | 2    | 2    | 2    | 2    |             |
| 27       | 90201-060A3  | WASHER, PLATE         | 1    | 1    | 1    | 1    |             |



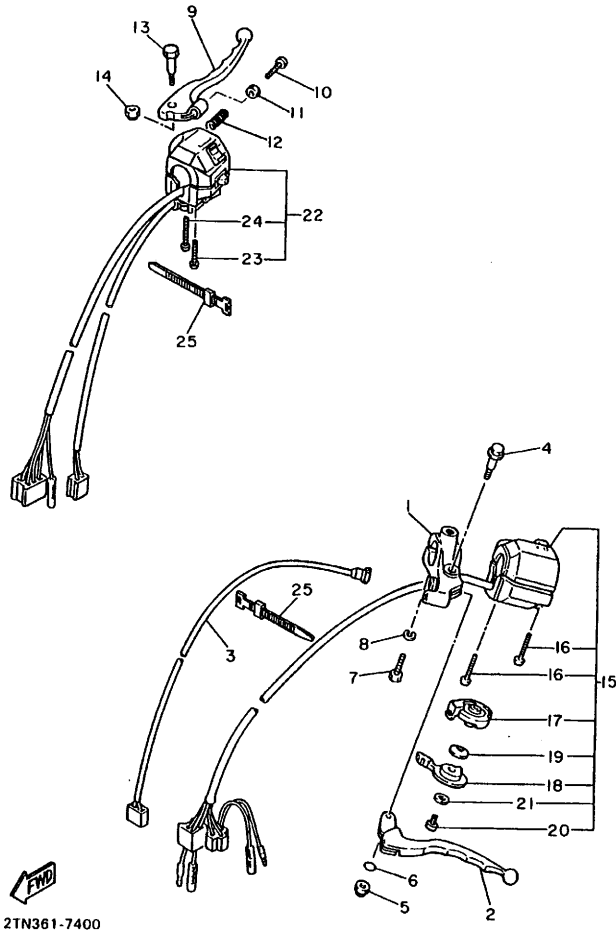


3JKJ171-4390

FIG. 39 TAILLIGHT

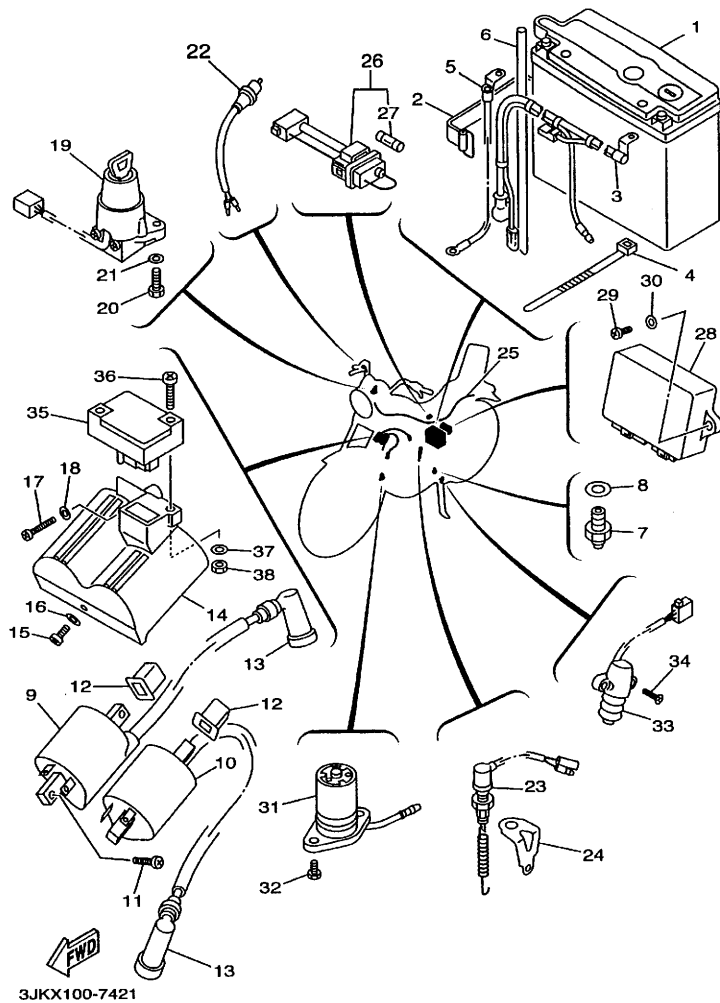
| REF. NO. | PART NO.     | DESCRIPTION        | 4XNA | 4XNB | 4XNC | 4XND | REMARKS |
|----------|--------------|--------------------|------|------|------|------|---------|
|          |              |                    |      |      |      |      |         |
| 1        | 1RM-84700-60 | TAILLIGHT ASSY     | 1    | 1    | 1    | 1    |         |
| 2        | 256-84714-61 | .BULB (12V-27/8W)  | 2    | 2    | 2    | 2    |         |
| 3        | 42X-84721-60 | .LENS, TAILLIGHT   | 1    | 1    | 1    | 1    |         |
| 4        | 42X-84723-01 | .GASKET, TAIL LENS | 1    | 1    | 1    | 1    |         |
| 5        | 1RM-84704-00 | .GASKET, TAILLIGHT | 1    | 1    | 1    | 1    |         |
| 6        | 97701-40625  | .SCREW, TAPPING    | 2    | 2    | 2    | 2    |         |
| 7        | 42X-84717-00 | .CORD, TAILLIGHT   | 1    | 1    | 1    | 1    |         |
| 8        | 90119-06097  | BOLT, WITH WASHER  | 3    | 3    | 3    | 3    |         |
| 9        | 90387-065L5  | COLLAR             | 3    | 3    | 3    | 3    |         |
| 10       | 90480-15316  | GROMMET            | 3    | 3    | 3    | 3    |         |
| 11       | 90480-16501  | GROMMET            | 1    | 1    | 1    | 1    |         |
| 12       | 90480-01502  | GROMMET            | 1    | 1    | 1    | 1    |         |
| 13       | 1RM-84751-00 | BRACKET, LICENSE   | 1    | 1    | 1    | 1    |         |
| 14       | 95807-06012  | BOLT, FLANGE       | 2    | 2    | 2    | 2    |         |

FIG. 40 HANDLE SWITCH. LEVER



2TN361-7400

| REF. NO. | PART NO.     | DESCRIPTION         | 4XNA | 4XNB | 4XNC | 4XND | REMARKS |
|----------|--------------|---------------------|------|------|------|------|---------|
| 1        | 42X-82911-00 | HOLDER, LEVER 1     | 1    | 1    | 1    | 1    |         |
| 2        | 2GV-83912-00 | LEVER 1             | 1    | 1    | 1    | 1    |         |
| 3        | 3Y6-82917-00 | SWITCH              | 1    | 1    | 1    | 1    |         |
| 4        | 90109-06799  | BOLT                | 1    | 1    | 1    | 1    |         |
| 5        | 95607-06100  | NUT, U              | 1    | 1    | 1    | 1    |         |
| 6        | 93210-11368  | O-RING              | 1    | 1    | 1    | 1    |         |
| 7        | 97007-06025  | BOLT                | 1    | 1    | 1    | 1    |         |
| 8        | 92907-06100  | WASHER, SPRING      | 1    | 1    | 1    | 1    |         |
| 9        | 2W1-83922-00 | LEVER 2             | 1    | 1    | 1    | 1    |         |
| 10       | 90149-06131  | SCREW               | 1    | 1    | 1    | 1    |         |
| 11       | 90170-06010  | NUT                 | 1    | 1    | 1    | 1    |         |
| 12       | 90501-10312  | SPRING, COMPRESSION | 1    | 1    | 1    | 1    |         |
| 13       | 90109-06577  | BOLT                | 1    | 1    | 1    | 1    |         |
| 14       | 95607-06100  | NUT, U              | 1    | 1    | 1    | 1    |         |
| 15       | 57A-83973-00 | SWITCH, HANDLE 3    | 1    | 1    | 1    | 1    |         |
| 16       | 98506-05035  | .SCREW, PAN HEAD    | 2    | 2    | 2    | 2    |         |
| 17       | 10M-83942-00 | .COVER, STARTER     | 1    | 1    | 1    | 1    |         |
| 18       | 10M-83941-00 | .LEVER, STARTER     | 1    | 1    | 1    | 1    |         |
| 19       | 92901-06200  | .WASHER, PLAIN      | 1    | 1    | 1    | 1    |         |
| 20       | 92506-06008  | .SCREW              | 1    | 1    | 1    | 1    |         |
| 21       | 92901-06100  | .WASHER, SPRING     | 1    | 1    | 1    | 1    |         |
| 22       | 1AA-8397X-00 | .SPACER             | 1    | 1    | 1    | 1    |         |
| 23       | 3CF-83972-00 | SWITCH, HANDLE 4    | 1    | 1    | 1    | 1    |         |
| 24       | 98506-05040  | .SCREW, PAN HEAD    | 1    | 1    | 1    | 1    |         |
| 25       | 98506-05045  | .SCREW, PAN HEAD    | 1    | 1    | 1    | 1    |         |
| 26       | 437-83936-01 | BAND, SWITCH CORD   | 4    | 4    | 4    | 4    |         |



3JKX100-7421

FIG. 41 ELECTRICAL 1

| REF. NO. | PART NO.     | DESCRIPTION               | 4XNA | 4XNB | 4XNC | 4XND | REMARKS |
|----------|--------------|---------------------------|------|------|------|------|---------|
|          |              |                           |      |      |      |      |         |
| 1        | 11K-82110-62 | BATTERY ASSY              | 1    | 1    | 1    | 1    |         |
| 2        | 1E6-82131-00 | BAND, BATTERY             | 1    | 1    | 1    | 1    |         |
| 3        | 42H-82115-00 | WIRE, PLUS LEAD           | 1    | 1    | 1    | 1    |         |
| 4        | 1UA-82591-00 | BAND                      | 1    | 1    | 1    | 1    |         |
| 5        | 42X-82116-00 | WIRE, MINUS LEAD          | 1    | 1    | 1    | 1    |         |
| 6        | 90445-081A9  | HOSE                      | 1    | 1    | 1    | 1    |         |
| 7        | 4KM-82540-00 | NEUTRAL SWITCH ASSY       | 1    | 1    | 1    | 1    |         |
| 8        | 90430-10148  | GASKET                    | 1    | 1    | 1    | 1    |         |
| 9        | 42X-82310-70 | IGNITION COIL ASSY        | 1    | 1    | 1    | 1    |         |
| 10       | 42X-82320-70 | IGNITION COIL ASSY        | 1    | 1    | 1    | 1    |         |
| 11       | 98980-05016  | SCREW, BIND               | 2    | 2    | 2    | 2    |         |
| 12       | 42X-82317-00 | DAMPER, IGNITION COIL     | 2    | 2    | 2    | 2    |         |
| 13       | 1J7-82370-00 | PLUG CAP ASSY             | 2    | 2    | 2    | 2    |         |
| 14       | 57A-82314-00 | COVER, IGNITION COIL      | 1    | 1    | 1    | 1    |         |
| 15       | 98507-06012  | SCREW, PAN HEAD           | 1    | 1    | 1    | 1    |         |
| 16       | 92907-06600  | WASHER, PLATE             | 1    | 1    | 1    | 1    |         |
| 17       | 98507-06025  | SCREW, PAN HEAD           | 1    | 1    | 1    | 1    |         |
| 18       | 92907-06600  | WASHER, PLATE             | 1    | 1    | 1    | 1    |         |
| 19       | 42H-82501-50 | MAIN SWITCH STEERING LOCK | 1    | 1    | 1    | 1    |         |
| 20       | 97007-06016  | BOLT                      | 2    | 2    | 2    | 2    |         |
| 21       | 92907-06600  | WASHER, PLATE             | 2    | 2    | 2    | 2    |         |
| 22       | 1A0-83980-30 | FRONT STOP SWITCH ASSY    | 1    | 1    | 1    | 1    |         |
| 23       | 42X-82530-02 | STOP SWITCH ASSY          | 1    | 1    | 1    | 1    |         |
| 24       | 1FK-82539-00 | STAY, STOP SWITCH         | 1    | 1    | 1    | 1    |         |
| 25       | 3JK-82590-00 | WIRE HARNESS ASSY         | 1    | 1    | 1    | 1    |         |
| 26       | 3H5-82150-00 | FUSE HOLDER ASSY          | 1    | 1    | 1    | 1    |         |
| 27       | 2H7-82151-00 | .FUSE (12V-30A)           | 2    | 2    | 2    | 2    |         |

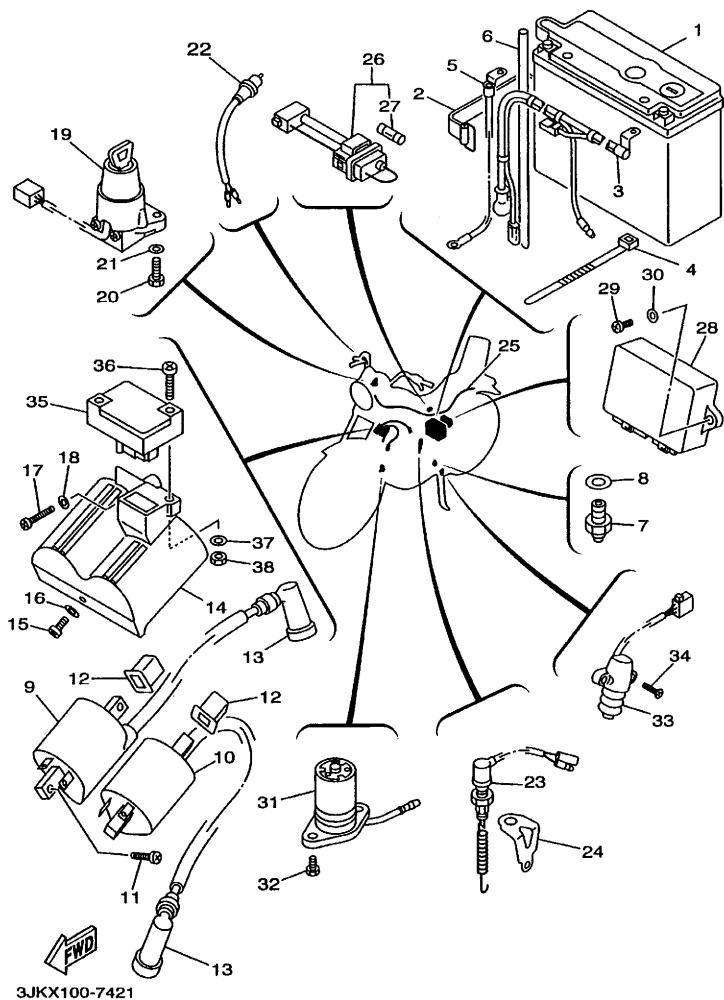
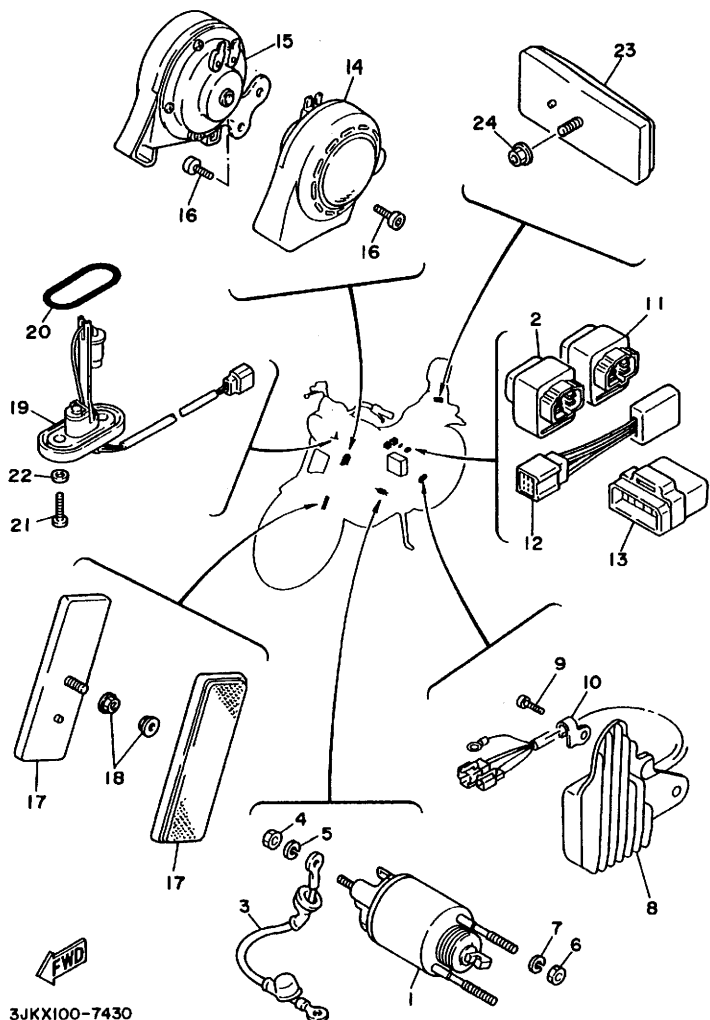


FIG. 41 ELECTRICAL 1

| REF. NO. | PART NO.     | DESCRIPTION          | 4XNA | 4XNB | 4XNC | 4XND | REMARKS |
|----------|--------------|----------------------|------|------|------|------|---------|
|          |              |                      |      |      |      |      |         |
| 28       | 3JK-82305-00 | IGNITOR UNIT ASSY    | 1    | 1    | 1    | 1    |         |
| 29       | 97707-60520  | SCREW, TAPPING       | 2    | 2    | 2    | 2    |         |
| 30       | 90201-063A5  | WASHER, PLATE        | 2    | 2    | 2    | 2    |         |
| 31       | 3JK-85720-00 | OIL LEVEL GAUGE ASSY | 1    | 1    | 1    | 1    |         |
| 32       | 91317-06016  | BOLT                 | 2    | 2    | 2    | 2    |         |
| 33       | 4X7-82566-00 | SWITCH, SIDE STAND   | 1    | 1    | 1    | 1    |         |
| 34       | 90152-05021  | SCREW, COUNTERSUNK   | 2    | 2    | 2    | 2    |         |
| 35       | 1TA-82380-20 | SENSOR, PRESSURE     | 1    | 1    | 1    | 1    |         |
| 36       | 98507-06030  | SCREW, PAN HEAD      | 1    | 1    | 1    | 1    |         |
| 37       | 92907-06600  | WASHER, PLATE        | 1    | 1    | 1    | 1    |         |
| 38       | 90170-06184  | NUT                  | 1    | 1    | 1    | 1    |         |
|          |              |                      |      |      |      |      |         |
|          |              |                      |      |      |      |      |         |
|          |              |                      |      |      |      |      |         |
|          |              |                      |      |      |      |      |         |
|          |              |                      |      |      |      |      |         |





3JKX100-7430

FIG. 42 ELECTRICAL 2

| REF. NO. | PART NO.     | DESCRIPTION                  | 4XNA | 4XNB | 4XNC | 4XND | REMARKS        |
|----------|--------------|------------------------------|------|------|------|------|----------------|
|          |              |                              |      |      |      |      |                |
| 1        | 5A8-86110-50 | SOLENOID                     | 1    | 1    | 1    | 1    |                |
| 2        | 25G-81950-01 | RELAY ASSY                   | 1    | 1    | 1    | 1    |                |
| 3        | 3JK-81815-00 | CORD, STARTER MOTOR          | 1    | 1    | 1    | 1    |                |
| 4        | 95307-06700  | NUT                          | 1    | 1    | 1    | 1    |                |
| 5        | 92907-06100  | WASHER, SPRING               | 1    | 1    | 1    | 1    |                |
| 6        | 95307-08700  | NUT                          | 2    | 2    | 2    | 2    |                |
| 7        | 92907-08100  | WASHER, SPRING               | 2    | 2    | 2    | 2    |                |
| 8        | 3LP-81960-01 | RECTIFIER & REGULATOR ASSY   | 1    | 1    | 1    | 1    |                |
| 9        | 97007-06014  | BOLT                         | 2    | 2    | 2    | 2    |                |
| 10       | 90461-08113  | CLAMP                        | 1    | 1    | 1    | 1    |                |
| 11       | 25G-81950-01 | RELAY ASSY                   | 1    | 1    | 1    | 1    |                |
| 12       | 4U8-81980-M0 | DIODE ASSY                   | 1    | 1    | 1    | 1    | FOR SIDE STAND |
| 13       | 41R-83350-71 | FLASHER RELAY ASSY           | 1    | 1    | 1    | 1    |                |
| 14       | 1RM-83371-00 | HORN                         | 1    | 1    | 1    | 1    |                |
| 15       | 1RM-83371-10 | HORN                         | 1    | 1    | 1    | 1    |                |
| 16       | 91317-06012  | BOLT                         | 2    | 2    | 2    | 2    |                |
| 17       | 42X-85110-00 | REFLECTOR ASSY               | 2    | 2    | 2    | 2    |                |
| 18       | 95707-05500  | NUT, FLANGE                  | 2    | 2    | 2    | 2    |                |
| 19       | 42H-85752-01 | SENDER UNIT ASSY, FUEL METER | 1    | 1    | 1    | 1    |                |
| 20       | 42X-85753-00 | GASKET, SENDER UNIT          | 1    | 1    | 1    | 1    |                |
| 21       | 90149-06011  | SCREW                        | 2    | 2    | 2    | 2    |                |
| 22       | 90202-05193  | WASHER, PLATE                | 2    | 2    | 2    | 2    |                |
| 23       | 42X-85130-01 | REAR REFLECTOR ASSY          | 1    | 1    | 1    | 1    |                |
| 24       | 95707-05500  | NUT, FLANGE                  | 1    | 1    | 1    | 1    |                |

NUMERICAL INDEX

| PART NO.        | REF. NO. | PART NO.        | REF. NO. | PART NO.     | REF. NO. | PART NO.     | REF. NO. | PART NO.     | REF. NO. | PART NO.        | REF. NO. |
|-----------------|----------|-----------------|----------|--------------|----------|--------------|----------|--------------|----------|-----------------|----------|
| 4K0-W0041-50    | 32 - 5   | 4X7-11550-01    | 5 - 6    | 4X7-13419-00 | 11 - 21  | 12R-14484-01 | 8 - 66   | 4X7-15361-00 | 12 - 2   | 42X-17151-00    | 15 - 6   |
| 1FK-W0046-02    | 29 - 6   | 1TA-11610-00    | 3 - 6    | 4X7-13440-01 | 7 - 1    | 42X-14484-00 | 8 - 61   | 57A-15363-11 | 11 - 17  | 1TA-17211-00    | 15 - 21  |
|                 | 29 - 14  | 1TA-11610-20    | 3 - 6    | 1RM-13447-00 | 7 - 4    | 42X-14485-00 | 8 - 56   | 4X7-15388-00 | 12 - 31  | 4X7-17221-00    | 15 - 13  |
| 26H-W0047-00    | 29 - 5   | 1TA-11610-40    | 3 - 6    | 4G0-13490-01 | 7 - 9    | 41R-14489-00 | 8 - 20   | 1RM-15411-01 | 12 - 1   | 4X7-17231-00    | 15 - 17  |
|                 | 29 - 13  | 1TA-11631-00-A0 | 3 - 5    | 42H-13532-00 | 8 - 12   | 1TA-14603-00 | 8 - 63   | 1RM-15415-01 | 12 - 14  | 4X7-17241-00    | 15 - 20  |
| 26H-W0048-00    | 29 - 10  | 5A8-11633-00    | 3 - 7    | 1TA-13534-00 | 8 - 17   | 42H-14611-00 | 10 - 1   | 42X-15417-01 | 12 - 19  | 42X-17251-00    | 15 - 16  |
|                 | 29 - 18  | 1TA-11636-00    | 3 - 5    | 1TA-13535-00 | 8 - 19   | 57A-14612-01 | 10 - 13  | 1RM-15419-00 | 12 - 22  | 4X7-17402-00    | 15 - 12  |
| 26H-W0057-00    | 29 - 4   | 1TA-11638-00    | 3 - 5    | 3CG-13542-00 | 8 - 5    | 3EG-14613-00 | 10 - 17  | 3JK-15425-00 | 12 - 16  | 1TA-17411-00    | 15 - 1   |
|                 | 29 - 12  | 5A8-11650-00    | 3 - 9    | 42X-13544-00 | 8 - 9    | 1TA-14621-00 | 10 - 3   | 5A8-15429-00 | 12 - 25  | 4X7-17524-00    | 16 - 7   |
| 1RM-W1542-01    | 12 - 29  | 4X7-11654-01    | 3 - 10   | 42X-13564-01 | 8 - 7    | 42X-14663-02 | 8 - 58   | 42X-15441-00 | 12 - 28  | 42X-17526-01    | 16 - 4   |
| 3LP-W1551-00    | 13 - 4   | 4X7-11656-00    | 3 - 12   | 16G-13569-00 | 8 - 2    | 42X-1468A-00 | 10 - 14  | 3EG-15451-00 | 12 - 6   | 31A-17527-00    | 16 - 5   |
| 42X-W2341-01-38 | 24 - 8   | 4X7-11656-10    | 3 - 12   | 42X-13578-00 | 8 - 8    | 1TA-14711-00 | 10 - 4   | 1RM-15455-00 | 12 - 15  | 3H5-17529-00    | 16 - 8   |
| 3DR-W2536-00    | 30 - 15  | 4X7-11656-20    | 3 - 12   | 1TA-13586-00 | 8 - 1    | 3EG-14714-00 | 10 - 2   | 3EG-15459-00 | 12 - 23  | 4X7-17531-00-15 | 16 - 9   |
| 3CF-W2611-10    | 31 - 1   | 4X7-11656-30    | 3 - 12   | 24M-13586-01 | 8 - 4    | 42H-14714-10 | 10 - 37  | 3EG-15462-00 | 12 - 33  | 4X7-17531-00-30 | 16 - 9   |
| 1TA-Y1757-00    | 16 - 1   | 4X7-11656-40    | 3 - 12   | 1TA-13589-00 | 8 - 11   | 42X-14748-01 | 10 - 8   | 4X7-15484-00 | 6 - 15   | 4X7-17531-00-50 | 16 - 9   |
| 1MY-Y2151-P0-PF | 20 - 1   | 5G5-11656-00    | 3 - 16   | 42H-13907-00 | 8 - 25   | 3YF-14755-00 | 10 - 5   | 4X7-15485-01 | 6 - 14   | 1J7-17537-Y0-30 | 23 - 10  |
| 1MY-Y2151-R0-33 | 20 - 1   | 5G5-11656-10    | 3 - 16   | 42H-13971-00 | 8 - 26   | 4BD-14766-00 | 10 - 9   |              | 6 - 22   | 1J7-17537-Y0-40 | 23 - 10  |
| 1RM-Y2161-G1-33 | 20 - 5   | 5G5-11656-20    | 3 - 16   | 3CF-1410A-00 | 9 - 21   | 42X-1479H-00 | 10 - 11  | 4X7-15491-00 | 11 - 20  | 1J7-17537-Y0-50 | 23 - 10  |
| 1RM-Y2161-01-P8 | 20 - 5   | 2J2-12111-01    | 4 - 1    | 3CF-14103-01 | 9 - 33   | 42H-14808-00 | 10 - 27  | 1TA-15512-00 | 13 - 5   | 4X7-17551-00    | 16 - 15  |
| 1TA-Y2410-00-01 | 26 - 1   | 1TA-12113-00    | 4 - 4    | 12R-14105-00 | 9 - 9    | 1TA-14840-00 | 10 - 23  | 4X7-15521-00 | 13 - 3   | 4X7-17554-00    | 16 - 18  |
| 1TA-Y2410-00-02 | 26 - 1   | 1TA-12114-00    | 4 - 5    | 3CF-14107-15 | 9 - 5    | 42H-14857-00 | 10 - 39  | 5A8-15542-01 | 13 - 10  | 4X7-17556-00    | 16 - 22  |
| 3DR-Y2410-00-01 | 26 - 1   | 4X7-12116-00    | 4 - 3    | 3F9-14118-00 | 9 - 26   | 42H-14858-00 | 10 - 40  | 5A8-15550-00 | 13 - 8   | 4X7-17558-00    | 16 - 21  |
| 3DR-Y2410-00-02 | 26 - 1   | 4X7-12117-00    | 4 - 7    | 3CF-14141-93 | 9 - 14   | 42H-14871-01 | 10 - 33  | 5A8-15556-00 | 13 - 12  | 4PP-17582-00    | 15 - 22  |
| 1TA-11102-02    | 1 - 1    | 4X7-12118-00    | 4 - 8    | 4G0-14142-40 | 9 - 15   | 42H-14872-02 | 10 - 34  | 3EG-15568-00 | 13 - 15  | 4PP-17583-00    | 15 - 25  |
| 4X7-1111F-00    | 1 - 32   | 341-12119-02    | 4 - 6    | 137-14153-00 | 9 - 12   | 42H-14873-01 | 1 - 5    | 3LP-15570-00 | 13 - 1   | 56W-17590-00    | 23 - 29  |
| 42X-1111H-01    | 1 - 22   | 5A8-12121-00    | 4 - 2    | 2VA-14185-00 | 9 - 11   | 1TA-14881-00 | 10 - 44  | 4X7-16111-00 | 14 - 1   | 42X-18110-01    | 18 - 12  |
| 1RM-1112E-00    | 1 - 36   | 42X-12151-00    | 4 - 9    | 537-14186-00 | 9 - 10   | 42H-14882-00 | 10 - 22  | 4X7-16150-02 | 14 - 21  | 42X-18112-01    | 18 - 17  |
| 4X7-11127-00    | 1 - 4    | 4X7-12156-01    | 4 - 10   | 12R-14191-00 | 9 - 24   | 42H-14883-00 | 10 - 26  | 3Y1-16154-00 | 14 - 22  | 132-18113-01    | 18 - 14  |
| 4X7-11133-10    | 1 - 3    | 4X7-12159-00    | 4 - 11   | 3CF-14197-00 | 9 - 35   | 42H-14884-00 | 10 - 29  | 22U-16321-00 | 14 - 28  | 29L-18115-00    | 18 - 20  |
| 42X-11145-00    | 5 - 12   | 42H-12171-00    | 5 - 10   | 3CG-14197-00 | 8 - 21   | 42H-14885-00 | 10 - 30  | 4X7-16324-00 | 14 - 26  | 4X7-18120-01    | 18 - 1   |
| 42X-11152-00    | 1 - 20   | 4X7-12176-00    | 5 - 17   |              | 9 - 29   | 3CF-1490H-00 | 9 - 19   | 1TA-16325-00 | 14 - 29  | 4X7-18140-00    | 18 - 3   |
| 4X7-11161-00    | 2 - 3    | 42H-12181-00    | 5 - 11   | 620-1423A-75 | 9 - 13   | 3CF-1490J-00 | 9 - 6    | 1TA-16334-00 | 14 - 31  | 2H9-18154-00    | 18 - 13  |
| 42X-11165-00    | 1 - 23   | 4X7-12210-01    | 5 - 19   | 1HX-14231-28 | 9 - 20   | 3CF-1490K-00 | 9 - 31   | 1TA-16335-00 | 14 - 33  |                 | 18 - 18  |
| 42X-11166-01    | 1 - 24   | 4DW-12213-00    | 2 - 8    | 3G2-14231-12 | 9 - 16   | 3CF-14900-01 | 9 - 1    | 4X7-16340-00 | 14 - 12  | 4G0-18185-01    | 17 - 3   |
| 42H-11181-00    | 1 - 7    |                 | 5 - 28   | 620-14231-25 | 9 - 13   | 3CG-14900-01 | 9 - 1    | 2H7-16341-00 | 14 - 9   | 4X7-18511-00    | 17 - 9   |
| 42X-11185-01    | 1 - 18   | 4X7-12215-01    | 2 - 7    | 3CF-14251-00 | 9 - 27   | 3CF-14901-01 | 9 - 2    | 2H7-16343-00 | 14 - 10  | 4X7-18512-00    | 17 - 10  |
| 1L9-11186-00    | 12 - 11  | 4X7-12221-00    | 5 - 23   | 1TA-14348-00 | 8 - 28   | 3CG-14901-01 | 9 - 2    | 1TA-16351-00 | 14 - 30  | 4X7-18513-00    | 17 - 11  |
| 42H-11186-01    | 1 - 28   | 4X7-12231-00    | 5 - 21   | 1TA-14349-00 | 8 - 27   | 3CF-14902-01 | 9 - 3    | 1TA-16352-00 | 14 - 34  | 4X7-18531-00    | 17 - 12  |
| 4X7-11187-01    | 1 - 29   | 4X7-12241-00    | 5 - 22   | 3CG-14396-00 | 8 - 24   | 3CG-14902-01 | 9 - 3    | 4X7-16356-00 | 14 - 18  | 4X7-18536-00    | 17 - 13  |
| 214-11198-01    | 6 - 25   | 4X7-12247-01    | 5 - 7    | 42X-14401-01 | 8 - 36   | 3CF-14919-00 | 9 - 32   | 4X7-16357-00 | 14 - 17  | 4X7-18540-01    | 17 - 1   |
|                 | 23 - 28  | 1RM-13161-00    | 12 - 41  | 10L-14407-00 | 8 - 33   | 3CF-14933-00 | 9 - 8    | 1TA-16371-00 | 14 - 23  | 136-18542-00    | 17 - 7   |
| 1TA-11310-00    | 2 - 1    | 4X7-13171-00    | 6 - 10   | 1TA-1441A-00 | 8 - 43   | 2JU-14937-00 | 9 - 25   | 4X7-16383-01 | 14 - 25  | 3CF-21110-00-33 | 19 - 1   |
| 3EG-11351-01    | 2 - 6    | 10L-13300-00    | 6 - 1    | 1TA-1441E-00 | 8 - 50   | 3CF-14937-00 | 9 - 28   | 4X7-16384-00 | 14 - 24  | 42X-21164-00    | 11 - 23  |
| 4X7-11363-01    | 1 - 8    | 10L-13327-00    | 6 - 7    | 1TA-14422-00 | 8 - 41   | 3CF-14940-00 | 9 - 7    | 4X7-16385-00 | 14 - 27  | 42X-2117F-00    | 21 - 22  |
| 1TA-11411-00    | 3 - 1    | 4X7-13354-00    | 3 - 3    | 42X-14451-00 | 8 - 40   | 3CF-14984-01 | 9 - 4    | 2H7-16395-01 | 14 - 8   | 42X-21171-00    | 21 - 9   |
| 4X7-11534-00    | 5 - 2    | 4X7-13355-00    | 6 - 5    | 42X-14452-00 | 8 - 42   | 3CG-14987-00 | 8 - 22   | 2H7-16396-00 | 14 - 6   | 4R8-21308-00    | 20 - 22  |
| 4X7-11536-00    | 5 - 1    | 4X7-13405-00    | 6 - 13   | 10L-14453-01 | 8 - 32   | 42H-15100-01 | 11 - 1   | 4X7-17121-00 | 15 - 5   | 42X-21315-01    | 19 - 11  |
| 4X7-11540-02    | 5 - 5    | 1RM-13406-00    | 6 - 17   | 42X-14477-00 | 8 - 38   | 2H7-15361-00 | 12 - 3   | 4X7-17141-00 | 15 - 2   | 42X-21316-01    | 19 - 12  |

NUMERICAL INDEX

| PARTNO.         | REF. NO. | PARTNO.         | REF. NO. | PARTNO.         | REF. NO. | PARTNO.         | REF. NO. | PARTNO.         | REF. NO. | PARTNO.      | REF. NO. |
|-----------------|----------|-----------------|----------|-----------------|----------|-----------------|----------|-----------------|----------|--------------|----------|
| 42X-21317-00    | 19-2     | 42X-23118-00    | 25-39    | 42X-24182-00    | 26-6     | 29L-25398-00    | 28-12    | 4X7-27414-00    | 33-41    | 42X-82116-00 | 41-5     |
| 42X-21359-00    | 19-3     | 1RM-23119-00    | 25-44    | 42X-24183-00    | 26-7     |                 | 30-24    | 1RM-27420-00-93 | 33-34    | 1E6-82131-00 | 41-2     |
| 5H9-21376-00    | 27-19    | 1RM-23122-00    | 24-21    | 42X-24186-00    | 26-9     | 29L-25398-10    | 28-12    | 1RM-27430-02    | 33-50    | 3H5-82150-00 | 41-26    |
| 42X-2139R-00    | 19-26    | 2YK-23125-00    | 25-5     | 42H-2419A-00    | 26-26    |                 | 30-24    | 1NH-27433-00    | 33-51    | 2H7-82151-00 | 41-27    |
| 42X-21458-01    | 19-19    |                 | 25-23    | 3JL-24240-P0    | 26-4     | 29L-25398-20    | 28-12    |                 | 33-59    | 42X-82151-20 | 37-16    |
| 4X7-21485-00    | 19-16    | 3JK-23126-10    | 25-2     | 4XN-24240-00    | 26-4     |                 | 30-24    | 1HX-27437-00    | 33-53    | 42X-82151-30 | 37-15    |
| 3JK-21570-G0    | 20-2     | 42X-2313A-00    | 24-25    | 42H-24280-00    | 26-10    | 16G-25412-00    | 30-11    |                 | 33-61    | 3JK-82305-00 | 41-28    |
| 4XN-21570-00    | 20-2     | 1RM-23132-00    | 25-42    | 42H-24311-00    | 26-41    | 42H-2580T-00    | 29-3     | 1RM-27440-01    | 33-58    | 42X-82310-70 | 41-9     |
| 1RM-2162G-00    | 27-14    | 1RM-23132-10    | 25-43    | 42H-24315-00    | 26-44    | 42H-2580U-00    | 29-11    | 3CF-27471-02    | 33-45    | 57A-82314-00 | 41-14    |
| 42X-21629-00    | 20-20    | 3JK-23136-10    | 25-20    | 42H-24316-00    | 26-17    | 4PP-2582T-00    | 29-1     | 3CF-27472-02    | 33-47    | 42X-82317-00 | 41-12    |
| 42H-2164A-02    | 20-15    | 42H-23141-00    | 25-11    | 42H-24317-00    | 26-19    | 22R-25850-02    | 32-1     | 42X-28100-10    | 27-20    | 42X-82320-70 | 41-10    |
| 1RM-2164F-00    | 20-11    |                 | 25-29    | 42H-24376-01    | 26-27    | 2GV-25852-00    | 32-3     | 42X-28185-00    | 21-16    | 1A7-82320-00 | 41-13    |
| 1RM-2164G-00    | 20-12    | 4DN-23144-00    | 25-7     | 42H-24377-01    | 26-31    | 4K0-25854-00    | 32-2     | 1TA-2840F-00    | 20-24    | 1JT-82390-20 | 41-35    |
| 3JK-2164H-00    | 20-13    |                 | 25-25    | 42H-24378-01    | 26-34    | 4L0-25862-01    | 32-10    | 3JK-2840F-00    | 20-24    | 42H-82501-50 | 41-19    |
| 3JK-2164J-00    | 20-14    | 4DN-23145-00    | 25-4     | 42H-24452-00    | 26-51    | 4L0-25867-00    | 32-6     | 56W-46101-02    | 23-1     | 42X-82530-02 | 41-23    |
| 3JK-21675-F0    | 20-6     |                 | 25-22    | 3JK-24491-00    | 26-52    | 42H-25872-02    | 32-9     | 1J7-46117-Y0-30 | 23-19    | 1FK-82539-00 | 41-24    |
| 4XN-21675-00    | 20-6     | 4V2-23146-L0    | 25-6     | 1FK-24560-00    | 26-40    | 42H-25873-02    | 32-14    | 1J7-46117-Y0-40 | 23-19    | 4KM-82540-00 | 41-7     |
| 5A8-21708-00    | 27-10    |                 | 25-24    | 20K-24602-04    | 26-22    | 42X-25875-00    | 32-19    | 1J7-46117-Y0-50 | 23-19    | 4X7-82566-00 | 41-33    |
| 42X-21711-00-P8 | 21-1     | 4FY-23149-00    | 25-12    | 4X7-24602-04    | 26-22    | 42X-25876-00    | 32-22    | 22U-46118-00-12 | 23-21    | 3JK-82590-00 | 41-25    |
| 42X-21711-00-33 | 21-1     |                 | 25-30    | 4X7-24612-00    | 26-23    | 42H-25885-01    | 32-13    | 22U-46118-00-14 | 23-21    | 1UA-82591-00 | 41-4     |
| 3LP-21717-00    | 21-4     | 3R4-23153-00    | 25-3     | 3CF-24723-00    | 27-12    | 29L-25919-00    | 29-7     | 22U-46118-00-16 | 23-21    | 42X-82911-00 | 40-1     |
| 42X-2172W-02    | 21-17    |                 | 25-21    | 509-24724-00    | 27-3     |                 | 29-15    | 22U-46118-00-18 | 23-21    | 3Y6-82917-00 | 40-3     |
| 42X-21721-00-P8 | 21-5     | 509-23158-L0    | 25-14    | 42X-2473R-00    | 27-7     | 1KT-25924-00    | 29-8     | 22U-46118-00-20 | 23-21    | 42X-83310-K0 | 36-1     |
| 42X-21721-00-33 | 21-5     |                 | 25-32    | 42X-2473T-00    | 27-11    |                 | 29-16    | 2H7-46122-00    | 23-9     | 256-83311-70 | 36-9     |
| 42X-2176E-00    | 21-20    | 42H-23168-00    | 25-16    | 3CF-24730-10    | 27-1     | 26H-25925-00    | 29-9     | 4H7-46123-00    | 23-15    | 42X-83312-00 | 36-3     |
| 42X-2177K-00    | 27-13    |                 | 25-34    | 3JK-24730-00    | 27-1     |                 | 29-17    | 4H7-46125-00    | 23-12    |              | 36-10    |
| 3JK-2179R-A0    | 21-6     | 1RM-2317E-00    | 24-22    | 3CF-24731-10    | 27-2     | 3JB-26240-00    | 31-4     | 1J7-46129-Y1    | 16-14    | 42X-83313-00 | 36-4     |
| 3JK-2179V-A0    | 21-6     | 42H-23170-00    | 25-9     | 3JK-24731-00    | 27-2     | 3JB-26241-00    | 31-2     | 4H7-46152-00    | 23-18    |              | 36-11    |
| 1RM-22110-01-35 | 22-1     |                 | 25-27    | 1L9-24741-A0    | 27-4     | 3JB-26273-00    | 31-3     | 4H7-46153-00    | 23-5     | 1AA-83318-00 | 36-7     |
| 1J7-22141-00    | 22-7     | 3JK-23173-12    | 25-10    | 42H-24786-00    | 20-25    | 3JB-2628J-00    | 31-5     | 4X7-46172-00    | 23-31    |              | 36-14    |
| 42X-22141-00    | 22-5     |                 | 25-28    | 146-25115-00    | 28-3     | 1AA-26280-02    | 31-15    | 4X7-46180-00    | 23-37    | 42X-83328-00 | 36-18    |
| 1J7-22143-00    | 22-8     | 278-23181-50    | 25-17    | 56W-2512A-00    | 28-6     | 1AA-26290-02    | 31-16    | 1TA-81410-20    | 34-2     | 42X-83330-K0 | 36-8     |
| 4X7-22189-01    | 22-11    |                 | 25-35    | 56W-2512A-10    | 28-7     | 3CF-26311-00    | 31-6     | 3JK-81450-00    | 34-1     | 41R-83350-71 | 42-13    |
| 2H7-2219X-00    | 22-9     | 1UF-23317-01    | 24-12    | 56W-25168-00-P1 | 28-1     | 3CF-26312-00    | 31-7     | 3JK-81670-00    | 34-4     | 57M-83358-00 | 36-6     |
| 3JK-22210-01    | 22-13    | 42H-23340-00    | 25-40    | 42X-25181-00    | 28-14    | 3CF-26331-01    | 31-14    | 5A8-81800-10    | 35-1     |              | 36-13    |
| 3JK-22210-10    | 22-13    | 4V4-23346-L0    | 25-36    | 42X-25190-00    | 28-15    | 57A-26335-00    | 31-10    | 3JK-81815-00    | 42-3     | 42X-83363-00 | 36-5     |
| 3JK-22220-01    | 22-14    | 1J7-23415-00    | 24-3     | 148-25315-00    | 30-3     | 1E6-26342-00    | 31-11    | 5A8-81826-10    | 35-2     |              | 36-12    |
| 3JK-22220-10    | 22-14    | 26H-23418-01    | 24-6     | 42H-25321-02    | 30-14    | 5H0-26393-00    | 31-8     | 5A8-81830-10    | 35-4     | 1RM-83371-00 | 42-14    |
| 57A-22243-01    | 22-15    | 4H7-23441-00-38 | 24-13    | 16G-25327-00    | 30-25    | 42X-27111-00-R4 | 33-18    | 5A8-81840-10    | 35-6     | 1RM-83371-10 | 42-15    |
| 3JK-23102-13    | 25-1     | 42X-23442-00-38 | 24-14    | 4H7-2533A-02    | 30-20    | 371-27114-00    | 33-22    | 11H-81844-00    | 35-3     | 42X-83507-00 | 37-6     |
| 3JK-23103-13    | 25-19    | 42H-24119-00    | 26-30    | 42H-25338-01-P1 | 30-1     | 3CF-27211-00-93 | 33-1     | 1J7-81847-60    | 35-7     | 42X-83508-00 | 37-7     |
| 3JK-23110-12    | 25-8     | 3JK-24161-00    | 26-58    | 4H7-25351-00    | 30-17    | 42X-27212-01    | 33-4     | 5A8-81847-10    | 35-5     | 1RM-83509-00 | 37-13    |
|                 | 25-26    | 3JL-24161-C0    | 26-2     | 3CF-25355-00    | 30-18    | 3CF-27231-01    | 33-8     | 25G-81950-01    | 42-2     | 42X-83517-00 | 37-14    |
| 3KM-23111-01    | 25-15    | 3JK-24162-00    | 26-59    | 42H-25364-00    | 30-8     | 3CF-27241-00    | 33-13    |                 | 42-11    | 1FG-83519-00 | 37-5     |
|                 | 25-33    | 3JL-24162-C0    | 26-3     | 16G-25366-01    | 30-7     | 42X-27311-00-93 | 33-23    | 3LP-81960-01    | 42-8     | 1FK-83523-00 | 37-18    |
| 1W1-23114-L0    | 25-13    | 42H-24170-00    | 26-33    | 42X-25371-02    | 30-34    | 3CF-27410-00-93 | 33-27    | 4U8-81980-M0    | 42-12    | 12R-83523-00 | 37-8     |
|                 | 25-31    | 25H-24180-00    | 26-25    | 4H7-25377-00    | 30-33    | 1NH-27413-00    | 33-28    | 11K-82110-62    | 41-1     | 3CF-8353E-01 | 37-3     |
| 42X-23118-00    | 25-18    | 4H7-24181-00    | 26-5     | 42X-25381-00    | 30-29    |                 | 33-35    | 42H-82115-00    | 41-3     | 3CF-8353H-00 | 37-4     |

NUMERICAL INDEX

| PARTNO.       | REF. NO. | PARTNO.      | REF. NO. | PARTNO.     | REF. NO. | PARTNO.     | REF. NO. | PARTNO.     | REF. NO. | PARTNO.     | REF. NO. |
|---------------|----------|--------------|----------|-------------|----------|-------------|----------|-------------|----------|-------------|----------|
| 1RM-83540-00  | 37 - 2   | 1RM-84751-00 | 39 - 13  | 90149-08166 | 13 - 14  | 90201-100A1 | 33 - 43  | 90338-06121 | 5 - 20   | 90460-12256 | 8 - 31   |
| 584-83541-00  | 37 - 24  | 42X-85110-00 | 42 - 17  | 90149-08225 | 20 - 18  | 90201-101A4 | 1 - 15   | 90338-06162 | 20 - 27  | 90460-15227 | 10 - 38  |
| 57A-83550-00  | 37 - 26  | 42X-85130-01 | 42 - 23  | 90151-06013 | 13 - 11  | 90201-10118 | 32 - 12  |             | 28 - 9   | 90460-16192 | 26 - 18  |
| 42X-83559-00  | 37 - 17  | 3JK-85720-00 | 41 - 31  | 90151-06041 | 17 - 14  |             | 32 - 16  | 90338-07043 | 19 - 23  | 90460-65169 | 8 - 34   |
| 1RM-83570-A0  | 37 - 1   | 42H-85752-01 | 42 - 19  | 90152-05021 | 41 - 34  |             | 32 - 18  | 90338-08163 | 22 - 17  |             | 8 - 57   |
| 55R-83579-00  | 37 - 20  | 42X-85753-00 | 42 - 20  | 90157-05084 | 38 - 26  |             | 32 - 26  |             | 24 - 20  | 90461-08113 | 42 - 10  |
| 2GV-83912-00  | 40 - 2   | 5A8-86110-50 | 42 - 1   | 90159-06033 | 21 - 23  | 90201-10141 | 24 - 15  |             | 24 - 24  | 90462-08076 | 12 - 13  |
| 2W1-83922-00  | 40 - 9   | 90101-06478  | 33 - 6   | 90159-06058 | 19 - 27  |             | 33 - 20  | 90338-09161 | 33 - 46  | 90462-08138 | 19 - 24  |
| 437-83936-01  | 40 - 26  | 90101-06576  | 10 - 19  | 90159-06110 | 21 - 21  | 90201-105H3 | 19 - 14  | 90338-20113 | 22 - 12  | 90462-10085 | 12 - 39  |
| 10M-83941-00  | 40 - 18  |              | 10 - 18  | 90159-06128 | 20 - 21  | 90201-105R9 | 22 - 18  | 90340-14042 | 23 - 30  | 90462-10098 | 7 - 11   |
| 10M-83942-00  | 40 - 17  | 90101-06764  | 30 - 21  | 90170-06010 | 40 - 11  | 90201-10591 | 5 - 13   | 90340-14109 | 23 - 27  | 90462-10143 | 12 - 38  |
| 1AA-8397X-00  | 40 - 22  | 90101-10303  | 5 - 14   | 90170-06184 | 33 - 7   | 90201-12166 | 18 - 10  | 90340-14135 | 6 - 24   | 90462-12142 | 12 - 40  |
| 3CF-83972-00  | 40 - 23  | 90105-06069  | 19 - 21  |             | 41 - 38  | 90201-125A3 | 1 - 12   | 90380-25125 | 5 - 15   | 90462-20188 | 10 - 24  |
| 57A-83973-00  | 40 - 15  | 90105-06154  | 5 - 9    | 90170-06228 | 18 - 21  |             | 19 - 10  | 90387-062L2 | 26 - 13  | 90465-08256 | 26 - 48  |
| 1A0-83980-30  | 41 - 22  |              | 6 - 6    | 90170-08173 | 4 - 12   | 90201-12588 | 18 - 7   | 90387-06249 | 37 - 25  | 90465-08309 | 12 - 4   |
| 42X-84124-60  | 38 - 10  | 90105-10050  | 33 - 48  | 90170-10219 | 30 - 12  |             | 18 - 9   | 90387-064E8 | 11 - 8   | 90465-10168 | 11 - 19  |
|               | 38 - 20  | 90105-10217  | 20 - 19  | 90170-10257 | 14 - 36  | 90201-12688 | 18 - 15  | 90387-065L5 | 39 - 9   | 90467-07093 | 8 - 13   |
| 42X-84303-A1  | 38 - 1   | 90105-10275  | 11 - 24  | 90170-20274 | 14 - 5   | 90201-14577 | 30 - 19  | 90387-07598 | 8 - 52   | 90467-08092 | 8 - 6    |
| 2F9-84314-00  | 38 - 14  | 90105-10297  | 19 - 7   | 90171-14044 | 30 - 31  | 90201-146R0 | 30 - 30  | 90387-07674 | 21 - 12  |             | 8 - 10   |
| 3JK-84315-00  | 38 - 11  | 90105-10298  | 19 - 13  | 90175-06019 | 33 - 17  | 90201-14632 | 23 - 16  | 90387-0801M | 13 - 17  |             | 8 - 18   |
| 42X-84315-01  | 38 - 2   | 90105-10299  | 19 - 17  | 90176-06065 | 27 - 15  | 90201-14633 | 16 - 24  | 90387-087A5 | 2 - 4    |             | 26 - 28  |
| 42X-84318-01  | 38 - 31  | 90105-10300  | 19 - 18  | 90176-10073 | 22 - 19  | 90201-151A7 | 14 - 20  | 90387-087K5 | 33 - 33  | 90467-09006 | 26 - 29  |
| 42X-84321-A0  | 38 - 4   | 90105-10638  | 29 - 19  | 90176-10075 | 1 - 14   | 90201-165H4 | 3 - 14   |             | 33 - 40  |             | 26 - 32  |
|               | 38 - 13  | 90106-10052  | 22 - 21  |             | 19 - 8   | 90201-20276 | 15 - 7   | 90387-100E2 | 19 - 15  |             | 26 - 35  |
| 2UJ-84330-00  | 38 - 21  | 90109-06468  | 33 - 2   |             | 19 - 20  | 90201-225A4 | 27 - 9   | 90387-107A7 | 33 - 42  |             | 26 - 37  |
| 341-84331-60  | 38 - 7   | 90109-06577  | 40 - 13  | 90176-22050 | 23 - 40  | 90201-231A2 | 23 - 33  | 90387-124F4 | 18 - 8   | 90467-10035 | 8 - 3    |
|               | 38 - 17  | 90109-06667  | 7 - 6    | 90179-08148 | 33 - 49  | 90201-255A6 | 16 - 13  | 90387-15550 | 28 - 13  | 90467-10135 | 8 - 30   |
| 1A0-84332-60  | 38 - 8   | 90109-06799  | 40 - 4   | 90179-08148 | 24 - 7   | 90201-30297 | 17 - 8   | 90387-170E5 | 13 - 7   |             | 26 - 21  |
|               | 38 - 18  | 90109-08368  | 30 - 40  | 90179-08210 | 31 - 12  | 90202-05057 | 10 - 43  | 90387-172A5 | 23 - 42  |             | 26 - 42  |
| 198-84334-60  | 38 - 9   | 90109-08406  | 30 - 35  | 90179-08673 | 10 - 15  | 90202-05193 | 19 - 22  | 90387-172E5 | 13 - 6   |             | 26 - 47  |
|               | 38 - 19  | 90109-08592  | 5 - 24   | 90179-09379 | 10 - 16  |             | 42 - 22  | 90387-17543 | 22 - 3   | 90467-11106 | 26 - 39  |
| 1FK-84338-00  | 38 - 23  | 90109-08718  | 29 - 2   | 90179-12325 | 3 - 11   | 90202-05208 | 1 - 21   | 90387-251E1 | 16 - 26  | 90467-12053 | 26 - 20  |
| 2UJ-84338-00  | 38 - 24  | 90109-100G0  | 33 - 44  | 90179-12326 | 1 - 13   | 90202-26142 | 24 - 5   | 90401-10102 | 6 - 20   |             | 26 - 43  |
| 42X-84345-00  | 38 - 22  | 90109-101G3  | 33 - 24  | 90179-12657 | 1 - 11   | 90209-06205 | 5 - 8    | 90401-10159 | 32 - 11  |             | 26 - 46  |
| 42X-84366-00  | 38 - 25  | 90110-06077  | 27 - 6   | 90179-14317 | 19 - 9   | 90209-22191 | 15 - 3   |             | 32 - 17  | 90467-14015 | 1 - 25   |
| 2F9-84375-00  | 38 - 5   | 90110-06091  | 28 - 8   | 90179-16448 | 16 - 25  | 90209-27192 | 15 - 14  |             | 32 - 25  | 90467-14057 | 8 - 23   |
|               | 38 - 15  | 90110-06093  | 12 - 43  | 90179-25033 | 3 - 15   |             | 15 - 18  | 90401-10160 | 32 - 15  | 90467-16098 | 10 - 36  |
| 5Y3-84395-00  | 38 - 3   | 90116-08104  | 1 - 17   | 90179-44328 | 24 - 4   | 90214-20022 | 14 - 3   | 90401-16065 | 1 - 34   | 90467-22080 | 10 - 45  |
|               | 38 - 12  | 90116-08360  | 23 - 3   | 90179-88336 | 16 - 3   | 90215-20170 | 14 - 35  | 90401-16067 | 6 - 18   | 90468-05113 | 6 - 16   |
| 2F9-84397-01  | 38 - 6   | 90116-10249  | 23 - 4   | 90185-14070 | 16 - 10  | 90215-20182 | 14 - 4   | 90413-07023 | 8 - 29   |             | 6 - 23   |
|               | 38 - 16  | 90116-10344  | 1 - 10   | 90201-05725 | 23 - 17  | 90215-22238 | 22 - 6   | 90430-06014 | 11 - 16  | 90468-08104 | 10 - 35  |
| 1RM-84700-60  | 39 - 1   | 90116-10362  | 23 - 2   | 90201-060A3 | 37 - 9   | 90240-06057 | 33 - 9   | 90430-10148 | 41 - 8   | 90468-12006 | 24 - 18  |
| 1RM-84704-00  | 39 - 5   | 90116-12469  | 1 - 9    | 90201-06057 | 38 - 27  | 90240-06103 | 33 - 14  | 90430-15169 | 6 - 21   | 90480-01141 | 21 - 3   |
| 256-84714-61  | 36 - 2   | 90119-06097  | 39 - 8   | 90201-06057 | 27 - 18  | 90240-08084 | 33 - 31  | 90430-17168 | 1 - 35   |             | 21 - 7   |
|               | 39 - 2   | 90123-08046  | 31 - 13  | 90201-063A5 | 41 - 30  |             | 33 - 38  |             | 6 - 19   | 90480-01502 | 39 - 12  |
| 42X-84717-00  | 39 - 7   | 90149-06011  | 42 - 21  | 90201-06380 | 21 - 13  | 90249-12008 | 33 - 16  | 90445-081A9 | 41 - 6   | 90480-10408 | 26 - 16  |
| 42X-84721-60  | 39 - 3   | 90149-06131  | 40 - 10  | 90201-06557 | 26 - 12  | 90280-05048 | 3 - 13   | 90445-10366 | 26 - 36  | 90480-12053 | 21 - 8   |
| 42X-84723-001 | 39 - 4   | 90149-06154  | 20 - 23  | 90201-06674 | 34 - 6   | 90282-07042 | 14 - 2   | 90445-11587 | 26 - 38  | 90480-13163 | 26 - 14  |

NUMERICAL INDEX

| PARTNO.     | REF. NO. | PARTNO.     | REF. NO. | PARTNO.     | REF. NO. | PARTNO.     | REF. NO. | PARTNO.     | REF. NO. | PARTNO.     | REF. NO. |
|-------------|----------|-------------|----------|-------------|----------|-------------|----------|-------------|----------|-------------|----------|
| 90480-14074 | 8-64     | 91314-06040 | 12-8     | 92901-08100 | 25-38    | 92907-08700 | 23-24    | 93306-30306 | 30-4     | 95024-08045 | 24-9     |
| 90480-15316 | 39-10    |             | 12-35    | 92902-05100 | 9-23     | 92907-10100 | 24-16    | 93306-30424 | 15-11    |             | 33-67    |
| 90480-16233 | 21-11    | 91314-06050 | 7-8      | 92903-06100 | 33-3     | 92990-06600 | 10-20    | 93306-30525 | 15-9     | 95027-08045 | 10-6     |
| 90480-16501 | 39-11    | 91314-06055 | 12-20    | 92903-08100 | 24-10    |             | 10-21    | 93306-30533 | 23-11    |             | 10-7     |
| 90480-20302 | 11-22    | 91314-06065 | 12-27    |             | 30-37    | 93101-14102 | 12-30    | 93306-30808 | 3-2      | 95304-06700 | 18-22    |
| 90480-20384 | 21-10    | 91314-08030 | 24-19    | 92903-08600 | 24-11    | 93101-30084 | 23-6     |             | 3-4      | 95304-08700 | 30-38    |
| 90480-23444 | 1-37     | 91314-08050 | 1-16     |             | 30-36    | 93101-35099 | 16-20    | 93306-90602 | 17-2     | 95304-10700 | 33-25    |
| 90480-24186 | 27-8     | 91317-05010 | 26-24    | 92903-10100 | 22-20    | 93101-38098 | 23-14    | 93306-91201 | 15-27    | 95307-05600 | 10-41    |
| 90501-100F8 | 8-35     | 91317-06010 | 1-38     |             | 23-41    | 93102-10247 | 13-9     | 93311-21044 | 23-38    |             | 37-10    |
| 90501-101J3 | 10-31    |             | 6-8      | 92907-04600 | 8-37     | 93102-12106 | 18-11    | 93311-43729 | 23-7     | 95307-06600 | 37-23    |
| 90501-101J4 | 10-32    |             | 6-12     | 92907-05100 | 30-27    | 93102-22014 | 28-5     | 93311-44051 | 16-12    | 95307-06700 | 42-4     |
| 90501-101J5 | 26-45    | 91317-06012 | 8-55     | 92907-05200 | 10-42    | 93102-25017 | 22-4     | 93316-01201 | 15-26    | 95307-08700 | 5-25     |
| 90501-10245 | 33-15    |             | 42-16    | 92907-05600 | 8-46     | 93102-70167 | 23-26    | 93316-01403 | 23-20    |             | 14-14    |
| 90501-10312 | 40-12    | 91317-06016 | 12-32    |             | 30-28    | 93104-14059 | 14-16    | 93317-22021 | 16-11    |             | 42-6     |
| 90501-12743 | 33-56    |             | 27-5     | 92907-06100 | 19-5     | 93104-20068 | 15-10    | 93317-41510 | 23-8     | 95307-10700 | 24-17    |
|             | 33-64    |             | 34-5     |             | 20-4     | 93108-23007 | 23-32    | 93332-00001 | 24-1     | 95311-08600 | 25-37    |
|             | 23-36    |             | 41-32    |             | 20-8     | 93210-07135 | 6-3      | 93332-00008 | 24-2     | 95317-08600 | 23-23    |
| 90501-16491 | 5-3      | 91317-06020 | 26-11    |             | 21-15    |             | 6-11     | 93332-00010 | 22-2     | 95601-06100 | 33-29    |
| 90501-21133 | 16-6     | 91317-06025 | 38-32    |             | 21-19    |             | 7-5      | 93340-21505 | 14-19    | 95607-06100 | 33-36    |
| 90501-70762 | 18-2     | 91317-06030 | 8-53     |             | 26-50    |             | 11-6     | 93410-22039 | 23-35    |             | 40-5     |
| 90506-08227 | 14-15    |             | 11-14    |             | 26-54    |             | 11-7     | 93410-23056 | 23-34    |             | 40-14    |
| 90506-10069 | 33-5     |             | 34-3     |             | 26-56    |             | 12-42    | 93440-14086 | 1-2      | 95617-10620 | 11-3     |
| 90506-20192 | 33-21    | 91317-06035 | 8-67     |             | 27-17    | 93210-10096 | 7-10     | 93440-20088 | 23-39    |             | 11-4     |
| 90506-35149 | 30-16    |             | 20-26    |             | 32-21    | 93210-11368 | 40-6     | 93440-30077 | 15-15    | 95617-10670 | 11-5     |
| 90507-20002 | 33-26    | 91317-06040 | 6-4      |             | 32-24    | 93210-14359 | 16-23    |             | 15-19    | 95704-06500 | 36-17    |
| 90507-29009 | 33-30    | 91317-06055 | 11-13    |             | 37-22    | 93210-29198 | 11-18    | 93450-24028 | 3-8      | 95707-05500 | 42-18    |
| 90508-18696 | 33-37    |             | 38-30    |             | 38-29    | 93210-32172 | 12-12    | 93501-04004 | 33-57    |             | 42-24    |
|             | 13-13    | 91317-06080 | 11-12    |             | 40-8     | 93210-44545 | 8-14     |             | 33-65    | 95707-06500 | 13-16    |
| 90508-26494 | 18-6     | 91317-06090 | 8-59     |             | 42-5     | 93210-48364 | 14-11    | 93604-10011 | 5-18     | 95707-12500 | 36-15    |
| 90508-29531 | 18-4     | 91317-08020 | 22-16    | 92907-06200 | 8-54     | 93210-48530 | 30-9     | 93604-16092 | 17-5     | 95807-06012 | 39-14    |
| 90508-32535 | 33-10    | 91317-10060 | 11-11    |             | 8-60     | 93210-52449 | 16-19    | 93604-20156 | 17-4     | 95807-06014 | 8-65     |
| 90560-06201 | 26-15    | 91317-10070 | 11-10    |             | 8-68     | 93210-54452 | 7-3      | 93605-10090 | 5-4      | 95807-06025 | 8-62     |
| 90560-06258 | 28-2     | 91317-10100 | 11-9     |             | 10-12    | 93210-56459 | 7-2      | 93606-07082 | 14-7     | 95814-06025 | 35-8     |
| 90560-15116 | 30-2     | 91380-06030 | 12-37    |             | 33-11    | 93210-57428 | 30-13    | 93608-50158 | 18-23    | 95817-06016 | 20-16    |
| 90560-17249 | 25-41    | 91401-16012 | 33-55    |             | 37-21    | 93210-59531 | 30-10    | 93900-00025 | 30-23    | 95827-06016 | 20-17    |
| 91311-08030 | 1-19     |             | 33-63    | 92907-06600 | 5-26     | 93210-60426 | 23-13    | 93900-00031 | 28-11    | 95827-08030 | 16-27    |
| 91314-06016 | 1-31     | 91401-20012 | 33-12    |             | 8-16     | 93210-62446 | 1-30     | 94110-1904N | 28-10    | 95827-10025 | 23-25    |
|             | 12-21    | 91401-20015 | 30-39    |             | 8-49     | 93210-71360 | 16-16    | 94110-1904P | 28-10    | 97007-06010 | 32-20    |
|             | 12-24    | 91401-25015 | 33-32    |             | 19-6     | 93210-92448 | 1-26     | 94114-1504R | 30-22    |             | 32-23    |
| 91314-06020 | 7-7      |             | 33-39    |             | 26-57    | 93211-01467 | 2-2      | 94114-1504S | 30-22    | 97007-06012 | 28-53    |
|             | 12-10    | 91401-30030 | 30-32    |             | 32-8     | 93211-44348 | 23-22    | 94580-25086 | 6-9      | 97007-06014 | 42-9     |
| 91314-06025 | 1-27     | 91701-06038 | 33-54    |             | 41-16    | 93306-20309 | 30-5     | 94590-45098 | 5-16     | 97007-06016 | 27-16    |
|             | 2-9      |             | 33-62    |             | 41-18    | 93306-20310 | 30-6     | 94701-00218 | 1-39     |             | 38-28    |
|             | 5-27     | 91817-30011 | 1-6      |             | 41-21    | 93306-20401 | 15-23    | 94701-00220 | 1-39     |             | 41-20    |
|             | 12-36    | 92014-06012 | 24-23    |             | 41-37    | 93306-20548 | 16-17    | 95024-06030 | 36-16    | 97007-06020 | 21-14    |
| 91314-06030 | 11-15    | 92506-06008 | 40-20    | 92907-08100 | 20-10    | 93306-20550 | 15-24    | 95024-08020 | 24-26    | 97007-06025 | 32-7     |
|             | 12-9     | 92901-06100 | 40-21    |             | 42-7     | 93306-20901 | 16-2     |             | 33-66    |             | 40-7     |
| 91314-06040 | 2-5      | 92901-06200 | 40-19    | 92907-08200 | 14-13    | 93306-30202 | 28-4     | 95024-08035 | 22-10    | 97007-08016 | 26-8     |

NUMERICAL INDEX

| PARTNO.     | REF. NO. | PARTNO.     | REF. NO. | PARTNO. | REF. NO. | PARTNO. | REF. NO. | PARTNO. | REF. NO. |
|-------------|----------|-------------|----------|---------|----------|---------|----------|---------|----------|
| 97007-10016 | 33 - 19  | 98904-06010 | 10 - 10  |         |          |         |          |         |          |
| 97017-08020 | 1 - 33   | 98980-05016 | 41 - 11  |         |          |         |          |         |          |
| 97024-06020 | 18 - 19  | 99001-10600 | 18 - 5   |         |          |         |          |         |          |
| 97027-05020 | 30 - 26  | 99009-12400 | 18 - 16  |         |          |         |          |         |          |
| 97027-06012 | 20 - 3   | 99009-13400 | 13 - 2   |         |          |         |          |         |          |
|             | 20 - 7   | 99009-20400 | 15 - 8   |         |          |         |          |         |          |
| 97027-06020 | 8 - 15   | 99009-25400 | 15 - 4   |         |          |         |          |         |          |
| 97027-06025 | 14 - 32  | 99237-00080 | 21 - 2   |         |          |         |          |         |          |
| 97027-08012 | 20 - 9   | 99510-08016 | 6 - 2    |         |          |         |          |         |          |
| 97701-40625 | 39 - 6   | 99530-10014 | 12 - 7   |         |          |         |          |         |          |
| 97707-40014 | 37 - 12  | 99530-10120 | 12 - 34  |         |          |         |          |         |          |
| 97707-40112 | 8 - 39   | 99530-14016 | 11 - 2   |         |          |         |          |         |          |
| 97707-50508 | 8 - 44   |             |          |         |          |         |          |         |          |
|             | 8 - 51   |             |          |         |          |         |          |         |          |
|             | 19 - 25  |             |          |         |          |         |          |         |          |
| 97707-60114 | 10 - 25  |             |          |         |          |         |          |         |          |
|             | 10 - 28  |             |          |         |          |         |          |         |          |
|             | 10 - 46  |             |          |         |          |         |          |         |          |
| 97707-60520 | 41 - 29  |             |          |         |          |         |          |         |          |
| 98502-05016 | 9 - 22   |             |          |         |          |         |          |         |          |
| 98506-05035 | 40 - 16  |             |          |         |          |         |          |         |          |
| 98506-05040 | 40 - 24  |             |          |         |          |         |          |         |          |
| 98506-05045 | 40 - 25  |             |          |         |          |         |          |         |          |
| 98507-04008 | 9 - 18   |             |          |         |          |         |          |         |          |
|             | 37 - 11  |             |          |         |          |         |          |         |          |
| 98507-05008 | 31 - 9   |             |          |         |          |         |          |         |          |
| 98507-05010 | 9 - 17   |             |          |         |          |         |          |         |          |
| 98507-05012 | 8 - 45   |             |          |         |          |         |          |         |          |
|             | 9 - 30   |             |          |         |          |         |          |         |          |
| 98507-05014 | 9 - 34   |             |          |         |          |         |          |         |          |
| 98507-06010 | 12 - 5   |             |          |         |          |         |          |         |          |
|             | 21 - 18  |             |          |         |          |         |          |         |          |
|             | 26 - 49  |             |          |         |          |         |          |         |          |
| 98507-06012 | 19 - 4   |             |          |         |          |         |          |         |          |
|             | 26 - 55  |             |          |         |          |         |          |         |          |
|             | 41 - 15  |             |          |         |          |         |          |         |          |
| 98507-06025 | 41 - 17  |             |          |         |          |         |          |         |          |
| 98507-06030 | 12 - 26  |             |          |         |          |         |          |         |          |
|             | 41 - 36  |             |          |         |          |         |          |         |          |
| 98507-06050 | 8 - 48   |             |          |         |          |         |          |         |          |
| 98507-06080 | 8 - 47   |             |          |         |          |         |          |         |          |
| 98516-06012 | 33 - 52  |             |          |         |          |         |          |         |          |
|             | 33 - 60  |             |          |         |          |         |          |         |          |
| 98701-05035 | 17 - 6   |             |          |         |          |         |          |         |          |
| 98704-06016 | 12 - 17  |             |          |         |          |         |          |         |          |
| 98706-04012 | 32 - 4   |             |          |         |          |         |          |         |          |
| 98707-04010 | 37 - 19  |             |          |         |          |         |          |         |          |
| 98707-06014 | 12 - 18  |             |          |         |          |         |          |         |          |