

YAMAHA

PARTS CATALOGUE

XV250'92 (3LS2)

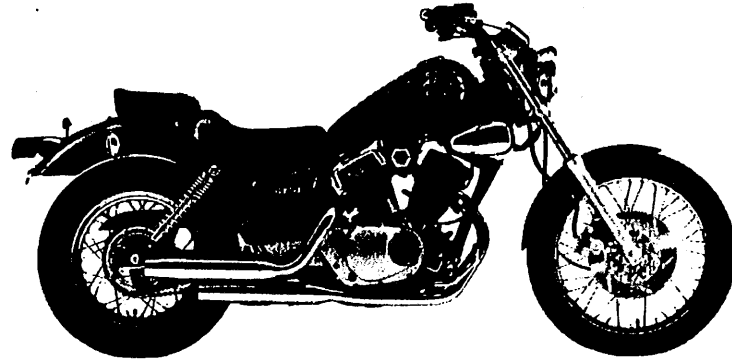
XV250'92 (3LU2)

EUROPE

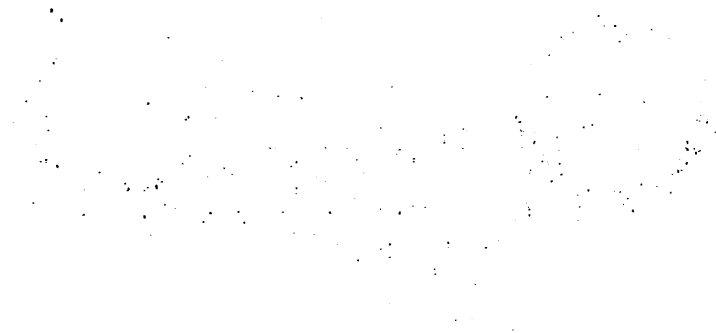
'92(3LS3)

'93(3LS4)

123LS-300E1



A3



FOREWORD

This Parts Catalogue is related to the parts in use for the Yamaha XV250'92(3LS2/3LU2). When you are ordering replacement parts for the XV250'92(3LS2/3LU2), refer to this Parts Catalogue and quote both part numbers and part names correctly.

1. Modifications or additions which have been made after issue of the Parts Catalogue will be announced in the Yamaha Parts News.
It is advisable that according to the Yamaha Parts News you make necessary corrections to the Parts Catalogue on hand to keep it up-to-date.

2. Abbreviations

The following abbreviations are used in this Parts Catalogue.

- U.R. Use size (thickness) and/or number as required.
- U.N. Use as many as you need.
- A.P. Alternate Parts
- L.M. Local Made
- F# Frame No. (Applicable machine No.)

3. The parts marked with (*) in the parts number column of this Catalogue are not supplied with by Yamaha, those have to be found locally.
4. Parts, which are to be supplied in the form of assemblies, are listed with an indentation of one letter's space, and a dot (.) is put against the name of each part.

EXAMPLE CARBURETOR ASS'Y
 . JET, pilot
 . NOZZLE, main

5. Indication of No. of constituent parts for assembly

The numeral appearing to the right of each constituent part under the description indicates the quantity of such parts for each individual assembly unit.

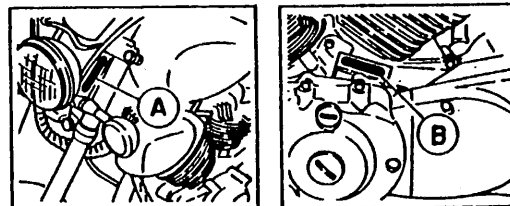
EXAMPLE

Part No.	Description	Q'ty	Remarks
2F5-83310-60	FRONT FLASHER LIGHT ASS'Y	2	
115-83311-60	. BULB (6V-18W)	1	
1M1-83309-60	. REFLECTOR	1	

6. Initial Serial No. and Color Code

3LS2	(A) Frame Serial No.	3LS-008101 and following
	(B) Engine Serial No.	3LS-008101 and following

3LU2	(A) Frame Serial No.	3LU-002101 and following
	(B) Engine Serial No.	3LU-002101 and following



Color Code	Color Name	Abbreviate
00TH	LUMINOUS RED	LNR
006G	NEW YAMAHA BLACK	NYB
009G	FROST SILVER	FRS

7. Applicable colors of graphics are represented in the "Remarks" column by the letter(s) appropriately picked out of the full word(s) showing such colors.

EXAMPLE

Part No.	Description	Q'ty	Remarks
2N4-24110-00-X5	FUEL TANK COMP.	1	MAXIM RED
3J1-24240-10	. GRAPHIC, fuel tank set	1	for MXR

CONTENTS

GENERAL SPEC.

ENGINE

Cylinder Head	B2
Cylinder	B3
Crankshaft, Piston	B4
Valve	B5
Camshaft, Chain	B6
Oil Pump	B7
Oil Cleaner	B8
Intake	B9
Carburetor	B10 ~ B11
Exhaust	B12 ~ B13
Crankcase	B14
Crankcase Cover 1	B15
Starter Clutch	C2
Clutch	C3 ~ C4
Transmission	C5
Shift Cam, Fork	C6
Shift Shaft	C7

CHASSIS

Frame	C8
Fender	C9
Side Cover	C10
Rear Arm	C11
Steering	C12 ~ C13
Front Fork	C14 ~ C15
Fuel Tank	D2 ~ D3
Seat	D4
Front Wheel	D5
Front Brake Caliper	D6

Rear Wheel	D7 ~ D8
Steering Handle, Cable	D9
Front Master Cylinder	D10
Stand, Footrest	D11 ~ D12
Generator	D13
Starting Motor	D14
Flasher Light	D15
Meter	E2
Headlight	E3
Taillight	E4
Handle Switch, Lever	E5
Electrical 1	E6 ~ E7
Electrical 2	E8

INDEX (GENERAL SPEC.)

Numerical Index	L2 ~ L5
-----------------------	---------

INDIVIDUAL SPEC.

FOR SWITZERLAND AUSTRIA

Alternate (Fender)	E10
Alternate (Seat)	E11

FOR SWEDEN

Alternate (Front Fork)	E13
Alternate (Fender)	E14
Alternate (Seat)	E15

FOR PORTUGAL GREECE

Alternate (Front Fork)	F3
------------------------------	----

FOR DENMARK NORWAY HOLLAND BELGIUM FINLAND

Alternate (Fender)	F5
Alternate (Front Fork)	F6
Alternate (Seat)	F7
Alternate (Chassis)	F8

INDEX (INDIVIDUAL SPEC.)

Numerical Index	M2
-----------------------	----

GENERAL SPEC.

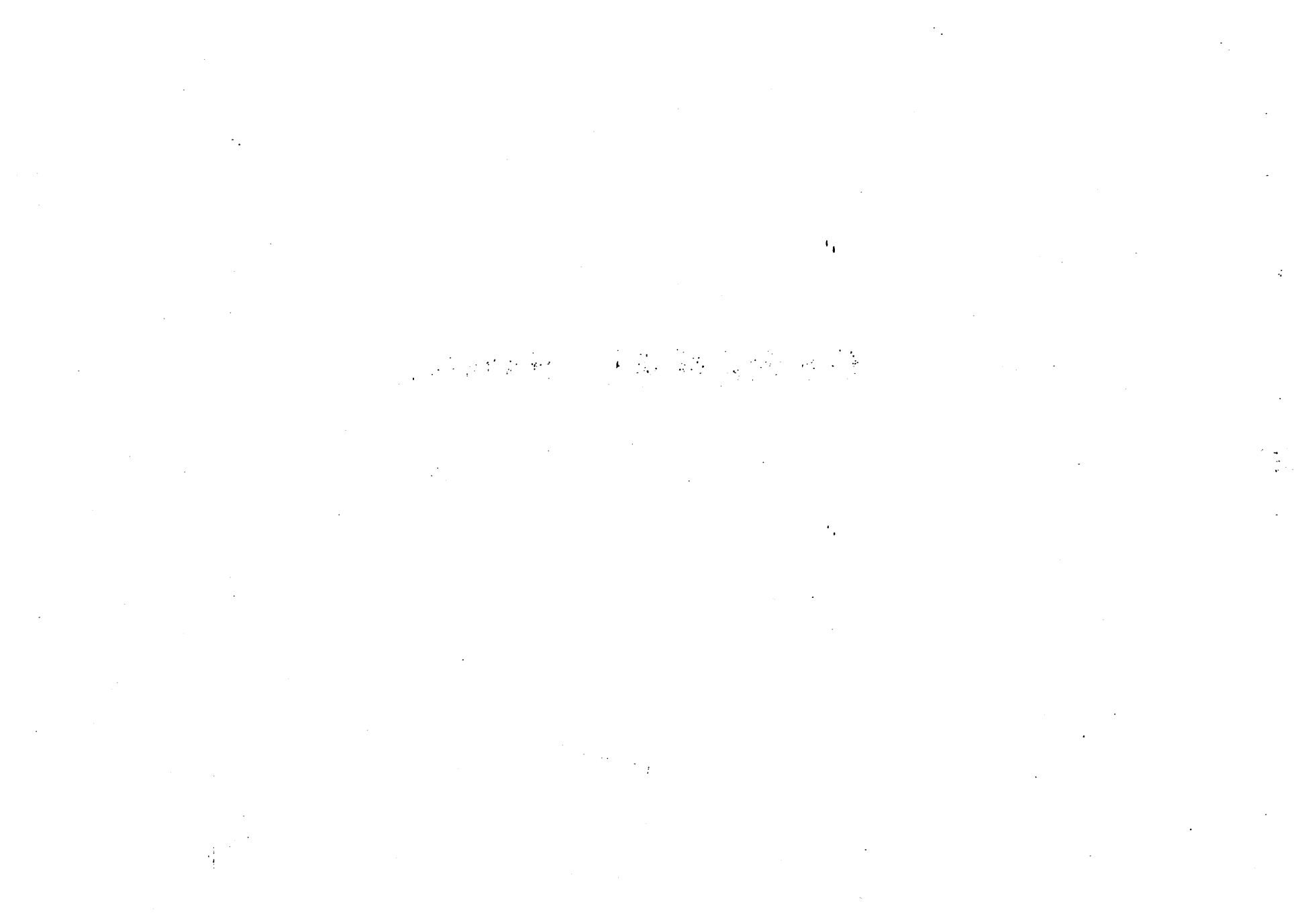
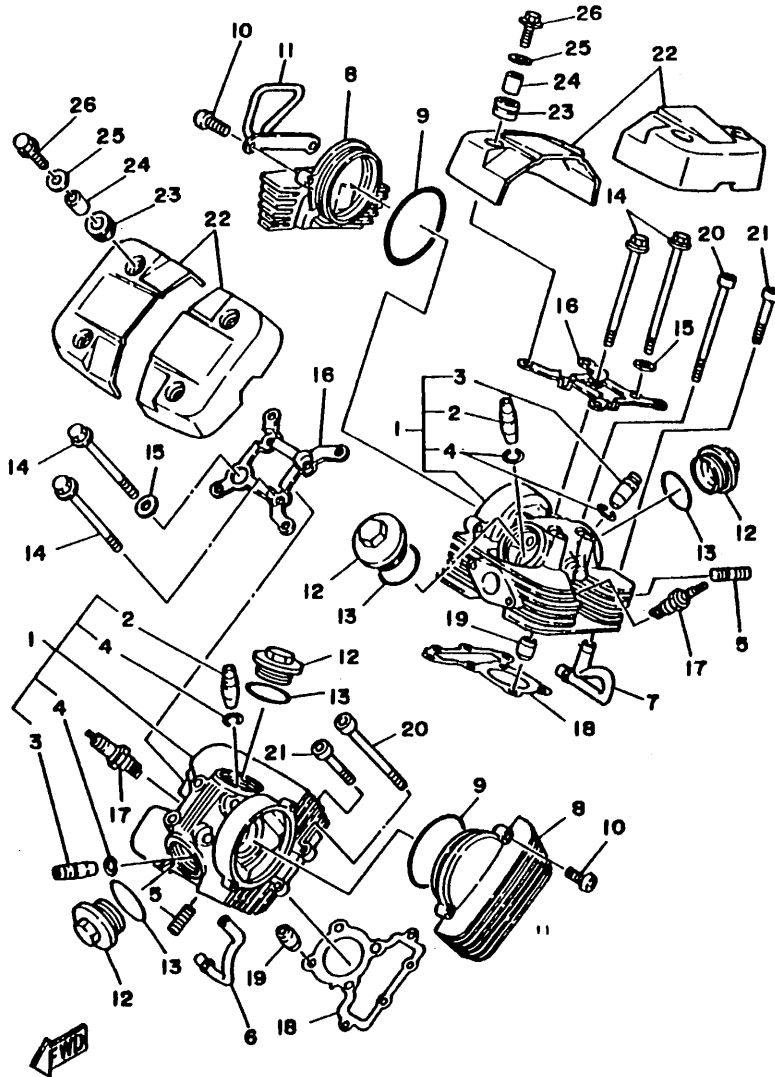


FIG. 1 CYLINDER HEAD



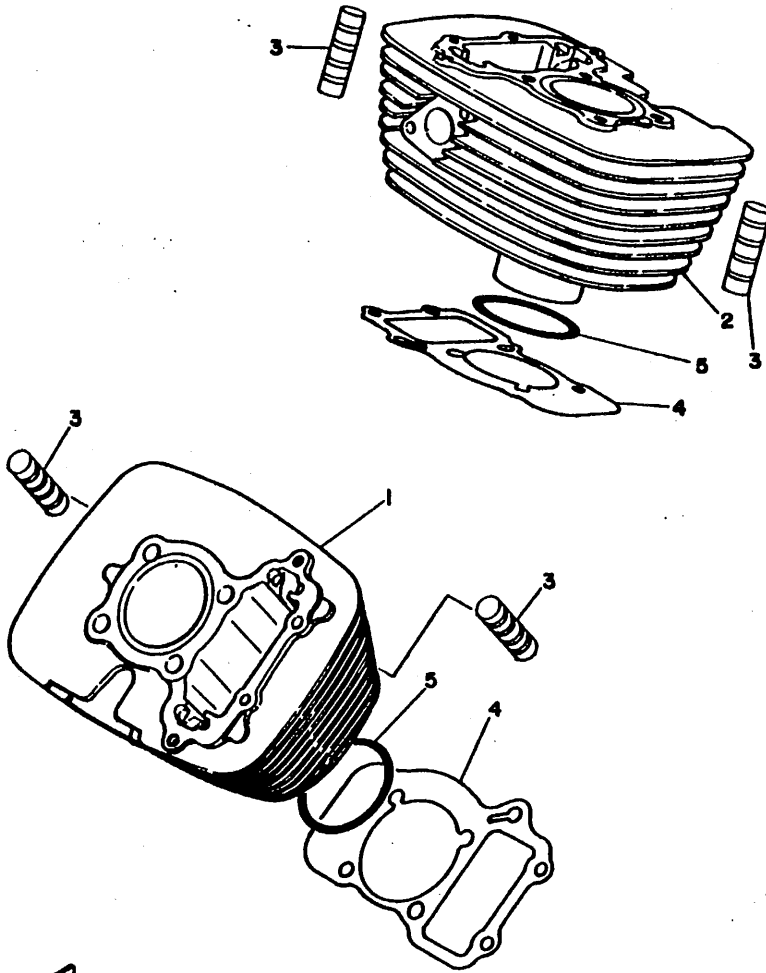
3LS1300-9010

REF. NO.	PART NO.	DESCRIPTION	Q'TY	REMARKS
1	2UJ-11102-00	CYLINDER HEAD ASSY	2	UR
	3BG-11102-00	CYLINDER HEAD ASSY	2	UR FOR SWITZERLAND,AUSTRIA
2	2UJ-11133-10	.GUIDE, intake valve	1	
3	22F-11134-10	.GUIDE, exhaust valve	1	
4	93440-10109	.CIRCLIP	2	
5	95611-06630	BOLT, stud	4	
6	3BG-14871-00	PIPE 1	1	FOR SWITZERLAND,AUSTRIA
7	3BG-14872-00	PIPE 2	1	FOR SWITZERLAND,AUSTRIA
8	2UJ-11185-00	COVER, cylinder head side 1	2	
9	93210-78544	O-RING	2	
10	98501-06025	SCREW, pan head	4	
11	2UJ-11152-00	BRACKET, cylinder head cover	1	
12	22F-11186-00	COVER, cylinder head side 2	4	
13	93210-44704	O-RING	4	
14	90105-08324	BOLT, washer based	8	
15	90201-080L7	WASHER, plate	2	
16	2UJ-11142-00	BRACKET, cylinder head cover 2	2	
17	94701-00282	PLUG SPARK (NGK CR6HS)	2	UR
	94701-00283	PLUG, spark (ND U20FSR-U)	2	UR
18	2UJ-11181-01	GASKET, cylinder head 1	2	
19	99510-10114	PIN, dowel	4	
20	91311-06110	BOLT	4	
21	91311-06040	BOLT	4	
22	2UJ-11186-00	COVER, cylinder head side 2	4	
23	90480-13018	GROMMET	8	
24	90387-066M3	COLLAR	8	
25	90201-06697	WASHER, plate	8	
26	95023-06020	BOLT	8	

B2

FIG. 2 CYLINDER

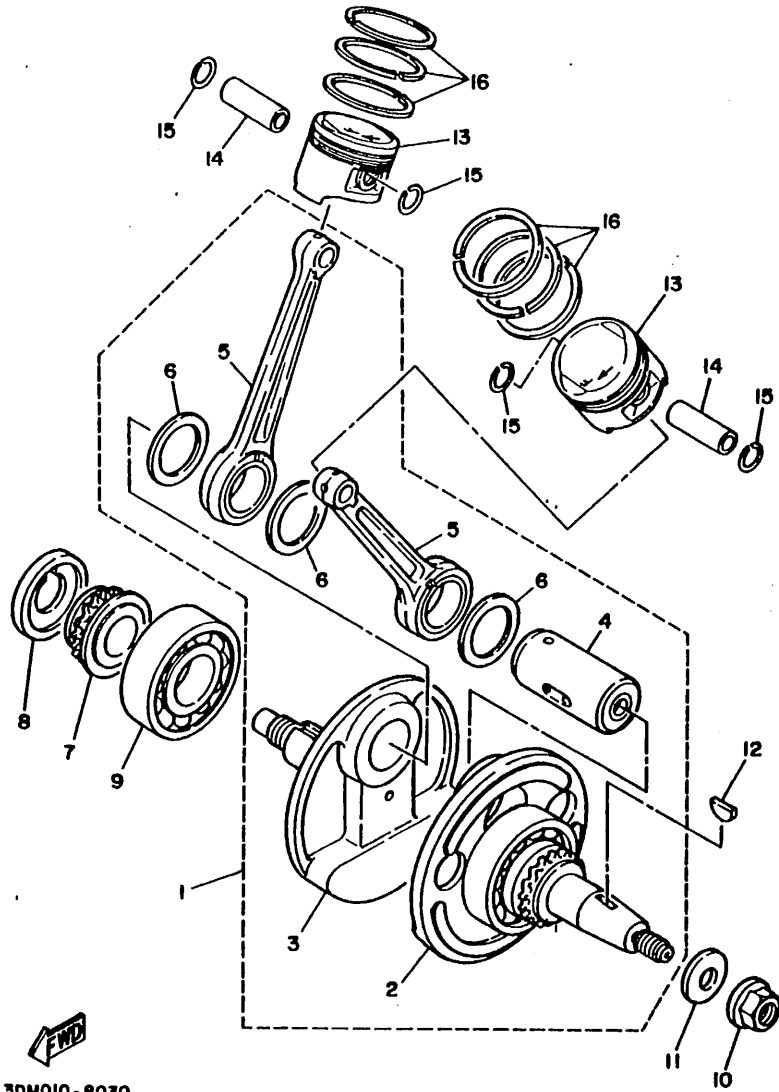
REF. NO.	PART NO.	DESCRIPTION	Q'TY	REMARKS
1	2UJ-11310-01	CYLINDER	1	UR
	3BG-11310-00	CYLINDER	1	UR FOR SWITZERLAND,AUSTRIA
2	2UJ-11320-01	CYLINDER 2	1	UR
	3BG-11320-00	CYLINDER 2	1	UR FOR SWITZERLAND,AUSTRIA
3	15A-11162-00	ABSORBER 2	12	FOR SWITZERLAND,AUSTRIA
4	3DM-11351-00	GASKET, cylinder	2	
5	93210-53679	O-RING	2	



3L92300-2020

B3

FIG. 3 CRANKSHAFT. PISTON



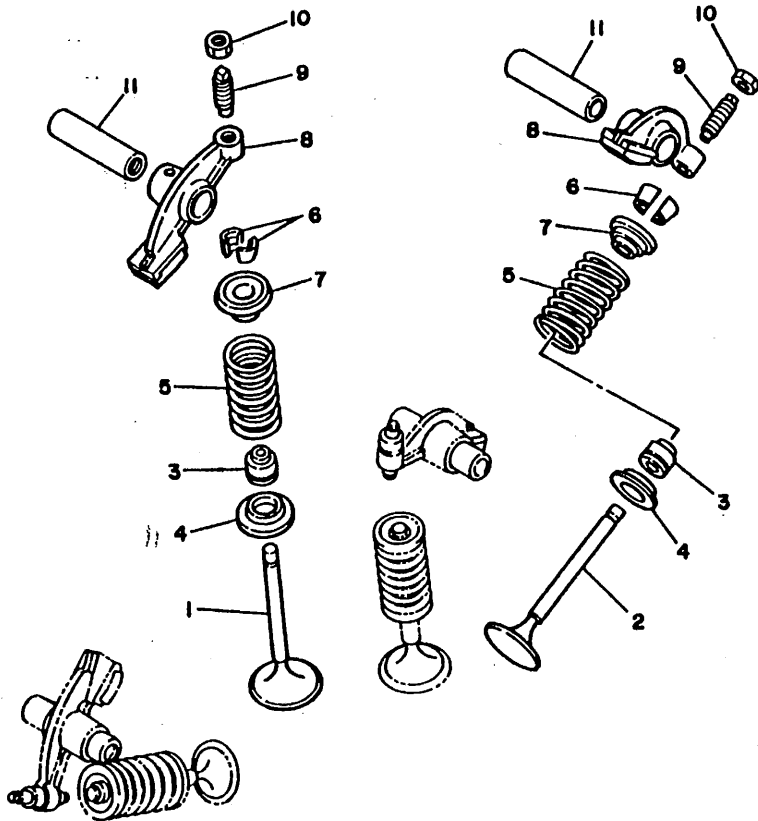
REF. NO.	PART NO.	DESCRIPTION	Q'TY	REMARKS
1	2UJ-11400-00	CRANKSHAFT ASSY	1	
2	2UJ-W1141-00	.CRANK 1	1	
3	2UJ-11422-00	.CRANK 2	1	
4	2UJ-11681-00	.PIN, crank 1	1	
5	2UJ-11651-00	.ROD, connecting	2	
6	90209-31300	.WASHER	3	
7	2UJ-1154A-00	SPROCKET, cam chain 2	1	
8	2UJ-11478-00	COLLAR	1	
9	93306-30615	BEARING (B6306)	1	
10	90179-12421	NUT	1	
11	90201-12191	WASHER, plate	1	
12	90280-16053	KEY, woodruff	1	
13	2UJ-11631-00-A0	PISTON (STD)	2	
	2UJ-11636-00	PISTON (0.50MM O/S)	2	AP
	2UJ-11638-00	PISTON (1.00MM O/S)	2	AP
14	22K-11633-01	PIN, piston	2	
15	93450-14088	CIRCLIP	4	
16	50M-11610-00	PISTON RING SET (STD)	2	
	50M-11610-20	PISTON RING SET (0.50MM O/S)	2	AP
	50M-11610-40	PISTON RING SET (1.00MM O/S)	2	AP


3DM010-8030

B4

FIG. 4 VALVE

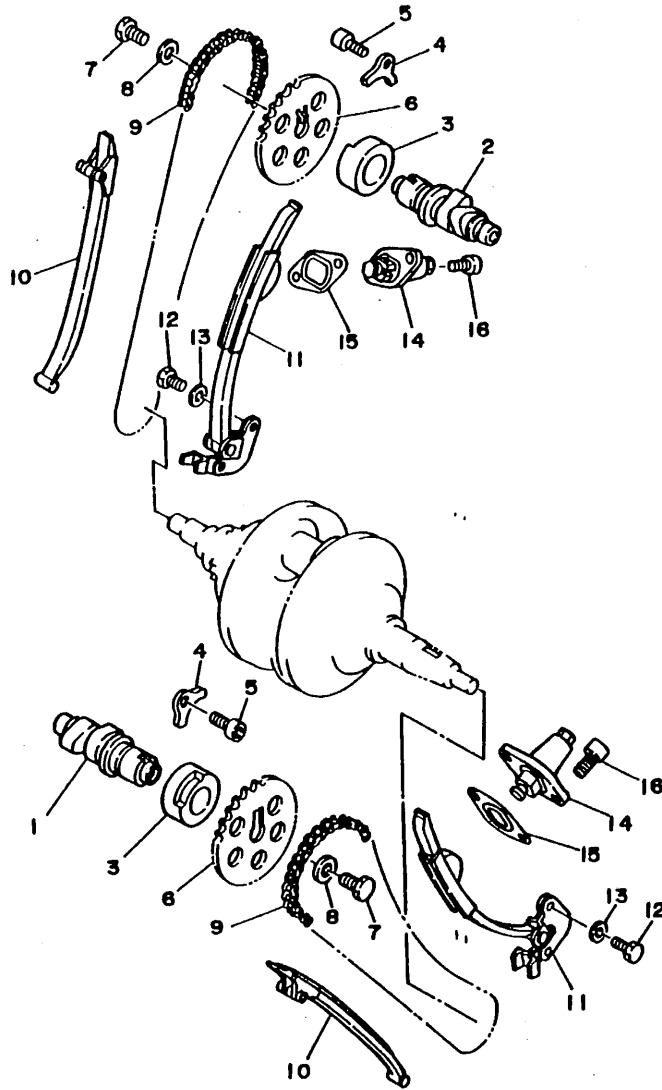
REF. NO.	PART NO.	DESCRIPTION	Q'TY	REMARKS
1	50M-12111-00	VALVE, intake	2	
2	50M-12121-01	VALVE, exhaust	2	
3	22F-12119-01	SEAL, valve stem	4	
4	22F-12116-00	SEAT, valve spring	4	
5	2UJ-12114-00	SPRING, valve outer	4	
6	22F-12118-01	COTTER, valve	8	
7	22F-12117-02	RETAINER, valve spring	4	
8	50M-12151-00	ARM, valve rocker	4	
9	22F-12159-00	SCREW, valve adjusting	4	
10	90170-05302	NUT	4	
11	22F-12156-00	SHAFT, rocker 2	4	



3DM010-8040

B5

FIG. 5 CAMSHAFT. CHAIN



REF. NO.	PART NO.	DESCRIPTION	Q'TY	REMARKS
1	2UJ-12171-00	CAMSHAFT 1	1	
2	2UJ-12181-00	CAMSHAFT 2	1	
3	90381-22070	BUSH, solid	2	
4	2UJ-1111F-00	PLATE	2	
5	91312-06012	BOLT	2	
6	2UJ-12176-00	SPROCKET, cam chain	2	
7	90101-08590	BOLT	2	
8	90201-08326	WASHER, plate	2	
9	94580-25110	CHAIN	2	
10	2UJ-12231-00	GUIDE, stopper 1	2	
11	2UJ-12241-00	GUIDE, stopper 2	2	
12	97022-06012	BOLT	4	
13	92990-06600	WASHER, plate	4	
14	2UJ-12210-01	TENSIONER ASSY, cam chain	2	
15	3DM-12213-00	GASKET, tensioner case	2	
16	91311-06016	BOLT	4	

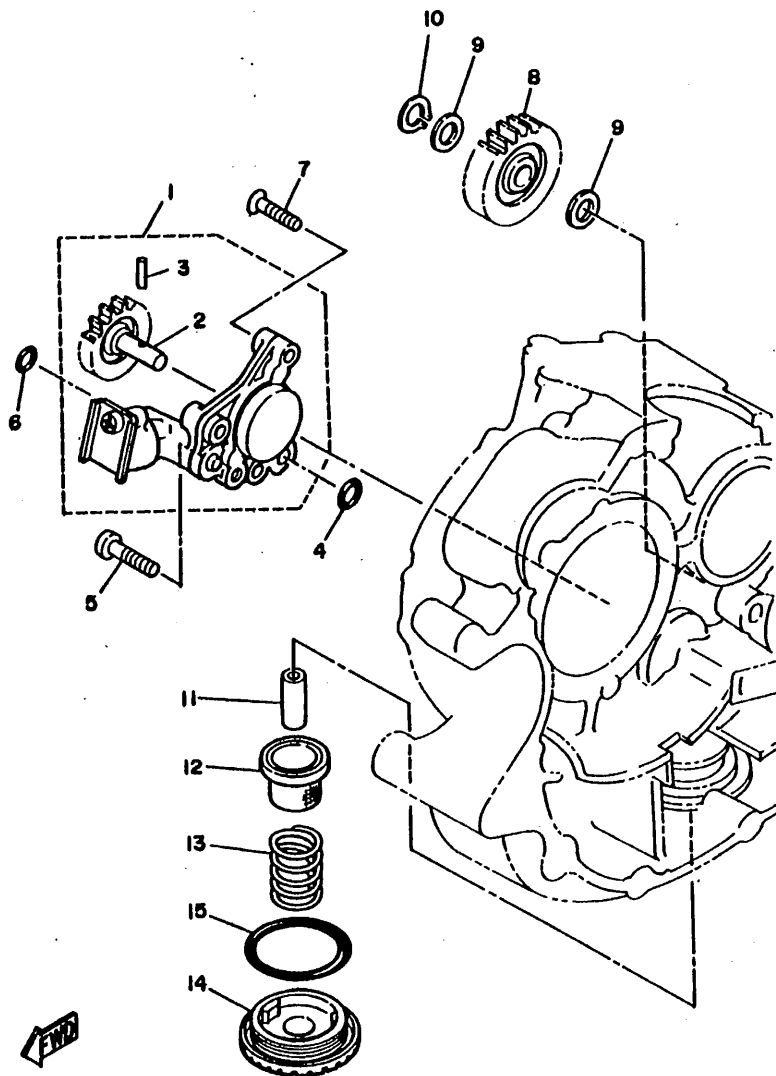


3DM010-8050

B6

FIG. 6 OIL PUMP

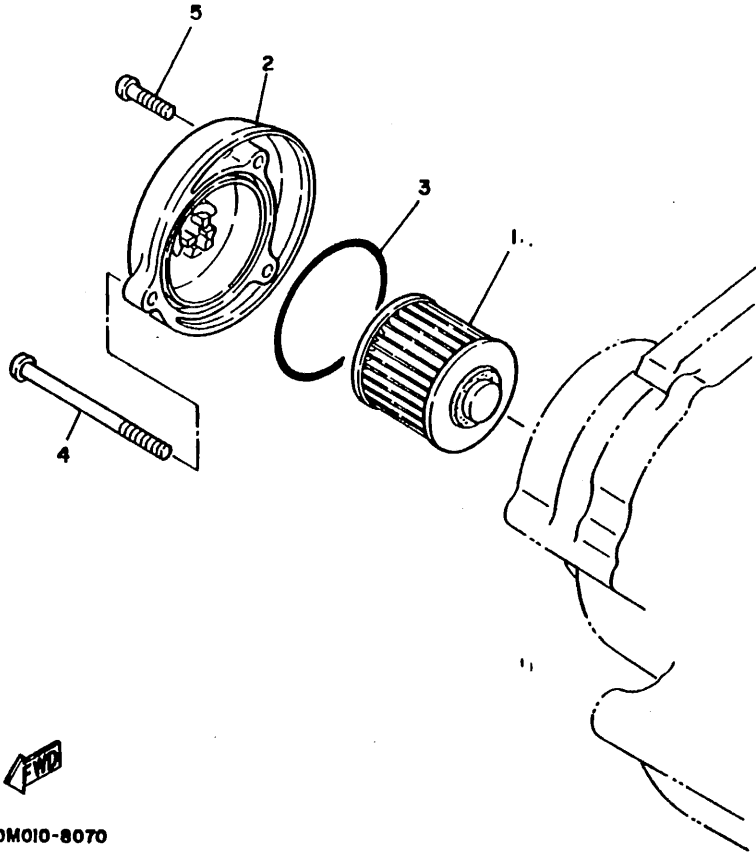
REF. NO.	PART NO.	DESCRIPTION	Q'TY	REMARKS
1	2UJ-13300-00	OIL PUMP ASSY	1	
2	3Y6-13326-01	.GEAR, pump driven 2 (23T)	1	
3	93603-12030	.PIN, dowel	1	
4	93210-10096	O-RING	1	
5	98501-06025	SCREW, pan head	2	
6	93210-06245	O-RING	1	
7	92780-06025	SCREW, flat head	1	
8	2UJ-13341-00	GEAR, oil pump idle	1	
9	90201-10119	WASHER, plate	2	
10	99009-10400	CIRCLIP	1	
11	2XK-13416-00	PIPE, oil 1	1	
12	51Y-13411-00	STRAINER, oil	1	
13	90501-18576	SPRING, compression	1	
14	30X-15351-00	PLUG, drain	1	
15	93210-35389	O-RING	1	



3DM010-8060

FIG. 7 OIL CLEANER

REF. NO.	PART NO.	DESCRIPTION	Q'TY	REMARKS
1	4X7-13440-90	ELEMENT ASSY, oil cleaner	1	
2	3DM-13447-00	COVER, oil element	1	
3	93210-64297	O-RING	1	
4	92501-06090	SCREW, pan head	1	
5	98501-06025	SCREW, pan head	2	



3DM010-8070

B8

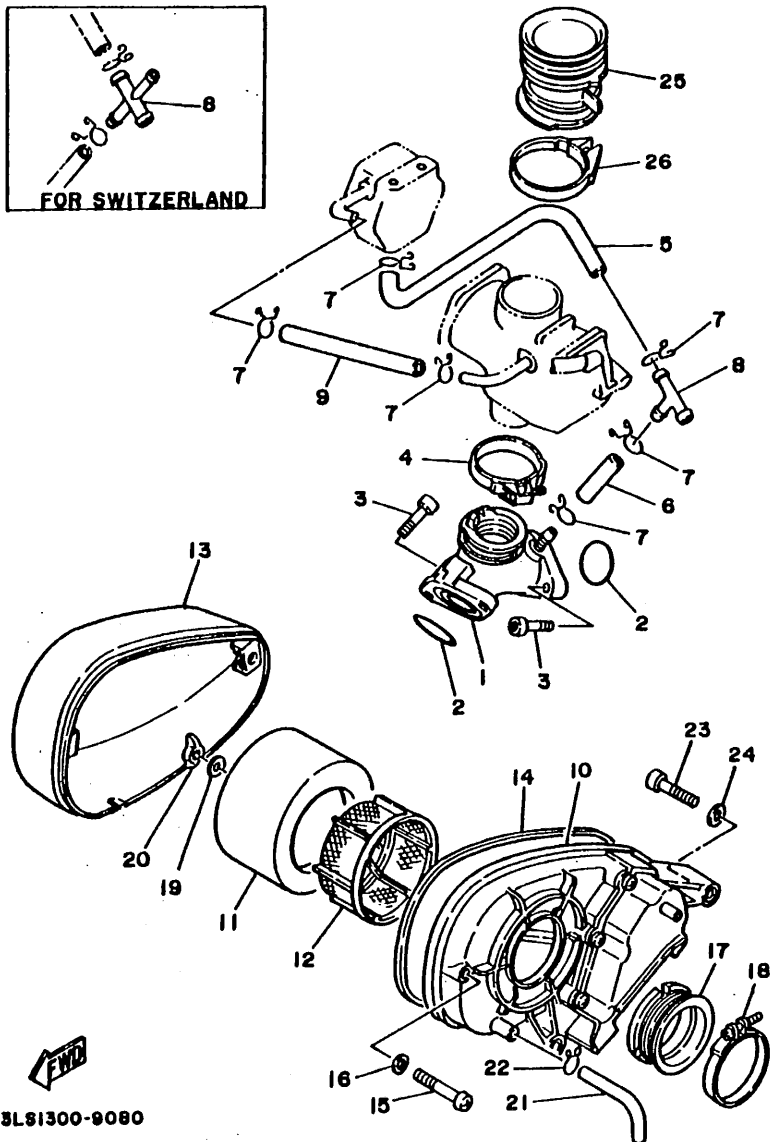
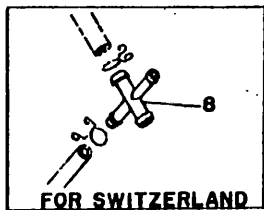


FIG. 8 INTAKE

REF. NO.	PART NO.	DESCRIPTION	Q'TY	REMARKS
1	2UJ-13586-00	JOINT, carburetor 1	1	
2	93210-30611	O-RING	2	
3	91316-06020	BOLT	4	
4	1HX-13575-00	BAND	1	
5	2UJ-13978-00	PIPE, regulator	1	
6	90445-11763	HOSE	1	
7	90467-10008	CLIP	6	
8	90413-07007	WAY 3	1	UR
	3BG-13595-00	JOINT	1	UR FOR SWITZERLAND,AUSTRIA
9	90445-117F0	HOSE	1	
10	2UJ-14401-00	AIR CLEANER CASE ASSY	1	
11	2UJ-14451-00	ELEMENT, air cleaner	1	
12	2UJ-14458-00	GUIDE	1	
13	2UJ-14422-00	CAP, cleaner case 2	1	
14	2UJ-14452-00	SEAL	1	
15	92502-06040	SCREW, pan head	2	
16	92990-06600	WASHER, plate	2	
17	2UJ-14485-00	PIPE, joint	1	
18	90460-54111	CLAMP, hose	1	
19	90201-05036	WASHER, plate	1	
20	90175-05005	NUT, wing	1	
21	2UJ-14419-00	PIPE	1	
22	90467-11106	CLIP	1	
23	91316-06025	BOLT	2	
24	92906-06600	WASHER, plate	2	
25	2UJ-14469-00	FUNNEL, air	1	
26	90460-54137	CLAMP, hose	1	

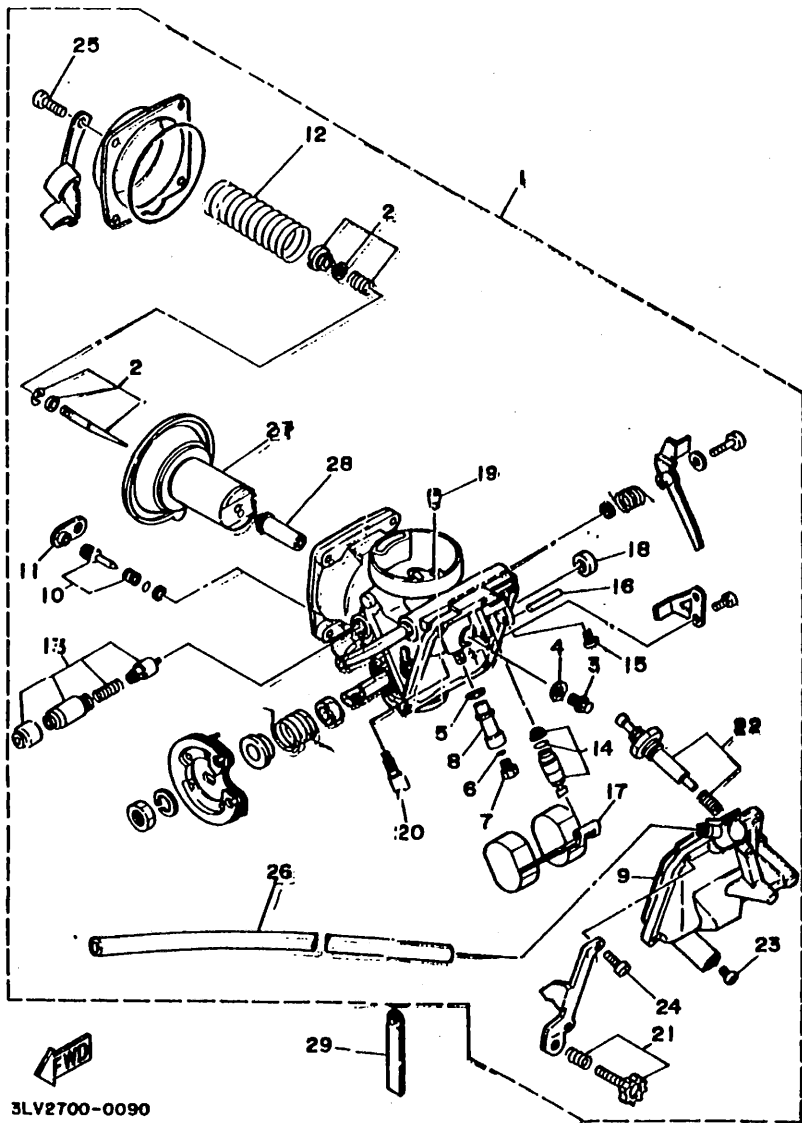


3LS1300-9080

B9

FIG. 9 CARBURETOR

REF. NO.	PART NO.	DESCRIPTION	Q'TY	REMARKS
1	3DM-14900-03	CARBURETOR ASSY	1	UR
	3LU-14900-00	CARBURETOR ASSY	1	UR FOR SWITZERLAND, AUSTRIA
2	3DM-1490J-00	.NEEDLE SET	1	UR
	3BG-1490J-00	.NEEDLE SET	1	UR FOR SWITZERLAND, AUSTRIA
3	1HX-14565-00	.SCREW	1	
4	137-14153-0C	.WASHER, main jet	1	
5	1AE-14237-00	.GASKET	1	
6	1AE-14227-00	.O-RING	1	
7	620-14231-22-A0	.JET, main (#110)	1	
8	1AE-14261-00	.HOLDER	1	
9	1HX-14147-00	.O-RING	1	
10	12R-14105-00	.PILOT SCREW SET	1	
11	22F-14991-00	.CAP	1	UR
	3F9-14118-00	.CAP	1	UR FOR SWITZERLAND, AUSTRIA
12	1HX-14933-00	.SPRING, diaphragm	1	
13	3DM-1410A-01	.STARTER SET	1	
14	3CF-14107-10	.NEEDLE VALVE SET	1	
15	1FN-14565-00	.SCREW	1	
16	353-14186-00	.PIN, float	1	
17	1HX-14985-00	.FLOAT	1	
18	256-14997-00	.SEAL	1	
19	1HX-14231-31	.JET, main (#166)	1	
20	22F-14142-17	.JET, pilot (# 17.5)	1	
21	1HX-14103-00	.THROTTLE SCREW SET	1	
22	3DM-14504-01	.ROD SET	1	
23	12R-14191-00	.PLUG, drain	1	
24	98503-04014	.SCREW, pan head	2	
25	98511-04012	.SCREW, pan head	4	

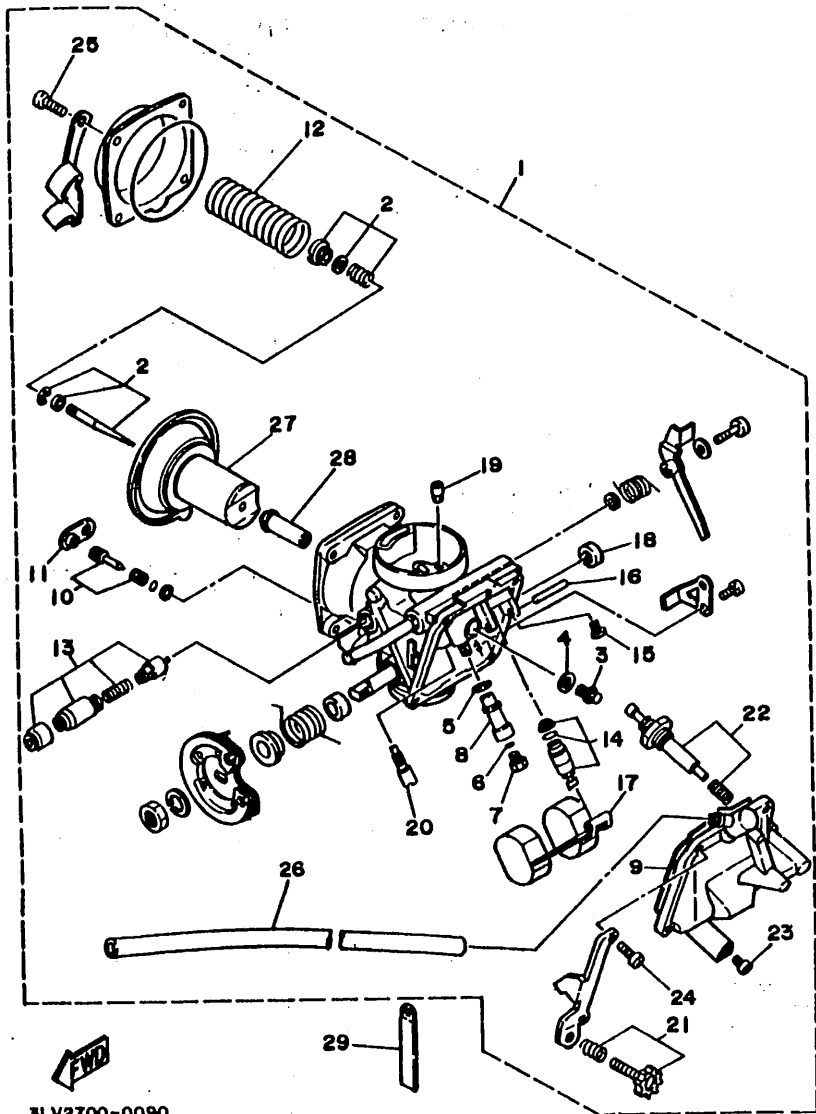


3LV2700-0090

B10

FIG. 9 CARBURETOR

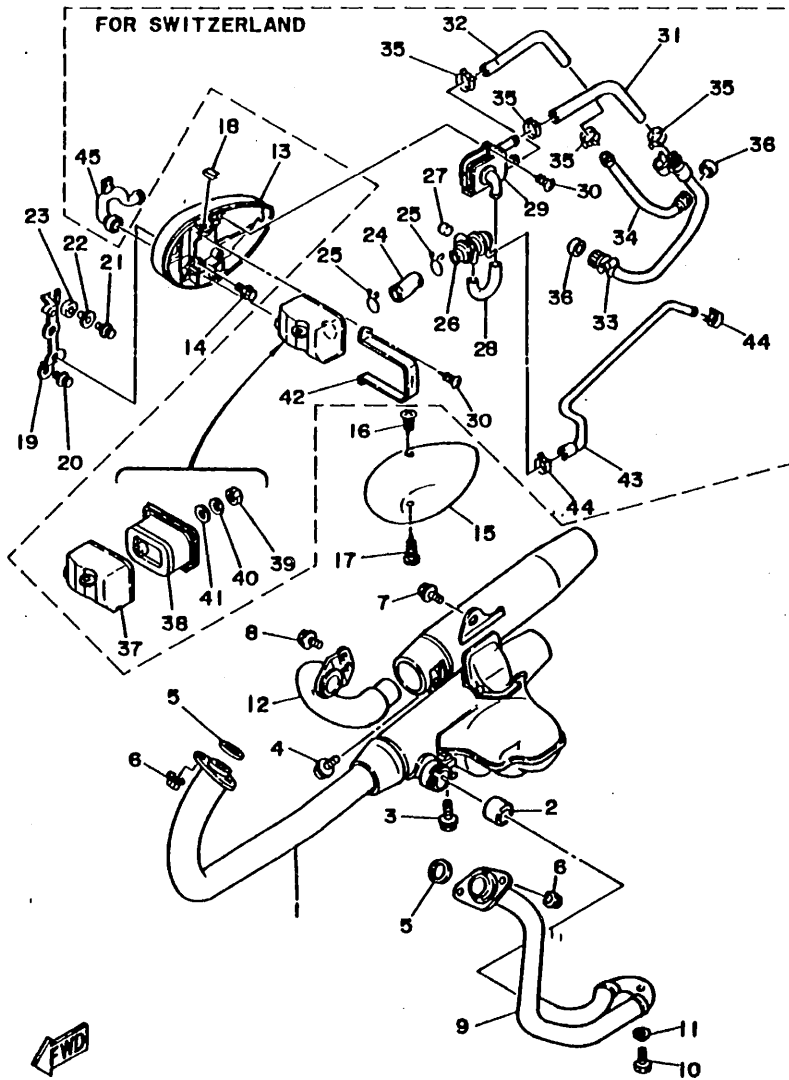
REF. NO.	PART NO.	DESCRIPTION	Q'TY	REMARKS
26	2LH-14197-00	.PIPE	1	
27	3BG-14940-00	.DIAPHRAGM ASSY	1	
28	3DM-14141-30	.MAIN NOZZLE (0-0)	1	
29	90461-06087	CLAMP	1	



3LV2700-0090

B11

FIG. 10 EXHAUST



3LS1300-9100

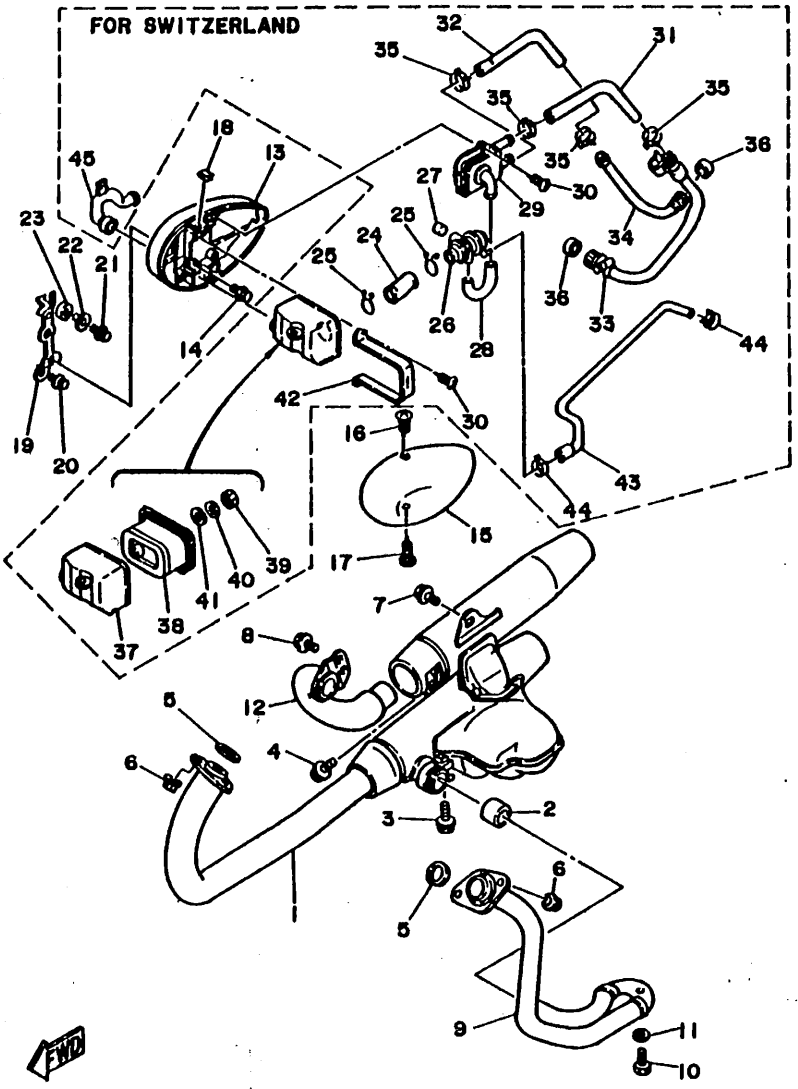
REF. NO.	PART NO.	DESCRIPTION	Q'TY	REMARKS
1	3DM-14703-01	MUFFLER COMP 1	1	UR
	3LU-14703-00	MUFFLER COMP 1	1	UR FOR SWITZERLAND, AUSTRIA
2	3DM-14714-00	GASKET, muffler	1	
3	95811-08035	BOLT, flange	1	
4	95811-06025	BOLT, flange	1	
5	3DM-14613-00	GASKET, exhaust pipe	2	
6	90179-06499	NUT	4	
7	95801-10014	BOLT, flange	1	
8	95816-08012	BOLT, flange	2	
9	2UJ-14621-00	PIPE, exhaust 2	1	
10	90101-06576	BOLT	1	
11	92906-06600	WASHER, plate	1	
12	2UJ-14631-00	PIPE, exhaust 3	1	
13	2GV-14663-00	PLATE, air cleaner	1	
14	95811-06020	BOLT, flange	2	
15	2GV-14603-00	COVER 1	1	
16	97701-40012	SCREW, tapping	1	
17	90163-04003	SCREW, tapping	1	
18	90183-04027	NUT, spring	2	
19	2UJ-14484-00	PLATE, cleaner case fitting	1	
20	91026-06010	BOLT	1	
21	95816-06025	BOLT, flange	1	
22	90387-07391	COLLAR	1	
23	90385-10026	BUSH	1	
24	3BM-14882-00	HOSE, bend 2	1	
25	90467-26111	CLIP	2	
26	3BG-14840-00	AIR CUT VALVE ASS'Y	1	
27	90338-10132	PLUG	1	

FOR SWITZERLAND, AUSTRIA

B12

FIG. 10 EXHAUST

REF. NO.	PART NO.	DESCRIPTION	Q'TY	REMARKS
28	3BM-14883-00	HOSE, bend 3	1	FOR SWITZERLAND, AUSTRIA
29	42H-14808-00	REED VALVE ASSY	1	
30	97701-60114	SCREW, tapping	5	
31	3BG-14884-00	HOSE, bend 4	1	
32	3BG-14885-00	HOSE, bend 5	1	
33	3BG-14873-00	PIPE 3	1	
34	3BG-14874-00	PIPE 4	1	
35	90468-08104	CLIP	4	
36	3BM-14714-00	GASKET, muffler	2	
37	42H-14857-00	CASE, air cleaner	1	
38	3BG-14858-00	CAP, case	1	
39	95303-05600	NUT	1	
40	92990-05200	WASHER, plain	1	
41	90202-05057	WASHER, plate	1	
42	3BM-14867-00	BRACKET	1	
43	3BG-13542-00	HOSE, vacuum sensing 1	1	
44	90467-08092	CLIP	2	
45	1TA-14881-00	HOSE, bend 1	1	

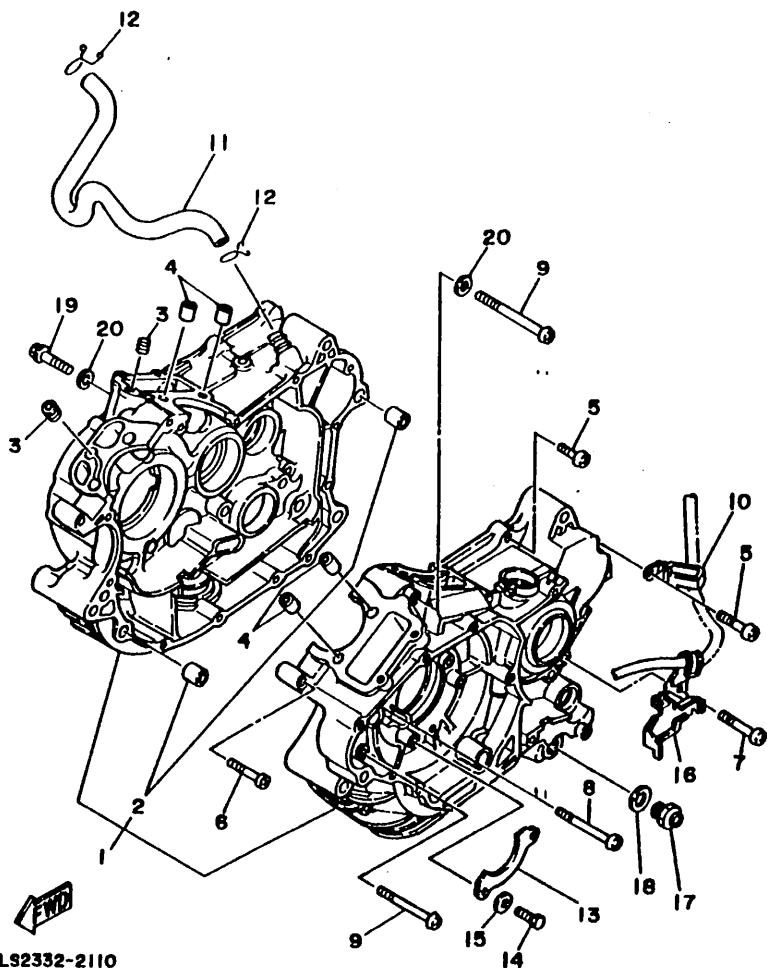



3LS1300-9100

B13

FIG. 11 CRANKCASE

REF. NO.	PART NO.	DESCRIPTION	Q'TY	REMARKS
1	2UJ-15100-00	CRANKCASE ASSY	1	
2	99510-12016	.PIN, dowel	2	
3	2UJ-15138-00	NOZZLE 1	2	
4	99510-10114	PIN, dowel	4	
5	98501-06030	SCREW, pan head	5	
6	98501-06040	SCREW, pan head	1	
7	98501-06060	SCREW, pan head	2	
8	98501-06070	SCREW, pan head	2	
9	98501-06080	SCREW, pan head	4	
10	90465-08277	CLAMP	1	
11	2UJ-11166-00	PIPE, breather 1	1	
12	90467-14015	CLIP	2	
13	2UJ-12279-00	PLATE	1	
14	97022-06012	BOLT	2	
15	92990-06600	WASHER, plate	2	
16	90465-08158	CLAMP	1	
17	3VD-13455-00	PLUG	1	
18	214-11198-01	GASKET	1	
19	90153-06029	SCREW, hexagon	1	
20	90430-06014	GASKET	3	

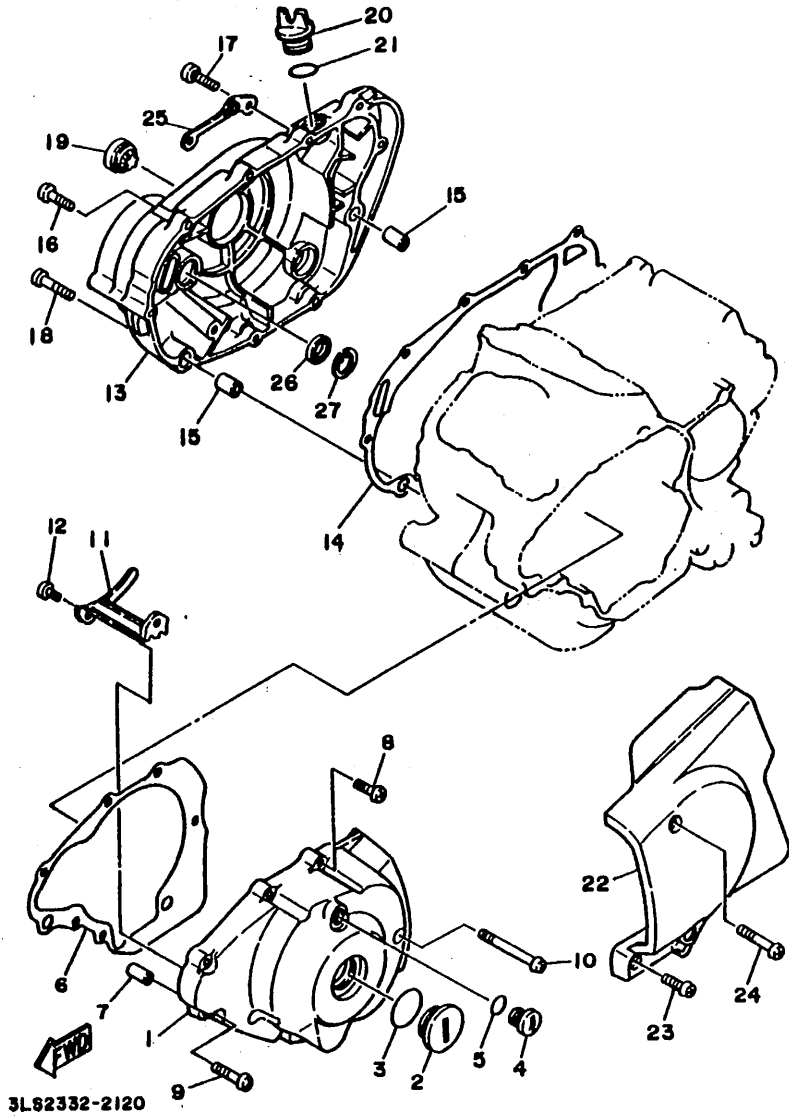


3LS2332-2110

B14

FIG. 12 CRANKCASE COVER 1

REF. NO.	PART NO.	DESCRIPTION	Q'TY	REMARKS
1	3DM-15411-01	COVER, crankcase 1	1	
2	90340-32088	PLUG, straight screw	1	
3	93210-32172	O-RING	1	
4	90340-14068	PLUG, straight screw	1	
5	93210-14369	O-RING	1	
6	3DM-15451-00	GASKET, crankcase cover 1	1	
7	99510-12016	PIN, dowel	2	
8	98501-06025	SCREW, pan head	5	
9	98501-06035	SCREW, pan head	2	
10	98501-06070	SCREW, pan head	1	
11	90465-06322	CLAMP	1	
12	98501-06010	SCREW, pan head	1	
13	3DM-15421-00	COVER, crankcase 2	1	
14	3DM-15461-00	GASKET, crankcase cover 2	1	
15	99510-12016	PIN, dowel	2	
16	98501-06025	SCREW, pan head	5	
17	90153-06042	SCREW, hexagon	2	
18	98501-06035	SCREW, pan head	2	
19	3Y1-15361-00	GAUGE, level	1	
20	1RG-15363-00	PLUG, oil	1	
21	93210-19123	O-RING	1	
22	3DM-15431-00	COVER, crankcase 3	1	
23	98501-06025	SCREW, pan head	2	
24	98501-06050	SCREW, pan head	1	
25	2UJ-15441-00	HOLDER, clutch cable	1	
26	93101-14089	OIL SEAL	1	
27	99009-25500	CIRCLIP	1	

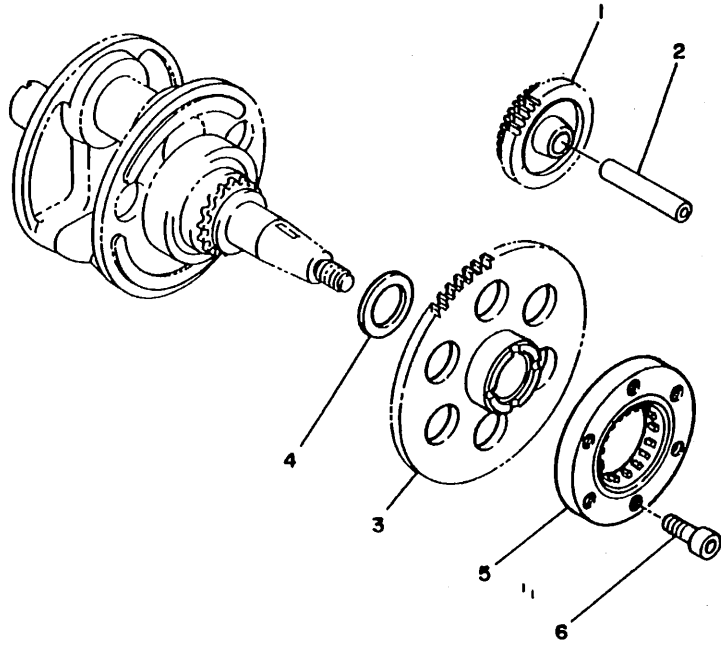


3L82332-2120

B15

FIG. 13 STARTER CLUTCH

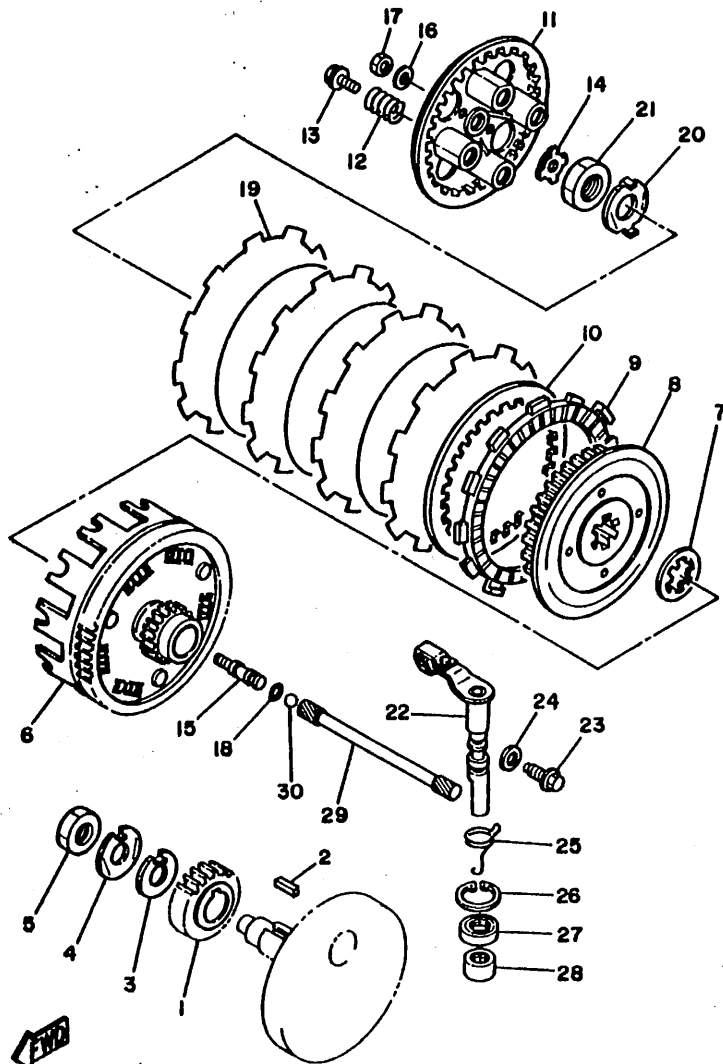
REF. NO.	PART NO.	DESCRIPTION	Q'TY	REMARKS
1	2UJ-15512-00	GEAR, idler 1	1	
2	5HO-15521-00	SHAFT 1	1	
3	2UJ-15517-00	GEAR, idler 2	1	
4	90201-25291	WASHER, plate	1	
5	51Y-15590-01	STARTER ONE-WAY ASSY	1	
6	91312-08018	BOLT	3	



3DM010-8130

C2

FIG. 14 CLUTCH



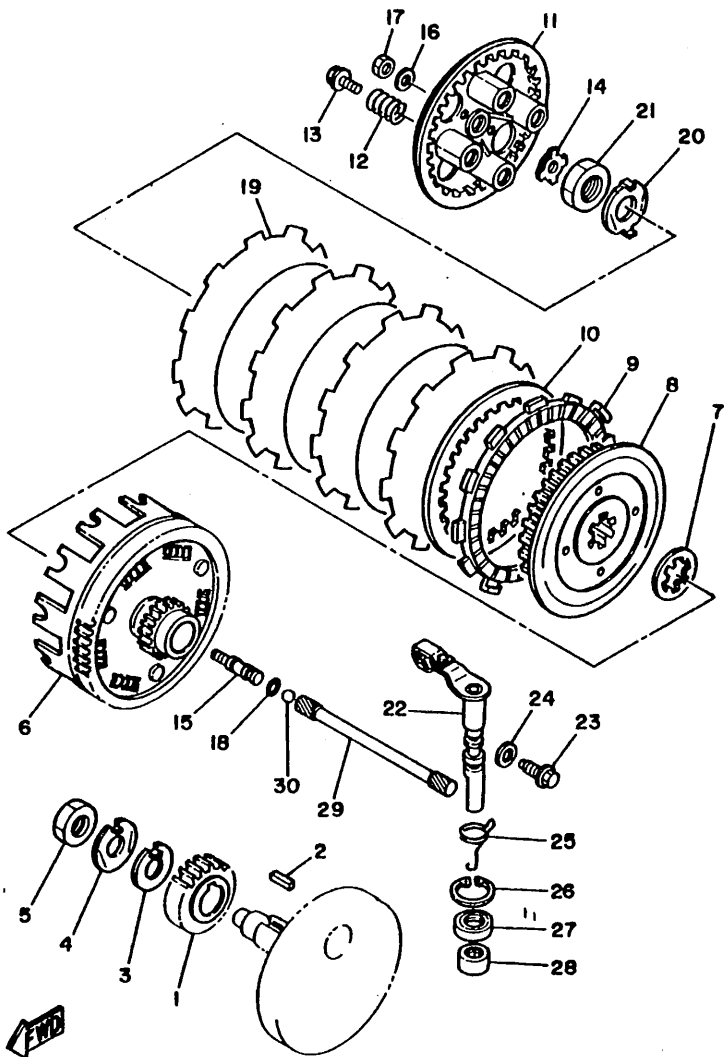
REF. NO.	PART NO.	DESCRIPTION	Q'TY	REMARKS
1	3Y6-16111-03	GEAR, primary drive (23T)	1	
2	90282-07023	KEY, straight	1	
3	90215-16156	WASHER, lock	1	
4	90215-16222	WASHER, lock	1	
5	90170-16311	NUT	1	
6	2UJ-16150-00	PRIMARY DRIVEN GEAR COMP.	1	
7	30X-16154-00	PLATE, thrust 1	1	
8	30X-16371-00	BOSS, clutch	1	
9	5Y1-16331-01	PLATE, friction 2	4	
10	3J2-16324-00	PLATE, clutch 1	4	
11	30X-16351-01	PLATE, pressure 1	1	
12	90501-26148	SPRING, compression	4	
13	90159-06016	SCREW, with washer	4	
14	30X-16358-00	PLATE, push	1	
15	30X-16356-00	ROD, push 1	1	
16	92901-06200	WASHER, plain	1	
17	95303-06600	NUT	1	
18	93210-06632	O-RING	1	
19	31A-16321-00	PLATE, friction	1	
20	90215-16320	WASHER, lock	1	
21	90170-16326	NUT	1	
22	2UJ-16380-00	PUSH LEVER ASSY	1	
23	90149-08067	SCREW	1	
24	90201-08087	WASHER, plate	1	
25	90508-14433	SPRING, torsion	1	
26	93420-28055	CIRCLIP	1	
27	93102-14209	OIL SEAL	1	
28	93315-31428	BEARING, cylindrical	1	

3DM010-8140

C3

FIG. 14 CLUTCH

REF. NO.	PART NO.	DESCRIPTION	Q'TY	REMARKS
29	2UJ-16357-00	ROD, push 2	1	
30	93511-32027	BALL	1	

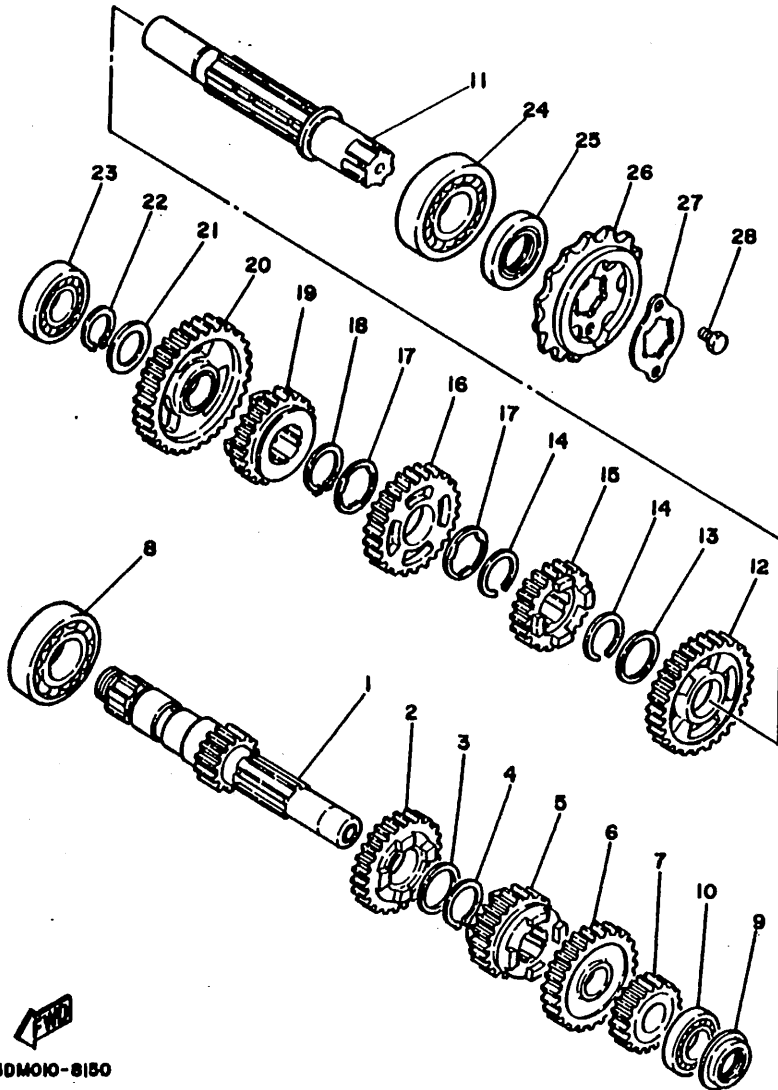


3DM010-8140

C4

FIG. 15 TRANSMISSION

REF. NO.	PART NO.	DESCRIPTION	Q'TY	REMARKS
1	2UJ-17411-00	AXLE, main	1	
2	3Y1-17141-00	GEAR, 4th pinion (26T)	1	
3	90201-22793	WASHER, plate	1	
4	93410-22039	CIRCLIP	1	
5	3Y1-17131-01	GEAR, 3rd pinion (23T)	1	
6	3Y1-17151-00	GEAR, 5th pinion (28T)	1	
7	3Y1-17121-01	GEAR, 2nd pinion (19T)	1	
8	93306-20541	BEARING (B6205)	1	
9	93101-17093	OIL SEAL	1	
10	93306-00315	BEARING (6003SH2C4)	1	
11	3Y1-17402-00	DRIVE AXLE ASSY	1	
12	3Y1-17221-01	GEAR, 2nd wheel (32T)	1	
13	90201-253K0	WASHER, plate (T=1.0)	1	
14	93440-25084	CIRCLIP	2	
15	3Y1-17251-01	GEAR, 5th wheel	1	
16	3Y1-17231-01	GEAR, 3rd wheel (29T)	1	
17	90209-22191	WASHER	2	
18	93410-25010	CIRCLIP	1	
19	3Y1-17241-00	GEAR, 4th wheel (26T)	1	
20	3Y1-17211-00	GEAR, 1st wheel (37T)	1	
21	90201-20276	WASHER, plate (1.0T)	1	
22	99009-20400	CIRCLIP	1	
23	93306-00426	BEARING	1	
24	93306-30525	BEARING (B6305)	1	
25	93102-25208	OIL SEAL	1	
26	3DM-17460-00	SPROCKET, drive (16T)	1	
27	3Y1-17456-00	HOLDER, sprocket	1	
28	97011-06010	BOLT	2	

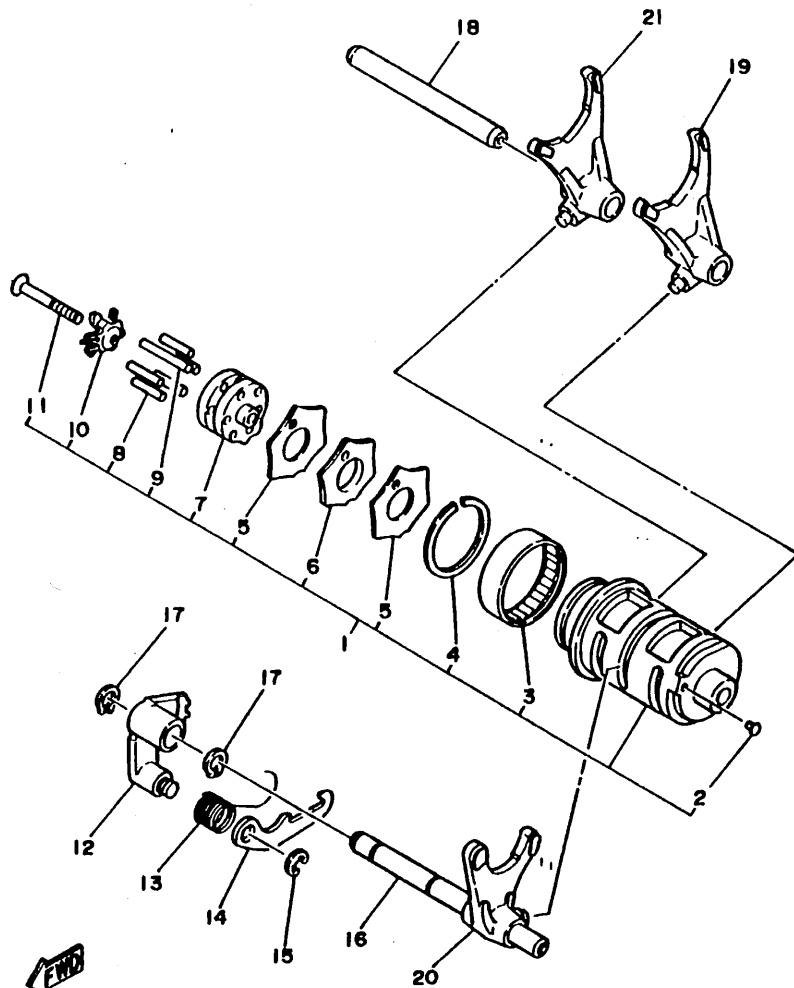


3DM010-8150

C5

FIG. 16 SHIFT CAM. FORK

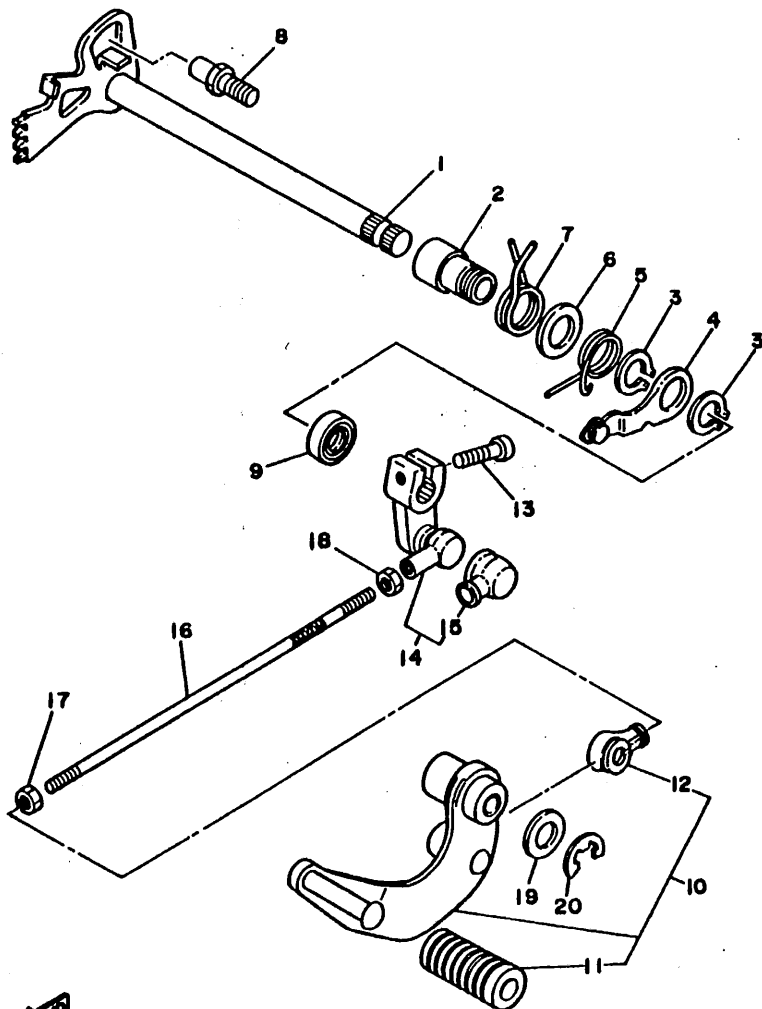
REF. NO.	PART NO.	DESCRIPTION	Q'TY	REMARKS
1	3Y1-18540-00	SHIFT CAM ASSY	1	
2	136-18542-00	.POINT, neutral	1	
3	93315-23612	.BEARING, cylindrical	1	
4	93440-34025	.CIRCLIP	1	
5	3Y1-18161-00	.GUIDE, plate stopper	2	
6	3Y1-18141-00	.PLATE, stopper	1	
7	3Y1-18185-01	.SEGMENT	1	
8	93604-18100	.PIN, dowel	5	
9	93604-29151	.PIN, dowel	1	
10	2K9-18561-00	.PLATE, side 1	1	
11	98701-05035	.SCREW, flat head	1	
12	3Y1-18122-00	LEVER, shift 2	1	
13	90508-12430	SPRING, torsion	1	
14	2K7-18151-00	LEVER, shift 3	1	
15	99080-07600	CIRCLIP	1	
16	3Y1-18531-00	BAR, shift fork guide 1	1	
17	99009-10400	CIRCLIP	2	
18	3Y1-18535-00	BAR, shift fork guide 2	1	
19	3Y1-18511-00	FORK, shift 1	1	
20	3Y1-18512-00	FORK, shift 2	1	
21	3Y1-18513-00	FORK, shift 3	1	



3DM010-8160

C6

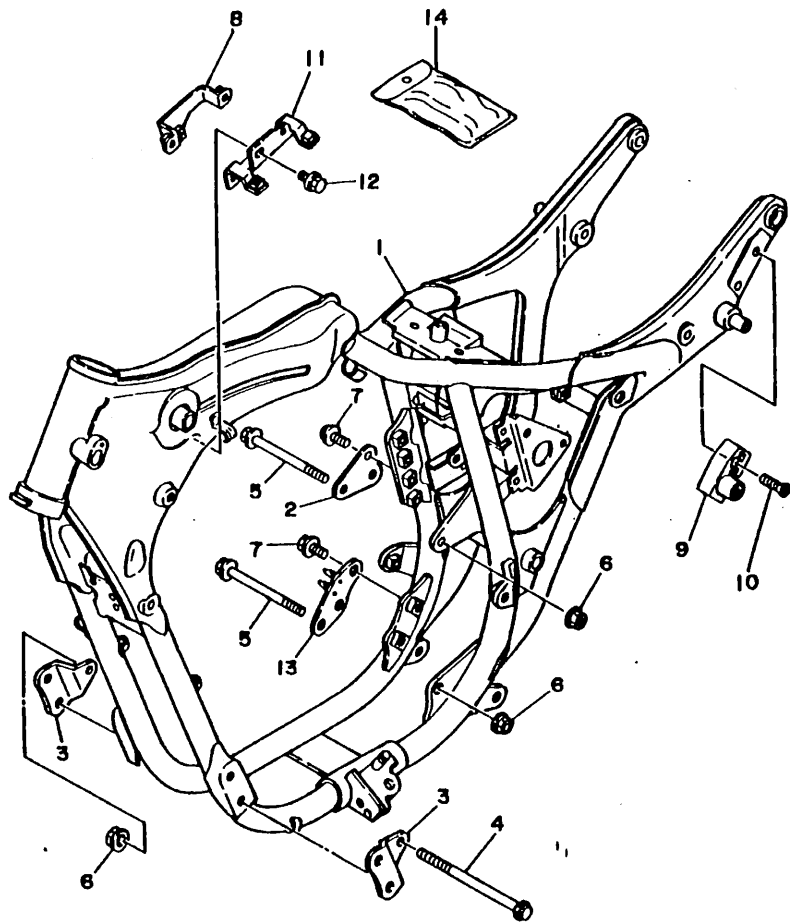
FIG. 17 SHIFT SHAFT



REF. NO.	PART NO.	DESCRIPTION	Q'TY	REMARKS
1	2UJ-18101-01	SHIFT SHAFT ASSY	1	
2	90387-12787	COLLAR	1	
3	99009-17400	CIRCLIP	2	
4	3Y1-18140-00	STOPPER LEVER ASSY	1	
5	90508-26434	SPRING, torsion	1	
6	90201-17255	WASHER, plate	1	
7	90508-32374	SPRING, torsion	1	
8	4G0-18127-00	STOPPER, screw	1	
9	93102-12106	OIL SEAL (SD 12-22-5 HS)	1	
10	2UJ-18110-00	SHIFT PEDAL ASSY	1	
11	132-18113-01	.COVER, shift pedal	1	
12	2H9-18154-00	.COVER, dust	1	
13	97011-06020	BOLT	1	
14	2UJ-18130-00	SHIFT SHAFT ASSY	1	
15	2H9-18154-00	.COVER, dust	1	
16	2UJ-18115-02	ROD, shift	1	
17	90170-06228	NUT (COUNTER CLOCKWISE)	1	
18	95303-06700	NUT	1	
19	90201-124E4	WASHER, plate	1	
20	99009-12400	CIRCLIP	1	


3L81332-9170

FIG. 18 FRAME



REF. NO.	PART NO.	DESCRIPTION	Q'TY	REMARKS
1	2UJ-21110-01-33	FRAME COMP.	1	UR YAMAHA BLACK FOR ITA., SWITZ., AUS.
	3LS-21110-00-33	FRAME COMP.	1	UR YAMAHA BLACK FOR OTHERS
2	2UJ-21318-00-33	STAY, engine 5	1	YAMAHA BLACK
3	2UJ-21315-00	STAY, engine 2	2	
4	95811-08150	BOLT, flange	1	
5	95811-08110	BOLT, flange	2	
6	90179-08491	NUT	3	
7	95816-08016	BOLT, flange	4	
8	2UJ-21243-00	PLATE, bridge	1	
9	26H-21308-00	HELMET HANGER ASSY	1	
10	90149-06154	SCREW	1	
11	2UJ-2135Y-00	BRACKET, ignition coil	1	
12	95816-06012	BOLT, flange	1	
13	2UJ-21319-00	STAY, engine 6	1	
14	2UJ-28100-00	TOOL KIT	1	

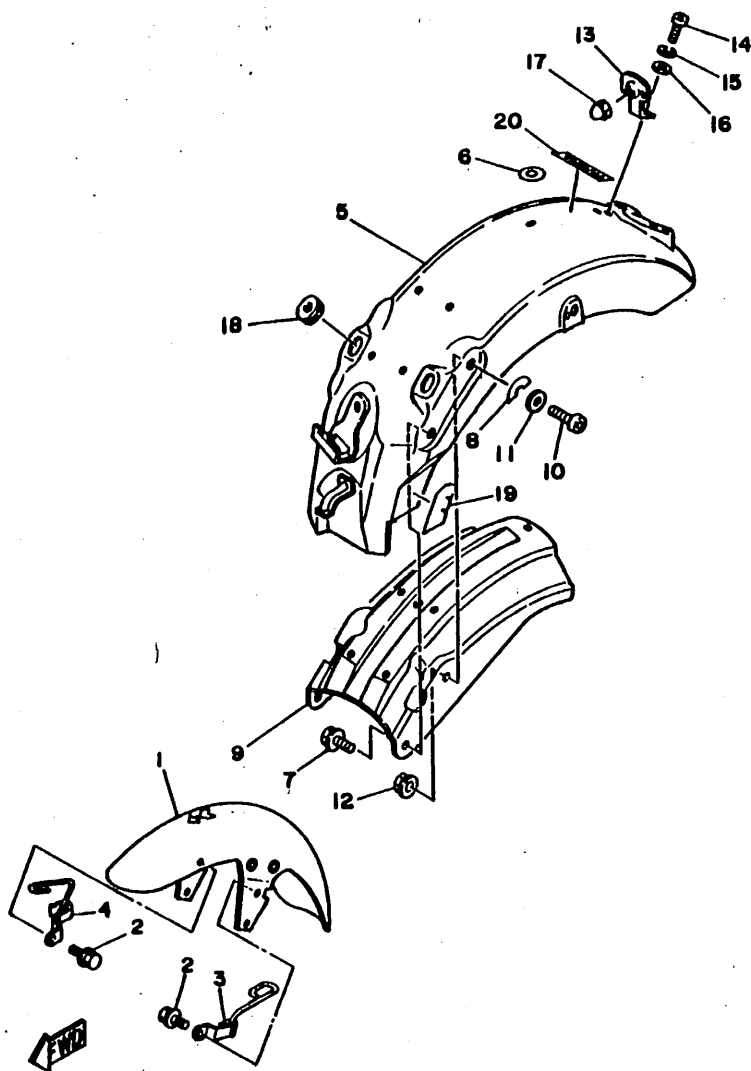


3DN171-8181

C8

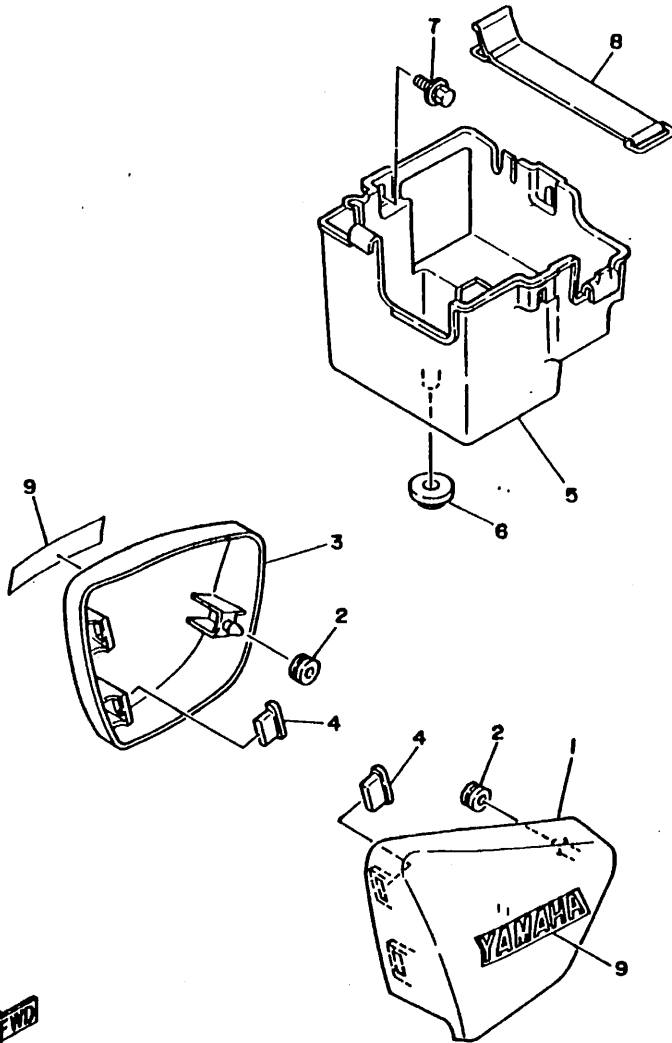
FIG. 19 FENDER

REF. NO.	PART NO.	DESCRIPTION	Q'TY	REMARKS
1	2UJ-21510-00-TH	FRONT FENDER COMP.	1	UR LUMINOUS RED
	2UJ-21510-00-6G	FRONT FENDER COMP.	1	UR NEW YAMAHA BLACK
	2UJ-21510-00-9G	FRONT FENDER COMP.	1	UR FROST SILVER
2	95023-08012	BOLT	4	
3	2NT-21597-01	HOLDER, wire 1	1	
4	3DM-21598-00	HOLDER, wire 2	1	
5	2UJ-21610-00-TH	REAR FENDER COMP.	1	UR LUMINOUS RED
	2UJ-21610-00-6G	REAR FENDER COMP.	1	UR NEW YAMAHA BLACK
	2UJ-21610-00-9G	REAR FENDER COMP.	1	UR FROST SILVER
6	2UJ-21735-00	SEAL 2	1	
7	95812-10020	BOLT, flange	2	
8	3DM-2173N-00	SEAL 4	2	
9	2UJ-21670-00	REINF. COMP.	1	
10	91316-10036	BOLT	2	
11	92906-10600	WASHER	2	
12	95701-10500	NUT, flange	2	
13	2UJ-21641-00	BRACKET, reflector	1	
14	98501-05010	SCREW, pan head	1	
15	92990-05100	WASHER, spring	1	
16	92901-05600	WASHER, plate	1	
17	95306-05800	NUT, cap	1	
18	90480-01502	GROMMET	2	
19	2UJ-2173M-00	SEAL 3	1	
20	99235-00020	EMBLEM, yamaha	1	UR FOR LNR
	99236-00020	EMBLEM, yamaha (SILVER)	1	UR FOR NYB,FRS



3LS1300-9190

FIG. 20 SIDE COVER



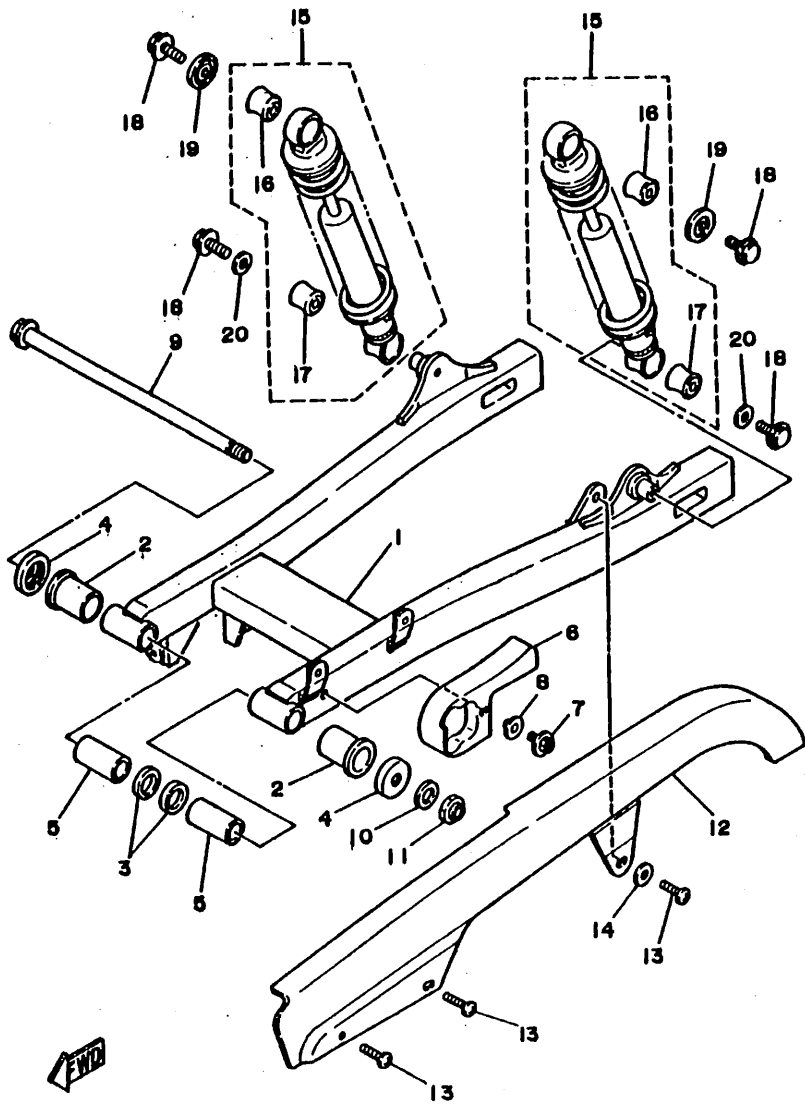
REF. NO.	PART NO.	DESCRIPTION	Q'TY	REMARKS
1	2UJ-21711-00-TH	COVER, side 1	1	UR LUMINOUS RED
	2UJ-21711-00-6G	COVER, side 1	1	UR NEW YAMAHA BLACK
	2UJ-21711-00-9G	COVER, side 1	1	UR FROST SILVER
2	90480-13383	GROMMET	2	
3	2UJ-21721-00-TH	COVER, side 2	1	UR LUMINOUS RED
	2UJ-21721-00-6G	COVER, side 2	1	UR NEW YAMAHA BLACK
	2UJ-21721-00-9G	COVER, side 2	1	UR FROST SILVER
4	2N4-21717-00	DAMPER, side cover	4	
5	2UJ-2177G-00	BOX, battery	1	
6	90480-22362	GROMMET	1	
7	90119-06108	BOLT, with washer	2	
8	26H-82131-00	BAND, battery	1	
9	99236-00020	EMBLEM, yamaha	2	UR FOR LNR
	99236-00020	EMBLEM, yamaha (SILVER)	2	UR FOR NYB,FRS



3DM010-8200

C10

FIG. 21 REAR ARM

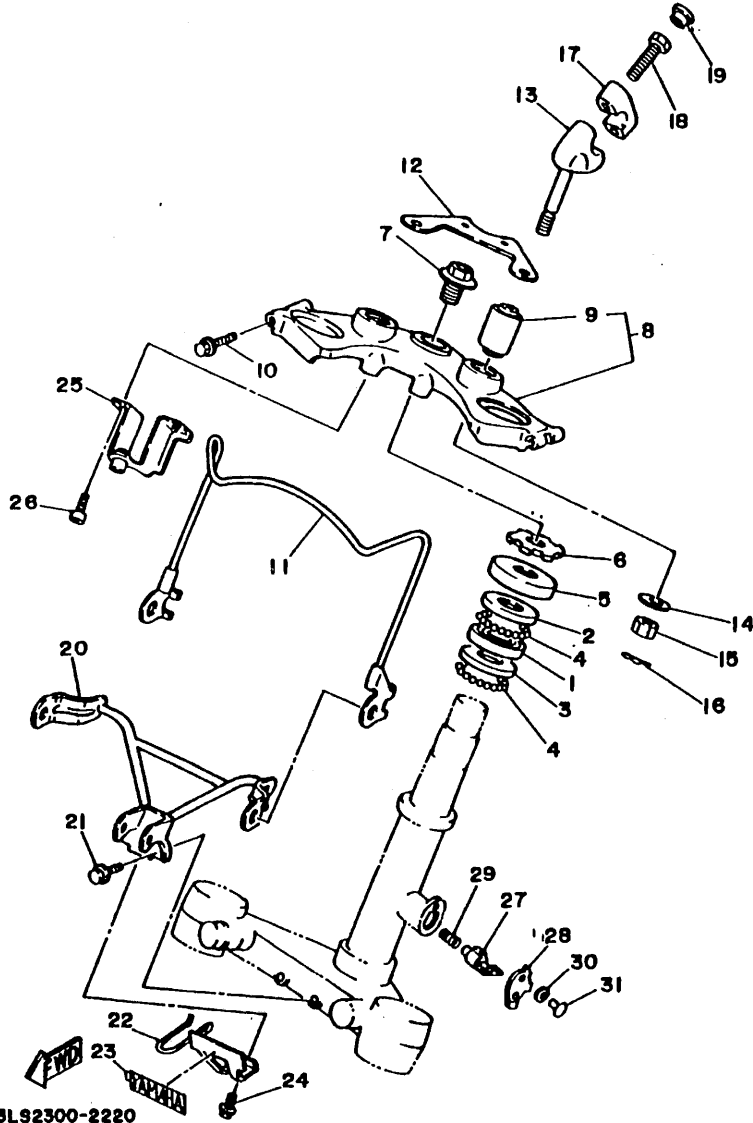


REF. NO.	PART NO.	DESCRIPTION	Q'TY	REMARKS
1	3LS-22110-00-33	REAR ARM COMP.	1	YAMAHA BLACK
2	90386-18163	BUSH	2	
3	93109-18020	OIL SEAL	2	
4	55K-22129-00	COVER, thrust 2	2	
5	90380-12121	BUSH, solid	2	
6	55K-22151-01	SEAL, guard	1	
7	90119-05062	BOLT, with washer	1	
8	90209-06223	WASHER	1	
9	2UJ-22141-01	SHAFT, pivot	1	
10	92901-12200	WASHER, plain	1	
11	90185-12046	NUT, self-locking	1	
12	3LS-22311-00	CASE, chain	1	
13	98903-06012	SCREW, bind	3	
14	90201-065F3	WASHER, plate	1	
15	3DM-22210-00	SHOCK ABSORBER ASSY, rear	2	
16	447-22217-21	.DAMPER, shock absorber lower	1	
17	447-22216-20	.BUSH, rear shock absorber	1	
18	95023-08012	BOLT	4	
19	1UJ-22243-00	WASHER 1	2	
20	90201-087G2	WASHER, plate	2	



2UJ110-8210

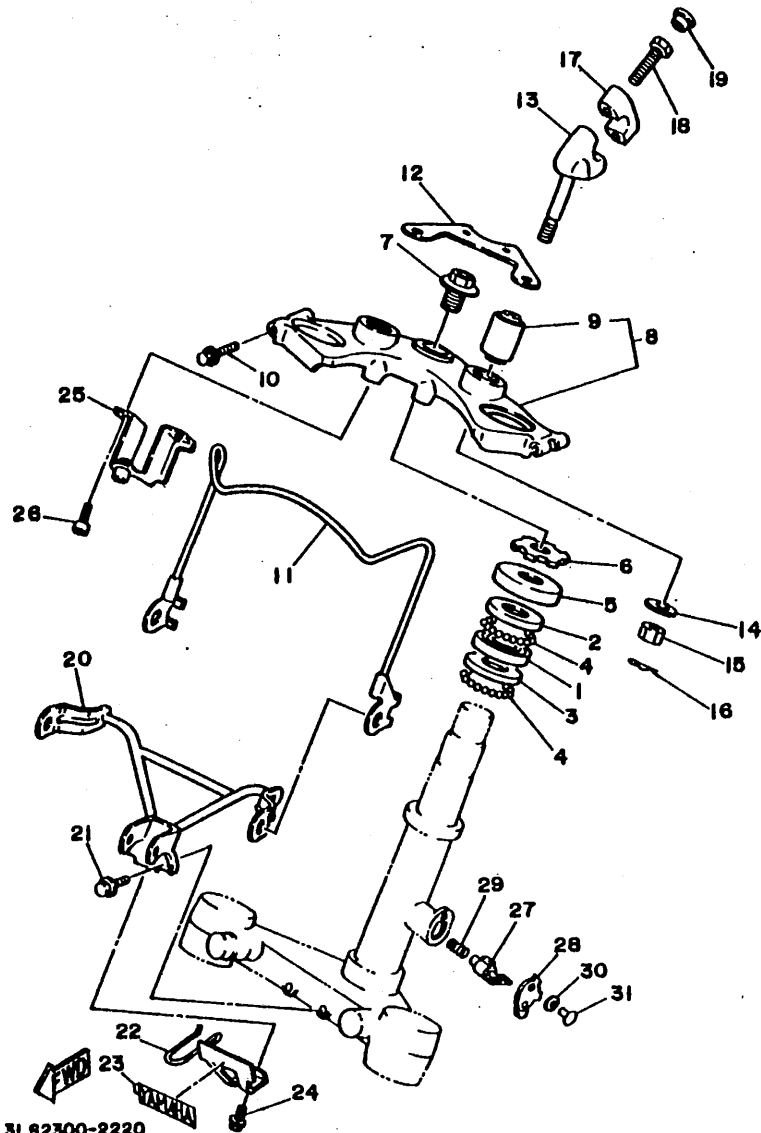
FIG. 22 STEERING



3L92300-2220

REF. NO.	PART NO.	DESCRIPTION	Q'TY	REMARKS
1	156-23412-00	RACE, ball 2	1	
2	183-23411-00	RACE, ball 1	1	
3	183-23412-00	RACE, ball 2	1	
4	93501-04011	BALL	38	
5	4K0-23415-00	COVER, ball race 1	1	
6	90179-25033	NUT	1	
7	90105-14102	BOLT, washer based	1	
8	2UJ-W2341-00-35	CROWN, handle	1	SILVER
9	5A8-23434-00	.HOLDER, damper	2	
10	95023-08040	BOLT	2	
11	2NT-23164-00	STAY, light guard	1	
12	3DM-2317F-00	STAY 2	1	
13	3DM-23442-00	HOLDER, handle lower	2	
14	90201-105A2	WASHER, plate	2	
15	95332-10700	NUT	2	
16	90468-12006	CLIP	2	
17	4H7-23441-00-38	HOLDER, handle upper	2	CLEAR (WITH BUFF)
18	91311-08025	BOLT	4	
19	90338-08163	PLUG	4	
20	2UJ-23174-00	STAY, headlight	1	
21	95023-06016	BOLT	2	
22	2UJ-2317M-00	STAY 3	1	
23	3TU-24786-11	EMBLEM 1 (YAMAHA)	1	
24	95023-06012	BOLT	1	
25	2UJ-2317E-00	STAY	1	
26	91316-06016	BOLT	2	
27	2A6-23408-00	STEERING LOCK ASSY	1	
28	3DM-23484-00	CAP, handle lock	1	

C12

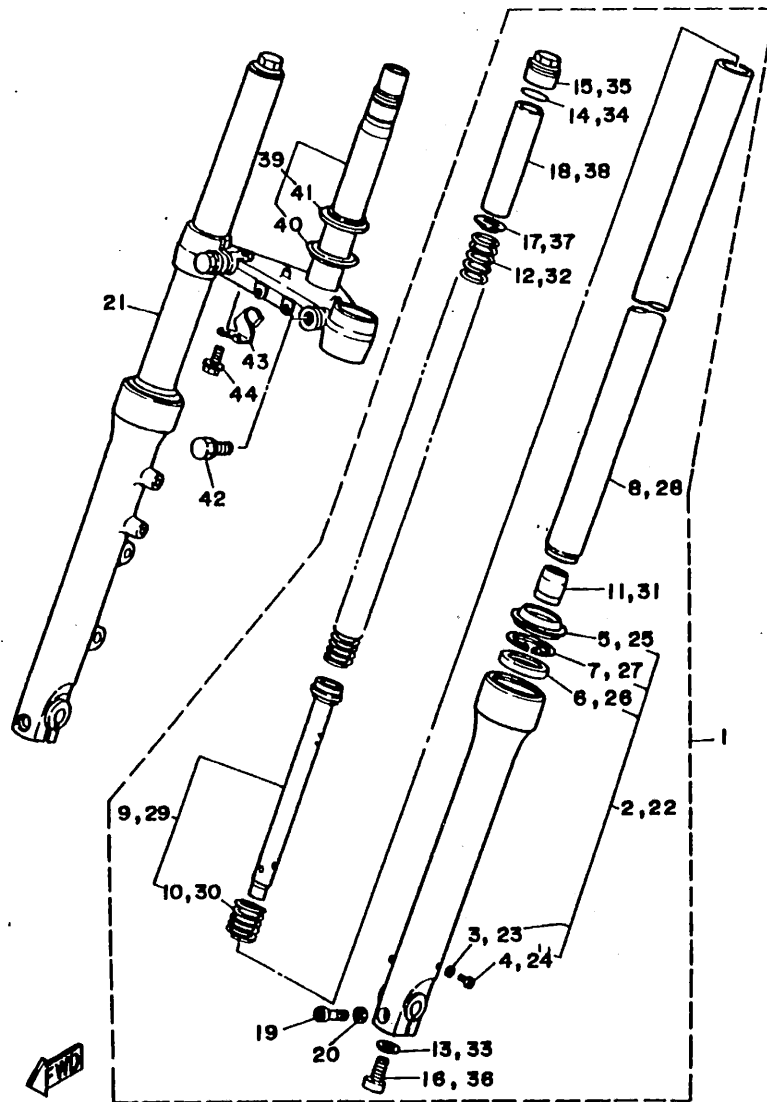


3L82300-2220

FIG. 22 STEERING

REF. NO.	PART NO.	DESCRIPTION	Q'TY	REMARKS
29	90502-09024	SPRING, conical	1	
30	90208-04029	WASHER, conical spring	1	
31	90269-04003	RIVET	1	

FIG. 23 FRONT FORK



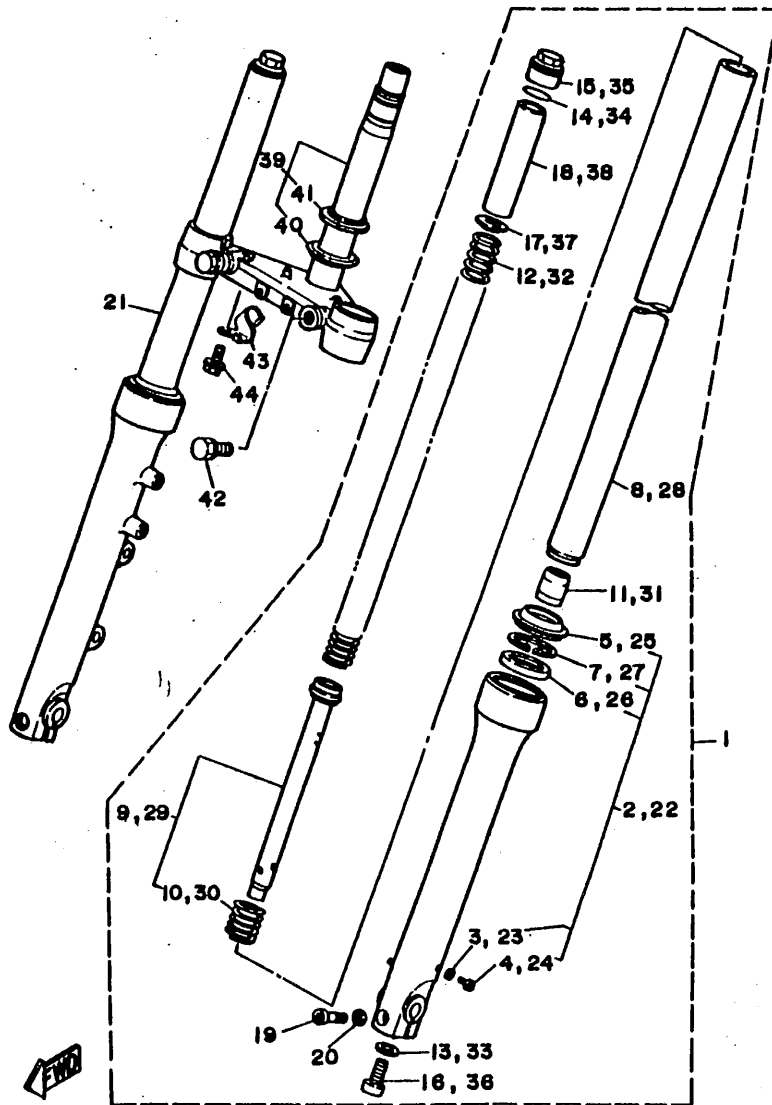
3DM010-8230

REF. NO.	PART NO.	DESCRIPTION	Q'TY	REMARKS
1	2UJ-23102-00	FRONT FORK ASSY (L.H)	1	
2	2UJ-23126-00	.TUBE, outer 1	1	
3	122-23129-00	..GASKET, drain plug	1	
4	4H7-23119-00	..PLUG, drain	1	
5	51Y-23144-00	..SEAL, dust	1	
6	51Y-23145-00	..OIL SEAL	1	
7	22W-23153-L0	..RING, snap	1	
8	2UJ-23110-00	.INNER TUBE COMP.1	1	
9	2UJ-23170-00	.CYLINDER COMP., front fork	1	
10	509-23151-L0	..SPRING, rebound	1	
11	39K-23173-00	.SPINDLE, taper	1	
12	2UJ-23141-00	.SPRING, front fork	1	
13	509-23158-L0	.GASKET	1	
14	3J2-23114-00	.O-RING	1	
15	2JN-23111-00	.BOLT, cap	1	
16	278-23181-50	.BOLT, hexagon socket head	1	
17	583-23142-00	.SEAT, spring upper	1	
18	58T-23118-L0	.SPACER	1	
19	91311-08035	.BOLT	1	
20	90201-08085	.WASHER, plate	1	
21	2UJ-23103-00	FRONT FORK ASSY (R.H)	1	
22	2UJ-23136-00	.TUBE, outer 2	1	
23	122-23129-00	..GASKET, drain plug	1	
24	4H7-23119-00	..PLUG, drain	1	
25	51Y-23144-00	..SEAL, dust	1	
26	51Y-23145-00	..OIL SEAL	1	
27	22W-23153-L0	..RING, snap	1	
28	2UJ-23110-00	.INNER TUBE COMP.1	1	

C14

FIG. 23 FRONT FORK

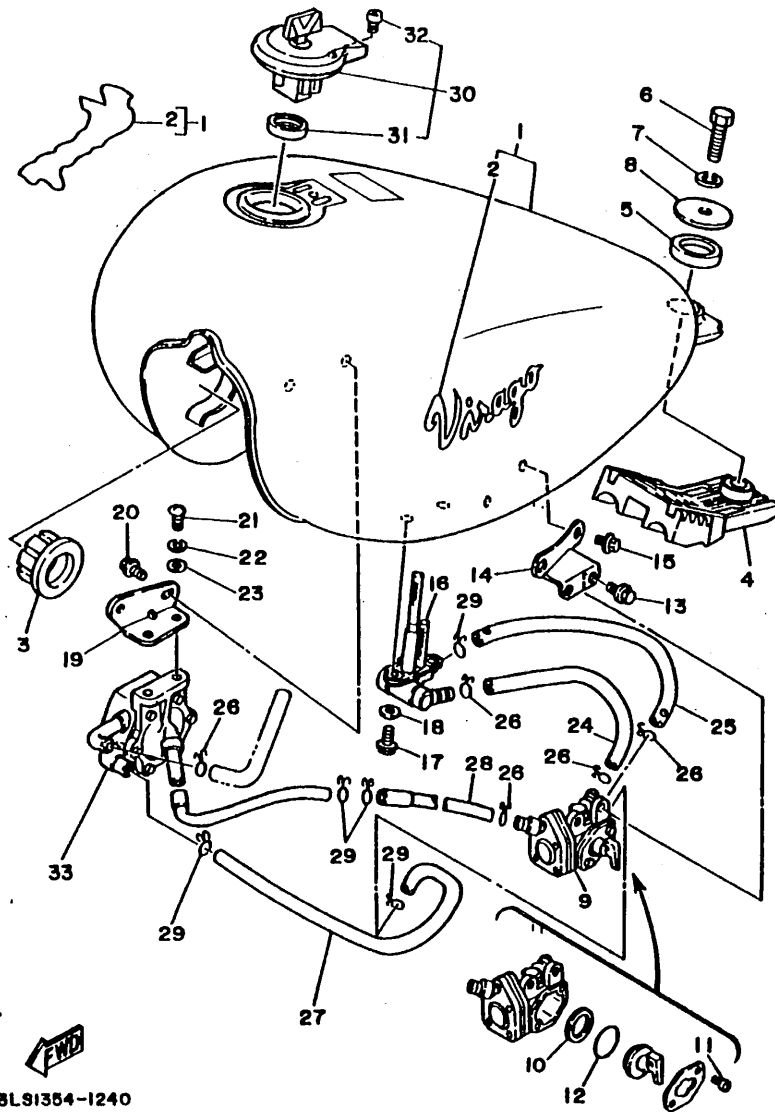
REF. NO.	PART NO.	DESCRIPTION	Q'TY	REMARKS
29	2UJ-23170-00	.CYLINDER COMP., front fork	1	
30	509-23151-L0	..SPRING, rebound	1	
31	39K-23173-00	.SPINDLE, taper	1	
32	2UJ-23141-00	.SPRING, front fork	1	
33	509-23158-L0	.GASKET	1	
34	3J2-23114-00	.O-RING	1	
35	2JN-23111-00	.BOLT, cap	1	
36	278-23181-50	.BOLT, hexagon socket head	1	
37	583-23142-00	.SEAT, spring upper	1	
38	58T-23118-L0	.SPACER	1	
39	3LS-23340-00	UNDER BRACKET COMP.	1	
40	164-23462-00	.SEAL, steering	1	
41	156-23411-00	.RACE, ball 1	1	
42	2UJ-23346-00	BOLT 1	2	
43	3DM-25886-00	HOLDER, brake hose	1	
44	95826-06010	BOLT, flange	1	



3DM010-8230

C15

FIG. 24 FUEL TANK

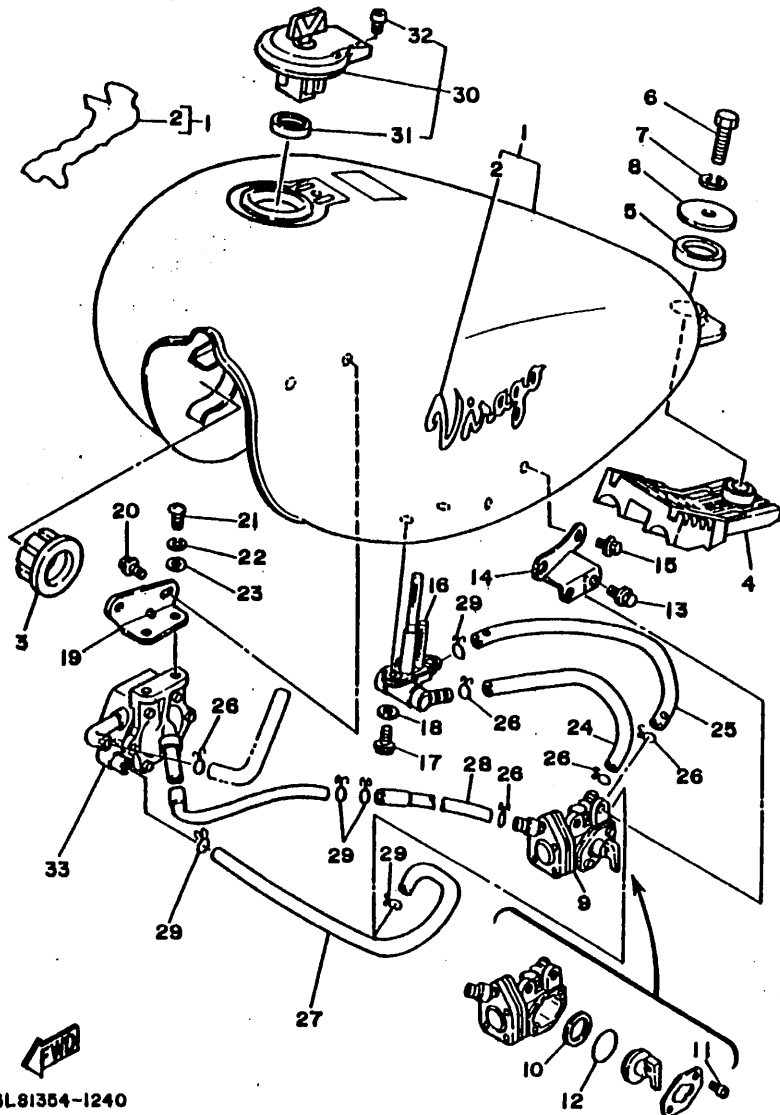


REF. NO.	PART NO.	DESCRIPTION	Q'TY	REMARKS
1	2UJ-24110-00-X5	FUEL TANK COMP.	1	UR NEW YAMAHA BLACK
	2UJ-24110-00-X7	FUEL TANK COMP.	1	UR LUMINOUS RED
	2UJ-24110-00-X8	FUEL TANK COMP.	1	UR FROST SILVER
	3LS-24110-00-03	FUEL TANK COMP.	1	UR FROST SILVER
	3LS-24110-00-04	FUEL TANK COMP.	1	UR NEW YAMAHA BLACK FOR DEN.,HOR.,NLD.,BEL.,FIN.
	3LS-24110-00-05	FUEL TANK COMP.	1	UR LUMINOUS RED
2	3LS-24161-00	.EMBLEM 1	2	UR FOR LNR
	3LS-24161-10	.EMBLEM 1	2	UR FOR FRS
	3DM-24161-10	.EMBLEM 1	2	UR FOR NYB
3	4H7-24181-00	DAMPER, locating 1	2	
4	2UJ-24182-00	DAMPER, locating 2	1	
5	42X-24183-00	DAMPER, locating 3	1	
6	97313-08035	BOLT	1	
7	92990-08100	WASHER, spring	1	
8	90201-08569	WASHER, plate	1	
9	2UJ-24500-00	FUEL COCK ASSY 1	1	
10	3H3-24523-00	.VALVE	1	
11	98503-03008	.SCREW, pan head	2	
12	1JK-24534-00	.SEAL, cock	1	
13	95023-06010	BOLT	2	
14	2UJ-24544-00	BRACKET, fuel cock	1	
15	95023-06010	BOLT	2	
16	2UJ-24560-00	FILTER ASSY	1	
17	90149-06011	SCREW	2	
18	90202-05193	WASHER, plate	2	
19	2UJ-24491-00	BRACKET, fuel pump	1	
20	95023-06010	BOLT	2	
21	98511-06012	SCREW, pan head	2	

D2

FIG. 24 FUEL TANK

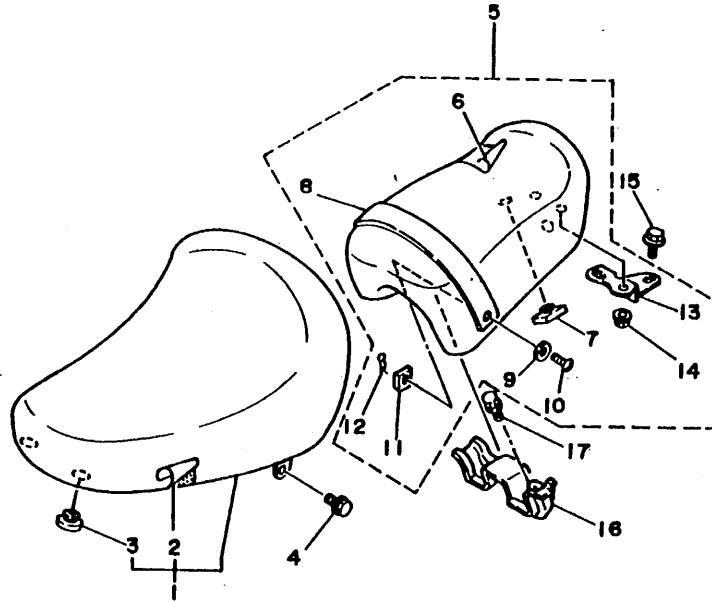
REF. NO.	PART NO.	DESCRIPTION	Q'TY	REMARKS
22	92990-06100	WASHER, spring	2	
23	92990-06600	WASHER, plate	2	
24	90445-11501	HOSE	1	
25	90445-11754	HOSE	1	
26	90467-10008	CLIP, 1	4	
27	2UJ-24312-01	PIPE 2	1	
28	2UJ-24313-00	PIPE 3	1	
29	90467-10008	CLIP	4	
30	4X7-24602-00	CAP ASSY	1	
31	4X7-24612-00	.GASKET, cap	1	
32	98506-05010	.SCREW, pan head	1	
33	3DW-13910-00	FUEL PUMP ASSY	1	



3L81354-1240

D3

FIG. 25 SEAT



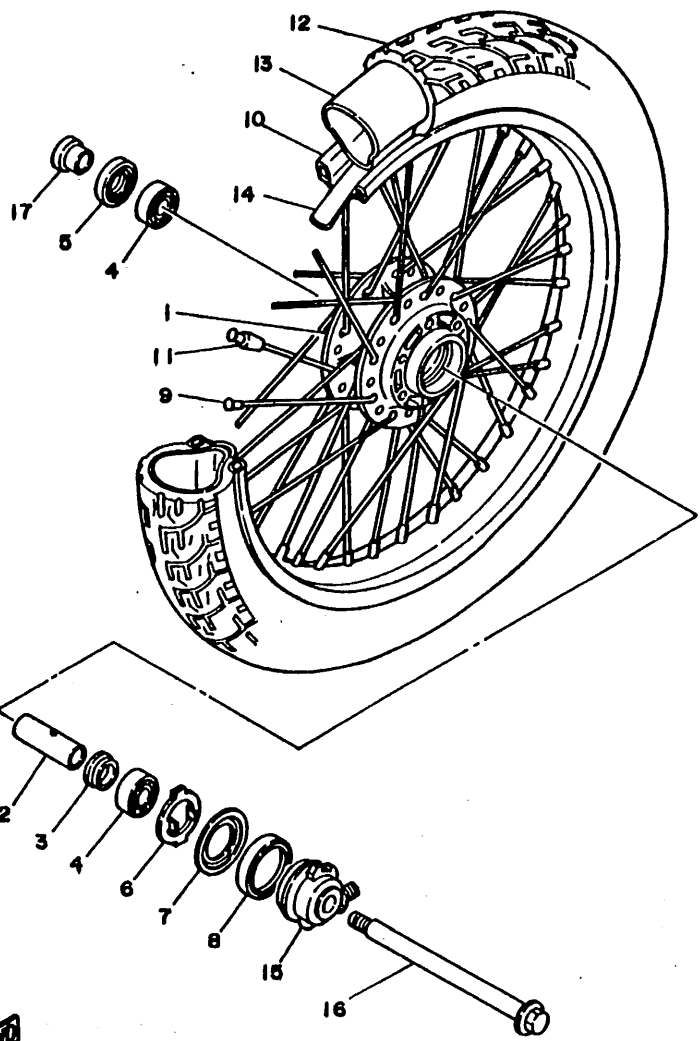
REF. NO.	PART NO.	DESCRIPTION	Q'TY	REMARKS
1	2UJ-24710-00	SINGLE SEAT ASSY	1	
2	2UJ-24731-00	.COVER, seat	1	
3	18A-24724-00	.DAMPER, seat	4	
4	95816-06016	BOLT, flange	2	
5	2UJ-24750-00	TANDEM SEAT ASSY	1	
6	2UJ-24751-00	.COVER, tandem seat	1	
7	509-24724-00	.DAMPER, seat	4	
8	2UJ-24754-00	.HOOK, seat	1	
9	1WG-24712-00	.PLATE	2	
10	47X-24739-00	.BOLT, seat fitting	2	
11	90173-06015	.NUT, square	2	
12	90468-10050	.CLIP	2	
13	2UJ-2471A-00	.STAY, seat	1	
14	95701-06500	.NUT, flange	2	
15	95023-08012	BOLT	1	
16	2UJ-2475H-00	BRACKET, seat lever 1	1	
17	95023-06012	BOLT	2	



3DM010-8250

D4

FIG. 26 FRONT WHEEL

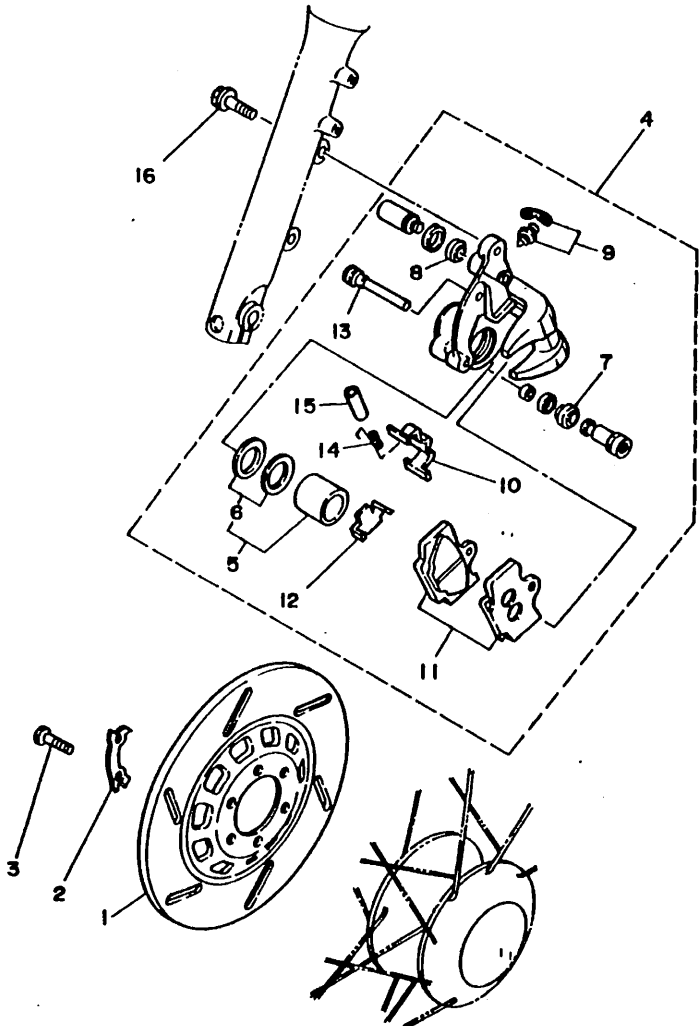


REF. NO.	PART NO.	DESCRIPTION	Q'TY	REMARKS
1	2UJ-25111-00-35	HUB, front	1	SILVER
2	90560-15161	SPACER	1	
3	146-25115-00	FLANGE, spacer 1	1	
4	93306-30203	BEARING (B6302Z)	2	
5	93102-22014	OIL SEAL	1	
6	341-25149-00	CLUTCH, meter	1	
7	341-25846-00	RETAINER, clutch	1	
8	93105-45017	OIL SEAL	1	
9	2UJ-25104-00	SPOKE SET, front	1	
10	94416-18459	RIM (1.60-18)	1	
11	156-25398-00	BALANCER, wheel	1	UN
12	94130-185T4	TIRE (3.00-18-4PR NF27,47p)	1	INOUE
13	94227-18195	TUBE (2.75-18)	1	DUNLOP
14	94345-18081	BAND, rim (4.50-18)	1	INOUE
15	2UJ-25190-00	GEAR UNIT ASSY	1	
16	10W-25381-00	AXLE, wheel	1	
17	90387-15550	COLLAR	1	

3DM010-8260

D5

FIG. 27 FRONT BRAKE CALIPER

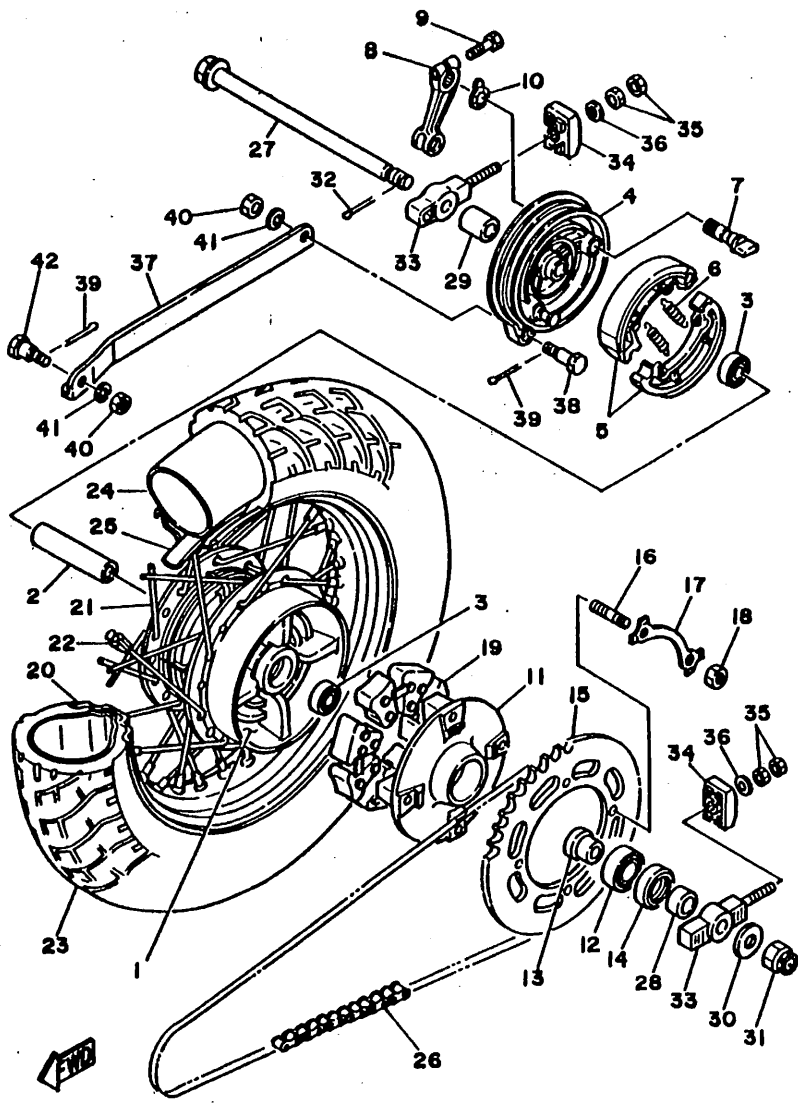


REF. NO.	PART NO.	DESCRIPTION	Q'TY	REMARKS
1	3DM-2582U-00	DISC, brake (RIGHT)	1	
2	1J3-25834-01	WASHER, lock	3	
3	90101-08312	BOLT	6	
4	3DM-2580U-01	CALIPER ASSY (RIGHT)	1	
5	2JK-W0057-00	.PISTON ASSY, caliper	1	
6	2JK-W0047-00	..CALIPER SEAL KIT	1	
7	5R2-25937-00	.BOOT 2	1	
8	4X8-25917-00	.BOOT, caliper	1	
9	51L-W0048-00	.BREED SCREW KIT	1	
10	11H-25919-00	.SUPPORT, pad	1	
11	2UJ-W0045-01	.BRAKE PAD KIT	1	
12	11U-25827-00	.SHIM, caliper	1	
13	34L-25924-00	.PIN, pad	1	
14	29L-25936-00	.SPRING	1	
15	29L-25935-00	.COVER, spring	1	
16	90105-10308	BOLT, washer based	2	



3LV2700-0270

D6



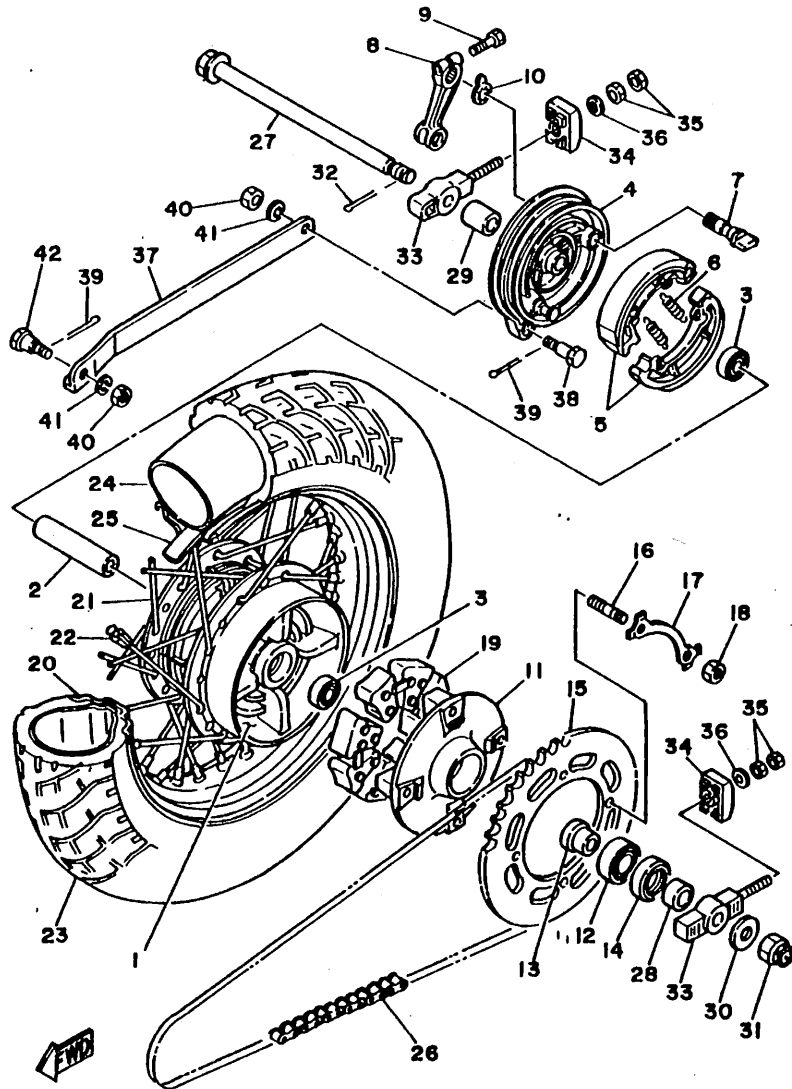
3LS1300-9280

FIG. 28 REAR WHEEL

REF. NO.	PART NO.	DESCRIPTION	Q'TY	REMARKS
1	2UJ-25311-00-35	HUB, rear	1	SILVER
2	2UJ-25317-00	SPACER, bearing	1	
3	93306-20224	BEARING	2	
4	2RH-25321-00-35	PLATE, brake shoe	1	SILVER
5	3LS-W2536-00	BRAKE SHOE SET	1	
6	90506-16447	SPRING, tension	2	
7	2RH-25351-00	CAMSHAFT	1	
8	434-25355-10	LEVER, camshaft	1	
9	90109-06470	BOLT	1	
10	3Y6-2533A-01	PLATE, indicator	1	
11	5Y1-25366-00-35	CLUTCH, hub	1	SILVER
12	93306-30416	BEARING (B6304RS)	1	
13	2UJ-25377-00	COLLAR, wheel	1	
14	93102-30072	OIL SEAL (SD-30-52-8-1)	1	
15	2UJ-25445-50	SPROCKET, driven (45T)	1	
16	90116-10348	BOLT, stud	4	
17	5Y1-25412-00	WASHER	2	
18	90170-10219	NUT	4	
19	5Y1-25364-00	DAMPER	4	
20	94427-15476	RIM	1	
21	2UJ-25304-00	SPOKE SET, rear	1	
22	156-25398-00	BALANCER, wheel	1	UN
23	94113-154W1	TIRE (130/90-15 M/C)	1	INOUE
24	94213-15265	TUBE (130/90-15, 140/80-15)	1	INOUE
25	94313-15154	BAND, rim	1	INOUE
26	94580-73114	CHAIN (D.I.D. 520VC5 114LE)	1	
27	2UJ-25381-00	AXLE, wheel	1	
28	2UJ-25383-00	COLLAR, wheel	1	

D7

FIG. 28 REAR WHEEL

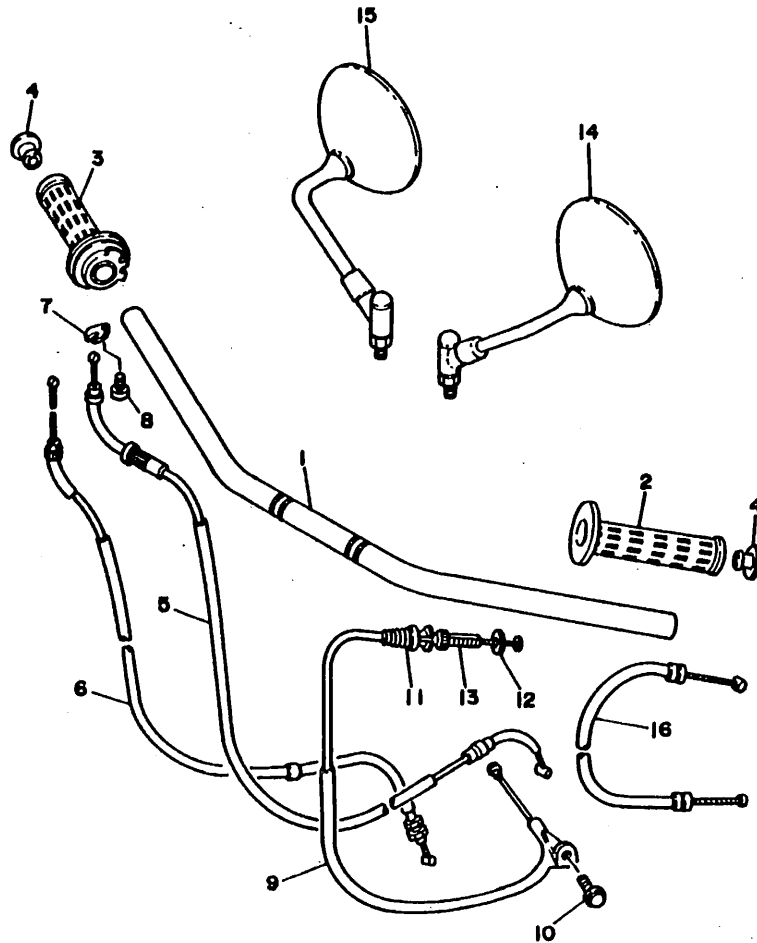


3L91300-9280

REF. NO.	PART NO.	DESCRIPTION	Q'TY	REMARKS
29	90387-153U1	COLLAR	1	
30	92990-14200	WASHER, plain	1	
31	90171-14020	NUT, castle	1	
32	91401-30030	PIN, cotter	1	
33	2UJ-25388-00	PULLER, chain 1	2	
34	55K-2539F-00	PLATE 1	2	
35	95303-08600	NUT	4	
36	92901-08600	WASHER, plate	2	
37	2UJ-25371-00	BAR, tension	1	
38	90109-08063	BOLT	1	
39	91401-20020	PIN, cotter	2	
40	95303-08700	NUT	2	
41	92990-08100	WASHER, spring	2	
42	90109-08368	BOLT	1	

D8

FIG. 29 STEERING HANDLE. CABLE



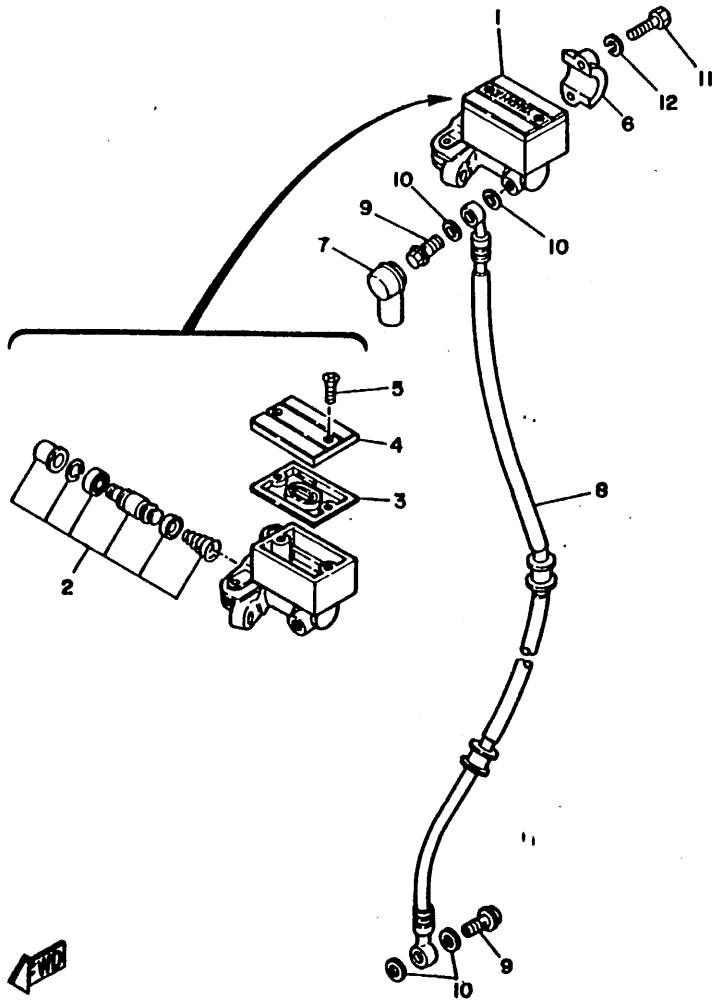
REF. NO.	PART NO.	DESCRIPTION	Q'TY	REMARKS
1	2NT-26111-00	HANDLEBAR	1	
2	42X-26241-00	GRIP (LEFT)	1	
3	1FK-26240-00	GRIP ASSY	1	
4	26H-2628J-00	CAP, grip	2	
5	3DM-26311-01	CABLE, throttle 1	1	
6	3DM-26312-01	CABLE, throttle 2	1	
7	5H0-26393-00	HOLDER	1	
8	98506-05008	SCREW, pan head	1	
9	3DM-26335-00	CABLE, clutch	1	
10	95026-06012	BOLT, flange	1	
11	1E6-26342-00	BOOT, cable	1	
12	90179-08148	NUT	1	
13	90123-08046	BOLT	1	
14	1J7-26290-F0	BACK MIRROR ASSY (LEFT)	1	
15	1J7-26290-G0	BACK MIRROR ASSY (RIGHT)	1	
16	3DM-26331-00	CABLE, starter 1	1	



3L81332-9290

D9

FIG. 30 FRONT MASTER CYLINDER

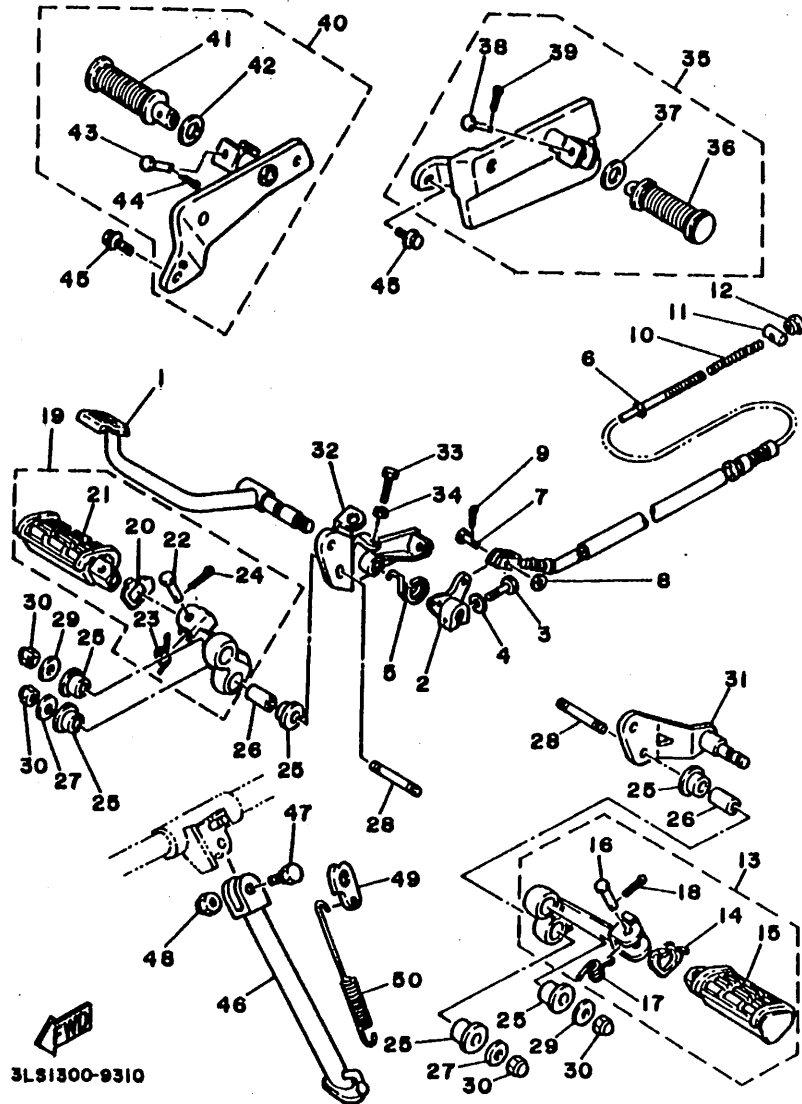


REF. NO.	PART NO.	DESCRIPTION	Q'TY	REMARKS
1	2RJ-25870-00	MASTER CYLINDER SUB ASSY	1	
2	23L-W0041-00	.CYLINDER KIT, master	1	
3	4L0-25854-00	.DIAPHRAGM, reservoir	1	
4	4H7-25852-00	.CAP, reservoir	1	
5	98706-04012	.SCREW, flat head	2	
6	4L0-25867-00	BRACKET, master cylinder	1	
7	4L0-25862-00	BOOT, master cylinder	1	
8	3DM-25872-02	HOSE, brake 1	1	
9	90401-10096	BOLT, union	2	
10	90201-10118	WASHER, plate	4	
11	97016-06025	BOLT	2	
12	92906-06100	WASHER, spring	2	


3DM010-0310

D10

FIG. 31 STAND. FOOTREST

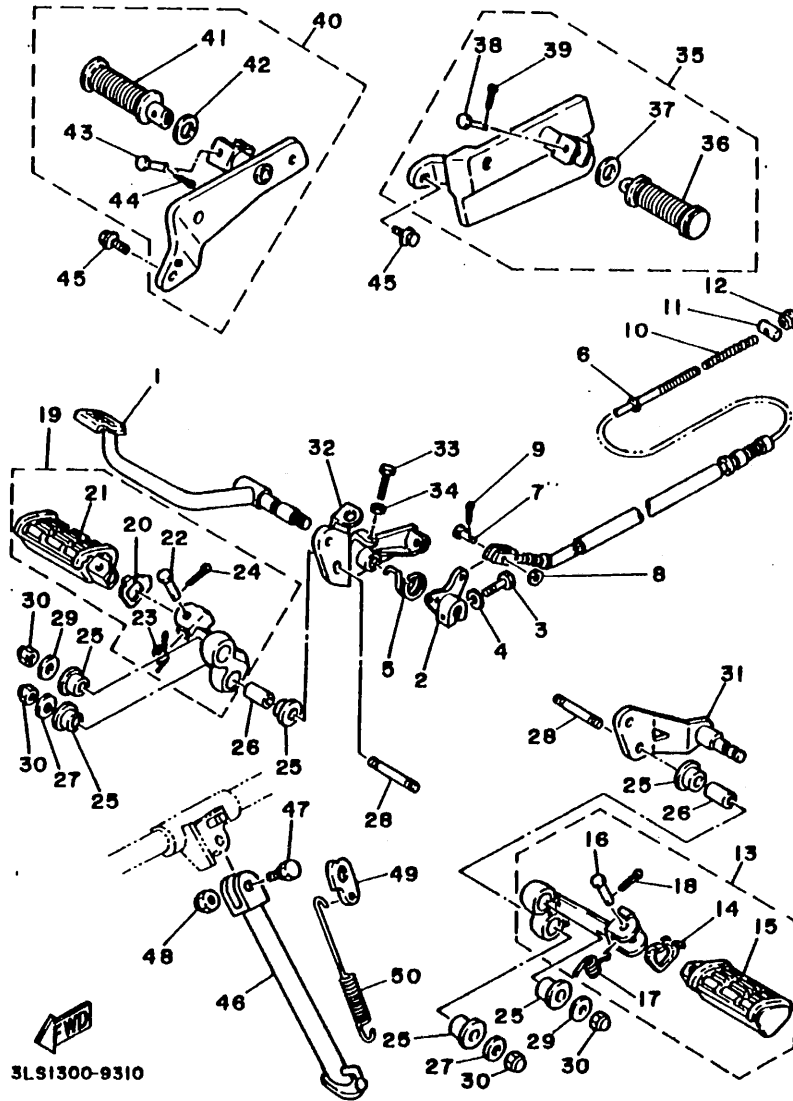


3L31300-9310

D11

REF. NO.	PART NO.	DESCRIPTION	Q'TY	REMARKS
1	2UJ-27211-01	PEDAL, brake	1	
2	2UJ-27262-02	LEVER	1	
3	90109-06470	BOLT	1	
4	92990-06100	WASHER, spring	1	
5	2UJ-27216-00	SPRING, brake pedal	1	
6	2UJ-26351-00	CABLE, brake	1	
7	91701-06018	PIN, clevis	1	
8	92901-06200	WASHER, plain	1	
9	91401-20020	PIN, cotter	1	
10	90501-10245	SPRING, compression	1	
11	90249-12008	PIN	1	
12	90179-06176	NUT	1	
13	2UJ-27410-00	FRONT FOOTREST ASSY (LEFT)	1	
14	4X7-27417-00	.WASHER, footrest	1	
15	4X7-27413-00	.COVER, footrest	1	
16	91701-08038	.PIN, clevis	1	
17	90508-20023	.SPRING, torsion	1	
18	91401-25020	.PIN, cotter	1	
19	2UJ-27420-00	FRONT FOOTREST ASSY (RIGHT)	1	
20	4X7-27417-00	.WASHER, footrest	1	
21	4X7-27413-00	.COVER, footrest	1	
22	91701-08038	.PIN, clevis	1	
23	90508-20023	.SPRING, torsion	1	
24	91401-25020	.PIN, cotter	1	
25	2UJ-27414-00	DAMPER, footrest	8	
26	90387-100V6	COLLAR	4	
27	90201-100A1	WASHER, plate	2	
28	90116-10519	BOLT, stud	4	

FIG. 31 STAND, FOOTREST



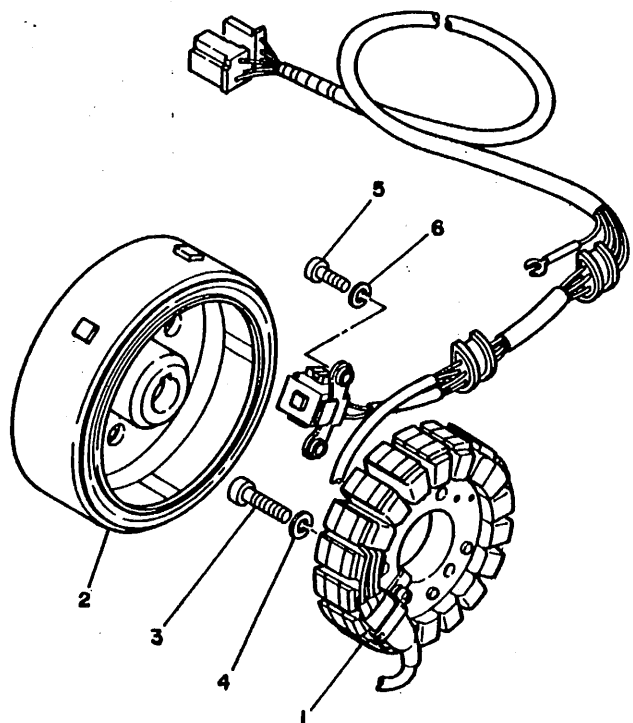
3LS1300-9310

REF. NO.	PART NO.	DESCRIPTION	Q'TY	REMARKS
29	90201-10742	WASHER, plate	2	
30	95303-10800	NUT, crown	4	
31	2UJ-2741L-00-33	BRACKET 4	1	YAMAHA BLACK
32	2UJ-2742L-00-33	BRACKET 5	1	YAMAHA BLACK
33	90153-06052	SCREW, hexagon	1	
34	95316-06600	NUT	1	
35	2UJ-27430-00-35	REAR FOOTREST ASSY 1	1	SILVER
36	120-27433-00	.COVER, rear footrest	1	
37	90201-20279	.WASHER, plate	1	
38	91701-06032	.PIN, clevis	1	
39	91401-20020	.PIN, cotter	1	
40	2UJ-27440-00-35	REAR FOOTREST ASSY 2	1	SILVER
41	120-27433-00	.COVER, rear footrest	1	
42	90201-20279	.WASHER, plate	1	
43	91701-06032	.PIN, clevis	1	
44	91401-20020	.PIN, cotter	1	
45	95023-08020	BOLT	2	
46	2UJ-27311-01	STAND, side	1	
47	90109-10474	BOLT	1	
48	90185-10037	NUT, self-locking	1	
49	2KT-27315-00	LINK, side stand	1	
50	2UJ-27316-00	SPRING, side stand	1	

D12

FIG. 32 GENERATOR

REF. NO.	PART NO.	DESCRIPTION	Q'TY	REMARKS
1	2UJ-81410-00	STATOR ASSY	1	
2	2UJ-81450-00	ROTOR ASSY	1	
3	98501-06025	SCREW, pan head	3	
4	92990-06100	WASHER, spring	3	
5	98501-05016	SCREW, pan head	2	
6	92990-05100	WASHER, spring	2	

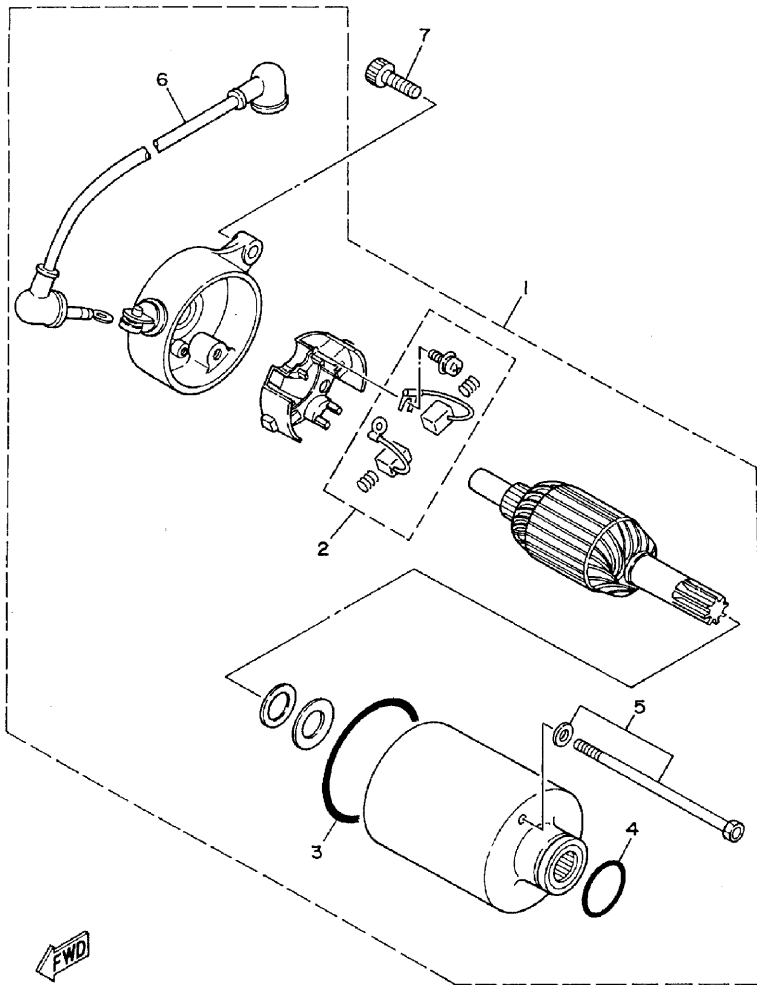


3DM010-8340

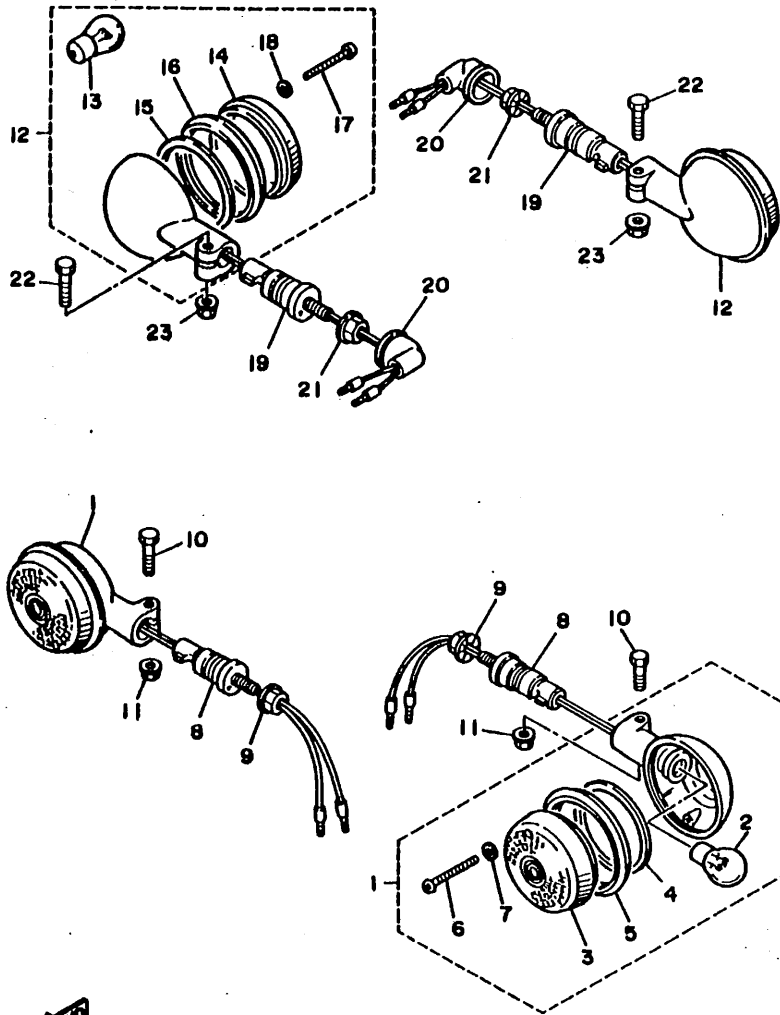
D13

FIG. 33 STARTING MOTOR

REF. NO.	PART NO.	DESCRIPTION	Q'TY	REMARKS
1	2UJ-81800-01	STARTING MOTOR ASSY	1	
2	50M-81801-M0	.BRUSH SET	1	
3	2UJ-81861-00	.GASKET	1	
4	93210-25711	.O-RING	1	
5	2UJ-81828-00	.BOLT 2	2	
6	2UJ-8183G-00	.CORD COMP.	1	
7	91311-06020	BOLT	2	



3DM010-8350



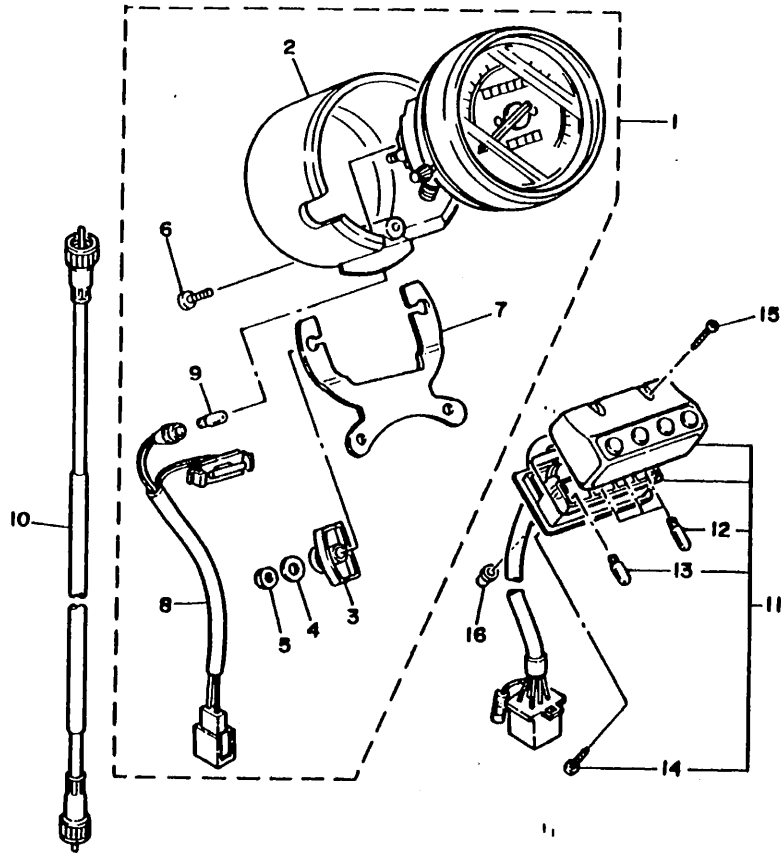
3L81332-9340

FIG. 34 FLASHER LIGHT

REF. NO.	PART NO.	DESCRIPTION	Q'TY	REMARKS
1	3LS-83310-00	FRONT FLASHER LIGHT ASSY 1	2	
2	1KT-83311-00	.BULB (12V-21W)	1	
3	42X-83312-00	.LENS, flasher	1	
4	42X-83313-00	.GASKET, flasher lens	1	
5	42X-83363-00	.LENS, rim	1	
6	341-83333-70	.SCREW, lens fitting	2	
7	42X-83359-00	.WASHER, special	2	
8	1AA-83318-00	STAY, flasher 1	2	
9	95303-12600	NUT	2	
10	97003-06030	BOLT	2	
11	95701-06500	NUT, flange	2	
12	3LS-83330-00	REAR FLASHER LIGHT ASSY 1	2	UR
	3LU-83330-00	REAR FLASHER LIGHT ASSY 1	2	UR FOR SWITZERLAND,AUSTRIA
13	1KT-83311-00	.BULB (12V-21W)	1	
14	2AE-83312-00	.LENS, flasher	1	
15	42X-83313-00	.GASKET, flasher lens	1	
16	42X-83363-00	.LENS, rim	1	
17	341-83333-70	.SCREW, lens fitting	2	
18	42X-83359-00	.WASHER, special	2	
19	1AA-83318-00	STAY, flasher 1	2	
20	18G-83365-00	CAP	2	
21	95303-12600	NUT	2	
22	97003-06030	BOLT	2	
23	95701-06500	NUT, flange	2	

FIG. 35 METER

REF. NO.	PART NO.	DESCRIPTION	Q'TY	REMARKS
1	3DM-83570-01	SPEEDOMETER ASSY	1	
2	2UJ-83507-00	.COVER, speedometer	1	
3	1FG-83523-00	.DAMPER	2	
4	90201-05031	.WASHER, plate	2	
5	95303-05600	.NUT	2	
6	90164-04009	.SCREW, tapping	1	
7	2GV-83519-00	.BRACKET, meter	1	
8	2UJ-83509-00	.SOCKET CORD ASSY	1	
9	42X-83517-00	.BULB (12V-3W)	1	
10	55K-83550-01	SPEEDOMETER CABLE ASSY	1	
11	3BT-83530-10	PILOT LIGHT ASSY	1	
12	42X-83517-00	.BULB (12V-3W)	2	
13	2GV-83517-00	.BULB, (12V-1.7W, T6.5)	1	
14	90164-03010	.SCREW, tapping	1	
15	98501-04035	SCREW, pan head	2	
16	90179-04579	NUT	2	



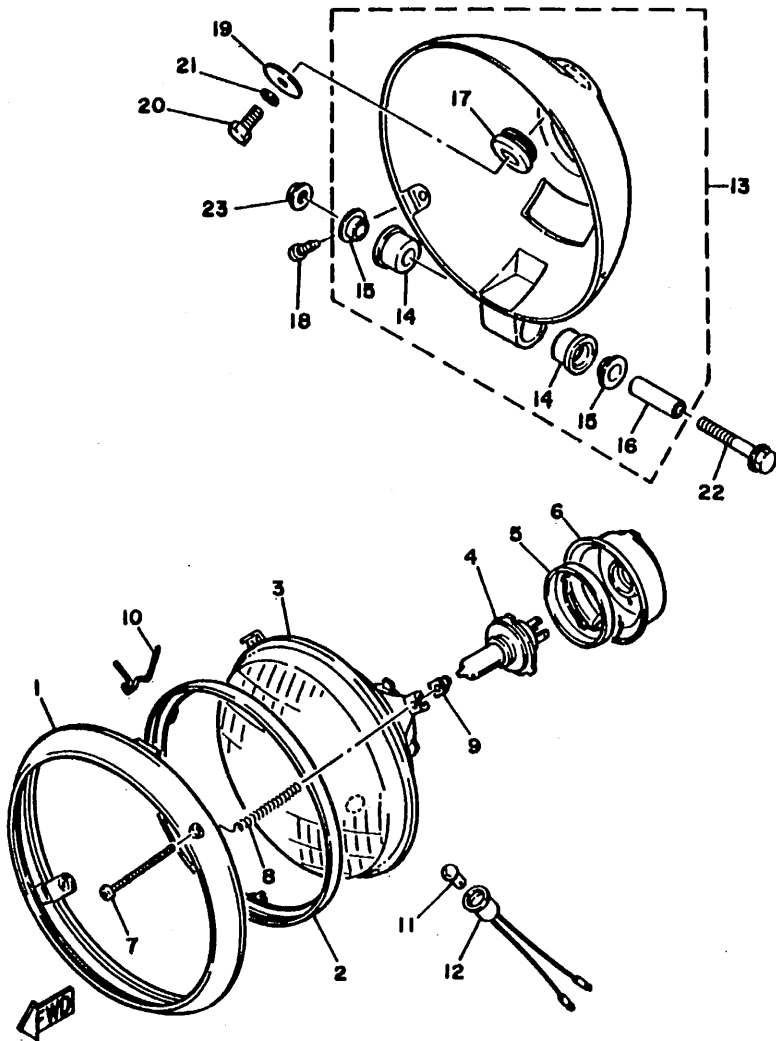
FWD

3DM010-8370

E2

FIG. 36 HEADLIGHT

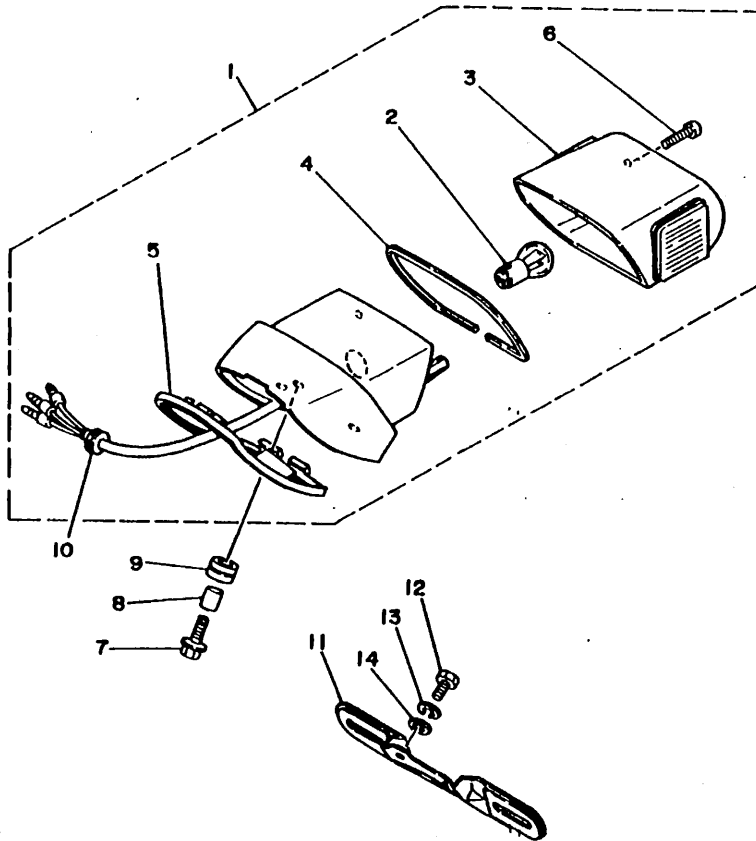
REF. NO.	PART NO.	DESCRIPTION	Q'TY	REMARKS
1	42X-84315-01	RIM, headlight	1	
2	5Y3-84395-00	RING, retaining	1	
3	2AE-84320-60	LENS ASSY	1	
4	*	BULB (12V-60/55W)	1	LM HALOGEN
5	2F9-84375-00	SETTING PLATE, bulb	1	
6	2F9-84397-01	COVER, socket	1	
7	90157-04001	SCREW, pan head	2	
8	1A0-84332-60	SPRING, screw	2	
9	198-84334-60	NUT, adjusting	2	
10	42X-84124-60	SPRING, set	1	
11	4E2-84347-00	BULB (12V-4W)	1	
12	34L-84346-00	SOCKET, pilot light	1	
13	2UJ-84330-00	BODY ASSY	1	
14	42X-84345-00	.DAMPER, headlight	2	
15	1FK-84338-00	.COLLAR, body fitting	2	
16	2UJ-84338-00	.COLLAR, body fitting	1	
17	42X-84366-00	.DAMPER, headlight 1	1	
18	90157-05084	SCREW, pan head	2	
19	90201-061H3	WASHER, plate	1	
20	97313-06016	BOLT	1	
21	92990-06100	WASHER, spring	1	
22	95811-06045	BOLT, flange	1	
23	95701-06500	NUT, flange	1	



3DM010-8380

E3

FIG. 37 TAILLIGHT



REF. NO.	PART NO.	DESCRIPTION	QTY	REMARKS
1	3LS-84700-00	TAILLIGHT ASSY	1	
2	31L-84714-00	.BULB, taillight (12V-21/5W)	1	
3	3LS-84721-00	.LENS, taillight	1	
4	2UJ-84723-00	.GASKET, tail lens	1	
5	2UJ-84704-00	.GASKET, taillight	1	
6	97701-40525	.SCREW, tapping	2	
7	90119-06182	BOLT, with washer	3	
8	90387-061V1	COLLAR	3	
9	90480-14229	GROMMET	3	
10	90480-16501	GROMMET	1	
11	3LS-84751-00	BRACKET, license	1	
12	97003-06014	BOLT	2	
13	92990-06100	WASHER, spring	2	
14	92901-06600	WASHER, plate	2	

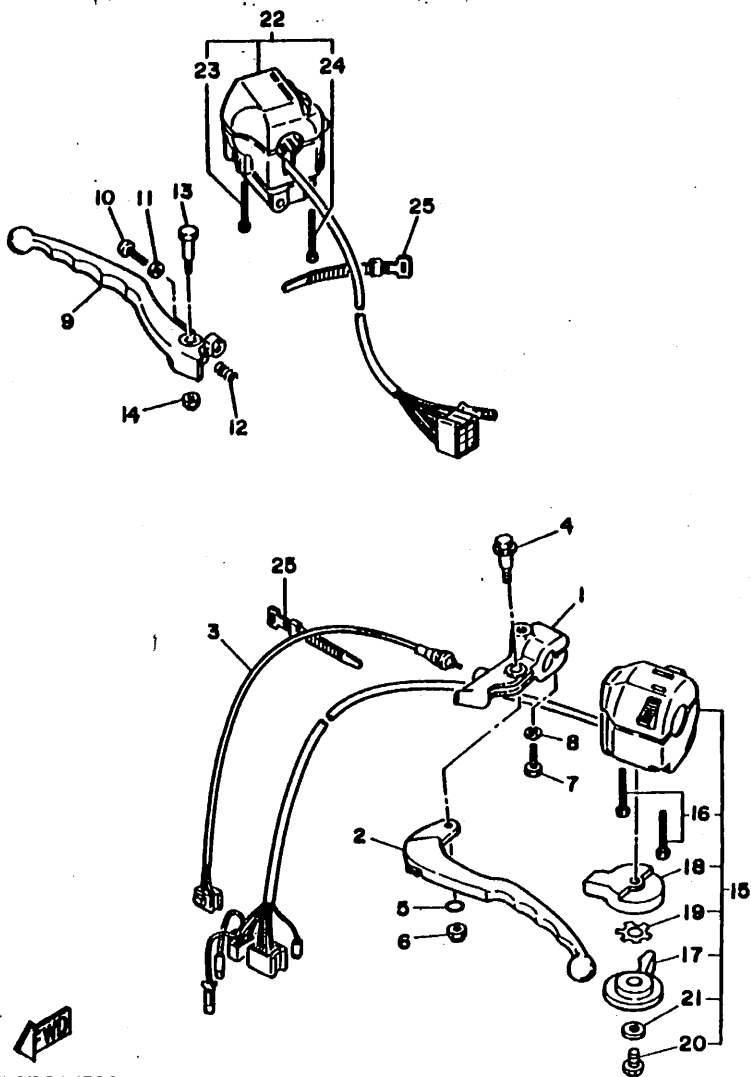


3LS1332-9370

E4

FIG. 38 HANDLE SWITCH, LEVER

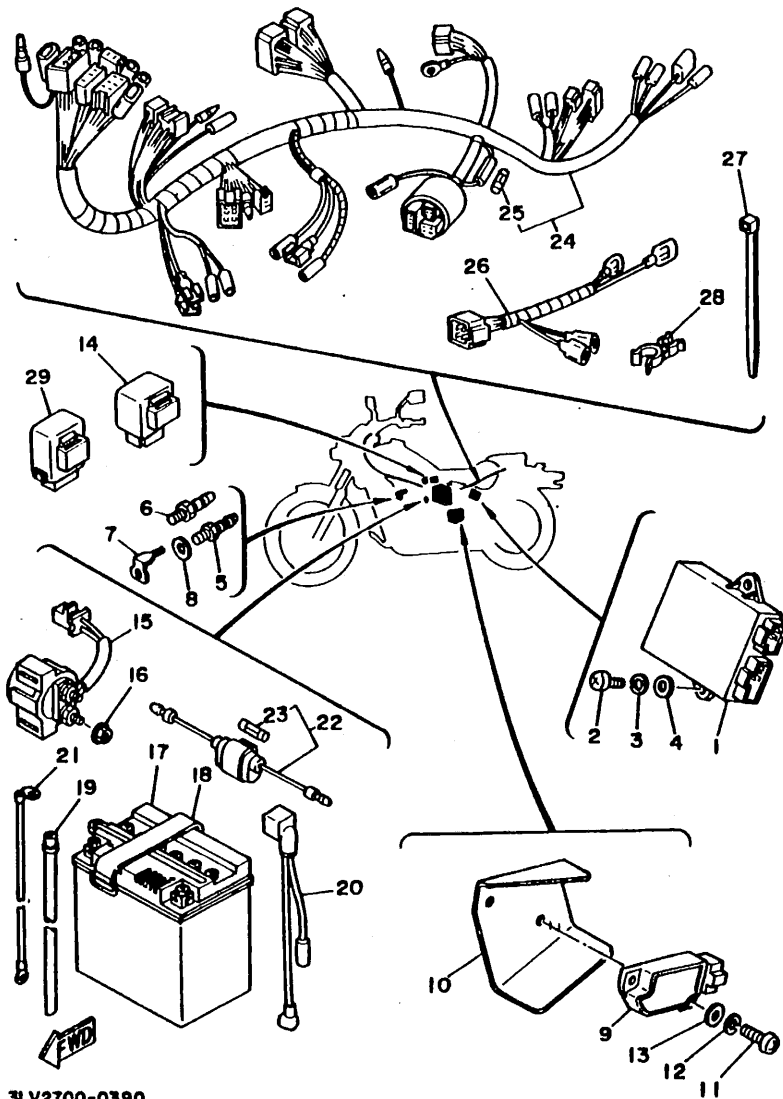
REF. NO.	PART NO.	DESCRIPTION	Q'TY	REMARKS
1	11U-82911-00	HOLDER, lever 1	1	
2	1AA-83912-00	LEVER 1	1	
3	2UJ-82917-00	SWITCH	1	
4	90109-06799	BOLT	1	
5	93210-11368	O-RING	1	
6	95616-06100	NUT, u	1	
7	97006-06022	BOLT	1	
8	92906-06100	WASHER, spring	1	
9	2W1-83922-00	LEVER 2	1	
10	90149-06153	SCREW	1	
11	90170-06010	NUT	1	
12	90501-10312	SPRING, compression	1	
13	90109-06577	BOLT	1	
14	95601-06100	NUT, u	1	
15	3LS-83972-00	SWITCH, handle 4	1	
16	98506-05035	.SCREW, pan head	2	
17	10M-83941-00	.LEVER, starter	1	
18	10M-83942-00	.COVER, starter	1	
19	90209-10131	.WASHER	1	
20	98506-06008	.SCREW, pan head	1	
21	92901-06200	.WASHER, plain	1	
22	3DM-83973-10	SWITCH, handle 3	1	
23	98506-05040	.SCREW, pan head	1	
24	98506-05045	.SCREW, pan head	1	
25	437-83936-01	BAND, switch cord	3	




3L81354-1380

E5

FIG. 39 ELECTRICAL 1



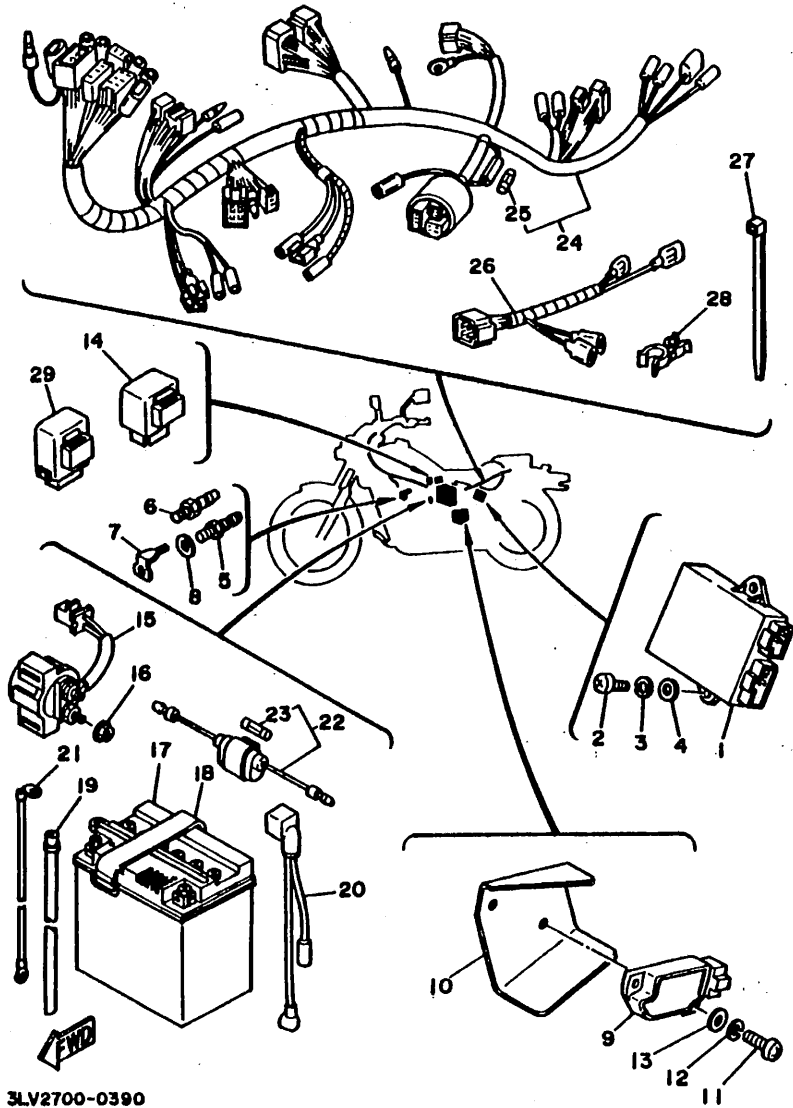
3LV2700-0390

REF. NO.	PART NO.	DESCRIPTION	Q'TY	REMARKS
1	3LS-82305-00	IGNITOR UNIT ASSY	1	
2	98502-06016	SCREW, pan head	1	
3	92990-06100	WASHER, spring	1	
4	92990-06600	WASHER, plate	1	
5	3DM-83790-00	HEATER ASSY	1	
6	3BG-83790-00	HEATER ASSY	1	
7	1AJ-82103-00	TERMINAL 1	1	
8	90201-081K4	WASHER, plate	2	
9	47X-81960-A2	RECTIFIER & REGULATOR ASSY	1	
10	2UJ-81975-00	PLATE, rectifier fitting	1	
11	98501-06020	SCREW, pan head	2	
12	92990-06100	WASHER, spring	2	
13	92990-06600	WASHER, plate	2	
14	2UJ-81950-00	RELAY ASSY	1	
15	36Y-81940-00	STARTER RELAY ASSY	1	
16	95701-06500	NUT, flange	2	
17	3DN-82110-00	BATTERY ASSY (G.S. GM10-3A-2)	1	
18	118-82131-00	BAND, battery	1	
19	90445-08248	HOSE	1	
20	2UJ-82115-00	WIRE, plus lead	1	
21	2UJ-82116-00	WIRE, minus lead	1	
22	2UJ-82150-01	FUSE HOLDER ASSY	1	
23	148-82151-00	.FUSE (20A)	1	
24	3LS-82590-00	WIRE HARNESS ASSY	1	
25	1E6-82151-00	.FUSE (10A)	2	
26	2UJ-82509-00	WIRE, sub lead	1	
27	12R-82591-00	BAND	2	
28	90464-16119	CLAMP	1	

E6

FIG. 39 ELECTRICAL 1

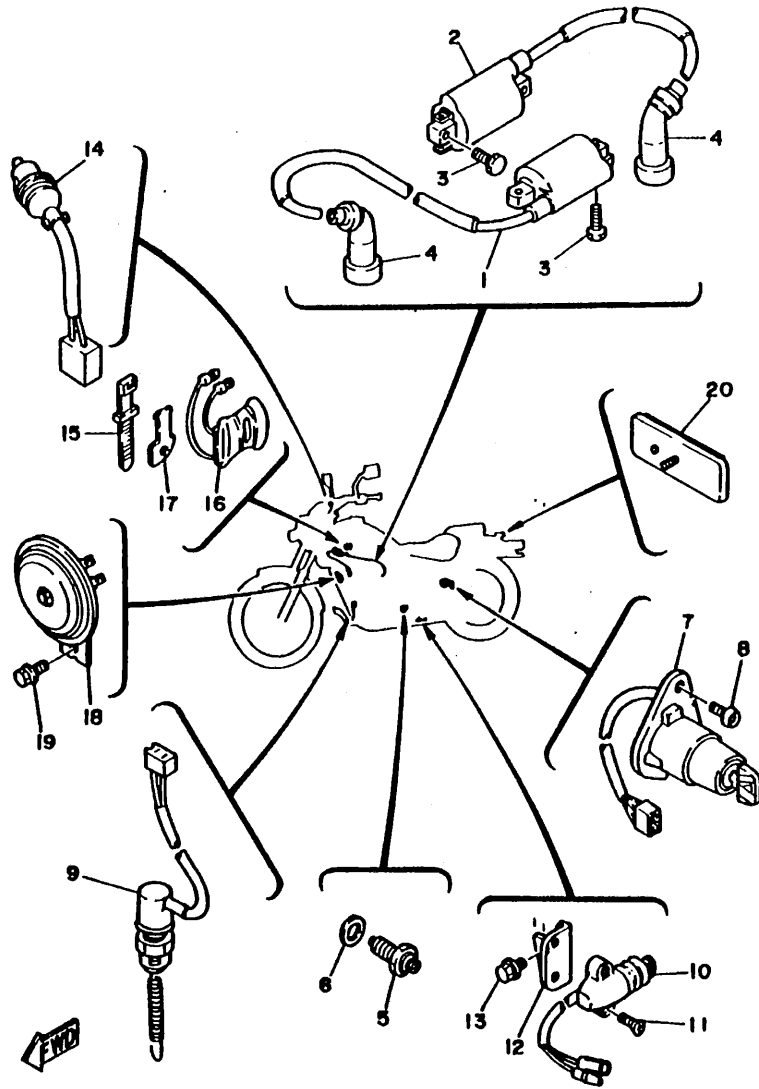
REF. NO.	PART NO.	DESCRIPTION	Q'TY	REMARKS
29	2UJ-83350-00	FLASHER RELAY ASSY	1	



3LV2700-0390

E7

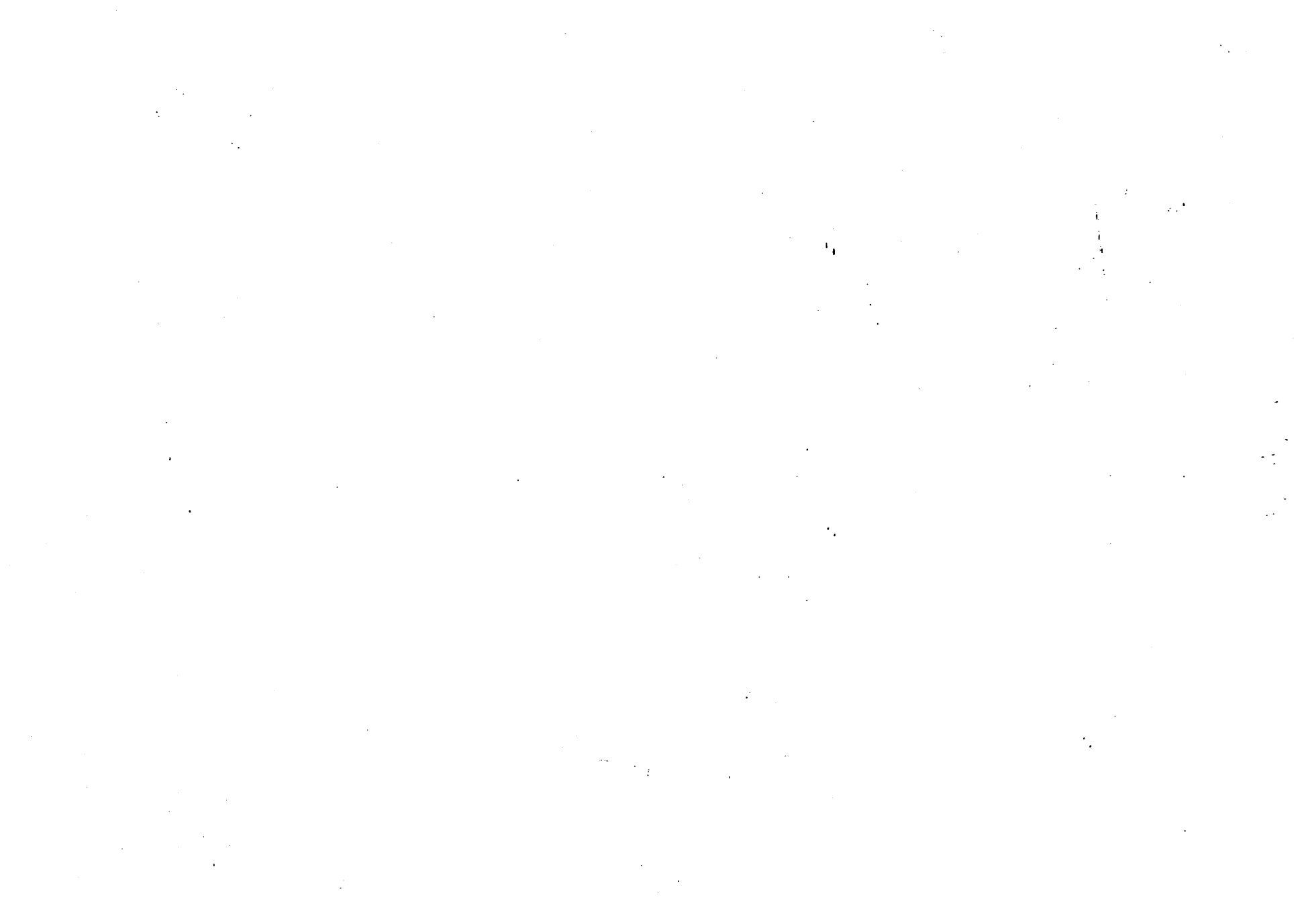
FIG. 40 ELECTRICAL 2



REF. NO.	PART NO.	DESCRIPTION	Q'TY	REMARKS
1	2UJ-82310-00	IGNITION COIL ASSY	1	
2	2UJ-82320-00	IGNITION COIL ASSY	1	
3	97021-05020	BOLT	4	
4	4G0-82370-21	PLUG CAP ASSY	2	
5	2H7-82540-00	NEUTRAL SWITCH ASSY	1	
6	90430-10171	GASKET	1	
7	3DM-82510-00	MAIN SWITCH ASSY	1	
8	90149-06228	SCREW	2	
9	2UJ-82530-02	STOP SWITCH ASSY	1	
10	5Y1-82566-00	SWITCH, side stand	1	
11	90152-05021	SCREW, countersunk	2	
12	2UJ-82565-00	PANEL, switch	1	
13	91026-06010	BOLT	1	
14	2UJ-83980-00	FRONT STOP SWITCH ASSY	1	
15	3DM-83936-01	BAND, switch cord	2	
16	3DM-82560-00	THERMO SWITCH ASSY	1	
17	3DM-82571-00	PANEL, switch	1	
18	3BN-83371-00	HORN	1	
19	95826-06010	BOLT, flange	1	
20	3Y6-85130-02	REAR REFLECTOR ASSY	1	

3LS1300-9400

E8



INDIVIDUAL SPEC.

THE UNIVERSITY OF CHICAGO

11

FOR SWITZERLAND

FOR AUSTRIA

The following pages provides a listing of only the parts that meet the specifications peculiar to your market. For those parts not appearing in these pages, refer to the "GENERAL SPEC" section.

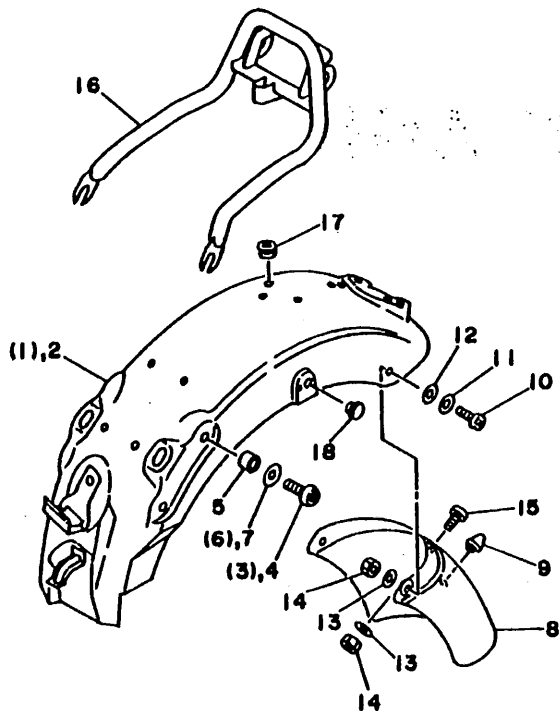


FIG. 41 ALTERNATE (FENDER)

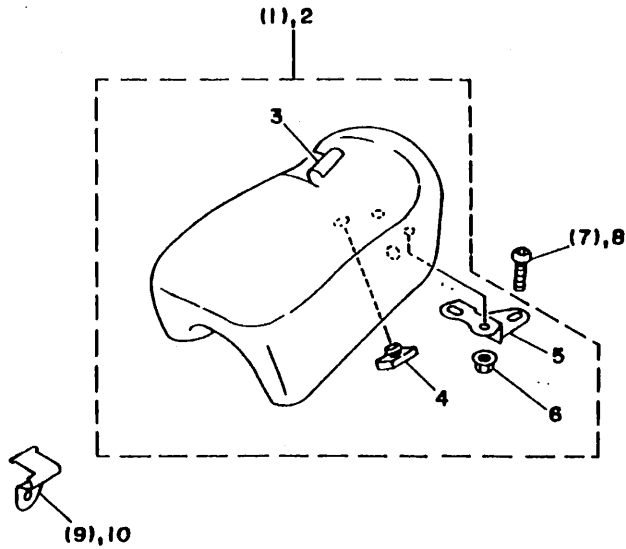
REF. NO.	PART NO.	DESCRIPTION	Q'TY	REMARKS
1	2UJ-21610-00-TH	REAR FENDER COMP.	*	UR LUMINOUS RED
	2UJ-21610-00-6G	REAR FENDER COMP.	*	UR NEW YAMAHA BLACK
	2UJ-21610-00-9G	REAR FENDER COMP.	*	UR FROST SILVER
2	3LS-21610-00-TH	REAR FENDER COMP.	1	UR LUMINOUS RED
	3LS-21610-00-6G	REAR FENDER COMP.	1	UR NEW YAMAHA BLACK
	3LS-21610-00-9G	REAR FENDER COMP.	1	UR FROST SILVER
3	91316-10Q35	BOLT	*	
4	92013-10050	BOLT	2	
5	90387-100E2	COLLAR	2	
6	92906-10600	WASHER	*	
7	92990-10200	WASHER, plain	2	
8	3LS-21621-00	FLAP	1	
9	4G0-21639-00	DAMPER 2	1	
10	98506-06012	SCREW, pan head	2	
11	92906-06600	WASHER, plate	2	
12	90430-06139	GASKET	2	
13	92990-06200	WASHER, plain	3	
14	95303-06600	NUT	3	
15	98903-06014	SCREW, bind	1	
16	3LU-21640-00	REAR STAY COMP.	1	
17	90480-12013	GROMMET	2	
18	1J3-24742-00	GROMMET	2	

* For convenience of reference:

Disregard the items asterisked (*) in the "QTY" column. These are intended for GENERAL SPEC, and NOT for INDIVIDUAL SPEC.

FIG. 42 ALTERNATE (SEAT)

REF. NO.	PART NO.	DESCRIPTION	Q'TY	REMARKS
1	2UJ-24750-00	TANDEM SEAT ASSY	*	
2	3LS-24750-00	TANDEM SEAT ASSY	1	
3	2UJ-24751-00	.COVER, tandem seat	1	
4	509-24724-00	.DAMPER, seat	4	
5	2UJ-2471A-00	.STAY, seat	1	
6	95701-06500	.NUT, flange	2	
7	95023-08012	BOLT	*	
8	92013-08035	BOLT	1	
9	3DM-82571-00	PANEL, switch	*	
10	3BG-82571-00	PANEL, switch	1	



FWD
3L92300-2420

* For convenience of reference:

Disregard the items asterisked (*) in the "QTY" column. These are intended for GENERAL SPEC, and NOT for INDIVIDUAL SPEC.

E11

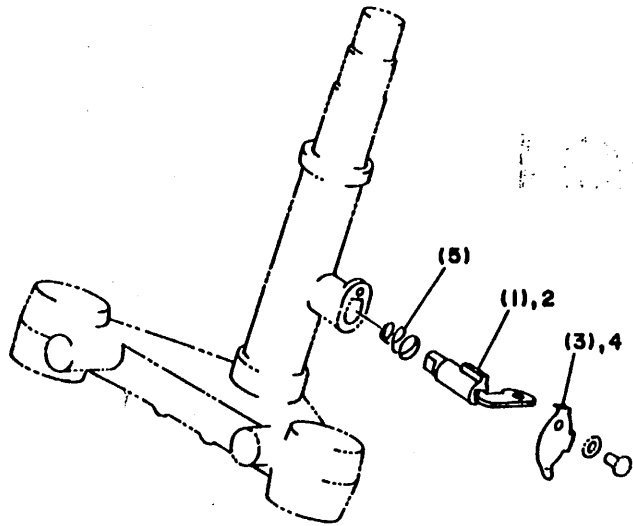


FOR SWEDEN

The following pages provides a listing of only the parts that meet the specifications peculiar to your market. For those parts not appearing in these pages, refer to the "GENERAL SPEC" section.

FIG. 43 ALTERNATE (FRONT FORK)

REF. NO.	PART NO.	DESCRIPTION	QTY	REMARKS
1	2A6-23408-00	STEERING LOCK ASSY	*	
2	*	STEERING LOCK ASSY	1 LM	
3	3DM-23484-00	CAP, handle lock	*	
4	134-23484-10	CAP, handle lock	1	
5	90502-09024	SPRING, conical	*	



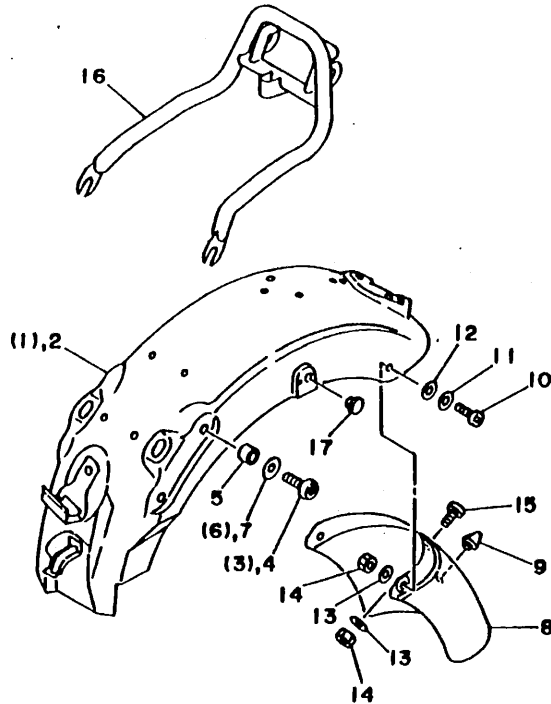
3L92300-2430

* For convenience of reference:

Disregard the items asterisked (*) in the "QTY" column. These are intended for GENERAL SPEC, and NOT for INDIVIDUAL SPEC.

E13

FIG. 44 ALTERNATE (FENDER)



REF. NO.	PART NO.	DESCRIPTION	Q'TY	REMARKS
1	2UJ-21610-00-TH	REAR FENDER COMP.	*	UR LUMINOUS RED
	2UJ-21610-00-6G	REAR FENDER COMP.	*	UR NEW YAMAHA BLACK
	2UJ-21610-00-9G	REAR FENDER COMP.	*	UR FROST SILVER
2	3LS-21610-00-TH	REAR FENDER COMP.	1	UR LUMINOUS RED
	3LS-21610-00-6G	REAR FENDER COMP.	1	UR NEW YAMAHA BLACK
	3LS-21610-00-9G	REAR FENDER COMP.	1	UR FROST SILVER
3	91316-10035	BOLT	*	
4	92013-10050	BOLT	2	
5	90387-100E2	COLLAR	2	
6	92906-10600	WASHER	*	
7	92990-10200	WASHER, plain	2	
8	3LS-21621-00	FLAP	1	
9	4G0-21639-00	DAMPER 2	1	
10	98506-06012	SCREW, pan head	2	
11	92906-06600	WASHER, plate	2	
12	90430-06139	GASKET	2	
13	92990-06200	WASHER, plain	3	
14	95303-06600	NUT	3	
15	98903-06014	SCREW, blind	1	
16	3LS-21640-00	REAR STAY COMP.	1	
17	1J3-24742-00	GROMMET	2	



3LS2300-2440

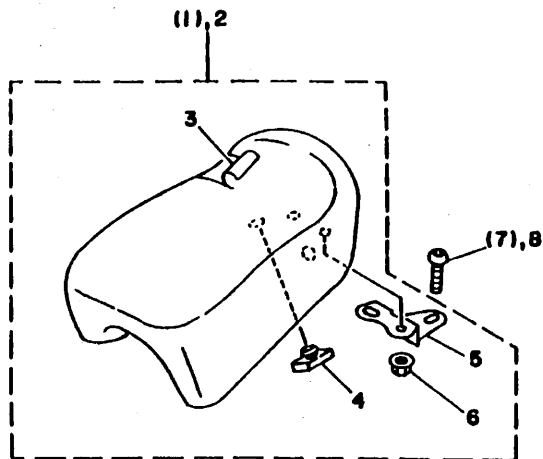
* For convenience of reference:

Disregard the items asterisked (*) in the "QTY" column. These are intended for GENERAL SPEC, and NOT for INDIVIDUAL SPEC.

E14

FIG. 45 ALTERNATE (SEAT)

REF. NO.	PART NO.	DESCRIPTION	Q'TY	REMARKS
1	2UJ-24750-00	TANDEM SEAT ASSY	*	
2	3LS-24750-00	TANDEM SEAT ASSY	1	
3	2UJ-24751-00	.COVER, tandem seat	1	
4	509-24724-00	.DAMPER, seat	4	
5	2UJ-2471A-00	.STAY, seat	1	
6	95701-06500	.NUT, flange	2	
7	95023-08012	BOLT	*	
8	92013-08035	BOLT	1	



3L82300-2450

* For convenience of reference:

Disregard the items asterisked (*) in the "QTY" column. These are intended for GENERAL SPEC, and NOT for INDIVIDUAL SPEC.

E15

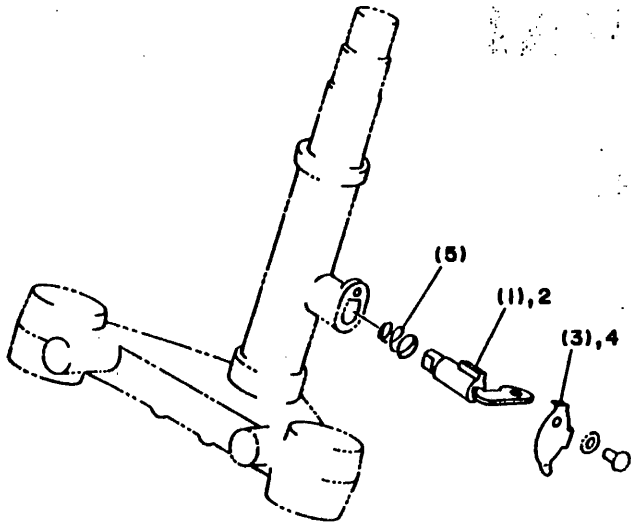
FOR PORTUGAL

FOR GREECE

The following pages provides a listing of only the parts that meet the specifications peculiar to your market. For those parts not appearing in these pages, refer to the "GENERAL SPEC" section.

FIG. 46 ALTERNATE (FRONT FORK)

REF. NO.	PART NO.	DESCRIPTION	Q'TY	REMARKS
1	2A6-23408-00	STEERING LOCK ASSY	*	
2	*	STEERING LOCK ASSY	1 LM	
3	3DM-23484-00	CAP, handle lock	*	
4	134-23484-10	CAP, handle lock	1	
5	90502-09024	SPRING, conical	*	



3L92300-2430

* For convenience of reference:

Disregard the items asterisked (*) in the "QTY" column. These are intended for GENERAL SPEC, and NOT for INDIVIDUAL SPEC.

F3

FOR DENMARK

FOR NORWAY

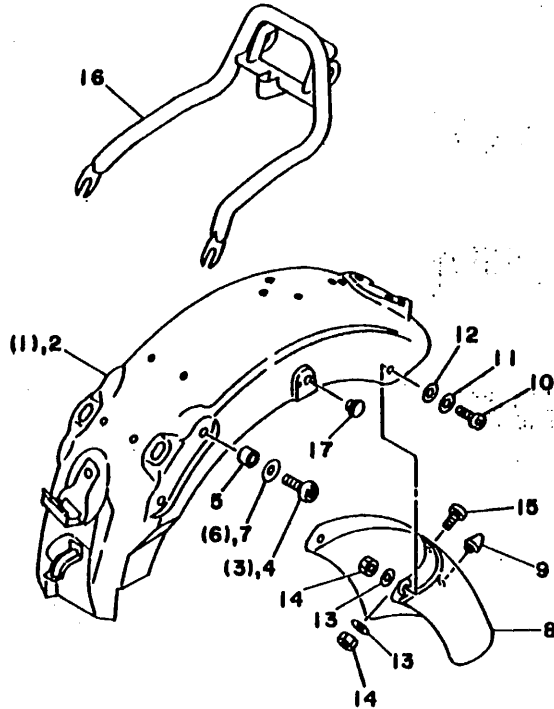
FOR HOLLAND

FOR BELGIUM

FOR FINLAND

The following pages provides a listing of only the parts that meet the specifications peculiar to your market. For those parts not appearing in these pages, refer to the "GENERAL SPEC" section.

FIG. 47 ALTERNATE (FENDER)



REF. NO.	PART NO.	DESCRIPTION	Q'TY	REMARKS
1	2UJ-21610-00-TH	REAR FENDER COMP.	*	UR LUMINOUS RED
	2UJ-21610-00-6G	REAR FENDER COMP.	*	UR NEW YAMAHA BLACK
	2UJ-21610-00-9G	REAR FENDER COMP.	*	UR FROST SILVER
2	3LS-21610-00-TH	REAR FENDER COMP.	1	UR LUMINOUS RED
	3LS-21610-00-6G	REAR FENDER COMP.	1	UR NEW YAMAHA BLACK
	3LS-21610-00-9G	REAR FENDER COMP.	1	UR FROST SILVER
3	91316-10035	BOLT	*	
4	92013-10050	BOLT	2	
5	90387-100E2	COLLAR	2	
6	92906-10600	WASHER	*	
7	92990-10200	WASHER, plain	2	
8	3LS-21621-00	FLAP	1	
9	4G0-21639-00	DAMPER 2	1	
10	98506-06012	SCREW, pan head	2	
11	92906-06600	WASHER, plate	2	
12	90430-06139	GASKET	2	
13	92990-06200	WASHER, plain	3	
14	95303-06600	NUT	3	
15	98903-06014	SCREW, blind	1	
16	3LS-21640-00	REAR STAY COMP.	1	
17	1J3-24742-00	GROMMET	2	

* For convenience of reference:

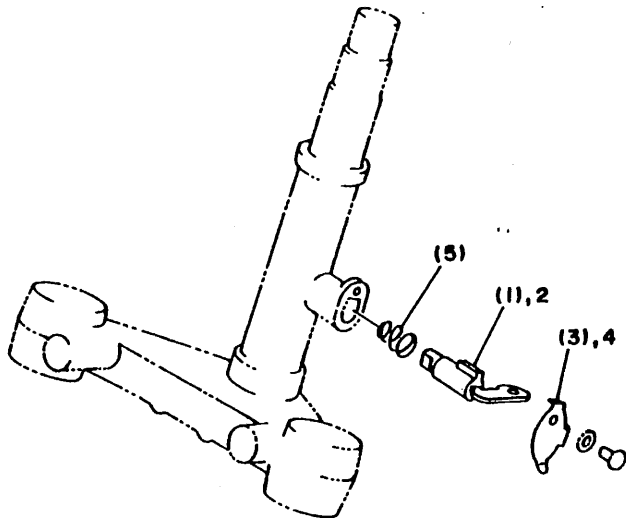
Disregard the items asterisked (*) in the "QTY" column. These are intended for GENERAL SPEC, and NOT for INDIVIDUAL SPEC.

F5



FIG. 48 ALTERNATE (FRONT FORK)

REF. NO.	PART NO.	DESCRIPTION	Q'TY	REMARKS
1	2A6-23408-00	STEERING LOCK ASSY	*	
2	*	STEERING LOCK ASSY	1 LM	
3	3DM-23484-00	CAP, handle lock	*	
4	134-23484-10	CAP, handle lock	1	
5	90502-09024	SPRING, conical	*	



3LS2300-2430

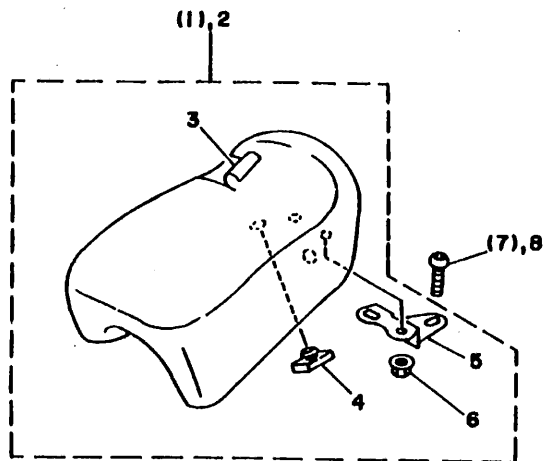
* For convenience of reference:

Disregard the items asterisked (*) in the "Q'TY" column. These are intended for GENERAL SPEC, and NOT for INDIVIDUAL SPEC.

F6

FIG. 49 ALTERNATE (SEAT)

REF. NO.	PART NO.	DESCRIPTION	Q'TY	REMARKS
1	2UJ-24750-00	TANDEM SEAT ASSY	*	
2	3LS-24750-00	TANDEM SEAT ASSY	1	
3	2UJ-24751-00	.COVER, tandem seat	1	
4	509-24724-00	.DAMPER, seat	4	
5	2UJ-2471A-00	.STAY, seat	1	
6	95701-06500	.NUT, flange	2	
7	95023-08012	BOLT	*	
8	92013-08035	BOLT	1	



3LS2300-2480

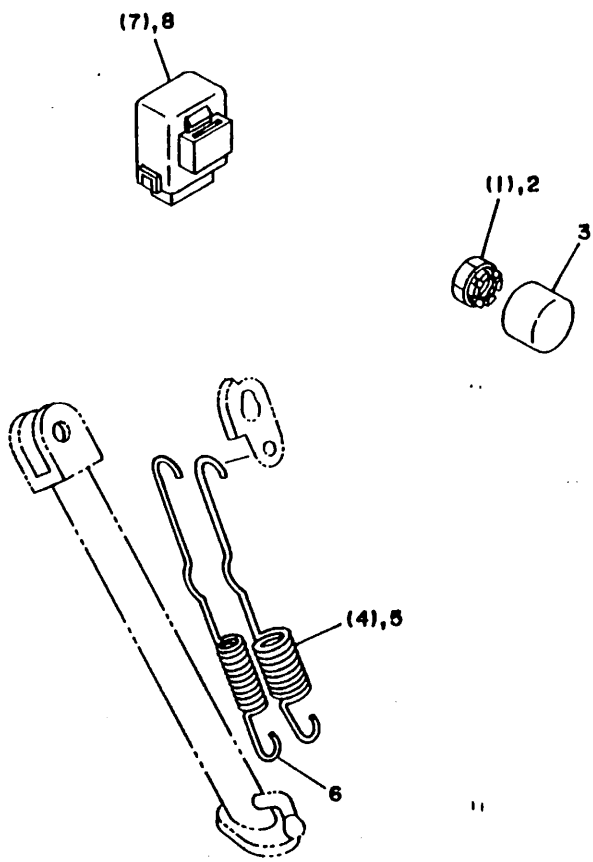
* For convenience of reference:

Disregard the items asterisked (*) in the "QTY" column. These are intended for GENERAL SPEC, and NOT for INDIVIDUAL SPEC.

F7

FIG. 50 ALTERNATE (CHASSIS)

REF. NO.	PART NO.	DESCRIPTION	Q'TY	REMARKS
1	90171-14020	NUT, castle	*	
2	90171-14029	NUT, castle	1	
3	4E7-25188-00	CAP	1	
4	2UJ-27316-00	SPRING, side stand	*	
5	3LS-27316-00	SPRING, side stand	1	
6	3LS-27316-10	SPRING, side stand	1	
7	2UJ-83350-00	FLASHER RELAY ASSY	*	
8	3CW-83350-00	FLASHER RELAY ASSY	1	



3LS2300-2500

F8

INDEX

(GENERAL SPEC.)

NUMERICAL INDEX

PART NO.	GRID NO.	PART NO.	GRID NO.	PART NO.	GRID NO.	PART NO.	GRID NO.	PART NO.	GRID NO.	PART NO.	GRID NO.
23L-W0041-00	D-10	22F-12156-00	B- 5	2UJ-14484-00	B-12	2UJ-15512-00	C- 2	3Y1-18540-00	C- 6	3J2-23114-00	C-15
2UJ-W0045-01	D- 6	22F-12159-00	B- 5	2UJ-14485-00	B- 9	2UJ-15517-00	C- 2	136-18542-00	C- 6	58T-23118-L0	C-14
2JK-W0047-00	D- 6	2UJ-12171-00	B- 6	3DM-14504-01	B-10	5H0-15521-00	C- 2	2K9-18561-00	C- 6		C-15
51L-W0048-00	D- 6	2UJ-12176-00	B- 6	1FN-14565-00	B-10	51Y-15590-01	C- 2	2UJ-21110-01-33	C- 8	4H7-23119-00	C-14
2JK-W0057-00	D- 6	2UJ-12181-00	B- 6	1HX-14565-00	B-10	3Y6-16111-03	C- 3	3LS-21110-00-33	C- 8		C-14
2UJ-W1141-00	B- 4	2UJ-12210-01	B- 6	2GV-14603-00	B-12	2UJ-16150-00	C- 3	2UJ-21243-00	C- 8	2UJ-23126-00	C-14
2UJ-W2341-00-35	C-12	3DM-12213-00	B- 6	3DM-14613-00	B-12	30X-16154-00	C- 3	26H-21308-00	C- 8	122-23129-00	C-14
3LS-W2536-00	D- 7	2UJ-12231-00	B- 6	2UJ-14621-00	B-12	31A-16321-00	C- 3	2UJ-21315-00	C- 8		C-14
2UJ-11102-00	B- 2	2UJ-12241-00	B- 6	2UJ-14631-00	B-12	3J2-16324-00	C- 3	2UJ-21318-00-33	C- 8	2UJ-23136-00	C-14
3BG-11102-00	B- 2	2UJ-12279-00	B-14	2GV-14663-00	B-12	5Y1-16331-01	C- 3	2UJ-21319-00	C- 8	2UJ-23141-00	C-14
2UJ-1111F-00	B- 6	2UJ-13300-00	B- 7	3DM-14703-01	B-12	30X-16351-01	C- 3	2UJ-2135Y-00	C- 8		C-15
2UJ-11133-10	B- 2	3Y6-13326-01	B- 7	3LU-14703-00	B-12	30X-16356-00	C- 3	2UJ-21510-00-TH	C- 9	583-23142-00	C-14
22F-11134-10	B- 2	2UJ-13341-00	B- 7	3BM-14714-00	B-13	2UJ-16357-00	C- 4	2UJ-21510-00-6G	C- 9		C-15
2UJ-11142-00	B- 2	51Y-13411-00	B- 7	3DM-14714-00	B-12	30X-16358-00	C- 3	2UJ-21510-00-9G	C- 9	51Y-23144-00	C-14
2UJ-11152-00	B- 2	2XK-13416-00	B- 7	42H-14808-00	B-13	30X-16371-00	C- 3	2NT-21597-01	C- 9		C-14
15A-11162-00	B- 3	4X7-13440-90	B- 8	3BG-14840-00	B-12	2UJ-16380-00	C- 3	3DM-21598-00	C- 9	51Y-23145-00	C-14
2UJ-11166-00	B-14	3DM-13447-00	B- 8	42H-14857-00	B-13	3Y1-17121-01	C- 5	2UJ-21610-00-TH	C- 9		C-14
2UJ-11181-01	B- 2	3VD-13455-00	B-14	3BG-14858-00	B-13	3Y1-17131-01	C- 5	2UJ-21610-00-6G	C- 9	509-23151-L0	C-14
2UJ-11185-00	B- 2	3BG-13542-00	B-13	3BM-14867-00	B-13	3Y1-17141-00	C- 5	2UJ-21610-00-9G	C- 9		C-15
2UJ-11186-00	B- 2	1HX-13575-00	B- 9	3BG-14871-00	B- 2	3Y1-17151-00	C- 5	2UJ-21641-00	C- 9	22W-23153-L0	C-14
22F-11186-00	B- 2	2UJ-13586-00	B- 9	3BG-14872-00	B- 2	3Y1-17211-00	C- 5	2UJ-21670-00	C- 9		C-14
214-11198-01	B-14	3BG-13595-00	B- 9	3BG-14873-00	B-13	3Y1-17221-01	C- 5	2UJ-21711-00-TH	C-10	509-23158-L0	C-14
2UJ-11310-01	B- 3	3DM-13910-00	D- 3	3BG-14874-00	B-13	3Y1-17231-01	C- 5	2UJ-21711-00-6G	C-10		C-15
3BG-11310-00	B- 3	2UJ-13978-00	B- 9	1TA-14881-00	B-13	3Y1-17241-00	C- 5	2UJ-21711-00-9G	C-10	2NT-23164-00	C-12
2UJ-11320-01	B- 3	3DM-1410A-01	B-10	3BM-14882-00	B-12	3Y1-17251-01	C- 5	2N4-21717-00	C-10	2UJ-2317E-00	C-12
3BG-11320-00	B- 3	1HX-14103-00	B-10	3BM-14883-00	B-13	3Y1-17402-00	C- 5	2UJ-21721-00-TH	C-10	3DM-2317F-00	C-12
3DM-11351-00	B- 3	12R-14105-00	B-10	3BG-14884-00	B-13	2UJ-17411-00	C- 5	2UJ-21721-00-6G	C-10	2UJ-2317H-00	C-12
2UJ-11400-00	B- 4	3CF-14107-10	B-10	3BG-14885-00	B-13	3Y1-17456-00	C- 5	2UJ-21721-00-9G	C-10	2UJ-23170-00	C-14
2UJ-11422-00	B- 4	3F9-14118-00	B-10	3BG-1490J-00	B-10	3DM-17460-00	C- 5	2UJ-2173M-00	C- 9		C-15
2UJ-11478-00	B- 4	3DM-14141-30	B-11	3DM-1490J-00	B-10	2UJ-18101-01	C- 7	3DM-2173N-00	C- 9	39K-23173-00	C-14
2UJ-1154A-00	B- 4	22F-14142-17	B-10	3DM-14900-03	B-10	2UJ-18110-00	C- 7	2UJ-21735-00	C- 9		C-15
50M-11610-00	B- 4	1HX-14147-00	B-10	3LU-14900-00	B-10	132-18113-01	C- 7	2UJ-2177G-00	C-10	2UJ-23174-00	C-12
50M-11610-20	B- 4	137-14153-00	B-10	1HX-14933-00	B-10	2UJ-18115-02	C- 7	3LS-22110-00-33	C-11	278-23181-50	C-14
50M-11610-40	B- 4	353-14186-00	B-10	3BG-14940-00	B-11	3Y1-18122-00	C- 6	55K-22129-00	C-11		C-15
2UJ-11631-00-A0	B- 4	12R-14191-00	B-10	1HX-14985-00	B-10	4G0-18127-00	C- 7	2UJ-22141-01	C-11	3LS-23340-00	C-15
22K-11633-01	B- 4	2LH-14197-00	B-11	22F-14991-00	B-10	2UJ-18130-00	C- 7	55K-22151-01	C-11	2UJ-23346-00	C-15
2UJ-11636-00	B- 4	1AE-14227-00	B-10	256-14997-00	B-10	3Y1-18140-00	C- 7	3DM-22210-00	C-11	2A6-23408-00	C-12
2UJ-11638-00	B- 4	1HX-14231-31	B-10	2UJ-15100-00	B-14	3Y1-18141-00	C- 6	447-22216-20	C-11	156-23411-00	C-15
2UJ-11651-00	B- 4	620-14231-22-A0	B-10	2UJ-15138-00	B-14	2K7-18151-00	C- 6	447-22217-21	C-11	183-23411-00	C-12
2UJ-11681-00	B- 4	1AE-14237-00	B-10	30X-15351-00	B- 7	2H9-18154-00	C- 7	1UJ-22243-00	C-11	156-23412-00	C-12
50M-12111-00	B- 5	1AE-14261-00	B-10	3Y1-15361-00	B-15		C- 7	3LS-22311-00	C-11	183-23412-00	C-12
2UJ-12114-00	B- 5	2UJ-14401-00	B- 9	1RG-15363-00	B-15	3Y1-18161-00	C- 6	2UJ-23102-00	C-14	4K0-23415-00	C-12
22F-12116-00	B- 5	2UJ-14419-00	B- 9	3DM-15411-01	B-15	3Y1-18185-01	C- 6	2UJ-23103-00	C-14	5A8-23434-00	C-12
22F-12117-02	B- 5	2UJ-14422-00	B- 9	3DM-15421-00	B-15	3Y1-18511-00	C- 6	2UJ-23110-00	C-14	4H7-23441-00-38	C-12
22F-12118-01	B- 5	2UJ-14451-00	B- 9	3DM-15431-00	B-15	3Y1-18512-00	C- 6		C-14	3DM-23442-00	C-12
22F-12119-01	B- 5	2UJ-14452-00	B- 9	2UJ-15441-00	B-15	3Y1-18513-00	C- 6	2JN-23111-00	C-14	164-23462-00	C-15
50M-12121-01	B- 5	2UJ-14458-00	B- 9	3DM-15451-00	B-15	3Y1-18531-00	C- 6		C-15	3DM-23484-00	C-12
50M-12151-00	B- 5	2UJ-14469-00	B- 9	3DM-15461-00	B-15	3Y1-18535-00	C- 6	3J2-23114-00	C-14	2UJ-24110-00-X5	D- 2

NUMERICAL INDEX

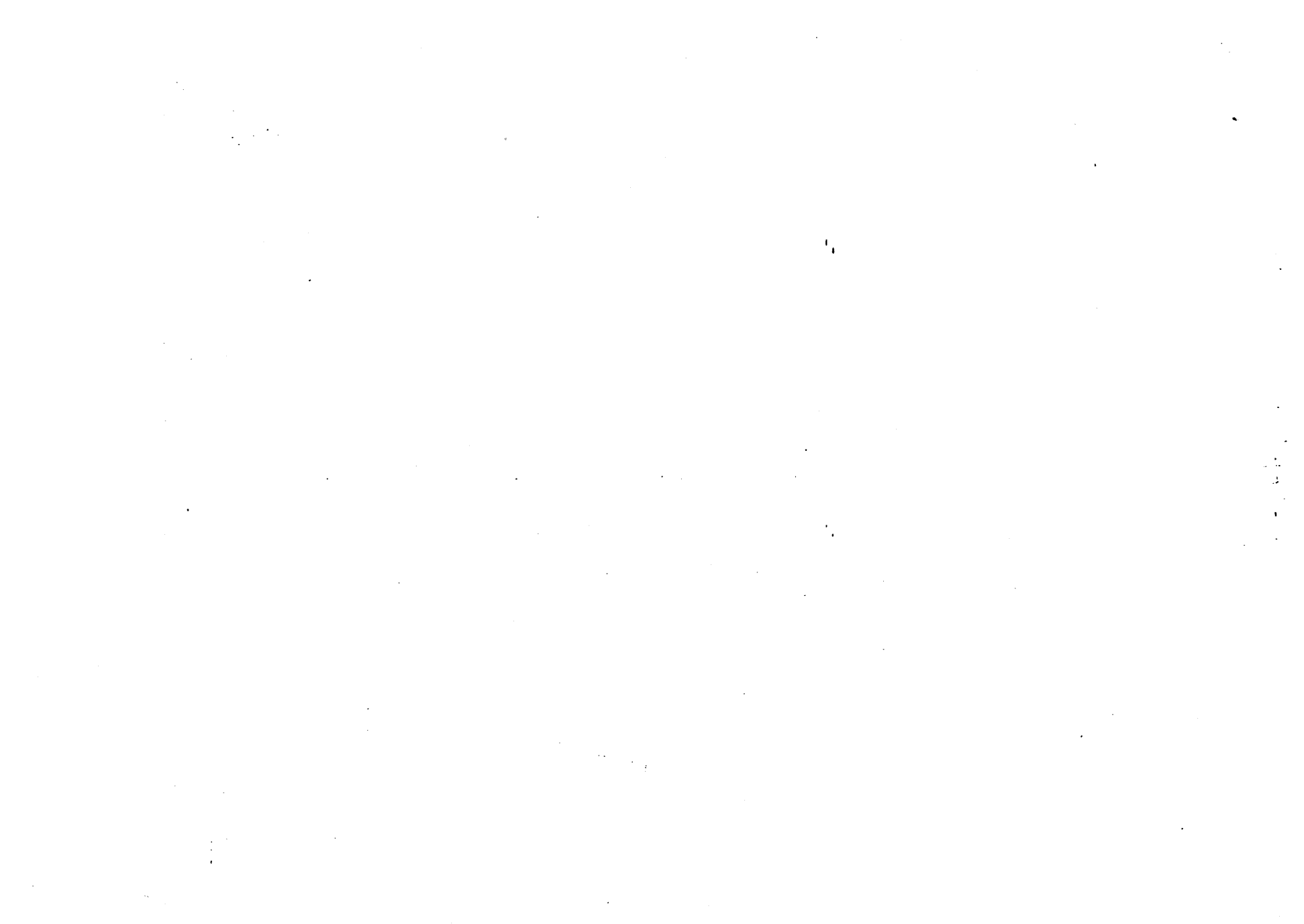
PART NO.	GRID NO.	PART NO.	GRID NO.	PART NO.	GRID NO.	PART NO.	GRID NO.	PART NO.	GRID NO.	PART NO.	GRID NO.
2UJ-24110-00-X7	D- 2	2UJ-25377-00	D- 7	2UJ-27410-00	D-11	2UJ-82917-00	E- 5	1FK-84338-00	E- 3	90164-03010	E- 2
2UJ-24110-00-08	D- 2	10W-25381-00	D- 5	4X7-27413-00	D-11	3LS-83310-00	D-15	2UJ-84338-00	E- 3	90164-04009	E- 2
3LS-24110-00-03	D- 2	2UJ-25381-00	D- 7		D-11	1KT-83311-00	D-15	42X-84345-00	E- 3	90170-05302	B- 5
3LS-24110-00-04	D- 2	2UJ-25383-00	D- 7	2UJ-27414-00	D-11		D-15	34L-84346-00	E- 3	90170-06010	E- 5
3LS-24110-00-05	D- 2	2UJ-25388-00	D- 8	4X7-27417-00	D-11	2AE-83312-00	D-15	4E2-84347-00	E- 3	90170-06228	C- 7
3DM-24161-10	D- 2	55K-2539F-00	D- 8		D-11	42X-83312-00	D-15	42X-84366-00	E- 3	90170-10219	D- 7
3LS-24161-00	D- 2	156-25398-00	D- 5	2UJ-2742L-00-33	D-12	42X-83313-00	D-15	2F9-84375-00	E- 3	90170-16311	C- 3
3LS-24161-10	D- 2		D- 7	2UJ-27420-00	D-11		D-15	5Y3-84395-00	E- 3	90170-16326	C- 3
4H7-24181-00	D- 2	5Y1-25412-00	D- 7	2UJ-27430-00-35	D-12	1AA-83318-00	D-15	2F9-84397-01	E- 3	90171-14020	D- 8
2UJ-24182-00	D- 2	2UJ-25445-50	D- 7	120-27433-00	D-12		D-15	3LS-84700-00	E- 4	90175-06015	D- 4
42X-24183-00	D- 2	3DM-2580U-01	D- 6		D-12	3LS-83330-00	D-15	2UJ-84704-00	E- 4	90175-05005	B- 9
2UJ-24312-01	D- 3	3DM-2582U-00	D- 6	2UJ-27440-00-35	D-12	3LU-83330-00	D-15	31L-84714-00	E- 4	90179-04579	E- 2
2UJ-24313-00	D- 3	11U-25827-00	D- 6	2UJ-28100-00	C- 8	341-83333-70	D-15	3LS-84721-00	E- 4	90179-06176	D-11
2UJ-24491-00	D- 2	1J3-25834-01	D- 6	2UJ-81410-00	D-13		D-15	2UJ-84723-00	E- 4	90179-06499	B-12
2UJ-24500-00	D- 2	341-25846-00	D- 5	2UJ-81450-00	D-13	2UJ-83350-00	E- 7	3LS-84751-00	E- 4	90179-08148	D- 9
3H3-24523-00	D- 2	4H7-25852-00	D-10	2UJ-81800-01	D-14	42X-83359-00	D-15	3Y6-85130-02	E- 8	90179-08491	C- 8
1JK-24534-00	D- 2	4L0-25854-00	D-10	50M-81801-M0	D-14		D-15	90101-06576	B-12	90179-12421	B- 4
2UJ-24544-00	D- 2	4L0-25862-00	D-10	2UJ-81828-00	D-14	42X-83363-00	D-15	90101-08312	D- 6	90179-25033	C-12
2UJ-24560-00	D- 2	4L0-25867-00	D-10	2UJ-8183G-00	D-14		D-15	90101-08590	B- 6	90183-04027	B-12
4X7-24602-00	D- 3	2RJ-25870-00	D-10	2UJ-81861-00	D-14	18G-83365-00	D-15	90105-08324	B- 2	90185-10037	D-12
4X7-24612-00	D- 3	3DM-25872-02	D-10	36Y-81940-00	E- 6	38N-83371-00	E- 8	90105-10308	D- 6	90185-12046	C-11
2UJ-2471A-00	D- 4	3DM-25886-00	C-15	2UJ-81950-00	E- 6	2UJ-83507-00	E- 2	90105-14102	C-12	90201-05031	E- 2
2UJ-24710-00	D- 4	4X8-25917-00	D- 6	47X-81960-A2	E- 6	2UJ-83509-00	E- 2	90109-06470	D- 7	90201-05036	B- 9
1WG-24712-00	D- 4	11H-25919-00	D- 6	2UJ-81975-00	E- 6	2GV-83517-00	E- 2		D-11	90201-061H3	E- 3
18A-24724-00	D- 4	34L-25924-00	D- 6	1AJ-82103-00	E- 6	42X-83517-00	E- 2	90109-06577	E- 5	90201-065F3	C-11
509-24724-00	D- 4	29L-25935-00	D- 6	3DN-82110-00	E- 6		E- 2	90109-06799	E- 5	90201-06697	B- 2
2UJ-24731-00	D- 4	29L-25936-00	D- 6	2UJ-82115-00	E- 6	2GV-83519-00	E- 2	90109-08063	D- 8	90201-080L7	B- 2
47X-24739-00	D- 4	5R2-25937-00	D- 6	2UJ-82116-00	E- 6	1FG-83523-00	E- 2	90109-08368	D- 8	90201-08085	C-14
2UJ-2475H-00	D- 4	2NT-26111-00	D- 9	118-82131-00	E- 6	3BT-83530-10	E- 2	90109-10474	D-12	90201-08087	C- 3
2UJ-24750-00	D- 4	1FK-26240-00	D- 9	26H-82131-00	C-10	55K-83550-01	E- 2	90116-10348	D- 7	90201-081K4	E- 6
2UJ-24751-00	D- 4	42X-26241-00	D- 9	2UJ-82150-01	E- 6	3DM-83570-01	E- 2	90116-10519	D-11	90201-08326	B- 6
2UJ-24754-00	D- 4	26H-2628J-00	D- 9	1E6-82151-00	E- 6	3BG-83790-00	E- 6	90119-05062	C-11	90201-08569	D- 2
3TU-24786-11	C-12	1J7-26290-F0	D- 9	148-82151-00	E- 6	3DM-83790-00	E- 6	90119-06108	C-10	90201-08762	C-11
2UJ-25104-00	D- 5	1J7-26290-G0	D- 9	3LS-82305-00	E- 6	1AA-83912-00	E- 5	90119-06182	E- 4	90201-100A1	D-11
2UJ-25111-00-35	D- 5	3DM-26311-01	D- 9	2UJ-82310-00	E- 8	2W1-83922-00	E- 5	90123-08046	D- 9	90201-10118	D-10
146-25115-00	D- 5	3DM-26312-01	D- 9	2UJ-82320-00	E- 8	3DM-83936-01	E- 8	90149-06011	D- 2	90201-10119	B- 7
341-25149-00	D- 5	3DM-26331-00	D- 9	4G0-82370-21	E- 8	437-83936-01	E- 5	90149-06153	E- 5	90201-105A2	C-12
2UJ-25190-00	D- 5	3DM-26335-00	D- 9	2UJ-82509-00	E- 6	10M-83941-00	E- 5	90149-06154	C- 8	90201-10742	D-12
2UJ-25304-00	D- 7	1E6-26342-00	D- 9	3DM-82510-00	E- 8	10M-83942-00	E- 5	90149-06228	E- 8	90201-12191	B- 4
2UJ-25311-00-35	D- 7	2UJ-26351-00	D-11	2UJ-82530-02	E- 8	3LS-83972-00	E- 5	90149-08067	C- 3	90201-124E4	C- 7
2UJ-25317-00	D- 7	5H0-26393-00	D- 9	2H7-82540-00	E- 8	3DM-83973-10	E- 5	90152-05021	E- 8	90201-17255	C- 7
2RH-25321-00-35	D- 7	2UJ-27211-01	D-11	3DM-82560-00	E- 8	2UJ-83980-00	E- 8	90153-06029	B-14	90201-20276	C- 5
3Y6-2533A-01	D- 7	2UJ-27216-00	D-11	2UJ-82565-00	E- 8	42X-84124-60	E- 3	90153-06042	B-15	90201-20279	D-12
2RH-25351-00	D- 7	2UJ-27262-02	D-11	5Y1-82566-00	E- 8	42X-84315-01	E- 3	90153-06052	D-12		D-12
434-25355-10	D- 7	2UJ-27311-01	D-12	3DM-82571-00	E- 8	2AE-84320-60	E- 3	90157-04001	E- 3	90201-22793	C- 5
5Y1-25364-00	D- 7	2KT-27315-00	D-12	3LS-82590-00	E- 6	2UJ-84330-00	E- 3	90157-05084	E- 3	90201-25291	C- 2
5Y1-25366-00-35	D- 7	2UJ-27316-00	D-12	12R-82591-00	E- 6	1A0-84332-60	E- 3	90159-06016	C- 3	90201-253K0	C- 5
2UJ-25371-00	D- 8	2UJ-2741L-00-33	D-12	11U-82911-00	E- 5	198-84334-60	E- 3	90163-04003	B-12	90202-05057	B-13

NUMERICAL INDEX

PART NO.	GRID NO.	PART NO.	GRID NO.	PART NO.	GRID NO.	PART NO.	GRID NO.	PART NO.	GRID NO.	PART NO.	GRID NO.
90202-05193	D- 2	90467-11106	B- 9	91701-06032	D-12	93210-10096	B- 7	95023-06010	D- 2	97003-06030	D-15
90208-04029	C-13	90467-14015	B-14	91701-08038	B-11	93210-11368	E- 5	95023-06012	C-12		D-15
90209-06223	C-11	90467-26111	B-12		D-11	93210-14369	B-15		D- 4	97006-06022	E- 5
90209-10131	E- 5	90468-08104	B-13	92501-06090	B- 8	93210-19123	B-15	95023-06016	C-12	97011-06010	C- 5
90209-22191	C- 5	90468-10050	D- 4	92502-06040	B- 9	93210-25711	D-14	95023-06020	B- 2	97011-06020	C- 7
90209-31300	B- 4	90468-12006	C-12	92780-06025	B- 7	93210-30611	B- 9	95023-08012	C- 9	97016-06025	D-10
90215-16156	C- 3	90480-01502	C- 9	92901-05600	C- 9	93210-32172	B-15		C-11	97021-05020	E- 8
90215-16222	C- 3	90480-13018	B- 2	92901-06200	C- 3	93210-35389	B- 7		D- 4	97022-06012	B- 6
90215-16320	C- 3	90480-13383	C-10		D-11	93210-44704	B- 2	95023-08020	D-12		B-14
90249-12008	D-11	90480-14229	E- 4		E- 5	93210-53679	B- 3	95023-08040	C-12	97313-06016	E- 3
90269-04003	C-13	90480-16501	E- 4	92901-06600	E- 4	93210-64297	B- 8	95026-06012	D- 9	97313-08035	D- 2
90280-16053	B- 4	90480-22362	C-10	92901-08600	D- 8	93210-78544	B- 2	95303-05600	B-13	97701-40012	B-12
90282-07023	C- 3	90501-10245	D-11	92901-12200	C-11	93306-00315	C- 5		E- 2	97701-40525	E- 4
90338-08163	C-12	90501-10312	E- 5	92906-06100	D-10	93306-00426	C- 5	95303-06600	C- 3	97701-60114	B-13
90338-10132	B-12	90501-18576	B- 7		E- 5	93306-20224	D- 7	95303-06700	C- 7	98501-04035	E- 2
90340-14068	B-15	90501-26148	C- 3	92906-06600	B- 9	93306-20541	C- 5	95303-08600	D- 8	98501-05010	C- 9
90340-32088	B-15	90502-09024	C-13		B-12	93306-30203	D- 5	95303-08700	D- 8	98501-05016	D-13
90380-12121	C-11	90506-16447	D- 7	92906-10600	C- 9	93306-30416	D- 7	95303-10800	D-12	98501-06010	B-15
90381-22070	B- 6	90508-12430	C- 6	92990-05100	C- 9	93306-30525	C- 5	95303-12600	D-15	98501-06020	E- 6
90385-10026	B-12	90508-14433	C- 3		D-13	93306-30615	B- 4		D-15	98501-06025	B- 2
90386-18163	C-11	90508-20023	D-11	92990-05200	B-13	93315-23612	C- 6	95306-05800	C- 9		B- 7
90387-061V1	E- 4		D-11	92990-06100	D- 3	93315-31428	C- 3	95316-06600	D-12		B- 8
90387-066M3	B- 2	90508-26434	C- 7		D-11	93410-22039	C- 5	95332-10700	C-12		B-15
90387-07391	B-12	90508-32374	C- 7		D-13	93410-25010	C- 5	95601-06100	E- 5		B-15
90387-100V6	D-11	90560-15161	D- 5		E- 3	93420-28055	C- 3	95611-06630	B- 2		B-15
90387-12787	C- 7	91026-06010	B-12		E- 4	93440-10109	B- 2	95616-06100	E- 5		D-13
90387-153U1	D- 8		E- 8		E- 6	93440-25084	C- 5	95701-06500	D- 4	98501-06030	B-14
90387-15550	D- 6	91311-06016	B- 6		E- 6	93440-34025	C- 6		D-15	98501-06035	B-15
90401-10096	D-10	91311-06020	D-14	92990-06600	B- 6	93450-14088	B- 4		D-15		B-15
90413-07007	B- 9	91311-06040	B- 2		B- 9	93501-04011	C-12		E- 3	98501-06040	B-14
90430-06014	B-14	91311-06110	B- 2		B-14	93511-32027	C- 4		E- 6	98501-06050	C-15
90430-10171	E- 8	91311-08025	C-12		D- 3	93603-12030	B- 7	95701-10500	C- 9	98501-06060	B-14
90445-08248	E- 6	91311-08035	C-14		E- 6	93604-18100	C- 6	95801-10014	B-12	98501-06070	B-14
90445-11501	D- 3	91312-06012	B- 6		E- 6	93604-29151	C- 6	95811-06020	B-12		B-15
90445-117F0	B- 9	91312-08018	C- 2	92990-08100	D- 2	94113-15441	D- 7	95811-06025	B-12	98501-06080	B-14
90445-11754	D- 3	91316-06016	C-12		D- 8	94130-18574	D- 5	95811-06045	E- 3	98502-06016	E- 6
90445-11763	B- 9	91316-06020	B- 9	92990-14200	D- 8	94213-15265	D- 7	95811-08035	B-12	98503-03008	D- 2
90460-54111	B- 9	91316-06025	B- 9	93101-14089	B-15	94227-18195	D- 5	95811-08110	C- 8	98503-04014	B-10
90460-54137	B- 9	91316-10035	C- 9	93101-17093	C- 5	94313-15154	D- 7	95811-08150	C- 8	98506-05008	D- 9
90461-06087	B-11	91401-20020	D- 8	93102-12106	C- 7	94345-18081	D- 5	95812-10020	C- 9	98506-05010	D- 3
90464-16119	E- 6		D-11	93102-14209	C- 3	94416-18459	D- 5	95816-06012	C- 8	98506-05035	E- 5
90465-06322	B-15		D-12	93102-22014	D- 5	94427-15476	D- 7	95816-06016	D- 4	98506-05040	E- 5
90465-08158	B-14		D-12	93102-25208	C- 5	94580-25110	B- 6	95816-06025	B-12	98506-05045	E- 5
90465-08277	B-14	91401-25020	D-11	93102-30072	D- 7	94580-73114	D- 7	95816-08012	B-12	98506-06008	E- 5
90467-08092	B-13		D-11	93105-45017	D- 5	94701-00282	B- 2	95816-08016	C- 8	98511-04012	B-10
90467-10008	B- 9	91401-30030	D- 8	93109-18020	C-11	94701-00283	B- 2	95826-06010	C-15	98511-06012	D- 2
	D- 3	91701-06018	D-11	93210-06245	B- 7	95023-06010	D- 2		E- 8	98701-05035	C- 6
	D- 3	91701-06032	D-12	93210-06632	C- 3		D- 2	97003-06014	E- 4	98706-04012	D-10

NUMERICAL INDEX

PART NO.	GRID NO.	PART NO.	GRID NO.	PART NO.	GRID NO.	PART NO.	GRID NO.	PART NO.	GRID NO.
98903-06012	C-11								
99009-10400	B- 7								
	C- 6								
99009-12400	C- 7								
99009-17400	C- 7								
99009-20400	C- 5								
99009-25500	B-15								
99080-07600	C- 6								
99235-00020	C- 9								
	C-10								
99236-00020	C- 9								
	C-10								
99510-10114	B- 2								
	B-14								
99510-12016	B-14								
	B-15								
	B-15								



INDEX

(INDIVIDUAL SPEC.)

NUMERICAL INDEX

PART NO.	GRID NO.	PART NO.	GRID NO.	PART NO.	GRID NO.	PART NO.	GRID NO.	PART NO.	GRID NO.
3LS-21610-00-TH	E-10	90480-12013	E-10						
	E-14	92013-08035	E-11						
	F- 5		E-15						
3LS-21610-00-6G	E-10	92013-10050	F- 7						
	E-14		E-10						
	F- 5		E-14						
3LS-21610-00-9G	E-10	92906-06600	F- 5						
	E-14		E-10						
	F- 5		E-14						
3LS-21621-00	E-10	92990-06200	F- 5						
	E-14		E-10						
	F- 5		E-14						
4G0-21639-00	E-10	92990-10200	F- 5						
	E-14		E-10						
	F- 5		E-14						
3LS-21640-00	E-14	95303-06600	F- 5						
	F- 5		E-10						
3LU-21640-00	E-10		E-14						
134-23484-10	E-13	95701-06500	F- 5						
	F- 3		E-11						
	F- 6		E-15						
2UJ-2471A-00	E-11	98506-06012	F- 7						
	E-15		E-10						
	F- 7		E-14						
509-24724-00	E-11	98903-06014	F- 5						
	E-15		E-10						
	F- 7		E-14						
1J3-24742-00	E-10		F- 5						
	E-14								
	F- 5								
3LS-24750-00	E-11								
	E-15								
	F- 7								
2UJ-24751-00	E-11								
	E-15								
	F- 7								
4E7-25188-00	F- 8								
3LS-27316-00	F- 8								
3LS-27316-10	F- 8								
3BG-82571-00	E-11								
3CW-83350-00	F- 8								
90171-14029	F- 8								
90387-100E2	E-10								
	E-14								
	F- 5								
90430-06139	E-10								
	E-14								
	F- 5								

COPY RIGHT: ALL RIGHTS RESERVED
NO PART OF THIS PUBLICATION MAY BE
REPRODUCED WITHOUT PERMISSION.



YAMAHA

YAMAHA MOTOR CO., LTD.
2500 SHINGAI IWATA-SHI SHIZUOKA-KEN JAPAN

PRINTED IN JAPAN

First edition Oct., 1991

Tō