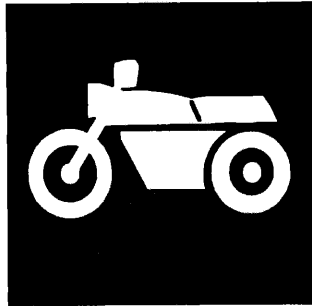


YAMAHA



PARTS CATALOGUE

XV535'95 (4KUB / 4KU9) (FLAT)

XV535S'95 (4KUE) (FLAT)

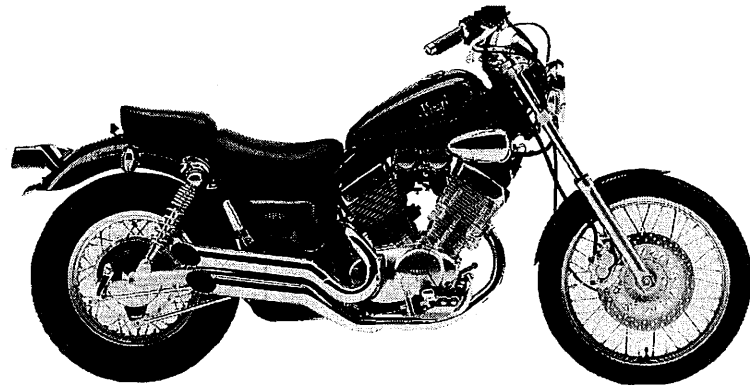
XV535'95 (4KU8 / 4KUA) (UP)

XV535S'95 (4KUD / 4KUF) (UP) EUROPE

154KU-300E1

YAMAHA
GENUINE
Parts & Accessories

1991



A3

FOREWORD

This Parts Catalogue is related to the parts for the model(s) in the below frame. When you are ordering replacement parts, please refer to this Parts Catalogue and quote both part numbers and part names correctly.

XV535'95 (4KUB, 4KU9, 4KU8, 4KUA)

- Modifications or additions which have been made after issue of the Parts Catalogue will be announced in the Yamaha Parts News. It is advisable that you make necessary corrections to the Parts Catalogue according to the Yamaha Parts News.

2. Abbreviations

The following abbreviations are used in this Parts Catalogue.

- "UR" Use specified parts number.
- "UN" Use as many as needed.
- "AP" Alternate Parts
- "LM" Local Made (Parts need to be ordered locally)
- "F#" Frame No. (Applicable machine No.)

- Parts, which are to be supplied in an assembly, are listed with a dot (.) in front of the part name as shown below.

EXAMPLE

- CARBURETOR ASSY
- . JET, PILOT
- . NOZZLE, MAIN

4. Number of component for assembly

The numeral appearing to the right of each component part indicates the quantity of parts for each assembly unit.

EXAMPLE

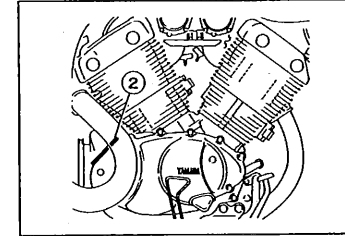
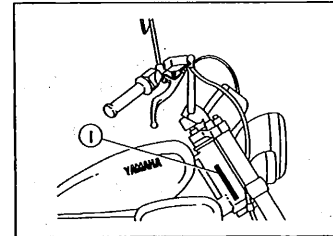
PART NO.	DESCRIPTION	Q'TY	REMARKS
2F5-83310-60	FRONT FLASHER LIGHT ASSY	2	
115-83311-60	. BULB (6V-18W)	1	

5. Applicable colors of graphics are represented in the "REMARKS" as shown below.

PART NO.	DESCRIPTION	Q'TY	REMARKS
2N4-24110-00-X5	FUEL TANK COMP.	1	MAXIM RED
3J1-24240-10	. GRAPHIC, FUEL TANK	1	for MXR

6. Applicable Serial No. and Color Code

4KUB	① Frame Serial No.	2YL-0201101	~	
	② Engine Serial No.	2YL-0201101	~	
4KU9	① Frame Serial No.	2YL-0206101	~	
	② Engine Serial No.	2YL-0206101	~	
4KU8	① Frame Serial No.	2YL-0179101	~	
	② Engine Serial No.	2YL-0179101	~	
4KUA	① Frame Serial No.	2YL-0195101	~	
	② Engine Serial No.	2YL-0195101	~	



Color Code	Color Name	Abbreviation
00MX	SPARKLE MAROON	SM
004B	BLACK 2	BL2

- Note that the illustrations are for reference in finding parts numbers, not to be used for assembling. When assembling, please use the applicable service manual.

- The asterisk (*) before a reference number indicates modification items after the first edition.

FOREWORD

This Parts Catalogue is related to the parts for the model(s) in the below frame. When you are ordering replacement parts, please refer to this Parts Catalogue and quote both part numbers and part names correctly.

XV535S'95 (4KUE, 4KUD, 4KUF)

1. Modifications or additions which have been made after issue of the Parts Catalogue will be announced in the Yamaha Parts News.
It is advisable that you make necessary corrections to the Parts Catalogue according to the Yamaha Parts News.

2. Abbreviations

The following abbreviations are used in this Parts Catalogue.

- "UR" Use specified parts number.
- "UN" Use as many as needed.
- "AP" Alternate Parts
- "LM" Local Made (Parts need to be ordered locally)
- "F#" Frame No. (Applicable machine No.)

3. Parts, which are to be supplied in an assembly, are listed with a dot (.) in front of the part name as shown below.

EXAMPLE
 CARBURETOR ASSY
 . JET, PILOT
 . NOZZLE, MAIN

4. Number of component for assembly

The numeral appearing to the right of each component part indicates the quantity of parts for each assembly unit.

EXAMPLE

PART NO.	DESCRIPTION	Q'TY	REMARKS
2F5-83310-60	FRONT FLASHER LIGHT ASSY	2	
115-83311-60	. BULB (6V-18W)	1	

5. Applicable colors of graphics are represented in the "REMARKS" as shown below.

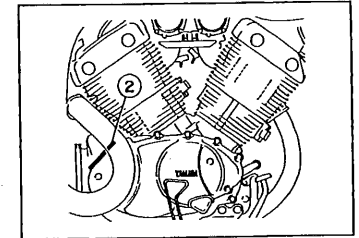
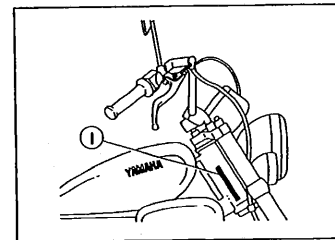
PART NO.	DESCRIPTION	Q'TY	REMARKS
2N4-24110-00-X5	FUEL TANK COMP.	1	MAXIM RED
3J1-24240-10	. GRAPHIC, FUEL TANK	1	for MXR

6. Applicable Serial No. and Color Code

4KUE	① Frame Serial No.	2YL-0216101 ~
	② Engine Serial No.	2YL-0216101 ~

4KUD	① Frame Serial No.	2YL-0207101 ~
	② Engine Serial No.	2YL-0207101 ~

4KUF	① Frame Serial No.	2YL-0223101 ~
	② Engine Serial No.	2YL-0223101 ~



Color Code	Color Name	Abbreviation
00KM	NEW BLACK BLUE	NBB

7. Note that the illustrations are for reference in finding parts numbers, not to be used for assembling. When assembling, please use the applicable service manual.
8. The asterisk (*) before a reference number indicates modification items after the first edition.

CONTENTS

GENERAL SPEC.

ENGINE

Cylinder Head	B2~B3
Cylinder	B4
Crankshaft. Piston	B5
Valve	B6
Camshaft. Chain	B7
Oil Pump	B8
Oil Cleaner	B9
Intake	B10
Carburetor	B11~B12
Exhaust	B13
Crankcase	B14~B15
Crankcase Cover 1	C2~C3
Starter Clutch	C4
Clutch	C5~C6
Transmission	C7
Middle Drive Gear	C8
Shift Cam. Fork	C9
Shift Shaft	C10

CHASSIS

Frame	C11~C12
Fender	C13~C14
Side Cover	C15~D2
Rear Arm. Suspension	D3
Drive Shaft	D4~D5
Steering	D6~D7
Front Fork	D8~D9
Fuel Tank	D10~D12
Seat	D13

Front Wheel	D14
Front Brake Caliper	D15
Rear Wheel	E2~E3
Steering Handle. Cable (Flat)	E4
Steering Handle. Cable (Up)	E5
Front Master Cylinder (Flat)	E6
Front Master Cylinder (Up)	E7
Stand. Footrest	E8~E10
Generator	E11
Starting Motor	E12
Flasher Light	E13
Meter	E14
Headlight	E15
Taillight	F2
Handle Switch. Lever (Flat)	F3
Handle Switch. Lever (Up)	F4
Electrical 1	F5~F6
Electrical 2	F7

INDEX (GENERAL SPEC.)

Numerical Index	L2~L5
-----------------------	-------

INDIVIDUAL SPEC.

FOR ITALY HOLLAND GREECE

Alternate (Chassis)	F9
Alternate (Taillight)	F10

FOR SWEDEN FINLAND NORWAY DENMARK

Alternate (Chassis)	F12
---------------------------	-----

FOR BELGIUM PORTUGAL

Alternate (Frame)	F14
Alternate (Chassis)	F15

FOR ENGLAND

Alternate (Meter)	G3
Alternate (Headlight)	G4

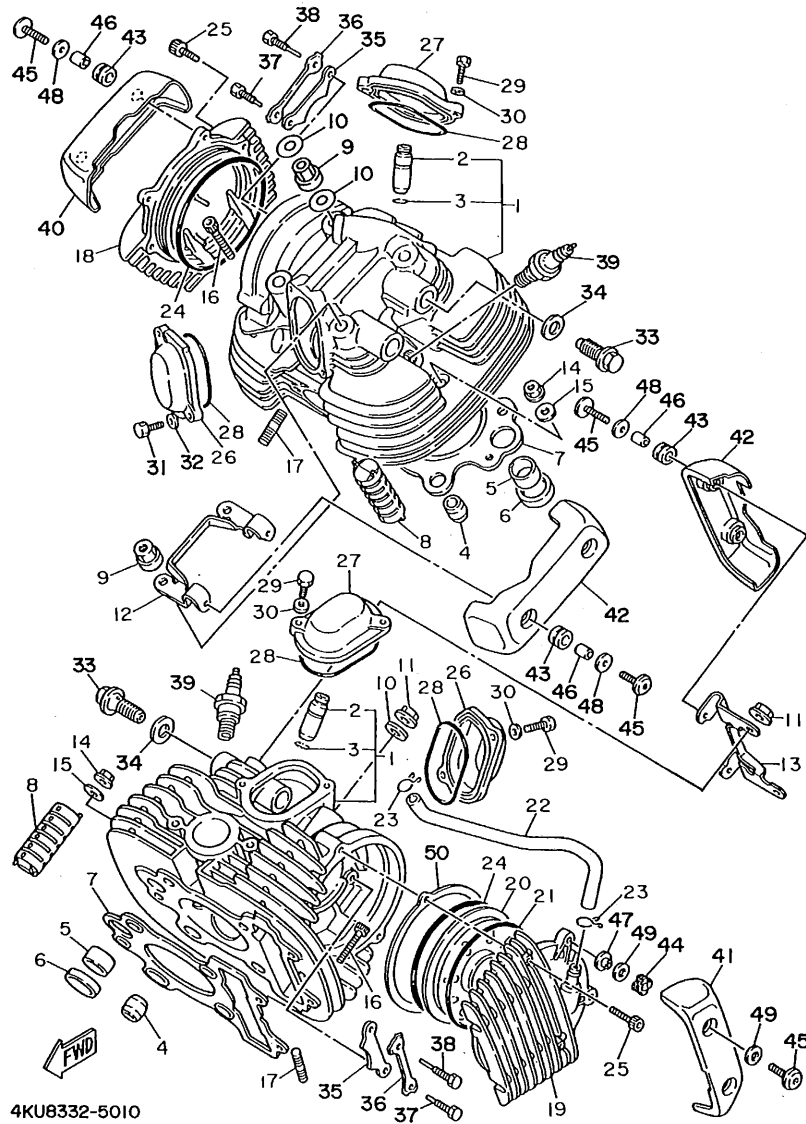
INDEX (INDIVIDUAL SPEC.)

Numerical Index	M2
-----------------------	----

GENERAL SPEC.



FIG. 1 CYLINDER HEAD

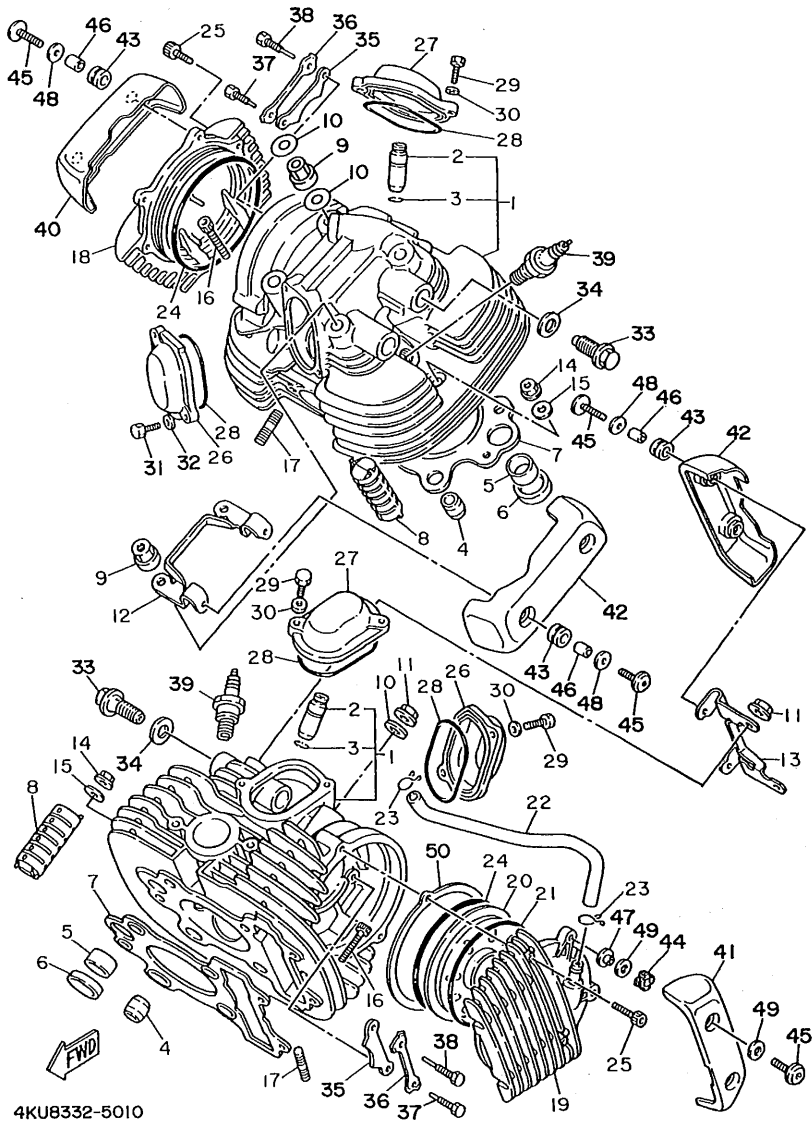


4KU8332-5010

REF. NO.	PART NO.	DESCRIPTION	Q'TY	REMARKS
1	2GV-11102-01	CYLINDER HEAD ASSY	2	
2	4H7-11133-10	.GUIDE, intake valve	2	
3	93440-12052	.CIRCLIP	2	
4	99510-17016	PIN, dowel	4	
5	90387-22667	COLLAR	2	
6	90430-24184	GASKET	2	
7	2GV-11181-00	GASKET, cylinder head 1	2	
8	2GV-11127-00	ABSORBER 3	4	
9	90179-10395	NUT	4	
10	90201-10131	WASHER, plate	6	
11	90179-10279	NUT	4	
12	2GV-11142-00	BRACKET, cylinder head cover 2	1	
13	2GV-11152-00	BRACKET, cylinder head cover	1	
14	95707-08500	NUT, flange	2	
15	90201-09461	WASHER, plate	2	
16	91314-08030	BOLT	4	
17	95617-08630	BOLT, stud	4	
18	2GV-11185-00	COVER, cylinder head side 1	1	
19	2GV-1111H-00	COVER, cylinder head side 4	1	
20	22U-11165-00	PLATE, breather	1	
21	93210-89568	O-RING	1	
22	2GV-11166-00	PIPE, breather 1	1	
23	90467-14015	CLIP	2	
24	93211-00612	O-RING	2	
25	91314-06025	BOLT	4	
26	22U-11186-00	COVER, cylinder head side 2	2	
27	22U-11187-00	COVER, cylinder head side 3	2	
28	93210-62446	O-RING	4	

B2

FIG. 1 CYLINDER HEAD



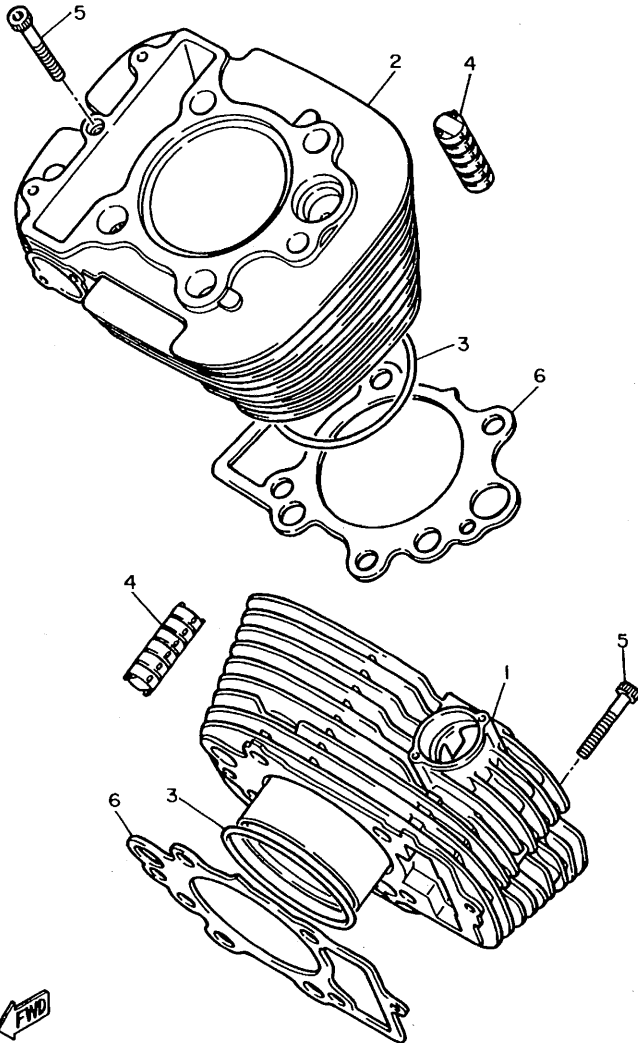
REF. NO.	PART NO.	DESCRIPTION	Q'TY	REMARKS
29	97027-06016	BOLT	6	
30	92907-06600	WASHER, plate	6	
31	97024-06016	BOLT	2	
32	92990-06600	WASHER, plate	2	
33	90401-16073	BOLT, union	4	
34	90430-17168	GASKET	4	
35	22U-1111F-01	PLATE	2	
36	90215-08229	WASHER, lock	2	
37	90109-08782	BOLT	2	
38	90109-08781	BOLT	2	
39	94701-00218	PLUG, spark (NGK BPR7ES)	2	UR
	94701-00220	PLUG, spark (ND W22EPR-U)	2	UR
40	2NT-11186-00	COVER, cylinder head side 2	1	
41	2NT-1110M-00	COVER ASSY 1	1	
42	2NT-11187-00	COVER, cylinder head side 3	2	
43	90480-18411	GROMMET	6	
44	90480-19471	GROMMET	2	
45	90110-06198	BOLT, hexagon socket head	8	
46	90387-06518	COLLAR	6	
47	90387-072W2	COLLAR	2	
48	90201-06697	WASHER, plate	6	
49	3BT-11195-00	WASHER, plate	4	
50	3BT-11196-00	GASKET, cylinder head side	1	

4KU8332-5010

B3

FIG. 2 CYLINDER

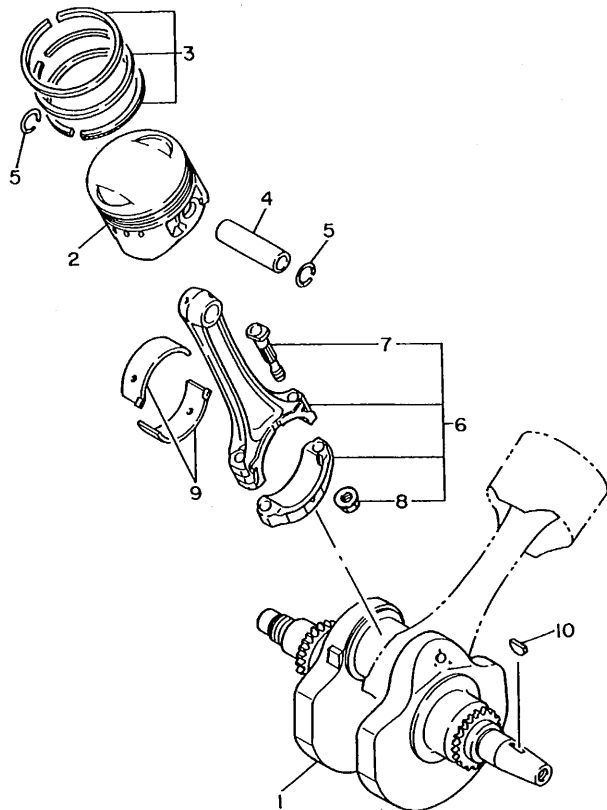
REF. NO.	PART NO.	DESCRIPTION	Q'TY	REMARKS
1	2GV-11310-00	CYLINDER	1	
2	2GV-11320-00	CYLINDER 2	1	
3	93210-81411	O-RING	2	
4	15A-11162-00	ABSORBER 2	6	
5	91317-06085	BOLT	2	
6	3BT-11351-00	GASKET, cylinder	2	



2GV110-7020

B4

FIG. 3 CRANKSHAFT. PISTON



REF. NO.	PART NO.	DESCRIPTION	Q'TY	REMARKS
1	22U-11411-00	CRANKSHAFT	1	
2	2GV-11631-00	PISTON (STD)	2	
	2GV-11636-00	PISTON (0.50MM O/S)	2	AP
	2GV-11638-00	PISTON (1.00MM O/S)	2	AP
3	2GV-11610-00	PISTON RING SET (STD)	2	
	2GV-11610-20	PISTON RING SET (0.50MM O/S)	2	AP
	2GV-11610-40	PISTON RING SET (1.00MM O/S)	2	AP
4	22U-11633-01	PIN, piston	2	
5	93450-19052	CIRCLIP	4	
6	22U-11650-00	CONNECTING ROD ASSY	2	
7	22U-11654-00	.BOLT, connecting rod	2	
8	90179-08327	.NUT	2	
9	22U-11656-00	PLANE BEARING, connecting rod	4	UR BLUE
	22U-11656-10	PLANE BEARING, connecting rod	4	UR BLACK
	22U-11656-20	PLANE BEARING, connecting rod	4	UR BROWN
	22U-11656-30	PLANE BEARING, connecting rod	4	UR GREEN
10	90280-05048	KEY, woodruff	1	

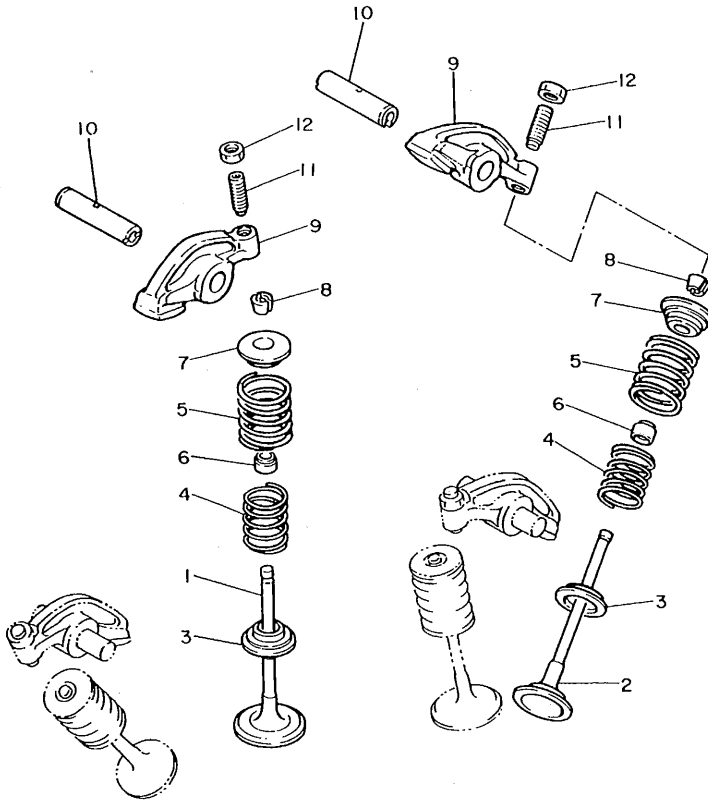


2GV110-7030

B5

FIG. 4 VALVE

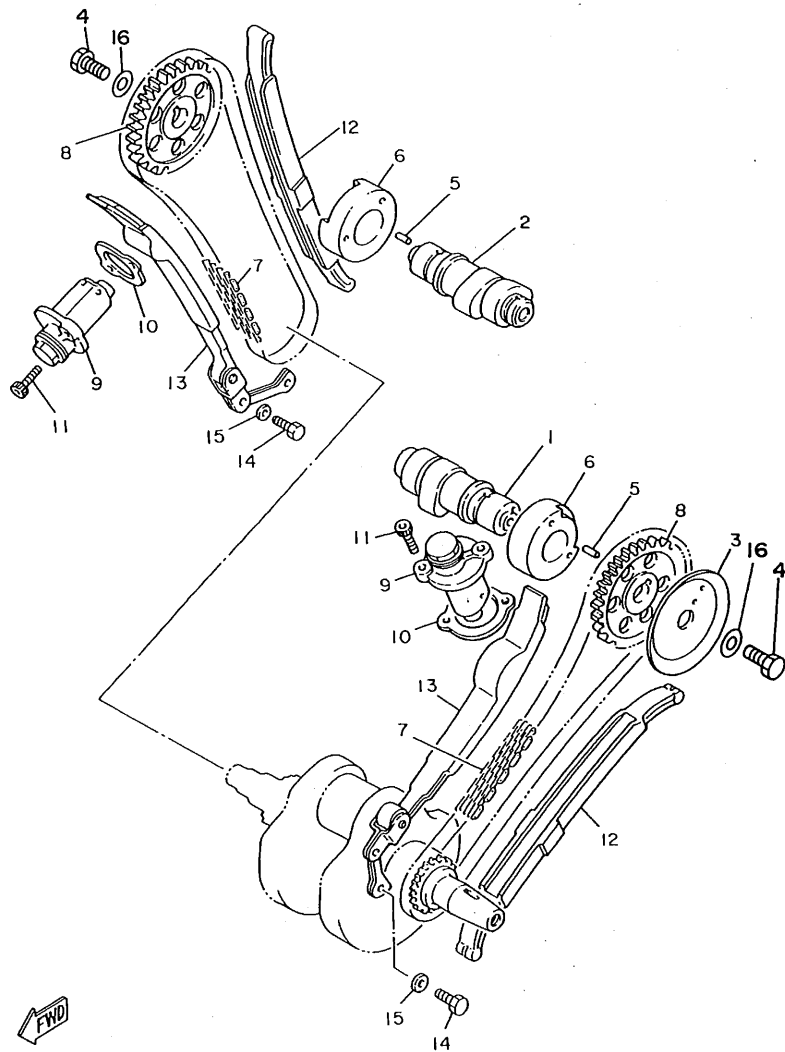
REF. NO.	PART NO.	DESCRIPTION	Q'TY	REMARKS
1	22U-12111-00	VALVE, intake	2	
2	22U-12121-01	VALVE, exhaust	2	
3	3Y1-12116-00	SEAT, valve spring	4	
4	22U-12113-00	SPRING, valve inner	4	
5	22U-12114-00	SPRING, valve outer	4	
6	1J7-12119-01	SEAL, valve stem	4	
7	3Y1-12117-01	RETAINER, valve spring	4	
8	1J7-12118-00	COTTER, valve	8	
9	22U-12151-00	ARM, valve rocker	4	
10	22U-12156-01	SHAFT, rocker 2	4	
11	22U-12159-00	SCREW, valve adjusting	4	
12	90170-06128	NUT	4	



22U110-3050

B6

FIG. 5 CAMSHAFT. CHAIN



REF. NO.	PART NO.	DESCRIPTION	Q'TY	REMARKS
1	22U-12171-01	CAMSHAFT 1	1	
2	22U-12181-01	CAMSHAFT 2	1	
3	22U-11145-00	PLATE, breather 2	1	
4	90101-10303	BOLT, washer based	2	
5	93605-10108	PIN, dowel	2	
6	90380-28110	BUSH, solid	2	
7	94590-27118	CHAIN	2	
8	22U-12176-01	SPROCKET, cam chain	2	
9	11H-12210-02	TENSIONER ASSY, cam chain	2	
10	38T-12213-00	GASKET, tensioner case	2	
11	91314-06025	BOLT	4	
12	22U-12231-00	GUIDE, stopper 1	2	
13	22U-12241-00	GUIDE, stopper 2	2	
14	97027-06016	BOLT	4	
15	92907-06600	WASHER, plate	4	
16	90201-10774	WASHER, plate	2	

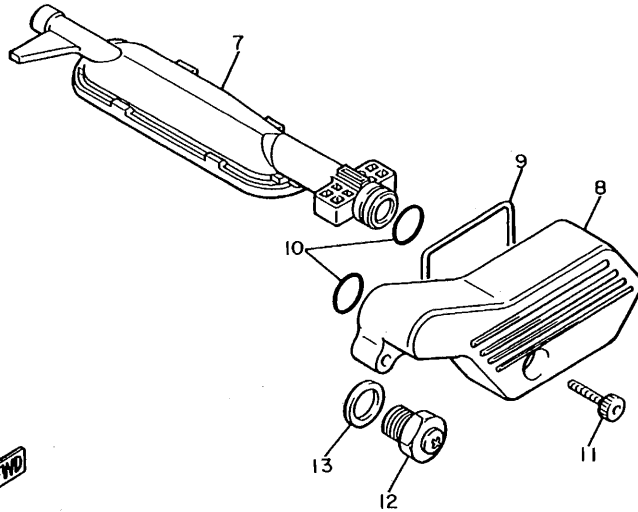
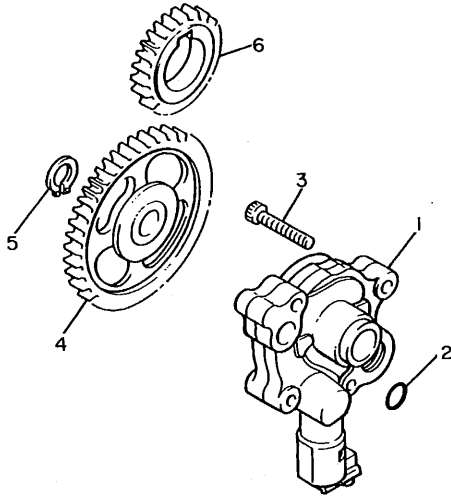


3JCG100-5050

B7

FIG. 6 OIL PUMP

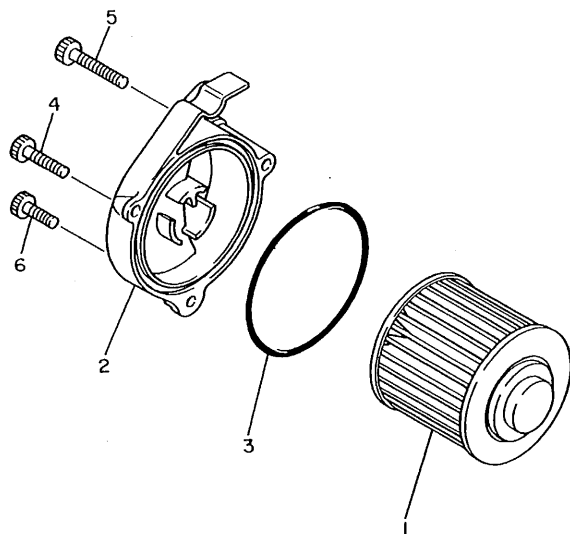
REF. NO.	PART NO.	DESCRIPTION	Q'TY	REMARKS
1	22U-13300-00	OIL PUMP ASSY	1	
2	93210-10096	O-RING	1	
3	91317-06030	BOLT	3	
4	22U-13325-00	GEAR, driven (39T)	1	
5	99009-11400	CIRCLIP	1	
6	22U-13324-00	GEAR, drive (24T)	1	
7	22U-13410-00	STRAINER HOUSING ASSY	1	
8	2GV-13417-00	COVER, strainer	1	
9	22U-13415-00	SEAL, oil strainer	1	
10	93210-15151	O-RING	2	
11	91317-06025	BOLT	3	
12	3VD-13455-00	PLUG	1	
13	214-11198-01	GASKET	1	



2GV110-7060

FIG. 7 OIL CLEANER

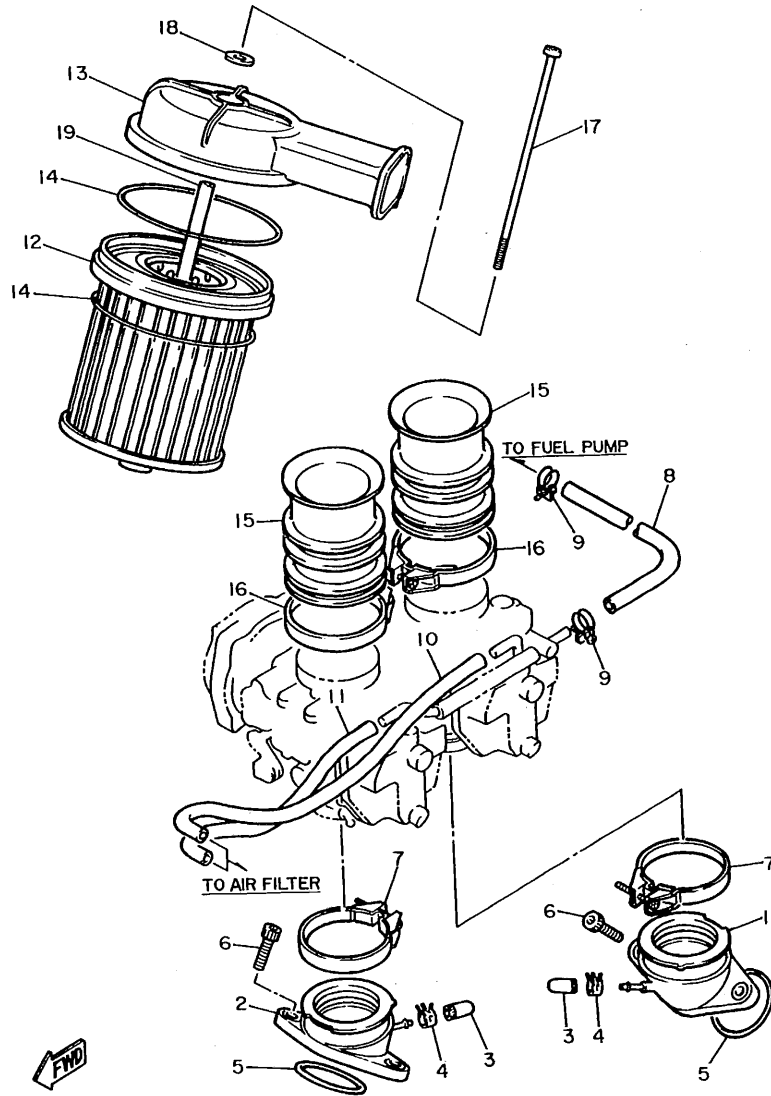
REF. NO.	PART NO.	DESCRIPTION	Q'TY	REMARKS
1	4X7-13440-90	ELEMENT ASSY, oil cleaner	1	
2	2NT-13447-00	COVER, oil element	1	UR
	3JB-13447-00	COVER, oil element	1	UR XV535S MODEL
3	93210-64297	O-RING	1	
4	91314-06060	BOLT	1	
5	91314-06095	BOLT	1	
6	91314-06025	BOLT	1	



2GV110-7070

B9

FIG. 8 INTAKE

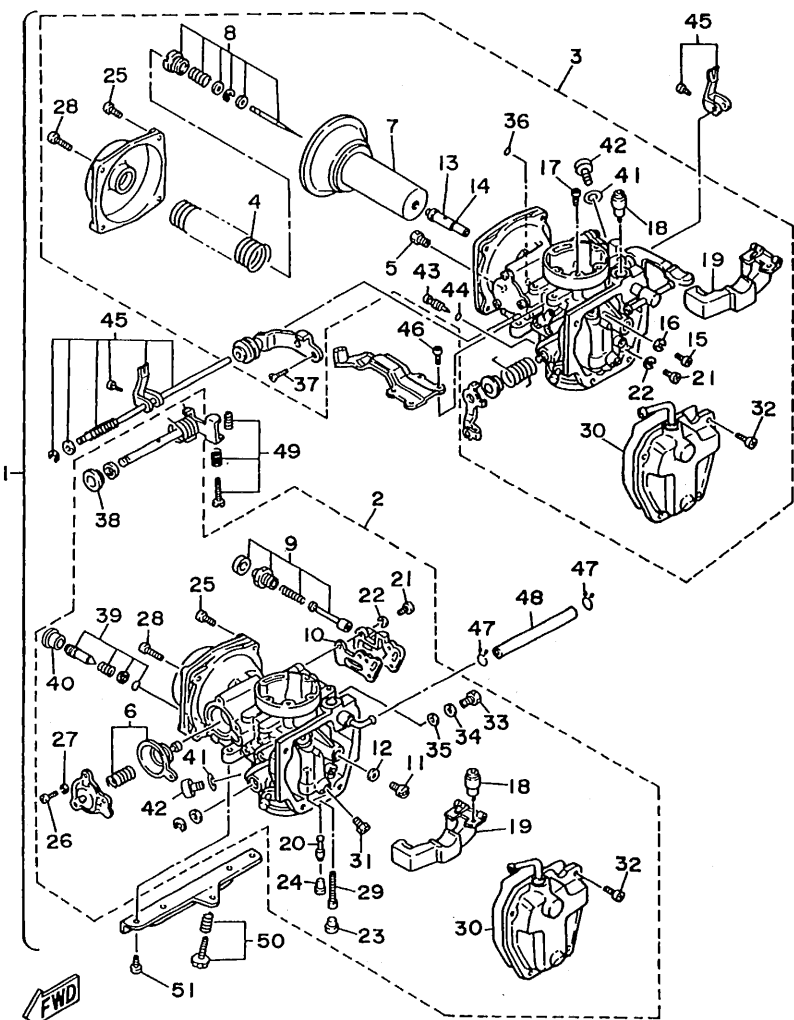


REF. NO.	PART NO.	DESCRIPTION	Q'TY	REMARKS
1	2GV-13586-01	JOINT, carburetor 1	1	
2	2GV-13596-00	JOINT, carburetor 2	1	
3	16G-13569-00	PLUG, blind	2	
4	90467-10039	CLIP	2	
5	93210-36549	O-RING	2	
6	91317-06020	BOLT	4	
7	90460-52210	CLAMP, hose	2	
8	90445-111F3	HOSE	1	
9	90460-12256	CLAMP, hose	2	
10	2GV-14197-00	PIPE	1	
11	2GV-14987-00	HOSE	1	
12	2GV-14451-00	ELEMENT, air cleaner	1	
13	2GV-14412-00	CAP, cleaner case 1	1	
14	52W-14452-00	SEAL	2	
15	22U-14469-00	FUNNEL, air	2	
16	90460-58015	CLAMP, hose	2	
17	98517-06160	SCREW, pan head	1	
18	90201-06067	WASHER, plate	1	
19	90387-062T3	COLLAR	1	

2GV110-7080

B10

FIG. 9 CARBURETOR

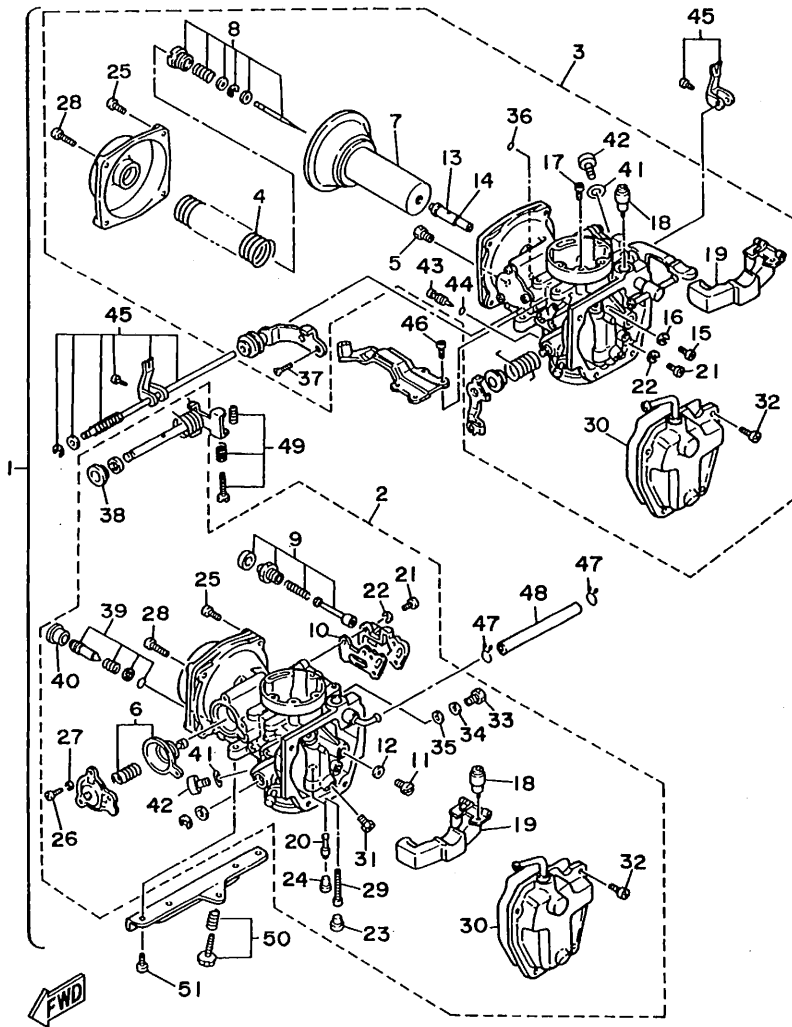


4KU8332-5090

B11

REF. NO.	PART NO.	DESCRIPTION	Q'TY	REMARKS
1	3BT-14900-30	CARBURETOR ASSY	1	UR
	3BT-14900-20	CARBURETOR ASSY	1	UR XV535S MODEL
2	3BT-14901-30	.CARBURETOR ASSY 1	1	UR (#1)
	3BT-14901-20	.CARBURETOR ASSY 1	1	UR (#1) XV535S MODEL
3	3BT-14902-30	.CARBURETOR ASSY 2	1	UR (#2)
	3BT-14902-20	.CARBURETOR ASSY 2	1	UR (#2) XV535S MODEL
4	1FK-14933-00	..SPRING, diaphragm	1	
5	3G2-14231-34	..JET, pilot air (#170)	1	
6	22U-1490H-00	..DIAPHRAGM SET 5	1	
7	41R-14940-00	..DIAPHRAGM ASSY	1	
8	2JV-1490J-00	..NEEDLE SET	1	(#1)
	2JV-1490J-10	..NEEDLE SET	1	(#2)
9	11H-1410A-00	..STARTER SET	1	
10	3JB-14536-00	..GASKET	1	
11	22U-14565-00	..SCREW	1	
12	137-14153-00	..WASHER, main jet	1	
13	2JU-14141-90	..NOZZLE, main	1	
14	22U-14147-00	..O-RING	1	
15	98506-04018	..SCREW, pan head	1	
16	92902-04100	..WASHER, spring	1	
17	3G2-14231-14	..JET, pilot air (#70)	1	
18	1FK-14190-15	..NEEDLE VALVE ASSY	1	
19	1FK-14985-00	..FLOAT	1	
20	4G0-14142-35-A0	..JET, pilot (#35)	1	
21	98511-04012	..SCREW, pan head	4	
22	92901-04100	..WASHER, spring	4	
23	22U-14968-00	..CAP	1	
24	22V-14968-00	..CAP	1	

FIG. 9 CARBURETOR



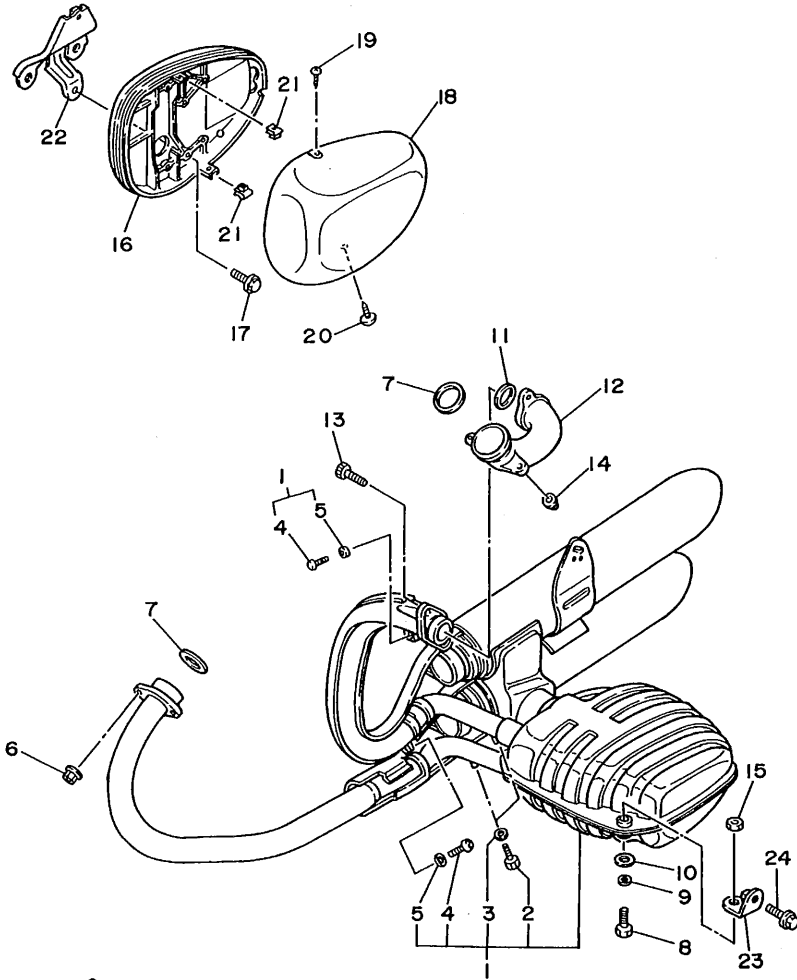
REF. NO.	PART NO.	DESCRIPTION	Q'TY	REMARKS
25	98580-05014	..SCREW, pan head	3	
26	98580-04010	..SCREW, pan head	3	
27	92901-04100	..WASHER, spring	3	
28	90157-05050	..SCREW, pan head	1	
29	2JU-1414G-00	..PIPE, main breed	1	
30	22V-14147-00	..O-RING	1	
31	3G2-14231-27	..JET, main (#135)	1	
32	98501-05012	..SCREW, pan head	4	
33	341-14991-00	..SCREW	1	
34	26H-14952-00	..WASHER	1	
35	22U-14952-00	..WASHER	1	
36	93210-03119	..O-RING	1	
37	98701-06010	..SCREW, flat head	2	
38	341-14954-00	..WASHER	1	
39	12R-14105-00	..PILOT SCREW SET	1	
40	22F-14991-00	..CAP	1	
41	127-14198-00	..GASKET	2	
42	98902-08014	..SCREW, bind	2	
43	2L1-14191-00	..PLUG, drain	1	
44	214-14147-00	..O-RING	1	
45	3JB-1490L-00	..STARTER LEVER SET 1	1	
46	98501-05010	..SCREW, pan head	4	
47	90467-10008	..CLIP	2	
48	31H-14987-00	..HOSE	1	
49	3EN-1490K-00	..STOP SCRER SET	1	
50	22U-14103-00	..THROTTLE SCREW SET	1	
51	98580-06012	..SCREW, pan head	4	

4KU8332-5090

B12

FIG. 10 EXHAUST

REF. NO.	PART NO.	DESCRIPTION	Q'TY	REMARKS
1	2YL-14703-10	MUFFLER COMP. 1	1	
2	90101-06576	.BOLT	2	
3	92907-06600	.WASHER, plate	2	
4	98507-06020	.SCREW, pan head	2	
5	92907-06600	.WASHER, plate	2	
6	90179-08410	NUT	2	
7	48E-14613-00	GASKET, exhaust pipe	2	
8	97027-08030	BOLT	1	
9	92907-08100	WASHER	1	
10	92907-08200	WASHER, plate	1	
11	4BR-14613-00	GASKET, exhaust pipe	1	
12	2GV-14625-00	JOINT, exhaust 2	1	
13	91317-06025	BOLT	2	
14	90185-08097	NUT, self-locking	2	
15	95317-08700	NUT	1	
16	2GV-14663-00	PLATE, air cleaner	1	
17	95807-06016	BOLT, flange	2	
18	2GV-14603-00	COVER 1	1	
19	97704-40012	SCREW, tapping	1	
20	90163-04003	SCREW, tapping	1	
21	90183-04027	NUT, spring	2	
22	2GV-14484-00	PLATE, cleaner case fitting	1	
23	2GV-2138L-00	BRACKET 2	1	
24	95807-08016	BOLT, flange	1	



3BT3351-9100

B13

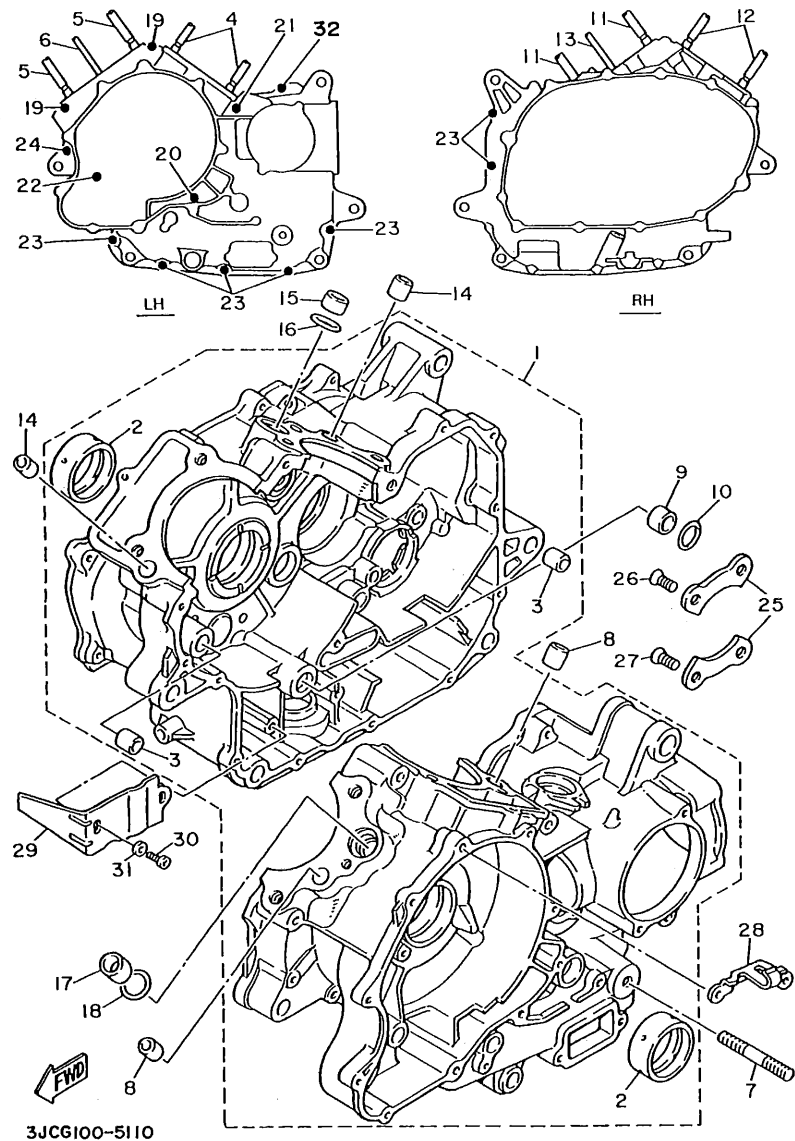


FIG. 11 CRANKCASE

REF. NO.	PART NO.	DESCRIPTION	Q'TY	REMARKS
1	2GV-15100-00	CRANKCASE ASSY	1	
2	22U-11416-80	.PLANE BEARING, crankshaft 1	2	UR BLUE
	22U-11416-90	.PLANE BEARING, crankshaft 1	2	UR GREEN
3	91810-17016	.PIN, dowel	2	
4	90116-10406	BOLT, stud	2	
5	90116-10405	BOLT, stud	2	
6	90116-08404	BOLT, stud	1	
7	95617-10680	BOLT, stud	1	
8	99530-14016	PIN, dowel	2	
9	90387-16547	COLLAR	1	
10	93210-18322	O-RING	1	
11	90116-10406	BOLT, stud	2	
12	90116-10405	BOLT, stud	2	
13	90116-08404	BOLT, stud	1	
14	99530-14016	PIN, dowel	2	
15	90387-16547	COLLAR	1	
16	93210-18322	O-RING	1	
17	90387-16547	COLLAR	1	
18	93210-18322	O-RING	1	
19	91314-08060	BOLT	2	
20	91317-08080	BOLT	1	
21	91314-08100	BOLT	1	
22	91317-06095	BOLT	1	
23	91317-06045	BOLT	7	
24	91314-06055	BOLT	1	
25	11H-15383-01	PLATE, bearing cover	2	
26	90151-08022	SCREW, countersunk	1	
27	90149-08152	SCREW	3	

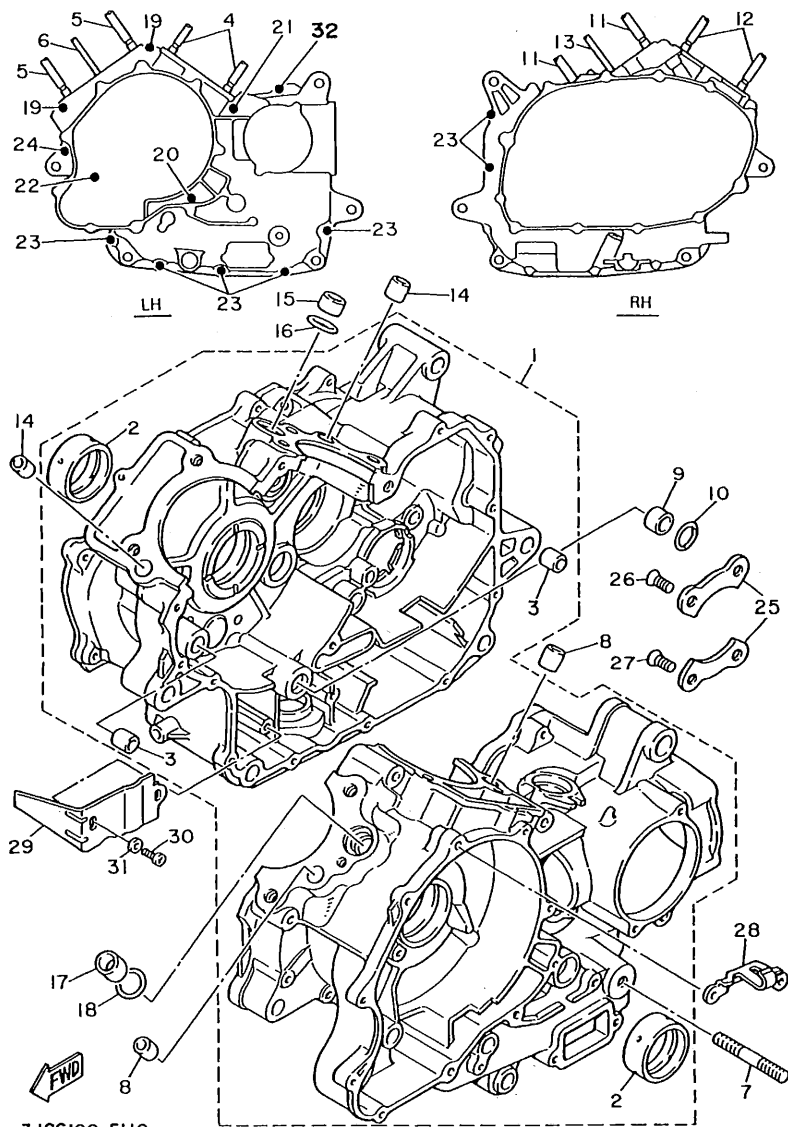
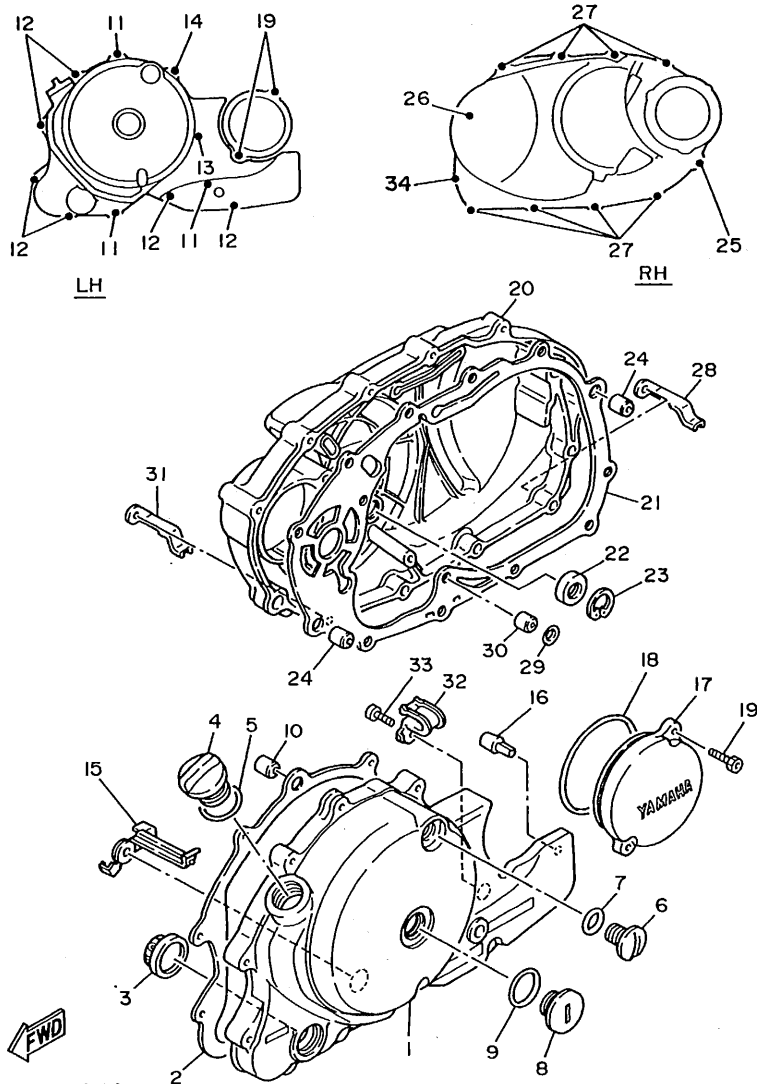


FIG. 11 CRANKCASE

REF. NO.	PART NO.	DESCRIPTION	Q'TY	REMARKS
28	22U-15441-01	HOLDER, clutch cable	1	
29	22U-15123-00	PLATE, baffle 1	1	
30	98507-06012	SCREW, pan head	2	
31	92907-06600	WASHER, plate	2	
32	91314-06045	BOLT	1	

FIG. 12 CRANKCASE COVER 1



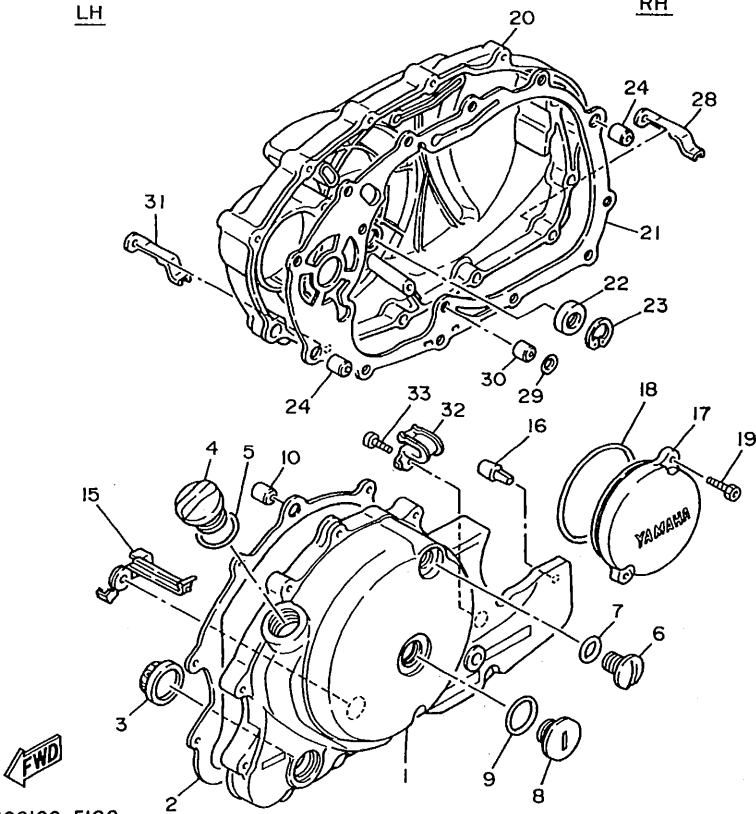
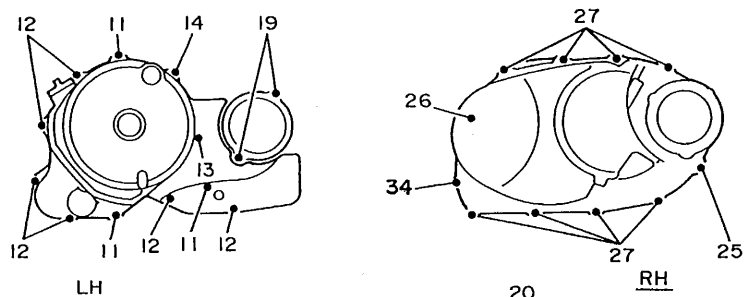
3JCG100-5120

REF. NO.	PART NO.	DESCRIPTION	Q'TY	REMARKS
1	2NT-15411-01	COVER, crankcase 1	1	UR
	3JB-15411-00	COVER, crankcase 1	1	UR XV535S MODEL
2	3BT-15451-00	GASKET, crankcase cover 1	1	
3	2H7-15361-00	GAUGE, level	1	
4	3F9-15362-00	PLUG, oil level	1	
5	93210-27778	O-RING	1	
6	90340-14068	PLUG, straight screw	1	UR
	90340-14139	PLUG, straight screw	1	UR XV535S MODEL
7	93210-14369	O-RING	1	
8	90340-32088	PLUG, straight screw	1	UR
	90340-32140	PLUG, straight screw	1	UR XV535S MODEL
9	93210-32172	O-RING	1	
10	99530-10014	PIN, dowel	2	
11	91314-06040	BOLT	3	
12	91314-06025	BOLT	6	
13	91314-06055	BOLT	1	
14	91314-06030	BOLT	1	
15	3BT-15484-00	CLAMP 2	1	
16	2GV-15316-00	DAMPER, engine mount 1	1	
17	2NT-15415-00	COVER, generator	1	UR
	3JB-15415-00	COVER, generator	1	UR XV535S MODEL
18	93210-74316	O-RING	1	
19	91314-06018	BOLT	2	
20	2NT-15421-00	COVER, crankcase 2	1	UR
	3JB-15421-00	COVER, crankcase 2	1	UR XV535S MODEL
21	3BT-15461-00	GASKET, crankcase cover 2	1	
22	93101-14089	OIL SEAL	1	
23	99009-25500	CIRCLIP	1	

C2

FIG. 12 CRANKCASE COVER 1

REF. NO.	PART NO.	DESCRIPTION	Q'TY	REMARKS
24	99530-10020	PIN, dowel	2	
25	91314-06040	BOLT	1	
26	91314-06055	BOLT	1	
27	91314-06025	BOLT	8	
28	90462-10115	CLAMP	2	
29	93210-15566	O-RING	1	
30	91810-17016	PIN, dowel	1	
31	90462-10118	CLAMP	2	
32	90462-06119	CLAMP	1	
33	98507-06010	SCREW, pan head	1	
34	91380-06025	BOLT	1	

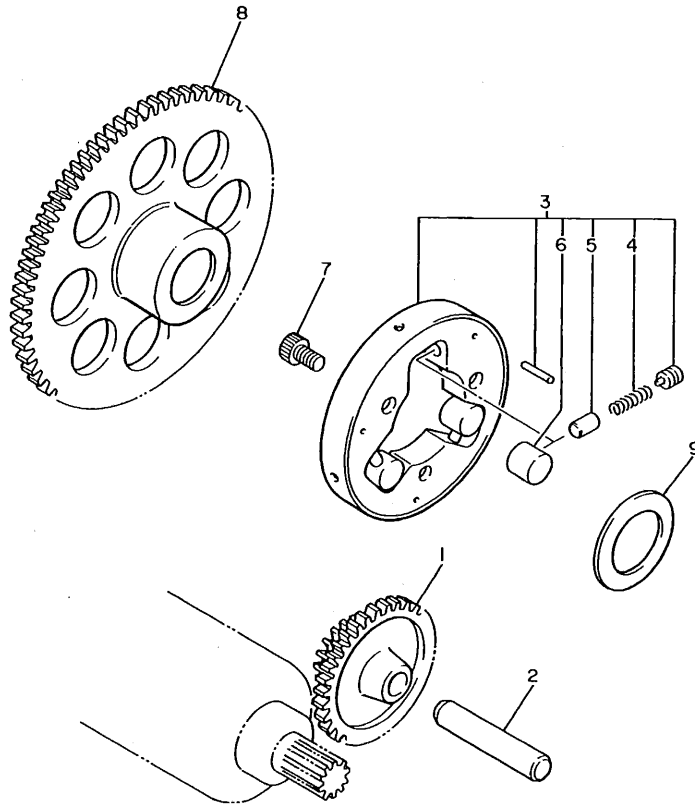


3JCG100-5120

C3

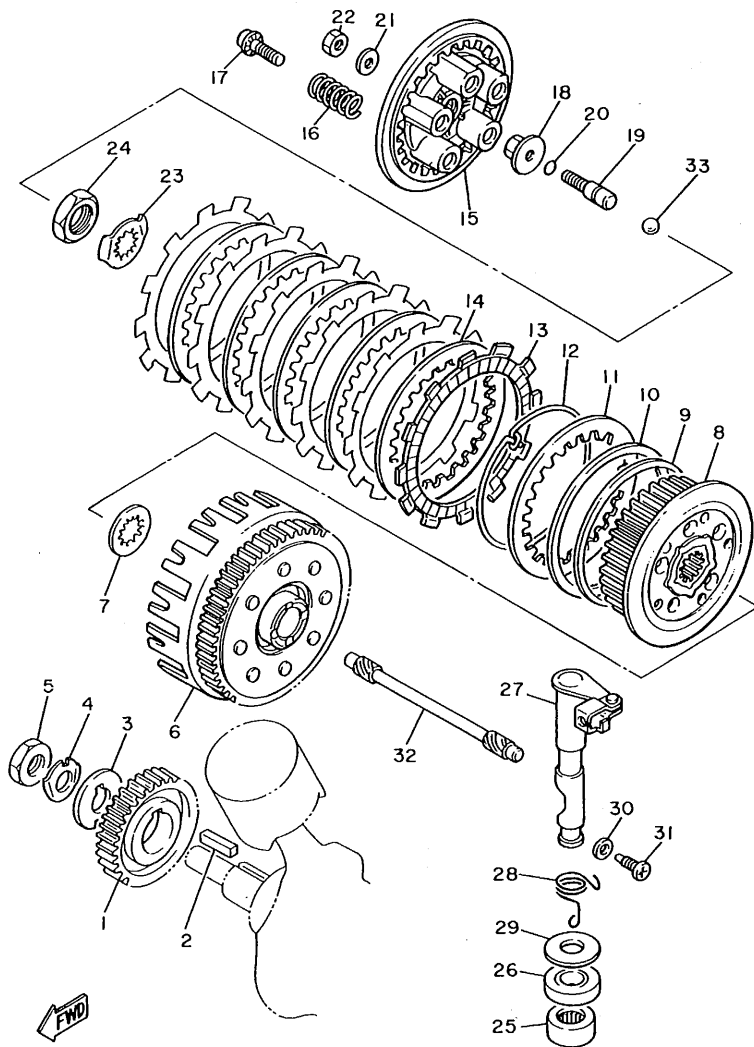
FIG. 13 STARTER CLUTCH

REF. NO.	PART NO.	DESCRIPTION	Q'TY	REMARKS
1	22U-15512-00	GEAR, idler 1 (12T-50T)	1	
2	5H0-15521-00	SHAFT 1	1	
3	22U-15580-00	STARTER CLUTCH OUTER ASSY	1	
4	90501-04623	.SPRING, compression	3	
5	341-15583-05	.CAP, starter clutch spring	3	
6	93615-12088	.PIN, dowel	3	
7	91317-08012	BOLT	3	
8	22U-15517-00	GEAR, idler 2 (66T)	1	
9	90201-256K6	WASHER, plate	1	



22U110-3150

C4



22U110-3160

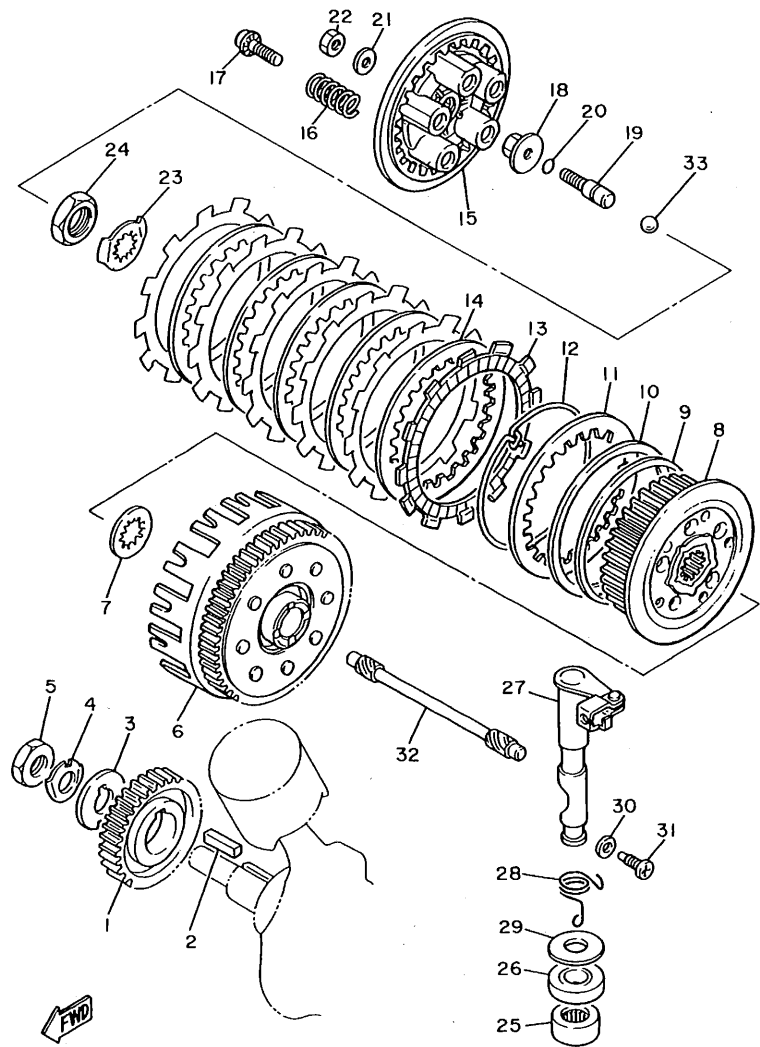
FIG. 14 CLUTCH

REF. NO.	PART NO.	DESCRIPTION	Q'TY	REMARKS
1	22U-16111-01	GEAR, primary drive	1	
2	90280-07036	KEY, woodruff	1	
3	90214-16026	WASHER, claw	1	
4	90215-16222	WASHER, lock	1	
5	90170-16311	NUT	1	
6	22U-16150-01	PRIMARY DRIVEN GEAR COMP.	1	
7	22U-16154-00	PLATE, thrust 1	1	
8	22U-16371-00	BOSS, clutch	1	
9	4X7-16384-00	PLATE, seat	1	
10	4X7-16383-01	SPRING, clutch boss	1	
11	4X7-16324-00	PLATE, clutch 1	1	
12	4X7-16385-00	RING, clutch boss	1	
13	22U-16321-00	PLATE, friction	6	
14	4X7-16325-00	PLATE, clutch 2	5	
15	22U-16351-00	PLATE, pressure 1	1	
16	90501-23738	SPRING, compression	5	
17	90159-06016	SCREW, with washer	5	
18	1W1-16358-01	PLATE, push	1	
19	5Y1-16356-00	ROD, push 1	1	
20	93210-09525	O-RING	1	
21	92907-06200	WASHER, plain	1	
22	95307-06600	NUT	1	
23	90215-22244	WASHER, lock	1	
24	90170-20310	NUT	1	
25	93315-21813	BEARING, cylindrical	1	
26	93102-18278	OIL SEAL	1	
27	22U-16380-00	PUSH LEVER ASSY	1	
28	90508-16577	SPRING, torsion	1	

C5

FIG. 14 CLUTCH

REF. NO.	PART NO.	DESCRIPTION	Q'TY	REMARKS
29	90201-18262	WASHER, plate	1	
30	90201-08087	WASHER, plate	1	
31	90149-08067	SCREW	1	
32	22U-16357-00	ROD, push 2	1	
33	93515-32029	BALL	1	

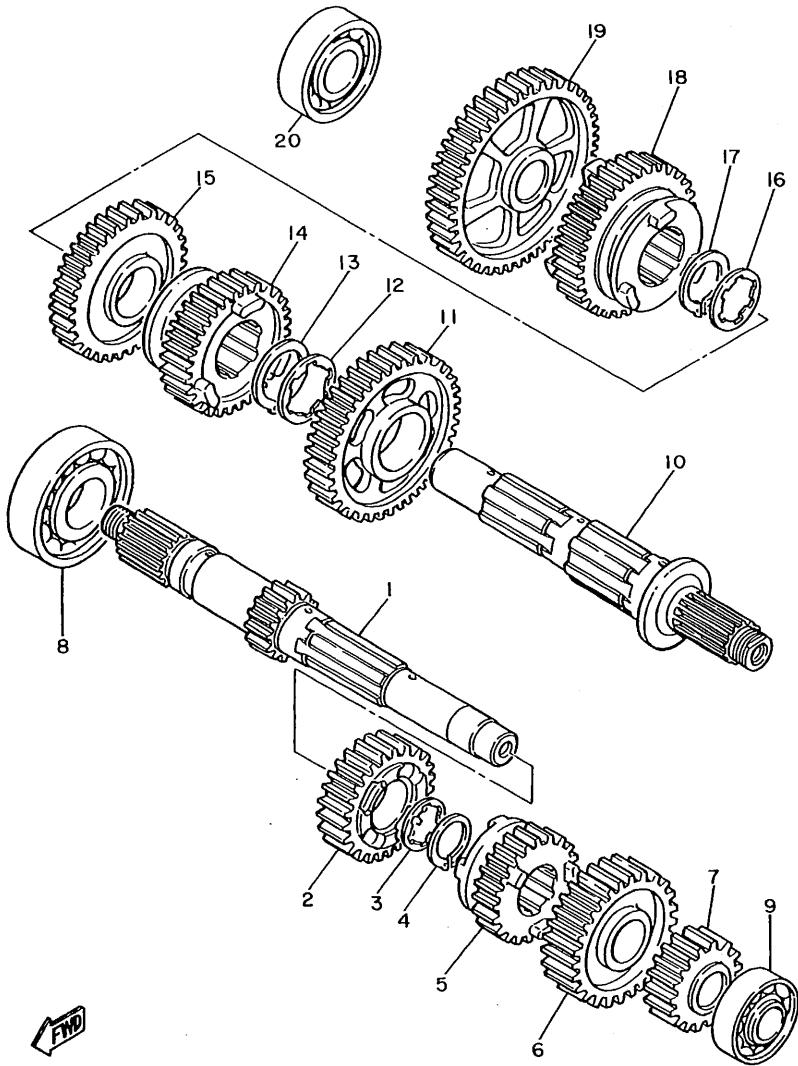


22U110-3160

C6

FIG. 15 TRANSMISSION

REF. NO.	PART NO.	DESCRIPTION	Q'TY	REMARKS
1	22U-17411-00	AXLE, main (14T)	1	
2	22U-17141-00	GEAR, 4th pinion (24T)	1	
3	90209-22191	WASHER	1	
4	93440-25084	CIRCLIP	1	
5	22U-17131-00	GEAR, 3rd pinion (24T)	1	
6	11H-17151-01	GEAR, 5th pinion (30T)	1	
7	11H-17121-00	GEAR, 2nd pinion (20T)	1	
8	93306-30525	BEARING (B6305)	1	
9	93306-00401	BEARING (B6004)	1	
10	22U-17402-00	DRIVE AXLE ASSY	1	
11	22U-17221-00	GEAR, 2nd wheel (38T)	1	
12	90209-27192	WASHER	1	
13	93440-30077	CIRCLIP	1	
14	11H-17251-00	GEAR, 5th wheel (29T)	1	
15	22U-17231-00	GEAR, 3rd wheel (35T)	1	
16	90209-22191	WASHER	1	
17	93440-25084	CIRCLIP	1	
18	22U-17241-00	GEAR, 4th wheel (28T)	1	
19	22U-17211-00	GEAR, 1st wheel (38T)	1	
20	93306-00428	BEARING	1	

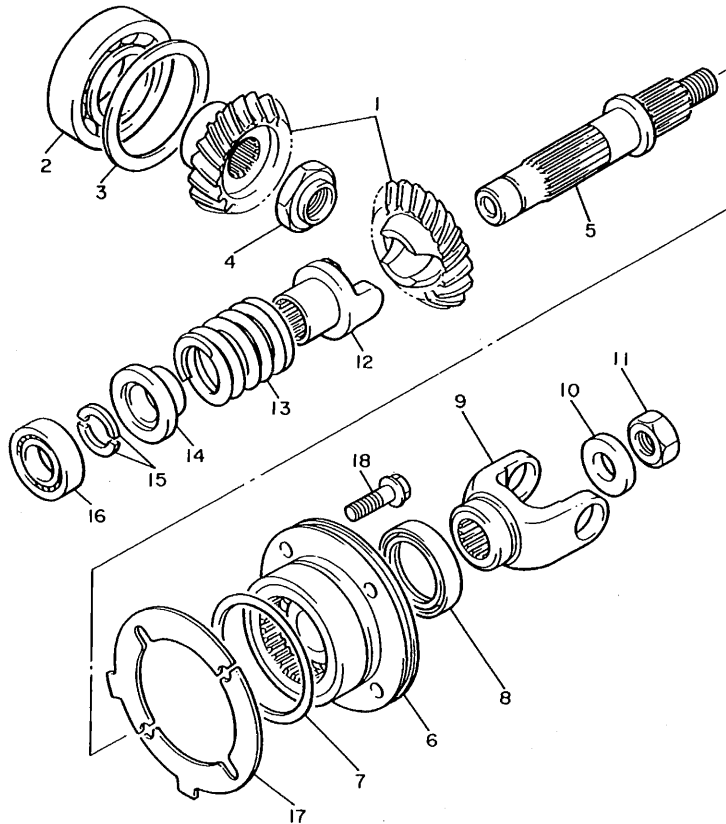


FWD

2GV110-7150

C7

FIG. 16 MIDDLE DRIVE GEAR

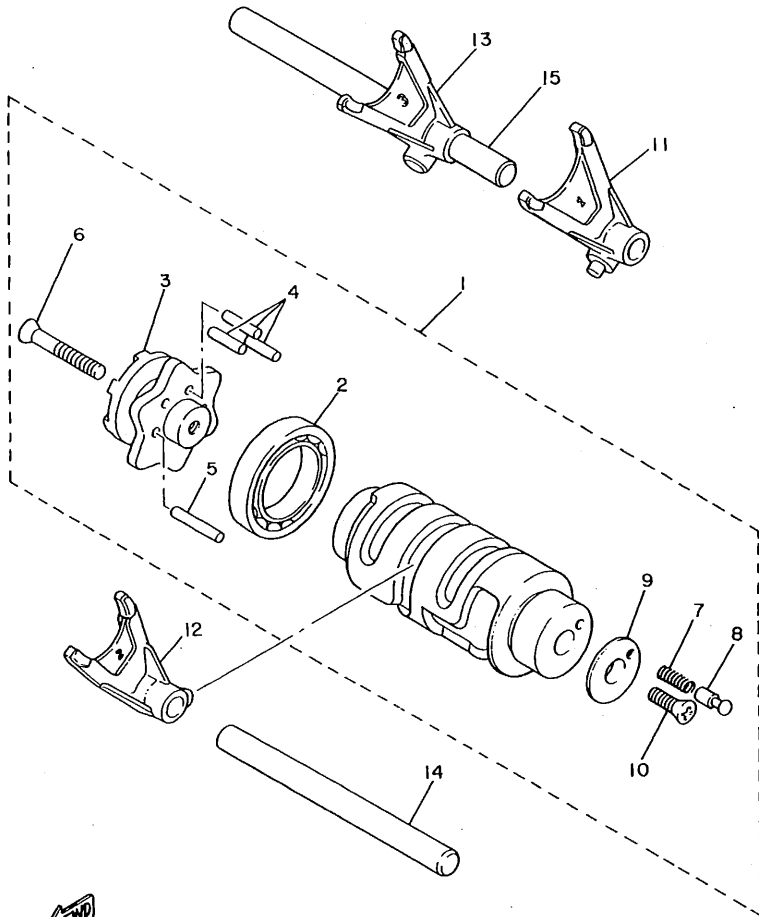


REF. NO.	PART NO.	DESCRIPTION	Q'TY	REMARKS
1	22U-Y1754-00	MIDDLE GEAR COMP.	1	
2	93306-20711	BEARING	1	
3	4H7-17537-00-20	SHIM, thrust (0.20T)	1	UR
	4H7-17537-00-30	SHIM, thrust (0.30T)	1	UR
	4H7-17537-00-40	SHIM, thrust (0.40T)	1	UR
4	90179-18396	NUT	1	
5	22U-17553-01	SHAFT, middle driven	1	
6	4H7-W1752-10	HOUSHING COMP	1	
7	93210-71360	O-RING	1	
8	93101-35097	OIL SEAL	1	
9	22U-17556-00	YOKE, joint	1	
10	90201-14633	WASHER, plate	1	
11	90185-14070	NUT, self-locking	1	
12	22U-17527-00	CAM, driven	1	
13	90501-60716	SPRING, compression	1	
14	22U-17524-00	HOLDER	1	
15	3H5-17529-00	WASHER, thrust	2	
16	93306-00435	BEARING	1	
17	3JB-17531-00	SHIM, pinion (0.10T)	2	UR
	3JB-17531-10	SHIM, pinion (0.15T)	2	UR
	3JB-17531-20	SHIM, pinion (0.20T)	2	UR
	3JB-17531-30	SHIM, pinion (0.30T)	2	UR
	3JB-17531-40	SHIM, pinion (0.40T)	2	UR
	3JB-17531-50	SHIM, pinion (0.50T)	2	UR
18	95827-08030	BOLT, flange	4	


22U110-3180

FIG. 17 SHIFT CAM. FORK

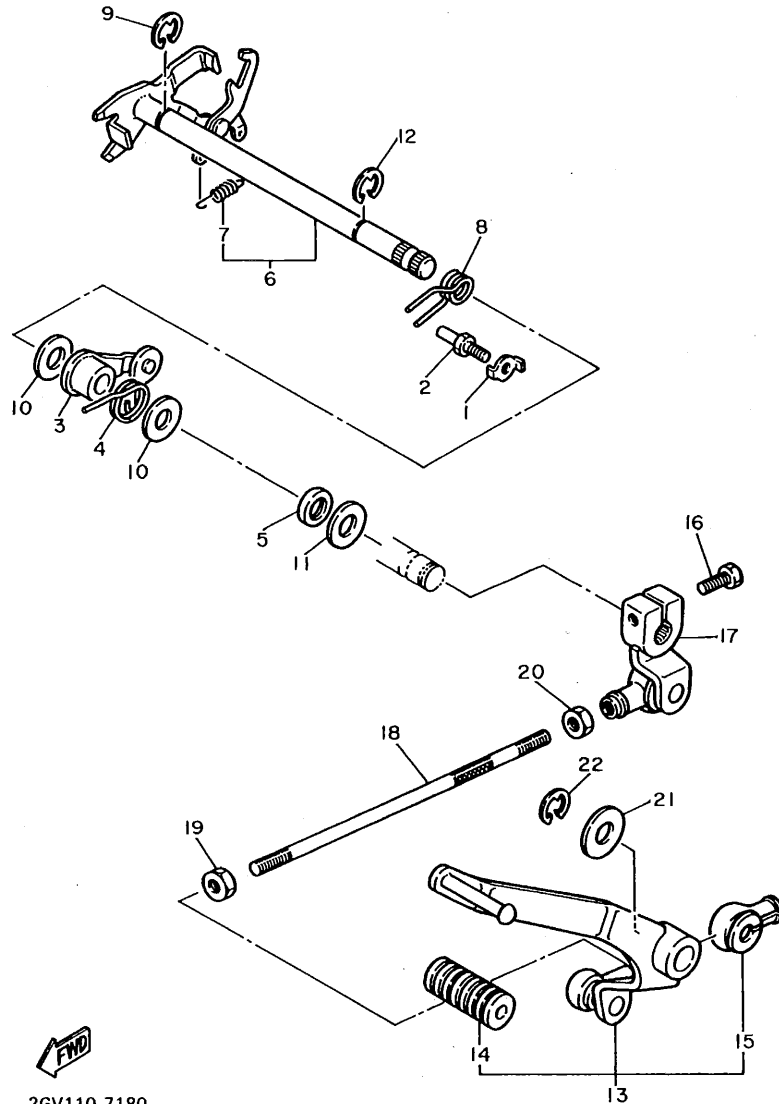
REF. NO.	PART NO.	DESCRIPTION	Q'TY	REMARKS
1	22U-18540-00	SHIFT CAM ASSY	1	
2	93306-90602	.BEARING	1	
3	16G-18185-00	.SEGMENT	1	
4	93604-16092	.PIN, dowel	3	
5	93604-20156	.PIN, dowel	1	
6	98701-05035	.SCREW, flat head	1	
7	90501-06022	.SPRING, compression	1	
8	278-18542-00	.POINT, neutral	1	
9	278-18566-00	.PLATE, side 2	1	
10	98701-05016	.SCREW, flat head	1	
11	11H-18511-00	FORK, shift 1	1	
12	11H-18512-00	FORK, shift 2	1	
13	11H-18513-00	FORK, shift 3	1	
14	3YF-18531-00	BAR, shift fork guide 1	1	
15	22U-18535-00	BAR, shift fork guide 2	1	



22U110-3190

C9

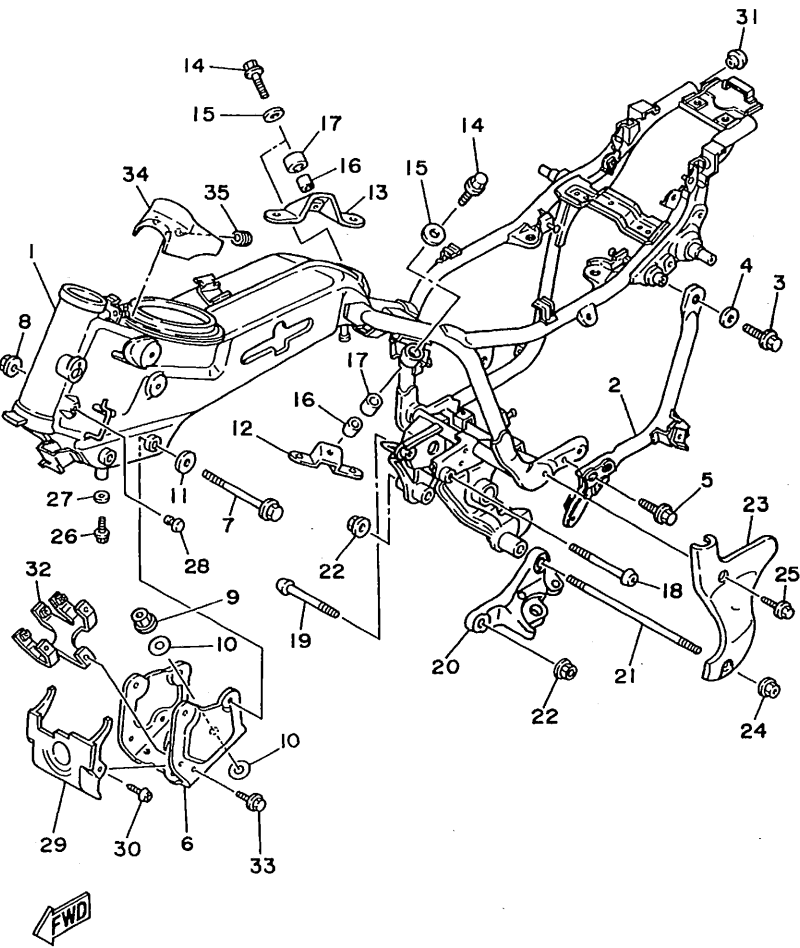
FIG. 18 SHIFT SHAFT



2GV110-7180

REF. NO.	PART NO.	DESCRIPTION	Q'TY	REMARKS
1	90215-18178	WASHER, lock	1	
2	460-18127-00	STOPPER, screw	1	
3	11H-18140-00	STOPPER LEVER ASSY	1	
4	90508-29519	SPRING, torsion	1	
5	93102-12106	OIL SEAL (SD 12-22-5 HS)	1	
6	22U-18120-01	SHIFT LEVER ASSY	1	
7	90506-08227	.SPRING, tension	1	
8	90508-32536	SPRING, torsion	1	
9	99006-10600	CIRCLIP	1	
10	90201-12588	WASHER, plate	2	
11	90201-12575	WASHER, plate	1	
12	99006-10600	CIRCLIP	1	
13	2GV-18110-00	SHIFT PEDAL ASSY	1	
14	132-18113-01	.COVER, shift pedal	1	
15	2H9-18154-00	.COVER, dust	1	
16	97024-06020	BOLT	1	
17	2GV-18112-00	ARM, shift	1	
18	2GV-18115-00	ROD, shift	1	
19	90170-06228	NUT	1	
20	95304-06700	NUT	1	
21	90201-124E4	WASHER, plate	1	
22	99009-12400	CIRCLIP	1	

C10



3JCG100-5190

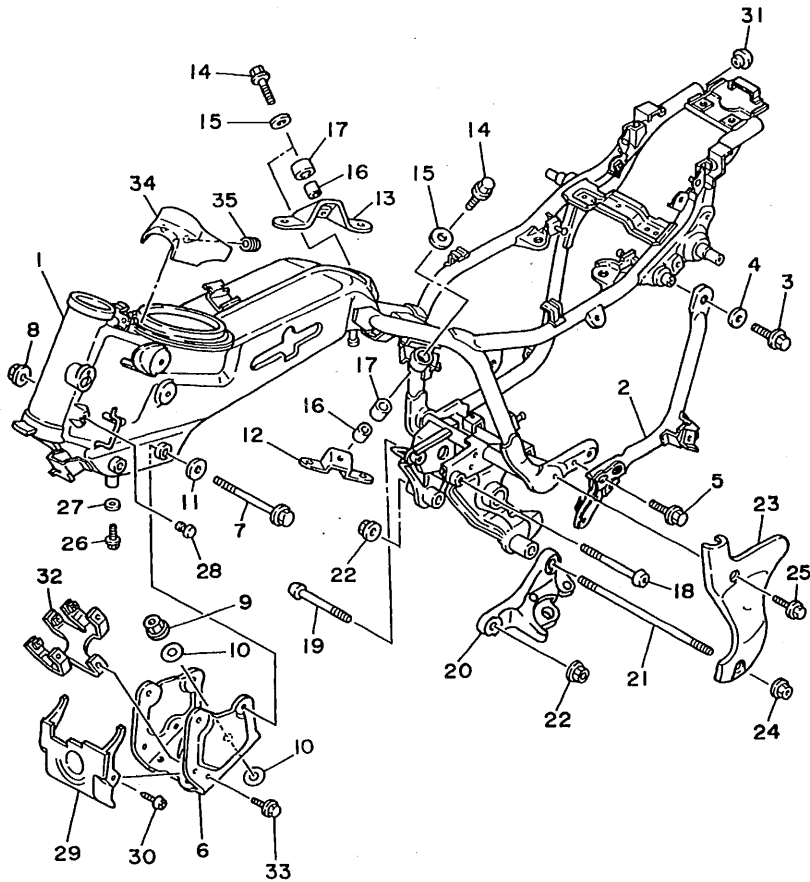
FIG. 19 FRAME

REF. NO.	PART NO.	DESCRIPTION	Q'TY	REMARKS
1	4KU-21110-10-33	FRAME COMP.	1	YAMAHA BLACK
2	3JB-21105-00-33	BACK STAY SUB COMP. 1	1	YAMAHA BLACK
3	90105-08177	BOLT, washer based	1	
4	90201-08326	WASHER, plate	1	
5	90109-08718	BOLT	2	
6	2GV-21317-00	STAY, engine 4	1	
7	90105-10183	BOLT, washer based	2	
8	90179-10321	NUT	2	
9	90179-10279	NUT	4	
10	90201-10131	WASHER, plate	4	
11	90201-10437	WASHER, plate	2	
12	22U-21315-00	STAY, engine 2	1	
13	22U-21316-00	STAY, engine 3	1	
14	90105-10186	BOLT, washer based	2	
15	90201-105H3	WASHER, plate	2	
16	90387-100E2	COLLAR	2	
17	4X7-21485-00	DAMPER, rubber 1	2	
18	90149-10238	SCREW	1	
19	90149-10239	SCREW	1	
20	4KU-21458-00	BRACKET, side stand	1	
21	90116-12495	BOLT, stud	1	
22	90179-12248	NUT	2	
23	2GV-2171E-00	COVER, side 5	1	
24	95307-12800	NUT	1	
25	95027-06016	BOLT, flange	1	
26	90105-06069	BOLT, washer based	1	
27	90202-06010	WASHER, plate	1	
28	90338-07043	PLUG	5	

C11

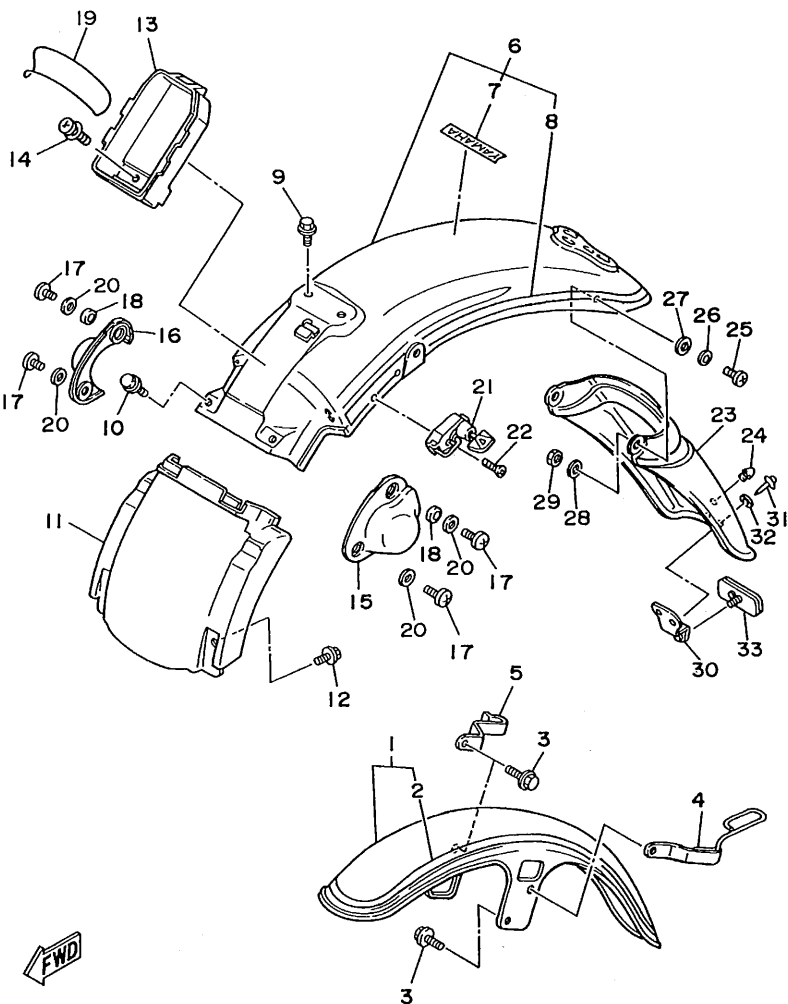
FIG. 19 FRAME

REF. NO.	PART NO.	DESCRIPTION	Q'TY	REMARKS
29	2GV-2139R-00	COVER 2	1	
30	97707-60514	SCREW, tapping	2	
31	1AA-2143A-00	CAP	2	
32	2GV-21359-00	BRACKET, coil	1	
33	95807-06012	BOLT, flange	2	
34	3JB-2139R-00	COVER 2	1	
35	90480-10334	GROMMET	2	



3JCG100-5190

C12



4KU8332-5200

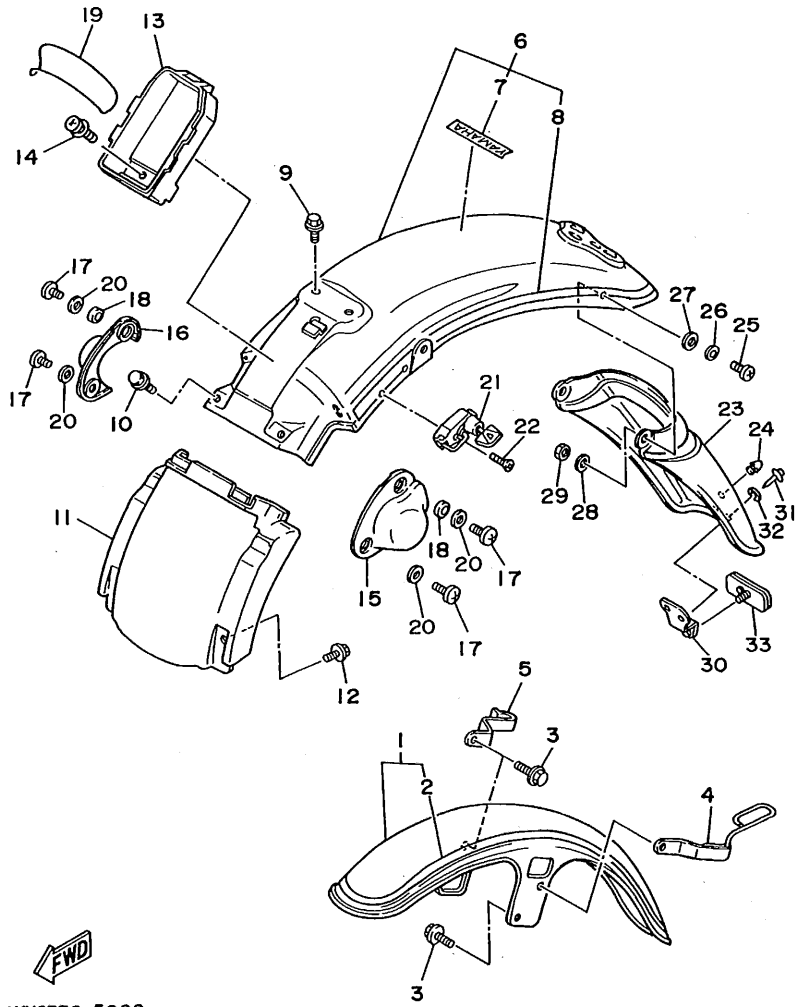
FIG. 20 FENDER

REF. NO.	PART NO.	DESCRIPTION	Q'TY	REMARKS
1	2GV-Y2151-70-4B	FRONT FENDER COMP.	1	UR BLACK 2
	2GV-Y2151-80-MX	FRONT FENDER COMP.	1	UR SPARKLE MAROON
	2GV-Y2151-50-2X	FRONT FENDER COMP. (XV535S MODEL)	1	UR NEW BLACK BLUE/ STAR SILVER
2	3JB-21570-50	.GRAPHIC, front fender	1	UR XV535S MODEL
	4KU-21570-00	.GRAPHIC, front fender	1	UR FOR BL2
	4KU-21570-10	.GRAPHIC, front fender	1	UR FOR SM
3	95027-08012	BOLT	4	
4	2NT-21597-01	HOLDER, wire 1	1	
5	3JB-21598-00	HOLDER, wire 2	1	
6	3BR-Y2161-H0-4B	REAR FENDER COMP.	1	UR BLACK 2
	3BR-Y2161-J0-MX	REAR FENDER COMP.	1	UR SPARKLE MAROON
	3BR-Y2161-L0-1X	REAR FENDER COMP. (XV535S MODEL)	1	UR NEW BLACK BLUE/ STAR SILVER
7	99236-00080	.EMBLEM, yamaha	1	UR XV535S MODEL
	99237-00080	.EMBLEM, yamaha	1	UR FOR BL2
	99235-00080	.EMBLEM, yamaha	1	UR FOR SM
8	3JB-2165A-50	.GRAPHIC, rear fender	1	UR XV535S MODEL
	4KU-2165A-00	.GRAPHIC, rear fender	1	UR FOR BL2
	4KU-2165A-10	.GRAPHIC, rear fender	1	UR FOR SM
9	95807-08012	BOLT, flange	2	
10	95807-06010	BOLT, flange	2	
11	2GV-21629-00-MX	GUARD, mud	1	UR SPARKLE MAROON
	2GV-21629-00-4B	GUARD, mud	1	UR BLACK 2
	2GV-21629-00-KM	GUARD, mud	1	UR NEW BLACK BLUE XV535S MODEL
12	90119-06123	BOLT, with washer	2	
13	2GV-2160E-00	BOX	1	
14	90159-06059	SCREW, with washer	1	
15	2GV-2163A-00	COVER, rear fender 1	1	
16	2GV-2163E-00	COVER, rear fender 2	1	

C13

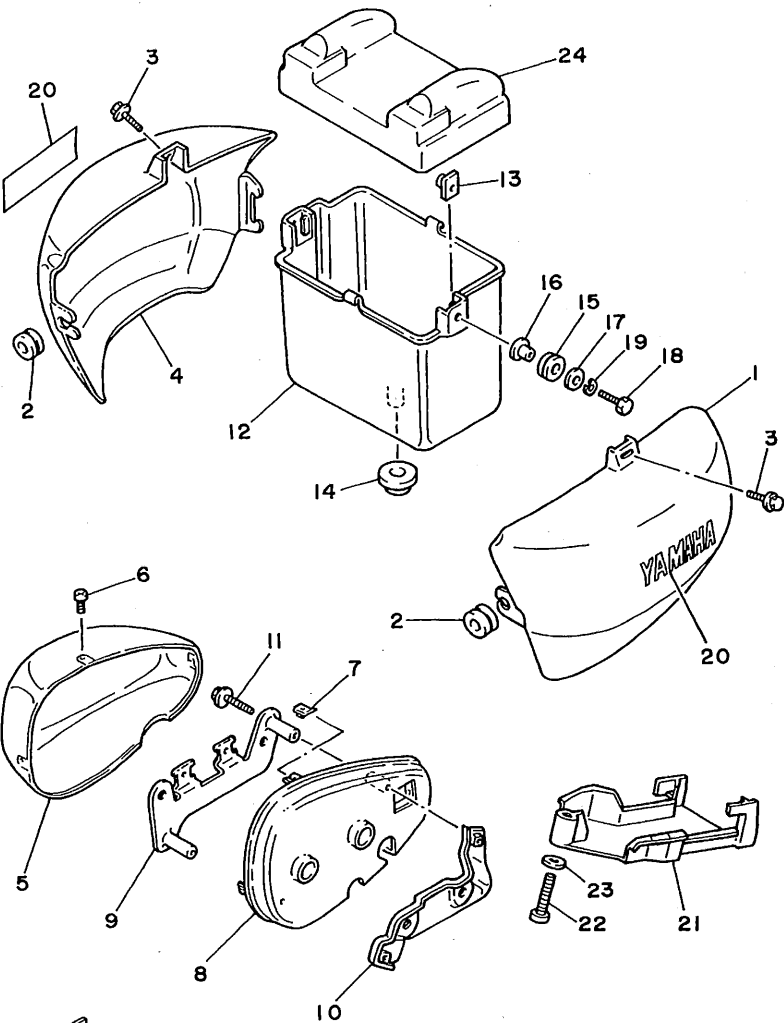
FIG. 20 FENDER

REF. NO.	PART NO.	DESCRIPTION	Q'TY	REMARKS
17	98904-08014	SCREW, bind	4	
18	90560-08326	SPACER	2	
19	93210-71360	O-RING	1	
20	92990-08200	WASHER, plain	4	
21	26H-21308-00	HELMET HANGER ASSY	1	
22	90149-06154	SCREW	1	
23	3BR-21621-00	FLAP	1	
24	4G0-21639-00	DAMPER 2	1	
25	95807-06012	SCREW, pan head	2	
26	92907-06600	WASHER, plate	2	
27	90202-05187	WASHER, plate	2	
28	92907-06200	WASHER, plain	2	
29	95307-06600	NUT	2	
30	2AE-21641-00	BRACKET, reflector	1	
31	90267-40076	RIVET, blind	2	
32	90201-044A2	WASHER, plate	2	
33	449-85131-02	REFLECTOR, rear 1	1	



4KU8332-5200

C14



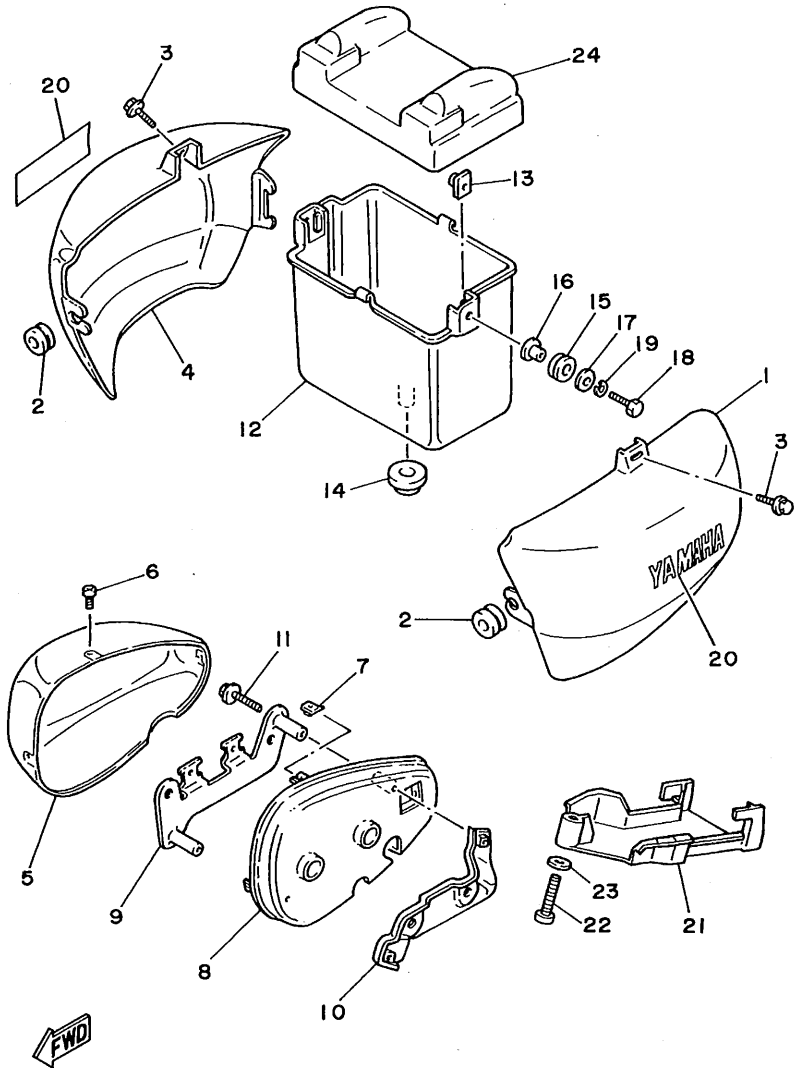
3BTY351-4210

FIG. 21 SIDE COVER

REF. NO.	PART NO.	DESCRIPTION	Q'TY	REMARKS
1	2GV-21711-00-MX	COVER, side 1	1	UR SPARKLE MAROON
	2GV-21711-00-4B	COVER, side 1	1	UR BLACK 2
	2GV-21711-00-KM	COVER, side 1	1	UR NEW BLACK BLUE XV535S MODEL
2	90480-12320	GROMMET	2	
3	90119-06123	BOLT, with washer	2	
4	2GV-21721-00-MX	COVER, side 2	1	UR SPARKLE MAROON
	2GV-21721-00-4B	COVER, side 2	1	UR BLACK 2
	2GV-21721-00-KM	COVER, side 2	1	UR NEW BLACK BLUE XV535S MODEL
5	2GV-21731-00-93	COVER, side 3	1	CHROME PLATED
6	97704-40012	SCREW, tapping	3	
7	90183-04027	NUT, spring	3	
8	2GV-2172A-00	PANEL 1	1	
9	2GV-2172F-00	PANEL 2	1	
10	2GV-2174E-00	STAY, side cover 2	1	
11	95807-06040	BOLT, flange	2	
12	2GV-21171-00	BOX, tool	1	
13	31A-14477-00	PLATE	2	
14	90480-22362	GROMMET	1	
15	90480-14229	GROMMET	2	
16	90387-07391	COLLAR	2	
17	90201-06059	WASHER, plate	2	
18	97007-06025	BOLT	2	
19	92907-06100	WASHER, spring	2	
20	99235-00080	EMBLEM, yamaha	2	UR FOR SM
	99237-00080	EMBLEM, yamaha	2	UR FOR BL2, NBB
21	3JB-2176E-00	PLATE	1	
22	98507-06035	SCREW, pan head	1	
23	92907-06600	WASHER, plate	1	

FIG. 21 SIDE COVER

REF. NO.	PART NO.	DESCRIPTION	Q'TY	REMARKS
24	3JB-28185-00	LID	1	



38TY351-4210

D2

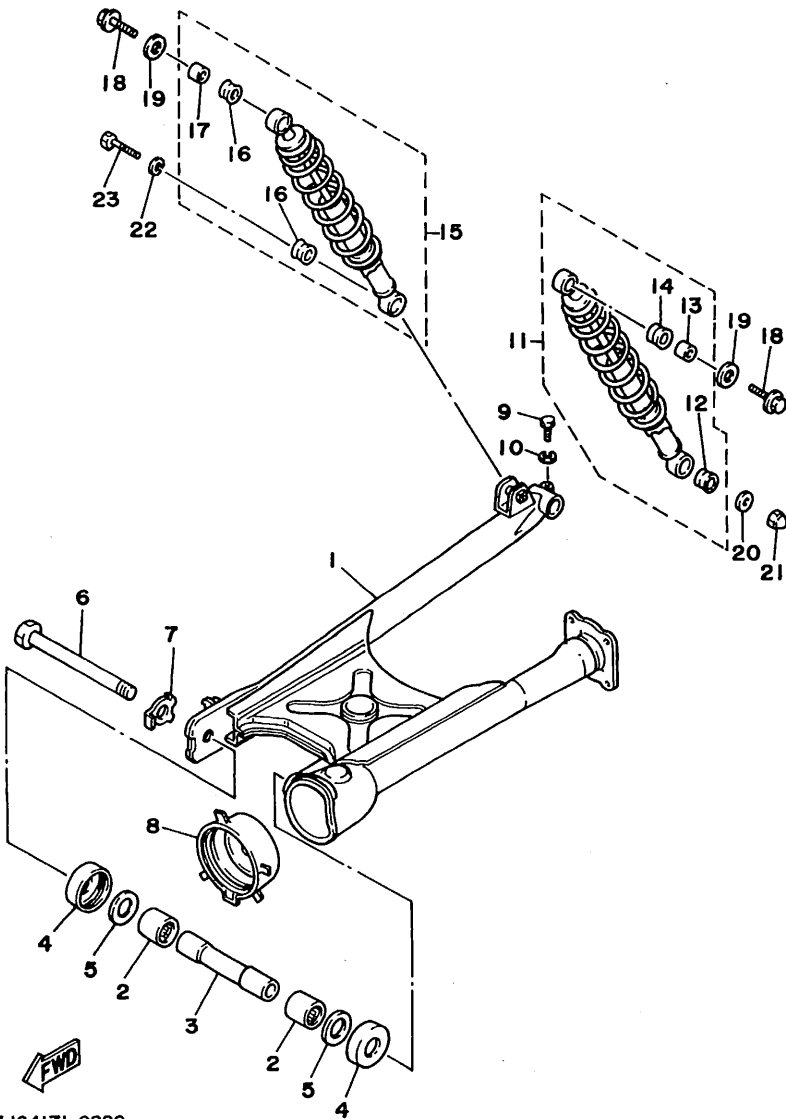


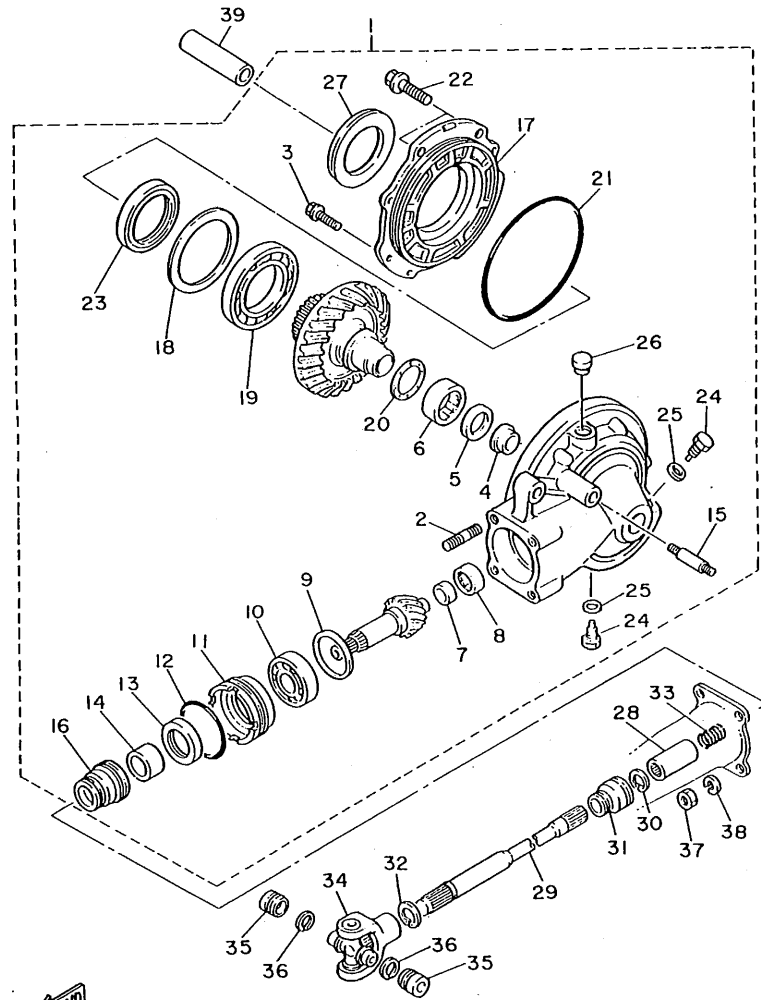
FIG. 22 REAR ARM. SUSPENSION

REF. NO.	PART NO.	DESCRIPTION	Q'TY	REMARKS
1	2GV-22110-00-35	REAR ARM COMP.	1	SILVER
2	93320-32403	BEARING	2	
3	4X7-22124-00	BUSH 2	1	
4	4X7-22129-00	COVER, thrust 2	2	
5	90201-244A8	WASHER, plate (1.95T)	2	
6	4X7-22141-00	SHAFT, pivot	1	
7	90215-16181	WASHER, lock	1	
8	22U-22189-00	BOOT, rubber	1	
9	97004-08035	BOLT	1	
10	92990-08100	WASHER, spring	1	
11	2YL-22210-00	SHOCK ABSORBER ASSY, rear	1	
12	2GV-22216-00	.BUSH, shock absorber lower	1	
13	2GV-22253-00	.COLLAR, distance	1	
14	2GV-22226-00	.BUSH, rear shock absorber	1	
15	2YL-22220-00	SHOCK ABSORBER ASSY, rear	1	
16	2GV-22226-00	.BUSH, shock absorber lower	2	
17	5M0-22253-00	.COLLAR, distance	1	
18	95807-08012	BOLT, flange	2	
19	90201-08753	WASHER, plate	2	
20	90201-105R9	WASHER, plate	1	
21	90176-10073	NUT, crown	1	
22	92990-10100	WASHER, spring	1	
23	90106-10052	BOLT	1	

3JC4171-0220

D3

FIG. 23 DRIVE SHAFT



2JV171-7230

REF. NO.	PART NO.	DESCRIPTION	Q'TY	REMARKS
1	2NT-46101-00	REAR AXLE GEAR CASE ASSY	1	
2	90116-10593	.BOLT, stud	4	
3	90119-08126	.BOLT, with washer	6	
4	22U-46153-00	.COLLAR, guide	1	
5	93101-30084	.OIL SEAL	1	
6	93311-43729	.BEARING, cylindrical	1	
7	2H7-46122-00	.RACE, inner	1	
8	93317-41510	.BEARING, cylindrical	1	
9	1J7-17537-Y0-30	.SHIM, thrust (0.30T)	1	UR
	1J7-17537-Y0-40	.SHIM, thrust (0.40T)	1	UR
	1J7-17537-Y0-50	.SHIM, thrust (0.50T)	1	UR
10	93306-30539	.BEARING	1	
11	4H7-46125-00	.RETAINER, bearing	1	
12	93210-60426	.O-RING	1	
13	93101-38098	.OIL SEAL	1	
14	90387-25669	.COLLAR	1	
15	90116-10249	.BOLT, stud	1	
16	22U-46136-00	.SEAL 1	1	
17	22U-46152-00	.HOUSING, bearing	1	
18	22U-46117-00-25	.SHIM, ring gear (0.25T)	1	UR
	22U-46117-00-30	.SHIM, ring gear (0.30T)	1	UR
	22U-46117-00-40	.SHIM, ring gear (0.40T)	1	UR
	22U-46117-00-50	.SHIM, ring gear (0.50T)	1	UR
19	93316-01301	.BEARING, cylindrical	1	
20	22U-46118-00-12	.SHIM, thrust (1.2T)	1	UR
	22U-46118-00-14	.SHIM, thrust (1.4T)	1	UR
	22U-46118-00-16	.SHIM, thrust (1.6T)	1	UR
	22U-46118-00-18	.SHIM, thrust (1.8T)	1	UR

D4

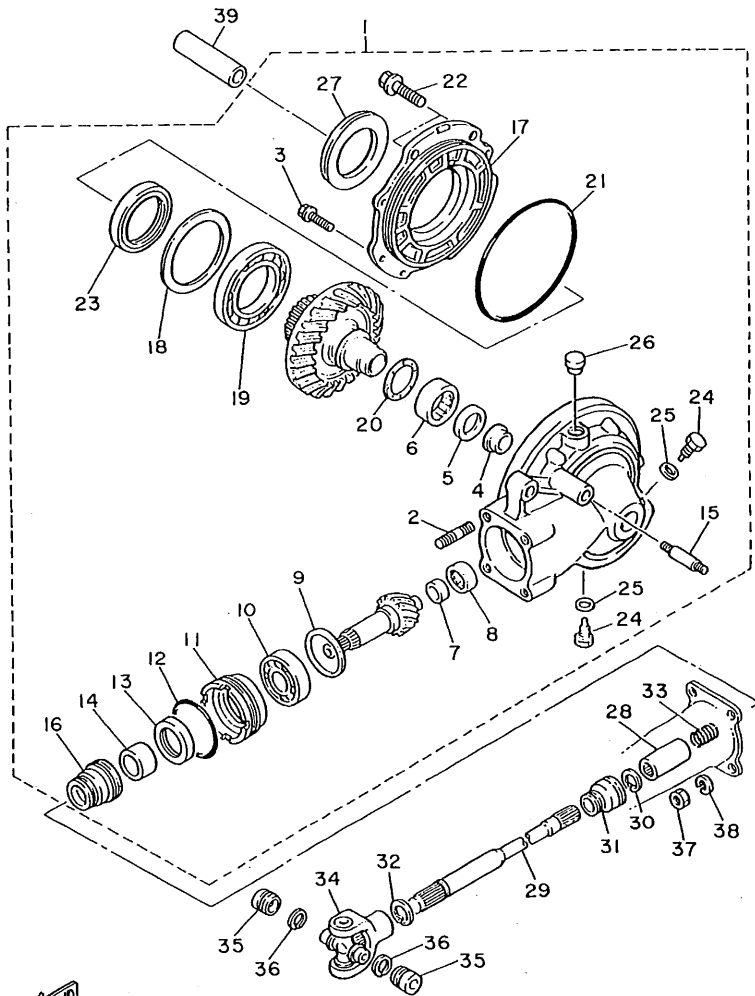
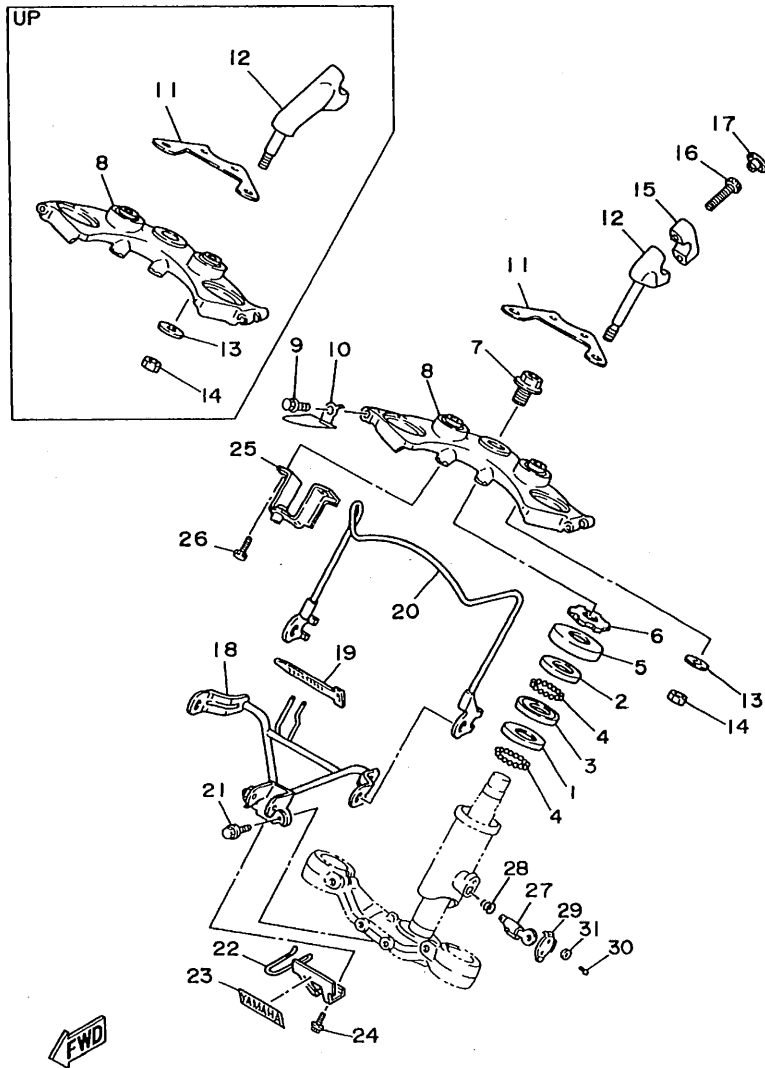


FIG. 23 DRIVE SHAFT

REF. NO.	PART NO.	DESCRIPTION	Q'TY	REMARKS
20	22U-46118-00-20	.SHIM, thrust (2.0T)	1	UR
21	93211-39569	.O-RING	1	
22	90105-10285	.BOLT, washer based	2	
23	93102-65277	.OIL SEAL	1	
24	11H-13455-00	.PLUG	2	
25	214-11198-01	.GASKET	2	
26	2H7-17590-00	.BREATHER COMP.	1	
27	1J7-25319-01	.SEAL, hub dust	1	
28	22U-46123-00	COUPLING, gear	1	
29	26V-46172-00	SHAFT, drive	1	
30	93440-19112	CIRCLIP	1	
31	22U-46137-00	SEAL 2	1	
32	93410-22039	CIRCLIP	1	
33	90501-15722	SPRING, compression	1	
34	4X7-46180-00	CROSS JOINT COMP.	1	
35	93399-99926	BEARING	2	
36	93440-20088	CIRCLIP	2	
37	95314-10600	NUT	4	
38	92990-10100	WASHER, spring	4	
39	90387-15668	COLLAR	1	



2JV171-7230



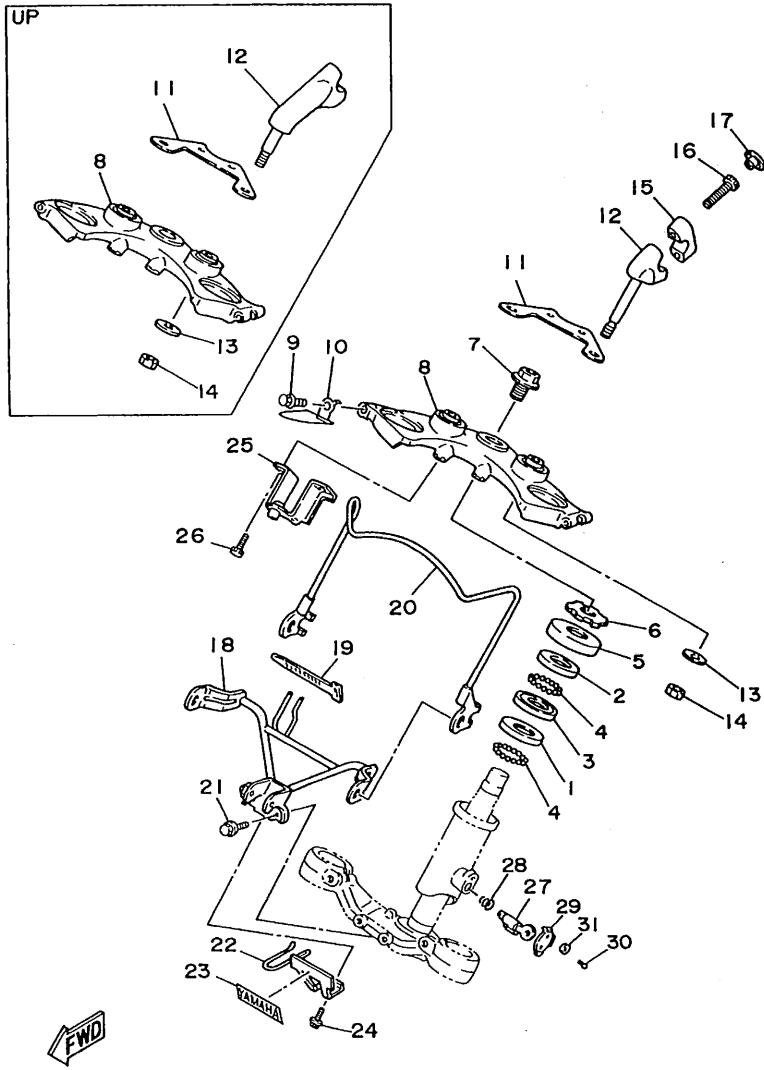
4KUA300-5240

FIG. 24 STEERING

REF. NO.	PART NO.	DESCRIPTION	Q'TY	REMARKS
1	156-23412-00	RACE, ball 2	1	
2	183-23411-00	RACE, ball 1	1	
3	183-23412-00	RACE, ball 2	1	
4	93501-04011	BALL	38	
5	4K0-23415-00	COVER, ball race 1	1	
6	90179-25033	NUT	1	
7	90105-14102	BOLT, washer based	1	
8	3JB-W2341-00-38	CROWN, handle	1	UR FOR FLAT HANDLE
	2GV-W2341-00-38	CROWN, handle	1	UR FOR UP HANDLE
9	95024-08040	BOLT, washer based	2	
10	3JC-23317-00	HOLDER, cable	1	UR HANDLE
11	3JB-2317F-00	STAY 2	1	UR FOR FLAT HANDLE
	2GV-2317F-00	STAY 2	1	UR FOR UP HANDLE
12	3JB-23442-00-38	HOLDER, handle lower	2	UR CLEAR (WITH BUFF) FOR FLAT HANDLE
	42X-23442-00-38	HOLDER, handle lower	2	UR CLEAR (WITH BUFF) FOR UP HANDLE
13	90201-12195	WASHER, plain	2	UR FOR FLAT HANDLE
	90201-100A1	WASHER, plate	2	UR FOR UP HANDLE
14	95607-12100	NUT	2	UR FOR FLAT HANDLE
	95607-10100	NUT	2	UR FOR UP HANDLE
15	4H7-23441-00-38	HOLDER, handle upper	2	CLEAR (WITH BUFF)
16	91314-08030	BOLT	4	
17	90338-08163	PLUG	4	
18	2GV-23174-00	STAY, headlight	1	
19	437-83936-11	BAND, switch cord	1	
20	2NT-23164-00	STAY, light guard	1	
21	95027-06020	BOLT	2	
22	2GV-2317M-00	STAY 3	1	
23	3WF-2153E-40	EMBLEM	1	

D6

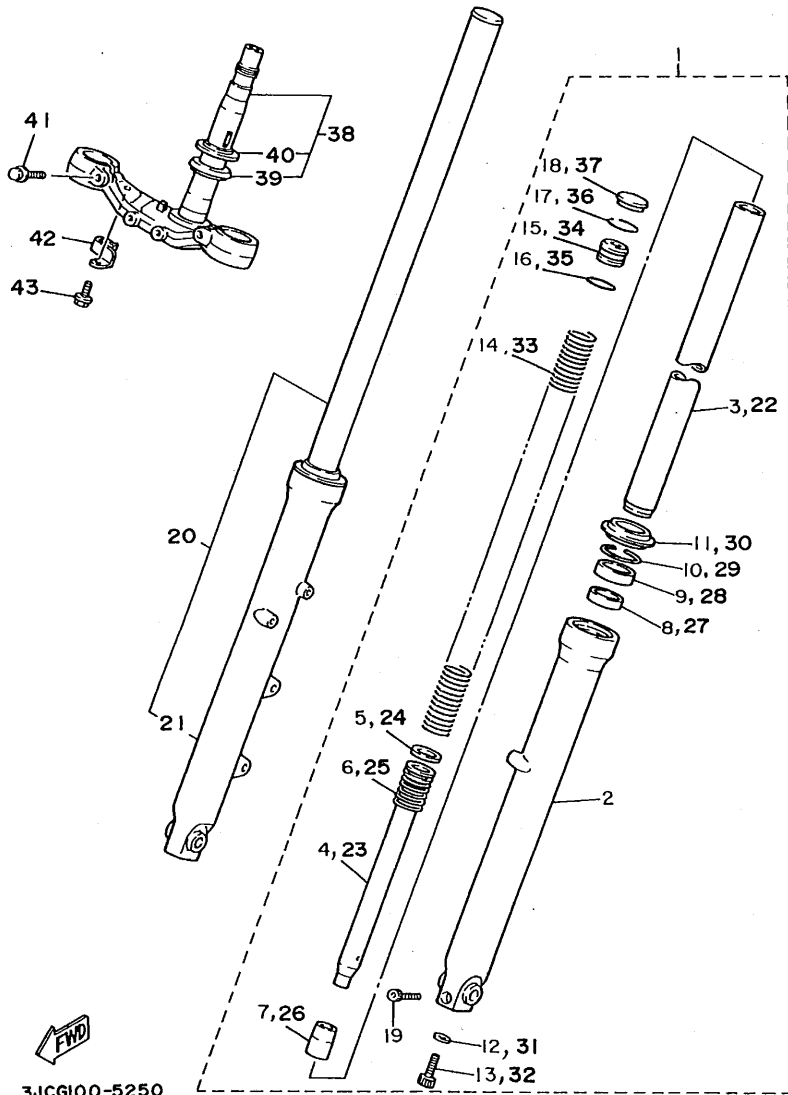
FIG. 24 STEERING



REF. NO.	PART NO.	DESCRIPTION	Q'TY	REMARKS
24	95024-06008	BOLT	1	
25	2GV-2317E-00	STAY	1	
26	91317-06016	BOLT	2	
27	2A6-23408-00	STEERING LOCK ASSY	1	
28	90502-09024	SPRING, conical	1	
29	3DM-23484-00	CAP, handle lock	1	
30	90269-04003	RIVET	1	
31	90208-04029	WASHER, conical spring	1	

4KUA300-5240

D7



3JCG100-5250

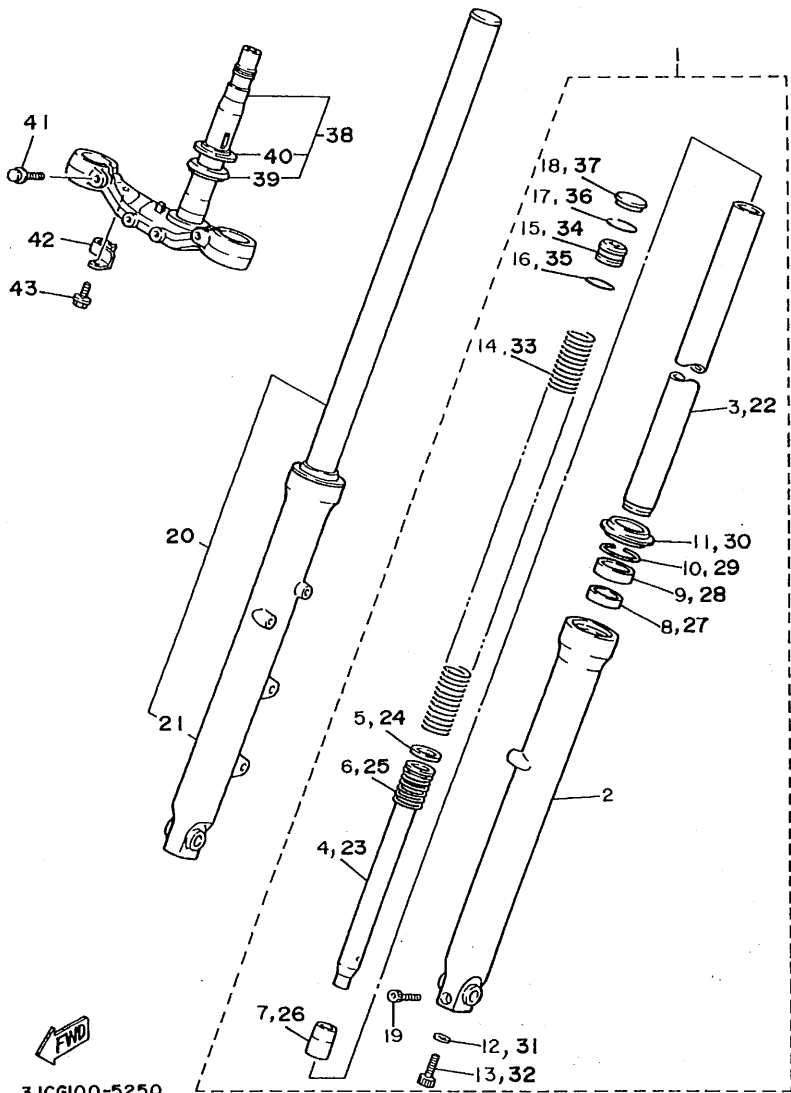


FIG. 25 FRONT FORK

REF. NO.	PART NO.	DESCRIPTION	Q'TY	REMARKS
1	4KU-23102-00	FRONT FORK ASSY (L.H)	1	UR
	4KU-23102-10	FRONT FORK ASSY (L.H)	1	UR XV535S MODEL
2	3JB-23126-10	.TUBE, outer 1	1	
3	2GV-23110-00-93	.INNER TUBE COMP. 1	1	CHROME PLATED
4	2GV-23171-01	.PISTON, front fork	1	
5	1GU-23157-00	.RING, piston	1	
6	1GU-23157-00	.SPRING, rebound	1	
7	1GU-23173-00	.SPINDLE, taper	1	
8	2GV-23125-00	.METAL, slide 1	1	
9	2AJ-23145-00	.OIL SEAL	1	
10	1HX-23156-00	.CLIP, oil seal	1	
11	2GV-23144-00	.SEAL, dust	1	
12	90430-08155	.GASKET	1	
13	91317-08025	.BOLT	1	
14	2GV-23141-00	.SPRING, front fork	1	
15	1HX-23111-00	.BOLT, cap	1	
16	93210-24709	.O-RING	1	
17	93450-32116	.CIRCLIP	1	
18	1HX-23154-00	.PLUG, inner tube	1	UR
	3JB-23154-00	.PLUG, inner tube	1	UR XV535S MODEL
19	91314-08035	.BOLT	1	
20	4KU-23103-00	FRONT FORK ASSY (R.H)	1	UR
	4KU-23103-10	FRONT FORK ASSY (R.H)	1	UR XV535S MODEL
21	3JB-23136-10	.TUBE, outer 2	1	
22	2GV-23110-00-93	.INNER TUBE COMP. 1	1	CHROME PLATED
23	2GV-23171-01	.PISTON, front fork	1	
24	1GU-23157-00	.RING, piston	1	
25	1GU-23151-00	.SPRING, rebound	1	

D8

FIG. 25 FRONT FORK

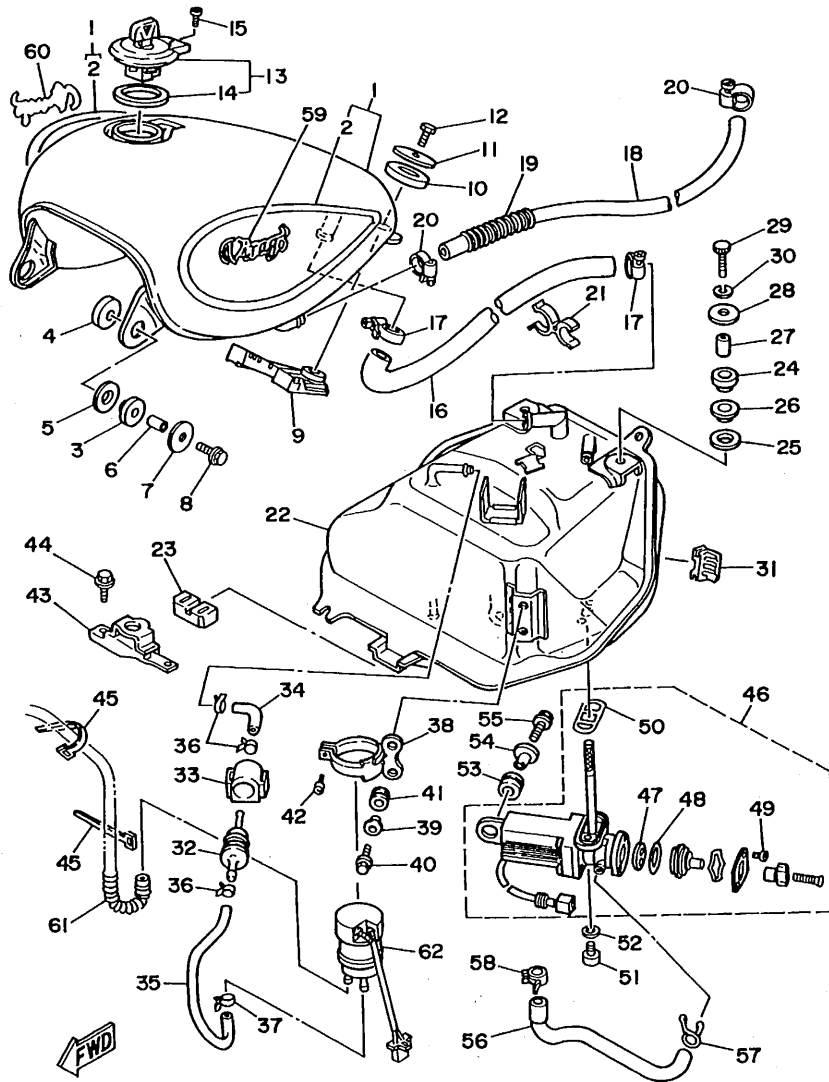


3JCG100-5250

REF. NO.	PART NO.	DESCRIPTION	Q'TY	REMARKS
26	1GU-23173-00	.SPINDLE, taper	1	
27	2GV-23125-00	.METAL, slide 1	1	
28	2AJ-23145-00	.OIL SEAL	1	
29	1HX-23156-00	.CLIP, oil seal	1	
30	2GV-23144-00	.SEAL, dust	1	
31	90430-08155	.GASKET	1	
32	91317-08025	.BOLT	1	
33	2GV-23141-00	.SPRING, front fork	1	
34	1HX-23111-00	.BOLT, cap	1	
35	93210-24709	.O-RING	1	
36	93450-32116	.CIRCLIP	1	
37	1HX-23154-00	.PLUG, inner tube	1	UR
	3JB-23154-00	.PLUG, inner tube	1	UR XV535S MODEL
38	3BR-23340-00	UNDER BRACKET COMP.	1	
39	164-23462-00	.SEAL, steering	1	
40	156-23411-00	.RACE, ball 1	1	
41	90105-12353	BOLT, flange	2	
42	3JB-25886-00	HOLDER, brake hose	1	
43	95807-06010	BOLT, flange	1	

D9

FIG. 26 FUEL TANK



38TY351-4260

REF. NO.	PART NO.	DESCRIPTION	Q'TY	REMARKS
1	3JB-Y2428-91-0X	SUB TANK ASSY	1	UR SPARKLE MAROON/DARK REDDISH GRAY METALLIC 1
	3JB-Y2428-71-4B	SUB TANK ASSY	1	UR BLACK 2
	3JB-Y2428-C0-2X	SUB TANK ASSY (XV535S MODEL)	1	UR NEW BLACK BLUE/STAR SILVER
2	3JB-24240-51	.GRAPHIC, fuel tank	1	UR XV535S MODEL
	4KU-24240-01	.GRAPHIC, fuel tank	1	UR FOR BL2
	4KU-24240-11	.GRAPHIC, fuel tank	1	UR FOR SM
3	1FK-24182-00	DAMPER, locating 2	2	
4	23T-24724-01	DAMPER, seat	2	
5	1FK-24186-00	WASHER, special	2	
6	90387-06387	COLLAR	2	
7	90201-066M2	WASHER, plate	2	
8	95024-06025	BOLT, washer based	2	
9	3JB-24182-00	DAMPER, locating 2	1	
10	42X-24183-00	DAMPER, locating 3	1	
11	90201-08569	WASHER, plate	1	
12	97007-08016	BOLT	1	
13	4X7-24602-04	CAP ASSY	1	
14	4X7-24612-00	.GASKET, cap	1	
15	91317-05010	BOLT	1	
16	3JB-24316-00	PIPE 6	1	
17	90450-25037	HOSE CLAMP ASSY	2	
18	3JB-24317-00	PIPE 7	1	
19	90501-101J4	SPRING, compression	1	
20	90450-22017	HOSE CLAMP ASSY	2	
21	3JB-24135-00	CLAMP 1	1	
22	3JB-24110-01-33	FUEL TANK COMP.	1	YAMAHA BLACK
23	2GV-24181-00	DAMPER, locating 1	1	
24	1FK-24182-00	DAMPER, locating 2	2	

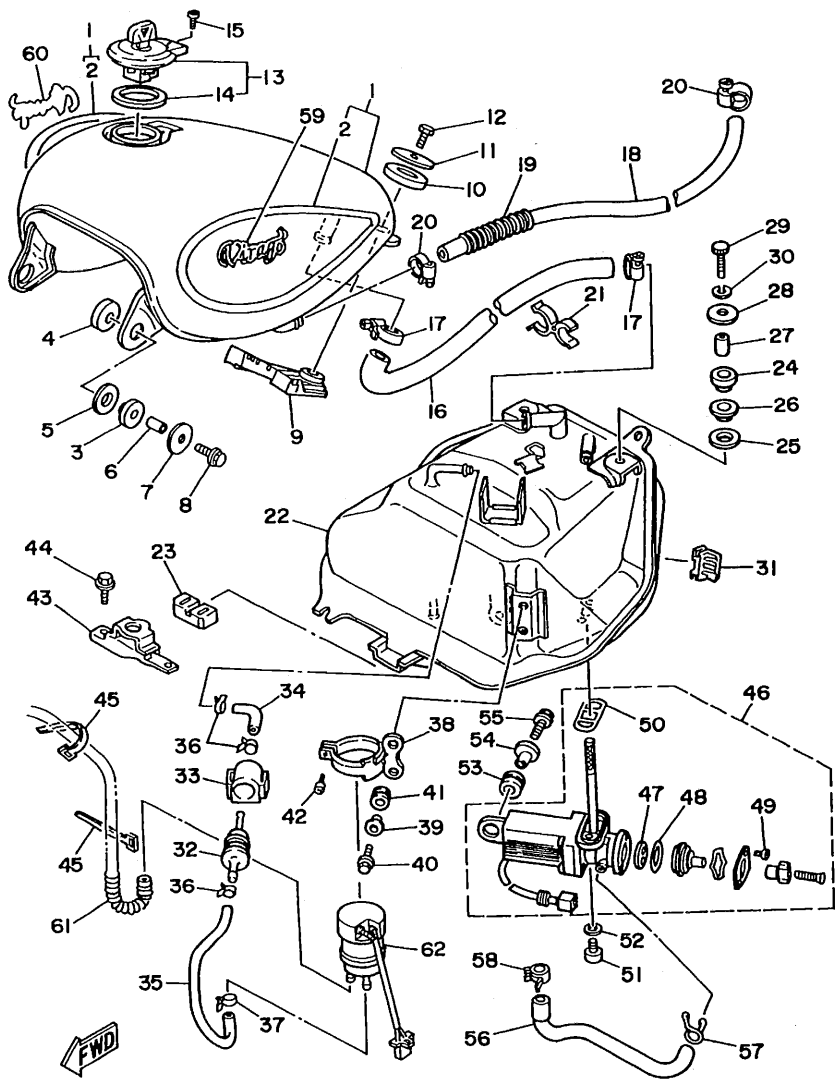


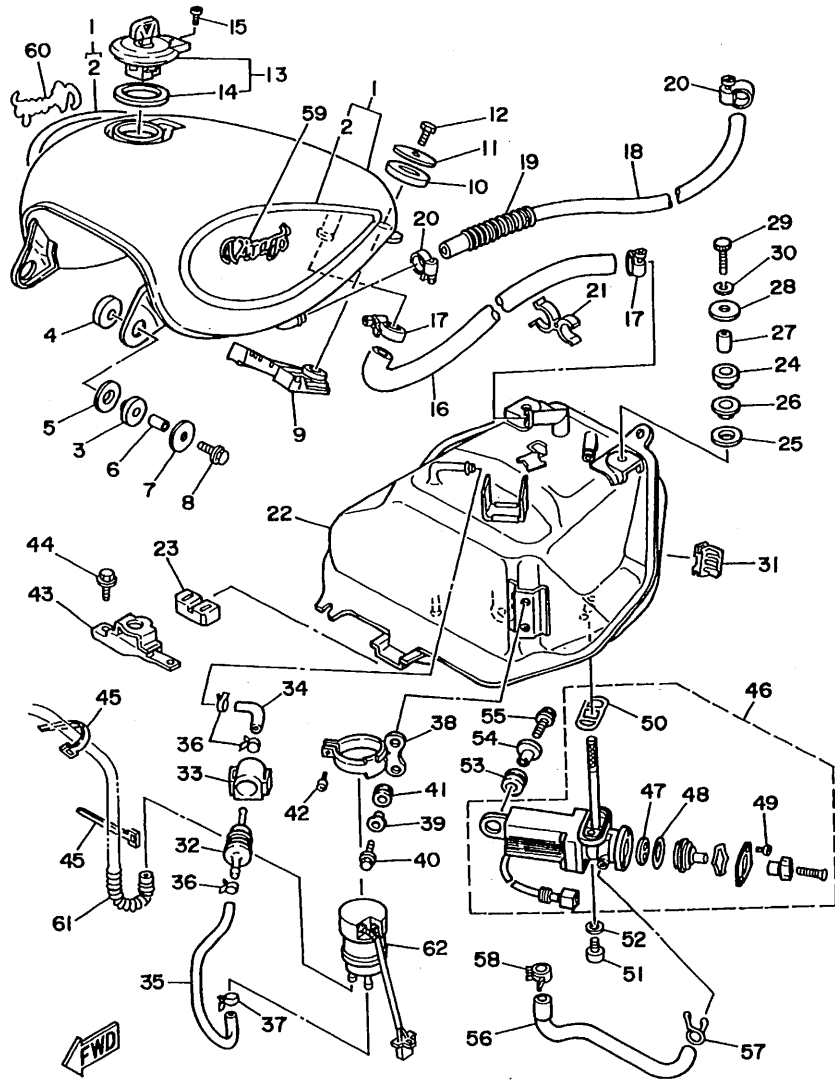
FIG. 26 FUEL TANK

REF. NO.	PART NO.	DESCRIPTION	Q'TY	REMARKS
25	23T-24724-01	DAMPER, seat	2	
26	1FK-24186-00	WASHER, special	2	
27	90387-06387	COLLAR	2	
28	90201-06568	WASHER, plate	2	
29	97027-06030	BOLT	2	
30	92907-06100	WASHER, spring	2	
31	2GV-24184-00	DAMPER, locating 4	2	
32	1FK-24560-00	FILTER ASSY	1	
33	1FK-24566-00	BRACKET, filter	1	
34	2GV-24311-00	PIPE, fuel 1	1	
35	2GV-24312-00	PIPE 2	1	
36	90467-11044	CLIP	3	
37	90467-10135	CLIP	1	
38	2GV-24491-00	BRACKET, fuel pump	1	
39	90387-062L2	COLLAR	2	
40	95807-06016	BOLT, flange	2	
41	90480-13163	GROMMET	2	
42	98507-05016	SCREW, pan head	1	
43	2GV-24191-00	BRACKET, fuel tank 1	1	
44	90119-06123	BOLT, with washer	2	
45	437-83936-11	BAND, switch cord	3	
46	3JB-24500-02	FUEL COCK ASSY 1	1	
47	3AJ-24523-00	.VALVE	1	
48	3AJ-24534-00	.SEAL, cock	1	
49	98503-03008	.SCREW, pan head	2	
50	4X8-24512-00	.O-RING	1	
51	90149-06008	SCREW	2	
52	90202-05193	WASHER, plate	2	

38TY351-4260

D11

FIG. 26 FUEL TANK



REF. NO.	PART NO.	DESCRIPTION	Q'TY	REMARKS
53	90480-14023	GROMMET	1	
54	90387-06388	COLLAR	1	
55	95807-06025	BOLT, flange	1	
56	3JB-24314-00	PIPE 4	1	
57	90467-10008	CLIP	1	
58	90467-11044	CLIP	1	
59	3JB-24161-10	EMBLEM 1	1	
60	3JB-24162-10	EMBLEM 2	1	
61	90501-100F8	SPRING, compression	1	
62	1HX-13907-00	FUEL PUMP COMP.	1	

38TY351-4260

D12

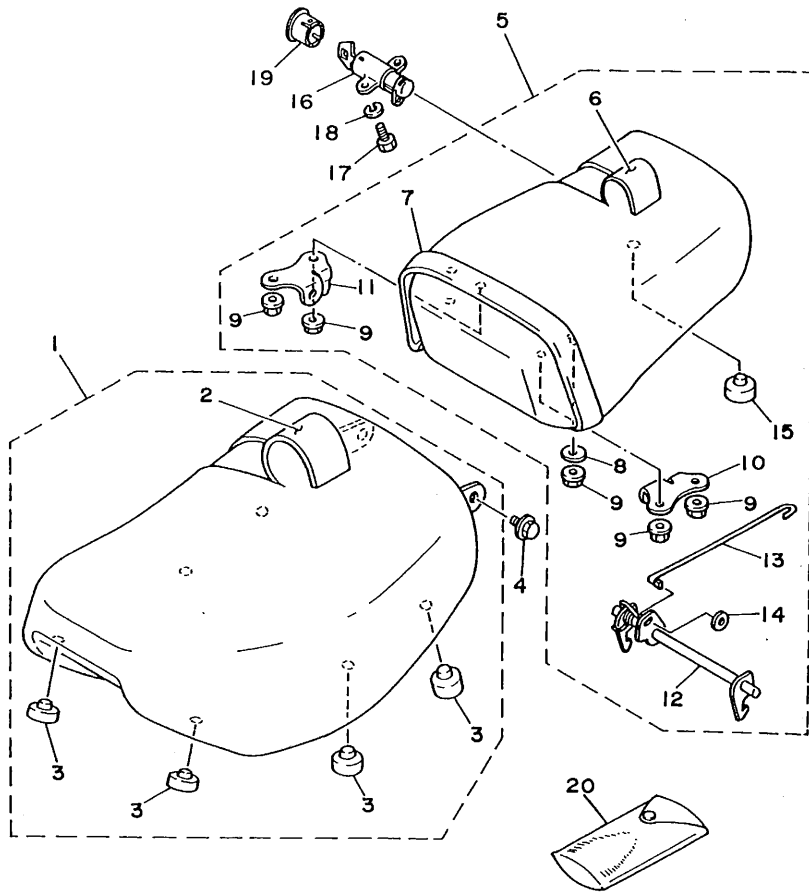


FIG. 27 SEAT

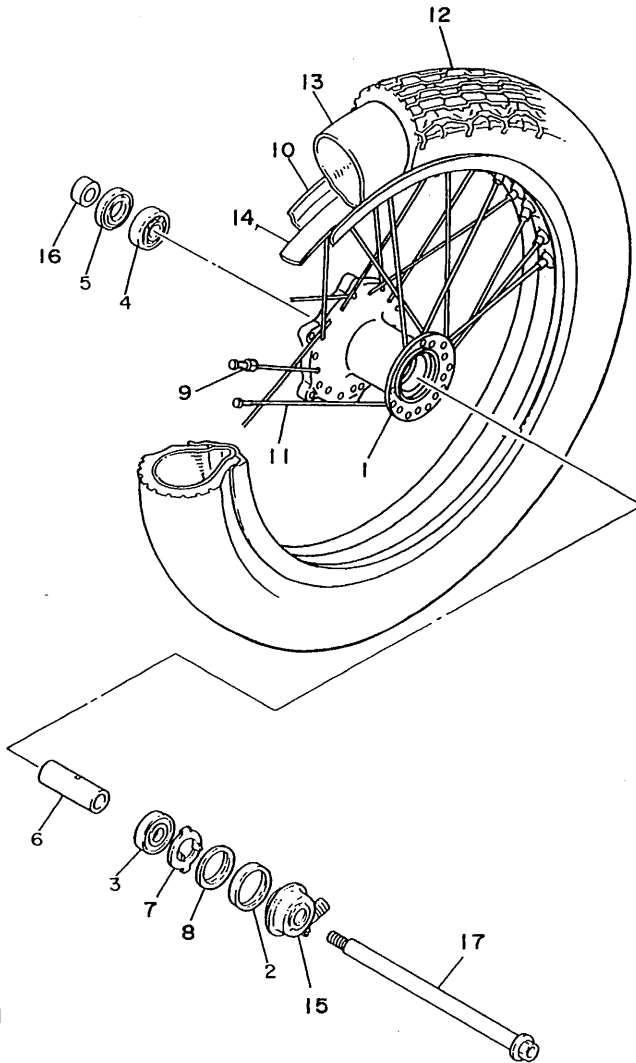
REF. NO.	PART NO.	DESCRIPTION	Q'TY	REMARKS
1	3JB-24710-00	SINGLE SEAT ASSY	1	UR
	3JB-24710-10	SINGLE SEAT ASSY	1	UR XV535S MODEL
2	3JB-24711-00	.COVER, single seat	1	UR
	3JB-24711-10	.COVER, single seat	1	UR XV535S MODEL
3	18A-24724-00	.DAMPER, seat	6	
4	95807-06012	BOLT, with washer	2	
5	3JB-24750-00	TANDEM SEAT ASSY	1	UR
	3JB-24750-10	TANDEM SEAT ASSY	1	UR XV535S MODEL
6	3JB-24751-00	.COVER, tandem seat	1	UR
	3JB-24751-10	.COVER, tandem seat	1	UR XV535S MODEL
7	3JB-24754-00	.HOOK, seat	1	
8	90201-06067	.WASHER, plate	2	
9	95707-06500	.NUT, flange	6	
10	3JB-24718-00	.BRACKET, seat	1	
11	3JB-24728-00	.BRACKET, seat	1	
12	3JB-24776-00	.LEVER, seat	1	
13	3JB-2478F-00	.ROD, connecting	1	
14	92907-03200	.WASHER, plain	1	
15	18A-24724-00	.DAMPER, seat	1	
16	51X-24705-00	SEAT LOCK ASSY	1	
17	97007-06014	BOLT	2	
18	92907-06100	WASHER, spring	2	
19	51Y-24796-00	COVER	1	
20	26V-28100-00	TOOL KIT	1	



3JCGI00-5280

D13

FIG. 28 FRONT WHEEL

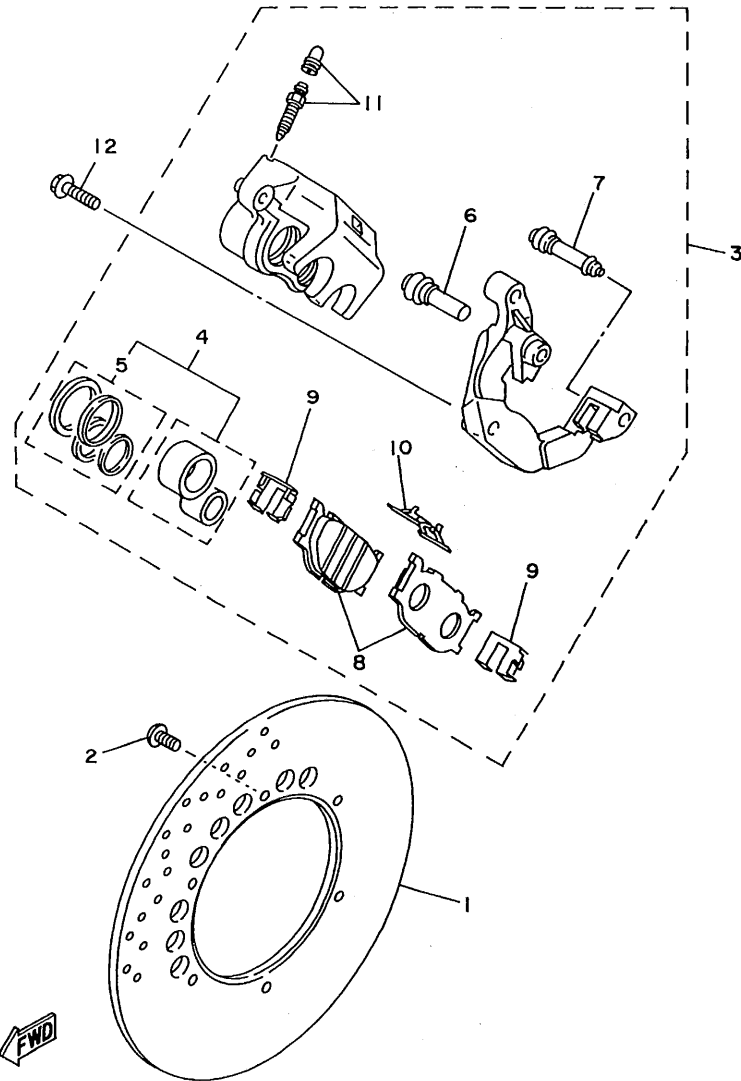


REF. NO.	PART NO.	DESCRIPTION	Q'TY	REMARKS
1	4KU-25111-00	HUB, front	1	
2	93105-45017	OIL SEAL	1	
3	93306-30309	BEARING (B6303ZZ)	1	
4	93306-30309	BEARING (B6303ZZ)	1	
5	93102-28022	OIL SEAL	1	
6	90560-17126	SPACER	1	
7	341-25149-00	CLUTCH, meter	1	
8	341-25846-00	RETAINER, clutch	1	
9	156-25398-00	BALANCER, wheel	1	UN
10	94418-19531	RIM (1.85-19)	1	
11	3JB-25104-00	SPOKE SET, front	1	
12	94130-197N1	TIRE (3.00S19 4PR L303A T/T)	1	UR BRIDGESTONE
	94130-197N0	TIRE (300S19 4PR F14GD0TN)	1	UR DUNLOP
13	94227-19177	TUBE (2.75-19)	1	DUNLOP
14	94335-19026	BAND, rim (3.50-19)	1	BRIDGESTONE
15	1FK-25190-00	GEAR UNIT ASSY	1	
16	90387-177R1	COLLAR	1	
17	2GV-25181-00	AXLE, wheel	1	

3JCG100-5290

D14

FIG. 29 FRONT BRAKE CALIPER

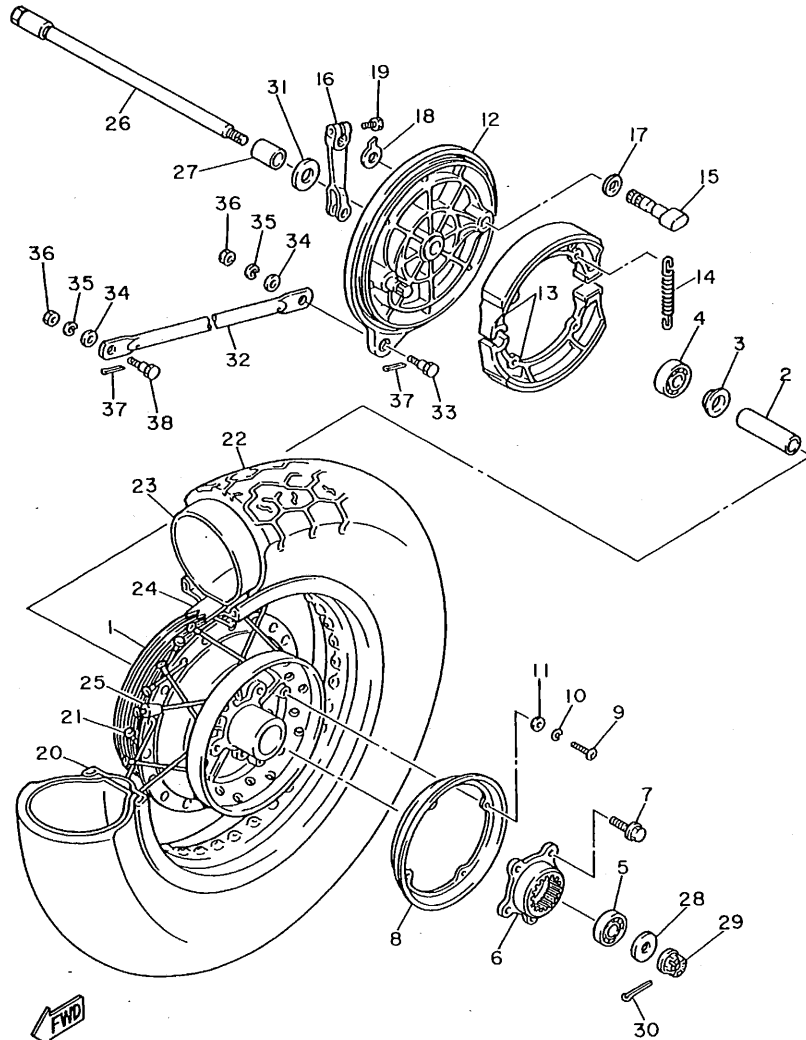


REF. NO.	PART NO.	DESCRIPTION	Q'TY	REMARKS
1	3JB-2582U-00	DISC, brake (RIGHT)	1	
2	90109-081F0	BOLT	6	
3	3JB-2580U-10	CALIPER ASSY (RIGHT)	1	
4	3JB-W0057-00	.PISTON ASSY, caliper	1	
5	3JB-W0047-00	..CALIPER SEAL KIT	1	
6	5R2-25937-00	.BOOT 2	1	
7	3YX-25937-00	.BOOT 2	1	
8	3JB-W0045-00	.BRAKE PAD KIT	1	
9	2GV-25919-00	.SUPPORT, pad	2	
10	3YX-25929-00	.SPRING, anti rattle	1	
11	51L-W0048-00	.BREED SCREW KIT	1	
12	90105-10638	BOLT, washer based	2	

3JB7010-4300

D15

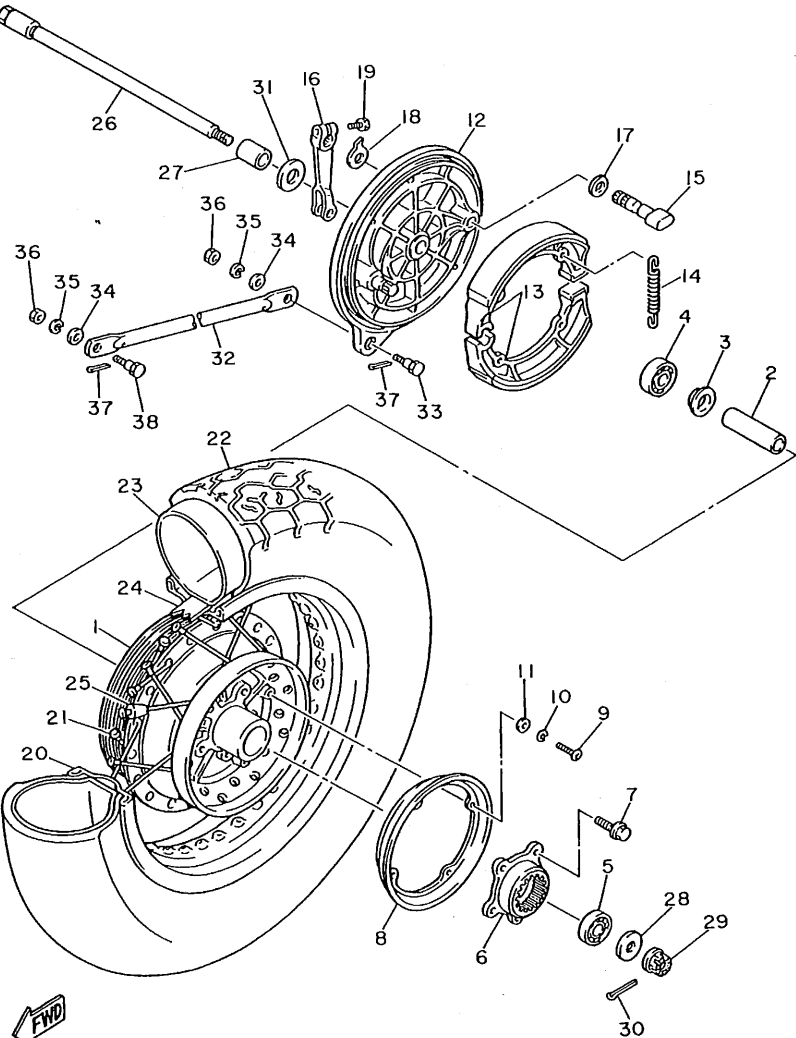
FIG. 30 REAR WHEEL



2GV110-7300

REF. NO.	PART NO.	DESCRIPTION	Q'TY	REMARKS
1	2GV-25311-00-35	HUB, rear	1	SILVER
2	2GV-25317-00	SPACER, bearing	1	
3	146-25115-00	FLANGE, spacer 1	1	
4	93306-30209	BEARING	1	
5	93306-30202	BEARING (B6302Z)	1	
6	2GV-25366-00	CLUTCH, hub	1	
7	90105-10200	BOLT, washer based	5	
8	2GV-25319-00	SEAL, hub dust	1	
9	98507-05012	SCREW, pan head	4	
10	92907-05100	WASHER, spring	4	
11	92907-05600	WASHER, plate	4	
12	2NT-25321-00	PLATE, brake shoe	1	
13	3DR-W2536-00	BRAKE SHOE SET	1	
14	90507-20002	SPRING, tension	2	
15	4H7-25351-00	CAMSHAFT	1	
16	214-25355-00	LEVER, camshaft	1	
17	90201-14218	WASHER, plate	1	
18	4H7-2533A-02	PLATE, indicator	1	
19	90101-06764	BOLT	1	
20	94430-15477	RIM	1	
21	2GV-25304-00	SPOKE SET, rear	1	
22	94114-15602	TIRE (140/90-15M/C70SK425)	1	UR BRIDGESTONE
	94114-15601	TIRE (140/90-15M/C70SK425)	1	UR DUNLOP
23	94214-15223	TUBE (140-15)	1	BRIDGESTONE
24	94330-15134	BAND, rim (3.00-15)	1	BRIDGESTONE
25	156-25398-00	BALANCER, wheel	1	
26	2GV-25381-00	AXLE, wheel	1	
27	90387-157R0	COLLAR	1	

E2



2GV110-7300

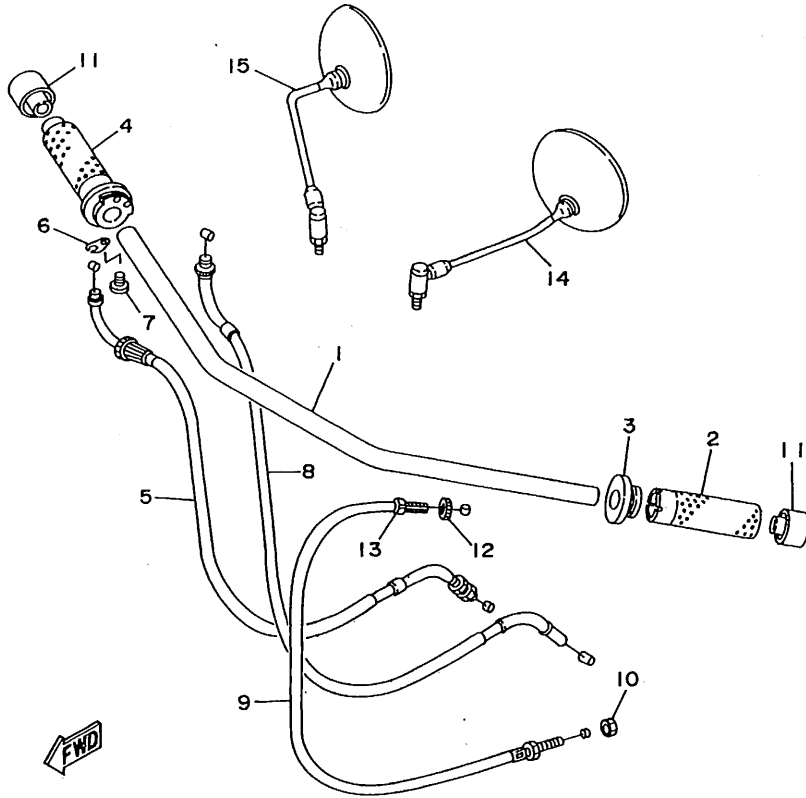
FIG. 30 REAR WHEEL

REF. NO.	PART NO.	DESCRIPTION	Q'TY	REMARKS
28	90201-146R0	WASHER, plate	1	
29	90171-14044	NUT, castle	1	
30	91401-30030	PIN, cotter	1	
31	22U-25377-00	COLLAR, wheel	1	
32	42X-25371-00	BAR, tension	1	
33	90109-08406	BOLT	1	
34	92990-08600	WASHER, plate	2	
35	92990-08100	WASHER, spring	2	
36	95304-08700	NUT	2	
37	91401-20015	PIN, cotter	2	
38	90109-08368	BOLT	1	

E3

FIG. 31 STEERING HANDLE. CABLE (FLAT HANDLE)

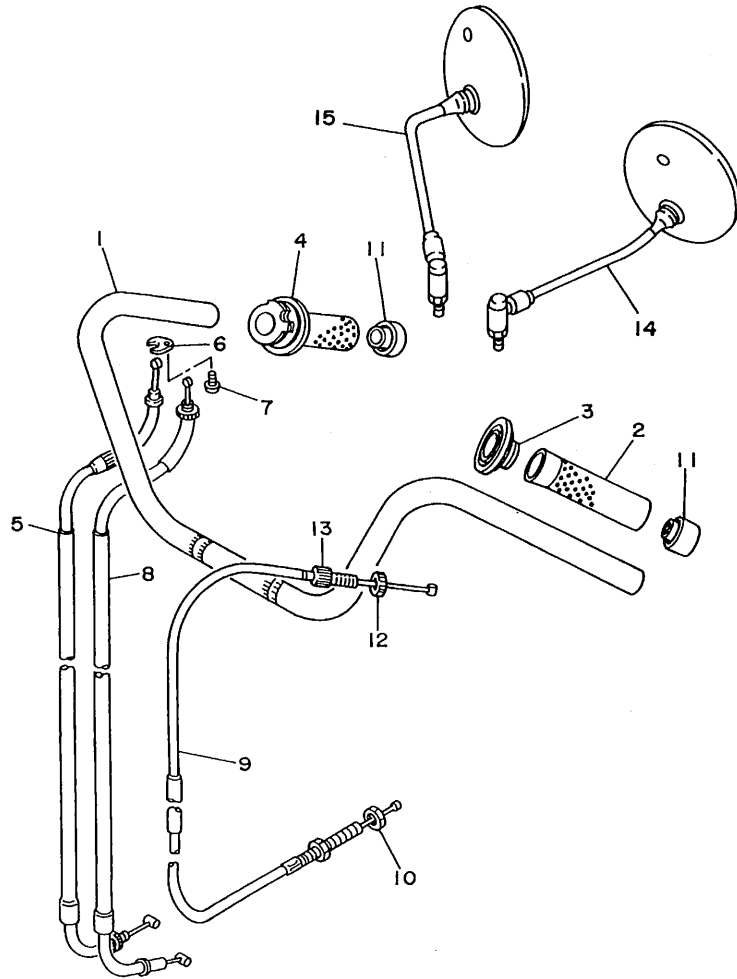
REF. NO.	PART NO.	DESCRIPTION	Q'TY	REMARKS
1	2NT-26111-10	HANDLEBAR	1	
2	3JB-26241-00	GRIP (LEFT)	1	
3	3JB-26273-00	ROTOR	1	
4	3JB-26240-00	GRIP ASSY	1	
5	3JB-26311-00	CABLE, throttle 1	1	
6	5H0-26393-00	HOLDER	1	
7	98507-05008	SCREW, pan head	1	
8	3JB-26312-00	CABLE, throttle 2	1	
9	3JB-26335-10	CABLE, clutch	1	
10	95304-08700	NUT	1	
11	3JB-2628J-00	CAP, grip	2	
12	90179-08148	NUT	1	
13	90123-08046	BOLT	1	
14	1J7-26290-F0	BACK MIRROR ASSY (LEFT)	1	
15	1J7-26290-G0	BACK MIRROR ASSY (RIGHT)	1	



4KUA300-5310

E4

FIG. 32 STEERING HANDLE. CABLE (UP HANDLE)



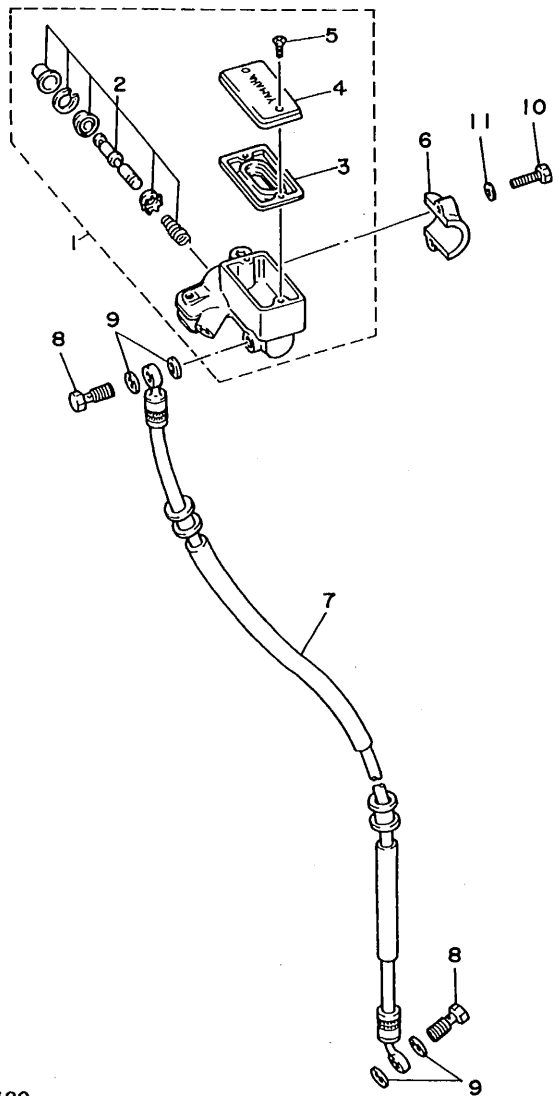
REF. NO.	PART NO.	DESCRIPTION	Q'TY	REMARKS
1	2GV-26111-10	HANDLEBAR	1	
2	3JB-26241-00	GRIP (LEFT)	1	
3	3JB-26273-00	ROTOR	1	
4	3JB-26240-00	GRIP ASSY	1	
5	3JC-26311-00	CABLE, throttle 1	1	
6	5H0-26393-00	HOLDER	1	
7	98507-05008	SCREW, pan head	1	
8	3JC-26312-00	CABLE, throttle 2	1	
9	3JB-26335-20	CABLE, clutch	1	
10	95304-08700	NUT	1	
11	3JB-2628J-00	CAP, grip	2	
12	90179-08148	NUT	1	
13	90123-08046	BOLT	1	
14	1J7-26290-F0	BACK MIRROR ASSY (LEFT)	1	
15	1J7-26290-G0	BACK MIRROR ASSY (RIGHT)	1	



4KU8332-5310

E5

FIG. 33 FRONT MASTER CYLINDER (FLAT HANDLE)



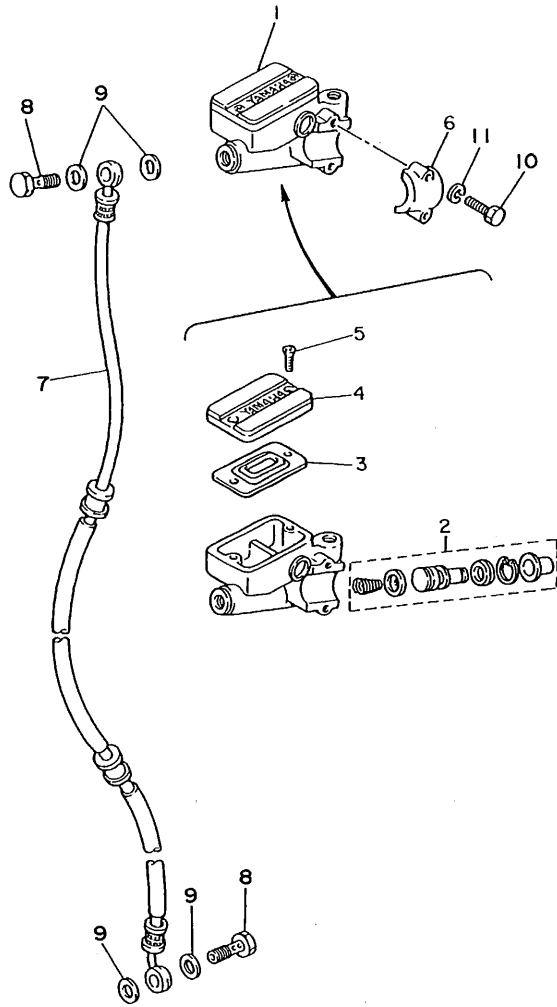
REF. NO.	PART NO.	DESCRIPTION	Q'TY	REMARKS
1	2GV-25850-01	MASTER CYLINDER ASSY	1	
2	4H7-W0041-00	.CYLINDER KIT, master	1	
3	4K0-25854-00	.DIAPHRAGM, reservoir	1	
4	3GM-25852-01	.CAP, reservoir	1	
5	98707-04012	.SCREW, flat head	2	
6	4L0-25867-00	BRACKET, master cylinder	1	
7	4KU-25872-50	HOSE, brake 1	1	UR
	3JB-25872-30	HOSE, brake 1	1	UR XV535S MODEL
8	90401-10159	BOLT, union	2	
9	90201-10118	WASHER, plate	4	
10	97007-06025	BOLT	2	
11	92907-06100	WASHER, spring	2	



4KUA351-5320

E6

FIG. 34 FRONT MASTER CYLINDER (UP HANDLE)



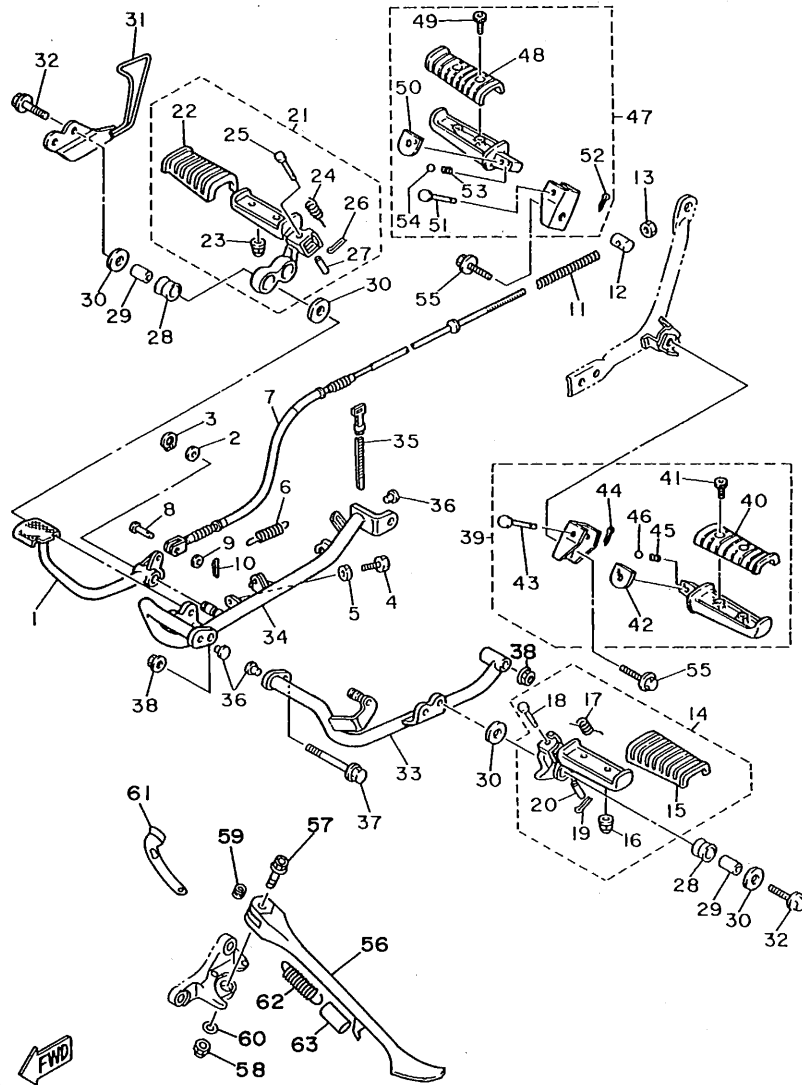
REF. NO.	PART NO.	DESCRIPTION	Q'TY	REMARKS
1	4H7-25850-02	MASTER CYLINDER ASSY	1	
2	4H7-W0041-00	.CYLINDER KIT, master	1	
3	4L0-25854-00	.DIAPHRAGM, reservoir	1	
4	4H7-25852-00	.CAP, reservoir	1	
5	98707-04012	.SCREW, flat head	2	
6	4L0-25867-00	BRACKET, master cylinder	1	
7	4KU-25872-00	HOSE, brake l	1	UR
	3JB-25872-40	HOSE, brake l	1	UR XV535S MODEL
8	90401-10159	BOLT, union	2	
9	90201-10118	WASHER, plate	4	
10	97007-06025	BOLT	2	
11	92907-06100	WASHER, spring	2	



3JCG100-5330

E7

FIG. 35 STAND. FOOTREST

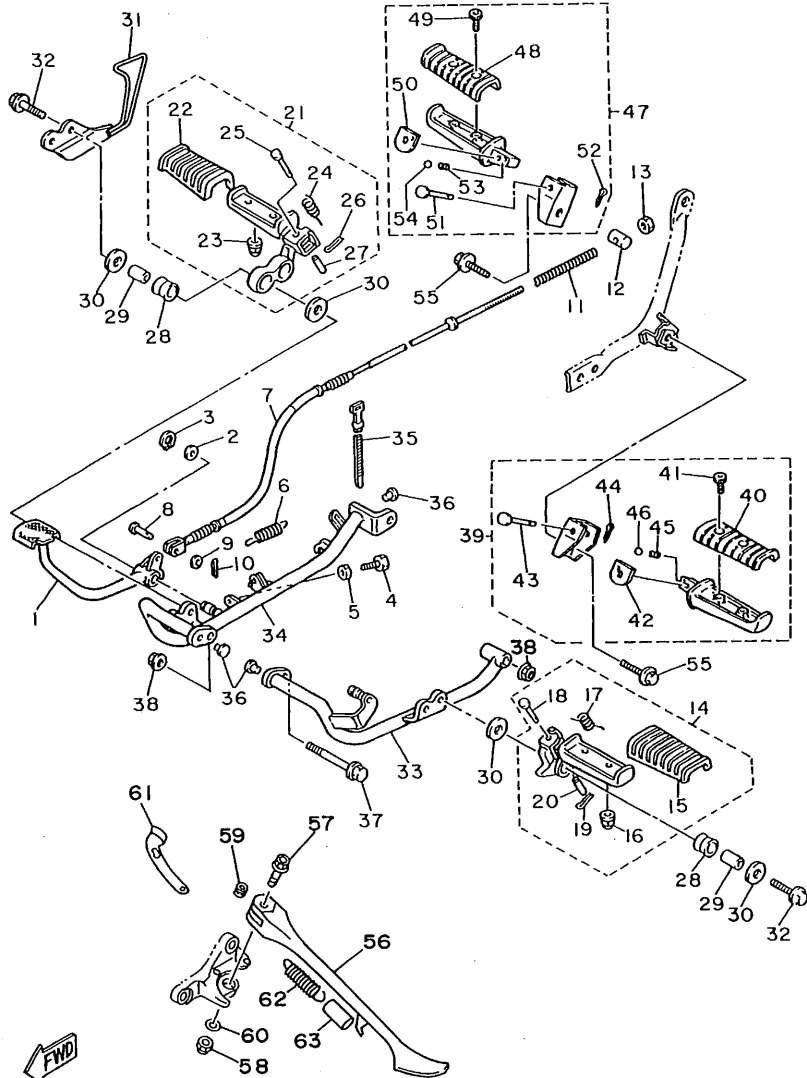


3JCG100-5340

REF. NO.	PART NO.	DESCRIPTION	Q'TY	REMARKS
1	2GV-27211-00-93	PEDAL, brake	1	CHROME PLATED
2	90201-152L1	WASHER, plate	1	
3	99009-15400	CIRCLIP	1	
4	90101-06288	BOLT	1	
5	95307-06600	NUT	1	
6	90506-20380	SPRING, tension	1	
7	2GV-26351-00	CABLE, brake	1	
8	91701-06022	PIN, clevis	1	
9	92907-06200	WASHER, plain	1	
10	91401-20015	PIN, cotter	1	
11	90501-10245	SPRING, compression	1	
12	90249-12008	PIN	1	
13	90179-06411	NUT	1	
14	1RM-27410-00-93	FRONT FOOTREST ASSY (LEFT)	1	CHROME PLATED
15	1NH-27413-00	.COVER, footrest	1	
16	95607-06100	.NUT, crown	2	
17	90508-18696	.SPRING, torsion	1	
18	91701-08038	.PIN, clevis	1	
19	91401-25015	.PIN, cotter	1	
20	90387-087K5	.COLLAR	1	
21	1RM-27420-00-93	FRONT FOOTREST ASSY (RIGHT)	1	CHROME PLATED
22	1NH-27413-00	.COVER, footrest	1	
23	95607-06100	.NUT, crown	2	
24	90508-18696	.SPRING, torsion	1	
25	91701-08038	.PIN, clevis	1	
26	91401-25015	.PIN, cotter	1	
27	90387-087K5	.COLLAR	1	
28	4X7-27414-00	DAMPER, footrest	4	

E8

FIG. 35 STAND. FOOTREST

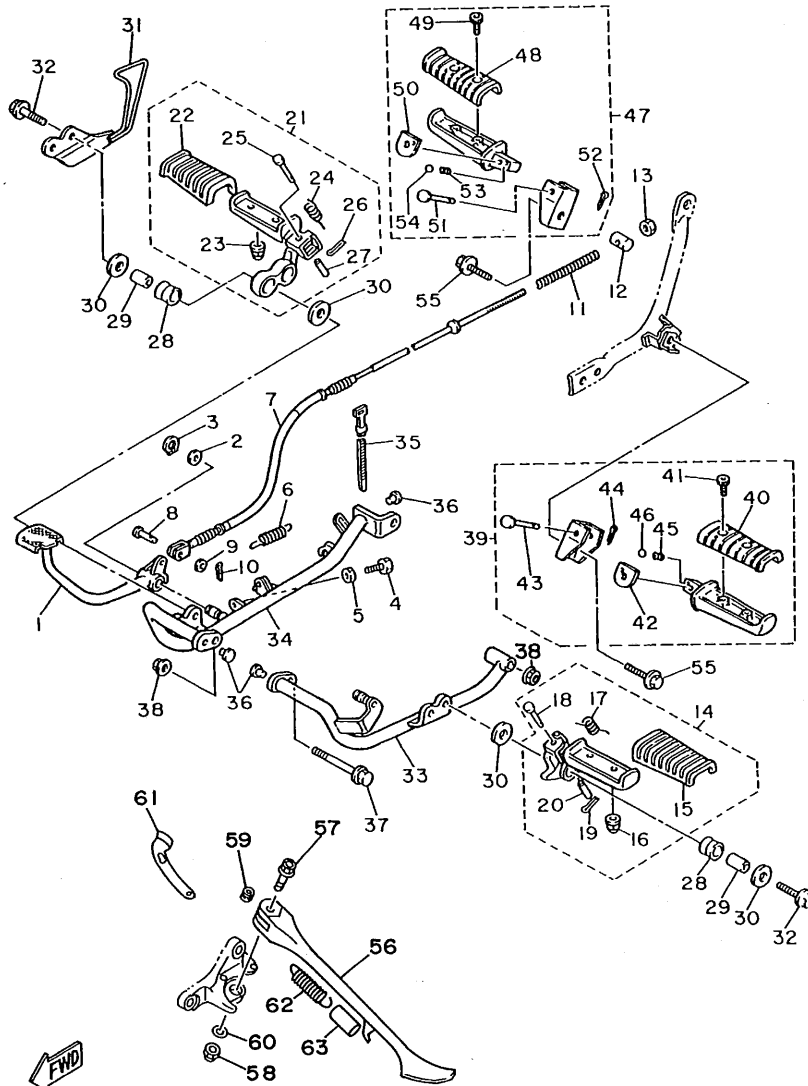


REF. NO.	PART NO.	DESCRIPTION	Q'TY	REMARKS
29	90387-107A7	COLLAR	4	
30	90201-100A1	WASEHR, plate	6	
31	2GV-27491-00	PROTECTOR	1	
32	90109-100G0	BOLT	4	
33	2GV-27471-00	BAR, footrest 1	1	
34	2GV-27472-00	BAR, footrest 2	1	
35	90465-13169	CLAMP	1	
36	90338-09161	PLUG	3	
37	90105-10312	BOLT, washer based	1	
38	95704-10500	NUT, flange	2	
39	2NT-27430-01	REAR FOOTREST ASSY 1	1	
40	1NH-27433-00	.COVER, rear footrest	1	
41	92016-06012	.BOLT	2	
42	2NT-27437-00	.WASHER, special	1	
43	91701-06032	.PIN, clevis	1	
44	91401-20015	.PIN, cotter	1	
45	90501-12743	.SPRING, compression	1	
46	93501-04011	.BALLL	1	
47	2NT-27440-01	REAR FOOTREST ASSY 2	1	
48	1NH-27433-00	.COVER, rear footrest	1	
49	92016-06012	.BOLT	2	
50	2NT-27437-00	.WASHER, special	1	
51	91701-06032	.PIN, clevis	1	
52	91401-20015	.PIN, cotter	1	
53	90501-12743	.SPRING, compression	1	
54	93501-04011	.BALL	1	
55	95804-10016	BOLT, flange	2	
56	4KU-27311-00	STAND, side	1	

3JCG100-5340

E9

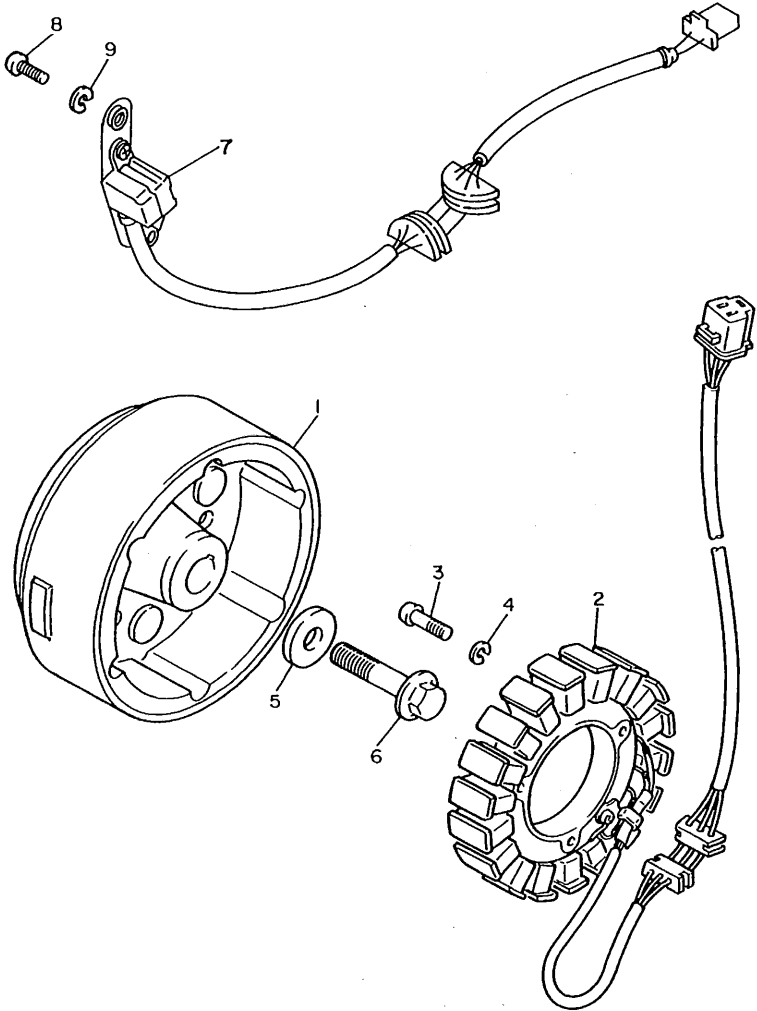
FIG. 35 STAND. FOOTREST



REF. NO.	PART NO.	DESCRIPTION	Q'TY	REMARKS
57	90105-10188	BOLT	1	
58	95617-10100	NUT, self-locking	1	
59	90387-1003G	COLLAR	1	
60	92907-10200	WASHER	1	
61	5H0-27315-00	LINK, side stand	1	
62	90506-35473	SPRING, tension	1	
63	90445-22327	HOSE	1	



3JCG100-5340



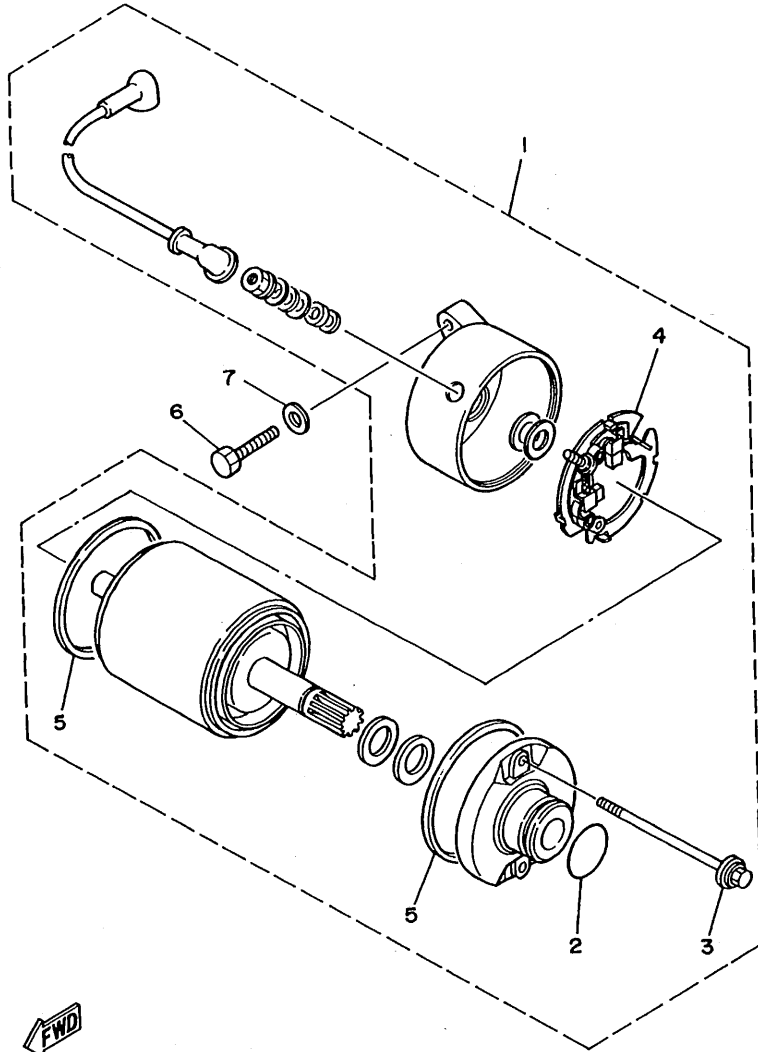
3JCG100-5350

FIG. 36 GENERATOR

REF. NO.	PART NO.	DESCRIPTION	Q'TY	REMARKS
1	3BT-81450-00	ROTOR ASSY	1	
2	2GV-81410-20	STATOR ASSY	1	
3	98507-06025	SCREW, pan head	3	
4	92907-06100	WASHER, spring	3	
5	90201-107K6	WASHER, plate	1	
6	90105-10152	BOLT, washer based	1	
7	3BT-81670-00	PICK-UP ASSY	1	
8	98507-06020	SCREW, pan head	3	
9	92907-06100	WASHER, spring	3	

FIG. 37 STARTING MOTOR

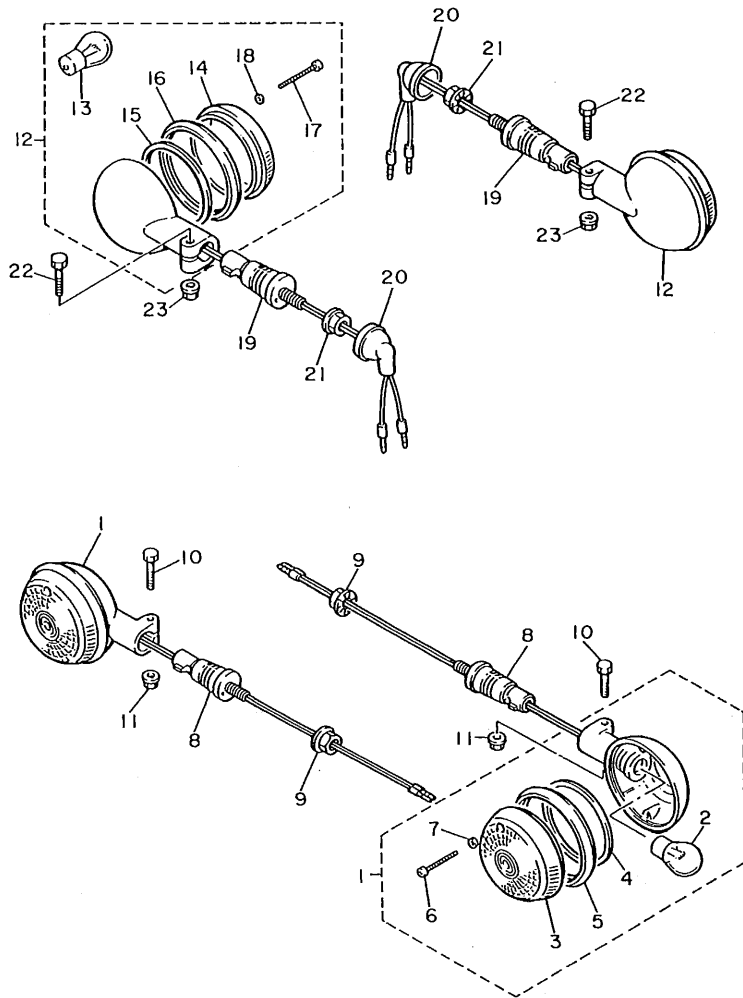
REF. NO.	PART NO.	DESCRIPTION	Q'TY	REMARKS
1	3JB-81800-00	STARTING MOTOR ASSY	1	
2	26H-81847-00	.O-RING	1	
3	3HE-81826-00	.BOLT	2	
4	3KS-81840-00	.BRUSH HOLDER ASSY	1	
5	11H-81844-00	.GASKET	2	
6	97070-06025	BOLT	2	
7	92990-06600	WASHER, plate	2	



3JB1010-9370

E12

FIG. 38 FLASHER LIGHT



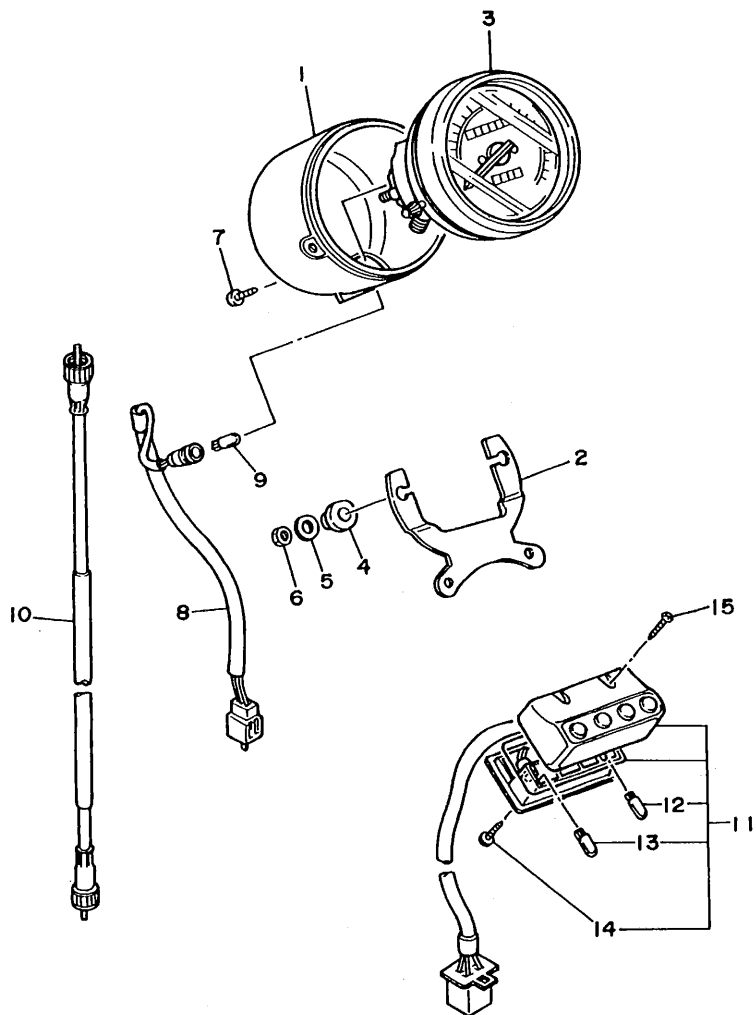
REF. NO.	PART NO.	DESCRIPTION	Q'TY	REMARKS
1	3LS-83310-00	FRONT FLASHER LIGHT ASSY 1	2	
2	1KT-83311-00	.BULB (12V-21W)	1	
3	42X-83312-00	.LENS, flasher	1	
4	42X-83313-00	.GASKET, flasher lens	1	
5	42X-83363-00	.LENS, rim	1	
6	341-83333-70	.SCREW, lens fitting	2	
7	42X-83359-00	.WASHER, special	2	
8	1AA-83318-00	STAY, flasher 1	2	
9	95307-12600	NUT	2	
10	97004-06030	BOLT	2	
11	95704-06500	NUT, flange	2	
12	2EN-83330-00	REAR FLASHER LIGHT ASSY 1	2	
13	1KT-83311-00	.BULB (12V-21W)	1	
14	2AE-83312-00	.LENS, flasher	1	
15	42X-83313-00	.GASKET, flasher lens	1	
16	42X-83363-00	.LENS, rim	1	
17	341-83333-70	.SCREW, lens fitting	2	
18	42X-83359-00	WASHER, special	2	
19	1AA-83318-00	STAY, flasher 1	2	
20	18G-83365-00	CAP	2	
21	95307-12600	NUT	2	
22	97004-06030	BOLT	2	
23	95704-06500	NUT, flange	2	



2NT010-7380

E13

FIG. 39 METER



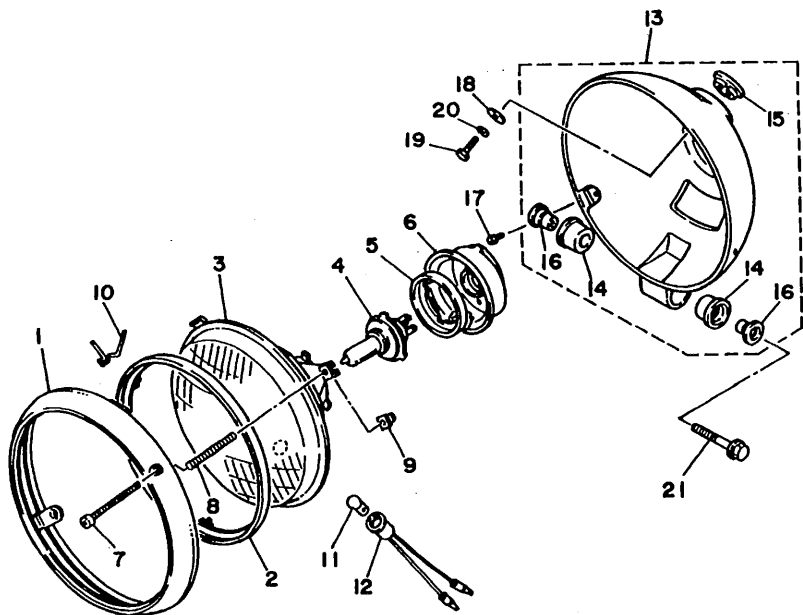
REF. NO.	PART NO.	DESCRIPTION	Q'TY	REMARKS
1	1FK-83507-00	COVER, speedometer	1	
2	2GV-83519-00	BRACKET, meter	1	
3	2JV-8351A-F0	METER ASSY	1	UR
	3JB-8351A-10	METER ASSY	1	UR XV535S MODEL
4	12R-83513-00	DAMPER	2	
5	90201-05031	WASHER, plate	2	
6	95307-05600	NUT	2	
7	90164-04009	SCREW, tapping	1	
8	2GV-83509-00	SOCKET CORD ASSY	1	
9	42X-83517-00	BULB (12V-3W)	1	
10	34L-83550-01	SPEEDOMETER CABLE ASSY	1	
11	3BT-83530-10	PILOT LIGHT ASSY	1	
12	42X-83517-00	.BULB (12V-3W)	2	
13	2GV-83517-00	.BULB (12V-1.7W)	1	
14	90164-03010	.SCREW, tapping	1	
15	98517-04025	SCREW, pan head	2	

3BM4361-0370

E14

FIG. 40 HEADLIGHT

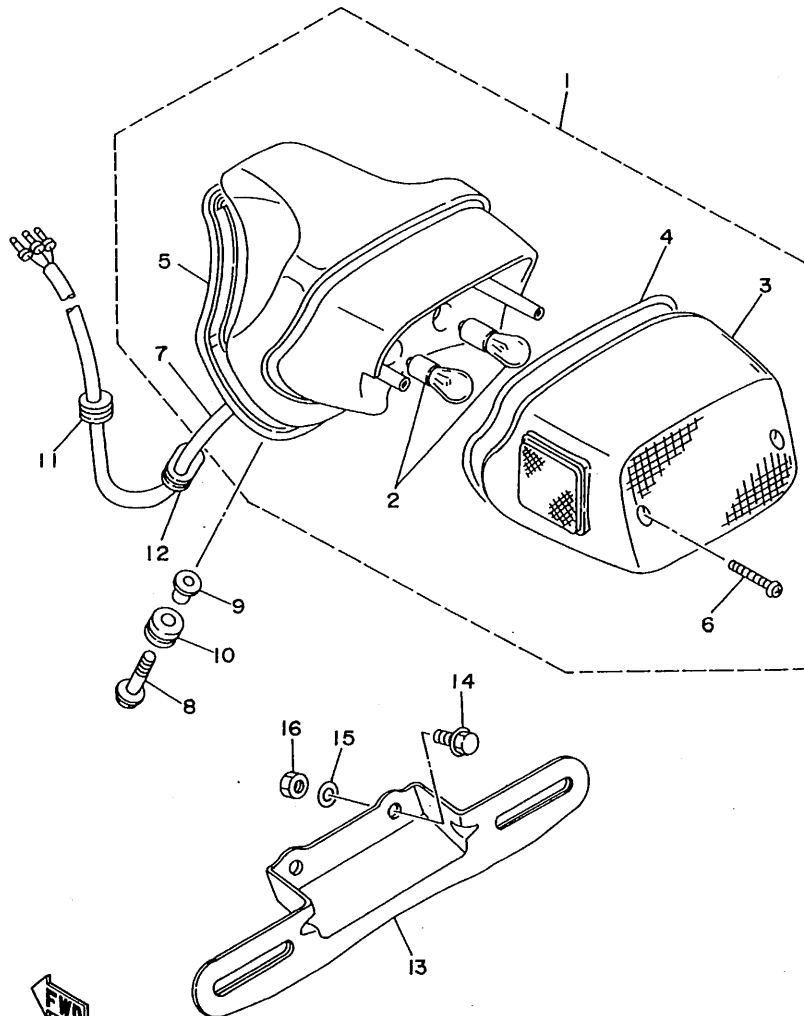
REF. NO.	PART NO.	DESCRIPTION	Q'TY	REMARKS
1	42X-84315-01	RIM, headlight	1	
2	5Y3-84395-00	RING, retaining	1	
3	2AE-84320-G0	LENS ASSY	1	
4	2F9-84314-00	BULB (12V-60/55W)	1	HALOGEN
5	2F9-84375-00	FITTING PLATE, bulb	1	
6	2F9-84397-01	COVER, socket	1	
7	20X-84331-00	SCREW, rim adjusting	2	
8	1A0-84332-60	SPRING, screw	2	
9	198-84334-60	NUT, adjusting	2	
10	42X-84124-60	SPRING, set	1	
11	4E2-84347-00	BULB (12V-4W)	1	
12	34L-84346-00	SOCKET, pilot light	1	
13	42X-84330-01	BODY ASSY	1	EMPRESS MAROON
14	42X-84345-00	.DAMPER, headlight	2	
15	42X-84366-00	.DAMPER, headlight 1	1	
16	42X-84338-00	.COLLAR, body fitting	2	
17	90157-05084	SCREW, pan head	2	
18	90201-06073	WASHER, plate	1	
19	97007-06016	BOLT	1	
20	92907-06100	WASHER, spring	1	
21	95027-08040	BOLT, flange	1	



3BT3300-9520

E15

FIG. 41 TAILLIGHT

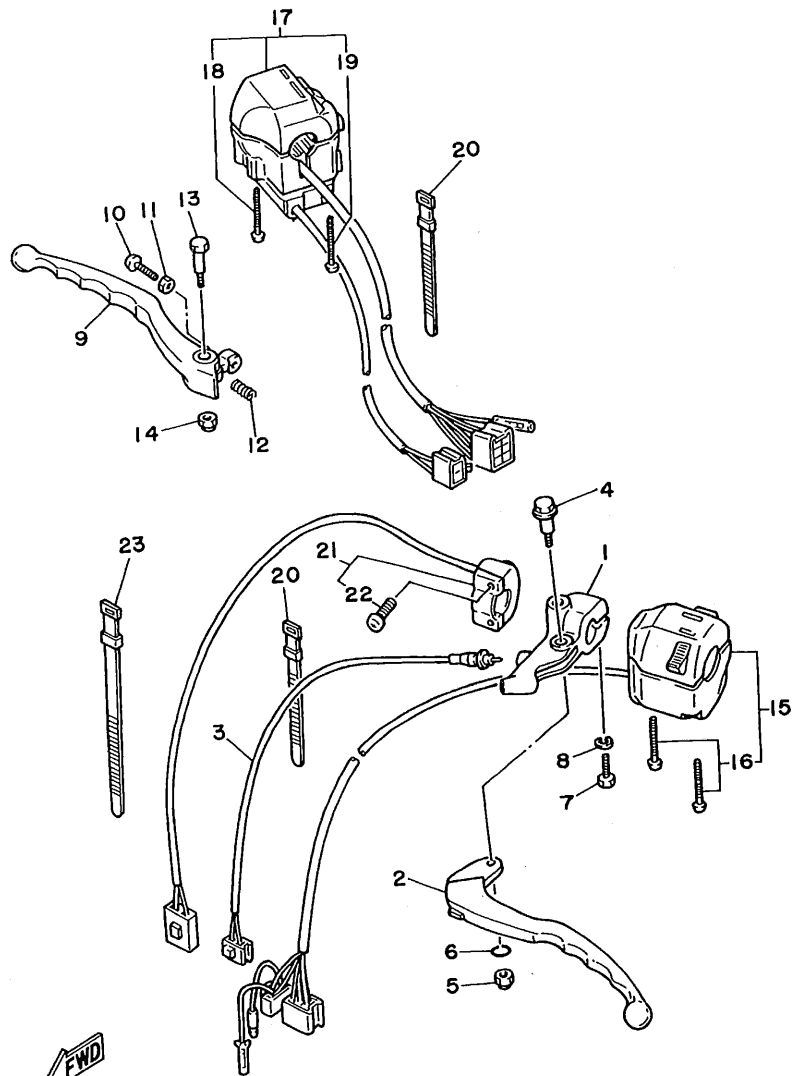


REF. NO.	PART NO.	DESCRIPTION	Q'TY	REMARKS
1	2YL-84700-E0	TAILLIGHT ASSY	1	
2	31L-84714-00	.BULB, taillight (12V-21/5W)	2	
3	2AE-84721-00	.LENS, taillight	1	
4	42X-84723-01	.GASKET, tail lens	1	
5	1RM-84704-00	.GASKET, taillight	1	
6	97780-40525	.SCREW, tapping	2	
7	2GV-84717-00	.CORD, taillight	1	
8	90119-06097	BOLT, with washer	3	
9	90387-06026	COLLAR	3	
10	90480-14229	GROMMET	3	
11	90480-16501	GROMMET	1	
12	90480-01501	GROMMET	2	
13	2YL-84751-00	BRACKET, license	1	
14	95807-06016	BOLT, flange	2	
15	92907-06200	WASHER, plain	2	
16	95307-06600	NUT	2	

3BTP332-3390

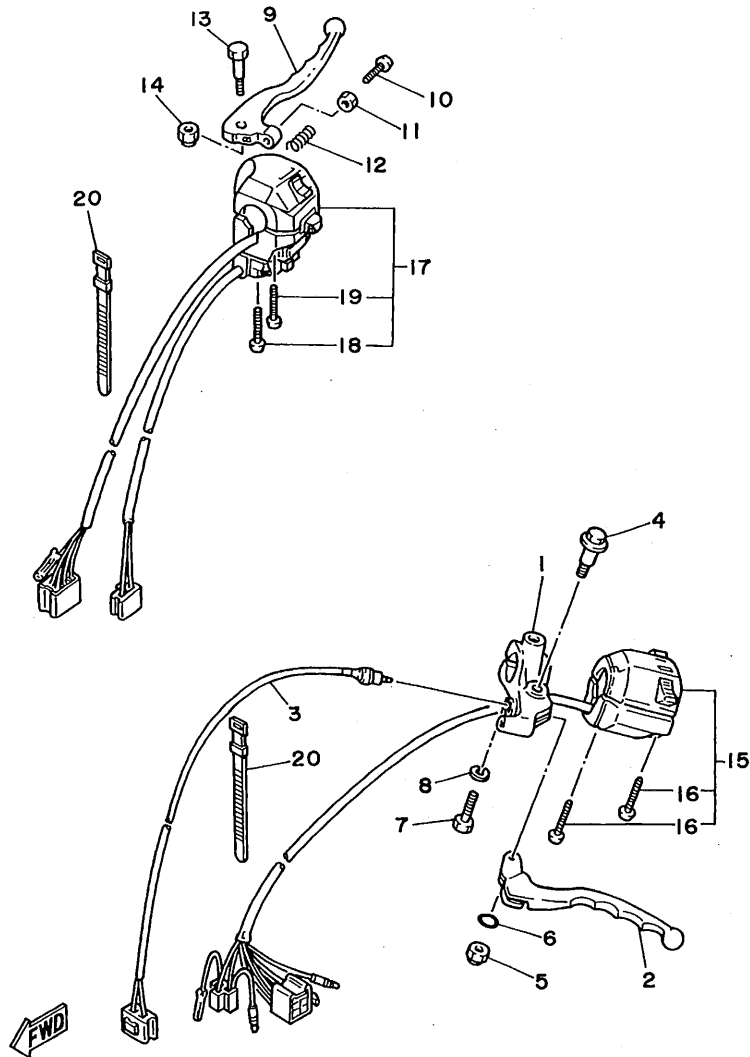
F2

FIG. 42 HANDLE SWITCH. LEVER (FLAT HANDLE)



REF. NO.	PART NO.	DESCRIPTION	Q'TY	REMARKS
1	11U-82911-00	HOLDER, lever 1	1	
2	1AA-83912-00	LEVER 1	1	
3	2NT-82917-00	SWITCH	1	
4	90109-06799	BOLT	1	
5	95607-06100	NUT, u	1	
6	93210-11368	O-RING	1	
7	97007-06025	BOLT	1	
8	92907-06100	WASHER, spring	1	
9	2W1-83922-00	LEVER 2	1	
10	90149-06153	SCREW	1	
11	90170-06010	NUT	1	
12	90501-10312	SPRING, compression	1	
13	90109-06577	BOLT	1	
14	95607-06100	NUT, u	1	
15	3BT-83972-00	SWITCH, handle 4	1	
16	98507-05035	.SCREW, pan head	2	
17	4FY-83963-00	SWITCH, handle 3 (RIGHT)	1	
18	98506-05040	.SCREW, pan head	1	
19	98506-05045	.SCREW, pan head	1	
20	437-83936-01	BAND, switch cord	2	
21	3JB-83964-00	SWITCH	1	
22	98511-04012	.SCREW, pan head	2	
23	437-83936-11	BAND, switch cord	2	

FIG. 43 HANDLE SWITCH. LEVER (UP HANDLE)



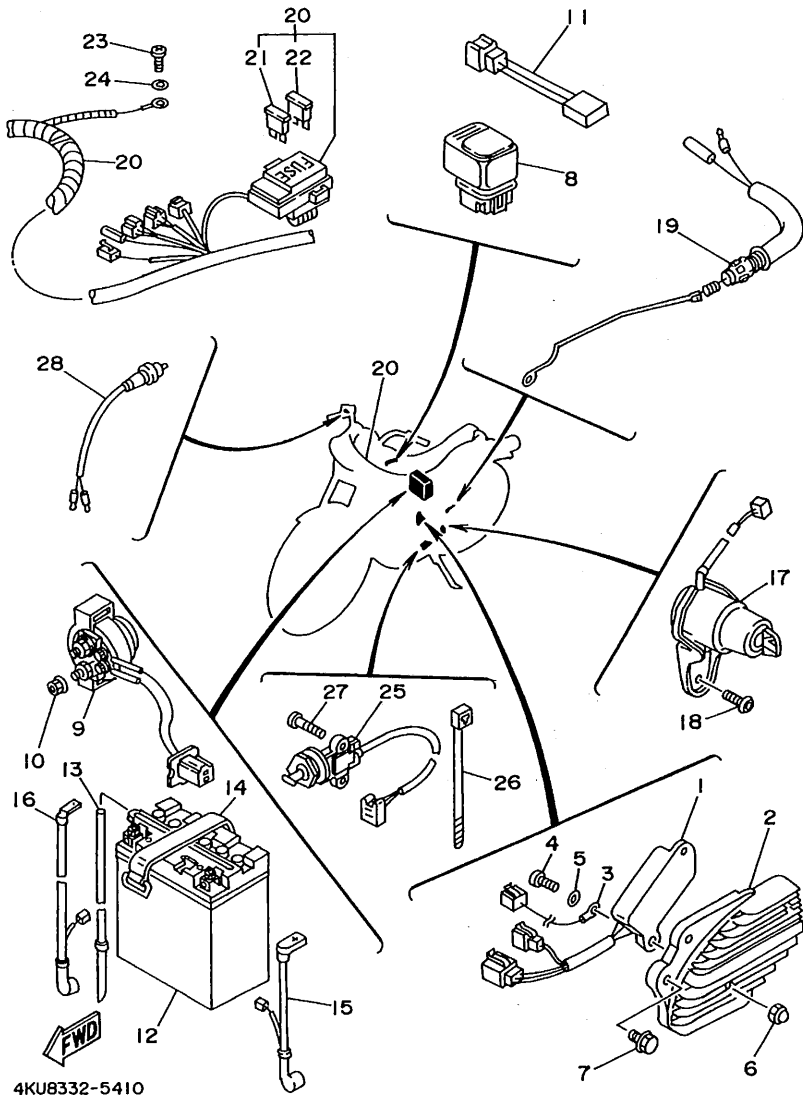
38T3351-9430

REF. NO.	PART NO.	DESCRIPTION	Q'TY	REMARKS
1	10M-82911-00	HOLDER, lever 1	1	
2	2GV-83912-00	LEVER 1	1	
3	2GV-82917-00	SWITCH	1	
4	90109-06799	BOLT	1	
5	95607-06100	NUT, u	1	
6	93210-11368	O-RING	1	
7	97007-06025	BOLT	1	
8	92907-06100	WASEHR, spring	1	
9	2W1-83922-00	LEVER 2	1	
10	90149-06153	SCREW	1	
11	90170-06010	NUT	1	
12	90501-10312	SPRING, compression	1	
13	90109-06577	BOLT	1	
14	95607-06100	NUT, u	1	
15	2YL-83972-00	SWITCH, handle 4	1	
16	98507-05035	.SCREW, pan head	2	
17	3LP-83972-00	SWITCH, handle 4	1	
18	98506-05040	.SCREW, pan head	1	
19	98506-05045	.SCREW, pan head	1	
20	437-83936-01	BAND, switch cord	4	

F4

FIG. 44 ELECTRICAL 1

REF. NO.	PART NO.	DESCRIPTION	Q'TY	REMARKS
1	42X-81960-A1	RECTIFIER & REGULATOR ASSY	1	
2	3JB-81975-00	PLATE, rectifier fitting	1	
3	3LR-83364-00	WIRE, earth lead 2	1	
4	98507-06016	SCREW, pan head	2	
5	92907-06600	WASHER, plate	2	
6	95304-06800	NUT, crown	2	
7	95807-06012	BOLT, flange	2	
8	25G-81950-01	RELAY ASSY	1	
9	3AY-81940-00	STARTER RELAY ASSY	1	
10	95707-06500	NUT, flange	2	
11	4H7-81980-M0	RECTIFIER 2	1	
12	1VJ-82110-60	BATTERY ASSY (GM12AZ-3A-2)	1	
13	90445-08248	HOSE	1	
14	120-82131-00	BAND, battery	1	
15	2GV-82115-00	WIRE, plus lead	1	
16	2GV-82116-00	WIRE, minus lead	1	
17	2NT-82510-01	MAIN SWITCH ASSY	1	
18	92017-08016	SCREW	1	
19	2GV-82530-10	STOP SWITCH ASSY	1	
20	3BT-82590-25	WIRE HARNESS ASSY	1	
21	36Y-82151-00	.FUSE (15A)	4	
22	1AE-82151-00	.FUSE (30A)	2	
23	98507-06010	SCREW, pan head	1	
24	92907-06600	WASHER	1	
25	3LD-82566-70	SWITCH, side stand	1	
26	12R-82591-00	BAND	1	
27	90157-05079	SCREW, pan head	2	
28	2NT-83980-00	FRONT STOP SWITCH ASSY	1	UR FLAT HANDLE

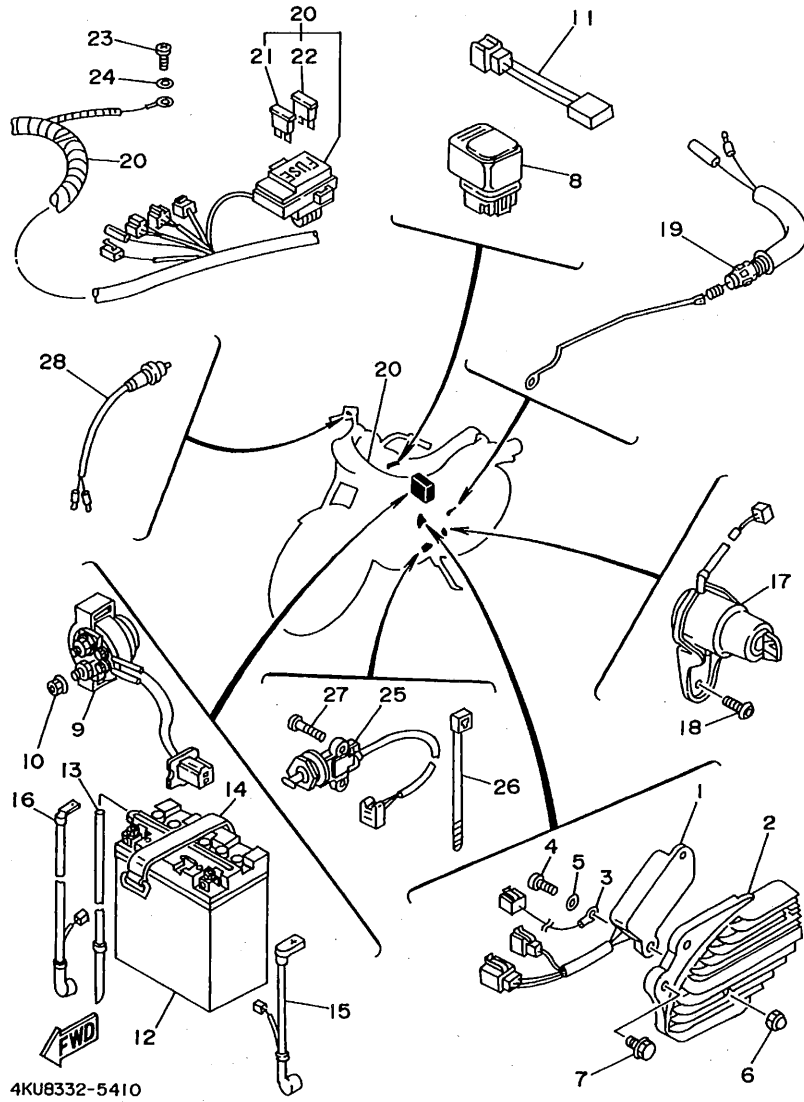


4KU8332-5410

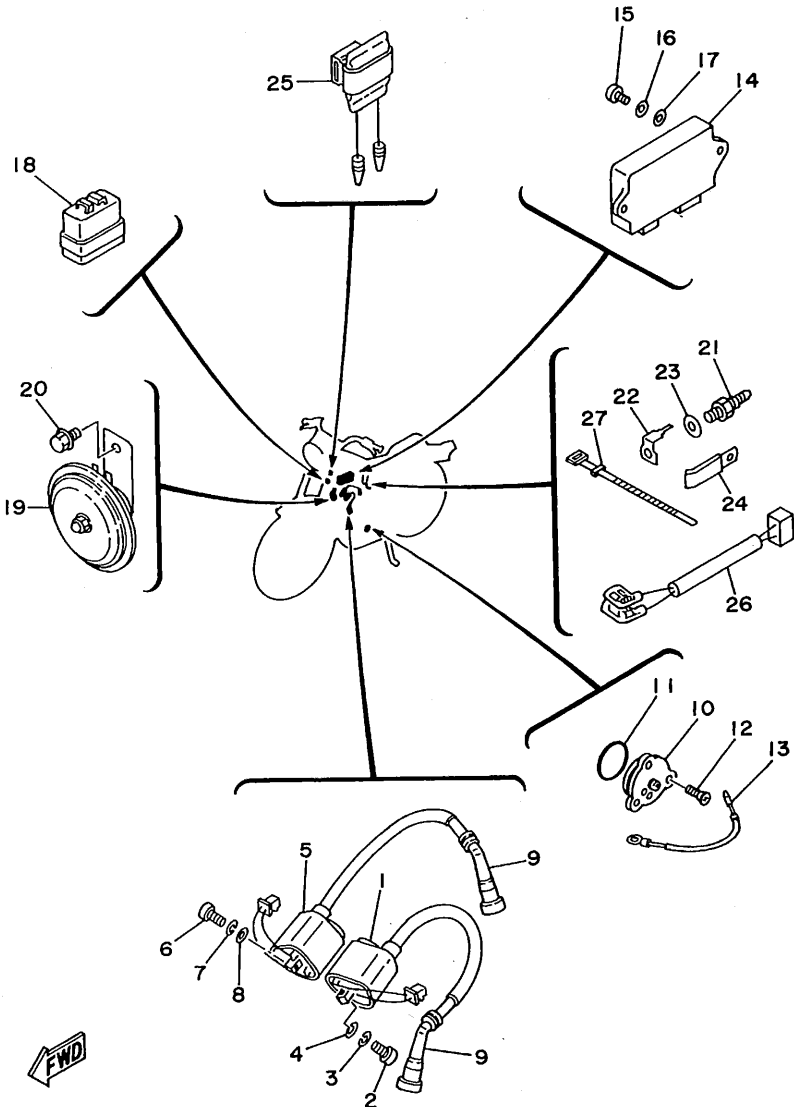
F5

FIG. 44 ELECTRICAL 1

REF. NO.	PART NO.	DESCRIPTION	Q'TY	REMARKS
28	1A0-83980-30	FRONT STOP SWITCH ASSY	1	UR UP HANDLE



F6



3BTP332-3420

FIG. 45 ELECTRICAL 2

REF. NO.	PART NO.	DESCRIPTION	Q'TY	REMARKS
1	2GV-82310-30	IGNITION COIL ASSY	1	
2	98507-05016	SCREW, pan head	2	
3	92907-05100	WASHER, spring	2	
4	92907-05600	WASHER, plate	2	
5	2GV-82320-30	IGNITION COIL ASSY	1	
6	98507-05016	SCREW, pan head	2	
7	92907-05100	WASHER, spring	2	
8	92907-05600	WASHER, plate	2	
9	2GV-82370-00	PLUG CAP ASSY	2	
10	1L9-82540-00	NEUTRAL SWITCH ASSY	1	
11	93210-29196	O-RING	1	
12	98707-05012	SCREW, flat head	3	
13	2JX-82541-00	WIRE, lead	1	
14	3BT-82305-00	IGNITOR UNIT ASSY	1	
15	98507-06020	SCREW, pan head	2	
16	92907-06100	WASHER, spring	2	
17	92907-06600	WASHER, plate	2	
18	41R-83350-71	FLASHER RELAY ASSY	1	
19	35J-83371-30	HORN	1	UR
	3JB-83371-00	HORN	1	UR XV535S MODEL
20	95827-06010	BOLT, flange	1	
21	3BT-82790-00	CARB. HEATER ASSY	2	FOR ENGLAND, HOLLAND
22	3BT-82103-00	TERMINAL	2	FOR ENGLAND, HOLLAND
23	90201-081K4	WASHER, plain	2	FOR ENGLAND, HOLLAND
24	3UH-14146-00	PLATE	1	FOR ENGLAND, HOLLAND
25	3BT-82560-00	THERM. SWITCH	1	FOR ENGLAND, HOLLAND
26	3JC-82509-00	WIRE, sub-lead	2	FOR ENGLAND, HOLLAND
27	437-83936-01	BAND, switch cord	2	FOR ENGLAND, HOLLAND

F7

INDIVIDUAL SPEC.



FOR ITALY

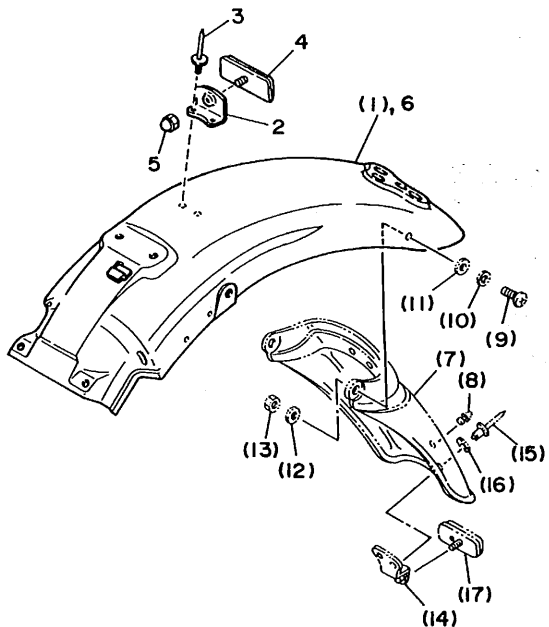
FOR HOLLAND

FOR GREECE

The following pages provides a listing of only the parts that meet the specifications peculiar to your market. For those parts not appearing in these pages, refer to the "GENERAL SPEC" section.

FIG. 46 ALTERNATE (CHASSIS)

REF. NO.	PART NO.	DESCRIPTION	Q'TY	REMARKS
1	3BR-Y2161-J0-MX	REAR FENDER COMP.	*	UR SPARKLE MAROON
	3BR-Y2161-H0-4B	REAR FENDER COMP.	*	UR BLACK 2
	3BR-Y2161-L0-1X	REAR FENDER COMP.(XV535S MODEL)	*	UR NEW BLACK BLUE/ STAR SILVER
2	3JB-21641-00	BRACKET, reflector	1	
3	90267-48104	RIVET, blind	2	
4	3Y6-85130-02	REAR REFLECTOR ASSY	1	
5	95307-05800	NUT, cap	1	
6	3JB-Y2161-0C-MX	REAR FENDER COMP.	1	UR SPARKLE MAROON
	3JB-Y2161-0B-4B	REAR FENDER COMP.	1	UR BLACK 2
	3JB-Y2161-0E-2X	REAR FENDER COMP.	1	UR NEW BLACK BLUE/ STAR SILVER
7	3BR-21621-00	FLAP	*	
8	4G0-21639-00	DAMPER 2	*	
9	98507-06012	SCREW, pan head	*	
10	92907-06600	WASHER, plate	*	
11	90202-05187	WASHER, plain	*	
12	92907-06200	WASHER, plain	*	
13	95307-06600	NUT	*	
14	2AE-21641-00	BRACKET, reflector	*	
15	90267-40076	RIVET, blind	*	
16	90201-044A2	WASHER, plate	*	
17	449-85131-02	REFLECTOR, rear 1	*	



3BTR300-3460

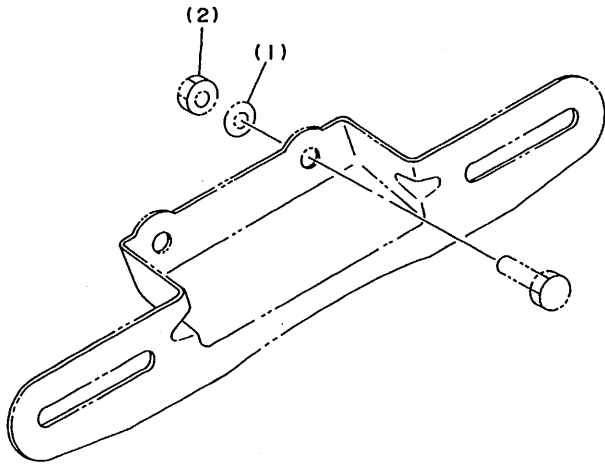
* For convenience of reference:

Disregard the items asterisked (*) in the "QTY" column. These are intended for GENERAL SPEC, and NOT for INDIVIDUAL SPEC.

F9

FIG. 47 ALTERNATE (TAILLIGHT)

REF. NO.	PART NO.	DESCRIPTION	Q'TY	REMARKS
1	92907-06200	WASHER, plain	*	
2	95307-06600	NUT	*	



4KUA300-5470

* For convenience of reference:

Disregard the items asterisked (*) in the "QTY" column. These are intended for GENERAL SPEC, and NOT for INDIVIDUAL SPEC.

F10

FOR SWEDEN

FOR FINLAND

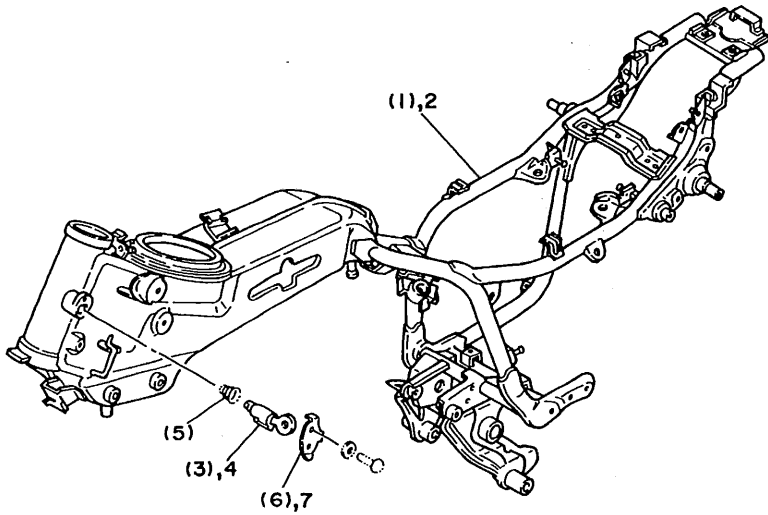
FOR NORWAY

FOR DENMARK

The following pages provides a listing of only the parts that meet the specifications peculiar to your market. For those parts not appearing in these pages, refer to the "GENERAL SPEC" section.

FIG. 48 ALTERNATE (CHASSIS)

REF. NO.	PART NO.	DESCRIPTION	Q'TY	REMARKS
1	4KU-21110-10-33	FRAME COMP.	*	YAMAHA BLACK
2	4KU-21110-00-33	FRAME COMP.	1	YAMAHA BLACK
3	2A6-23408-00	STEERING LOCK ASSY	*	
4	*	STEERING LOCK ASSY	1	LM
5	90502-09024	SPRING, conical	*	
6	3DM-23484-00	CAP, handle lock	*	
7	134-23484-10	CAP, handle lock	1	



* For convenience of reference:

Disregard the items asterisked (*) in the "QTY" column. These are intended for GENERAL SPEC, and NOT for INDIVIDUAL SPEC.



3BTR300-3490

F12

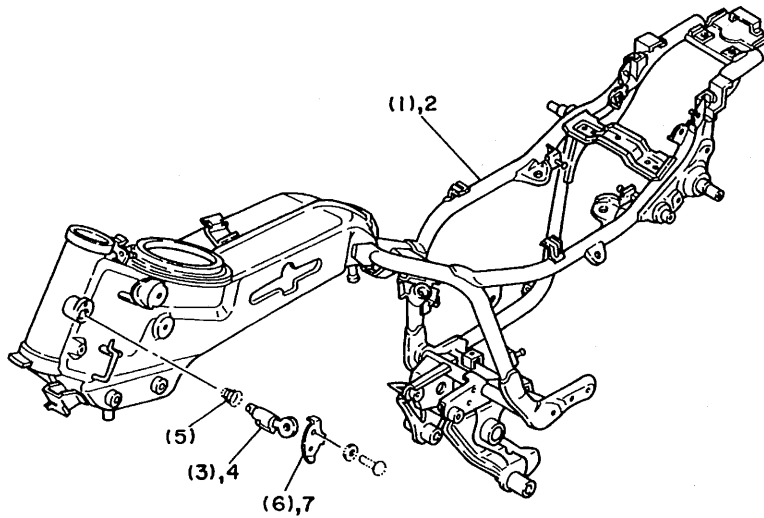
FOR BELGIUM

FOR PORTUGAL

The following pages provides a listing of only the parts that meet the specifications peculiar to your market. For those parts not appearing in these pages, refer to the "GENERAL SPEC" section.

FIG. 49 ALTERNATE (FRAME)

REF. NO.	PART NO.	DESCRIPTION	Q'TY	REMARKS
1	4KU-21110-10-33	FRAME COMP.	*	YAMAHA BLACK
2	4KU-21110-00-33	FRAME COMP.	1	YAMAHA BLACK
3	2A6-23408-00	STEERING LOCK ASSY	*	
4	*	STEERING LOCK ASSY	1	LM
5	90502-09024	SPRING, conical	*	
6	3DM-23484-00	CAP, handle lock	*	
7	134-23484-10	CAP, handle lock	1	



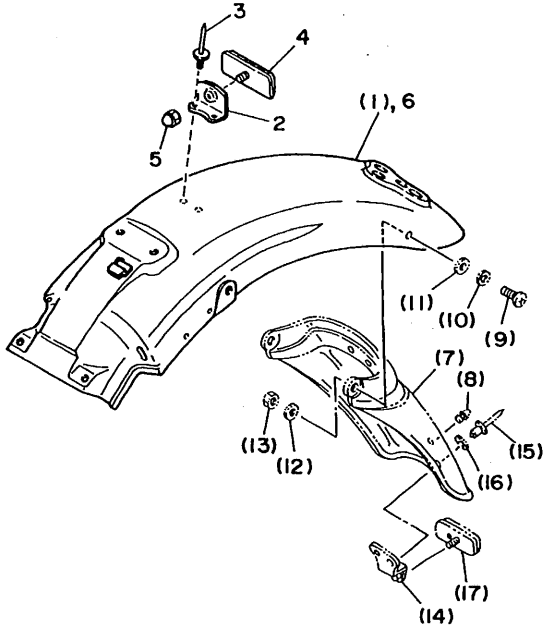
3BTR300-3490

* For convenience of reference:

Disregard the items asterisked (*) in the "QTY" column. These are intended for GENERAL SPEC, and NOT for INDIVIDUAL SPEC.

F14

FIG. 50 ALTERNATE (CHASSIS)



REF. NO.	PART NO.	DESCRIPTION	Q'TY	REMARKS
1	3BR-Y2161-J0-MX	REAR FENDER COMP.	*	UR SPARKLE MAROON
	3BR-Y2161-H0-4B	REAR FENDER COMP.	*	UR BLACK 2
	3BR-Y2161-L0-1X	REAR FENDER COMP. (XV535S MODEL)	*	UR NEW BLACK BLUE/ STAR SILVER
2	3JB-21641-00	BRACKET, reflector	1	
3	90267-48104	RIVET, blind	2	
4	3Y6-85130-02	REAR REFLECTOR ASSY	1	
5	95307-05800	NUT, cap	1	
6	3JB-Y2161-0C-MX	REAR FENDER COMP.	1	UR SPARKLE MAROON
	3JB-Y2161-0B-4B	REAR FENDER COMP.	1	UR BLACK 2
	3JB-Y2161-0E-2X	REAR FENDER COMP. (XV535S MODEL)	1	UR NEW BLACK BLUE/ STAR SILVER
7	3BR-21621-00	FLAP	*	
8	4G0-21639-00	DAMPER 2	*	
9	98507-06012	SCREW, pan head	*	
10	92907-06600	WASHER, plate	*	
11	90202-05187	WASHER, plate	*	
12	92907-06200	WASHER, plain	*	
13	95307-06600	NUT	*	
14	2AE-21641-00	BRACKET, reflector	*	
15	90267-40076	RIVET, blind	*	
16	90201-044A2	WASHER, plate	*	
17	449-85131-02	REFLECTOR, rear 1	*	

* For convenience of reference:

Disregard the items asterisked (*) in the "QTY" column. These are intended for GENERAL SPEC, and NOT for INDIVIDUAL SPEC.



3BTR300-3460

F15



FOR ENGLAND

The following pages provides a listing of only the parts that meet the specifications peculiar to your market. For those parts not appearing in these pages, refer to the "GENERAL SPEC" section.

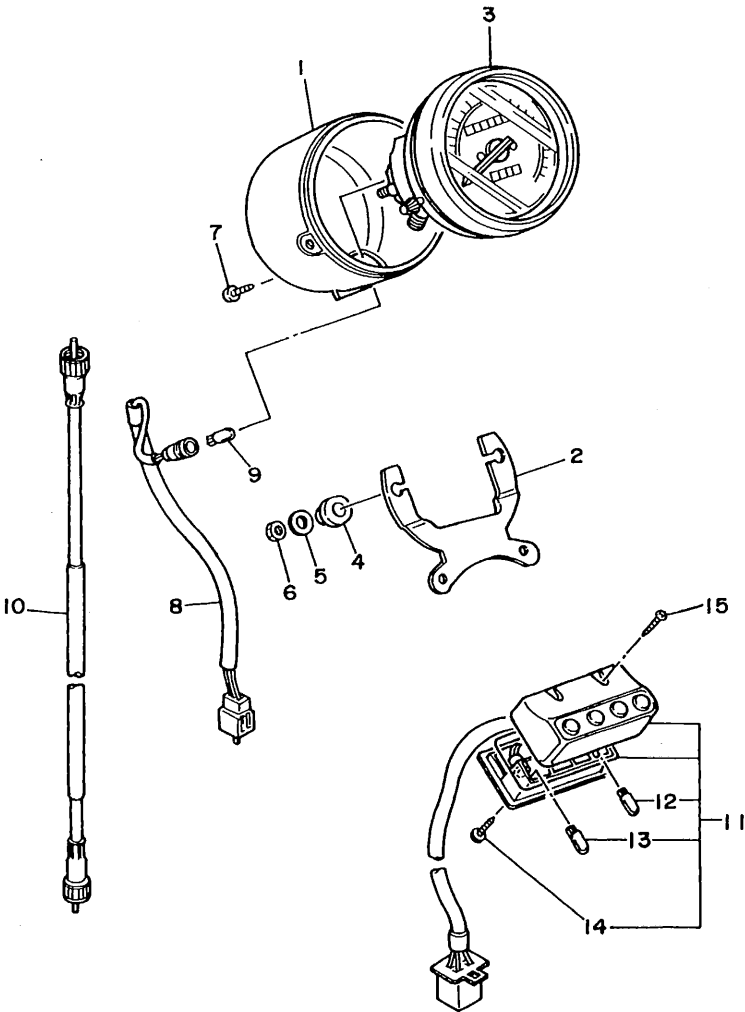
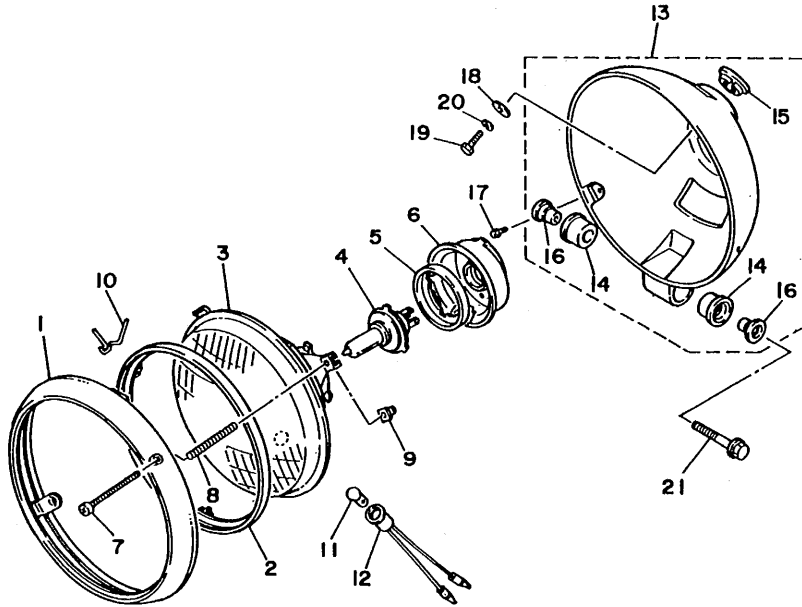


FIG. 51 ALTERNATE (METER)

REF. NO.	PART NO.	DESCRIPTION	Q'TY	REMARKS
1	1FK-83507-00	COVER, speedometer	1	
2	2GV-83519-00	BRACKET, meter	1	
3	3BT-8351A-00	METER ASSY	1	UR
	4KU-8351A-00	METER ASSY	1	UR XV535S MODEL
4	12R-83513-00	DAMPER	2	
5	90201-05031	WASHER, plate	2	
6	95307-05600	NUT	2	
7	90164-04009	SCREW, tapping	1	
8	2GV-83509-00	SOCKET CORD ASSY	1	
9	42X-83517-00	BULB (12V-3W)	1	
10	34L-83550-01	SPEEDOMETER CABLE ASSY	1	
11	3BT-83530-10	PILOT LIGHT ASSY	1	
12	42X-83517-00	.BULB (12V-3W)	2	
13	2GV-83517-00	.BULB (12V-1.7W)	1	
14	90164-03010	.SCREW, tapping	1	
15	98507-04025	SCREW, pan head	2	

FIG. 52 ALTERNATE (HEADLIGHT)

REF. NO.	PART NO.	DESCRIPTION	Q'TY	REMARKS
1	42X-84315-01	RIM, headlight	1	
2	5Y3-84395-00	RING, retaining	1	
3	55R-84321-H0	LENS ASSY	1	
4	2F9-84314-00	BULB (12V-60/55W)	1	HALOGEN
5	2F9-84375-00	FITTING PLATE, bulb	1	
6	2F9-84397-01	COVER, socket	1	
7	20X-84331-00	SCREW, rim adjusting	2	
8	1A0-84332-60	SPRING, screw	2	
9	198-84334-60	NUT, adjusting	2	
10	42X-84124-60	SPRING, set	1	
11	123-83516-21	BULB (12V-3.4W)	1	
12	34L-84346-00	SOCKET, pilot light	1	
13	42X-84330-01	BODY ASSY	1	EMPRESS MAROON
14	42X-84345-00	.DAMPER, headlight	2	
15	42X-84366-00	.DAMPER, headlight 1	1	
16	42X-84338-00	.COLLAR, body fitting .	2	
17	90157-05084	SCREW, pan head	2	
18	90201-06073	WASHER, plate	1	
19	97007-06016	BOLT	1	
20	92907-06100	WASHER, spring	1	
21	95027-08040	BOLT, flange	1	



3BT3300-9520

INDEX

(GENERAL SPEC.)

NUMERICAL INDEX

PART NO.	GRID NO.	PART NO.	GRID NO.	PART NO.	GRID NO.	PART NO.	GRID NO.	PART NO.	GRID NO.	PART NO.	GRID NO.
4H7-W0041-00	E- 6	2GV-11610-00	B- 5	12R-14105-00	B-12	1FK-14985-00	B-11	22U-17241-00	C- 7	2GV-2139R-00	C-12
	E- 7	2GV-11610-20	B- 5	2JU-14146-00	B-12	2GV-14987-00	B-10	11H-17251-00	C- 7	3JB-2139R-00	C-12
3JB-W0045-00	D-15	2GV-11610-40	B- 5	2JU-14141-90	B-11	31H-14987-00	B-12	22U-17402-00	C- 7	1AA-2143A-00	C-12
3JB-W0047-00	D-15	2GV-11631-00	B- 5	4G0-14142-35-A0	B-11	22F-14991-00	B-12	22U-17411-00	C- 7	4KU-21458-00	C-11
51L-W0048-00	D-15	22U-11633-01	B- 5	3UH-14146-00	F- 7	341-14991-00	B-12	22U-17524-00	C- 8	4X7-21485-00	C-11
3JB-W0057-00	D-15	2GV-11636-00	B- 5	214-14147-00	B-12	2GV-15100-00	B-14	22U-17527-00	C- 8	3WF-2153E-40	D- 6
4H7-W1752-10	C- 8	2GV-11638-00	B- 5	22U-14147-00	B-11	22U-15123-00	B-15	3H5-17529-00	C- 8	3JB-21570-50	C-13
2GV-W2341-00-38	D- 6	22U-11650-00	B- 5	22V-14147-00	B-12	2GV-15316-00	C- 2	3JB-17531-00	C- 8	4KU-21570-00	C-13
3JB-W2341-00-38	D- 6	22U-11654-00	B- 5	137-14153-00	B-11	2H7-15361-00	C- 2	3JB-17531-10	C- 8	4KU-21570-10	C-13
3DR-W2536-00	E- 2	22U-11656-00	B- 5	1FK-14190-15	B-11	3F9-15362-00	C- 2	3JB-17531-20	C- 8	2NT-21597-01	C-13
22U-Y1754-00	C- 8	22U-11656-10	B- 5	2L1-14191-00	B-12	11H-15383-01	B-14	3JB-17531-30	C- 8	3JB-21598-00	C-13
2GV-Y2151-50-2X	C-13	22U-11656-20	B- 5	2GV-14197-00	B-10	2NT-15411-01	C- 2	3JB-17531-40	C- 8	2GV-2160E-00	C-13
2GV-Y2151-70-4B	C-13	22U-11656-30	B- 5	127-14198-00	B-12	3JB-15411-00	C- 2	3JB-17531-50	C- 8	3BR-21621-00	C-14
2GV-Y2151-80-MX	C-13	22U-12111-00	B- 6	3G2-14231-14	B-11	2NT-15415-00	C- 2	1J7-17537-Y0-30	D- 4	2GV-21629-00-KM	C-13
3BR-Y2161-H0-4B	C-13	22U-12113-00	B- 6	3G2-14231-27	B-12	3JB-15415-00	C- 2	1J7-17537-Y0-40	D- 4	2GV-21629-00-MX	C-13
3BR-Y2161-J0-MX	C-13	22U-12114-00	B- 6	3G2-14231-34	B-11	2NT-15421-00	C- 2	1J7-17537-Y0-50	D- 4	2GV-21629-00-4B	C-13
3BR-Y2161-L0-1X	C-13	3Y1-12116-00	B- 6	2GV-14412-00	B-10	3JB-15421-00	C- 2	4H7-17537-00-20	C- 8	2GV-2163A-00	C-13
3JB-Y2428-C0-2X	D-10	3Y1-12117-01	B- 6	2GV-14451-00	B-10	22U-15441-01	B-15	4H7-17537-00-30	C- 8	2GV-2163E-00	C-13
3JB-Y2428-71-4B	D-10	1J7-12118-00	B- 6	52W-14452-00	B-10	3BT-15451-00	C- 2	4H7-17537-00-40	C- 8	4G0-21639-00	C-14
3JB-Y2428-91-OX	D-10	1J7-12119-01	B- 6	22U-14469-00	B-10	3BT-15461-00	C- 2	22U-17553-01	C- 8	2AE-21641-00	C-14
2NT-1110M-00	B- 3	22U-12121-01	B- 6	31A-14477-00	C-15	3BT-15484-00	C- 2	22U-17556-00	C- 8	3JB-2165A-50	C-13
2GV-11102-01	B- 2	22U-12151-00	B- 6	2GV-14484-00	B-13	22U-15512-00	C- 4	2H7-17590-00	D- 5	4KU-2165A-00	C-13
22U-1111F-01	B- 3	22U-12156-01	B- 6	3JB-14536-00	B-11	22U-15517-00	C- 4	2GV-18110-00	C-10	4KU-2165A-10	C-13
2GV-1111H-00	B- 2	22U-12159-00	B- 6	22U-14565-00	B-11	5H0-15521-00	C- 4	2GV-18112-00	C-10	2GV-2171E-00	C-11
2GV-11127-00	B- 2	22U-12171-01	B- 7	2GV-14603-00	B-13	22U-15580-00	C- 4	132-18113-01	C-10	2GV-21711-00-KM	C-15
4H7-11133-10	B- 2	22U-12176-01	B- 7	4BE-14613-00	B-13	341-15583-05	C- 4	2GV-18115-00	C-10	2GV-21711-00-MX	C-15
2GV-11142-00	B- 2	22U-12181-01	B- 7	4BR-14613-00	B-13	22U-16111-01	C- 5	22U-18120-01	C-10	2GV-21711-00-4B	C-15
22U-11145-00	B- 7	11H-12210-02	B- 7	2GV-14625-00	B-13	22U-16150-01	C- 5	4G0-18127-00	C-10	2GV-2172A-00	C-15
2GV-11152-00	B- 2	3BT-12213-00	B- 7	2GV-14663-00	B-13	22U-16154-00	C- 5	11H-18140-00	C-10	2GV-2172F-00	C-15
15A-11162-00	B- 4	22U-12231-00	B- 7	2YL-14703-10	B-13	22U-16321-00	C- 5	2H9-18154-00	C-10	2GV-21721-00-KM	C-15
22U-11165-00	B- 2	22U-12241-00	B- 7	22U-1490H-00	B-11	4X7-16324-00	C- 5	16G-18185-00	C- 9	2GV-21721-00-MX	C-15
2GV-11166-00	B- 2	22U-13300-00	B- 8	2JV-1490J-00	B-11	4X7-16325-00	C- 5	11H-18511-00	C- 9	2GV-21721-00-4B	C-15
2GV-11181-00	B- 2	22U-13324-00	B- 8	2JV-1490J-10	B-11	22U-16351-00	C- 5	11H-18512-00	C- 9	2GV-21731-00-93	C-15
2GV-11185-00	B- 2	22U-13325-00	B- 8	3EN-1490K-00	B-12	5Y1-16356-00	C- 5	11H-18513-00	C- 9	2GV-2174E-00	C-15
2NT-11186-00	B- 3	22U-13410-00	B- 8	3JB-1490L-00	B-12	22U-16357-00	C- 6	3YF-18531-00	C- 9	3JB-2176E-00	C-15
22U-11186-00	B- 2	22U-13415-00	B- 8	3BT-14900-20	B-11	1W1-16358-01	C- 5	22U-18535-00	C- 9	2GV-22110-00-35	D- 3
2NT-11187-00	B- 3	2GV-13417-00	B- 8	3BT-14900-30	B-11	22U-16371-00	C- 5	22U-18540-00	C- 9	4X7-22124-00	D- 3
22U-11187-00	B- 2	4X7-13440-90	B- 9	3BT-14901-20	B-11	22U-16380-00	C- 5	278-18542-00	C- 9	4X7-22129-00	D- 3
3BT-11195-00	B- 3	2NT-13447-00	B- 9	3BT-14901-30	B-11	4X7-16383-01	C- 5	278-18566-00	C- 9	4X7-22141-00	D- 3
3BT-11196-00	B- 3	3JB-13447-00	B- 9	3BT-14902-20	B-11	4X7-16384-00	C- 5	3JB-21105-00-33	C-11	22U-22189-00	D- 3
214-11198-01	B- 8	11H-13455-00	D- 5	3BT-14902-30	B-11	4X7-16385-00	C- 5	4KU-21110-10-33	C-11	22U-22210-00	D- 3
	D- 5	3VD-13455-00	B- 8	1FK-14933-00	B-11	11H-17121-00	C- 7	2GV-21171-00	C-15	2GV-22216-00	D- 3
2GV-11310-00	B- 4	16G-13569-00	B-10	41R-14940-00	B-11	22U-17131-00	C- 7	26H-21308-00	C-14	2YL-22220-00	D- 3
2GV-11320-00	B- 4	2GV-13586-01	B-10	22U-14952-00	B-12	22U-17141-00	C- 7	22U-21315-00	C-11	2GV-22226-00	D- 3
3BT-11351-00	B- 4	2GV-13596-00	B-10	26H-14952-00	B-12	11H-17151-01	C- 7	22U-21316-00	C-11		D- 3
22U-11411-00	B- 5	1HX-13907-00	D-12	341-14954-00	B-12	22U-17211-00	C- 7	2GV-21317-00	C-11	2GV-22253-00	D- 3
22U-11416-80	B-14	11H-1410A-00	B-11	22U-14968-00	B-11	22U-17221-00	C- 7	2GV-21359-00	C-12	5M0-22253-00	D- 3
22U-11416-90	B-14	22U-14103-00	B-12	22V-14968-00	B-11	22U-17231-00	C- 7	2GV-2138L-00	B-13	4KU-23102-00	D- 8

NUMERICAL INDEX

PART NO.	GRID NO.	PART NO.	GRID NO.	PART NO.	GRID NO.	PART NO.	GRID NO.	PART NO.	GRID NO.	PART NO.	GRID NO.
4KU-23102-10	D- 8	164-23462-00	D- 9	3JB-24776-00	D-13	3JB-26241-00	E- 4	2H7-46122-00	D- 4	1KT-83311-00	E-13
4KU-23103-00	D- 8	3DM-23484-00	D- 7	3JB-2478F-00	D-13		E- 5	22U-46123-00	D- 5		E-13
4KU-23103-10	D- 8	3JB-24110-01-33	D-10	51Y-24796-00	D-13	3JB-26273-00	E- 4	4H7-46125-00	D- 4	2AE-83312-00	E-13
2GV-23110-00-93	D- 8	3JB-24135-00	D-10	3JB-25104-00	D-14		E- 5	22U-46136-00	D- 4	42X-83312-00	E-13
	D- 8	3JB-24161-10	D-12	4KU-25111-00	D-14	3JB-2628J-00	E- 4	22U-46137-00	D- 5	42X-83313-00	E-13
1HX-23111-00	D- 8	3JB-24162-10	D-12	146-25115-00	E- 2		E- 5	22U-46152-00	D- 4		E-13
	D- 9	2GV-24181-00	D-10	341-25149-00	D-14	1J7-26290-F0	E- 4	22U-46153-00	D- 4	1AA-83318-00	E-13
2GV-23125-00	D- 8	1FK-24182-00	D-10	2GV-25181-00	D-14		E- 5	2GV-46172-00	D- 5		E-13
	D- 9		D-10	1FK-25190-00	D-14	1J7-26290-G0	E- 4	4X7-46180-00	D- 5	2EN-83330-00	E-13
3JB-23126-10	D- 8	3JB-24182-00	D-10	2GV-25304-00	E- 2		E- 5	2GV-81410-20	E-11	341-83333-70	E-13
3JB-23136-10	D- 8	42X-24183-00	D-10	2GV-25311-00-35	E- 2	3JB-26311-00	E- 4	3BT-81450-00	E-11		E-13
2GV-23141-00	D- 8	2GV-24184-00	D-11	2GV-25317-00	E- 2	3JC-26311-00	E- 5	3BT-81670-00	E-11	41R-83350-71	F- 7
	D- 9	1FK-24186-00	D-10	1J7-25319-01	D- 5	3JB-26312-00	E- 4	3JB-81800-00	E-12	42X-83359-00	E-13
2GV-23144-00	D- 8		D-11	2GV-25319-00	E- 2	3JC-26312-00	E- 5	3HE-81826-00	E-12		E-13
	D- 9	2GV-24191-00	D-11	2NT-25321-00	E- 2	3JB-26335-10	E- 4	3KS-81840-00	E-12	42X-83363-00	E-13
2AJ-23145-00	D- 8	3JB-24240-51	D-10	4H7-2533A-02	E- 2	3JB-26335-20	E- 5	11H-81844-00	E-12		E-13
	D- 9	4KU-24240-01	D-10	4H7-25351-00	E- 2	2GV-26351-00	E- 8	26H-81847-00	E-12	3LR-83364-00	F- 5
1GU-23151-00	D- 8	4KU-24240-11	D-10	214-25355-00	E- 2	5H0-26393-00	E- 4	3AY-81940-00	F- 5	18G-83365-00	E-13
	D- 8	2GV-24311-00	D-11	2GV-25366-00	E- 2		E- 5	25G-81950-01	F- 5	3JB-83371-00	F- 7
1HX-23154-00	D- 8	2GV-24312-00	D-11	42X-25371-00	E- 3	2GV-27211-00-93	E- 8	42X-81960-A1	F- 5	35J-83371-30	F- 7
	D- 9	3JB-24314-00	D-12	22U-25377-00	E- 3	4KU-27311-00	E- 9	3JB-81975-00	F- 5	1FK-83507-00	E-14
3JB-23154-00	D- 8	3JB-24316-00	D-10	2GV-25381-00	E- 2	5H0-27315-00	E-10	4H7-81980-M0	F- 5	2GV-83509-00	E-14
	D- 9	3JB-24317-00	D-10	156-25398-00	D-14	1RM-27410-00-93	E- 8	3BT-82103-00	F- 7	2JV-8351A-F0	E-14
1HX-23156-00	D- 8	2GV-24491-00	D-11		E- 2	1NH-27413-00	E- 8	1VJ-82110-60	F- 5	3JB-8351A-10	E-14
	D- 9	3JB-24500-02	D-11	3JB-2580U-00	D-15		E- 8	2GV-82115-00	F- 5	12R-83513-00	E-14
1GU-23157-00	D- 8	4X8-24512-00	D-11	3JB-2582U-00	D-15	4X7-27414-00	E- 8	2GV-82116-00	F- 5	2GV-83517-00	E-14
	D- 8	3AJ-24523-00	D-11	341-25846-00	D-14	1RM-27420-00-93	E- 8	120-82131-00	F- 5	42X-83517-00	E-14
2NT-23164-00	D- 6	3AJ-24534-00	D-11	2GV-25850-01	E- 6	2NT-27430-01	E- 9	1AE-82151-00	F- 5		E-14
2GV-2317E-00	D- 7	1FK-24560-00	D-11	4H7-25850-02	E- 7	1NH-27433-00	E- 9	36V-82151-00	F- 5	2GV-83519-00	E-14
2GV-2317F-00	D- 6	1FK-24566-00	D-11	3GM-25852-01	E- 6		E- 9	3BT-82305-00	F- 7	3BT-83530-10	E-14
3JB-2317F-00	D- 6	4X7-24602-04	D-10	4H7-25852-00	E- 7	2NT-27437-00	E- 9	2GV-82310-30	F- 7	34L-83550-01	E-14
2GV-2317M-00	D- 6	4X7-24612-00	D-10	4KO-25854-00	E- 6		E- 9	2GV-82320-30	F- 7	1AA-83912-00	F- 3
2GV-23171-01	D- 8	51X-24705-00	D-13	4L0-25854-00	E- 7	2NT-27440-01	E- 9	2GV-82370-00	F- 7	2GV-83912-00	F- 4
	D- 8	3JB-24710-00	D-13	4L0-25867-00	E- 6	2GV-27471-00	E- 9	3JC-82509-00	F- 7	2WL-83922-00	F- 3
1GU-23173-00	D- 8	3JB-24710-10	D-13		E- 7	2GV-27472-00	E- 9	2NT-82510-01	F- 5		F- 4
	D- 9	3JB-24711-00	D-13	3JB-25872-30	E- 6	2GV-27491-00	E- 9	2GV-82530-10	F- 5	437-83936-01	F- 3
2GV-23174-00	D- 6	3JB-24711-10	D-13	3JB-25872-40	E- 7	2GV-28100-00	D-13	1L9-82540-00	F- 7		F- 4
3JC-23317-00	D- 6	3JB-24718-00	D-13	4KU-25872-00	E- 7	3JB-28185-00	D- 2	2JX-82541-00	F- 7		F- 7
3BR-23340-00	D- 9	18A-24724-00	D-13	4KU-25872-50	E- 6	2NT-46101-00	D- 4	3BT-82560-00	F- 7	437-83936-11	D- 6
2A6-23408-00	D- 7		D-13	3JB-25886-00	D- 9	22U-46117-00-25	D- 4	3LD-82566-70	F- 5		D-11
156-23411-00	D- 9	23T-24724-01	D-10	2GV-25919-00	D-15	22U-46117-00-30	D- 4	3BT-82590-25	F- 5		F- 3
183-23411-00	D- 6		D-11	3YX-25929-00	D-15	22U-46117-00-40	D- 4	12R-82591-00	F- 5	4FY-83963-00	F- 3
156-23412-00	D- 6	3JB-24728-00	D-13	3YX-25937-00	D-15	22U-46117-00-50	D- 4	3BT-82790-00	F- 7	3JB-83964-00	F- 3
183-23412-00	D- 6	3JB-24750-00	D-13	5R2-25937-00	D-15	22U-46118-00-12	D- 4	10M-82911-00	F- 4	2YL-83972-00	F- 4
4KO-23415-00	D- 6	3JB-24750-10	D-13	2GV-26111-10	E- 5	22U-46118-00-14	D- 4	11U-82911-00	F- 3	3BT-83972-00	F- 3
4H7-23441-00-38	D- 6	3JB-24751-00	D-13	2NT-26111-10	E- 4	22U-46118-00-16	D- 4	2GV-82917-00	F- 4	3LP-83972-00	F- 4
3JB-23442-00-38	D- 6	3JB-24751-10	D-13	3JB-26240-00	E- 4	22U-46118-00-18	D- 4	2NT-82917-00	F- 3	1AO-83980-30	F- 6
42X-23442-00-38	D- 6	3JB-24754-00	D-13		E- 5	22U-46118-00-20	D- 5	3LS-83310-00	E-13	2NT-83980-00	F- 5

NUMERICAL INDEX

PART NO.	GRID NO.	PART NO.	GRID NO.	PART NO.	GRID NO.	PART NO.	GRID NO.	PART NO.	GRID NO.	PART NO.	GRID NO.
42X-84124-60	E-15	90109-08718	C-11	90179-08148	E- 5	90201-18262	C- 6	90387-177R1	D-14	90501-12743	E- 9
2F9-84314-00	E-15	90109-08781	B- 3	90179-08327	B- 5	90201-244A8	D- 3	90387-226G7	B- 2	90501-15722	D- 5
42X-84315-01	E-15	90109-08782	B- 3	90179-08410	B-13	90201-256K6	C- 4	90387-256G9	D- 4	90501-23738	C- 5
2AE-84320-60	E-15	90109-10060	E- 9	90179-10279	B- 2	90202-05187	C-14	90401-10159	E- 6	90501-60716	C- 8
42X-84330-01	E-15	90110-06198	B- 3		C-11	90202-05193	D-11		E- 7	90502-09024	D- 7
20X-84331-00	E-15	90116-08404	B-14	90179-10321	C-11	90202-06010	C-11	90401-16073	B- 3	90506-08227	C-10
1A0-84332-60	E-15		B-14	90179-10395	B- 2	90208-04029	D- 7	90430-08155	D- 8	90506-20380	E- 8
198-84334-60	E-15	90116-10249	D- 4	90179-12248	C-11	90209-22191	C- 7		D- 9	90506-35473	E-10
42X-84338-00	E-15	90116-10405	B-14	90179-18396	C- 8		C- 7	90430-17168	B- 3	90507-20002	E- 2
42X-84345-00	E-15		B-14	90179-25033	D- 6	90209-27192	C- 7	90430-24184	B- 2	90508-16577	C- 5
34L-84346-00	E-15	90116-10406	B-14	90183-04027	B-14	90214-16026	C- 5	90445-08248	F- 5	90508-18696	E- 8
4E2-84347-00	E-15		B-14		C-15	90215-08229	B- 3	90445-111F3	B-10		E- 8
42X-84366-00	E-15	90116-10593	D- 4	90185-08097	B-13	90215-16181	D- 3	90445-22327	E-10	90508-29519	C-10
2F9-84375-00	E-15	90116-12495	C-11	90185-14070	C- 8	90215-16222	C- 5	90450-22017	D-10	90508-32536	C-10
5Y3-84395-00	E-15	90119-06097	F- 2	90201-044A2	C-14	90215-18178	C-10	90450-25037	D-10	90560-08326	C-14
2F9-84397-01	E-15	90119-06123	C-13	90201-05031	E-14	90215-22244	C- 5	90460-12256	B-10	90560-17126	D-14
2YL-84700-E0	F- 2		C-15	90201-06059	C-15	90249-12008	E- 8	90460-52210	B-10	91314-06018	C- 2
1RM-84704-00	F- 2		D-11	90201-06067	B-10	90267-40076	C-14	90460-58015	B-10	91314-06025	B- 2
31L-84714-00	F- 2	90119-08126	D- 4		D-13	90269-04003	D- 7	90462-06119	C- 3		B- 7
2GV-84717-00	F- 2	90123-08046	E- 4	90201-06073	E-15	90280-05048	B- 5	90462-10115	C- 3		B- 9
2AE-84721-00	F- 2		E- 5	90201-06568	D-11	90280-07036	C- 5	90462-10118	C- 3		C- 2
42X-84723-01	F- 2	90149-06008	D-11	90201-066M2	D-10	90338-07043	C-11	90465-13169	E- 9		C- 3
2YL-84751-00	F- 2	90149-06153	F- 3	90201-06697	B- 3	90338-08163	D- 6	90467-10008	B-12	91314-06030	C- 2
449-85131-02	C-14		F- 4	90201-08087	C- 6	90338-09161	E- 9		D-12	91314-06040	C- 2
90101-06288	E- 8	90149-06154	C-14	90201-081K4	F- 7	90340-14068	C- 2	90467-10039	B-10		C- 3
90101-06576	B-13	90149-08067	C- 6	90201-08326	C-11	90340-14139	C- 2	90467-10135	D-11	91314-06045	B-15
90101-06764	E- 2	90149-08152	B-14	90201-08569	D-10	90340-32088	C- 2	90467-11044	D-11	91314-06055	B-14
90101-10303	B- 7	90149-10238	C-11	90201-08753	D- 3	90340-32140	C- 2		D-12		C- 2
90105-06069	C-11	90149-10239	C-11	90201-094G1	B- 2	90380-28110	B- 7	90467-14015	B- 2		C- 3
90105-08177	C-11	90151-08022	B-14	90201-100A1	D- 6	90387-06026	F- 2	90480-01501	F- 2	91314-06060	B- 9
90105-10152	E-11	90157-05050	B-12		E- 9	90387-062L2	D-11	90480-10334	C-12	91314-06095	B- 9
90105-10183	C-11	90157-05079	F- 5	90201-10118	E- 6	90387-062T3	B-10	90480-12320	C-15	91314-08030	B- 2
90105-10186	C-11	90157-05084	E-15		E- 7	90387-06387	D-10	90480-13163	D-11		D- 6
90105-10188	E-10	90159-06016	C- 5	90201-10131	B- 2		D-11	90480-14023	D-12	91314-08035	D- 8
90105-10200	E- 2	90159-06059	C-13		C-11	90387-06388	D-12	90480-14229	C-15	91314-08060	B-14
90105-10285	D- 5	90163-04003	B-13	90201-10437	C-11	90387-06518	B- 3		F- 2	91314-08100	B-14
90105-10312	E- 9	90164-03010	E-14	90201-105H3	C-11	90387-072W2	B- 3	90480-16501	F- 2	91317-05010	D-10
90105-10638	D-15	90164-04009	E-14	90201-105R9	D- 3	90387-07391	C-15	90480-18411	B- 3	91317-06016	D- 7
90105-12353	D- 9	90170-06010	F- 3	90201-107K6	E-11	90387-087K5	E- 8	90480-19471	B- 3	91317-06020	B-10
90105-14102	D- 6		F- 4	90201-10774	B- 7		E- 8	90480-22362	C-15	91317-06025	B- 8
90106-10052	D- 3	90170-06128	B- 6	90201-12195	D- 6	90387-100E2	C-11	90501-04623	C- 4		B-13
90109-06577	F- 3	90170-06228	C-10	90201-124E4	C-10	90387-1003G	E-10	90501-06022	C- 9	91317-06030	B- 8
	F- 4	90170-16311	C- 5	90201-12575	C-10	90387-107A7	E- 9	90501-100F8	D-12	91317-06045	B-14
90109-06799	F- 3	90170-20310	C- 5	90201-12588	C-10	90387-156G8	D- 5	90501-101J4	D-10	91317-06085	B- 4
	F- 4	90171-14044	E- 3	90201-14218	E- 2	90387-157R0	E- 2	90501-10245	E- 8	91317-06095	B-14
90109-081F0	D-15	90176-10073	D- 3	90201-146R0	E- 3	90387-16547	B-14	90501-10312	F- 3	91317-08012	C- 4
90109-08368	E- 3	90179-06411	E- 8	90201-14633	C- 8		B-14		F- 4	91317-08025	D- 8
90109-08406	E- 3	90179-08148	E- 4	90201-152L1	E- 8		B-14	90501-12743	E- 9		D- 9

NUMERICAL INDEX

PART NO.	GRID NO.	PART NO.	GRID NO.	PART NO.	GRID NO.	PART NO.	GRID NO.	PART NO.	GRID NO.	PART NO.	GRID NO.
91317-08080	B-14	92907-06600	B-15	93210-74316	C- 2	94418-19531	D-14	95807-06012	C-14	98507-05016	F- 7
91380-06025	C- 3		C-14	93210-81411	B- 4	94430-15477	E- 2		D-13	98507-05035	F- 3
91401-20015	E- 3		C-15	93210-89568	B- 2	94590-27118	B- 7		F- 5		F- 4
	E- 8		F- 5	93211-00612	B- 2	94701-00218	B- 3	95807-06016	B-13	98507-06010	C- 3
	E- 9		F- 5	93211-39569	D- 5	94701-00220	B- 3		D-11		F- 5
	E- 9		F- 7	93306-00401	C- 7	95024-06008	D- 7		F- 2	98507-06012	B-15
91401-25015	E- 8	92907-08100	B-13	93306-00428	C- 7	95024-06025	D-10	95807-06025	D-12	98507-06016	F- 5
	E- 8	92907-08200	B-13	93306-00435	C- 8	95024-08040	D- 6	95807-06040	C-15	98507-06020	B-13
91401-30030	E- 3	92907-10200	E-10	93306-20711	C- 8	95027-06016	C-11	95807-08012	C-13		E-11
91701-06022	E- 8	92990-06600	B- 3	93306-30202	E- 2	95027-06020	D- 6		D- 3		F- 7
91701-06032	E- 9		E-12	93306-30209	E- 2	95027-08012	C-13	95807-08016	B-13	98507-06025	E-11
	E- 9	92990-08100	D- 3	93306-30309	D-14	95027-08040	E-15	95827-06010	F- 7	98507-06035	C-15
	E- 8		E- 3		D-14	95304-06700	C-10	95827-08030	C- 8	98511-04012	B-11
91701-08038	E- 8	92990-08200	C-14	93306-30525	C- 7	95304-06800	F- 5	97004-06030	E-13		F- 3
	E- 8	92990-08600	E- 3	93306-30539	D- 4	95304-08700	E- 3		E-13	98517-04025	E-14
91810-17016	B-14	92990-10100	D- 3	93306-90602	C- 9		E- 4	97004-08035	D- 3	98517-06160	B-10
	C- 3		D- 5	93311-43729	D- 4		E- 5	97007-06014	D-13	98580-04010	B-12
92016-06012	E- 9		C- 2	93315-21813	C- 5	95307-05600	E-14	97007-06016	E-15	98580-05014	B-12
	E- 9	93101-14089	D- 4	93316-01301	D- 4	95307-06600	C- 5	97007-06025	C-15	98580-06012	B-12
92017-08016	F- 5	93101-30084	C- 8	93317-41510	D- 4		C-14		E- 6	98701-05016	C- 9
92901-04100	B-11	93101-35097	C- 8	93320-32403	D- 3		E- 8		E- 7	98701-05035	C- 9
	B-12	93101-38098	D- 4	93399-99926	D- 5		F- 2		F- 3	98701-06010	B-12
92902-04100	B-11	93102-12106	C-10	93410-22039	D- 5	95307-12600	E-13		F- 4	98707-04012	E- 6
92907-03200	D-13	93102-18278	C- 5	93440-12052	B- 2		E-13	97007-08016	D-10		E- 7
92907-05100	E- 2	93102-28022	D- 5	93440-19112	D- 5	95307-12800	C-11	97024-06016	B- 3	98707-05012	F- 7
	F- 7	93102-65277	D-14	93440-20088	D- 5	95314-10600	D- 5	97024-06020	C-10	98902-08014	B-12
	E- 7	93105-45017	B-12	93440-25084	C- 7	95317-08700	B-13	97027-06016	B- 3	98904-08014	C-14
92907-05600	E- 2	93210-03119	C- 5		C- 7	95607-06100	E- 8		B- 7	99006-10600	C-10
	F- 7	93210-09525	B- 8	93440-30077	C- 7		E- 8	97027-06030	D-11		C-10
	F- 7	93210-10096	F- 3	93450-19052	B- 5		F- 3	97027-08030	B-13	99009-11400	B- 8
92907-06100	C-15	93210-11368	F- 4	93450-32116	D- 8		F- 3	97070-06025	E-12	99009-12400	C-10
	D-11		C- 2		D- 9		F- 4	97704-40012	B-13	99009-15400	E- 8
	D-13	93210-14369	B- 8	93501-04011	D- 6		F- 4		C-15	99009-25500	C- 2
	E- 6	93210-15151	C- 3		E- 9	95607-10100	D- 6	97707-60514	C-12	99235-00080	C-13
	E- 7	93210-15566	B-14		E- 9	95607-12100	D- 6	97780-40525	F- 2		C-15
	E-11	93210-18322	B-14	93515-32029	C- 6	95617-08630	B- 2	98501-05010	B-12	99236-00080	C-13
	E-11		B-14	93604-16092	C- 9	95617-10100	E-10	98501-05012	B-12	99237-00080	C-13
	E-15		D- 8	93604-20156	C- 9	95617-10680	B-14	98503-03008	D-11		C-15
	F- 3	93210-24709	D- 9	93605-10108	B- 7	95704-06500	E-13	98506-04018	B-11	99510-17016	B- 2
	F- 4		C- 2	93615-12088	C- 4		E-13	98506-05040	F- 3	99530-10014	C- 2
	F- 7	93210-27778	F- 7	94114-15601	E- 2	95704-10500	E- 9		F- 4	99530-10020	C- 3
	C- 5	93210-29196	C- 2	94114-15602	E- 2	95707-06500	D-13	98506-05045	F- 3	99530-14016	B-14
	C-14	93210-32172	B-10	94130-197N0	D-14		F- 5		F- 4		B-14
	E- 8	93210-36549	D- 4	94130-197N1	D-14	95707-08500	B- 2	98507-05008	E- 4		
	F- 2	93210-60426	B- 2	94214-15223	E- 2	95804-10016	E- 9		E- 5		
92907-06600	B- 3	93210-62446	B- 9	94227-19177	D-14	95807-06010	C-13	98507-05012	E- 2		
	B- 7	93210-64297	C- 8	94330-15134	E- 2		D- 9	98507-05016	D-11		
	B-13	93210-71360	C-14	94335-19026	D-14	95807-06012	C-12		F- 7		

INDEX

(INDIVIDUAL SPEC.)

NUMERICAL INDEX

PART NO.	GRID NO.	PART NO.	GRID NO.	PART NO.	GRID NO.	PART NO.	GRID NO.	PART NO.	GRID NO.
3JB-Y2161-0B-4B	F- 9	92907-06100	G- 4						
	F-15	95027-08040	G- 4						
3JB-Y2161-0C-MX	F- 9	95307-05600	G- 3						
	F-15	95307-05800	F- 9						
3JB-Y2161-0E-2X	F- 9		F-15						
	F-15	97007-06016	G- 4						
4KU-21110-00-33	F-12	98507-04025	G- 3						
	F-14								
3JB-21641-00	F- 9								
	F-15								
134-23484-10	F-12								
	F-14								
1FK-83507-00	G- 3								
2GV-83509-00	G- 3								
3BT-8351A-00	G- 3								
4KU-8351A-00	G- 3								
12R-83513-00	G- 3								
123-83516-21	G- 4								
2GV-83517-00	G- 3								
42X-83517-00	G- 3								
	G- 3								
2GV-83519-00	G- 3								
3BT-83530-10	G- 3								
34L-83550-01	G- 3								
42X-84124-60	G- 4								
2F9-84314-00	G- 4								
42X-84315-01	G- 4								
55R-84321-H0	G- 4								
42X-84330-01	G- 4								
20X-84331-00	G- 4								
1A0-84332-60	G- 4								
198-84334-60	G- 4								
42X-84338-00	G- 4								
42X-84345-00	G- 4								
34L-84346-00	G- 4								
42X-84366-00	G- 4								
2F9-84375-00	G- 4								
5Y3-84395-00	G- 4								
2F9-84397-01	G- 4								
3Y6-85130-02	F- 9								
	F-15								
90157-05084	G- 4								
90164-03010	G- 3								
90164-04009	G- 3								
90201-05031	G- 3								
90201-06073	G- 4								
90267-48104	F- 9								
	F-15								



*COPY RIGHT: All rights reserved. No part of this publication
may be reproduced without permission.*

YAMAHA

YAMAHA MOTOR CO., LTD.

2500 SHINGA I IWATA SHIZUOKA JAPAN
SERVICE INFORMATION DIV.

Printed in Japan
First edition AUG., 1994