

CONTENTS

ENGINE

Cylinder Head	B2~B3
Cylinder	B4
Crankshaft, Piston	B5
Valve	B6
Camshaft, Chain	B7
Oil Pump	B8
Oil Cleaner	B9
Intake	B10
Carburetor	B11~B12
Exhaust	B13~B14
Crankcase	B15~C2
Crankcase Cover 1	C3~C4
Starter Clutch	C5
Clutch	C6~C7
Transmission	C8
Middle Drive Gear	C9
Shift Cam, Fork	C10
Shift Shaft	C11

CHASSIS

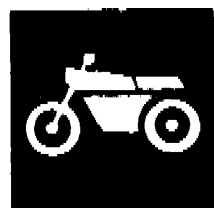
Frame	C12~C13
Fender	C14~C15
Side Cover	D2
Rear Arm. Suspension	D3
Drive Shaft	D4~D5
Steering	D6~D7
Front Fork	D8~D9
Fuel Tank	D10~D12
Seat	D13

Front Wheel	D14
Front Brake Caliper	D15
Rear Wheel	E2~E3
Steering Handle, Cable	E4
Front Master Cylinder	E5
Stand, Footrest	E6~E8
Generator	E9
Starting Motor	E10
Flasher Light	E11~E12
Meter	E13
Headlight	E14
Taillight	E15
Handle Switch, Lever	F2
Electrical 1	F3
Electrical 2	F4

INDEX

Numerical Index	M1~M4
-----------------------	-------

YAMAHA



**PARTS
CATALOGUE**

XV535'94 (3BM8)

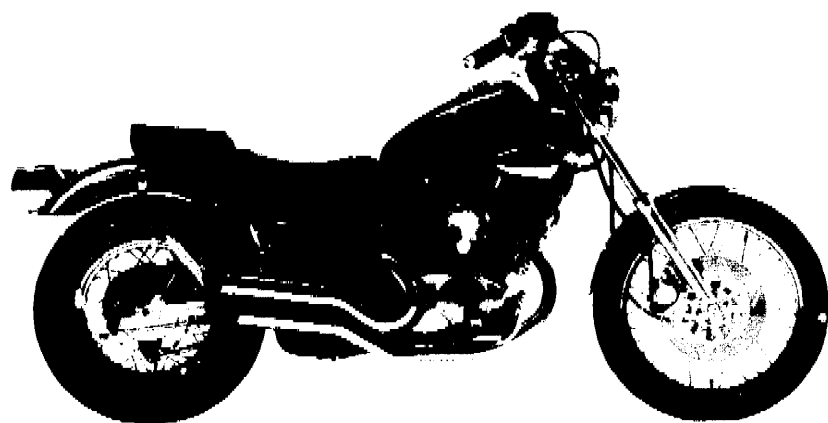
XV535S'94 (3BM9)

SWITZERLAND

YAMAHA
GENUINE
Parts & Accessories

243BM-361E1

A2



A3

FOREWORD

This Parts Catalogue is related to the parts in use for the Yamaha XV635'04(3BM8)/XV635S'04(3BM8). When you are ordering replacement parts for the XV635'04(3BM8)/XV635S'04(3BM9), refer to this Parts Catalogue and quote both part numbers and part names correctly.

1. Modifications or additions which have been made after issue of the Parts Catalogue will be announced in the Yamaha Parts News.

It is advisable that according to the Yamaha Parts News you make necessary corrections to the Parts Catalogue on hand to keep it up-to-date.

2. Abbreviations

The following abbreviations are used in this Parts Catalogue.

- U.R. Use size (thickness) and/or number as required.
- U.N. Use as many as you need.
- A.P. Alternate Parts
- L.M. Local Made
- F# Frame No. (Applicable machine No.)

3. The parts marked with (-) in the parts number column of this Catalogue are not supplied with by Yamaha, those have to be found locally.

4. Parts, which are to be supplied in the form of assemblies, are listed with an indentation of one letter's space, and a dot (.) is put against the name of each part.

[EXAMPLE] CARBURETOR ASS'Y
 . JET, pilot
 . NOZZLE, main

5. Indication of No. of constituent parts for assembly

The numeral appearing to the right of each constituent part under the description indicates the quantity of such parts for each individual assembly unit.

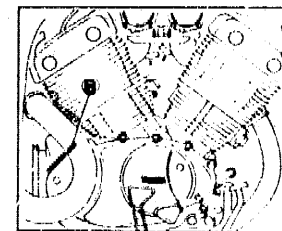
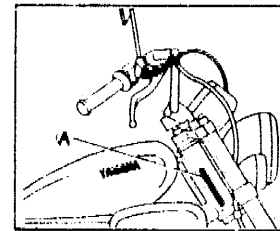
[EXAMPLE]

Part No.	Description	Q'ty	Remarks
2F5-83310-60	FRONT FLASHER LIGHT ASS'Y	2	
115-83311-60	. BULB (6V-18W)	1	
1M1-83309-60	. REFLECTOR	1	

6. Initial Serial No. and Color Code

3BM8	(A) Frame Serial No.	3BM-010101 and following
	(B) Engine Serial No.	3BM-010101 and following

3BM9	(A) Frame Serial No.	3BM-012101 and following
	(B) Engine Serial No.	3BM-012101 and following



	Color Code	Color Name	Abbreviate
3BM8	0138	DULL GREENISH	DGBME
	004B	BLUE METALLIC 1	BL2
3BM9	00M7	RED-E SPARKLE	RES

7. Applicable colors of graphics are represented in the "Remarks" column by the letter(s) appropriately picked out of the full word(s) showing such colors.

[EXAMPLE]

Part No.	Description	Q'ty	Remarks
2N4-24110-00-X5	FUEL TANK COMP.	1	MAXIM RED
3J1-24240-10	. GRAPHIC, fuel tank set	1	for MXR

CONTENTS

ENGINE

Cylinder Head	B2~B3
Cylinder	B4
Crankshaft, Piston	B5
Valve	B6
Camshaft, Chain	B7
Oil Pump	B8
Oil Cleaner	B9
Intake	B10
Carburetor	B11~B12
Exhaust	B13~B14
Crankcase	B15~C2
Crankcase Cover 1	C3~C4
Starter Clutch	C5
Clutch	C6~C7
Transmission	C8
Middle Drive Gear	C9
Shift Cam, Fork	C10
Shift Shaft	C11

CHASSIS

Frame	C12~C13
Fender	C14~C15
Side Cover	D2
Rear Arm, Suspension	D3
Drive Shaft	D4~D5
Steering	D6~D7
Front Fork	D8~D9
Fuel Tank	D10~D12
Seat	D13

Front Wheel	D14
Front Brake Caliper	D15
Rear Wheel	E2~E3
Steering Handle, Cable	E4
Front Master Cylinder	E5
Stand, Footrest	E6~E8
Generator	E9
Starting Motor	E10
Flasher Light	E11~E12
Meter	E13
Headlight	E14
Taillight	E15
Handle Switch, Lever	F2
Electrical 1	F3
Electrical 2	F4

INDEX

Numerical Index	M1~M4
-----------------------	-------

CONTENTS

ENGINE

Cylinder Head	B2~B3
Cylinder	B4
Crankshaft, Piston	B5
Valve	B6
Camshaft, Chain	B7
Oil Pump	B8
Oil Cleaner	B9
Intake	B10
Carburetor	B11~B12
Exhaust	B13~B14
Crankcase	B15~C2
Crankcase Cover 1	C3~C4
Starter Clutch	C5
Clutch	C6~C7
Transmission	C8
Middle Drive Gear	C9
Shift Cam, Fork	C10
Shift Shaft	C11

CHASSIS

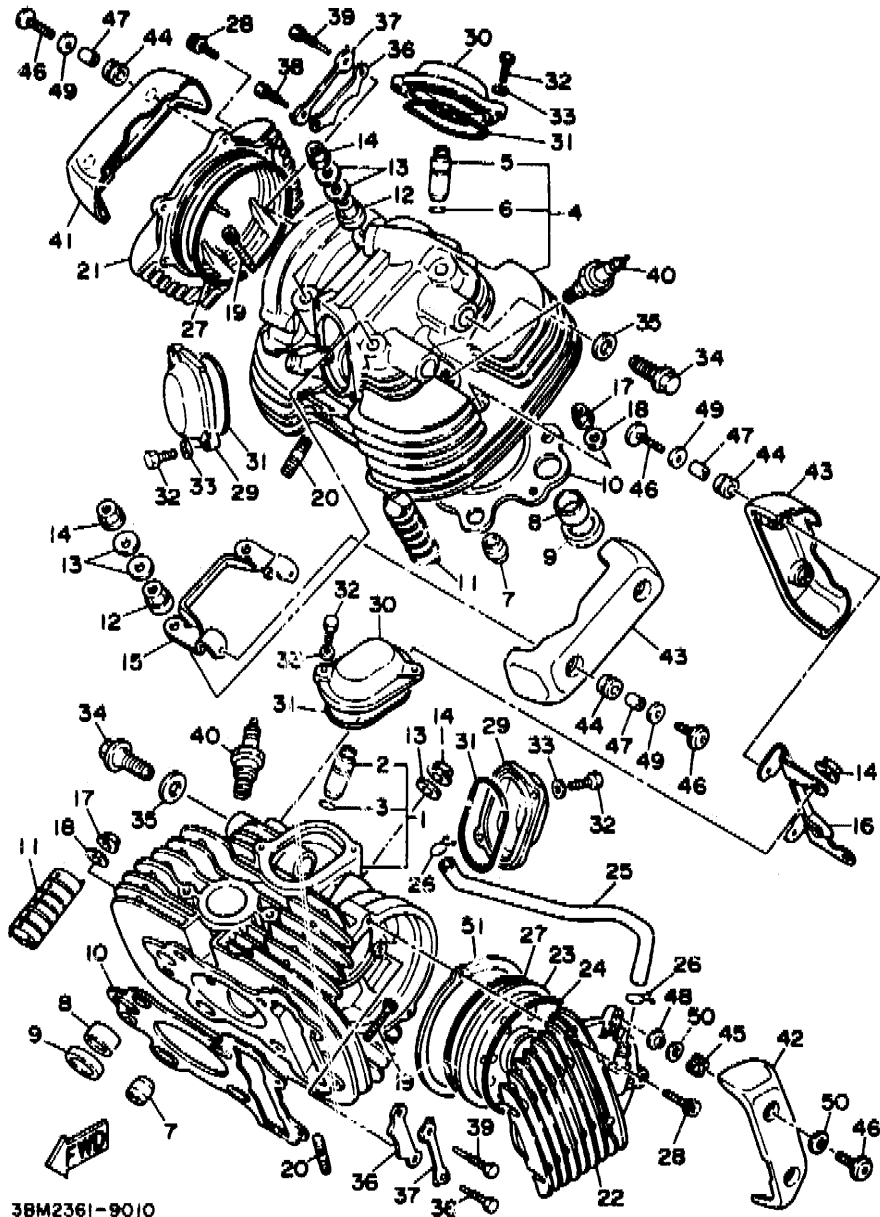
Frame	C12~C13
Fender	C14~C15
Side Cover	D2
Rear Arm. Suspension	D3
Drive Shaft	D4~D5
Steering	D6~D7
Front Fork	D8~D9
Fuel Tank	D10~D12
Seat	D13

Front Wheel	D14
Front Brake Caliper	D15
Rear Wheel	E2~E3
Steering Handle, Cable	E4
Front Master Cylinder	E5
Stand, Footrest	E6~E8
Generator	E9
Starting Motor	E10
Flasher Light	E11~E12
Meter	E13
Headlight	E14
Taillight	E15
Handle Switch, Lever	F2
Electrical 1	F3
Electrical 2	F4

INDEX

Numerical Index	M1~M4
-----------------------	-------

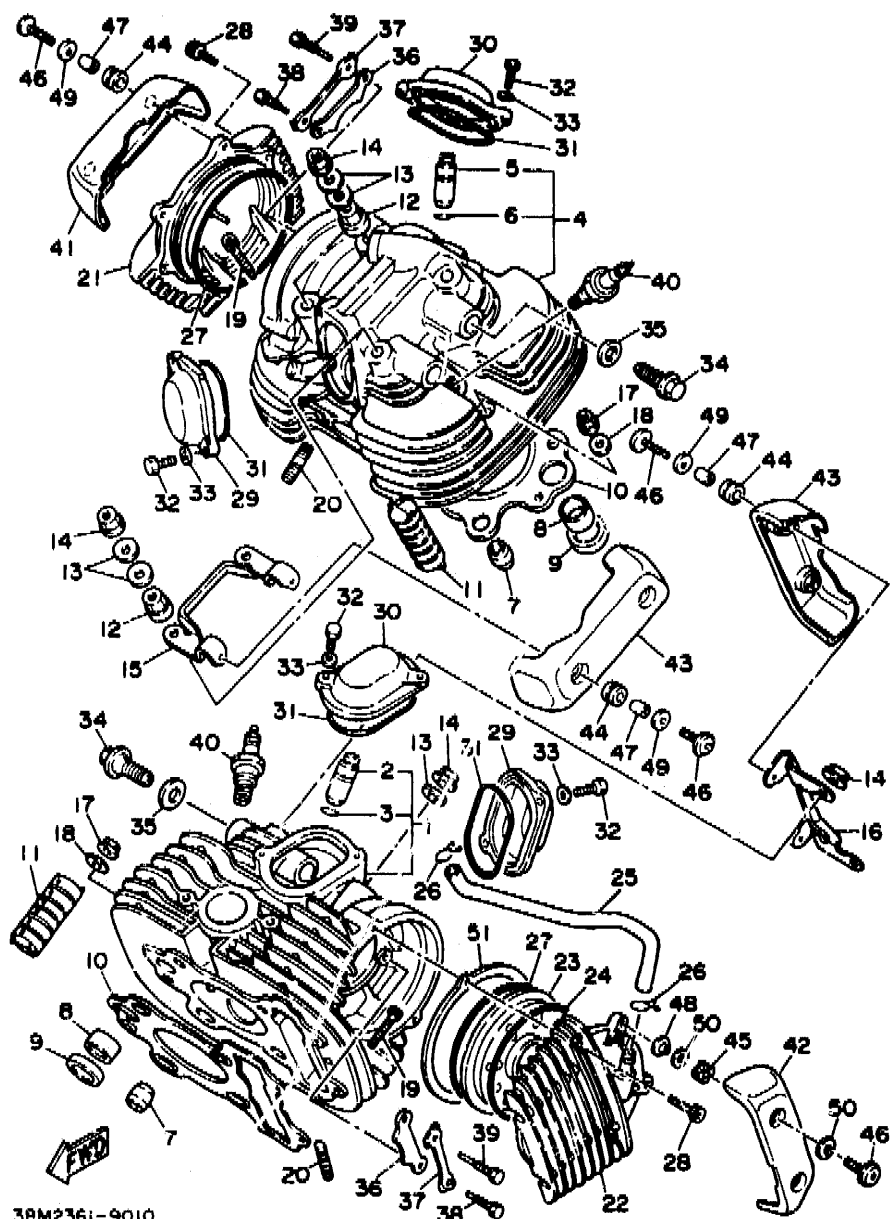
FIG. 1 CYLINDER HEAD



38M2361-9010

REF. NO.	PART NO.	DESCRIPTION	Q'TY	REMARKS
1	38M-11101-00	CYLINDER HEAD ASSY	1	
2	4H7-11133-10	.GUIDE, intake valve	2	
3	93440-12052	.CIRCLIP	2	
4	38M-11101-10	CYLINDER HEAD ASSY	1	
5	4H7-11133-10	.GUIDE, intake valve	2	
6	93440-12052	.CIRCLIP	2	
7	99510-17016	PIN, dowel	4	
8	90387-226G7	COLLAR	2	
9	90430-24184	GASKET	2	
10	26V-11181-00	GASKET, cylinder head 1	2	
11	26V-11127-00	ABSORBER 3	4	
12	90179-10395	NUT	4	
13	90201-10131	WASHER, plate	4	
14	90179-10279	NUT	4	
15	26V-11142-00	BRACKET, cylinder head cover 2	1	
16	26V-11152-00	BRACKET, cylinder head cover	1	
17	95701-08500	NUT, flange	2	
18	90201-094G1	WASHER, plate	2	
19	91311-08030	BOLT	4	
20	95611-08630	BOLT, stud	4	
21	26V-11185-00	COVER, cylinder head side 1	1	
22	26V-1111H-00	COVER, cylinder head side 4	1	
23	22U-11165-00	PLATE, breather	1	
24	93210-89568	O-RING	1	
25	26V-11166-00	PIPE, breather 1	1	
26	90467-14015	CLIP	2	
27	93211-00612	O-RING	2	
28	91311-06025	BOLT	4	

B2



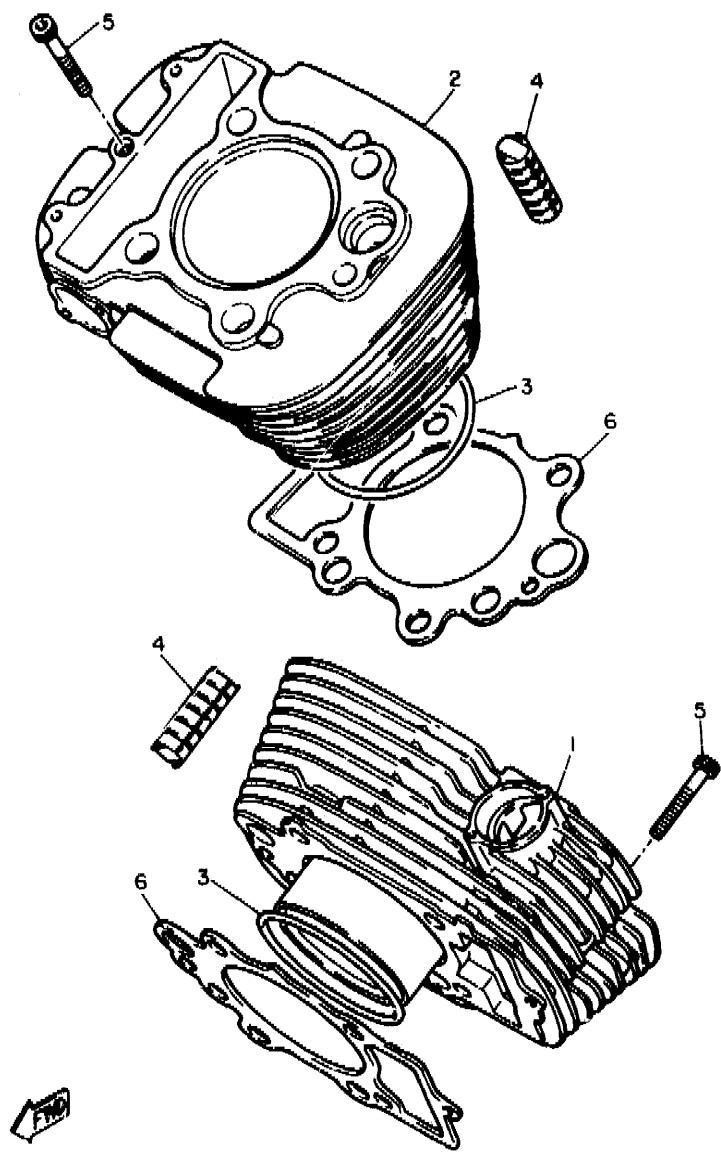
38M236i-9010

FIG. 1 CYLINDER HEAD

REF. NO.	PART NO.	DESCRIPTION	Q'TY	REMARKS
29	22U-11186-CJ	COVER, cylinder head side 2	2	
30	22U-11187-00	COVER, cylinder head side 3	2	
31	93210-62446	O-RING	4	
32	97021-06016	BOLT	8	
33	92901-06600	WASHER, plate	8	
34	90401-16073	BOLT, union	4	
35	90430-17168	GASKET	4	
36	22U-1111F-01	PLATE	2	
37	90215-08229	WASHER, lock	2	
38	90109-08782	BOLT	2	
39	90109-08781	BOLT	2	
40	94701-00218	PLUG, spark (NGK BPR7ES)	2	UR
	94701-00220	PLUG, spark (ND W22EPR-U)	2	UR
41	2NT-11186-00	COVER, cylinder head side 2	1	
42	2NT-1110M-00	COVER ASSY 1	1	
43	2NT-11187-00	COVER, cylinder head side 3	2	
44	90480-18411	GROMMET	6	
45	90480-19471	GROMMET	2	
46	90110-06198	BOLT, hexagon socket head	8	
47	90387-06518	COLLAR	6	
48	90387-072W2	COLLAR	2	
49	90201-06697	WASHER, plate	6	
50	38T-11195-00	WASHER, plate	4	
51	38T-11196-00	GASKET, cylinder head side	1	

FIG. 2 CYLINDER

REF. NO.	PART NO.	DESCRIPTION	Q'TY	REMARKS
1	2GV-11310-00	CYLINDER	1	
2	2GV-11320-00	CYLINDER 2	1	
3	93210-81411	O-RING	2	
4	15A-11162-00	ABSORBER 2	6	
5	91311-06085	BOLT	2	
6	38T-11351-00	GASKET, cylinder	2	



2GV110-7020

B4

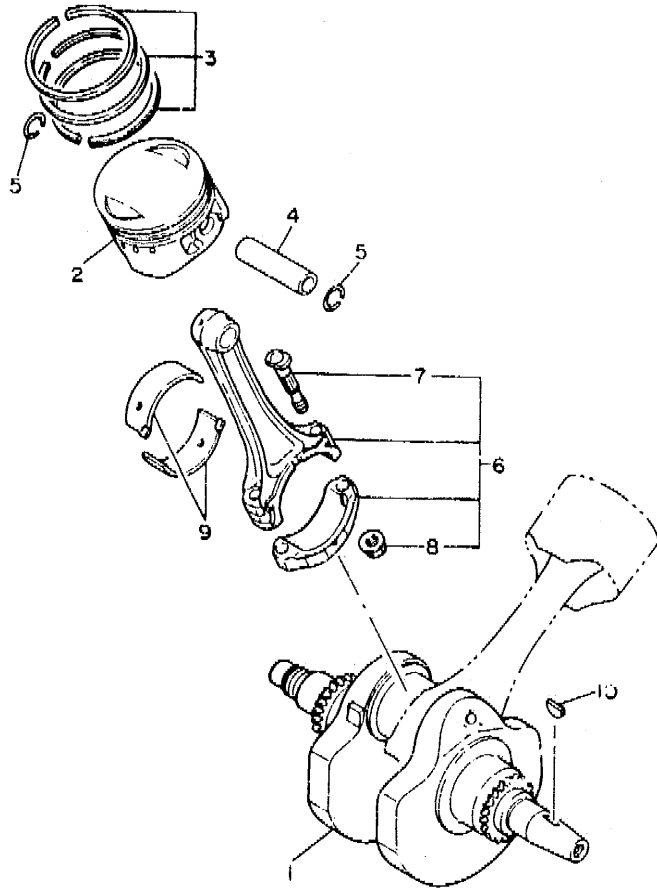


FIG. 3 CRANKSHAFT. PISTON

REF. NO.	PART NO.	DESCRIPTION	Q'TY	REMARKS
1	22U-11411-00	CRANKSHAFT	1	
2	2GV-11631-00	PISTON (STD)	2	
	2GV-11636-00	PISTON (0.50MM O/S)	2	AP
	2GV-11638-00	PISTON (1.00MM O/S)	2	AP
3	2GV-11610-00	PISTON RING SET (STD)	2	
	2GV-11610-20	PISTON RING SET (0.50MM O/S)	2	AP
	2GV-11610-40	PISTON RING SET (1.00MM O/S)	2	AP
4	22U-11633-01	PIN, piston	2	
5	93450-19052	CIRCLIP	4	
6	22U-11650-00	CONNECTING ROD ASSY	2	
7	22U-11654-00	.BOLT, connecting rod	2	
8	90179-08327	.NUT	2	
9	22U-11656-00	PLANE BEARING, connecting rod	4	UR BLUE
	22U-11656-10	PLANE BEARING, connecting rod	4	UR BLACK
	22U-11656-20	PLANE BEARING, connecting rod	4	UR BROWN
	22U-11656-30	PLANE BEARING, connecting rod	4	UR GREEN
10	90280-05048	KEY, woodruff	1	

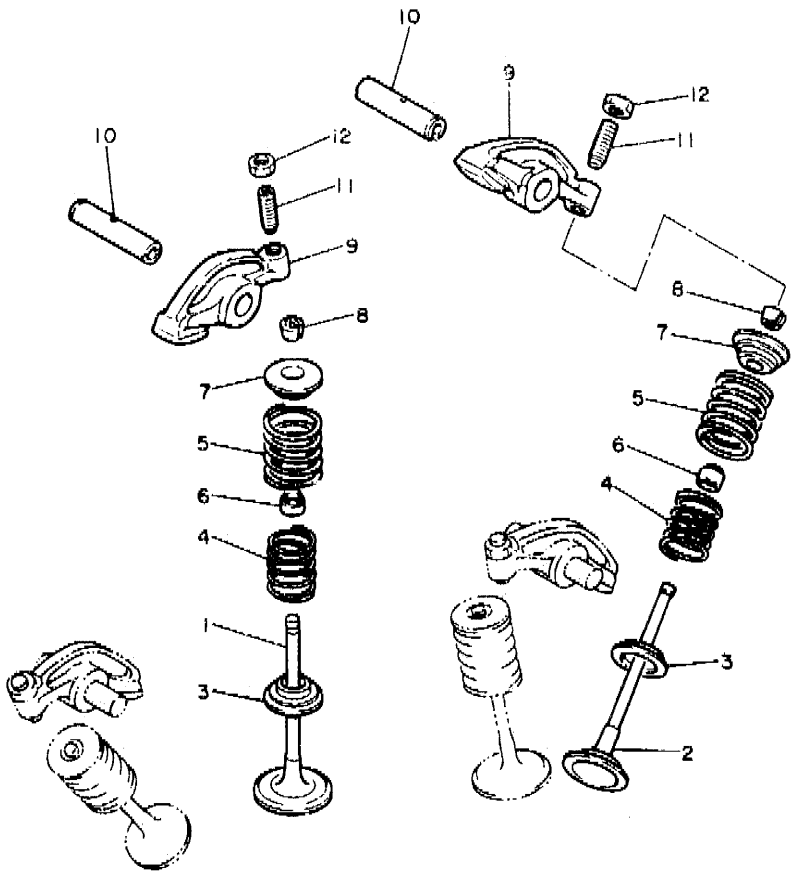


2GV110-7030

B5

FIG. 4 VALVE

REF. NO.	PART NO.	DESCRIPTION	Q'TY	REMARKS
1	22U-12111-00	VALVE, intake	2	
2	22U-12121-01	VALVE, exhaust	2	
3	3Y1-12116-00	SEAT, valve spring	4	
4	22U-12113-00	SPRING, valve inner	4	
5	22U-12114-00	SPRING, valve outer	4	
6	1J7-12119-01	SEAL, valve stem	4	
7	3Y1-12117-01	RETAINER, valve spring	4	
8	1J7-12118-00	COTTER, valve	8	
9	22U-12151-00	ARM, valve rocker	4	
10	22U-12156-01	SHAFT, rocker 2	4	
11	22U-12159-00	SCREW, valve adjusting	4	
12	90170-06128	NUT	4	



22U110-3050

B6

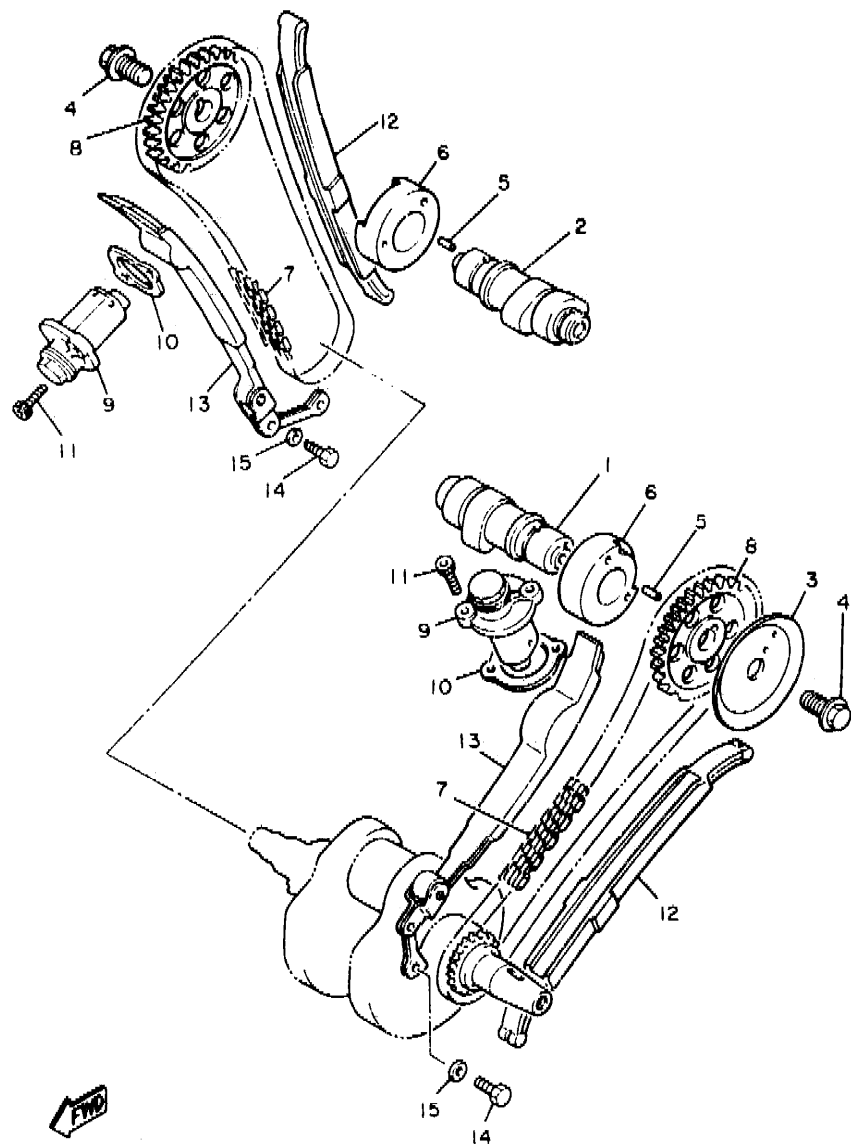


FIG. 5 CAMSHAFT. CHAIN

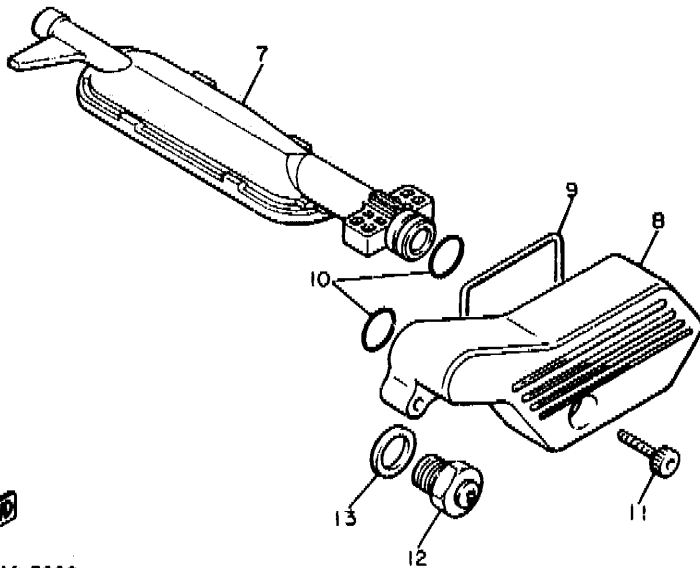
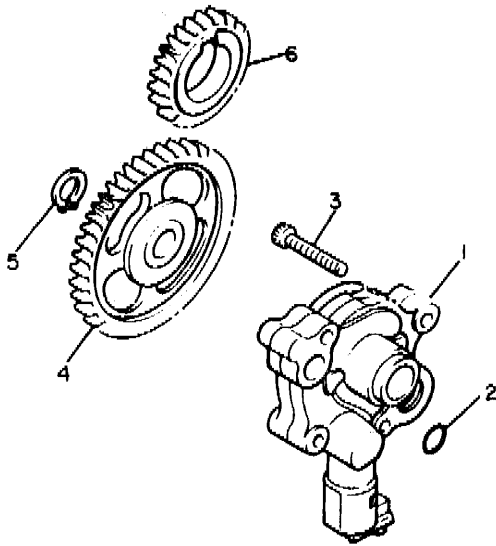
REF. NO.	PART NO.	DESCRIPTION	Q'TY	REMARKS
1	22U-12171-01	CAMSHAFT 1	1	
2	22U-12181-01	CAMSHAFT 2	1	
3	22U-11145-00	PLATE, breather 2	1	
4	90105-10217	BOLT, washer based	2	
5	93605-10108	PIN, dowel	2	
6	90380-28110	BUSH, solid	2	
7	94590-27118	CHAIN	2	
8	22U-12176-01	SPROCKET, cam chain	2	
9	11H-12210-01	TENSIONER ASSY, cam chain	2	
10	3BT-12213-00	GASKET, tensioner case	2	
11	91311-06025	BOLT	4	
12	22U-12231-00	GUIDE, stopper 1	2	
13	22U-12241-00	GUIDE, stopper 2	2	
14	97021-06016	BOLT	4	
15	92901-06600	WASHER, plate	4	

 22U110-3040

B7

FIG. 6 OIL PUMP

REF. NO.	PART NO.	DESCRIPTION	Q'TY	REMARKS
1	22U-13300-00	OIL PUMP ASSY	1	
2	93210-10096	O-RING	1	
3	91311-06030	BOLT	3	
4	22U-13325-00	GEAR, driven (39T)	1	
5	99009-11400	CIRCLIP	1	
6	22U-13324-00	GEAR, drive (24T)	1	
7	22U-13410-00	STRAINER HOUSING ASSY	1	
8	2GV-13417-00	COVER, strainer	1	
9	22U-13415-00	SEAL, oil strainer	1	
10	93210-15151	O-RING	2	
11	91311-06025	BOLT	3	
12	11H-13455-00	PLUG	1	
13	214-11198-01	GASKET	1	

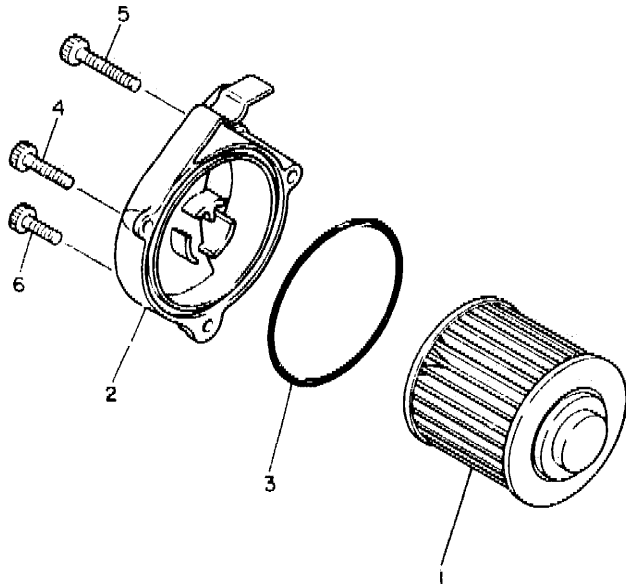


2GV110-7060

B8

FIG. 7 OIL CLEANER

REF. NO.	PART NO.	DESCRIPTION	Q'TY	REMARKS
1	4X7-13440-90	ELEMENT ASSY, oil cleaner	1	
2	2NT-13447-00	COVER, oil element	1	UR
	3JB-13447-00	COVER, Oil element	1	UR XV535S MODEL
3	93210-64297	O-RING	1	
4	91311-06060	BOLT	1	
5	91311-06095	BOLT	1	
6	91311-06025	BOLT	1	

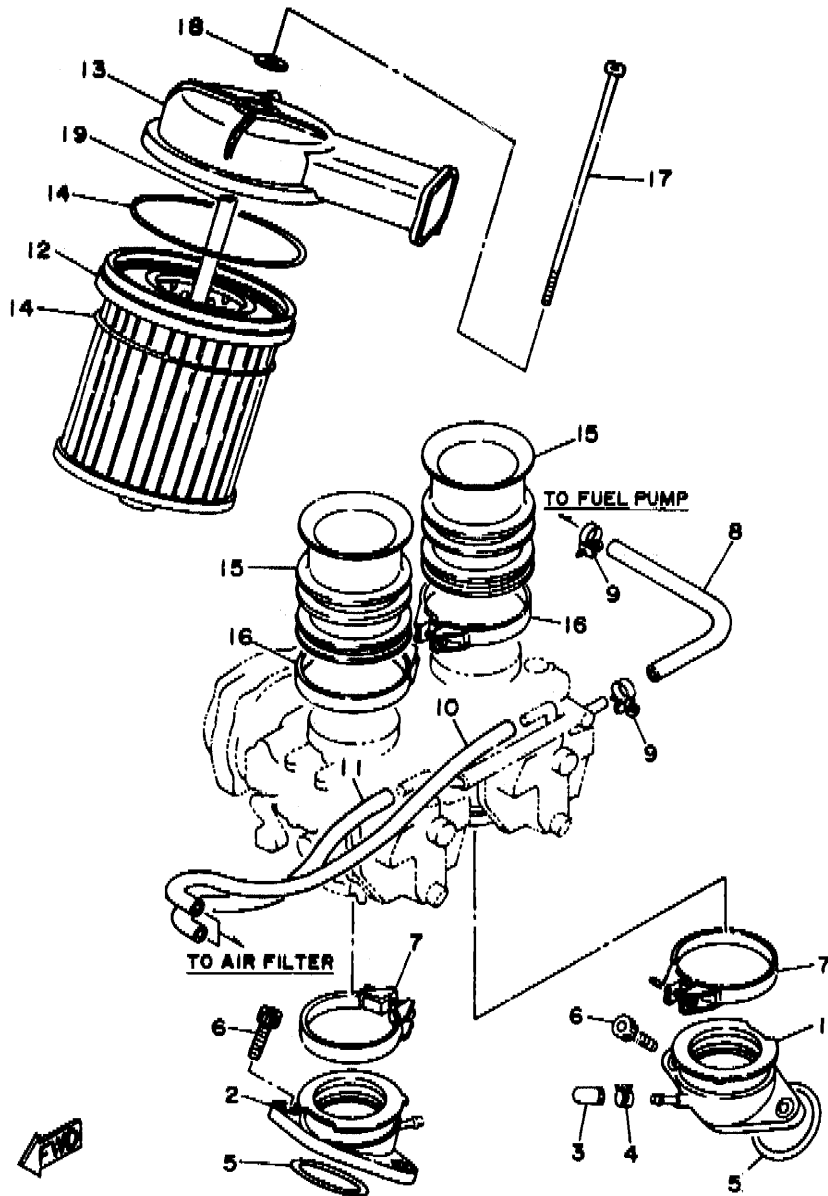


2GV110-7070

B9

FIG. 8 INTAKE

REF. NO.	PART NO.	DESCRIPTION	Q'TY	REMARKS
1	2GV-13586-00	JOINT, carburetor 1	1	
2	2GV-13596-00	JOINT, carburetor 2	1	
3	16G-13569-00	PLUG, blind	1	
4	90467-10039	CLIP	1	
5	93210-36549	O-RING	2	
6	91316-06020	BOLT	4	
7	90460-52264	CLAMP, hose	2	
8	90445-111F3	HOSE	1	
9	90460-12256	CLAMP, hose	2	
10	2GV-14197-00	PIPE	1	
11	2GV-14987-00	HOSE	1	
12	2GV-14451-00	ELEMENT, air cleaner	1	
13	2GV-14412-00	CAP, cleaner case 1	1	
14	52W-14452-00	SEAL	2	
15	22U-14469-00	FUNNEL, air	2	
16	90460-58015	CLAMP, hose	2	
17	98511-06160	SCREW, pan head	1	
18	90201-06067	WASHER, plate	1	
19	90387-06213	COLLAR	1	

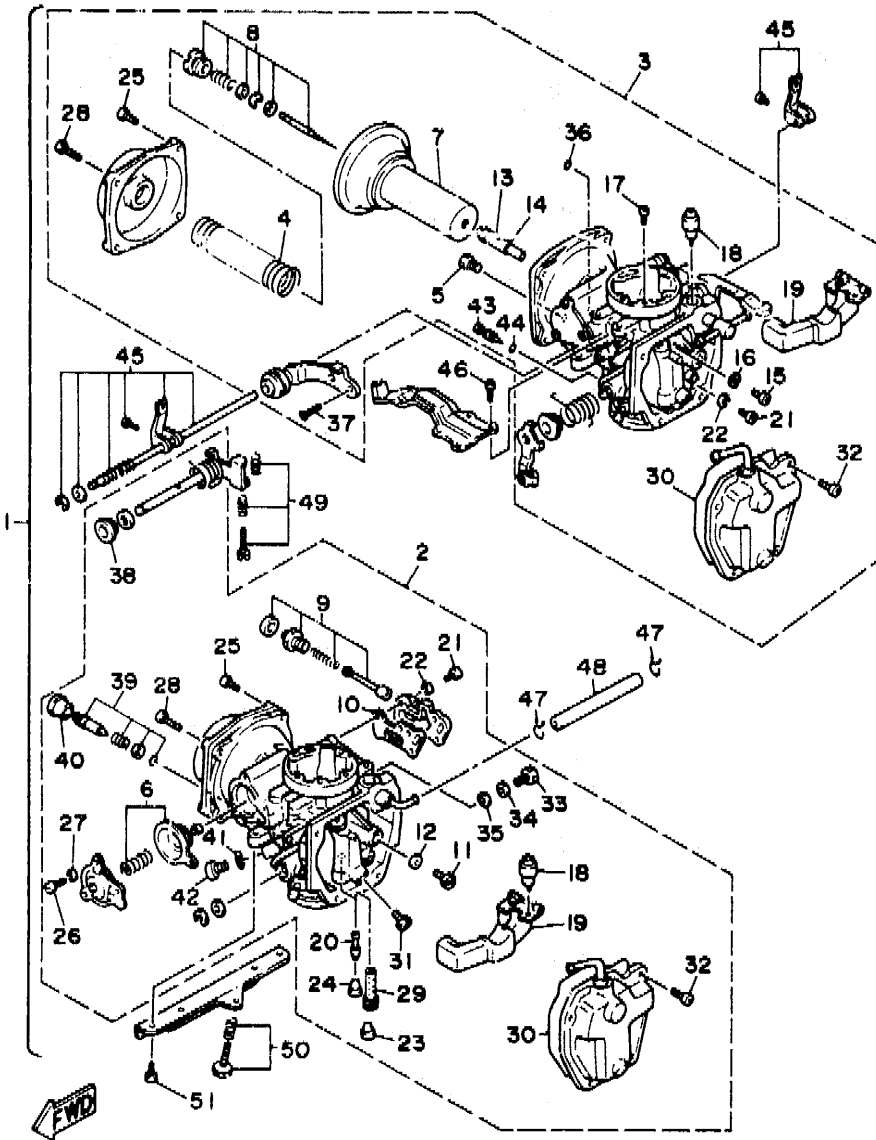


3BM7381-3080

B10

FIG. 9 CARBURETOR

REF. NO.	PART NO.	DESCRIPTION	Q'TY	REMARKS
1	3BM-14900-12	CARBURETOR ASSY	1	UR
	3BM-14900-20	CARBURETOR ASSY	1	UR XV535S MODEL
2	3BM-14901-12	CARBURETOR ASSY 1	1	UR (#1)
	3BM-14901-20	CARBURETOR ASSY 1	1	UR (#1) XV535S MODEL
3	3BM-14902-12	CARBURETOR ASSY 2	1	UR (#2)
	3BM-14902-20	CARBURETOR ASSY 2	1	UR (#2) XV535S MODEL
4	1FK-14933-00	SPRING, diaphragm	1	
5	3G2-14231-34	JET, pilot air (#170)	1	
6	3BR-1490H-00	DIAPHRAGM SET 5	1	
7	41R-14940-00	DIAPHRAGM ASSY	1	
8	3BM-1490J-00	NEEDLE SET	1	(#1)
	3BM-1490J-10	NEEDLE SET	1	(#2)
9	11H-1410A-00	STARTER SET	1	
10	3JB-14536-00	GASKET	1	
11	22U-14565-00	SCREW	1	
12	137-14153-00	WASHER, main jet	1	
13	2JU-14141-90	NOZZLE, main	1	
14	22U-14147-00	O-RING	1	
15	98506-04018	SCREW, pan head	1	
16	92902-04100	WASHER, spring	1	
17	3G2-14231-14	JET, pilot air (#70)	1	
18	1FK-14190-15	NEEDLE VALVE ASSY	1	
19	1FK-14985-00	FLOAT	1	
20	4G0-14142-35-A0	JET, pilot (#35)	1	
21	98511-04012	SCREW, pan head	4	
22	92901-04100	WASHER, spring	4	
23	22U-14968-00	CAP	1	
24	22V-14968-00	CAP	1	

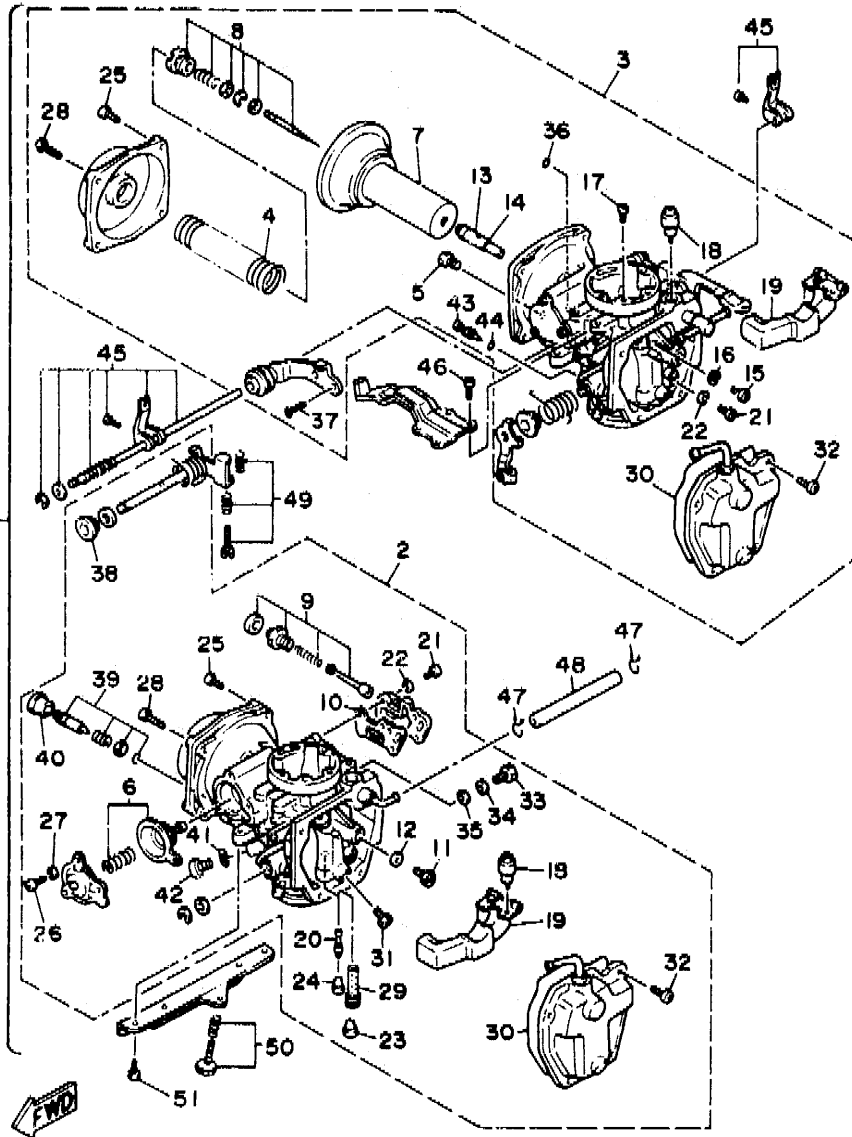


3JC7110-3090

B11

FIG. 9 CARBURETOR

REF. NO.	PART NO.	DESCRIPTION	Q'TY	REMARKS
25	98580-05014	..SCREW, pan head	3	
26	98580-04010	..SCREW, pan head	3	
27	92901-04100	..WASHER, spring	3	
28	90157-05050	..SCREW, pan head	1	
29	2JU-1414G-00	..PIPE, main breed	1	
30	22V-14147-00	..O-RING	1	
31	3G2-14231-27	..JET, main (=135)	1	
32	98501-05012	..SCREW, pan head	4	
33	341-14991-00	..SCREW	1	
34	26H-14952-00	..WASHER	1	
35	22U-14952-00	..WASHER	1	
36	93210-03119	..O-RING	1	
37	98701-06010	..SCREW, flat head	2	
38	341-14954-00	..WASHER	1	
39	12R-14105-00	..PILOT SCREW SET	1	
40	2RJ-14118-00	..CAP	1	
41	127-14198-00	..GASKET	2	
42	98902-08014	..SCREW,bind	2	
43	2L1-14191-00	..PLUG, drain	1	
44	214-14147-00	..O-RING	1	
45	26V-1490L-00	..STARTER LEVER SET	1	
46	98501-05010	..SCREW, pan head	4	
47	90467-10008	..CLIP	2	
48	31H-14987-00	..HOSE	1	
49	22U-1490K-00	..STOP SCREW SET	1	
50	22U-14103-00	..THROTTLE SCREW SET	1	
51	98580-06012	..SCREW, pan head	4	

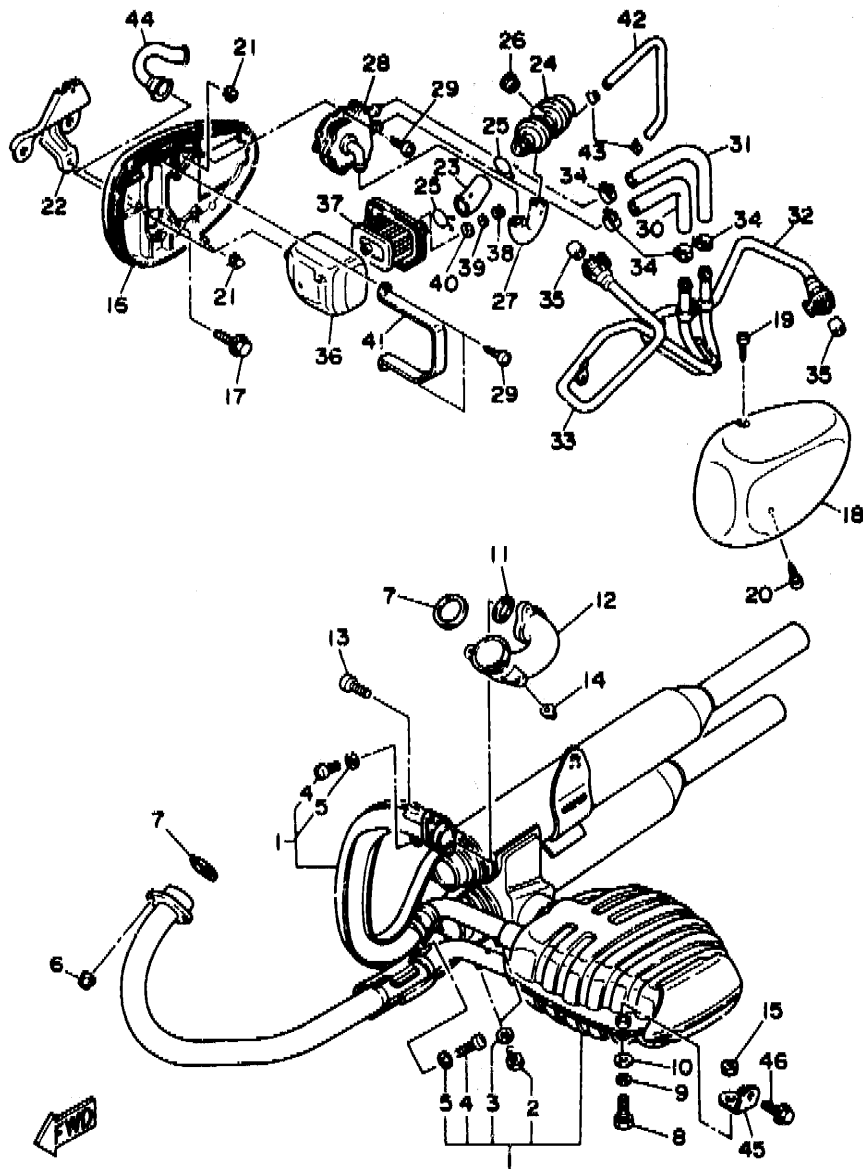


3JC7110-3090

B12

FIG. 10 EXHAUST

REF. NO.	PART NO.	DESCRIPTION	Q'TY	REMARKS
1	3BM-14703-10	MUFFLER COMP 1	1	
2	90101-06576	.BOLT	2	
3	92906-06600	.WASHER, plate	2	
4	98580-06020	.SCREW, pan head	2	
5	92901-06600	.WASHER, plate	2	
6	90179-08410	NUT	2	
7	4BE-14613-00	GASKET, exhaust pipe	2	
8	97026-08030	BOLT	1	
9	92906-08700	WASHER	1	
10	92906-08600	WASHER, plate	1	
11	4BR-14613-00	GASKET, exhaust pipe	1	
12	2GV-14625-00	JOINT, exhaust 2	1	
13	91311-0602	BOLT	2	
14	90185-08097	NUT, self-locking	2	
15	95316-08700	NUT	1	
16	2GV-14663-00	PLATE, air cleaner	1	
17	95801-06016	BOLT, flange	2	
18	2GV-14603-00	COVER 1	1	
19	97701-40012	SCREW, tapping	1	
20	90163-04003	SCREW, tapping	1	
21	90183-04027	NUT, spring	2	
22	2GV-14484-00	PLATE, cleaner case fitting	1	
23	3BM-14882-00	HOSE, bend 2	1	
24	1RV-14840-00	AIR CUT VALVE ASSY	1	
25	90467-26111	CLIP	2	
26	90338-10132	PLUG	1	
27	3BM-14883-00	HOSE, bend 3	1	
28	3BM-14808-00	REED VALVE ASSY	1	

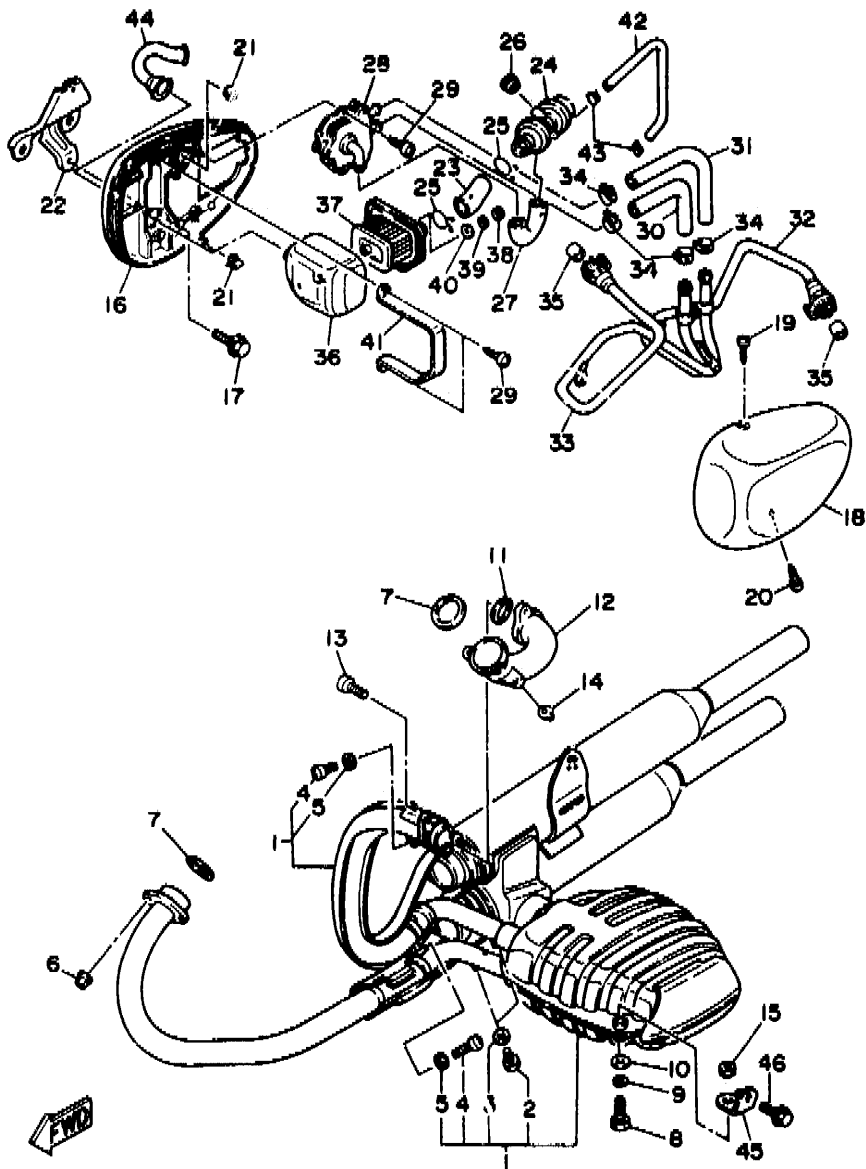


3BM2361-9100

B13

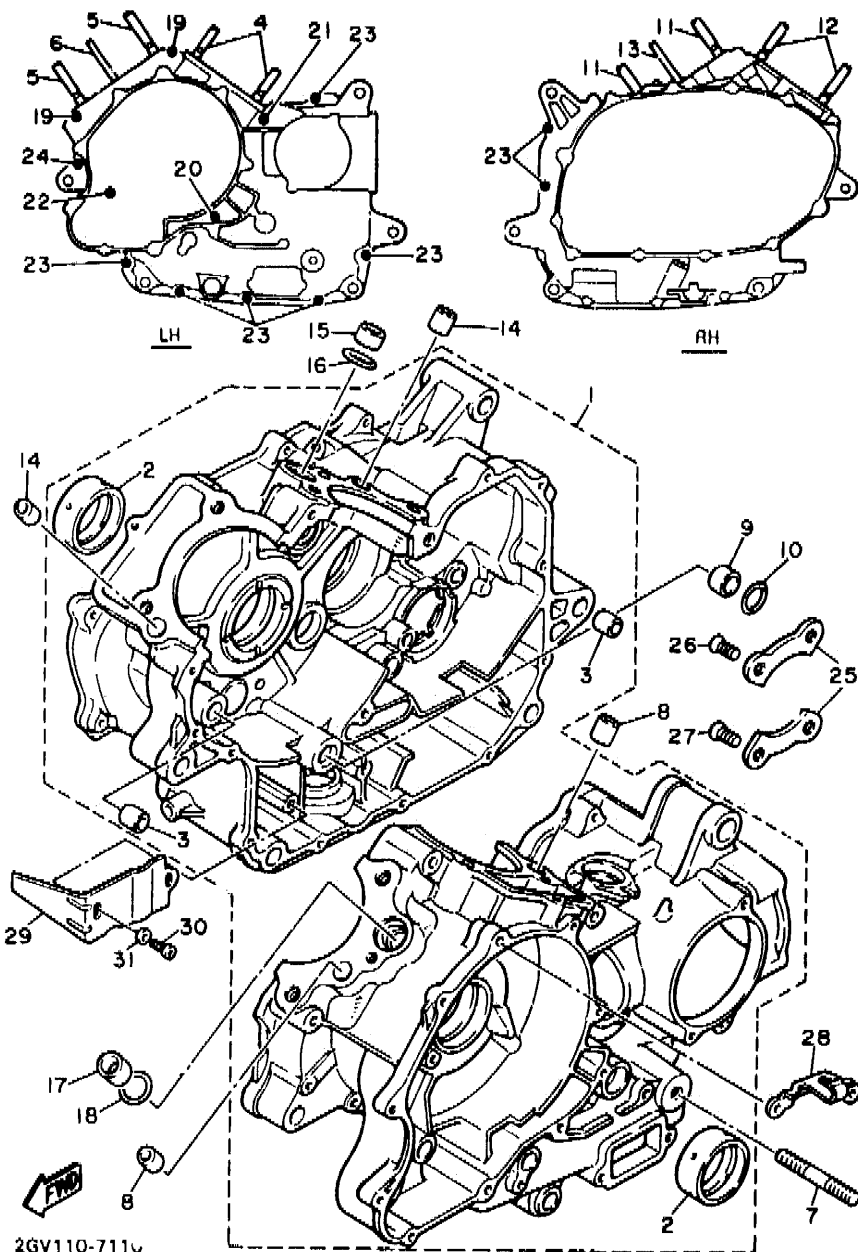
FIG. 10 EXHAUST

REF. NO.	PART NO.	DESCRIPTION	Q'TY	REMARKS
29	97701-60114	SCREW, tapping	5	
30	38M-14884-00	HOSE, bend 4	1	
31	38M-14885-00	HOSE, bend 5	1	
32	38M-14871-02	PIPE 1	1	
33	38M-14872-01	PIPE 2	1	
34	90468-08104	CLIP	4	
35	38M-14714-00	GASKET, muffler	2	
36	42H-14857-00	CASE, air cleaner	1	
37	42H-14858-00	CAP, case	1	
38	95303-05600	NUT	1	
39	92990-05200	WASHER, plain	1	
40	90202-05057	WASHER, plate	1	
41	38M-14867-00	BRACKET	1	
42	38M-13542-00	HOSE, vacuum sensing 1	1	
43	90467-08092	CLIP	2	
44	1TA-14881-00	HOSE, bend 1	1	
45	2GV-2138L-00	BRACKET 2	1	
46	95816-08016	BOLT, flange	1	



38M2361-9100

B14



2GV110-711C

FIG. 11 CRANKCASE

REF. NO.	PART NO.	DESCRIPTION	Q'TY	REMARKS
1	2GV-15100-00	CRANKCASE ASSY	1	
2	22U-11416-80	.PLANE BEARING, crankshaft 1	2	UR BLUE
	22U-11416-90	.PLANE BEARING, crankshaft 1	2	UR GREEN
3	91810-17016	.PIN, dowel	2	
4	90116-10406	BOLT, stud	2	
5	90116-10405	BOLT, stud	2	
6	90116-08404	BOLT, stud	1	
7	95611-10680	BOLT, stud	1	
8	99530-14016	PIN, dowel	2	
9	90387-16547	COLLAR	1	
10	93210-18322	O-RING	1	
11	90116-10406	BOLT, stud	2	
12	90116-10405	BOLT, stud	2	
13	90116-08404	BOLT, stud	1	
14	99530-14016	PIN, dowel	2	
15	90387-16547	COLLAR	1	
16	93210-18322	O-RING	1	
17	90387-16547	COLLAR	1	
18	93210-18322	O-RING	1	
19	91311-08060	BOLT	2	
20	91311-08080	BOLT	1	
21	91311-08100	BOLT	1	
22	91311-06095	BOLT	1	
23	91311-06045	BOLT	8	
24	91311-06055	BOLT	1	
25	11H-15383-01	PLATE, bearing cover	2	
26	90151-08022	SCREW, countersunk	1	
27	90149-08152	SCREW	3	

B15

CONTENTS

ENGINE

Cylinder Head	B2~B3
Cylinder	B4
Crankshaft, Piston	B5
Valve	B6
Camshaft, Chain	B7
Oil Pump	B8
Oil Cleaner	B9
Intake	B10
Carburetor	B11~B12
Exhaust	B13~B14
Crankcase	B15~C2
Crankcase Cover 1	C3~C4
Starter Clutch	C5
Clutch	C6~C7
Transmission	C8
Middle Drive Gear	C9
Shift Cam, Fork	C10
Shift Shaft	C11

CHASSIS

Frame	C12~C13
Fender	C14~C15
Side Cover	D2
Rear Arm, Suspension	D3
Drive Shaft	D4~D5
Steering	D6~D7
Front Fork	D8~D9
Fuel Tank	D10~D12
Seat	D13

Front Wheel	D14
Front Brake Caliper	D15
Rear Wheel	E2~E3
Steering Handle, Cable	E4
Front Master Cylinder	E5
Stand, Footrest	E6~E8
Generator	E9
Starting Motor	E10
Flasher Light	E11~E12
Meter	E13
Headlight	E14
Taillight	E15
Handle Switch, Lever	F2
Electrical 1	F3
Electrical 2	F4

INDEX

Numerical Index	M1~M4
-----------------------	-------

CONTENTS

ENGINE

Cylinder Head	B2~B3
Cylinder	B4
Crankshaft, Piston	B5
Valve	B6
Camshaft, Chain	B7
Oil Pump	B8
Oil Cleaner	B9
Intake	B10
Carburetor	B11~B12
Exhaust	B13~B14
Crankcase	B15~C2
Crankcase Cover 1	C3~C4
Starter Clutch	C5
Clutch	C6~C7
Transmission	C8
Middle Drive Gear	C9
Shift Cam, Fork	C10
Shift Shaft	C11

CHASSIS

Frame	C12~C13
Fender	C14~C15
Side Cover	D2
Rear Arm, Suspension	D3
Drive Shaft	D4~D5
Steering	D6~D7
Front Fork	D8~D9
Fuel Tank	D10~D12
Seat	D13

Front Wheel	D14
Front Brake Caliper	D15
Rear Wheel	E2~E3
Steering Handle, Cable	E4
Front Master Cylinder	E5
Stand, Footrest	E6~E8
Generator	E9
Starting Motor	E10
Flasher Light	E11~E12
Meter	E13
Headlight	E14
Taillight	E15
Handle Switch, Lever	F2
Electrical 1	F3
Electrical 2	F4

INDEX

Numerical Index	M1~M4
-----------------------	-------

FIG. 11 CRANKCASE

REF. NO.	PART NO.	DESCRIPTION	Q'TY	REMARKS
28	22U-15441-01	HOLDER, clutch cable	1	
29	22U-15123-00	PLATE, Baffle 1	1	
30	98501-06012	SCREW, pan head	2	
31	92901-06600	WASHER, plate	2	

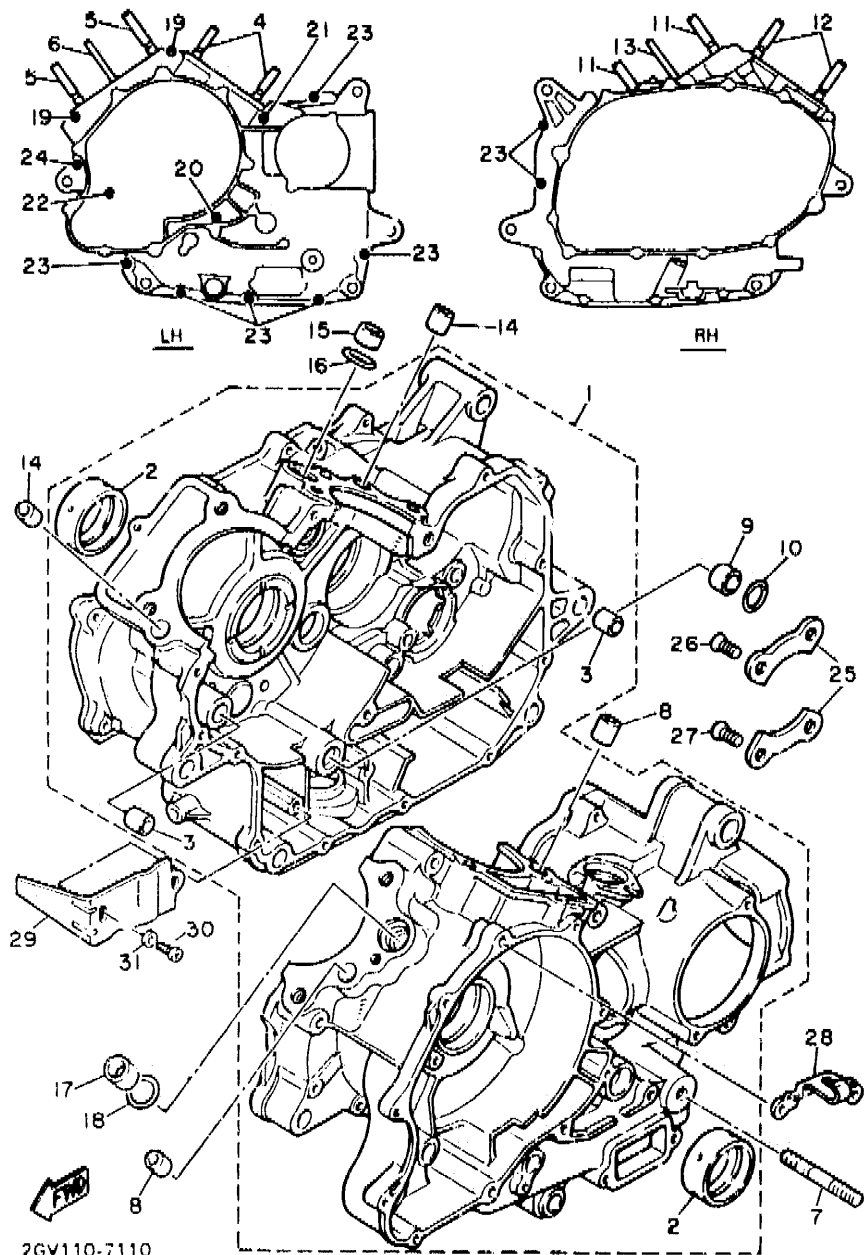
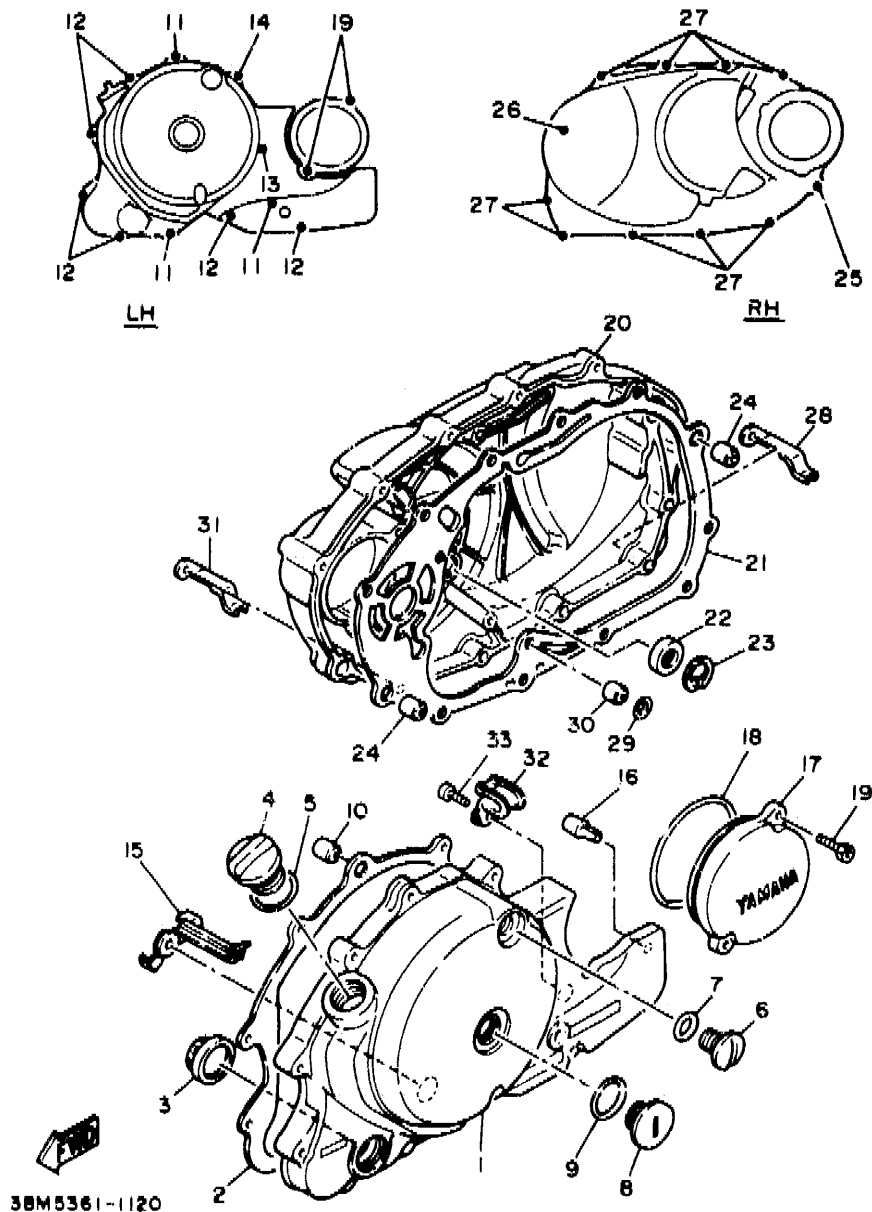


FIG. 12 CRANKCASE COVER 1



REF. NO.	PART NO.	DESCRIPTION	Q'TY	REMARKS
1	2NT-15411-01	COVER, crankcase 1	1	UR
	3JB-15411-00	COVER, crankcase 1	1	UR XV535S MODEL
2	3BT-15451-00	GASKET, crankcase cover 1	1	
3	2H7-15361-00	GAUGE, level	1	
4	3F9-15362-00	PLUG, oil level	1	
5	93210-27778	O-RING	1	
6	90340-14068	PLUG, straight screw	1	UR
	90340-14139	PLUG, straight screw	1	UR XV535S MODEL
7	93210-14369	O-RING	1	
8	90340-32088	PLUG, straight screw	1	UR
	90340-32140	PLUG, straight screw	1	UR XV535S MODEL
9	93210-32172	O-RING	1	
10	99530-10014	PIN, dowel	2	
11	91311-06040	BOLT	3	
12	91311-06025	BOLT	6	
13	91311-06055	BOLT	1	
14	91311-06030	BOLT	1	
15	3BT-15484-00	CLAMP 2	1	
16	2GV-15316-00	DAMPER, engine mount 1	1	
17	2GV-15415-00	COVER, generator	1	UR
	3JB-15415-00	COVER, generator	1	UR XV535S MODEL
18	93210-74316	O-RING	1	
19	91311-06018	BOLT	2	
20	2NT-15421-00	COVER, crankcase 2	1	UR
	3JB-15421-00	COVER, crankcase 2	1	UR XV535S MODEL
21	3BT-15461-00	GASKET, crankcase cover 2	1	
22	93101-14089	OIL SEAL	1	
23	99009-25500	CIRCLIP	1	

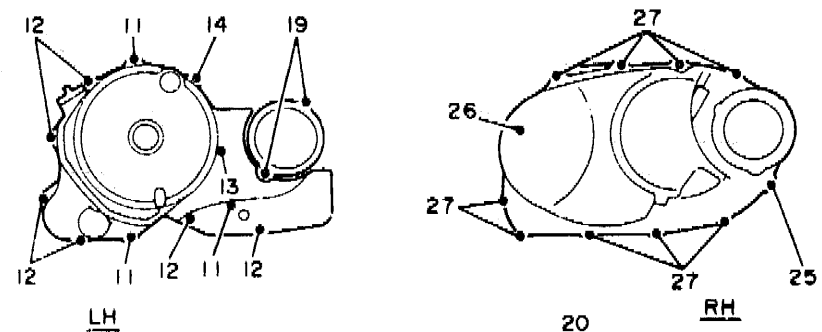
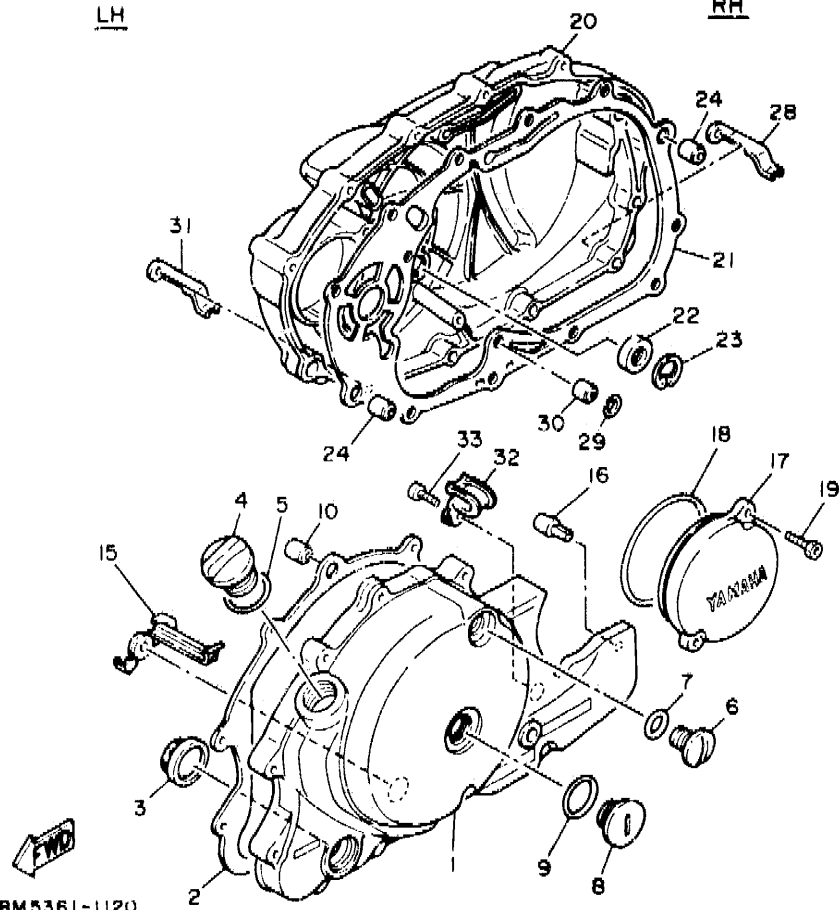


FIG. 12 CRANKCASE COVER 1

REF. NO.	PART NO.	DESCRIPTION	Q'TY	REMARKS
24	99530-10020	PIN, dowel	2	
25	91311-06040	BOLT	1	
26	91311-06055	BOLT	1	
27	91311-06025	BOLT	9	
28	90462-10115	CLAMP	2	
29	93210-15566	O-RING	1	
30	91810-17016	PIN, dowel	1	
31	90462-10118	CLAMP	2	
32	90462-06119	CLAMP	1	
33	98501-06010	SCREW, pan head	1	

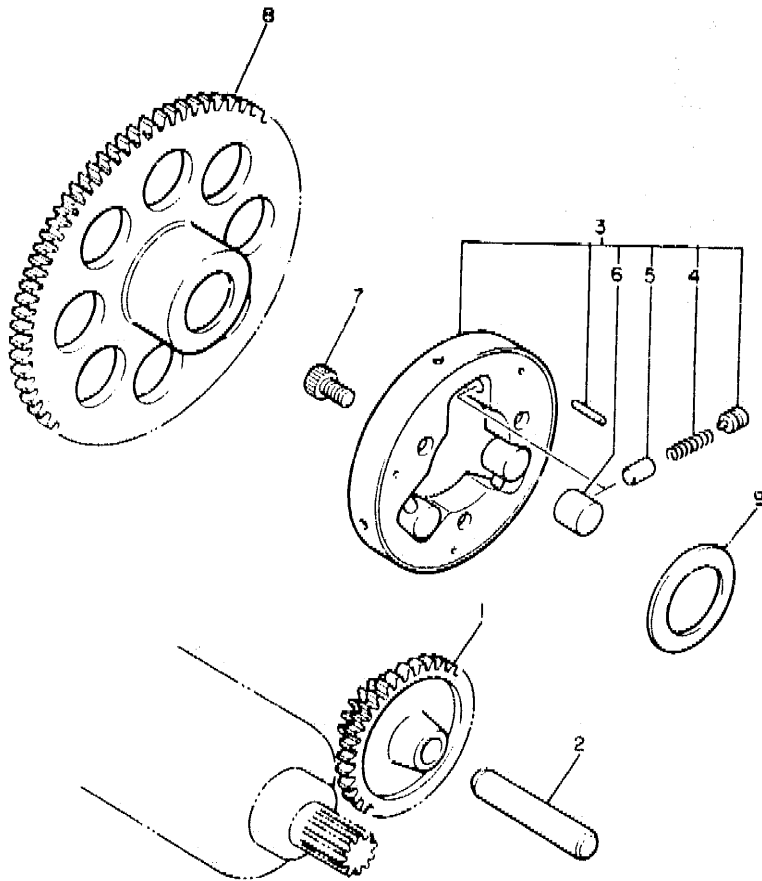


38M5361-1120

C4

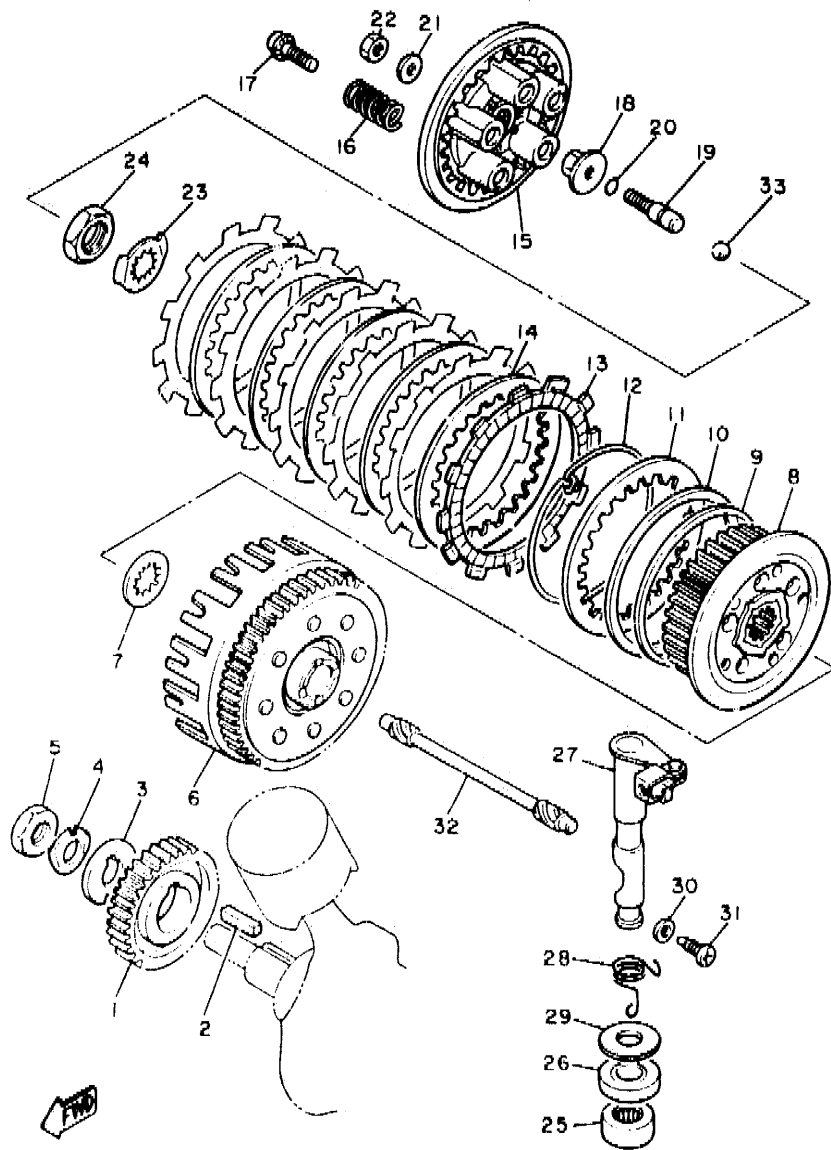
FIG. 13 STARTER CLUTCH

REF. NO.	PART NO.	DESCRIPTION	Q'TY	REMARKS
1	22U-15512-00	GEAR, idler 1 (12T-50T)	1	
2	5H0-15521-00	SHAFT 1	1	
3	22U-15580-00	STARTER CLUTCH OUTER ASSY	1	
4	90501-04623	.SPRING, compression	3	
5	341-15583-05	.CAP, starter clutch spring	3	
6	93615-12088	.PIN, dowel	3	
7	91316-08012	BOLT	3	
8	22U-15517-00	GEAR, idler 2 (66T)	1	
9	4A0-17216-00-10	SHIM (1.0T)	1	



22U110-3150

C5



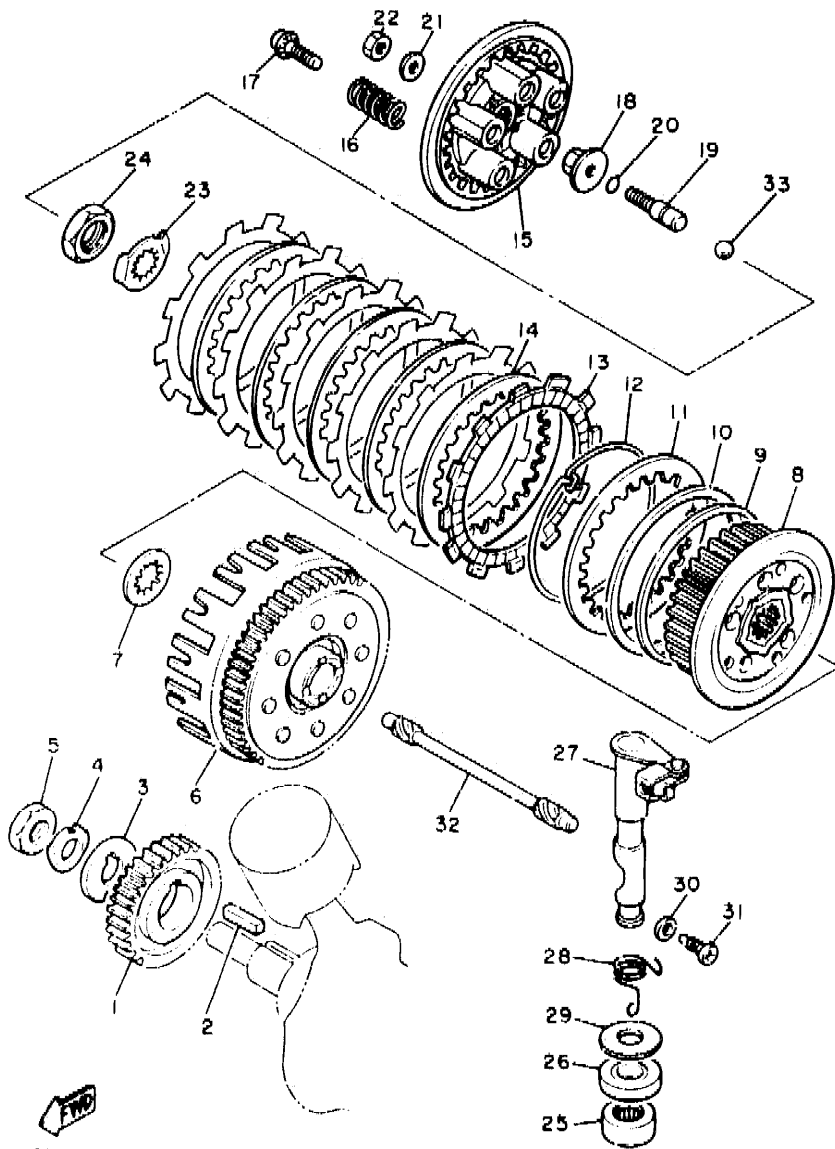
22U110-3160

FIG. 14 CLUTCH

REF. NO.	PART NO.	DESCRIPTION	Q'TY	REMARKS
1	22U-16111-01	GEAR, primary drive	1	
2	90280-07036	KEY, woodruff	1	
3	90214-16026	WASHER, claw	1	
4	90215-16222	WASHER, lock	1	
5	90170-16311	NUT	1	
6	22U-16150-01	PRIMARY DRIVEN GEAR COM.	1	
7	22U-16154-00	PLATE, thrust 1	1	
8	22U-16371-00	BOSS, clutch	1	
9	4X7-16384-00	PLATE, seat	1	
10	4X7-16383-01	SPRING, clutch boss	1	
11	4X7-16324-00	PLATE, clutch 1	1	
12	4X7-16385-00	RING, clutch boss	1	
13	22U-16321-00	PLATE, friction	6	
14	4X7-16325-00	PLATE, clutch 2	5	
15	22U-16351-00	PLATE, pressure 1	1	
16	90501-23738	SPRING, compression	5	
17	90159-06016	SCREW, with washer	5	
18	30X-16358-00	PLATE, push	1	
19	5Y1-16356-00	ROD, push 1	1	
20	93210-09525	O-RING	1	
21	92901-06200	WASHER, plain	1	
22	95303-06600	NUT	1	
23	90215-22244	WASHER, lock	1	
24	90170-20310	NUT	1	
25	93315-21813	BEARING, cylindrical	1	
26	93102-18278	OIL SEAL	1	
27	22U-16380-00	PUSH LEVER ASSY	1	
28	90506-16577	SPRING, torsion	1	

C6

FIG. 14 CLUTCH



REF. NO.	PART NO.	DESCRIPTION	Q'Y	REMARKS
29	90201-18262	WASHER, plate	1	
30	90201-08087	WASHER, plate	1	
31	90149-08067	SCREW	1	
32	22U-16357-00	ROD, push 2	1	
33	93515-32029	BALL	1	

22U110-3160

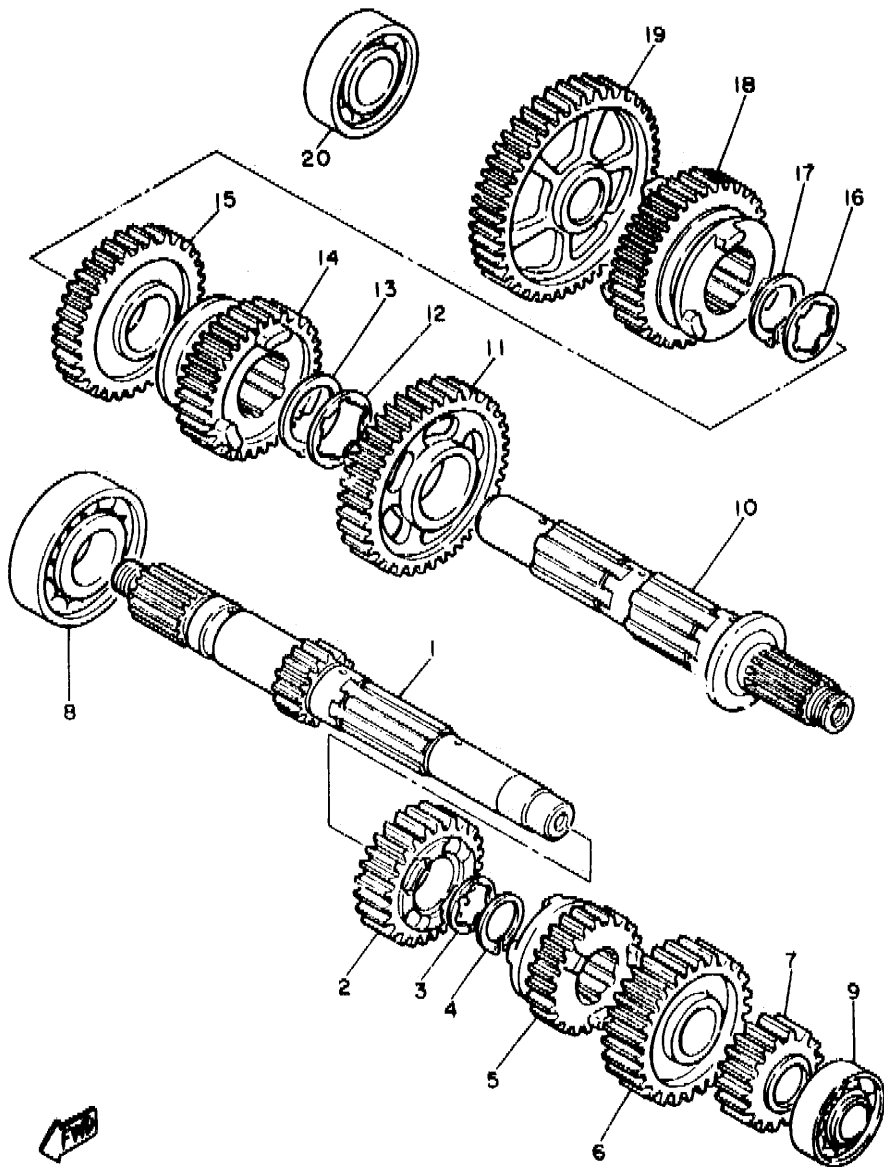


FIG. 15 TRANSMISSION

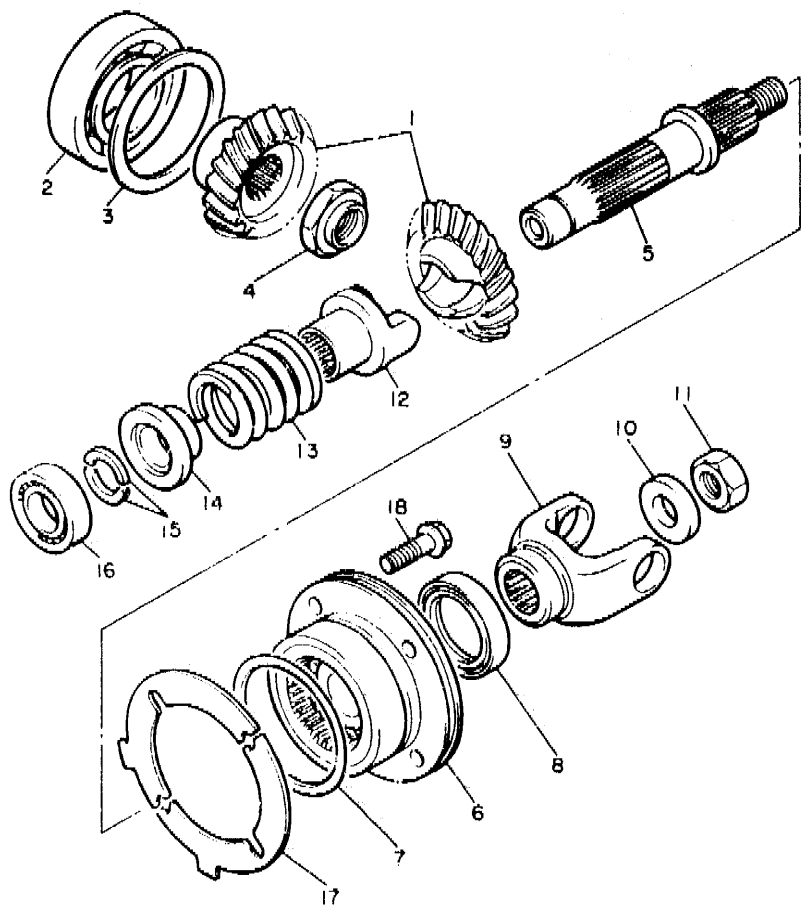
REF. NO.	PART NO.	DESCRIPTION	Q'TY	REMARKS
1	22U-17411-00	AXLE, main (14T)	1	
2	22U-17141-00	GEAR, 4th pinion (24T)	1	
3	90209-22191	WASHER	1	
4	93440-25084	CIRCLIP	1	
5	22U-17131-00	GEAR, 3rd pinion (24T)	1	
6	11H-17151-01	GEAR, 5th pinion (30T)	1	
7	11H-17121-00	GEAR, 2nd pinion (20T)	1	
8	93306-30525	BEARING (B6305)	1	
9	93306-00401	BEARING (B6004)	1	
10	22U-17402-00	DRIVE AXLE ASSY	1	
11	22U-17221-00	GEAR, 2nd wheel (38T)	1	
12	90209-27192	WASHER	1	
13	93440-30077	CIRCLIP	1	
14	11H-17251-00	GEAR, 5th wheel (29T)	1	
15	22U-17231-00	GEAR, 3rd wheel (35T)	1	
16	90209-22191	WASHER	1	
17	93440-25084	CIRCLIP	1	
18	22U-17241-00	GEAR, 4th wheel (28T)	1	
19	22U-17211-00	GEAR, 1st wheel (38T)	1	
20	93306-00428	BEARING	1	

2GV110-7150

C8

FIG. 16 MIDDLE DRIVE GEAR

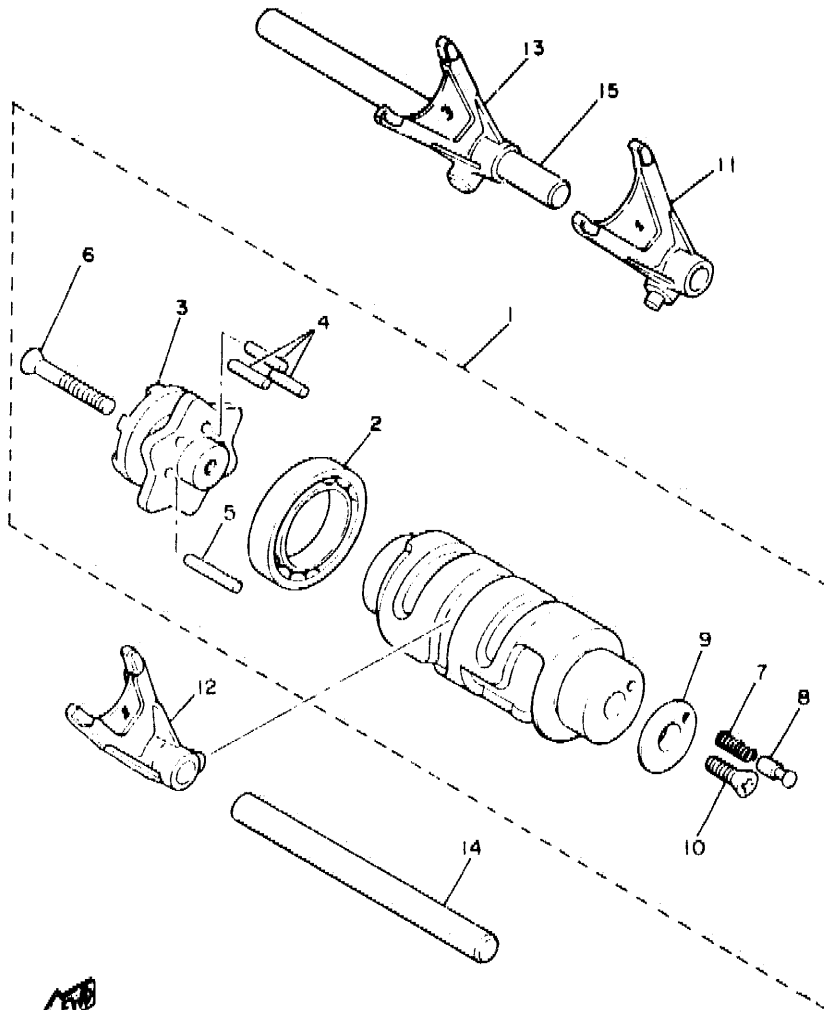
REF. NO.	PART NO.	DESCRIPTION	Q'TY	REMARKS
1	22U-Y1754-00	MIDDLE GEAR COMP.	1	
2	93306-20711	BEARING	1	
3	4H7-17537-00-20	SHIM, thrust (0.20T)	1	UR
	4H7-17537-00-30	SHIM, thrust (0.30T)	1	UR
	4H7-17537-00-40	SHIM, thrust (0.40T)	1	UR
4	90179-18396	NUT	1	
5	22U-17553-00	SHAFT, middle driven	1	
6	4H7-W1752-10	HOUSING COMP	1	
7	93210-71360	O-RING	1	
8	93101-35097	OIL SEAL	1	
9	22U-17556-00	YOKE, joint	1	
10	90201-14633	WASHER, plate	1	
11	90185-14070	NUT, self-locking	1	
12	22U-17527-00	CAM, driven	1	
13	90501-60716	SPRING, compression	1	
14	22U-17524-00	HOLDER	1	
15	3H5-17529-00	WASHER, thrust	2	
16	93306-00435	BEARING	1	
17	3JB-17531-00	SHIM, pinion (0.10T)	2	UR
	3JB-17531-10	SHIM, pinion (0.15T)	2	UR
	3JB-17531-20	SHIM, pinion (0.20T)	2	UR
	3JB-17531-30	SHIM, pinion (0.30T)	2	UR
	3JB-17531-40	SHIM, pinion (0.40T)	2	UR
	3JB-17531-50	SHIM, pinion (0.50T)	2	UR
18	95811-08030	BOLT, flange	4	



22U110-3180

C9

FIG. 17 SHIFT CAM. FORK



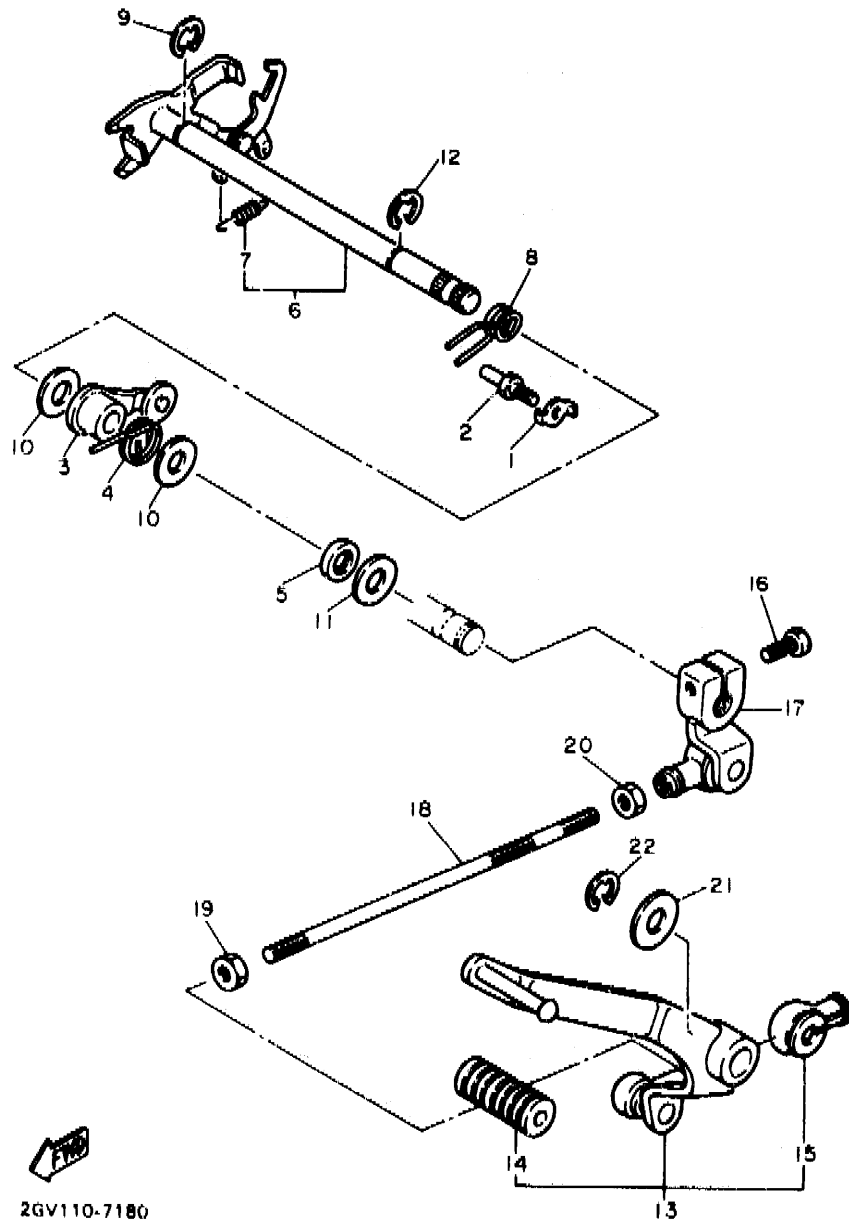
REF. NO.	PART NO.	DESCRIPTION	Q'TY	REMARKS
1	22U-18540-00	SHIFT CAM ASSY	1	
2	93306-90602	.BEARING	1	
3	16G-18185-00	.SEGMENT	1	
4	93604-16092	.PIN, dowel	3	
5	93604-20156	.PIN, dowel	1	
6	98701-05035	.SCREW, flat head	1	
7	90501-06022	.SPRING, compression	1	
8	278-18542-00	.POINT, neutral	1	
9	278-18566-00	.PLATE, side 2	1	
10	98701-05016	.SCREW, flat head	1	
11	11H-18511-00	FORK, shift 1	1	
12	11H-18512-00	FORK, shift 2	1	
13	11H-18513-00	FORK, shift 3	1	
14	11H-18531-00	BAR, shift fork guide 1	1	
15	22U-18535-00	BAR, shift fork guide 2	1	



22U110-3190

C10

FIG. 18 SHIFT SHAFT

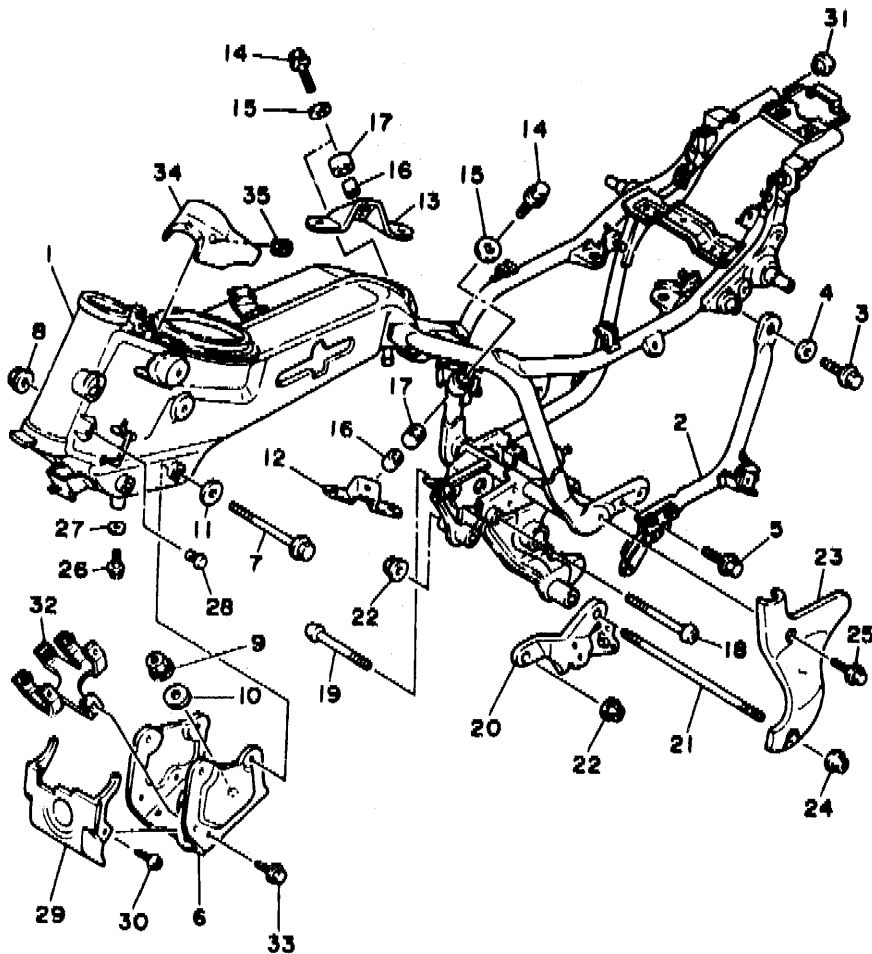


REF. NO.	PART NO.	DESCRIPTION	Q'TY	REMARKS
1	90215-18178	WASHER, lock	1	
2	4G0-18127-00	STOPPER, screw	1	
3	11H-18140-00	STOPPER LEVER ASSY	1	
4	90508-29519	SPRING, torsion	1	
5	93102-12106	OIL SEAL (SD 12-22-5 HS)	1	
6	22U-18120-00	SHIFT LEVER ASSY	1	
7	90506-08227	.SPRING, tension	1	
8	90508-32536	SPRING, torsion	1	
9	99006-10600	CIRCLIP	1	
10	90201-12588	WASHER, plate	2	
11	90201-12575	WASHER, plate	1	
12	99006-10600	CIRCLIP	1	
13	2GV-18110-00	SHIFT PEDAL ASSY	1	
14	132-18113-01	.COVER, shift pedal	1	
15	2H9-18154-00	.COVER, dust	1	
16	97011-06020	BOLT	1	
17	2GV-18112-00	ARM, shift	1	
18	2GV-18115-00	ROD, shift	1	
19	90170-06228	NUT	1	
20	95303-06700	NUT	1	
21	90201-124E4	WASHER, plate	1	
22	99009-12400	CIRCLIP	1	

2GV110-7180

FIG. 19 FRAME

REF. NO.	PART NO.	DESCRIPTION	Q'TY	REMARKS
1	3JC-21110-00-33	FRAME COMP.	1	YAMAHA BLACK
2	3JB-21105-00-33	BACK STAY SUB COMP. 1	1	YAMAHA BLACK
3	90105-08177	BOLT, washer based	1	
4	90201-081H4	WASHER, plate	1	
5	90109-08718	BOLT	2	
6	2GV-21317-00	STAY, engine 4	1	
7	90105-10183	BOLT, washer based	2	
8	90179-10321	NUT	2	
9	90179-10279	NUT	4	
10	90201-10131	WASHER, plate	4	
11	90201-10437	WASHER, plate	2	
12	22U-21315-00	STAY, engine 2	1	
13	22U-21316-00	STAY, engine 3	1	
14	90105-10186	BOLT, washer based	2	
15	90201-105H3	WASHER, plate	2	
16	90387-100E2	COLLAR	2	
17	4X7-21485-00	DAMPER, rubber 1	2	
18	90149-10238	SCREW	1	
19	90149-10239	SCREW	1	
20	2GV-21458-00	BRACKET, side stand	1	
21	90116-12495	BOLT, stud	1	
22	90179-12421	NUT	2	
23	2GV-2171E-00	COVER, side 5	1	
24	95306-12800	NUT	1	
25	95026-06016	BOLT, flange	1	
26	90105-06069	BOLT, washer based	1	
27	90202-06010	WASHER, plate	1	
28	90338-07043	PLUG	5	

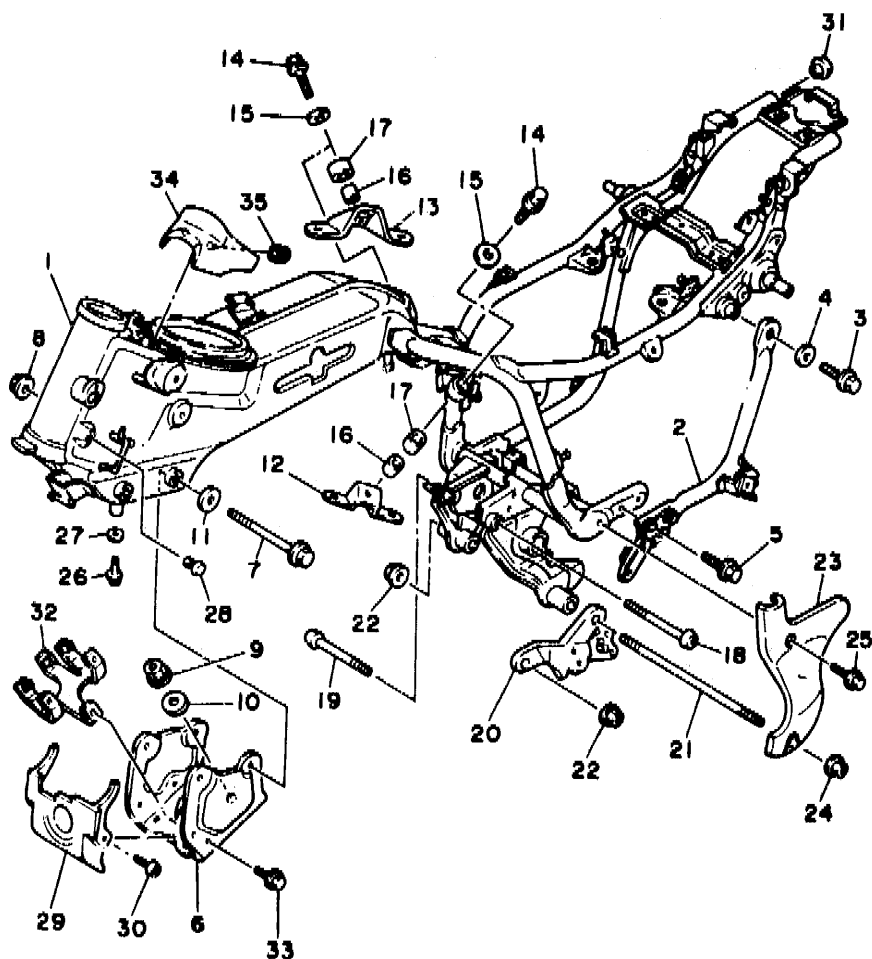


3JC4171-0190

C12

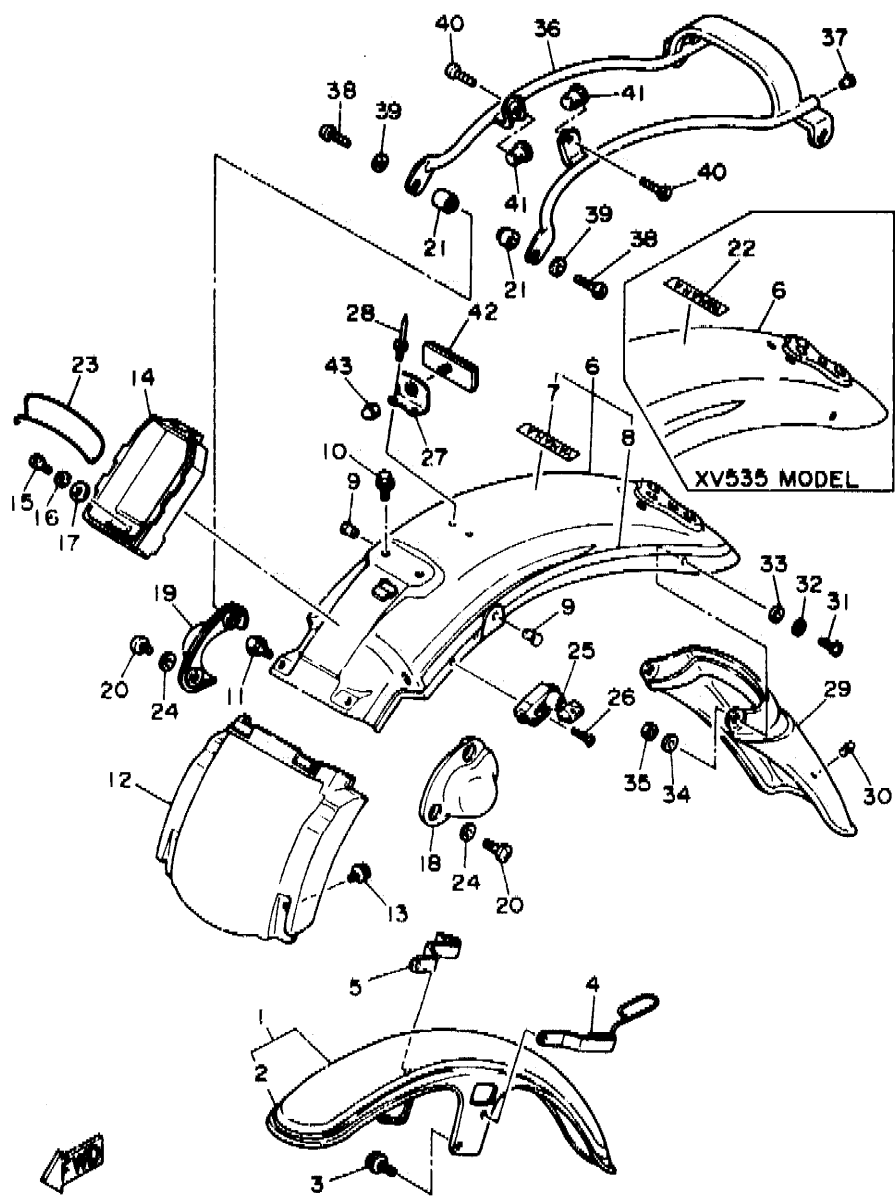
FIG. 19 FRAME

REF. NO.	PART NO.	DESCRIPTION	Q'TY	REMARKS
29	2GV-2139R-00	COVER 2	1	
30	97706-60514	SCREW, tapping	2	
31	1AA-2143A-00	CAP	2	
32	2GV-21359-00	BRACKET, coil	1	
33	95816-06012	BOLT, flange	2	
34	3JB-2139R-00	COVER 2	1	
35	90480-10334	GROMMET	2	



3JC4171-0190

C13

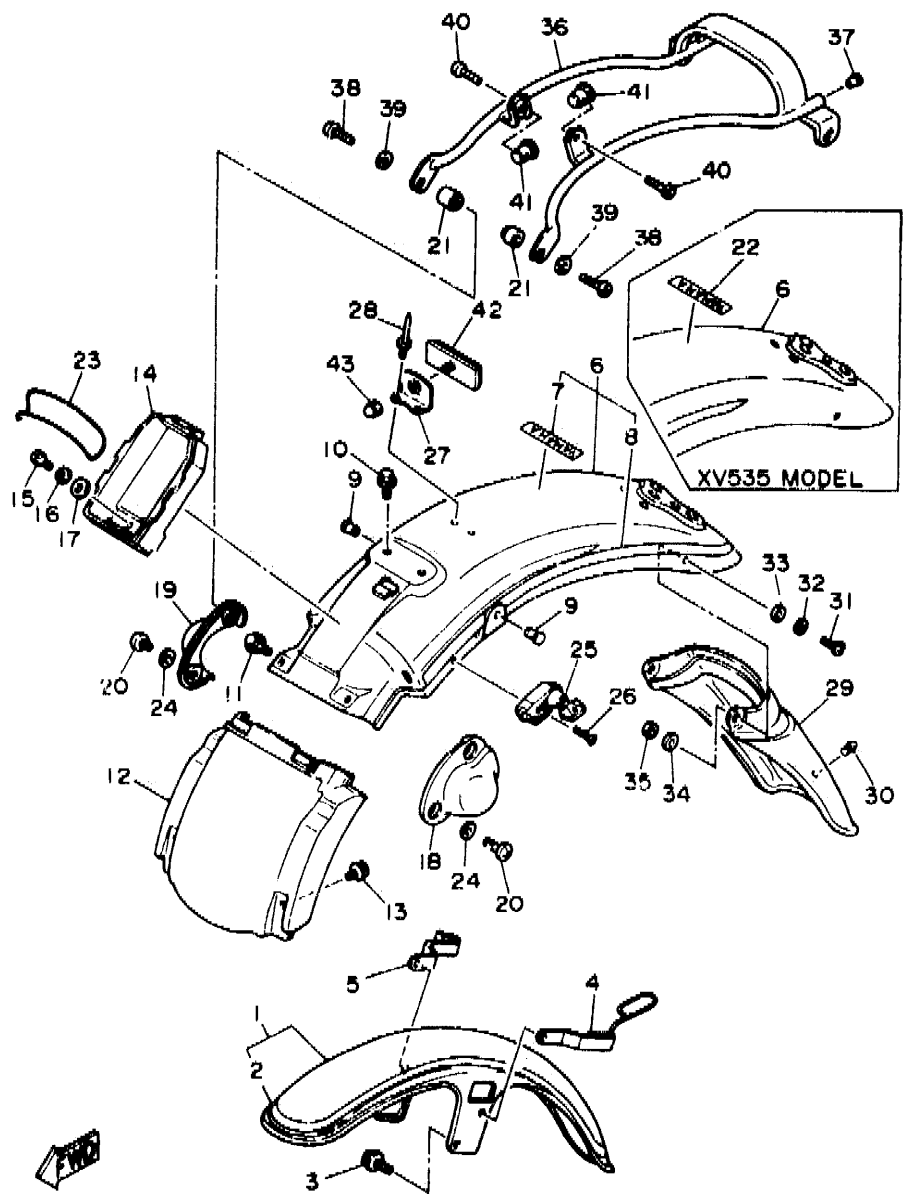


3BM8361-4200

FIG. 20 FENDER

REF. NO.	PART NO.	DESCRIPTION	Q'TY	REMARKS
1	2GV-21510-00-P6	FRONT FENDER COMP.	1	UR DULL GREENISH BLUE METALLIC 1
	2GV-21510-00-4B	FRONT FENDER COMP.	1	UR BLACK 2
	2GV-Y2151-40-1X	FRONT FENDER COMP.(XV535S MODEL)	1	UR RED-E SPARKLE /SALT LAKE SILVER
2	3JB-21570-40	.GRAPHIC SET, front fender	1	XV535S MODEL
3	95023-08012	BOLT	4	
4	2NT-21597-01	HOLDER, wire 1	1	
5	2NT-21598-00	HOLDER, wire 2	1	UR
	3JB-21598-00	HOLDER, wire 2	1	UR XV535S MODEL
6	3BM-21610-10-P1	REAR FENDER COMP.	1	UR DULL GREENISH BLUE METALLIC 1
	3BM-21610-10-4B	REAR FENDER COMP.	1	UR BLACK 2
	3BM-Y2161-80-0X	REAR FENDER COMP.(XV535S MODEL)	1	UR RED-E SPARKLE /SALT LAKE SILVER
7	99234-00080	.EMBLEM, yamaha	1	XV535S MODEL
8	3JB-2165A-40	.GRAPHIC SET, rear fender	1	XV535S MODEL
9	1J3-24742-00	GROMMET	2	
10	95816-08012	BOLT, flange	2	
11	95826-06010	BOLT, flange	2	
12	2GV-21629-00-P1	GUARD, mud	1	UR DULL GREENISH BLUE METALLIC 1
	2GV-21629-00-4B	GUARD, mud	1	UR BLACK 2
	2GV-21629-00-HV	GUARD, mud	1	UR RED-E SPARKLE (XV535S MODEL)
13	90119-06123	BOLT, with washer	2	
14	2GV-2160E-00	BOX	1	
15	98506-06014	SCREW, pan head	1	
16	92906-06600	WASHER, plate	1	
17	90201-06059	WASHER, plate	1	
18	2GV-2163A-00	COVER, rear fender 1	1	
19	2GV-2163E-00	COVER, rear fender 2	1	
20	90154-08065	SCREW, bind	2	
21	90387-080V8	COLLAR	2	

C14



3BM8361-4200

FIG. 20 FENDER

REF. NO.	PART NO.	DESCRIPTION	Q'TY	REMARKS
22	99235-00080	EMBLEM, yamaha	1	XV535 MODEL
23	93210-71360	O-RING	1	
24	92901-08200	WASHER, plain	2	
25	26H-21308-00	HELMET HANGER ASSY	1	
26	90149-06154	SCREW	1	
27	3JB-21641-00	BRACKET, reflector	1	
28	90267-48104	RIVET, blind	2	
29	3BM-21621-00	FLAP	1	
30	4G0-21639-00	DAMPER 2	1	
31	92506-06012	SCREW, pan head	2	
32	92906-06600	WASHER, plate	2	
33	90202-05193	WASHER, plate	2	
34	92990-06200	WASHER, plain	2	
35	95303-06600	NUT	2	
36	3BM-21640-00	REAR STAY COMP.	1	
37	1J3-24742-00	GROMMET	2	
38	92016-08030	SCREW	2	
39	92906-08200	WASHER, plain	2	
40	92011-08025	SCREW	2	
41	90179-08559	NUT	2	
42	3Y6-85130-02	REAR REFLECTOR ASSY	1	
43	95306-05800	NUT, cap	1	

CONTENTS

ENGINE

Cylinder Head	B2~B3
Cylinder	B4
Crankshaft. Piston	B5
Valve	B6
Camshaft. Chain	B7
Oil Pump	B8
Oil Cleaner	B9
Intake	B10
Carburetor	B11~B12
Exhaust	B13~B14
Crankcase	B15~C2
Crankcase Cover 1	C3~C4
Starter Clutch	C5
Clutch	C6~C7
Transmission	C8
Middle Drive Gear	C9
Shift Cam. Fork	C10
Shift Shaft	C11

CHASSIS

Frame	C12~C13
Fender	C14~C15
Side Cover	D2
Rear Arm. Suspension	D3
Drive Shaft	D4~D5
Steering	D6~D7
Front Fork	D8~D9
Fuel Tank	D10~D12
Seat	D13

Front Wheel	D14
Front Brake Caliper	D15
Rear Wheel	E2~E3
Steering Handle. Cable	E4
Front Master Cylinder	E5
Stand. Footrest	E6~E8
Generator	E9
Starting Motor	E10
Flasher Light	E11~E12
Meter	E13
Headlight	E14
Taillight	E15
Handle Switch. Lever	F2
Electrical 1	F3
Electrical 2	F4

INDEX

Numerical Index	M1~M4
-----------------------	-------

CONTENTS

ENGINE

Cylinder Head	B2~B3
Cylinder	B4
Crankshaft, Piston	B5
Valve	B6
Camshaft, Chain	B7
Oil Pump	B8
Oil Cleaner	B9
Intake	B10
Carburetor	B11~B12
Exhaust	B13~B14
Crankcase	B15~C2
Crankcase Cover 1	C3~C4
Starter Clutch	C5
Clutch	C6~C7
Transmission	C8
Middle Drive Gear	C9
Shift Cam, Fork	C10
Shift Shaft	C11

CHASSIS

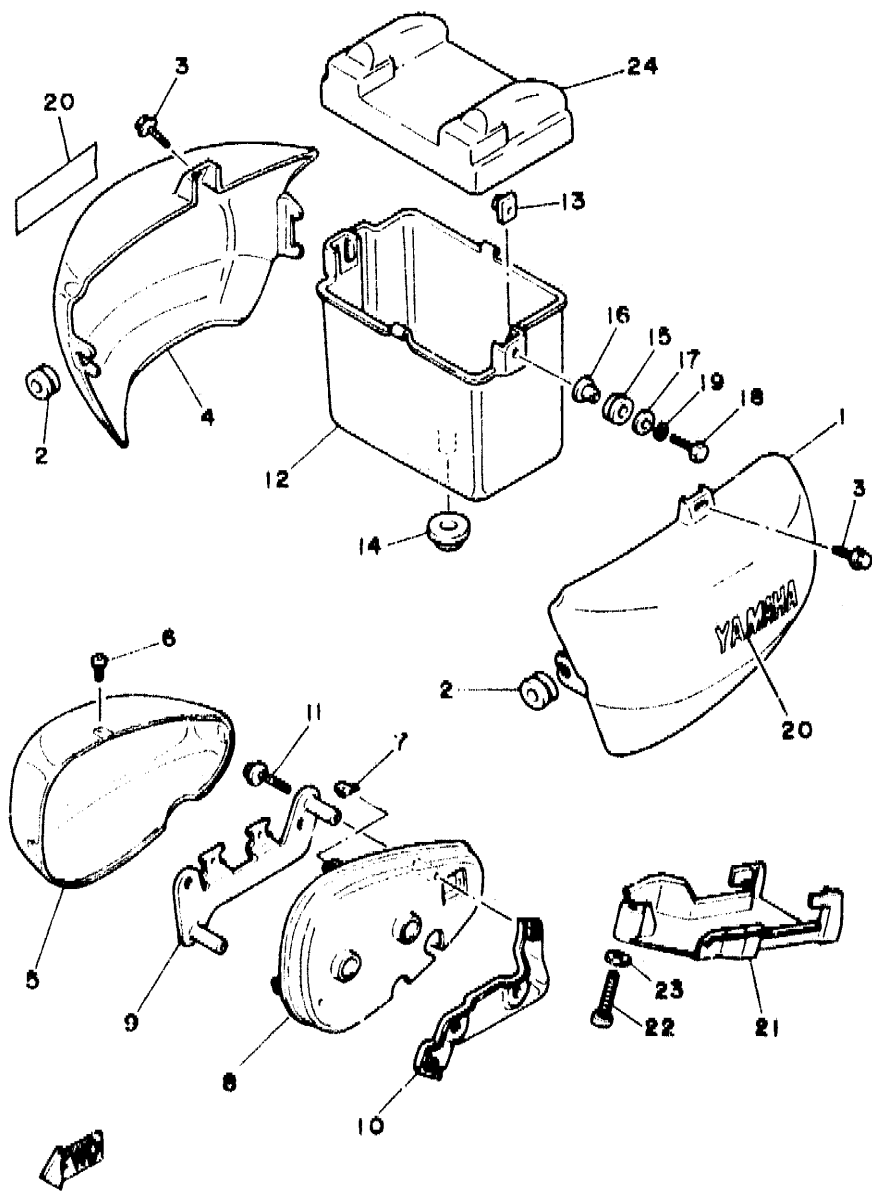
Frame	C12~C13
Fender	C14~C15
Side Cover	D2
Rear Arm, Suspension	D3
Drive Shaft	D4~D5
Steering	D6~D7
Front Fork	D8~D9
Fuel Tank	D10~D12
Seat	D13

Front Wheel	D14
Front Brake Caliper	D15
Rear Wheel	E2~E3
Steering Handle, Cable	E4
Front Master Cylinder	E5
Stand, Footrest	E6~E8
Generator	E9
Starting Motor	E10
Flasher Light	E11~E12
Meter	E13
Headlight	E14
Taillight	E15
Handle Switch, Lever	F2
Electrical 1	F3
Electrical 2	F4

INDEX

Numerical Index	M1~M4
-----------------------	-------

FIG. 21 SIDE COVER

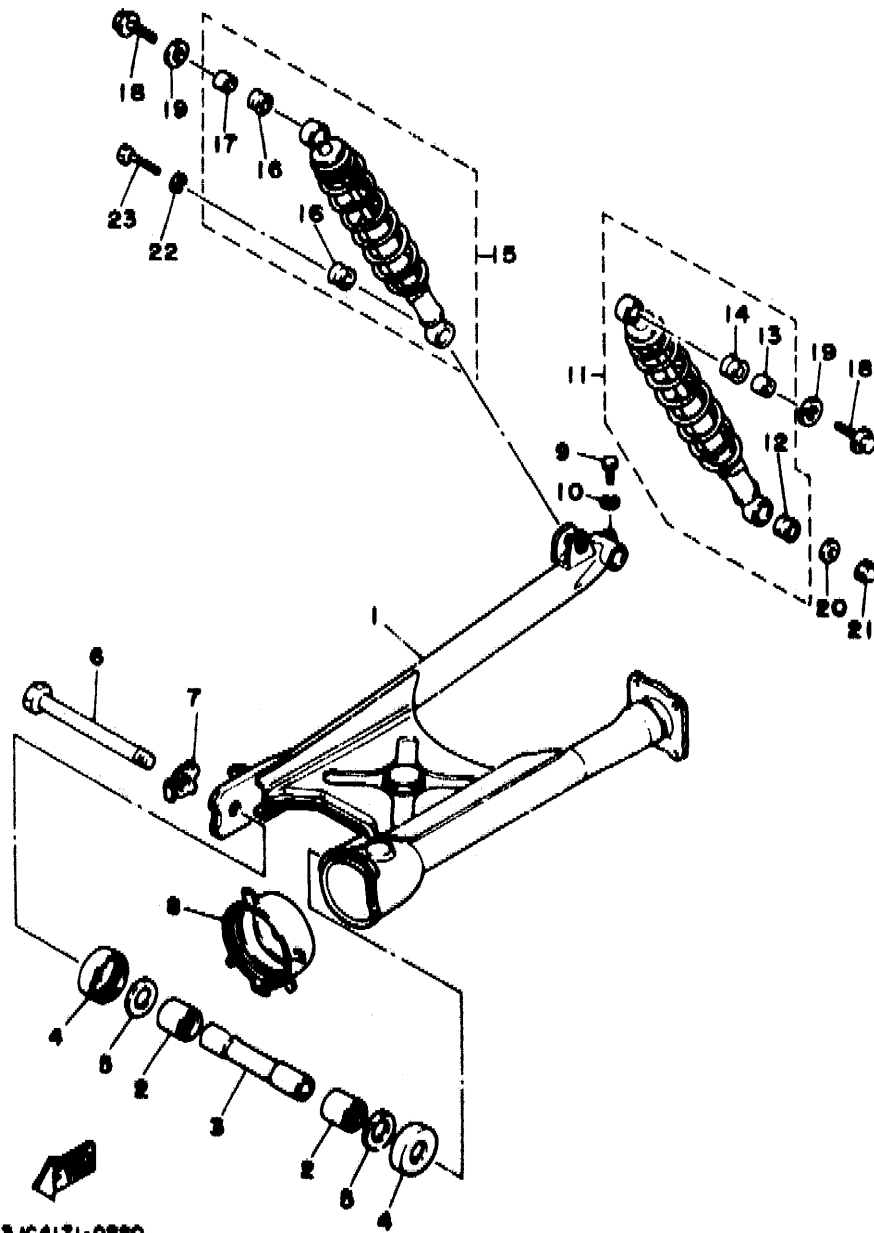


38TY351-4210

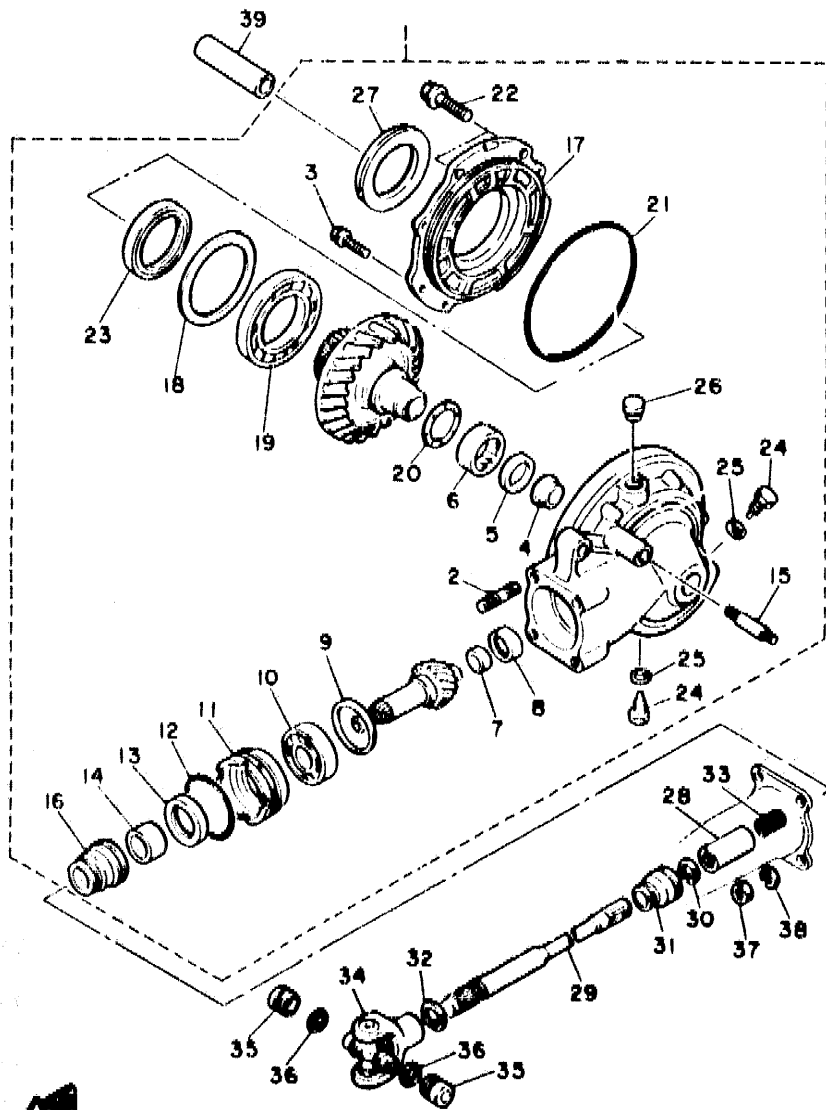
REF. NO.	PART NO.	DESCRIPTION	Q'TY	REMARKS
1	2GV-21711-00-P1	COVER, side 1	1	UR DULL GREENISH BLUE METALLIC 1
	2GV-21711-00-4B	COVER, side 1	1	UR BLACK 2
	2GV-21711-00-MV	COVER, side 1	1	UR RED-E SPARKLE XV535S MODEL
2	90480-12320	GROMMET	2	
3	90119-06123	BOLT, with washer	2	
4	2GV-21721-00-P1	COVER, side 2	1	UR DULL GREENISH BLUE METALLIC 1
	2GV-21721-00-4B	COVER, side 2	1	UR BLACK 2
	2GV-21721-00-MV	COVER, side 2	1	UR RED-E SPARKLE XV535S MODEL
5	2GV-21731-00-93	COVER, side 3	1	CHROME PLATED
6	97701-40012	SCREW, tapping	3	
7	90183-04027	NUT, spring	3	
8	2GV-2172A-00	PANEL 1	1	
9	2GV-2172F-00	PANEL 2	1	
10	2GV-2174E-00	STAY, side cover 2	1	
11	95806-06040	BOLT, flange	2	
12	2GV-21171-00	BOX, tool	1	
13	31A-14477-00	PLATE	2	
14	90480-22362	GROMMET	1	
15	90480-14229	GROMMET	2	
16	90387-07391	COLLAR	2	
17	90201-06059	WASHER, plate	2	
18	97001-06025	BOLT	2	
19	92906-06100	WASHER, spring	2	
20	99235-00080	EMBLEM, yamaha	2	
21	3JB-2176E-00	PLATE	1	
22	92506-06035	SCREW, pan head	1	
23	92906-06600	WASHER, plate	1	
24	3JB-28185-00	LID	1	

D2

FIG. 22 REAR ARM. SUSPENSION



REF. NO.	PART NO.	DESCRIPTION	Q'TY	REMARKS
1	2GV-22110-00-35	REAR ARM COMP.	1	SILVER
2	93320-32403	BEARING	2	
3	4X7-22124-00	BUSH 2	1	
4	4X7-22129-00	COVER, thrust 2	2	
5	90201-244A8	WASHER, plate (1.95T)	2	
6	4X7-22141-00	SHAFT, pivot	1	
7	90215-16181	WASHER, lock	1	
8	22U-22189-00	BOOT, rubber	1	
9	97313-08035	BOLT	1	
10	92990-08100	WASHER, spring	1	
11	2YL-22210-00	SHOCK ABSORBER ASSY, rear	1	
12	2GV-22216-00	.BUSH, shock absorber lower	1	
13	2GV-22253-00	.COLLAR, distance	1	
14	2GV-22226-00	.BUSH, rear shock absorber	1	
15	2YL-22220-00	SHOCK ABSORBER ASSY, rear	1	
16	2GV-22226-00	.BUSH, shock absorber lower	2	
17	5M0-22253-00	.COLLAR, distance	1	
18	95801-08012	BOLT, flange	2	
19	90201-08753	WASHER, plate	2	
20	90201-10437	WASHER, plate	1	
21	90176-10073	NUT, crown	1	
22	92990-10100	WASHER, spring	1	
23	90106-10052	BOLT	1	



2 IV171-7230

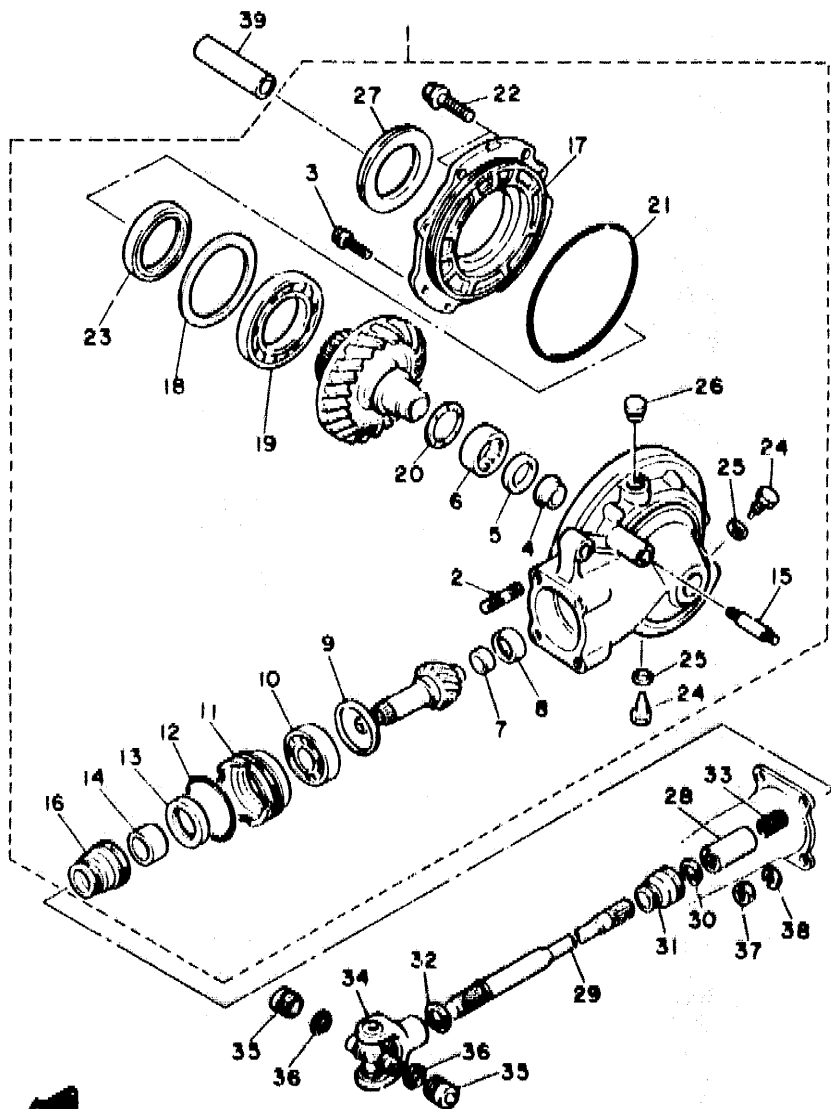
FIG. 23 DRIVE SHAFT

REF. NO.	PART NO.	DESCRIPTION	Q'TY	REMARKS
1	2NT-46101-00	REAR AXLE GEAR CASE ASSY	1	
2	90116-10428	.BOLT, stud	4	
3	90119-08126	.BOLT, with washer	6	
4	22U-46153-00	.COLLAR, guide	1	
5	93101-30084	.OIL SEAL	1	
6	93311-43729	.BEARING, cylindrical	1	
7	2H7-46122-00	.RACE, inner	1	
8	93317-41510	.BEARING, cylindrical	1	
9	1J7-17537-Y0-30	.SHIM, thrust (0.30T)	1 UR	
	1J7-17537-Y0-40	.SHIM, thrust (0.40T)	1 UR	
	1J7-17537-Y0-50	.SHIM, thrust (0.50T)	1 UR	
	1J7-17537-Y0-60	.SHIM, thrust (0.60T)	1 UR	
10	93306-30539	.BEARING	1	
11	4H7-46125-00	.RETAINER, bearing	1	
12	93210-60426	.O-RING	1	
13	93101-38098	.OIL SEAL	1	
14	90397-25669	.COLLAR	1	
15	90116-10249	.BOLT, stud	1	
16	22U-46136-00	.SEAL 1	1	
17	22U-46152-00	.HOUSING, bearing	1	
18	22U-46117-00-25	.SHIM, ring gear (0.25T)	1 UR	
	22U-46117-00-30	.SHIM, ring gear (0.30T)	1 UR	
	22U-46117-00-40	.SHIM, ring gear (0.40T)	1 UR	
	22U-46117-00-50	.SHIM, ring gear (0.50T)	1 UR	
19	93316-01301	.BEARING, cylindrical	1	
20	22U-46118-00-12	.SHIM, thrust (1.2T)	1 UR	
	22U-46118-00-14	.SHIM, thrust (1.4T)	1 UR	
	22U-46118-00-16	.SHIM, thrust (1.6T)	1 UR	

D4

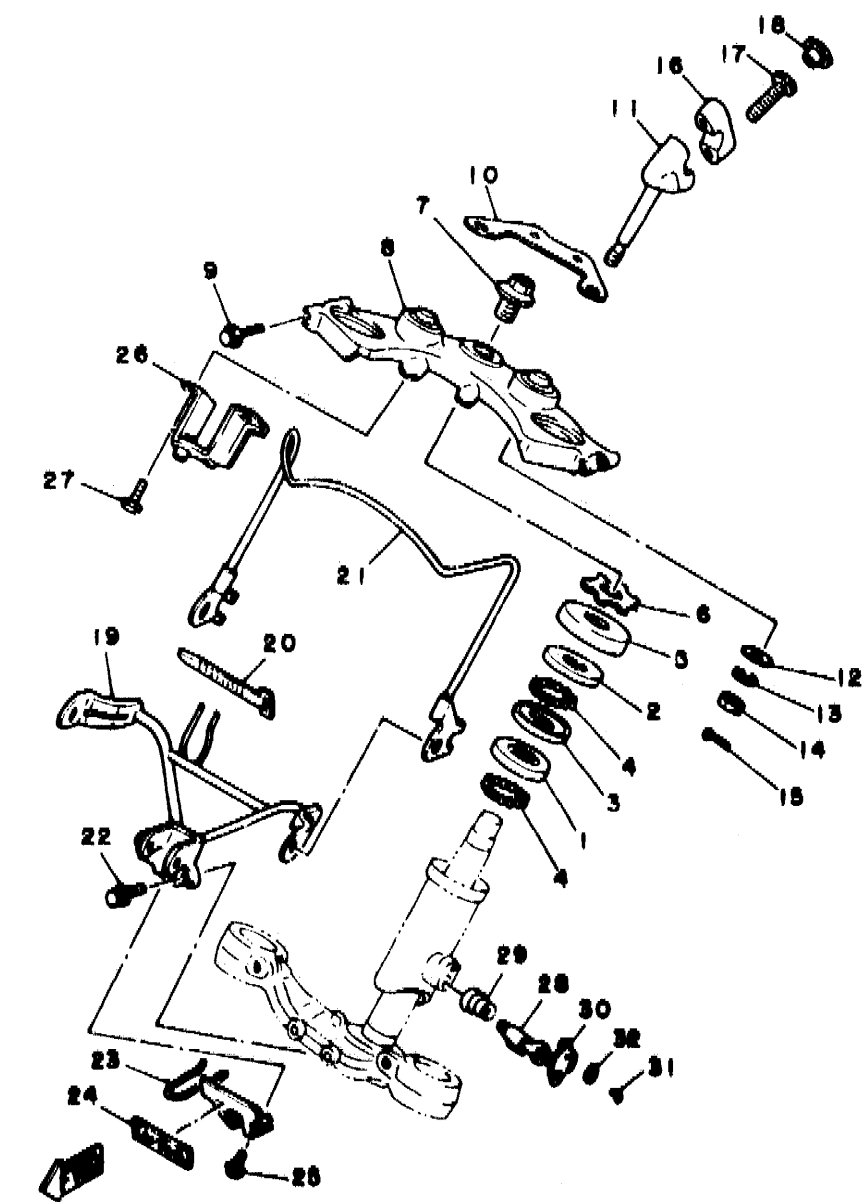
FIG. 23 DRIVE SHAFT

REF. NO.	PART NO.	DESCRIPTION	QTY	REMARKS
20	22U-46118-00-18	.SHIM, thrust (1.8T)	1	UR
	22U-46118-00-20	.SHIM, thrust (2.0T)	1	UR
21	93211-39569	.O-RING	1	
22	90105-10285	.BOLT, washer based	2	
23	93102-65277	.OIL SEAL	1	
24	11H-13455-00	.PLUG	2	
25	214-11198-01	.GASKET	2	
26	2H7-17590-00	.BREATHER COMP.	1	
27	1J7-25319-01	.SEAL, hub dust	1	
28	22U-46123-00	COUPLING, gear	1	
29	2GV-46172-00	SHAFT, drive	1	
30	93440-19112	CIRCLIP	1	
31	22U-46137-00	SEAL 2	1	
32	93410-22039	CIRCLIP	1	
33	90501-15722	SPRING, compression	1	
34	4X7-46180-00	CROSS JOINT COMP.	1	
35	93399-99926	BEARING	2	
36	93440-20088	CIRCLIP	2	
37	95311-10600	NUT	4	
38	92901-10100	WASHER, spring	4	
39	90387-15668	COLLAR	1	



2JV171-7230





3JC4171-0240

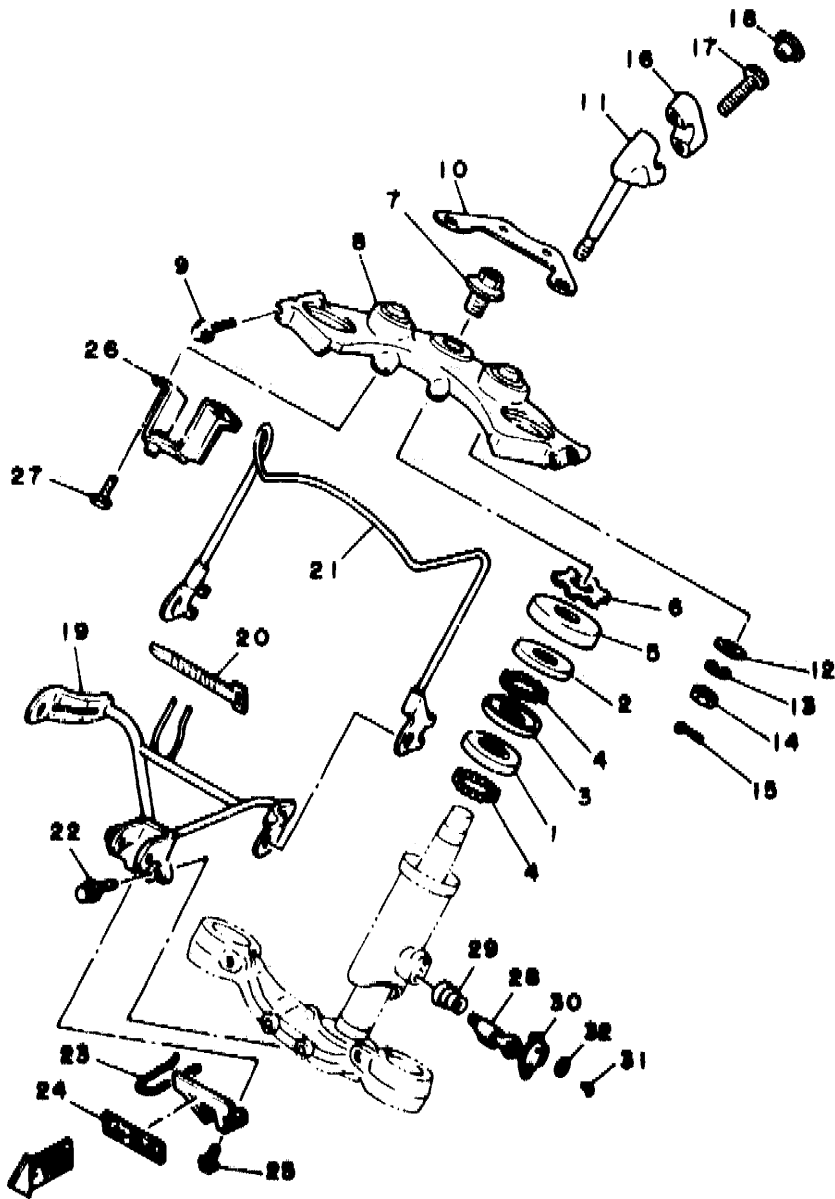
FIG. 24 STEERING

REF. NO.	PART NO.	DESCRIPTION	QTY	REMARKS
1	156-23412-00	RACE, ball 2	1	
2	183-23411-00	RACE, ball 1	1	
3	183-23412-00	RACE, ball 2	1	
4	93501-04011	BALL	38	
5	4K0-23415-00	COVER, ball race 1	1	
6	90179-25033	NUT	1	
7	90105-14102	BOLT, washer based	1	
8	2GV-W2341-00-38	CROWN, handle	1	CLEAR (WITH BUFF)
9	90105-08698	BOLT, washer based	2	
10	2GV-2317F-00	STAY 2	1	
11	42X-23442-00-38	HOLDER, handle lower	2	CLEAR (WITH BUFF)
12	90201-100A1	WASHER, plate	2	
13	92901-10100	WASHER, spring	2	
14	95303-10700	NUT	2	
15	90468-12006	CLIP	2	
16	4H7-23441-00-38	HOLDER, handle upper	2	CLEAR (WITH BUFF)
17	91311-08030	BOLT	4	
18	90338-08163	PLUG	4	
19	2GV-23174-00	STAY, headlight	1	
20	3GW-83936-00	BAND, switch cord	1	
21	2NT-23164-00	STAY, light guard	1	
22	95023-06020	BOLT	2	
23	2GV-2317M-00	STAY 3	1	
24	3AA-21578-21	EMBLEM	1	
25	95023-06008	BOLT	1	
26	2GV-2317E-00	STAY	1	
27	91316-06016	BOLT	2	
28	2A6-23408-00	STEERING LOCK ASSY	1	

D6

FIG. 24 STEERING

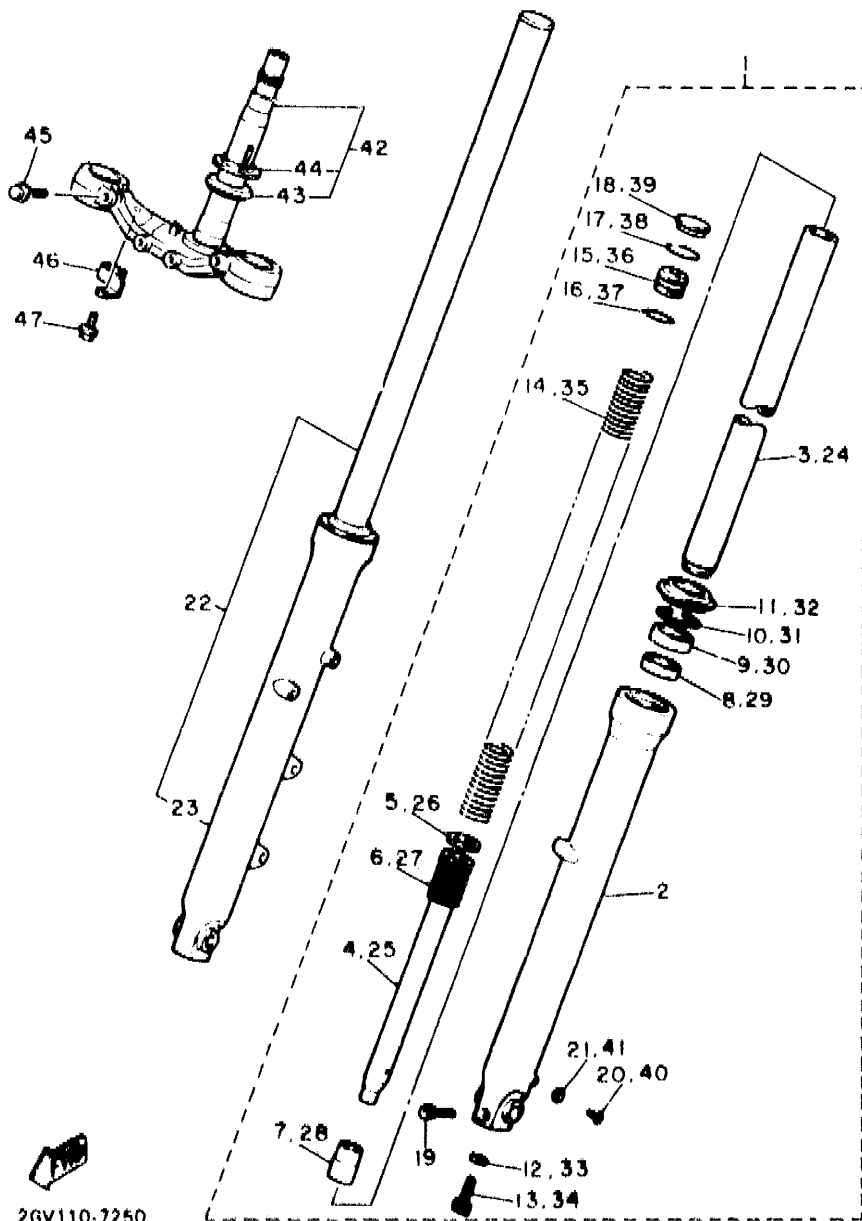
REF. NO.	PART NO.	DESCRIPTION	Q'TY	REMARKS
29	90502-09024	SPRING, conical	1	
30	3DM-23484-00	CAP, handle lock	1	
31	90269-04003	RIVET	1	
32	90208-04029	WASHER, conical spring	1	



3JC4171-0240

D7

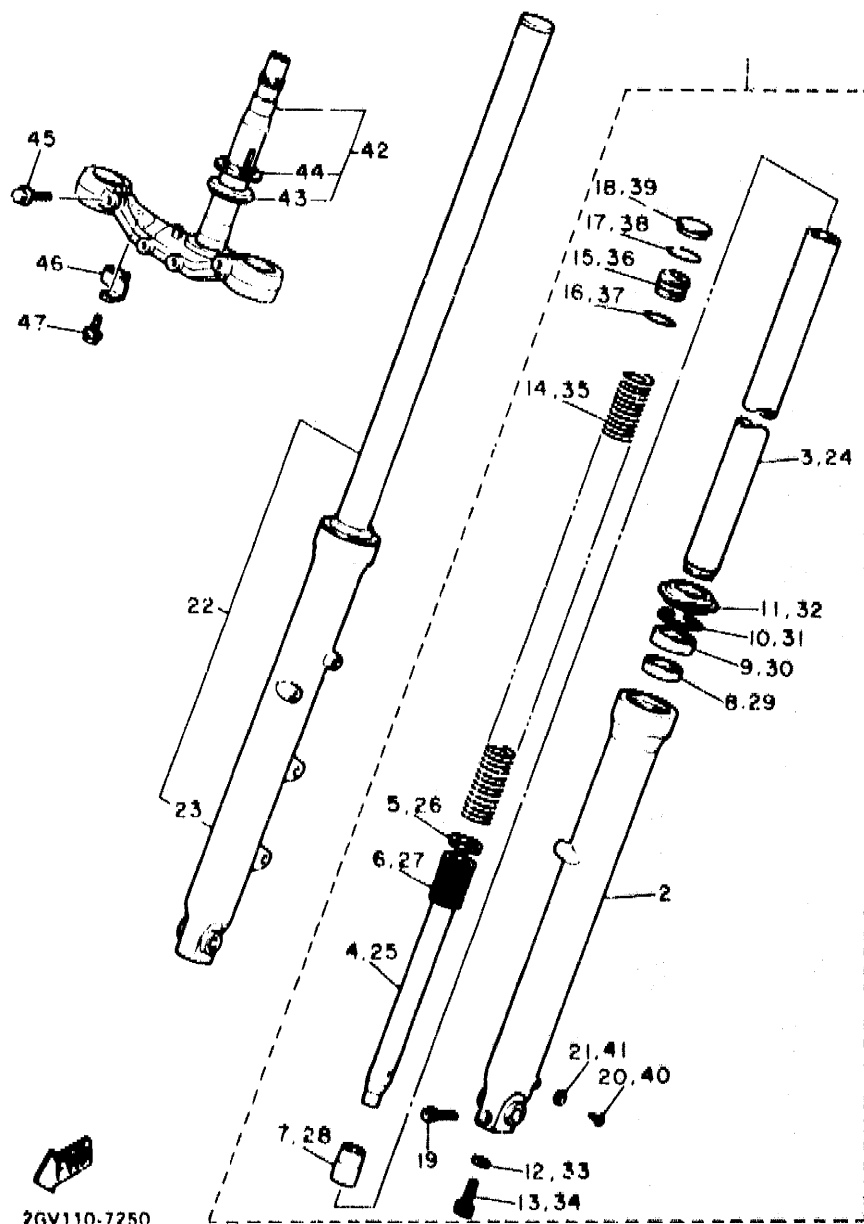
FIG. 25 FRONT FORK



2GV110-7250

REF. NO.	PART NO.	DESCRIPTION	Q'TY	REMARKS
1	2NT-23102-01	FRONT FORK ASSY (L.H)	1	UR
	3JB-23102-00	FRONT FORK ASSY (L.H)	1	UR XV535S MODEL
2	2NT-23126-01	.TUBE, outer 1	1	
3	2GV-23110-00-93	.INNER TUBE COMP.1	1	CHROME PLATED
4	2GV-23171-00	.PISTON, front fork	1	
5	1GU-23157-00	.RING, piston	1	
6	1GU-23151-00	.SPRING, rebound	1	
7	1GU-23173-00	.SPINDLE, taper	1	
8	2GV-23125-00	.METAL, slide 1	1	
9	2AJ-23145-00	.OIL SEAL	1	
10	1HX-23156-00	.CLIP, oil seal	1	
11	2GV-23144-00	.SEAL, dust	1	
12	90430-08155	.GASKET	1	
13	91311-08025	.BOLT	1	
14	2GV-23141-00	.SPRING, front fork	1	
15	1HX-23111-00	.BOLT, cap	1	
16	93210-24709	.O-RING	1	
17	93450-32116	.CIRCLIP	1	
18	1HX-23154-00	.PLUG, inner tube	1	UR
	3JB-23154-00	.PLUG, inter tube	1	UR XV535S MODEL
19	90110-08110	.BOLT, hexagon socket head	1	
20	98501-04006	.SCREW, pan head	1	
21	5U8-23129-00	.GASKET, drain plug	1	
22	2NT-23103-01	FRONT FORK ASSY (R.H)	1	UR
	3JB-23103-00	FRONT FORK ASSY (R.H)	1	UR XV535S MODEL
23	2NT-23136-01	.TUBE, outer 2	1	
24	2GV-23110-00-93	.INNER TUBE COMP.1	1	CHROME PLATED
25	2GV-23171-00	.PISTON, front fork	1	

D8

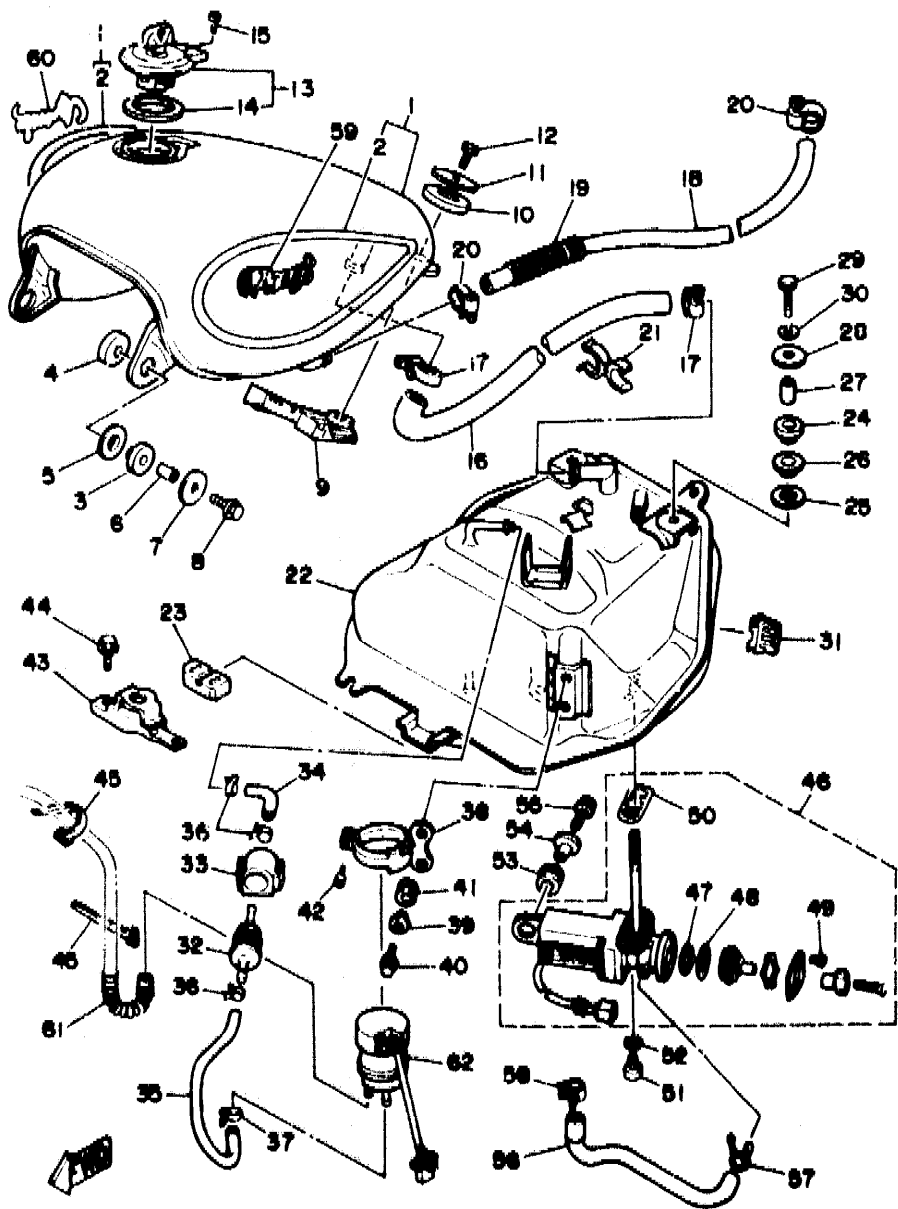


2GV110-7250

FIG. 25 FRONT FORK

REF. NO.	PART NO.	DESCRIPTION	Q'TY	REMARKS
26	1GU-23157-00	.RING, piston	1	
27	1GU-23151-00	.SPRING, rebound	1	
28	1GU-23173-00	.SPINDLE, taper	1	
29	2GV-23125-00	.METAL, slide 1	1	
30	2AJ-23145-00	.OIL SEAL	1	
31	1HX-23156-00	.CLIP, oil seal	1	
32	2GV-23144-00	.SEAL, dust	1	
33	90430-08155	.GASKET	1	
34	91311-08025	.BOLT	1	
35	2GV-23141-00	.SPRING, front fork	1	
36	1HX-23111-00	.BOLT, cap	1	
37	93210-24709	.O-RING	1	
38	93450-32116	.CIRCLIP	1	
39	1HX-23154-00	.PLUG, inner tube	1	UR
	3JB-23154-00	.PLUG, inner tube	1	UR XV535S MODEL
40	98501-04006	.SCREW, pan head	1	
41	5U8-23129-00	.GASKET, drain plug	1	
42	3BR-21140-00	UNDER BRACKET COMP.	1	
43	164-23462-00	.SEAL, steering	1	
44	156-23411-00	.RACE, ball 1	1	
45	95821-12035	BOLT, flange	2	
46	2GV-25886-00	HOLDER, brake hose	1	UR
	3JB-25886-00	HOLDER, brake hose	1	UR XV535S MODEL
47	95826-06010	BOLT, flange	1	

D9

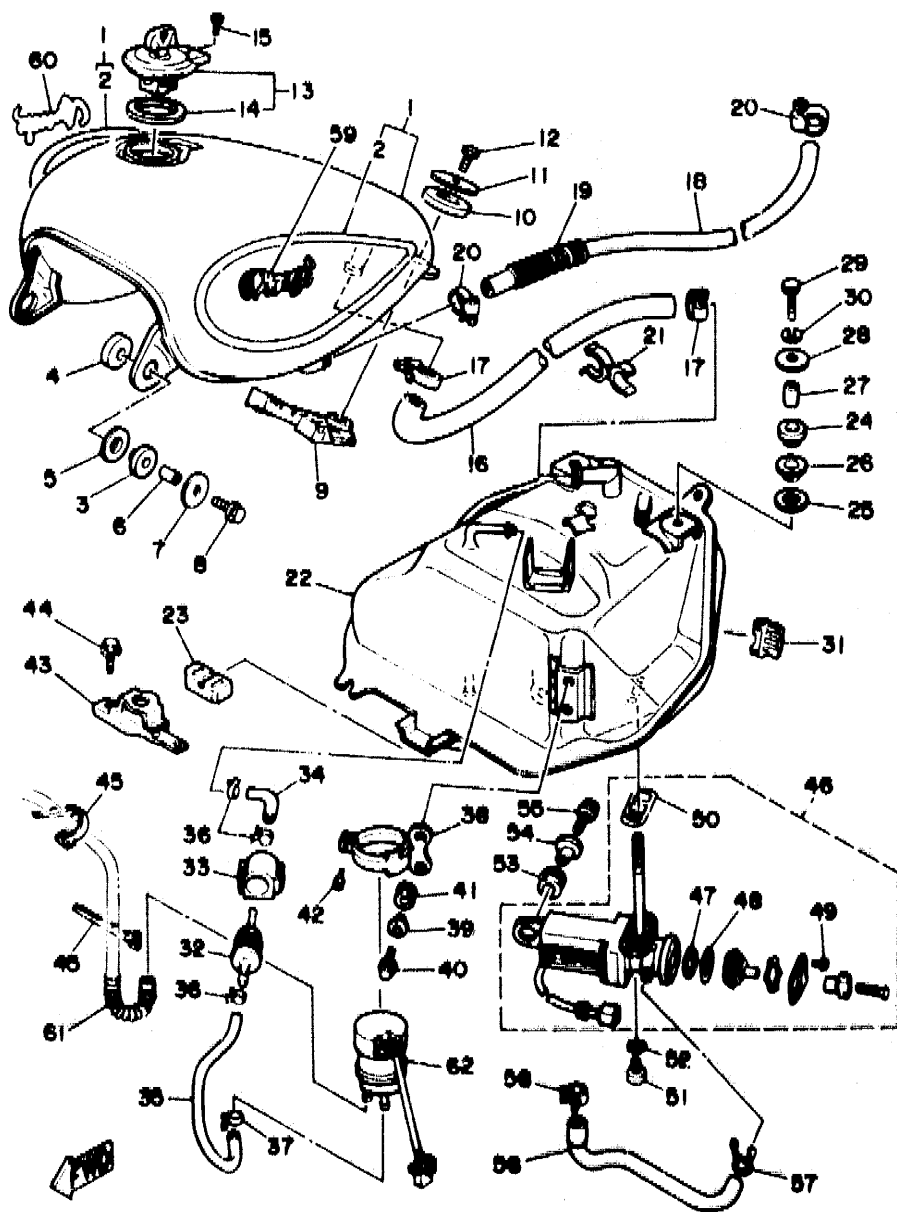


38TY351-4260

FIG. 26 FUEL TANK

REF. NO.	PART NO.	DESCRIPTION	Q'TY	REMARKS
1	3BR-24280-00-P1	SUB-TANK ASSY	1	UR DULL GREENISH BLUE METALLIC ;
	3BR-24280-00-4B	SUB-TANK ASSY	1	UR BLACK 2
	3BR-Y2428-50-0X	SUB-TANK ASSY (XV535S MODEL)	1	UR RED-E SPARKLE /SALT LAKE SILVER
2	3JB-24240-40	GRAPHIC, fuel	2	
3	1FK-24182-00	DAMPER, locating 2	2	
4	23T-24724-01	DAMPER, seat	2	
5	1FK-24186-00	WASHER, special	2	
6	90387-06387	COLLAR	2	
7	90201-066M2	WASHER, plate	2	
8	90105-06700	BOLT, washer based	2	
9	3JB-24182-00	DAMPER, locating 2	1	
10	42X-24183-00	DAMPER, locating 3	1	
11	90201-08569	WASHER, plate	1	
12	98001-08016	BOLT	1	
13	4X7-24602-03	CAP ASSY	1	
14	4X7-24612-00	.GASKET, cap	1	
15	91311-05010	BOLT	1	
16	3JB-24316-00	PIPE 6	1	
17	90450-25037	HOSE CLAMP ASSY	2	
18	3JB-24317-00	PIPE 7	1	
19	90501-101J4	SPRING, compression	1	
20	90450-22017	HOSE CLAMP ASSY	2	
21	3JB-24135-00	CLAMP 1	1	
22	3JB-24110-01-33	FUEL TANK COMP.	1	YAMAHA BLACK
23	26V-24181-00	DAMPER, locating 1	1	
24	1FK-24182-00	DAMPER, locating 2	2	
25	23T-24724-01	DAMPER, seat	2	
26	1FK-24186-00	WASHER, special	2	

D10

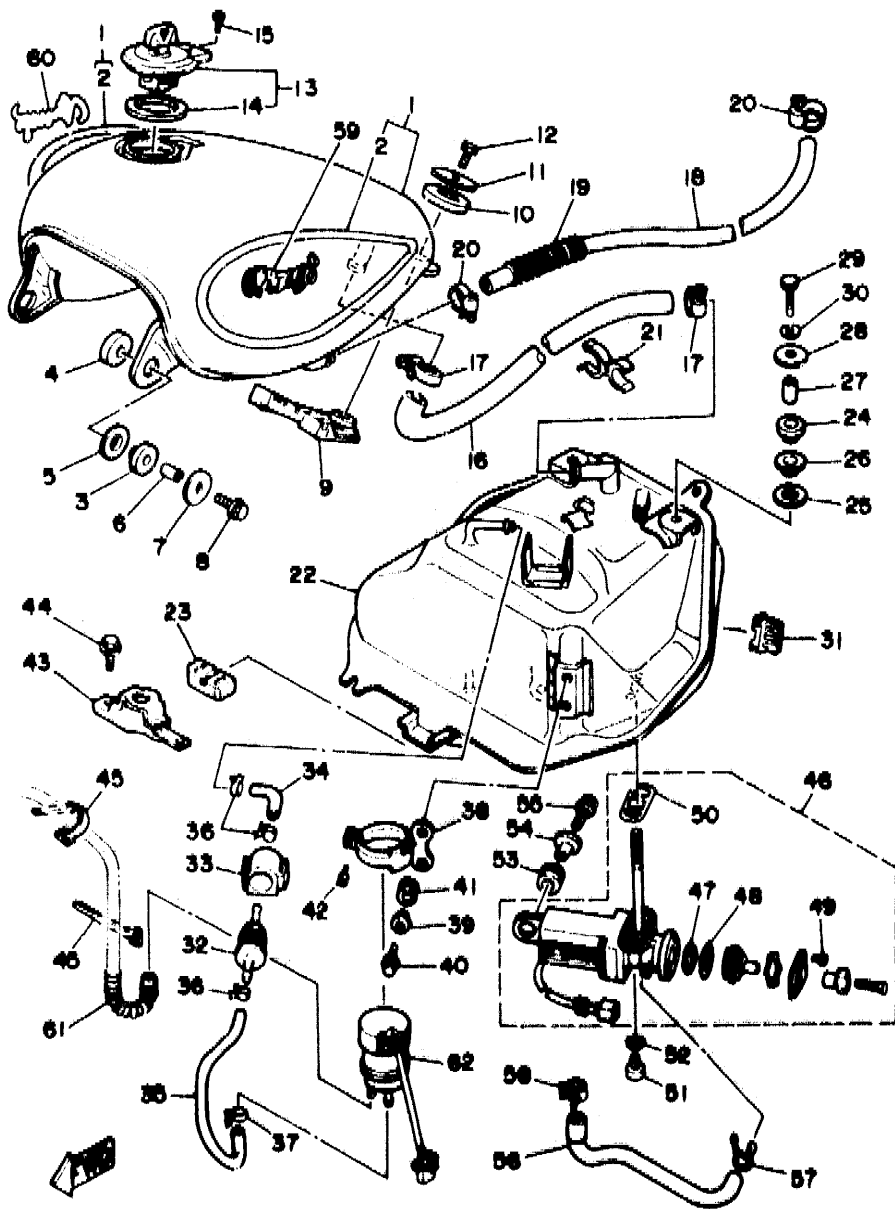


38TY351-4260

FIG. 26 FUEL TANK

REF. NO.	PART NO.	DESCRIPTION	Q'TY	REMARKS
27	90387-06387	COLLAR	2	
28	90201-06568	WASHER, plate	2	
29	97026-06030	BOLT	2	
30	92906-06100	WASHER, spring	2	
31	26V-24184-00	DAMPER, locating 4	2	
32	1FK-24560-00	FILTER ASSY	1	
33	1FK-24566-00	BRACKET, filter	1	
34	26V-24311-00	PIPE, fuel 1	1	
35	26V-24312-00	PIPE 2	1	
36	90467-11044	CLIP	3	
37	90467-10135	CLIP	1	
38	26V-24491-00	BRACKET, fuel pump	1	
39	90387-062L2	COLLAR	2	
40	95816-06016	BOLT, flange	2	
41	90480-13163	GROMMET	2	
42	98506-05016	SCREW, pan head	1	
43	26V-24191-00	BRACKET, fuel tank 1	1	
44	90119-06123	BOLT, with washer	2	
45	437-83936-11	BAND, switch cord	3	
46	3JB-24500-02	FUEL COCK ASSY 1	1	
47	3AJ-24523-00	.VALVE	1	
48	3AJ-24534-00	.SEAL, cock	1	
49	98503-03008	.SCREW, pan head	2	
50	4X8-24512-00	.O-RING	1	
51	90149-06008	SCREW	2	
52	90202-05193	WASHER, plate	2	
53	90480-14023	GROMMET	1	
54	90387-06388	COLLAR	1	

D11



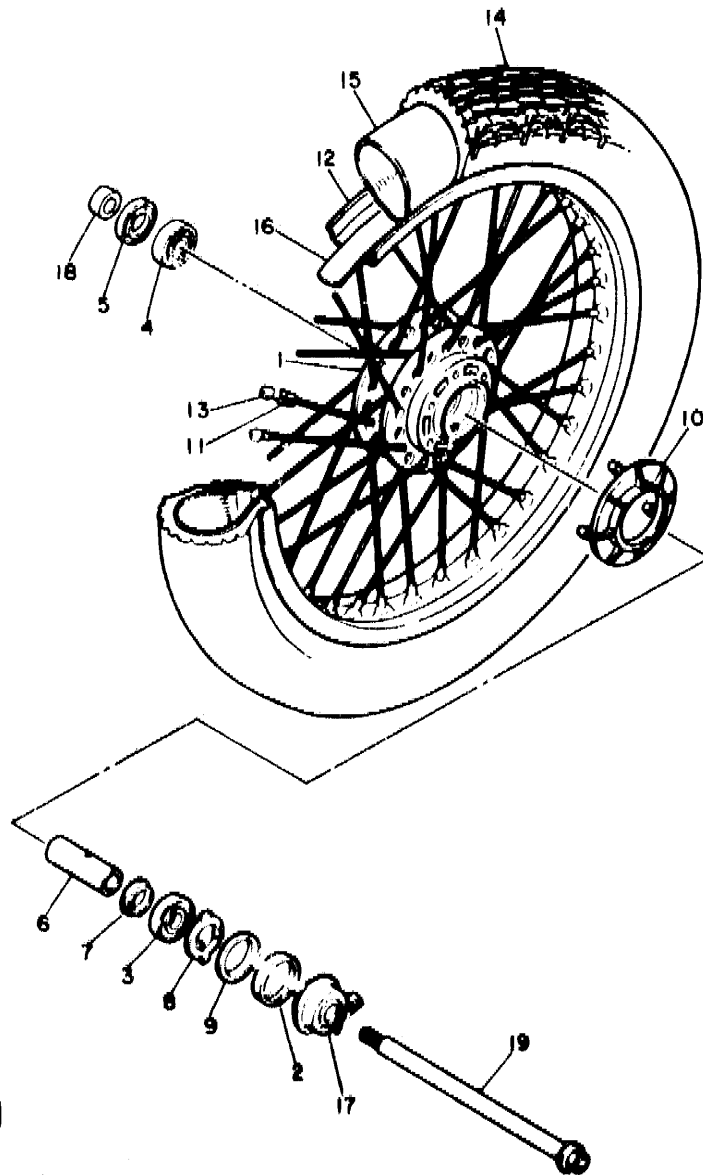
387351-4200

FIG. 26 FUEL TANK

REF. NO.	PART NO.	DESCRIPTION	Q'TY	REMARKS
55	95816-06025	BOLT, flange	1	
56	3JB-24314-00	PIPE 4	1	
57	90467-10008	CLIP	1	
58	90467-11044	CLIP	1	
59	3JB-24161-10	EMBLEM 1	1	
60	3JB-24162-10	EMBLEM 2	1	
61	90501-100F8	SPRING, compression	1	
62	1HX-13907-00	FUEL PUMP COMP.	1	

D12

FIG. 28 FRONT WHEEL



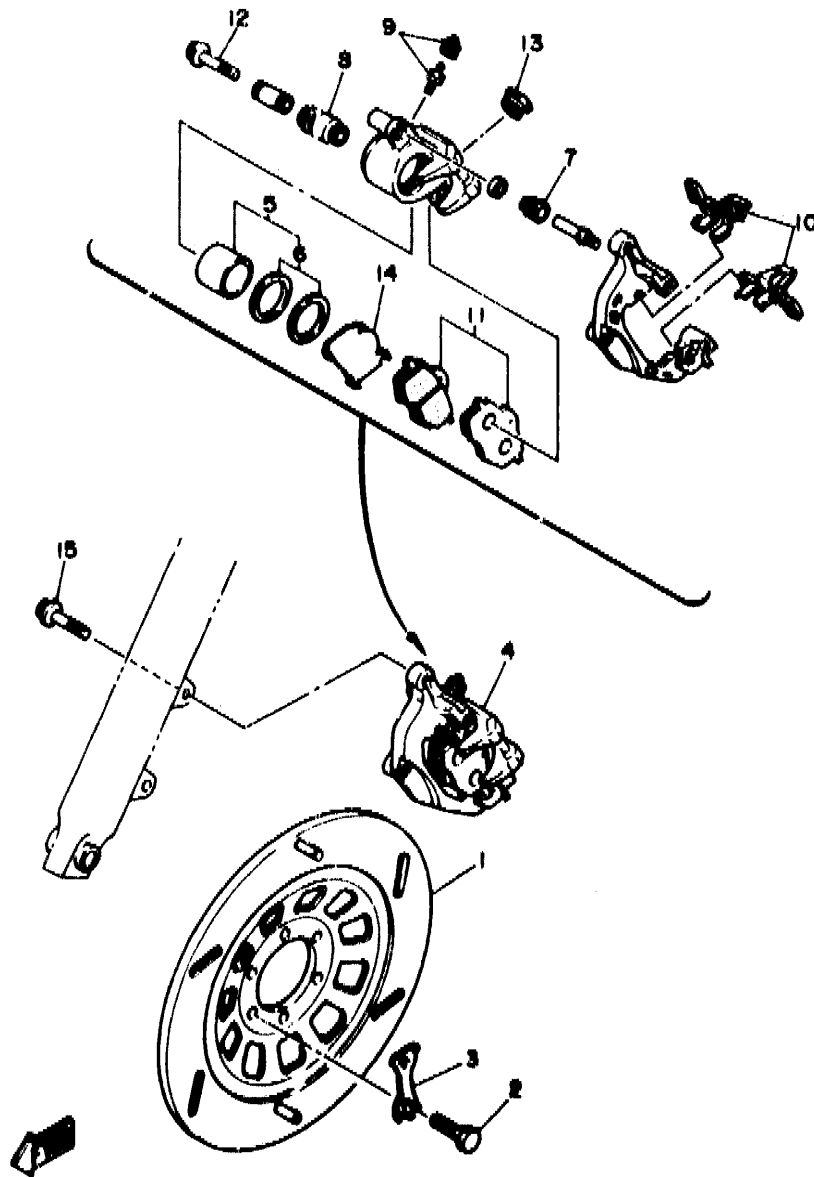
REF. NO.	PART NO.	DESCRIPTION	Q'TY	REMARKS
1	341-25111-01-35	HUB, front	1	SILVER
2	93105-45017	OIL SEAL	1	
3	93306-30309	BEARING (B6303Z2)	1	
4	93306-30309	BEARING (B6303Z2)	1	
5	93102-28022	OIL SEAL	1	
6	90560-17126	SPACER	1	
7	146-25315-00	FLANGE, spacer	1	
8	341-25145-00	CLUTCH, meter	1	
9	341-25846-06	RETAINER, clutch	1	
10	1L9-25847-00	COVER, housing	1	
11	156-25398-00	BALANCER, wheel	1	UN
12	94418-19443	RIM (1.85-19)	1	
13	2GV-25104-00	SPOKE SET, front	1	
14	94130-197N1	TIRE (3.00S19 4PR L303A T/T)	1	UR BRIDGESTONE
	94130-197N0	TIRE (3.00S19 4PR DOTN)	1	UR DUNLOP
15	94227-19177	TUBE (2.75-19)	1	UR DUNLOP
16	94335-19026	BAND, rim (3.50-19)	1	UR BRIDGESTONE
	94325-19115	BAND, rim (2.50-19)	1	UR DUNLOP
17	1FK-25190-00	GEAR UNIT ASSY	1	
18	90387-177R1	COLLAR	1	
19	2GV-25181-00	AXLE, wheel	1	

2GV110-7280

D14

FIG. 29 FRONT BRAKE CALIPER

REF. NO.	PART NO.	DESCRIPTION	Q'TY	REMARKS
1	3JB-25831-00	DISC, brake (RIGHT)	1	
2	90101-08312	BOLT	6	
3	1J3-25834-01	WASHER, lock	3	
4	3JB-2580U-00	CALIPER ASSY (RIGHT)	1	
5	2GV-W0057-00	.PISTON ASSY, caliper	1	
6	2GV-W0047-00	..CALIPER SEAL KIT	1	
7	5R2-25937-0C	.ROOT 2	1	
8	34X-25937-00	.BOOT 2	1	
9	51L-W0048-00	.BREED SCREW KIT	1	
10	2GV-25919-00	.SUPPORT, pad	2	
11	3JB-W0045-00	.BRAKE PAD KIT	1	
12	34X-25926-00	.BOLT	1	
13	34X-25845-00	.CAP, indicator	1	
14	3JB-25827-00	.SHIM, caliper	1	
15	90105-10638	BOLT, washer based	2	



3BT3301-9290

D13

CONTENTS

ENGINE

Cylinder Head	B2~B3
Cylinder	B4
Crankshaft, Piston	B5
Valve	B6
Camshaft, Chain	B7
Oil Pump	B8
Oil Cleaner	B9
Intake	B10
Carburetor	B11~B12
Exhaust	B13~B14
Crankcase	B15~C2
Crankcase Cover 1	C3~C4
Starter Clutch	C5
Clutch	C6~C7
Transmission	C8
Middle Drive Gear	C9
Shift Cam, Fork	C10
Shift Shaft	C11

CHASSIS

Frame	C12~C13
Fender	C14~C15
Side Cover	D2
Rear Arm, Suspension	D3
Drive Shaft	D4~D5
Steering	D6~D7
Front Fork	D8~D9
Fuel Tank	D10~D12
Seat	D13

Front Wheel	D14
Front Brake Caliper	D15
Rear Wheel	E2~E3
Steering Handle, Cable	E4
Front Master Cylinder	E5
Stand, Footrest	E6~E8
Generator	E9
Starting Motor	E10
Flasher Light	E11~E12
Meter	E13
Headlight	E14
Taillight	E15
Handle Switch, Lever	F2
Electrical 1	F3
Electrical 2	F4

INDEX

Numerical Index	M1~M4
-----------------------	-------

CONTENTS

ENGINE

Cylinder Head	B2~B3
Cylinder	B4
Crankshaft, Piston	B5
Valve	B6
Camshaft, Chain	B7
Oil Pump	B8
Oil Cleaner	B9
Intake	B10
Carburetor	B11~B12
Exhaust	B13~B14
Crankcase	B15~C2
Crankcase Cover 1	C3~C4
Starter Clutch	C5
Clutch	C6~C7
Transmission	C8
Middle Drive Gear	C9
Shift Cam, Fork	C10
Shift Shaft	C11

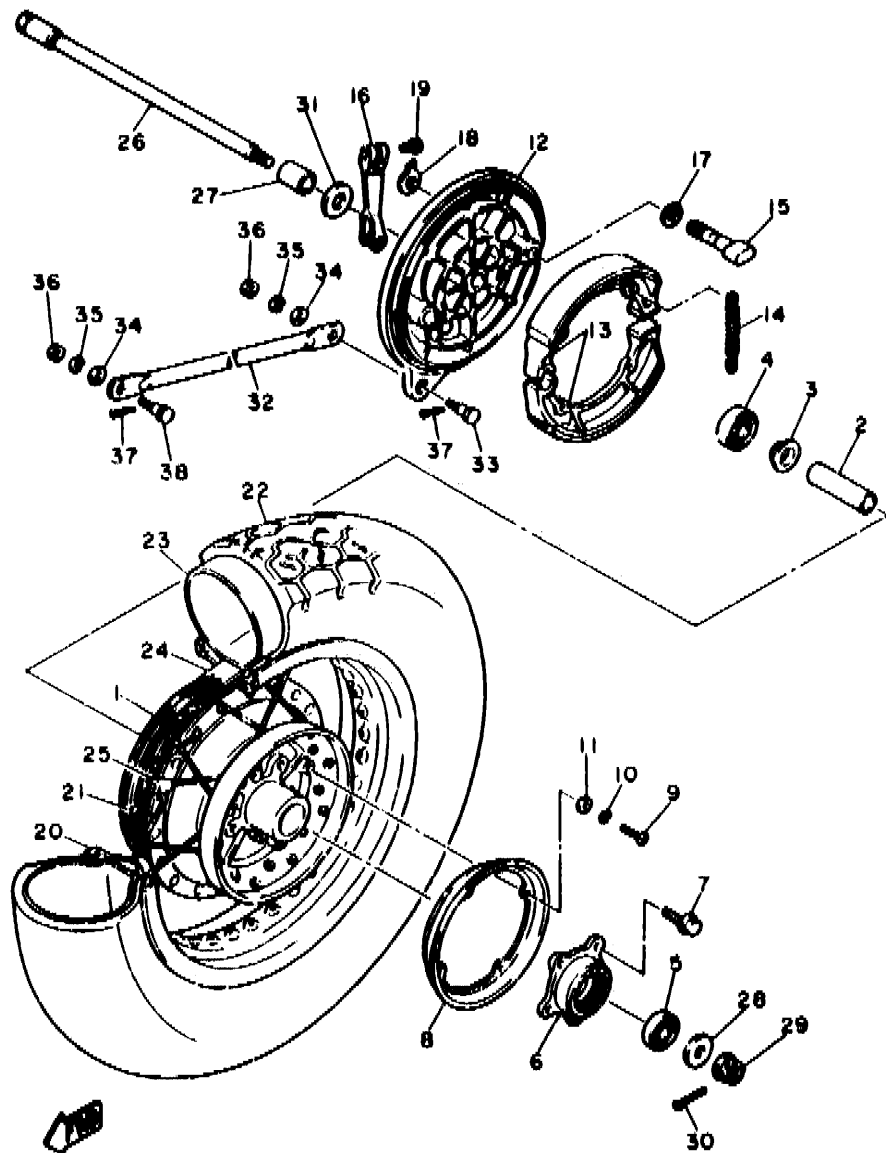
CHASSIS

Frame	C12~C13
Fender	C14~C15
Side Cover	D2
Rear Arm, Suspension	D3
Drive Shaft	D4~D5
Steering	D6~D7
Front Fork	D8~D9
Fuel Tank	D10~D12
Seat	D13

Front Wheel	D14
Front Brake Caliper	D15
Rear Wheel	E2~E3
Steering Handle, Cable	E4
Front Master Cylinder	E5
Stand, Footrest	E6~E8
Generator	E9
Starting Motor	E10
Flasher Light	E11~E12
Meter	E13
Headlight	E14
Taillight	E15
Handle Switch, Lever	F2
Electrical 1	F3
Electrical 2	F4

INDEX

Numerical Index	M1~M4
-----------------------	-------



2GV110-7300

FIG. 30 REAR WHEEL

REF. NO.	PART NO.	DESCRIPTION	Q'TY	REMARKS
1	2GV-25311-00-35	HUB, rear	1	SILVER
2	2GV-25317-00	SPACER, bearing	1	
3	146-25115-00	FLANGE, spacer 1	1	
4	93306-30209	BEARING	1	
5	93306-30203	BEARING (B6302Z)	1	
6	2GV-25366-00	CLUTCH, hub	1	
7	90105-10200	BOLT, washer based	5	
8	2GV-25319-00	SEAL, hub dust	1	
9	98501-05012	SCREW, pan head	4	
10	92901-05100	WASHER, spring	4	
11	92901-05600	WASHER, plate	4	
12	2NT-25321-00	PLATE, brake shoe	1	
13	3DR-W2536-00	BRAKE SHOE SET	1	
14	90507-20002	SPRING, tension	2	
15	4H7-25351-00	CAMSHAFT	1	
16	214-25355-00	LEVER, camshaft	1	
17	90201-14218	WASHER, plate	1	
18	4H7-2533A-02	PLATE, indicator	1	
19	90101-06291	BOLT	1	
20	94430-15477	RIM	1	
21	2GV-25304-00	SPOKE SET, rear	1	
22	94114-156U2	TIRE (140/90-15M/C70SK425)	1	UR BRIDGESTONE
	94114-156U1	TIRE (140/90-15M/C70SK425)	1	UR DUNLOP
23	94214-15223	TUBE (140-15)	1	UR BRIDGESTONE
	94214-15225	TUBE (140/90-15)	1	UR DUNLOP
24	94330-15134	BAND, rim (3.00-15)	1	BRIDGESTONE
25	156-25398-00	BALANCER, wheel	1	UN
26	2GV-25381-00	AXLE, wheel	1	

E2

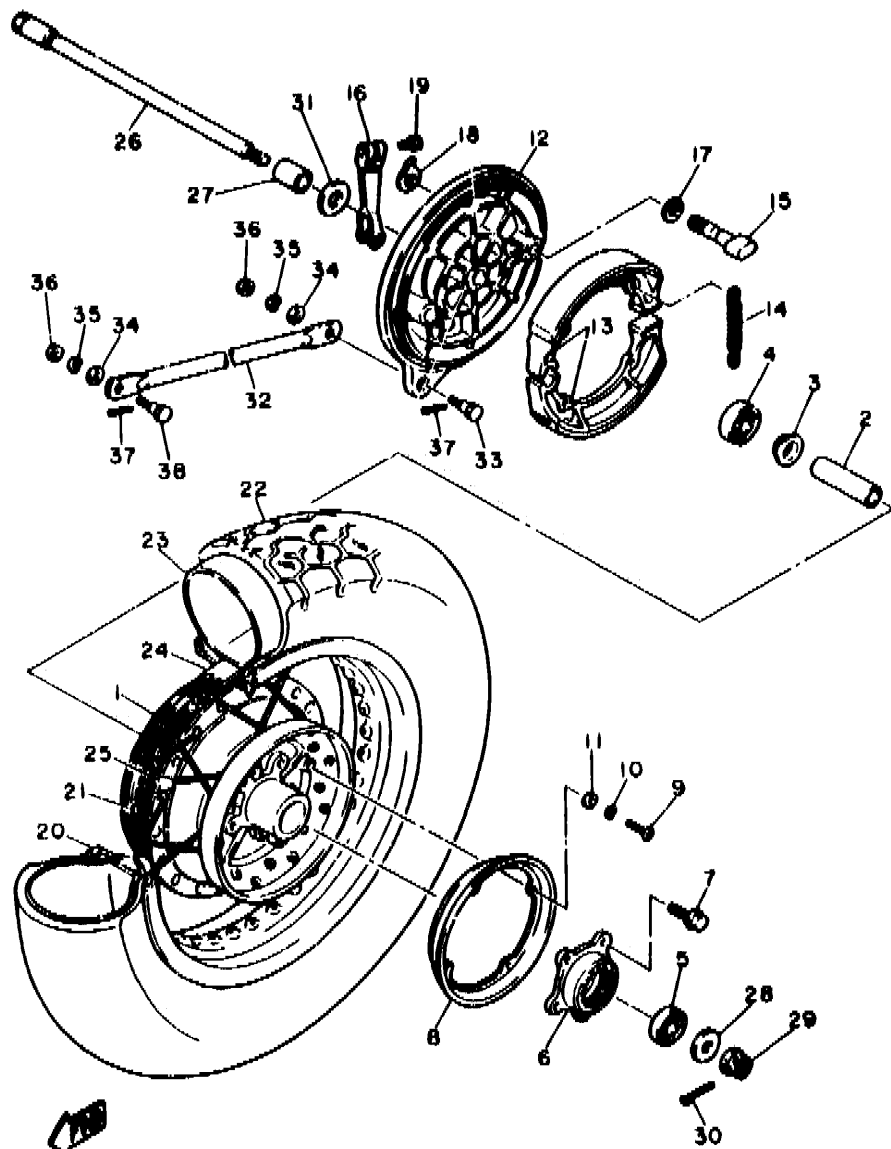
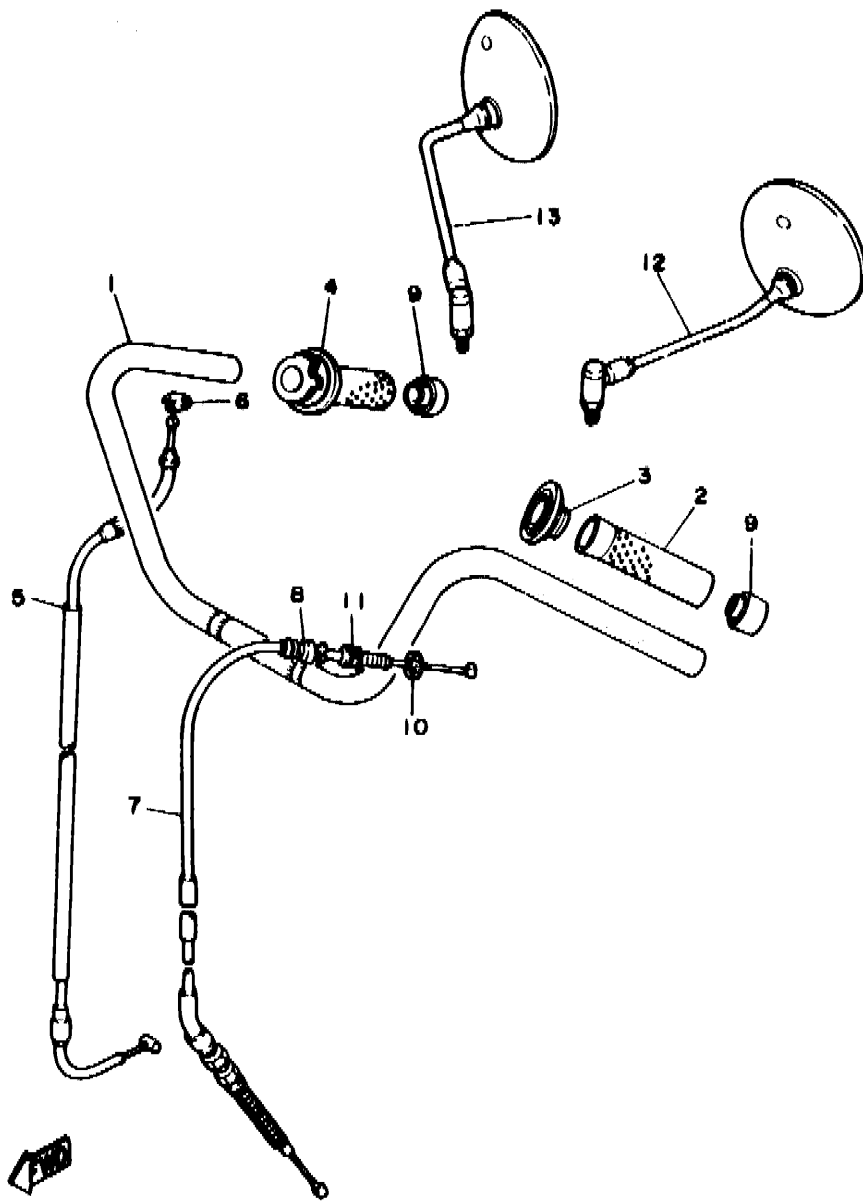


FIG. 30 REAR WHEEL

REF. NO.	PART NO.	DESCRIPTION	Q'TY	REMARKS
27	90387-157R0	COLLAR	1	
28	90201-144J5	WASHER, plate	1	
29	90171-14031	NUT, castle	1	
30	91401-30030	PIN, cotter	1	
31	22U-25377-00	COLLAR, wheel	1	
32	42X-25371-00	BAR, tension	1	
33	90109-08406	BOLT	1	
34	92901-08600	WASHER, plate	2	
35	92990-08100	WASHER, spring	2	
36	95303-08700	NUT	2	
37	91401-20015	PIN, cotter	2	
38	90109-08368	BOLT	1	

2GV110-7300

E3



38T0332-0310

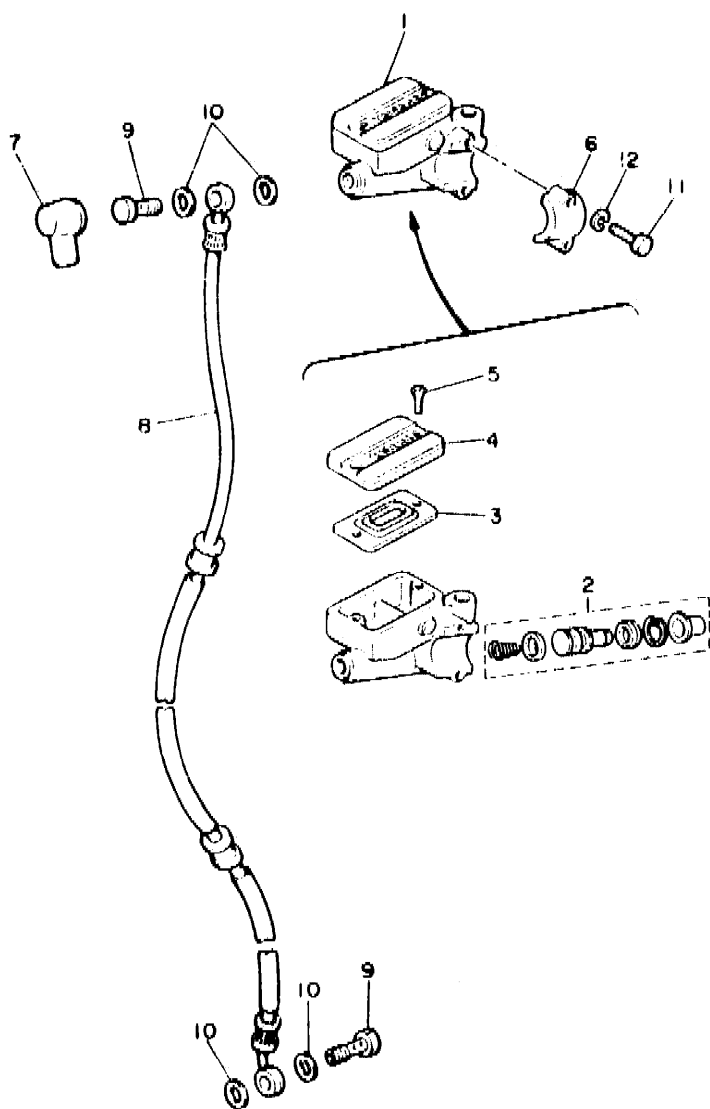
FIG. 31 STEERING HANDLE, CABLE

REF. NO.	PART NO.	DESCRIPTION	Q'TY	REMARKS
1	2GV-26111-10	HANDLEBAR	1	
2	3JB-26241-00	GRIP (LEFT)	1	
3	3JB-26273-00	ROTOR	1	
4	3JB-26240-00	GRIP ASSY	1	
5	2NU-26311-00	CABLE, throttle 1	1	
6	5HO-26393-00	HOLDER	1	
7	55U-26335-01	CABLE, clutch	1	
8	1E6-26342-00	BOOT, cable	1	
9	3JB-2628J-00	CAP, grip	2	
10	90179-08148	NUT	1	
11	90123-08046	BOLT	1	
12	1J7-26290-F0	BACK MIRROR ASSY (LEFT)	1	
12	1J7-26290-G0	BACK MIRROR AASY (RIGHT)	1	

E4

FIG. 32 FRONT MASTER CYLINDER

REF. NO.	PART NO.	DESCRIPTION	Q'TY	REMARKS
1	4H7-25850-02	MASTER CYLINDER ASSY	1	
2	4H7-W0041-00	.CYLINDER KIT, master	1	
3	4L0-25854-00	.DIAPHRAGM, reservoir	1	
4	4H7-25852-00	.CAP, reservoir	1	
5	98706-04012	.SCREW, flat head	2	
6	4L0-25867-00	BRACKET, master cylinder	1	
7	4L0-25862-00	BOOT, master cylinder	1	
8	2GV-25872-01	HOSE, brake 1	1	UR
	3JB-25872-20	HOSE, brake 1	1	UR XV535S MODEL
9	90401-10096	BOLT, union	2	
10	90201-10118	WASHER, plate	4	
11	97016-06025	BOLT	2	
12	92906-06100	WASHER, spring	2	



2YL351-8320

E3

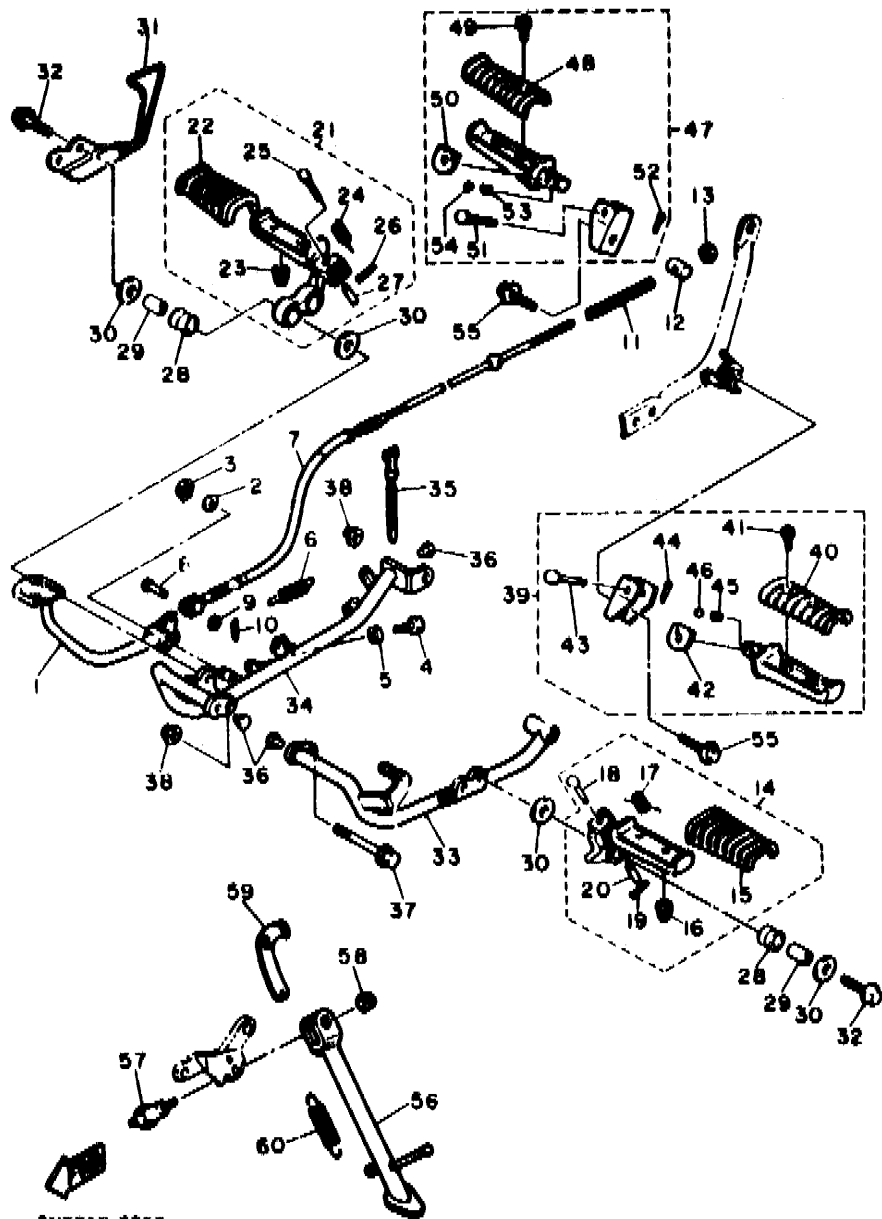
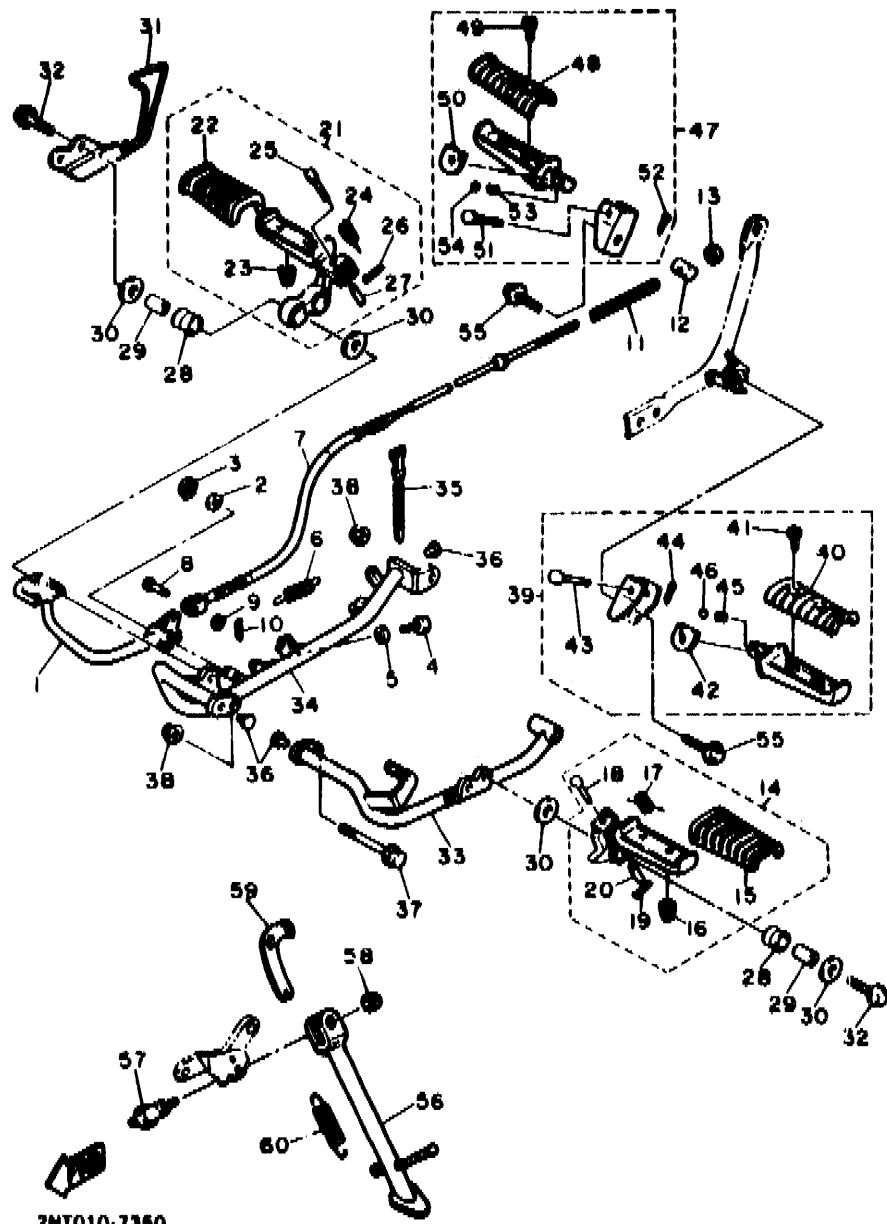


FIG. 33 STAND. FOOTREST

REF. NO.	PART NO.	DESCRIPTION	Q'TY	REMARKS
1	2GV-27211-00-93	PEDAL, brake	1	CHROME PLATED
2	90201-152L1	WASHER, plate	1	
3	99009-15400	CIRCLIP	1	
4	90101-06288	BOLT	1	
5	95303-06600	NUT	1	
6	90506-20380	SPRING, tension	1	
7	2GV-26351-00	CABLE, brake	1	
8	91701-06022	PIN, clevis	1	
9	92901-06200	WASHER, plain	1	
10	91401-20015	PIN, cotter	1	
11	90501-10245	SPRING, compression	1	
12	90249-12008	PIN	1	
13	90179-06176	NUT	1	
14	1RM-27410-00-93	FRONT FOOTREST ASSY (LEFT)	1	CHROME PLATED
15	1NH-27413-00	.COVER, footrest	1	
16	90176-06058	.NUT, crown	2	
17	90508-18696	.SPRING, torsion	1	
18	91701-08038	.PIN, clevis	1	
19	91401-25015	.PIN, cotter	1	
20	90387-087K5	.COLLAR	1	
21	1RM-27420-00-93	FRONT FOOTREST ASSY (RIGHT)	1	CHROME PLATED
22	1NH-27413-00	.COVER, footrest	1	
23	90176-06058	.NUT, crown	2	
24	90508-18696	.SPRING, torsion	1	
25	91701-08038	.PIN, clevis	1	
26	91401-25015	.PIN, cotter	1	
27	90387-087K5	.COLLAR	1	
28	4X7-27414-00	DAMPER, footrest	4	

2NT010-7380

E6



2NT010-7360

FIG. 33 STAND, FOOTREST

REF. NO.	PART NO.	DESCRIPTION	Q'TY	REMARKS
29	90387-107A7	COLLAR	4	
30	90201-100A1	WASHER, plate	6	
31	2GV-27491-00	PROTECTOR	1	
32	90109-100G0	BOLT	4	
33	2GV-27471-00	BAR, footrest 1	1	
34	2GV-27472-00	BAR, footrest 2	1	
35	90465-13169	CLAMP	1	
36	90338-09161	PLUG	3	
37	90105-10312	BOLT, washer based	1	
38	95701-10500	NUT, flange	2	
39	2NT-27430-01	REAR FOOTREST ASSY 1	1	
40	1NH-27433-00	.COVER, rear footrest	1	
41	92016-06012	.BOLT	2	
42	2NT-27437-00	.WASHER, special	1	
43	91701-06032	.PIN, clevis	1	
44	91401-20015	.PIN, cotter	1	
45	90501-12743	.SPRING, compression	1	
46	93501-04011	.BALL	1	
47	2NT-27440-01	REAR FOOTREST ASSY 2	1	
48	1NH-27433-00	.COVER, rear footrest	1	
49	92016-06012	.BOLT	2	
50	2NT-27437-00	.WASHER, special	1	
51	91701-06032	.PIN, clevis	1	
52	91401-20015	.PIN, cotter	1	
53	90501-12743	.SPRING, compression	1	
54	93501-04011	.BALL	1	
55	95811-10016	BOLT, flange	2	
56	2GV-27311-00-R4	STAND, side	1	BLACK

E7

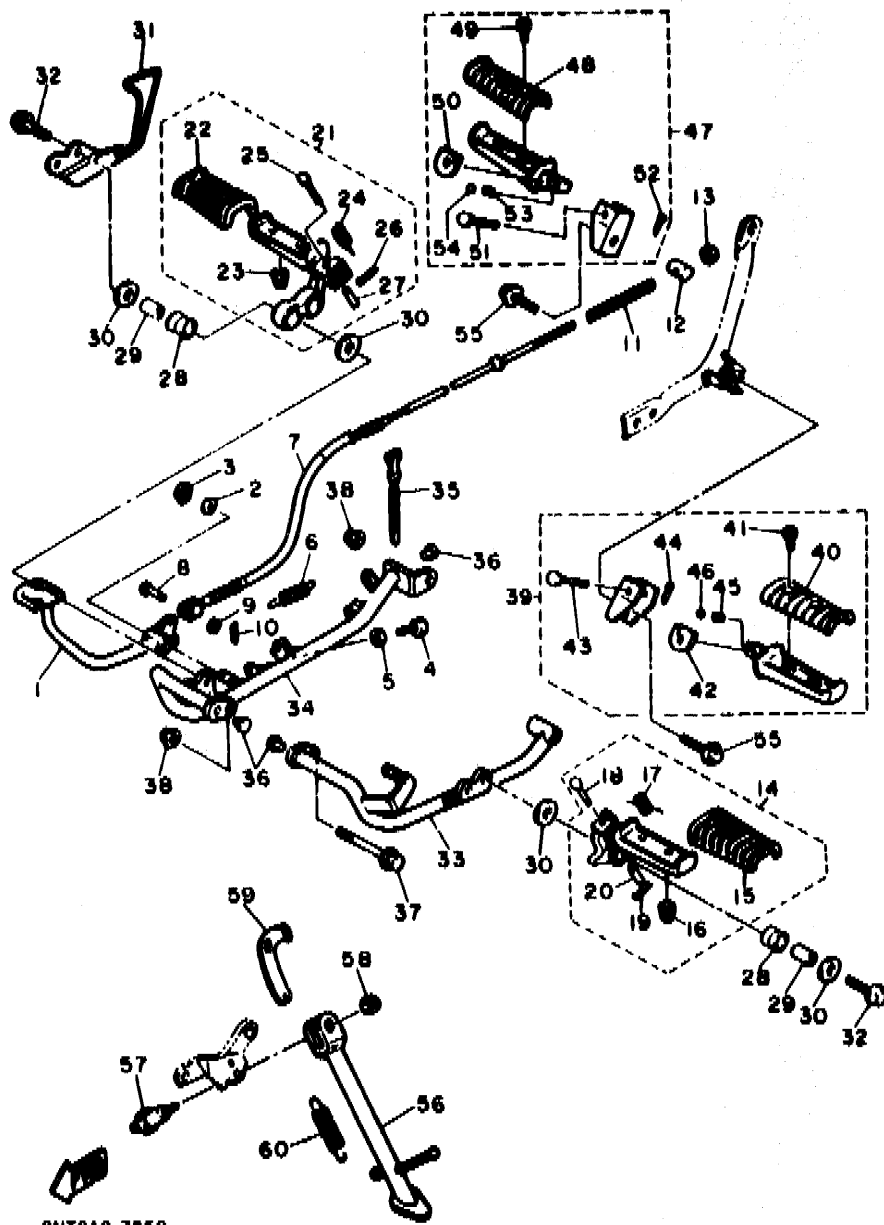


FIG. 33 STAND. FOOTREST

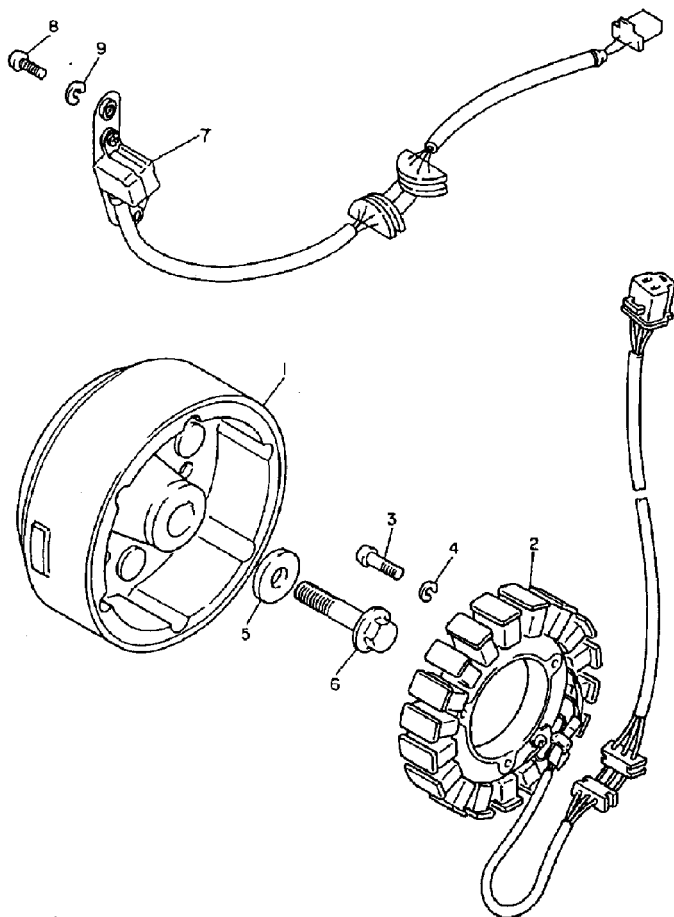
REF. NO.	PART NO.	DESCRIPTION	Q'TY	REMARKS
57	90109-10474	BOLT	1	
58	90185-10037	NUT, self-locking	1	
59	5H0-27315-00	LINK, side stand	1	
60	90506-29266	SPRING, tension	1	

2NT010-7360



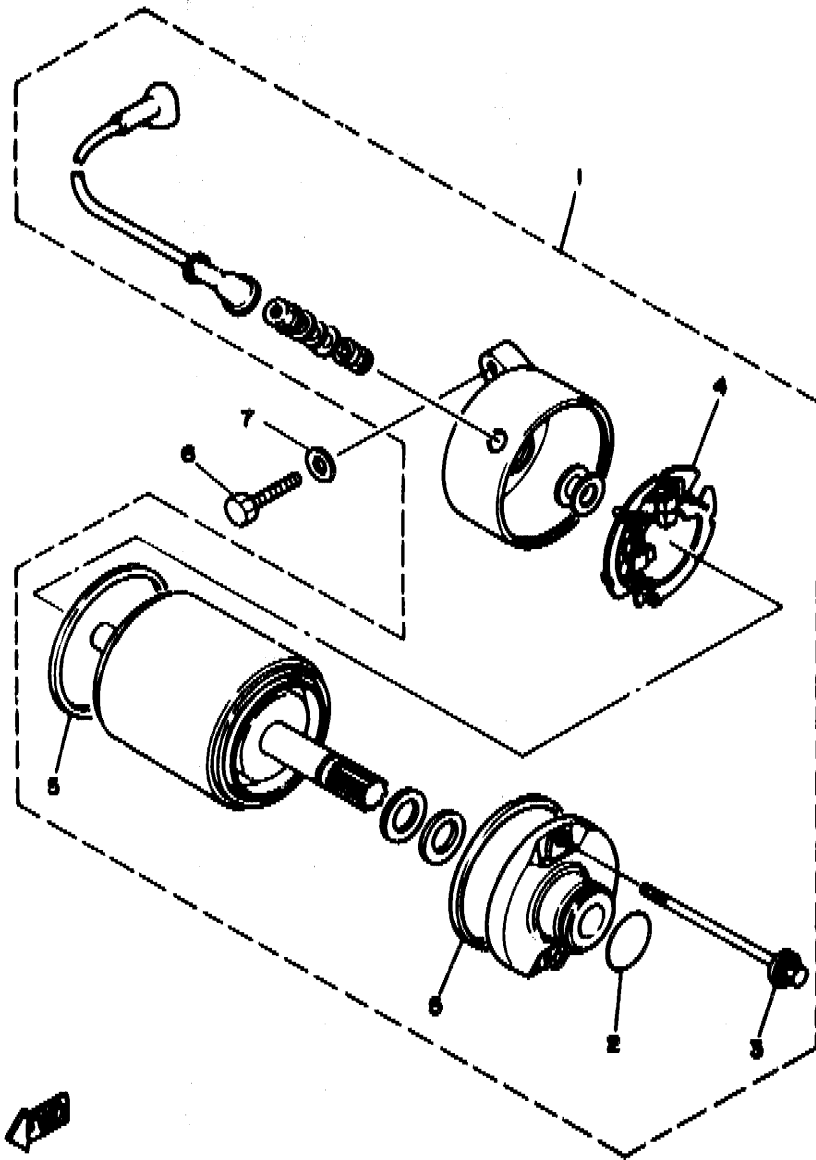
FIG. 34 GENERATOR

REF. NO.	PART NO.	DESCRIPTION	QTY	REMARKS
1	3BT-81450-00	ROTOR ASSY	1	
2	2GV-81410-20	STATOR ASSY	1	
3	98501-06025	SCREW, pan head	3	
4	92990-06100	WASHER, spring	3	
5	90201-107K6	WASHER, plate	1	
6	90105-10152	BOLT, washer based	1	
7	3BT-81670-00	PICK-UP ASSY	1	
8	98501-06020	SCREW, pan head	3	
9	92990-06100	WASHER, spring	3	



3JCG100-5350

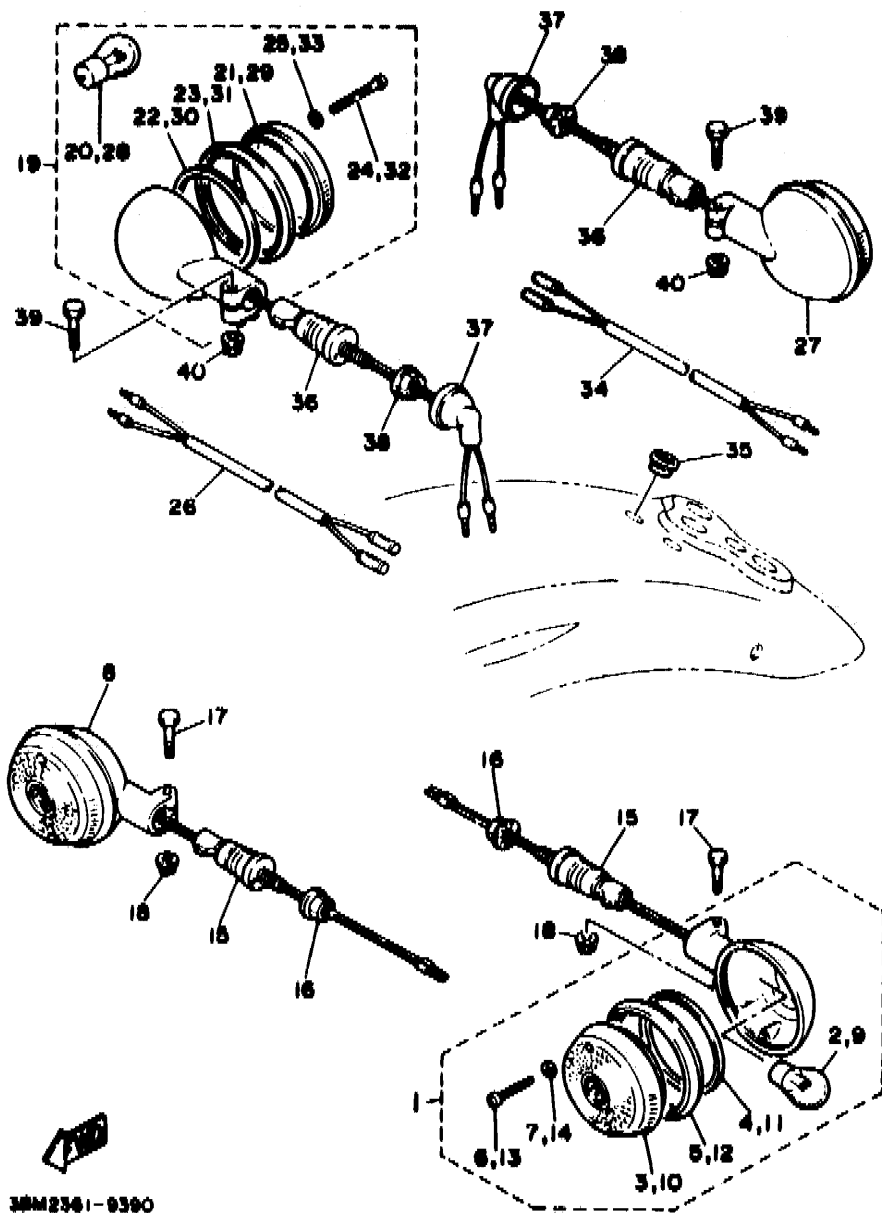
FIG. 36 STARTING MOTOR



REF. NO.	PART NO.	DESCRIPTION	Q'TY	REMARKS
1	3JB-81800-00	STARTING MOTOR ASSY	1	
2	26H-81847-00	.O-RING	1	
3	3HE-81826-00	.BOLT	2	
4	3KS-81840-00	.BRUSH HOLDER ASSY	1	
5	11H-81844-00	.GASKET	2	
6	97021-06025	BOLT	2	
7	92901-06600	WASHER, plate	2	

3JB1010-9370

FIG. 36 FLASHER LIGHT

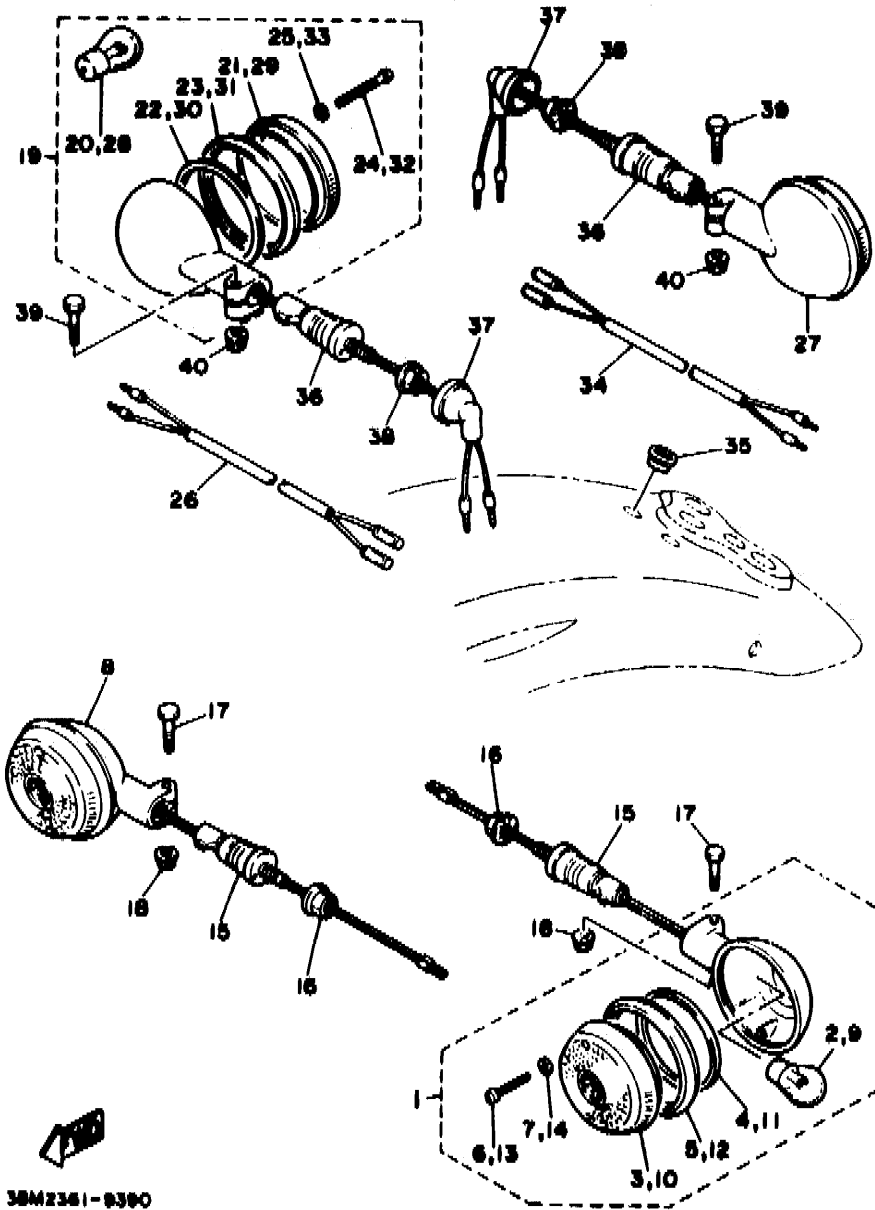


3BM2341-9390

REF. NO.	PART NO.	DESCRIPTION	Q'TY	REMARKS
1	3LS-83310-00	FRONT FLASHER LIGHT ASSY 1	1	
2	1KT-83311-00	.BULB (12V-21W)	1	
3	42X-83312-00	.LENS, flasher	1	
4	42X-83313-00	.GASKET, flasher lens	1	
5	42X-83363-00	.LENS, rim	1	
6	341-83333-70	.SCREW, lens fitting	2	
7	42X-83359-00	.WASHER, special	2	
8	3LS-83320-00	FRONT FLASHER LIGHT ASSY 2	1	
9	1KT-83311-00	.BULB (12V-21W)	1	
10	42X-83312-00	.LENS, flasher	1	
11	42X-83313-00	.GASKET, flasher lens	1	
12	42X-83363-00	.LENS, rim	1	
13	341-83333-70	.SCREW, lens fitting	2	
14	42X-83359-00	.WASHER, special	2	
15	1AA-83318-00	STAY, flasher 1	2	
16	95303-12600	NUT	2	
17	90101-06760	BOLT	2	
18	95701-06500	NUT, flange	2	
19	3BM-83330-10	REAR FLASHER LIGHT ASSY 1	1	
20	1KT-83311-00	.BULB (12V-21W)	1	
21	2AE-83312-00	.LENS, flasher	1	
22	42X-83313-00	.GASKET, flasher lens	1	
23	42X-83363-00	.LENS, rim	1	
24	341-83333-70	.SCREW, lens fitting	2	
25	42X-83359-00	.WASHER, special	2	
26	3BM-82569-00	WIRE, sub lead	1	
27	3BM-83340-10	REAR FLASHER LIGHT ASSY 2	1	
28	1KT-83311-00	.BULB (12V-21W)	1	

ETI

FIG. 36 FLASHER LIGHT

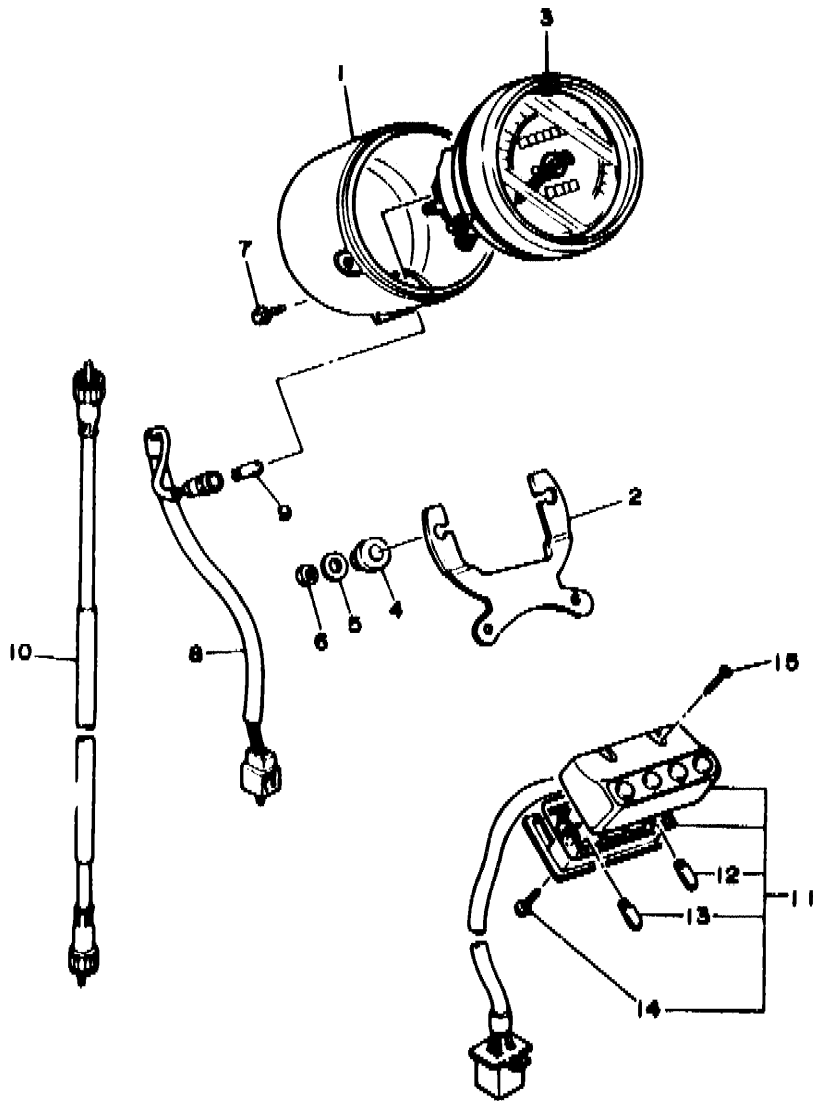


3BM2341-9390

REF. NO.	PART NO.	DESCRIPTION	Q'TY	REMARKS
29	2AE-83312-00	.LENS, flasher	1	
30	42X-83313-00	.GASKET, flasher lens	1	
31	42X-83363-00	.LENS, rim	1	
32	341-83333-70	.SCREW, lens fitting	2	
33	42X-83359-00	.WASHER, special	2	
34	3BM-82509-10	WIRE, sub lead	1	
35	90480-12013	GROMMET	2	
36	1AA-83318-00	STAY, flasher l	2	
37	18G-83365-00	CAP	2	
38	95302-12600	NUT	2	
39	90101-06760	BOLT	2	
40	95701-06500	NUT, flange	2	

FIG. 37 METER

REF. NO.	PART NO.	DESCRIPTION	Q'TY	REMARKS
1	1FK-83507-00	COVER, speedometer	1	
2	2GV-83519-00	BRACKET, meter	1	
3	2JV-8351A-F0	METER ASSY	1	UR
	3JB-8351A-10	METER ASSY	1	UR XV535S MODEL
4	12R-83513-00	DAMPER	2	
5	90201-05031	WASHER, plate	2	
6	95303-05600	NUT	2	
7	90164-04009	SCREW, tapping	1	
8	2GV-83509-00	SOCKET CORD ASSY	1	
9	42X-83517-00	BULB (12V-3W)	1	
10	34L-83550-01	SPEEDOMETER CABLE ASSY	1	
11	3BT-83530-10	PILOT LIGHT ASSY	1	
12	42X-83517-00	.BULB (12V-3W)	2	
13	2GV-83517-00	.BULB (12V-1.7W)	1	
14	90164-03010	.SCREW, tapping	1	
15	98511-04025	SCREW, pan head	2	



3BM4361-0370

E13

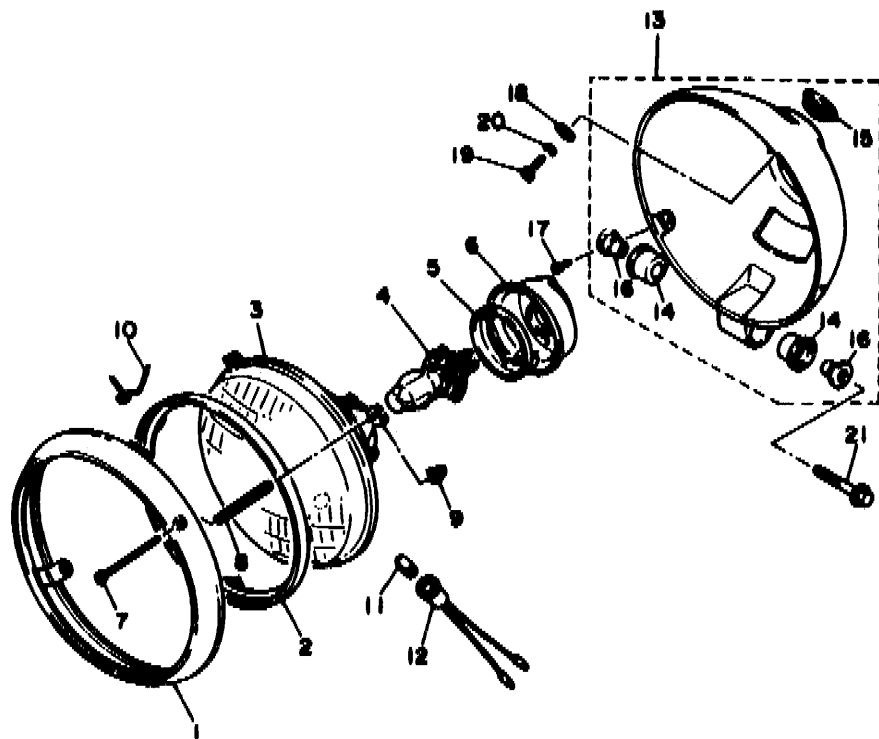
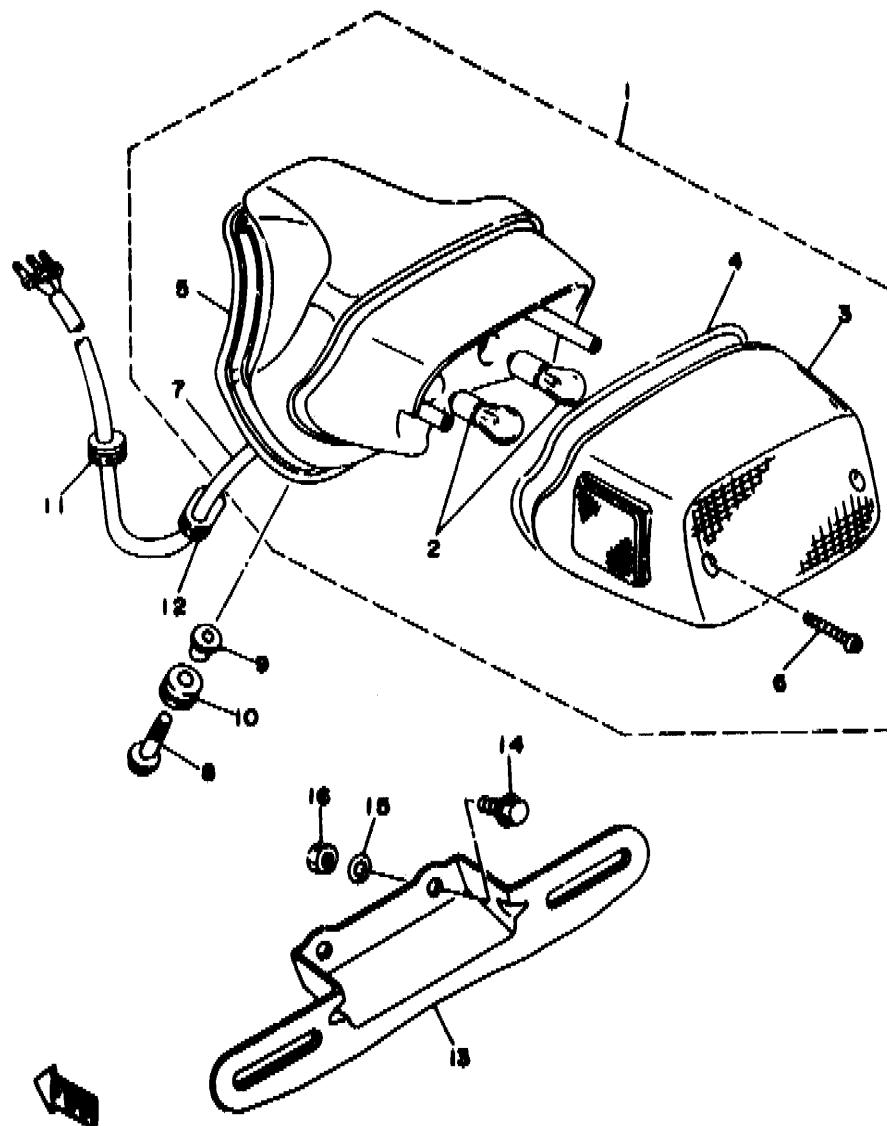


FIG. 3B HEADLIGHT

REF. NO.	PART NO.	DESCRIPTION	Q'TY	REMARKS
1	42X-84315-01	RIM, headlight	1	
2	5Y3-84395-00	RING, retaining	1	
3	2AC-84320-60	LENS ASSY	1	
4	2F9-84314-00	BULB (12V-60/55W)	1	HALOGEN
5	2F9-84375-00	FITTING PLATE, bulb	1	
6	2F9-84397-01	COVER, socket	1	
7	20X-84331-00	SCREW, rim adjusting	2	
8	1A0-84332-60	SPRING, screw	2	
9	198-84334-60	NUT, adjusting	2	
10	42X-84124-60	SPRING, set	1	
11	4E2-84347-00	BULB (12V-4W)	1	
12	34L-84346-00	SOCKET, pilot light	1	
13	42X-84330-01	BODY ASSY	1	EMPRESS MAROON
14	42X-84345-00	.DAMPER, headlight	2	
15	42X-84366-00	.DAMPER, headlight 1	1	
16	42X-84338-00	.COLLAR, body fitting	2	
17	90157-05084	SCREW, pan head	2	
18	90201-061H3	WASHER, plate	1	
19	97313-06016	BOLT	1	
20	92990-06100	WASHER, spring	1	
21	95021-08040	BOLT, flange	1	

38Y3300-9400

E14



38TP332-3380

FIG. 39 TAILLIGHT

REF. NO.	PART NO.	DESCRIPTION	Q'TY	REMARKS
1	2YL-84700-E0	TAILLIGHT ASSY	1	
2	31L-84714-00	.BULB, taillight (12V-21/5W)	2	
3	2AE-84721-00	.LENS, taillight	1	
4	42X-84723-01	.GASKET, tail lens	1	
5	IRM-84704-00	.GASKET, taillight	1	
6	97701-40525	.SCREW, tapping	2	
7	2GV-84717-00	.CORD, taillight	1	
8	90119-06097	BOLT, with washer	3	
9	90387-06026	COLLAR	3	
10	90480-14229	GROMMET	3	
11	90480-16112	GROMMET	1	
12	90480-15061	GROMMET	2	
13	2YL-84751-00	BRACKET, license	1	
14	95811-06016	BOLT, flange	2	
15	92990-06200	WASHER, plain	2	
16	95303-06600	NUT	2	

CONTENTS

ENGINE

Cylinder Head	B2~B3
Cylinder	B4
Crankshaft, Piston	B5
Valve	B6
Camshaft, Chain	B7
Oil Pump	B8
Oil Cleaner	B9
Intake	B10
Carburetor	B11~B12
Exhaust	B13~B14
Crankcase	B15~C2
Crankcase Cover 1	C3~C4
Starter Clutch	C5
Clutch	C6~C7
Transmission	C8
Middle Drive Gear	C9
Shift Cam, Fork	C10
Shift Shaft	C11

CHASSIS

Frame	C12~C13
Fender	C14~C15
Side Cover	D2
Rear Arm, Suspension	D3
Drive Shaft	D4~D5
Steering	D6~D7
Front Fork	D8~D9
Fuel Tank	D10~D12
Seat	D13

Front Wheel	D14
Front Brake Caliper	D15
Rear Wheel	E2~E3
Steering Handle, Cable	E4
Front Master Cylinder	E5
Stand, Footrest	E6~E8
Generator	E9
Starting Motor	E10
Flasher Light	E11~E12
Meter	E13
Headlight	E14
Taillight	E15
Handle Switch, Lever	F2
Electrical 1	F3
Electrical 2	F4

INDEX

Numerical Index	M1~M4
-----------------------	-------

CONTENTS

ENGINE

Cylinder Head	B2~B3
Cylinder	B4
Crankshaft, Piston	B5
Valve	B6
Camshaft, Chain	B7
Oil Pump	B8
Oil Cleaner	B9
Intake	B10
Carburetor	B11~B12
Exhaust	B13~B14
Crankcase	B15~C2
Crankcase Cover 1	C3~C4
Starter Clutch	C5
Clutch	C6~C7
Transmission	C8
Middle Drive Gear	C9
Shift Cam, Fork	C10
Shift Shaft	C11

CHASSIS

Frame	C12~C13
Fender	C14~C15
Side Cover	D2
Rear Arm, Suspension	D3
Drive Shaft	D4~D5
Steering	D6~D7
Front Fork	D8~D9
Fuel Tank	D10~D12
Seat	D13

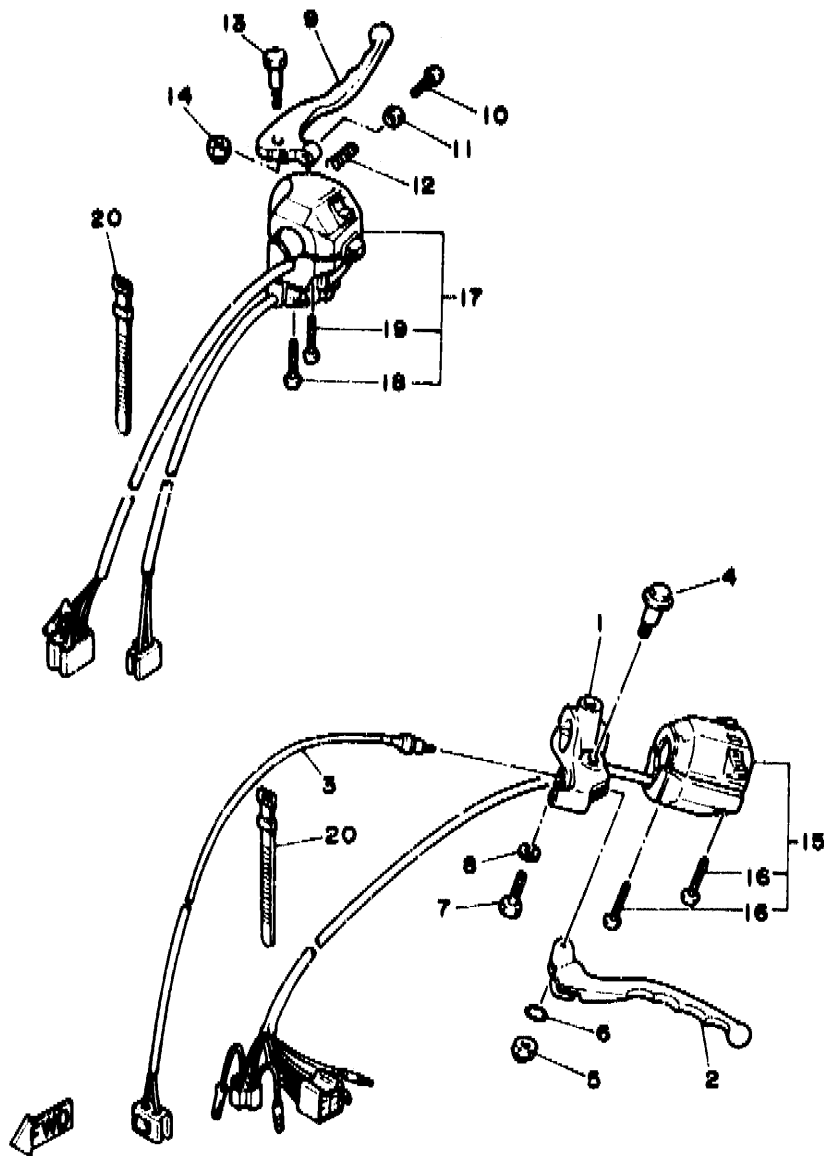
Front Wheel	D14
Front Brake Caliper	D15
Rear Wheel	E2~E3
Steering Handle, Cable	E4
Front Master Cylinder	E5
Stand, Footrest	E6~E8
Generator	E9
Starting Motor	E10
Flasher Light	E11~E12
Meter	E13
Headlight	F14
Taillight	E15
Handle Switch, Lever	F2
Electrical 1	F3
Electrical 2	F4

INDEX

Numerical Index	M1~M4
-----------------------	-------

FIG. 40 HANDLE SWITCH, LEVER

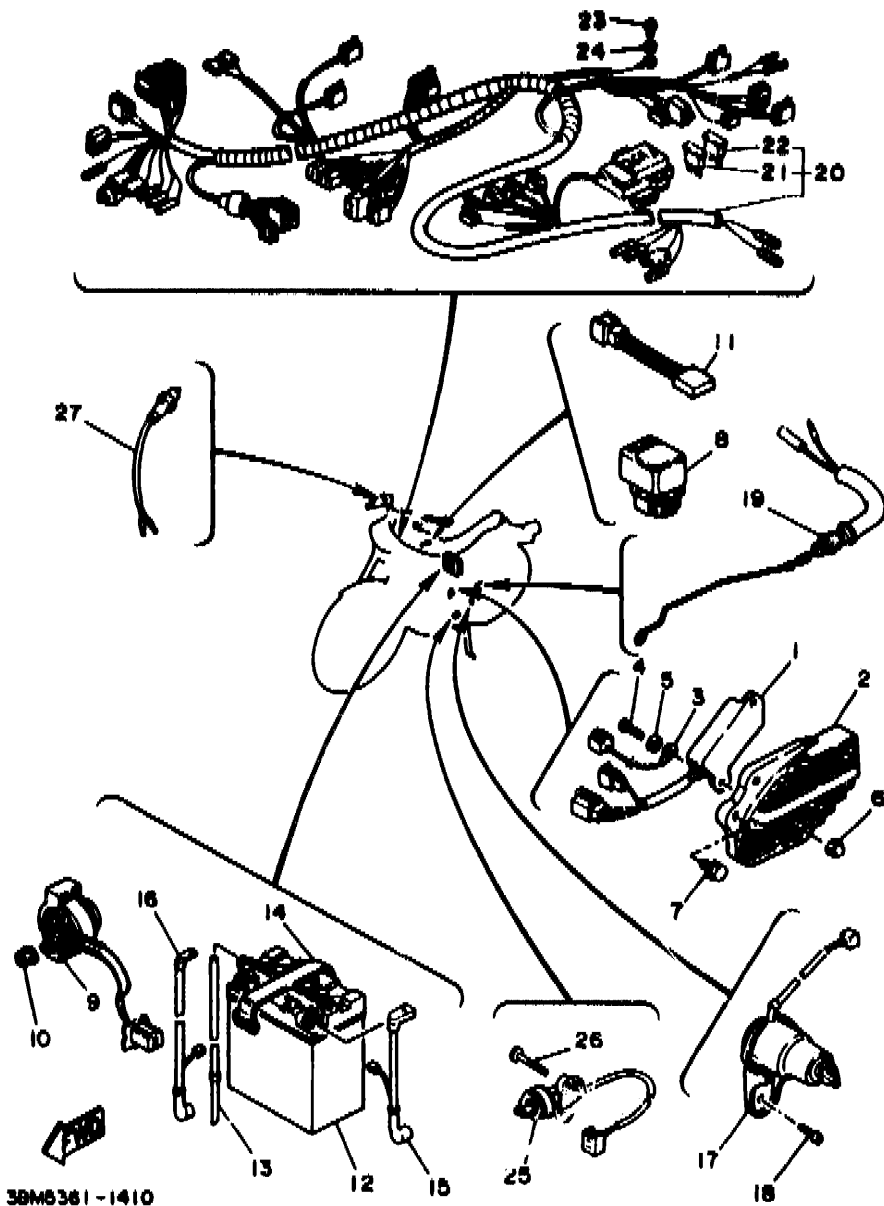
REF. NO.	PART NO.	DESCRIPTION	Q'TY	REMARKS
1	10M-82911-00	HOLDER, lever 1	1	
2	2GV-83912-00	LEVER 1	1	UR
	57A-83912-01	LEVER 1	1	UR XV535S MODEL
3	2GV-82917-00	SWITCH	1	
4	90109-06799	BOLT	1	
5	95616-06100	NUT, u	1	
6	93210-11368	O-RING	1	
7	97011-06025	BOLT	1	
8	92906-06100	WASHER, spring	1	
9	2W1-83922-00	LEVER 2	1	UR
	57A-83922-01	LEVER 2	1	UR XV535S MODEL
10	90149-06153	SCREW	1	
11	90170-06010	NUT	1	
12	90501-10312	SPRING, compression	1	
13	90109-06577	BOLT	1	
14	95601-06100	NUT, u	1	
15	2YL-83972-00	SWITCH, handle 4	1	
16	98501-05035	.SCREW, pan head	2	
17	2NU-83972-10	SWITCH, handle 4	1	
18	98506-05040	.SCREW, pan head	1	
19	98506-05045	.SCREW, pan head	1	
20	437-83936-01	BAND, switch cord	4	



3BT3351-9430

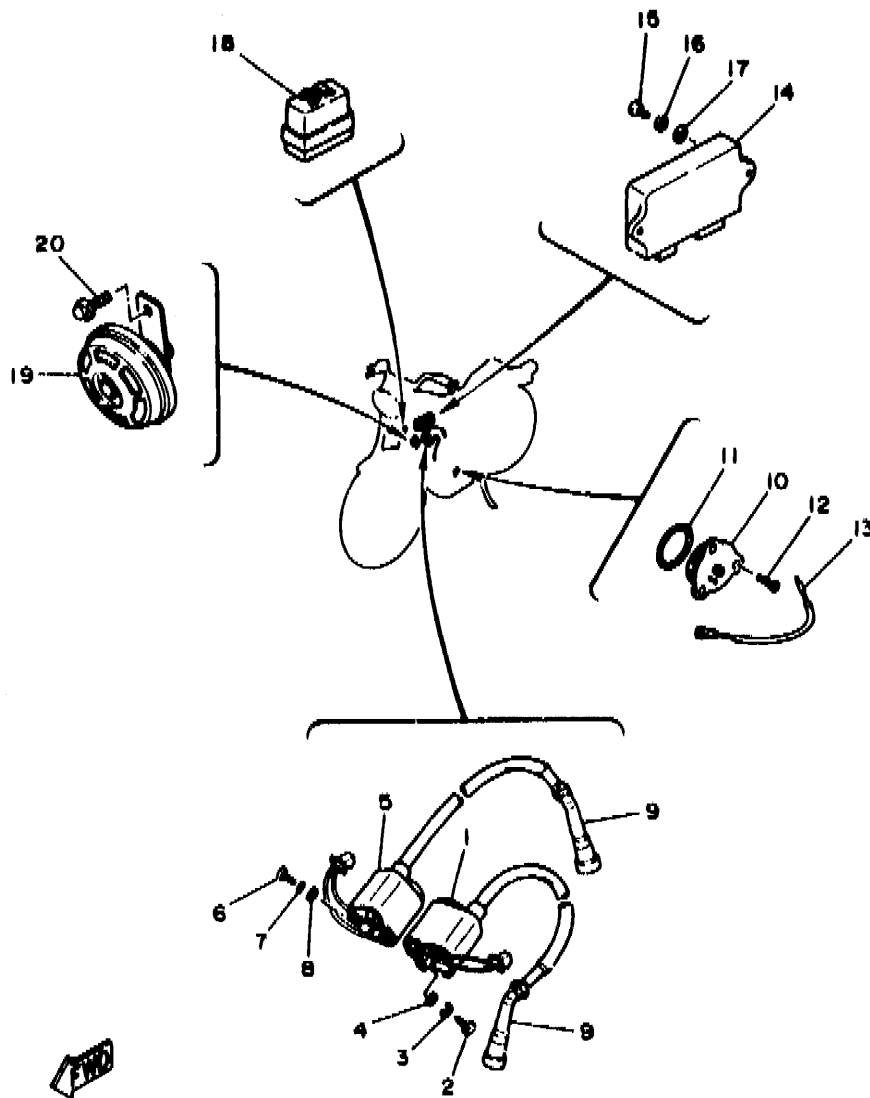
F2

FIG. 41 ELECTRICAL 1



REF. NO.	PART NO.	DESCRIPTION	QTY	REMARKS
1	42X-81960-A1	RECTIFIER & REGULATOR ASSY	1	
2	3JB-81975-00	PLATE, rectifier fitting	1	
3	3LR-83364-00	WIRE, earth lead 2	1	
4	98502-06016	SCREW, pan head	2	
5	92990-06600	WASHER, plate	2	
6	90176-06072	NUT, crown	2	
7	95801-06012	BOLT, flange	2	
8	25G-81950-01	RELAY ASSY	1	
9	3AY-81940-00	STARTER RELAY ASSY	1	
10	95701-06500	NUT, flange	2	
11	4H7-81980-M0	RECTIFIER 2	1	
12	1VJ-82110-60	BATTERY ASSY (GM12AZ-3A-2)	1	
13	90445-08248	HOSE	1	
14	120-82131-00	BAND, battery	1	
15	2GV-82115-00	WIRE, plus lead	1	
16	2GV-82116-00	WIRE, minus lead	1	
17	3BM-82510-00	MAIN SWITCH ASSY	1	
18	92016-08025	SCREW	1	
19	2GV-82530-03	STOP SWITCH ASSY	1	
20	3BT-82590-10	WIRE HARNESS ASSY	1	
21	36Y-82151-00	.FUSE (15A)	4	
22	1AE-82151-00	.FUSE (30A)	2	
23	98501-06010	SCREW, pan head	1	
24	92990-06600	WASHER, plate	1	
25	3LD-82566-70	SWITCH, side stand	1	
26	90157-05079	SCREW, pan head	2	
27	1A0-83980-30	FRONT STOP SWITCH ASSY	1	

FIG. 42 ELECTRICAL 2



REF. NO.	PART NO.	DESCRIPTION	Q'TY	REMARKS
1	2GV-82310-21	IGNITION COIL ASSY	1	
2	98506-05016	SCREW, pan head	2	
3	92906-05100	WASHER, spring	2	
4	92906-05600	WASHER, plate	2	
5	2GV-82320-20	IGNITION COIL ASSY	1	
6	98506-05016	SCREW, pan head	2	
7	92906-05100	WASHER, spring	2	
8	92906-05600	WASHER, plate	2	
9	2GV-82370-00	PLUG CAP ASSY	2	
10	1L9-82540-00	NEUTRAL SWITCH ASSY	1	
11	93210-29196	O-RING	1	
12	98701-05012	SCREW, flat head	3	
13	1FK-82541-00	WIRE, lead	1	
14	3BT-82305-00	IGNITOR UNIT ASSY	1	
15	98501-06020	SCREW, pan head	2	
16	92990-06100	WASHER, spring	2	
17	92990-06600	WASHER, plate	2	
18	41R-83350-71	FLASHER RELAY ASSY	1	
19	35J-83371-30	HORN	1	UR
	3JB-83371-00	HORN	1	UR XV535S MODEL
20	95826-06010	BOLT, flange	1	

38T8332-0420

F4

CONTENTS

ENGINE

Cylinder Head	B2~B3
Cylinder	B4
Crankshaft, Piston	B5
Valve	B6
Camshaft, Chain	B7
Oil Pump	B8
Oil Cleaner	B9
Intake	B10
Carburetor	B11~B12
Exhaust	B13~B14
Crankcase	B15~C2
Crankcase Cover 1	C3~C4
Starter Clutch	C5
Clutch	C6~C7
Transmission	C8
Middle Drive Gear	C9
Shift Cam, Fork	C10
Shift Shaft	C11

CHASSIS

Frame	C12~C13
Fender	C14~C15
Side Cover	D2
Rear Arm, Suspension	D3
Drive Shaft	D4~D5
Steering	D6~D7
Front Fork	D8~D9
Fuel Tank	D10~D12
Seat	D13

Front Wheel	D14
Front Brake Caliper	D15
Rear Wheel	E2~E3
Steering Handle, Cable	E4
Front Master Cylinder	E5
Stand, Footrest	E6~E8
Generator	E9
Starting Motor	E10
Flasher Light	E11~E12
Meter	E13
Headlight	E14
Taillight	E15
Handle Switch, Lever	F2
Electrical 1	F3
Electrical 2	F4

INDEX

Numerical Index	M1~M4
-----------------------	-------

NUMERICAL INDEX

PART NO.	GRID NO.	PART NO.	GRID NO.	PART NO.	GRID NO.	PART NO.	GRID NO.	PART NO.	GRID NO.	PART NO.	GRID NO.
4H7-W0041-00	E- 5	2GV-11638-00	B- 5	214-14147-00	B-12	3BM-14902-20	B-11	11H-17121-00	C- 8	3JB-21105-00-33	C-12
3JB-W0045-00	D-15	22U-11650-00	B- 5	22U-14147-00	B-11	1FK-14933-00	B-11	22U-17131-00	C- 8	3JC-21110-00-33	C-12
2GV-W0047-00	D-15	22U-11654-00	B- 5	22V-14147-00	B-12	41R-14940-00	B-11	22U-17141-00	C- 8	2GV-21171-00	D- 2
51L-W0048-00	D-15	22U-11656-00	B- 5	137-14153-00	B-11	22U-14952-00	B-12	11H-17151-01	C- 8	26H-21308-00	C-15
2GV-W0057-00	D-15	22U-11656-10	B- 5	1FK-14190-15	B-11	26H-14952-00	B-12	22U-17211-00	C- 8	22U-21315-00	C-12
4H7-W1752-10	C- 9	22U-11656-20	B- 5	2Li-14191-00	B-12	341-14954-00	B-12	4A0-17216-00-10	C- 5	22U-21316-00	C-12
2GV-W2341-00-38	D- 6	22U-11656-30	B- 5	2GV-14197-00	B-10	22U-14968-00	B-11	22U-17221-00	C- 8	2GV-21317-00	C-12
3DR-W2536-00	E- 2	22U-12111-00	B- 6	127-14198-00	B-12	22U-14968-00	B-11	22U-17231-00	C- 8	2GV-21359-00	C-13
22U-Y1754-00	C- 9	22U-12113-00	B- 6	362-14231-14	B-11	1FK-14985-00	B-11	22U-17241-00	C- 8	2GV-2138L-00	B-14
2GV-Y2151-40-1X	C-14	22U-12114-00	B- 6	362-14231-27	B-12	2GV-14987-00	B-10	11H-17251-00	C- 8	2GV-2139R-00	C-13
3BM-Y2161-80-0X	C-14	3Y1-12116-00	B- 6	362-14231-34	B-11	31H-14987-00	B-12	22U-17402-00	C- 8	3JB-2139R-00	C-13
3BR-Y2428-50-0X	D-10	3Y1-12117-01	B- 6	2GV-14412-00	B-10	341-14991-00	B-12	22U-17411-00	C- 8	1AA-2147A-00	C-13
2NT-1110M-00	B- 3	1J7-12118-00	B- 6	2GV-14451-00	B-10	2GV-15100-00	B-15	22U-17524-00	C- 9	2GV-21458-00	C-12
3BM-11101-00	B- 2	1J7-12119-01	B- 6	52W-14452-00	B-10	22U-15123-00	C- 2	22U-17527-00	C- 9	4X7-21485-00	C-12
3BM-11101-10	B- 2	22U-12121-01	B- 6	22U-14469-00	B-10	2GV-15316-00	C- 3	3H5-17529-00	C- 9	2GV-21510-00-P6	C-14
22U-1111F-01	B- 3	22U-12151-00	B- 6	31A-14477-00	D- 2	2H7-15361-00	C- 3	3JB-17531-00	C- 9	2GV-21510-00-4B	C-14
2GV-1111H-00	B- 2	22U-12156-01	B- 6	2GV-14484-00	B-13	3F9-15362-00	C- 3	3JB-17531-10	C- 9	3G5-21570-40	C-14
2GV-11127-00	B- 2	22U-12159-00	B- 6	3JB-14536-00	C-11	11H-15383-01	B-15	3JB-17531-20	C- 9	3AA-21578-21	D- 6
4H7-11133-10	B- 2	22U-12171-01	B- 7	22U-14565-00	B-11	2NT-15411-01	C- 3	3JB-17531-30	C- 9	2NT-21597-01	C-14
	B- 2	22U-12176-01	B- 7	2GV-14603-00	B-13	3JB-15411-00	C- 3	3JB-17531-40	C- 9	2NT-21598-00	C-14
	B- 2	22U-12181-01	B- 7	48E-14613-00	B-13	2GV-15415-00	C- 3	3JB-17531-50	C- 9	3JB-21598-00	C-14
2GV-11142-00	B- 7	11H-12210-01	B- 7	48R-14613-00	B-13	3JB-15415-00	C- 3	1J7-17537-Y0-30	D- 4	2GV-2160E-00	C-14
22U-11145-00	B- 2	3BT-12213-00	B- 7	2GV-14625-00	B-13	2NT-15421-00	C- 3	1J7-17537-Y0-40	D- 4	3BM-21610-10-P1	C-14
2GV-11152-00	B- 2	22U-12231-00	B- 7	2GV-14663-00	B-13	3JB-15421-00	C- 3	1J7-17537-Y0-50	D- 4	3BM-21610-10-4B	C-14
15A-11162-00	B- 4	22U-12241-00	B- 7	3BM-14703-10	B-13	22U-15441-01	C- 2	1J7-17537-Y0-60	D- 4	3BM-21621-00	C-15
22U-11165-00	B- 2	22U-13300-00	B- 8	3BM-14714-00	B-14	3BT-15451-00	C- 3	4H7-17537-00-20	C- 9	2CV-21629-00-MV	C-14
2GV-11166-00	B- 2	22U-13324-00	B- 8	3BM-14608-00	B-13	3BT-15461-00	C- 3	4H7-17537-00-30	C- 9	2GV-21629-00-P1	C-14
2GV-11181-00	B- 2	22U-13325-00	B- 8	1RV-14840-00	B-13	3BT-15484-00	C- 3	4H7-17537-00-40	C- 9	2GV-21629-00-4B	C-14
2GV-11185-00	B- 2	22U-13410-00	B- 8	42H-14857-00	B-14	22U-15512-00	C- 5	22U-17553-00	C- 9	2GV-2163A-00	C-14
2NT-11186-00	B- 3	22U-13415-00	B- 8	42H-14858-00	B-14	22U-15517-00	C- 5	22U-17556-00	C- 9	2GV-2163E-00	C-14
22U-11186-00	B- 3	2GV-13417-00	B- 8	3BM-14867-00	B-14	5H0-15521-00	C- 5	2H7-17590-00	D- 5	460-21639-00	C-15
2NT-11187-00	B- 3	4X7-13440-30	B- 9	3BM-14871-02	B-14	22U-15580-00	C- 5	2GV-18110-00	C-11	3BM-21640-00	C-15
22U-11187-00	B- 3	2NT-13447-00	B- 9	3BM-14872-01	B-14	341-15583-05	C- 5	2GV-18112-00	C-11	3JB-21641-00	C-15
3BT-11195-00	B- 3	3JB-13447-00	B- 9	1TA-14881-00	B-14	22U-16111-01	C- 6	132-18113-01	C-11	3JB-2165A-40	C-14
3BT-11196-00	B- 3	11H-13455-00	B- 8	3BM-14882-00	B-13	22U-16150-01	C- 6	2GV-18115-00	C-11	2GV-2171E-00	C-12
214-11198-01	D- 5		D- 5	3BM-14883-00	B-13	22U-16154-00	C- 6	22U-18120-00	C-11	2GV-21711-00-MV	D- 2
	B- 4	3BM-13542-00	B-14	3BM-14884-00	B-14	22U-16321-00	C- 6	460-18127-00	C-11	2GV-21711-00-P1	D- 2
2GV-11310-00	B- 4	16G-13569-00	B-10	3BM-14885-00	B-14	4X7-16324-00	C- 6	11H-18140-00	C-11	2GV-21711-00-4B	D- 2
2GV-11320-00	B- 4	2GV-13586-00	B-10	3BR-1490H-00	B-11	4X7-16325-00	C- 6	2H9-18154-00	C-11	2GV-2172A-00	D- 2
3BT-11351-00	B- 4	2GV-13596-00	B-10	3BM-1490J-00	B-11	22U-16351-00	C- 6	16G-18185-00	C-10	2GV-2172F-00	D- 2
22U-11411-00	B- 5	1HX-13907-00	D-12	3BM-1490K-10	B-11	5Y1-16356-00	C- 6	11H-18511-00	C-10	2GV-21721-00-MV	D- 2
22U-11416-80	B-15	11H-1410A-00	B-11	22U-1490K-00	B-12	22U-16357-00	C- 7	11H-18512-00	C-10	2GV-21721-00-P1	D- 2
22U-11416-90	B-15	22U-14103-00	B-12	2GV-1490L-00	B-12	30Y-16358-00	C- 6	11H-18513-00	C-10	2GV-21721-00-4B	D- 2
2GV-11610-00	B- 5	12R-14105-00	B-12	3BM-1490M-12	B-11	22U-16371-00	C- 6	11H-18531-00	C-10	2GV-21731-00-93	D- 2
2GV-11610-20	B- 5	2RJ-14118-00	B-12	3BM-1490N-20	B-11	22U-16380-00	C- 6	22U-18540-00	C-10	2GV-2174E-00	D- 2
2GV-11610-40	B- 5	2JU-14146-00	B-12	3BM-14901-12	B-11	4X7-16383-01	C- 6	278-18540-00	C-10	3JB-2176E-00	D- 2
2GV-11631-00	B- 5	2JU-14141-90	B-11	3BM-14901-20	B-11	4X7-16384-00	C- 6	278-18542-00	C-10	2GV-22110-00-35	D- 3
22U-11633-01	B- 5	4G0-14142-35-A0	B-11	3BM-14902-12	B-11	4X7-16385-00	C- 6	278-18566-00	C-10	4X7-22124-00	D- 3
2GV-11636-00	B- 5										

NUMERICAL INDEX

PART NO.	GRID NO.	PART NO.	GRID NO.	PART NO.	GRID NO.	PART NO.	GRID NO.	PART NO.	GRID NO.	PART NO.	GRID NO.
4X7-22129-00	D- 3	2GV-23174-00	D- 6	18A-24724-00	D-13	4L0-25867-00	E- 5	22U-46118-00-14	D- 4	1KT-83311-00	E-11
4X7-22141-00	D- 3	3BR-23340-00	D- 9		D-13	2GV-25872-01	E- 5	22U-46118-00-16	D- 4		E-11
22U-22189-00	D- 3	2A6-23408-00	D- 6	23T-24724-01	D-10	3JB-25872-20	E- 5	22U-46118-00-18	D- 5		E-11
2YL-22210-00	D- 3	156-23411-00	D- 9		D-10	2GV-25886-00	D- 9	22U-46118-00-20	D- 5	2AE-83312-00	E-11
2GV-22216-00	D- 3	183-23411-00	D- 6	3JB-24728-00	D-13	3JB-25886-00	D- 9	2H7-46122-00	D- 4		E-12
2YL-22220-00	D- 3	156-23412-00	D- 6	1J3-24742-00	C-14	2GV-25919-00	D-15	22U-46123-00	D- 5	42X-83312-00	E-11
2GV-22226-00	D- 3	183-23412-00	D- 6		C-15	34X-25926-00	D-15	4H7-46125-00	D- 4		E-11
	D- 3	4K0-23415-00	D- 6	3JB-24750-00	D-13	34X-25937-00	D-15	22U-46136-00	D- 4	42X-83313-00	E-11
2GV-22253-00	D- 3	4H7-23441-00-38	D- 6	3JB-24750-10	D-13	5R2-25937-00	D-15	22U-46137-00	D- 5		E-11
5M0-22253-00	D- 3	42X-23442-00-38	D- 6	3JB-24751-00	D-13	2GV-26111-10	E- 4	22U-46152-00	D- 4		E-11
2NT-23102-01	D- 8	164-23462-00	D- 9	3JB-24751-10	D-13	3JB-26240-00	E- 4	22U-46153-00	D- 4		E-12
3JB-23102-00	D- 8	3DM-23484-00	D- 7	3JB-24754-00	D-13	3JB-26241-00	E- 4	2GV-46172-00	D- 5	1AA-83318-00	E-11
2NT-23103-01	D- 8	3JB-24110-01-33	D-10	3JB-24776-00	D-13	3JB-26273-00	E- 4	4X7-46180-00	D- 5		E-12
3JB-23103-00	D- 8	3JB-24135-00	D-10	3JB-2478F-00	D-13	3JB-2628J-00	E- 4	2GV-81410-20	E- 9	3LS-83320-00	E-11
2GV-23110-00-93	D- 8	3JB-24161-10	D-12	51Y-24796-00	D-13	1J7-26290-F0	E- 4	3BT-81450-00	E- 9	3BM-83330-10	E-11
	D- 8	3JB-24162-10	D-12	2GV-25104-00	D-14	1J7-26290-30	E- 4	3BT-81670-00	E- 9	341-83333-70	E-11
1HX-23111-00	D- 8	2GV-24181-00	D-10	341-25111-01-35	D-14	2NU-26311-00	E- 4	3JB-81800-00	E-10		E-11
	D- 9	1FK-24182-00	D-10	146-25115-00	E- 2	55U-26335-01	E- 4	3HE-81826-00	E-10		E-11
2GV-23125-00	D- 8		D-10	341-25149-00	D-14	1E6-26342-00	E- 4	3KS-81840-00	E-10		E-12
	D- 9	3JB-24182-00	D-10	2GV-25181-00	D-14	2GV-26351-00	E- 6	11H-81844-00	E-10	3BM-83340-10	E-11
2NT-23126-01	D- 8	42X-24183-00	D-10	1FK-25190-00	D-14	5HO-26393-00	E- 4	26H-81847-00	E-10	41R-83350-71	F- 4
5UB-23129-00	D- 8	2GV-24184-00	D-11	2GV-25304-00	E- 2	2GV-27211-00-93	E- 6	3AY-81940-00	F- 3	42X-83359-00	E-11
	D- 9	1FK-24186-00	D-10	2GV-25311-00-35	E- 2	2GV-27311-00-R4	E- 7	25G-81950-01	F- 3		E-11
2NT-23136-01	D- 8		D-10	146-25315-00	D-14	5HO-27315-00	E- 8	42X-81960-A1	F- 3		E-11
2GV-23141-00	D- 8	2GV-24191-00	D-11	2GV-25317-00	E- 2	1RM-27410-00-93	E- 6	3JB-81975-00	F- 3		E-12
	D- 9	3JB-24240-40	D-10	1J7-25319-01	D- 5	1NH-27413-00	E- 6	4H7-81980-M0	F- 3	42X-83363-00	E-11
2GV-23144-00	D- 8	3BR-24280-00-P1	D-10	2GV-25319-00	E- 2		E- 6	1VJ-82110-60	F- 3		E-11
	D- 9	3BR-24280-00-4B	D-10	2NT-25321-00	E- 2	4X7-27414-00	E- 6	2GV-82115-00	F- 3		E-11
2AJ-23145-00	D- 8	2GV-24311-00	D-11	4H7-2533A-02	E- 2	1RM-27420-00-93	E- 6	2GV-82116-00	F- 3		E-12
	D- 9	2GV-24312-00	D-11	4H7-25351-00	E- 2	2NT-27430-01	E- 7	120-82131-00	F- 3	3LR-83364-00	F- 3
1GU-23151-00	D- 8	3JB-24314-00	D-12	214-25355-00	E- 2	1NH-27433-00	E- 7	1AE-82151-00	F- 3	18G-83365-00	E-12
	D- 9	3JB-24316-00	D-10	2GV-25366-00	E- 2		E- 7	36Y-82151-00	F- 3	3JB-83371-00	F- 4
1HX-23154-00	D- 8	3JB-24317-00	D-10	42X-25371-00	E- 3	2NT-27437-00	E- 7	3BT-82305-00	F- 4	35J-83371-30	F- 4
	D- 9	2GV-24491-60	D-11	22U-25377-00	E- 3		E- 7	2GV-82310-21	F- 4	1FK-83507-00	E-13
3JB-23154-00	D- 8	3JB-24500-02	D-11	2GV-25381-00	E- 2	2NT-27440-01	E- 7	2GV-82320-20	F- 4	2GV-83509-00	E-13
	D- 9	4X8-24512-00	D-11	156-25398-00	D-14	2GV-27471-00	E- 7	2GV-82370-00	F- 4	2JV-8351A-F0	E-13
1HX-23156-00	D- 8	3AJ-24523-00	D-11		E- 2	2GV-27472-00	E- 7	3BM-82509-00	F-11	3JB-8351A-10	E-13
	D- 9	3AJ-24534-00	D-11	3JB-2580U-00	D-15	2GV-27491-00	E- 7	3BM-82509-10	E-12	12R-83513-00	E-13
1GU-23157-00	D- 8	1FK-24560-00	D-11	3JB-25827-00	D-15	2GV-28100-00	D-13	3BM-82510-00	F- 3	2GV-83517-00	E-13
	D- 9	1FK-24566-00	D-11	3JB-25831-00	D-15	4K5-2814E-10	D-13	2GV-82530-03	F- 3	42X-83517-00	E-13
2NT-23164-00	D- 6	4X7-24602-03	D-10	1J3-25834-01	D-15	3JB-28185-00	D- 2	1L9-82540-00	F- 4		E-13
2GV-2317E-00	D- 6	4X7-24612-00	D-10	34X-25845-00	D-15	4K5-28186-00	D-13	1FK-82541-00	F- 4	2GV-83519-00	E-13
2GV-2317F-00	D- 6	51Y-24705-00	D-13	341-25846-00	D-14	2NT-46101-00	D- 4	3LD-82566-70	F- 3	3BT-83530-10	E-13
2GV-2317M-00	D- 6	3JB-24710-00	D-13	1L9-25847-00	D-14	22U-46117-00-25	D- 4	3BT-82590-10	F- 3	34L-83550-01	E-13
2GV-23171-00	D- 8	3JB-24710-10	D-13	4H7-25850-02	E- 5	22U-46117-00-30	D- 4	10M-82911-00	F- 2	2GV-83912-00	F- 2
	D- 8	3JB-24711-00	D-13	4H7-25852-00	F- 5	22U-46117-00-40	D- 4	2GV-82917-00	F- 2	57A-83912-01	F- 2
1GU-23173-00	D- 8	3JB-24711-10	D-13	4L0-25854-00	E- 5	22U-46117-00-50	D- 4	3LS-83310-00	E-11	2W1-83922-00	F- 2
	D- 9	3JB-24718-00	D-13	4L0-25862-00	E- 5	22U-46118-00-12	D- 4	1KT-83311-00	E-11	57A-83922-01	F- 2

NUMERICAL INDEX

PART NO.	GRID NO.	PART NO.	GRID NO.	PART NO.	GRID NO.	PART NO.	GRID NO.	PART NO.	GRID NO.	PART NO.	GRID NO.
3GW-83936-00	D- 6	90105-14102	D- 6	90170-16311	C- 6	90201-12575	C-11	90387-100E2	C-12	90480-19471	B- 3
437-83936-01	F- 2	90106-10052	D- 3	90170-20310	C- 6	90201-12588	C-11	90387-107A7	E- 7	90480-22362	D- 2
437-83936-11	D-11	90109-06577	F- 2	90171-14031	E- 3	90201-14218	E- 2	90387-15668	D- 5	90501-04623	C- 5
2NU-83972-10	F- 2	90109-06799	F- 2	90176-06058	E- 6	90201-144J5	E- 3	90387-157R0	E- 3	90501-06022	C-10
2YL-83972-00	F- 2	90109-08368	E- 3		E- 6	90201-14633	C- 9	90387-16547	B-15	90501-100F8	D-12
1A0-83980-30	F- 3	90109-08406	E- 3	90176-06072	F- 3	90201-152L1	E- 6		B-15	90501-101J4	D-10
42X-84124-60	E-14	90109-08718	C-12	90176-10073	D- 3	90201-18262	C- 7		B-15	90501-10245	E- 6
2F9-84314-00	E-14	90109-08781	B- 3	90179-06176	E- 6	90201-244A8	D- 3	90387-177R1	D-14	90501-10312	F- 2
42X-84315-01	E-14	90109-08782	B- 3	90179-08148	E- 4	90202-05057	B-14	90387-22667	B- 2	90501-12743	E- 7
2AE-84320-60	E-14	90109-10060	E- 7	90179-08327	B- 5	90202-05193	C-15	90387-25669	D- 4		E- 7
42X-84330-01	E-14	90109-10474	E- 8	90179-08410	B-13		D-11	90401-10096	E- 5	90501-15722	D- 5
20X-84331-00	E-14	90110-06198	B- 3	90179-08559	C-15	90202-06010	C-12	90401-16073	B- 3	90501-23738	C- 6
1A0-84332-60	E-14	90110-08110	D- 8	90179-10279	B- 2	90208-04029	D- 7	90430-08155	D- 8	90501-60716	C- 9
198-84334-60	E-14	90116-08404	B-15		C-12	90209-22191	C- 8		D- 9	90502-09024	D- 7
42X-84338-00	E-14		B-15	90179-10321	C-12		C- 8	90430-17168	B- 3	90506-08227	C-11
42X-84345-00	E-14	90116-10249	D- 4	90179-10395	B- 2	90209-27192	C- 8	90430-24184	B- 2	90506-20380	E- 6
34L-84346-00	E-14	90116-10405	B-15	90179-12421	C-12	90214-16026	C- 6	90445-08248	F- 3	90506-29266	E- 8
4E2-84347-00	E-14		B-15	90179-18396	C- 9	90215-08229	B- 3	90445-111F3	B-10	90507-20002	E- 2
42X-84366-00	E-14	90116-10406	B-15	90179-25033	D- 6	90215-16181	D- 3	90450-22017	D-10	90508-16577	C- 6
2F9-84375-00	E-14		B-15	90183-04027	B-13	90215-16222	C- 6	90450-25037	D-10	90508-18696	E- 6
5Y3-84395-00	E-14	90116-10428	D- 4		D- 2	90215-18178	C-11	90460-12256	B-10		E- 6
2F9-84397-01	E-14	90116-12495	C-12	90185-08097	B-13	90215-22244	C- 6	90460-52264	B-10	90508-29519	C-11
2YL-84700-E0	E-15	90119-06097	E-15	90185-10037	E- 8	90249-12008	E- 6	90460-58015	B-10	90508-32536	C-11
1RM-84704-00	E-15	90119-06114	D-13	90185-14070	C- 9	90267-48104	C-15	90462-06119	C- 4	90560-17126	D-14
31L-84714-00	E-15	90119-06123	C-14	90201-05031	E-13	90269-04003	D- 7	90462-10115	C- 4	91311-05010	D-10
2GV-84717-00	E-15		D- 2	90201-06059	C-14	90280-05048	B- 5	90462-10118	C- 4	91311-06018	C- 3
2AE-84721-00	E-15		D-11		D- 2	90280-07035	C- 6	90465-13169	E- 7	91311-06025	B- 2
42X-84723-01	E-15	90119-08126	D- 4	90201-06067	B-10	90338-07043	C-12	90467-08092	B-14		B- 7
2YL-84751-00	E-15	90123-08046	E- 4		D-13	90338-08163	D- 6	90467-10008	B-12		B- 8
3Y6-85130-02	C-15	90149-06008	D-11	90201-061H3	E-14	90338-09161	E- 7		D-12		B- 9
90101-06288	E- 6	90149-06153	F- 2	90201-06568	D-11	90338-10132	B-13	90467-10039	B-10		B-13
90101-06291	E- 2	90149-06154	C-15	90201-066M2	D-10	90340-14068	C- 3	90467-10135	D-11		C- 3
90101-06576	B-13	90149-08067	C- 7	90201-06697	B- 3	90340-14139	C- 3	90467-11044	D-11		C- 4
90101-06760	E-11	90149-08152	B-15	90201-08087	C- 7	90340-32058	C- 3		D-12	91311-06030	B- 8
	E-12	90149-10238	C-12	90201-081H4	C-12	90340-32140	C- 3	90467-14015	B- 2		C- 3
90101-08312	D-15	90149-10239	C-12	90201-08569	D-10	90380-28110	B- 7	90467-26111	B-13	91311-06040	C- 3
90105-06069	C-12	90151-08022	B-15	90201-08753	D- 3	90387-06026	E-15	90468-08104	B-14		C- 4
90105-06700	D-10	90154-08065	C-14	90201-094G1	B- 2	90387-062L2	D-11	90468-12006	D- 6	91311-06045	B-15
90105-08177	C-12	90157-05050	B-12	90201-100*1	D- 6	90387-062T3	B-10	90480-10334	C-13	91311-06055	B-15
90105-08698	D- 6	90157-05079	F- 3		E- 7	90387-06387	D-10	90480-12013	E-12		C- 3
90105-10152	E- 9	90157-05084	E-14	90201-10118	E- 5		D-11	90480-12320	D- 2		C- 4
90105-10183	C-12	90159-06016	C- 6	90201-10131	B- 2	90387-06388	D-11	90480-13163	D-11	91311-06060	B- 9
90105-10186	C-12	90163-04003	B-13		C-12	90387-06518	B- 3	90480-14023	D-11	91311-06085	B- 4
90105-10200	E- 2	90164-03010	E-13	90201-10437	C-12	90387-072W2	B- 3	90480-14229	D- 2	91311-06095	B- 9
90105-10217	B- 7	90164-04009	E-13		D- 3	90387-07391	D- 2		E-15		B-15
90105-10285	D- 5	90170-06010	F- 2	90201-105H3	C-12	90387-080V8	C-14	90480-15061	E-15	91311-08025	D- 8
90105-10312	E- 7	90170-06128	B- 6	90201-107K6	E- 9	90387-087K5	E- 6	90480-16112	C-15		D- 9
90105-10638	D-15	90170-06228	C-11	90201-124E4	C-11		E- 6	90480-18411	B- 3	91311-08030	B- 2

NUMERICAL INDEX

PART NO.	GRID NO.	PART NO.	GRID NO.	PART NO.	GRID NO.	PART NO.	GRID NO.	PART NO.	GRID NO.	PART NO.	GRID NO.
91311-08030	D- 6	92906-06100	D- 2	93210-29196	F- 4	93615-12088	C- 5	95801-08012	D- 3	98506-05016	F- 4
91311-08060	B-15		D-11	93210-32172	C- 3	94114-15601	E- 2	95806-06040	D- 2		F- 4
91311-08080	B-15		E- 5	93210-36549	B-10	94114-15602	E- 2	95811-06016	E-15	98506-05040	F- 2
91311-08100	B-15		F- 2	93210-60426	D- 4	94130-197N0	D-14	95811-08030	C- 9	98506-05045	F- 2
91316-06016	D- 6	92906-06600	B-13	93210-62446	B- 3	94130-197N1	D-14	95811-10016	E- 7	98506-06014	C-14
91316-06020	B-10		C-14	93210-64297	B- 9	94214-15223	E- 2	95816-06012	C-13	98511-04012	B-11
91316-08012	C- 5		C-15	93210-71360	C- 9	94214-15225	E- 2	95816-06016	D-11	98511-04025	E-13
91401-20015	E- 3		D- 2		C-15	94227-19177	D-14	95816-06025	D-12	98511-06160	B-10
	E- 6	92906-08200	C-15	93210-74316	C- 3	94325-19115	D-14	95816-06025	C-14	98580-04010	B-12
	E- 7	92906-08600	B-13	93210-81411	B- 4	94330-15134	E- 2	95816-08016	B-14	98580-05014	B-12
	E- 7	92906-08700	B-13	93210-89568	B- 2	94335-19023	D-14	95821-12035	D- 9	98580-06012	B-12
91401-25015	E- 8	92990-03200	D-13	93211-00612	B- 2	94418-19443	D-14	95826-06010	C-14	98580-06020	B-13
	E- 6	92990-05200	B-14	93211-39569	D- 5	94430-15477	E- 2		D- 9	98701-05012	F- 4
91401-30030	E- 3	92990-06100	D-13	93306-00401	C- 8	94590-27118	B- 7		F- 4	98701-05016	C-10
91701-06022	E- 6		E- 9	93306-00428	C- 8	94701-00218	B- 3	97001-06025	D- 2	98701-05035	C-10
91701-06032	E- 7		E- 9	93306-00435	C- 9	94701-00220	B- 3	97003-06014	D-13	98701-06010	B-12
	E- 7		E-14	93306-20711	C- 9	95021-08040	E-14	97011-06020	C-11	98706-04012	E- 5
91701-08038	E- 6		F- 4	93306-30203	E- 2	95023-06008	D- 6	97011-06025	F- 2	98902-08014	B-12
	E- 6	92990-06201	C-15	93306-30209	C- 2	95023-06020	D- 6	97016-06025	E- 5	99006-10600	C-11
91810-17016	B-15		E-15	93306-30309	D-14	95023-08012	C-14	97021-06016	B- 3		C-11
	C- 4	92990-06600	F- 3		D-14	95026-06016	C-12		B- 7	99009-11400	B- 8
92011-08025	C-15		F- 3	93306-30525	C- 8	95302-12600	E-12	97021-06025	E-10	99009-12400	C-11
92016-06012	E- 7		F- 4	93306-30539	F- 4	95303-05600	B-14	97026-06030	D-11	99009-15400	E- 6
	E- 7	92990-08100	D- 3	93306-90602	C-10		E-13	97026-08030	B-13	99009-25500	C- 3
92016-08025	F- 3		E- 3	93311-43729	D- 4	95303-06600	C- 6	97313-06016	E-14	99234-00080	C-14
92016-08030	C-15	92990-10100	D- 3	93315-21813	C- 6		C-15	97313-08035	D- 3	99235-00080	C-15
92506-06012	C-15	93101-14089	C- 3	93316-01301	D- 4		E- 6	97701-40012	B-13		D- 2
92506-06035	D- 2	93101-30084	D- 4	93317-41510	D- 4		E-15		D- 2	99510-17016	B- 2
92901-04100	B-11	93101-35097	C- 9	93320-32403	D- 3	95303-06700	C-11	97701-40525	E-15	99530-10014	C- 3
	B-12	93101-38098	D- 4	93399-99926	D- 5	95303-08700	E- 3	97701-60114	B-14	99530-10020	C- 4
92901-05100	E- 2	93102-12106	C-11	93410-22039	D- 5	95303-10700	D- 6	97706-60514	C-13	99530-14016	B-15
92901-05600	E- 2	93102-13278	C- 6	93440-12052	B- 2	95303-12600	E-11	98001-00016	D-10		B-15
92901-06200	C- 6	93102-28022	D-14		B- 2	95306-05800	C-15	98501-04006	D- 8		
	E- 6	93102-65277	D- 5	93440-19112	D- 5	95306-12800	C-12		D- 9		
92901-06600	B- 3	93105-45017	D-14	93440-20087	D-14	95311-10600	D- 5	98501-05010	B-12		
	B- 7	93210-03119	B-12	93440-25084	C- 8	95316-08700	B-13	98501-05012	B-12		
	B-13	93210-09525	C- 6		C- 8	95601-06100	F- 2		E- 2		
	C- 2	93210-10096	B- 8	93440-30077	C- 8	95611-08630	B- 2	98501-05035	F- 2		
	F-10	93210-11368	F- 2	93450-19052	B- 5	95611-10680	B-15	98501-06010	C- 4		
92901-08200	C-15	93210-14369	C- 3	93450-32116	D- 8	95616-06100	F- 2		F- 3		
92901-08600	E- 3	93210-15151	B- 8		D- 9	95701-06500	D-13	98501-06012	C- 2		
92901-10100	D- 5	93210-15566	C- 4	93501-04011	D- 6		E-11	98501-06020	E- 9		
	D- 6	93210-18322	B-15		E- 7		E-12		F- 4		
92902-04100	B-11		B-15		E- 7		F- 3	98501-06025	E- 9		
92906-05100	F- 4		B-15	93515-32029	C- 7	95701-08500	B- 2	98502-06016	F- 3		
	F- 4	93210-24709	D- 8	93604-16092	C-10	95701-10500	E- 7	98503-03008	D-11		
92906-05600	F- 4		D- 9	93604-20156	C-10	95801-06012	F- 3	98506-04018	B-11		
	F- 4	93210-27778	C- 3	93605-10108	B- 7	95801-06016	B-13	98506-05016	D-11		