

CONTENTS

ENGINE

Cylinder Head	B2~B3
Cylinder	B4
Crankshaft, Piston	B5
Valve	B6
Camshaft, Chain	B7
Oil Pump	B8
Oil Cleaner	B9
Intake	B10
Carburetor	B11~B12
Exhaust	B13~B14
Crankcase	B15~C2
Crankcase Cover 1	C3~C4
Starter Clutch	C5
Clutch	C6~C7
Transmission	C8
Middle Drive Gear	C9
Shift Cam, Fork	C10
Shift Shaft	C11

CHASSIS

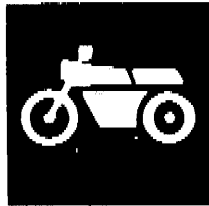
Frame	C12~C13
Fender	C14~C15
Side Cover	D2~D3
Rear Arm, Suspension	D4
Drive Shaft	D5~D6
Steering	D7~D8
Front Fork	D9~D10
Fuel Tank	D11~D13
Seat	D14

Front Wheel	D15
Front Brake Caliper	E2
Rear Wheel	E3~E4
Steering Handle, Cable	E5
Front Master Cylinder	E6
Stand, Footrest	E7~E9
Generator	E10
Starting Motor	E11
Flasher Light	E12
Meter	E13
Headlight	E14
Taillight	E15
Handle Switch, Lever	F2
Electrical 1	F3
Electrical 2	F4

INDEX

Numerical Index	M1~M4
-----------------------	-------

YAMAHA



**PARTS
CATALOGUE**

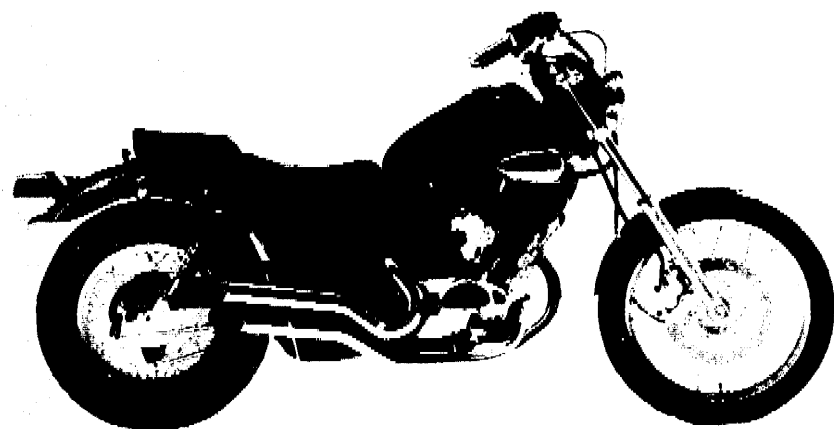
XV535'95 (3BMA) SWITZERLAND

XV535S'95 (3BMB) SWITZERLAND

253BM-361E1

YAMAHA
GENUINE
Parts & Accessories

A2



A3

FOREWORD

This Parts Catalogue is related to the parts for the model(s) in the below frame. When you are ordering replacement parts, please refer to this Parts Catalogue and quote both part numbers and part names correctly.

XV535'95 (3BMA), XV5355'95 (3BMB)

1. Modifications or additions which have been made after issue of the Parts Catalogue will be announced in the Yamaha Parts News.
It is advisable that you make necessary corrections to the Parts Catalogue according to the Yamaha Parts News.

2. Abbreviations

The following abbreviations are used in this Parts Catalogue.

- "UR" Use specified parts number.
- "UN" Use as many as needed.
- "AP" Alternate Parts
- "LM" Local Made (Parts need to be ordered locally)
- "F# " Frame No. (Applicable machine No.)

3. Parts, which are to be supplied in an assembly, are listed with a dot (.) in front of the part name as shown below.

EXAMPLE

- CARBURETOR ASSY
- . JET, PILOT
- . NOZZLE, MAIN

4. Number of component for assembly

The numeral appearing to the right of each component part indicates the quantity of parts for each assembly unit.

EXAMPLE

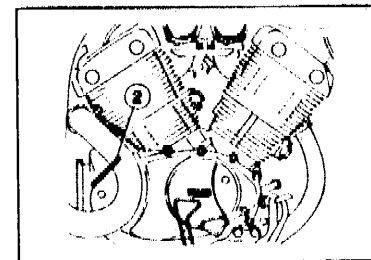
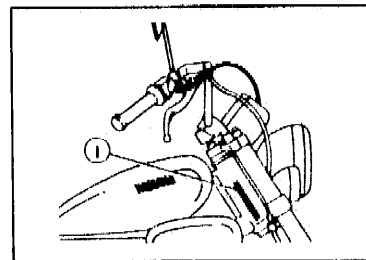
PART NO.	DESCRIPTION	Q'TY	REMARKS
2F5-83310-60	FRONT FLASHER LIGHT ASSY	2	
115-83311-60	. BULB (6V-18W)	1	

5. Applicable colors of graphics are represented in the "REMARKS" as shown below.

PART NO.	DESCRIPTION	Q'TY	REMARKS
2N4-24110-00-X5	FUEL TANK COMP.	1	MAXIM RED
3J1-24140-10	. GRAPHIC, FUEL TANK	1	for MXR

6. Applicable Serial No. and Color Code

3BMA	① Frame Serial No. 3BMA-013101 ~
	② Engine Serial No. 3BMA-013101 ~
3BMB	① Frame Serial No. 3BMB-015101 ~
	② Engine Serial No. 3BMB-015101 ~



	Color Code	Color Name	Abbreviation
3BMA	00MX	SPARKLE MAROON	SM
	004B	BLACK 2	BL2
3BMB	00KM	NEW BLACK BLUE	NRB

7. Note that the illustrations are for reference in finding parts numbers, not to be used for assembling. When assembling, please use the applicable service manual.
8. The asterisk (*) before a reference number indicates modification items after the first edition.

CONTENTS

ENGINE

Cylinder Head	B2~B3
Cylinder	B4
Crankshaft, Piston	B5
Valve	B6
Camshaft, Chain	B7
Oil Pump	B8
Oil Cleaner	B9
Intake	B10
Carburetor	B11~B12
Exhaust	B13~B14
Crankcase	B15~C2
Crankcase Cover 1	C3~C4
Starter Clutch	C5
Clutch	C6~C7
Transmission	C8
Middle Drive Gear	C9
Shift Cam, Fork	C10
Shift Shaft	C11

CHASSIS

Frame	C12~C13
Fender	C14~C15
Side Cover	D2~D3
Rear Arm, Suspension	D4
Drive Shaft	D5~D6
Steering	D7~D8
Front Fork	D9~D10
Fuel Tank	D11~D13
Seat	D14

Front Wheel	D15
Front Brake Caliper	E2
Rear Wheel	E3~E4
Steering Handle, Cable	E5
Front Master Cylinder	E6
Stand, Footrest	E7~E9
Generator	E10
Starting Motor	E11
Flasher Light	E12
Meter	E13
Headlight	E14
Taillight	E15
Handle Switch, Lever	F2
Electrical 1	F3
Electrical 2	F4

INDEX

Numerical Index	M1~M4
-----------------------	-------

CONTENTS

ENGINE

Cylinder Head	B2~B3
Cylinder	B4
Crankshaft, Piston	B5
Valve	B6
Camshaft, Chain	B7
Oil Pump	B8
Oil Cleaner	B9
Intake	B10
Carburetor	B11~B12
Exhaust	B13~B14
Crankcase	B15~C2
Crankcase Cover 1	C3~C4
Starter Clutch	C5
Clutch	C6~C7
Transmission	C8
Middle Drive Gear	C9
Shift Cam, Fork	C10
Shift Shaft	C11

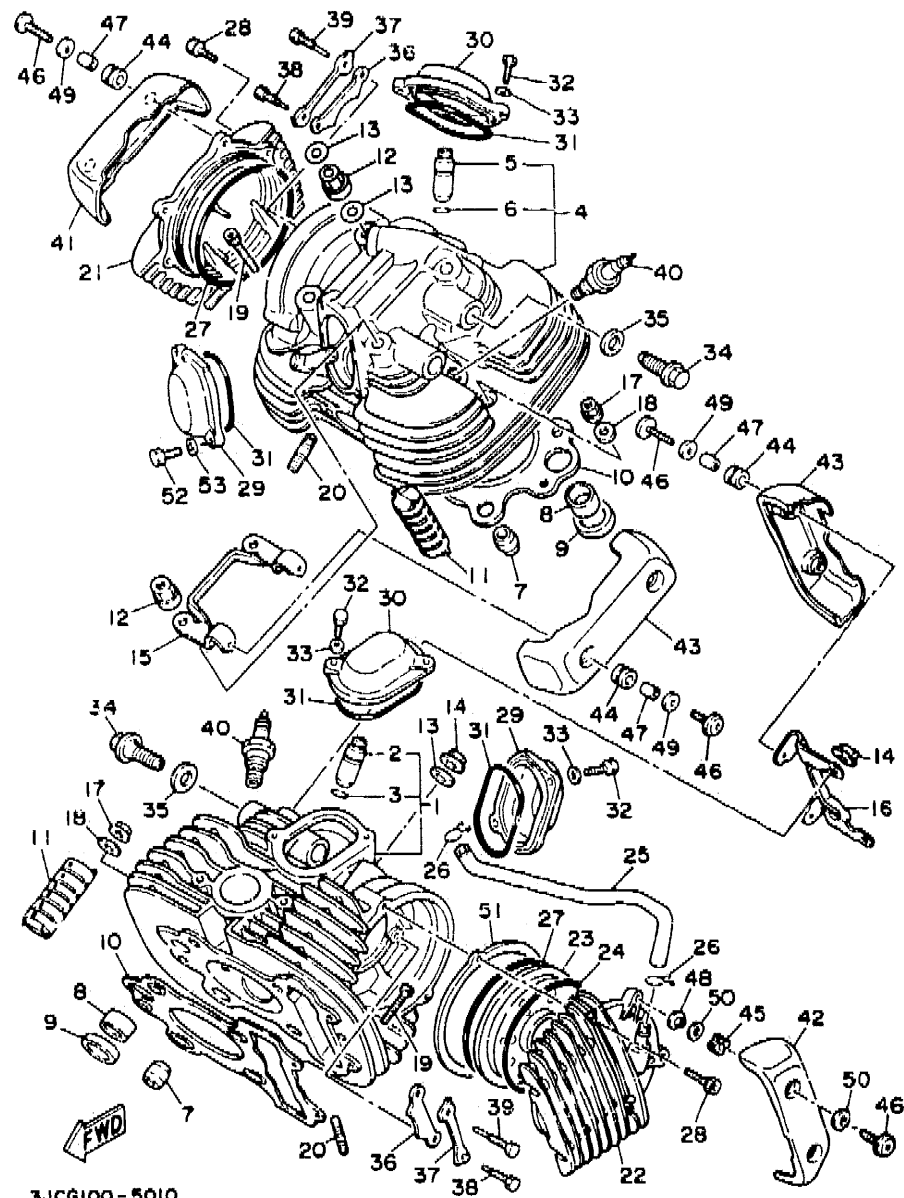
CHASSIS

Frame	C12~C13
Fender	C14~C15
Side Cover	D2~D3
Rear Arm, Suspension	D4
Drive Shaft	D5~D6
Steering	D7~D8
Front Fork	D9~D10
Fuel Tank	D11~D13
Seat	D14

Front Wheel	D15
Front Brake Caliper	E2
Rear Wheel	E3~E4
Steering Handle, Cable	E5
Front Master Cylinder	E6
Stand, Footrest	E7~E9
Generator	E10
Starting Motor	E11
Flasher Light	E12
Meter	E13
Headlight	E14
Taillight	E15
Handle Switch, Lever	F2
Electrical 1	F3
Electrical 2	F4

INDEX

Numerical Index	M1~M4
-----------------------	-------



3JCG100-5010

FIG. 1 CYLINDER HEAD

REF. NO.	PART NO.	DESCRIPTION	Q'TY	REMARKS
1	3BM-11101-01	CYLINDER HEAD ASSY	1	
2	4H7-11133-10	.GUIDE, intake valve	2	
3	93440-12052	.CIRCLIP	2	
4	3BM-11101-11	CYLINDER HEAD ASSY	1	
5	4H7-11133-10	.GUIDE, intake valve	2	
6	93440-12052	.CIRCLIP	2	
7	99510-17016	PIW, dowel	4	
8	90387-226G7	COLLAR	2	
9	90430-24184	GASKET	2	
10	2GV-11181-00	GASKET, cylinder head 1	2	
11	2GV-11127-00	ABSORBER 3	4	
12	90179-10395	NUT	4	
13	90201-10131	WASHER, plate	6	
14	90179-10279	NUT	4	
15	2GV-11142-00	BRACKET, cylinder head cover 2	1	
16	2GV-11152-00	BRACKET, cylinder head cover	1	
17	95707-08500	NUT, flange	2	
18	90201-094G1	WASHER, plate	2	
19	91314-08030	BOLT	4	
20	95617-08630	BOLT, stud	4	
21	2GV-11185-00	COVER, cylinder head side 1	1	
22	2GV-1111H-00	COVER, cylinder head side 4	1	
23	22U-11165-00	PLATE, breather	1	
24	93210-89568	O-RING	1	
25	2GV-11166-00	PIPE, breather 1	1	
26	90467-14015	CLIP	2	
27	93211-00612	O-RING	2	
28	91314-06025	BOLT	4	

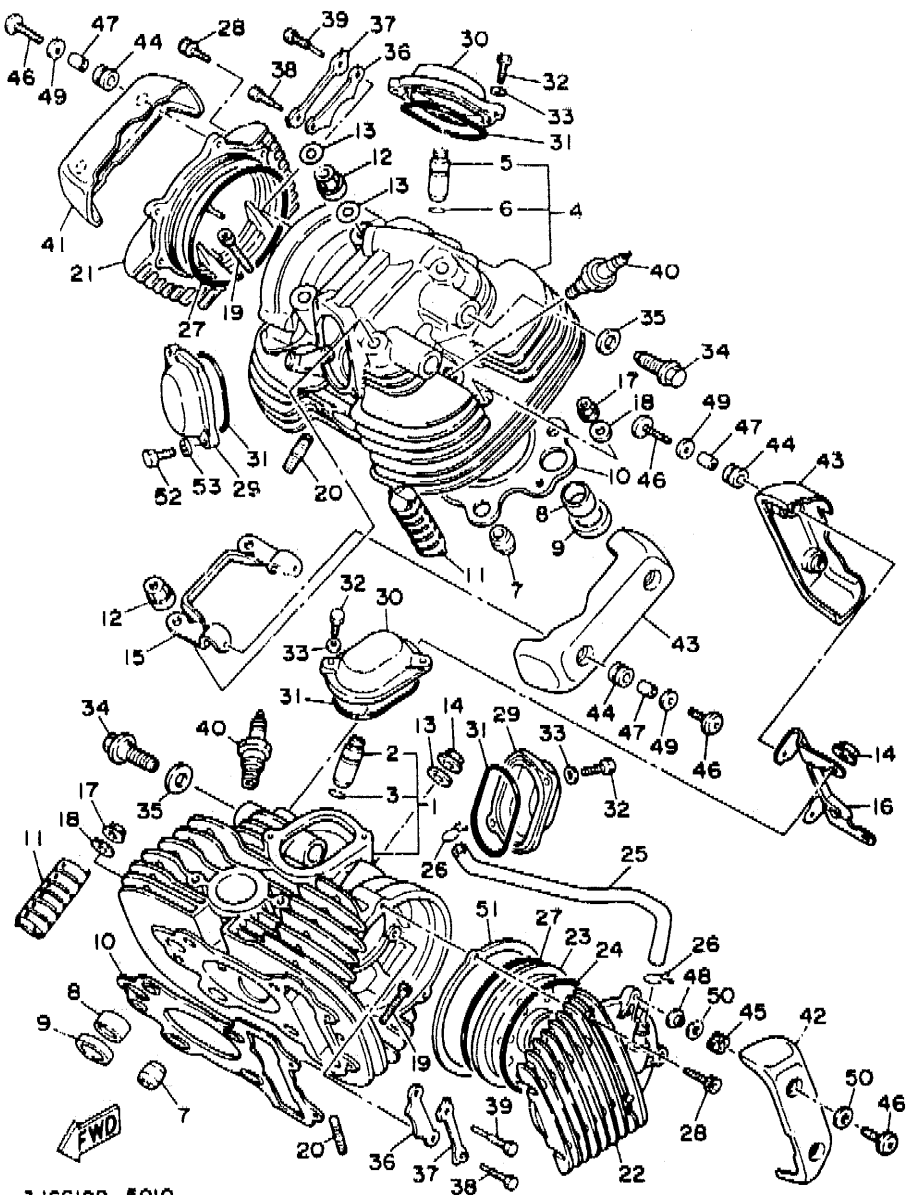


FIG. 1 CYLINDER HEAD

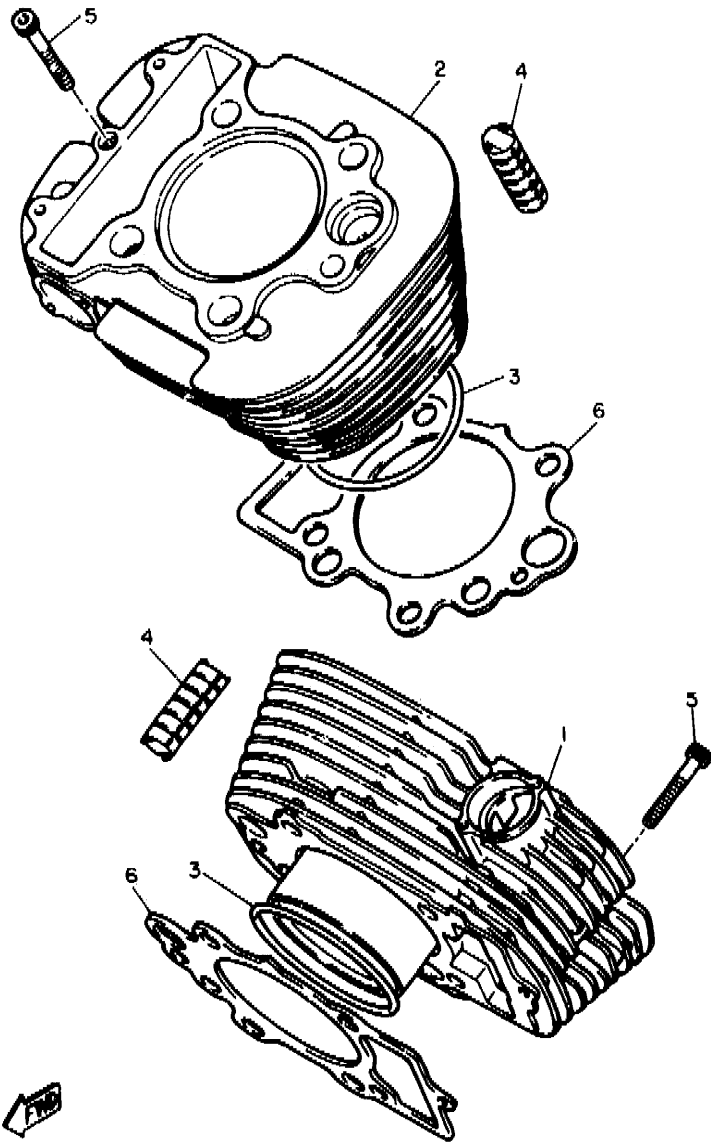
REF. NO.	PART NO.	DESCRIPTION	Q'TY	REMARKS
29	22U-11186-00	COVER, cylinder head side 2	2	
30	22U-11187-00	COVER, cylinder head side 3	2	
31	93210-62446	O-RING	4	
32	97027-06016	BOLT	6	
33	92907-06600	WASHER, plate	6	
34	90401-16073	BOLT, union	4	
35	90430-17168	GASKET	4	
36	22U-1111F-01	PLATE	2	
37	90215-08229	WASHER, lock	2	
38	90109-08782	BOLT	2	
39	90109-08781	BOLT	2	
40	94701-00218	FLUG, spark (NGK BPR7ES)	2	UR
	94701-00220	PLUG, spark (ND W22EPR-U)	2	UR
41	2NT-11186-00	COVER, cylinder head side 2	1	
42	2NT-1110M-00	COVER ASSY 1	1	
43	2NT-11187-00	COVER, cylinder head side 3	2	
44	90480-18411	GROMMET	6	
45	90480-19471	GROMMET	2	
46	90110-06198	BOLT, hexagon socket head	8	
47	90387-06518	COLLAR	6	
48	90387-072W2	COLLAR	2	
49	90201-06697	WASHER, plate	6	
50	3BT-11195-00	WASHER, plate	4	
51	3BT-11196-00	GASKET, cylinder head side	1	
52	97024-06016	BOLT	2	
53	92990-06600	WASHER	2	

3JCG100-5010

B3

FIG. 2 CYLINDER

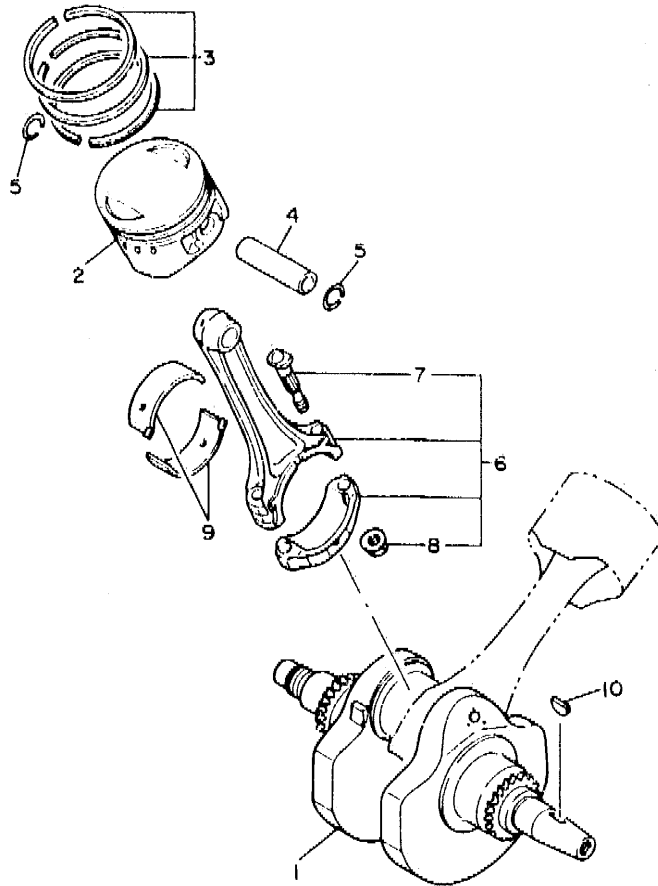
REF. NO.	PART NO.	DESCRIPTION	Q'TY	REMARKS
1	26V-11310-00	CYLINDER	1	
2	26V-11320-00	CYLINDER 2	1	
3	93210-81411	O-RING	2	
4	15A-11162-00	ABSORBER 2	6	
5	91317-06085	BOLT	2	
6	3BT-11351-00	GASKET, cylinder	2	



26V110-7020

B4

FIG. 3 CRANKSHAFT, PISTON



REF. NO.	PART NO.	DESCRIPTION	Q'TY	REMARKS
1	22U-11411-00	CRANKSHAFT	1	
2	2GV-11631-00	PISTON (STD)	2	
	2GV-11636-00	PISTON (0.50MM O/S)	2	AP
	2GV-11638-00	PISTON (1.00MM O/S)	2	AP
3	2GV-11610-00	PISTON RING SET (STD)	2	
	2GV-11610-20	PISTON RING SET (0.50MM O/S)	2	AP
	2GV-11610-40	PISTON RING SET (1.00MM O/S)	2	AP
4	22U-11633-01	PIN, piston	2	
5	93450-19052	CIRCLIP	4	
6	22U-11650-00	CONNECTING ROD ASSY	2	
7	22U-11654-00	.BOLT, connecting rod	2	
8	90179-08327	.NUT	2	
9	22U-11656-00	PLANE BEARING, connecting rod	4	UR BLUE
	22U-11656-10	PLANE BEARING, connecting rod	4	UR BLACK
	22U-11656-20	PLANE BEARING, connecting rod	4	UR BROWN
	22U-11656-30	PLANE BEARING, connecting rod	4	UR GREEN
10	90280-05048	KEY, woodruff	1	



2GV110-7030

B5

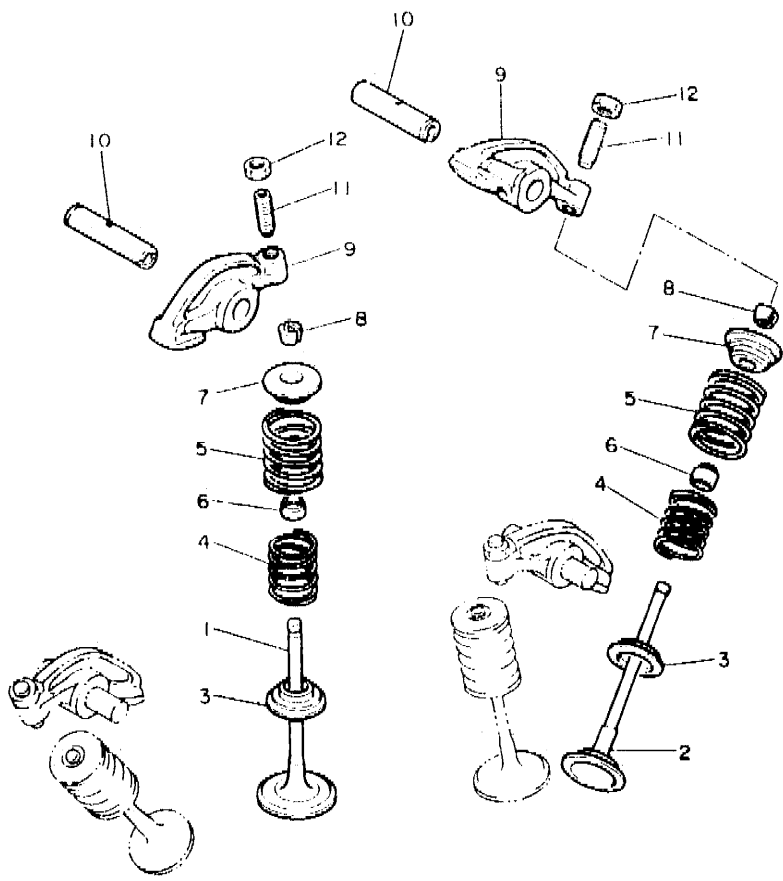


FIG. 4 VALVE

REF. NO.	PART NO.	DESCRIPTION	Q'TY	REMARKS
1	22U-12111-00	VALVE, intake	2	
2	22U-12121-01	VALVE, exhaust	2	
3	3Y1-12116-00	SEAT, valve spring	4	
4	22U-12113-00	SPRING, valve inner	4	
5	22U-12114-00	SPRING, valve outer	4	
6	1J7-12119-01	SEAL, valve stem	4	
7	3Y1-12117-01	RETAINER, valve spring	4	
8	1J7-12118-00	COTTER, valve	8	
9	22U-12151-00	ARM, valve rocker	4	
10	22U-12156-01	SHAFT, rocker 2	4	
11	22U-12159-00	SCREW, valve adjusting	4	
12	90170-06128	NUT	4	

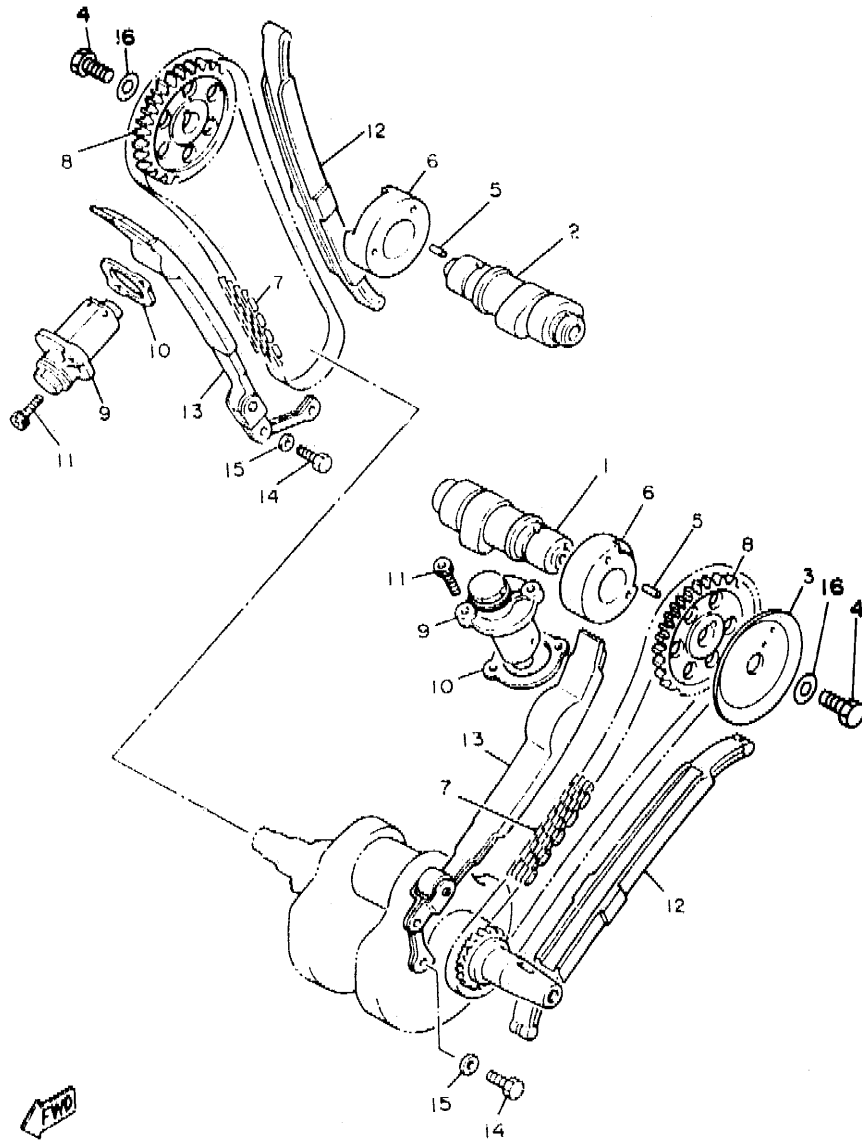


22U110-3050

B6

FIG. 5 CAMSHAFT. CHAIN

REF. NO.	PART NO.	DESCRIPTION	Q'TY	REMARKS
1	22U-12171-01	CAMSHAFT 1	1	
2	22U-12181-01	CAMSHAFT 2	1	
3	22U-11145-00	PLATE, breather 2	1	
4	90101-10303	BOLT	2	
5	93605-10108	PIN, dowel	2	
6	90380-28110	BUSH, solid	2	
7	94590-27118	CHAIN	2	
8	22U-12176-01	SPROCKET, cam chain	2	
9	11H-12210-02	TENSIONER ASSY, cam chain	2	
10	3BT-12213-00	GASKET, tensioner case	2	
11	91314-16025	BOLT	4	
12	22U-12231-00	GUIDE, stopper 1	2	
13	22U-12241-00	GUIDE, stopper 2	2	
14	97027-06016	BOLT	4	
15	92907-06600	WASHER, plate	4	
16	90201-10774	WASHER, plate	2	



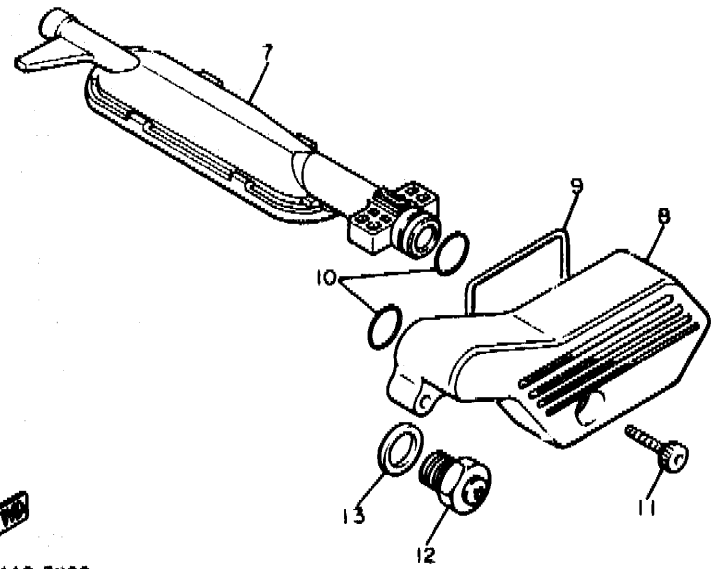
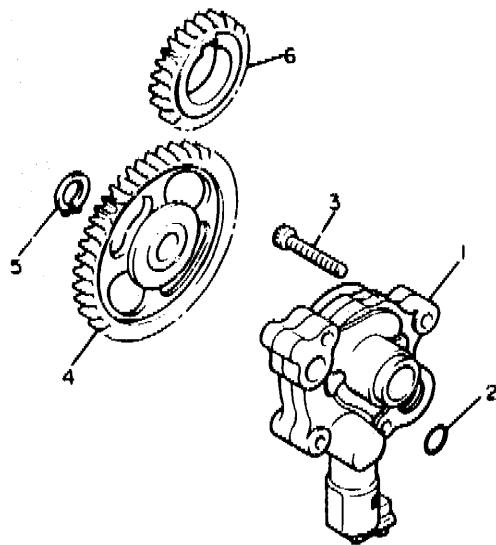
FWD

3JCG100-5050

B7

FIG. 6 OIL PUMP

REF. NO.	PART NO.	DESCRIPTION	Q'TY	REMARKS
1	22U-13300-00	OIL PUMP ASSY	1	
2	93210-10096	O-RING	1	
3	91317-06030	BOLT	3	
4	22U-13325-00	GEAR, driven (39T)	1	
5	99009-11400	CIRCLIP	1	
6	22U-13324-00	GEAR, drive (24T)	1	
7	22U-13410-00	STRAINER HOUSING ASSY	1	
8	2GV-13417-00	COVER, strainer	1	
9	22U-13415-00	SEAL, oil strainer	1	
10	93210-15151	O-RING	2	
11	91317-06025	BOLT	3	
12	3VD-13455-00	PLUG	1	
13	214-11198-01	GASKET	1	

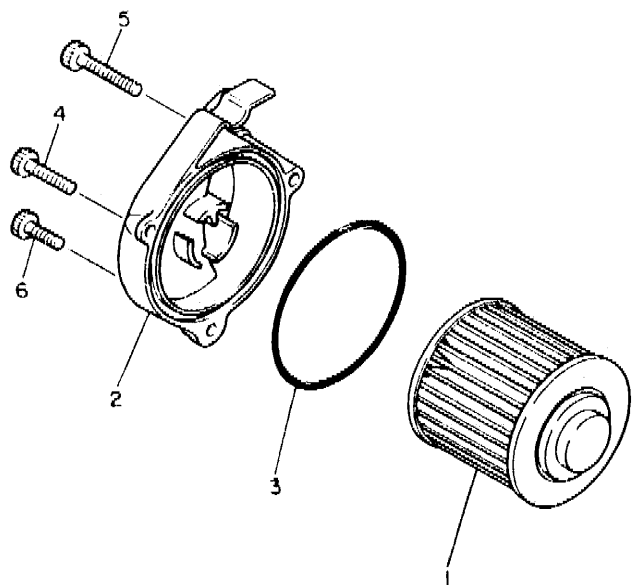


2GV110-7080

B8

FIG. 7 OIL CLEANER

REF. NO.	PART NO.	DESCRIPTION	Q'TY	REMARKS
1	4X7-13440-90	ELEMENT ASSY, oil cleaner	1	
2	2NT-13447-00	COVER, oil element	1	UR
	3JB-13447-00	COVER, Oil element	1	UR XV535S MODEL
3	93210-64297	O-RING	1	
4	91314-06060	BOLT	1	
5	91314-06095	BOLT	1	
6	91314-06025	BOLT	1	



ZGV110-7070

B9

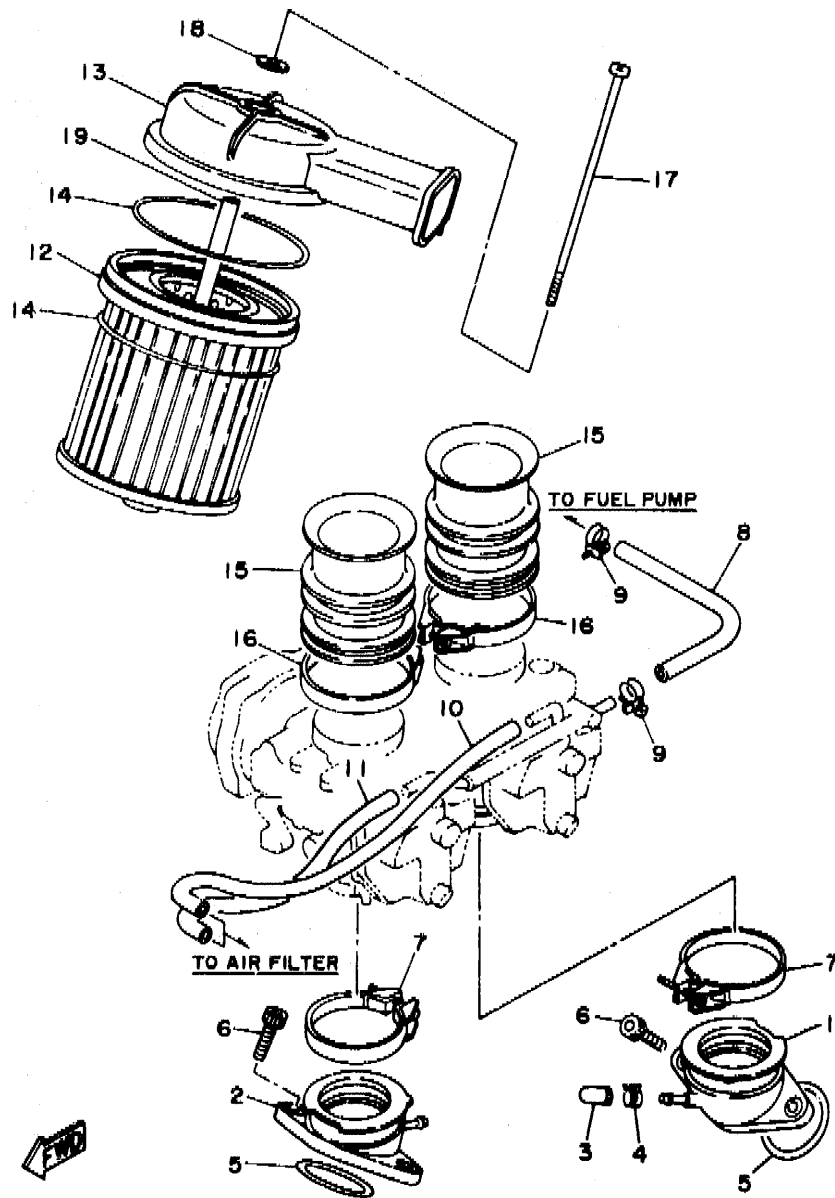


FIG. 8 INTAKE

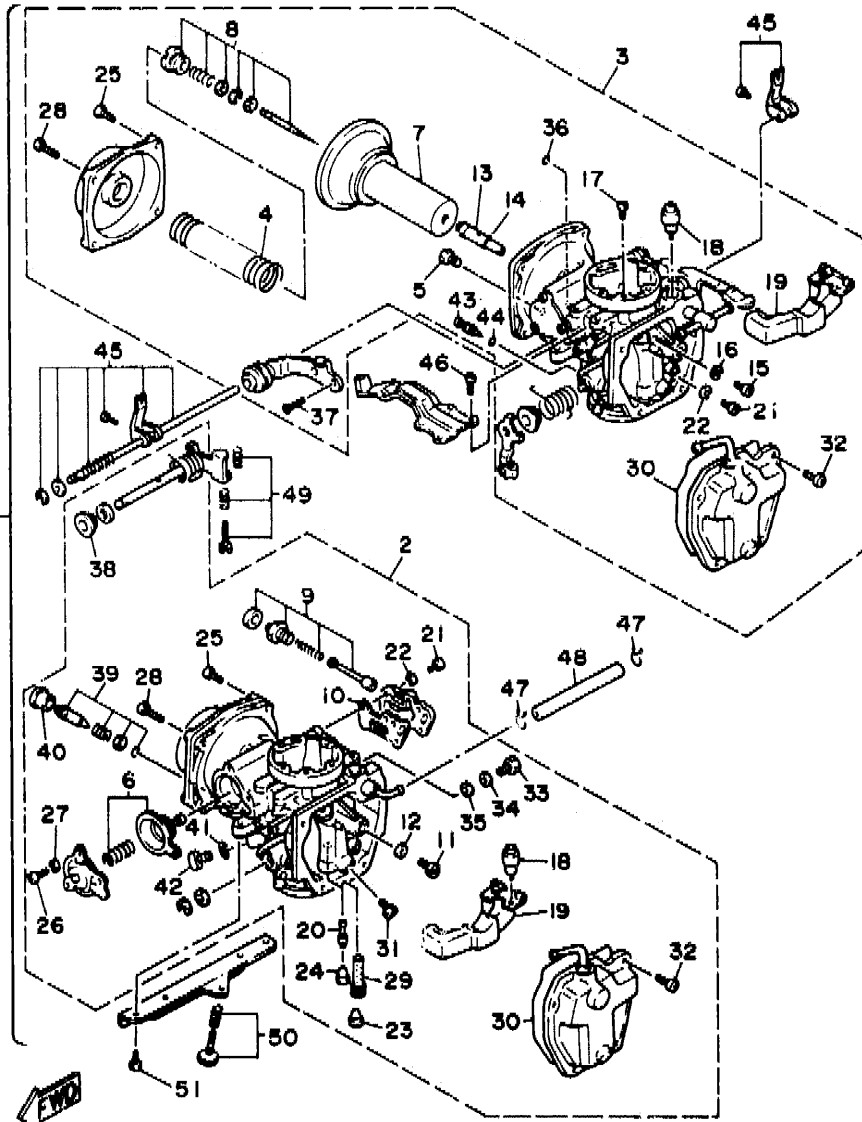
REF. NO.	PART NO.	DESCRIPTION	Q'TY	REMARKS
1	2CV-13586-01	JOINT, carburetor 1	1	
2	2GV 13596-00	JOINT, carburetor 2	1	
3	16G-13569-00	PLUG, blind	1	
4	90467-10039	CLIP	1	
5	93210-36549	O-RING	2	
6	91317-06020	BOLT	4	
7	90460-52210	CLAMP, hose	2	
8	90445-111F3	HOSE	1	
9	90460-12256	CLAMP, hose	2	
10	2GV-14197-00	PIPE	1	
11	2GV-14987-00	HOSE	1	
12	2GV-14451-00	ELEMENT, air cleaner	1	
13	2GV-14412-00	CAP, cleaner case 1	1	
14	52W-14452-00	SEAL	2	
15	22U-14469-00	FUNNEL, air	2	
16	90460-58015	CLAMP, hose	2	
17	98517-06160	SCREW, pan head	1	
18	90201-06067	WASHER, plate	1	
19	90387-062T3	COLLAR	1	

38M7361-3080

B10

FIG. 9 CARBURETOR

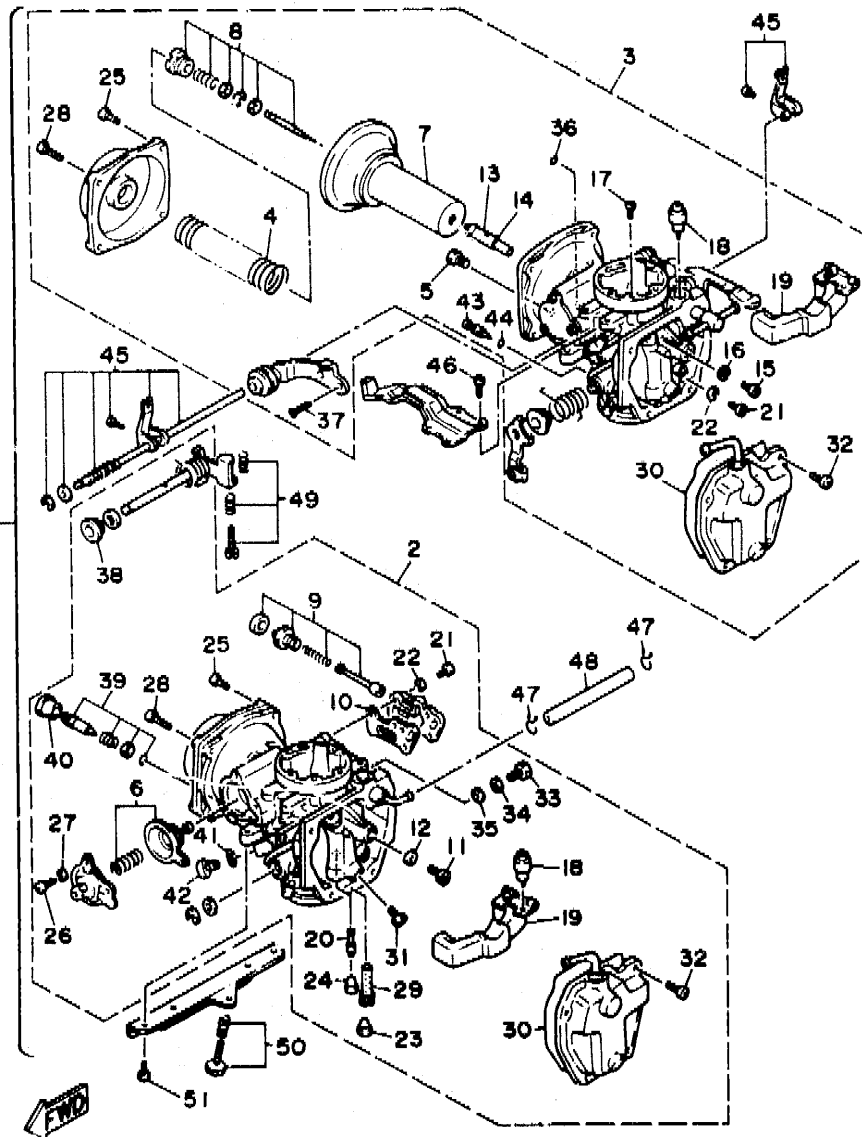
REF. NO.	PART NO.	DESCRIPTION	Q'TY	REMARKS
1	3BM-1490J-30	CARBURETOR ASSY	1	UR
	3BM-1490O-40	CARBURETOR ASSY	1	UR XV535S MODEL
2	3BM-14901-30	..CARBURETOR ASSY 1	1	UR (#1)
	3BM-14901-40	..CAEBURETOR ASSY 1	1	UR (#1) XV535S MODEL
3	3BM-14902-30	..CARBURETOR ASSY 2	1	UR (#2)
	3BM-14902-40	..CARBURETOR ASSY 2	1	UR (#2) XV535S MODEL
4	1FK-14933-00	..SPRING, diaphragm	1	
5	3G2-14231-34	..JET, pilot air (#170)	1	
6	3BR-1490H-00	..DIAPHRAGM SET 5	1	
7	41R-14940-00	..DIAPHRAGM ASSY	1	
8	3BM-1490J-00	..NEEDLE SET	1	(#1)
	3BM-1490J-10	..NEEDLE SET	1	(#2)
9	11H-1410A-00	..STARTER SET	1	
10	3JB-14536-00	..GASKET	1	
11	22U-14565-00	..SCREW	1	
12	137-14153-00	..WASHER, main jet	1	
13	2U-14141-90	..NOZZLE, main	1	
14	22U-14147-00	..O-RING	1	
15	98506-04018	..SCREW, pan head	1	
16	92902-04100	..WASHER, spring	1	
17	3G2-14231-14	..JET, pilot air (#70)	1	
18	1FK-14190-15	..NEEDLE VALVE ASSY	1	
19	1FK-14985-00	..FLOAT	1	
20	4HR-14142-35	..JET, pilot (#35)	1	
21	98511-04012	..SCREW, pan head	4	
22	92901-04100	..WASHER, spring	4	
23	22U-14968-00	..CAP	1	
24	22V-14968-00	..CAP	1	



3JC7110-3090

B11

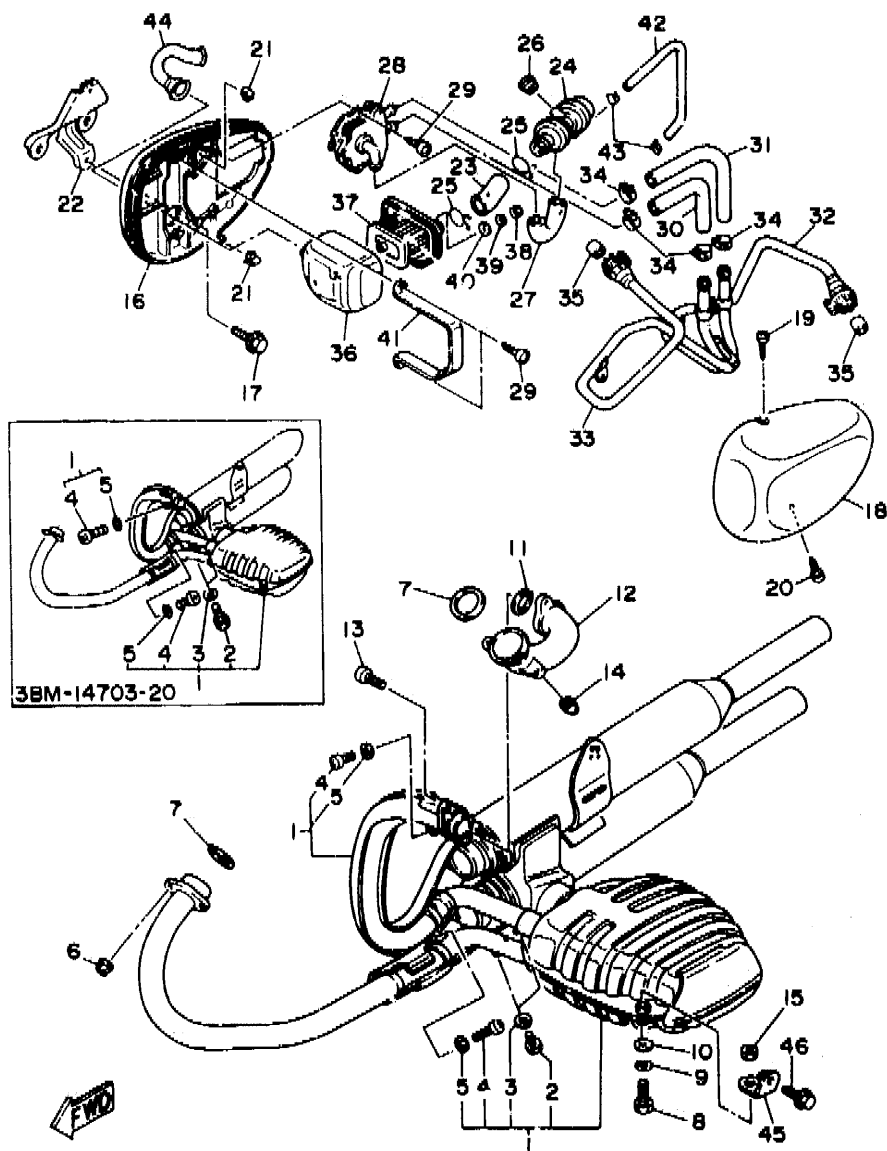
FIG. 9 CARBURETOR



REF. NO.	PART NO.	DESCRIPTION	Q'TY	REMARKS
25	98580-05014	..SCREW, pan head	3	
26	98580-04010	..SCREW, pan head	3	
27	92901-04100	..WASHER, spring	3	
28	90157-05050	..SCREW, pan head	1	
29	2JU-1414G-00	..PIPE, main bleed	1	
30	22V-14147-00	..O-RING	1	
31	362-14231-27	..JET, main (#135)	1	
32	98501-05012	..SCREW, pan head	4	
33	341-14991-00	..SCREW	1	
34	26H-14952-00	..WASHER	1	
35	22U-14952-00	..WASHER	1	
36	93210-03119	..O-RING	1	
37	98701-06010	..SCREW, flat head	2	
38	341-14954-00	..WASHER	1	
39	12R-14105-00	..PILOT SCREW SET	1	
40	2RJ-14118-00	..CAP	1	
41	127-14198-00	..GASKET	2	
42	98902-08014	..SCREW, bind	2	
43	2L1-14191-00	..PLUG, drain	1	
44	214-14147-00	..O-RING	1	
45	3JB-1490L-00	..STARTER LEVER SET	1	
46	98501-05010	..SCREW, pan head	4	
47	90467-10008	..CLIP	2	
48	31H-14987-00	..HOSE	1	
49	3EN-1490K-00	..STOP SCREW SET	1	
50	22U-14103-00	..THRITTLE SCREW SET	1	
51	98580-06012	..SCREW, pan head	4	

3JC71i0-3090

B12



3BMA361-5100

FIG. 10 EXHAUST

REF. NO.	PART NO.	DESCRIPTION	Q'TY	REMARKS
1	3BM-14703-10	MUFFLER COMP. 1	1	UR *1
	3BM-14703-20	MUFFLER COMP. 1	1	UR *2
2	90101-06576	.BOLT	2	
3	92907-06600	.WASHER, plate	2	
4	98507-06020	.SCREW, pan head	2	
5	92907-06600	.WASHER, plate	2	
6	90179-08410	NUT	2	
7	4BE-14613-00	GASKET, exhaust pipe	2	
8	97027-08030	BOLT	1	
9	92907-08100	WASHER	1	
10	92907-08200	WASHER	1	
11	4BR-14613-00	GASKET, exhaust pipe	1	
12	2GV-14625-00	JOINT, exhaust 2	1	
13	91317-06025	BOLT	2	
14	90185-08097	NUT, self-locking	2	
15	95317-08700	NUT	1	
16	2GV-14663-00	PLATE, air cleaner	1	
17	95807-06016	BOLT, flange	2	
18	2GV-14603-00	COVER 1	1	
19	97704-40012	SCREW, tapping	1	
20	90163-04003	SCREW, tapping	1	
21	90183-04027	NUT, spring	2	
22	2GV-14484-00	PLATE, cleaner case fitting	1	
23	3BM-14882-00	HOSE, bend 2	1	
24	1RV-14840-00	AIR CUT VALVE ASSY	1	
25	90467-26111	CLIP	2	
26	90338-10132	PLUG	1	
27	3BM-14883-00	HOSE, bend 3	1	

B13

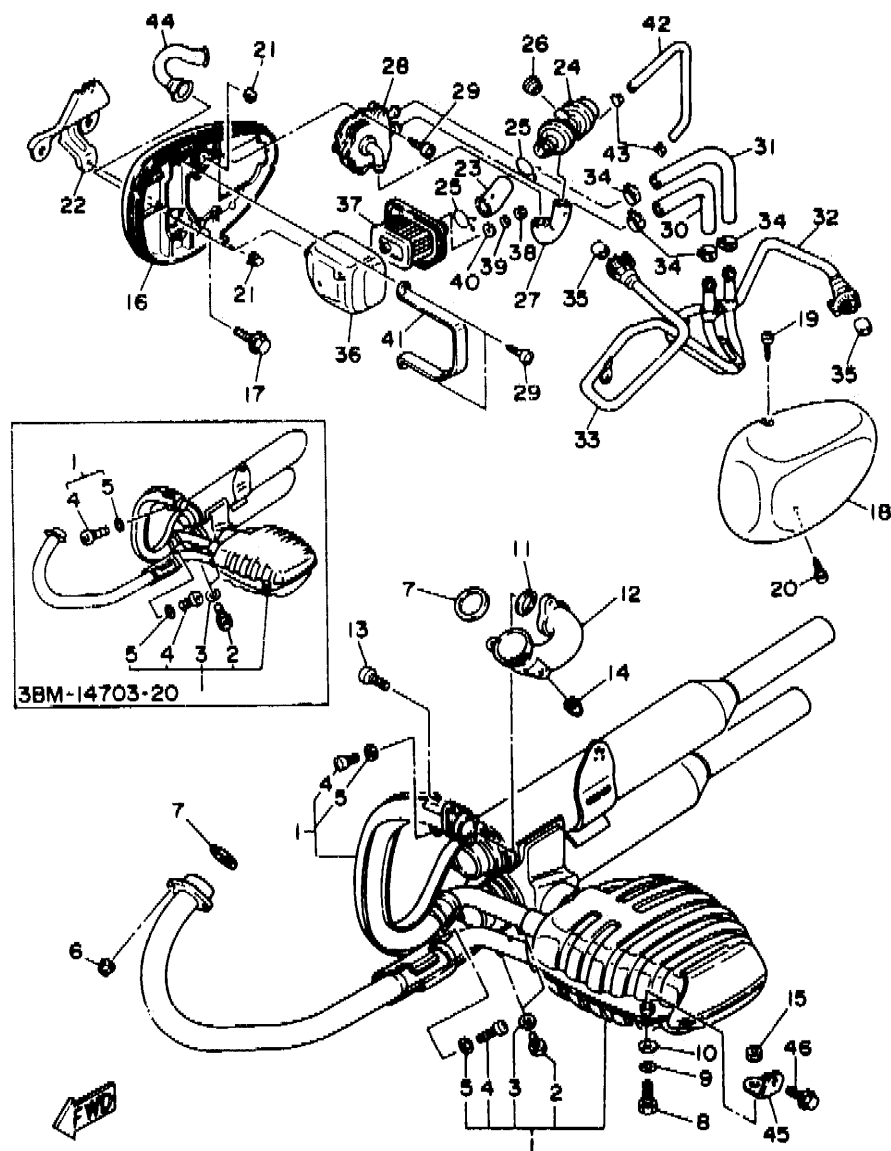


FIG. 10 EXHAUST

REF. NO.	PART NO.	DESCRIPTION	Q'TY	REMARKS
28	3BM-14808-00	REED VALVE ASSY	1	
29	97707-60114	SCREW, tapping	5	
30	3BM-14884-00	HOSE, bend 4	1	
31	3BM-14885-00	HOSE, bend 5	1	
32	3BM-14871-02	PIPE 1	1	
33	3BM-14872-01	PIPE 2	1	
34	90468-08104	CLIP	4	
35	3BM-14714-00	GASKET, muffler	2	
36	42H-14857-00	CASE, air cleaner	1	
37	42H-14858-00	CAP, case	1	
38	95307-05600	NUT	1	
39	92907-05200	WASHER, plain	1	
40	90202-05057	WASHER, plate	1	
41	3BM-14867-00	BRACKET	1	
42	3BM-13542-00	HOSE, vacuum sensing 1	1	
43	90467-08092	CLIP	2	
44	1TA-14881-00	HOSE, bend 1	1	
45	2GV-2138L-00	BRACKET 2	1	
46	95807-08016	BOLT, flange	1	

*1 FRAME/ENGIN SERIAL NO.
 3BM-0013101 ~ 3BM-0013150
 3BM-0015101 ~ 3BM-0015160

*2 FRAME/ENGIN SERIAL NO.
 3BM-0013151 ~
 3BM-0015161 ~

B14

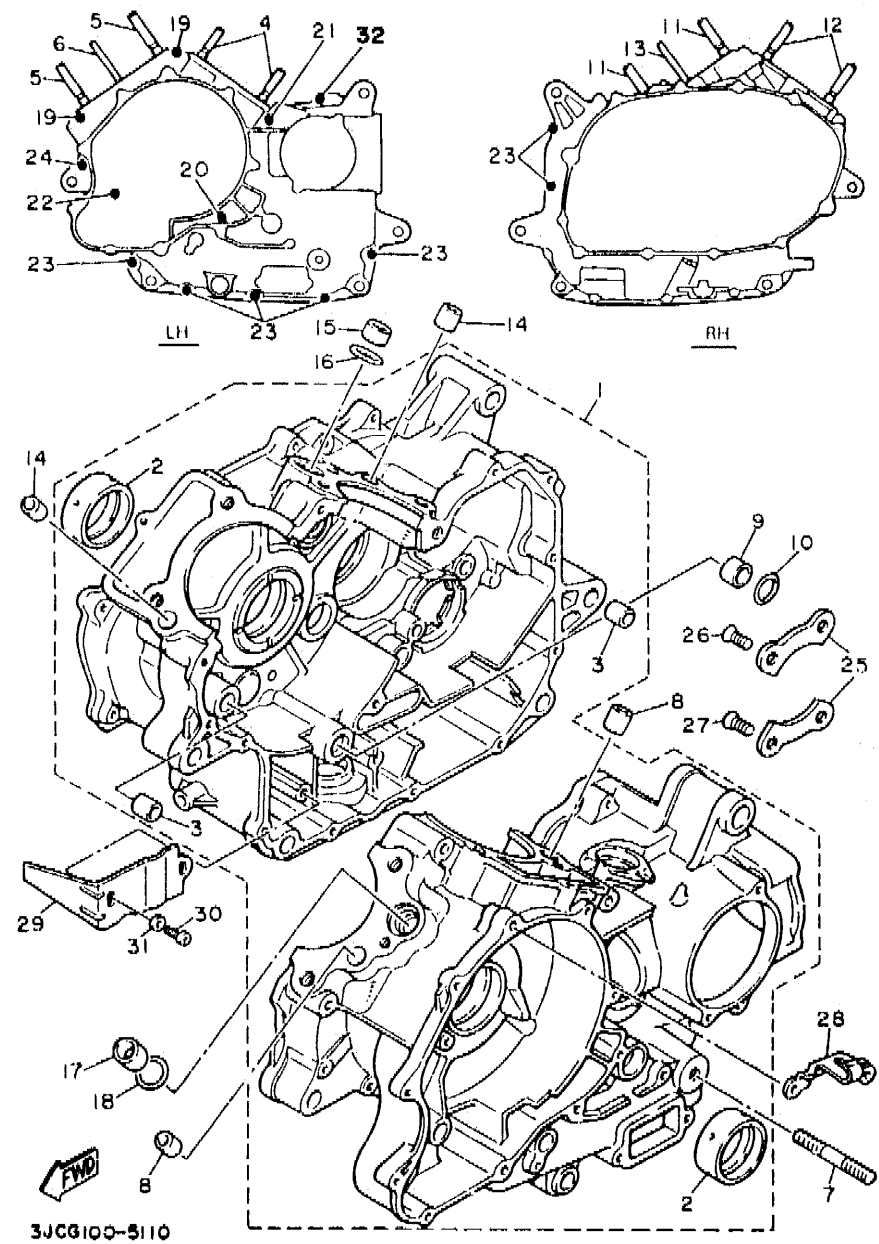


FIG. 11 CRANKCASE

REF. NO.	PART NO.	DESCRIPTION	Q'TY	REMARKS
1	2GV-15100-00	CRANKCASE ASSY	1	
2	22U-11416-80	.PLANE BEARING, crankshaft 1	2	UR BLUE
	22U-11416-90	.PLANE BEARING, crankshaft 1	2	UR GREEN
3	91810-17016	.PIN, dowel	2	
4	90116-10406	BOLT, stud	2	
5	90116-10405	BOLT, stud	2	
6	90116-08404	BOLT, stud	1	
7	95617-10680	BOLT, stud	1	
8	99530-14016	PIN, dowel	2	
9	90387-16547	COLLAR	1	
10	93210-18322	O-RING	1	
11	90116-10406	BOLT, stud	2	
12	90116-10405	BOLT, stud	2	
13	90116-08404	BOLT, stud	1	
14	99530-14016	PIN, dowel	2	
15	90387-16547	COLLAR	1	
16	93210-18322	O-RING	1	
17	90387-16547	COLLAR	1	
18	93210-18322	O-RING	1	
19	91314-08060	BOLT	2	
20	91317-08080	BOLT	1	
21	91314-08100	BOLT	1	
22	91317-06095	BOLT	1	
23	91317-06045	BOLT	7	
24	91314-06055	BOLT	1	
25	11H-15383-01	PLATE, bearing cover	2	
26	90151-08022	SCREW, countersunk	1	
27	90149-08152	SCREW	3	

B15

CONTENTS

ENGINE

Cylinder Head	B2~B3
Cylinder	B4
Crankshaft, Piston	B5
Valve	B6
Camshaft, Chain	B7
Oil Pump	B8
Oil Cleaner	B9
Intake	B10
Carburetor	B11~B12
Exhaust	B13~B14
Crankcase	B15~C2
Crankcase Cover 1	C3~C4
Starter Clutch	C5
Clutch	C6~C7
Transmission	C8
Middle Drive Gear	C9
Shift Cam, Fork	C10
Shift Shaft	C11

CHASSIS

Frame	C12~C13
Fender	C14~C15
Side Cover	D2~D3
Rear Arm, Suspension	D4
Drive Shaft	D5~D6
Steering	D7~D8
Front Fork	D9~D10
Fuel Tank	D11~D13
Seat	D14

Front Wheel	D15
Front Brake Caliper	E2
Rear Wheel	E3~E4
Steering Handle, Cable	E5
Front Master Cylinder	E6
Stand, Footrest	E7~E9
Generator	E10
Starting Motor	E11
Flasher Light	E12
Meter	E13
Headlight	E14
Taillight	E15
Handle Switch, Lever	F2
Electrical 1	F3
Electrical 2	F4

INDEX

Numerical Index	M1~M4
-----------------------	-------

CONTENTS

ENGINE

Cylinder Head	B2~B3
Cylinder	B4
Crankshaft, Piston	B5
Valve	B6
Camshaft, Chain	B7
Oil Pump	B8
Oil Cleaner	B9
Intake	B10
Carburetor	B11~B12
Exhaust	B13~B14
Crankcase	B15~C2
Crankcase Cover 1	C3~C4
Starter Clutch	C5
Clutch	C6~C7
Transmission	C8
Middle Drive Gear	C9
Shift Cam, Fork	C10
Shift Shaft	C11

CHASSIS

Frame	C12~C13
Fender	C14~C15
Side Cover	D2~D3
Rear Arm, Suspension	D4
Drive Shaft	D5~D6
Steering	D7~D8
Front Fork	D9~D10
Fuel Tank	D11~D13
Seat	D14

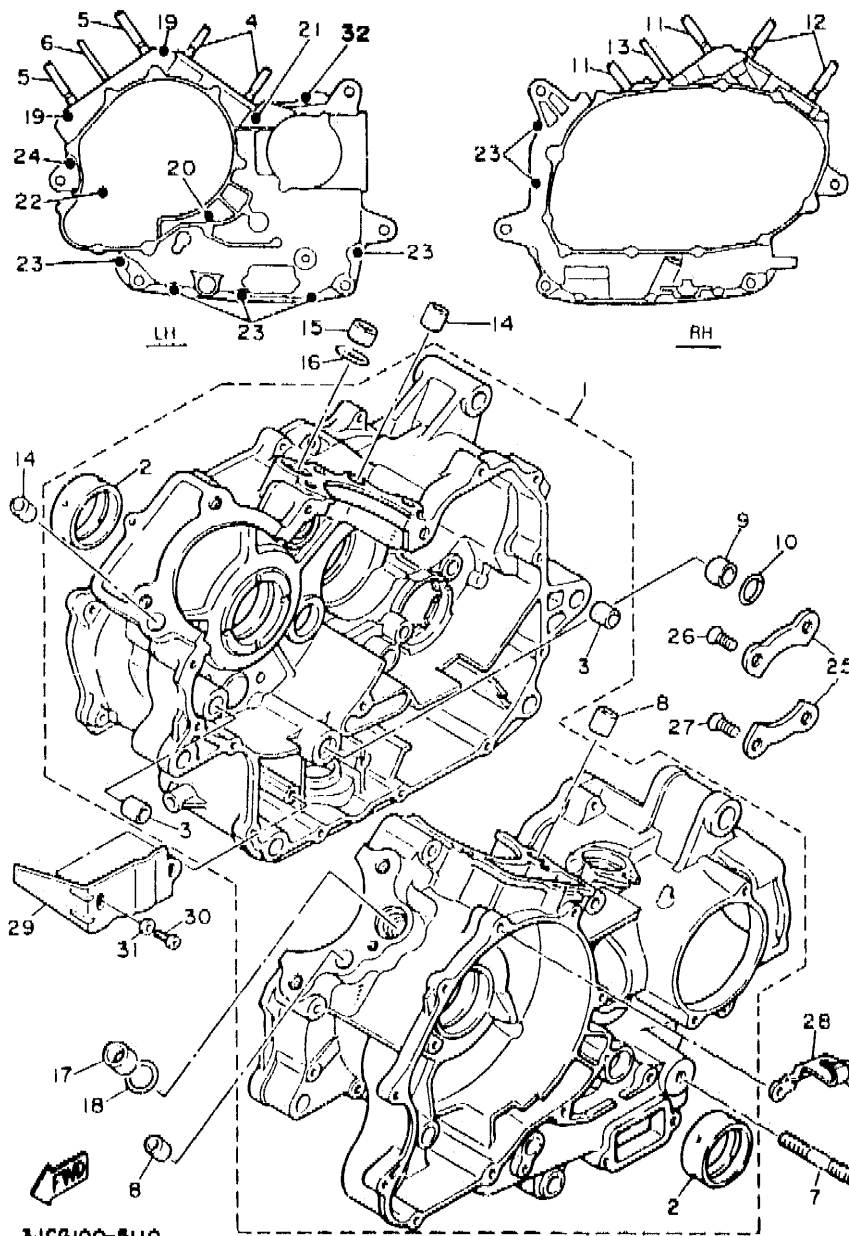
Front Wheel	D15
Front Brake Caliper	E2
Rear Wheel	E3~E4
Steering Handle, Cable	E5
Front Master Cylinder	E6
Stand, Footrest	E7~E9
Generator	E10
Starting Motor	E11
Flasher Light	E12
Meter	E13
Headlight	E14
Taillight	E15
Handle Switch, Lever	F2
Electrical 1	F3
Electrical 2	F4

INDEX

Numerical Index	M1~M4
-----------------------	-------

FIG. 11 CRANKCASE

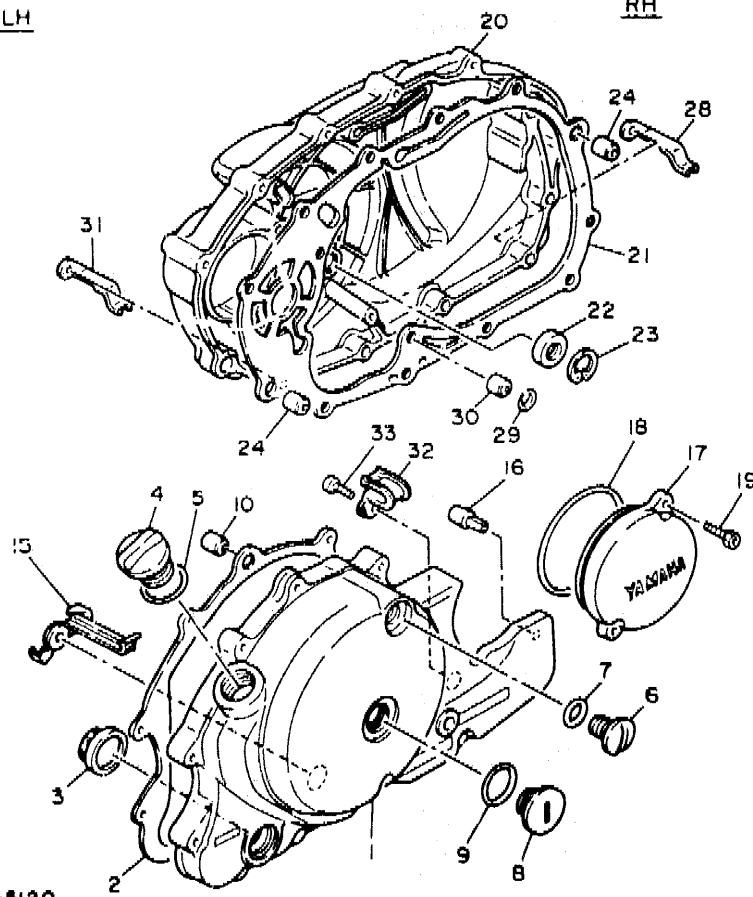
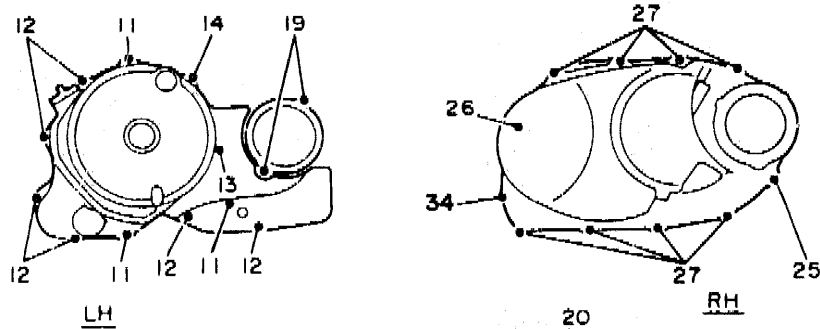
REF. NO.	PART NO.	DESCRIPTION	Q'TY	REMARKS
28	22U-15441-01	HOLDER, clutch cable	1	
29	22U-15123-00	PLATE, baffle 1	1	
30	98507-06012	SCREW, pan head	2	
31	92907-06600	WASHER, plate	2	
32	91314-06045	BOLT	1	



C2

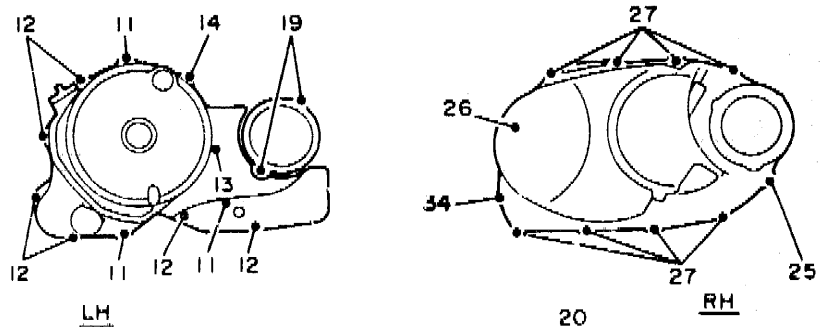
FIG. 12 CRANKCASE COVER 1

REF. NO.	PART NO.	DESCRIPTION	Q'TY	REMARKS
1	2NT-15411-01	COVER, crankcase 1	1	UR
	3JB-15411-00	COVER, crankcase 1	1	UR XV535S MODEL
2	3BT-15451-00	GASKET, crankcase cover 1	1	
3	2H7-15361-00	GAUGE, level	1	
4	3F9-15362-00	PLUG, oil level	1	
5	93210-27778	O-RING	1	
6	90340-14068	PLUG, straight screw	1	UR
	90340-14139	PLUG, straight screw	1	UR XV535S MODEL
7	93210-14369	O-RING	1	
8	90340-32088	PLUG, straight screw	1	UR
	90340-32140	PLUG, straight screw	1	UR XV535S MODEL
9	93210-32172	O-RING	1	
10	99530-10074	PIN, dowel	2	
11	91314-06040	BOLT	3	
12	91314-06025	BOLT	6	
13	91314-06055	BOLT	1	
14	91314-06030	BOLT	1	
15	3BT-15484-00	CLAMP 2	1	
16	2GV-15316-00	DAMPER, engine mount 1	1	
17	2NT-15415-00	COVER, generator	1	UR
	3JB-15415-00	COVER, generator	1	UR XV535S MODEL
18	93210-74316	O-RING	1	
19	91314-06018	BOLT	2	
20	2NT-15421-00	COVER, crankcase 2	1	UR
	3JB-15421-00	COVER, crankcase 2	1	UR XV535S MODEL
21	3BT-15461-00	GASKET, crankcase cover 2	1	
22	93101-14089	OIL SEAL	1	
23	99009-25500	CIRCLIP	1	



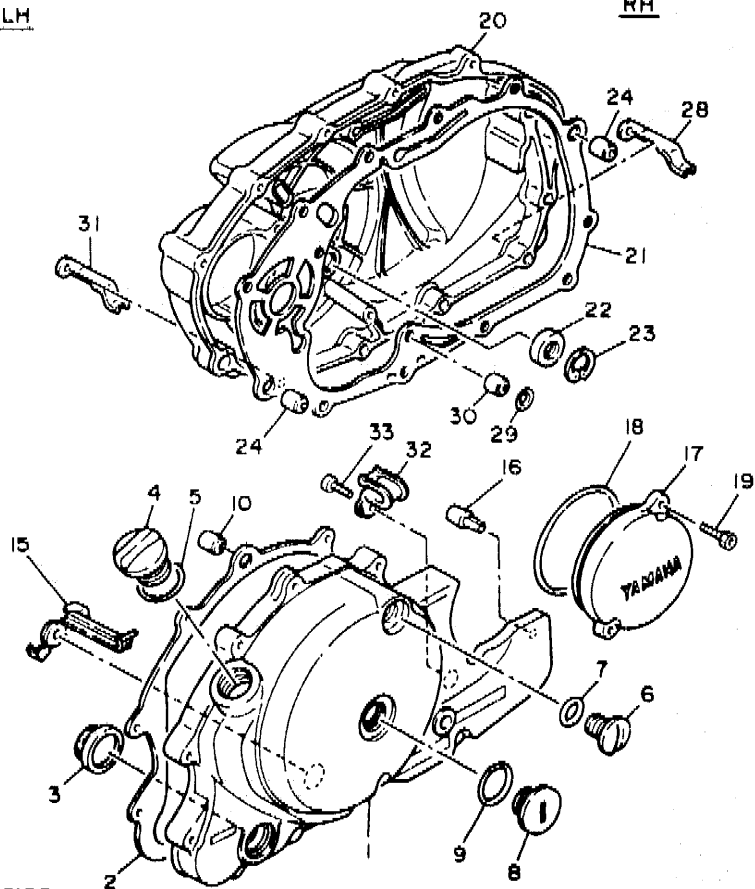
3JCG100-5120

C3



LM

RH



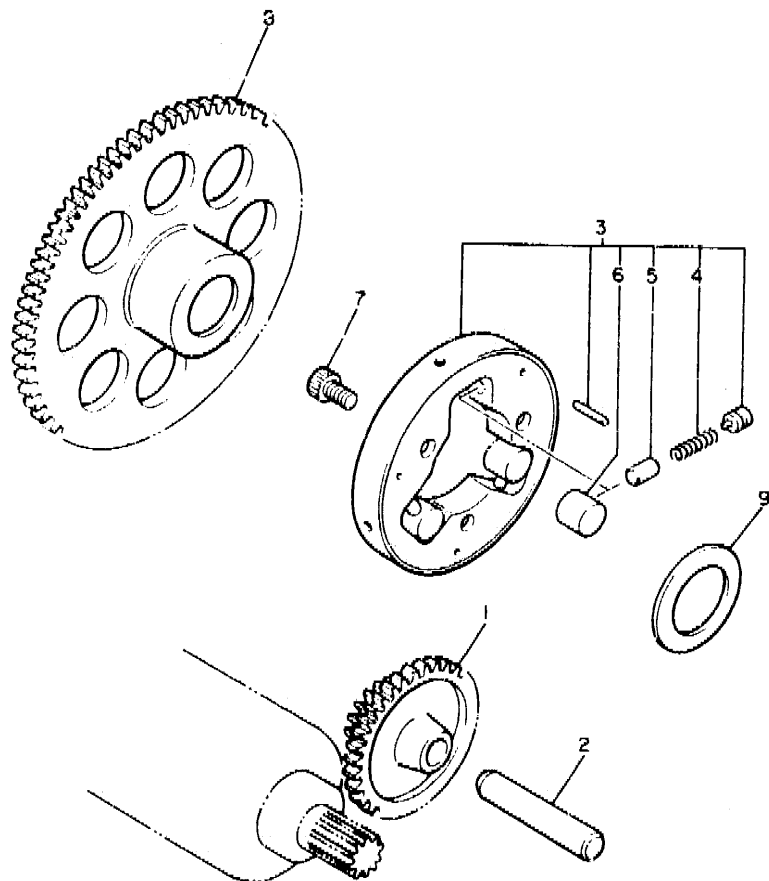
3JCG100-5120

FIG. 12 CRANKCASE COVER 1

REF. NO.	PART NO.	DESCRIPTION	Q'TY	REMARKS
24	99530-10020	PIN, dowel	2	
25	91314-06040	BOLT	1	
26	91314-06055	BOLT	1	
27	91314-06025	BOLT	8	
28	90462-10115	CLAMP	2	
29	93210-15566	O-RING	1	
30	91810-17016	PIN, dowel	1	
31	90462-10118	CLAMP	2	
32	90462-06119	CLAMP	1	
33	98507-06010	SCREW, pan head	1	
34	91380-06025	BOLT	1	

FIG. 13 STARTER CLUTCH

REF. NO.	PART NO.	DESCRIPTION	Q'TY	REMARKS
1	22U-15512-00	GEAR, idler 1 (12T-50T)	1	
2	5H0-15521-00	SHAFT 1	1	
3	22U-15580-00	STARTER CLUTCH OUTER ASSY	1	
4	90501-04623	.SPRING, compression	3	
5	341-15583-05	.CAP, starter clutch spring	3	
6	93615-12088	.PIN, dowel	3	
7	91317-08012	BOLT	3	
8	22U-15517-00	GEAR, idler 2 (66T)	1	
9	90201-256K6	WASHER, plate (0.9T)	1	



22U110-3150

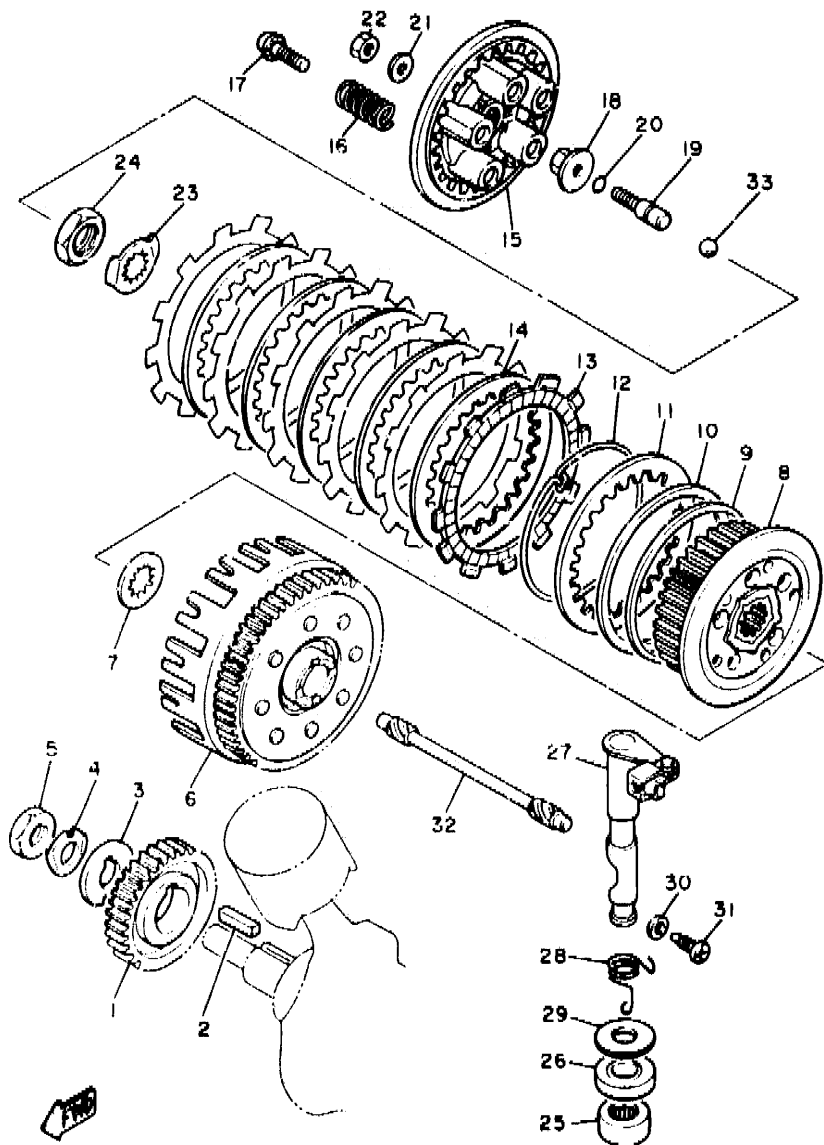


FIG. 14 CLUTCH

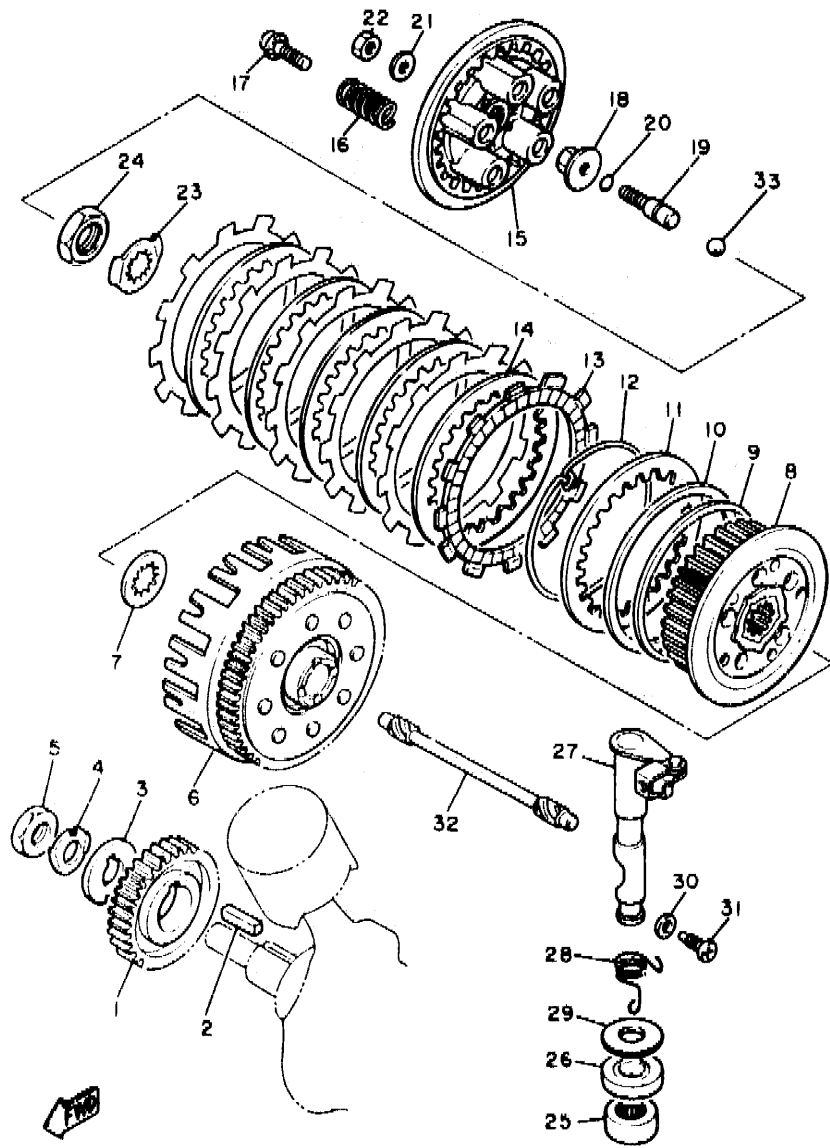
REF. NO.	PART NO.	DESCRIPTION	Q'TY	REMARKS
1	22U-16111-01	GEAR, primary drive	1	
2	90280-07036	KEY, woodruff	1	
3	90214-16026	WASHER, claw	1	
4	90215-16222	WASHER, lock	1	
5	90170-16311	NUT	1	
6	22U-16150-01	PRIMARY DRIVEN GEAR COMP.	1	
7	22U-16154-00	PLATE, thrust 1	1	
8	22U-16371-00	BOSS, clutch	1	
9	4X7-16384-00	PLATE, seat	1	
10	4X7-16383-01	SPRING, clutch boss	1	
11	4X7-16324-00	PLATE, clutch 1	1	
12	4X7-16385-00	RING, clutch boss	1	
13	22U-16321-00	PLATE, friction	6	
14	4X7-16325-00	PLATE, clutch 2	5	
15	22U-16351-00	PLATE, pressure 1	1	
16	90501-23738	SPRING, compression	5	
17	90159-03016	SCREW, with washer	5	
18	1W1-16358-01	PLATE, push	1	
19	5Y1-16356-00	ROD, push 1	1	
20	93210-09525	O-RING	1	
21	92907-06200	WASHER, plain	1	
22	95307-06600	NUT	1	
23	90215-22244	WASHER, lock	1	
24	90170-20310	NUT	1	
25	93315-21813	BEARING, cylindrical	1	
26	93102-18278	OIL SEAL	1	
27	22U-16380-00	PUSH LEVER ASSY	1	
28	90508-16577	SPRING, torsion	1	

22U110-3160

C6

FIG. 14 CLUTCH

REF. NO.	PART NO.	DESCRIPTION	Q'TY	REMARKS
29	90201-18262	WASHER, plate	1	
30	90201-08087	WASHER, plate	1	
31	90149-08067	SCREW	1	
32	22U-16357-00	ROD, push 2	1	
33	93515-32029	BALL	1	



22U110-3180

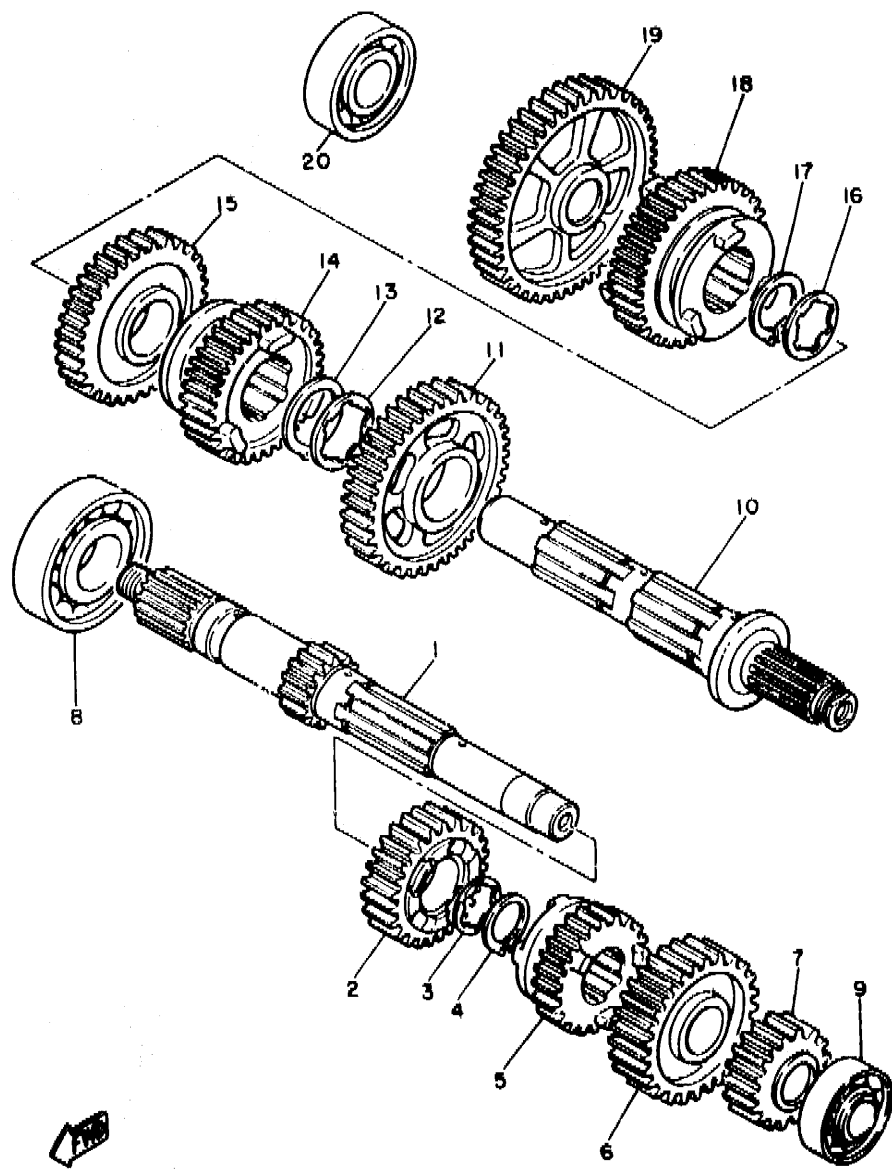


FIG. 15 TRANSMISSION

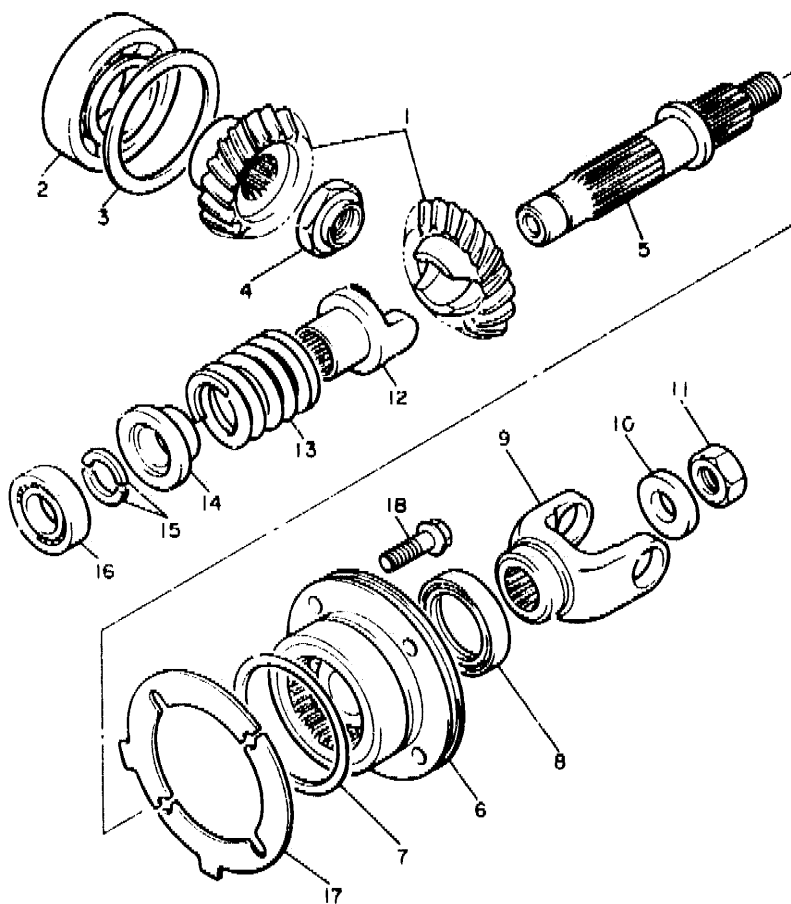
REF. NO.	PART NO.	DESCRIPTION	Q'TY	REMARKS
1	22U-17411-00	AXLE, main (14T)	1	
2	22U-17141-00	GEAR, 4th pinion (24T)	1	
3	90209-22191	WASHER	1	
4	93440-25084	CIRCLIP	1	
5	22U-17131-00	GEAR, 3rd pinion (24T)	1	
6	11H-17151-01	GEAR, 5th pinion (30T)	1	
7	11H-17121-00	GEAR, 2nd pinion (20T)	1	
8	93306-30525	BEARING (B6305)	1	
9	93306-00401	BEARING (B6004)	1	
10	22U-17402-00	DRIVE AXLE ASSY	1	
11	22U-17221-00	GEAR, 2nd wheel (38T)	1	
12	90209-27192	WASHER	1	
13	93440-30077	CIRCLIP	1	
14	11H-17251-00	GEAR, 5th wheel (29T)	1	
15	22U-17231-00	GEAR, 3rd wheel (35T)	1	
16	90209-22191	WASHER	1	
17	93440-25084	CIRCLIP	1	
18	22U-17241-00	GEAR, 4th wheel (28T)	1	
19	22U-17211-00	GEAR, 1st wheel (38T)	1	
20	93306-00428	BEARING	1	

2GV110-7150

C8

FIG. 16 MIDDLE DRIVE GEAR

REF. NO.	PART NO.	DESCRIPTION	Q'TY	REMARKS
1	22U-Y1754-00	MIDDLE GEAR COMP.	1	
2	93306-20711	BEARING	1	
3	4H7-17537-00-20	SHIM, thrust (0.20T)	1	UR
	4H7-17537-00-30	SHIM, thrust (0.30T)	1	UR
	4H7-17537-00-40	SHIM, thrust (0.40T)	1	UR
4	90179-18396	NUT	1	
5	22U-17553-01	SHAFT, middle driven	1	
6	4H7-W1752-10	HOUSING COMP	1	
7	93210-71360	O-RING	1	
8	93101-35097	OIL SEAL	1	
9	22U-17556-00	YOKE, joint	1	
10	90201-14633	WASHER, plate	1	
11	90185-14070	NUT, self-locking	1	
12	22U-17527-00	CAM, driven	1	
13	90501-60716	SPRING, compression	1	
14	22U-17524-00	HOLDER	1	
15	3H5-17529-00	WASHER, thrust	2	
16	93306-00435	BEARING	1	
17	3JB-17531-00	SHIM, pinion (0.10T)	2	UR
	3JB-17531-10	SHIM, pinion (0.15T)	2	UR
	3JB-17531-20	SHIM, pinion (0.20T)	2	UR
	3JB-17531-30	SHIM, pinion (0.30T)	2	UR
	3JB-17531-40	SHIM, pinion (0.40T)	2	UR
	3JB-17531-50	SHIM, pinion (0.50T)	2	UR
18	95827-08030	BOLT, flange	4	



22U110-318C

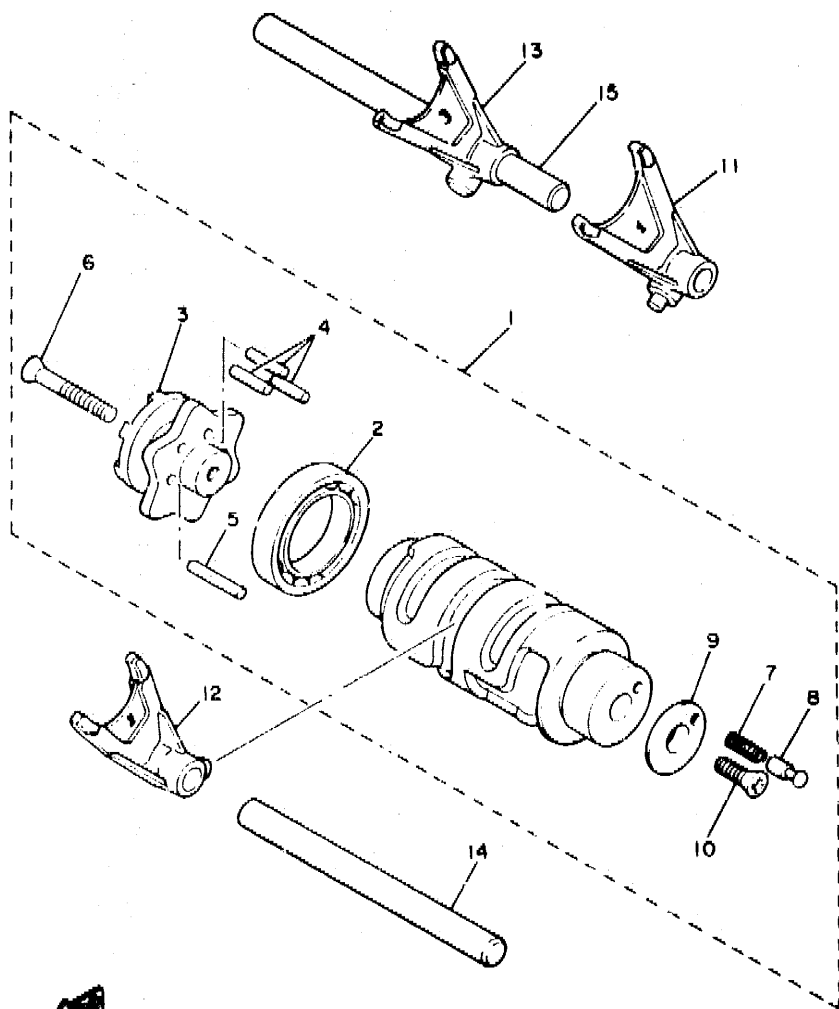


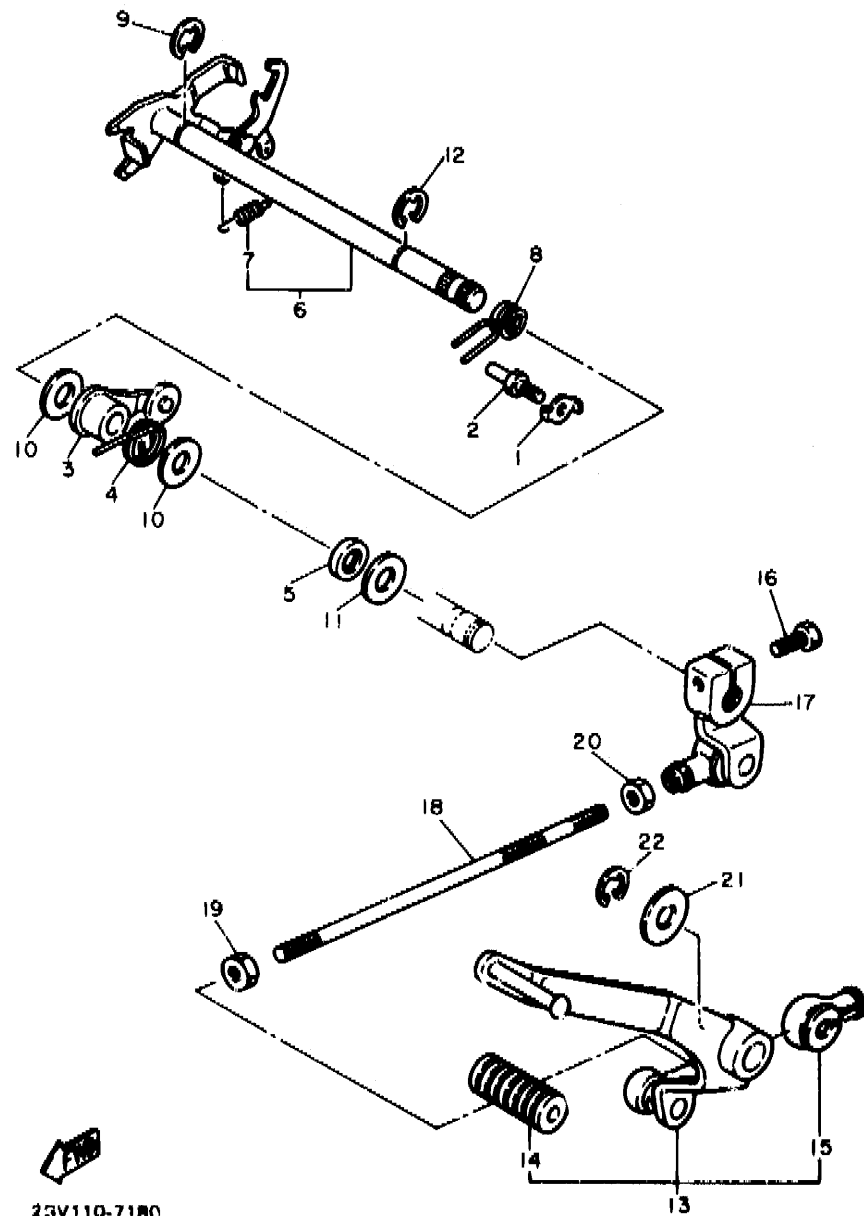
FIG. 17 SHIFT CAM. FORK

REF. NO.	PART NO.	DESCRIPTION	Q'TY	REMARKS
1	22U-18540-00	SHIFT CAM ASSY	1	
2	93306-90602	.BEARING	1	
3	16G-18185-00	.SEGMENT	1	
4	93604-16092	.PIN, dowel	3	
5	93604-20156	.PIN, dowel	1	
6	98701-05035	.SCREW, flat head	1	
7	90501-06022	.SPRING, compression	1	
8	278-18542-00	.POINT, neutral	1	
9	278-18566-00	.PLATE, size 2	1	
10	98701-05015	.SCREW, flat head	1	
11	11H-18511-00	FORK, shift 1	1	
12	11H-18512-00	FORK, shift 2	1	
13	11H-18513-00	FORK, shift 3	1	
14	3YF-18531-00	BAR, shift fork guide 1	1	
15	22U-18535-00	BAR, shift fork guide 2	1	



22U110-3180

C10



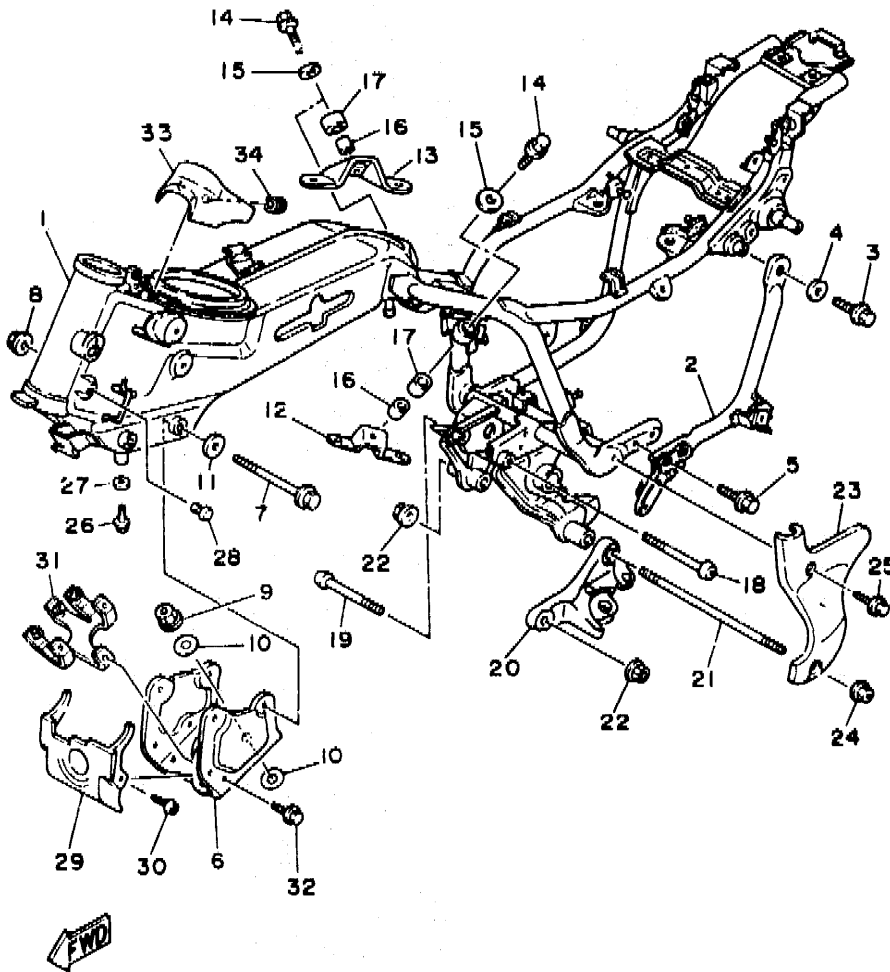
23V110-7180

FIG. 18 SHIFT SHAFT

REF. NO.	PART NO.	DESCRIPTION	Q'TY	REMARKS
1	90215-18178	WASHER, lock	1	
2	460-18127-00	STOPPER, screw	1	
3	11H-18140-00	STOPPER LEVER ASSY	1	
4	90508-29519	SPRING, torsion	1	
5	93102-12106	OIL SEAL (SD 12-22-5 HS)	1	
6	22U-18120-01	SHIFT LEVER ASSY	1	
7	90506-08227	.SPRING, tension	1	
8	90508-32536	SPRING, torsion	1	
9	99006-10600	CIRCLIP	1	
10	90201-12588	WASHER, plate	2	
11	90201-12575	WASHER, plate	1	
12	99006-10600	CIRCLIP	1	
13	26V-18110-00	SHIFT PEDAL ASSY	1	
14	132-18113-01	.COVER, shift pedal	1	
15	2H9-18154-00	.COVER, dust	1	
16	97024-06020	BOLT	1	
17	26V-18112-00	ARM, shift	1	
18	26V-18115-00	ROD, shift	1	
19	90170-06228	NUT	1	
20	95304-06700	NUT	1	
21	90201-124E4	WASHER, plate	1	
22	99009-12400	CIRCLIP	1	

FIG. 19 FRAME

REF. NO.	PART NO.	DESCRIPTION	Q'TY	REMARKS
1	3JC-21110-10-33	FRAME COMP.	1	YAMAHA BLACK
2	3JB-21105-00-33	BACK STAY SUB COMP. 1	1	YAMAHA BLACK
3	90105-08177	BOLT, washer based	1	
4	90201-08326	WASHER, plate	1	
5	90109-08718	BOLT	2	
6	2GV-21317-00	STAY, engine 4	1	
7	90105-10183	BOLT, washer based	2	
8	90179-10321	NUT	2	
9	90179-10279	NUT	4	
10	90201-10131	WASHER, plate	4	
11	90201-10437	WASHER, plate	2	
12	22U-21315-00	STAY, engine 2	1	
13	22U-21316-00	STAY, engine 3	1	
14	90105-10186	BOLT, washer based	2	
15	90201-105H3	WASHER, plate	2	
16	90387-100E2	COLLAR	2	
17	4X7-21485-00	DAMPER, rubber 1	2	
18	90149-10238	SCREW	1	
19	90149-10239	SCREW	1	
20	4KU-21458-00	BRACKET, side stand	1	
21	90116-12495	BOLT, stud	1	
22	90179-12248	NUT	2	
23	2GV-2171E-00	COVER, side 5	1	
24	95307-12800	NUT	1	
25	95027-06016	BOLT, flange	1	
26	90105-06069	BOLT, washer based	1	
27	90202-06010	WASHER, plate	1	
28	90338-07043	PLUG	5	

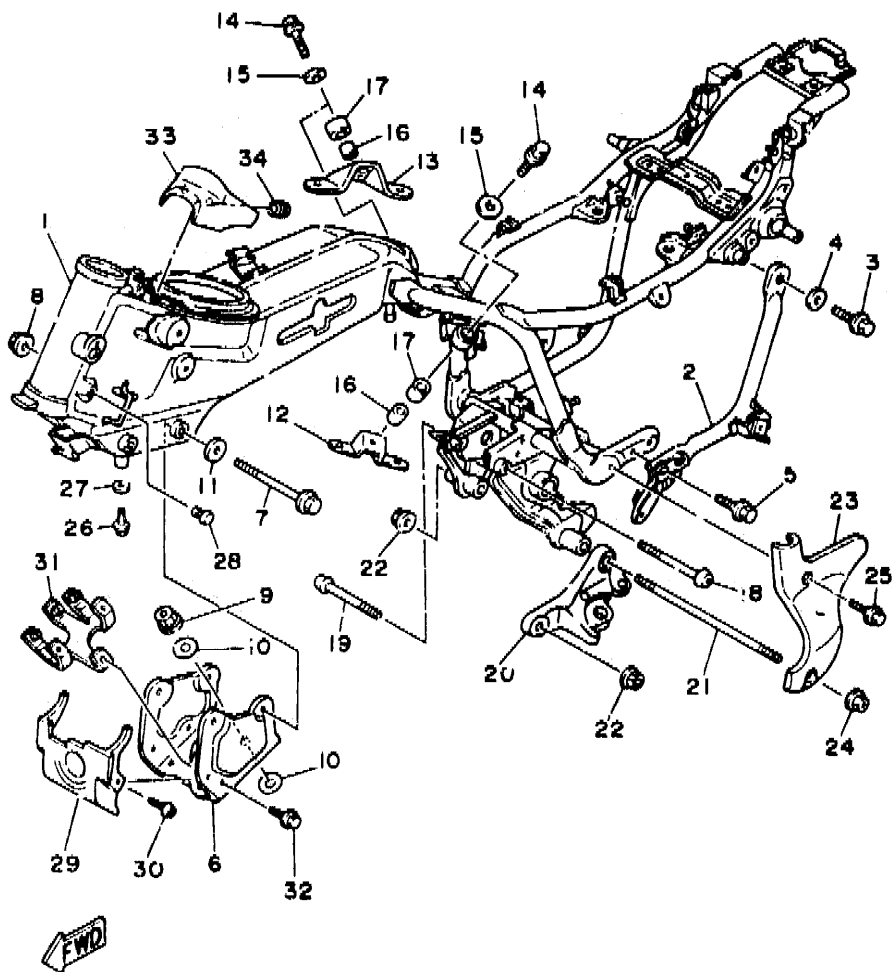


38MA361-5190

C12

FIG. 19 FRAME

REF. NO.	PART NO.	DESCRIPTION	Q'TY	REMARKS
29	2GV-2139R-00	COVER 2	1	
30	97707-60514	SCREW, tapping	2	
31	2GV-21359-00	BRACKET, coil	1	
32	95807-06012	BOLT, flange	2	
33	3JR-2139R-00	COVER 2	1	
34	90480-10334	GROMMET	2	

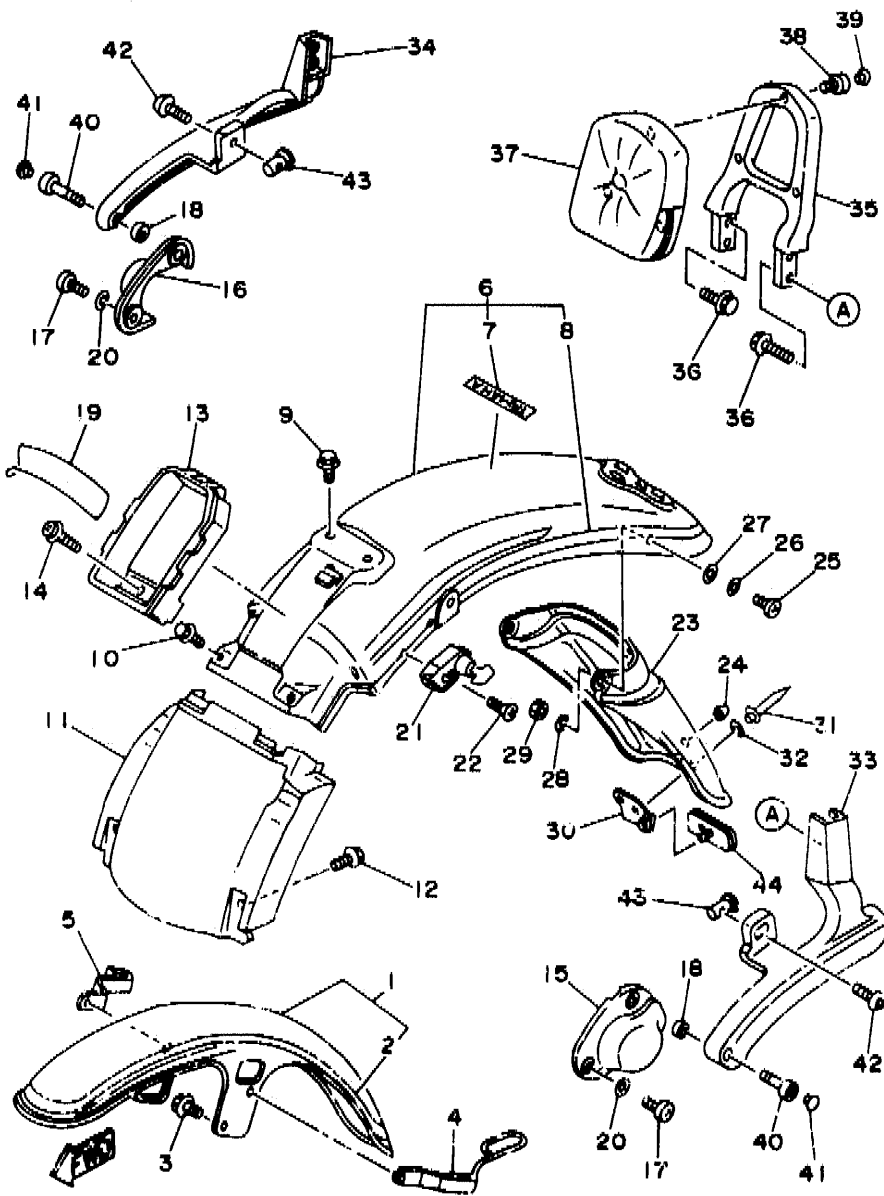


3BMA361-5190

C13

FIG. 20 FENDER

REF. NO.	PART NO.	DESCRIPTION	Q'TY	REMARKS
1	2GV-Y2151-70-4B	FRONT FENDER COMP.	1	UR BLACK 2
	2GV-Y2151-80-MX	FRONT FENDER COMP.	1	UR SPARKLE MAROON
	2GV-Y2151-50-2X	FRONT FENDER COMP. (XV535S MODEL)	1	UR NEW BLACK BLUE/ STAR SILVER
2	3JB-21570-50	.GRAPHIC SET, front fender	1	UR XV535S MODEL
	4KU-21570-00	.GRAPHIC SET, front fender	1	UR FOR BL2
	4KU-21570-10	.GRAPHIC SET, front fender	1	UR FOR SM
3	95027-08012	BOLT	4	
4	2NT-21597-01	HOLDER, wire 1	1	
5	3JB-21598-00	HOLDER, wire 2	1	
6	3BR-Y2161-H0-4B	REAR FENDER COMP.	1	UR BLACK 2
	3BR-Y2161-J0-MX	REAR FENDER COMP.	1	UR SPARKLE MAROON
	3BR-Y2161-L0-1X	REAR FENDER COMP. (XV535S MODEL)	1	UR NEW BLACK BLUE/ STAR SILVER
7	99236-00080	.EMBLEM, yamaha	1	UR XV535S MODEL
	99237-0008C	.EMBLEM, yamaha	1	UR FOR BL2
	99235-00080	.EMBLEM, yamaha	1	UR FOR SM
8	3JB-2165A-50	.GRAPHIC SET, rear fender	1	UR XV535S MODEL
	4KU-2165A-00	.GRAPHIC SET, rear fender	1	UR FOR BL2
	4KU-2165A-10	.GRAPHIC SET, rear fender	1	UR FOR SM
9	95807-08012	BOLT, flange	2	
10	95807-06010	BOLT, flange	2	
11	2GV-21629-00-MX	GUARD, mud	1	UR SPARKLE MAROON
	2GV-21629-00-4B	GUARD, mud	1	UR BLACK 2
	2GV-21629-00-KM	GUARD, mud (XV535S MODEL)	1	UR NEW BLACK BLUE
12	90119-06123	BOLT, with washer	2	
13	2GV-2160E-00	BOX	1	
14	90159-05059	SCREW, with washer	1	
15	2GV-2163A-00	COVER, rear fender 1	1	
16	2GV-2163E-00	COVER, rear fender 2	1	

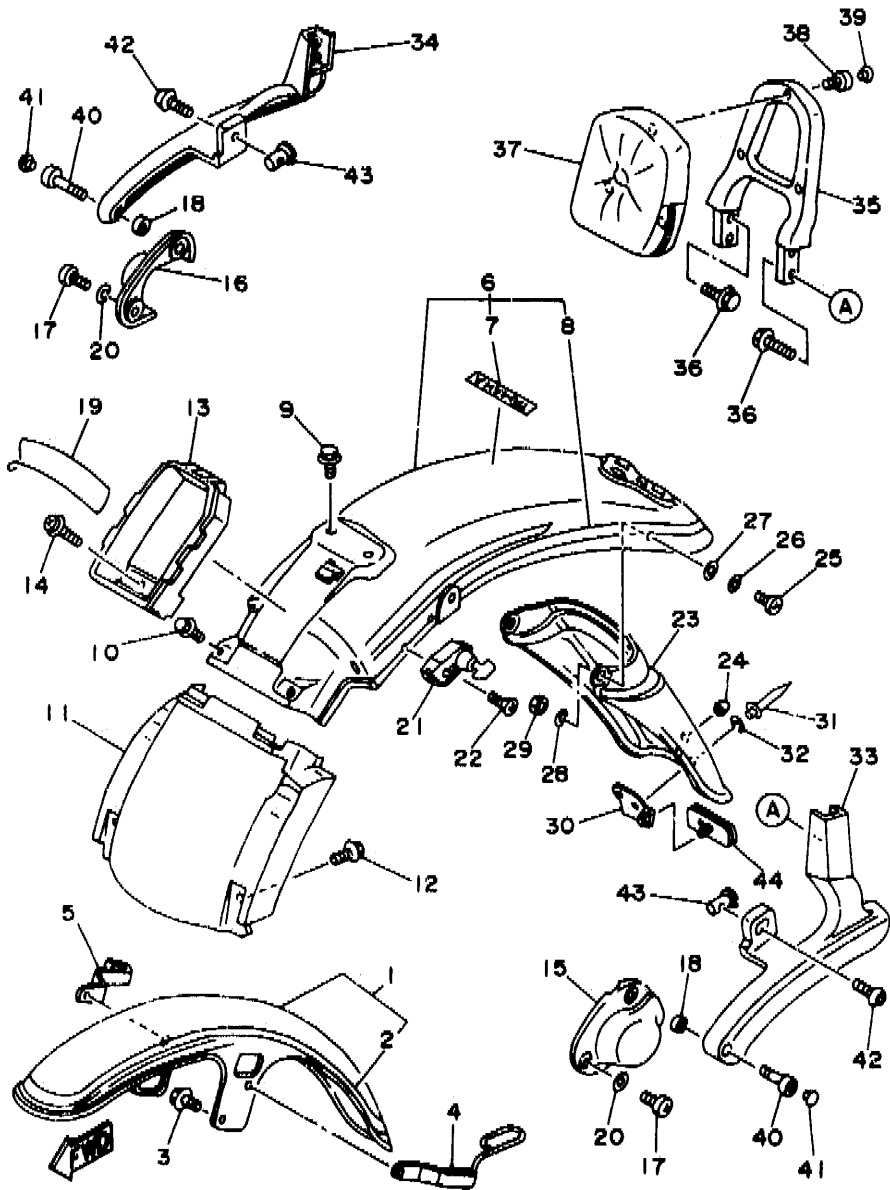


3BMA361-5200

C14

FIG. 20 FENDER

REF. NO.	PART NO.	DESCRIPTION	Q'TY	REMARKS
17	98904-08014	SCREW, blind	2	
18	90387-080V8	COLLAR	2	
19	93210-71360	O-RING	1	
20	92990-08200	WASHER, plain	2	
21	26H-21308-00	HELMET HANGER ASSY	1	
22	90149-06154	SCREW	1	
23	3BR-21621-00	FLAP	1	
24	4G0-21639-00	DAMPER 2	1	
25	98507-06012	SCREW, pan head	2	
26	92907-06600	WASHER, plate	2	
27	90202-05187	WASHER, plate	2	
28	92907-06200	WASHER, plain	2	
29	95307-06600	NUT	2	
30	2AE-21641-00	BRACKET, reflector	1	
31	90267-40076	RIVET, blind	2	
32	90201-044A2	WASHER, plate	2	
33	3JB-2164F-00	STAY 1	1	
34	3JB-2164G-U0	STAY 2	1	
35	3DM-2164H-00	STAY 3	1	
36	95024-06020	BOLT, flange	4	
37	3DM-2840F-00	BACK REST ASSY	1	
38	91314-06025	BOLT	3	
39	90338-06162	PLUG	3	
40	91317-08040	BOLT	2	
41	90338-08163	PLUG	2	
42	90109-08718	BOLT	2	
43	90179-08559	NUT	2	
44	449-85131-02	REFLECTOR, rear 1	1	



3BMA361-5200

C15

CONTENTS

ENGINE

Cylinder Head	B2~B3
Cylinder	B4
Crankshaft, Piston	B5
Valve	B6
Camshaft, Chain	B7
Oil Pump	B8
Oil Cleaner	B9
Intake	B10
Carburetor	B11~B12
Exhaust	B13~B14
Crankcase	B15~C2
Crankcase Cover 1	C3~C4
Starter Clutch	C5
Clutch	C6~C7
Transmission	C8
Middle Drive Gear	C9
Shift Cam, Fork	C10
Shift Shaft	C11

CHASSIS

Frame	C12~C13
Fender	C14~C15
Side Cover	D2~D3
Rear Arm, Suspension	D4
Drive Shaft	D5~D6
Steering	D7~D8
Front Fork	D9~D10
Fuel Tank	D11~D13
Seat	D14

Front Wheel	D15
Front Brake Caliper	E2
Rear Wheel	E3~E4
Steering Handle, Cable	E5
Front Master Cylinder	E6
Stand, Footrest	E7~E9
Generator	E10
Starting Motor	E11
Flasher Light	E12
Meter	E13
Headlight	E14
Taillight	E15
Handle Switch, Lever	F2
Electrical 1	F3
Electrical 2	F4

INDEX

Numerical Index	M1~M4
-----------------------	-------

CONTENTS

ENGINE

Cylinder Head	B2~B3
Cylinder	B4
Crankshaft, Piston	B5
Valve	B6
Camshaft, Chain	B7
Oil Pump	B8
Oil Cleaner	B9
Intake	B10
Carburetor	B11~B12
Exhaust	B13~B14
Crankcase	B15~C2
Crankcase Cover 1	C3~C4
Starter Clutch	C5
Clutch	C6~C7
Transmission	C8
Middle Drive Gear	C9
Shift Cam, Fork	C10
Shift Shaft	C11

CHASSIS

Frame	C12~C13
Fender	C14~C15
Side Cover	D2~D3
Rear Arm. Suspension	D4
Drive Shaft	D5~D6
Steering	D7~D8
Front Fork	D9~D10
Fuel Tank	D11~D13
Seat	D14

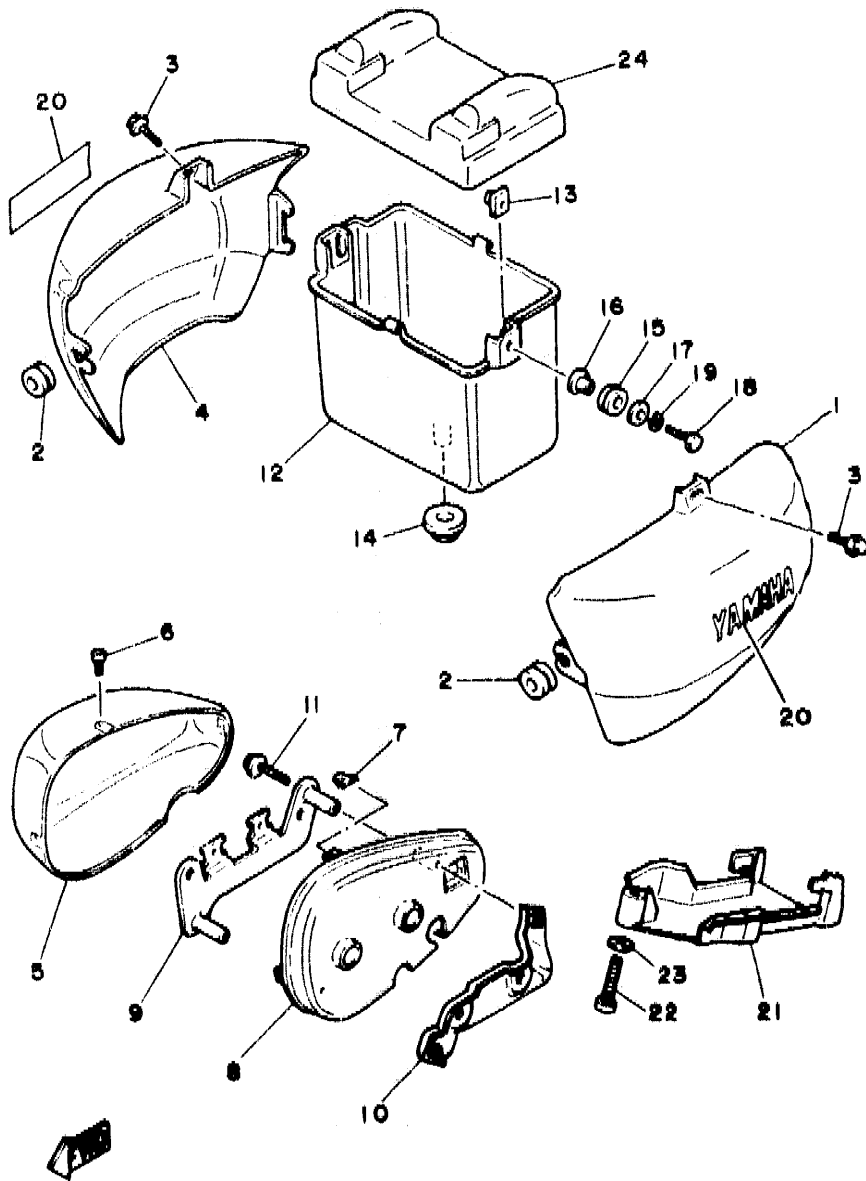
Front Wheel	D15
Front Brake Caliper	E2
Rear Wheel	E3~E4
Steering Handle, Cable	E5
Front Master Cylinder	E6
Stand, Footrest	E7~E9
Generator	E10
Starting Motor	E11
Flasher Light	E12
Meter	E13
Headlight	E14
Taillight	E15
Handle Switch, Lever	F2
Electrical 1	F3
Electrical 2	F4

INDEX

Numerical Index	M1~M4
-----------------------	-------

FIG. 21 SIDE COVER

REF. NO.	PART NO.	DESCRIPTION	Q'TY	REMARKS
1	2GV-21711-00-MX	COVER, side 1	1	UR SPARKLE MARDON
	2GV-21711-00-4B	COVER, side 1	1	UR BLACK 2
	2GV-21711-00-KM	COVER, side 1	1	UR NEW BLACK BLUE XV535S MODEL
2	90480-12320	GROMMET	2	
3	90119-06123	BOLT, with washer	2	
4	2GV-21721-00-MX	COVER, side 2	1	UR SPARKLE MARDON
	2GV-21721-00-4B	COVER, side 2	1	UR BLACK 2
	2GV-21721-00-KM	COVER, side 2	1	UR NEW BLACK BLUE XV535S MODEL
5	2GV-21731-00-93	COVER, side 3	1	CHROME PLATED
6	97704-40012	SCREW, tapping	3	
7	90183-04027	NUT, spring	3	
8	2GV-2172A-00	PANEL 1	1	
9	2GV-2172F-00	PANEL 2	1	
10	2GV-2174E-00	STAY, side cover 2	1	
11	95807-06040	BOLT, flange	2	
12	2GV-21171-00	BOX, tool	1	
13	31A-14477-00	PLATE	2	
14	90480-22362	GROMMET	1	
15	90480-14229	GROMMET	2	
16	90387-07391	COLLAR	2	
17	90201-06059	WASHER, plate	2	
18	97007-06025	BOLT	2	
19	92907-06100	WASHER, spring	2	
20	99235-00080	EMBLEM, yamaha	2	UR FOR SM
	99237-00080	EMBLEM, yamaha	2	UR FOR BL2,NBB
21	3JB-2176E-00	PLATE	1	
22	98507-06035	SCREW, pan head	1	
23	92907-06600	WASHER, plate	1	

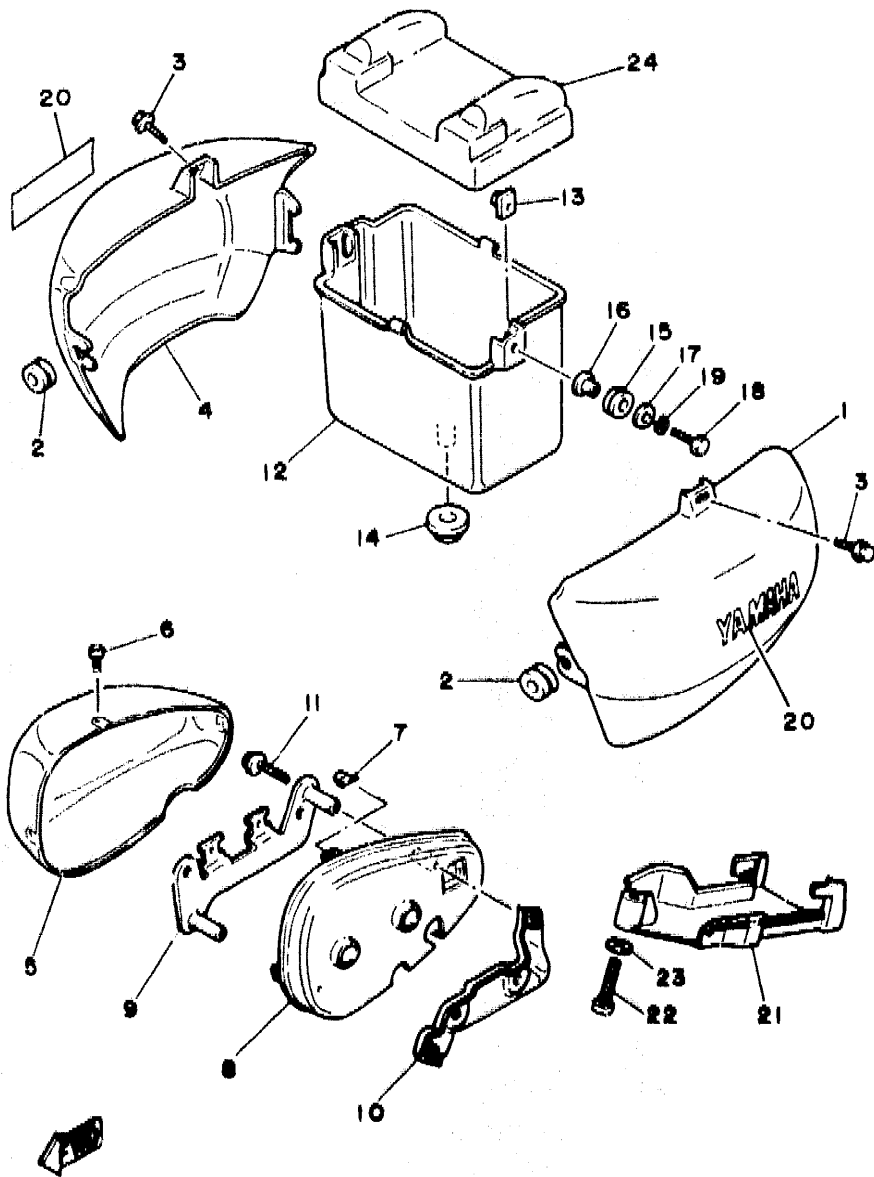


38TY351-4210

D2

FIG. 21 SIDE COVER

REF. NO.	PART NO.	DESCRIPTION	Q'TY	REMARKS
24	3JB-28185-00	LID	1	

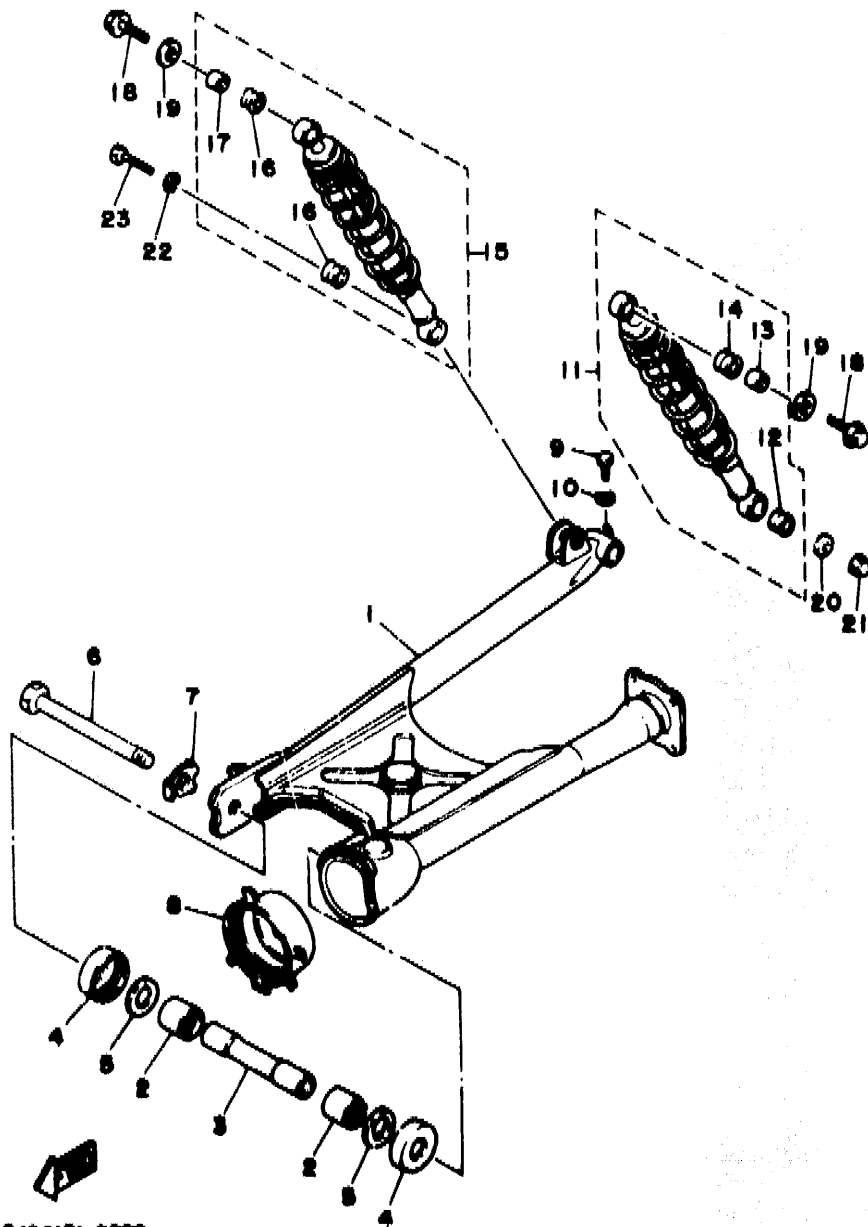


SBTY351-4210

D3

FIG. 22 REAR ARM. SUSPENSION

REF. NO.	PART NO.	DESCRIPTION	Q'TY	REMARKS
1	2GV-22110-00-35	RE/R ARM COMP.	1	SILVER
2	93320-32403	BEARING	2	
3	4X7-22124-00	BUSH 2	1	
4	4X7-22129-00	COVER, thrust 2	2	
5	90201-244A8	WASHER, plate (1.95T)	2	
6	4X7-22141-00	SHAFT, pivot	1	
7	90215-16181	WASHER, lock	1	
8	22U-22189-00	BOOT, rubber	1	
9	97004-08035	BOLT	1	
10	92990-08100	WASHER, spring	1	
11	2YL-22210-00	SHOCK ABSORBER ASSY, rear	1	
12	2GV-22216-00	.BUSH, shock absorber lower	1	
13	2GV-22253-00	.COLLAR, distance	1	
14	2GV-22226-00	.BUSH, rear shock absorber	1	
15	2YL-22220-00	SHOCK ABSORBER ASSY, rear	1	
16	2GV-22226-00	.BUSH, shock absorber lower	2	
17	5M0-22253-00	.COLLAR, distance	1	
18	95807-08012	BOLT, flange	2	
19	90201-08753	WASHER, plate	2	
20	90201-105R9	WASHER, plate	1	
21	90176-10073	NUT, crown	1	
22	92990-10100	WASHER, spring	1	
23	90106-10052	BOLT	1	

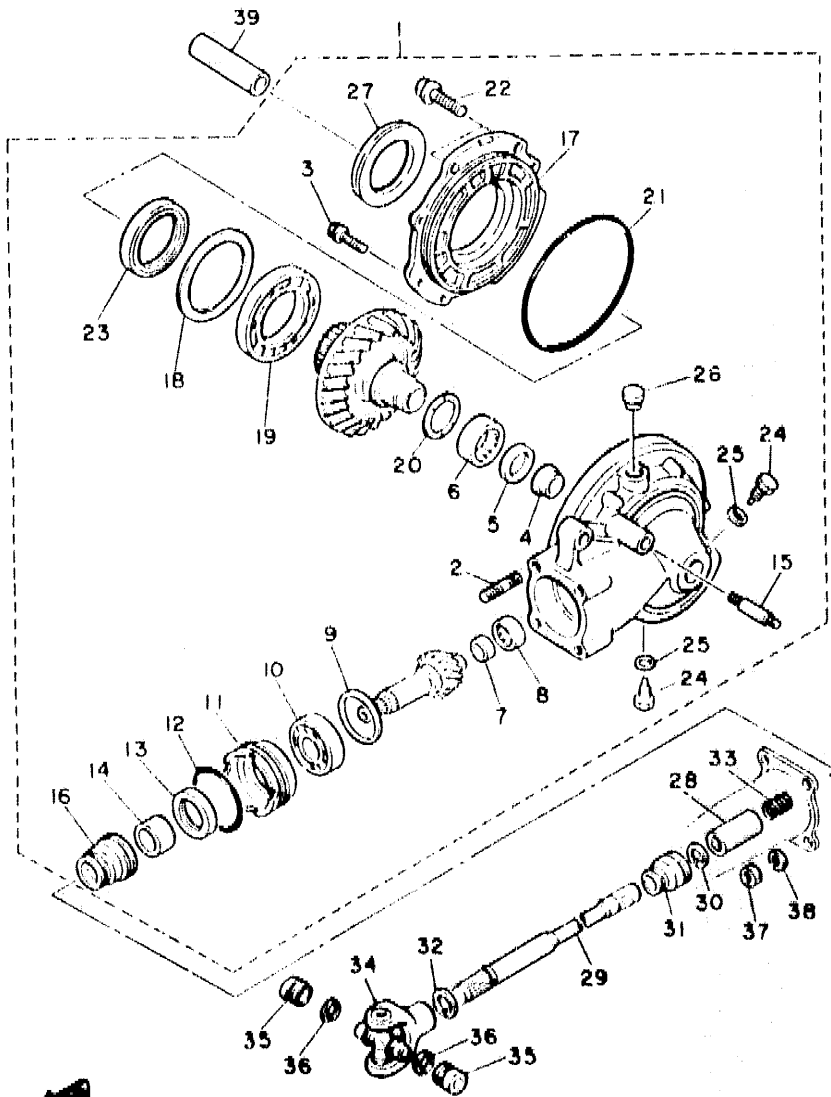


8JC4171-0220

D4

FIG. 23 DRIVE SHAFT

REF. NO.	PART NO.	DESCRIPTION	Q'TY	REMARKS
1	2NT-46101-00	REAR AXLE GEAR CASE ASSY	1	
2	90116-10593	.BOLT, stud	4	
3	90119-08126	.BOLT, with washer	6	
4	22U-46153-00	.COLLAR, guide	1	
5	93101-30084	.OIL SEAL	1	
6	93311-43729	.BEARING, cylindrical	1	
7	2H7-46122-00	.RACE, inner	1	
8	93317-41510	.BEARING, cylindrical	1	
9	1J7-17537-Y0-30	.SHIM, thrust (0.30T)	1	UR
	1J7-17537-Y0-40	.SHIM, thrust (0.40T)	1	UR
	1J7-17537-Y0-50	.SHIM, thrust (0.50T)	1	UR
10	93306-30539	.BEARING	1	
11	4H7-46125-00	.RETAINER, bearing	1	
12	93210-60426	.O-RING	1	
13	93101-38098	.OIL SEAL	1	
14	90387-25669	.COLLAR	1	
15	90116-10249	.BOLT, stud	1	
16	22U-46136-00	.SEAL 1	1	
17	22U-46152-00	.HOUSING, bearing	1	
18	22U-46117-00-25	.SHIM, ring gear (0.25T)	1	UR
	22U-46117-00-30	.SHIM, ring gear (0.30T)	1	UR
	22U-46117-00-40	.SHIM, ring gear (0.40T)	1	UR
	22U-46117-00-50	.SHIM, ring gear (0.50T)	1	UR
19	93316-01301	.BEARING, cylindrical	1	
20	22U-46118-00-12	.SHIM, thrust (1.2T)	1	UR
	22U-46118-00-14	.SHIM, thrust (1.4T)	1	UR
	22U-46118-00-16	.SHIM, thrust (1.6T)	1	UR
	22U-46118-00-18	.SHIM, thrust (1.8T)	1	UR

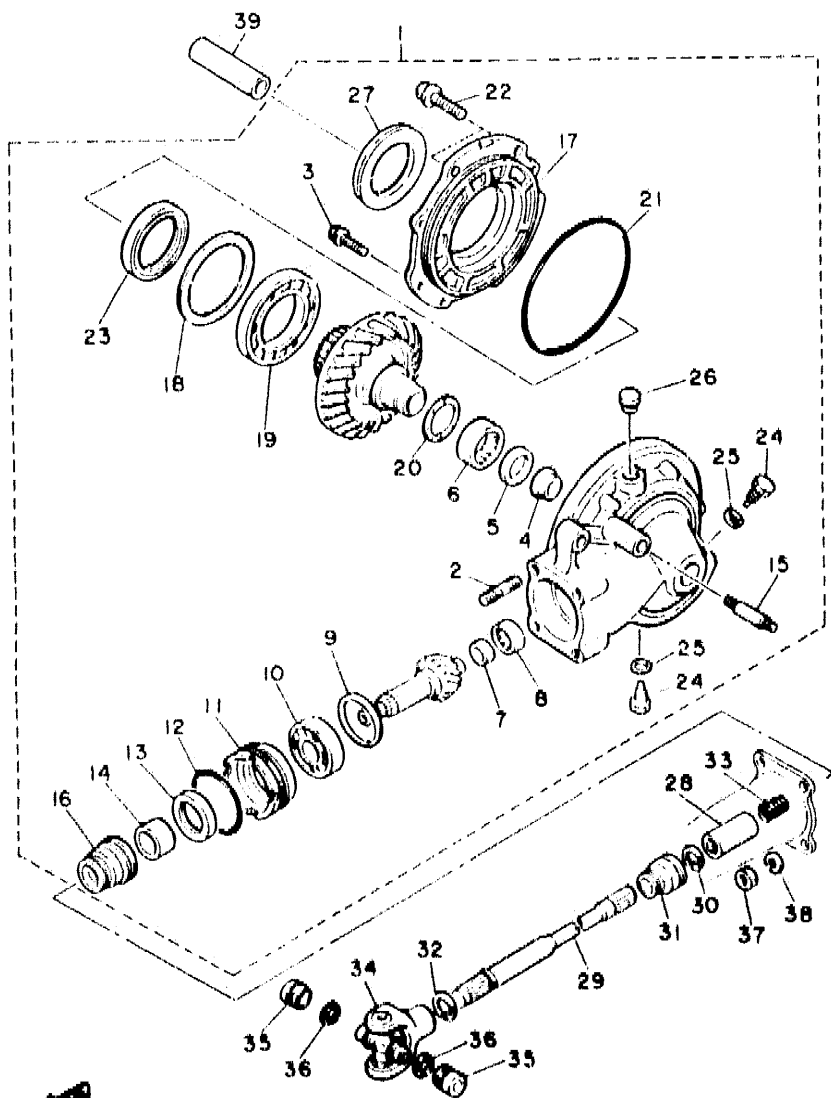


2JV171-7230

D3

FIG. 23 DRIVE SHAFT

REF. NO.	PART NO.	DESCRIPTION	Q'TY	REMARKS
20	22U-46118-00-20	.SHIM, thrust (2.0T)	1	UR
21	93211-39569	.O-RING	1	
22	90105-10285	.BOLT, washer based	2	
23	93102-65277	.OIL SEAL	1	
24	11H-13455-00	.PLUG	2	
25	214-11198-01	.GASKET	2	
26	2H7-17590-00	.BREATHER COMP.	1	
27	1J7-25319-01	.SEAL, hub dust	1	
28	22U-46123-00	COUPLING, gear	1	
29	26V-46172-00	SHAFT, drive	1	
30	93440-19112	CIRCLIP	1	
31	22U-46137-00	SEAL 2	1	
32	93410-22039	CIRCLIP	1	
33	90501-15722	SPRING, compression	1	
34	4X7-46180-00	CROSS JOINT COMP.	1	
35	93399-99926	BEARING	2	
36	93440-20088	CIRCLIP	2	
37	95314-10600	NUT	4	
38	92990-10100	WASHER, spring	4	
39	90387-15668	COLLAR	1	



2JV171-7230

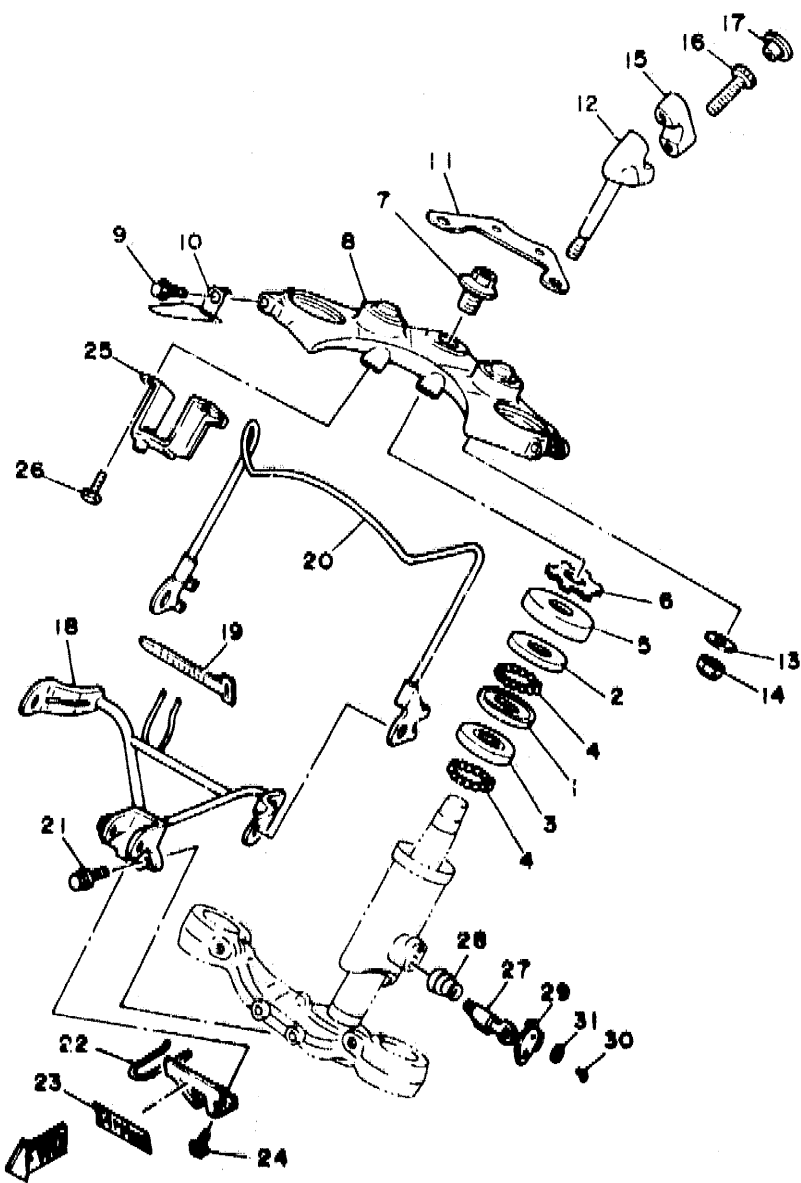


FIG. 24 STEERING

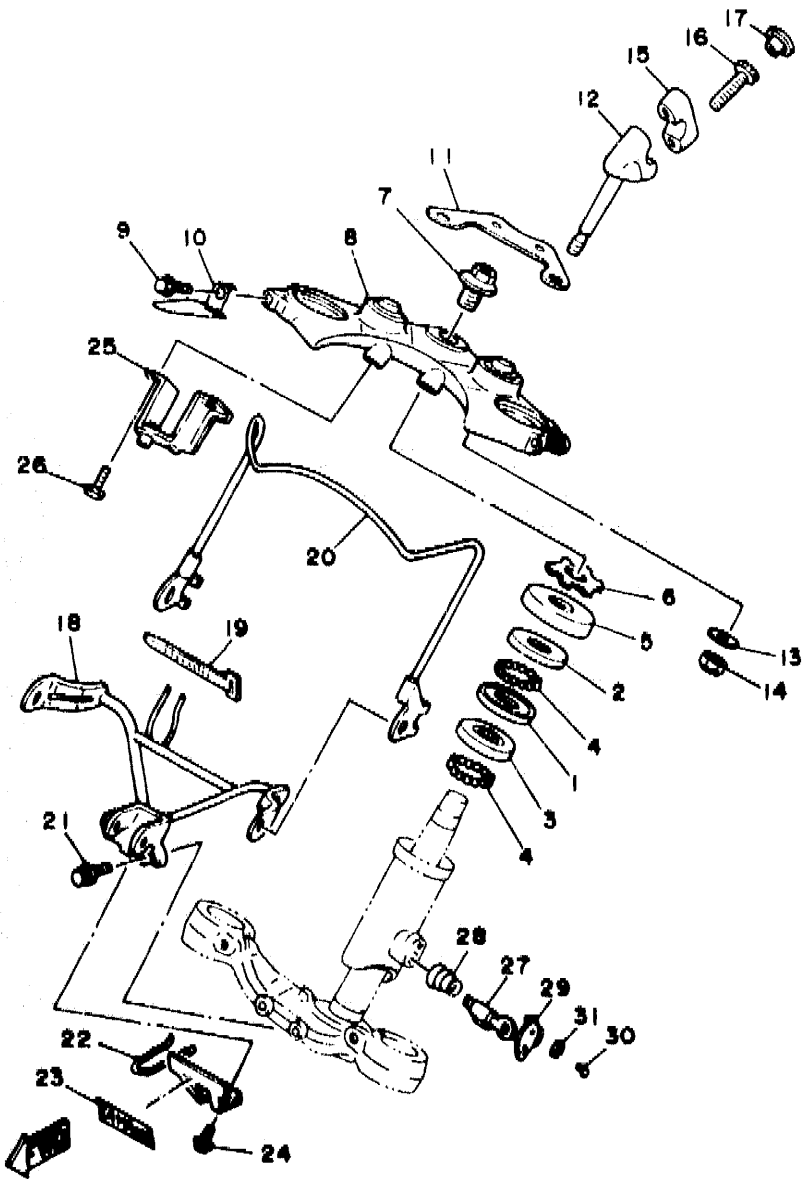
REF. NO.	PART NO.	DESCRIPTION	Q'TY	REMARKS
1	156-23412-00	RACE, ball 2	1	
2	183-23411-00	RACE, ball 1	1	
3	183-23412-00	RACE, ball 2	1	
4	93501-04011	BALL	38	
5	4K0-23415-00	COVER, ball race 1	1	
6	90179-25033	NUT	1	
7	90105-14102	BOLT, washer based	1	
8	2GV-W2341-00-38	CROWN, handle	1	CLEAR (WITH BUFF)
9	95024-08040	BOLT, flange	2	
10	3JC-23317-00	HOLDER, cable	1	
11	2GV-2317F-00	STAY 2	1	
12	42X-23442-00-38	HOLDER, handle lower	2	CLEAR (WITH BUFF)
13	90201-100A1	WASHER, plate	2	
14	95607-10100	NUT, u	2	
15	4H7-23441-00-38	HOLDER, handle upper	2	CLEAR (WITH BUFF)
16	91314-08030	BOLT	4	
17	90338-08163	PLUG	4	
18	2GV-23174-00	STAY, headlight	1	
19	437-83936-11	BAND, switch cord	1	
20	2NT-23164-00	STAY, light guard	1	
21	95027-06020	BOLT	2	
22	2GV-2317M-00	STAY 3	1	
23	3WF-2153E-40	EMBLEM, yamaha	1	
24	95024-06008	BOLT	1	
25	2GV-2317E-00	STAY	1	
26	91317-06016	BOLT	2	
27	2A6-23408-00	STEERING LOCK ASSY	1	
28	90502-09024	SPRING, conical	1	

3JC6100-5240

D7

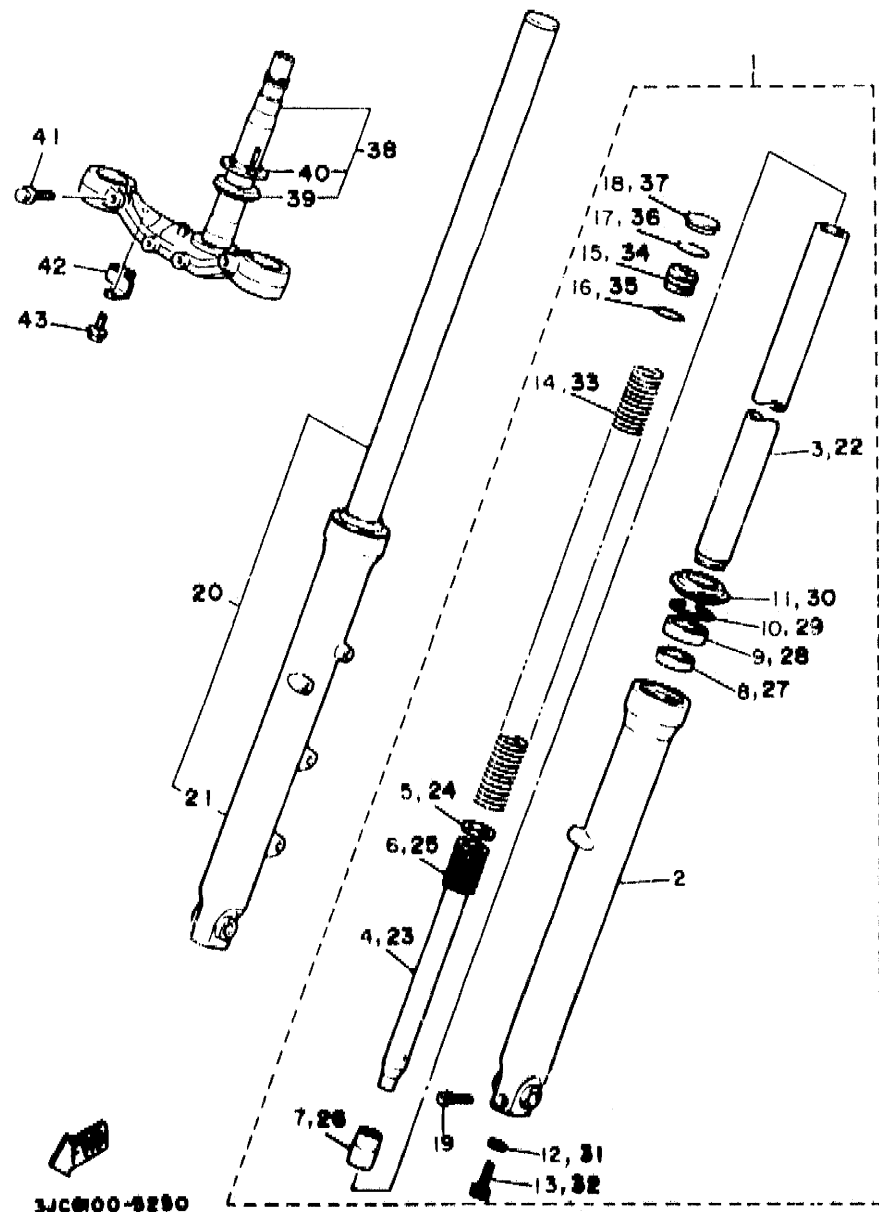
FIG. 24 STEERING

RLF. NO.	PART NO.	DESCRIPTION	Q'TY	REMARKS
29	3DM-23484-00	CAP, handle lock	1	
30	90269-04003	RIVET	1	
31	90208-04029	WASHER, conical spring	1	



3JC6100-5240



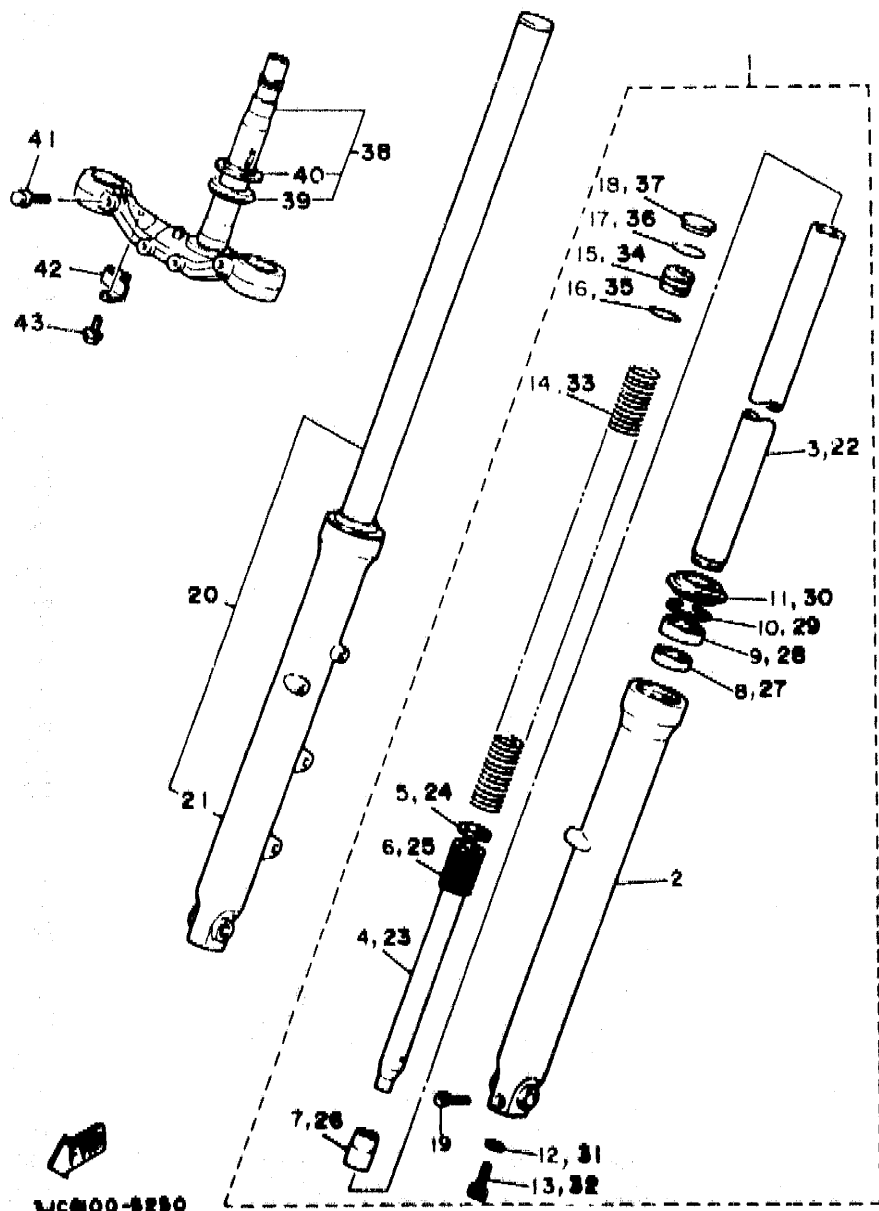


3JC000-5280

FIG. 25 FRONT FORK

REF. NO.	PART NO.	DESCRIPTION	Q'TY	REMARKS
1	4KU-23102-00	FRONT FORK ASSY (L.H)	1	UR
	4KU-23102-10	FRONT FORK ASSY (L.H)	1	UR XV535S MODEL
2	3JB-23126-10	.TUBE, outer 1	1	
3	2GV-23110-00-93	.INNER TUBE COMP. 1	1	CHROME PLATED
4	2GV-23171-01	.PISTON, front fork	1	
5	1GU-23157-00	.RING, piston	1	
6	1GU-23151-00	.SPRING, rebound	1	
7	1GU-23173-00	.SPINDLE, taper	1	
8	2GV-23125-00	.METAL, slide 1	1	
9	2AJ-23145-00	.OIL SEAL	1	
10	1HX-23156-00	.CLIP, oil seal	1	
11	2GV-23144-00	.SEAL, dust	1	
12	90430-08155	.GASKET	1	
13	91317-08025	.BOLT	1	
14	2GV-23141-00	.SPRING, front fork	1	
15	1HX-23111-00	.BOLT, cap	1	
16	93210-24709	.O-RING	1	
17	93450-32116	.CIRCLIP	1	
18	1HX-23154-00	.PLUG, inner tube	1	UR
	3JB-23154-00	.PLUG, inter tube	1	UR XV535S MODEL
19	91314-08035	.BOLT	1	
20	4KU-23103-00	FRONT FORK ASSY (R.H)	1	UR
	4KU-23103-10	FRONT FORK ASSY (R.H)	1	UR XV535S MODEL
21	3JB-23136-10	.TUBE, outer 2	1	
22	2GV-23110-00-93	.INNER TUBE COMP. 1	1	CHROME PLATED
23	2GV-23171-01	.PISTON, front fork	1	
24	1GU-23157-00	.RING, piston	1	
25	1GU-23151-00	.SPRING, rebound	1	

D9



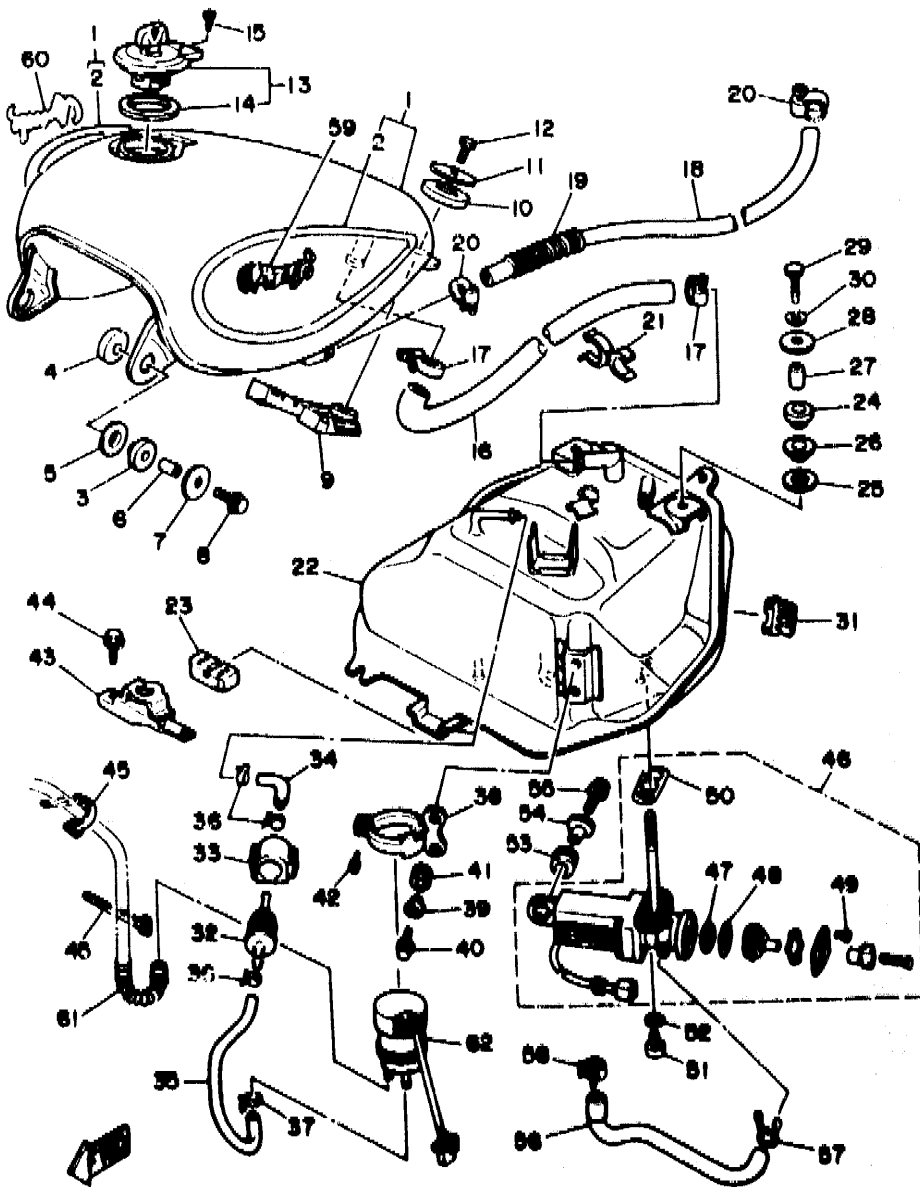
3JC00-8280

FIG. 25 FRONT FORK

REF. NO.	PART NO.	DESCRIPTION	Q'TY	REMARKS
26	1GU-23173-00	.SPINDLE, taper	1	
27	2GV-23125-00	.METAL, slide 1	1	
28	2AJ-23145-00	.OIL SEAL	1	
29	1HX-23156-00	.CLIP, oil seal	1	
30	2GV-23144-00	.SEAL, dust	1	
31	90430-08155	.GASKET	1	
32	91317-08025	.BOLT	1	
33	2GV-23141-00	.SPRING, front fork	1	
34	1HX-23111-00	.BOLT, cap	1	
35	93210-24709	.O-RING	1	
36	9340-32116	.CIRCLIP	1	
37	1HX-23154-00	.PLUG, inner tube	1	UR
	3JB-23154-00	.PLUG, inner tube	1	UR XV535S MODEL
38	3BR-23340-00	UNDER BRACKET COMP.	1	
39	164-23462-00	.SEAL, steering	1	
40	156-23411-00	.RACE, ball 1	1	
41	90105-12353	BOLT, washer based	2	
42	3JB-25886-00	HOLDER, brake hose	1	
43	95807-06010	BOLT, flange	1	

FIG. 26 FUEL TANK

REF. NO.	PART NO.	DESCRIPTION	Q'TY	REMARKS
1	3JB-Y2428-71-4B	SUB-TANK ASSY	1	UR BLACK 2
	3JB-Y2428-91-0X	SUB-TANK ASSY	1	UR SPARKLE MAROON/DARK REDDISH GRAY METALLIC 1
	3JB-Y2428-C0-2X	SUB-TANK ASSY (XV535S MODEL)	1	UR NEW BLACK BLUE/STAR SILVER
2	3JB-24240-51	.GRAPHIC, set	2	UR XV535S MODEL
	4KU-24240-01	.GRAPHIC, set	1	UR FOR BL2
	4KU-24240-11	.GRAPHIC, set	1	UR FOR SM
3	1FK-24182-00	DAMPER, locating 2	2	
4	23T-24724-01	DAMPER, seat	2	
5	1FK-24186-00	WASHER, special	2	
6	90387-06387	COLLAR	2	
7	90201-066M2	WASHER, plate	2	
8	95024-06025	BOLT, washer based	2	
9	3JB-24182-00	DAMPER, locating 2	1	
10	42X-24183-00	DAMPER, locating 3	1	
11	90201-08569	WASHER, plate	1	
12	97007-08016	BOLT	1	
13	4X7-24602-04	CAP ASSY	1	
14	4X7-24612-00	.GASKET, cap	1	
15	91317-05010	BOLT	1	
16	3JB-24316-00	PIPE 6	1	
17	90450-25037	HOSE CLAMP ASSY	2	
18	3JB-24317-00	PIPE 7	1	
19	90501-101J4	SPRING, compression	1	
20	90450-22017	HOSE CLAMP ASSY	2	
21	3JB-24135-00	CLAMP 1	1	
22	3JB-24110-01-33	FUEL TANK COMP.	1	YAMAHA BLACK
23	2GV-24181-00	DAMPER, locating 1	1	
24	1FK-24182-00	DAMPER, locating 2	2	

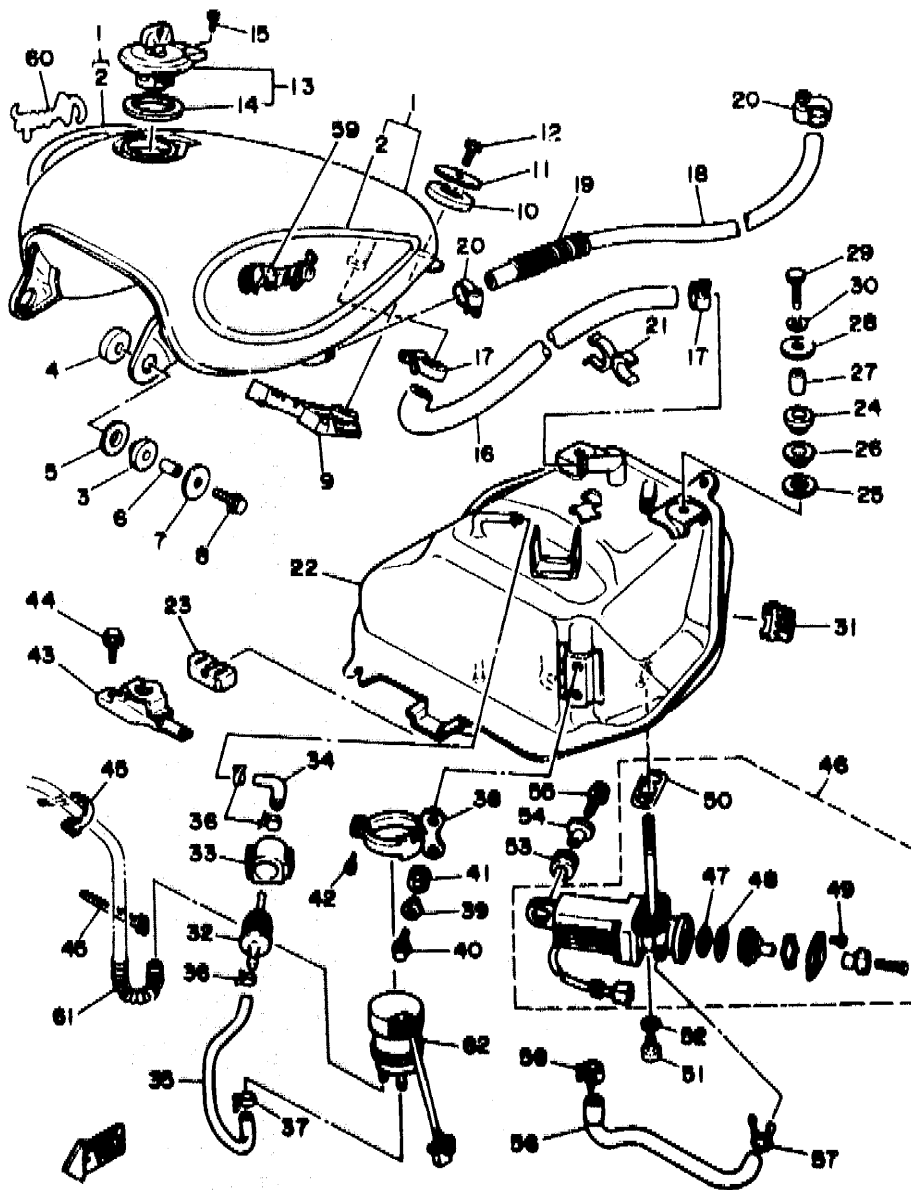


38Y351-4260



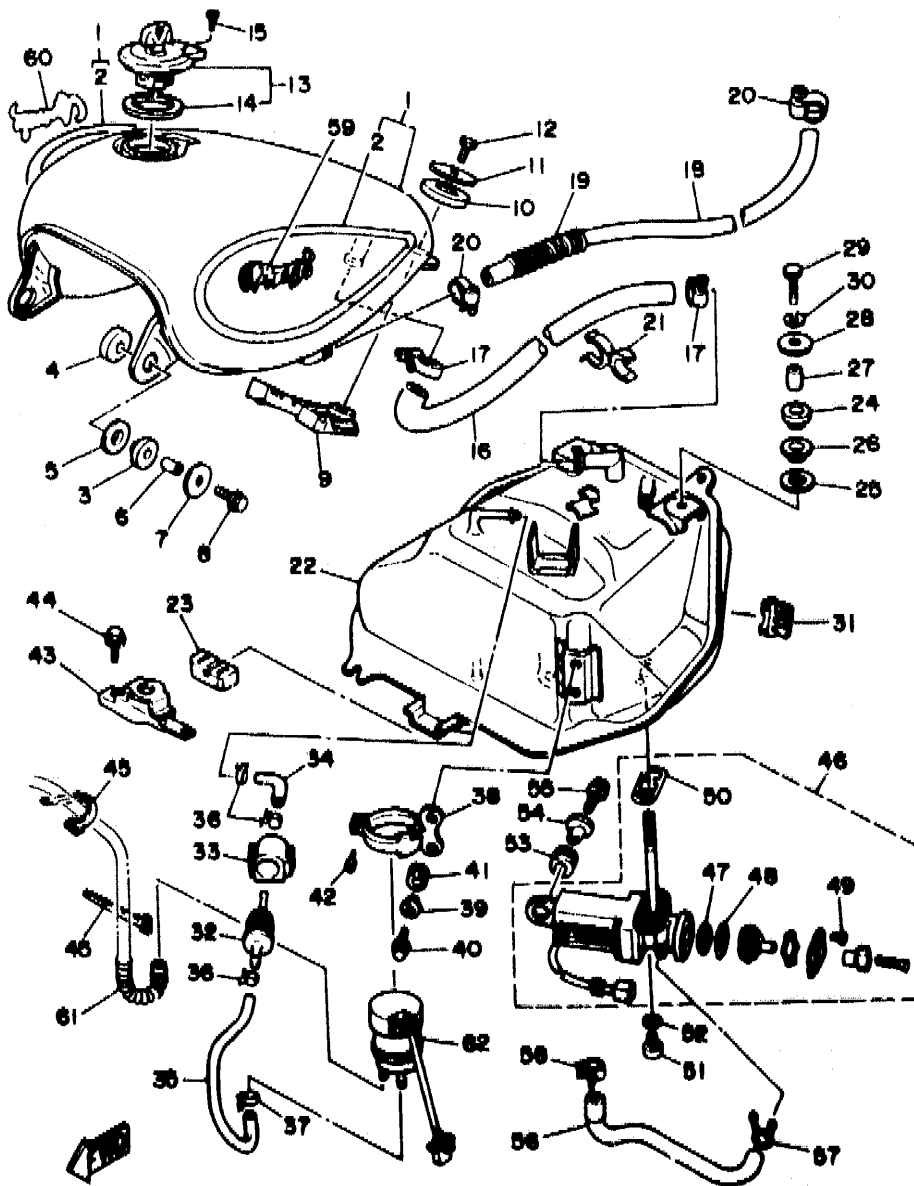
FIG. 26 FUEL TANK

REF. NO.	PART NO.	DESCRIPTION	Q'TY	REMARKS
25	23T-24724-01	DAMPER, seat	2	
26	1FK-24186-00	WASHER, special	2	
27	90387-06387	COLLAR	2	
28	90201-06568	WASHER, plate	2	
29	97027-06030	BOLT	2	
30	92907-06100	WASHER, spring	2	
31	2GV-24184-00	DAMPER, locating 4	2	
32	1FK-24560-00	FILTER ASSY	1	
33	1FK-24566-00	BRACKET, filter	1	
34	2GV-24311-00	PIPE, fuel 1	1	
35	2GV-24312-00	PIPE 2	1	
36	90467-11044	CLIP	3	
37	90467-10135	CLIP	1	
38	2GV-24491-00	BRACKET, fuel pump	1	
39	90387-062L2	COLLAR	2	
40	95807-06016	BOLT, flange	2	
41	90480-13163	GROMMET	2	
42	98507-05016	SCREW, pan head	1	
43	2GV-24191-00	BRACKET, fuel tank 1	1	
44	90119-06123	BOLT, with washer	2	
45	437-83936-11	BAND, switch cord	3	
46	3JB-24500-02	FUEL COCK ASSY 1	1	
47	3AJ-24523-00	.VALVE	1	
48	3AJ-24534-00	.SEAL, cock	1	
49	98503-03008	.SCREW, pan head	2	
50	4X8-24512-00	.O-RING	1	
51	90149-06008	SCREW	2	
52	90202-05193	WASHER, plate	2	



38TY351-4280

D12



38TY351-4260

FIG. 26 FUEL TANK

REF. NO.	PART NO.	DESCRIPTION	Q'TY	REMARKS
53	90480-14023	GROMMET	1	
54	90387-06388	COLLAR	1	
55	95807-06025	BOLT, flange	1	
56	3JB-24314-00	PIPE 4	1	
57	90467-10008	CLIP	1	
58	90467-11044	CLIP	1	
59	3JB-24161-10	EMBLEM 1	1	
60	3JB-24162-10	EMBLEM 2	1	
61	90501-100F8	SPRING, compression	1	
62	1HX-13907-00	FUEL PUMP COMP.	1	

D13

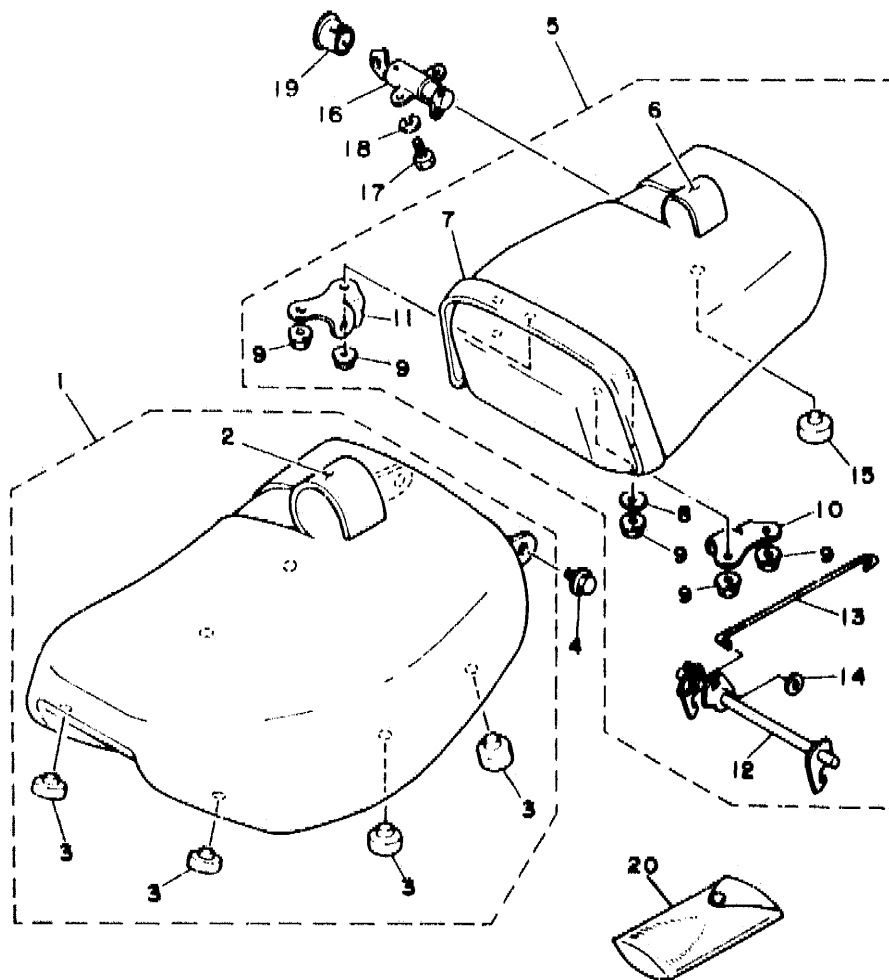


FIG. 27 SEAT

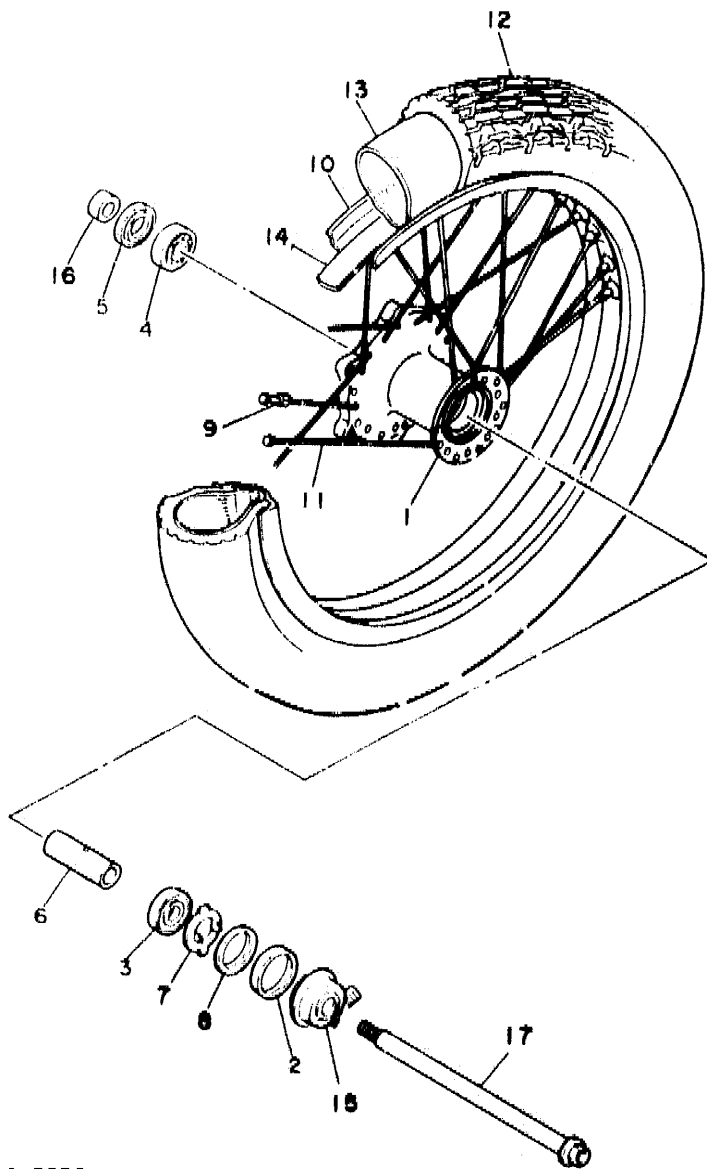
REF. NO.	PART NO.	DESCRIPTION	Q'TY	REMARKS
1	3JB-24710-00	SINGLE SEAT ASSY	1	UR
	3JB-24710-10	SINGLE SEAT ASSY	1	UR XV535S MODEL
2	3JB-24711-00	.COVER, single seat	1	UR
	3JB-24711-10	.COVER, single seat	1	UR XV535S MODEL
3	18A-24724-00	.DAMPER, seat	6	
4	95807-06012	BOLT, flange	2	
5	3JB-24750-00	TANDEM SEAT ASSY	1	UR
	3JB-24750-10	TRNDEM SEAT ASSY	1	UR XV535S MODEL
6	3JB-24751-00	.COVER, tandem seat	1	UR
	3JB-24751-10	.COVER, trndem seat	1	UR XV535S MODEL
7	3JB-24754-00	.HOOK, seat	1	
8	90201-06067	.WASHER, plate	2	
9	95707-06500	.NUT, flange	6	
10	3JB-24718-00	.BRACKET, seat	1	
11	3JB-24728-00	.BRACKET, seat	1	
12	3JB-24776-00	.LEVER, seat	1	
13	3JB-24787-00	.ROD, connecting	1	
14	92907-03200	.WASHER, plain	1	
15	18A-24724-00	.DAMPER, seat	1	
16	51X-24705-00	SEAT LOCK ASSY	1	
17	97007-06014	BOLT	2	
18	92907-06100	WASHER, spring	2	
19	51Y-24796-00	COVER	1	
20	2GV-28100-00	TOOL KIT	1	

3JC6100-5290

D14

FIG. 28 FRONT WHEEL

REF. NO.	PART NO.	DESCRIPTION	Q'TY	REMARKS
1	4KU-25111-00	HUB, front	1	
2	93105-45017	OIL SEAL	1	
3	93306-30309	BEARING (B6303ZZ)	1	
4	93306-30309	BEARING (B6303ZZ)	1	
5	93102-28022	OIL SEAL	1	
6	90560-17126	SPACER	1	
7	341-25149-00	CLUTCH, meter	1	
8	341-25846-00	RETAINER, clutch	1	
9	156-25398-00	BALANCER, wheel	1	UN
10	94418-19531	RIM (1.85-19)	1	
11	3JB-25104-00	SPOKE SET, front	1	
12	94130-197N1	TIRE (3.00S19 4PR 1303A T/T)	1	UR BRIDGESTONE
	94130-197N0	TIRE (3.00S19 4PR DOTN)	1	UR DUNLOP
13	94227-19177	TUBE (2.75-19)	1	DUNLOP
14	94335-19026	BAND, rim (3.50-19)	1	BRIDGESTONE
15	1FK-25190-00	GEAR UNIT ASSY	1	
16	90387-177R1	COLLAR	1	
17	2GV-25181-00	AXLE, wheel	1	



3JC0100-5290

D13

CONTENTS

ENGINE

Cylinder Head	B2~B3
Cylinder	B4
Crankshaft. Piston	B5
Valve	B6
Camshaft. Chain	B7
Oil Pump	B8
Oil Cleaner	B9
Intake	B10
Carburetor	B11~B12
Exhaust	B13~B14
Crankcase	B15~C2
Crankcase Cover 1	C3~C4
Starter Clutch	C5
Clutch	C6~C7
Transmission	C8
Middle Drive Gear	C9
Shift Cam. Fork	C10
Shift Shaft	C11

CHASSIS

Frame	C12~C13
Fender	C14~C15
Side Cover	D2~D3
Rear Arm. Suspension	D4
Drive Shaft	D5~D6
Steering	D7~D8
Front Fork	D9~D10
Fuel Tank	D11~D13
Seat	D14

Front Wheel	D15
Front Brake Caliper	E2
Rear Wheel	E3~E4
Steering Handle. Cable	E5
Front Master Cylinder	E6
Stand. Footrest	E7~E9
Generator	E10
Starting Motor	E11
Flasher Light	E12
Meter	E13
Headlight	E14
Taillight	E15
Handle Switch. Lever	F2
Electrical 1	F3
Electrical 2	F4

INDEX

Numerical Index	M1~M4
-----------------------	-------

CONTENTS

ENGINE

Cylinder Head	B2~B3
Cylinder	B4
Crankshaft, Piston	B5
Valve	B6
Camshaft, Chain	B7
Oil Pump	B8
Oil Cleaner	B9
Intake	B10
Carburetor	B11~B12
Exhaust	B13~B14
Crankcase	B15~C2
Crankcase Cover 1	C3~C4
Starter Clutch	C5
Clutch	C6~C7
Transmission	C8
Middle Drive Gear	C9
Shift Cam, Fork	C10
Shift Shaft	C11

CHASSIS

Frame	C12~C13
Fender	C14~C15
Side Cover	D2~D3
Rear Arm, Suspension	D4
Drive Shaft	D5~D6
Steering	D7~D8
Front Fork	D9~D10
Fuel Tank	D11~D13
Seat	D14

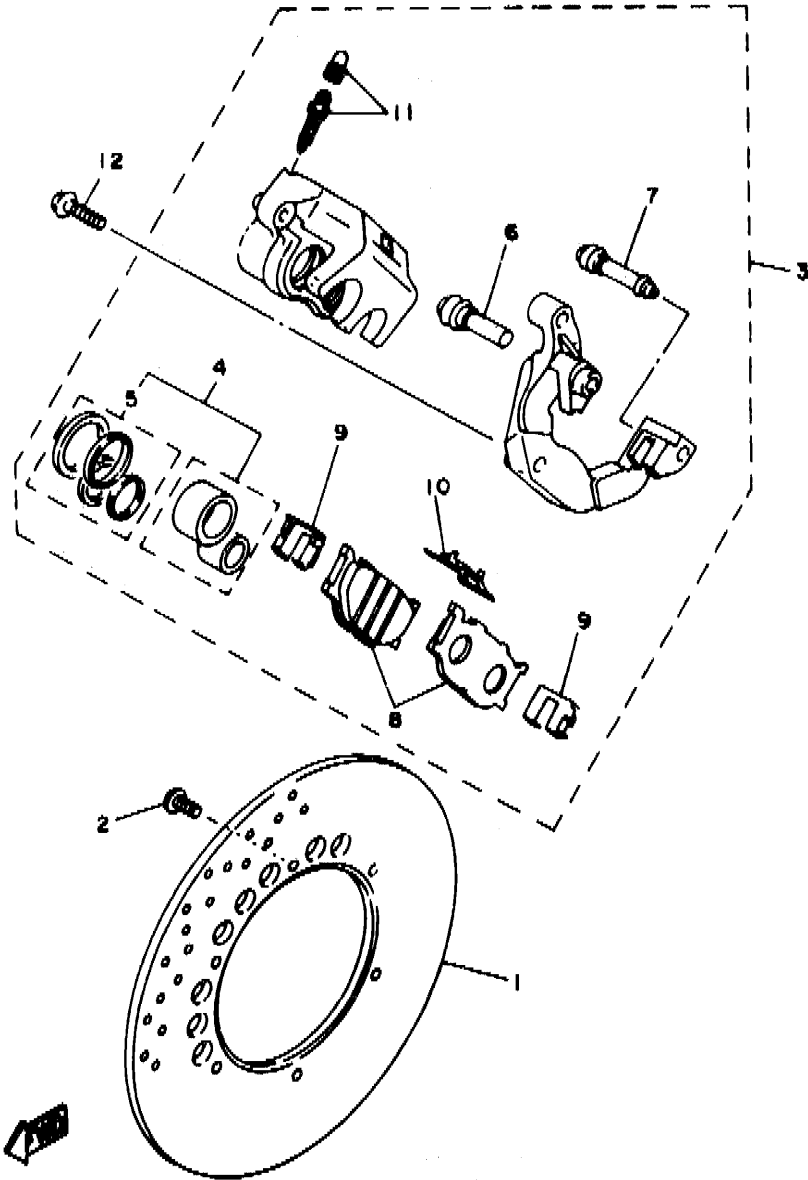
Front Wheel	D15
Front Brake Caliper	E2
Rear Wheel	E3~E4
Steering Handle, Cable	E5
Front Master Cylinder	E6
Stand, Footrest	E7~E9
Generator	E10
Starting Motor	E11
Flasher Light	E12
Meter	E13
Headlight	E14
Taillight	E15
Handle Switch, Lever	F2
Electrical 1	F3
Electrical 2	F4

INDEX

Numerical Index	M1~M4
-----------------------	-------

FIG. 29 FRONT BRAKE CALIPER

REF. NO.	PART NO.	DESCRIPTION	Q'TY	REMARKS
1	3JB-2582U-00	DISC, brake (RIGHT)	1	
2	90109-081FO	BOLT	6	
3	3JB-2580U-10	CALIPER ASSY (RIGHT)	1	
4	3JB-W0057-00	.PISTON ASSY, caliper	1	
5	3JB-W0047-00	..CALIPER SEAL KIT	1	
6	5R2-25937-00	.BOOT 2	1	
7	3YX-25937-00	.BOOT 2	1	
8	4BP-W0045-00	.BRAKE PAD KIT	1	
9	3YX-25919-00	.SUPPORT, pad	2	
10	3YX-25929-00	.SPRING, anti rattle	1	
11	51L-W0048-00	.BREED SCREW KIT	1	
12	90105-10638	BOLT, washer based	2	



3JB7010-4300

E2

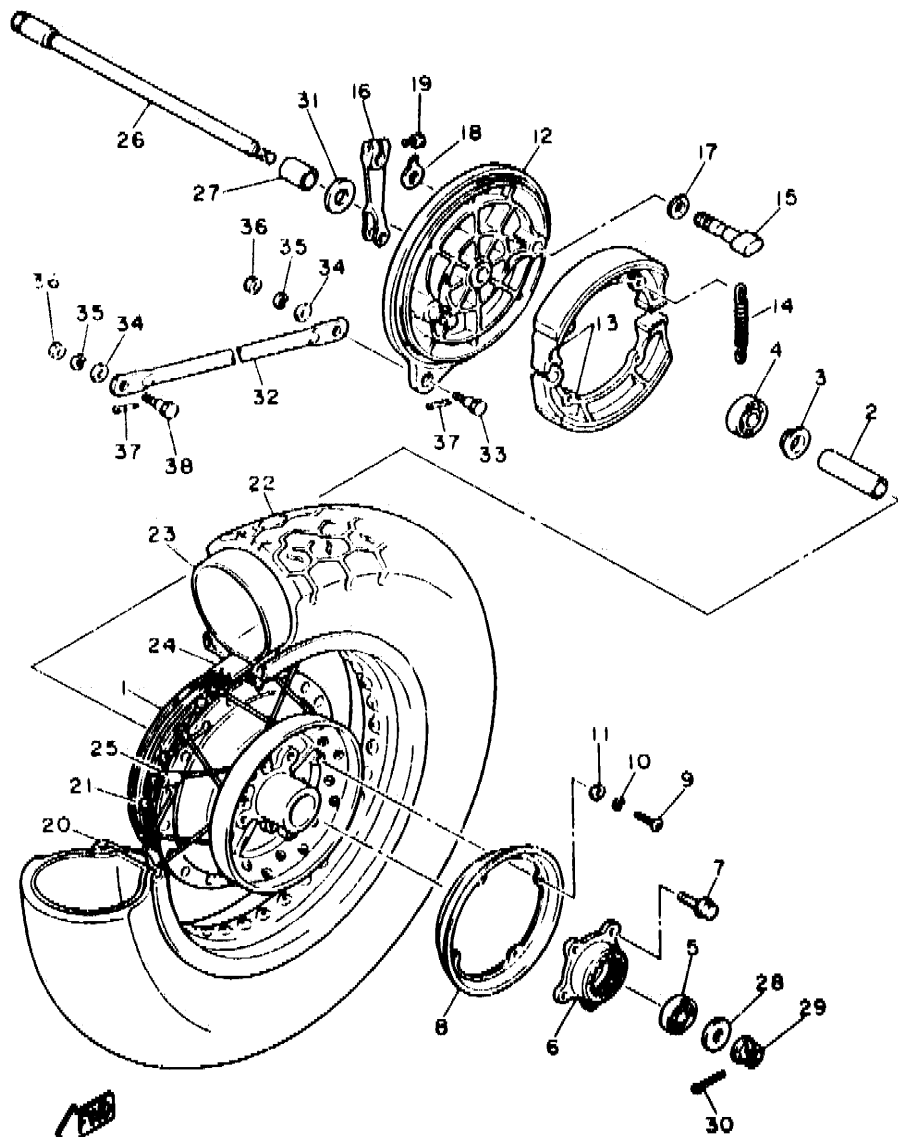


FIG. 30 REAR WHEEL

REF. NO.	PART NO.	DESCRIPTION	Q'TY	REMARKS
1	2GV-25311-00-35	HUB, rear	1	SILVER
2	2GV-25317-00	SPACER, bearing	1	
3	146-25115-00	FLANGE, spacer 1	1	
4	93306-30209	BEARING	1	
5	93306-30202	BEARING	1	
6	2GV-25366-00	CLUTCH, hub	1	
7	90105-10200	BOLT, washer based	5	
8	2GV-25319-00	SEAL, hub dust	1	
9	98507-05012	SCREW, pan head	4	
10	92907-05100	WASHER, spring	4	
11	92907-05600	WASHER, plate	4	
12	2NT-25321-00	PLATE, brake shoe	1	
13	3DR-W2536-00	BRAKE SHOE SET	1	
14	90507-20002	SPRING, tension	2	
15	4H7-25351-00	CAMSHAFT	1	
16	214-25355-00	LEVER, camshaft	1	
17	90201-14218	WASHER, plate	1	
18	4H7-2533A-02	PLATE, indicator	1	
19	90101-06764	BOLT	1	
20	94430-15477	RIM	1	
21	2GV-25304-00	SPOKE SET, rear	1	
22	94114-156U2	TIRE (140/90-15M/C70SK425)	1	UR BRIDGESTONE
	94114-156U1	TIRE (140/90-15M/C70SK425)	1	UR DUNLOP
23	94214-15223	TUBE (140-15)	1	BRIDGESTONE
24	94330-15134	BAND, rim (3.00-15)	1	BRIDGESTONE
25	156-25398-00	BALANCER, wheel	1	UN
26	2GV-25381-00	AXLE, wheel	1	
27	90387-157R0	COLLAR	1	

2GV110-7300

E3

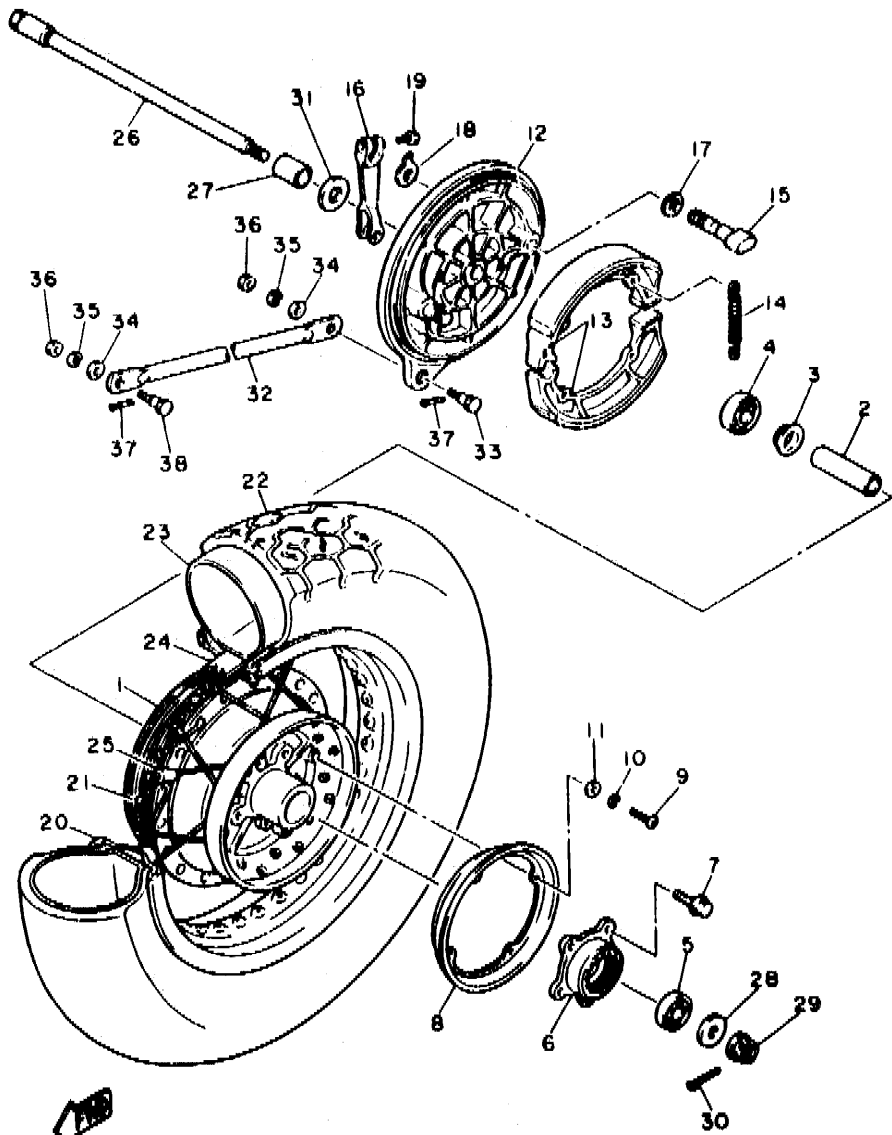


FIG. 30 REAR WHEEL

REF. NO.	PART NO.	DESCRIPTION	Q'TY	REMARKS
28	90201-146R0	WASHER, plate	1	
29	90171-14044	NUT, castle	1	
30	91401-30030	PIN, cotter	1	
31	22U-25377-00	COLLAR, wheel	1	
32	42X-25371-00	BAR, tension	1	
33	90109-08406	BOLT	1	
34	92990-08600	WASHER, plate	2	
35	92990-08100	WASHER, spring	2	
36	95304-08700	NUT	2	
37	91401-20015	PIN, cotter	2	
38	90109-38368	BOLT	1	

2GV110-7300



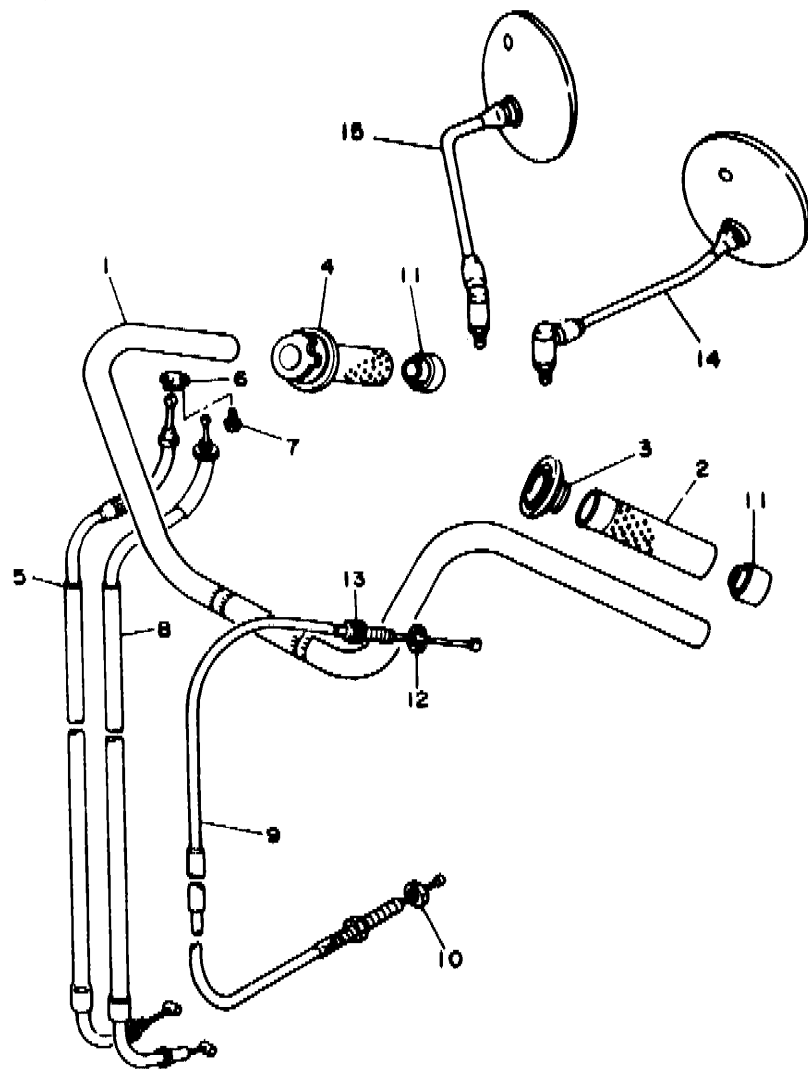


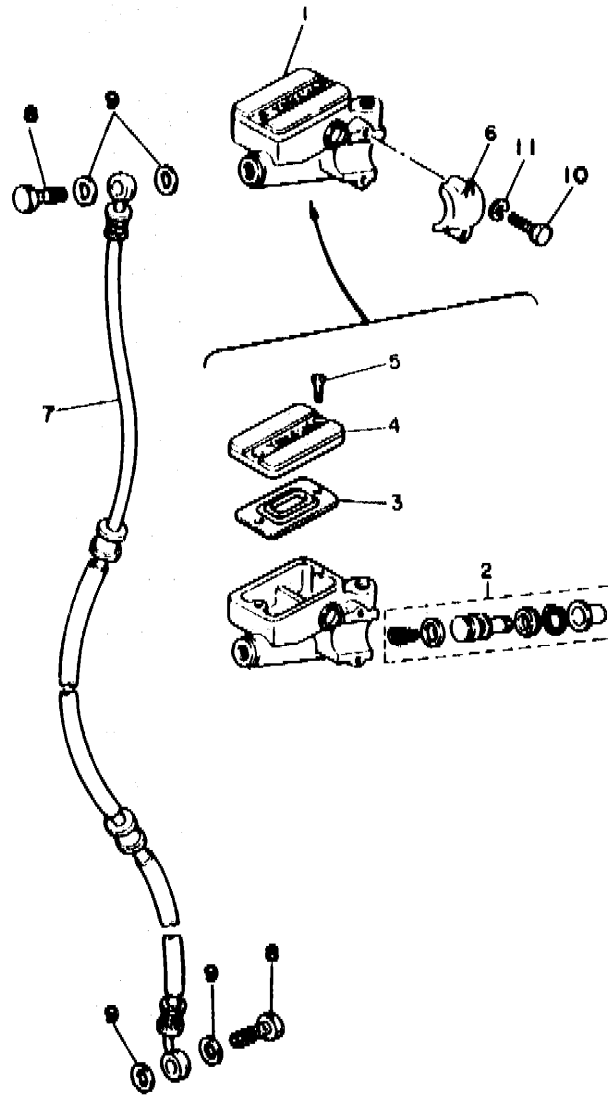
FIG. 31 STEERING HANDLE. CABLE

REF. NO.	PART NO.	DESCRIPTION	Q'TY	REMARKS
1	2GV-26111-10	HANDLEBAR	1	
2	3JB-26241-00	GRIP (LEFT)	1	
3	3JB-26273-00	ROTOR	1	
4	3JB-26240-00	GRIP ASSY	1	
5	3JC-26311-00	CABLE, throttle 1	1	
6	5H0-26393-00	HOLDER	1	
7	98507-05008	SCREW, pan head	1	
8	3JC-26312-00	CABLE, throttle 2	1	
9	3JB-26335-20	CABLE, clutch	1	
10	95304-08700	NUT	1	
11	3JB-2628J-00	CAP, grip	2	
12	90179-08148	NUT	1	
13	90123-08046	BOLT	1	
14	1J7-26290-F0	BACK MIRROR ASSY (LEFT)	1	
15	1J7-26290-G0	BACK MIRROR ASSY (RIGHT)	1	

4KUB332-8310

E3

FIG. 32 FRONT MASTER CYLINDER

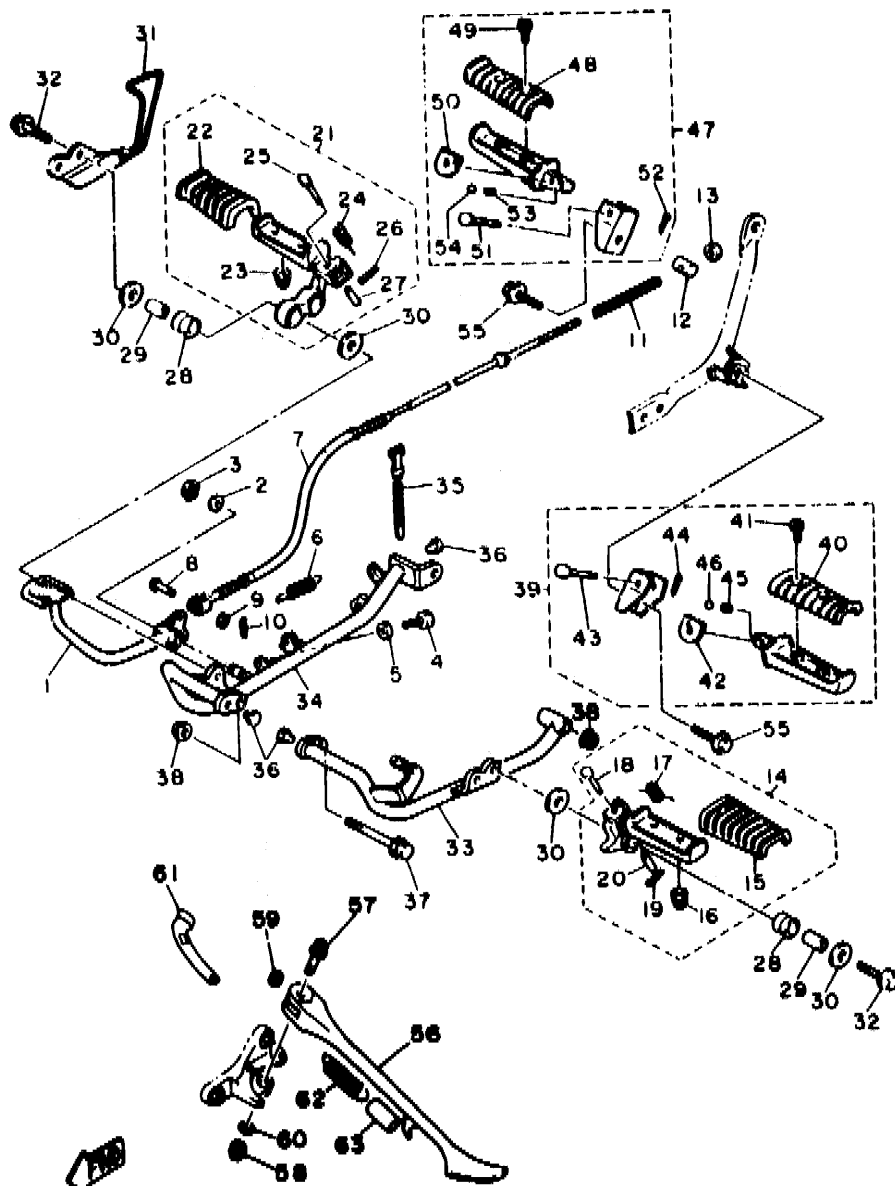


REF. NO.	PART NO.	DESCRIPTION	Q'TY	REMARKS
1	4H7-25850-02	MASTER CYLINDER ASSY	1	
2	4H7-W0041-00	.CYLINDER KIT, master	1	
3	4L0-25854-00	.DIAPHRAGM, reservoir	1	
4	4H7-25852-00	.CAP, reservoir	1	
5	98707-04012	.SCREW, flat head	2	
6	4L0-25867-00	BRACKET, master cylinder	1	
7	4KU-25872-00	HOSE, brake 1	1	UR
	3JB-25872-40	HOSE, brake 1	1	UR XV535S MODEL
8	90401-10159	BOLT, union	2	
9	90201-10118	WASHER, plate	4	
10	97007-06025	BOLT	2	
11	92907-06100	WASHER, spring	2	

3JCG100-8330

E6

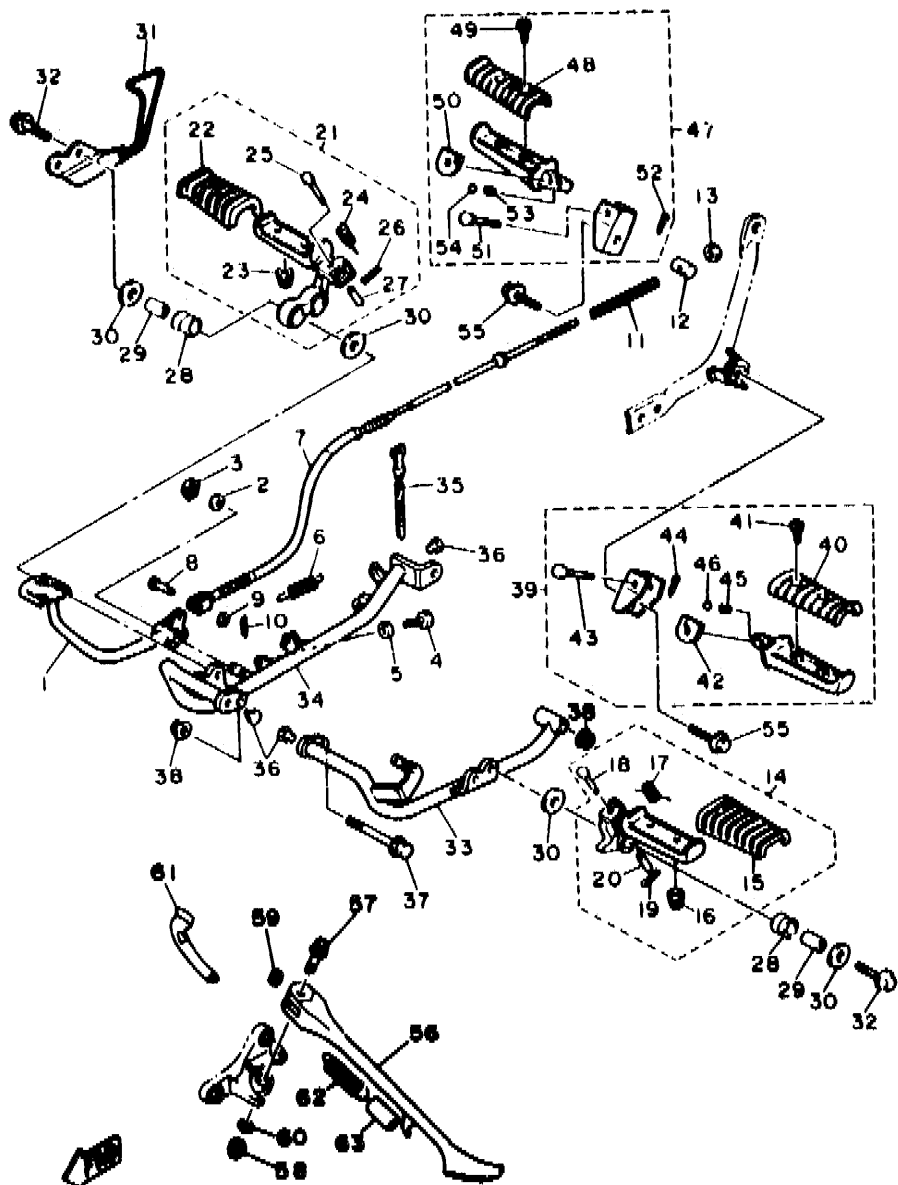
FIG. 33 STAND. FOOTREST



3JCN00-5340

REF. NO.	PART NO.	DESCRIPTION	Q'TY	REMARKS
1	2GV-27211-00-93	PEDAL, brake	1	CHROME PLATED
2	90201-152L1	WASHER, plate	1	
3	99009-15400	CIRCLIP	1	
4	90101-062R8	BOLT	1	
5	95307-06600	NUT	1	
6	90506-20380	SPRING, tension	1	
7	2GV-26351-00	CABLE, brake	1	
8	01701-06022	PIN, clevis	1	
9	92907-06200	WASHER, plain	1	
10	91401-20015	PIN, cotter	1	
11	90501-10245	SPRING, compression	1	
12	90249-12008	PIN	1	
13	90179-06411	NUT	1	
14	1RM-27410-00-93	FRONT FOOTREST ASSY (LEFT)	1	CHROME PLATED
15	1NH-27413-00	.COVER, footrest	1	
16	95607-06100	.NUT, u	2	
17	90508-18696	.SPRING, torsion	1	
18	91701-08038	.PIN, clevis	1	
19	91401-25015	.PIN, cotter	1	
20	90387-087K5	.COLLAR	1	
21	1RM-27420-00-93	FRONT FOOTREST ASSY (RIGHT)	1	CHROME PLATED
22	1NH-27413-00	.COVER, footrest	1	
23	95607-06100	.NUT, u	2	
24	90508-18696	.SPRING, torsion	1	
25	91701-08038	.PIN, clevis	1	
26	91401-25015	.PIN, cotter	1	
27	90387-087K5	.COLLAR	1	
28	4X7-27414-00	DAMPER, footrest	4	

E7

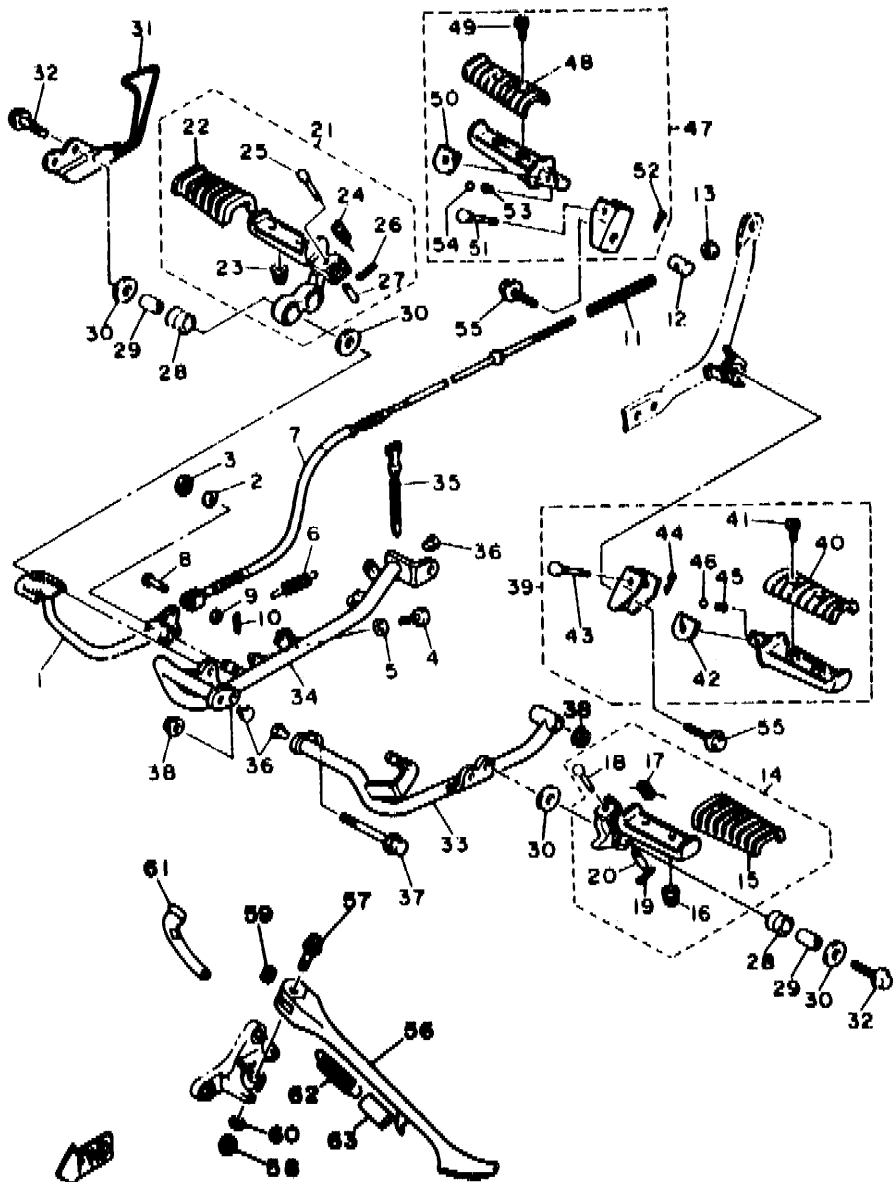


3JC6100-6340

FIG. 33 STAND, FOOTREST

REF. NO.	PART NO.	DESCRIPTION	Q'TY	REMARKS
29	90387-107A7	COLLAR	4	
30	90201-100A1	WASHER, plate	6	
31	2GV-27491-00	PROTECTOR	1	
32	90109-100G0	BOL	4	
33	2GV-27471-00	BAR, footrest 1	1	
34	2GV-27472-00	BAR, footrest 2	1	
35	90465-13169	CLAMP	1	
36	90338-09161	PLUG	3	
37	90105-10312	BOLT, washer based	1	
38	95704-10500	NUT, flange	2	
39	2NT-27430-01	REAR FOOTREST ASSY 1	1	
40	1NH-27433-00	.COVER, rear footrest	1	
41	92016-06012	.BOLT	2	
42	2NT-27437-00	.WASHER, special	1	
43	91701-06032	.PIN, clevis	1	
44	91401-20015	.PIN, cotter	1	
45	90501-12743	.SPRING, compression	1	
46	93501-04011	.BALL	1	
47	2NT-27440-01	REAR FOOTREST ASSY 2	1	
48	1NH-27433-00	.COVER, rear footrest	1	
49	92016-06012	.BOLT	2	
50	2NT-27437-00	.WASHER, special	1	
51	91701-06032	.PIN, clevis	1	
52	91401-20015	.PIN, cotter	1	
53	90501-12743	.SPRING, compression	1	
54	93501-04011	.BALL	1	
55	95804-10016	BOLT, flange	2	
56	4KU-27311-00	STAND, side	1	

FIG. 33 STAND, FOOTREST



REF. NO.	PART NO.	DESCRIPTION	Q'TY	REMARKS
57	90105-10188	BOLT, washer based	1	
58	95617-10100	NUT, u	1	
59	90387-1003G	COLLAR	1	
60	92907-10200	WASHER, plain	1	
61	5H0-27315-00	LINK, side stand	1	
62	90506-35473	SPRING, tension	1	
63	90445-22327	HOSE	1	

3JC6100-6340

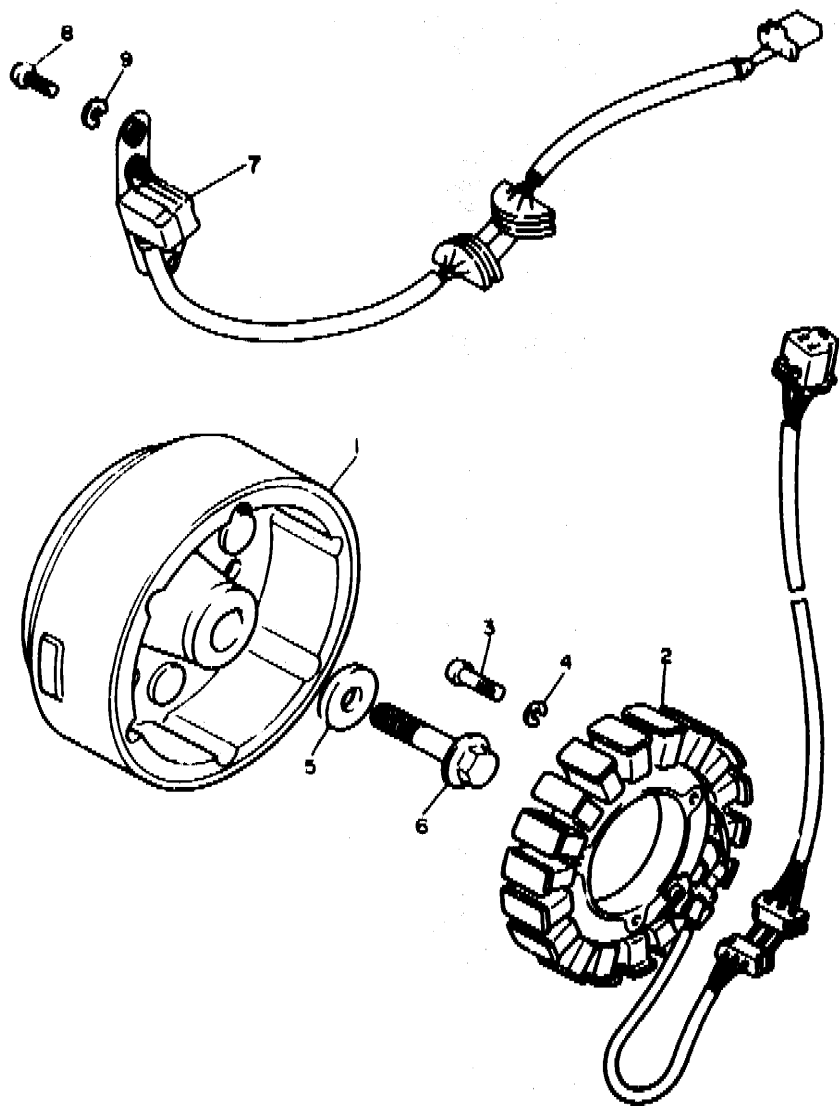


FIG. 34 GENERATOR

REF. NO.	PART NO.	DESCRIPTION	Q'TY	REMARKS
1	3BT-81450-00	ROTOR ASSY	1	
2	2GV-81410-20	STATOR ASSY	1	
3	98507-06025	SCREW, pan head	3	
4	92907-06100	WASHER, spring	3	
5	90201-107K6	WASHER, plate	1	
6	90105-10152	BOLT, washer based	1	
7	3BT-81670-00	PICK-UP ASSY	1	
8	98507-06020	SCREW, pan head	3	
9	92907-06100	WASHER, spring	3	



3JC6100-9380

E10

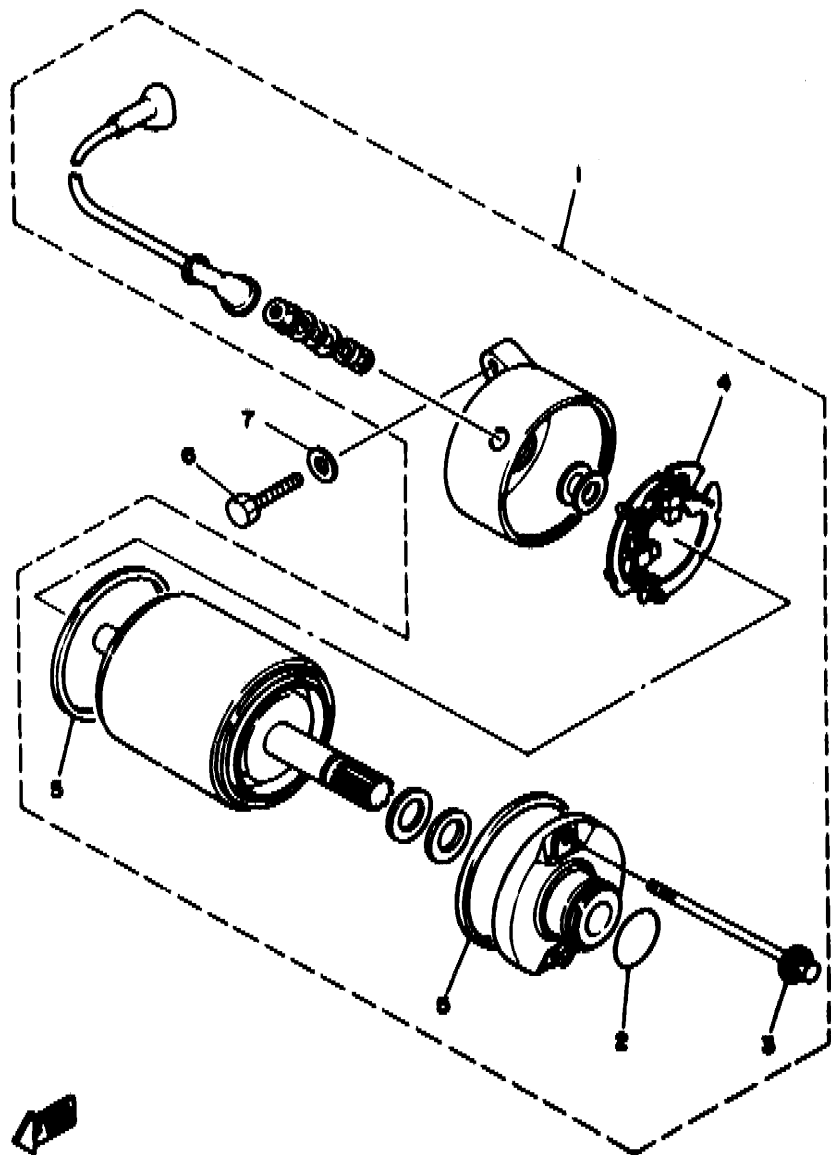


FIG. 36 STARTING MOTOR

REF. NO.	PART NO.	DESCRIPTION	Q'TY	REMARKS
1	3JB-81800-00	STARTING MOTOR ASSY	1	
2	26H-81847-00	.O-RING	1	
3	3HE-81826-00	.BOLT	2	
4	3K5-81840-00	.BRUSH HOLDER ASSY	1	
5	11H-81844-00	.GASKET	2	
6	97027-06025	BOLT	2	
7	92907-06600	WASHER, plate	2	

3JEN040-9370



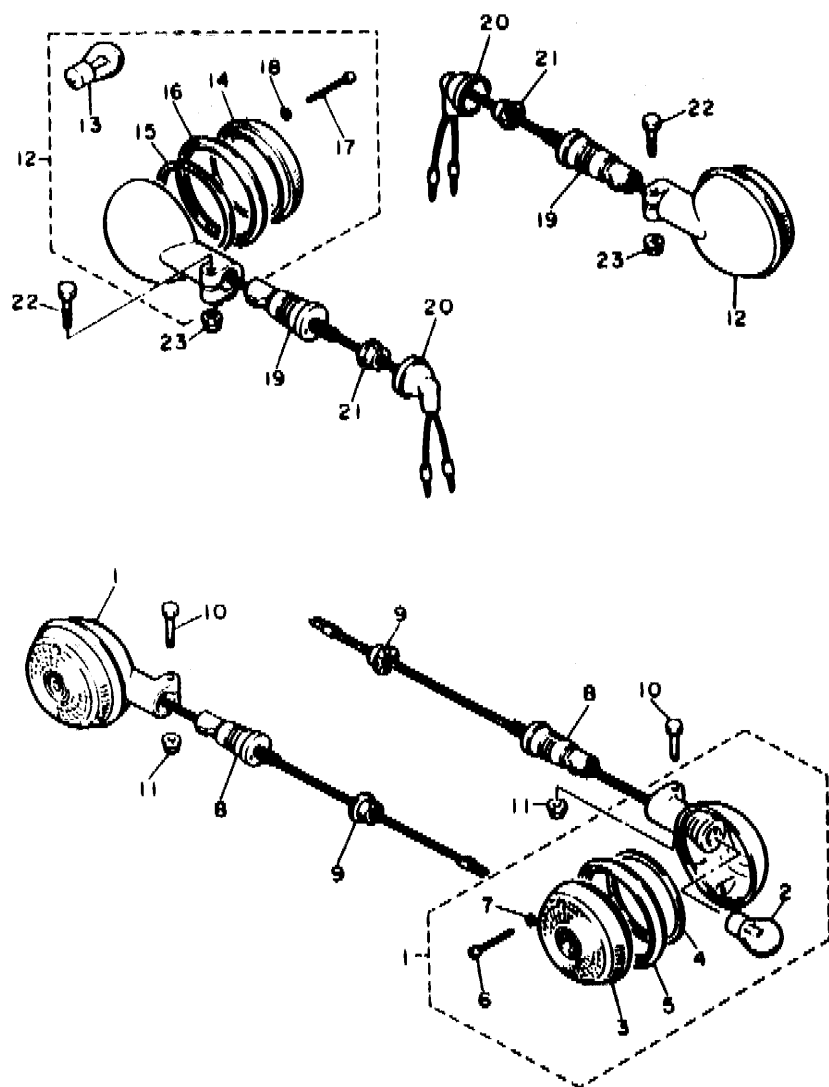


FIG. 36 FLASHER LIGHT

REF. NO.	PART NO.	DESCRIPTION	Q'TY	REMARKS
1	3LS-83310-00	FRONT FLASHER LIGHT ASSY 1	2	
2	1KT-83311-00	.BULB (12V-21W)	1	
3	42X-83312-00	.LENS, flasher	1	
4	42X-83313-00	.GASKET, flasher lens	1	
5	42X-83363-00	.LENS, rim	1	
6	341-83333-70	.SCREW, lens fitting	2	
7	42X-83359-00	.WASHER, special	2	
8	1AA-83318-00	STAY, flasher 1	2	
9	95307-12600	NUT	2	
10	97004-06030	BOLT	2	
11	95704-06500	NUT, flange	2	
12	2EN-83330-00	REAR FLASHER LIGHT ASSY 1	2	
13	1KT-83311-00	.BULB (12V-21W)	1	
14	2AE-83312-00	.LENS, flasher	1	
15	42X-83313-00	.GASKET, flasher lens	1	
16	42X-83363-00	.LENS, rim	1	
17	341-83333-70	.SCREW, lens fitting	2	
18	42X-83359-00	.WASHER, special	2	
19	1AA-83318-00	STAY, flasher 1	2	
20	18G-83365-00	CAP	2	
21	95307-12600	NUT	2	
22	97004-06030	BOLT	2	
23	95704-06500	NUT, flange	2	



2NTO10-7380

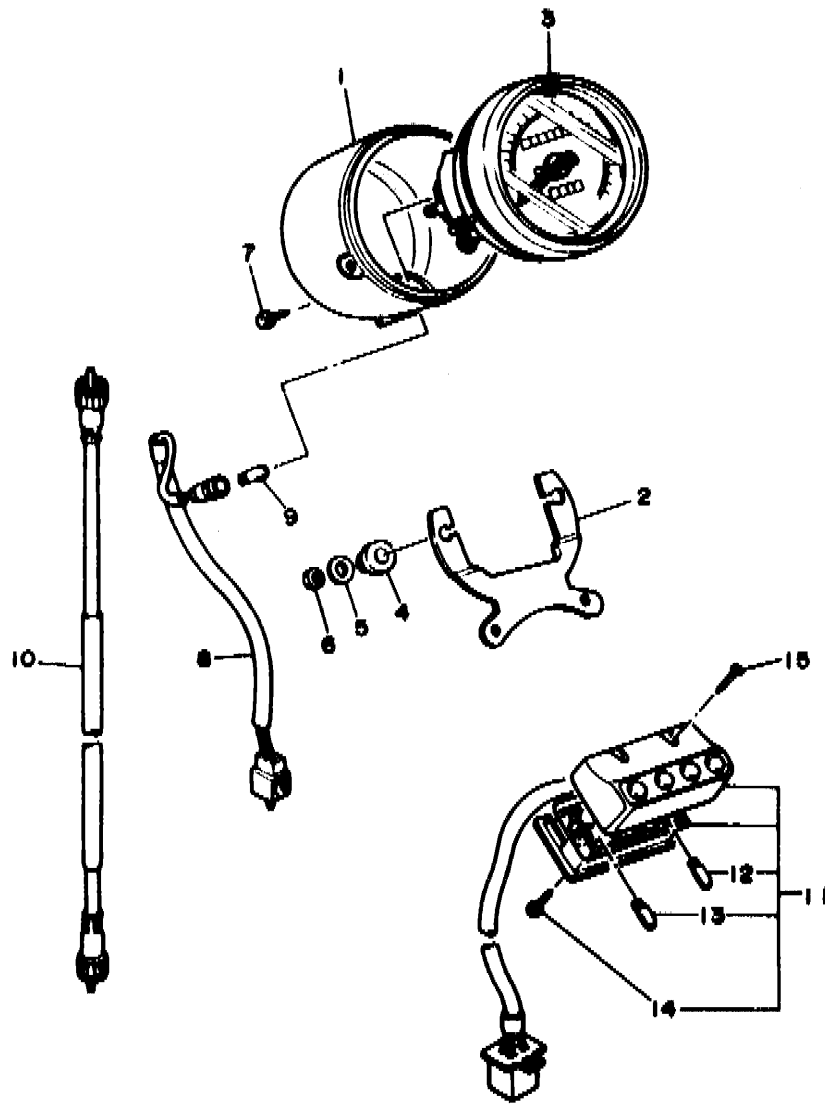


FIG. 37 METER

REF. NO.	PART NO.	DESCRIPTION	Q'TY	REMARKS
1	1FK-83507-00	COVER, speedometer	1	
2	2GV-83519-00	BRACKET, meter	1	
3	2JV-8351A-F0	METER ASSY	1	UR
	3JB-8351A-10	METER ASSY	1	UR XV5355 MODEL
4	12R-83513-00	DAMPER	2	
5	90201-05031	WASHER, plate	2	
6	95307-05600	NUT	2	
7	90164-04009	SCREW, tapping	1	
8	2GV-83509-00	SOCKET CORD ASSY	1	
9	42X-83517-00	BULB (12V-3W)	1	
10	34L-83550-01	SPEEDOMETER CABLE ASSY	1	
11	3BT-83530-10	PILOT LIGHT ASSY	1	
12	42X-83517-00	.BULB (12V-3W)	2	
13	2GV-83517-00	.BULB (12V-1.7W)	1	
14	90164-03010	.SCREW, tapping	1	
15	98517-04025	SCREW, pan head	2	

3BM4361-0370

E13

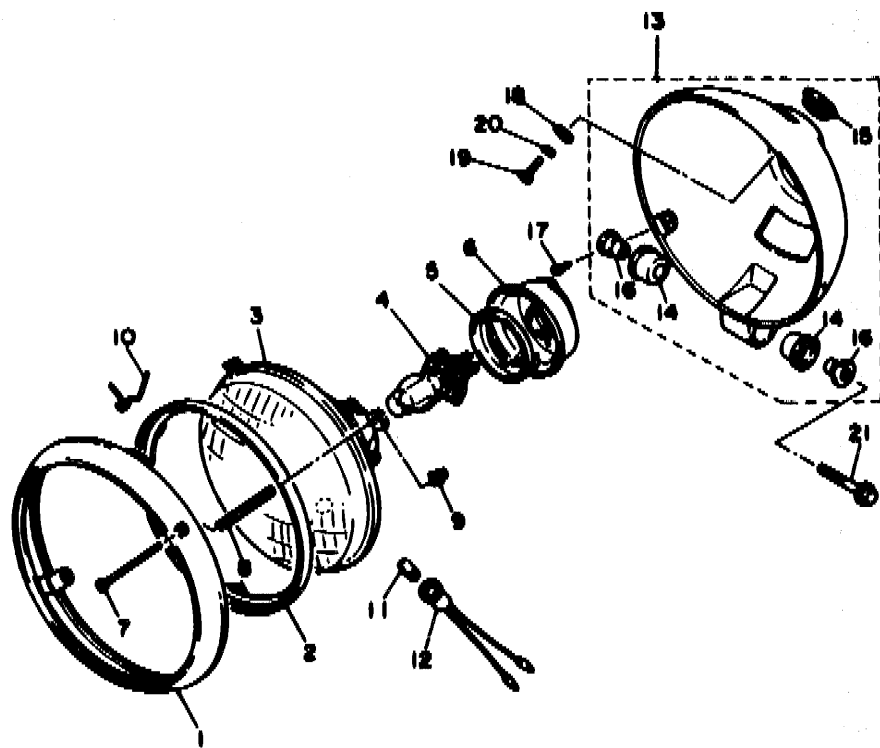
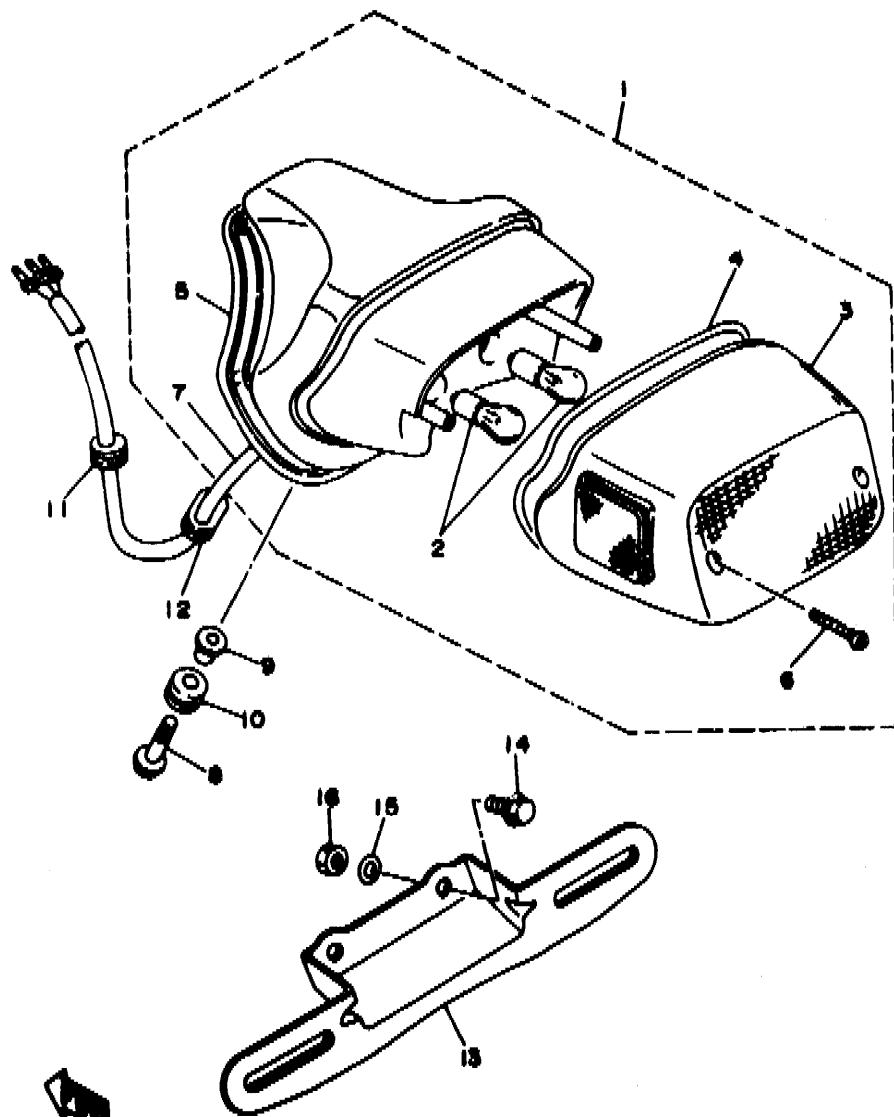


FIG. 3B HEADLIGHT

REF. NO.	PART NO.	DESCRIPTION	Q'TY	REMARKS
1	42X-84315-01	RIM, headlight	1	
2	5Y3-84395-00	RING, retaining	1	
3	2AE-84320-60	LENS ASSY	1	
4	2F9-84314-00	BULB (12V-60/55W)	1	HALOGEN
5	2F9-84375-00	FITTING PLATE, bulb	1	
6	2F9-84397-01	COVER, socket	1	
7	20X-84331-00	SCREW, rim adjusting	2	
8	1A0-84332-60	SPRING, screw	2	
9	198-84334-60	NUT, adjusting	2	
10	42X-84124-60	SPRING, set	1	
11	4E2-84347-00	BULB (12V-4W)	1	
12	34L-84346-00	SOCKET, pilot light	1	
13	42X-84330-01	BODY ASSY	1	EMPRESS MAROON
14	42X-84345-00	.DAMPER, headlight	2	
15	42X-84366-00	.DAMPER, headlight 1	1	
16	42X-84338-00	.COLLAR, body fitting	2	
17	90157-05084	SCREW, pan head	2	
18	90201-06073	WASHER, plate	1	
19	97007-06016	BOLT	1	
20	92907-06100	WASHER, spring	1	
21	95027-08040	BOLT, flange	1	

3BT3300-8400

E14



38TP322-3300

FIG. 39 TAILLIGHT

REF. NO.	PART NO.	DESCRIPTION	Q'TY	REMARKS
1	2YL-84700-E0	TAILLIGHT ASSY	1	
2	31L-84714-00	.BULB, taillight (12V-21/5W)	2	
3	2AE-84721-00	.LENS, taillight	1	
4	42X-84723-01	.GASKET, tail lens	1	
5	1RM-84704-00	.GASKET, taillight	1	
6	97730-40525	.SCREW, tapping	2	
7	2GV-84717-00	.CORD, taillight	1	
8	90119-06097	BO.LT, with washer	3	
9	90387-06026	COLLAR	3	
10	90480-14229	GROMMET	3	
11	90480-16501	GROMMET	1	
12	90480-01502	GROMMET	2	
13	2YL-84751-00	BRACKET, license	1	
14	95807-06016	BO.LT, flange	2	
15	92907-06200	WASHER, plain	2	
16	95307-06600	NUT	2	

CONTENTS

ENGINE

Cylinder Head	B2~B3
Cylinder	B4
Crankshaft, Piston	B5
Valve	B6
Camshaft, Chain	B7
Oil Pump	B8
Oil Cleaner	B9
Intake	B10
Carburetor	B11~B12
Exhaust	B13~B14
Crankcase	B15~C2
Crankcase Cover 1	C3~C4
Starter Clutch	C5
Clutch	C6~C7
Transmission	C8
Middle Drive Gear	C9
Shift Cam, Fork	C10
Shift Shaft	C11

CHASSIS

Frame	C12~C13
Fender	C14~C15
Side Cover	D2~D3
Rear Arm, Suspension	D4
Drive Shaft	D5~D6
Steering	D7~D8
Front Fork	D9~D10
Fuel Tank	D11~D13
Seat	D14

Front Wheel	D15
Front Brake Caliper	E2
Rear Wheel	E3~E4
Steering Handle, Cable	E5
Front Master Cylinder	E6
Stand, Footrest	E7~E9
Generator	E10
Starting Motor	E11
Flasher Light	E12
Meter	E13
Headlight	E14
Taillight	E15
Handle Switch, Lever	F2
Electrical 1	F3
Electrical 2	F4

INDEX

Numerical Index	M1~M4
-----------------------	-------

CONTENTS

ENGINE

Cylinder Head	B2~B3
Cylinder	B4
Crankshaft, Piston	B5
Valve	B6
Camshaft, Chain	B7
Oil Pump	B8
Oil Cleaner	B9
Intake	B10
Carburetor	B11~B12
Exhaust	B13~B14
Crankcase	B15~C2
Crankcase Cover 1	C3~C4
Starter Clutch	C5
Clutch	C6~C7
Transmission	C8
Middle Drive Gear	C9
Shift Cam, Fork	C10
Shift Shaft	C11

CHASSIS

Frame	C12~C13
Fender	C14~C15
Side Cover	D2~D3
Rear Arm, Suspension	D4
Drive Shaft	D5~D6
Steering	D7~D8
Front Fork	D9~D10
Fuel Tank	D11~D13
Seat	D14

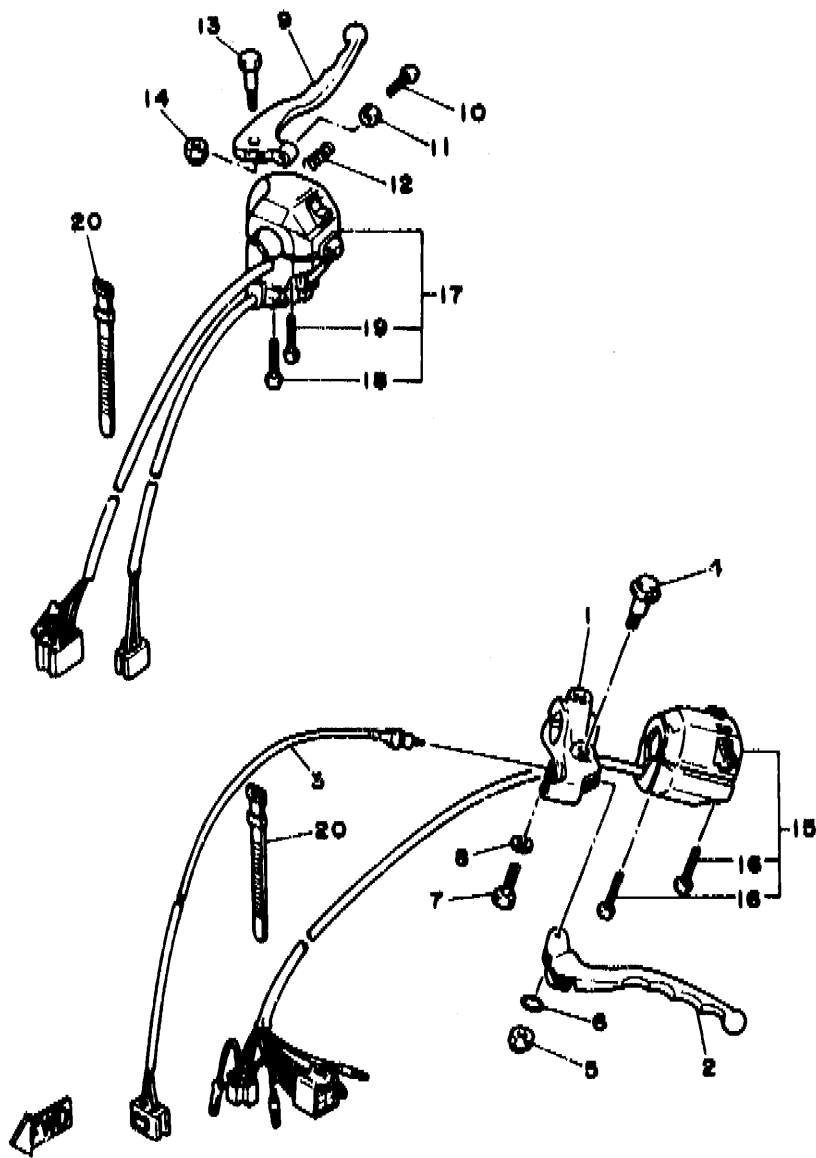
Front Wheel	D15
Front Brake Caliper	E2
Rear Wheel	E3~E4
Steering Handle, Cable	E5
Front Master Cylinder	E6
Stand, Footrest	E7~E9
Generator	E10
Starting Motor	E11
Flasher Light	E12
Meter	E13
Headlight	E14
Taillight	E15
Handle Switch, Lever	F2
Electrical 1	F3
Electrical 2	F4

INDEX

Numerical Index	M1~M4
-----------------------	-------

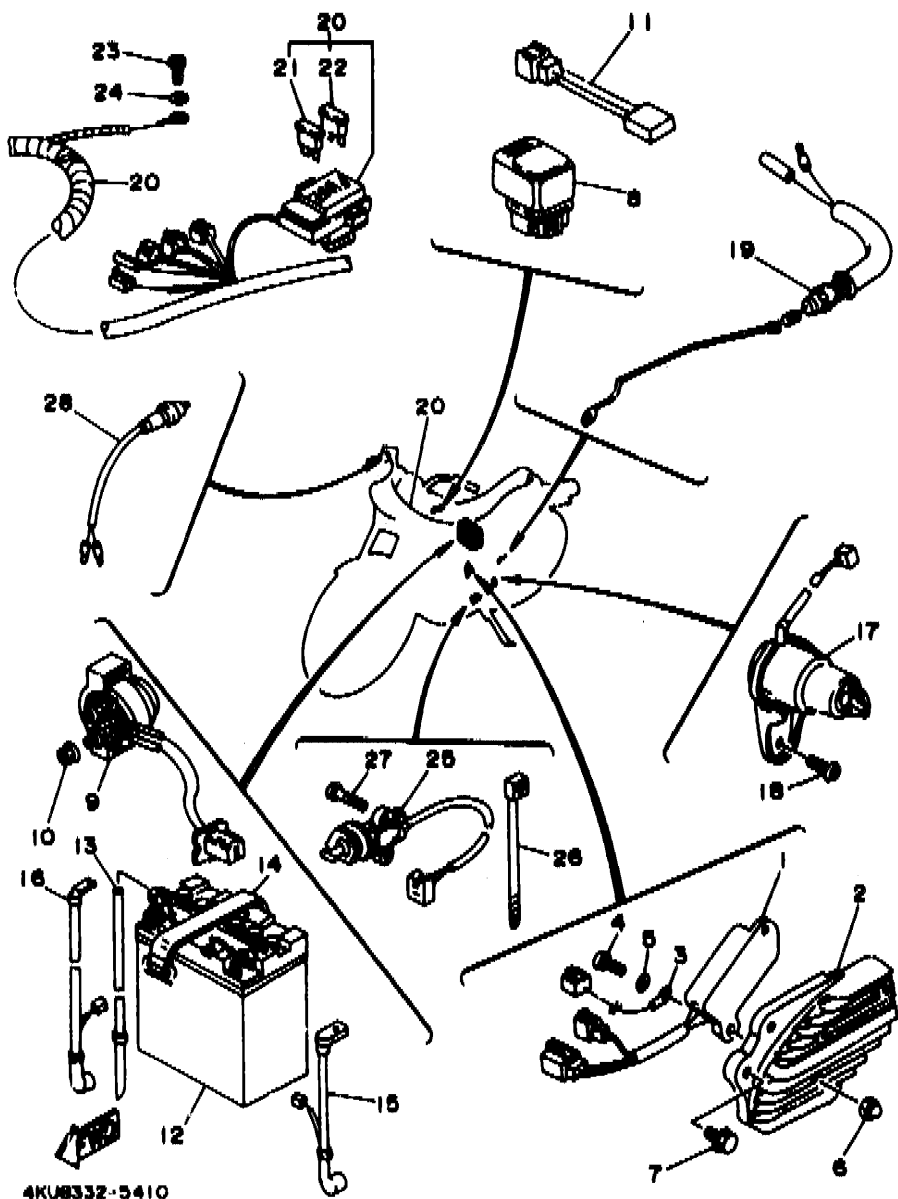
FIG. 40 HANDLE SWITCH, LEVER

REF. NO.	PART NO.	DESCRIPTION	Q'TY	REMARKS
1	10M-82911-00	HOLDER, lever 1	1	
2	2GV-83912-00	LEVER 1	1	
3	2GV-82917-00	SWITCH	1	
4	90109-06799	BOLT	1	
5	95607-06100	NUT, u	1	
6	93210-11368	O-RING	1	
7	97007-06025	BOLT	1	
8	92907-06100	WASHER, spring	1	
9	2W1-83922-00	LEVER 2	1	
10	90149-06153	SCREW	1	
11	90170-06010	NUT	1	
12	90501-10312	SPRING, compression	1	
13	90109-06577	BOLT	1	
14	95607-06100	NUT, u	1	
15	2YL-83972-00	SWITCH, handle 4	1	
16	98507-05035	.SCREW, pan head	2	
17	3LP-83972-00	SWITCH, handle 4	1	
18	98506-05040	.SCREW, pan head	1	
19	98506-05045	.SCREW, pan head	1	
20	437-83936-01	BAND, switch cord	4	



3BT3351-9430

F2



4KU8332-5410

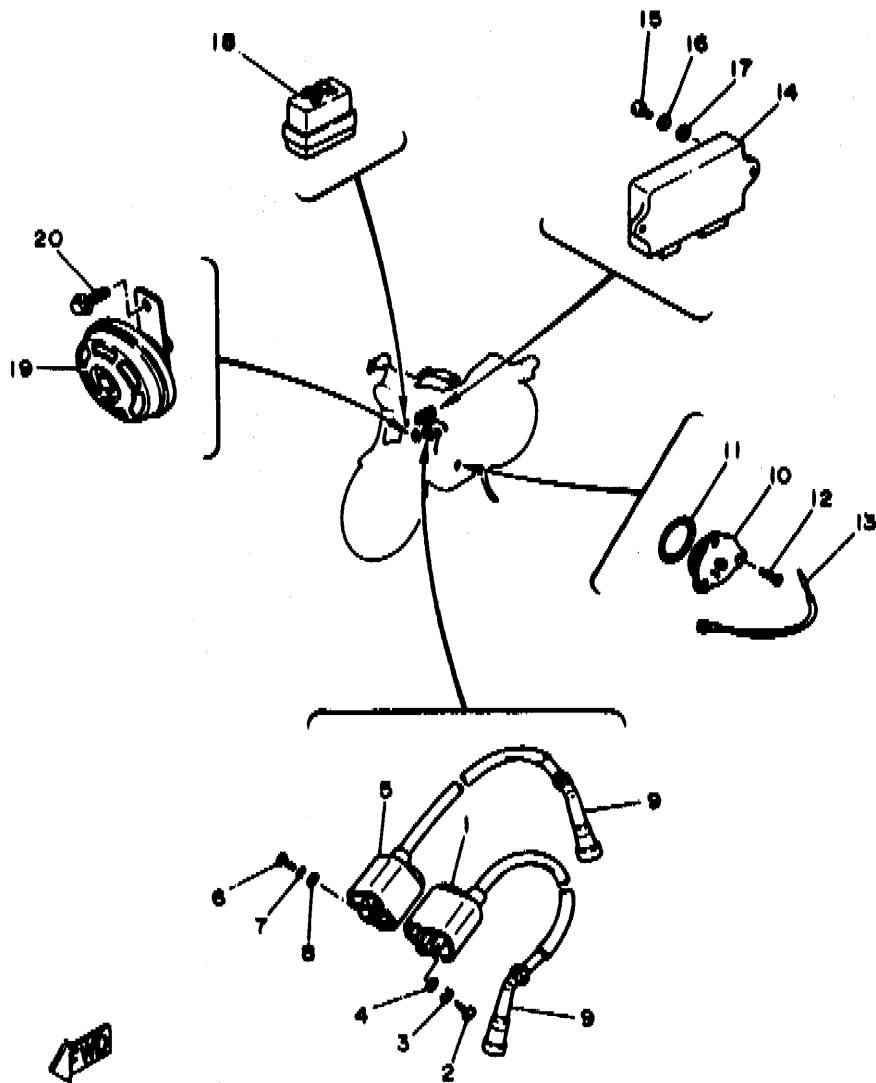
FIG. 41 ELECTRICAL 1

REF. NO.	PART NO.	DESCRIPTION	Q'TY	REMARKS
1	42X-81960-A1	RECTIFIER & REGULATOR ASSY	1	
2	3JB-81975-00	PLATE, rectifier fitting	1	
3	3LR-83364-00	WIRE, earth lead 2	1	
4	98507-06016	SCREW, pan head	2	
5	92907-06600	WASHER, plate	2	
6	95304-06800	NUT, crown	2	
7	95807-06012	BOLT, flange	2	
8	25G-81950-01	RELAY ASSY	1	
9	3AY-81940-00	STARTER RELAY ASSY	1	
10	95707-06500	NUT, flange	2	
11	4H7-81980-M0	RECTIFIER 2	1	
12	1VJ-82110-60	BATTERY ASSY (GM12AZ-3A-2)	1	
13	90445-08248	HOSE	1	
14	120-82131-00	BAND, battery	1	
15	2GV-82115-00	WIRE, plus lead	1	
16	2GV-82116-00	WIRE, minus lead	1	
17	3BM-82510-00	MAIN SWITCH ASSY	1	
18	92017-08025	SCREW	1	
19	2GV-82530-10	STOP SWITCH ASSY	1	
20	3BT-82590-25	WIRE HARNESS ASSY	1	
21	36Y-82151-00	.FUSE (15A)	4	
22	1AE-82151-00	.FUSE (30A)	2	
23	98507-06010	SCREW, pan head	1	
24	92907-06600	WASHER, plate	1	
25	3LD-82566-70	SWITCH, side stand	1	
26	12R-82591-00	BAND	1	
27	90157-05079	SCREW, pan head	2	
28	1A0-83980-30	FRONT STOP SWITCH ASSY	1	

F3

FIG. 42 ELECTRICAL 2

REF. NO.	PART NO.	DESCRIPTION	Q'TY	REMARKS
1	2GV-82310-30	IGNITION COIL ASSY	1	
2	98507-05016	SCREW, pan head	2	
3	92907-05100	WASHER, spring	2	
4	92907-05600	WASHER, plate	2	
5	2GV-82320-30	IGNITION COIL ASSY	1	
6	98507-05016	SCREW, pan head	2	
7	92907-05100	WASHER, spring	2	
8	92907-05600	WASHER, plate	2	
9	2GV-82370-00	PLUG CAP ASSY	2	
10	1L9-82540-00	NEUTRAL SWITCH ASSY	1	
11	93210-29196	O-RING	1	
12	98707-05012	SCREW, flat head	3	
13	2JX-82541-00	WIRE, lead	1	
14	3BT-82305-00	IGNITOR UNIT ASSY	1	
15	98507-06020	SCREW, pan head	2	
16	92907-06100	WASHER, spring	2	
17	92907-06600	WASHER, plate	2	
18	41R-83350-71	FLASHER RELAY ASSY	1	
19	35J-83371-30	HORN	1	UR
	3JB-83371-00	HORN	1	UR XV535S MODEL
20	95827-06010	BOLT, flange	1	



3BMA 361-5420

F4

CONTENTS

ENGINE

Cylinder Head	B2~B3
Cylinder	B4
Crankshaft, Piston	B5
Valve	B6
Camshaft, Chain	B7
Oil Pump	B8
Oil Cleaner	B9
Intake	B10
Carburetor	B11~B12
Exhaust	B13~B14
Crankcase	B15~C2
Crankcase Cover 1	C3~C4
Starter Clutch	C5
Clutch	C6~C7
Transmission	C8
Middle Drive Gear	C9
Shift Cam, Fork	C10
Shift Shaft	C11

CHASSIS

Frame	C12~C13
Fender	C14~C15
Side Cover	D2~D3
Rear Arm, Suspension	D4
Drive Shaft	D5~D6
Steering	D7~D8
Front Fork	D9~D10
Fuel Tank	D11~D13
Seat	D14

Front Wheel	D15
Front Brake Caliper	E2
Rear Wheel	E3~E4
Steering Handle, Cable	E5
Front Master Cylinder	E6
Stand, Footrest	E7~E9
Generator	E10
Starting Motor	E11
Flasher Light	E12
Meter	E13
Headlight	E14
Taillight	E15
Handle Switch, Lever	F2
Electrical 1	F3
Electrical 2	F4

INDEX

Numerical Index	M1~M4
-----------------------	-------

NUMERICAL INDEX

PART NO.	GRID NO.	PART NO.	GRID NO.	PART NO.	GRID NO.	PART NO.	GRID NO.	PART NO.	GRID NO.	PART NO.	GRID NO.
4H7-W0041-00	E- 6	2GV-11610-00	B- 5	22U-14103-00	B-12	3EN-1490K-00	B-12	22U-16357-00	C- 7	3YF-18531-00	C-10
4BP-W0045-00	E- 2	2GV-11610-20	B- 5	12R-14105-00	B-12	3JB-1490L-00	B-12	1W1-16358-01	C- 6	22U-18535-00	C-10
3JB-W0047-00	E- 2	2GV-11610-40	B- 5	2RJ-14118-00	B-12	3BM-14900-30	B-11	22U-16371-00	C- 6	22U-18540-00	C-10
51L-W0048-00	E- 2	2GV-11631-00	B- 5	2JU-14146-00	B-12	3BM-14900-40	B-11	22U-16380-00	C- 6	278-18542-00	C-10
3JB-W0057-00	E- 2	22U-11633-01	B- 5	2JU-14141-90	B-11	3BM-14901-30	B-11	4X7-16383-01	C- 6	278-18566-00	C-10
4H7-W1752-10	C- 9	2GV-11636-00	B- 5	4HR-14142-35	B-11	3BM-14901-40	B-11	4X7-16384-00	C- 6	3JB-21105-00-33	C-12
2GV-W2341-00-38	D- 7	2GV-11638-00	B- 5	214-14147-00	B-12	3BM-14902-30	B-11	4X7-16385-00	C- 6	3JC-21110-10-33	C-12
3DR-W2536-00	E- 3	22U-11650-00	B- 5	22U-14147-00	B-11	3BM-14902-40	B-11	11H-17121-00	C- 8	2GV-21171-00	D- 2
22U-Y1754-00	C- 9	22U-11654-00	B- 5	22V-14147-00	B-12	1FK-14933-00	B-11	22U-17131-00	C- 8	26H-21308-00	C-15
2GV-Y2151-50-2X	C-14	22U-11656-00	B- 5	137-14153-00	B-11	41R-14940-00	B-11	22U-17141-00	C- 8	22U-21315-00	C-12
2GV-Y2151-70-4B	C-14	22U-11656-10	B- 5	1FK-14190-15	B-11	22U-14952-00	B-12	11H-17151-01	C- 8	22U-21316-00	C-12
2GV-Y2151-80-MX	C-14	22U-11656-20	B- 5	2L1-14191-00	B-12	26H-14952-00	B-12	22U-17211-00	C- 8	2GV-21317-00	C-12
3BR-Y2161-H0-4B	C-14	22U-11656-30	B- 5	2GV-14477-00	B-10	341-14954-00	B-12	22U-17221-00	C- 8	2GV-21359-00	C-13
3BR-Y2161-J0-MX	C-14	22U-12111-00	B- 6	127-14198-00	B-12	22U-14968-00	B-11	22U-17231-00	C- 8	2GV-2138L-00	B-14
3BR-Y2161-L0-1X	C-14	22U-12113-00	B- 6	3G2-14231-14	B-11	22V-14968-00	B-11	22U-17241-00	C- 8	2GV-2139R-00	C-13
3JB-Y2428-C0-2X	D-11	22U-12114-00	B- 6	3G2-14231-27	B-12	1FK-14985-00	B-11	11H-17251-00	C- 8	3JB-2139R-00	C-13
3JB-Y2428-71-4B	D-11	3Y1-12116-00	B- 6	3G2-14231-34	B-11	2GV-14987-00	B-10	22U-17402-00	C- 8	4KU-21458-00	C-12
3JB-Y2428-91-0X	D-11	3Y1-12117-01	B- 6	2GV-14412-00	B-10	31H-14987-00	B-12	22U-17411-00	C- 8	4X7-21485-00	C-12
2NT-1110M-00	B- 3	1J7-12118-00	B- 6	2GV-14451-00	B-10	341-14991-00	B-12	22U-17524-00	C- 9	3WF-2153E-40	D- 7
3BM-11101-01	B- 2	1J7-12119-01	B- 6	52W-14452-00	B-10	2GV-15100-00	B-15	22U-17527-00	C- 9	3JB-21570-50	C-14
3BM-11101-11	B- 2	22U-12121-01	B- 6	22U-14469-00	B-10	22U-15123-00	C- 2	3H5-17529-00	C- 9	4KU-21570-00	C-14
22U-1111F-01	B- 3	22U-12151-00	B- 6	31A-14477-00	D- 2	2GV-15316-00	C- 3	3JB-17531-00	C- 9	4KU-21570-10	C-14
2GV-1111H-00	B- 2	22U-12156-01	B- 6	2GV-14484-00	B-13	2H7-15361-00	C- 3	3JB-17531-10	C- 9	2NT-21597-01	C-14
2GV-11127-00	B- 2	22U-12159-00	B- 6	3JB-14536-00	B-11	3F9-15362-00	C- 3	3JB-17531-20	C- 9	3JB-21598-00	C-14
4H7-11133-10	B- 2	22U-12171-01	B- 7	22U-14565-00	B-11	11H-15383-01	B-15	3JB-17531-30	C- 9	2GV-2160E-00	C-14
	B- 2	22U-12176-01	B- 7	2GV-14603-00	B-13	2NT-15411-01	C- 3	3JB-17531-40	C- 9	3BR-21621-00	C-15
	B- 2	22U-12181-01	B- 7	4BE-14613-00	B-13	3JB-15411-00	C- 3	3JB-17531-50	C- 9	2GV-21629-00-KM	C-14
2GV-11142-00	B- 2	11H-12210-02	D- 7	4BR-14613-00	B-13	2NT-15415-00	C- 3	1J7-17537-Y0-30	D- 5	2GV-21629-00-MX	C-14
22U-11145-00	B- 7	3BT-12213-00	B- 7	2GV-14625-00	B-13	3JB-15415-00	C- 3	1J7-17537-Y0-40	D- 5	2GV-21629-00-4B	C-14
2GV-11152-00	B- 2	22U-12231-00	B- 7	2GV-14663-00	B-13	2NT-15421-00	C- 3	1J7-17537-Y0-50	D- 5	2GV-2163A-00	C-14
15A-11162-00	B- 4	22U-12241-00	B- 7	3BM-14703-10	B-13	3JB-15421-00	C- 3	4H7-17537-00-20	C- 9	2GV-2163E-00	C-14
22U-11165-00	B- 2	22U-13300-00	B- 8	3BM-14703-20	B-13	22U-15441-01	C- 2	4H7-17537-00-30	C- 9	4G0-21639-00	C-15
2GV-11166-00	B- 2	22U-13324-00	B- 8	3BM-14714-00	B-14	3BT-15451-00	C- 3	4H7-17537-00-40	C- 9	3JB-2164F-00	C-15
2GV-11181-00	B- 2	22U-13325-00	B- 8	3BM-14808-00	B-14	3BT-15461-00	C- 3	22U-17553-01	C- 9	3JB-2164G-00	C-15
2GV-11185-00	B- 2	22U-13410-00	B- 8	1RV-14840-00	B-13	3BT-15484-00	C- 3	22U-17556-00	C- 9	3DM-2164H-00	C-15
2NT-11186-00	B- 3	22U-13415-00	B- 8	42H-14857-00	B-14	22U-15512-00	C- 5	2H7-17590-00	D- 6	2AE-21641-00	C-15
22U-11186-00	B- 3	2GV-13417-00	B- 8	42H-14858-00	B-14	22U-15517-00	C- 5	2GV-18110-00	C-11	3JB-2165A-50	C-14
2NT-11187-00	B- 3	4X7-13440-90	B- 9	3BM-14867-00	B-14	5H0-15521-00	C- 5	2GV-18112-00	C-11	4KU-2165A-00	C-14
22U-11187-00	B- 3	2NT-13447-00	B- 9	3BM-14871-02	B-14	22U-15580-00	C- 5	132-18113-01	C-11	4KU-2165A-10	C-14
3BT-11195-00	B- 3	3JB-13447-00	B- 9	3BM-14872-01	B-14	341-15583-05	C- 5	2GV-18115-00	C-11	2GV-2171E-00	C-12
3BT-11196-00	B- 3	11H-13455-00	D- 6	11A-14881-00	B-14	22U-16111-01	C- 6	22U-18120-01	C-11	2GV-21711-00-KM	D- 2
214-11198-01	D- 6	3VD-13455-00	B- 8	3BM-14882-00	B-13	22U-16150-01	C- 6	4G0-18121-00	C-11	2GV-21711-00-MX	D- 2
	B- 4	3BM-13542-00	B-14	3BM-14883-00	B-13	22U-16154-00	C- 6	11H-18140-00	C-11	2GV-21711-00-4B	D- 2
2GV-11320-00	B- 4	166-13569-00	B-10	3BM-14884-00	B-14	22U-16321-00	C- 6	2H9-18154-00	C-11	2GV-2172A-00	D- 2
3BT-11351-00	B- 4	2GV-13586-01	B-10	3BM-14885-00	B-14	4X7-16324-00	C- 6	166-18185-00	C-10	2GV-2172F-00	D- 2
22U-11411-00	B- 5	2GV-13596-00	B-10	3BR-1490H-00	B-11	4X7-16325-00	C- 6	11H-18511-00	C-10	2GV-21721-00-KM	D- 2
22U-11416-80	B-15	1HX-13907-00	D-13	3BM-1490J-00	B-11	22U-16351-00	C- 6	11H-18512-00	C-10	2GV-21721-00-MX	D- 2
22U-11416-90	B-15	11H-1410A-00	B-11	3BM-1490J-10	B-11	5Y1-16356-00	C- 6	11H-18513-00	C-10	2GV-21721-00-4B	D- 2

NUMERICAL INDEX

PART NO.	GRID NO.	PART NO.	GRID NO.	PART NO.	GRID NO.	PART NO.	GRID NO.	PART NO.	GRID NO.	PART NO.	GRID NO.
2GV-21731-00-93	D- 2	2GV-23171-01	D- 9	3JB-24710-10	D-14	3YX-25919-00	E- 2	4H7-46125-00	D- 5	2FN-83330-00	E-12
2GV-2174E-00	D- 2	1GU-23173-00	D- 9	3CB-24711-00	D-14	3YX-25929-00	E- 2	22U-46136-00	D- 5	341-83333-70	E-12
3JB-2176E-00	D- 2		D-10	3JB-24711-10	D-14	3YX-25937-00	E- 2	22U-46137-00	D- 6		E-12
2GV-22110-00-35	D- 4	2GV-23174-00	D- 7	3JB-24718-00	D-14	5R2-25937-00	E- 2	22U-46152-00	D- 5	41R-83350-71	F- 4
4X7-22124-00	D- 4	3JC-23317-00	D- 7	18A-24724-00	D-14	2GV-26111-10	E- 5	22U-46153-00	D- 5	42X-83359-00	E- 2
4X7-22129-00	D- 4	3BR-23340-00	D-10		D-14	3JB-26240-00	E- 5	2GV-46172-00	D- 6		E-12
4X7-22141-00	D- 4	2A6-23408-00	D- 7	23T-24724-01	D-11	3JB-26241-00	E- 5	4X7-46180-00	D- 6	42X-83363-00	E-12
22U-22189-00	D- 4	156-23411-00	D-10		D-12	3JB-26273-00	E- 5	2GV-81410-20	E-10		E-12
2YL-22210-00	D- 4	183-23411-00	D- 7	3JB-24728-00	D-14	3JB-26280-00	E- 5	3BT-81450-00	E-10	3LR-83364-00	F- 3
2GV-22216-00	D- 4	156-23412-00	D- 7	3JB-24750-00	D-14	1J7-26290-F0	E- 5	3BT-81670-00	E-10	18G-83365-00	E-12
2YL-22220-00	D- 4	183-23412-00	D- 7	3JB-24750-10	D-14	1J7-26290-60	E- 5	3JB-81800-00	E-11	3JB-83371-00	F- 4
2GV-22226-00	D- 4	4KO-23415-00	D- 7	3JB-24751-00	D-14	3JC-26311-00	E- 5	3HE-81826-00	E-11	35J-83371-30	F- 4
	D- 4	4H7-23441-00-38	D- 7	3JB-24751-10	D-14	3JC-26312-00	E- 5	3KS-81840-00	E-11	1FK-83507-00	E-13
2GV-22253-00	D- 4	42X-23442-00-38	D- 7	3JB-24754-00	D-14	3JB-26335-20	E- 5	11H-81844-00	E-11	2GV-93509-00	E-13
5MO-22253-00	D- 4	164-23462-00	D-10	3JB-24776-00	D-14	2GV-26351-00	E- 7	26H-81847-00	E-11	2JV-8351A-F0	E-13
4KU-23102-00	D- 9	3DM-23484-00	D- 8	3JB-2478F-00	D-14	5HO-26393-00	E- 5	3AY-81940-00	F- 3	3JB-8351A-10	E-13
4KU-23102-10	D- 9	3JB-24110-01-33	D-11	51Y-24796-00	D-14	2GV-27211-00-93	E- 7	25G-81950-01	F- 3	12R-83513-00	E-13
4KU-23103-00	D- 9	3JB-24135-00	D-11	3JB-25104-00	D-15	4KU-27311-00	E- 8	4KU-81960-A1	F- 3	2GV-83517-00	E-13
4KU-23103-10	D- 9	3JB-24161-10	D-13	4KU-25111-00	D-15	5HO-27315-00	E- 9	3JB-81975-00	F- 3	42X-83517-00	E-13
2GV-23110-00-93	D- 9	3JB-24162-10	D-13	146-25115-00	E- 3	1RM-27410-00-93	E- 7	4H7-81980-M0	F- 3		E-13
	D- 9	2GV-24181-00	D-11	341-25149-00	D-15	1NH-27413-00	E- 7	1VJ-82110-60	F- 3	2GV-83519-00	E-13
1HX-23111-00	D- 9	1FK-24182-00	D-11	2GV-25181-00	D-15		E- 7	2GV-82115-00	F- 3	3BT-83530-10	E-13
	D-10		D-11	1FK-25190-00	D-15	4X7-27414-00	E- 7	2GV-82116-00	F- 3	34L-83550-01	E-13
2GV-23125-00	D- 9	3JB-24182-00	D-11	2GV-25304-00	E- 3	1RM-27420-00-93	E- 7	120-82131-00	F- 3	2GV-83912-00	F- 2
	D-10	42X-24183-00	D-11	2GV-25311-00-35	E- 3	2NT-27430-01	E- 8	1AE-82151-00	F- 3	2W1-83922-00	F- 2
3JB-23126-10	D- 9	2GV-24184-00	D-12	2GV-25317-00	F- 3	1NH-27433-00	E- 8	36Y-82151-00	F- 3	437-83936-01	F- 2
3JB-23136-10	D- 9	1FK-24186-00	D-11	1J7-25319-01	D- 6		E- 8	3BT-82305-00	F- 4	437-83936-11	D- 7
2GV-23141-00	D- 9		D-12	2GV-25319-00	E- 3	2NT-27437-00	E- 8	2GV-82310-30	F- 4		D-12
	D-10	2GV-24191-00	D-12	2NT-25321-00	E- 3		E- 8	2GV-82320-30	F- 4	2YL-83972-00	F- 2
2GV-23144-00	D- 9	3JB-24240-51	D-11	4H7-2533A-02	E- 3	2NT-27440-01	E- 8	2GV-82370-00	F- 4	3LP-83972-00	F- 2
	D-10	4KU-24240-01	D-11	4H7-25351-00	E- 3	2GV-27471-00	E- 8	3BM-82510-00	F- 3	1A0-83980-30	F- 3
2AJ-23145-00	D- 9	4KU-24240-11	D-11	21A-25355-00	E- 3	2GV-27472-00	E- 8	2GV-82530-10	F- 3	42X-84124-60	E-14
	D-10	2GV-24311-00	D-12	2GV-25366-00	E- 3	2GV-27491-00	E- 8	1L9-82540-00	F- 4	2F9-84314-00	E-14
1GU-23151-00	D- 9	2GV-24312-00	D-12	42X-25371-00	E- 4	2GV-28100-00	D-14	2JX-82541-00	F- 4	42X-84315-01	E-14
	D- 9	3JB-24314-00	D-13	22U-25377-00	F- 4	3JB-28185-00	D- 3	3LD-82566-70	F- 3	2AE-84320-60	E-14
1HX-23154-00	D- 9	3JB-24316-00	D-11	2GV-25381-00	E- 3	3DM-2840F-00	C-15	3BT-82590-25	F- 3	42X-84330-01	E-14
	D-10	3JB-24317-00	D-11	156-25398-00	D-15	2NT-46101-00	D- 5	12R-82591-00	F- 3	20X-84331-00	E-14
3JB-23154-00	D- 9	2GV-24491-00	D-12		E- 3	22U-46117-00-25	D- 5	10M-82911-00	F- 2	1A0-84332-60	E-14
	D-10	3JB-24500-02	D-12	3JB-2580U-10	E- 2	22U-46117-00-30	D- 5	2GV-82917-00	F- 2	198-84334-60	E-14
1HX-23156-00	D- 9	4X8-24512-00	D-12	3JB-2582U-00	E- 2	22U-46117-00-40	D- 5	42X-84338-00	E-12	42X-84338-00	E-14
	D-10	3AJ-24523-00	D-12	341-25846-00	D-15	22U-46117-00-50	D- 5	1KT-83311-00	E-12	42X-84345-00	E-14
1GU-23157-00	D- 9	3AJ-24534-00	D-12	4H7-25850-02	F- 6	22U-46118-00-12	D- 5		E-12	34L-84346-00	E-14
	D- 9	1FK-24560-00	D-12	4H7-25852-00	E- 6	22U-46118-00-14	D- 5	2AE-83312-00	E-12	4E2-84347-00	E-14
2NT-23164-00	D- 7	1FK-24566-00	D-12	4LO-25854-00	E- 6	22U-46118-00-16	D- 5	42X-83312-00	E-12	42X-84366-00	E-14
2GV-2317E-00	D- 7	4X7-24602-04	D- 7	4LO-25867-00	E- 6	22U-46118-00-18	D- 5	42X-83313-00	E-12	2F5-84375-00	E-14
2GV-2317F-00	D- 7	4X7-24612-00	D-11	3JB-25872-40	E- 6	22U-46118-00-20	D- 6		E-12	5Y3-84395-00	E-14
2GV-2317M-00	D- 7	51X-24705-00	D-14	4KU-25872-00	E- 6	2H7-46122-00	D- 5	1AA-83318-00	E-12	2F9-84397-01	E-14
2GV-23177-01	D- 9	3JB-24710-00	D-14	3JB-25886-00	D-10	22U-46123-00	D- 6		E-12	2YL-84700-F0	E-15

NUMERICAL INDEX

PART NO.	GRID NO.	PART NO.	GRID NO.	PART NO.	GRID NO.	PART NO.	GRID NO.	PART NO.	GRID NO.	PART NO.	GRID NO.
TRM-84704-00	E-15	90119-08126	D- 5	90201-066M2	D-11	90338-06162	C-15	90462-06119	C- 4	91314-06025	B- 2
31L-84714-00	E-15	90123-08046	E- 5	90201-06697	B- 3	90338-07043	C-12	90462-10115	C- 4		B- 7
2GV-84717-00	F-15	90149-06008	D-12	90201-08087	C- 7	90338-08163	C-15	90462-10118	C- 4		B- 9
2AE-84721-00	E-15	90149-06153	F- 2	90201-08326	C-12		D- 7	90465-13169	E- 8		C- 2
42X-84723-01	E-15	90149-06154	C-15	90201-08569	D-11	90338-09161	E- 8	90467-08092	B-14		C- 4
2YL-84751-00	E-15	90149-08067	C- 7	90201-08753	D- 4	90338-10132	B-13	90467-10008	B-12		C-15
449-85131-02	C-15	90149-08152	B-15	90201-094G1	B- 2	90340-14068	C- 3		D-13	91314-06030	C- 3
90101-06288	E- 7	90149-10238	C-12	90201-100A1	D- 7	90340-14139	C- 3	90467-10039	B-10	91314-06040	C- 3
90101-06576	B-13	90149-10239	C-12		E- 8	90340-32088	C- 3	90467-10135	D-12		C- 4
90101-06764	E- 3	90151-08022	B-15	90201-10118	E- 6	90340-32140	C- 3	90467-11044	D-12	91314-06045	C- 2
90101-10303	B- 7	90157-05050	B-12	90201-10131	B- 2	90380-28110	B- 7		D-13	91314-06055	B-15
90105-06069	C-12	90157-05079	F- 3		C-12	90387-06026	E-15	90467-14015	B- 2		C- 3
90105-08177	C-12	90157-05084	E-14	90201-10437	C-12	90387-062L2	D-12	90467-26111	B-13		C- 4
90105-10152	E-10	90159-06016	C- 6	90201-105H3	C-12	90387-06213	B-10	90468-08104	B-14	91314-06060	B- 9
90105-10183	C-12	90159-06059	C-14	90201-105R9	D- 4	90387-06387	D-11	90480-01502	E-15	91314-06095	B- 9
90105-10186	C-12	90163-04003	B-13	90201-107K6	E-10		D-12	90480-10334	C-13	91314-08030	B- 2
90105-10188	E- 3	90164-03010	E-13	90201-10774	B- 7	90387-06388	D-13	90480-12320	D- 2		D- 7
90105-10200	E- 3	90164-04009	E-13	90201-124E4	E-13	90387-06518	C-11	90480-13163	B- 3	91314-08035	D- 9
90105-10285	D- 6	90170-06010	F- 2	90201-12575	F- 2	90387-072W2	B- 3	90480-14023	D-13	91314-08060	B-15
90105-10312	E- 8	90170-06128	B- 6	90201-12588	C-11	90387-07391	D- 2	90480-14229	D- 2	91314-08100	B-15
90105-10638	E- 2	90170-06228	C-11	90201-14218	E- 3	90387-080V8	C-15		E-15	91317-05010	D-11
90105-12353	D-10	90170-16311	C- 6	90201-146R0	E- 4	90387-087K5	E- 7	90480-16501	E-15	91317-06016	D- 7
90105-14102	D- 7	90170-20310	C- 6	90201-14633	C- 9		E- 7	90480-18411	B- 3	91317-06020	B-10
90106-10052	D- 4	90171-14044	E- 4	90201-152L1	E- 7	90387-100E2	C-12	90480-19471	B- 3	91317-06025	B- 8
90109-06577	F- 2	90176-10073	D- 4	90201-18262	C- 7	90387-1003G	E- 9	90480-22362	D- 2		B-13
90109-06799	F- 2	90179-06411	E- 7	90201-244A8	D- 4	90387-107A7	E- 8	90501-04623	C- 5	91317-06030	B- 8
90109-081F0	E- 2	90179-08148	E- 5	90201-256K6	C- 5	90387-156G8	D- 6	90501-06022	C-10	91317-06045	B-15
90109-08368	E- 4	90179-08327	B- 5	90202-05057	B-14	90387-157R0	E- 3	90501-100F8	D-13	91317-06085	B- 4
90109-08406	E- 4	90179-08410	B-13	90202-05187	C-15	90387-16547	B-15	90501-101J4	D-11	91317-06095	B-15
90109-08718	C-12	90179-08559	C-15	90202-05193	D-12		B-15	90501-10245	E- 7	91317-08012	C- 5
	C-15	90179-10279	B- 2	90202-06010	C-12		B-15	90501-10312	F- 2	91317-08025	D- 9
	B- 3		C-12	90208-04029	D- 8	90387-177R1	D-15	90501-12743	E- 8		D-10
90109-08781	B- 3	90179-10321	C-12	90209-22191	C- 8	90387-226G7	B- 2		E- 8	91317-08040	C-15
90109-08782	E- 8	90179-10395	B- 2		C- 8	90387-256G9	D- 5	90501-15722	D- 6	91317-08080	B-15
90109-10060	B- 3	90179-12248	C-12	90209-27192	C- 8	90401-10159	E- 6	90501-23738	C- 6	91380-06025	C- 4
90110-06198	B-15	90179-18396	C- 9	90214-16026	C- 6	90401-16073	B- 3	90501-60716	C- 9	91401-20015	E- 4
90116-08404	B-15	90179-25033	D- 7	90215-08229	B- 3	90430-08155	D- 9	90502-09024	D- 7		E- 7
	D- 5	90183-04027	B-13	90215-16181	D- 4		D-10	90506-08227	C-11		E- 8
90116-10249	B-15		D- 2	90215-16222	C- 6	90430-17168	B- 3	90506-20380	E- 7		E- 8
90116-10405	B-15		B-13	90215-18178	C-11	90430-24184	B- 2	90506-35473	E- 9	91401-25015	E- 7
	B-15	90185-08097	C- 9	90215-22244	C- 6	90445-08248	F- 3	90507-20002	E- 3		E- 7
90116-10406	B-15	90185-14070	C-15	90235-00080	C-14	90445-111F3	B-10	90508-16577	C- 6	91401-30030	E- 4
	D- 5	90201-044A2	E-13	90237-00080	C-14	90445-22327	E- 9	90508-18696	E- 7	91701-06022	E- 7
90116-10593	C-12	90201-05031	D- 2	90249-12008	E- 7	90450-22017	D-11		F- 7	91701-06032	E- 8
90116-12495	E-15	90201-06059	B-10	90267-40076	C-15	90450-25037	D-11	90508-29519	C-11		E- 8
90119-06097	C-14	90201-06067	D-14	90269-04003	D- 8	90460-12256	B-10	90508-32536	C-11	91701-08038	E- 7
90119-06125	D- 2	90201-06073	E-14	90280-05048	B- 5	90460-52210	B-10	90560-17126	D-15		F- 7
	D-12	90201-06568	D-12	90280-07036	C- 6	90460-58015	B-10	91314-06018	C- 3	91810-17016	B-15

NUMERICAL INDEX

PART NO.	GRID NO.	PART NO.	GRID NO.	PART NO.	GRID NO.	PART NO.	GRID NO.	PART NO.	GRID NO.	PART NO.	GRID NO.
91810-17016	C- 4	92990-10100	D- 6	93315-21813	C- 6	95304-08700	E- 5	97007-06025	E- 6	98902-08014	B-12
92016-06012	E- 8	93101-14089	C- 3	93316-01301	D- 5	95307-05600	B-14		F- 2	98904-08014	C-15
	E- 8	93101-30084	F- 5	93317-41510	D- 5		E-13	97007-08016	D-11	99006-10600	C-11
92017-08025	F- 3	93101-35097	C- 9	93320-32403	D- 4	95307-06600	C- 6	97024-06016	B- 3		C-11
92901-04100	B-11	93101-38098	D- 5	93399-99926	D- 6		C-15	97024-06020	C-11	99009-11400	B- 8
	B-12	93102-12106	C-11	93410-22039	D- 6		E- 7	97027-06016	B- 3	99009-12400	C-11
92902-04100	B-11	93102-18278	C- 6	93440-12052	B- 2		E-15		B- 7	99009-15400	E- 7
92907-03260	D-14	93102-28022	D-15		B- 2	95307-12600	E-12	97027-06025	E-11	99009-25500	C- 3
92907-05100	E- 3	93102-65277	D- 6	93440-19112	D- 6		E-12	97027-06030	D-12	99235-00080	D- 2
	F- 4	93105-45017	D-15	93440-20088	D- 6	95307-12800	C-12	97027-08030	B-13	99236-00080	C-14
	F- 4	93210-03119	B-12	93440-25084	C- 8	95314-10600	D- 6	97704-40012	B-13	99237-00080	D- 2
92907-05200	B-14	93210-09525	C- 6		C- 8	95317-08700	B-13		D- 2	99510-17016	B- 2
92907-05600	E- 3	93210-10096	B- 8	93440-30077	C- 8	95607-06100	E- 7	97707-60114	B-14	99530-10014	C- 3
	F- 4	93210-11368	F- 2	93450-19052	B- 5		E- 7	97707-60514	C-13	99530-10020	C- 4
	F- 4	93210-14369	C- 3	93450-32116	D- 9		F- 2	97780-40525	E-15	99530-14016	B-15
92907-06100	D- 2	93210-15151	B- 8		D-10		F- 2	98501-05010	B-12		B-15
	D-12	93210-15566	C- 4	93501-04011	D- 7	95607-10100	D- 7	98501-05012	B-12		
	D-14	93210-18322	B-15		E- 8	95617-08630	B- 2	98503-03008	D-12		
	E- 6		B-15		E- 8	95617-10100	E- 9	98506-04018	B-11		
	E-10		B-15	93515-32029	C- 7	95617-10680	B-15	98506-05040	F- 2		
	E-10	93210-24709	D- 9	93604-16092	C-10	95704-06500	E-12	98506-05045	F- 2		
	E-14		D-10	93604-20156	C-10		E-12	98507-05008	E- 5		
	F- 2	93210-27778	C- 3	93605-10108	B- 7	95704-10500	E- 8	98507-05012	E- 3		
	F- 4	93210-29196	F- 4	93615-12088	C- 5	95707-06500	D-14	98507-05016	D-12		
92907-06200	C- 6	93210-32172	C- 3	94114-15601	E- 3		F- 3		F- 4		
	C-15	93210-36549	B-10	94114-15602	E- 3	95707-08500	B- 2		F- 4		
	E- 7	93210-60426	D- 5	94130-197N0	D-15	95804-10016	E- 8	98507-05035	F- 2		
	E-15	93210-62446	B- 3	94130-197N1	D-15	95807-06010	C-14	98507-06010	C- 4		
92907-06600	B- 3	93210-64297	B- 9	94214-15223	E- 3		D-10		F- 3		
	B- 7	93210-71360	C- 9	94227-19177	D-15	95807-06012	C-13	98507-06012	C- 2		
	B-13		C-15	94330-15134	E- 3		D-14		C-15		
	B-13	93210-74316	C- 3	94335-19026	D-15		F- 3	98507-06016	F- 3		
	C- 2	93210-81411	B- 4	94418-19531	D-15	95807-06016	B-13	98507-06020	B-13		
	C-15	93210-89568	B- 2	94430-15477	E- 3		D-12		E-10		
	D- 2	93211-00612	B- 2	94590-27118	B- 7		E-15		F- 4		
	E-11	93211-39569	D- 6	94701-00218	B- 3	95807-06025	D-13	98507-06025	E-10		
	F- 3	93306-00401	C- 8	94701-00220	B- 3	95807-06040	D- 2	98507-06035	D- 2		
	F- 3	93306-00428	C- 8	95024-06008	D- 7	95807-08012	C-14	98511-04012	B-11		
	F- 4	93306-00435	C- 9	95024-06020	C-15		D- 4	98517-04025	E-13		
92907-08100	B-13	93306-20711	C- 9	95024-06025	D-11	95807-08016	B-14	98517-06160	B-10		
92907-08200	B-13	93306-30202	E- 3	95024-08040	D- 7	95827-06010	F- 4	98580-04010	B-12		
92907-10200	E- 9	93306-30209	E- 3	95027-06016	C-12	95827-08030	C- 9	98580-05014	B-12		
92990-06600	B- 3	93306-30309	D-15	95027-06020	D- 7	97004-06030	E-12	98580-06012	B-12		
92990-08100	D- 4		D-15	95027-08012	C-14		E-12	98701-05016	C-10		
	E- 4	93306-30525	C- 8	95027-08040	E-14	97004-08035	D- 4	98701-05035	C-10		
92990-08200	C-15	93306-30539	D- 5	95304-06700	C-11	97007-06014	D-14	98701-06010	B-12		
92990-08600	E- 4	93306-90602	C-10	95304-06800	F- 3	97007-06016	E-14	98707-04012	E- 6		
92990-10100	D- 4	93311-43729	D- 5	95304-08700	E- 4	97007-06025	D- 2	98707-05012	F- 4		