



# YAMAHA

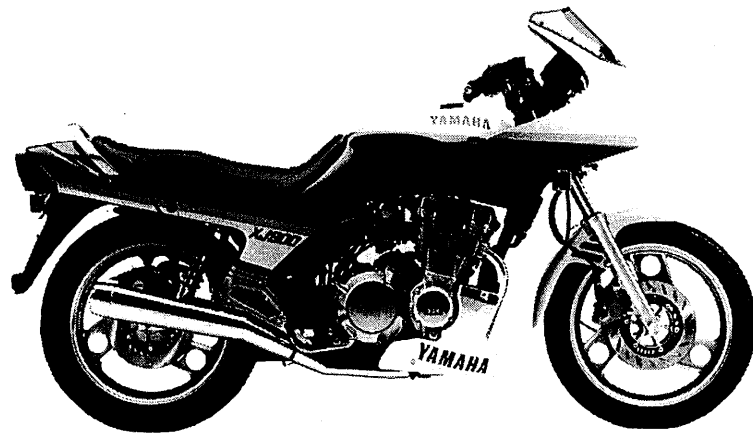
## PARTS CATALOGUE

# XJ900F'91 (4BB1)

EUROPE

114BB-300E1





**A3**



# FOREWORD

This Parts Catalogue is related to the parts in use for the Yamaha XJ900F'91 (4BB1). When you are ordering replacement parts for the XJ900F'91 (4BB1), refer to this Parts Catalogue and quote both part numbers and part names correctly.

1. Modifications or additions which have been made after issue of the Parts Catalogue will be announced in the Yamaha Parts News.

It is advisable that according to the Yamaha Parts News you make necessary corrections to the Parts Catalogue on hand to keep it up-to-date.

2. Abbreviations

The following abbreviations are used in this Parts Catalogue.

- U.R. Use size (thickness) and/or number as required.
- U.N. Use as many as you need.
- A.P. Alternate Parts
- L.M. Local Made
- F# Frame No. (Applicable machine No.)

3. The parts marked with (\*) in the parts number column of this Catalogue are not supplied with by Yamaha, those have to be found locally.
4. Parts, which are to be supplied in the form of assemblies, are listed with an indention of one letter's space, and a dot (.) is put against the name of each part.

**EXAMPLE** CARBURETOR ASS'Y  
     .JET, pilot  
     .NOZZLE, main

5. Indication of No. of constituent parts for assembly

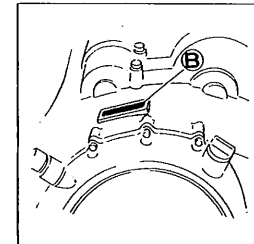
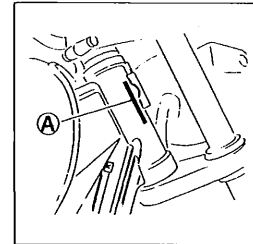
The numeral appearing to the right of each constituent part under the description indicates the quantity of such parts for each individual assembly unit.

**EXAMPLE**

Part No.	Description	Q'ty	Remarks
2F5-83310-60	FRONT FLASHER LIGHT ASS'Y	2	
115-83311-60	.BULB (6V-18W)	1	
1M1-83309-60	.REFLECTOR	1	

6. Initial Serial No. and Color Code

<b>A</b> Frame Serial No.	4BB1-000101 and following
<b>B</b> Engine Serial No.	4BB1-000101 and following



Color Code	Color Name	Abbreviate
0156	BLACKMETALLIC 2	BM2
00GE	SILKY WHITE	SW

7. Applicable colors of graphics are represented in the "Remarks" column by the letter(s) appropriately picked out of the full word(s) showing such colors.

**EXAMPLE**

Part No.	Description	Q'ty	Remarks
2N4-24110-00-X5	FUEL TANK COMP.	1	MAXIM RED
3J1-24240-10	.GRAPHIC, fuel tank set	1	for MXR

# CONTENTS

## GENERAL SPEC.

### ENGINE

FIG. 1	CYLINDER HEAD .....	1
FIG. 2	CYLINDER .....	2
FIG. 3	CRANKSHAFT · PISTON .....	3
FIG. 4	VALVE .....	4
FIG. 5	CAMSHAFT · CHAIN .....	6
FIG. 6	OIL PUMP .....	7
FIG. 7	OIL COOLER .....	8
FIG. 8	OIL CLEANER .....	9
FIG. 9	INTAKE .....	10
FIG. 10	CARBURETOR .....	11
FIG. 11	EXHAUST .....	13
FIG. 12	CRANKCASE .....	14
FIG. 13	CRANKCASE COVER 1 .....	16
FIG. 14	STARTER .....	18
FIG. 15	CLUTCH .....	19
FIG. 16	TRANSMISSION .....	21
FIG. 17	MIDDLE DRIVE GEAR .....	23
FIG. 18	SHIFT CAM · FORK .....	25
FIG. 19	SHIFT SHAFT .....	26

### CHASSIS

FIG. 20	FRAME .....	27
FIG. 21	FENDER .....	28
FIG. 22	SIDE COVER .....	30
FIG. 23	REAR ARM SUSPENSION .....	31
FIG. 24	DRIVE SHAFT .....	32
FIG. 25	STEERING .....	34
FIG. 26	FRONT FORK .....	35
FIG. 27	FUEL TANK .....	37
FIG. 28	SEAT .....	39
FIG. 29	FRONT WHEEL .....	40
FIG. 30	FRONT BRAKE CALIPER .....	41
FIG. 31	REAR WHEEL .....	42
FIG. 32	REAR BRAKE CALIPER .....	44
FIG. 33	STEERING HANDLE · CABLE .....	45
FIG. 34	FRONT MASTER CYLINDER .....	46

FIG. 35	STAND · FOOTREST .....	47
FIG. 36	REAR MASTER CYLINDER .....	49
FIG. 37	COWLING 1 .....	51
FIG. 38	GENERATOR .....	53
FIG. 39	PICK UP COIL · GOVERNOR .....	54
FIG. 40	STARTING MOTOR .....	55
FIG. 41	FLASHER LIGHT .....	56
FIG. 42	METER .....	57
FIG. 43	HEADLIGHT .....	58
FIG. 44	TAILLIGHT .....	59
FIG. 45	HANDLE SWITCH · LEVER .....	60
FIG. 46	ELECTRICAL 1 .....	61
FIG. 47	ELECTRICAL 2 .....	62

## INDIVIDUAL SPEC.

### FOR AUSTRIA

FIG. 48	ALTBRNATE (ELECTRICAL) .....	68
---------	------------------------------	----

### FOR ENGLAND

FIG. 49	ALTERNATE (ELECTRICAL) .....	70
---------	------------------------------	----

### FOR FINLAND

FIG. 50	ALTERNATE (CHASSIS) .....	72
---------	---------------------------	----

### FOR SWEDEN

FIG. 51	ALTERNATE (ELECTRICAL) .....	74
---------	------------------------------	----

## INDEX (GENERAL SPEC.)

NUMERICAL INDEX

## INDEX (INDIVIDUAL SPEC.)

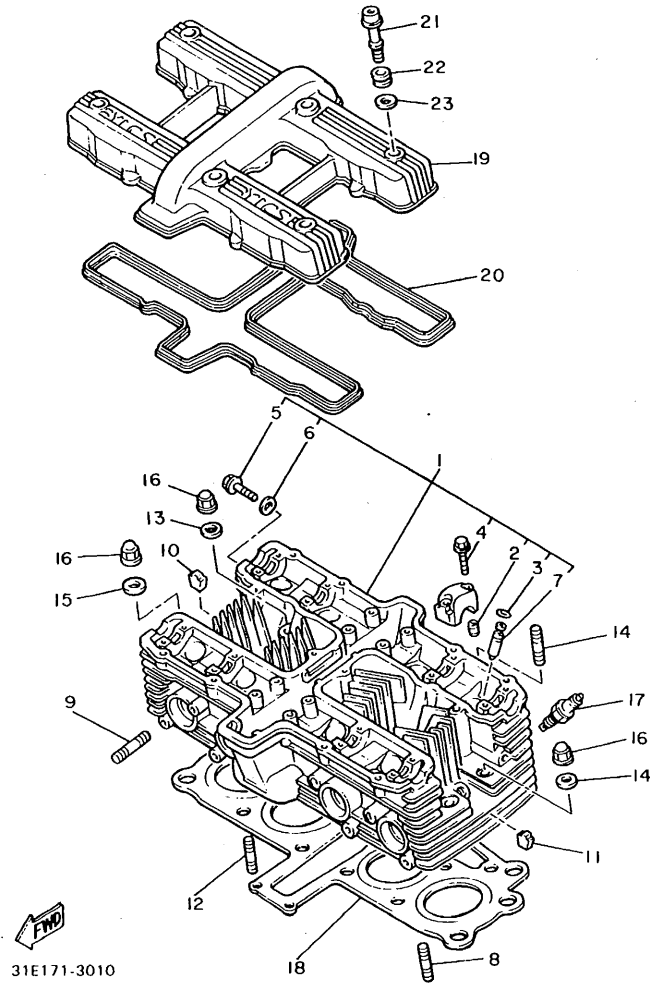
NUMERICAL INDEX

# **GENERAL SPEC.**



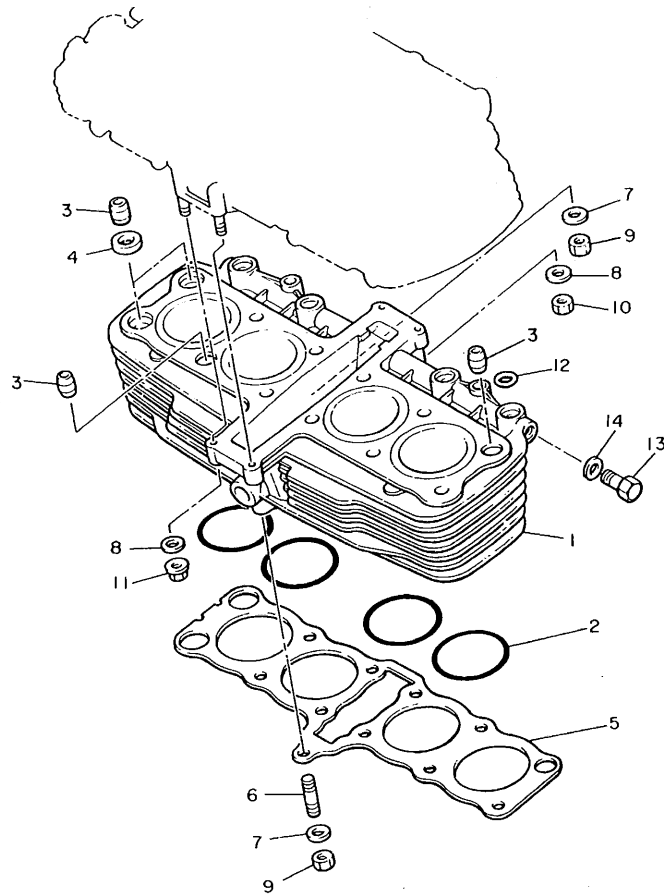


FIG. 1 CYLINDER HEAD



REF. NO.	PART NO.	DESCRIPTION	Q'TY	REMARKS
1	31A-11101-01	CYLINDER HEAD ASSY	1	
2	99510-08016	.PIN, dowel	16	
3	93440-12052	.CIRCLIP	8	
4	90105-06153	.BOLT, washer based	24	
5	90153-06029	.SCREW, hexagon	1	
6	90430-06014	.GASKET	1	
7	4H7-11133-10	.GUIDE, intake valve	8	
8	95611-06625	BOLT, stud	2	
9	90116-06466	BOLT, stud	8	
10	434-11161-00	ABSORBER 1	8	
11	4H7-11161-00	ABSORBER 1	14	
12	95611-06630	BOLT, stud	2	
13	95621-08330	BOLT, stud	2	
14	90201-10131	WASHER, plate	10	
15	90201-10128	WASHER, plate	2	
16	90176-10049	NUT, crown	12	
17	94701-00219	PLUG, spark (NGK BPR8ES)	4	
18	58L-11181-00	GASKET, cylinder head 1	1	
19	42N-11191-00	COVER, cylinder head 1	1	
20	31A-11193-00	GASKET, head cover 1	1	
21	90109-064F0	BOLT	8	
22	2GH-1111G-00	RUBBER, mount 1	8	
23	90209-11262	WASHER	8	

FIG. 2 CYLINDER



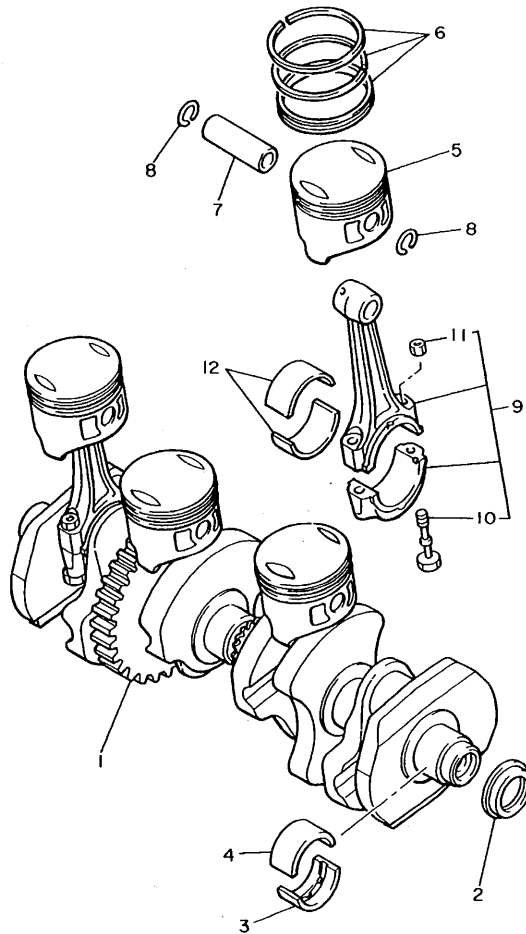
REF. NO.	PART NO.	DESCRIPTION	Q'TY	REMARKS
1	58L-11310-00	CYLINDER	1	
2	93210-71462	O-RING	4	
3	99530-14016	PIN, dowel	4	
4	90430-14131	GASKET	2	
5	31A-11351-00	GASKET, cylinder	1	
6	95621-08335	BOLT, stud	1	
7	90201-084G3	WASHER, plate	3	
8	92901-06600	WASHER, plate	4	
9	95333-08600	NUT	3	
10	95311-06600	NUT	2	
11	90179-06500	NUT	2	
12	93210-09443	O-RING	4	
13	90340-12062	PLUG, straight screw	2	
14	90201-12790	WASHER, plate	2	



31E171-3020

**B3**

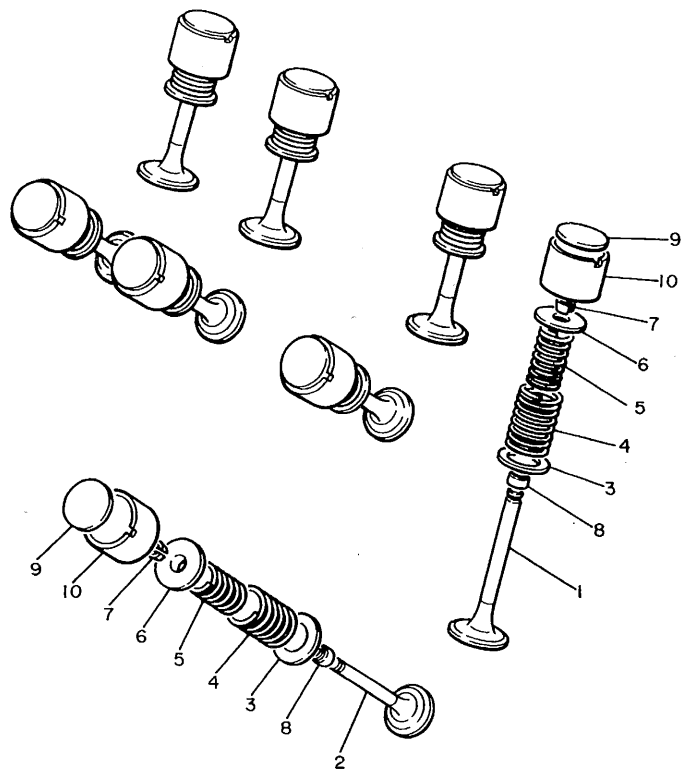
FIG. 3 CRANKSHAFT • PISTON



31E171-3031

REF. NO.	PART NO.	DESCRIPTION	Q'TY	REMARKS
1	31A-11411-00	CRANKSHAFT	1	
2	93101-32144	OIL SEAL	1	
3	4H7-11416-01	PLANE BEARING, crankshaft 1	5	UR BLUE
	4H7-11416-11	PLANE BEARING, crankshaft 1	5	UR BLACK
	4H7-11416-21	PLANE BEARING, crankshaft 1	5	UR BROWN
	4H7-11416-31	PLANE BEARING, crankshaft 1	5	UR GREEN
	4H7-11416-41	PLANE BEARING, crankshaft 1	5	UR YELLOW
4	5G2-11418-00	PLANE BEARING, crankshaft 3	5	UR BLUE
	5G2-11418-10	PLANE BEARING, crankshaft 3	5	UR BLACK
	5G2-11418-20	PLANE BEARING, crankshaft 3	5	UR BROWN
	5G2-11418-30	PLANE BEARING, crankshaft 3	5	UR GREEN
	5G2-11418-40	PLANE BEARING, crankshaft 3	5	UR YELLOW
5	58L-11631-00-E0	PISTON (STD)	4	
	58L-11636-00	PISTON (0.50MM O/S)	4	AP
	58L-11638-00	PISTON (1.00MM O/S)	4	AP
6	58L-11610-00	PISTON RING SET (STD)	4	
	58L-11610-20	PISTON RING SET (0.50MM O/S)	4	AP
	58L-11610-40	PISTON RING SET (1.00MM O/S)	4	AP
7	58L-11633-00	PIN, piston	4	
8	93450-17044	CIRCLIP	8	
9	31A-11650-00	CONNECTING ROD ASSY	4	
10	12R-11654-00	.BOLT, connecting rod	2	
11	90179-08327	.NUT	2	
12	31A-11656-00	PLANE BEARING, connecting rod	8	UR BLUE
	31A-11656-10	PLANE BEARING, connecting rod	8	UR BLACK
	31A-11656-20	PLANE BEARING, connecting rod	8	UR BROWN
	31A-11656-30	PLANE BEARING, connecting rod	8	UR GREEN

FIG. 4 VALVE



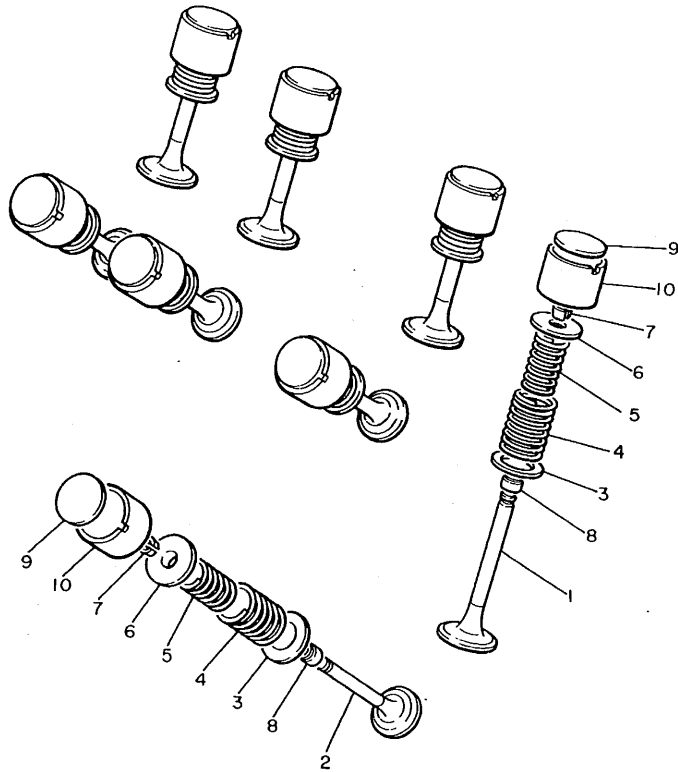
REF. NO.	PART NO.	DESCRIPTION	Q'TY	REMARKS
1	31A-12111-00	VALVE, intake	4	
2	31A-12121-00	VALVE, exhaust	4	
3	4H7-12116-00	SEAT, valve spring	8	
4	4H7-12113-00	SPRING, valve inner	8	
5	4H7-12114-00	SPRING, valve outer	8	
6	2F3-12117-00	RETAINER, valve spring	8	
7	1J7-12118-00	COTTER, valve	16	
8	1J7-12119-01	SEAL, valve stem	8	
9	1J7-12169-01	PAD, adjusting (2.00)	8	UR
	1J7-12169-11	PAD, adjusting (2.05)	8	UR
	1J7-12169-21	PAD, adjusting (2.10)	8	UR
	1J7-12169-31	PAD, adjusting (2.15)	8	UR
	1J7-12169-41	PAD, adjusting (2.20)	8	UR
	1J7-12169-51	PAD, adjusting (2.25)	8	UR
	1J7-12169-61	PAD, adjusting (2.30)	8	UR
	1J7-12169-71	PAD, adjusting (2.35)	8	UR
	1J7-12169-81	PAD, adjusting (2.40)	8	UR
	1J7-12169-91	PAD, adjusting (2.45)	8	UR
	1J7-12169-A1	PAD, adjusting (2.50)	8	UR
	1J7-12169-E1	PAD, adjusting (2.55)	8	UR
	1J7-12169-F1	PAD, adjusting (2.60)	8	UR
	1J7-12169-G1	PAD, adjusting (2.65)	8	UR
	1J7-12169-H1	PAD, adjusting (2.70)	8	UR
	1J7-12169-J1	PAD, adjusting (2.75)	8	UR
	1J7-12169-K1	PAD, adjusting (2.80)	8	UR
	1J7-12169-L1	PAD, adjusting (2.85)	8	UR
	1J7-12169-M1	PAD, adjusting (2.90)	8	UR
	1J7-12169-N1	PAD, adjusting (2.95)	8	UR

4H7110-0050

B5

FIG. 4 VALVE

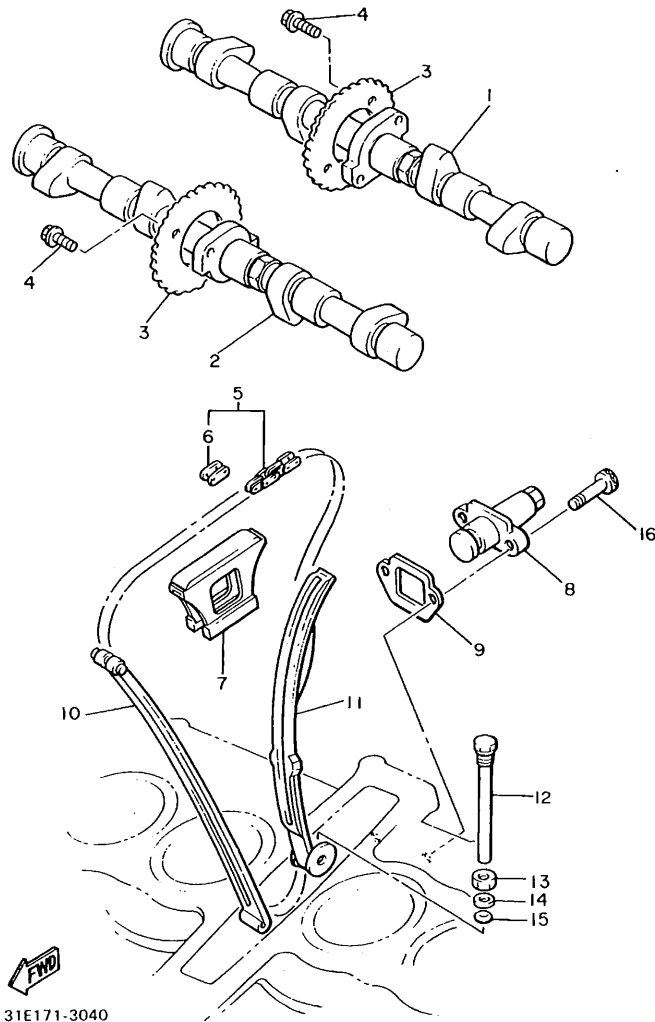
REF. NO.	PART NO.	DESCRIPTION	Q'TY	REMARKS
9	1J7-12169-R1	PAD, adjusting (3.00)	8	UR
	1J7-12169-T1	PAD, adjusting (3.05)	8	UR
	1J7-12169-U1	PAD, adjusting (3.10)	8	UR
	1J7-12169-V1	PAD, adjusting (3.15)	8	UR
	1J7-12169-W1	PAD, adjusting (3.20)	8	UR
10	31A-12153-00-E0	LIFTER, valve	8	UR
	4H7-12153-01-J0	LIFTER, valve (O/S)	1	UR GREEN



4H7110-0050

**B6**

FIG. 5 CAMSHAFT • CHAIN

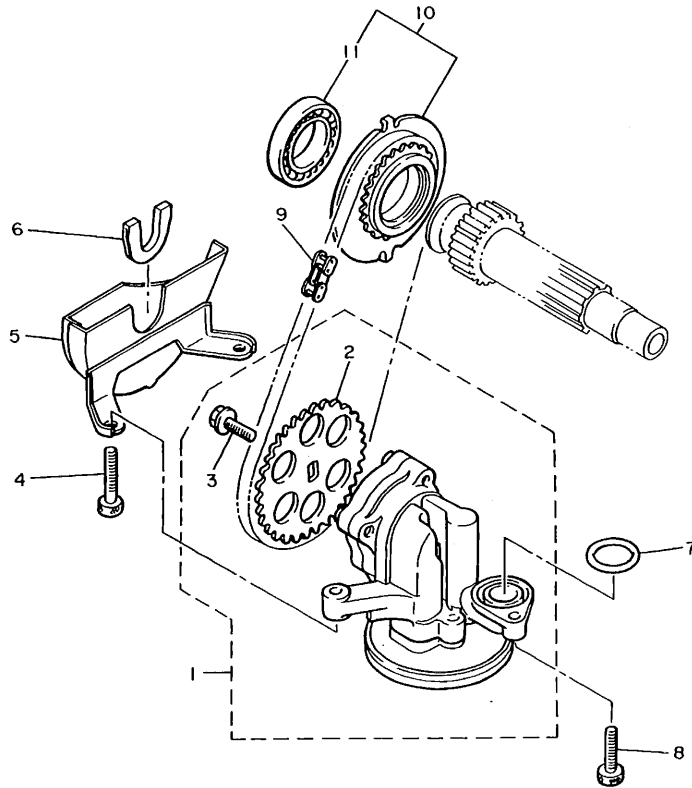


31E171-3040

REF. NO.	PART NO.	DESCRIPTION	Q'TY	REMARKS
1	31A-12171-00	CAMSHAFT 1	1	
2	31A-12181-00	CAMSHAFT 2	1	
3	4G0-12176-01	SPROCKET, cam chain	2	
4	90105-07087	BOLT, washer based	4	
5	94580-58120	CHAIN (DID 219FTS-120L)	1	
6	94681-01021	JOINT, chain	1	
7	4H7-12241-00	GUIDE, stopper 2	1	
8	12R-12210-00	TENSIONER ASSY, cam chain	1	
9	5G2-12213-00	GASKET, tensioner case	1	
10	4H7-12251-00	DAMPER, chain 1	1	
11	4H7-12252-00	DAMPER, chain 2	1	
12	90109-10570	BOLT	1	
13	95303-10700	NUT	1	
14	92901-08600	WASHER, plate	1	
15	93210-08006	O-RING	1	
16	91311-06025	BOLT	2	

**B7**

FIG. 6 OIL PUMP



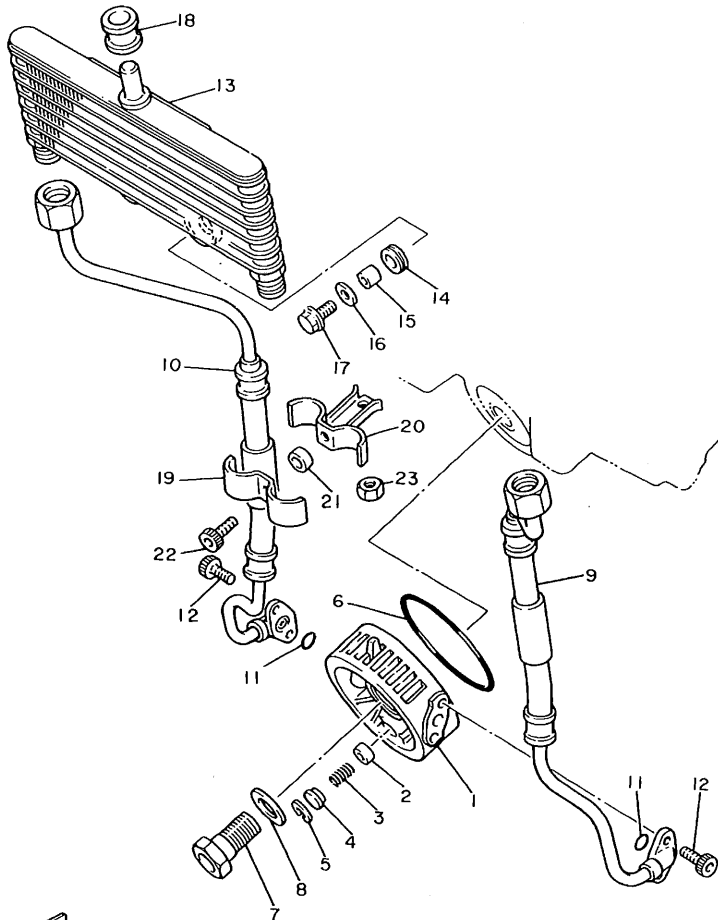
REF. NO.	PART NO.	DESCRIPTION	Q'TY	REMARKS
1	5G2-13300-00	OIL PUMP ASSY	1	
2	5G2-13355-00	.SPROCKET, driven	1	
3	90105-06154	.BOLT, washer based	1	
4	90110-06035	BOLT, hexagon socket head	2	
5	4H7-13327-00	COVER, pump gear	1	
6	4H7-13328-00	GROMMET, gear cover	1	
7	93210-18319	O-RING	1	
8	91316-06025	BOLT	1	
9	94580-25062	CHAIN (DID25 62L)	1	
10	4H7-13354-00	SPROCKET, drive (25T)	1	
11	93315-23208	.BEARING, cylindrical	1	



2HL300-7060

**B8**

FIG. 7 OIL COOLER



REF. NO.	PART NO.	DESCRIPTION	Q'TY	REMARKS
1	5N1-13461-01	PLATE, adaptor	1	
2	2H9-13493-00	PLUNGER	1	
3	90501-12413	SPRING, compression	1	
4	90209-06173	WASHER	1	
5	99009-17500	CIRCLIP	1	
6	93210-87723	O-RING	1	
7	90401-20089	BOLT, union	1	
8	90201-25526	WASHER, plate (T2.0)	1	
9	31A-13464-01	HOSE, oil 1	1	
10	31A-13465-01	HOSE, oil 2	1	
11	93210-10197	O-RING	2	
12	91316-06016	BOLT	4	
13	31A-13470-01	OIL COOLER ASSY	1	
14	90480-15235	GROMMET	2	
15	90387-060A7	COLLAR	2	
16	90209-06174	WASHER	2	
17	95826-06020	BOLT, flange	2	
18	90480-16284	GROMMET	1	
19	90462-10066	CLAMP	1	
20	90462-10067	CLAMP	1	
21	90387-07598	COLLAR	1	
22	91316-06025	BOLT	1	
23	95311-08700	NUT	1	

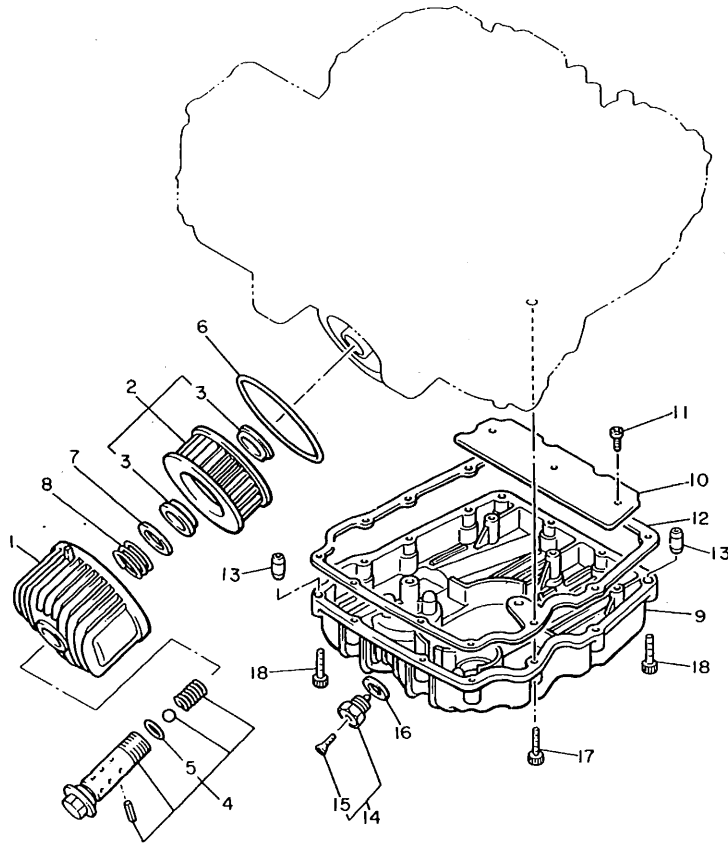


31E171-3080

**B9**



FIG. 8 OIL CLEANER

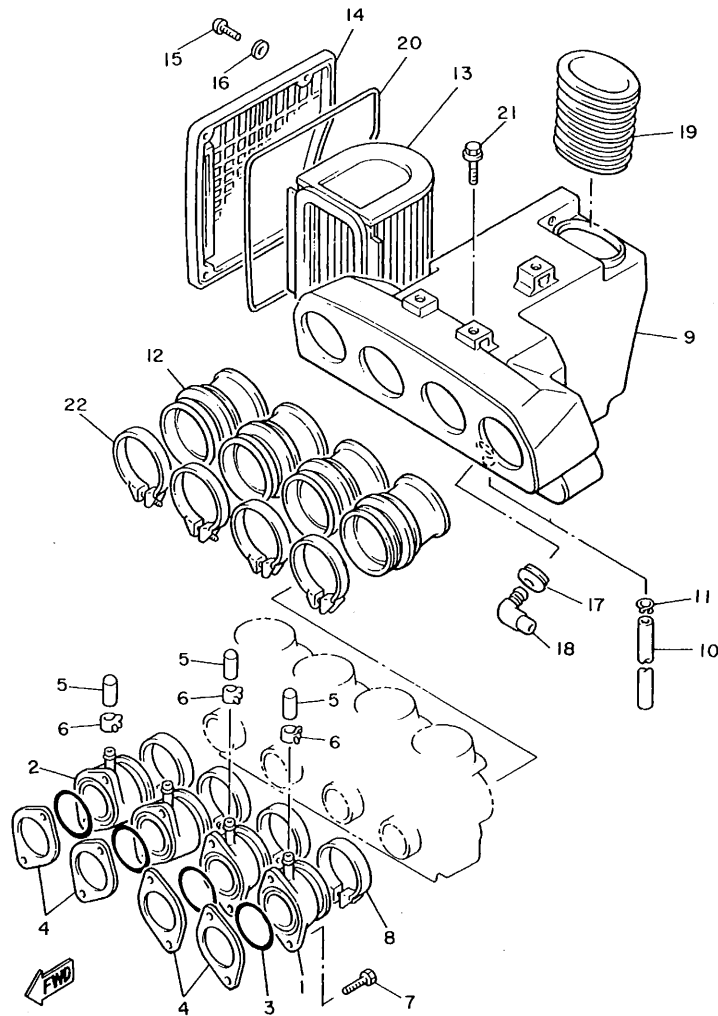


REF. NO.	PART NO.	DESCRIPTION	Q'TY	REMARKS
1	4H7-13447-00	COVER, oil element	1	
2	1L9-13441-11	ELEMENT, oil cleaner	1	
3	90480-23193	.GROMMET	2	
4	1L9-13340-01	BY-PASS VALVE ASSY	1	
5	93210-16629	.O-RING	1	
6	93210-87723	O-RING	1	
7	90201-21608	WASHER, plate	1	
8	90501-20422	SPRING, compression	1	
9	31A-13417-00	COVER, strainer	1	
10	4H7-13337-00	PLATE, baffle lower	1	
11	98501-06010	SCREW, pan head	3	
12	4H7-13414-01	GASKET, strainer cover	1	
13	99510-08016	PIN, dowel	2	
14	11H-13455-00	PLUG	1	
15	98901-06008	.SCREW, bind	1	
16	214-11198-01	GASKET	1	
17	91311-06030	BOLT	11	
18	91311-06040	BOLT	2	



42N300-4080

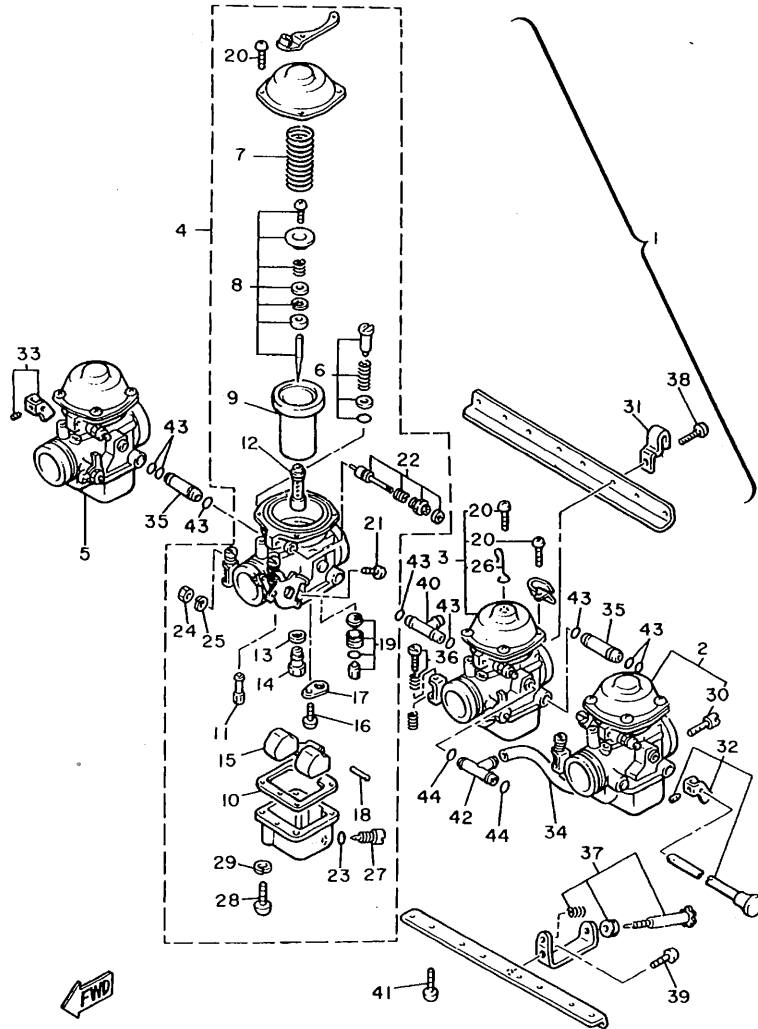
FIG. 9 INTAKE



REF. NO.	PART NO.	DESCRIPTION	Q'TY	REMARKS
1	31A-13586-00	JOINT, carburetor 1	2	
2	31A-13596-00	JOINT, carburetor 2	2	
3	93210-37532	O-RING	4	
4	31A-13556-00	GASKET, manifold	4	
5	16G-13569-00	PLUG, blind	3	
6	90467-10039	CLIP	3	
7	91316-06020	BOLT	8	
8	90460-52264	CLAMP, hose	4	
9	31A-14401-00	AIR CLEANER CASE ASSY	1	
10	90445-11182	HOSE	1	
11	90467-09006	CLIP	1	
12	31A-14453-00	JOINT, air cleaner 1	4	
13	31A-14451-00	ELEMENT, air cleaner	1	
14	31A-14412-00	CAP, cleaner case 1	1	
15	98501-06020	SCREW, pan head	3	
16	92901-06600	WASHER, plate	3	
17	31A-14435-00	GROMMET	1	
18	31A-14419-00	PIPE	1	
19	32F-14437-00	DUCT	1	
20	31A-14452-00	SEAL	1	
21	90119-06029	BOLT, with washer	3	
22	90460-58015	CLAMP, hose	4	

48B351-1090

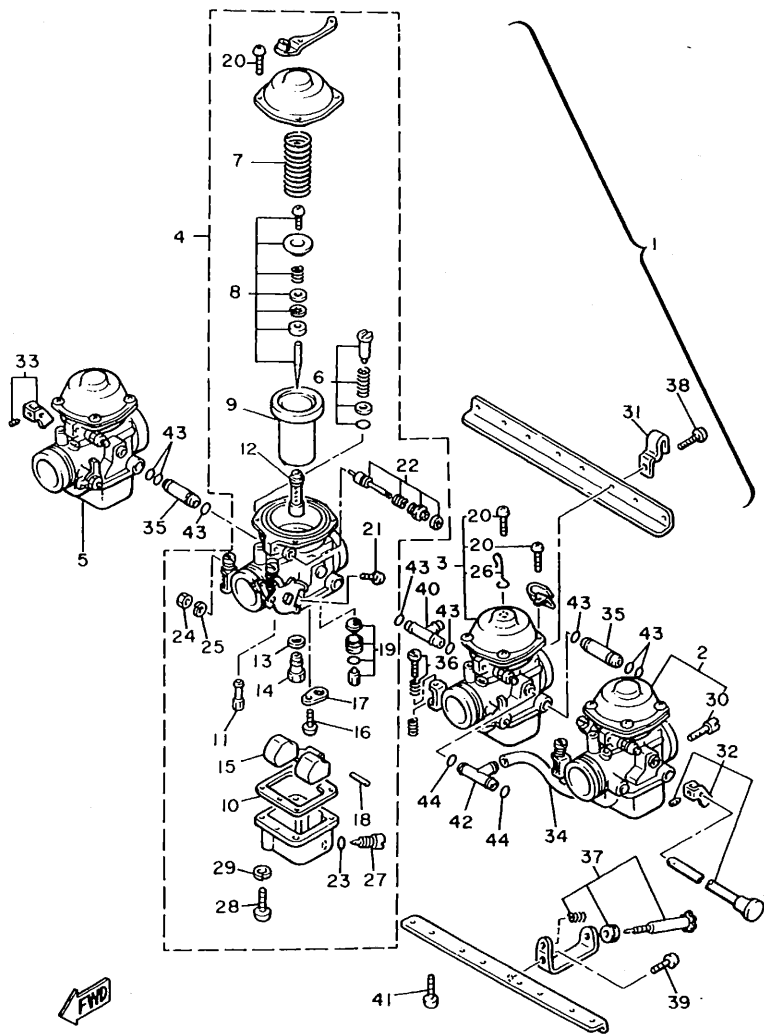
FIG. 10 CARBURETOR



3NG351-0100

REF. NO.	PART NO.	DESCRIPTION	Q'TY	REMARKS
1	4BB-14900-00	CARBURETOR ASSY	1	
2	58L-14901-10	..CARBURETOR ASSY 1	1	
3	58L-14902-10	..CARBURETOR ASSY 2	1	
4	58L-14903-10	..CARBURETOR ASSY 3	1	
5	58L-14904-10	..CARBURETOR ASSY 4	1	
6	12R-14105-00	..PILOT SCREW SET	4	
7	3G1-14933-00	..SPRING, diaphragm	4	
8	36Y-1490J-00	..NEEDLE SET	4	
9	4BB-14940-00	..DIAPHRAGM ASSY	4	
10	3XW-14984-00	..GASKET, float chamber	4	
11	4G0-14142-40	..JET, pilot (# 40)	4	
12	16H-14941-90	..NOZZLE, main	4	
13	137-14153-00	..WASHER, main jet	4	
14	620-1423A-20	..JET, main (#100)	4	
15	3H5-14985-00	..FLOAT	4	
16	98501-04006	..SCREW, pan head	4	
17	2H0-14146-00	..PLATE	4	
18	537-14186-00	..PIN, float	4	
19	25G-14107-23	..NEEDLE VALVE SET	4	
20	98580-05010	..SCREW, pan head	16	
21	98302-05006	..SCREW, cylinder head	4	
22	58L-1410A-00	..STARTER SET	4	
23	214-14147-00	..O-RING	4	
24	812-14594-00	..NUT	3	
25	92990-08100	..WASHER, spring	3	
26	90462-13032	..CLAMP	1	
27	2L1-14191-00	..PLUG, drain	4	
28	98501-05016	..SCREW, pan head	16	

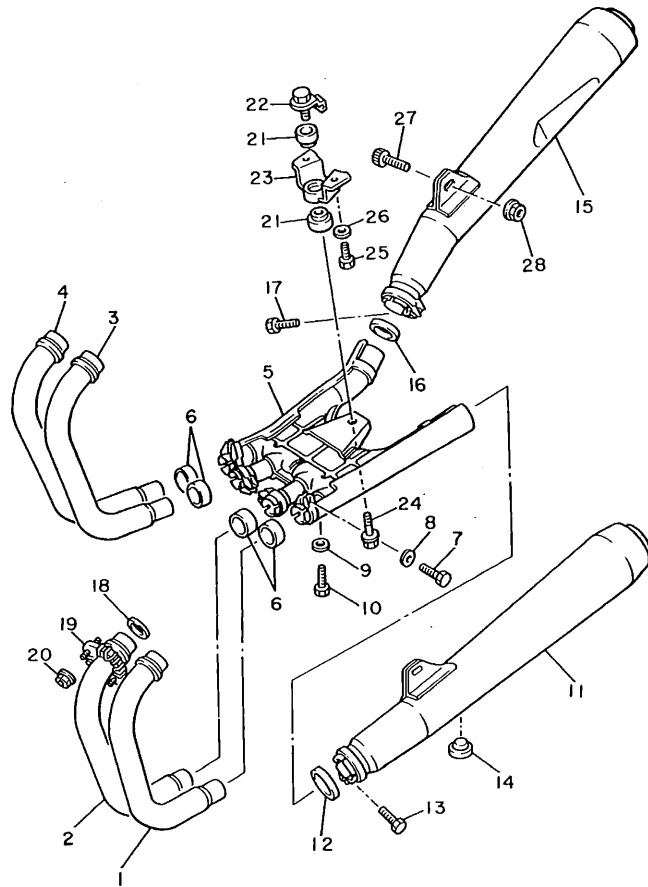
FIG. 10 CARBURETOR



3NG351-0100

REF. NO.	PART NO.	DESCRIPTION	Q'TY	REMARKS
29	92901-05100	..WASHER, spring	16	
30	3G2-14231-32	..JET, main (#160)	4	
31	49A-14139-00	..CLIP, pipe	1	
32	58L-1490L-00	..STARTER LEVER SET, 1	1	
33	31A-1490M-00	..STARTER LEVER SET, 2	3	
34	3GM-14197-00	..PIPE	2	
35	31A-14988-00	..PIPE, starter connecting	2	
36	31A-1490K-00	..STOP SCREW SET	3	
37	31A-14103-00	..THROTTLE SCREW SET	1	
38	98580-05010	..SCREW, pan head	8	
39	4U8-14122-00	..SCREW, throttle	1	
40	1J7-14988-00	..NIPPLE	1	
41	97801-06014	..SCREW, pan head	8	
42	17A-14251-00	..NIPPLE	2	
43	36Y-14147-00	..O-RING	8	
44	822-14147-00	..O-RING	4	

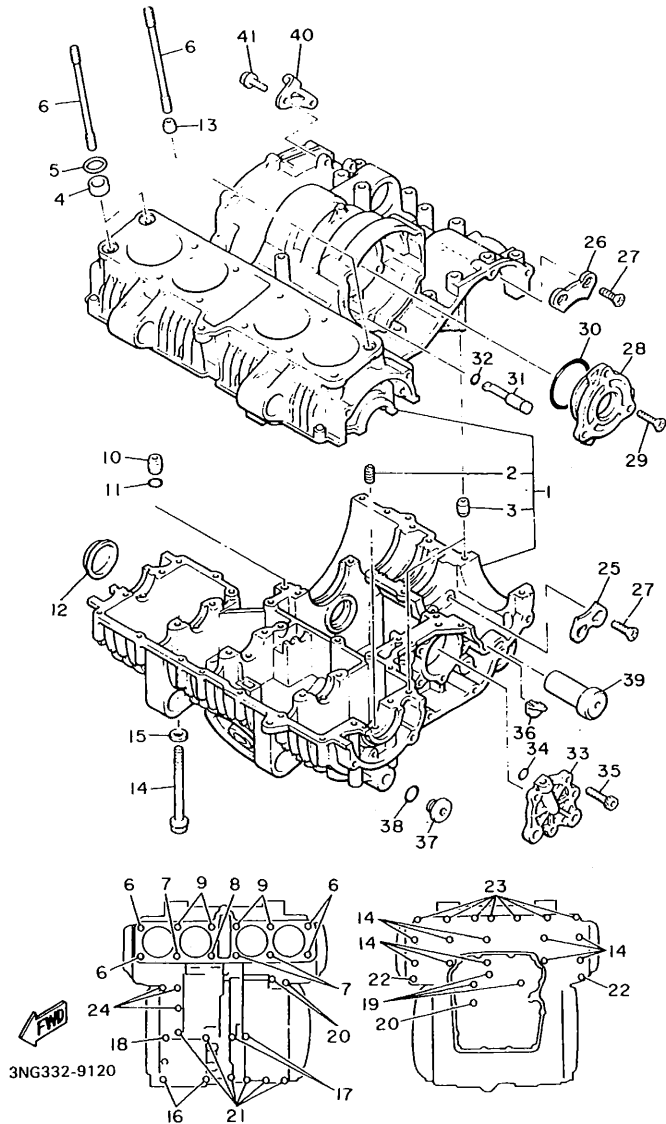
FIG. 11 EXHAUST



4BB332-1110

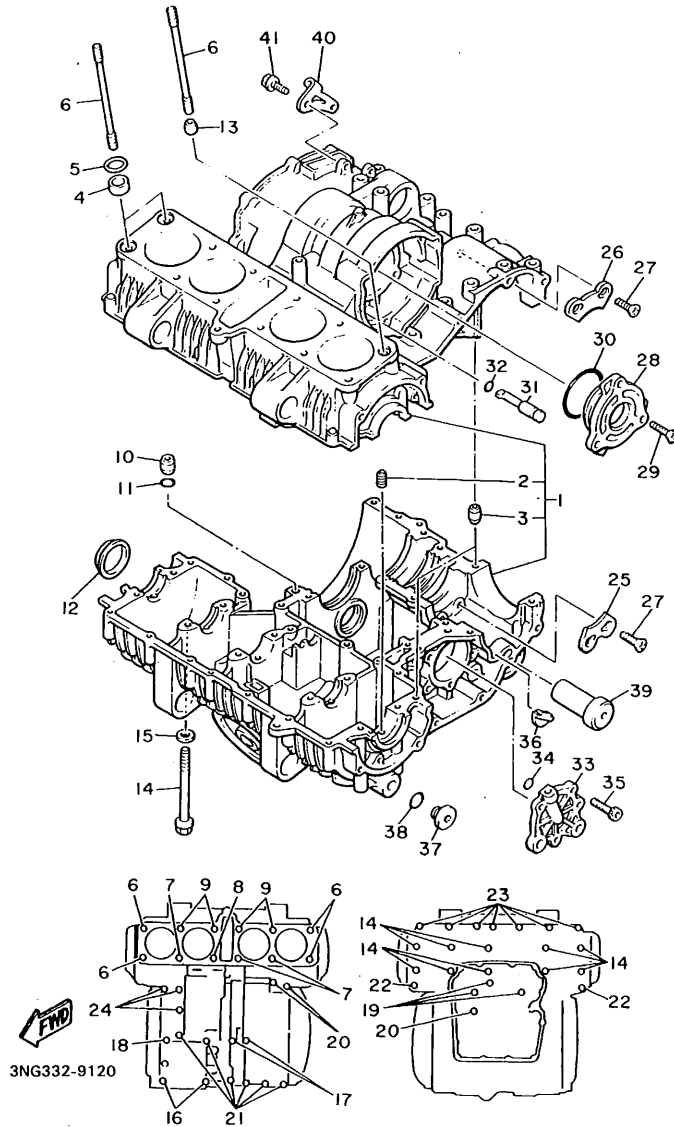
REF. NO.	PART NO.	DESCRIPTION	Q'TY	REMARKS
1	58L-14611-00	PIPE, exhaust 1	1	
2	58L-14621-00	PIPE, exhaust 2	1	
3	58L-14631-00	PIPE, exhaust 3	1	
4	58L-14641-00	PIPE, exhaust 4	1	
5	58L-14615-00	JOINT, exhaust 1	1	
6	31A-14714-00	GASKET, muffler	4	
7	95023-08025	BOLT	4	
8	92901-08600	WASHER, plate	4	
9	92906-06600	WASHER, plate	4	
10	90101-06576	BOLT	4	
11	32F-14711-00	MUFFLER 1	1	
12	1L9-14714-01	GASKET, muffler	1	
13	95023-08025	BOLT	1	
14	1A0-27114-00	STOPPER, main stand	1	
15	32F-14721-00	MUFFLER 2	1	
16	1L9-14714-01	GASKET, muffler	1	
17	95023-08025	BOLT	1	
18	4H7-14613-00	GASKET, exhaust pipe	4	
19	31A-14612-00	NUT, ring	4	
20	90179-06500	NUT	8	
21	36Y-14747-00	DAMPER, muffler	2	
22	1AE-14638-00	COLLAR	1	
23	4K0-14791-00	STAY, muffler	1	
24	95811-10040	BOLT, flange	1	
25	97011-08025	BOLT	2	
26	92901-08600	WASHER, plate	2	
27	91311-10025	BOLT	2	
28	95701-10500	NUT, flange	2	

FIG. 12 CRANKCASE



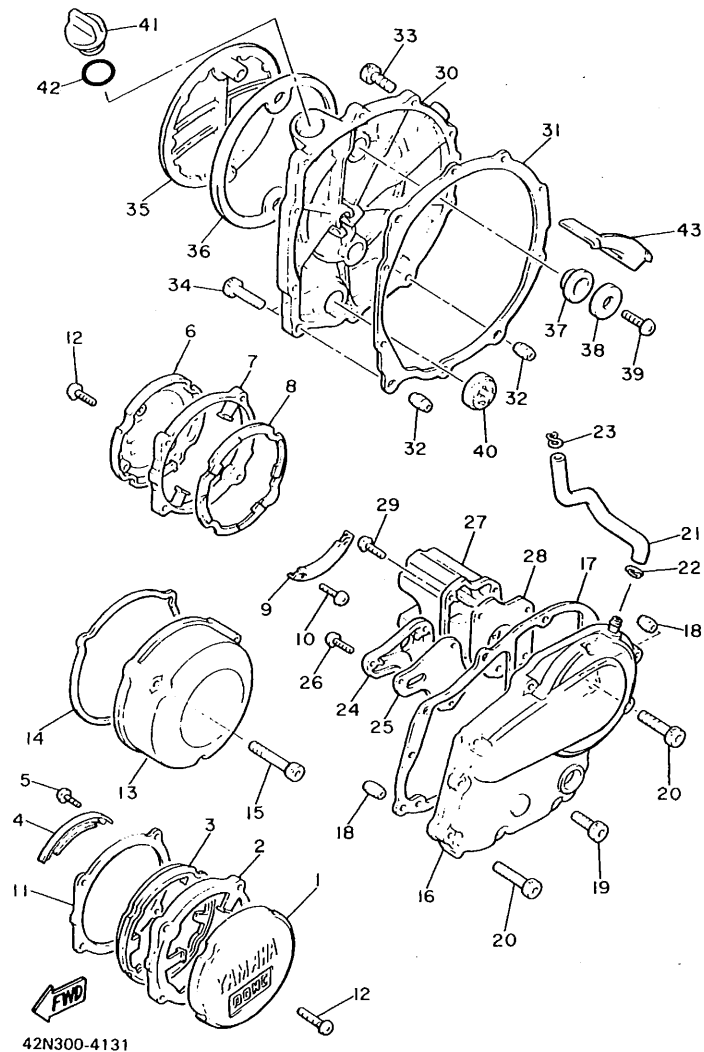
REF. NO.	PART NO.	DESCRIPTION	Q'TY	REMARKS
1	31A-15100-02	CRANKCASE ASSY	1	
2	4H7-15138-00	.NOZZLE 1	3	
3	99510-12016	.PIN, dowel	3	
4	90387-16547	COLLAR	2	
5	93210-18322	O-RING	2	
6	90116-10330	BOLT, stud	4	
7	90116-10329	BOLT, stud	3	
8	90116-10328	BOLT, stud	1	
9	4H7-11363-00	BOLT, cylinder holding 3	4	
10	99510-12016	PIN, dowel	1	
11	93210-11124	O-RING	1	
12	4H7-15167-10	PLUG, blind 1	1	
13	99510-12016	PIN, dowel	3	
14	95811-08105	BOLT, flange	10	
15	90201-094G1	WASHER, plate	8	
16	95811-08065	BOLT, flange	2	
17	95811-06135	BOLT, flange	2	
18	95811-06120	BOLT, flange	1	
19	95811-06080	BOLT, flange	3	
20	95811-06070	BOLT, flange	3	
21	95811-06060	BOLT, flange	6	
22	95811-06055	BOLT, flange	2	
23	95811-08045	BOLT, flange	7	
24	95811-06035	BOLT, flange	3	
25	31A-15381-00	PLATE, bearing cover	1	
26	31A-15383-00	PLATE, bearing cover	1	
27	90149-08152	SCREW	4	
28	4H7-15163-01	HOUSING, bearing 1	1	

FIG. 12 CRANKCASE



REF. NO.	PART NO.	DESCRIPTION	Q'TY	REMARKS
29	90151-06014	SCREW, countersunk	3	
30	93210-62439	O-RING	1	
31	4H7-13454-00	NOZZLE	1	
32	93210-07540	O-RING	1	
33	16G-15164-00	HOUSING, bearing 2	1	
34	93210-07438	O-RING	1	
35	91311-06020	BOLT	3	
36	4H7-15365-00	GROMMET	1	
37	4H7-15189-00	PLUG	2	
38	93210-20573	O-RING	2	
39	90387-125A2	COLLAR	2	
40	4H7-15441-01	HOLDER, clutch cable	1	
41	90110-06145	BOLT, hexagon socket head	2	

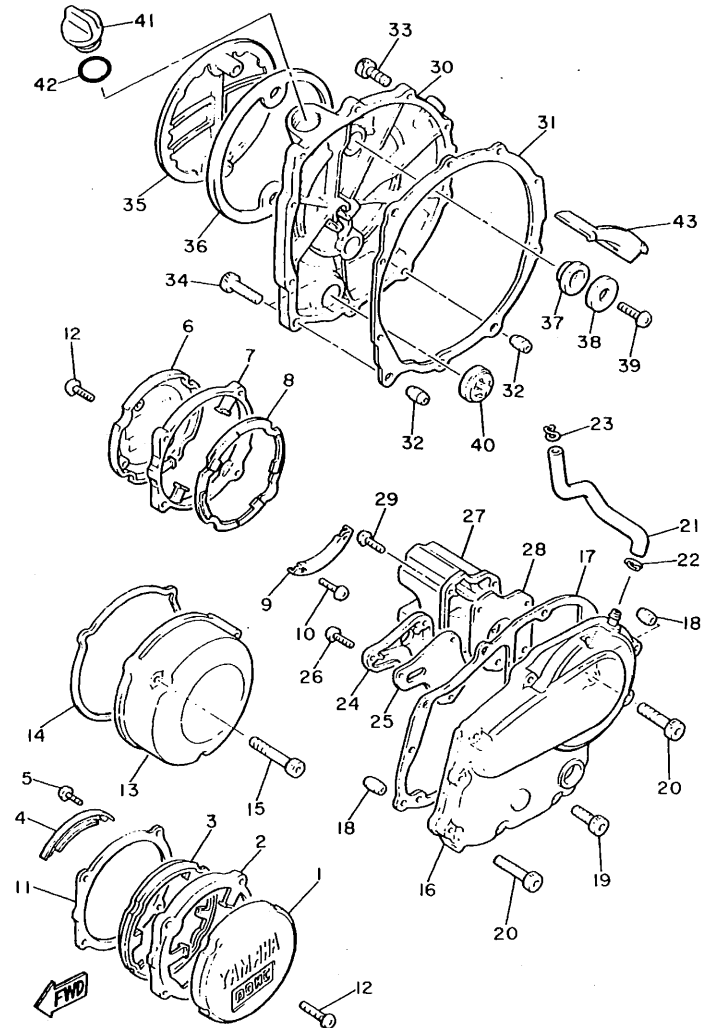
FIG. 13 CRANKCASE COVER 1



REF. NO.	PART NO.	DESCRIPTION	Q'TY	REMARKS
1	22N-15416-01	COVER, oil pump	1	
2	31A-15431-01	COVER, crankcase 3	1	
3	22N-15449-00	RING, rubber	1	
4	22N-15144-00	PLATE, lock	2	
5	98501-06010	SCREW, pan head	4	
6	22N-15426-01	COVER, oil pump 2	1	
7	31A-15431-01	COVER, crankcase 3	1	
8	22N-15449-00	RING, rubber	1	
9	22N-15144-00	PLATE, lock	2	
10	98501-06010	SCREW, pan head	4	
11	4H7-15456-00	GASKET, oil pump cover 1	1	
12	98980-06020	SCREW, bind	8	
13	4H7-15415-00	COVER, generator	1	
14	4H7-15455-00	GASKET 1	1	
15	91311-06070	BOLT	3	
16	5G2-15409-00	CRANKCASE COVER ASSY	1	
17	4H7-15451-00	GASKET, crankcase cover 1	1	
18	99530-10014	PIN, dowel	2	
19	91311-06025	BOLT	8	
20	91311-06040	BOLT	2	
21	5G2-11166-00	PIPE, breather 1	1	
22	90467-14015	CLIP	1	
23	90468-08104	CLIP	1	
24	4H7-15346-00	BREATHER 1	1	
25	4H7-15457-00	GASKET	1	
26	92501-06014	SCREW, pan head	3	
27	4H7-15347-00	BREATHER 2	1	
28	4H7-15467-00	GASKET	1	



FIG. 13 CRANKCASE COVER 1

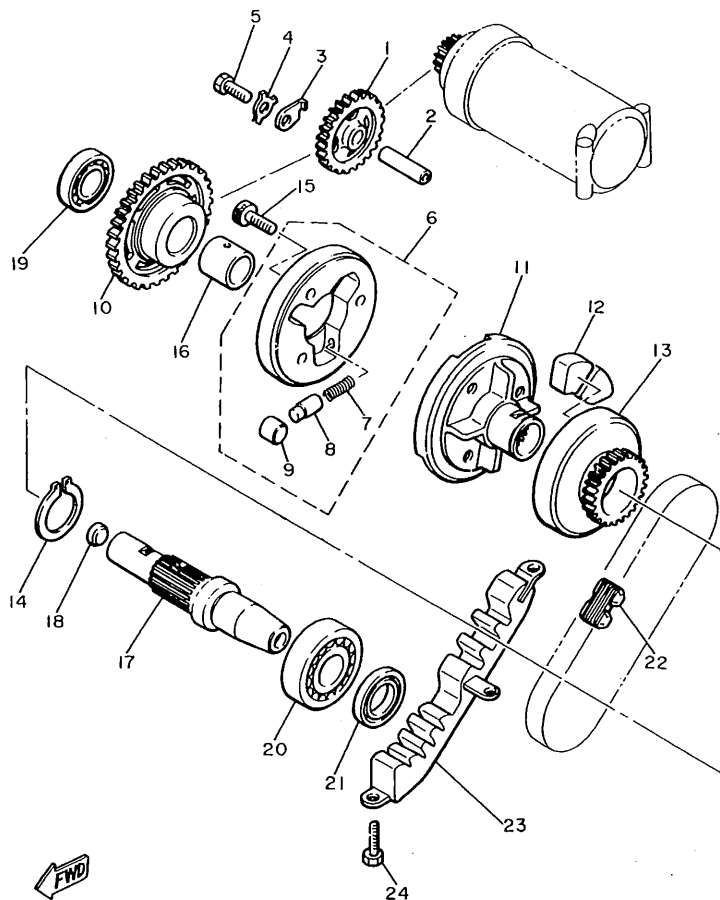


42N300-4131

REF. NO.	PART NO.	DESCRIPTION	Q'TY	REMARKS
29	92501-06014	SCREW, pan head	4	
30	4H7-15421-02	COVER, crankcase 2	1	
31	4H7-15461-01	GASKET, crankcase cover 2	1	
32	99530-10014	PIN, dowel	2	
33	91311-06025	BOLT	8	
34	91311-06040	BOLT	2	
35	5G2-15417-00	COVER, cap	1	
36	4H7-15449-00	RING, rubber	1	
37	4H7-15486-00	GROMMET	2	
38	90209-06096	WASHER	2	
39	92501-06014	SCREW, pan head	2	
40	2H7-15361-00	GAUGE, level	1	
41	2H7-15363-00	PLUG, oil	1	
42	93210-27778	O-RING	1	
43	4H7-15412-01	SCRAPER, oil	1	

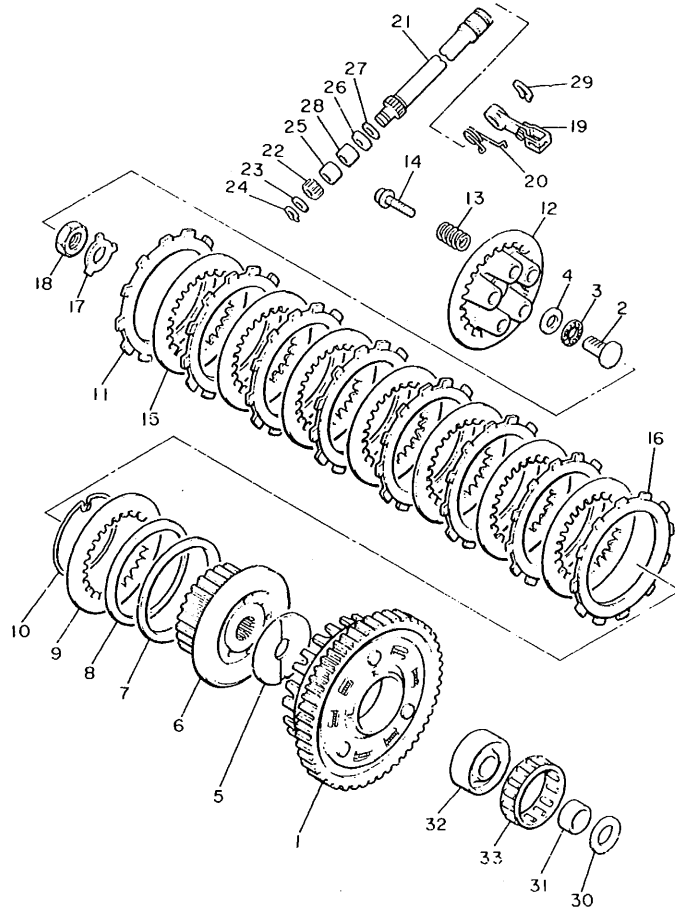
FIG. 14 STARTER

REF. NO.	PART NO.	DESCRIPTION	Q'TY	REMARKS
1	4H7-15512-00	GEAR, idler 1 (27T)	1	
2	4H7-15521-00	SHAFT 1	1	
3	2H7-15531-00	PLATE, stopper	1	
4	90215-06040	WASHER, lock	1	
5	97313-06016	BOLT	1	
6	31A-15580-00	STARTER CLUTCH OUTER ASSY	1	
7	90501-04503	.SPRING, compression	3	
8	341-15583-05	.CAP, starter clutch spring	3	
9	93615-12088	.PIN, dowel	3	
10	4H7-15517-00	GEAR, idler 2 (43T)	1	
11	4H7-15524-00	WHEEL, starter	1	
12	4H7-16155-01	ABSORBER 1	4	
13	4H7-15519-00	SPROCKET, starter (21T)	1	
14	93410-32052	CIRCLIP	1	
15	91316-08014	BOLT	3	
16	90387-202A7	COLLAR	1	
17	4H7-15522-00	SHAFT 2	1	
18	90331-12028	PLUG	1	
19	93306-00401	BEARING (B6004)	1	
20	93306-20541	BEARING (B6205)	1	
21	93102-25218	OIL SEAL	1	
22	4H7-11456-00	CHAIN, primary	1	
23	4H7-11474-01	GUIDE, upper	1	
24	97021-06014	BOLT	2	



17Y700-2200

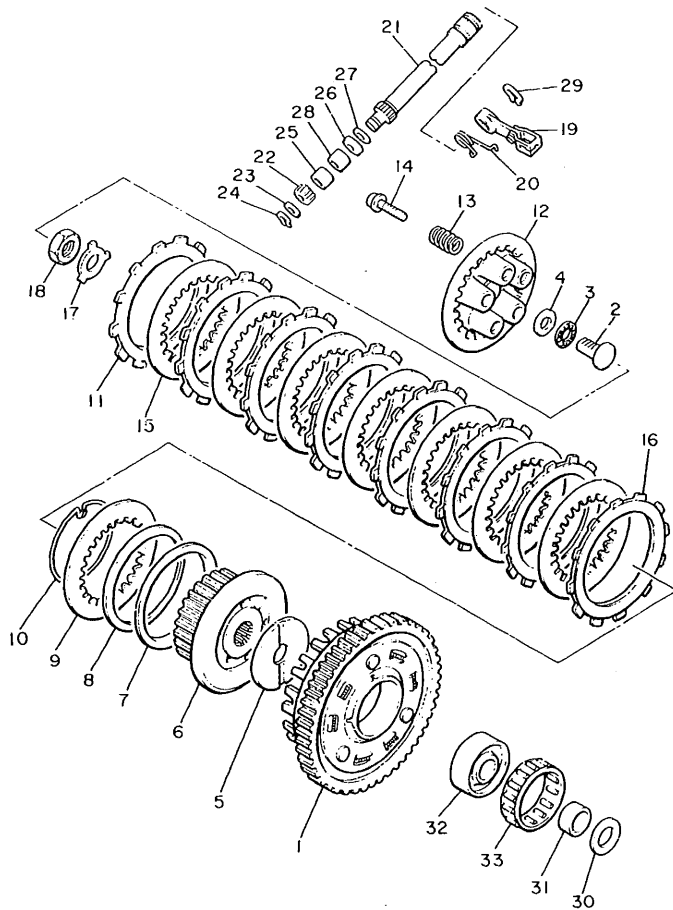
FIG. 15 CLUTCH



38X010-3143

REF. NO.	PART NO.	DESCRIPTION	Q'TY	REMARKS
1	58L-16150-00	PRIMARY DRIVEN GEAR COMP.	1	
2	4H7-16356-01	ROD, push 1	1	
3	93340-21505	BEARING, thrust	1	
4	90201-150H2	WASHER, plate	1	
5	4H7-16154-00	PLATE, thrust 1	1	
6	58L-16371-01	BOSS, clutch	1	
7	1J7-16384-00	PLATE, seat	1	
8	5G2-16383-00	SPRING, clutch boss	1	
9	168-16324-00	PLATE, clutch 1	1	
10	1J7-16385-00	RING, clutch boss	1	
11	4H7-16321-00	PLATE, friction	7	
12	58L-16351-00	PLATE, pressure 1	1	
13	90501-224A8	SPRING, compression	6	
14	90159-06092	SCREW, with washer	6	
15	31A-16325-00	PLATE, clutch 2	7	
16	31A-16321-00	PLATE, friction	1	
17	90215-20231	WASHER, lock	1	
18	90170-20327	NUT	1	
19	4H7-16340-00	PUSH LEVER ASSY	1	
20	90508-16459	SPRING, torsion	1	
21	4H7-16382-01	AXLE, push lever	1	
22	4H7-16398-00	PINION, releas (16T)	1	
23	92901-08600	WASHER, plate	1	
24	99080-07600	CIRCLIP	1	
25	93317-11020	BEARING, cylindrical	1	
26	93102-12224	OIL SEAL	1	
27	90201-12M34	WASHER, plate	1	
28	93315-11206	BEARING, cylindrical	1	

FIG. 15 CLUTCH

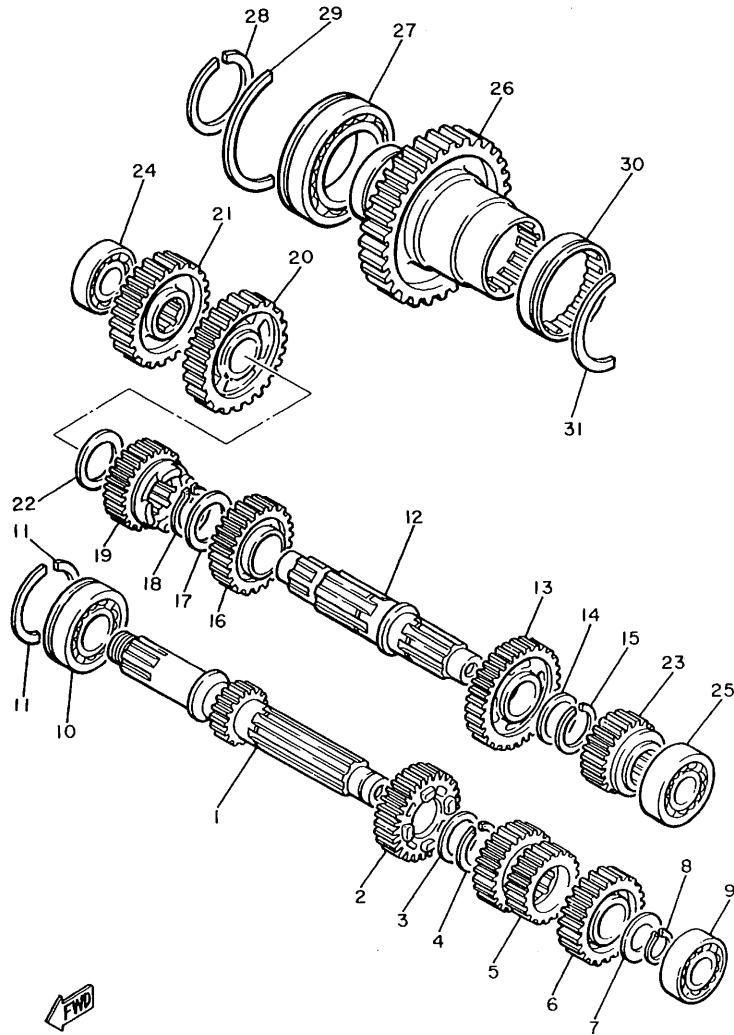


REF. NO.	PART NO.	DESCRIPTION	Q'TY	REMARKS
29	99001-09600	CIRCLIP	1	
30	2K7-16154-00	PLATE, thrust 1	1	
31	90387-252A8	COLLAR	1	
32	4H7-16181-00	SPACER 1	1	
33	93310-365H3	BEARING, cylindrical	1	

  
38X010-3140

**C7**

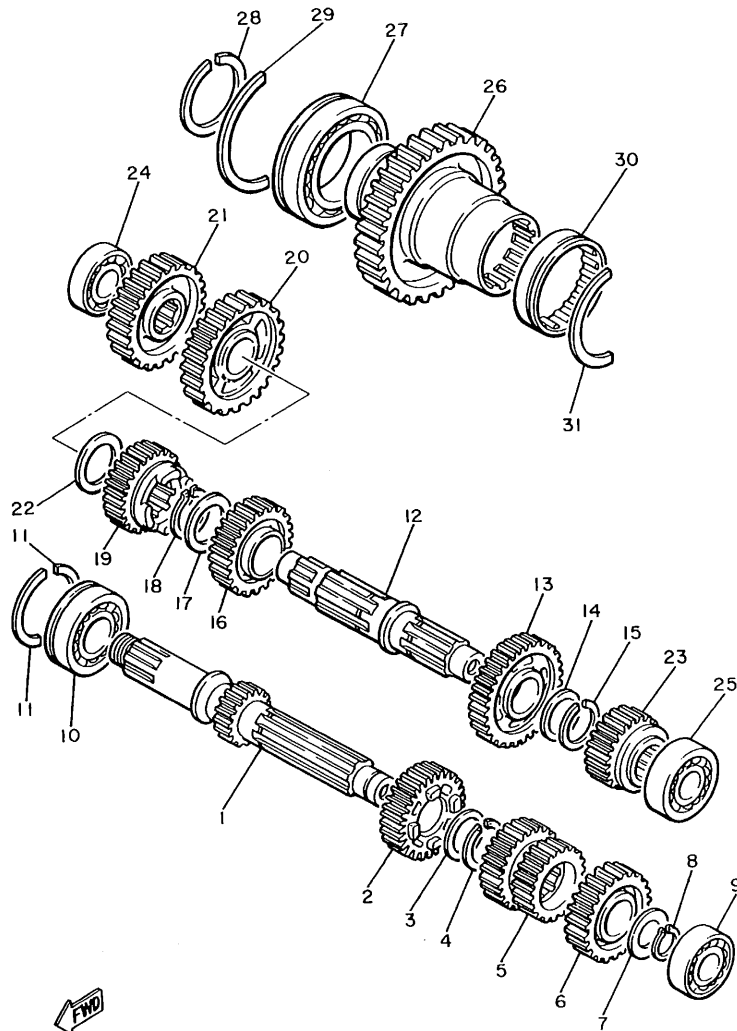
FIG. 16 TRANSMISSION



4BB300-1160

REF. NO.	PART NO.	DESCRIPTION	Q'TY	REMARKS
1	4H7-17401-00	MAIN AXLE ASSY (16T)	1	
2	4H7-17141-00	GEAR, 4th pinion (30T)	1	
3	90209-22191	WASHER	1	
4	93440-25084	CIRCLIP	1	
5	4BB-17121-00	GEAR, 2nd pinion (20/26T)	1	
6	4H7-17151-00	GEAR, 5th pinion (32T)	1	
7	90201-20276	WASHER, plate (1.0T)	1	
8	99009-20400	CIRCLIP	1	
9	93306-20465	BEARING	1	
10	93306-30528	BEARING (B6305Z)	1	
11	278-17424-01	CIRCLIP 1	2	
12	4H7-17402-01	DRIVE AXLE ASSY	1	
13	4BB-17221-00	GEAR, 2nd wheel (30T)	1	
14	90209-22252	WASHER	1	
15	93440-25084	CIRCLIP	1	
16	4BB-17231-00	GEAR, 3rd wheel (30T)	1	
17	90209-25196	WASHER	1	
18	93440-28062	CIRCLIP	1	
19	4H7-17241-00	GEAR, 4th wheel (28T)	1	
20	4H7-17211-01	GEAR, 1st wheel (35T)	1	
21	4L6-17582-00	GEAR, middle drive (37T)	1	
22	90201-243A2	WASHER, plate	1	
23	16G-17251-00	GEAR, 5th wheel (26T)	1	
24	93306-30311	BEARING	1	
25	93306-20439	BEARING	1	
26	31A-17583-00	GEAR, middle driven (48T)	1	
27	93306-91101	BEARING (B6911)	1	
28	93410-55057	CIRCLIP	1	

FIG. 16 TRANSMISSION

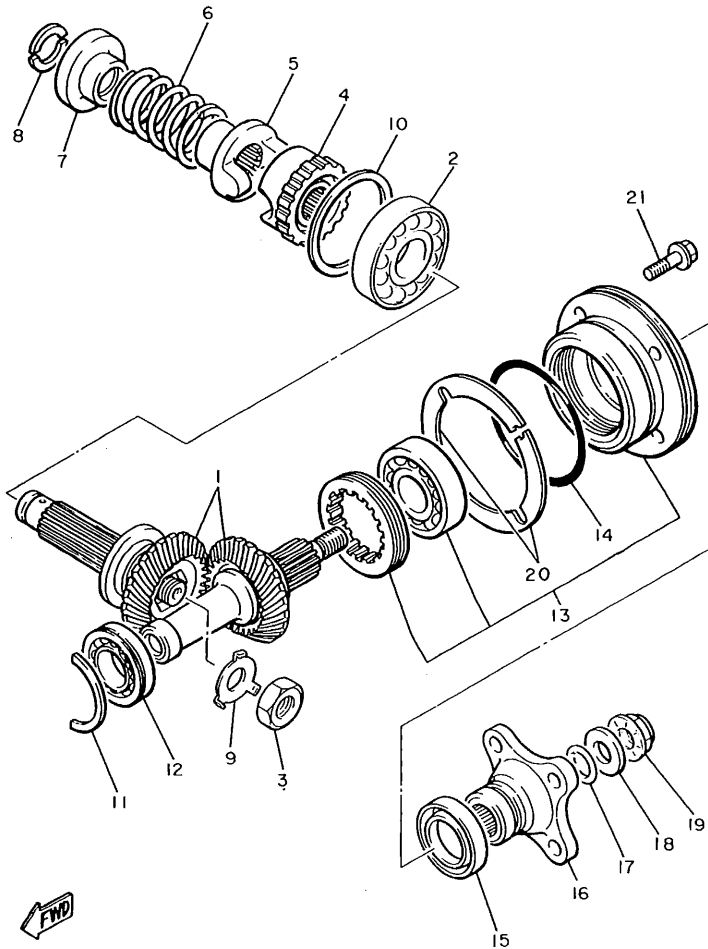


REF. NO.	PART NO.	DESCRIPTION	Q'TY	REMARKS
29	93440-80082	CIRCLIP	1	
30	93311-36042	BEARING, cylindrical	1	
31	93440-72049	CIRCLIP	1	

 4BB300-1160

**C9**

FIG. 17 MIDDLE DRIVE GEAR

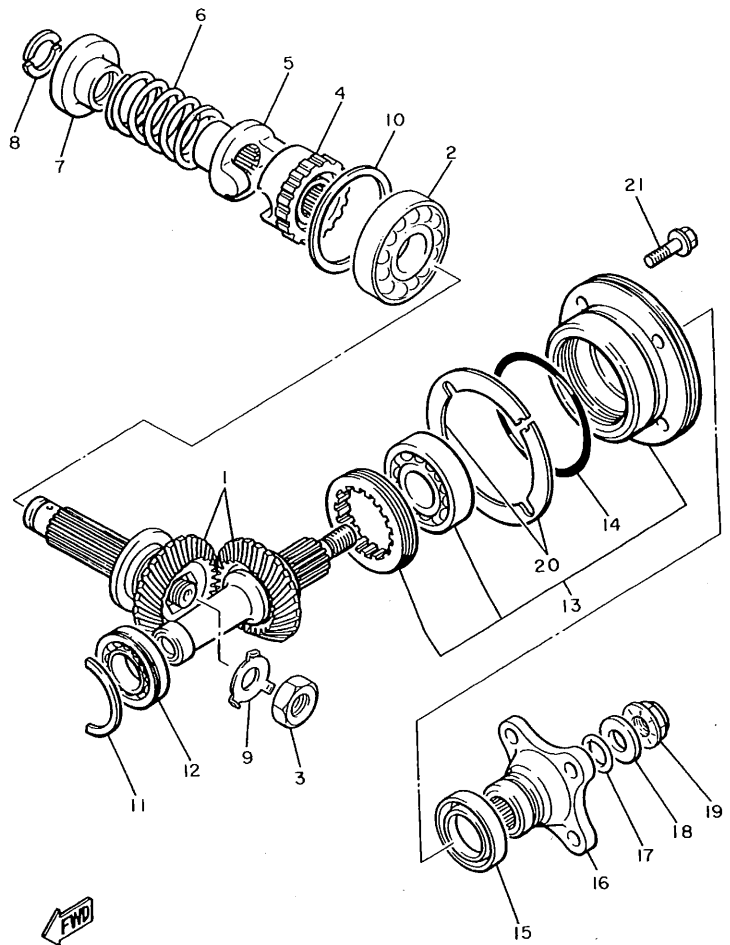


31E171-3200

REF. NO.	PART NO.	DESCRIPTION	Q'TY	REMARKS
1	31A-W1751-01	MIDDLE GEAR COMP.	1	
2	93306-20709	BEARING (B6207)	1	
3	90179-18360	NUT	1	
4	31A-17526-00	CAM, drive	1	
5	31A-17527-00	CAM, driven	1	
6	90501-70762	SPRING, compression	1	
7	4H7-17524-00	HOLDER	1	
8	3H5-17529-00	WASHER, thrust	2	
9	90215-23194	WASHER, lock	1	
10	4H7-17537-00-20	SHIM, thrust (0.20T)	1	UR
	4H7-17537-00-30	SHIM, thrust (0.30T)	1	UR
	4H7-17537-00-40	SHIM, thrust (0.40T)	1	UR
	4H7-17537-00-40	SHIM, thrust (0.40T)	1	UR
11	93440-47081	CIRCLIP	1	
12	93306-00508	BEARING (B6005)	1	
13	31A-W1752-00	HOUSHING COMP	1	
14	93210-71360	O-RING	1	
15	93101-35097	OIL SEAL	1	
16	4H7-17555-00	FLANGE, middle gear	1	
17	93210-14359	O-RING	1	
18	90201-14633	WASHER, plate	1	
19	90179-14317	NUT	1	
20	3JB-17531-10	SHIM, pinion (0.15T)	2	UR
	4H7-17531-00-15	SHIM, pinion (0.15T)	2	UR
	3JB-17531-20	SHIM, pinion (0.20T)	2	UR
	3JB-17531-30	SHIM, pinion (0.30T)	2	UR
	4H7-17531-00-40	SHIM, pinion (0.40T)	2	UR
	4H7-17531-00-40	SHIM, pinion (0.40T)	2	UR

FIG. 17 MIDDLE DRIVE GEAR

REF. NO.	PART NO.	DESCRIPTION	Q'TY	REMARKS
21	95811-08030	BOLT, flange	4	

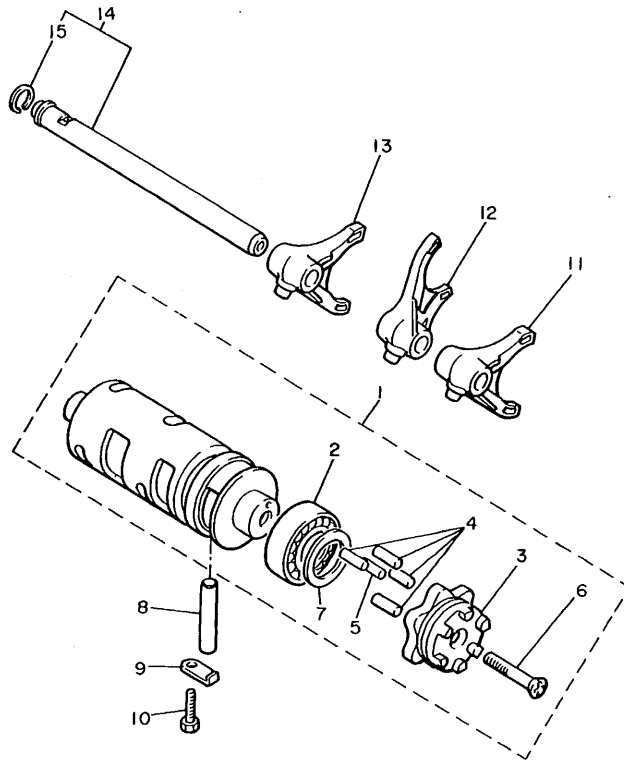


 31E171-3200

**C11**



FIG. 18 SHIFT CAM .FORK



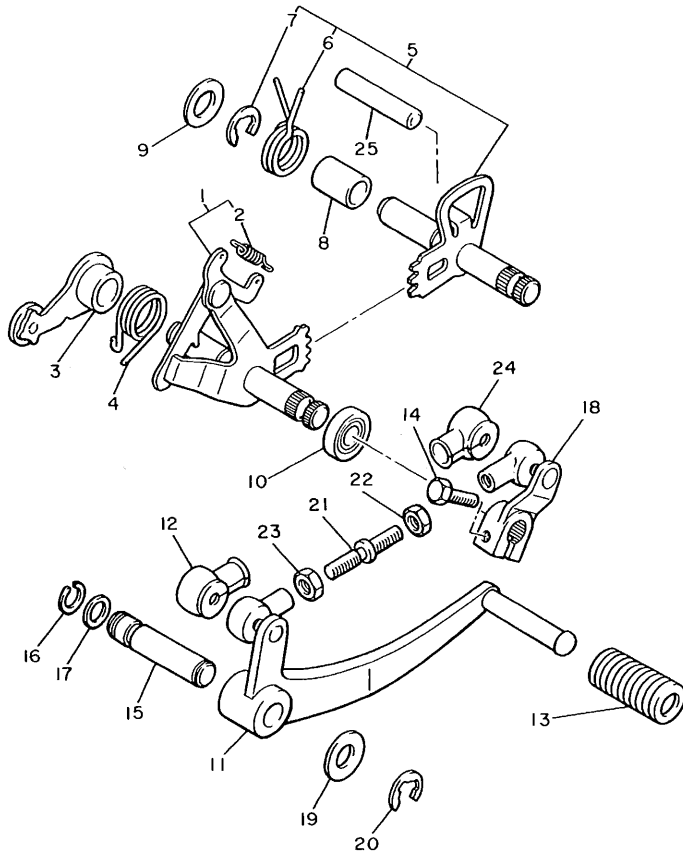
REF. NO.	PART NO.	DESCRIPTION	Q'TY	REMARKS
1	16G-18540-00	SHIFT CAM ASSY	1	
2	93306-90501	.BEARING	1	
3	16G-18185-00	.SEGMENT	1	
4	93604-16092	.PIN, dowel	4	
5	93604-10011	.PIN, dowel	1	
6	98701-05035	.SCREW, flat head	1	
7	117-15644-00	.SHIM	1	
8	93608-43157	PIN, dowel	1	
9	2H7-15531-00	PLATE, stopper	1	
10	97313-06016	BOLT	1	
11	4H7-18511-01	FORK, shift 1	1	
12	4H7-18512-01	FORK, shift 2	1	
13	4H7-18513-01	FORK, shift 3	1	
14	4H7-18531-00	BAR, shift fork guide 1	1	
15	93440-11029	.CIRCLIP	1	



16G110-3241

C12

FIG. 19 SHIFT SHAFT



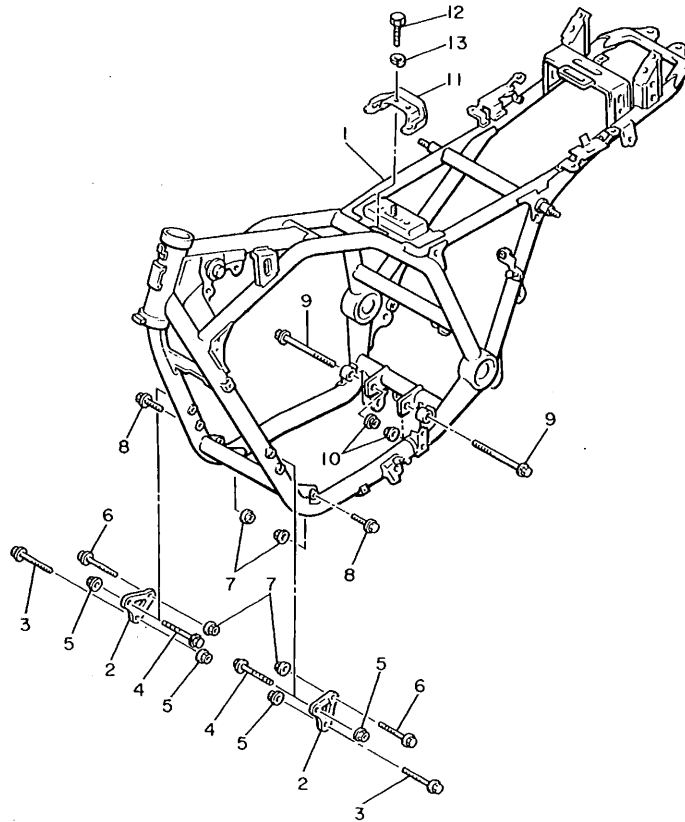
REF. NO.	PART NO.	DESCRIPTION	Q'TY	REMARKS
1	4K0-18101-01	SHIFT SHAFT ASSY	1	
2	90506-08227	.SPRING, tension	1	
3	4H7-18140-00	STOPPER LEVER ASSY	1	
4	90508-29530	SPRING, torsion	1	
5	4K0-18120-01	SHIFT LEVER ASSY	1	
6	90508-32535	.SPRING, torsion	1	
7	99006-10600	.CIRCLIP	1	
8	90387-124F4	COLLAR	1	
9	90201-12166	WASHER, plate	1	
10	93102-12106	OIL SEAL (SD 12-22-5 HS)	1	
11	41Y-18111-00	PEDAL, shift	1	
12	2H9-18154-00	COVER, dust	1	
13	132-18113-01	COVER, shift pedal	1	
14	97011-06020	BOLT	1	
15	4K0-18197-00	SHAFT	1	
16	93440-12066	CIRCLIP	1	
17	93210-09350	O-RING	1	
18	2H9-W1812-00	ARM, shift	1	
19	90201-124E4	WASHER, plate	1	
20	99006-10600	CIRCLIP	1	
21	4K0-18115-00	ROD, shift	1	
22	95303-06700	NUT	1	
23	90170-06228	NUT(COUNTER CLOCKWISE)	1	
24	2H9-18154-00	COVER, dust	1	
25	93608-50158	PIN, dowel	1	



44X171-4190

C13

FIG. 20 FRAME

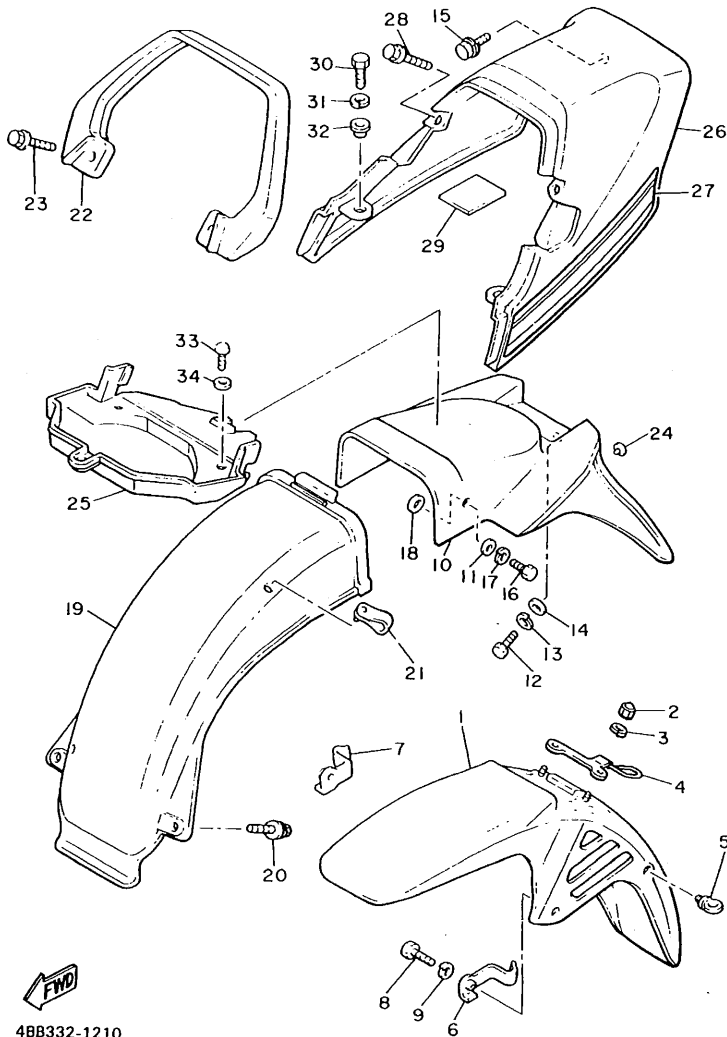


REF. NO.	PART NO.	DESCRIPTION	Q'TY	REMARKS
1	42N-21110-10-33	FRAME COMP.	1	YAMAHA BLACK
2	31A-21315-00-33	STAY, engine 2	2	YAMAHA BLACK
3	90105-08278	BOLT, washer based	2	
4	95816-08070	BOLT, flange	2	
5	90179-08246	NUT	4	
6	90105-10169	BOLT, washer based	2	
7	90179-10247	NUT	4	
8	90105-10038	BOLT, washer based	2	
9	90105-12208	BOLT, washer based	2	
10	90179-12421	NUT	2	
11	31A-21147-00	BRACKET, air cleaner 1	1	
12	97026-06012	BOLT	2	
13	92906-06100	WASHER, spring	2	



42N300-4200

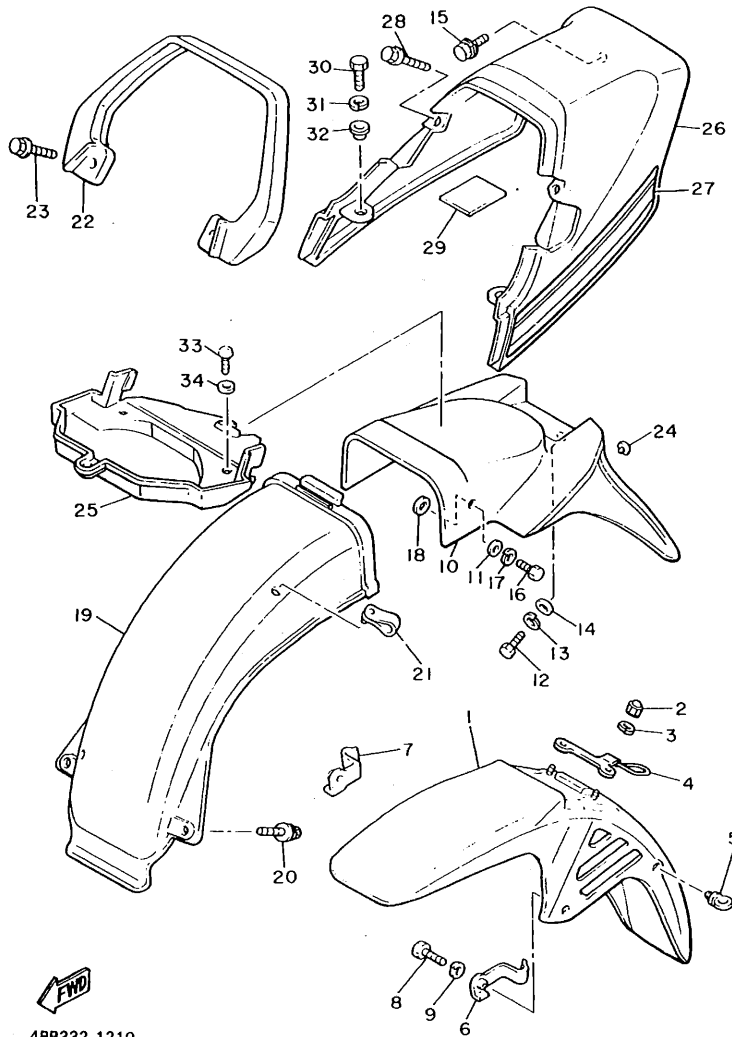
FIG. 21 FENDER



48B332-1210

REF. NO.	PART NO.	DESCRIPTION	Q'TY	REMARKS
1	31A-21510-00-GE	FRONT FENDER COMP.	1	UR SILKY WHITE
	31A-21510-00-P0	FRONT FENDER COMP.	1	UR BLACK METALLIC 2
2	95303-06800	NUT, crown	2	
3	92990-06100	WASHER, spring	2	
4	3NG-21596-00	HOLDER	1	
5	1A8-21518-00	HOLDER, cable	1	
6	31A-21523-00	PLATE 1	1	
7	31A-21524-00	PLATE 2	1	
8	97313-06016	BOLT	2	
9	92990-06100	WASHER, spring	2	
10	31A-21611-00	FENDER, rear	1	
11	95702-06600	NUT, with washer	2	
12	97011-08016	BOLT	2	
13	92902-08100	WASHER, spring	2	
14	92990-08600	WASHER, plate	2	
15	90119-06108	BOLT, with washer	2	
16	97313-06016	BOLT	2	
17	92990-06100	WASHER, spring	2	
18	92901-06600	WASHER, plate	2	
19	31A-21629-00	GUARD, mud	1	
20	90119-06108	BOLT, with washer	1	
21	90464-12027	CLAMP	1	
22	31A-21645-00	STAY, rear	1	
23	95821-08025	BOLT, flange	2	
24	4G0-21639-00	DAMPER 2	1	
25	31A-21653-00	BOX	1	
26	31A-21651-00-P0	COVER, rear fender	1	UR BLACK METALLIC 2
	31A-21651-00-VA	COVER, rear fender	1	UR DYNASTY BLUE

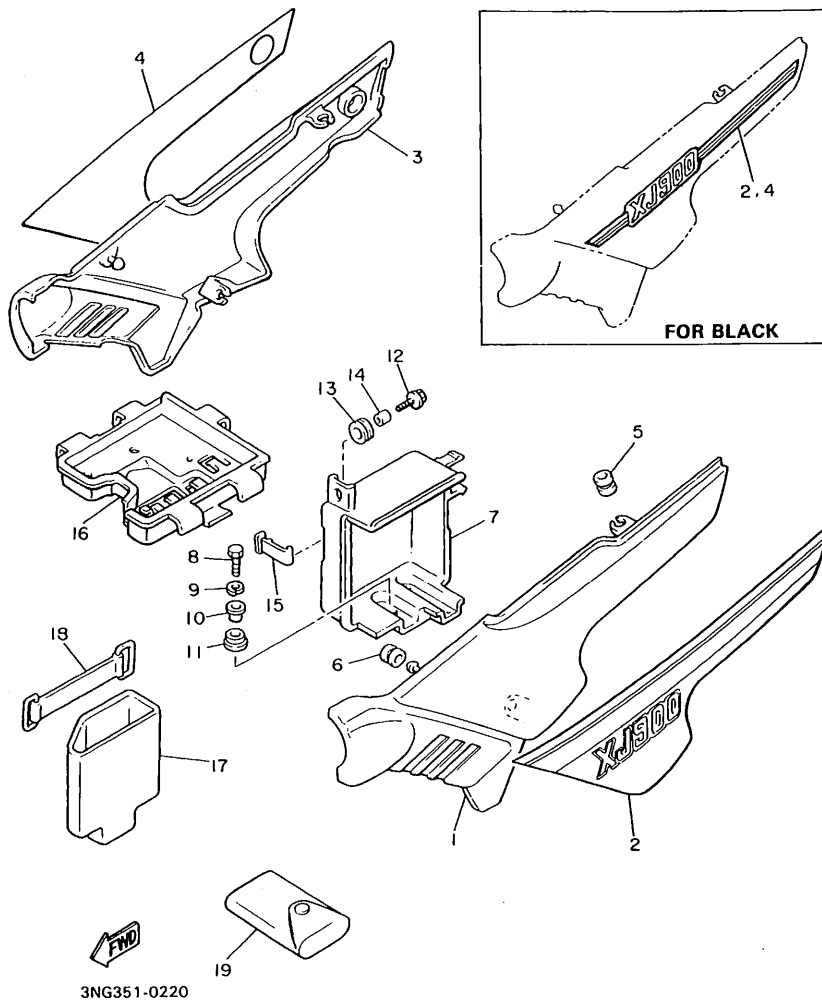
FIG. 21 FENDER



4BB332-1210

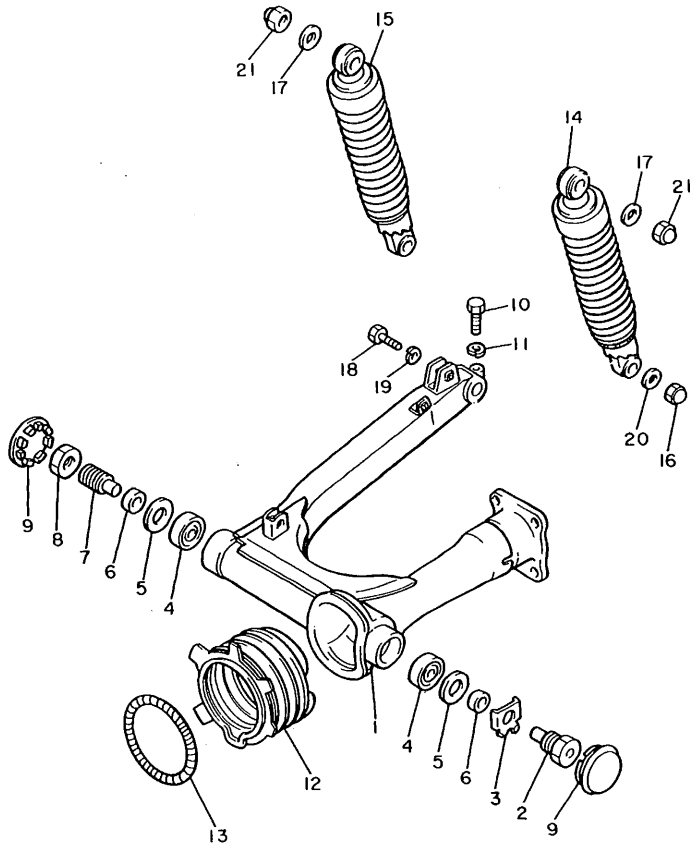
REF. NO.	PART NO.	DESCRIPTION	Q'TY	REMARKS
27	4BB-21660-00	GRAPHIC	1	UR FOR BLACK
	4BB-21660-10	GRAPHIC	1	UR FOR WHITE
28	90119-06044	BOLT, with washer	2	
29	31A-21638-00	DAMPER 1	3	
30	97313-06016	BOLT	2	
31	92990-06100	WASHER, spring	2	
32	90387-06500	COLLAR	2	
33	98506-05010	SCREW, pan head	3	
34	92906-05600	WASHER, plate	3	

FIG. 22 SIDE COVER



REF. NO.	PART NO.	DESCRIPTION	Q'TY	REMARKS
1	31A-21711-01-5Y	COVER, side 1	1	UR BLACK METALLIC/ BLACK
	31A-21711-01-6Y	COVER, side 1	1	UR DYNASTY BLUE/ BLACK
2	4BB-2173E-00	GRAPHIC 1	1	UR FOR BLACK
	4BB-2173E-10	GRAPHIC 1	1	UR FOR WHITE
3	31A-21721-01-5Y	COVER, side 2	1	UR BLACK METALLIC/ BLACK
	31A-21721-01-6Y	COVER, side 2	1	UR DYNASTY BLUE/ BLACK
4	90480-12053	GROMMET	4	
5	90480-01401	GROMMET	2	
6	31A-21240-00	BOX COMP.	1	
7	97011-08025	BOLT	1	
8	92902-08100	WASHER, spring	1	
9	90387-093H1	COLLAR	1	
10	4H7-21746-00	DAMPER	1	
11	90119-06118	BOLT, with washer	1	
12	90480-16233	GROMMET	1	
13	90387-060A7	COLLAR	1	
14	4H7-2175R-00	HOOK, band	1	
15	31A-21170-00	BOX COMP.	1	
16	31A-21245-00	BOX	1	
17	133-82131-00	BAND, battery	1	
18	4BB-2173L-00	GRAPHIC SET 1	1	UR FOR BLACK
	4BB-2173F-10	GRAPHIC 2	1	UR FOR WHITE
19	1FX-28100-00	TOOL KIT	1	

FIG. 23 REAR ARM SUSPENSION



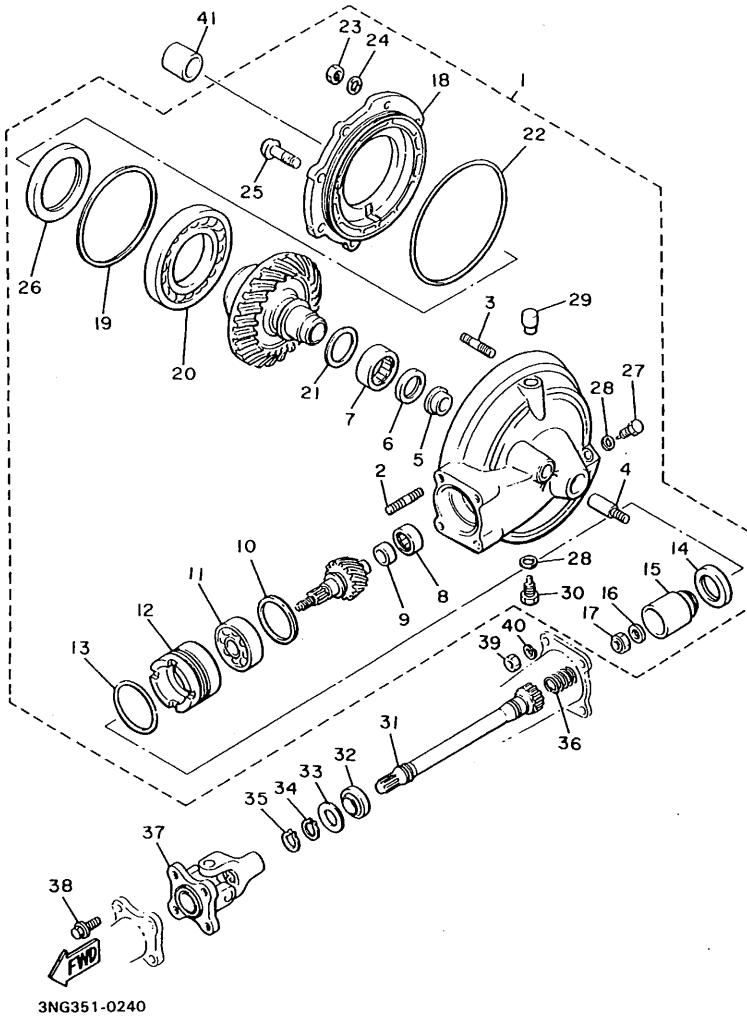
REF. NO.	PART NO.	DESCRIPTION	Q'TY	REMARKS
1	31A-22110-02-35	REAR ARM COMP.	1	SILVER
2	4H7-22141-00	SHAFT, pivot	1	
3	90215-22238	WASHER, lock	1	
4	93332-00010	BEARING	2	
5	93102-25017	OIL SEAL	2	
6	90387-17543	COLLAR	2	
7	1J7-22141-00	SHAFT, pivot	1	
8	1J7-22143-00	NUT	1	
9	5G2-2219X-00	COVER	2	
10	97026-08035	BOLT	1	
11	92906-08100	WASHER, spring	1	
12	4H7-22189-00	BOOT, rubber	1	
13	90506-07136	SPRING, tension	1	
14	3NG-22210-00	SHOCK ABSORBER ASSY, rear	1	
15	3NG-22210-10	SHOCK ABSORBER ASSY, rear	1	
16	90176-10013	NUT, crown	1	
17	90201-10142	WASHER, plate	2	
18	90106-10030	BOLT	1	
19	92990-10100	WASHER, spring	1	
20	90201-10437	WASHER, plate	1	
21	90176-10009	NUT, crown	2	



2HL300-7230

**D4**

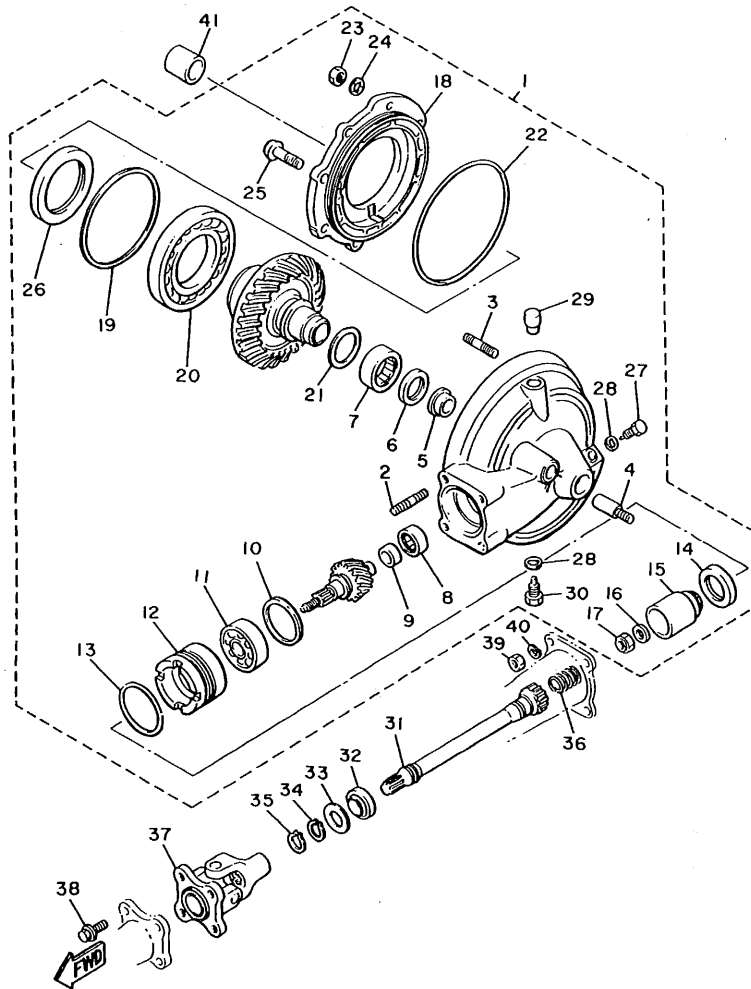
FIG. 24 DRIVE SHAFT



REF. NO.	PART NO.	DESCRIPTION	Q'TY	REMARKS
1	31A-46101-00	REAR AXLE GEAR CASE ASSY	1	
2	90116-10361	.BOLT, stud	4	
3	90116-08360	.BOLT, stud	6	
4	90116-10249	.BOLT, stud	1	
5	4H7-46153-00	.COLLAR, guide	1	
6	93101-30084	.OIL SEAL	1	
7	93311-43729	.BEARING, cylindrical	1	
8	93317-41510	.BEARING, cylindrical	1	
9	2H7-46122-00	.RACE, inner	1	
10	1J7-17537-Y0-15	.SHIM, thrust (0.15T)	1	UR
	1J7-17537-Y0-30	.SHIM, thrust (0.30T)	1	UR
	1J7-17537-Y0-40	.SHIM, thrust (0.40T)	1	UR
	1J7-17537-Y0-50	.SHIM, thrust (0.50T)	1	UR
	1J7-17537-Y0-60	.SHIM, thrust (0.60T)	1	UR
11	93306-30533	.BEARING (B6305RB1 SPECIAL)	1	
12	4H7-46125-00	.RETAINER, bearing	1	
13	93210-60426	.O-RING	1	
14	93101-38098	.OIL SEAL	1	
15	4H7-46123-00	.COUPLING, gear	1	
16	90201-14632	.WASHER, plate	1	
17	90185-14070	.NUT, self-locking	1	
18	4H7-46152-00	.HOUSING, bearing	1	
19	1J7-46117-Y0-25	.SHIM, ring gear (0.25T)	1	UR
	1J7-46117-Y0-30	.SHIM, ring gear (0.30T)	1	UR
	1J7-46117-Y0-40	.SHIM, ring gear (0.40T)	1	UR
	1J7-46117-Y0-45	.SHIM, ring gear (0.45T)	1	UR
	1J7-46117-Y0-50	.SHIM, ring gear (0.50T)	1	UR
20	93316-01403	.BEARING, cylindrical	1	



FIG. 24 DRIVE SHAFT

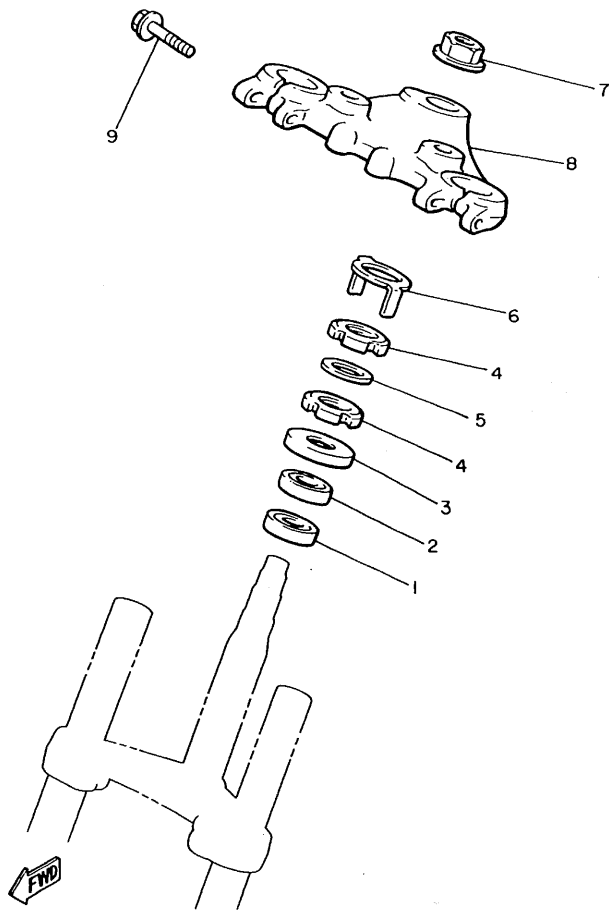


3NG351-0240

REF. NO.	PART NO.	DESCRIPTION	Q'TY	REMARKS
21	22U-46118-00-12	.SHIM, thrust (1.2T)	1	UR
	22U-46118-00-14	.SHIM, thrust (1.4T)	1	UR
	22U-46118-00-16	.SHIM, thrust (1.6T)	1	UR
	22U-46118-00-18	.SHIM, thrust (1.8T)	1	UR
	22U-46118-00-20	.SHIM, thrust (2.0T)	1	UR
22	93211-44348	.O-RING	1	
23	95333-08600	.NUT	6	
24	92901-08700	.WASHER, wave	6	
25	90109-10748	.BOLT	2	
26	93102-70167	.OIL SEAL	1	
27	11H-13455-00	.PLUG	1	
28	214-11198-01	.GASKET	2	
29	2H7-17590-00	.BREATHER COMP.	1	
30	90340-14042	.PLUG, straight screw	1	
31	31A-46172-01	SHAFT, drive	1	
32	93108-23007	OIL SEAL	1	
33	90201-231A2	WASHER, plate	1	
34	93410-23056	CIRCLIP	1	
35	93410-22039	CIRCLIP	1	
36	90501-16491	SPRING, compression	1	
37	31A-46180-00	CROSS JOINT COMP.	1	
38	90105-08155	BOLT, washer based	4	
39	95336-10600	NUT	4	
40	92906-10100	WASHER, spring	4	
41	90387-172A5	COLLAR	1	

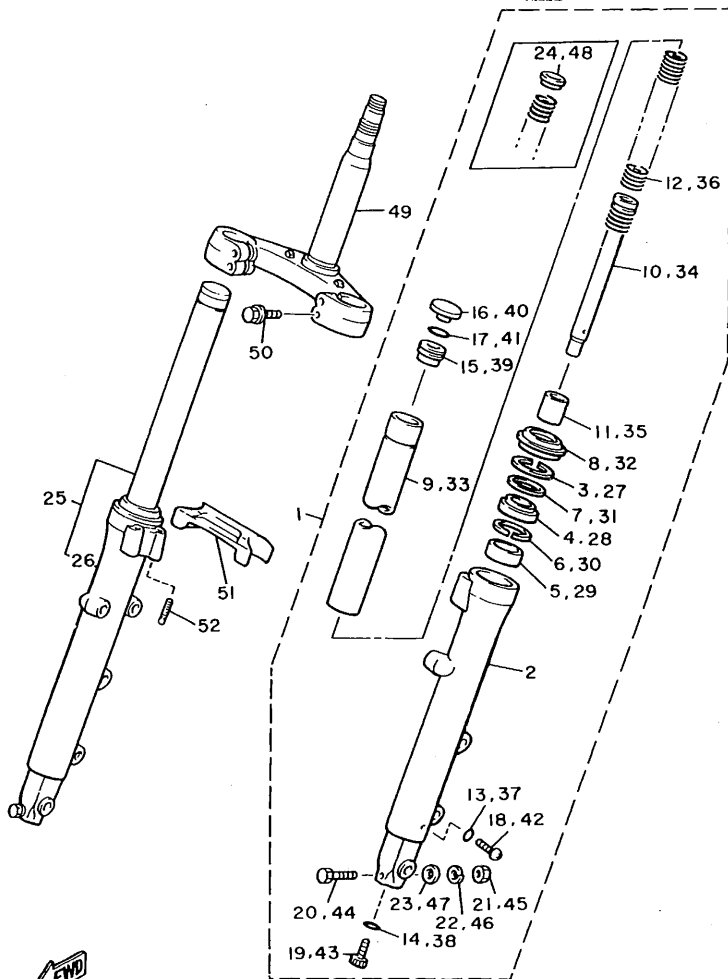
FIG. 25 STEERING

REF. NO.	PART NO.	DESCRIPTION	Q'TY	REMARKS
1	93332-00008	BEARING	1	
2	93332-00023	BEARING	1	
3	1J7-23415-00	COVER, ball race 1	1	
4	90179-25033	NUT	2	
5	90202-26142	WASHER, plate	1	
6	26H-23418-01	WASHER, special	1	
7	90179-22412	NUT	1	
8	29R-23435-01-98	CROWN, handle	1	LOW GLOSS BLACK
9	95826-08045	BOLT, flange	2	



44X171-4250

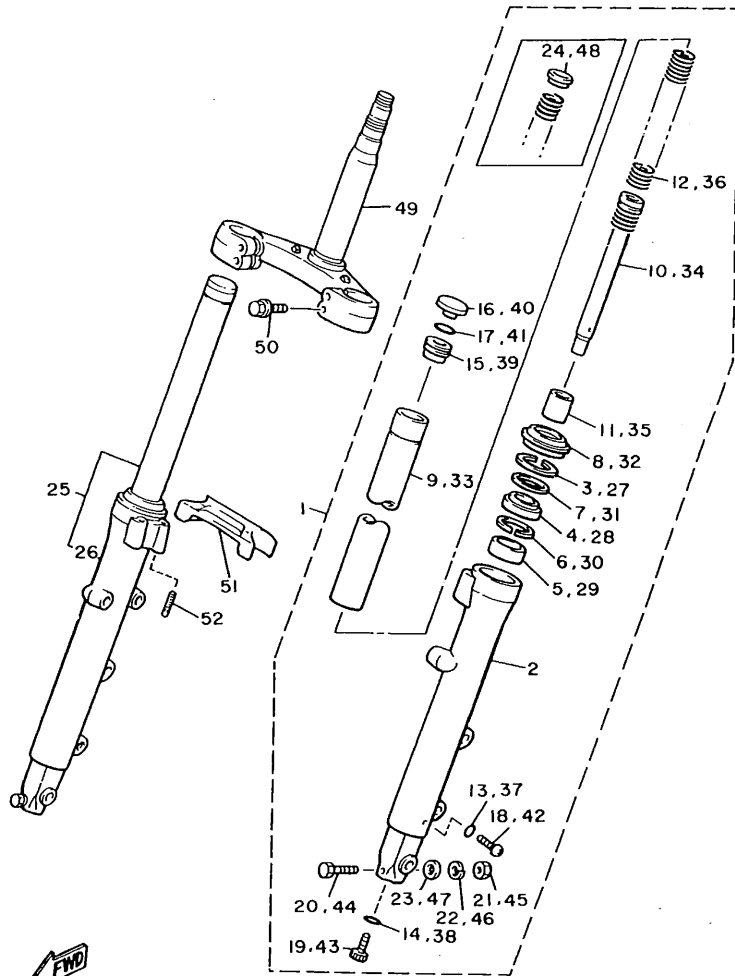
FIG. 26 FRONT FORK



3NG351-0260

REF. NO.	PART NO.	DESCRIPTION	Q'TY	REMARKS
1	1FW-23102-01	FRONT FORK ASSY (L.H)	1	
2	41Y-23126-00	.TUBE, outer 1	1	
3	3R4-23153-00	.RING, snap	1	
4	41Y-23145-00	.OIL SEAL	1	
5	31A-23125-31	.METAL, slide 1	1	
6	31A-23149-31	.WASHER, spring upper	1	
7	41Y-23146-00	.WASHER, oil seal	1	
8	41Y-23144-00	.SEAL, dust	1	
9	1FW-23110-00	.INNER TUBE COMP.1	1	
10	1FW-23170-00	.CYLINDER COMP., front fork	1	
11	5A8-23173-00	.SPINDLE, taper	1	
12	1FW-23141-00	.SPRING, front fork	1	
13	122-23129-00	.GASKET, drain plug	1	
14	509-23158-L0	.GASKET	1	
15	3KM-23111-00	.BOLT, cap	1	
16	26H-23168-00	.CAP, front fork	1	
17	1W1-23114-L0	.GASKET	1	
18	4H7-23119-00	.PLUG, drain	1	
19	278-23181-50	.BOLT, hexagon socket head	1	
20	4U8-23356-10	.BOLT 2	1	
21	95333-08600	.NUT	1	
22	92990-08100	.WASHER, spring	1	
23	92901-08600	.WASHER, plate	2	
24	1W1-23142-L0	.SEAT, spring upper	1	
25	1FW-23103-01	FRONT FORK ASSY (R.H)	1	
26	41Y-23136-00	.TUBE, outer 2	1	
27	3R4-23153-00	.RING, snap	1	
28	41Y-23145-00	.OIL SEAL	1	

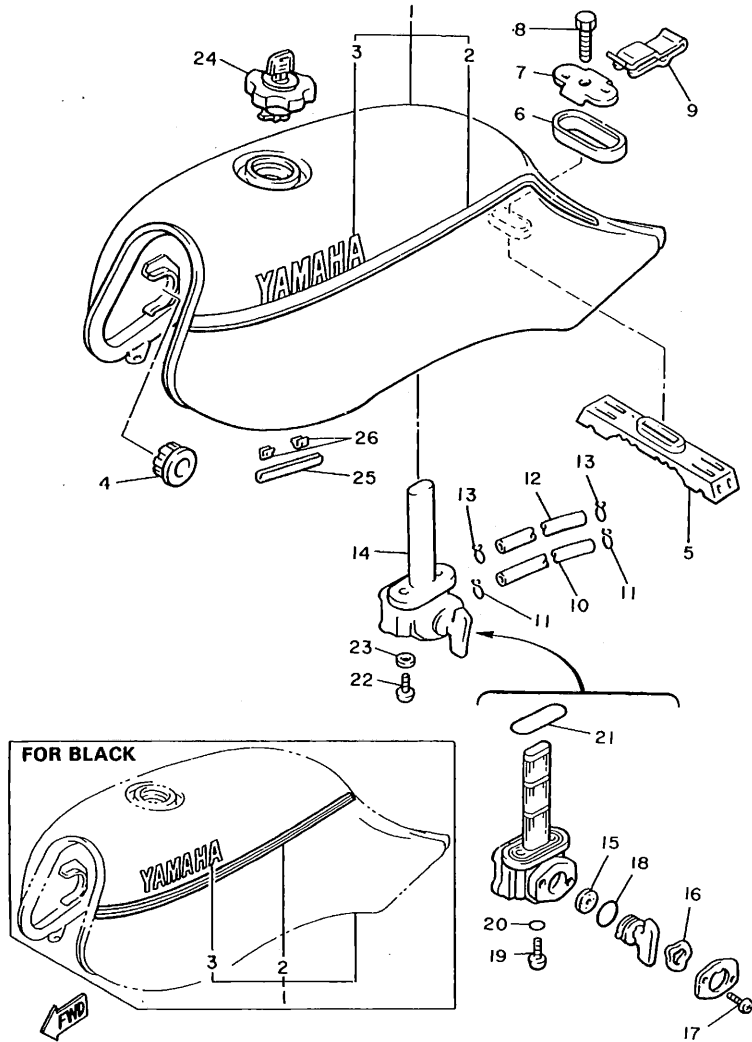
FIG. 26 FRONT FORK



3NG351-0260

REF. NO.	PART NO.	DESCRIPTION	Q'TY	REMARKS
29	31A-23125-31	.METAL, slide 1	1	
30	31A-23149-31	.WASHER, spring upper	1	
31	41Y-23146-00	.WASHER, oil seal	1	
32	41Y-23144-00	.SEAL, dust	1	
33	1FW-23110-00	.INNER TUBE COMP.1	1	
34	1FW-23170-00	.CYLINDER COMP., front fork	1	
35	5A8-23173-00	.SPINDLE, taper	1	
36	1FW-23141-00	.SPRING, front fork	1	
37	122-23129-00	.GASKET, drain plug	1	
38	509-23158-L0	.GASKET	1	
39	3KM-23111-00	.BOLT, cap	1	
40	26H-23168-00	.CAP, front fork	1	
41	1W1-23114-L0	.GASKET	1	
42	4H7-23119-00	.PLUG, drain	1	
43	278-23181-50	.BOLT, hexagon socket head	1	
44	4U8-23356-10	.BOLT 2	1	
45	95333-08600	.NUT	1	
46	92990-08100	.WASHER, spring	1	
47	92901-08600	.WASHER, plate	2	
48	1W1-23142-L0	.SEAT, spring upper	1	
49	1FW-23340-00	UNDER BRACKET COMP.	1	
50	18G-23128-00	BOLT, axle holder	4	
51	31A-2313A-30	BRACE, fork	1	
52	31A-23181-30	BOLT, hexagon socket head	4	

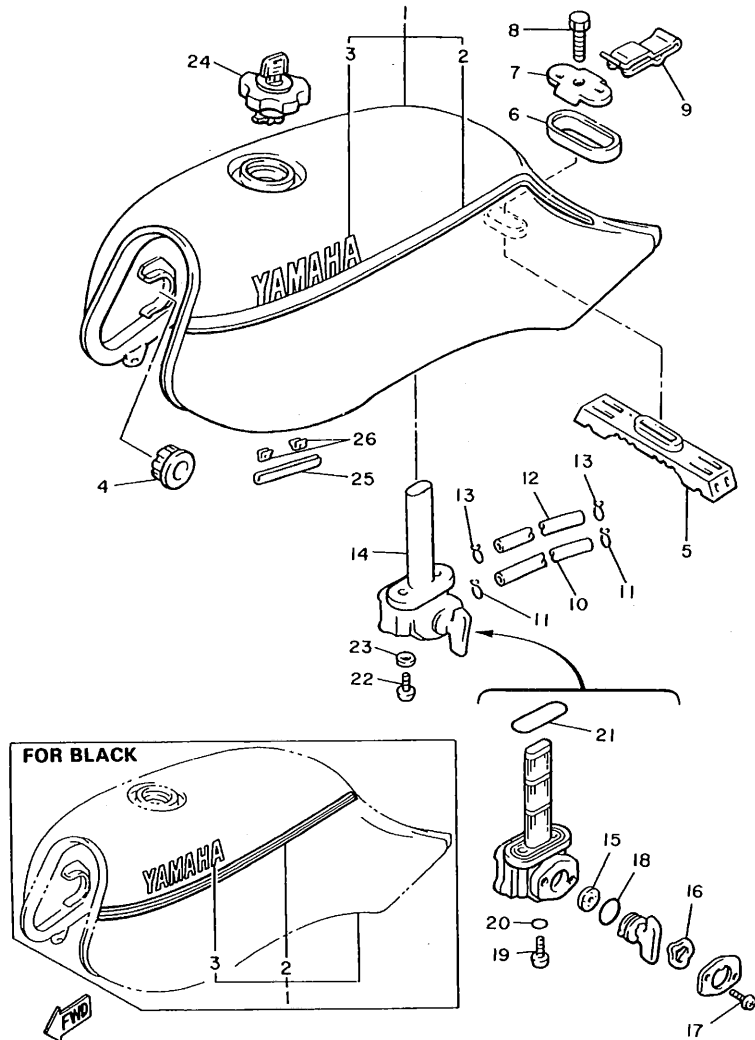
FIG. 27 FUEL TANK



3NG351-0270

REF. NO.	PART NO.	DESCRIPTION	Q'TY	REMARKS
1	31A-24110-00-W2	FUEL TANK COMP.	1	UR BLACK METALLIC 2
	31A-24110-00-W3	FUEL TANK COMP.	1	UR SILKY WHITE/ DYNASTY BLUE UR FOR BLACK
2	4BB-24240-00	.GRAPHIC SET	1	UR FOR BLACK
	4BB-24240-10	.GRAPHIC SET	1	UR FOR WHITE
3	99225-00040	.EMBLEM, yamaha	2	UR FOR BLACK
	99224-00045	.EMBLEM, yamaha	2	UR FOR WHITE
4	4H7-24181-00	DAMPER, locating 1	2	
5	31A-24182-00	DAMPER, locating 2	1	
6	4K0-24183-00	DAMPER, locating 3	1	
7	4K0-24186-00	WASHER, special	1	
8	90109-08579	BOLT	1	
9	4K0-2411M-00	CLIP	1	
10	90445-11501	HOSE	1	
11	90467-10008	CLIP	2	
12	90445-09500	HOSE	1	
13	90467-08021	CLIP	2	
14	31A-24500-01	FUEL COCK ASSY 1	1	
15	16G-24523-00	.VALVE	1	
16	16G-24518-00	.WASHER, wave	1	
17	98503-03008	.SCREW, pan head	2	
18	2G2-24512-00	.O-RING	1	
19	98580-06008	.SCREW, pan head	1	
20	2G2-24522-00	.GASKET	1	
21	2G2-24534-00	.O-RING	1	
22	90149-06008	SCREW	2	
23	90202-06010	WASHER, plate	2	
24	41Y-24602-01	CAP ASSY	1	
25	31A-24188-00	MOLD, fuel tank	2	

FIG. 27 FUEL TANK

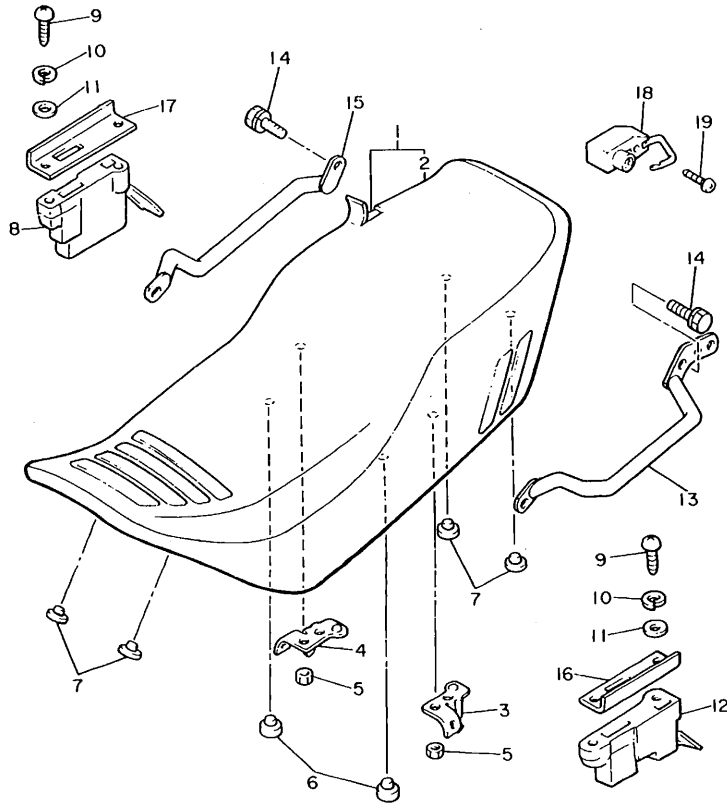


REF. NO.	PART NO.	DESCRIPTION	Q'TY	REMARKS
26	90468-03063	CLIP	4	

3NG351-0270

D11

FIG. 28 SEAT



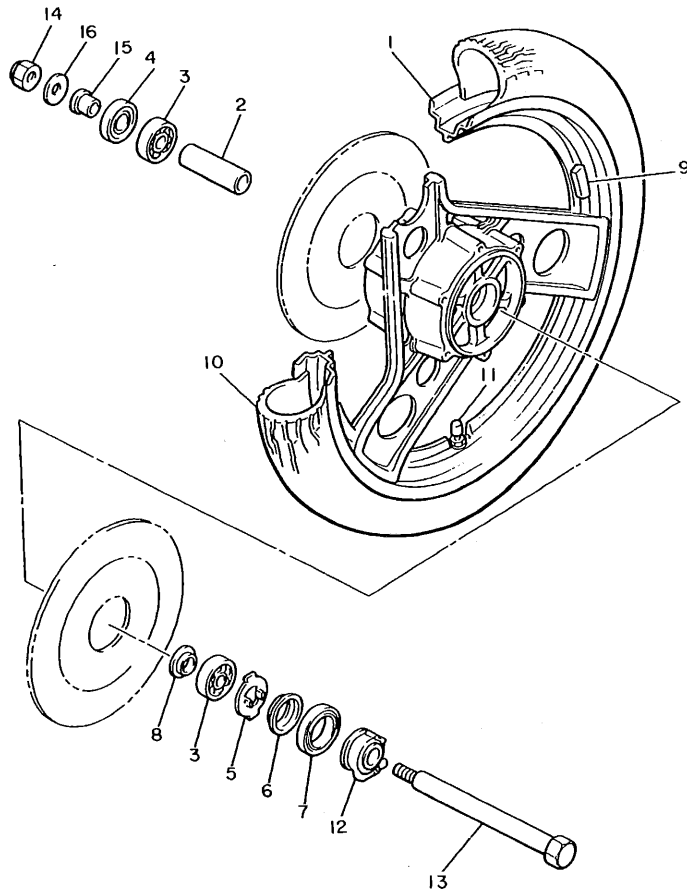
REF. NO.	PART NO.	DESCRIPTION	Q'TY	REMARKS
1	31A-W2472-00	DOUBLE SEAT ASSY	1	BLACK
2	31A-24731-00	.COVER, seat	1	BLACK
3	31A-24728-00	BRACKET, seat	1	
4	31A-24738-00	BRACKET, seat	1	
5	95701-06500	NUT, flange	4	
6	278-27114-A0	STOPPER, main stand	2	
7	509-24724-00	DAMPER, seat	2	
8	41Y-24705-01	SEAT LOCK ASSY	1	
9	98501-06020	SCREW, pan head	4	
10	92990-06100	WASHER, spring	4	
11	92990-06600	WASHER, plate	4	
12	31A-24760-00	SEAT LEVER ASSY	1	
13	31A-21165-00	HANDLE, standing	1	
14	95816-08020	BOLT, flange	2	
15	31A-21275-00	STAY, rear	1	
16	31A-2476A-00	PLATE, guide 1	1	
17	31A-2476E-00	PLATE, guide 2	1	
18	26H-21308-00	HELMET HANGER ASSY	1	
19	90149-06154	SCREW	1	



3NG332-9280

D12

FIG. 29 FRONT WHEEL



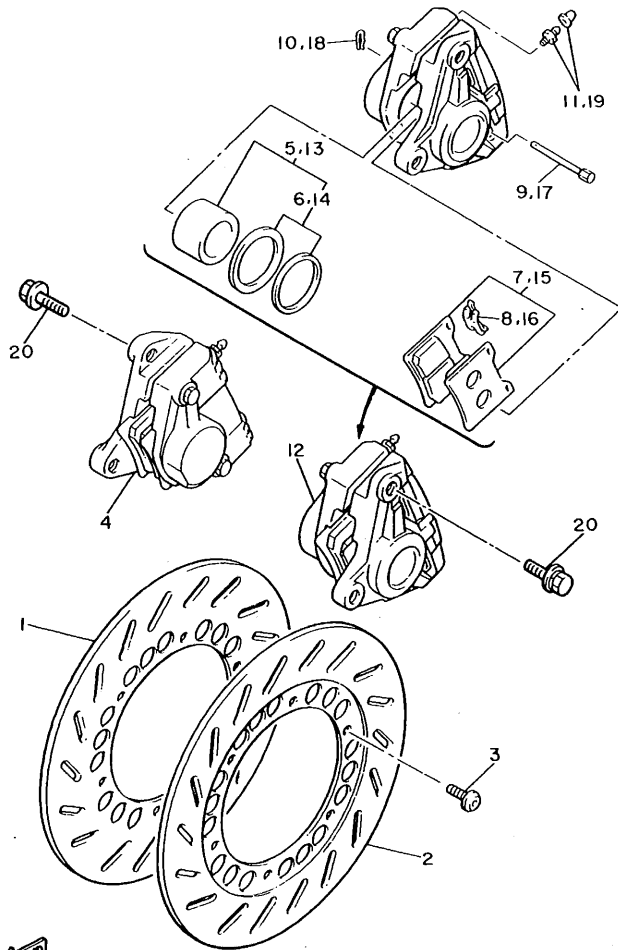
REF. NO.	PART NO.	DESCRIPTION	Q'TY	REMARKS
1	31E-25168-00-WG	CAST WHEEL, front	1	HI TECH SILVER
2	90560-15116	SPACER	1	
3	93306-30203	BEARING (B6302Z)	2	
4	93102-22014	OIL SEAL	1	
5	341-25149-00	CLUTCH, meter	1	
6	341-25846-00	RETAINER, clutch	1	
7	93105-45017	OIL SEAL	1	
8	146-25115-00	FLANGE, spacer 1	1	
9	29L-25398-00	BALANCER, wheel (10G)	1	UR
	29L-25398-10	BALANCER, wheel (20G)	1	UR
	29L-25398-20	BALANCER, wheel (30G)	1	UR
10	.	TIRE (100/90-V18 MT29 PHANTOM)	1	LM PIRELLI
11	93900-00031	VALVE, rim	1	
12	31A-25190-00	GEAR UNIT ASSY	1	
13	31A-25181-00	AXLE, wheel	1	
14	95601-14100	NUT, u	1	
15	90387-15550	COLLAR	1	
16	92990-14200	WASHER, plain	1	



44X171-4290



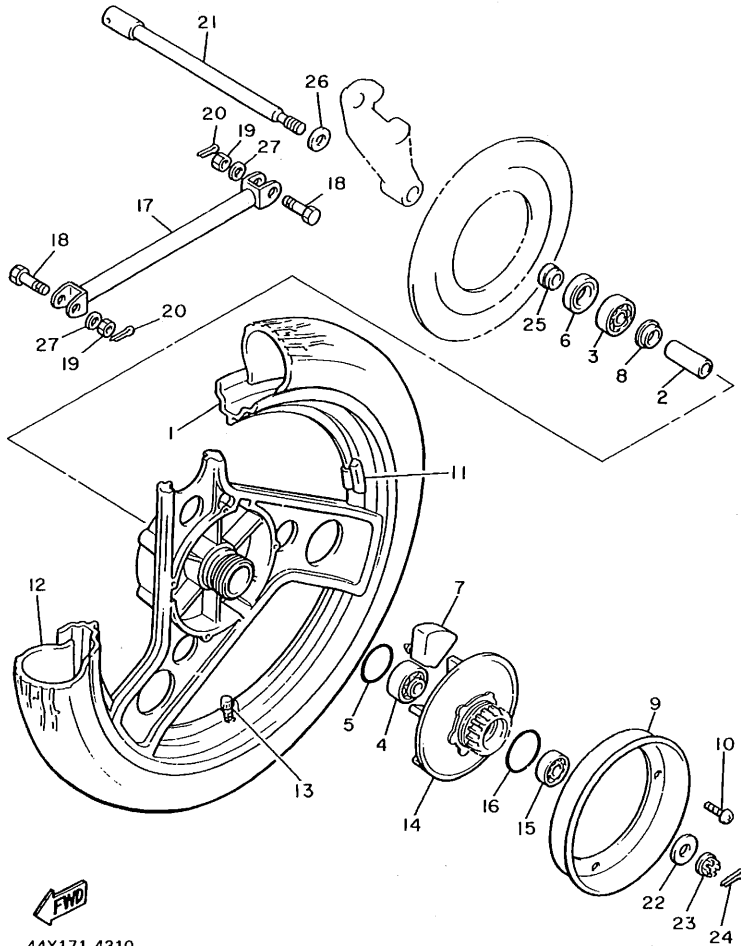
FIG. 30 FRONT BRAKE CALIPER



3NG332-9300

REF. NO.	PART NO.	DESCRIPTION	Q'TY	REMARKS
1	29L-25831-00	DISC, brake (RIGHT)	1	
2	29L-25831-10	DISC, brake (LEFT)	1	
3	90109-08718	BOLT	12	
4	51H-25810-01	CALIPER ASSY (RIGHT)	1	
5	31A-W0057-00	.PISTON ASSY, caliper	1	
6	31A-W0047-00	..CALIPER SEAL KIT	1	
7	26H-W0045-11	.BRAKE PAD KIT	1	
8	29L-25919-00	.SUPPORT, pad	1	
9	1KT-25924-00	.PIN, pad	2	
10	26H-25925-00	.CLIP	2	
11	1J3-W0048-00	.BREED SCREW KIT	1	
12	51H-25810-11	CALIPER ASSY (LEFT)	1	
13	31A-W0057-00	.PISTON ASSY, caliper	1	
14	31A-W0047-00	..CALIPER SEAL KIT	1	
15	26H-W0045-11	.BRAKE PAD KIT	1	
16	29L-25919-00	.SUPPORT, pad	1	
17	1KT-25924-00	.PIN, pad	2	
18	26H-25925-00	.CLIP	2	
19	1J3-W0048-00	.BREED SCREW KIT	1	
20	90105-10308	BOLT, washer based	4	

FIG. 31 REAR WHEEL

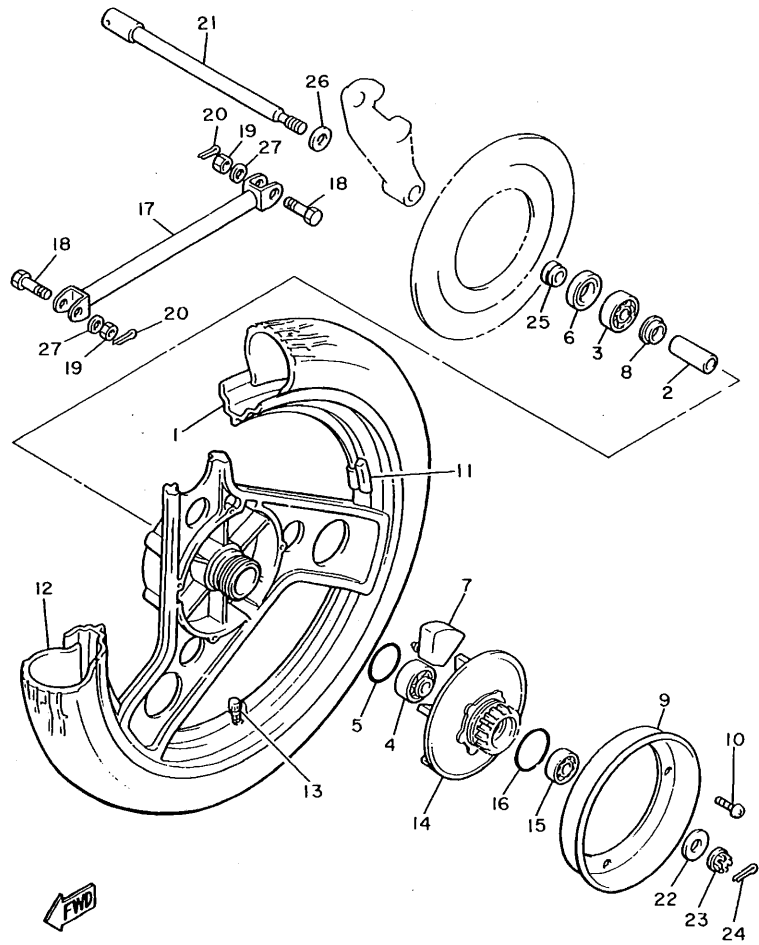



44X171-4310

REF. NO.	PART NO.	DESCRIPTION	Q'TY	REMARKS
1	31E-25338-20-WG	CAST WHEEL, rear	1	HI TECH SILVER
2	90560-17204	SPACER	1	
3	93306-30306	BEARING (B6303)	1	
4	93302-20306	BEARING	1	
5	93210-48530	O-RING	1	
6	93102-25044	OIL SEAL	1	
7	4G0-25364-00	DAMPER	6	
8	1A1-25115-00	FLANGE, spacer 1	1	
9	31A-25327-00	COVER, plate	1	
10	98501-05010	SCREW, pan head	4	
11	29L-25398-00	BALANCER, wheel (10G)	1	UR
	29L-25398-10	BALANCER, wheel (20G)	1	UR
	29L-25398-20	BALANCER, wheel (30G)	1	UR
12	.	TIRE (120/90-V18 MT28)	1	LM PIRELLI
13	93900-00031	VALVE, rim	1	
14	31A-25366-00	CLUTCH, hub	1	
15	93306-20310	BEARING (B6203DU)	1	
16	93210-57428	O-RING	1	
17	31A-25371-00	BAR, tension	1	
18	90102-10056	BOLT, with hole	2	
19	90170-10219	NUT	2	
20	91401-20015	PIN, cotter	2	
21	31A-25381-00	AXLE, wheel	1	
22	90201-144J5	WASHER, plate	1	
23	90179-14217	NUT	1	
24	91401-30030	PIN, cotter	1	
25	90387-170J6	COLLAR	1	
26	56W-25377-00	COLLAR, wheel	1	

FIG. 31 REAR WHEEL

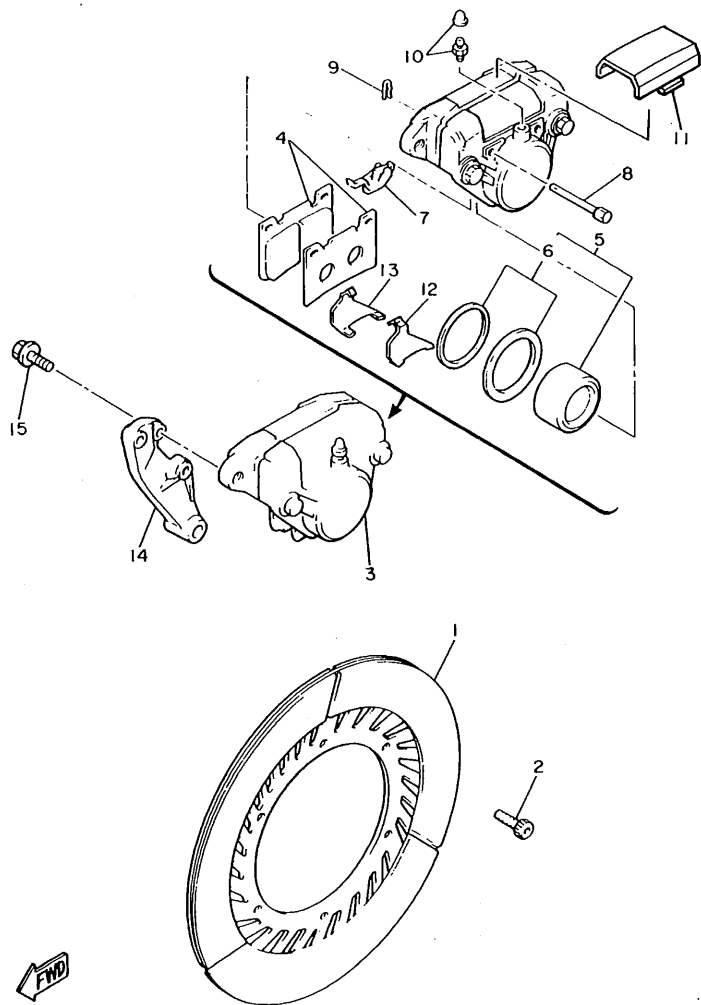
REF. NO.	PART NO.	DESCRIPTION	Q'TY	REMARKS
27	92906-10200	WASHER	2	



  
44X171-4310

**E2**

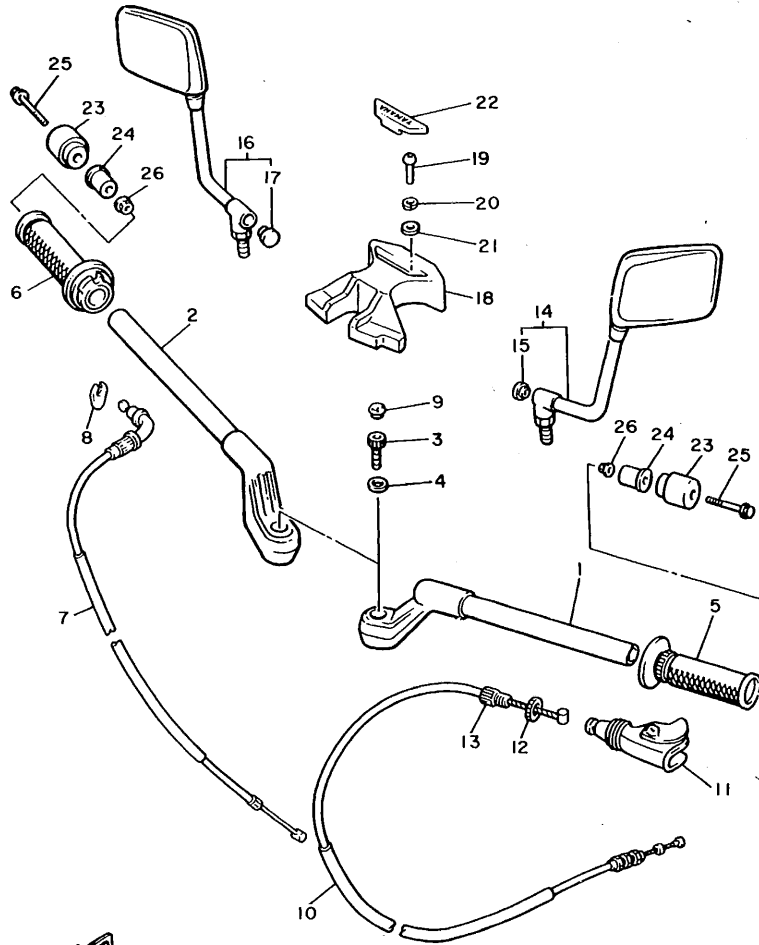
FIG. 32 REAR BRAKE CALIPER



REF. NO.	PART NO.	DESCRIPTION	Q'TY	REMARKS
1	31A-25831-51	DISC, brake	1	
2	90109-08718	BOLT	6	
3	41Y-25810-52	CALIPER ASSY	1	
4	1FK-W0046-01	.BRAKE PAD KIT, 2	1	
5	31A-W0057-00	.PISTON ASSY, caliper	1	
6	31A-W0047-00	..CALIPER SEAL KIT	1	
7	1J3-W0048-00	.BREED SCREW KIT	1	
8	41Y-25836-00	.COVER, dust	1	
9	1KT-25924-00	.PIN, pad	2	
10	26H-25925-00	.CLIP	2	
11	26H-25919-00	.SUPPORT, pad	1	
12	1FK-25827-00	.SHIM, caliper	1	
13	1FK-25828-00	.SHIM, caliper	1	
14	31A-25819-00	BRACKET, caliper	1	
15	90105-10308	BOLT, washer based	2	

3NG332-9320

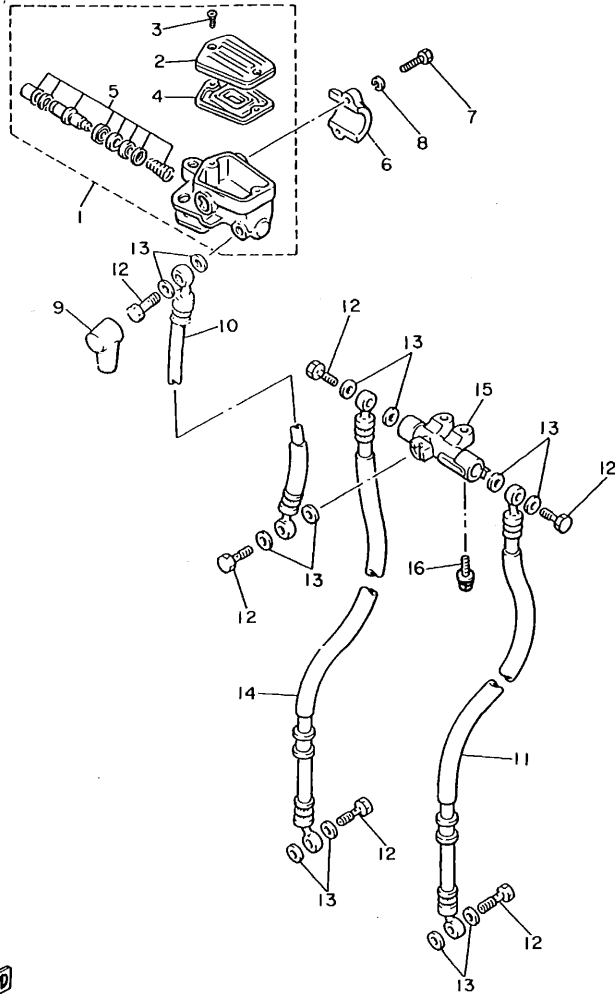
FIG. 33 STEERING HANDLE CABLE



3NG351-0330

REF. NO.	PART NO.	DESCRIPTION	Q'TY	REMARKS
1	29R-26121-01	HANDLEBAR (LEFT)	1	
2	29R-26122-02	HANDLEBAR (RIGHT)	1	
3	90101-12480	BOLT	2	
4	92990-12200	WASHER, plain	2	
5	31A-26241-00	GRIP (LEFT)	1	
6	31A-26240-00	GRIP ASSY	1	
7	31A-26311-00	CABLE, throttle 1	1	
8	5H0-26393-00	HOLDER	1	
9	31A-23469-02	CAP, bolt	2	
10	31A-26335-01	CABLE, clutch	1	
11	31A-26372-00	COVER, handle lever 1	1	
12	90179-08148	NUT	1	
13	90123-08046	BOLT	1	
14	36Y-26290-G0	BACK MIRROR ASSY (LEFT)	1	
15	36Y-26133-00	.CAP	1	
16	36Y-26290-T0	BACK MIRROR ASSY (RIGHT)	1	
17	36Y-26133-00	.CAP	1	
18	31A-26213-00	COVER, upper	1	
19	92516-06030	SCREW, pan head	2	
20	92906-06100	WASHER, spring	2	
21	92906-06600	WASHER, plate	2	
22	31A-26216-00	CAP, handlebar cover	1	
23	58L-26246-00	END, grip	2	
24	58L-2622F-00	DAMPER, locating 1	2	
25	91311-06080	BOLT	2	
26	90179-06403	NUT	2	

FIG. 34 FRONT MASTER CYLINDER

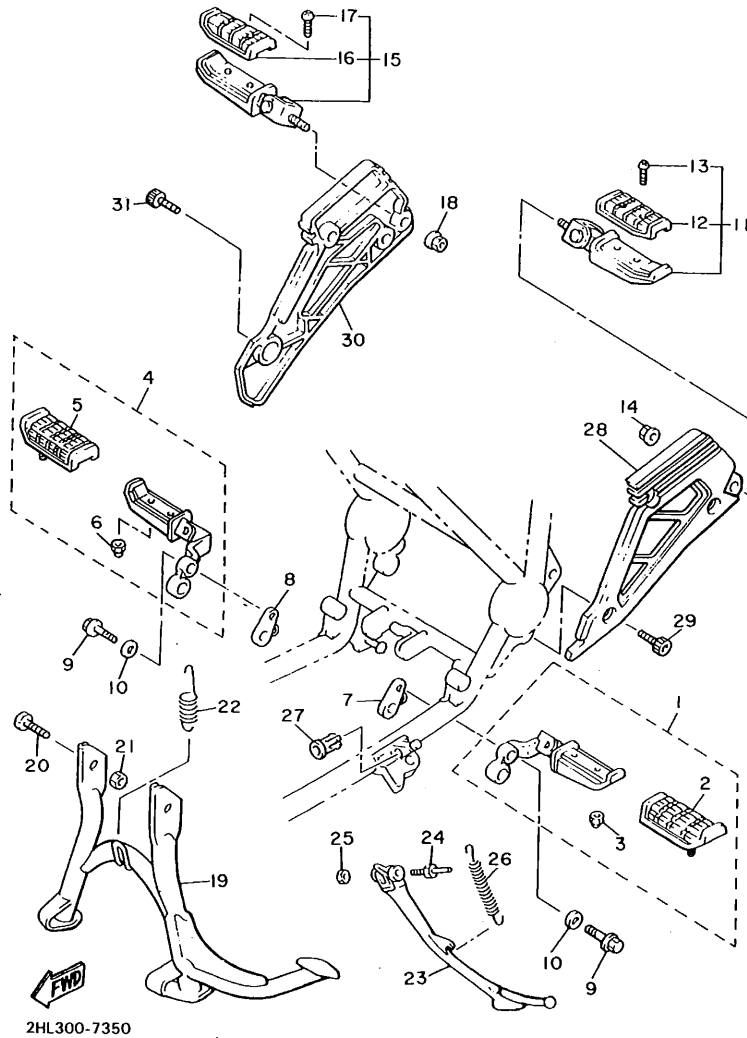


REF. NO.	PART NO.	DESCRIPTION	Q'TY	REMARKS
1	36Y-25850-01	MASTER CYLINDER ASSY	1	
2	36Y-25852-01	.CAP, reservoir	1	
3	98706-04012	.SCREW, flat head	2	
4	36Y-25854-00	.DIAPHRAGM, reservoir	1	
5	36Y-W0041-00	.CYLINDER KIT, master	1	
6	36Y-25867-00	BRACKET, master cylinder	1	
7	91316-06025	BOLT	2	
8	92906-06100	WASHER, spring	2	
9	4L0-25862-00	BOOT, master cylinder	1	
10	4K0-25872-00	HOSE, brake 1	1	
11	31A-25873-02	HOSE, brake 2	1	
12	90401-10096	BOLT, union	6	
13	90201-10118	WASHER, plate	12	
14	31A-25873-12	HOSE, brake 2	1	
15	1FW-25885-00	JOINT	1	
16	91316-06025	BOLT	2	



3NG332-9340

FIG. 35 STAND • FOOTREST

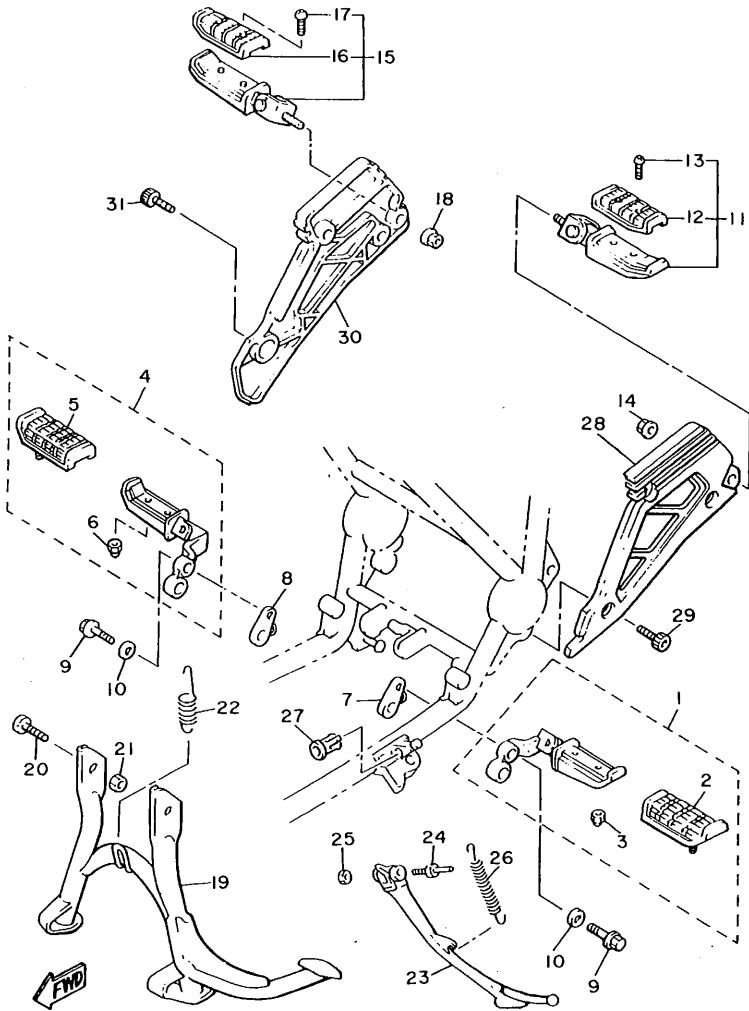


2HL300-7350

REF. NO.	PART NO.	DESCRIPTION	Q'TY	REMARKS
1	41Y-27410-00	FRONT FOOTREST ASSY (LEFT)	1	
2	22N-27413-00	.COVER, footrest	1	
3	95601-06100	.NUT, u	2	
4	41Y-27420-00	FRONT FOOTREST ASSY (RIGHT)	1	
5	22N-27413-00	.COVER, footrest	1	
6	95601-06100	.NUT, u	2	
7	31A-27412-01	BRACKET, footrest 1	1	
8	31A-27422-01	BRACKET, footrest 2	1	
9	95811-10035	BOLT, flange	2	
10	90201-105A2	WASHER, plate	2	
11	29L-27430-00	REAR FOOTREST ASSY 1	1	
12	22N-27433-00	.COVER, rear footrest	1	
13	98506-05010	.SCREW, pan head	2	
14	95701-10500	NUT, flange	1	
15	29L-27440-00	REAR FOOTREST ASSY 2	1	
16	22N-27433-00	.COVER, rear footrest	1	
17	98506-05010	.SCREW, pan head	2	
18	95701-10500	NUT, flange	1	
19	31A-27111-00-R4	STAND, main	1	BLACK (FOR ELECTRODEPOSIT)
20	90109-10606	BOLT	2	
21	90185-10060	NUT, self-locking	2	
22	90506-40348	SPRING, tension	1	
23	31E-27311-00-R4	STAND, side	1	BLACK (FOR ELECTRODEPOSIT)
24	90109-10590	BOLT	1	
25	90185-10037	NUT, self-locking	1	
26	90507-29033	SPRING, tension	1	
27	5G2-27351-00	GUIDE, side stand	1	
28	31A-27442-00	BRACKET 2	1	

FIG. 35 STAND • FOOTREST

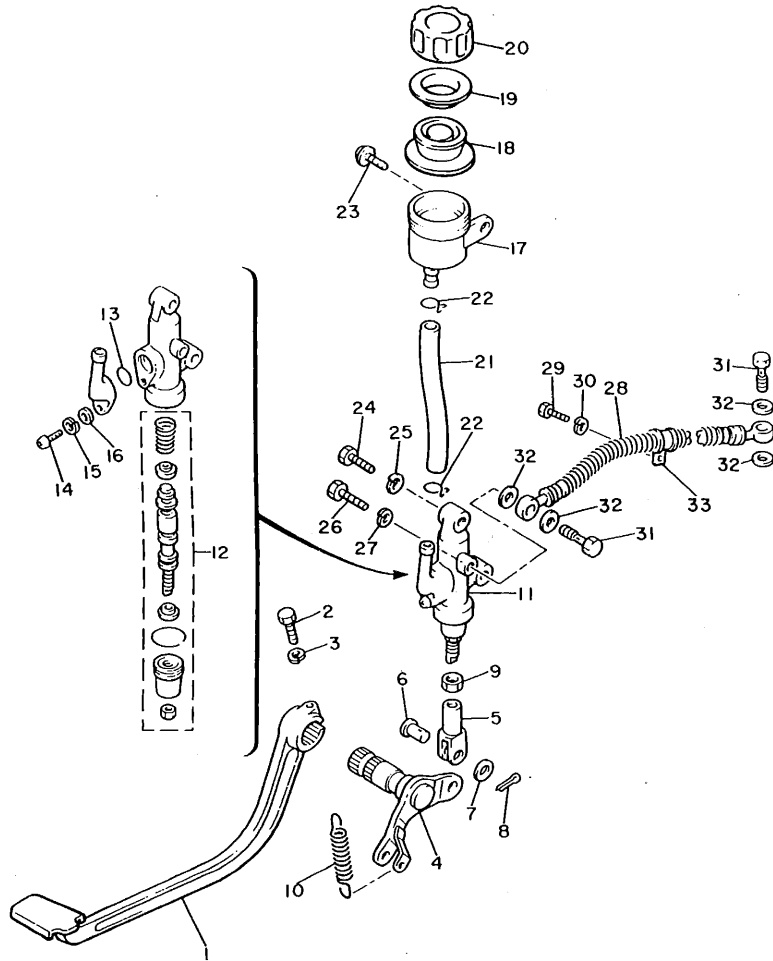
REF. NO.	PART NO.	DESCRIPTION	Q'TY	REMARKS
29	91311-10025	BOLT	2	
30	31A-27443-00	BRACKET 3	1	
31	91311-10020	BOLT	2	



2HL300-7350



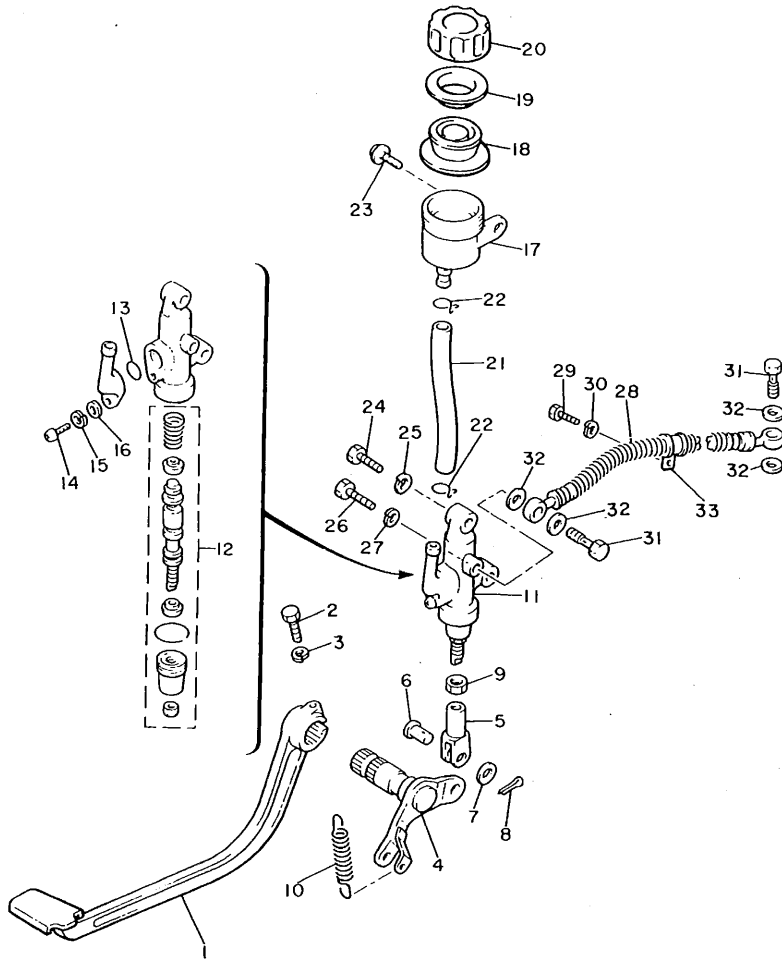
FIG. 36 REAR MASTER CYLINDER



3NG332-9360

REF. NO.	PART NO.	DESCRIPTION	Q'TY	REMARKS
1	41Y-27211-00	PEDAL, brake	1	
2	90109-06468	BOLT	1	
3	92990-06100	WASHER, spring	1	
4	31A-27212-00	SHAFT, brake pedal	1	
5	31A-27222-00	JOINT	1	
6	90240-08013	PIN, clevis	1	
7	90201-08083	WASHER, plate	1	
8	91401-20015	PIN, cotter	1	
9	95303-08700	NUT	1	
10	90506-20249	SPRING, tension	1	
11	31A-25850-50	MASTER CYLINDER ASSY	1	
12	31A-W0042-50	.CYLINDER KIT, master	1	
13	93210-15620	.O-RING	1	
14	98506-04012	.SCREW, pan head	1	
15	92906-04100	.WASHER, spring	1	
16	92906-04600	.WASHER, plate	1	
17	31A-25894-01	TANK, reservoir	1	
18	360-25854-00	DIAPHRAGM, reservoir	1	
19	2GU-25855-00	BUSH, diaphragm	1	
20	2KF-25852-50	CAP, reservoir	1	
21	31A-25895-00	HOSE, reservoir	1	
22	90601-11525	NYLON CLIP 1	2	
23	90159-06056	SCREW, with washer	1	
24	97016-08025	BOLT	1	
25	92906-08100	WASHER, spring	1	
26	97026-08035	BOLT	1	
27	92906-08100	WASHER, spring	1	
28	31A-25872-51	HOSE, brake 1	1	

FIG. 36 REAR MASTER CYLINDER

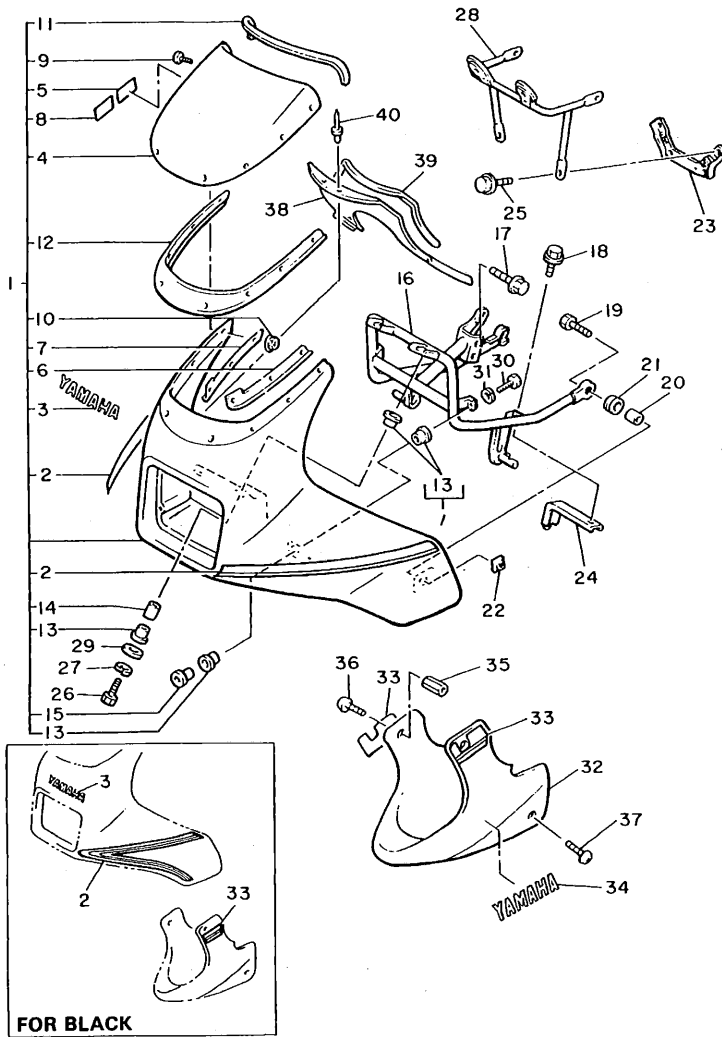


REF. NO.	PART NO.	DESCRIPTION	Q'TY	REMARKS
29	97026-06012	BOLT	1	
30	92906-06100	WASHER, spring	1	
31	90401-10096	BOLT, union	2	
32	90201-10118	WASHER, plate	4	
33	90461-08031	CLAMP	1	



3NG332-9360

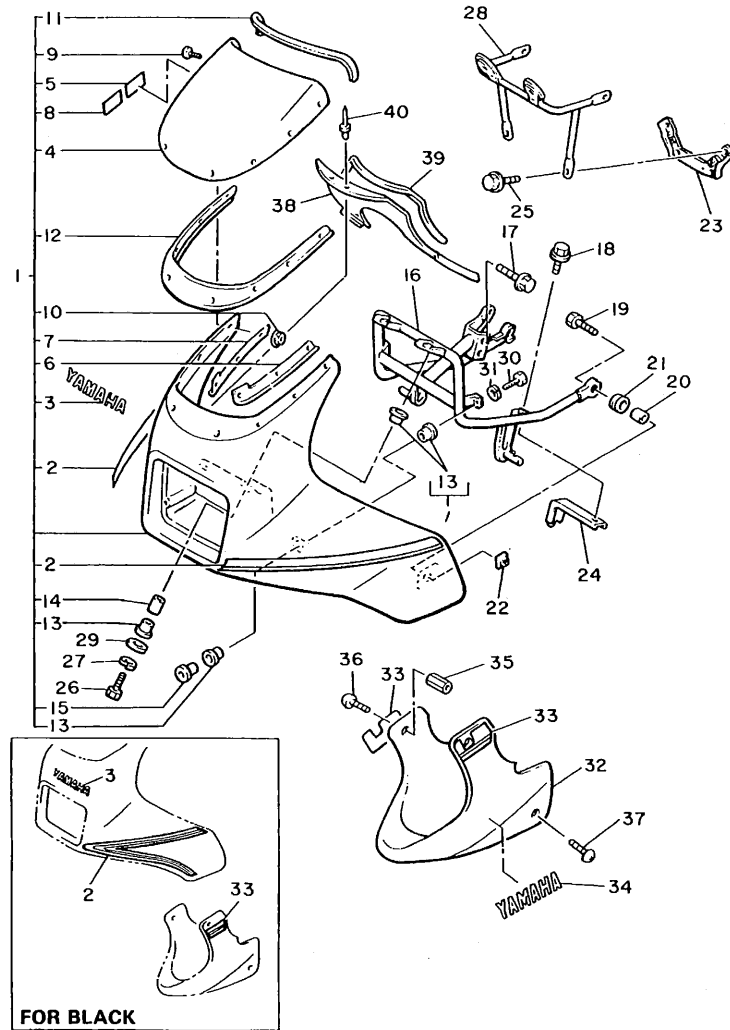
FIG. 37 COWLING 1



4BB332-1370

REF. NO.	PART NO.	DESCRIPTION	Q'TY	REMARKS
1	53U-Y2835-60-P0	COWLING ASS'Y	1	UR BLACK METALLIC 2
	53U-Y2835-70-4Y	COWLING ASS'Y	1	UR SILKY WHITE/ DYNASTY BLUE
2	4BB-28390-00	.GRAPHIC SET, cowling	1	UR FOR BLACK
	4BB-28390-10	.GRAPHIC SET, cowling	1	UR FOR WHITE
3	99235-00025	.EMBLEM, yamaha	1	UR FOR BLACK
	99234-00020	.EMBLEM, yamaha	1	UR FOR WHITE
4	2HL-28381-00	.WINDSHIELD	1	
5	3JJ-2835Y-00	.LABEL, caution	1	ENGLISH
6	42N-28335-00	.PLATE	1	
7	42N-28336-00	.PLATE	1	
8	3JJ-2835Y-10	.LABEL, caution	1	FRENCH
9	90150-05023	.SCREW, round head	8	
10	95706-05500	.NUT, flange	8	
11	42N-28376-00	.TRIM	1	
12	31A-28345-00	.MOLE 1	1	
13	90480-22362	.GROMMET	8	
14	90560-08237	.SPACER	2	
15	90387-050J5	.COLLAR	2	
16	42N-28356-00	STAY 1	1	
17	95816-08012	BOLT, flange	3	
18	90119-06108	BOLT, with washer	2	
19	98006-06020	BOLT	2	
20	90387-067K8	COLLAR	2	
21	90480-18276	GROMMET	2	
22	42N-28317-00	NUT, emblem	2	
23	42N-28357-00	STAY 2	1	
24	42N-2831U-00	STAY, side 1	2	
25	95826-06010	BOLT, flange	2	

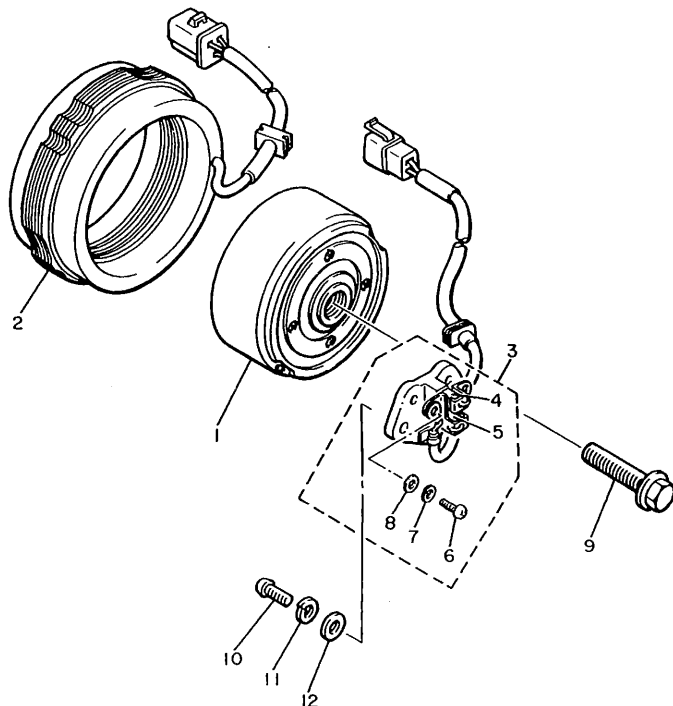
FIG. 37 COWLING 1



REF. NO.	PART NO.	DESCRIPTION	Q'TY	REMARKS
26	97006-06035	BOLT	2	
27	92906-06100	WASHER, spring	2	
28	42N-28358-00	STAY 3	1	
29	90201-06074	WASHER, plate	2	
30	97016-06016	BOLT	2	
31	92906-06100	WASHER, spring	2	
32	42N-28385-00-GE	COVER, lower	1	UR SILKY WHITE
	42N-28385-00-P0	COVER, lower	1	UR BLACK METALLIC 2
33	4BB-28301-00	GRAPHIC SET, lower cover 1	1	UR FOR BLACK
	4BB-28301-10	GRAPHIC SET, lower cover 1	1	UR FOR WHITE
34	99235-00055	EMBLEM, yamaha	2	UR FOR BLACK
	99234-00055	EMBLEM, yamaha	2	UR FOR WHITE
35	42N-2834K-00	BOSS	2	
36	90154-05001	SCREW, binding	2	
37	90154-06014	SCREW, binding	2	
38	53U-2836K-01	PANEL, inner 1	1	
39	53U-28376-00	TRIM	1	
40	90269-05039	RIVET	4	

4BB332-1370

FIG. 38 GENERATOR



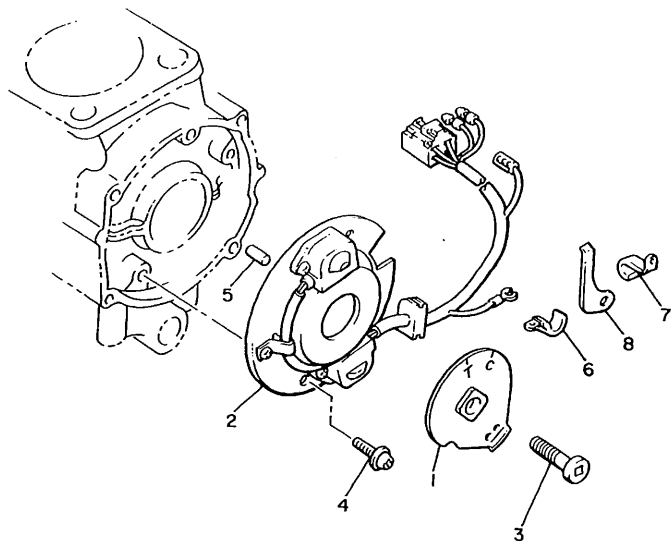
REF. NO.	PART NO.	DESCRIPTION	Q'TY	REMARKS
1	4H7-81650-10	ROTOR ASSY	1	
2	4H7-81610-10	STATOR ASSY	1	
3	4H7-81619-10	BRUSH HOLDER ASSY	1	
4	46X-81611-10	.BRUSH 1	1	
5	4G0-81612-10	.BRUSH 2	1	
6	98511-04012	.SCREW, pan head	2	
7	92901-04100	.WASHER, spring	2	
8	92901-04600	.WASHER, plate	2	
9	90105-10152	BOLT, washer based	1	
10	98502-06016	SCREW, pan head	2	
11	92990-06100	WASHER, spring	2	
12	92990-06600	WASHER, plate	2	



22N010-3130

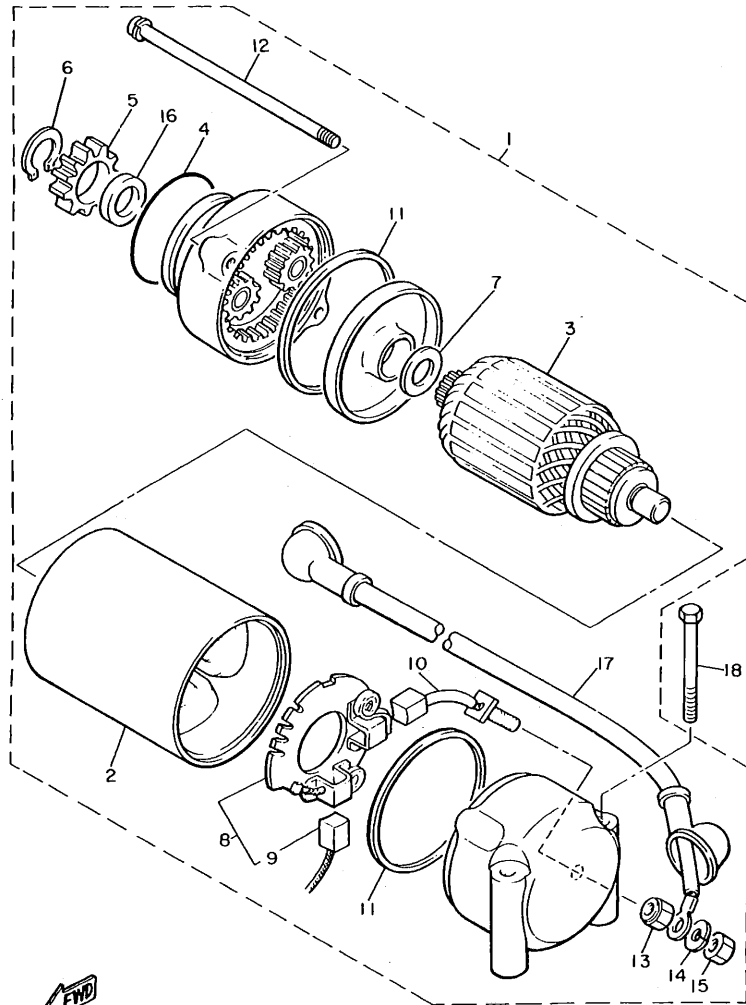
FIG. 39 PICK UP COIL • GOVERNOR

REF. NO.	PART NO.	DESCRIPTION	Q'TY	REMARKS
1	1NW-81673-11	ROTOR	1	
2	31A-81671-10	BASE, pick up	1	
3	91316-08030	BOLT	1	
4	90159-06107	SCREW, with washer	2	
5	93604-08071	PIN, dowel	1	
6	90465-08277	CLAMP	1	
7	90465-08156	CLAMP	1	
8	90465-12160	CLAMP	1	



1FW332-6380

FIG. 40 STARTING MOTOR

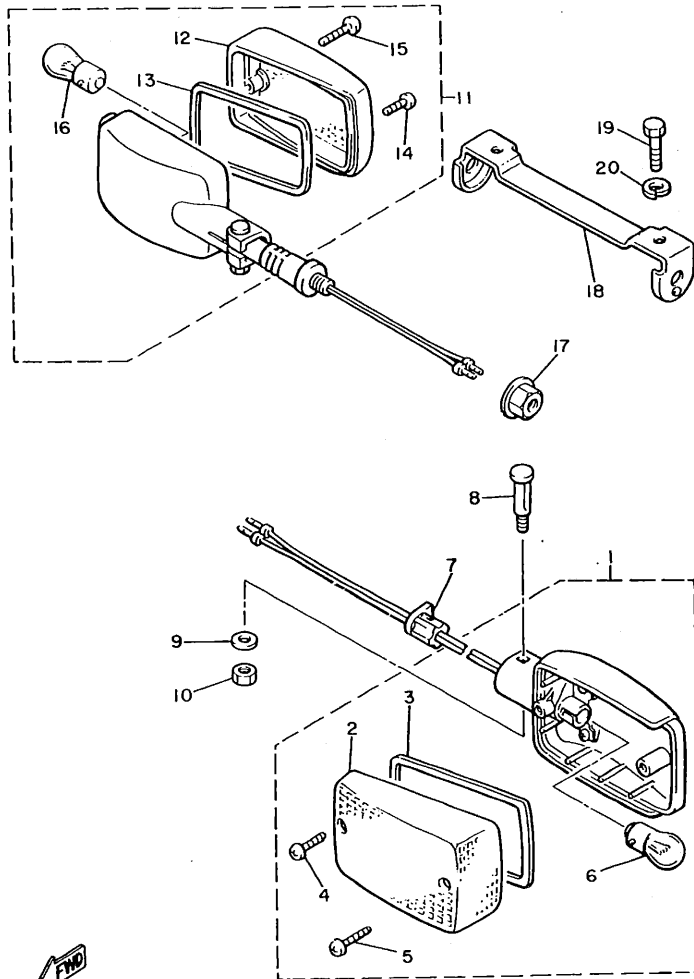


REF. NO.	PART NO.	DESCRIPTION	Q'TY	REMARKS
1	4BB-81800-00	STARTING MOTOR ASSY	1	
2	4H7-81810-01	.STATOR ASSY	1	
3	4H7-81850-00	.ARMATURE ASSY	1	
4	4H7-81847-01	.O-RING	1	
5	4H7-15511-01	.GEAR, starting motor	1	
6	4H7-81819-00	.CIRCLIP	1	
7	4H7-81843-50	.WASHER 1	1	
8	4H7-81840-01	.BRUSH HOLDER ASSY	1	
9	4H7-81811-00	..BRUSH 1	1	
10	4H7-81812-01	.BRUSH 2	1	
11	4H7-81844-00	.GASKET	2	
12	4H7-81826-01	.BOLT	2	
13	4H7-81872-00	.NUT, special	1	
14	92990-06100	.WASHER, spring	1	
15	95303-06600	.NUT	1	
16	4H7-81834-00	.RING	1	
17	95801-06060	BOLT, flange	1	



4BB332-1400

FIG. 41 FLASHER LIGHT

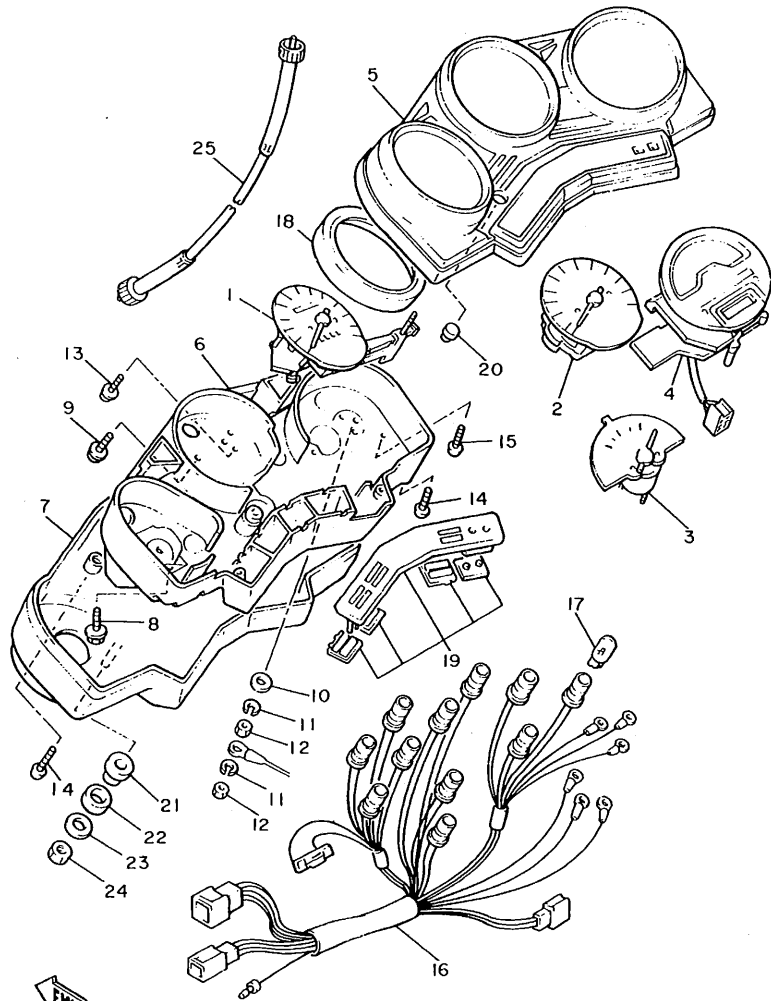


3NG351-0410

REF. NO.	PART NO.	DESCRIPTION	Q'TY	REMARKS
1	31A-83301-40	FRONT FLASHER LIGHT ASSY 1	2	
2	5G2-83312-00	.LENS, flasher	1	
3	5G2-83313-00	.GASKET, flasher lens	1	
4	98511-04016	.SCREW, pan head	1	
5	97701-40535	.SCREW, tapping	1	
6	306-83311-40	.BULB, flasher (12V-21W)	2	
7	4L0-83321-00	DAMPER, flasher 1	2	
8	4G0-83317-00	BOLT, flasher 1	2	
9	92990-05600	WASHER, plate	2	
10	95303-05600	NUT	2	
11	31A-83303-40	REAR FLASHER LIGHT ASSY 1	2	
12	11M-83312-00	.LENS, flasher	1	
13	5G2-83313-00	.GASKET, flasher lens	1	
14	98511-04016	.SCREW, pan head	1	
15	97701-40535	.SCREW, tapping	1	
16	306-83311-40	.BULB, flasher (12V-21W)	2	
17	95701-12500	NUT, flange	2	
18	4V8-83318-00	STAY, flasher 1	1	
19	97026-06010	BOLT	2	
20	92906-06100	WASHER, spring	2	



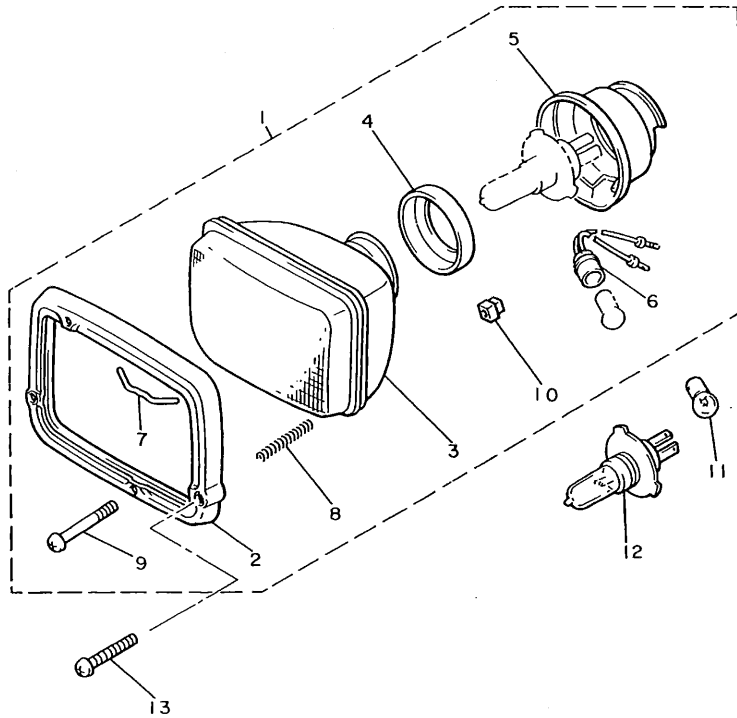
FIG. 42 METER



31E171-3420

REF. NO.	PART NO.	DESCRIPTION	Q'TY	REMARKS
1	41Y-83570-F0	SPEEDOMETER ASSY	1	
2	29R-83540-00	TACHOMETER ASSY	1	
3	29R-85750-00	FUEL METER ASSY	1	
4	31A-83740-00	DIGITAL CLOCK ASSY	1	
5	31A-8353G-00	CASE, upper	1	
6	31A-8353H-00	CASE, inner	1	
7	31A-83559-00	COVER, meter	1	
8	90167-04021	SCREW, tapping	2	
9	90159-04043	SCREW, with washer	2	
10	92902-03600	WASHER, plate	3	
11	92990-03100	WASHER, spring	4	
12	95380-03600	NUT	4	
13	90159-03044	SCREW, with washer	3	
14	90164-04006	SCREW, tapping	7	
15	90164-03010	SCREW, tapping	3	
16	31A-83509-00	SOCKET CORD ASSY	1	
17	4G1-84744-00	BULB (12V-3.4W)	11	
18	31A-8353L-00	REFLECTOR	3	
19	31A-8357X-00	PANEL ASSY	1	
20	29L-83578-00	KNOB, trip meter	1	
21	31A-83592-00	DAMPER	2	
22	31A-83593-00	DAMPER	2	
23	90201-060A3	WASHER, plate	2	
24	90176-06055	NUT, crown	2	
25	16M-83550-00	SPEEDOMETER CABLE ASSY	1	

FIG. 43 HEADLIGHT



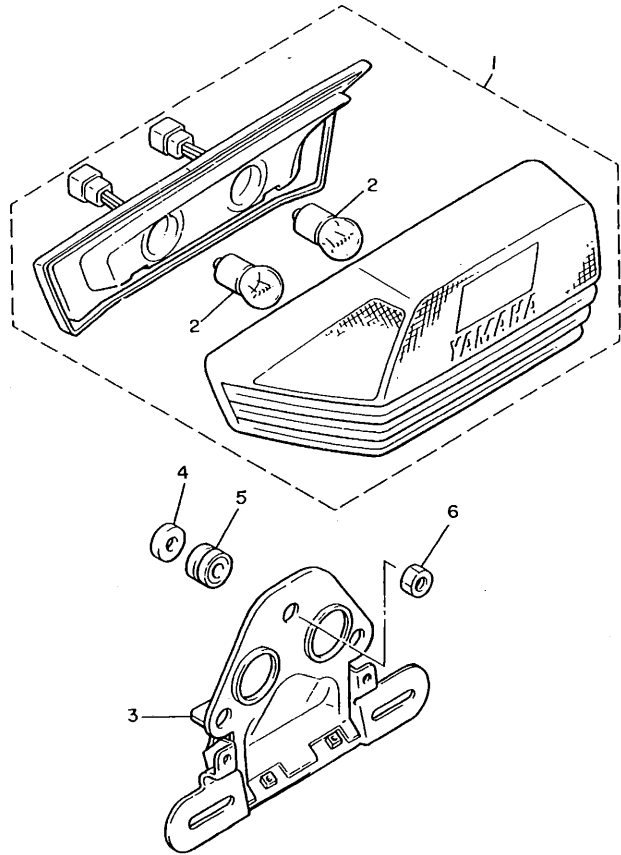
REF. NO.	PART NO.	DESCRIPTION	Q'TY	REMARKS
1	31A-84303-G0	HEADLIGHT UNIT ASSY	1	
2	31A-84315-00	.RIM, headlight	1	
3	11U-84321-G0	.LENS ASSY	1	
4	2F9-84375-00	.SETTING PLATE, bulb	1	
5	2F9-84397-01	.COVER, socket	1	
6	34L-84346-00	.SOCKET, pilot light	1	
7	5G2-84324-A0	.SPRING, reflector	1	
8	341-84332-60	.SPRING, screw	2	
9	98501-04050	.SCREW, pan head	2	
10	198-84334-60	.NUT, adjusting	2	
11	*	BULB (12V-4W)	1	LM
12	*	BULB (12V-60/55W)	1	LM HALOGEN
13	92780-06530	SCREW, flat head	2	



31A300-3430

**F3**

FIG. 44 TAILLIGHT

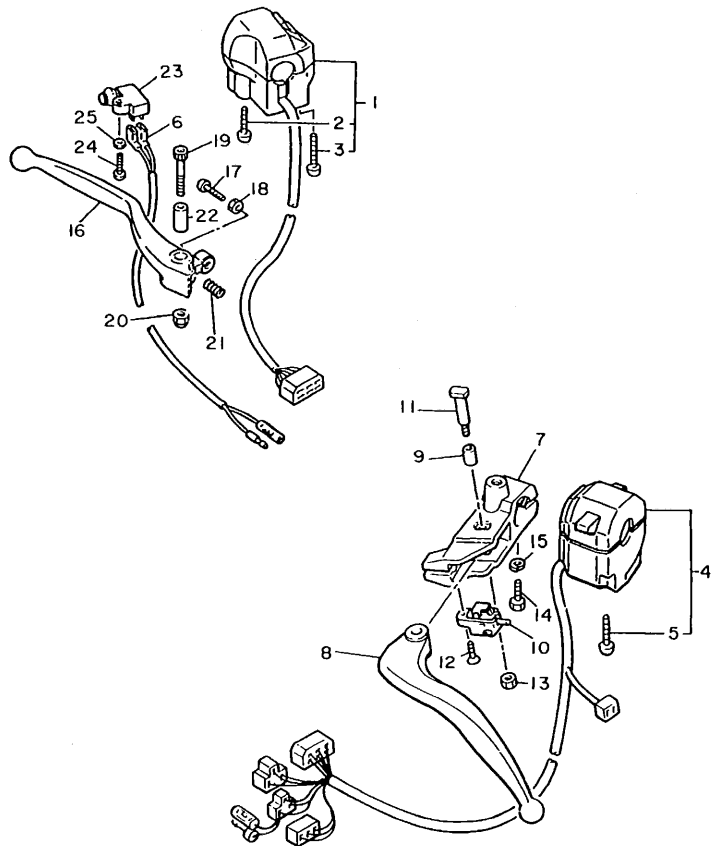


REF. NO.	PART NO.	DESCRIPTION	Q'TY	REMARKS
1	31A-84710-E1	TAILLIGHT UNIT ASSY	1	
2	137-84714-61	.BULB (12V-23/8W)	2	
3	31A-84751-E0	BRACKET, license	1	
4	4G0-84725-00	WASHER, special	3	
5	4G0-84754-00	WASHER, special	3	
6	95303-06600	NUT	3	



41Y310-4440

FIG. 45 HANDLE SWITCH • LEVER



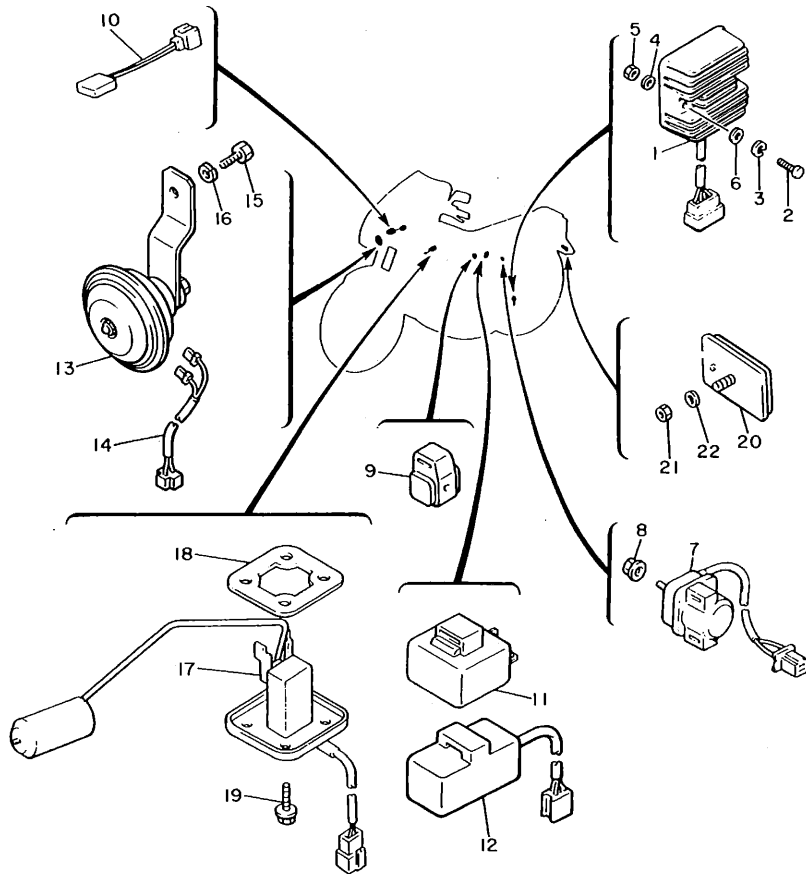
REF. NO.	PART NO.	DESCRIPTION	Q'TY	REMARKS
1	31A-83963-01	SWITCH, handle 3 (RIGHT)	1	
2	98506-05040	.SCREW, pan head	1	
3	98506-05045	.SCREW, pan head	1	
4	3NG-83972-00	SWITCH, handle 4	1	
5	98506-05035	.SCREW, pan head	2	
6	49A-82531-00	WIRE, lead	1	
7	41Y-82911-00	HOLDER, lever 1	1	
8	31A-83912-00	LEVER 1	1	
9	31A-83913-00	COLLAR, lever 1	1	
10	31A-82917-00	SWITCH	1	
11	31A-83945-00	BOLT, lever	1	
12	98702-03008	SCREW, flat head	1	
13	95616-06100	NUT, u	1	
14	97001-06025	BOLT	1	
15	92906-06100	WASHER, spring	1	
16	36Y-83922-00	LEVER 2	1	
17	90149-06131	SCREW	1	
18	90170-06010	NUT	1	
19	90110-06074	BOLT, hexagon socket head	1	
20	95616-06100	NUT, u	1	
21	90501-10312	SPRING, compression	1	
22	36Y-83913-01	COLLAR, lever 1	1	
23	J45-82503-01	SWITCH, alarm	1	
24	98506-04018	SCREW, pan head	1	
25	92906-04600	WASHER, plate	1	



3NG351-0450

**F5**

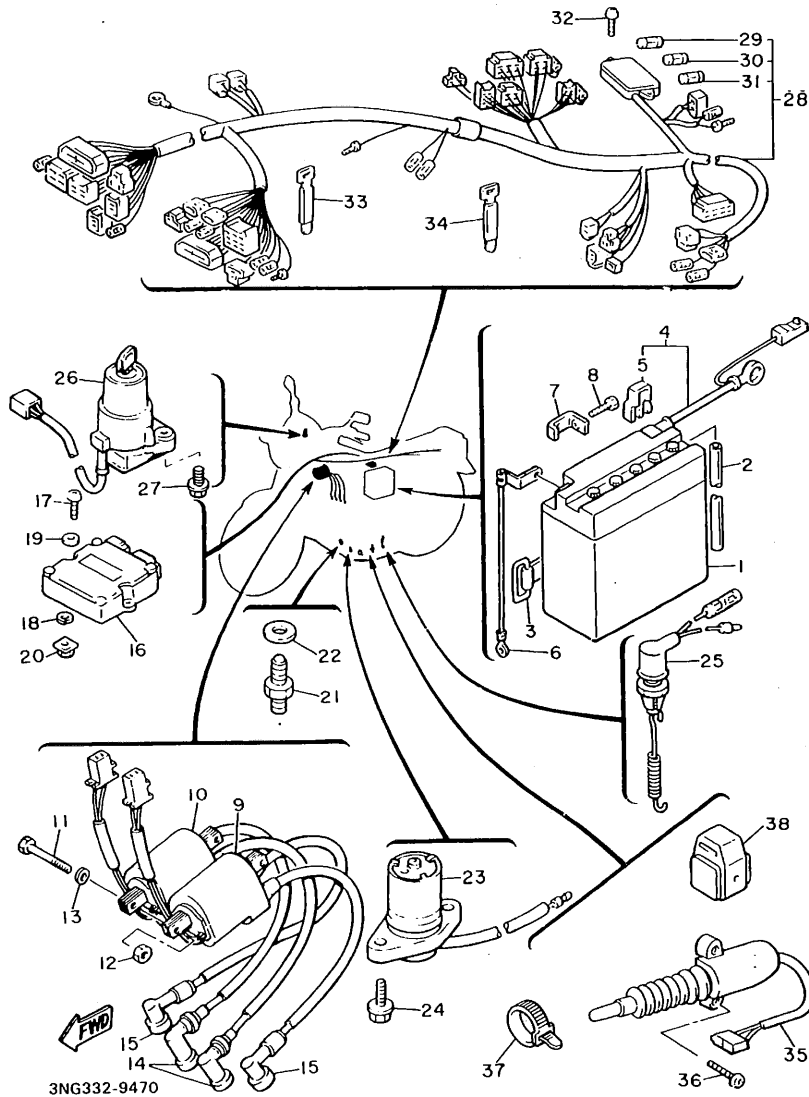
FIG. 46 ELECTRICAL 1



REF. NO.	PART NO.	DESCRIPTION	Q'TY	REMARKS
1	12R-81960-A1	RECTIFIER & REGULATOR ASSY	1	
2	97001-06035	BOLT	2	
3	92990-06100	WASHER, spring	2	
4	92990-06600	WASHER, plate	2	
5	95601-06100	NUT, u	2	
6	90201-06067	WASHER, plate	2	
7	3AY-81940-00	STARTER RELAY ASSY	1	
8	95701-06500	NUT, flange	2	
9	12R-81950-01	RELAY ASSY	1	
10	4H7-81980-M0	RECTIFIER 2	1	
11	4K0-83350-20	FLASHER RELAY ASSY	1	
12	1A0-83395-03	FLASHER CANCELLING UNIT	1	
13	1UA-83371-00	HORN	1	
14	2HL-83373-00	LEAD, horn	1	
15	97016-08016	BOLT	2	
16	92906-08100	WASHER, spring	2	
17	31A-85752-00	SENDER UNIT ASSY, fuel meter	1	
18	5G3-85753-00	GASKET, sender unit	1	
19	90119-05071	BOLT, with washer	4	
20	3G1-85130-01	REAR REFLECTOR ASSY	1	
21	95601-05100	NUT, u	1	
22	92990-05200	WASHER, plain	1	

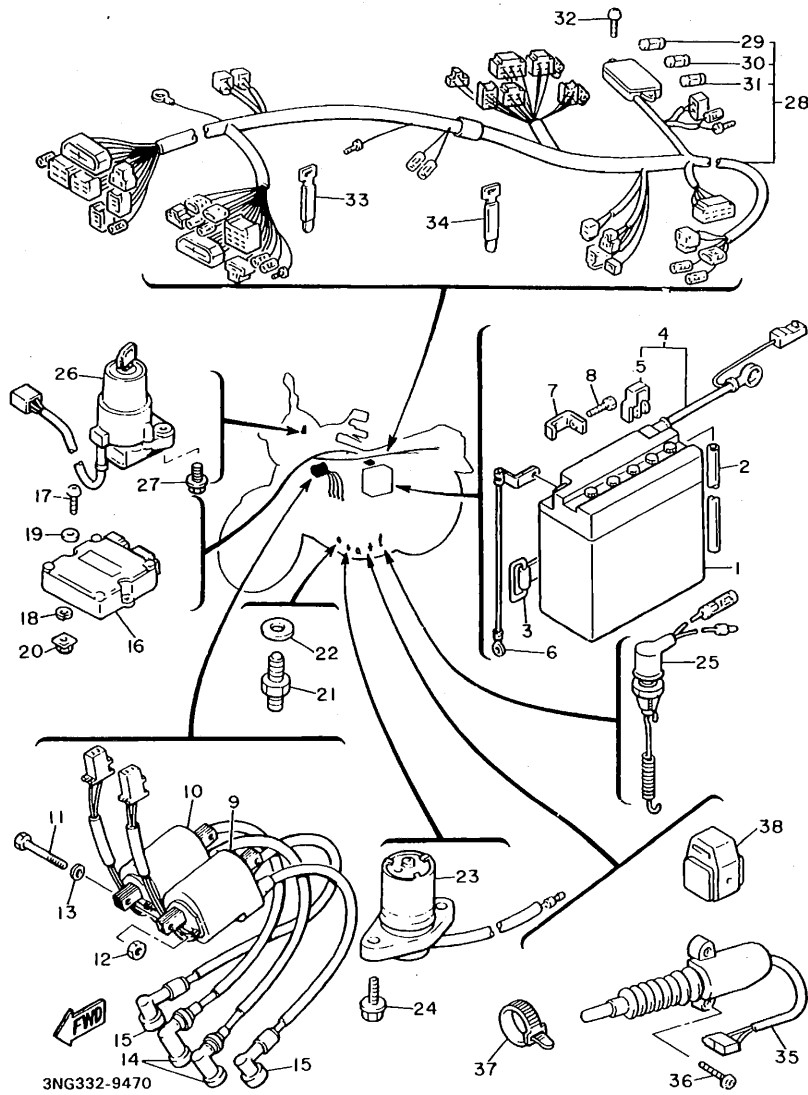
  
3NG300-9460

FIG. 47 ELECTRICAL 2



REF. NO.	PART NO.	DESCRIPTION	Q'TY	REMARKS
1	447-82110-78	BATTERY ASSY (FB14L-A2)	1	YAMAHA
2	90445-08336	HOSE	1	
3	26H-82131-00	BAND, battery	1	
4	12R-82115-00	WIRE, plus lead	1	
5	31A-82119-00	COVER, lead wire	1	
6	5G2-82116-00	WIRE, minus lead	1	
7	5G2-82103-00	TERMINAL 1	2	
8	90153-06032	SCREW, hexagon	2	
9	4H7-82310-61	IGNITION COIL ASSY	1	
10	4H7-82320-61	IGNITION COIL ASSY	1	
11	97001-06080	BOLT	2	
12	92990-06100	WASHER, spring	2	
13	95303-06600	NUT	2	
14	1J7-82370-00	PLUG CAP ASSY	2	
15	256-82370-00	PLUG CAP ASSY	2	
16	58L-82305-10	IGNITOR UNIT ASSY	1	
17	92502-06014	SCREW, pan head	2	
18	92990-06100	WASHER, spring	2	
19	92990-06600	WASHER, plate	2	
20	4G0-21736-00	NUT, plate	2	
21	2H7-82540-00	NEUTRAL SWITCH ASSY	1	
22	90430-10171	GASKET	1	
23	4H7-85720-01	OIL LEVEL GAUGE ASSY	1	
24	95023-06016	BOLT	2	
25	1E9-82530-01	STOP SWITCH ASSY	1	
26	41Y-82501-81	MAIN SWITCH STEERING LOCK	1	
27	90109-06614	BOLT	2	
28	58L-82590-10	WIRE HARNESS ASSY	1	

FIG. 47 ELECTRICAL 2



REF. NO.	PART NO.	DESCRIPTION	Q'TY	REMARKS
29	1A0-82151-00	.FUSE (12V-10A)	2	
30	1A0-82161-00	.FUSE (20A)	1	
31	2H7-82151-00	.FUSE (12V-30A)	1	
32	97702-50012	SCREW, tapping	2	
33	341-26397-01	BAND	3	
34	3TB-83936-00	BAND, switch cord	2	
35	5G8-82566-00	SWITCH, side stand	1	
36	98706-05016	SCREW, flat head	2	
37	341-26397-01	BAND	1	
38	4U8-81950-02	RELAY ASSY	1	FOR SIDE STAND





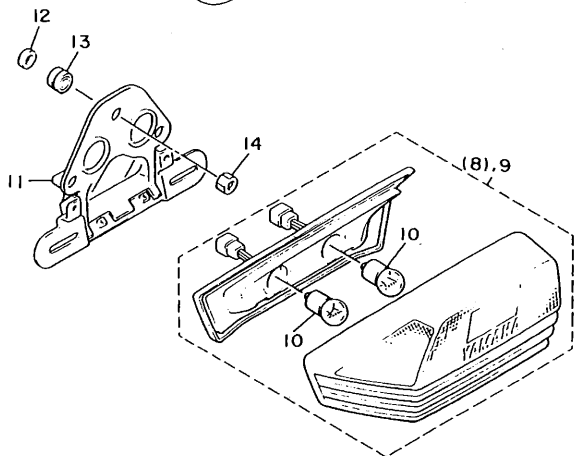
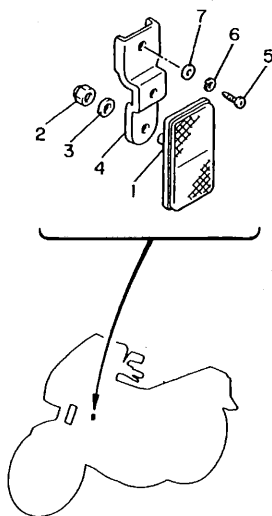
# **INDIVIDUAL SPEC.**



# **FOR AUSTRIA**

The following pages provides a listing of only the parts that meet the specifications peculiar to your market. For those parts not appearing in these pages, refer to the "GENERAL SPEC" section.

FIG. 48 ALTERNATE (ELECTRICAL)



REF. NO.	PART NO.	DESCRIPTION	Q'TY	REMARKS
1	4X7-85110-00	REFLECTOR ASSY	2	
2	95601-05100	NUT, u	2	
3	92990-05200	WASHER, plain	2	
4	35H-85132-00	BRACKET, reflector 1	2	
5	92506-06016	SCREW, pan head	2	
6	92906-06100	WASHER, spring	2	
7	90201-06059	WASHER, plate	2	
8	31A-84710-E1	TAILLIGHT ASSY	*	
9	41Y-84710-F1	TAILLIGHT UNIT ASSY	1	
10	137-84714-61	.BULB (12V-23/8W)	2	
11	31A-84751-E0	BRACKET, license	1	
12	4G0-84725-00	WASHER, special	3	
13	4G0-84754-00	WASHER, special	3	
14	95303-06600	NUT	3	

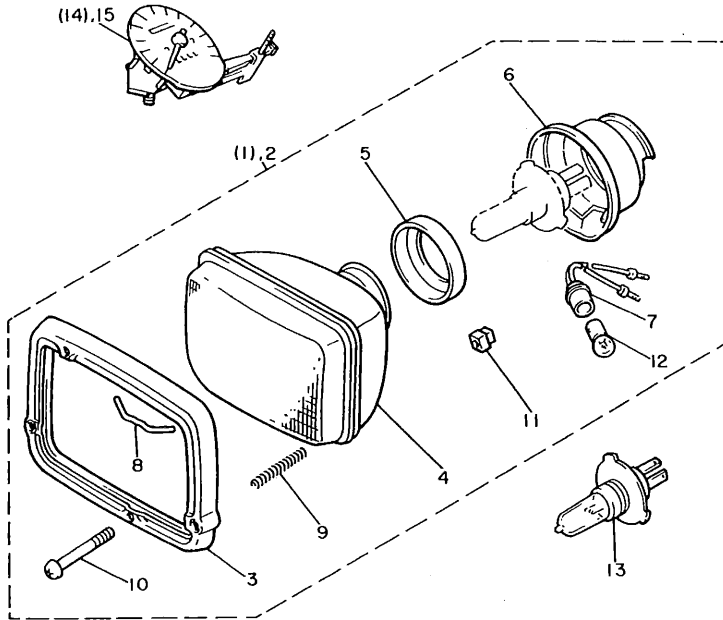


4BB300-1480

# **FOR ENGLAND**

The following pages provides a listing of only the parts that meet the specifications, peculiar to your market. For those parts not appearing in these pages, refer to the "GENERAL SPEC" section.

FIG. 49 ALTERNATE (ELECTRICAL)



REF. NO.	PART NO.	DESCRIPTION	Q'TY	REMARKS
1	31A-84303-G0	HEADLIGHT UNIT ASSY	*	
2	31A-84303-E0	HEADLIGHT UNIT ASSY	1	
3	31A-84315-00	.RIM, headlight	1	
4	11U-84321-E0	.LENS ASSY	1	
5	2F9-84375-00	.SETTING PLATE, bulb	1	
6	2F9-84397-01	.COVER, socket	1	
7	34L-84346-00	.SOCKET, pilot light	1	
8	5G2-84324-A0	.SPRING, reflector	1	
9	341-84332-60	.SPRING, screw	2	
10	98501-04050	.SCREW, pan head	2	
11	198-84334-60	.NUT, adjusting	2	
12	123-83516-21	.BULB (12V-3.4W)	1	
13	*	BULB (12V-60/55W)	1	LM HALOGEN
14	41Y-83570-F0	SPEEDOMETER ASSY	*	
15	41Y-83570-G0	SPEEDOMETER ASSY	1	

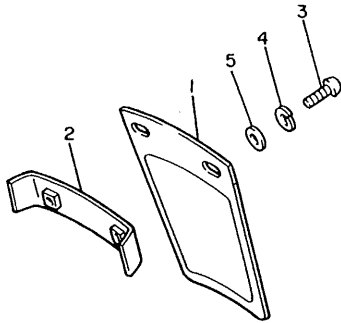


3NG300-9500

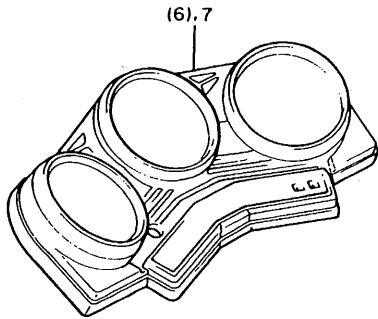
# **FOR FINLAND**

The following pages provides a listing of only the parts that meet the specifications peculiar to your market. For those parts not appearing in these pages, refer to the "GENERAL SPEC" section.

FIG. 50 ALTERNATE (CHASSIS)



REF. NO.	PART NO.	DESCRIPTION	Q'TY	REMARKS
1	31A-21621-00	FLAP	1	
2	31A-21622-00	BAND, flap	1	
3	98516-06020	SCREW, pan head	2	
4	92906-06100	WASHER, spring	2	
5	90201-06057	WASHER, plate	2	
6	31A-8353G-00	CASE, upper	*	
7	2HL-8353G-00	CASE, upper	1	



488300-1500

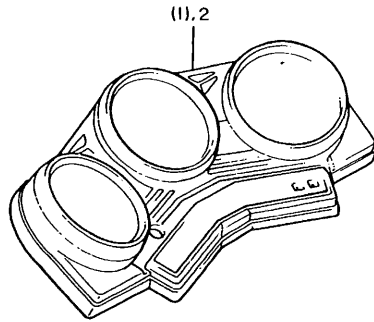


# **FOR SWEDEN**

The following pages provides a listing of only the parts that meet the specifications peculiar to your market. For those parts not appearing in these pages, refer to the "GENERAL SPEC" section.

FIG. 51 ALTERNATE (ELECTRICAL)

REF. NO.	PART NO.	DESCRIPTION	Q'TY	REMARKS
1	31A-8353G-00	CASE, upper	*	
2	2HL-8353G-00	CASE, upper	1	



3NG300-9510

# **INDEX**

**(GENERAL SPEC.)**

NUMERICAL INDEX

PART NO.	REF NO.	PART NO.	REF NO.	PART NO.	REF NO.
36Y-W0041-00	E - 5	58L-11636-00	B - 4	4H7-12241-00	B - 7
31A-W0042-50	E - 8	58L-11638-00	B - 4	4H7-12251-00	B - 7
26H-W0045-11	D -14	31A-11650-00	B - 4	4H7-12252-00	B - 7
1FK-W0046-01	E - 3	12R-11654-00	B - 4	5G2-13300-00	B - 8
31A-W0047-00	D -14	31A-11656-00	B - 4	4H7-13327-00	B - 8
	E - 3	31A-11656-10	B - 4	4H7-13328-00	B - 8
1J3-W0048-00	D -14	31A-11656-20	B - 4	4H7-13337-00	B -10
	E - 3	31A-11656-30	B - 4	1L9-13340-01	B -10
31A-W0057-00	D -14	31A-12111-00	B - 5	4H7-13354-00	B - 8
	E - 3	4H7-12113-00	B - 5	5G2-13355-00	B - 8
31A-W1751-01	C -10	4H7-12114-00	B - 5	4H7-13414-01	B -10
31A-W1752-00	C -10	4H7-12116-00	B - 5	31A-13417-00	B -10
2H9-W1812-00	C -13	2F3-12117-00	B - 5	1L9-13441-11	B -10
31A-W2472-00	D -12	1J7-12118-00	B - 5	4H7-13447-00	B -10
53U-Y2835-60-P0	E -10	1J7-12119-01	B - 5	4H7-13454-00	C - 2
53U-Y2835-70-4Y	E -10	31A-12121-00	B - 5	11H-13455-00	B -10
31A-11101-01	B - 2	31A-12153-00-EO	B - 6		D - 6
2GH-1111G-00	B - 2	4H7-12153-01-JO	B - 6	5N1-13461-01	B - 9
4H7-11133-10	B - 2	1J7-12169-A1	B - 5	31A-13464-01	B - 9
4H7-11161-00	B - 2	1J7-12169-E1	B - 5	31A-13465-01	B - 9
434-11161-00	B - 2	1J7-12169-F1	B - 5	31A-13470-01	B - 9
5G2-11166-00	C - 3	1J7-12169-G1	B - 5	2H9-13493-00	B - 9
58L-11181-00	B - 2	1J7-12169-H1	B - 5	31A-13556-00	B -11
42N-11191-00	B - 2	1J7-12169-J1	B - 5	16G-13569-00	B -11
31A-11193-00	B - 2	1J7-12169-K1	B - 5	31A-13586-00	B -11
214-11198-01	B -10	1J7-12169-L1	B - 5	31A-13596-00	B -11
	D - 6	1J7-12169-M1	B - 5	58L-1410A-00	B -12
58L-11310-00	B - 3	1J7-12169-N1	B - 5	31A-14103-00	B -13
31A-11351-00	B - 3	1J7-12169-R1	B - 6	12R-14105-00	B -12
4H7-11363-00	B -15	1J7-12169-T1	B - 6	25G-14107-23	B -12
31A-11411-00	B - 4	1J7-12169-U1	B - 6	4U8-14122-00	B -13
4H7-11416-01	B - 4	1J7-12169-V1	B - 6	49A-14139-00	B -13
4H7-11416-11	B - 4	1J7-12169-W1	B - 6	4G0-14142-40	B -12
4H7-11416-21	B - 4	1J7-12169-01	B - 5	2H0-14146-00	B -12
4H7-11416-31	B - 4	1J7-12169-11	B - 5	214-14147-00	B -12
4H7-11416-41	B - 4	1J7-12169-21	B - 5	36Y-14147-00	B -13
5G2-11418-00	B - 4	1J7-12169-31	B - 5	822-14147-00	B -13
5G2-11418-10	B - 4	1J7-12169-41	B - 5	137-14153-00	B -12
5G2-11418-20	B - 4	1J7-12169-51	B - 5	537-14186-00	B -12
5G2-11418-30	B - 4	1J7-12169-61	B - 5	2L1-14191-00	B -12
5G2-11418-40	B - 4	1J7-12169-71	B - 5	3GM-14197-00	B -13
4H7-11456-00	C - 5	1J7-12169-81	B - 5	620-1423A-20	B -12
4H7-11474-01	C - 5	1J7-12169-91	B - 5	3G2-14231-32	B -13
58L-11610-00	B - 4	31A-12171-00	B - 7	17A-14251-00	B -13
58L-11610-20	B - 4	4G0-12176-01	B - 7	31A-14401-00	B -11
58L-11610-40	B - 4	31A-12181-00	B - 7	31A-14412-00	B -11
58L-11631-00-EO	B - 4	12R-12210-00	B - 7	31A-14419-00	B -11
58L-11633-00	B - 4	5G2-12213-00	B - 7	31A-14435-00	B -11

NUMERICAL INDEX

PART NO.	REF NO.	PART NO.	REF NO.	PART NO.	REF NO.
31A-15381-00	B -15	1J7-16385-00	C - 6	32F-14437-00	B -11
31A-15383-00	B -15	4H7-16398-00	C - 6	31A-14451-00	B -11
5G2-15409-00	C - 3	4BB-17121-00	C - 8	31A-14452-00	B -11
4H7-15412-01	C - 4	4H7-17141-00	C - 8	31A-14453-00	B -11
4H7-15415-00	C - 3	4H7-17151-00	C - 8	51Y-14462-00	B -11
22N-15416-01	C - 3	4H7-17211-01	C - 8	812-14594-00	B -12
5G2-15417-00	C - 4	4BB-17221-00	C - 8	58L-14611-00	B -14
4H7-15421-02	C - 4	4BB-17231-00	C - 8	31A-14612-00	B -14
22N-15426-01	C - 3	4H7-17241-00	C - 8	4H7-14613-00	B -14
31A-15431-01	C - 3	16G-17251-00	C - 8	58L-14615-00	B -14
4H7-15441-01	C - 2	4H7-17401-00	C - 8	58L-14621-00	B -14
22N-15449-00	C - 3	4H7-17402-01	C - 8	58L-14631-00	B -14
4H7-15449-00	C - 4	278-17424-01	C - 8	1AE-14638-00	B -14
4H7-15451-00	C - 3	4H7-17524-00	C -10	58L-14641-00	B -14
4H7-15455-00	C - 3	31A-17526-00	C -10	32F-14711-00	B -14
4H7-15456-00	C - 3	31A-17527-00	C -10	1L9-14714-01	B -14
4H7-15457-00	C - 3	3H5-17529-00	C -10	31A-14714-00	B -14
4H7-15461-01	C - 4	3JB-17531-10	C -10	32F-14721-00	B -14
4H7-15467-00	C - 3	3JB-17531-20	C -10	36Y-14747-00	B -14
4H7-15486-00	C - 4	3JB-17531-30	C -10	4K0-14791-00	B -14
4H7-15511-01	E -14	4H7-17531-00-15	C -10	36Y-1490J-00	B -12
4H7-15512-00	C - 5	4H7-17531-00-40	C -10	31A-1490K-00	B -13
4H7-15517-00	C - 5	1J7-17537-Y0-15	D - 5	58L-1490L-00	B -13
4H7-15519-00	C - 5	1J7-17537-Y0-30	D - 5	31A-1490M-00	B -13
4H7-15521-00	C - 5	1J7-17537-Y0-40	D - 5	4BB-14900-00	B -12
4H7-15522-00	C - 5	1J7-17537-Y0-50	D - 5	58L-14901-10	B -12
4H7-15524-00	C - 5	1J7-17537-Y0-60	D - 5	58L-14902-10	B -12
4H7-15531-00	C - 5	4H7-17537-00-20	C -10	58L-14903-10	B -12
	C -12	4H7-17537-00-30	C -10	58L-14904-10	B -12
	C - 5	4H7-17537-00-40	C -10	3G1-14933-00	B -12
31A-15580-00	C - 5	4H7-17555-00	C -10	4BB-14940-00	B -12
341-15583-05	C - 5	4L6-17582-00	C - 8	117-15644-00	B -12
117-15644-00	C -12	31A-17583-00	C - 8	58L-16150-00	B -12
2K7-16154-00	C - 7	2H7-17590-00	D - 6	2K7-16154-00	B -12
4H7-16154-00	C - 6	4K0-18101-01	C -13	4H7-16155-01	B -13
4H7-16155-01	C - 5	41Y-18111-00	C -13	2H9-18112-00	C - 7
2H9-18112-00	C - 7	132-18113-01	C -13	4H7-16181-00	B -15
31A-16321-00	C - 6	4K0-18115-00	C -13	31A-16321-00	B -15
4H7-16321-00	C - 6	4K0-18120-01	C -13	4H7-16321-00	C - 3
168-16324-00	C - 6	4H7-18140-00	C -13	168-16324-00	B -15
31A-16325-00	C - 6	2H9-18154-00	C -13	31A-16325-00	C - 2
4H7-16340-00	C - 6	16G-18185-00	C -12	4H7-16340-00	B -15
58L-16351-00	C - 6	4K0-18197-00	C -13	58L-16351-00	C - 2
4H7-16356-01	C - 6	4H7-18511-01	C -12	4H7-16356-01	C - 3
58L-16371-01	C - 6	4H7-18512-01	C -12	4H7-15346-00	B -11
4H7-18512-01	C - 6	4H7-18512-01	C -12	4H7-15347-00	C - 3
5G2-16383-00	C - 6	4H7-18513-01	C -12	2H7-15361-00	C - 4
1J7-16384-00	C - 6	4H7-18531-00	C -12	2H7-15363-00	C - 4
				4H7-15365-00	C - 2

NUMERICAL INDEX

PART NO.	REF NO.	PART NO.	REF NO.	PART NO.	REF NO.	PART NO.	REF NO.	PART NO.	REF NO.	PART NO.	REF NO.
16G-18540-00	C-12	1FW-23110-00	D-9	4H7-24181-00	D-10	29L-25831-00	D-14	31A-27222-00	E-8	4H7-46125-00	D-5
42N-21110-10-33	C-14	3KM-23111-00	D-8	31A-24182-00	D-10	29L-25831-10	D-14	31E-27311-00-R4	E-6	4H7-46152-00	D-5
31A-21147-00	C-14		D-9	4K0-24183-00	D-10	31A-25831-51	E-3	5G2-27351-00	E-6	4H7-46153-00	D-5
31A-21165-00	D-12	1W1-23114-L0	D-8	4K0-24186-00	D-10	41Y-25836-00	E-3	41Y-27410-00	E-6	31A-46172-01	D-6
31A-21170-00	D-3		D-9	31A-24188-00	D-10	341-25846-00	D-13	31A-27412-01	E-6	31A-46180-00	D-6
31A-21240-00	D-3	4H7-23119-00	D-8	58L-2419A-00	B-11	31A-25850-50	E-8	22N-27413-00	E-6	4H7-81610-10	E-12
31A-21245-00	D-3		D-9	4BB-24240-00	D-10	36Y-25850-01	E-5	41Y-27420-00	E-6	46X-81611-10	E-12
31A-21275-00	D-12	31A-23125-31	D-8	4BB-24240-10	D-10	2KF-25852-50	E-8	31A-27422-01	E-6	4G0-81612-10	E-12
26H-21308-00	D-12		D-9	31A-24500-01	D-10	36Y-25852-01	E-5	29L-27430-00	E-6	4H7-81619-10	E-12
31A-21315-00-33	C-14	41Y-23126-00	D-8	2G2-24512-00	D-10	36Y-25854-00	E-5	22N-27433-00	E-6	4H7-81650-10	E-12
31A-21510-00-GE	C-15	18G-23128-00	D-9	16G-24518-00	D-10	360-25854-00	E-8	29L-27440-00	E-6	31A-81671-10	E-13
31A-21510-00-PO	C-15	122-23129-00	D-8	2G2-24522-00	D-10	2GU-25855-00	E-8	31A-27442-00	E-6	1NW-81673-11	E-13
1A8-21518-00	C-15		D-9	16G-24523-00	D-10	4L0-25862-00	E-5	31A-27443-00	E-7	4BB-81800-00	E-14
31A-21523-00	C-15	31A-2313A-30	D-9	2G2-24534-00	D-10	36Y-25867-00	E-5	1FX-28100-00	D-3	4H7-81810-01	E-14
31A-21524-00	C-15	41Y-23136-00	D-8	41Y-24602-01	D-10	31A-25872-51	E-8	4BB-28301-00	E-11	4H7-81811-00	E-14
3NG-21596-00	C-15	1FW-23141-00	D-8	41Y-24705-01	D-12	4K0-25872-00	E-5	4BB-28301-10	E-11	4H7-81812-01	E-14
31A-21611-00	C-15		D-9	509-24724-00	D-12	31A-25873-02	E-5	42N-2831U-00	E-10	4H7-81819-00	E-14
31A-21629-00	C-15	1W1-23142-L0	D-8	31A-24728-00	D-12	31A-25873-12	E-5	42N-28317-00	E-10	4H7-81826-01	E-14
31A-21638-00	D-2		D-9	31A-24731-00	D-12	1FW-25885-00	E-5	42N-28335-00	E-10	4H7-81834-00	E-14
4G0-21639-00	C-15	41Y-23144-00	D-8	31A-24738-00	D-12	31A-25894-01	E-8	42N-28336-00	E-10	4H7-81840-01	E-14
31A-21645-00	C-15		D-9	31A-2476A-00	D-12	31A-25895-00	E-8	42N-2834K-00	E-11	4H7-81843-50	E-14
31A-21651-00-PO	C-15	41Y-23145-00	D-8	31A-2476E-00	D-12	26H-25919-00	E-3	31A-28345-00	E-10	4H7-81844-00	E-14
31A-21651-00-VA	C-15	41Y-23146-00	D-8	31A-24760-00	D-12	29L-25919-00	D-14	3JJ-2835Y-00	E-10	4H7-81847-01	E-14
31A-21653-00	C-15		D-9	1A1-25115-00	D-15	1KT-25924-00	E-3	3JJ-2835Y-10	E-10	4H7-81850-00	E-14
4BB-21660-00	D-2	31A-23149-31	D-8	146-25115-00	D-13		D-14	42N-28356-00	E-10	4H7-81872-00	E-14
4BB-21660-10	D-2		D-9	341-25149-00	D-13	26H-25925-00	D-14	42N-28357-00	E-10	3AY-81940-00	F-6
31A-21711-01-5Y	D-3	3R4-23153-00	D-8	31E-25168-00-WG	D-13		E-3	42N-28358-00	E-11	12R-81950-01	F-6
31A-21711-01-6Y	D-3	509-23158-L0	D-8	31A-25181-00	D-13	29R-26121-01	E-4	53U-2836K-01	E-11	4U8-81950-02	F-8
31A-21721-01-5Y	D-3		D-9	31A-25190-00	D-13	29R-26122-02	E-4	42N-28376-00	E-10	12R-81960-A1	F-6
31A-21721-01-6Y	D-3	26H-23168-00	D-8	31A-25327-00	D-15	36Y-26133-00	E-4	53U-28376-00	E-11	4H7-81980-M0	F-6
4BB-2173E-00	D-3		D-9	31E-25338-20-WG	D-15	31A-26213-00	E-4	2HL-28381-00	E-10	5G2-82103-00	F-7
4BB-2173E-10	D-3	1FW-23170-00	D-8	4G0-25364-00	D-15	31A-26216-00	E-4	42N-28385-00-GE	E-11	447-82110-78	F-7
4BB-2173F-10	D-3		D-9	31A-25366-00	D-15	58L-2622F-00	E-4	42N-28385-00-PO	E-11	12R-82115-00	F-7
4BB-2173L-00	D-3	5A8-23173-00	D-8	31A-25371-00	D-15	31A-26240-00	E-4	4BB-28390-00	E-10	5G2-82116-00	F-7
4G0-21736-00	F-7		D-9	56W-25377-00	D-15	31A-26241-00	E-4	4BB-28390-10	E-10	31A-82119-00	F-7
4H7-21746-00	D-3	278-23181-50	D-8	31A-25381-00	D-15	58L-26246-00	E-4	31A-46101-00	D-5	133-82131-00	D-3
4H7-2175R-00	D-3		D-9	29L-25398-00	D-13	36Y-26290-G0	E-4	1J7-46117-Y0-25	D-5	26H-82131-00	F-7
31A-22110-02-35	D-4	31A-23181-30	D-9		D-15	36Y-26290-T0	E-4	1J7-46117-Y0-30	D-5	1A0-82151-00	F-8
1J7-22141-00	D-4	1FW-23340-00	D-9	29L-25398-10	D-13	31A-26311-00	E-4	1J7-46117-Y0-40	D-5	2H7-82151-00	F-8
4H7-22141-00	D-4	4U8-23356-10	D-8		D-15	31A-26335-01	E-4	1J7-46117-Y0-45	D-5	1A0-82161-00	F-8
1J7-22143-00	D-4		D-9	29L-25398-20	D-13	31A-26372-00	E-4	1J7-46117-Y0-50	D-5	58L-82305-10	F-7
4H7-22189-00	D-4	1J7-23415-00	D-7		D-15	5H0-26393-00	E-4	22U-46118-00-12	D-6	4H7-82310-61	F-7
5G2-2219X-00	D-4	26H-23418-01	D-7	41Y-25810-52	E-3	341-26397-01	F-8	22U-46118-00-14	D-6	4H7-82320-61	F-7
3NG-22210-00	D-4	29R-23435-01-98	D-7	51H-25810-01	D-14	31A-27111-00-R4	E-6	22U-46118-00-16	D-6	1J7-82370-00	F-7
3NG-22210-10	D-4	31A-23469-02	E-4	51H-25810-11	D-14	1A0-27114-00	B-14	22U-46118-00-18	D-6	256-82370-00	F-7
1FW-23102-01	D-8	4K0-2411M-00	D-10	31A-25819-00	E-3	278-27114-A0	D-12	22U-46118-00-20	D-6	41Y-82501-81	F-7
1FW-23103-01	D-8	31A-24110-00-W2	D-10	1FK-25827-00	E-3	41Y-27211-00	E-8	2H7-46122-00	D-5	J45-82503-01	F-5
1FW-23110-00	D-8	31A-24110-00-W3	D-10	1FK-25828-00	E-3	31A-27212-00	E-8	4H7-46123-00	D-5	1E9-82530-01	F-7

NUMERICAL INDEX

PART NO.	REF NO.	PART NO.	REF NO.	PART NO.	REF NO.
49A-82531-00	F- 5	2F9-84397-01	F- 3	90119-05071	F- 6
2H7-82540-00	F- 7	31A-84710-E1	F- 4	90119-06029	B-11
5G8-82566-00	F- 8		F- 9	90119-06044	D- 2
58L-82590-10	F- 7	137-84714-61	F- 4	90119-06108	C-15
41Y-82911-00	F- 5	4G0-84725-00	F- 4		E-10
31A-82917-00	F- 5	4G1-84744-00	F- 2	90119-06118	D- 3
31A-83301-40	E-15	31A-84751-E0	F- 4	90123-08046	E- 4
31A-83303-40	E-15	4G0-84754-00	F- 4	90149-06008	D-10
306-83311-40	E-15	3G1-85130-01	F- 6	90149-06131	F- 5
11M-83312-00	E-15	4H7-85720-01	F- 7	90149-06154	D-12
5G2-83312-00	E-15	29R-85750-00	F- 2	90149-08152	B-15
5G2-83313-00	E-15	31A-85752-00	F- 6	90150-05023	E-10
4G0-83317-00	E-15	5G3-85753-00	F- 6	90151-06014	C- 2
4V8-83318-00	E-15	90101-06576	B-14	90153-06029	B- 2
4L0-83321-00	E-15	90101-12480	E- 4	90153-06032	F- 7
4K0-83350-20	F- 6	90102-10056	D-15	90154-05001	E-11
1UA-83371-00	F- 6	90105-06153	B- 2	90154-06014	E-11
2HL-83373-00	F- 6	90105-06154	B- 8	90159-03044	F- 2
1A0-83395-03	F- 6	90105-07087	B- 7	90159-04043	F- 2
31A-83509-00	F- 2	90105-08155	D- 6	90159-06056	E- 8
31A-8353G-00	F- 2	90105-08278	C-14	90159-06092	C- 6
31A-8353H-00	F- 2	90105-10038	C-14	90159-06107	E-13
31A-8353L-00	F- 2	90105-10152	E-12	90164-03010	F- 2
29R-83540-00	F- 2	90105-10169	C-14	90164-04006	F- 2
16M-83550-00	F- 2	90105-10308	D-14	90167-04021	F- 2
31A-83559-00	F- 2		E- 3	90170-06010	F- 5
31A-8357X-00	F- 2	90105-12208	C-14	90170-06228	C-13
41Y-83570-F0	F- 2	90106-10030	D- 4	90170-10219	D-15
29L-83578-00	F- 2	90109-064F0	B- 2	90170-20327	C- 6
31A-83592-00	F- 2	90109-06468	E- 8	90176-06055	F- 2
31A-83593-00	F- 2	90109-06614	F- 7	90176-10009	D- 4
31A-83740-00	F- 2	90109-08579	D-10	90176-10013	D- 4
31A-83912-00	F- 5	90109-08718	D-14	90176-10049	B- 2
31A-83913-00	F- 5		E- 3	90179-06403	E- 4
36Y-83913-01	F- 5	90109-10570	B- 7	90179-06500	B- 3
36Y-83922-00	F- 5	90109-10590	E- 6		B-14
3TB-83936-00	F- 8	90109-10606	E- 6	90179-08148	E- 4
31A-83945-00	F- 5	90109-10748	D- 6	90179-08246	C-14
31A-83963-01	F- 5	90110-06035	B- 8	90179-08327	B- 4
3NG-83972-00	F- 5	90110-06074	F- 5	90179-10247	C-14
31A-84303-G0	F- 3	90110-06145	C- 2	90179-12421	C-14
31A-84315-00	F- 3	90116-06466	B- 2	90179-14217	D-15
11U-84321-G0	F- 3	90116-08360	D- 5	90179-14317	C-10
5G2-84324-A0	F- 3	90116-10249	D- 5	90179-18360	C-10
341-84332-60	F- 3	90116-10328	B-15	90179-22412	D- 7
198-84334-60	F- 3	90116-10329	B-15	90179-25033	D- 7
34L-84346-00	F- 3	90116-10330	B-15	90185-10037	E- 6
2F9-84375-00	F- 3	90116-10361	D- 5	90185-10060	E- 6

NUMERICAL INDEX

PART NO.	REF NO.	PART NO.	REF NO.	PART NO.	REF NO.
90185-14070	D- 5	90387-06500	D- 2	90501-10312	F- 5
90201-060A3	F- 2	90387-067K8	E-10	90501-12413	B- 9
90201-06067	F- 6	90387-07598	B- 9	90501-16491	D- 6
90201-06074	E-11	90387-093H1	D- 3	90501-20422	B-10
90201-08083	E- 8	90387-124F4	C-13	90501-224A8	C- 6
90201-084G3	B- 3	90387-125A2	C- 2	90501-70762	C-10
90201-094G1	B-15	90387-15550	D-13	90506-07136	D- 4
90201-10118	E- 5	90387-16547	B-15	90506-08227	C-13
	F- 5	90387-170J6	D-15	90506-20249	E- 8
90201-10128	B- 2	90387-172A5	D- 6	90506-40348	E- 6
90201-10131	B- 2	90387-17543	D- 4	90507-29033	E- 6
90201-10142	D- 4	90387-202A7	C- 5	90508-16459	C- 6
90201-10437	D- 4	90387-252A8	C- 7	90508-29530	C-13
90201-105A2	E- 6	90401-10096	E- 5	90508-32535	C-13
90201-12M34	C- 6		E- 9	90560-08237	E-10
90201-12166	C-13	90401-20089	B- 9	90560-15116	D-13
90201-124E4	C-13	90430-06014	B- 2	90560-17204	D-15
90201-12790	B- 3	90430-14131	B- 3	90601-11525	E- 8
90201-144J5	D-15	90445-08336	F- 7	91311-06020	C- 2
90201-14632	D- 5	90445-09500	D-10	91311-06025	B- 7
90201-14633	C-10	90445-11182	B-11		C- 3
90201-150H2	C- 6	90445-11501	D-10		C- 4
90201-20276	C- 8	90460-52264	B-11	91311-06030	B-10
90201-21608	B-10	90460-58015	B-11	91311-06040	B-10
90201-231A2	D- 6	90461-08031	E- 9		C- 3
90201-243A2	C- 8	90462-10066	B- 9		C- 4
90201-25526	B- 9	90462-10067	B- 9	91311-06070	C- 3
90202-06010	D-10	90462-13032	B-12	91311-06080	E- 4
90202-26142	D- 7	90464-12027	C-15	91311-10020	E- 7
90209-06096	C- 4	90465-08156	E-13	91311-10025	B-14
90209-06173	B- 9	90465-08277	E-13		E- 7
90209-06174	B- 9	90465-12160	E-13	91316-06016	B- 9
90209-11262	B- 2	90467-08021	D-10	91316-06020	B-11
90209-22191	C- 8	90467-09006	B-11	91316-06025	B- 8
90209-22252	C- 8	90467-10008	D-10		B- 9
90209-25196	C- 8	90467-10039	B-11		E- 5
90215-06040	C- 5	90467-14015	C- 3	91316-08014	C- 5
90215-20231	C- 6	90468-03063	D-11	91316-08030	E-13
90215-22238	D- 4	90468-08104	C- 3	91401-20015	D-15
90215-23194	C-10	90480-01401	D- 3		E- 8
90240-08013	E- 8	90480-12053	D- 3	91401-30030	D-15
90269-05039	E-11	90480-15235	B- 9	92501-06014	C- 3
90331-12028	C- 5	90480-16233	D- 3		C- 4
90340-12062	B- 3	90480-16284	B- 9	92502-06014	F- 7
90340-14042	D- 6	90480-18276	E-10	92516-06030	E- 4
90387-050J5	E-10	90480-22362	E-10	92780-06530	F- 3
90387-060A7	B- 9	90480-23193	B-10	92901-04100	E-12
	D- 3	90501-04503	C- 5	92901-04600	E-12

NUMERICAL INDEX

PART NO.	REF NO.	PART NO.	REF NO.	PART NO.	REF NO.
92901-05100	B -13	92990-08100	D - 8	93306-20465	C - 8
92901-06600	B - 3		D - 9	93306-20541	C - 5
	B -11	92990-08600	C -15	93306-20709	C -10
	C -15	92990-10100	D - 4	93306-30203	D -13
92901-08600	B - 7	92990-12200	E - 4	93306-30306	D -15
	B -14	92990-14200	D -13	93306-30311	C - 8
	C - 6	93101-30084	D - 5	93306-30528	C - 8
	D - 8	93101-32144	B - 4	93306-30533	D - 5
	D - 9	93101-35097	C -10	93306-90501	C -12
92901-08700	D - 6	93101-38098	D - 5	93306-91101	C - 8
92902-03600	F - 2	93102-12106	C -13	93310-365H3	C - 7
92902-08100	C -15	93102-12224	C - 6	93311-36042	C - 9
	D - 3	93102-22014	D -13	93311-43729	D - 5
92906-04100	E - 8	93102-25017	D - 4	93315-11206	C - 6
92906-04600	E - 8	93102-25044	D -15	93315-23208	B - 8
	F - 5	93102-25218	C - 5	93316-01403	D - 5
92906-05600	D - 2	93102-70167	D - 6	93317-11020	C - 6
92906-06100	C -14	93105-45017	D -13	93317-41510	D - 5
	E - 4	93108-23007	D - 6	93332-00008	D - 7
	E - 5	93210-07438	C - 2	93332-00010	D - 4
	E - 9	93210-07540	C - 2	93332-00023	D - 7
	E -11	93210-08006	B - 7	93340-21505	C - 6
	E -15	93210-09350	C -13	93410-22039	D - 6
	F - 5	93210-09443	B - 3	93410-23056	D - 6
92906-06600	B -14	93210-10197	B - 9	93410-32052	C - 5
	E - 4	93210-11124	B -15	93410-55057	C - 8
92906-08100	D - 4	93210-14359	C -10	93440-11029	C -12
	E - 8	93210-15620	E - 8	93440-12052	B - 2
	F - 6	93210-16629	B -10	93440-12066	C -13
92906-10100	D - 6	93210-18319	B - 8	93440-25084	C - 8
92906-10200	E - 2	93210-18322	B -15	93440-28062	C - 8
92990-03100	F - 2	93210-20573	C - 2	93440-47081	C -10
92990-05200	F - 6	93210-27778	C - 4	93440-72049	C - 9
92990-05600	E -15	93210-37532	B -11	93440-80082	C - 9
92990-06100	B -11	93210-48530	D -15	93450-17044	B - 4
	C -15	93210-57428	D -15	93604-08071	E -13
	D - 2	93210-60426	D - 5	93604-10011	C -12
	D -12	93210-62439	C - 2	93604-16092	C -12
	E - 8	93210-71360	C -10	93608-43157	C -12
	E -12	93210-71462	B - 3	93608-50158	C -13
	E -14	93210-87723	B - 9	93615-12088	C - 5
	F - 6		B -10	93900-00031	D -13
	F - 7	93211-44348	D - 6		D -15
92990-06600	D -12	93302-20306	D -15	94580-25062	B - 8
	E -12	93306-00401	C - 5	94580-58120	B - 7
92990-06600	F - 6	93306-00508	C -10	94681-01021	B - 7
	F - 7	93306-20310	D -15	94701-00219	B - 2
92990-08100	B -12	93306-20439	C - 8	95023-06016	F - 7

NUMERICAL INDEX

PART NO.	REF NO.	PART NO.	REF NO.	PART NO.	REF NO.
95023-08025	B -14	95816-08020	D -12	98506-05040	F - 5
95303-05600	E -15	95816-08070	C -14	98506-05045	F - 5
95303-06600	E -14	95821-08025	C -15	98511-04012	E -12
	F - 4	95826-06010	E -10	98511-04016	E -15
	F - 7	95826-06020	B - 9	98580-05010	B -12
95303-06700	C -13	95826-08045	D - 7		B -13
95303-06800	C -15	97001-06025	F - 5	98580-06008	D -10
95303-08700	E - 8	97001-06035	F - 6	98701-05035	C -12
95303-10700	B - 7	97001-06080	F - 7	98702-03008	F - 5
95311-06600	B - 3	97006-06035	E -11	98706-04012	E - 5
95311-08700	B - 9	97011-06020	C -13	98706-05016	F - 8
95333-08600	B - 3	97011-08016	C -15	98901-06008	B -10
	D - 6	97011-08025	B -14	98980-06020	C - 3
	D - 8		D - 3	99001-09600	C - 7
	D - 9	97016-06016	E -11	99006-10600	C -13
	D - 6	97016-08016	F - 6	99009-17500	B - 9
	F - 2	97016-08025	E - 8	99009-20400	C - 8
	F - 6	97021-06014	C - 5	99080-07600	C - 6
	E - 6	97026-06010	E -15	99224-00045	D -10
	F - 6	97026-06012	C -14	99225-00040	D -10
	D -13		E - 9	99234-00020	E -10
	B - 2	97026-08035	D - 4	99234-00055	E -11
	B - 2		E - 8	99235-00025	E -10
	F - 5	97313-06016	C - 5	99235-00055	E -11
	B - 2		C -12	99510-08016	B - 2
	B - 3		C -15		B -10
	D -12		D - 2	99510-12016	B -15
	F - 6	97701-40535	E -15	99530-10014	C - 3
	B -14	97702-50012	F - 8		C - 4
	E - 6	97801-06014	B -13	99530-14016	B - 3
	E -15	98006-06020	E -10		
	C -15	98302-05006	B -12		
	E -10	98501-04006	B -12		
	E -14	98501-04050	F - 3		
	B -15	98501-05010	D -15		
	B -15	98501-05016	B -12		
	B -15	98501-06010	B -10		
	B -15		C - 3		
	B -15	98501-06020	B -11		
	B -15		D -12		
	B -15	98501-06025	B -11		
	C -11	98502-06016	E -12		
	B -15	98503-03008	D -10		
	B -15	98506-04012	E - 8		
	B -15	98506-04018	F - 5		
	E - 6	98506-05010	D - 2		
	B -14		E - 6		
	E -10	98506-05035	F - 5		







# **INDEX**

**(INDIVIDUAL SPEC.)**

NUMERICAL INDEX

PART NO.	REF NO.
31A-21621-00	F -14
31A-21622-00	F -14
123-83516-21	F -12
2HL-8353G-00	F -14
	G - 2
41Y-83570-G0	F -12
31A-84303-E0	F -12
31A-84315-00	F -12
11U-84321-E0	F -12
5G2-84324-A0	F -12
341-84332-60	F -12
198-84334-60	F -12
34L-84346-00	F -12
2F9-84375-00	F -12
2F9-84397-01	F -12
41Y-84700-F1	F -10
41Y-84710-F1	F -10
137-84714-61	F -10
4G0-84725-00	F -10
31A-84751-E0	F -10
4G0-84754-00	F -10
4X7-85110-00	F -10
35H-85132-00	F -10
90201-06057	F -14
90201-06059	F -10
92506-06016	F -10
92906-06100	F -10
	F -14
92990-05200	F -10
95303-06600	F -10
95601-05100	F -10
98501-04050	F -12
98516-06020	F -14

NUMERICAL INDEX

PART NO.	REF NO.	PART NO.	REF NO.	PART NO.	REF NO.	PART NO.	REF NO.	PART NO.	REF NO.
----------	---------	----------	---------	----------	---------	----------	---------	----------	---------



Faint, illegible text or markings in the bottom left corner, possibly bleed-through from the reverse side of the page.

COPY RIGHT: ALL RIGHTS RESERVED  
NO PART OF THIS PUBLICATION MAY BE  
REPRODUCED WITHOUT PERMISSION.



**PRINTED IN JAPAN**  
First edition Oct., 1990

