

CONTENTS

ENGINE

| | |
|---------------------------|-----------|
| Cylinder Head | B2 |
| Cylinder | B3 |
| Crankshaft · Piston | B4 |
| Valve | B5 ~ B6 |
| Camshaft · Chain | B7 |
| Oil Pump | B8 |
| Oil Cooler | B9 |
| Oil Cleaner | B10 |
| Intake | B11 |
| Carburetor | B12 ~ B13 |
| Exhaust | B14 |
| Crankcase | B15 ~ C2 |
| Crankcase Cover 1 | C3 ~ C4 |
| Starter | C5 |
| Clutch | C6 ~ C7 |
| Transmission | C8 ~ C9 |
| Shift Cam · Fork | C10 |
| Shift Shaft | C11 |

CHASSIS

| | |
|-----------------------|-----------|
| Frame | C12 |
| Fender | C13 ~ C15 |
| Side Cover | D2 |
| Rear Arm | D3 |
| Rear Suspension | D4 |
| Steering | D5 |

| | |
|-------------------------------|-----------|
| Front Fork | D6 ~ D7 |
| Fuel Tank | D8 ~ D9 |
| Seat | D10 |
| Front Wheel | D11 |
| Front Brake Caliper | D12 |
| Rear Wheel | D13 ~ D14 |
| Rear Brake Caliper | D15 |
| Steering Handle · Cable | E2 |
| Front Master Cylinder | E3 |
| Front Master Cylinder 2 | E4 |
| Stand · Footrest | E5 ~ E6 |
| Rear Master Cylinder | E7 ~ E8 |
| Generator | E9 |
| Pick Up Coil · Governor | E10 |
| Starting Motor | E11 |
| Flasher Light | E12 |
| Meter | E13 ~ E14 |
| Headlight | E15 |
| Taillight | F2 |
| Electrical 1 | F3 |
| Electrical 2 | F4 |

INDEX

| | |
|-----------------------|---------|
| NUMERICAL INDEX | L1 ~ L4 |
|-----------------------|---------|

YAMAHA



PARTS CATALOGUE

XJR1200'95 (4PU1) EUROPE

XJR1200'95 (4PU2) SPAIN

XJR1200'95 (4RB1) SWITZERLAND, AUSTRIA

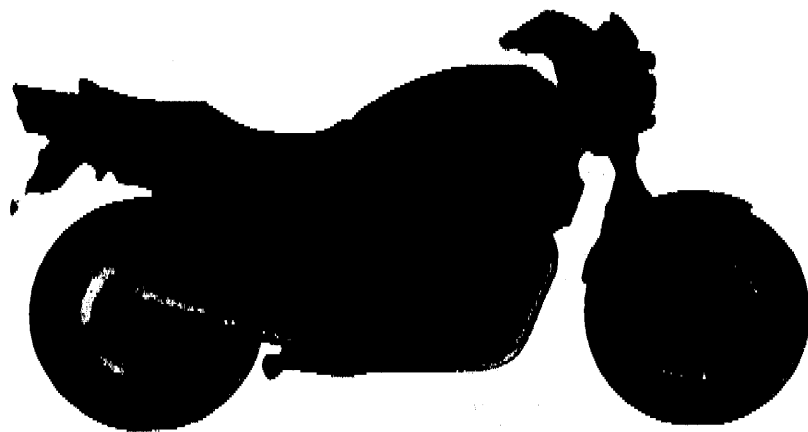
284PU-300E2

YAMAHA
GENUINE
Parts & Accessories

2011-3-29

| NEWS No. | DATE | COMMENT |
|---------------|--------------|-------------------------------------|
| PE0-MC-110020 | Mar.,28,2011 | FIG.27 SEAT ILLUSTRATION CORRECTION |

A2



A3

FOREWORD

This Parts Catalogue is related to the parts for the model(s) in the below frame. When you are ordering replacement parts, please refer to this Parts Catalogue and quote both part numbers and part names correctly.

XJR1200'95(4PU1), XJR1200'95 (4PU2), XJR1200'95(4RB1)

1. Modifications or additions which have been made after issue of the Parts Catalogue will be announced in the Yamaha Parts News. It is advisable that you make necessary corrections to the Parts Catalogue according to the Yamaha Parts News.

2. Abbreviations

The following abbreviations are used in this Parts Catalogue.

- "UR" Use specified parts number.
- "UN" Use as many as needed.
- "AP" Alternate Parts
- "LM" Local Made (Parts need to be ordered locally)
- "F#" Frame No. (Applicable machine No.)

3. Parts, which are to be supplied in an assembly, are listed with a dot (.) in front of the part name as shown below.

EXAMPLE

CARBURETOR ASSY
 . JET, PILOT
 . NOZZLE, MAIN

4. Number of component for assembly

The numeral appearing to the right of each component part indicates the quantity of parts for each assembly unit.

EXAMPLE

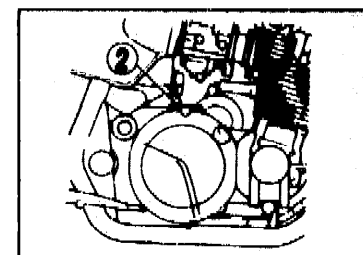
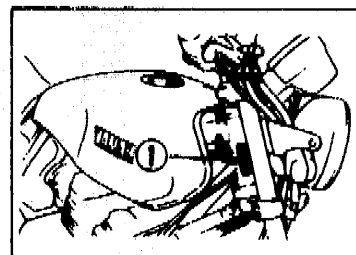
| PART NO. | DESCRIPTION | Q'TY | REMARKS |
|--------------|--------------------------|------|---------|
| 2F5-83310-60 | FRONT FLASHER LIGHT ASSY | 2 | |
| 115-83311-60 | . BULB (6V-18W) | 1 | |

5. Applicable colors of graphics are represented in the "REMARKS" as shown below.

| PART NO. | DESCRIPTION | Q'TY | REMARKS |
|-----------------|----------------------|------|-----------|
| 2N4-24110-00-X5 | FUEL TANK COMP. | 1 | MAXIM RED |
| 3J1-24240-10 | . GRAPHIC, FUEL TANK | 1 | for MXR |

6. Applicable Serial No. and Color Code

| | |
|------|----------------------------------|
| 4PU1 | ① Frame Serial No. 4PU-000101 ~ |
| | ② Engine Serial No. 4PU-000101 ~ |
| 4PU2 | ① Frame Serial No. 4PU-007101 ~ |
| | ② Engine Serial No. 4PU-007101 ~ |
| 4RB1 | ① Frame Serial No. 4RB-000101 ~ |
| | ② Engine Serial No. 4RB-000101 ~ |



| Color Code | Color Name | Abbreviation |
|------------|---------------------|--------------|
| 004B | BLACK 2 | BL2 |
| 0376 | DEEP RED COCKTAIL 2 | DRC2 |

7. Note that the illustrations are for reference in finding parts numbers, not to be used for assembling. When assembling, please use the applicable service manual.
8. The asterisk (*) before a reference number indicates modification items after the first edition.

CONTENTS

ENGINE

| | |
|---------------------------|-----------|
| Cylinder Head | B2 |
| Cylinder | B3 |
| Crankshaft · Piston | B4 |
| Valve | B5 ~ B6 |
| Camshaft · Chain | B7 |
| Oil Pump | B8 |
| Oil Cooler | B9 |
| Oil Cleaner | B10 |
| Intake | B11 |
| Carburetor | B12 ~ B13 |
| Exhaust | B14 |
| Crankcase | B15 ~ C2 |
| Crankcase Cover 1 | C3 ~ C4 |
| Starter | C5 |
| Clutch | C6 ~ C7 |
| Transmission | C8 ~ C9 |
| Shift Cam · Fork | C10 |
| Shift Shaft | C11 |

CHASSIS

| | |
|-----------------------|-----------|
| Frame | C12 |
| Fender | C13 ~ C16 |
| Side Cover | D2 |
| Rear Arm | D3 |
| Rear Suspension | D4 |
| Steering | D5 |

| | |
|-------------------------------|-----------|
| Front Fork | D6 ~ D7 |
| Fuel Tank | D8 ~ D9 |
| Seat | D10 |
| Front Wheel | D11 |
| Front Brake Caliper | D12 |
| Rear Wheel | D13 ~ D14 |
| Rear Brake Caliper | D15 |
| Steering Handle · Cable | E2 |
| Front Master Cylinder | E3 |
| Front Master Cylinder 2 | E4 |
| Stand · Footrest | E5 ~ E6 |
| Rear Master Cylinder | E7 ~ E8 |
| Generator | E9 |
| Pick Up Coil · Governor | E10 |
| Starting Motor | E11 |
| Flasher Light | E12 |
| Meter | E13 ~ E14 |
| Headlight | E15 |
| Taillight | F2 |
| Electrical 1 | F3 |
| Electrical 2 | F4 |

INDEX

| | |
|-----------------------|---------|
| NUMERICAL INDEX | L1 ~ L4 |
|-----------------------|---------|

CONTENTS

ENGINE

| | |
|---------------------------|-----------|
| Cylinder Head | B2 |
| Cylinder | B3 |
| Crankshaft · Piston | B4 |
| Valve | B5 ~ B6 |
| Camshaft · Chain | B7 |
| Oil Pump | B8 |
| Oil Cooler | B9 |
| Oil Cleaner | B10 |
| Intake | B11 |
| Carburetor | B12 ~ B13 |
| Exhaust | B14 |
| Crankcase | B15 ~ C2 |
| Crankcase Cover 1 | C3 ~ C4 |
| Starter | C5 |
| Clutch | C6 ~ C7 |
| Transmission | C8 ~ C9 |
| Shift Cam · Fork | C10 |
| Shift Shaft | C11 |

CHASSIS

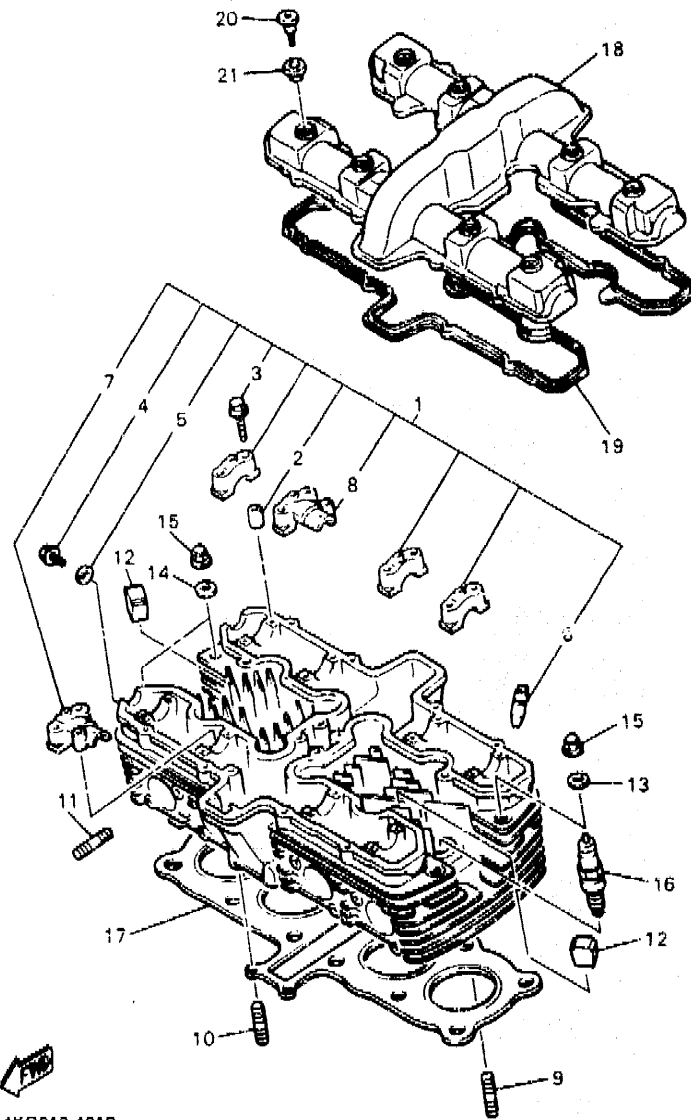
| | |
|-----------------------|-----------|
| Frame | C12 |
| Fender | C13 ~ C15 |
| Side Cover | D2 |
| Rear Arm | D3 |
| Rear Suspension | D4 |
| Steering | D5 |

| | |
|-------------------------------|-----------|
| Front Fork | D6 ~ D7 |
| Fuel Tank | D8 ~ D9 |
| Seat | D10 |
| Front Wheel | D11 |
| Front Brake Caliper | D12 |
| Rear Wheel | D13 ~ D14 |
| Rear Brake Caliper | D15 |
| Steering Handle · Cable | E2 |
| Front Master Cylinder | E3 |
| Front Master Cylinder 2 | E4 |
| Stand · Footrest | E5 ~ E6 |
| Rear Master Cylinder | E7 ~ E8 |
| Generator | E9 |
| Pick Up Coil · Governor | E10 |
| Starting Motor | E11 |
| Flasher Light | E12 |
| Meter | E13 ~ E14 |
| Headlight | E15 |
| Taillight | F2 |
| Electrical 1 | F3 |
| Electrical 2 | F4 |

INDEX

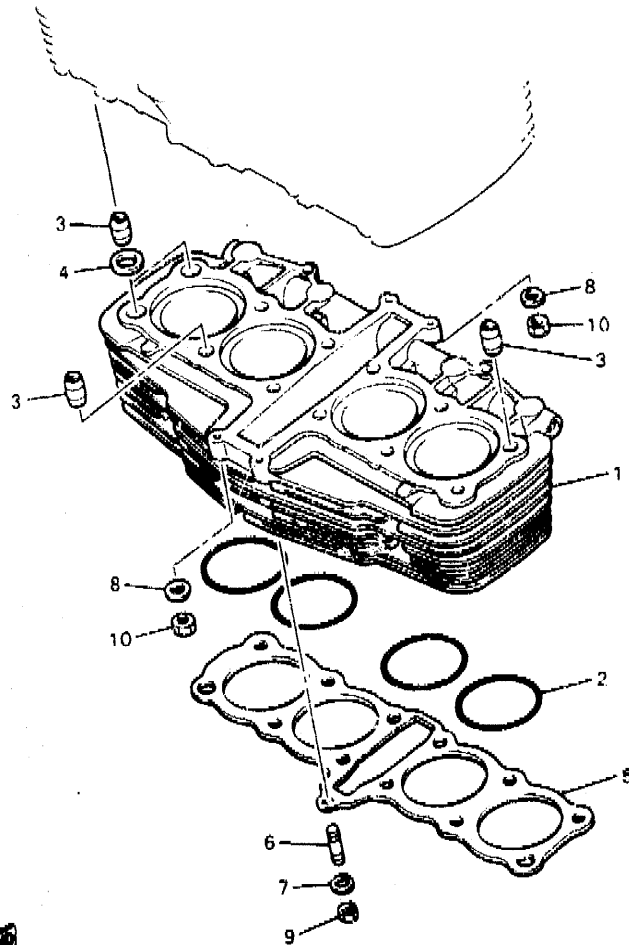
| | |
|-----------------------|---------|
| NUMERICAL INDEX | L1 ~ L4 |
|-----------------------|---------|

FIG. 1 CYLINDER HEAD



| REF. NO. | PART NO. | DESCRIPTION | Q'TY | REMARKS |
|----------|--------------|----------------------------|------|---------|
| 1 | 4KG-11101-00 | CYLINDER HEAD ASSY | 1 | |
| 2 | 99510-08018 | •PIN, DOWEL | 16 | |
| 3 | 90105-06305 | •BOLT, WASHER BASED | 18 | |
| 4 | 90153-06029 | •SCREW, HEXAGON | 1 | |
| 5 | 90430-06014 | •GASKET | 1 | |
| 6 | 36Y-11133-10 | •GUIDE, INTAKE VALVE | 16 | |
| 7 | 36Y-12193-10 | •CAP, CAMSHAFT 3 | 1 | |
| 8 | 36Y-12178-10 | •CAP, CAMSHAFT 4 | 1 | |
| 9 | 95617-06625 | BOLT, STUD | 2 | |
| 10 | 95617-06635 | BOLT, STUD | 2 | |
| 11 | 95617-08625 | BOLT, STUD | 8 | |
| 12 | 434-11161-00 | ABSORBER 1 | 16 | |
| 13 | 90201-102G9 | WASHER, PLATE | 10 | |
| 14 | 90201-10128 | WASHER, PLATE | 2 | |
| 15 | 90176-10077 | NUT, CROWN | 12 | |
| 16 | 94701-00241 | PLUG, SPARK (NGK DPR8EA-9) | 4 | |
| 17 | 1TX-11181-00 | GASKET, CYLINDER HEAD 1 | 1 | |
| 18 | 4KG-11191-01 | COVER, CYLINDER HEAD 1 | 1 | |
| 19 | 36Y-11193-00 | GASKET, HEAD COVER 1 | 1 | |
| 20 | 90109-066F0 | BOLT | 8 | |
| 21 | 4KG-1111G-00 | RUBBER, MOUNT 1 | 8 | |

FIG. 2 CYLINDER



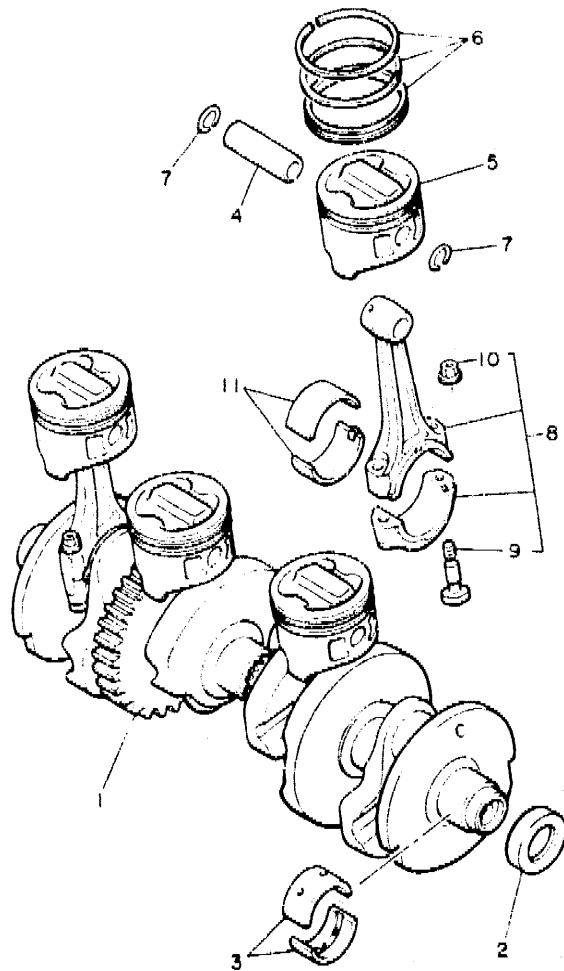
| REF. NO. | PART NO. | DESCRIPTION | Q'TY | REMARKS |
|----------|--------------|------------------|------|---------|
| 1 | 1TX-11310-00 | CYLINDER | 1 | |
| 2 | 93210-81731 | O-RING | 4 | |
| 3 | 99530-14016 | PIN, DOWEL | 4 | |
| 4 | 90430-14131 | GASKET | 2 | |
| 5 | 4CR-11351-00 | GASKET, CYLINDER | 1 | |
| 6 | 95627-08330 | BOLT, STUD | 1 | |
| 7 | 90201-084G3 | WASHER, PLATE | 1 | |
| 8 | 92907-06600 | WASHER | 4 | |
| 9 | 95317-08600 | NUT | 1 | |
| 10 | 95317-06600 | NUT | 4 | |



4K3010-4020

B3

FIG. 3 CRANKSHAFT • PISTON



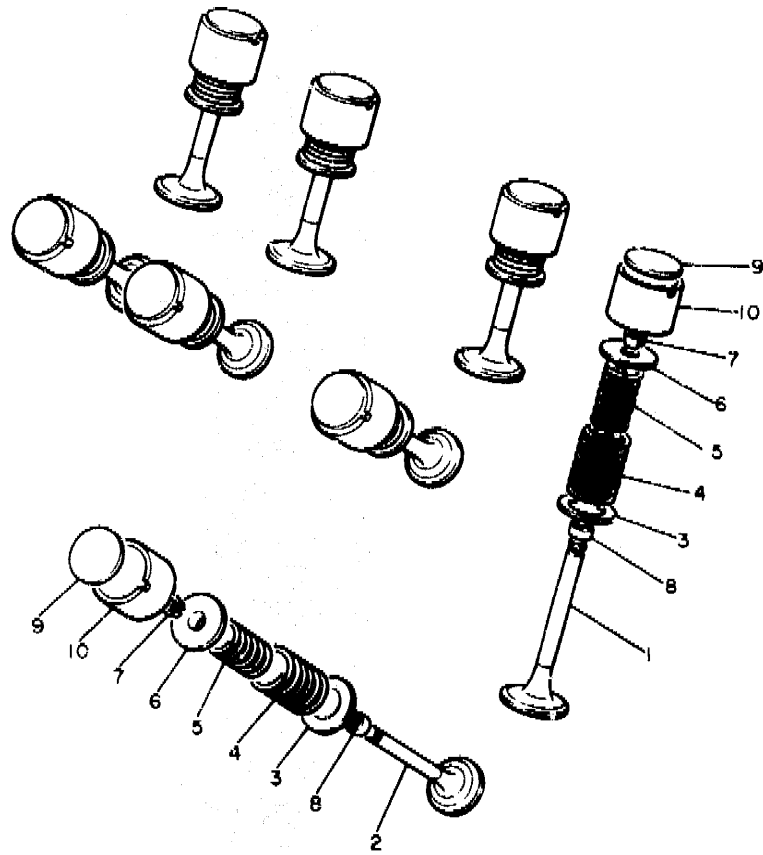
| REF. NO. | PART NO. | DESCRIPTION | Q'TY | REMARKS |
|----------|-----------------|-------------------------------|------|-----------|
| 1 | 36Y-11411-01 | CRANKSHAFT | 1 | |
| 2 | 36Y-15389-09 | OIL SEAL | 1 | |
| 3 | 2H7-11416-01 | PLANE BEARING, CRANKSHAFT 1 | 10 | UR BLUE |
| | 2H7-11416-11 | PLANE BEARING, CRANKSHAFT 1 | 10 | UR BLACK |
| | 2H7-11416-21 | PLANE BEARING, CRANKSHAFT 1 | 10 | UR BROWN |
| | 2H7-11416-31 | PLANE BEARING, CRANKSHAFT 1 | 10 | UR GREEN |
| | 2H7-11416-41 | PLANE BEARING, CRANKSHAFT 1 | 10 | UR YELLOW |
| 4 | 30X-11633-03 | PIN, PISTON | 4 | |
| 5 | 4PU-11631-00-A0 | PISTON (STD) | 4 | |
| | 4PU-11636-00 | PISTON (0.50MM O/S) | 4 | AP |
| 6 | 4PU-11603-00 | PISTON RING SET (STD) | 4 | |
| | 4PU-11605-00 | PISTON RING SET (0.50MM O/S) | 4 | AP |
| 7 | 93450-19052 | CIRCLIP | 8 | |
| 8 | 36Y-11650-01 | CONNECTING ROD ASSY | 4 | |
| 9 | 36Y-11654-00 | BOLT, CONNECTING ROD | 2 | |
| 10 | 90179-08327 | NUT | 2 | |
| 11 | 36Y-11656-00 | PLANE BEARING, CONNECTING ROD | 8 | UR PINK |
| | 36Y-11656-10 | PLANE BEARING, CONNECTING ROD | 8 | UR BLUE |
| | 36Y-11656-20 | PLANE BEARING, CONNECTING ROD | 8 | UR BLACK |
| | 36Y-11656-30 | PLANE BEARING, CONNECTING ROD | 8 | UR BROWN |



36Y310-4030

B4

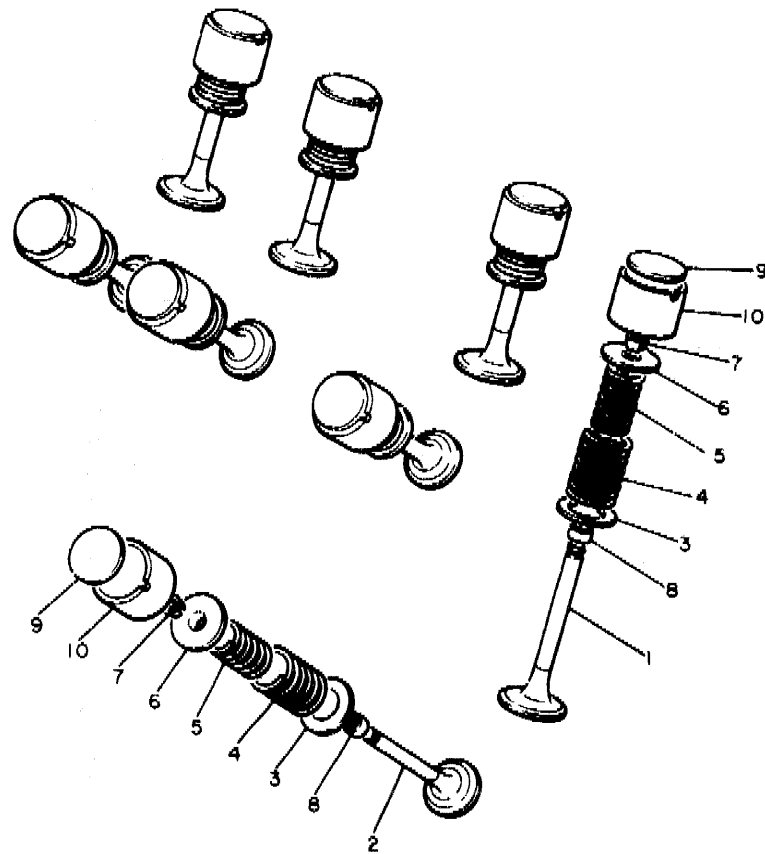
FIG. 4 VALVE



| REF. NO. | PART NO. | DESCRIPTION | Q'TY | REMARKS |
|----------|--------------|------------------------|------|---------|
| 1 | 36Y-12111-00 | VALVE, INTAKE | 8 | |
| 2 | 36Y-12121-00 | VALVE, EXHAUST | 8 | |
| 3 | 26H-12116-00 | SEAT, VALVE SPRING | 16 | |
| 4 | 36Y-12114-00 | SPRING, VALVE OUTER | 16 | |
| 5 | 36Y-12113-00 | SPRING, VALVE INNER | 16 | |
| 6 | 30X-12117-00 | RETAINER, VALVE SPRING | 16 | |
| 7 | 30X-12118-00 | COTTER, VALVE | 32 | |
| 8 | 51Y-12119-00 | SEAL, VALVE STEM | 16 | |
| 9 | 26H-12168-00 | PAD, ADJUSTING (2.00) | 16 | UR |
| | 26H-12168-20 | PAD, ADJUSTING (2.05) | 16 | UR |
| | 26H-12168-40 | PAD, ADJUSTING (2.10) | 16 | UR |
| | 26H-12168-60 | PAD, ADJUSTING (2.15) | 16 | UR |
| | 26H-12168-80 | PAD, ADJUSTING (2.20) | 16 | UR |
| | 26H-12168-A0 | PAD, ADJUSTING (2.25) | 16 | UR |
| | 26H-12168-F0 | PAD, ADJUSTING (2.30) | 16 | UR |
| | 26H-12168-H0 | PAD, ADJUSTING (2.35) | 16 | UR |
| | 26H-12168-K0 | PAD, ADJUSTING (2.40) | 16 | UR |
| | 26H-12168-M0 | PAD, ADJUSTING (2.45) | 16 | UR |
| | 26H-12168-R0 | PAD, ADJUSTING (2.50) | 16 | UR |
| | 26H-12168-U0 | PAD, ADJUSTING (2.55) | 16 | UR |
| | 26H-12168-W0 | PAD, ADJUSTING (2.60) | 16 | UR |
| | 26H-12168-Y0 | PAD, ADJUSTING (2.65) | 16 | UR |
| | 26H-12169-10 | PAD, ADJUSTING (2.70) | 16 | UR |
| | 26H-12169-30 | PAD, ADJUSTING (2.75) | 16 | UR |
| | 26H-12169-50 | PAD, ADJUSTING (2.80) | 16 | UR |
| | 26H-12169-70 | PAD, ADJUSTING (2.85) | 16 | UR |
| | 26H-12169-90 | PAD, ADJUSTING (2.90) | 16 | UR |
| | 26H-12169-E0 | PAD, ADJUSTING (2.95) | 16 | UR |

4H7110-0050

FIG. 4 VALVE



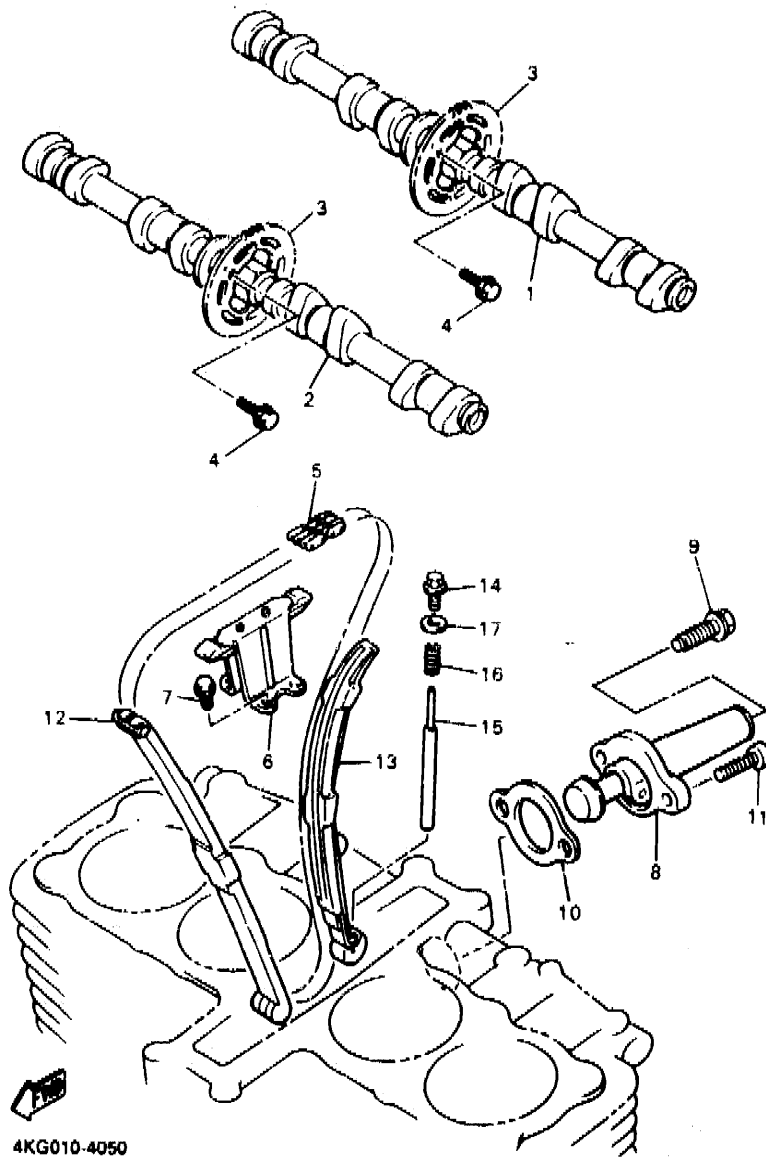
| REF. NO. | PART NO. | DESCRIPTION | Q'TY | REMARKS |
|----------|-----------------|-----------------------|------|---------|
| 9 | 26H-12169-G0 | PAD, ADJUSTING (3.00) | 16 | UR |
| | 26H-12169-J0 | PAD, ADJUSTING (3.05) | 16 | UR |
| | 26H-12169-L0 | PAD, ADJUSTING (3.10) | 16 | UR |
| | 26H-12169-N0 | PAD, ADJUSTING (3.15) | 16 | UR |
| | 26H-12169-T0 | PAD, ADJUSTING (3.20) | 16 | UR |
| 10 | 26H-12153-00-J0 | LIFTER, VALVE(O/S) | 16 | UR |
| | 26H-12153-00-Y0 | LIFTER, VALVE | 16 | UR |



4H7110-0050

B6

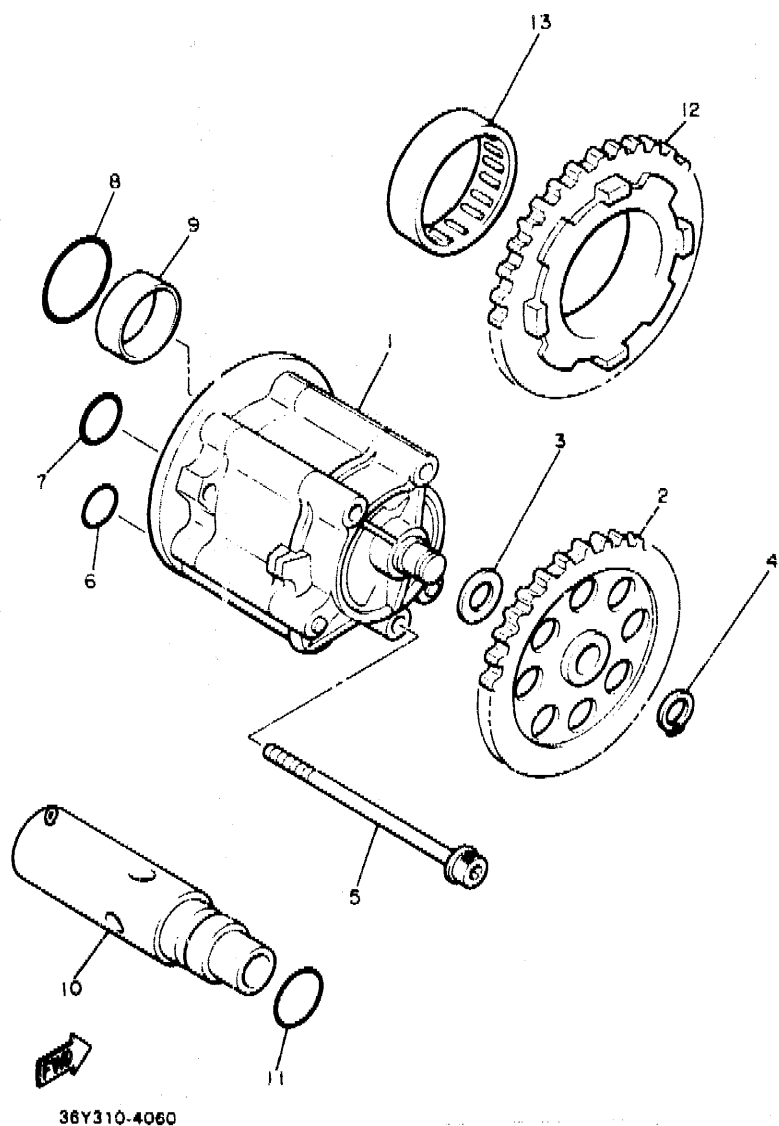
FIG. 5 CAMSHAFT • CHAIN



4KG010-4050

| REF. NO. | PART NO. | DESCRIPTION | Q'TY | REMARKS |
|----------|--------------|---------------------------|------|---------|
| 1 | 47M-12171-00 | CAMSHAFT 1 | 1 | |
| 2 | 47M-12181-00 | CAMSHAFT 2 | 1 | |
| 3 | 36Y-12176-00 | SPROCKET, CAM CHAIN | 2 | |
| 4 | 90105-07087 | BOLT, WASHER BASED | 4 | |
| 5 | 94591-05156 | CHAIN | 1 | |
| 6 | 36Y-12241-01 | GUIDE, STOPPER 2 | 1 | |
| 7 | 90105-06424 | BOLT, WASHER BASED | 4 | |
| 8 | 4KG-12210-00 | TENSIONER ASSY, CAM CHAIN | 1 | |
| 9 | 4KG-12222-00 | PLUG | 1 | |
| 10 | 4BE-12213-00 | GASKET, TENSIONER CASE | 1 | |
| 11 | 91317-06025 | BOLT | 2 | |
| 12 | 36Y-12251-00 | DAMPER, CHAIN 1 | 1 | |
| 13 | 36Y-12252-03 | DAMPER, CHAIN 2 | 1 | |
| 14 | 90340-10108 | PLUG, STRAIGHT SCREW | 1 | |
| 15 | 90249-04184 | PIN | 1 | |
| 16 | 90501-153A2 | SPRING, COMPRESSION | 1 | |
| 17 | 90201-10118 | WASHER, PLATE | 1 | |

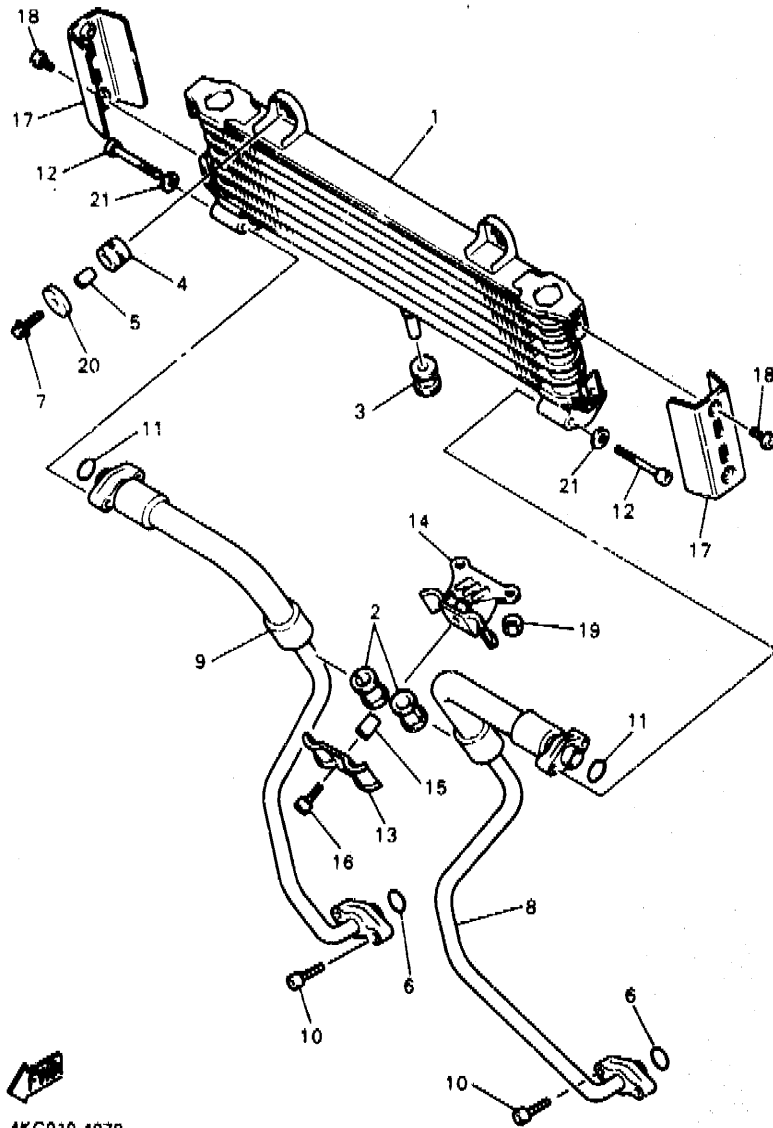
FIG. 6 OIL PUMP



| REF. NO. | PART NO. | DESCRIPTION | Q'TY | REMARKS |
|----------|--------------|-------------------------|------|---------|
| 1 | 3CV-13300-00 | OIL PUMP ASSY | 1 | |
| 2 | 36Y-13325-00 | GEAR, PUMP DRIVEN (32T) | 1 | |
| 3 | 90201-106H7 | WASHER, PLATE | 1 | |
| 4 | 93440-09139 | CIRCLIP | 1 | |
| 5 | 95817-06080 | BOLT, FLANGE | 3 | |
| 6 | 93210-13657 | O-RING | 1 | |
| 7 | 93210-15566 | O-RING | 1 | |
| 8 | 93210-26658 | O-RING | 1 | |
| 9 | 93826-08210 | PIN, DOWEL | 1 | |
| 10 | 36Y-13490-00 | RELIEF VALVE ASSY | 1 | |
| 11 | 93210-15566 | O-RING | 1 | |
| 12 | 36Y-13324-00 | GEAR, PUMP DRIVE (36T) | 1 | |
| 13 | 93315-23807 | BEARING, CYLINDRICAL | 1 | |

B8

FIG. 7 OIL COOLER

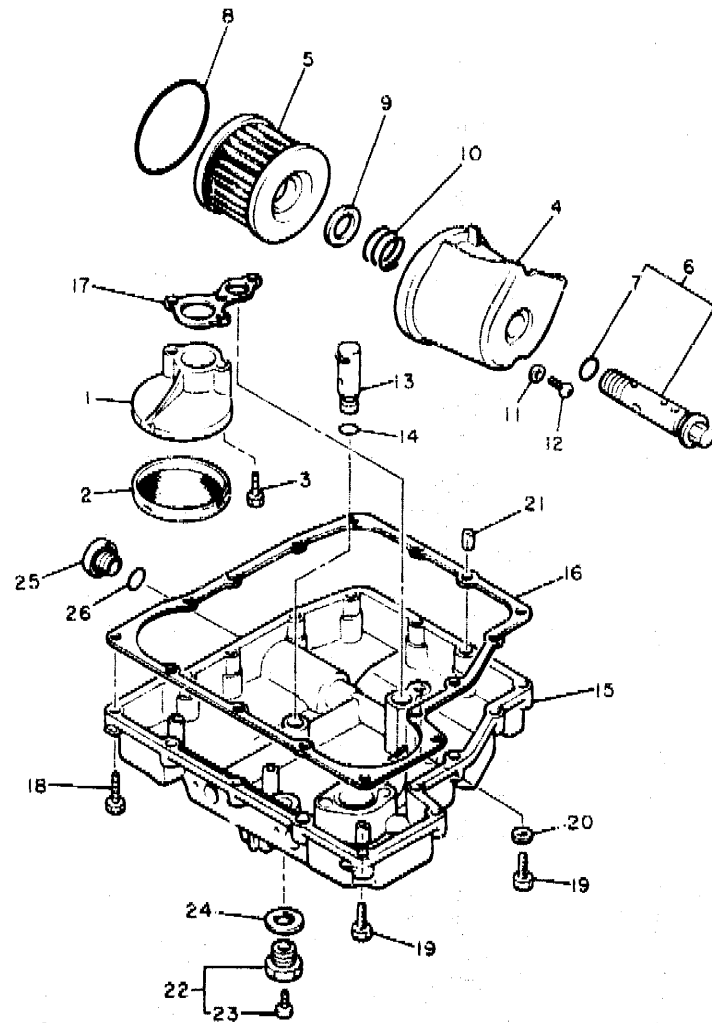


4KG010-4070

B9

| REF. NO. | PART NO. | DESCRIPTION | Q'TY | REMARKS |
|----------|--------------|-------------------|------|---------|
| 1 | 4KG-13470-00 | OIL COOLER ASSY | 1 | |
| 2 | 4KG-13159-00 | DAMPER | 2 | |
| 3 | 90480-16284 | GROMMET | 1 | |
| 4 | 90480-12475 | GROMMET | 2 | |
| 5 | 90387-060A7 | COLLAR | 2 | |
| 6 | 93210-13657 | O-RING | 2 | |
| 7 | 95817-06020 | BOLT, FLANGE | 2 | |
| 8 | 4KG-13464-00 | HOSE, OIL 1 | 1 | |
| 9 | 4KG-13465-00 | HOSE, OIL 2 | 1 | |
| 10 | 91317-06020 | BOLT | 4 | |
| 11 | 93210-16629 | O-RING | 2 | |
| 12 | 91317-06040 | BOLT | 4 | |
| 13 | 4KG-13151-00 | STAY | 1 | |
| 14 | 4KG-13152-00 | STAY 2 | 1 | |
| 15 | 90387-060A7 | COLLAR | 1 | |
| 16 | 91317-06020 | BOLT | 1 | |
| 17 | 4HM-13463-00 | COVER, OIL COOLER | 2 | |
| 18 | 92014-06012 | BOLT, BUTTON HEAD | 4 | |
| 19 | 95317-06600 | NUT | 2 | |
| 20 | 90209-06174 | WASHER | 2 | |
| 21 | 92907-06200 | WASHER | 4 | |

FIG. 8 OIL CLEANER

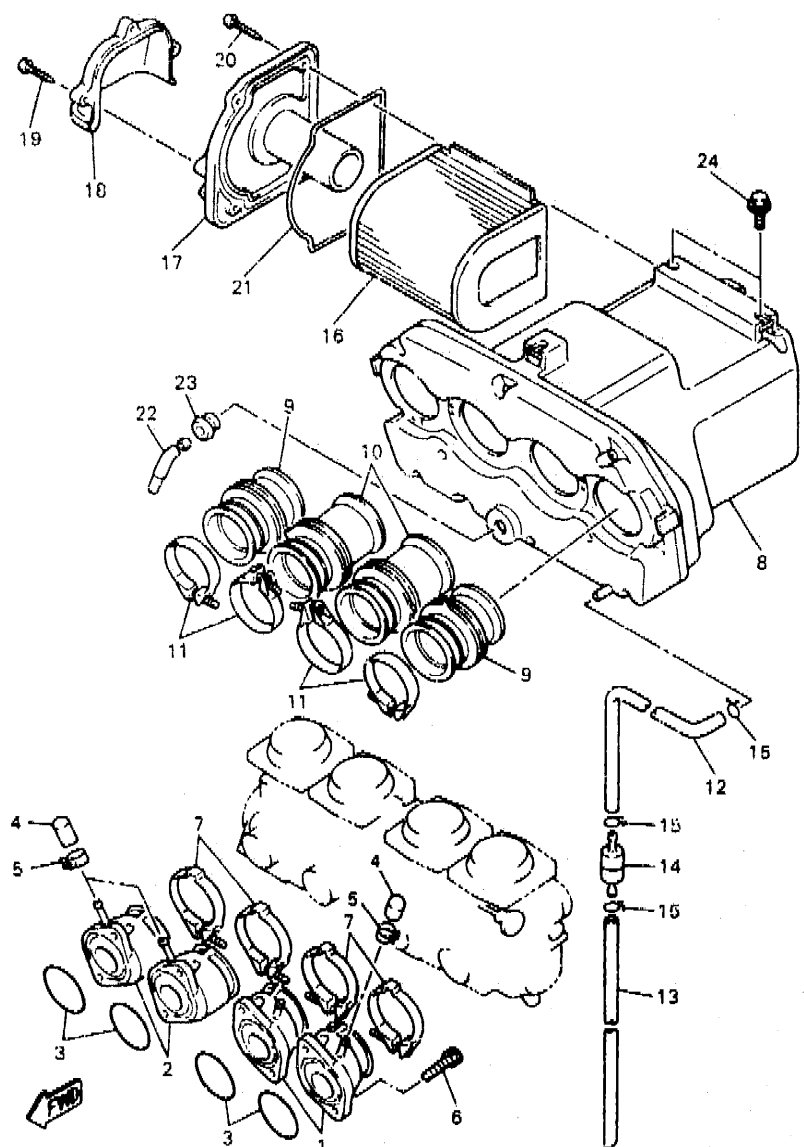


| REF. NO. | PART NO. | DESCRIPTION | QTY | REMARKS |
|----------|--------------|------------------------|-----|---------|
| 1 | 36Y-13412-00 | HOUSING, STRAINER | 1 | |
| 2 | 4H7-13411-02 | STRAINER, OIL | 1 | |
| 3 | 91317-06020 | BOLT | 2 | |
| 4 | 4KG-13447-00 | COVER, OIL ELEMENT | 1 | |
| 5 | 36Y-13441-00 | ELEMENT, OIL CLEANER | 1 | |
| 6 | 36Y-13340-00 | BY-PASS VALVE ASSY | 1 | |
| 7 | 93210-16629 | O-RING | 1 | |
| 8 | 93210-87723 | O-RING | 1 | |
| 9 | 90201-21608 | WASHER, PLATE | 1 | |
| 10 | 90501-20422 | SPRING, COMPRESSION | 1 | |
| 11 | 90430-05126 | GASKET | 1 | |
| 12 | 90149-05110 | SCREW | 1 | |
| 13 | 25G-13490-00 | RELIEF VALVE ASSY | 1 | |
| 14 | 93210-10096 | O-RING | 1 | |
| 15 | 36Y-13417-02 | COVER, STRAINER | 1 | |
| 16 | 4CR-13414-00 | GASKET, STRAINER COVER | 1 | |
| 17 | 4CR-13415-00 | SEAL, OIL STRAINER | 1 | |
| 18 | 91317-06025 | BOLT | 14 | |
| 19 | 91317-06035 | BOLT | 3 | |
| 20 | 90430-06014 | GASKET | 1 | |
| 21 | 99510-08016 | PIN, DOWEL | 2 | |
| 22 | 3VD-13455-00 | PLUG | 1 | |
| 23 | 98907-06008 | SCREW, BIND | 1 | |
| 24 | 214-11198-01 | GASKET | 1 | |
| 25 | 36Y-15189-00 | PLUG | 1 | |
| 26 | 93210-16629 | O-RING | 1 | |

36Y310-4080

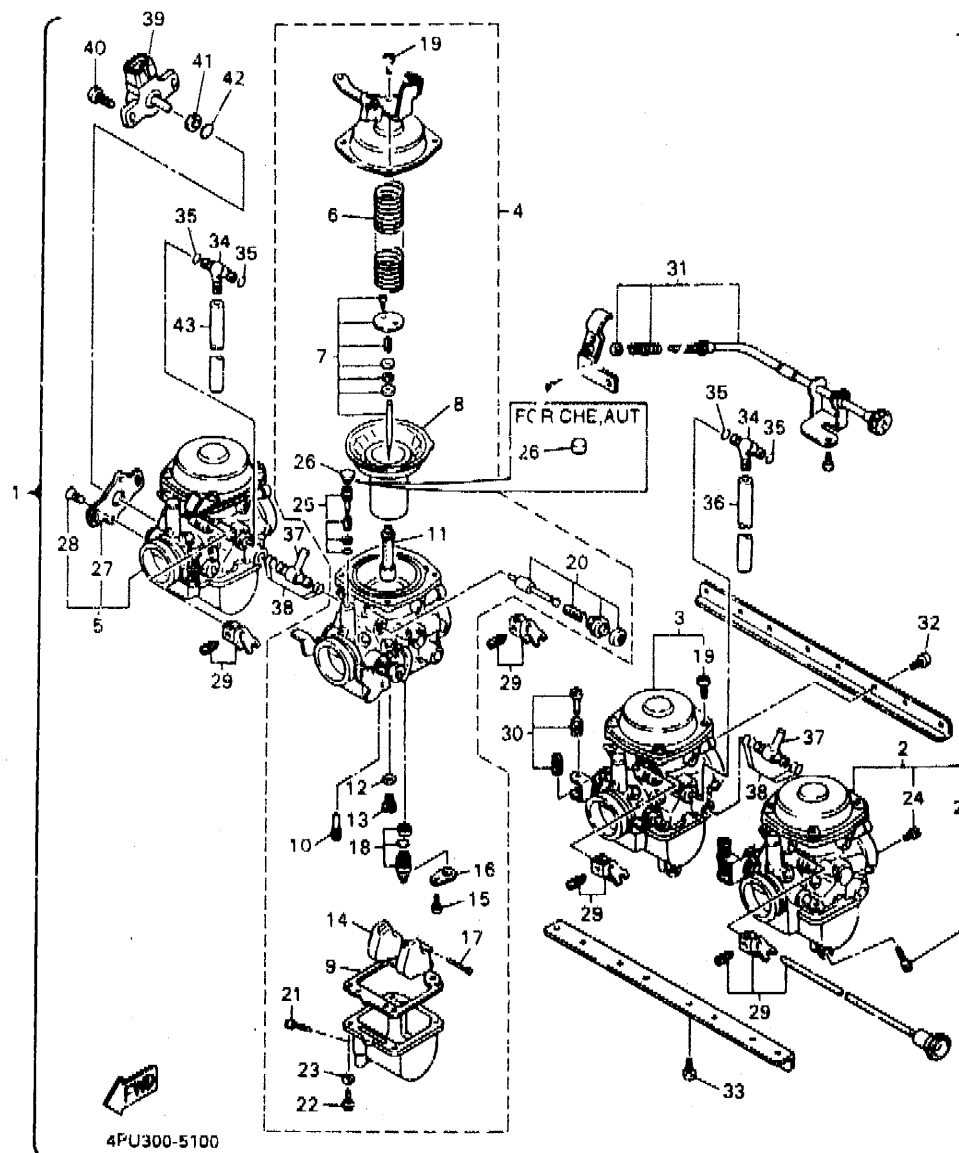
B10

FIG. 9 INTAKE



| REF. NO. | PART NO. | DESCRIPTION | Q'TY | REMARKS |
|----------|--------------|-----------------------|------|---------|
| 1 | 4KG-13586-00 | JOINT, CARBURETOR 1 | 2 | |
| 2 | 4KG-13596-00 | JOINT, CARBURETOR 2 | 2 | |
| 3 | 83210-40669 | O-RING | 4 | |
| 4 | 16G-13569-00 | PLUG, BLIND | 3 | |
| 5 | 90467-10039 | CLIP | 3 | |
| 6 | 91317-06020 | BOLT | 8 | |
| 7 | 1AE-13575-01 | BAND | 4 | |
| 8 | 4KG-14401-00 | AIR CLEANER CASE ASSY | 1 | |
| 9 | 31A-14453-00 | JOINT, AIR CLEANER 1 | 2 | |
| 10 | 36Y-14463-00 | JOINT, AIR CLEANER 2 | 2 | |
| 11 | 90460-58015 | CLAMP, HOSE | 4 | |
| 12 | 1HX-1443E-00 | PIPE, DRAIN | 1 | |
| 13 | 90445-11153 | HOSE | 1 | |
| 14 | 4X7-2149Y-00 | FILTER ASSY | 1 | |
| 15 | 90487-11106 | CLIP | 3 | |
| 16 | 4KG-14451-00 | ELEMENT, AIR CLEANER | 1 | |
| 17 | 4KG-14412-00 | CAP, CLEANER CASE 1 | 1 | |
| 18 | 4KG-14437-00 | DUCT | 1 | |
| 19 | 97707-50525 | SCREW, TAPPING | 3 | |
| 20 | 97707-50625 | SCREW, TAPPING | 4 | |
| 21 | 34X-14457-00 | SEAL | 1 | |
| 22 | 31A-14419-00 | PIPE | 1 | |
| 23 | 31A-14435-00 | GROMMET | 1 | |
| 24 | 95807-06016 | BOLT, FLANGE | 3 | |

FIG. 10 CARBURETOR



| REF. NO. | PART NO | DESCRIPTION | Q'TY | REMARKS |
|----------|--------------|-------------------------|------|-----------------|
| * 1 | 4KG-14900-20 | CARBURETOR ASSY | 1 | UR |
| | 4RB-14900-00 | CARBURETOR ASSY | 1 | UR FOR CHE, AUT |
| * 2 | 4KG-14901-20 | ..CARBURETOR ASSY 1 | 1 | UR |
| | 4RB-14901-00 | ..CARBURETOR ASSY 1 | 1 | UR FOR CHE, AUT |
| * 3 | 4KG-14902-20 | ..CARBURETOR ASSY 2 | 1 | UR |
| | 4RB-14902-00 | ..CARBURETOR ASSY 2 | 1 | UR FOR CHE, AUT |
| * 4 | 4KG-14903-20 | ..CARBURETOR ASSY 3 | 1 | UR |
| | 4RB-14903-00 | ..CARBURETOR ASSY 3 | 1 | UR FOR CHE, AUT |
| * 5 | 4KG-14904-20 | ..CARBURETOR ASSY 4 | 1 | UR |
| | 4RB-14904-00 | ..CARBURETOR ASSY 4 | 1 | UR FOR CHE, AUT |
| 6 | 3Y6-14933-00 | ..SPRING, DIAPHRAGM | 1 | |
| * 7 | 4KG-1490J-00 | ..NEEDLE SET | 1 | UR |
| | 4RB-1490J-01 | ..NEEDLE SET | 1 | UR FOR CHE, AUT |
| * 8 | 4KG-14940-00 | ..DIAPHRAGM ASSY | 1 | UR |
| | 4RB-14940-00 | ..DIAPHRAGM ASSY | 1 | UR FOR CHE, AUT |
| 9 | 3XW-14984-00 | ..GASKET, FLOAT CHAMBER | 1 | |
| * 10 | 4HR-14142-40 | ..JET, PILOT (# 40) | 1 | UR |
| | 4HR-14142-37 | ..JET, PILOT (# 37.5) | 1 | UR FOR CHE, AUT |
| 11 | 4KG-14141-92 | ..NOZZLE, MAIN | 1 | |
| 12 | 137-14153-00 | ..WASHER, MAIN JET | 1 | |
| 13 | 620-14231-19 | ..JET, MAIN (# 95) | 1 | |
| 14 | 3H5-14985-00 | ..FLOAT | 1 | |
| 15 | 98501-04006 | ..SCREW, PAN HEAD | 1 | |
| 16 | 2H0-14146-00 | ..PLATE | 1 | |
| 17 | 537-14186-00 | ..PIN, FLOAT | 1 | |
| 18 | 3CF-14107-23 | ..NEEDLE VALVE SET | 1 | |
| 19 | 98507-05010 | ..SCREW, PAN HEAD | 4 | |
| 20 | 4KG-1410A-00 | ..STARTER SET | 1 | |

B12

FIG. 10 CARBURETOR

| REF. NO. | PART NO. | DESCRIPTION | Q'TY | REMARKS |
|----------|-----------------|---------------------------------|------|-----------------|
| 21 | 12R-14191-00 | ..PLUG, DRAIN | 1 | |
| 22 | 98507-05016 | ..SCREW, PAN HEAD | 4 | |
| 23 | 92901-05100 | ..WASHER, SPRING | 4 | |
| * 24 | 3G2-14231-27 | ..JET, MAIN (#135) | 1 | UR |
| | 3G2-14231-26-A0 | ..JET, MAIN (#130) | 1 | UR FOR CHE, AUT |
| 25 | 4CC-14105-00 | ..PILOT SCREW SET | 1 | |
| 26 | 22F-14991-00 | ..CAP | 1 | UR |
| | 2RJ-14118-00 | ..CAP | 1 | UR FOR CHE, AUT |
| 27 | 4KG-14995-00 | ..BRACKET | 1 | |
| 28 | 98707-04008 | ..SCREW, FLAT HEAD | 2 | |
| 29 | 58L-1490L-00 | ..STARTER LEVER SET, 1 | 1 | |
| 30 | 3KW-1490K-00 | ..STOP SCREW SET | 3 | |
| 31 | 4KG-14103-00 | ..THROTTLE SCREW SET | 1 | |
| 32 | 98507-05010 | ..SCREW, PAN HEAD | 8 | |
| 33 | 98503-06014 | ..SCREW, PAN HEAD | 8 | |
| 34 | 17A-14251-00 | ..NIPPLE | 2 | |
| 35 | 822-14147-00 | ..O-RING | 4 | |
| 36 | 50H-14987-00 | ..HOSE | 1 | |
| 37 | 36Y-14988-00 | ..PIPE, STARTER CONNECTING | 2 | |
| 38 | 36Y-14147-00 | ..O-RING | 8 | |
| 39 | 4KG-85885-00 | ..THROTTLE POSITION SENSOR ASSY | 1 | |
| 40 | 4HM-14216-00 | ..SCREW | 2 | |
| 41 | 4KC-14285-00 | ..WASHER | 1 | |
| 42 | 4KG-14147-00 | ..O-RING | 1 | |
| 43 | 4G0-14197-00 | ..PIPE | 1 | |

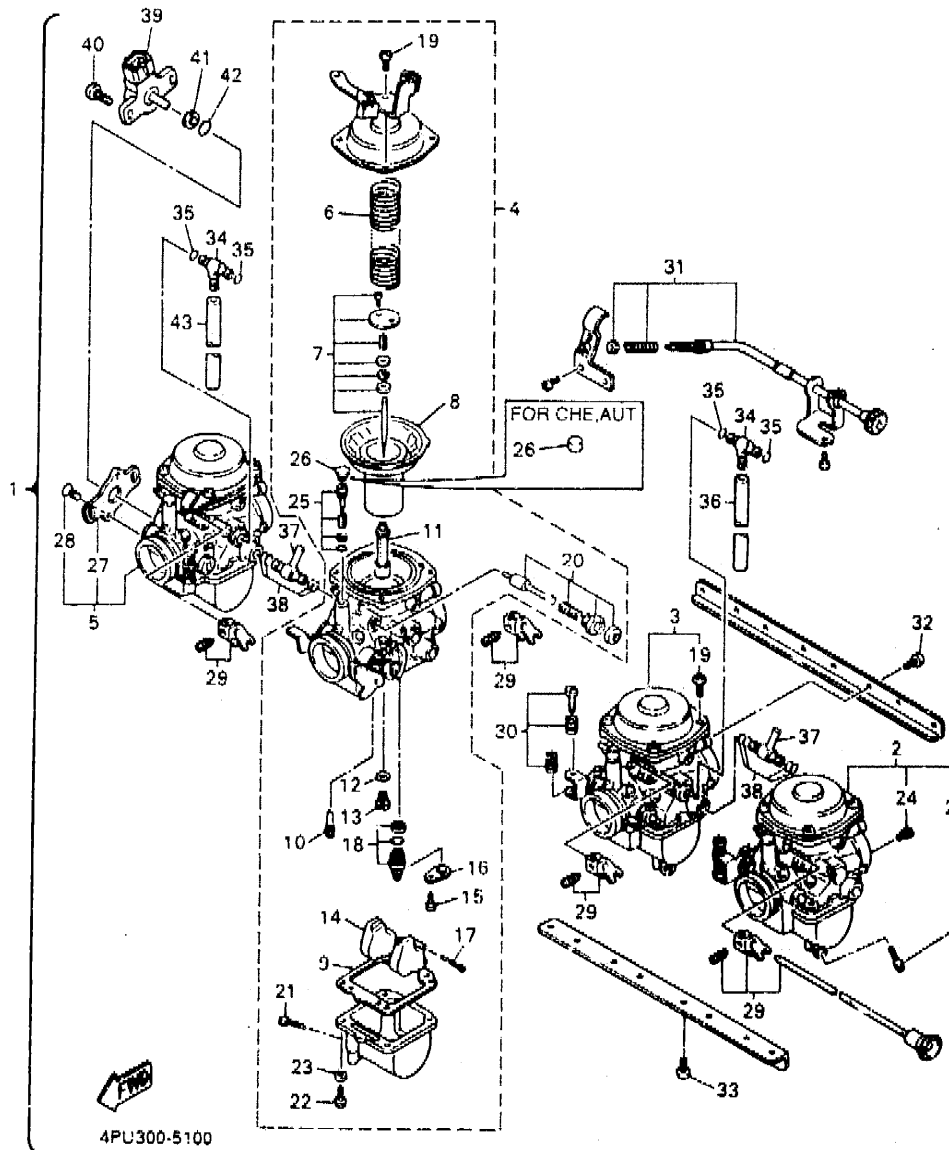
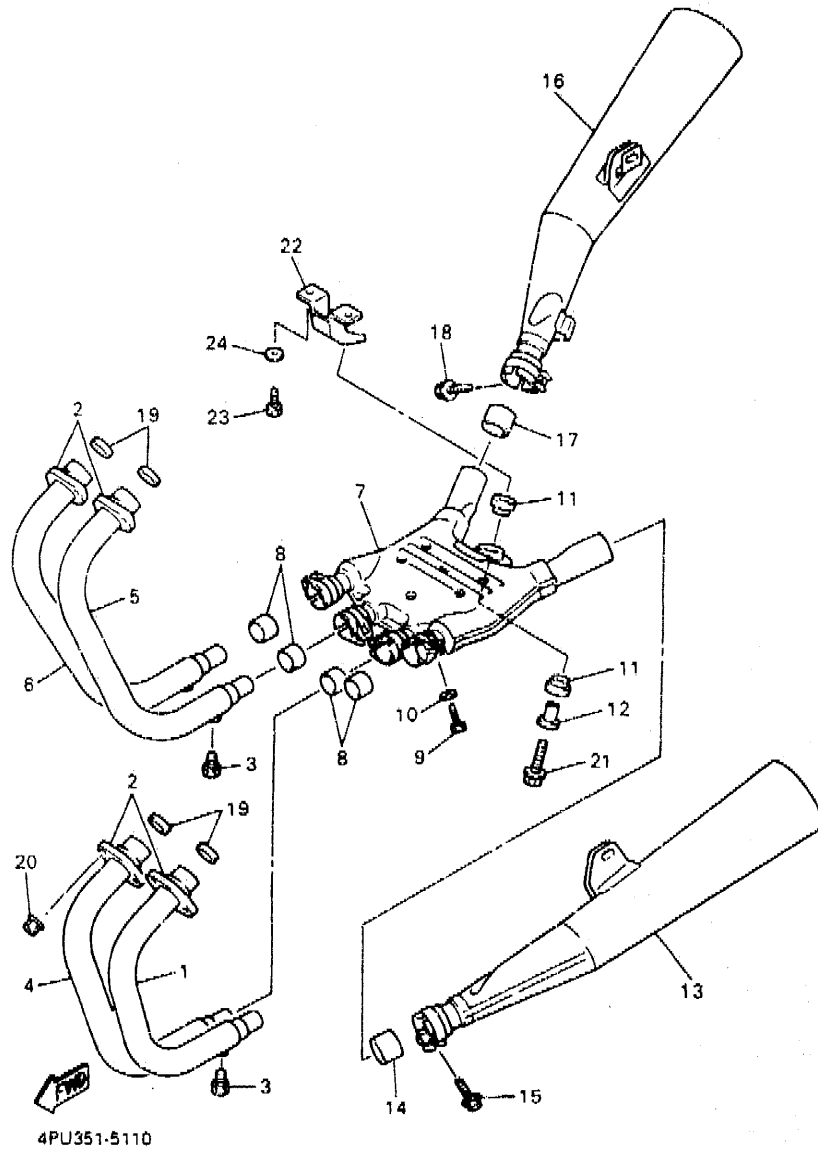


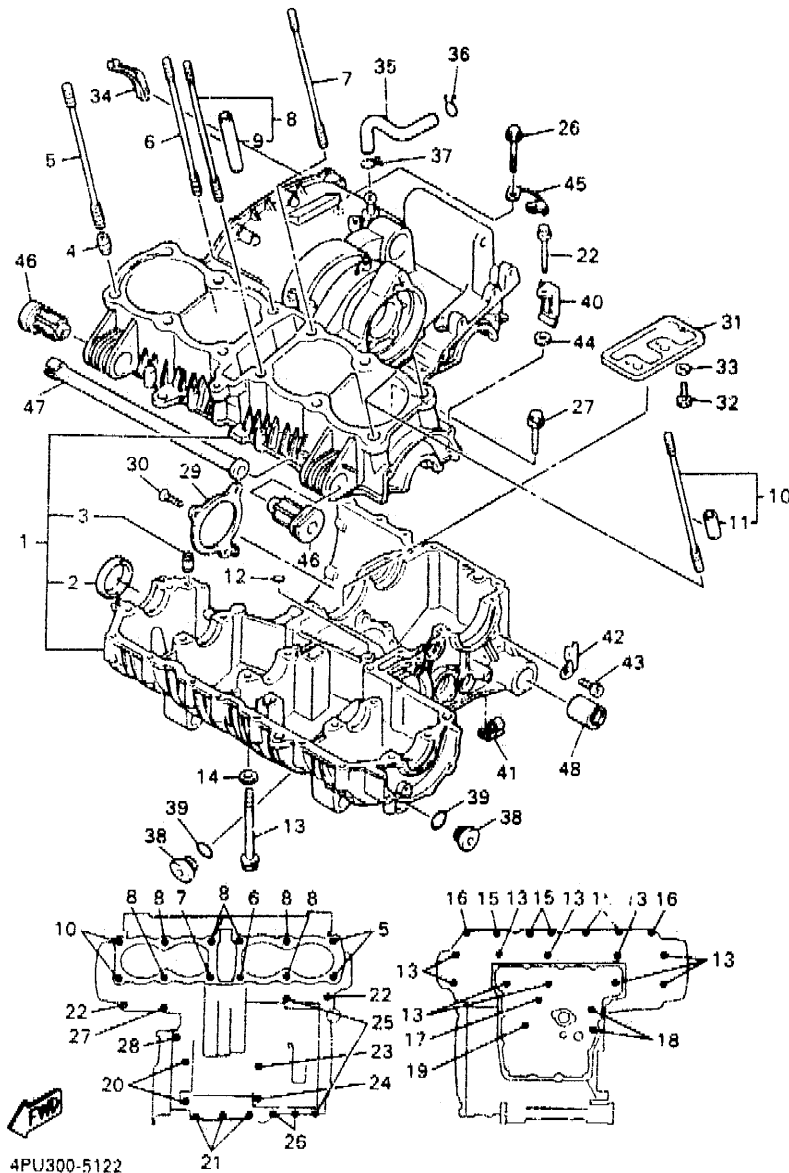
FIG. 11 EXHAUST



| REF. NO. | PART NO. | DESCRIPTION | Q'TY | REMARKS |
|----------|--------------|----------------------|------|---------|
| 1 | 4KG-14611-00 | PIPE, EXHAUST 1 | 1 | |
| 2 | 4KG-14612-00 | NUT, RING | 4 | |
| 3 | 90101-08576 | BOLT | 4 | |
| 4 | 4KG-14621-00 | PIPE, EXHAUST 2 | 1 | |
| 5 | 4KG-14631-00 | PIPE, EXHAUST 3 | 1 | |
| 6 | 4KG-14641-00 | PIPE, EXHAUST 4 | 1 | |
| 7 | 4PU-14615-00 | JOINT, EXHAUST 1 | 1 | |
| 8 | 3XW-14755-00 | GASKET, SILENCER | 4 | |
| 9 | 97027-08025 | BOLT | 4 | |
| 10 | 92907-08600 | WASHER | 4 | |
| 11 | 36Y-14747-00 | DAMPER, MUFFLER | 2 | |
| 12 | 4G0-14638-00 | COLLAR | 1 | |
| 13 | 4PU-14711-00 | MUFFLER 1 | 1 | |
| 14 | 3XW-14714-00 | GASKET, MUFFLER | 1 | |
| 15 | 95817-08025 | BOLT, FLANGE | 1 | |
| 16 | 4PU-14721-00 | MUFFLER 2 | 1 | |
| 17 | 3XW-14714-00 | GASKET, MUFFLER | 1 | |
| 18 | 95817-08025 | BOLT, FLANGE | 1 | |
| 19 | 4BE-14613-00 | GASKET, EXHAUST PIPE | 4 | |
| 20 | 95617-08200 | NUT, SELF-LOCKING | 8 | |
| 21 | 95807-10040 | BOLT, FLANGE | 1 | |
| 22 | 4KG-14791-00 | STAY, MUFFLER | 1 | |
| 23 | 97017-08025 | BOLT | 2 | |
| 24 | 92907-08600 | WASHER | 2 | |

B14

FIG. 12 CRANKCASE



4PU300-5122

| REF. NO. | PART NO. | DESCRIPTION | Q'TY | REMARKS |
|----------|--------------|--------------------------|------|---------|
| 1 | 3XW-15100-02 | CRANKCASE ASSY | 1 | |
| * 2 | 4H7-15167-10 | PLUG, BLIND | 1 | |
| 3 | 99510-12016 | PIN, DOWEL | 2 | |
| 4 | 99530-14016 | PIN, DOWEL | 2 | |
| 5 | 90116-10563 | BOLT, STUD | 2 | |
| 6 | 90116-10561 | BOLT, STUD | 1 | |
| 7 | 90116-10562 | BOLT, STUD | 1 | |
| * 8 | 3XW-11363-01 | BOLT, CYLINDER HOLDING 3 | 6 | |
| 9 | 3XW-1111J-00 | PIPE 1 | 1 | |
| 10 | 3XW-11364-01 | BOLT, CYLINDER HOLDING 4 | 2 | |
| 11 | 3XW-1112J-00 | PIPE 2 | 1 | |
| 12 | 93210-07438 | O-RING | 1 | |
| 13 | 95817-06100 | BOLT, FLANGE | 10 | |
| 14 | 90201-094G1 | WASHER, PLATE | 7 | |
| 15 | 95817-08045 | BOLT, FLANGE | 5 | |
| 16 | 95817-10050 | BOLT, FLANGE | 2 | |
| 17 | 95817-06110 | BOLT, FLANGE | 1 | |
| 18 | 95817-06095 | BOLT, FLANGE | 2 | |
| 19 | 95817-06040 | BOLT, FLANGE | 1 | |
| 20 | 95817-08055 | BOLT, FLANGE | 2 | |
| 21 | 95817-10060 | BOLT, FLANGE | 3 | |
| 22 | 95817-06050 | BOLT, FLANGE | 2 | |
| 23 | 95817-06125 | BOLT, FLANGE | 1 | |
| 24 | 95817-06070 | BOLT, FLANGE | 1 | |
| 25 | 95817-06065 | BOLT, FLANGE | 2 | |
| 26 | 95817-06055 | BOLT, FLANGE | 2 | |
| 27 | 95817-06040 | BOLT, FLANGE | 1 | |
| 28 | 95817-06030 | BOLT, FLANGE | 1 | |

CONTENTS

ENGINE

| | |
|---------------------------|-----------|
| Cylinder Head | B2 |
| Cylinder | B3 |
| Crankshaft · Piston | B4 |
| Valve | B5 ~ B6 |
| Camshaft · Chain | B7 |
| Oil Pump | B8 |
| Oil Cooler | B9 |
| Oil Cleaner | B10 |
| Intake | B11 |
| Carburetor | B12 ~ B13 |
| Exhaust | B14 |
| Crankcase | B15 ~ C2 |
| Crankcase Cover 1 | C3 ~ C4 |
| Starter | C5 |
| Clutch | C6 ~ C7 |
| Transmission | C8 ~ C9 |
| Shift Cam · Fork | C10 |
| Shift Shaft | C11 |

CHASSIS

| | |
|-----------------------|-----------|
| Frame | C12 |
| Fender | C13 ~ C15 |
| Side Cover | D2 |
| Rear Arm | D3 |
| Rear Suspension | D4 |
| Steering | D5 |

| | |
|-------------------------------|-----------|
| Front Fork | D6 ~ D7 |
| Fuel Tank | D8 ~ D9 |
| Seat | D10 |
| Front Wheel | D11 |
| Front Brake Caliper | D12 |
| Rear Wheel | D13 ~ D14 |
| Rear Brake Caliper | D15 |
| Steering Handle · Cable | E2 |
| Front Master Cylinder | E3 |
| Front Master Cylinder 2 | E4 |
| Stand · Footrest | E5 ~ E6 |
| Rear Master Cylinder | E7 ~ E8 |
| Generator | E9 |
| Pick Up Coil · Governor | E10 |
| Starting Motor | E11 |
| Flasher Light | E12 |
| Meter | E13 ~ E14 |
| Headlight | E15 |
| Taillight | F2 |
| Electrical 1 | F3 |
| Electrical 2 | F4 |

INDEX

| | |
|-----------------------|---------|
| NUMERICAL INDEX | L1 ~ L4 |
|-----------------------|---------|

CONTENTS

ENGINE

| | |
|---------------------------|-----------|
| Cylinder Head | B2 |
| Cylinder | B3 |
| Crankshaft · Piston | B4 |
| Valve | B5 ~ B6 |
| Camshaft · Chain | B7 |
| Oil Pump | B8 |
| Oil Cooler | B9 |
| Oil Cleaner | B10 |
| Intake | B11 |
| Carburetor | B12 ~ B13 |
| Exhaust | B14 |
| Crankcase | B15 ~ C2 |
| Crankcase Cover 1 | C3 ~ C4 |
| Starter | C5 |
| Clutch | C6 ~ C7 |
| Transmission | C8 ~ C9 |
| Shift Cam · Fork | C10 |
| Shift Shaft | C11 |

CHASSIS

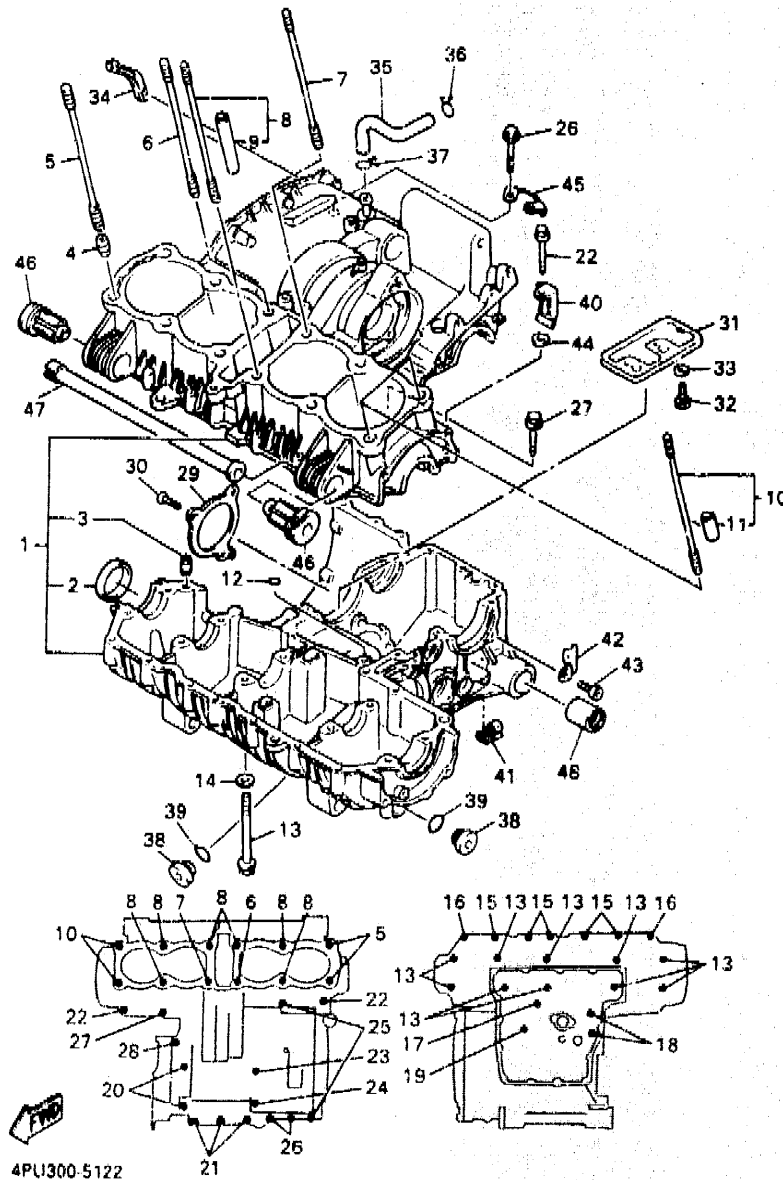
| | |
|-----------------------|-----------|
| Frame | C12 |
| Fender | C13 ~ C15 |
| Side Cover | D2 |
| Rear Arm | D3 |
| Rear Suspension | D4 |
| Steering | D5 |

| | |
|-------------------------------|-----------|
| Front Fork | D6 ~ D7 |
| Fuel Tank | D8 ~ D9 |
| Seat | D10 |
| Front Wheel | D11 |
| Front Brake Caliper | D12 |
| Rear Wheel | D13 ~ D14 |
| Rear Brake Caliper | D15 |
| Steering Handle · Cable | E2 |
| Front Master Cylinder | E3 |
| Front Master Cylinder 2 | E4 |
| Stand · Footrest | E5 ~ E6 |
| Rear Master Cylinder | E7 ~ E8 |
| Generator | E9 |
| Pick Up Coil · Governor | E10 |
| Starting Motor | E11 |
| Flasher Light | E12 |
| Meter | E13 ~ E14 |
| Headlight | E15 |
| Taillight | F2 |
| Electrical 1 | F3 |
| Electrical 2 | F4 |

INDEX

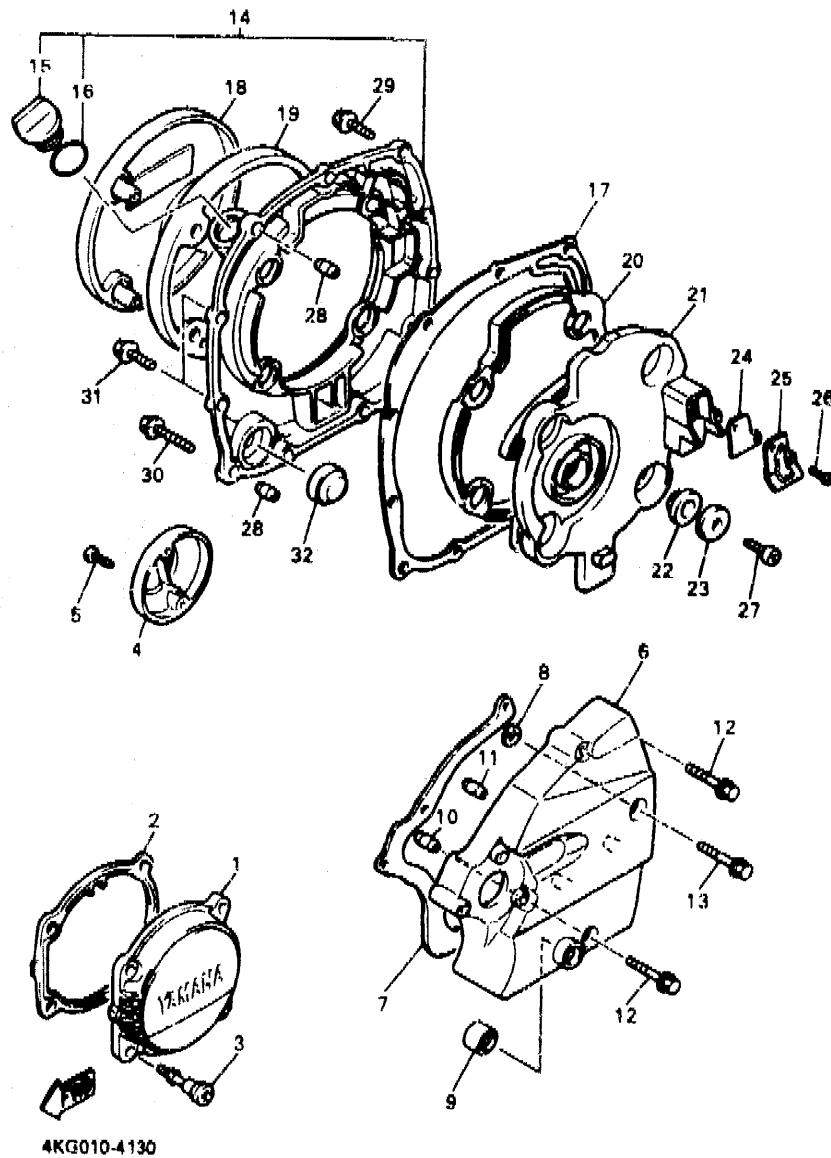
| | |
|-----------------------|---------|
| NUMERICAL INDEX | L1 ~ L4 |
|-----------------------|---------|

FIG. 12 CRANKCASE



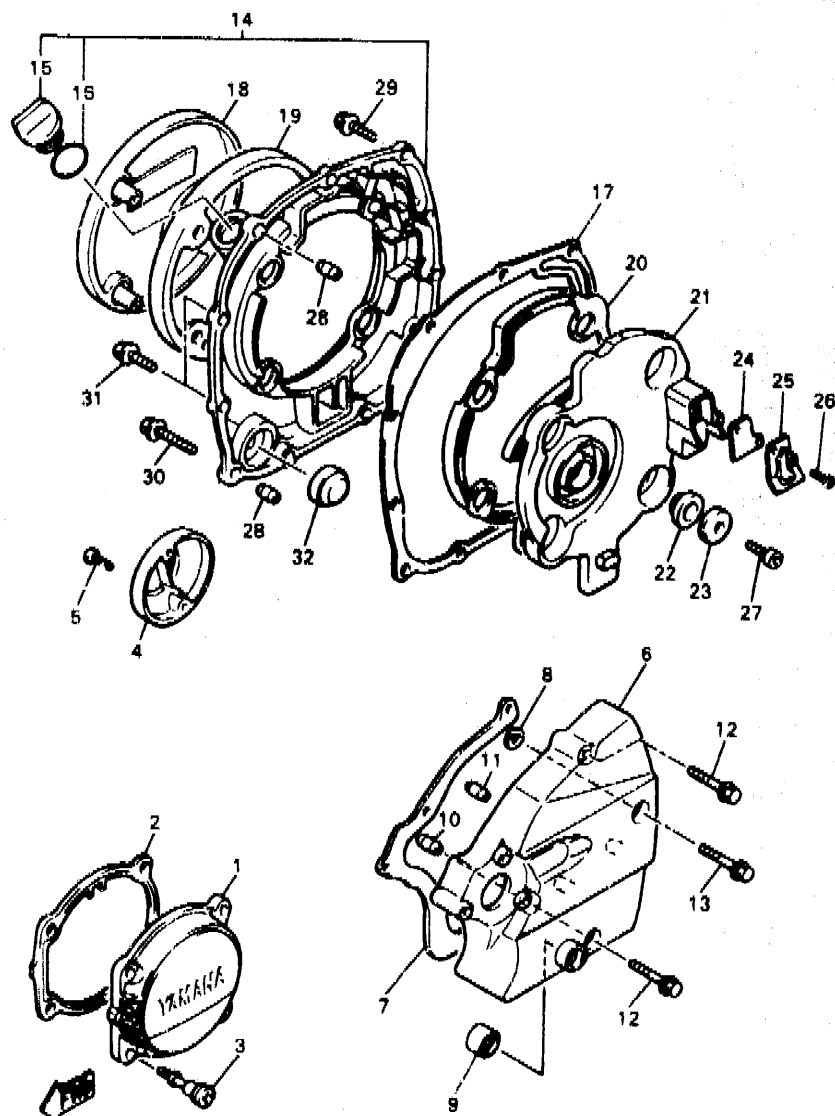
| REF. NO. | PART NO. | DESCRIPTION | Q'TY | REMARKS |
|----------|--------------|------------------------|------|---------|
| 29 | 36Y-15383-01 | PLATE, BEARING COVER | 1 | |
| 30 | 90151-08025 | SCREW, COUNTERSUNK | 3 | |
| 31 | 36Y-15412-00 | PLATE, OIL GUIDE | 1 | |
| 32 | 97007-05010 | BOLT | 3 | |
| 33 | 92907-05600 | WASHER | 3 | |
| 34 | 1TX-15365-00 | GROMMET | 1 | |
| 35 | 4KG-11186-00 | PIPE, BREATHER 1 | 1 | |
| 36 | 90467-14015 | CLIP | 1 | |
| 37 | 90467-14015 | CLIP | 1 | |
| 38 | 4K0-15189-00 | PLUG | 3 | |
| 39 | 93210-20573 | O-RING | 3 | |
| 40 | 90465-10251 | CLAMP | 1 | |
| 41 | 90465-08252 | CLAMP | 2 | |
| 42 | 90465-06253 | CLAMP | 1 | |
| 43 | 91317-06010 | BOLT | 1 | |
| 44 | 92907-06800 | WASHER | 1 | |
| 45 | 90462-10145 | CLAMP | 1 | |
| 46 | 38Y-15336-00 | DAMPER, ENGINE MOUNT 3 | 2 | |
| 47 | 38Y-15317-00 | SPACER, ENGINE MOUNT | 1 | |
| 48 | 93317-42060 | BEARING, CYLINDRICAL | 1 | |

FIG. 13 CRANKCASE COVER 1



| REF. NO. | PART NO. | DESCRIPTION | Q'TY | REMARKS |
|----------|--------------|---------------------------|------|---------|
| 1 | 38Y-15416-00 | COVER, OIL PUMP | 1 | |
| 2 | 4KG-15449-00 | RING, RUBBER | 1 | |
| 3 | 4KG-15481-00 | BOLT 1 | 4 | |
| 4 | 36Y-15426-00 | COVER, OIL PUMP 2 | 1 | |
| 5 | 90154-05026 | SCREW, BINDING | 2 | |
| 6 | 4KG-15411-00 | COVER, CRANKCASE 1 | 1 | |
| 7 | 4CR-15461-00 | GASKET, CRANKCASE COVER 1 | 1 | |
| 8 | 4CR-15467-00 | GASKET | 1 | |
| 9 | 93317-21236 | BEARING, CYLINDRICAL | 1 | |
| 10 | 99530-10014 | PIN, DOWEL | 1 | |
| 11 | 99510-08016 | PIN, DOWEL | 1 | |
| 12 | 95027-08040 | BOLT, FLANGE | 2 | |
| 13 | 95027-08050 | BOLT, FLANGE | 1 | |
| 14 | 3XW-W1543-00 | CRANKCASE COVER ASSY 2 | 1 | |
| 15 | 3F9-15362-00 | PLUG, OIL LEVEL | 1 | |
| 16 | 93210-27778 | O-RING | 1 | |
| 17 | 4CR-15461-00 | GASKET, CRANKCASE COVER 2 | 1 | |
| 18 | 36Y-15417-01 | COVER, CAP | 1 | |
| 19 | 36Y-15449-00 | RING, RUBBER | 1 | |
| 20 | 1TX-15367-00 | GROMMET | 1 | |
| 21 | 1TX-15346-00 | BREATHER 1 | 1 | |
| 22 | 4H7-15486-00 | GROMMET | 4 | |
| 23 | 90209-06096 | WASHER | 4 | |
| 24 | 4CR-15374-00 | GASKET, BREATHER | 1 | |
| 25 | 1TX-15333-00 | COVER | 1 | |
| 26 | 90157-05095 | SCREW, PAN HEAD | 2 | |
| 27 | 91317-06012 | BOLT | 4 | |
| 28 | 99530-10014 | PIN, DOWEL | 2 | |

FIG. 13 CRANKCASE COVER 1

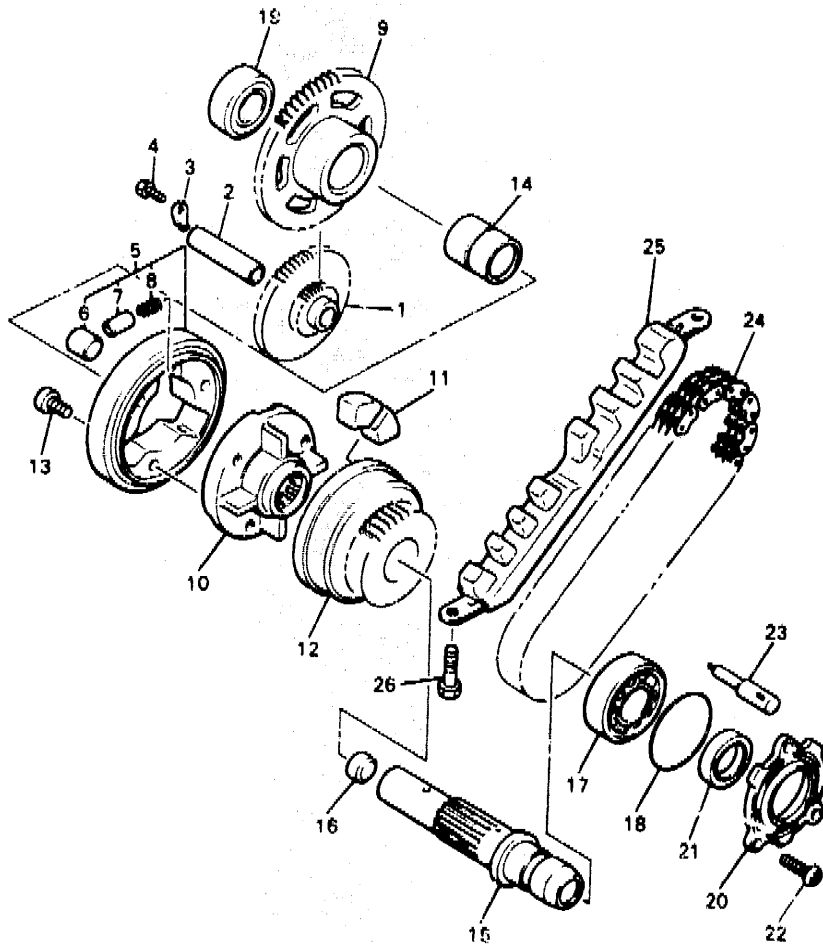


4KG010-4130

| REF. NO. | PART NO. | DESCRIPTION | Q'TY | REMARKS |
|----------|--------------|--------------|------|---------|
| 29 | 95027-06020 | BOLT, FLANGE | 7 | |
| 30 | 95027-06035 | BOLT, FLANGE | 2 | |
| 31 | 95027-06025 | BOLT, FLANGE | 2 | |
| 32 | 2H7-15361-00 | GAUGE, LEVEL | 1 | |

C4

FIG. 14 STARTER



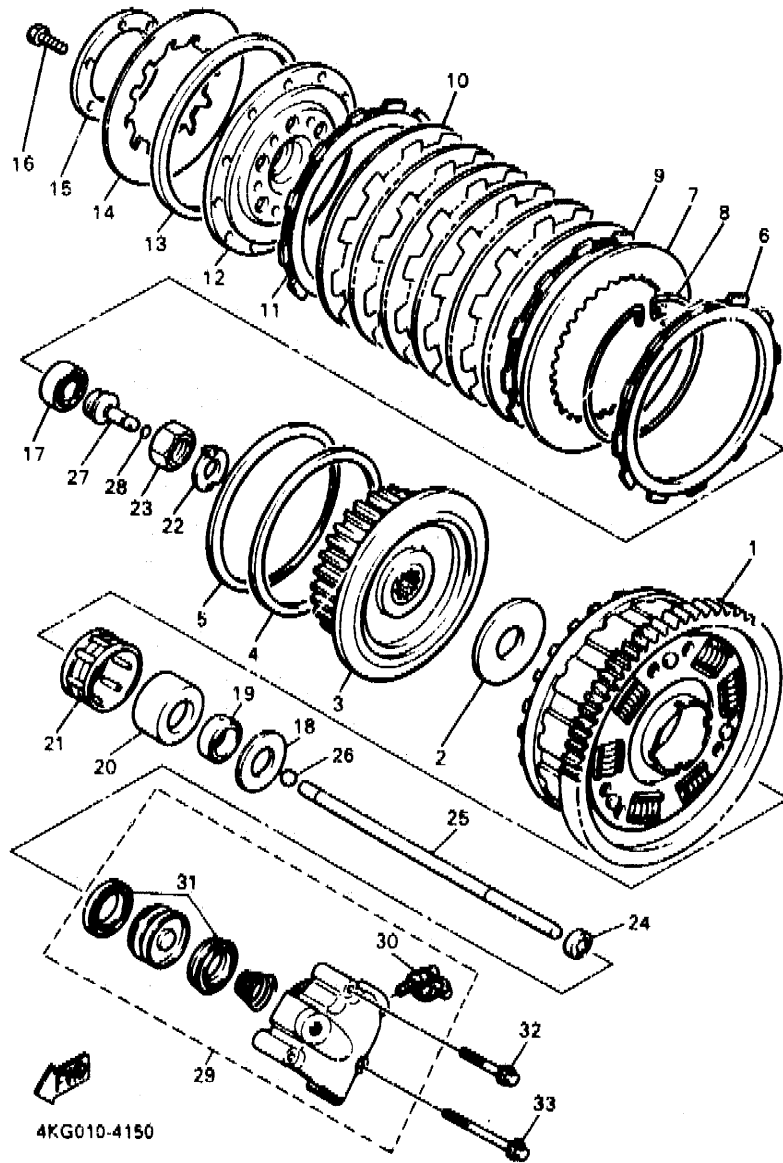
| REF. NO. | PART NO. | DESCRIPTION | Q'TY | REMARKS |
|----------|--------------|-----------------------------|------|---------|
| 1 | 36Y-15512-01 | GEAR, IDLER 1 (12/55T) | 1 | |
| 2 | 36Y-15521-01 | SHAFT 1 | 1 | |
| 3 | 2H7-15531-00 | PLATE, STOPPER | 1 | |
| 4 | 97027-06012 | BOLT | 1 | |
| 5 | 36Y-15580-02 | STARTER CLUTCH OUTER ASSY | 1 | |
| 6 | 93815-17125 | •PIN, DOWEL | 3 | |
| 7 | 1J7-15583-01 | •CAP, STARTER CLUTCH SPRING | 3 | |
| 8 | 90501-05764 | •SPRING, COMPRESSION | 3 | |
| 9 | 36Y-15517-01 | GEAR, IDLER 2 (45T) | 1 | |
| 10 | 12R-15524-00 | WHEEL, STARTER | 1 | |
| 11 | 4H7-16155-01 | ABSORBER 1 | 4 | |
| 12 | 36Y-15518-00 | SPROCKET, STARTER 2 | 1 | |
| 13 | 91317-08016 | BOLT | 3 | |
| 14 | 90387-201L2 | COLLAR | 1 | |
| 15 | 3CV-15522-00 | SHAFT 2 | 1 | |
| 16 | 90331-15039 | PLUG | 1 | |
| 17 | 93306-20545 | BEARING | 1 | |
| 18 | 93210-47440 | O-RING | 1 | |
| 19 | 93306-00426 | BEARING | 1 | |
| 20 | 36Y-15163-00 | HOUSING, BEARING 1 | 1 | |
| 21 | 93102-25253 | OIL SEAL | 1 | |
| 22 | 90149-06228 | SCREW | 3 | |
| 23 | 36Y-13454-00 | NOZZLE | 1 | |
| 24 | 4FM-11456-00 | CHAIN, PRIMARY | 1 | |
| 25 | 36Y-11474-00 | GUIDE, UPPER | 1 | |
| 26 | 97017-08016 | BOLT | 2 | |



4KG010-4140

C5

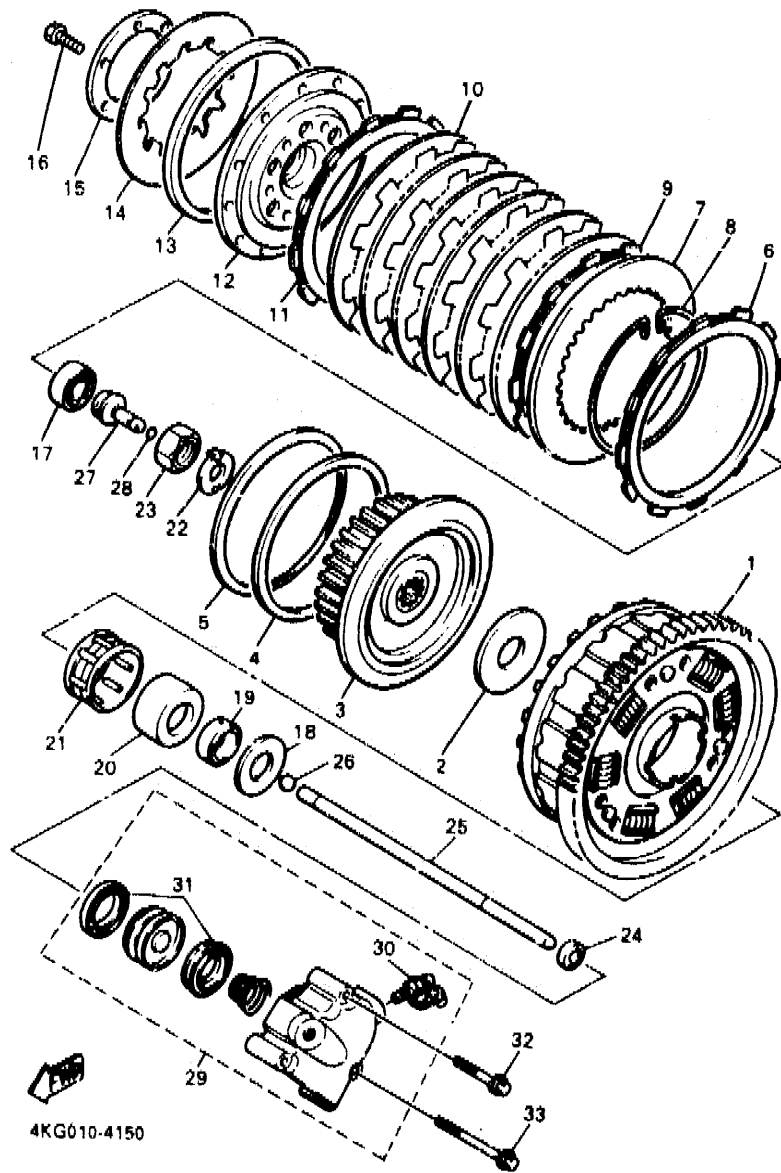
FIG. 15 CLUTCH



| REF. NO. | PART NO. | DESCRIPTION | Q'TY | REMARKS |
|----------|--------------|---------------------------|------|---------|
| 1 | 1TX-16150-01 | PRIMARY DRIVEN GEAR COMP. | 1 | |
| 2 | 36Y-16154-00 | PLATE, THRUST 1 | 1 | |
| 3 | 36Y-16371-00 | BOSS, CLUTCH | 1 | |
| 4 | 36Y-16384-00 | PLATE, SEAT | 1 | |
| 5 | 36Y-16383-00 | SPRING, CLUTCH BOSS | 1 | |
| 6 | 36Y-16331-00 | PLATE, FRICTION 2 | 1 | |
| 7 | 2H7-16325-00 | PLATE, CLUTCH 2 | 1 | |
| 8 | 2H7-16385-00 | RING, CLUTCH BOSS | 1 | |
| 9 | 341-16321-13 | PLATE, FRICTION | 6 | |
| 10 | 2H7-16325-00 | PLATE, CLUTCH 2 | 6 | |
| 11 | 36Y-16331-00 | PLATE, FRICTION 2 | 1 | |
| 12 | 36Y-16351-00 | PLATE, PRESSURE 1 | 1 | |
| 13 | 36Y-16335-00 | HOUSING, SPRING | 1 | |
| 14 | 36Y-16334-00 | SPRING, CLUTCH 2 | 1 | |
| 15 | 1TX-16352-00 | PLATE, PRESSURE 2 | 1 | |
| 16 | 97017-06016 | BOLT | 6 | |
| 17 | 93306-00315 | BEARING (6003SH2C4) | 1 | |
| 18 | 90201-266H8 | WASHER, PLATE | 1 | |
| 19 | 90387-284K1 | COLLAR | 1 | |
| 20 | 36Y-16181-00 | SPACER 1 | 1 | |
| 21 | 93310-350M3 | BEARING, CYLINDRICAL | 1 | |
| 22 | 90215-25218 | WASHER, LOCK | 1 | |
| 23 | 90170-20323 | NUT | 1 | |
| 24 | 93109-08061 | OIL SEAL | 1 | |
| 25 | 4KG-16357-00 | ROD, PUSH 2 | 1 | |
| 26 | 93511-32027 | BALL | 1 | |
| 27 | 4KG-16356-00 | ROD, PUSH 1 | 1 | |
| 28 | 93210-06632 | O-RING | 1 | |

C8

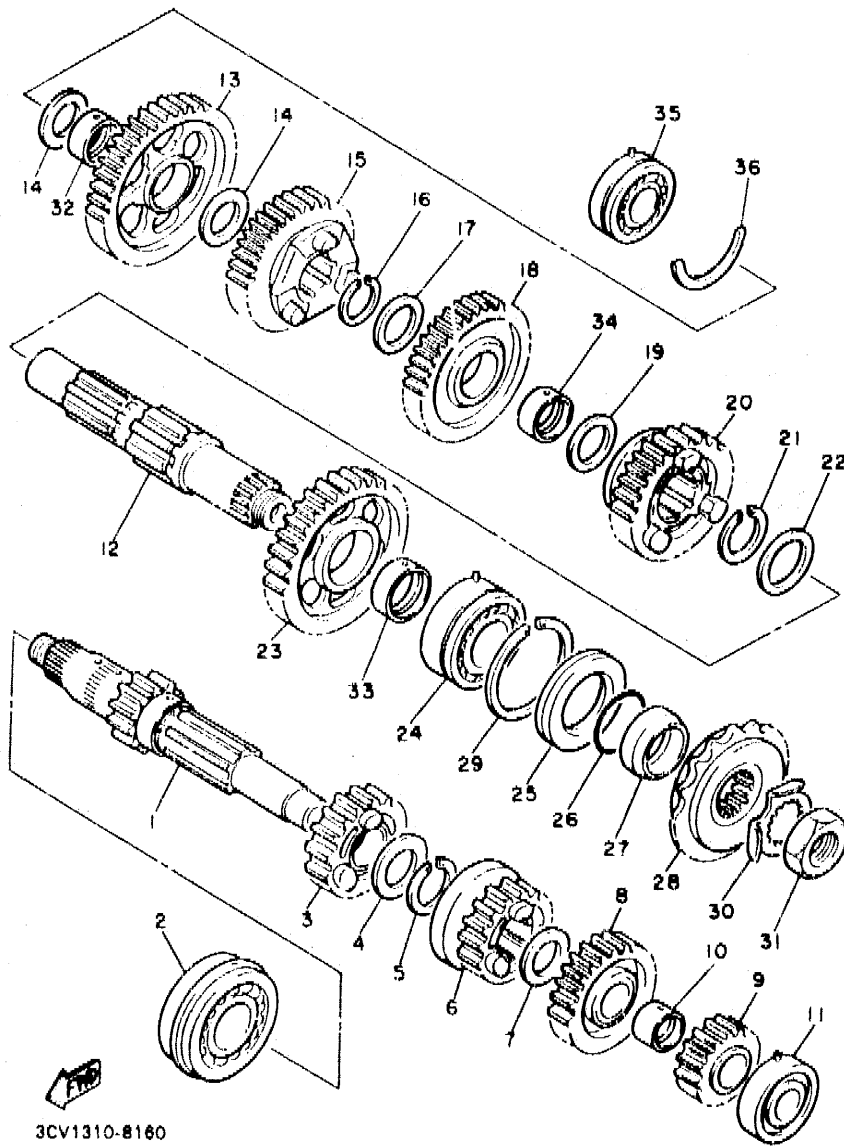
FIG. 15 CLUTCH



| REF. NO. | PART NO. | DESCRIPTION | Q'TY | REMARKS |
|----------|--------------|---------------------|------|---------|
| 29 | 36Y-16381-10 | PUSH LEVER COMP. | 1 | |
| 30 | 36Y-W0048-00 | BLEED SCREW KIT | 1 | |
| 31 | 26H-W0098-00 | PUSH LEVER SEAL KIT | 1 | |
| 32 | 95027-06040 | BOLT, FLANGE | 1 | |
| 33 | 90105-06723 | BOLT, WASHER BASED | 2 | |

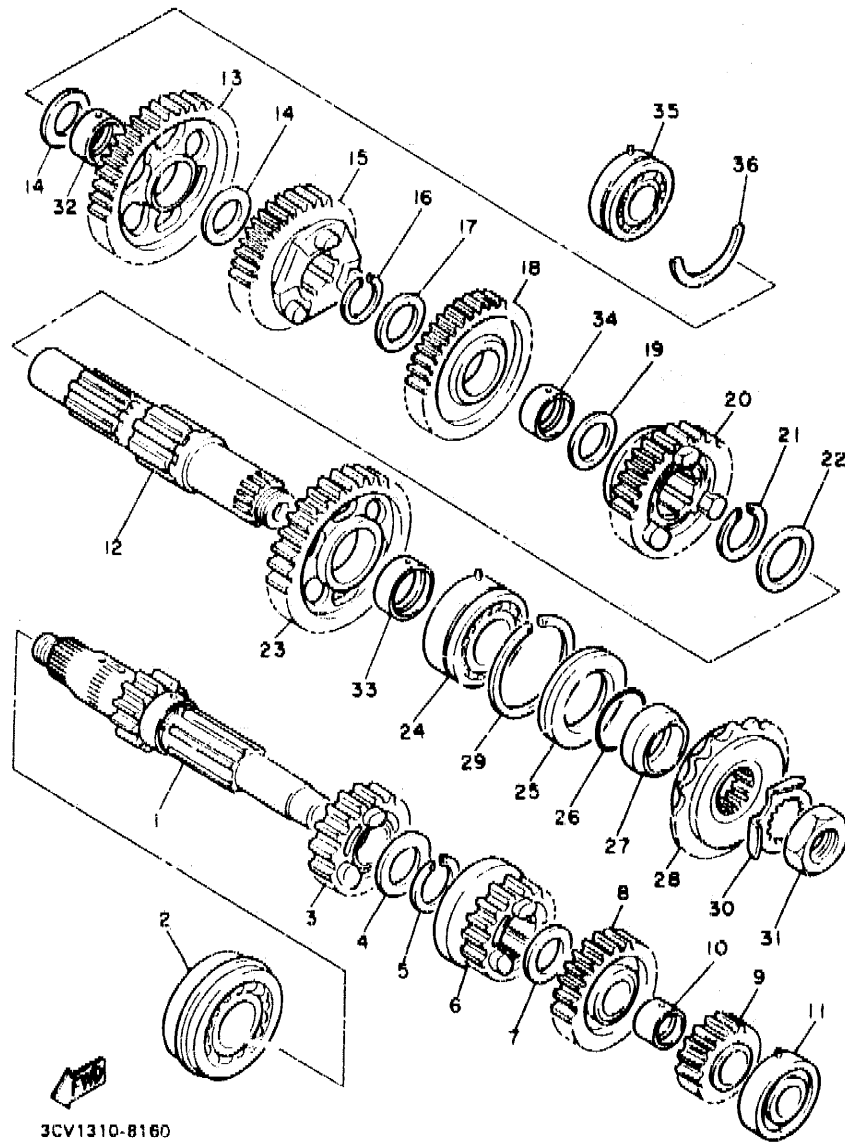
C7

FIG. 16 TRANSMISSION



| REF. NO. | PART NO. | DESCRIPTION | Q'TY | REMARKS |
|----------|--------------|------------------------|------|---------|
| 1 | 4KG-W1741-00 | MAIN AXLE ASSY | 1 | |
| 2 | 93306-36401 | BEARING | 1 | |
| 3 | 4CC-17141-00 | GEAR, 4TH PINION (24T) | 1 | |
| 4 | 90209-25196 | WASHER | 1 | |
| 5 | 93440-28062 | CIRCLIP | 1 | |
| 6 | 1TX-17131-00 | GEAR, 3RD PINION (21T) | 1 | |
| 7 | 90201-226H9 | WASHER, PLATE | 1 | |
| 8 | 1TX-17151-00 | GEAR, 5TH PINION (26T) | 1 | |
| 9 | 3CV-17121-00 | GEAR, 2ND PINION (18T) | 1 | |
| 10 | 90387-220R2 | COLLAR | 1 | |
| 11 | 93306-30434 | BEARING | 1 | |
| 12 | 4KG-17421-00 | AXLE, DRIVE | 1 | |
| 13 | 1TX-17211-00 | GEAR, 1ST WHEEL (40T) | 1 | |
| 14 | 90201-257H0 | WASHER, PLATE | 2 | |
| 15 | 4CC-17241-00 | GEAR, 4TH WHEEL (31T) | 1 | |
| 16 | 93440-30077 | CIRCLIP | 1 | |
| 17 | 90209-27192 | WASHER | 1 | |
| 18 | 1TX-17231-00 | GEAR, 3RD WHEEL (33T) | 1 | |
| 19 | 90201-307H1 | WASHER, PLATE | 1 | |
| 20 | 1TX-17251-00 | GEAR, 5TH WHEEL (29T) | 1 | |
| 21 | 93440-34025 | CIRCLIP | 1 | |
| 22 | 90209-32231 | WASHER | 1 | |
| 23 | 3CV-17221-00 | GEAR, 2ND WHEEL (36T) | 1 | |
| 24 | 93305-20605 | BEARING | 1 | |
| 25 | 93102-40330 | OIL SEAL | 1 | |
| 26 | 93210-30660 | O-RING | 1 | |
| 27 | 90387-3003P | COLLAR | 1 | |
| 28 | 4KG-17460-00 | SPROCKET, DRIVE (17T) | 1 | |

FIG. 16 TRANSMISSION



| REF. NO. | PART NO. | DESCRIPTION | Q'TY | REMARKS |
|----------|-------------|--------------|------|---------|
| 29 | 93440-62032 | CIRCLIP | 1 | |
| 30 | 90215-26241 | WASHER, LOCK | 1 | |
| 31 | 90179-22063 | NUT | 1 | |
| 32 | 90387-250R3 | COLLAR | 1 | |
| 33 | 90387-350R5 | COLLAR | 1 | |
| 34 | 90387-300R4 | COLLAR | 1 | |
| 35 | 93306-20561 | BEARING | 1 | |
| 36 | 93440-52118 | CIRCLIP | 1 | |

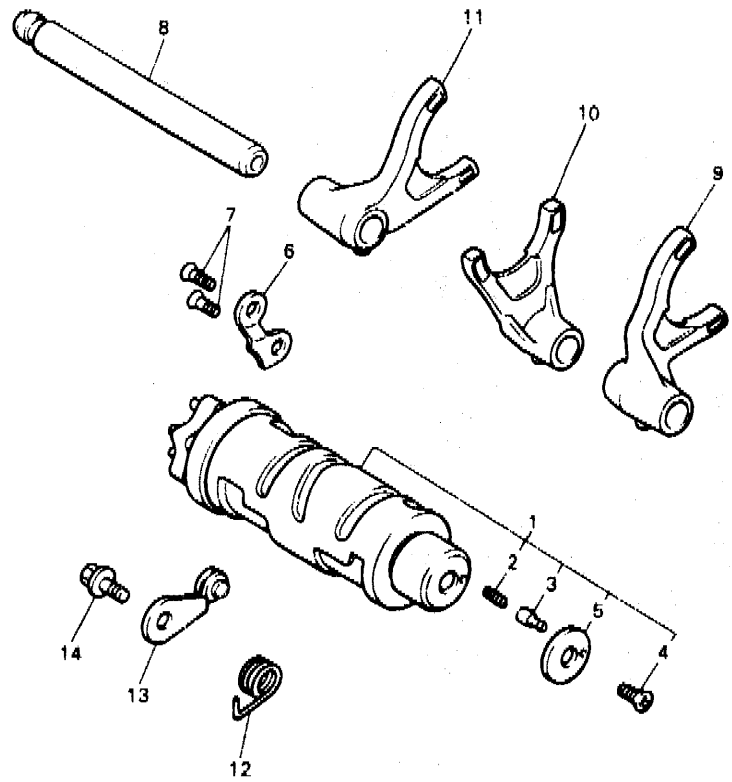


FIG. 17 SHIFT CAM • FORK

| REF. NO. | PART NO. | DESCRIPTION | Q'TY | REMARKS |
|----------|--------------|-------------------------|------|---------|
| 1 | 3XW-18540-00 | SHIFT CAM ASSY | 1 | |
| 2 | 90501-06022 | -SPRING, COMPRESSION | 1 | |
| 3 | 278-18542-00 | •POINT, NEUTRAL | 1 | |
| 4 | 98707-05012 | •SCREW, FLAT HEAD | 1 | |
| 5 | 278-18566-00 | •PLATE, SIDE 2 | 1 | |
| 6 | 36Y-18562-00 | PLATE, STOPPER 2 | 1 | |
| 7 | 98701-06016 | SCREW, FLAT HEAD | 2 | |
| 8 | 4BR-18531-00 | BAR, SHIFT FORK GUIDE 1 | 1 | |
| 9 | 3XW-18511-00 | FORK, SHIFT 1 | 1 | |
| 10 | 4KG-18512-00 | FORK, SHIFT 2 | 1 | |
| 11 | 3XW-18513-00 | FORK, SHIFT 3 | 1 | |
| 12 | 90508-23707 | SPRING, TORSION | 1 | |
| 13 | 36Y-18140-00 | STOPPER LEVER ASSY | 1 | |
| 14 | 90109-063F7 | BOLT | 1 | |



4KG010-4170

C10

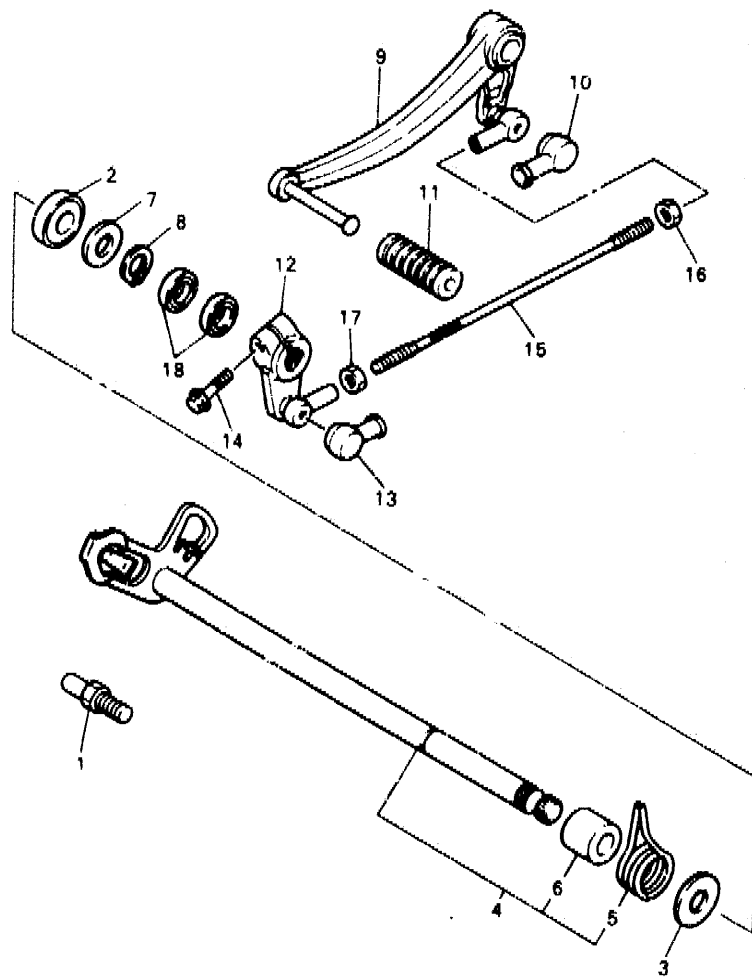


FIG. 18 SHIFT SHAFT

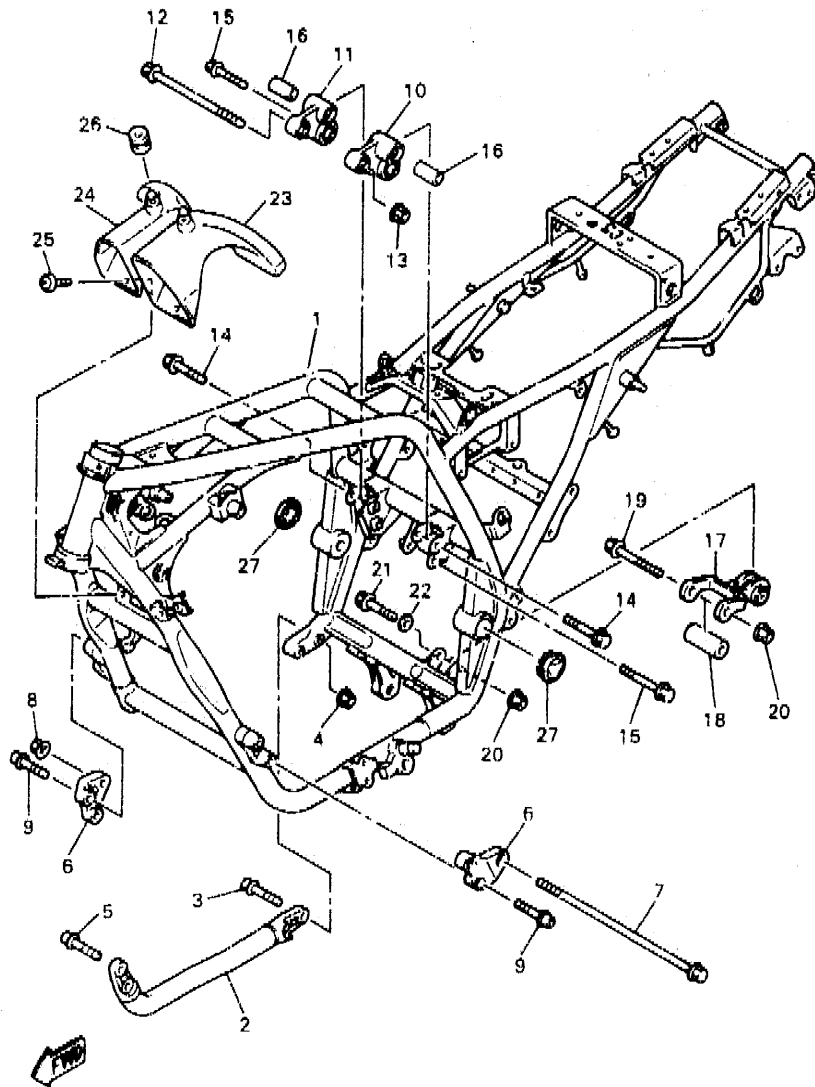
| REF. NO. | PART NO. | DESCRIPTION | Q'TY | REMARKS |
|----------|--------------|--------------------------|------|---------|
| 1 | 4G0-18127-00 | STOPPER, SCREW | 1 | |
| 2 | 83102-12106 | OIL SEAL (SD 12-22-5 HS) | 1 | |
| 3 | 90201-12588 | WASHER, PLATE | 1 | |
| 4 | 4KG-18101-01 | SHIFT SHAFT ASSY | 1 | |
| 5 | 90508-32682 | SPRING, TORSION | 1 | |
| 6 | 90387-114K8 | COLLAR | 1 | |
| 7 | 80201-12575 | WASHER, PLATE | 1 | |
| 8 | 99006-10600 | CIRCLIP | 1 | |
| 9 | 4KG-18111-00 | PEDAL, SHIFT | 1 | |
| 10 | 2H9-18154-00 | COVER, DUST | 1 | |
| 11 | 132-18113-01 | COVER, SHIFT PEDAL | 1 | |
| 12 | 2GH-18112-01 | ARM, SHIFT | 1 | |
| 13 | 2H9-18154-00 | COVER, DUST | 1 | |
| 14 | 95817-08020 | BOLT, FLANGE | 1 | |
| 15 | 2GV-18115-00 | ROD, SHIFT | 1 | |
| 16 | 90170-06228 | NUT (COUNTER CLOCKWISE) | 1 | |
| 17 | 95304-06700 | NUT | 1 | |
| 18 | 83109-12053 | OIL SEAL (SDO 12/18/4-1) | 2 | |



4KG010-4180

C11

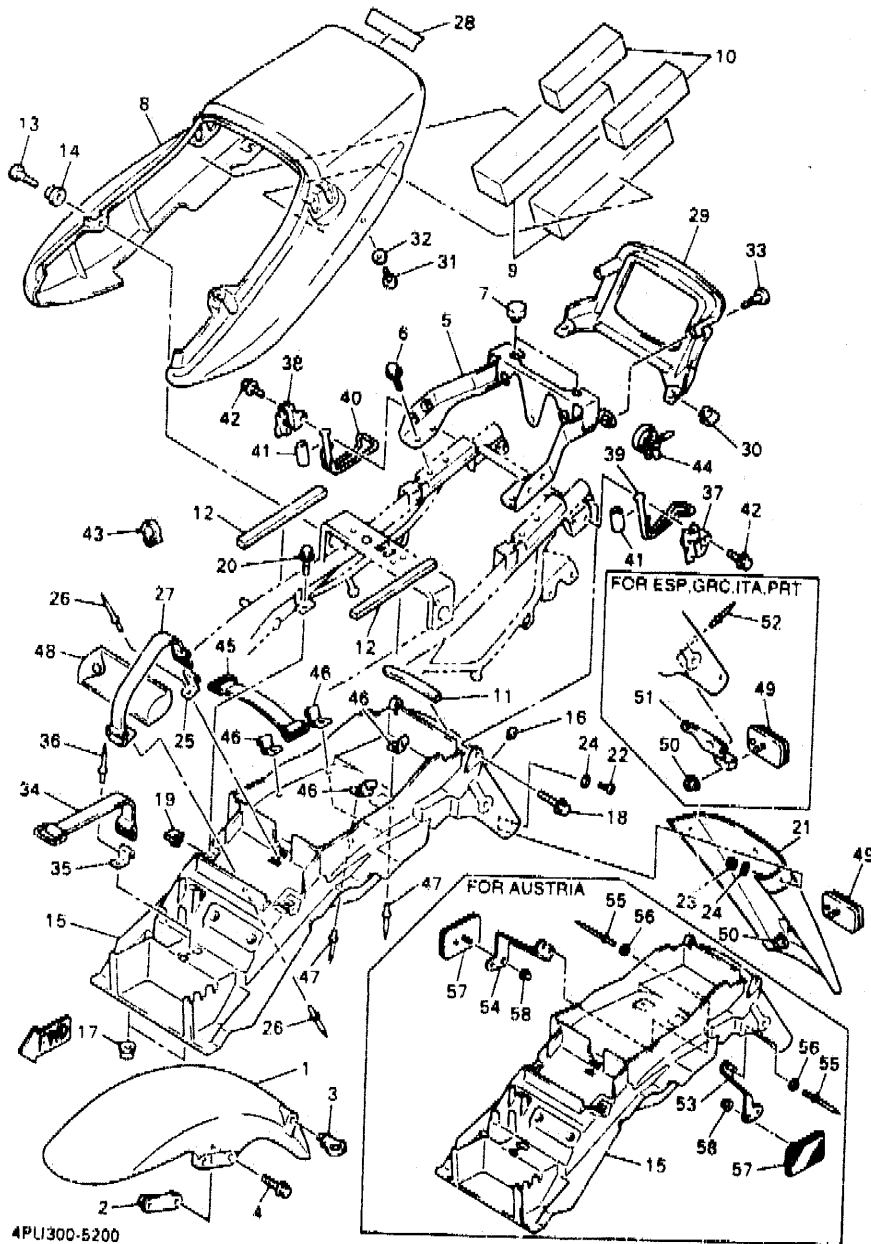
FIG. 19 FRAME



4PU351-5190

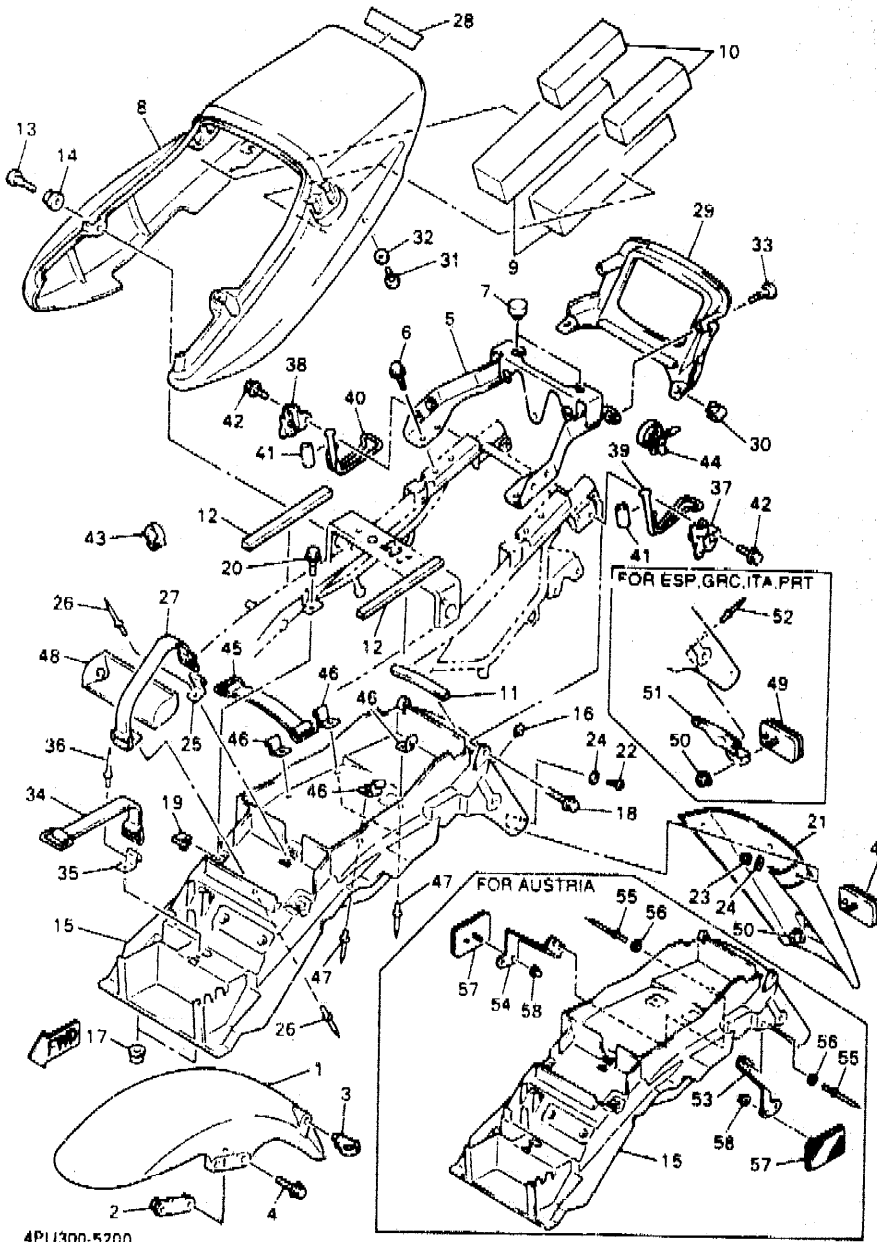
| REF. NO. | PART NO. | DESCRIPTION | Q'TY | REMARKS |
|----------|-----------------|----------------------------|------|--------------|
| 1 | 4PU-21110-00-33 | FRAME COMP. | 1 | YAMAHA BLACK |
| 2 | 4KG-21150-00-33 | DOWN TUBE COMP.2 | 1 | YAMAHA BLACK |
| 3 | 90110-08232 | BOLT, HEXAGON SOCKET HEAD | 2 | |
| * 4 | 95617-08200 | NUT, FLANGE | 2 | |
| 5 | 90110-08231 | BOLT, HEXAGON SOCKET HEAD | 2 | |
| 6 | 4KG-21315-01 | STAY, ENGINE 2 | 2 | |
| 7 | 90105-10313 | BOLT, WASHER BASED | 1 | |
| 8 | 90179-10658 | NUT | 1 | |
| 9 | 90110-08199 | BOLT, HEXAGON SOCKET HEAD | 4 | |
| 10 | 4KG-2140X-00 | ENGINE BRACKET SUB-COMP. 1 | 1 | |
| 11 | 4KG-2140Y-00 | ENGINE BRACKET SUB-COMP. 2 | 1 | |
| 12 | 90105-10300 | BOLT, WASHER BASED | 1 | |
| 13 | 90179-10658 | NUT | 1 | |
| 14 | 90105-10402 | BOLT, WASHER BASED | 2 | |
| 15 | 90105-12425 | BOLT, WASHER BASED | 2 | |
| 16 | 90387-1003V | COLLAR | 2 | |
| 17 | 4KG-21400-00 | ENGINE BRACKET COMP. | 1 | |
| 18 | 90387-1003W | COLLAR | 1 | |
| 19 | 90105-10609 | BOLT, WASHER BASED | 1 | |
| 20 | 90179-10658 | NUT | 2 | |
| 21 | 90105-10323 | BOLT, WASHER BASED | 1 | |
| 22 | 92907-10200 | WASHER, PLAIN | 1 | |
| 23 | 4KG-2838N-00 | DUCT 1 | 1 | |
| 24 | 4KG-2838R-00 | DUCT 2 | 1 | |
| 25 | 90159-06058 | SCREW, WITH WASHER | 2 | |
| 26 | 90480-13567 | GROMMET | 2 | |
| 27 | 4BH-2219X-00 | COVER | 2 | |

FIG. 20 FENDER



| REF. NO. | PART NO. | DESCRIPTION | Q'TY | REMARKS |
|----------|-----------------|--------------------|------|---|
| 1 | 4KG-21511-00-P0 | FENDER, FRONT | 1 | UR DEEP RED COCKTAIL 2 UR BLACK 2 |
| | 4KG-21511-00-4B | FENDER, FRONT | 1 | |
| 2 | 4KG-21512-00 | BRACKET, FENDER | 2 | |
| 3 | 1A8-21518-00 | HOLDER, CABLE | 1 | |
| 4 | 95024-06025 | BOLT, FLANGE | 4 | |
| 5 | 4PU-2117E-00 | BRACKET, TAILLIGHT | 1 | |
| 6 | 95817-08012 | BOLT, FLANGE | 4 | |
| 7 | 22W-24741-00 | PAD, SEAT | 2 | |
| 8 | 4KG-21651-00-P0 | COVER, REAR FENDER | 1 | UR DEEP RED COCKTAIL 2 UR BLACK 2 |
| | 4KG-21651-00-4B | COVER, REAR FENDER | 1 | |
| 9 | 4KG-21779-00 | DAMPER, LOCATING 2 | 2 | |
| 10 | 4KG-21778-00 | DAMPER, LOCATING 1 | 2 | |
| 11 | 4KG-2177N-00 | DAMPER, LOCATING 4 | 1 | |
| 12 | 4HM-2139X-00 | DAMPER | 2 | |
| 13 | 90150-06036 | SCREW, ROUND HEAD | 2 | |
| 14 | 90480-13398 | GROMMET | 2 | |
| 15 | 4PU-21611-00 | FENDER, REAR | 1 | UR |
| | 4RB-21611-00 | FENDER, REAR | 1 | UR FOR AUSTRIA |
| 16 | 4G0-21639-00 | DAMPER 2 | 1 | |
| 17 | 90480-13398 | GROMMET | 2 | |
| 18 | 90109-063F1 | BOLT | 2 | |
| 19 | 90183-06053 | NUT, SPRING | 2 | |
| 20 | 95807-06016 | BOLT, FLANGE | 2 | |
| 21 | 3GM-21621-00 | FLAP | 1 | |
| 22 | 90149-04278 | SCREW | 4 | |
| 23 | 95807-04100 | NUT, U | 4 | |
| 24 | 90201-04018 | WASHER, PLATE | 8 | |
| 25 | 4HM-2162A-00 | HOOK | 1 | |

FIG. 20 FENDER

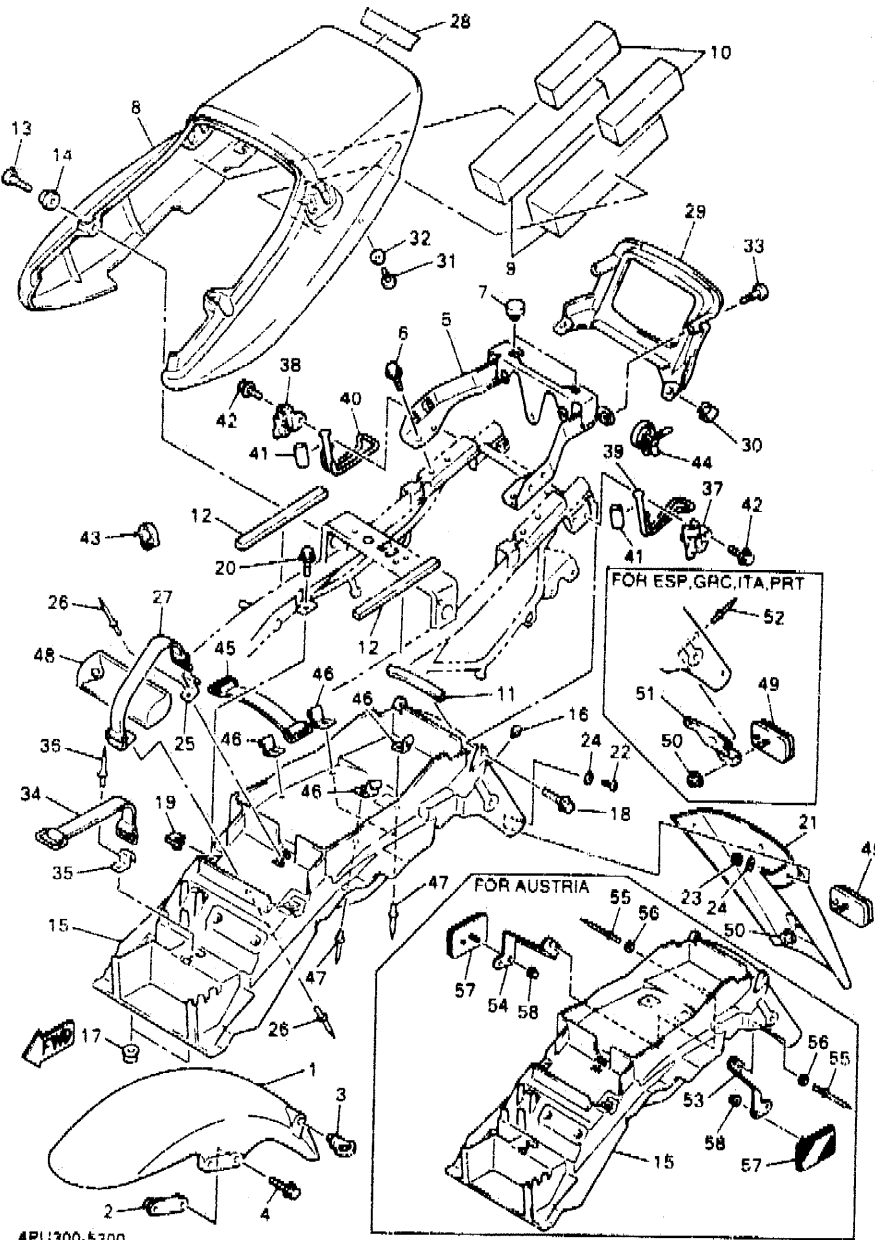


4PU300-5200

| REF. NO. | PART NO. | DESCRIPTION | Q'TY | REMARKS |
|----------|--------------|----------------------|------|------------------------|
| 26 | 90267-40076 | RIVET, BLIND | 2 | |
| 27 | 4HM-82131-00 | BAND, BATTERY | 1 | |
| 28 | 99237-00100 | EMBLEM, YAMAHA | 1 | |
| 29 | 4PU-2163F-00 | COVER, REAR FENDER 3 | 1 | |
| 30 | 90183-05061 | NUT, SPRING | 2 | |
| 31 | 90154-05059 | SCREW, BINDING | 2 | |
| 32 | 90202-06113 | WASHER, PLATE | 2 | |
| 33 | 90154-05059 | SCREW, BINDING | 2 | |
| 34 | 4J2-82131-01 | BAND, BATTERY | 1 | |
| 35 | 4HM-2162A-00 | HOOK | 1 | |
| 36 | 90267-40076 | RIVET, BLIND | 1 | |
| 37 | 4KG-21331-00 | HOOK, SIDE COVER 1 | 1 | |
| 38 | 4KG-21332-00 | HOOK, SIDE COVER 2 | 1 | |
| 39 | 4KG-21854-00 | WIRE | 1 | |
| 40 | 4KG-21664-00 | WIRE, 2 | 1 | |
| 41 | 4KG-21639-00 | DAMPER 2 | 2 | |
| 42 | 95807-06018 | BOLT, FLANGE | 2 | |
| 43 | 90464-15157 | CLAMP | 1 | |
| 44 | 90464-12036 | CLAMP | 1 | |
| 45 | 120-82131-00 | BAND, BATTERY | 2 | |
| 46 | 36F-28379-00 | HOOK | 4 | |
| 47 | 90267-40076 | RIVET, BLIND | 4 | |
| 48 | 4KG-28100-00 | TOOL KIT | 1 | |
| 49 | 3G1-85130-01 | REAR REFLECTOR ASSY | 1 | |
| 50 | 95707-05600 | NUT, FLANGE | 1 | |
| 51 | 4KG-85132-00 | BRACKET, REFLECTOR 1 | 1 | FOR ESP, GRC, ITA, PRT |
| 52 | 90267-40076 | RIVET, BLIND | 2 | FOR ESP, GRC, ITA, PRT |
| 53 | 3LK-21688-00 | BRACKET, REAR STAY | 1 | FOR AUSTRIA |

C14

FIG. 20 FENDER



4PU300-5200

| REF. NO. | PART NO. | DESCRIPTION | Q'TY | REMARKS |
|----------|--------------|----------------------|------|-------------|
| 54 | 3LK-21689-00 | BRACKET, REAR STAY 2 | 1 | FOR AUSTRIA |
| 55 | 90267-40076 | RIVET, BLIND | 4 | FOR AUSTRIA |
| 56 | 90201-04018 | WASHER, PLATE | 4 | FOR AUSTRIA |
| 57 | 23V-95110-00 | REFLECTOR ASSY | 2 | FOR AUSTRIA |
| 58 | 95707-05500 | NUT, FLANGE | 2 | FOR AUSTRIA |

C15

CONTENTS

ENGINE

| | |
|---------------------------|-----------|
| Cylinder Head | B2 |
| Cylinder | B3 |
| Crankshaft · Piston | B4 |
| Valve | B5 ~ B6 |
| Camshaft · Chain | B7 |
| Oil Pump | B8 |
| Oil Cooler | B9 |
| Oil Cleaner | B10 |
| Intake | B11 |
| Carburetor | B12 ~ B13 |
| Exhaust | B14 |
| Crankcase | B15 ~ C2 |
| Crankcase Cover 1 | C3 ~ C4 |
| Starter | C5 |
| Clutch | C6 ~ C7 |
| Transmission | C8 ~ C9 |
| Shift Cam · Fork | C10 |
| Shift Shaft | C11 |

CHASSIS

| | |
|-----------------------|-----------|
| Frame | C12 |
| Fender | C13 ~ C15 |
| Side Cover | D2 |
| Rear Arm | D3 |
| Rear Suspension | D4 |
| Steering | D5 |

| | |
|-------------------------------|-----------|
| Front Fork | D6 ~ D7 |
| Fuel Tank | D8 ~ D9 |
| Seat | D10 |
| Front Wheel | D11 |
| Front Brake Caliper | D12 |
| Rear Wheel | D13 ~ D14 |
| Rear Brake Caliper | D15 |
| Steering Handle · Cable | E2 |
| Front Master Cylinder | E3 |
| Front Master Cylinder 2 | E4 |
| Stand · Footrest | E5 ~ E6 |
| Rear Master Cylinder | E7 ~ E8 |
| Generator | E9 |
| Pick Up Coil · Governor | E10 |
| Starting Motor | E11 |
| Flasher Light | E12 |
| Meter | E13 ~ E14 |
| Headlight | E15 |
| Taillight | F2 |
| Electrical 1 | F3 |
| Electrical 2 | F4 |

INDEX

| | |
|-----------------------|---------|
| NUMERICAL INDEX | L1 ~ L4 |
|-----------------------|---------|

CONTENTS

ENGINE

| | |
|---------------------------|-----------|
| Cylinder Head | B2 |
| Cylinder | B3 |
| Crankshaft · Piston | B4 |
| Valve | B5 ~ B6 |
| Camshaft · Chain | B7 |
| Oil Pump | B8 |
| Oil Cooler | B9 |
| Oil Cleaner | B10 |
| Intake | B11 |
| Carburetor | B12 ~ B13 |
| Exhaust | B14 |
| Crankcase | B15 ~ C2 |
| Crankcase Cover 1 | C3 ~ C4 |
| Starter | C5 |
| Clutch | C6 ~ C7 |
| Transmission | C8 ~ C9 |
| Shift Cam · Fork | C10 |
| Shift Shaft | C11 |

CHASSIS

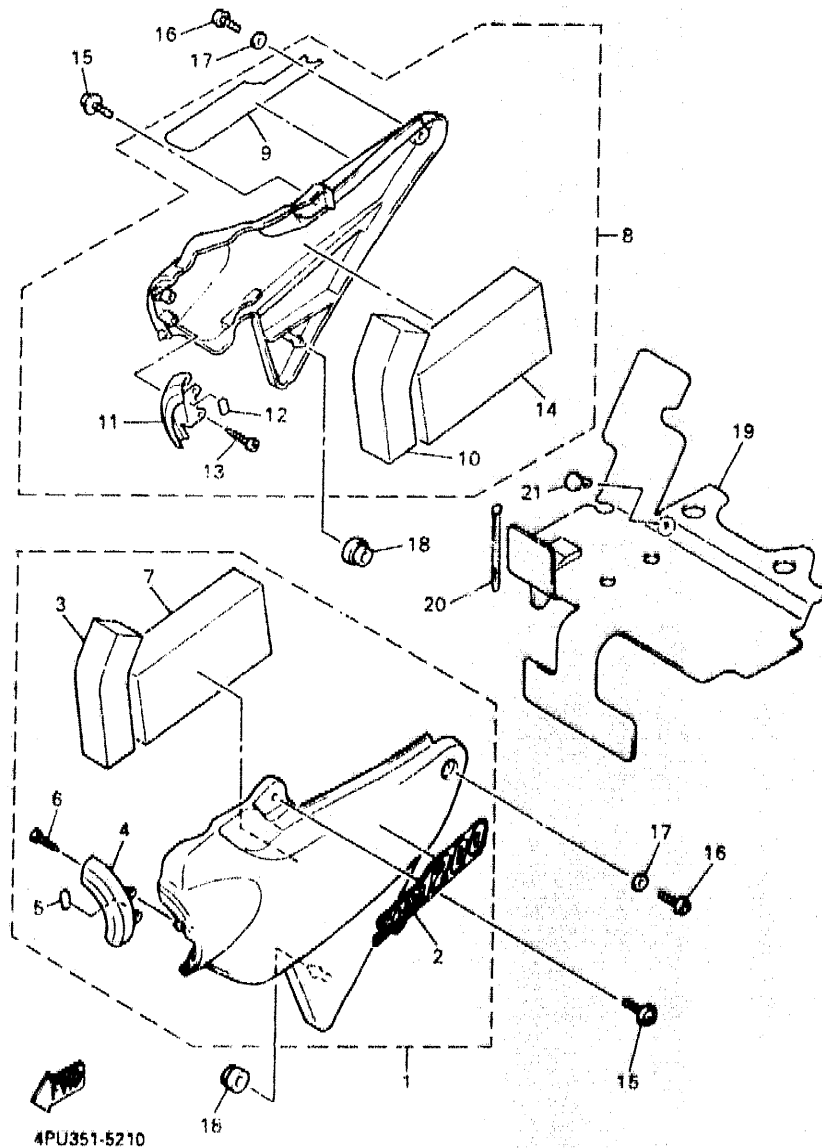
| | |
|-----------------------|-----------|
| Frame | C12 |
| Fender | C13 ~ C15 |
| Side Cover | D2 |
| Rear Arm | D3 |
| Rear Suspension | D4 |
| Steering | D5 |

| | |
|-------------------------------|-----------|
| Front Fork | D6 ~ D7 |
| Fuel Tank | D8 ~ D9 |
| Seat | D10 |
| Front Wheel | D11 |
| Front Brake Caliper | D12 |
| Rear Wheel | D13 ~ D14 |
| Rear Brake Caliper | D15 |
| Steering Handle · Cable | E2 |
| Front Master Cylinder | E3 |
| Front Master Cylinder 2 | E4 |
| Stand · Footrest | E5 ~ E6 |
| Rear Master Cylinder | E7 ~ E8 |
| Generator | E9 |
| Pick Up Coil · Governor | E10 |
| Starting Motor | E11 |
| Flasher Light | E12 |
| Meter | E13 ~ E14 |
| Headlight | E15 |
| Taillight | F2 |
| Electrical 1 | F3 |
| Electrical 2 | F4 |

INDEX

| | |
|-----------------------|---------|
| NUMERICAL INDEX | L1 ~ L4 |
|-----------------------|---------|

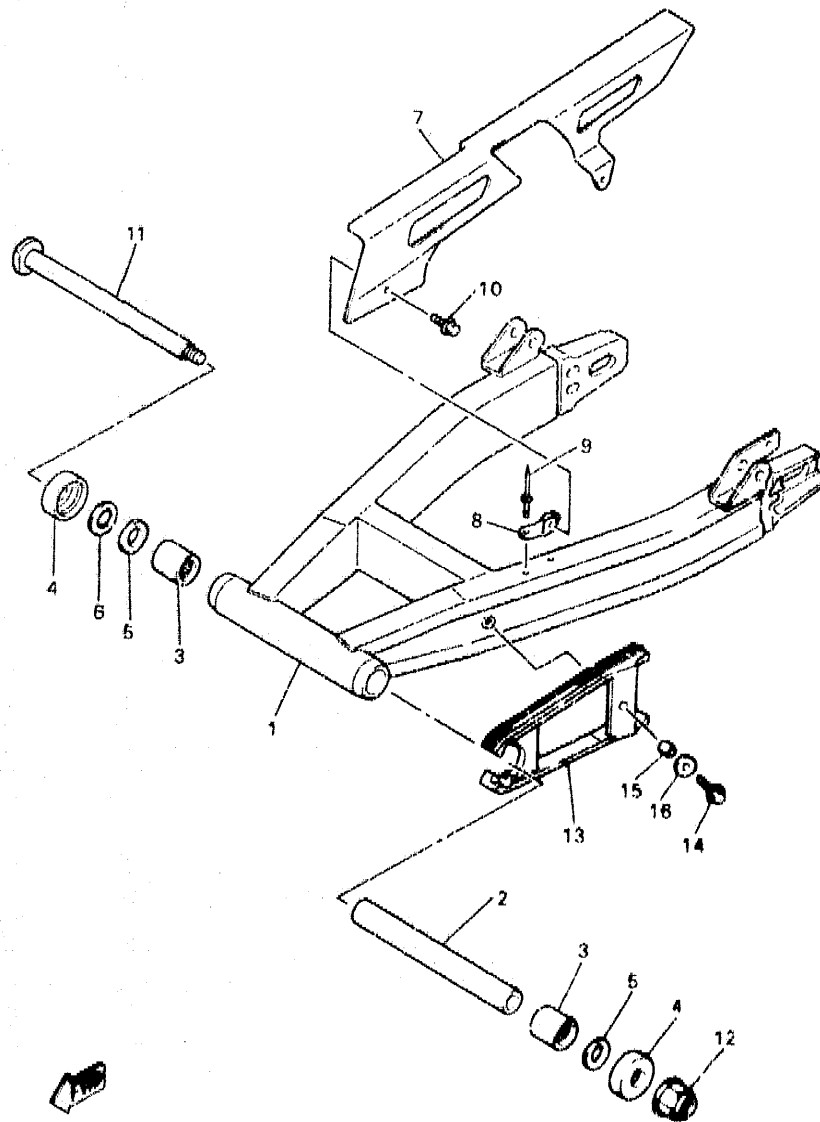
FIG. 21 SIDE COVER



| REF. NO. | PART NO. | DESCRIPTION | Q'TY | REMARKS |
|----------|-----------------|--------------------|------|------------------------|
| 1 | 4KG-Y2171-10-0X | COVER, SIDE 1 | 1 | UR BLACK 2 |
| | 4KG-Y2171-10-1X | COVER, SIDE 1 | 1 | UR DEEP RED COCKTAIL 2 |
| 2 | 4KG-21781-00 | •EMBLEM 1 | 1 | |
| 3 | 4KG-21717-00 | •DAMPER | 1 | |
| 4 | 4KG-2172A-00 | •PANEL 1 | 1 | |
| 5 | 51Y-21639-00 | •DAMPER 2 | 1 | |
| 6 | 97707-50510 | •SCREW, TAPPING | 2 | |
| 7 | 4KG-21746-00 | •DAMPER | 1 | |
| 8 | 4KG-Y2172-10-0X | COVER, SIDE 2 | 1 | UR BLACK 2 |
| | 4KG-Y2172-10-1X | COVER, SIDE 2 | 1 | UR DEEP RED COCKTAIL 2 |
| 9 | 4KG-21782-00 | •EMBLEM 2 | 1 | |
| 10 | 4KG-21717-00 | •DAMPER | 1 | |
| 11 | 4KG-2172F-00 | •PANEL 2 | 1 | |
| 12 | 51Y-21639-00 | •DAMPER 2 | 1 | |
| 13 | 97707-50510 | •SCREW, TAPPING | 2 | |
| 14 | 4KG-21746-00 | •DAMPER | 1 | |
| 15 | 90159-08059 | SCREW, WITH WASHER | 2 | |
| 16 | 90149-06298 | SCREW | 2 | |
| 17 | 90202-06113 | WASHER, PLATE | 2 | |
| 18 | 90480-01558 | GROMMET | 2 | |
| 19 | 4KG-21732-00 | SEAL 1 | 1 | |
| 20 | 90405-13366 | CLAMP | 1 | |
| 21 | 90338-06233 | PLUG | 1 | |

D2

FIG. 22 REAR ARM

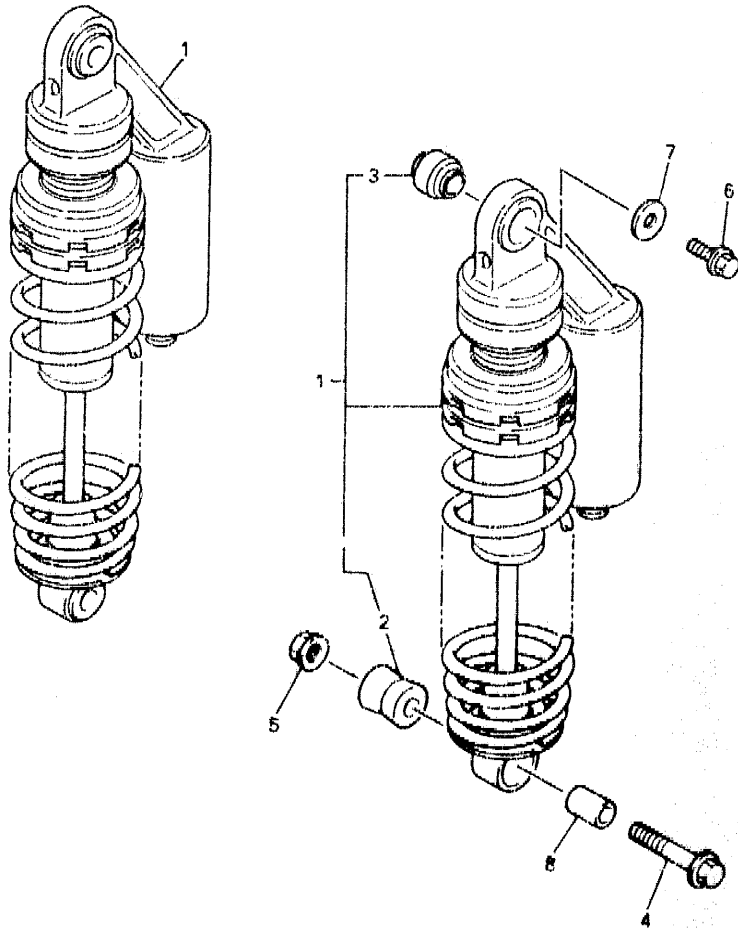


4PU351-5220

| REF. NO. | PART NO. | DESCRIPTION | Q'TY | REMARKS |
|----------|--------------|----------------------|------|---------|
| 1 | 4KG-22110-00 | REAR ARM COMF. | 1 | |
| 2 | 3FV-22184-00 | BUSH | 1 | |
| 3 | 93315-42523 | BEARING, CYLINDRICAL | 2 | |
| 4 | 3FV-22128-00 | COVER, THRUST 1 | 2 | |
| 5 | 3XV-22127-00 | SHIM | 2 | |
| 6 | 90201-203F0 | WASHER, PLATE | 1 | UN |
| 7 | 4KG-22311-00 | CASE, CHAIN | 1 | |
| 8 | 4KG-22321-00 | STAY, CHAIN CASE 1 | 1 | |
| 9 | 90267-40090 | RIVET, BLIND | 2 | |
| 10 | 95024-06010 | BOLT, FLANGE | 2 | |
| 11 | 3GM-22141-00 | SHAFT, PIVOT | 1 | |
| 12 | 95907-18200 | NUT, SELF-LOCKING | 1 | |
| 13 | 4KG-22151-00 | SEAL, GUARD | 1 | |
| 14 | 95027-06025 | BOLT, FLANGE | 1 | |
| 15 | 90387-06022 | COLLAR | 1 | |
| 16 | 90201-000A3 | WASHER, PLATE | 1 | |

D3

FIG. 23 REAR SUSPENSION



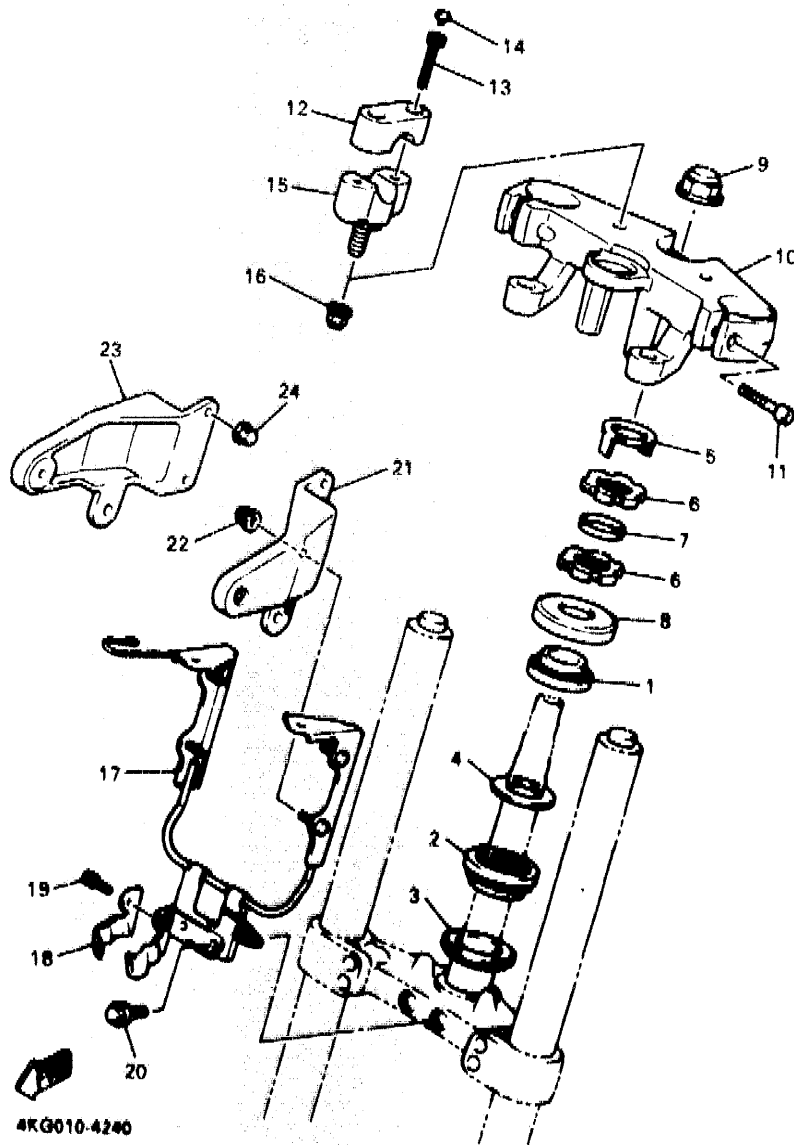
| REF. NO. | PART NO. | DESCRIPTION | Q'TY | REMARKS |
|----------|--------------|---------------------------|------|---------|
| 1 | 4PU-22210-00 | SHOCK ABSORBER ASSY, REAR | 2 | |
| 2 | 4KG-22218-00 | BUSH, REAR SHOCK ABSORBER | 1 | |
| 3 | 1UF-22218-00 | BUSH, REAR SHOCK ABSORBER | 1 | |
| 4 | 95024-10045 | BOLT, FLANGE | 2 | |
| 5 | 95617-10200 | NUT, SELF-LOCKING | 2 | |
| 6 | 95024-08012 | BOLT, FLANGE | 2 | |
| 7 | 1UJ-22243-00 | WASHER 1 | 2 | |
| 8 | 5M0-22253-00 | COLLAR, DISTANCE | 2 | |



4PU351-5230

D4

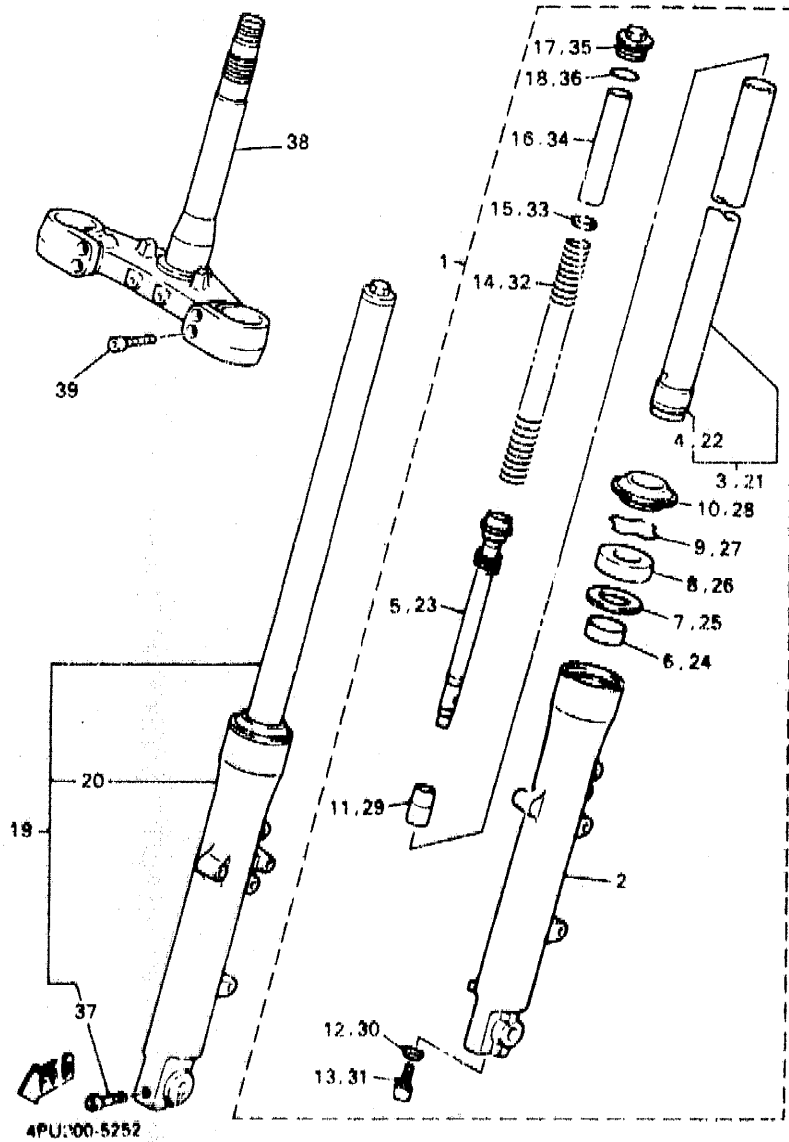
FIG. 24 STEERING



| REF. NO. | PART NO. | DESCRIPTION | Q'TY | REMARKS |
|----------|-----------------|----------------------|------|-------------------|
| 1 | 83399-99931 | BEARING | 1 | |
| 2 | 83399-99932 | BEARING | 1 | |
| 3 | 3FV-23462-00 | SEAL, STEERING | 1 | |
| 4 | 90202-24190 | WASHER, PLATE | 1 | |
| 5 | 26H-23418-01 | WASHER, SPECIAL | 1 | |
| 6 | 90179-25033 | NUT | 2 | |
| 7 | 90202-26142 | WASHER, PLATE | 1 | |
| 8 | 3HE-23416-00 | COVER, BALL RACE 2 | 1 | |
| 9 | 90176-22050 | NUT, CROWN | 1 | |
| 10 | 4KG-23435-00 | CROWN, HANDLE | 1 | |
| 11 | 81314-08030 | BOLT | 2 | |
| 12 | 4H7-23441-00-38 | HOLDER, HANDLE UPPER | 2 | CLEAR (WITH BUFF) |
| 13 | 81314-08030 | BOLT | 4 | |
| 14 | 90338-08183 | PLUG | 4 | |
| 15 | 5H0-23442-01-38 | HOLDER, HANDLE LOWER | 2 | CLEAR (WITH BUFF) |
| 16 | 95617-10200 | NUT, SELF-LOCKING | 2 | |
| 17 | 4KG-23174-00 | STAY, HEADLIGHT | 1 | |
| 18 | 3GM-23378-00 | BRACKET | 1 | |
| 19 | 95027-08012 | BOLT, FLANGE | 1 | |
| 20 | 95027-08020 | BOLT, FLANGE | 2 | |
| 21 | 4KG-23121-00 | COVER, UPPER 1 | 1 | |
| 22 | 90176-08086 | NUT, CROWN | 1 | |
| 23 | 4KG-23131-00 | COVER, UPPER 2 | 1 | |
| 24 | 90176-08086 | NUT, CROWN | 2 | |

D5

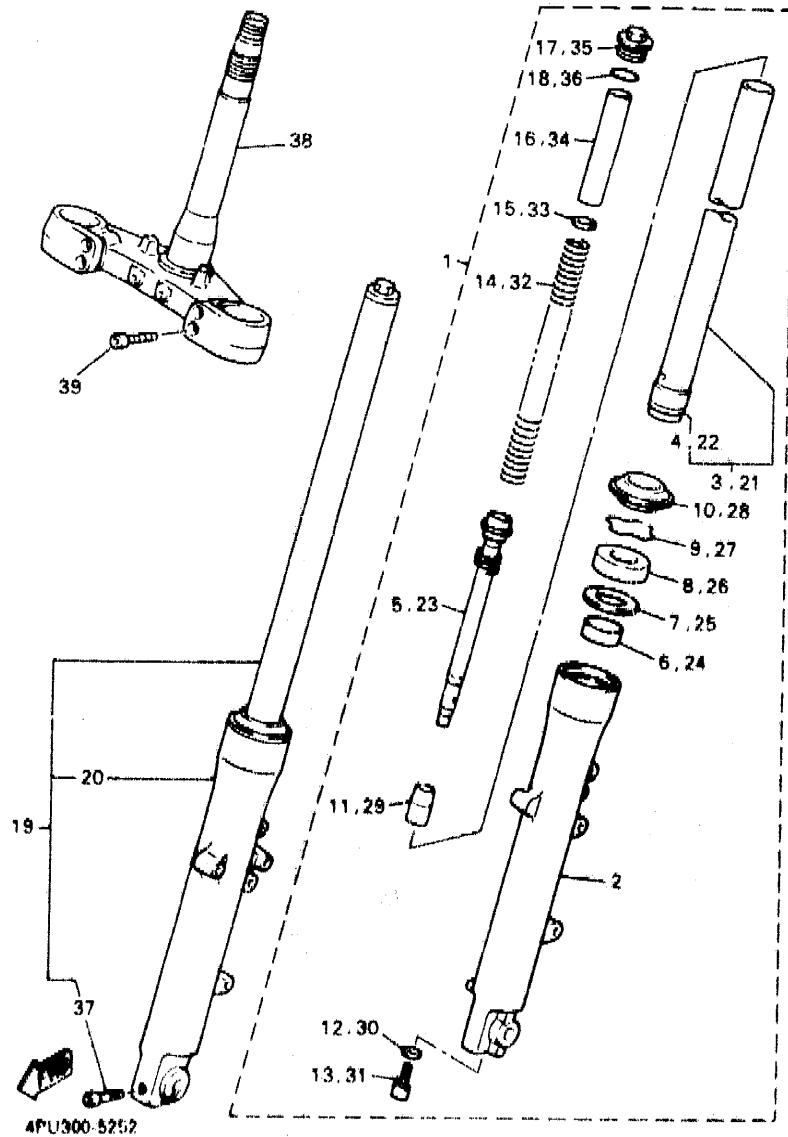
FIG. 25 FRONT FORK



| REF. NO. | PART NO. | DESCRIPTION | Q'TY | REMARKS |
|----------|--------------|-----------------------------|------|---------|
| 1 | 4PU-23102-00 | FRONT FORK ASSY (L.H) | 1 | |
| 2 | 4KG-23126-00 | •TUBE, OUTER (LEFT) | 1 | |
| 3 | 4PU-23110-00 | •INNER TUBE COMP.1 | 1 | |
| * 4 | 3XJ-23171-L0 | •PISTON, FRONT FORK | 1 | |
| 5 | 4PU-23170-00 | •CYLINDER COMP., FRONT FORK | 1 | |
| 6 | 3XJ-23125-L0 | •METAL, SLIDE 1 | 1 | |
| 7 | 4V4-23146-L0 | •WASHER, OIL SEAL | 1 | |
| 8 | 4KG-23145-00 | •OIL SEAL | 1 | |
| 9 | 4V4-23153-L0 | •RING, SNAP | 1 | |
| 10 | 4KG-23144-00 | •SEAL, DUST | 1 | |
| 11 | 3GM-23173-00 | •SPINDLE, TAPER | 1 | |
| 12 | 509-23158-L0 | •GASKET | 1 | |
| 13 | 278-23181-50 | •BOLT, HEXAGON SOCKET HEAD | 1 | |
| 14 | 4PU-23141-00 | •SPRING, FRONT FORK | 1 | |
| 15 | 3LR-23148-00 | •WASHER, SPRING UPPER | 1 | |
| 16 | 4KG-23118-00 | •SPACER | 1 | |
| 17 | 3TJ-23111-00 | •BOLT, CAP | 1 | |
| 18 | 4V4-23188-L0 | •O-RING | 1 | |
| 19 | 4PU-23103-00 | FRONT FORK ASSY (R.H) | 1 | |
| 20 | 4KG-23138-00 | •TUBE, OUTER (RIGHT) | 1 | |
| 21 | 4PU-23110-00 | •INNER TUBE COMP.1 | 1 | |
| * 22 | 3XJ-23171-L0 | •PISTON, FRONT FORK | 1 | |
| 23 | 4PU-23170-00 | •CYLINDER COMP., FRONT FORK | 1 | |
| 24 | 3XJ-23125-L0 | •METAL, SLIDE 1 | 1 | |
| 25 | 4V4-23146-L0 | •WASHER, OIL SEAL | 1 | |
| 26 | 4KG-23145-00 | •OIL SEAL | 1 | |
| 27 | 4V4-23153-L0 | •RING, SNAP | 1 | |
| 28 | 4KG-23144-00 | •SEAL, DUST | 1 | |

Do

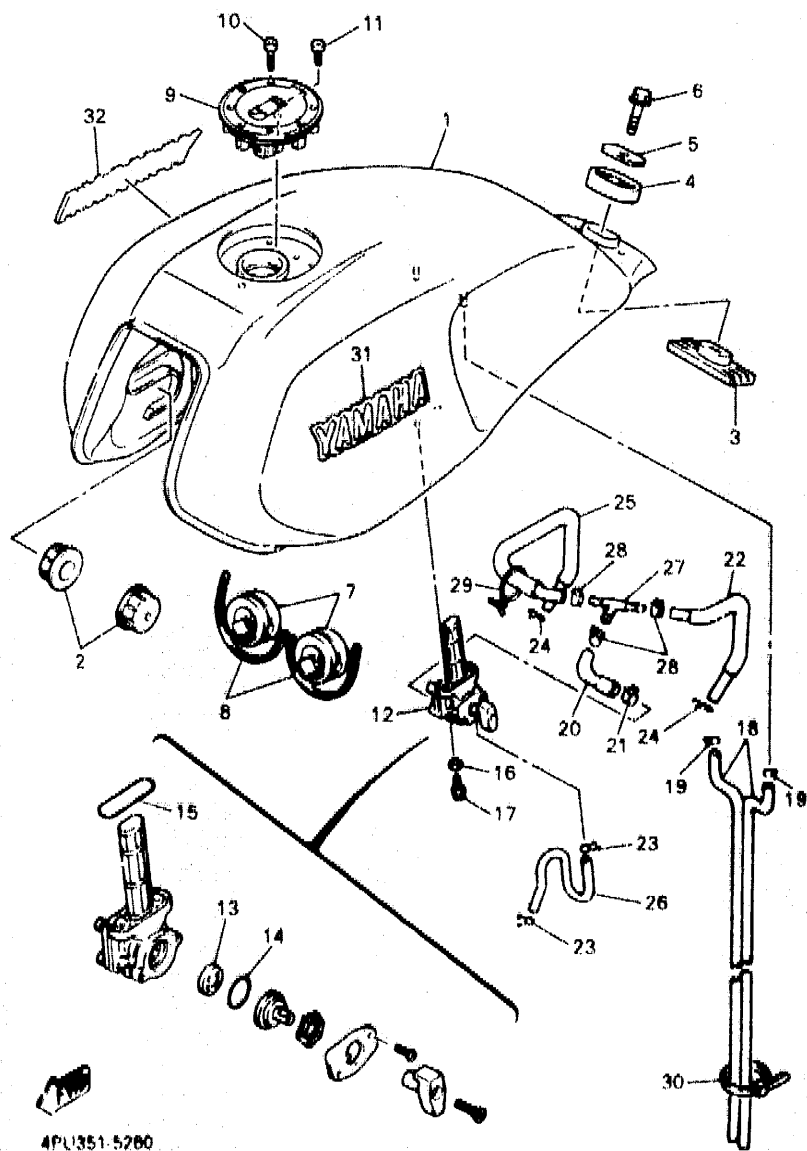
FIG. 25 FRONT FORK



| REF. NO. | PART NO. | DESCRIPTION | Q'TY | REMARKS |
|----------|--------------|----------------------------|------|---------|
| 29 | 3GM-23173-00 | •SPINDLE, TAPER | 1 | |
| 30 | 509-23158-L0 | •GASKET | 1 | |
| 31 | 278-23181-50 | •BOLT, HEXAGON SOCKET HEAD | 1 | |
| 32 | 4PU-23141-00 | •SPRING, FRONT FORK | 1 | |
| 33 | 3LR-23149-00 | •WASHER, SPRING UPPER | 1 | |
| 34 | 4KG-23118-00 | •SPACER | 1 | |
| 35 | 3TJ-23111-00 | •BOLT, CAP | 1 | |
| 36 | 4V4-23188-L0 | •O-RING | 1 | |
| 37 | 91311-08045 | •BOLT | 1 | |
| 38 | 4PU-23340-00 | UNDER BRACKET COMP. | 1 | |
| 39 | 91317-08025 | BOLT | 4 | |

D7

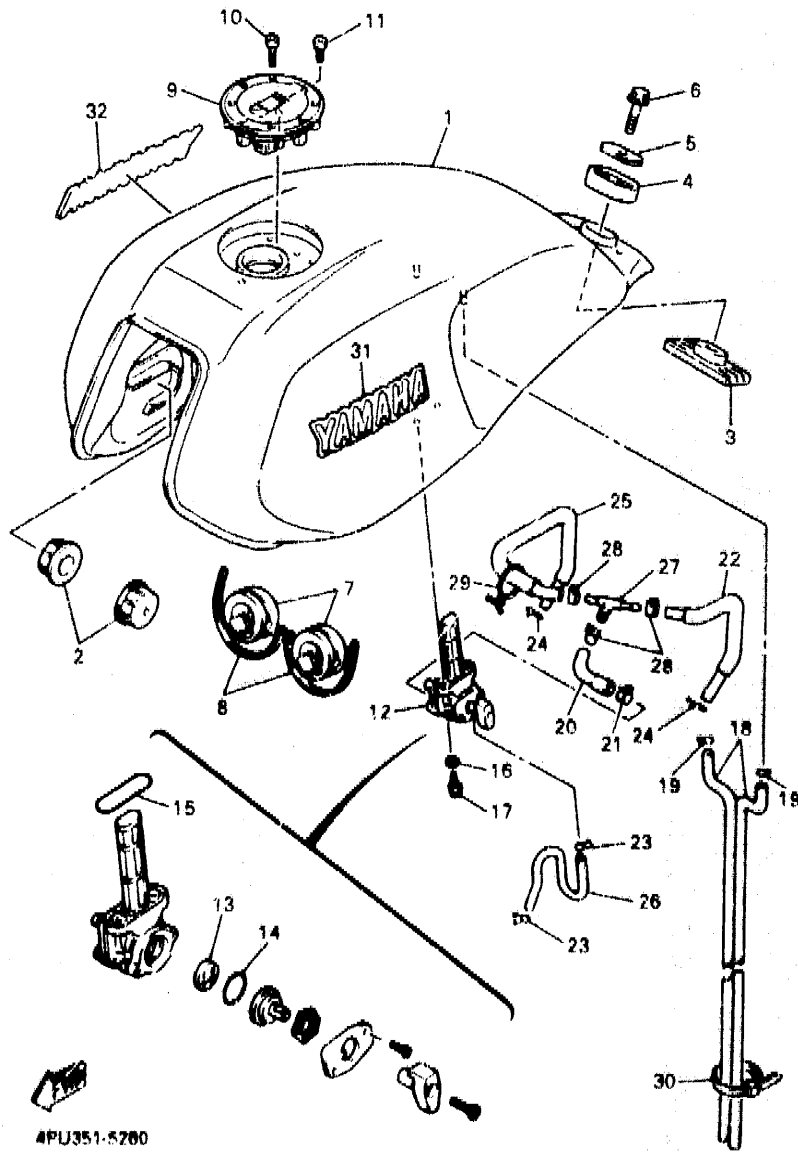
FIG. 26 FUEL TANK



| REF. NO. | PART NO. | DESCRIPTION | Q'TY | REMARKS |
|----------|-----------------|---------------------------|------|---|
| 1 | 4KG-24110-G0-P0 | FUEL TANK COMP. | 1 | UR DEEP RED COCKTAIL 2 UR BLACK 2 |
| | 4KG-24110-G0-4B | FUEL TANK COMP. | 1 | |
| 2 | 4H7-24181-00 | DAMPER, LOCATING 1 | 2 | |
| 3 | 2GH-24184-00 | DAMPER, LOCATING 4 | 1 | |
| 4 | 3Y6-24183-00 | DAMPER, LOCATING 3 | 1 | |
| 5 | 12R-24186-00 | WASHER, SPECIAL | 1 | |
| 6 | 97007-08030 | BOLT | 1 | |
| 7 | 4HM-24183-00 | DAMPER, LOCATING 3 | 2 | |
| 8 | 90464-14117 | CLAMP | 2 | |
| 9 | 4HN-24802-00 | CAP ASSY | 1 | |
| 10 | 80110-05112 | BOLT, HEXAGON SOCKET HEAD | 3 | |
| 11 | 91317-05010 | BOLT | 1 | |
| 12 | 4KG-24600-00 | FUEL COCK ASSY 1 | 1 | |
| 13 | 3XV-24623-00 | VALVE | 1 | |
| 14 | 3XV-24634-00 | SEAL, COCK | 1 | |
| 15 | 4XB-24612-00 | O-RING | 1 | |
| 16 | 90202-05187 | WASHER, PLATE | 2 | |
| 17 | 90148-08008 | SCREW | 2 | |
| 18 | 90448-104H3 | HOSE | 2 | |
| 19 | 90487-08008 | CLIP | 2 | |
| 20 | 4KG-24311-00 | PIPE, FUEL 1 | 1 | |
| 21 | 90487-14087 | CLIP | 1 | |
| 22 | 4KG-24312-00 | PIPE 2 | 1 | |
| 23 | 90487-08021 | CLIP | 2 | |
| 24 | 90487-12082 | CLIP | 2 | |
| 25 | 4KG-24313-00 | PIPE 3 | 1 | |
| 26 | 4KG-24314-00 | PIPE 4 | 1 | |
| 27 | 90413-11025 | WAY 3 | 1 | |

D₀

FIG. 28 FUEL TANK

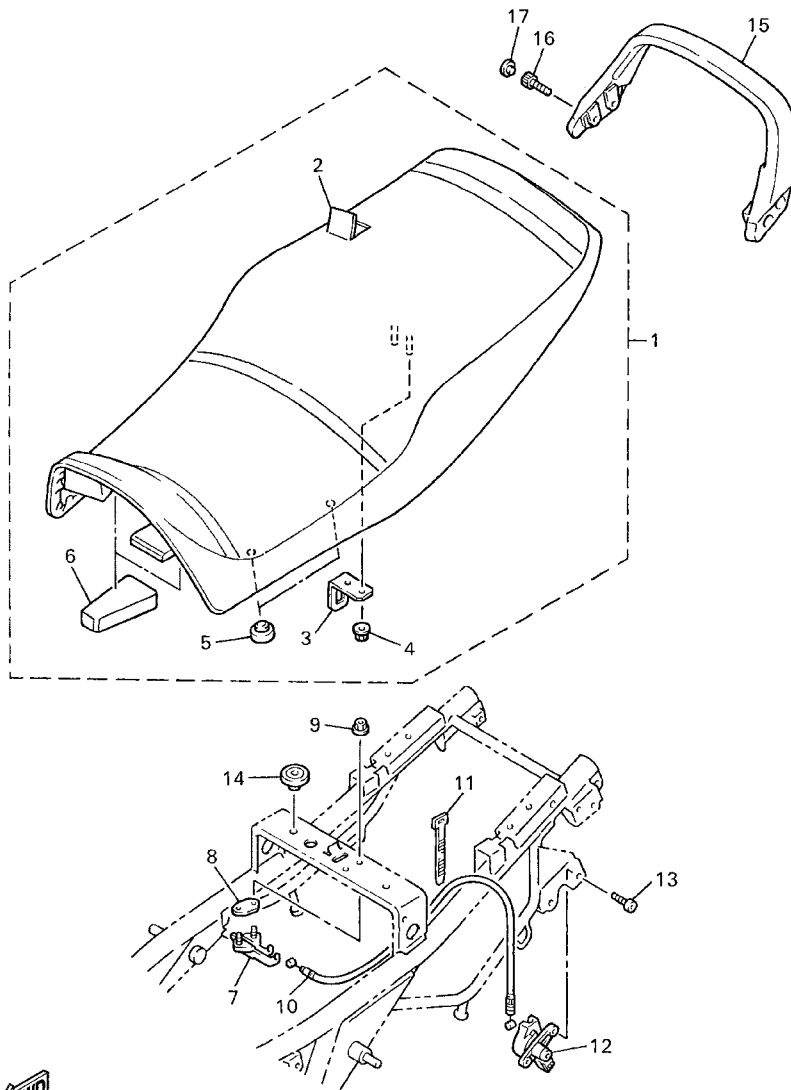


4PU351-5260

| REF. NO. | PART NO. | DESCRIPTION | Q'TY | REMARKS |
|----------|--------------|-------------|------|---------|
| 28 | 90467-13064 | CLIP | 3 | |
| 29 | 90464-30040 | CLAMP | 1 | |
| 30 | 90464-13073 | CLAMP | 1 | |
| 31 | 4KG-24161-00 | EMBLEM 1 | 1 | |
| 32 | 4KG-24162-00 | EMBLEM 2 | 1 | |



FIG. 27 SEAT



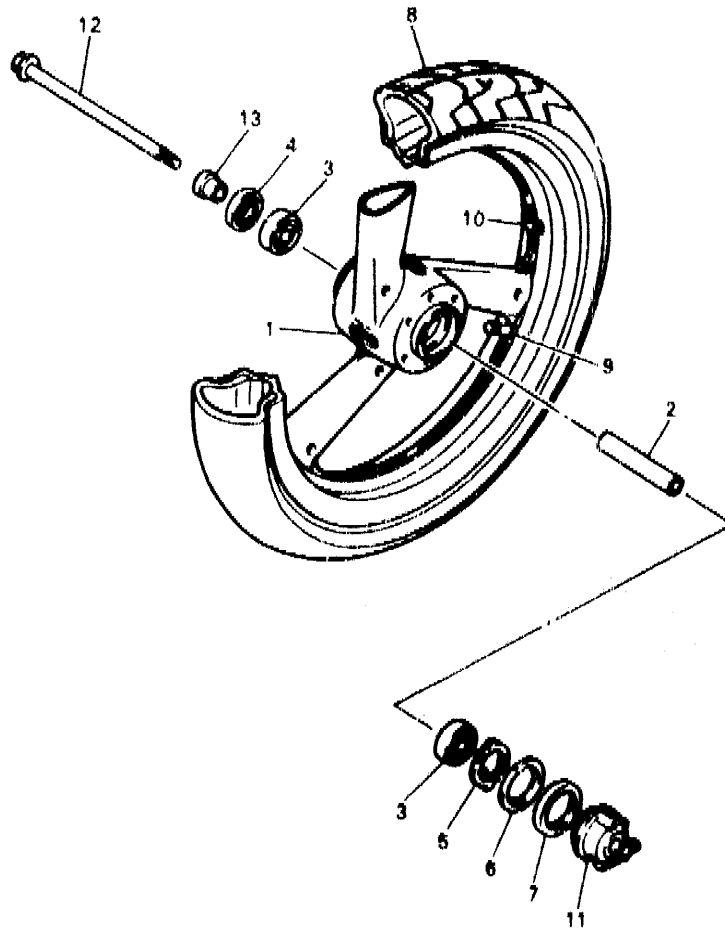
| REF. NO. | PART NO. | DESCRIPTION | Q'TY | REMARKS |
|----------|-----------------|--------------------|------|--------------------------|
| 1 | 4PU-24730-00 | DOUBLE SEAT ASSY | 1 | |
| 2 | 4PU-2470F-00 | COVER, SEAT | 1 | |
| 3 | 4HM-24728-00 | BRACKET, SEAT | 1 | |
| 4 | 95701-08500 | NUT, FLANGE | 2 | |
| 5 | 22W-24741-00 | PAD, SEAT | 4 | |
| 6 | 4KG-24737-00 | DAMPER, SEAT | 2 | |
| 7 | 4BP-24780-00 | SEAT LOCK ASSY | 1 | |
| 8 | 4BP-24792-00 | PLATE | 1 | |
| 9 | 95707-08500 | NUT, FLANGE | 2 | |
| 10 | 4KG-2478E-00 | CABLE, SEAT LOCK | 1 | |
| 11 | 12R-82991-00 | BAND | 1 | |
| 12 | 3YX-21308-70 | HELMET HANGER ASSY | 1 | |
| 13 | 90149-08308 | SCREW | 2 | |
| 14 | 22W-24741-00 | PAD, SEAT | 2 | |
| 15 | 4KG-24773-00-P0 | HANDLE, SEAT | 1 | UR DEEP RED |
| | 4KG-24773-00-48 | HANDLE, SEAT | 1 | COCKTAIL 2 UR BLACK 2 |
| 16 | 91317-08028 | BOLT | 4 | |
| 17 | 90338-08183 | PLUG | 4 | |

FWD

4PU351-5271

D10

FIG. 28 FRONT WHEEL



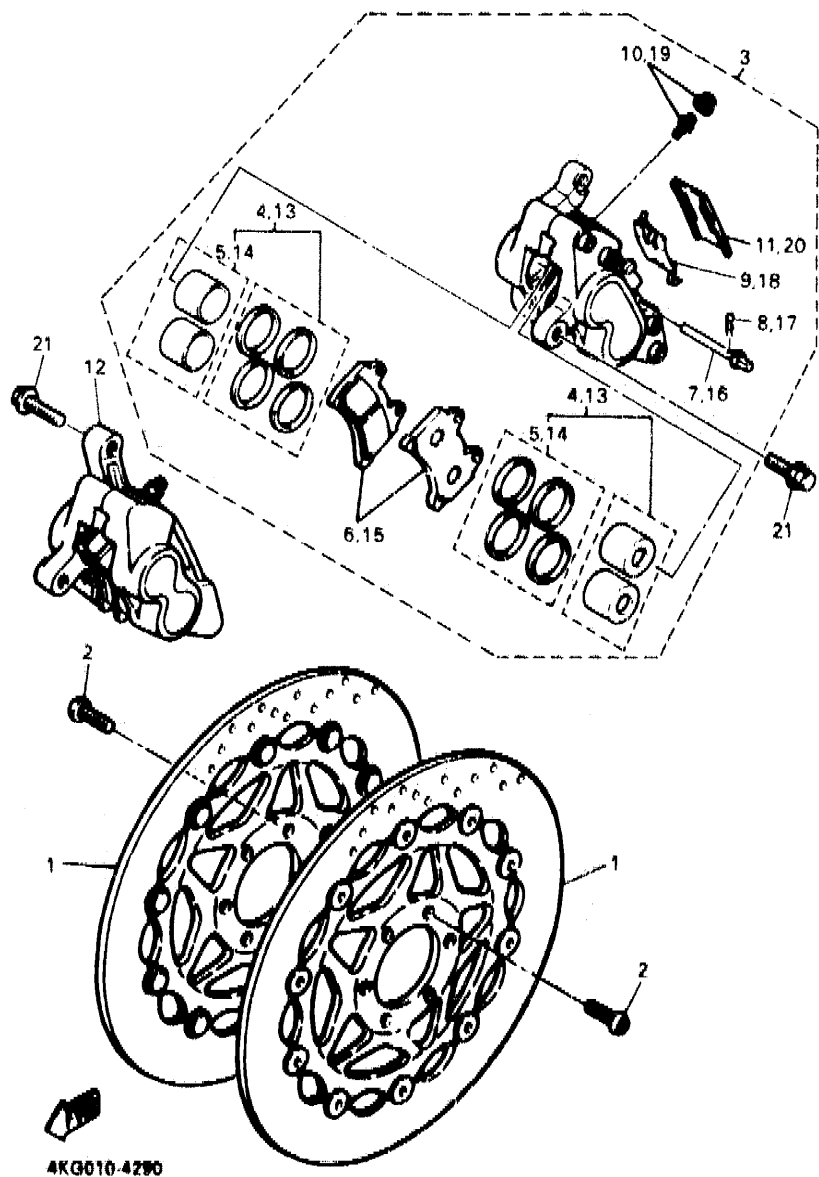
| REF. NO. | PART NO. | DESCRIPTION | Q'TY | REMARKS |
|----------|-----------------|----------------------------|------|----------------|
| 1 | 4KG-25188-00-7B | CAST WHEEL, FRONT | 1 | BLUISH BLACK 2 |
| 2 | 90560-17356 | SPACER | 1 | |
| 3 | 93306-20314 | BEARING (B6203) | 2 | |
| 4 | 93102-25017 | OIL SEAL | 1 | |
| 5 | 341-25149-00 | CLUTCH, METER | 1 | |
| 6 | 341-25846-00 | RETAINER, CLUTCH | 1 | |
| 7 | 93105-45017 | OIL SEAL | 1 | |
| 8 | 94113-1704W | TIRE(130/70ZR17 D202F T/L) | 1 | UR DUNLOP |
| | 94113-1705M | TIRE(130/70ZR17 BT-54F) | 1 | UR BRIDGESTONE |
| 9 | 93900-00030 | VALVE, RIM | 1 | |
| 10 | 29L-25398-00 | BALANCER, WHEEL (10G) | 1 | UR |
| | 29L-25398-10 | BALANCER, WHEEL (20G) | 1 | UR |
| | 29L-25398-20 | BALANCER, WHEEL (30G) | 1 | UR |
| 11 | 4KG-25190-00 | GEAR UNIT ASSY | 1 | |
| 12 | 5Y1-28781-01 | AXLE, WHEEL | 1 | |
| 13 | 90387-17630 | COLLAR | 1 | |



4KG010-4280

D11

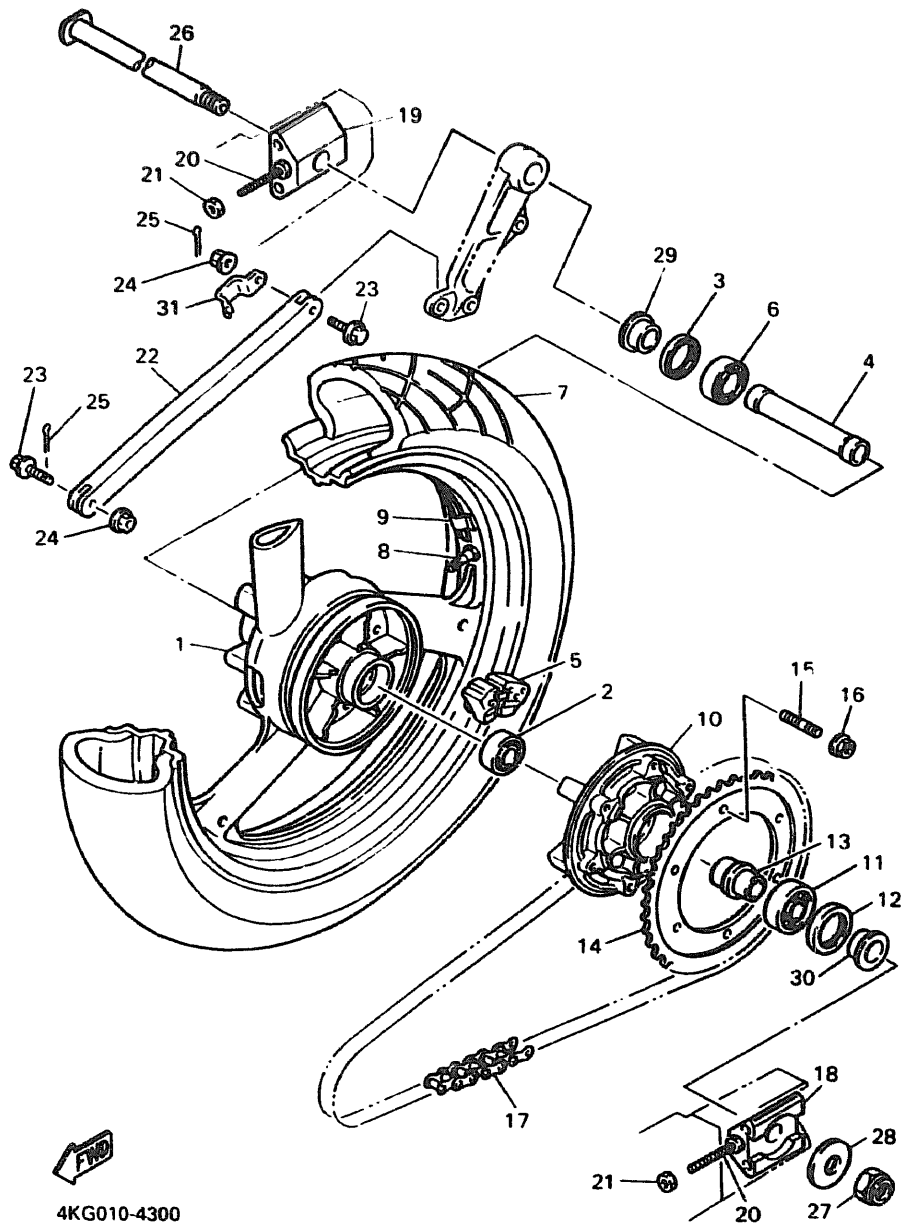
FIG. 29 FRONT BRAKE CALIPER



4KG010-4290

| REF. NO. | PART NO. | DESCRIPTION | Q'TY | REMARKS |
|----------|--------------|----------------------|------|---------|
| 1 | 4KG-2581T-00 | DISC BRAKE ASSY | 2 | |
| 2 | 90109-08718 | BOLT | 12 | |
| 3 | 4KG-2580T-00 | CALIPER ASSY (LEFT) | 1 | |
| 4 | 1NL-W0057-00 | PISTON ASSY, CALIPER | 2 | |
| 5 | 1NL-W0047-00 | CALIPER SEAL KIT | 1 | |
| 6 | 4KG-W0045-00 | BRAKE PAD KIT | 1 | |
| 7 | 3HE-25924-00 | PIN, PAD | 2 | |
| 8 | 3GM-25925-00 | CLIP | 2 | |
| 9 | 2GH-25919-00 | SUPPORT, PAD | 1 | |
| 10 | 1J3-W0048-00 | BLEED SCREW KIT | 1 | |
| 11 | 1KT-25836-00 | COVER, DUST | 1 | |
| 12 | 4KG-2580U-00 | CALIPER ASSY (RIGHT) | 1 | |
| 13 | 1NL-W0057-00 | PISTON ASSY, CALIPER | 2 | |
| 14 | 1NL-W0047-00 | CALIPER SEAL KIT | 1 | |
| 15 | 4KG-W0045-00 | BRAKE PAD KIT | 1 | |
| 16 | 3HE-25924-00 | PIN, PAD | 2 | |
| 17 | 3GM-25925-00 | CLIP | 2 | |
| 18 | 2GH-25919-00 | SUPPORT, PAD | 1 | |
| 19 | 1J3-W0048-00 | BLEED SCREW KIT | 1 | |
| 20 | 1KT-25836-00 | COVER, DUST | 1 | |
| 21 | 90109-10838 | BOLT, WASHER BASED | 4 | |

FIG. 30 REAR WHEEL

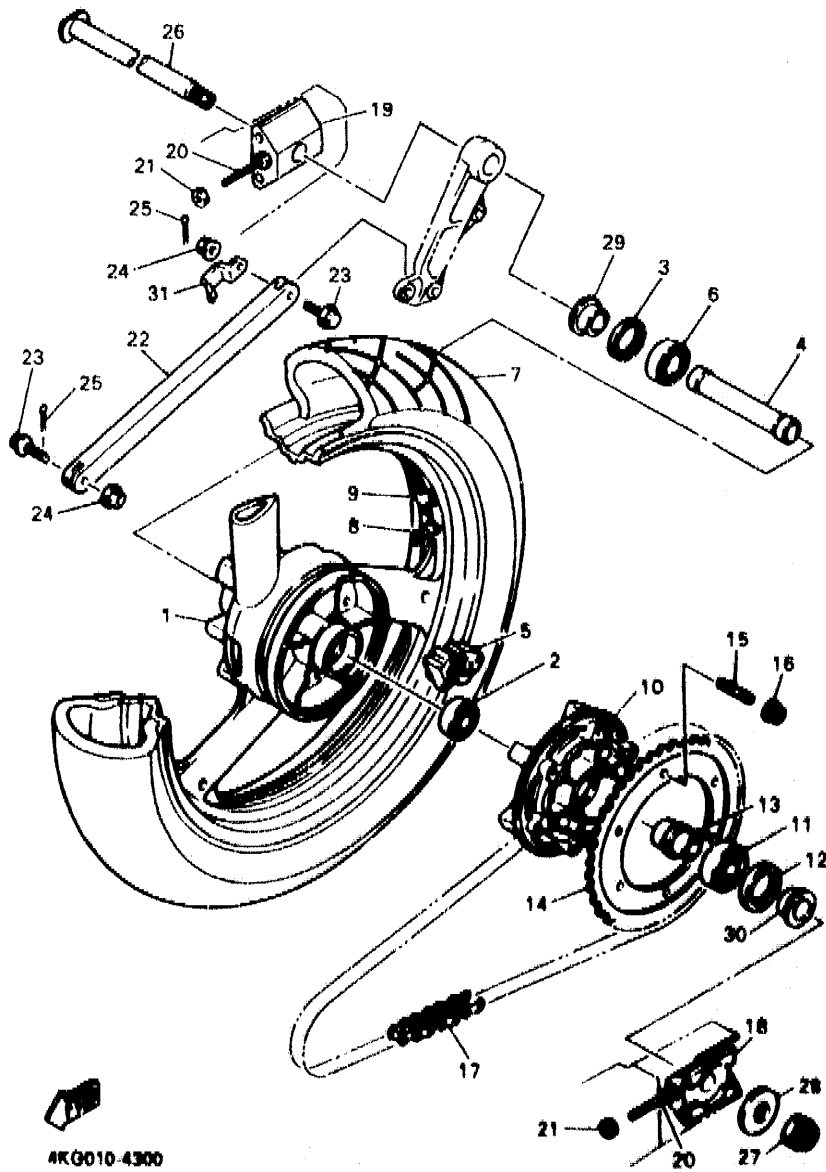


4KG010-4300

D13

| REF. NO. | PART NO. | DESCRIPTION | Q'TY | REMARKS |
|----------|-----------------|-----------------------------|------|----------------|
| 1 | 3GM-25338-01-7B | CAS. WHEEL, REAR | 1 | BLUISH BLACK 2 |
| 2 | 93306-30416 | BEARING (196304RS) | 1 | |
| 3 | 93106-30029 | OIL SEAL | 1 | |
| 4 | 90560-20357 | SPACER | 1 | |
| 5 | 4KG-25364-00 | DAMPER | 5 | |
| 6 | 93306-30437 | BEARING | 1 | |
| 7 | 94117-1704X | TIRE (170/60ZR17 D202L T/L) | 1 | UR DUNLOP |
| | 94117-1705N | TIRE (170/60ZR17 BT-54R) | 1 | UR BRIDGESTONE |
| 8 | 93900-00030 | VALVE, RIM | 1 | |
| 9 | 29L-25398-00 | BALANCER, WHEEL (10G) | 1 | UR |
| | 29L-25398-10 | BALANCER, WHEEL (20G) | 1 | UR |
| | 29L-25398-20 | BALANCER, WHEEL (30G) | 1 | UR |
| 10 | 36Y-25366-01 | CLUTCH, HUB | 1 | |
| 11 | 93306-30562 | BEARING | 1 | |
| 12 | 93106-30030 | O SEAL | 1 | |
| 13 | 36Y-25377-00 | COLLAR, WHEEL | 1 | |
| 14 | 4KG-25438-20 | SPROCKET, DRIVEN (38T) | 1 | |
| 15 | 90116-10485 | BOLT, STUD | 6 | |
| 16 | 95617-10200 | NUT, SELF-LOCKING | 6 | |
| 17 | 94581-57110 | CHAIN (DID532ZLVKA1-110L) | 1 | DAIDO |
| 18 | 3GM-25388-00 | PULLER, CHAIN 1 | 1 | |
| 19 | 3GM-25389-00 | PULLER, CHAIN 2 | 1 | |
| 20 | 90101-08766 | BOLT | 2 | |
| 21 | 95307-08600 | NUT | 2 | |
| 22 | 4FM-25371-00 | BAR, TENSION | 1 | |
| 23 | 90105-08321 | BOLT, WASHER BASED | 2 | |
| 24 | 95707-08500 | NUT, FLANGE | 2 | |
| 25 | 91490-20025 | PIN, COTTER | 2 | |

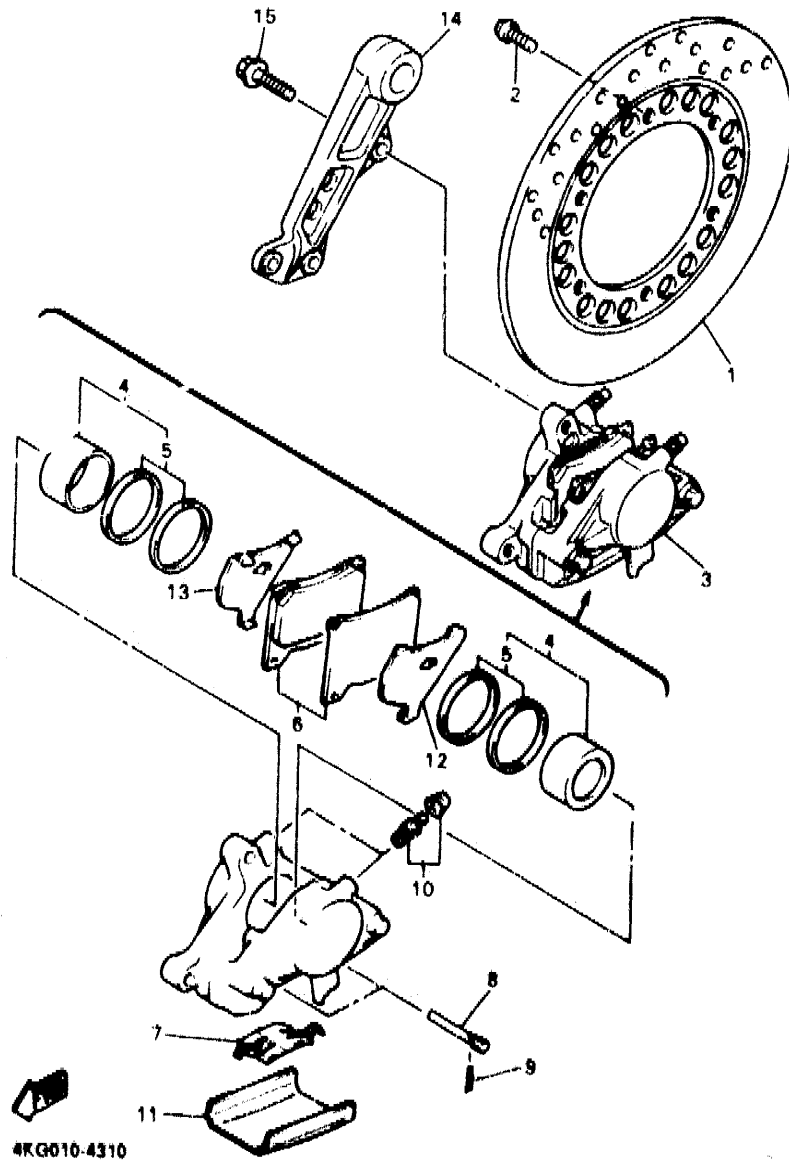
FIG. 30 REAR WHEEL



| REF. NO. | PART NO. | DESCRIPTION | Q'TY | REMARKS |
|----------|--------------|--------------------|------|---------|
| 26 | 3GM-25381-A0 | AXLE, WHEEL | 1 | |
| 27 | 95604-18200 | NUT, SELF-LOCKING | 1 | |
| 28 | 90201-18264 | WASHER, PLATE | 1 | |
| 29 | 90387-202X9 | COLLAR | 1 | |
| 30 | 90387-203X0 | COLLAR | 1 | |
| 31 | 4FM-25887-00 | HOLDER, BRAKE HOSE | 1 | |

D14

FIG. 31 REAR BRAKE CALIPER



| REF. NO. | PART NO. | DESCRIPTION | Q'TY | REMARKS |
|----------|--------------|----------------------|------|---------|
| 1 | 3GM-2582W-A0 | DISC, REAR BRAKE 2 | 1 | |
| 2 | 90109-08718 | BOLT | 6 | |
| 3 | 4KG-2580W-00 | CALIPER ASSY, REAR 2 | 1 | |
| 4 | 31A-W0057-00 | PISTON ASSY, CALIPER | 1 | |
| 5 | 31A-W0047-00 | CALIPER SEAL KIT | 1 | |
| 6 | 1FK-W0046-02 | BRAKE PAD KIT 2 | 1 | |
| 7 | 29L-25919-A0 | SUPPORT, PAD | 1 | |
| 8 | 3HE-25824-00 | PIN, PAD | 2 | |
| 9 | 3GM-25925-00 | CLIP | 2 | |
| 10 | 1J3-W0048-00 | BLEED SCREW KIT | 2 | |
| 11 | 51J-25836-00 | COVER, DUST | 1 | |
| 12 | 1FK-25827-00 | SHIM, CALIPER | 1 | |
| 13 | 1FK-25828-00 | SHIM, CALIPER | 1 | |
| 14 | 4KG-25819-00 | BRACKET, CALIPER | 1 | |
| 15 | 90105-10838 | BOLT, WASHER BASED | 2 | |

4KG010-4310

D15

CONTENTS

ENGINE

| | |
|---------------------------|-----------|
| Cylinder Head | B2 |
| Cylinder | B3 |
| Crankshaft · Piston | B4 |
| Valve | B5 ~ B6 |
| Camshaft · Chain | B7 |
| Oil Pump | B8 |
| Oil Cooler | B9 |
| Oil Cleaner | B10 |
| Intake | B11 |
| Carburetor | B12 ~ B13 |
| Exhaust | B14 |
| Crankcase | B15 ~ C2 |
| Crankcase Cover 1 | C3 ~ C4 |
| Starter | C5 |
| Clutch | C6 ~ C7 |
| Transmission | C8 ~ C9 |
| Shift Cam · Fork | C10 |
| Shift Shaft | C11 |

CHASSIS

| | |
|-----------------------|-----------|
| Frame | C12 |
| Fender | C13 ~ C15 |
| Side Cover | D2 |
| Rear Arm | D3 |
| Rear Suspension | D4 |
| Steering | D5 |

| | |
|-------------------------------|-----------|
| Front Fork | D6 ~ D7 |
| Fuel Tank | D8 ~ D9 |
| Seat | D10 |
| Front Wheel | D11 |
| Front Brake Caliper | D12 |
| Rear Wheel | D13 ~ D14 |
| Rear Brake Caliper | D15 |
| Steering Handle · Cable | E2 |
| Front Master Cylinder | E3 |
| Front Master Cylinder 2 | E4 |
| Stand · Footrest | E5 ~ E6 |
| Rear Master Cylinder | E7 ~ E8 |
| Generator | E9 |
| Pick Up Coil · Governor | E10 |
| Starting Motor | E11 |
| Flasher Light | E12 |
| Meter | E13 ~ E14 |
| Headlight | E15 |
| Taillight | F2 |
| Electrical 1 | F3 |
| Electrical 2 | F4 |

INDEX

| | |
|-----------------------|---------|
| NUMERICAL INDEX | L1 ~ L4 |
|-----------------------|---------|

CONTENTS

ENGINE

| | |
|---------------------------|-----------|
| Cylinder Head | B2 |
| Cylinder | B3 |
| Crankshaft · Piston | B4 |
| Valve | B5 ~ B6 |
| Camshaft · Chain | B7 |
| Oil Pump | B8 |
| Oil Cooler | B9 |
| Oil Cleaner | B10 |
| Intake | B11 |
| Carburetor | B12 ~ B13 |
| Exhaust | B14 |
| Crankcase | B15 ~ C2 |
| Crankcase Cover 1 | C3 ~ C4 |
| Starter | C5 |
| Clutch | C6 ~ C7 |
| Transmission | C8 ~ C9 |
| Shift Cam · Fork | C10 |
| Shift Shaft | C11 |

CHASSIS

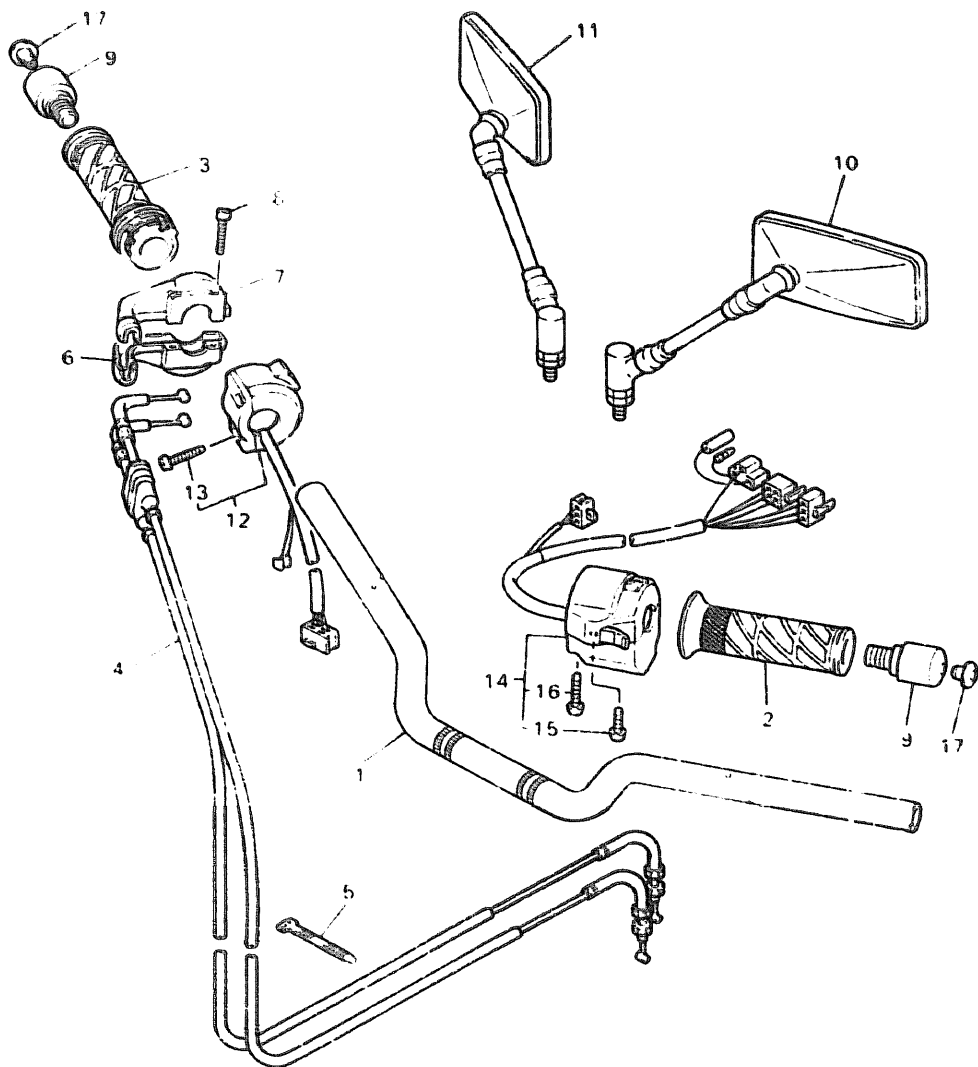
| | |
|-----------------------|-----------|
| Frame | C12 |
| Fender | C13 ~ C16 |
| Side Cover | D2 |
| Rear Arm | D3 |
| Rear Suspension | D4 |
| Steering | D5 |

| | |
|-------------------------------|-----------|
| Front Fork | D6 ~ D7 |
| Fuel Tank | D8 ~ D9 |
| Seat | D10 |
| Front Wheel | D11 |
| Front Brake Caliper | D12 |
| Rear Wheel | D13 ~ D14 |
| Rear Brake Caliper | D15 |
| Steering Handle · Cable | E2 |
| Front Master Cylinder | E3 |
| Front Master Cylinder 2 | E4 |
| Stand · Footrest | E5 ~ E6 |
| Rear Master Cylinder | E7 ~ E8 |
| Generator | E9 |
| Pick Up Coil · Governor | E10 |
| Starting Motor | E11 |
| Flasher Light | E12 |
| Meter | E13 ~ E14 |
| Headlight | E15 |
| Taillight | F2 |
| Electrical 1 | F3 |
| Electrical 2 | F4 |

INDEX

| | |
|-----------------------|---------|
| NUMERICAL INDEX | L1 ~ L4 |
|-----------------------|---------|

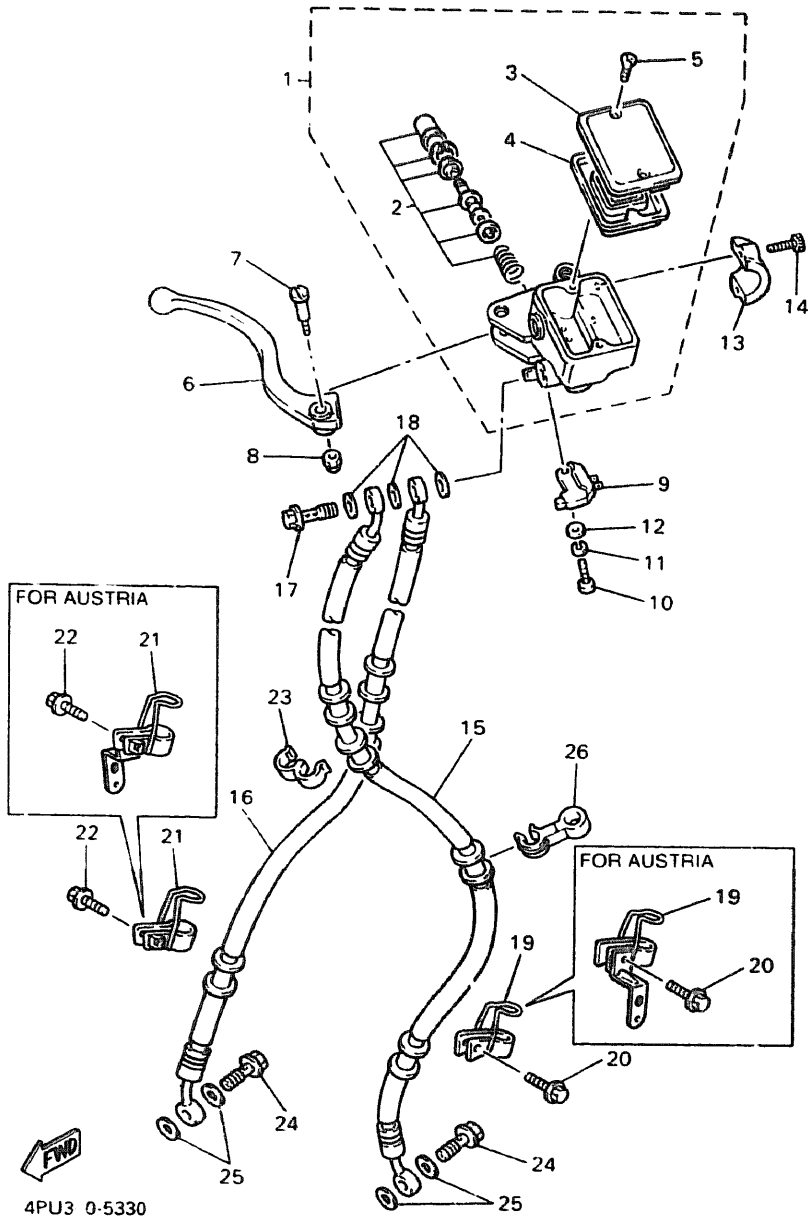
FIG. 32 STEERING HANDLE • CABLE



| REF. NO. | PART NO. | DESCRIPTION | Q'TY | REMARKS |
|----------|--------------|--------------------------|------|---------|
| 1 | 4KG-26111-00 | HANDLEBAR | 1 | |
| 2 | 4FM-26241-00 | GRIP (LEFT) | 1 | |
| 3 | 4FM-26240-00 | GRIP ASSY | 1 | |
| 4 | 4KG-26302-00 | THROTTLE CABLE ASSY | 1 | |
| 5 | 12R-82591-00 | BAND | 1 | |
| 6 | 4KG-26281-00 | CAP, GRIP UPPER | 1 | |
| 7 | 3XW-26282-01 | CAP, GRIP LOWER | 1 | |
| 8 | 91317-05035 | BOLT | 2 | |
| 9 | 3HX-26246-00 | END, GRIP | 2 | |
| 10 | 4H7-26290-A0 | BACK MIRROR ASSY (LEFT) | 1 | |
| 11 | 4H7-26290-E0 | BACK MIRROR ASSY (RIGHT) | 1 | |
| 12 | 4HM-83975-10 | SWITCH, HANDLE 2 | 1 | |
| 13 | 90157-05027 | SCREW, PAN HEAD | 2 | |
| 14 | 4PU-83969-00 | SWITCH, HANDLE 5 | 1 | |
| 15 | 98507-05030 | SCREW, PAN HEAD | 1 | |
| 16 | 98507-05040 | SCREW, PAN HEAD | 1 | |
| 17 | 4X7-23469-10 | CAP. BOLT | 2 | |

4PU351 5320

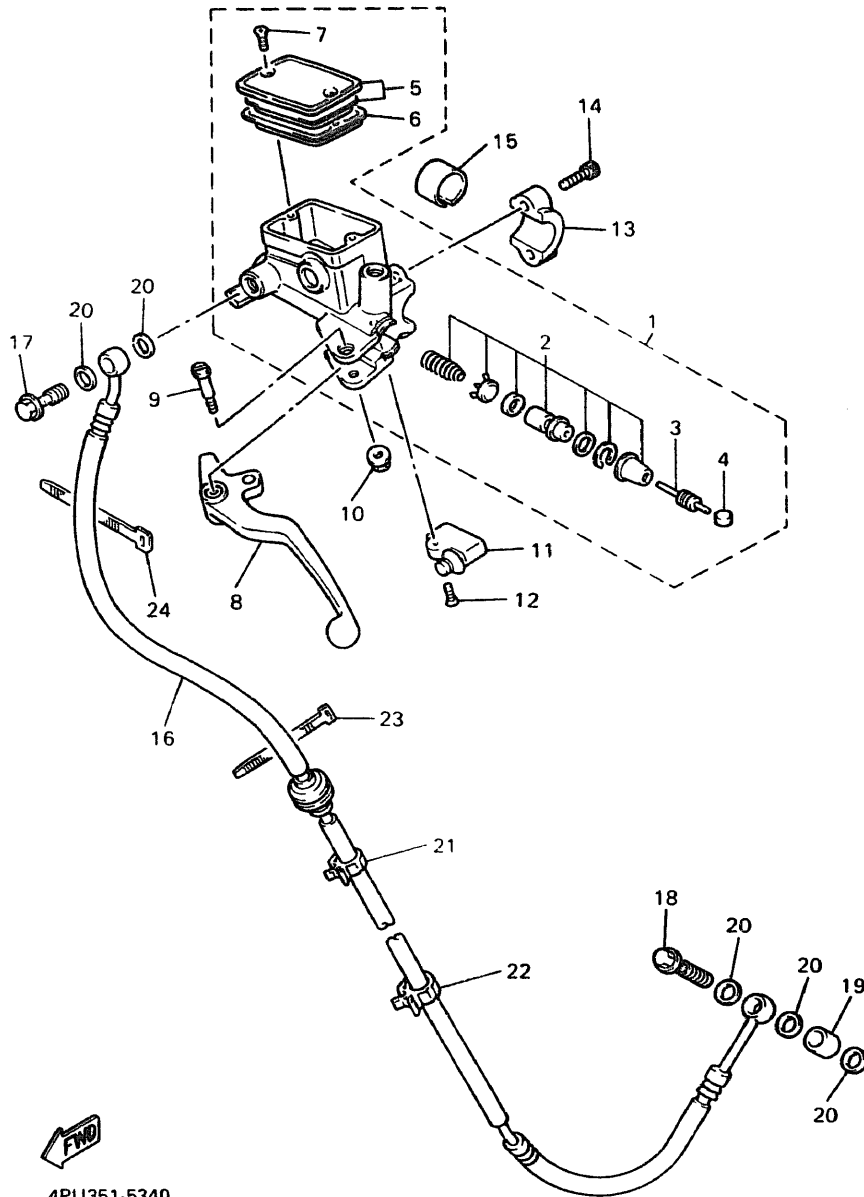
FIG. 33 FRONT MASTER CYLINDER



4PU3 0-5330

| REF. NO. | PART NO. | DESCRIPTION | Q'TY | REMARKS |
|----------|--------------|--------------------------|------|----------------|
| 1 | 4KG-W2587-00 | MASTER CYLINDER SUB ASSY | 1 | |
| 2 | 4K0-W0041-50 | •CYLINDER KIT, MASTER | 1 | |
| 3 | 4HM-W2585-00 | •RESERVOIR CAP SET | 1 | |
| 4 | 4HM-25854-00 | •DIAPHRAGM, RESERVOIR | 1 | |
| 5 | 98707-04012 | •SCREW, FLAT HEAD | 2 | |
| 6 | 4PU-83922-00 | LEVER 2 | 1 | |
| 7 | 3FV-2589F-00 | BOLT, LEVER | 1 | |
| 8 | 95617-06100 | NUT, U | 1 | |
| 9 | 3FV-83980-00 | FRONT STOP SWITCH ASSY | 1 | |
| 10 | 98517-04012 | SCREW, PAN HEAD | 1 | |
| 11 | 92990-04100 | WASHER, SPRING | 1 | |
| 12 | 92901-04600 | WASHER, PLATE | 1 | |
| 13 | 4HM-25867-00 | BRACKET, MASTER CYLINDER | 1 | |
| 14 | 91317-06020 | BOLT | 2 | |
| 15 | 4KG-25872-00 | HOSE, BRAKE 1 | 1 | |
| 16 | 4KG-25873-00 | HOSE, BRAKE 2 | 1 | |
| 17 | 90401-10160 | BOLT, UNION | 1 | |
| 18 | 90201-10118 | WASHER, PLATE | 3 | |
| 19 | 4KG-25887-00 | HOLDER, BRAKE HOSE | 1 | UR |
| | 4RB-25887-00 | HOLDER, BRAKE HOSE | 1 | UR FOR AUSTRIA |
| 20 | 95027-06025 | BOLT, FLANGE | 1 | |
| 21 | 4KG-25876-00 | HOLDER, BRAKE HOSE 2 | 1 | UR |
| | 4RB-25876-00 | HOLDER, BRAKE HOSE 2 | 1 | UR FOR AUSTRIA |
| 22 | 95027-06025 | BOLT, FLANGE | 1 | |
| 23 | 90464-13194 | CLAMP | 1 | |
| 24 | 90401-10159 | BOLT, UNION | 2 | |
| 25 | 90201-10118 | WASHER, PLATE | 4 | |
| 26 | 3MA-26279-00 | GUIDE, CABLE | 1 | |

FIG. 34 FRONT MASTER CYLINDER 2

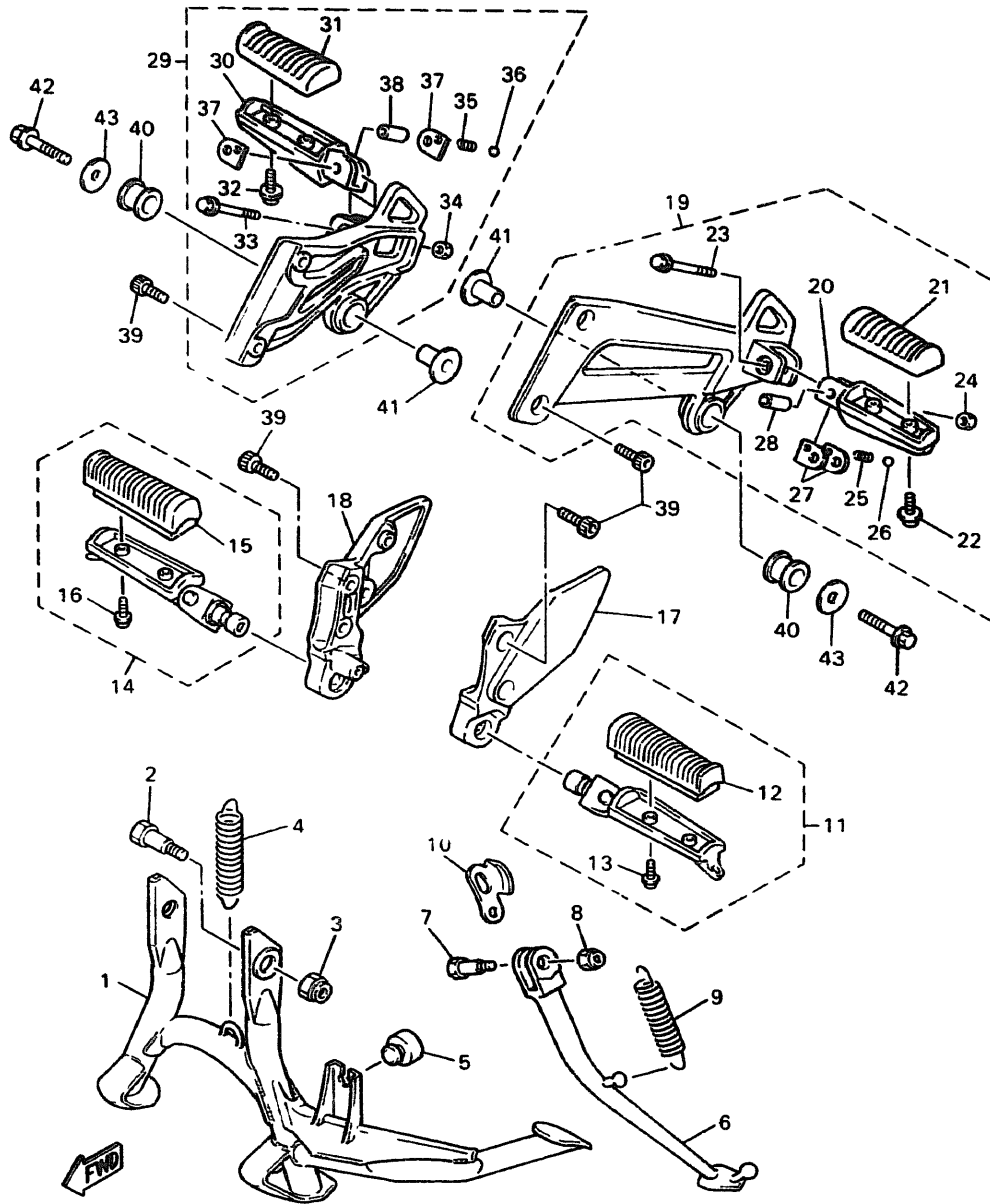


4PU351-5340

E4

| REF. NO. | PART NO. | DESCRIPTION | Q'TY | REMARKS |
|----------|--------------|--------------------------------|------|---------|
| 1 | 4KG-W2645-00 | MASTER CYLINDER SUB ASSY | 1 | |
| 2 | 3GM-W0099-00 | .CYLINDER KIT, MASTER (CLUTCH) | 1 | |
| 3 | 3GM-26464-00 | .ROD, PUSH | 1 | |
| 4 | 3GM-26455-00 | .BUSH | 1 | |
| 5 | 4HM-W2585-00 | .RESERVOIR CAP SET | 1 | |
| 6 | 4HM-25854-00 | .DIAPHRAGM, RESERVOIR | 1 | |
| 7 | 98707-04012 | .SCREW, FLAT HEAD | 2 | |
| 8 | 4PU-83912-00 | LEVER 1 | 1 | |
| 9 | 3FV-2589F-00 | BOLT, LEVER | 1 | |
| 10 | 95706-06500 | NUT, FLANGE | 1 | |
| 11 | 3GM-83980-00 | FRONT STOP SWITCH ASSY | 1 | |
| 12 | 98706-04016 | SCREW, FLAT HEAD | 1 | |
| 13 | 4KG-25867-00 | BRACKET, MASTER CYLINDER | 1 | |
| 14 | 91317-06020 | BOLT | 2 | |
| 15 | 90387-22591 | COLLAR | 1 | |
| 16 | 4KG-26470-00 | HOSE, CLUTCH | 1 | |
| 17 | 90401-10159 | BOLT, UNION | 1 | |
| 18 | 90401-10160 | BOLT, UNION | 1 | |
| 19 | 90387-1005B | COLLAR | 1 | |
| 20 | 90201-10118 | WASHER, PLATE | 5 | |
| 21 | 90464-10190 | CLAMP | 1 | |
| 22 | 90464-15192 | CLAMP | 1 | |
| 23 | 12R-82591-00 | BAND | 1 | |
| 24 | 437-83936-01 | BAND, SWITCH CORD | 2 | |

FIG. 35 STAND • FOOTREST

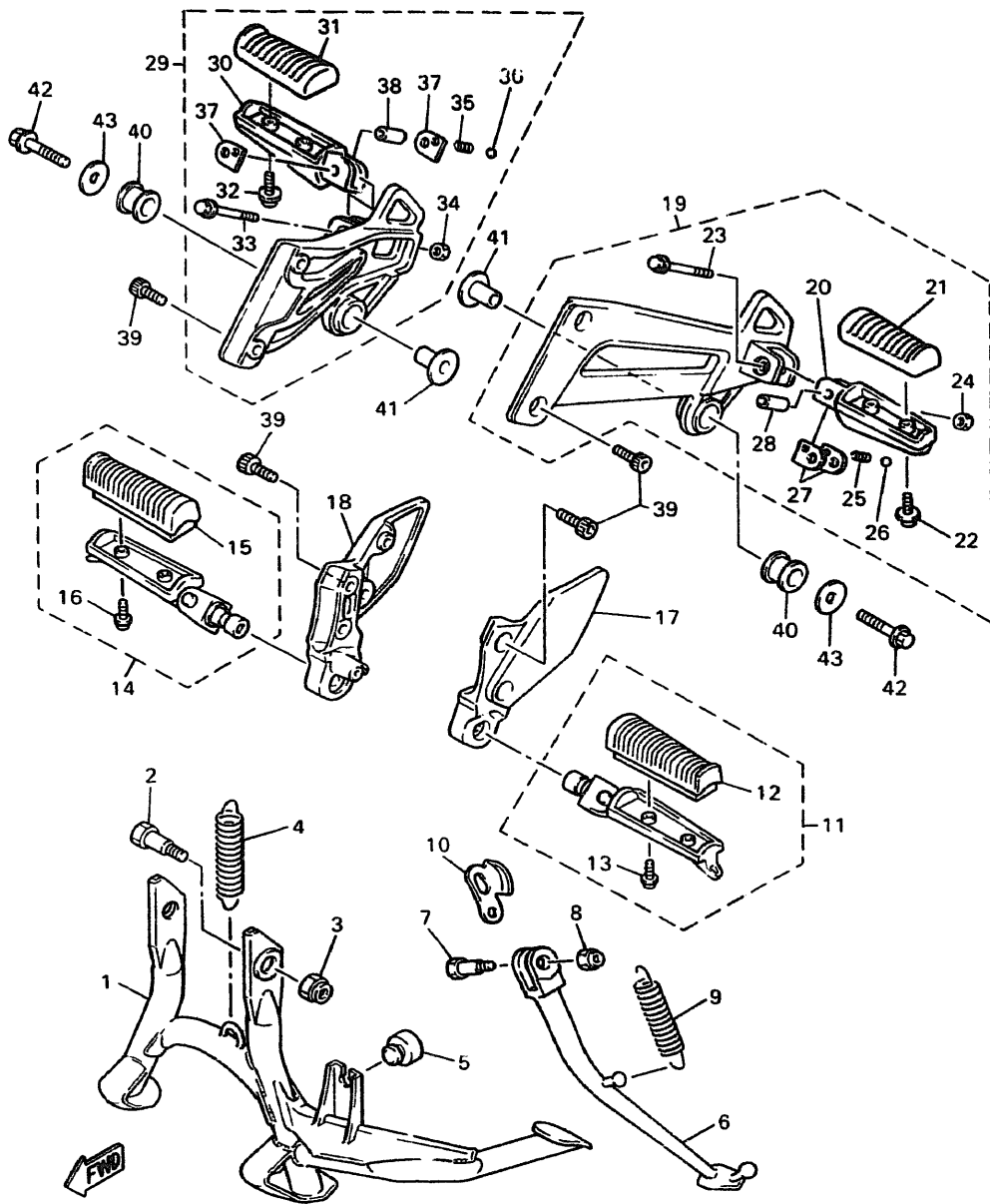


4PU351-5350

| REF. NO. | PART NO. | DESCRIPTION | Q'TY | REMARKS |
|----------|--------------|-----------------------------|------|---------|
| 1 | 4KG-27111-00 | STAND, MAIN | 1 | |
| 2 | 90109-101E6 | BOLT | 2 | |
| 3 | 90185-10091 | NUT, SELF-LOCKING | 2 | |
| 4 | 90506-45278 | SPRING, TENSION | 1 | |
| 5 | 116-27114-00 | STOPPER, MAIN STAND | 1 | |
| 6 | 4KG-27311-01 | STAND, SIDE | 1 | |
| 7 | 90109-104E6 | BOLT | 1 | |
| 8 | 90185-10037 | NUT, SELF-LOCKING | 1 | |
| 9 | 90506-26467 | SPRING, TENSION | 1 | |
| 10 | 4FM-27315-00 | LINK, SIDE STAND | 1 | |
| 11 | 4KG-27410-00 | FRONT FOOTREST ASSY (LEFT) | 1 | |
| 12 | 4BP-27413-00 | .COVER, FOOTREST | 1 | |
| 13 | 90159-05122 | .SCREW, WITH WASHER | 2 | |
| 14 | 4KG-27420-00 | FRONT FOOTREST ASSY (RIGHT) | 1 | |
| 15 | 4BP-27413-00 | .COVER, FOOTREST | 1 | |
| 16 | 90159-05122 | .SCREW, WITH WASHER | 2 | |
| 17 | 4KG-27442-01 | BRACKET 2 | 1 | |
| 18 | 4KG-27443-01 | BRACKET 3 | 1 | |
| 19 | 4KG-27430-01 | REAR FOOTREST ASSY 1 | 1 | |
| 20 | 4DN-27431-00 | .FOOTREST, REAR 1 | 1 | |
| 21 | 4BP-27413-00 | .COVER, FOOTREST | 1 | |
| 22 | 90159-05122 | .SCREW, WITH WASHER | 2 | |
| 23 | 91317-06045 | .BOLT | 1 | |
| 24 | 95617-06100 | .NUT, U | 1 | |
| 25 | 90501-12743 | .SPRING, COMPRESSION | 1 | |
| 26 | 93501-04011 | .BALL | 1 | |
| 27 | 1HX-27437-00 | .WASHER, SPECIAL | 2 | |
| 28 | 90387-064H8 | .COLLAR | 1 | |

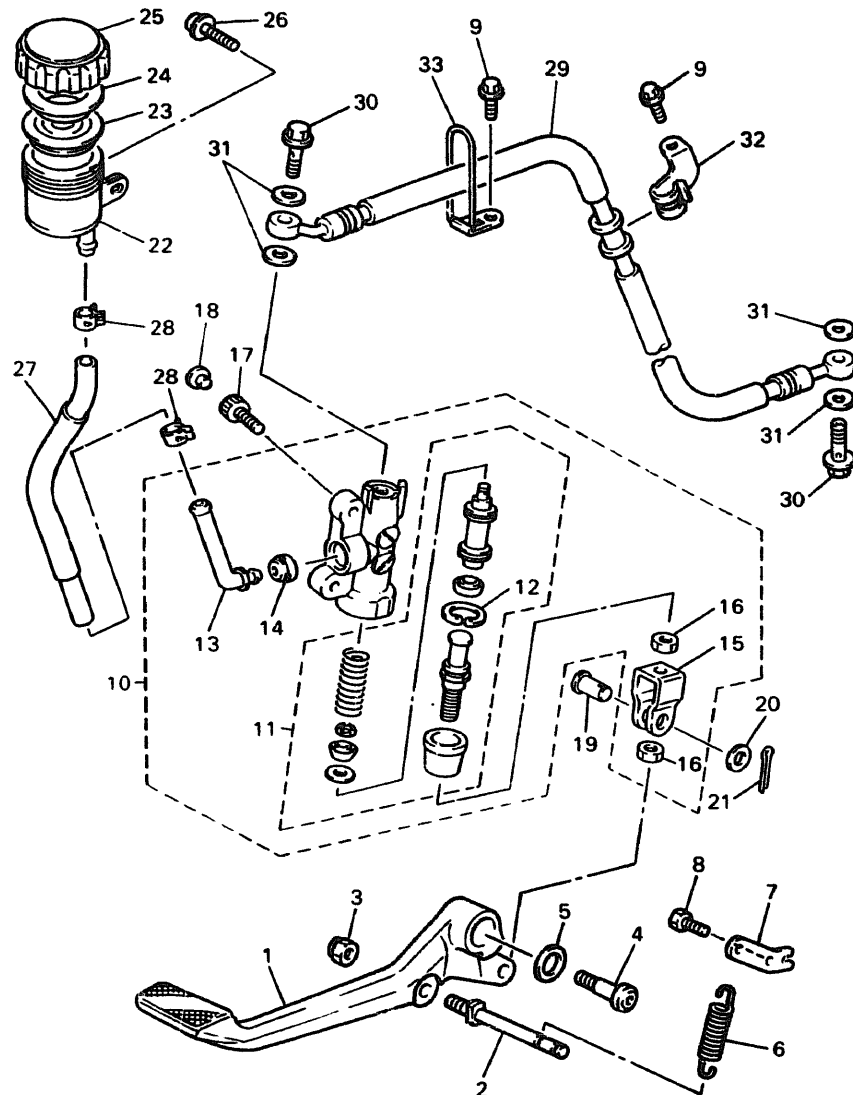
FIG. 35 STAND • FOOTREST

| REF. NO. | PART NO. | DESCRIPTION | Q'TY | REMARKS |
|----------|--------------|----------------------|------|---------|
| 29 | 4KG-27440-01 | REAR FOOTREST ASSY 2 | 1 | |
| 30 | 4DN-27441-00 | •FOOTREST, REAR 2 | 1 | |
| 31 | 4BP-27413-00 | •COVER, FOOTREST | 1 | |
| 32 | 90159-05122 | •SCREW, WITH WASHER | 2 | |
| 33 | 91317-06045 | •BOLT | 1 | |
| 34 | 95617-06100 | •NUT, U | 1 | |
| 35 | 90501-12743 | •SPRING, COMPRESSION | 1 | |
| 36 | 93501-04011 | •BALL | 1 | |
| 37 | 1HX-27437-00 | •WASHER, SPECIAL | 2 | |
| 38 | 90387-064H8 | •COLLAR | 1 | |
| 39 | 90109-081G0 | BOLT | 8 | |
| 40 | 36Y-27424-00 | DAMPER, FOOTREST 2 | 2 | |
| 41 | 90387-10636 | COLLAR | 2 | |
| 42 | 90109-100G0 | BOLT | 2 | |
| 43 | 90201-10669 | WASHER, PLATE | 2 | |



4PU351-5350

FIG. 36 REAR MASTER CYLINDER

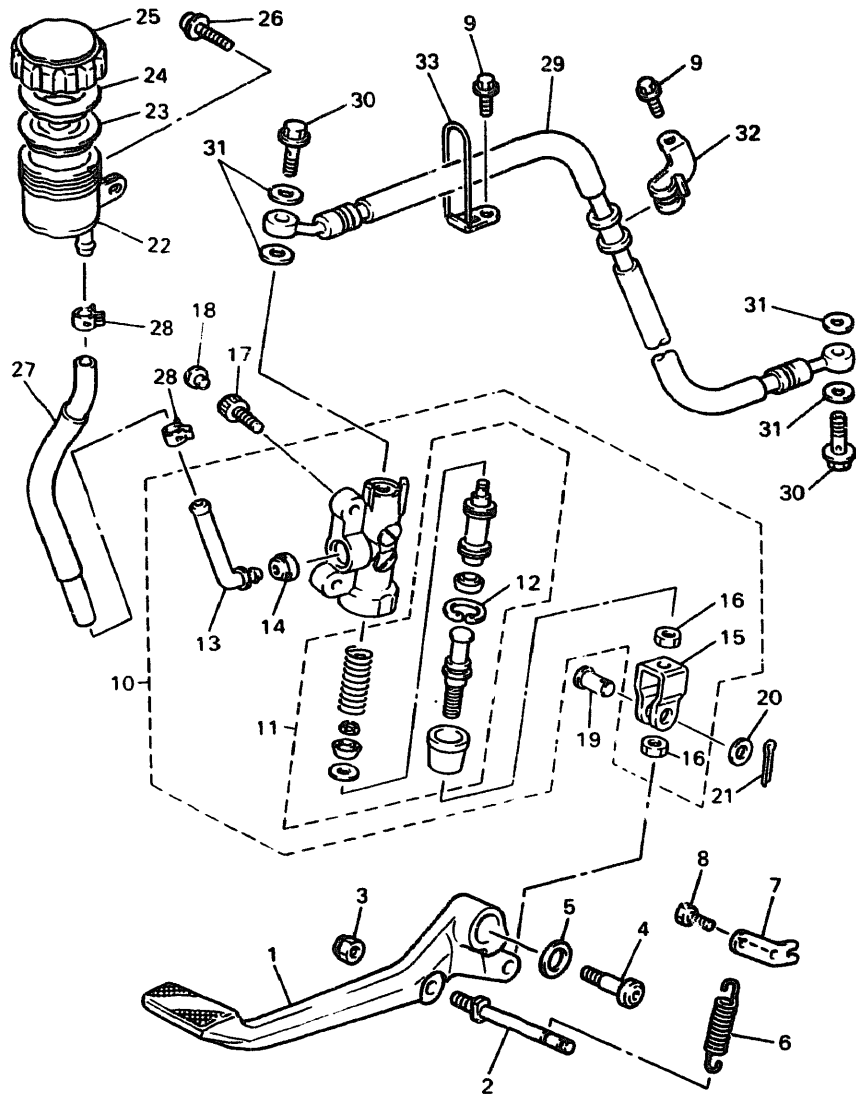


4KG010-4360

| REF. NO. | PART NO. | DESCRIPTION | Q'TY | REMARKS |
|----------|--------------|---------------------------|------|---------|
| 1 | 4KG-27211-00 | PEDAL, BRAKE | 1 | |
| 2 | 4KG-27813-00 | PIN, PEDAL CRANK | 1 | |
| 3 | 95607-08100 | NUT, U | 1 | |
| 4 | 90109-103A9 | BOLT | 2 | |
| 5 | 90206-17084 | WASHER, WAVE | 2 | |
| 6 | 90508-20737 | SPRING, TORSION | 1 | |
| 7 | 4KG-27432-00 | BRACKET 1 | 1 | |
| 8 | 97007-06012 | BOLT | 1 | |
| 9 | 95027-06010 | BOLT, FLANGE | 2 | |
| 10 | 4BP-2583V-00 | RR. MASTER CYLINDER ASSY. | 1 | |
| 11 | 4BP-W0042-50 | •CYLINDER KIT, MASTER | 1 | |
| 12 | 3LN-2585G-00 | ••CIRCLIP | 1 | |
| 13 | 4BP-2582A-00 | •JOINT | 1 | |
| 14 | 4BP-2585F-00 | •BUSH | 1 | |
| 15 | 4BP-27222-00 | •JOINT | 1 | |
| 16 | 95303-08700 | •NUT | 2 | |
| 17 | 91314-08020 | BOLT | 2 | |
| 18 | 90338-08163 | PLUG | 2 | |
| 19 | 90240-08124 | PIN, CLEVIS | 1 | |
| 20 | 90201-08083 | WASHER, PLATE | 1 | |
| 21 | 91490-20025 | PIN, COTTER | 1 | |
| 22 | 31A-25894-01 | TANK, RESERVOIR | 1 | |
| 23 | 360-25854-00 | DIAPHRAGM, RESERVOIR | 1 | |
| 24 | 2GU-25855-00 | BUSH,DIAPHRAGM | 1 | |
| 25 | 2KF-25852-50 | CAP, RESERVOIR | 1 | |
| 26 | 90159-06056 | SCREW, WITH WASHER | 1 | |
| 27 | 4KG-25895-00 | HOSE, RESERVOIR | 1 | |
| 28 | 90467-14057 | CLIP | 2 | |

E7

FIG. 36 REAR MASTER CYLINDER

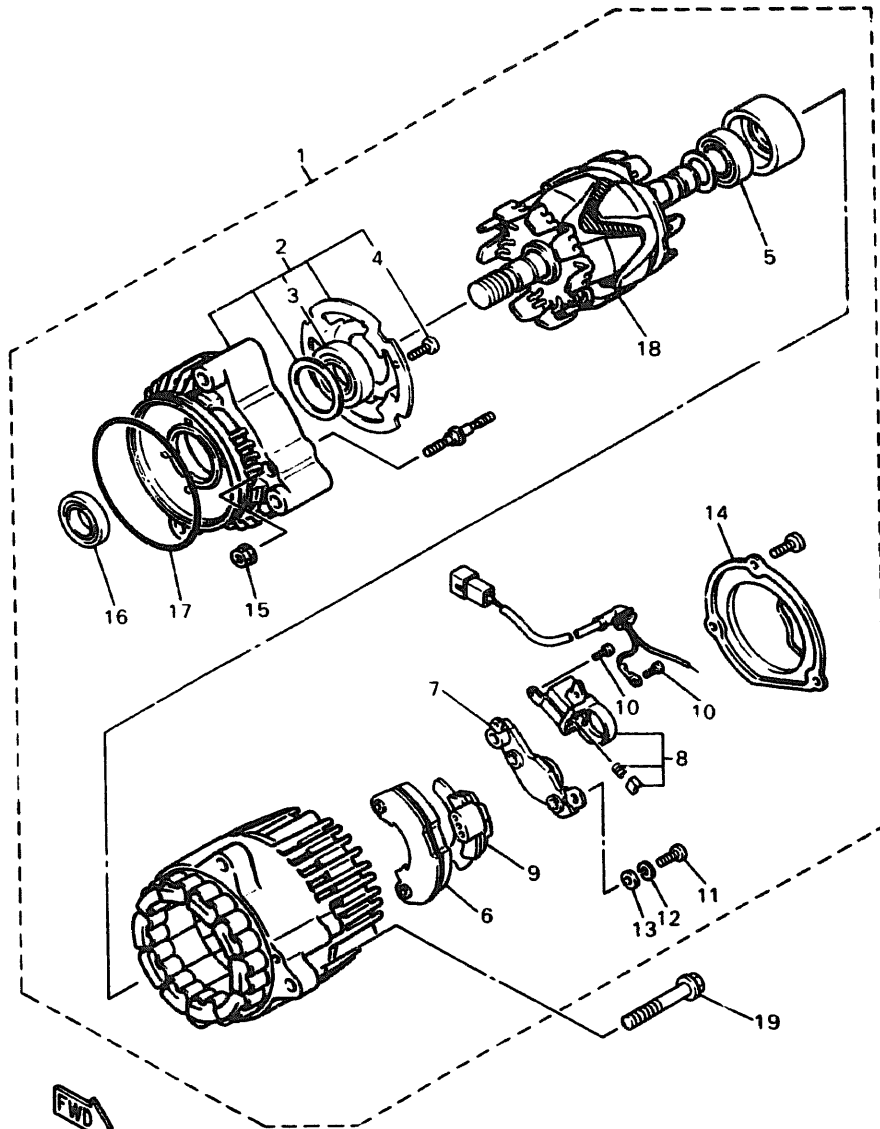


| REF. NO. | PART NO. | DESCRIPTION | Q'TY | REMARKS |
|----------|--------------|----------------------|------|---------|
| 29 | 4KG-2581K-00 | HOSE, BRAKE 5 | 1 | |
| 30 | 90401-10159 | BOLT, UNION | 2 | |
| 31 | 90201-10118 | WASHER, PLATE | 4 | |
| 32 | 4FM-25876-00 | HOLDER, BRAKE HOSE 2 | 1 | |
| 33 | 4BH-25886-00 | HOLDER, BRAKE HOSE | 1 | |



4KG010-4360

FIG. 37 GENERATOR

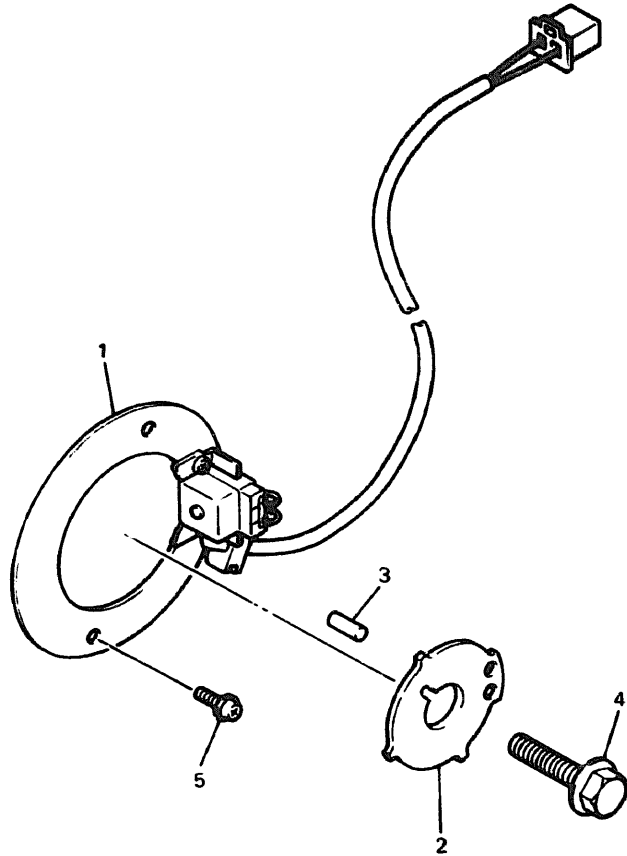


4BH332-3430

| REF. NO. | PART NO. | DESCRIPTION | Q'TY | REMARKS |
|----------|--------------|--------------------------|------|---------|
| 1 | 4KG-81600-00 | A.C. GENERATOR ASSY | 1 | |
| 2 | 4KG-81634-00 | .STATOR ASSY | 1 | |
| 3 | 4BH-81643-00 | ..BEARING | 1 | |
| 4 | 4BH-81645-00 | ..SCREW | 4 | |
| 5 | 4BH-81643-10 | ..BEARING | 1 | |
| 6 | 4BH-81970-00 | ..RECTIFIER ASSY | 1 | |
| 7 | 36Y-81910-50 | ..VOLTAGE REGULATOR ASSY | 1 | |
| 8 | 3FV-81619-00 | ..BRUSH HOLDER ASSY | 1 | |
| 9 | 4BH-81972-00 | ..COVER, RECTIFIER | 1 | |
| 10 | 3FV-81645-00 | ..SCREW | 2 | |
| 11 | 98507-05018 | ..SCREW, PAN HEAD | 3 | |
| 12 | 92901-05100 | ..WASHER, SPRING | 3 | |
| 13 | 92990-05600 | ..WASHER, PLATE | 3 | |
| 14 | 4BH-81604-00 | ..COVER ASSY | 1 | |
| 15 | 95707-05560 | ..NUT, FLANGE | 2 | |
| 16 | 36Y-81638-50 | ..OIL SEAL | 1 | |
| 17 | 2KT-81642-50 | ..O-RING | 1 | |
| 18 | 4BH-81660-00 | ..ROTOR ASSY | 1 | |
| 19 | 95817-08065 | BOLT, FLANGE | 3 | |

FIG. 38 PICK UP COIL • GOVERNOR

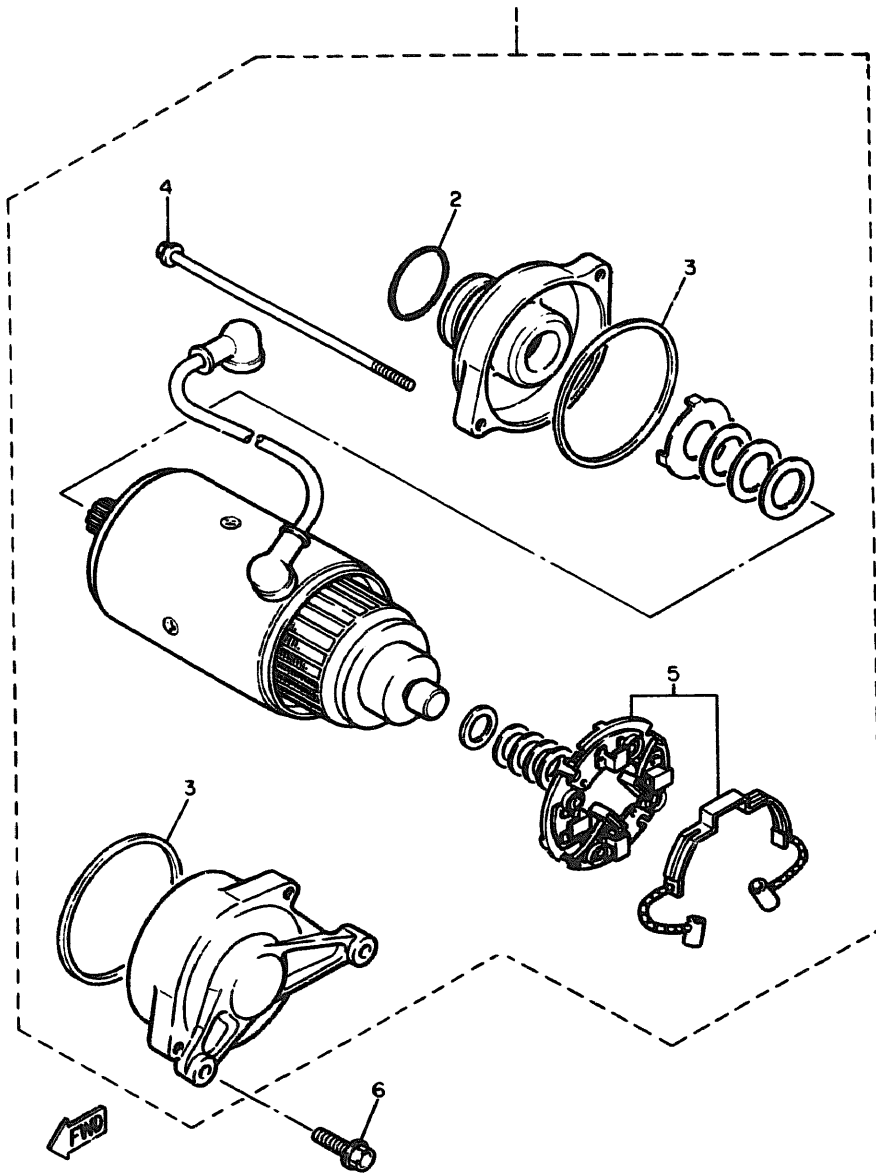
| REF. NO. | PART NO. | DESCRIPTION | Q'TY | REMARKS |
|----------|--------------|--------------------|------|---------|
| 1 | 4KG-81671-00 | BASE, PICKUP | 1 | |
| 2 | 4KG-81673-00 | ROTOR | 1 | |
| 3 | 93604-08071 | PIN, DOWEL | 1 | |
| 4 | 90105-10445 | BOLT, WASHER BASED | 1 | |
| 5 | 90159-06107 | SCREW, WITH WASHER | 2 | |



4KG010-4380

E10

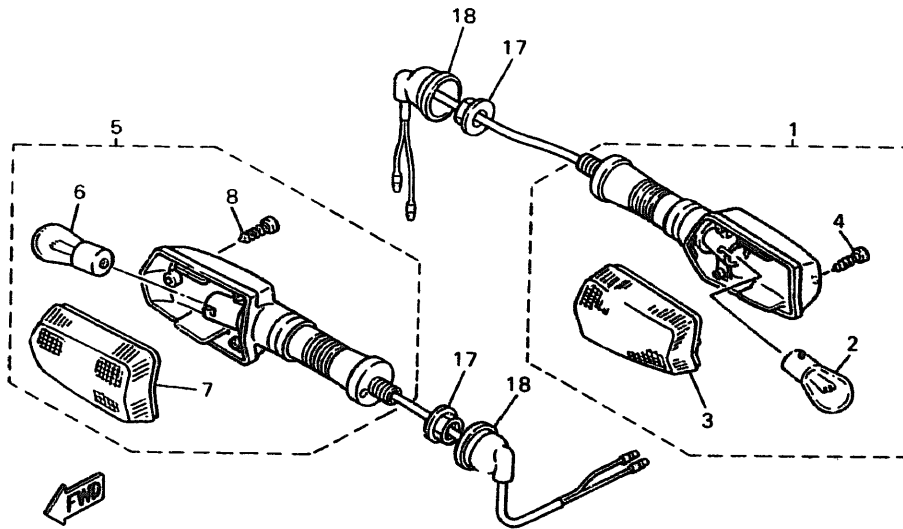
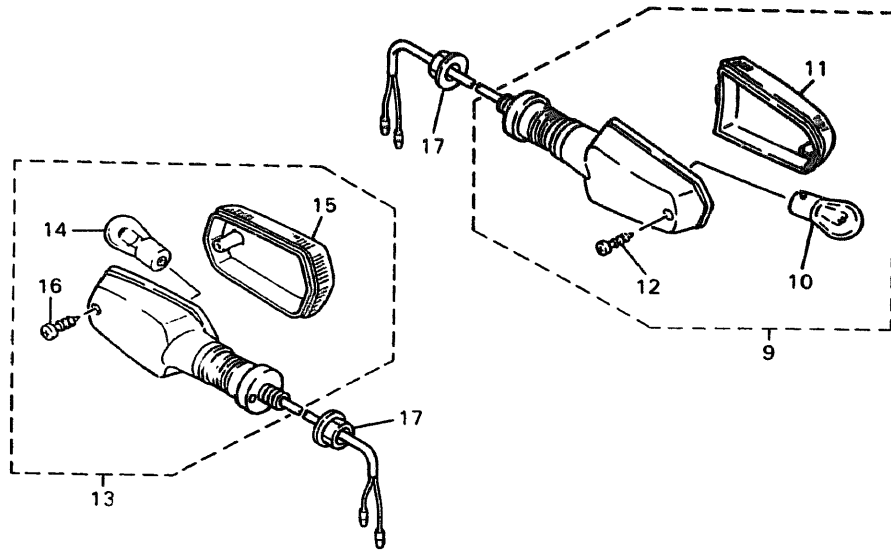
FIG. 39 STARTING MOTOR



3YA332-1410

| REF. NO. | PART NO. | DESCRIPTION | Q'TY | REMARKS |
|----------|--------------|---------------------|------|---------|
| 1 | 4KG-81800-00 | STARTING MOTOR ASSY | 1 | |
| 2 | 26H-81847-00 | •O-RING | 1 | |
| 3 | 11H-81844-00 | •GASKET | 2 | |
| 4 | 3AJ-81826-00 | •BOLT | 2 | |
| 5 | 3AJ-81801-00 | •BRUSH SET | 1 | |
| 6 | 95027-06025 | BOLT, FLANGE | 2 | |

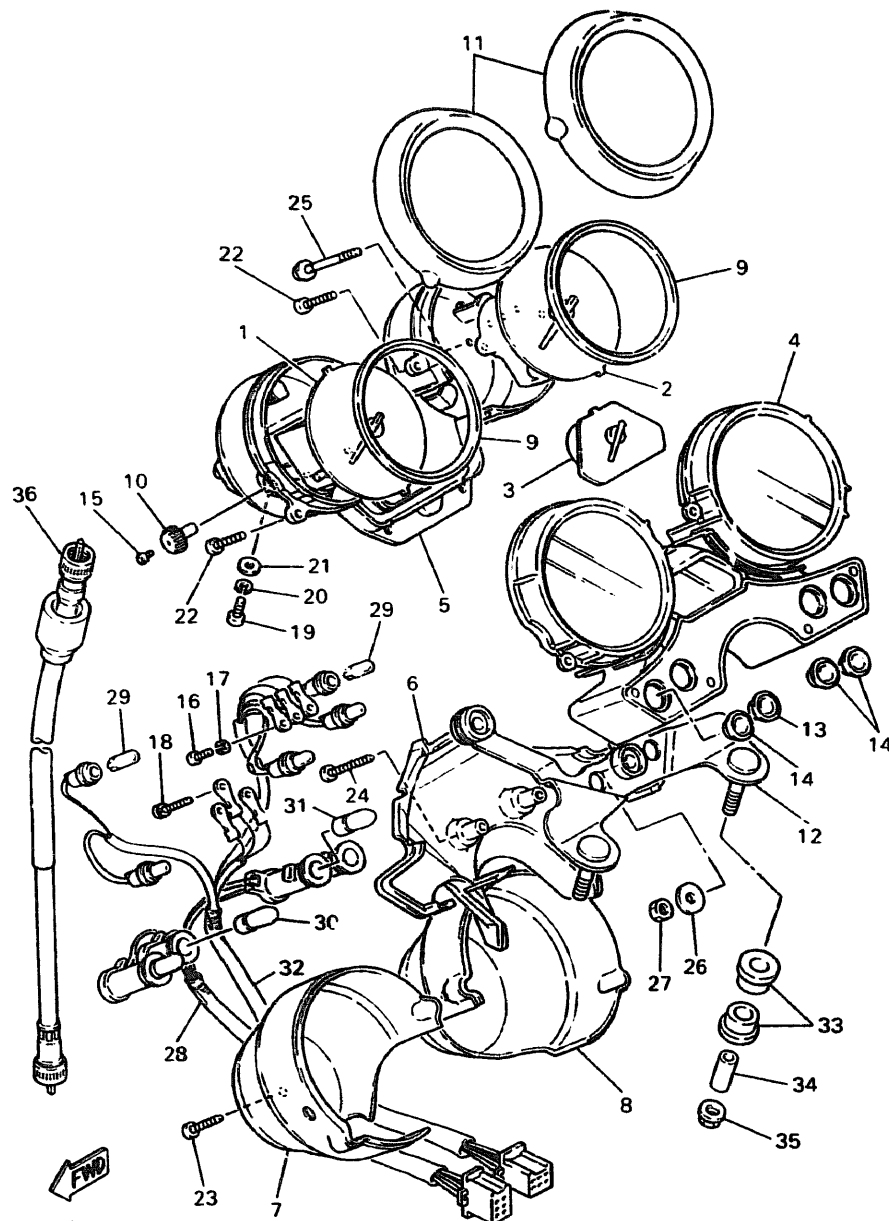
FIG. 40 FLASHER LIGHT



4PU351-5400

| REF. NO. | PART NO. | DESCRIPTION | Q'TY | REMARKS |
|----------|--------------|----------------------------|------|---------|
| 1 | 4PU-83310-00 | FRONT FLASHER LIGHT ASSY 1 | 1 | |
| 2 | 306-83311-40 | •BULB, FLASHER (12V-21W) | 1 | |
| 3 | 51L-83332-01 | •LENS, FLASHER | 1 | |
| 4 | 97780-40120 | •SCREW, TAPPING | 1 | |
| 5 | 4PU-83320-00 | FRONT FLASHER LIGHT ASSY 2 | 1 | |
| 6 | 306-83311-40 | •BULB, FLASHER (12V-21W) | 1 | |
| 7 | 51L-83342-01 | •LENS, FLASHER 2 | 1 | |
| 8 | 97780-40120 | •SCREW, TAPPING | 1 | |
| 9 | 4PU-83330-00 | REAR FLASHER LIGHT ASSY 1 | 1 | |
| 10 | 306-83311-40 | •BULB, FLASHER (12V-21W) | 1 | |
| 11 | 1VU-83332-00 | •LENS, FLASHER | 1 | |
| 12 | 97780-40120 | •SCREW, TAPPING | 1 | |
| 13 | 4PU-83340-00 | FLASHER LIGHT ASSY 2 | 1 | |
| 14 | 306-83311-40 | •BULB, FLASHER (12V-21W) | 1 | |
| 15 | 1VU-83342-00 | •LENS, FLASHER 2 | 1 | |
| 16 | 97780-40120 | •SCREW, TAPPING | 1 | |
| 17 | 95707-12500 | NUT, FLANGE | 4 | |
| 18 | 18G-83365-00 | CAP | 2 | |

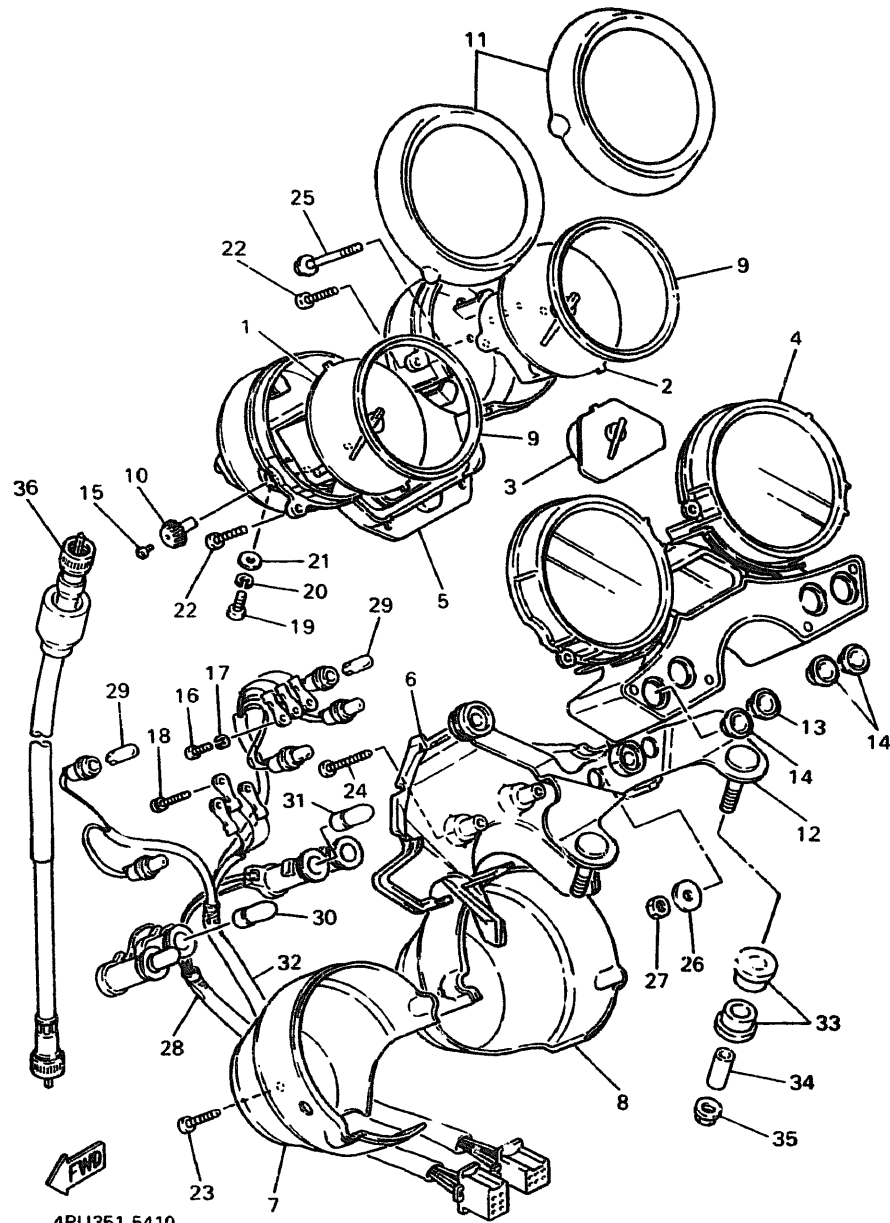
FIG. 41 METER



4PU351-5410

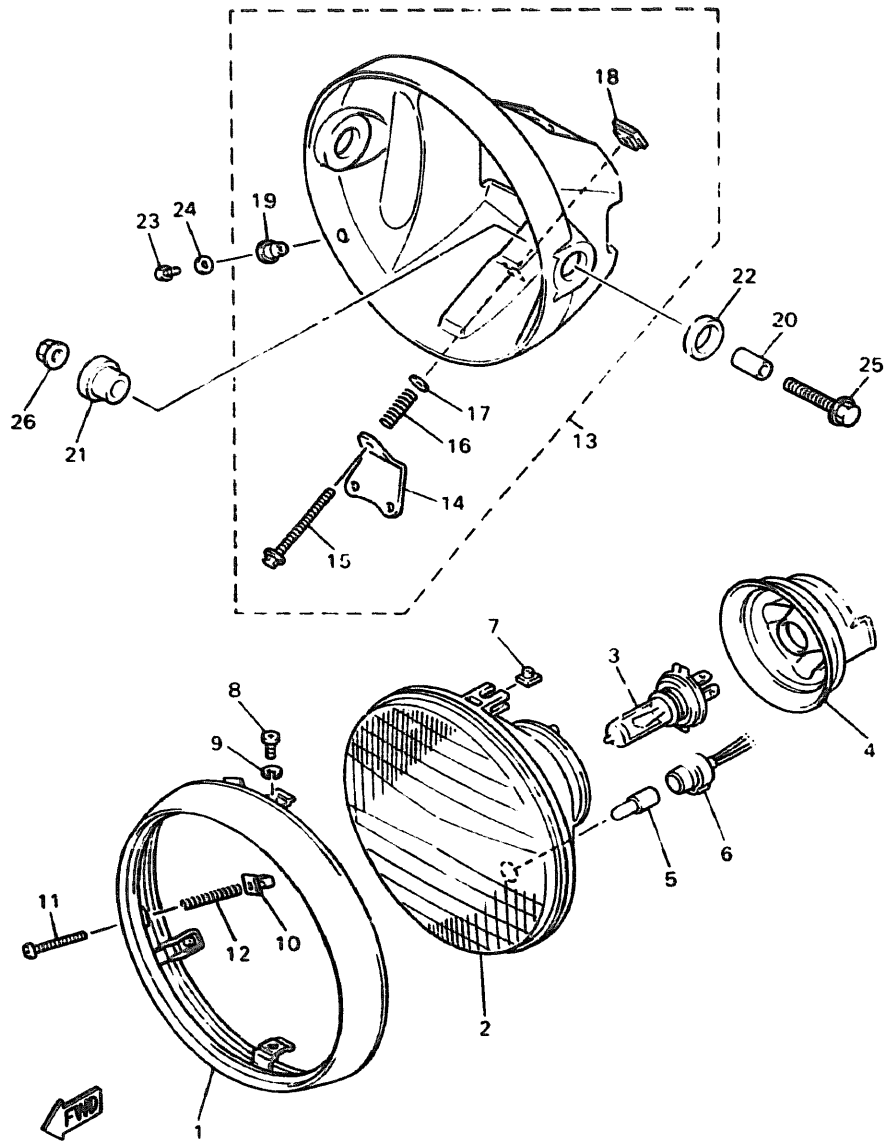
| REF. NO. | PART NO. | DESCRIPTION | Q'TY | REMARKS |
|----------|--------------|--------------------|------|----------------|
| 1 | 4PU-83570-00 | SPEEDOMETER ASSY | 1 | UR |
| | 4PU-83570-10 | SPEEDOMETER ASSY | 1 | UR FOR ENGLAND |
| 2 | 4KG-83540-00 | TACHOMETER ASSY | 1 | |
| 3 | 4HM-85750-00 | FUEL METER ASSY | 1 | |
| 4 | 4KG-8353E-00 | CASE, METER UPPER | 1 | |
| 5 | 4PU-8353F-00 | CASE, METER LOWER | 1 | |
| 6 | 4HM-83559-00 | COVER, METER | 1 | |
| 7 | 4HM-83507-00 | COVER, SPEEDOMETER | 1 | |
| 8 | 4HM-83508-00 | COVER, TACHOMETER | 1 | |
| 9 | 4HM-8353L-00 | REFLECTOR | 2 | |
| 10 | 1AE-83578-00 | KNOB, TRIP METER | 1 | |
| 11 | 4HM-83506-00 | RING, METER COVER | 2 | |
| 12 | 4KG-83519-00 | BRACKET, METER | 1 | |
| 13 | 4HM-83532-20 | LENS, PILOT | 1 | |
| 14 | 4HM-83532-30 | LENS, PILOT | 3 | |
| 15 | 90157-02031 | SCREW, PAN HEAD | 1 | |
| 16 | 98507-03010 | SCREW, PAN HEAD | 3 | |
| 17 | 92990-03100 | WASHER, SPRING | 3 | |
| 18 | 90159-03102 | SCREW, WITH WASHER | 3 | |
| 19 | 98507-04030 | SCREW, PAN HEAD | 2 | |
| 20 | 92907-04100 | WASHER | 2 | |
| 21 | 92907-04600 | WASHER | 2 | |
| 22 | 97707-40516 | SCREW, TAPPING | 4 | |
| 23 | 97707-40014 | SCREW, TAPPING | 2 | |
| 24 | 97707-40030 | SCREW, TAPPING | 2 | |
| 25 | 90167-04057 | SCREW, TAPPING | 2 | |
| 26 | 90201-052E2 | WASHER, PLATE | 3 | |
| 27 | 95307-05600 | NUT | 3 | |

FIG. 41 METER



| REF. NO. | PART NO. | DESCRIPTION | Q'TY | REMARKS |
|----------|--------------|------------------------|------|---------|
| 28 | 4KG-83509-00 | SOCKET CORD ASSY | 1 | |
| 29 | 2GV-83517-00 | BULB, (12V-1.7W, T6.5) | 5 | |
| 30 | 2G1-84744-00 | BULB (12V-3.4W) | 1 | |
| 31 | 3GN-83517-00 | BULB (12V-1.7W) | 3 | |
| 32 | 4PU-83520-00 | SOCKET CORD ASSY | 1 | |
| 33 | 1JK-83541-00 | DAMPER | 4 | |
| 34 | 90387-06676 | COLLAR | 2 | |
| 35 | 95707-06500 | NUT, FLANGE | 2 | |
| 36 | 4KG-83550-00 | SPEEDOMETER CABLE ASSY | 1 | |

FIG. 42 HEADLIGHT



4PU351-5420

| REF. NO. | PART NO. | DESCRIPTION | Q'TY | REMARKS |
|----------|--------------|----------------------|------|----------------|
| 1 | 4KG-84315-00 | RIM, HEADLIGHT | 1 | |
| 2 | 4PU-84320-00 | LENS ASSY | 1 | UR |
| | 4PU-84320-10 | LENS ASSY | 1 | UR FOR ENGLAND |
| 3 | 2F9-84314-00 | BULB (12V-60/55W) | 1 | (H4) HALOGEN |
| 4 | 4KG-84397-00 | COVER, SOCKET | 1 | |
| 5 | 4E2-84347-00 | BULB (12V-4W) | 1 | |
| 6 | 4PU-84346-00 | SOCKET, PILOT LIGHT | 1 | |
| 7 | 4KG-84334-00 | NUT, ADJUSTING | 2 | |
| 8 | 4KG-84365-00 | SCREW | 2 | |
| 9 | 92995-06100 | WASHER, SPRING | 2 | |
| 10 | 47J-84334-00 | NUT, ADJUSTING | 1 | |
| 11 | 4KG-84331-00 | SCREW, RIM ADJUSTING | 1 | |
| 12 | 4KG-84332-00 | SPRING, SCREW | 1 | |
| 13 | 4KG-84330-00 | BODY ASSY | 1 | |
| 14 | 4KG-84318-00 | STAY, HEADLIGHT 1 | 1 | |
| 15 | 4KG-8433E-00 | SCREW, ADJUSTING | 1 | |
| 16 | 4KG-84335-00 | SPRING | 1 | |
| 17 | 4KG-84344-00 | WASHER, PLAIN | 1 | |
| 18 | 4KG-84326-00 | NUT | 1 | |
| 19 | EG2-84333-00 | SCREW | 2 | |
| 20 | 90387-0804N | COLLAR | 2 | |
| 21 | 4KG-84366-00 | DAMPER, HEADLIGHT 1 | 2 | |
| 22 | 4KG-84367-00 | DAMPER, HEADLIGHT 2 | 2 | |
| 23 | 98507-05016 | SCREW, PAN HEAD | 2 | |
| 24 | 92907-05600 | WASHER | 2 | |
| 25 | 95024-08040 | BOLT, FLANGE | 2 | |
| 26 | 95707-06500 | NUT, FLANGE | 2 | |

CONTENTS

ENGINE

| | |
|---------------------------|-----------|
| Cylinder Head | B2 |
| Cylinder | B3 |
| Crankshaft - Piston | B4 |
| Valve | B5 ~ B6 |
| Camshaft - Chain | B7 |
| Oil Pump | B8 |
| Oil Cooler | B9 |
| Oil Cleaner | B10 |
| Intake | B11 |
| Carburetor | B12 ~ B13 |
| Exhaust | B14 |
| Crankcase | B15 ~ C2 |
| Crankcase Cover 1 | C3 ~ C4 |
| Starter | C5 |
| Clutch | C6 ~ C7 |
| Transmission | C8 ~ C9 |
| Shift Cam - Fork | C10 |
| Shift Shaft | C11 |

CHASSIS

| | |
|-----------------------|-----------|
| Frame | C12 |
| Fender | C13 ~ C15 |
| Side Cover | D2 |
| Rear Arm | D3 |
| Rear Suspension | D4 |
| Steering | D5 |

| | |
|-------------------------------|-----------|
| Front Fork | D6 ~ D7 |
| Fuel Tank | D8 ~ D9 |
| Seat | D10 |
| Front Wheel | D11 |
| Front Brake Caliper | D12 |
| Rear Wheel | D13 ~ D14 |
| Rear Brake Caliper | D15 |
| Steering Handle - Cable | E2 |
| Front Master Cylinder | E3 |
| Front Master Cylinder 2 | E4 |
| Stand - Footrest | E5 ~ E6 |
| Rear Master Cylinder | E7 ~ E8 |
| Generator | E9 |
| Pick Up Coil - Governor | E10 |
| Starting Motor | E11 |
| Flasher Light | E12 |
| Meter | E13 ~ E14 |
| Headlight | E15 |
| Taillight | F2 |
| Electrical 1 | F3 |
| Electrical 2 | F4 |

INDEX

| | |
|-----------------------|---------|
| NUMERICAL INDEX | L1 ~ L4 |
|-----------------------|---------|

CONTENTS

ENGINE

| | |
|---------------------------|-----------|
| Cylinder Head | B2 |
| Cylinder | B3 |
| Crankshaft · Piston | B4 |
| Valve | B5 ~ B6 |
| Camschaft · Chain | B7 |
| Oil Pump | B8 |
| Oil Cooler | B9 |
| Oil Cleaner | B10 |
| Intake | B11 |
| Carburetor | B12 ~ B13 |
| Exhaust | B14 |
| Crankcase | B15 ~ C2 |
| Crankcase Cover 1 | C3 ~ C4 |
| Starter | C5 |
| Clutch | C6 ~ C7 |
| Transmission | C8 ~ C9 |
| Shift Cam · Fork | C10 |
| Shift Shaft | C11 |

CHASSIS

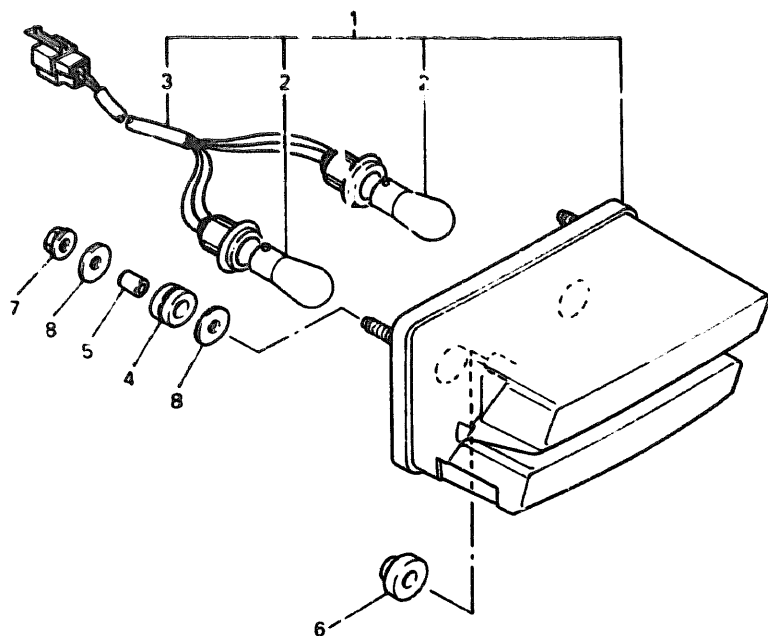
| | |
|-----------------------|-----------|
| Frame | C12 |
| Fender | C13 ~ C15 |
| Side Cover | D2 |
| Rear Arm | D3 |
| Rear Suspension | D4 |
| Steering | D5 |

| | |
|-------------------------------|-----------|
| Front Fork | D6 ~ D7 |
| Fuel Tank | D8 ~ D9 |
| Ser* | D10 |
| Front Wheel | D11 |
| Front Brake Caliper | D12 |
| Rear Wheel | D13 ~ D14 |
| Rear Brake Caliper | D15 |
| Steering Handle · Cable | E2 |
| Front Master Cylinder | E3 |
| Front Master Cylinder 2 | E4 |
| Stand · Footrest | E5 ~ E6 |
| Rear Master Cylinder | E7 ~ E8 |
| Generator | E9 |
| Pick Up Coil · Governor | E10 |
| Starting Motor | E11 |
| Flasher Light | E12 |
| Meter | E13 ~ E14 |
| Headlight | E15 |
| Taillight | F2 |
| Electrical 1 | F3 |
| Electrical 2 | F4 |

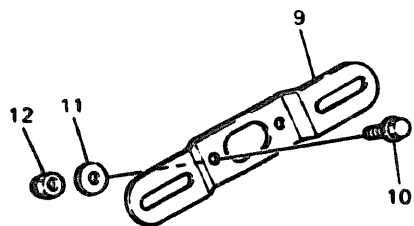
INDEX

| | |
|-----------------------|---------|
| NUMERICAL INDEX | L1 ~ L4 |
|-----------------------|---------|

FIG. 43 TAILLIGHT

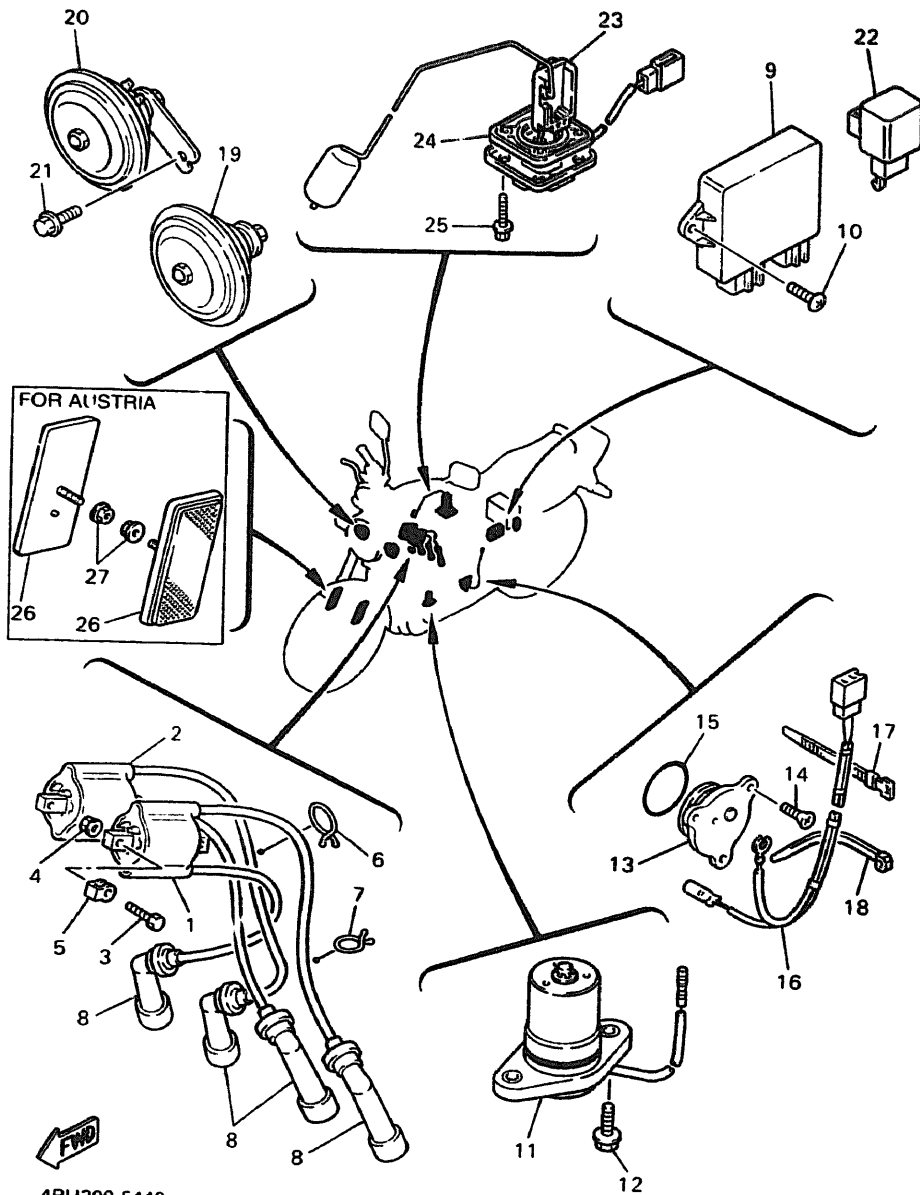


| REF. NO. | PART NO. | DESCRIPTION | Q'TY | REMARKS |
|----------|---------------|-----------------------------|------|---------|
| 1 | 4PU-84710-00 | TAILLIGHT UNIT ASSY | 1 | |
| 2 | 31L-84714 00 | BULB, TAILLIGHT (12V-21/5W) | 2 | |
| 3 | 4HM-8473 1-00 | CORD ASSY | 1 | |
| 4 | 90480-18276 | GROMMET | 2 | |
| 5 | 90387-0600V | COLLAR | 2 | |
| 6 | 90480-10509 | GROMMET | 1 | |
| 7 | 95707-06500 | NUT, FLANGE | 2 | |
| 8 | 90201-063J2 | WASHER, PLATE | 4 | |
| 9 | 3YF-84751-00 | BRACKET, LICENSE | 1 | |
| 10 | 95027-06016 | BOLT, FLANGE | 2 | |
| 11 | 90201-06059 | WASHER, PLATE | 2 | |
| 12 | 95617-06100 | NUT, U | 2 | |



4KG010-4430

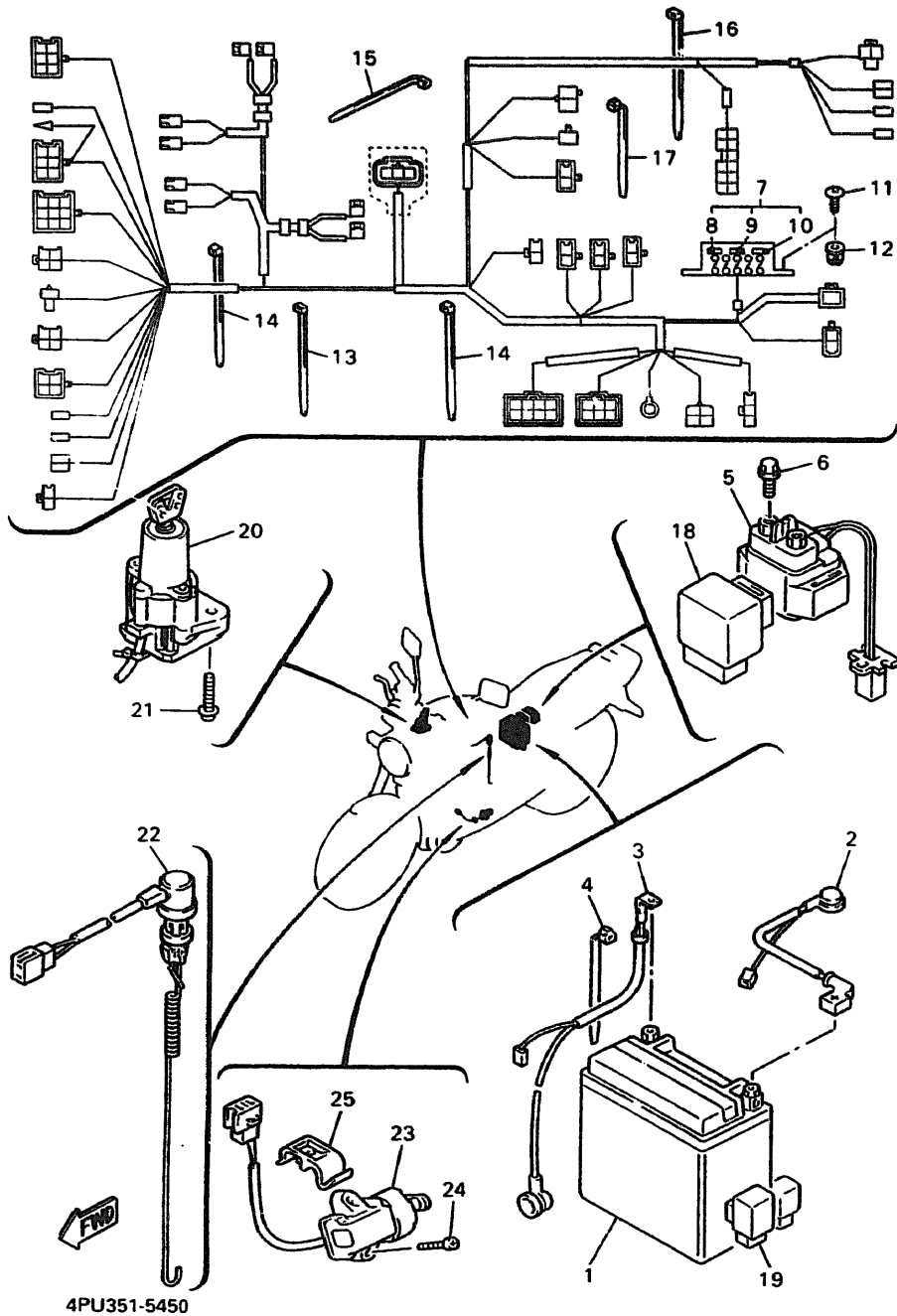
FIG. 44 ELECTRICAL 1



4PU300-5440

| REF. NO. | PART NO. | DESCRIPTION | Q'TY | REMARKS |
|----------|--------------|------------------------------|------|-----------------|
| 1 | 4KG-82310-00 | IGNITION COIL ASSY | 1 | |
| 2 | 4KG-82320-00 | IGNITION COIL ASSY | 1 | |
| 3 | 97080-06070 | BOLT | 2 | |
| 4 | 95707-06500 | NUT, FLANGE | 2 | |
| 5 | 4BR-82317-00 | DAMPER, IGNITION COIL | 4 | |
| 6 | 90464-30040 | CLAMP | 1 | |
| 7 | 90464-16039 | CLAMP | 1 | |
| 8 | 1UY-82370-20 | PLUG CAP ASSY | 4 | |
| 9 | 4PU-82305-00 | IGNITOR UNIT ASSY | 1 | UR |
| | 4RB-82305-00 | IGNITOR UNIT ASSY | 1 | UR FOR CHE, AUT |
| 10 | 98907-06016 | SCREW, BIND | 2 | |
| 11 | 5G2-85720-00 | OIL LEVEL GAUGE ASSY | 1 | |
| 12 | 95027-06016 | BOLT, FLANGE | 2 | |
| 13 | 1L9-82540-00 | NEUTRAL SWITCH ASSY | 1 | |
| 14 | 98707-05012 | SCREW, FLAT HEAD | 3 | |
| 15 | 93210-29196 | O-RING | 1 | |
| 16 | 4KG-82509-00 | WIRE, SUB LEAD | 1 | |
| 17 | 80L-26397-00 | BAND | 1 | |
| 18 | 90464-13073 | CLAMP | 1 | |
| 19 | 4KG-83371-01 | HORN | 1 | |
| 20 | 4KG-83371-11 | HORN | 1 | |
| 21 | 95817-06012 | BOLT, FLANGE | 2 | |
| 22 | 3GM-83350-00 | FLASHER RELAY ASSY | 1 | |
| 23 | 4KG-85752-00 | SENDER UNIT ASSY, FUEL METER | 1 | |
| 24 | 5G3-85753-00 | GASKET, SENDER UNIT | 1 | |
| 25 | 90119-05071 | BOLT, WITH WASHER | 4 | |
| 26 | 11H-85110-01 | REFLECTOR ASSY | 2 | FOR AUSTRIA |
| 27 | 95707-05500 | NUT, FLANGE | 2 | FOR AUSTRIA |

FIG. 45 ELECTRICAL 2



| REF. NO. | PART NO. | DESCRIPTION | Q'TY | REMARKS |
|----------|--------------|---------------------------|------|---------|
| 1 | 3XW-82100-00 | BATTERY ASSY (YTX14-BS) | 1 | |
| 2 | 4KG-82115-00 | WIRE, PLUS LEAD | 1 | |
| 3 | 4KG-82116-00 | WIRE, MINUS LEAD | 1 | |
| 4 | 90464-13073 | CLAMP | 1 | |
| 5 | 4KG-81940-00 | STARTER RELAY ASSY | 1 | |
| 6 | 95027-06008 | BOLT, FLANGE | 2 | |
| 7 | 4PU-82590-00 | WIRE HARNESS ASSY | 1 | |
| 8 | 1AE-82151-00 | .FUSE (30A-BL) | 2 | |
| 9 | 36Y-82151-00 | .FUSE (15A-BL) | 3 | |
| 10 | 2KW-82151-00 | .FUSE (7.5A-BL) | 2 | |
| 11 | 97707-60016 | SCREW, TAPPING | 2 | |
| 12 | 90338-08226 | PLUG | 2 | |
| 13 | 12R-82591-00 | BAND | 2 | |
| 14 | 90465-13355 | CLAMP | 6 | |
| 15 | 90464-13073 | CLAMP | 1 | |
| 16 | 90464-13080 | CLAMP | 1 | |
| 17 | 90464-13073 | CLAMP | 1 | |
| 18 | 4EP-81950-00 | RELAY ASSY | 1 | |
| 19 | 4BH-8195A-00 | RELAY ASSY | 1 | |
| 20 | 4PU-82501-00 | MAIN SWITCH STEERING LOCK | 1 | |
| 21 | 90109-080G5 | BOLT | 2 | |
| 22 | 3YF-82530-01 | STOP SWITCH ASSY | 1 | |
| 23 | 3LD-82566-90 | SWITCH, SIDE STAND | 1 | |
| 24 | 90157-05079 | SCREW, PAN HEAD | 2 | |
| 25 | 90464-05187 | CLAMP | 1 | |

CONTENTS

ENGINE

| | |
|---------------------------|-----------|
| Cylinder Head | B2 |
| Cylinder | B3 |
| Crankshaft · Piston | B4 |
| Valve | B5 - B6 |
| Camshaft · Chain | B7 |
| Oil Pump | B8 |
| Oil Cooler | B9 |
| Oil Cleaner | B10 |
| Intake | B11 |
| Carburetor | B12 - B13 |
| Exhaust | B14 |
| Crankcase | B15 - C2 |
| Crankcase Cover 1 | C3 - C4 |
| Starter | C5 |
| Clutch | C6 - C7 |
| Transmission | C8 - C9 |
| Shift Cam · Fork | C10 |
| Shift Shaft | C11 |

CHASSIS

| | |
|-----------------------|-----------|
| Frame | C12 |
| Fender | C13 - C16 |
| Side Cover | D2 |
| Rear Arm | D3 |
| Rear Suspension | D4 |
| Steering | D5 |

| | |
|-------------------------------|-----------|
| Front Fork | D6 - D7 |
| Fuel Tank | D8 - D9 |
| Seat | D10 |
| Front Wheel | D11 |
| Front Brake Calliper | D12 |
| Rear Wheel | D13 - D14 |
| Rear Brake Calliper | D15 |
| Steering Handle · Cable | E2 |
| Front Master Cylinder | E3 |
| Front Master Cylinder 2 | E4 |
| Stand · Footrest | E5 - E6 |
| Rear Master Cylinder | E7 - E8 |
| Generator | E9 |
| Pick Up Coil · Governor | E10 |
| Starting Motor | E11 |
| Flasher Light | E12 |
| Meter | E13 - E14 |
| Headlight | E15 |
| Taillight | F2 |
| Electrical 1 | F3 |
| Electrical 2 | F4 |

INDEX

| | |
|-----------------------|---------|
| NUMERICAL INDEX | L1 - L4 |
|-----------------------|---------|

NUMERICAL INDEX

| PART NO. | GRID NO. | PART NO. | GRID NO. | PART NO. | GRID NO. |
|-----------------|----------|-----------------|----------|--------------|----------|
| 4K0-W0041-50 | E - 3 | 4PU-11631-00-A0 | B - 4 | 36Y-12193-10 | B - 2 |
| 4RP-W0042-50 | E - 7 | 30X-11633-03 | B - 4 | 1KG-12210-00 | B - 7 |
| 4KG-W0045-00 | D - 12 | 4PU-11636-00 | B - 4 | 4BE-12213-00 | B - 7 |
| 1FK-W0046-02 | D - 15 | 36Y-11650-01 | B - 4 | 4KG-12222-00 | B - 7 |
| 1NL-W0047-00 | D - 12 | 36Y-11654-00 | B - 4 | 36Y-12241-01 | B - 7 |
| 31A-W0047-00 | D - 15 | 36Y-11656-00 | B - 4 | 36Y-12251-00 | B - 7 |
| 1J3-W0048-00 | D - 12 | 36Y-11656-10 | B - 4 | 36Y-12252-03 | B - 7 |
| | D - 15 | 36Y-11656-20 | B - 4 | 4KG-13151-00 | B - 9 |
| 36Y-W0049-00 | C - 7 | 36Y-11656-30 | B - 4 | 4KG-13152-00 | B - 9 |
| 1NL-W0057-00 | D - 12 | 36Y-12111-00 | B - 5 | 4KG-13159-00 | B - 9 |
| 31A-W0057-00 | D - 15 | 36Y-12113-00 | B - 5 | 3CV-13300-00 | B - 8 |
| 26H-W0098-00 | C - 7 | 36Y-12114-00 | B - 5 | 36Y-13324-00 | B - 8 |
| 3GM-W0099-00 | E - 4 | 26H-12116-00 | B - 5 | 36Y-13325-00 | B - 8 |
| 3XW-W1543-00 | C - 3 | 30X-12117-00 | B - 5 | 36Y-13340-00 | B - 10 |
| 4KG-W1741-00 | C - 8 | 30X-12118-00 | B - 5 | 4H7-13111-02 | B - 10 |
| 4HM-W2585-00 | E - 3 | 51Y-12119-00 | B - 5 | 36Y-13412-00 | B - 10 |
| | E - 4 | 36Y-12121-00 | B - 5 | 4CR-13414-00 | B - 10 |
| 4KG-W2587-00 | E - 3 | 26H-12153-00-J0 | B - 6 | 4CR-13415-00 | B - 10 |
| 4KG-W2645-00 | E - 4 | 26H-12153-00-Y0 | B - 6 | 36Y-13417-02 | B - 10 |
| 4KG-Y2171-10-0X | D - 2 | 26H-12168-A0 | B - 5 | 36Y-13441-00 | B - 10 |
| 4KG-Y2171-10-1X | D - 2 | 26H-12168-F0 | B - 5 | 4KG-13447-00 | B - 10 |
| 4KG-Y2172-10-0X | D - 2 | 26H-12168-H0 | B - 5 | 36Y-13454-00 | C - 5 |
| 4KG-Y2172-10-1X | D - 2 | 26H-12168-K0 | B - 5 | 3VD-13455-00 | B - 10 |
| 4KG-11101-00 | B - 2 | 26H-12168-M0 | B - 5 | 4HM-13463-00 | B - 9 |
| 4KG-1111G-00 | B - 2 | 26H-12168-R0 | B - 5 | 4KG-13464-00 | B - 9 |
| 3XW-1111J-00 | B - 1E | 26H-12168-U0 | B - 5 | 4KG-13465-00 | B - 9 |
| 3XW-1112J-00 | B - 15 | 26H-12168-V0 | B - 5 | 4KG-13470-00 | B - 9 |
| 36Y-11133-10 | B - 2 | 26H-12168-Y0 | B - 5 | 25G-13490-00 | B - 10 |
| 434-11161-00 | B - 2 | 26H-12168-00 | B - 5 | 36Y-13490-00 | B - 8 |
| 4KG-11166-00 | C - 2 | 26H-12168-20 | B - 5 | 16G-13569-00 | B - 11 |
| 1TX-11181-00 | B - 2 | 26H-12168-40 | B - 5 | 1AE-13575-01 | B - 11 |
| 4KG-11191-01 | B - 2 | 26H-12168-60 | B - 5 | 4KG-13586-00 | B - 11 |
| 36Y-11193-00 | B - 2 | 26H-12168-80 | B - 5 | 4KG-13596-00 | B - 11 |
| 214-11198-01 | B - 10 | 26H-12169-E0 | B - 5 | 4KG-1410A-00 | B - 12 |
| 1TX-11310-00 | B - 3 | 26H-12169-G0 | B - 6 | 4KG-14103-00 | B - 13 |
| 4CR-11351-00 | B - 3 | 26H-12169-J0 | B - 6 | 4CC-14105-00 | B - 13 |
| 3XW-11363-00 | B - 15 | 26H-12169-L0 | B - 6 | 3CF-14107-23 | B - 12 |
| 3XW-11364-01 | B - 15 | 26H-12169-N0 | B - 6 | 2RJ-14118-00 | B - 13 |
| 36Y-11411-01 | B - 4 | 26H-12169-T0 | B - 6 | 4KG-14141-92 | B - 12 |
| 2H7-11416-01 | B - 4 | 26H-12169-10 | B - 5 | 4HR-14142-40 | B - 12 |
| 2H7-11416-11 | B - 4 | 26H-12169-30 | B - 5 | 2H0-14146-00 | B - 12 |
| 2H7-11416-21 | B - 4 | 26H-12169-50 | B - 5 | 36Y-14147-00 | B - 13 |
| 2H7-11416-31 | B - 4 | 26H-12169-70 | B - 5 | 4KG-14147-00 | B - 13 |
| 2H7-11416-41 | B - 4 | 26H-12169-90 | B - 5 | 822-14147-00 | B - 13 |
| 4FM-11456-00 | C - 5 | 47M-12171-00 | F - 7 | 137-14153-00 | B - 12 |
| 36Y-11474-00 | C - 5 | 36Y-12176-00 | B - 7 | 537-14186-00 | B - 12 |
| 4PU-11603-00 | B - 4 | 36Y-12178-10 | B - 2 | 12R-14191-00 | B - 12 |
| 4PU-11605-00 | B - 4 | 47M-12181-00 | B - 7 | 4G0-14197-00 | B - 13 |

NUMERICAL INDEX

| PART NO. | GRID NO. | PART NO. | GRID NO. | PART NO. | GRID NO. |
|--------------|----------|--------------|----------|-----------------|----------|
| 4HM-14216-00 | B - 13 | 22F-14991-00 | B - 13 | 1TX-16352-00 | C - 6 |
| 3G2-14231-27 | B - 13 | 4KG-14995-00 | B - 13 | 4KG-16358-00 | C - 6 |
| 620-14231-19 | B - 12 | 3XW-15100-02 | B - 15 | 4KG-16357-00 | C - 6 |
| 17A-14251-00 | B - 13 | 36Y-15163-00 | C - 5 | 36Y-16371-00 | C - 6 |
| 4KG-14285-00 | B - 13 | 36Y-15189-00 | B - 10 | 36Y-16381-10 | C - 7 |
| 4KG-14401-00 | B - 11 | 4K0-15189-00 | C - 2 | 36Y-16383-00 | C - 6 |
| 4KG-14412-00 | B - 11 | 36Y-15317-00 | C - 2 | 36Y-16384-00 | C - 6 |
| 31A-14419-00 | B - 11 | 1TX-15333-00 | C - 3 | 2H7-16385-00 | C - 6 |
| 1HX-1443E-00 | B - 11 | 36Y-15336-00 | C - 2 | 3CV-17121-00 | C - 8 |
| 31A-14435-00 | B - 11 | 1TX-15346-00 | C - 3 | 1TX-17131-00 | C - 8 |
| 4KG-14437-00 | B - 11 | 2H7-15361-00 | C - 4 | 4CC-17141-00 | C - 8 |
| 4KG-14451-00 | B - 11 | 3F9-15362-00 | C - 3 | 1TX-17151-00 | C - 8 |
| 31A-14453-00 | B - 11 | 1TX-15365-00 | C - 2 | 1TX-17211-00 | C - 8 |
| 34X-14457-00 | B - 11 | 1TX-15367-00 | C - 3 | 3CV-17221-00 | C - 8 |
| 36Y-14463-00 | B - 11 | 4CR-15374-00 | C - 3 | 1TX-17231-00 | C - 8 |
| 4KG-14611-00 | B - 14 | 36Y-15383-01 | B - 15 | 4CC-17241-00 | C - 8 |
| 4KG-14612-00 | B - 14 | 36Y-15389-09 | B - 4 | 1TX-17251-00 | C - 8 |
| 4BE-14613-00 | B - 14 | 4KG-15411-00 | C - 3 | 4KG-17421-00 | C - 8 |
| 4PU-14615-00 | B - 14 | 36Y-15412-00 | C - 2 | 4KG-17460-00 | C - 8 |
| 4KG-14621-00 | B - 14 | 36Y-15416-00 | C - 3 | 4KG-18101-01 | C - 11 |
| 4KG-14631-00 | B - 14 | 36Y-15417-01 | C - 3 | 4KG-18111-00 | C - 11 |
| 4G0-14638-00 | B - 14 | 36Y-15426-00 | C - 3 | 2GH-18112-01 | C - 11 |
| 4KG-14641-00 | B - 14 | 36Y-15449-00 | C - 3 | 132-18113-01 | C - 11 |
| 4PU-14711-00 | B - 14 | 4KG-15449-00 | C - 3 | 2GV-18115-00 | C - 11 |
| 3XW-14714-00 | B - 14 | 4CR-15451-00 | C - 3 | 4G0-18127-00 | C - 11 |
| 4PU-14721-00 | B - 14 | 4CR-15461-00 | C - 3 | 36Y-18140-00 | C - 10 |
| 36Y-14747-00 | B - 14 | 4CR-15467-00 | C - 3 | 2H9-18154-00 | C - 11 |
| 3XW-14755-00 | B - 14 | 4KG-15481-00 | C - 3 | 3XW-18511-00 | C - 10 |
| 4KG-14791-00 | B - 14 | 4H7-15486-00 | C - 3 | 4KG-18512-00 | C - 10 |
| 4KG-1490J-00 | B - 12 | 36Y-15512-01 | C - 5 | 3XW-18513-00 | C - 10 |
| 3XW-1490K-00 | B - 13 | 36Y-15517-01 | C - 5 | 4BR-18531-00 | C - 10 |
| 58L-1490L-00 | B - 13 | 36Y-15519-00 | C - 5 | 3XW-18540-00 | C - 10 |
| 4KG-14900-00 | B - 12 | 36Y-15521-01 | C - 5 | 278-18542-00 | C - 10 |
| 4RB-14900-00 | B - 12 | 3CV-15522-00 | C - 5 | 36Y-18562-00 | C - 10 |
| 4KG-14901-00 | B - 12 | 12R-15524-00 | C - 5 | 278-18566-00 | C - 10 |
| 4RB-14901-00 | B - 12 | 2H7-15531-00 | C - 5 | 4PU-21110-00-33 | C - 12 |
| 4KG-14902-00 | B - 12 | 36Y-15580-02 | C - 5 | 4KG-21150-00-33 | C - 12 |
| 4RB-14902-00 | B - 12 | 1J7-15583-01 | C - 5 | 4PU-2117E-00 | C - 13 |
| 4KG-14903-00 | B - 12 | 1TX-16150-01 | C - 6 | 3YX-21308-00 | D - 10 |
| 4RB-14903-00 | B - 12 | 36Y-16154-00 | C - 6 | 4KG-21315-01 | C - 12 |
| 4KG-14904-00 | B - 12 | 4H7-16155-01 | C - 5 | 4KG-21331-00 | C - 14 |
| 4RB-14904-00 | B - 12 | 36Y-16181-00 | C - 6 | 4KG-21332-00 | C - 14 |
| 3V6-14933-00 | B - 12 | 341-16321-13 | C - 6 | 4HM-2139X-00 | C - 13 |
| 4KG-14940-00 | B - 12 | 2H7-16325-00 | C - 6 | 4KG-2140X-00 | C - 12 |
| 3XW-14984-00 | B - 12 | 36Y-16331-00 | C - 6 | 4KG-2140Y-00 | C - 12 |
| 3H5-14985-00 | B - 12 | 36Y-16334-00 | C - 6 | 4KG-21400-00 | C - 12 |
| 50H-14987-00 | B - 13 | 36Y-16335-00 | C - 6 | 4X7-2149Y-00 | B - 11 |
| 36Y-14988-00 | B - 13 | 36Y-16351-00 | C - 6 | 4KG-21511-00-PO | C - 13 |

L1

NUMERICAL INDEX

| PART NO. | GRID NO. | PART NO. | GRID NO. | PART NO. | GRID NO. |
|-----------------|----------|-----------------|----------|-----------------|----------|
| 4KG-21511-00-4B | C-13 | 4KG-23118-00 | D-7 | 4HN-24602-00 | D-8 |
| 4KG-21512-00 | C-13 | 4KG-23121-00 | D-5 | 4PU-2470F-00 | D-10 |
| 1A8-21518-00 | C-13 | 3XJ-23125-L0 | D-6 | 4HM-24728-00 | D-10 |
| 4PU-21611-00 | C-13 | 4KG-23126-00 | D-6 | 4PU-24730-00 | D-10 |
| 4RB-21611-00 | C-13 | 4KG-23131-00 | D-5 | 4KG-24737-00 | D-10 |
| 4HM-2162A-00 | C-13 | 4KG-23136-00 | D-6 | 22W-24741-00 | C-13 |
| | C-14 | 4PU-23141-00 | D-6 | | D-10 |
| | C-13 | | D-7 | 4KG-24773-00-P0 | D-10 |
| 3GM-21621-00 | C-13 | 4KG-23144-00 | D-6 | 4KG-24773-00-4B | D-10 |
| 4PU-2163F-00 | C-14 | 4KG-23145-00 | D-6 | 4KG-2478E-00 | D-10 |
| 4G0-21639-00 | C-13 | 4V4-23146-L0 | D-6 | 4BP-24780-00 | D-10 |
| 4KG-21639-00 | C-14 | 3LR-23149-00 | D-6 | 4BP-24792-00 | D-10 |
| 51Y-21639-00 | D-2 | | D-7 | 341-25149-00 | D-11 |
| 4KG-21651-00-P0 | C-13 | | D-6 | 4KG-25168-00-7B | D-11 |
| 4KG-21651-00-4B | C-13 | 4V4-23153-L0 | D-6 | 4KG-25190-00 | D-11 |
| 4KG-21654-00 | C-14 | 509-23158-L0 | D-6 | 3GM-25338-01-7B | D-13 |
| 4KG-21664-00 | C-14 | 4PU-23170-00 | D-6 | 4KG-25364-00 | D-13 |
| 3LK-21688-00 | C-14 | 3GM-23173-00 | D-6 | 36Y-25366-01 | D-13 |
| 3LK-21689-00 | C-15 | 4KG-23174-00 | D-5 | 4FM-25371-00 | D-13 |
| 4KG-21717-00 | D-2 | 278-23181-50 | D-6 | 36Y-25377-00 | D-13 |
| 4KG-2172A-00 | D-2 | | D-7 | 3GM-25381-A0 | D-14 |
| 4KG-2172F-00 | D-2 | 4V4-23188-L0 | D-6 | 5Y1-25381-01 | D-11 |
| 4KG-21732-00 | D-2 | | D-7 | 3GM-25388-00 | D-13 |
| 4KG-21746-00 | D-2 | 4PU-23340-00 | D-7 | 3GM-25389-00 | D-13 |
| 4KG-2177N-00 | C-13 | 3GM-23378-00 | D-5 | 29L-25398-00 | D-11 |
| 4KG-21778-00 | C-13 | 3HE-23416-00 | D-5 | | D-13 |
| 4KG-21779-00 | C-13 | 26H-23418-01 | D-5 | 29L-25398-20 | D-11 |
| 4KG-21781-00 | D-2 | 4KG-23435-00 | D-5 | | D-13 |
| 4KG-21782-00 | D-2 | 4H7-23441-00-3B | D-5 | 4KG-25438-20 | D-13 |
| 4KG-22110-00 | D-3 | 5H0-23442-01-3B | D-5 | 4KG-2580T-00 | D-12 |
| 3XV-22127-00 | D-3 | 3FV-23452-00 | D-5 | 4KG-2580U-00 | D-12 |
| 3FV-22128-00 | D-3 | 4X7-23459-10 | E-2 | 4KG-2580W-00 | D-15 |
| 3GM-22141-00 | D-3 | 4KG-24110-G0-P0 | D-8 | 4KG-2581K-00 | E-8 |
| 4KG-22151-00 | D-3 | 4KG-24110-G0-4B | D-8 | 4KG-2581T-00 | D-12 |
| 3FV-22184-00 | D-3 | 4KG-24161-00 | D-9 | 4KG-25819-00 | D-15 |
| 4BH-2219X-00 | C-12 | 4KG-24162-00 | D-9 | 4BP-2582A-00 | E-7 |
| 4PU-22210-00 | D-4 | 4H7-24181-00 | D-8 | 3GM-2582W-A0 | D-15 |
| 1UF-22216-00 | D-4 | 3Y6-24183-00 | D-8 | 1FK-25827-00 | D-15 |
| 4KG-22216-00 | D-4 | 4HM-24183-00 | D-8 | 1FK-25828-00 | D-15 |
| 1UJ-22243-00 | D-4 | 2GH-24184-00 | D-8 | 4BP-2583V-00 | E-7 |
| 5M0-22253-00 | D-4 | 12R-24186-00 | D-8 | 4KT-25836-00 | D-12 |
| 4KG-22311-00 | D-3 | 4KG-24311-00 | D-8 | 51J-25836-00 | D-15 |
| 4KG-22321-00 | D-3 | 4KG-24312-00 | D-8 | 341-25846-00 | D-11 |
| 4PU-23102-00 | D-6 | 4KG-24313-00 | D-8 | 4BP-2585F-00 | E-7 |
| 4PU-23103-00 | D-6 | 4KG-24314-00 | D-8 | 3LN-2585G-00 | E-7 |
| 4PU-23110-00 | D-6 | 4KG-24500-00 | D-8 | 2KF-25852-50 | E-7 |
| 3TJ-23111-00 | D-6 | 4XB-24512-00 | D-8 | | |
| | D-7 | 3XV-24523-00 | D-8 | | |
| 4KG-23118-00 | D-6 | 3XV-24534-00 | D-8 | | |

NUMERICAL INDEX

| PART NO. | GRID NO. | PART NO. | GRID NO. | PART NO. | GRID NO. |
|--------------|----------|--------------|----------|--------------|----------|
| 360-25854-00 | E-7 | 4KG-27420-00 | E-5 | 4PU-82305-00 | F-3 |
| 4HM-25854-00 | E-3 | 36Y-27424-00 | E-6 | 4RB-82305-00 | F-3 |
| | E-4 | 4KG-27430-01 | E-5 | 4KG-82310-00 | F-3 |
| 2GU-25855-00 | E-7 | 4DN-27431-00 | E-5 | 4BR-82317-00 | F-3 |
| 4HM-25867-00 | E-3 | 4KG-27432-00 | E-7 | 4KG-82320-00 | F-3 |
| 4KG-25867-00 | E-4 | 1HX-27437-00 | E-5 | 1UY-82370-20 | F-3 |
| 4KG-25872-00 | E-3 | | E-6 | 4PU-82501-00 | F-4 |
| 4KG-25873-00 | E-3 | 4KG-27440-01 | E-6 | 4KG-82509-00 | F-3 |
| 4FM-25876-00 | E-8 | 4DN-27441-00 | E-6 | 3YF-82530-01 | F-4 |
| 4KG-25876-00 | E-3 | 4KG-27442-01 | E-5 | 1L9-82540-00 | F-3 |
| 4RB-25876-00 | E-3 | 4KG-27443-01 | E-5 | 3LD-82566-90 | F-4 |
| 4BH-25886-00 | E-8 | 4KG-27813-00 | E-7 | 4PU-82590-00 | F-4 |
| 4FM-25887-00 | D-14 | 4KG-28100-00 | C-14 | 12R-82591-00 | D-10 |
| 4KG-25887-00 | E-3 | 36F-28379-00 | C-14 | | E-2 |
| 4RB-25887-00 | E-3 | 4KG-2838N-00 | C-12 | | E-4 |
| 3FV-2589F-00 | E-3 | 4KG-2838R-00 | C-12 | | F-4 |
| | E-4 | 4KG-81600-00 | E-9 | 4PU-83310-00 | E-12 |
| 31A-25894-01 | E-7 | 4BH-81604-00 | E-9 | 306-83311-40 | E-12 |
| 4KG-25895-00 | E-7 | 3FV-81619-00 | E-9 | 4PU-83320-00 | E-12 |
| 2GH-25919-00 | D-12 | 4KG-81634-00 | E-9 | 4PU-83330-00 | E-12 |
| 29L-25919-A0 | D-15 | 36Y-81638-50 | E-9 | 1VU-83332-00 | E-12 |
| 3HE-25924-00 | D-12 | 2KT-81642-50 | E-9 | 51L-83332-01 | E-12 |
| | D-15 | 4BH-81643-00 | E-9 | 4PU-83340-00 | E-12 |
| 3GM-25925-00 | D-12 | 4BH-81643-10 | E-9 | 1VU-83342-00 | E-12 |
| | D-15 | 3FV-81645-00 | E-9 | 51L-83342-01 | E-12 |
| 4KG-26111-00 | E-2 | 4BH-81645-00 | E-9 | 3GM-83350-00 | F-3 |
| 4FM-26240-00 | E-2 | 4BH-81660-00 | E-9 | 18G-83365-00 | E-12 |
| 4FM-26241-00 | E-2 | 4KG-81671-00 | E-10 | 4KG-83371-01 | F-3 |
| 3HX-26246-00 | E-2 | 4KG-81673-00 | E-10 | 4KG-83371-11 | F-3 |
| 3MA-26279-00 | E-3 | 4KG-81800-00 | E-11 | 4HM-83506-00 | E-13 |
| 4KG-26281-00 | E-2 | 3AJ-81801-00 | E-11 | 4HM-83507-00 | E-13 |
| 3XW-26282-01 | E-2 | 3AJ-81826-00 | E-11 | 4HM-83508-00 | E-13 |
| 4H7-26290-A0 | E-2 | 11H-81844-00 | E-11 | 4KG-83509-00 | E-14 |
| 4H7-26290-E0 | E-2 | 26H-81847-00 | E-11 | 2GV-83517-00 | E-14 |
| 4KG-26302-00 | E-2 | 36Y-81910-50 | E-9 | 3GM-83517-00 | E-14 |
| 80L-26397-00 | F-3 | 4KG-81940-00 | F-4 | 4KG-83519-00 | E-13 |
| 3GM-26455-00 | E-4 | 4BH-8195A-00 | F-4 | 4PU-83520-00 | E-14 |
| 3GM-26464-00 | E-4 | 4EP-81950-00 | F-4 | 4KG-8353E-00 | E-13 |
| 4KG-26470-00 | E-4 | 4BH-81970-00 | E-9 | 4PU-8353F-00 | E-13 |
| 4KG-27111-00 | E-5 | 4BH-81972-00 | E-9 | 4HM-8353L-00 | E-13 |
| 116-27114-00 | E-5 | 3XW-82100-00 | F-4 | 4HM-83532-20 | E-13 |
| 4KG-27211-00 | E-7 | 4KG-82115-00 | F-4 | 4HM-83532-30 | E-13 |
| 4BP-27222-00 | E-7 | 4KG-82116-00 | F-4 | 4KG-83540-00 | E-13 |
| 4KG-27311-01 | E-5 | 4HM-82131-00 | C-14 | 1JK-83541-00 | E-14 |
| 4FM-27315-00 | E-5 | 4J2-82131-01 | C-14 | 4KG-83550-00 | E-14 |
| 4KG-27410-00 | E-5 | 1AE-82151-00 | F-4 | 4HM-83559-00 | E-13 |
| 4BP-27413-00 | E-5 | 2KW-82151-00 | F-4 | 4PU-83570-00 | E-13 |
| | E-6 | 36Y-82151-00 | F-4 | 4PU-83570-10 | E-13 |

NUMERICAL INDEX

| PART NO. | GRID NO. | PART NO. | GRID NO. |
|--------------|----------|-------------|----------|
| 1AE-83578-00 | E-13 | 90105-07087 | B-7 |
| 4PU-83912-00 | E-4 | 90105-08321 | D-13 |
| 4PU-83922-00 | E-3 | 90105-10300 | C-12 |
| 437-83936-01 | E-4 | 90105-10313 | C-12 |
| 4PU-83969-00 | E-2 | 90105-10323 | C-12 |
| 4HM-83975-10 | E-2 | 90105-10402 | C-12 |
| 3FV-83980-00 | E-3 | 90105-10445 | E-10 |
| 3GM-83980-00 | E-4 | 90105-10609 | C-12 |
| 2F9-84314-00 | E-15 | 90105-10638 | D-12 |
| 4KG-84315-00 | E-15 | | D-15 |
| 4KG-84318-00 | E-15 | 90105-12425 | C-12 |
| 4PU-84320-00 | E-15 | 90109-063F1 | C-13 |
| 4PU-84320-10 | E-15 | 90109-063F7 | C-10 |
| 4KG-84326-00 | E-15 | 90109-066F0 | B-2 |
| 4KG-8433E-00 | E-15 | 90109-080G5 | F-4 |
| 4KG-84330-00 | E-15 | 90109-081G0 | E-6 |
| 4KG-84331-00 | E-15 | 90109-08718 | D-12 |
| 4KG-84332-00 | E-15 | | D-15 |
| 5G2-84333-00 | E-15 | 90109-100G0 | E-6 |
| 4KG-84334-00 | E-15 | 90109-101E6 | E-5 |
| 47J-84334-00 | F-15 | 90109-103A9 | E-7 |
| 4KG-84335-00 | E-15 | 90109-104E6 | E-5 |
| 4KG-84344-00 | E-15 | 90110-05112 | D-8 |
| 4PU-84346-00 | E-15 | 90110-08199 | C-12 |
| 4E2-84347-00 | E-15 | 90110-08231 | C-12 |
| 4KG-84365-00 | E-15 | 90110-08232 | C-12 |
| 4KG-84366-00 | E-15 | 90116-10485 | D-13 |
| 4KG-84367-00 | E-15 | 90116-10561 | B-15 |
| 4KG-84397-00 | E-15 | 90116-10562 | B-15 |
| 4PU-84710-00 | F-2 | 90116-10563 | B-15 |
| 31L-84714-00 | F-2 | 90119-05071 | F-3 |
| 4HM-84735-00 | F-2 | 90149-04278 | C-13 |
| 4G1-84744-00 | E-14 | 90149-05110 | B-10 |
| 3YF-84751-00 | F-2 | 90149-08008 | D-8 |
| 11H-85110-01 | F-3 | 90149-06228 | C-5 |
| 23V-85110-00 | C-15 | 90149-06298 | D-2 |
| 3G1-85130-01 | C-14 | 90149-06308 | D-10 |
| 4KG-85132-00 | C-14 | 90150-06036 | C-13 |
| 5G2-85720-00 | F-3 | 90151-06025 | C-2 |
| 4HM-85750-00 | E-13 | 90153-06029 | B-2 |
| 4KG-85752-00 | F-3 | 90154-05026 | C-3 |
| 5G3-85753-00 | F-3 | 90154-05059 | C-14 |
| 4KG-85885-00 | B-13 | 90157-02031 | E-13 |
| 90101-06576 | B-14 | 90157-05027 | E-2 |
| 90101-06766 | D-13 | 90157-05079 | F-4 |
| 90105-06305 | B-2 | 90157-05095 | C-3 |
| 90105-06424 | B-7 | 90158-03102 | E-13 |
| 90105-06723 | C-7 | 90158-05122 | E-5 |

NUMERICAL INDEX

| PART NO. | GRID NO. | PART NO. | GRID NO. |
|-------------|----------|-------------|----------|
| 90202-24190 | D-5 | 90401-10160 | E-3 |
| 90202-26142 | D-5 | | E-4 |
| 90206-17084 | E-7 | 90413-11025 | D-8 |
| 90209-06096 | C-3 | 90430-05126 | B-10 |
| 90209-06174 | B-9 | 90430-06014 | B-2 |
| 90209-25196 | C-8 | | B-10 |
| 90209-27192 | C-8 | 90430-14131 | B-3 |
| 90209-32231 | C-8 | 90445-104H3 | D-8 |
| 90215-25218 | C-6 | 90445-11153 | B-11 |
| 90215-26241 | C-9 | 90460-58015 | B-11 |
| 90240-08124 | E-7 | 90462-10145 | C-2 |
| 90249-04184 | B-7 | 90464-05187 | F-4 |
| 90267-40076 | C-14 | 90464-10190 | E-4 |
| | C-15 | 90464-12036 | C-14 |
| 90267-40090 | D-3 | 90464-13073 | D-9 |
| 90331-15039 | C-5 | | F-3 |
| 90338-06233 | D-2 | | F-4 |
| 90338-08163 | D-5 | 90464-13080 | F-4 |
| | D-10 | 90464-13194 | E-3 |
| | E-7 | 90464-14117 | D-8 |
| 90338-08226 | C-15 | 90464-15157 | C-14 |
| 90340-10108 | E-13 | 90464-15192 | E-4 |
| 90387-060A7 | D-3 | 90464-16039 | F-3 |
| 90387-0600V | F-2 | 90464-30040 | D-9 |
| 90387-06022 | D-3 | | F-3 |
| 90387-064H8 | E-7 | 90465-08252 | C-2 |
| | B-3 | 90465-08253 | C-2 |
| 90387-06076 | B-15 | 90465-10251 | C-2 |
| 90387-0804N | B-7 | 90465-13355 | D-2 |
| 90387-1003V | E-3 | | F-4 |
| 90387-1003W | E-4 | 90467-08021 | D-8 |
| 90387-1005B | E-8 | 90467-09006 | D-8 |
| 90387-10636 | B-2 | 90467-10039 | B-11 |
| 90387-114K8 | B-2 | 90467-11106 | B-11 |
| 90387-17530 | B-8 | 90467-12052 | D-8 |
| 90387-20112 | E-8 | 90467-13064 | D-9 |
| 90387-202X9 | C-11 | 90467-14015 | C-2 |
| 90387-203X0 | C-11 | 90467-14057 | D-8 |
| 90387-220R2 | D-14 | | E-7 |
| 90387-22591 | D-3 | 90480-01558 | E-4 |
| 90387-250R3 | B-10 | 90480-10509 | D-2 |
| 90387-284K1 | C-8 | 90480-12475 | F-2 |
| 90387-300R4 | C-8 | 90480-12475 | B-9 |
| 90387-3003P | C-8 | 90480-13398 | C-13 |
| 90387-350R5 | C-9 | 90480-13567 | C-12 |
| 90401-10150 | E-3 | 90480-16284 | B-9 |
| | E-4 | 90480-18276 | F-2 |
| | E-8 | 90501-06784 | C-5 |
| | | 90501-06022 | C-10 |

NUMERICAL INDEX

| PART NO. | GRID NO. | PART NO. | GRID NO. | PART NO. | GRID NO. |
|-------------|----------|-------------|----------|-------------|----------|
| 92990-04100 | E - 3 | 93440-28062 | C - 8 | 95604-18200 | D - 14 |
| 92990-05600 | E - 9 | 93440-30077 | C - 8 | 95607-04100 | C - 13 |
| 92995-06100 | E - 15 | 93440-34025 | C - 8 | 95607-08100 | E - 7 |
| 93102-12106 | C - 11 | 93440-52118 | C - 9 | 95607-18200 | D - 3 |
| 93102-25017 | D - 11 | 93440-62032 | C - 9 | 95617-06100 | E - 3 |
| 93102-25253 | C - 5 | 93450-19052 | B - 4 | | E - 5 |
| 93102-40330 | C - 8 | 93501-04011 | E - 5 | | E - 6 |
| 93105-45017 | D - 11 | | E - 6 | | F - 2 |
| 93106-30029 | D - 13 | 93511-32027 | C - 6 | 95617-06625 | B - 2 |
| 93106-35030 | D - 13 | 93604-08071 | E - 10 | 95617-06635 | B - 2 |
| 93109-08061 | C - 6 | 93615-17125 | C - 5 | 95617-08200 | B - 14 |
| 93109-12053 | C - 11 | 93626-08210 | B - 8 | 95617-08625 | B - 2 |
| 93210-06632 | C - 6 | 93900-00030 | D - 11 | 95617-10200 | D - 4 |
| 93210-07438 | B - 15 | | D - 13 | | D - 5 |
| 93210-10096 | B - 10 | 94113-1704W | D - 11 | | D - 13 |
| 93210-13657 | B - 8 | 94113-1705M | D - 11 | 95627-08330 | B - 3 |
| | B - 9 | 94117-1704X | D - 13 | 95701-06500 | D - 10 |
| 93210-15566 | B - 8 | 94117-1705N | D - 13 | 95706-06500 | E - 4 |
| 93210-16629 | B - 9 | 94531-57110 | D - 13 | 95707-05500 | C - 14 |
| | B - 10 | 94591-05156 | B - 7 | | J - 15 |
| 93210-20573 | C - 2 | 94701-00241 | B - 2 | | E - 9 |
| 93210-26658 | B - 8 | 95024-06010 | D - 3 | | F - 3 |
| 93210-27776 | C - 3 | 95024-06025 | C - 13 | 95707-06500 | D - 10 |
| 93210-29196 | F - 3 | 95024-08012 | D - 4 | | E - 14 |
| 93210-30660 | C - 8 | 95024-08040 | E - 15 | | F - 2 |
| 93210-40559 | B - 11 | 95024-10045 | D - 4 | | F - 3 |
| 93210-47440 | C - 5 | 95027-06008 | F - 4 | 95707-08500 | C - 12 |
| 93210-81731 | B - 3 | 95027-06010 | E - 7 | | D - 13 |
| 93210-87723 | B - 10 | 95027-06012 | D - 5 | | E - 15 |
| 93305-20605 | C - 8 | 95027-06016 | F - 2 | 95707-12500 | E - 12 |
| 93306-00315 | C - 6 | | F - 3 | 95807-06016 | B - 11 |
| 93306-00426 | C - 5 | 95027-06020 | C - 4 | | C - 13 |
| 93306-20314 | D - 11 | | D - 5 | | C - 14 |
| 93306-20545 | C - 5 | 95027-06025 | C - 4 | 95807-10040 | B - 14 |
| 93306-20561 | C - 9 | | D - 3 | 95817-06012 | F - 3 |
| 93306-30416 | D - 13 | | E - 3 | 95817-06020 | B - 9 |
| 93306-30434 | C - 8 | | E - 11 | | C - 11 |
| 93306-30437 | D - 13 | 95027-06035 | C - 4 | 95817-06030 | B - 15 |
| 93306-30562 | D - 13 | 95027-06040 | C - 3 | 95817-06040 | B - 15 |
| 93306-36401 | C - 8 | | C - 7 | 95817-06050 | B - 15 |
| 93310-350M3 | C - 6 | 95027-06050 | C - 3 | 95817-06055 | B - 15 |
| 93315-23607 | B - 8 | 95303-08700 | E - 7 | 95817-06065 | B - 15 |
| 93315-42523 | D - 3 | 95304-06700 | C - 11 | 95817-06070 | B - 15 |
| 93317-21236 | C - 3 | 95307-05600 | E - 13 | 95817-06080 | B - 8 |
| 93317-42060 | C - 2 | 95307-06600 | D - 13 | 95817-06095 | B - 15 |
| 93399-99931 | D - 5 | 95317-06600 | B - 3 | 95817-06110 | B - 15 |
| 93399-99932 | D - 5 | | B - 9 | 95817-06125 | B - 15 |
| 93440-09139 | B - 8 | 95317-06600 | B - 3 | 95817-06012 | C - 13 |

NUMERICAL INDEX

| PART NO. | GRID NO. | PART NO. | GRID NO. | PART NO. | GRID NO. |
|-------------|----------|-------------|----------|----------|----------|
| 95817-08025 | B - 14 | 99510-08016 | C - 3 | | |
| 95817-08045 | B - 15 | 99510-12016 | B - 15 | | |
| 95817-08055 | B - 15 | 99530-10014 | C - 3 | | |
| 95817-08065 | E - 9 | 99530-14016 | B - 3 | | |
| 95817-08100 | B - 15 | | B - 15 | | |
| 95817-10050 | B - 15 | | B - 15 | | |
| 95817-10060 | B - 15 | | B - 15 | | |
| 97007-05010 | C - 2 | | C - 2 | | |
| 97007-06012 | E - 7 | | E - 7 | | |
| 97007-08030 | D - 8 | | D - 8 | | |
| 97017-06016 | C - 5 | | C - 5 | | |
| | C - 6 | | C - 6 | | |
| 97017-08025 | B - 14 | | B - 14 | | |
| 97027-06012 | C - 5 | | C - 5 | | |
| 97027-08025 | B - 14 | | B - 14 | | |
| 97080-06070 | F - 3 | | F - 3 | | |
| 97707-40014 | E - 13 | | E - 13 | | |
| 97707-40030 | E - 13 | | E - 13 | | |
| 97707-40516 | E - 13 | | E - 13 | | |
| 97707-50510 | D - 2 | | D - 2 | | |
| 97707-50525 | B - 11 | | B - 11 | | |
| 97707-60016 | F - 4 | | F - 4 | | |
| 97780-40120 | E - 12 | | E - 12 | | |
| 98501-04006 | B - 12 | | B - 12 | | |
| 98503-06614 | B - 13 | | B - 13 | | |
| 98507-03010 | E - 13 | | E - 13 | | |
| 98507-04030 | E - 13 | | E - 13 | | |
| 98507-05010 | B - 12 | | B - 12 | | |
| | B - 13 | | B - 13 | | |
| | B - 12 | | B - 12 | | |
| | E - 15 | | E - 15 | | |
| 98507-05018 | E - 9 | | E - 9 | | |
| 98507-05030 | E - 2 | | E - 2 | | |
| 98507-05040 | E - 2 | | E - 2 | | |
| 98517-04012 | E - 3 | | E - 3 | | |
| 98701-06016 | C - 10 | | C - 10 | | |
| 98706-04016 | E - 4 | | E - 4 | | |
| 98707-04008 | B - 13 | | B - 13 | | |
| 98707-04012 | E - 3 | | E - 3 | | |
| | E - 4 | | E - 4 | | |
| | C - 10 | | C - 10 | | |
| | F - 3 | | F - 3 | | |
| | B - 10 | | B - 10 | | |
| 98907-06008 | F - 3 | | F - 3 | | |
| 98907-06016 | C - 11 | | C - 11 | | |
| 99006-10600 | C - 14 | | C - 14 | | |
| 99237-00100 | B - 2 | | B - 2 | | |
| 99510-08016 | B - 10 | | B - 10 | | |

L4