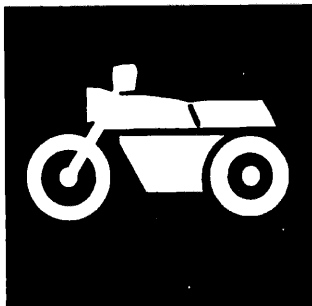


**YAMAHA**



**PARTS  
CATALOGUE**

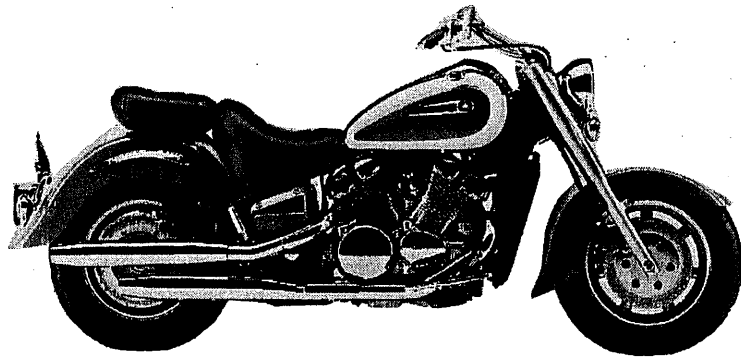
**XVZ1300A'97 (4YP1) EUROPE**

---

174YP-300E1

**YAMAHA**  
**GENUINE**  
Parts & Accessories





A3



## FOREWORD

This Parts Catalogue is related to the parts for the model(s) in the below frame. When you are ordering replacement parts, please refer to this Parts Catalogue and quote both part numbers and part names correctly.

XVZ1300A'97(4YP1)
-------------------

1. Modifications or additions which have been made after issue of the Parts Catalogue will be announced in the Yamaha Parts News.  
It is advisable that you make necessary corrections to the Parts Catalogue according to the Yamaha Parts News.
2. Abbreviations  
The following abbreviations are used in this Parts Catalogue.
  - "UR" Use specified parts number.
  - "UN" Use as many as needed.
  - "AP" Alternate Parts
  - "LM" Local Made (Parts need to be ordered locally)
  - "F#" Frame No. (Applicable machine No.)
3. Parts, which are to be supplied in an assembly, are listed with a dot (.) in front of the part name as shown below.  
EXAMPLE  
 CARBURETOR ASSY  
 . JET, PILOT  
 . NOZZLE, MAIN
4. Number of component for assembly  
The numeral appearing to the right of each component part indicates the quantity of parts for each assembly unit.

**EXAMPLE**

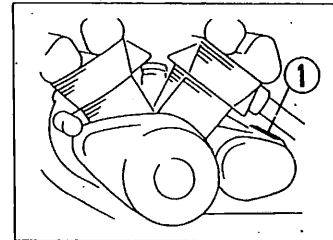
PART NO.	DESCRIPTION	Q'TY	REMARKS
2F5-83310-60	FRONT FLASHER LIGHT ASSY	2	
115-83311-60	. BULB (6V-18W)	1	

5. Applicable colors of graphics are represented in the "REMARKS" as shown below.

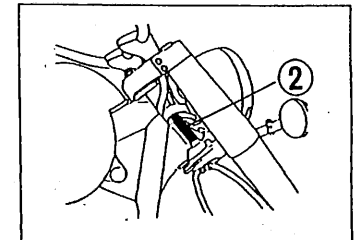
PART NO.	DESCRIPTION	Q'TY	REMARKS
2N4-24110-00-X5	FUEL TANK COMP.	1	MAXIM RED
3J1-24240-10	. GRAPHIC, FUEL TANK	1	for MXR

6. Applicable Serial No.

① Engine Serial No.



② Frame Serial No.

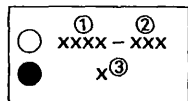


7. Note that the illustrations are for reference in finding parts numbers, not to be used for assembling. When assembling, please use the applicable service manual.
8. The asterisk (\*) before a reference number indicates modification items after the first edition.

# MODEL LABEL

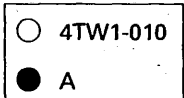
(1) A label called "Model Label" is affixed in the location as indicated in (3) below. When using this parts catalogue, please be sure to cross-refer the "model code - production code No." in the catalogue to the "model code - production code No." indicated on the Model Label affixed onto the product concerned.

(2) "Model Label" Indication

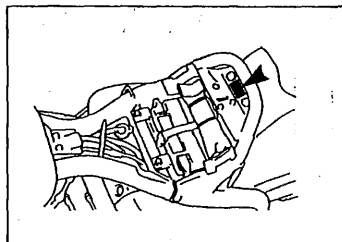


- ① Model Type Code
- ② Production Code No.
- ③ Colouring Type

ex



(3) Model Label Affixing Location



(4) Model Code - Production Code Number of Model Listed in This Parts Catalog

Model code	Production code No.	Country (destination)	Model code	Production code No.	Country (destination)
4YP1	030	ENGLAND			
	040	ITALY			
	050	BELGIUM			
	060	DENMARK			
	070	SPAIN			
	080	FINLAND			
	090	GREECE			
	100	HOLLAND			
	110	NORWAY			
	120	PORTUGAL			
	130	SWEDEN			

(5) Colouring Information

Colouring type code	Colour code	Colour Name	Abbreviation
A	00FE	MATURE RED	MRE
B	00Y5	SHIROBAI WHITE	PLW
C	003G	MILKY BROWN	MKB

# CONTENTS

## ENGINE

Cylinder Head .....	B2 ~ B4
Crankshaft · Piston .....	B5 ~ B6
Valve .....	B7 ~ B8
Camshaft · Chain .....	B9
Water Pump .....	B10 ~ B11
Radiator · Hose .....	B12 ~ B14
Oil Pump .....	B15
Oil Cleaner .....	C2 ~ C3
Intake .....	C4
Carburetor .....	C5 ~ C7
Exhaust .....	C8
Crankcase .....	C9 ~ C10
Crankcase Cover 1 .....	C11 ~ C12
Starter Clutch .....	C13
Clutch .....	C14 ~ C15
Transmission .....	D2
Middle Drive Gear .....	D3 ~ D4
Shift Cam · Fork .....	D5
Shift Shaft .....	D6 ~ D7

## CHASSIS

Frame .....	D8 ~ D9
Fender .....	D10 ~ D11
Side Cover .....	D12 ~ D13
Rear Arm .....	D14
Drive Shaft .....	D15 ~ E2

Rear Suspension .....	E3
Steering .....	E4
Front Fork .....	E5 ~ E7
Fuel Tank .....	E8 ~ E9
Seat .....	E10
Front Wheel .....	E11
Front Brake Caliper .....	E12
Rear Wheel .....	E13
Rear Brake Caliper .....	E14
Steering Handle · Cable .....	E15
Front Master Cylinder .....	F2
Front Master Cylinder 2 .....	F3
Stand · Footrest .....	F4 ~ F4
Rear Master Cylinder .....	F6 ~ F7
Generator .....	F8
Starting Motor .....	F9
Flasher Light .....	F10
Meter .....	F11
Headlight .....	F12
Taillight .....	F13
Handle Switch · Lever .....	F14
Electrical 1 .....	F15 ~ G2
Electrical 2 .....	G3

## INDEX

NUMERICAL INDEX .....	L1 ~ L5
-----------------------	---------

1952

1953

1952  
1953  
1954  
1955  
1956  
1957  
1958  
1959  
1960  
1961  
1962  
1963  
1964  
1965  
1966  
1967  
1968  
1969  
1970  
1971  
1972  
1973  
1974  
1975  
1976  
1977  
1978  
1979  
1980  
1981  
1982  
1983  
1984  
1985  
1986  
1987  
1988  
1989  
1990  
1991  
1992  
1993  
1994  
1995  
1996  
1997  
1998  
1999  
2000  
2001  
2002  
2003  
2004  
2005  
2006  
2007  
2008  
2009  
2010  
2011  
2012  
2013  
2014  
2015  
2016  
2017  
2018  
2019  
2020  
2021  
2022  
2023  
2024  
2025  
2026  
2027  
2028  
2029  
2030  
2031  
2032  
2033  
2034  
2035  
2036  
2037  
2038  
2039  
2040  
2041  
2042  
2043  
2044  
2045  
2046  
2047  
2048  
2049  
2050

1952  
1953  
1954  
1955  
1956  
1957  
1958  
1959  
1960  
1961  
1962  
1963  
1964  
1965  
1966  
1967  
1968  
1969  
1970  
1971  
1972  
1973  
1974  
1975  
1976  
1977  
1978  
1979  
1980  
1981  
1982  
1983  
1984  
1985  
1986  
1987  
1988  
1989  
1990  
1991  
1992  
1993  
1994  
1995  
1996  
1997  
1998  
1999  
2000  
2001  
2002  
2003  
2004  
2005  
2006  
2007  
2008  
2009  
2010  
2011  
2012  
2013  
2014  
2015  
2016  
2017  
2018  
2019  
2020  
2021  
2022  
2023  
2024  
2025  
2026  
2027  
2028  
2029  
2030  
2031  
2032  
2033  
2034  
2035  
2036  
2037  
2038  
2039  
2040  
2041  
2042  
2043  
2044  
2045  
2046  
2047  
2048  
2049  
2050

1952  
1953  
1954  
1955  
1956  
1957  
1958  
1959  
1960  
1961  
1962  
1963  
1964  
1965  
1966  
1967  
1968  
1969  
1970  
1971  
1972  
1973  
1974  
1975  
1976  
1977  
1978  
1979  
1980  
1981  
1982  
1983  
1984  
1985  
1986  
1987  
1988  
1989  
1990  
1991  
1992  
1993  
1994  
1995  
1996  
1997  
1998  
1999  
2000  
2001  
2002  
2003  
2004  
2005  
2006  
2007  
2008  
2009  
2010  
2011  
2012  
2013  
2014  
2015  
2016  
2017  
2018  
2019  
2020  
2021  
2022  
2023  
2024  
2025  
2026  
2027  
2028  
2029  
2030  
2031  
2032  
2033  
2034  
2035  
2036  
2037  
2038  
2039  
2040  
2041  
2042  
2043  
2044  
2045  
2046  
2047  
2048  
2049  
2050

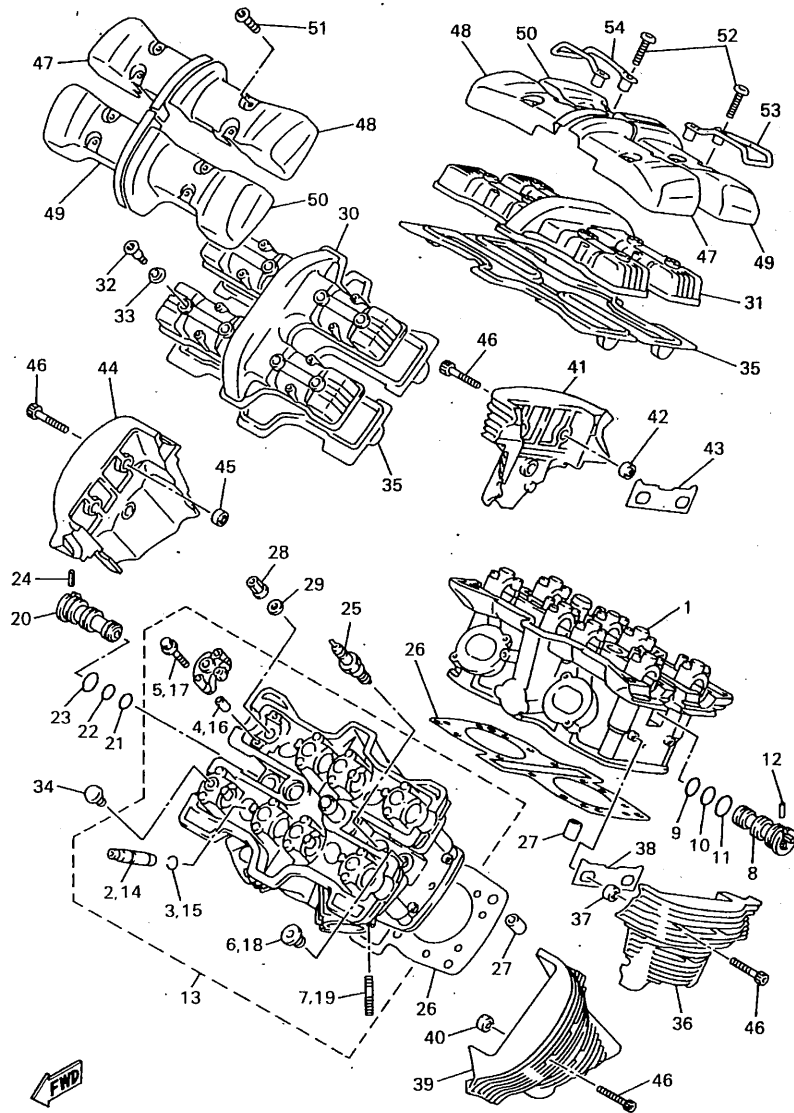
1952

1953

1953



FIG. 1 CYLINDER HEAD

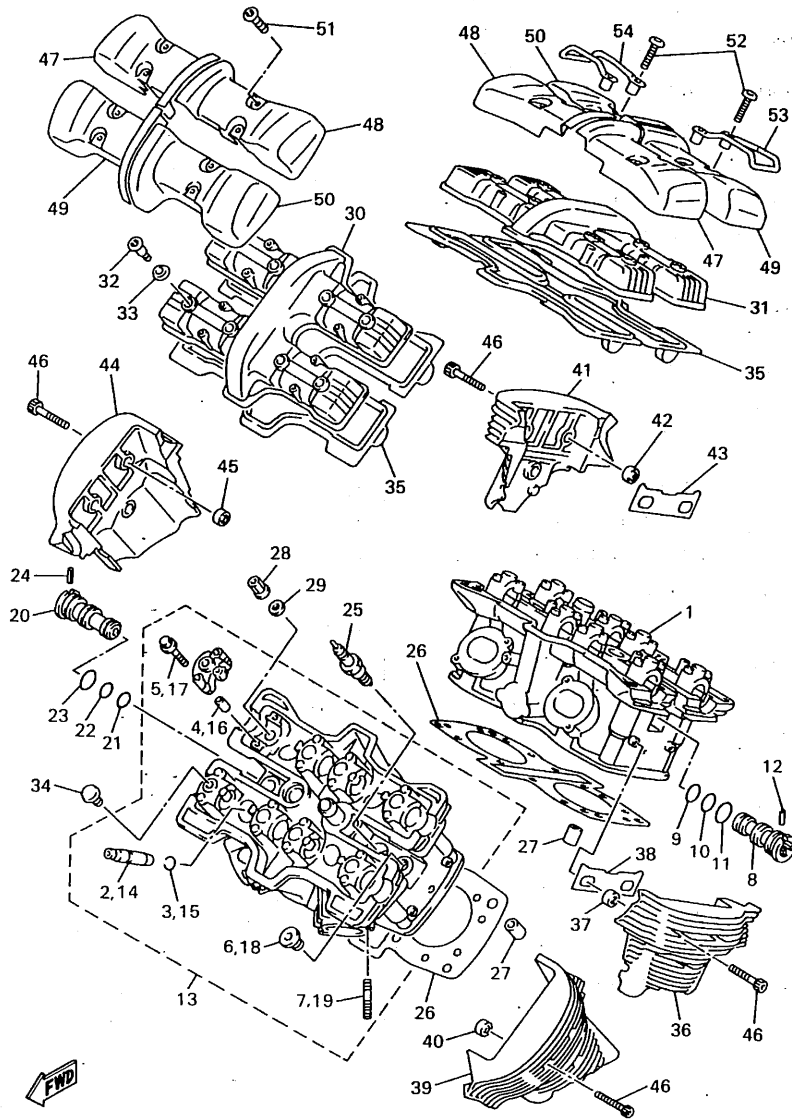


4NK110-6010

**B2**

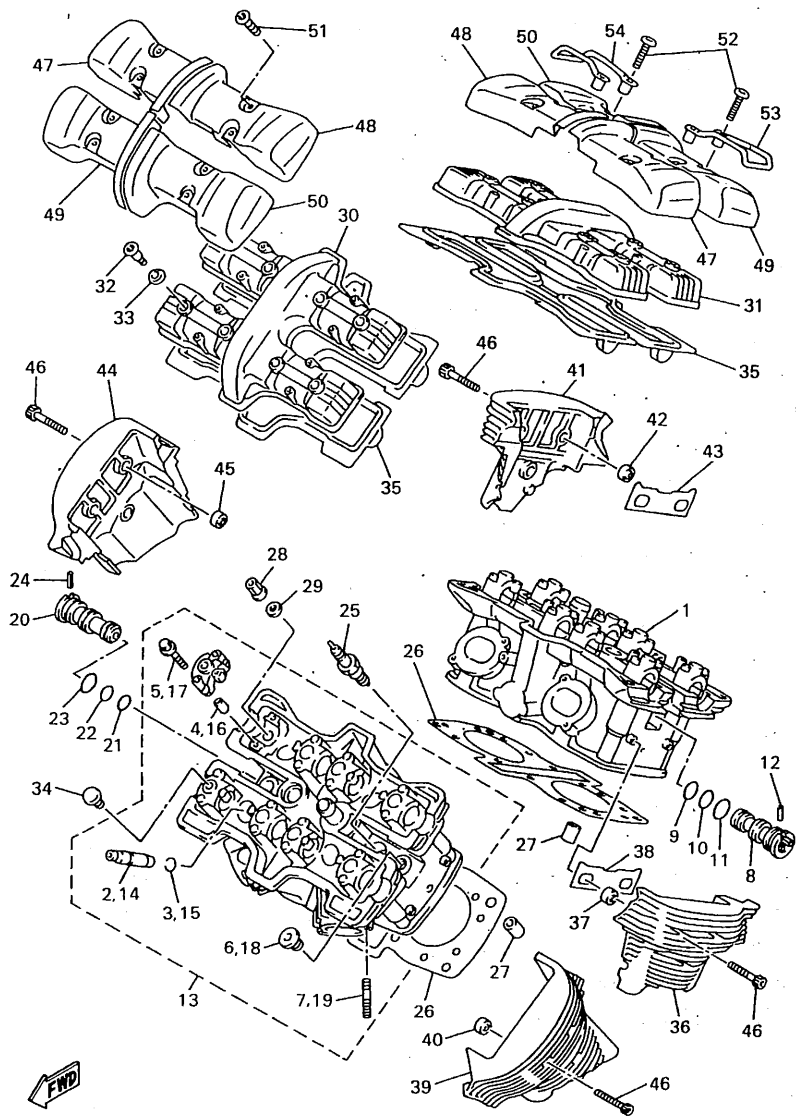
REF. NO.	PART NO.	DESCRIPTION	EUR				REMARKS
1	4NK-11110-00	CYLINDER HEAD ASSY	1				
2	26H-11133-10	•GUIDE, INTAKE VALVE	8				
3	93440-12117	•CIRCLIP	8				
4	91808-16023	•PIN, DOWEL	16				
5	90105-06153	•BOLT, WASHER BASED	16				
6	90340-18101	•PLUG, STRAIGHT SCREW	3				
7	95617-08620	•BOLT, STUD	4				
8	26H-12469-01	JOINT 1	1				
9	93210-16629	O-RING	1				
10	93210-18322	O-RING	1				
11	93210-21631	O-RING	1				
12	90254-03008	PIN, SPRING	1				
13	4NK-11120-00	CYLINDER HEAD ASSY 2	1				
14	26H-11133-10	•GUIDE, INTAKE VALVE	8				
15	93440-12117	•CIRCLIP	8				
16	91808-16023	•PIN, DOWEL	16				
17	90105-06153	•BOLT, WASHER BASED	16				
18	90340-18101	•PLUG, STRAIGHT SCREW	3				
19	95617-08620	•BOLT, STUD	4				
20	26H-12469-01	JOINT 1	1				
21	93210-16629	O-RING	1				
22	93210-18322	O-RING	1				
23	93210-21631	O-RING	1				
24	90254-03008	PIN, SPRING	1				
25	94701-00262	PLUG, SPARK (NGK DPR7EA 9)	4				UR
	94701-00379	PLUG, SPARK (ND X22EPR-U9)	4				UR
26	1NL-11181-00	GASKET, CYLINDER HEAD 1	2				

FIG. 1 CYLINDER HEAD



REF. NO.	PART NO.	DESCRIPTION	EUR				REMARKS
27	99530-14016	PIN, DOWEL	4				
28	90179-10414	NUT	16				
29	90201-102G9	WASHER, PLATE	16				
30	4NK-11191-00	COVER, CYLINDER HEAD 1	1				
31	4NK-11191-00	COVER, CYLINDER HEAD 1	1				
32	90109-066F0	BOLT	16				
33	4KG-1111G-00	RUBBER, MOUNT 1	16				
34	90338-10150	PLUG	16				
35	4NK-11193-00	GASKET, HEAD COVER 1	2				
36	4NK-11186-00	COVER, CYLINDER HEAD SIDE 2	1				
37	4NK-15316-00	DAMPER, ENGINE MOUNT 1	3				
38	4NK-11195-00	GASKET	1				
39	4NK-11187-00	COVER, CYLINDER HEAD SIDE 3	1				
40	4NK-15316-00	DAMPER, ENGINE MOUNT 1	3				
41	4NK-11185-00	COVER, CYLINDER HEAD SIDE 1	1				
42	4NK-15316-00	DAMPER, ENGINE MOUNT 1	3				
43	4NK-11195-00	GASKET	1				
44	4NK-1111H-00	COVER, CYLINDER HEAD SIDE 4	1				
45	4NK-15316-00	DAMPER, ENGINE MOUNT 1	3				
46	91314-06020	BOLT	12				
47	4NK-1111M-00	COVER 1	2				
48	4NK-1111N-00	COVER 2	2				
49	4NK-1111P-00	COVER 3	2				
50	4NK-1111R-00	COVER 4	2				
51	92014-06014	BOLT, BUTTON HEAD	12				
52	92014-06030	BOLT, BUTTON HEAD	4				
53	4NK-11152-00	BRACKET, CYLINDER HEAD COVER	1				

FIG. 1 CYLINDER HEAD

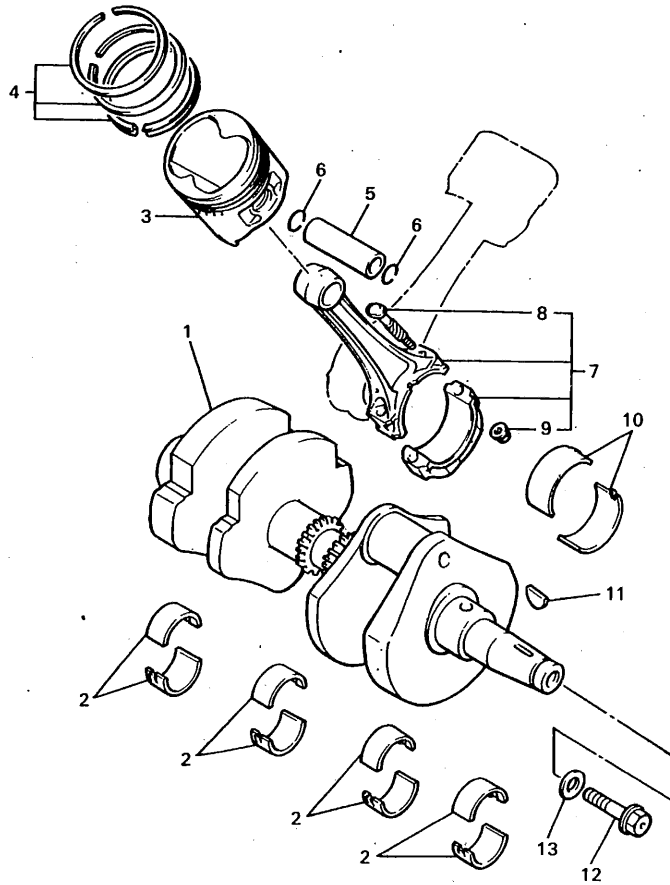


REF. NO.	PART NO.	DESCRIPTION	EUR					REMARKS
54	4NK-11142-00	BRACKET, CYLINDER HEAD COVER 2	1					



4NK110-6010

FIG. 2 CRANKSHAFT • PISTON



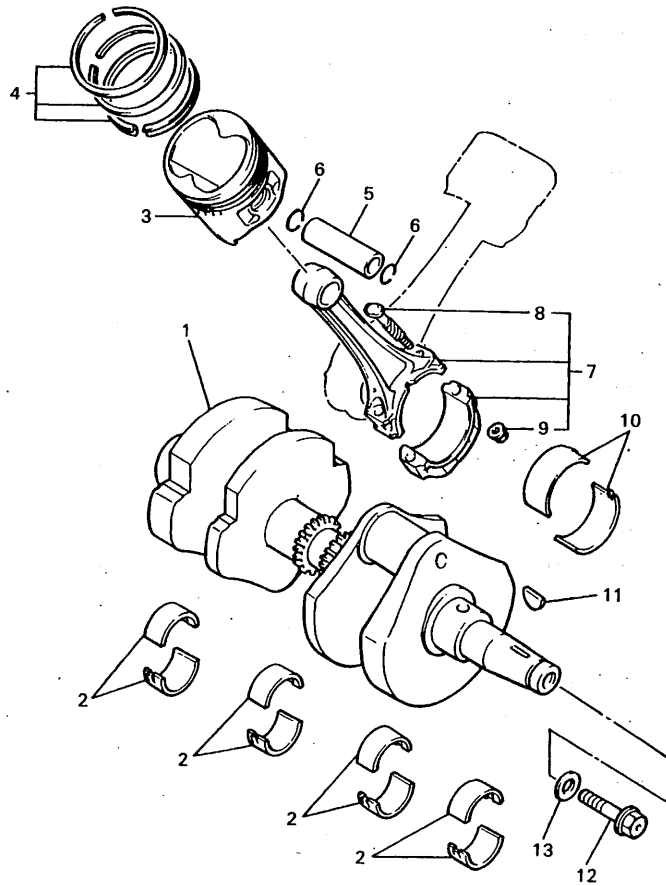
REF. NO.	PART NO.	DESCRIPTION	EUR				REMARKS
1	4NK-11400-00	CRANKSHAFT ASSY	1				
2	1FK-11416-01	PLANE BEARING, CRANKSHAFT 1	8				UR BLUE
	1FK-11416-11	PLANE BEARING, CRANKSHAFT 1	8				UR BLACK
	1FK-11416-21	PLANE BEARING, CRANKSHAFT 1	8				UR BROWN
	1FK-11416-31	PLANE BEARING, CRANKSHAFT 1	8				UR GREEN
	1FK-11416-41	PLANE BEARING, CRANKSHAFT 1	8				UR YELLOW
	1FK-11416-51	PLANE BEARING, CRANKSHAFT 1	8				UR PINK
	1FK-11416-61	PLANE BEARING, CRANKSHAFT 1	8				UR RED
3	4NK-11631-00-A0	PISTON (STD)	4				
	4NK-11635-00	PISTON (0.25MM O/S)	4				AP
	4NK-11636-00	PISTON (0.50MM O/S)	4				AP
4	1NL-11610-00	PISTON RING SET (STD)	4				
	1NL-11610-10	PISTON RING SET (0.25MM O/S)	4				AP
	1NL-11610-20	PISTON RING SET (0.50MM O/S)	4				AP
5	1FK-11633-00	PIN, PISTON	4				
6	93450-19095	CIRCLIP	8				
7	26H-11650-00	CONNECTING ROD ASSY	4				
8	26H-11654-00	•BOLT, CONNECTING ROD	2				
9	90179-08327	•NUT	2				
10	1FK-11656-00	PLANE BEARING, CONNECTING ROD	8				UR BLUE
	1FK-11656-10	PLANE BEARING, CONNECTING ROD	8				UR BLACK
	1FK-11656-20	PLANE BEARING, CONNECTING ROD	8				UR BROWN
	1FK-11656-30	PLANE BEARING, CONNECTING ROD	8				UR GREEN
	1FK-11656-40	PLANE BEARING, CONNECTING ROD	8				UR YELLOW
	1FK-11656-50	PLANE BEARING, CONNECTING ROD	8				UR PINK
11	90280-05029	KEY, WOODRUFF	1				
12	90105-12584	BOLT, WASHER BASED	1				



4NK110-6020

**B5**

FIG. 2 CRANKSHAFT • PISTON



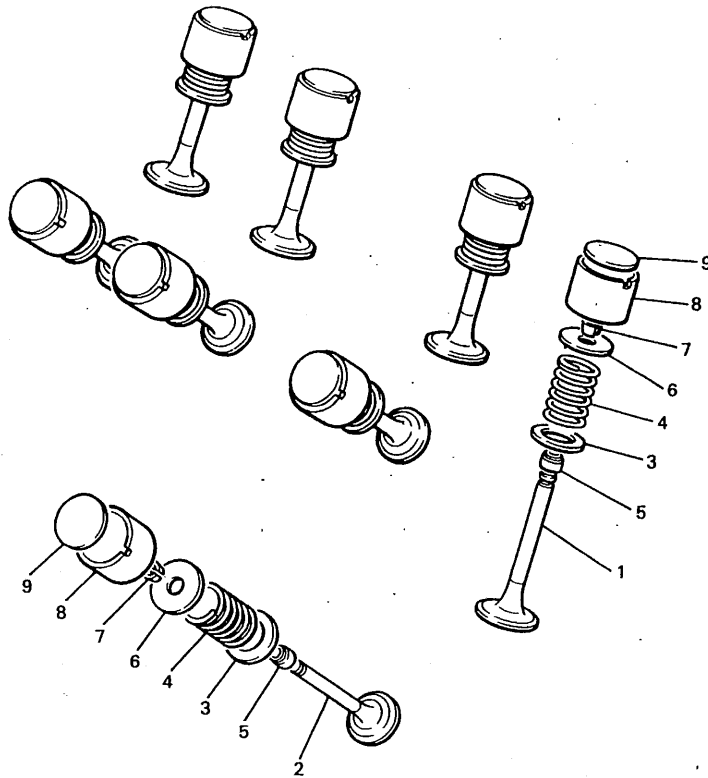
REF. NO.	PART NO.	DESCRIPTION	EUR					REMARKS
13	90201-121H0	WASHER, PLATE	1					



4NK110-6020

**B6**

FIG. 3 VALVE



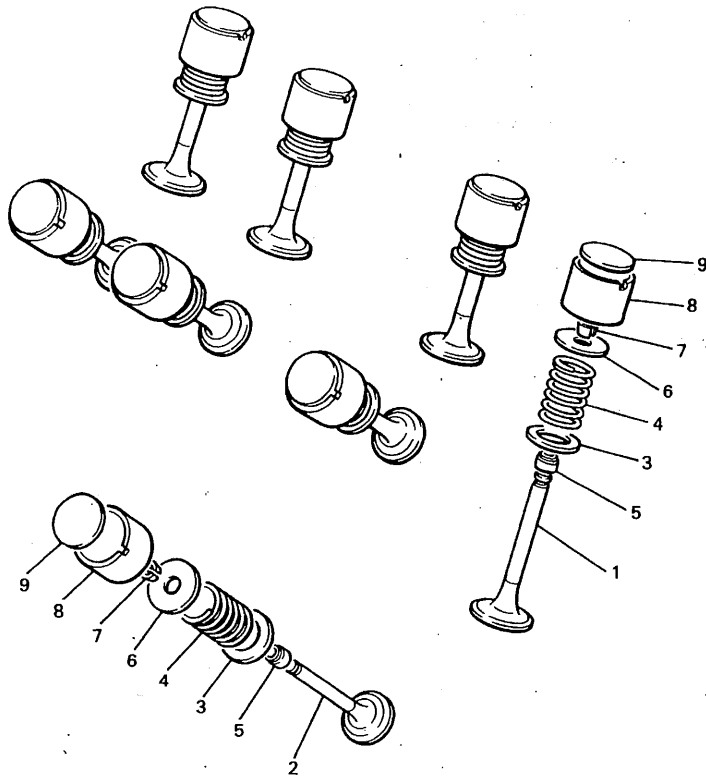
REF. NO.	PART NO.	DESCRIPTION	EUR				REMARKS
1	26H-12111-10	VALVE, INTAKE	8				
2	26H-12121-10	VALVE, EXHAUST	8				
3	26H-12116-00	SEAT, VALVE SPRING	16				
4	4NK-12114-00	SPRING, VALVE OUTER	16				
5	4KM-12119-00	SEAL, VALVE STEM	16				
6	26H-12117-00	RETAINER, VALVE SPRING	16				
7	4G0-12118-00	COTTER, VALVE	32				
8	26H-12153-00-Y0	LIFTER, VALVE	16				UR
	26H-12153-00-J0	LIFTER, VALVE(O/S)	16				UR
9	26H-12168-00	PAD, ADJUSTING (2.00)	16				UR
	26H-12168-20	PAD, ADJUSTING (2.05)	16				UR
	26H-12168-40	PAD, ADJUSTING (2.10)	16				UR
	26H-12168-60	PAD, ADJUSTING (2.15)	16				UR
	26H-12168-80	PAD, ADJUSTING (2.20)	16				UR
	26H-12168-A0	PAD, ADJUSTING (2.25)	16				UR
	26H-12168-F0	PAD, ADJUSTING (2.30)	16				UR
	26H-12168-H0	PAD, ADJUSTING (2.35)	16				UR
	26H-12168-K0	PAD, ADJUSTING (2.40)	16				UR
	26H-12168-M0	PAD, ADJUSTING (2.45)	16				UR
	26H-12168-R0	PAD, ADJUSTING (2.50)	16				UR
	26H-12168-U0	PAD, ADJUSTING (2.55)	16				UR
	26H-12168-W0	PAD, ADJUSTING (2.60)	16				UR
	26H-12168-Y0	PAD, ADJUSTING (2.65)	16				UR
	26H-12169-10	PAD, ADJUSTING (2.70)	16				UR
	26H-12169-30	PAD, ADJUSTING (2.75)	16				UR
	26H-12169-50	PAD, ADJUSTING (2.80)	16				UR
	26H-12169-70	PAD, ADJUSTING (2.85)	16				UR



4NK110-6030

FIG. 3 VALVE

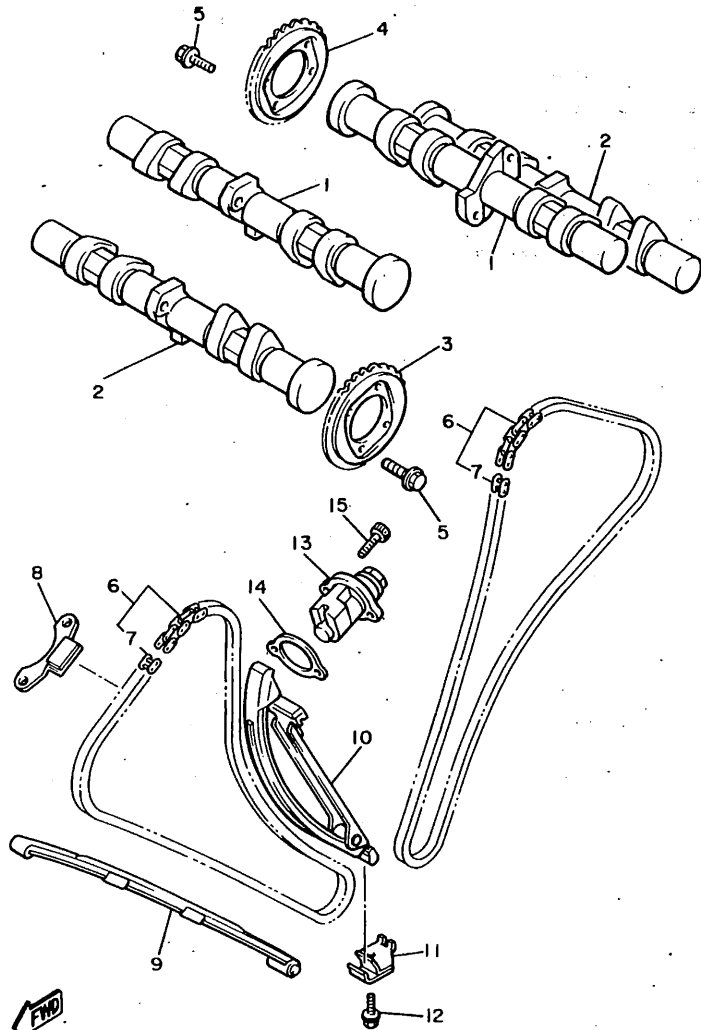
REF. NO.	PART NO.	DESCRIPTION	EUR				REMARKS
9	26H-12169-90	PAD, ADJUSTING (2.90)	16				UR
	26H-12169-E0	PAD, ADJUSTING (2.95)	16				UR
	26H-12169-G0	PAD, ADJUSTING (3.00)	16				UR
	26H-12169-J0	PAD, ADJUSTING (3.05)	16				UR
	26H-12169-L0	PAD, ADJUSTING (3.10)	16				UR
	26H-12169-N0	PAD, ADJUSTING (3.15)	16				UR
	26H-12169-T0	PAD, ADJUSTING (3.20)	16				UR



4NK110-6030

**B8**

FIG. 4 CAMSHAFT • CHAIN

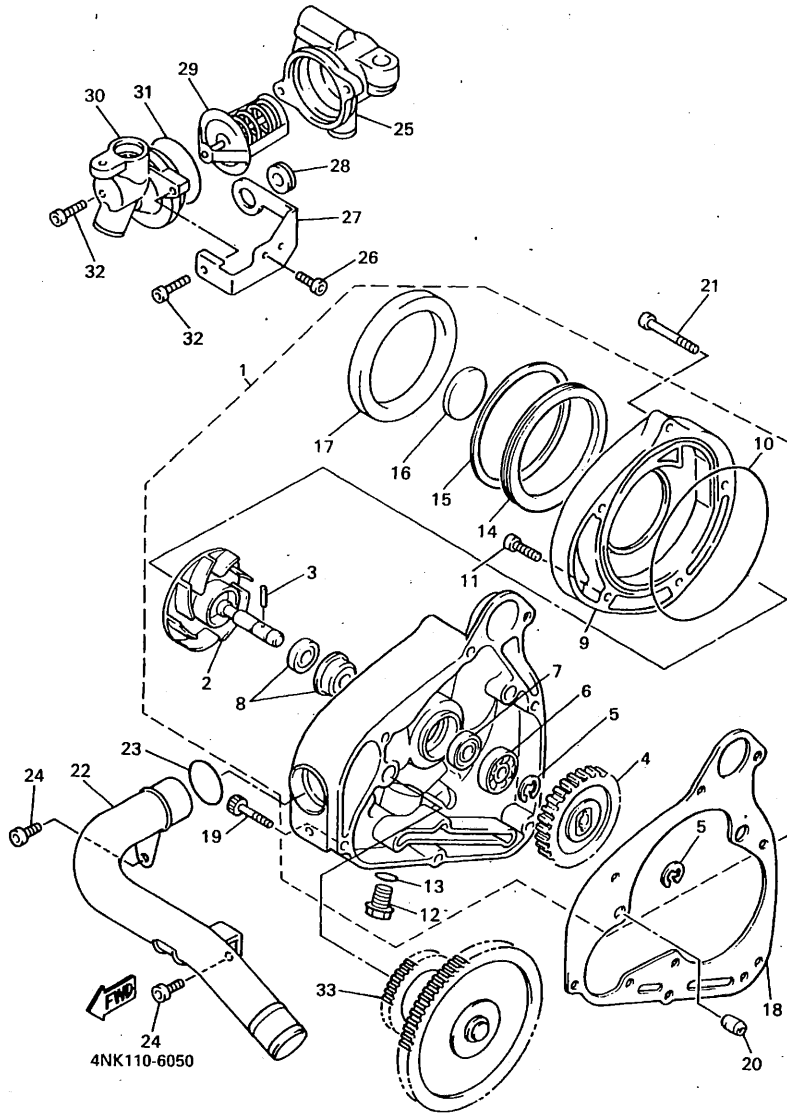


26H110-3030

REF. NO.	PART NO.	DESCRIPTION	EUR				REMARKS
1	2WT-12171-00	CAMSHAFT 1	2				TSUBAKIMOTO
2	1NL-12181-00	CAMSHAFT 2	2				
3	26H-12177-01	SPROCKET, CAM CHAIN	2				
4	26H-12176-02	SPROCKET, CAM CHAIN	2				
5	90105-07342	BOLT, WASHER BASED	8				
6	94590-44118	CHAIN (BF05M-118L)	2				
7	94600-02001	JOINT, CHAIN (BF05M)	2				
8	26H-12241-00	GUIDE, STOPPER 2	2				
9	26H-12251-00	DAMPER, CHAIN 1	2				
10	26H-12252-00	DAMPER, CHAIN 2	2				
11	26H-12233-00	PLATE, GUIDE STOPPER 1	1				
12	95817-08025	BOLT, FLANGE	1				
13	26H-12210-03	TENSIONER ASSY, CAM CHAIN	2				
14	3JP-12213-01	GASKET, TENSIONER CASE	2				
15	91317-06020	BOLT	4				



FIG. 5 WATER PUMP



REF. NO.	PART NO.	DESCRIPTION	EUR				REMARKS
1	4NK-12420-00	WATER PUMP ASSY	1				
2	1FK-12450-00	•IMPELLER SHAFT ASSY	1				
3	93603-14026	•PIN, DOWEL	1				
4	26H-12459-00	•GEAR, IMPELLER SHAFT (31T)	1				
5	99009-10400	•CIRCLIP	2				
6	93306-00006	•BEARING (B6000)	1				
7	93101-10090	•OIL SEAL	1				
8	11H-12438-00	•SEAL, MECHANICAL	1				
9	4NK-12422-00	•COVER, HOUSING	1				
10	93211-113A8	•O-RING	1				
11	91314-06030	•BOLT	2				
12	90340-14132	•PLUG, STRAIGHT SCREW	1				
13	214-11198-01	•GASKET	1				
14	26H-15337-01	•DAMPER 4	1				
15	90468-98132	•CLIP	1				
16	26H-15338-00	•DAMPER, ENGINE MOUNT 5	1				
17	4NK-12437-00	•STOPPER	1				
18	4NK-12449-00	GASKET, WATER PUMP	1				
19	91314-06025	BOLT	4				
20	99530-10114	PIN, DOWEL	2				
21	91314-06080	BOLT	3				
22	4NK-12483-00	PIPE 3	1				
23	93210-23787	O-RING	1				
24	91314-06014	BOLT	2				
25	4NK-12417-00	HOUSING, THERMOSTAT	1				
26	91317-06016	BOLT	1				
27	4NK-1244E-00	BRACKET 1	1				

FIG. 5 WATER PUMP

REF. NO.	PART NO.	DESCRIPTION	EUR					REMARKS
28	90480-18276	GROMMET	1					
29	1AE-12410-00	THERMOSTAT ASSY	1					
30	4NK-12413-00	COVER, THERMOSTAT	1					
31	93210-49046	O-RING	1					
32	91317-06020	BOLT	2					
33	4NK-12450-00	IMPELLER SHAFT ASSY	1					

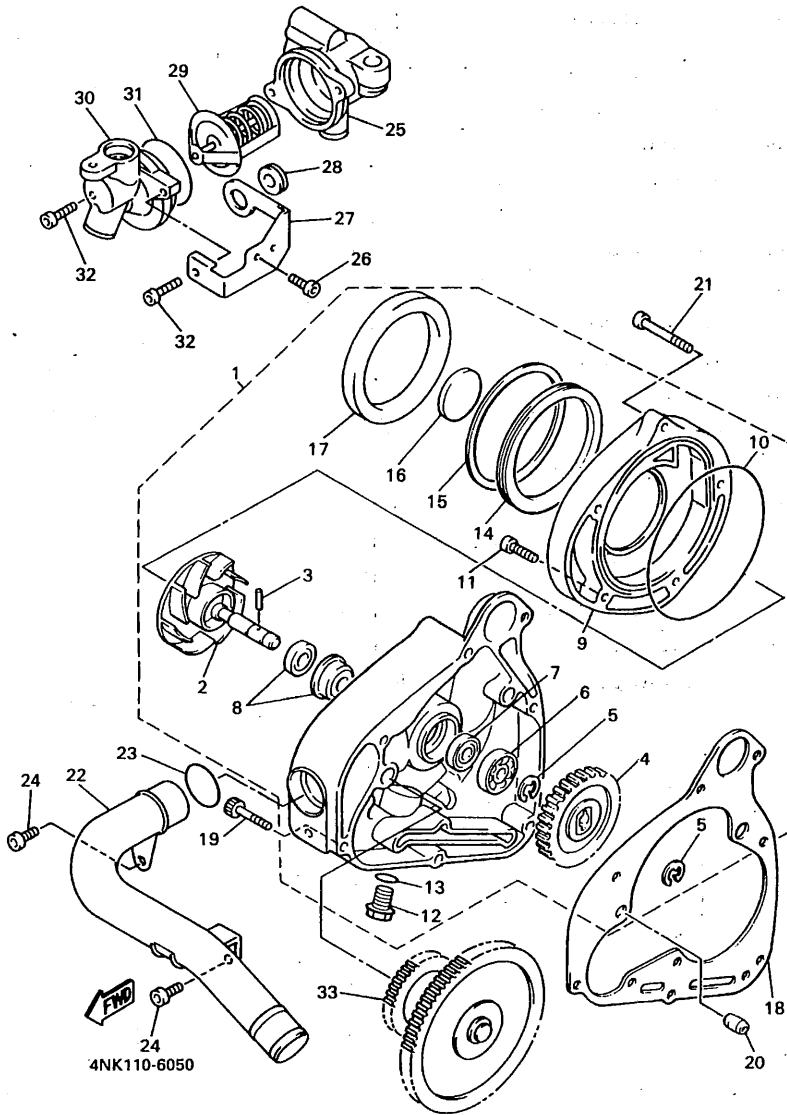
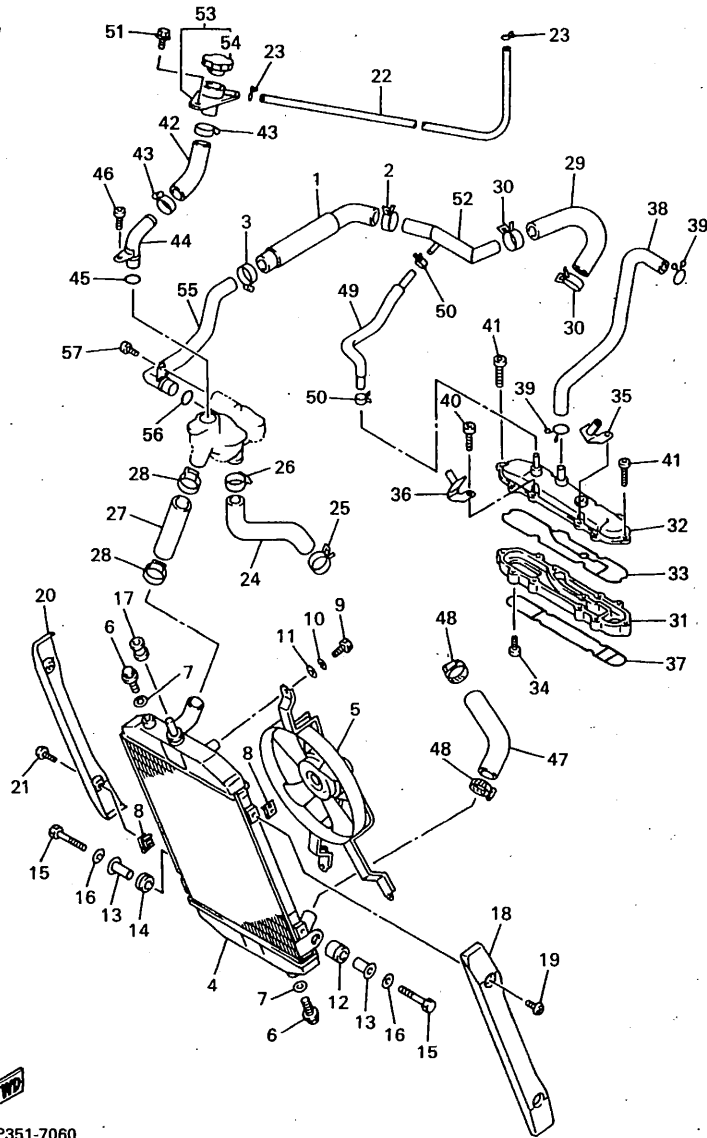


FIG. 6 RADIATOR • HOSE



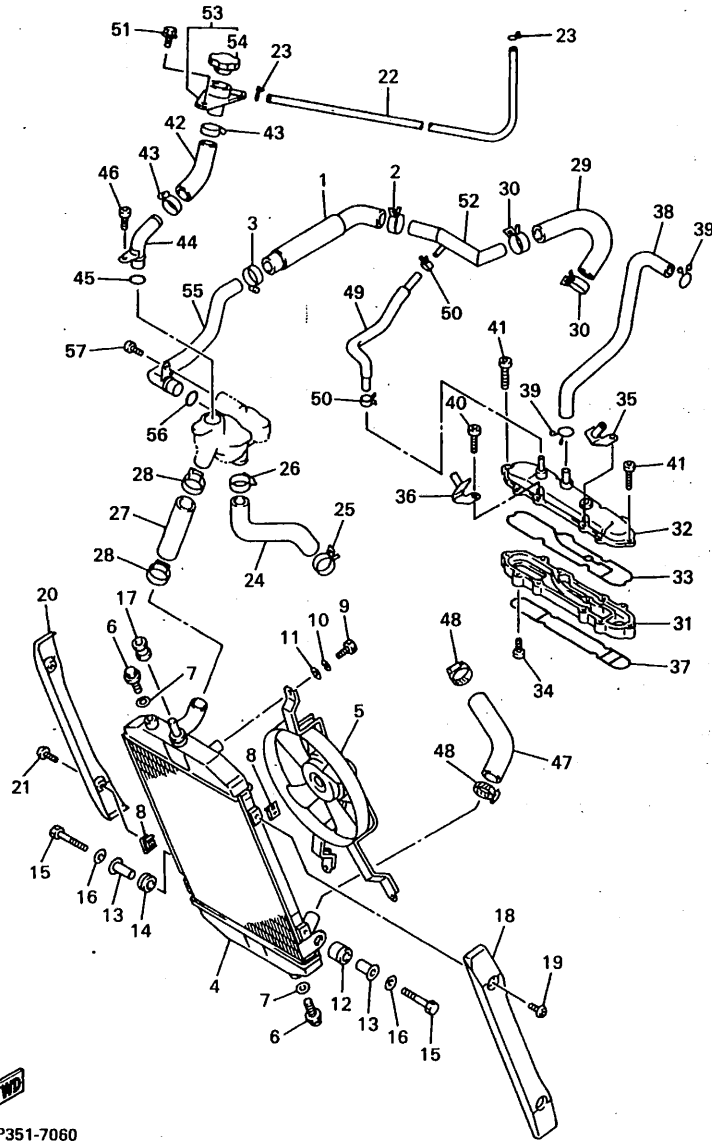
REF. NO.	PART NO.	DESCRIPTION	EUR				REMARKS
1	4NK-12578-00	HOSE 3	1				
2	90467-23109	CLIP	1				
3	90450-28014	HOSE CLAMP ASSY	1				
4	4NK-12461-01	RADIATOR ASSY	1				
5	4NK-12405-01	BLOWER ASSY	1				
6	1AA-12561-00	PLUG, DRAIN COCK	2				
7	1AA-12435-00	GASKET	2				
8	4NK-12671-00	NUT 1	4				
9	97007-06012	BOLT	3				
10	92907-06100	WASHER, SPRING	3				
11	92907-06600	WASHER, PLATE	3				
12	4NK-12465-00	DAMPER, RADIATOR	1				
13	90387-0609L	COLLAR	2				
14	90480-19283	GROMMET	1				
15	97007-06040	BOLT	2				
16	92907-06600	WASHER, PLATE	2				
17	90480-16284	GROMMET	1				
18	4WY-1240J-00	RADIATOR COVER ASSY1	1				
19	92017-06010	BOLT, BUTTON HEAD	2				
20	4WY-1240K-00	RADIATOR COVER ASSY 2	1				
21	92017-06010	BOLT, BUTTON HEAD	2				
22	90445-097F7	HOSE	1				
23	90467-08003	CLIP	2				
24	4NK-12576-00	HOSE 1	1				
25	90467-23109	CLIP	1				
26	90450-32051	HOSE CLAMP ASSY	1				
27	4NK-12579-00	HOSE 4	1				



4YP351-7060

**B12**

FIG. 6 RADIATOR • HOSE



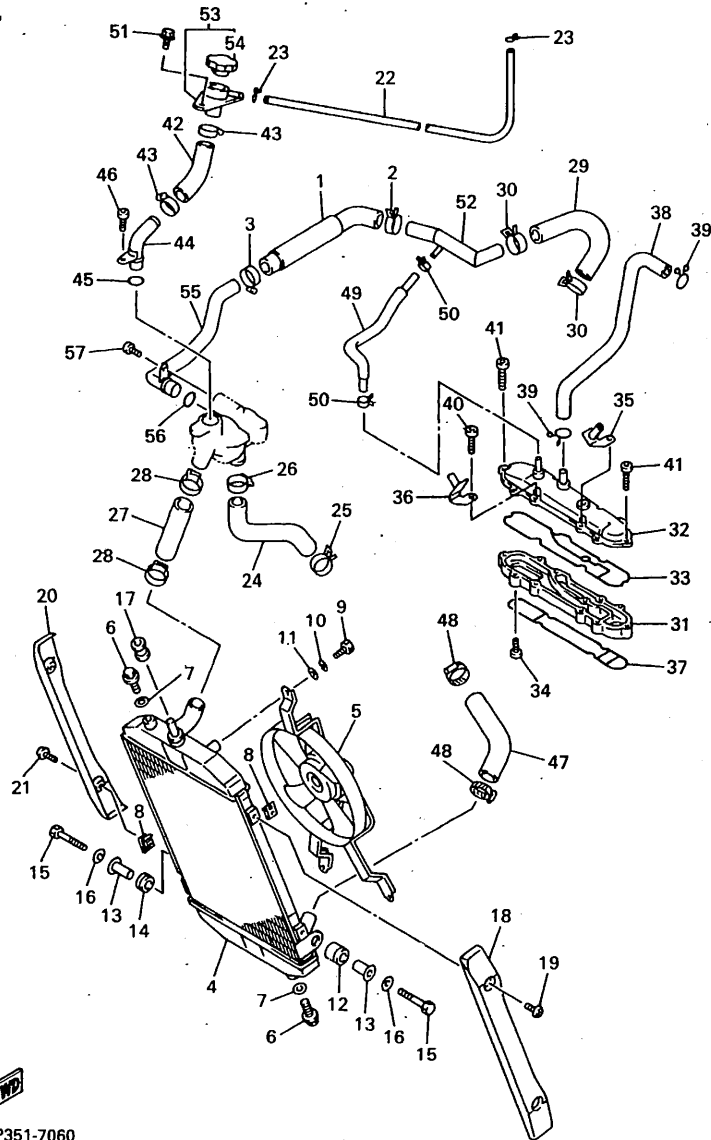
REF. NO.	PART NO.	DESCRIPTION	EUR				REMARKS
28	90450-38040	HOSE CLAMP ASSY	2				
29	4NK-12577-00	HOSE 2	1				
30	90467-23109	CLIP	2				
31	26H-1246A-03	COVER 1	1				
32	26H-1246E-03	COVER 2	1				
33	26H-12428-00	GASKET, HOUSING COVER 2	1				
34	91314-06016	BOLT	4				
35	4NK-14413-00	STAY	1				
36	4NK-14414-00	STAY 2	1				
37	26H-12427-00	GASKET, HOUSING COVER 1	1				
38	4NK-11166-00	PIPE, BREATHER 1	1				
39	90467-14015	CLIP	2				
40	4NK-12615-00	BOLT	4				
41	91314-06040	BOLT	2				
42	4NK-12589-00	HOSE 6	1				
43	90450-28014	HOSE CLAMP ASSY	2				
44	4NK-12484-00	PIPE 4	1				
45	93210-18417	O-RING	1				
46	91317-06010	BOLT	1				
47	4NK-12588-00	HOSE 5	1				
48	90450-38040	HOSE CLAMP ASSY	2				
49	4NK-12551-00	HOSE 7	1				
50	90467-11090	CLIP	2				
51	95827-06012	BOLT, FLANGE	2				
52	4NK-12481-00	PIPE 1	1				
53	4NK-12590-00	CONDUCTION ASSY	1				
54	3XP-12462-00	•CAP, RADIATOR	1				



4YP351-7060

**B13**

FIG. 6 RADIATOR • HOSE



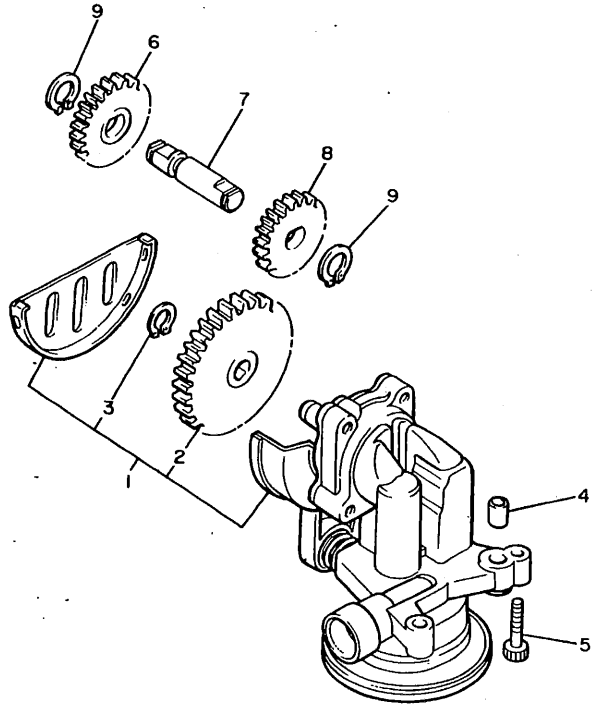
REF. NO.	PART NO.	DESCRIPTION	EUR				REMARKS
55	4NK-12482-00	PIPE 2	1				
56	93210-18417	O-RING	1				
57	91317-06012	BOLT	1				



4YP351-7060

**B14**

FIG. 7 OIL PUMP

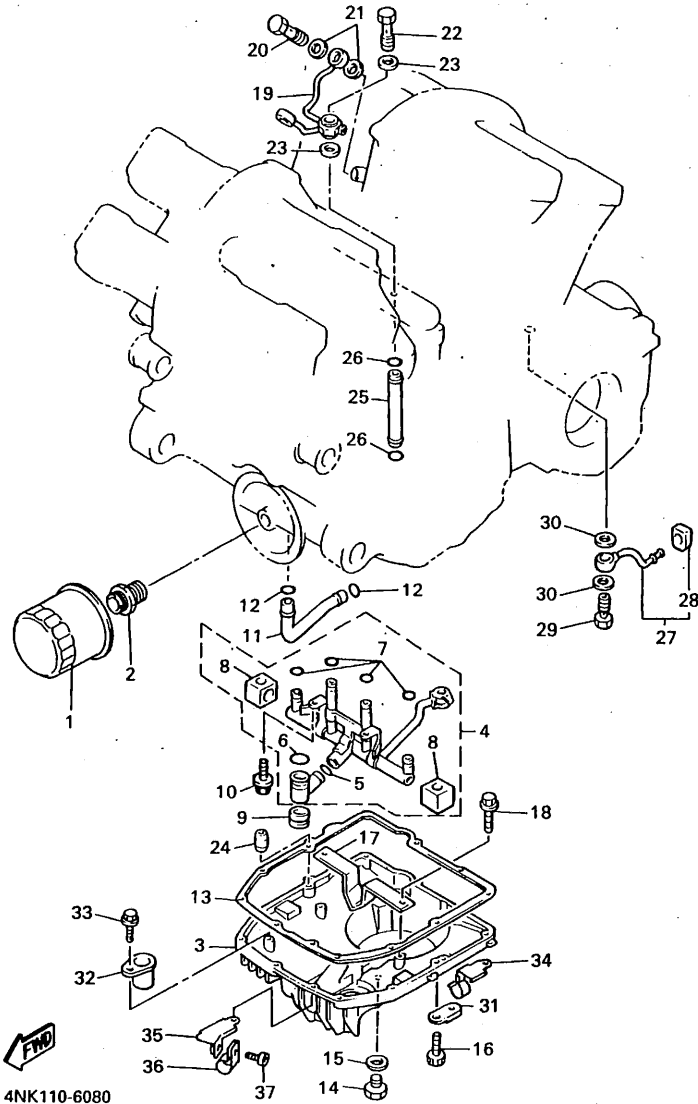


REF. NO.	PART NO.	DESCRIPTION	EUR				REMARKS
1	26H-13300-02	OIL PUMP ASSY	1				
2	26H-13325-00	•GEAR, PUMP DRIVEN (28T)	1				
3	99009-11400	•CIRCLIP	1				
4	99530-10114	PIN, DOWEL	2				
5	91317-06025	BOLT	3				
6	26H-13351-01	GEAR, PUMP IDLE 1 (16T)	1				
7	26H-13342-00	SHAFT, IDLE GEAR	1				
8	26H-13361-00	GEAR, PUMP IDLE 2 (15T)	1				
9	99009-12400	CIRCLIP	2				



26H110-3070

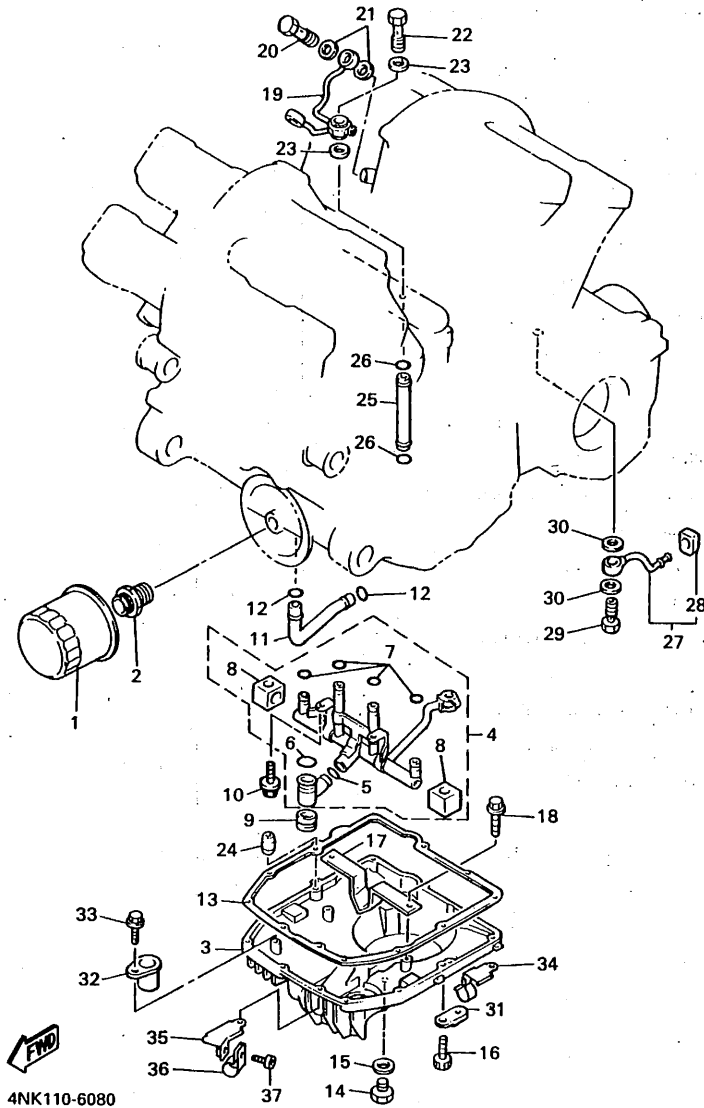
FIG. 8 OIL CLEANER



4NK110-6080

REF. NO.	PART NO.	DESCRIPTION	EUR				REMARKS
1	3FV-13440-00	ELEMENT ASSY, OIL CLEANER	1				
2	90401-20145	BOLT, UNION	1				
3	26H-13417-01	COVER, STRAINER	1				
4	26H-Y1319-10	DELIVERY PIPE ASS'Y	1				
5	93210-13361	•O-RING	1				
6	93210-14637	•O-RING	1				
7	93210-06667	•O-RING	4				
8	26H-15365-00	•GROMMET	2				
9	26H-15366-01	GROMMET	1				
10	95817-06012	BOLT, FLANGE	2				
11	26H-13161-00	PIPE, DELIVERY 1	1				
12	93210-14579	O-RING	2				
13	3JP-13414-01	GASKET, STRAINER COVER	1				
14	3VD-13455-00	PLUG	1				
15	214-11198-01	GASKET	1				
16	91317-06030	BOLT	12				
17	26H-13337-01	PLATE, BAFFLE LOWER	1				
18	95817-06012	BOLT, FLANGE	2				
19	26H-13181-03	PIPE, DELIVERY 3	1				
20	90401-08038	BOLT, UNION	2				
21	90430-08119	GASKET	4				
22	90401-10108	BOLT, UNION	1				
23	90201-101A0	WASHER, PLATE	2				
24	99530-08016	PIN, DOWEL	2				
25	26H-13171-00	PIPE, DELIVERY 2	1				
26	93210-06667	O-RING	2				
27	26H-13416-01	PIPE, OIL 1	1				

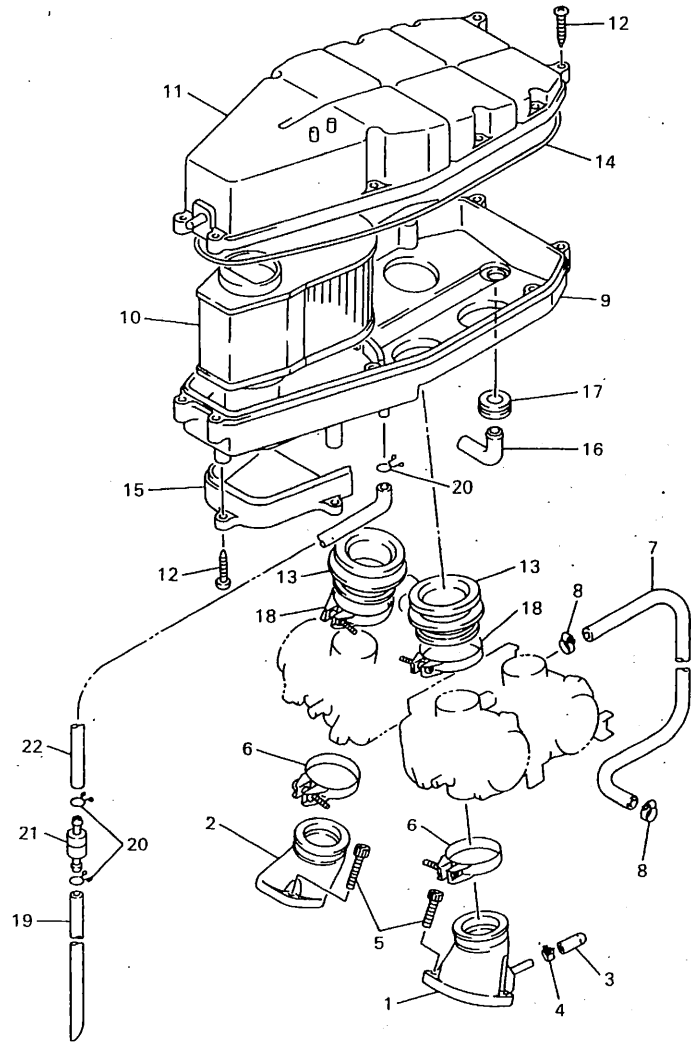
FIG. 8 OIL CLEANER



REF. NO.	PART NO.	DESCRIPTION	EUR					REMARKS
28	26H-13476-00	GASKET	1					
29	90401-08093	BOLT, UNION	1					
30	90430-08119	GASKET	2					
31	90465-08193	CLAMP	1					
32	1FK-13151-00	STAY	1					
33	95817-06012	BOLT, FLANGE	1					
34	90462-10226	CLAMP	1					
35	4NK-13782-00	STAY	1					
36	90461-15100	CLAMP	1					
37	91317-05010	BOLT	1					



FIG. 9 INTAKE

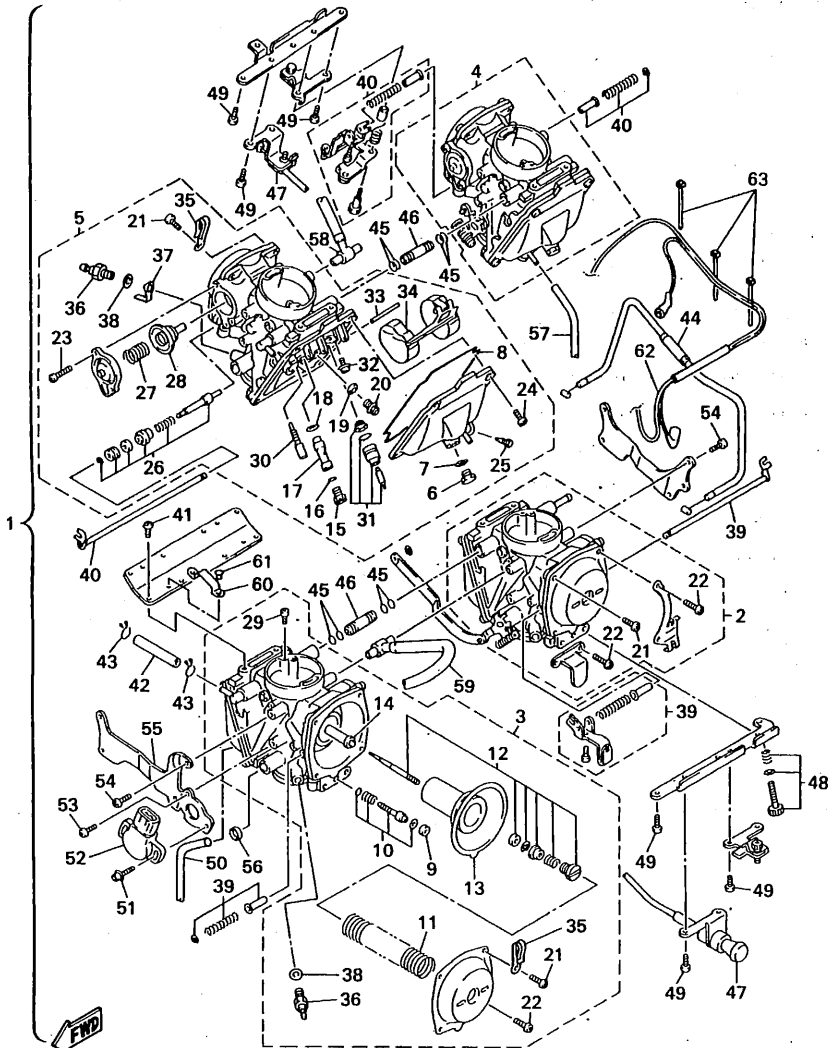


REF. NO.	PART NO.	DESCRIPTION	EUR				REMARKS
1	4NK-13586-00	JOINT, CARBURETOR 1	2				
2	4NK-13596-00	JOINT, CARBURETOR 2	2				
3	16G-13569-00	PLUG, BLIND	4				
4	90467-10039	CLIP	4				
5	91317-06020	BOLT	8				
6	4DN-13575-00	BAND	4				
7	90445-124J5	HOSE	1				
8	90467-13123	CLIP	2				
9	4NK-14411-00	CASE, AIR CLEANER 1	1				
10	4NK-14451-00	ELEMENT, AIR CLEANER	1				
11	4NK-14421-00	CASE, AIR CLEANER 2	1				
12	97707-50130	SCREW, TAPPING	13				
13	4NK-14453-00	JOINT, AIR CLEANER 1	4				
14	4NK-14452-00	SEAL	1				
15	4NK-14437-00	DUCT	1				
16	31A-14419-00	PIPE	1				
17	31A-14435-00	GROMMET	1				
18	90460-54085	CLAMP, HOSE	4				
19	90445-115J9	HOSE	1				
20	90467-11106	CLIP	3				
21	4X7-2149Y-00	FILTER ASSY	1				
22	4NK-14419-00	PIPE	1				

  
4NK110-6090

**C4**

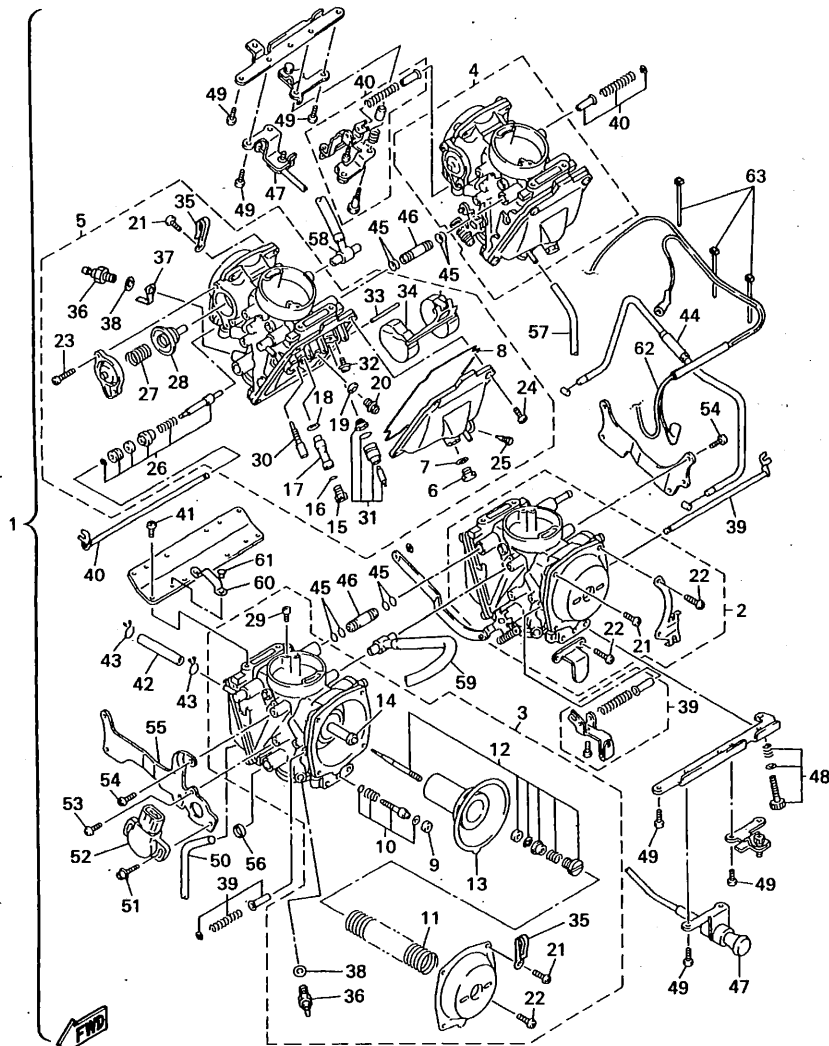
FIG. 10 CARBURETOR



4YP351-7100

REF. NO.	PART NO.	DESCRIPTION	EUR				REMARKS
1	4YP-14900-00	CARBURETOR ASSY	1				
2	4YP-14901-00	•CARBURETOR ASSY 1	1				
3	4YP-14902-00	•CARBURETOR ASSY 2	1				
4	4YP-14903-00	•CARBURETOR ASSY 3	1				
5	4YP-14904-00	•CARBURETOR ASSY 4	1				
6	22U-14115-00	••PLUG, SCREW	1				
7	22U-14561-00	••O-RING	1				
8	1HX-14147-00	••O-RING	1				
9	22F-14991-00	••CAP	1				
10	3KW-14105-00	••PILOT SCREW SET	1				
11	3KW-14933-00	••SPRING, DIAPHRAGM	1				
12	4WY-1490J-00	••NEEDLE SET	1				
13	4WY-14940-00	••DIAPHRAGM ASSY	1				
14	3DM-14141-30	••MAIN NOZZLE(0-0)	1				
15	3G2-14231-19	••JET, POWER (# 95)	1				
16	1AE-14227-00	••O-RING	1				
17	1AE-14261-00	••HOLDER	1				
18	1AE-14237-00	••GASKET	1				
19	137-14153-00	••WASHER, MAIN JET	1				
20	1HX-14565-00	••SCREW	1				
21	98580-04008	••SCREW, PAN HEAD	1				UR #1
	98580-04008	••SCREW, PAN HEAD	3				UR #2
	98580-04008	••SCREW, PAN HEAD	4				UR #3,4
22	97890-04010	••SCREW, PAN HEAD	3				UR #1
	97890-04010	••SCREW, PAN HEAD	1				UR #2
23	1UY-14565-00	••SCREW	2				
24	98507-04014	••SCREW, PAN HEAD	4				

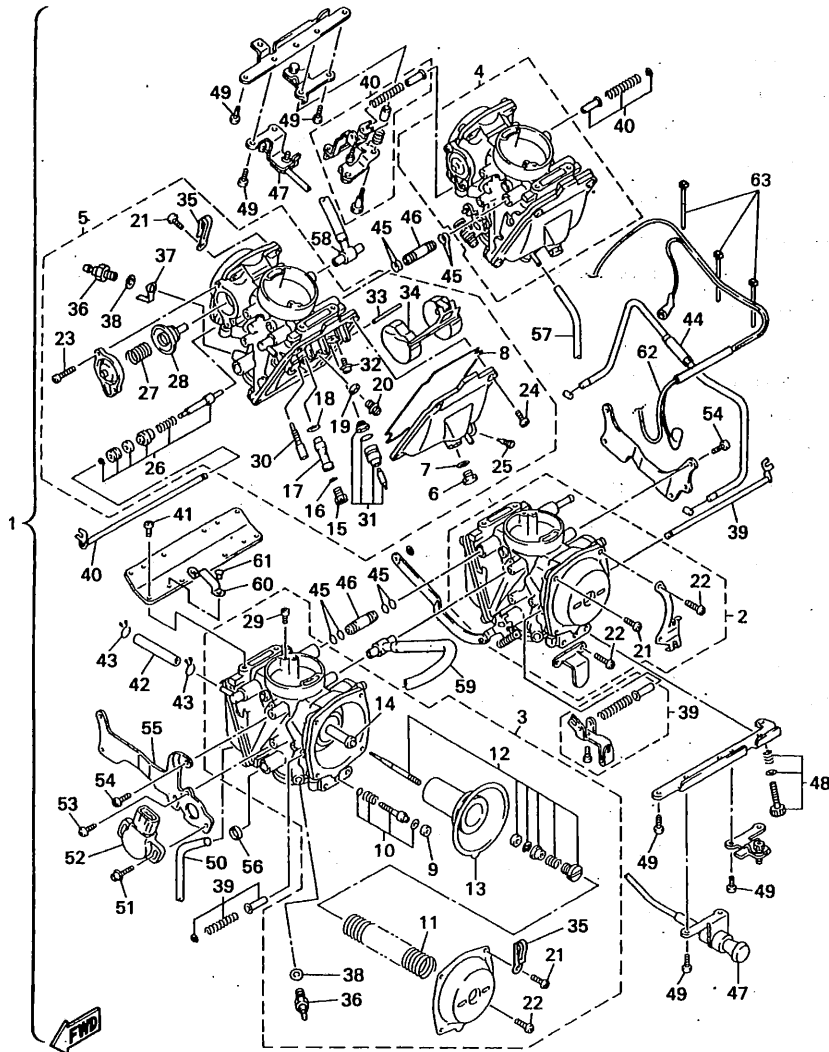
FIG. 10 CARBURETOR



4YP351-7100

REF. NO.	PART NO.	DESCRIPTION	EUR				REMARKS
25	12R-14191-00	..PLUG, DRAIN	1				
26	4DN-1410A-01	..STARTER SET	1				
27	4NK-14935-00	..SPRING	1				
28	22V-14940-00	..DIAPHRAGM ASSY	1				
29	1HX-14231-23	..JET, MAIN (#115)	1				
30	22F-14142-20	..JET, PILOT (# 20)	1				
31	3CF-14107-15	..NEEDLE VALVE SET	1				
32	1FN-14565-00	..SCREW	1				
33	353-14186-00	..PIN, FLOAT	1				
34	1HX-14985-00	..FLOAT	1				
35	90461-06087	..CLAMP	1				#2,4
36	4EB-83790-00	..HEATER ASSY	1				
37	4DH-82103-00	..TERMINAL 1	1				
38	90201-085R5	..WASHER, PLATE	1				
39	4NK-1490L-00	..STARTER LEVER SET, 1	1				
40	4NK-1490L-10	..STARTER LEVER SET, 1	1				
41	98507-05010	..SCREW, PAN HEAD	8				
42	4NK-14396-00	..PIPE	1				
43	4NK-14137-00	..CLIP	2				
44	4NK-14130-00	..CABLE	1				
45	36Y-14147-00	..O-RING	8				
46	1WG-14251-00	..NIPPLE	2				
47	4NK-14130-11	..CABLE	1				
48	4NK-14103-00	..THROTTLE SCREW SET	1				
49	98507-05012	..SCREW, PAN HEAD	9				
50	3JD-14197-00	..PIPE	2				
51	4HM-14216-00	..SCREW	2				

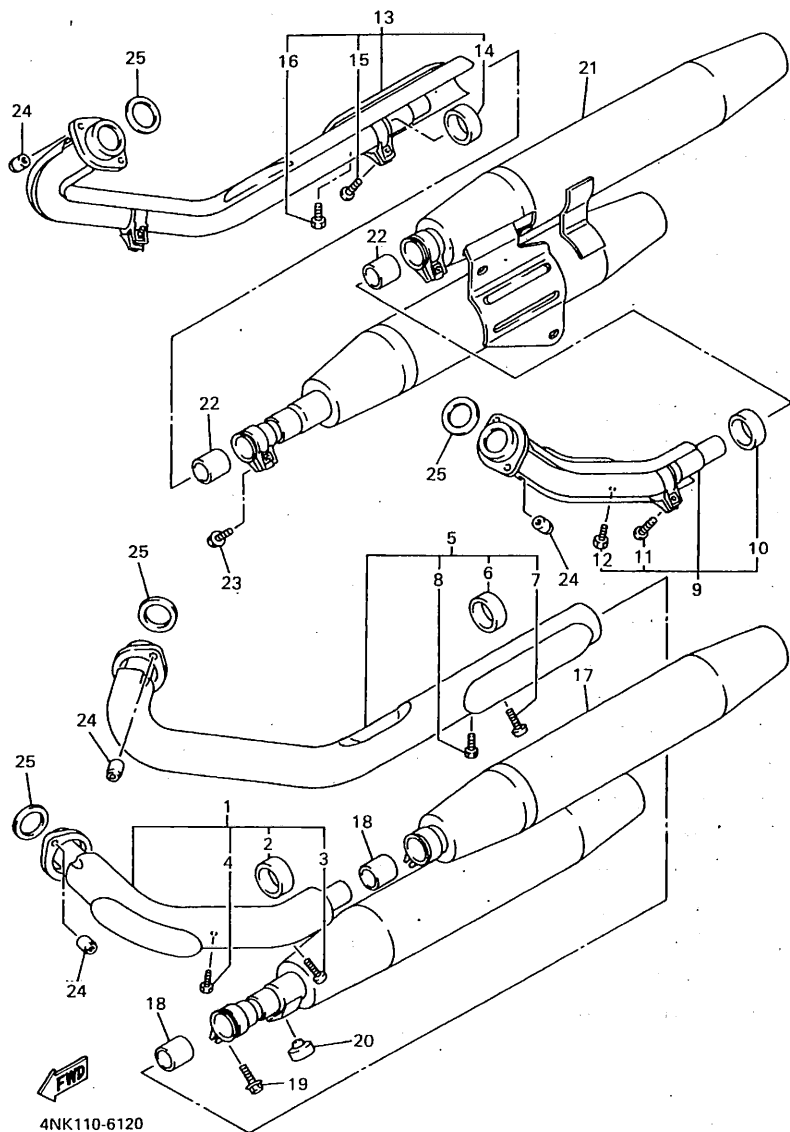
FIG. 10 CARBURETOR



4YP351-7100

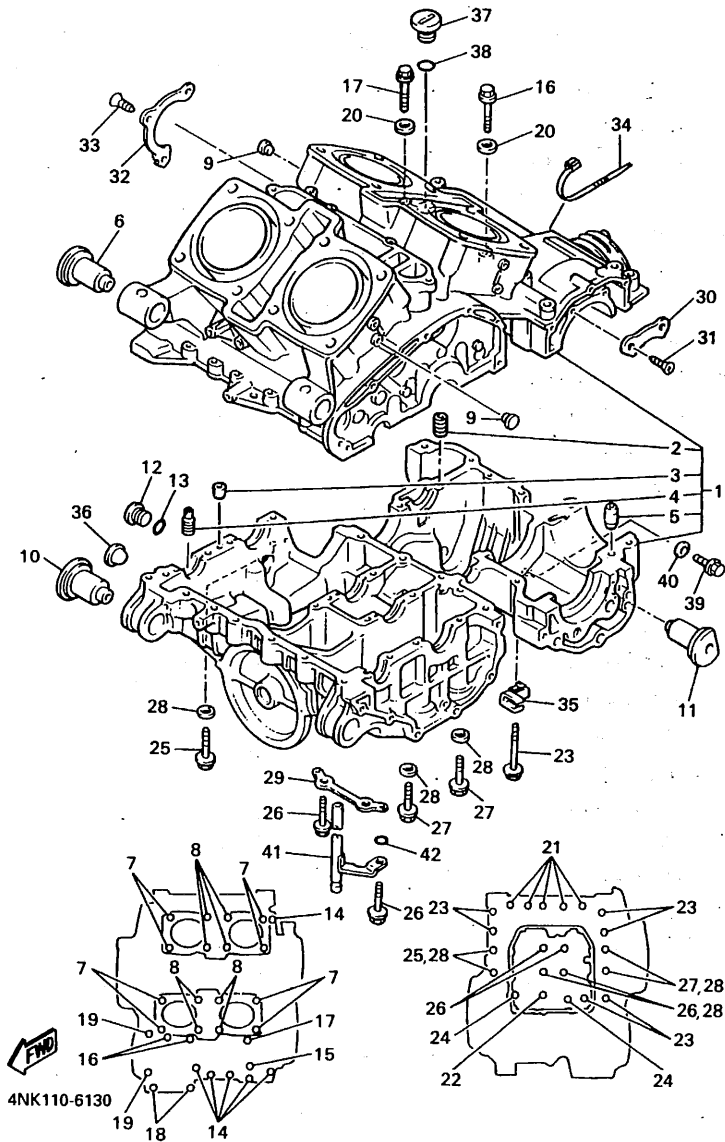
REF. NO.	PART NO.	DESCRIPTION	EUR					REMARKS
52	4NK-85885-00	•THROTTLE POSITION SENSOR ASSY	1					
53	98707-05008	•SCREW, FLAT HEAD	1					
54	98507-05010	•SCREW, PAN HEAD	7					
55	4NK-14867-00	•BRACKET	1					
56	4HM-14239-00	•SEAL	1					
57	4FU-14197-00	•PIPE	2					
58	4NK-14349-10	•PIPE	1					
59	4NK-14349-20	•PIPE	1					
60	4NK-14243-00	•PLATE	1					
61	4NK-14386-00	•PIN, FLOAT	2					
62	4WY-81517-00	•WIRE, SUB LEAD	1					
63	35H-14139-00	•CLIP, PIPE	3					

FIG. 11 EXHAUST



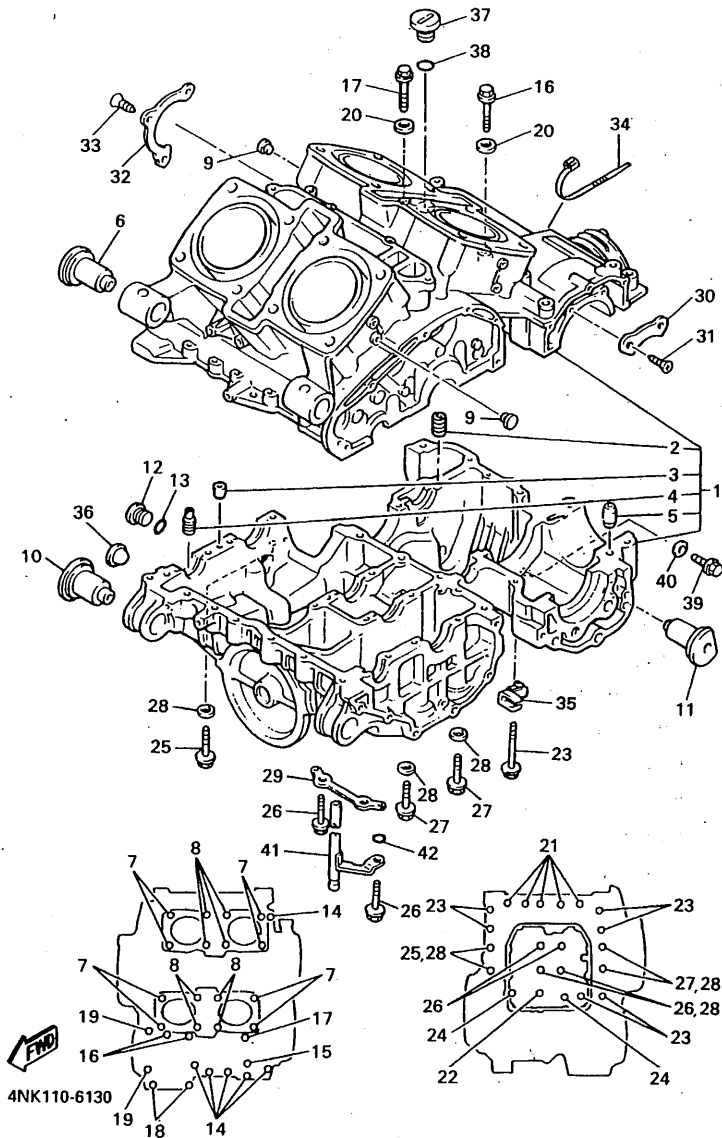
REF. NO.	PART NO.	DESCRIPTION	EUR				REMARKS
1	4NK-14610-00	EXHAUST PIPE ASSY 1	1				
2	4NK-14714-00	•GASKET, MUFFLER	1				
3	92017-08020	•BOLT, BUTTON HEAD	1				
4	90101-06576	•BOLT	1				
5	4NK-14620-00	EXHAUST PIPE ASSY 2	1				
6	4NK-14714-00	•GASKET, MUFFLER	2				
7	92017-08025	•BOLT, BUTTON HEAD	2				
8	90101-06576	•BOLT	1				
9	4NK-14630-00	EXHAUST PIPE ASSY 3	1				
10	4NK-14714-00	•GASKET, MUFFLER	1				
11	92017-08020	•BOLT, BUTTON HEAD	1				
12	90101-06576	•BOLT	1				
13	4NK-14650-00	EXHAUST PIPE ASSY 4	1				
14	4NK-14714-00	•GASKET, MUFFLER	2				
15	92017-08025	•BOLT, BUTTON HEAD	2				
16	90101-06576	•BOLT	1				
17	4YP-14703-00	MUFFLER COMP. 1	1				
18	4BH-14714-00	GASKET, MUFFLER	2				
19	95027-08020	BOLT, FLANGE	2				
20	116-27114-00	STOPPER, MAIN STAND	1				
21	4YP-14704-00	MUFFLER COMP. 2	1				
22	4BH-14714-00	GASKET, MUFFLER	2				
23	95027-08020	BOLT, FLANGE	2				
24	90179-08442	NUT	8				
25	3GD-14613-00	GASKET, EXHAUST PIPE	4				

FIG. 12 CRANKCASE



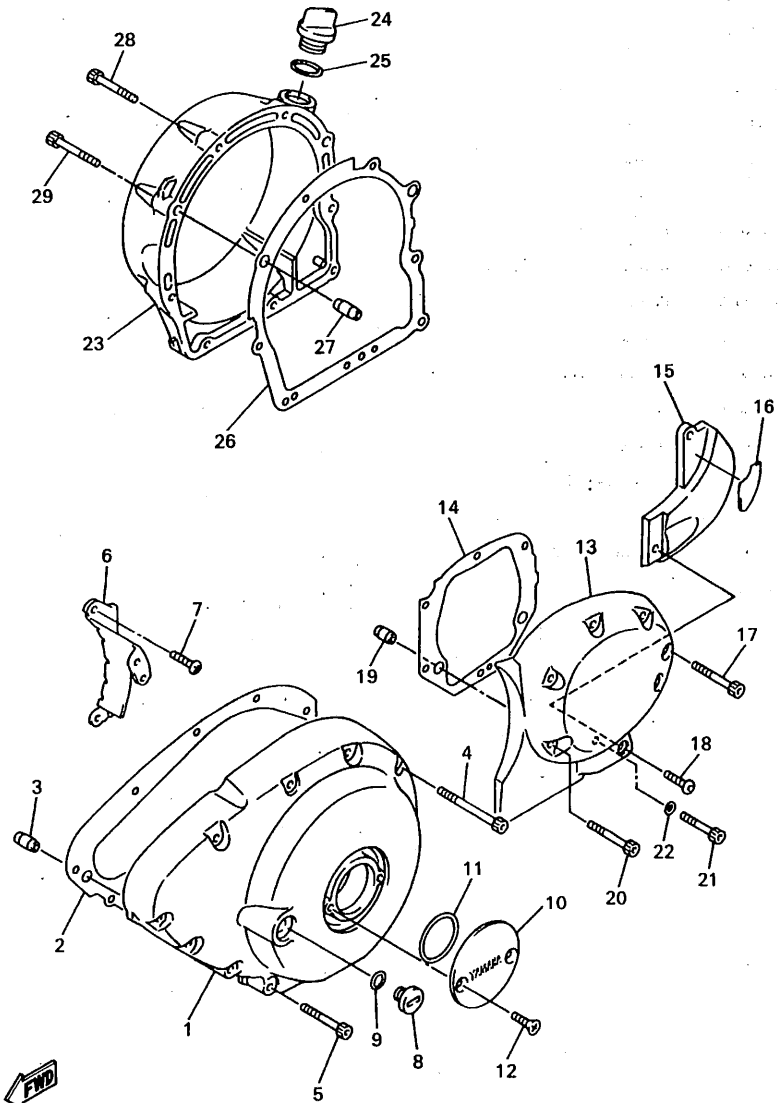
REF. NO.	PART NO.	DESCRIPTION	EUR				REMARKS
1	4NK-15100-00	CRANKCASE ASSY	1				
2	26H-15138-00	•NOZZLE 1	1				
3	26H-15148-00	•NOZZLE 2	1				
4	4NK-15138-00	•NOZZLE 1	1				
5	99530-10114	•PIN, DOWEL	1				
6	1AA-15336-00	DAMPER, ENGINE MOUNT 3	2				
7	90116-10411	BOLT, STUD	8				
8	90116-10429	BOLT, STUD	8				
9	90338-11152	PLUG	4				
10	1AA-15336-00	DAMPER, ENGINE MOUNT 3	2				
11	1AA-15326-00	DAMPER, ENGINE MOUNT 2	2				
12	4H7-15189-00	PLUG	1				
13	93210-22382	O-RING	1				
14	95814-06045	BOLT, FLANGE	6				
15	95814-06070	BOLT, FLANGE	1				
16	95814-06090	BOLT, FLANGE	2				
17	95817-06095	BOLT, FLANGE	1				
18	95814-08045	BOLT, FLANGE	2				
19	95814-08080	BOLT, FLANGE	2				
20	90430-06166	GASKET	2				
21	95817-08050	BOLT, FLANGE	5				
22	95817-08065	BOLT, FLANGE	1				
23	95814-08080	BOLT, FLANGE	2				
24	95817-08095	BOLT, FLANGE	2				
25	90109-103G0	BOLT	2				
26	90105-10248	BOLT, WASHER BASED	4				
27	90105-10249	BOLT, WASHER BASED	2				

FIG. 12 CRANKCASE



REF. NO.	PART NO.	DESCRIPTION	EUR				REMARKS
28	90201-11597	WASHER, PLATE	6				
29	26H-15113-00	PLATE	1				
30	26H-15381-00	PLATE, BEARING COVER	2				
31	90149-08152	SCREW	4				
32	26H-15383-00	PLATE, BEARING COVER	1				
33	90151-06041	SCREW, COUNTERSUNK	3				
34	90464-13073	CLAMP	1				
35	90465-08233	CLAMP	1				
36	2H7-15361-00	GAUGE, LEVEL	1				
37	4NK-15363-00	PLUG, OIL	1				
38	93210-27370	O-RING	1				
39	95807-12016	BOLT, FLANGE	1				
40	90201-12790	WASHER, PLATE	1				
41	26H-15373-00	PIPE, BREATHER	1				
42	93210-06667	O-RING	1				

FIG. 13 CRANKCASE COVER 1



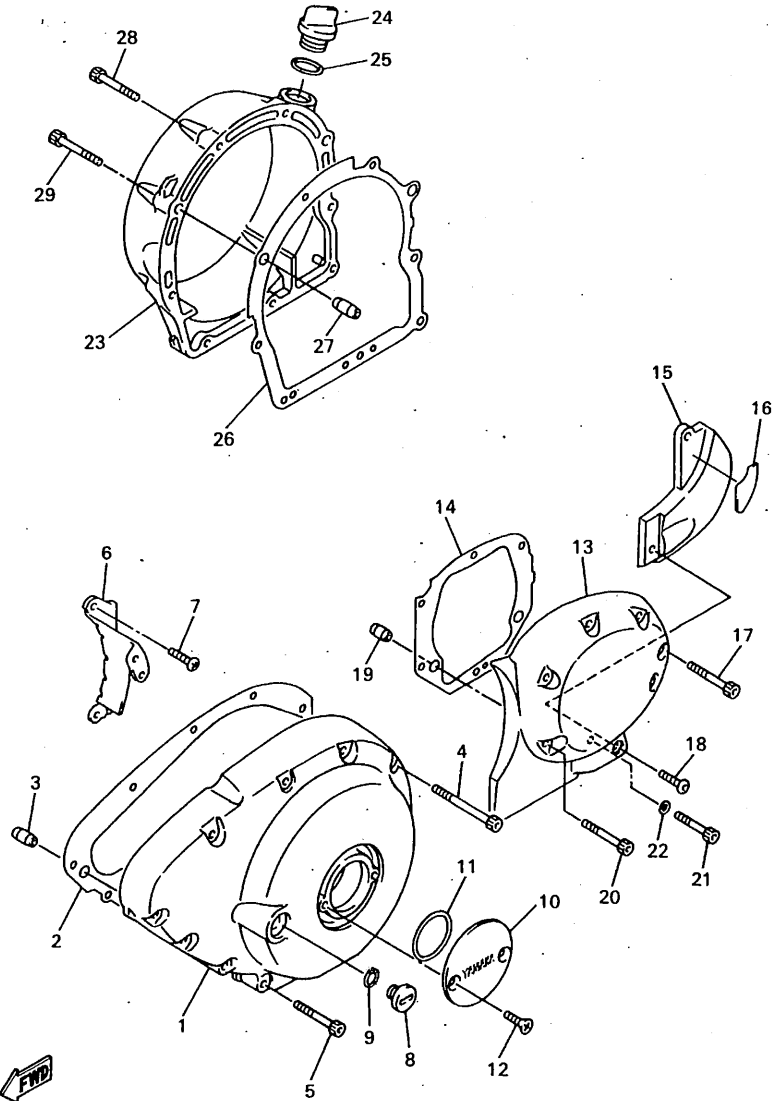
4YP351-7130

**C11**

REF. NO.	PART NO.	DESCRIPTION	EUR				REMARKS
1	4NK-15411-00	COVER, CRANKCASE 1	1				
2	4NK-15451-00	GASKET, CRANKCASE COVER 1	1				
3	99530-10114	PIN, DOWEL	2				
4	91314-06060	BOLT	4				
5	91314-06045	BOLT	7				
6	4NK-15191-00	PLATE	1				
7	98507-06016	SCREW, PAN HEAD	1				
8	90340-14139	PLUG, STRAIGHT SCREW	1				
9	93210-14369	O-RING	1				
10	4NK-15427-00	COVER, CAP 2	1				
11	93210-45150	O-RING	1				
12	98704-06016	SCREW, FLAT HEAD	2				
13	4NK-15421-00	COVER, CRANKCASE 2	1				
14	4NK-15461-00	GASKET, CRANKCASE COVER 2	1				
15	4NK-15423-00	COVER 2	1				
16	4WY-15316-00	DAMPER, ENGINE MOUNT 1	1				
17	91314-06025	BOLT	1				
18	92014-06014	BOLT, BUTTON HEAD	1				
19	99530-10114	PIN, DOWEL	2				
20	91314-06045	BOLT	3				
21	91314-06035	BOLT	3				
22	90430-06014	GASKET	1				
23	4NK-15431-00	COVER, CRANKCASE 3	1				
24	2H7-15363-00	PLUG, OIL	1				
25	93210-27370	O-RING	1				
26	4NK-15462-00	GASKET, CRANKCASE COVER 3	1				
27	99530-10114	PIN, DOWEL	2				



FIG. 13 CRANKCASE COVER 1

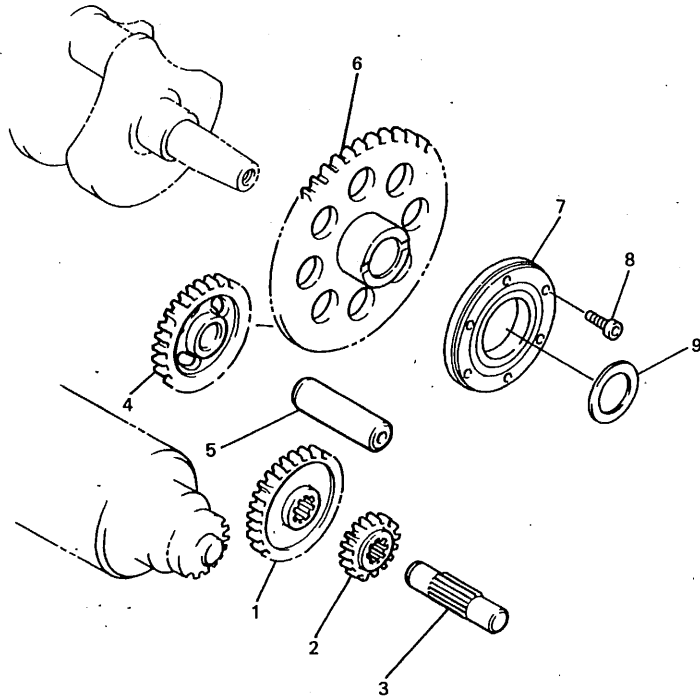


REF. NO.	PART NO.	DESCRIPTION	EUR					REMARKS
28	91314-06025	BOLT	7					
29	91314-06035	BOLT	2					

4YP351-7130

C12

FIG. 14 STARTER CLUTCH

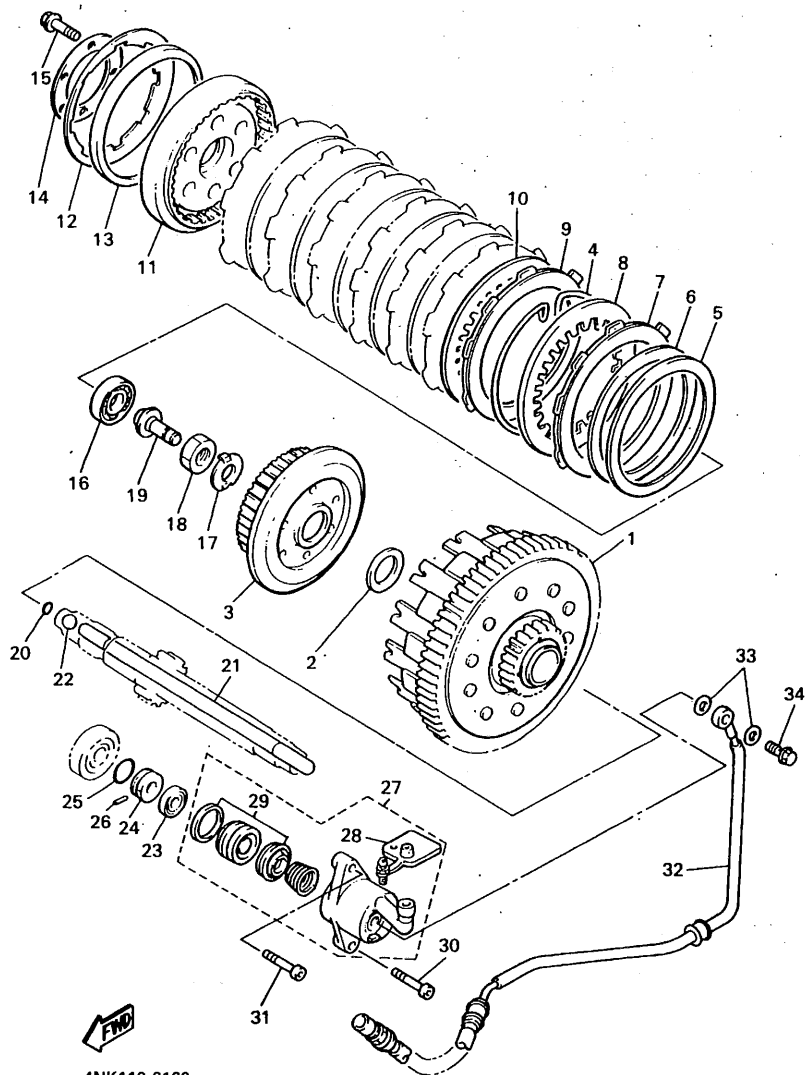


REF. NO.	PART NO.	DESCRIPTION	EUR					REMARKS
1	26H-15514-00	GEAR 2 (42T)	1					
2	26H-15515-00	GEAR 3 (13T)	1					
3	26H-15522-00	SHAFT 2	1					
4	26H-15512-00	GEAR, IDLER 1 (27T)	1					
5	26H-15521-00	SHAFT 1	1					
6	4NK-15517-00	GEAR, IDLER 2 (76T)	1					
7	4NK-15590-00	STARTER ONE-WAY ASSY	1					
8	90110-08193	BOLT, HEXAGON SOCKET HEAD	6					
9	90201-350F3	WASHER, PLATE	1					



4NK110-6150

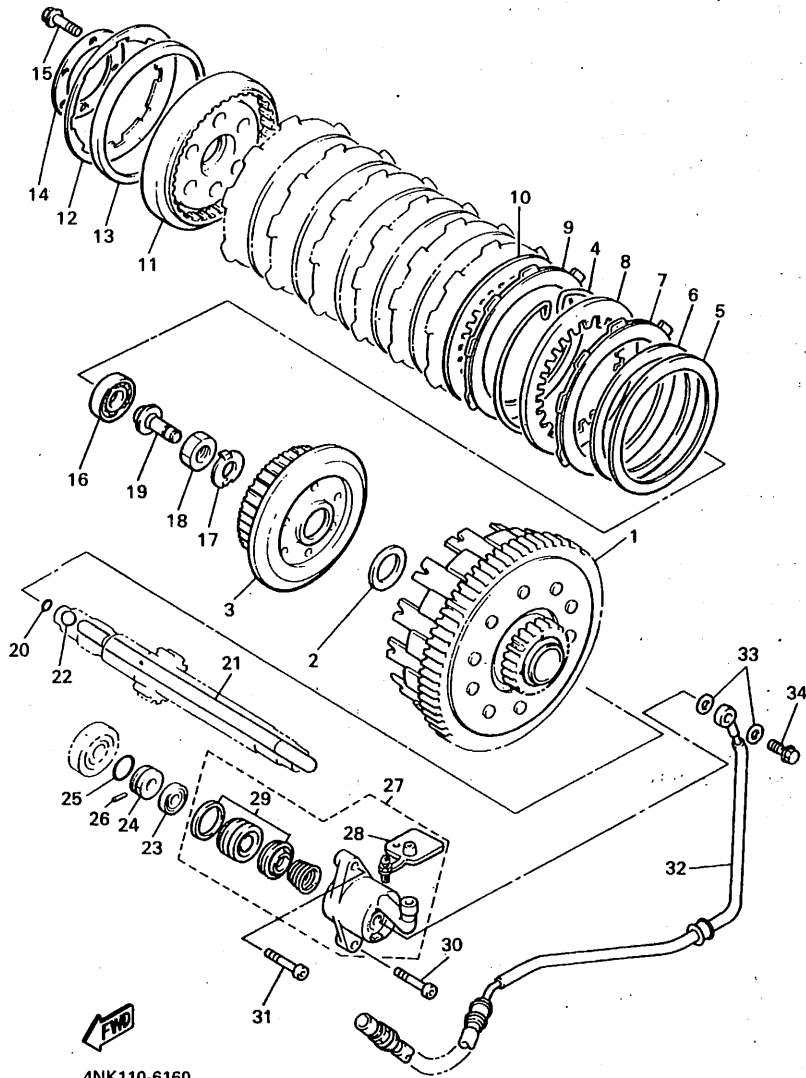
FIG. 15 CLUTCH



4NK110-6160

REF. NO.	PART NO.	DESCRIPTION	EUR				REMARKS
1	4NK-16150-01	PRIMARY DRIVEN GEAR COMP.	1				
2	26H-16154-00	PLATE, THRUST 1	1				
3	1FK-16371-00	BOSS, CLUTCH	1				
4	26H-16385-00	RING, CLUTCH BOSS	1				
5	26H-16384-00	PLATE, SEAT	1				
6	1FK-16383-00	SPRING, CLUTCH BOSS	1				
7	26H-16321-00	PLATE, FRICTION	1				
8	26H-16324-00	PLATE, CLUTCH 1	1				
9	26H-16307-00	PLATE, FRICTION 3	7				
10	26H-16324-00	PLATE, CLUTCH 1	6				
11	1FK-16351-00	PLATE, PRESSURE 1	1				
12	4NK-16334-00	SPRING, CLUTCH-2	1				
13	1FK-16335-00	HOUSING, SPRING	1				
14	1FK-16352-00	PLATE, PRESSURE 2	1				
15	97007-06025	BOLT	6				
16	93306-00304	BEARING (B6003C4)	1				
17	90215-25218	WASHER, LOCK	1				
18	90170-20323	NUT	1				
19	4KG-16356-00	ROD, PUSH 1	1				
20	93210-06632	O-RING	1				
21	4NK-16357-00	ROD, PUSH 2	1				
22	93511-32017	BALL	1				
23	93109-08061	OIL SEAL	1				
24	26H-16399-00	GUIDE, PUSH ROD	1				
25	93210-18322	O-RING	1				
26	93603-07073	PIN, DOWEL	1				
27	1FK-16381-11	PUSH LEVER COMP.	1				

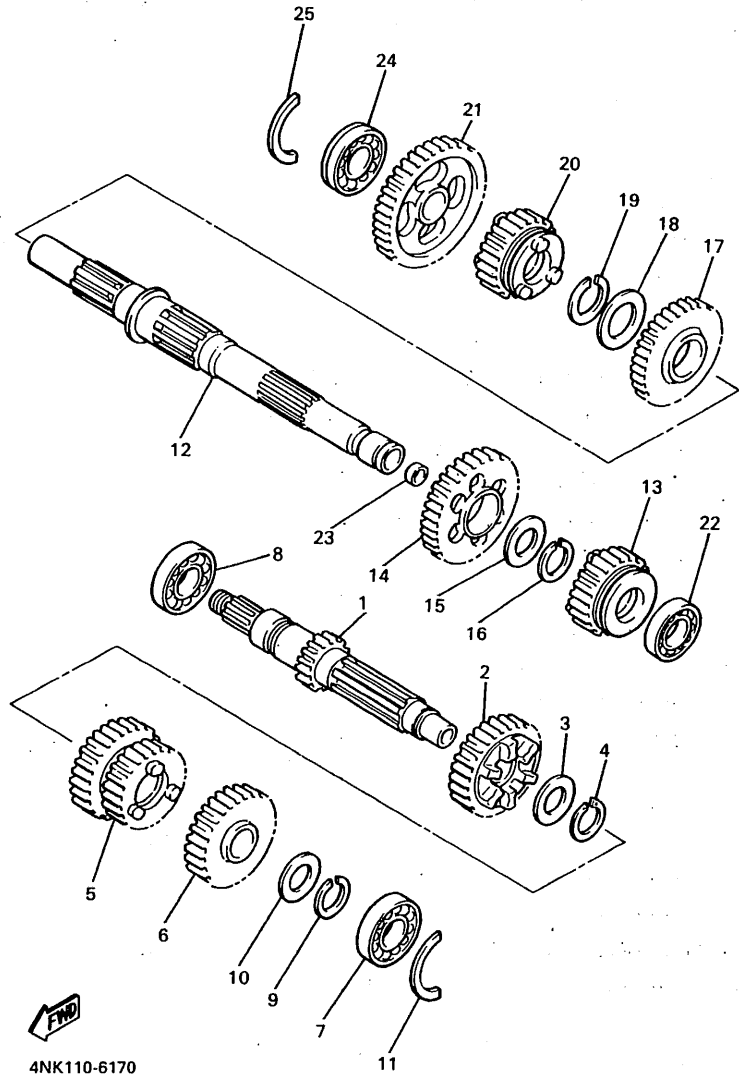
FIG. 15 CLUTCH



4NK110-6160

REF. NO.	PART NO.	DESCRIPTION	EUR					REMARKS
28	1NL-W0048-00	•BLEED SCREW KIT	1					
29	26H-W0098-00	•PUSH LEVER SEAL KIT	1					
30	90110-06035	BOLT, HEXAGON SOCKET HEAD	1					
31	90110-06243	BOLT, HEXAGON SOCKET HEAD	1					
32	4NK-1638A-00	PIPE, CLUTCH 1	1					
33	90201-10118	WASHER, PLATE	2					
34	90401-10159	BOLT, UNION	1					

FIG. 16 TRANSMISSION

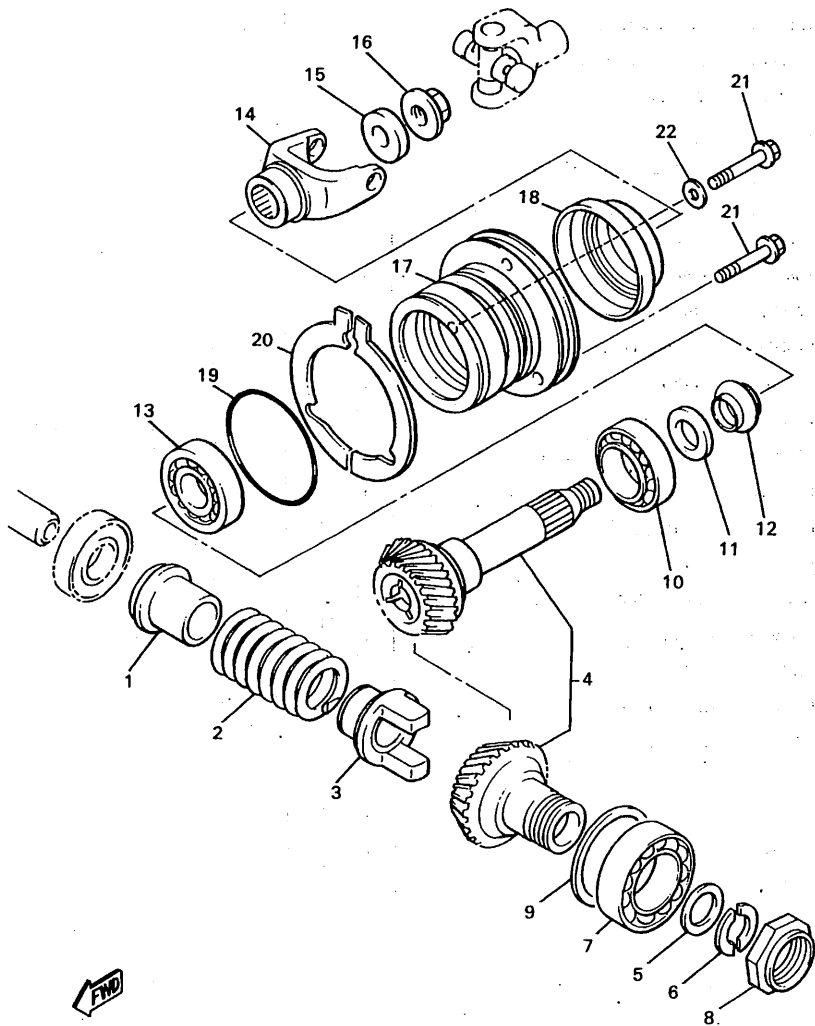


4NK110-6170

REF. NO.	PART NO.	DESCRIPTION	EUR				REMARKS
1	4NK-17411-01	AXLE, MAIN (16T)	1				
2	4NK-17141-01	GEAR, 4TH PINION (32T)	1				
3	90209-25196	WASHER	1				
4	93440-28062	CIRCLIP	1				
5	4NK-17121-01	GEAR, 2ND/3RD PINION (19/25T)	1				
6	4NK-17151-00	GEAR, 5TH PINION (28T)	1				
7	93306-30430	BEARING	1				
8	93306-36401	BEARING	1				
9	93410-23056	CIRCLIP	1				
10	90201-232K5	WASHER, PLATE	1				
11	93440-52118	CIRCLIP	1				
12	4NK-17421-00	AXLE, DRIVE	1				
13	4NK-17251-00	GEAR, 5TH WHEEL (21T)	1				
14	4NK-17221-01	GEAR, 2ND WHEEL (30T)	1				
15	90209-32231	WASHER	1				
16	93440-34025	CIRCLIP	1				
17	4NK-17231-01	GEAR, 3RD WHEEL (29T)	1				
18	90209-27192	WASHER	1				
19	93440-30077	CIRCLIP	1				
20	4NK-17241-01	GEAR, 4TH WHEEL (29T)	1				
21	4NK-17211-01	GEAR, 1ST WHEEL (39T)	1				
22	93306-20645	BEARING	1				
23	90331-15039	PLUG	1				
24	93306-20555	BEARING	1				
25	93440-52118	CIRCLIP	1				

D2

FIG. 17 MIDDLE DRIVE GEAR



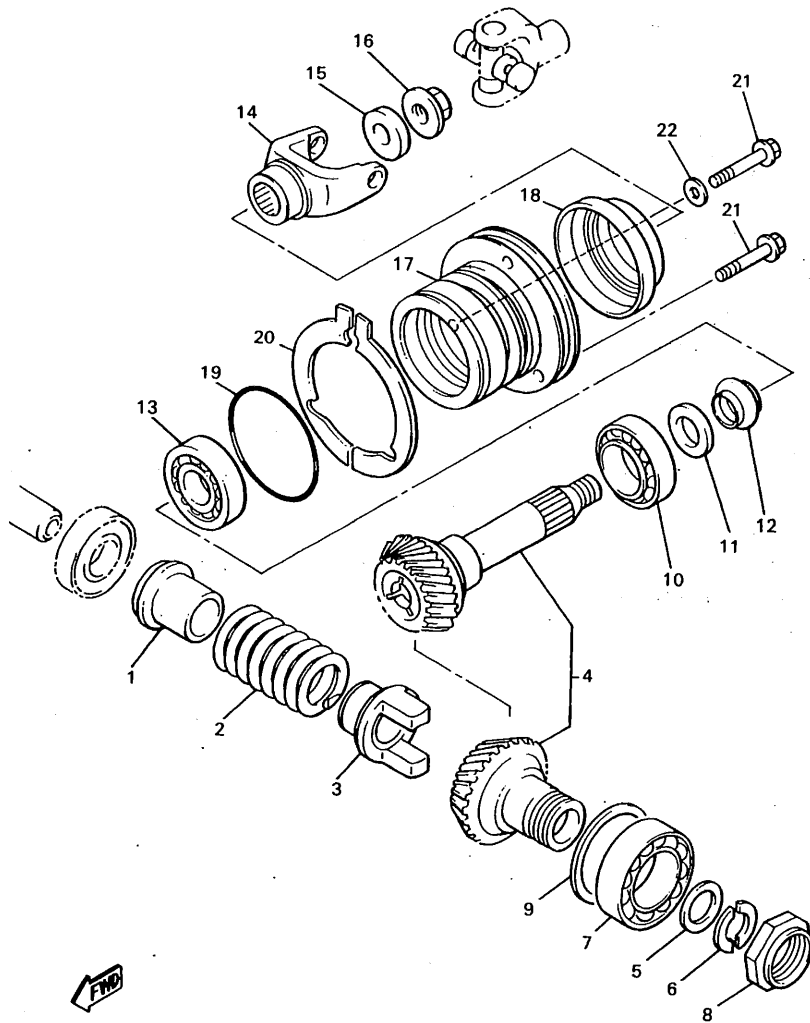
4NK110-6180

**D3**

REF. NO.	PART NO.	DESCRIPTION	EUR				REMARKS
1	2WE-17524-00	HOLDER	1				
2	90501-75638	SPRING, COMPRESSION	1				
3	2WE-17527-00	CAM, DRIVEN	1				
4	26H-W1751-01	MIDDLE GEAR COMP.	1				
5	90201-252K4	WASHER, PLATE	1				
6	90209-21281	WASHER	2				
7	93306-20901	BEARING (B6209RSH2-C2)	1				
8	90179-44328	NUT	1				
9	4X7-17531-00-15	SHIM, PINION (0.15T)	1				UR
	4X7-17531-00-30	SHIM, PINION (0.30T)	1				UR
	4X7-17531-00-50	SHIM, PINION (0.50T)	1				UR
10	93332-00028	BEARING	1				
11	90201-25634	WASHER, PLATE	1				
12	2H7-17571-01	SPACER, EXPANSION	1				
13	93332-00024	BEARING	1				
14	26H-17556-00	YOKE, JOINT	1				
15	90201-166R6	WASHER, PLATE	1				
16	90179-16662	NUT	1				
17	26H-17551-00	HOUSING, BEARING	1				
18	93101-35085	OIL SEAL	1				
19	93210-71360	O-RING	1				
20	3UF-17531-00	SHIM, PINION (0.10T)	2				UR
	3UF-17531-10	SHIM, PINION (0.15T)	2				UR
	3UF-17531-20	SHIM, PINION (0.20T)	2				UR
	3UF-17531-30	SHIM, PINION (0.30T)	2				UR
	3UF-17531-40	SHIM, PINION (0.40T)	2				UR
	3UF-17531-50	SHIM, PINION (0.50T)	2				UR

FIG. 17 MIDDLE DRIVE GEAR

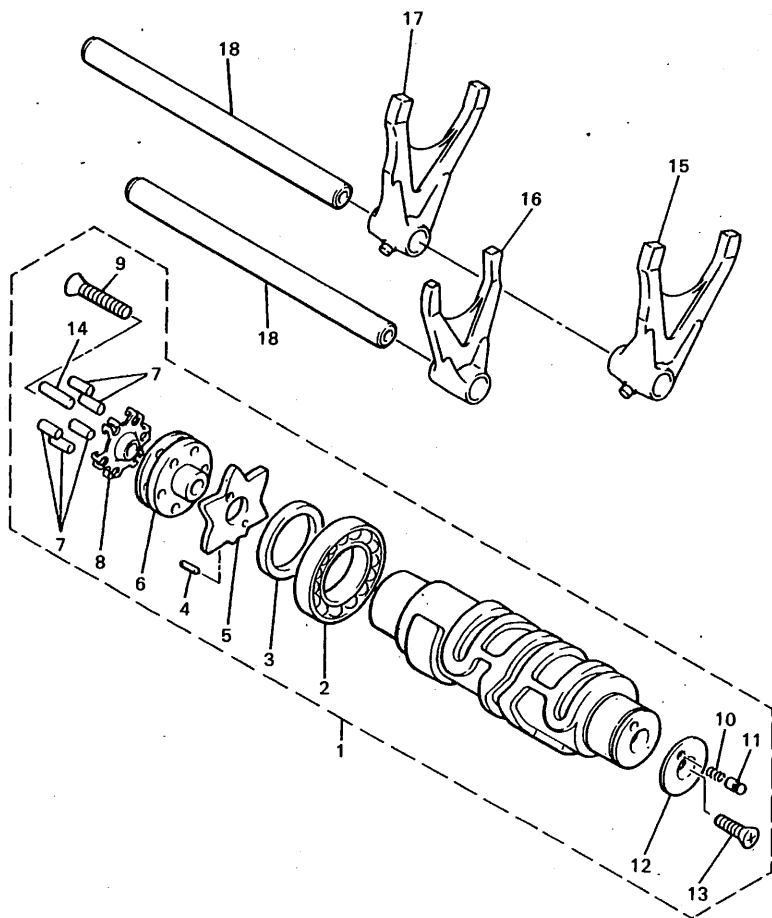
REF. NO.	PART NO.	DESCRIPTION	EUR					REMARKS
21	95827-08030	BOLT, FLANGE	3					
22	90201-08676	WASHER, PLATE	1					



4NK110-6180

**D4**

FIG. 18 SHIFT CAM • FORK



REF. NO.	PART NO.	DESCRIPTION	EUR				REMARKS
1	4NK-18540-00	SHIFT CAM ASSY	1				
2	93306-90602	•BEARING	1				
3	90560-30234	•SPACER	1				
4	93603-10049	•PIN, DOWEL	1				
5	4NK-18141-00	•PLATE, STOPPER	1				
6	26H-18185-00	•SEGMENT	1				
7	93604-17198	•PIN, DOWEL	5				
8	26H-18561-01	•PLATE, SIDE 1	1				
9	90151-06013	•SCREW, COUNTERSUNK	1				
10	90501-06022	•SPRING, COMPRESSION	1				
11	278-18542-00	•POINT, NEUTRAL	1				
12	278-18566-00	•PLATE, SIDE 2	1				
13	98707-05016	•SCREW, FLAT HEAD	1				
14	93604-21197	•PIN, DOWEL	1				
15	4NK-18511-00	FORK, SHIFT 1	1				
16	4NK-18512-00	FORK, SHIFT 2	1				
17	4NK-18513-00	FORK, SHIFT 3	1				
18	4NK-18531-00	BAR, SHIFT FORK GUIDE 1	2				

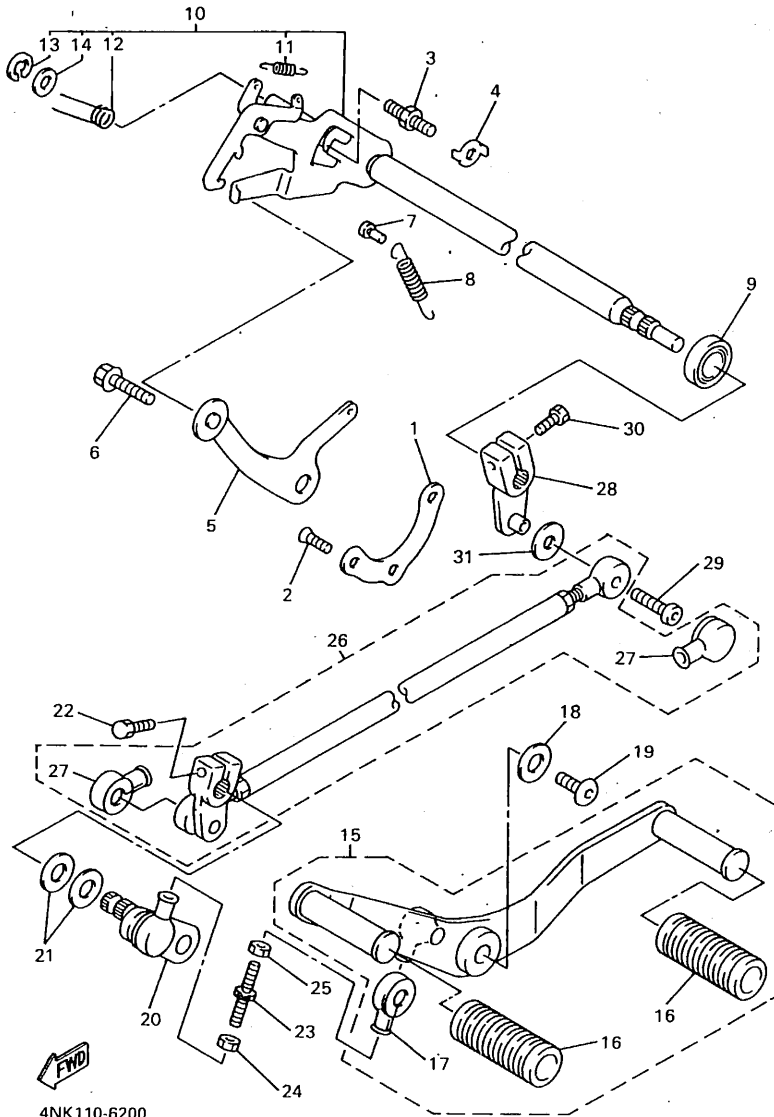


4NK110-6190

D5



FIG. 19 SHIFT SHAFT

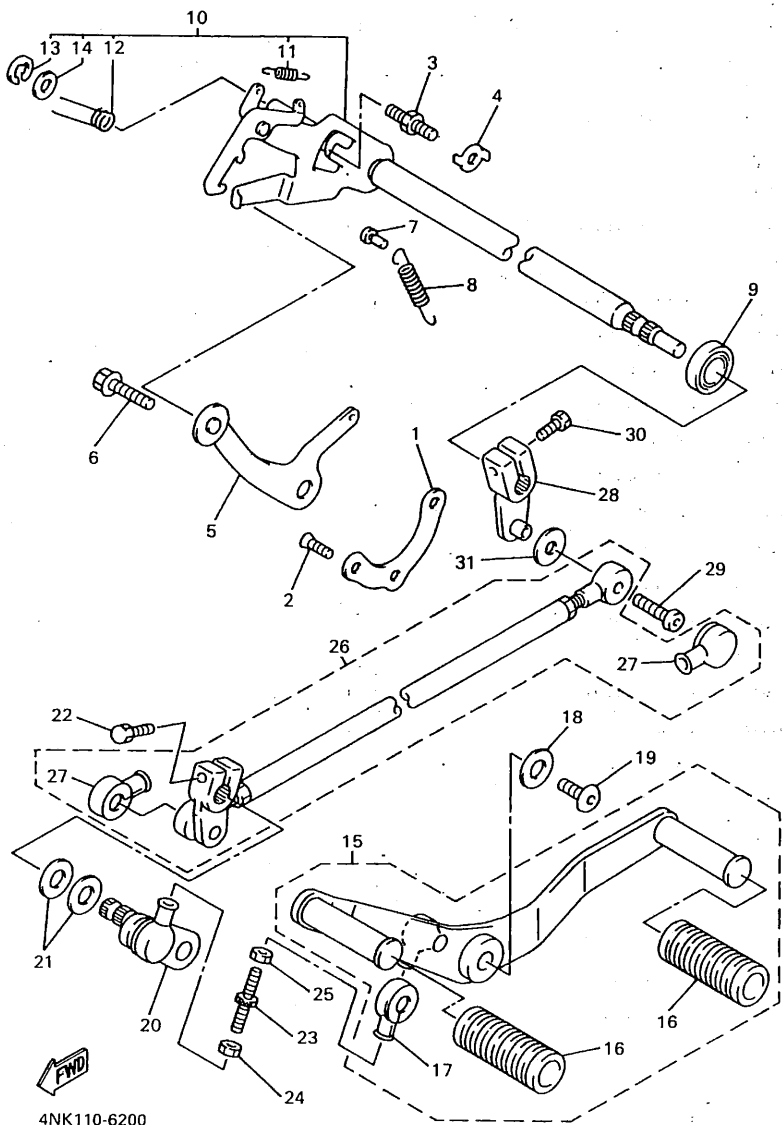


4NK110-6200

REF. NO.	PART NO.	DESCRIPTION	EUR				REMARKS
1	26H-18536-00	STOPPER, SHIFT BAR	1				
2	90151-06041	SCREW, COUNTERSUNK	3				
3	90109-08441	BOLT	1				
4	90215-08115	WASHER, LOCK	1				
5	26H-18140-01	STOPPER LEVER ASSY	1				
6	90109-063F8	BOLT	1				
7	132-16346-00	HOOK, SPRING	1				
8	90507-14064	SPRING, TENSION	1				
9	93102-14209	OIL SEAL	1				
10	4NK-18101-00	SHIFT SHAFT ASSY	1				
11	90506-08227	•SPRING, TENSION	1				
12	90508-32588	•SPRING, TORSION	1				
13	99001-10600	•CIRCLIP	1				
14	90201-127E1	•WASHER, PLATE	1				
15	4NK-18110-00	SHIFT PEDAL ASSY	1				
16	4NK-18113-00	•COVER, SHIFT PEDAL	2				
17	2H9-18154-00	•COVER, DUST	1				
18	90201-06070	WASHER, PLATE	1				
19	90149-06280	SCREW	1				
20	4NK-18197-00	SHAFT	1				
21	90201-12688	WASHER, PLATE	2				
22	97024-06020	BOLT	1				
23	4NK-18115-00	ROD, SHIFT	1				
24	95304-06700	NUT	1				
25	90170-06228	NUT(COUNTER CLOCKWISE)	1				
26	4NK-18150-01	SHIFT LEVER ASSY	1				
27	2H9-18154-00	•COVER, DUST	2				

**D6**

FIG. 19 SHIFT SHAFT

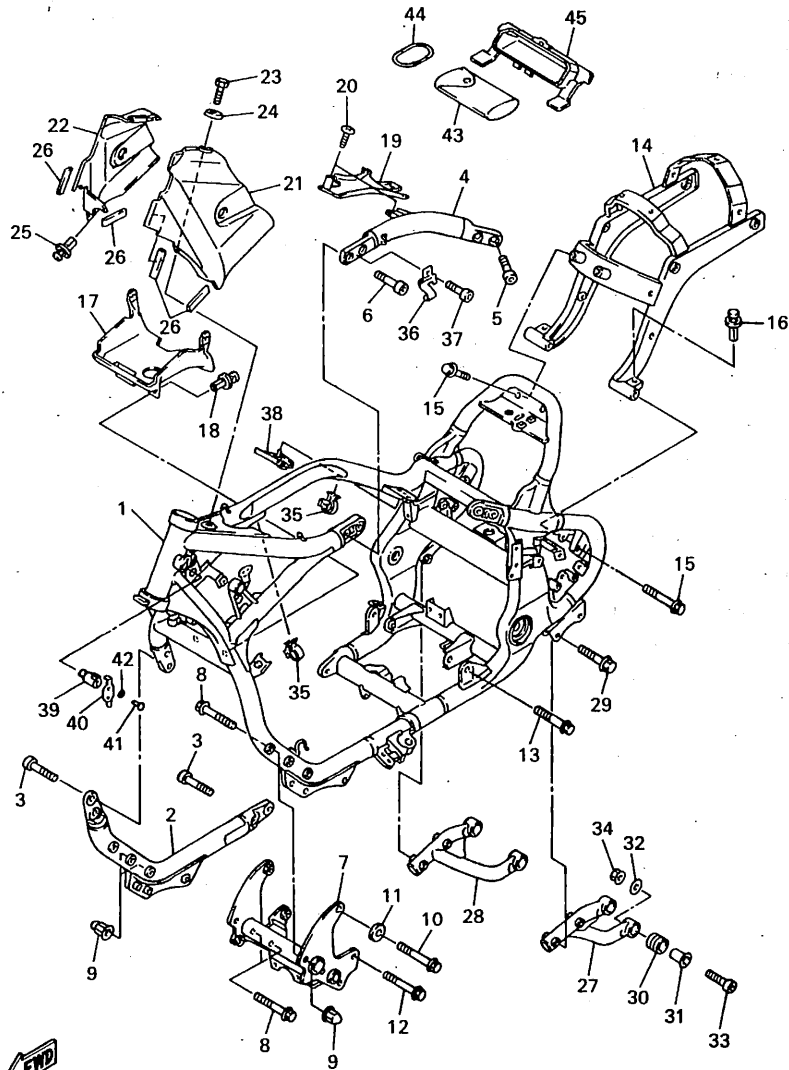


4NK110-6200

REF. NO.	PART NO.	DESCRIPTION	EUR					REMARKS
28	4NK-18151-00	LEVER, SHIFT 3	1					
29	90149-06229	SCREW	1					
30	97027-06020	BOLT	1					
31	90201-06589	WASHER, PLATE	1					

D7

FIG. 20 FRAME

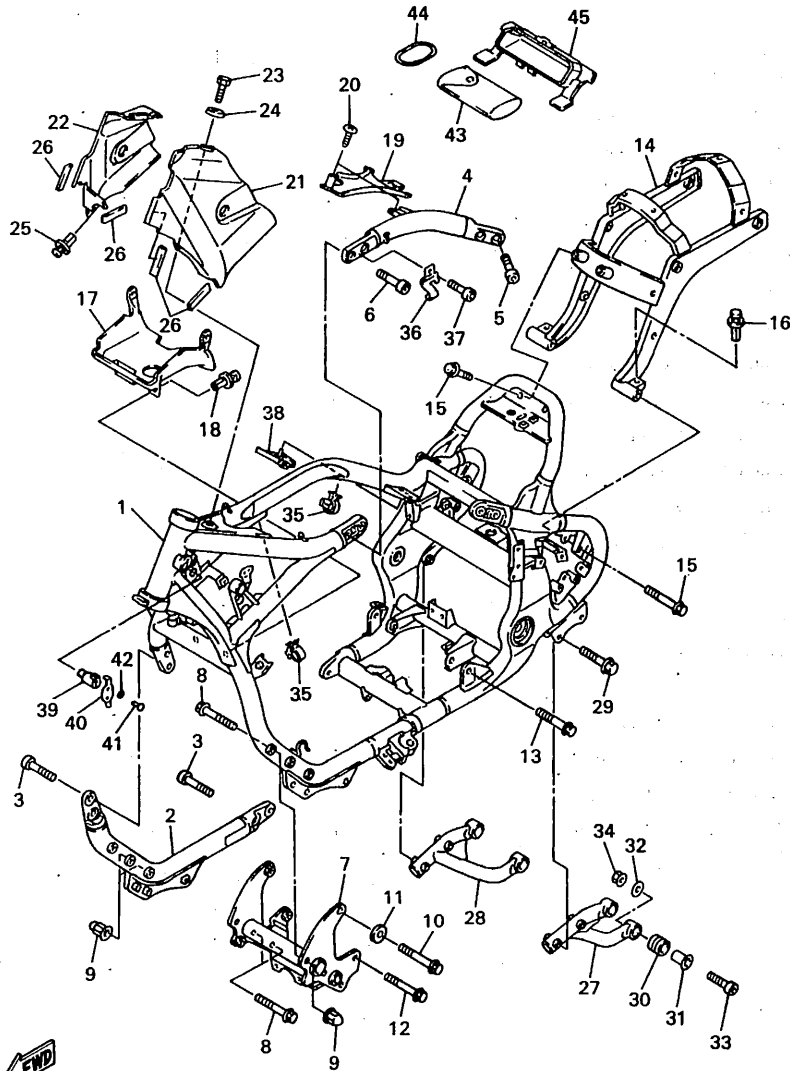


4YP351-7200

D8

REF. NO.	PART NO.	DESCRIPTION	EUR				REMARKS
1	4YP-21110-00-33	FRAME COMP.	1				YB
2	4NK-21150-00-33	DOWN TUBE COMP:2	1				YB
3	90110-10161	BOLT, HEXAGON SOCKET HEAD	4				
4	4NK-21120-00-33	FRAME, REAR	1				YB
5	90110-10161	BOLT, HEXAGON SOCKET HEAD	2				
6	90110-10191	BOLT, HEXAGON SOCKET HEAD	2				
7	4NK-2141V-00	CROSS BAR COMPLETE	1				
8	95827-10070	BOLT, FLANGE	6				
9	90176-10075	NUT, CROWN	6				
10	90105-10788	BOLT, WASHER BASED	2				
11	90209-12341	WASHER	2				
12	90105-10788	BOLT, WASHER BASED	2				
13	90105-12252	BOLT, WASHER BASED	2				
14	4NK-21190-00	REAR FRAME COMP.	1				
15	95827-10035	BOLT, FLANGE	4				
16	90269-07076	RIVET	2				
17	4NK-2117F-00	COVER	1				
18	90269-05049	RIVET	2				
19	4NK-2117M-01	COVER 2	1				
20	97707-60016	SCREW, TAPPING	1				
21	4NK-2171E-00-33	COVER, SIDE 5	1				YB
22	4NK-2171X-00-33	COVER, SIDE 6	1				YB
23	97007-05016	BOLT	1				
24	90209-06174	WASHER	1				
25	90269-07076	RIVET	2				
26	1LJ-2414J-00	DAMPER, PLATE 2	4				
27	4NK-21445-00	STAY, MUFFLER 1	1				

FIG. 20 FRAME



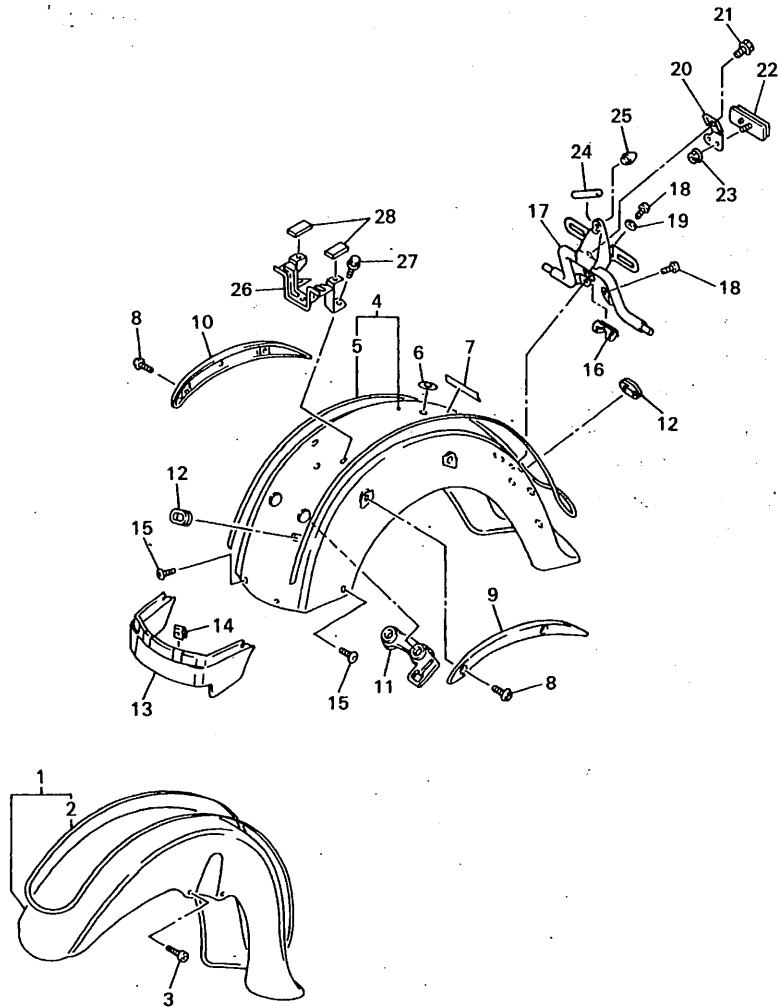
REF. NO.	PART NO.	DESCRIPTION	EUR				REMARKS
28	4NK-21446-00	STAY, MUFFLER 2	1				
29	90105-08310	BOLT, WASHER BASED	4				
30	36Y-27424-00	DAMPER, FOOTREST 2	4				
31	90387-104L8	COLLAR	4				
32	90201-105A2	WASHER, PLATE	4				
33	91317-10040	BOLT	4				
34	95317-10600	NUT	4				
35	90464-20191	CLAMP	2				
36	4NK-82594-00	CLAMP	1				
37	91317-06010	BOLT	1				
38	4NK-2117G-00	PROTECTOR	1				
39	*	STEERING LOCK ASSY	1				LM
40	134-23484-10	CAP, HANDLE LOCK	1				
41	90269-04003	RIVET	1				
42	90208-04029	WASHER, CONICAL SPRING	1				
43	4NK-28100-00	TOOL KIT	1				
44	93210-62446	O-RING	1				
45	4NK-28173-00	BOX, TOOL	1				

FWD

4YP351-7200

D9

FIG. 21 FENDER



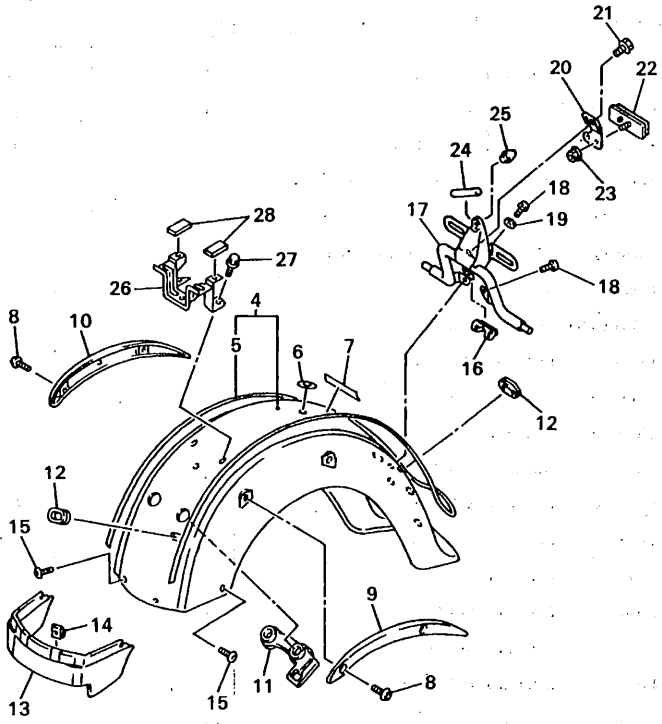
REF. NO.	PART NO.	DESCRIPTION	EUR				REMARKS
1	4NK-Y2150-30-0X	FRONT FENDER ASSY	1				UR MRE/NW
	4NK-Y2150-40-3X	FRONT FENDER ASSY	1				UR PLW/ETM
	4NK-Y2150-50-2X	FRONT FENDER ASSY	1				UR MKB/URB
2	4NK-21570-01	•GRAPHIC SET, FRONT FENDER	1				UR FOR MRE
	4NK-21570-11	•GRAPHIC SET, FRONT FENDER	1				UR FOR PLW
	4NL-21570-10	•GRAPHIC SET, FRONT FENDER	1				UR FOR MKB
3	91314-08025	BOLT	4				
4	4NK-Y2161-50-0X	REAR FENDER COMP.	1				UR MRE/NW
	4NK-Y2161-70-5X	REAR FENDER COMP.	1				UR PLW/ETM
	4NK-Y2161-60-4X	REAR FENDER COMP.	1				UR MKB/URB
5	4NK-2165A-01	•GRAPHIC SET,REAR FENDER	1				UR FOR MRE
	4NK-2165A-11	•GRAPHIC SET,REAR FENDER	1				UR FOR PLW
	4NL-2165A-10	•GRAPHIC SET,REAR FENDER	1				UR FOR MKB
6	4NK-21735-00	SEAL 2	1				
7	99237-00080	EMBLEM, YAMAHA	1				UR FOR MRE
	99231-00080	EMBLEM, YAMAHA	1				UR FOR PLW
	99236-00080	EMBLEM, YAMAHA	1				UR FOR MKB
8	92014-08025	BOLT, BUTTON HEAD	4				
9	4NK-2164F-00	STAY 1	1				
10	4NK-2164G-00	STAY 2	1				
11	4NK-21649-00	DAMPER	1				
12	90480-15061	GROMMET	3				
13	4NK-21621-00-FE	FLAP	1				UR MRE
	4NK-21621-00-Y5	FLAP	1				UR PLW
	4NK-21621-00-3G	FLAP	1				UR MKB
14	90183-06053	NUT, SPRING	2				
15	90110-06200	BOLT, HEXAGON SOCKET HEAD	4				



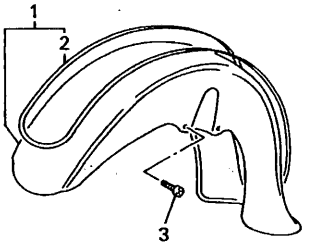
4YP351-7210

D10

FIG. 21 FENDER



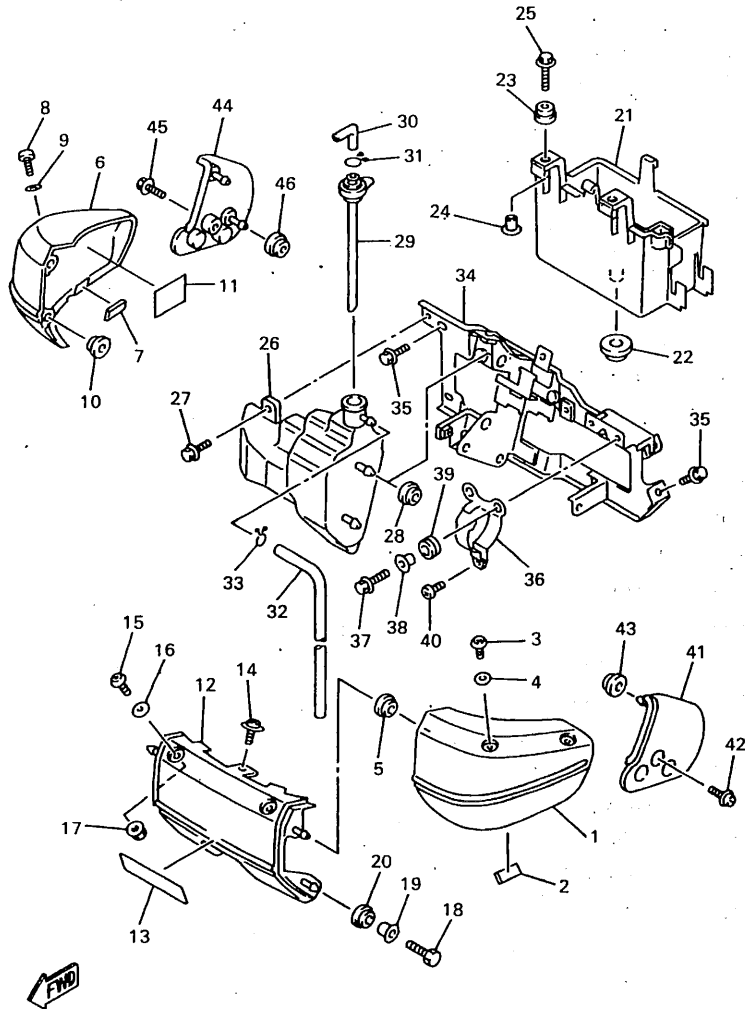
REF. NO.	PART NO.	DESCRIPTION	EUR				REMARKS
16	4NK-83345-00	PLUG, BLIND	1				
17	4YP-2317W-00	STAY, 9	1				
18	92014-06012	BOLT, BUTTON HEAD	3				
19	90201-06043	WASHER, PLATE	1				
20	4YP-21641-00	BRACKET, REFLECTOR	1				
21	95024-06010	BOLT, FLANGE	1				
22	3Y6-85130-02	REAR REFLECTOR ASSY	1				
23	95707-05500	NUT, FLANGE	1				
24	90446-07114	HOSE	1				
25	5A8-21639-00	DAMPER 2	1				
26	4NK-2475H-00	BRACKET, SEAT LEVER 1	1				
27	95027-06012	BOLT, FLANGE	3				
28	509-24724-00	DAMPER, SEAT	2				



 4YP351-7210

**D11**

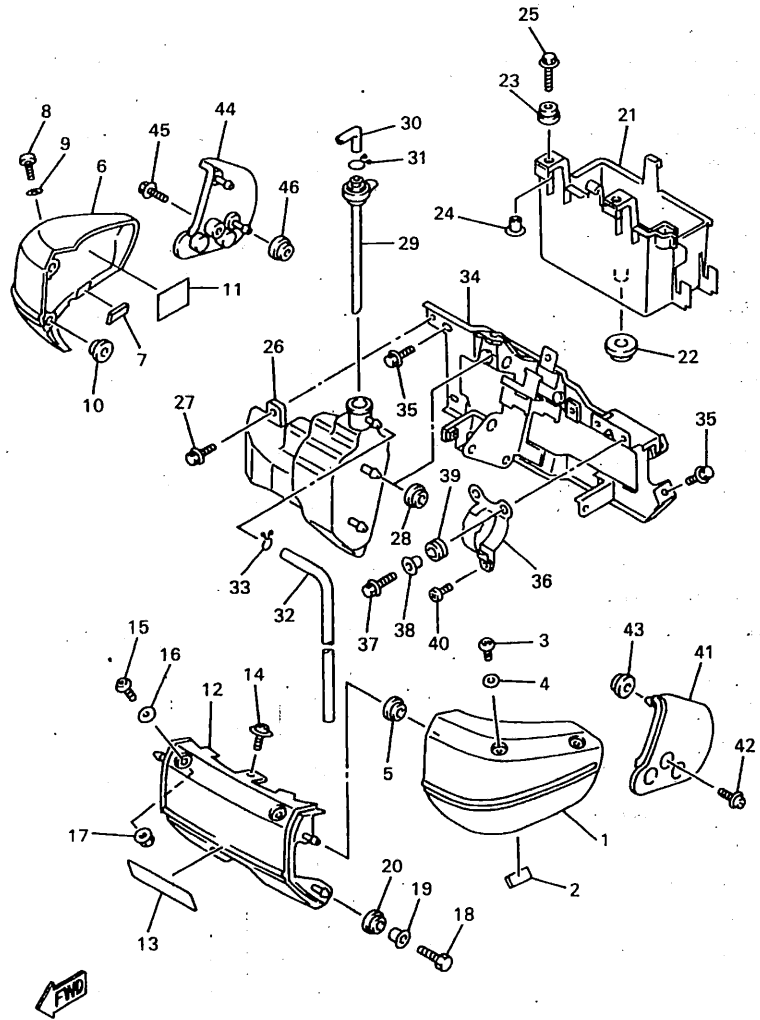
FIG. 22 SIDE COVER



4NK110-6230

REF. NO.	PART NO.	DESCRIPTION	EUR				REMARKS
1	4NK-21711-00-FE	COVER, SIDE 1	1				UR MRE FOR MRE
	4NK-21711-00-GW	COVER, SIDE 1	1				UR ETM FOR PLW
	4NK-21711-00-JW	COVER, SIDE 1	1				UR URB FOR MKB
2	51Y-21639-00	DAMPER 2	1				
3	90149-06298	SCREW	2				
4	90202-06172	WASHER, PLATE	2				
5	90480-13567	GROMMET	2				
6	4NK-21721-00-FE	COVER, SIDE 2	1				UR MRE FOR MRE
	4NK-21721-00-GW	COVER, SIDE 2	1				UR ETM FOR PLW
	4NK-21721-00-JW	COVER, SIDE 2	1				UR URB FOR MKB
7	51Y-21639-00	DAMPER 2	1				
8	90149-06298	SCREW	2				
9	90202-06172	WASHER, PLATE	2				
10	90480-13567	GROMMET	2				
11	1JK-21735-00	SEAL 2	1				
12	4NK-2117X-00-FE	COVER 9	1				UR MRE FOR MRE
	4NK-2117X-00-GW	COVER 9	1				UR ETM FOR PLW
	4NK-2117X-00-JW	COVER 9	1				UR URB FOR MKB
13	52W-2117G-00	PROTECTOR	1				
14	90159-06084	SCREW, WITH WASHER	1				
15	90149-06298	SCREW	2				
16	90202-06172	WASHER, PLATE	2				
17	95707-06500	NUT, FLANGE	2				
18	97007-06020	BOLT	2				
19	90387-067N5	COLLAR	2				
20	90480-13398	GROMMET	2				
21	4NK-2177G-00	BOX, BATTERY	1				

FIG. 22 SIDE COVER

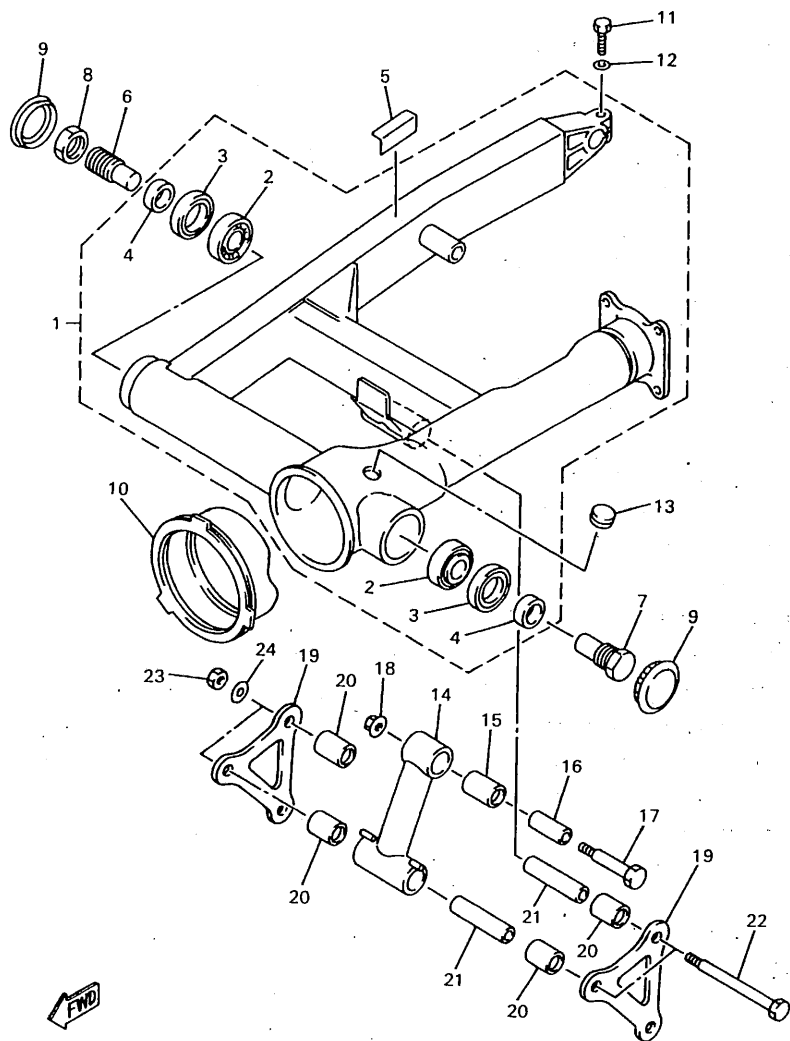


4NK110-6230

REF. NO.	PART NO.	DESCRIPTION	EUR					REMARKS
22	90480-20384	GROMMET	1					
23	90480-13398	GROMMET	2					
24	90387-067N5	COLLAR	2					
25	90119-06096	BOLT, WITH WASHER	2					
26	4NK-21871-00	TANK, RECOVERY	1					
27	90119-06044	BOLT, WITH WASHER	1					
28	90480-13567	GROMMET	2					
29	4NK-21875-00	CAP	1					
30	26H-21828-00	ELBOW	1					
31	90467-11019	CLIP	1					
32	90445-09117	HOSE	1					
33	90467-09006	CLIP	1					
34	4NK-21243-00	PLATE, BRIDGE	1					
35	95807-06010	BOLT, FLANGE	4					
36	3CV-24491-10	BRACKET, FUEL PUMP	1					
37	95817-06016	BOLT, FLANGE	2					
38	90387-062L2	COLLAR	2					
39	90480-13163	GROMMET	2					
40	98907-05010	SCREW, BIND	1					
41	4NK-21731-00	COVER, SIDE 3	1					
42	90159-06071	SCREW, WITH WASHER	1					
43	90480-13567	GROMMET	2					
44	4NK-21741-00	COVER, SIDE 4	1					
45	90159-06071	SCREW, WITH WASHER	1					
46	90480-13567	GROMMET	2					



FIG. 23 REAR ARM

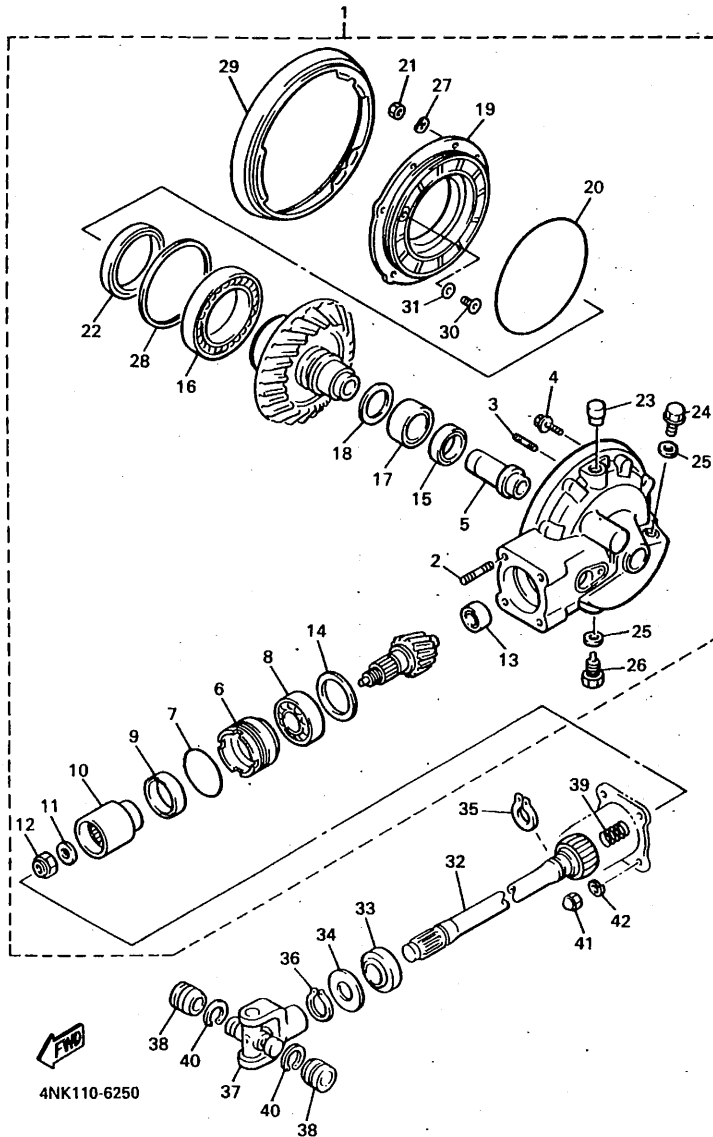


4NK110-6240

D14

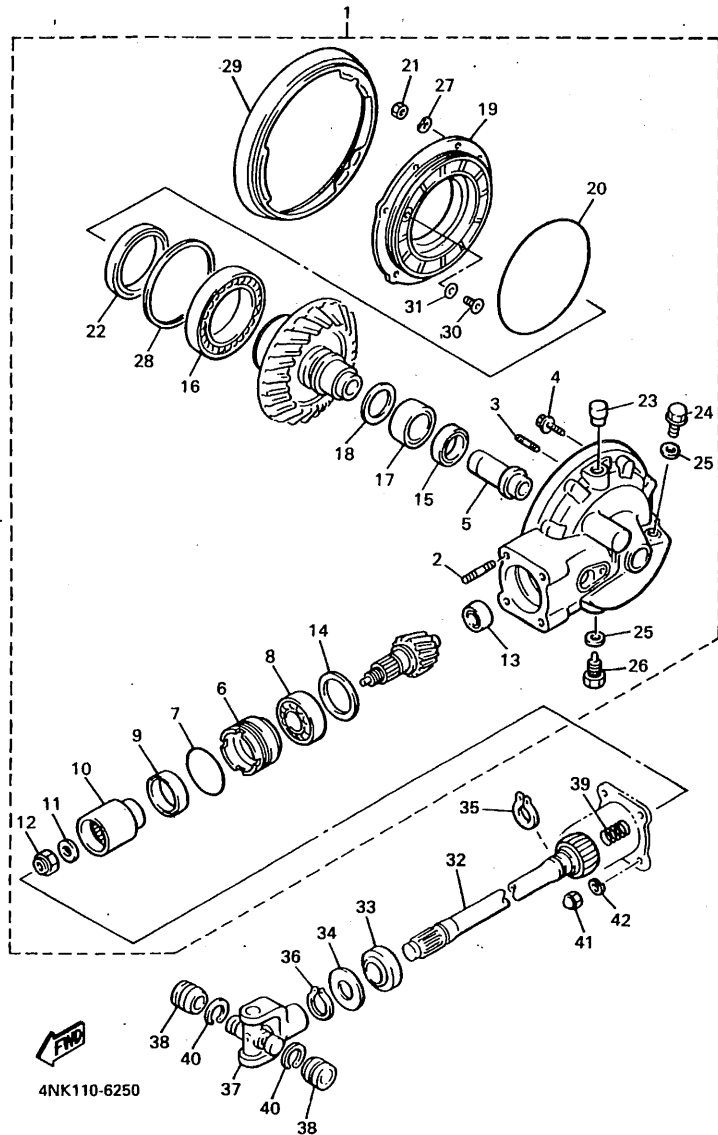
REF. NO.	PART NO.	DESCRIPTION	EUR				REMARKS
1	4NK-W2211-00-35	REAR ARM COMP.	1				SL
2	93332-00050	•BEARING (HR30204J)	2				UR
	93332-00051	•BEARING (HI-CAP3 0204JR)	2				UR
3	93106-28023	•OIL SEAL	2				
4	90387-204H5	•COLLAR	2				
5	2AL-84553-00	DAMPER	1				
6	4NK-2214H-00	SHAFT, PIVOT 2	1				
7	4NK-22141-00	SHAFT, PIVOT	1				
8	26H-22143-00	NUT	1				
9	2H7-2219X-00	COVER	2				
10	26H-22189-00	BOOT, RUBBER	1				
11	97024-08025	BOLT	1				
12	92904-08600	WASHER	1				
13	90338-20113	PLUG	1				
14	4NK-2217A-00	ARM, RELAY	1				
15	93317-42060	BEARING	1				
16	90387-122J6	COLLAR	1				
17	90109-104E4	BOLT	1				
18	95617-10200	NUT, SELF-LOCKING	1				
19	4NK-2217M-00	ARM 1	2				
20	93317-41761	BEARING	4				
21	90387-126Y1	COLLAR	2				
22	90101-12749	BOLT	2				
23	90185-12119	NUT, SELF-LOCKING	2				
24	90201-126A7	WASHER, PLATE	2				

FIG. 24 DRIVE SHAFT



REF. NO.	PART NO.	DESCRIPTION	EUR				REMARKS
1	4NK-46101-00	REAR AXLE GEAR CASE ASSY	1				
2	90116-10593	•BOLT, STUD	4				
3	90116-08427	•BOLT, STUD	6				
4	95817-10050	•BOLT, FLANGE	2				
5	1FK-46153-00	•COLLAR, GUIDE	1				
6	4H7-46125-00	•RETAINER, BEARING	1				
7	93210-60426	•O-RING	1				
8	93306-30533	•BEARING (B6305RB1 SPECIAL)	1				
9	93101-38098	•OIL SEAL	1				
10	4H7-46123-01	•COUPLING, GEAR	1				
11	90201-166R5	•WASHER, PLATE	1				
12	90179-16661	•NUT	1				
13	2H7-46102-00	•BEARING ASSY	1				
14	1J7-17537-Y0-30	•SHIM, THRUST (0.30T)	1				UR
	1J7-17537-Y0-40	•SHIM, THRUST (0.40T)	1				UR
	1J7-17537-Y0-50	•SHIM, THRUST (0.50T)	1				UR
15	93101-30084	•OIL SEAL	1				
16	93316-01403	•BEARING	1				
17	93311-43729	•BEARING	1				
18	22U-46118-00-12	•SHIM, THRUST (1.2T)	1				UR
	22U-46118-00-14	•SHIM, THRUST (1.4T)	1				UR
	22U-46118-00-16	•SHIM, THRUST (1.6T)	1				UR
	22U-46118-00-18	•SHIM, THRUST (1.8T)	1				UR
	22U-46118-00-20	•SHIM, THRUST (2.0T)	1				UR
19	1FK-46152-01	•HOUSING, BEARING	1				
20	93211-54698	•O-RING	1				
21	95317-08600	•NUT	6				

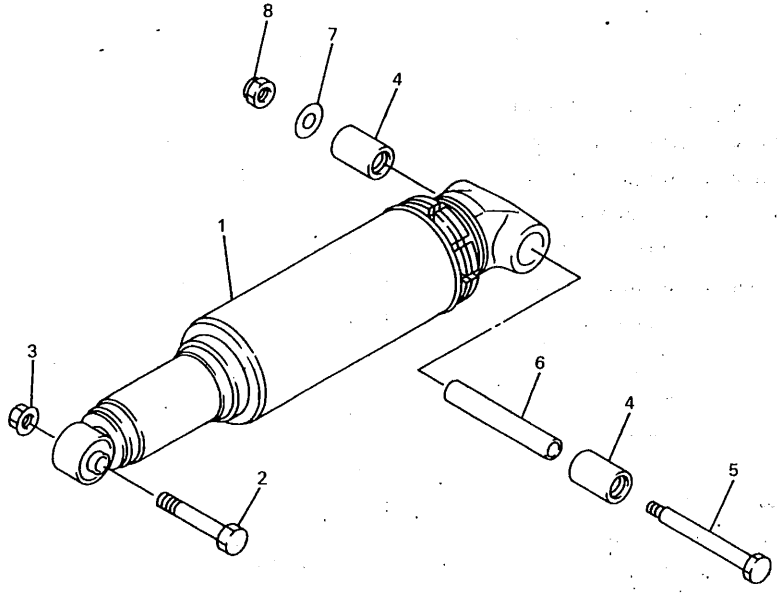
FIG. 24 DRIVE SHAFT



REF. NO.	PART NO.	DESCRIPTION	EUR				REMARKS
22	93102-70167	•OIL SEAL	1				
23	56W-17590-00	•BREATHER COMP.	1				
24	90340-14132	•PLUG, STRAIGHT SCREW	1				
25	214-11198-01	•GASKET	2				
26	90340-14135	•PLUG, STRAIGHT SCREW	1				
27	92907-08700	•WASHER	6				
28	1J7-46117-Y0-30	•SHIM, RING GEAR (0.30T)	1				UR
	1J7-46117-Y0-40	•SHIM, RING GEAR (0.40T)	1				UR
	1J7-46117-Y0-50	•SHIM, RING GEAR (0.50T)	1				UR
29	1FK-46154-00	•COVER, HOUSING	1				
30	1FK-46156-00	•STOPPER, RING GEAR	1				
31	1FK-46157-00-15	•SHIM, STOPPER (T=0.15)	1				UR
	1FK-46157-00-20	•SHIM, STOPPER (T=0.20)	1				UR
32	4NK-46172-00	SHAFT, DRIVE	1				
33	93108-23007	OIL SEAL	1				
34	90201-231A2	WASHER, PLATE	1				
35	93410-23056	CIRCLIP	1				
36	93410-22039	CIRCLIP	1				
37	4X7-46180-00	CROSS JOINT COMP.	1				
38	93311-21044	BEARING	2				
39	90501-16491	SPRING, COMPRESSION	1				
40	93440-20088	CIRCLIP	2				
41	90176-10075	NUT, CROWN	4				
42	92903-10100	WASHER, SPRING	4				

FIG. 25 REAR SUSPENSION

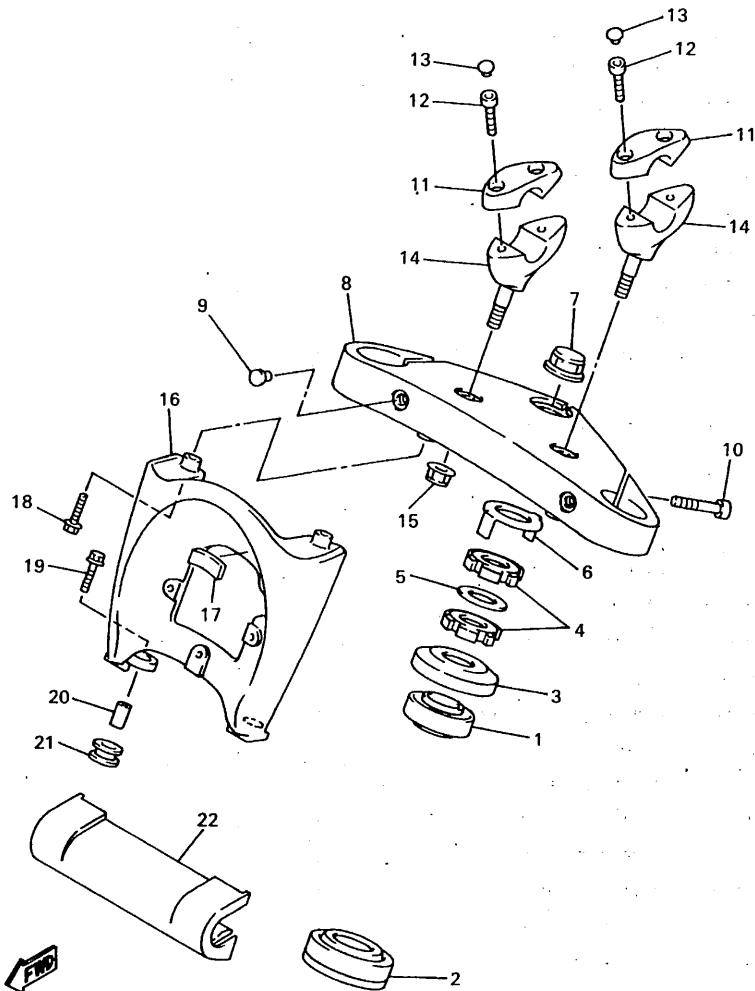
REF. NO.	PART NO.	DESCRIPTION	EUR					REMARKS
1	4YP-22210-00	SHOCK ABSORBER ASSY, REAR	1					
2	90101-12498	BOLT	1					
3	95617-12200	NUT, SELF-LOCKING	1					
4	93317-41761	BEARING	2					
5	90101-12749	BOLT	1					
6	90387-126Y1	COLLAR	1					
7	90201-126A7	WASHER, PLATE	1					
8	90185-12119	NUT, SELF-LOCKING	1					



4NK110-6260

E3

FIG. 26 STEERING

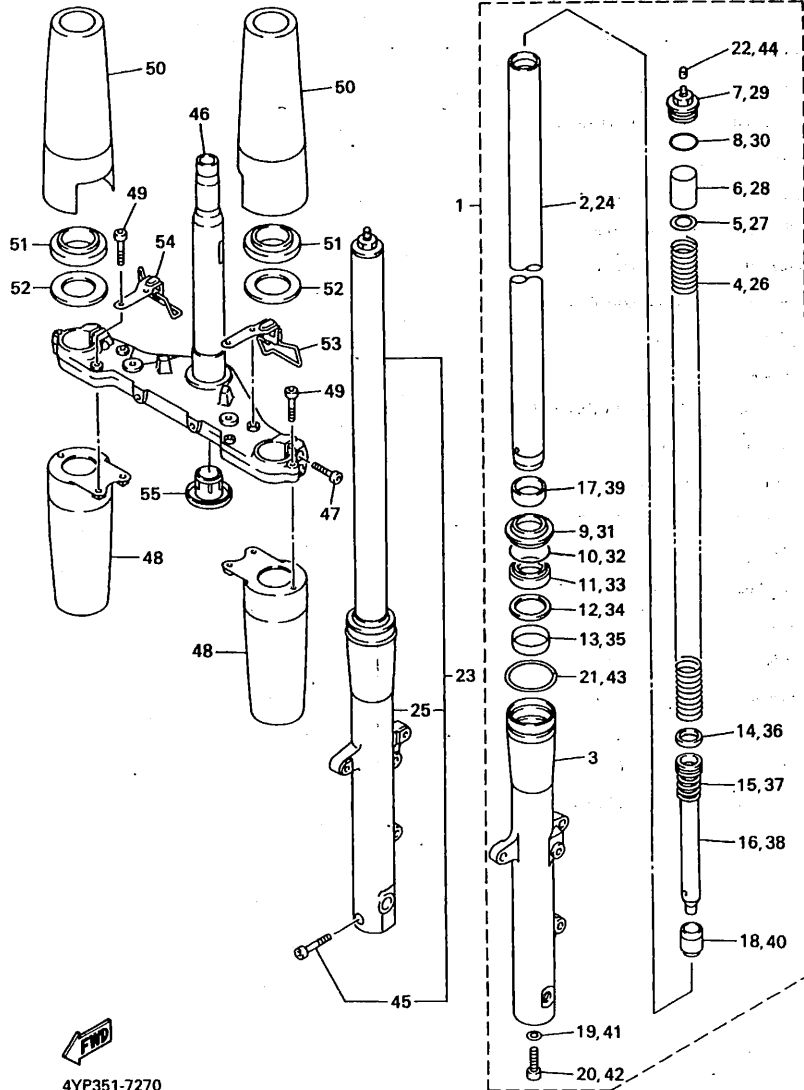


4YP351-7260

REF. NO.	PART NO.	DESCRIPTION	EUR				REMARKS
1	93332-00001	BEARING	1				
2	93332-00008	BEARING	1				
3	1W1-23416-00	COVER, BALL RACE 2	1				
4	90179-25033	NUT	2				
5	90202-26142	WASHER, PLATE	1				
6	26H-23418-01	WASHER, SPECIAL	1				
7	90176-22050	NUT, CROWN	1				
8	4NK-23435-00	CROWN, HANDLE	1				
9	90338-09161	PLUG	2				
10	91314-06030	BOLT	4				
11	4NK-23441-00	HOLDER, HANDLE UPPER	2				
12	91314-08025	BOLT	4				
13	90338-08163	PLUG	4				
14	4NK-23442-00	HOLDER, HANDLE LOWER	2				
15	95607-12200	NUT, SELF-LOCKING	2				
16	4NK-23437-00	COVER, CROWN	1				
17	1KT-21541-00	DAMPER 1	1				
18	95804-06025	BOLT, FLANGE	2				
19	95804-06035	BOLT, FLANGE	2				
20	90387-08605	COLLAR	2				
21	90480-16284	GROMMET	2				
22	4NK-23122-00	COVER, OUTER 1	1				

E4

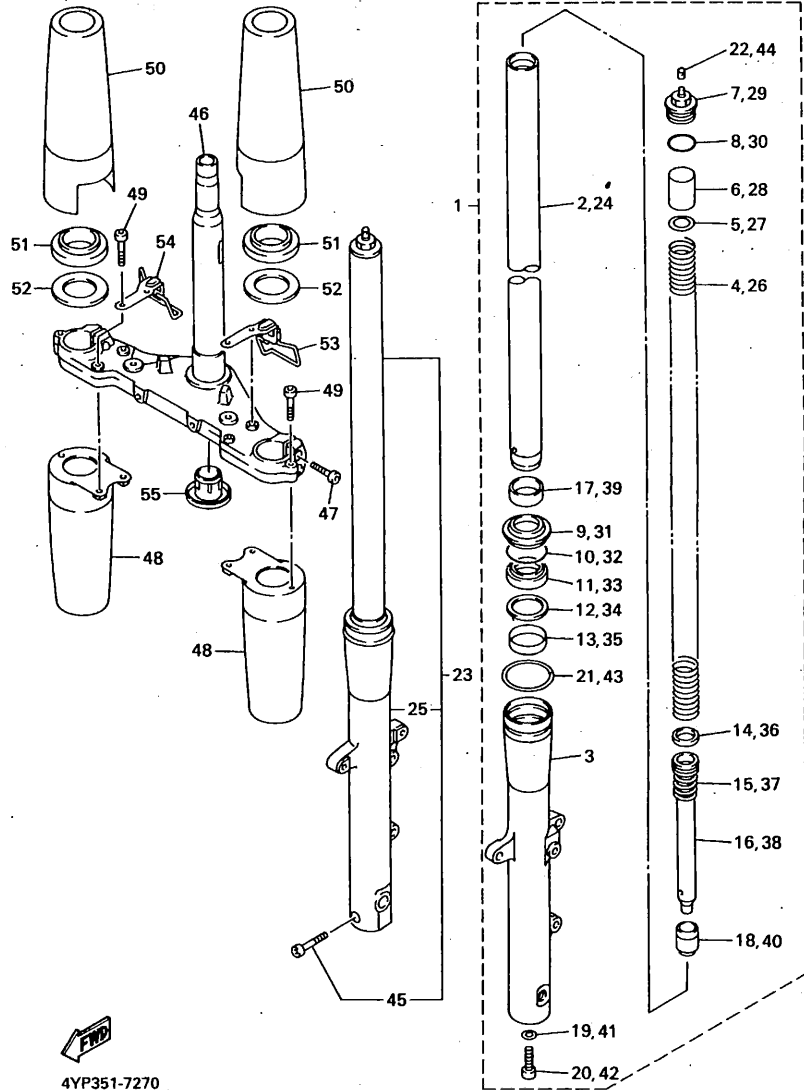
FIG. 27 FRONT FORK



REF. NO.	PART NO.	DESCRIPTION	EUR					REMARKS
1	4YP-23102-00	FRONT FORK ASSY (L.H)	1					
2	4NK-23110-00	•INNER TUBE COMP.1	1					
3	4NK-23126-00	•TUBE, OUTER (LEFT)	1					
4	4NK-23141-01	•SPRING, FRONT FORK	1					
5	4NK-23142-00	•SEAT, SPRING UPPER	1					
6	4NK-23118-01	•SPACER	1					
7	4YP-23111-00	•BOLT, CAP	1					
8	4NK-23147-00	•O-RING	1					
9	4NK-23144-00	•SEAL, DUST	1					
10	34L-23153-00	•RING, SNAP	1					
11	4NK-23145-00	•OIL SEAL	1					
12	4NK-23146-00	•WASHER, OIL SEAL	1					
13	4NK-23125-00	•METAL, SLIDE 1	1					
14	4NK-23157-00	•RING, PISTON	1					
15	4NK-23151-00	•SPRING, REBOUND	1					
16	4NK-23171-00	•PISTON, FRONT FORK	1					
17	4NK-23135-00	•METAL, SLIDE 2	1					
18	4NK-23166-00	•SPACER, OIL LOCK	1					
19	3MA-23129-10	•GASKET, DRAIN PLUG	1					
20	4NK-23181-00	•BOLT, HEXAGON SOCKET HEAD	1					
21	4NK-23193-00	•GUIDE, BOOT	1					
22	4V1-23184-L0	•CAP, AIR VALVE	1					
23	4YP-23103-00	FRONT FORK ASSY (R.H)	1					
24	4NK-23110-00	•INNER TUBE COMP.1	1					
25	4NK-23136-00	•TUBE, OUTER (RIGHT)	1					
26	4NK-23141-01	•SPRING, FRONT FORK	1					
27	4NK-23142-00	•SEAT, SPRING UPPER	1					

 4YP351-7270

FIG. 27 FRONT FORK



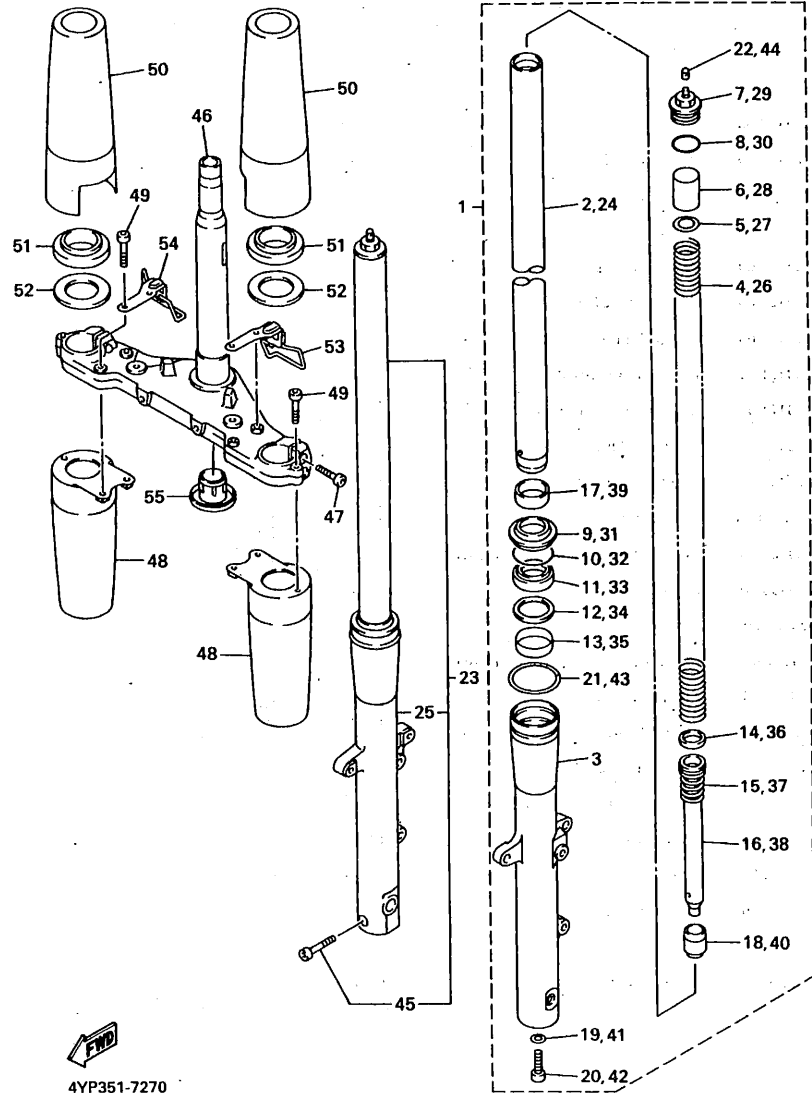
REF. NO.	PART NO.	DESCRIPTION	EUR					REMARKS
28	4NK-23118-01	•SPACER	1					
29	4YP-23111-00	•BOLT, CAP	1					
30	4NK-23147-00	•O-RING	1					
31	4NK-23144-00	•SEAL, DUST	1					
32	34L-23153-00	•RING, SNAP	1					
33	4NK-23145-00	•OIL SEAL	1					
34	4NK-23146-00	•WASHER, OIL SEAL	1					
35	4NK-23125-00	•METAL, SLIDE 1	1					
36	4NK-23157-00	•RING, PISTON	1					
37	4NK-23151-00	•SPRING, REBOUND	1					
38	4NK-23171-00	•PISTON, FRONT FORK	1					
39	4NK-23135-00	•METAL, SLIDE 2	1					
40	4NK-23166-00	•SPACER, OIL LOCK	1					
41	3MA-23129-10	•GASKET, DRAIN PLUG	1					
42	4NK-23181-00	•BOLT, HEXAGON SOCKET HEAD	1					
43	4NK-23193-00	•GUIDE, BOOT	1					
44	4V1-23184-L0	•CAP, AIR VALVE	1					
45	1KT-23181-00	•BOLT, HEXAGON SOCKET HEAD	1					
46	4YP-23340-00	UNDER BRACKET COMP.	1					
47	38W-23181-00	BOLT, HEXAGON SOCKET HEAD	4					
48	4NK-23123-00	COVER, LOWER 1	2					
49	4NK-23181-10	BOLT, HEXAGON SOCKET HEAD	6					
50	4NK-23121-00	COVER, UPPER 1	2					
51	4NK-23163-00	GASKET	2					
52	4NK-23165-00	WASHER, FELT	2					
53	4NK-2331E-00	GUIDE, CABLE	1					
54	4NK-23389-00	GUIDE, CABLE	1					



4YP351-7270

E6

FIG. 27 FRONT FORK



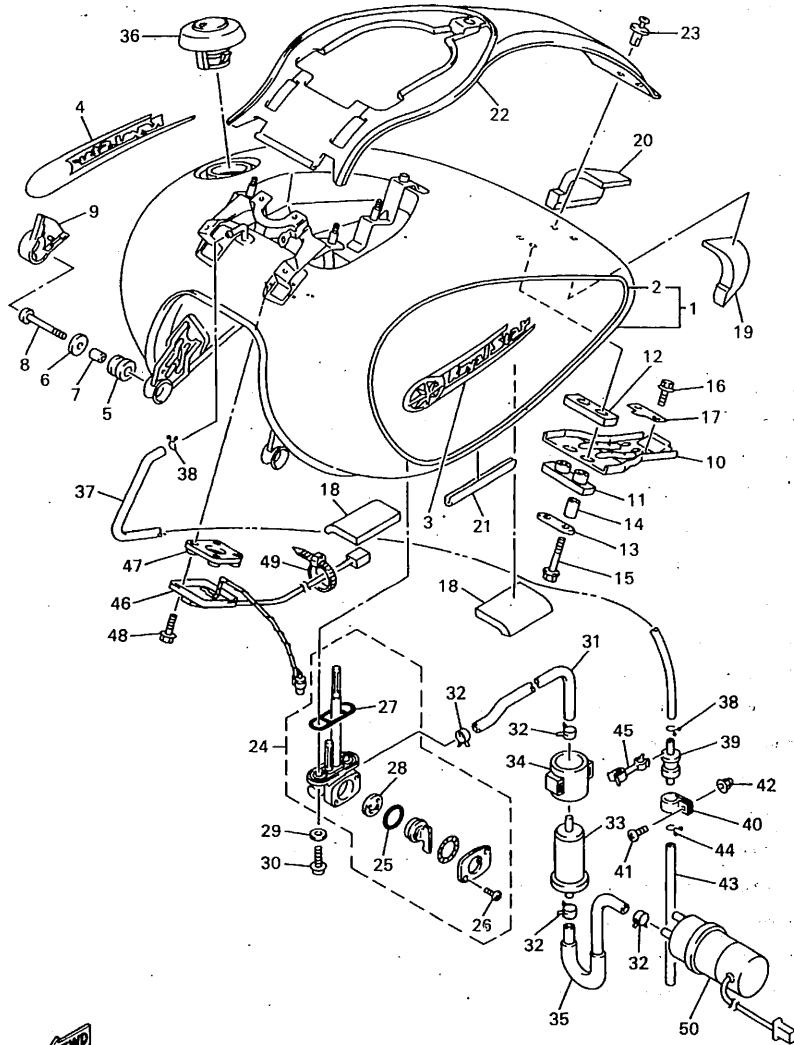
REF. NO.	PART NO.	DESCRIPTION	EUR					REMARKS
55	4KM-23123-01	COVER, LOWER 1	1					

 4YP351-7270

**E7**



FIG. 28 FUEL TANK



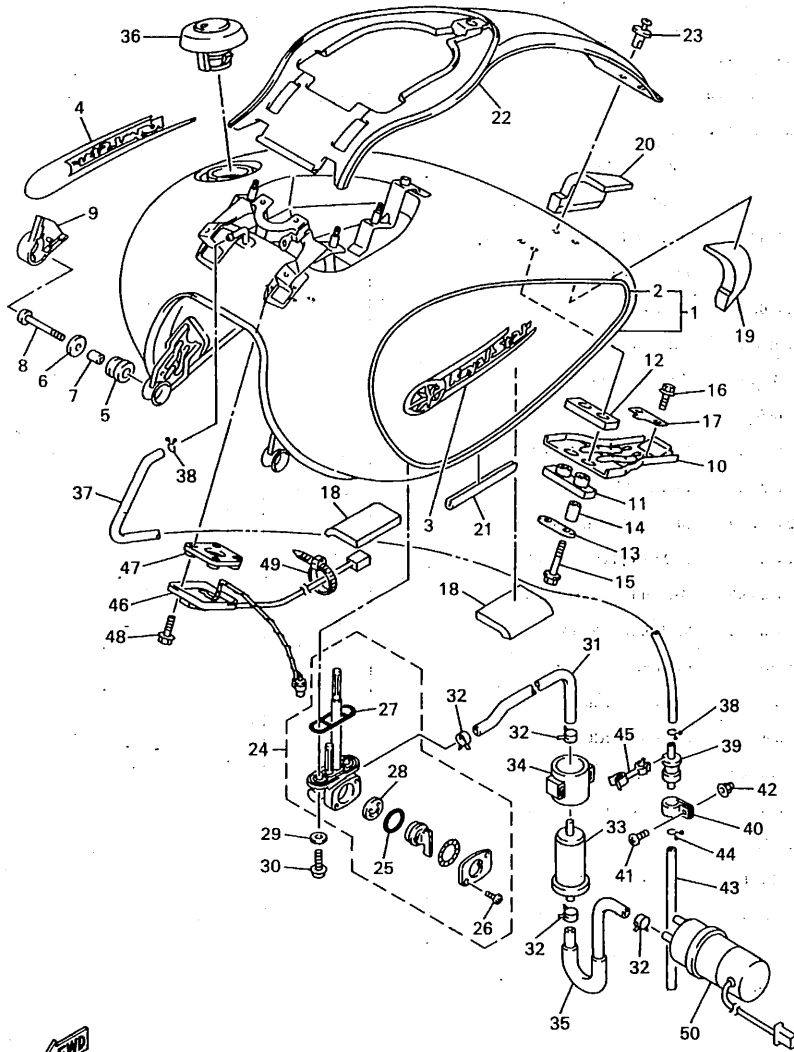
REF. NO.	PART NO.	DESCRIPTION	EUR				REMARKS
1	4NK-24110-10-01	FUEL TANK COMP.	1				UR MRE/NW
	4NK-24110-10-09	FUEL TANK COMP.	1				UR MKB/URB
	4NK-24110-10-07	FUEL TANK COMP.	1				UR PLW/ETM
2	4NK-24240-01	•GRAPHIC SET	1				UR FOR MRE
	4NL-24240-10	•GRAPHIC SET	1				UR FOR MKB
	4NK-24240-30	•GRAPHIC SET	1				UR FOR PLW
3	4NK-24161-00	EMBLEM 1	1				
4	4NK-24162-00	EMBLEM 2	1				
5	90480-18354	GROMMET	2				
6	90201-06071	WASHER, PLATE	2				
7	90387-06027	COLLAR	2				
8	92017-06035	BOLT, BUTTON HEAD	2				
9	4NK-24129-00	COVER, SIDE 1	2				
10	4NK-24191-00	BRACKET, FUEL TANK 1	1				
11	2GH-24181-00	DAMPER, LOCATING 1	1				
12	2GH-24183-00	DAMPER, LOCATING 3	1				
13	2GH-24186-00	WASHER, SPECIAL	1				
14	90387-06299	COLLAR	2				
15	95807-06025	BOLT, FLANGE	2				
16	95827-06014	BOLT, FLANGE	2				
17	4NK-24186-00	WASHER, SPECIAL	1				
18	4NK-24181-00	DAMPER, LOCATING 1	2				
19	4NK-24182-00	DAMPER, LOCATING 2	1				
20	4NK-24183-00	DAMPER, LOCATING 3	1				
21	31A-24188-01	MOLD, FUEL TANK	1				
22	4NK-2171A-00	COVER, TOP	1				
23	90269-07076	RIVET	2				



4YP351-7280

E8

FIG. 28 FUEL TANK

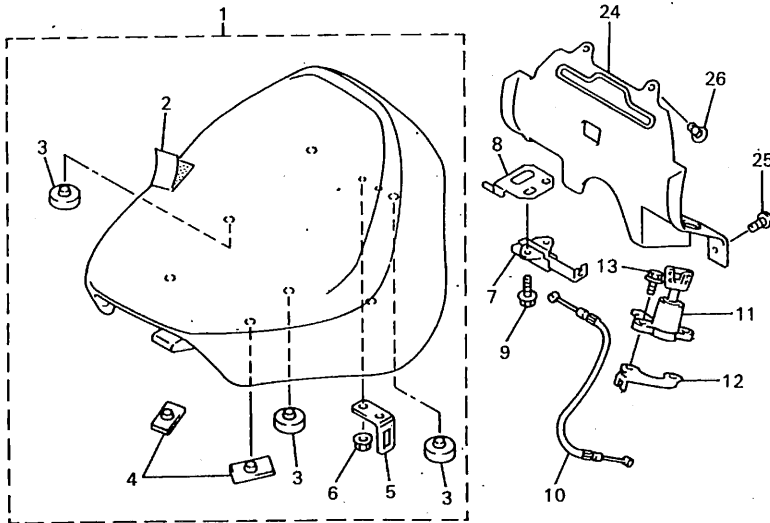
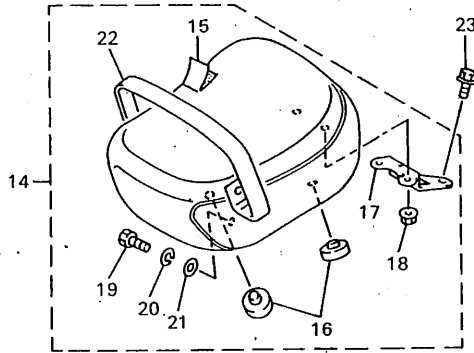


REF. NO.	PART NO.	DESCRIPTION	EUR				REMARKS
24	2GU-24500-01	FUEL COCK ASSY 1	1				
25	3AJ-24534-00	•SEAL, COCK	1				
26	97801-03008	•SCREW, PAN HEAD	2				
27	4X8-24512-00	•O-RING	1				
28	3AJ-24523-00	•VALVE PACKING	1				
29	90202-05193	WASHER, PLATE	2				
30	90149-06011	SCREW	2				
31	4NK-24311-00	PIPE, FUEL 1	1				
32	90467-12053	CLIP	4				
33	1FK-24560-00	FILTER ASSY	1				
34	1FK-24566-00	BRACKET, FILTER	1				
35	4NK-24312-00	PIPE 2	1				
36	4NK-24602-10	CAP ASSY	1				
37	4NK-24321-00	PIPE 10	1				
38	90467-10041	CLIP	2				
39	25H-24180-00	ROLL OVER VALVE ASSY	1				
40	90461-15100	CLAMP	1				
41	98907-05012	SCREW, BIND	1				
42	90176-05054	NUT, CROWN	1				
43	90445-10272	HOSE	1				
44	90467-09006	CLIP	1				
45	90464-13103	CLAMP	2				
46	4NK-85752-00	SENDER UNIT ASSY, FUEL METER	-1				
47	5G3-85753-00	GASKET, SENDER UNIT	1				
48	90119-05071	BOLT, WITH WASHER	4				
49	90464-13073	CLAMP	1				
50	4NK-13907-00	FUEL PUMP COMP.	1				



4YP351-7280

FIG. 29 SEAT

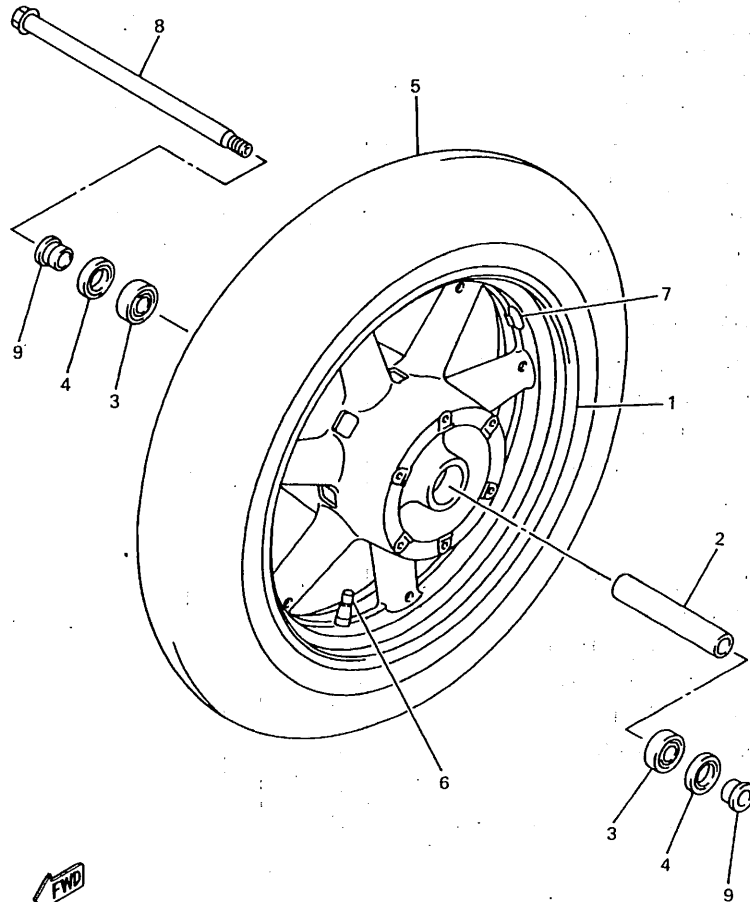


REF. NO.	PART NO.	DESCRIPTION	EUR				REMARKS
1	4NL-24710-00	SINGLE SEAT ASSY	1				
2	4NL-24711-00	COVER, SINGLE SEAT	1				
3	22W-24741-00	PAD, SEAT	5				
4	509-24724-00	DAMPER, SEAT	2				
5	4NK-24728-00	BRACKET, SEAT	1				
6	95707-06500	NUT, FLANGE	2				
7	50W-24705-01	SEAT LOCK ASSY	1				
8	4NK-24792-00	PLATE	1				
9	95807-06014	BOLT, FLANGE	2				
10	4NK-2478E-00	CABLE, SEAT LOCK	1				
11	3CK-W2470-00	SEAT LOCK ASSY	1				
12	4NK-2478X-00	BRACKET, SEAT LOCK	1				
13	95027-06012	BOLT, FLANGE	2				
14	4YP-24750-00	TANDEM SEAT ASSY	1				
15	4NL-24751-00	COVER, TANDEM SEAT	1				
16	22W-24741-00	PAD, SEAT	3				
17	4NK-2471A-00	STAY, SEAT	1				
18	95707-06500	NUT, FLANGE	2				
19	97007-06020	BOLT	2				
20	92907-06100	WASHER, SPRING	2				
21	90201-06765	WASHER, PLATE	2				
22	4YP-24754-00	HOOK, SEAT	1				
23	95024-08012	BOLT, FLANGE	1				
24	4NK-24796-00	COVER	1				
25	90110-05201	BOLT, HEXAGON SOCKET HEAD	2				
26	90269-06046	RIVET	2				



4YP351-7290

FIG. 30 FRONT WHEEL



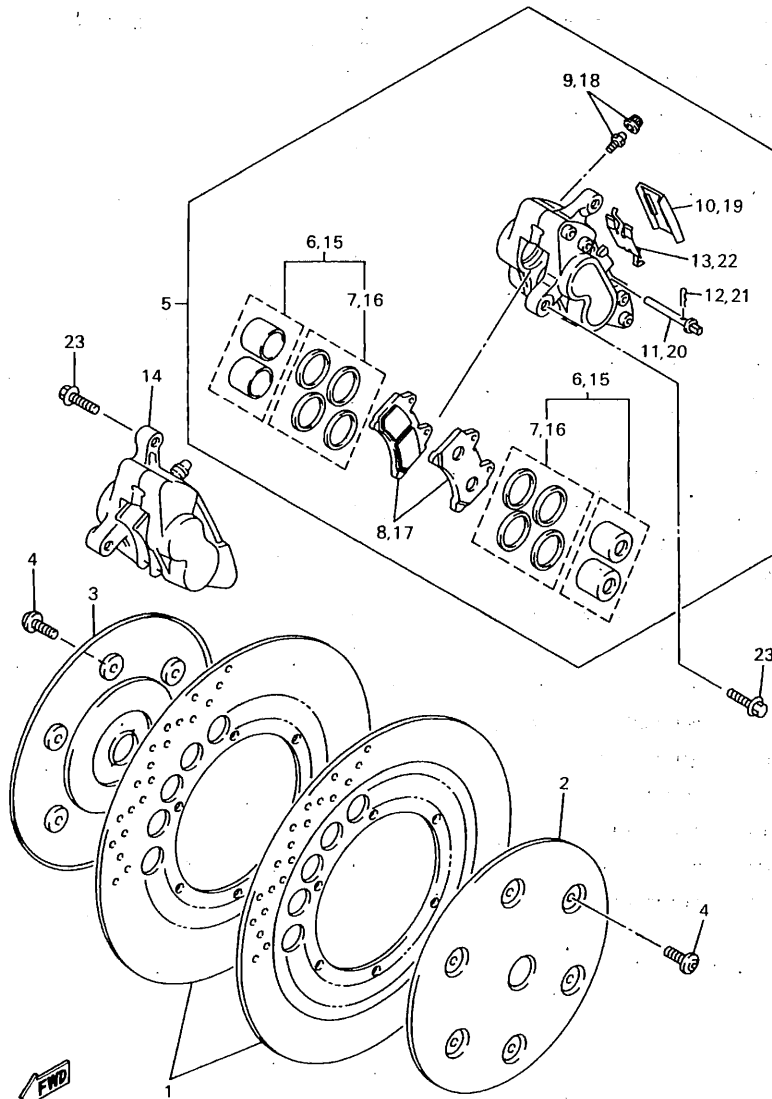
REF. NO.	PART NO.	DESCRIPTION	EUR					REMARKS
1	4NK-25168-00-WG	CAST WHEEL, FRONT	1					HTS
2	90387-2208J	COLLAR	1					
3	93306-00420	BEARING (B6004)	2					
4	93102-28021	OIL SEAL	2					
5	94115-1611R	TIRE (150/80-16 71H D404F)	1					DUNLOP
6	93900-00030	VALVE, RIM	1					
7	29L-25398-00	BALANCER, WHEEL (10G)	1					UR
	29L-25398-10	BALANCER, WHEEL (20G)	1					UR
	29L-25398-20	BALANCER, WHEEL (30G)	1					UR
8	4NK-25181-00	AXLE, WHEEL	1					
9	90387-2200T	COLLAR	2					



4NK110-6310

**E11**

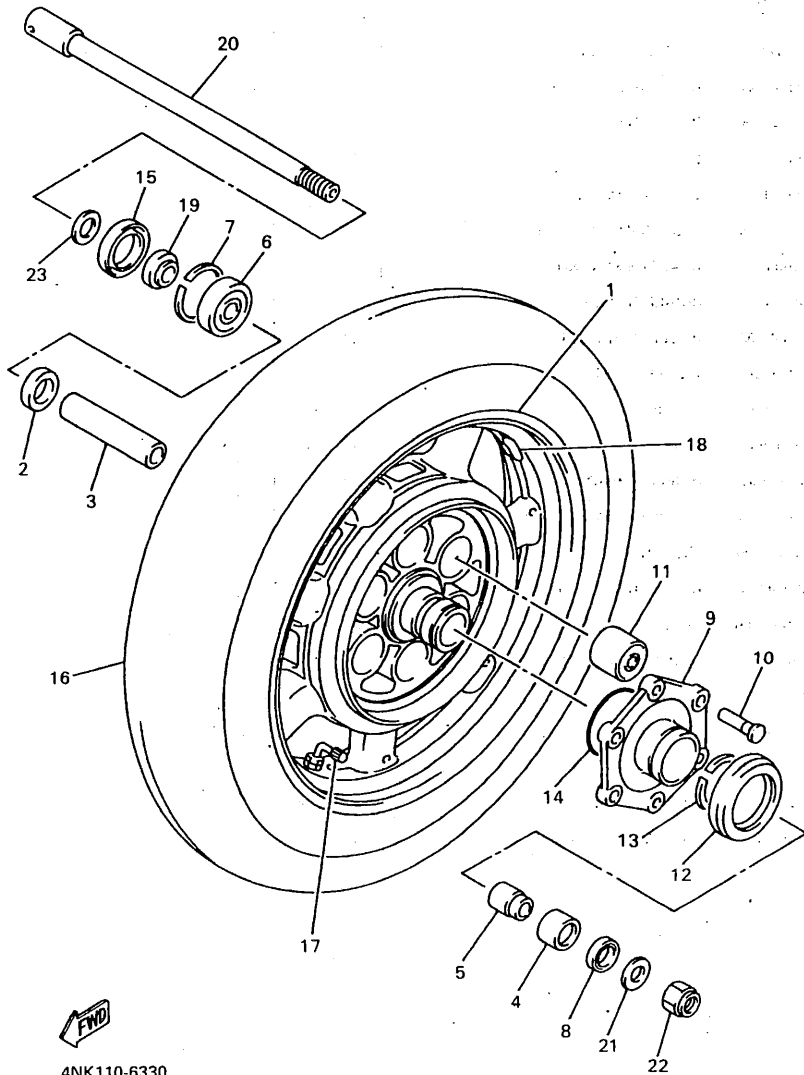
FIG. 31 FRONT BRAKE CALIPER



REF. NO.	PART NO.	DESCRIPTION	EUR				REMARKS
1	3JB-2582U-01	DISC, BRAKE (RIGHT)	2				
2	4NK-2514A-00	RING, WHEEL 1 (LEFT)	1				
3	4NK-2515A-00	RING, WHEEL 2 (RIGHT)	1				
4	90109-083G4	BOLT	12				
5	4NK-2580T-00	CALIPER ASSY (LEFT)	1				
6	1NL-W0057-00	PISTON ASSY, CALIPER	2				
7	1NL-W0047-00	CALIPER SEAL KIT	1				
8	4NK-W0045-00	BRAKE PAD KIT	1				
9	1J3-W0048-00	BLEED SCREW KIT	1				
10	1KT-25836-00	COVER, DUST	1				
11	3HE-25924-00	PIN, PAD	2				
12	3GM-25925-00	CLIP	2				
13	2GH-25919-00	SUPPORT, PAD	1				
14	4NK-2580U-00	CALIPER ASSY (RIGHT)	1				
15	1NL-W0057-00	PISTON ASSY, CALIPER	2				
16	1NL-W0047-00	CALIPER SEAL KIT	1				
17	4NK-W0045-00	BRAKE PAD KIT	1				
18	1J3-W0048-00	BLEED SCREW KIT	1				
19	1KT-25836-00	COVER, DUST	1				
20	3HE-25924-00	PIN, PAD	2				
21	3GM-25925-00	CLIP	2				
22	2GH-25919-00	SUPPORT, PAD	1				
23	90105-10638	BOLT, WASHER BASED	4				

4NK110-6320

FIG. 32 REAR WHEEL

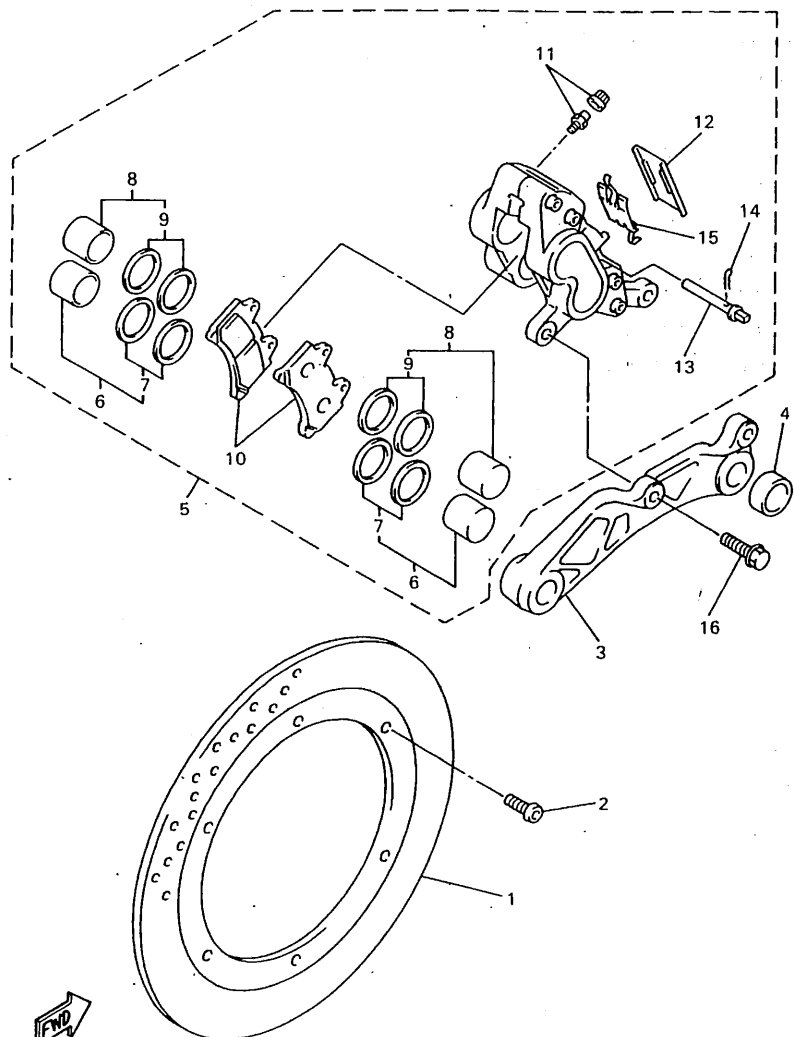


4NK110-6330

E13

REF. NO.	PART NO.	DESCRIPTION	EUR				REMARKS
1	4NK-25338-00-WG	CAST WHEEL, REAR	1				HTS
2	2H7-25315-00	FLANGE, SPACER	1				
3	90387-2008H	COLLAR	1				
4	93317-32677	BEARING	1				
5	90387-2007J	COLLAR	1				
6	93306-30437	BEARING	1				
7	99009-52500	CIRCLIP	1				
8	93102-25064	OIL SEAL	1				
9	26H-25366-00	CLUTCH, HUB	1				
10	90249-12167	PIN	6				
11	1FK-25384-00	DAMPER	6				
12	1J7-25319-02	SEAL, HUB DUST	1				
13	93440-45022	CIRCLIP	1				
14	93210-68347	O-RING	1				
15	93102-40367	OIL SEAL	1				
16	94115-1508M	TIRE (150/90-15M/C 74H D404)	1				DUNLOP
17	93900-00025	VALVE, RIM	1				
18	29L-25398-00	BALANCER, WHEEL (10G)	1				UR
	29L-25398-10	BALANCER, WHEEL (20G)	1				UR
	29L-25398-20	BALANCER, WHEEL (30G)	1				UR
19	90387-200J2	COLLAR	1				
20	4NK-25381-00	AXLE, WHEEL	1				
21	90201-185R7	WASHER, PLATE	1				
22	90185-18167	NUT, SELF-LOCKING	1				
23	92903-20600	WASHER	1				

FIG. 33 REAR BRAKE CALIPER



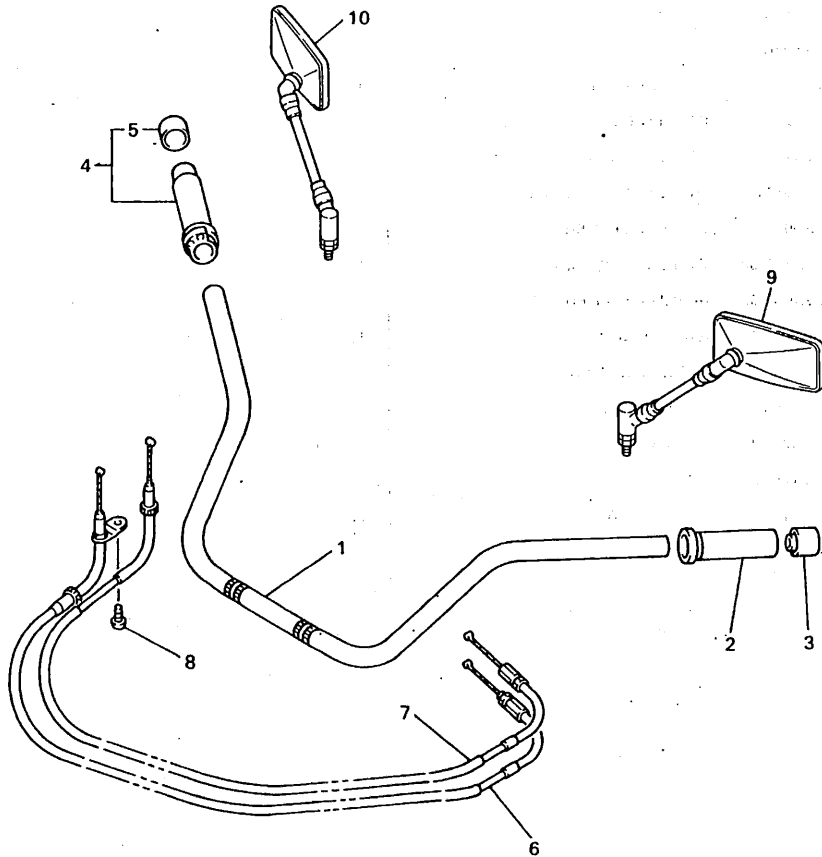
REF. NO.	PART NO.	DESCRIPTION	EUR				REMARKS
1	4NK-2582W-00	DISC, REAR BRAKE 2	1				
2	90109-083G4	BOLT	6				
3	4NK-25819-00	BRACKET, CALIPER	1				
4	4NK-25873-00	DAMPER, BRAKE	1				
5	4NK-2580W-00	CALIPER ASSY, REAR 2	1				
6	1KT-W0057-00	•PISTON ASSY, CALIPER	1				
7	1KT-W0047-00.	••CALIPER SEAL KIT	1				
8	4NK-W0057-00	•PISTON ASSY, CALIPER	1				
9	4NK-W0047-00	••CALIPER SEAL KIT	1				
10	4NK-W0046-00	•BRAKE PAD KIT 2	1				
11	1J3-W0048-00	•BLEED SCREW KIT	1				
12	1NL-25836-00	•COVER, DUST	1				
13	3HE-25924-00	•PIN, PAD	2				
14	3GM-25925-00	•CLIP	2				
15	1NL-25919-00	•SUPPORT, PAD	1				
16	90105-10638	BOLT, WASHER BASED	2				



4NK110-6340

FIG. 34 STEERING HANDLE • CABLE

REF. NO.	PART NO.	DESCRIPTION	EUR					REMARKS
1	4NK-26111-00	HANDLEBAR	1					
2	4NK-26241-00	GRIP (LEFT)	1					
3	4NK-2628J-00	CAP, GRIP	1					
4	4NK-26240-00	GRIP ASSY	1					
5	4NK-2635J-00	*CAP 2	1					
6	4NK-26311-00	CABLE, THROTTLE 1	1					
7	4NK-26312-00	CABLE, THROTTLE 2	1					
8	98507-05008	SCREW, PAN HEAD	1					
9	4H7-26290-A1	REAR VIEW MIRROR ASSY(RIGHT)	1					
10	4H7-26290-E1	REAR VIEW MIRROR ASSY(RIGHT)	1					

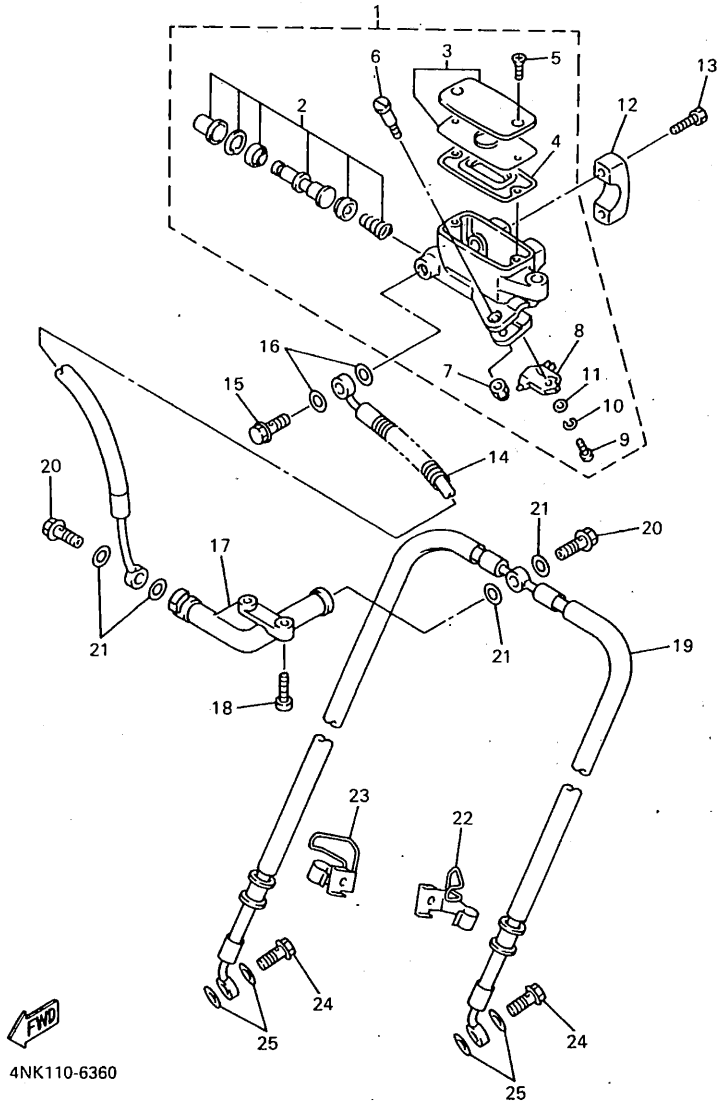


4YP351-7340

E15



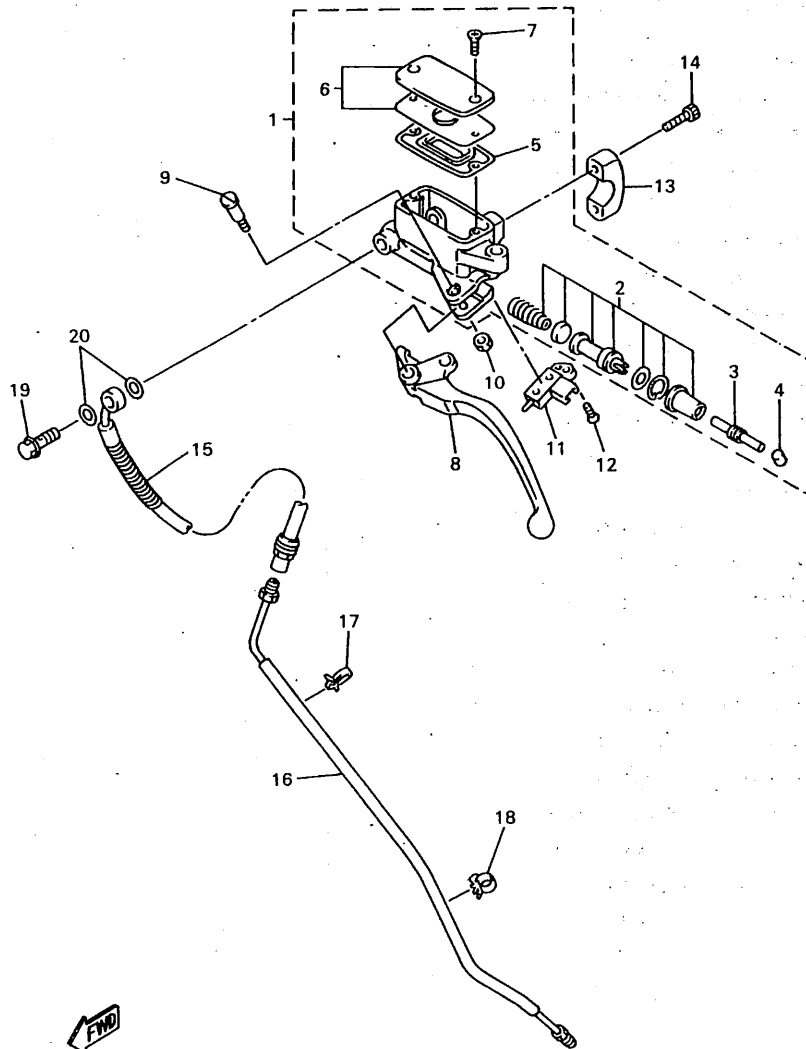
FIG. 35 FRONT MASTER CYLINDER



4NK110-6360

REF. NO.	PART NO.	DESCRIPTION	EUR				REMARKS
1	4NK-25870-00	MASTER CYLINDER SUB ASSY	1				
2	4K0-W0041-50	•CYLINDER KIT, MASTER	1				
3	4NK-W2585-00	•RESERVOIR CAP SET	1				
4	4NK-25854-00	•DIAPHRAGM, RESERVOIR	1				
5	4NK-2589H-00	•SCREW	2				
6	4NK-2589F-00	•BOLT, LEVER	1				
7	95604-06100	•NUT, U	1				
8	3FV-83980-00	•FRONT STOP SWITCH ASSY	1				
9	98502-04012	•SCREW, PAN HEAD	1				
10	92902-04100	•WASHER, SPRING	1				
11	92902-04600	•WASHER, PLATE	1				
12	4NK-25867-00	BRACKET, MASTER CYLINDER	1				
13	91314-06025	BOLT	2				
14	4NK-25872-00	HOSE, BRAKE 1	1				
15	90401-10159	BOLT, UNION	1				
16	90201-10118	WASHER, PLATE	2				
17	4NK-25885-00	JOINT	1				
18	91317-06020	BOLT	2				
19	4NK-25873-00	HOSE, BRAKE 2	1				
20	90401-10159	BOLT, UNION	1				
21	90201-10118	WASHER, PLATE	4				
22	4NK-25875-00	HOLDER, BRAKE HOSE 1	1				
23	4NK-25886-00	HOLDER, BRAKE HOSE	1				
24	90401-10159	BOLT, UNION	2				
25	90201-10118	WASHER, PLATE	4				

FIG. 36 FRONT MASTER CYLINDER 2



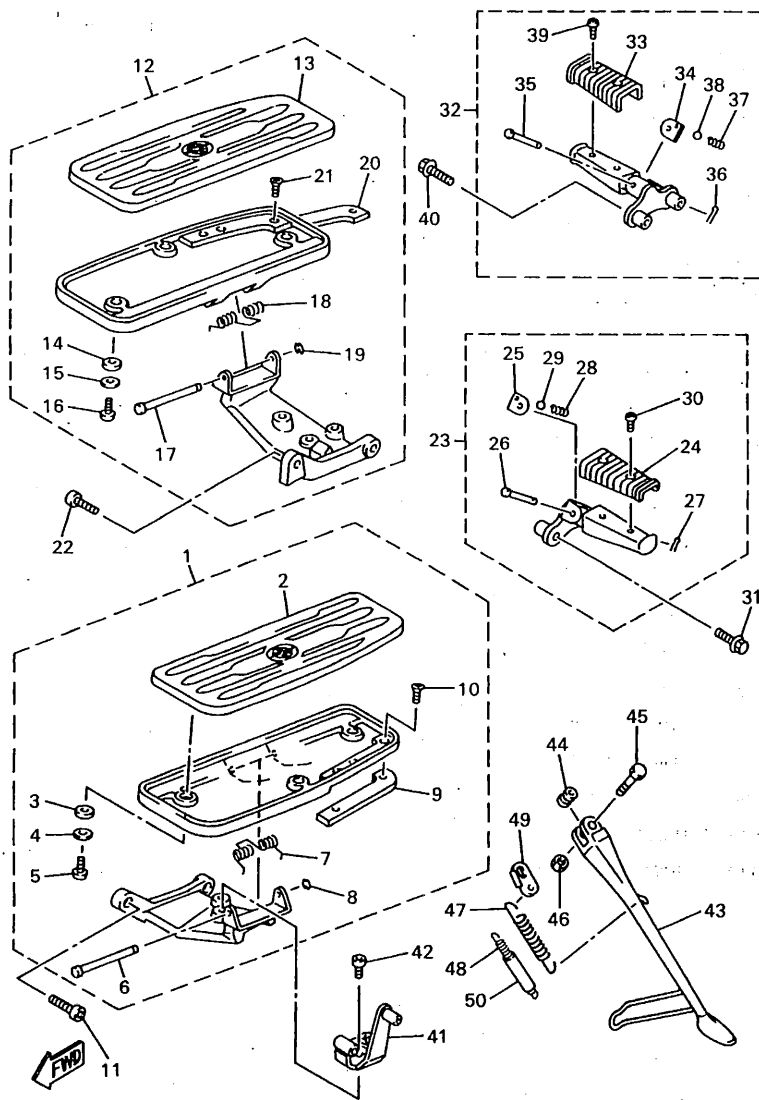
REF. NO.	PART NO.	DESCRIPTION	EUR					REMARKS
1	4NK-W2645-00	MASTER CYLINDER SUB ASSY	1					
2	3GM-W0099-00	•CYLINDER KIT, MASTER (CLUTCH)	1					
3	3GM-26464-00	•ROD, PUSH	1					
4	3GM-26455-00	•BUSH	1					
5	4NK-25854-00	•DIAPHRAGM, RESERVOIR	1					
6	4NK-W2585-00	•RESERVOIR CAP SET	1					
7	4NK-2589H-00	•SCREW	2					
8	4NK-83912-00	LEVER 1	1					
9	4NK-83945-00	BOLT, LEVER	1					
10	95604-06100	NUT, U	1					
11	3GM-83980-00	FRONT STOP SWITCH ASSY	1					
12	98706-04016	SCREW, FLAT HEAD	1					
13	4NK-25867-00	BRACKET, MASTER CYLINDER	1					
14	91314-06025	BOLT	2					
15	4NK-26472-00	HOSE, CLUTCH 1	1					
16	4NK-26471-00	PIPE	1					
17	90464-13133	CLAMP	1					
18	90464-10190	CLAMP	1					
19	90401-10159	BOLT, UNION	1					
20	90201-10118	WASHER, PLATE	2					



4NK110-6370

F3

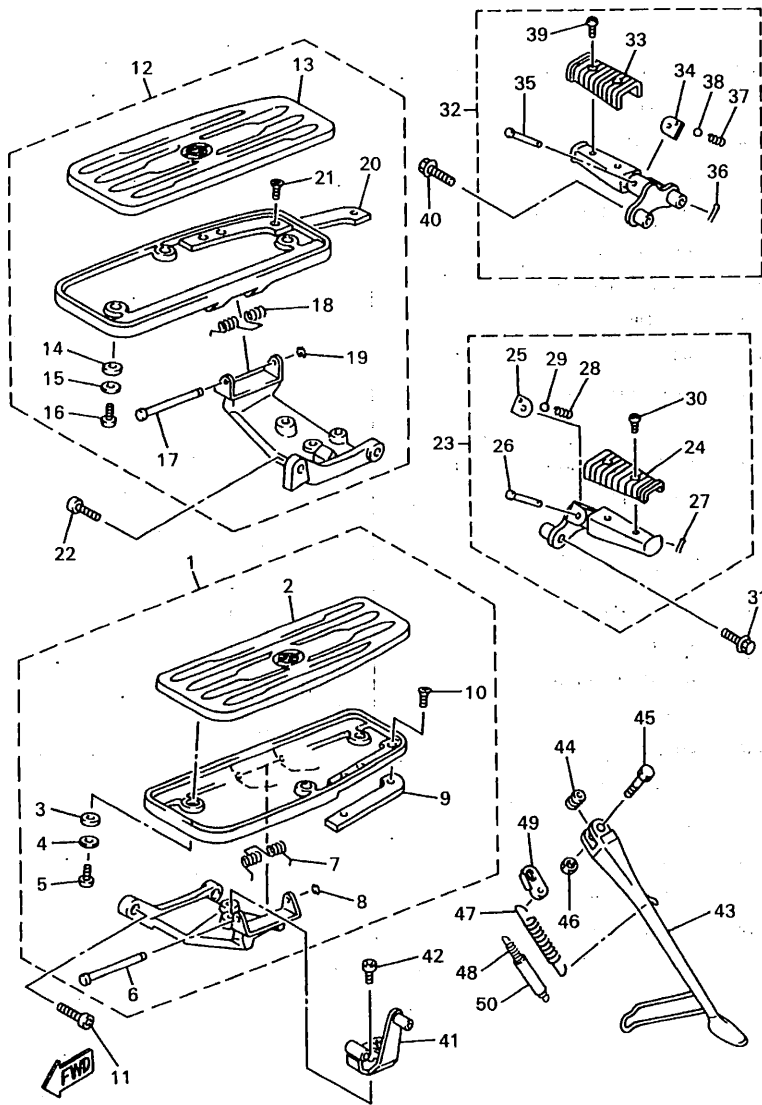
FIG. 37 STAND • FOOTREST



4YP351-7370

REF. NO.	PART NO.	DESCRIPTION	EUR				REMARKS
1	4NK-27410-00	FRONT FOOTREST ASSY (LEFT)	1				
2	4NK-27413-00	•COVER, FOOTREST	1				
3	4NK-27414-00	•DAMPER, FOOTREST	3				
4	90201-05660	•WASHER, PLATE	3				
5	92014-05010	•BOLT, BUTTON HEAD	3				
6	4NK-27427-00	•SHAFT	1				
7	4NK-27426-00	•SPRING, RETURN	1				
8	99001-06600	•CIRCLIP	1				
9	4NK-27496-00	•MOLE 1	1				
10	98780-05010	•SCREW, FLAT HEAD	2				
11	91314-10030	BOLT	2				
12	4NK-27420-00	FRONT FOOTREST ASSY (RIGHT)	1				
13	4NK-27423-00	•COVER, FOOTREST	1				
14	4NK-27414-00	•DAMPER, FOOTREST	3				
15	90201-05660	•WASHER, PLATE	3				
16	92014-05010	•BOLT, BUTTON HEAD	3				
17	4NK-27427-00	•SHAFT	1				
18	4NK-27426-00	•SPRING, RETURN	1				
19	99001-06600	•CIRCLIP	1				
20	4NK-27497-00	•MOLE 2	1				
21	98780-05010	•SCREW, FLAT HEAD	2				
22	91314-10030	BOLT	2				
23	4NK-27430-00	REAR FOOTREST ASSY 1	1				
24	1NH-27433-00	•COVER, REAR FOOTREST	1				
25	2NT-27437-00	•WASHER, SPECIAL	1				
26	91701-06032	•PIN, CLEVIS	1				
27	91401-16012	•PIN, COTTER	1				

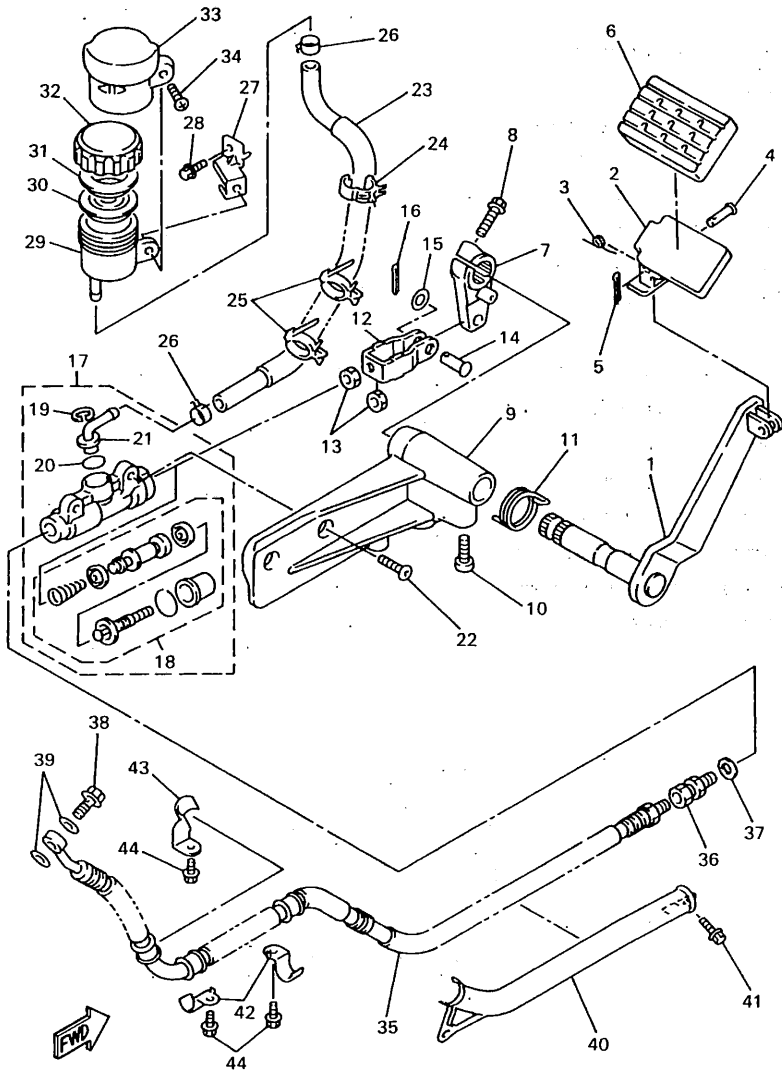
FIG. 37 STAND • FOOTREST



4YP351-7370

REF. NO.	PART NO.	DESCRIPTION	EUR					REMARKS
28	90501-12743	•SPRING, COMPRESSION	1					
29	93501-04011	•BALL	1					
30	98517-06012	•SCREW, PAN HEAD	2					
31	95024-08030	BOLT, FLANGE	2					
32	4NK-27440-00	REAR FOOTREST ASSY 2	1					
33	1NH-27433-00	•COVER, REAR FOOTREST	1					
34	2NT-27437-00	•WASHER, SPECIAL	1					
35	91701-06032	•PIN, CLEVIS	1					
36	91401-16012	•PIN, COTTER	1					
37	90501-12743	•SPRING, COMPRESSION	1					
38	93501-04011	•BALL	1					
39	98517-06012	•SCREW, PAN HEAD	2					
40	95024-08030	BOLT, FLANGE	2					
41	4NK-27443-00	BRACKET 3	1					
42	91317-08014	BOLT	2					
43	4NK-27311-01	STAND, SIDE	1					
44	90387-1007K	COLLAR	1					
45	90101-10776	BOLT	1					
46	90185-10037	NUT, SELF-LOCKING	1					
47	90506-18224	SPRING, TENSION	1					
48	90506-26225	SPRING, TENSION	1					
49	2KT-27315-00	LINK, SIDE STAND	1					
50	1TX-27351-00	GUIDE, SIDE STAND	1					

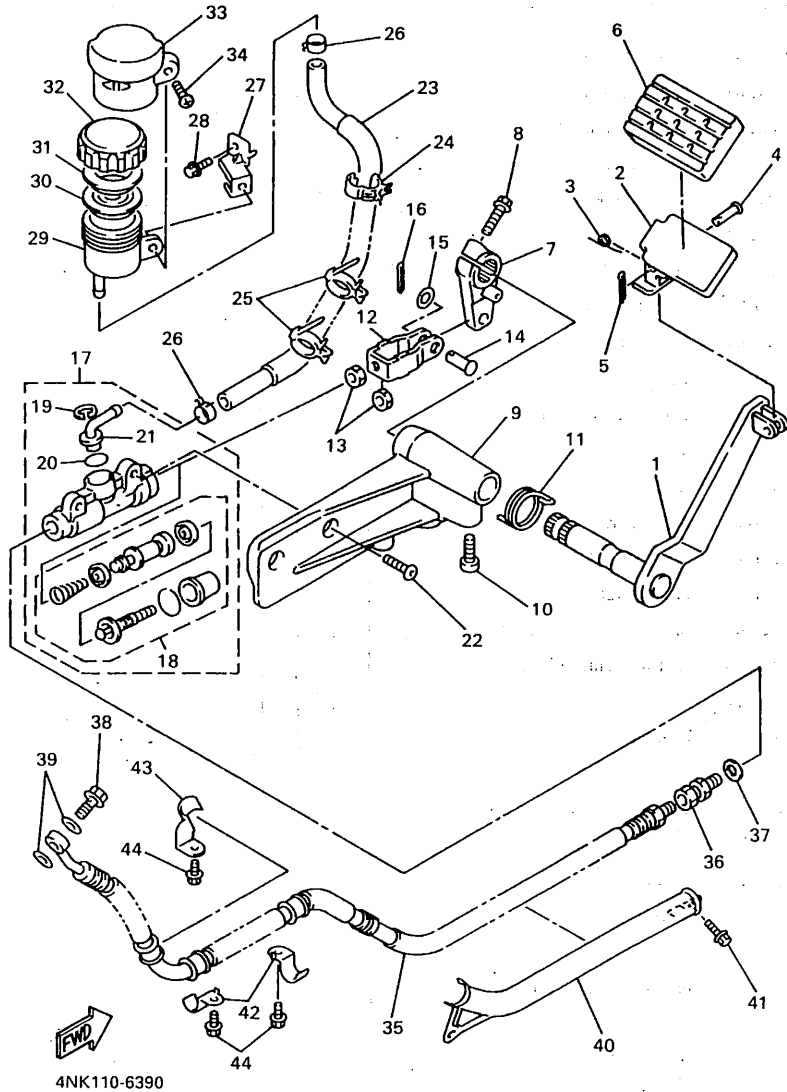
FIG. 38 REAR MASTER CYLINDER



4NK110-6390

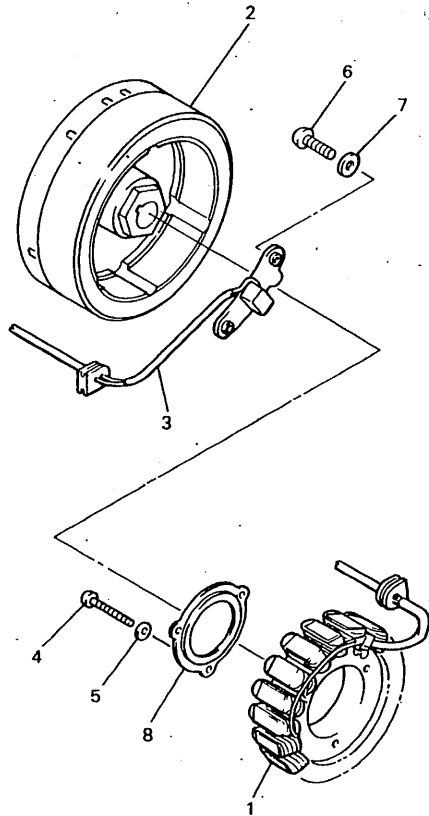
REF. NO.	PART NO.	DESCRIPTION	EUR				REMARKS
1	4NK-27211-00	PEDAL, BRAKE	1				
2	4NK-27242-00	PEDAL, BRAKE	1				
3	90508-140B8	SPRING, TORSION	1				
4	91701-06022	PIN, CLEVIS	1				
5	91401-20012	PIN, COTTER	1				
6	4NK-27285-00	CAP	1				
7	4NK-27262-00	LEVER	1				
8	95024-06025	BOLT, FLANGE	1				
9	4NK-2741L-00	BRACKET 4	1				
10	91317-08014	BOLT	3				
11	4NK-27316-00	SPRING, SIDE STAND	1				
12	4NK-27222-00	JOINT	1				
13	95307-08700	NUT	2				
14	90240-08013	PIN, CLEVIS	1				
15	90201-08083	WASHER, PLATE	1				
16	91401-16012	PIN, COTTER	1				
17	4NK-2583V-00	RR. MASTER CYLINDER ASSY.	1				
18	1FK-W0042-50	•CYLINDER KIT, MASTER	1				
19	2VN-25866-00	•CIRCLIP	1				
20	93210-15620	•O-RING	1				
21	3LD-2582A-00	•JOINT	1				
22	92014-08020	BOLT, BUTTON HEAD	2				
23	4NK-25895-00	HOSE, RESERVOIR	1				
24	90464-20191	CLAMP	1				
25	90464-20213	CLAMP	2				
26	90467-14057	CLIP	2				
27	4NK-21228-00	BRACKET, RESERVE TANK	1				

FIG. 38 REAR MASTER CYLINDER



REF. NO.	PART NO.	DESCRIPTION	EUR					REMARKS
28	95027-06010	BOLT, FLANGE	1					
29	31A-25894-01	TANK, RESERVOIR	1					
30	360-25854-00	DIAPHRAGM, RESERVOIR	1					
31	2GU-25855-00	BUSH, DIAPHRAGM	1					
32	2KF-25852-50	CAP, RESERVOIR	1					
33	4NK-25888-00	COVER, RESERVOIR TANK	1					
34	92014-06016	BOLT, BUTTON HEAD	1					
35	4NK-2581J-00	HOSE, BRAKE 4	1					
36	3LC-25885-00	JOINT	1					
37	90201-10118	WASHER, PLATE	1					
38	90401-10159	BOLT, UNION	1					
39	90201-10118	WASHER, PLATE	2					
40	4NK-25887-00	HOLDER, BRAKE HOSE	1					
41	95024-06012	BOLT, FLANGE	2					
42	3XV-25876-00	HOLDER, BRAKE HOSE 2	2					
43	4NK-25876-00	HOLDER, BRAKE HOSE 2	1					
44	95027-06016	BOLT, FLANGE	3					

FIG. 39 GENERATOR



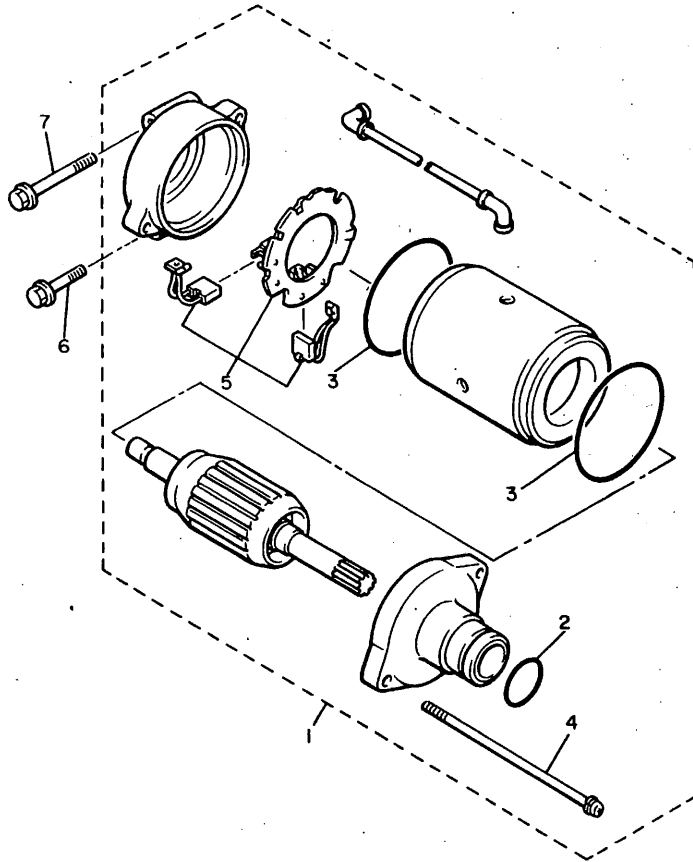
REF. NO.	PART NO.	DESCRIPTION	EUR					REMARKS
1	4NK-81410-00	STATOR ASSY	1					
2	4NK-81450-00	ROTOR ASSY	1					
3	4NK-81670-00	PICK-UP ASSY	1					
4	98507-06030	SCREW, PAN HEAD	3					
5	92907-06600	WASHER, PLATE	3					
6	98507-06016	SCREW, PAN HEAD	2					
7	90201-06674	WASHER, PLATE	2					
8	4NK-15113-00	PLATE	1					



4NK110-6420

**F8**

FIG. 40 STARTING MOTOR



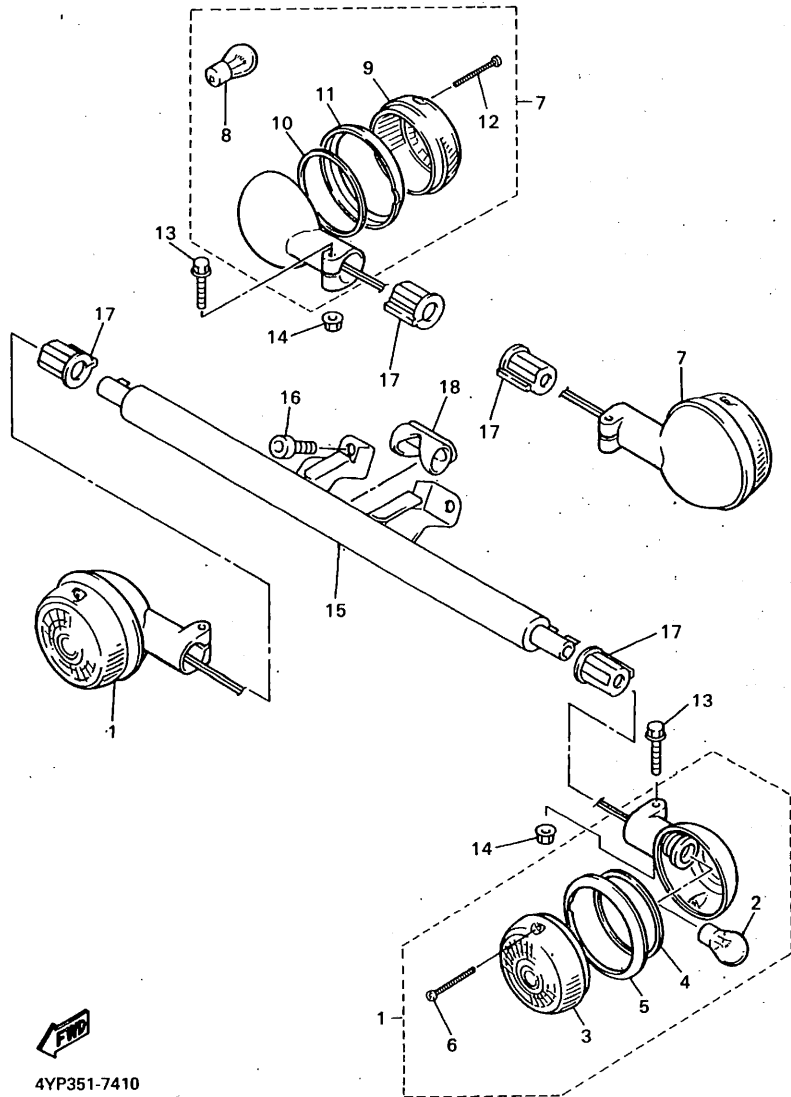
REF. NO.	PART NO.	DESCRIPTION	EUR					REMARKS
1	4NK-81800-00	STARTING MOTOR ASSY	1					
2	1FK-81847-00	•O-RING	1					
3	11H-81844-00	•GASKET	2					
4	3AJ-81826-00	•BOLT	2					
5	3AJ-81801-00	•BRUSH SET	1					
6	95827-06025	BOLT, FLANGE	1					
7	95827-06055	BOLT, FLANGE	1					



3LR351-0400



FIG. 41 FLASHER LIGHT



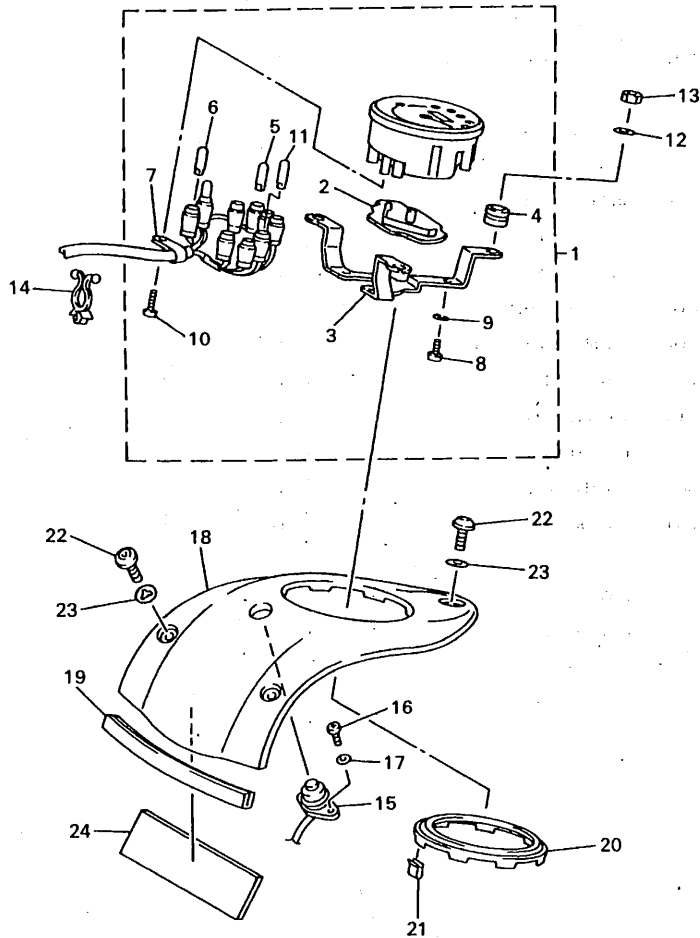
REF. NO.	PART NO.	DESCRIPTION	EUR				REMARKS
1	2EN-83310-00	FRONT FLASHER LIGHT ASSY 1	2				
2	2AE-83311-00	•BULB, FLASHER (12V-21W)	1				
3	42X-83312-00	•LENS, FLASHER	1				
4	42X-83313-00	•GASKET, FLASHER LENS	1				
5	42X-83363-00	•LENS, RIM	1				
6	57M-83358-00	•SCREW, SPECIAL	2				
7	2EN-83330-00	REAR FLASHER LIGHT ASSY 1	2				
8	2AE-83311-00	•BULB, FLASHER (12V-21W)	1				
9	2AE-83312-00	•LENS, FLASHER	1				
10	42X-83313-00	•GASKET, FLASHER LENS	1				
11	42X-83363-00	•LENS, RIM	1				
12	57M-83358-00	•SCREW, SPECIAL	2				
13	95024-06030	BOLT, FLANGE	4				
14	95704-06500	NUT, FLANGE	4				
15	4NK-2317V-00	STAY, 8	1				
16	91314-08016	BOLT	2				
17	4NK-83321-00	DAMPER, FLASHER 1	4				
18	4NK-83345-00	PLUG, BLIND	1				



4YP351-7410

**F10**

FIG. 42 METER

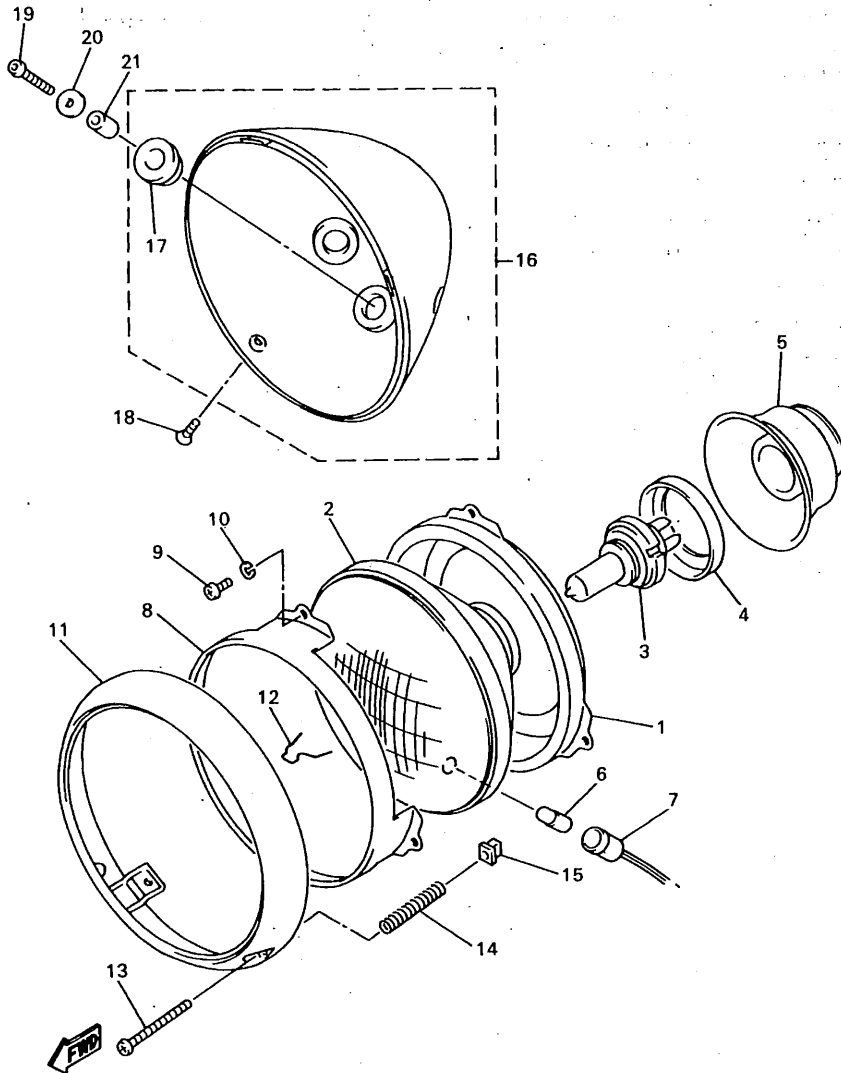


REF. NO.	PART NO.	DESCRIPTION	EUR				REMARKS
1	4NK-83500-30	SPEEDOMETER ASSY	1				UR
	4NK-83500-20	SPEEDOMETER ASSY	1				UR FOR GBR
2	4NK-83579-00	•COVER, METER 2	1				
3	4NK-83519-00	•BRACKET, METER	1				
4	4NK-83523-00	•DAMPER	3				
5	2GV-83517-00	•BULB (12V-1.7W, T6.5)	6				
6	4NK-83517-00	•BULB (12V-1.4W, T6.5)	2				FOR ILLUMI
7	4NK-8357E-00	•CLAMP	1				
8	98507-04010	•SCREW, PAN HEAD	3				
9	92907-04100	•WASHER, SPRING	3				
10	97707-40012	•SCREW, TAPPING	1				
11	42X-83517-00	•BULB (12V-3W)	1				FOR FUEL
12	90201-05036	WASHER, PLATE	3				
13	95307-05600	NUT	3				
14	90464-13066	CLAMP	1				
15	4NK-8358J-00	SWITCH, METER CONTROL	1				
16	98507-05012	SCREW, PAN HEAD	2				
17	92907-05600	WASHER, PLATE	2				
18	4NK-83559-00	COVER, METER	1				
19	4NK-28345-00	MOLE 1	1				
20	4NK-28346-00	MOLE 2	1				
21	1FK-2171H-00	GUIDE	8				
22	90149-06264	SCREW	3				
23	4U5-2176E-00	PLATE	3				
24	11H-21747-00	DAMPER	1				



4YP351-7420

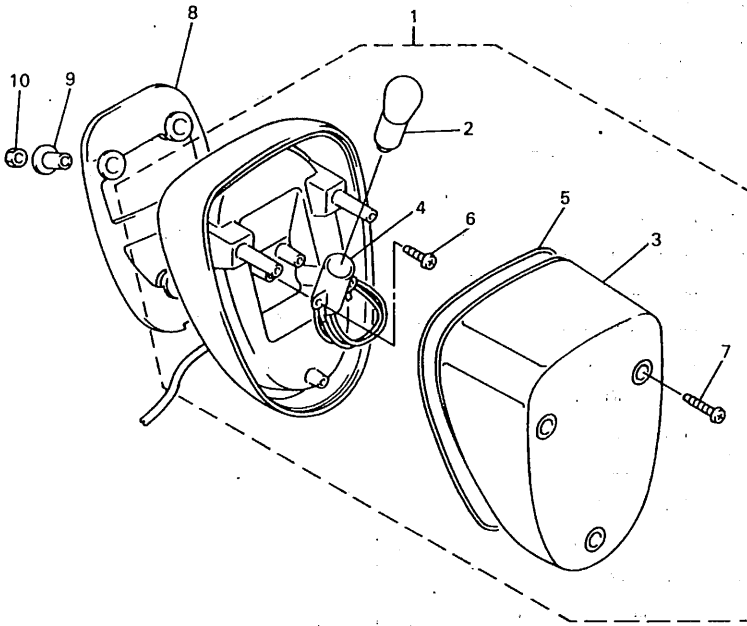
FIG. 43 HEADLIGHT



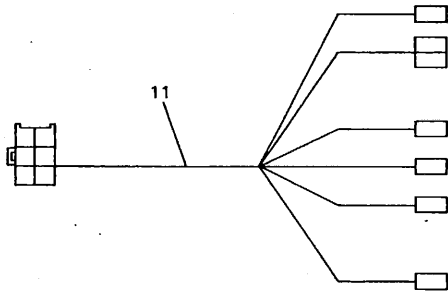
4YP351-7430

REF. NO.	PART NO.	DESCRIPTION	EUR				REMARKS
1	4NK-84394-00	RING, MOUNTING	1				
2	2K3-84321-40	LENS ASSY	1				UR
	2F9-84321-00	LENS ASSY	1				UR FOR GBR
3	2F9-84314-00	BULB (12V-60/55W)	1				(H4)HALOGEN
4	2F9-84375-00	SETTING PLATE, BULB	1				
5	2F9-84397-00	COVER, SOCKET	1				
6	4E2-84347-00	BULB (12V-4W)	1				
7	306-84346-30	SOCKET, PILOT LIGHT	1				
8	2F9-84395-00	RING, RETAINING	1				
9	98502-04008	SCREW, PAN HEAD	3				
10	92902-04100	WASHER, SPRING	3				
11	4NK-84315-00	RIM, HEADLIGHT	1				
12	290-84124-21	SPRING, SET	1				
13	341-84331-60	SCREW, RIM ADJUSTING	2				
14	5G2-84332-60	SPRING, SCREW	2				
15	198-84334-60	NUT, ADJUSTING	2				
16	4NK-84330-00	BODY ASSY	1				
17	42X-84366-00	DAMPER, HEADLIGHT 1	3				
18	98704-05012	SCREW, FLAT HEAD	2				
19	92017-06025	BOLT, BUTTON HEAD	3				
20	90201-06073	WASHER, PLATE	3				
21	90387-0610J	COLLAR	3				

FIG. 44 TAILLIGHT

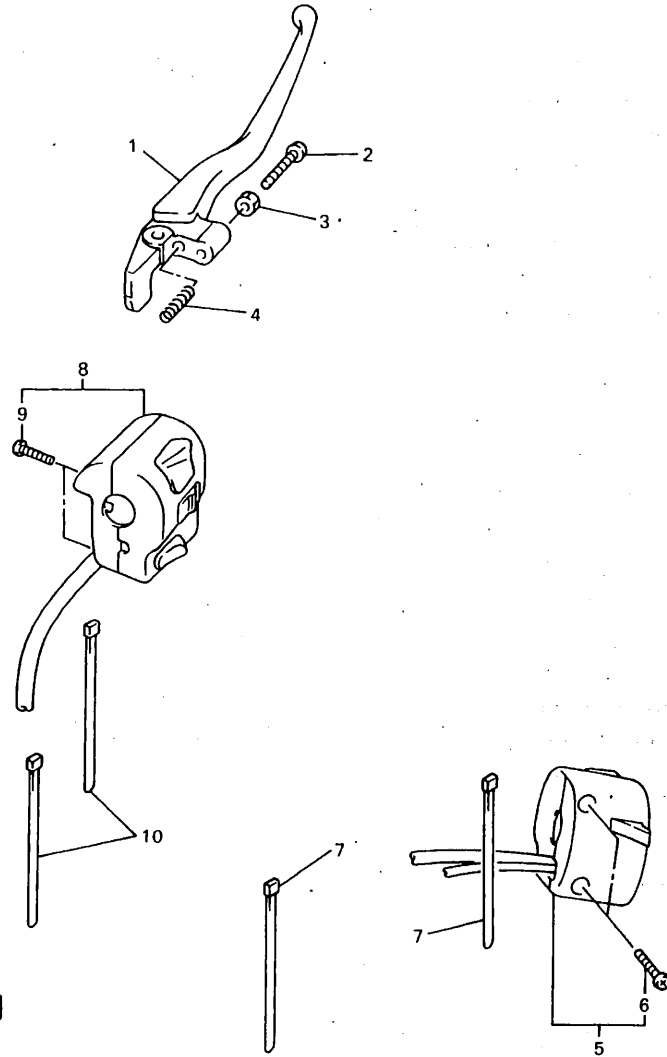


REF. NO.	PART NO.	DESCRIPTION	EUR				REMARKS
1	4YP-84700-00	TAILLIGHT ASSY	1				
2	31L-84714-00	•BULB, TAILLIGHT (12V-21/5W)	1				
3	4YP-84721-00	•LENS, TAILLIGHT	1				
4	4NK-84735-00	•CORD ASSY	1				
5	4NK-84702-00	•GASKET, TAILLENS	1				
6	97701-40516	•SCREW, PANHEAD TAPPING	2				
7	97780-40525	•SCREW, TAPPING	3				
8	4NK-84527-00	DAMPER	1				
9	90387-063E6	COLLAR	3				
10	95307-06600	NUT	3				
11	4NK-84717-00	CORD, TAILLIGHT	1				



4NK110-6470

FIG. 45 HANDLE SWITCH • LEVER



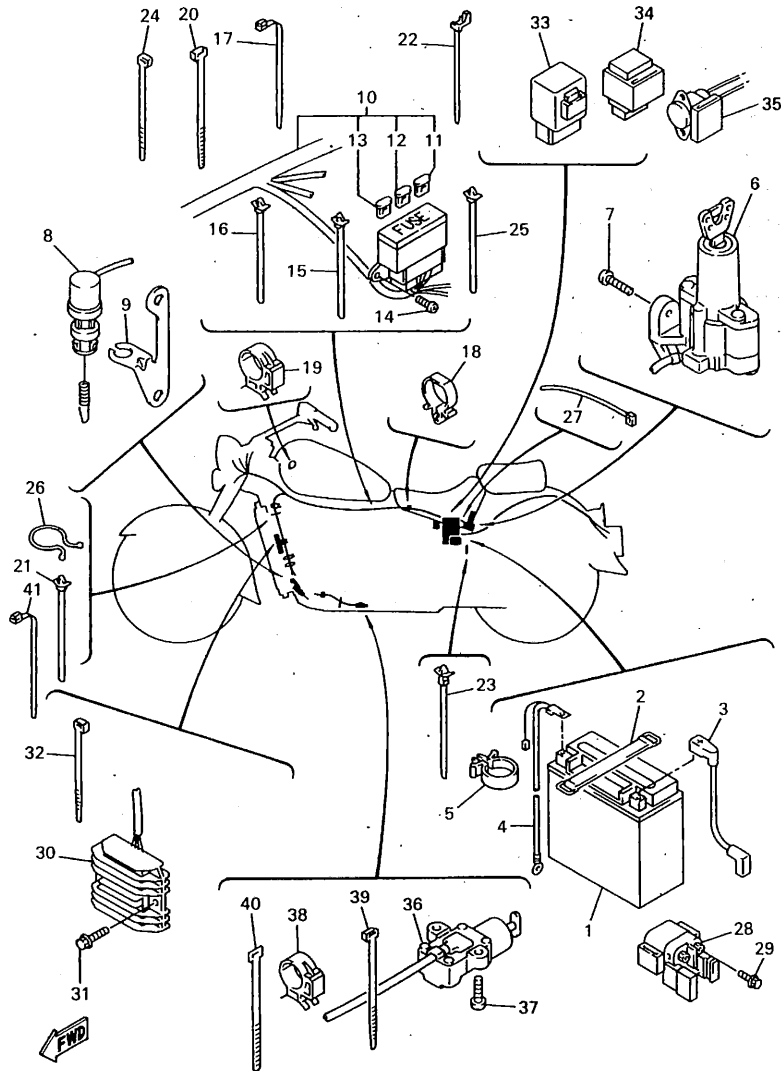
REF. NO.	PART NO.	DESCRIPTION	EUR					REMARKS
1	4NK-83922-00	LEVER 2	1					
2	90149-06131	SCREW	1					
3	90170-06010	NUT	1					
4	90501-10312	SPRING, COMPRESSION	1					
5	4WY-83972-00	SWITCH, HANDLE 4	1					
6	98504-05025	•SCREW, PAN HEAD	2					
7	1UA-82591-00	BAND	2					
8	4YP-83963-00	SWITCH, HANDLE 3 (RIGHT)	1					
9	98504-05025	•SCREW, PAN HEAD	2					
10	1UA-82591-00	BAND	2					



4WY010-6450

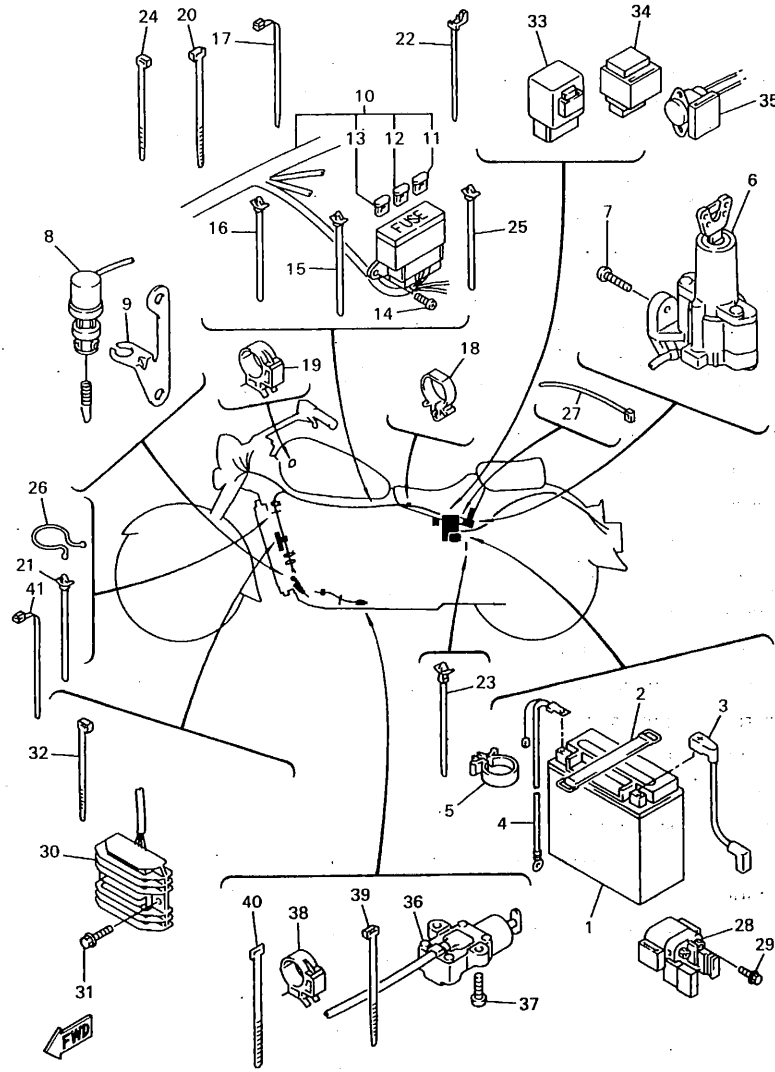
**F14**

FIG. 46 ELECTRICAL 1



REF. NO.	PART NO.	DESCRIPTION	EUR				REMARKS
1	4SH-82100-21	BATTERY ASSY	1				
2	120-82131-00	BAND, BATTERY	1				
3	4NK-82115-00	WIRE, PLUS LEAD	1				
4	4NK-82116-00	WIRE, MINUS LEAD	1				
5	90464-13133	CLAMP	1				
6	4YP-82510-00	MAIN SWITCH ASSY	1				
7	90149-06308	SCREW	2				
8	4NK-82530-00	STOP SWITCH ASSY	1				
9	4NK-82539-00	STAY, STOP SWITCH	1				
10	4YP-82590-00	WIRE HARNESS ASSY	1				
11	42X-82151-00	•FUSE (10A-BL)	3				
12	2GH-82151-00	•FUSE (20A-BL)	3				
13	1NL-82151-00	•FUSE (5A-BL)	2				
14	98907-06012	SCREW, BIND	2				
15	90464-12089	CLAMP	1				
16	90464-12089	CLAMP	1				
17	90464-13073	CLAMP	1				
18	90464-24230	CLAMP	1				
19	90464-10190	CLAMP	1				
20	1UA-82591-00	BAND	1				
21	90464-12089	CLAMP	1				
22	90464-15200	CLAMP	1				
23	90464-10112	CLAMP	2				
24	90464-16061	CLAMP	2				
25	90464-12036	CLAMP	1				
26	90464-30040	CLAMP	2				
27	90464-16061	CLAMP	1				

FIG. 46 ELECTRICAL 1

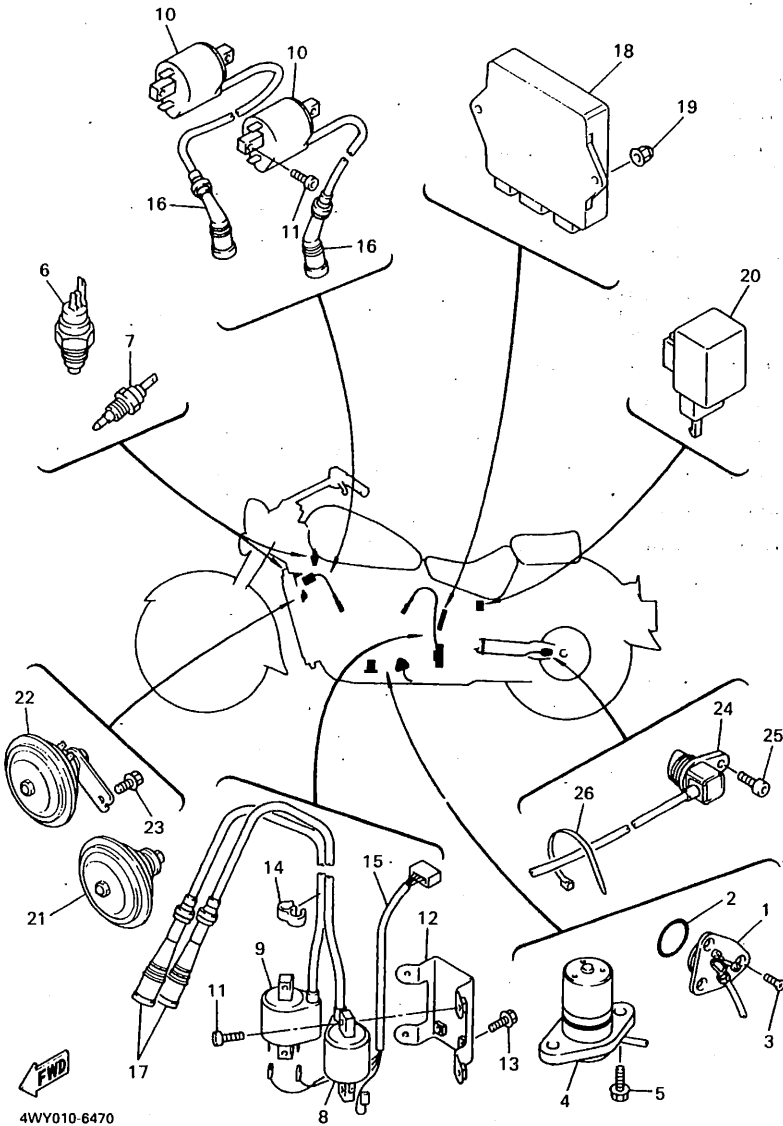


4YP351-7460

REF. NO.	PART NO.	DESCRIPTION	EUR					REMARKS
28	4BH-81940-00	STARTER RELAY ASSY	1					FOR SIDE STAND
29	95027-06008	BOLT, FLANGE	2					
30	3LS-81960-00	RECTIFIER & REGULATOR ASSY	1					
31	95807-06020	BOLT, FLANGE	2					
32	90464-12045	CLAMP	1					
33	3EN-81950-00	RELAY ASSY	1					
34	4U8-81950-02	RELAY ASSY	1					
35	3BT-82560-00	THERMO SWITCH ASSY	1					
36	3LD-82566-50	SWITCH, SIDE STAND	1					
37	90157-05079	SCREW, PAN HEAD	2					
38	90464-10190	CLAMP	1					
39	1UA-82591-00	BAND	1					
40	90464-12045	CLAMP	1					
41	90464-13073	CLAMP	1					



FIG. 47 ELECTRICAL 2



4WY010-6470

REF. NO.	PART NO.	DESCRIPTION	EUR					REMARKS
1	4NK-82540-00	NEUTRAL SWITCH ASSY	1					
2	93210-29196	O-RING	1					
3	98707-05012	SCREW, FLAT HEAD	3					
4	1FK-85720-00	OIL LEVEL GAUGE ASSY	1					
5	95027-06016	BOLT, FLANGE	2					
6	3LN-82560-01	THERMO SWITCH ASSY	1					
7	3YX-82560-00	THERMO SWITCH ASSY	1					
8	4NK-82310-00	IGNITION COIL ASSY	1					
9	4NK-82310-10	IGNITION COIL ASSY	1					
10	4NK-82320-00	IGNITION COIL ASSY	2					
11	91317-05016	BOLT	8					
12	4NK-82316-00	BRACKET, IGNITION COIL	1					
13	95807-06010	BOLT, FLANGE	2					
14	90464-10075	CLAMP	1					
15	4NK-82509-00	WIRE, SUB LEAD	1					
16	4NK-82370-00	PLUG CAP ASSY	2					
17	1FK-82370-00	PLUG CAP ASSY	2					
18	4WY-82305-00	IGNITOR UNIT ASSY	1					
19	90176-06065	NUT, CROWN	2					
20	3GM-83350-01	FLASHER RELAY ASSY	1					
21	4KG-83371-01	HORN	1					
22	4KG-83371-11	HORN	1					
23	95807-06012	BOLT, FLANGE	2					
24	4NK-83755-00	SENSOR, SPEED	1					
25	90109-081F0	BOLT	1					
26	90465-13275	CLAMP	1					



# INDEX

NUMERICAL INDEX

PART NO.	GRID NO.	PART NO.	GRID NO.	PART NO.	GRID NO.
4K0-W0041-50	F - 2	214-11198-01	C - 2	26H-12169-E0	B - 8
1FK-W0042-50	F - 6		E - 2	26H-12169-G0	B - 8
4NK-W0045-00	E -12	4NK-11400-00	B - 5	26H-12169-J0	B - 8
4NK-W0046-00	E -14	1FK-11416-01	B - 5	26H-12169-L0	B - 8
1KT-W0047-00	E -14	1FK-11416-11	B - 5	26H-12169-N0	B - 8
1NL-W0047-00	E -12	1FK-11416-21	B - 5	26H-12169-T0	B - 8
4NK-W0047-00	E -14	1FK-11416-31	B - 5	26H-12169-10	B - 7
1J3-W0048-00	E -12	1FK-11416-41	B - 5	26H-12169-30	B - 7
	E -14	1FK-11416-51	B - 5	26H-12169-50	B - 7
1NL-W0048-00	C -15	1FK-11416-61	B - 5	26H-12169-70	B - 7
1KT-W0057-00	E -14	1NL-11610-00	B - 5	26H-12169-90	B - 8
1NL-W0057-00	E -12	1NL-11610-10	B - 5	2WT-12171-00	B - 9
4NK-W0057-00	E -14	1NL-11610-20	B - 5	26H-12176-02	B - 9
26H-W0098-00	C -15	4NK-11631-00-A0	B - 5	26H-12177-01	B - 9
3GM-W0099-00	F - 3	1FK-11633-00	B - 5	1NL-12181-00	B - 9
26H-W1751-01	D - 3	4NK-11635-00	B - 5	26H-12210-03	B - 9
4NK-W2211-00-35	D -14	4NK-11636-00	B - 5	3JP-12213-01	B - 9
3CK-W2470-00	E -10	26H-11650-00	B - 5	26H-12233-00	B - 9
4NK-W2585-00	F - 2	26H-11654-00	B - 5	26H-12241-00	B - 9
	F - 3	1FK-11656-00	B - 5	26H-12251-00	B - 9
4NK-W2645-00	F - 3	1FK-11656-10	B - 5	26H-12252-00	B - 9
26H-Y1319-10	C - 2	1FK-11656-20	B - 5	4WY-1240J-00	B -12
4NK-Y2150-30-0X	D -10	1FK-11656-30	B - 5	4WY-1240K-00	B -12
4NK-Y2150-40-3X	D -10	1FK-11656-40	B - 5	4NK-12405-01	B -12
4NK-Y2150-50-2X	D -10	1FK-11656-50	B - 5	1AE-12410-00	B -11
4NK-Y2161-50-0X	D -10	26H-12111-10	B - 7	4NK-12413-00	B -11
4NK-Y2161-60-4X	D -10	4NK-12114-00	B - 7	4NK-12417-00	B -10
4NK-Y2161-70-5X	D -10	26H-12116-00	B - 7	4NK-12420-00	B -10
4KG-1111G-00	B - 3	26H-12117-00	B - 7	4NK-12422-00	B -10
4NK-1111H-00	B - 3	4G0-12118-00	B - 7	26H-12427-00	B -13
4NK-1111M-00	B - 3	4KM-12119-00	B - 7	26H-12428-00	B -13
4NK-1111N-00	B - 3	26H-12121-10	B - 7	1AA-12435-00	B -12
4NK-1111P-00	B - 3	26H-12153-00-J0	B - 7	4NK-12437-00	B -10
4NK-1111R-00	B - 3	26H-12153-00-Y0	B - 7	11H-12438-00	B -10
4NK-11110-00	B - 2	26H-12168-A0	B - 7	4NK-1244E-00	B -10
4NK-11120-00	B - 2	26H-12168-F0	B - 7	4NK-12449-00	B -10
26H-11133-10	B - 2	26H-12168-H0	B - 7	1FK-12450-00	B -10
4NK-11142-00	B - 4	26H-12168-K0	B - 7	4NK-12450-00	B -11
4NK-11152-00	B - 3	26H-12168-M0	B - 7	26H-12459-00	B -10
4NK-11166-00	B -13	26H-12168-R0	B - 7	26H-1246A-03	B -13
1NL-11181-00	B - 2	26H-12168-U0	B - 7	26H-1246E-03	B -13
4NK-11185-00	B - 3	26H-12168-W0	B - 7	4NK-12461-01	B -12
4NK-11186-00	B - 3	26H-12168-Y0	B - 7	3XP-12462-00	B -13
4NK-11187-00	B - 3	26H-12168-00	B - 7	4NK-12465-00	B -12
4NK-11191-00	B - 3	26H-12168-20	B - 7	26H-12469-01	B - 2
4NK-11193-00	B - 3	26H-12168-40	B - 7	4NK-12481-00	B -13
4NK-11195-00	B - 3	26H-12168-60	B - 7	4NK-12482-00	B -14
214-11198-01	B -10	26H-12168-80	B - 7	4NK-12483-00	B -10

NUMERICAL INDEX

PART NO.	GRID NO.	PART NO.	GRID NO.	PART NO.	GRID NO.
353-14186-00	C - 6	4YP-14903-00	C - 5	4NK-12484-00	B -13
4YP-14904-00	C - 6	4YP-14904-00	C - 5	4NK-12551-00	B -13
3JD-14197-00	C - 6	3KW-14933-00	C - 5	1AA-12561-00	B -12
4FU-14197-00	C - 7	4NK-14935-00	C - 6	4NK-12576-00	B -12
4HM-14216-00	C - 6	22V-14940-00	C - 6	4NK-12577-00	B -13
1AE-14227-00	C - 5	4WY-14940-00	C - 5	4NK-12578-00	B -12
1HX-14231-23	C - 6	1HX-14985-00	C - 6	4NK-12579-00	B -12
3G2-14231-19	C - 5	22F-14991-00	C - 5	4NK-12588-00	B -13
1AE-14237-00	C - 5	4NK-15100-00	C - 9	4NK-12589-00	B -13
4HM-14239-00	C - 7	26H-15113-00	C -10	4NK-12590-00	B -13
4NK-14243-00	C - 7	4NK-15113-00	F - 8	4NK-12615-00	B -13
1WG-14251-00	C - 6	26H-15138-00	C - 9	4NK-12671-00	B -12
1AE-14261-00	C - 5	4NK-15138-00	C - 9	1FK-13151-00	C - 3
4NK-14349-10	C - 2	26H-15148-00	C - 9	26H-13161-00	C - 2
4NK-14349-20	C - 2	4H7-15189-00	C - 9	26H-13171-00	C - 2
4NK-14386-00	C - 7	4NK-15191-00	C -11	26H-13181-03	C - 2
4NK-14396-00	C - 6	4NK-15316-00	B - 3	26H-13300-02	B -15
4WY-15316-00	C - 4	4WY-15316-00	C -11	4NK-14411-00	B -15
4NK-14413-00	B -13	1AA-15326-00	C - 9	4NK-14413-00	C - 2
1AA-15336-00	B -13	26H-15337-01	B -10	4NK-14414-00	B -15
26H-15337-01	B -10	26H-15338-00	B -10	31A-14419-00	C - 4
2H7-15361-00	C -10	2H7-15361-00	C -10	4NK-14419-00	C - 4
2H7-15363-00	C -11	2H7-15363-00	C -11	4NK-14421-00	C - 4
4NK-15363-00	C -10	4NK-15363-00	C -10	31A-14435-00	C - 4
26H-15365-00	C - 2	26H-15365-00	C - 2	4NK-14437-00	C - 2
26H-15366-01	C - 2	26H-15366-01	C - 2	4NK-14451-00	C - 2
26H-15373-00	C -10	26H-15373-00	C -10	4NK-14452-00	C - 2
26H-15381-00	C -10	26H-15381-00	C -10	4NK-14453-00	C - 3
26H-15383-00	C -10	26H-15383-00	C -10	22U-14561-00	C - 4
4NK-15411-00	C -11	4NK-15411-00	C -11	1FN-14565-00	C - 4
4NK-15421-00	C -11	4NK-15421-00	C -11	1HX-14565-00	C - 4
4NK-15423-00	C -11	4NK-15423-00	C -11	1UY-14565-00	C - 4
4NK-15427-00	C -11	4NK-15427-00	C -11	4NK-14610-00	C - 3
4NK-15431-00	C -11	4NK-15431-00	C -11	3GD-14613-00	E - 9
4NK-15451-00	C -11	4NK-15451-00	C -11	4NK-14620-00	C - 6
4NK-15461-00	C -11	4NK-15461-00	C -11	4NK-14630-00	C - 8
4NK-15462-00	C -11	4NK-15462-00	C -11	4NK-14650-00	C - 8
26H-15512-00	C -13	26H-15512-00	C -13	4YP-14703-00	C - 8
26H-15514-00	C -13	26H-15514-00	C -13	4YP-14704-00	C - 8
26H-15515-00	C -13	26H-15515-00	C -13	4B8-14714-00	C - 8
4NK-15517-00	C -13	4NK-15517-00	C -13	4NK-14714-00	C - 8
26H-15521-00	C -13	26H-15521-00	C -13	4NK-14867-00	C - 7
4NK-15590-00	C -13	4NK-15590-00	C -13	4WY-1490J-00	C - 5
4NK-16150-01	C -14	4NK-16150-01	C -14	3DM-14141-30	C - 5
26H-16154-00	C -14	26H-16154-00	C -14	22F-14142-20	C - 6
26H-16307-00	C -14	26H-16307-00	C -14	4YH-14900-00	C - 5
				4YP-14901-00	C - 5
				4YP-14902-00	C - 5

**NUMERICAL INDEX**

PART NO.	GRID NO.	PART NO.	GRID NO.	PART NO.	GRID NO.
26H-16321-00	C-14	26H-18140-01	D-6	4NL-2165A-10	D-10
26H-16324-00	C-14	4NK-18141-00	D-5	4NK-2171A-00	E-8
4NK-16334-00	C-14	4NK-18150-01	D-6	4NK-2171E-00-33	D-8
1FK-16335-00	C-14	4NK-18151-00	D-7	1FK-2171H-00	F-11
132-16346-00	D-6	2H9-18154-00	D-6	4NK-2171X-00-33	D-8
1FK-16351-00	C-14	26H-18185-00	D-5	4NK-21711-00-FE	D-12
1FK-16352-00	C-14	4NK-18197-00	D-6	4NK-21711-00-GW	D-12
4KG-16356-00	C-14	4NK-18511-00	D-5	4NK-21711-00-JW	D-12
4NK-16357-00	C-14	4NK-18512-00	D-5	4NK-21721-00-FE	D-12
1FK-16371-00	C-14	4NK-18513-00	D-5	4NK-21721-00-GW	D-12
4NK-1638A-00	C-15	4NK-18531-00	D-5	4NK-21721-00-JW	D-12
1FK-16381-11	C-14	26H-18536-00	D-6	4NK-21731-00	D-13
1FK-16383-00	C-14	4NK-18540-00	D-5	1JK-21735-00	D-12
26H-16384-00	C-14	278-18542-00	D-5	4NK-21735-00	D-10
26H-16385-00	C-14	26H-18561-01	D-5	4NK-21741-00	D-13
26H-16399-00	C-14	278-18566-00	D-5	11H-21747-00	F-11
4NK-17121-01	D-2	4YP-21110-00-33	D-8	4U5-2176E-00	F-11
4NK-17141-01	D-2	4NK-21120-00-33	D-8	4NK-2177G-00	D-12
4NK-17151-00	D-2	4NK-21150-00-33	D-8	26H-21828-00	D-13
4NK-17211-01	D-2	4NK-2117F-00	D-8	4NK-21871-00	D-13
4NK-17221-01	D-2	4NK-2117G-00	D-9	4NK-21875-00	D-13
4NK-17231-01	D-2	52W-22117G-00	D-12	4NK-2214H-00	D-14
4NK-17241-01	D-2	4NK-2117M-01	D-8	4NK-22141-00	D-14
4NK-17251-00	D-2	4NK-2117X-00-FE	D-12	26H-22143-00	D-14
4NK-17411-01	D-2	4NK-2117X-00-GW	D-12	4NK-2217A-00	D-14
4NK-17421-00	D-2	4NK-2117X-00-JW	D-12	4NK-2217M-00	D-14
2WE-17524-00	D-3	4NK-21190-00	D-8	26H-22189-00	D-14
2WE-17527-00	D-3	4NK-21228-00	F-6	2H7-2219X-00	D-14
3UF-17531-00	D-3	4NK-21243-00	D-13	4YP-22210-00	E-3
3UF-17531-10	D-3	4NK-2141V-00	D-8	4YP-23102-00	E-5
3UF-17531-20	D-3	4NK-21445-00	D-8	4YP-23103-00	E-5
3UF-17531-30	D-3	4NK-21446-00	D-9	4NK-23110-00	E-5
3UF-17531-40	D-3	4X7-2149Y-00	C-4	4YP-23111-00	E-5
3UF-17531-50	D-3	1KT-21541-00	E-4		E-6
4X7-17531-00-15	D-3	4NK-21570-01	D-10	4NK-23118-01	E-5
4X7-17531-00-30	D-3	4NK-21570-11	D-10		E-6
4X7-17531-00-50	D-3	4NL-21570-10	D-10	4NK-23121-00	E-6
1J7-17537-Y0-30	D-15	4NK-21621-00-FE	D-10	4NK-23122-00	E-4
1J7-17537-Y0-40	D-15	4NK-21621-00-Y5	D-10	4KM-23123-01	E-7
1J7-17537-Y0-50	D-15	4NK-21621-00-3G	D-10	4NK-23123-00	E-6
26H-17551-00	D-3	5A8-21639-00	D-11	4NK-23125-00	E-5
26H-17556-00	D-3	51Y-21639-00	D-12		E-6
2H7-17571-01	D-3	4NK-2164F-00	D-10	4NK-23126-00	E-5
56W-17590-00	E-2	4NK-2164G-00	D-10	3MA-23129-10	E-5
4NK-18101-00	D-6	4YP-21641-00	D-11		E-6
4NK-18110-00	D-6	4NK-21649-00	D-10	4NK-23135-00	E-5
4NK-18113-00	D-6	4NK-2165A-01	D-10		E-6
4NK-18115-00	D-6	4NK-2165A-11	D-10	4NK-23136-00	E-5

**NUMERICAL INDEX**

PART NO.	GRID NO.	PART NO.	GRID NO.	PART NO.	GRID NO.
4NK-23141-01	E-5	4NK-24161-00	E-8	4NK-25338-00-WG	E-13
4NK-23142-00	E-5	4NK-24162-00	E-8	1FK-25364-00	E-13
4NK-23144-00	E-5	25H-24180-00	E-9	26H-25366-00	E-13
	E-6	2GH-24181-00	E-8	4NK-25381-00	E-13
4NK-23145-00	E-5	4NK-24181-00	E-8	29L-25398-00	E-11
	E-6	4NK-24182-00	E-8		E-13
4NK-23146-00	E-5	2GH-24183-00	E-8	29L-25398-10	E-11
	E-6	4NK-24183-00	E-8		E-13
4NK-23147-00	E-5	2GH-24186-00	E-8	29L-25398-20	E-11
	E-6	4NK-24186-00	E-8		E-13
4NK-23151-00	E-5	31A-24188-01	E-8	4NK-25673-00	E-14
	E-6	4NK-24191-00	E-8	4NK-2580T-00	E-12
34L-23153-00	E-5	4NK-24240-01	E-8	4NK-2580U-00	E-12
	E-6	4NK-24240-30	E-8	4NK-2580V-00	E-14
4NK-23157-00	E-5	4NL-24240-10	E-8	4NK-2581J-00	F-7
	E-6	4NK-24311-00	E-9	4NK-25819-00	E-14
4NK-23163-00	E-6	4NK-24312-00	E-9	3LD-2582A-00	F-6
4NK-23165-00	E-6	4NK-24321-00	E-9	3JB-2582U-01	E-12
4NK-23166-00	E-5	3CV-24491-10	D-13	4NK-2582V-00	E-14
	E-6	2GU-24500-01	E-9	4NK-2583V-00	F-6
4NK-2317V-00	F-10	4X8-24512-00	E-9	1KT-25836-00	E-12
4YP-2317W-00	D-11	3AJ-24523-00	E-9	1NL-25836-00	E-14
4NK-23171-00	E-5	3AJ-24534-00	E-9	2KF-25852-50	F-7
	E-6	1FK-24560-00	E-9	360-25854-00	F-7
1KT-23181-00	E-6	1FK-24566-00	E-9	4NK-25854-00	F-2
38W-23181-00	E-6	4NK-24602-10	E-9		F-3
4NK-23181-00	E-5	50W-24705-01	E-10	2GU-25855-00	F-7
	E-6	4NK-2471A-00	E-10	2VN-25866-00	F-6
4NK-23181-10	E-6	4NL-24710-00	E-10	4NK-25867-00	F-2
4V1-23184-L0	E-5	4NL-24711-00	E-10		F-3
	E-6	509-24724-00	D-11	4NK-25870-00	F-2
4NK-23193-00	E-5		E-10	4NK-25872-00	F-2
	E-6	4NK-24728-00	E-10	4NK-25873-00	F-2
4NK-2331E-00	E-6	22W-24741-00	E-10	4NK-25875-00	F-2
4YP-23340-00	E-6	4NK-2475H-00	D-11	3XV-25876-00	F-7
4NK-23389-00	E-6	4YP-24750-00	E-10	4NK-25876-00	F-7
1W1-23416-00	E-4	4NL-24751-00	E-10	3LC-25885-00	F-7
26H-23418-01	E-4	4YP-24754-00	E-10	4NK-25885-00	F-2
4NK-23435-00	E-4	4NK-2478E-00	E-10	4NK-25886-00	F-2
4NK-23437-00	E-4	4NK-2478X-00	E-10	4NK-25887-00	F-7
4NK-23441-00	E-4	4NK-24792-00	E-10	4NK-25888-00	F-7
4NK-23442-00	E-4	4NK-24796-00	E-10	4NK-2589F-00	F-2
134-23484-10	D-9	4NK-2514A-00	E-12	4NK-2589H-00	F-2
4NK-24110-10-01	E-8	4NK-2515A-00	E-12		F-3
4NK-24110-10-07	E-8	4NK-25168-00-WG	E-11	31A-25894-01	F-7
4NK-24110-10-09	E-8	4NK-25181-00	E-11	4NK-25895-00	F-6
4NK-24129-00	E-8	2H7-25315-00	E-13	1NL-25919-00	E-14
1LJ-2414J-00	D-8	1J7-25319-02	E-13	2GH-25919-00	E-12

NUMERICAL INDEX

PART NO.	GRID NO.	PART NO.	GRID NO.	PART NO.	GRID NO.
3HE-25924-00	E -12	4NK-28346-00	F -11	4NK-82370-00	G - 3
	E -14	4NK-46101-00	D -15	4NK-82509-00	G - 3
3GM-25925-00	E -12	2H7-46102-00	D -15	4YP-82510-00	F -15
	E -14	1J7-46117-Y0-30	E - 2	4NK-82530-00	F -15
4NK-26111-00	E -15	1J7-46117-Y0-40	E - 2	4NK-82539-00	F -15
4NK-26240-00	E -15	1J7-46117-Y0-50	E - 2	4NK-82540-00	G - 3
4NK-26241-00	E -15	22U-46118-00-12	D -15	3BT-82560-00	G - 2
4NK-2628J-00	E -15	22U-46118-00-14	D -15	3LN-82560-01	G - 3
4H7-26290-A1	E -15	22U-46118-00-16	D -15	3YX-82560-00	G - 3
4H7-26290-E1	E -15	22U-46118-00-18	D -15	3LD-82566-50	G - 2
4NK-26311-00	E -15	22U-46118-00-20	D -15	4YP-82590-00	F -15
4NK-26312-00	E -15	4H7-46123-01	D -15	1UA-82591-00	F -14
4NK-2635J-00	E -15	4H7-46125-00	D -15		F -15
3GM-26455-00	F - 3	1FK-46152-01	D -15		G - 2
3GM-26464-00	F - 3	1FK-46153-00	D -15	4NK-82594-00	D - 9
4NK-26471-00	F - 3	1FK-46154-00	E - 2	2EN-83310-00	F -10
4NK-26472-00	F - 3	1FK-46156-00	E - 2	2AE-83311-00	F -10
116-27114-00	C - 8	1FK-46157-00-15	E - 2	2AE-83312-00	F -10
4NK-27211-00	F - 6	1FK-46157-00-20	E - 2	42X-83312-00	F -10
4NK-27222-00	F - 6	4NK-46172-00	E - 2	42X-83313-00	F -10
4NK-27242-00	F - 6	4X7-46180-00	E - 2	4NK-83321-00	F -10
4NK-27262-00	F - 6	4NK-81410-00	F - 8	2EN-83330-00	F -10
4NK-27285-00	F - 6	4NK-81450-00	F - 8	4NK-83345-00	D -11
4NK-27311-01	F - 5	4WY-81517-00	C - 7		F -10
2KT-27315-00	F - 5	4NK-81670-00	F - 8	3GM-83350-01	G - 3
4NK-27316-00	F - 6	4NK-81800-00	F - 9	57M-83358-00	F -10
1TX-27351-00	F - 5	3AJ-81801-00	F - 9	42X-83363-00	F -10
4NK-2741L-00	F - 6	3AJ-81826-00	F - 9	4KG-83371-01	G - 3
4NK-27410-00	F - 4	11H-81844-00	F - 9	4KG-83371-11	G - 3
4NK-27413-00	F - 4	1FK-81847-00	F - 9	4NK-83500-20	F -11
4NK-27414-00	F - 4	4BH-81940-00	G - 2	4NK-83500-30	F -11
4NK-27420-00	F - 4	3EN-81950-00	G - 2	2GV-83517-00	F -11
4NK-27423-00	F - 4	4U8-81950-02	G - 2	4NK-83517-00	F -11
36Y-27424-00	D - 9	3LS-81960-00	G - 2	42X-83517-00	F -11
4NK-27426-00	F - 4	4SH-82100-21	F -15	4NK-83519-00	F -11
4NK-27427-00	F - 4	4DH-82103-00	C - 6	4NK-83523-00	F -11
4NK-27430-00	F - 4	4NK-82115-00	F -15	4NK-83559-00	F -11
1NH-27433-00	F - 4	4NK-82116-00	F -15	4NK-8357E-00	F -11
	F - 5	120-82131-00	F -15	4NK-83579-00	F -11
2NT-27437-00	F - 4	1NL-82151-00	F -15	4NK-8358J-00	F -11
	F - 5	2GH-82151-00	F -15	4NK-83755-00	G - 3
4NK-27440-00	F - 5	42X-82151-00	F -15	4EB-83790-00	C - 6
4NK-27443-00	F - 5	4WY-82305-00	G - 3	4NK-83912-00	F - 3
4NK-27496-00	F - 4	4NK-82310-00	G - 3	4NK-83922-00	F -14
4NK-27497-00	F - 4	4NK-82310-10	G - 3	4NK-83945-00	F - 3
4NK-28100-00	D - 9	4NK-82316-00	G - 3	4YP-83963-00	F -14
4NK-28173-00	D - 9	4NK-82320-00	G - 3	4WY-83972-00	F -14
4NK-28345-00	F -11	1FK-82370-00	G - 3	3FV-83980-00	F - 2

NUMERICAL INDEX

PART NO.	GRID NO.	PART NO.	GRID NO.	PART NO.	GRID NO.
3GM-83980-00	F - 3	90109-083G4	E -12	90183-06053	D -10
290-84124-21	F -12		E -14	90185-10037	F - 5
2F9-84314-00	F -12	90109-08441	D - 6	90185-12119	D -14
4NK-84315-00	F -12	90109-103G0	C - 9		E - 3
2F9-84321-00	F -12	90109-104E4	D -14	90185-18167	E -13
2K3-84321-40	F -12	90110-05201	E -10	90201-05036	F -11
4NK-84330-00	F -12	90110-06035	C -15	90201-05660	F - 4
341-84331-60	F -12	90110-06200	D -10	90201-06043	D -11
5G2-84332-60	F -12	90110-06243	C -15	90201-06070	D - 6
198-84334-60	F -12	90110-08193	C -13	90201-06071	E - 8
306-84346-30	F -12	90110-10161	D - 8	90201-06073	F -12
4E2-84347-00	F -12	90110-10191	D - 8	90201-06589	D - 7
42X-84366-00	F -12	90116-08427	D -15	90201-06674	F - 8
2F9-84375-00	F -12	90116-10411	C - 9	90201-06765	E -10
4NK-84394-00	F -12	90116-10429	C - 9	90201-08083	F - 6
2F9-84395-00	F -12	90116-10593	D -15	90201-085R5	C - 6
2F9-84397-00	F -12	90119-05071	E - 9	90201-08676	D - 4
4NK-84527-00	F -13	90119-06044	D -13	90201-101A0	C - 2
2AL-84553-00	D -14	90119-06096	D -13	90201-10118	C -15
4YP-84700-00	F -13	90149-06011	E - 9		F - 2
4NK-84702-00	F -13	90149-06131	F -14		F - 3
31L-84714-00	F -13	90149-06229	D - 7		F - 7
4NK-84717-00	F -13	90149-06264	F -11	90201-102G9	B - 3
4YP-84721-00	F -13	90149-06280	D - 6	90201-105A2	D - 9
4NK-84735-00	F -13	90149-06298	D -12	90201-11597	C -10
3Y6-85130-02	D -11	90149-06308	F -15	90201-121H0	B - 6
1FK-85720-00	G - 3	90149-08152	C -10	90201-126A7	D -14
4NK-85752-00	E - 9	90151-06013	D - 5		E - 3
5G3-85753-00	E - 9	90151-06041	C -10	90201-12688	D - 6
4NK-85885-00	C - 7		D - 6	90201-127E1	D - 6
90101-06576	C - 8	90157-05079	G - 2	90201-12790	C -10
90101-10776	F - 5	90159-06071	D -13	90201-166R5	D -15
90101-12498	E - 3	90159-06084	D -12	90201-166R6	D - 3
90101-12749	D -14	90170-06010	F -14	90201-185R7	E -13
	E - 3	90170-06228	D - 6	90201-231A2	E - 2
	B - 2	90170-20323	C -14	90201-232K5	D - 2
	B - 9	90176-05054	E - 9	90201-252K4	D - 3
	D - 9	90176-06065	G - 3	90201-25634	D - 3
	C - 9	90176-10075	D - 8	90201-350F3	C -13
	C - 9		E - 2	90202-05193	E - 9
	E -12	90176-22050	E - 4	90202-06172	D -12
	E -14	90179-08327	B - 5	90202-26142	E - 4
	D - 8	90179-08442	C - 8	90208-04029	D - 9
	D - 8	90179-10414	B - 3	90209-06174	D - 8
	B - 5	90179-16661	D -15	90209-12341	D - 8
	D - 6	90179-16662	D - 3	90209-21281	D - 3
	B - 3	90179-25033	E - 4	90209-25196	D - 2
	G - 3	90179-44328	D - 3	90209-27192	D - 2

NUMERICAL INDEX

PART NO.	GRID NO.	PART NO.	GRID NO.	PART NO.	GRID NO.
90209-32231	D - 2	90401-10159	F - 3	90467-08003	B -12
90215-08115	D - 6		F - 7	90467-09006	D -13
90215-25218	C -14	90401-20145	C - 2		E - 9
90240-08013	F - 6	90430-06014	C -11	90467-10039	C - 4
90249-12167	E -13	90430-06166	C - 9	90467-10041	E - 9
90254-03008	B - 2	90430-08119	C - 2	90467-11019	D -13
90269-04003	D - 9		C - 3	90467-11090	B -13
90269-05049	D - 8	90445-09117	D -13	90467-11106	C - 4
90269-06046	E -10	90445-097F7	B -12	90467-12053	E - 9
90269-07076	D - 8	90445-10272	E - 9	90467-13123	C - 4
	E - 8	90445-115J9	C - 4	90467-14015	B -13
90280-05029	B - 5	90445-124J5	C - 4	90467-14057	F - 6
90331-15039	D - 2	90446-07114	D -11	90467-23109	B -12
90338-08163	E - 4	90450-28014	B -12		B -13
90338-09161	E - 4		B -13	90468-98132	B -10
90338-10150	B - 3	90450-32051	B -12	90480-13163	D -13
90338-11152	C - 9	90450-38040	B -13	90480-13398	D -12
90338-20113	D -14	90460-54085	C - 4		D -13
90340-14132	B -10	90461-06087	C - 6	90480-13567	D -12
	E - 2	90461-15100	C - 3		D -13
90340-14135	E - 2		E - 9	90480-15061	D -10
90340-14139	C -11	90462-10226	C - 3	90480-16284	B -12
90340-18101	B - 2	90464-10075	G - 3		E - 4
90387-06027	E - 8	90464-10112	F -15	90480-18276	B -11
90387-0609L	B -12	90464-10190	F - 3	90480-18354	E - 8
90387-0610J	F -12		F -15	90480-19283	B -12
90387-062L2	D -13		G - 2	90480-20384	D -13
90387-06299	E - 8	90464-12036	F -15	90501-06022	D - 5
90387-063E6	F -13	90464-12045	G - 2	90501-10312	F -14
90387-06605	E - 4	90464-12089	F -15	90501-12743	F - 5
90387-067N5	D -12	90464-13066	F -11	90501-16491	E - 2
	D -13	90464-13073	C -10	90501-75638	D - 3
90387-1007K	F - 5		E - 9	90506-08227	D - 6
90387-104L8	D - 9		F -15	90506-18224	F - 5
90387-122J6	D -14		G - 2	90506-26225	F - 5
90387-126Y1	D -14	90464-13103	E - 9	90507-14064	D - 6
	E - 3	90464-13133	F - 3	90508-14088	F - 6
90387-200J2	E -13		F -15	90508-32588	D - 6
90387-2007J	E -13	90464-15200	F -15	90560-30234	D - 5
90387-2008H	E -13	90464-16061	F -15	91314-06014	B -10
90387-204H5	D -14	90464-20191	D - 9	91314-06016	B -13
90387-2200T	E -11		F - 6	91314-06020	B - 3
90387-2208J	E -11	90464-20213	F - 6	91314-06025	B -10
90401-08038	C - 2	90464-24230	F -15	92017-06025	C -11
90401-08093	C - 3	90464-30040	F -15	92017-06035	C -12
90401-10108	C - 2	90465-08193	C - 3	92017-08020	F - 2
90401-10159	C -15	90465-08233	C -10	92017-08025	F - 3
	F - 2	90465-13275	G - 3	92902-04100	B -10

NUMERICAL INDEX

PART NO.	GRID NO.	PART NO.	GRID NO.	PART NO.	GRID NO.
92902-04100	F -12	93210-71360	D - 3		
92902-04600	F - 2	93211-113A8	B -10		
92903-10100	E - 2	93211-54698	D -15		
92903-20600	E -13	93306-00006	B -10		
92904-08600	D -14	93306-00304	C -14		
92907-04100	F -11	93306-00420	E -11		
92907-05600	F -11	93306-20555	D - 2		
92907-06100	B -12	93306-20645	D - 2		
	E -10	93306-20901	D - 3		
92907-06600	B -12	93306-30430	D - 2		
	F - 4	93306-30437	E -13		
92907-08700	E - 2	93306-30533	D -15		
93101-10090	B -10	93306-36401	D -15		
93101-30084	D -15	93306-90602	D - 5		
93101-35085	D - 3	93311-21044	E - 2		
93101-38098	D -15	93311-43729	D -15		
93102-14209	D - 6	93316-01403	D -15		
93102-25064	E -13	93317-32677	E -13		
93102-28021	E -11	93317-41761	D -14		
93102-40367	E -13		E - 3		
93102-70167	F - 2	93317-42060	D -14		
93106-28023	D -14	93332-00001	E - 4		
93108-23007	E - 2	93332-00008	E - 4		
93109-08061	C -14	93332-00024	D - 3		
93210-06632	C -14	93332-00028	D - 3		
93210-06667	C - 2	93332-00050	D -14		
	C -10	93332-00051	D -14		
93210-13361	C - 2	93410-22039	E - 2		
93210-14369	C -11	93410-23056	D - 2		
93210-14579	C - 2		E - 2		
93210-14637	C - 2	93440-12117	B - 2		
93210-15620	F - 6	93440-20088	E - 2		
93210-16629	B - 2	93440-28062	D - 2		
93210-18322	B - 2	93440-30077	D - 2		
	F - 4	93440-34025	D - 2		
93210-18417	D -11	93440-45022	E -13		
	B - 3	93440-52118	D - 2		
93210-21631	C -11	93450-19095	B - 5		
93210-22382	F - 7	93501-04011	F - 5		
93210-23787	B -10	93511-32017	C -14		
93210-27370	C -10	93603-07073	C -14		
	D -10	93603-10049	D - 5		
93210-29196	B -12	93603-14026	B -10		
93210-45150	F -12	93604-17198	D - 5		
93210-49046	E - 8	93604-21197	D - 5		
93210-60426	C - 8	93900-00025	E -13		
93210-62446	C - 8	93900-00030	E -11		
93210-68347	F - 2	94115-1508M	E -13		

NUMERICAL INDEX

PART NO.	GRID NO.	PART NO.	GRID NO.
94115-1611R	E -11	95817-06012	C - 2
94590-44118	B - 9		
94600-02001	B - 9	95817-06016	D-13
94701-00262	B - 2	95817-06095	C - 9
94701-00379	B - 2	95817-08025	B - 9
95024-06010	D-11	95817-08050	C - 9
95024-06012	F - 7	95817-08065	C - 9
95024-06025	F - 6	95817-08095	C - 9
95024-06030	F -10	95817-10050	D-15
95024-08012	E -10	95827-06012	B-13
95024-08030	F - 5	95827-06014	E - 8
95027-06008	G - 2	95827-06025	F - 9
95027-06010	F - 7	95827-06055	F - 9
95027-06012	D-11	95827-08030	D - 4
	E -10	95827-10035	D - 8
95027-06016	F - 7	95827-10070	D - 8
	G - 3	97007-05016	D - 8
95027-08020	C - 8	97007-06012	B -12
95304-06700	D - 6	97007-06020	D-12
95307-05600	F -11		E -10
95307-06600	F -13	97007-06025	C -14
95307-08700	F - 6	97007-06040	B -12
95317-08600	D -15	97024-06020	D - 6
95317-10600	D - 9	97024-08025	D-14
95604-06100	F - 2	97027-06020	D - 7
	F - 3	97701-40516	F -13
95607-12200	E - 4	97707-40012	F -11
95617-08620	B - 2	97707-50130	C - 4
95617-10200	D-14	97707-60016	D - 8
95617-12200	E - 3	97780-40525	F -13
95704-06500	F -10	97801-03008	E - 9
95707-05500	D-11	97890-04010	C - 5
95707-06500	D -12	98502-04008	F -12
	E -10	98502-04012	F - 2
95804-06025	E - 4	98504-05025	F -14
95804-06035	E - 4	98507-04010	F -11
95807-06010	D-13	98507-04014	C - 5
	G - 3	98507-05008	E -15
95807-06012	G - 3	98507-05010	C - 6
95807-06014	E -10		C - 7
95807-06020	G - 2	98507-05012	C - 6
95807-06025	E - 8		F -11
95807-12016	C -10	98507-06016	C -11
95814-06045	C - 9		F - 8
95814-06070	C - 9	98507-06030	F - 8
95814-06090	C - 9	98517-06012	F - 5
95814-08045	C - 9	98580-04008	C - 5
95814-08080	C - 9	98704-05012	F -12

NUMERICAL INDEX

PART NO.	GRID NO.	PART NO.	GRID NO.
98704-06016	C -11		
98706-04016	F - 3		
98707-05008	C - 7		
98707-05012	G - 3		
98707-05016	D - 5		
98780-05010	F - 4		
98907-05010	D-13		
98907-05012	E - 9		
98907-06012	F -15		
99001-06600	F - 4		
99001-10600	D - 6		
99009-10400	B -10		
99009-11400	B -15		
99009-12400	B -15		
99009-52500	E -13		
99231-00080	D -10		
99236-00080	D -10		
99237-00080	D -10		
99530-08016	C - 2		
99530-10114	B -10		
	B -15		
	C - 9		
	C -11		
	B - 3		



*COPYRIGHT: All rights reserved. No part of this publication  
may be reproduced without permission.*

**YAMAHA**

YAMAHA MOTOR CO., LTD.  
2500 SHINGA I IWATA SHIZUOKA JAPAN  
SERVICE INFORMATION DIV.

PRINTED ON RECYCLED PAPER

---

Printed in Japan  
First edition AUG., 1996