

**YAMAHA**



**PARTS  
CATALOGUE**

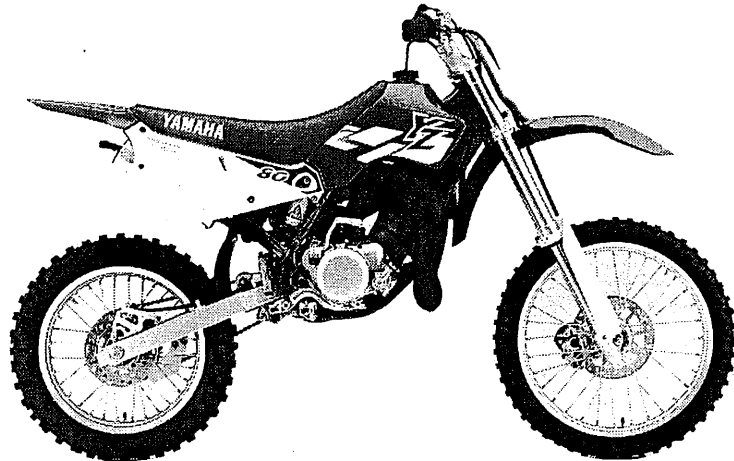
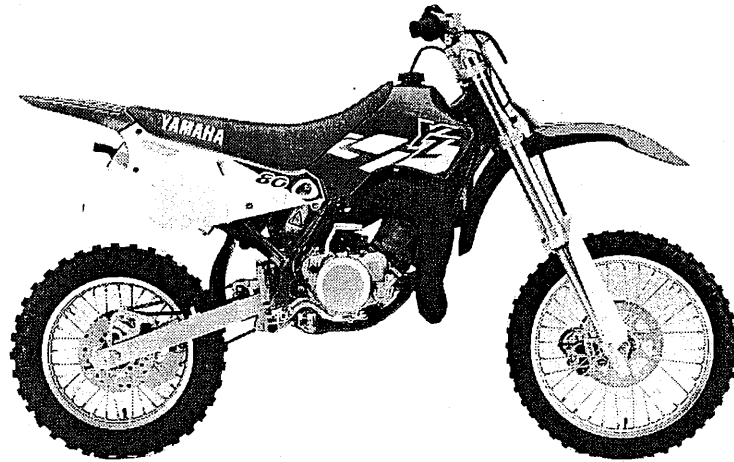
<b>YZ80LC'98</b>	<b>(4GTB)</b>	<b>YZ80LW'98</b>	<b>(4LB9)</b>	<b>EUROPE</b>
<b>YZ80K</b>	<b>(4GTB)</b>	<b>YZ80LWK</b>	<b>(4LB9)</b>	<b>AUSTRALIA</b>
<b>YZ80</b>	<b>(4GTC)</b>	<b>YZ80LW</b>	<b>(4LBA)</b>	<b>JAPAN</b>

---

184GT-300E1

**YAMAHA**  
**GENUINE**  
Parts & Accessories





A3

# FOREWORD

This Parts Catalogue is related to the parts for the model(s) in the below frame. When you are ordering replacement parts, please refer to this Parts Catalogue and quote both part numbers and part names correctly.

YZB0LC'98(4GTB), YZB0K(4GTB), YZB0(4GTC), YZB0LW'98(4LB9), YZB0LWK(4LB9), YZB0LW(4LBA)

1. Modifications or additions which have been made after issue of the Parts Catalogue will be announced in the Yamaha Parts News.  
It is advisable that you make necessary corrections to the Parts Catalogue according to the Yamaha Parts News.

2. Abbreviations

The following abbreviations are used in this Parts Catalogue.

- "UR" Use specified parts number.
- "UN" Use as many as needed.
- "AP" Alternate Parts
- "LM" Local Made (Parts need to be ordered locally)
- "F#" Frame No. (Applicable machine No.)

3. Parts, which are to be supplied in an assembly, are listed with a dot (.) in front of the part name as shown below.

EXAMPLE

- CARBURETOR ASSY
- . JET, PILOT
- . NOZZLE, MAIN

4. Number of component for assembly

The numeral appearing to the right of each component part indicates the quantity of parts for each assembly unit.

EXAMPLE

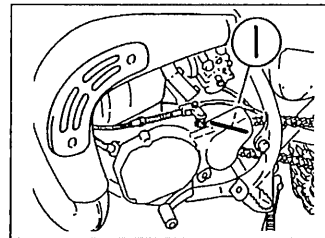
PART NO.	DESCRIPTION	Q'TY	REMARKS
2F5-83310-60	FRONT FLASHER LIGHT ASSY	2	
115-83311-60	. BULB (6V-18W)	1	

5. Applicable colors of graphics are represented in the "REMARKS" as shown below.

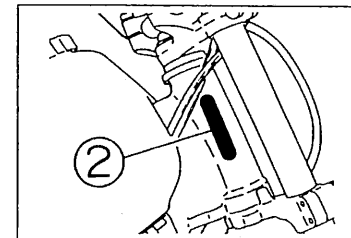
PART NO.	DESCRIPTION	Q'TY	REMARKS
2N4-24110-00-X5	FUEL TANK COMP.	1	MAXIM RED
3J1-24240-10	. GRAPHIC, FUEL TANK	1	for MXR

6. Applicable Serial No.

① Engine Serial No.



② Frame Serial No.



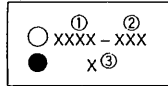
7. Note that the illustrations are for reference in finding parts numbers, not to be used for assembling. When assembling, please use the applicable service manual.

8. The asterisk (\*) before a reference number indicates modification items after the first edition.

# MODEL LABEL

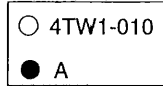
(1) A label called "Model Label" is affixed in the location as indicated in (3) below. When using this parts catalogue, please be sure to cross-refer the "model code – production code No." in the catalogue to the "model code – production code No." indicated on the Model Label affixed onto the product concerned.

(2) "Model Label" Indication

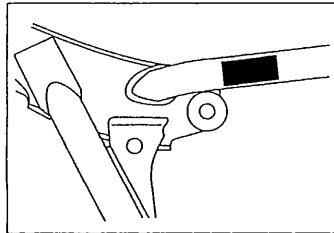


- ① Model Type Code
- ② Production Code No.
- ③ Colouring Type

ex



(3) Model Label Affixing Location



(4) Model Code – Production Code Number of Model Listed in This Parts Catalog

Model code	Production code No.	Country (destination)	Model code	Production code No.	Country (destination)
4GTB	010	FRANCE			
	020	AUSTRALIA			
	030	GERMANY			
	040	SPAIN			
	050	ENGLAND			
	060	ITALY			
4GTC	010	JAPAN			
4LB9	010	FRANCE			
	020	AUSTRALIA			
	030	GERMANY			
	040	SPAIN			
	050	ENGLAND			
	060	ITALY			
4LBA	010	JAPAN			

(5) Colouring Information

Colouring type code	Colour code	Colour Name	Abbreviation
A	0583	DEEP PURPLISH BLUE SOLID E	DPBSE

# CONTENTS

## ENGINE

Cylinder .....	B2
Crankshaft. Piston .....	B3
Water Pump .....	B4
Radiator. Hose .....	B5
Intake .....	B6
Carburetor .....	B7~B8
Exhaust .....	B9
Crankcase .....	B10
Crankcase Cover 1 .....	B11
Starter .....	B12
Clutch .....	B13
Transmission .....	B14~B15
Shift Cam. Fork .....	C2
Shift Shaft .....	C3

Steering Handle. Cable .....	D6
Front Master Cylinder .....	D7
Stand. Footrest .....	D8
Rear Master Cylinder .....	D9
Generator .....	D10
Handle Switch. Lever .....	D11
Electrical 1 .....	D12
Alternate (Chassis) .....	D13
Optional Parts 1 .....	D14

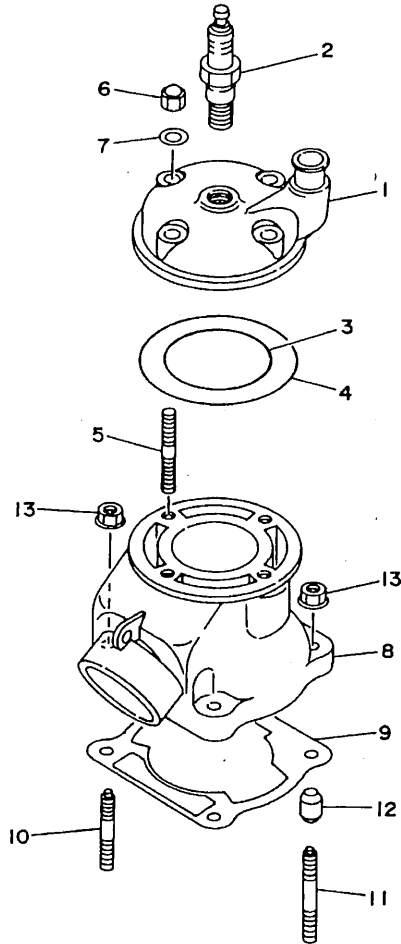
## INDEX

Numerical Index .....	M1~M3
-----------------------	-------

## CHASSIS

Frame .....	C4
Fender .....	C5
Side Cover .....	C6
Rear Arm .....	C7~C8
Rear Suspension .....	C9
Steering .....	C10
Front Fork .....	C11~C12
Fuel Tank .....	C13
Seat .....	C14
Front Wheel .....	C15
Front Brake Caliper .....	D2
Rear Wheel .....	D3~D4
Rear Brake Caliper .....	D5

FIG. 1 CYLINDER



REF. NO.	PART NO.	DESCRIPTION	4GTB	4GTC	4LB9	4LBA	REMARKS
1	4LB-11111-00	HEAD, CYLINDER 1	1	1	1	1	
2	94702-00368	PLUG, SPARK (NGK BR10EG)	1		1		
	94709-00367	PLUG, SPARK (NGK B10EG)			1	1	FOR JAPAN
3	93210-56459	O-RING	1	1	1	1	
4	93210-84724	O-RING	1	1	1	1	
5	90116-08394	BOLT, STUD	4	4	4	4	
6	90176-08026	NUT, CROWN	4	4	4	4	
7	90201-08087	WASHER, PLATE	4	4	4	4	
8	4GT-11311-10	CYLINDER 1	1	1	1	1	
9	4ES-11351-00	GASKET, CYLINDER	1	1	1	1	
10	90116-08318	BOLT, STUD	2	2	2	2	
11	90116-08388	BOLT, STUD	2	2	2	2	
12	99530-10114	PIN, DOWEL	2	2	2	2	
13	90179-08299	NUT	4	4	4	4	



4ES1100-3010

B2

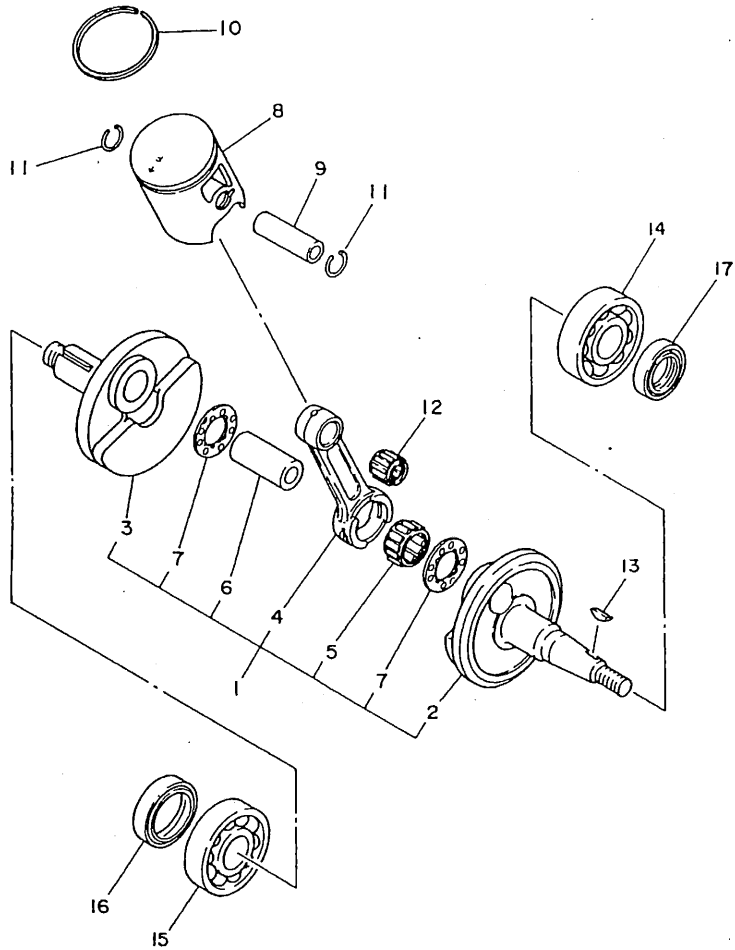


FIG. 2 CRANKSHAFT, PISTON

REF. NO.	PART NO.	DESCRIPTION	4GTB	4GTC	4LB9	4LBA	REMARKS
1	4ES-11400-02	CRANKSHAFT ASSY	1	1	1	1	
2	4ES-11412-00	.CRANK 1	1	1	1	1	
3	4ES-11422-00	.CRANK 2	1	1	1	1	
4	4ES-11651-01	.ROD, CONNECTING	1	1	1	1	
5	93310-320T3	.BEARING	1	1	1	1	
6	2RA-11681-00	.PIN, CRANK 1	1	1	1	1	
7	90209-20159	.WASHER	2	2	2	2	
8	4GT-11631-01-A0	PISTON (STD)	1	1	1	1	UR RED
	4GT-11631-01-B0	PISTON (STD)	1	1	1	1	UR ORANGE
	4GT-11631-01-C0	PISTON (STD)	1	1	1	1	UR GREEN
	4GT-11631-01-D0	PISTON (STD)	1	1	1	1	UR PURPLE
9	4ES-11633-00	PIN, PISTON	1	1	1	1	
10	4GT-11611-00	RING, PISTON	1	1	1	1	
11	93450-16115	CIRCLIP	2	2	2	2	
12	93310-214F8	BEARING	1	1	1	1	KOYO
13	90280-03045	KEY, WOODRUFF	1	1	1	1	
14	93306-20438	BEARING	1	1	1	1	
15	93306-30421	BEARING (B6304C3)	1	1	1	1	
16	93103-28126	OIL SEAL	1	1	1	1	
17	93102-20447	OIL SEAL	1	1	1	1	



4ES1100-3020

**B3**



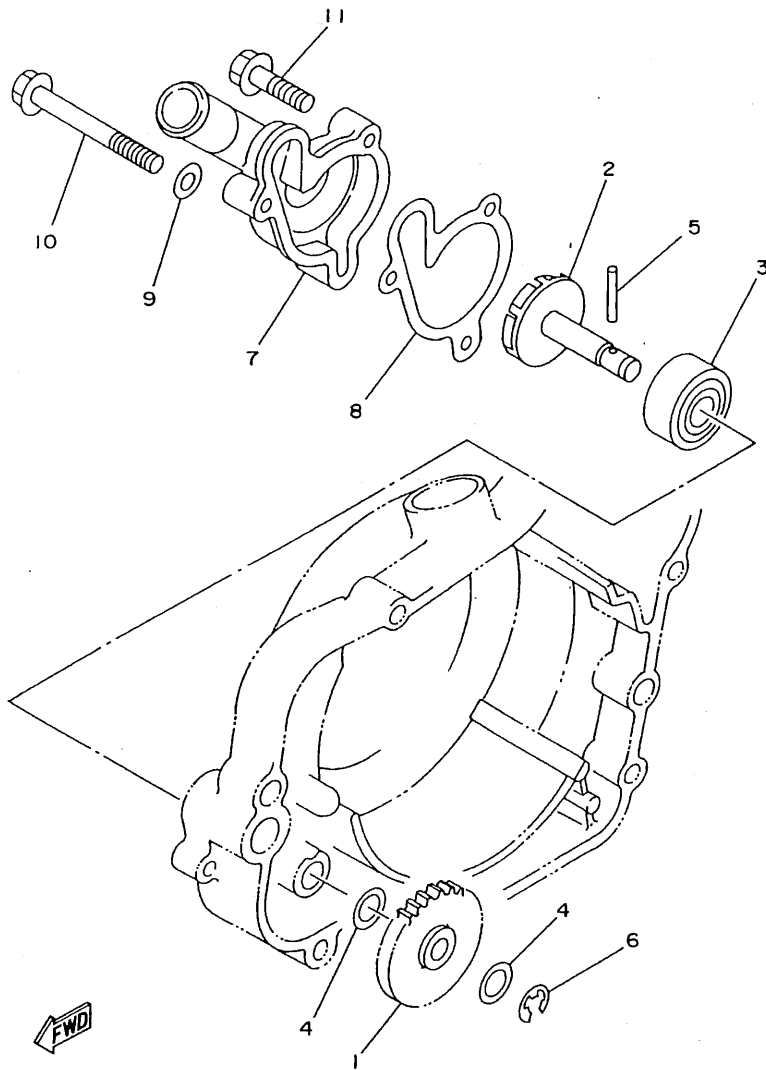


FIG. 3 WATER PUMP

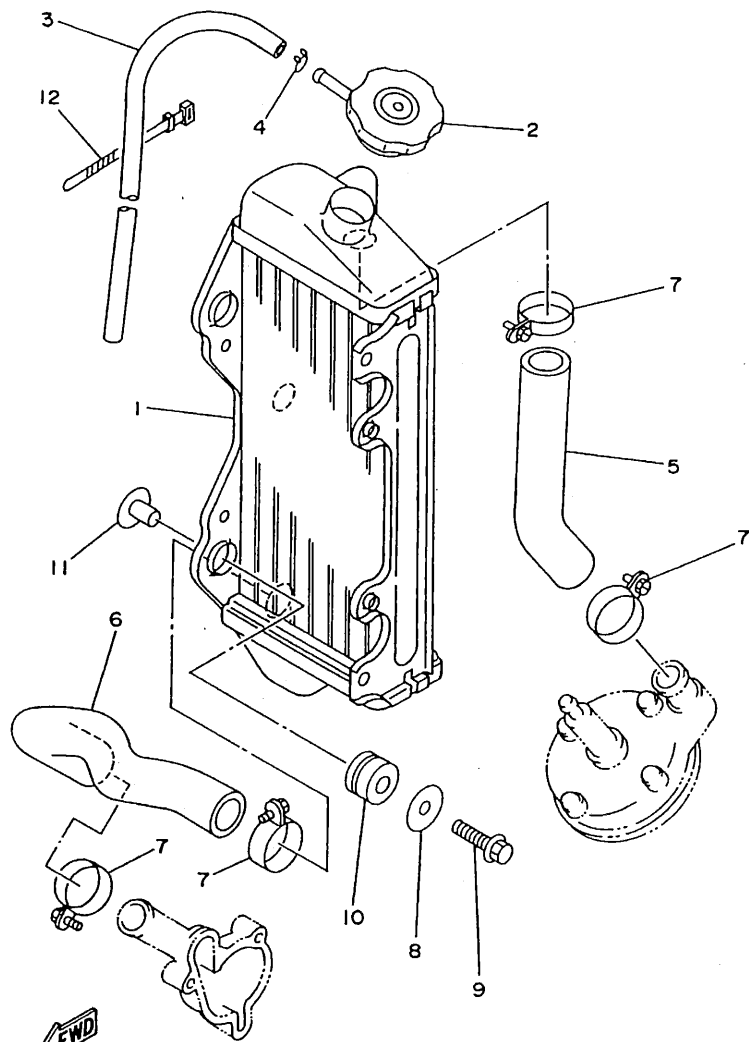
REF. NO.	PART NO.	DESCRIPTION	4GTB	4GTC	4LB9	4LBA	REMARKS
1	4ES-12459-00	GEAR, IMPELLER SHAFT	1	1	1	1	
2	36F-12450-00	IMPELLER SHAFT ASSY	1	1	1	1	
3	93103-10147	OIL SEAL	1	1	1	1	
4	90201-08512	WASHER, PLATE	2	2	2	2	
5	93603-22028	PIN, DOWEL	1	1	1	1	
6	99001-07600	CIRCLIP	1	1	1	1	
7	4BA-12422-00	COVER, HOUSING	1	1	1	1	
8	4BA-12428-00	GASKET, HOUSING COVER 2	1	1	1	1	
9	90430-06166	GASKET	1	1	1	1	
10	95827-06060	BOLT, FLANGE	1	1	1	1	
11	95027-06025	BOLT, FLANGE	2	2	2	2	



4ES1100-3030

**B4**

FIG. 4 RADIATOR. HOSE



REF. NO.	PART NO.	DESCRIPTION	4GTB	4GTC	4LB9	4LBA	REMARKS
1	4ES-12461-00	RADIATOR ASSY	1	1	1	1	
2	22W-12462-00	CAP, RADIATOR	1	1	1	1	
3	22W-12463-00	PIPE, BREATHER	1	1	1	1	
4	90467-08002	CLIP	1	1	1	1	
5	4ES-12481-00	PIPE 1	1	1	1	1	
6	4ES-12482-00	PIPE 2	1	1	1	1	
7	90450-28014	HOSE CLAMP ASSY	4	4	4	4	
8	90201-06071	WASHER, PLATE	3	3	3	3	
9	95027-06030	BOLT, FLANGE	3	3	3	3	
10	90480-15528	GROMMET	3	3	3	3	
11	90387-0700G	COLLAR	3	3	3	3	
12	437-83936-01	BAND, SWITCH CORD	1	1	1	1	

FWD  
4ES1100-3040

B5

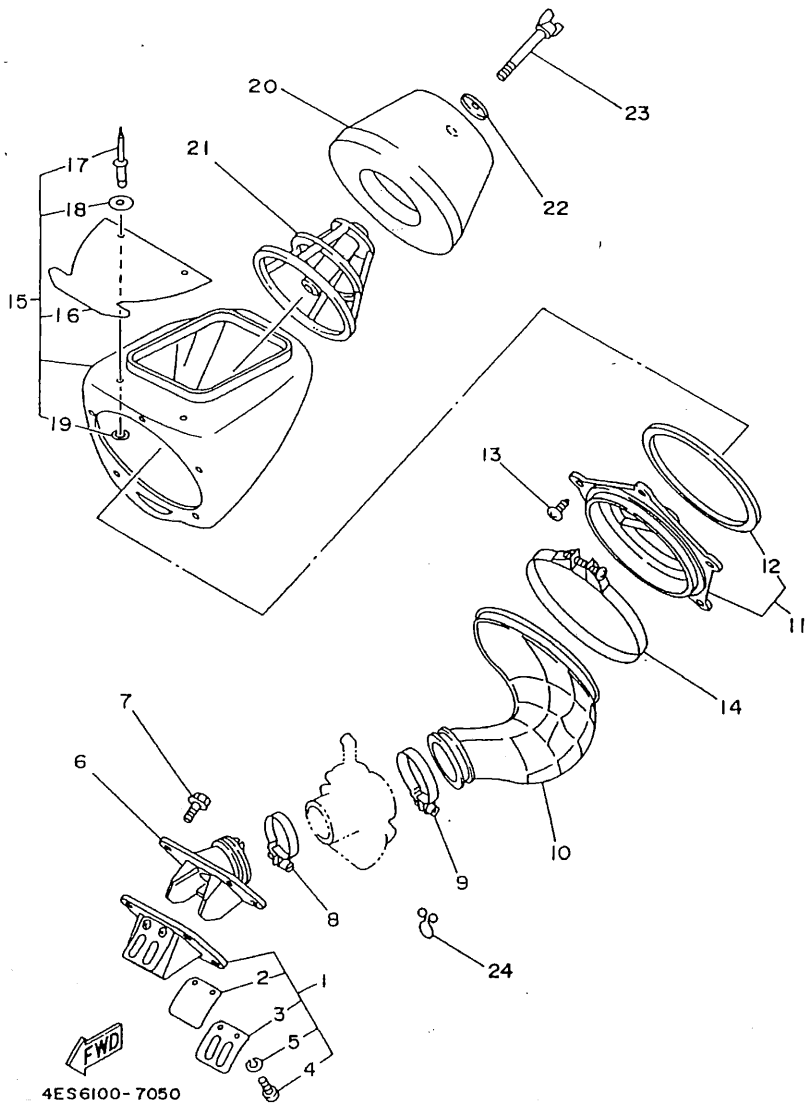
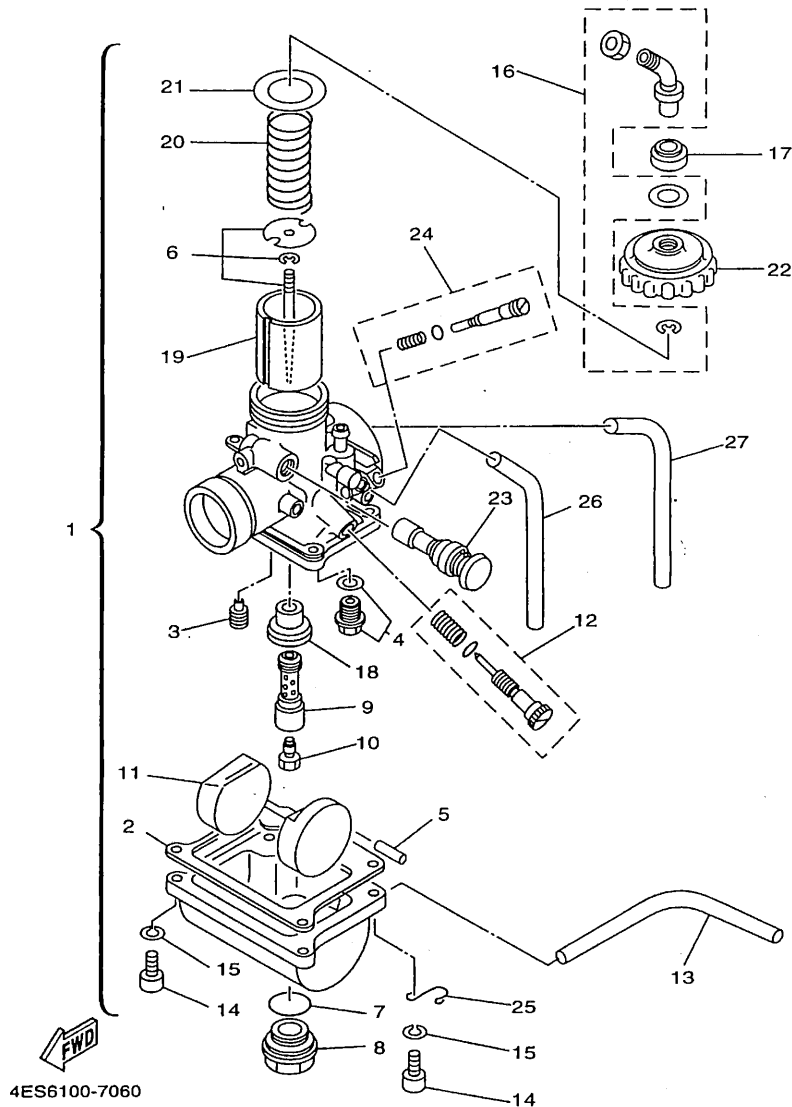


FIG. 5 INTAKE

REF. NO.	PART NO.	DESCRIPTION	4GTB	4GTC	4LBB	4LBA	REMARKS
1	4ES-13610-00	REED VALVE ASSY	1	1	1	1	
2	4ES-13613-00	.REED, VALVE	2	2	2	2	
3	4ES-13616-00	.STOPPER, REED VALVE	2	2	2	2	
4	98507-03008	.SCREW, PAN HEAD	4	4	4	4	
5	92907-03100	.WASHER	4	4	4	4	
6	4ES-13565-00	JOINT, CARBURETOR	1	1	1	1	
7	95027-06020	BOLT, FLANGE	4	4	4	4	
8	90450-45075	HOSE CLAMP ASSY	1	1	1	1	
9	90460-51059	CLAMP, HOSE	1	1	1	1	
10	4ES-14453-00	JOINT, AIR CLEANER 1	1	1	1	1	
11	4ES-14459-00	HOLDER, GUIDE	1	1	1	1	
12	4ES-14462-00	.SEAL	1	1	1	1	
13	97707-50014	SCREW, TAPPING	5	5	5	5	
14	90450-99064	HOSE CLAMP ASSY	1	1	1	1	
15	4ES-14411-01	CASE, AIR CLEANER 1	1	1	1	1	
16	4ES-14417-00	.COVER 1	1	1	1	1	
17	90267-40077	.RIVET, BLIND	2	2	2	2	
18	90201-047A2	.WASHER, PLATE	2	2	2	2	
19	92907-04600	.WASHER	2	2	2	2	
20	4ES-14451-00	ELEMENT, AIR CLEANER	1	1	1	1	
21	4ES-14458-00	GUIDE	1	1	1	1	
22	90209-06096	WASHER	1	1	1	1	
23	90122-06038	BOLT, WING	1	1	1	1	
24	90464-16039	CLAMP	1	1	1	1	

B6

FIG. 6 CARBURETOR

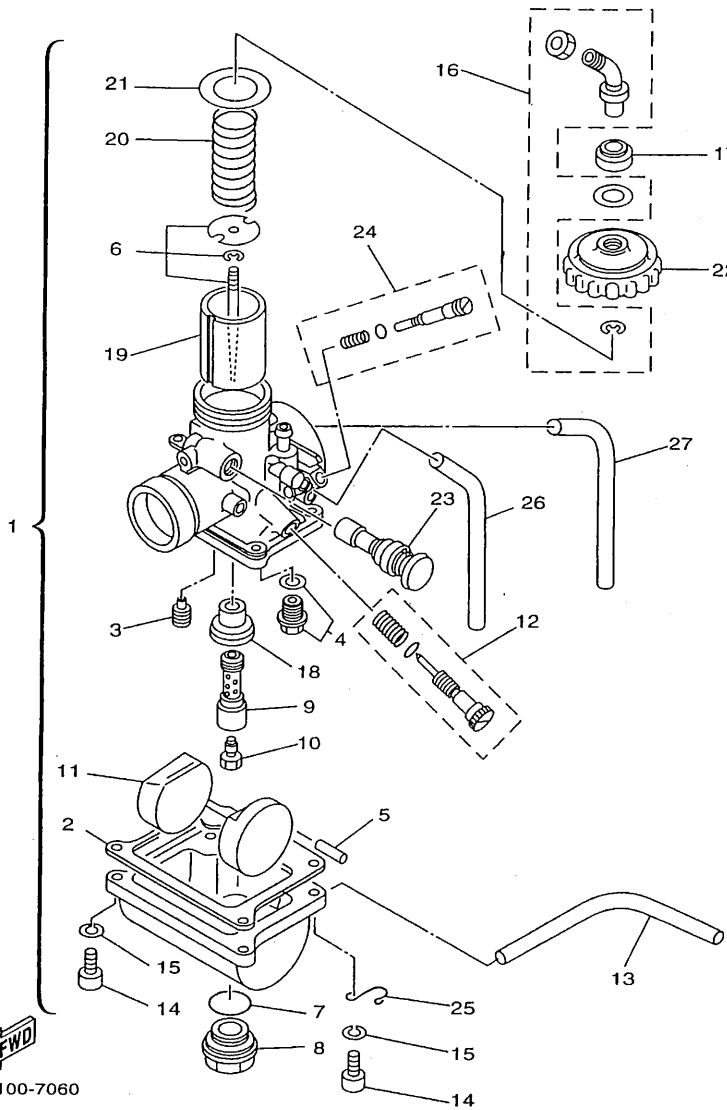


REF. NO.	PART NO.	DESCRIPTION	4GTB	4GTC	4LB9	4LBA	REMARKS
1	4ES-14101-10	CARBURETOR ASSY 1	1	1	1	1	
2	304-14184-00	.GASKET, FLOAT CHAMBER	1	1	1	1	
3	260-14142-32	.JET, PILOT (# 32.5)	1	1	1	1	STD
	260-14142-30	.JET, PILOT (# 30)	1	1	1	1	AP
	260-14142-35	.JET, PILOT (# 35)	1	1	1	1	AP
4	23L-14107-25	.NEEDLE VALVE SET	1	1	1	1	
5	127-14186-00	.PIN, FLOAT	1	1	1	1	
6	58T-1490J-00	.NEEDLE SET	1	1	1	1	
7	93210-18288	.O-RING	1	1	1	1	
8	3R1-14115-00	.PLUG, SCREW	1	1	1	1	
9	3R1-14141-52	.NOZZLE, MAIN	1	1	1	1	STD
	3R1-14141-50	.NOZZLE, MAIN	1	1	1	1	AP
	3R1-14141-54	.NOZZLE, MAIN	1	1	1	1	AP
10	137-14143-60	.JET, MAIN (#300)	1	1	1	1	STD
	137-14143-58	.JET, MAIN (#290)	1	1	1	1	AP
	137-14143-62	.JET, MAIN (#310)	1	1	1	1	AP
11	314-14185-00	.FLOAT	1	1	1	1	
12	31J-14103-00	.THROTTLE SCREW SET	1	1	1	1	
13	10V-14196-00	.PIPE	1	1	1	1	
14	98507-04018	.SCREW, PAN HEAD	4	4	4	4	
15	92907-04100	.WASHER, SPRING	4	4	4	4	
16	22W-14106-00	.CABLE ADJUST SCREW SET	1	1	1	1	
17	3X3-14169-00	.CAP	1	1	1	1	
18	39K-14153-00	.WASHER, MAIN JET	1	1	1	1	
19	2X6-14112-30	.VALVE, THROTTLE 1	1	1	1	1	STD
	2X6-14112-25	.VALVE, THROTTLE 1	1	1	1	1	AP
	2X6-14112-35	.VALVE, THROTTLE 1	1	1	1	1	AP

B7

FIG. 6 CARBURETOR

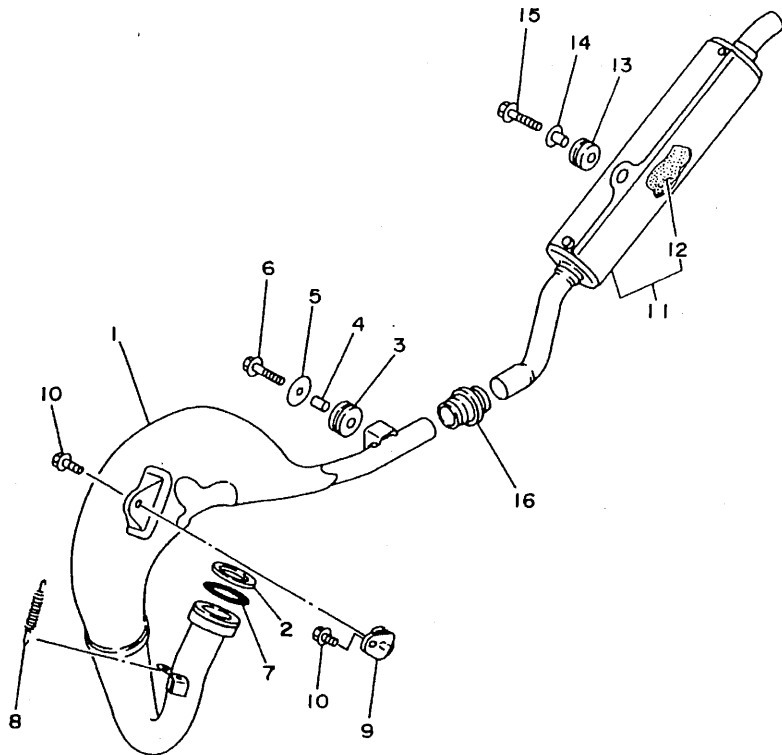
REF. NO.	PART NO.	DESCRIPTION	4GTB	4GTC	4LB9	4LBA	REMARKS
20	248-14131-00	.SPRING, THROTTLE VALVE	1	1	1	1	
21	2A6-14126-00	.GASKET	1	1	1	1	
22	2A6-14158-00	.TOP, MIXING CHAMBER	1	1	1	1	
23	3SB-14171-00	.PLUNGER, STARTER	1	1	1	1	
24	10W-14104-00	.AIR SCREW SET	1	1	1	1	
25	25G-14937-00	.CLIP	2	2	2	2	
26	3JN-14196-00	.PIPE	1	1	1	1	
27	3Y1-14197-00	.PIPE	1	1	1	1	



4ES6100-7060

B8

FIG. 7 EXHAUST



REF. NO.	PART NO.	DESCRIPTION	4GTB	4GTC	4LB9	4LBA	REMARKS
1	4ES-14610-10	EXHAUST PIPE ASSY 1	1	1	1	1	
2	90201-33299	WASHER, PLATE	1	1	1	1	
3	90480-18411	GROMMET	1	1	1	1	
4	90387-105L0	COLLAR	1	1	1	1	
5	90201-060A3	WASHER, PLATE	1	1	1	1	
6	95027-06025	BOLT, FLANGE	1	1	1	1	
7	93210-371A9	O-RING	1	1	1	1	
8	90507-20030	SPRING, TENSION	1	1	1	1	
9	565-14771-00	STAY, MUFFLER 1	1	1	1	1	
10	95027-06012	BOLT, FLANGE	2	2	2	2	
11	4ES-14753-00	SILENCER, EXHAUST	1	1	1	1	
12	4ES-1469A-00	.FIBER	1	1	1	1	
13	90480-16561	GROMMET	1	1	1	1	
14	90387-063G3	COLLAR	1	1	1	1	
15	95027-06025	BOLT, FLANGE	1	1	1	1	
16	17W-14615-00	JOINT, EXHAUST 1	1	1	1	1	

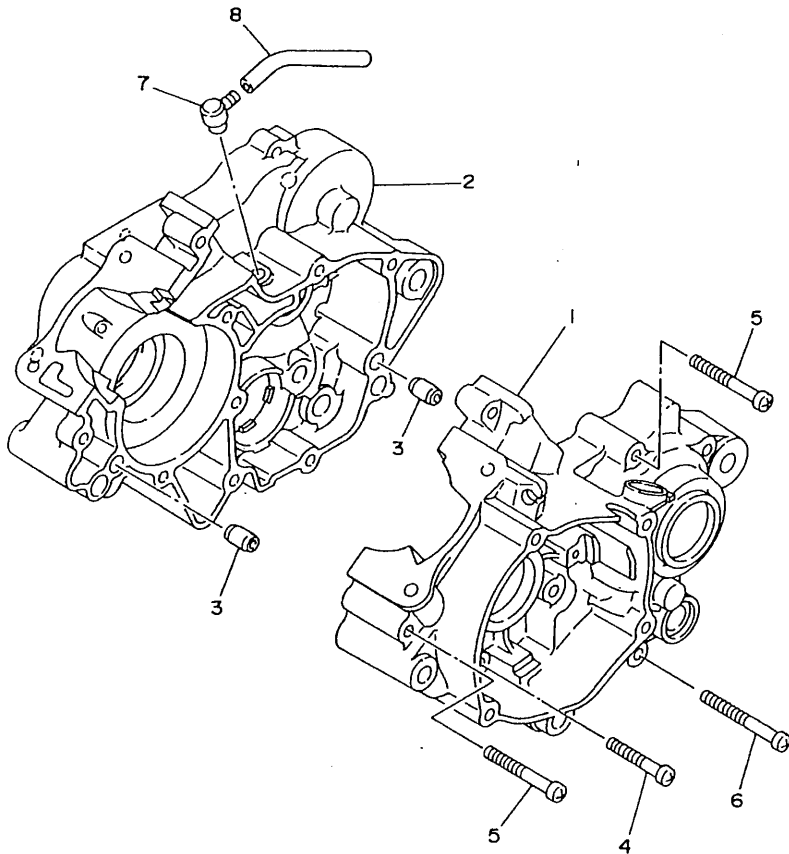


4ES3100-4070

B9

FIG. 8 CRANKCASE

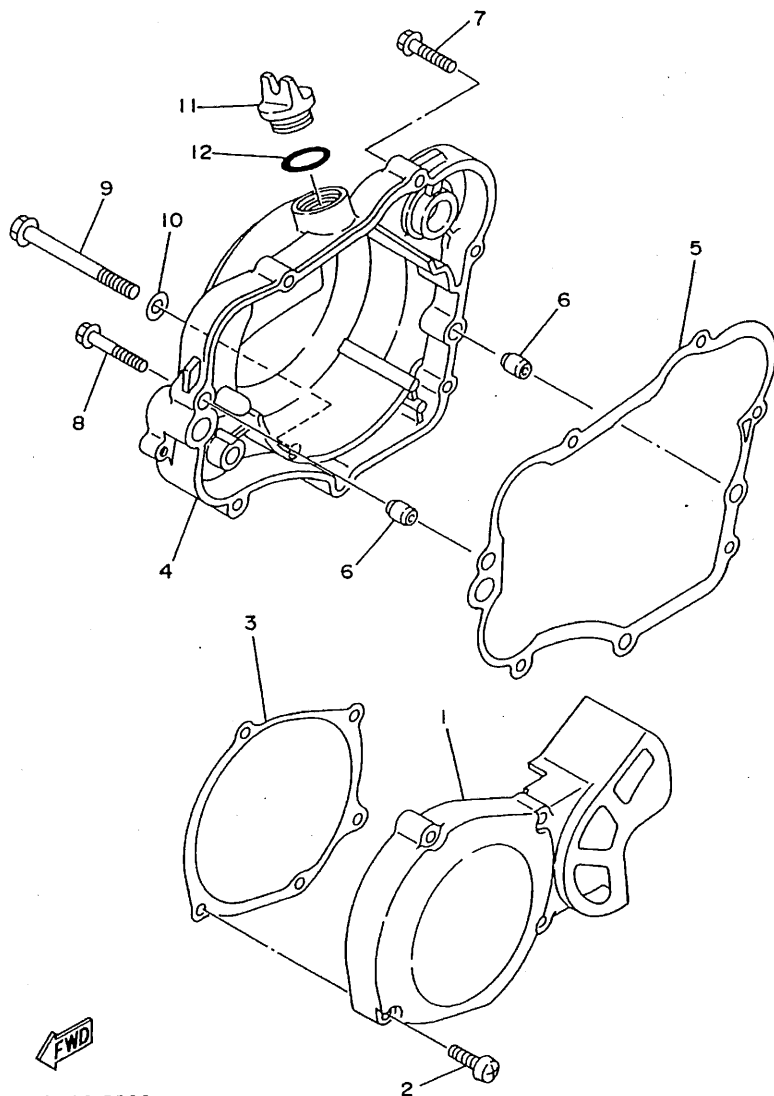
REF. NO.	PART NO.	DESCRIPTION	4GTB	4GTC	4LB9	4LBA	REMARKS
1	4ES-15111-00	CRANKCASE 1	1	1	1	1	
2	4ES-15121-01	CRANKCASE 2	1	1	1	1	
3	99530-10014	PIN, DOWEL	2	2	2	2	
4	98507-06040	SCREW, PAN HEAD	3	3	3	3	
5	98507-06050	SCREW, PAN HEAD	5	5	5	5	
6	98507-06060	SCREW, PAN HEAD	3	3	3	3	
7	120-15371-00	BREATHER	1	1	1	1	
8	90446-07349	HOSE	1	1	1	1	



4ES1100-3080

**B10**

FIG. 9 CRANKCASE COVER 1



REF. NO.	PART NO.	DESCRIPTION					REMARKS
			4GTB	4GTC	4LB9	4LBA	
1	4ES-15411-00	COVER, CRANKCASE 1	1	1	1	1	
2	98507-06030	SCREW, PAN HEAD	4	4	4	4	
3	4ES-15451-00	GASKET, CRANKCASE COVER 1	1	1	1	1	
4	4ES-15421-01	COVER, CRANKCASE 2	1	1	1	1	
5	4ES-15461-00	GASKET, CRANKCASE COVER 2	1	1	1	1	
6	99530-10014	PIN, DOWEL	2	2	2	2	
7	95027-06030	BOLT, FLANGE	4	4	4	4	
8	95027-06040	BOLT, FLANGE	1	1	1	1	
9	95027-08080	BOLT, FLANGE	1	1	1	1	
10	90430-08119	GASKET	1	1	1	1	
11	3Y1-15363-00	PLUG, OIL	1	1	1	1	
12	93210-19123	O-RING	1	1	1	1	

FWD  
4ES1100-3090

**B11**



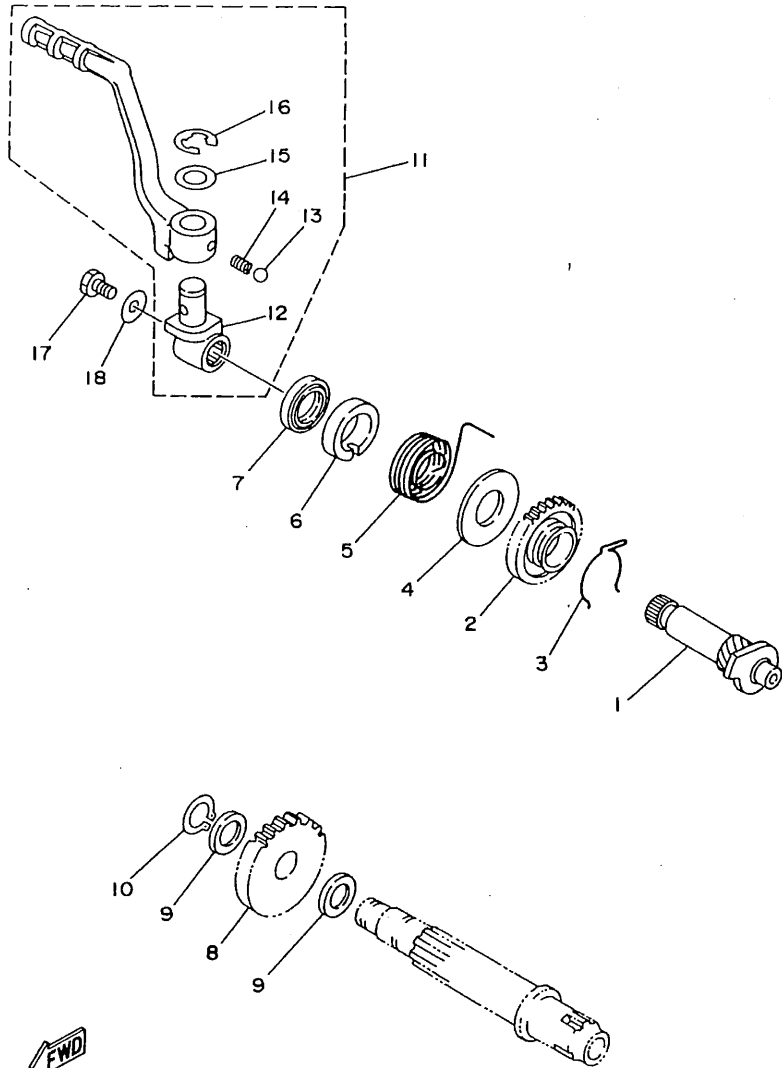


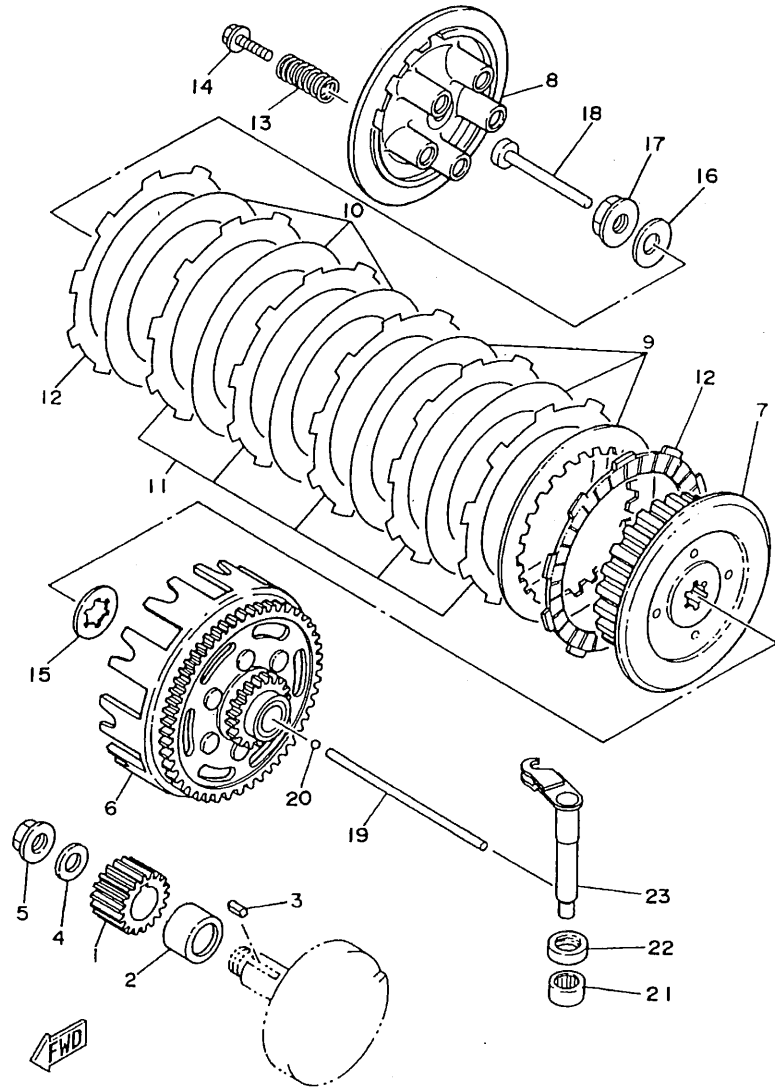
FIG. 10 STARTER

REF. NO.	PART NO.	DESCRIPTION	4GTB	4GTC	4LB9	4LBA	REMARKS
1	4ES-15660-00	KICK AXLE ASSY	1	1	1	1	
2	4ES-15641-00	GEAR, KICK	1	1	1	1	
3	90468-23194	CLIP	1	1	1	1	
4	90201-176L4	WASHER, PLATE	1	1	1	1	
5	90508-26750	SPRING, TORSION	1	1	1	1	
6	4ES-15664-00	GUIDE, SPRING	1	1	1	1	
7	93102-17263	OIL SEAL	1	1	1	1	
8	4ES-15651-00	GEAR, KICK IDLE	1	1	1	1	
9	90201-124F8	WASHER, PLATE	2	2	2	2	
10	99009-12400	CIRCLIP	1	1	1	1	
11	4ES-15620-00	KICK CRANK ASSY	1	1	1	1	
12	4ES-15621-00	.BOSS, KICK CRANK	1	1	1	1	
13	93507-32009	.BALL	1	1	1	1	
14	90501-12081	.SPRING, COMPRESSION	1	1	1	1	
15	90201-12631	.WASHER, PLATE	1	1	1	1	
16	93430-08007	.CIRCLIP	1	1	1	1	
17	95027-06012	BOLT, FLANGE	1	1	1	1	
18	90201-06060	WASHER, PLATE	1	1	1	1	

4ES1100-3100

**B12**

FIG. 11 CLUTCH



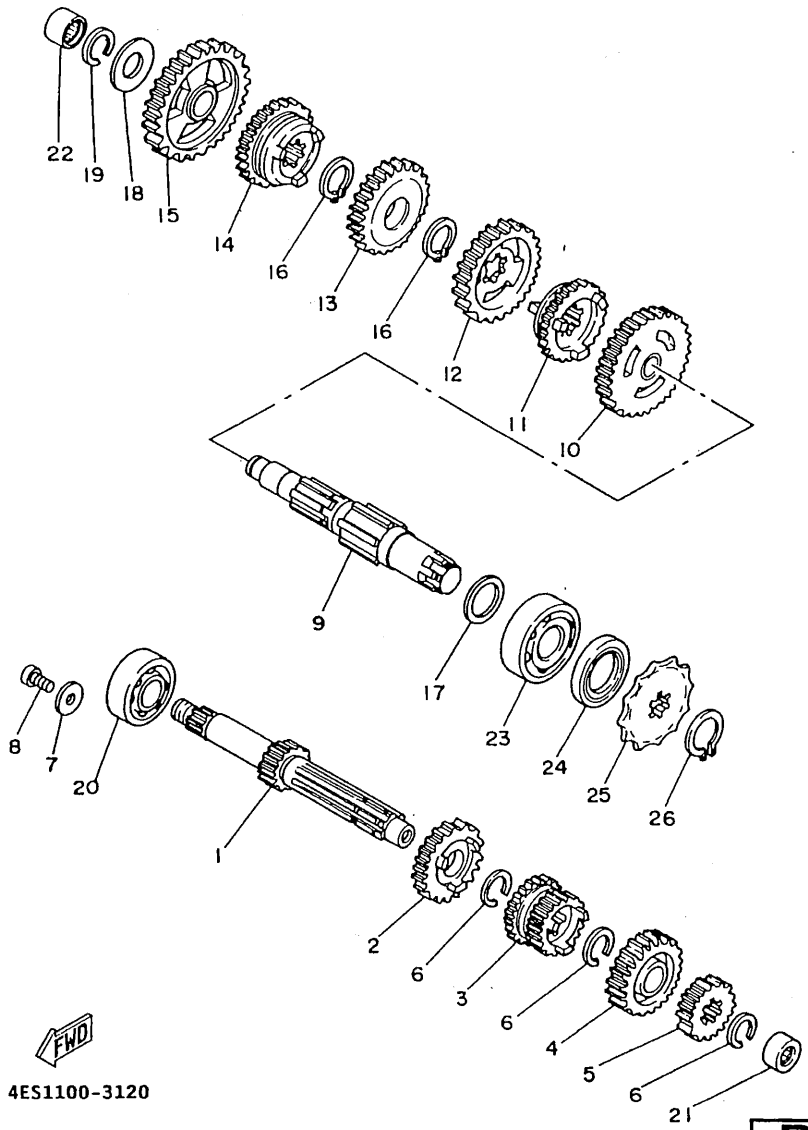
4ES4100-5110

REF. NO.	PART NO.	DESCRIPTION	4GTB	4GTC	4LB9	4LBA	REMARKS
1	4ES-16111-00	GEAR, PRIMARY DRIVE	1	1	1	1	
2	90387-20488	COLLAR	1	1	1	1	
3	90282-05001	KEY, STRAIGHT (5MMX16MM)	1	1	1	1	
4	90208-12015	WASHER, CONICAL SPRING	1	1	1	1	
5	90179-12659	NUT	1	1	1	1	
6	4ES-16150-11	PRIMARY DRIVEN GEAR COMP.	1	1	1	1	
7	37F-16371-01	BOSS, CLUTCH	1	1	1	1	
8	2TK-16351-00	PLATE, PRESSURE 1	1	1	1	1	
9	257-16324-00	PLATE, CLUTCH 1	3	3	3	3	
10	131-16324-00	PLATE, CLUTCH 1	3	3	3	3	
11	4ES-16321-00	PLATE, FRICTION	5	5	5	5	
12	21V-16321-00	PLATE, FRICTION	2	2	2	2	
13	90501-20735	SPRING, COMPRESSION	5	5	5	5	
14	90119-05001	BOLT, WITH WASHER	5	5	5	5	
15	4V0-16154-00	PLATE, THRUST 1	1	1	1	1	
16	90208-12015	WASHER, CONICAL SPRING	1	1	1	1	
17	90179-12659	NUT	1	1	1	1	
18	4ES-16356-00	ROD, PUSH 1	1	1	1	1	
19	2RA-16357-00	ROD, PUSH 2	1	1	1	1	
20	93503-16003	BALL	1	1	1	1	
21	93315-11206	BEARING	1	1	1	1	
22	93102-12224	OIL SEAL	1	1	1	1	
23	4ES-16381-00	PUSH LEVER COMP.	1	1	1	1	

**B13**

FIG. 12 TRANSMISSION

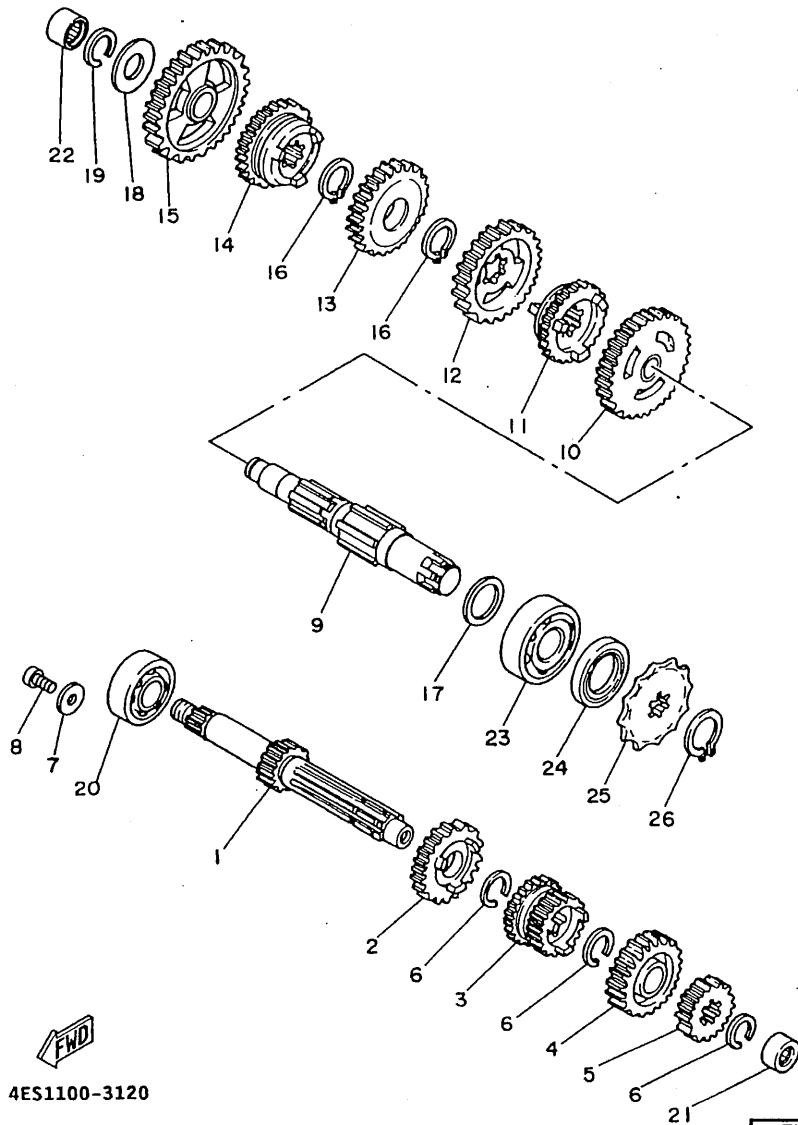
REF. NO.	PART NO.	DESCRIPTION					REMARKS
			4GTB	4GTC	4LB9	4LBA	
1	4ES-17411-01	AXLE, MAIN	1	1	1	1	
2	4ES-17151-00	GEAR, 5TH PINION	1	1	1	1	
3	4ES-17131-00	GEAR, 3RD PINION	1	1	1	1	
4	4ES-17161-00	GEAR, 6TH PINION	1	1	1	1	
5	4ES-17121-01	GEAR, 2ND PINION	1	1	1	1	
6	93440-17064	CIRCLIP	3	3	3	3	
7	90201-06060	WASHER, PLATE	2	2	2	2	
8	90157-06071	SCREW, PAN HEAD	2	2	2	2	
9	4ES-17421-00	AXLE, DRIVE	1	1	1	1	
10	4ES-17221-01	GEAR, 2ND WHEEL	1	1	1	1	
11	4ES-17261-01	GEAR, 6TH WHEEL	1	1	1	1	
12	4ES-17231-01	GEAR, 3RD WHEEL	1	1	1	1	
13	4ES-17241-00	GEAR, 4TH WHEEL	1	1	1	1	
14	4ES-17251-00	GEAR, 5TH WHEEL	1	1	1	1	
15	4ES-17211-01	GEAR, 1ST WHEEL	1	1	1	1	
16	93410-20038	CIRCLIP	2	2	2	2	
17	90201-203E7	WASHER, PLATE	1	1	1	1	
18	164-17427-00-06	SHIM 1 (0.6T)	1	1	1	1	
19	93440-15012	CIRCLIP	1	1	1	1	
20	93306-20333	BEARING	1	1	1	1	
21	93317-11245	BEARING	1	1	1	1	
22	93315-31502	BEARING	1	1	1	1	
23	93306-20401	BEARING (B6204)	1	1	1	1	
24	93102-20143	OIL SEAL	1	1	1	1	
25	93822-14037	SPROCKET,DRIVE 14T(1741746140)	1	1			STD
	93822-13024	SPROCKET,DRIVE 13T(1741746130)			1	1	STD
	93822-12012	SPROCKET,DRIVE 12T(1741746120)	1	1	1	1	AP



4ES1100-3120

**B14**

FIG. 12 TRANSMISSION



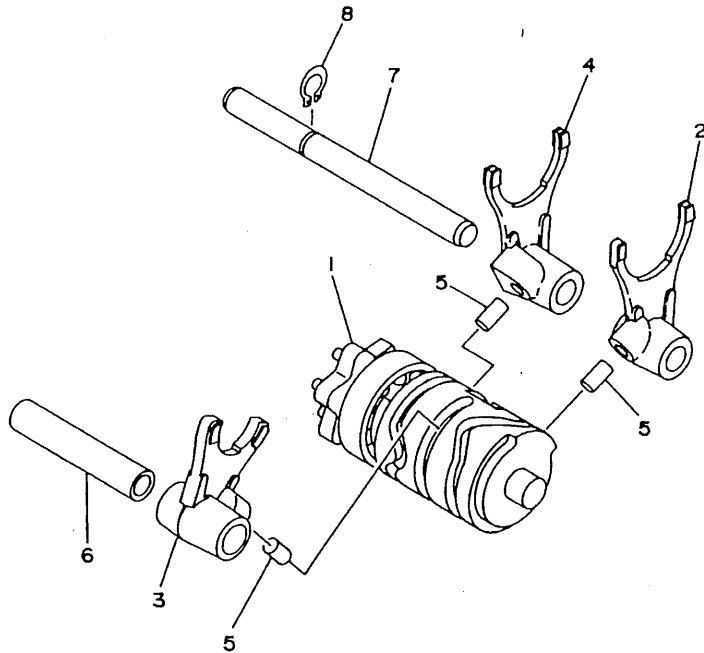
REF. NO.	PART NO.	DESCRIPTION	4GTB	4GTC	4LB9	4LBA	REMARKS
25	93822-13024	SPROCKET,DRIVE 13T(1741746130)	1	1			AP
	93822-14037	SPROCKET,DRIVE 14T(1741746140)			1	1	AP
	93822-15065	SPROCKET,DRIVE 15T(1741746150)	1	1	1	1	AP
26	99009-18400	CIRCLIP	1	1	1	1	

FWD  
4ES1100-3120

**B15**

FIG. 13 SHIFT CAM. FORK

REF. NO.	PART NO.	DESCRIPTION	4GTB	4GTC	4LB9	4LBA	REMARKS
1	4ES-18540-00	SHIFT CAM ASSY	1	1	1	1	
2	4ES-18511-02	FORK, SHIFT 1	1	1	1	1	
3	5R2-18512-00	FORK, SHIFT 2	1	1	1	1	
4	4ES-18513-01	FORK, SHIFT 3	1	1	1	1	
5	90250-06013	PIN, STRAIGHT	3	3	3	3	
6	4BA-18531-00	BAR, SHIFT FORK GUIDE 1	1	1	1	1	
7	4BA-18535-00	BAR, SHIFT FORK GUIDE 2	1	1	1	1	
8	99009-10400	CIRCLIP	1	1	1	1	

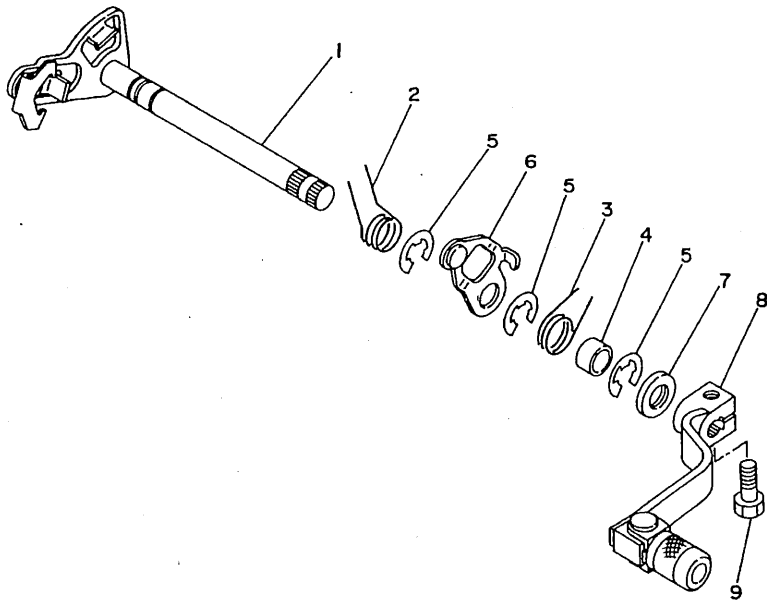


4ES3100-4130

C2

FIG. 14 SHIFT SHAFT

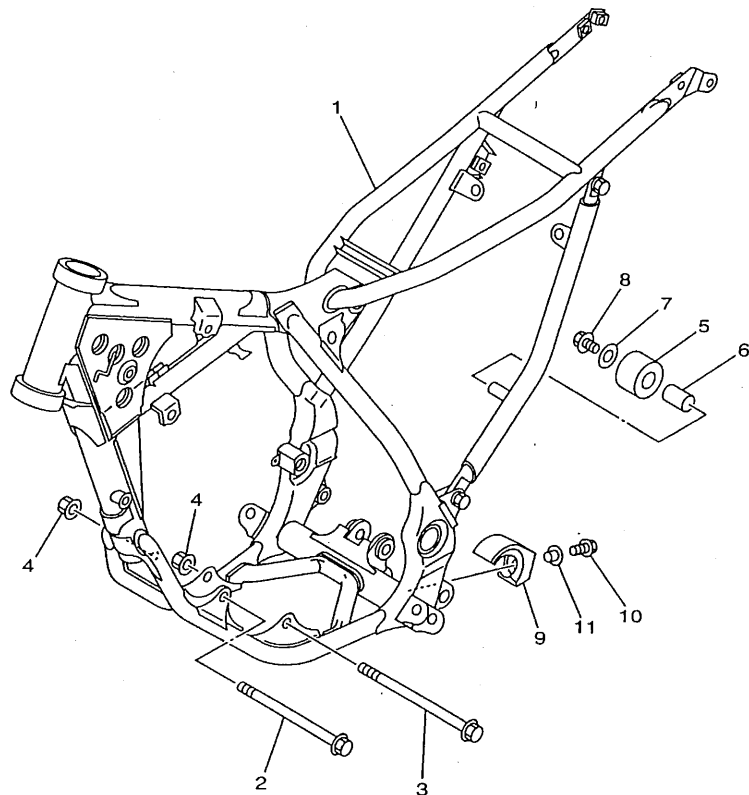
REF. NO.	PART NO.	DESCRIPTION	4GTB	4GTC	4LB9	4LBA	REMARKS
1	4ES-18101-00	SHIFT SHAFT ASSY	1	1	1	1	
2	90508-32553	SPRING, TORSION	1	1	1	1	
3	90508-242A6	SPRING, TORSION	1	1	1	1	
4	90387-126Y7	COLLAR	1	1	1	1	
5	99001-10600	CIRCLIP	3	3	3	3	
6	4BA-18140-00	STOPPER LEVER ASSY	1	1	1	1	
7	93101-12060	OIL SEAL	1	1	1	1	
8	2HF-18110-01	SHIFT PEDAL ASSY	1	1	1	1	
9	97027-06020	BOLT	1	1	1	1	



4ES1100-3140

C3

FIG. 15 FRAME



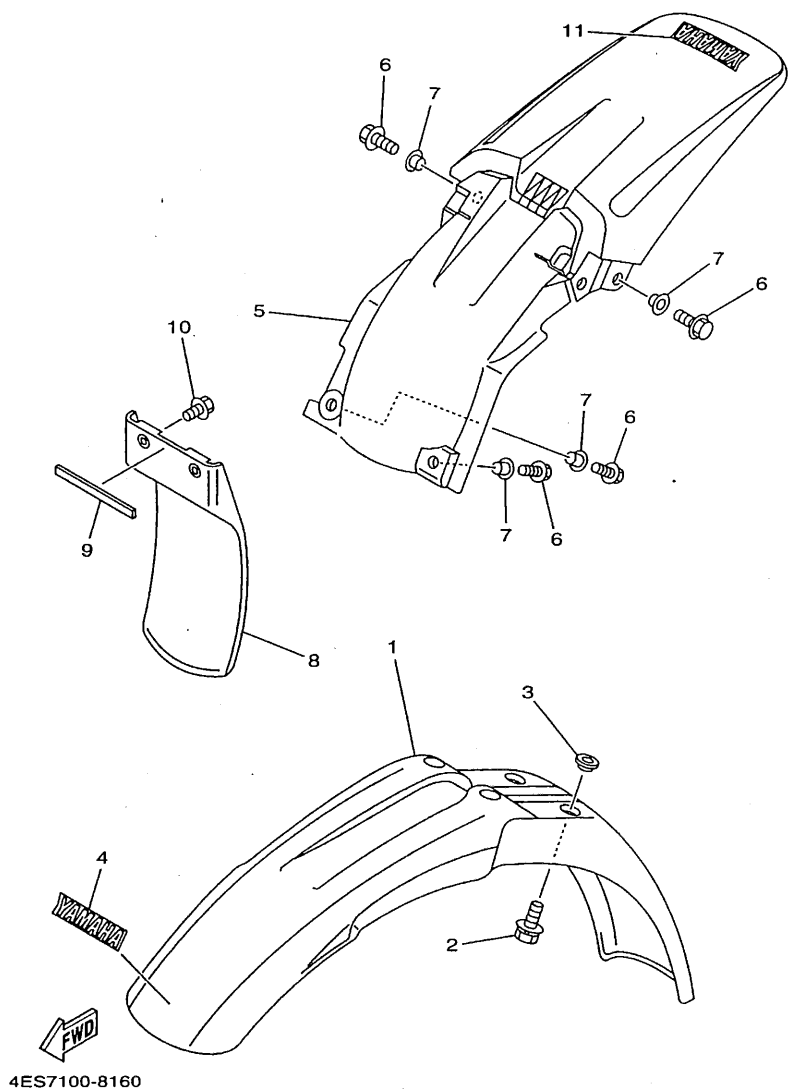
REF. NO.	PART NO.	DESCRIPTION	4GTB	4GTC	4LBS	4LBA	REMARKS
1	4ES-21110-02-P0	FRAME COMP.	1	1	1	1	DPBMC
2	95817-08125	BOLT, FLANGE	1	1	1	1	
3	95817-08135	BOLT, FLANGE	1	1	1	1	
4	95607-08200	NUT, SELF-LOCKING	2	2	2	2	
5	30X-22178-00	TENSIONER	1	1	1	1	
6	4V4-22184-00	BUSH	1	1	1	1	
7	90201-081R9	WASHER, PLATE	1	1	1	1	
8	95027-08012	BOLT, FLANGE	1	1	1	1	
9	4ES-22178-00	TENSIONER	1	1	1	1	
10	90119-06118	BOLT, WITH WASHER	1	1	1	1	
11	90387-06216	COLLAR	1	1	1	1	



4ES7100-8150

C4

FIG. 16 FENDER

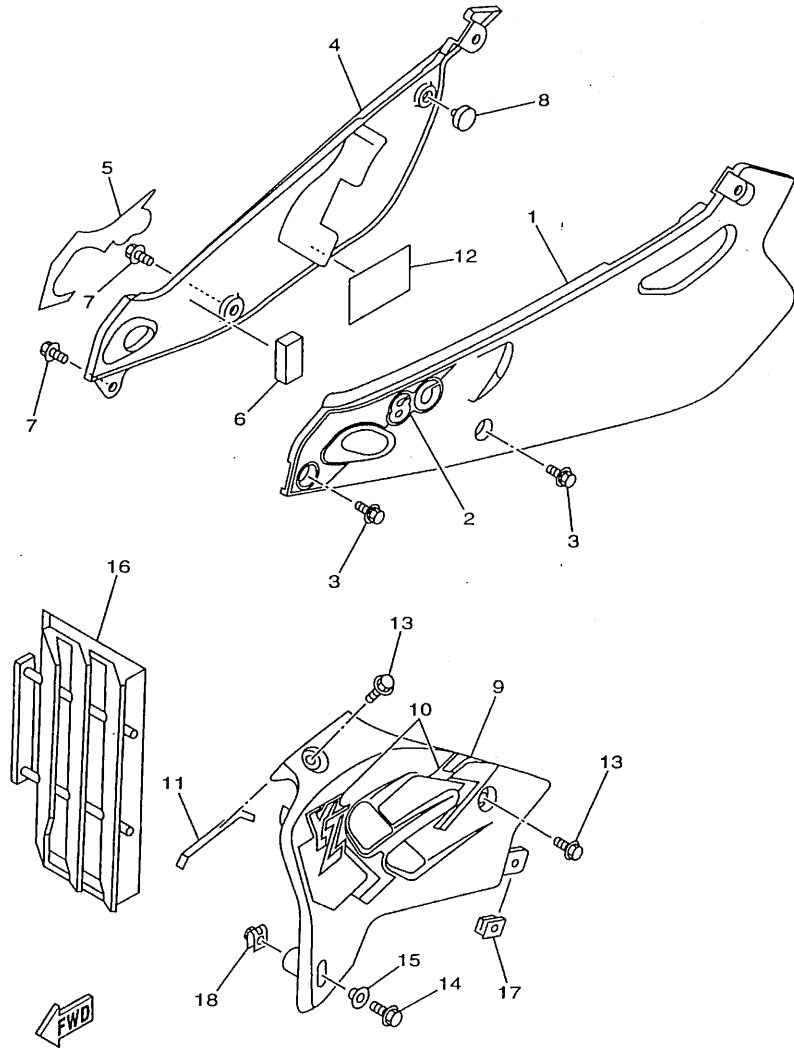


REF. NO.	PART NO.	DESCRIPTION	4GTB	4GTC	4LB9	4LBA	REMARKS
1	4ES-21511-20	FENDER, FRONT	1	1	1	1	
2	90119-06063	BOLT, WITH WASHER	4	4	4	4	
3	90209-06187	WASHER	4	4	4	4	
4	99241-00080	EMBLEM, YAMAHA	1	1	1	1	
5	4ES-21611-10	FENDER, REAR	1	1	1	1	
6	95027-06016	BOLT, FLANGE	4	4	4	4	
7	90387-064X4	COLLAR	4	4	4	4	
8	4ES-21642-00	GUARD, FLAP	1	1	1	1	
9	25G-21575-00	SEAL 1			1	1	
10	90119-06185	BOLT, WITH WASHER	2	2	2	2	
11	99241-00080	EMBLEM, YAMAHA	1	1	1	1	

C5



FIG. 17 SIDE COVER

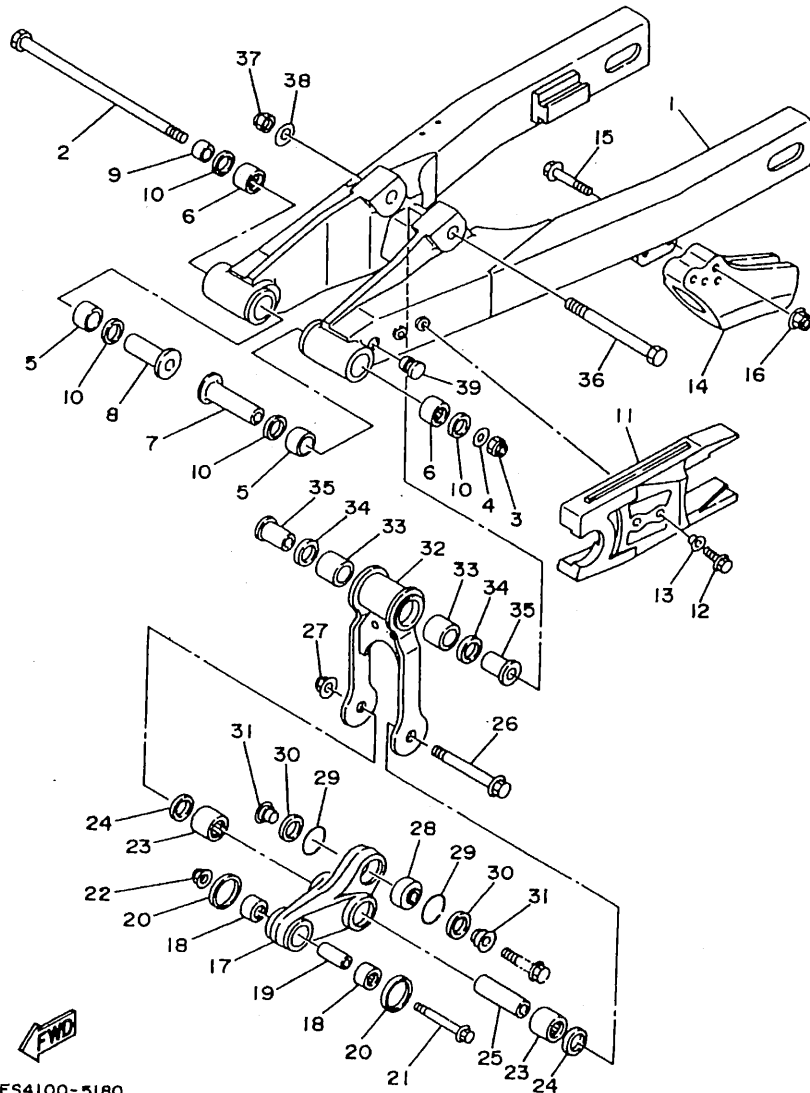


4ES7100-8170

REF. NO.	PART NO.	DESCRIPTION	4GTB	4GTC	4L89	4LBA	REMARKS
1	4ES-21711-00	COVER, SIDE 1	1	1	1	1	
2	4ES-2173E-10	GRAPHIC 1	1	1	1	1	
3	90119-06217	BOLT, WITH WASHER	2	2	2	2	
4	4ES-21721-00	COVER, SIDE 2	1	1	1	1	
5	4ES-2173F-10	GRAPHIC 2	1	1	1	1	
6	4ES-21735-00	SEAL 2	1	1	1	1	
7	90119-06217	BOLT, WITH WASHER	2	2	2	2	
8	22W-24181-00	DAMPER, LOCATING 1	1	1	1	1	
9	4ES-21731-20	COVER, SIDE 3	1	1	1	1	
10	4ES-21790-10	EMBLEM SET	1	1	1	1	
11	4ES-21732-00	SEAL 1	1	1	1	1	
12	4DJ-2174A-00	INSULATOR, SIDE COVER	1	1	1	1	
13	90109-067F4	BOLT	2	2	2	2	
14	95027-06016	BOLT, FLANGE	1	1	1	1	
15	90387-062M9	COLLAR	1	1	1	1	
16	4EW-2172A-10	PANEL 1	1	1	1	1	
17	90183-06023	NUT, SPRING	1	1	1	1	
18	90183-06069	NUT, SPRING	1	1	1	1	

C6

FIG. 18 REAR ARM

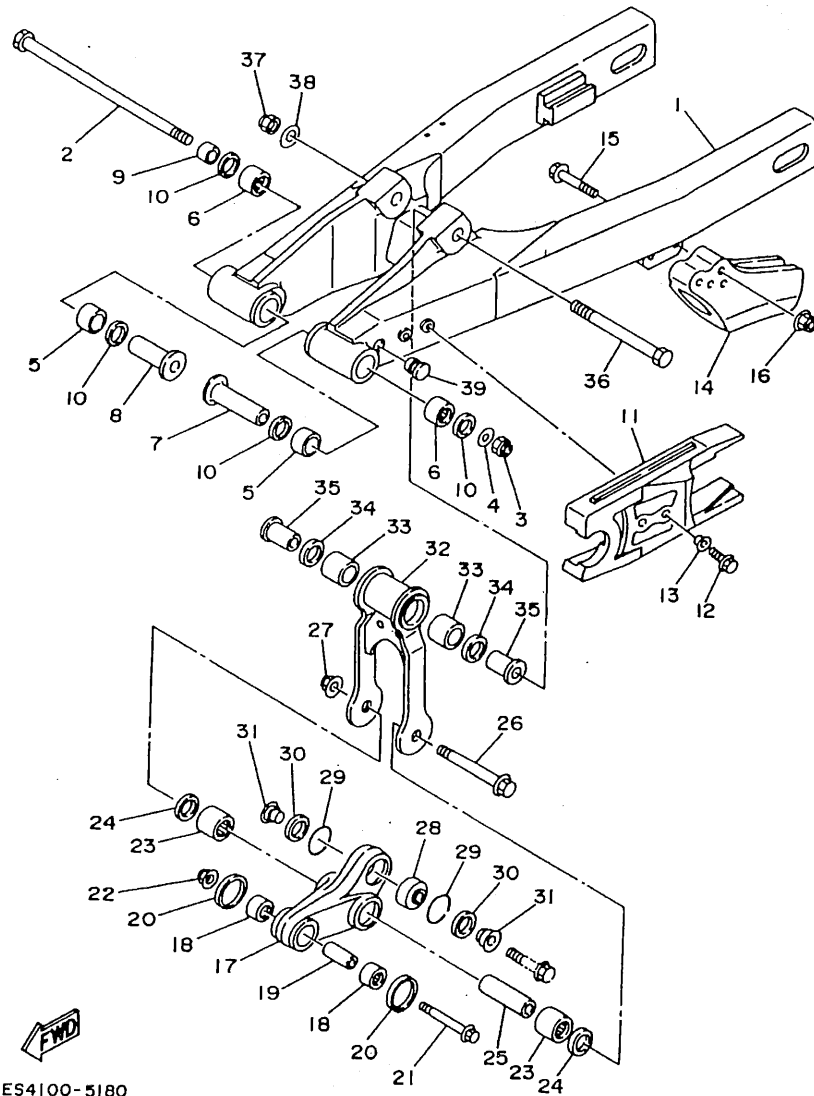


REF. NO.	PART NO.	DESCRIPTION	4GTB	4GTC	4LB9	4LBA	REMARKS
1	4ES-22110-00	REAR ARM COMP.	1	1			
	4LB-22110-00	REAR ARM COMP.			1	1	
2	22W-25181-01	AXLE, WHEEL	1	1	1	1	
3	95617-12100	NUT, U	1	1	1	1	
4	90201-124G9	WASHER, PLATE	1	1	1	1	
5	90385-17042	BUSH	2	2	2	2	
6	93317-21746	BEARING	2	2	2	2	
7	90387-127J8	COLLAR	1	1	1	1	
8	90387-127J7	COLLAR	1	1	1	1	
9	90387-1200U	COLLAR	1	1	1	1	
10	93109-17048	OIL SEAL (SDO 17-24-4)	4	4	4	4	
11	4ES-22151-10	SEAL, GUARD	1	1	1	1	
12	95027-06014	BOLT, FLANGE	2	2	2	2	
13	90387-062X0	COLLAR	2	2	2	2	
14	39K-22199-00	SUPPORT, CHAIN	1	1	1	1	
15	90105-08310	BOLT, WASHER BASED	2	2	2	2	
16	95607-08200	NUT, SELF-LOCKING	2	2	2	2	
17	4ES-2217A-00	ARM, RELAY	1	1	1	1	
18	93315-21455	BEARING	2	2	2	2	
19	90380-10218	BUSH, SOLID	1	1	1	1	
20	4ES-22129-00	COVER, THRUST 2	2	2	2	2	
21	90105-10582	BOLT, WASHER BASED	1	1	1	1	
22	95607-10200	NUT, SELF-LOCKING	1	1	1	1	
23	93317-31771	BEARING	2	2	2	2	
24	93101-17062	OIL SEAL	2	2	2	2	
25	90380-12219	BUSH, SOLID	1	1	1	1	
26	90105-12382	BOLT, WASHER BASED	1	1	1	1	

FWD  
4ES4100-5180

C7

FIG. 18 REAR ARM

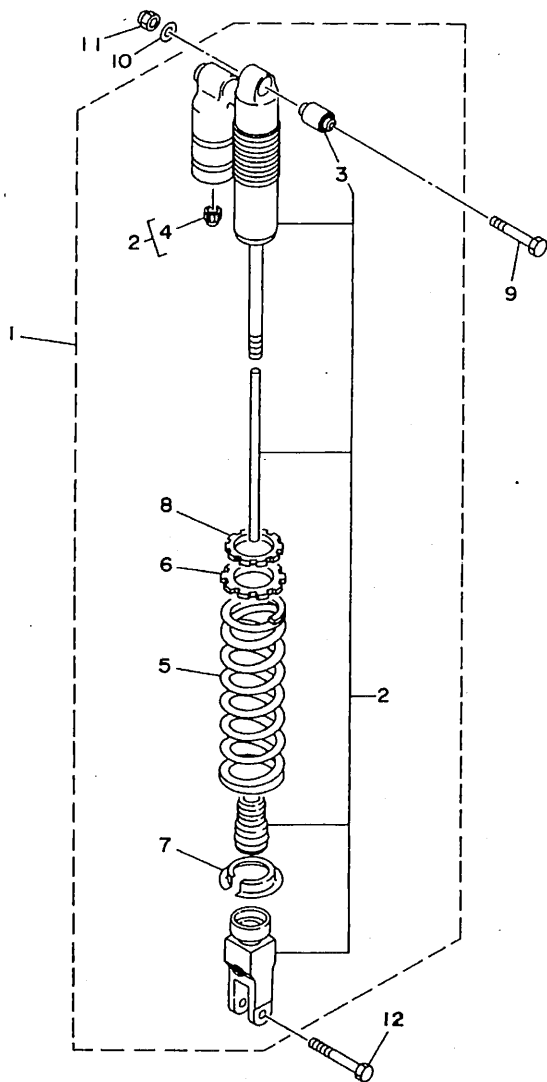


REF. NO.	PART NO.	DESCRIPTION	4GTB	4GTC	4LB9	4LBA	REMARKS
27	95607-12200	NUT, SELF-LOCKING	1	1	1	1	
28	93399-99921	BEARING	1	1	1	1	
29	93440-30113	CIRCLIP	2	2	2	2	
30	3XJ-22475-00	SEAL, DUST	2	2	2	2	
31	90387-103X9	COLLAR	2	2	2	2	
32	4ES-2217F-00	ROD, CONNECTING 1	1	1	1	1	
33	93317-31771	BEARING	2	2	2	2	
34	93101-17062	OIL SEAL	2	2	2	2	
35	90381-12091	BUSH, SOLID	2	2	2	2	
36	90101-12755	BOLT	1	1	1	1	
37	90185-12119	NUT, SELF-LOCKING	1	1	1	1	
38	90201-12749	WASHER, PLATE	1	1	1	1	
39	90338-10150	PLUG	2	2	2	2	

4ES4100-5180

C8

FIG. 19 REAR SUSPENSION



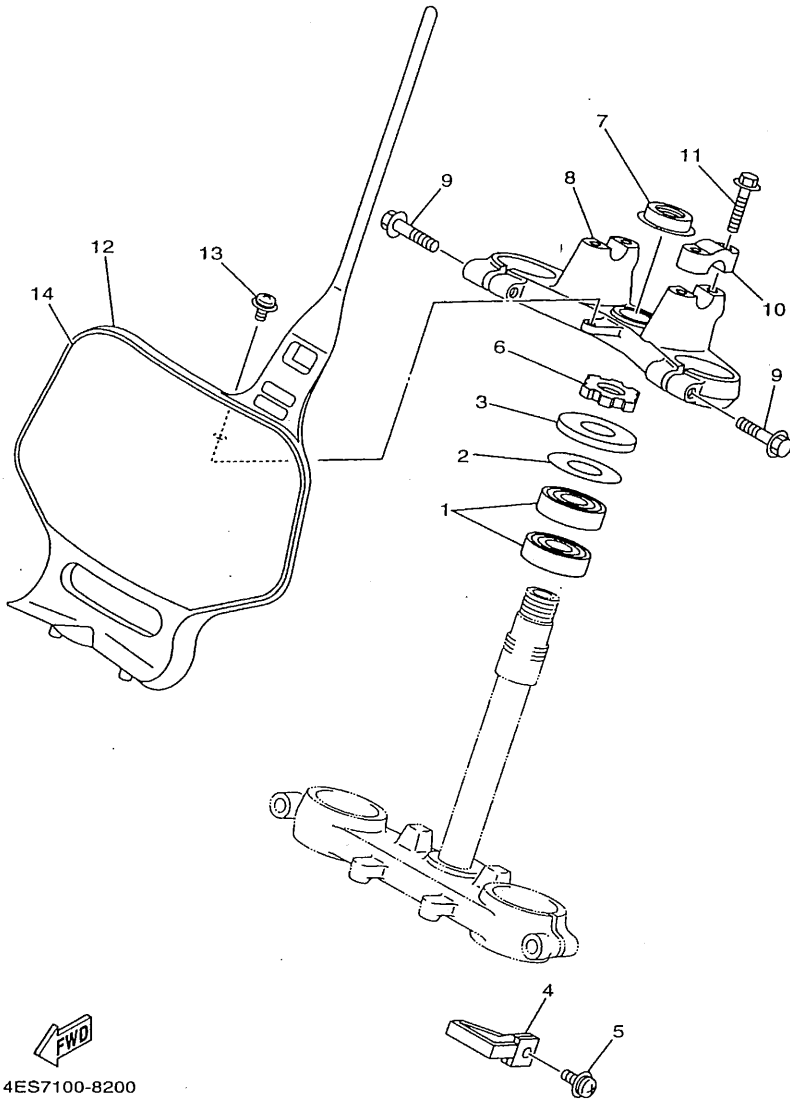
REF. NO.	PART NO.	DESCRIPTION	4GTB	4GTC	4LB9	4LBA	REMARKS
1	4ES-22210-E0	SHOCK ABSORBER ASSY, REAR	1				
	4GT-22210-40	SHOCK ABSORBER ASSY, REAR		1			
	4LB-22210-60	SHOCK ABSORBER ASSY, REAR			1		
	4LB-22210-70	SHOCK ABSORBER ASSY, REAR				1	
2	4ES-22201-50	.DAMPER SUB ASSY	1				
	4GT-22201-10	.DAMPER SUB ASSY		1			
	4LB-22201-40	.DAMPER SUB ASSY			1		
	4LB-22201-50	.DAMPER SUB ASSY				1	
3	4ES-22216-00	..BUSH, REAR SHOCK ABSORBER	1	1	1	1	
4	58T-23184-L0	..CAP, AIR VALVE	1	1	1	1	
5	4ES-22212-F0	.SPRING (K=5.0)	1	1			
	4ES-22212-H0	.SPRING (K=5.2)				1	1
6	4ES-22214-00	.GUIDE, SPRING 1	1	1	1	1	
7	3JD-22214-00	.GUIDE, SPRING 1	1	1	1	1	
8	4ES-22251-00	.NUT 1	1	1	1	1	
9	90109-10729	BOLT	1	1	1	1	
10	92907-10600	WASHER, PLATE	1	1	1	1	
11	90185-10110	NUT, SELF-LOCKING	1	1	1	1	
12	90105-10614	BOLT, WASHER BASED	1	1	1	1	



4ESI100-3190

C9

FIG. 20 STEERING



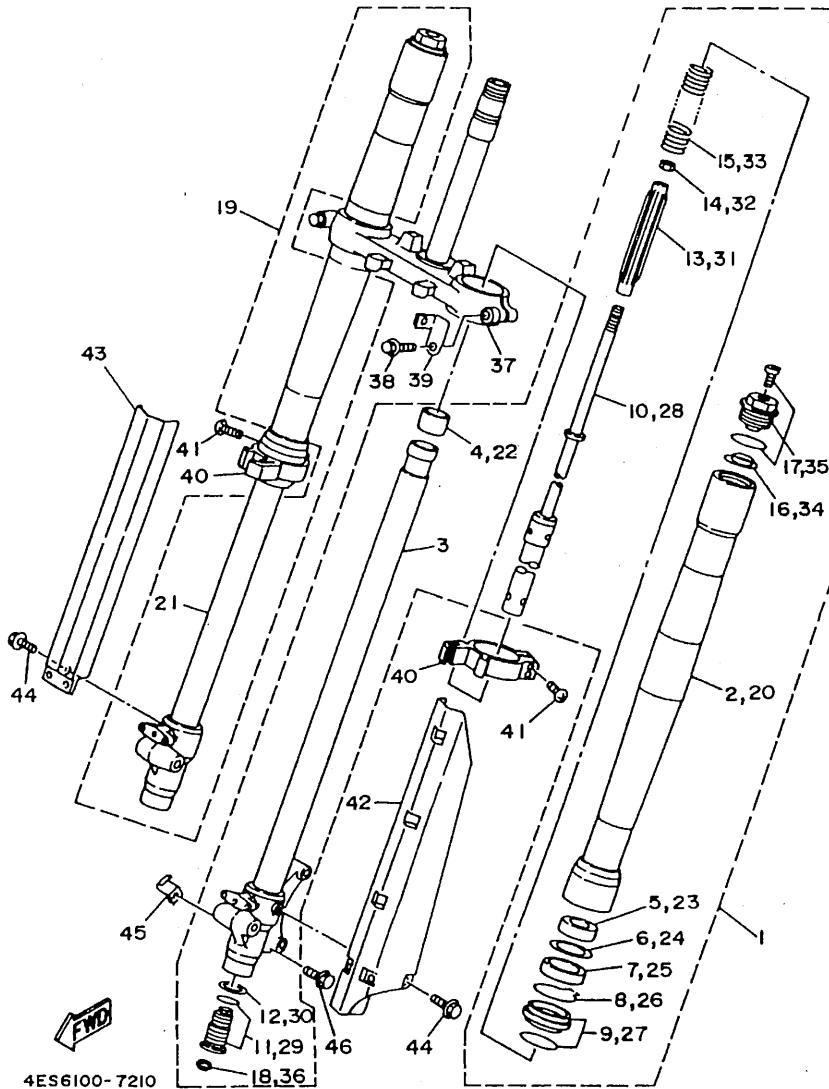
REF. NO.	PART NO.	DESCRIPTION	4GTB	4GTC	4LB9	4LBA	REMARKS
1	93332-00079	BEARING	2	2	2	2	
2	90201-256K5	WASHER, PLATE (0.5T)	1	1	1	1	
3	1J7-23415-00	COVER, BALL RACE 1	1	1	1	1	
4	4DA-23389-00	GUIDE, CABLE	1	1	1	1	
5	90157-05079	SCREW, PAN HEAD	1	1	1	1	
6	90179-25033	NUT	1	1	1	1	
7	90179-22412	NUT	1	1	1	1	
8	4ES-23435-00	CROWN, HANDLE	1	1	1	1	
9	95807-08035	BOLT, FLANGE	2	2	2	2	
10	3SP-23441-00	HOLDER, HANDLE UPPER	2	2	2	2	
11	95027-08030	BOLT, FLANGE	4	4	4	4	
12	4ES-23485-20	PLATE, NUMBER	1	1	1	1	
13	95027-06012	BOLT, FLANGE	1	1	1	1	
14	4ES-2339E-00	GRAPHIC 1	1	1	1	1	



4ES7100-8200

**C10**

FIG. 21 FRONT FORK



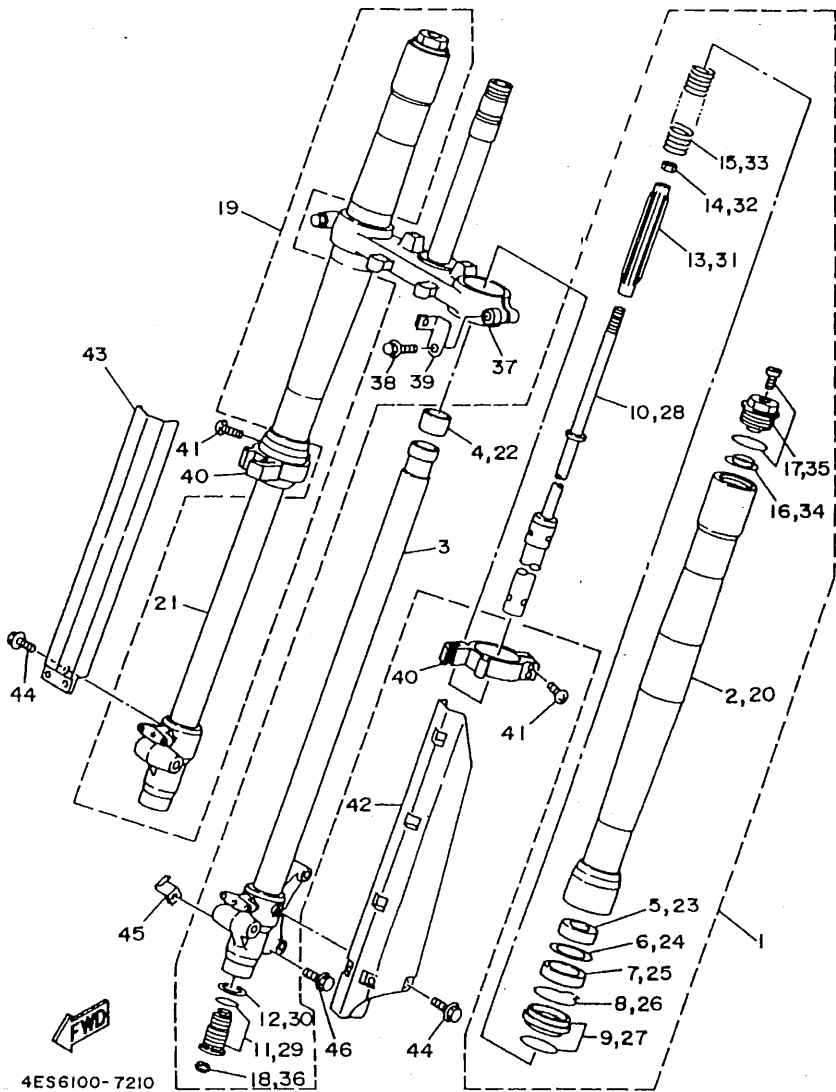
4ES6100-7210

REF. NO.	PART NO.	DESCRIPTION	4GTB	4GTC	4LBS	4LBA	REMARKS
1	4ES-23102-20	FRONT FORK ASSY (L.H)	1	1			
	4LB-23102-20	FRONT FORK ASSY (L.H)			1	1	
2	4ES-23136-20	.TUBE, OUTER (RIGHT)	1	1	1	1	
3	4ES-23120-00	.INNER TUBE COMP.2	1	1	1	1	
4	4ES-23171-00	.PISTON, FRONT FORK	1	1	1	1	
5	4ES-23125-00	.METAL, SLIDE 1	1	1	1	1	
6	5K5-23149-00	.WASHER, SPRING UPPER	1	1	1	1	
7	4ES-23145-00	.OIL SEAL	1	1	1	1	
8	4A1-23156-00	.CLIP, OIL SEAL	1	1	1	1	
9	4ES-23144-00	.SEAL, DUST	1	1	1	1	
10	4ES-23170-10	.CYLINDER COMP., FRONT FORK	1	1	1	1	
11	4ES-2316A-10	.VALVE COMP.	1	1			
	4LB-2316A-20	.VALVE COMP.			1	1	
12	2HH-23158-L0	.GASKET	1	1	1	1	
13	4ES-23142-00	.SEAT, SPRING UPPER	1	1	1	1	
14	3XJ-23357-L0	.NUT	1	1	1	1	
15	4ES-23141-40	.SPRING, FRONT FORK (K=0.29)	1	1			
	4LB-23141-10	.SPRING, FRONT FORK (K=0.30)			1	1	
16	3GM-23142-00	.SEAT, SPRING UPPER	1	1	1	1	
17	4ES-23111-10	.BOLT, CAP	1	1	1	1	
18	3JD-2312G-L0	.PLUG	1	1	1	1	
19	4ES-23103-20	FRONT FORK ASSY (R.H)	1	1			
	4LB-23103-20	FRONT FORK ASSY (R.H)			1	1	
20	4ES-23136-20	.TUBE, OUTER (RIGHT)	1	1	1	1	
21	4ES-23110-00	.INNER TUBE COMP.1	1	1	1	1	
22	4ES-23171-00	.PISTON, FRONT FORK	1	1	1	1	
23	4ES-23125-00	.METAL, SLIDE 1	1	1	1	1	

C11

FIG. 21 FRONT FORK

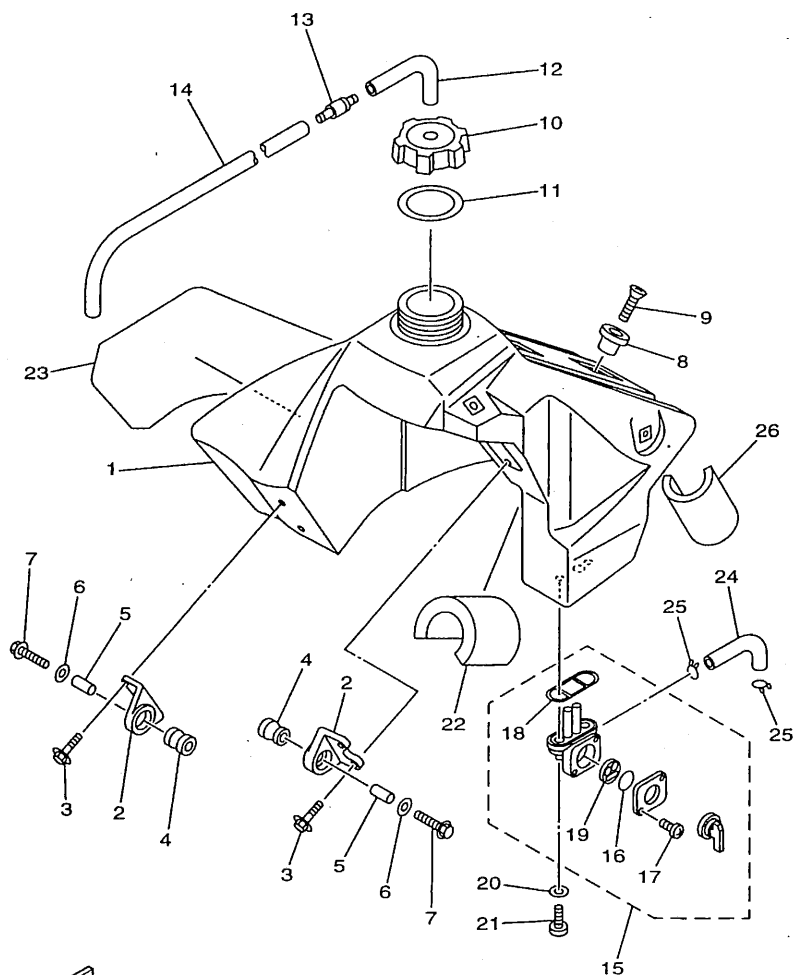
REF. NO.	PART NO.	DESCRIPTION	4GTB	4GTC	4LB9	4LBA	REMARKS
24	5K5-23149-00	.WASHER, SPRING UPPER	1	1	1	1	
25	4ES-23145-00	.OIL SEAL	1	1	1	1	
26	4A1-23156-00	.CLIP, OIL SEAL	1	1	1	1	
27	4ES-23144-00	.SEAL, DUST	1	1	1	1	
28	4ES-23170-10	.CYLINDER COMP., FRONT FORK	1	1	1	1	
29	4ES-2316A-10	.VALVE COMP.	1	1			
	4LB-2316A-20	.VALVE COMP.			1	1	
30	2HH-23158-L0	.GASKET	1	1	1	1	
31	4ES-23142-00	.SEAT, SPRING UPPER	1	1	1	1	
32	3XJ-23357-L0	.NUT	1	1	1	1	
33	4ES-23141-40	.SPRING, FRONT FORK (K=0.29)	1	1			
	4LB-23141-10	.SPRING, FRONT FORK (K=0.30)			1	1	
34	3GM-23142-00	.SEAT, SPRING UPPER	1	1	1	1	
35	4ES-23111-10	.BOLT, CAP	1	1	1	1	
36	3JD-2312G-L0	.PLUG	1	1	1	1	
37	4ES-23340-00	UNDER BRACKET COMP.	1	1	1	1	
38	95021-10040	BOLT, FLANGE	2	2	2	2	
39	4ES-2331E-00	GUIDE, CABLE	1	1	1	1	
40	4ES-2314F-00	PROTECTOR GUIDE COMP., 1	2	2	2	2	
41	4V4-23194-L0	SCREW, BOOT BAND	4	4	4	4	
42	4ES-2314H-L1	PROTECTOR COMP., 1	1	1	1	1	
43	4ES-2314J-L0	PROTECTOR COMP., 2	1	1	1	1	
44	4DA-23346-L0	BOLT 1	6	6	6	6	
45	4ES-23318-00	HOLDER, CABLE 1	1	1	1	1	
46	95027-06016	BOLT, FLANGE	1	1	1	1	



4ES6100-7210

C12

FIG. 22 FUEL TANK



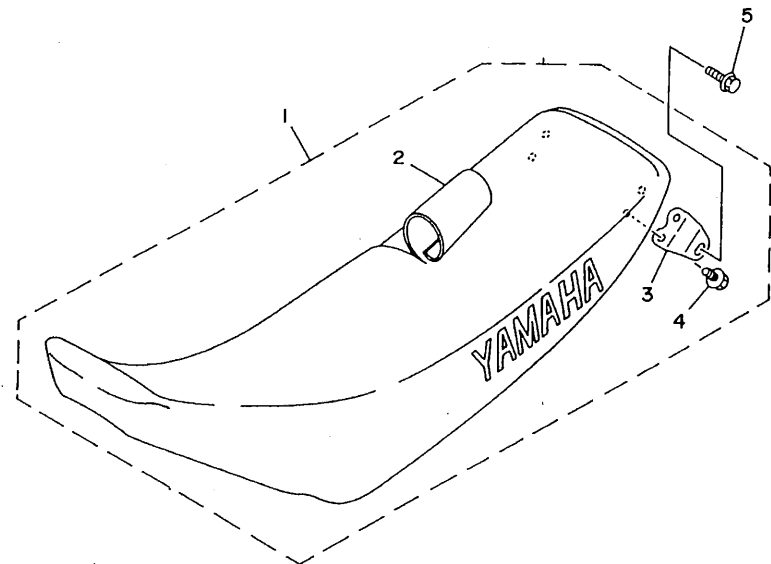
REF. NO.	PART NO.	DESCRIPTION	4GTB	4GTC	4LB9	4LBA	REMARKS
1	4ES-24110-20	FUEL TANK COMP.	1	1	1	1	
2	24X-24144-00	HOLDER, DAMPER	2	2	2	2	
3	95027-06016	BOLT, FLANGE	4	4	4	4	
4	90480-18549	GROMMET	2	2	2	2	
5	90387-06027	COLLAR	2	2	2	2	
6	90201-06071	WASHER, PLATE	2	2	2	2	
7	95027-06030	BOLT, FLANGE	2	2	2	2	
8	4EW-2412F-00	BRACKET, SEAT	1	1	1	1	
9	98707-06025	SCREW, FLAT HEAD	1	1	1	1	
10	5X7-24611-01	BODY, CAP	1	1	1	1	
11	5X7-24612-00	GASKET, CAP	1	1	1	1	
12	90445-09055	HOSE	1	1	1	1	
13	3XJ-24380-00	PIPE JOINT ASSY	1	1	1	1	
14	90445-09100	HOSE	1	1	1	1	
15	4DP-24500-00	FUEL COCK ASSY 1	1	1	1	1	
16	3AJ-24534-00	.SEAL, COCK	1	1	1	1	
17	97801-03008	.SCREW, PAN HEAD	2	2	2	2	
18	4X8-24512-00	.O-RING	1	1	1	1	
19	3AJ-24523-00	.VALVE PACKING	1	1	1	1	
20	90202-05193	WASHER, PLATE	2	2	2	2	
21	90149-06011	SCREW	2	2	2	2	
22	3Y0-24183-00	DAMPER, LOCATING 3	1	1	1	1	
23	4ES-24161-50	EMBLEM 1	1	1	1	1	
24	4ES-24311-10	PIPE, FUEL 1	1	1	1	1	
25	90467-10008	CLIP	2	2	2	2	
26	51L-28371-00	DAMPER	1	1	1	1	

FWD  
4ES7100-8220

C13



FIG. 23 SEAT



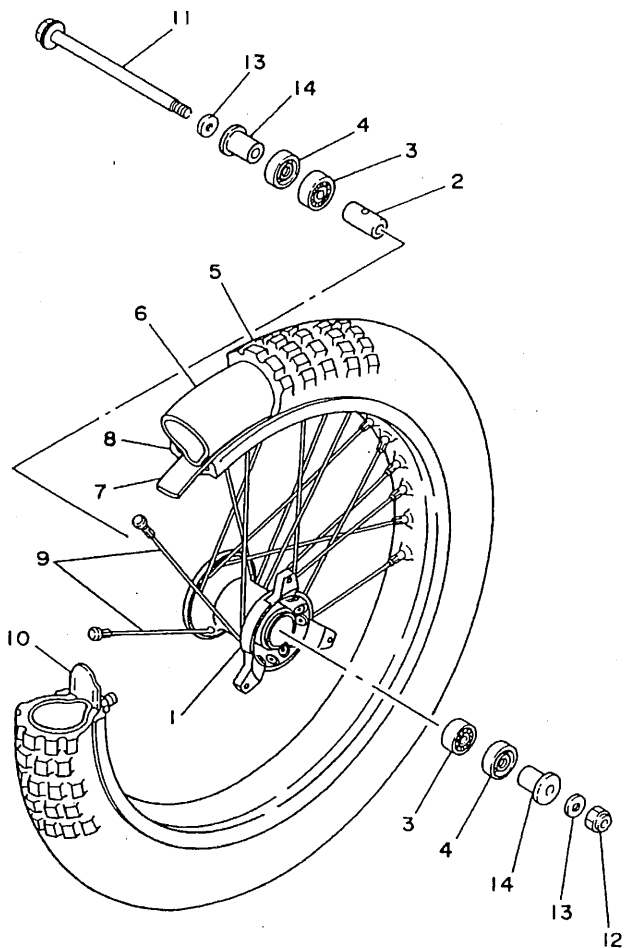
REF. NO.	PART NO.	DESCRIPTION	4GTB	4GTC	4LB9	4LBA	REMARKS
1	4ES-24770-30	SEMI-DOUBLE SEAT ASSY	1	1	1	1	
2	4ES-24731-30	.COVER, SEAT	1	1	1	1	
3	4ES-24728-00	.BRACKET, SEAT	2	2	2	2	
4	95027-06012	.BOLT, FLANGE	4	4	4	4	
5	90119-06225	BOLT, WITH WASHER	2	2	2	2	



4ES6100-7230

C14

FIG. 24 FRONT WHEEL



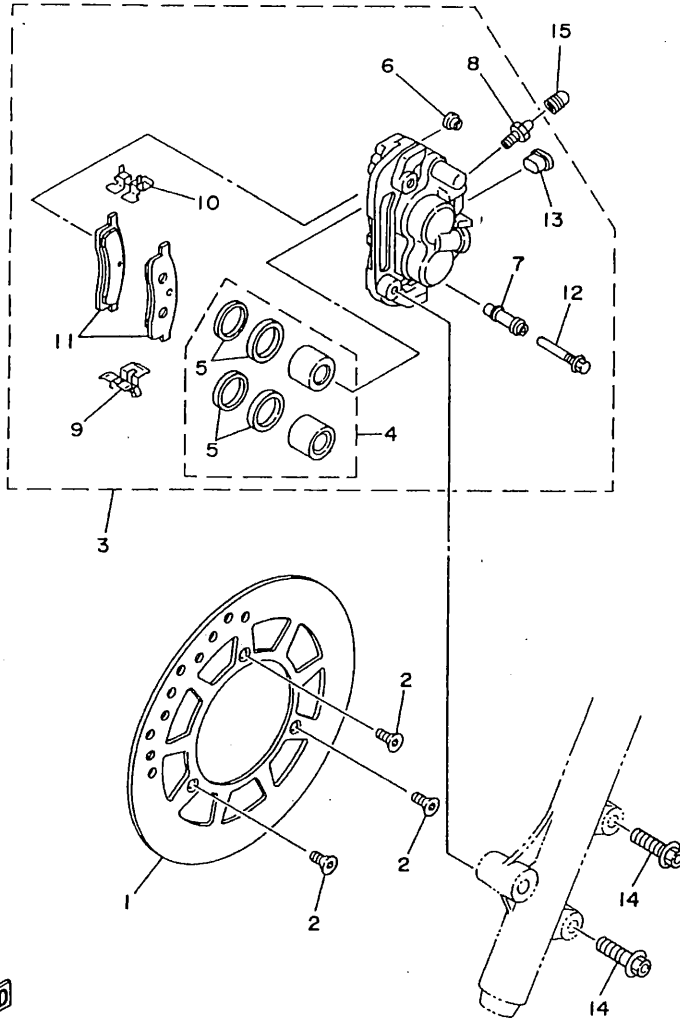
REF. NO.	PART NO.	DESCRIPTION	4GTB	4GTC	4LB9	4LBA	REMARKS
1	4ES-25111-00	HUB, FRONT	1	1	1	1	
2	90387-124H0	COLLAR	1	1	1	1	
3	93306-20120	BEARING	2	2	2	2	
4	93106-20031	OIL SEAL	2	2	2	2	
5	94107-1706B	TIRE (70/100-17 40M D752F)	1				DUNLOP
	94107-177Y5	TIRE (70/100-17 40M K490)		1			DUNLOP
	94107-1906D	TIRE (70/100-19 42M D752F)			1		DUNLOP
	94107-1902L	TIRE (70/100-19 42M K490)				1	DUNLOP
6	94207-17284	TUBE (70/100-17 TR4)	1	1			DUNLOP
	94207-19290	TUBE (70/100-19 TR-4)			1	1	DUNLOP
7	94307-17166	BAND, RIM (80/90,70/100-17)	1	1			DUNLOP
	94307-19170	BAND, RIM (70/100-19)			1	1	DUNLOP
8	94414-17530	RIM (1.40-17)	1	1			
	94414-19521	RIM (1.40-19)			1	1	
9	4ES-25104-20	SPOKE SET, FRONT	1	1			
	4LB-25104-00	SPOKE SET, FRONT			1	1	
10	1T1-25194-00	SPACER, BEAD	1	1	1	1	
11	4ES-25181-00	AXLE, WHEEL	1	1	1	1	
12	90185-12046	NUT, SELF-LOCKING	1	1	1	1	
13	90201-12362	WASHER, PLATE	2	2	2	2	
14	4ES-25183-10	COLLAR, WHEEL	2	2	2	2	



4ES1100-3240

C15

FIG. 25 FRONT BRAKE CALIPER



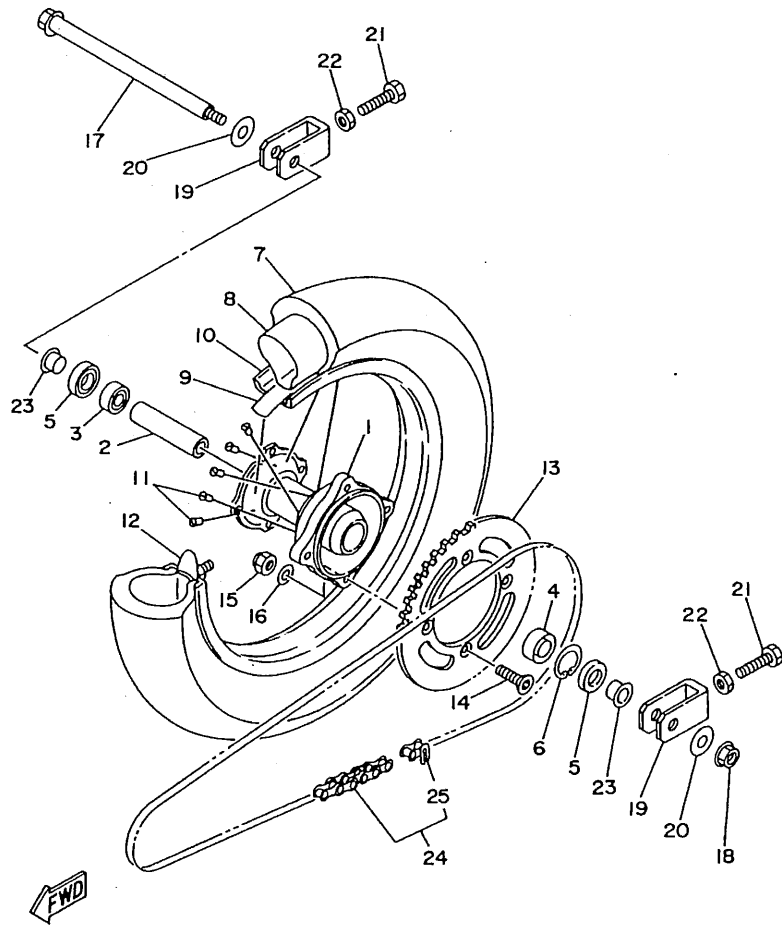
REF. NO.	PART NO.	DESCRIPTION	4GTB	4GTC	4LB9	4LBA	REMARKS
1	4ES-2582T-00	DISC, BRAKE	1	1	1	1	
2	90149-06272	SCREW	3	3	3	3	
3	4ES-2580T-20	CALIPER ASSY (LEFT)	1	1	1	1	
4	4ES-W0057-10	.PISTON ASSY, CALIPER	1	1	1	1	
5	4ES-W0047-10	..CALIPER SEAL KIT	1	1	1	1	
6	5R2-25937-00	.BOOT 2	1	1	1	1	
7	56A-25937-00	.BOOT 2	1	1	1	1	
8	47X-25824-00	.SCREW, BLEED	1	1	1	1	
9	56A-25919-00	.SUPPORT, PAD	1	1	1	1	
10	56A-25919-10	.SUPPORT, PAD	1	1	1	1	
11	4ES-W0045-20	.BRAKE PAD KIT	1	1	1	1	
12	56A-25926-00	.BOLT	1	1	1	1	
13	34X-25845-00	.CAP, INDICATOR	1	1	1	1	
14	90105-08211	BOLT, WASHER BASED	2	2	2	2	
15	51L-25825-00	CAP	1	1	1	1	



4ES3100-4250

D2

FIG. 26 REAR WHEEL



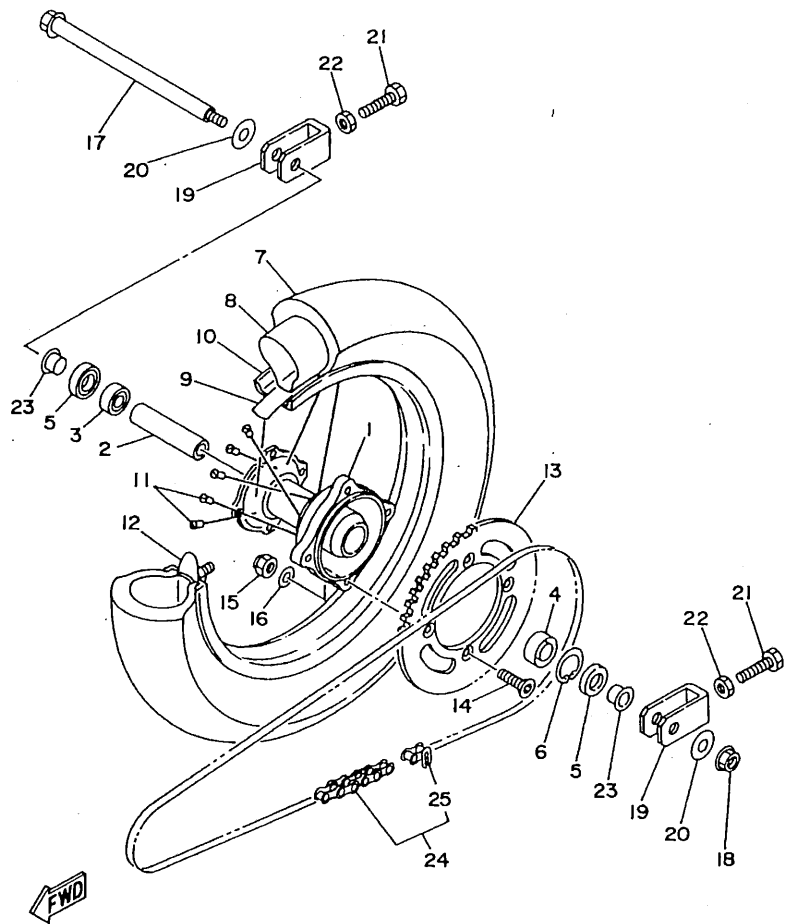
REF. NO.	PART NO.	DESCRIPTION	4GTB	4GTC	4LB	4LBA	REMARKS
1	4ES-25311-00	HUB, REAR	1	1	1	1	
2	4ES-25383-00	COLLAR, WHEEL	1	1	1	1	
3	93306-00210	BEARING	1	1	1	1	
4	93306-20227	BEARING	1	1	1	1	
5	93102-20009	OIL SEAL	2	2	2	2	
6	99009-35500	CIRCLIP	1	1	1	1	
7	94109-1406C	TIRE (90/100-14 49M D752)	1				DUNLOP
	94109-147Y6	TIRE (90/100-14 49M K695)		1			DUNLOP
	94109-1606E	TIRE (90/100-16 52M D752)			1		DUNLOP
	94109-1602M	TIRE (90/100-16 52M K695)				1	DUNLOP
8	94208-14285	TUBE (80-90/100-14 TR4)	1	1			DUNLOP
	94209-16291	TUBE (90/100-16 TR-4)			1	1	DUNLOP
9	94308-14165	BAND, RIM (80-90/100-14)	1	1			DUNLOP
	94307-16171	BAND, RIM (70-90/100-16)			1	1	DUNLOP
10	94416-14529	RIM (1.60-14)	1	1			
	94418-16522	RIM (1.85-16)			1	1	
11	4ES-25304-20	SPOKE SET, REAR	1	1			
	4LB-25304-00	SPOKE SET, REAR			1	1	
12	5X2-25394-00	SPACER, BEAD	1	1			
	1T2-25394-00	SPACER, BEAD			1	1	
13	4ES-25447-20	SPROCKET, DRIVEN (47T)	1	1	1	1	STD
	4ES-25446-00	SPROCKET, DRIVEN (46T)	1	1	1	1	AP
	4ES-25448-00	SPROCKET, DRIVEN (48T)	1	1	1	1	AP
14	90109-081G2	BOLT	4	4	4	4	
15	95617-08100	NUT, U	4	4	4	4	
16	90201-086P8	WASHER, PLATE	4	4	4	4	
17	4ES-25381-01	AXLE, WHEEL	1	1	1	1	

4ES1100-3260

D3

FIG. 26 REAR WHEEL

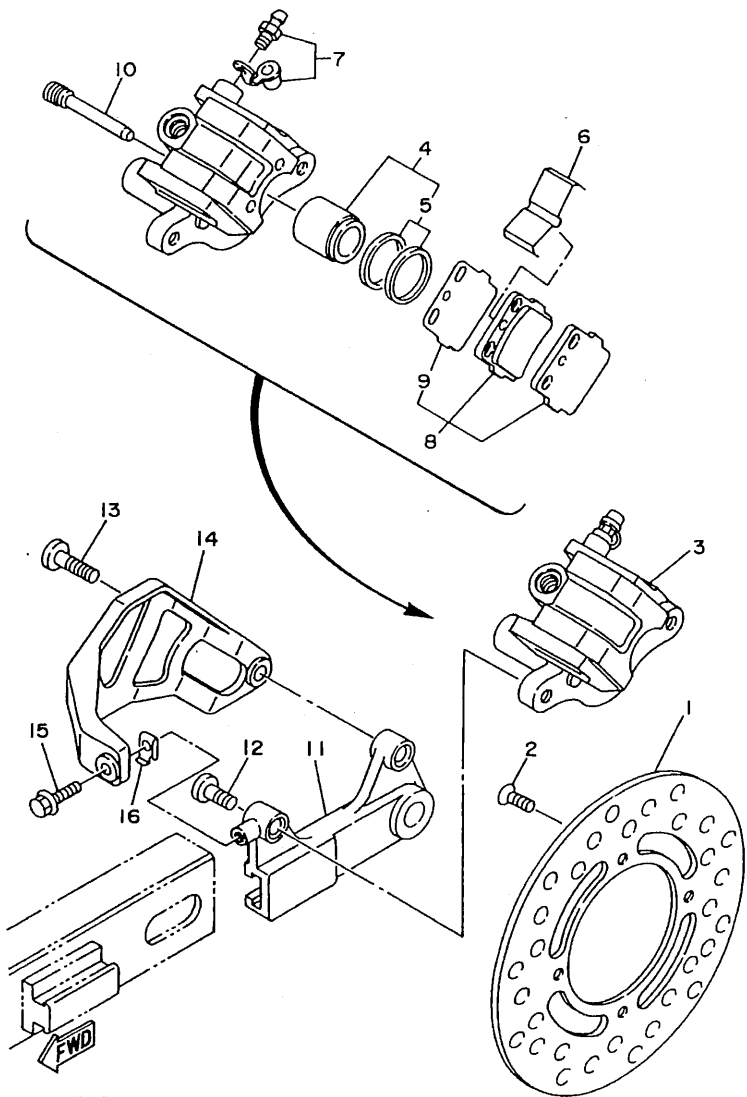
REF. NO.	PART NO.	DESCRIPTION	4GTB	4GTC	4LB9	4LBA	REMARKS
18	95607-14200	NUT, SELF-LOCKING	1	1	1	1	
19	4ES-25388-00	PULLER, CHAIN 1	2	2	2	2	
20	90201-161R1	WASHER, PLATE	2	2	2	2	
21	90101-08475	BOLT	2	2	2	2	
22	95307-08700	NUT	2	2	2	2	
23	4ES-25383-10	COLLAR, WHEEL	2	2	2	2	
24	9Y581-58117	CHAIN (DID428G2 118L)	1	1			
	9Y581-58119	CHAIN (DID428G2 120L)			1	1	
25	94681-58001	JOINT, CHAIN	1	1	1	1	



4ES1100-3260

D4

FIG. 27 REAR BRAKE CALIPER

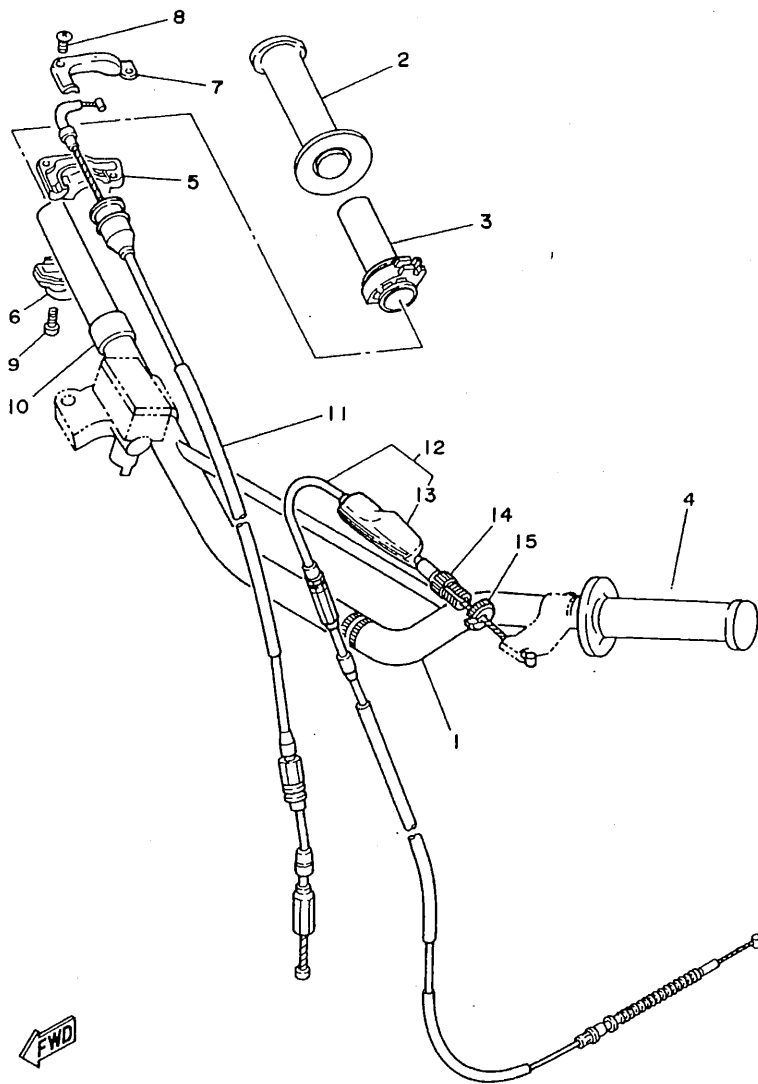


4ES1100-3270

REF. NO.	PART NO.	DESCRIPTION					REMARKS
			4GTB	4GTC	4LB9	4LBA	
1	4ES-2582W-00	DISC, REAR BRAKE 2	1	1	1	1	
2	90149-06272	SCREW	4	4	4	4	
3	4ES-2580W-00	CALIPER ASSY, REAR 2	1	1	1	1	
4	4ES-W0057-00	.PISTON ASSY, CALIPER	1	1	1	1	
5	4ES-W0047-00	..CALIPER SEAL KIT	1	1	1	1	
6	1UY-25919-51	.SUPPORT, PAD	1	1	1	1	
7	1UY-W0048-50	.BLEED SCREW KIT	1	1	1	1	
8	4ES-W0046-50	.BRAKE PAD KIT 2	1	1	1	1	
9	3GD-25827-00	..SHIM, CALIPER	1	1	1	1	
10	3GD-25933-00	.PIN, PAD	2	2	2	2	
11	4ES-25920-00	SUPT. BRKT. ASSY.	1	1	1	1	
12	90110-08096	BOLT, HEXAGON SOCKET HEAD	1	1	1	1	
13	90109-08718	BOLT	1	1	1	1	
14	4ES-27491-00	PROTECTOR	1	1	1	1	
15	95027-06012	BOLT, FLANGE	1	1	1	1	
16	4ES-27114-00	STOPPER, MAIN STAND	1	1	1	1	

D5

FIG. 28 STEERING HANDLE. CABLE



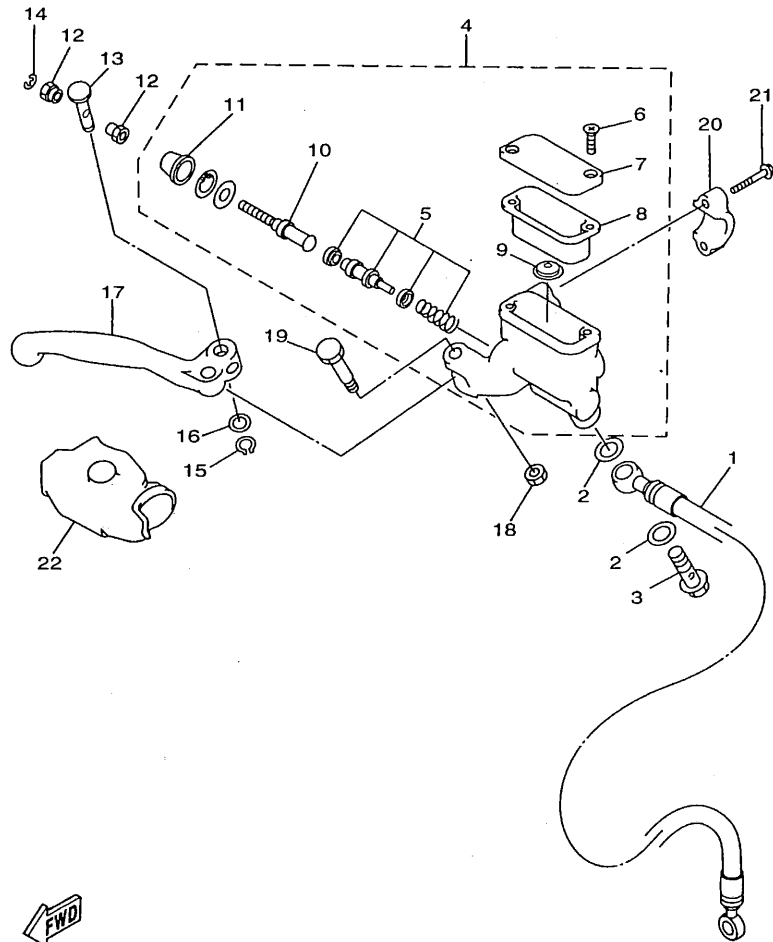
REF. NO.	PART NO.	DESCRIPTION					REMARKS
			4GTB	4GTC	4LBS	4LBA	
1	4ES-26111-30	HANDLEBAR	1	1	1	1	
2	4GY-26242-00	GRIP (RIGHT)	1	1	1	1	
3	22W-26243-00	TUBE, THROTTLE GUIDE	1	1	1	1	
4	4GY-26241-00	GRIP (LEFT)	1	1	1	1	
5	5X2-26281-00	CAP, GRIP UPPER	1	1	1	1	
6	322-26282-00	CAP, GRIP LOWER	1	1	1	1	
7	5X2-2628H-01	CAP, WIRE	1	1	1	1	
8	98707-04012	SCREW, FLAT HEAD	2	2	2	2	
9	98507-05016	SCREW, PAN HEAD	2	2	2	2	
10	90387-220G4	COLLAR	1	1	1	1	
11	4ES-26311-00	CABLE, THROTTLE 1	1	1	1	1	
12	4ES-26335-11	CABLE, CLUTCH	1	1	1	1	
13	498-26372-00	.COVER, HANDLE LEVER 1	1	1	1	1	
14	90123-08046	BOLT	1	1	1	1	
15	90179-08148	NUT	1	1	1	1	



4ES6100-7280

D6

FIG. 29 FRONT MASTER CYLINDER



REF. NO.	PART NO.	DESCRIPTION	4GTB	4GTC	4LBS	4LBA	REMARKS
1	4ES-25872-02	HOSE, BRAKE 1	1	1	1	1	
2	90201-10118	WASHER, PLATE	4	4	4	4	
3	90401-10168	BOLT, UNION	2	2	2	2	
4	4SS-W2587-00	MASTER CYLINDER SUB ASSY	1	1	1	1	
5	4SS-W0041-00	.CYLINDER KIT, MASTER	1	1	1	1	
6	98706-04012	.SCREW, FLAT HEAD	2	2	2	2	
7	4SS-25852-00	.CAP, RESERVOIR	1	1	1	1	
8	4SS-25854-00	.DIAPHRAGM, RESERVOIR	1	1	1	1	
9	4SS-25889-00	.SEPARATOR ASSY	1	1	1	1	
10	4SS-25880-00	.PUSH ROD COMP.	1	1	1	1	
11	4SS-25868-00	.BOOT, MASTER CYLINDER	1	1	1	1	
12	4SS-2538E-00	NUT, ADJUSTING	2	2	2	2	
13	4SS-83913-00	COLLAR, LEVER 1	1	1	1	1	
14	3YX-25866-10	CIRCLIP	1	1	1	1	
15	4SS-25866-00	CIRCLIP	1	1	1	1	
16	4SS-2583G-00	WASHER	1	1	1	1	
17	4SS-83922-01	LEVER 2	1	1	1	1	
18	95606-06100	NUT, U	1	1	1	1	
19	4SS-2589F-00	BOLT, LEVER	1	1	1	1	
20	3YK-25867-00	BRACKET, MASTER CYLINDER	1	1	1	1	
21	4SS-25833-00	BOLT, FITTING	2	2	2	2	
22	4SS-26372-00	COVER, HANDLE LEVER 1	1	1	1	1	

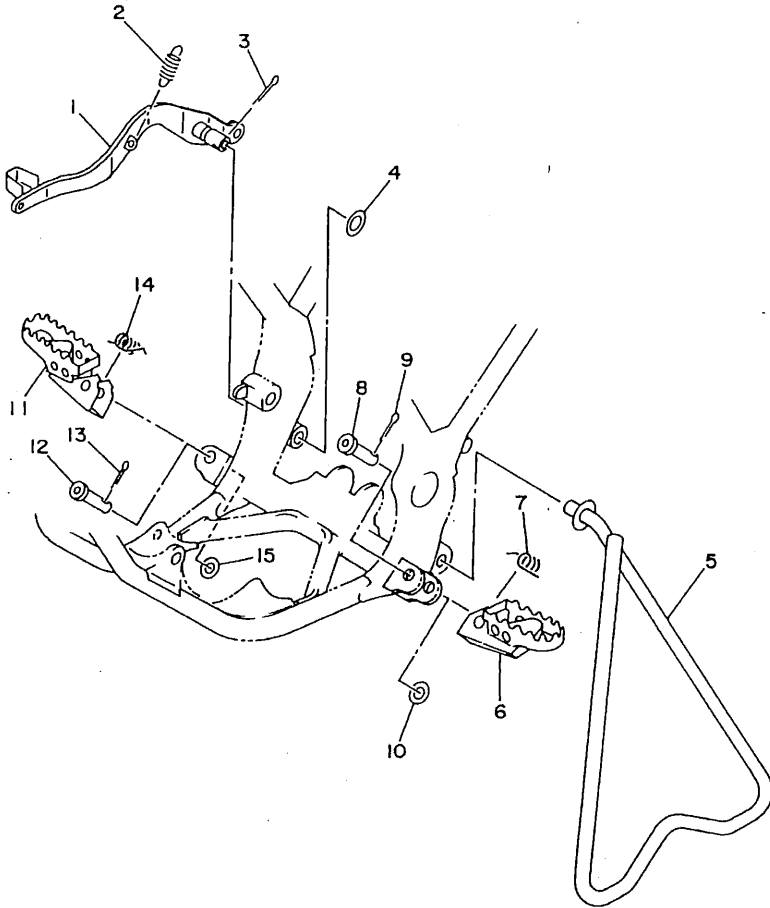


4ES6100-7290

D7



FIG. 30 STAND. FOOTREST



REF. NO.	PART NO.	DESCRIPTION	4GTB	4GTC	4LB9	4LBA	REMARKS
1	4ES-27211-00	PEDAL, BRAKE	1	1	1	1	
2	90506-15480	SPRING, TENSION	1	1	1	1	
3	91401-20025	PIN, COTTER	1	1	1	1	
4	90201-15700	WASHER, PLATE	1	1	1	1	
5	4ES-27311-00	STAND, SIDE	1	1			
	4LB-27311-00	STAND, SIDE			1	1	
6	4DA-27411-00	FOOTREST 1	1	1	1	1	
7	90508-28777	SPRING, TORSION	1	1	1	1	
8	90240-10117	PIN, CLEVIS	1	1	1	1	
9	91401-25015	PIN, COTTER	1	1	1	1	
10	90201-10119	WASHER, PLATE	1	1	1	1	
11	4DA-27421-00	FOOTREST 2	1	1	1	1	
12	90240-10117	PIN, CLEVIS	1	1	1	1	
13	91401-25015	PIN, COTTER	1	1	1	1	
14	90508-28777	SPRING, TORSION	1	1	1	1	
15	90201-10119	WASHER, PLATE	1	1	1	1	



4ES1100-3300

D8

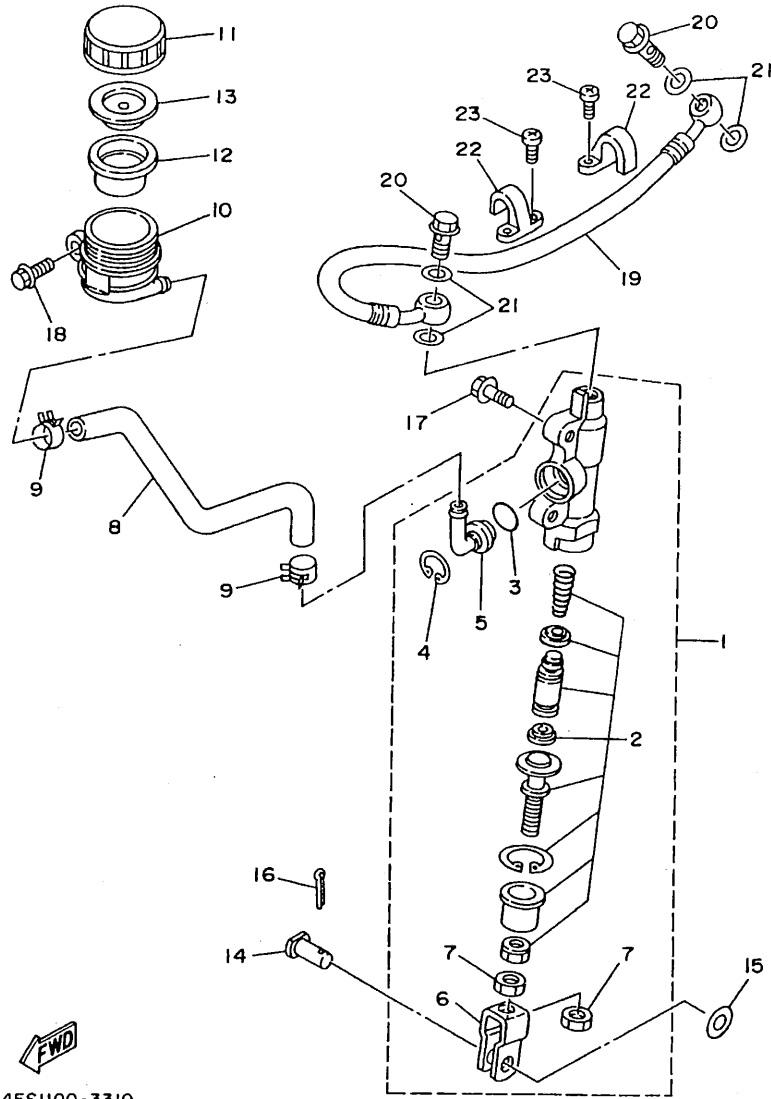


FIG. 31 REAR MASTER CYLINDER

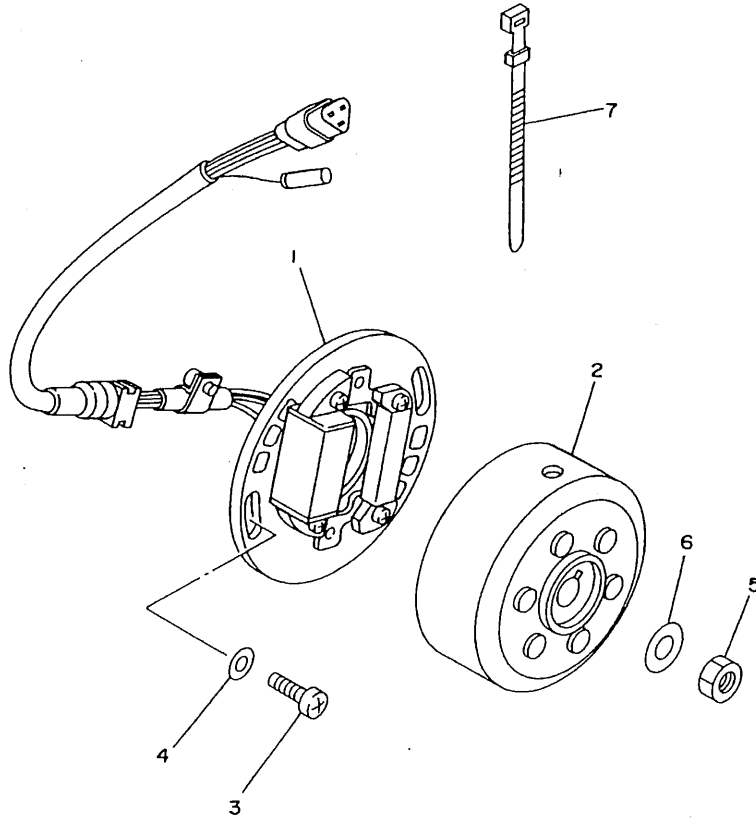
REF. NO.	PART NO.	DESCRIPTION	4GTB	4GTC	4LB9	4LBA	REMARKS
1	4ES-2583V-00	RR. MASTER CYLINDER ASSY.	1	1	1	1	
2	1FK-W0042-50	.CYLINDER KIT, MASTER	1	1	1	1	
3	93210-15620	.O-RING	1	1	1	1	
4	2VN-25866-00	.CIRCLIP	1	1	1	1	
5	2VN-2582A-50	.JOINT	1	1	1	1	
6	2YK-27222-00	.JOINT	1	1	1	1	
7	95307-08600	.NUT	2	2	2	2	
8	4ES-25895-00	HOSE, RESERVOIR	1	1	1	1	
9	90467-11044	CLIP	2	2	2	2	
10	4EW-25894-00	TANK, RESERVOIR	1	1	1	1	
11	3XP-25852-50	CAP, RESERVOIR	1	1	1	1	
12	2VN-25854-00	DIAPHRAGM, RESERVOIR	1	1	1	1	
13	2VN-25855-00	BUSH,DIAPHRAGM	1	1	1	1	
14	90240-08124	PIN, CLEVIS	1	1	1	1	
15	90201-08083	WASHER, PLATE	1	1	1	1	
16	91401-16012	PIN, COTTER	1	1	1	1	
17	95027-06016	BOLT, FLANGE	2	2	2	2	
18	95027-06012	BOLT, FLANGE	1	1	1	1	
19	4ES-25873-01	HOSE, BRAKE 2	1	1			
	4LB-25873-01	HOSE, BRAKE 2			1	1	
20	90401-10168	BOLT, UNION	1	1	1	1	
21	90201-10118	WASHER, PLATE	4	4	4	4	
22	2VM-25876-00	HOLDER, BRAKE HOSE 2	2	2	2	2	
23	97780-50510	SCREW, TAPPING	4	4	4	4	



4ES1100-3310

D9

FIG. 32 GENERATOR



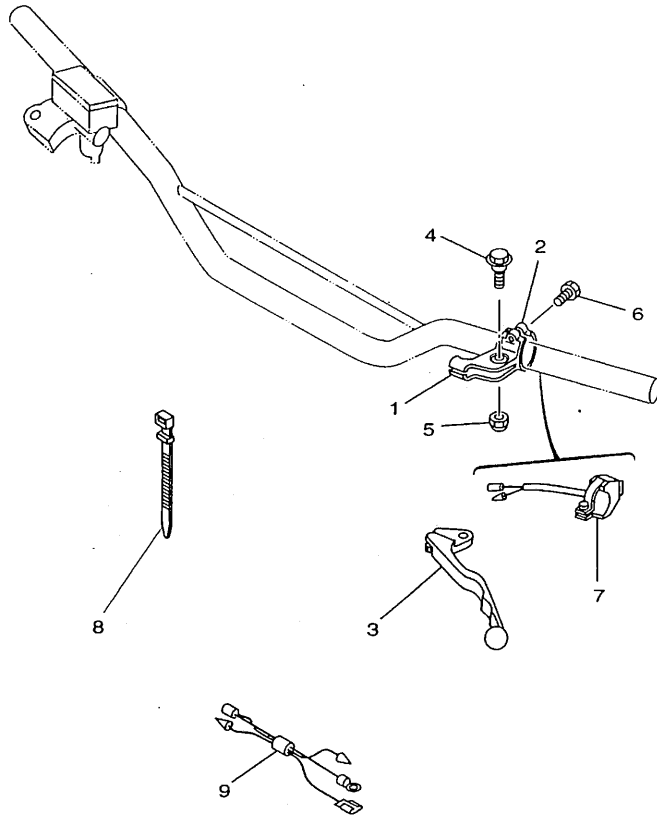
REF. NO.	PART NO.	DESCRIPTION	4GTB	4GTC	4LB9	4LBA	REMARKS
1	4ES-85510-20	STATOR ASSY	1	1	1	1	
2	4ES-85550-10	ROTOR ASSY	1	1	1	1	
3	98507-06016	SCREW, PAN HEAD	2	2	2	2	
4	92907-06600	WASHER, PLATE	2	2	2	2	
5	95317-10600	NUT	1	1	1	1	
6	90201-10591	WASHER, PLATE	1	1	1	1	
7	437-83936-01	BAND, SWITCH CORD	3	3	3	3	



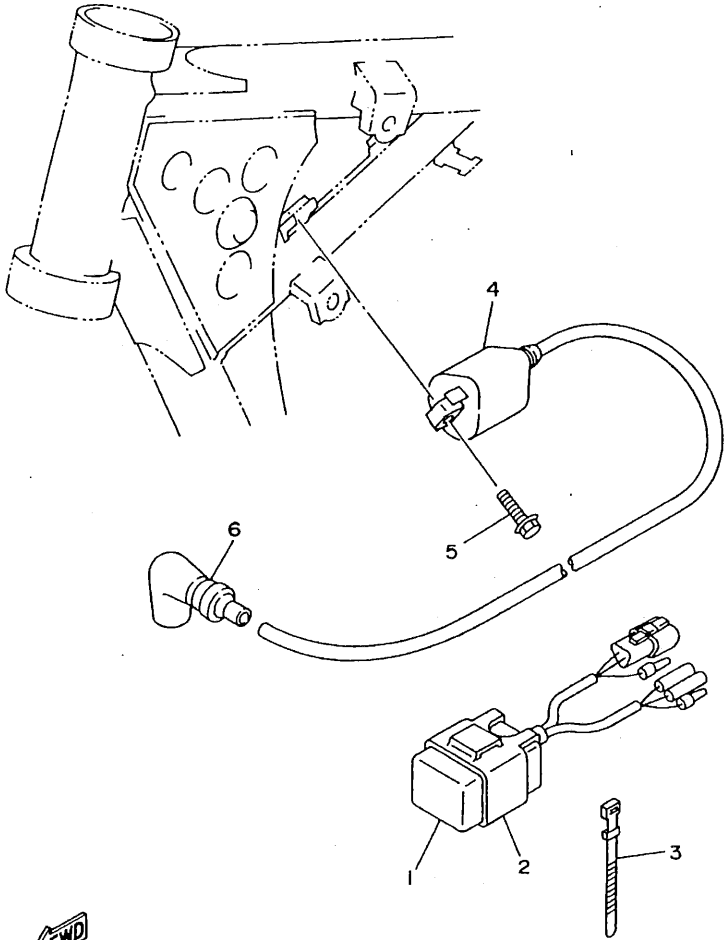
4GT3300-4320

D10

FIG. 33 HANDLE SWITCH. LEVER



REF. NO.	PART NO.	DESCRIPTION	4GTB	4GTC	4LB9	4LBA	REMARKS
1	38V-82911-00	HOLDER, LEVER 1	1	1	1	1	
2	38V-82913-00	HOLDER, LEVER LOWER 1	1	1	1	1	
3	4GY-83912-00	LEVER 1	1	1	1	1	
4	90109-06799	BOLT	1	1	1	1	
5	95607-06100	NUT, U	1	1	1	1	
6	97007-05016	BOLT	2	2	2	2	
7	22W-83976-00	SWITCH, HANDLE 1	1	1	1	1	
8	437-83936-01	BAND, SWITCH CORD	2	2	2	2	
9	4ES-82509-00	WIRE, SUB LEAD	1	1	1	1	



**FWD**  
4ES6100-7340

**FIG. 34 ELECTRICAL 1**

REF. NO.	PART NO.	DESCRIPTION	4GTB	4GTC	4LB9	4LBA	REMARKS
1	4ES-85540-20	C.D.I. UNIT ASSY	1	1	1	1	
2	2A7-85546-00	BAND	1	1	1	1	
3	437-83936-11	BAND, SWITCH CORD	1	1	1	1	
4	4KJ-82310-10	IGNITION COIL ASSY	1	1	1	1	
5	95027-06016	BOLT, FLANGE	2	2	2	2	
6	1M1-82370-21	PLUG CAP ASSY	1	1	1	1	

**D12**

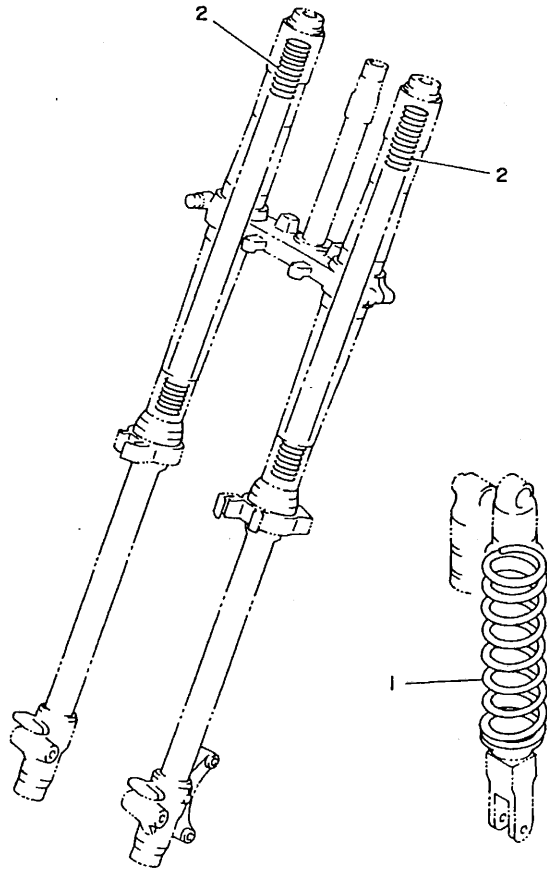


FIG. 35 ALTERNATE (CHASSIS)

REF. NO.	PART NO.	DESCRIPTION	4GTB	4GTC	4LB9	4LBA	REMARKS
1	4ES-22212-G0	SPRING (K=4.8)	1	1			AP SOFT
	4ES-22212-F0	SPRING (K=5.0)			1	1	AP SOFT
	4ES-22212-H0	SPRING (K=5.2)	1	1			AP HARD
	4ES-22212-J0	SPRING (K=5.4)			1	1	AP HARD
2	4ES-23141-50	SPRING, FRONT FORK (K=0.28)	2	2			AP SOFT
	4ES-23141-40	SPRING, FRONT FORK (K=0.29)			2	2	AP SOFT
	4ES-23141-60	SPRING, FRONT FORK (K=0.30)	2	2			AP HARD
	4ES-23141-70	SPRING, FRONT FORK (K=0.31)			2	2	AP HARD



4ES1100-3350

D13

FIG. 36 OPTIONAL PARTS 1

REF. NO.	PART NO.	DESCRIPTION	4GTB	4GTC	4LBB	4LBA	REMARKS
1	4GT-11630-01	PISTON ASSY (STD)	1	1	1	1	
2	4GT-11631-01-B0	.PISTON (STD)	1	1	1	1	
3	4GT-11611-00	.RING, PISTON	1	1	1	1	
4	4ES-11633-00	.PIN, PISTON	1	1	1	1	
5	93450-16115	.CIRCLIP	2	2	2	2	
6	4ES-11650-01	CONNECTING ROD ASSY	1	1	1	1	
7	4ES-11651-01	.ROD, CONNECTING	1	1	1	1	
8	93310-320T3	.BEARING	1	1	1	1	
9	2RA-11681-00	.PIN, CRANK 1	1	1	1	1	
10	90209-20159	.WASHER	2	2	2	2	
11	93310-214F8	.BEARING	1	1	1	1	KOYO

**D14**





NUMERICAL INDEX

PART NO.	GRID NO.	PART NO.	GRID NO.	PART NO.	GRID NO.	PART NO.	GRID NO.	PART NO.	GRID NO.	PART NO.	GRID NO.
4SS-W0041-00	D- 7	23L-14107-25	B- 7	4ES-15620-00	B- 12	4ES-2173E-10	C- 6	4ES-23136-20	C- 11	4ES-23485-20	C- 10
1FK-W0042-50	D- 9	2X6-14112-25	B- 7	4ES-15621-00	B- 12	4ES-2173F-10	C- 6		C- 11	4ES-24110-20	C- 13
4ES-W0045-20	D- 2	2X6-14112-30	B- 7	4ES-15641-00	B- 12	4ES-21731-20	C- 6	4ES-2314F-00	C- 12	4EW-2412F-00	C- 13
4ES-W0046-50	D- 5	2X6-14112-35	B- 7	4ES-15651-00	B- 12	4ES-21732-00	C- 6	4ES-2314H-L1	C- 12	24X-24144-00	C- 13
4ES-W0047-00	D- 5	3R1-14115-00	B- 7	4ES-15660-00	B- 12	4ES-21735-00	C- 6	4ES-2314J-L0	C- 12	4ES-24161-50	C- 13
4ES-W0047-10	D- 2	2A6-14126-00	B- 8	4ES-15664-00	B- 12	40J-2174A-00	C- 6	4ES-23141-40	C- 11	22W-24181-00	C- 6
1UY-W0048-50	D- 5	248-14131-00	B- 8	4ES-16111-00	B- 13	4ES-21790-10	C- 6		C- 12	3Y0-24183-00	C- 13
4ES-W0057-00	D- 5	3R1-14141-50	B- 7	4ES-16150-11	B- 13	4ES-22110-00	C- 7		D- 13	4ES-24311-10	C- 13
4ES-W0057-10	D- 2	3R1-14141-52	B- 7	4V0-16154-00	B- 13	4LB-22110-00	C- 7	4ES-23141-50	D- 13	3XJ-24380-00	C- 13
4SS-W2587-00	D- 7	3R1-14141-54	B- 7	21V-16321-00	B- 13	4ES-22129-00	C- 7	4ES-23141-60	D- 13	4DP-24500-00	C- 13
4LB-11111-00	B- 2	260-14142-30	B- 7	4ES-16321-00	B- 13	4ES-22151-10	C- 7	4ES-23141-70	D- 13	4X8-24512-00	C- 13
4GT-11311-10	B- 2	260-14142-32	B- 7	131-16324-00	B- 13	4ES-2217A-00	C- 7	4LB-23141-10	C- 11	3AJ-24523-00	C- 13
4ES-11351-00	B- 2	260-14142-35	B- 7	257-16324-00	B- 13	4ES-2217F-00	C- 8		C- 12	3AJ-24534-00	C- 13
4ES-11400-02	B- 3	137-14143-58	B- 7	2TK-16351-00	B- 13	30X-22178-00	C- 4	3GM-23142-00	C- 11	5X7-24611-01	C- 13
4ES-11412-00	B- 3	137-14143-60	B- 7	4ES-16356-00	B- 13	4ES-22178-00	C- 4		C- 12	5X7-24612-00	C- 13
4ES-11422-00	B- 3	137-14143-62	B- 7	2RA-16357-00	B- 13	4V4-22184-00	C- 4	4ES-23142-00	C- 11	4ES-24728-00	C- 14
4GT-11611-00	B- 3	39K-14153-00	B- 7	37F-16371-01	B- 13	39K-22199-00	C- 7		C- 12	4ES-24731-30	C- 14
	D- 14	2A6-14158-00	B- 8	4ES-16381-00	B- 13	4ES-22201-50	C- 9	4ES-23144-00	C- 11	4ES-24770-30	C- 14
4GT-11630-01	D- 14	3X3-14169-00	B- 7	4ES-17121-01	B- 14	4GT-22201-10	C- 9		C- 12	4ES-25104-20	C- 15
4GT-11631-01-A0	B- 3	35B-14171-00	B- 8	4ES-17131-00	B- 14	4LB-22201-40	C- 9	4ES-23145-00	C- 11	4LB-25104-00	C- 15
4GT-11631-01-B0	B- 3	304-14184-00	B- 7	4ES-17151-00	B- 14	4LB-22201-50	C- 9		C- 12	4ES-25111-00	C- 15
	D- 14	314-14185-00	B- 7	4ES-17161-00	B- 14	4ES-22210-E0	C- 9	5K5-23149-00	C- 11	22W-25181-01	C- 7
4GT-11631-01-C0	B- 3	127-14186-00	B- 7	4ES-17211-01	B- 14	4GT-22210-40	C- 9		C- 12	4ES-25181-00	C- 15
4GT-11631-01-D0	B- 3	10V-14196-00	B- 7	4ES-17221-01	B- 14	4LB-22210-60	C- 9	4A1-23156-00	C- 11	4ES-25183-10	C- 15
4ES-11633-00	B- 3	3JN-14196-00	B- 8	4ES-17231-01	B- 14	4LB-22210-70	C- 9		C- 12	1T1-25194-00	C- 15
	D- 14	3Y1-14197-00	B- 8	4ES-17241-00	B- 14	4ES-22212-F0	C- 9	2HH-23158-L0	C- 11	4ES-25304-20	D- 3
4ES-11650-01	D- 14	4ES-14411-01	B- 6	4ES-17251-00	B- 14		D- 13		C- 12	4LB-25304-00	D- 3
4ES-11651-01	B- 3	4ES-14417-00	B- 6	4ES-17261-01	B- 14	4ES-22212-G0	D- 13	4ES-2316A-10	C- 11	4ES-25311-00	D- 3
	D- 14	4ES-14451-00	B- 6	4ES-17411-01	B- 14	4ES-22212-H0	C- 9		C- 12	4SS-2538E-00	D- 7
2RA-11681-00	B- 3	4ES-14453-00	B- 6	4ES-17421-00	B- 14		D- 13	4LB-2316A-20	C- 11	4ES-25381-01	D- 3
	D- 14	4ES-14458-00	B- 6	164-17427-00-06	B- 14	4ES-22212-J0	D- 13		C- 12	4ES-25383-00	D- 3
4BA-12422-00	B- 4	4ES-14459-00	B- 6	4ES-18101-00	C- 3	3J0-22214-00	C- 9	4ES-23170-10	C- 11	4ES-25383-10	D- 4
4BA-12428-00	B- 4	4ES-14462-00	B- 6	2HF-18110-01	C- 3	4ES-22214-00	C- 9		C- 12	4ES-25388-00	D- 4
36F-12450-00	B- 4	4ES-14610-10	B- 9	4BA-18140-00	C- 3	4ES-22216-00	C- 9	4ES-23171-00	C- 11	17Z-25394-00	D- 3
4ES-12459-00	B- 4	17W-14615-00	B- 9	4ES-18511-02	C- 2	4ES-22251-00	C- 9		C- 11	5X2-25394-00	D- 3
4ES-12461-00	B- 5	4ES-1469A-00	B- 9	5R2-18512-00	C- 2	3XJ-22475-00	C- 8	58T-23184-L0	C- 9	4ES-25446-00	D- 3
22W-12462-00	B- 5	4ES-14753-00	B- 9	4ES-18513-01	C- 2	4ES-23102-20	C- 11	4V4-23194-L0	C- 12	4ES-25447-20	D- 3
22W-12463-00	B- 5	565-14771-00	B- 9	4BA-18531-00	C- 2	4LB-23102-20	C- 11	4ES-2331E-00	C- 12	4ES-25448-00	D- 3
4ES-12481-00	B- 5	58T-1490J-00	B- 7	4BA-18535-00	C- 2	4ES-23103-20	C- 11	4ES-23318-00	C- 12	4ES-25807-20	D- 2
4ES-12482-00	B- 5	25G-14937-00	B- 8	4ES-18540-00	C- 2	4LB-23103-20	C- 11	4ES-23340-00	C- 12	4ES-2580W-00	D- 5
4ES-13565-00	B- 6	4ES-15111-00	B- 10	4ES-21110-02-P0	C- 4	4ES-23110-00	C- 11	4DA-23346-L0	C- 12	2VN-2582A-50	D- 9
4ES-13610-00	B- 6	4ES-15121-01	B- 10	4ES-21511-20	C- 5	4ES-23111-10	C- 11	3XJ-23357-L0	C- 11	4ES-2582T-00	D- 2
4ES-13613-00	B- 6	3Y1-15363-00	B- 11	25G-21575-00	C- 5		C- 12		C- 12	4ES-2582W-00	D- 5
4ES-13616-00	B- 6	120-15371-00	B- 10	4ES-21611-10	C- 5	3J0-2312G-L0	C- 11	4DA-23389-00	C- 10	47X-25824-00	D- 2
4ES-14101-10	B- 7	4ES-15411-00	B- 11	4ES-21642-00	C- 5		C- 12	4ES-2339E-00	C- 10	51L-25825-00	D- 2
31J-14103-00	B- 7	4ES-15421-01	B- 11	4ES-21711-00	C- 6	4ES-23120-00	C- 11	1J7-23415-00	C- 10	3GD-25827-00	D- 5
10W-14104-00	B- 8	4ES-15451-00	B- 11	4EW-2172A-10	C- 6	4ES-23125-00	C- 11	4ES-23435-00	C- 10	4SS-2583G-00	D- 7
22W-14106-00	B- 7	4ES-15461-00	B- 11	4ES-21721-00	C- 6		C- 11	3SP-23441-00	C- 10	4ES-2583V-00	D- 9

NUMERICAL INDEX

PART NO.	GRID NO.	PART NO.	GRID NO.	PART NO.	GRID NO.	PART NO.	GRID NO.	PART NO.	GRID NO.	PART NO.	GRID NO.
4SS-25833-00	D- 7	51L-28371-00	C- 13	90157-05079	C- 10	90240-08124	D- 9	90501-12081	B- 12	93315-21455	C- 7
34X-25845-00	D- 2	4KJ-82310-10	D- 12	90157-06071	B- 14	90240-10117	D- 8	90501-20735	B- 13	93315-31502	B- 14
3XP-25852-50	D- 9	1M1-82370-21	D- 12	90176-08026	B- 2		D- 8	90506-15480	D- 8	93317-11245	B- 14
4SS-25852-00	D- 7	4ES-82509-00	D- 11	90179-08148	D- 6	90250-06013	C- 2	90507-20030	B- 9	93317-21746	C- 7
2VN-25854-00	D- 9	38V-82911-00	D- 11	90179-08299	B- 2	90267-40077	B- 6	90508-242A6	C- 3	93317-31771	C- 7
4SS-25854-00	D- 7	38V-82913-00	D- 11	90179-12659	B- 13	90280-03045	B- 3	90508-26750	B- 12		C- 8
2VN-25855-00	D- 9	4GY-83912-00	D- 11		B- 13	90282-05001	B- 13	90508-28777	D- 8	93332-00079	C- 10
2VN-25866-00	D- 9	4SS-83913-00	D- 7	90179-22412	C- 10	90338-10150	C- 8		D- 8	93399-99921	C- 8
3YX-25866-10	D- 7	4SS-83922-01	D- 7	90179-25033	C- 10	90380-10218	C- 7	90508-32553	C- 3	93410-20038	B- 14
4SS-25866-00	D- 7	437-83936-01	B- 5	90183-06023	C- 6	90380-12219	C- 7	91401-16012	D- 9	93430-08007	B- 12
3YK-25867-00	D- 7		D- 10	90183-06069	C- 6	90381-12091	C- 8	91401-20025	D- 8	93440-15012	B- 14
4SS-25868-00	D- 7		D- 11	90185-10110	C- 9	90385-17042	C- 7	91401-25015	D- 8	93440-17064	B- 14
4ES-25872-02	D- 7	437-83936-11	D- 12	90185-12046	C- 15	90387-06027	C- 13		D- 8	93440-30113	C- 8
4ES-25873-01	D- 9	22W-83976-00	D- 11	90185-12119	C- 8	90387-062M9	C- 6	92907-03100	B- 6	93450-16115	B- 3
4LB-25873-01	D- 9	4ES-85510-20	D- 10	90201-04742	B- 6	90387-062X0	C- 7	92907-04100	B- 7		D- 14
2VM-25876-00	D- 9	4ES-85540-02	D- 12	90201-060A3	B- 9	90387-06216	C- 4	92907-04600	B- 6	93503-16003	B- 13
4SS-25880-00	D- 7	2A7-85546-00	D- 12	90201-06060	B- 12	90387-063G3	B- 9	92907-06600	D- 10	93507-32009	B- 12
4SS-25889-00	D- 7	4ES-85550-10	D- 10		B- 14	90387-064X4	C- 5	92907-10600	C- 9	93603-22028	B- 4
4SS-2589F-00	D- 7	9Y581-58117	D- 4	90201-06071	B- 5	90387-0700G	B- 5	93101-12060	C- 3	93822-12012	B- 14
4EW-25894-00	D- 9	9Y581-58119	D- 4		C- 13	90387-103X9	C- 8	93101-17062	C- 7	93822-13024	B- 14
4ES-25895-00	D- 9	90101-08475	D- 4	90201-08083	D- 9	90387-105L0	B- 9		C- 8		B- 15
1UY-25919-51	D- 5	90101-12755	C- 8	90201-08087	B- 2	90387-1200U	C- 7	93102-12224	B- 13	93822-14037	B- 14
56A-25919-00	D- 2	90105-08211	D- 2	90201-081R9	C- 4	90387-124H0	C- 15	93102-17263	B- 12		B- 15
56A-25919-10	D- 2	90105-08310	C- 7	90201-08512	B- 4	90387-126Y7	C- 3	93102-20009	D- 3	93822-15065	B- 15
4ES-25920-00	D- 5	90105-10582	C- 7	90201-086P8	D- 3	90387-127J7	C- 7	93102-20143	B- 14	94107-17068	C- 15
56A-25926-00	D- 2	90105-10614	C- 9	90201-10118	D- 7	90387-127J8	C- 7	93102-20447	B- 3	94107-17775	C- 15
3GD-25933-00	D- 5	90105-12382	C- 7		D- 9	90387-20488	B- 13	93103-10147	B- 4	94107-1902L	C- 15
5R2-25937-00	D- 2	90109-067F4	C- 6	90201-10119	D- 8	90387-22064	D- 6	93103-28126	B- 3	94107-1906D	C- 15
56A-25937-00	D- 2	90109-06799	D- 11		D- 8	90401-10168	D- 7	93106-20031	C- 15	94109-1406C	D- 3
4ES-26111-30	D- 6	90109-081G2	D- 3	90201-10591	D- 10		D- 9	93109-17048	C- 7	94109-14776	D- 3
4GY-26241-00	D- 6	90109-08718	D- 5	90201-12362	C- 15	90430-06166	B- 4	93210-15620	D- 9	94109-1602M	D- 3
4GY-26242-00	D- 6	90109-10729	C- 9	90201-124F8	B- 12	90430-08119	B- 11	93210-18288	B- 7	94109-1606E	D- 3
22W-26243-00	D- 6	90110-08096	D- 5	90201-124G9	C- 7	90445-09055	C- 13	93210-19123	B- 11	94207-17284	C- 15
5X2-2628H-01	D- 6	90116-08318	B- 2	90201-12631	B- 12	90445-09100	C- 13	93210-371A9	B- 9	94207-19290	C- 15
5X2-26281-00	D- 6	90116-08388	B- 2	90201-12749	C- 8	90446-07349	B- 10	93210-56459	B- 2	94208-14285	D- 3
322-26282-00	D- 6	90116-08394	B- 2	90201-15700	D- 8	90450-28014	B- 5	93210-84724	B- 2	94209-16291	D- 3
4ES-26311-00	D- 6	90119-05001	B- 13	90201-161R1	D- 4	90450-45075	B- 6	93306-00210	D- 3	94307-16171	D- 3
4ES-26335-11	D- 6	90119-06063	C- 5	90201-176L4	B- 12	90450-99064	B- 6	93306-20120	C- 15	94307-17166	C- 15
4SS-26372-00	D- 7	90119-06118	C- 4	90201-203E7	B- 14	90460-51059	B- 6	93306-20227	D- 3	94307-19290	C- 15
498-26372-00	D- 6	90119-06185	C- 5	90201-256K5	C- 10	90464-16039	B- 6	93306-20333	B- 14	94308-14165	D- 3
4ES-27114-00	D- 5	90119-06217	C- 6	90201-33299	B- 9	90467-08002	B- 5	93306-20401	B- 14	94414-17530	C- 15
4ES-27211-00	D- 8		C- 6	90202-05193	C- 13	90467-10008	C- 13	93306-20438	B- 3	94414-19521	C- 15
2YK-27222-00	D- 9	90119-06225	C- 14	90208-12015	B- 13	90467-11044	D- 9	93306-30421	B- 3	94416-14529	D- 3
4ES-27311-00	D- 8	90122-06038	B- 6		B- 13	90468-23194	B- 12	93310-214F8	B- 3	94418-16522	D- 3
4LB-27311-00	D- 8	90123-08046	D- 6	90209-06096	B- 6	90480-15528	B- 5		D- 14	94681-58001	D- 4
4DA-27411-00	D- 8	90149-06011	C- 13	90209-06187	C- 5	90480-16561	B- 9	93310-320T3	B- 3	94702-00368	B- 2
4DA-27421-00	D- 8	90149-06272	D- 2	90209-20159	B- 3	90480-18411	B- 9		D- 14	94709-00367	B- 2
4ES-27491-00	D- 5		D- 5		D- 14	90480-18549	C- 13	93315-11206	B- 13	95021-10040	C- 12

NUMERICAL INDEX

PART NO.	GRID NO.	PART NO.	GRID NO.	PART NO.	GRID NO.	PART NO.	GRID NO.	PART NO.	GRID NO.	PART NO.	GRID NO.
95027-06012	B- 9	98507-06016	D- 10								
	B- 12	98507-06030	B- 11								
	C- 10	98507-06040	B- 10								
	C- 14	98507-06050	B- 10								
	D- 5	98507-06060	B- 10								
	D- 9	98706-04012	D- 7								
95027-06014	C- 7	98707-04012	D- 6								
95027-06016	C- 5	98707-06025	C- 13								
	C- 6	99001-07600	B- 4								
	C- 12	99001-10600	C- 3								
	C- 13	99009-10400	C- 2								
	D- 9	99009-12400	B- 12								
	D- 12	99009-18400	B- 15								
95027-06020	B- 6	99009-35500	D- 3								
95027-06025	B- 4	99241-00080	C- 5								
	B- 9		C- 5								
	B- 9	99530-10014	B- 10								
95027-06030	B- 5		B- 11								
	B- 11	99530-10114	B- 2								
	C- 13										
95027-06040	B- 11										
95027-08012	C- 4										
95027-08030	C- 10										
95027-08080	B- 11										
95307-08600	D- 9										
95307-08700	D- 4										
95317-10600	D- 10										
95606-06100	D- 7										
95607-06100	D- 11										
95607-08200	C- 4										
	C- 7										
95607-10200	C- 7										
95607-12200	C- 8										
95607-14200	D- 4										
95617-08100	D- 3										
95617-12100	C- 7										
95807-08035	C- 10										
95817-08125	C- 4										
95817-08135	C- 4										
95827-06060	B- 4										
97007-05016	D- 11										
97027-06020	C- 3										
97707-50014	B- 6										
97780-50510	D- 9										
97801-03008	C- 13										
98507-03008	B- 6										
98507-04018	B- 7										
98507-05016	D- 6										





*COPYRIGHT: All rights reserved. No part of this publication  
may be reproduced without permission.*

**YAMAHA**

YAMAHA MOTOR CO., LTD.

2500 SHINGA I IWATA SHIZUOKA JAPAN  
SERVICE INFORMATION DIV.

---

Printed in Japan  
First edition JUL., 1997