

**YAMAHA**



**PARTS  
CATALOGUE**

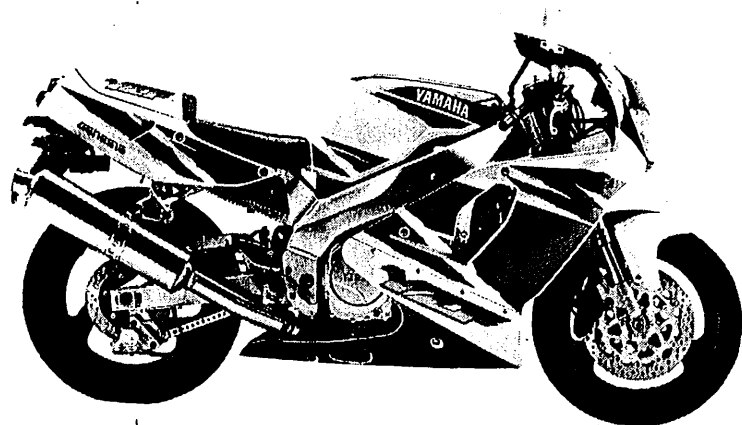
**YZF750RF (4HA2)** OCEANIA  
**YZF750RF (4HY2)** CANADA

---

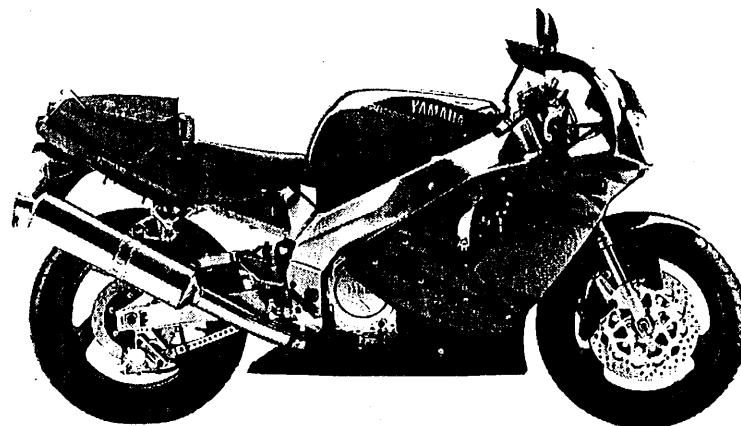
**YAMAHA**  
**GENUINE**  
Parts & Accessories

144HA-700E1

**A2**



BLUISH WHITE COCKTAIL 1 (0390)



DARK BLUE COCKTAIL 2 (0372)

# FOREWORD

This Parts Catalogue is related to the parts in use for the Yamaha YZF750RF (4HA2/4HY2). When you are ordering replacement parts for the YZF750RF (4HA2/4HY2), refer to this Parts Catalogue and quote both part numbers and part names correctly.

1. Modifications or additions which have been made after issue of the Parts Catalogue will be announced in the Yamaha Parts News.

It is advisable that according to the Yamaha Parts News you make necessary corrections to the Parts Catalogue on hand to keep it up-to-date.

2. Abbreviations

The following abbreviations are used in this Parts Catalogue.

- U.R. Use size (thickness) and/or number as required.
- U.N. Use as many as you need.
- A.P. Alternate Parts
- L.M. Local Made
- F# Frame No. (Applicable machine No.)

3. The parts marked with (\*) in the parts number column of this Catalogue are not supplied with by Yamaha, those have to be found locally.

4. Parts, which are to be supplied in the form of assemblies, are listed with an indention of one letter's space, and a dot (.) is put against the name of each part.

**EXAMPLE** CARBURETOR ASS'Y  
 .JET, pilot  
 .NOZZLE, main

5. Indication of No. of constituent parts for assembly

The numeral appearing to the right of each constituent part under the description indicates the quantity of such parts for each individual assembly unit.

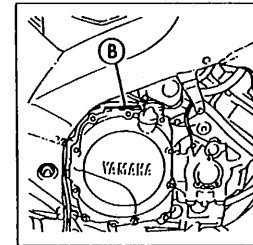
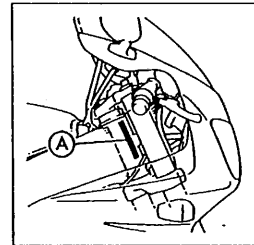
**EXAMPLE**

Part No.	Description	Q'ty	Remarks
2F5-83310-60	FRONT FLASHER LIGHT ASS'Y	2	
115-83311-60	.BULB (6V-18W)	1	
1M1-83309-60	.REFLECTOR	1	

6. Initial Serial No. and Color Code

4HA2	(A) Frame Serial No.	4HA-001101 and following
	(B) Engine Serial No.	4HA-001101 and following

4HY2	(A) Frame Serial No.	4HY-001101 and following
	(B) Engine Serial No.	4HY-001101 and following



Color Code	Color Name	Abbreviate
0390	BLUISH WHITE COCKTAIL 1	BWC1
0372	DARK BLUE COCKTAIL 2	DBC2

7. Applicable colors of graphics are represented in the "Remarks" column by the letter(s) appropriately picked out of the full word(s) showing such colors.

**EXAMPLE**

Part No.	Description	Q'ty	Remarks
2N4-24110-00-X5	FUEL TANK COMP.	1	MAXIM RED
3J1-24240-10	.GRAPHIC, fuel tank set	1	for MXR

# CONTENTS

## ENGINE

Cylinder Head .....	B2
Cylinder .....	B3
Crankshaft · Piston .....	B4
Valve .....	B5 ~ B6
Camshaft · Chain .....	B7
Water Pump .....	B8
Radiator · Hose .....	B9
Oil Pump .....	B10 ~ B11
Oil Cleaner .....	B12
Intake .....	B13 ~ B14
Carburetor .....	B15 ~ C3
Exhaust .....	C4
Crankcase .....	C5 ~ C6
Crankcase Cover 1 .....	C7 ~ C8
Starter .....	C9
Clutch .....	C10
Transmission .....	C11 ~ C12
Shift Cam · Fork .....	C13
Shift Shaft .....	C14

## CHASSIS

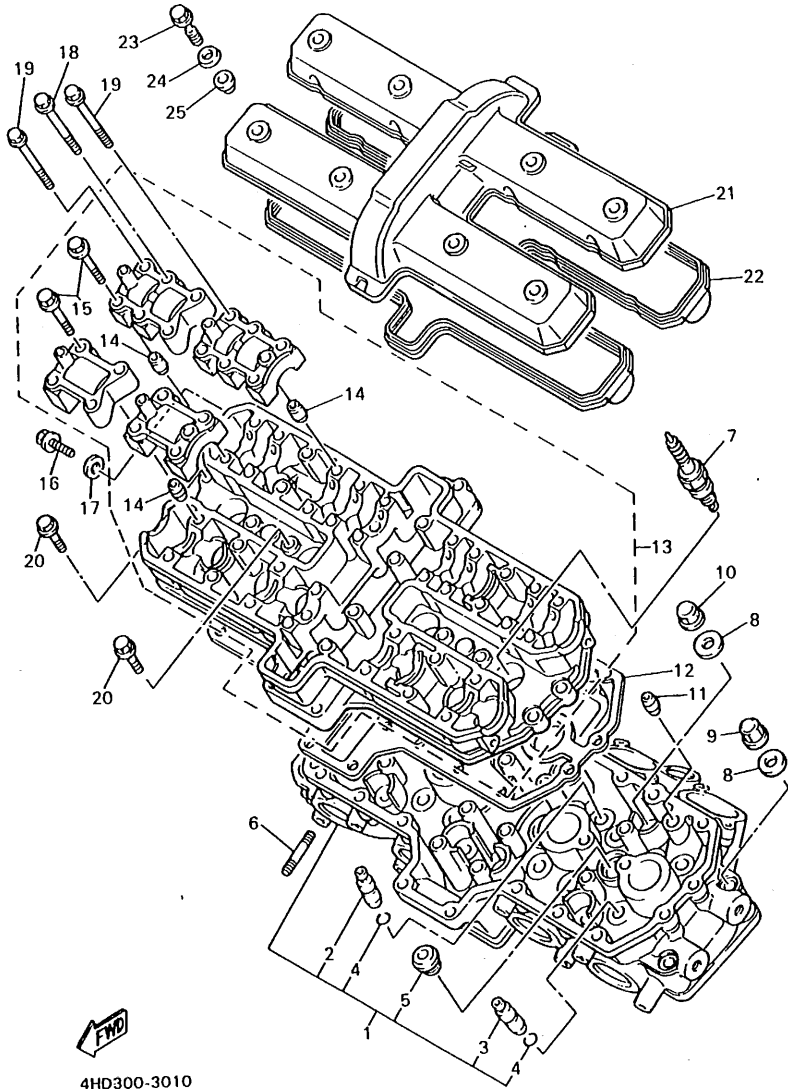
Frame .....	C15 ~ D2
Fender .....	D3 ~ D4
Side Cover .....	D5
Rear Arm .....	D6 ~ D7
Rear Suspension .....	D8

Steering .....	D9
Front Fork .....	D10 ~ D11
Fuel Tank .....	D12 ~ D13
Seat .....	D14
Front Wheel .....	D15
Front Brake Caliper .....	E2
Rear Wheel .....	E3 ~ E4
Rear Brake Caliper .....	E5
Steering Handle · Cable .....	E6
Front Master Cylinder .....	E7 ~ E8
Front Master Cylinder 2 .....	E9
Stand · Footrest .....	E10 ~ E11
Rear Master Cylinder .....	E12 ~ E13
Cowling 1 .....	E14 ~ E15
Cowling 2 .....	F2 ~ F3
Generator .....	F4
Pick Up Coil · Governor .....	F5
Starting Motor .....	F6
Flasher Light (FOR OCEANIA) .....	F7 ~ F8
Flasher Light 2 (FOR CANADA) .....	F9 ~ F10
Meter .....	F11
Headlight .....	F12
Taillight 1 (FOR OCEANIA) .....	F13
Taillight 2 (FOR CANADA) .....	F14
Electrical 1 .....	F15 ~ G2
Electrical 2 .....	G3

## INDEX

NUMERICAL INDEX .....	L1 ~ L5
-----------------------	---------

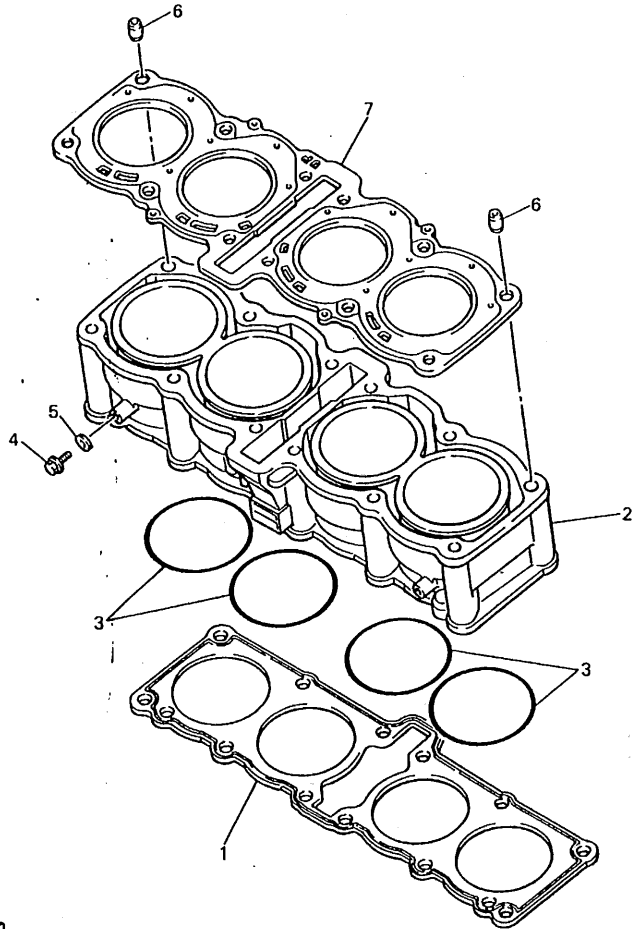
FIG. 1 CYLINDER HEAD



REF. NO.	PART NO.	DESCRIPTION	Q'TY	REMARKS
1	4FM-11102-00	CYLINDER HEAD ASSY	1	
2	3GM-11133-10	.GUIDE, INTAKE VALVE	12	
3	3GM-11134-10	.GUIDE, EXHAUST VALVE	8	
4	93440-10153	.CIRCLIP	20	
5	90340-18101	.PLUG, STRAIGHT SCREW	4	
6	95611-08625	BOLT, STUD	8	
7	94701-00318	PLUG, SPARK (NGK R CR9E)	4	UR
	94701-00319	PLUG, SPARK (ND U27ESR-N)	4	UR
8	90201-103M4	WASHER, PLATE	12	
9	90176-10049	NUT, CROWN	4	
10	90179-10584	NUT	8	
11	91810-25008	PIN, DOWEL	2	
12	3FV-11182-00	GASKET, CYLINDER HEAD 2	1	
13	4FM-1115A-00	CAM-CASE ASSY	1	
14	99510-08016	.PIN, DOWEL	16	
15	90105-06153	.BOLT, WASHER BASED	16	
16	95023-06012	BOLT	1	
17	90430-06014	GASKET	1	
18	90105-06541	BOLT, WASHER BASED	20	
19	90105-06693	BOLT, WASHER BASED	4	
20	95023-06025	BOLT	11	
21	3GM-11191-01	COVER, CYLINDER HEAD 1	1	
22	3GM-11193-00	GASKET, HEAD COVER 1	1	
23	90109-064F0	BOLT	8	
24	90209-11262	WASHER	8	
25	2GH-1111G-00	RUBBER, MOUNT 1	8	

4HD300-3010

FIG. 2 CYLINDER

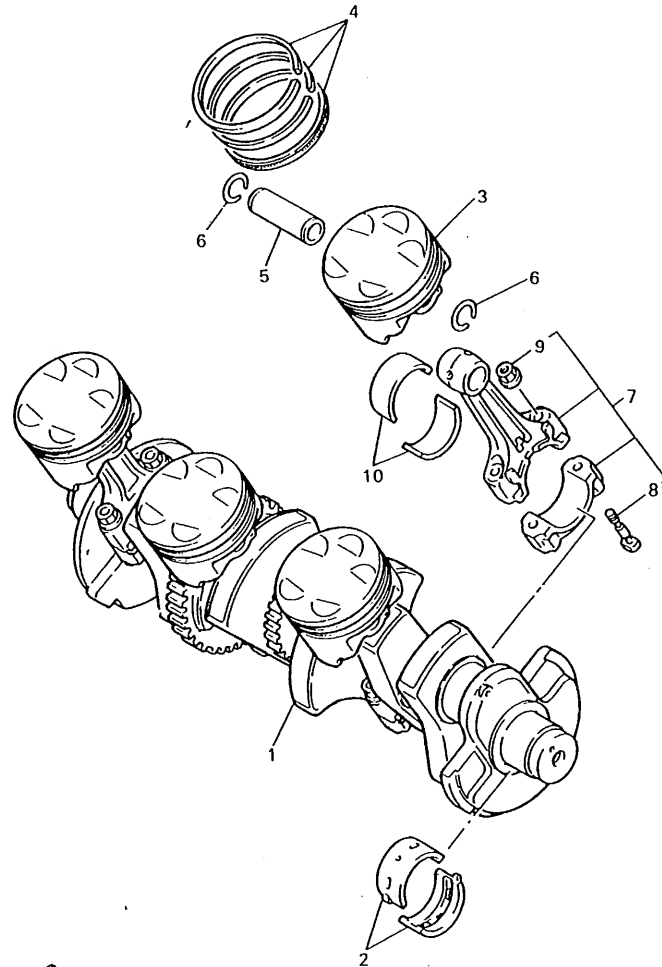


REF. NO.	PART NO.	DESCRIPTION	Q'TY	REMARKS
1	3FV-11351-00	GASKET, CYLINDER	1	
2	4FM-11310-00	CYLINDER	1	
3	93210-76211	O-RING	4	
4	95023-06012	BOLT	2	
5	90430-06014	GASKET	2	
6	99510-14016	PIN, DOWEL	2	
7	3FV-11181-00	GASKET, CYLINDER HEAD 1	1	

  
4HD300-3020

**B3**

FIG. 3 CRANKSHAFT • PISTON

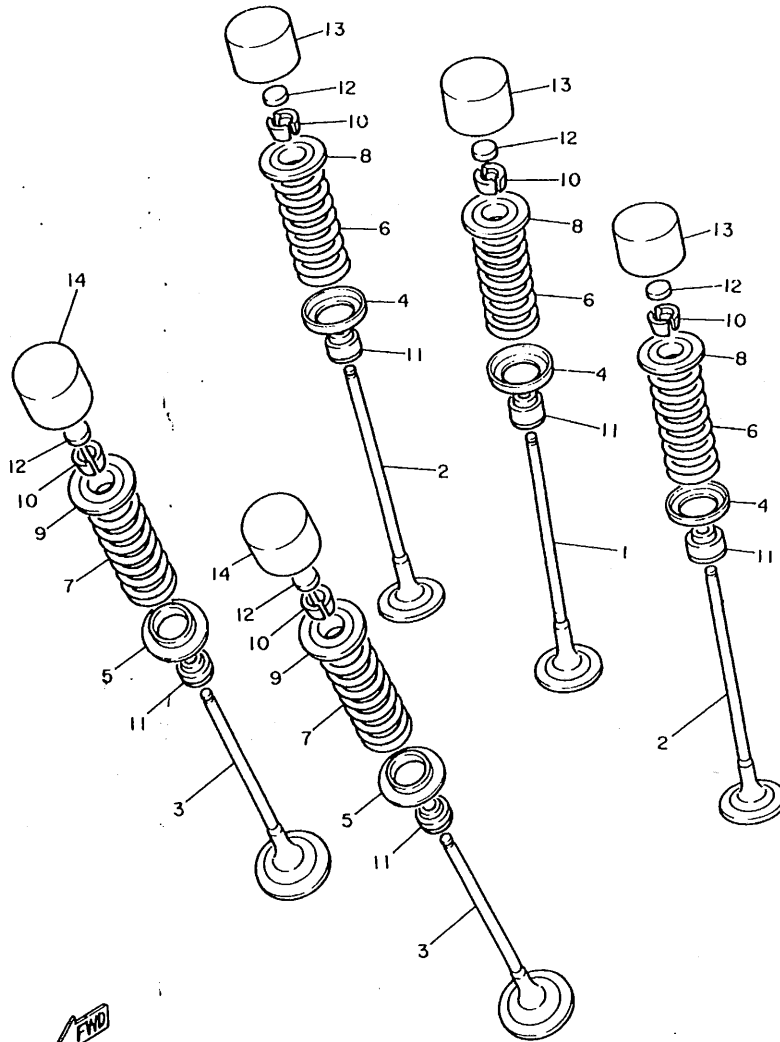


REF. NO.	PART NO.	DESCRIPTION	Q'TY	REMARKS
1	4FM-11411-00	CRANKSHAFT	1	
2	3GM-11416-00	PLANE BEARING, CRANKSHAFT 1	10	UR BLUE
	3GM-11416-10	PLANE BEARING, CRANKSHAFT 1	10	UR BLACK
	3GM-11416-20	PLANE BEARING, CRANKSHAFT 1	10	UR BROWN
	3GM-11416-30	PLANE BEARING, CRANKSHAFT 1	10	UR GREEN
	3GM-11416-40	PLANE BEARING, CRANKSHAFT 1	10	UR YELLOW
3	4FM-11631-00-A0	PISTON (STD)	4	
	4FM-11636-00	PISTON (0.50MM O/S)	4	AP
4	4FM-11603-00	PISTON RING SET (STD)	4	
	4FM-11605-00	PISTON RING SET (0.50MM O/S)	4	AP
5	3GM-11633-00	PIN, PISTON	4	
6	93450-19095	CIRCLIP	8	
7	4FM-11650-00	CONNECTING ROD ASSY	4	
8	36Y-11654-00	.BOLT, CONNECTING ROD	2	
9	90179-08327	.NUT	2	
10	3GM-11656-00	PLANE BEARING, CONNECTING ROD	8	UR BLUE
	3GM-11656-10	PLANE BEARING, CONNECTING ROD	8	UR BLACK
	3GM-11656-20	PLANE BEARING, CONNECTING ROD	8	UR BROWN
	3GM-11656-30	PLANE BEARING, CONNECTING ROD	8	UR GREEN



4HD300-3030

FIG. 4 VALVE



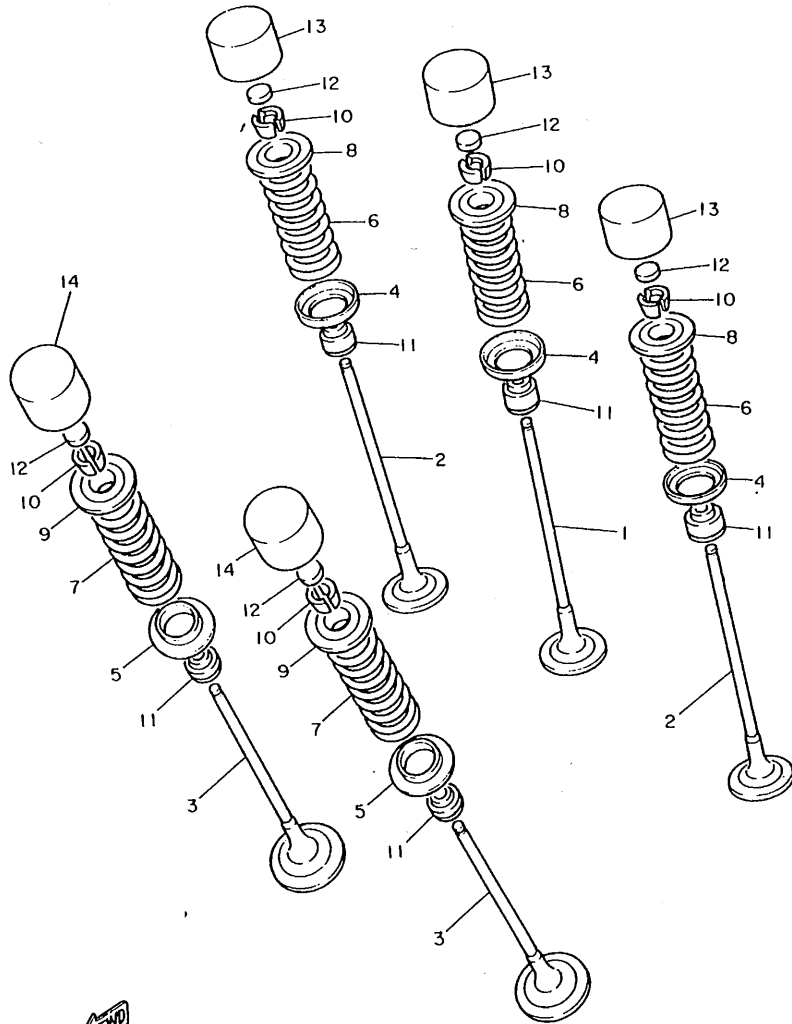
3LE332-9040

REF. NO.	PART NO.	DESCRIPTION	Q'TY	REMARKS
1	4FM-12111-00	VALVE, INTAKE	4	
2	4FM-12112-00	VALVE, INTAKE 2	8	
3	4FM-12121-00	VALVE, EXHAUST	8	
4	4FM-12116-00	SEAT, VALVE SPRING	12	
5	3GM-12126-00	SEAT, VALVE SPRING 2	8	
6	3FV-12113-00	SPRING, VALVE INNER	12	
7	3FV-12114-00	SPRING, VALVE OUTER	8	
8	3GM-12117-00	RETAINER, VALVE SPRING	12	
9	1WG-12117-00	RETAINER, VALVE SPRING	8	
10	1WG-12118-00	COTTER, VALVE	40	
11	1WG-12119-00	SEAL, VALVE STEM	20	
12	1HX-12168-00	PAD, ADJUSTING 2 (1.20)	20	UR
	1HX-12168-20	PAD, ADJUSTING 2 (1.25)	20	UR
	1HX-12168-40	PAD, ADJUSTING 2 (1.30)	20	UR
	1HX-12168-60	PAD, ADJUSTING 2 (1.35)	20	UR
	1HX-12168-80	PAD, ADJUSTING 2 (1.40)	20	UR
	1HX-12168-A0	PAD, ADJUSTING 2 (1.45)	20	UR
	1HX-12168-F0	PAD, ADJUSTING 2 (1.50)	20	UR
	1HX-12168-H1	PAD, ADJUSTING 2 (1.55)	20	UR
	1HX-12168-K1	PAD, ADJUSTING 2 (1.60)	20	UR
	1HX-12168-M1	PAD, ADJUSTING 2 (1.65)	20	UR
	1HX-12168-R1	PAD, ADJUSTING 2 (1.70)	20	UR
	1HX-12168-U1	PAD, ADJUSTING 2 (1.75)	20	UR
	1HX-12168-W1	PAD, ADJUSTING 2 (1.80)	20	UR
	1HX-12168-Y1	PAD, ADJUSTING 2 (1.85)	20	UR
	1HX-12169-11	PAD, ADJUSTING 2 (1.90)	20	UR
	1HX-12169-31	PAD, ADJUSTING 2 (1.95)	20	UR
	1HX-12169-50	PAD, ADJUSTING 2 (2.00)	20	UR

B5



FIG. 4 VALVE



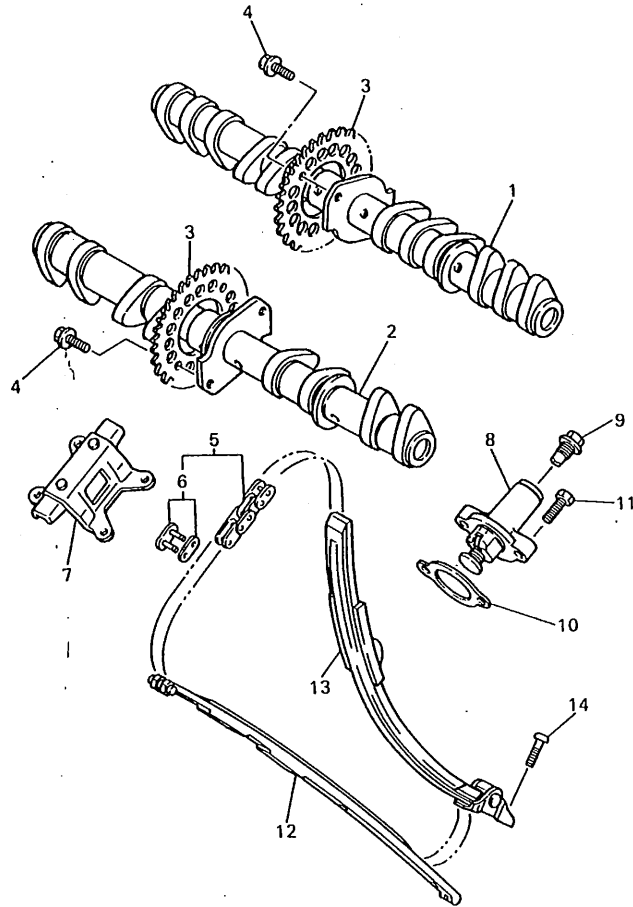
REF. NO.	PART NO.	DESCRIPTION	Q'TY	REMARKS
12	1HX-12169-70	PAD, ADJUSTING 2 (2.05)	20	UR
	1HX-12169-90	PAD, ADJUSTING 2 (2.10)	20	UR
	1HX-12169-E0	PAD, ADJUSTING 2 (2.15)	20	UR
	1HX-12169-G0	PAD, ADJUSTING 2 (2.20)	20	UR
	1HX-12169-J0	PAD, ADJUSTING 2 (2.25)	20	UR
	1HX-12169-L0	PAD, ADJUSTING 2 (2.30)	20	UR
	1HX-12169-N0	PAD, ADJUSTING 2 (2.35)	20	UR
	1HX-12169-T0	PAD, ADJUSTING 2 (2.40)	20	UR
13	3LN-12153-20	LIFTER, VALVE	12	UR BLUE
	3LN-12153-30	LIFTER, VALVE	12	UR RED
	3LN-12153-09	LIFTER, VALVE (O/S)	12	UR GREEN
14	3FV-12153-10	LIFTER, VALVE	8	UR YELLOW
	3FV-12153-09	LIFTER, VALVE (O/S)	8	UR GREEN



3LE332-9040

B6

FIG. 5 CAMSHAFT . CHAIN



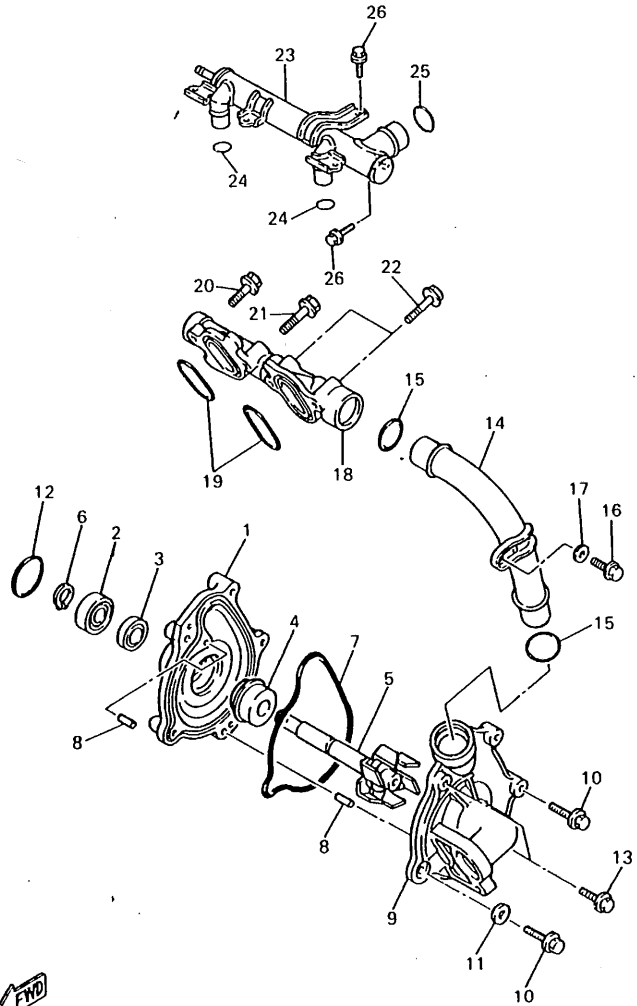
REF. NO.	PART NO.	DESCRIPTION	Q'TY	REMARKS
1	4HD-12171-00	CAMSHAFT 1	1	
2	4HD-12181-00	CAMSHAFT 2	1	
3	3GM-12176-00	SPROCKET, CAM CHAIN	2	
4	90105-07342	BOLT, WASHER BASED	4	
5	94580-81104	CHAIN (DID219FTS-104L)	1	
6	94680-81021	.JOINT, CHAIN	1	
7	2GH-12241-00	GUIDE, STOPPER 2	1	
8	4FM-12210-00	TENSIONER ASSY, CAM CHAIN	1	
9	90109-112F1	BOLT	1	
10	4FM-12213-00	GASKET, TENSIONER CASE	1	
11	91311-06025	BOLT	2	
12	3FV-12251-00	DAMPER, CHAIN 1	1	
13	4FM-12252-00	DAMPER, CHAIN 2	1	
14	90109-065A8	BOLT	2	



4HD300-3050

B7

FIG. 6 WATER PUMP

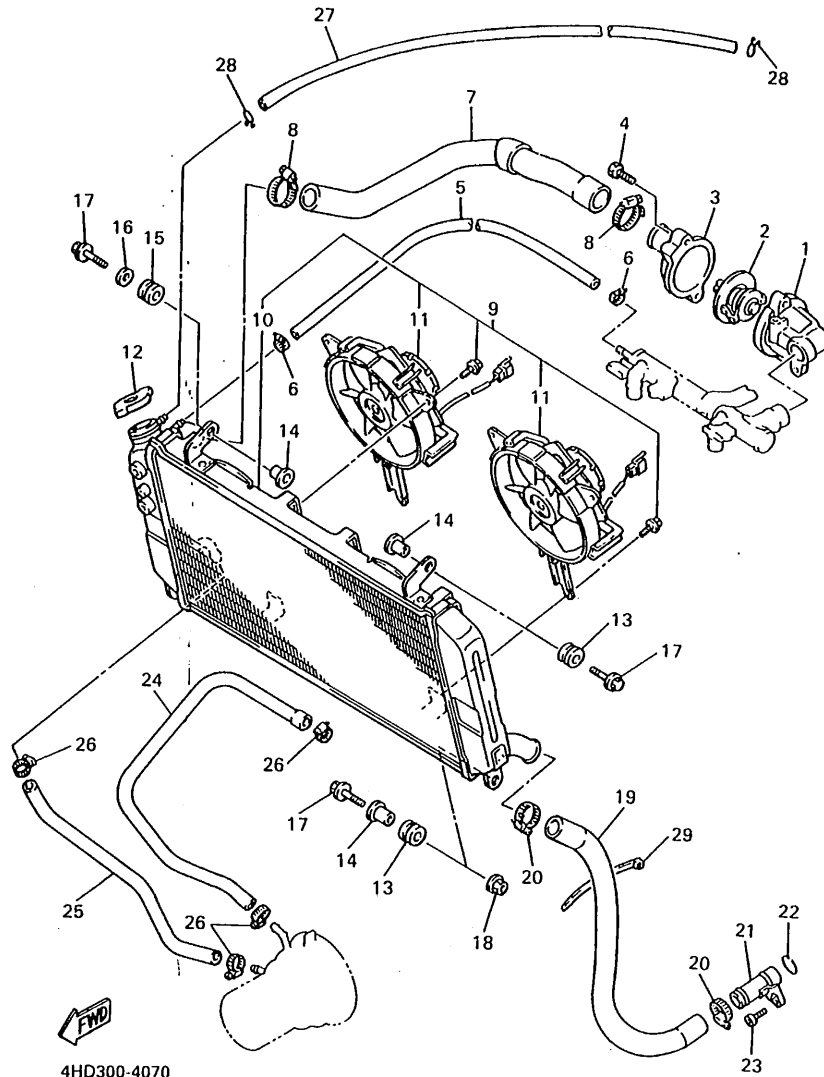


REF. NO.	PART NO.	DESCRIPTION	Q'TY	REMARKS
1	1UF-12421-09	HOUSING, WATER PUMP	1	
2	93306-00106	BEARING	1	
3	93101-12060	OIL SEAL	1	
4	11H-12438-00	SEAL, MECHANICAL	1	
5	1UF-12450-00	IMPELLER SHAFT ASSY	1	
6	99009-12400	CIRCLIP	1	
7	1AE-12439-00	O-RING	1	
8	93604-10011	PIN, DOWEL	2	
9	3GM-12422-00	COVER, HOUSING	1	
10	95023-06025	BOLT	3	
11	90430-06014	GASKET	1	
12	93210-33133	O-RING	1	
13	95021-06050	BOLT, FLANGE	2	
14	1AE-12481-01	PIPE 1	1	
15	93210-23787	O-RING	2	
16	95023-06012	BOLT	1	
17	92906-06600	WASHER, PLATE	1	
18	3FV-12469-00	JOINT 1	1	
19	93210-30694	O-RING	2	
20	95023-06020	BOLT	1	
21	95023-06030	BOLT	1	
22	95023-06040	BOLT	2	
23	4FN-12482-00	PIPE 2	1	
24	93210-18417	O-RING	2	
25	93210-23787	O-RING	1	
26	95023-06010	BOLT	2	



4HD300-3060

FIG. 7 RADIATOR • HOSE

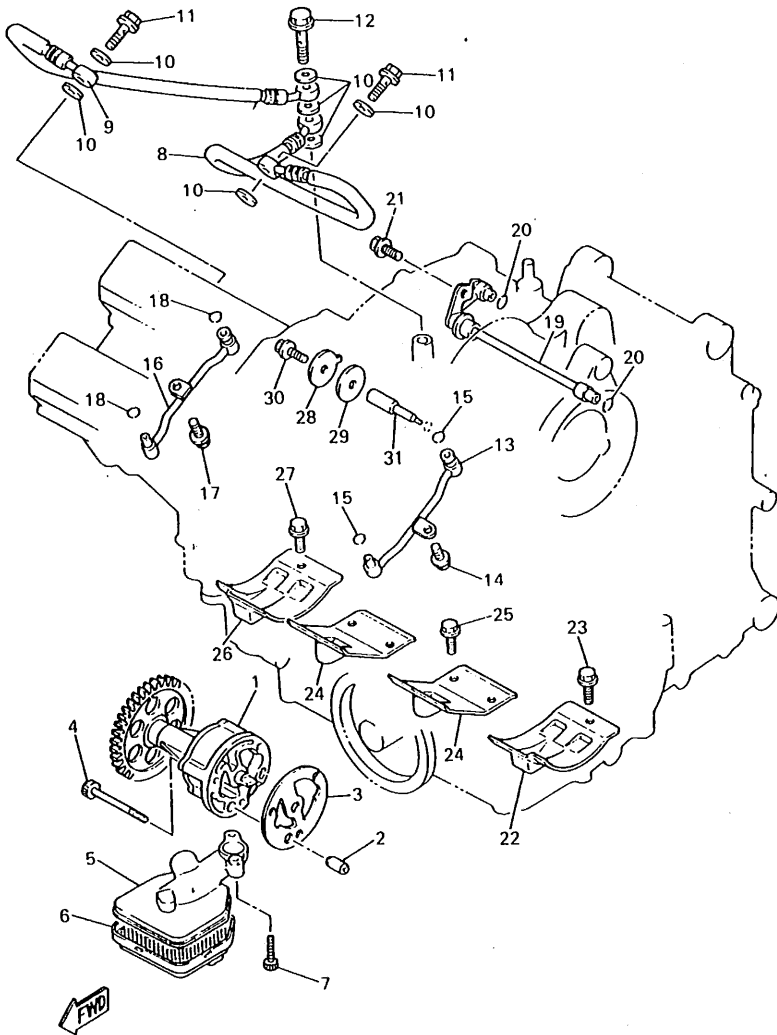


4HD300-4070

REF. NO.	PART NO.	DESCRIPTION	Q'TY	REMARKS
1	3GM-12417-00	HOUSING, THERMOSTAT	1	
2	4FM-12410-00	THERMOSTAT ASSY	1	
3	3GM-12413-00	COVER, THERMOSTAT	1	
4	95023-06025	BOLT	2	
5	90445-126H7	HOSE	1	
6	90467-11090	CLIP	2	
7	4FN-12576-01	HOSE 1	1	
8	90450-38040	HOSE CLAMP ASSY	2	
9	4FM-1240A-01	RADIATOR ASSY	1	
10	4FM-12461-00	.RADIATOR	1	
11	4FM-12405-01	.BLOWER ASSY	2	
12	22W-12462-00	CAP, RADIATOR	1	
13	90480-15363	GROMMET	3	
14	90387-07391	COLLAR	4	
15	90480-10542	GROMMET	1	
16	90201-063J2	WASHER, PLATE	1	
17	95816-06025	BOLT, FLANGE	4	
18	95701-06500	NUT, FLANGE	2	
19	4FM-12579-01	HOSE 4	1	
20	90450-38040	HOSE CLAMP ASSY	2	
21	2GH-12484-00	PIPE 4	1	
22	93210-23787	O-RING	1	
23	90110-06142	BOLT, HEXAGON SOCKET HEAD	1	
24	4FM-12588-01	HOSE 5	1	
25	4FM-12589-01	HOSE 6	1	
26	90450-22052	HOSE CLAMP ASSY	4	
27	90445-096F4	HOSE	1	
28	90467-08003	CLIP	2	
29	90465-13169	CLAMP	1	

**B9**

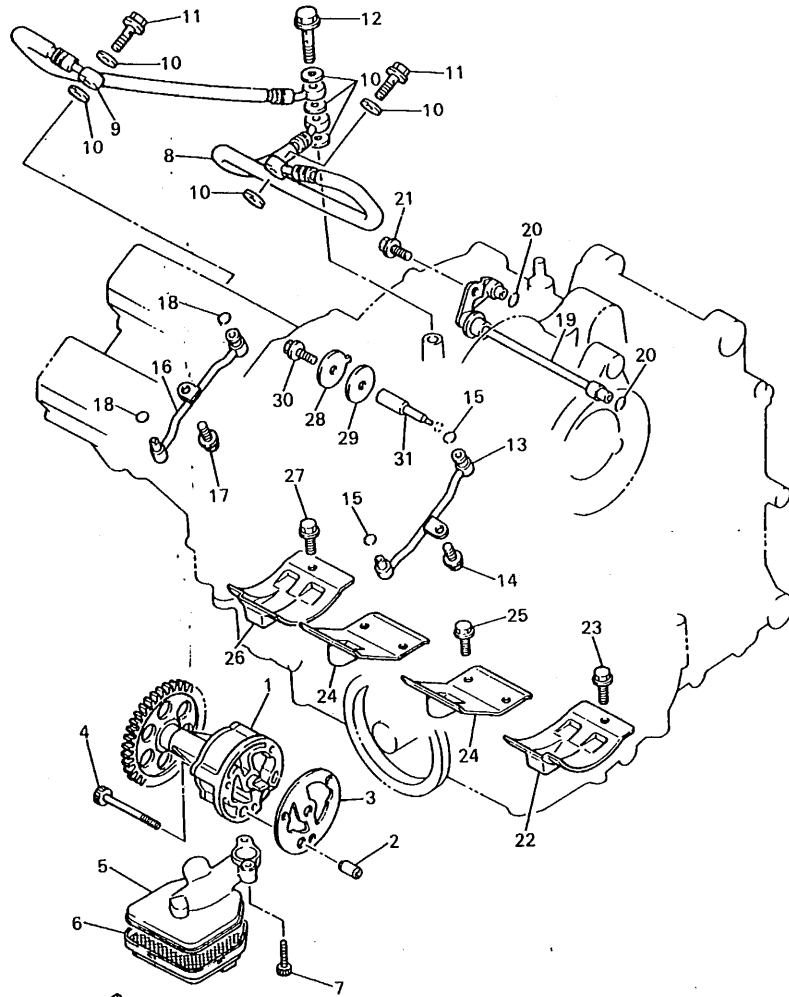
FIG. 8 OIL PUMP



REF. NO.	PART NO.	DESCRIPTION	Q'TY	REMARKS
1	1AE-13300-00	OIL PUMP ASSY	1	
2	99510-08012	PIN, DOWEL	1	
3	2GH-13329-00	GASKET, PUMP COVER	1	
4	91316-06050	BOLT	3	
5	3GM-13412-50	HOUSING, STRAINER	1	
6	4FM-13411-00	STRAINER, OIL	1	
7	90110-06138	BOLT, HEXAGON SOCKET HEAD	2	
8	4BH-1316F-00	HOSE, OIL 1	1	
9	4BH-1316G-00	HOSE, OIL 2	1	
10	90430-10171	GASKET	7	
11	90401-10096	BOLT, UNION	2	
12	90401-10044	BOLT, UNION	1	
13	3GM-13181-00	PIPE, DELIVERY 3	1	
14	95026-06012	BOLT, FLANGE	1	
15	93210-06632	O-RING	2	
16	3GM-13191-00	PIPE, DELIVERY 4	1	
17	95026-06012	BOLT, FLANGE	1	
18	93210-06632	O-RING	2	
19	1AE-1316E-00	PIPE, DELEVERY 5	1	
20	93210-07135	O-RING	2	
21	95026-06012	BOLT, FLANGE	1	
22	2GH-15123-00	PLATE, BUFFLE 1	1	
23	95026-06012	BOLT, FLANGE	2	
24	1AE-15124-00	PLATE, BUFFLE 2	2	
25	95026-06012	BOLT, FLANGE	6	
26	2GH-15133-00	PLATE, BUFFLE 3	1	
27	95026-06012	BOLT, FLANGE	2	
28	90201-061M7	WASHER, PLATE	1	

4HD300-3080

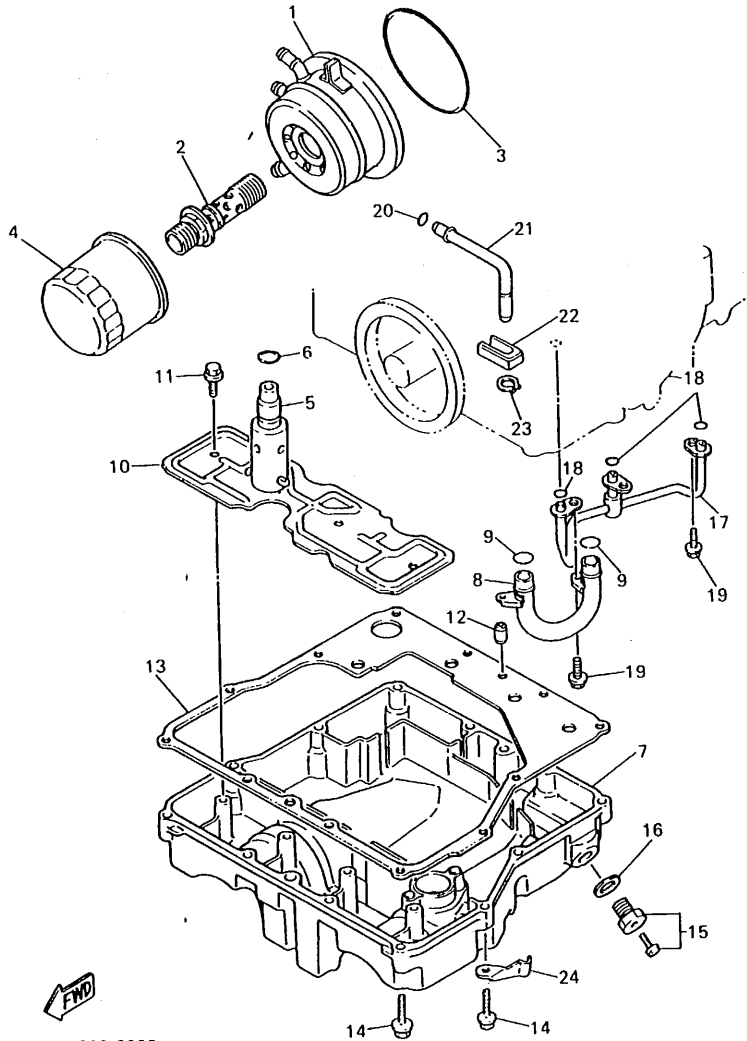
FIG. 8 OIL PUMP



REF. NO.	PART NO.	DESCRIPTION	Q'TY	REMARKS
29	4FM-13475-00	GASKET	1	
30	95811-06016	BOLT, FLANGE	1	
31	3GM-13454-00	NOZZLE	1	

4HD300-3080

FIG. 9 OIL CLEANER

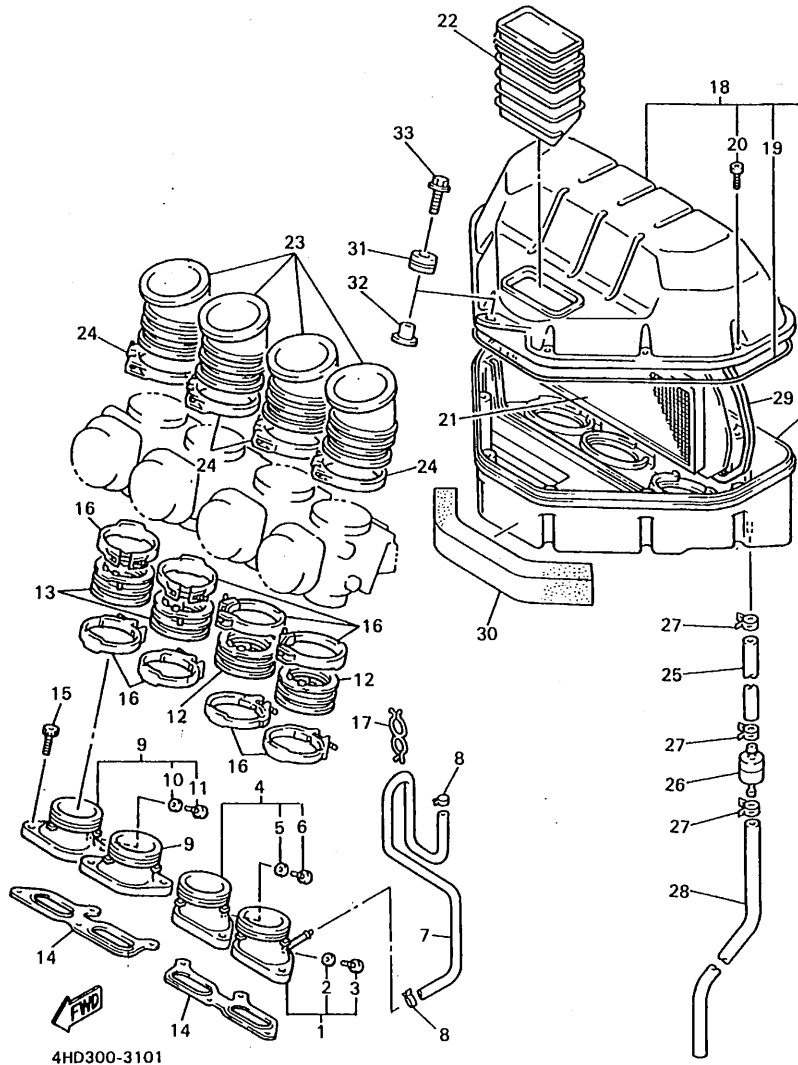


REF. NO.	PART NO.	DESCRIPTION	Q'TY	REMARKS
1	4FM-13470-00	OIL COOLER ASSY	1	
2	90401-20151	BOLT, UNION	1	
3	93210-87723	O-RING	1	
4	3FV-13440-00	ELEMENT ASSY, OIL CLEANER	1	
5	3KS-13490-00	RELIEF VALVE ASSY	1	
6	93210-15566	O-RING	1	
7	4FM-13417-00	COVER, STRAINER	1	
8	3FV-13416-01	PIPE, OIL 1	1	
9	93210-14579	O-RING	2	
10	3GM-13337-00	PLATE, BAFFLE LOWER	1	
11	95026-06010	BOLT, FLANGE	4	
12	99510-08016	PIN, DOWEL	2	
13	4FM-13414-00	GASKET, STRAINER COVER	1	
14	95023-06030	BOLT	12	
15	3VD-13455-00	PLUG	1	
16	214-11198-Q1	GASKET	1	
17	3GM-13161-01	PIPE, DELIVERY 1	1	
18	93210-06714	O-RING	3	
19	95026-06012	BOLT, FLANGE	3	
20	93210-09418	O-RING	1	
21	3GM-15373-00	PIPE, BREATHER	1	
22	3GM-13174-00	HOLDER, OIL PIPE	1	
23	99009-10400	CIRCLIP	1	
24	90465-08076	CLAMP	1	

FWD

4HD300-3090

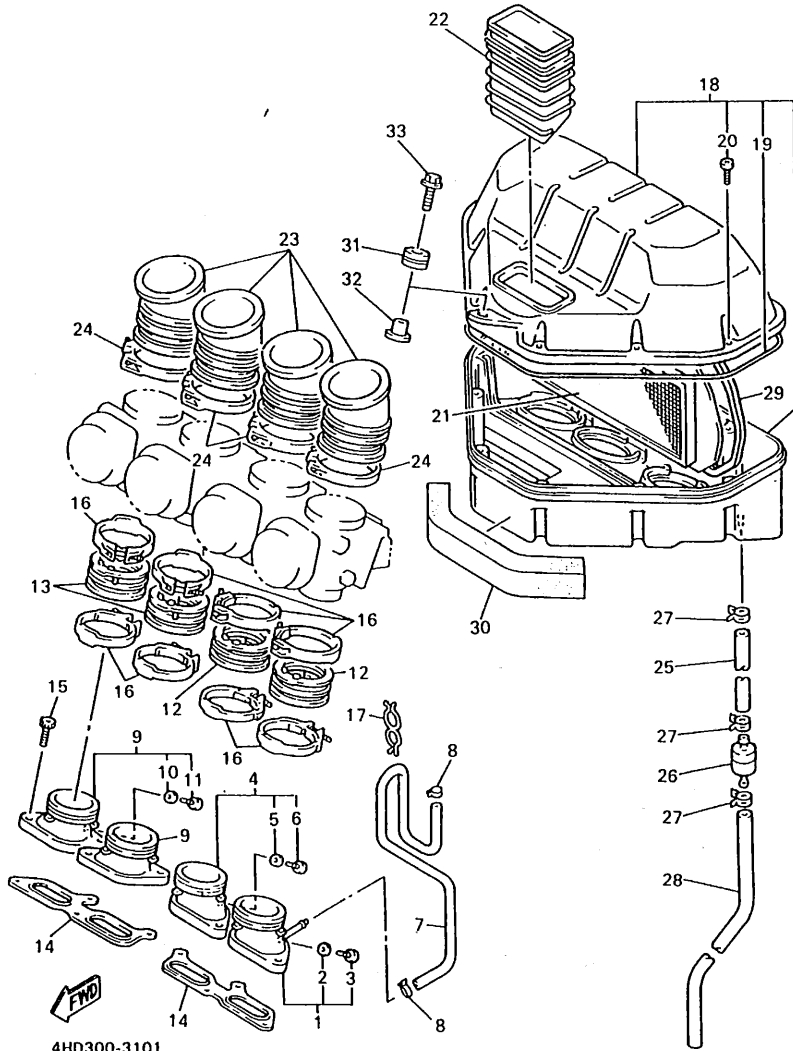
FIG. 10 INTAKE



REF. NO.	PART NO.	DESCRIPTION	Q'TY	REMARKS
1	4FN-13586-00	JOINT, CARBURETOR 1	1	
2	90430-06014	.GASKET	1	
3	91312-06012	.BOLT	1	
4	4FM-13586-00	JOINT, CARBURETOR 1	1	
5	90430-06014	.GASKET	1	
6	91312-06012	.BOLT	1	
7	3FV-2416A-00	HOSE	1	
8	90467-08092	CLIP	2	
9	4FM-13596-00	JOINT, CARBURETOR 2	2	
10	90430-06014	.GASKET	1	
11	91312-06012	.BOLT	1	
12	3GM-13597-00	JOINT, CARBURETOR 3	2	
13	3GM-13598-00	JOINT, CARBURETOR 4	2	
14	4FM-13556-01	GASKET, MANIFOLD	2	
15	91316-06020	BOLT	8	
16	90450-57034	HOSE CLAMP ASSY	8	
17	90464-17184	CLAMP	1	
18	4FM-14401-00	AIR CLEANER CASE ASSY	1	
19	4FM-14452-00	.SEAL	1	
20	97780-50125	.SCREW, TAPPING	8	
21	4FM-14451-00	ELEMENT, AIR CLEANER	1	
22	4FM-14437-00	DUCT	1	
23	4FM-14453-00	JOINT, AIR CLEANER 1	4	
24	90450-67066	HOSE CLAMP ASSY	4	
25	1HX-1443E-00	PIPE, DRAIN	1	
26	4X7-2149Y-00	FILTER ASSY	1	
27	90467-11106	CLIP	3	
28	90445-116H6	HOSE	1	
29	4FM-14462-00	SEAL	1	
30	4FN-14467-00	SEAL	1	



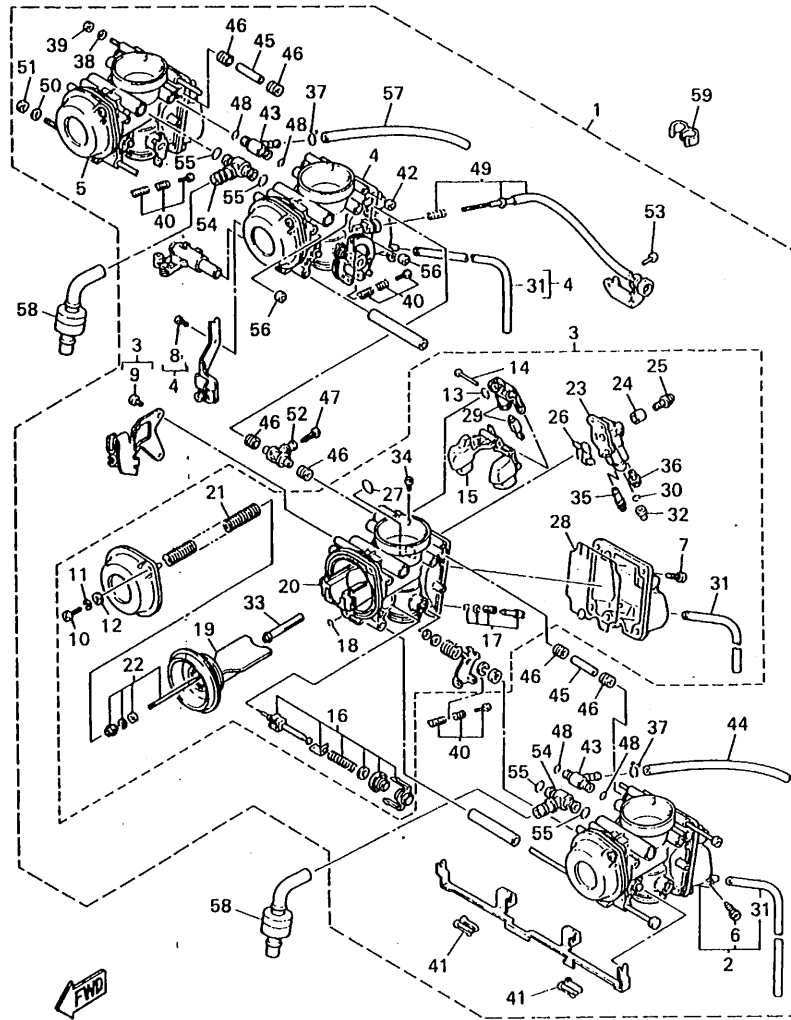
FIG. 10 INTAKE



REF. NO.	PART NO.	DESCRIPTION	Q'TY	REMARKS
31	90480-12314	GROMMET	1	
32	90387-065J6	COLLAR	1	
33	95811-06020	BOLT, FLANGE	1	

**B14**

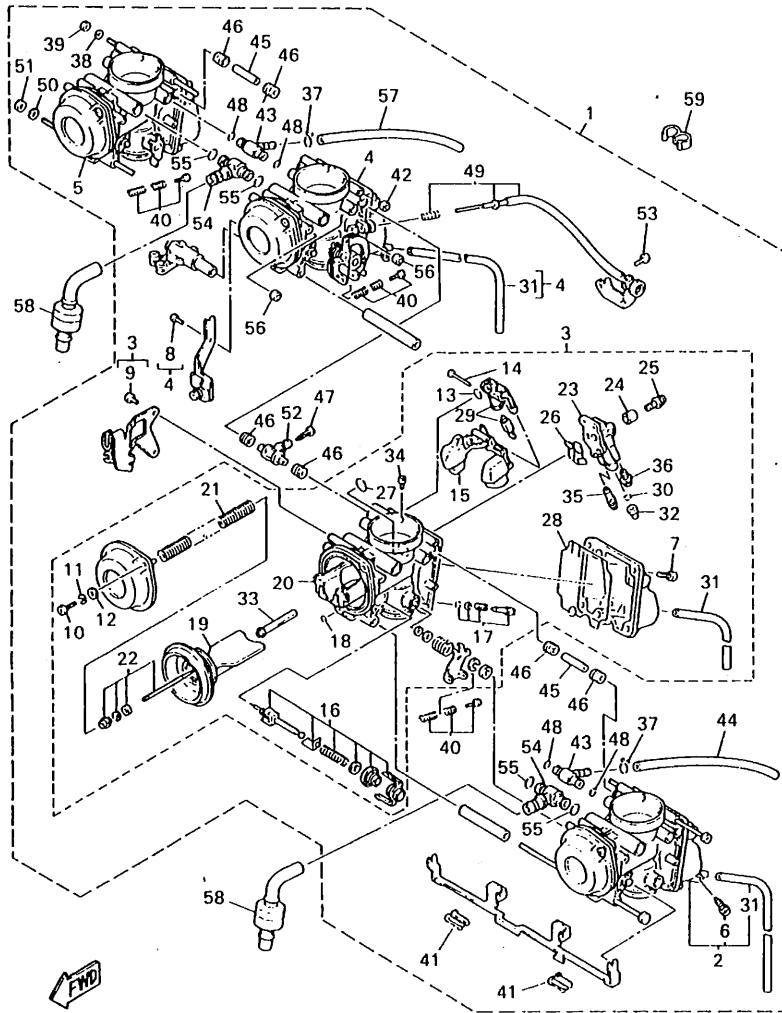
FIG. 11 CARBURETOR



4HD300-4110

REF. NO.	PART NO.	DESCRIPTION	Q'TY	REMARKS
1	4HD-14900-01	CARBURETOR ASSY	1	
2	4HD-14901-01	..CARBURETOR ASSY 1	1	
3	4HD-14902-01	..CARBURETOR ASSY 2	1	
4	4HD-14903-01	..CARBURETOR ASSY 3	1	
5	4HD-14904-01	..CARBURETOR ASSY 4	1	
6	3FV-14191-00	..PLUG, DRAIN	1	
7	91316-05012	..BOLT	4	
8	98580-04008	..SCREW, PAN HEAD	1	
9	98580-04008	..SCREW, PAN HEAD	2	
10	98586-05016	..SCREW, PAN HEAD	2	
11	92906-05100	..WASHER, SPRING	2	
12	92906-05600	..WASHER, PLATE	2	
13	3EN-14147-00	..O-RING	1	
14	53L-14186-00	..PIN, FLOAT	1	
15	3GM-14985-00	..FLOAT	1	
16	3EN-1410A-01	..STARTER SET	1	
17	12R-14105-00	..PILOT SCREW SET	1	
18	3FV-14147-00	..O-RING	1	
19	3GM-14940-00	..DIAPHRAGM ASSY	1	
20	3GM-1411E-00	..BLOCK, JET	1	
21	3LD-14933-00	..SPRING, DIAPHRAGM	1	
22	4HD-1490J-00	..NEEDLE SET	1	UR #1,4
	4HD-1490J-10	..NEEDLE SET	1	UR #2,3
23	4HD-1411A-00	..BLOCK JET ASSY	1	
24	3GM-14153-00	..WASHER, MAIN JET	1	
25	4HD-14565-00	..SCREW	1	
26	3LF-14147-00	..O-RING	1	
27	1AE-14147-00	..O-RING	1	

FIG. 11 CARBURETOR

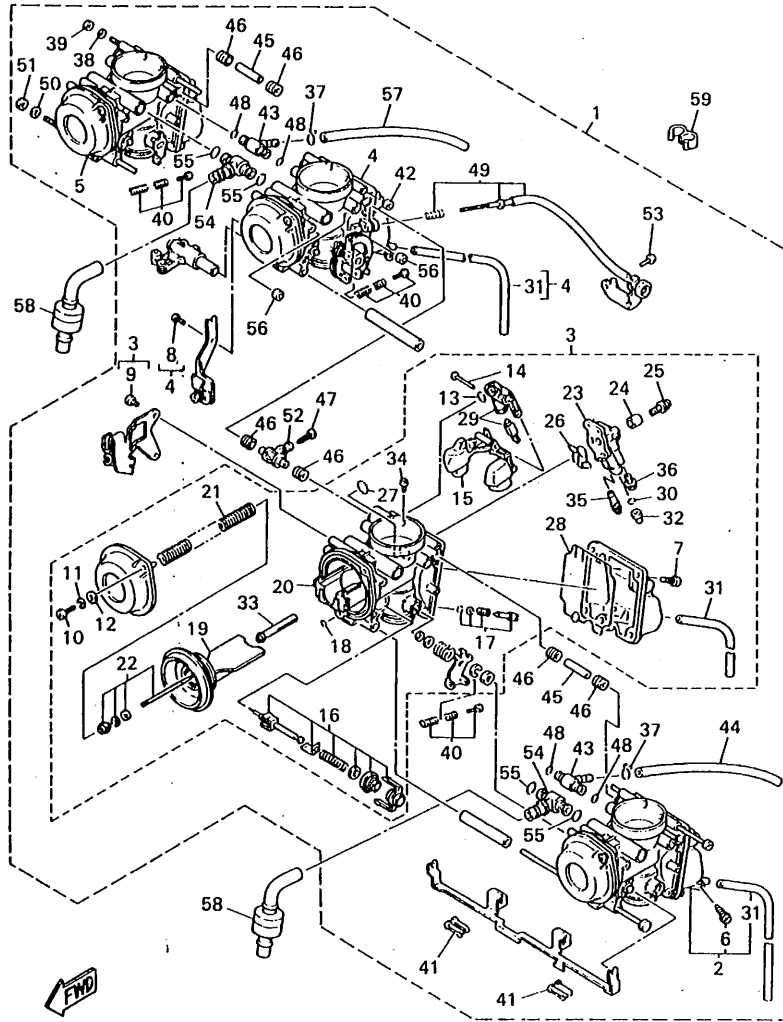


4HD300-4110

REF. NO.	PART NO.	DESCRIPTION	Q'TY	REMARKS
28	3GM-14997-00	..SEAL	1	
29	3GM-14107-10	..NEEDLE VALVE SET	1	
30	3LD-14147-00	..O-RING	1	
31	3LK-14987-00	..HOSE	1	
32	4HD-14231-25	..JET, MAIN (#125)	1	UR #1,4
	3LD-1414A-75	..JET, MAIN (#122.5)	1	UR #2,3
33	4HD-14141-92	..NOZZLE, MAIN	1	
34	830-14231-25	..JET, MAIN (#125)	1	
35	4G0-14142-45	..JET, PILOT (# 45)	1	
36	620-1423A-62	..JET, MAIN (# 57.5)	1	
37	8U9-14139-00	..CLIP, PIPE	2	
38	92901-05600	..WASHER, PLATE	1	
39	95380-05600	..NUT	1	
40	3EN-1490K-00	..STOP SCREW SET	3	
41	3EN-14261-00	..HOLDER	2	
42	3GM-14918-00	..RING	1	
43	17A-14251-00	..NIPPLE	2	
44	3GM-14197-00	..PIPE	1	
45	3GM-14988-00	..PIPE, STARTER CONNECTING	2	
46	3EN-14997-00	..SEAL	6	
47	1KT-14994-00	..NET, FILTER	1	
48	822-14147-00	..O-RING	4	
49	3GM-14103-00	..THROTTLE SCREW SET	1	
50	92990-06600	..WASHER, PLATE	1	
51	95380-06600	..NUT	1	
52	3EN-14988-00	..PIPE, STARTER CONNECTING	1	

C2

FIG. 11 CARBURETOR

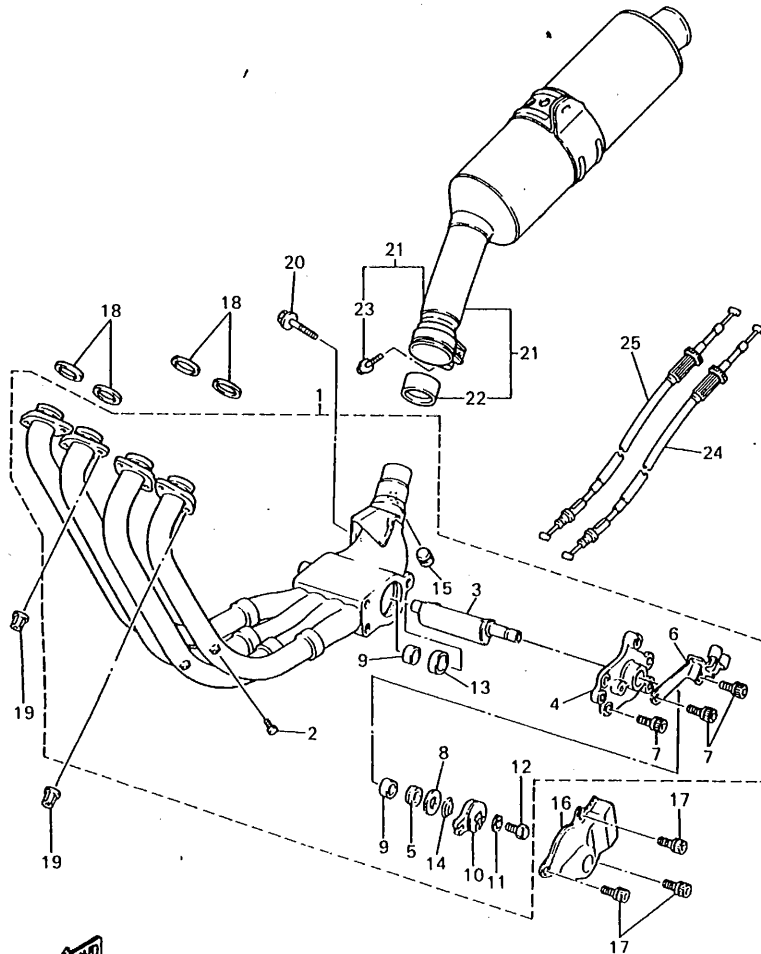


REF. NO.	PART NO.	DESCRIPTION	QTY	REMARKS
53	98580-05008	.SCREW, PAN HEAD	1	
54	3GM-14251-00	.NIPPLE	2	
55	3LK-14147-00	.O-RING	4	
56	3GM-14992-00	.ROD	2	
57	2LE-14197-00	.PIPE	1	
58	4FM-14197-00	PIPE	2	
59	90464-10075	CLAMP	2	

4HD300-4110



FIG. 12 EXHAUST

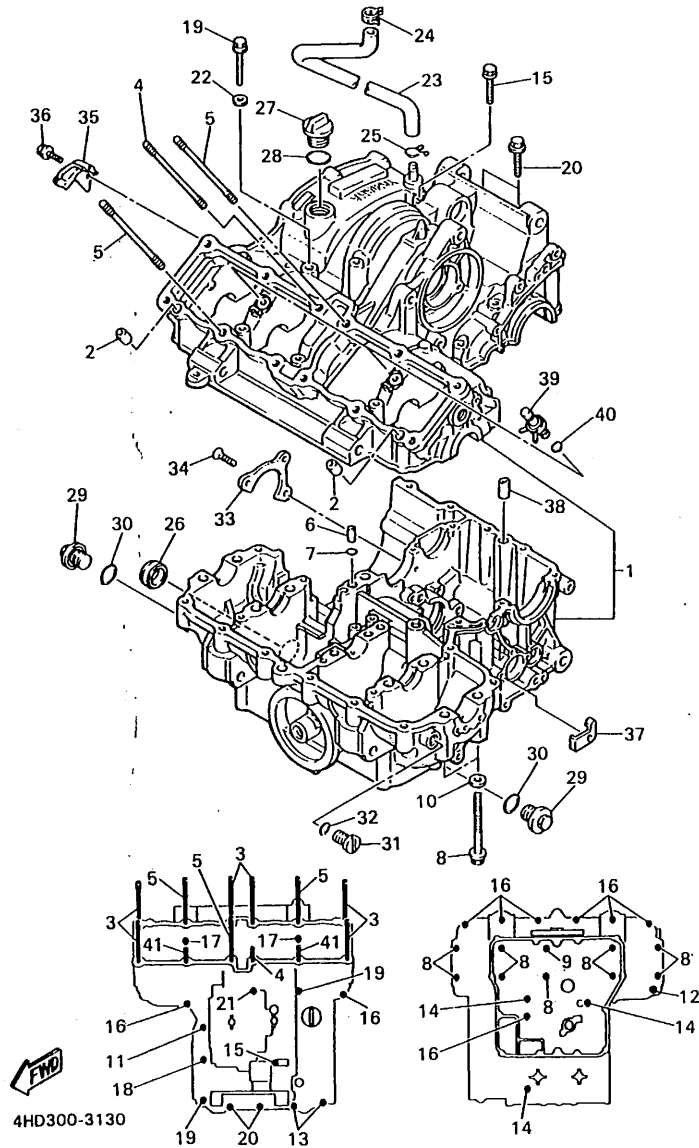


REF. NO.	PART NO.	DESCRIPTION	Q'TY	REMARKS
1	4FM-14610-01	EXHAUST PIPE ASSY 1	1	
2	90101-06576	.BOLT	4	
3	3GM-14821-00	.ARM, SHAFT (VALVE)	1	
4	3GM-14811-00	.HOUSING	1	
5	2TK-14845-00	.DUST SEAL ASSY	1	
6	2TK-14867-01	.BRACKET	1	
7	90119-06115	.BOLT, WITH WASHER	3	
8	90201-106M5	.WASHER, PLATE	1	
9	90380-10195	.BUSH, SOLID	2	
10	2TK-14865-01	.PULLEY	1	
11	92990-05200	.WASHER, PLAIN	1	
12	97395-05012	.BOLT	1	
13	90387-106U7	.COLLAR	1	
14	3GM-14683-00	.SPRING, HOOK	1	
15	4FM-24181-00	.DAMPER, LOCATING 1	1	
16	4HD-14826-00	PROTECTOR, EXHAUST	1	
17	90119-06187	BOLT, WITH WASHER	3	
18	4FM-14613-00	GASKET, EXHAUST PIPE	4	
19	90179-08410	NUT	8	
20	95816-08035	BOLT, FLANGE	1	
21	4HD-14710-00	MUFFLER ASSY 1	1	
22	3HE-14755-00	.GASKET, SILENCER	1	
23	95821-08025	.BOLT, FLANGE	1	
24	4FM-1133E-00	CABLE, PULLEY 1	1	
25	4FM-1133F-00	CABLE, PULLEY 2	1	



4HD300-3120

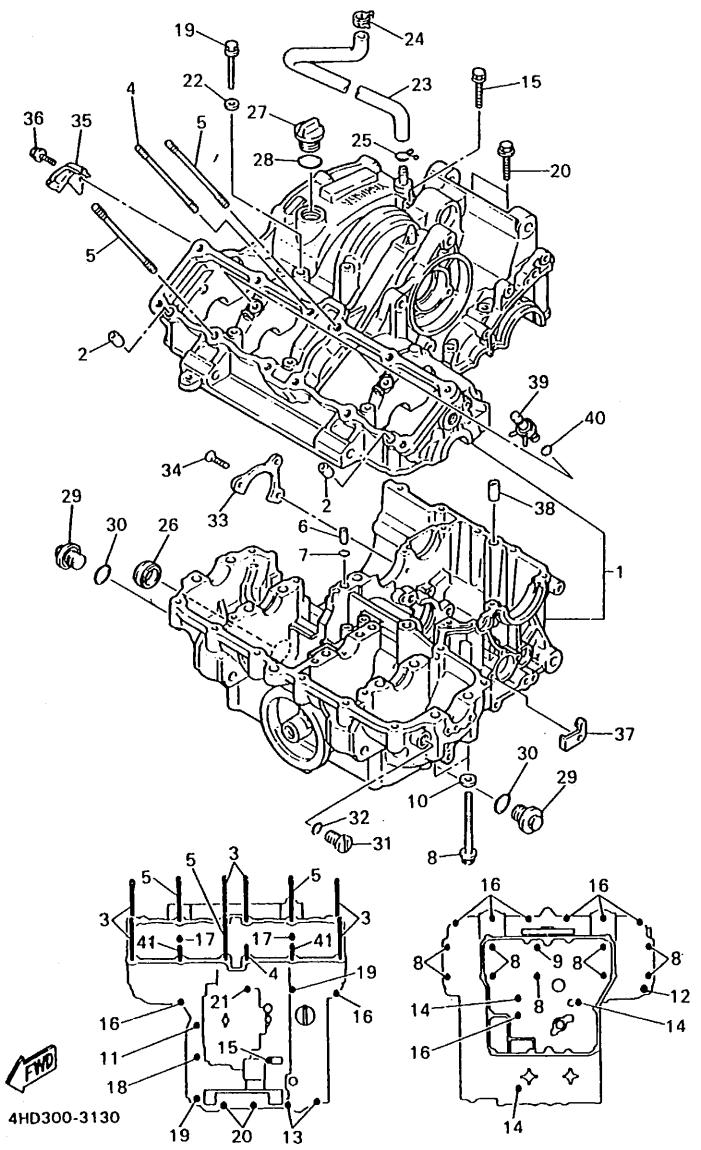
FIG. 13 CRANKCASE



REF. NO.	PART NO.	DESCRIPTION	Q'TY	REMARKS
1	3GM-15100-52	CRANKCASE ASSY	1	
2	99530-10014	PIN, DOWEL	2	
3	90116-10529	BOLT, STUD	6	
4	90116-10528	BOLT, STUD	1	
5	90116-10569	BOLT, STUD	3	
6	90387-05383	COLLAR	1	
7	93210-07135	O-RING	1	
8	90105-09373	BOLT, WASHER BASED	9	
9	90105-09580	BOLT, WASHER BASED	1	
10	90201-096J9	WASHER, PLATE	4	
11	95811-06035	BOLT, FLANGE	1	
12	95811-08045	BOLT, FLANGE	1	
13	95811-06060	BOLT, FLANGE	2	
14	95811-06080	BOLT, FLANGE	3	
15	95811-06140	BOLT, FLANGE	1	
16	95811-08045	BOLT, FLANGE	9	
17	95811-08055	BOLT, FLANGE	2	
18	95811-08065	BOLT, FLANGE	1	
19	95811-08090	BOLT, FLANGE	2	
20	95811-08060	BOLT, FLANGE	2	
21	90105-09555	BOLT, WASHER BASED	1	
22	90201-08087	WASHER, PLATE	1	
23	3FV-11166-00	PIPE, BREATHER 1	1	
24	90467-15054	CLIP	1	
25	90467-14015	CLIP	1	
26	90338-30096	PLUG	1	
27	3FV-15363-00	PLUG, OIL	1	
28	93210-27778	O-RING	1	

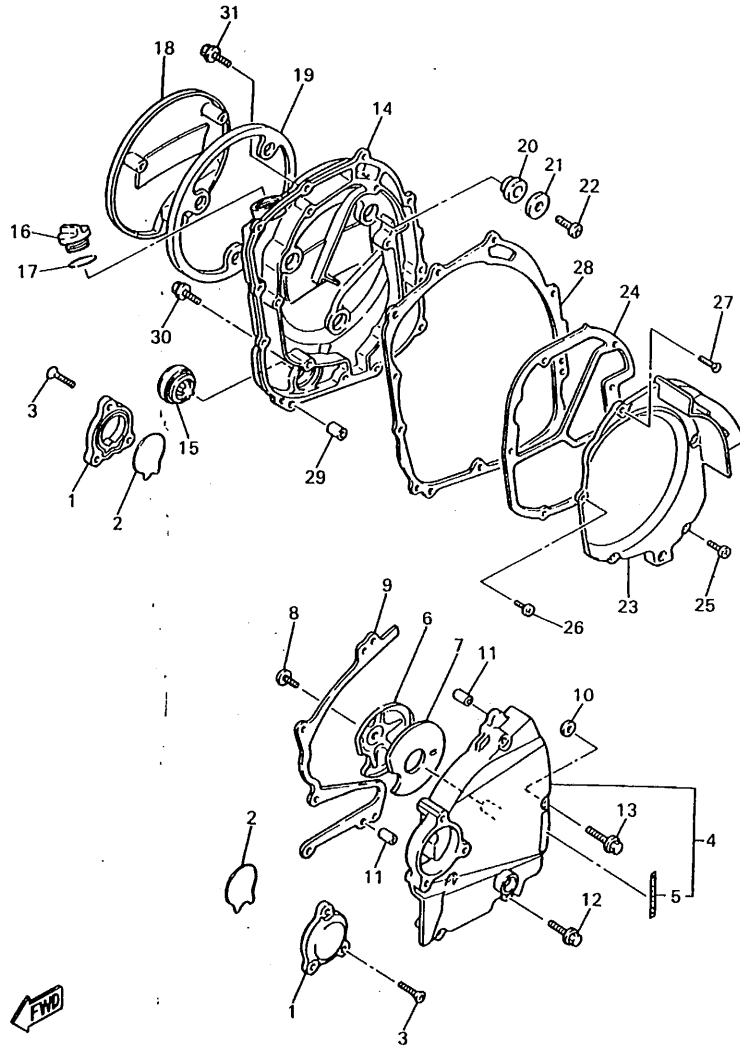
FIG. 13 CRANKCASE

REF. NO.	PART NO.	DESCRIPTION	Q'TY	REMARKS
29	4H7-15189-00	PLUG	2	
30	93210-20573	O-RING	2	
31	90340-14068	PLUG, STRAIGHT SCREW	1	
32	93210-14369	O-RING	1	
33	1AE-15383-00	PLATE, BEARING COVER	1	
34	90151-06014	SCREW, COUNTERSUNK	3	
35	90462-08184	CLAMP	1	
36	95023-06012	BOLT	1	
37	90462-08158	CLAMP	1	
38	99510-12016	PIN, DOWEL	1	
39	3FV-15105-00	NOZZLE ASSY	2	
40	93210-06632	O-RING	2	
41	90116-10568	BOLT, STUD	2	



4HD300-3130

FIG. 14 CRANKCASE COVER 1



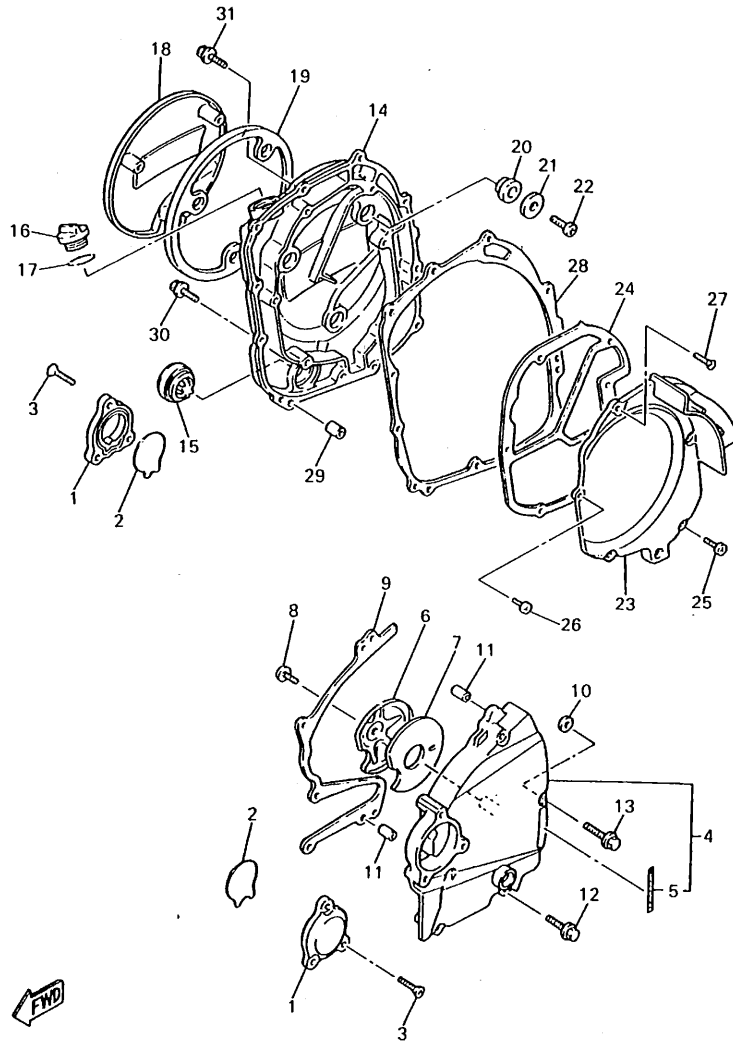
REF. NO.	PART NO.	DESCRIPTION	Q'TY	REMARKS
1	3GM-15416-00	COVER, OIL PUMP	2	
2	1AE-15456-00	GASKET, OIL PUMP COVER 1	2	
3	90152-06014	SCREW, COUNTERSUNK	6	
4	4FM-15410-00	CRANKCASE COVER ASSY 1	1	
5	1TV-15435-00	.EMBLEM	1	
6	3GM-15427-00	COVER, CAP 2	1	
7	1AE-15316-00	DAMPER, ENGINE MOUNT 1	1	
8	92011-06010	BOLT, BUTTON HEAD	1	
9	4FM-15451-00	GASKET, CRANKCASE COVER 1	1	
10	4FM-15467-00	GASKET	1	
11	99510-08012	PIN, DOWEL	2	
12	95023-06040	BOLT	3	
13	95021-06050	BOLT, FLANGE	2	
14	4FM-15421-00	COVER, CRANKCASE 2	1	
15	3Y1-15361-00	GAUGE, LEVEL	1	
16	4FM-15362-00	PLUG, OIL	1	
17	93210-27778	O-RING	1	
18	3GM-15417-00	COVER, CAP	1	
19	3GM-15449-00	RING, RUBBER	1	
20	4H7-15486-00	GROMMET	3	
21	90209-06096	WASHER	3	
22	98580-06010	SCREW, PAN HEAD	3	
23	3GM-15346-00	BREATHER 1	1	
24	4FM-15463-00	GASKET, CARBURETOR COVER 2	1	
25	98580-06020	SCREW, PAN HEAD	4	
26	90157-06104	SCREW, PAN HEAD	1	
27	90152-06024	SCREW, COUNTERSUNK	1	
28	4FM-15461-00	GASKET, CRANKCASE COVER 2	1	



4HD300-3140



FIG. 14 CRANKCASE COVER 1

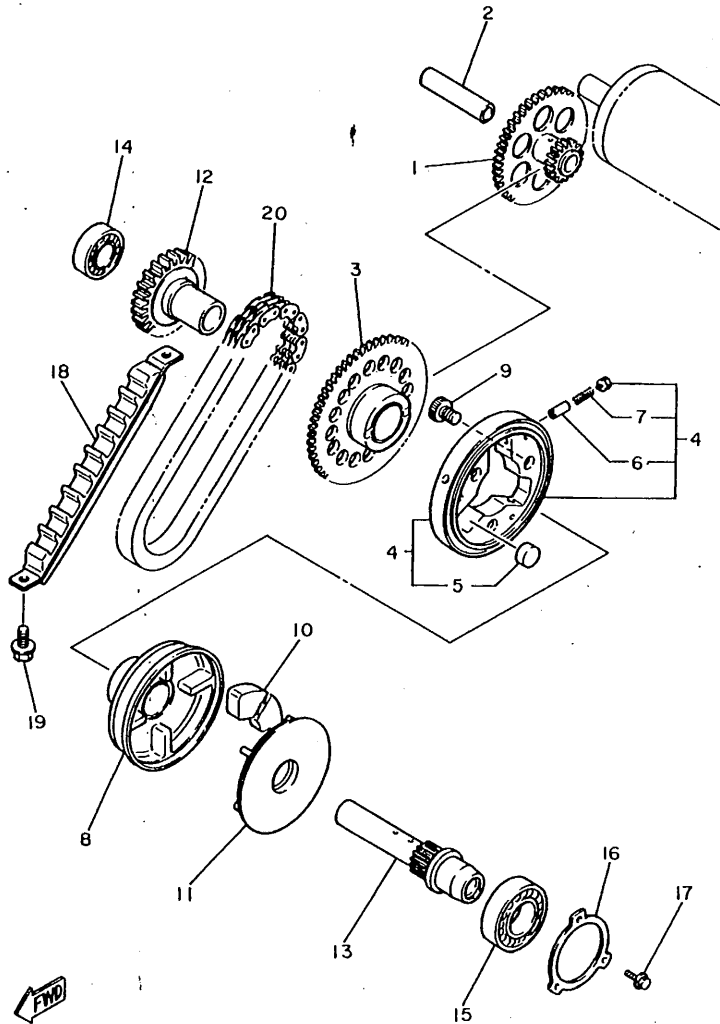


REF. NO.	PART NO.	DESCRIPTION	Q'TY	REMARKS
29	99510-08012	PIN, DOWEL	2	
30	95023-06030	BOLT	2	
31	95023-06020	BOLT	9	

4HD300-3140

C8

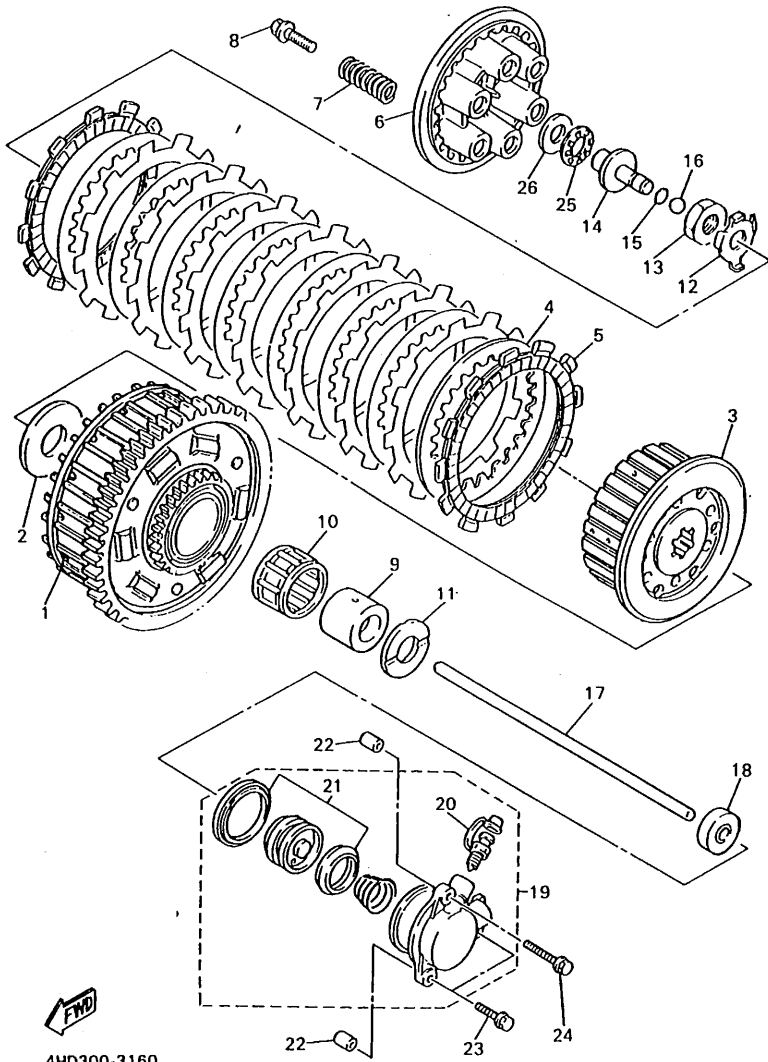
FIG. 15 STARTER



REF. NO.	PART NO.	DESCRIPTION	Q'TY	REMARKS
1	3GM-15512-00	GEAR, IDLER 1	1	
2	51Y-15521-00	SHAFT 1	1	
3	4BH-15517-00	GEAR, IDLER 2	1	
4	3GM-15580-00	STARTER CLUTCH OUTER ASSY	1	
5	93615-12088	.PIN, DOWEL	3	
6	1J7-15583-01	.CAP, STARTER CLUTCH SPRING	3	
7	90501-04623	.SPRING, COMPRESSION	3	
8	3GM-15524-00	WHEEL, STARTER	1	
9	90110-08177	BOLT, HEXAGON SOCKET HEAD	3	
10	4H7-16155-01	ABSORBER 1	4	
11	3GM-15689-00	RETAINER	1	
12	3GM-15519-00	SPROCKET, STARTER 2	1	
13	3GM-15522-00	SHAFT 2	1	
14	93306-20335	BEARING	1	
15	93306-20541	BEARING (B6205)	1	
16	1AE-15381-00	PLATE, BEARING COVER	1	
17	95026-06016	BOLT, FLANGE	3	
18	3GM-11474-00	GUIDE, UPPER	1	
19	95816-06014	BOLT, FLANGE	2	
20	4FM-11456-00	CHAIN, PRIMARY	1	

3KS351-9150

FIG. 16 CLUTCH

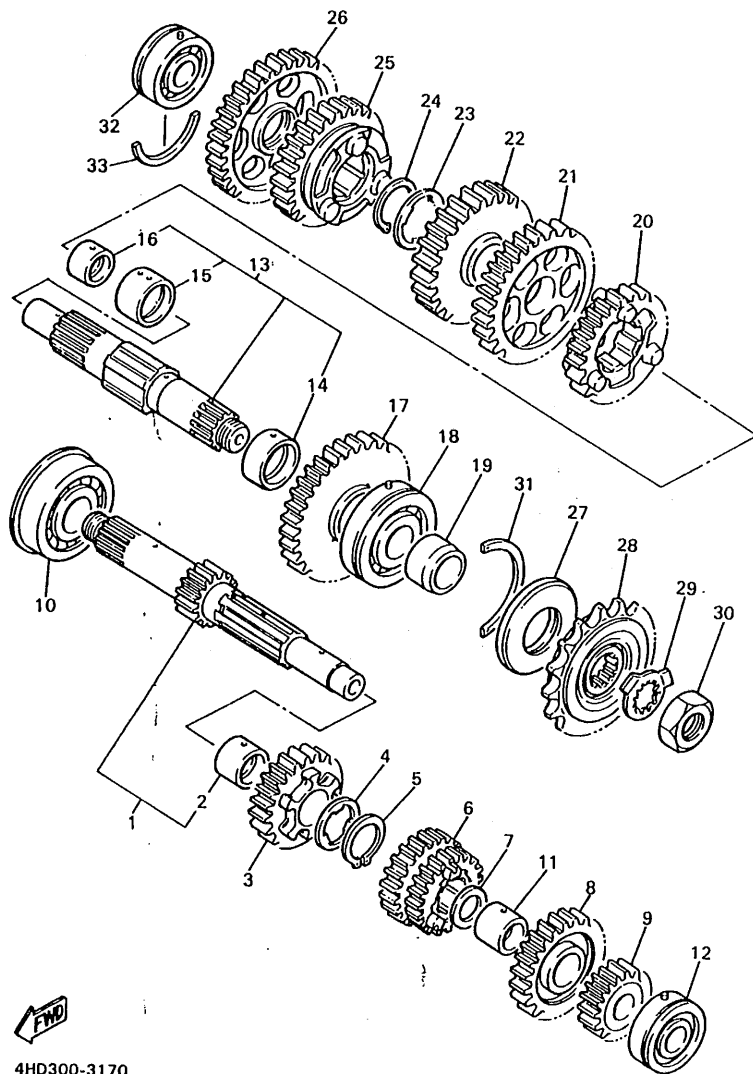


4HD300-3160

REF. NO.	PART NO.	DESCRIPTION	Q'TY	REMARKS
1	4FM-16150-00	PRIMARY DRIVEN GEAR COMP.	1	
2	1AE-16154-00	PLATE, THRUST 1	1	
3	2GH-16371-00	BOSS, CLUTCH	1	
4	3J2-16324-00	PLATE, CLUTCH 1	8	
5	4FN-16321-00	PLATE, FRICTION	9	
6	58L-16351-00	PLATE, PRESSURE 1	1	
7	90501-225A9	SPRING, COMPRESSION	6	
8	90159-06123	SCREW, WITH WASHER	6	
9	90560-25270	SPACER	1	
10	93310-340N8	BEARING, CYLINDRICAL	1	
11	1AE-16164-00	PLATE, THRUST 2	1	
12	90215-20231	WASHER, LOCK	1	
13	90170-20327	NUT	1	
14	1LJ-16356-00	ROD, PUSH 1	1	
15	93210-06632	O-RING	1	
16	93511-32027	BALL	1	
17	1AE-16357-00	ROD, PUSH 2	1	
18	93109-08061	OIL SEAL	1	
19	1TV-16381-10	PUSH LEVER COMP.	1	
20	36Y-W0048-00	.BREED SCREW KIT	1	
21	26H-W0098-00	.PUSH LEVER SEAL KIT	1	
22	99510-08012	PIN, DOWEL	2	
23	95026-06030	BOLT, FLANGE	2	
24	95026-06090	BOLT, FLANGE	1	
25	93340-21505	BEARING, THRUST	1	
26	90201-150H2	WASHER, PLATE	1	

C10

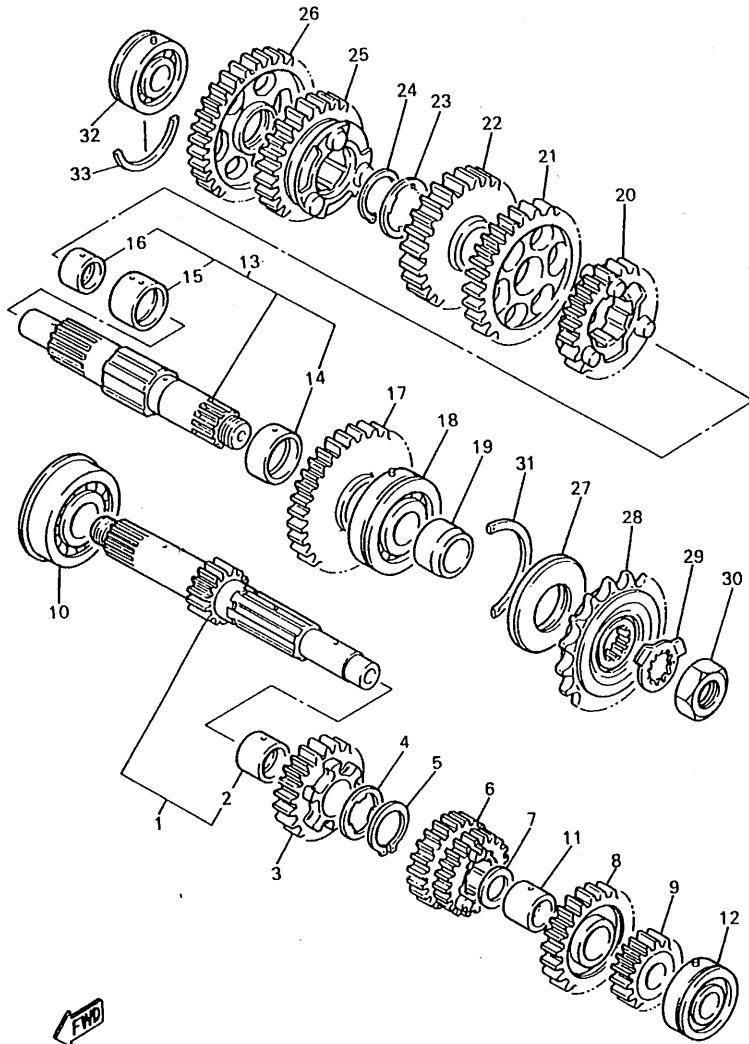
FIG. 17 TRANSMISSION



4HD300-3170

REF. NO.	PART NO.	DESCRIPTION	QTY	REMARKS
1	4FM-W1741-00	MAIN AXLE ASSY	1	
2	90387-253M6	.COLLAR	1	
3	4FM-17151-00	GEAR, 5TH PINION	1	
4	90209-22191	WASHER	1	
5	93440-25084	CIRCLIP	1	
6	4FM-17131-00	GEAR, 3RD PINION	1	
7	90201-200K3	WASHER, PLATE	1	
8	4FM-17161-00	GEAR, 6TH PINION	1	
9	3FV-17121-00	GEAR, 2ND PINION (17T)	1	
10	93306-30560	BEARING	1	
11	90387-203M7	COLLAR	1	
12	93306-20455	BEARING	1	
13	3FV-W1742-00	DRIVE AXLE ASSY	1	
14	90387-263M8	.COLLAR	1	
15	90387-284M0	.COLLAR	1	
16	90387-204M1	.COLLAR	1	
17	4FM-17221-00	GEAR, 2ND WHEEL	1	
18	93305-30501	BEARING	1	
19	90387-255V9	COLLAR	1	
20	4FM-17261-00	GEAR, 6TH WHEEL	1	
21	4FM-17231-00	GEAR, 3RD WHEEL	1	
22	4FM-17241-00	GEAR, 4TH WHEEL	1	
23	90209-25196	WASHER	1	
24	93440-28062	CIRCLIP	1	
25	4FM-17251-00	GEAR, 5TH WHEEL	1	
26	4FM-17211-00	GEAR, 1ST WHEEL	1	
27	93102-35423	OIL SEAL	1	
28	2GH-17460-00	SPROCKET,DRIVE 16T(2GH1746160)	1	

FIG. 17 TRANSMISSION



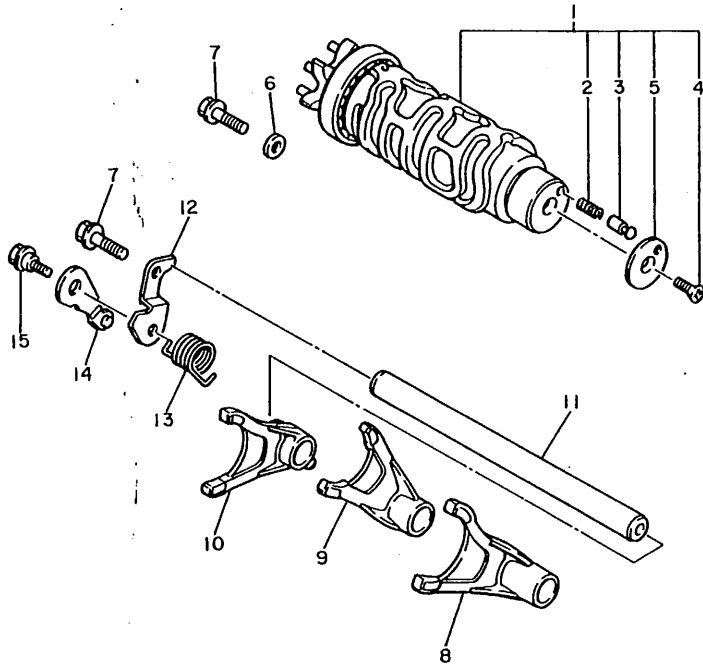
REF. NO.	PART NO.	DESCRIPTION	Q'TY	REMARKS
29	90215-21022	WASHER, LOCK	1	
30	90179-18020	NUT	1	
31	278-17424-01	CIRCLIP 1	1	
32	93306-20455	BEARING	1	
33	93440-45144	CIRCLIP	1	



4HD300-3170

C12

FIG. 18 SHIFT CAM • FORK

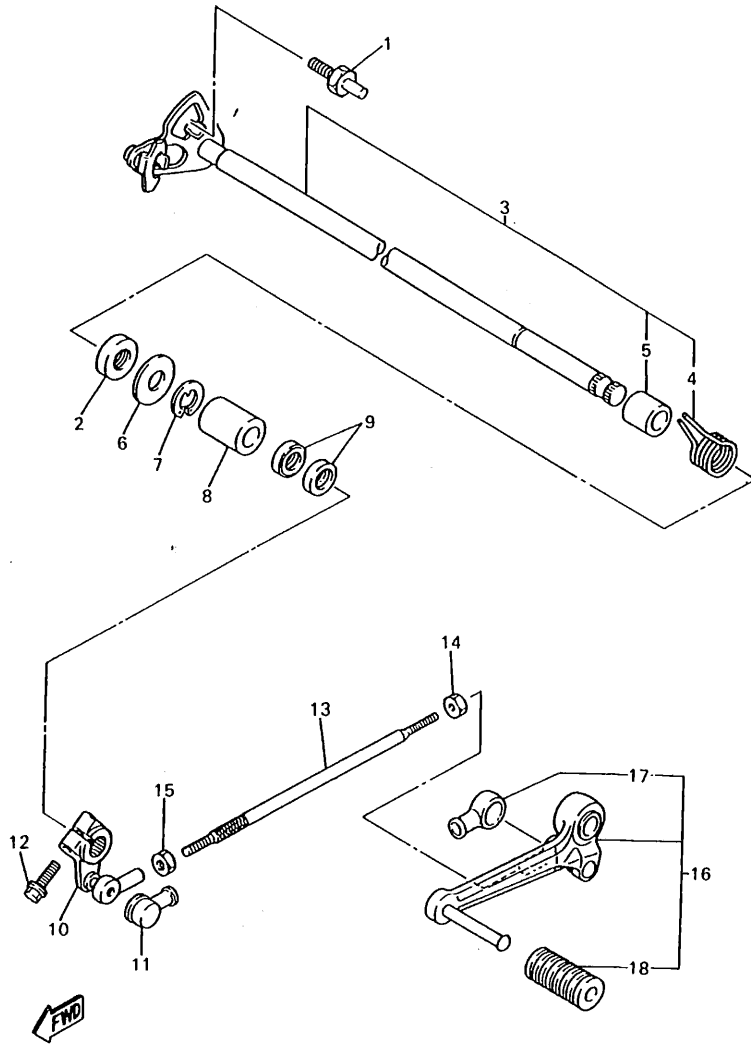


REF. NO.	PART NO.	DESCRIPTION	Q'TY	REMARKS
1	4FM-18540-00	SHIFT CAM ASSY	1	
2	90501-06022	.SPRING, COMPRESSION	1	
3	278-18542-00	.POINT, NEUTRAL	1	
4	98701-05012	.SCREW, FLAT HEAD	1	
5	278-18566-00	.PLATE, SIDE 2	1	
6	90201-06643	WASHER, PLATE	1	
7	95811-06016	BOLT, FLANGE	2	
8	4FM-18511-00	FORK, SHIFT 1	1	
9	4FM-18512-00	FORK, SHIFT 2	1	
10	4FM-18513-00	FORK, SHIFT 3	1	
11	4BH-18531-00	BAR, SHIFT FORK GUIDE 1	1	
12	1AE-18536-00	STOPPER, SHIFT BAR	1	
13	90508-26681	SPRING, TORSION	1	
14	36Y-18140-00	STOPPER LEVER ASSY	1	
15	90109-063F8	BOLT	1	



1FN310-5180

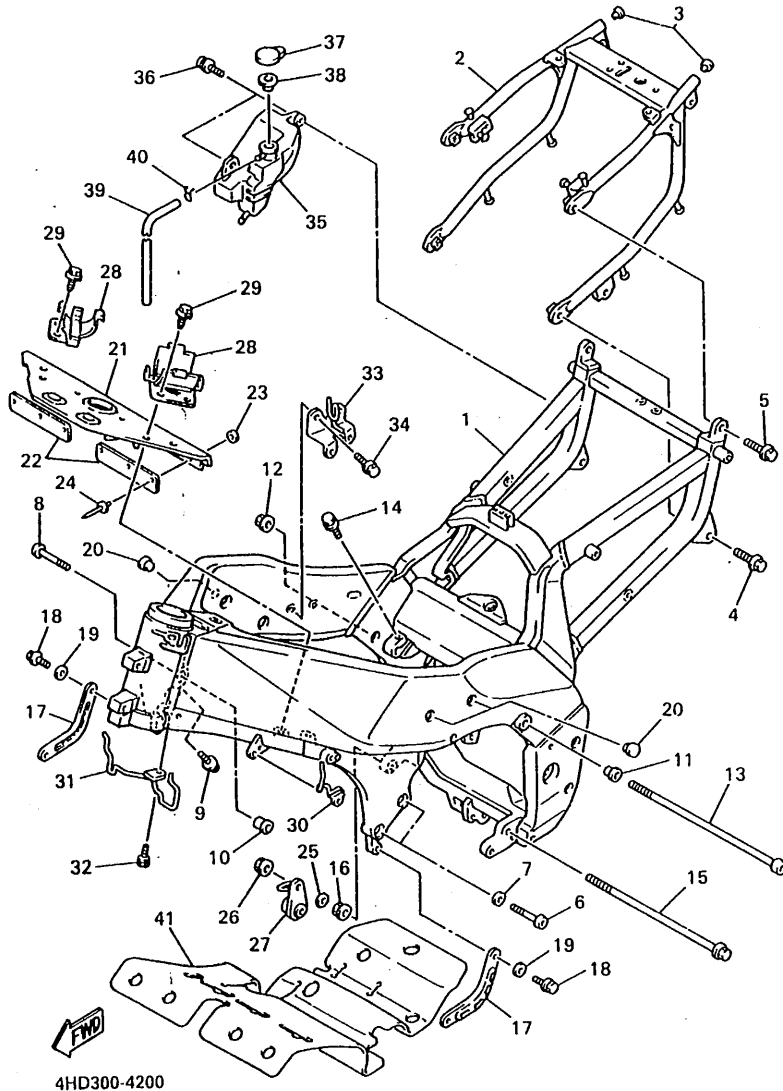
FIG. 19 SHIFT SHAFT



REF. NO.	PART NO.	DESCRIPTION	Q'TY	REMARKS
1	4G0-18127-00	STOPPER, SCREW	1	
2	93102-12321	OIL SEAL	1	
3	1AE-18101-01	SHIFT SHAFT ASSY	1	
4	90508-32682	.SPRING, TORSION	1	
5	90387-114K8	.COLLAR	1	
6	90201-12575	WASHER, PLATE	1	
7	99006-10600	CIRCLIP	1	
8	90560-12191	SPACER	1	
9	93109-12053	OIL SEAL (SDO 12/18/4-1)	2	
10	2GH-18112-01	ARM, SHIFT	1	
11	2H9-18154-00	COVER, DUST	1	
12	95826-06020	BOLT, FLANGE	1	
13	1WG-18115-00	ROD, SHIFT	1	
14	90170-06228	NUT(COUNTER CLOCKWISE)	1	
15	95380-06700	NUT	1	
16	4FM-18110-00	SHIFT PEDAL ASSY	1	
17	2H9-18154-00	.COVER, DUST	1	
18	132-18113-01	.COVER, SHIFT PEDAL	1	

4HD300-3190

FIG. 20 FRAME

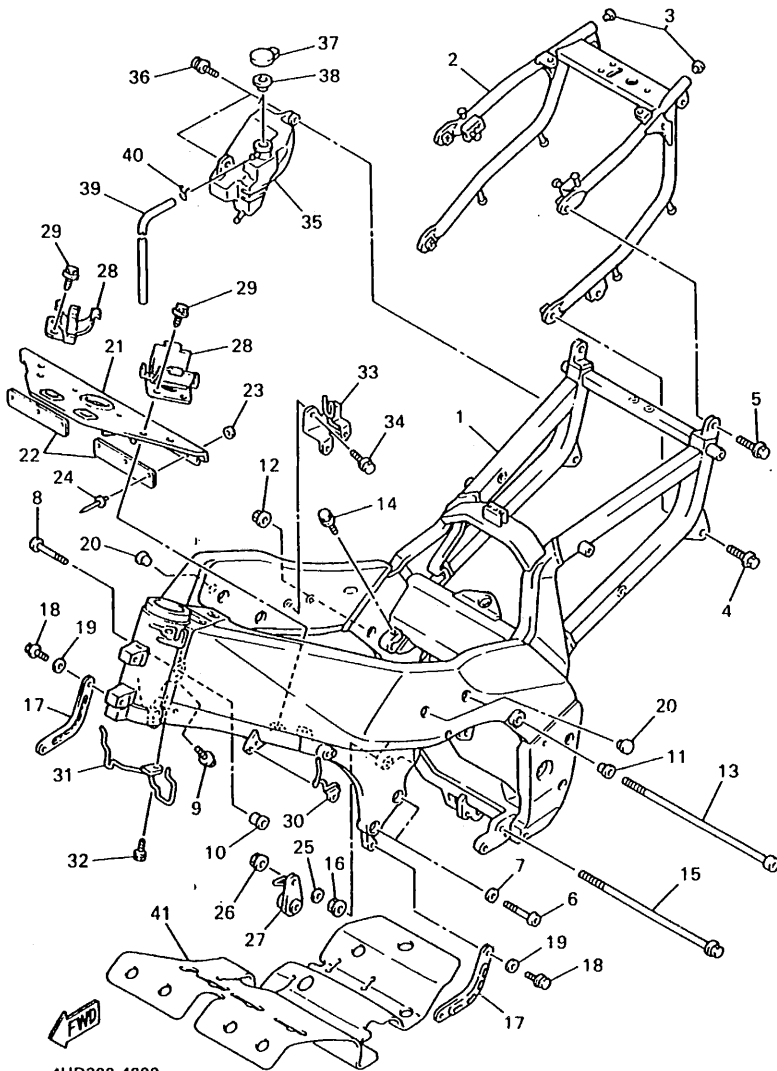


4HD300-4200

REF. NO.	PART NO.	DESCRIPTION	Q'TY	REMARKS
1	4FM-21110-00	FRAME COMP.	1	
2	4FM-21645-01	STAY, REAR	1	
3	90338-16148	PLUG	2	
4	95811-08035	BOLT, FLANGE	2	
5	95811-08016	BOLT, FLANGE	2	
6	91311-10040	BOLT	2	
7	92900-10600	WASHER	2	
8	91311-10045	BOLT	2	
9	91311-08030	BOLT	2	
10	90387-115V8	COLLAR	2	
11	90387-105V7	COLLAR	1	
12	90179-10590	NUT	1	
13	90110-10169	BOLT, HEXAGON SOCKET HEAD	1	
14	95811-08030	BOLT, FLANGE	2	
15	90105-10716	BOLT, WASHER BASED	1	
16	90179-10247	NUT	1	
17	4FM-2142K-00	BRACKET, RADIATOR	2	
18	97026-06012	BOLT	2	
19	92906-06600	WASHER, PLATE	2	
20	90338-15202	PLUG	3	
21	4FM-2117M-01	COVER 2	1	
22	4FM-2117N-00	COVER 3	2	
23	90201-044A2	WASHER, PLATE	6	
24	90267-40076	RIVET, BLIND	6	
25	90201-101J1	WASHER, PLATE	1	
26	95706-10500	NUT, FLANGE	1	
27	4FM-21446-00	STAY, MUFFLER 2	1	
28	4FM-21359-00	BRACKET, COIL	2	
29	90119-06018	BOLT, WITH WASHER	4	
30	4FM-21161-01	HOLDER, CABLE	1	



FIG. 20 FRAME

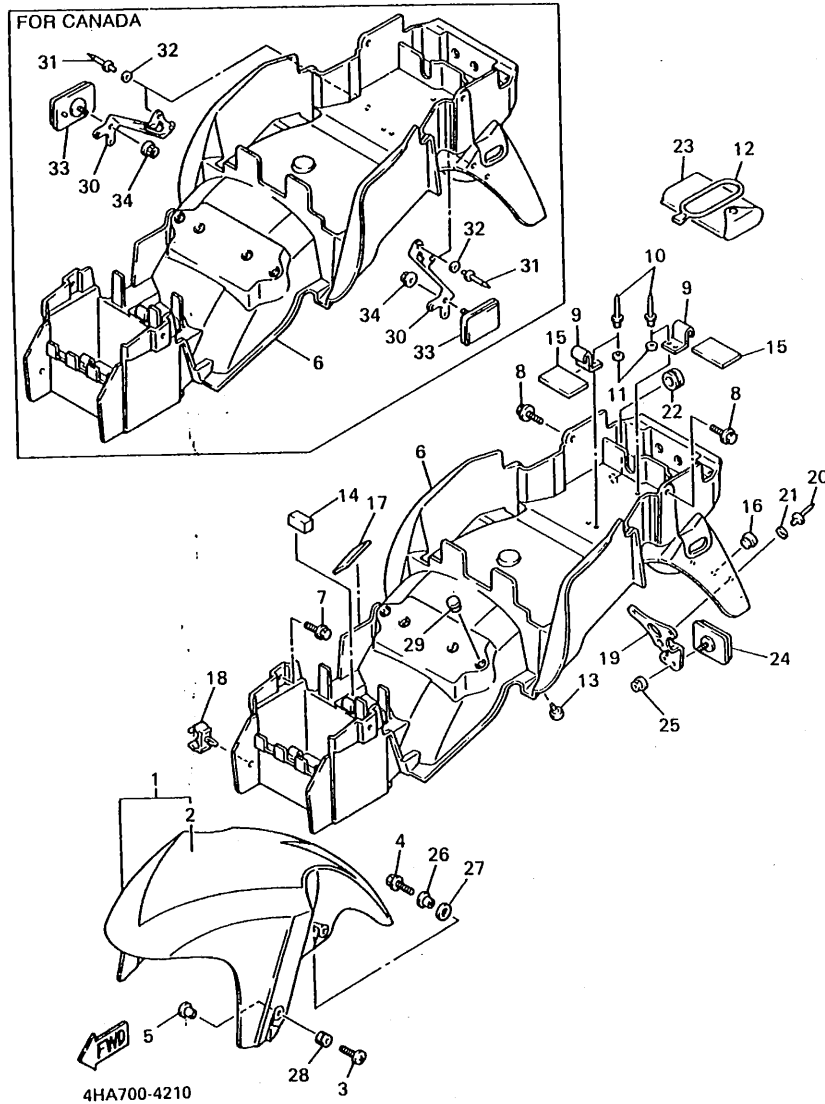


REF. NO.	PART NO.	DESCRIPTION	Q'TY	REMARKS
29	4FM-21162-00	HOLDER, CLUTCH CABLE	1	
30	90101-06664	BOLT	1	
31	4FM-2116J-10	BRACKET 7	1	
32	91001-06016	BOLT, FLANGE	2	
33	4FM-21871-00	TANK, RECOVERY	1	
34	90159-06033	SCREW, WITH WASHER	2	
35	4L0-21875-00	CAP	1	
36	1AA-21874-00	GASKET	1	
37	90445-084G9	HOSE	1	
38	90467-08003	CLIP	1	
39	4FM-12683-00	PROTECTOR, HEAT	1	

4HD300-4200

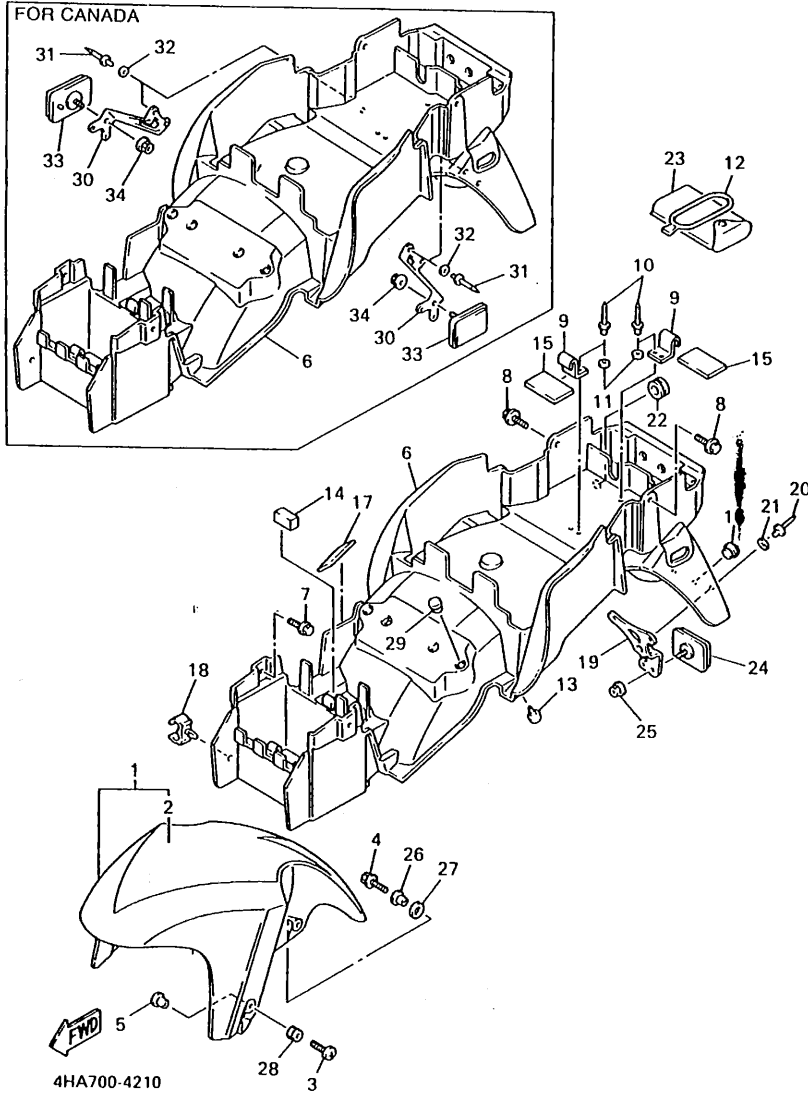
D2

FIG. 21 FENDER



REF. NO.	PART NO.	DESCRIPTION	Q'TY	REMARKS
1	4FM-Y2151-01-P0	FRONT FENDER COMP.	1	UR BLUISH WHITE COCKTAIL 1
	4FM-Y2151-11-P1	FRONT FENDER COMP.	1	UR DARK BLUE COCKTAIL 2
2	4FM-21569-20	.GRAPHIC 1	1	UR FOR BWC1
	4FM-21569-30	.GRAPHIC 1	1	UR FOR DBC2
3	90154-06061	SCREW, BINDING	2	
4	91001-06016	BOLT, FLANGE	2	
5	90387-065J6	COLLAR	2	
6	4FM-21611-02	FENDER, REAR	1	UR FOR OCEANIA
	4FM-21611-12	FENDER, REAR	1	UR FOR CANADA
7	90119-06118	BOLT, WITH WASHER	2	
8	90119-06205	BOLT, WITH WASHER	2	
9	3VD-21366-00	HOOK, TOOL BAND	2	
10	90267-40076	RIVET, BLIND	4	
11	90201-044A2	WASHER, PLATE	4	
12	3YX-21376-00	BAND, TOOL	1	
13	35T-24724-00	DAMPER, SEAT	2	
14	1LJ-2414J-00	DAMPER, PLATE 2	1	
15	5H0-8235Y-M0	DAMPER	2	
16	90338-07043	PLUG	1	
17	3XV-21778-00	DAMPER, LOCATING 1	1	
18	90464-09130	CLAMP	1	
19	4FM-85132-00	BRACKET, REFLECTOR 1	1	
20	90267-40076	RIVET, BLIND	2	
21	90201-044A2	WASHER, PLATE	2	
22	90480-10258	GROMMET	2	
23	4FM-28100-00	TOOL KIT	1	
24	4CF-85130-00	REAR REFLECTOR ASSY	1	UR FOR OCEANIA
	3G1-85130-01	REAR REFLECTOR ASSY	1	UR FOR CANADA
25	95701-05500	NUT, FLANGE	1	

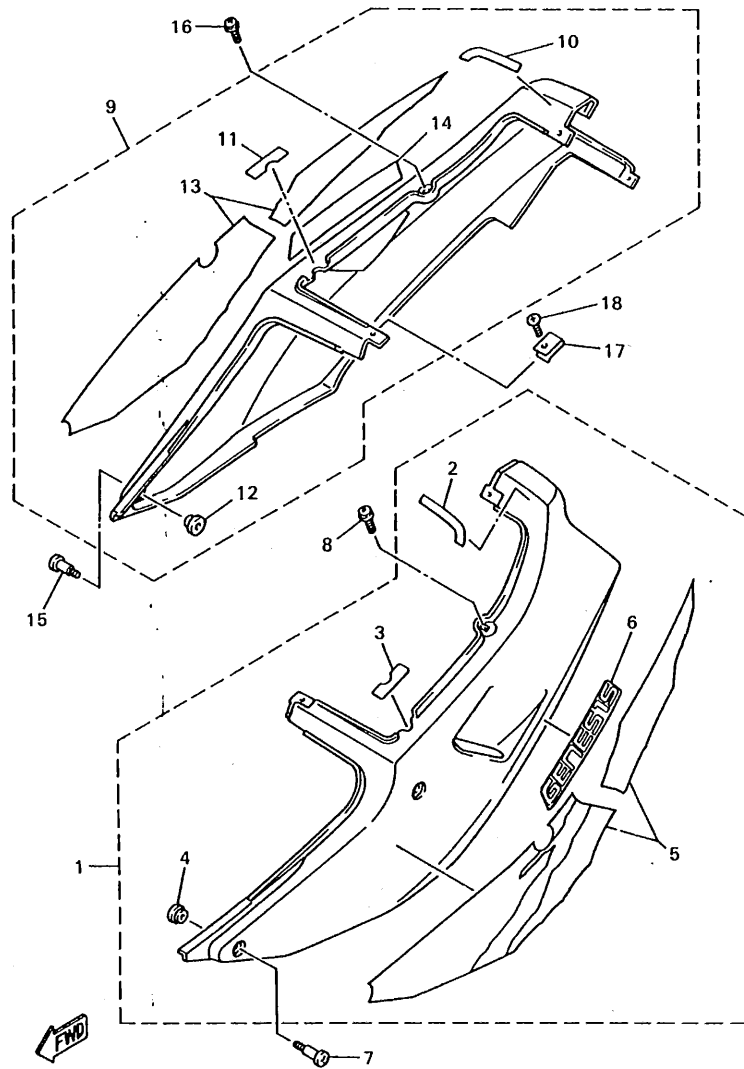
FIG. 21 FENDER



REF. NO.	PART NO.	DESCRIPTION	Q'TY	REMARKS
26	90387-087L0	COLLAR	2	
27	4FM-28372-00	DAMPER	2	
28	90480-12072	GROMMET	2	
29	90338-10132	PLUG	1	
30	4FM-21688-00	BRACKET, REAR STAY	2	FOR CANADA
31	90267-40076	RIVET, BLIND	4	FOR CANADA
32	90201-044A2	WASHER, PLATE	4	FOR CANADA
33	3G1-85130-01	REAR REFLECTOR ASSY	2	FOR CANADA
34	95701-05500	NUT, FLANGE	2	FOR CANADA

D4

FIG. 22 SIDE COVER

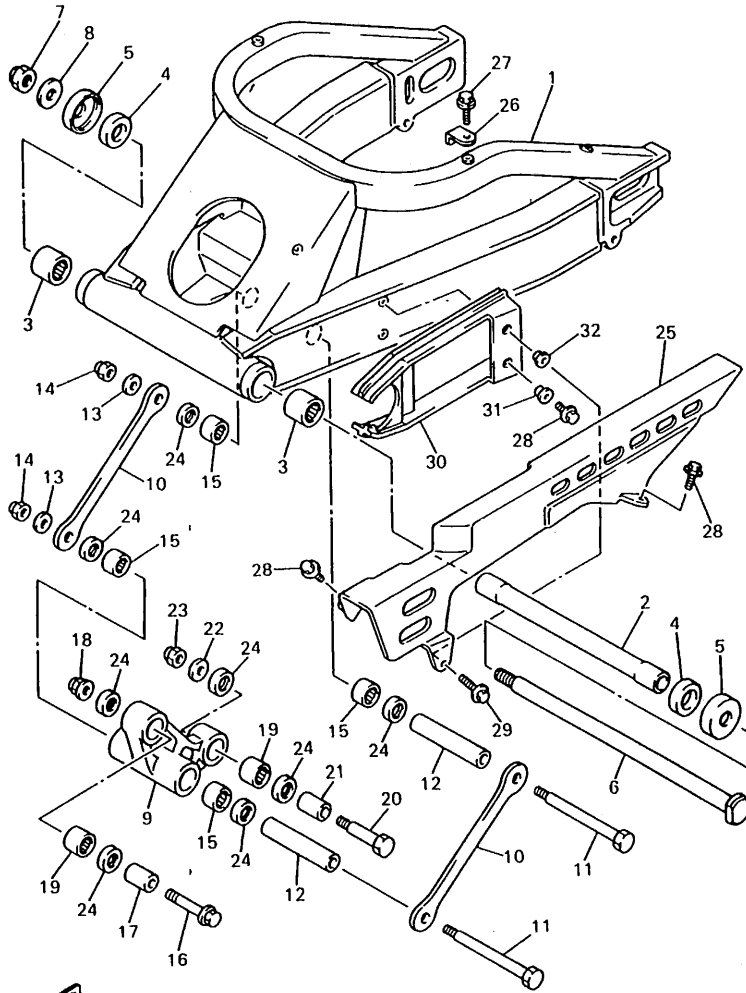


4HD300-4220

REF. NO.	PART NO.	DESCRIPTION	Q'TY	REMARKS
1	4FM-Y2171-50-P0	COVER, SIDE 1	1	UR BLUISH WHITE COCKTAIL 1
	4FM-Y2171-80-P3	COVER, SIDE 1	1	UR DARK BLUE COCKTAIL 2
2	3GM-21575-00	.SEAL 1	1	
3	4FM-2173T-00	.TAPE 1	1	
4	90480-13398	.GROMMET	2	
5	4FM-2173L-20	.GRAPHIC SET 1	1	UR FOR BWC1
	4FM-2173L-30	.GRAPHIC SET 1	1	UR FOR DBC2
6	4FM-21781-00	.EMBLEM 1	1	UR FOR BWC1
	4FM-21781-10	.EMBLEM 1	1	UR FOR DBC2
7	90150-06036	SCREW, ROUND HEAD	2	
8	90159-06093	SCREW, WITH WASHER	1	
9	4FM-Y2172-20-P0	COVER, SIDE 2	1	UR BLUISH WHITE COCKTAIL 1
	4FM-Y2172-50-P3	COVER, SIDE 2	1	UR DARK BLUE COCKTAIL 2
10	3GM-21576-00	.SEAL 2	1	
11	4FM-2173T-00	.TAPE 1	1	
12	90480-13398	.GROMMET	2	
13	4FM-2174L-20	.GRAPHIC SET 2	1	UR FOR BWC1
	4FM-2174L-30	.GRAPHIC SET 2	1	UR FOR DBC2
14	4FM-21781-00	.EMBLEM 1	1	UR FOR BWC1
	4FM-21781-10	.EMBLEM 1	1	UR FOR DBC2
15	90150-06036	SCREW, ROUND HEAD	2	
16	90159-06093	SCREW, WITH WASHER	1	
17	90183-04064	NUT, SPRING	3	
18	97706-40010	SCREW, TAPPING	3	

D5

FIG. 23 REAR ARM

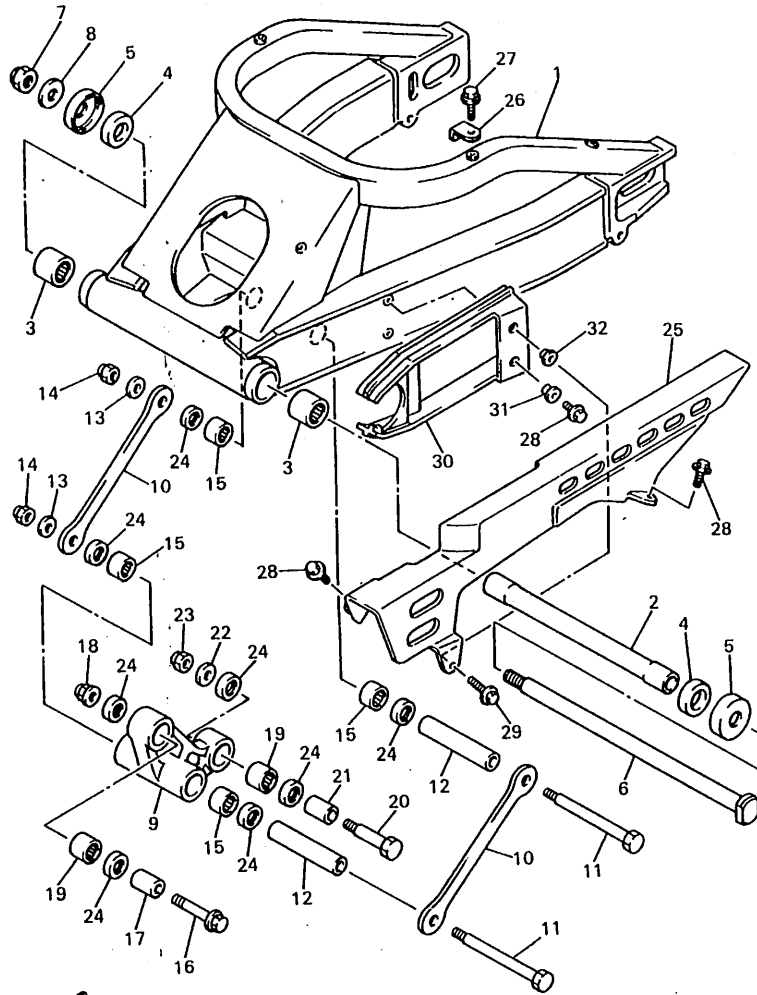


REF. NO.	PART NO.	DESCRIPTION	Q'TY	REMARKS
1	4FM-22110-00	REAR ARM COMP.	1	
2	3FV-22184-00	BUSH	1	
3	93315-42523	BEARING, CYLINDRICAL	2	
4	3XV-22127-00	SHIM	2	
5	3FV-22128-00	COVER, THRUST 1	2	
6	3GM-22141-00	SHAFT, PIVOT	1	
7	90185-18104	NUT, SELF-LOCKING	1	
8	90201-18264	WASHER, PLATE	1	
9	4FM-2217A-00	ARM, RELAY	1	
10	4BH-2217M-00	ARM 1	2	
11	90101-10658	BOLT	2	
12	90387-122R5	COLLAR	2	
13	90201-101J1	WASHER, PLATE	2	
14	95611-10100	NUT, U	2	
15	93317-21746	BEARING, CYLINDRICAL	4	
16	90105-10376	BOLT, WASHER BASED	1	
17	90387-102R4	COLLAR	1	
18	95611-10200	NUT, SELF-LOCKING	1	
19	93317-31771	BEARING, CYLINDRICAL	2	
20	90101-10659	BOLT	1	
21	90387-127W0	COLLAR	1	
22	90201-101J1	WASHER, PLATE	1	
23	95611-10100	NUT, U	1	
24	93109-17048	OIL SEAL (SDO 17-24-4)	8	
25	4FM-22311-00	CASE, CHAIN	1	
26	4FM-2213J-00	STAY, CHAIN CASE	1	
27	95023-06016	BOLT	1	
28	90119-06088	BOLT, WITH WASHER	3	

4HD300-3230

D6

FIG. 23 REAR ARM

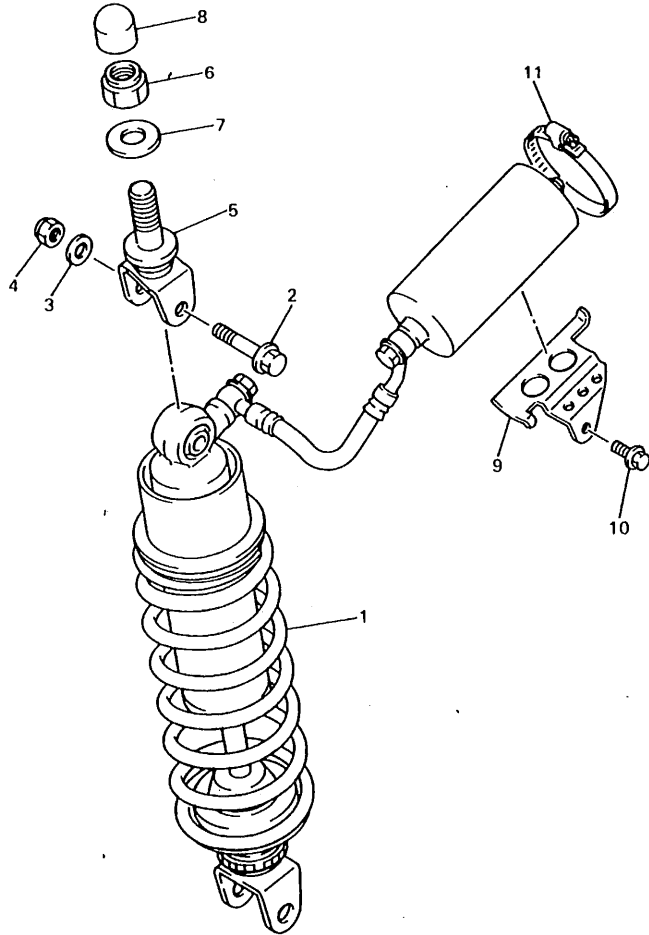


4HD300-3230

REF. NO.	PART NO.	DESCRIPTION	Q'TY	REMARKS
29	90119-06163	BOLT, WITH WASHER	1	
30	4FM-22151-00	SEAL, GUARD	1	
31	90387-06704	COLLAR	1	
32	90387-06681	COLLAR	1	

D7

FIG. 24 REAR SUSPENSION



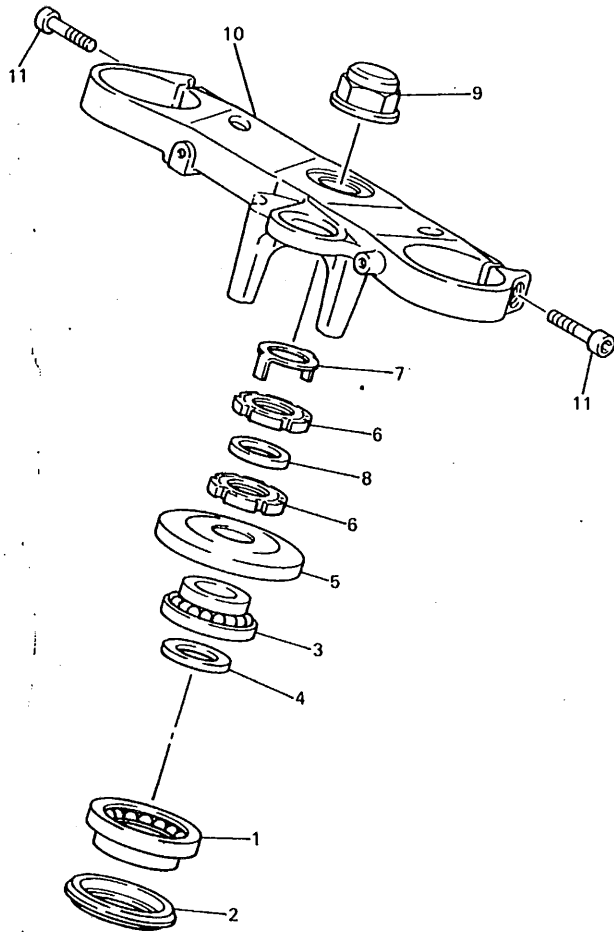
REF. NO.	PART NO.	DESCRIPTION	Q'TY	REMARKS
1	4FM-22210-20	SHOCK ABSORBER ASSY, REAR	1	UR FOR OCEANIA
	4HY-22210-20	SHOCK ABSORBER ASSY, REAR	1	UR FOR CANADA
2	90105-10402	BOLT, WASHER BASED	1	
3	90201-101J1	WASHER, PLATE	1	
4	95611-10100	NUT, U	1	
5	4FM-22219-00	BRACKET, UPPER	1	
6	90185-16127	NUT, SELF-LOCKING	1	
7	90201-164H4	WASHER, PLATE	1	
8	478-25335-00	CAP	1	
9	4FM-22262-00	HOLDER, SUB TANK	1	
10	91001-06016	BOLT, FLANGE	1	
11	90450-32008	HOSE CLAMP ASSY	1	



4HD300-3240

D8

FIG. 25 STEERING



REF. NO.	PART NO.	DESCRIPTION	Q'TY	REMARKS
1	93399-99932	BEARING	1	
2	3FV-23462-00	SEAL, STEERING	1	
3	93399-99931	BEARING	1	
4	90202-24190	WASHER, PLATE	1	
5	3GM-23415-00	COVER, BALL RACE 1	1	
6	90179-25615	NUT	2	
7	3YF-23418-00	WASHER, SPECIAL	1	
8	90202-26142	WASHER, PLATE	1	
9	90176-22050	NUT, CROWN	1	
10	4FM-23435-00	CROWN, HANDLE	1	
11	91311-08030	BOLT	2	

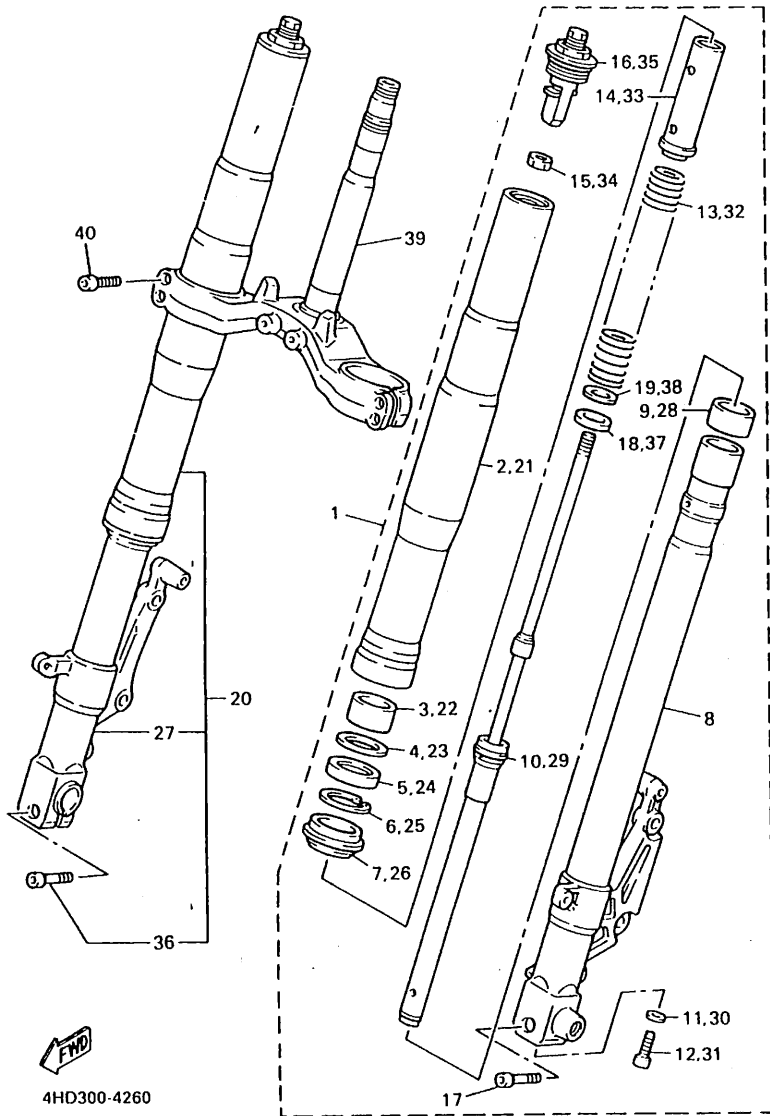


4HD300-3250

D9



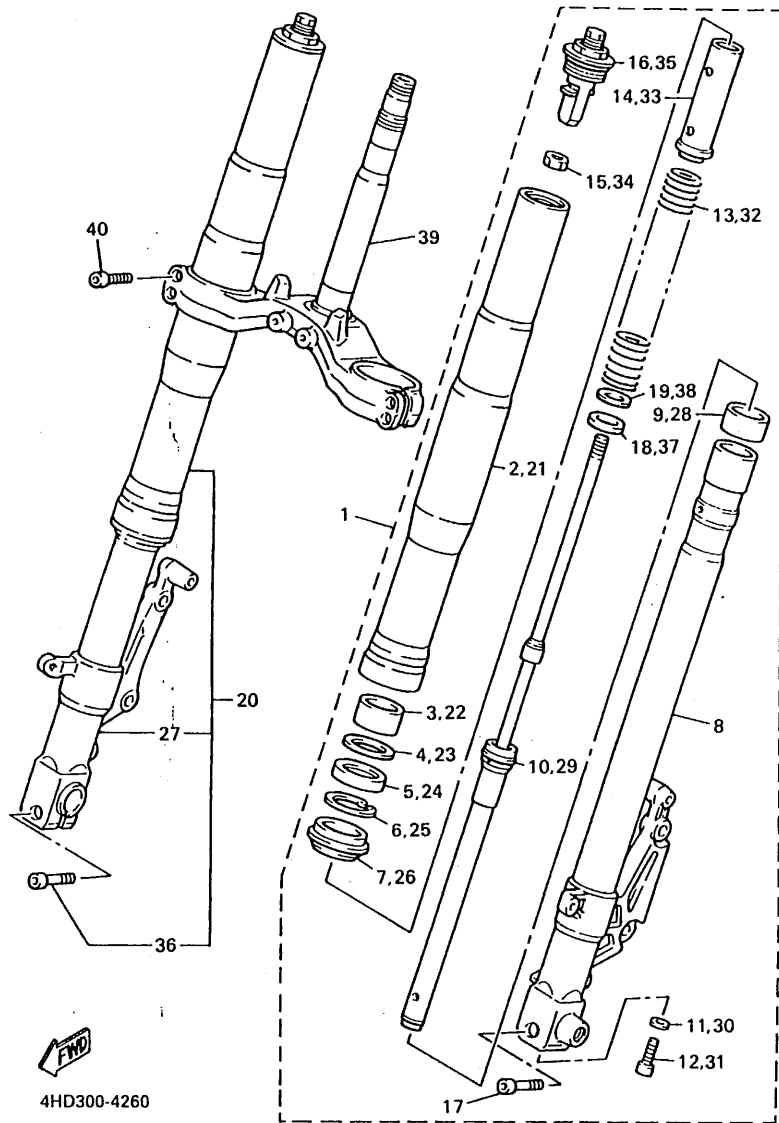
FIG. 26 FRONT FORK



4HD300-4260

REF. NO.	PART NO.	DESCRIPTION	Q'TY	REMARKS
1	4FM-23102-20	FRONT FORK ASSY (L.H)	1	
2	4FM-23136-20	.TUBE, OUTER (RIGHT)	1	
3	3GM-23125-50	.METAL, SLIDE 1	1	
4	36Y-23146-10	.WASHER, OIL SEAL	1	
5	3SP-23145-L0	.OIL SEAL	1	
6	26H-23156-00	.CLIP, OIL SEAL	1	
7	3XV-23144-50	.SEAL, DUST	1	
8	4FM-23110-20	.INNER TUBE COMP.1	1	
9	3JD-23171-L0	.METAL, SLIDE	1	
10	4FM-23170-20	.CYLINDER COMP., FRONT FORK	1	
11	2K8-23158-L0	.GASKET	1	
12	3LC-23181-00	.BOLT, HEXAGON SOCKET HEAD	1	
13	4FM-23141-00	.SPRING, FRONT FORK	1	
14	4FM-23118-00	.SPACER	1	
15	3XJ-23357-L0	.NUT	1	
16	4FM-23111-10	.BOLT, CAP	1	
17	91311-08040	.BOLT	1	
18	4FM-23159-00	.WASHER, SPRING, LOWER	1	
19	4FM-23165-00	.WASHER, FELT	1	
20	4FM-23103-20	FRONT FORK ASSY (R.H)	1	
21	4FM-23136-20	.TUBE, OUTER (RIGHT)	1	
22	3GM-23125-50	.METAL, SLIDE 1	1	
23	36Y-23146-10	.WASHER, OIL SEAL	1	
24	3SP-23145-L0	.OIL SEAL	1	
25	26H-23156-00	.CLIP, OIL SEAL	1	
26	3XV-23144-50	.SEAL, DUST	1	
27	4FM-23120-20	.INNER TUBE COMP.2	1	
28	3JD-23171-L0	.METAL, SLIDE	1	

FIG. 26 FRONT FORK

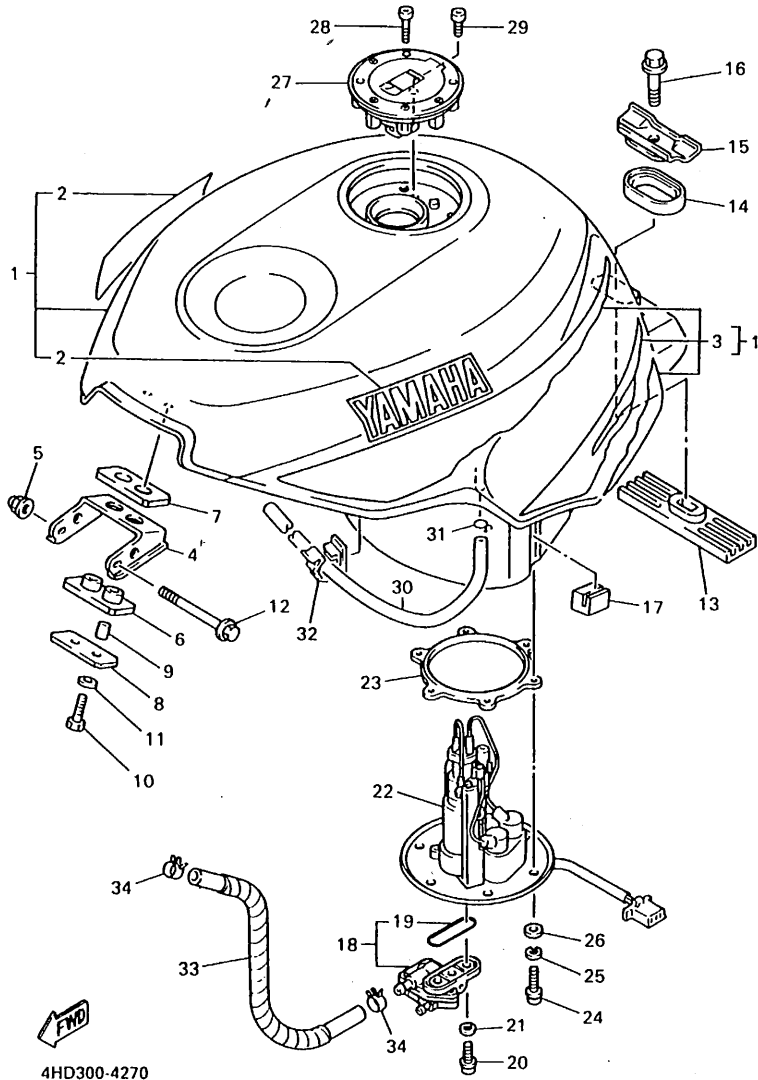


4HD300-4260

REF. NO.	PART NO.	DESCRIPTION	Q'TY	REMARKS
29	4FM-23170-20	.CYLINDER COMP., FRONT FORK	1	
30	2K8-23158-L0	.GASKET	1	
31	3LC-23181-00	.BOLT, HEXAGON SOCKET HEAD	1	
32	4FM-23141-00	.SPRING, FRONT FORK	1	
33	4FM-23118-00	.SPACER	1	
34	3XJ-23357-L0	.NUT	1	
35	4FM-23111-10	.BOLT, CAP	1	
36	91311-08040	.BOLT	1	
37	4FM-23159-00	.WASHER, SPRING, LOWER	1	
38	4FM-23165-00	.WASHER, FELT	1	
39	4FM-23340-00	UNDER BRACKET COMP.	1	
40	91311-08030	BOLT	4	

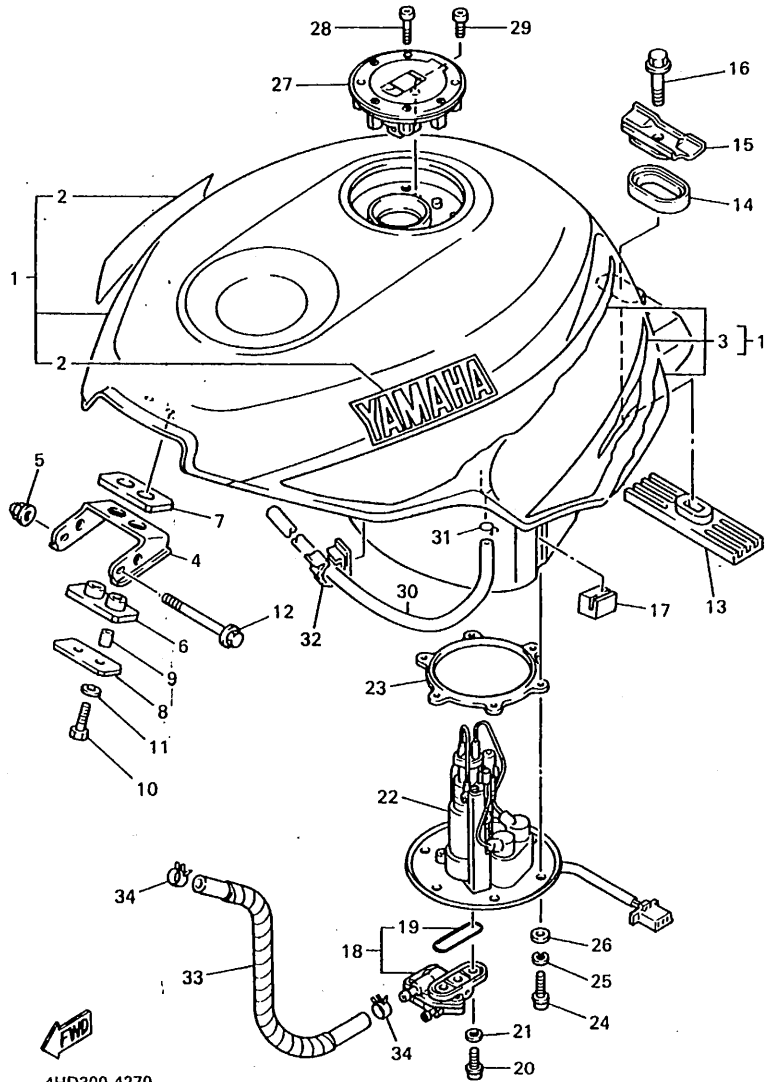
D11

FIG. 27 FUEL TANK



REF. NO.	PART NO.	DESCRIPTION	Q'TY	REMARKS
1	4FM-24110-30-01	FUEL TANK COMP.	1	UR BLUISH WHITE COCKTAIL 1 /DEEP VIOLET METALLIC 1
	4FM-24110-30-04	FUEL TANK COMP.	1	UR DARK BLUE COCKTAIL 2 /VERY DARK VIOLET COCKTAIL 1
2	99226-00160	.EMBLEM, YAMAHA	2	UR FOR BWC1
	99227-00160	.EMBLEM, YAMAHA	2	UR FOR DBC2
3	4FM-24240-00	.GRAPHIC SET	1	UR FOR BWC1
	4FM-24240-10	.GRAPHIC SET	1	UR FOR DBC2
4	4FM-24191-00	BRACKET, FUEL TANK 1	1	
5	90176-06055	NUT, CROWN	1	
6	2GH-24181-00	DAMPER, LOCATING 1	1	
7	2GH-24183-00	DAMPER, LOCATING 3	1	
8	2GH-24186-00	WASHER, SPECIAL	1	
9	90387-06299	COLLAR	2	
10	97011-06025	BOLT	2	
11	92995-06100	WASHER	2	
12	95816-06075	BOLT, FLANGE	1	
13	2GH-24184-00	DAMPER, LOCATING 4	1	
14	3Y6-24183-00	DAMPER, LOCATING 3	1	
15	4FM-24187-00	WASHER, SPECIAL	1	
16	95811-08016	BOLT, FLANGE	1	
17	4JH-24183-00	DAMPER, LOCATING 3	2	
18	3FV-24500-01	FUEL COCK ASSY 1	1	
19	4X8-24512-00	.O-RING	1	
20	90149-06008	SCREW	2	
21	90202-05193	WASHER, PLATE	2	
22	4FM-13910-00	FUEL PUMP ASSY	1	
23	4FM-2414G-00	SEAL	1	
24	98501-05016	SCREW, PAN HEAD	6	
25	92901-05100	WASHER, SPRING	6	
26	92901-05600	WASHER, PLATE	6	
27	4FM-24602-00	CAP ASSY	1	

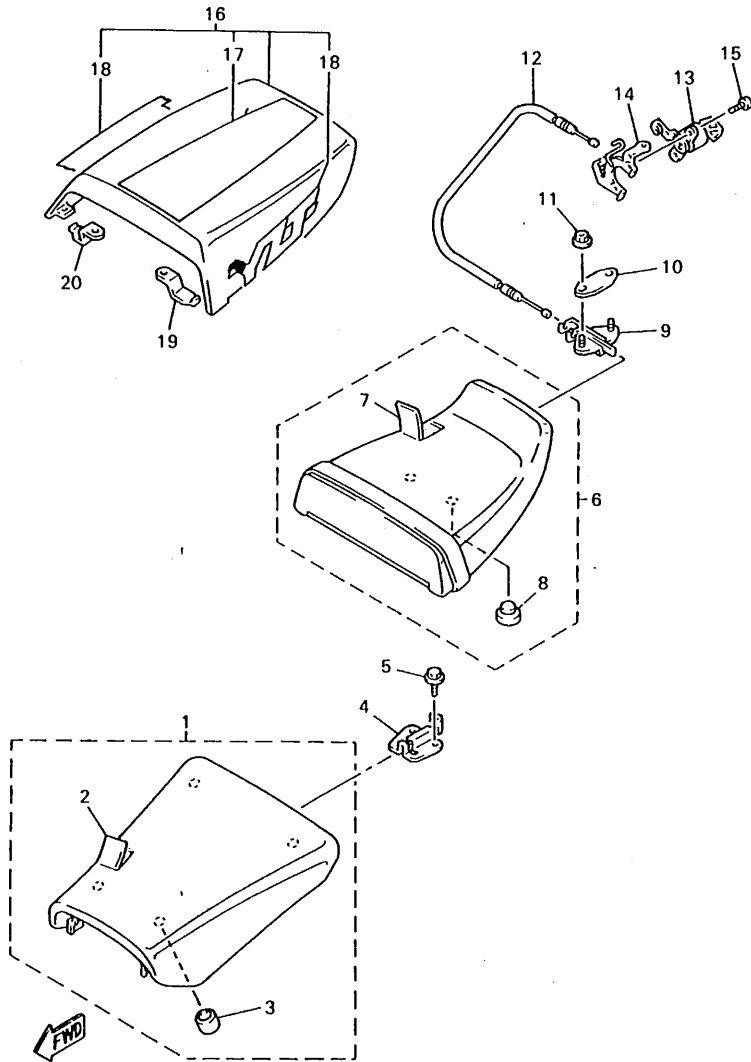
FIG. 27 FUEL TANK



4HD300-4270

REF. NO.	PART NO.	DESCRIPTION	Q'TY	REMARKS
28	90110-05112	BOLT, HEXAGON SOCKET HEAD	3	
29	91311-05010	BOLT	1	
30	90445-102G7	HOSE	1	
31	90467-09006	CLIP	1	
32	90464-25160	CLAMP	1	
33	3FV-14294-02	HOSE	1	
34	90467-13123	CLIP	2	

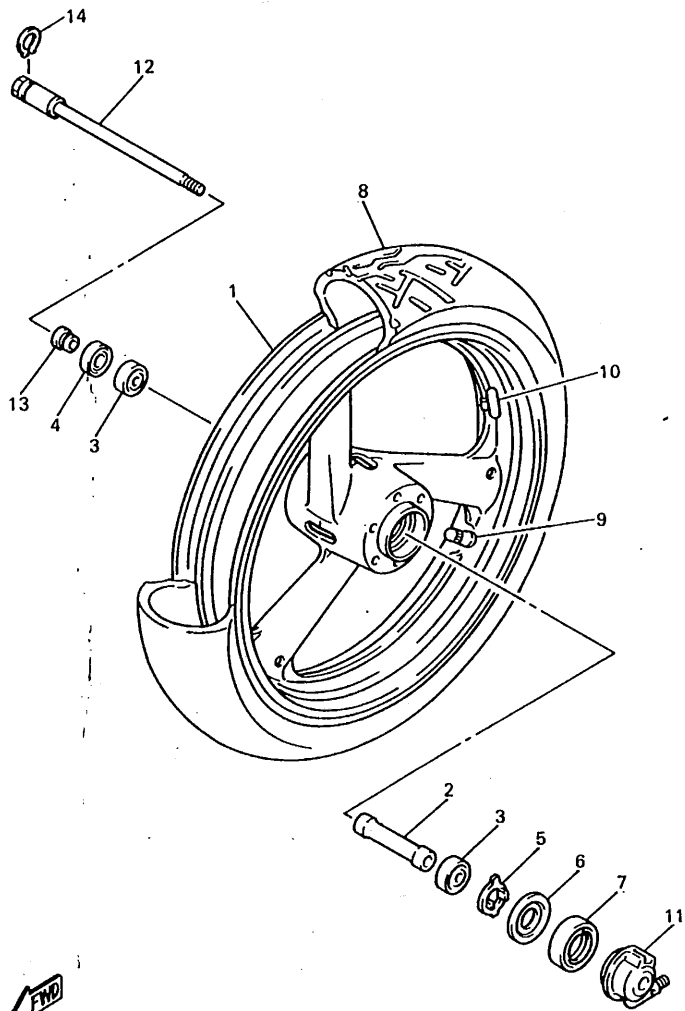
FIG. 28 SEAT



REF. NO.	PART NO.	DESCRIPTION	Q'TY	REMARKS
1	4FM-24710-01	SINGLE SEAT ASSY	1	
2	4FM-24711-00	.COVER, SINGLE SEAT	1	
3	4FM-24724-00	.DAMPER, SEAT	4	
4	4FM-24780-00	SEAT LOCK ASSY	1	
5	91002-06016	BOLT, FLANGE	2	
6	4FM-24750-00	TANDEM SEAT ASSY	1	
7	4FM-24751-00	.COVER, TANDEM SEAT	1	
8	509-24724-00	.DAMPER, SEAT	2	
9	4BP-24780-00	SEAT LOCK ASSY	1	
10	4BP-24792-00	PLATE	1	
11	95701-06500	NUT, FLANGE	2	
12	4FM-2478E-00	WIRE, SEAT HOOK	1	
13	3CK-W2470-00	SEAT LOCK ASSY	1	
14	4FM-2117K-00	LINING, SIDE COVER 2	1	
15	90149-06308	SCREW	2	
16	4FM-Y2479-20-P0	COVER, SEAT	1	UR BLUISH WHITE COCKTAIL 1
	4FM-Y2479-30-P3	COVER, SEAT	1	UR DARK BLUE COCKTAIL 2
17	4FM-2478M-00	.GRAPHIC, SEAT	1	UR FOR BWC1
	4FM-2478M-10	.GRAPHIC, SEAT	1	UR FOR DBC2
18	4FM-24786-00	.EMBLEM	2	UR FOR BWC1
	4FM-24786-10	.EMBLEM	2	UR FOR DBC2
19	4FM-2475J-00	BRACKET, SEAT LEVER 2	1	
20	4FM-2475H-00	BRACKET, SEAT LEVER 1	1	

4HD300-4280

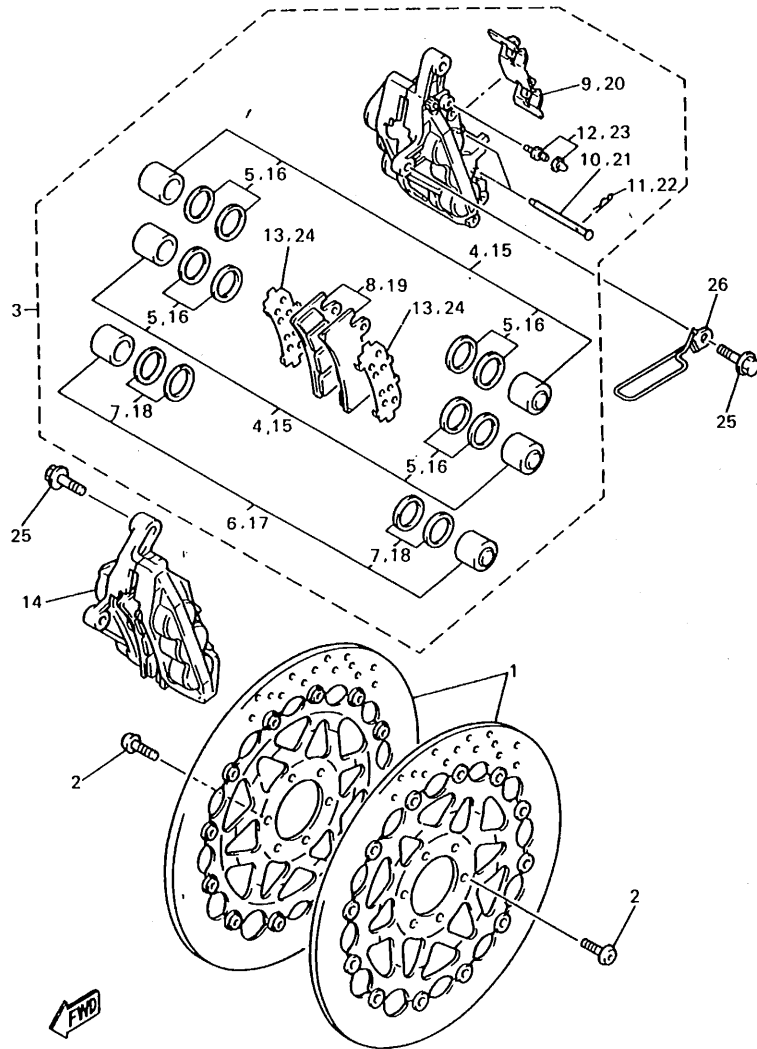
FIG. 29 FRONT WHEEL



4HD300-3290

REF. NO.	PART NO.	DESCRIPTION	Q'TY	REMARKS
1	4FM-25168-00-P2	CAST WHEEL, FRONT	1	UR DEEP REDDISH PURPLE SOLID 1
	4FM-25168-00-P5	CAST WHEEL, FRONT	1	UR DULL BLUE METALLIC 2
2	90387-2200S	COLLAR	1	
3	93306-00420	BEARING (B6004)	2	
4	93102-28021	OIL SEAL	1	
5	4FM-25149-00	CLUTCH, METER	1	
6	341-25846-00	RETAINER, CLUTCH	1	
7	93105-45017	OIL SEAL	1	
8	94112-1700M	TIRE (120/70 ZR17 BT50F)	1	BRIDGESTONE
9	93900-00030	VALVE, RIM	1	
10	29L-25398-00	BALANCER, WHEEL (10G)	1	UN
	29L-25398-10	BALANCER, WHEEL (20G)	1	UN
	29L-25398-20	BALANCER, WHEEL (30G)	1	UN
11	4FM-25190-00	GEAR UNIT ASSY	1	
12	4FM-25181-00	AXLE, WHEEL	1	
13	90387-2200T	COLLAR	1	
14	99009-28400	CIRCLIP	1	

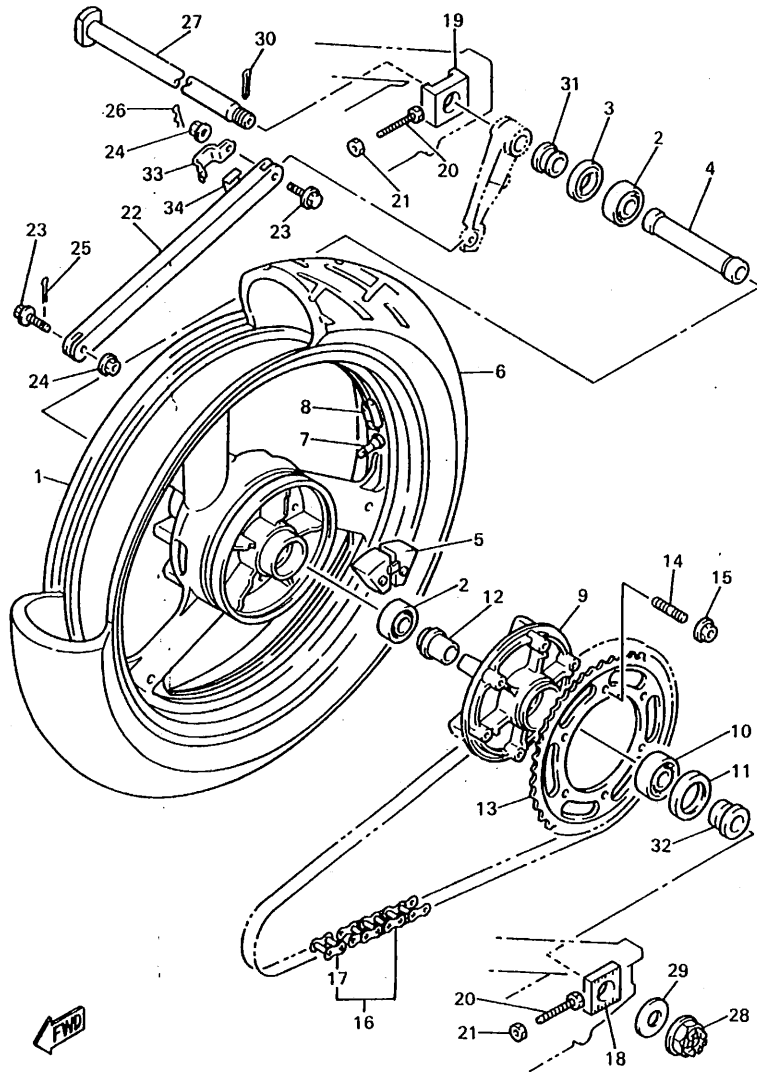
FIG. 30 FRONT BRAKE CALIPER



4HD300-3300

REF. NO.	PART NO.	DESCRIPTION	Q'TY	REMARKS
1	4FM-2581T-01	DISC BRAKE ASSY	2	
2	90109-08718	BOLT	12	
3	4FM-2580T-10	CALIPER ASSY (LEFT)	1	
4	4FM-W0057-10	.PISTON ASSY, CALIPER	2	
5	4FM-W0047-10	..CALIPER SEAL KIT	1	
6	4FM-W0057-00	.PISTON ASSY, CALIPER	1	
7	4FM-W0047-00	..CALIPER SEAL KIT	1	
8	4FM-W0045-10	.BRAKE PAD KIT	1	
9	4FM-25919-00	.SUPPORT, PAD	1	
10	4FM-25924-00	.PIN, PAD	2	
11	4FM-25925-00	..CLIP	2	
12	1J3-W0048-00	..BREED SCREW KIT	1	
13	4FM-25827-00	.SHIM, CALIPER	2	
14	4FM-2580U-10	CALIPER ASSY (RIGHT)	1	
15	4FM-W0057-10	.PISTON ASSY, CALIPER	2	
16	4FM-W0047-10	..CALIPER SEAL KIT	1	
17	4FM-W0057-00	.PISTON ASSY, CALIPER	1	
18	4FM-W0047-00	..CALIPER SEAL KIT	1	
19	4FM-W0045-10	.BRAKE PAD KIT	1	
20	4FM-25919-00	.SUPPORT, PAD	1	
21	4FM-25924-00	.PIN, PAD	2	
22	4FM-25925-00	..CLIP	2	
23	1J3-W0048-00	..BREED SCREW KIT	1	
24	4FM-25827-00	.SHIM, CALIPER	2	
25	90105-10725	BOLT, WASHER BASED	4	
26	4FM-21596-00	HOLDER	1	

FIG. 31 REAR WHEEL

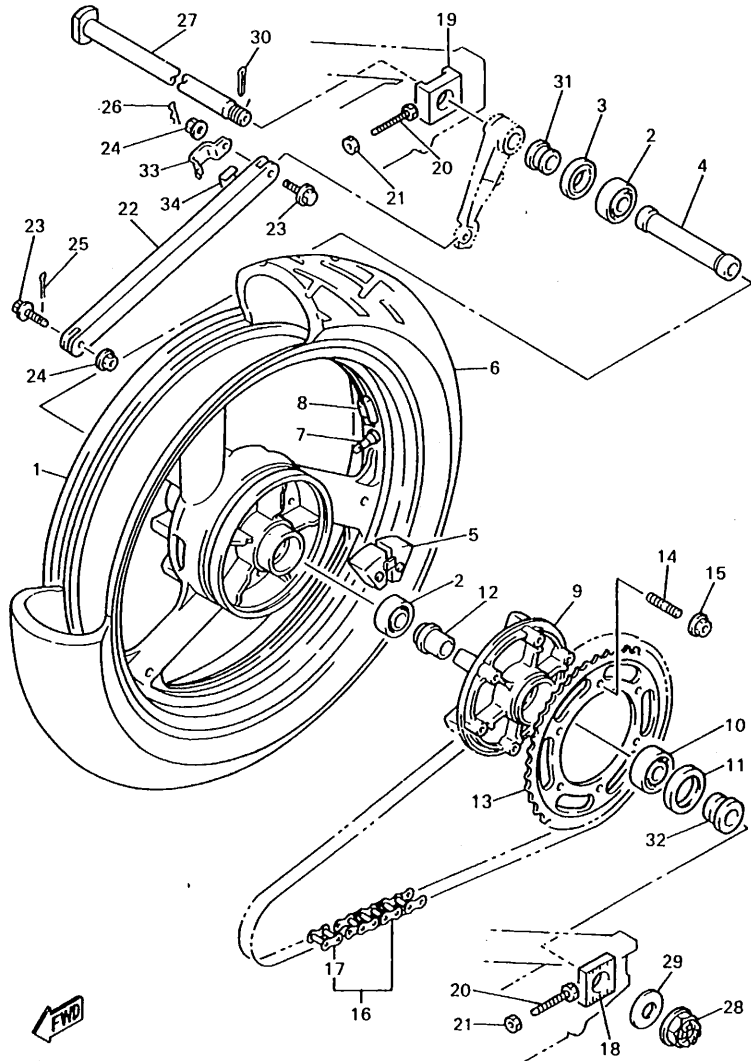


4HD300-3310

REF. NO.	PART NO.	DESCRIPTION	Q'TY	REMARKS
1	4FM-25338-00-P2	CAST WHEEL, REAR	1	UR DEEP REDDISH PURPLE SOLID 1 UR DULL BLUE METALLIC 2
	4FM-25338-00-P5	CAST WHEEL, REAR	1	
2	93306-20567	BEARING	2	
3	93102-35412	OIL SEAL	1	
4	90560-28389	SPACER	1	
5	4FM-25364-00	DAMPER	6	
6	94118-1700R	TIRE (180/55 ZR17 BT50R)	1	BRIDGESTONE
7	93900-00030	VALVE, RIM	1	
8	29L-25398-00	BALANCER, WHEEL (10G)	1	UN
	29L-25398-10	BALANCER, WHEEL (20G)	1	UN
	29L-25398-20	BALANCER, WHEEL (30G)	1	UN
9	4FM-25366-00	CLUTCH, HUB	1	
10	93306-20644	BEARING	1	
11	93102-40330	OIL SEAL	1	
12	4FM-25377-00	COLLAR, WHEEL	1	
13	3FV-25443-01	SPROCKET, DRIVEN (43T)	1	
14	90116-10575	BOLT, STUD	6	
15	95601-10200	NUT, SELF-LOCKING	6	
16	94581-55106	CHAIN (DID532ZLVKA1-L106)	1	
17	94681-55031	JOINT, CHAIN	1	
18	4FM-25388-00	PULLER, CHAIN 1	1	
19	4FM-25389-00	PULLER, CHAIN 2	1	
20	90101-08705	BOLT	2	
21	95333-08600	NUT	2	
22	4FM-25371-00	BAR, TENSION	1	
23	90105-08321	BOLT, WASHER BASED	2	
24	95701-08500	NUT, FLANGE	2	
25	91490-20020	PIN, COTTER	1	



FIG. 31 REAR WHEEL

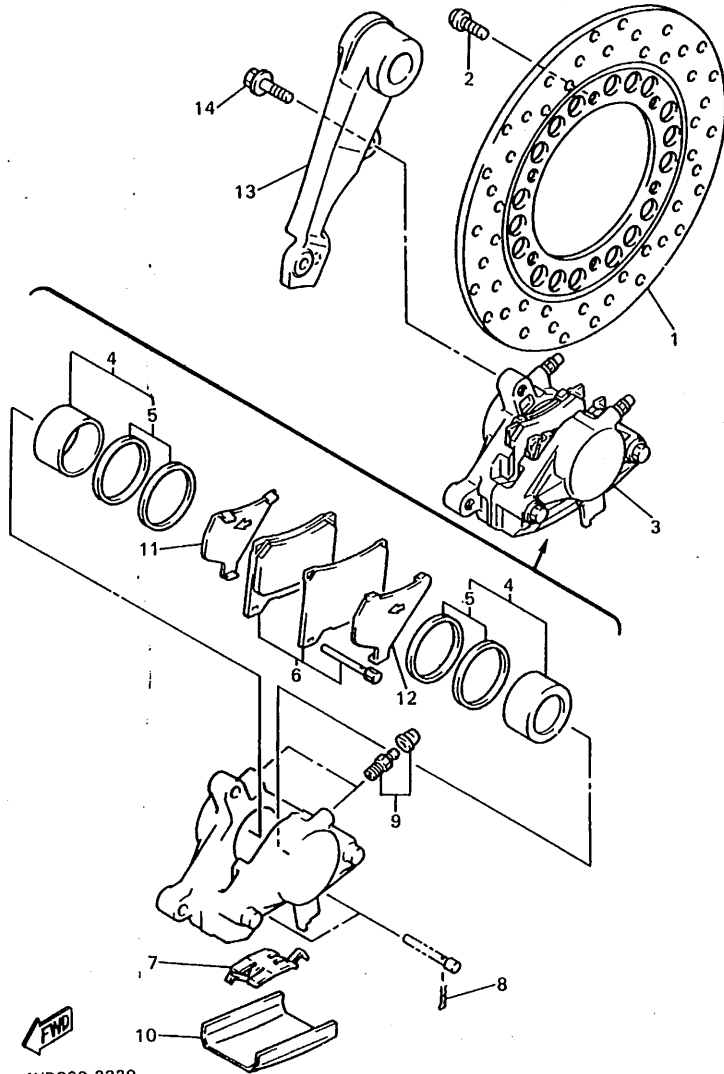


REF. NO.	PART NO.	DESCRIPTION	QTY	REMARKS
26	90468-16099	CLIP	1	
27	4FM-25381-00	AXLE, WHEEL	1	
28	90171-25052	NUT, CASTLE	1	
29	90201-263R9	WASHER, PLATE	1	
30	91401-40045	PIN, COTTER	1	
31	90387-2800P	COLLAR	1	
32	90387-2800R	COLLAR	1	
33	4FM-25887-00	HOLDER, BRAKE HOSE	1	
34	2AL-84553-00	DAMPER	1	



4HD300-3310

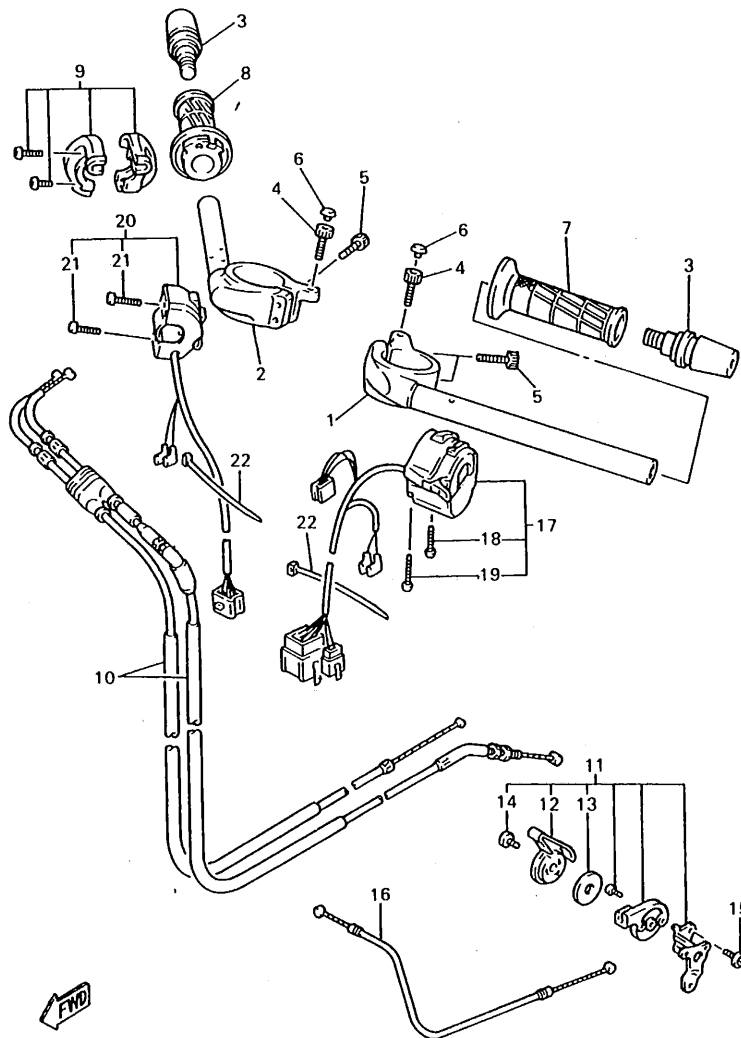
FIG. 32 REAR BRAKE CALIPER



REF. NO.	PART NO.	DESCRIPTION	Q'TY	REMARKS
1	4FM-2582W-00	DISC, REAR BRAKE 2	1	
2	90109-08718	BOLT	6	
3	4FM-2580W-10	CALIPER ASSY, REAR 2	1	
4	31A-W0057-00	.PISTON ASSY, CALIPER	1	
5	31A-W0047-00	..CALIPER SEAL KIT	1	
6	4FM-W0046-00	.BRAKE PAD KIT 2	1	
7	29L-25919-A0	.SUPPORT, PAD	1	
8	3HE-25925-00	.CLIP	2	
9	1J3-W0048-00	.BREED SCREW KIT	2	
10	42H-25836-00	.COVER, DUST	1	
11	1FK-25827-00	.SHIM, CALIPER	1	
12	1FK-25828-00	.SHIM, CALIPER	1	
13	4FM-25819-01	BRACKET, CALIPER	1	
14	90105-10725	BOLT, WASHER BASED	2	

4HD300-3320

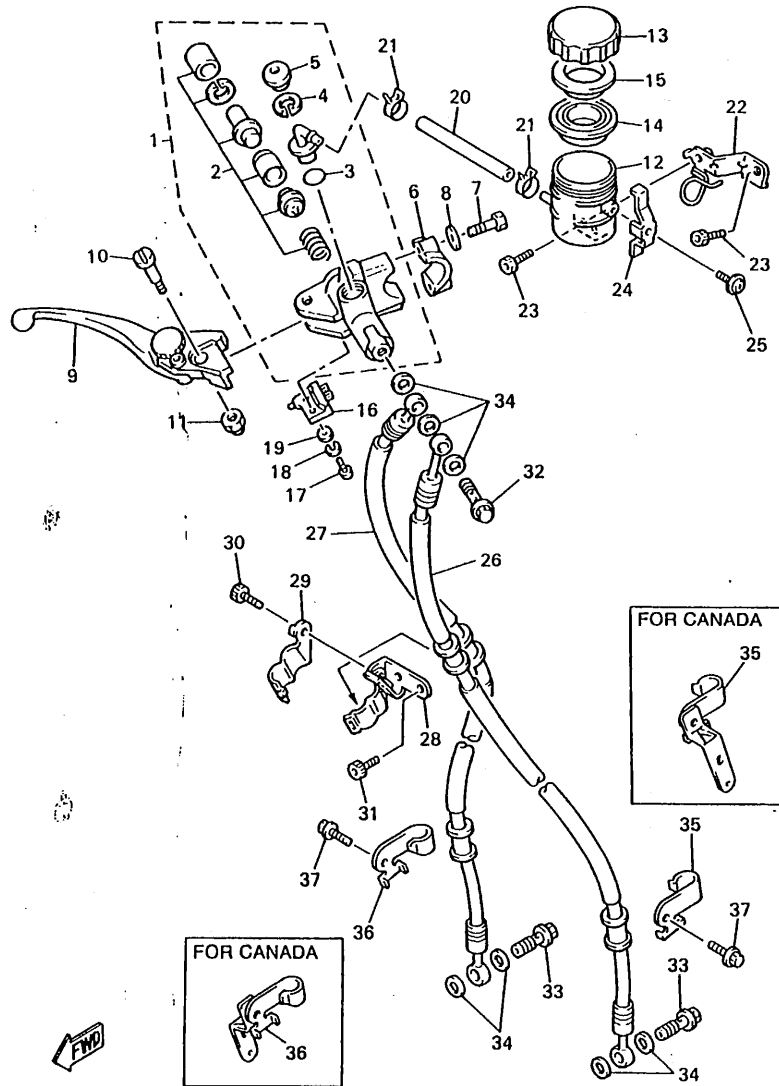
FIG. 33 STEERING HANDLE • CABLE



4HD300-3330

REF. NO.	PART NO.	DESCRIPTION	Q'TY	REMARKS
1	4FM-26121-01	HANDLEBAR (LEFT)	1	
2	4FM-26122-00	HANDLEBAR (RIGHT)	1	
3	36Y-26246-00	END, GRIP	2	
4	91311-06020	BOLT	2	
5	91311-06025	BOLT	4	
6	10L-23469-00	CAP, BOLT	2	
7	4FM-26241-00	GRIP (LEFT)	1	
8	4FM-26240-00	GRIP ASSY	1	
9	3LN-26270-01	CABLE CONNECTOR CAP ASSY	1	
10	4FM-26302-00	THROTTLE CABLE ASSY	1	
11	4FM-83940-00	STARTER ASSY	1	
12	1WG-83941-00	.LEVER, STARTER	1	
13	90209-10131	.WASHER	1	
14	98906-06008	.SCREW, BIND	1	
15	95826-06010	BOLT, FLANGE	1	
16	3FV-26331-00	CABLE, STARTER 1	1	
17	3LJ-83972-00	SWITCH, HANDLE 4	1	UR FOR OCEANIA
	3LK-83973-10	SWITCH, HANDLE 3	1	UR FOR CANADA
18	98506-05030	.SCREW, PAN HEAD	1	
19	98506-05040	.SCREW, PAN HEAD	1	
20	4FM-83975-00	SWITCH, HANDLE 2	1	
21	98506-05018	.SCREW, PAN HEAD	2	
22	25G-83936-01	BAND, SWITCH CORD	2	

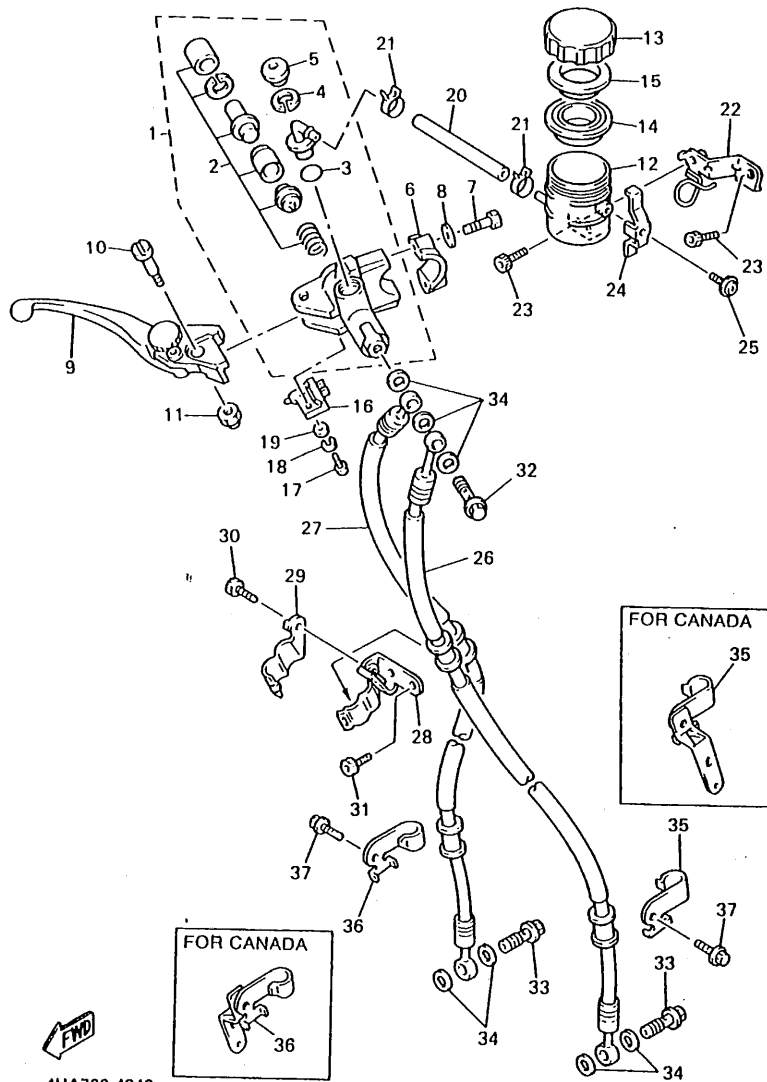
FIG. 34 FRONT MASTER CYLINDER



4HA700-4340

REF. NO.	PART NO.	DESCRIPTION	Q'TY	REMARKS
1	3GM-W2587-50	MASTER CYLINDER SUB ASSY	1	
2	3GM-W0041-50	.CYLINDER KIT, MASTER	1	
3	93210-15620	.O-RING	1	
4	2VN-25866-00	.CIRCLIP	1	
5	3FV-2589A-00	.COVER, DUST	1	
6	56A-25867-00	BRACKET, MASTER CYLINDER	1	
7	97016-06025	BOLT	2	
8	92906-06600	WASHER, PLATE	2	
9	3GM-83922-50	LEVER 2	1	
10	3FV-2589F-00	BOLT, LEVER	1	
11	95616-06100	NUT, U	1	
12	3FV-25894-00	TANK, RESERVOIR	1	
13	3GM-25852-50	CAP, RESERVOIR	1	
14	3FV-25854-00	DIAPHRAGM, RESERVOIR	1	
15	2J2-25855-50	BUSH,DIAPHRAGM	1	
16	3FV-83980-00	FRONT STOP SWITCH ASSY	1	
17	98511-04012	SCREW, PAN HEAD	1	
18	92902-04100	WASHER, SPRING	1	
19	92901-04600	WASHER, PLATE	1	
20	3GM-2585F-00	HOSE	1	
21	3PA-24356-00	CLIP, PIPE 1	2	
22	4FM-26292-00	STAY	1	
23	91316-06012	BOLT	2	
24	3FV-2589G-00	HOLDER	1	
25	3GM-2589H-00	SCREW, WITH WASHER	1	
26	4FM-25872-00	HOSE, BRAKE 1	1	
27	4FM-25873-00	HOSE, BRAKE 2	1	
28	3GM-23377-00	BRACKET, HORN	1	
29	3GM-23378-00	BRACKET	1	

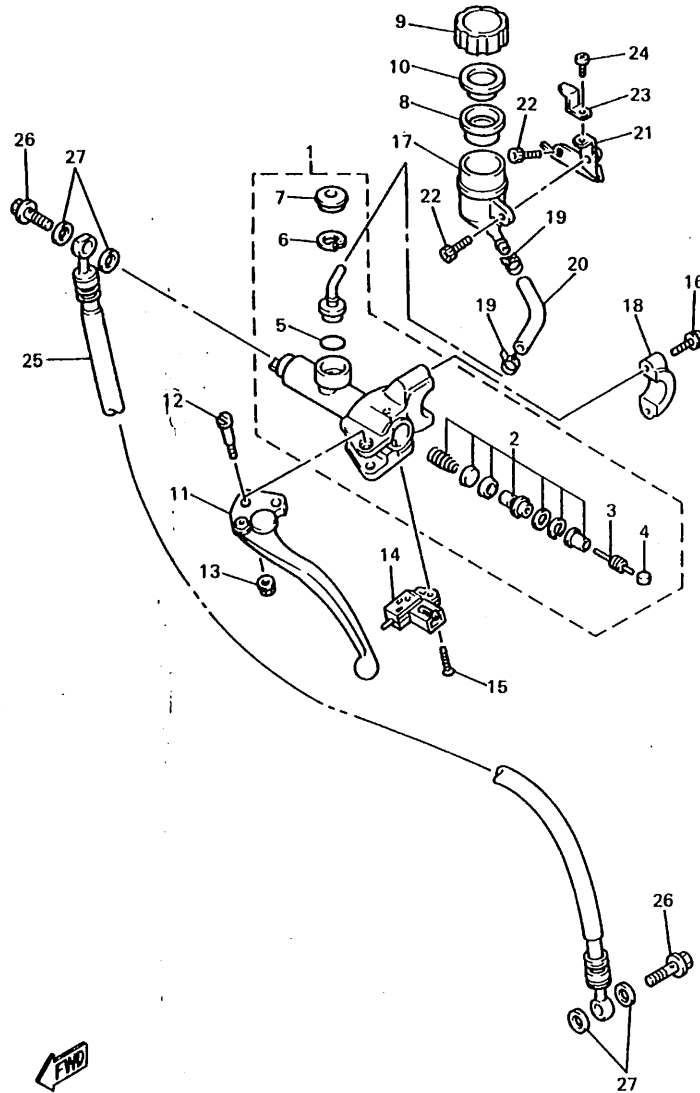
FIG. 34 FRONT MASTER CYLINDER



REF. NO.	PART NO.	DESCRIPTION	Q'TY	REMARKS
30	91316-06010	BOLT	1	
31	91316-06012	BOLT	2	
32	90401-10095	BOLT, UNION	1	
33	90401-10096	BOLT, UNION	2	
34	90201-10118	WASHER, PLATE	7	
35	3MA-25876-11	HOLDER, BRAKE HOSE 2	1	UR FOR OCEANIA
	3LK-25875-51	HOLDER, BRAKE HOSE 1	1	UR FOR CANADA
36	3MA-25876-21	HOLDER, BRAKE HOSE 2	1	UR FOR OCEANIA
	3LK-25876-51	HOLDER, BRAKE HOSE 2	1	UR FOR CANADA
37	95816-06012	BOLT, FLANGE	2	

4HA700-4340

FIG. 35 FRONT MASTER CYLINDER 2

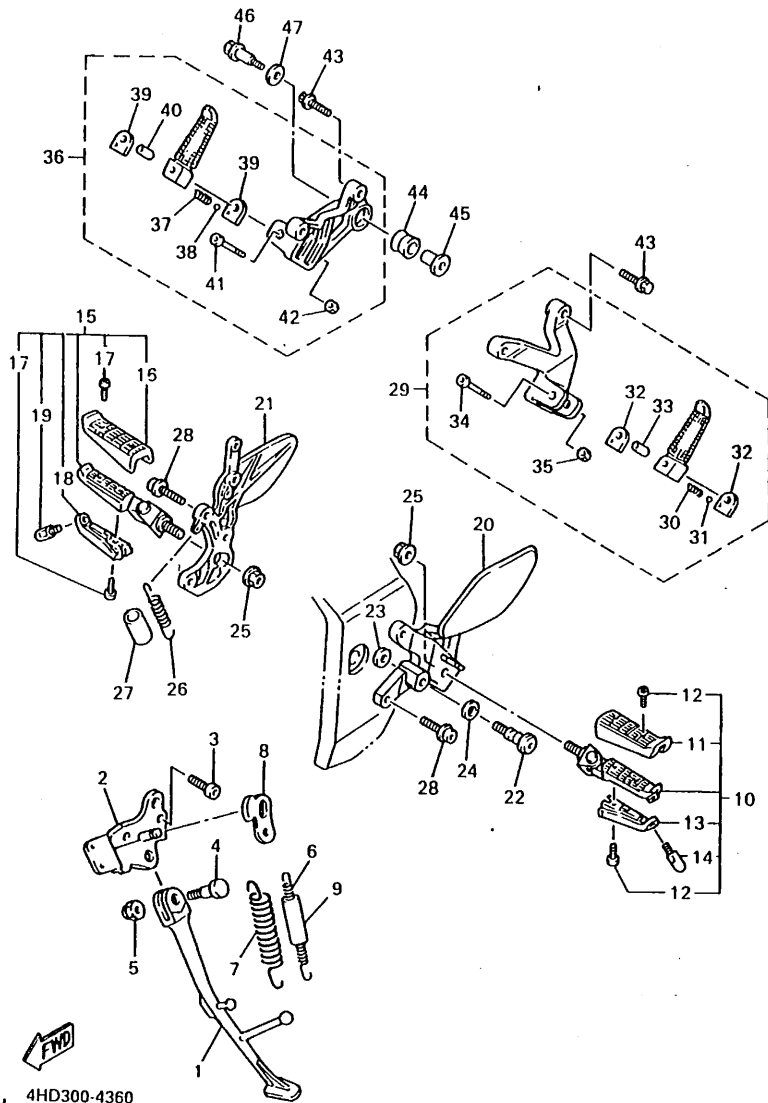


REF. NO.	PART NO.	DESCRIPTION	Q'TY	REMARKS
1	4FM-W2645-00	MASTER CYLINDER SUB ASSY	1	
2	3GM-W0099-00	.CYLINDER KIT, MASTER (CLUTCH)	1	
3	3GM-26464-00	.ROD, PUSH	1	
4	3GM-26455-00	.BUSH	1	
5	93210-15620	.O-RING	1	
6	2VN-25866-00	.CIRCLIP	1	
7	3FV-2589A-00	.COVER, DUST	1	
8	3GK-25854-50	DIAPHRAGM, RESERVOIR	1	
9	4FM-25852-00	CAP, RESERVOIR	1	
10	3GK-25855-50	BUSH,DIAPHRAGM	1	
11	4FM-83912-00	LEVER 1	1	
12	3FV-2589F-00	BOLT, LEVER	1	
13	95706-06500	NUT, FLANGE	1	
14	3GM-83980-00	FRONT STOP SWITCH ASSY	1	
15	98706-04016	SCREW, FLAT HEAD	1	
16	95026-06025	BOLT, FLANGE	2	
17	4FM-25894-00	TANK, RESERVOIR	1	
18	56A-25867-00	BRACKET, MASTER CYLINDER	1	
19	3PA-24356-00	CLIP, PIPE 1	2	
20	4FM-2585F-00	HOSE	1	
21	4FM-26296-00	BRACKET	1	
22	91316-06012	BOLT	2	
23	4FM-26475-00	HOLDER	1	
24	98506-04008	SCREW, PAN HEAD	1	
25	2GH-26470-01	HOSE, CLUTCH	1	
26	90401-10096	BOLT, UNION	2	
27	90201-10118	WASHER, PLATE	4	



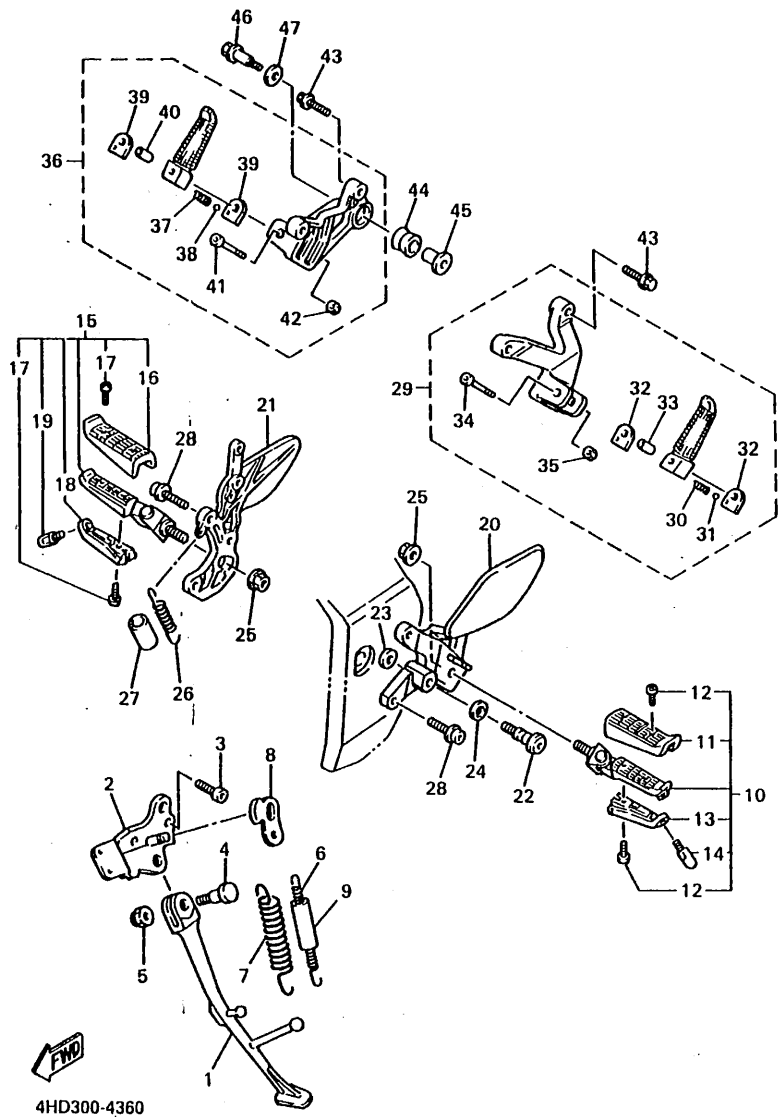
4HD300-3350

FIG. 36 STAND . FOOTREST



REF. NO.	PART NO.	DESCRIPTION	Q'TY	REMARKS
1	4FM-27311-00	STAND, SIDE	1	
2	4FM-27321-00	BRACKET, SIDE STAND	1	
3	90110-08155	BOLT, HEXAGON SOCKET HEAD	2	
4	90109-104E6	BOLT	1	
5	90185-10037	NUT, SELF-LOCKING	1	
6	90506-18224	SPRING, TENSION	1	
7	90506-26225	SPRING, TENSION	1	
8	4FM-27315-00	LINK, SIDE STAND	1	
9	1TX-27351-00	GUIDE, SIDE STAND	1	
10	4FM-27410-00	FRONT FOOTREST ASSY (LEFT)	1	
11	2GH-27413-00	.COVER, FOOTREST	1	
12	90157-05079	.SCREW, PAN HEAD	3	
13	4FM-27471-00	.BAR, FOOTREST 1	1	
14	4FM-27435-00	.BOLT	1	
15	4FM-27420-00	FRONT FOOTREST ASSY (RIGHT)	1	
16	2GH-27413-00	.COVER, FOOTREST	1	
17	90157-05079	.SCREW, PAN HEAD	3	
18	4FM-27471-00	.BAR, FOOTREST 1	1	
19	4FM-27435-00	.BOLT	1	
20	4FM-27442-00	BRACKET 2	1	
21	4FM-27443-00	BRACKET 3	1	
22	4BP-27434-01	BOLT	1	
23	90201-08326	WASHER, PLATE	1	
24	90201-127J6	WASHER, PLATE	1	
25	90179-10247	NUT	2	
26	90506-20377	SPRING, TENSION	1	
27	90446-17346	HOSE	1	
28	90110-08199	BOLT, HEXAGON SOCKET HEAD	4	

FIG. 36 STAND • FOOTREST

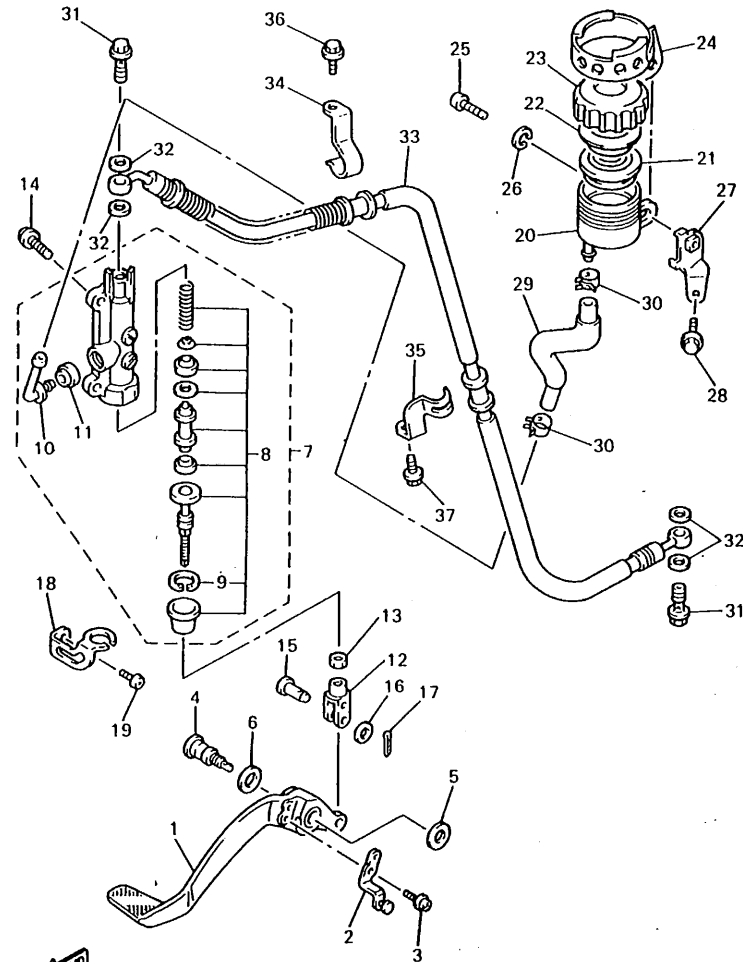


REF. NO.	PART NO.	DESCRIPTION	QTY	REMARKS
29	4FM-27430-10	REAR FOOTREST ASSY 1	1	
30	90501-12743	.SPRING, COMPRESSION	1	
31	93501-04011	.BALL	1	
32	1HX-27437-00	.WASHER, SPECIAL	2	
33	90387-064H8	.COLLAR	1	
34	91311-06045	.BOLT	1	
35	95601-06100	.NUT, U	1	
36	4FM-27440-10	REAR FOOTREST ASSY 2	1	
37	90501-12743	.SPRING, COMPRESSION	1	
38	93501-04011	.BALL	1	
39	1HX-27437-00	.WASHER, SPECIAL	2	
40	90387-064H8	.COLLAR	1	
41	91311-06045	.BOLT	1	
42	95601-06100	.NUT, U	1	
43	95811-08030	BOLT, FLANGE	2	
44	2H7-27414-00	DAMPER, FOOTREST	1	
45	90387-10636	COLLAR	1	
46	90105-10316	BOLT, WASHER BASED	1	
47	90201-10669	WASHER, PLATE	1	

4HD300-4360



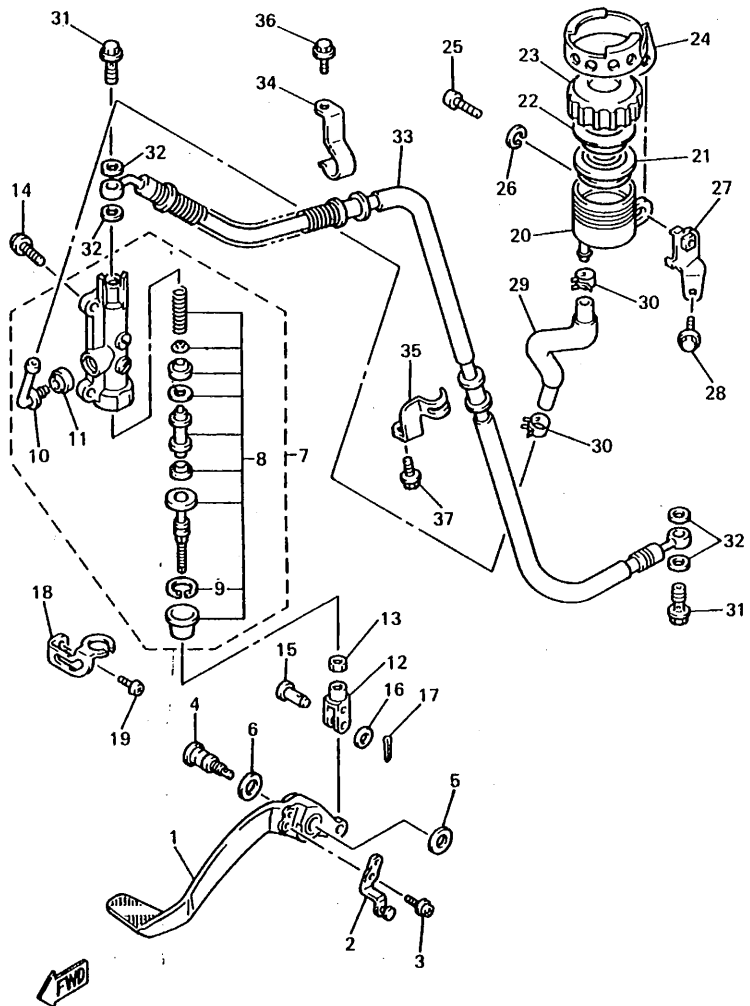
FIG. 37 REAR MASTER CYLINDER



4HD300-3370

REF. NO.	PART NO.	DESCRIPTION	Q'TY	REMARKS
1	4FM-27211-00	PEDAL, BRAKE	1	
2	4FM-27254-00	HOOK	1	
3	90159-06045	SCREW, WITH WASHER	1	
4	3YF-27261-00	SHAFT	1	
5	90201-104R2	WASHER, PLATE	1	
6	90206-14086	WASHER, WAVE	1	
7	4BH-2583V-00	RR. MASTER CYLINDER ASSY.	1	
8	4BH-W0042-50	.CYLINDER KIT, MASTER	1	
9	3LN-2585G-00	..CIRCLIP	1	
10	4BP-2582A-00	.JOINT	1	
11	4BP-2585F-00	.BUSH	1	
12	4FM-27222-00	JOINT	1	
13	95303-08700	NUT	1	
14	92011-08020	BOLT, BUTTON HEAD	2	
15	90240-08124	PIN, CLEVIS	1	
16	90201-08083	WASHER, PLATE	1	
17	91490-20020	PIN, COTTER	1	
18	4FM-2144G-00	STAY, STOP SWITCH	1	
19	98580-06010	SCREW, PAN HEAD	1	
20	31A-25894-01	TANK, RESERVOIR	1	
21	360-25854-00	DIAPHRAGM, RESERVOIR	1	
22	2GU-25855-00	BUSH,DIAPHRAGM	1	
23	2KF-25852-50	CAP, RESERVOIR	1	
24	3PJ-25888-00	COVER, RESERVOIR TANK	1	
25	98516-06020	SCREW, PAN HEAD	1	
26	92906-06100	WASHER, SPRING	1	
27	4FM-2133G-00	BRACKET, RESERVER	1	
28	91001-06016	BOLT, FLANGE	1	

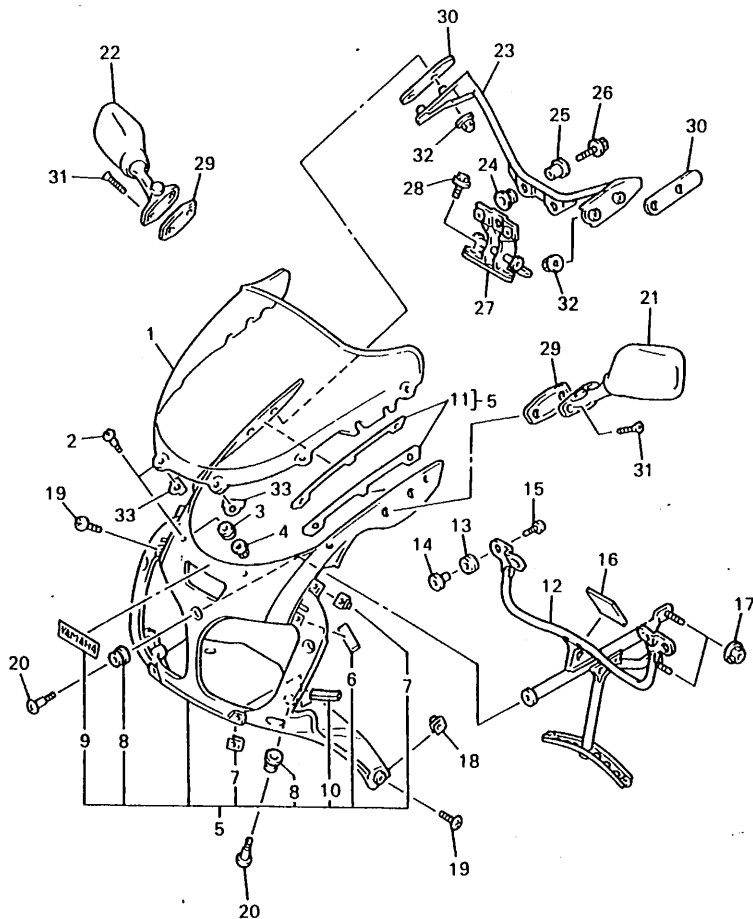
FIG. 37 REAR MASTER CYLINDER



4HD300-3370

REF. NO.	PART NO.	DESCRIPTION	Q'TY	REMARKS
29	4FM-25895-00	HOSE, RESERVOIR	1	
30	90467-14057	CLIP	2	
31	90401-10096	BOLT, UNION	2	
32	90201-10118	WASHER, PLATE	4	
33	4FM-25874-00	HOSE, BRAKE	1	
34	4FM-25875-00	HOLDER, BRAKE HOSE 1	1	
35	4FM-25876-00	HOLDER, BRAKE HOSE 2	1	
36	95023-06016	BOLT	1	
37	95023-06008	BOLT	1	

FIG. 38 COWLING 1

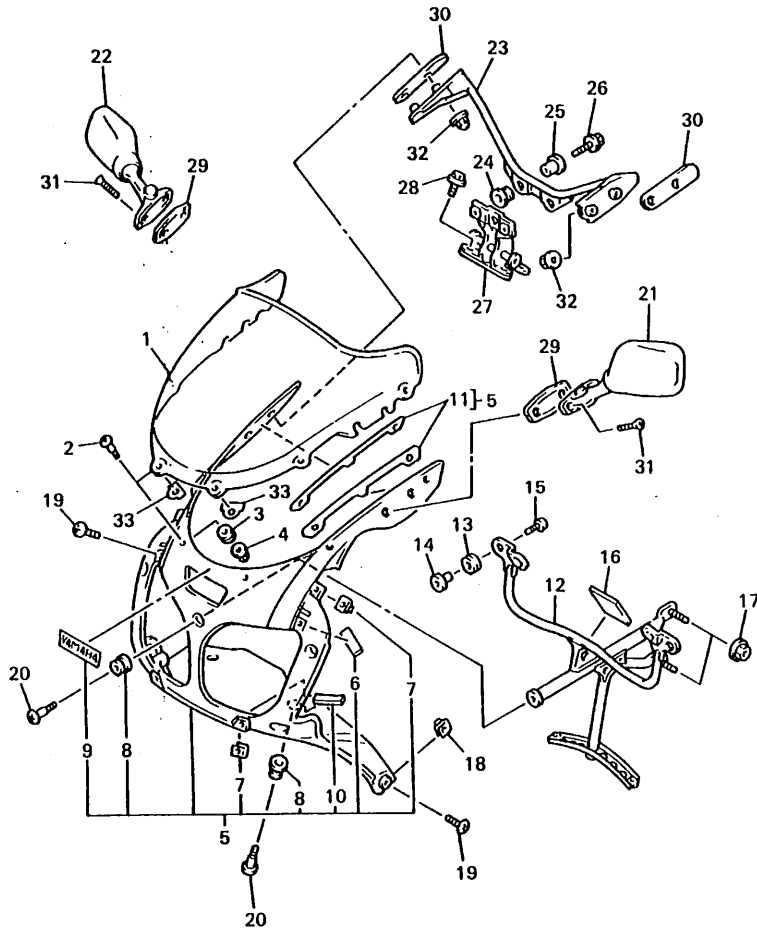


REF. NO.	PART NO.	DESCRIPTION	Q'TY	REMARKS
1	4FM-28381-00	WINDSHIELD	1	
2	90149-05273	SCREW	6	
3	4FM-28215-00	WASHER, SPECIAL	6	
4	95706-05500	NUT, FLANGE	6	
5	4FM-Y2835-30-P0	COWLING ASS'Y	1	UR DEEP VIOLET
	4FM-Y2835-40-P1	COWLING ASS'Y	1	METALLIC 1 FOR BWC1 UR VERY DARK VIOLET COCKTAIL 1 FOR DBC2
6	89X-77167-00	.TRIM 3	2	
7	90183-05024	.NUT, SPRING	6	
8	90480-13398	.GROMMET	3	
9	99236-00100	.EMBLEM, YAMAHA	1	UR FOR BWC1
	99237-00100	.EMBLEM, YAMAHA	1	UR FOR DBC2
10	3MA-21649-00	.DAMPER	2	
11	4FM-2834V-00	.PROTECTOR 1	2	
12	4FM-28356-00	STAY 1	1	
13	90480-13163	GROMMET	2	
14	90560-06201	SPACER	2	
15	97706-50016	SCREW, TAPPING	2	
16	51L-28371-00	DAMPER	1	
17	95601-08200	NUT, SELF-LOCKING	2	
18	90183-05024	NUT, SPRING	2	
19	90150-05039	SCREW, ROUND HEAD	8	
20	90150-06036	SCREW, ROUND HEAD	3	
21	4FM-26280-00	REAR VIEW MIRROR ASSY(LEFT)	1	UR WHITE
	4FM-26280-10	REAR VIEW MIRROR ASSY(LEFT)	1	UR BLACK
22	4FM-26290-00	REAR VIEW MIRROR ASSY(RIGHT)	1	UR WHITE
	4FM-26290-10	REAR VIEW MIRROR ASSY(RIGHT)	1	UR BLACK
23	4FM-2831W-00	STAY, MIRROR 1	1	
24	90480-13398	GROMMET	2	



4HD300-4380

FIG. 38 COWLING 1



REF. NO.	PART NO.	DESCRIPTION	Q'TY	REMARKS
25	90387-067N5	COLLAR	2	
26	95026-06016	BOLT, FLANGE	2	
27	4FM-2832W-00	STAY, MIRROR 2	1	
28	95026-06012	BOLT, FLANGE	2	
29	4FM-26299-00	PLATE, MIRROR FITTING 2	2	
30	3XV-26298-00	PLATE, MIRROR FITTING 1	2	
31	98706-06025	SCREW, FLAT HEAD	4	
32	90176-06055	NUT, CROWN	4	
33	4FM-2834W-00	PROTECTOR	2	



4HD300-4380

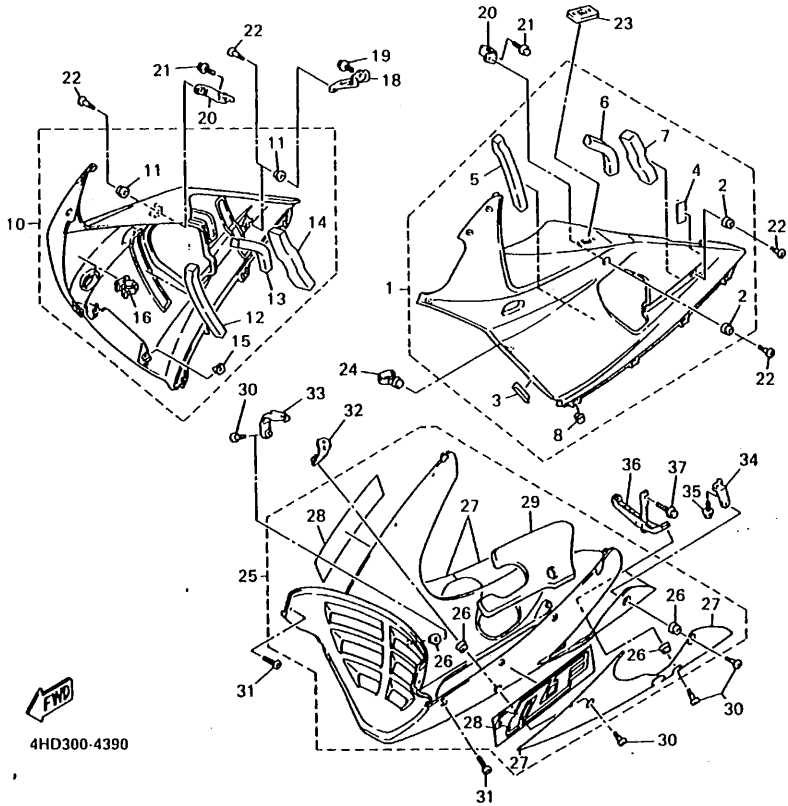
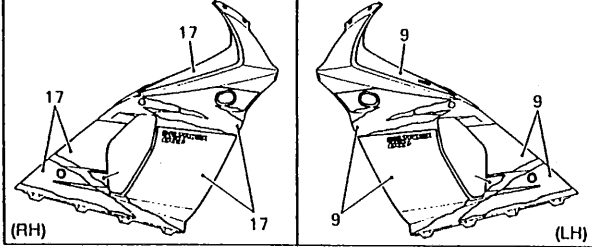
FIG. 39 COWLING 2

10. 4FM-Y283V-40-2X (BWC1)  
4FM-Y283V-50-3X (DBC2)

1. 4FM-Y283U-40-2X (BWC1)  
4FM-Y283U-50-3X (DBC2)

17. 4FM-28303-00 (BWC1)  
4FM-28303-10 (DBC2)

9. 4FM-28301-20 (BWC1)  
4FM-28301-30 (DBC2)



REF. NO.	PART NO.	DESCRIPTION	Q'TY	REMARKS
1	4FM-Y283U-40-2X	PANEL ASSY	1	UR BLUISH WHITE COCKTAIL 1 /DEEP VIOLET METALLIC 1
	4FM-Y283U-50-3X	PANEL ASSY	1	UR DARK BLUE COCKTAIL 2 /VERY DARK VIOLET COCKTAIL 1
2	90480-13398	.GROMMET	2	
3	1JK-21735-00	.SEAL 2	1	
4	1JK-21268-00	.SEAL	1	
5	4FM-21639-00	.DAMPER 2	1	
6	3YL-21649-00	.DAMPER	1	
7	4FM-28371-00	.DAMPER	1	
8	90183-05024	.NUT, SPRING	5	
9	4FM-28301-20	.GRAPHIC SET, LOWER COVER	1	UR FOR BWC1
	4FM-28301-30	.GRAPHIC SET, LOWER COVER	1	UR FOR DBC2
10	4FM-Y283V-40-2X	PANEL ASSY	1	UR BLUISH WHITE COCKTAIL 1 /DEEP VIOLET METALLIC 1
	4FM-Y283V-50-3X	PANEL ASSY	1	UR DARK BLUE COCKTAIL 2 /VERY DARK VIOLET COCKTAIL 1
11	90480-13398	.GROMMET	2	
12	4FM-21639-00	.DAMPER 2	1	
13	3YL-21649-00	.DAMPER	1	
14	4FM-28371-00	.DAMPER	1	
15	90183-05024	.NUT, SPRING	5	
16	90464-25160	.CLAMP	1	
17	4FM-28303-00	.GRAPHIC SET, LOWER COVER	1	UR FOR BWC1
	4FM-28303-10	.GRAPHIC SET, LOWER COVER	1	UR FOR DBC2
18	4FM-28322-00	STAY 2	1	
19	95826-06010	BOLT, FLANGE	1	
20	4FM-2836H-00	BRACKET 5	2	
21	95816-08012	BOLT, FLANGE	2	
22	90150-06036	SCREW, ROUND HEAD	4	
23	3FV-28365-00	COVER	1	
24	1A8-21518-00	HOLDER, CABLE	1	

4HD300-4390

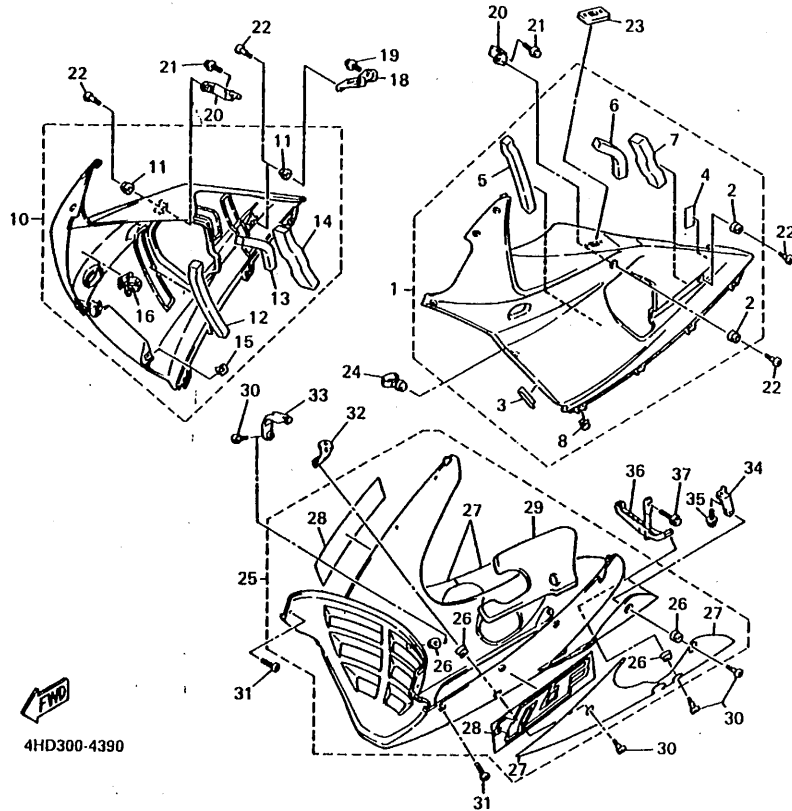
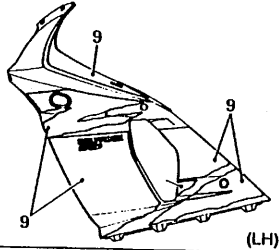
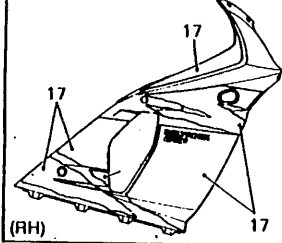
FIG. 39 COWLING 2

10. 4FM-Y283V-40-2X (BWC1)  
4FM-Y283V-50-3X (DBC2)

1. 4FM-Y283U-40-2X (BWC1)  
4FM-Y283U-50-3X (DBC2)

17. 4FM-28303-00 (BWC1)  
4FM-28303-10 (DBC2)

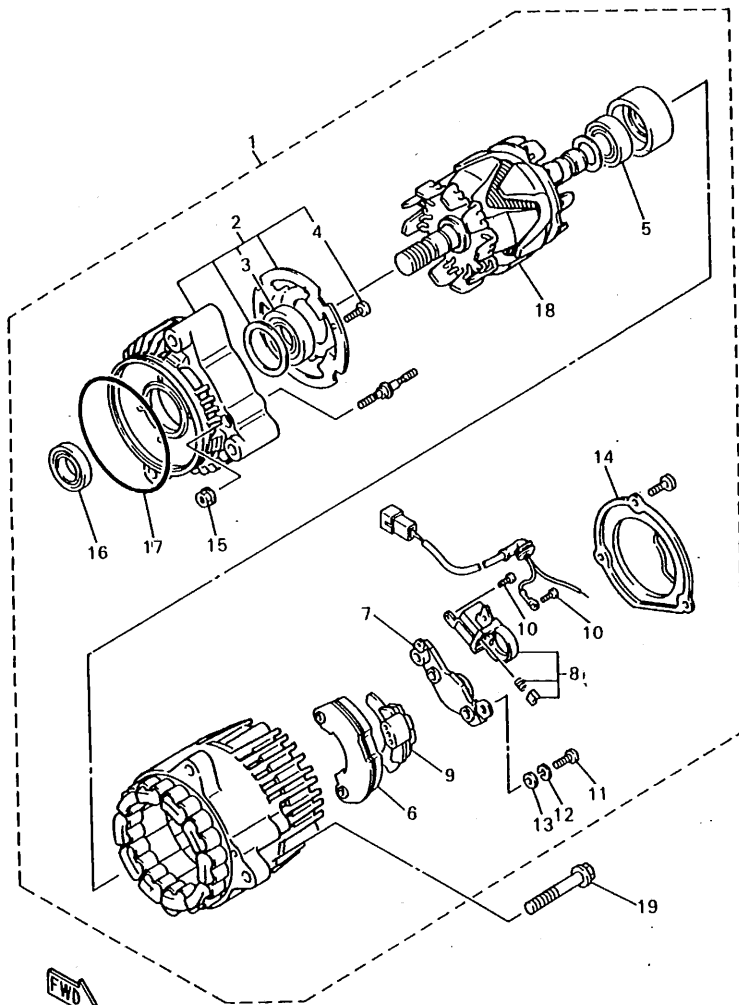
9. 4FM-28301-20 (BWC1)  
4FM-28301-30 (DBC2)



4HD300-4390

REF. NO.	PART NO.	DESCRIPTION	QTY	REMARKS
25	4FM-Y2808-11-P0	COVER ASSY, UNDER	1	UR BLUISH WHITE COCKTAIL 1
	4FM-Y2808-41-P3	COVER ASSY, UNDER	1	
26	90480-13398	.GROMMET	5	UR DARK BLUE COCKTAIL 2
27	4FM-28304-00	.GRAPHIC SET, LOWER COVER 3	1	UR FOR BWC1
	4FM-28304-10	.GRAPHIC SET, LOWER COVER 3	1	UR FOR DBC2
28	4FM-28315-40	.EMBLEM	2	UR FOR BWC1
	4FM-28315-50	.EMBLEM	2	UR FOR DBC2
29	4FM-2848K-00	.SEAT 2	1	
30	90150-06036	SCREW, ROUND HEAD	5	
31	90150-05039	SCREW, ROUND HEAD	10	
32	4FM-2836F-00	BRACKET 3	1	
33	4FM-2836G-00	BRACKET 4	1	
34	4FM-2836A-01	BRACKET 1	1	
35	95826-06010	BOLT, FLANGE	1	
36	4FM-2831T-00	STAY, SUPPORT 1	1	
37	90119-06018	BOLT, WITH WASHER	1	

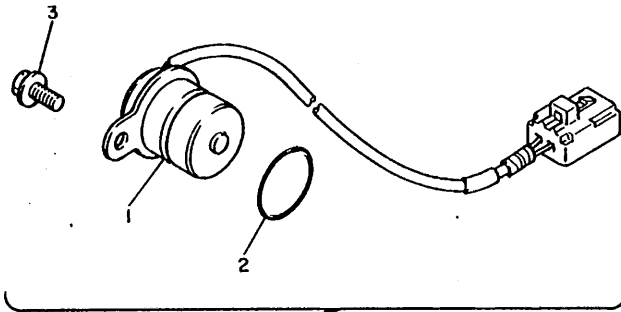
FIG. 40 GENERATOR



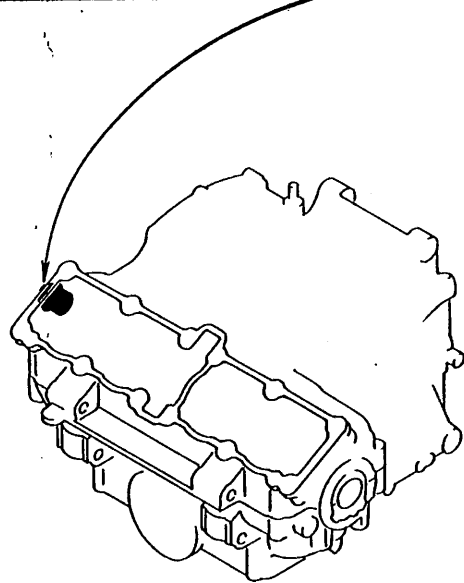
4BH332-3430

REF. NO.	PART NO.	DESCRIPTION	Q'TY	REMARKS
1	4BH-81600-00	A.C. GENERATOR ASSY	1	
2	4BH-81634-00	.STATOR ASSY	1	
3	4BH-81643-00	..BEARING	1	
4	4BH-81645-00	..SCREW	4	
5	4BH-81643-10	.BEARING	1	
6	4BH-81970-00	.RECTIFIER ASSY	1	
7	36Y-81910-50	.VOLTAGE REGULATOR ASSY	1	
8	3FV-81619-00	.BRUSH HOLDER ASSY	1	
9	4BH-81972-00	.COVER, RECTIFIER	1	
10	3FV-81645-00	.SCREW	2	
11	98580-05018	.SCREW, PAN HEAD	3	
12	92901-05100	.WASHER, SPRING	3	
13	92901-05600	.WASHER, PLATE	3	
14	4BH-81604-00	.COVER ASSY	1	
15	95701-05500	.NUT, FLANGE	2	
16	36Y-81638-50	.OIL SEAL	1	
17	2KT-81642-50	.O-RING	1	
18	4BH-81660-00	.ROTOR ASSY	1	
19	95816-08065	BOLT, FLANGE	3	

FIG. 41 PICK UP COIL . GOVERNOR



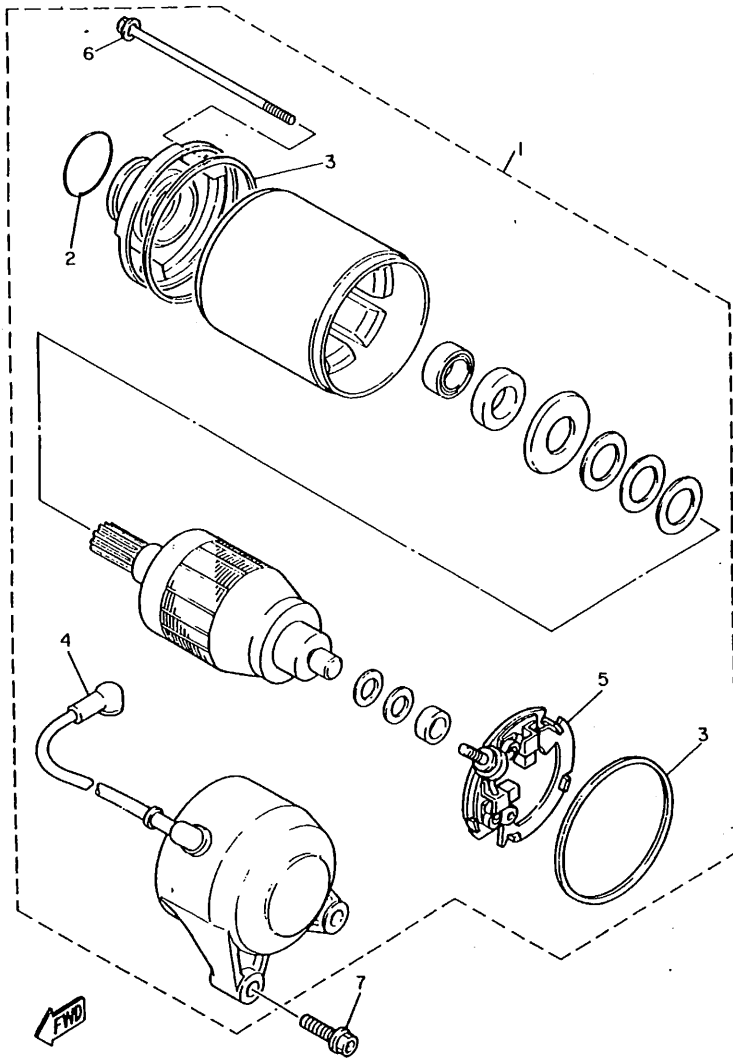
REF. NO.	PART NO.	DESCRIPTION	Q'TY	REMARKS
1	3GM-81670-00	PICK-UP ASSY	1	
2	93210-19216	O-RING	1	
3	95023-06012	BOLT	1	



2GH300-7400



FIG. 42 STARTING MOTOR

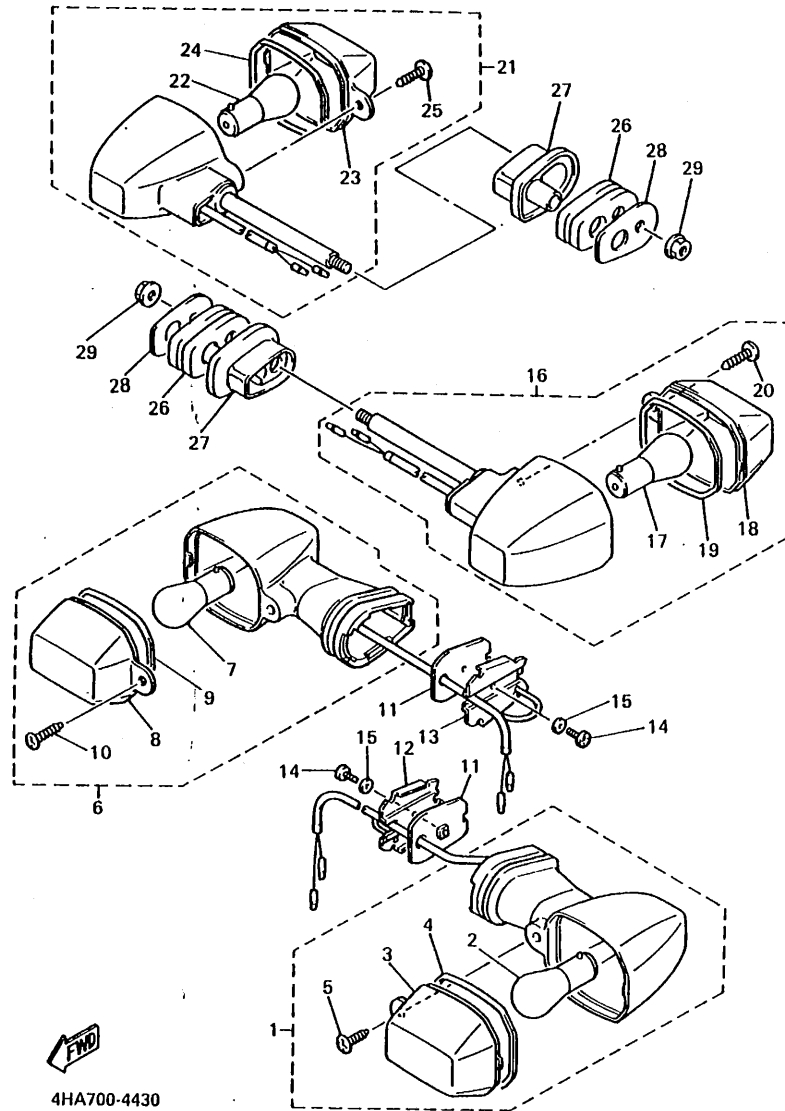


REF. NO.	PART NO.	DESCRIPTION	Q'TY	REMARKS
1	3XF-81800-00	STARTING MOTOR ASSY	1	
2	28H-81847-00	.O-RING	1	
3	11H-81844-00	.GASKET	2	
4	2KT-81815-00	.CORD, STARTER MOTOR	1	
5	3KS-81840-00	.BRUSH HOLDER ASSY	1	
6	3HE-81826-00	.BOLT	2	
7	95811-06025	BOLT, FLANGE	2	

3KS351-9420

F6

FIG. 43 FLASHER LIGHT (FOR OCEANIA)

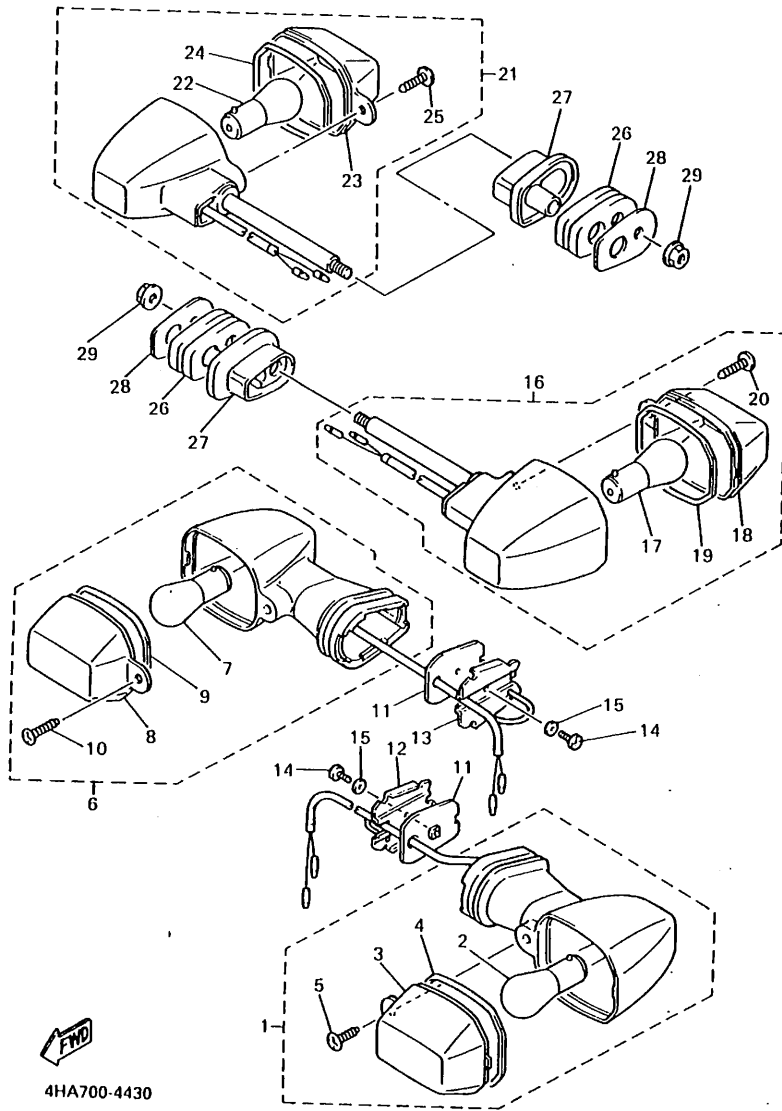


4HA700-4430

F7

REF. NO.	PART NO.	DESCRIPTION	Q'TY	REMARKS
1	4FM-83310-00	FRONT FLASHER LIGHT ASSY 1	1	
2	4FM-83311-00	.BULB, FLASHER	1	
3	4FM-83312-00	.LENS, FLASHER	1	
4	4FM-83313-00	.GASKET, FLASHER LENS	1	
5	97706-40012	.SCREW, TAPPING	1	
6	4FM-83320-00	FRONT FLASHER LIGHT ASSY 2	1	
7	4FM-83311-00	.BULB, FLASHER	1	
8	4FM-83312-00	.LENS, FLASHER	1	
9	4FM-83313-00	.GASKET, FLASHER LENS	1	
10	97706-40012	.SCREW, TAPPING	1	
11	4FM-8331L-00	PLATE, STOPPER	2	
12	4FM-83318-00	STAY, FLASHER 1	1	
13	4FM-83328-00	STAY, FLASHER 2	1	
14	98506-04008	SCREW, PAN HEAD	2	
15	92906-04600	WASHER, PLATE	2	
16	4FM-83330-10	REAR FLASHER LIGHT ASSY 1	1	
17	4FM-83311-00	.BULB, FLASHER	1	
18	4FM-83312-00	.LENS, FLASHER	1	
19	4FM-83313-00	.GASKET, FLASHER LENS	1	
20	97706-40012	.SCREW, TAPPING	1	
21	4FM-83340-10	FLASHER LIGHT ASSY 2	1	
22	4FM-83311-00	.BULB, FLASHER	1	
23	4FM-83312-00	.LENS, FLASHER	1	
24	4FM-83313-00	.GASKET, FLASHER LENS	1	
25	97706-40012	.SCREW, TAPPING	1	
26	4FM-83345-00	PLUG, BLIND	2	
27	4FM-83368-10	STAY, FLASHER 1	2	
28	4FM-83369-00	STAY, FLASHER 2	2	

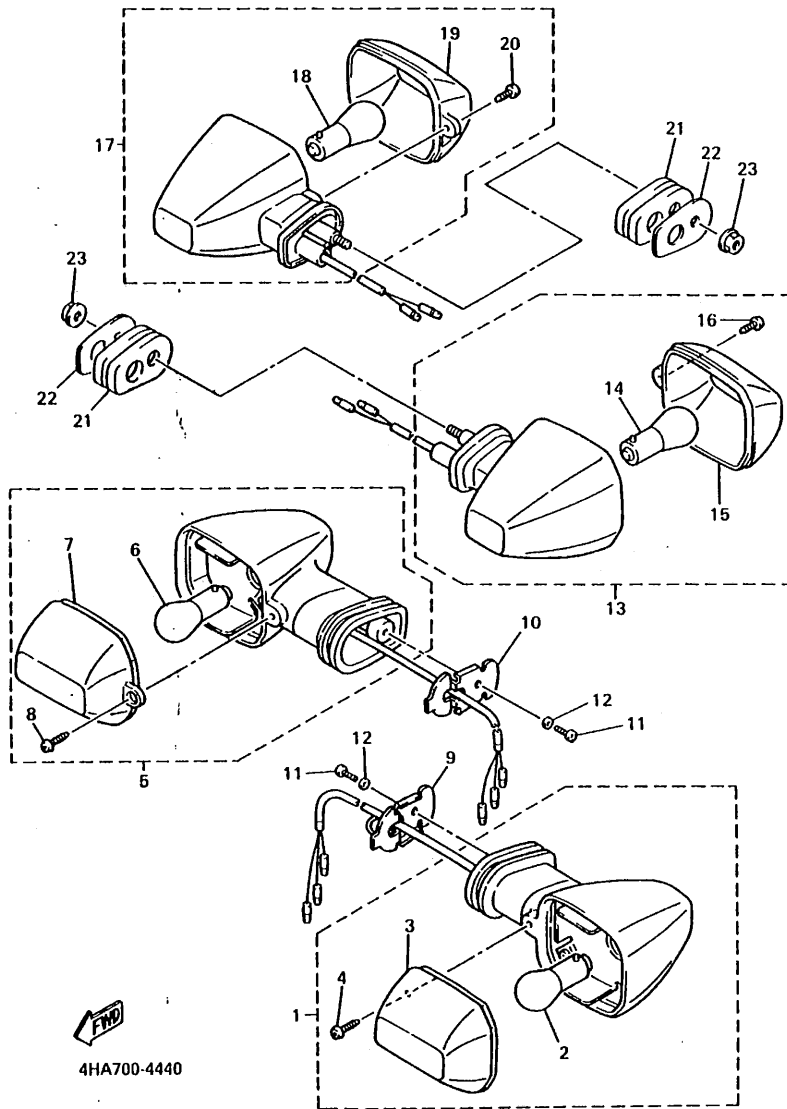
FIG. 43 FLASHER LIGHT (FOR OCEANIA)



REF. NO.	PART NO.	DESCRIPTION	Q'TY	REMARKS
29	95701-06500	NUT, FLANGE	2	

FTD  
4HA700-4430

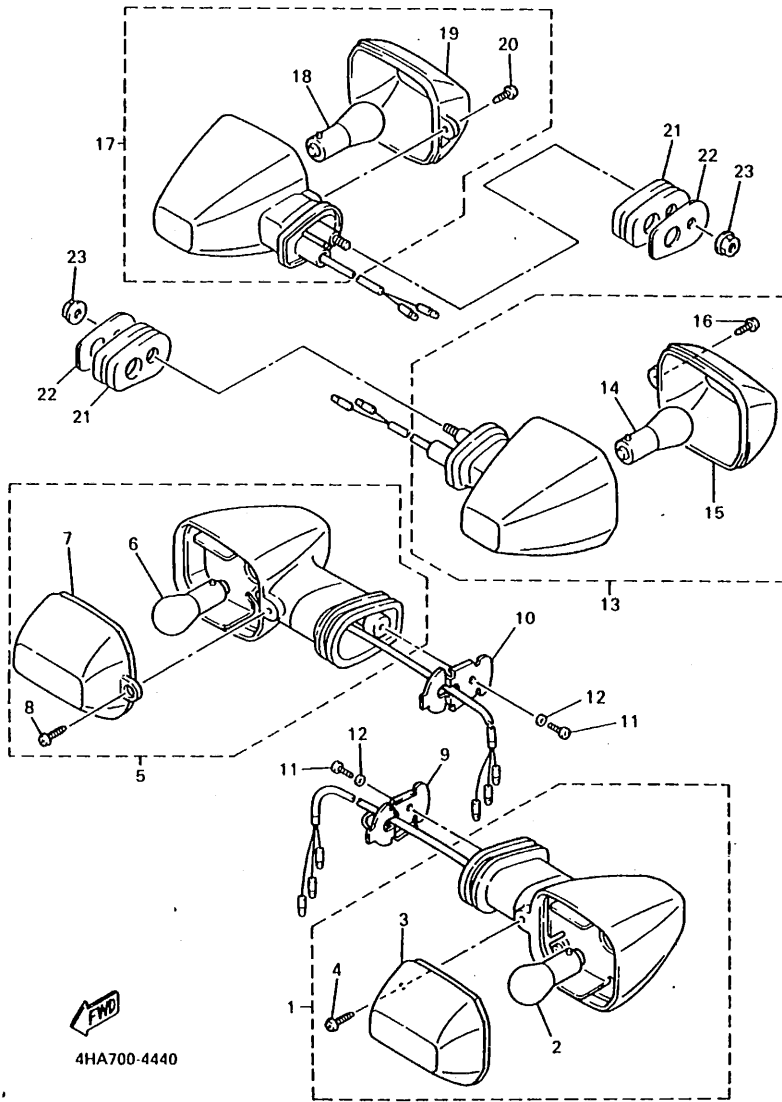
FIG. 44 FLASHER LIGHT 2 (FOR CANADA)



REF. NO.	PART NO.	DESCRIPTION	Q'TY	REMARKS
1	4JH-83310-10	FRONT FLASHER LIGHT ASSY 1	1	
2	256-84714-61	.BULB (12V-27/8W)	1	
3	4JH-83332-10	.LENS, FLASHER	1	
4	97702-40610	.SCREW, TAPPING	1	
5	4JH-83320-10	FRONT FLASHER LIGHT ASSY 2	1	
6	256-84714-61	.BULB (12V-27/8W)	1	
7	4JH-83342-10	.LENS, FLASHER 2	1	
8	97702-40610	.SCREW, TAPPING	1	
9	4JH-83318-10	STAY, FLASHER 1	1	
10	4JH-83318-00	STAY, FLASHER 1	1	
11	98506-04008	SCREW, PAN HEAD	2	
12	92906-04600	WASHER, PLATE	2	
13	4JH-83330-20	REAR FLASHER LIGHT ASSY 1	1	
14	256-83311-70	.BULB (12V-27W)	1	
15	4JH-83332-10	.LENS, FLASHER	1	
16	97702-40610	.SCREW, TAPPING	1	
17	4JH-83340-20	FLASHER LIGHT ASSY 2	1	
18	256-83311-70	.BULB (12V-27W)	1	
19	4JH-83342-10	.LENS, FLASHER 2	1	
20	97702-40610	.SCREW, TAPPING	1	
21	4FM-83345-00	PLUG, BLIND	2	
22	4FM-83369-00	STAY, FLASHER 2	2	

F9

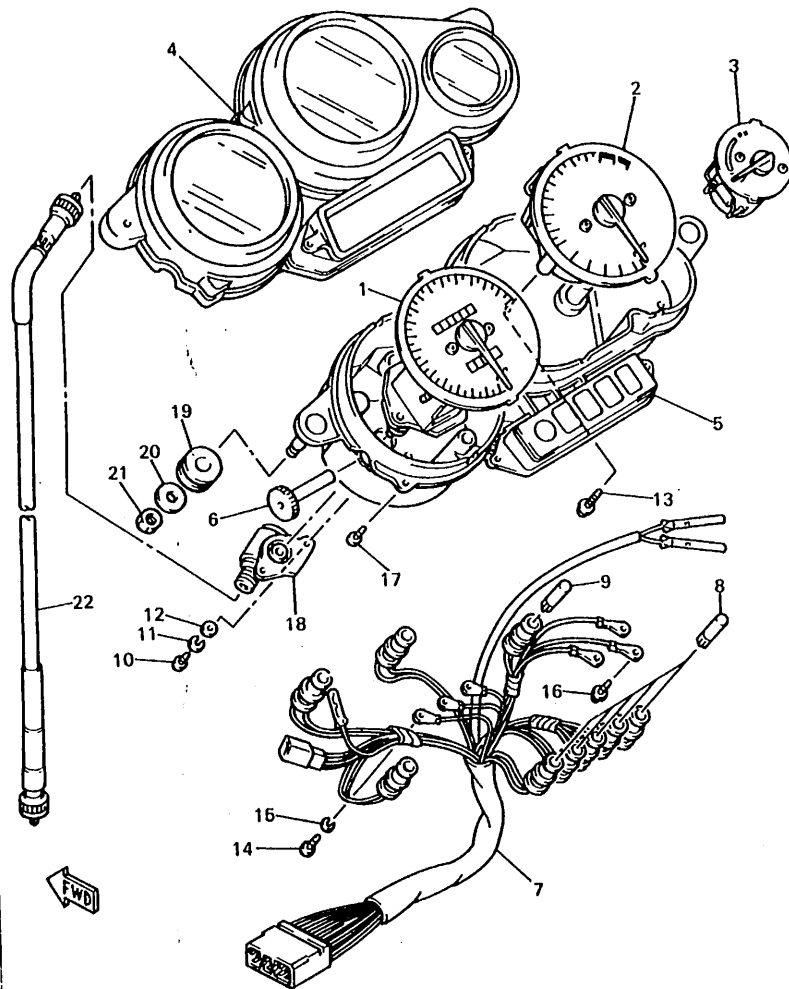
FIG. 44 FLASHER LIGHT 2 (FOR CANADA)



4HA700-4440

REF. NO.	PART NO.	DESCRIPTION	Q'TY	REMARKS
23	95701-06500	NUT, FLANGE	2	

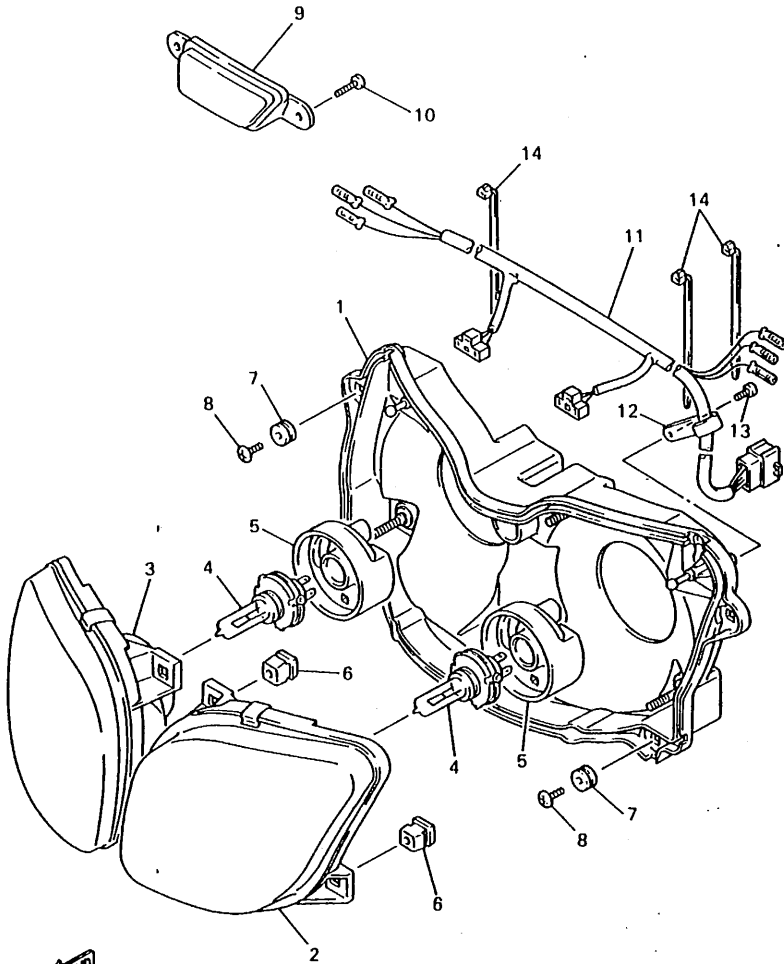
FIG. 45 METER



REF. NO.	PART NO.	DESCRIPTION	Q'TY	REMARKS
1	4FM-83570-00	SPEEDOMETER ASSY	1	
2	4FM-83540-00	TACHOMETER ASSY	1	
3	4FM-83590-00	WATER TEMPERATURE ASSY	1	
4	4FM-83559-00	COVER, METER	1	
5	4FM-8353H-40	CASE, INNER	1	
6	2GH-83578-00	KNOB, TRIP METER	1	
7	4FM-83509-00	SOCKET CORD ASSY	1	
8	4G1-84744-00	BULB (12V-3.4W)	5	
9	2GV-83517-00	BULB, (12V-1.7W, T6.5)	4	
10	98580-04010	SCREW, PAN HEAD	4	
11	92902-04100	WASHER, SPRING	4	
12	92901-04600	WASHER, PLATE	4	
13	97902-04122	SCREW, WITH WASHER	2	
14	98580-03010	SCREW, PAN HEAD	3	
15	92990-03100	WASHER, SPRING	3	
16	90159-03102	SCREW, WITH WASHER	3	
17	90164-04023	SCREW, TAPPING	5	
18	4FM-83520-00	SOCKET CORD ASSY	1	
19	5J0-83513-00	DAMPER	2	
20	90201-06059	WASHER, PLATE	2	
21	95316-06600	NUT	2	
22	4FM-83550-00	SPEEDOMETER CABLE ASSY	1	

4HD300-3440

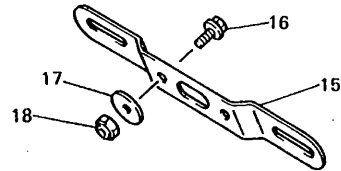
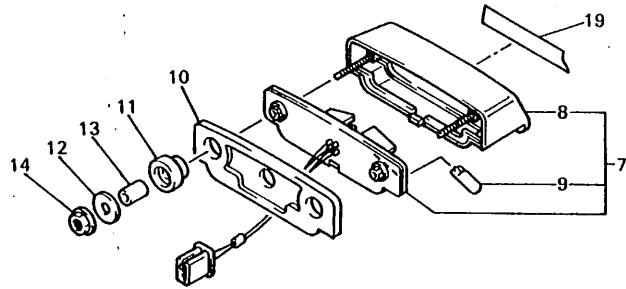
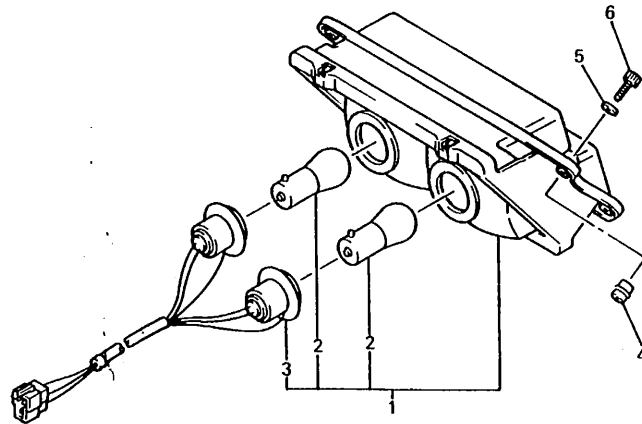
FIG. 46 HEADLIGHT



REF. NO.	PART NO.	DESCRIPTION	Q'TY	REMARKS
1	4FM-84330-41	BODY ASSY	1	
2	4FM-84320-40	LENS ASSY	1	
3	4FM-8432A-40	LENS ASSY	1	
4	1FM-84314-H0	BULB (12V-35/35W)	2	HÁLOGEN
5	2GH-84397-00	COVER, SOCKET	2	
6	51L-84334-00	NUT, ADJUSTING	4	
7	90480-10584	GROMMET	4	
8	97706-60014	SCREW, TAPPING	4	
9	3LK-84378-00-P3	CAP	1	UR DEEP VIOLET
	3LK-84378-00-P4	CAP	1	METALLIC 1 FOR BWC1
	3LK-84378-00-33	CAP	1	UR VERY DARK VIOLET
10	90167-05041	SCREW, TAPPING	2	COCKTAIL 1 FOR DBC2
11	4HY-84359-00	CORD, HEADLIGHT	1	UR YAMAHA BLACK FOR DBC2
	4HY-84359-10	CORD, HEADLIGHT	1	UR FOR OCEANIA
12	90462-05061	CLAMP	1	UR FOR CANADA
13	90167-05041	SCREW, TAPPING	1	
14	90464-13073	CLAMP	3	

4HA700-4460

FIG. 47 TAILLIGHT 1 (FOR OCEANIA)



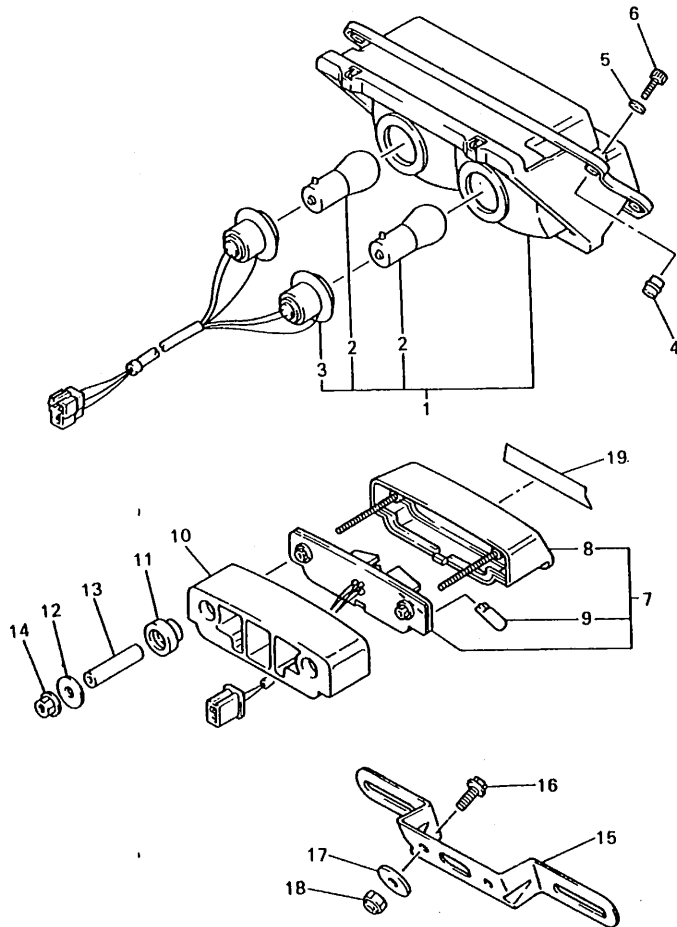
REF. NO.	PART NO.	DESCRIPTION	Q'TY	REMARKS
1	4FM-84710-00	TAILLIGHT UNIT ASSY	1	
2	31L-84714-00	.BULB, TAILLIGHT (12V-21/5W)	2	
3	4FM-84735-00	.CORD ASSY	1	
4	90179-05523	NUT	4	
5	92906-05600	WASHER, PLATE	4	
6	90110-05112	BOLT, HEXAGON SOCKET HEAD	4	
7	4FM-84745-00	LICENCE LIGHT UNIT ASSY	1	
8	4FM-84749-00	.BODY, LICENCE LIGHT	1	
9	2JE-84744-00	.BULB (12V 5W)	2	
10	3F9-84742-00	SEAT, BASE	1	
11	3F9-84553-00	DAMPER	2	
12	90201-05033	WASHER, PLATE	2	
13	90387-06241	COLLAR	2	
14	95706-05500	NUT, FLANGE	2	
15	3YF-84751-00	BRACKET, LICENSE	1	
16	95026-06016	BOLT, FLANGE	2	
17	90201-06059	WASHER, PLATE	2	
18	95616-06100	NUT, U	2	
19	99236-00080	EMBLEM, YAMAHA	1	UR FOR BWC1
	99237-00080	EMBLEM, YAMAHA	1	UR FOR DBC2



4HD300-3460



FIG. 48 TAILLIGHT 2 (FOR CANADA)

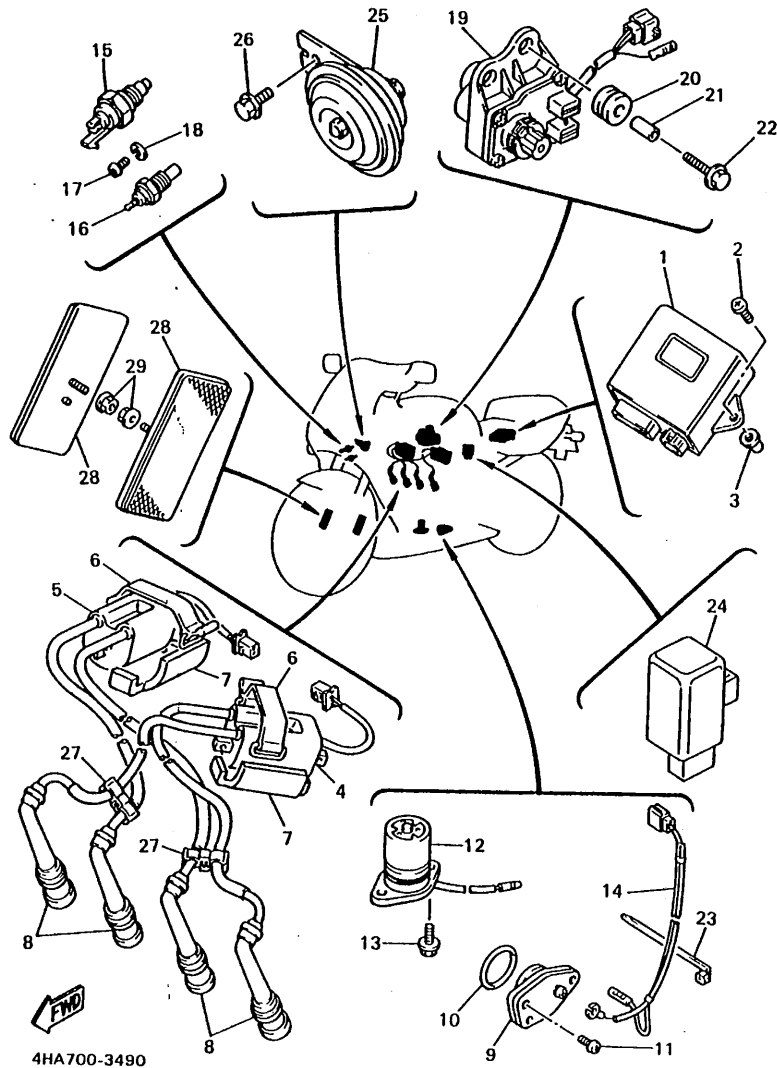


REF. NO.	PART NO.	DESCRIPTION	Q'TY	REMARKS
1	4FM-84710-10	TAILLIGHT UNIT ASSY	1	
2	31L-84714-00	.BULB, TAILLIGHT (12V-21/5W)	2	
3	4FM-84735-00	.CORD ASSY	1	
4	90179-05523	NUT	4	
5	92906-05600	WASHER, PLATE	4	
6	90110-05112	BOLT, HEXAGON SOCKET HEAD	4	
7	4FM-84745-10	LICENCE LIGHT UNIT ASSY	1	
8	4FM-84749-10	.BODY, LICENCE LIGHT	1	
9	3F9-84744-00	.BULB (12V-3.8W)	2	
10	4FM-84742-00	SEAT, BASE	1	
11	3F9-84553-00	DAMPER	2	
12	90201-05033	WASHER, PLATE	2	
13	90387-0801Y	COLLAR	2	
14	95706-05500	NUT, FLANGE	2	
15	4FM-84751-00	BRACKET, LICENSE	1	
16	95026-06016	BOLT, FLANGE	2	
17	90201-06059	WASHER, PLATE	2	
18	95616-06100	NUT, U	2	
19	99236-00080	EMBLEM, YAMAHA	1	UR FOR BWC1
	99237-00080	EMBLEM, YAMAHA	1	UR FOR DBC2



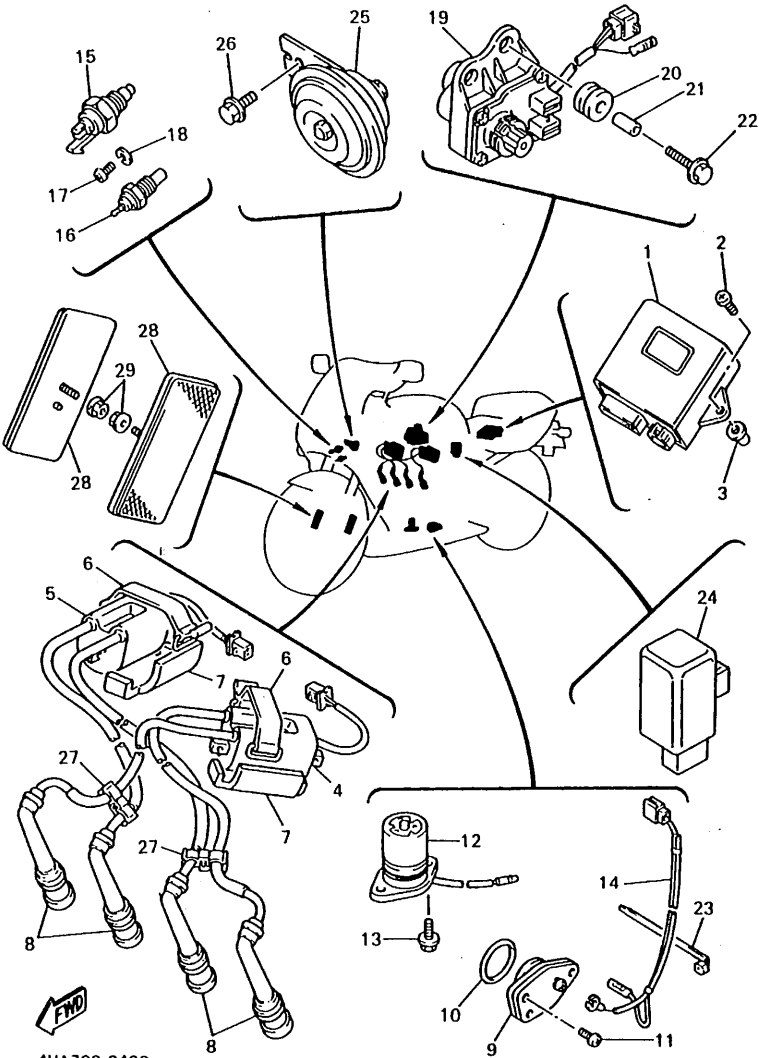
4HA700-3480

FIG. 49 ELECTRICAL 1



REF. NO.	PART NO.	DESCRIPTION	Q'TY	REMARKS
1	4HD-82305-01	IGNITOR UNIT ASSY	1	
2	97706-60016	SCREW, TAPPING	2	
3	90338-08226	PLUG	2	
4	2XL-82310-10	IGNITION COIL ASSY	1	
5	3CV-82320-00	IGNITION COIL ASSY	1	
6	3TJ-82131-00	BAND, BATTERY	2	
7	3TJ-2139U-00	DAMPER 2	2	
8	2KT-82370-00	PLUG CAP ASSY	4	
9	1AE-82540-00	NEUTRAL SWITCH ASSY	1	
10	93210-29196	O-RING	1	
11	98502-06016	SCREW, PAN HEAD	2	
12	3GM-85720-00	OIL LEVEL GAUGE ASSY	1	
13	95021-06014	BOLT, FLANGE	2	
14	4FM-82541-00	WIRE, LEAD	1	
15	2EL-82560-00	THERMO SWITCH ASSY	1	
16	11H-83591-00	THERMO UNIT	1	
17	98506-05008	SCREW, PAN HEAD	1	
18	92906-05100	WASHER, SPRING	1	
19	4FM-85820-00	SERVO MOTOR ASSY	1	
20	90480-14412	GROMMET	2	
21	90387-065V1	COLLAR	2	
22	95811-06030	BOLT, FLANGE	2	
23	90464-13073	CLAMP	1	
24	3YA-83350-10	FLASHER RELAY ASSY	1	UR N.D.
	3YA-83350-00	FLASHER RELAY ASSY	1	UR OMRON
25	4FM-83371-00	HORN	1	
26	95811-06010	BOLT, FLANGE	1	
27	90464-10186	CLAMP	2	

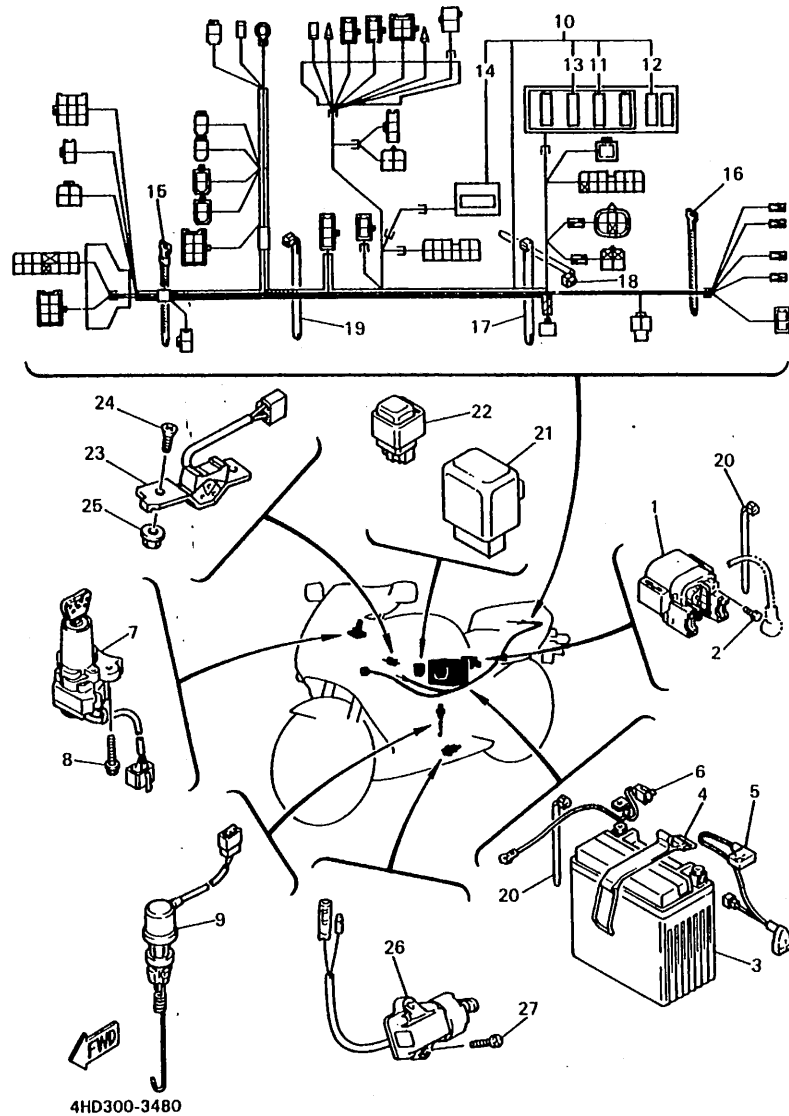
FIG. 49 ELECTRICAL 1



REF. NO.	PART NO.	DESCRIPTION	Q'TY	REMARKS
28	11H-85110-01	REFLECTOR ASSY	2	FOR CANADA
29	95701-05500	NUT, FLANGE	2	FOR CANADA

4HA700-3490

FIG. 50 ELECTRICAL 2



REF. NO.	PART NO.	DESCRIPTION	Q'TY	REMARKS
1	4FM-81940-00	STARTER RELAY ASSY	1	
2	95023-06008	BOLT	2	
3	3VD-82100-00	BATTERY ASSY (YTX12-BS)	1	
4	4BP-82131-00	BAND, BATTERY	1	
5	4FM-82115-00	WIRE, PLUS LEAD	1	
6	3FV-82116-00	WIRE, MINUS LEAD	1	
7	4FM-82501-00	MAIN SWITCH STEERING LOCK	1	
8	90109-060G4	BOLT	2	
9	1KT-82530-02	STOP SWITCH ASSY	1	
10	4HY-82590-00	WIRE HARNESS ASSY	1	UR FOR OCEANIA
	4HY-82590-10	WIRE HARNESS ASSY	1	UR FOR CANADA
11	2KW-82151-00	.FUSE (12V-7.5A)	3	
12	2GH-82151-00	.FUSE (20A)	2	
13	36Y-82151-00	.FUSE (12V-15A)	1	
14	4FM-82151-00	.FUSE (30A)	1	
15	437-83936-01	BAND, SWITCH CORD	1	
16	90464-12089	CLAMP	6	
17	90465-13169	CLAMP	1	
18	90464-13073	CLAMP	1	
19	90464-13073	CLAMP	8	
20	90464-15195	CLAMP	2	
21	3EN-81950-00	RELAY ASSY	1	
22	3GM-81950-00	RELAY ASSY	1	
23	3TJ-83964-00	SWITCH	1	
24	98780-05016	SCREW, FLAT HEAD	2	
25	95701-05500	NUT, FLANGE	2	
26	4FM-82566-00	SWITCH, SIDE STAND	1	
27	90157-05079	SCREW, PAN HEAD	2	

NUMERICAL INDEX

NUMERICAL INDEX

PART NO.	GRID NO.	PART NO.	GRID NO.
3GM-W0041-50	E - 7	4FM-1133E-00	C - 4
4BH-W0042-50	E - 12	4FM-1133F-00	C - 4
4FM-W0045-10	E - 2	3FV-11351-00	B - 3
4FM-W0046-00	E - 5	4FM-11411-00	B - 4
31A-W0047-00	E - 5	3GM-11416-00	B - 4
4FM-W0047-00	E - 2	3GM-11416-10	B - 4
4FM-W0047-10	E - 2	3GM-11416-20	B - 4
1J3-W0048-00	E - 2	3GM-11416-30	B - 4
	E - 5	3GM-11416-40	B - 4
	C - 10	4FM-11456-00	C - 9
36Y-W0048-00	E - 5	3GM-11474-00	C - 9
31A-W0057-00	E - 2	4FM-11603-00	B - 4
4FM-W0057-00	E - 2	4FM-11605-00	B - 4
4FM-W0057-10	E - 2	4FM-11631-00-A0	B - 4
26H-W0098-00	C - 10	3GM-11633-00	B - 4
3GM-W0099-00	E - 9	4FM-11636-00	B - 4
4FM-W1741-00	C - 11	4FM-11650-00	B - 4
3FV-W1742-00	D - 14	36Y-11654-00	B - 4
3CK-W2470-00	E - 7	3GM-11656-00	B - 4
3GM-W2587-50	E - 9	3GM-11656-10	B - 4
4FM-W2645-00	D - 3	3GM-11656-20	B - 4
4FM-Y2151-01-P0	D - 3	4FM-11656-30	B - 4
4FM-Y2151-11-P1	D - 5	4FM-12111-00	B - 5
4FM-Y2171-50-P0	D - 5	4FM-12112-00	B - 5
4FM-Y2171-80-P3	D - 5	3FV-12113-00	B - 5
4FM-Y2172-20-P0	D - 5	3FV-12114-00	B - 5
4FM-Y2172-50-P3	D - 14	4FM-12116-00	B - 5
4FM-Y2479-20-P0	D - 14	1WG-12117-00	B - 5
4FM-Y2479-30-P3	F - 3	3GM-12117-00	B - 5
4FM-Y2808-11-P0	F - 3	1WG-12118-00	B - 5
4FM-Y2808-41-P3	F - 2	1WG-12119-00	B - 5
4FM-Y283U-40-2X	F - 2	4FM-12121-00	B - 5
4FM-Y283U-50-3X	F - 2	3GM-12126-00	B - 5
4FM-Y283V-40-2X	F - 2	3FV-12153-09	B - 6
4FM-Y283V-50-3X	E - 14	3FV-12153-10	B - 6
4FM-Y2835-30-P0	E - 14	3LN-12153-09	B - 6
4FM-Y2835-40-P1	B - 2	3LN-12153-20	B - 6
4FM-11102-00	B - 2	3LN-12153-30	B - 5
2GH-1111G-00	B - 2	1HX-12168-A0	B - 5
3GM-11133-10	B - 2	1HX-12168-F0	B - 5
3GM-11134-10	B - 2	1HX-12168-H1	B - 5
4FM-1115A-00	C - 5	1HX-12168-K1	B - 5
3FV-11166-00	B - 3	1HX-12168-M1	B - 5
3FV-11181-00	B - 2	1HX-12168-R1	B - 5
3FV-11182-00	B - 2	1HX-12168-U1	B - 5
3GM-11191-01	B - 2	1HX-12168-W1	B - 5
3GM-11193-00	B - 12	1HX-12168-Y1	B - 5
214-11198-01	B - 3	1HX-12168-00	B - 5
4FM-11310-00			

PART NO.	GRID NO.	PART NO.	GRID NO.
1HX-12168-20	B - 5	3GM-13174-00	B - 12
1HX-12168-40	B - 5	3GM-13181-00	B - 10
1HX-12168-60	B - 5	3GM-13191-00	B - 10
1HX-12168-80	B - 4	1AE-13300-00	B - 10
1HX-12169-E0	B - 6	2GH-13329-00	B - 10
1HX-12169-G0	B - 6	3GM-13337-00	B - 12
1HX-12169-J0	B - 6	4FM-13411-00	B - 10
1HX-12169-L0	B - 6	3GM-13412-50	B - 10
1HX-12169-N0	B - 6	4FM-13414-00	B - 12
1HX-12169-T0	B - 6	3FV-13416-01	B - 12
1HX-12169-11	B - 5	4FM-13417-00	B - 12
1HX-12169-31	B - 5	3FV-13440-00	B - 12
1HX-12169-50	B - 5	3GM-13454-00	B - 11
1HX-12169-70	B - 6	3VD-13455-00	B - 12
1HX-12169-90	B - 6	4FM-13470-00	B - 12
4HD-12171-00	B - 7	4FM-13475-00	B - 11
4FM-12210-00	B - 7	3KS-13490-00	B - 12
4FM-12213-00	B - 7	4FM-13556-01	B - 13
2GH-12241-00	B - 7	4FM-13586-00	B - 13
3FV-12251-00	B - 7	4FM-13586-00	B - 13
4FM-12252-00	B - 7	4FM-13596-00	B - 13
4FM-1240A-01	B - 9	3GM-13597-00	B - 13
4FM-12405-01	B - 9	3GM-13598-00	B - 13
4FM-12410-00	B - 9	4FM-13910-00	D - 12
3GM-12413-00	B - 9	3EN-1410A-01	B - 15
3GM-12417-00	B - 8	3GM-14103-00	C - 2
1UF-12421-09	B - 8	12R-14105-00	B - 15
3GM-12422-00	B - 8	4HD-1411A-00	B - 15
11H-12438-00	B - 8	3GM-1411E-00	B - 15
1AE-12439-00	B - 8	8U9-14139-00	C - 2
1UF-12450-00	B - 8	3LD-1414A-75	C - 2
4FM-12461-00	B - 9	4HD-14141-92	C - 2
22W-12462-00	B - 9	4G0-14142-45	C - 2
3FV-12469-00	B - 8	1AE-14147-00	B - 15
1AE-12481-01	B - 8	3EN-14147-00	B - 15
4FN-12482-00	B - 8	3FV-14147-00	B - 15
2GH-12484-00	B - 9	3LD-14147-00	C - 2
4FN-12576-01	B - 9	3LF-14147-00	B - 15
4FM-12579-01	B - 9	3LK-14147-00	C - 3
4FM-12588-01	B - 9	822-14147-00	C - 2
4FM-12589-01	B - 9	3GM-14153-00	B - 15
4FM-12683-00	D - 2	53L-14186-00	B - 15
1AE-1316E-00	B - 10	3FV-14191-00	B - 15
4BH-1316F-00	B - 10	2LE-14197-00	C - 3
4BH-1316G-00	B - 10	3GM-14197-00	C - 2
3GM-13161-01	B - 12	4FM-14197-00	C - 3
		620-1423A-62	C - 2

PART NO.	GRID NO.	PART NO.	GRID NO.
4HD-14231-25	C - 2	1AE-15124-00	B - 10
830-14231-25	C - 2	2GH-15133-00	B - 10
17A-14251-00	C - 2	4H7-15189-00	C - 6
3GM-14251-00	C - 3	1AE-15316-00	C - 7
3EN-14261-00	C - 2	3GM-15346-00	C - 7
3FV-14294-02	D - 13	3Y1-15361-00	C - 7
4FM-14401-00	B - 13	4FM-15362-00	C - 7
1HX-1443E-00	B - 13	3FV-15363-00	C - 5
4FM-14437-00	B - 13	3GM-15373-00	B - 12
4FM-14451-00	B - 13	1AE-15381-00	C - 9
4FM-14452-00	B - 13	1AE-15383-00	C - 6
4FM-14453-00	B - 13	4FM-15410-00	C - 7
4FM-14462-00	B - 13	3GM-15416-00	C - 7
4FN-14467-00	B - 13	3GM-15417-00	C - 7
4HD-14565-00	B - 15	4FM-15421-00	C - 7
4FM-14610-01	C - 4	3GM-15427-00	C - 7
4FM-14613-00	C - 4	1TV-15435-00	C - 7
3GM-14683-00	C - 4	3GM-15449-00	C - 7
4HD-14710-00	C - 4	4FM-15451-00	C - 7
3HE-14755-00	C - 4	1AE-15456-00	C - 7
3GM-14811-00	C - 4	4FM-15461-00	C - 7
3GM-14821-00	C - 4	4FM-15463-00	C - 7
4HD-14826-00	C - 4	4FM-15467-00	C - 7
2TK-14845-00	C - 4	4H7-15486-00	C - 7
2TK-14865-01	C - 4	3GM-15512-00	C - 9
4HD-1490J-00	B - 15	4BH-15517-00	C - 9
4HD-1490J-10	B - 15	3GM-15519-00	C - 9
3EN-1490K-00	C - 2	51Y-15521-00	C - 9
4HD-14900-01	B - 15	3GM-15522-00	C - 9
4HD-14901-01	B - 15	3GM-15524-00	C - 9
4HD-14902-01	B - 15	3GM-15580-00	C - 9
4HD-14903-01	B - 15	1J7-15583-01	C - 9
4HD-14904-01	B - 15	3GM-15689-00	C - 9
3GM-14918-00	C - 2	4FM-16150-00	C - 10
3LD-14933-00	B - 15	1AE-16154-00	C - 10
3GM-14940-00	B - 15	4H7-16155-01	C - 9
3GM-14985-00	B - 15	1AE-16164-00	C - 10
3LK-14987-00	C - 2	4FN-16321-00	C - 10
3EN-14988-00	C - 2	3J2-16324-00	C - 10
3GM-14988-00	C - 2	58L-16351-00	C - 10
3GM-14992-00	C - 3	1LJ-16356-00	C - 10
1KT-14994-00	C - 2	1AE-16357-00	C - 10
3EN-14997-00	C - 2	2GH-16371-00	C - 10
3GM-14997-00	C - 2	1TV-16381-10	C - 10
3GM-15100-52	C - 5	3FV-17121-00	C - 11
3FV-15105-00	C - 6	4FM-17131-00	C - 11
2GH-15123-00	B - 10	4FM-17151-00	C - 11
		4FM-17161-00	C - 11

NUMERICAL INDEX

PART NO.	GRID NO.	PART NO.	GRID NO.
4FM-17211-00	C-11	4FM-21611-12	D- 3
4FM-17221-00	C-11	4FM-21639-00	F- 2
4FM-17231-00	C-11	4FM-21645-01	C-15
4FM-17241-00	C-11	3MA-21649-00	E-14
4FM-17251-00	C-11	3YL-21649-00	F- 2
4FM-17261-00	C-11	4FM-21688-00	D- 4
278-17424-01	C-12	4FM-2173L-20	D- 5
2GH-17460-00	C-11	4FM-2173L-30	D- 5
1AE-18101-01	C-14	4FM-2173T-00	D- 5
4FM-18110-00	C-14	1JK-21735-00	F- 2
2GH-18112-01	C-14	4FM-2174L-20	D- 5
132-18113-01	C-14	4FM-2174L-30	D- 5
1WG-18115-00	C-14	3XV-21778-00	D- 3
4GO-18127-00	C-14	4FM-21781-00	D- 6
3BY-18140-00	C-13	4FM-21781-10	D- 5
2H9-18154-00	C-14	4FM-21871-00	D- 2
4FM-18511-00	C-13	1AA-21874-00	D- 2
4FM-18512-00	C-13	4LO-21875-00	D- 2
4FM-18513-00	C-13	4FM-22110-00	D- 6
4BH-18531-00	C-13	3XV-22127-00	D- 6
1AE-18536-00	C-13	3FV-22128-00	D- 6
4FM-18540-00	C-13	4FM-2213J-00	D- 6
278-18542-00	C-13	3GM-22141-00	D- 6
278-18566-00	C-13	4FM-22151-00	D- 7
4FM-21110-00	C-15	4FM-2217A-00	D- 6
4FM-2116J-10	D- 2	4BH-2217M-00	D- 6
4FM-21161-01	C-15	3FV-22184-00	D- 6
4FM-21162-00	D- 2	4FM-22210-20	D- 8
4FM-2117K-00	D-14	4HY-22210-20	D- 8
4FM-2117M-01	C-15	4FM-22219-00	D- 8
4FM-2117N-00	C-15	4FM-22262-00	D- 8
1JK-21268-00	F- 2	4FM-22311-00	D- 6
4FM-2133G-00	E-12	4FM-23102-20	D-10
4FM-21359-00	C-15	4FM-23103-20	D-10
3VD-21366-00	D- 3	4FM-23110-20	D-10
3YX-21376-00	D- 3	4FM-23111-10	D-10
3TJ-2139U-00	F-15		D-11
4FM-2142K-00	C-15	4FM-23118-00	D-10
4FM-2144G-00	E-12		D-11
4FM-21446-00	C-15	4FM-23120-20	D-10
4X7-2149Y-00	B-13	3GM-23125-50	D-10
1AB-21518-00	F- 2	4FM-23136-20	D-10
4FM-21569-20	D- 3	4FM-23141-00	D-10
4FM-21569-30	D- 3		D-11
3GM-21575-00	D- 5	3XV-23144-50	D-10
3GM-21576-00	D- 5	3SP-23145-L0	D-10
4FM-21596-00	E- 2	36Y-23146-10	D-10
4FM-21611-02	D- 3	26H-23156-00	D-10

PART NO.	GRID NO.	PART NO.	GRID NO.
2K8-23158-L0	D-10		
4FM-23159-00	D-10		
4FM-23165-00	D-10		
4FM-23170-20	D-10		
3JD-23171-L0	D-10		
3LC-23181-00	D-10		
4FM-23340-00	D-11		
3XJ-23357-L0	D-10		
3GM-23377-00	E- 7		
3GM-23378-00	E- 7		
3GM-23415-00	D- 9		
3YF-23418-00	D- 9		
4FM-23435-00	D- 9		
3FV-23462-00	D- 9		
10L-23469-00	E- 6		
4FM-24110-30-01	D-12		
4FM-24110-30-04	D-12		
4FM-2414G-00	D-12		
1LJ-2414J-00	D- 3		
3FV-2416A-00	B-13		
2GH-24181-00	D-12		
4FM-24181-00	C- 4		
2GH-24183-00	D-12		
3Y6-24183-00	D-12		
4JH-24183-00	D-12		
2GH-24184-00	D-12		
2GH-24186-00	D-12		
4FM-24187-00	D-12		
4FM-24191-00	D-12		
4FM-24240-00	D-12		
4FM-24240-10	D-12		
3PA-24356-00	E- 7		
	E- 9		
3FV-24500-01	D-12		
4X8-24512-00	D-12		
4FM-24602-00	D-12		
4FM-24710-01	D-14		
4FM-24711-00	D-14		
35T-24724-00	D- 3		
4FM-24724-00	D-14		
4FM-2476H-00	D-14		
4FM-2476J-00	D-14		

NUMERICAL INDEX

PART NO.	GRID NO.	PART NO.	GRID NO.
4FM-24750-00	D-14		
4FM-24751-00	D-14		
4FM-2478E-00	D-14		
4FM-2478M-00	D-14		
4FM-2478M-10	D-14		
4BP-24780-00	D-14		
4FM-24780-00	D-14		
4FM-24786-00	D-14		
4FM-24786-10	D-14		
4BP-24792-00	D-14		
4FM-25149-00	D-15		
4FM-25168-00-P2	D-15		
4FM-25168-00-P5	D-15		
4FM-25181-00	D-15		
4FM-25190-00	D-15		
478-25335-00	D- 8		
4FM-25338-00-P2	E- 3		
4FM-25338-00-P5	E- 3		
4FM-25364-00	E- 3		
4FM-25366-00	E- 3		
4FM-25371-00	E- 3		
4FM-25377-00	E- 3		
4FM-25381-00	E- 4		
4FM-25388-00	E- 3		
4FM-25389-00	E- 3		
29L-25398-00	D-15		
29L-25398-10	D-15		
	E- 3		
29L-25398-20	D-15		
	E- 3		
3FV-25443-01	E- 3		
4FM-2580T-10	E- 2		
4FM-2580U-10	E- 2		
4FM-2580W-00	E- 5		
4FM-2581T-01	E- 2		
4FM-25819-01	E- 5		
4BP-2582A-00	E-12		
4FM-2582W-00	E- 5		
1FK-25827-00	E- 5		
4FM-25827-00	E- 2		
1FK-25828-00	E- 5		
4BH-2583V-00	E-12		
42H-25836-00	E- 5		
341-25846-00	D-15		
3GM-2585F-00	E- 7		
4BP-2585F-00	E-12		
4FM-2585F-00	E- 9		

PART NO.	GRID NO.	PART NO.	GRID NO.
3LN-2585G-00	E-12		
2KF-25852-50	E-12		
3GM-25852-50	E- 7		
4FM-25852-00	D-14		
3FV-25854-00	E- 7		
3GK-25854-50	E- 9		
360-25854-00	E-12		
2GU-25855-00	E-12		
2J2-25855-50	E- 7		
3GK-25855-50	E- 9		
2VN-25866-00	E- 7		
56A-25867-00	E- 7		
4FM-25872-00	E- 7		
4FM-25873-00	E- 7		
4FM-25874-00	E-13		
3LK-25875-51	E- 8		
4FM-25875-00	E-13		
3LK-25876-51	E- 8		
3MA-25876-11	E- 8		
3MA-25876-21	E- 8		
4FM-25876-00	E-13		
4FM-25887-00	E- 4		
3PJ-25888-00	E-12		
3FV-2589A-00	E- 7		
3FV-2589F-00	E- 9		
	E- 7		
3FV-2589G-00	E- 9		
3GM-2589H-00	E- 7		
3FV-25894-00	E- 7		
31A-25894-01	E-12		
4FM-25894-00	E- 9		
4FM-25895-00	E-13		
4FM-25919-10	E- 2		
29L-25919-A0	E- 5		
4FM-25924-00	E- 2		
3HE-25925-00	E- 5		
4FM-25925-00	E- 2		
4FM-26121-01	E- 6		
4FM-26122-00	E- 6		
4FM-26240-00	E- 6		
4FM-26241-00	E- 6		
36Y-26246-00	E- 6		
3LN-26270-01	E- 6		
4FM-26280-00	E-14		
4FM-26280-10	E-14		

PART NO.	GRID NO.	PART NO.	GRID NO.
4FM-26290-00	E-14		
4FM-26290-10	E-14		
4FM-26292-00	E- 7		
4FM-26296-00	E- 9		
3XV-26298-00	E-15		
4FM-26299-00	E-15		
4FM-26302-00	E- 6		
3FV-26331-00	E- 6		
3GM-26455-00	E- 9		
3GM-26464-00	E- 9		
2GH-26470-01	E- 9		
4FM-26475-00	E- 9		
4FM-27211-00	E-12		
4FM-27222-00	E-12		
4FM-27254-00	E-12		
3YF-27261-00	E-12		
4FM-27311-00	E-10		
4FM-27315-00	E-10		
4FM-27321-00	E-10		
1TX-27351-00	E-10		
4FM-27410-00	E-10		
2GH-27413-00	E-10		
2H7-27414-00	E-11		
4FM-27420-00	E-10		
4FM-27430-10	E-11		
4BP-27434-01	E-10		
4FM-27435-00	E-10		
1HX-27437-00	E-11		
4FM-27440-10	E-11		
4FM-27442-00	E-10		
4FM-27443-00	E-10		
4FM-27471-00	E-10		
4FM-28100-00	D- 3		
4FM-28215-00	E-14		
4FM-28301-20	F- 2		
4FM-28301-30	F- 2		
4FM-28303-00	F- 2		
4FM-28303-10	F- 2		
4FM-28304-00	F- 3		
4FM-28304-10	F- 3		
4FM-2831T-00	F- 3		
4FM-2831W-00	E-14		
4FM-28315-40	F- 3		
4FM-28315-50	F- 3		
4FM-2832W-00	E-15		
4FM-28322-00	F- 2		
4FM-2834V-00	E-14		
4FM-2834W-00	E-15		

NUMERICAL INDEX

PART NO.	GRID NO.	PART NO.	GRID NO.
4FM-28356-00	E-14	5H0-8235Y-M0	D-3
4FM-2836A-01	F-3	2KT-82370-00	F-15
4FM-2836F-00	F-3	4FM-82501-00	G-3
4FM-2836G-00	F-3	1KT-82530-02	G-3
4FM-2836H-00	F-2	1AE-82540-00	F-15
3FV-28365-00	F-2	4FM-82541-00	F-15
4FM-28371-00	F-2	2EL-82560-00	F-15
51L-28371-00	E-14	4FM-82566-00	G-3
4FM-28372-00	D-4	4HY-82590-00	G-3
4FM-28381-00	E-14	4HY-82590-00	G-3
4FM-2848K-00	F-3	4FM-8331L-00	F-7
89X-77167-00	E-14	4FM-83310-00	F-7
4BH-81600-00	F-4	4JH-83310-00	F-9
4BH-81604-00	F-4	4FM-83311-00	F-7
3FV-81619-00	F-4	256-83311-70	F-9
4BH-81634-00	F-4	4FM-83312-00	F-7
36Y-81638-50	F-4	4FM-83313-00	F-7
2KT-81642-50	F-4	4FM-83318-00	F-7
4BH-81643-00	F-4	4JH-83318-00	F-9
4BH-81643-10	F-4	4JH-83318-10	F-9
3FV-81645-00	F-4	4FM-83320-00	F-7
4BH-81645-00	F-4	4JH-83320-10	F-9
4BH-81660-00	F-4	4JH-83332-10	F-9
3GM-81670-00	F-5	4FM-83328-00	F-7
3XF-81800-00	F-6	4FM-83330-10	F-7
2KT-81815-00	F-6	4JH-83330-20	F-9
3HE-81826-00	F-6	4FM-83340-10	F-7
3KS-81840-00	F-6	4JH-83340-20	F-9
11H-81844-00	F-6	4JH-83342-10	F-9
26H-81847-00	F-6	4FM-83345-00	F-7
36Y-81910-50	F-4		F-9
4FM-81940-00	G-3	3YA-83350-00	F-15
3EN-81950-00	G-3	3YA-83350-10	F-15
3GM-81950-00	G-3	4FM-83368-10	F-7
4BH-81970-00	F-4	4FM-83369-00	F-7
4BH-81972-00	F-4		F-9
3VD-82100-00	G-3	4FM-83371-00	F-15
4FM-82115-00	G-3	4FM-83509-00	F-11
3FV-82116-00	G-3	5J0-83513-00	F-11
3TJ-82131-00	F-15	2GV-83517-00	F-11
4BP-82131-00	G-3	4FM-83520-00	F-11
2GH-82151-00	G-3	4FM-8353H-00	F-11
2KW-82151-00	G-3	4FM-83540-40	F-11
36Y-82151-00	G-3	4FM-83550-00	F-11
4FM-82151-00	G-3	4FM-83559-00	F-11
4HD-82305-01	F-15	4FM-83570-00	F-11
2XL-82310-10	F-15	2GH-83578-00	F-11
3CV-82320-00	F-15	4FM-83590-00	F-11

PART NO.	GRID NO.	PART NO.	GRID NO.
11H-83591-00	F-15	3GM-85720-00	F-15
4FM-83912-00	E-9	4FM-85820-00	F-15
3GM-83922-50	E-7	90101-06576	C-4
25G-83936-01	E-6	90101-06664	D-2
437-83936-01	G-3	90101-08705	E-3
4FM-83940-00	E-6	90101-10658	D-6
1WG-83941-00	E-6	90101-10659	D-6
3TJ-83964-00	G-3	90105-06153	B-2
3LJ-83972-00	E-6	90105-06541	B-2
3LK-83973-10	E-6	90105-06693	B-2
4FM-83975-00	E-6	90105-07342	B-7
3FV-83980-00	E-7	90105-08321	E-3
3GM-83980-00	E-9	90105-09373	C-5
1FM-84314-H0	F-12	90105-09555	C-5
4FM-8432A-40	F-12	90105-09580	C-5
4FM-84320-40	F-12	90105-10316	E-11
4FM-84330-41	F-12	90105-10376	D-6
51L-84334-00	F-12	90105-10402	D-8
4HY-84359-00	F-12	90105-10716	C-15
4HY-84359-10	F-12	90105-10725	E-2
3LK-84378-00-P3	F-12		E-5
3LK-84378-00-P4	F-12	90109-060G4	G-3
3LK-84378-00-33	F-12	90109-063F8	C-13
2GH-84397-00	F-12	90109-064F0	B-2
2AL-84553-00	E-4	90109-065A8	B-7
3F9-84553-00	F-13	90109-08718	E-2
	F-14		E-5
	F-13	90109-104E6	E-10
4FM-84710-10	F-14	90109-112F1	B-7
31L-84714-00	F-14	90110-05112	D-13
256-84714-61	F-9		F-14
4FM-84735-00	F-14	90110-06138	B-10
3F9-84742-00	F-13	90110-06142	B-9
4FM-84742-00	F-14	90110-08155	E-10
2JE-84744-00	F-13	90110-08177	C-9
3F9-84744-00	F-14	90110-08199	E-10
4G1-84744-00	F-11	90110-10169	C-15
4FM-84745-00	F-13	90116-10528	C-5
4FM-84745-10	F-14	90116-10529	C-5
4FM-84749-00	F-13	90116-10568	C-6
4FM-84749-10	F-14	90116-10569	C-5
3YF-84751-00	F-13	90116-10575	E-3
4FM-84751-00	F-14	90119-06018	C-15
11H-85110-01	G-2		F-3
3G1-85130-01	D-3	90119-06088	D-6
	D-4	90119-06115	C-4
	D-3	90119-06118	D-3
4CF-85130-00	D-3	90119-06163	D-7
4FM-85132-00	D-3		

NUMERICAL INDEX

PART NO.	GRID NO.	PART NO.	GRID NO.
90119-06187	C-4	90201-044A2	D-3
90119-06205	D-3		D-4
90149-05273	E-14	90201-05033	F-13
90149-06008	D-12		F-14
90149-06308	D-14	90201-06059	F-11
90150-05039	E-14		F-13
	F-2		F-14
90150-06036	D-5	90201-061M7	B-10
	E-14	90201-063J2	B-9
	F-2	90201-06843	C-13
	F-3	90201-08083	E-12
90151-06014	C-6	90201-08087	C-5
90152-06014	C-7	90201-08326	E-10
90152-06024	C-7	90201-096J9	C-5
90154-06061	D-3	90201-101J1	C-15
90157-05079	E-10		D-6
	G-3		D-8
90157-06104	C-7	90201-10118	E-8
90159-03102	F-11		E-9
90159-06033	D-2		E-13
90159-06045	E-12	90201-103M4	B-2
90159-06093	D-5	90201-104R2	E-12
90159-06123	C-10	90201-106M5	C-4
90164-04023	F-11	90201-10689	E-11
90167-05041	F-12	90201-12575	C-14
90170-06228	C-14	90201-127J6	E-10
90170-20327	C-10	90201-150H2	C-10
90171-25052	E-4	90201-164H4	D-8
90176-06055	D-12	90201-18264	D-6
	E-15	90201-200K3	C-11
90176-10049	B-2	90201-263R9	E-4
90176-22050	D-9	90202-05193	D-12
90179-05523	F-14	90202-24190	D-9
90179-08327	B-4	90202-26142	D-9
90179-08410	C-4	90206-14086	E-12
90179-10247	C-15	90209-06096	C-7
	E-10	90209-10131	E-6
90179-10584	B-2	90209-11282	B-2
90179-10590	C-15	90209-22191	C-11
90179-18020	C-12	90209-25196	C-11
90179-25615	D-9	90215-20231	C-10
90183-04064	D-5	90215-21022	C-12
90183-05024	E-14	90240-08124	E-12
	F-2	90287-40076	C-15
90185-10037	E-10		D-3
90185-16127	D-8		D-4
90185-18104	D-6	90338-07043	D-3
90201-044A2	C-15	90338-08226	F-15

NUMERICAL INDEX

NUMERICAL INDEX

PART NO.	GRID NO.	PART NO.	GRID NO.	PART NO.	GRID NO.	PART NO.	GRID NO.	PART NO.	GRID NO.	PART NO.	GRID NO.
90338-10132	D- 4	90430-06014	B-13	90480-13398	E-14	92900-10600	C-15	93210-20573	C- 6	95021-06050	C- 7
90338-15202	C-15	90430-10171	B-10		F- 2	92901-04600	E- 7	93210-23787	B- 8	95023-06008	E-13
90338-16148	C-15	90445-084G9	D- 2	90480-14412	F-15		F-11		B- 9		G- 3
90338-30096	C- 5	90445-096F4	B- 9	90480-15363	B- 9	92901-05100	D-12	93210-27778	C- 5	95023-06010	B- 8
90340-14068	C- 6	90445-102G7	D-13	90501-04623	C- 9		F- 4		C- 7	95023-06012	B- 2
90340-18101	B- 2	90445-116H6	B-13	90501-06022	C-13	92901-05600	C- 2	93210-29196	F-15		B- 3
90380-10195	C- 4	90445-126H7	B- 9	90501-12743	E-11		D-12	93210-30694	B- 8		B- 8
90387-06383	C- 5	90446-17346	E-10	90501-225A9	C-10	92901-05600	F- 4	93210-33133	B- 8		C- 6
90387-0601Y	F-14	90450-22052	B- 9	90506-18224	E-10	92902-04100	E- 7	93210-76211	B- 3		F- 5
90387-06241	F-13	90450-32008	D- 8	90506-20377	E-10		F-11	93210-87723	B-12	95023-06016	D- 6
90387-06299	D-12	90450-38040	B- 9	90506-26225	E-10	92906-04600	F- 7	93305-30501	C-11		E-13
90387-064H8	E-11	90450-57034	B-13	90508-26681	C-13		F- 9	93306-00106	B- 8	95023-06020	B- 8
90387-065J6	B-14	90450-67066	B-13	90508-32682	C-14	92906-05100	B-15	93306-00420	D-15		C- 8
	D- 3	90462-05061	F-12	90560-06201	E-14		F-15	93306-20335	C- 9	95023-06025	B- 2
90387-065V1	F-15	90462-08158	C- 6	90560-12191	C-14	92906-05600	B-15	93306-20455	C-11		B- 8
90387-06681	D- 7	90462-08184	C- 6	90560-25270	C-10		F-14		C-12		B- 9
90387-067N6	E-15	90464-09130	D- 3	90560-28389	E- 3	92906-06100	E-12	93306-20541	C- 9	95023-06030	B- 8
90387-06704	D- 7	90464-10075	C- 3	91001-06016	D- 2	92906-06600	B- 8	93306-20567	E- 3		B-12
90387-07391	B- 9	90464-10186	F-15		D- 3		C-15	93306-20644	E- 3		C- 8
90387-087L0	D- 4	90464-12089	G- 3		D- 8		E- 7	93306-30560	C-11	95023-06040	B- 8
90387-102R4	D- 6	90464-13073	F-12		E-12	92990-03100	F-11	93310-340N8	C-10		C- 7
90387-105V7	C-15		F-15	91002-06016	D-14	92990-05200	C- 4	93315-42523	D- 6	95026-06010	B-12
90387-108U7	C- 4		G- 3	91311-05010	D-13	92990-06600	C- 2	93317-21746	D- 6	95026-06012	B-10
90387-10636	E-11	90464-15195	G- 3	91311-06020	E- 6	92995-06100	D-12	93317-31771	D- 6		B-12
90387-114K8	C-14	90464-17184	B-13	91311-06025	B- 7	93101-12060	B- 8	93340-21505	C-10		E-15
90387-115V8	C-15	90464-25160	D-13		E- 6	93102-12321	C-14	93399-89931	D- 9	95026-06016	C- 9
90387-122R5	D- 6		F- 2	91311-06045	F-12	93102-28021	E-11	93399-99932	D- 9		E-15
90387-127W0	D- 6	90465-08076	B-12	91311-08030	C-15	93102-35412	E- 3	93440-10153	B- 2		F-13
90387-203M7	C-11	90465-13169	B- 9		D- 9	93102-35423	C-11	93440-25084	C-11		F-14
90387-204M1	C-11		G- 3		D-11	93102-40330	E- 3	93440-28062	C-11	95026-06025	E- 9
90387-2200S	D-15	90467-08003	B- 9	91311-08040	D-10	93105-45017	D-15	93440-45144	C-12	95026-06030	C-10
90387-2200T	D-15		D- 2		D-11	93109-08061	C-10	93450-19095	B- 4	95026-06090	C-10
90387-253M6	C-11	90467-08092	B-13	91311-10040	C-15	93109-12053	C-14	93501-04011	E-11	95303-08700	E-12
90387-255V9	C-11	90467-09006	D-13	91311-10045	C-15	93109-17048	D- 6	93511-32027	C-10	95316-06600	F-11
90387-263M8	C-11	90467-11090	B- 9	91312-06012	B-13	93210-06632	B-10	93604-10011	B- 8	95333-08600	E- 3
90387-2800P	E- 4	90467-11106	B-13	91316-05012	B-15		C- 6	93615-12088	C- 9	95380-05600	C- 2
90387-2800R	E- 4	90467-13123	D-13	91316-06010	E- 8		C-10	93900-00030	D-15	95380-06600	C- 2
90387-284M0	C-11	90467-14015	C- 5	91316-06012	E- 7	93210-06714	B-12		E- 3	95380-06700	C-14
90401-10044	B-10	90467-14057	E-13		E- 8	93210-07135	B-10	94112-1700M	D-15	95601-06100	E-11
90401-10095	E- 8	90467-15054	C- 5		E- 9		C- 5	94118-1700R	E- 3	95601-08200	E-14
90401-10096	B-10	90468-16099	E- 4	91316-06020	B-13	93210-09418	B-12	94580-81104	B- 7	95601-10200	E- 3
	E- 8	90480-10258	D- 3	91316-06050	B-10	93210-14369	C- 6	94581-55106	E- 3	95611-08625	B- 2
	E- 9	90480-10542	B- 9	91401-40045	E- 4	93210-14579	B-12	94680-81021	B- 7	95611-10100	D- 6
	E-13	90480-10584	F-12	91490-20020	E- 3	93210-15566	B-12	94681-55031	E- 3		D- 8
90401-20151	B-12	90480-12072	D- 4		E-12	93210-15620	E- 7	94701-00318	B- 2	95611-10200	D- 6
90430-06014	B- 2	90480-12314	B-14	91810-25008	B- 2		E- 9	94701-00319	B- 2	95616-06100	E- 7
	B- 3	90480-13163	E-14	92011-06010	C- 7	93210-18417	B- 8	95021-06014	F-15		F-13
	B- 8	90480-13398	D- 5	92011-08020	E-12	93210-19216	F- 5	95021-06050	B- 8	95616-06100	F-14



NUMERICAL INDEX

PART NO.	GRID NO.	PART NO.	GRID NO.	PART NO.	GRID NO.	PART NO.	GRID NO.	PART NO.	GRID NO.
95701-05500	D - 3	97016-06025	E - 7	99510-08012	B - 10				
	D - 4	97028-06012	C - 15		C - 7				
	F - 4	97395-05012	C - 4		C - 8				
	G - 2	97702-40610	F - 9		C - 10				
95701-06500	G - 3	97706-40010	D - 5	99510-08016	B - 2				
	B - 9	97706-40012	F - 7		B - 12				
	D - 14	97706-50016	E - 14	99510-12016	C - 6				
	F - 8	97706-60014	F - 12	99510-14016	B - 3				
95701-08500	F - 10	97706-60016	F - 15	99530-10014	C - 5				
95706-05500	E - 3	97780-50125	B - 13						
	E - 14	97902-04122	F - 11						
	F - 13	98501-05016	D - 12						
	F - 14	98502-06016	F - 15						
95706-08500	E - 9	98506-04008	E - 9						
95706-10500	C - 15		F - 7						
95811-06010	F - 15		F - 9						
95811-06016	B - 11	98506-05008	F - 15						
	C - 13	98506-05018	E - 6						
95811-06020	B - 14	98506-05030	E - 6						
95811-06025	F - 6	98506-05040	E - 6						
95811-06030	F - 15	98511-04012	E - 7						
95811-06035	C - 5	98516-06020	E - 12						
95811-06060	C - 5	98580-03010	F - 11						
95811-06080	C - 5	98580-04008	B - 15						
95811-06140	C - 5	98580-04010	F - 11						
95811-08016	C - 15	98580-05008	C - 3						
	D - 12	98580-05018	F - 4						
95811-08030	C - 15	98580-06010	C - 7						
	E - 11		E - 12						
95811-08035	C - 15	98580-06020	C - 7						
95811-08045	C - 5	98586-05016	B - 15						
95811-08055	C - 5	98701-05012	C - 13						
95811-08060	C - 5	98706-04016	E - 9						
95811-08065	C - 5	98706-06025	E - 15						
95811-08090	C - 5	98780-05016	G - 3						
95816-06012	E - 8	98906-06008	E - 6						
95816-06014	C - 9	99006-10600	C - 14						
95816-06025	B - 9	99009-10400	B - 12						
95816-06075	D - 12	99009-12400	B - 8						
95816-08012	F - 2	99009-28400	D - 15						
95816-08035	C - 4	99226-00160	D - 12						
95816-08065	F - 4	99227-00160	F - 14						
95821-08025	C - 4	99236-00080	E - 14						
95826-06010	E - 6	99236-00100	F - 13						
	F - 2		F - 13						
95826-06020	F - 3	99237-00080	F - 13						
97011-06025	C - 14		F - 14						
	D - 12	99237-00100	E - 14						

