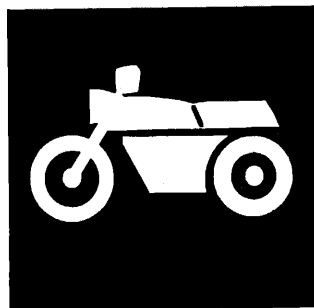


YAMAHA



**PARTS
CATALOGUE**

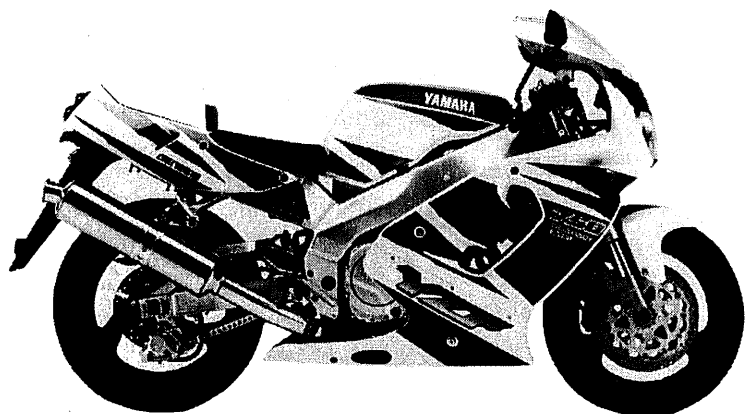
YZF750R'95 (4HD5)

YZF750R'95 (4HN3) EUROPE

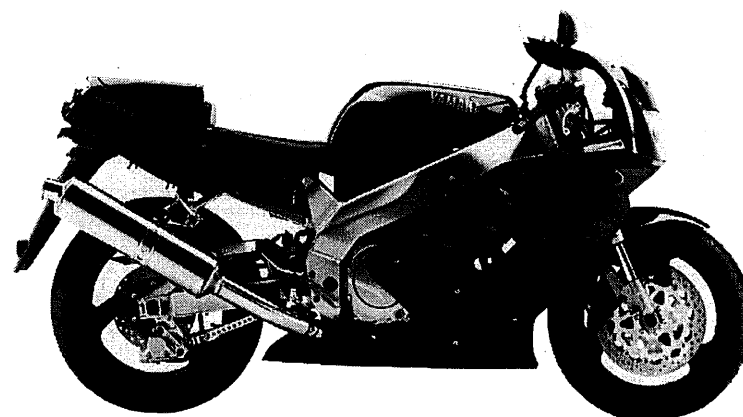
154HD-300E1

YAMAHA
GENUINE
Parts & Accessories





BLUISH WHITE COCKTAIL 1 (0390)



DARK CYAN METALLIC 2 (0337)



FOREWORD

This Parts Catalogue is related to the parts for the model(s) in the below frame. When you are ordering replacement parts, please refer to this Parts Catalogue and quote both part numbers and part names correctly.

YZF750R'95(4HD5/4HN3)

1. Modifications or additions which have been made after issue of the Parts Catalogue will be announced in the Yamaha Parts News. It is advisable that you make necessary corrections to the Parts Catalogue according to the Yamaha Parts News.

2. Abbreviations

The following abbreviations are used in this Parts Catalogue.

- "UR" Use specified parts number.
- "UN" Use as many as needed.
- "AP" Alternate Parts
- "LM" Local Made (Parts need to be ordered locally)
- "F#" Frame No. (Applicable machine No.)

3. Parts, which are to be supplied in an assembly, are listed with a dot (.) in front of the part name as shown below.

EXAMPLE

- CARBURETOR ASSY
- . JET, PILOT
- . NOZZLE, MAIN

4. Number of component for assembly

The numeral appearing to the right of each component part indicates the quantity of parts for each assembly unit.

EXAMPLE

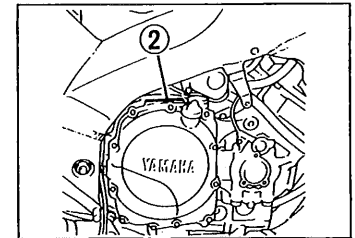
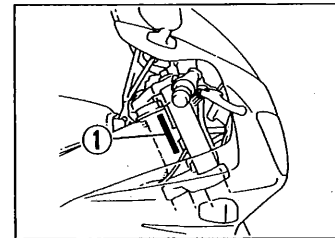
PART NO.	DESCRIPTION	Q'TY	REMARKS
2F5-83310-60	FRONT FLASHER LIGHT ASSY	2	
115-83311-60	. BULB (6V-18W)	1	

5. Applicable colors of graphics are represented in the "REMARKS" as shown below.

PART NO.	DESCRIPTION	Q'TY	REMARKS
2N4-24110-00-X5	FUEL TANK COMP.	1	MAXIM RED
3J1-24240-10	. GRAPHIC, FUEL TANK	1	for MXR

6. Applicable Serial No. and Color Code

4HD5	① Frame Serial No.	4HD-028101	~
	② Engine Serial No.	4HD-028101	~
4HN3	① Frame Serial No.	4HN-018101	~
	② Engine Serial No.	4HN-018101	~



Color Code	Color Name	Abbreviation
0390	BLUISH WHITE COCKTAIL 1	BWC1
0337	DARK CYAN METALLIC 2	DCM2

7. Note that the illustrations are for reference in finding parts numbers, not to be used for assembling. When assembling, please use the applicable service manual.
8. The asterisk (*) before a reference number indicates modification items after the first edition.

CONTENTS

GENERAL SPEC.

ENGINE

Cylinder Head	B2
Cylinder	B3
Crankshaft · Piston	B4
Valve	B5 ~ B6
Camshaft · Chain	B7
Water Pump	B8
Radiator · Hose	B9 ~ B10
Oil Pump	B11 ~ B12
Oil Cleaner	B13
Intake	B14 ~ B15
Carburetor	C2 ~ C4
Exhaust	C5
Crankcase	C6 ~ C7
Crankcase Cover 1	C8 ~ C9
Starter	C10
Clutch	C11
Transmission	C12 ~ C13
Shift Cam · Fork	C14
Shift Shaft	C15

CHASSIS

Frame	D2 ~ D3
Fender	D4 ~ D5
Side Cover	D6
Rear Arm	D7 ~ D8
Rear Suspension	D9
Steering	D10
Front Fork	D11 ~ D12
Fuel Tank	D13 ~ D14

Seat	D15
Front Wheel	E2
Front Brake Caliper	E3
Rear Wheel	E4 ~ E5
Rear Brake Caliper	E6
Steering Handle · Cable	E7
Front Master Cylinder	E8 ~ E9
Front Master Cylinder 2	E10
Stand · Footrest	E11 ~ E12
Rear Master Cylinder	E13 ~ E14
Cowling 1	E15 ~ F2
Cowling 2	F3 ~ F4
Generator	F5
Pick Up Coil · Governor	F6
Starting Motor	F7
Flasher Light	F8
Meter	F9
Headlight	F10
Taillight	F11
Electrical 1	F12
Electrical 2	F13

INDIVIDUAL SPEC. FOR ITALY

Alternate (Headlight)	F15
-----------------------------	-----

FOR HOLLAND

Alternate (Headlight)	G3
-----------------------------	----

FOR ENGLAND, IRELAND

Alternate (Meter)	G5
Alternate (Headlight)	G6

FOR FINLAND, SWEDEN

Alternate (Carburator)	G8 ~ G10
Alternate (Engine)	G11
Alternate (Electrical)	G12

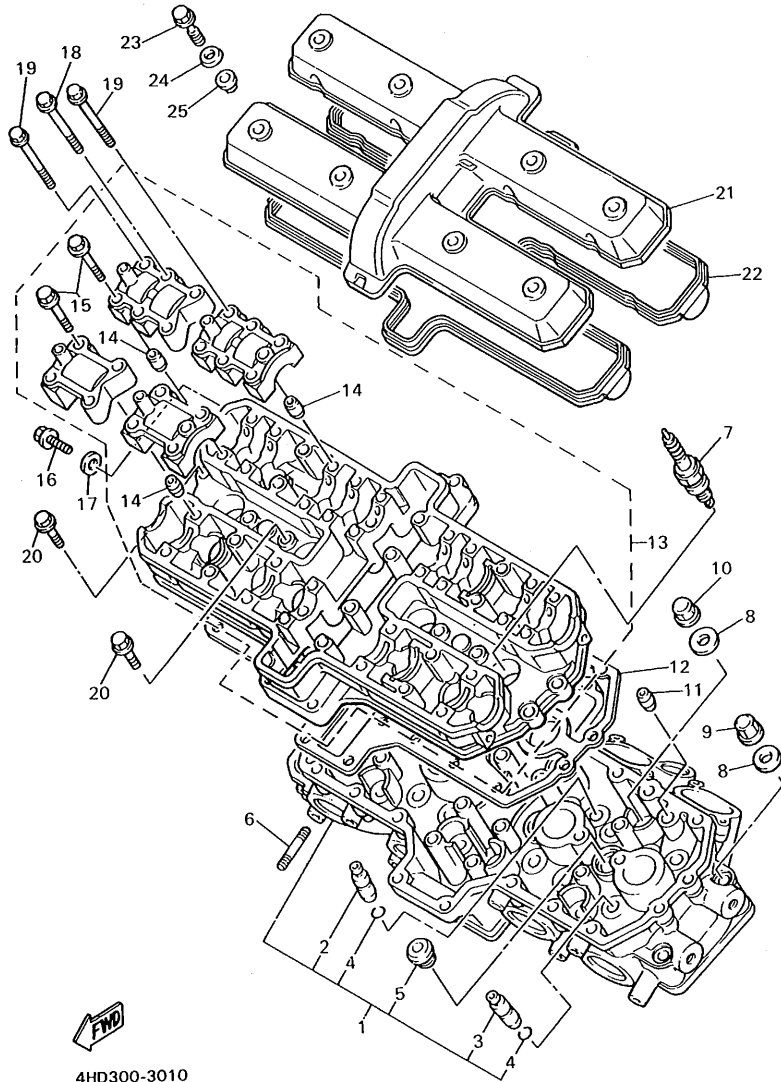
INDEX

NUMERICAL INDEX	L1 ~ L5
-----------------------	---------

GENERAL SPEC.



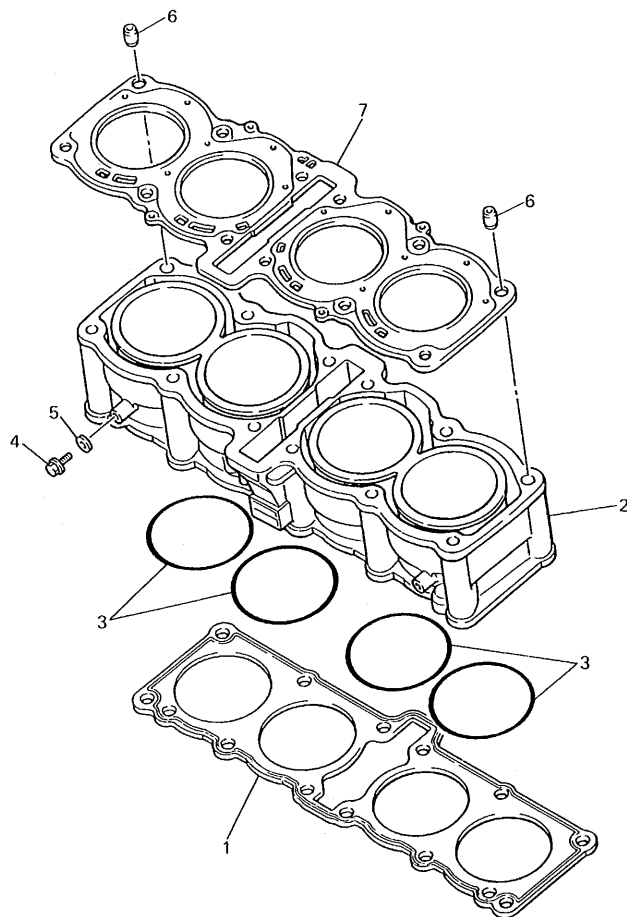
FIG. 1 CYLINDER HEAD



4HD300-3010

REF. NO.	PART NO.	DESCRIPTION	Q'TY	REMARKS
1	4FM-11102-00	CYLINDER HEAD ASSY	1	
2	3GM-11133-10	.GUIDE, INTAKE VALVE	12	
3	3GM-11134-10	.GUIDE, EXHAUST VALVE	8	
4	93440-10153	.CIRCLIP	20	
5	90340-18101	.PLUG, STRAIGHT SCREW	4	
6	95617-08625	BOLT, STUD	8	
7	94701-00318	PLUG, SPARK (NGK R CR9E)	4	UR
	94701-00319	PLUG, SPARK (ND U27ESR-N)	4	UR
8	90201-103M4	WASHER, PLATE	12	
9	90176-10075	NUT, CROWN	4	
10	90179-10584	NUT	8	
11	91810-25008	PIN, DOWEL	2	
12	3FV-11182-00	GASKET, CYLINDER HEAD 2	1	
13	4FM-1115A-00	CAM CASE ASSY	1	
14	99510-08016	.PIN, DOWEL	16	
15	90105-06153	.BOLT, WASHER BASED	16	
16	95027-06012	BOLT, FLANGE	1	
17	90430-06014	GASKET	1	
18	90105-06541	BOLT, WASHER BASED	20	
19	90105-06693	BOLT, WASHER BASED	4	
20	95027-06025	BOLT, FLANGE	11	
21	3GM-11191-00	COVER, CYLINDER HEAD 1	1	
22	3GM-11193-00	GASKET, HEAD COVER 1	1	
23	90109-064F0	BOLT	8	
24	90209-11262	WASHER	8	
25	2GH-1111G-00	RUBBER, MOUNT 1	8	

FIG. 2 CYLINDER



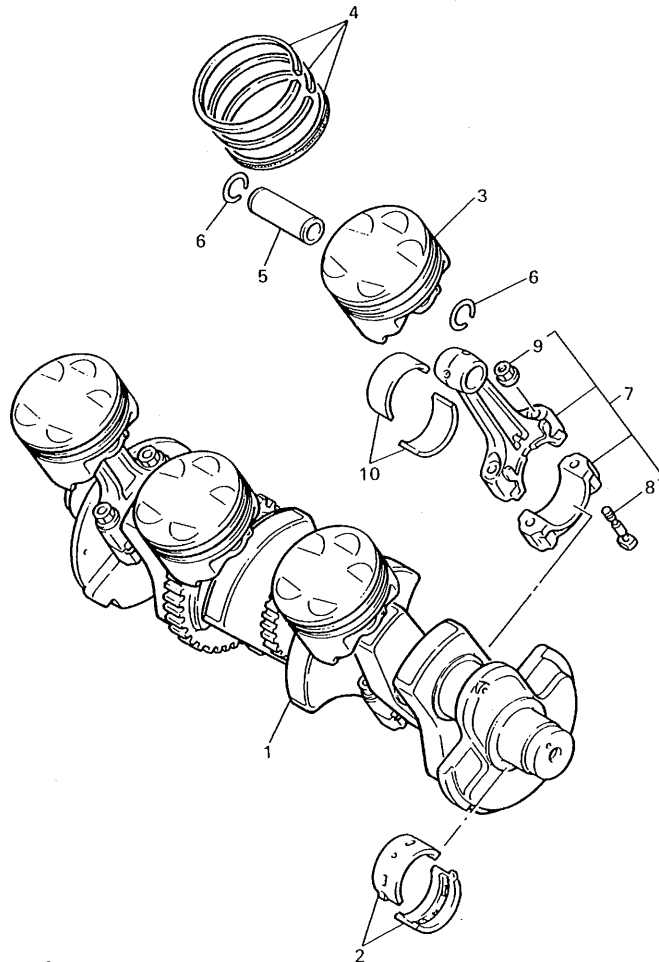
REF. NO.	PART NO.	DESCRIPTION	Q'TY	REMARKS
1	3FV-11351-00	GASKET, CYLINDER	1	
2	4FM-11310-00	CYLINDER	1	
3	93210-76211	O-RING	4	
4	95027-06012	BOLT, FLANGE	2	
5	90430-06014	GASKET	2	
6	99510-14016	PIN, DOWEL	2	
7	3FV-11181-00	GASKET, CYLINDER HEAD 1	1	



4HD300-3020

B3

FIG. 3 CRANKSHAFT • PISTON

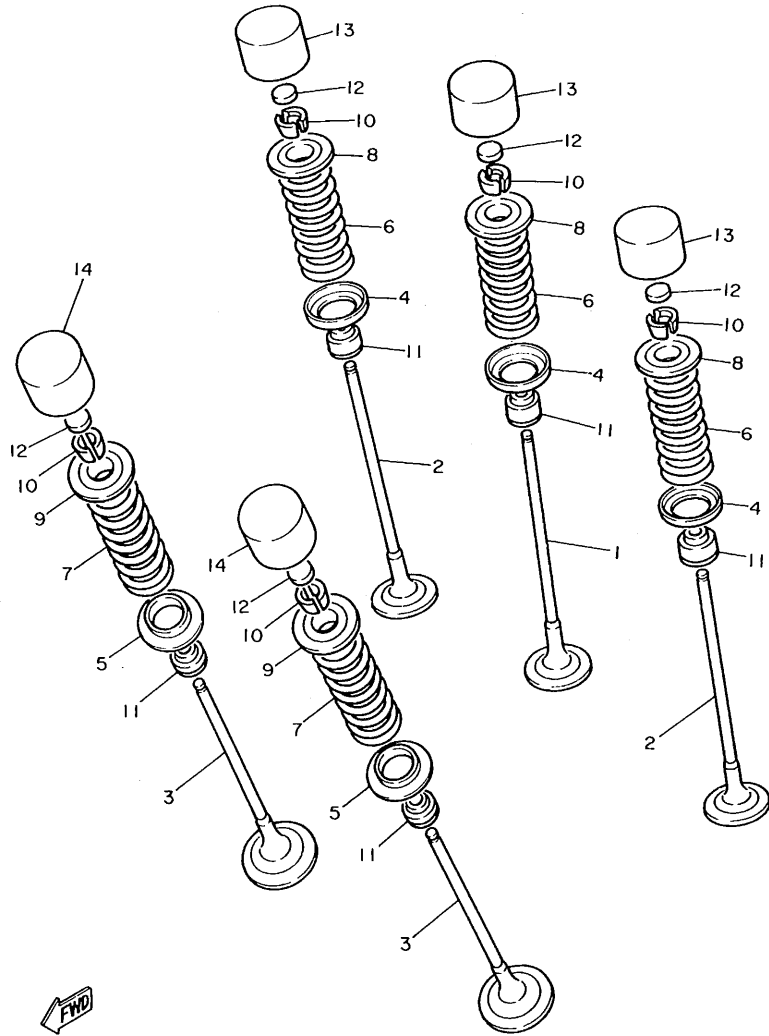


REF. NO.	PART NO.	DESCRIPTION	Q'TY	REMARKS
1	4FM-11411-00	CRANKSHAFT	1	
2	3GM-11416-00	PLANE BEARING, CRANKSHAFT 1	10	UR BLUE
	3GM-11416-10	PLANE BEARING, CRANKSHAFT 1	10	UR BLACK
	3GM-11416-20	PLANE BEARING, CRANKSHAFT 1	10	UR BROWN
	3GM-11416-30	PLANE BEARING, CRANKSHAFT 1	10	UR GREEN
	3GM-11416-40	PLANE BEARING, CRANKSHAFT 1	10	UR YELLOW
3	4FM-11631-00-A0	PISTON (STD)	4	
	4FM-11636-00	PISTON (0.50MM O/S)	4	AP
4	4FM-11603-00	PISTON RING SET (STD)	4	
	4FM-11605-00	PISTON RING SET (0.50MM O/S)	4	AP
5	3GM-11633-00	PIN, PISTON	4	
6	93450-19095	CIRCLIP	8	
7	4FM-11650-01	CONNECTING ROD ASSY	4	
8	36Y-11654-00	•BOLT, CONNECTING ROD	2	
9	90179-08327	•NUT	2	
10	3GM-11656-00	PLANE BEARING, CONNECTING ROD	8	UR BLUE
	3GM-11656-10	PLANE BEARING, CONNECTING ROD	8	UR BLACK
	3GM-11656-20	PLANE BEARING, CONNECTING ROD	8	UR BROWN
	3GM-11656-30	PLANE BEARING, CONNECTING ROD	8	UR GREEN



4HD300-3030

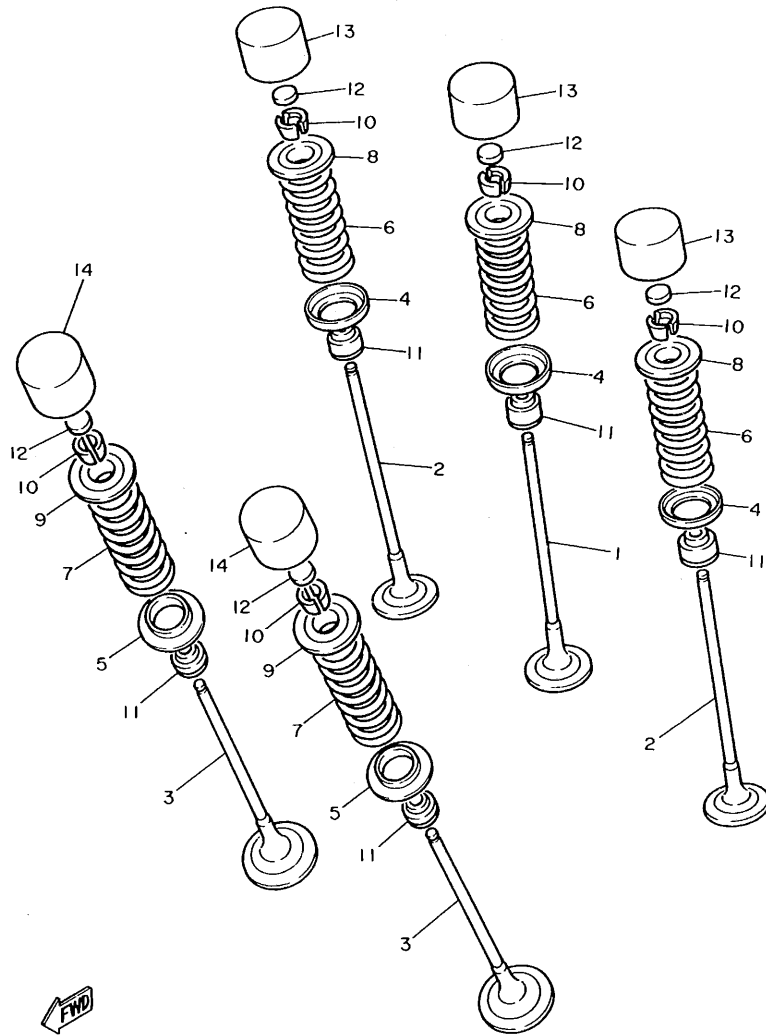
FIG. 4 VALVE



3LE332-9040

REF. NO.	PART NO.	DESCRIPTION	Q'TY	REMARKS
1	4FM-12111-00	VALVE, INTAKE	4	
2	4FM-12112-00	VALVE, INTAKE 2	8	
3	4FM-12121-00	VALVE, EXHAUST	8	
4	4FM-12116-00	SEAT, VALVE SPRING	12	
5	3GM-12126-00	SEAT, VALVE SPRING 2	8	
6	3FV-12113-00	SPRING, VALVE INNER	12	
7	3FV-12114-00	SPRING, VALVE OUTER	8	
8	3GM-12117-00	RETAINER, VALVE SPRING	12	
9	1WG-12117-00	RETAINER, VALVE SPRING	8	
10	1WG-12118-00	COTTER, VALVE	40	
11	1WG-12119-00	SEAL, VALVE STEM	20	
12	1HX-12168-00	PAD, ADJUSTING 2 (1.20)	20	UR
	1HX-12168-20	PAD, ADJUSTING 2 (1.25)	20	UR
	1HX-12168-40	PAD, ADJUSTING 2 (1.30)	20	UR
	1HX-12168-60	PAD, ADJUSTING 2 (1.35)	20	UR
	1HX-12168-80	PAD, ADJUSTING 2 (1.40)	20	UR
	1HX-12168-A0	PAD, ADJUSTING 2 (1.45)	20	UR
	1HX-12168-F0	PAD, ADJUSTING 2 (1.50)	20	UR
	1HX-12168-H1	PAD, ADJUSTING 2 (1.55)	20	UR
	1HX-12168-K1	PAD, ADJUSTING 2 (1.60)	20	UR
	1HX-12168-M1	PAD, ADJUSTING 2 (1.65)	20	UR
	1HX-12168-R1	PAD, ADJUSTING 2 (1.70)	20	UR
	1HX-12168-U1	PAD, ADJUSTING 2 (1.75)	20	UR
	1HX-12168-W1	PAD, ADJUSTING 2 (1.80)	20	UR
	1HX-12168-Y1	PAD, ADJUSTING 2 (1.85)	20	UR
	1HX-12169-11	PAD, ADJUSTING 2 (1.90)	20	UR
	1HX-12169-31	PAD, ADJUSTING 2 (1.95)	20	UR
	1HX-12169-50	PAD, ADJUSTING 2 (2.00)	20	UR

FIG. 4 VALVE



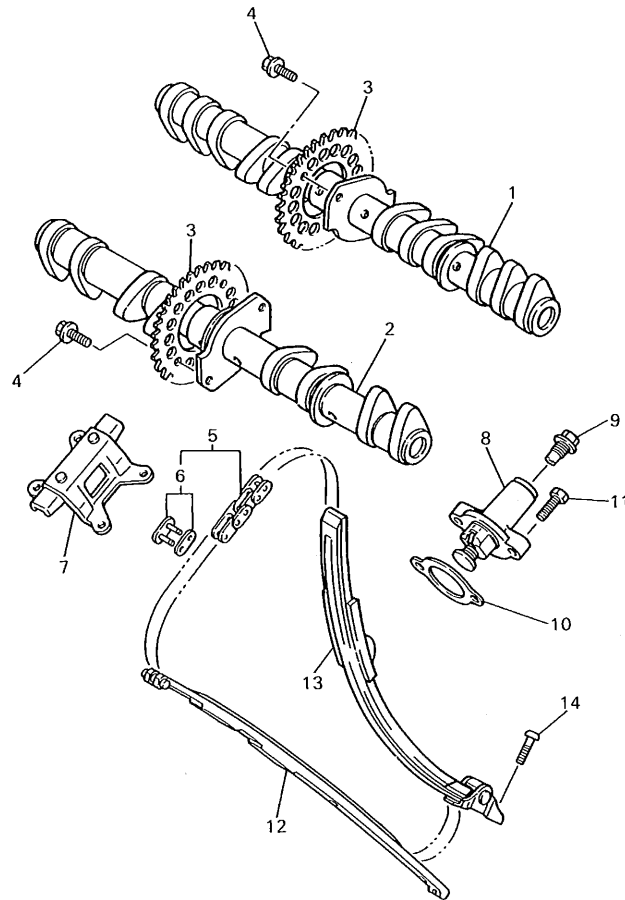
REF. NO.	PART NO.	DESCRIPTION	Q'TY	REMARKS
12	1HX-12169-70	PAD, ADJUSTING 2 (2.05)	20	UR
	1HX-12169-90	PAD, ADJUSTING 2 (2.10)	20	UR
	1HX-12169-E0	PAD, ADJUSTING 2 (2.15)	20	UR
	1HX-12169-G0	PAD, ADJUSTING 2 (2.20)	20	UR
	1HX-12169-J0	PAD, ADJUSTING 2 (2.25)	20	UR
	1HX-12169-L0	PAD, ADJUSTING 2 (2.30)	20	UR
	1HX-12169-N0	PAD, ADJUSTING 2 (2.35)	20	UR
	1HX-12169-T0	PAD, ADJUSTING 2 (2.40)	20	UR
13	3LN-12153-20	LIFTER, VALVE	12	UR BLUE
	3LN-12153-30	LIFTER, VALVE	12	UR RED
	3LN-12153-09	LIFTER, VALVE (O/S)	12	UR GREEN
14	3FV-12153-10	LIFTER, VALVE	8	UR YELLOW
	3FV-12153-09	LIFTER, VALVE (O/S)	8	UR GREEN



3LE332-9040

B6

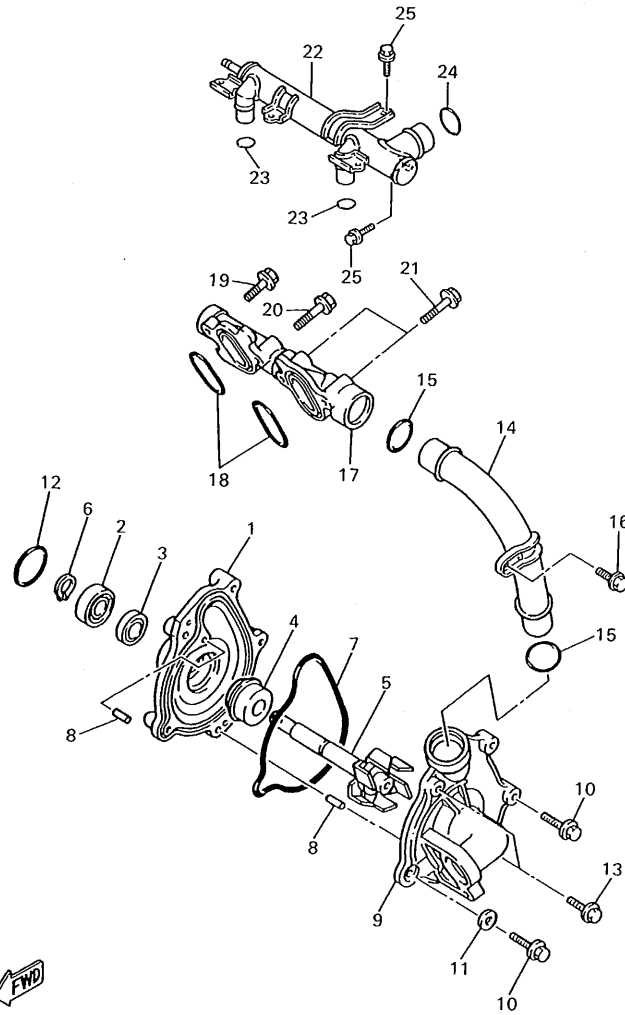
FIG. 5 CAMSHAFT • CHAIN



REF. NO.	PART NO.	DESCRIPTION	Q'TY	REMARKS
1	4HD-12171-00	CAMSHAFT 1	1	
2	4HD-12181-00	CAMSHAFT 2	1	
3	3GM-12176-00	SPROCKET, CAM CHAIN	2	
4	90105-07342	BOLT, WASHER BASED	4	
5	94580-81104	CHAIN (DID219FTS-104L)	1	
6	94680-81021	JOINT, CHAIN	1	
7	2GH-12241-00	GUIDE, STOPPER 2	1	
8	4FM-12210-00	TENSIONER ASSY, CAM CHAIN	1	
9	90109-112F1	BOLT	1	
10	4FM-12213-00	GASKET, TENSIONER CASE	1	
11	91317-06025	BOLT	2	
12	3FV-12251-00	DAMPER, CHAIN 1	1	
13	4FM-12252-00	DAMPER, CHAIN 2	1	
14	90109-065A8	BOLT	2	


4HD300-3050

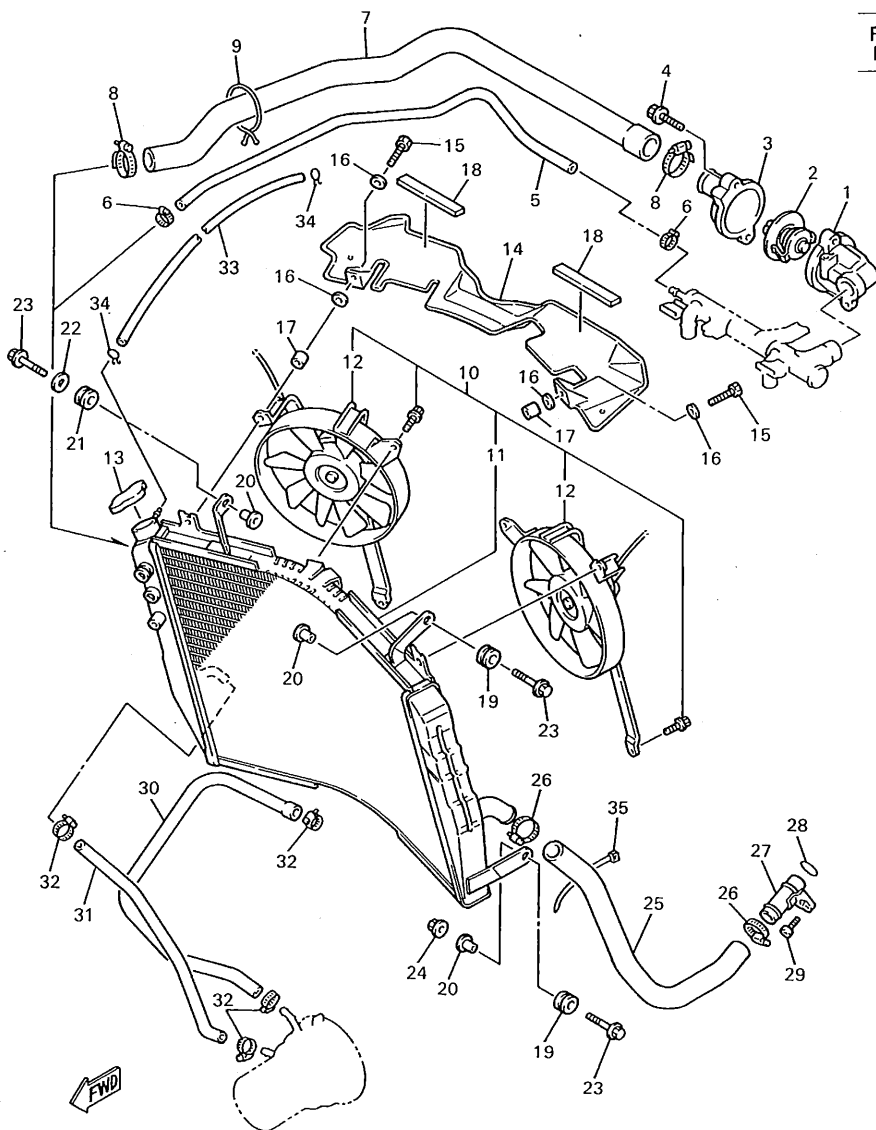
FIG. 6 WATER PUMP



4HD300-5060

REF. NO.	PART NO.	DESCRIPTION	Q'TY	REMARKS
1	1UF-12421-09	HOUSING, WATER PUMP	1	
2	93306-00106	BEARING	1	
3	93101-12060	OIL SEAL	1	
4	11H-12438-00	SEAL, MECHANICAL	1	
5	1UF-12450-00	IMPELLER SHAFT ASSY	1	
6	99009-12400	CIRCLIP	1	
7	1AE-12439-00	O-RING	1	
8	93604-10011	PIN, DOWEL	2	
9	3GM-12422-00	COVER, HOUSING	1	
10	95027-06025	BOLT	3	
11	90430-06014	GASKET	1	
12	93210-33133	O-RING	1	
13	95027-06050	BOLT, FLANGE	2	
14	1AE-12481-01	PIPE 1	1	
15	93210-23787	O-RING	2	
16	95027-06012	BOLT, FLANGE	1	
17	3FV-12469-00	JOINT 1	1	
18	93210-30694	O-RING	2	
19	95027-06020	BOLT, FLANGE	1	
20	95027-06030	BOLT, FLANGE	1	
21	95027-06040	BOLT, FLANGE	2	
22	4FN-12482-00	PIPE 2	1	
23	93210-18417	O-RING	2	
24	93210-23787	O-RING	1	
25	95027-06010	BOLT, FLANGE	2	

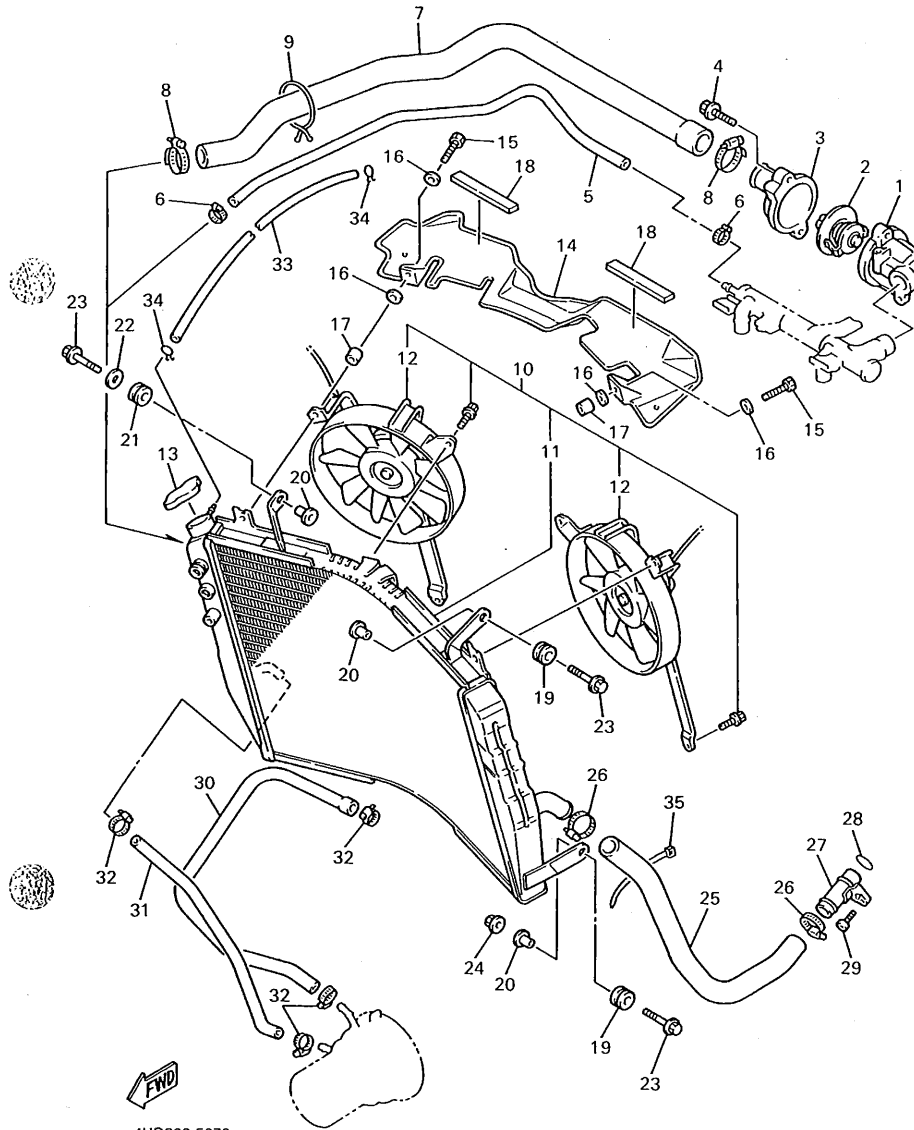
FIG. 7 RADIATOR • HOSE



REF. NO.	PART NO.	DESCRIPTION	Q'TY	REMARKS
1	3GM-12417-00	HOUSING, THERMOSTAT	1	
2	4FM-12410-00	THERMOSTAT ASSY	1	
3	3GM-12413-00	COVER, THERMOSTAT	1	
4	95027-06025	BOLT, FLANGE	2	
5	4FM-1243A-10	HOSE 1	1	
6	90467-11090	CLIP	2	
7	4FM-12576-10	HOSE 1	1	
8	90450-38040	HOSE CLAMP ASSY	2	
9	90464-44109	CLAMP	1	
10	4FM-1240A-10	RADIATOR ASSY	1	
11	4FM-12461-10	•RADIATOR, ASSY	1	
12	4FM-12405-10	•BLOWER ASSY	2	
13	22W-12462-00	CAP, RADIATOR	1	
14	4HD-12535-00	PLATE	1	
15	97007-06025	BOLT	2	
16	90201-06055	WASHER	4	
17	90387-064T3	COLLAR	2	
18	2TV-21638-00	DAMPER	2	
19	90480-15363	GROMMET	3	
20	90387-07391	COLLAR	4	
21	90480-10542	GROMMET	1	
22	90201-063J2	WASHER, PLATE	1	
23	95827-06025	BOLT, FLANGE	4	
24	95707-06500	NUT, FLANGE	2	
25	4FM-12579-10	HOSE 4	1	
26	90450-38040	HOSE CLAMP ASSY	2	
27	2GH-12484-00	PIPE 4	1	
28	93210-23787	O-RING	1	

4HD300-5070

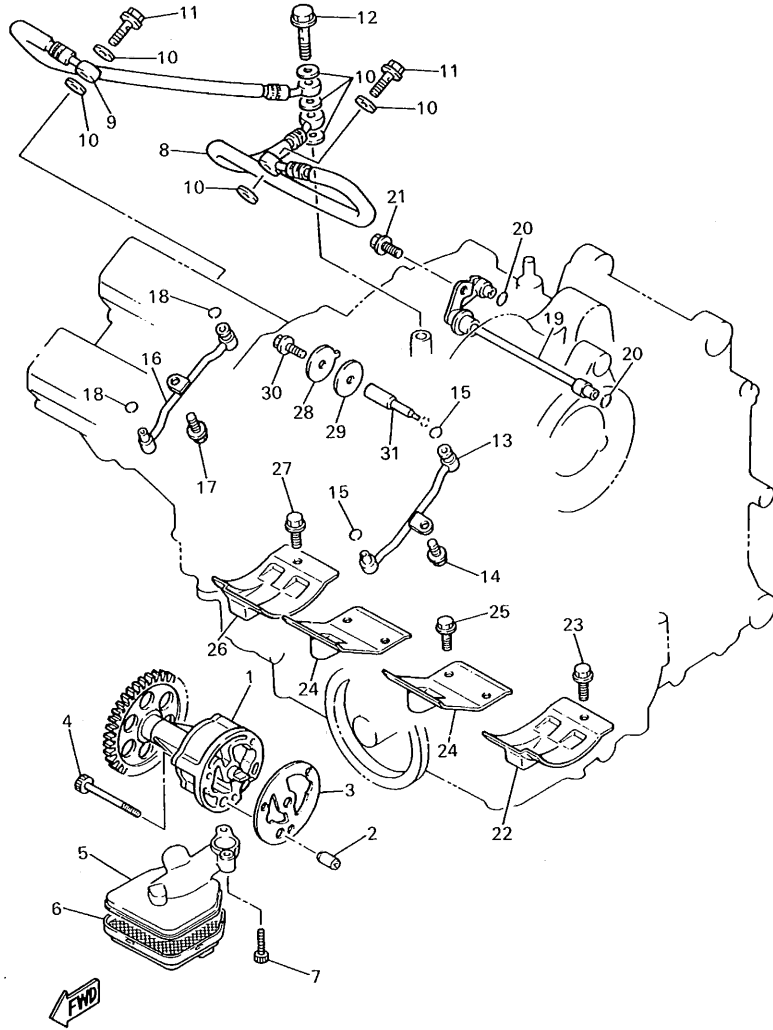
FIG. 7 RADIATOR • HOSE



REF. NO.	PART NO.	DESCRIPTION	Q'TY	REMARKS
29	90110-06142	BOLT, HEXAGON SOCKET HEAD	1	
30	4FM-12588-01	HOSE 5	1	
31	4FM-12589-10	HOSE 6	1	
32	90450-22052	HOSE CLAMP ASSY	4	
33	90445-09635	HOSE	1	
34	90467-08003	CLIP	2	
35	90465-13355	CLAMP	1	

4HD300-5070

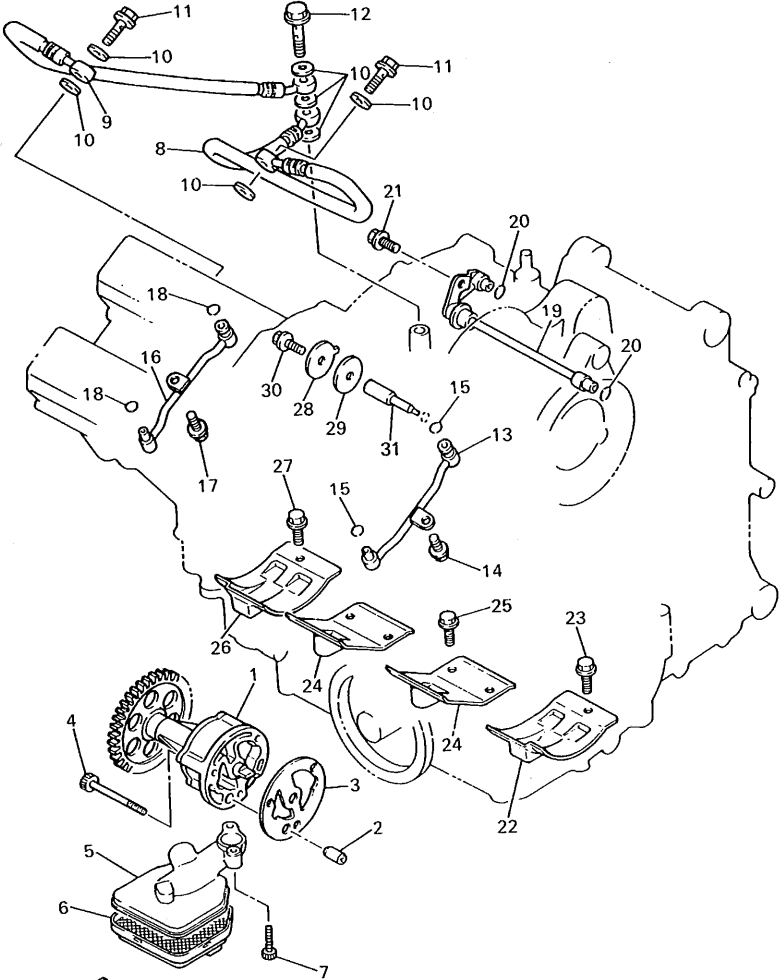
FIG. 8 OIL PUMP



4HD300-3080

REF. NO.	PART NO.	DESCRIPTION	Q'TY	REMARKS
1	1AE-13300-00	OIL PUMP ASSY	1	
2	99510-08012	PIN, DOWEL	1	
3	2GH-13329-00	GASKET, PUMP COVER	1	
4	91317-06050	BOLT	3	
5	3GM-13412-50	HOUSING, STRAINER	1	
6	4FM-13411-00	STRAINER, OIL	1	
7	91317-06030	BOLT	2	
8	4BH-1316F-01	HOSE, OIL 1	1	
9	4BH-1316G-01	HOSE, OIL 2	1	
10	90430-10171	GASKET	7	
11	90401-10159	BOLT, UNION	2	
12	90401-10044	BOLT, UNION	1	
13	3GM-13181-00	PIPE, DELIVERY 3	1	
14	95027-06012	BOLT, FLANGE	1	
15	93210-06632	O-RING	2	
16	3GM-13191-00	PIPE, DELIVERY 4	1	
17	95027-06012	BOLT, FLANGE	1	
18	93210-06632	O-RING	2	
19	1AE-1316E-00	PIPE, DELEVERY 5	1	
20	93210-07135	O-RING	2	
21	95027-06012	BOLT, FLANGE	1	
22	2GH-15123-00	PLATE, BUFFLE 1	1	
23	95027-06012	BOLT, FLANGE	2	
24	1AE-15124-00	PLATE, BUFFLE 2	2	
25	95027-06012	BOLT, FLANGE	6	
26	2GH-15133-00	PLATE, BUFFLE 3	1	
27	95027-06012	BOLT, FLANGE	2	
28	90201-061M7	WASHER, PLATE	1	

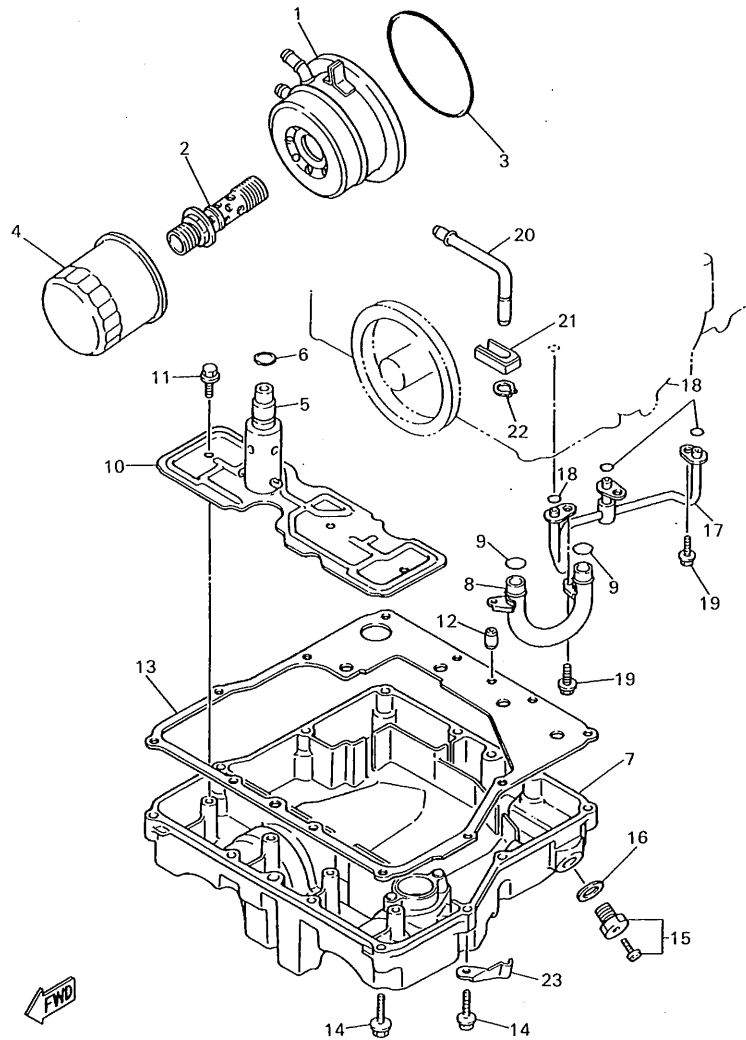
FIG. 8 OIL PUMP



REF. NO.	PART NO.	DESCRIPTION	Q'TY	REMARKS
29	4FM-13475-00	GASKET	1	
30	95827-06016	BOLT, FLANGE	1	
31	3GM-13454-00	NOZZLE	1	

4HD300-3080

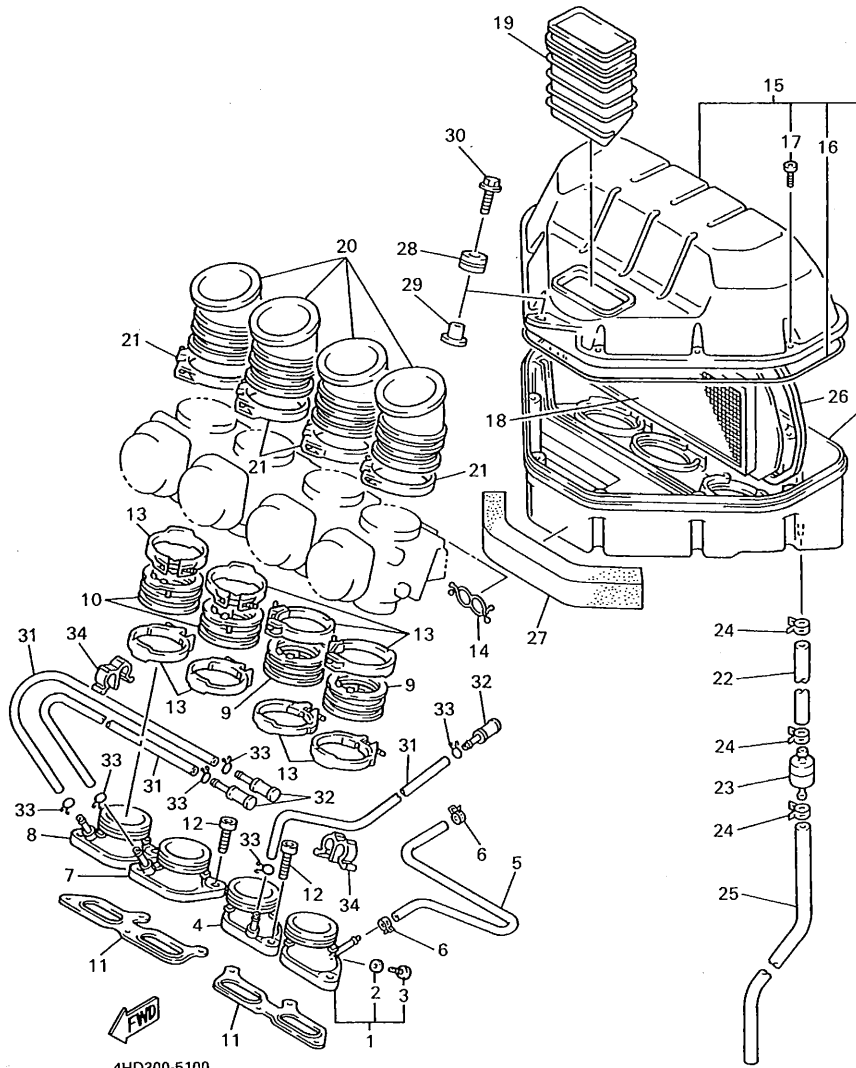
FIG. 9 OIL CLEANER



4HD300-5090

REF. NO.	PART NO.	DESCRIPTION	Q'TY	REMARKS
1	4FM-13470-10	OIL COOLER ASSY	1	
2	90401-20161	BOLT, UNION	1	
3	93210-87723	O-RING	1	
4	3FV-13440-00	ELEMENT ASSY, OIL CLEANER	1	
5	3KS-13490-00	RELIEF VALVE ASSY	1	
6	93210-15566	O-RING	1	
7	4FM-13417-00	COVER, STRAINER	1	
8	3FV-13416-01	PIPE, OIL 1	1	
9	93210-14579	O-RING	2	
10	3GM-13337-00	PLATE, BAFFLE LOWER	1	
11	95027-06010	BOLT, FLANGE	4	
12	99510-08016	PIN, DOWEL	2	
13	4FM-13414-00	GASKET, STRAINER COVER	1	
14	95027-06030	BOLT	12	
15	3VD-13455-00	PLUG	1	
16	214-11198-01	GASKET	1	
17	3GM-13161-01	PIPE, DELIVERY 1	1	
18	93210-06714	O-RING	3	
19	95027-06012	BOLT, FLANGE	3	
20	3GM-15373-00	PIPE, BREATHER	1	
21	3GM-13174-00	HOLDER, OIL PIPE	1	
22	99009-10400	CIRCLIP	1	
23	90465-08076	CLAMP	1	

FIG. 10 INTAKE



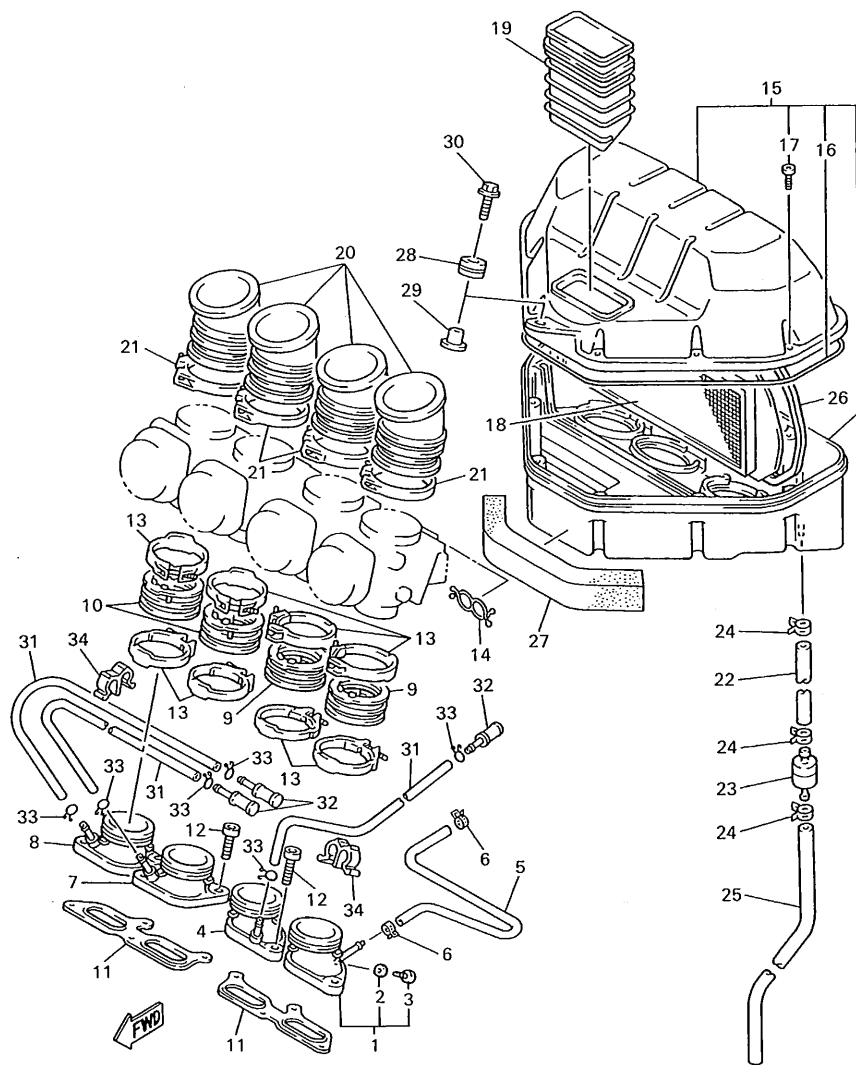
4HD300-5100

REF. NO.	PART NO.	DESCRIPTION	Q'TY	REMARKS
1	4FN-13586-00	JOINT, CARBURETOR 1	1	#1
2	90430-06014	.GASKET	1	
3	91317-06012	.BOLT	1	
4	4FM-13586-10	JOINT, CARBURETOR 1	1	#2
5	3FV-2416A-00	HOSE	1	
6	90467-08092	CLIP	2	
7	4FM-13596-10	JOINT, CARBURETOR 2	1	#3
8	4HD-13596-10	JOINT, CARBURETOR 2	1	#4
9	3GM-13597-00	JOINT, CARBURETOR 3	2	
10	3GM-13598-00	JOINT, CARBURETOR 4	2	
11	4FM-13556-01	GASKET, MANIFOLD	2	
12	91317-06020	BOLT	8	
13	90450-57034	HOSE CLAMP ASSY	8	
14	90464-17184	CLAMP	1	
15	4FM-14401-10	AIR CLEANER CASE ASSY	1	
16	4FM-14452-00	.SEAL	1	
17	97707-50525	.SCREW, TAPPING	8	
18	4FM-14451-00	ELEMENT, AIR CLEANER	1	
19	4FM-14437-00	DUCT	1	
20	4FM-14453-00	JOINT, AIR CLEANER 1	4	
21	90450-67066	HOSE CLAMP ASSY	4	
22	1HX-1443E-00	PIPE, DRAIN	1	
23	4X7-2149Y-00	FILTER ASSY	1	
24	90467-11106	CLIP	3	
25	90445-116H6	HOSE	1	
26	4FM-14462-00	SEAL	1	
27	4FN-14467-00	SEAL	1	
28	90480-12314	GROMMET	1	

B14

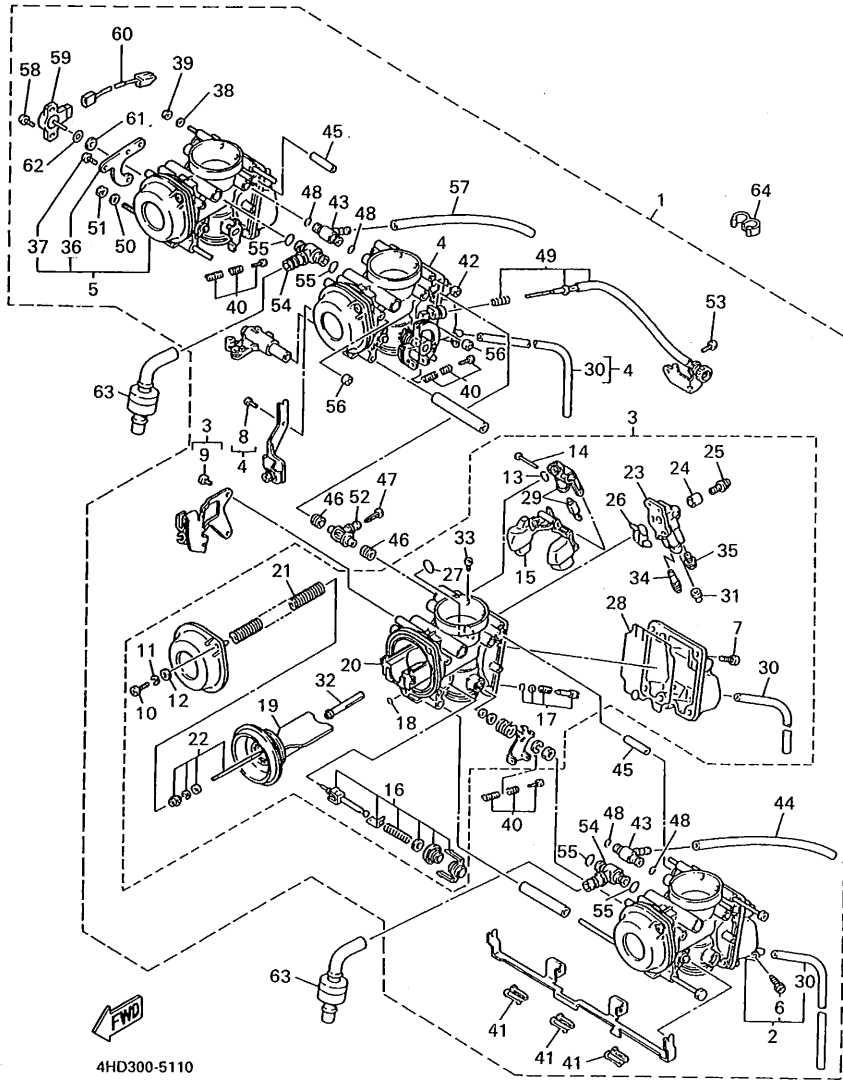
FIG. 10 INTAKE

REF. NO.	PART NO.	DESCRIPTION	Q'TY	REMARKS
29	90387-065J6	COLLAR	1	
30	95807-06020	BOLT, FLANGE	1	
31	90445-090E5	HOSE	3	
32	90338-05240	PLUG	3	
33	90467-08017	CLIP	6	
34	90468-15139	CLIP	2	



4HD300-5100

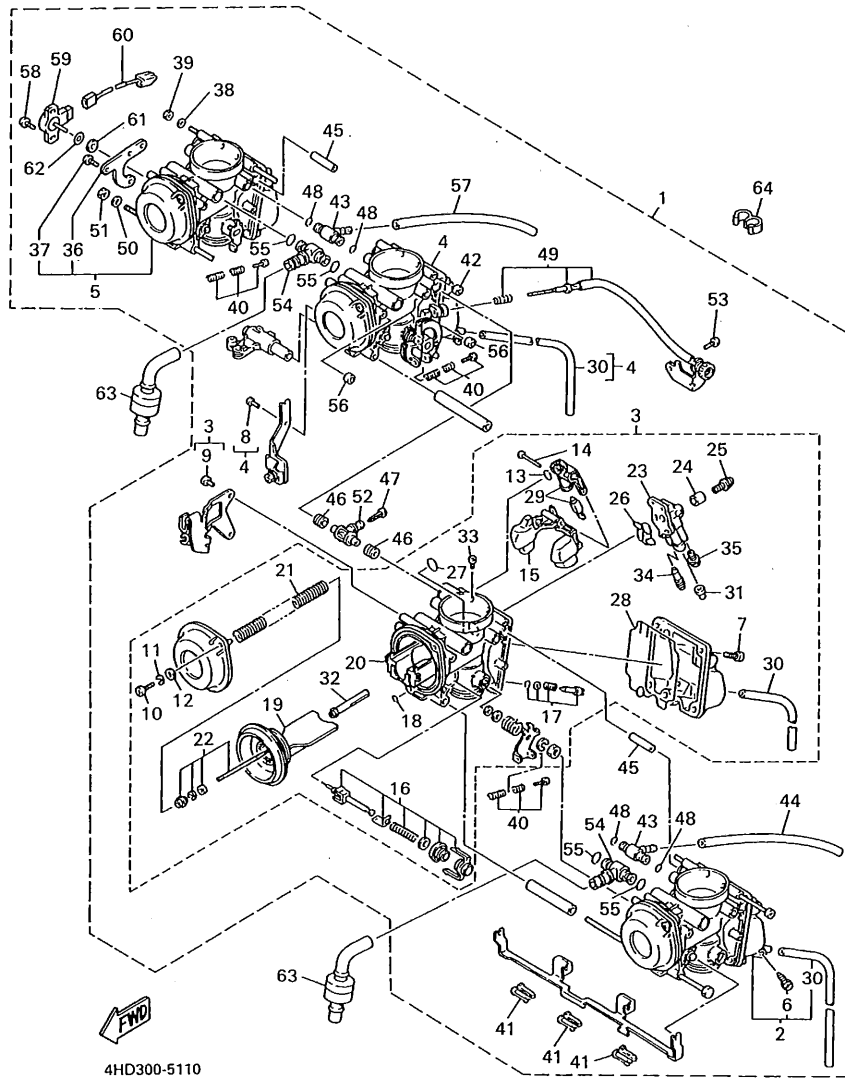
FIG. 11 CARBURETOR



4HD300-5110

REF. NO.	PART NO.	DESCRIPTION	Q'TY	REMARKS
1	4HD-14900-10	CARBURETOR ASSY	1	
2	4HD-14901-10	..CARBURETOR ASSY 1	1	
3	4HD-14902-10	..CARBURETOR ASSY 2	1	
4	4HD-14903-10	..CARBURETOR ASSY 3	1	
5	4HD-14904-10	..CARBURETOR ASSY 4	1	
6	3FV-14191-00	..PLUG, DRAIN	1	
7	98502-05012	..SCREW, PAN HEAD	4	
8	98580-04008	..SCREW, PAN HEAD	1	
9	98580-04008	..SCREW, PAN HEAD	2	
10	98586-05016	..SCREW, PAN HEAD	2	
11	92906-05100	..WASHER, SPRING	2	
12	92906-05600	..WASHER, PLATE	2	
13	3EN-14147-00	..O-RING	1	
14	53L-14186-00	..PIN, FLOAT	1	
15	3GM-14985-00	..FLOAT	1	
16	3EN-1410A-01	..STARTER SET	1	
17	12R-14105-00	..PILOT SCREW SET	1	
18	3FV-14147-00	..O-RING	1	
19	3GM-14940-00	..DIAPHRAGM ASSY	1	
20	3GM-1411E-00	..BLOCK, JET	1	
21	4HD-14933-00	..SPRING, DIAPHRAGM	1	
22	4HD-1490J-20	..NEEDLE SET	1	UR #1,4
	4HD-1490J-30	..NEEDLE SET	1	UR #2,3
23	4HD-1411A-10	..BLOCK JET ASSY	1	
24	3GM-14153-00	..WASHER, MAIN JET	1	
25	4HD-14565-00	..SCREW	1	
26	3LF-14147-00	..O-RING	1	
27	1AE-14147-00	..O-RING	1	

FIG. 11 CARBURETOR



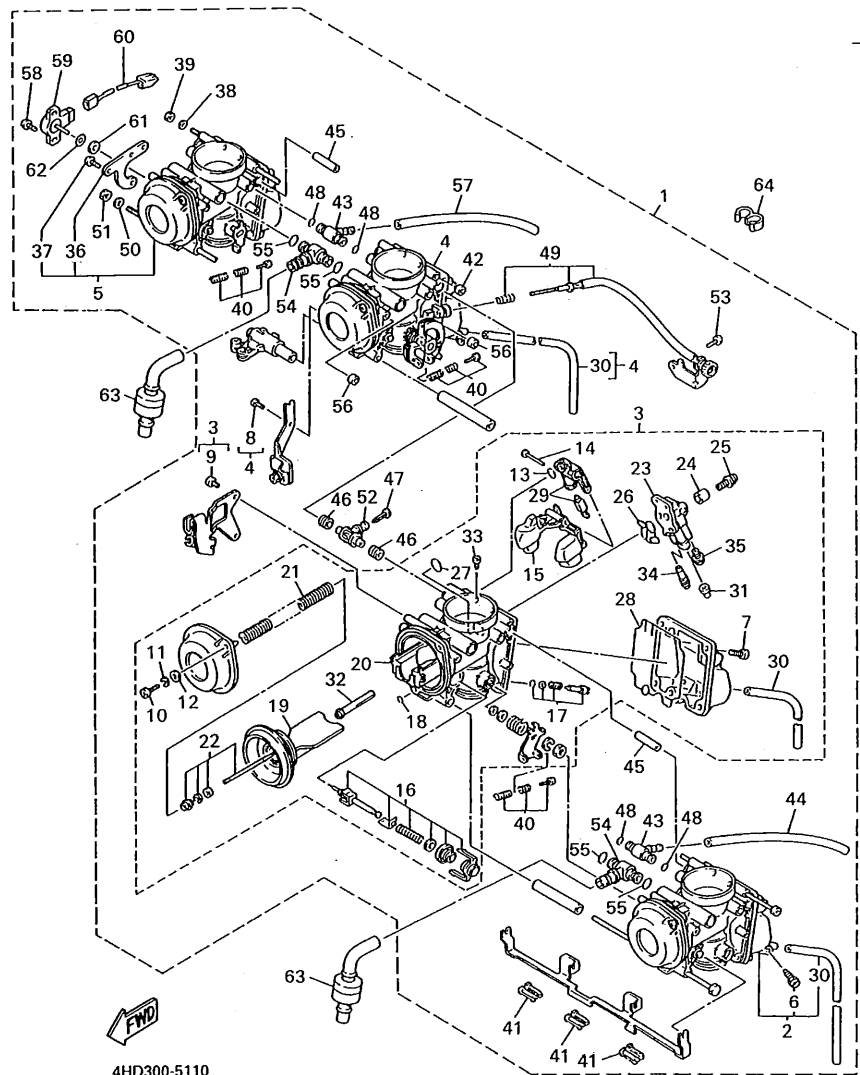
4HD300-5110

C3

REF. NO.	PART NO.	DESCRIPTION	Q'TY	REMARKS
28	3GM-14997-00	..SEAL	1	
29	3GM-14107-10	..NEEDLE VALVE SET	1	
30	3LK-14987-00	..HOSE	1	
31	3G2-14231-24	..JET, MAIN (#120)	1	
32	4HD-1414M-92	..NOZZLE, MAIN	1	
33	830-14231-29	..JET, MAIN (#145)	1	
34	4G0-14142-45	..JET, PILOT (#45)	1	
35	3G2-14231-62	..JET, MAIN (#57.5)	1	
36	4HD-14291-00	..BRACKET	1	
37	98502-04008	..SCREW, PAN HEAD	2	
38	92901-05600	..WASHER, PLATE	1	
39	95380-05600	..NUT	1	
40	3EN-1490K-00	..STOP SCREW SET	3	
41	3EN-14261-00	..HOLDER	3	
42	3GM-14918-00	..RING	1	
43	17A-14251-00	..NIPPLE	2	
44	3GM-14197-00	..PIPE	1	
45	4HD-14988-00	..PIPE, STARTER CONNECTING	2	
46	3EN-14997-00	..SEAL	2	
47	1KT-14994-00	..NET, FILTER	1	
48	822-14147-00	..O-RING	4	
49	3GM-14103-00	..THROTTLE SCREW SET	1	
50	92990-06600	..WASHER, PLATE	1	
51	95380-06600	..NUT	1	
52	3EN-14988-00	..PIPE, STARTER CONNECTING	1	
53	98580-05008	..SCREW, PAN HEAD	1	
54	3GM-14251-00	..NIPPLE	2	
55	3LK-14147-00	..O-RING	4	

FIG. 11 CARBURETOR

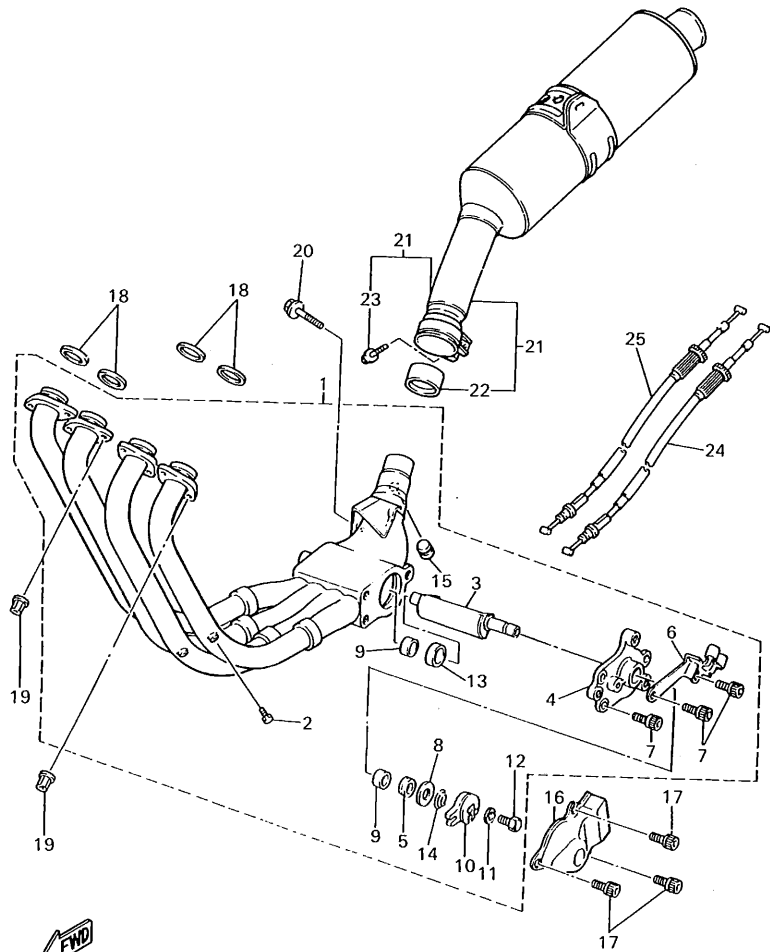
REF. NO.	PART NO.	DESCRIPTION	Q'TY	REMARKS
56	3GM-14992-00	.ROD	2	
57	2LE-14197-00	.PIPE	1	
58	4HM-14216-00	.SCREW	2	
59	4HD-85885-00	.THROTTLE SENSOR ASSY	1	
60	4HD-14188-00	.CONNECTOR	1	
61	4HM-14239-00	.SEAL	1	
62	4KG-14285-00	.WASHER	1	
63	4FM-14197-00	PIPE	2	UR
	3GM-14197-00	PIPE	2	UR FOR FIN/SWE
64	90464-10075	CLAMP	2	



4HD300-5110

C4

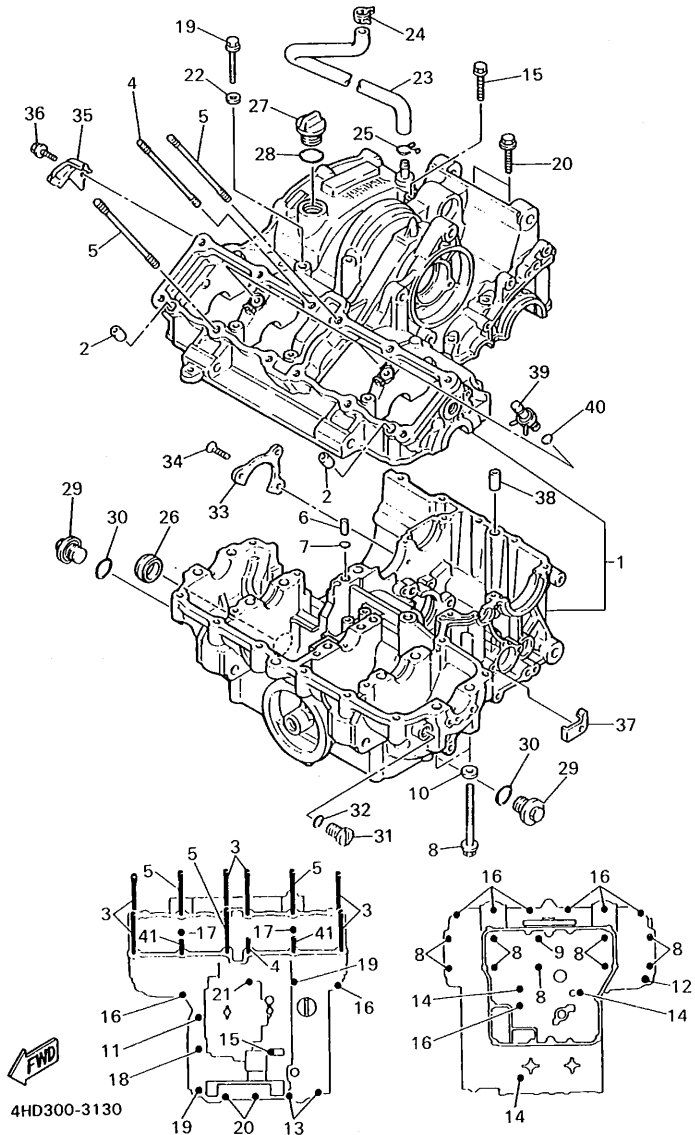
FIG. 12 EXHAUST



REF. NO.	PART NO.	DESCRIPTION	Q'TY	REMARKS
1	4FM-14610-10	EXHAUST PIPE ASSY 1	1	
2	90101-06576	•BOLT	4	
3	3GM-14821-00	•ARM, SHAFT (VALVE)	1	
4	3GM-14811-00	•HOUSING	1	
5	2TK-14845-00	•DUST SEAL ASSY	1	
6	2TK-14867-01	•BRACKET	1	
7	90119-06115	•BOLT, WITH WASHER	3	
8	90201-106M5	•WASHER, PLATE	1	
9	90380-10195	•BUSH, SOLID	2	
10	2TK-14865-01	•PULLEY	1	
11	92990-05200	•WASHER, PLAIN	1	
12	97080-05012	•BOLT	1	
13	90387-106U7	•COLLAR	1	
14	3GM-14683-00	•SPRING, HOOK	1	
15	4FM-24181-00	•DAMPER, LOCATING 1	1	
16	4HD-14826-00	PROTECTOR, EXHAUST	1	
17	90119-06187	BOLT, WITH WASHER	3	
18	4FM-14613-00	GASKET, EXHAUST PIPE	4	
19	90179-08410	NUT	8	
20	95817-08035	BOLT, FLANGE	1	
21	4HD-14710-00	MUFFLER ASSY 1	1	
22	3HE-14755-00	•GASKET, SILENCER	1	
23	95817-08025	•BOLT, FLANGE	1	
24	4FM-1133E-00	CABLE, PULLEY 1	1	
25	4FM-1133F-00	CABLE, PULLEY 2	1	

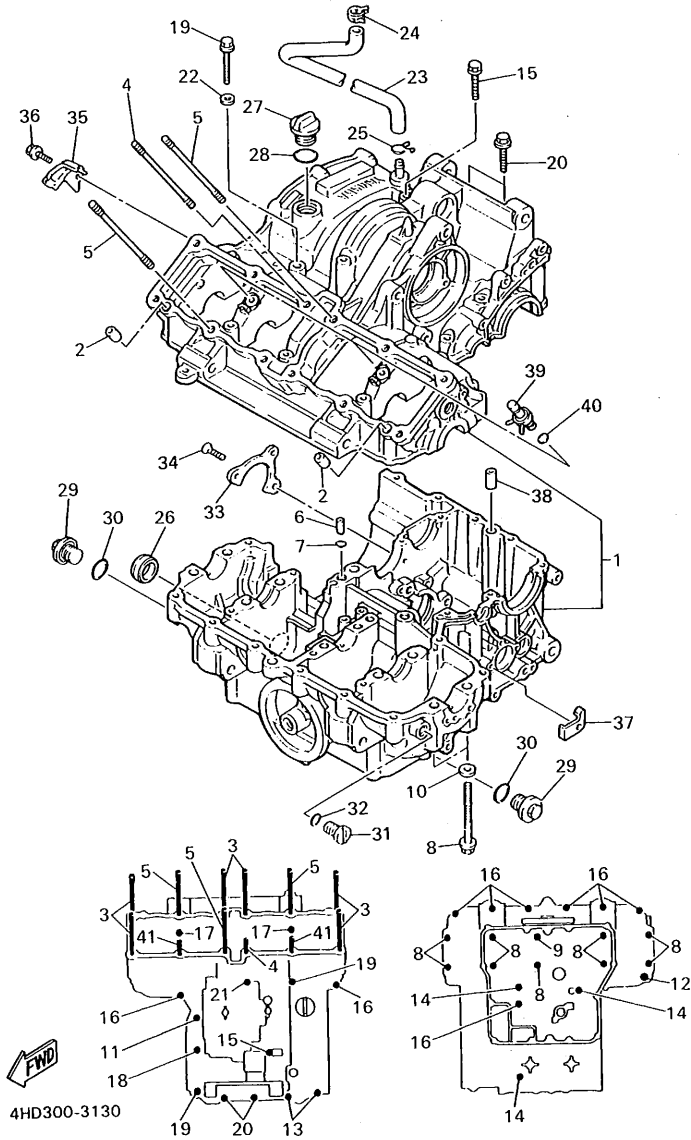
4HD300-3120

FIG. 13 CRANKCASE



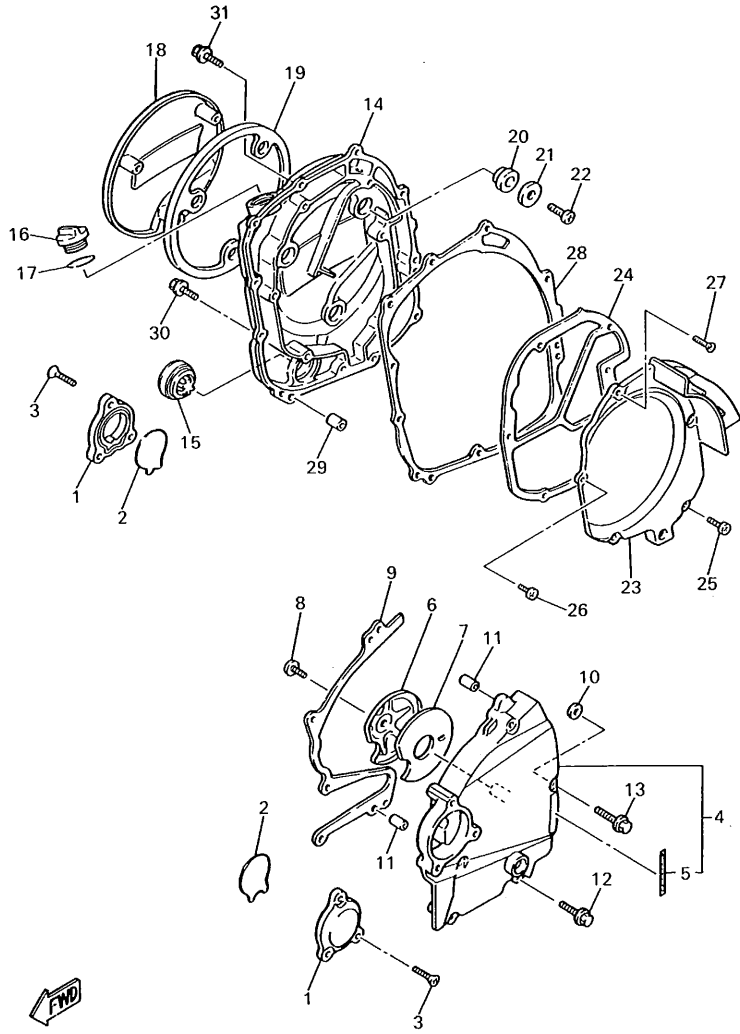
REF. NO.	PART NO.	DESCRIPTION	Q'TY	REMARKS
1	3GM-15100-52	CRANKCASE ASSY	1	
2	99530-10014	PIN, DOWEL	2	
3	90116-10529	BOLT, STUD	6	
4	90116-10528	BOLT, STUD	1	
5	90116-10569	BOLT, STUD	3	
6	90387-05383	COLLAR	1	
7	93210-07135	O-RING	1	
8	90105-09373	BOLT, WASHER BASED	9	
9	90105-09580	BOLT, WASHER BASED	1	
10	90201-096J9	WASHER, PLATE	4	
11	95817-06035	BOLT, FLANGE	1	
12	95817-08045	BOLT, FLANGE	1	
13	95817-06060	BOLT, FLANGE	2	
14	95817-06080	BOLT, FLANGE	3	
15	95817-06140	BOLT, FLANGE	1	
16	95817-08045	BOLT, FLANGE	9	
17	95817-08055	BOLT, FLANGE	2	
18	95817-08065	BOLT, FLANGE	1	
19	95817-08090	BOLT, FLANGE	2	
20	95817-08060	BOLT, FLANGE	2	
21	90105-09555	BOLT, WASHER BASED	1	
22	90201-08087	WASHER, PLATE	1	
23	3FV-11166-00	PIPE, BREATHER 1	1	
24	90467-15054	CLIP	1	
25	90467-14015	CLIP	1	
26	90338-30096	PLUG	1	
27	3FV-15363-00	PLUG, OIL	1	
28	93210-27778	O-RING	1	

FIG. 13 CRANKCASE



REF. NO.	PART NO.	DESCRIPTION	Q'TY	REMARKS
29	4H7-15189-00	PLUG	2	
30	93210-20573	O-RING	2	
31	90340-14068	PLUG, STRAIGHT SCREW	1	
32	93210-14369	O-RING	1	
33	1AE-15383-00	PLATE, BEARING COVER	1	
34	90151-06014	SCREW, COUNTERSUNK	3	
35	90462-08184	CLAMP	1	
36	95027-06012	BOLT	1	
37	90462-08158	CLAMP	1	
38	99510-12016	PIN, DOWEL	1	
39	3FV-15105-00	NOZZLE ASSY	2	
40	93210-06632	O-RING	2	
41	90116-10568	BOLT, STUD	2	

FIG. 14 CRANKCASE COVER 1



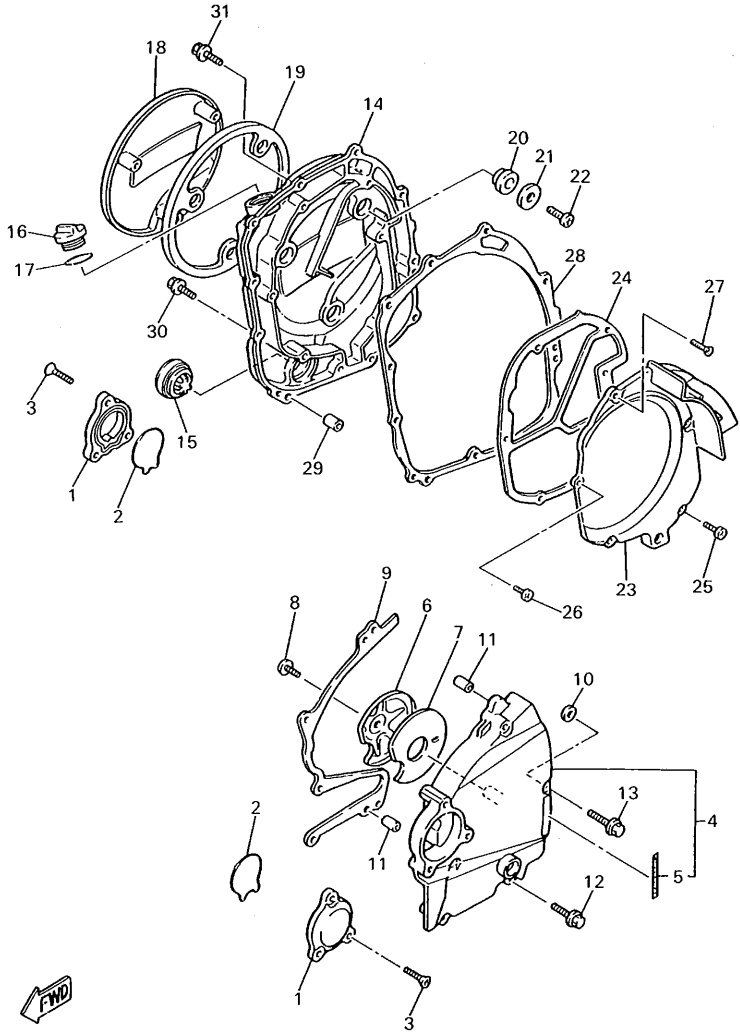
REF. NO.	PART NO.	DESCRIPTION	Q'TY	REMARKS
1	3GM-15416-00	COVER, OIL PUMP	2	
2	1AE-15456-00	GASKET, OIL PUMP COVER 1	2	
3	90152-06014	SCREW, COUNTERSUNK	6	
4	4FM-15410-01	CRANKCASE COVER ASSY 1	1	
5	1TV-15435-00	EMBLEM	1	
6	3GM-15427-00	COVER, CAP 2	1	
7	1AE-15316-00	DAMPER, ENGINE MOUNT 1	1	
8	92017-06010	SCREW	1	
9	4FM-15451-00	GASKET, CRANKCASE COVER 1	1	
10	4FM-15467-00	GASKET	1	
11	99510-08012	PIN, DOWEL	2	
12	95027-06040	BOLT, FLANGE	3	
13	95027-06050	BOLT, FLANGE	2	
14	4FM-15421-00	COVER, CRANKCASE 2	1	
15	3Y1-15361-00	GAUGE, LEVEL	1	
16	4FM-15362-00	PLUG, OIL LEVEL	1	
17	93210-27778	O-RING	1	
18	3GM-15417-00	COVER, CAP	1	
19	3GM-15449-00	RING, RUBBER	1	
20	4H7-15486-00	GROMMET	3	
21	90209-06096	WASHER	3	
22	98507-06010	SCREW, PAN HEAD	3	
23	3GM-15346-00	BREATHER 1	1	
24	4FM-15463-00	GASKET, CARBURETOR COVER 2	1	
25	98507-06020	SCREW, PAN HEAD	4	
26	90157-06104	SCREW, PAN HEAD	1	
27	90152-06024	SCREW, COUNTERSUNK	1	
28	4FM-15461-00	GASKET, CRANKCASE COVER 2	1	



4HD300-3140

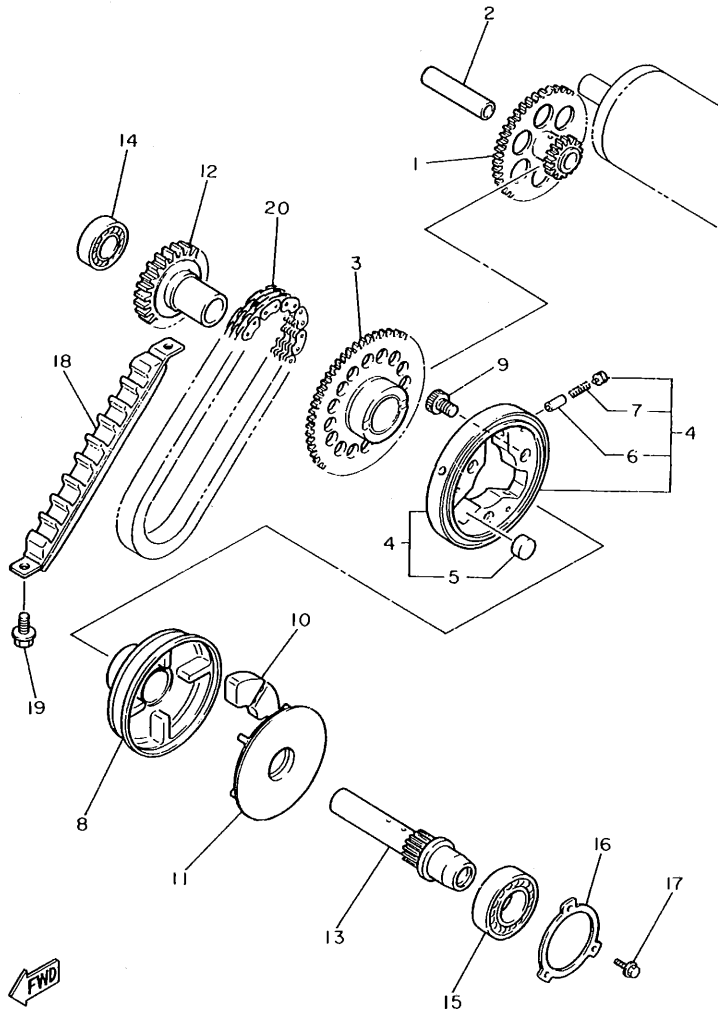
FIG. 14 CRANKCASE COVER 1

REF. NO.	PART NO.	DESCRIPTION	Q'TY	REMARKS
29	99510-08012	PIN, DOWEL	2	
30	95027-06030	BOLT, FLANGE	2	
31	95027-06020	BOLT	9	



4HD300-3140

FIG. 15 STARTER

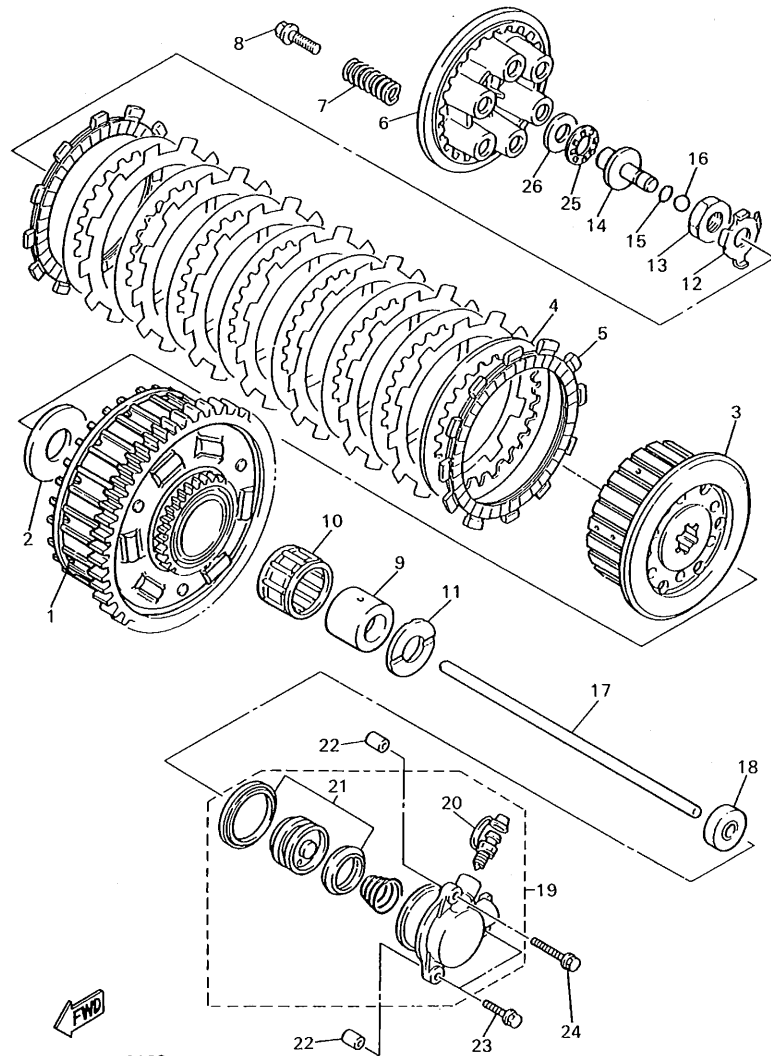


REF. NO.	PART NO.	DESCRIPTION	Q'TY	REMARKS
1	3GM-15512-00	GEAR, IDLER 1	1	
2	51Y-15521-00	SHAFT 1	1	
3	4BH-15517-00	GEAR, IDLER 2	1	
4	3GM-15580-00	STARTER CLUTCH OUTER ASSY	1	
5	93615-12088	•PIN, DOWEL	3	
6	1J7-15583-01	•CAP, STARTER CLUTCH SPRING	3	
7	90501-04623	•SPRING, COMPRESSION	3	
8	3GM-15524-00	WHEEL, STARTER	1	
9	90110-08177	BOLT, HEXAGON SOCKET HEAD	3	
10	4H7-16155-01	ABSORBER 1	4	
11	3GM-15689-00	RETAINER	1	
12	3GM-15519-00	SPROCKET, STARTER 2	1	
13	3GM-15522-00	SHAFT 2	1	
14	93306-20335	BEARING	1	
15	93306-20541	BEARING (B6205)	1	
16	1AE-15381-00	PLATE, BEARING COVER	1	
17	95027-06016	BOLT, FLANGE	3	
18	3GM-11474-00	GUIDE, UPPER	1	
19	95817-06014	BOLT, FLANGE	2	
20	4FM-11456-00	CHAIN, PRIMARY	1	



3KS351-9150

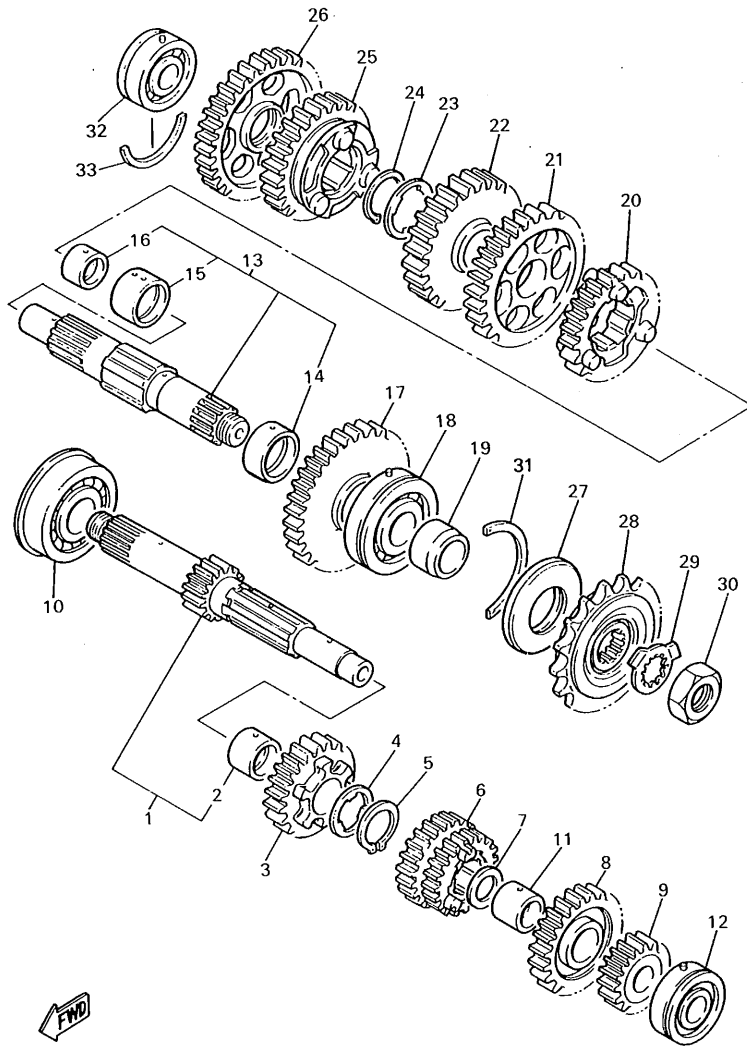
FIG. 16 CLUTCH



4HD300-3160

REF. NO.	PART NO.	DESCRIPTION	Q'TY	REMARKS
1	4FM-16150-00	PRIMARY DRIVEN GEAR COMP.	1	
2	1AE-16154-00	PLATE, THRUST 1	1	
3	2GH-16371-00	BOSS, CLUTCH	1	
4	3J2-16324-00	PLATE, CLUTCH 1	8	
5	4FN-16321-00	PLATE, FRICTION	9	
6	58L-16351-00	PLATE, PRESSURE 1	1	
7	90501-225A9	SPRING, COMPRESSION	6	
8	90159-06123	SCREW, WITH WASHER	6	
9	90560-25270	SPACER	1	
10	93310-340N8	BEARING, CYLINDRICAL	1	
11	1AE-16164-00	PLATE, THRUST 2	1	
12	90215-20231	WASHER, LOCK	1	
13	90170-20327	NUT	1	
14	1LJ-16356-00	ROD, PUSH 1	1	
15	93210-06632	O-RING	1	
16	93511-32027	BALL	1	
17	1AE-16357-00	ROD, PUSH 2	1	
18	93109-08061	OIL SEAL	1	
19	1TV-16381-10	PUSH LEVER COMP.	1	
20	36Y-W0048-00	.BREED SCREW KIT	1	
21	26H-W0098-00	.PUSH LEVER SEAL KIT	1	
22	99510-08012	PIN, DOWEL	2	
23	95027-06030	BOLT, FLANGE	2	
24	95027-06090	BOLT, FLANGE	1	
25	93340-21505	BEARING, THRUST	1	
26	90201-150H2	WASHER, PLATE	1	

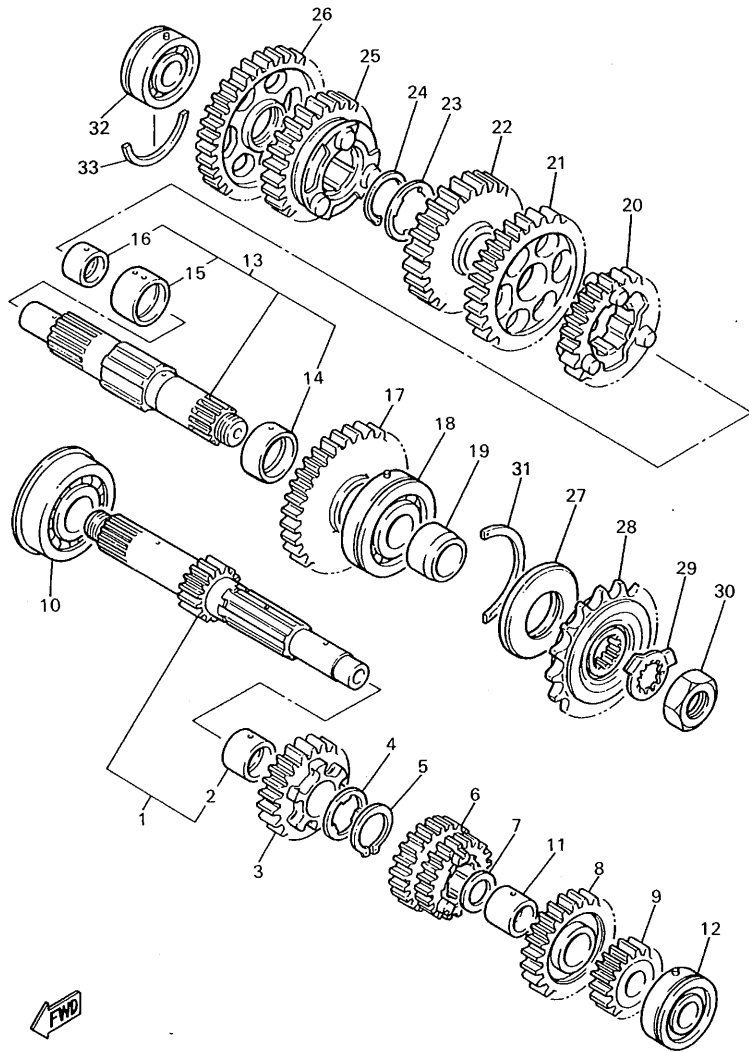
FIG. 17 TRANSMISSION



4HD300-3170

REF. NO.	PART NO.	DESCRIPTION	Q'TY	REMARKS
1	4FM-W1741-00	MAIN AXLE ASSY	1	
2	90387-253M6	.COLLAR	1	
3	4FM-17151-00	GEAR, 5TH PINION	1	
4	90209-22191	WASHER	1	
5	93440-25084	CIRCLIP	1	
6	4FM-17131-00	GEAR, 3RD PINION	1	
7	90201-200K3	WASHER, PLATE	1	
8	4FM-17161-00	GEAR, 6TH PINION	1	
9	3FV-17121-00	GEAR, 2ND PINION (17T)	1	
10	93306-30560	BEARING	1	
11	90387-203M7	COLLAR	1	
12	93306-20455	BEARING	1	
13	3FV-W1742-00	DRIVE AXLE ASSY	1	
14	90387-263M8	.COLLAR	1	
15	90387-284M0	.COLLAR	1	
16	90387-204M1	.COLLAR	1	
17	4FM-17221-00	GEAR, 2ND WHEEL	1	
18	93305-30501	BEARING	1	
19	90387-255V9	COLLAR	1	
20	4FM-17261-00	GEAR, 6TH WHEEL	1	
21	4FM-17231-00	GEAR, 3RD WHEEL	1	
22	4FM-17241-00	GEAR, 4TH WHEEL	1	
23	90209-25196	WASHER	1	
24	93440-28062	CIRCLIP	1	
25	4FM-17251-00	GEAR, 5TH WHEEL	1	
26	4FM-17211-00	GEAR, 1ST WHEEL	1	
27	92102-35423	OIL SEAL	1	
28	2GH-17460-00	SPROCKET, DRIVE 16T (2GH1746160)	1	

FIG. 17 TRANSMISSION



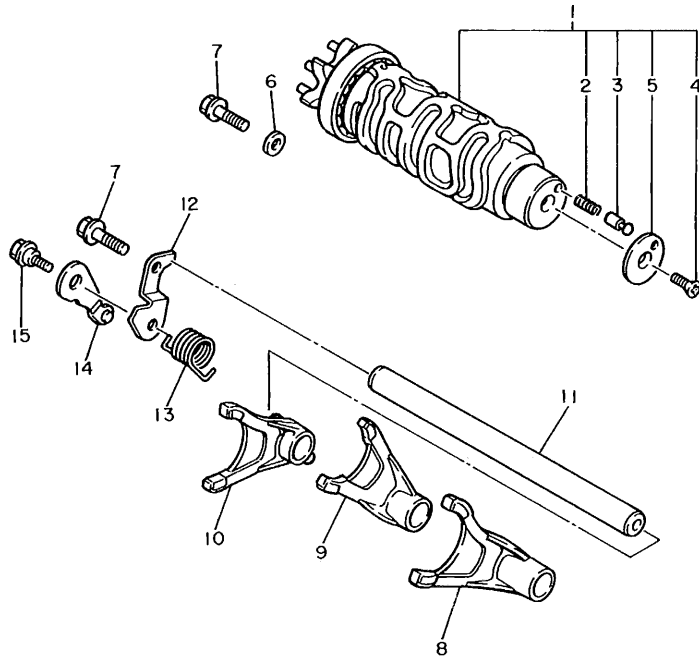
REF. NO.	PART NO.	DESCRIPTION	Q'TY	REMARKS
29	90215-21022	WASHER, LOCK	1	
30	90179-18020	NUT	1	
31	278-17424-01	CIRCLIP 1	1	
32	93306-20455	BEARING	1	
33	93440-45144	CIRCLIP	1	

FWD

4HD300-3170

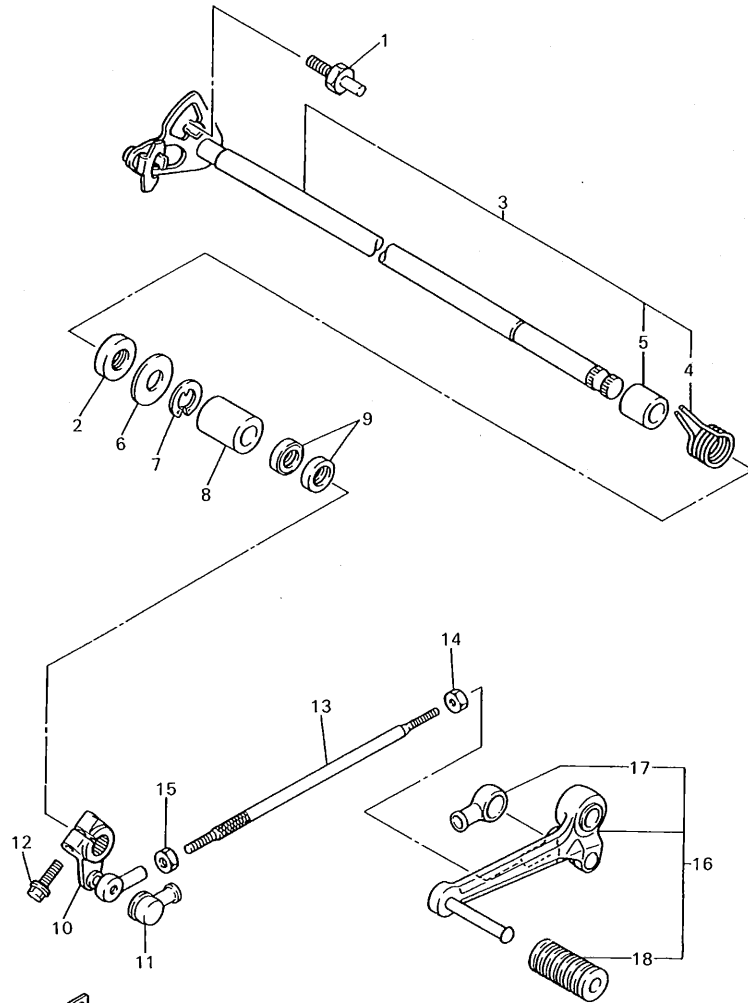
FIG. 18 SHIFT CAM • FORK

REF. NO.	PART NO.	DESCRIPTION	Q'TY	REMARKS
1	4FM-18540-00	SHIFT CAM ASSY	1	
2	90501-06022	•SPRING, COMPRESSION	1	
3	278-18542-00	•POINT, NEUTRAL	1	
4	98707-05012	•SCREW, FLAT HEAD	1	
5	278-18566-00	•PLATE, SIDE 2	1	
6	90201-06643	WASHER, PLATE	1	
7	95827-06016	BOLT, FLANGE	2	
8	4FM-18511-00	FORK, SHIFT 1	1	
9	4FM-18512-00	FORK, SHIFT 2	1	
10	4FM-18513-00	FORK, SHIFT 3	1	
11	4BH-18531-00	BAR, SHIFT FORK GUIDE 1	1	
12	1AE-18536-00	STOPPER, SHIFT BAR	1	
13	90508-26681	SPRING, TORSION	1	
14	36Y-18140-00	STOPPER LEVER ASSY	1	
15	90109-063F8	BOLT	1	



1FN310-5180

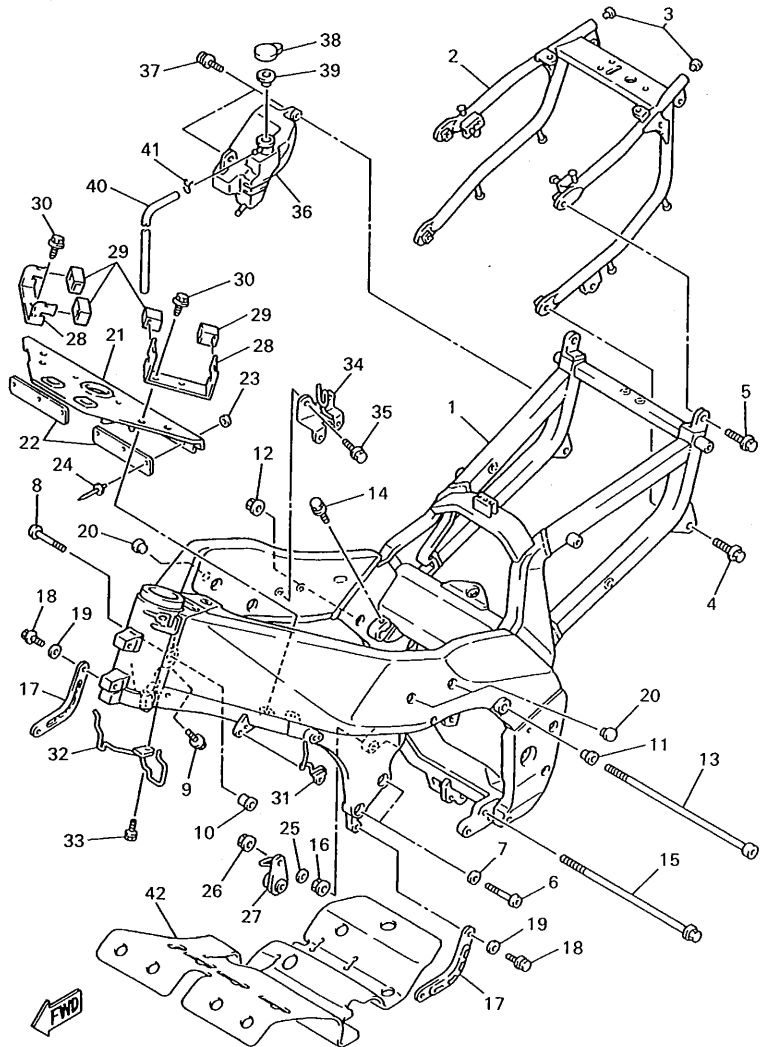
FIG. 19 SHIFT SHAFT



4HD300-3190

REF. NO.	PART NO.	DESCRIPTION	Q'TY	REMARKS
1	4G0-18127-00	STOPPER, SCREW	1	
2	93102-12106	OIL SEAL	1	
3	1AE-18101-01	SHIFT SHAFT ASSY	1	
4	90508-32682	•SPRING, TORSION	1	
5	90387-114K8	•COLLAR	1	
6	90201-12575	WASHER, PLATE	1	
7	99006-10600	CIRCLIP	1	
8	90560-12191	SPACER	1	
9	93109-12053	OIL SEAL (SDO 12/18/4-1)	2	
10	2GH-18112-01	ARM, SHIFT	1	
11	2H9-18154-00	COVER, DUST	1	
12	95817-06020	BOLT, FLANGE	1	
13	1WG-18115-00	ROD, SHIFT	1	
14	90170-06228	NUT (COUNTER, CLOCKWISE)	1	
15	95304-06700	NUT	1	
16	4FM-18110-00	SHIFT PEDAL ASSY	1	
17	2H9-18154-00	•COVER, DUST	1	
18	132-18113-01	•COVER, SHIFT PEDAL	1	

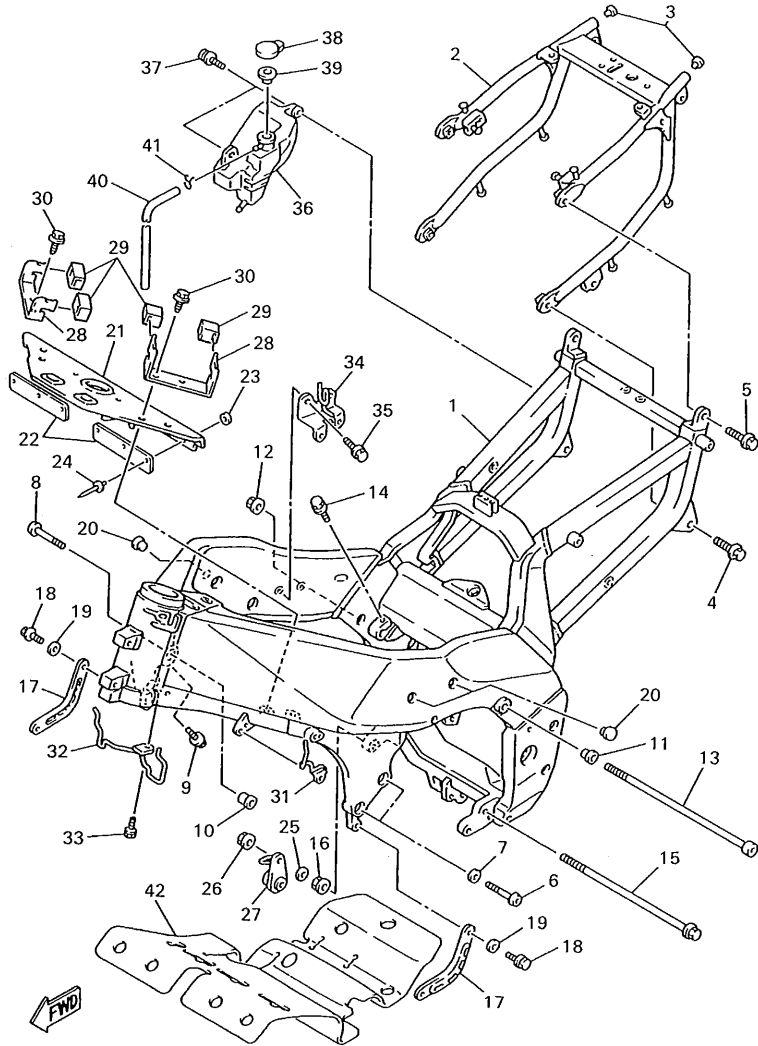
FIG. 20 FRAME



4HD300-5200

REF. NO.	PART NO.	DESCRIPTION	Q'TY	REMARKS
1	4FM-21110-10	FRAME COMP.	1	
2	4FM-21645-01	STAY, REAR	1	
3	90338-16148	PLUG	2	
4	95817-08035	BOLT, FLANGE	2	
5	95817-08016	BOLT, FLANGE	2	
6	91317-10040	BOLT	2	
7	92907-10600	WASHER	2	
8	91317-10045	BOLT	2	
9	91317-08030	BOLT	2	
10	90387-115V8	COLLAR	2	
11	90387-105V7	COLLAR	1	
12	90179-10590	NUT	1	
13	90110-10169	BOLT, HEXAGON SOCKET HEAD	1	
14	95817-08030	BOLT, FLANGE	2	
15	90105-10716	BOLT, WASHER BASED	1	
16	90179-10658	NUT	1	
17	4FM-2142K-01	BRACKET, RADIATOR	2	
18	97007-06012	BOLT	2	
19	92907-06600	WASHER, PLATE	2	
20	90338-15202	PLUG	3	
21	4FM-2117M-01	COVER 2	1	
22	4FM-2117N-00	COVER 3	2	
23	90201-04018	WASHER, PLATE	6	
24	90267-40076	RIVET, BLIND	6	
25	90201-101J1	WASHER, PLATE	1	
26	95707-10500	NUT, FLANGE	1	
27	4FM-21446-00	STAY, MUFFLER 2	1	
28	4FM-21359-10	BRACKET, COIL	2	

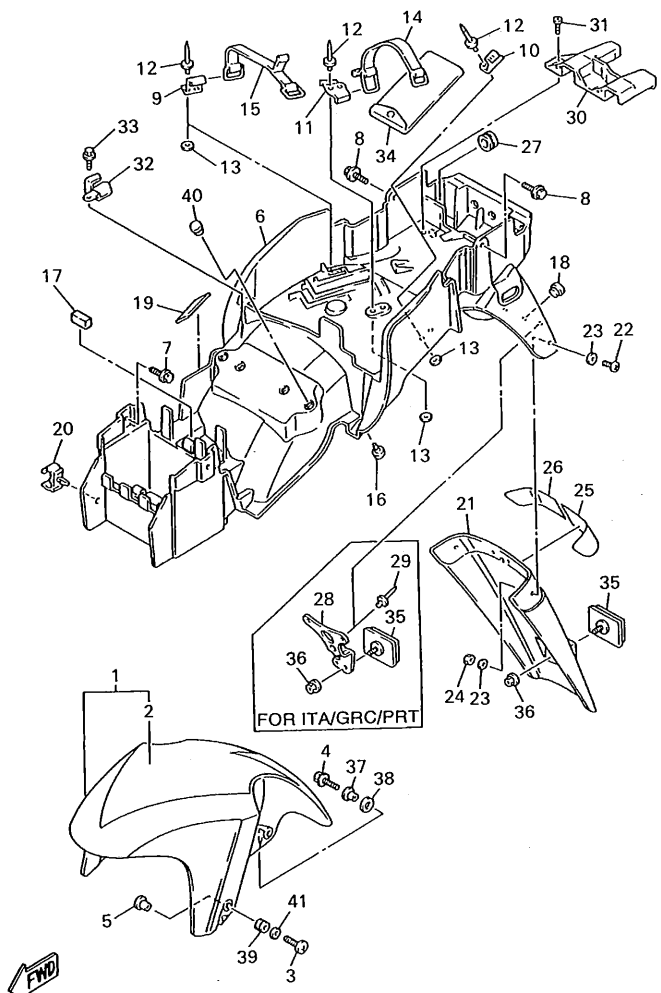
FIG. 20 FRAME



4HD300-5200

REF. NO.	PART NO.	DESCRIPTION	Q'TY	REMARKS
29	4BH-82317-01	DAMPER, IGNITION COIL	4	
30	90119-06018	BOLT	4	
31	4FM-21161-01	HOLDER, CABLE	1	
32	4FM-21162-00	HOLDER, CLUTCH CABLE	1	
33	90101-06664	BOLT	1	
34	4FM-2116J-10	BRACKET 7	1	
35	95817-06016	BOLT, FLANGE	2	
36	4FM-21871-00	TANK, RECOVERY	1	
37	90159-06033	SCREW, WITH WASHER	2	
38	4L0-21875-00	CAP	1	
39	1AA-21874-00	GASKET	1	
40	90445-084G9	HOSE	1	
41	90467-08003	CLIP	1	
42	4FM-12683-00	PROTECTOR, HEAT	1	

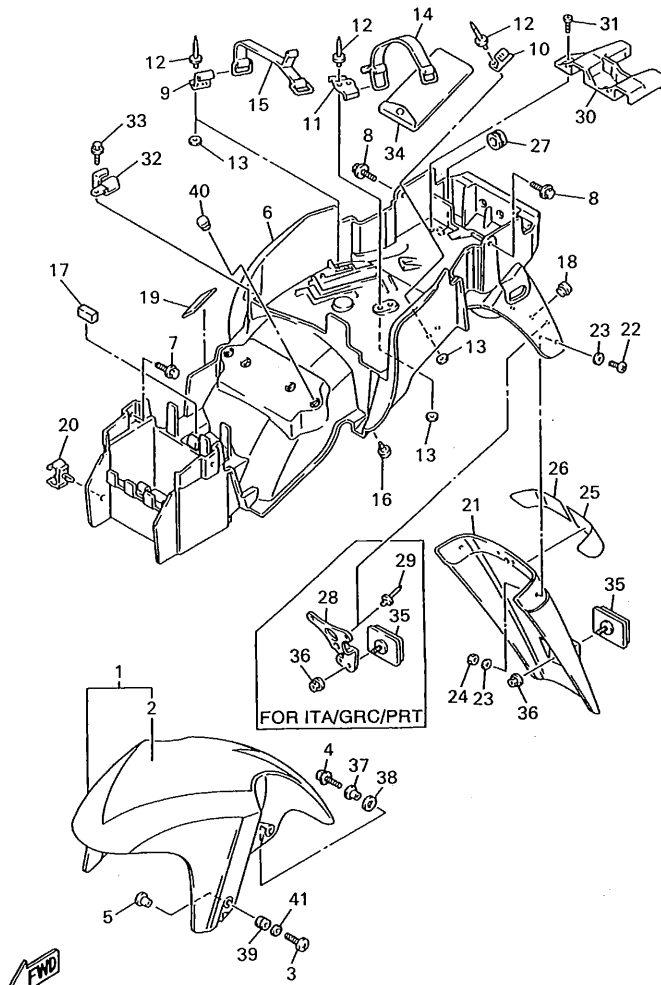
FIG. 21 FENDER



4HD300-5210

REF. NO.	PART NO.	DESCRIPTION	Q'TY	REMARKS
1	4FM-Y2151-33-P0	FRONT FENDER COMP.	1	UR BLUISH WHITE COCKTAIL 1 UR DARK CYAN METALLIC 2
	4FM-Y2151-33-P2	FRONT FENDER COMP.	1	
2	4FM-21569-40	GRAPHIC 1	1	
3	90154-06061	SCREW, BINDING	2	
4	95817-06016	BOLT, FLANGE	2	
5	90387-0608A	COLLAR	2	
6	4FM-21611-03	FENDER, REAR	1	
7	90119-06118	BOLT, WITH WASHER	2	
8	90119-06205	BOLT, WITH WASHER	2	
9	3VD-21366-00	HOOK, TOOL BAND	1	
10	1M1-21366-00	HOOK, TOOL BAND	1	
11	4JH-2161A-00	BRACKET 3	1	
12	90267-40076	RIVET, BLIND	6	
13	90201-04018	WASHER, PLATE	6	
14	36X-2811G-00	BAND	1	
15	4J2-82131-01	BAND, BATTERY	1	
16	35T-24724-00	DAMPER, SEAT	2	
17	1LJ-2414J-00	DAMPER, PLATE 2	1	
18	90338-07043	PLUG	1	
19	3XV-21778-00	DAMPER, LOCATING 1	1	
20	90464-09130	CLAMP	1	
21	3GM-21621-00	FLAP	1	
22	90149-04278	SCREW	4	
23	90201-04018	WASHER, PLATE	8	
24	95607-04100	NUT, U	4	
25	3GM-21649-00	DAMPER	1	
26	3GM-21649-10	DAMPER	1	
27	90480-10258	GROMMET	2	

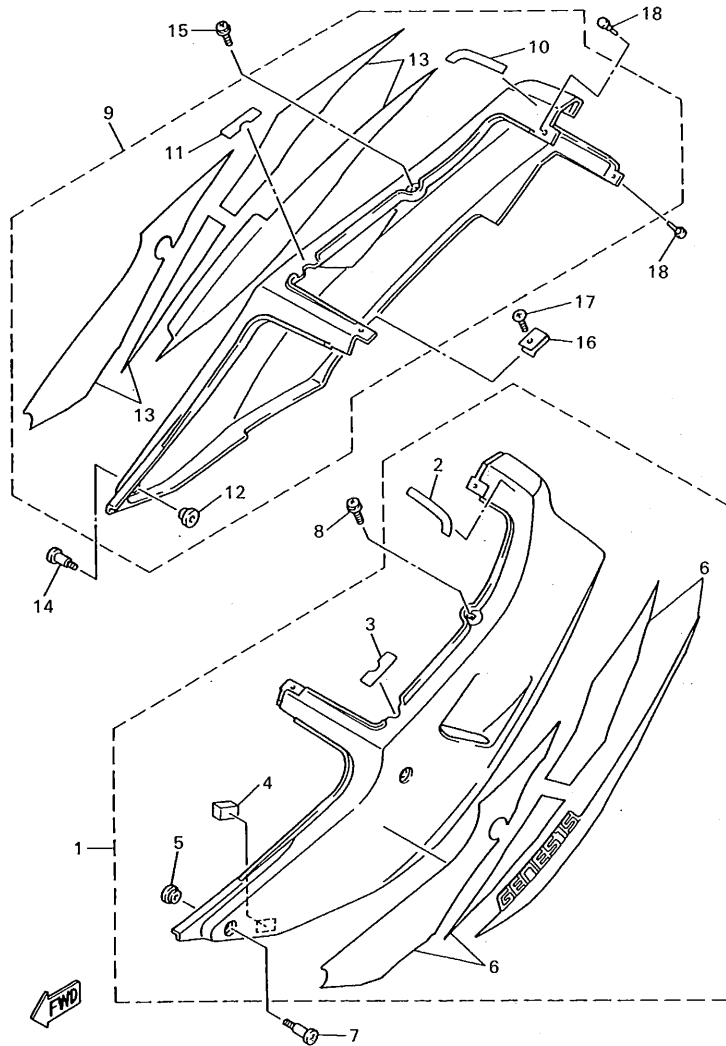
FIG. 21 FENDER



4HD300-5210

REF. NO.	PART NO.	DESCRIPTION	Q'TY	REMARKS
28	4FM-85132-00	BRACKET, REFLECTOR 1	1	FOR ITA/GRC/PRT
29	90267-40029	RIVET, BLIND	2	FOR ITA/GRC/PRT
30	4JH-2163A-00	COVER, REAR FENDER 1	1	
31	97707-60016	SCREW, TAPPING	2	
32	4JH-21366-00	HOOK, TOOL BAND	1	
33	95817-06016	BOLT, FLANGE	1	
34	4FM-28100-10	TOOL KIT	1	
35	3G1-85130-01	REAR REFLECTOR ASSY	1	
36	95707-05500	NUT, FLANGE	1	
37	90387-087L0	COLLAR	2	
38	4FM-28372-00	DAMPER	2	
39	90480-12596	GROMMET	2	
40	90338-10132	PLUG	1	
41	90209-18340	WASHER	2	

FIG. 22 SIDE COVER

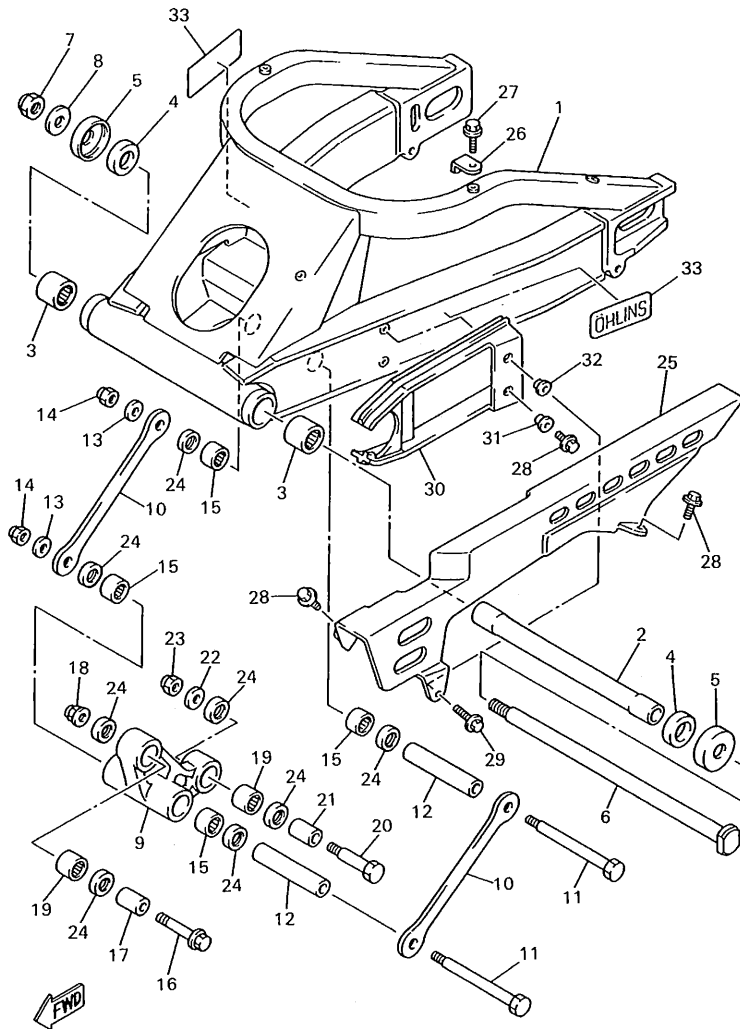


4HD300-5220

D6

REF. NO.	PART NO.	DESCRIPTION	Q'TY	REMARKS
1	4FM-Y2171-F1-P0	COVER, SIDE 1	1	UR BLUISH WHITE COCKTAIL 1
	4FM-Y2171-G1-P4	COVER, SIDE 1	1	UR DARK CYAN METALLIC 2
2	3GM-21575-00	.SEAL 1	1	
3	4FM-2173T-00	.TAPE 1	1	
4	1WG-2143A-00	.CAP	1	
5	90480-13398	.GROMMET	2	
6	4FM-2173L-40	.GRAPHIC SET 1	1	UR FOR BWC1
	4FM-2173L-50	.GRAPHIC SET 1	1	UR FOR DCM2
7	90150-06036	SCREW, ROUND HEAD	2	
8	90159-06093	SCREW, WITH WASHER	1	
9	4FM-Y2172-A1-P0	COVER, SIDE 2	1	UR BLUISH WHITE COCKTAIL 1
	4FM-Y2172-B1-P4	COVER, SIDE 2	1	UR DARK CYAN METALLIC 2
10	3GM-21576-00	.SEAL 2	1	
11	4FM-2173T-00	.TAPE 1	1	
12	90480-13398	.GROMMET	2	
13	4FM-2174L-40	.GRAPHIC SET 2	1	UR FOR BWC1
	4FM-2174L-50	.GRAPHIC SET 2	1	UR FOR DCM2
14	90150-06036	SCREW, ROUND HEAD	2	
15	90159-06093	SCREW, WITH WASHER	1	
16	90183-04064	NUT, SPRING	1	
17	97707-40010	SCREW, TAPPING	1	
18	90480-04166	GROMMET	2	

FIG. 23 REAR ARM

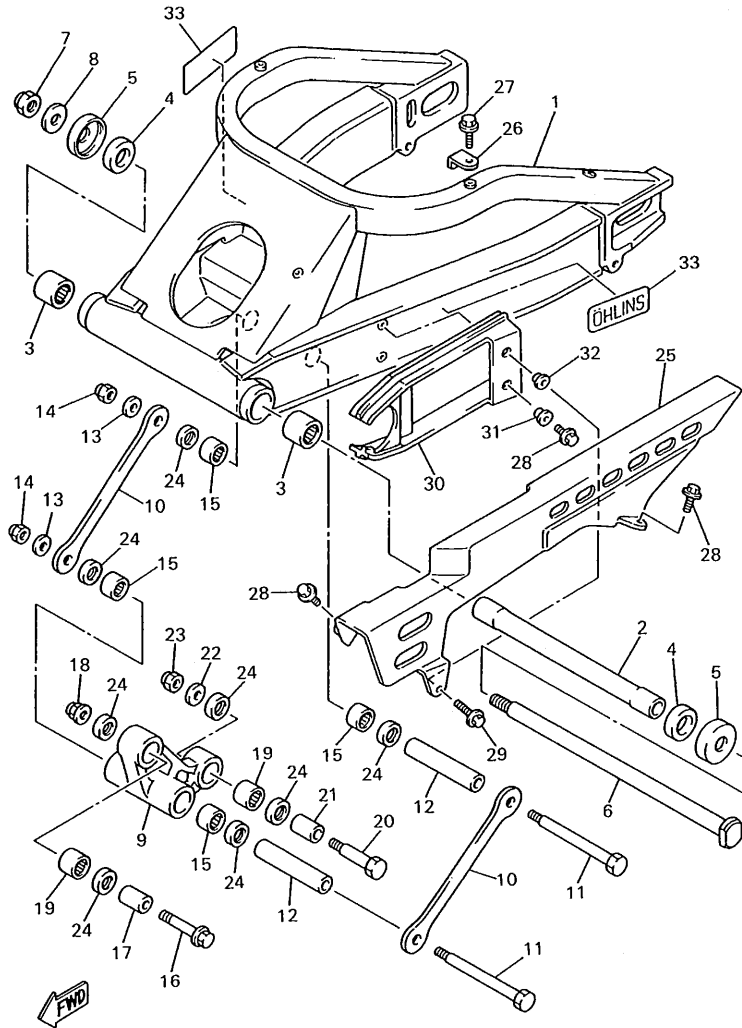


4HD300-5230

REF. NO.	PART NO.	DESCRIPTION	Q'TY	REMARKS
1	4FM-22110-10	REAR ARM COMP.	1	
2	3FV-22184-00	BUSH	1	
3	93315-42523	BEARING, CYLINDRICAL	2	
4	3XV-22127-00	SHIM	2	
5	3FV-22128-00	COVER, THRUST 1	2	
6	3GM-22141-00	SHAFT, PIVOT	1	
7	90185-18104	NUT, SELF-LOCKING	1	
8	90201-18264	WASHER, PLATE	1	
9	4FM-2217A-00	ARM, RELAY	1	
10	4BH-2217M-00	ARM 1	2	
11	90101-10658	BOLT	2	
12	90387-122R5	COLLAR	2	
13	90201-101J1	WASHER, PLATE	2	
14	95617-10100	NUT, U	2	
15	93317-21746	BEARING, CYLINDRICAL	4	
16	90105-10376	BOLT, WASHER BASED	1	
17	90387-102R4	COLLAR	1	
18	95617-10200	NUT, SELF-LOCKING	1	
19	93317-31771	BEARING, CYLINDRICAL	2	
20	90101-10659	BOLT	1	
21	90387-127W0	COLLAR	1	
22	90201-101J1	WASHER, PLATE	1	
23	95617-10100	NUT, U	1	
24	93109-17048	OIL SEAL (SDO 17-24-4)	8	
25	4FM-22311-00	CASE, CHAIN	1	
26	4FM-2213J-00	STAY, CHAIN CASE	1	
27	95027-06016	BOLT, FLANGE	1	
28	90119-06060	BOLT, WITH WASHER	3	

D7

FIG. 23 REAR ARM

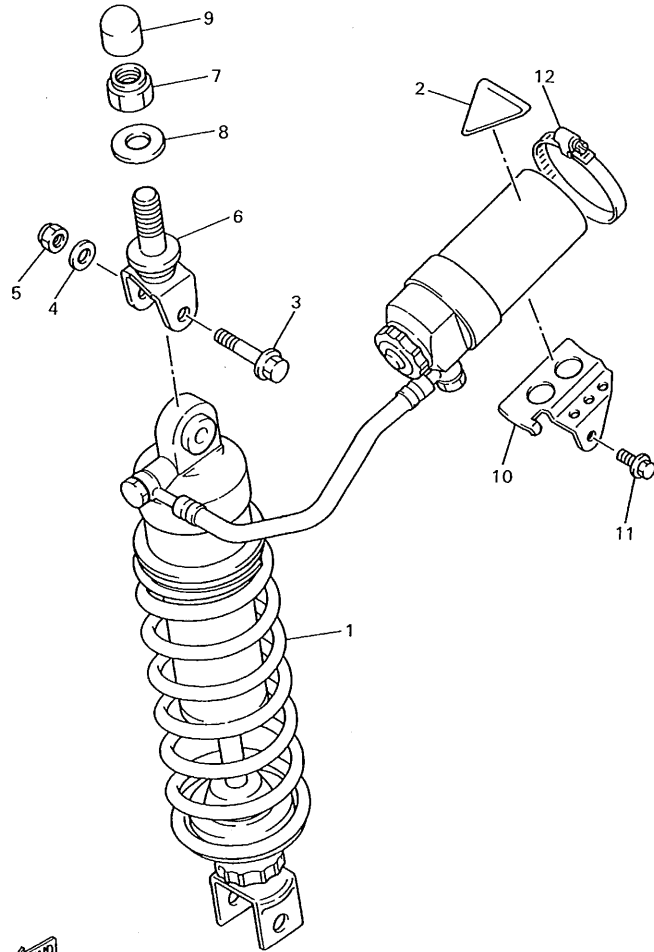


4HD300-5230

REF. NO.	PART NO.	DESCRIPTION	Q'TY	REMARKS
29	90119-06163	BOLT, WITH WASHER	1	
30	4FM-22151-01	SEAL, GUARD	1	
31	90387-06704	COLLAR	1	
32	90387-06681	COLLAR	1	
33	4HD-2218A-00	EMBLEM, REAR ARM	2	

D8

FIG. 24 REAR SUSPENSION



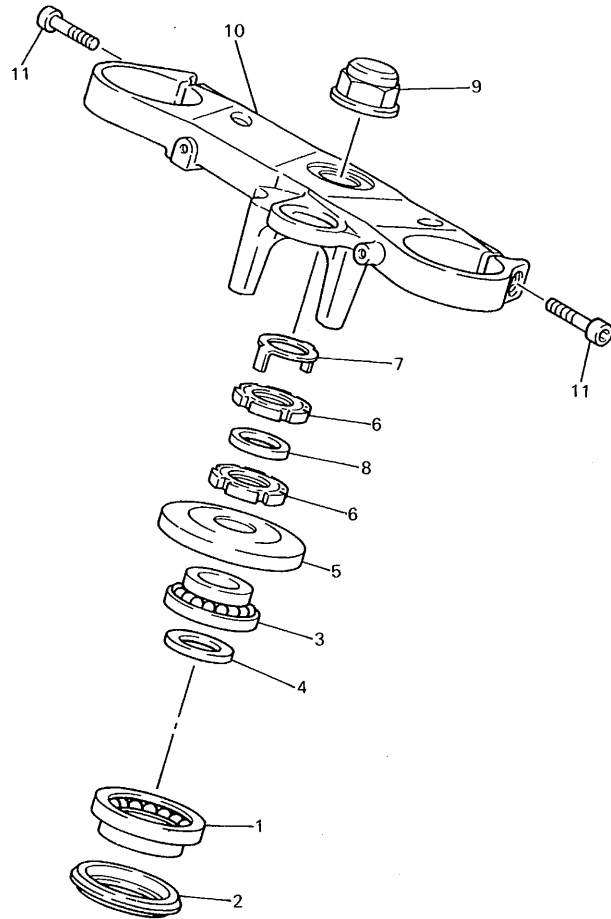
REF. NO.	PART NO.	DESCRIPTION	Q'TY	REMARKS
1	4HD-22210-00	SHOCK ABSORBER ASSY, REAR	1	
2	4AA-22259-40	LABEL, WARNING	1	
3	90105-10402	BOLT, WASHER BASED	1	
4	90201-101J1	WASHER, PLATE	1	
5	95617-10100	NUT, U	1	
6	4FM-22219-00	BRACKET, UPPER	1	
7	90185-16127	NUT, SELF-LOCKING	1	
8	90201-164H4	WASHER, PLATE	1	
9	478-25335-00	CAP	1	
10	4FM-22262-10	HOLDER, SUB TANK	1	
11	95817-06016	BOLT, FLANGE	1	
12	90450-32008	HOSE CLAMP ASSY	1	



4HD300-5240

D9

FIG. 25 STEERING



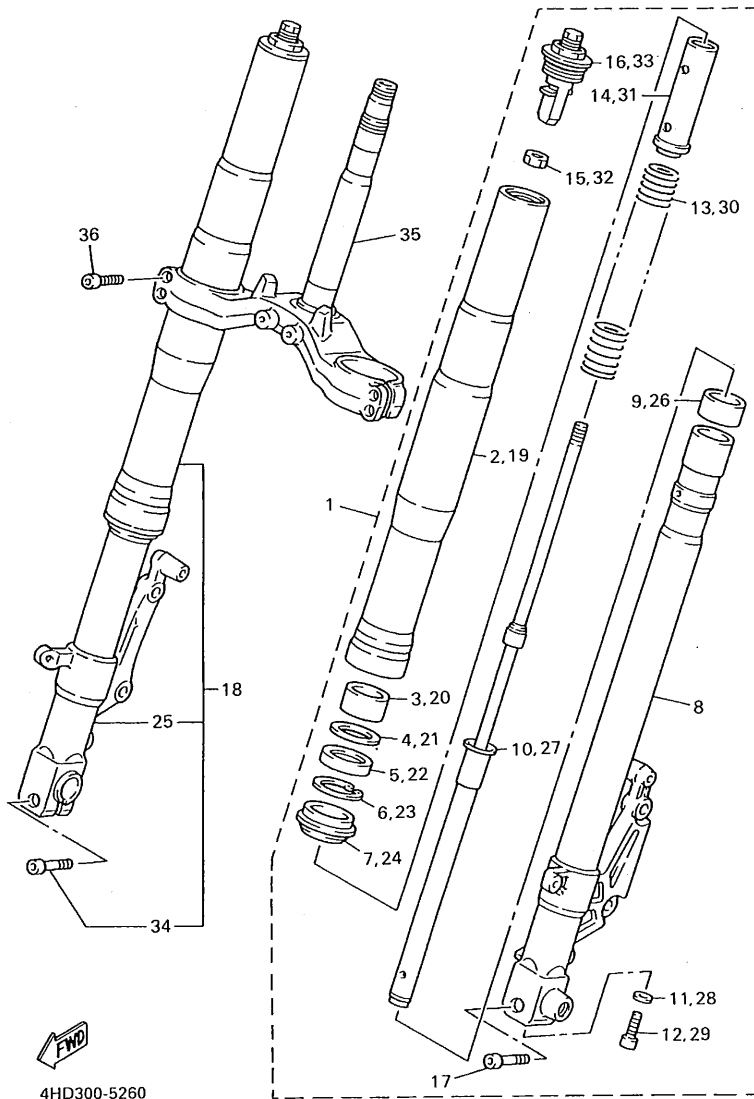
REF. NO.	PART NO.	DESCRIPTION	Q'TY	REMARKS
1	93399-99932	BEARING	1	
2	3FV-23462-00	SEAL, STEERING	1	
3	93399-99931	BEARING	1	
4	90202-24190	WASHER, PLATE	1	
5	3GM-23415-00	COVER, BALL RACE 1	1	
6	90179-25615	NUT	2	
7	3YF-23418-00	WASHER, SPECIAL	1	
8	90202-26142	WASHER, PLATE	1	
9	90176-22050	NUT, CROWN	1	
10	4FM-23435-20	CROWN, HANDLE	1	
11	91317-08030	BOLT	2	



4HD300-3250

D10

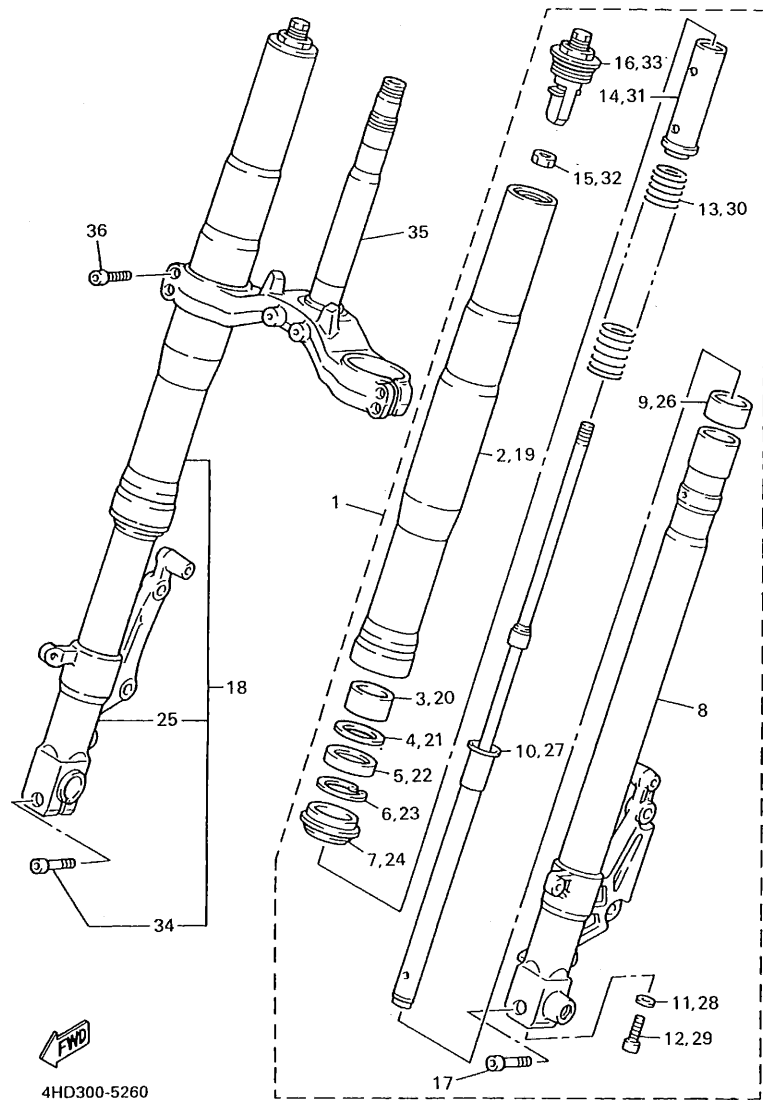
FIG. 26 FRONT FORK



4HD300-5260

REF. NO.	PART NO.	DESCRIPTION	Q'TY	REMARKS
1	4FM-23102-40	FRONT FORK ASSY (L.H)	1	
2	4FM-23136-40	•TUBE, OUTER (RIGHT)	1	
3	4FM-23125-40	•METAL, SLIDE 1	1	
4	36Y-23146-10	•WASHER, OIL SEAL	1	
5	4FM-23145-40	•OIL SEAL	1	
6	26H-23156-00	•CLIP, OIL SEAL	1	
7	3XV-23144-50	•SEAL, DUST	1	
8	4FM-23110-20	•INNER TUBE COMP. 1	1	
9	4FM-23171-40	•METAL, SLIDE	1	
10	4FM-23170-40	•CYLINDER COMP., FRONT FORK	1	
11	2K8-23158-L0	•GASKET	1	
12	3LC-23181-00	•BOLT, HEXAGON SOCKET HEAD	1	
13	4FM-23141-00	•SPRING, FRONT FORK	1	
14	4FM-23118-40	•SPACER	1	
15	3LC-23357-00	•NUT	1	
16	4FM-23111-10	•BOLT, CAP	1	
17	91317-08040	•BOLT	1	
18	4FM-23103-40	FRONT FORK ASSY (R.H)	1	
19	4FM-23136-40	•TUBE, OUTER (RIGHT)	1	
20	4FM-23125-40	•METAL, SLIDE 1	1	
21	36Y-23146-10	•WASHER, OIL SEAL	1	
22	4FM-23145-40	•OIL SEAL	1	
23	26H-23156-00	•CLIP, OIL SEAL	1	
24	3XV-23144-50	•SEAL, DUST	1	
25	4FM-23120-20	•INNER TUBE COMP. 2	1	
26	4FM-23171-40	•METAL, SLIDE	1	
27	4FM-23170-40	•CYLINDER COMP., FRONT FORK	1	
28	2K8-23158-L0	•GASKET	1	

FIG. 26 FRONT FORK

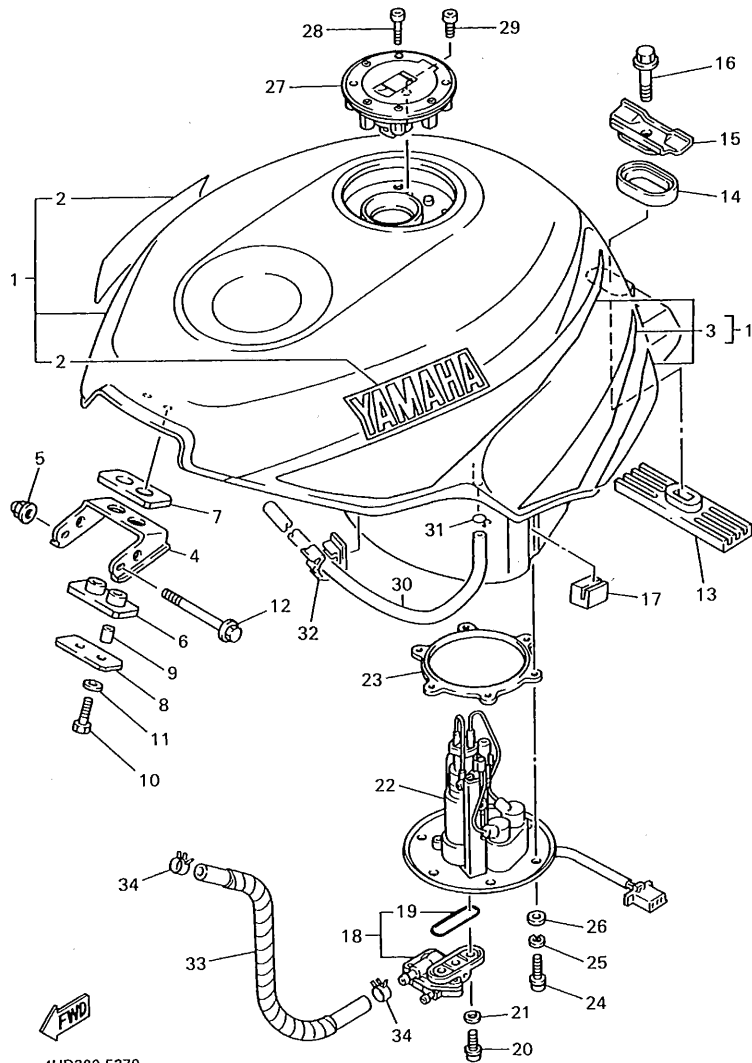


4HD300-5260

REF. NO.	PART NO.	DESCRIPTION	Q'TY	REMARKS
29	3LC-23181-00	•BOLT, HEXAGON SOCKET HEAD	1	
30	4FM-23141-00	•SPRING, FRONT FORK	1	
31	4FM-23118-40	•SPACER	1	
32	3LC-23357-00	•NUT	1	
33	4FM-23111-10	•BOLT, CAP	1	
34	91317-08040	•BOLT	1	
35	4FM-23340-00	UNDER BRACKET COMP.	1	
36	91317-08030	BOLT	4	

D12

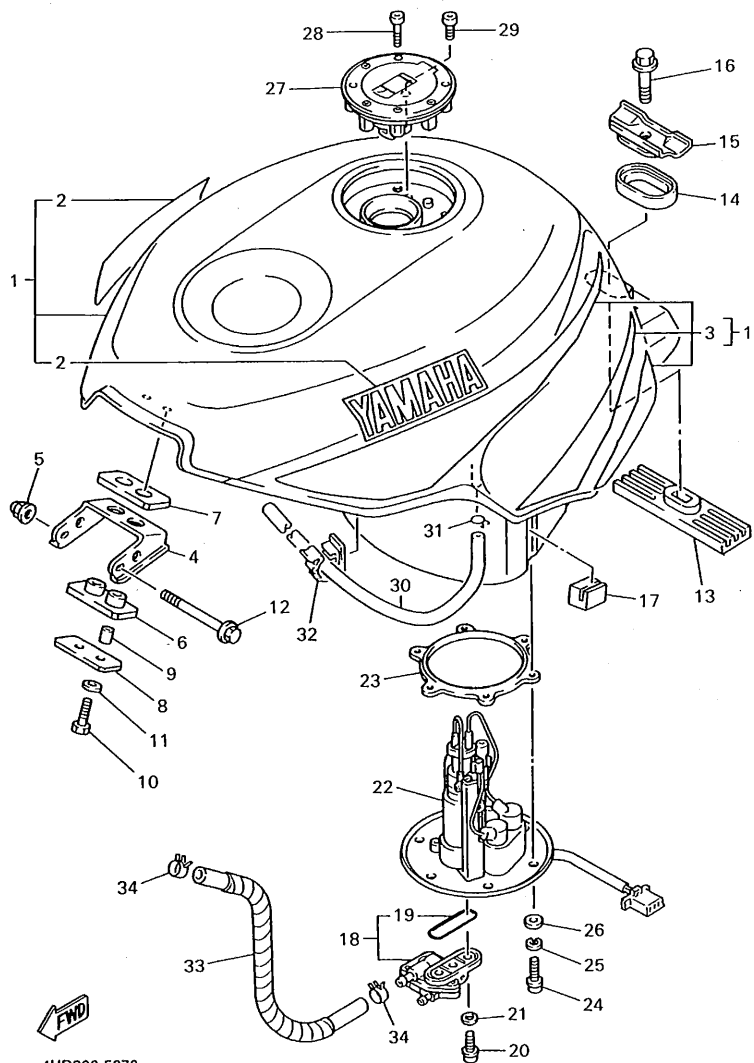
FIG. 27 FUEL TANK



4HD300-5270

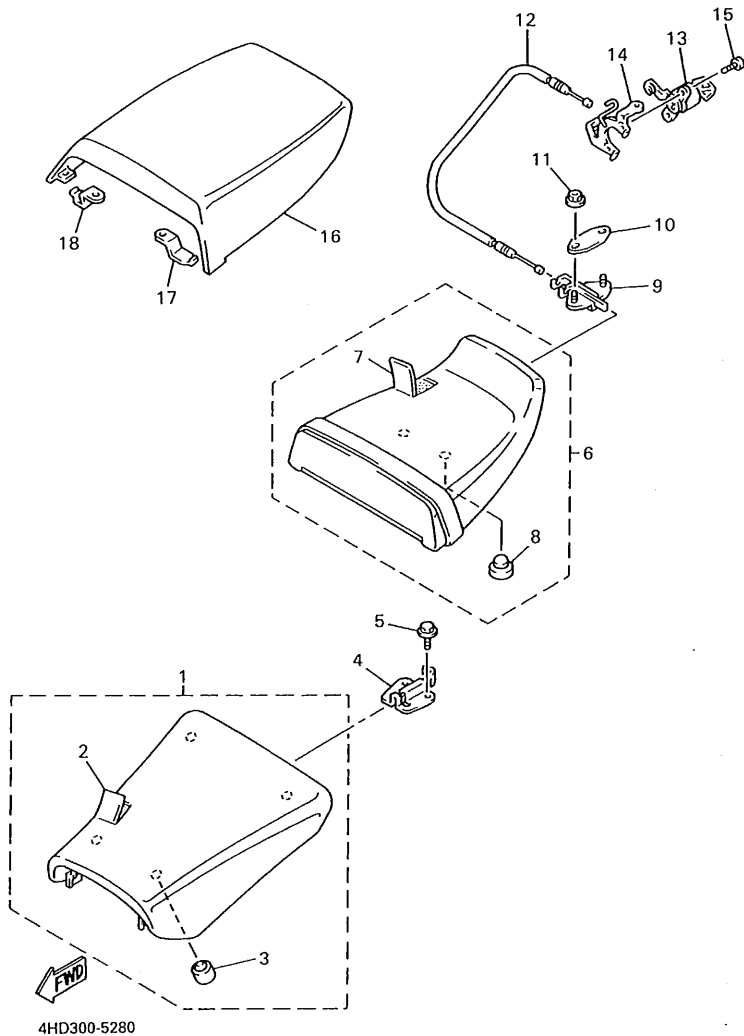
REF. NO.	PART NO.	DESCRIPTION	Q'TY	REMARKS
1	4FM-24110-30-X3	FUEL TANK COMP.	1	UR BLUISH WHITE
	4FM-24110-30-X4	FUEL TANK COMP.	1	COCKTAIL 1 BLACK 2 UR DARK CYAN METALLIC 2/BLACK 2 UR FOR BWC1
2	99226-00160	•EMBLEM, YAMAHA	2	UR FOR DCM2
	99227-00160	•EMBLEM, YAMAHA	2	UR FOR BWC1
3	4FM-24240-20	•GRAPHIC SET	1	UR FOR DCM2
	4FM-24240-30	•GRAPHIC SET	1	UR FOR BWC1
4	4FM-24191-00	BRACKET, FUEL TANK 1	1	
5	90176-06055	NUT, CROWN	1	
6	2GH-24181-00	DAMPER, LOCATING 1	1	
7	2GH-24183-00	DAMPER, LOCATING 3	1	
8	2GH-24186-00	WASHER, SPECIAL	1	
9	90387-06299	COLLAR	2	
10	97007-06025	BOLT	2	
11	92907-06600	WASHER	2	
12	95817-06075	BOLT, FLANGE	1	
13	2GH-24184-00	DAMPER, LOCATING 4	1	
14	3Y6-24183-00	DAMPER, LOCATING 3	1	
15	4FM-24187-00	WASHER, SPECIAL	1	
16	95817-08016	BOLT, FLANGE	1	
17	4JH-24183-00	DAMPER, LOCATING 3	2	
18	3FV-24500-01	FUEL COCK ASSY 1	1	
19	4X8-24512-00	•O-RING	1	
20	90149-06008	SCREW	2	
21	90202-05187	WASHER, PLATE	2	
22	4FM-13910-00	FUEL PUMP ASSY	1	
23	4FM-2414G-00	SEAL	1	
24	98507-05016	SCREW, PAN HEAD	6	
25	92907-05100	WASHER, SPRING	6	

FIG. 27 FUEL TANK



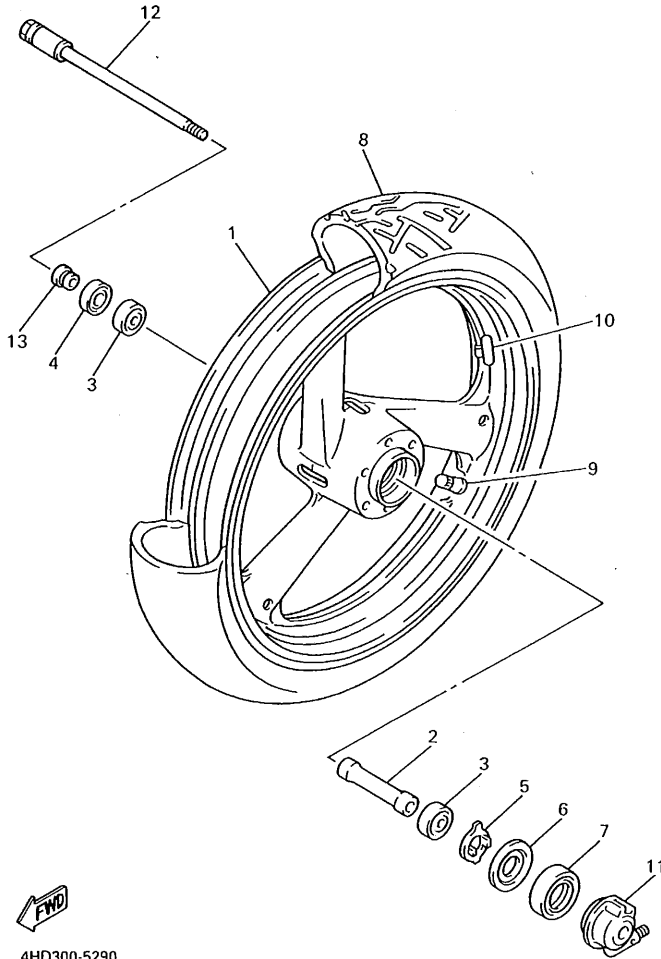
REF. NO.	PART NO.	DESCRIPTION	Q'TY	REMARKS
26	92907-05600	WASHER, PLATE	6	
27	4FM-24602-00	CAP ASSY	1	
28	90110-05112	BOLT, HEXAGON SOCKET HEAD	3	
29	91317-05010	BOLT	1	
30	90445-102G7	HOSE	1	
31	90467-09006	CLIP	1	
32	90464-25160	CLAMP	1	
33	3FV-14294-02	HOSE	1	
34	90467-13123	CLIP	2	

FIG. 28 SEAT



REF. NO.	PART NO.	DESCRIPTION	Q'TY	REMARKS
1	4FM-24710-01	SINGLE SEAT ASSY	1	
2	4FM-24711-00	COVER, SINGLE SEAT	1	
3	4FM-24724-00	DAMPER, SEAT	4	
4	4FM-24780-00	SEAT LOCK ASSY	1	
5	95817-06016	BOLT, FLANGE	2	
6	4FM-24750-00	TANDEM SEAT ASSY	1	
7	4FM-24751-00	COVER, TANDEM SEAT	1	
8	509-24724-00	DAMPER, SEAT	2	
9	4BP-24780-00	SEAT LOCK ASSY	1	
10	4BP-24792-00	PLATE	1	
11	95707-06500	NUT, FLANGE	2	
12	4FM-2478E-01	WIRE, SEAT HOOK	1	
13	3CK-W2470-00	SEAT LOCK ASSY	1	
14	4FM-2117K-00	STAY, LOCK	1	
15	90149-06308	SCREW	2	
16	4FM-24791-00-P0	COVER, SEAT	1	UR BLUISH WHITE COCKTAIL 1
	4FM-24791-00-P5	COVER, SEAT	1	UR DARK CYAN METALLIC 2
17	4FM-2475J-01	BRACKET, SEAT LEVER 2	1	
18	4FM-2475H-01	BRACKET, SEAT LEVER 1	1	

FIG. 29 FRONT WHEEL

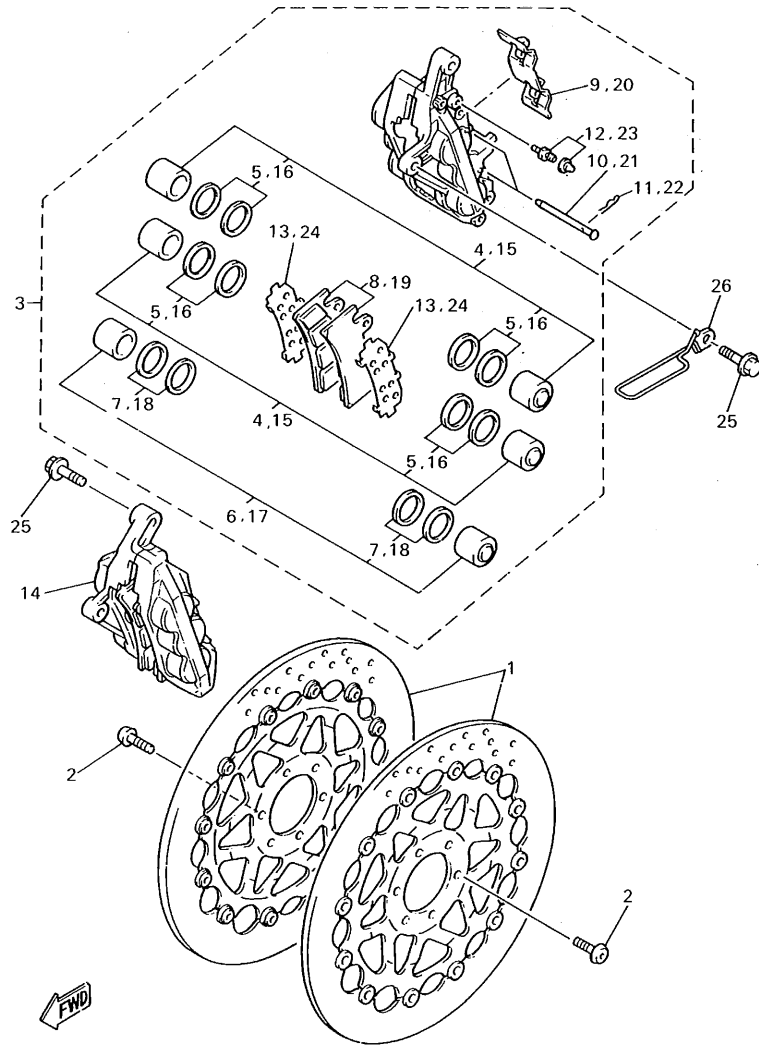


REF. NO.	PART NO.	DESCRIPTION	Q'TY	REMARKS
1	4FM-25168-00-7B	CAST WHEEL, FRONT	1	BLUISH BLACK 2
2	90387-2200S	COLLAR	1	
3	93306-00420	BEARING (B6004)	2	
4	93102-28021	OIL SEAL	1	
5	4FM-25149-00	CLUTCH, METER	1	
6	341-25846-00	RETAINER, CLUTCH	1	
7	93105-45017	OIL SEAL	1	
8	*	TIRE (120/70 ZR17 A89X)	1	UR LM MICHELIN
	94112-1700M	TIRE (120/70 ZR17 BT50F)	1	UR BRIDGESTONE FOR SWE/FIN
9	93900-00030	VALVE, RIM	1	
10	29L-25398-00	BALANCER, WHEEL (10G)	1	UN
	29L-25398-10	BALANCER, WHEEL (20G)	1	UN
	29L-25398-20	BALANCER, WHEEL (30G)	1	UN
11	4FM-25190-00	GEAR UNIT ASSY	1	
12	4FM-25181-01	AXLE, WHEEL	1	
13	90387-2200T	COLLAR	1	



4HD300-5290

FIG. 30 FRONT BRAKE CALIPER

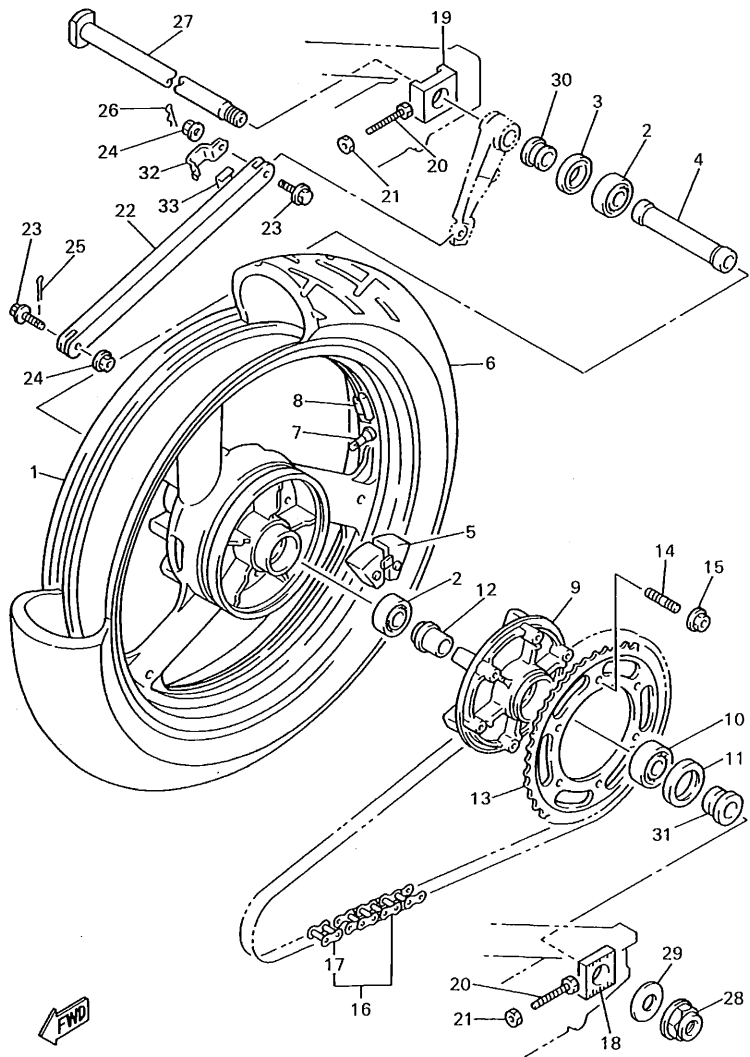


REF. NO.	PART NO.	DESCRIPTION	Q'TY	REMARKS
1	4FM-2581T-01	DISC BRAKE ASSY	2	
2	90109-082G4	BOLT	12	
3	4FM-2580T-30	CALIPER ASSY (LEFT)	1	
4	4FM-W0057-10	PISTON ASSY, CALIPER	2	
5	3MA-W0047-10	CALIPER SEAL KIT	1	
6	4FM-W0057-00	PISTON ASSY, CALIPER	1	
7	4FM-W0047-00	CALIPER SEAL KIT	1	
8	4FM-W0045-30	BRAKE PAD KIT	1	
9	4FM-25919-00	SUPPORT, PAD	1	
10	4FM-25924-00	PIN, PAD	2	
11	4FM-25925-00	CLIP	2	
12	1J3-W0048-00	BREED SCREW KIT	1	
13	4FM-25827-00	SHIM, CALIPER	2	
14	4FM-2580U-30	CALIPER ASSY (RIGHT)	1	
15	4FM-W0057-10	PISTON ASSY, CALIPER	2	
16	3MA-W0047-10	CALIPER SEAL KIT	1	
17	4FM-W0057-00	PISTON ASSY, CALIPER	1	
18	4FM-W0047-00	CALIPER SEAL KIT	1	
19	4FM-W0045-30	BRAKE PAD KIT	1	
20	4FM-25919-00	SUPPORT, PAD	1	
21	4FM-25924-00	PIN, PAD	2	
22	4FM-25925-00	CLIP	2	
23	1J3-W0048-00	BREED SCREW KIT	1	
24	4FM-25827-00	SHIM, CALIPER	2	
25	90105-10725	BOLT, WASHER BASED	4	
26	4FM-21596-00	HOLDER	1	



4HD300-3300

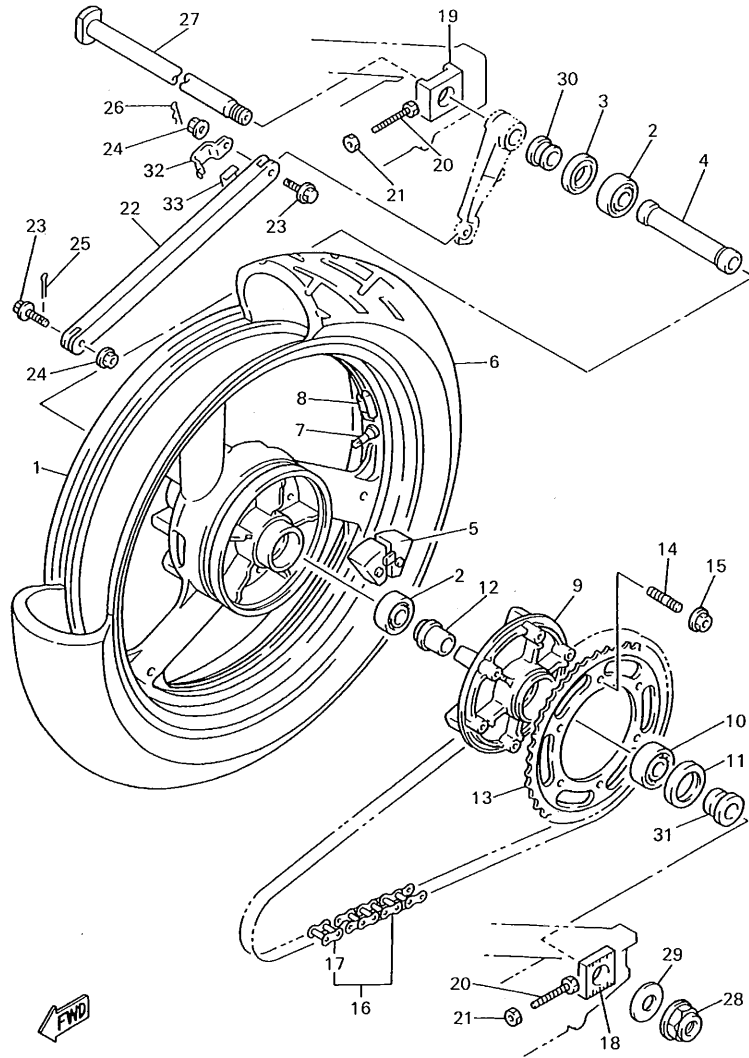
FIG. 31 REAR WHEEL



4HD300-5310

REF. NO.	PART NO.	DESCRIPTION	Q'TY	REMARKS
1	4FM-25338-00-7B	CAST WHEEL, REAR	1	BLUISH BLACK 2
2	93306-20567	BEARING	2	
3	93102-35412	OIL SEAL	1	
4	90560-28389	SPACER	1	
5	4FM-25364-00	DAMPER	6	
6	*	TIRE (180/55 ZR17 M89X)	1	UR LM MICHELIN
	94118-1700R	TIRE (180/55 ZR17 BT50R)	1	UR BRIDGESTONE FOR SWE/FIN
7	93900-00030	VALVE, RIM	1	
8	29L-25398-00	BALANCER, WHEEL (10G)	1	UN
	29L-25398-10	BALANCER, WHEEL (20G)	1	UN
	29L-25398-20	BALANCER, WHEEL (30G)	1	UN
9	4FM-25366-00	CLUTCH, HUB	1	
10	93306-20644	BEARING	1	
11	93102-40211	OIL SEAL	1	
12	4FM-25377-00	COLLAR, WHEEL	1	
13	3FV-25443-01	SPROCKET, DRIVEN (43T)	1	
14	90116-10575	BOLT, STUD	6	
15	95617-10200	NUT, SELF-LOCKING	6	
16	94581-55106	CHAIN (DID532ZLVKA1-L106)	1	
17	94681-55031	JOINT, CHAIN	1	
18	4FM-25388-01	PULLER, CHAIN 1	1	
19	4FM-25389-00	PULLER, CHAIN 2	1	
20	90101-08766	BOLT	2	
21	95307-08600	NUT	2	
22	4FM-25371-00	BAR, TENSION	1	
23	90105-08321	BOLT, WASHER BASED	2	
24	95707-08500	NUT, FLANGE	2	
25	91490-20025	PIN, COTTER	1	

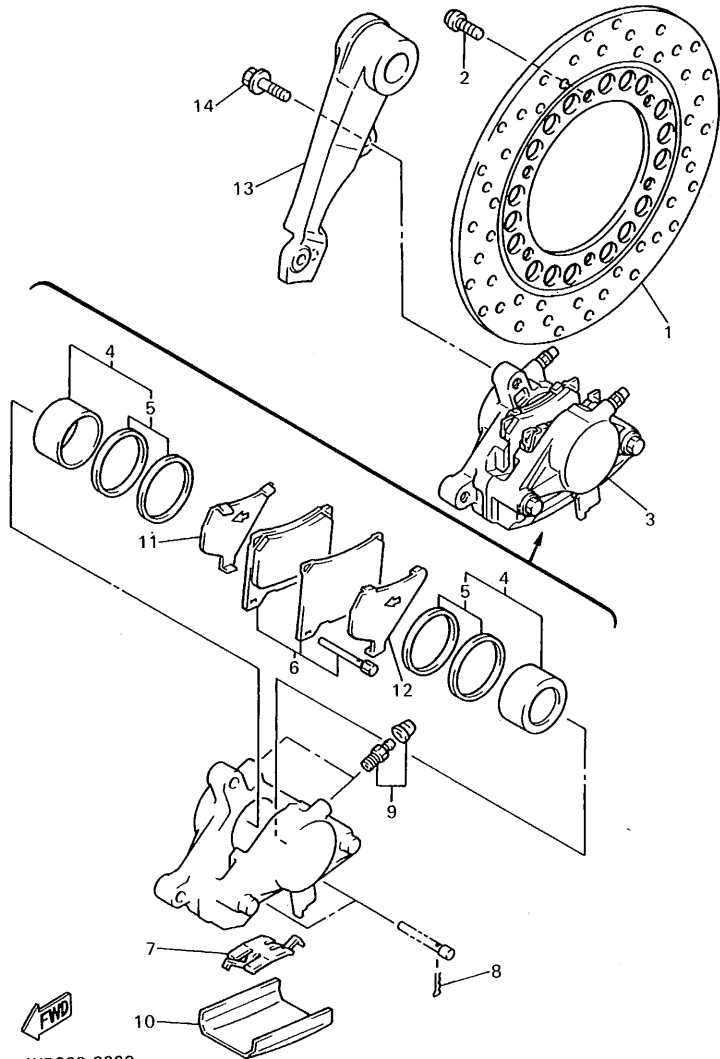
FIG. 31 REAR WHEEL



REF. NO.	PART NO.	DESCRIPTION	Q'TY	REMARKS
26	90468-16099	CLIP	1	
27	4FM-25381-10	AXLE, WHEEL	1	
28	90185-24165	NUT, SELF-LOCKING	1	
29	90201-257R5	WASHER, PLATE	1	
30	90387-2805W	COLLAR	1	
31	90387-2805X	COLLAR	1	
32	4FM-25887-00	HOLDER, BRAKE HOSE	1	
33	2AL-84553-00	DAMPER	1	

4HD300-5310

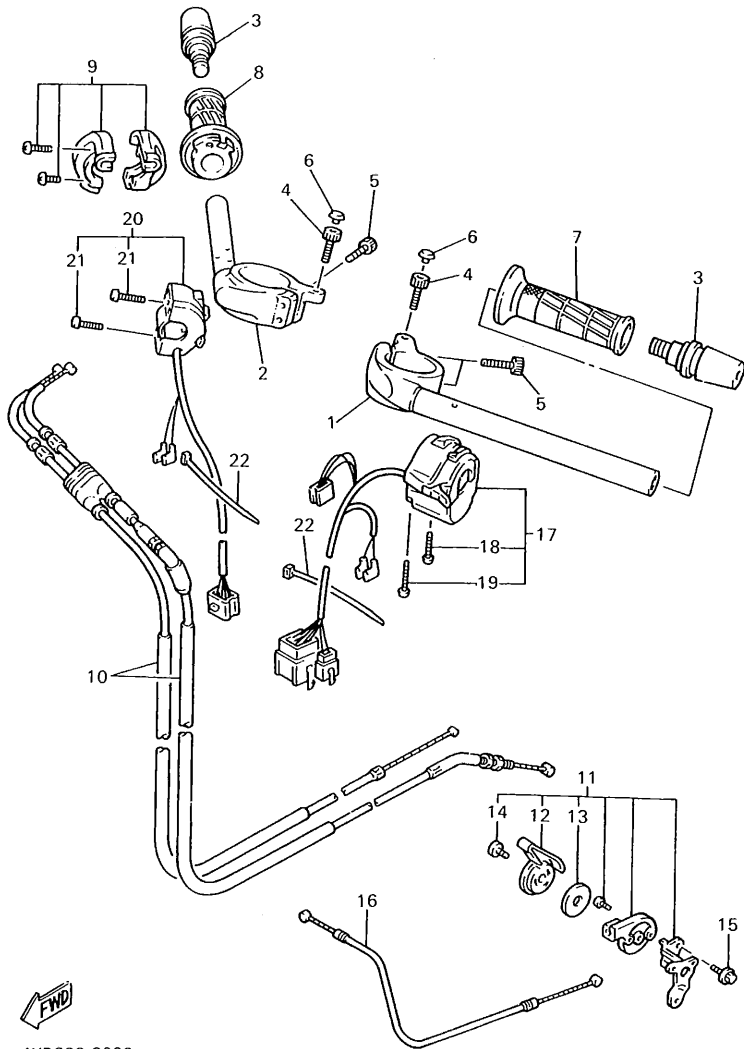
FIG. 32 REAR BRAKE CALIPER



REF. NO.	PART NO.	DESCRIPTION	Q'TY	REMARKS
1	4FM-2582W-00	DISC, REAR BRAKE 2	1	
2	90109-082G4	BOLT	6	
3	4FM-2580W-10	CALIPER ASSY, REAR 2	1	
4	31A-W0057-00	PISTON ASSY, CALIPER	1	
5	31A-W0047-00	CALIPER SEAL KIT	1	
6	4FM-W0046-00	BRAKE PAD KIT, 2	1	
7	29L-25919-A0	SUPPORT, PAD	1	
8	3GM-25925-00	CLIP	2	
9	1J3-W0048-00	BREED SCREW KIT	2	
10	42H-25836-00	COVER, DUST	1	
11	1FK-25827-00	SHIM, CALIPER	1	
12	1FK-25828-00	SHIM, CALIPER	1	
13	4FM-25819-01	BRACKET, CALIPER	1	
14	90105-10725	BOLT, WASHER BASED	2	

4HD300-3320

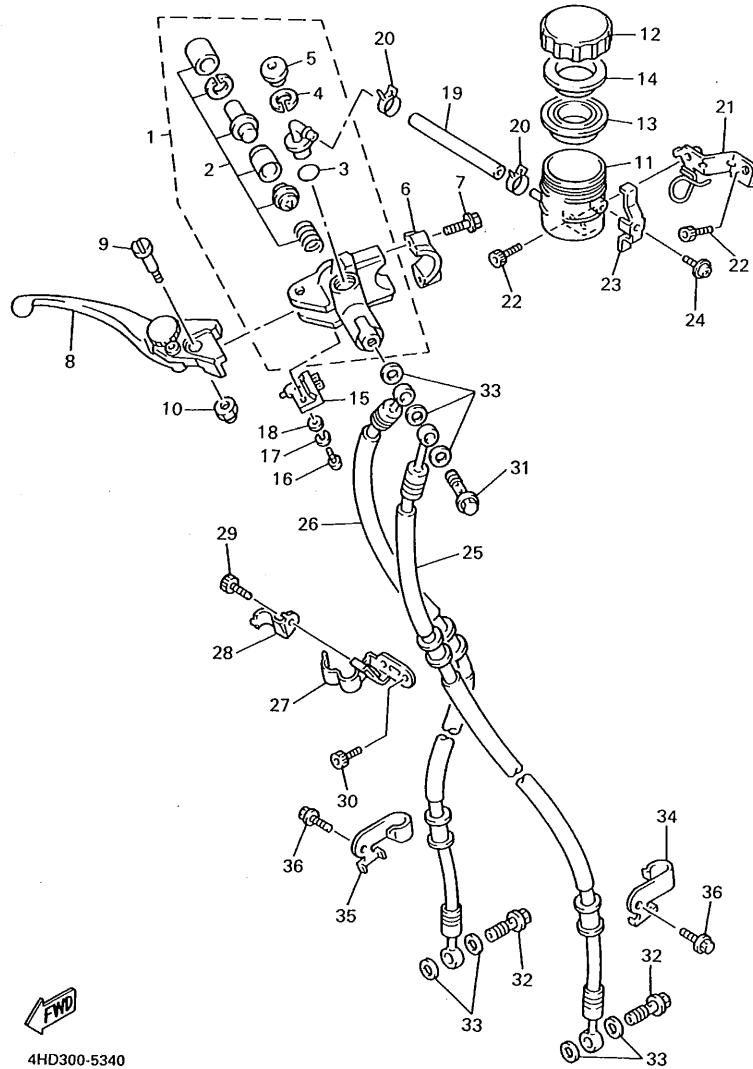
FIG. 33 STEERING HANDLE • CABLE



REF. NO.	PART NO.	DESCRIPTION	Q'TY	REMARKS
1	4FM-26121-01	HANDLEBAR (LEFT)	1	
2	4FM-26122-00	HANDLEBAR (RIGHT)	1	
3	36Y-26246-00	END, GRIP	2	
4	91317-06020	BOLT	2	
5	91317-06025	BOLT	4	
6	10L-23469-00	CAP, BOLT	2	
7	4FM-26241-00	GRIP (LEFT)	1	
8	4FM-26240-00	GRIP ASSY	1	
9	3LN-26270-01	CABLE CONNECTOR CAP ASSY	1	
10	4FM-26302-20	THROTTLE CABLE ASSY	1	
11	4FM-83940-00	STARTER ASSY	1	
12	1WG-83941-00	•LEVER, STARTER	1	
13	90209-10131	•WASHER	1	
14	98907-06008	•SCREW, BIND	1	
15	95817-06010	BOLT, FLANGE	1	
16	3FV-26331-00	CABLE, STARTER 1	1	
17	3GM-83969-01	SWITCH, HANDLE 5	1	
18	98506-05030	•SCREW, PAN HEAD	1	
19	98506-05040	•SCREW, PAN HEAD	1	
20	4FM-83975-00	SWITCH, HANDLE 2	1	
21	98506-05018	•SCREW, PAN HEAD	2	
22	25G-83936-01	BAND, SWITCH CORD	2	

4HD300-3330

FIG. 34 FRONT MASTER CYLINDER

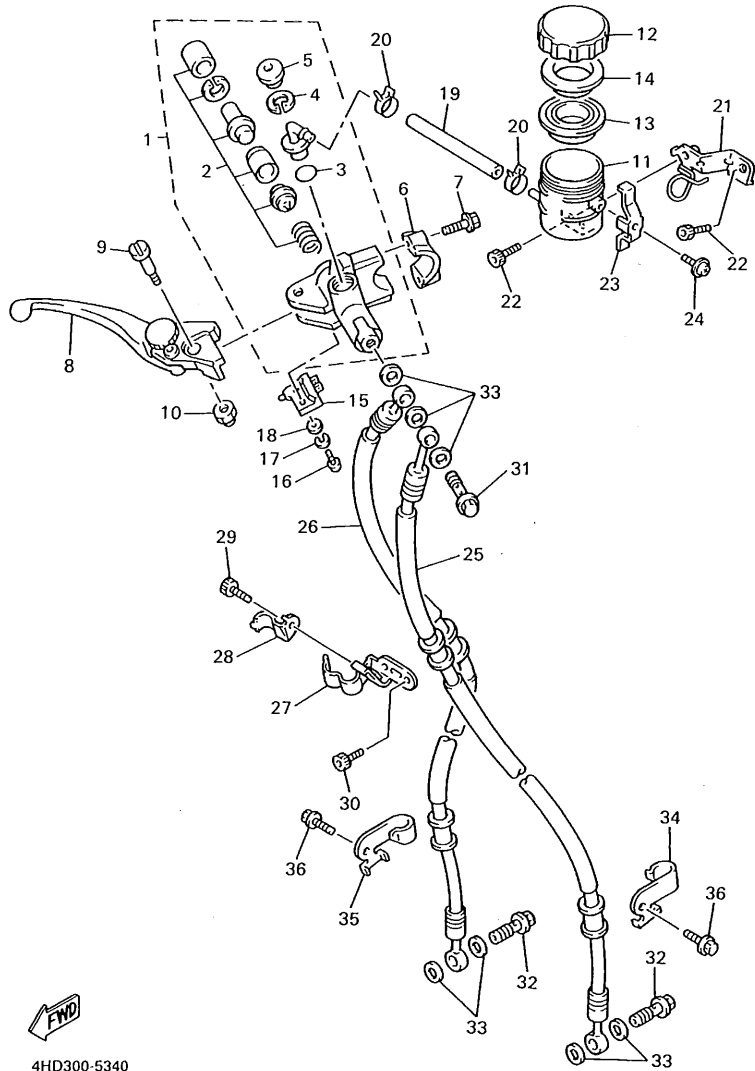


REF. NO.	PART NO.	DESCRIPTION	Q'TY	REMARKS
1	3GM-W2587-50	MASTER CYLINDER SUB ASSY	1	
2	3GM-W0041-50	.CYLINDER KIT, MASTER	1	
3	93210-15620	.O-RING	1	
4	2VN-25866-00	.CIRCLIP	1	
5	3FV-2589A-00	.COVER, DUST	1	
6	56A-25867-00	BRACKET, MASTER CYLINDER	1	
7	95027-06025	BOLT, FLANGE	2	
8	3GM-83922-51	LEVER 2	1	
9	3FV-2589F-00	BOLT, LEVER	1	
10	95607-06100	NUT, U	1	
11	3FV-25894-00	TANK, RESERVOIR	1	
12	3GM-25852-50	CAP, RESERVOIR	1	
13	3FV-25854-00	DIAPHRAGM, RESERVOIR	1	
14	2J2-25855-50	BUSH, DIAPHRAGM	1	
15	3FV-83980-00	FRONT STOP SWITCH ASSY	1	
16	98517-04012	SCREW, PAN HEAD	1	
17	92990-04100	WASHER, SPRING	1	
18	92901-04600	WASHER, PLATE	1	
19	3GM-2585F-00	HOSE	1	
20	3PA-24356-00	CLIP, PIPE 1	2	
21	4FM-26292-00	STAY	1	
22	91317-06012	BOLT	2	
23	3FV-2589G-00	HOLDER	1	
24	3GM-2589H-00	SCREW, WITH WASHER	1	
25	4FM-25872-02	HOSE, BRAKE 1	1	
26	4FM-25873-02	HOSE, BRAKE 2	1	
27	4FM-23377-00	BRACKET, HORN	1	
28	4FM-23378-00	BRACKET	1	



4HD300-5340

FIG. 34 FRONT MASTER CYLINDER

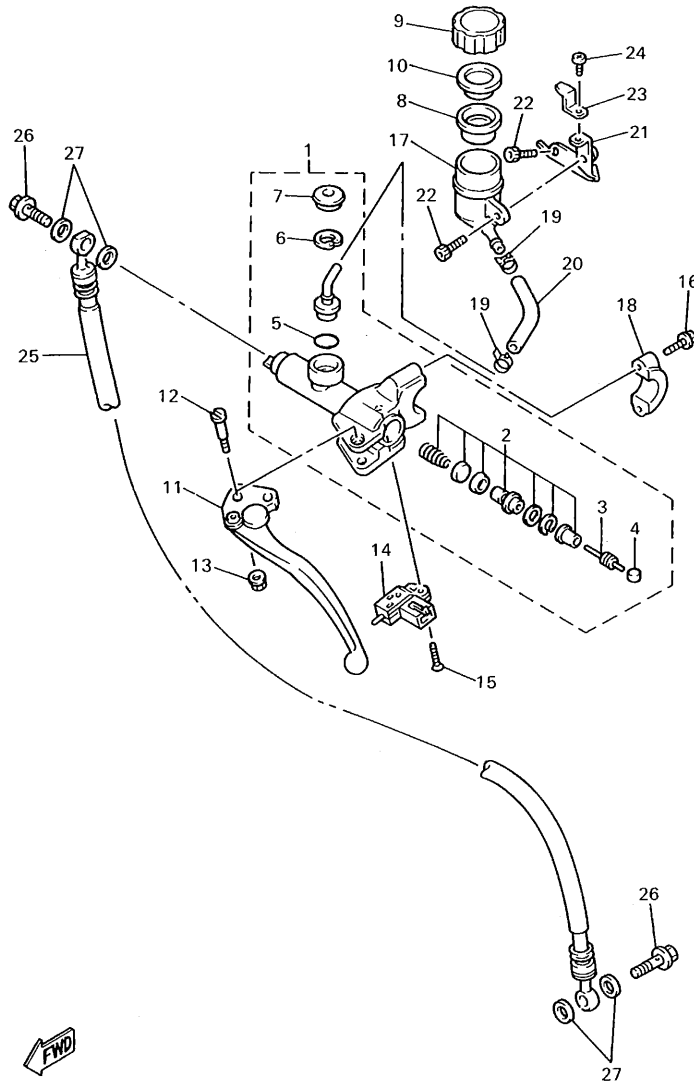


REF. NO.	PART NO.	DESCRIPTION	Q'TY	REMARKS
29	91317-06010	BOLT	1	
30	91317-06012	BOLT	2	
31	90401-10160	BOLT, UNION	1	
32	90401-10159	BOLT, UNION	2	
33	90201-10118	WASHER, PLATE	7	
34	3MA-25876-12	HOLDER, BRAKE HOSE 2	1	
35	3MA-25876-22	HOLDER, BRAKE HOSE 2	1	
36	95817-06012	BOLT, FLANGE	2	



4HD300-5340

FIG. 35 FRONT MASTER CYLINDER 2



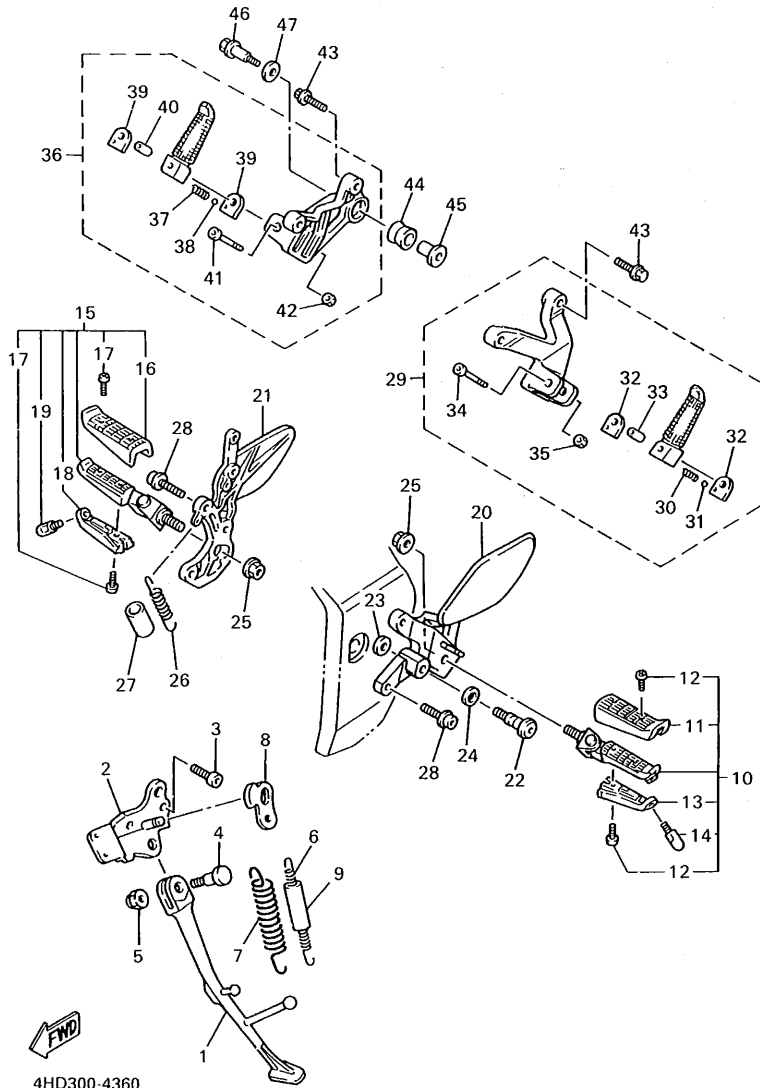
REF. NO.	PART NO.	DESCRIPTION	Q'TY	REMARKS
1	4FM-W2645-00	MASTER CYLINDER SUB ASSY	1	
2	3GM-W0099-00	.CYLINDER KIT, MASTER (CLUTCH)	1	
3	3GM-26464-00	.ROD, PUSH	1	
4	3GM-26455-00	.BUSH	1	
5	93210-15620	.O-RING	1	
6	2VN-25866-00	.CIRCLIP	1	
7	3FV-2589A-00	.COVER, DUST	1	
8	3GK-25854-50	DIAPHRAGM, RESERVOIR	1	
9	4FM-25852-00	CAP, RESERVOIR	1	
10	3GK-25855-50	BUSH, DIAPHRAGM	1	
11	4FM-83912-01	LEVER 1	1	
12	3FV-2589F-00	BOLT, LEVER	1	
13	95706-06500	NUT, FLANGE	1	
14	3GM-83980-00	FRONT STOP SWITCH ASSY	1	
15	98706-04016	SCREW, FLAT HEAD	1	
16	95027-06025	BOLT, FLANGE	2	
17	4FM-25894-00	TANK, RESERVOIR	1	
18	56A-25867-00	BRACKET, MASTER CYLINDER	1	
19	3PA-24356-00	CLIP, PIPE 1	2	
20	4FM-2585F-00	HOSE	1	
21	4FM-26296-00	BRACKET	1	
22	91317-06012	BOLT	2	
23	4FM-26475-00	HOLDER	1	
24	98507-04008	SCREW, PAN HEAD	1	
25	3GM-26470-A0	HOSE, CLUTCH	1	
26	90401-10159	BOLT, UNION	2	
27	90201-10118	WASHER, PLATE	4	



4HD300-3350

E10

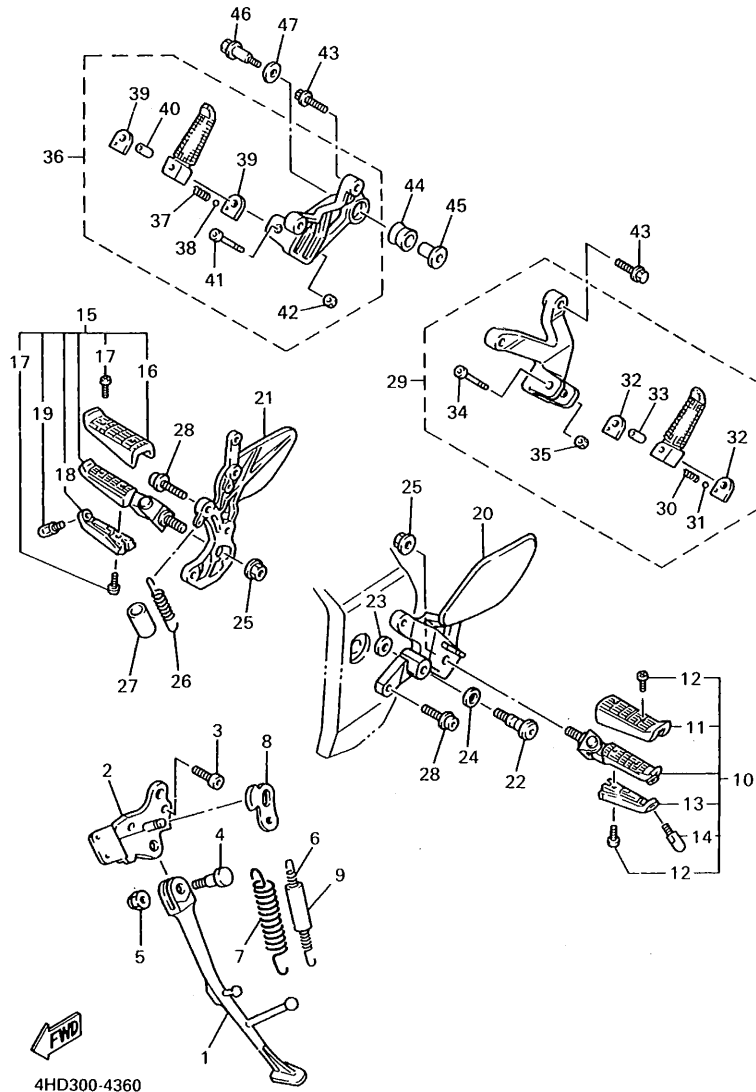
FIG. 36 STAND • FOOTREST



4HD300-4360

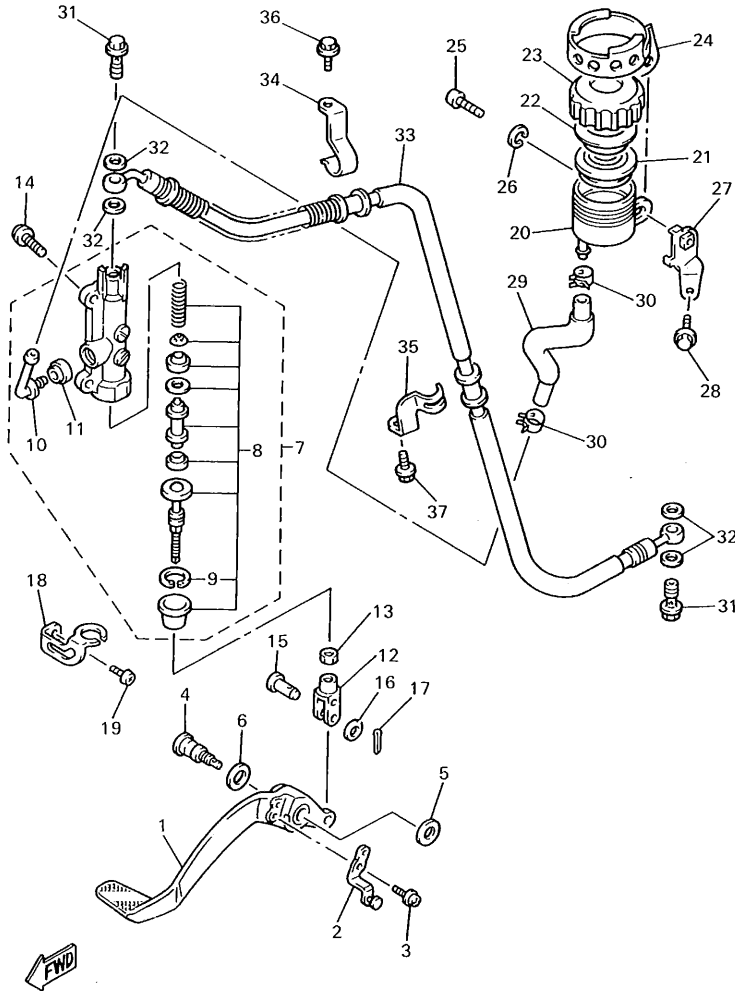
REF. NO.	PART NO.	DESCRIPTION	Q'TY	REMARKS
1	4FM-27311-00	STAND, SIDE	1	
2	4FM-27321-00	BRACKET, SIDE STAND	1	
3	90110-08155	BOLT, HEXAGON SOCKET HEAD	2	
4	90109-104E6	BOLT	1	
5	90185-10037	NUT, SELF-LOCKING	1	
6	90506-18224	SPRING, TENSION	1	
7	90506-26225	SPRING, TENSION	1	
8	4FM-27315-00	LINK, SIDE STAND	1	
9	1TX-27351-00	GUIDE, SIDE STAND	1	
10	4FM-27410-00	FRONT FOOTREST ASSY (LEFT)	1	
11	2GH-27413-00	.COVER, FOOTREST	1	
12	90157-05079	.SCREW, PAN HEAD	3	
13	4FM-27471-00	.BAR, FOOTREST 1	1	
14	4FM-27435-00	.BOLT	1	
15	4FM-27420-00	FRONT FOOTREST ASSY (RIGHT)	1	
16	2GH-27413-00	.COVER, FOOTREST	1	
17	90157-05079	.SCREW, PAN HEAD	3	
18	4FM-27471-00	.BAR, FOOTREST 1	1	
19	4FM-27435-00	.BOLT	1	
20	4FM-27442-00	BRACKET 2	1	
21	4FM-27443-00	BRACKET 3	1	
22	4BP-27434-01	BOLT	1	
23	90201-08326	WASHER, PLATE	1	
24	90201-127J6	WASHER, PLATE	1	
25	90179-10658	NUT	2	
26	90506-20377	SPRING, TENSION	1	
27	90446-17346	HOSE	1	
28	90110-08231	BOLT, HEXAGON SOCKET HEAD	4	

FIG. 36 STAND • FOOTREST



REF. NO.	PART NO.	DESCRIPTION	Q'TY	REMARKS
29	4FM-27430-10	REAR FOOTREST ASSY 1	1	
30	90501-12743	•SPRING, COMPRESSION	1	
31	93501-04011	•BALL	1	
32	1HX-27437-00	•WASHER, SPECIAL	2	
33	90387-064H8	•COLLAR	1	
34	91317-06045	•BOLT	1	
35	95607-06200	•NUT, U	1	
36	4FM-27440-10	REAR FOOTREST ASSY 2	1	
37	90501-12743	•SPRING, COMPRESSION	1	
38	93501-04011	•BALL	1	
39	1HX-27437-00	•WASHER, SPECIAL	2	
40	90387-064H8	•COLLAR	1	
41	91317-06045	•BOLT	1	
42	95607-06200	•NUT, U	1	
43	95817-08030	BOLT, FLANGE	2	
44	2H7-27414-00	DAMPER, FOOTREST	1	
45	90387-10636	COLLAR	1	
46	90105-10316	BOLT, WASHER BASED	1	
47	90201-10669	WASHER, PLATE	1	

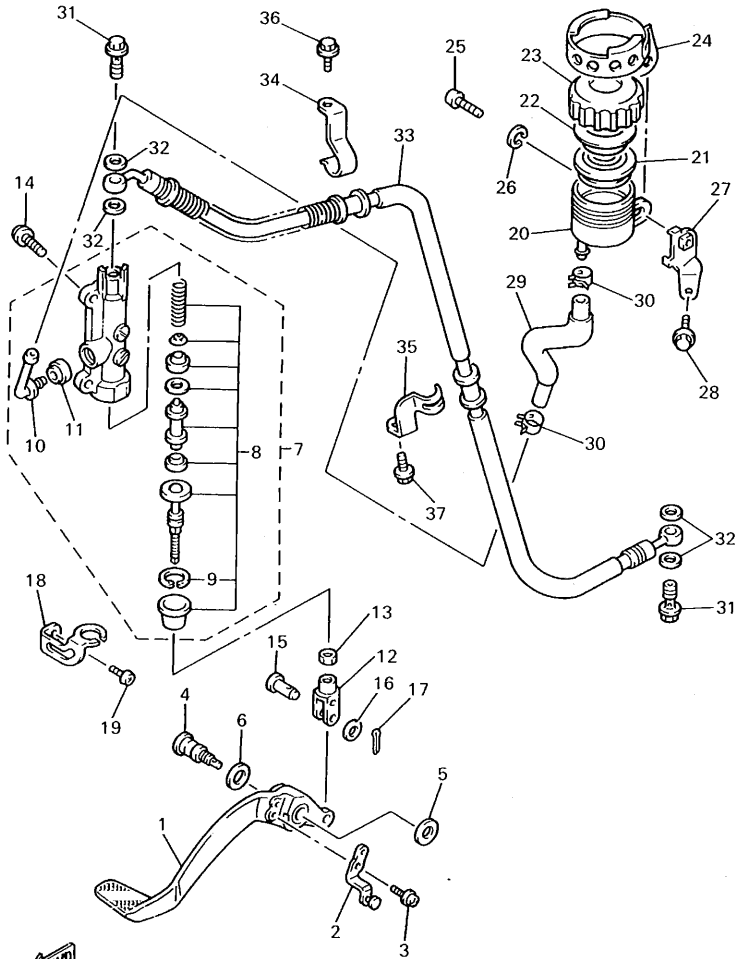
FIG. 37 REAR MASTER CYLINDER



REF. NO.	PART NO.	DESCRIPTION	Q'TY	REMARKS
1	4FM-27211-00	PEDAL, BRAKE	1	
2	4FM-27254-00	HOOK	1	
3	90159-06045	SCREW, WITH WASHER	1	
4	3YF-27261-00	SHAFT	1	
5	90201-104R2	WASHER, PLATE	1	
6	90206-14086	WASHER, WAVE	1	
7	4BH-2583V-00	RR. MASTER CYLINDER ASSY.	1	
8	4BH-W0042-50	•CYLINDER KIT, MASTER	1	
9	3LN-2585G-00	••CIRCLIP	1	
10	4BP-2582A-00	•JOINT	1	
11	4BP-2585F-00	•BUSH	1	
12	4FM-27222-00	JOINT	1	
13	95307-08700	NUT	1	
14	92017-08020	SCREW	2	
15	90240-08124	PIN, CLEVIS	1	
16	90201-08083	WASHER, PLATE	1	
17	91490-20025	PIN, COTTER	1	
18	4FM-2144G-00	STAY, STOP SWITCH	1	
19	98507-06010	SCREW, PAN HEAD	1	
20	31A-25894-01	TANK, RESERVOIR	1	
21	360-25854-00	DIAPHRAGM, RESERVOIR	1	
22	2GU-25855-00	BUSH, DIAPHRAGM	1	
23	2KF-25852-50	CAP, RESERVOIR	1	
24	3PJ-25888-00	COVER, RESERVOIR TANK	1	
25	98507-06020	SCREW, PAN HEAD	1	
26	92907-06100	WASHER, SPRING	1	
27	4FM-2133G-00	BRACKET, RESERVER	1	
28	95817-06016	BOLT, FLANGE	1	

4HD300-3370

FIG. 37 REAR MASTER CYLINDER

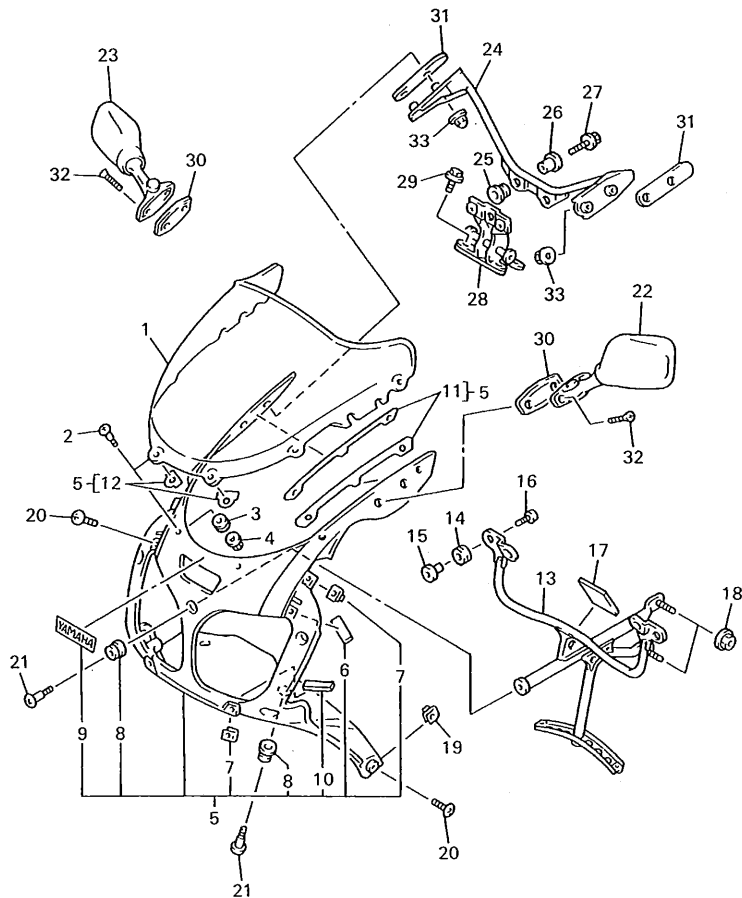


REF. NO.	PART NO.	DESCRIPTION	Q'TY	REMARKS
29	4FM-25895-00	HOSE, RESERVOIR	1	
30	90467-14057	CLIP	2	
31	90401-10159	BOLT, UNION	2	
32	90201-10118	WASHER, PLATE	4	
33	4FM-25874-01	HOSE, BRAKE	1	
34	4FM-25875-00	HOLDER, BRAKE HOSE 1	1	
35	4FM-25876-00	HOLDER, BRAKE HOSE 2	1	
36	95027-06016	BOLT, FLANGE	1	
37	95027-06008	BOLT, FLANGE	1	



4HD300-3370

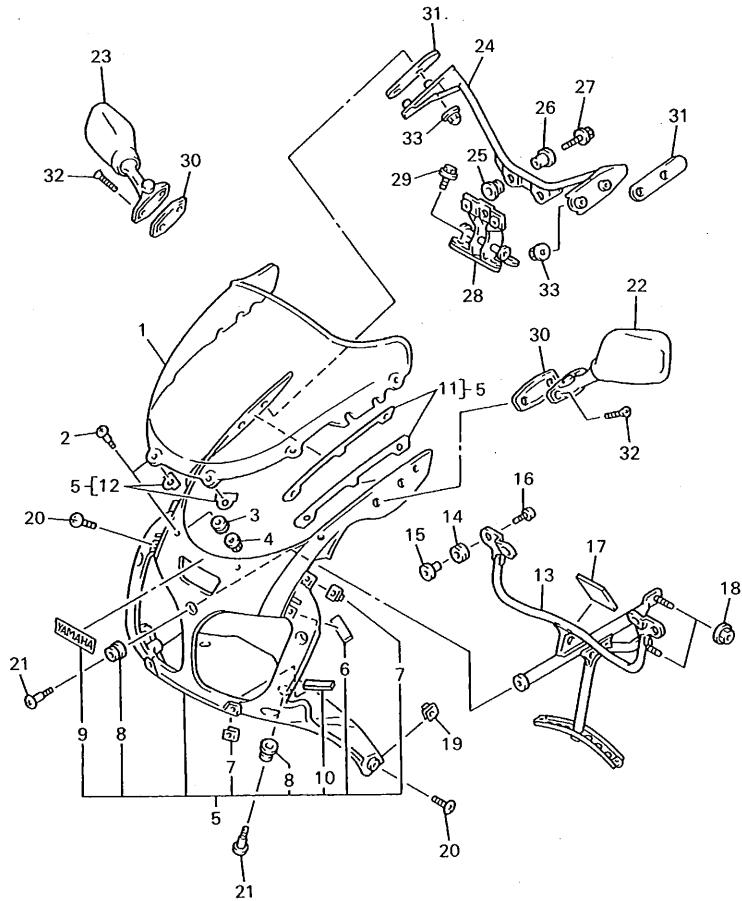
FIG. 38 COWLING 1



4HD300-5380

REF. NO.	PART NO.	DESCRIPTION	Q'TY	REMARKS
1	4FM-28381-00	WINDSHIELD	1	
2	90149-05273	SCREW	6	
3	4FM-28215-00	WASHER, SPECIAL	6	
4	95707-05500	NUT, FLANGE	6	
5	4FM-Y2835-30-4B	COWLING ASS'Y	1	UR BLACK 2 FOR BWC1
	4FM-Y2835-80-4B	COWLING ASS'Y	1	BLACK 2 FOR DCM2
6	89X-77167-00	•TRIM 3	2	
7	90183-05024	•NUT, SPRING	6	
8	90480-13398	•GROMMET	3	
9	99236-00100	•EMBLEM, YAMAHA	1	UR FOR BWC1
	99237-00100	•EMBLEM, YAMAHA	1	UR FOR DCM2
10	3MA-21649-00	•DAMPER	2	
11	4FM-2834V-00	•PROTECTOR 1	2	
12	4FM-2834W-00	•PROTECTOR	2	
13	4FM-28356-00	STAY 1	1	
14	90480-13163	GROMMET	2	
15	90560-06201	SPACER	2	
16	97707-50016	SCREW, TAPPING	2	
17	51L-28371-00	DAMPER	1	
18	95617-08200	NUT, SELF-LOCKING	2	
19	90183-05024	NUT, SPRING	2	
20	90150-05039	SCREW, ROUND HEAD	8	
21	90150-06036	SCREW, ROUND HEAD	3	
22	4FM-26280-10	REAR VIEW MIRROR ASSY (LEFT)	1	BLACK
23	4FM-26290-10	REAR VIEW MIRROR ASSY (RIGHT)	1	BLACK
24	4FM-2831W-00	STAY, MIRROR 1	1	
25	90480-13398	GROMMET	2	
26	90387-067N5	COLLAR	2	

FIG. 38 COWLING 1

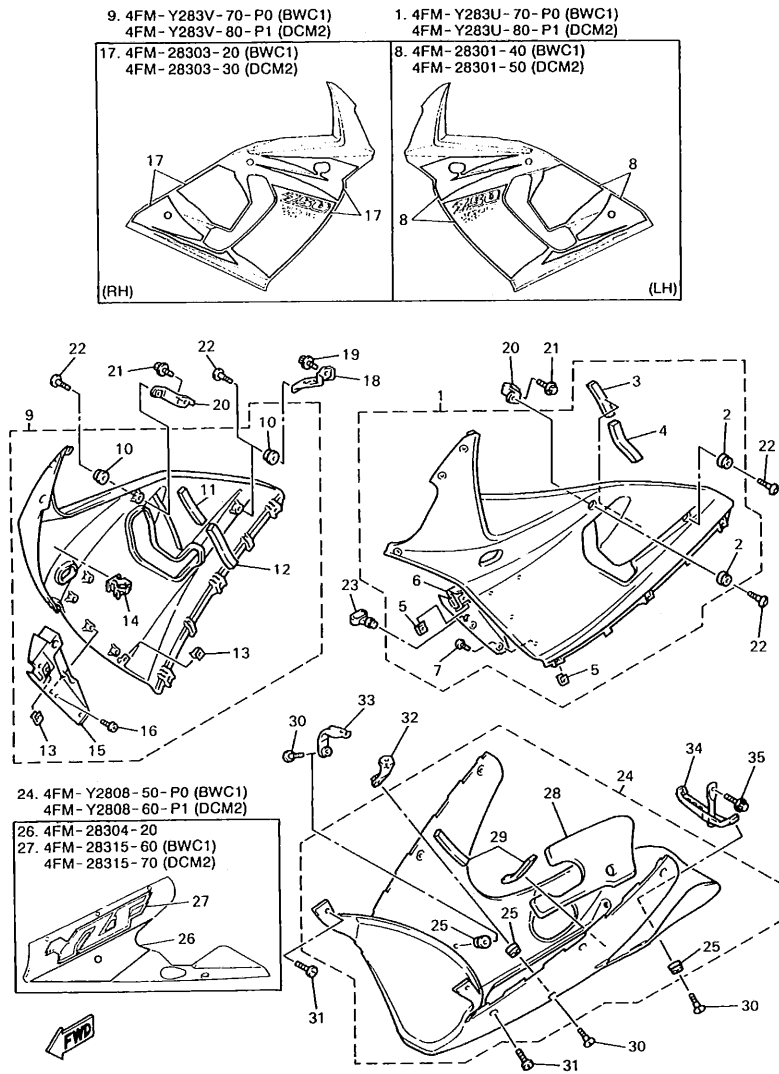


REF. NO.	PART NO.	DESCRIPTION	Q'TY	REMARKS
27	95027-06016	BOLT, FLANGE	2	
28	4FM-2832W-00	STAY, MIRROR 2	1	
29	95027-06012	BOLT, FLANGE	2	
30	4FM-26299-00	PLATE, MIRROR FITTING 2	2	
31	3XV-26298-00	PLATE, MIRROR FITTING 1	2	
32	98707-06025	SCREW, FLAT HEAD	4	
33	90176-06055	NUT, CROWN	4	



4HD300-5380

FIG. 39 COWLING 2

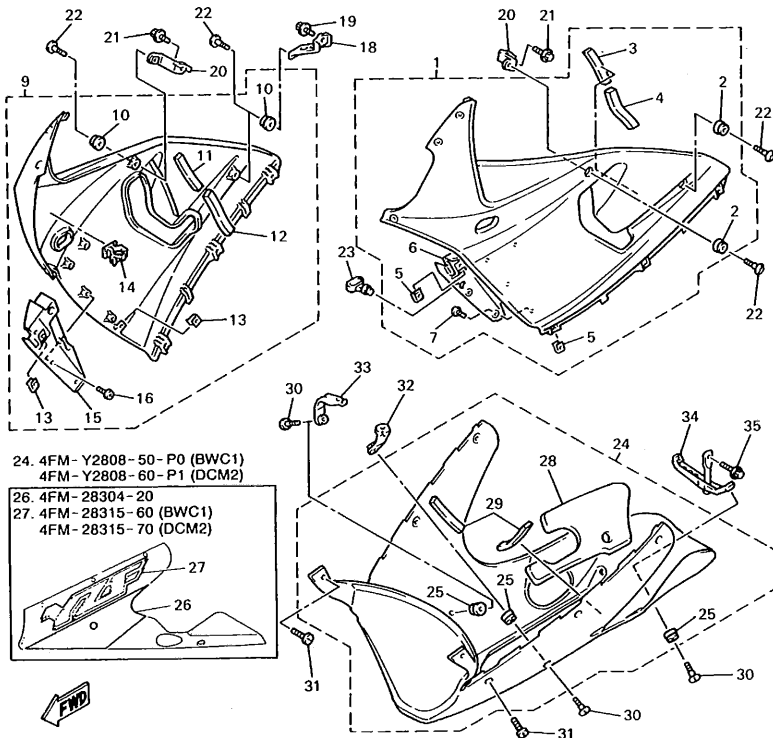
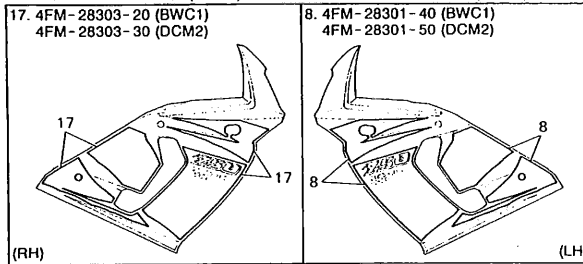


REF. NO.	PART NO.	DESCRIPTION	Q'TY	REMARKS
1	4FM-Y283U-70-P0	PANEL ASSY	1	UR BLUISH WHITE COCKTAIL 1
	4FM-Y283U-80-P1	PANEL ASSY	1	UR DARK CYAN METALLIC 2
2	90480-13398	•GROMMET	2	
3	8V7-21961-00	•PATCH 1	1	
4	4FM-28371-10	•DAMPER	1	
5	90183-05024	•NUT, SPRING	5	
6	4FM-2836K-00	•PANEL, INNER 1	1	
7	97707-40014	•SCREW, TAPPING	4	
8	4FM-28301-40	•GRAPHIC SET, LOWER COVER 1	1	UR FOR BWC1
	4FM-28301-50	•GRAPHIC SET, LOWER COVER 1	1	UR FOR DCM2
9	4FM-Y283V-70-P0	PANEL ASSEMBLY 2	1	UR BLUISH WHITE COCKTAIL 1
	4FM-Y283V-80-P1	PANEL ASSEMBLY 2	1	UR DARK CYAN METALLIC 2
10	90480-13398	•GROMMET	2	
11	8V7-21961-00	•PATCH 1	1	
12	4FM-28371-10	•DAMPER	1	
13	90183-05024	•NUT, SPRING	5	
14	90464-25160	•CLAMP	1	
15	4FM-2836L-00	•PANEL, INNER 2	1	
16	97707-40014	•SCREW, TAPPING	4	
17	4FM-28303-20	•GRAPHIC SET, LOWER COVER 2	1	UR FOR BWC1
	4FM-28303-30	•GRAPHIC SET, LOWER COVER 2	1	UR FOR DCM2
18	4FM-28322-00	STAY 2	1	
19	95817-06010	BOLT, FLANGE	1	
20	4FM-2836H-00	BRACKET 5	2	
21	95817-08012	BOLT, FLANGE	2	
22	90150-06036	SCREW, ROUND HEAD	4	
23	1A8-21518-00	HOLDER, CABLE	1	
24	4FM-Y2808-50-P0	COVER ASSY, UNDER	1	UR BLUISH WHITE COCKTAIL 1

FIG. 39 COWLING 2

9. 4FM-Y283V-70-P0 (BWC1)
4FM-Y283V-80-P1 (DCM2)

1. 4FM-Y283U-70-P0 (BWC1)
4FM-Y283U-80-P1 (DCM2)



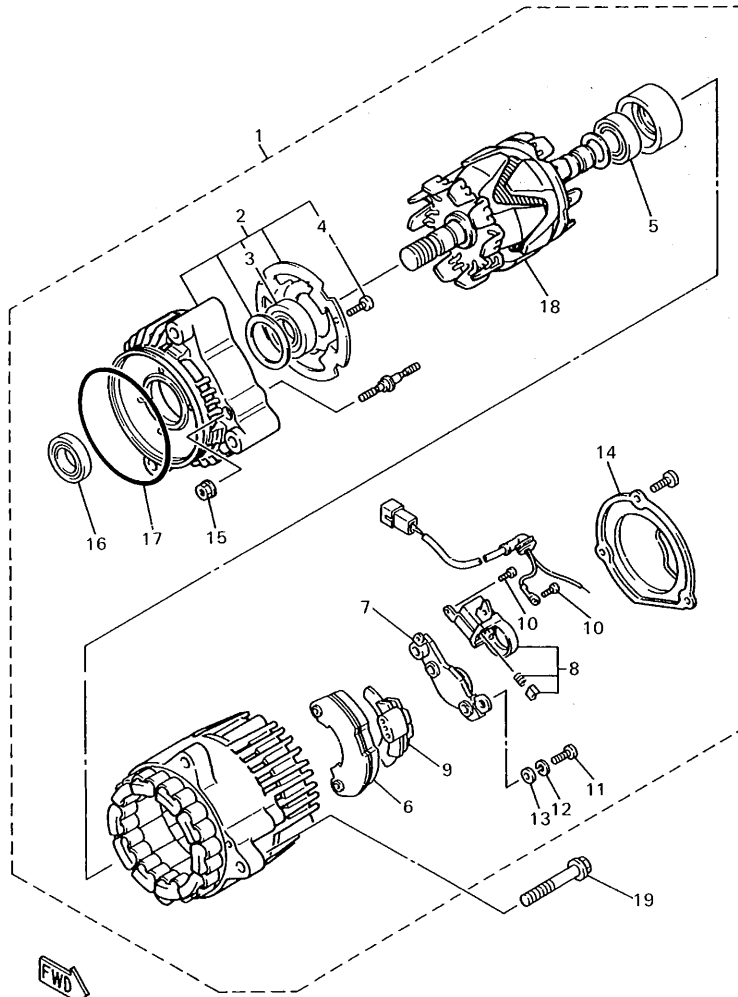
24. 4FM-Y2808-50-P0 (BWC1)
4FM-Y2808-60-P1 (DCM2)

26. 4FM-28304-20
27. 4FM-28315-60 (BWC1)
4FM-28315-70 (DCM2)

REF. NO.	PART NO.	DESCRIPTION	Q'TY	REMARKS
24	4FM-Y2808-60-P1	COVER ASSY, UNDER	1	UR DARK CYAN METALLIC 2
25	90480-13398	.GROMMET	4	
26	4FM-28304-20	.GRAPHIC SET, LOWER COVER 3	1	
27	4FM-28315-60	.EMBLEM	2	UR FOR BWC1
	4FM-28315-70	.EMBLEM	2	UR FOR DCM2
28	4FM-2848K-10	.SEAT 2	1	
29	8V7-21961-00	.PATCH 1	2	
30	90150-06036	SCREW, ROUND HEAD	4	
31	90150-05039	SCREW, ROUND HEAD	8	
32	4FM-2836F-00	BRACKET 3	1	
33	4FM-2836G-00	BRACKET 4	1	
34	4FM-2831T-00	STAY, SUPPORT 1	1	
35	90119-06018	BOLT, WITH WASHER	1	

4HD300-5390

FIG. 40 GENERATOR

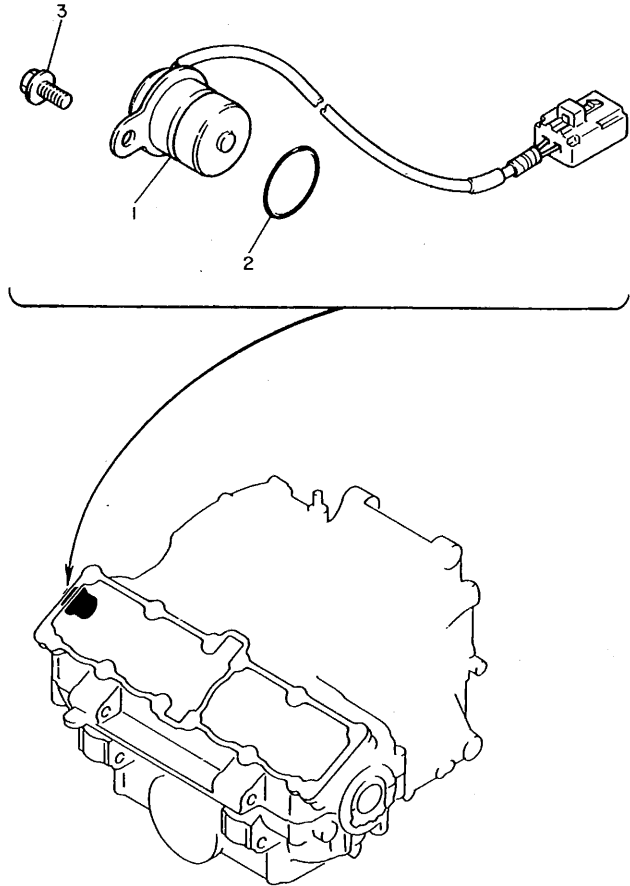


REF. NO.	PART NO.	DESCRIPTION	Q'TY	REMARKS
1	4BH-81600-00	A.C. GENERATOR ASSY	1	
2	4BH-81634-00	.STATOR ASSY	1	
3	4BH-81643-00	..BEARING	1	
4	4BH-81645-00	..SCREW	4	
5	4BH-81643-10	.BEARING	1	
6	4BH-81970-00	.RECTIFIER ASSY	1	
7	36Y-81910-50	.VOLTAGE REGULATOR ASSY	1	
8	3FV-81619-00	.BRUSH HOLDER ASSY	1	
9	4BH-81972-00	.COVER, RECTIFIER	1	
10	3FV-81645-00	.SCREW	2	
11	98507-05018	.SCREW, PAN HEAD	3	
12	92901-05100	.WASHER, SPRING	3	
13	92990-05600	.WASHER, PLATE	3	
14	4BH-81604-00	.COVER ASSY	1	
15	95707-05500	.NUT, FLANGE	2	
16	36Y-81638-50	.OIL SEAL	1	
17	2KT-81642-50	.O-RING	1	
18	4BH-81660-00	.ROTOR ASSY	1	
19	95817-08065	.BOLT, FLANGE	3	

48H332-3430

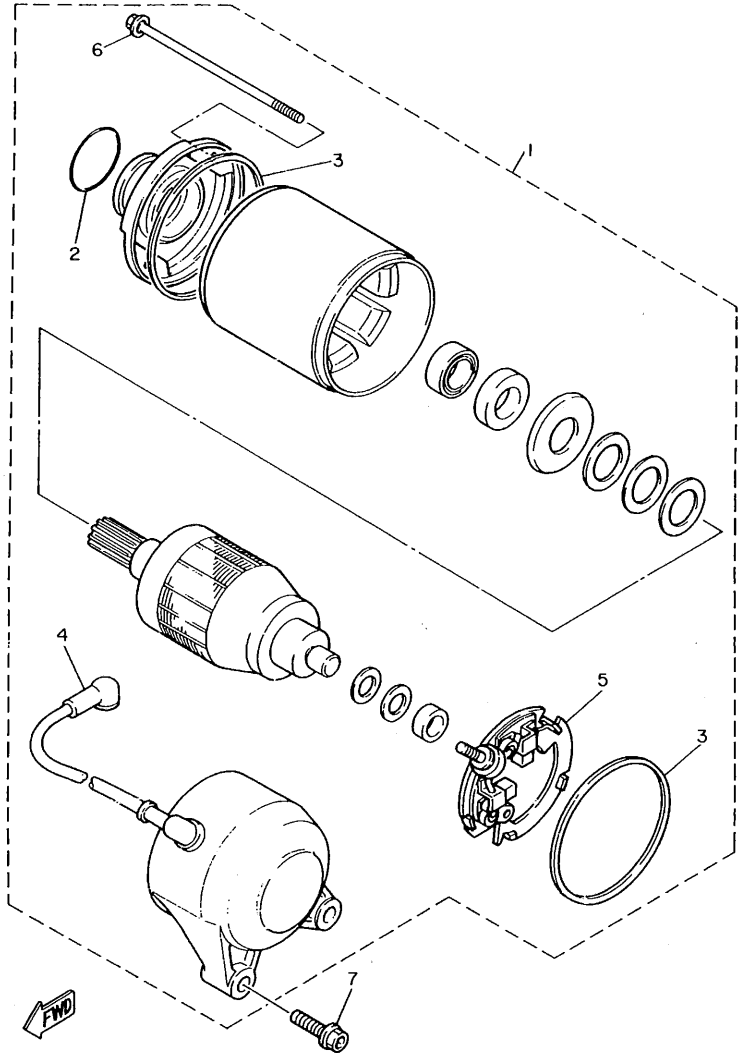
FIG. 41 PICK UP COIL • GOVERNOR

REF. NO.	PART NO.	DESCRIPTION	Q'TY	REMARKS
1	3GM-81670-00	PICK-UP ASSY	1	
2	93210-19216	O-RING	1	
3	95027-06012	BOLT, FLANGE	1	



2GH300-7400

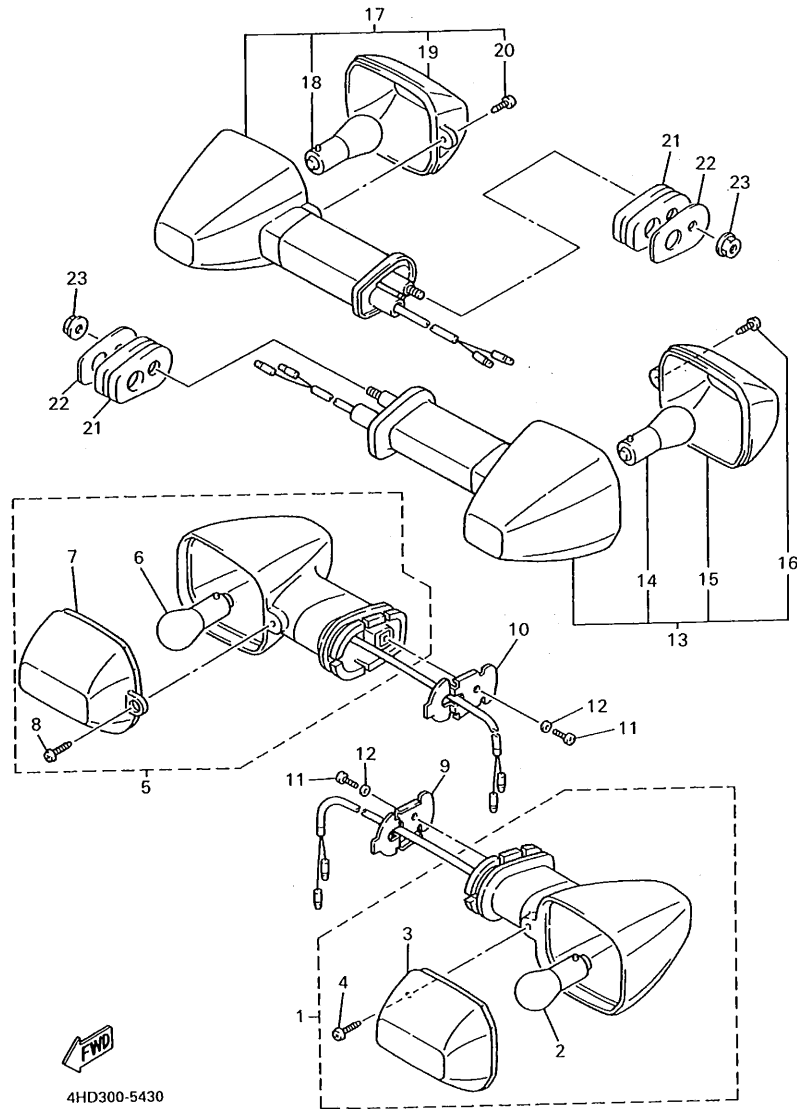
FIG. 42 STARTING MOTOR



3KS351-9420

REF. NO.	PART NO.	DESCRIPTION	Q'TY	REMARKS
1	3XF-81800-00	STARTING MOTOR ASSY	1	
2	26H-81847-00	•O-RING	1	
3	11H-81844-00	•GASKET	2	
4	2KT-81815-00	•CORD, STARTER MOTOR	1	
5	3KS-81840-00	•BRUSH HOLDER ASSY	1	
6	3HE-81826-00	•BOLT	2	
7	95827-06025	BOLT, FLANGE	2	

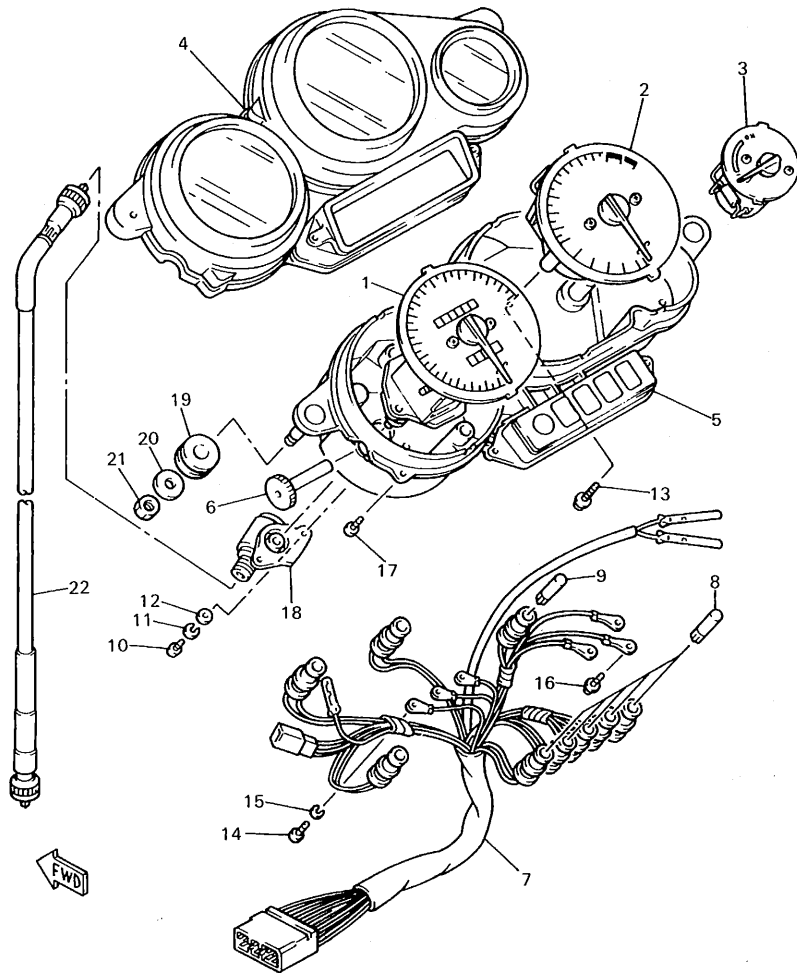
FIG. 43 FLASHER LIGHT



REF. NO.	PART NO.	DESCRIPTION	Q'TY	REMARKS
1	4JH-83310-00	FRONT FLASHER LIGHT ASSY 1	1	
2	306-83311-40	•BULB (12V-21W)	1	
3	4JH-83332-00	•LENS, FLASHER	1	
4	97702-40160	•SCREW, TAPPING	1	
5	4JH-83320-00	FRONT FLASHER LIGHT ASSY 2	1	
6	306-83311-40	•BULB (12V-21W)	1	
7	4JH-83342-00	•LENS, FLASHER 2	1	
8	97702-40610	•SCREW, TAPPING	1	
9	4JH-83318-10	STAY, FLASHER	1	
10	4JH-83318-00	STAY, FLASHER 1	1	
11	98507-04008	SCREW, PAN HEAD	2	
12	92907-04600	WASHER	2	
13	4JH-83330-00	REAR FLASHER LIGHT ASSY 1	1	
14	306-83311-40	•BULB (12V-21W)	1	
15	4JH-83332-00	•LENS, FLASHER	1	
16	97702-40610	•SCREW, TAPPING	1	
17	4JH-83340-00	•FLASHER LIGHT ASSY 2	1	
18	306-83311-40	•BULB (12V-21W)	1	
19	4JH-83342-00	•LENS, FLASHER 2	1	
20	97702-40610	•SCREW, TAPPING	1	
21	4FM-83345-00	PLUG, BLIND	2	
22	4FM-83369-00	STAY, FLASHER 2	2	
23	95707-06500	NUT, FLANGE	2	


4HD300-5430

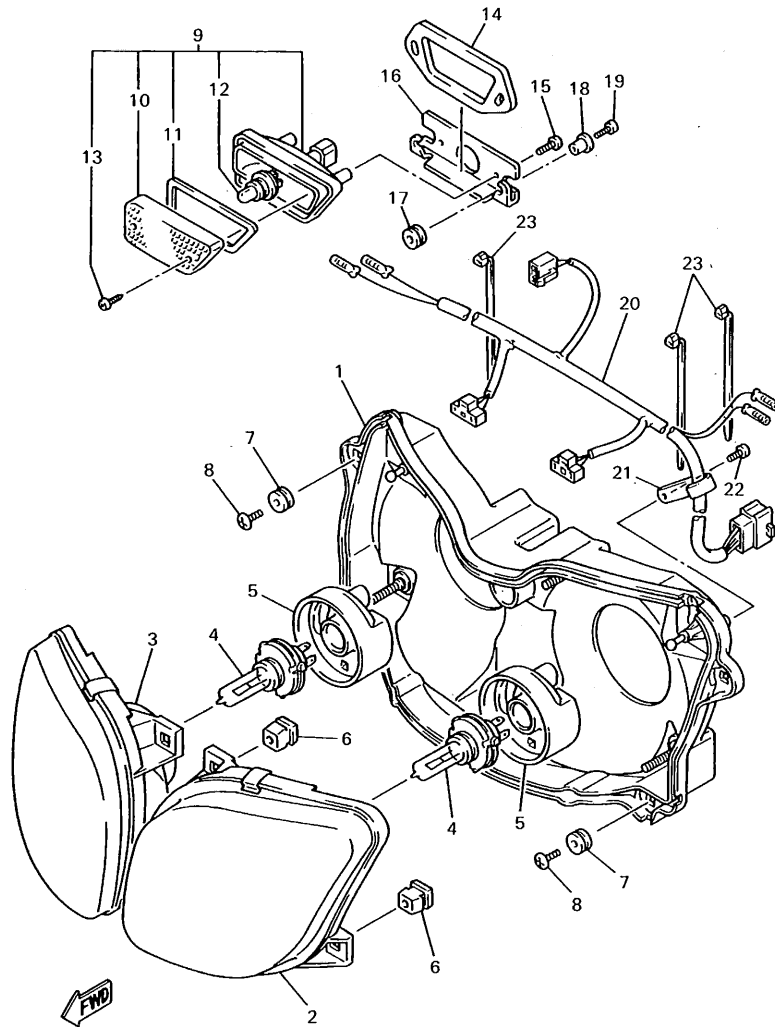
FIG. 44 METER



REF. NO.	PART NO.	DESCRIPTION	Q'TY	REMARKS
1	4FM-83570-00	SPEEDOMETER ASSY	1	
2	4FM-83540-00	TACHOMETER ASSY	1	
3	4FM-83590-00	WATER TEMPERATURE ASSY	1	
4	4FM-83559-00	COVER, METER	1	
5	4FM-8353H-40	CASE, INNER	1	
6	2GH-83578-00	KNOB, TRIP METER	1	
7	4FM-83509-80	SOCKET CORD ASSY	1	
8	4G1-84744-00	BULB (12V-3.4W)	5	
9	2GV-83517-00	BULB (12V-1.7W, T6.5)	4	
10	98507-04010	SCREW, PAN HEAD	4	
11	92907-04100	WASHER, SPRING	4	
12	92907-04600	WASHER, PLATE	4	
13	97902-04122	SCREW, WITH WASHER	2	
14	98507-03010	SCREW, PAN HEAD	3	
15	92990-03100	WASHER, SPRING	3	
16	90159-03102	SCREW, WITH WASHER	3	
17	90164-04023	SCREW, TAPPING	5	
18	4FM-83520-00	SOCKET CORD ASSY	1	
19	5J0-83513-00	DAMPER	2	
20	90201-06059	WASHER, PLATE	2	
21	95307-06600	NUT	2	
22	4FM-83550-01	SPEEDOMETER CABLE ASSY	1	

4HD300-3440

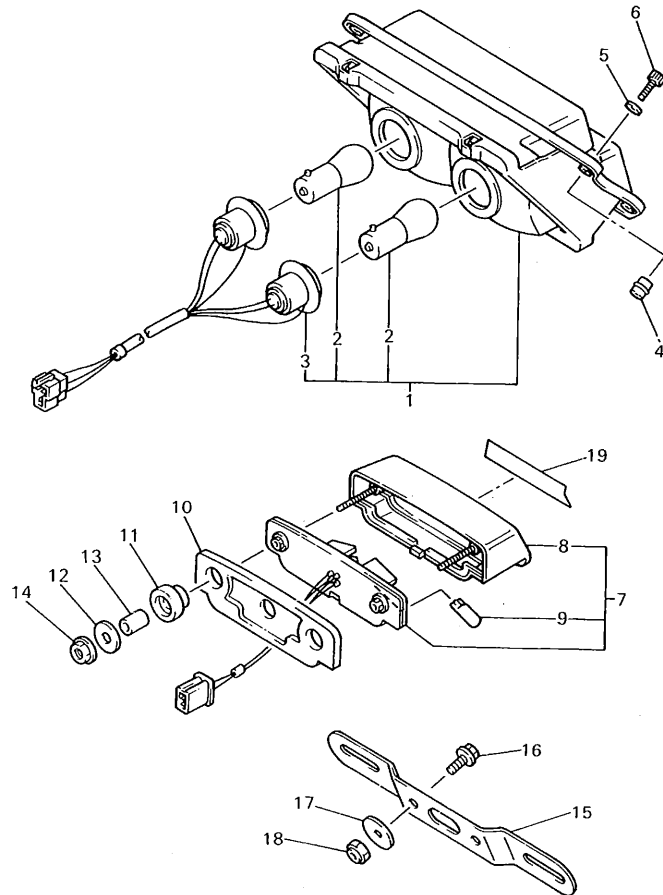
FIG. 45 HEADLIGHT



4HD300-4450

REF. NO.	PART NO.	DESCRIPTION	Q'TY	REMARKS
1	4FM-84330-41	BODY ASSY	1	
2	4FM-84320-10	LENS ASSY	1	
3	4FM-8432A-10	LENS ASSY	1	
4	2F9-84314-00	BULB (12V-60/55W)	2	(H4) HALOGEN
5	4JG-84397-00	COVER, SOCKET	2	
6	51L-84334-00	NUT, ADJUSTING	4	
7	90480-10584	GROMMET	4	
8	97707-60014	SCREW, TAPPING	4	
9	3GM-84301-00	PILOT LIGHT ASSY 1	1	
10	3GM-84321-00	LENS ASSY	1	
11	3GM-84322-00	GASKET, LENS	1	
12	2JE-84744-00	BULB (12V 5W)	1	
13	3GM-84192-00	SCREW (M4, L=12)	2	
14	3GM-84367-50	DAMPER, HEADLIGHT 2	1	
15	97707-50012	SCREW, TAPPING	2	
16	3GM-8431R-00	STAY, SETTING	1	
17	90480-10517	GROMMET	2	
18	90387-052U5	COLLAR	2	
19	90167-05037	SCREW, TAPPING	2	
20	4FM-84359-20	CORD, HEADLIGHT	1	
21	90462-05061	CLAMP	1	
22	97707-50012	SCREW, TAPPING	1	
23	90464-13073	CLAMP	3	

FIG. 46 TAILLIGHT



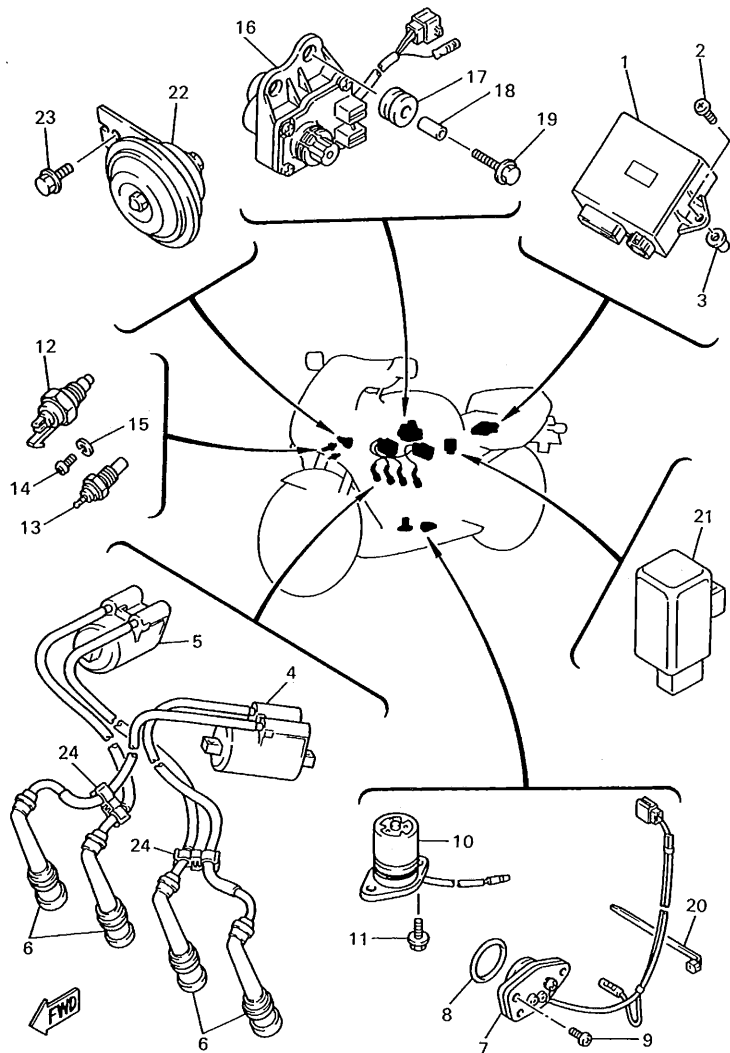
REF. NO.	PART NO.	DESCRIPTION	Q'TY	REMARKS
1	4FM-84710-00	TAILLIGHT UNIT ASSY	1	
2	31L-84714-00	•BULB, TAILLIGHT (12V-21/5W)	2	
3	4FM-84735-00	•CORD ASSY	1	
4	90179-05523	NUT	4	
5	92907-05600	WASHER, PLATE	4	
6	90110-05112	BOLT, HEXAGON SOCKET HEAD	4	
7	4FM-84745-00	LICENCE LIGHT UNIT ASSY	1	
8	4FM-84749-00	•BODY, LICENCE LIGHT	1	
9	2JE-84744-00	•BULB (12V 5W)	2	
10	3F9-84742-00	SEAT, BASE	1	
11	3F9-84553-00	DAMPER	2	
12	90201-05033	WASHER, PLATE	2	
13	90387-06241	COLLAR	2	
14	95707-05500	NUT, FLANGE	2	
15	3YF-84751-00	BRACKET, LICENSE	1	
16	95027-06016	BOLT, FLANGE	2	
17	90201-06059	WASHER, PLATE	2	
18	95607-06100	NUT, U	2	
19	99236-00080	EMBLEM, YAMAHA	1	UR FOR BWC1
	99237-00080	EMBLEM, YAMAHA	1	UR FOR DCM2



4HD300-3460

F11

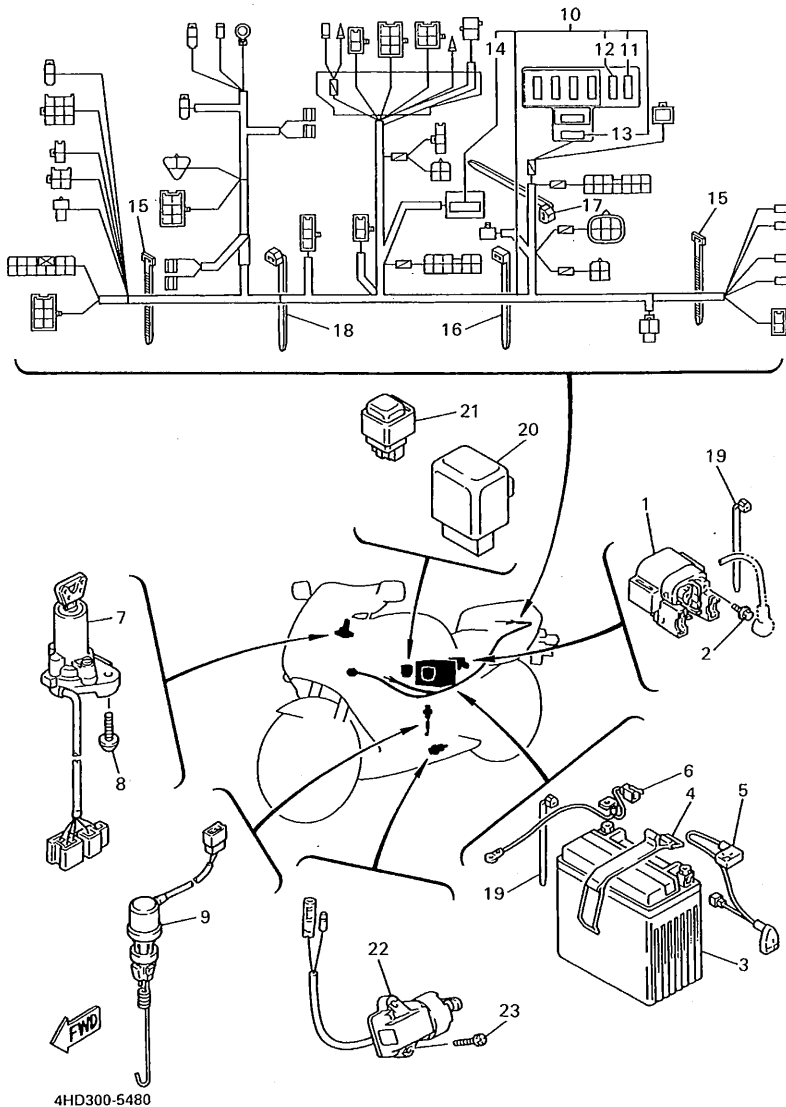
FIG. 47 ELECTRICAL 1



4HD300-5470

REF. NO.	PART NO.	DESCRIPTION	Q'TY	REMARKS
1	4HD-82305-10	IGNITOR UNIT ASSY	1	
2	97707-60016	SCREW, TAPPING	2	
3	90338-08226	PLUG	2	
4	4FM-82310-00	IGNITION COIL ASSY	1	
5	4FM-82320-00	IGNITION COIL ASSY	1	
6	2KT-82370-00	PLUG CAP ASSY	4	
7	4FM-82540-00	NEUTRAL SWITCH ASSY	1	
8	93210-29196	O-RING	1	
9	98507-06016	SCREW, PAN HEAD	2	
10	3GM-85720-00	OIL LEVEL GAUGE ASSY	1	
11	95027-06014	BOLT, FLANGE	2	
12	3LN-82560-00	THERMO SWITCH ASSY	1	
13	11H-83591-00	THERMO UNIT	1	
14	98507-05008	SCREW, PAN HEAD	1	
15	92907-05600	WASHER	1	
16	4FM-85820-00	SERVO MOTOR ASSY	1	
17	90480-14412	GROMMET	2	
18	90387-065V1	COLLAR	2	
19	95807-06030	BOLT, FLANGE	2	
20	90464-13073	CLAMP	1	
21	3GM-83350-00	FLASHER RELAY ASSY	1	
22	4FM-83371-00	HORN	1	
23	95817-06010	BOLT, FLANGE	1	
24	90464-10186	CLAMP	2	

FIG. 48 ELECTRICAL 2



REF. NO.	PART NO.	DESCRIPTION	Q'TY	REMARKS
1	4FM-81940-00	STARTER RELAY ASSY	1	
2	95027-06008	BOLT, FLANGE	2	
3	3VD-82100-00	BATTERY ASSY (YTX12-BS)	1	
4	4BP-82131-00	BAND, BATTERY	1	
5	4FM-82115-00	WIRE, PLUS LEAD	1	
6	3FV-82116-00	WIRE, MINUS LEAD	1	
7	4JH-82501-01	MAIN SWITCH STEERING LOCK	1	
8	90109-080G5	BOLT	2	
9	1KT-82530-02	STOP SWITCH ASSY	1	
10	4FM-82590-10	WIRE HARNESS ASSY	1	
11	2KW-82151-00	•FUSE (12V-7.5A)	3	
12	2GV-82151-00	•FUSE (20A)	3	
13	36Y-82151-00	•FUSE (12V-15A)	2	
14	4FM-82151-00	•FUSE (30A)	1	
15	90464-12089	CLAMP	8	
16	90465-13355	CLAMP	1	
17	90464-13073	CLAMP	1	
18	90464-13073	CLAMP	8	
19	90464-15195	CLAMP	2	
20	3EN-81950-00	RELAY ASSY	1	
21	3GM-81950-00	RELAY ASSY	1	
22	4FM-82566-00	SWITCH, SIDE STAND	1	
23	90157-05079	SCREW, PAN HEAD	2	

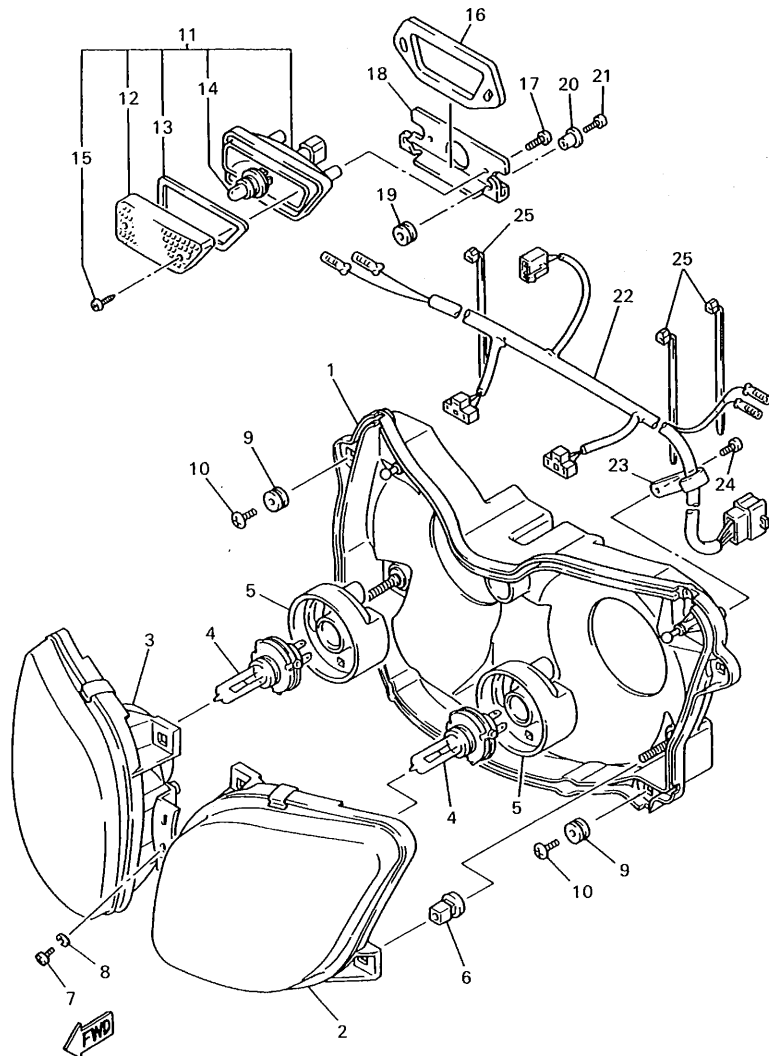
INDIVIDUAL SPEC.



FOR ITALY

The following pages provides a listing of only the parts that meet the specifications peculiar to your market. For those parts not appearing in these pages, refer to the "GENERAL SPEC." section.

FIG. 49 ALTERNATE (HEADLIGHT)



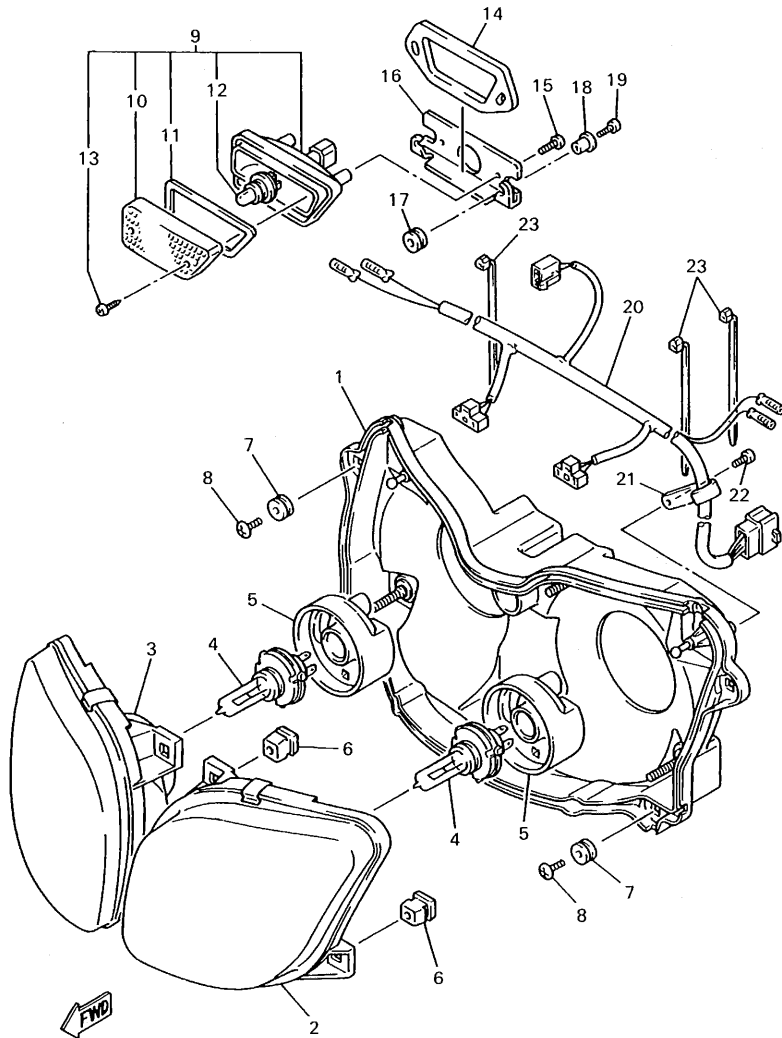
4HD300-4490

REF. NO.	PART NO.	DESCRIPTION	Q'TY	REMARKS
1	4FM-84330-31	BODY ASSY	1	
2	4FM-84320-30	LENS ASSY	1	
3	4FM-8432A-30	LENS ASSY	1	
4	1FM-84314-H0	BULB (12V-35/35W)	2	HALOGEN
5	4JG-84397-00	COVER, SOCKET	2	
6	51L-84334-00	NUT, ADJUSTING	2	
7	98507-04008	SCREW, PAN HEAD	2	
8	92907-04100	WASHER, SPRING	2	
9	90480-10584	GROMMET	4	
10	97707-60014	SCREW, TAPPING	4	
11	3GM-84301-00	PILOT LIGHT ASSY 1	1	
12	3GM-84321-00	LENS ASSY	1	
13	3GM-84322-00	GASKET, LENS	1	
14	2JE-84744-00	BULB (12V 5W)	1	
15	3GM-84192-00	SCREW (M4, L=12)	2	
16	3GM-84367-50	DAMPER, HEADLIGHT 2	1	
17	97707-50012	SCREW, TAPPING	2	
18	3GM-8431R-00	STAY, SETTING	1	
19	90480-10517	GROMMET	2	
20	90387-052U5	COLLAR	2	
21	90167-05037	SCREW, TAPPING	2	
22	4FM-84359-30	CORD, HEADLIGHT	1	
23	90462-05061	CLAMP	1	
24	97707-50012	SCREW, TAPPING	1	
25	90464-13073	CLAMP	3	

FOR HOLLAND

The following pages provides a listing of only the parts that meet the specifications peculiar to your market. For those parts not appearing in these pages, refer to the "GENERAL SPEC." section.

FIG. 50 ALTERNATE (HEADLIGHT)



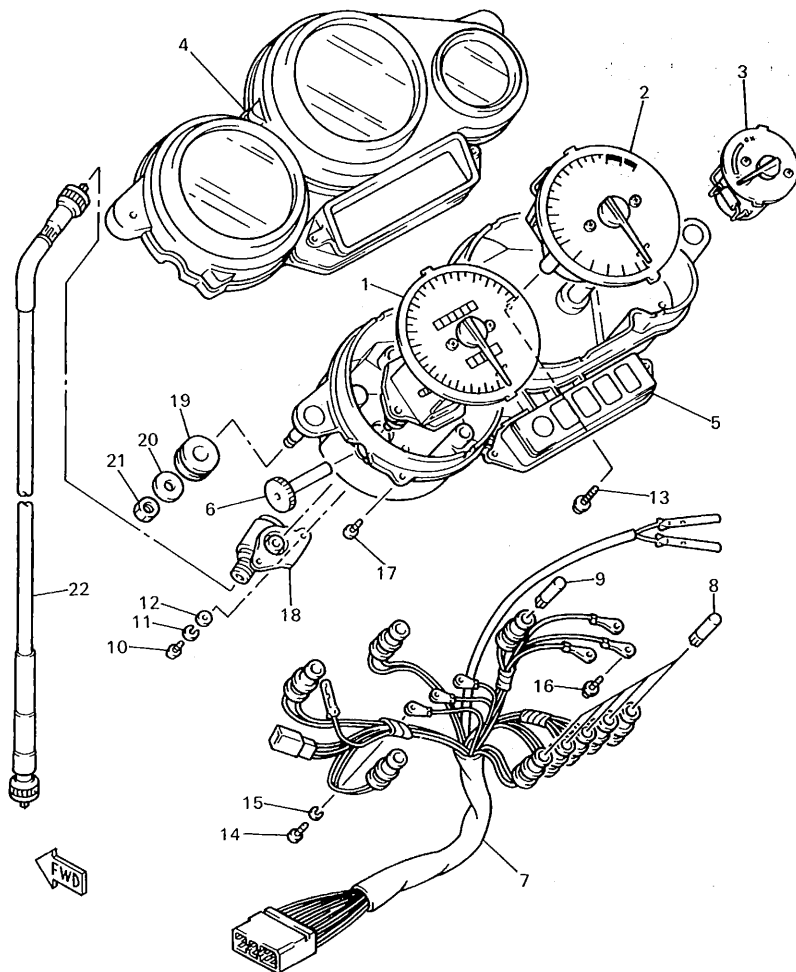
4HD300-4450

REF. NO.	PART NO.	DESCRIPTION	Q'TY	REMARKS
1	4FM-84330-41	BODY ASSY	1	
2	4FM-84320-10	LENS ASSY	1	
3	4FM-8432A-20	LENS ASSY	1	
4	2F9-84314-00	BULB (12V-60/55W)	2	(H4) HALOGEN
5	4JG-84397-00	COVER, SOCKET	2	
6	51L-84334-00	NUT, ADJUSTING	4	
7	90480-10584	GROMMET	4	
8	97707-60014	SCREW, TAPPING	4	
9	3GM-84301-00	PILOT LIGHT ASSY 1	1	
10	3GM-84321-00	LENS ASSY	1	
11	3GM-84322-00	GASKET, LENS	1	
12	2JE-84744-00	BULB (12V 5W)	1	
13	3GM-84192-00	SCREW (M4, L=12)	2	
14	3GM-84367-50	DAMPER, HEADLIGHT 2	1	
15	97707-50012	SCREW, TAPPING	2	
16	3GM-8431R-00	STAY, SETTING	1	
17	90480-10517	GROMMET	2	
18	90387-052U5	COLLAR	2	
19	90167-05037	SCREW, TAPPING	2	
20	4FM-84359-20	CORD, HEADLIGHT	1	
21	90462-05061	CLAMP	1	
22	97707-50012	SCREW, TAPPING	1	
23	90464-13073	CLAMP	3	

FOR ENGLAND, IRELAND

The following pages provides a listing of only the parts that meet the specifications peculiar to your market. For those parts not appearing in these pages, refer to the "GENERAL SPEC." section.

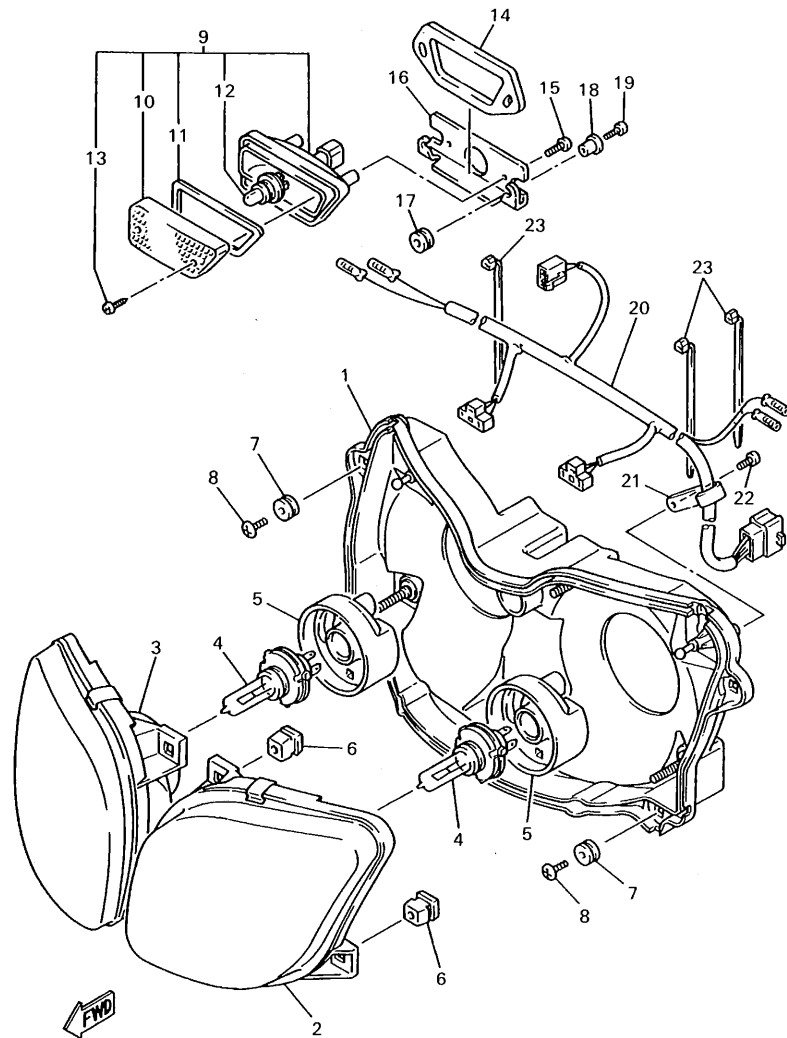
FIG. 51 ALTERNATE (METER)



REF. NO.	PART NO.	DESCRIPTION	Q'TY	REMARKS
1	4FM-83570-10	SPEEDOMETER ASSY	1	
2	4FM-83540-00	TACHOMETER ASSY	1	
3	4FM-83590-00	WATER TEMPERATURE ASSY	1	
4	4FM-83559-00	COVER, METER	1	
5	4FM-8353H-50	CASE, INNER	1	
6	2GH-83578-00	KNOB, TRIP METER	1	
7	4FM-83509-80	SOCKET CORD ASSY	1	
8	4G1-84744-00	BULB (12V-3.4W)	5	
9	2GV-83517-00	BULB (12V-1.7W, T6.5)	4	
10	98507-04010	SCREW, PAN HEAD	4	
11	92907-04100	WASHER, SPRING	4	
12	92907-04600	WASHER, PLATE	4	
13	97902-04122	SCREW, WITH WASHER	2	
14	98507-03010	SCREW, PAN HEAD	3	
15	92990-03100	WASHER, SPRING	3	
16	90159-03102	SCREW, WITH WASHER	3	
17	90164-04023	SCREW, TAPPING	5	
18	4FM-83520-00	SOCKET CORD ASSY	1	
19	5J0-83513-00	DAMPER	2	
20	90201-06059	WASHER, PLATE	2	
21	95307-06600	NUT	2	
22	3GM-83550-01	SPEEDOMETER CABLE ASSY	1	

4HD300-3440

FIG. 52 ALTERNATE (HEADLIGHT)



4HD300-4450

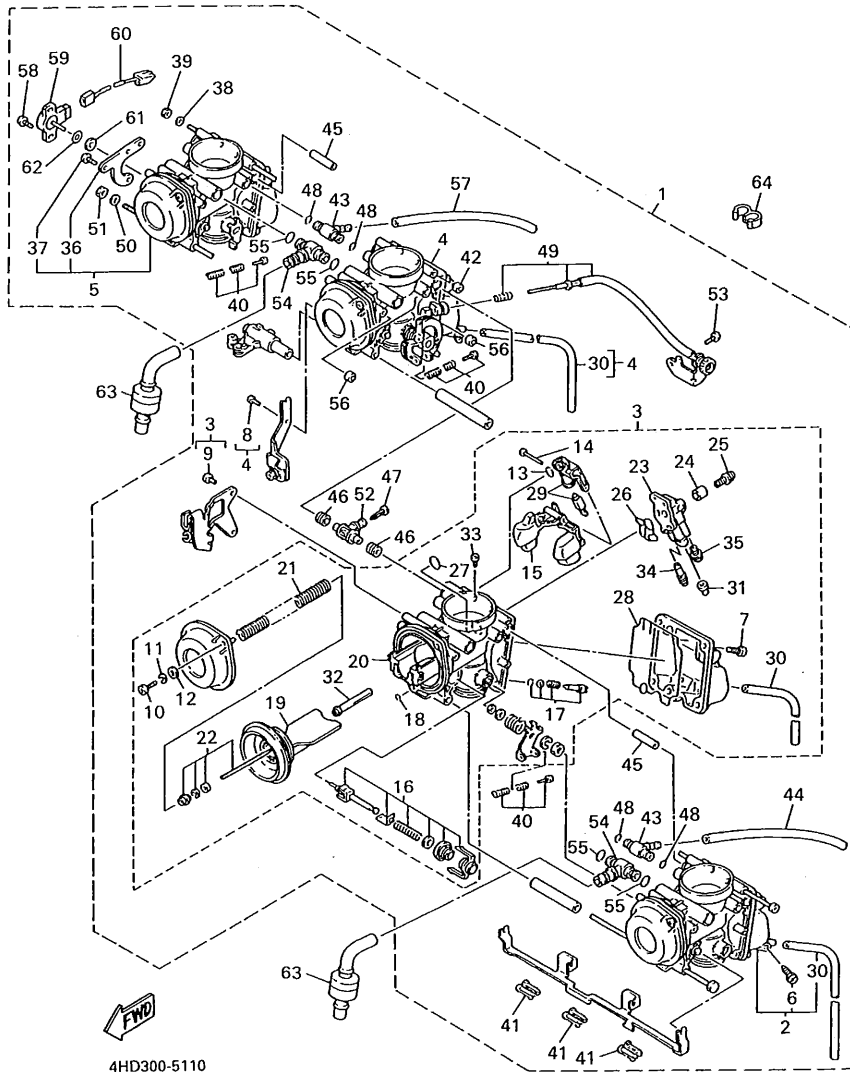
REF. NO.	PART NO.	DESCRIPTION	Q'TY	REMARKS
1	4FM-84330-41	BODY ASSY	1	
2	4FM-84320-40	LENS ASSY	1	
3	4FM-8432A-40	LENS ASSY	1	
4	1FM-84314-H0	BULB (12V-35/35W)	2	HALOGEN
5	4JG-84397-00	COVER, SOCKET	2	
6	51L-84334-00	NUT, ADJUSTING	4	
7	90480-10584	GROMMET	4	
8	97707-60014	SCREW, TAPPING	4	
9	3GM-84301-00	PILOT LIGHT ASSY 1	1	
10	3GM-84321-00	•LENS ASSY	1	
11	3GM-84322-00	•GASKET, LENS	1	
12	2JE-84744-00	•BULB (12V 5W)	1	
13	3GM-84192-00	•SCREW (M4, L=12)	2	
14	3GM-84367-50	DAMPER, HEADLIGHT 2	1	
15	97707-50012	SCREW, TAPPING	2	
16	3GM-8431R-00	STAY, SETTING	1	
17	90480-10517	GROMMET	2	
18	90387-052U5	COLLAR	2	
19	90167-05037	SCREW, TAPPING	2	
20	4FM-84359-30	CORD, HEADLIGHT	1	
21	90462-05061	CLAMP	1	
22	97707-50012	SCREW, TAPPING	1	
23	90464-13073	CLAMP	3	



FOR FINLAND, SWEDEN

The following pages provides a listing of only the parts that meet the specifications peculiar to your market. For those parts not appearing in these pages, refer to the "GENERAL SPEC." section.

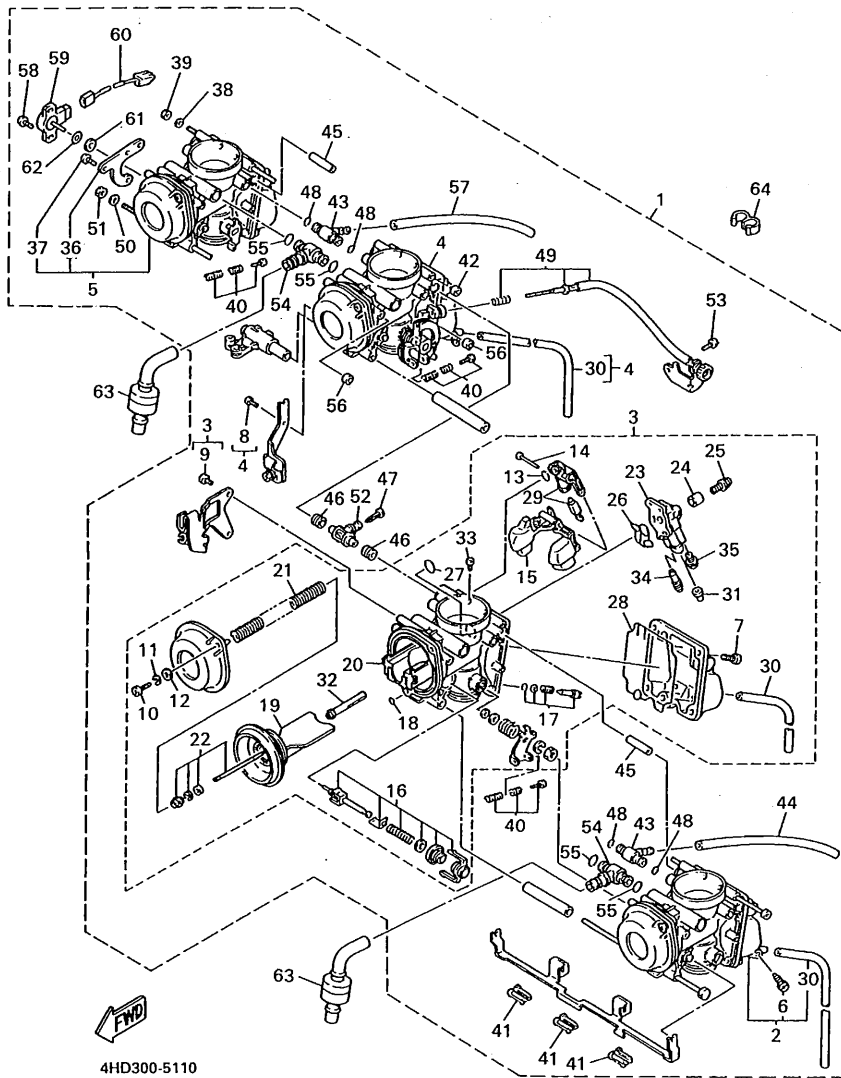
FIG. 53 ALTERNATE (CARBURETOR)



4HD300-5110

REF. NO.	PART NO.	DESCRIPTION	Q'TY	REMARKS
1	4HN-14900-10	CARBURETOR ASSY	1	
2	4HN-14901-10	..CARBURETOR ASSY 1	1	
3	4HN-14902-10	..CARBURETOR ASSY 2	1	
4	4HN-14903-10	..CARBURETOR ASSY 3	1	
5	4HN-14904-10	..CARBURETOR ASSY 4	1	
6	3FV-14191-00	..PLUG, DRAIN	1	
7	98502-05012	..SCREW, PAN HEAD	4	
8	98580-04008	..SCREW, PAN HEAD	1	
9	98580-04008	..SCREW, PAN HEAD	2	
10	98586-05016	..SCREW, PAN HEAD	2	
11	92906-05100	..WASHER, SPRING	2	
12	92906-05600	..WASHER, PLATE	2	
13	3EN-14147-00	..O-RING	1	
14	53L-14186-00	..PIN, FLOAT	1	
15	3GM-14985-00	..FLOAT	1	
16	3EN-1410A-01	..STARTER SET	1	
17	12R-14105-00	..PILOT SCREW SET	1	
18	3FV-14147-00	..O-RING	1	
19	3GM-14940-00	..DIAPHRAGM ASSY	1	
20	3GM-1411E-00	..BLOCK, JET	1	
21	4HD-14933-00	..SPRING, DIAPHRAGM	1	
22	4HD-1490J-20	..NEEDLE SET	1	UR #1, 4
	4HD-1490J-30	..NEEDLE SET	1	UR #2, 3
23	4HD-1411A-10	..BLOCK JET ASSY	1	
24	3GM-14153-00	..WASHER, MAIN JET	1	
25	4HD-14565-00	..SCREW	1	
26	3LF-14147-00	..O-RING	1	
27	1AE-14147-00	..O-RING	1	

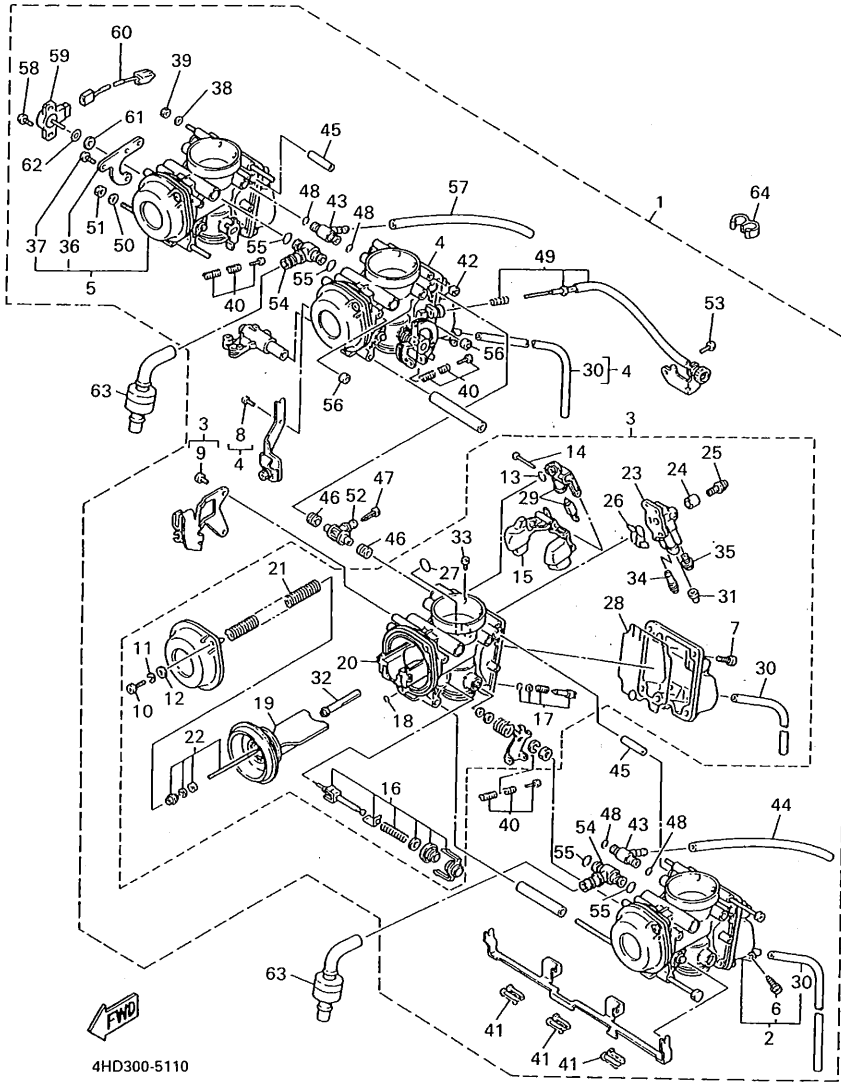
FIG. 53 ALTERNATE (CARBURETOR)



4HD300-5110

REF. NO.	PART NO.	DESCRIPTION	Q'TY	REMARKS
28	3GM-14997-00	..SEAL	1	
29	3GM-14107-10	..NEEDLE VALVE SET	1	
30	3LK-14987-00	..HOSE	1	
31	3G2-14231-24	..JET, MAIN (#120)	1	
32	4HD-1414M-92	..NOZZLE, MAIN	1	
33	830-14231-29	..JET, MAIN (#145)	1	
34	4G0-14142-45	..JET, PILOT (#45)	1	
35	3G2-14231-62	..JET, MAIN (#57.5)	1	
36	4HD-14291-00	..BRACKET	1	#4
37	98502-04008	..SCREW, PAN HEAD	2	#4
38	92901-05600	..WASHER, PLATE	1	
39	95380-05600	..NUT	1	
40	3EN-1490K-00	..STOP SCREW SET	3	
41	3EN-14261-00	..HOLDER	3	
42	3GM-14918-00	..RING	1	
43	17A-14251-00	..NIPPLE	2	
44	3GM-14197-00	..PIPE	1	
45	3HD-14988-00	..PIPE, STARTER CONNECTING	2	
46	3EN-14997-00	..SEAL	2	
47	1KT-14994-00	..NET, FILTER	1	
48	822-14147-00	..O-RING	4	
49	3GM-14103-00	..THROTTLE SCREW SET	1	
50	92990-06600	..WASHER, PLATE	1	
51	95380-06600	..NUT	1	
52	3EN-14988-00	..PIPE, STARTER CONNECTING	1	
53	98580-05008	..SCREW, PAN HEAD	1	
54	3GM-14251-00	..NIPPLE	2	
55	3LK-14147-00	..O-RING	4	

FIG. 53 ALTERNATE (CARBURETOR)



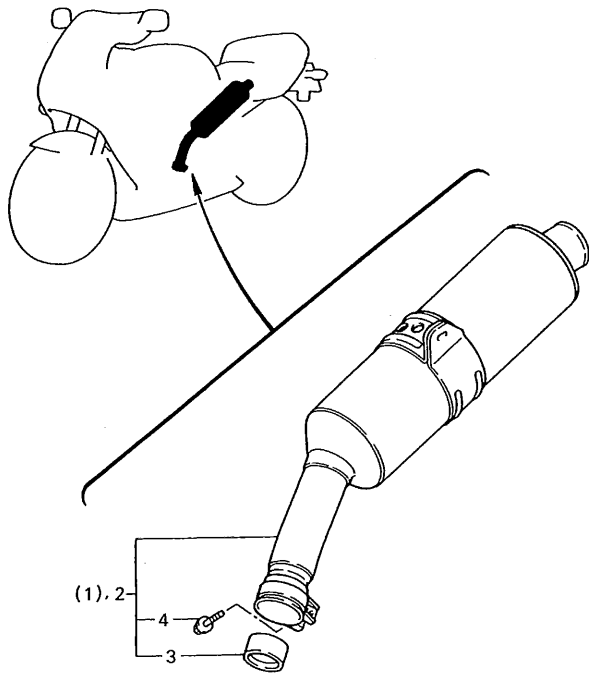
4HD300-5110

REF. NO.	PART NO.	DESCRIPTION	Q'TY	REMARKS
56	3GM-14992-00	•ROD	2	
57	2LE-14197-00	•PIPE	1	
58	4HM-14216-00	•SCREW	2	
59	4HD-85885-00	•THROTTLE SENSOR ASSY	1	
60	4HD-14188-00	•CONNECTOR	1	
61	4HM-14239-00	•SEAL	1	
62	4KG-14285-00	•WASHER	1	
63	4FM-14197-00	PIPE	2	
64	90464-10075	CLAMP	2	

G10

FIG. 54 ALTERNATE (ENGINE)

REF. NO.	PART NO.	DESCRIPTION	Q'TY	REMARKS
1	4HD-14710-00	MUFFLER ASSY 1	*	
2	4HN-14710-01	MUFFLER ASSY 1	1	
3	3HE-14755-00	.GASKET, SILENCER	1	
4	95817-08025	.BOLT, FLANGE	1	

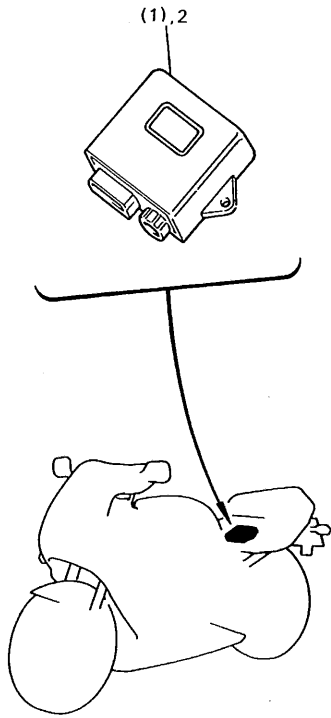


4HD300-5540

*For Convenience of reference:
Disregard the items asterisked (*) in the "QTY" column. These are intended for
GENERAL SPEC. and NOT for INDIVIDUAL SPEC.

FIG. 55 ALTERNATE (ELECTRICAL)

REF. NO.	PART NO.	DESCRIPTION	Q'TY	REMARKS
1	4HD-82305-10	IGNITOR UNIT ASSY	*	
2	4HN-82305-10	IGNITOR UNIT ASSY	1	



4HD300-3550

*For Convenience of reference:

Disregard the items asterisked (*) in the "QTY" column. These are intended for GENERAL SPEC. and NOT for INDIVIDUAL SPEC.

INDEX

NUMERICAL INDEX

PART NO.	GRID NO.	PART NO.	GRID NO.	PART NO.	GRID NO.
3GM-W0041-50	E - 8	3FV-11351-00	B - 3	1HX-12168-60	B - 5
4BH-W0042-50	E -13	4FM-11411-00	B - 4	1HX-12168-80	B - 5
4FM-W0045-30	E - 3	3GM-11416-00	B - 4	1HX-12169-E0	B - 6
4FM-W0046-00	E - 6	3GM-11416-10	B - 4	1HX-12169-G0	B - 6
3MA-W0047-10	E - 3	3GM-11416-20	B - 4	1HX-12169-J0	B - 6
31A-W0047-10	E - 6	3GM-11416-30	B - 4	1HX-12169-L0	B - 6
4FM-W0047-00	E - 3	3GM-11416-40	B - 4	1HX-12169-N0	B - 6
1J3-W0048-00	E - 3	4FM-11456-00	C -10	1HX-12169-T0	B - 6
	E - 6	3GM-11474-00	C -10	1HX-12169-11	B - 5
36Y-W0048-00	C -11	4FM-11603-00	B - 4	1HX-12169-31	B - 5
31A-W0057-00	E - 6	4FM-11605-00	B - 4	1HX-12169-50	B - 5
4FM-W0057-00	E - 3	4FM-11631-00-A0	B - 4	1HX-12169-70	B - 6
4FM-W0057-10	E - 3	3GM-11633-00	B - 4	1HX-12169-90	B - 6
26H-W0098-00	C -11	4FM-11636-00	B - 4	4HD-12171-00	B - 7
3GM-W0099-00	E -10	4FM-11650-01	B - 4	3GM-12176-00	B - 7
4FM-W1741-00	C -12	36Y-11654-00	B - 4	4HD-12181-00	B - 7
3FV-W1742-00	C -12	3GM-11656-00	B - 4	4FM-12210-00	B - 7
3CK-W2470-00	D -15	3GM-11656-10	B - 4	4FM-12213-00	B - 7
3GM-W2587-50	E - 8	3GM-11656-20	B - 4	2GH-12241-00	B - 7
4FM-W2645-00	E -10	3GM-11656-30	B - 4	3FV-12251-00	B - 7
4FM-Y2151-33-P0	D - 4	4FM-12111-00	B - 5	4FM-12252-00	B - 7
4FM-Y2151-33-P2	D - 4	4FM-12112-00	B - 5	4FM-1240A-10	B - 9
4FM-Y2171-F1-P0	D - 6	3FV-12113-00	B - 5	4FM-12405-10	B - 9
4FM-Y2171-G1-P4	D - 6	3FV-12114-00	B - 5	4FM-12410-00	B - 9
4FM-Y2172-A1-P0	D - 6	4FM-12116-00	B - 5	3GM-12413-00	B - 9
4FM-Y2172-B1-P4	D - 6	1WG-12117-00	B - 5	3GM-12417-00	B - 9
4FM-Y2808-50-P0	F - 3	3GM-12117-00	B - 5	1UF-12421-09	B - 8
4FM-Y2808-60-P1	F - 4	1WG-12118-00	B - 5	3GM-12422-00	B - 8
4FM-Y283U-70-P0	F - 3	1WG-12119-00	B - 5	4FM-1243A-10	B - 9
4FM-Y283U-80-P1	F - 3	4FM-12121-00	B - 5	11H-12438-00	B - 8
4FM-Y283V-70-P0	F - 3	3GM-12126-00	B - 5	1AE-12439-00	B - 8
4FM-Y283V-80-P1	F - 3	3FV-12153-09	B - 6	1UF-12450-00	B - 8
4FM-Y2835-30-4B	E -15	3FV-12153-10	B - 6	4FM-12461-10	B - 9
4FM-Y2835-80-4B	E -15	3LN-12153-09	B - 6	22W-12462-00	B - 9
4FM-11102-00	B - 2	3LN-12153-20	B - 6	3FV-12469-00	B - 8
2GH-1111G-00	B - 2	3LN-12153-30	B - 6	1AE-12481-01	B - 8
3GM-11133-10	B - 2	1HX-12168-A0	B - 5	4FN-12482-00	B - 8
3GM-11134-10	B - 2	1HX-12168-F0	B - 5	2GH-12484-00	B - 9
4FM-1115A-00	B - 2	1HX-12168-H1	B - 5	4HD-12535-00	B - 9
3FV-11166-00	C - 6	1HX-12168-K1	B - 5	4FM-12576-10	B - 9
3FV-11181-00	B - 3	1HX-12168-M1	B - 5	4FM-12579-10	B - 9
3FV-11182-00	B - 2	1HX-12168-R1	B - 5	4FM-12588-01	B -10
3GM-11191-00	B - 2	1HX-12168-U1	B - 5	4FM-12589-10	B -10
3GM-11193-00	B - 2	1HX-12168-W1	B - 5	4FM-12683-00	D - 3
214-11198-01	B -13	1HX-12168-Y1	B - 5	1AE-1316E-00	B -11
4FM-11310-00	B - 3	1HX-12168-00	B - 5	4BH-1316F-01	B -11
4FM-1133E-00	C - 5	1HX-12168-20	B - 5	4BH-1316G-01	B -11
4FM-1133F-00	C - 5	1HX-12168-40	B - 5	3GM-13161-01	B -13

NUMERICAL INDEX

PART NO.	GRID NO.	PART NO.	GRID NO.	PART NO.	GRID NO.
3GM-13174-00	B -13	3LF-14147-00	G - 8	4FN-14467-00	B -14
3GM-13181-00	B -11	3LK-14147-00	C - 3	4HD-14565-00	C - 2
3GM-13191-00	B -11		G - 9		G - 8
1AE-13300-00	B -11	822-14147-00	C - 3	4FM-14610-10	C - 5
2GH-13329-00	B -11		G - 9	4FM-14613-00	C - 5
3GM-13337-00	B -13	3GM-14153-00	C - 2	3GM-14683-00	C - 5
4FM-13411-00	B -11		G - 8	4HD-14710-00	C - 5
3GM-13412-50	B -11	53L-14186-00	C - 2		G -11
4FM-13414-00	B -13		G - 8	4HN-14710-01	G -11
3FV-13416-01	B -13	4HD-14188-00	C - 4	3HE-14755-00	C - 5
4FM-13417-00	B -13		G -10		G -11
3FV-13440-00	B -13	3FV-14191-00	C - 2	3GM-14811-00	C - 5
3GM-13454-00	B -12		G - 8	3GM-14821-00	C - 5
3VD-13455-00	B -13	2LE-14197-00	C - 4	4HD-14826-00	C - 5
4FM-13470-10	B -13		G -10	2TK-14845-00	C - 5
4FM-13475-00	B -12	3GM-14197-00	C - 3	2TK-14865-01	C - 5
3KS-13490-00	B -13		C - 4	2TK-14867-01	C - 5
4FM-13556-01	B -14	4FM-14197-00	G - 9	4HD-1490J-20	C - 2
4FM-13586-10	B -14		C - 4		G - 8
4FN-13586-00	B -14		G -10	4HD-1490J-30	C - 2
4FM-13596-10	B -14	4HM-14216-00	C - 4		G - 8
4HD-13596-10	B -14		G -10	3EN-1490K-00	C - 3
3GM-13597-00	B -14	3G2-14231-24	C - 3		G - 9
3GM-13598-00	B -14		G - 9	4HD-14900-10	C - 2
4FM-13910-00	D -13	3G2-14231-62	C - 3	4HN-14900-10	G - 8
3EN-1410A-01	C - 2		G - 9	4HD-14901-10	C - 2
	G - 8	830-14231-29	C - 3	4HN-14901-10	G - 8
	C - 3		G - 9	4HD-14902-10	C - 2
3GM-14103-00	G - 9	4HM-14239-00	C - 4	4HN-14902-10	G - 8
	C - 2		G -10	4HD-14903-10	C - 2
12R-14105-00	G - 8	17A-14251-00	C - 3	4HN-14903-10	G - 8
	G - 8		G - 9	4HD-14904-10	C - 2
3GM-14107-10	C - 3	3GM-14251-00	C - 3	4HN-14904-10	G - 8
	G - 9		G - 9	3GM-14918-00	C - 3
4HD-1411A-10	C - 2	3EN-14261-00	C - 3		G - 9
	G - 8		G - 9	4HD-14933-00	C - 2
3GM-1411E-00	C - 2	4KG-14285-00	C - 4		G - 8
	G - 8		G -10	3GM-14940-00	C - 2
4HD-1414M-92	C - 3	4HD-14291-00	C - 3		G - 8
	G - 9		G - 9	3GM-14985-00	C - 2
4G0-14142-45	C - 3	3FV-14294-02	D -14		G - 8
	G - 9	4FM-14401-10	B -14	3LK-14987-00	C - 3
1AE-14147-00	C - 2	1HX-1443E-00	B -14		G - 9
	G - 8	4FM-14437-00	B -14	3EN-14988-00	C - 3
3EN-14147-00	C - 2	4FM-14451-00	B -14		G - 9
	G - 8	4FM-14452-00	B -14	3HD-14988-00	G - 9
3FV-14147-00	C - 2	4FM-14453-00	B -14	4HD-14988-00	C - 3
	G - 8	4FM-14462-00	B -14	3GM-14992-00	C - 4
3LF-14147-00	C - 2				

NUMERICAL INDEX

PART NO.	GRID NO.	PART NO.	GRID NO.
3GM-14992-00	G-10	3J2-16324-00	C-11
1KT-14994-00	C-3	58L-16351-00	C-11
	G-9	1LJ-16356-00	C-11
3EN-14997-00	C-3	1AE-16357-00	C-11
	G-9	2GH-16371-00	C-11
3GM-14997-00	C-3	1TV-16381-10	C-11
	G-9	3FV-17121-00	C-12
3GM-15100-52	C-6	4FM-17131-00	C-12
3FV-15105-00	C-7	4FM-17151-00	C-12
2GH-15123-00	B-11	4FM-17161-00	C-12
1AE-15124-00	B-11	4FM-17211-00	C-12
2GH-15133-00	B-11	4FM-17221-00	C-12
4H7-15189-00	C-7	4FM-17231-00	C-12
1AE-15316-00	C-8	4FM-17241-00	C-12
3GM-15346-00	C-8	4FM-17251-00	C-12
3Y1-15361-00	C-8	4FM-17261-00	C-12
4FM-15362-00	C-8	278-17424-01	C-13
3FV-15363-00	C-6	2GH-17460-00	C-12
3GM-15373-00	B-13	1AE-18101-01	C-15
1AE-15381-00	C-10	4FM-18110-00	C-15
1AE-15383-00	C-7	2GH-18112-01	C-15
4FM-15410-01	C-8	132-18113-01	C-15
3GM-15416-00	C-8	1WG-18115-00	C-15
3GM-15417-00	C-8	4G0-18127-00	C-15
4FM-15421-00	C-8	36Y-18140-00	C-14
3GM-15427-00	C-8	2H9-18154-00	C-15
1TV-15435-00	C-8	4FM-18511-00	C-14
3GM-15449-00	C-8	4FM-18512-00	C-14
4FM-15451-00	C-8	4FM-18513-00	C-14
1AE-15456-00	C-8	4BH-18531-00	C-14
4FM-15461-00	C-8	1AE-18536-00	C-14
4FM-15463-00	C-8	4FM-18540-00	C-14
4FM-15467-00	C-8	278-18542-00	C-14
4H7-15486-00	C-8	278-18566-00	C-14
3GM-15512-00	C-10	4FM-21110-10	D-2
4BH-15517-00	C-10	4FM-2116J-10	D-3
3GM-15519-00	C-10	4FM-21161-01	D-3
51Y-15521-00	C-10	4FM-21162-00	D-3
3GM-15522-00	C-10	4FM-2117K-00	D-15
3GM-15524-00	C-10	4FM-2117M-01	D-2
3GM-15580-00	C-10	4FM-2117N-00	D-2
1J7-15583-01	C-10	4FM-2133G-00	E-13
3GM-15689-00	C-10	4FM-21359-10	D-2
4FM-16150-00	C-11	1M1-21366-00	D-4
1AE-16154-00	C-11	3VD-21366-00	D-4
4H7-16155-01	C-10	4JH-21366-00	D-5
1AE-16164-00	C-11	4FM-2142K-01	D-2
4FN-16321-00	C-11	1WG-2143A-00	D-6

NUMERICAL INDEX

PART NO.	GRID NO.	PART NO.	GRID NO.
4FM-2144G-00	E-13	4FM-23118-40	D-11
4FM-21446-00	D-2		D-12
4X7-2149Y-00	B-14	4FM-23120-20	D-11
1A8-21518-00	F-3	4FM-23125-40	D-11
4FM-21569-40	D-4	4FM-23136-40	D-11
3GM-21575-00	D-6	4FM-23141-00	D-11
3GM-21576-00	D-6		D-12
4FM-21596-00	E-3	3XV-23144-50	D-11
4JH-2161A-00	D-4	4FM-23145-40	D-11
4FM-21611-03	D-4	36Y-23146-10	D-11
3GM-21621-00	D-4	26H-23156-00	D-11
4JH-2163A-00	D-5	2K8-23158-L0	D-11
2TV-21638-00	B-9	4FM-23170-40	D-11
4FM-21645-01	D-2	4FM-23171-40	D-11
3GM-21649-00	D-4	3LC-23181-00	D-11
3GM-21649-10	D-4		D-12
3MA-21649-00	E-15	4FM-23340-00	D-12
4FM-2173L-40	D-6	3LC-23357-00	D-11
4FM-2173L-50	D-6		D-12
4FM-2173T-00	D-6	4FM-23377-00	E-8
4FM-2174L-40	D-6	4FM-23378-00	E-8
4FM-2174L-50	D-6	3GM-23415-00	D-10
3XV-21778-00	D-4	3YF-23418-00	D-10
4FM-21871-00	D-3	4FM-23435-20	D-10
1AA-21874-00	D-3	3FV-23462-00	D-10
4L0-21875-00	D-3	10L-23469-00	E-7
8V7-21961-00	F-3	4FM-24110-30-X3	D-13
	F-4	4FM-24110-30-X4	D-13
4FM-22110-10	D-7	4FM-2414G-00	D-13
3XV-22127-00	D-7	1LJ-2414J-00	D-4
3FV-22128-00	D-7	3FV-2416A-00	B-14
4FM-2213J-00	D-7	2GH-24181-00	D-13
3GM-22141-00	D-7	4FM-24181-00	C-5
4FM-22151-01	D-8	2GH-24183-00	D-13
4FM-2217A-00	D-7	3Y6-24183-00	D-13
4BH-2217M-00	D-7	4JH-24183-00	D-13
4HD-2218A-00	D-8	2GH-24184-00	D-13
3FV-22184-00	D-7	2GH-24186-00	D-13
4HD-22210-00	D-9	4FM-24187-00	D-13
4FM-22219-00	D-9	4FM-24191-00	D-13
4AA-22259-40	D-9	4FM-24240-20	D-13
4FM-22262-10	D-9	4FM-24240-30	D-13
4FM-22311-00	D-7	3PA-24356-00	E-8
4FM-23102-40	D-11		E-10
4FM-23103-40	D-11	3FV-24500-01	D-13
4FM-23110-20	D-11	4X8-24512-00	D-13
4FM-23111-10	D-11	4FM-24602-00	D-14
	D-12	4FM-24710-01	D-15
4FM-24711-00	D-15		D-15
35T-24724-00	D-4		D-15
4FM-24724-00	D-15		D-15
509-24724-00	D-15		D-15
4FM-2475H-01	D-15		D-15
4FM-2475J-01	D-15		D-15
4FM-24750-00	D-15		D-15
4FM-24751-00	D-15		D-15
4FM-2478E-01	D-15		D-15
4BP-24780-00	D-15		D-15
4FM-24780-00	D-15		D-15
4FM-24791-00-P0	D-15		D-15
4FM-24791-00-P5	D-15		D-15
4BP-24792-00	D-15		D-15
4FM-25149-00	E-2		E-2
4FM-25168-00-7B	E-2		E-2
4FM-25181-01	E-2		E-2
4FM-25190-00	E-2		E-2
478-25335-00	D-9		D-9
4FM-25338-00-7B	E-4		E-4
4FM-25364-00	E-4		E-4
4FM-25366-00	E-4		E-4
4FM-25371-00	E-4		E-4
4FM-25377-00	E-4		E-4
4FM-25381-10	E-5		E-5
4FM-25388-01	E-4		E-4
4FM-25389-00	E-4		E-4
29L-25398-00	E-2		E-2
	E-4		E-4
	E-2		E-2
29L-25398-10	E-4		E-4
	B-14		B-14
29L-25398-20	D-13		D-13
	C-5		C-5
3FV-25443-01	E-4		E-4
4FM-2580T-30	E-3		E-3
4FM-2580U-30	E-3		E-3
4FM-2580W-10	E-6		E-6
4FM-2581T-01	E-3		E-3
4FM-25819-01	E-6		E-6
4BP-2582A-00	E-13		E-13
4FM-2582W-00	E-6		E-6
1FK-25827-00	E-6		E-6
4FM-25827-00	E-3		E-3
1FK-25828-00	E-6		E-6
4BH-2583V-00	E-13		E-13
42H-25836-00	E-6		E-6
341-25846-00	E-2		E-2
3GM-2585F-00	E-8		E-8
4BP-2585F-00	E-13		E-13
4FM-2585F-00	E-10		E-10
3LN-2585G-00	E-13		E-13
2KF-25852-50	E-13		E-13
3GM-25852-50	E-8		E-8
4FM-25852-00	E-10		E-10
3FV-25854-00	E-8		E-8
3GK-25854-50	E-10		E-10
360-25854-00	E-13		E-13
2GU-25855-00	E-13		E-13
2J2-25855-50	E-8		E-8
3GK-25855-50	E-10		E-10
2VN-25866-00	E-8		E-8
	E-10		E-10
56A-25867-00	E-8		E-8
	E-10		E-10
4FM-25872-02	E-8		E-8
4FM-25873-02	E-8		E-8
4FM-25874-01	E-14		E-14
4FM-25875-00	E-14		E-14
3MA-25876-12	E-9		E-9
3MA-25876-22	E-9		E-9
4FM-25876-00	E-14		E-14
4FM-25887-00	E-5		E-5
3PJ-25888-00	E-13		E-13
3FV-2589A-00	E-8		E-8
	E-10		E-10
3FV-2589F-00	E-8		E-8
	E-10		E-10
3FV-2589G-00	E-8		E-8
3GM-2589H-00	E-8		E-8
3FV-25894-00	E-8		E-8
31A-25894-01	E-13		E-13
4FM-25894-00	E-10		E-10
4FM-25895-00	E-14		E-14
29L-25919-A0	E-6		E-6
4FM-25919-00	E-3		E-3
4FM-25924-00	E-3		E-3
3GM-25925-00	E-6		E-6
4FM-25925-00	E-3		E-3
4FM-26121-01	E-7		E-7
4FM-26122-00	E-7		E-7
4FM-26240-00	E-7		E-7
4FM-26241-00	E-7		E-7
36Y-26246-00	E-7		E-7
3LN-26270-01	E-7		E-7
4FM-26280-10	E-15		E-15
4FM-26290-10	E-15		E-15

NUMERICAL INDEX

PART NO.	GRID NO.	PART NO.	GRID NO.	PART NO.	GRID NO.
4FM-26292-00	E - 8	4FM-2836G-00	F - 4	4FM-82320-00	F -12
4FM-26296-00	E -10	4FM-2836H-00	F - 3	2KT-82370-00	F -12
3XV-26298-00	F - 2	4FM-2836K-00	F - 3	4JH-82501-01	F -13
4FM-26299-00	F - 2	4FM-2836L-00	F - 3	1KT-82530-02	F -13
4FM-26302-20	E - 7	4FM-28371-10	F - 3	4FM-82540-00	F -12
3FV-26331-00	E - 7	51L-28371-00	E -15	3LN-82560-00	F -12
3GM-26455-00	E -10	4FM-28372-00	D - 5	4FM-82566-00	F -13
3GM-26464-00	E -10	4FM-28381-00	E -15	4FM-82590-10	F -13
3GM-26470-A0	E -10	4FM-2848K-10	F - 4	4JH-83310-00	F - 8
4FM-26475-00	E -10	89X-77167-00	E -15	306-83311-40	F - 8
4FM-27211-00	E -13	4BH-81600-00	F - 5	4JH-83318-00	F - 8
4FM-27222-00	E -13	4BH-81604-00	F - 5	4JH-83318-10	F - 8
4FM-27254-00	E -13	3FV-81619-00	F - 5	4JH-83320-00	F - 8
3YF-27261-00	E -13	4BH-81634-00	F - 5	4JH-83330-00	F - 8
4FM-27311-00	E -11	36Y-81638-50	F - 5	4JH-83332-00	F - 8
4FM-27315-00	E -11	2KT-81642-50	F - 5	4JH-83340-00	F - 8
4FM-27321-00	E -11	4BH-81643-00	F - 5	4JH-83342-00	F - 8
1TX-27351-00	E -11	4BH-81643-10	F - 5	4FM-83345-00	F - 8
4FM-27410-00	E -11	3FV-81645-00	F - 5	3GM-83350-00	F -12
2GH-27413-00	E -11	4BH-81645-00	F - 5	4FM-83369-00	F - 8
2H7-27414-00	E -12	4BH-81660-00	F - 5	4FM-83371-00	F -12
4FM-27420-00	E -11	3GM-81670-00	F - 6	4FM-83509-80	F - 9
4FM-27430-10	E -12	3XF-81800-00	F - 7		
4BP-27434-01	E -11	2KT-81815-00	F - 7	5J0-83513-00	G - 5
4FM-27435-00	E -11	3HE-81826-00	F - 7		
1HX-27437-00	E -12	3KS-81840-00	F - 7	2GV-83517-00	F - 9
4FM-27440-10	E -12	11H-81844-00	F - 7		
4FM-27442-00	E -11	26H-81847-00	F - 7	4FM-83520-00	F - 9
4FM-27443-00	E -11	36Y-81910-50	F - 5		
4FM-27471-00	E -11	4FM-81940-00	F -13	4FM-8353H-40	F - 9
4FM-28100-10	D - 5	3EN-81950-00	F -13	4FM-8353H-50	G - 5
36X-2811G-00	D - 4	3GM-81950-00	F -13	4FM-83540-00	F - 9
4FM-28215-00	E -15	4BH-81970-00	F - 5		
4FM-28301-40	F - 3	4BH-81972-00	F - 5	3GM-83550-01	G - 5
4FM-28301-50	F - 3	3VD-82100-00	F -13	4FM-83550-01	F - 9
4FM-28303-20	F - 3	4FM-82115-00	F -13	4FM-83559-00	F - 9
4FM-28303-30	F - 3	3FV-82116-00	F -13		
4FM-28304-20	F - 4	4BP-82131-00	F -13	4FM-83570-00	F - 9
4FM-2831T-00	F - 4	4J2-82131-01	D - 4	4FM-83570-10	G - 5
4FM-2831W-00	E -15	2GV-82151-00	F -13	2GH-83578-00	F - 9
4FM-28315-60	F - 4	2KW-82151-00	F -13		
4FM-28315-70	F - 4	36Y-82151-00	F -13	4FM-83590-00	G - 5
4FM-2832W-00	F - 2	4FM-82151-00	F -13		
4FM-28322-00	F - 3	4HD-82305-10	F -12	11H-83591-00	F -12
4FM-2834V-00	E -15		G -12	4FM-83912-01	E -10
4FM-2834W-00	E -15	4HN-82305-10	G -12	3GM-83922-51	E - 8
4FM-28356-00	E -15	4FM-82310-00	F -12	25G-83936-01	E - 7
4FM-2836F-00	F - 4	4BH-82317-01	D - 3	4FM-83940-00	E - 7

NUMERICAL INDEX

PART NO.	GRID NO.	PART NO.	GRID NO.	PART NO.	GRID NO.
1WG-83941-00	E - 7	4FM-84359-30	G - 6	90105-10725	E - 3
3GM-83969-01	E - 7	3GM-84367-50	F -10		E - 6
4FM-83975-00	E - 7		F -15	90109-063F8	C -14
3FV-83980-00	E - 8		G - 3	90109-064F0	B - 2
3GM-83980-00	E -10		G - 6	90109-065A8	B - 7
3GM-84192-00	F -10	4JG-84397-00	F -10	90109-080G5	F -13
	F -15		F -15	90109-082G4	E - 3
	G - 3		G - 3		E - 6
	G - 6		G - 6	90109-104E6	E -11
	F -10	2AL-84553-00	E - 5	90109-112F1	B - 7
3GM-84301-00	F -15	3F9-84553-00	F -11	90110-05112	D -14
	G - 3	4FM-84710-00	F -11		F -11
	G - 6	31L-84714-00	F -11	90110-06142	B -10
3GM-8431R-00	F -10	4FM-84735-00	F -11	90110-08155	E -11
	F -15	3F9-84742-00	F -11	90110-08177	C -10
	G - 3	2JE-84744-00	F -10	90110-08231	E -11
	G - 6		F -11	90110-10169	D - 2
1FM-84314-H0	F -15		F -15	90116-10528	C - 6
	G - 6		G - 3	90116-10529	C - 6
	F -10		G - 6	90116-10568	C - 7
2F9-84314-00	G - 3	4G1-84744-00	F - 9	90116-10569	C - 6
	F -10		G - 5	90116-10575	E - 4
4FM-8432A-10	F -10		F -11	90119-06018	D - 3
4FM-8432A-20	G - 3	4FM-84745-00	F -11		F - 4
4FM-8432A-30	F -15	4FM-84749-00	F -11		D - 7
4FM-8432A-40	G - 6	3YF-84751-00	F -11	90119-06060	D - 7
4FM-84320-10	F -10	3G1-85130-01	D - 5	90119-06115	C - 5
	G - 3	4FM-85132-00	D - 5	90119-06118	D - 4
	G - 5	3GM-85720-00	F -12	90119-06163	D - 8
4FM-84320-30	F -15	4FM-85820-00	F -12	90119-06187	C - 5
4FM-84320-40	G - 6	4HD-85885-00	C - 4	90119-06205	D - 4
3GM-84321-00	F -10		G -10	90149-04278	D - 4
	F -15		C - 5	90149-05273	E -15
	G - 3	90101-06576	D - 3	90149-06008	D -13
	G - 6	90101-06664	E - 4	90149-06308	D -15
3GM-84322-00	F -10	90101-08766	D - 7	90150-05039	E -15
	F -15	90101-10658	D - 7		F - 4
	G - 3	90101-10659	B - 2	90150-06036	D - 6
	G - 6	90105-06153	B - 2		E -15
	F -15	90105-06541	B - 2		F - 3
4FM-84330-31	F -10	90105-06693	B - 7		F - 4
4FM-84330-41	G - 3	90105-07342	E - 4	90151-06014	C - 7
	G - 6	90105-08321	C - 6	90152-06014	C - 8
51L-84334-00	F -10	90105-09373	C - 6	90152-06024	C - 8
	F -15	90105-09555	C - 6	90154-06061	D - 4
	G - 3	90105-09580	E -12	90157-05079	E -11
	G - 6	90105-10316	D - 7		F -13
	F -10	90105-10376	D - 9	90157-06104	C - 8
	G - 3	90105-10402	D - 2	90159-03102	F - 9
4FM-84359-20	F -15	90105-10716			

NUMERICAL INDEX

PART NO.	GRID NO.	PART NO.	GRID NO.
90159-03102	G - 5	90201-101J1	D - 7
90159-06033	D - 3		D - 9
90159-06045	E -13	90201-10118	E - 9
90159-06093	D - 6		E -10
90159-06123	C -11		E -14
90164-04023	F - 9	90201-103M4	B - 2
	G - 5	90201-104R2	E -13
90167-05037	F -10	90201-106M5	C - 5
	F -15	90201-10669	E -12
	G - 3	90201-12575	C -15
	G - 6	90201-127J6	E -11
90170-06228	C -15	90201-150H4	C -11
90170-20327	C -11	90201-164H4	D - 9
90176-06055	D -13	90201-18264	D - 7
	F - 2	90201-200K3	C -12
90176-10075	B - 2	90201-257R5	E - 5
90176-22050	D -10	90202-05187	D -13
90179-05523	F -11	90202-24190	D -10
90179-08327	B - 4	90202-26142	D -10
90179-08410	C - 5	90206-14086	E -13
90179-10584	B - 2	90209-06096	C - 8
90179-10590	D - 2	90209-10131	E - 7
90179-10658	D - 2	90209-11262	B - 2
	E -11	90209-18340	D - 5
90179-18020	C -13	90209-22191	C -12
90179-25615	D -10	90209-25196	C -12
90183-04064	D - 6	90215-20231	C -11
90183-05024	E -15	90215-21022	C -13
	F - 3	90240-08124	E -13
90185-10037	E -11	90267-40029	D - 5
90185-16127	D - 9	90267-40076	D - 2
90185-18104	D - 7		D - 4
90185-24165	E - 5	90338-05240	B -15
90201-04018	D - 2	90338-07043	D - 4
	D - 4	90338-08226	F -12
90201-05033	F -11	90338-10132	D - 5
90201-06055	B - 9	90338-15202	D - 2
90201-06059	F - 9	90338-16148	D - 2
	F -11	90338-30096	C - 6
	G - 5	90340-14068	C - 7
90201-061M7	B -11	90340-18101	B - 2
90201-063J2	B - 9	90380-10195	C - 5
90201-06643	C -14	90387-052U5	F -10
90201-08083	E -13		F -15
90201-08087	C - 6		G - 3
90201-08326	E -11		G - 6
90201-096J9	C - 6	90387-05383	C - 6
90201-101J1	D - 2	90387-0608A	D - 4

PART NO.	GRID NO.	PART NO.	GRID NO.
90387-06241	F -11		
90387-06299	D -13		
90387-064H8	E -12		
90387-064T3	B - 9		
90387-065J6	B -15		
90387-065V1	F -12		
90387-06681	D - 8		
90387-067N5	E -15		
90387-06704	D - 8		
90387-07391	B - 9		
90387-087L0	D - 5		
90387-102R4	D - 7		
90387-105V7	D - 2		
90387-106J7	C - 5		
90387-10636	E -12		
90387-114K8	C -15		
90387-115V8	D - 2		
90387-122R5	D - 7		
90387-127W0	D - 7		
90387-203M7	C -12		
90387-204M1	C -12		
90387-2200S	E - 2		
90387-2200T	E - 2		
90387-253M6	C -12		
90387-255V9	C -12		
90387-263M8	C -12		
90387-2805W	E - 5		
90387-2805X	E - 5		
90387-284M0	C -12		
90401-10044	B -11		
90401-10159	B -11		
	E - 9		
	E -10		
	E -14		
	E - 9		
	B -13		
	B - 2		
	B - 3		
	B - 8		
	B -14		
	B -11		
	D - 3		
	B -15		
	D - 6		
	D - 4		
	F -10		
	D - 4		
	F -15		
	G - 3		
	G - 6		
	G - 6		
	E -11		
	B -10		

PART NO.	GRID NO.	PART NO.	GRID NO.
90450-32008	D - 9		
90450-38040	B - 9		
90450-57034	B -14		
90450-67066	B -14		
90462-05061	F -10		
	F -15		
	G - 3		
	G - 6		
	C - 7		
90462-08158	C - 7		
90462-08184	C - 7		
90464-09130	D - 4		
90464-10075	C - 4		
	G -10		
	F -12		
90464-10186	F -12		
90464-12089	F -13		
90464-13073	F -10		
	F -12		
	F -13		
	F -15		
	G - 3		
	G - 6		
90464-15195	F -13		
90464-17184	B -14		
90464-25160	D -14		
	F - 3		
90464-44109	B - 9		
90465-08076	B -13		
90465-13355	B -10		
	F -13		
90467-08003	B -10		
	D - 3		
	B -15		
90467-08017	B -15		
90467-08092	B -14		
90467-09006	D -14		
90467-11090	B - 9		
90467-11106	B -14		
90467-13123	D -14		
90467-14015	C - 6		
90467-14057	E -14		
90467-15054	C - 6		
90468-15139	B -15		
90468-16099	E - 5		
90480-04166	D - 6		
90480-10258	D - 4		
90480-10517	F -10		
	F -15		
	G - 3		
	G - 6		

NUMERICAL INDEX

PART NO.	GRID NO.	PART NO.	GRID NO.
90480-10542	B - 9	91490-20025	E -13
90480-10584	F -10	91810-25008	B - 2
	F -15	92017-06010	C - 8
	G - 3	92017-08020	E -13
	G - 6	92102-35423	C -12
90480-12314	B -14	92901-04600	E - 8
90480-12596	D - 5	92901-05100	F - 5
90480-13163	E -15	92901-05600	C - 3
90480-13398	D - 6		G - 9
	E -15	92906-05100	C - 2
	F - 3		G - 8
	F - 4	92906-05600	C - 2
	F -12		G - 8
90480-14412	B - 9	92907-04100	F - 9
90480-15363	C -10		F -15
90501-04623	C -14		G - 5
90501-06022	E -12	92907-04600	F - 8
90501-12743	C -11		F - 9
90501-225A9	E -11		G - 5
90506-18224	E -11	92907-05100	D -13
90506-20377	E -11	92907-05600	D -14
90506-26225	E -11		F -11
90508-26681	C -14		F -12
90508-32682	C -15		E -13
90560-06201	E -15	92907-06100	D - 2
90560-12191	C -15	92907-06600	D -13
90560-25270	C -11		D - 2
90560-28389	E - 4	92907-10600	F - 9
91317-05010	D -14	92990-03100	G - 5
91317-06010	E - 9		E - 8
91317-06012	B -14	92990-04100	C - 5
	E - 8	92990-05200	F - 5
	E - 9	92990-05600	C - 3
	E -10	92990-06600	G - 9
	B -14		B - 8
	E - 7	93101-12060	C -15
	B -14	93102-12106	E - 2
	E - 7	93102-28021	E - 4
	B -11	93102-35412	E - 4
	E -12	93102-40211	E - 2
	B -11	93105-45017	C -11
	D - 2	93109-08061	C -15
	D -10	93109-12053	D - 7
	D -12	93109-17048	B -11
	D -11	93210-06632	C - 7
	D -12		C -11
	D - 2		B -13
	D - 2	93210-06714	B -13
	E - 4	93210-07135	B -11

NUMERICAL INDEX

PART NO.	GRID NO.	PART NO.	GRID NO.
93210-07135	C - 6	94580-81104	B - 7
93210-14369	C - 7	94581-55106	E - 4
93210-14579	B - 13	94680-81021	B - 7
93210-15566	B - 13	94681-55031	E - 4
93210-15620	E - 8	94701-00318	B - 2
	E - 10	94701-00319	B - 2
93210-18417	B - 8	95027-06008	E - 14
93210-19216	F - 6		F - 13
93210-20573	C - 7	95027-06010	B - 8
93210-23787	B - 8		B - 13
	B - 9	95027-06012	B - 2
93210-27778	C - 6		B - 3
	C - 8		B - 8
93210-29196	F - 12		B - 11
93210-30694	B - 8		B - 13
93210-33133	B - 8		C - 7
93210-76211	B - 3		F - 2
93210-87723	B - 13		F - 6
93305-30501	C - 12	95027-06014	F - 12
93306-00106	B - 8	95027-06016	C - 10
93306-00420	E - 2		D - 7
93306-20335	C - 10		E - 14
93306-20455	C - 12		F - 2
	C - 13		F - 11
93306-20541	C - 10	95027-06020	B - 8
93306-20567	E - 4		C - 9
93306-20644	E - 4	95027-06025	B - 2
93306-30560	C - 12		B - 8
93310-340N8	C - 11		B - 9
93315-42523	D - 7		E - 8
93317-21746	D - 7		E - 10
93317-31771	D - 7	95027-06030	B - 8
93340-21505	C - 11		B - 13
93399-99931	D - 10		C - 9
93399-99932	D - 10		C - 11
93440-10153	B - 2	95027-06040	B - 8
93440-25084	C - 12		C - 8
93440-28062	C - 12	95027-06050	B - 8
93440-45144	C - 13		C - 8
93450-19095	B - 4	95027-06090	C - 11
93501-04011	E - 12	95304-06700	C - 15
93511-32027	C - 11	95307-06600	F - 9
93604-10011	B - 8		G - 5
93615-12088	C - 10	95307-08600	E - 4
93900-00030	E - 2	95307-08700	E - 13
	E - 4	95380-05600	C - 3
94112-1700M	E - 2		G - 9
94118-1700R	E - 4	95380-06600	C - 3

NUMERICAL INDEX

PART NO.	GRID NO.	PART NO.	GRID NO.
95817-08035	D - 2	95817-08035	D - 2
95817-08045	C - 6	95817-08045	C - 6
95817-08055	C - 6	95817-08055	C - 6
95817-08060	C - 6	95817-08060	C - 6
95817-08065	C - 6	95817-08065	C - 6
	F - 5		F - 5
95817-08090	C - 6	95817-08090	C - 6
95827-06016	B - 12	95827-06016	B - 12
	C - 14		C - 14
95827-06025	B - 9	95827-06025	B - 9
	F - 7		F - 7
97007-06012	D - 2	97007-06012	D - 2
97007-06025	B - 9	97007-06025	B - 9
	D - 13		D - 13
97080-05012	C - 5	97080-05012	C - 5
97702-40160	F - 8	97702-40160	F - 8
97702-40610	F - 8	97702-40610	F - 8
97707-40010	D - 6	97707-40010	D - 6
97707-40014	F - 3	97707-40014	F - 3
97707-50012	F - 10	97707-50012	F - 10
	F - 15		F - 15
97707-50016	E - 7	97707-50016	E - 7
97707-50525	F - 3	97707-50525	F - 3
97707-60014	F - 12	97707-60014	F - 12
	E - 9		E - 9
95817-06012	C - 10	95817-06012	C - 10
95817-06014	D - 3	95817-06014	D - 3
95817-06016	D - 4	95817-06016	D - 4
	D - 5		D - 5
	D - 9		D - 9
97902-04122	D - 15	97902-04122	D - 15
	E - 13		E - 13
98502-04008	C - 15	98502-04008	C - 15
	C - 6		C - 6
98502-05012	C - 6	98502-05012	C - 6
	D - 13		D - 13
98506-05018	C - 6	98506-05018	C - 6
98506-05030	E - 7	98506-05030	E - 7
98506-05040	E - 7	98506-05040	E - 7
98507-03010	F - 9	98507-03010	F - 9
	G - 5		G - 5
98507-04008	E - 10	98507-04008	E - 10
	F - 8		F - 8
	F - 15		F - 15
98507-04010	F - 9	98507-04010	F - 9
	G - 5		G - 5
98507-05008	F - 12	98507-05008	F - 12
	D - 13		D - 13
98507-05016	D - 13	98507-05016	D - 13
98507-05018	F - 5	98507-05018	F - 5
98507-06010	C - 8	98507-06010	C - 8
	E - 13		E - 13
98507-06016	F - 12	98507-06016	F - 12
98507-06020	C - 8	98507-06020	C - 8
	E - 13		E - 13
98517-04012	E - 8	98517-04012	E - 8
98580-04008	C - 2	98580-04008	C - 2
	G - 8		G - 8
98580-05008	C - 3	98580-05008	C - 3
	G - 9		G - 9
98586-05016	C - 2	98586-05016	C - 2
	G - 8		G - 8
98706-04016	E - 10	98706-04016	E - 10
98707-05012	C - 14	98707-05012	C - 14
98707-06025	F - 2	98707-06025	F - 2
98907-06008	E - 7	98907-06008	E - 7
99006-10600	C - 15	99006-10600	C - 15
99009-10400	B - 13	99009-10400	B - 13
99009-12400	B - 8	99009-12400	B - 8
99226-00160	D - 13	99226-00160	D - 13
99227-00160	D - 13	99227-00160	D - 13
99236-00080	F - 11	99236-00080	F - 11
99236-00100	E - 15	99236-00100	E - 15
99237-00080	F - 11	99237-00080	F - 11
99237-00100	E - 15	99237-00100	E - 15
99510-08012	B - 11	99510-08012	B - 11
	C - 8		C - 8
	C - 9		C - 9
	C - 11		C - 11
99510-08016	B - 2	99510-08016	B - 2
	B - 13		B - 13
	C - 7		C - 7
99510-12016	C - 3	99510-12016	C - 3
99510-14016	B - 3	99510-14016	B - 3
99530-10014	C - 6	99530-10014	C - 6



*COPYRIGHT: All rights reserved. No part of this publication
may be reproduced without permission.*

YAMAHA

YAMAHA MOTOR CO., LTD.
2500 SHINGA I IWATA SHIZUOKA JAPAN
SERVICE INFORMATION DIV.

Printed in Japan
First edition DEC., 1994