

YAMAHA



**PARTS
CATALOGUE**

YZF750SP'93 (4HS1)

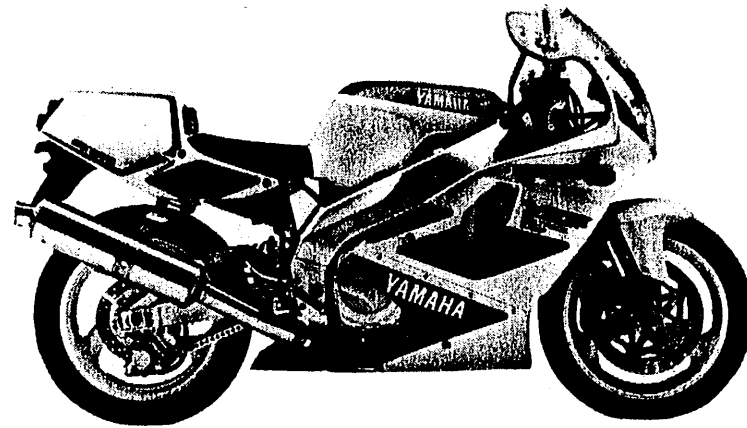
YZF750SP'93 (4HS2)

YZF750SP'93 (4HT1)

EUROPE

YAMAHA
GENUINE
Parts & Accessories

134HS-300E1



A3



FOREWORD

This Parts Catalogue is related to the parts in use for the Yamaha YZF750SP'93 (4HS1/4HS2/4HT1).

When you are ordering replacement parts for the YZF750SP'93 (4HS1/4HS2/4HT1) refer to this Parts Catalogue and quote both part numbers and part names correctly.

1. Modifications or additions which have been made after issue of the Parts Catalogue will be announced in the Yamaha Parts News.

It is advisable that according to the Yamaha Parts News you make necessary corrections to the Parts Catalogue on hand to keep it up-to-date.

2. Abbreviations

The following abbreviations are used in this Parts Catalogue.

- U.R. Use size (thickness) and/or number as required.
- U.N. Use as many as you need.
- A.P. Alternate Parts
- L.M. Local Made
- F# Frame No. (Applicable machine No.)

3. The parts marked with (*) in the parts number column of this Catalogue are not supplied with by Yamaha, those have to be found locally.
4. Parts, which are to be supplied in the form of assemblies, are listed with an indentation of one letter's space, and a dot (.) is put against the name of each part.

EXAMPLE CARBURETOR ASS'Y
 .JET, pilot
 .NOZZLE, main

6. Indication of No. of constituent parts for assembly

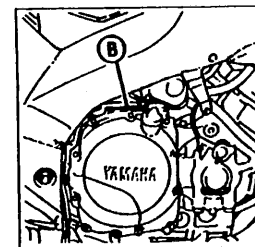
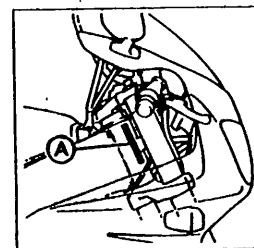
The numeral appearing to the right of each constituent part under the description indicates the quantity of such parts for each individual assembly unit.

EXAMPLE

Part No.	Description	Q'ty	Remarks
2F5-83310-60	FRONT FLASHER LIGHT ASS'Y	2	
115-83311-60	.BULB (6V-18W)	1	
1M1-83309-60	.REFLECTOR	1	

6. Initial Serial No. and Color Code

4HS1	(A) Frame Serial No.	4HS-000101 and following
	(B) Engine Serial No.	4HS-000101 and following
4HS2	(A) Frame Serial No.	4HS-001101 and following
	(B) Engine Serial No.	4HS-001101 and following
4HT1	(A) Frame Serial No.	4HT-000101 and following
	(B) Engine Serial No.	4HT-000101 and following



Color Code	Color Name	Abbreviate
0390	BLUISH WHITE COCKTAIL 1	BWC1

7. Applicable colors of graphics are represented in the "Remarks" column by the letter(s) appropriately picked out of the full word(s) showing such colors.

EXAMPLE

Part No.	Description	Q'ty	Remarks
2N4-24110-00-X5	FUEL TANK COMP.	1	MAXIM RED
3J1-24240-10	.GRAPHIC, fuel tank set	1	for MXR

CONTENTS

GENERAL SPEC.

ENGINE

Cylinder Head	B2
Cylinder	B3
Crackshaft · Piston	B4
Valve	B5 ~ B6
Camshaft · Chain	B7
Water Pump	B8
Radiator · Hose	B9 ~ B10
Oil Pump	B11 ~ B12
Oil Cleaner	B13
Intake	B14 ~ B15
Carburetor	C2 ~ C3
Exhaust	C4
Crankcase	C5 ~ C6
Crankcase Cover 1	C7 ~ C8
Starter	C9
Clutch	C10
Transmission	C11 ~ C12
Shift Cam · Fork	C13
Shift Shaft	C14

CHASSIS

Frame	C15 ~ D2
Fender	D3 ~ D4
Side Cover	D5
Rear Arm	D6 ~ D7
Rear Suspension	D8
Steering	D9
Front Fork	D10 ~ D11
Fuel Tank	D12 ~ D13

Seat	D14
Front Wheel	D15
Front Brake Caliper	E2
Rear Wheel	E3 ~ E4
Rear Brake Caliper	E5
Steering Handle · Cable	E6
Front Master Cylinder	E7 ~ E8
Front Master Cylinder 2	E9
Stand · Footrest	E10 ~ E11
Rear Master Cylinder	E12 ~ E13
Cowling 1	E14 ~ E15
Cowling 2	F2 ~ F3
Generator	F4
Pick Up Coil · Governor	F5
Starting Motor	F6
Flasher Light	F7 ~ F8
Meter	F9
Headlight	F10
Taillight	F11
Electrical 1	F12
Electrical 2	F13

INDIVIDUAL SPEC. FOR ITALY

Alternate (Headlight)	F15
-----------------------------	-----

FOR HOLLAND

Alternate (Headlight)	G3
-----------------------------	----

FOR ENGLAND, IRELAND

Alternate (Meter)	G5
Alternate (Headlight)	G6

FOR FINLAND, SWEDEN

Alternate (Carburator)	G8 ~ G9
Alternate (Engine)	G10
Alternate (Electrical)	G11

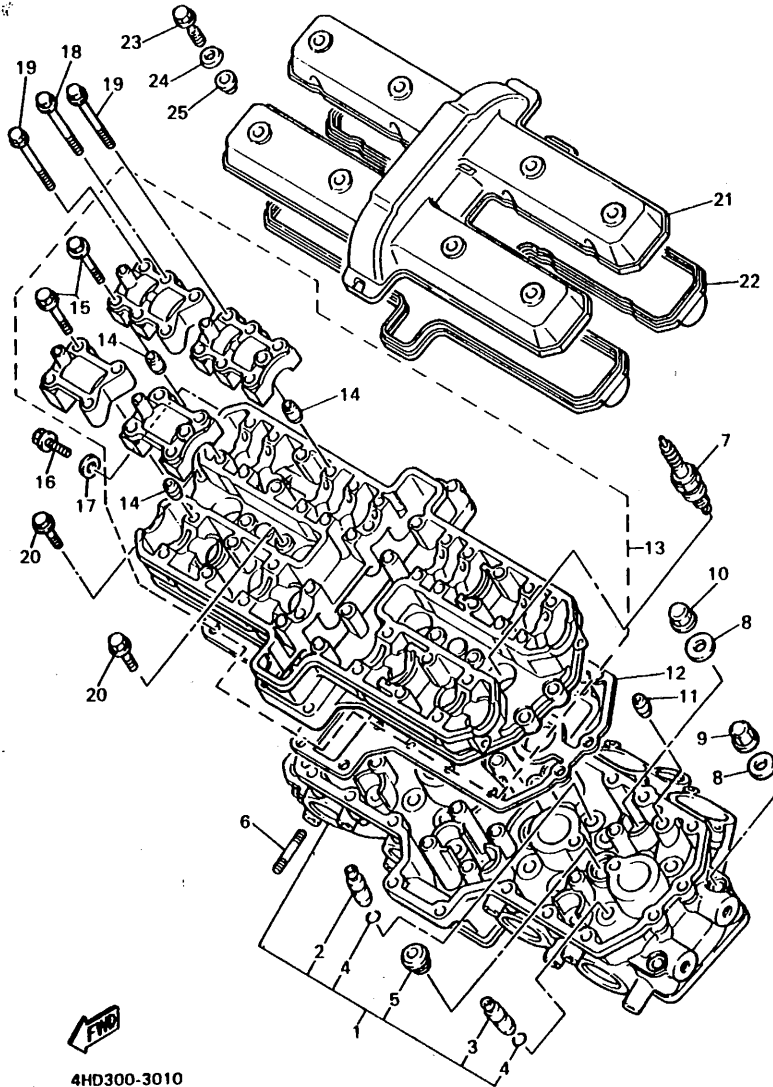
INDEX

NUMERICAL INDEX	L1 ~ L5
-----------------------	---------

GENERAL SPEC.



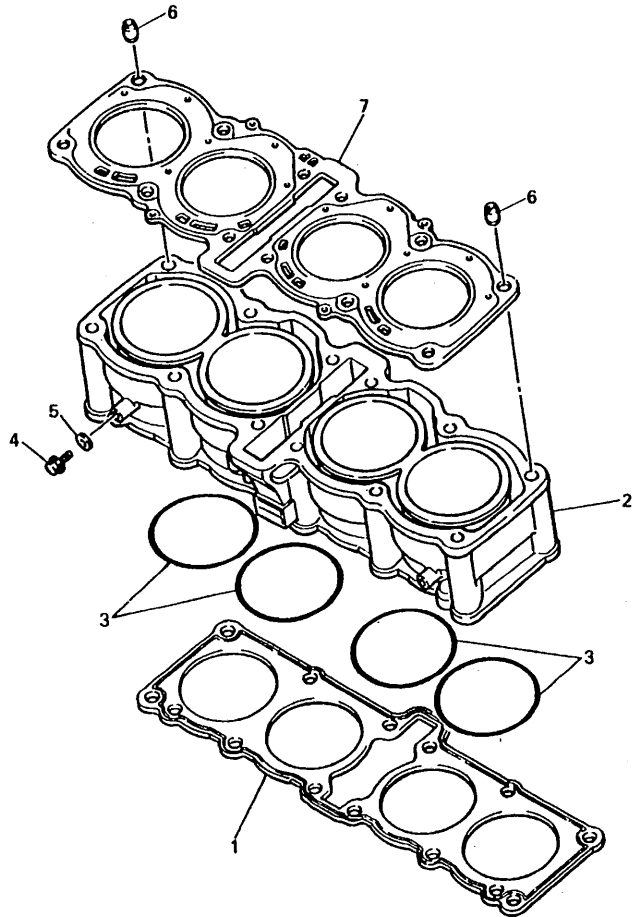
FIG. 1 CYLINDER HEAD



4HD300-3010

REF. NO.	PART NO.	DESCRIPTION	Q'TY	REMARKS
1	4FM-11102-00	CYLINDER HEAD ASSY	1	
2	3GM-11133-10	.GUIDE, INTAKE VALVE	12	
3	3GM-11134-10	.GUIDE, EXHAUST VALVE	8	
4	93440-10153	.CIRCLIP	20	
5	90340-18101	.PLUG, STRAIGHT SCREW	4	
6	95611-08625	BOLT, STUD	8	
7	94701-00318	PLUG, SPARK (NGK R CR0E)	4	UR
	94701-00319	PLUG, SPARK (ND U27ESR-N)	4	UR
8	90201-103M4	WASHER, PLATE	12	
9	90176-10049	NUT, CROWN	4	
10	90179-10584	NUT	8	
11	91810-25008	PIN, DOWEL	2	
12	3FV-11182-00	GASKET, CYLINDER HEAD 2	1	
13	4FM-1115A-00	CAM CASE ASSY	1	
14	99510-08016	.PIN, DOWEL	18	
15	90105-08153	.BOLT, WASHER BASED	18	
16	95023-08012	BOLT	1	
17	90430-06014	GASKET	1	
18	90105-06541	BOLT, WASHER BASED	20	
19	90105-06693	BOLT, WASHER BASED	4	
20	95023-08025	BOLT	11	
21	3GM-11191-01	COVER, CYLINDER HEAD 1	1	
22	3GM-11193-00	GASKET, HEAD COVER 1	1	
23	90109-064F0	BOLT	8	
24	90209-11262	WASHER	8	
25	2GH-1111G-00	RUBBER, MOUNT 1	8	

FIG. 2 CYLINDER

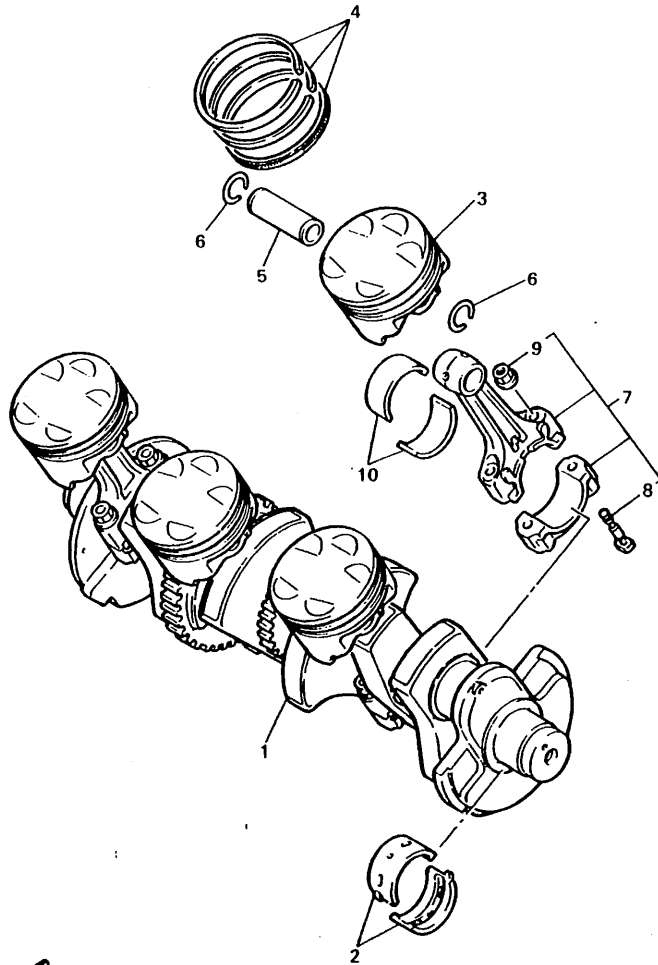


REF. NO.	PART NO.	DESCRIPTION	Q'TY	REMARKS
1	3FV-11351-00	GASKET, CYLINDER	1	
2	4FM-11310-00	CYLINDER	1	
3	93210-76211	O-RING	4	
4	95023-06012	BOLT	2	
5	90430-06014	GASKET	2	
6	99510-14016	PIN, DOWEL	2	
7	3FV-11181-00	GASKET, CYLINDER HEAD 1	1	



4HD300-3020

FIG. 3 CRANKSHAFT . PISTON

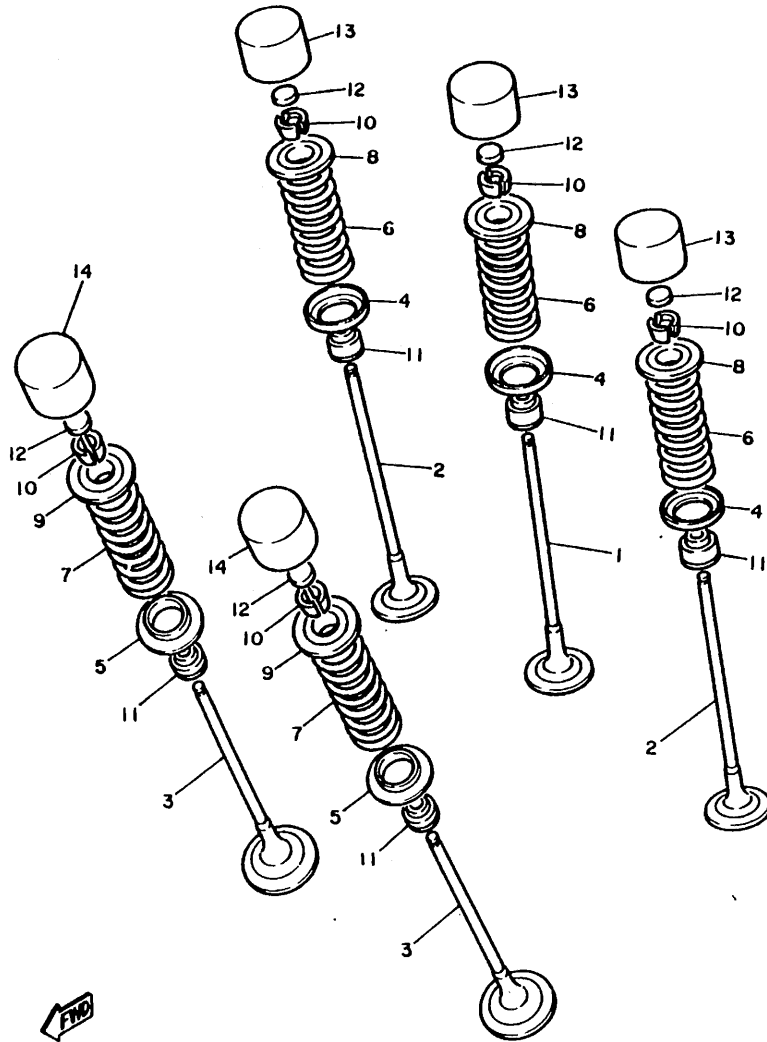


REF. NO.	PART NO.	DESCRIPTION	QTY	REMARKS
1	4FM-11411-00	CRANKSHAFT	1	
2	3GM-11416-00	PLANE BEARING, CRANKSHAFT 1	10	UR BLUE
	3GM-11416-10	PLANE BEARING, CRANKSHAFT 1	10	UR BLACK
	3GM-11416-20	PLANE BEARING, CRANKSHAFT 1	10	UR BROWN
	3GM-11416-30	PLANE BEARING, CRANKSHAFT 1	10	UR GREEN
	3GM-11416-40	PLANE BEARING, CRANKSHAFT 1	10	UR YELLOW
3	4FM-11631-00-A0	PISTON (STD)	4	
	4FM-11636-00	PISTON (0.50MM O/S)	4	AP
4	4FM-11603-00	PISTON RING SET (STD)	4	
	4FM-11605-00	PISTON RING SET (0.50MM O/S)	4	AP
5	3GM-11633-00	PIN, PISTON	4	
6	93450-19095	CIRCLIP	8	
7	4FM-11650-00	CONNECTING ROD ASSY	4	
8	36Y-11654-00	.BOLT, CONNECTING ROD	2	
9	90179-08327	.NUT	2	
10	3GM-11656-00	PLANE BEARING, CONNECTING ROD	8	UR BLUE
	3GM-11656-10	PLANE BEARING, CONNECTING ROD	8	UR BLACK
	3GM-11656-20	PLANE BEARING, CONNECTING ROD	8	UR BROWN
	3GM-11656-30	PLANE BEARING, CONNECTING ROD	8	UR GREEN



4HD300-3030

FIG. 4 VALVE



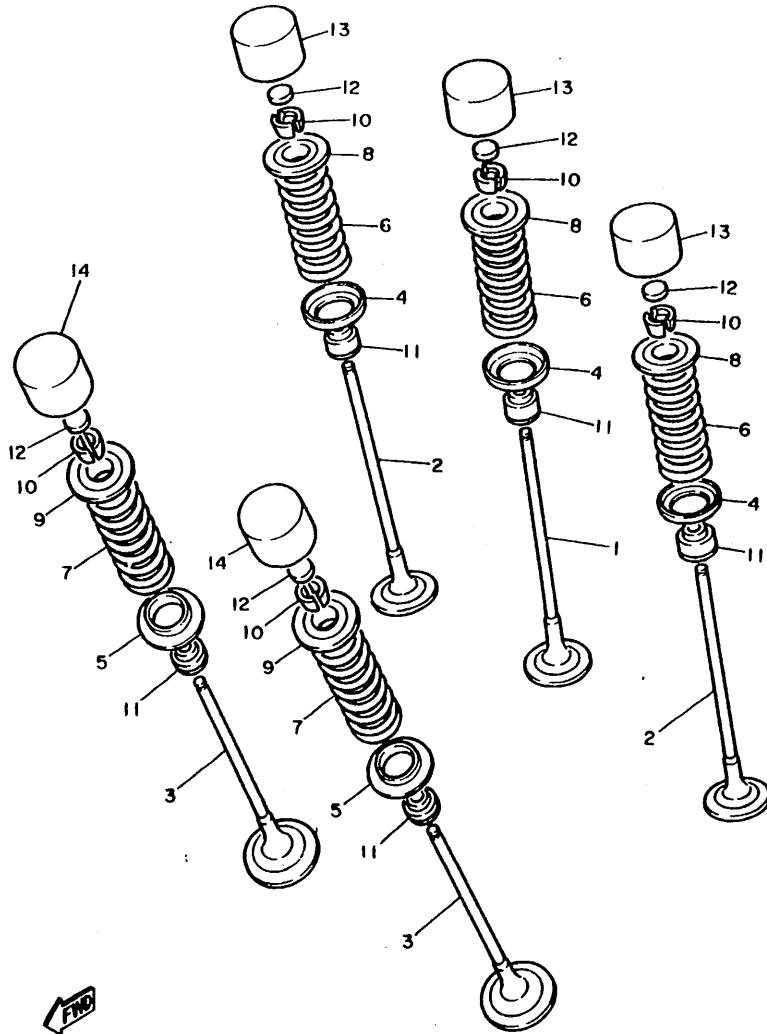
REF. NO.	PART NO.	DESCRIPTION	Q'TY	REMARKS
1	4FM-12111-00	VALVE, INTAKE	4	
2	4FM-12112-00	VALVE, INTAKE 2	8	
3	4FM-12121-00	VALVE, EXHAUST	8	
4	4FM-12116-00	SEAT, VALVE SPRING	12	
6	3GM-12126-00	SEAT, VALVE SPRING 2	8	
6	3FV-12113-00	SPRING, VALVE INNER	12	
7	3FV-12114-00	SPRING, VALVE OUTER	8	
8	3GM-12117-00	RETAINER, VALVE SPRING	12	
9	1WG-12117-00	RETAINER, VALVE SPRING	8	
10	1WG-12118-00	COTTER, VALVE	40	
11	1WG-12119-00	SEAL, VALVE STEM	20	
12	1HX-12168-00	PAD, ADJUSTING 2 (1.20)	20	UR
	1HX-12168-20	PAD, ADJUSTING 2 (1.25)	20	UR
	1HX-12168-40	PAD, ADJUSTING 2 (1.30)	20	UR
	1HX-12168-60	PAD, ADJUSTING 2 (1.35)	20	UR
	1HX-12168-80	PAD, ADJUSTING 2 (1.40)	20	UR
	1HX-12168-A0	PAD, ADJUSTING 2 (1.45)	20	UR
	1HX-12168-F0	PAD, ADJUSTING 2 (1.50)	20	UR
	1HX-12168-H1	PAD, ADJUSTING 2 (1.55)	20	UR
	1HX-12168-K1	PAD, ADJUSTING 2 (1.60)	20	UR
	1HX-12168-M1	PAD, ADJUSTING 2 (1.65)	20	UR
	1HX-12168-R1	PAD, ADJUSTING 2 (1.70)	20	UR
	1HX-12168-U1	PAD, ADJUSTING 2 (1.75)	20	UR
	1HX-12168-W1	PAD, ADJUSTING 2 (1.80)	20	UR
	1HX-12168-Y1	PAD, ADJUSTING 2 (1.85)	20	UR
	1HX-12169-11	PAD, ADJUSTING 2 (1.90)	20	UR
	1HX-12169-31	PAD, ADJUSTING 2 (1.95)	20	UR
	1HX-12169-50	PAD, ADJUSTING 2 (2.00)	20	UR



3LE332-9040

B5

FIG. 4 VALVE



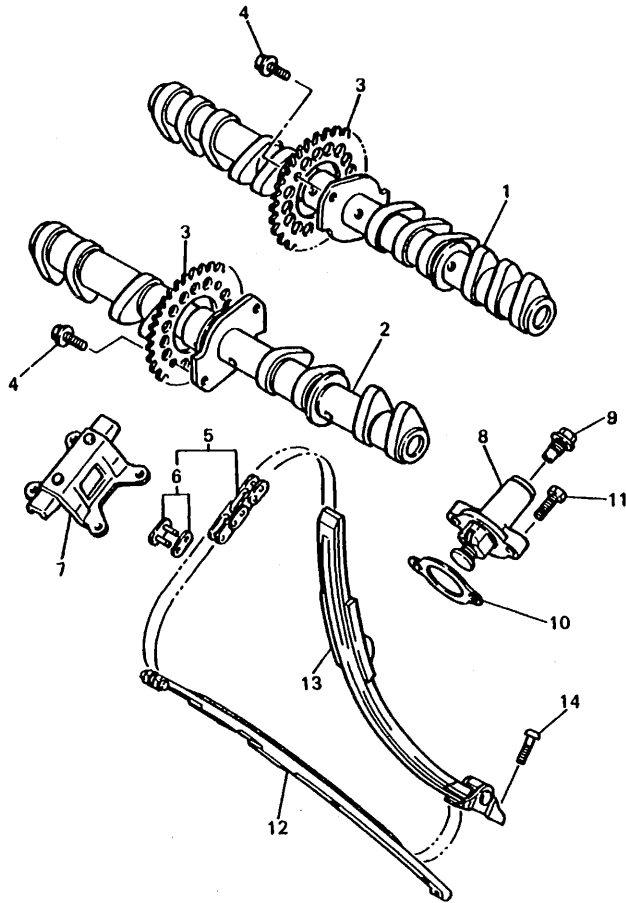
REF. NO.	PART NO.	DESCRIPTION	Q'TY	REMARKS
12	1HX-12169-70	PAD, ADJUSTING 2 (2.05)	20	UR
	1HX-12169-90	PAD, ADJUSTING 2 (2.10)	20	UR
	1HX-12169-E0	PAD, ADJUSTING 2 (2.15)	20	UR
	1HX-12169-G0	PAD, ADJUSTING 2 (2.20)	20	UR
	1HX-12169-J0	PAD, ADJUSTING 2 (2.25)	20	UR
	1HX-12169-L0	PAD, ADJUSTING 2 (2.30)	20	UR
	1HX-12169-N0	PAD, ADJUSTING 2 (2.35)	20	UR
	1HX-12169-T0	PAD, ADJUSTING 2 (2.40)	20	UR
13	3LN-12153-20	LIFTER, VALVE	12	UR BLUE
	3LN-12153-30	LIFTER, VALVE	12	UR RED
	3LN-12153-09	LIFTER, VALVE (O/S)	12	UR GREEN
14	3FV-12153-10	LIFTER, VALVE	8	UR YELLOW
	3FV-12153-09	LIFTER, VALVE (O/S)	8	UR GREEN



3LE332-9040

B6

FIG. 5 CAMSHAFT . CHAIN

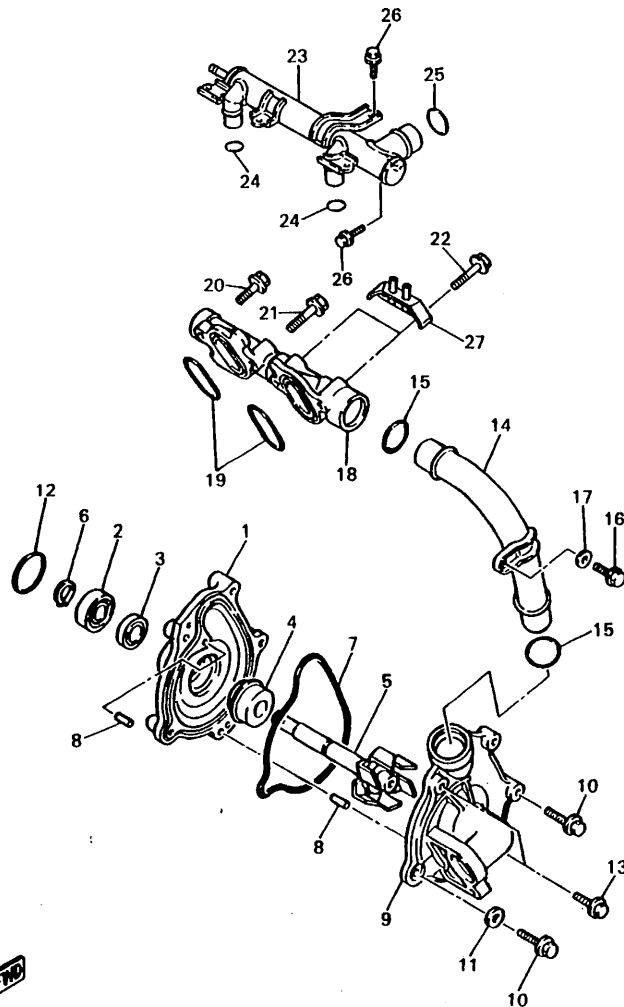


REF. NO.	PART NO.	DESCRIPTION	Q'TY	REMARKS
1	4HD-12171-00	CAMSHAFT 1	1	
2	4HD-12181-00	CAMSHAFT 2	1	
3	3GM-12176-00	SPROCKET, CAM CHAIN	2	
4	90105-07342	BOLT, WASHER BASED	4	
5	94580-81104	CHAIN (DID219FTS-104L)	1	
6	94680-81021	JOINT, CHAIN	1	
7	2GH-12241-00	GUIDE, STOPPER 2	1	
8	4FM-12210-00	TENSIONER ASSY, CAM CHAIN	1	
9	90109-112F1	BOLT	1	
10	4FM-12213-00	GASKET, TENSIONER CASE	1	
11	91311-06025	BOLT	2	
12	3FV-12251-00	DAMPER, CHAIN 1	1	
13	4FM-12252-00	DAMPER, CHAIN 2	1	
14	90109-065A8	BOLT	2	



4HD300-3050

FIG. 6 WATER PUMP

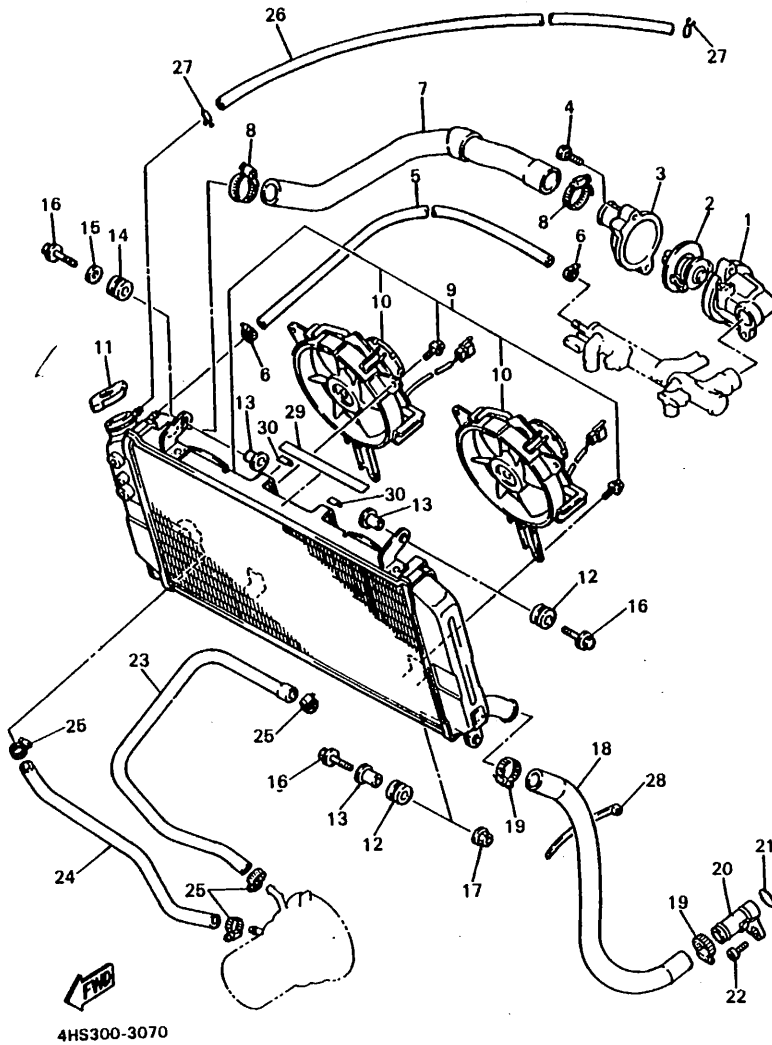


REF. NO.	PART NO.	DESCRIPTION	Q'TY	REMARKS
1	1UF-12421-09	HOUSING, WATER PUMP	1	
2	93306-00108	BEARING	1	
3	93101-12060	OIL SEAL	1	
4	11H-12438-00	SEAL, MECHANICAL	1	
5	1UF-12450-00	IMPELLER SHAFT ASSY	1	
6	99009-12400	CIRCLIP	1	
7	1AE-12439-00	O-RING	1	
8	93804-10011	PIN, DOWEL	2	
9	3GM-12422-00	COVER, HOUSING	1	
10	95023-06025	BOLT	3	
11	90430-08014	GASKET	1	
12	93210-33133	O-RING	1	
13	95021-06050	BOLT, FLANGE	2	
14	1AE-12481-01	PIPE 1	1	
15	93210-23787	O-RING	2	
16	95023-06012	BOLT	1	
17	92906-06800	WASHER, PLATE	1	
18	3FV-12469-00	JOINT 1	1	
19	93210-30894	O-RING	2	
20	95023-06020	BOLT	1	
21	95023-06030	BOLT	1	
22	95023-06040	BOLT	2	
23	4FN-12482-00	PIPE 2	1	
24	93210-18417	O-RING	2	
25	93210-23787	O-RING	1	
26	95023-06010	BOLT	2	
27	2GH-14413-00	STAY	1	


4HS300-3060

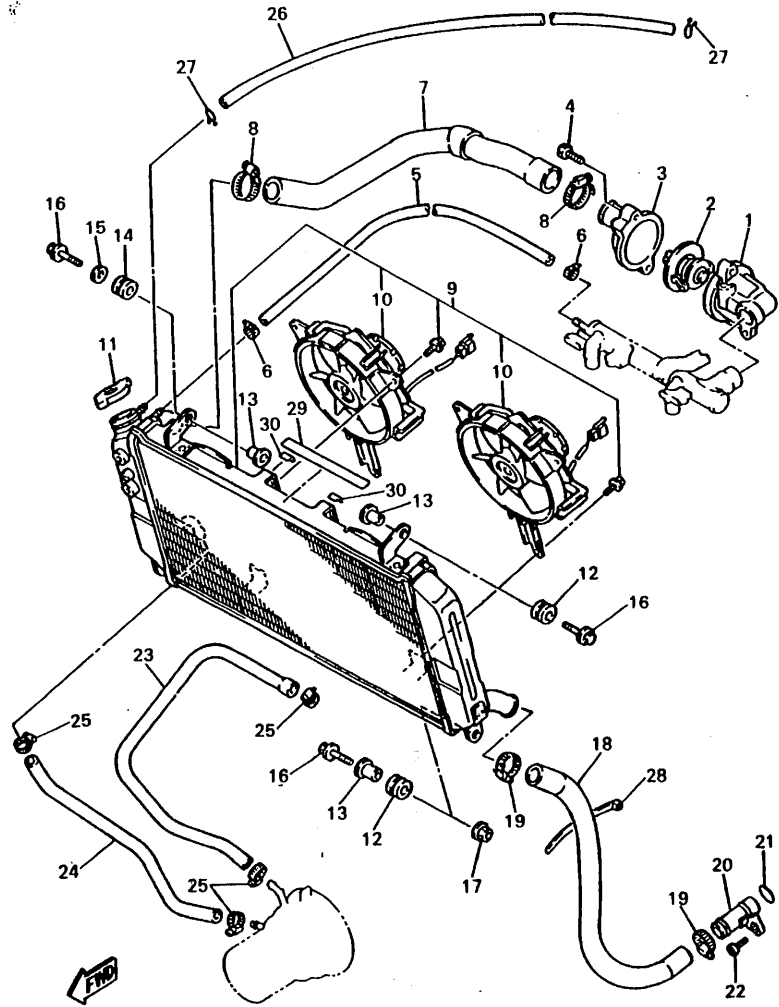
B8

FIG. 7 RADIATOR . HOSE



REF. NO.	PART NO.	DESCRIPTION	Q'TY	REMARKS
1	3GM-12417-00	HOUSING, THERMOSTAT	1	
2	4FM-12410-00	THERMOSTAT ASSY	1	
3	3GM-12413-00	COVER, THERMOSTAT	1	
4	95023-06025	BOLT	2	
5	90445-126H7	HOSE	1	
6	90467-11090	CLIP	2	
7	4FN-12576-01	HOSE 1	1	
8	90450-38040	HOSE CLAMP ASSY	2	
9	4FM-1240A-00	RADIATOR ASSY	1	
10	4FM-12405-00	.BLOWER ASSY	2	
11	22W-12462-00	CAP, RADIATOR	1	
12	90480-15363	GROMMET	3	
13	90387-07391	COLLAR	4	
14	90480-10542	GROMMET	1	
15	90201-063J2	WASHER, PLATE	1	
16	95816-06025	BOLT, FLANGE	4	
17	95701-06500	NUT, FLANGE	2	
18	4FM-12579-01	HOSE 4	1	
19	90450-38040	HOSE CLAMP ASSY	2	
20	2GH-12484-00	PIPE 4	1	
21	93210-23787	O-RING	1	
22	90110-06142	BOLT, HEXAGON SOCKET HEAD	1	
23	4FM-12588-01	HOSE 5	1	
24	4FM-12589-01	HOSE 6	1	
25	90450-22052	HOSE CLAMP ASSY	4	
26	90445-096F4	HOSE	1	
27	90467-08003	CLIP	2	
28	90465-13169	CLAMP	1	

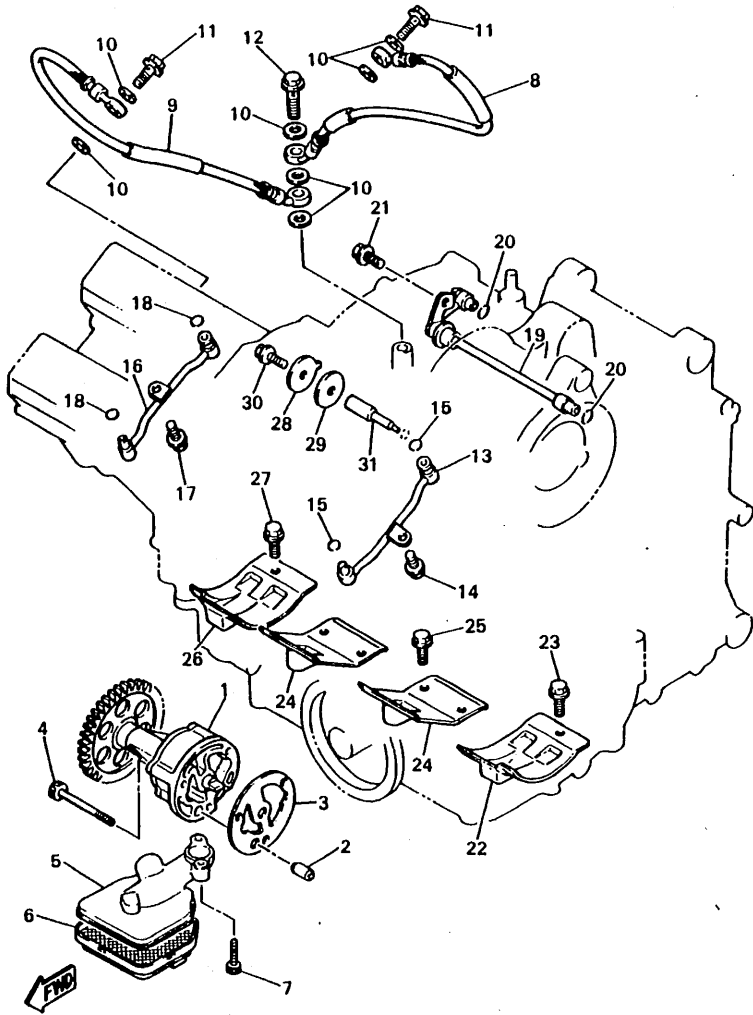
FIG. 7 RADIATOR • HOSE



4HS300-3070

REF. NO.	PART NO.	DESCRIPTION	Q'TY	REMARKS
29	3TU-28344-00	TAPE	1	
30	1UF-15379-00	SEAL	2	

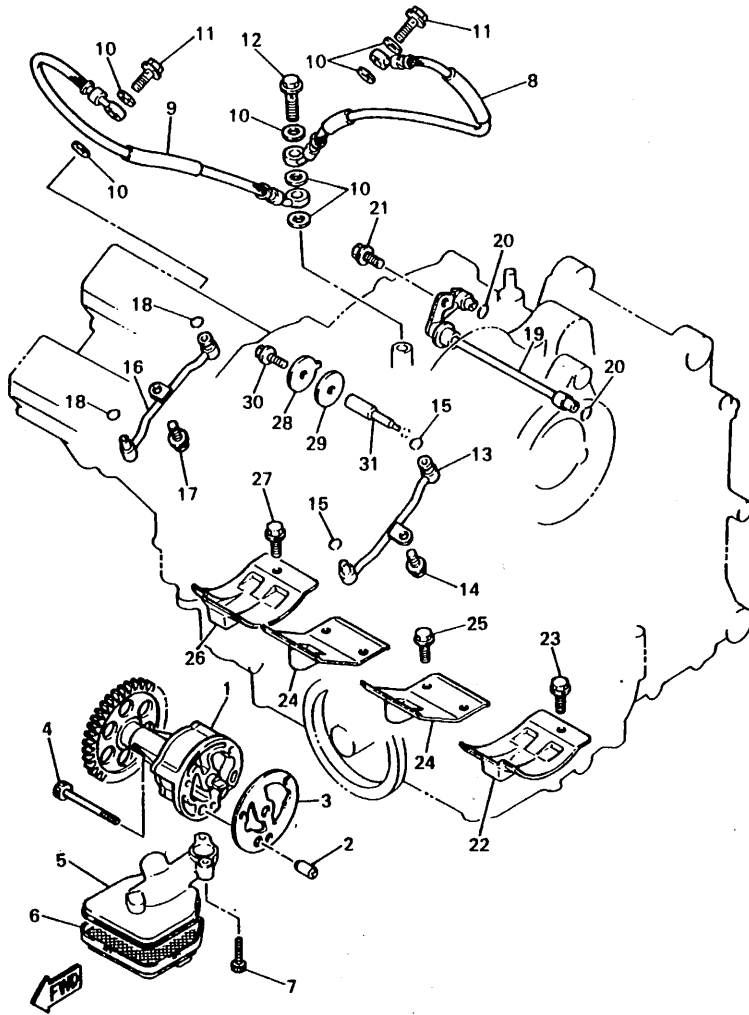
FIG. 8 OIL PUMP



4HS300-3080

REF. NO.	PART NO.	DESCRIPTION	Q'TY	REMARKS
1	1AE-13300-00	OIL PUMP ASSY	1	
2	99510-08012	PIN, DOWEL	1	
3	2GH-13329-00	GASKET, PUMP COVER	1	
4	91316-06050	BOLT	3	
5	3GM-13412-50	HOUSING, STRAINER	1	
6	4FM-13411-00	STRAINER, OIL	1	
7	90110-06138	BOLT, HEXAGON SOCKET HEAD	2	
8	3FV-1316F-00	HOSE, OIL 1	1	
9	3FV-1316G-00	HOSE, OIL 2	1	
10	90430-10171	GASKET	7	
11	90401-10096	BOLT, UNION	2	
12	90401-10044	BOLT, UNION	1	
13	3GM-13181-00	PIPE, DELIVERY 3	1	
14	95026-06012	BOLT, FLANGE	1	
15	93210-06632	O-RING	2	
16	3GM-13191-00	PIPE, DELIVERY 4	1	
17	95026-06012	BOLT, FLANGE	1	
18	93210-06632	O-RING	2	
19	1AE-1316E-00	PIPE, DELEVERY 5	1	
20	93210-07135	O-RING	2	
21	95026-06012	BOLT, FLANGE	1	
22	2GH-15123-00	PLATE, BUFFLE 1	1	
23	95026-06012	BOLT, FLANGE	2	
24	1AE-15124-00	PLATE, BUFFLE 2	2	
25	95026-06012	BOLT, FLANGE	6	
26	2GH-15133-00	PLATE, BUFFLE 3	1	
27	95026-06012	BOLT, FLANGE	2	
28	90201-061M7	WASHER, PLATE	1	

FIG. 8 OIL PUMP

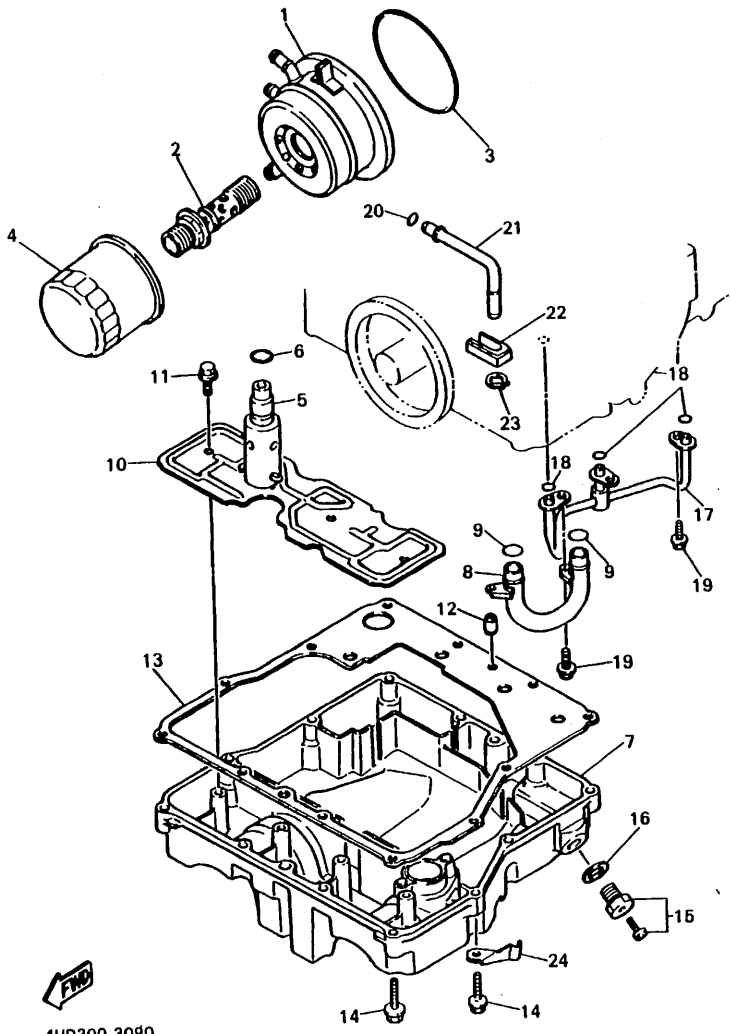


4HS300-3080

REF. NO.	PART NO.	DESCRIPTION	Q'TY	REMARKS
29	4FM-13475-00	GASKET	1	
30	95811-06016	BOLT, FLANGE	1	
31	3GM-13454-00	NOZZLE	1	

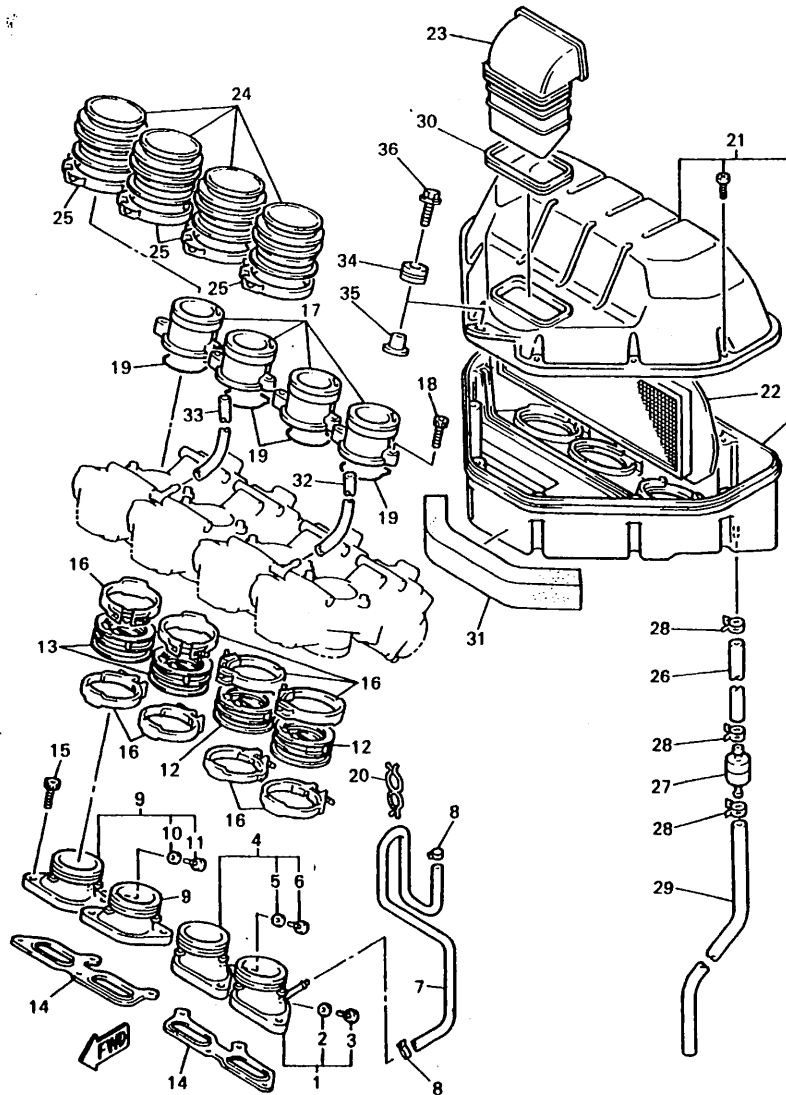
FIG. 9 OIL CLEANER

REF. NO.	PART NO.	DESCRIPTION	Q'TY	REMARKS
1	4FM-13470-00	OIL COOLER ASSY	1	
2	90401-20151	BOLT, UNION	1	
3	93210-87723	O-RING	1	
4	3FV-13440-00	ELEMENT ASSY, OIL CLEANER	1	
5	3KS-13490-00	RELIEF VALVE ASSY	1	
6	93210-15566	O-RING	1	
7	4FM-13417-00	COVER, STRAINER	1	
8	3FV-13416-01	PIPE, OIL 1	1	
9	93210-14579	O-RING	2	
10	3GM-13337-00	PLATE, BAFFLE LOWER	1	
11	95026-06010	BOLT, FLANGE	4	
12	99510-08016	PIN, DOWEL	2	
13	4FM-13414-00	GASKET, STRAINER COVER	1	
14	95023-06030	BOLT	12	
15	3VD-13455-00	PLUG	1	
16	214-11198-01	GASKET	1	
17	3GM-13161-01	PIPE, DELIVERY 1	1	
18	93210-06714	O-RING	3	
19	95026-06012	BOLT, FLANGE	3	
20	93210-09418	O-RING	1	
21	3GM-15373-00	PIPE, BREATHER	1	
22	3GM-13174-00	HOLDER, OIL PIPE	1	
23	99009-10400	CIRCLIP	1	
24	90465-08076	CLAMP	1	



4HD300-3080

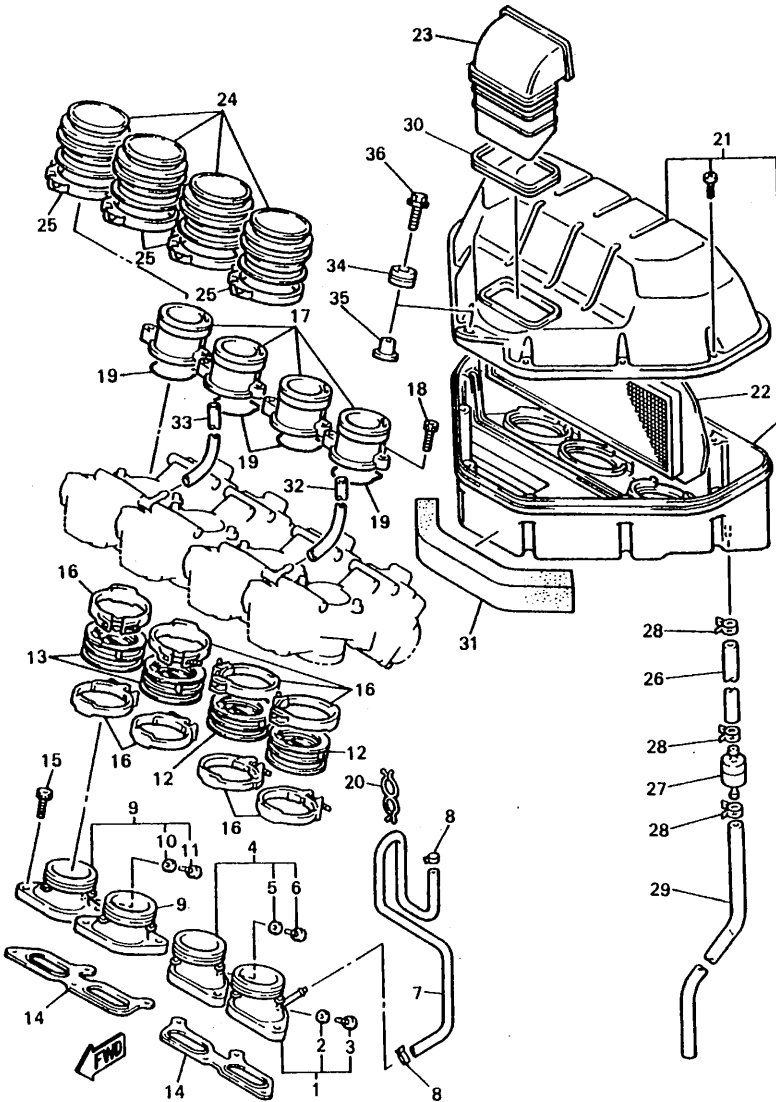
FIG. 10 INTAKE



4HS300-3100

REF. NO.	PART NO.	DESCRIPTION	Q'TY	REMARKS
1	4FN-13586-00	JOINT, CARBURETOR 1	1	
2	90430-06014	.GASKET	1	
3	91312-08012	.BOLT	1	
4	4FM-13586-00	JOINT, CARBURETOR 1	1	
5	90430-06014	.GASKET	1	
6	91312-08012	.BOLT	1	
7	3FV-2416A-00	HOSE	1	
8	90467-08092	CLIP	2	
9	4FM-13598-00	JOINT, CARBURETOR 2	2	
10	90430-08014	.GASKET	1	
11	91312-08012	.BOLT	1	
12	4FN-13597-00	JOINT, CARBURETOR 3	2	
13	4FN-13598-00	JOINT, CARBURETOR 4	2	
14	4FM-13558-01	GASKET, MANIFOLD	2	
15	91316-06020	BOLT	8	
16	90450-57034	HOSE CLAMP ASSY	8	
17	4FN-1440F-00	JOINT, AIR FILTER 1	4	
18	91311-05012	BOLT	8	
19	4FN-14561-00	O-RING	4	
20	90464-17184	CLAMP	1	
21	4FM-14401-00	AIR CLEANER CASE ASSY	1	
22	4FM-14451-00	ELEMENT, AIR CLEANER	1	
23	4FN-14437-00	DUCT	1	
24	4FN-14453-00	JOINT, AIR CLEANER 1	4	
25	90480-65195	CLAMP, HOSE	4	
26	1HX-1443E-00	PIPE, DRAIN	1	
27	4X7-2149Y-00	FILTER ASSY	1	
28	90467-11108	CLIP	3	

FIG. 10 INTAKE

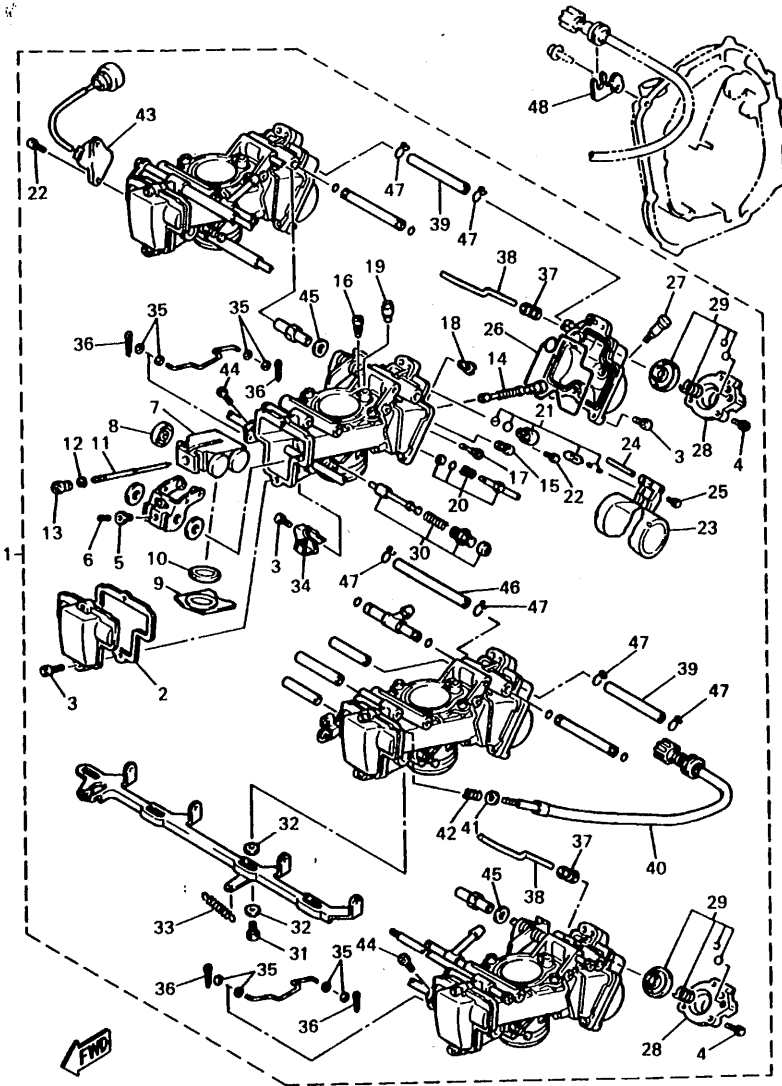


REF. NO.	PART NO.	DESCRIPTION	Q'TY	REMARKS
29	90445-116H6	HOSE	1	
30	4FM-14462-00	SEAL	1	
31	4FN-14467-00	SEAL	1	
32	90445-11290	HOSE	1	
33	90445-116H8	HOSE	1	
34	90480-12314	GROMMET	1	
35	90387-065J6	COLLAR	1	
36	95811-06020	BOLT, FLANGE	1	

4HS300-3100

B15

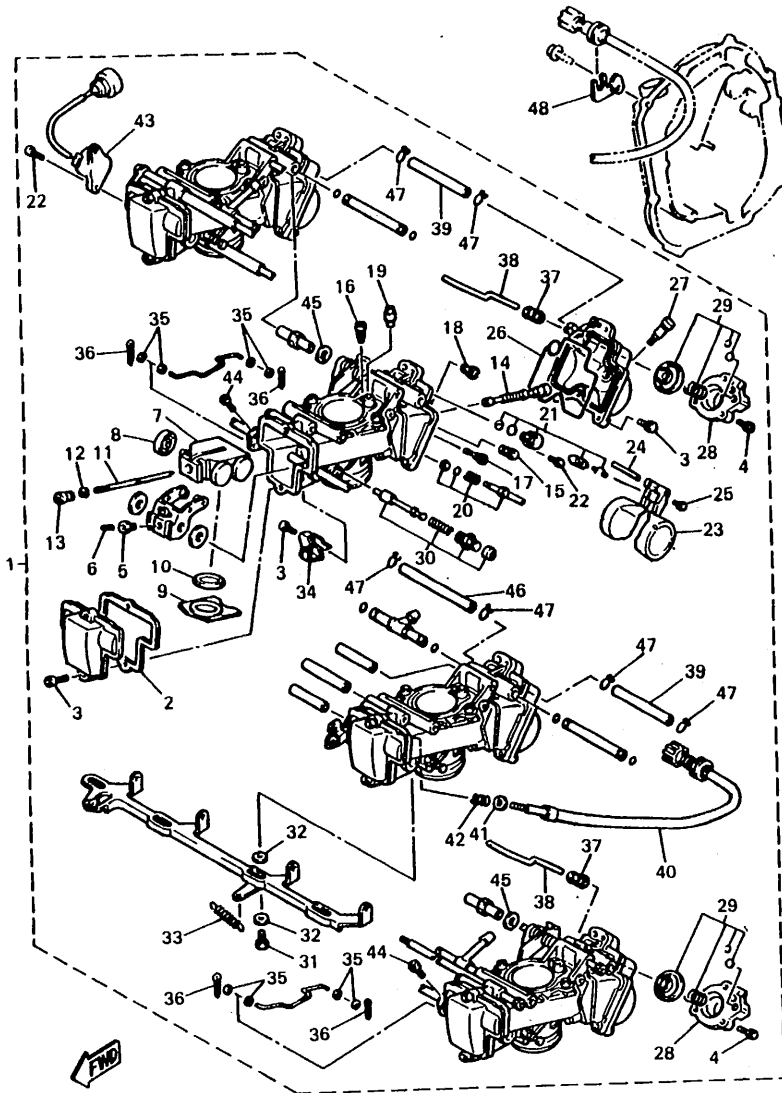
FIG. 11 CARBURETOR



4HS300-3110

REF. NO.	PART NO.	DESCRIPTION	Q'TY	REMARKS
1	4HS-14900-00	CARBURETOR ASSY	1	
2	4FN-14959-00	.GASKET	4	
3	91316-04010	.BOLT	20	
4	91316-04008	.BOLT	6	
5	3TJ-14393-40	.NUT, CROWN	4	
6	3TJ-14522-40	.SCREW, ADJUST	4	
7	4FN-14340-00	.VALVE ASSY	4	
8	3TJ-14287-40	.ROLLER	4	
9	4FN-14548-00	.VALVE, NEEDLE	4	
10	4FN-14997-00	.SEAL	4	
11	4HS-14916-00	.NEEDLE	4	
12	3TJ-14159-40	.CLIP	4	
13	3TJ-14521-40	.SCREW, ADJUST	4	
14	4FN-14947-00	.JET, NEEDLE	4	
15	3TJ-14943-32	.JET, MAIN (#125)	4	
16	3TJ-14943-15	.JET, MAIN (#70)	4	
17	3TJ-14948-03	.JET (#40)	4	
18	3TJ-1494F-11	.JET	4	
19	7A9-14943-31	.JET, MAIN (#120)	4	
20	4FN-14105-00	.PILOT SCREW SET	4	
21	4FN-14107-00	.NEEDLE VALVE SET	4	
22	3TJ-14216-40	.SCREW	6	
23	4FN-14985-00	.FLOAT	4	
24	663-14548-00	.PIN, FLOAT ARM	4	
25	98580-04008	.SCREW, PAN HEAD	4	
26	3TJ-14984-40	.GASKET, FLOAT CHAMBER	4	
27	3TJ-14191-40	.PLUG, DRAIN	4	
28	3TJ-14293-40	.COVER 1	2	

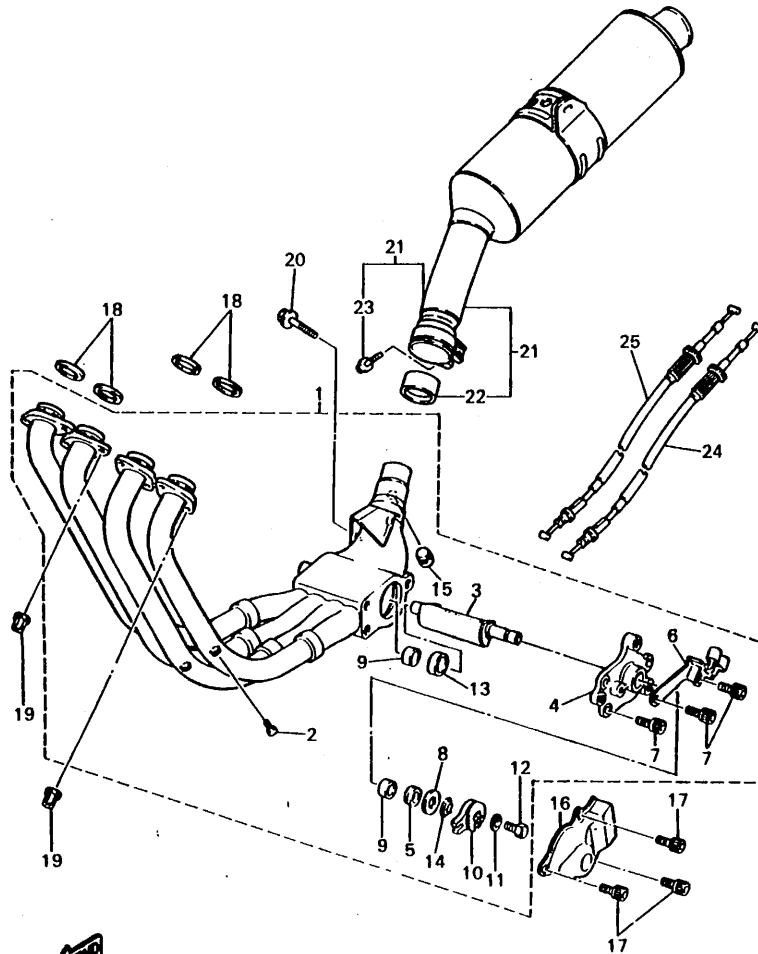
FIG. 11 CARBURETOR



4HS300-3110

REF. NO.	PART NO.	DESCRIPTION	Q'TY	REMARKS
29	3TJ-1490A-40	.DIAPHRAGM SET, 1	2	
30	3TJ-1410A-40	.STARTER SET	4	
31	3TJ-14245-40	.SCREW, GUIDE	3	
32	90202-06056	.WASHER, PLATE	6	
33	3TJ-14935-40	.SPRING	1	
34	4FN-14261-00	.HOLDER	1	
35	90202-03052	.WASHER, PLATE	8	
36	3TJ-14365-40	.PIN, CLEVIS	4	
37	3TJ-14968-40	.CAP	2	
38	3TJ-14378-40	.ROD, STARTER	2	
39	4FN-14294-00	.HOSE	2	
40	4FN-14922-00	.SCREW, THROTTLE	1	
41	90201-08410	.WASHER, PLATE	1	
42	4FN-14934-00	.SPRING, THROTTLE STOP	1	
43	4FN-85885-00	.THROTTLE SENSOR ASSY	1	
44	3TJ-14325-40	.SCREW, PAN HEAD	2	
45	90201-08333	.WASHER, PLATE	2	
46	4FN-14298-00	.PIPE	1	
47	3TJ-14137-40	.CLIP	6	
48	4FN-14413-00	STAY	1	

FIG. 12 EXHAUST

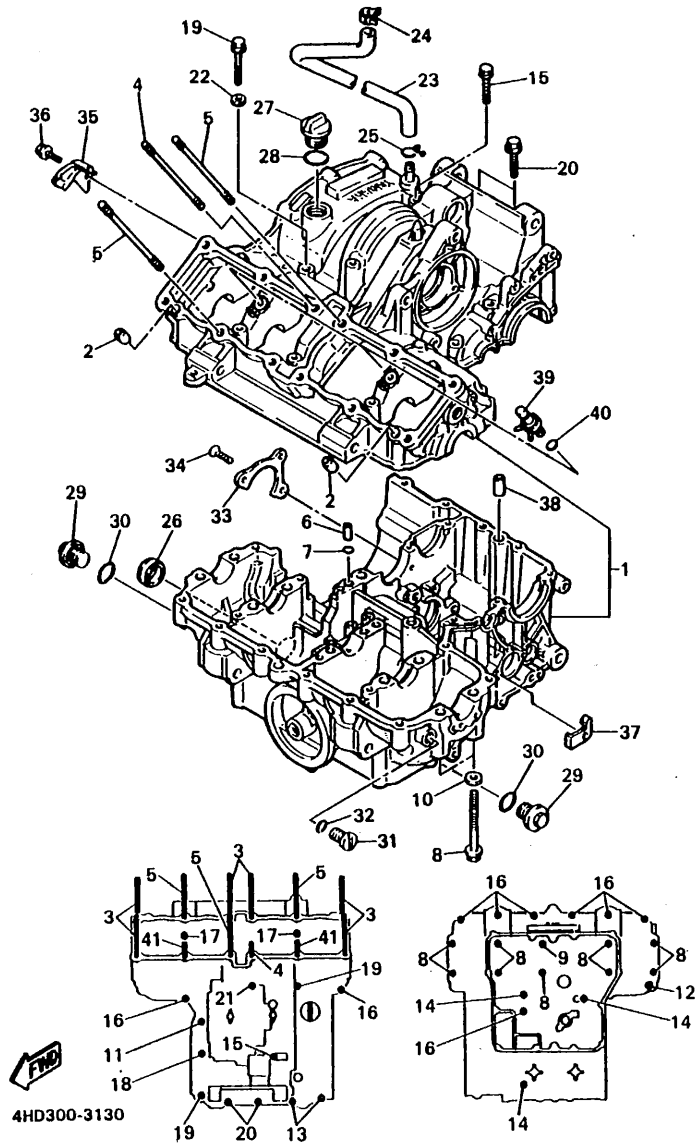


REF. NO.	PART NO.	DESCRIPTION	QTY	REMARKS
1	4FM-14610-01	EXHAUST PIPE ASSY 1	1	
2	90101-06576	.BOLT	4	
3	3GM-14821-00	.ARM, SHAFT (VALVE)	1	
4	3GM-14811-00	.HOUSING	1	
5	2TK-14845-00	.DUST SEAL ASSY	1	
6	2TK-14867-01	.BRACKET	1	
7	90119-08115	.BOLT, WITH WASHER	3	
8	90201-106M5	.WASHER, PLATE	1	
9	90380-10195	.BUSH, SOLID	2	
10	2TK-14865-01	.PULLEY	1	
11	92990-05200	.WASHER, PLAIN	1	
12	97395-05012	.BOLT	1	
13	90387-106U7	.COLLAR	1	
14	3GM-14683-00	.SPRING, HOOK	1	
15	4FM-24181-00	.DAMPER, LOCATING 1	1	
16	4HD-14828-00	PROTECTOR, EXHAUST	1	
17	90119-08187	BOLT, WITH WASHER	3	
18	4FM-14613-00	GASKET, EXHAUST PIPE	4	
19	90179-08410	NUT	8	
20	95816-08035	BOLT, FLANGE	1	
21	4HD-14710-00	MUFFLER ASSY 1	1	
22	3HE-14755-00	.GASKET, SILENCER	1	
23	95821-08025	.BOLT, FLANGE	1	
24	4FM-1133E-00	CABLE, PULLEY 1	1	
25	4FM-1133F-00	CABLE, PULLEY 2	1	



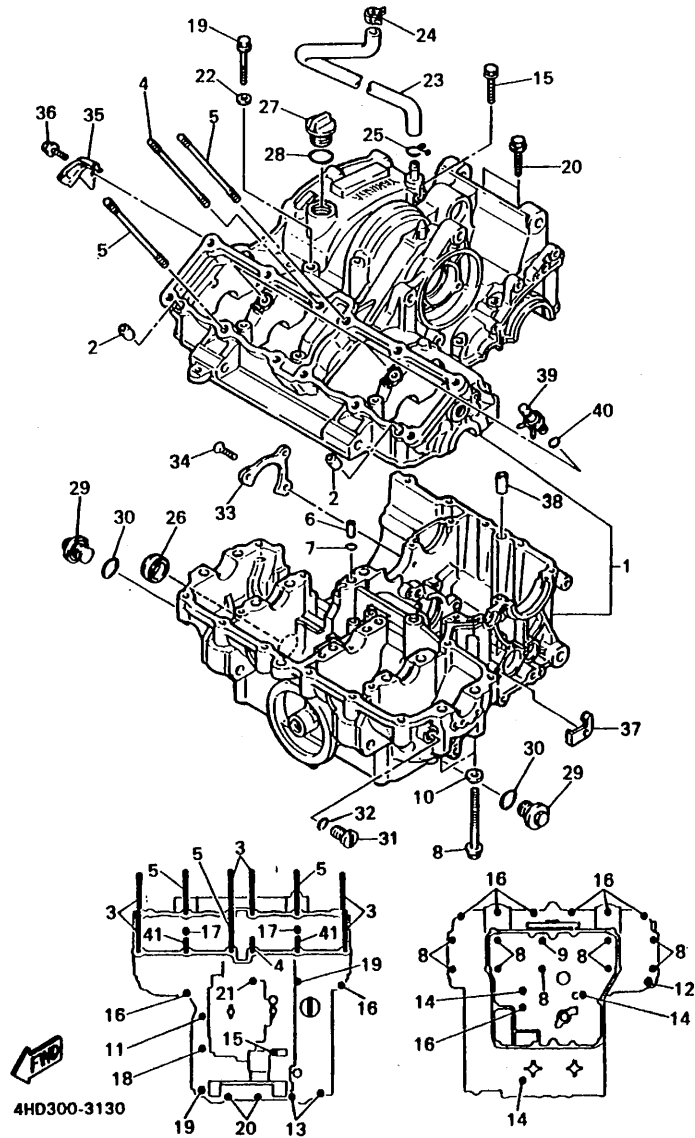
4HD300-3120

FIG. 13 CRANKCASE



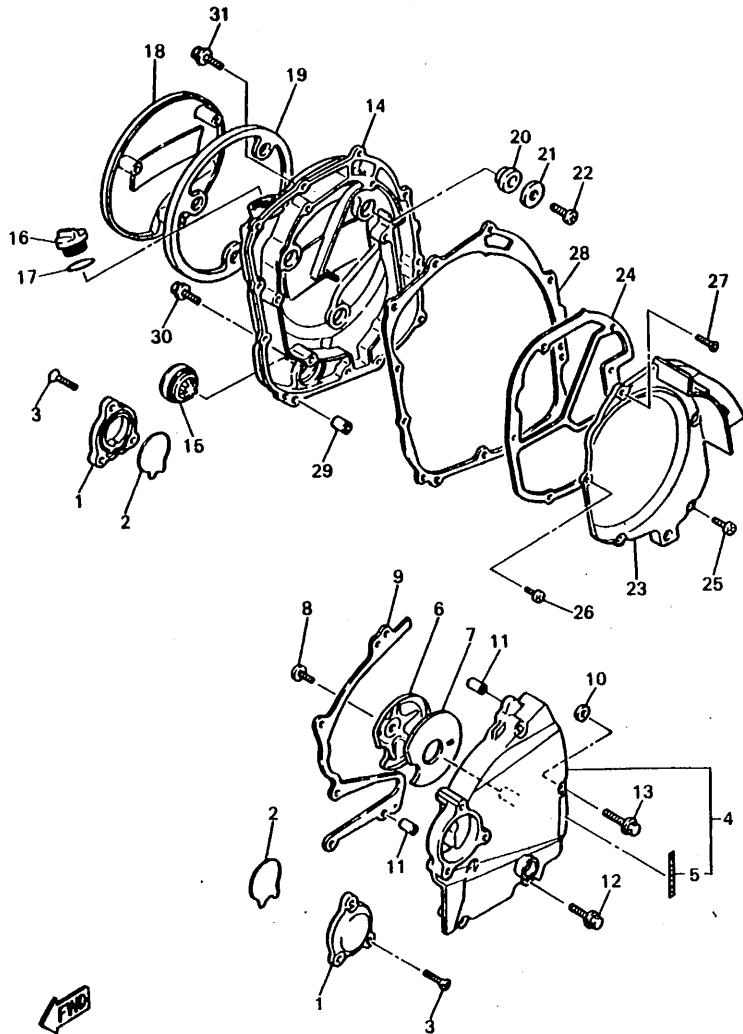
REF. NO.	PART NO.	DESCRIPTION	QTY	REMARKS
1	3GM-15100-51	CRANKCASE ASSY	1	
2	99530-10014	PIN, DOWEL	2	
3	90116-10529	BOLT, STUD	6	
4	90116-10528	BOLT, STUD	1	
5	90116-10569	BOLT, STUD	3	
6	90387-05383	COLLAR	1	
7	93210-07135	O-RING	1	
8	90105-09373	BOLT, WASHER BASED	9	
9	90105-09580	BOLT, WASHER BASED	1	
10	90201-096J9	WASHER, PLATE	4	
11	95811-06036	BOLT, FLANGE	1	
12	95811-08046	BOLT, FLANGE	1	
13	95811-06060	BOLT, FLANGE	2	
14	95811-06080	BOLT, FLANGE	3	
15	95811-06140	BOLT, FLANGE	1	
16	95811-08046	BOLT, FLANGE	9	
17	95811-08055	BOLT, FLANGE	2	
18	95811-08065	BOLT, FLANGE	1	
19	95811-08090	BOLT, FLANGE	2	
20	95811-08060	BOLT, FLANGE	2	
21	90105-09555	BOLT, WASHER BASED	1	
22	90201-08087	WASHER, PLATE	1	
23	3FV-11166-00	PIPE, BREATHER 1	1	
24	90467-15054	CLIP	1	
25	90467-14015	CLIP	1	
26	90338-30096	PLUG	1	
27	3FV-15363-00	PLUG, OIL	1	
28	93210-27778	O-RING	1	

FIG. 13 CRANKCASE



REF. NO.	PART NO.	DESCRIPTION	Q'TY	REMARKS
29	4H7-15189-00	PLUG	2	
30	93210-20573	O-RING	2	
31	90340-14068	PLUG, STRAIGHT SCREW	1	
32	93210-14369	O-RING	1	
33	1AE-15383-00	PLATE, BEARING COVER	1	
34	90151-06014	SCREW, COUNTERSUNK	3	
35	90462-08184	CLAMP	1	
36	95023-06012	BOLT	1	
37	90462-08158	CLAMP	1	
38	99510-12016	PIN, DOWEL	1	
39	3FV-15105-00	NOZZLE ASSY	2	
40	93210-06632	O-RING	2	
41	90116-10568	BOLT, STUD	2	

FIG. 14 CRANKCASE COVER 1

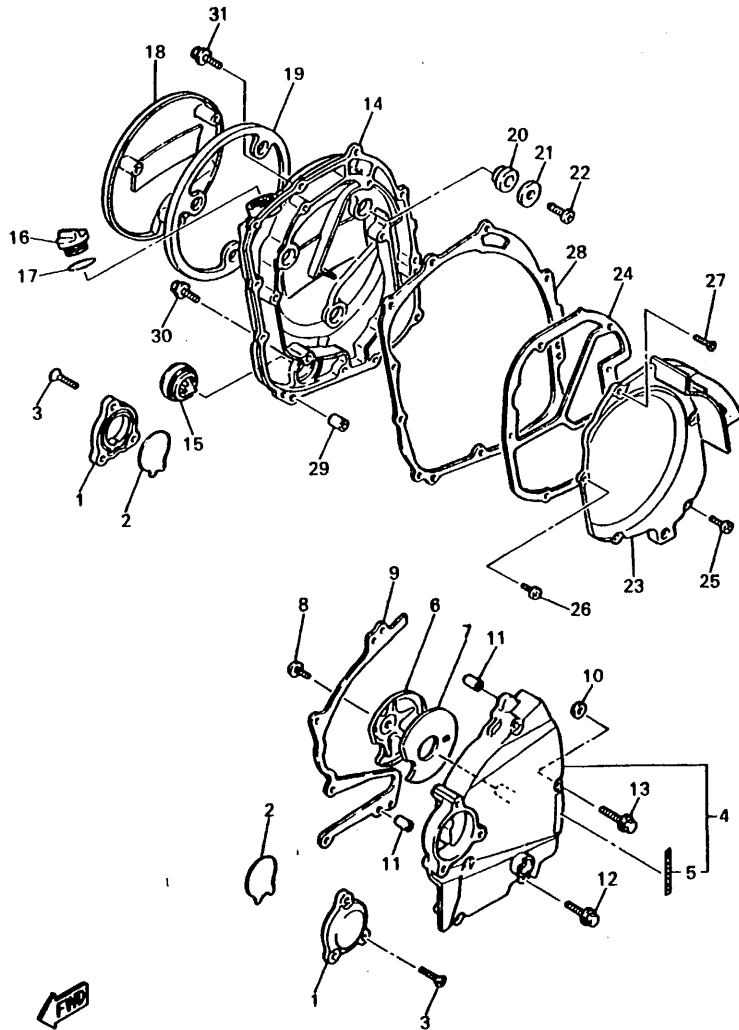


REF. NO.	PART NO.	DESCRIPTION	Q'TY	REMARKS
1	3GM-15416-00	COVER, OIL PUMP	2	
2	1AE-15456-00	GASKET, OIL PUMP COVER 1	2	
3	90152-08014	SCREW, COUNTERSUNK	6	
4	4FM-15410-00	CRANKCASE COVER ASSY 1	1	
5	1TV-15435-00	EMBLEM	1	
6	3GM-15427-00	COVER, CAP 2	1	
7	1AE-15316-00	DAMPER, ENGINE MOUNT 1	1	
8	92011-06010	BOLT, BUTTON HEAD	1	
9	4FM-15451-00	GASKET, CRANKCASE COVER 1	1	
10	4FM-15467-00	GASKET	1	
11	99510-08012	PIN, DOWEL	2	
12	95023-06040	BOLT	3	
13	95021-06050	BOLT, FLANGE	2	
14	4FM-15421-00	COVER, CRANKCASE 2	1	
15	3Y1-15361-00	GAUGE, LEVEL	1	
16	409-15363-01	PLUG, OIL	1	
17	93210-27778	O-RING	1	
18	3GM-15417-00	COVER, CAP	1	
19	3GM-15449-00	RING, RUBBER	1	
20	4H7-15486-00	GROMMET	3	
21	90209-06096	WASHER	3	
22	98580-06010	SCREW, PAN HEAD	3	
23	3GM-15346-00	BREATHER 1	1	
24	4FM-15463-00	GASKET, CARBURETOR COVER 2	1	
25	98580-06020	SCREW, PAN HEAD	4	
26	90157-08104	SCREW, PAN HEAD	1	
27	90152-06024	SCREW, COUNTERSUNK	1	
28	4FM-15461-00	GASKET, CRANKCASE COVER 2	1	



4HD300-3140

FIG. 14 CRANKCASE COVER 1



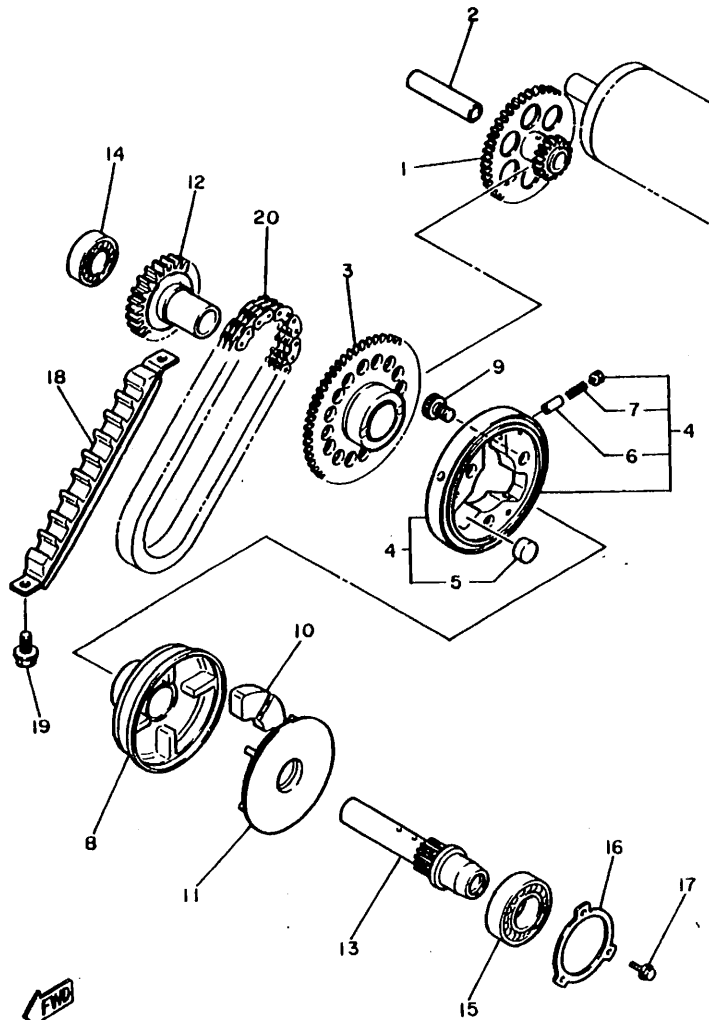
REF. NO.	PART NO.	DESCRIPTION	Q'TY	REMARKS
29	99510-08012	PIN, DOWEL	2	
30	95023-06030	BOLT	2	
31	95023-06020	BOLT	9	



4HD300-3140

C8

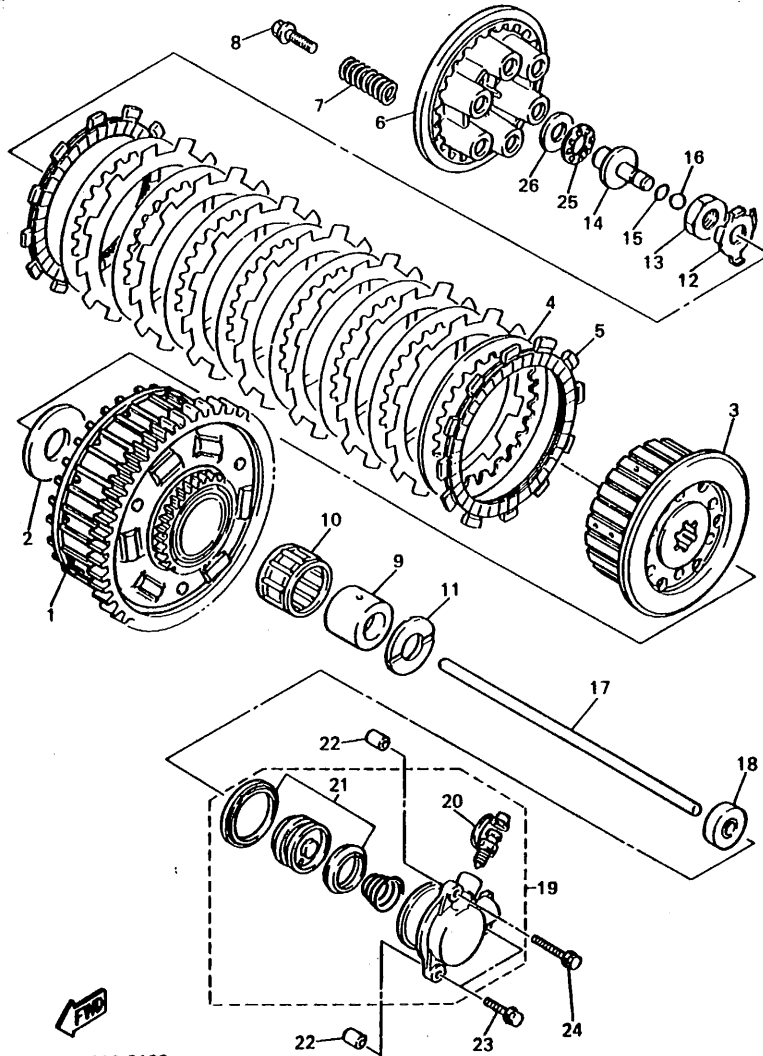
FIG. 15 STARTER



REF. NO.	PART NO.	DESCRIPTION	Q'TY	REMARKS
1	3GM-15512-00	GEAR, IDLER 1	1	
2	51Y-15521-00	SHAFT 1	1	
3	4BH-15517-00	GEAR, IDLER 2	1	
4	3GM-15580-00	STARTER CLUTCH OUTER ASSY	1	
5	93615-12088	.PIN, DOWEL	3	
6	1J7-15583-01	.CAP, STARTER CLUTCH SPRING	3	
7	90501-04623	.SPRING, COMPRESSION	3	
8	3GM-15524-00	WHEEL, STARTER	1	
9	90110-08177	BOLT, HEXAGON SOCKET HEAD	3	
10	4H7-16155-01	ABSORBER 1	4	
11	3GM-15689-00	RETAINER	1	
12	3GM-15519-00	SPROCKET, STARTER 2	1	
13	3GM-15522-00	SHAFT 2	1	
14	93306-20335	BEARING	1	
15	93306-20541	BEARING (B6205)	1	
16	1AE-15381-00	PLATE, BEARING COVER	1	
17	95026-06016	BOLT, FLANGE	3	
18	3GM-11474-00	GUIDE, UPPER	1	
19	95816-06014	BOLT, FLANGE	2	
20	4FM-11456-00	CHAIN, PRIMARY	1	

FWD
3KS351-9160

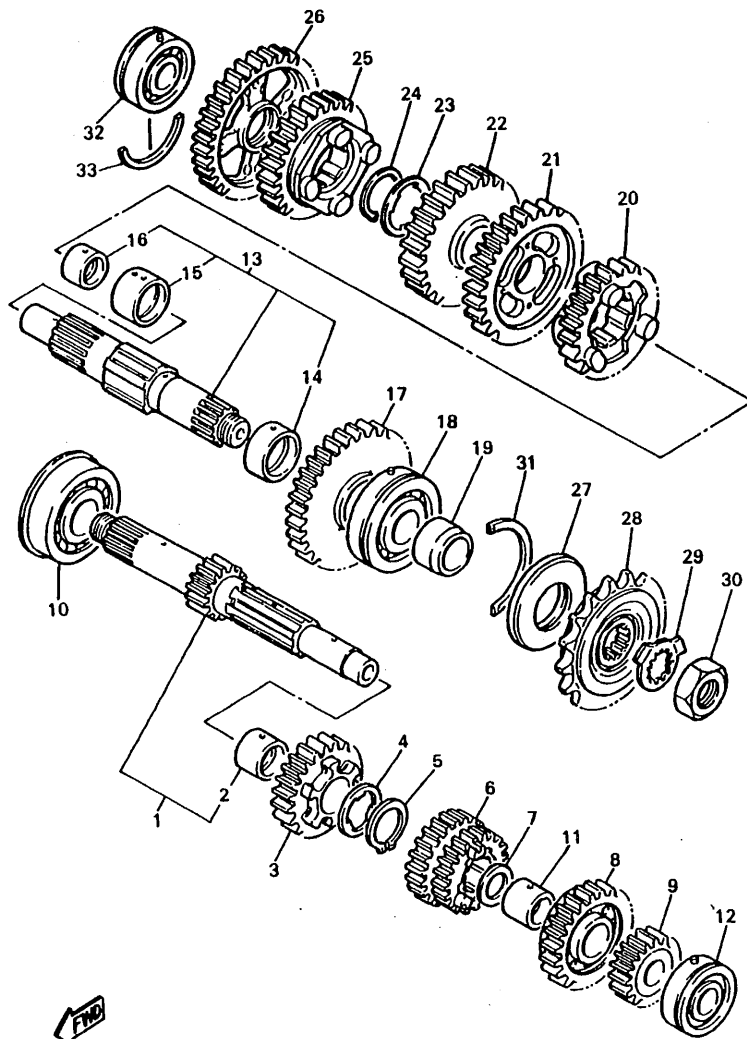
FIG. 16 CLUTCH



4HD300-3160

REF. NO.	PART NO.	DESCRIPTION	Q'TY	REMARKS
1	4FM-16150-00	PRIMARY DRIVEN GEAR COMP.	1	
2	1AE-16154-00	PLATE, THRUST 1	1	
3	2GH-16371-00	BOSS, CLUTCH	1	
4	3J2-16324-00	PLATE, CLUTCH 1	8	
5	4FN-16321-00	PLATE, FRICTION	9	
6	58L-16351-00	PLATE, PRESSURE 1	1	
7	90501-225A9	SPRING, COMPRESSION	6	
8	90159-06123	SCREW, WITH WASHER	6	
9	90560-25270	SPACER	1	
10	93310-340N8	BEARING, CYLINDRICAL	1	
11	1AE-16164-00	PLATE, THRUST 2	1	
12	90215-20231	WASHER, LOCK	1	
13	90170-20327	NUT	1	
14	1LJ-16356-00	ROD, PUSH 1	1	
15	93210-06632	O-RING	1	
16	93511-32027	BALL	1	
17	1AE-16357-00	ROD, PUSH 2	1	
18	93109-08061	OIL SEAL	1	
19	1TV-16381-10	PUSH LEVER COMP.	1	
20	36Y-W0048-00	.BREED SCREW KIT	1	
21	26H-W0098-00	.PUSH LEVER SEAL KIT	1	
22	99510-08012	PIN, DOWEL	2	
23	95026-08030	BOLT, FLANGE	2	
24	95026-08090	BOLT, FLANGE	1	
25	93340-21505	BEARING, THRUST	1	
26	90201-150H2	WASHER, PLATE	1	

FIG. 17 TRANSMISSION

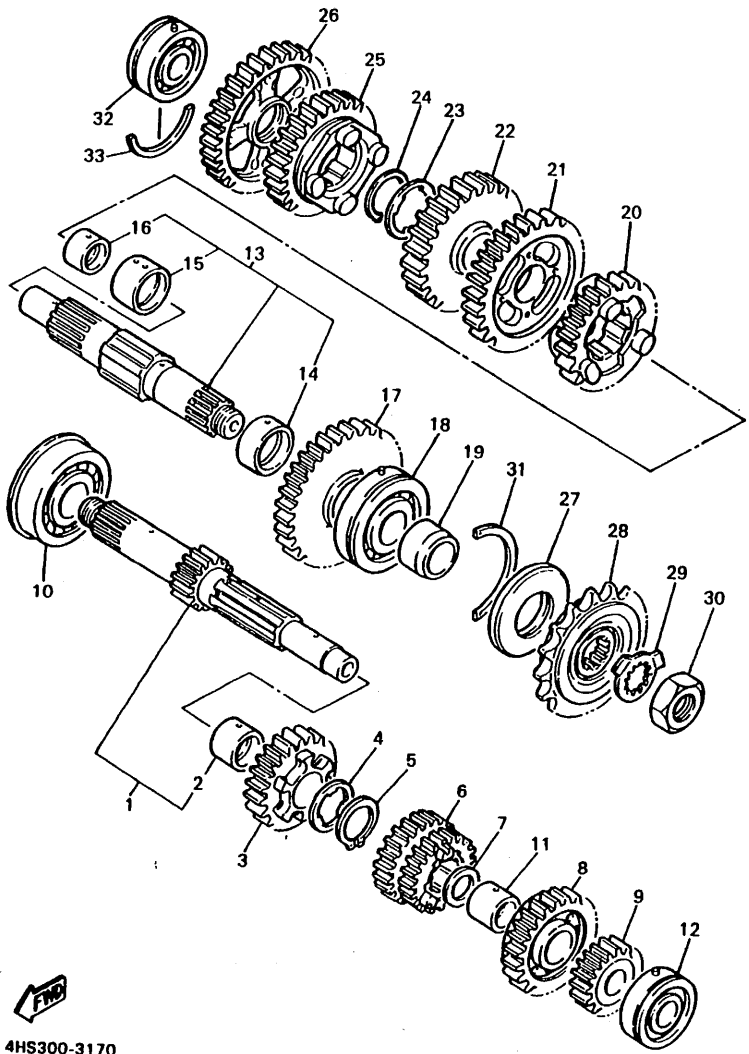


REF. NO.	PART NO.	DESCRIPTION	Q'TY	REMARKS
1	4FN-W1741-00	MAIN AXLE ASSY	1	
2	90387-253M6	.COLLAR	1	
3	4FN-17151-00	GEAR, 5TH PINION	1	
4	90209-22191	WASHER	1	
5	93440-26084	CIRCLIP	1	
6	4FN-17131-00	GEAR, 3RD PINION	1	
7	90201-200K3	WASHER, PLATE	1	
8	4FN-17161-00	GEAR, 6TH PINION	1	
9	3FV-17121-00	GEAR, 2ND PINION (17T)	1	
10	93306-30560	BEARING	1	
11	90387-203M7	COLLAR	1	
12	93306-20465	BEARING	1	
13	3FV-W1742-00	DRIVE AXLE ASSY	1	
14	90387-263M8	.COLLAR	1	
15	90387-284M0	.COLLAR	1	
16	90387-204M1	.COLLAR	1	
17	3FV-17221-00	GEAR, 2ND WHEEL (33T)	1	
18	93305-30501	BEARING	1	
19	90387-255V9	COLLAR	1	
20	3FV-17261-00	GEAR, 6TH WHEEL (25T)	1	
21	3FV-17231-00	GEAR, 3RD WHEEL (31T)	1	
22	4FN-17241-00	GEAR, 4TH WHEEL	1	
23	90209-25196	WASHER	1	
24	93440-28062	CIRCLIP	1	
25	4FN-17251-00	GEAR, 5TH WHEEL	1	
26	3FV-17211-00	GEAR, 1ST WHEEL (32T)	1	
27	93102-35423	OIL SEAL	1	
28	2GH-17460-00	SPROCKET,DRIVE 16T(2GH1746160)	1	



4HS300-3170

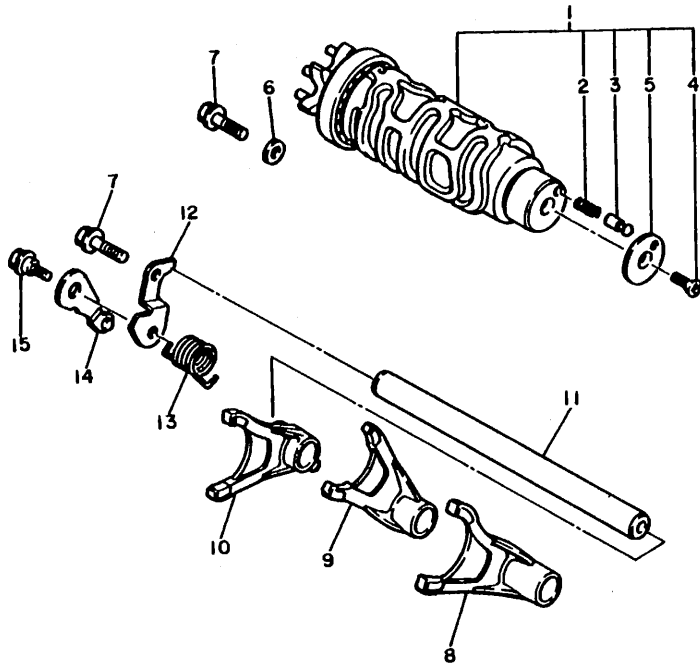
FIG. 17 TRANSMISSION



REF. NO.	PART NO.	DESCRIPTION	Q'TY	REMARKS
29	90215-21022	WASHER, LOCK	1	
30	90179-18020	NUT	1	
31	278-17424-01	CIRCLIP 1	1	
32	93306-20455	BEARING	1	
33	93440-45144	CIRCLIP	1	

 4HS300-3170

FIG. 18 SHIFT CAM • FORK

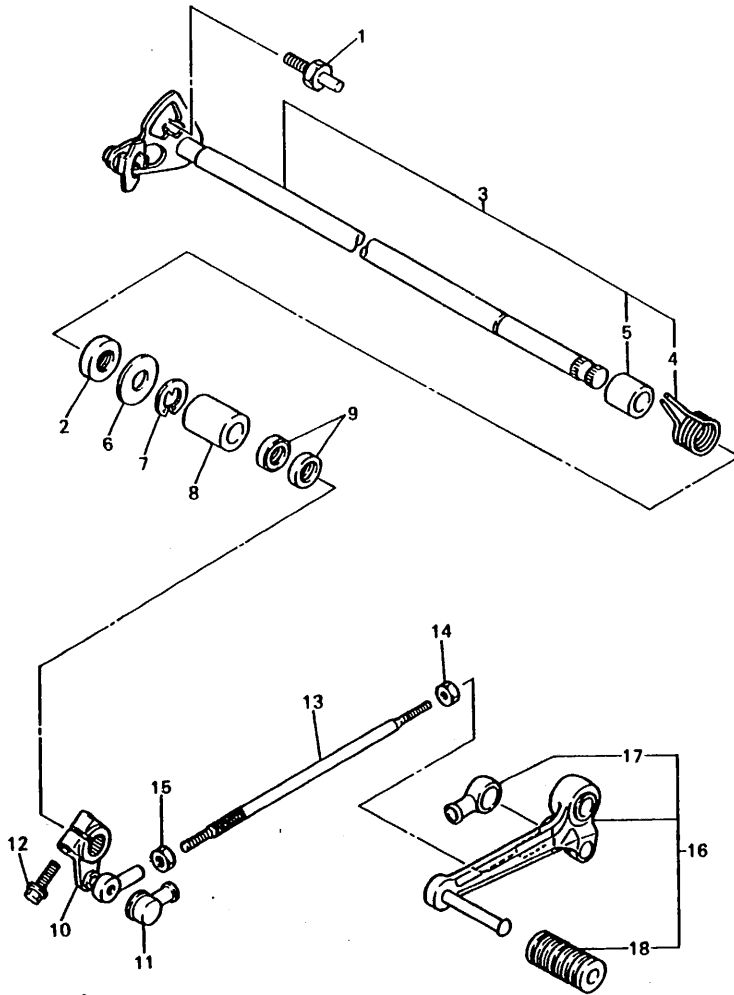


REF. NO.	PART NO.	DESCRIPTION	Q'TY	REMARKS
1	4FM-18540-00	SHIFT CAM ASSY	1	
2	90501-06022	.SPRING, COMPRESSION	1	
3	278-18542-00	.POINT, NEUTRAL	1	
4	98701-05012	.SCREW, FLAT HEAD	1	
5	278-18566-00	.PLATE, SIDE 2	1	
6	90201-06643	WASHER, PLATE	1	
7	95811-06016	BOLT, FLANGE	2	
8	4FM-18511-00	FORK, SHIFT 1	1	
9	4FM-18512-00	FORK, SHIFT 2	1	
10	4FM-18513-00	FORK, SHIFT 3	1	
11	4BH-18531-00	BAR, SHIFT FORK GUIDE 1	1	
12	1AE-18536-00	STOPPER, SHIFT BAR	1	
13	90508-26681	SPRING, TORSION	1	
14	36Y-18140-00	STOPPER LEVER ASSY	1	
15	90109-063F8	BOLT	1	



1FN310-5180

FIG. 19 SHIFT SHAFT

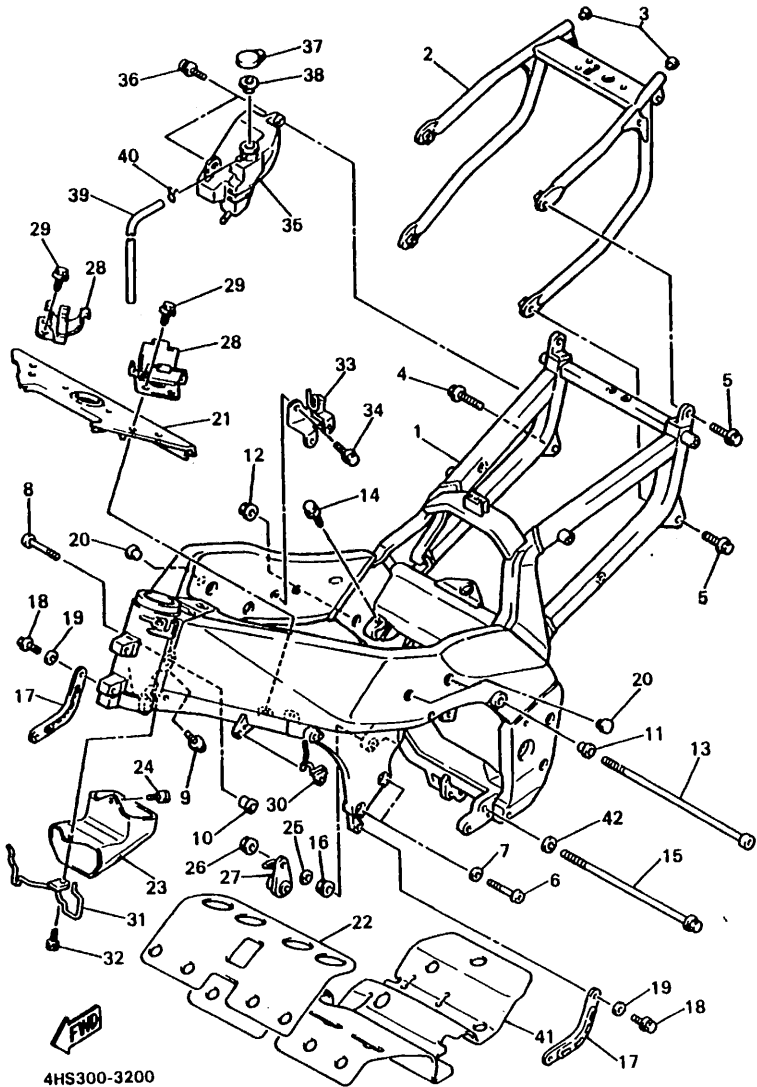


4HD300-3190

REF. NO.	PART NO.	DESCRIPTION	QTY	REMARKS
1	4G0-18127-00	STOPPER, SCREW	1	
2	93102-12321	OIL SEAL	1	
3	1AE-18101-01	SHIFT SHAFT ASSY	1	
4	90508-32682	.SPRING, TORSION	1	
5	90387-114K8	.COLLAR	1	
6	90201-12575	WASHER, PLATE	1	
7	99008-10600	CIRCLIP	1	
8	90560-12191	SPACER	1	
9	93109-12053	OIL SEAL (SDO 12/18/4-1)	2	
10	2GH-18112-01	ARM, SHIFT	1	
11	2H9-18154-00	COVER, DUST	1	
12	95828-06020	BOLT, FLANGE	1	
13	1WG-18115-00	ROD, SHIFT	1	
14	90170-06228	NUT(COUNTER CLOCKWISE)	1	
15	95380-06700	NUT	1	
16	4FM-18110-00	SHIFT PEDAL ASSY	1	
17	2H9-18154-00	.COVER, DUST	1	
18	132-18113-01	.COVER, SHIFT PEDAL	1	

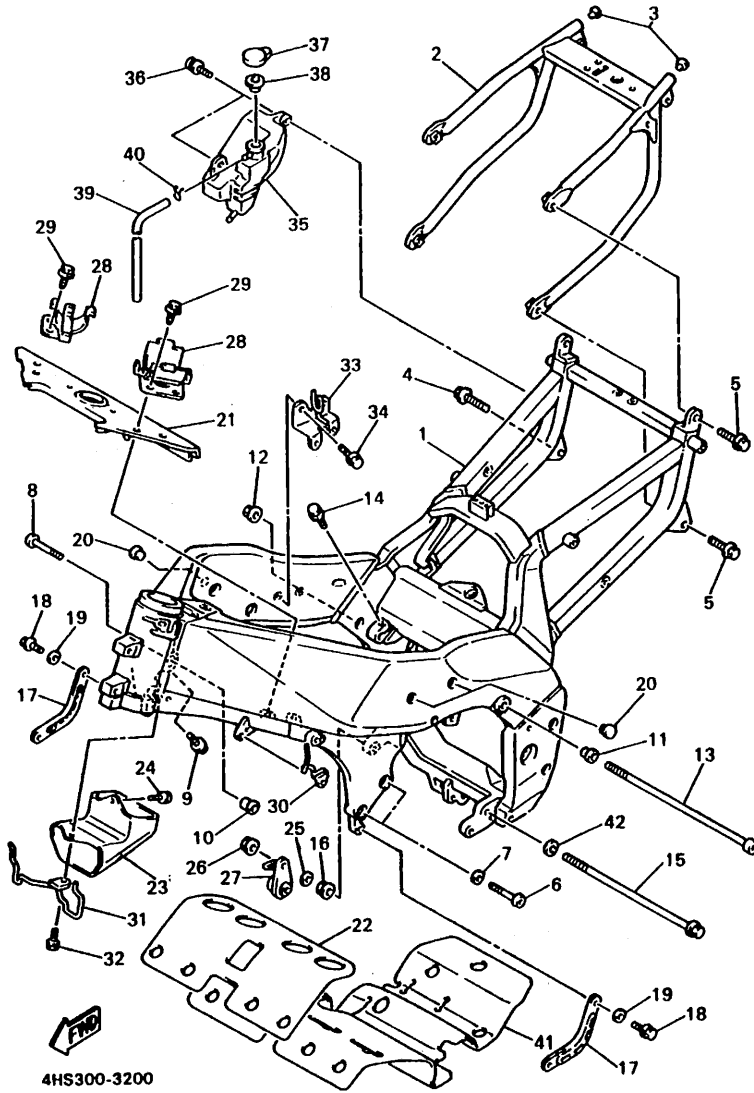
FIG. 20 FRAME

REF. NO.	PART NO.	DESCRIPTION	Q'TY	REMARKS
1	4FM-21110-00	FRAME COMP.	1	
2	4FM-21645-10	STAY, REAR	1	
3	90338-16148	PLUG	2	
4	95811-08030	BOLT, FLANGE	1	
5	95811-08016	BOLT, FLANGE	3	
6	91311-10040	BOLT	2	
7	92900-10600	WASHER	2	
8	91311-10045	BOLT	2	
9	91311-08030	BOLT	2	
10	90387-115V8	COLLAR	2	
11	90387-105V7	COLLAR	1	
12	90179-10590	NUT	1	
13	90110-10169	BOLT, HEXAGON SOCKET HEAD	1	
14	95811-08030	BOLT, FLANGE	2	
15	90105-10559	BOLT, WASHER BASED	1	
16	90179-10247	NUT	1	
17	4FM-2142K-00	BRACKET, RADIATOR	2	
18	97026-06012	BOLT	2	
19	92906-06600	WASHER, PLATE	2	
20	90338-15202	PLUG	3	
21	4FM-2117M-10	COVER 2	1	
22	4FM-2117F-00	COVER	1	
23	4FM-2137Y-00	GUIDE, AIR	1	
24	90159-06058	SCREW, WITH WASHER	1	
25	90201-101J1	WASHER, PLATE	1	
26	95706-10500	NUT, FLANGE	1	
27	4FM-21446-00	STAY, MUFFLER 2	1	
28	4FM-21359-00	BRACKET, COIL	2	



4HS300-3200

FIG. 20 FRAME



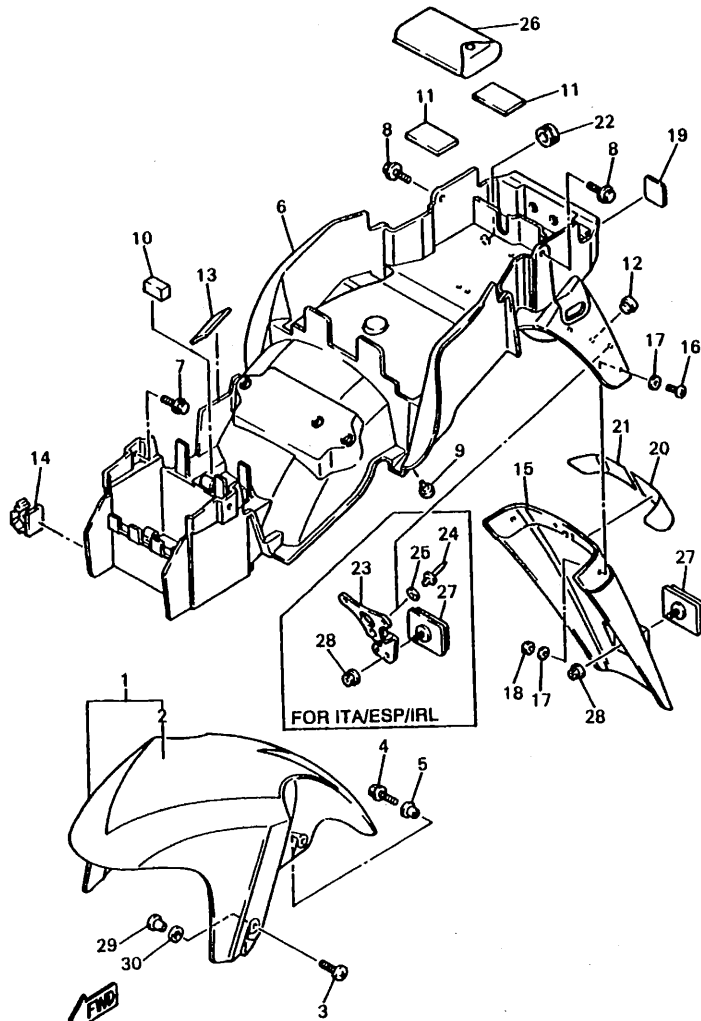
4HS300-3200

REF. NO.	PART NO.	DESCRIPTION	Q'TY	REMARKS
29	90119-06018	BOLT	4	
30	4FM-21161-01	HOLDER, CABLE	1	
31	4FM-21162-00	HOLDER, CLUTCH CABLE	1	
32	90101-06664	BOLT	1	
33	4FM-2116J-10	BRACKET 7	1	
34	91001-06016	BOLT, FLANGE	2	
35	4FM-21871-00	TANK, RECOVERY	1	
36	90159-06033	SCREW, WITH WASHER	2	
37	4L0-21875-00	CAP	1	
38	1AA-21874-00	GASKET	1	
39	90445-084G9	HOSE	1	
40	90467-08003	CLIP	1	
41	4FM-12683-00	PROTECTOR, HEAT	1	
42	90201-100F7	WASHER, PLATE	1	

D2

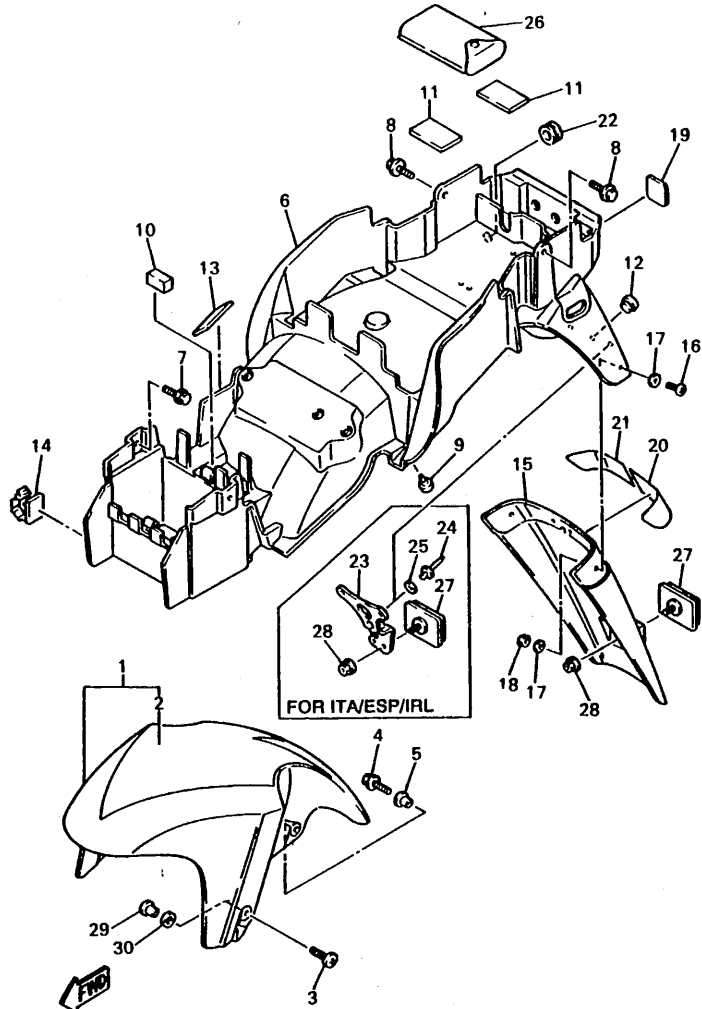
FIG. 21 FENDER

REF. NO.	PART NO.	DESCRIPTION	Q'TY	REMARKS
1	4FM-Y2151-00-P0	FRONT FENDER COMP.	1	BLUISH WHITE COCKTAIL 1
2	4FM-21569-01	.GRAPHIC 1	1	
3	90150-06031	SCREW, ROUND HEAD	2	
4	91001-06016	BOLT, FLANGE	2	
6	90387-06681	COLLAR	2	
6	4FM-21611-00	FENDER, REAR	1	
7	90119-06118	BOLT, WITH WASHER	2	
8	90119-06205	BOLT, WITH WASHER	2	
9	35T-24724-00	DAMPER, SEAT	2	
10	1LJ-2414J-00	DAMPER, PLATE 2	1	
11	5HO-8235Y-M0	DAMPER	2	
12	90338-07043	PLUG	1	
13	3XV-21778-00	DAMPER, LOCATING 1	1	
14	90464-13185	CLAMP	1	
15	3GM-21621-00	FLAP	1	
16	90149-04278	SCREW	4	
17	90201-044A2	WASHER, PLATE	8	
18	95606-04100	NUT, U	4	
19	4FM-21649-00	DAMPER	1	
20	3GM-21649-00	DAMPER	1	
21	3GM-21649-10	DAMPER	1	
22	90480-10258	GROMMET	2	
23	4FM-85132-00	BRACKET, REFLECTOR 1	1	FOR ITA/ESP/IRL
24	90267-40076	RIVET, BLIND	2	FOR ITA/ESP/IRL
25	90201-044A2	WASHER, PLATE	2	FOR ITA/ESP/IRL
26	4FM-28100-00	TOOL KIT	1	
27	3G1-85130-01	REAR REFLECTOR ASSY	1	
28	95701-05500	NUT, FLANGE	1	



4HS300-3210

FIG. 21 FENDER



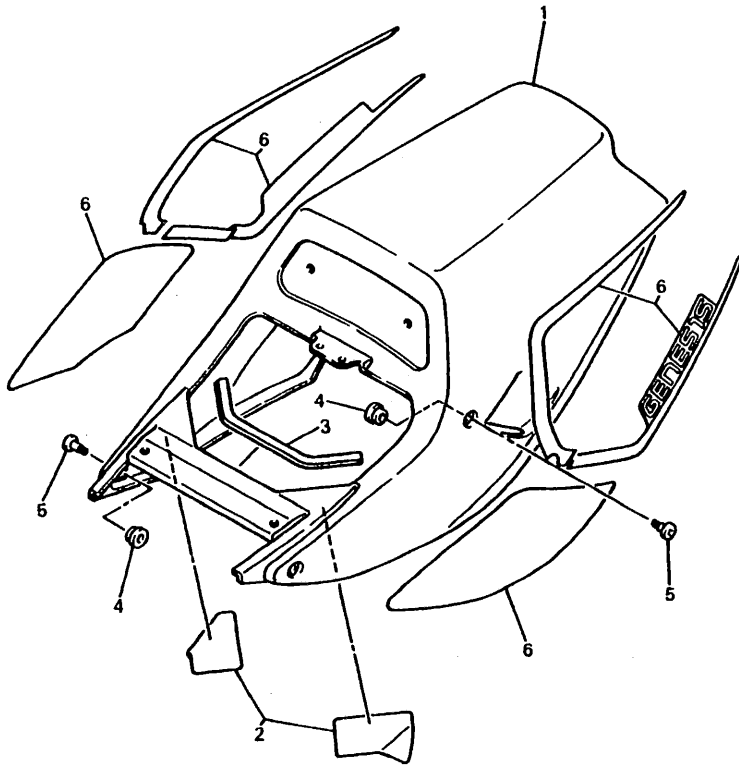
4HS300-3210

REF. NO.	PART NO.	DESCRIPTION	Q'TY	REMARKS
29	90387-087L0	COLLAR	2	
30	4FM-28372-00	DAMPER	2	

D4

FIG. 22 SIDE COVER

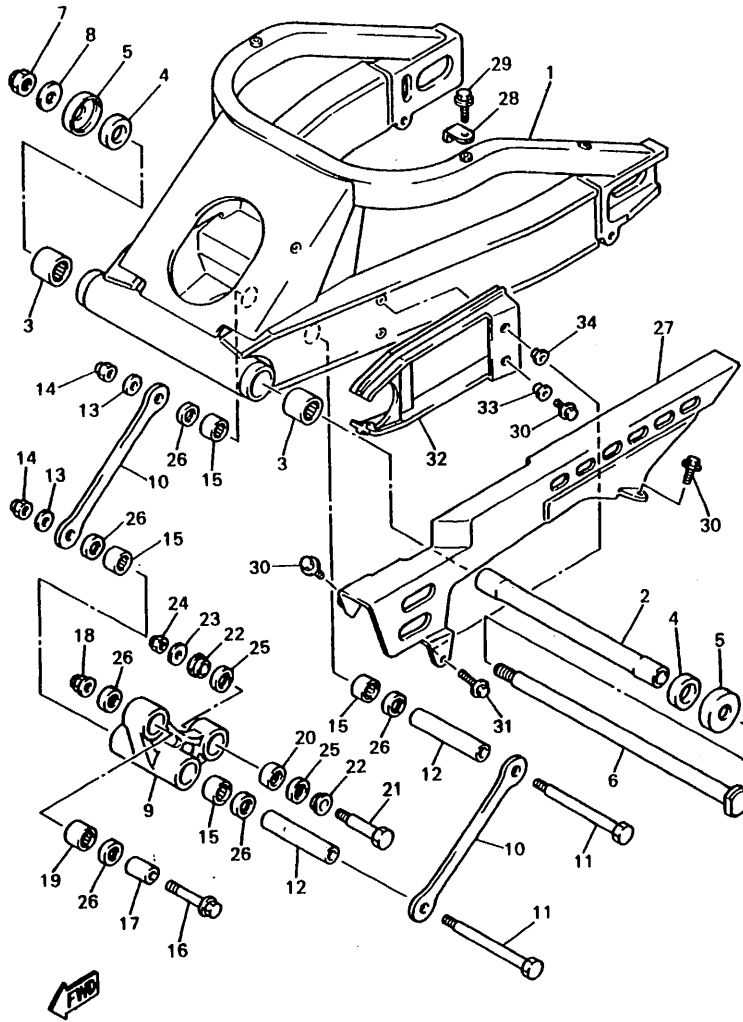
REF. NO.	PART NO.	DESCRIPTION	Q'TY	REMARKS
1	4FM-21710-00-P0	SIDE COVER ASSY 1	1	BLUISH WHITE COCKTAIL 1
2	1JK-21735-00	SEAL 2	2	
3	3KX-28345-00	MOLE 1	1	
4	90480-13398	GROMMET	4	
5	90150-06036	SCREW, ROUND HEAD	4	
6	4FN-2173L-01	GRAPHIC SET 1	1	



4HS300-3220

D5

FIG. 23 REAR ARM



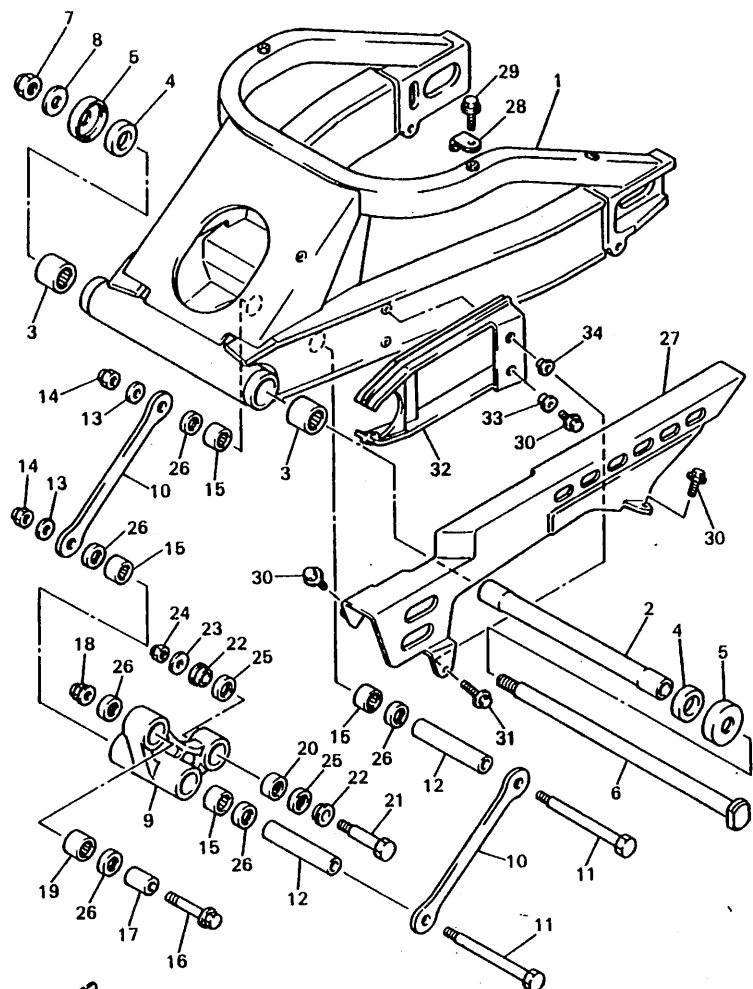
4HS300-3230

REF. NO.	PART NO.	DESCRIPTION	Q'TY	REMARKS
1	4FM-22110-00	REAR ARM COMP.	1	
2	3FV-22184-00	BUSH	1	
3	93315-42523	BEARING, CYLINDRICAL	2	
4	93342-22502	BEARING, THRUST	2	
5	3FV-22128-00	COVER, THRUST 1	2	
6	3GM-22141-00	SHAFT, PIVOT	1	
7	90185-18104	NUT, SELF-LOCKING	1	
8	90201-18264	WASHER, PLATE	1	
9	4FM-2217A-10	ARM, RELAY	1	
10	4FM-2217M-10	ARM 1	2	
11	90101-10858	BOLT	2	
12	90387-122R5	COLLAR	2	
13	90201-101J1	WASHER, PLATE	2	
14	95611-10100	NUT, U	2	
15	93317-21746	BEARING, CYLINDRICAL	4	
16	90105-10376	BOLT, WASHER BASED	1	
17	90387-102R4	COLLAR	1	
18	95611-10200	NUT, SELF-LOCKING	1	
19	93317-31771	BEARING, CYLINDRICAL	1	
20	93399-99919	BEARING	1	
21	90101-10859	BOLT	1	
22	90387-124W2	COLLAR	2	
23	90201-101J1	WASHER, PLATE	1	
24	95611-10100	NUT, U	1	
25	93101-16131	OIL SEAL	2	
26	93109-17048	OIL SEAL (SDO 17-24-4)	6	
27	4FM-22311-00	CASE, CHAIN	1	
28	4FM-2213J-00	STAY, CHAIN CASE	1	

D6

FIG. 23 REAR ARM

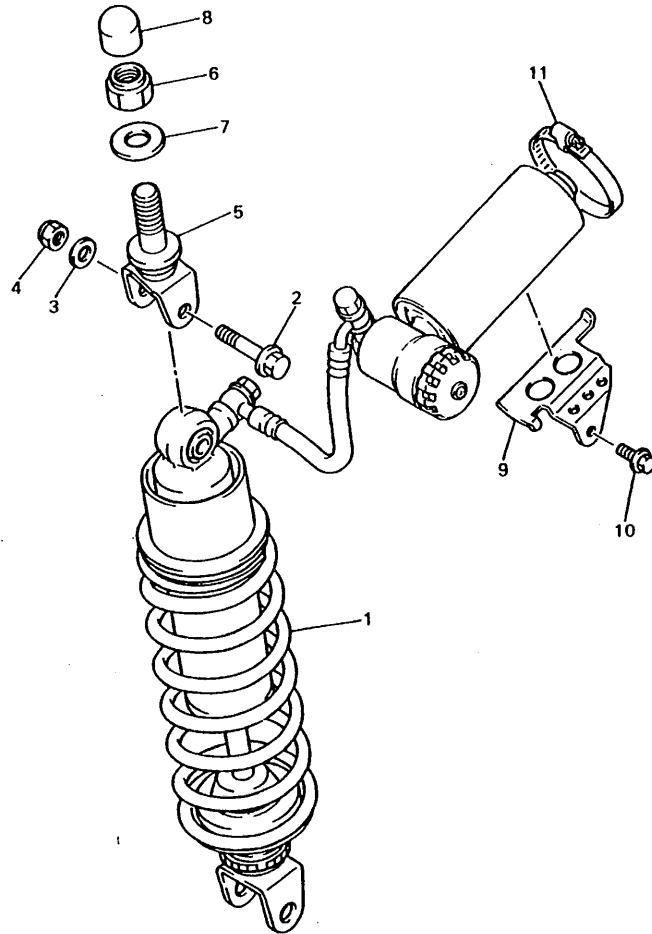
REF. NO.	PART NO.	DESCRIPTION	Q'TY	REMARKS
29	90105-06707	BOLT, WASHER BASED	1	
30	90119-06088	BOLT, WITH WASHER	3	
31	90119-06163	BOLT, WITH WASHER	1	
32	4FM-22151-00	SEAL, GUARD	1	
33	90387-06704	COLLAR	1	
34	90387-06681	COLLAR	1	



4HS300-3230

D7

FIG. 24 REAR SUSPENSION



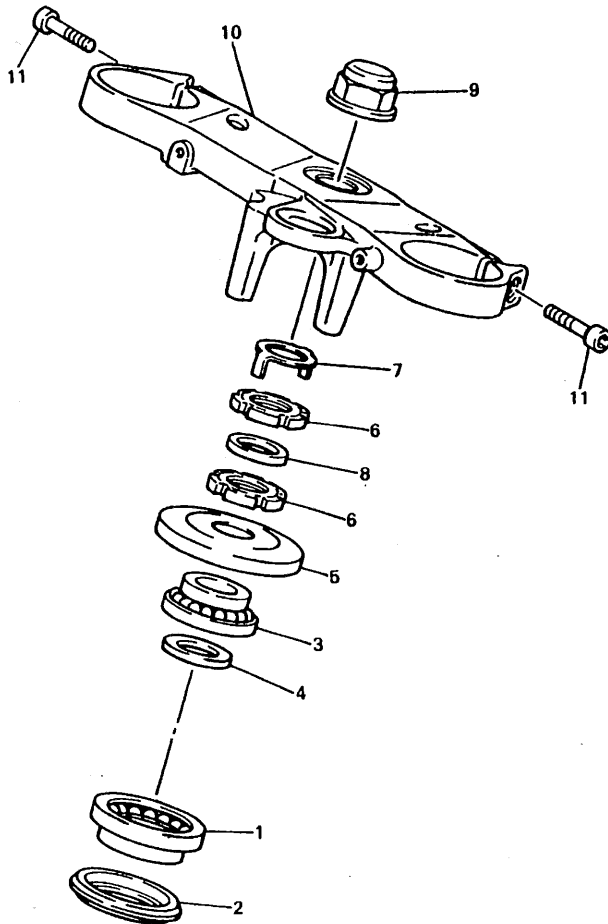
REF. NO.	PART NO.	DESCRIPTION	Q'TY	REMARKS
1	4FM-22210-10	SHOCK ABSORBER ASSY, REAR	1	
2	90105-10402	BOLT, WASHER BASED	1	
3	90201-101J1	WASHER, PLATE	1	
4	95611-10100	NUT, U	1	
5	4FM-22219-00	BRACKET, UPPER	1	
6	90185-16127	NUT, SELF-LOCKING	1	
7	90201-164H4	WASHER, PLATE	1	
8	478-25335-00	CAP	1	
9	4FM-22262-00	HOLDER, SUB TANK	1	
10	91001-08016	BOLT, FLANGE	1	
11	90450-32008	HOSE CLAMP ASSY	1	



4HS300-3240

D8

FIG. 25 STEERING



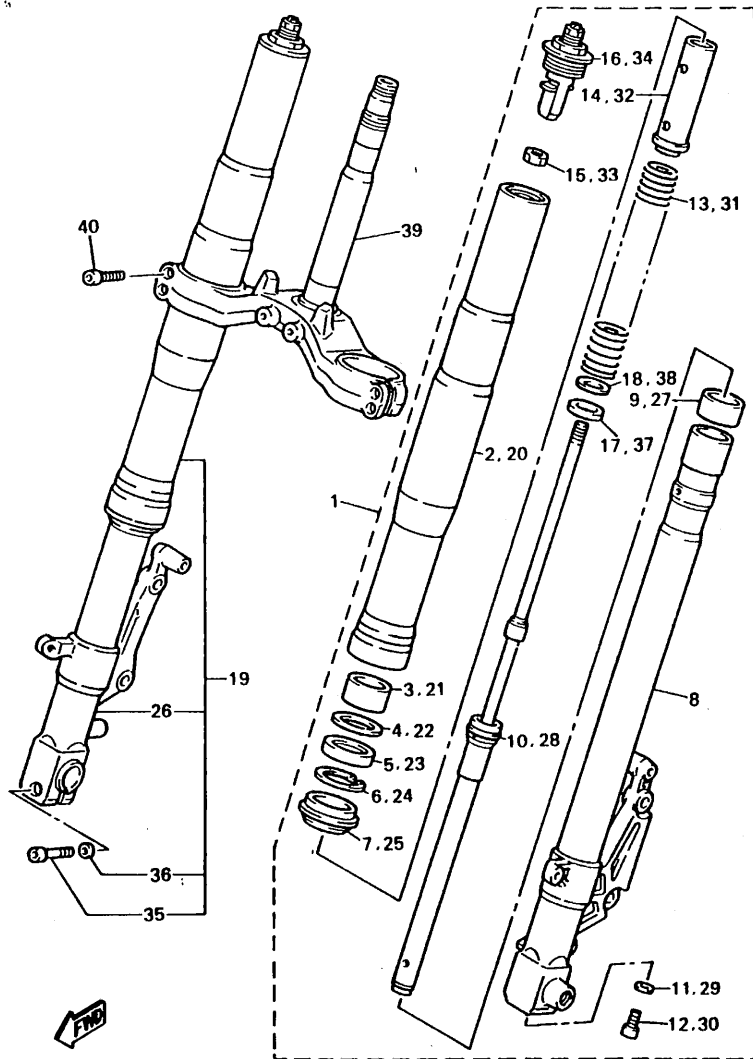
REF. NO.	PART NO.	DESCRIPTION	Q'TY	REMARKS
1	93399-99932	BEARING	1	
2	3FV-23462-00	SEAL, STEERING	1	
3	93399-99931	BEARING	1	
4	90202-24190	WASHER, PLATE	1	
5	3GM-23416-00	COVER, BALL RACE 1	1	
6	90179-25615	NUT	2	
7	3YF-23418-00	WASHER, SPECIAL	1	
8	90202-26142	WASHER, PLATE	1	
9	90176-22060	NUT, CROWN	1	
10	4FM-23435-00	CROWN, HANDLE	1	
11	91311-08030	BOLT	2	



4HD300-3250

D9

FIG. 26 FRONT FORK

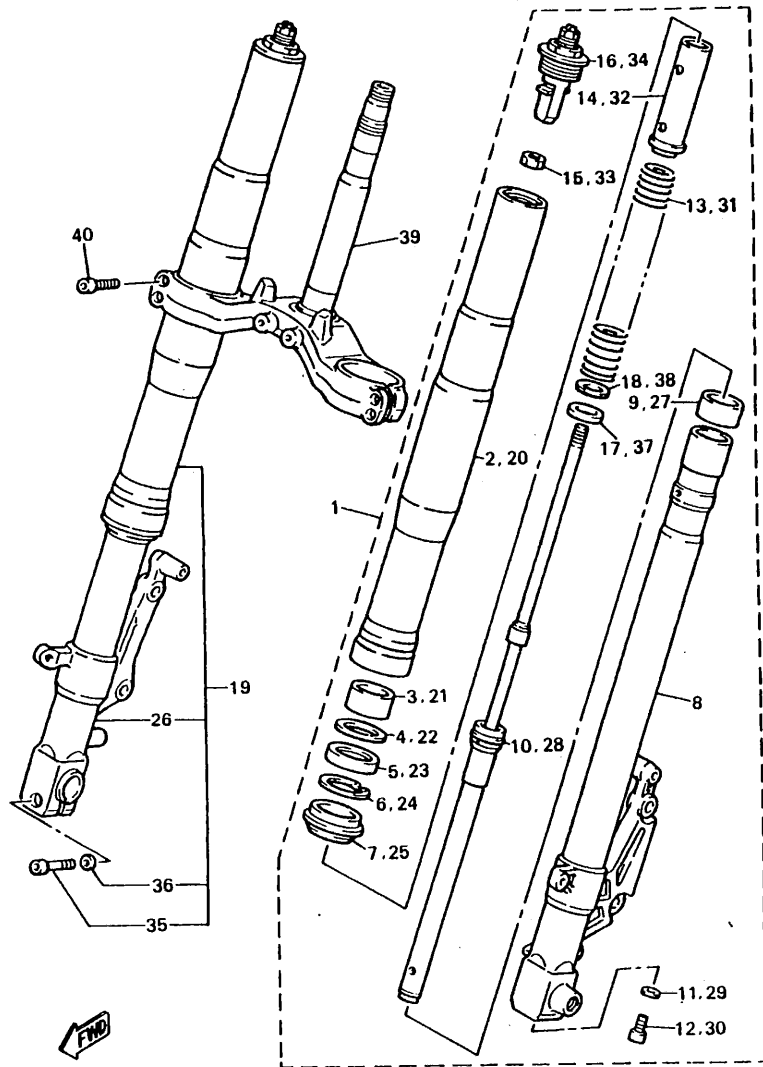


4HS300-3280

REF. NO.	PART NO.	DESCRIPTION	Q'TY	REMARKS
1	4FM-23102-10	FRONT FORK ASSY (L.H)	1	
2	4FM-23138-00	.TUBE, OUTER (RIGHT)	1	
3	4FM-23125-00	.METAL, SLIDE 1	1	
4	38Y-23146-10	.WASHER, OIL SEAL	1	
5	3SP-23145-L0	.OIL SEAL	1	
6	26H-23156-00	.CLIP, OIL SEAL	1	
7	4FM-23144-00	.SEAL, DUST	1	
8	4FM-23110-10	.INNER TUBE COMP.1	1	
9	3JD-23171-L0	.METAL, SLIDE	1	
10	4FM-23170-10	.CYLINDER COMP., FRONT FORK	1	
11	2K8-23158-L0	.GASKET	1	
12	3LC-23181-00	.BOLT, HEXAGON SOCKET HEAD	1	
13	4FM-23141-10	.SPRING, FRONT FORK	1	
14	4FM-23118-00	.SPACER	1	
15	3XJ-23357-L0	.NUT	1	
16	4FM-23111-10	.BOLT, CAP	1	
17	4FM-23159-00	.WASHER, SPRING, LOWER	1	
18	4FM-23165-00	.WASHER, FELT	1	
19	4FM-23103-10	FRONT FORK ASSY (R.H)	1	
20	4FM-23138-00	.TUBE, OUTER (RIGHT)	1	
21	4FM-23125-00	.METAL, SLIDE 1	1	
22	38Y-23146-10	.WASHER, OIL SEAL	1	
23	3SP-23145-L0	.OIL SEAL	1	
24	26H-23156-00	.CLIP, OIL SEAL	1	
25	4FM-23144-00	.SEAL, DUST	1	
26	4FM-23120-10	.INNER TUBE COMP.2	1	
27	3JD-23171-L0	.METAL, SLIDE	1	
28	4FM-23170-10	.CYLINDER COMP., FRONT FORK	1	

D10

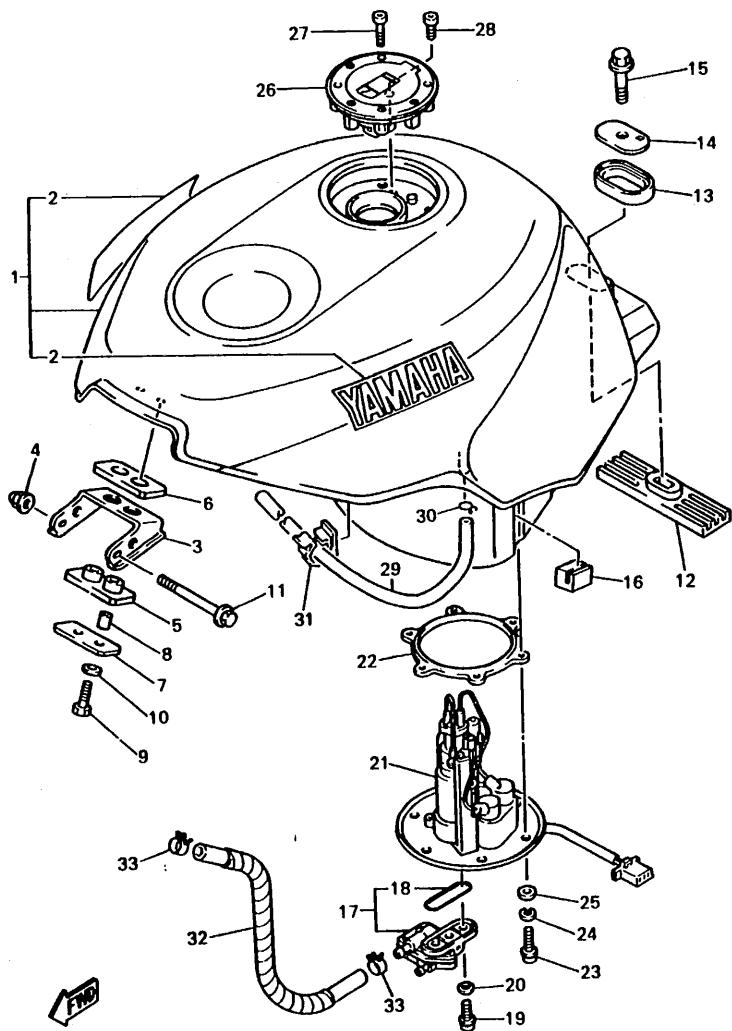
FIG. 26 FRONT FORK



REF. NO.	PART NO.	DESCRIPTION	Q'TY	REMARKS
29	2K8-23158-L0	.GASKET	1	
30	3LC-23181-00	.BOLT, HEXAGON SOCKET HEAD	1	
31	4FM-23141-10	.SPRING, FRONT FORK	1	
32	4FM-23118-00	.SPACER	1	
33	3XJ-23367-L0	.NUT	1	
34	4FM-23111-10	.BOLT, CAP	1	
35	91311-08040	.BOLT	1	
36	90201-08085	.WASHER, PLATE	1	
37	4FM-23159-00	.WASHER, SPRING, LOWER	1	
38	4FM-23165-00	.WASHER, FELT	1	
39	4FM-23340-00	UNDER BRACKET COMP.	1	
40	91311-08030	BOLT	4	

4HS300-3260

FIG. 27 FUEL TANK

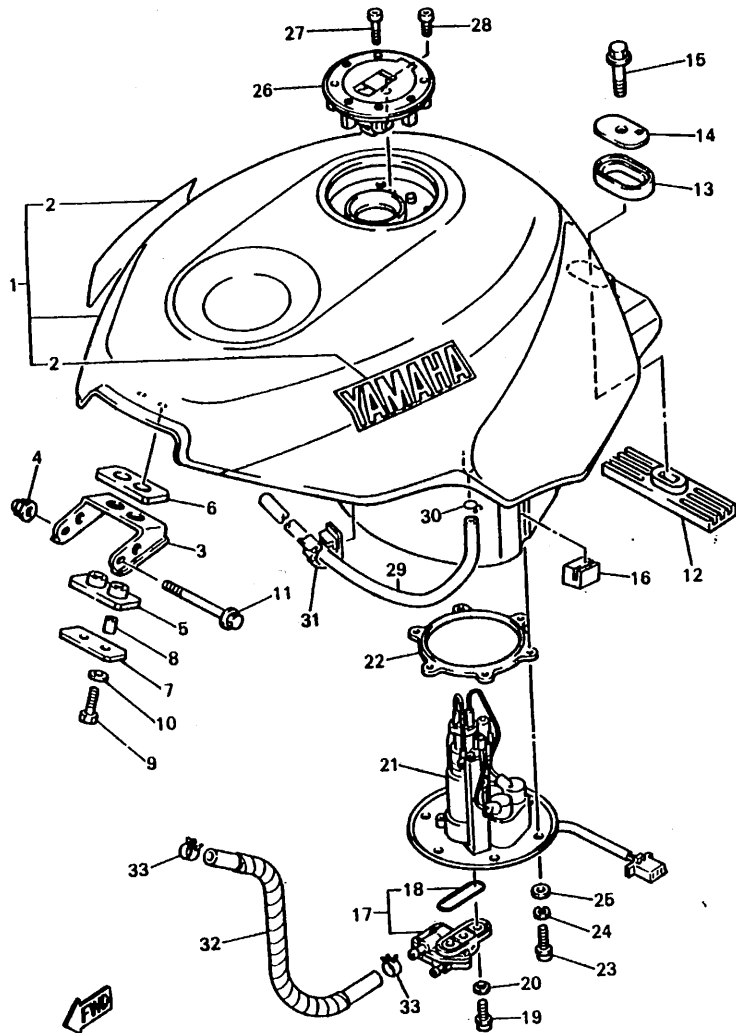


4HS300-3270

REF. NO.	PART NO.	DESCRIPTION	QTY	REMARKS
1	4FM-24110-10-01	FUEL TANK COMP.	1	BLUISH WHITE COCKTAIL 1 /VIVID MAGENTA COCKTAIL 1
2	99226-00160	EMBLEM, YAMAHA	2	
3	4FM-24191-00	BRACKET, FUEL TANK 1	1	
4	90176-06055	NUT, CROWN	1	
5	2GH-24181-00	DAMPER, LOCATING 1	1	
6	2GH-24183-00	DAMPER, LOCATING 3	1	
7	2GH-24186-00	WASHER, SPECIAL	1	
8	90387-06299	COLLAR	2	
9	97011-06025	BOLT	2	
10	92995-06100	WASHER	2	
11	95816-06075	BOLT, FLANGE	1	
12	2GH-24184-00	DAMPER, LOCATING 4	1	
13	3Y6-24183-00	DAMPER, LOCATING 3	1	
14	12R-24186-00	WASHER, SPECIAL	1	
15	95811-08016	BOLT, FLANGE	1	
16	3XV-24183-00	DAMPER, LOCATING 3	2	
17	3FV-24500-01	FUEL COCK ASSY 1	1	
18	4X8-24512-00	O-RING	1	
19	90149-06011	SCREW	2	
20	90202-05193	WASHER, PLATE	2	
21	4FM-13910-00	FUEL PUMP ASSY	1	
22	4FM-2414G-00	SEAL	1	
23	98501-05016	SCREW, PAN HEAD	8	
24	92901-05100	WASHER, SPRING	6	
25	92901-05600	WASHER, PLATE	6	
26	4FM-24602-00	CAP ASSY	1	
27	90110-05112	BOLT, HEXAGON SOCKET HEAD	3	
28	91311-05010	BOLT	1	

D12

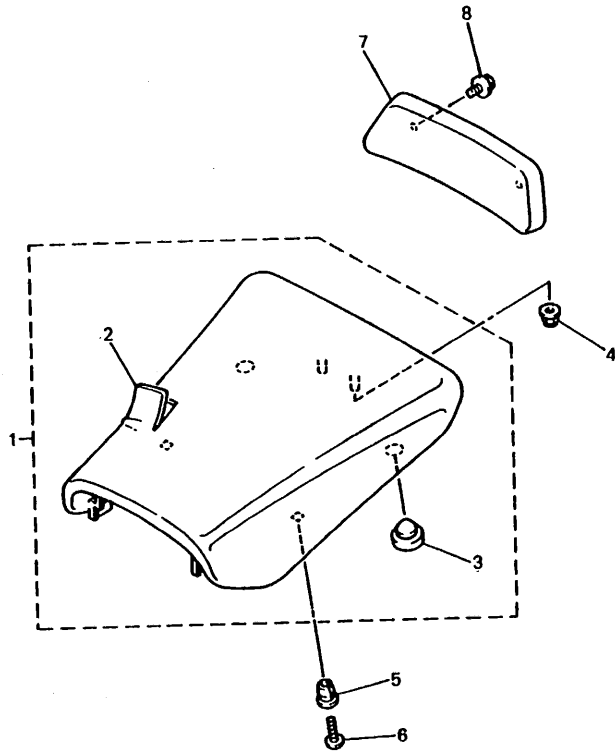
FIG. 27 FUEL TANK



4HS300-3270

REF. NO.	PART NO.	DESCRIPTION	QTY	REMARKS
29	90445-102G7	HOSE	1	
30	90467-09006	CLIP	1	
31	90464-25160	CLAMP	1	
32	3FV-14294-02	HOSE	1	
33	90467-13123	CLIP	2	

FIG. 28 SEAT



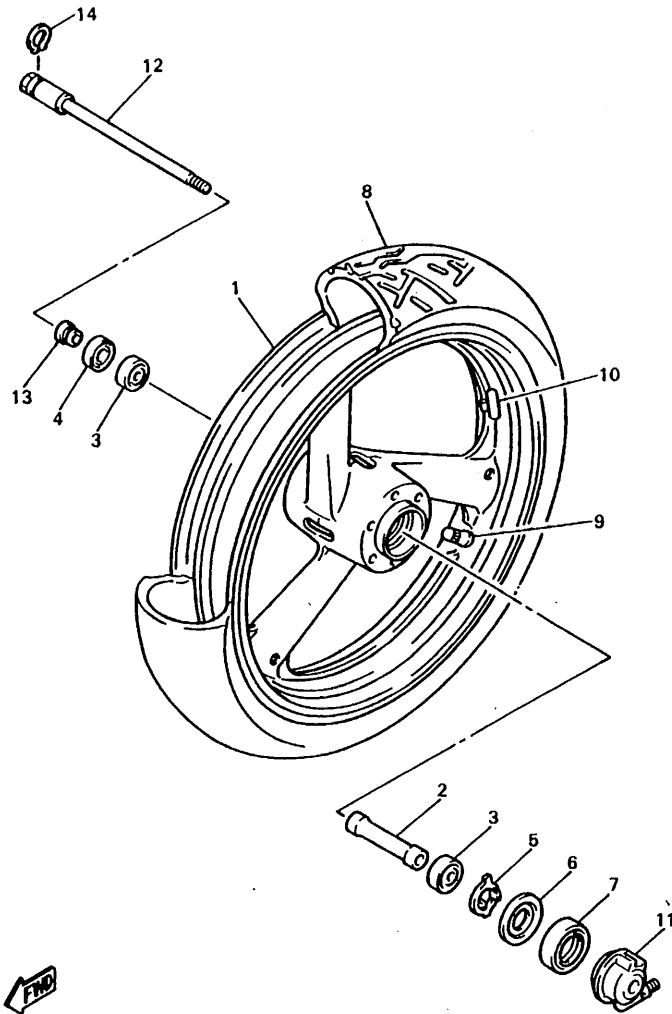
REF. NO.	PART NO.	DESCRIPTION	Q'TY	REMARKS
1	4FM-24710-10	SINGLE SEAT ASSY	1	
2	4FM-24711-00	.COVER, SINGLE SEAT	1	
3	509-24724-00	.DAMPER, SEAT	2	
4	95601-06200	NUT, SELF-LOCKING	2	
5	90338-08226	PLUG	2	
6	97706-60016	SCREW, TAPPING	2	
7	3FV-2840F-00	BACK REST ASSY	1	
8	90119-06194	BOLT, WITH WASHER	2	



4HS300-3280

D14

FIG. 29 FRONT WHEEL

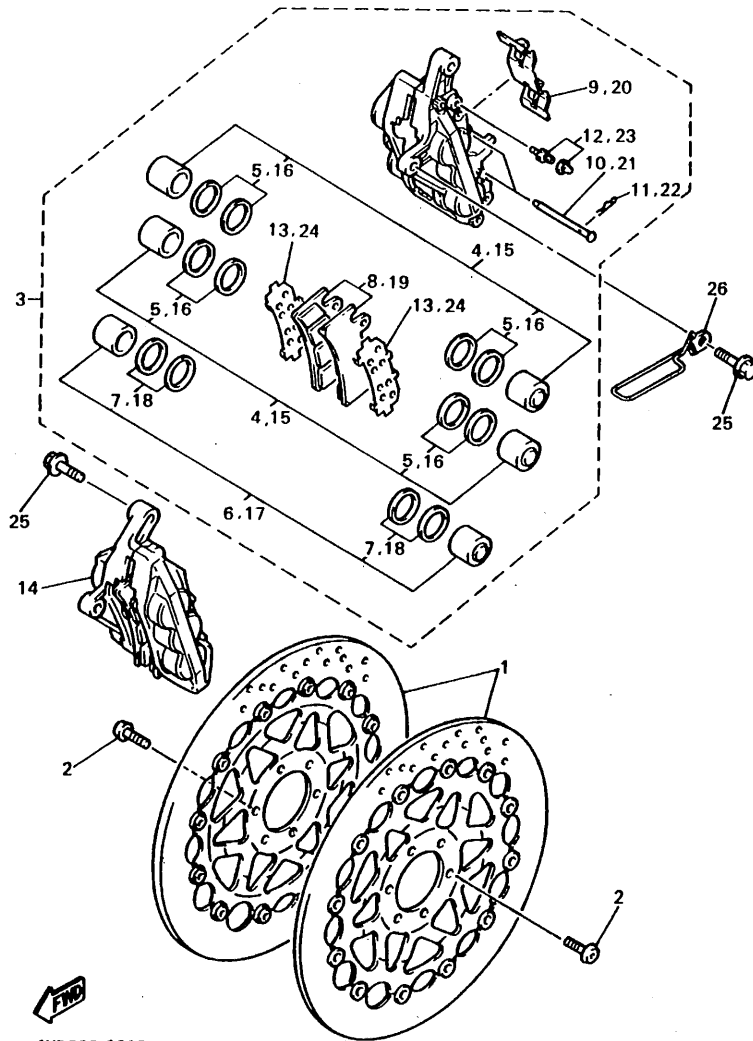


REF. NO.	PART NO.	DESCRIPTION	QTY	REMARKS
1	4FM-25168-00-UA	CAST WHEEL, FRONT	1	CAST WHEEL WHITE
2	90387-2200S	COLLAR	1	
3	93306-00420	BEARING (B6004)	2	
4	93102-28021	OIL SEAL	1	
5	4FM-25149-00	CLUTCH, METER	1	
6	341-25846-00	RETAINER, CLUTCH	1	
7	93105-45017	OIL SEAL	1	
8	*	TIRE (120/70 ZR17 TX11)	1	LM MICHELIN
9	93900-00030	VALVE, RIM	1	
10	29L-25398-00	BALANCER, WHEEL (10G)	1	UN
	29L-25398-10	BALANCER, WHEEL (20G)	1	UN
	29L-25398-20	BALANCER, WHEEL (30G)	1	UN
11	4FM-25190-00	GEAR UNIT ASSY	1	
12	4FM-25181-00	AXLE, WHEEL	1	
13	90387-2200T	COLLAR	1	
14	99009-28400	CIRCLIP	1	



4HD300-3290

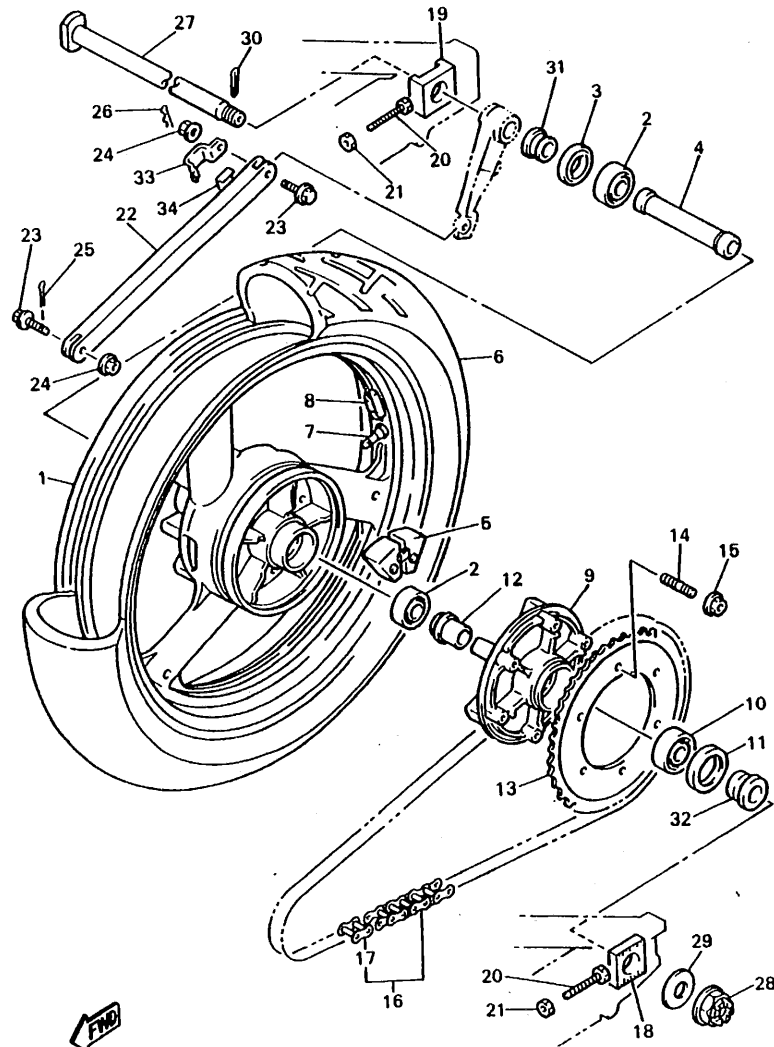
FIG. 30 FRONT BRAKE CALIPER



4HD300-3300

REF. NO.	PART NO.	DESCRIPTION	Q'TY	REMARKS
1	4FM-2581T-00	DISC BRAKE ASSY	2	
2	90109-08718	BOLT	12	
3	4FM-2580T-00	CALIPER ASSY (LEFT)	1	
4	4FM-W0057-10	.PISTON ASSY, CALIPER	2	
5	4FM-W0047-10	..CALIPER SEAL KIT	1	
6	4FM-W0057-00	.PISTON ASSY, CALIPER	1	
7	4FM-W0047-00	..CALIPER SEAL KIT	1	
8	4FM-W0045-00	.BRAKE PAD KIT	1	
9	4FM-25919-00	.SUPPORT, PAD	1	
10	4FM-25924-00	.PIN, PAD	2	
11	4FM-25925-00	.CLIP	2	
12	1J3-W0048-00	.BREED SCREW KIT	1	
13	4FM-25827-00	.SHIM, CALIPER	2	
14	4FM-2580U-00	CALIPER ASSY (RIGHT)	1	
15	4FM-W0057-10	.PISTON ASSY, CALIPER	2	
16	4FM-W0047-10	..CALIPER SEAL KIT	1	
17	4FM-W0057-00	.PISTON ASSY, CALIPER	1	
18	4FM-W0047-00	..CALIPER SEAL KIT	1	
19	4FM-W0045-00	.BRAKE PAD KIT	1	
20	4FM-25919-00	.SUPPORT, PAD	1	
21	4FM-25924-00	.PIN, PAD	2	
22	4FM-25925-00	.CLIP	2	
23	1J3-W0048-00	.BREED SCREW KIT	1	
24	4FM-25827-00	.SHIM, CALIPER	2	
25	90105-10577	BOLT, WASHER BASED	4	
26	4FM-21596-00	HOLDER	1	

FIG. 31 REAR WHEEL

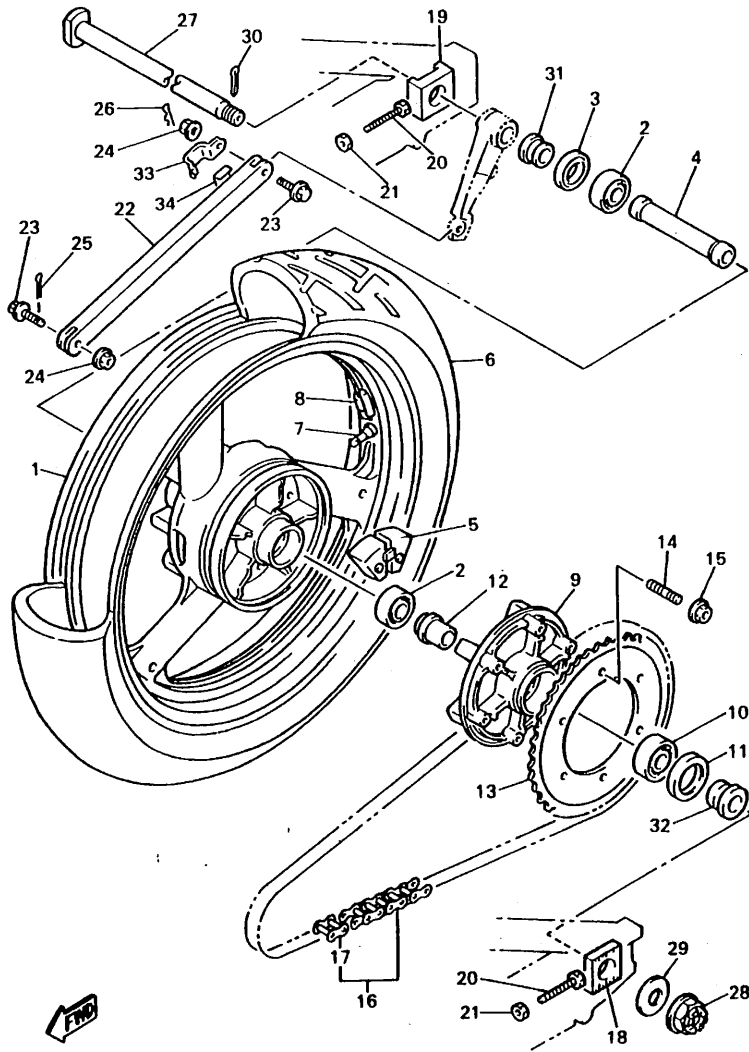


REF. NO.	PART NO.	DESCRIPTION	Q'TY	REMARKS
1	4FM-25338-00-UA	CAST WHEEL, REAR	1	CAST WHEEL WHITE
2	93306-20567	BEARING	2	
3	93102-35412	OIL SEAL	1	
4	90560-28389	SPACER	1	
5	4FM-25364-00	DAMPER	6	
6	*	TIRE (180/65 ZR17 TX23)	1	LM MICHELIN
7	93900-00030	VALVE, RIM	1	
8	29L-25398-00	BALANCER, WHEEL (10G)	1	UN
	29L-25398-10	BALANCER, WHEEL (20G)	1	UN
	29L-25398-20	BALANCER, WHEEL (30G)	1	UN
9	4FM-25366-00	CLUTCH, HUB	1	
10	93306-20644	BEARING	1	
11	93102-40330	OIL SEAL	1	
12	4FM-25377-00	COLLAR, WHEEL	1	
13	4FM-25439-00	SPROCKET, DRIVEN (39T)	1	
14	90116-10575	BOLT, STUD	6	
15	95601-10200	NUT, SELF-LOCKING	6	
16	94581-55104	CHAIN (DID532ZLVKA1-L104)	1	
17	94681-55031	JOINT, CHAIN	1	
18	4FM-25388-00	PULLER, CHAIN 1	1	
19	4FM-25389-00	PULLER, CHAIN 2	1	
20	90101-08705	BOLT	2	
21	95333-08600	NUT	2	
22	4FM-25371-00	BAR, TENSION	1	
23	90105-08321	BOLT, WASHER BASED	2	
24	95701-08600	NUT, FLANGE	2	
25	91490-20020	PIN, COTTER	1	
26	90468-16099	CLIP	1	



4HS300-3310

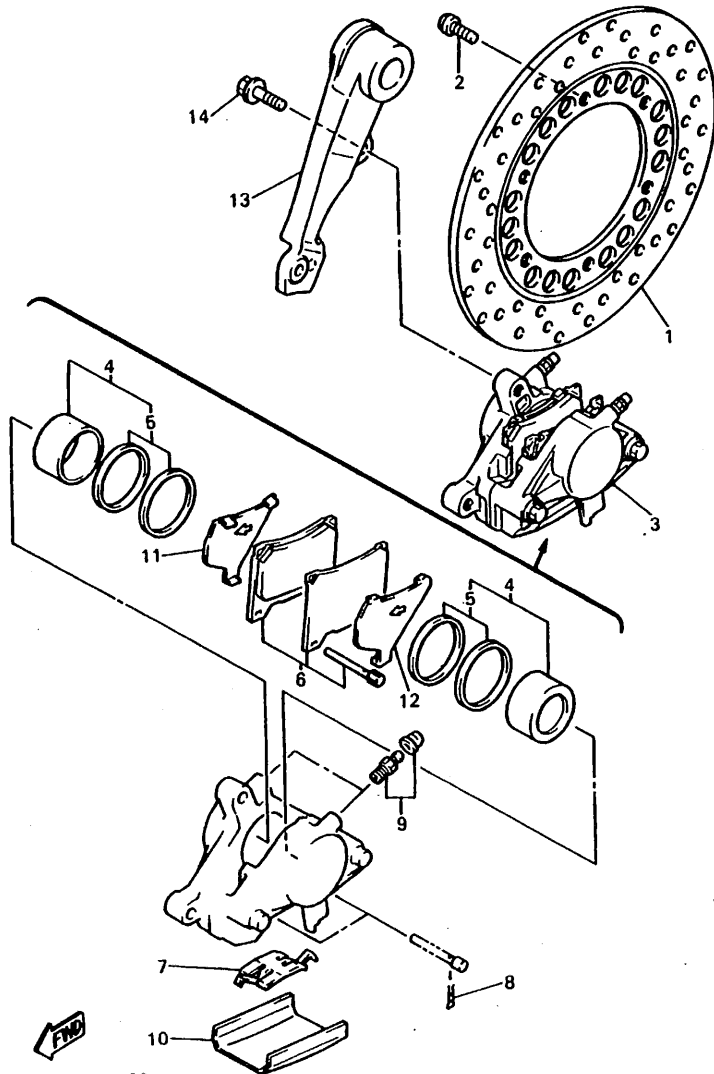
FIG. 31 REAR WHEEL



4HS300-3310

REF. NO.	PART NO.	DESCRIPTION	Q'TY	REMARKS
27	4FM-25381-00	AXLE, WHEEL	1	
28	90171-25052	NUT, CASTLE	1	
29	90201-263R9	WASHER, PLATE	1	
30	91401-40046	PIN, COTTER	1	
31	90387-2800P	COLLAR	1	
32	90387-2800R	COLLAR	1	
33	4FM-25887-00	HOLDER, BRAKE HOSE	1	
34	2AL-84553-00	DAMPER	1	

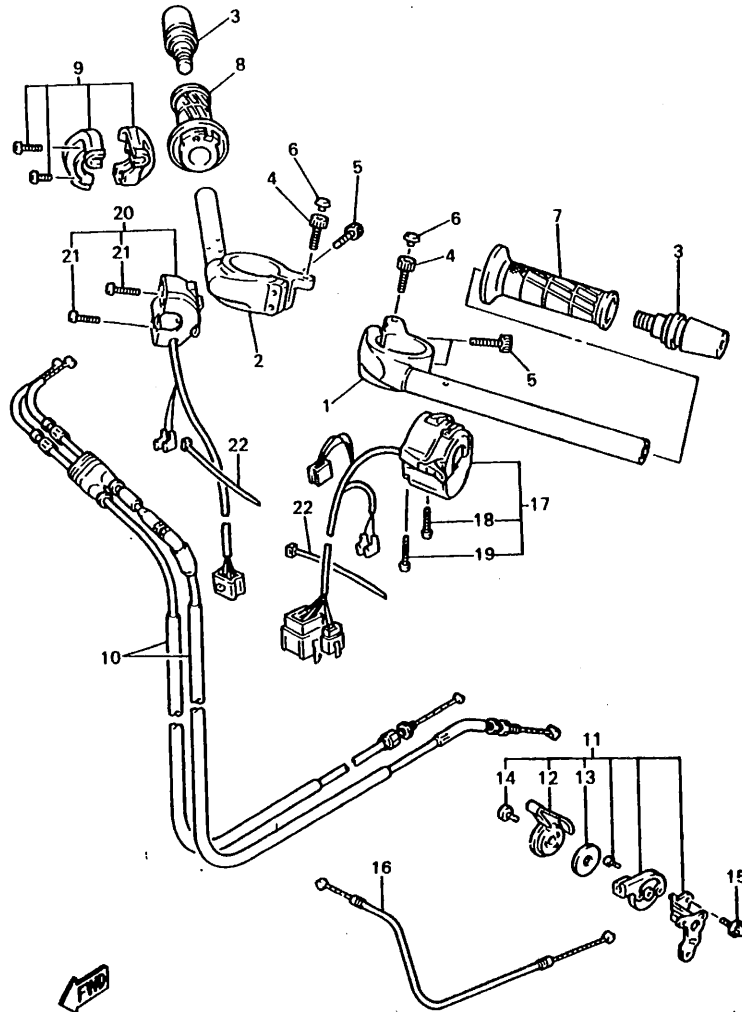
FIG. 32 REAR BRAKE CALIPER



4HD300-3320

REF. NO.	PART NO.	DESCRIPTION	Q'TY	REMARKS
1	4FM-2582W-00	DISC, REAR BRAKE 2	1	
2	90109-08718	BOLT	6	
3	4FM-2580W-00	CALIPER ASSY, REAR 2	1	
4	31A-W0057-00	.PISTON ASSY, CALIPER	1	
5	31A-W0047-00	..CALIPER SEAL KIT	1	
6	4FM-W0046-00	.BRAKE PAD KIT 2	1	
7	1WG-25919-00	.SUPPORT, PAD	1	
8	3HE-25925-00	.CLIP	2	
9	1J3-W0048-00	.BRED SCREW KIT	2	
10	42H-25836-00	.COVER, DUST	1	
11	1FK-25827-00	.SHIM, CALIPER	1	
12	1FK-25828-00	.SHIM, CALIPER	1	
13	4FM-25819-01	BRACKET, CALIPER	1	
14	90105-10577	BOLT, WASHER BASED	2	

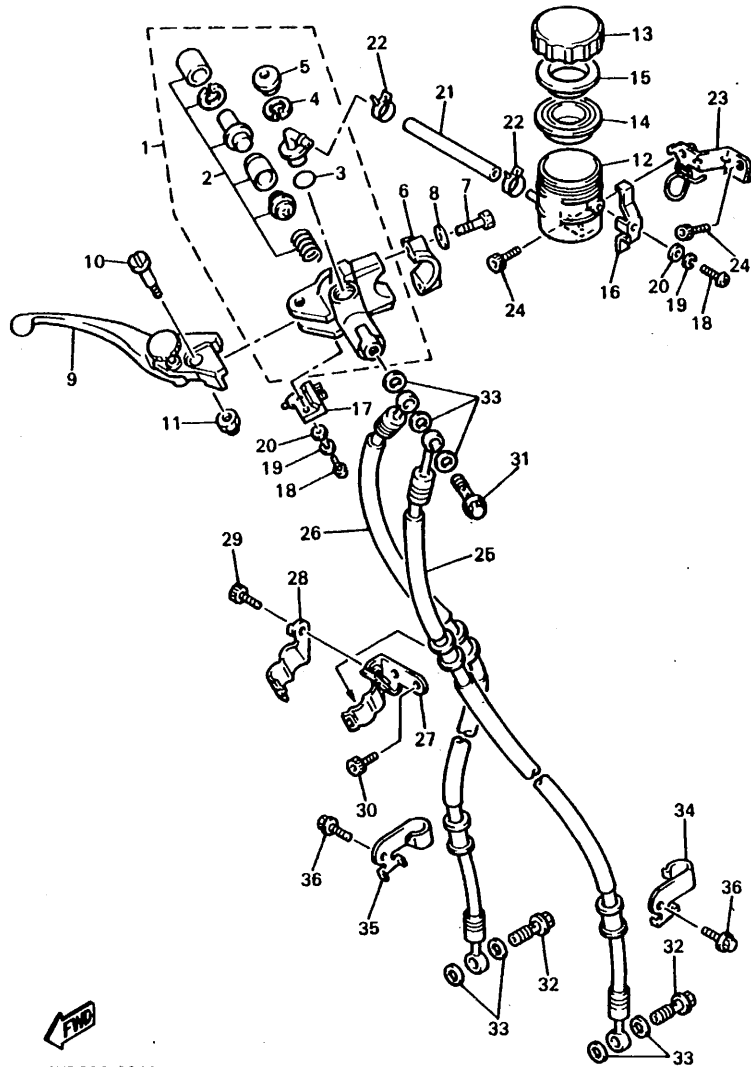
FIG. 33 STEERING HANDLE • CABLE



4HS300-3330

REF. NO.	PART NO.	DESCRIPTION	Q'TY	REMARKS
1	4FM-26121-00	HANDLEBAR (LEFT)	1	
2	4FM-26122-00	HANDLEBAR (RIGHT)	1	
3	36Y-26246-00	END, GRIP	2	
4	91311-06020	BOLT	2	
5	91311-06025	BOLT	4	
6	10L-23469-00	CAP, BOLT	2	
7	4FM-26241-00	GRIP (LEFT)	1	
8	4FM-26240-00	GRIP ASSY	1	
9	3LN-26270-01	CABLE CONNECTOR CAP ASSY	1	
10	4FM-26302-10	THROTTLE CABLE ASSY	1	
11	4FM-83940-00	STARTER ASSY	1	
12	1WG-83941-00	.LEVER, STARTER	1	
13	90209-10131	.WASHER	1	
14	98906-08008	.SCREW, BIND	1	
15	95826-06010	BOLT, FLANGE	1	
16	4FM-26331-10	CABLE, STARTER 1	1	
17	3GM-83969-01	SWITCH, HANDLE 5	1	
18	98506-05030	.SCREW, PAN HEAD	1	
19	98506-05040	.SCREW, PAN HEAD	1	
20	4FM-83975-00	SWITCH, HANDLE 2	1	
21	98506-05018	.SCREW, PAN HEAD	2	
22	25G-83936-01	BAND, SWITCH CORD	2	

FIG. 34 FRONT MASTER CYLINDER



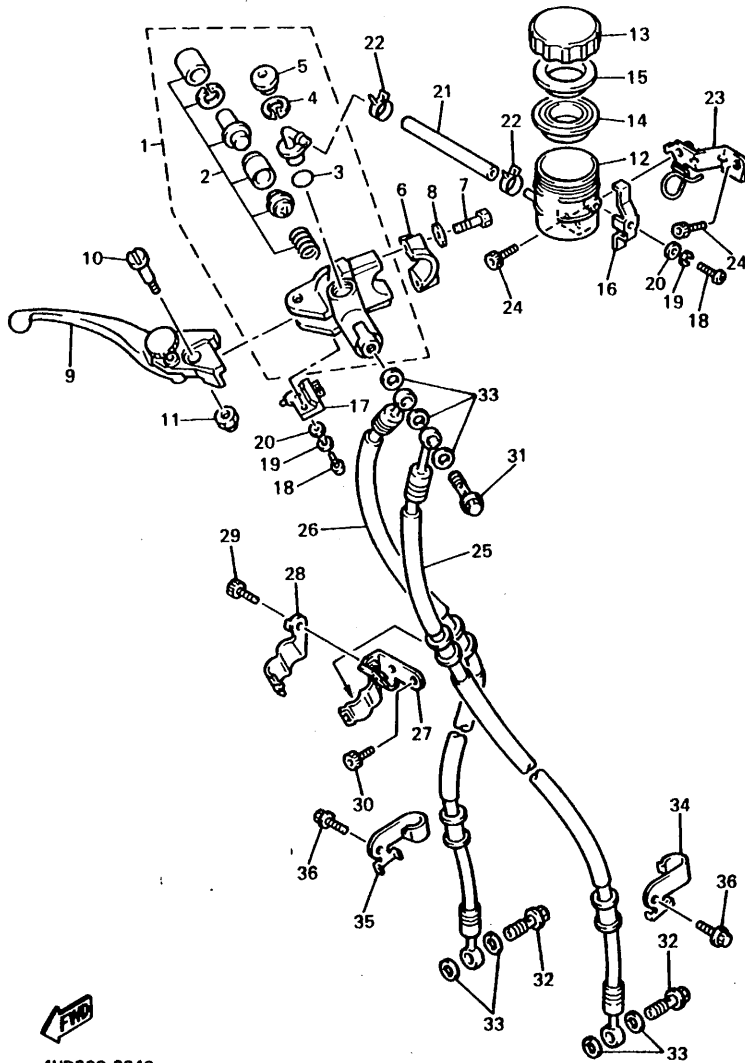
REF. NO.	PART NO.	DESCRIPTION	Q'TY	REMARKS
1	3GM-W2587-50	MASTER CYLINDER SUB ASSY	1	
2	3GM-W0041-50	.CYLINDER KIT, MASTER	1	
3	93210-15620	.O-RING	1	
4	2VN-25866-00	.CIRCLIP	1	
5	3FV-2589A-00	.COVER, DUST	1	
6	56A-25867-00	BRACKET, MASTER CYLINDER	1	
7	97016-06025	BOLT	2	
8	92906-06600	WASHER, PLATE	2	
9	3GM-83922-50	LEVER 2	1	
10	3FV-2589F-00	BOLT, LEVER	1	
11	95616-06100	NUT, U	1	
12	3FV-25894-00	TANK, RESERVOIR	1	
13	3GM-25852-50	CAP, RESERVOIR	1	
14	3FV-25854-00	DIAPHRAGM, RESERVOIR	1	
15	2J2-25855-50	BUSH,DIAPHRAGM	1	
16	3FV-2589G-00	HOLDER	1	
17	3FV-83980-00	FRONT STOP SWITCH ASSY	1	
18	98511-04012	SCREW, PAN HEAD	2	
19	92902-04100	WASHER, SPRING	2	
20	92901-04600	WASHER, PLATE	2	
21	3GM-2585F-00	HOSE	1	
22	3PA-24356-00	CLIP, PIPE 1	2	
23	4FM-26292-00	STAY	1	
24	91316-06012	BOLT	2	
25	4FM-25872-00	HOSE, BRAKE 1	1	
26	4FM-25873-00	HOSE, BRAKE 2	1	
27	3GM-23377-00	BRACKET, HORN	1	
28	3GM-23378-00	BRACKET	1	



4HD300-3340

E7

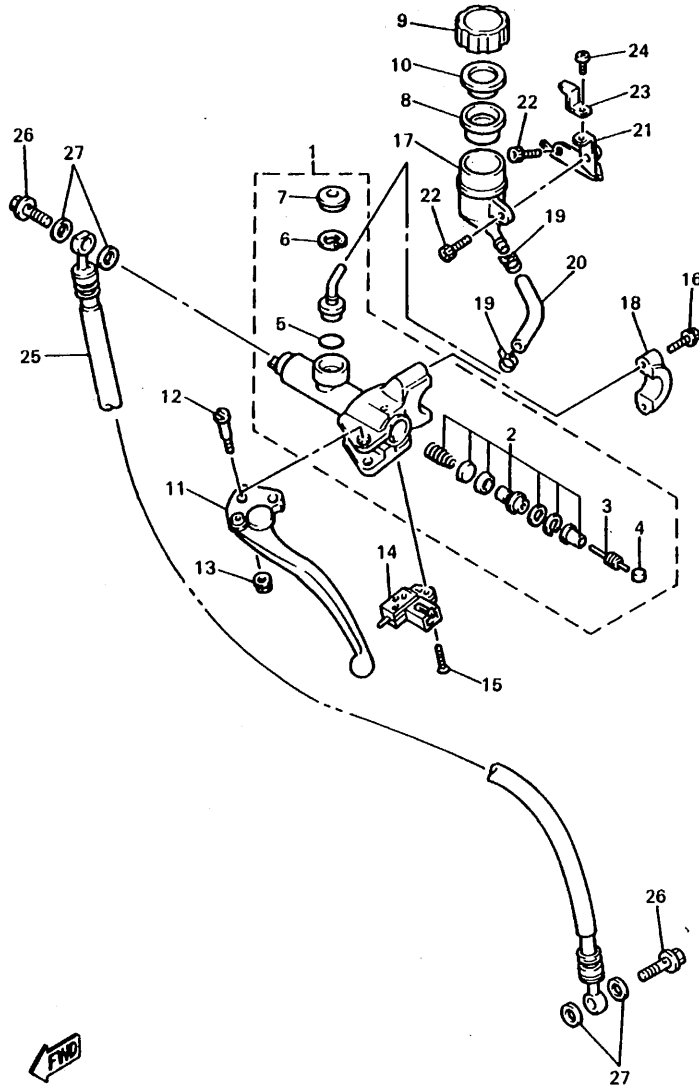
FIG. 34 FRONT MASTER CYLINDER



4HD300-3340

REF. NO.	PART NO.	DESCRIPTION	QTY	REMARKS
29	91316-06010	BOLT	1	
30	91316-06012	BOLT	2	
31	90401-10095	BOLT, UNION	1	
32	90401-10096	BOLT, UNION	2	
33	90201-10118	WASHER, PLATE	7	
34	3MA-25876-11	HOLDER, BRAKE HOSE 2	1	
35	3MA-25876-21	HOLDER, BRAKE HOSE 2	1	
36	95816-06012	BOLT, FLANGE	2	

FIG. 35 FRONT MASTER CYLINDER 2

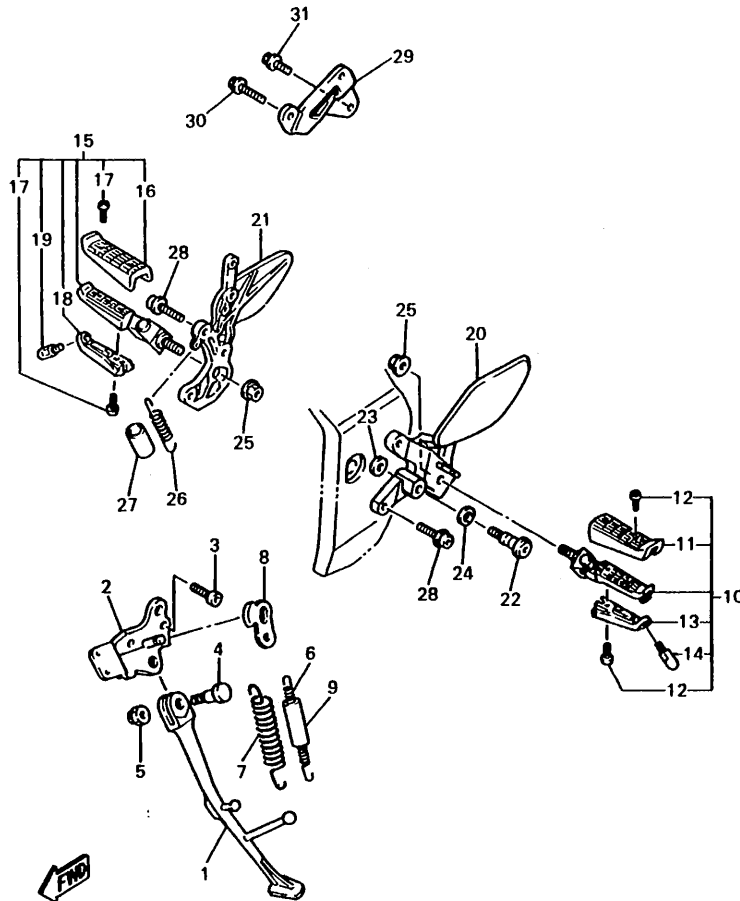


REF. NO.	PART NO.	DESCRIPTION	Q'TY	REMARKS
1	4FM-W2645-00	MASTER CYLINDER SUB ASSY	1	
2	3GM-W0099-00	.CYLINDER KIT, MASTER (CLUTCH)	1	
3	3GM-26484-00	.ROD, PUSH	1	
4	3GM-26455-00	.BUSH	1	
5	93210-15620	.O-RING	1	
6	2VN-25868-00	.CIRCLIP	1	
7	3FV-2589A-00	.COVER, DUST	1	
8	3GK-25854-50	DIAPHRAGM, RESERVOIR	1	
9	4FM-25852-00	CAP, RESERVOIR	1	
10	3GK-25855-50	BUSH,DIAPHRAGM	1	
11	4FM-83912-00	LEVER 1	1	
12	3FV-2589F-00	BOLT, LEVER	1	
13	95706-06500	NUT, FLANGE	1	
14	3GM-83980-00	FRONT STOP SWITCH ASSY	1	
15	98706-04016	SCREW, FLAT HEAD	1	
16	95026-06025	BOLT, FLANGE	2	
17	4FM-25894-00	TANK, RESERVOIR	1	
18	56A-25867-00	BRACKET, MASTER CYLINDER	1	
19	3PA-24366-00	CLIP, PIPE 1	2	
20	4FM-2585F-00	HOSE	1	
21	4FM-26296-00	BRACKET	1	
22	91316-06012	BOLT	2	
23	4FM-26475-00	HOLDER	1	
24	98506-04008	SCREW, PAN HEAD	1	
25	2GH-26470-01	HOSE, CLUTCH	1	
26	90401-10096	BOLT, UNION	2	
27	90201-10118	WASHER, PLATE	4	



4HD300-3350

FIG. 36 STAND • FOOTREST

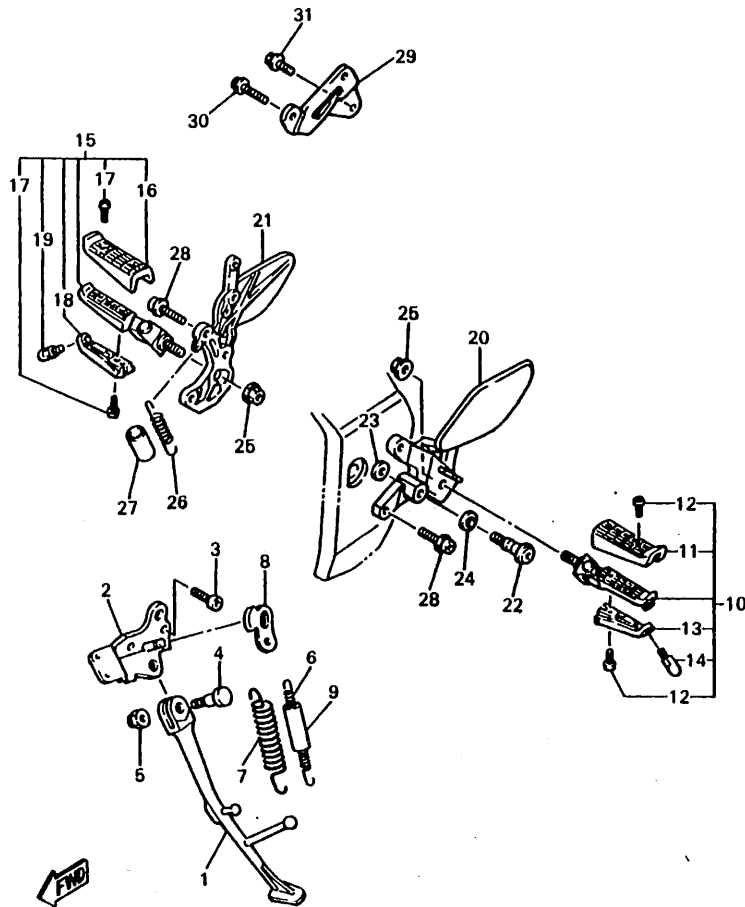


4HS300-3380

REF. NO.	PART NO.	DESCRIPTION	Q'TY	REMARKS
1	4FM-27311-00	STAND, SIDE	1	
2	4FM-27321-00	BRACKET, SIDE STAND	1	
3	90110-08155	BOLT, HEXAGON SOCKET HEAD	2	
4	90109-104E6	BOLT	1	
5	90185-10037	NUT, SELF-LOCKING	1	
6	90506-18224	SPRING, TENSION	1	
7	90506-26225	SPRING, TENSION	1	
8	4FM-27316-00	LINK, SIDE STAND	1	
9	1TX-27351-00	GUIDE, SIDE STAND	1	
10	4FM-27410-00	FRONT FOOTREST ASSY (LEFT)	1	
11	2GH-27413-00	.COVER, FOOTREST	1	
12	90157-05079	.SCREW, PAN HEAD	3	
13	4FM-27471-00	.BAR, FOOTREST 1	1	
14	4FM-27435-00	.BOLT	1	
15	4FM-27420-00	FRONT FOOTREST ASSY (RIGHT)	1	
16	2GH-27413-00	.COVER, FOOTREST	1	
17	90157-05079	.SCREW, PAN HEAD	3	
18	4FM-27471-00	.BAR, FOOTREST 1	1	
19	4FM-27435-00	.BOLT	1	
20	4FM-27442-00	BRACKET 2	1	
21	4FM-27443-00	BRACKET 3	1	
22	4BP-27434-01	BOLT	1	
23	90201-08328	WASHER, PLATE	1	
24	90201-127J8	WASHER, PLATE	1	
25	90179-10247	NUT	2	
26	90506-20377	SPRING, TENSION	1	
27	90446-17348	HOSE	1	
28	90110-08199	BOLT, HEXAGON SOCKET HEAD	4	

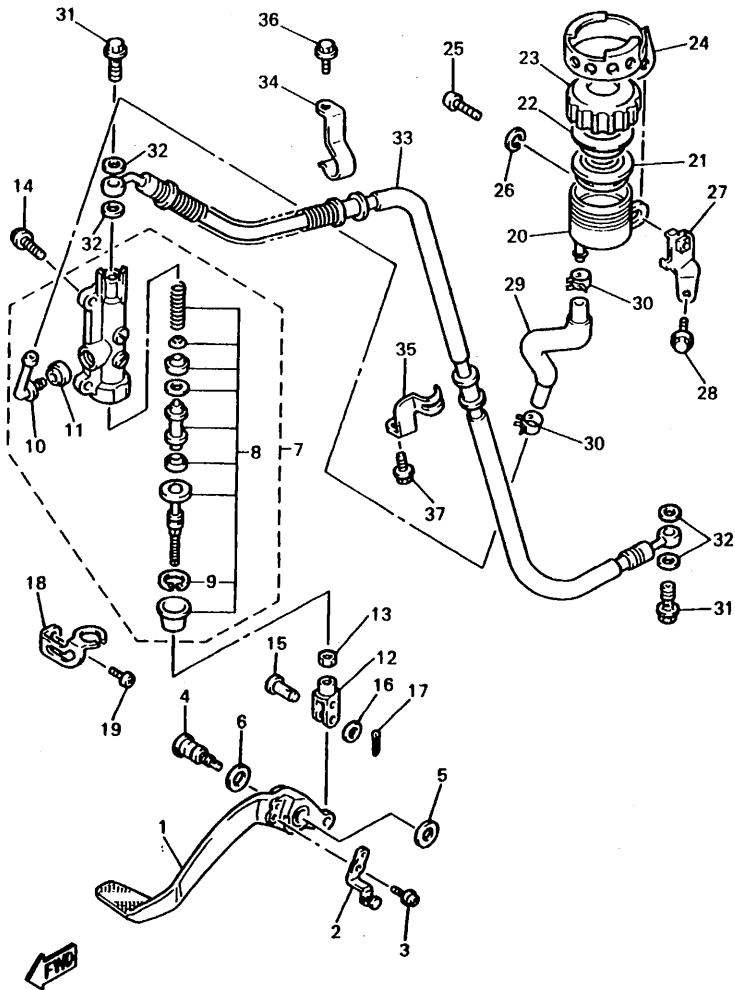
FIG. 36 STAND . FOOTREST

REF. NO.	PART NO.	DESCRIPTION	Q'TY	REMARKS
29	4FM-21445-00	STAY, MUFFLER 1	1	
30	91011-08020	BOLT, FLANGE	1	
31	90105-10427	BOLT, WASHER BASED	1	



4HS300-3360

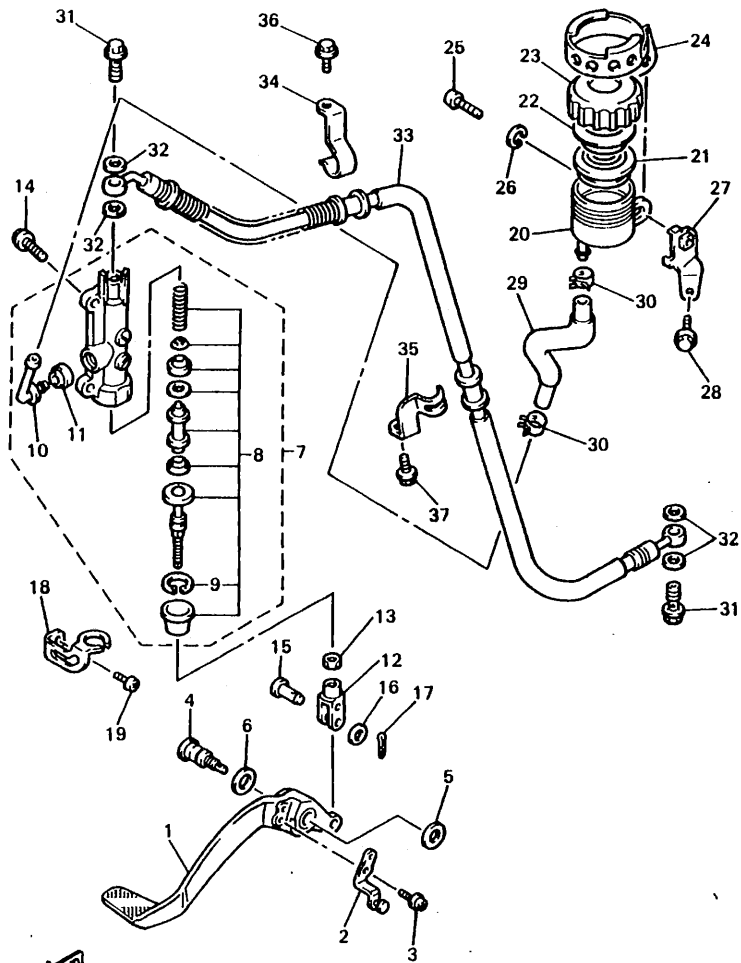
FIG. 37 REAR MASTER CYLINDER



4HD300-3370

REF. NO.	PART NO.	DESCRIPTION	Q'TY	REMARKS
1	4FM-27211-00	PEDAL, BRAKE	1	
2	4FM-27254-00	HOOK	1	
3	90159-08045	SCREW, WITH WASHER	1	
4	3YF-27281-00	SHAFT	1	
5	90201-104R2	WASHER, PLATE	1	
6	90208-14088	WASHER, WAVE	1	
7	4BH-2583V-00	RR. MASTER CYLINDER ASSY.	1	
8	4BH-W0042-50	.CYLINDER KIT, MASTER	1	
9	3LN-2586G-00	..CIRCLIP	1	
10	4BP-2582A-00	.JOINT	1	
11	4BP-2686F-00	.BUSH	1	
12	4FM-27222-00	JOINT	1	
13	95303-08700	NUT	1	
14	92011-08020	BOLT, BUTTON HEAD	2	
15	90240-08124	PIN, CLEVIS	1	
16	90201-08083	WASHER, PLATE	1	
17	91490-20020	PIN, COTTER	1	
18	4FM-2144G-00	STAY, STOP SWITCH	1	
19	98580-08010	SCREW, PAN HEAD	1	
20	31A-26894-01	TANK, RESERVOIR	1	
21	380-26854-00	DIAPHRAGM, RESERVOIR	1	
22	2GU-25855-00	BUSH,DIAPHRAGM	1	
23	2KF-25852-50	CAP, RESERVOIR	1	
24	3PJ-25888-00	COVER, RESERVOIR TANK	1	
25	98518-08020	SCREW, PAN HEAD	1	
26	92906-08100	WASHER, SPRING	1	
27	4FM-2133G-00	BRACKET, RESERVER	1	
28	91001-08018	BOLT, FLANGE	1	

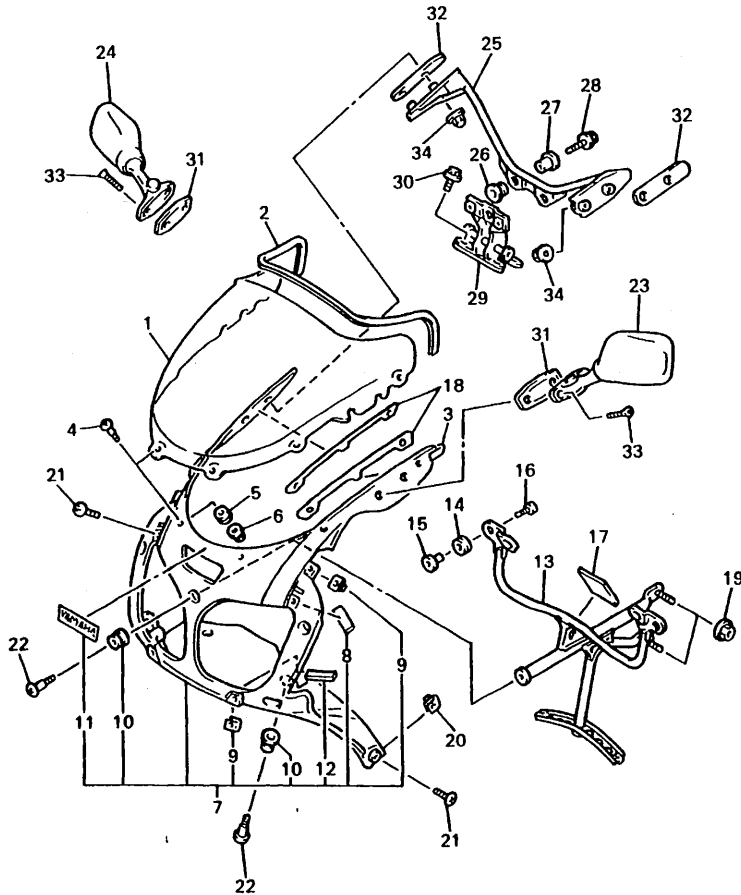
FIG. 37 REAR MASTER CYLINDER



REF. NO.	PART NO.	DESCRIPTION	Q'TY	REMARKS
29	4FM-26895-00	HOSE, RESERVOIR	1	
30	90467-14057	CLIP	2	
31	90401-10096	BOLT, UNION	2	
32	90201-10118	WASHER, PLATE	4	
33	4FM-25874-00	HOSE, BRAKE	1	
34	4FM-25875-00	HOLDER, BRAKE HOSE 1	1	
35	4FM-25876-00	HOLDER, BRAKE HOSE 2	1	
36	90105-06707	BOLT, WASHER BASED	1	
37	95023-06008	BOLT	1	

4HD300-3370

FIG. 38 COWLING 1

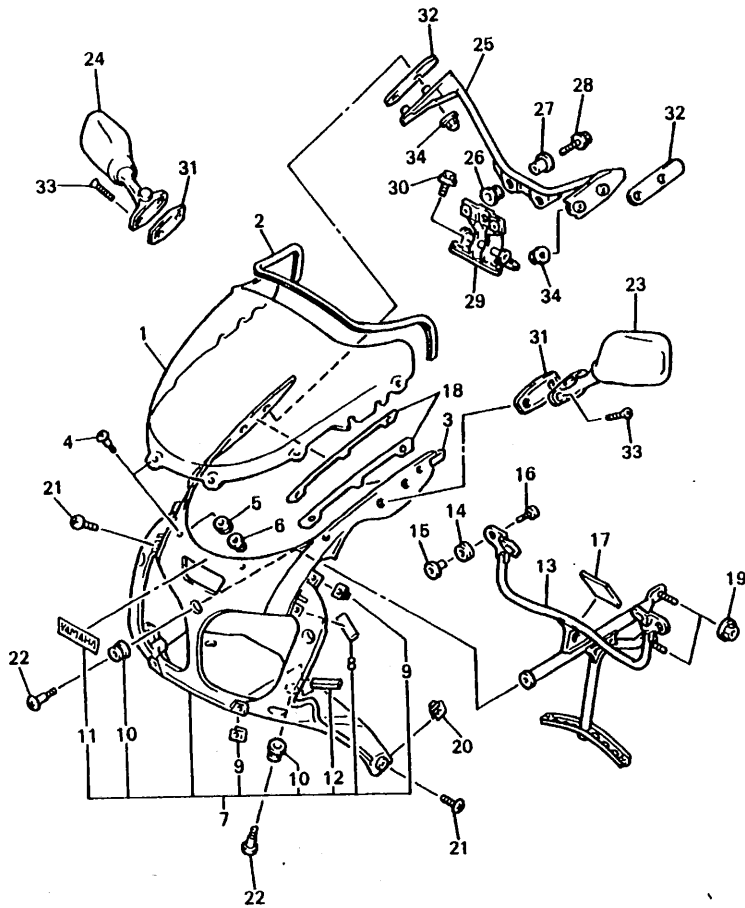


REF. NO.	PART NO.	DESCRIPTION	Q'TY	REMARKS
1	4FM-28381-10	WINDSHIELD	1	
2	4FN-28345-00	MOLE 1	1	
3	4FN-28344-00	TAPE	2	
4	90149-05273	SCREW	6	
5	4FM-28215-00	WASHER, SPECIAL	6	
6	95708-05500	NUT, FLANGE	6	
7	4FM-Y2835-00-0X	COWLING ASS'Y	1	BLUISH WHITE COCKTAIL 1 /VIVID MAGENTA COCKTAIL 1
8	89X-77167-00	.TRIM 3	2	
9	90183-05024	.NUT, SPRING	6	
10	90480-13398	.GROMMET	3	
11	99236-00080	.EMBLEM, YAMAHA	1	
12	8K4-77374-00	.DAMPER 2	2	
13	4FM-28356-00	STAY 1	1	
14	90480-13163	GROMMET	2	
15	90560-06201	SPACER	2	
16	97706-50016	SCREW, TAPPING	2	
17	51L-28371-00	DAMPER	1	
18	4FM-2834V-00	PROTECTOR 1	2	
19	95601-08200	NUT, SELF-LOCKING	2	
20	90183-05024	NUT, SPRING	2	
21	90150-05039	SCREW, ROUND HEAD	6	
22	90150-06036	SCREW, ROUND HEAD	3	
23	4FM-28280-00	REAR VIEW MIRROR ASSY(LEFT)	1	WHITE
24	4FM-28290-00	REAR VIEW MIRROR ASSY(RIGHT)	1	WHITE
25	4FM-2831W-00	STAY, MIRROR 1	1	
26	90480-13398	GROMMET	2	
27	90387-067N5	COLLAR	2	
28	95028-06020	BOLT, FLANGE	2	



4HS300-3380

FIG. 38 COWLING 1

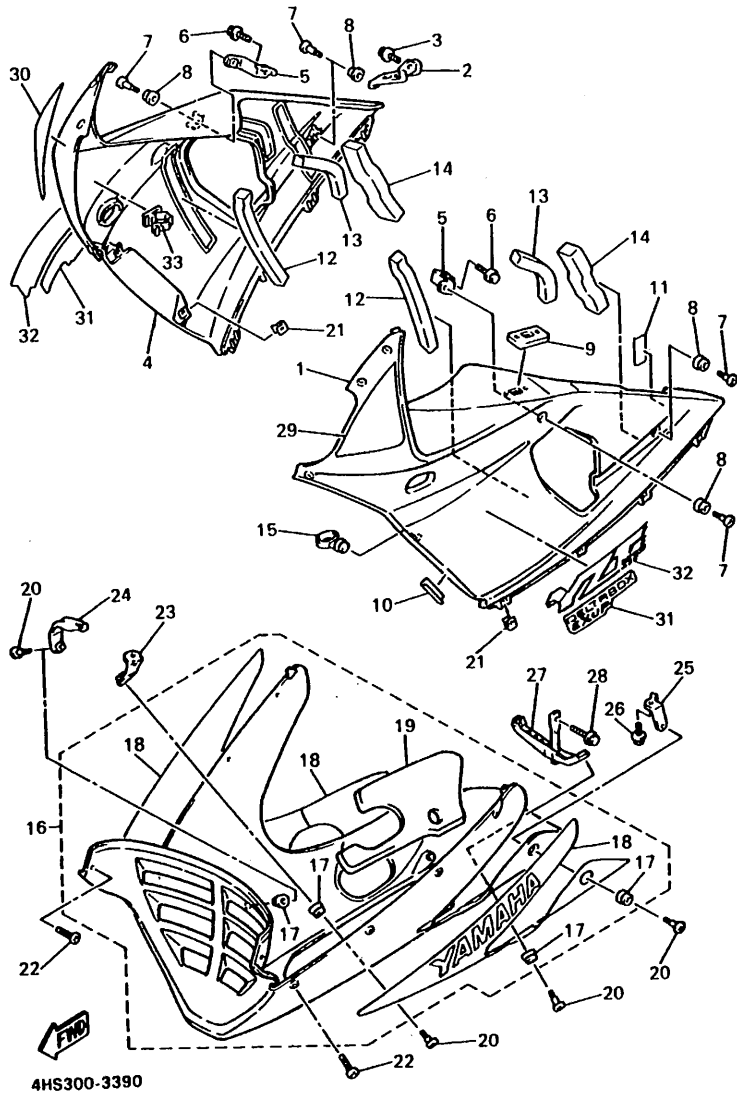


REF. NO.	PART NO.	DESCRIPTION	Q'TY	REMARKS
29	4FM-2832W-00	STAY, MIRROR 2	1	
30	95026-06012	BOLT, FLANGE	2	
31	4FM-26299-00	PLATE, MIRROR FITTING 2	2	
32	3XV-28298-00	PLATE, MIRROR FITTING 1	2	
33	98706-06025	SCREW, FLAT HEAD	4	
34	90176-06055	NUT, CROWN	4	



4HS300-3380

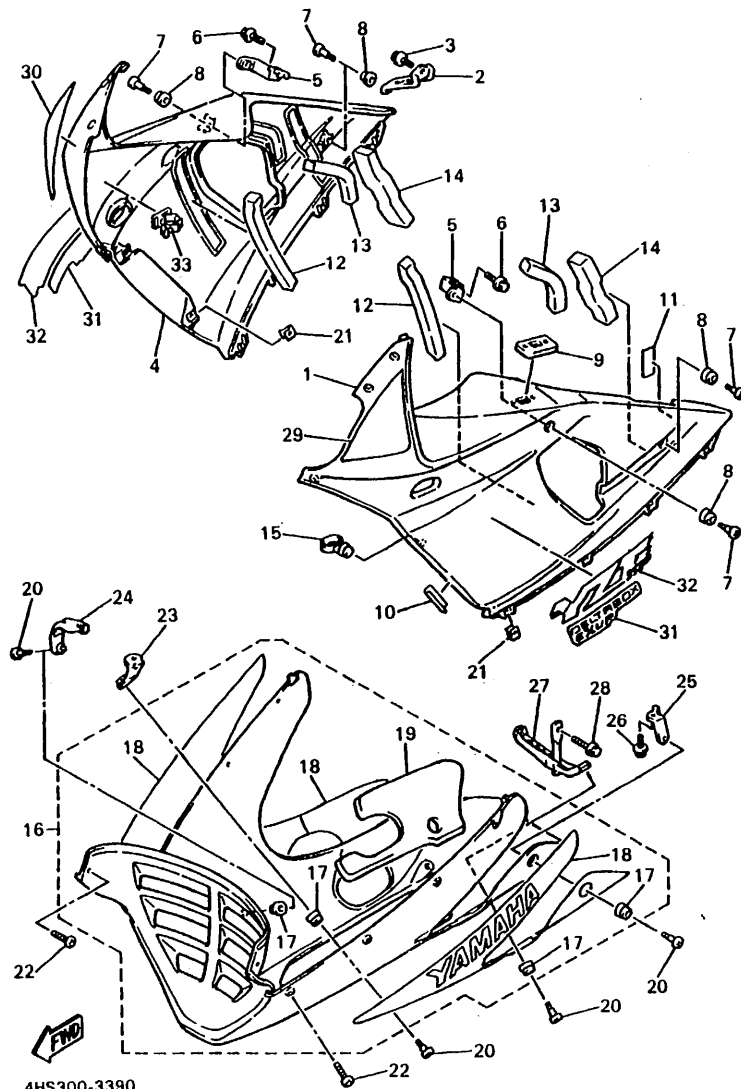
FIG. 39 COWLING 2



4HS300-3390

REF. NO.	PART NO.	DESCRIPTION	QTY	REMARKS
1	4FM-2835U-00-0X	PANEL 1	1	BLUSH WHITE COCKTAIL 1 /VIVID MAGENTA COCKTAIL 1
2	4FM-28322-00	STAY 2	1	
3	95826-06010	BOLT, FLANGE	1	
4	4FM-2835V-00-0X	PANEL 2	1	BLUSH WHITE COCKTAIL 1 /VIVID MAGENTA COCKTAIL 1
5	4FM-2836H-00	BRACKET 5	2	
6	95816-08012	BOLT, FLANGE	2	
7	90150-06036	SCREW, ROUND HEAD	4	
8	90480-13398	GROMMET	4	
9	3FV-28365-00	COVER	1	
10	1JK-21735-00	SEAL 2	1	
11	1JK-21268-00	SEAL	1	
12	4FM-21639-00	DAMPER 2	2	
13	3YL-21649-00	DAMPEN	2	
14	4FM-28371-00	DAMPER	2	
15	1A8-21618-00	HOLDER, CABLE	1	
16	4FM-Y2808-00-P0	COVER ASSY, UNDER	1	BLUSH WHITE COCKTAIL 1
17	90480-13398	.GROMMET	5	
18	4FM-28301-01	.GRAPHIC SET, LOWER COVER 1	1	
19	4FM-2848K-00	.SEAT 2	1	
20	90150-06036	SCREW, ROUND HEAD	5	
21	90183-05024	NUT, SPRING	10	
22	90150-05039	SCREW, ROUND HEAD	10	
23	4FM-2836F-00	BRACKET 3	1	
24	4FM-2836G-00	BRACKET 4	1	
25	4FM-2836A-00	BRACKET 1	1	
26	95826-06010	BOLT, FLANGE	1	
27	4FM-2831T-00	STAY, SUPPORT 1	1	
28	90119-06018	BOLT, WITH WASHER	1	

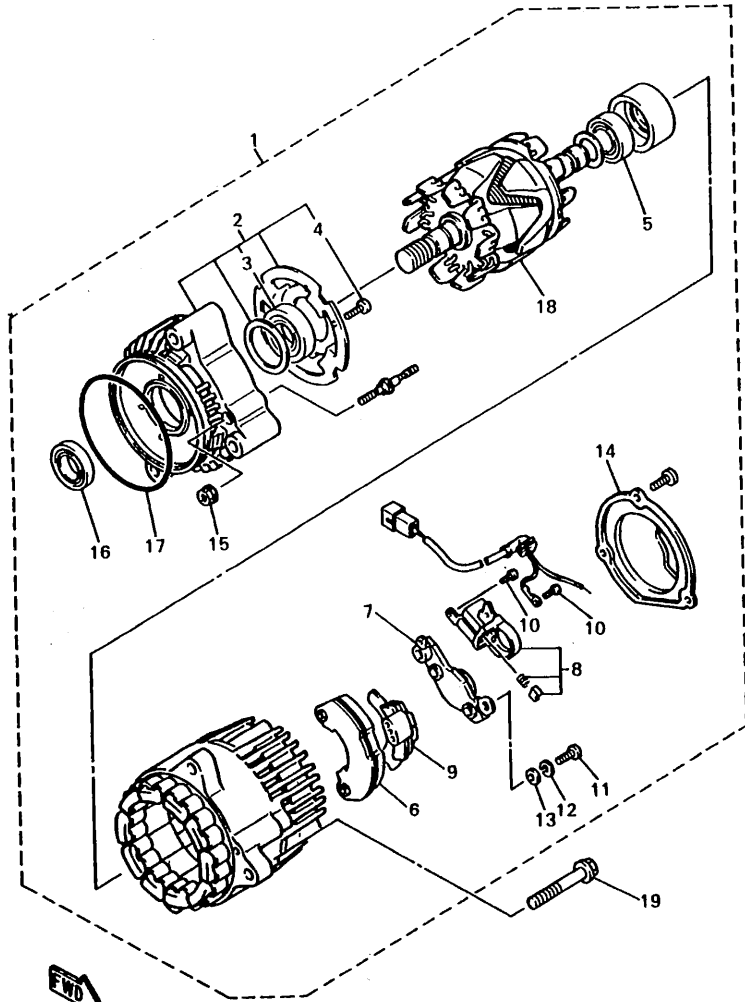
FIG. 39 COWLING 2



REF. NO.	PART NO.	DESCRIPTION	Q'TY	REMARKS
29	4FM-28391-00	GRAPHIC 1	1	
30	4FM-28392-00	GRAPHIC 2	1	
31	4FM-28328-00	EMBLEM	2	
32	4FN-28315-00	EMBLEM	2	
33	90464-25160	CLAMP	1	

4HS300-3390

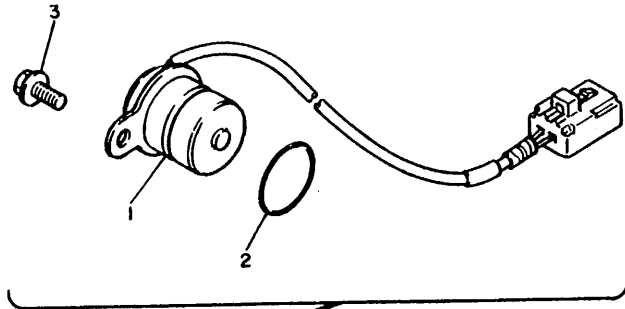
FIG. 40 GENERATOR



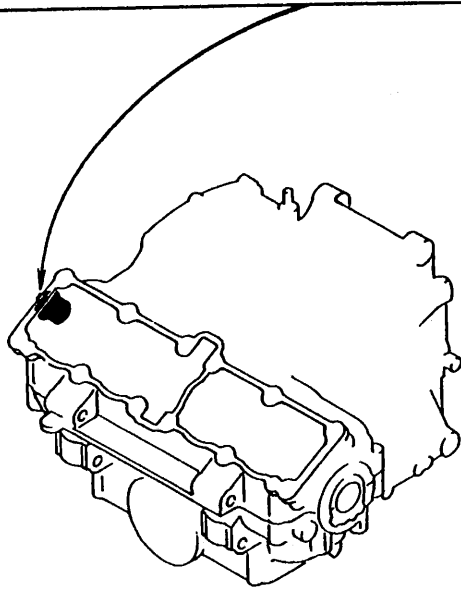
48H332-3430

REF. NO.	PART NO.	DESCRIPTION	Q'TY	REMARKS
1	4BH-81600-00	A.C. GENERATOR ASSY	1	
2	4BH-81634-00	.STATOR ASSY	1	
3	4BH-81643-00	..BEARING	1	
4	4BH-81645-00	..SCREW	4	
5	4BH-81643-10	..BEARING	1	
6	4BH-81970-00	..RECTIFIER ASSY	1	
7	36Y-81910-50	..VOLTAGE REGULATOR ASSY	1	
8	3FV-81619-00	..BRUSH HOLDER ASSY	1	
9	4BH-81972-00	..COVER, RECTIFIER	1	
10	3FV-81645-00	..SCREW	2	
11	98501-05018	..SCREW, PAN HEAD	3	
12	92901-05100	..WASHER, SPRING	3	
13	92901-05600	..WASHER, PLATE	3	
14	4BH-81604-00	..COVER ASSY	1	
15	95701-05500	..NUT, FLANGE	2	
16	36Y-81638-50	..OIL SEAL	1	
17	2KT-81642-50	..O-RING	1	
18	4BH-81660-00	..ROTOR ASSY	1	
19	95816-08065	BOLT, FLANGE	3	

FIG. 41 PICK UP COIL . GOVERNOR

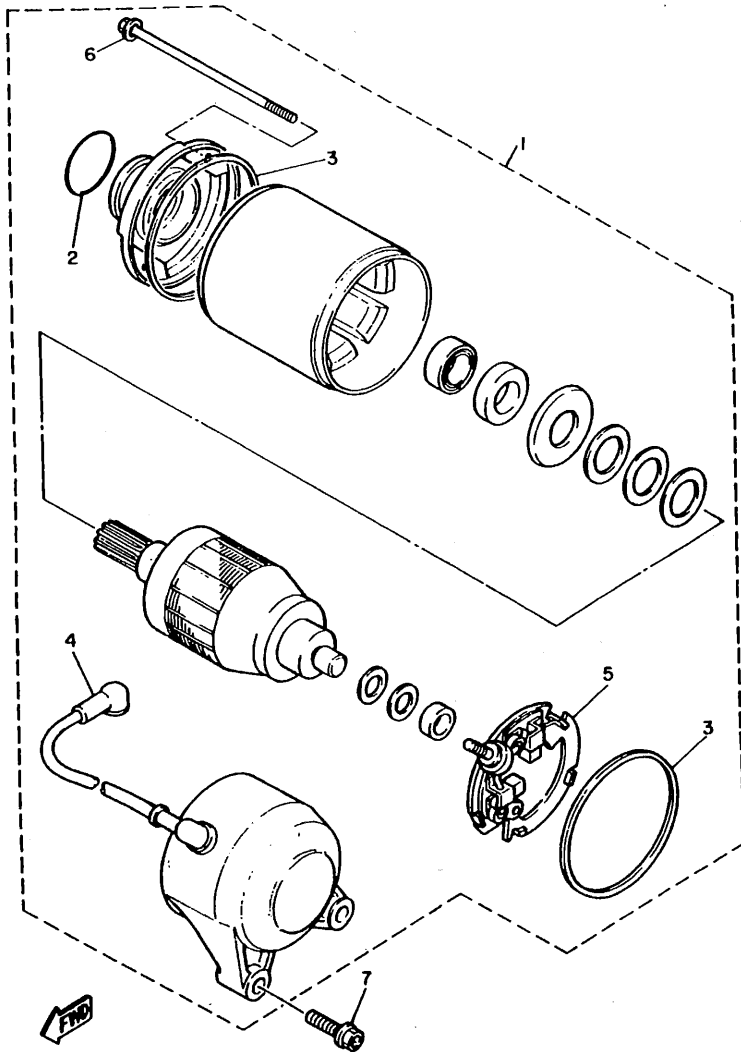


REF. NO.	PART NO.	DESCRIPTION	Q'TY	REMARKS
1	3GM-81670-00	PICK-UP ASSY	1	
2	93210-19216	O-RING	1	
3	95023-06012	BOLT	1	



2GH300-7400

FIG. 42 STARTING MOTOR

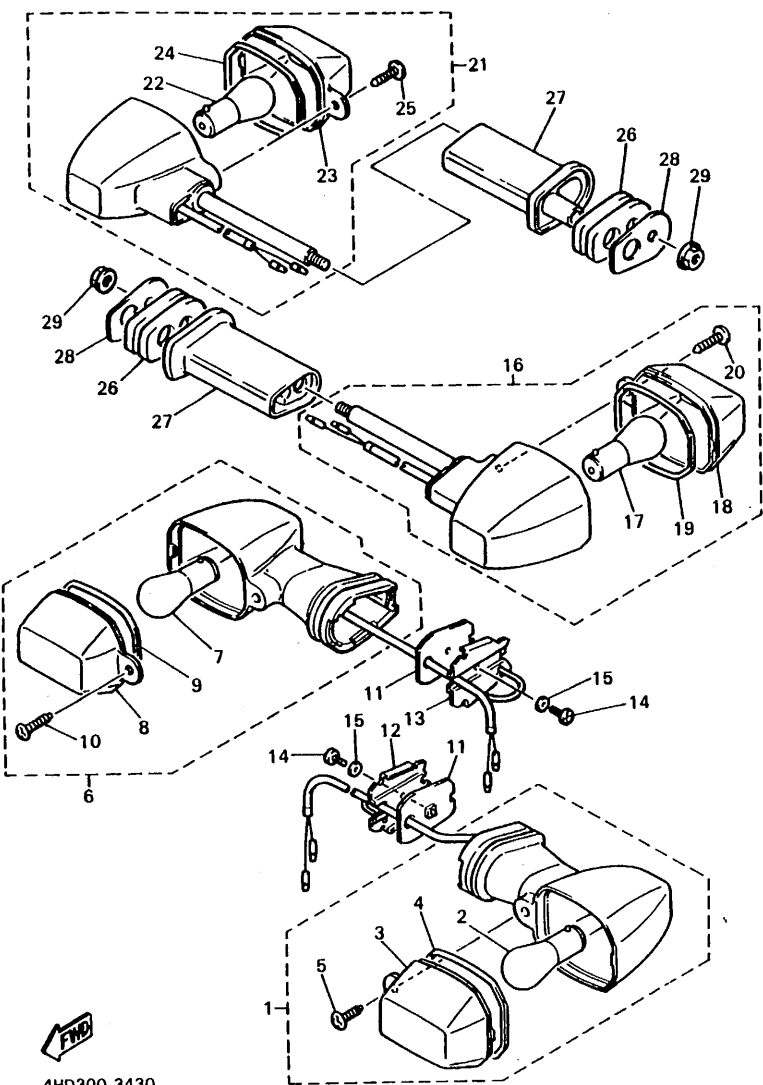


3KS351-9420

REF. NO.	PART NO.	DESCRIPTION	Q'TY	REMARKS
1	3XF-81800-00	STARTING MOTOR ASSY	1	
2	26H-81847-00	.O-RING	1	
3	11H-81844-00	.GASKET	2	
4	2KT-81815-00	.CORD, STARTER MOTOR	1	
5	3KS-81840-00	.BRUSH HOLDER ASSY	1	
6	3HE-81826-00	.BOLT	2	
7	95811-06025	BOLT, FLANGE	2	

F6

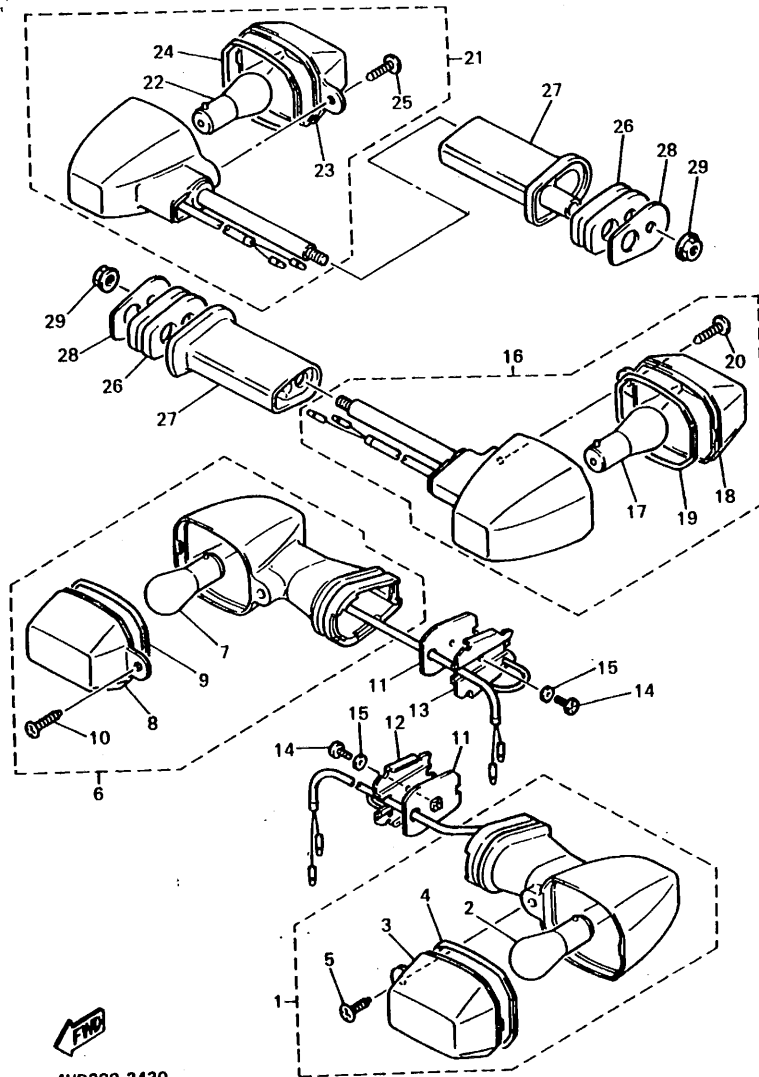
FIG. 43 FLASHER LIGHT



4HD300-3430

REF. NO.	PART NO.	DESCRIPTION	Q'TY	REMARKS
1	4FM-83310-00	FRONT FLASHER LIGHT ASSY 1	1	
2	4FM-83311-00	.BULB, FLASHER	1	
3	4FM-83312-00	.LENS, FLASHER	1	
4	4FM-83313-00	.GASKET, FLASHER LENS	1	
5	97706-40012	.SCREW, TAPPING	1	
6	4FM-83320-00	FRONT FLASHER LIGHT ASSY 2	1	
7	4FM-83311-00	.BULB, FLASHER	1	
8	4FM-83312-00	.LENS, FLASHER	1	
9	4FM-83313-00	.GASKET, FLASHER LENS	1	
10	97706-40012	.SCREW, TAPPING	1	
11	4FM-8331L-00	PLATE, STOPPER	2	
12	4FM-83318-00	STAY, FLASHER 1	1	
13	4FM-83328-00	STAY, FLASHER 2	1	
14	98506-04008	SCREW, PAN HEAD	2	
15	92906-04600	WASHER, PLATE	2	
16	4FM-83330-00	REAR FLASHER LIGHT ASSY 1	1	
17	4FM-83311-00	.BULB, FLASHER	1	
18	4FM-83312-00	.LENS, FLASHER	1	
19	4FM-83313-00	.GASKET, FLASHER LENS	1	
20	97706-40012	.SCREW, TAPPING	1	
21	4FM-83340-00	FLASHER LIGHT ASSY 2	1	
22	4FM-83311-00	.BULB, FLASHER	1	
23	4FM-83312-00	.LENS, FLASHER	1	
24	4FM-83313-00	.GASKET, FLASHER LENS	1	
25	97706-40012	.SCREW, TAPPING	1	
26	4FM-83345-00	PLUG, BLIND	2	
27	4FM-83368-00	STAY, FLASHER 1	2	
28	4FM-83369-00	STAY, FLASHER 2	2	

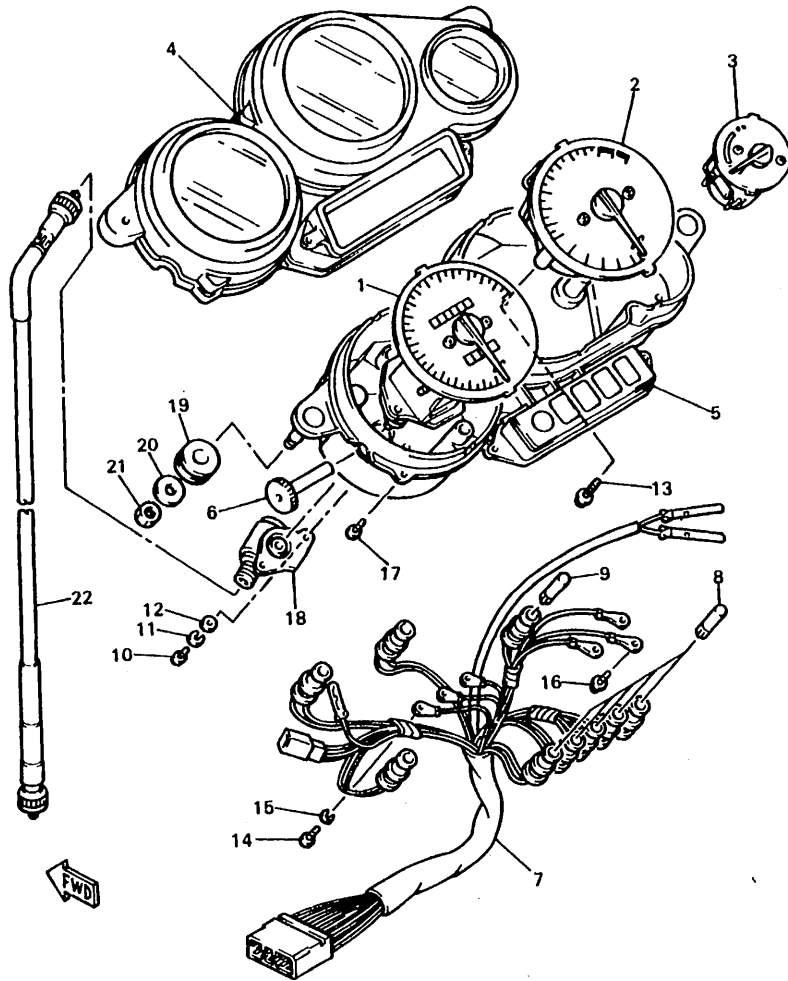
FIG. 43 FLASHER LIGHT



REF. NO.	PART NO.	DESCRIPTION	Q'TY	REMARKS
29	95701-06500	NUT, FLANGE	2	

4HD300-3430

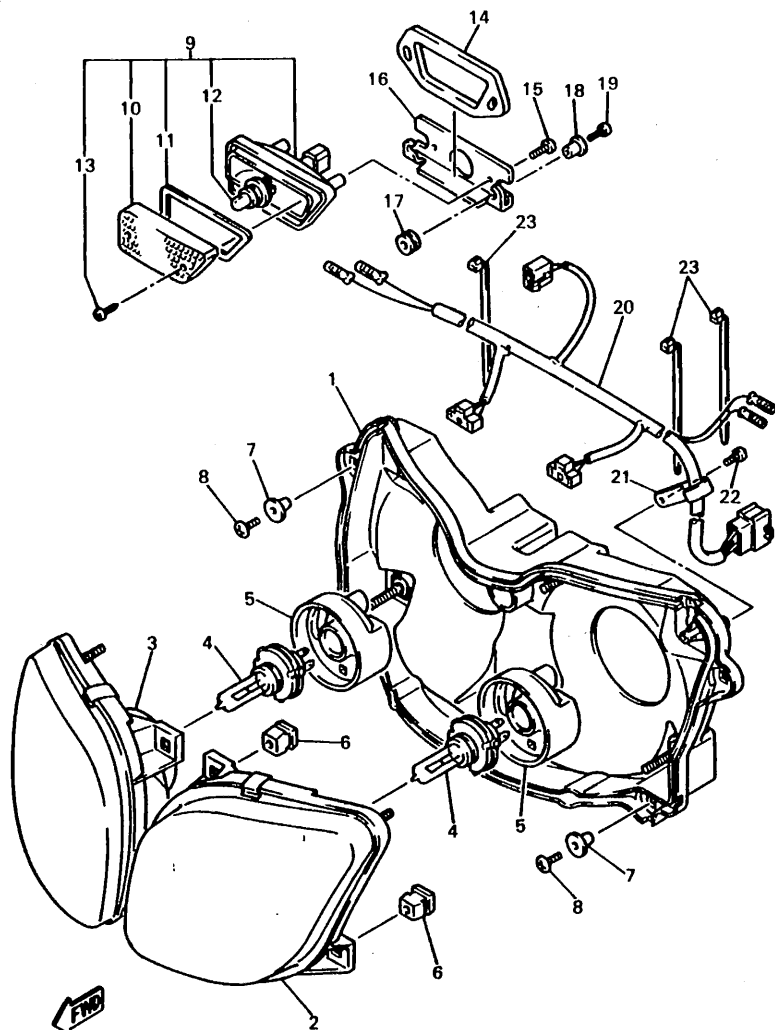
FIG. 44 METER



REF. NO.	PART NO.	DESCRIPTION	Q'TY	REMARKS
1	4FM-83570-00	SPEEDOMETER ASSY	1	
2	4FM-83540-00	TACHOMETER ASSY	1	
3	4FM-83590-00	WATER TEMPERATURE ASSY	1	
4	4FM-83559-00	COVER, METER	1	
5	4FM-8353H-00	CASE, INNER	1	
6	2GH-83578-00	KNOB, TRIP METER	1	
7	4FM-83509-00	SOCKET CORD ASSY	1	
8	4G1-84744-00	BULB (12V-3.4W)	5	
9	2GV-83517-00	BULB, (12V-1.7W, T6.5)	4	
10	98580-04010	SCREW, PAN HEAD	4	
11	92902-04100	WASHER, SPRING	4	
12	92901-04600	WASHER, PLATE	4	
13	97902-04122	SCREW, WITH WASHER	2	
14	98580-03010	SCREW, PAN HEAD	3	
15	92990-03100	WASHER, SPRING	3	
16	90159-03102	SCREW, WITH WASHER	3	
17	90164-04023	SCREW, TAPPING	5	
18	4FM-83520-00	SOCKET CORD ASSY	1	
19	5J0-83513-00	DAMPER	2	
20	90201-06059	WASHER, PLATE	2	
21	95316-06600	NUT	2	
22	4FM-83550-00	SPEEDOMETER CABLE ASSY	1	

4HD300-3440

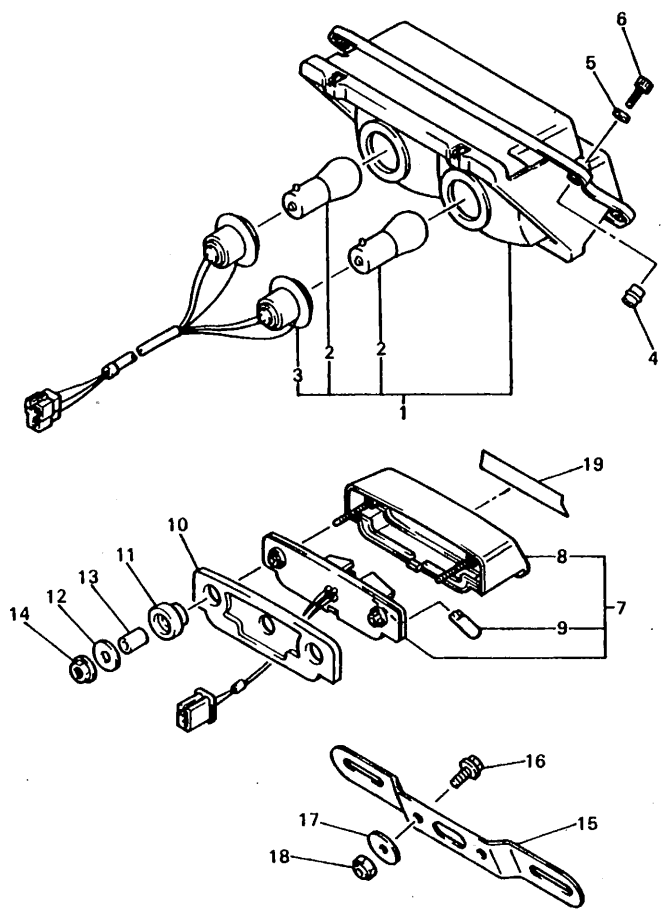
FIG. 45 HEADLIGHT



4HD300-3450

REF. NO.	PART NO.	DESCRIPTION	Q'TY	REMARKS
1	4FM-84330-10	BODY ASSY	1	
2	4FM-84320-10	LENS ASSY	1	
3	4FM-8432A-10	LENS ASSY	1	
4	2F9-84314-00	BULB (12V-60/65W)	2	(H4)HALOGEN
5	2GH-84397-00	COVER, SOCKET	2	
6	51L-84334-00	NUT, ADJUSTING	4	
7	90338-08226	PLUG	4	
8	97706-60014	SCREW, TAPPING	4	
9	3GM-84301-00	PILOT LIGHT ASSY 1	1	
10	3GM-84321-00	.LENS ASSY	1	
11	3GM-84322-00	.GASKET, LENS	1	
12	2JE-84744-00	.BULB (12V 5W)	1	
13	3GM-84192-00	.SCREW(M4,L=12)	2	
14	3GM-84367-50	DAMPER, HEADLIGHT 2	1	
15	90167-05041	SCREW, TAPPING	2	
16	3GM-8431R-00	STAY, SETTING	1	
17	90480-10517	GROMMET	2	
18	90387-052U5	COLLAR	2	
19	90167-05037	SCREW, TAPPING	2	
20	4FM-84359-00	CORD, HEADLIGHT	1	
21	90482-05061	CLAMP	1	
22	90167-05041	SCREW, TAPPING	1	
23	90464-13073	CLAMP	3	

FIG. 46 TAILLIGHT

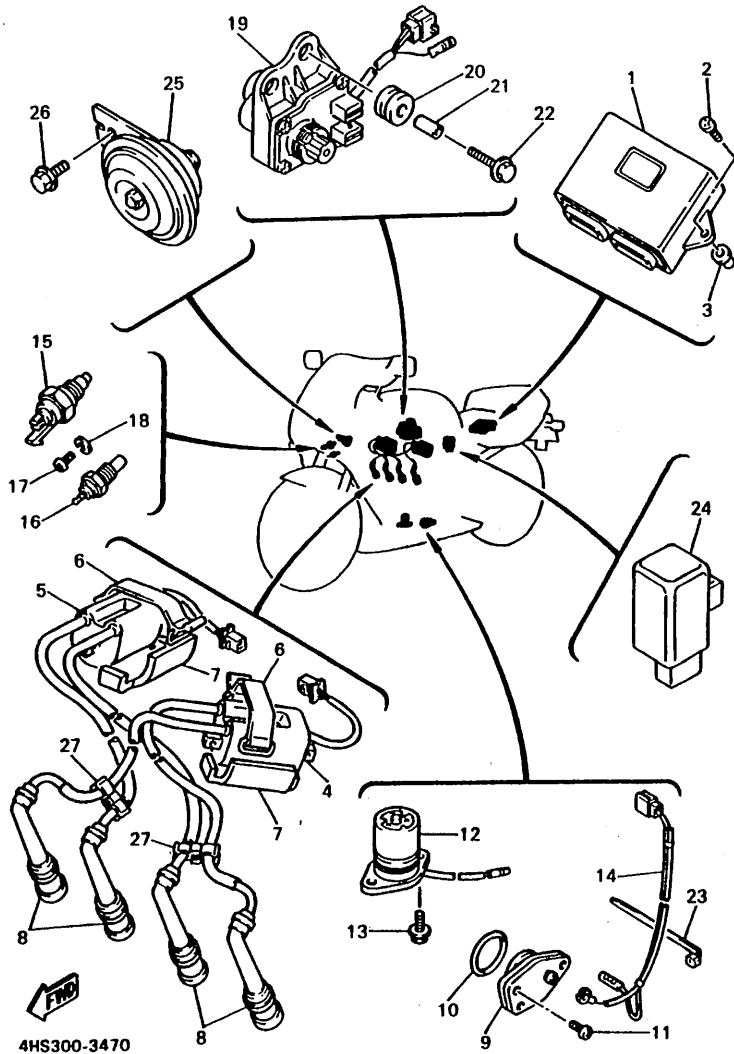


REF. NO.	PART NO.	DESCRIPTION	Q'TY	REMARKS
1	4FM-84710-00	TAILLIGHT UNIT ASSY	1	
2	31L-84714-00	.BULB, TAILLIGHT (12V-21/5W)	2	
3	4FM-84735-00	.CORD ASSY	1	
4	90179-05523	NUT	4	
5	92906-05600	WASHER, PLATE	4	
6	90110-05112	BOLT, HEXAGON SOCKET HEAD	4	
7	4FM-84745-00	LICENCE LIGHT UNIT ASSY	1	
8	4FM-84749-00	.BODY, LICENCE LIGHT	1	
9	2JE-84744-00	.BULB (12V 5W)	2	
10	3F9-84742-00	SEAT, BASE	1	
11	3F9-84553-00	DAMPER	2	
12	90201-05033	WASHER, PLATE	2	
13	90387-06241	COLLAR	2	
14	95706-05500	NUT, FLANGE	2	
15	3YF-84751-00	BRACKET, LICENSE	1	
16	95026-06016	BOLT, FLANGE	2	
17	90201-06059	WASHER, PLATE	2	
18	95616-06100	NUT, U	2	
19	99236-00080	EMBLEM, YAMAHA	1	



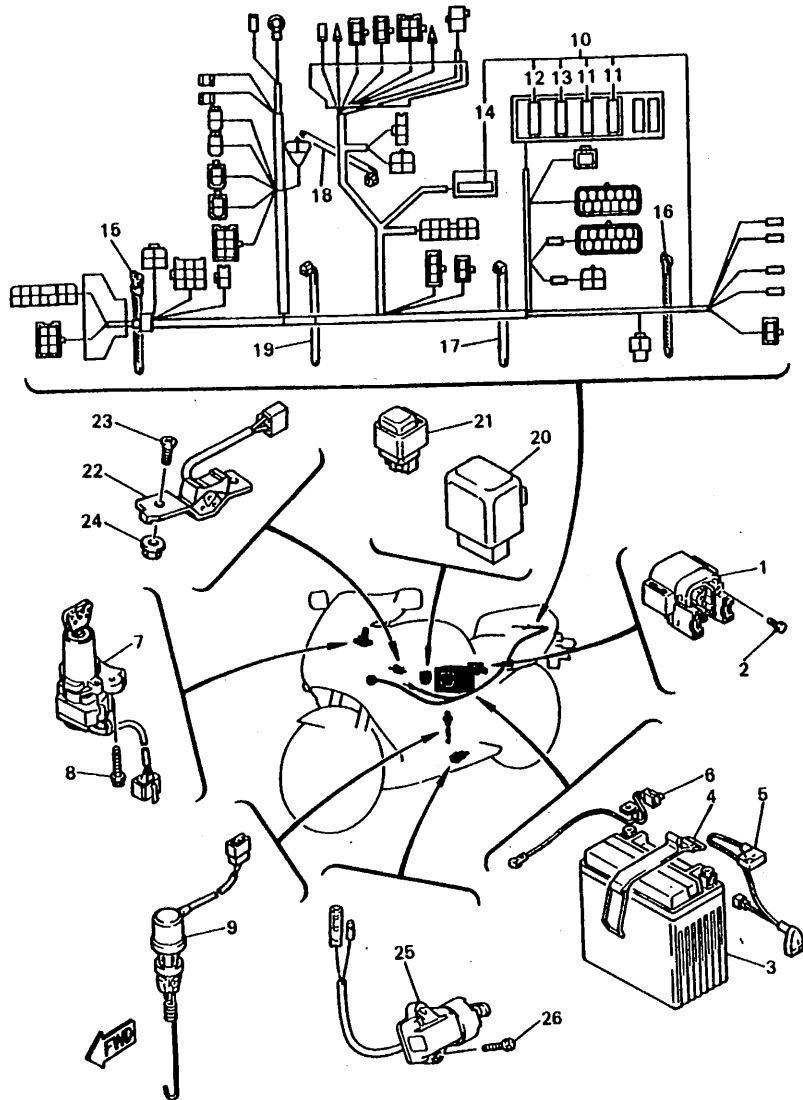
4HD300-3460

FIG. 47 ELECTRICAL 1



REF. NO.	PART NO.	DESCRIPTION	Q'TY	REMARKS
1	4HS-82305-00	IGNITOR UNIT ASSY	1	
2	97706-60016	SCREW, TAPPING	2	
3	90338-08226	PLUG	2	
4	2XL-82310-10	IGNITION COIL ASSY	1	
5	3CV-82320-00	IGNITION COIL ASSY	1	
6	3TJ-82131-00	BAND, BATTERY	2	
7	3TJ-2139U-00	DAMPER 2	2	
8	2KT-82370-00	PLUG CAP ASSY	4	
9	1AE-82540-00	NEUTRAL SWITCH ASSY	1	
10	93210-29196	O-RING	1	
11	98580-08016	SCREW, PAN HEAD	2	
12	3GM-85720-00	OIL LEVEL GAUGE ASSY	1	
13	95021-06014	BOLT, FLANGE	2	
14	4FM-82541-00	WIRE, LEAD	1	
15	2EL-82560-00	THERMO SWITCH ASSY	1	
16	11H-83591-00	THERMO UNIT	1	
17	98508-05008	SCREW, PAN HEAD	1	
18	92906-05100	WASHER, SPRING	1	
19	4FM-85820-00	SERVO MOTOR ASSY	1	
20	90480-14412	GROMMET	2	
21	90387-065V1	COLLAR	2	
22	95811-08030	BOLT, FLANGE	2	
23	90464-13073	CLAMP	1	
24	3YA-83350-00	FLASHER RELAY ASSY	1	UR OMRON
	3YA-83350-10	FLASHER RELAY ASSY	1	UR N.D.
25	4FM-83371-00	HORN	1	
26	95811-08010	BOLT, FLANGE	1	
27	90464-10186	CLAMP	2	

FIG. 48 ELECTRICAL 2



4HS300-3480

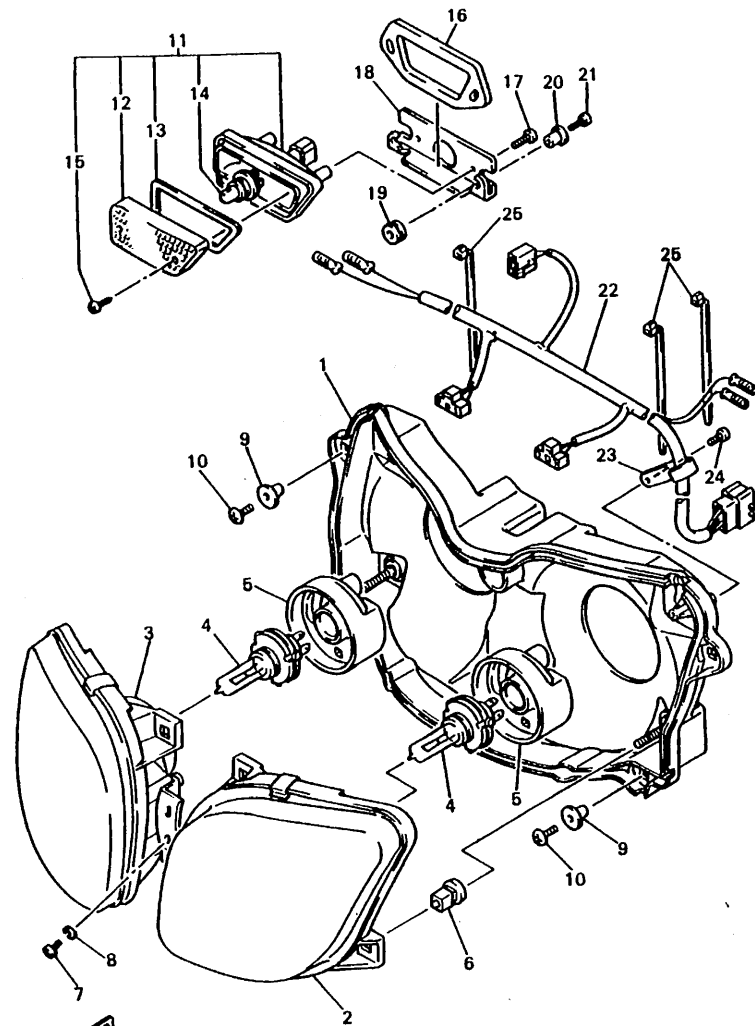
REF. NO.	PART NO.	DESCRIPTION	Q'TY	REMARKS
1	4FM-81940-00	STARTER RELAY ASSY	1	
2	95023-06008	BOLT	2	
3	3VD-82100-00	BATTERY ASSY (YTX12-BS)	1	
4	4BP-82131-00	BAND, BATTERY	1	
5	4FM-82115-00	WIRE, PLUS LEAD	1	
6	3FV-82116-00	WIRE, MINUS LEAD	1	
7	4FM-82501-00	MAIN SWITCH STEERING LOCK	1	
8	90109-060G4	BOLT	2	
9	1KT-82530-02	STOP SWITCH ASSY	1	
10	4FN-82590-00	WIRE HARNESS ASSY	1	
11	2KW-82151-00	.FUSE (12V-7.5A)	3	
12	2GH-82151-00	.FUSE (20A)	2	
13	36Y-82151-00	.FUSE (12V-15A)	1	
14	4FM-82151-00	.FUSE (30A)	1	
15	437-83936-01	BAND, SWITCH CORD	1	
16	90464-12089	CLAMP	5	
17	90465-13169	CLAMP	1	
18	90464-13073	CLAMP	6	
19	90464-13073	CLAMP	4	
20	3EN-81950-00	RELAY ASSY	1	
21	3GM-81950-00	RELAY ASSY	1	
22	3TJ-83964-00	SWITCH	1	
23	98780-05016	SCREW, FLAT HEAD	2	
24	95701-05500	NUT, FLANGE	2	
25	4FM-82566-00	SWITCH, SIDE STAND	1	
26	90157-05079	SCREW, PAN HEAD	2	

INDIVIDUAL SPEC.

FOR ITALY

The following pages provides a listing of only the parts that meet the specifications peculiar to your market. For those parts not appearing in these pages, refer to the "GENERAL SPEC" section.

FIG. 49 ALTERNATE (HEADLIGHT)



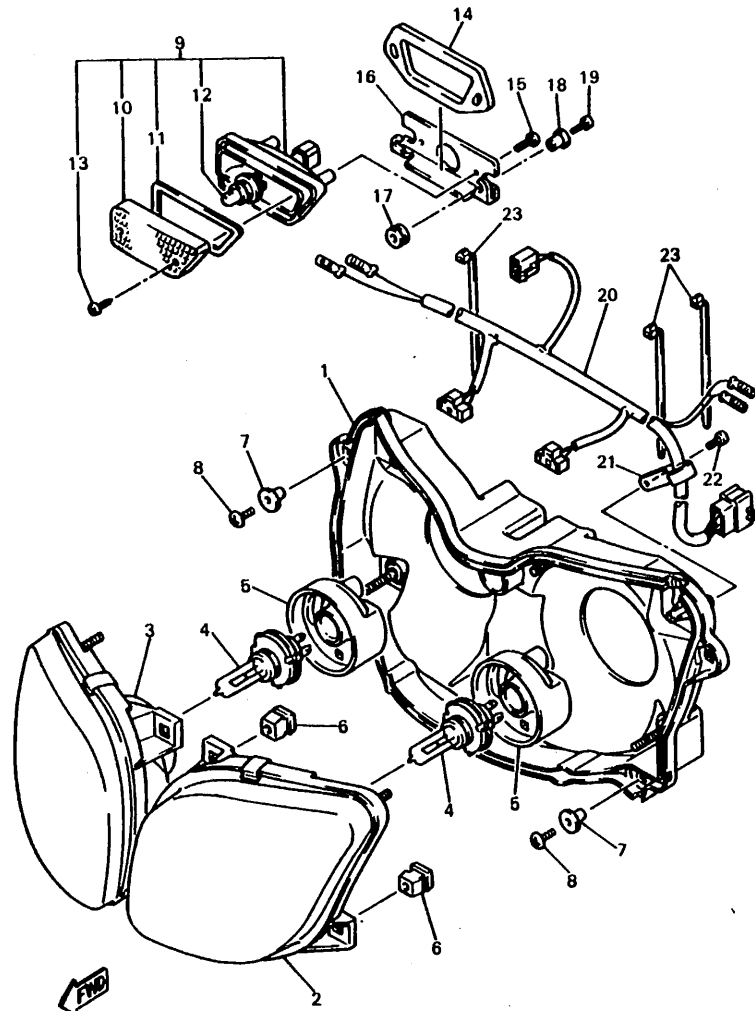
4HD300-3490

REF. NO.	PART NO.	DESCRIPTION	Q'TY	REMARKS
1	4FM-84330-30	BODY ASSY	1	
2	4FM-84320-30	LENS ASSY	1	
3	4FM-8432A-30	LENS ASSY	1	
4	1FM-84314-H0	BULB (12V-35/35W)	2	HALOGEN
5	2GH-84397-00	COVER, SOCKET	2	
6	51L-84334-00	NUT, ADJUSTING	1	
7	98580-04008	SCREW, PAN HEAD	2	
8	92902-04100	WASHER, SPRING	2	
9	90338-08226	PLUG	4	
10	97706-60014	SCREW, TAPPING	4	
11	3GM-84301-00	PILOT LIGHT ASSY 1	1	
12	3GM-84321-00	.LENS ASSY	1	
13	3GM-84322-00	.GASKET, LENS	1	
14	2JE-84744-00	.BULB (12V 5W)	1	
15	3GM-84192-00	.SCREW(M4,L=12)	2	
16	3GM-84367-00	DAMPER, HEADLIGHT 2	1	
17	90167-05041	SCREW, TAPPING	2	
18	3GM-8431R-00	STAY, SETTING	1	
19	90480-10517	GROMMET	2	
20	90387-052U5	COLLAR	2	
21	90167-05037	SCREW, TAPPING	2	
22	4FM-84359-10	CORD, HEADLIGHT	1	
23	90462-05061	CLAMP	1	
24	90167-05041	SCREW, TAPPING	1	
25	90464-13073	CLAMP	3	

FOR HOLLAND

The following pages provides a listing of only the parts that meet the specifications peculiar to your market. For those parts not appearing in these pages, refer to the "GENERAL SPEC" section.

FIG. 50 ALTERNATE (HEADLIGHT)



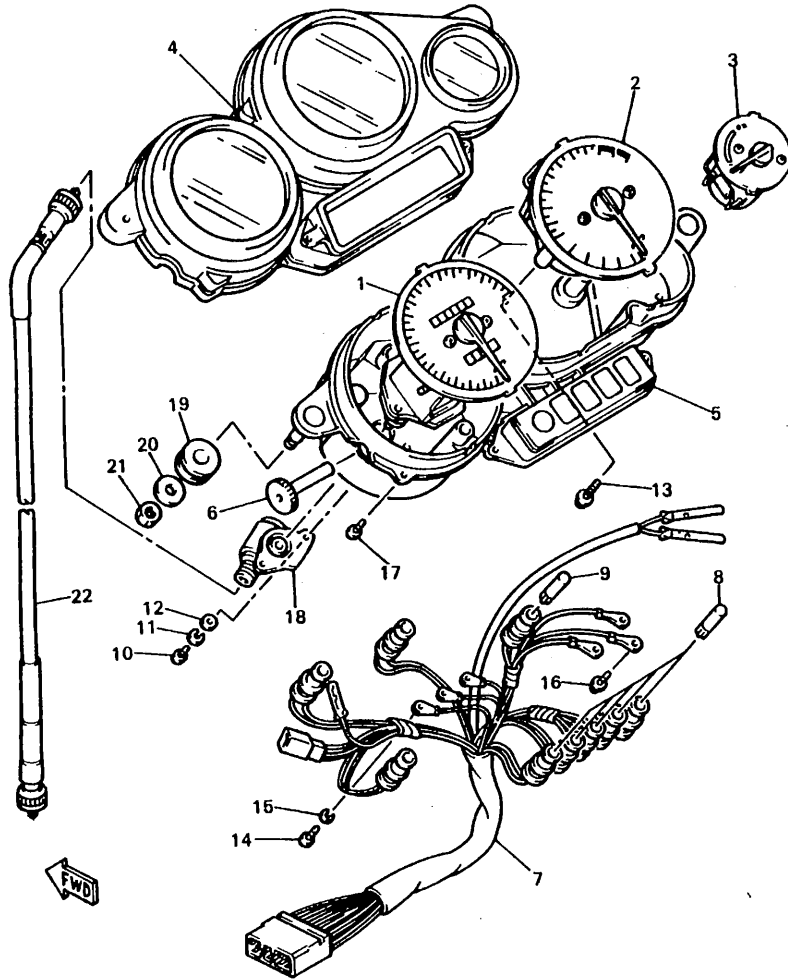
REF. NO.	PART NO.	DESCRIPTION	Q'TY	REMARKS
1	4FM-84330-10	BODY ASSY	1	
2	4FM-84320-10	LENS ASSY	1	
3	4FM-8432A-20	LENS ASSY	1	
4	2F9-84314-00	BULB (12V-60/55W)	2	(H4)HALOGEN
5	2GH-84397-00	COVER, SOCKET	2	
6	51L-84334-00	NUT, ADJUSTING	4	
7	90338-08226	PLUG	4	
8	97706-60014	SCREW, TAPPING	4	
9	3GM-84301-00	PILOT LIGHT ASSY 1	1	
10	3GM-84321-00	.LENS ASSY	1	
11	3GM-84322-00	.GASKET, LENS	1	
12	2JE-84744-00	.BULB (12V 5W)	1	
13	3GM-84192-00	.SCREW(M4,L=12)	2	
14	3GM-84367-00	DAMPER, HEADLIGHT 2	1	
15	90167-05041	SCREW, TAPPING	2	
16	3GM-8431R-00	STAY, SETTING	1	
17	90480-10517	GROMMET	2	
18	90387-052U5	COLLAR	2	
19	90167-05037	SCREW, TAPPING	2	
20	4FM-84359-00	CORD, HEADLIGHT	1	
21	90462-05061	CLAMP	1	
22	90167-05041	SCREW, TAPPING	1	
23	90464-13073	CLAMP	3	

4HD300-3460

FOR ENGLAND IRELAND

The following pages provides a listing of only the parts that meet the specifications peculiar to your market. For those parts not appearing in these pages, refer to the "GENERAL SPEC" section.

FIG. 51 ALTERNATE (METER)

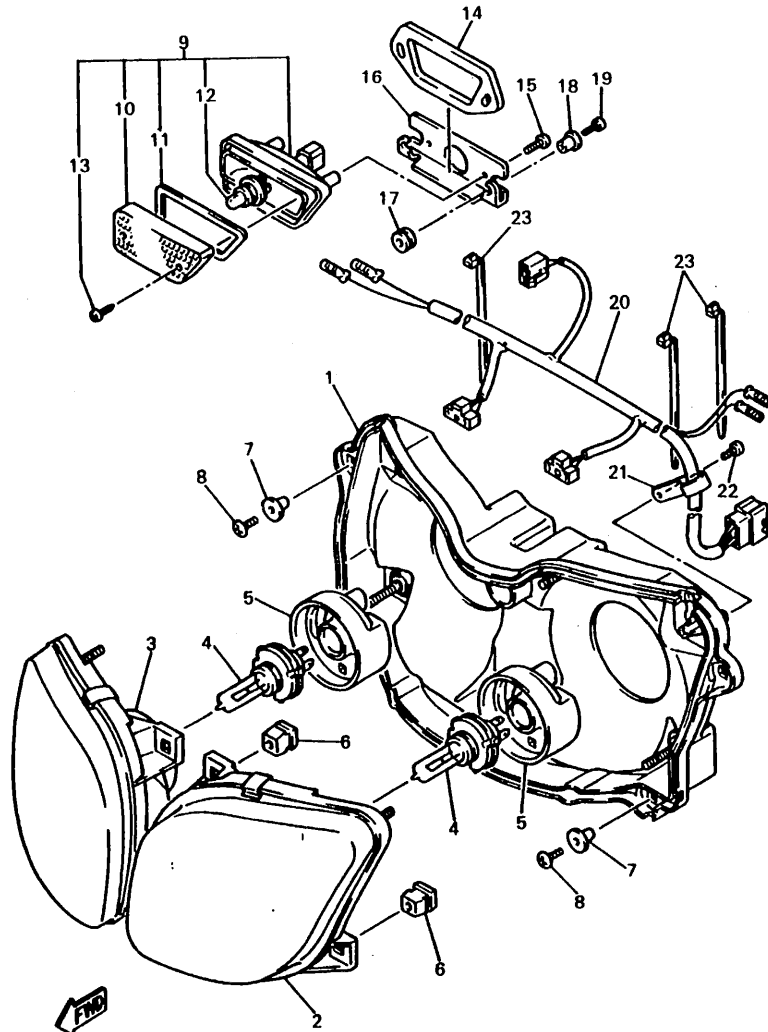


REF. NO.	PART NO.	DESCRIPTION	Q'TY	REMARKS
1	4FM-83570-10	SPEEDOMETER ASSY	1	
2	4FM-83640-00	TACHOMETER ASSY	1	
3	4FM-83690-00	WATER TEMPERATURE ASSY	1	
4	4FM-83569-00	COVER, METER	1	
5	4FM-8353H-10	CASE, INNER	1	
6	2GH-83578-00	KNOB, TRIP METER	1	
7	4FM-83509-00	SOCKET CORD ASSY	1	
8	4G1-84744-00	BULB (12V-3.4W)	5	
9	2GV-83517-00	BULB, (12V-1.7W, T6.5)	4	
10	98580-04010	SCREW, PAN HEAD	4	
11	92902-04100	WASHER, SPRING	4	
12	92901-04600	WASHER, PLATE	4	
13	97902-04122	SCREW, WITH WASHER	2	
14	98580-03010	SCREW, PAN HEAD	3	
15	92990-03100	WASHER, SPRING	3	
16	90159-03102	SCREW, WITH WASHER	3	
17	90164-04023	SCREW, TAPPING	5	
18	4FM-83520-00	SOCKET CORD ASSY	1	
19	5J0-83613-00	DAMPER	2	
20	90201-06059	WASHER, PLATE	2	
21	95316-06600	NUT	2	
22	3GM-83550-00	SPEEDOMETER CABLE ASSY	1	

4HD300-3440

G5

FIG. 52 ALTERNATE (HEADLIGHT)



4HD300-3450

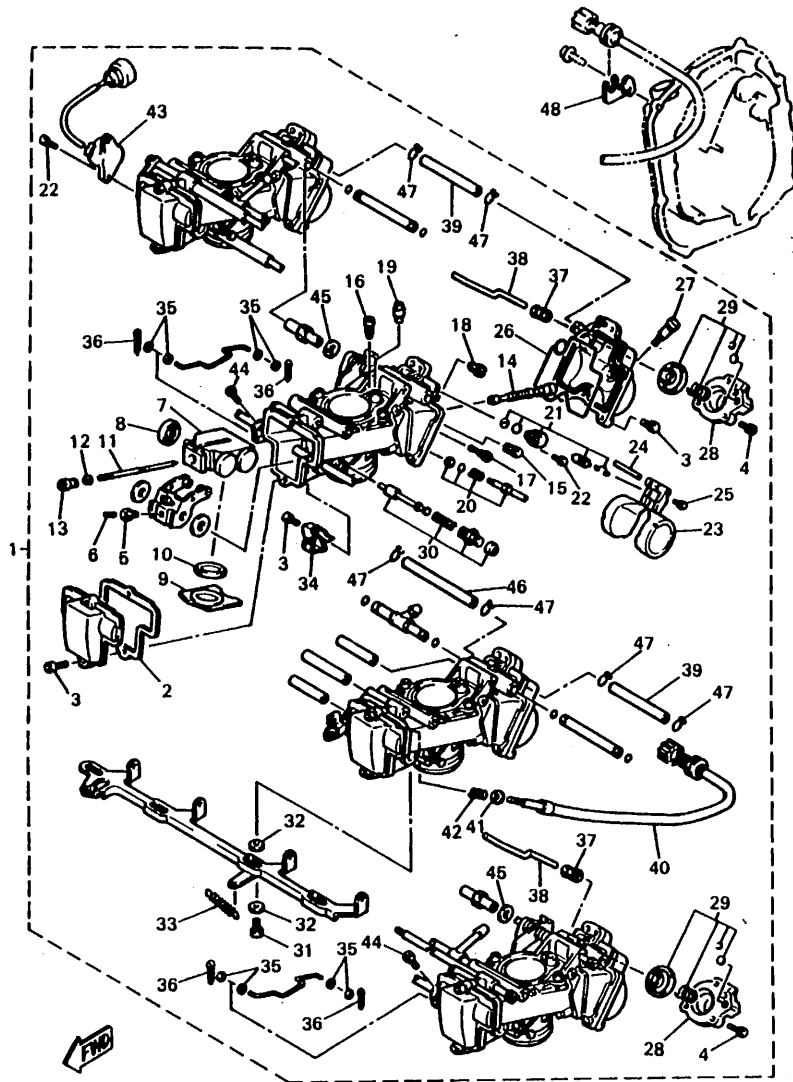
REF. NO.	PART NO.	DESCRIPTION	Q'TY	REMARKS
1	4FM-84330-40	BODY ASSY	1	
2	4FM-84320-40	LENS ASSY	1	
3	4FM-8432A-40	LENS ASSY	1	
4	1FM-84314-H0	BULB (12V-35/35W)	2	HALOGEN
5	2GH-84397-00	COVER, SOCKET	2	
6	51L-84334-00	NUT, ADJUSTING	4	
7	90338-08226	PLUG	4	
8	97708-60014	SCREW, TAPPING	4	
9	3GM-84301-00	PILOT LIGHT ASSY 1	1	
10	3GM-84321-00	.LENS ASSY	1	
11	3GM-84322-00	.GASKET, LENS	1	
12	2JE-84744-00	.BULB (12V 5W)	1	
13	3GM-84192-00	.SCREW(M4,L=12)	2	
14	3GM-84367-00	DAMPER, HEADLIGHT 2	1	
15	90167-05041	SCREW, TAPPING	2	
16	3GM-8431R-00	STAY, SETTING	1	
17	90480-10517	GROMMET	2	
18	90387-052U5	COLLAR	2	
19	90167-05037	SCREW, TAPPING	2	
20	4FM-84359-10	CORD, HEADLIGHT	1	
21	90462-05081	CLAMP	1	
22	90167-05041	SCREW, TAPPING	1	
23	90464-13073	CLAMP	3	



FOR FINLAND SWEDEN

The following pages provides a listing of only the parts that meet the specifications peculiar to your market. For those parts not appearing in these pages, refer to the "GENERAL SPEC" section.

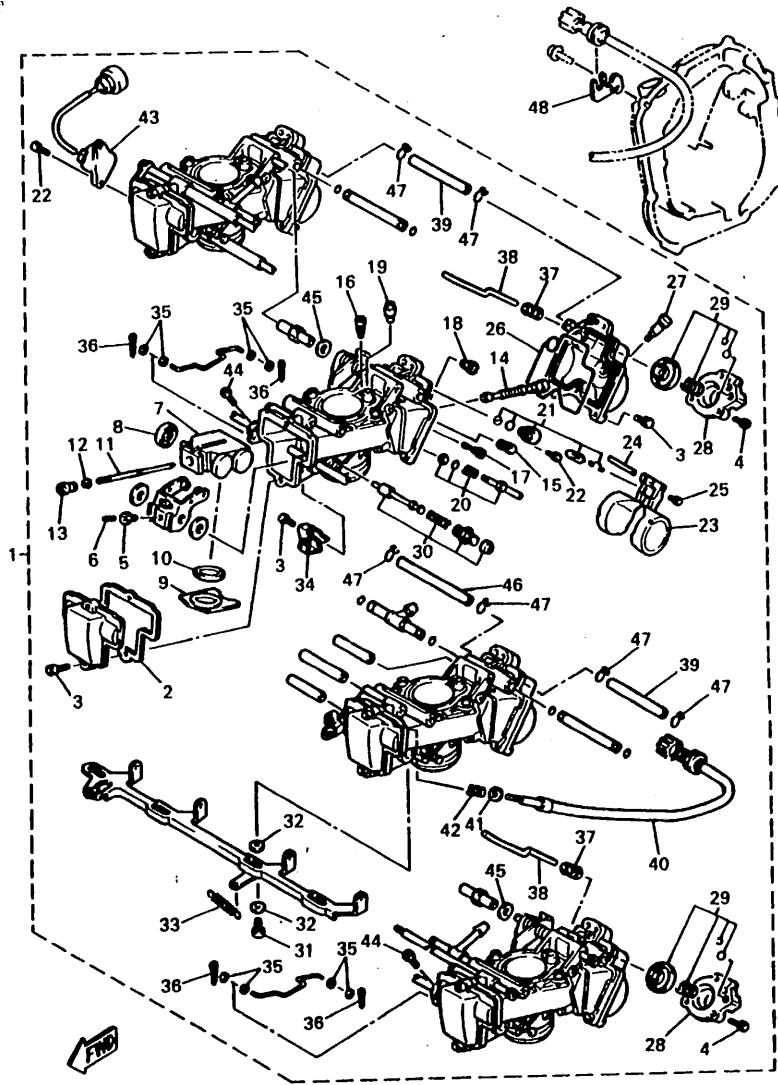
FIG. 53 ALTERNATE (CARBURETOR)



4HS300-3110

REF. NO.	PART NO.	DESCRIPTION	Q'TY	REMARKS
1	4HT-14900-00	CARBURETOR ASSY	1	
2	4FN-14959-00	.GASKET	4	
3	91316-04010	.BOLT	20	
4	91316-04008	.BOLT	6	
5	3TJ-14393-40	.NUT, CROWN	4	
6	3TJ-14522-40	.SCREW, ADJUST	4	
7	4FN-14340-00	.VALVE ASSY	4	
8	3TJ-14267-40	.ROLLER	4	
9	4FN-14546-00	.VALVE, NEEDLE	4	
10	4FN-14997-00	.SEAL	4	
11	4HS-14916-00	.NEEDLE	4	
12	3TJ-14159-40	.CLIP	4	
13	3TJ-14521-40	.SCREW, ADJUST	4	
14	4FN-14947-00	.JET, NEEDLE	4	
15	3TJ-14943-83	.JET, MAIN (#128)	2	UR #1,4
	3TJ-14943-32	.JET, MAIN (#125)	2	UR #2,3
16	3TJ-14943-15	.JET, MAIN (#70)	4	
17	3TJ-14948-02	.JET (#38)	4	
18	3TJ-1494F-11	.JET	4	
19	7A9-14943-31	.JET, MAIN (#120)	4	
20	4FN-14105-00	.PILOT SCREW SET	4	
21	4FN-14107-00	.NEEDLE VALVE SET	4	
22	3TJ-14216-40	.SCREW	6	
23	4FN-14985-00	.FLOAT	4	
24	663-14548-00	.PIN, FLOAT ARM	4	
25	98580-04008	.SCREW, PAN HEAD	4	
26	3TJ-14984-40	.GASKET, FLOAT CHAMBER	4	
27	3TJ-14191-40	.PLUG, DRAIN	4	

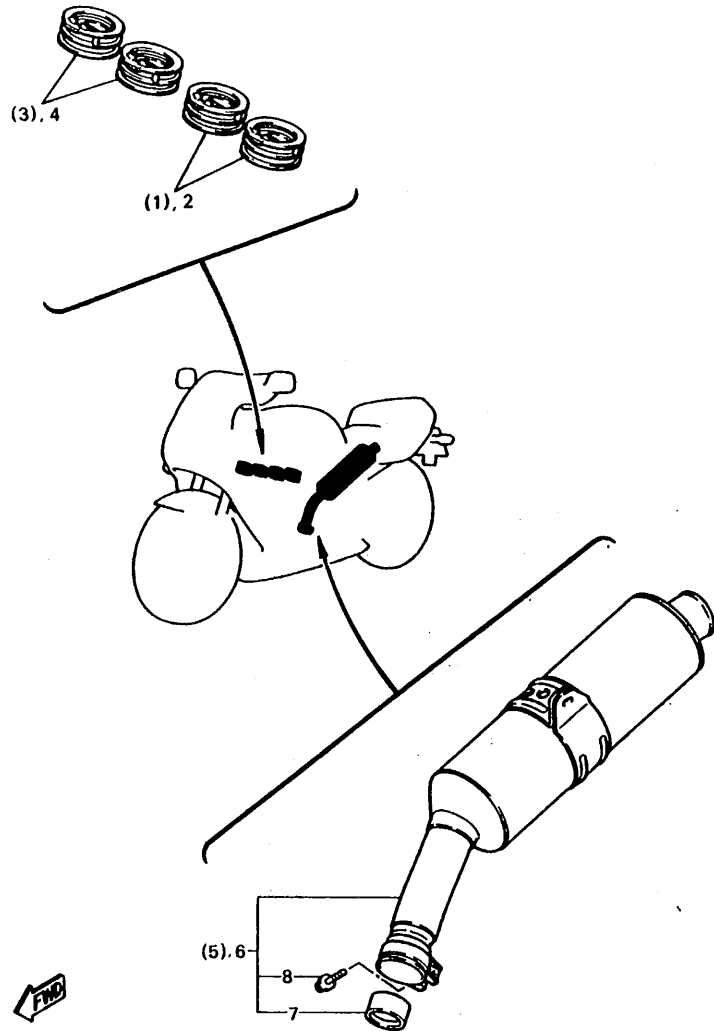
FIG. 53 ALTERNATE (CARBURETOR)



4HS300-3110

REF. NO.	PART NO.	DESCRIPTION	Q'TY	REMARKS
28	3TJ-14293-40	.COVER 1	2	
29	3TJ-1490A-40	.DIAPHRAGM SET, 1	2	
30	3TJ-1410A-40	.STARTER SET	4	
31	3TJ-14245-40	.SCREW, GUIDE	3	
32	90202-08058	.WASHER, PLATE	6	
33	3TJ-14935-40	.SPRING	1	
34	4FN-14261-00	.HOLDER	1	
35	90202-03052	.WASHER, PLATE	8	
36	3TJ-14365-40	.PIN, CLEVIS	4	
37	3TJ-14968-40	.CAP	2	
38	3TJ-14379-40	.ROD, STARTER	2	
39	4FN-14294-00	.HOSE	2	
40	4FN-14922-00	.SCREW, THROTTLE	1	
41	90201-08410	.WASHER, PLATE	1	
42	4FN-14934-00	.SPRING, THROTTLE STOP	1	
43	4FN-85885-00	.THROTTLE SENSOR ASSY	1	
44	3TJ-14325-40	.SCREW, PAN HEAD	2	
45	90201-08333	.WASHER, PLATE	2	
46	4FN-14298-00	.PIPE	1	
47	3TJ-14137-40	.CLIP	8	
48	4FN-14413-00	STAY	1	

FIG. 54 ALTERNATE (ENGINE)



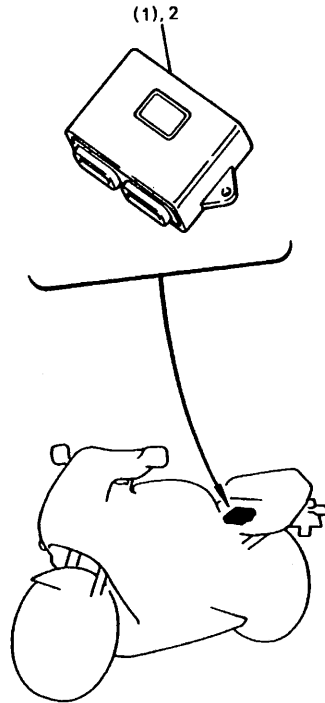
REF. NO.	PART NO.	DESCRIPTION	QTY	REMARKS
1	4FN-13597-00	JOINT, CARBURETOR 3	*	
2	4HT-13597-00	JOINT, CARBURETOR 3	2	
3	4FN-13598-00	JOINT, CARBURETOR 4	*	
4	4HT-13598-00	JOINT, CARBURETOR 4	2	
5	4HD-14710-00	MUFFLER ASSY 1	*	
6	4HN-14710-00	MUFFLER ASSY 1	1	
7	3HE-14765-00	.GASKET, SILENCER	1	
8	95816-08025	.BOLT, FLANGE	1	

* For Convenience of reference:
Disregard the items asterisked (*) in the "QTY" column. These are intended for
GENERAL SPEC. and NOT for INDIVIDUAL SPEC.

4HS300-3540

FIG. 55 ALTERNATE (ELECTRICAL)

REF. NO.	PART NO.	DESCRIPTION	Q'TY	REMARKS
1	4HS-82305-00	IGNITOR UNIT ASSY	*	
2	4HT-82305-00	IGNITOR UNIT ASSY	1	



4HS300-3550

* For Convenience of reference:
Disregard the items asterisked (*) in the "QTY" column. These are intended for
GENERAL SPEC. and NOT for INDIVIDUAL SPEC.



INDEX

NUMERICAL INDEX

PART NO.	REF NO.	PART NO.	REF NO.	PART NO.	REF NO.
3GM-W0041-50	E - 7	3GM-11633-00	B - 4	1HX-12169-90	B - 6
4BH-W0042-50	E - 12	4FM-11636-00	B - 4	4HD-12171-00	B - 7
4FM-W0045-00	E - 2	4FM-11650-00	B - 4	3GM-12176-00	B - 7
4FM-W0046-00	E - 6	3GY-11654-00	B - 4	4HD-12181-00	B - 7
31A-W0047-00	E - 5	3GM-11656-00	B - 4	4FM-12210-00	B - 7
4FM-W0047-00	E - 2	3GM-11656-10	B - 4	4FM-12213-00	B - 7
4FM-W0047-10	E - 2	3GM-11656-20	B - 4	2GH-12241-00	B - 4
1J3-W0048-00	E - 2	3GM-11656-30	B - 4	3FV-12251-00	B - 4
	E - 5	4FM-12111-00	B - 5	4FM-12252-00	B - 7
36Y-W0048-00	C - 10	4FM-12112-00	B - 5	4FM-1240A-00	B - 5
31A-W0057-00	E - 5	3FV-12113-00	B - 5	4FM-12405-00	B - 9
4FM-W0057-00	E - 2	3FV-12114-00	B - 5	4FM-12410-00	B - 9
4FM-W0057-10	E - 2	4FM-12116-00	B - 5	3GM-12413-00	B - 9
26H-W0098-00	C - 10	1WG-12117-00	B - 5	3GM-12417-00	B - 9
3GM-W0099-00	E - 9	3GM-12117-00	B - 5	1UF-12421-09	B - 8
4FN-W1741-00	C - 11	1WG-12118-00	B - 5	3GM-12422-00	B - 8
3FV-W1742-00	C - 11	1WG-12119-00	B - 5	11H-12438-00	B - 8
3GM-W2587-50	E - 7	4FM-12121-00	B - 5	1AE-12439-00	B - 8
4FM-W2845-00	E - 9	3GM-12126-00	B - 5	1UF-12450-00	B - 8
4FM-Y2151-00-PO	D - 3	3FV-12153-09	B - 6	22W-12462-00	B - 9
4FM-Y2808-00-PO	F - 2	3FV-12153-10	B - 6	3FV-12469-00	B - 8
4FM-Y2835-00-0X	E - 14	3LN-12153-09	B - 6	1AE-12481-01	B - 8
4FM-11102-00	B - 2	3LN-12153-20	B - 6	4FN-12482-00	B - 8
2GH-1111G-00	B - 2	3LN-12153-30	B - 6	2GH-12484-00	B - 9
3GM-11133-10	B - 2	1HX-12168-A0	B - 5	4FN-12576-01	B - 9
3GM-11134-10	B - 2	1HX-12168-F0	B - 5	4FM-12579-01	B - 9
4FM-1115A-00	B - 2	1HX-12168-H1	B - 5	4FM-12588-01	B - 9
3FV-11166-00	C - 5	1HX-12168-K1	B - 5	4FM-12589-01	B - 9
3FV-11181-00	B - 3	1HX-12168-M1	B - 5	4FM-12683-00	D - 2
3FV-11182-00	B - 2	1HX-12168-R1	B - 5	1AE-1316E-00	B - 11
3GM-11191-01	B - 2	1HX-12168-U1	B - 5	3FV-1316F-00	B - 11
3GM-11193-00	B - 2	1HX-12168-W1	B - 5	3FV-1316G-00	B - 11
214-11198-01	B - 13	1HX-12168-Y1	B - 5	3GM-13161-01	B - 13
4FM-11310-00	B - 3	1HX-12168-00	B - 5	3GM-13174-00	B - 13
4FM-1133E-00	C - 4	1HX-12168-20	B - 5	3GM-13181-00	B - 11
4FM-1133F-00	C - 4	1HX-12168-40	B - 5	3GM-13191-00	B - 11
3FV-11351-00	B - 3	1HX-12168-60	B - 5	1AE-13300-00	B - 11
4FM-11411-00	B - 4	1HX-12168-80	B - 5	2GH-13329-00	B - 11
3GM-11416-00	B - 4	1HX-12169-E0	B - 6	3GM-13337-00	B - 13
3GM-11416-10	B - 4	1HX-12169-G0	B - 6	4FM-13411-00	B - 11
3GM-11416-20	B - 4	1HX-12169-J0	B - 6	3GM-13412-50	B - 11
3GM-11416-30	B - 4	1HX-12169-L0	B - 6	4FM-13414-00	B - 13
3GM-11416-40	B - 4	1HX-12169-N0	B - 6	3FV-13416-01	B - 13
4FM-11456-00	C - 9	1HX-12169-T0	B - 6	4FM-13417-00	B - 13
3GM-11474-00	C - 9	1HX-12169-11	B - 5	3FV-13440-00	B - 13
4FM-11603-00	B - 4	1HX-12169-31	B - 5	3GM-13454-00	B - 12
4FM-11605-00	B - 4	1HX-12169-50	B - 5	3VD-13455-00	B - 13
4FM-11631-00-A0	B - 4	1HX-12169-70	B - 6	4FM-13470-00	B - 13

NUMERICAL INDEX

PART NO.	REF NO.	PART NO.	REF NO.	PART NO.	REF NO.
4FM-13475-00	B - 12	4FN-1440F-00	B - 14	3TJ-14943-15	G - 8
3KS-13490-00	B - 7	4FM-14401-00	B - 14	3TJ-14943-32	C - 2
4FM-13556-01	B - 14	2GH-14413-00	B - 8		G - 8
4FM-13586-00	B - 14	4FN-14413-00	C - 3	3TJ-14943-83	G - 8
4FN-13586-00	B - 14		G - 9	7A9-14943-31	C - 2
4FM-13596-00	B - 14	1HX-1443E-00	B - 14		G - 8
4FN-13597-00	B - 14	4FN-14437-00	B - 14	4FN-14947-00	C - 2
4HT-13597-00	G - 10	4FM-14451-00	B - 14		G - 8
4FN-13598-00	B - 14	4FN-14453-00	B - 14	3TJ-14948-02	G - 8
4HT-13598-00	G - 10	4FM-14462-00	B - 15	3TJ-14948-03	C - 2
4FM-13910-00	D - 12	4FN-14467-00	B - 15	4FN-14959-00	C - 2
3TJ-1410A-40	C - 3	3TJ-14521-40	C - 2		G - 8
	G - 9		G - 8	3TJ-14968-40	C - 3
4FN-14105-00	C - 2	3TJ-14522-40	C - 2		G - 9
	G - 8		G - 8	3TJ-14984-40	C - 2
4FN-14107-00	C - 2	4FN-14546-00	C - 2		G - 8
	G - 8		G - 8	4FN-14985-00	C - 2
3TJ-14137-40	C - 3	663-14548-00	C - 2		G - 8
	G - 9		G - 8	4FN-14997-00	C - 2
3TJ-14159-40	C - 2	4FN-14561-00	B - 14		G - 8
	G - 8	4FM-14610-01	C - 4	3GM-15100-51	C - 5
3TJ-14191-40	C - 2	4FM-14613-00	C - 4	3FV-15105-00	C - 6
	G - 8	3GM-14683-00	C - 4	2GH-15123-00	B - 11
3TJ-14216-40	C - 2	4HD-14710-00	C - 4	1AE-15124-00	B - 11
	G - 8	4HN-14710-00	G - 10	2GH-15133-00	B - 11
3TJ-14245-40	C - 3	3HE-14755-00	C - 4	4H7-15189-00	C - 6
	G - 9		G - 10	1AE-15316-00	C - 7
4FN-14261-00	C - 3	3GM-14811-00	C - 4	3GM-15346-00	C - 7
	G - 9	3GM-14821-00	C - 4	3Y1-15361-00	C - 7
3TJ-14267-40	C - 2	4HD-14826-00	C - 4	3FV-15363-00	C - 5
	G - 8	2TK-14845-00	C - 4	409-15363-01	C - 7
3TJ-14293-40	C - 2	2TK-14865-01	C - 4	3GM-15373-00	B - 13
	G - 9	2TK-14867-01	C - 4	1UF-15379-00	B - 10
	D - 13	3TJ-1490A-40	C - 3	1AE-15381-00	C - 9
3FV-14294-02	C - 3		G - 9	1AE-15383-00	C - 6
4FN-14294-00	G - 9	4HS-14900-00	C - 2	4FM-15410-00	C - 7
	G - 9	4HT-14900-00	G - 8	3GM-15416-00	C - 7
4FN-14298-00	G - 9	4HS-14916-00	C - 2	3GM-15417-00	C - 7
	C - 3		G - 8	4FM-15421-00	C - 7
3TJ-14325-40	G - 9	4FN-14922-00	C - 3	3GM-15427-00	C - 7
	B - 11		G - 9	1TV-15435-00	C - 7
4FN-14340-00	C - 2	4FN-14934-00	C - 3	3GM-15449-00	C - 7
	G - 8		G - 9	4FM-15451-00	C - 7
3TJ-14365-40	C - 3		C - 3	1AE-15456-00	C - 7
	G - 9	3TJ-14935-40	C - 3	4FM-15461-00	C - 7
	G - 9		G - 9	4FM-15463-00	C - 7
3TJ-14379-40	C - 3	3TJ-1494F-11	C - 2	4FM-15467-00	C - 7
	G - 9		G - 8	4H7-15486-00	C - 7
3TJ-14393-40	C - 2	3TJ-14943-15	C - 2		
	G - 8				

NUMERICAL INDEX

PART NO.	REF NO.	PART NO.	REF NO.
3GM-15512-00	C - 9	4FM-21110-00	C - 15
4BH-15517-00	C - 9	4FM-2116J-10	D - 2
3GM-15519-00	C - 9	4FM-21161-01	D - 2
51Y-15521-00	C - 9	4FM-21162-00	D - 2
3GM-15522-00	C - 9	4FM-2117F-00	C - 15
3GM-15524-00	C - 9	4FM-2117M-10	C - 15
3GM-15580-00	C - 9	1JK-21268-00	F - 2
1J7-15583-01	C - 9	4FM-2133G-00	E - 12
3GM-15689-00	C - 9	4FM-21359-00	C - 15
4FM-16150-00	C - 10	4FM-2137Y-00	C - 15
1AE-16154-00	C - 10	3TJ-2139U-00	F - 12
4H7-16155-01	C - 9	4FM-2142K-00	C - 15
1AE-16164-00	C - 10	4FM-2144G-00	E - 12
4FN-16321-00	C - 10	4FM-21445-00	E - 11
3J2-16324-00	C - 10	4FM-21446-00	C - 15
58L-16351-00	C - 10	4X7-2149Y-00	B - 14
1LJ-16356-00	C - 10	1A8-21518-00	F - 2
1AE-16357-00	C - 10	4FM-21569-01	D - 3
2GH-16371-00	C - 10	4FM-21596-00	E - 2
1TV-16381-10	C - 10	4FM-21611-00	D - 3
3FV-17121-00	C - 11	3GM-21621-00	D - 3
4FN-17131-00	C - 11	4FM-21639-00	F - 2
4FN-17151-00	C - 11	4FM-21645-10	C - 15
4FN-17161-00	C - 11	3GM-21649-00	D - 3
3FV-17211-00	C - 11	3GM-21649-10	D - 3
3FV-17221-00	C - 11	3YL-21649-00	F - 2
3FV-17231-00	C - 11	4FM-21649-00	D - 3
4FN-17241-00	C - 11	4FM-21710-00-PO	D - 5
4FN-17251-00	C - 11	4FM-2173L-01	D - 5
3FV-17261-00	C - 11	1JK-21735-00	D - 5
278-17424-01	C - 12		F - 2
2GH-17460-00	C - 11	3XV-21778-00	D - 3
1AE-18101-01	C - 14	4FM-21871-00	D - 2
4FM-18110-00	C - 14	1AA-21874-00	D - 2
2GH-18112-01	C - 14	4L0-21875-00	D - 2
132-18113-01	C - 14	4FM-22110-00	D - 6
1WG-18115-00	C - 14	3FV-22128-00	D - 6
4G0-18127-00	C - 14	4FM-2213J-00	D - 6
36Y-18140-00	C - 13	3GM-22141-00	D - 6
2H9-18154-00	C - 14	4FM-22151-00	D - 7
4FM-18511-00	C - 13	4FM-2217A-10	D - 6
4FM-18512-00	C - 13	4FM-2217M-10	D - 6
4FM-18513-00	C - 13	3FV-22184-00	D - 6
4BH-18531-00	C - 13	4FM-22210-10	D - 8
1AE-18536-00	C - 13	4FM-22219-00	D - 8
4FM-18540-00	C - 13	4FM-22262-00	D - 8
278-18542-00	C - 13	4FM-22311-00	D - 6
278-18568-00	C - 13	4FM-23102-10	D - 10

PART NO.	REF NO.	PART NO.	REF NO.
4FM-23103-10	D - 10	4FM-23103-10	D - 10
4FM-23110-10	D - 10	4FM-23110-10	D - 10
4FM-23111-10	D - 10	4FM-23111-10	D - 10
4FM-23118-00	D - 10	4FM-23118-00	D - 10
4FM-23120-10	D - 10	4FM-23120-10	D - 10
4FM-23125-00	D - 10	4FM-23125-00	D - 10
4FM-23136-00	D - 10	4FM-23136-00	D - 10
4FM-23141-10	D - 10	4FM-23141-10	D - 10
4FM-23144-00	D - 10	4FM-23144-00	D - 10
35P-23145-L0	D - 10	35P-23145-L0	D - 10
38Y-23146-10	D - 10	38Y-23146-10	D - 10
26H-23156-00	D - 10	26H-23156-00	D - 10
2K8-23158-L0	D - 10	2K8-23158-L0	D - 10
4FM-23159-00	D - 10	4FM-23159-00	D - 10
4FM-23165-00	D - 10	4FM-23165-00	D - 10
4FM-23170-10	D - 10	4FM-23170-10	D - 10
3JD-23171-L0	D - 10	3JD-23171-L0	D - 10
3LC-23181-00	D - 10	3LC-23181-00	D - 10
4FM-23340-00	D - 11	4FM-23340-00	D - 11
3XJ-23357-L0	D - 10	3XJ-23357-L0	D - 10
3GM-23377-00	E - 7	3GM-23377-00	E - 7
3GM-23378-00	E - 7	3GM-23378-00	E - 7
3GM-23415-00	D - 9	3GM-23415-00	D - 9
3YF-23418-00	D - 9	3YF-23418-00	D - 9
4FM-23435-00	D - 9	4FM-23435-00	D - 9
3FV-23462-00	D - 9	3FV-23462-00	D - 9
10L-23469-00	E - 6	10L-23469-00	E - 6
4FM-24110-10-01	D - 12	4FM-24110-10-01	D - 12
4FM-2414G-00	D - 12	4FM-2414G-00	D - 12
1LJ-2414J-00	D - 3	1LJ-2414J-00	D - 3
3FV-2416A-00	B - 14	3FV-2416A-00	B - 14
2GH-24181-00	D - 12	2GH-24181-00	D - 12
4FM-24181-00	C - 4	4FM-24181-00	C - 4
2GH-24183-00	D - 12	2GH-24183-00	D - 12
3XV-24183-00	D - 12	3XV-24183-00	D - 12
3Y6-24183-00	D - 12	3Y6-24183-00	D - 12
2GH-24184-00	D - 12	2GH-24184-00	D - 12
12R-24186-00	D - 12	12R-24186-00	D - 12
2GH-24186-00	D - 12	2GH-24186-00	D - 12
4FM-24191-00	D - 12	4FM-24191-00	D - 12

NUMERICAL INDEX

PART NO.	REF NO.	PART NO.	REF NO.
4FM-25852-00	E - 9	4FM-25852-00	E - 9
3FV-25854-00	E - 7	3FV-25854-00	E - 7
3GK-25854-50	E - 9	3GK-25854-50	E - 9
360-25854-00	E - 12	360-25854-00	E - 12
2GU-25855-00	E - 12	2GU-25855-00	E - 12
2J2-25855-50	E - 7	2J2-25855-50	E - 7
3GK-25855-50	E - 9	3GK-25855-50	E - 9
2VN-25866-00	E - 7	2VN-25866-00	E - 7
56A-25867-00	E - 9	56A-25867-00	E - 9
4FM-25872-00	E - 7	4FM-25872-00	E - 7
4FM-25873-00	E - 7	4FM-25873-00	E - 7
4FM-25874-00	E - 13	4FM-25874-00	E - 13
4FM-25875-00	E - 13	4FM-25875-00	E - 13
3MA-25876-11	E - 8	3MA-25876-11	E - 8
3MA-25876-21	E - 8	3MA-25876-21	E - 8
4FM-25878-00	E - 13	4FM-25878-00	E - 13
4FM-25887-00	E - 4	4FM-25887-00	E - 4
3PJ-25888-00	E - 12	3PJ-25888-00	E - 12
3FV-2589A-00	E - 7	3FV-2589A-00	E - 7
3FV-2589F-00	D - 15	3FV-2589F-00	D - 15
3FV-2589G-00	E - 7	3FV-2589G-00	E - 7
3FV-25894-00	E - 7	3FV-25894-00	E - 7
31A-25894-01	E - 12	31A-25894-01	E - 12
4FM-25894-00	E - 9	4FM-25894-00	E - 9
4FM-25895-00	E - 13	4FM-25895-00	E - 13
1WG-25919-00	E - 5	1WG-25919-00	E - 5
4FM-25919-00	E - 2	4FM-25919-00	E - 2
4FM-25924-00	E - 2	4FM-25924-00	E - 2
3HE-25925-00	E - 5	3HE-25925-00	E - 5
4FM-25925-00	E - 2	4FM-25925-00	E - 2
4FM-26121-00	E - 6	4FM-26121-00	E - 6
4FM-26122-00	E - 6	4FM-26122-00	E - 6
4FM-26240-00	E - 6	4FM-26240-00	E - 6
4FM-26241-00	E - 2	4FM-26241-00	E - 2
36Y-26246-00	E - 6	36Y-26246-00	E - 6
3LN-26270-01	E - 6	3LN-26270-01	E - 6
4FM-26280-00	E - 14	4FM-26280-00	E - 14
4FM-26290-00	E - 14	4FM-26290-00	E - 14
4FM-26292-00	E - 7	4FM-26292-00	E - 7
51L-26371-00	E - 9	51L-26371-00	E - 9
3XV-26298-00	E - 15	3XV-26298-00	E - 15
4FM-26299-00	E - 15	4FM-26299-00	E - 15
4FM-26302-10	E - 6	4FM-26302-10	E - 6
4FM-26331-10	E - 6	4FM-26331-10	E - 6

NUMERICAL INDEX

PART NO.	REF NO.	PART NO.	REF NO.
94581-55104	E - 3	95611-10200	D - 6
94680-81021	B - 7	95616-06100	E - 7
94681-55031	E - 3		F -11
94701-00318	B - 2	95701-05500	D - 3
94701-00319	B - 2		F - 4
95021-06014	F -12		F -13
95021-06050	B - 8	95701-06500	B - 9
	C - 7		F - 8
95023-06008	E -13	95701-08500	E - 3
	F -13	95708-05500	E -14
95023-06010	B - 8		F -11
95023-06012	B - 2	95708-06500	E - 9
	B - 3	95708-10500	C -15
	B - 8	95811-06010	F -12
	C - 6	95811-06016	B -12
	F - 5		C -13
95023-08020	B - 8	95811-08020	B -15
	C - 8	95811-06025	F - 6
95023-06025	B - 2	95811-08030	F -12
	B - 8	95811-06035	C - 5
	B - 9	95811-06060	C - 5
95023-08030	B - 8	95811-06080	C - 5
	B -13	95811-08140	C - 5
	C - 8	95811-08016	C -15
95023-08040	B - 8		D -12
	C - 7	95811-08030	C -15
95028-06010	B -13	95811-08045	C - 5
95028-06012	B -11	95811-08055	C - 5
	B -13	95811-08060	C - 5
95028-06016	E -15	95811-08065	C - 5
	C - 9	95811-08090	C - 5
	F -11	95816-06012	E - 8
95028-06020	E -14	95816-06014	C - 9
95028-06025	E - 9	95816-06025	B - 9
95028-06030	C -10	95816-06075	D -12
95028-06090	C -10	95816-08012	F - 2
95303-08700	E -12	95816-08025	G -10
95316-06600	F - 9	95816-08035	C - 4
	G - 5	95816-08065	F - 4
95333-08600	E - 3	95821-08025	C - 4
95380-08700	C -14	95828-06010	E - 6
95601-06200	D -14		F - 2
95601-08200	E -14	95828-06020	C -14
95601-10200	E - 3	97011-06025	D -12
95608-04100	D - 3	97016-06025	E - 7
95811-08625	B - 2	97028-06012	C -15
95811-10100	D - 6	97395-05012	C - 4
	D - 8	97706-40012	F - 7

PART NO.	REF NO.	PART NO.	REF NO.
97706-50016	E -14		
97706-60014	F -10		
	F -15		
	G - 3		
	G - 6		
	D -14	97708-60016	F -12
	F - 9		
97902-04122	F - 9		
	G - 5		
	D -12	98501-05016	D -12
	F - 4	98501-05018	F - 4
	E - 9	98508-04008	E - 9
	F - 7		
	F -12	98508-05008	F -12
	E - 6	98508-05018	E - 6
	E - 6	98508-05030	E - 6
	E - 6	98508-05040	E - 6
	E - 7	98511-04012	E - 7
	E -12	98516-06020	E -12
	F - 9	98580-03010	F - 9
	G - 5		
	C - 2	98580-04008	C - 2
	F -15		
	G - 8		
	F - 9	98580-04010	F - 9
	G - 5		
	C - 7	98580-06010	C - 7
	E -12		
	F -12	98580-06016	F -12
	C - 7	98580-06020	C - 7
	C -13	98701-05012	C -13
	E - 9	98708-04016	E - 9
	E -15	98708-06025	E -15
	F -13	98780-05016	F -13
	E - 6	98906-06008	E - 6
	C -14	99006-10600	C -14
	B -13	99009-10400	B -13
	B - 8	99009-12400	B - 8
	D -15	99009-28400	D -15
	D -12	99226-00160	D -12
	E -14	99236-00080	E -14
	F -11		
	B -11	99510-08012	B -11
	C - 7		
	C - 8	99510-08012	C - 8
	C -10	99510-08012	C -10
	B - 2	99510-08016	B - 2
	B -13		

NUMERICAL INDEX

PART NO.	REF NO.	PART NO.	REF NO.
99510-12016	C - 6		
99510-14016	B - 3		
99530-10014	C - 5		

*COPYRIGHT : All rights reserved. No part of this publication
may be reproduced without permission.*

YAMAHA

YAMAHA MOTOR CO., LTD.
2500 SHINGAI IWATA SHIZUOKA JAPAN
PARTS OPERATIONS

Printed in Japan
First edition Nov., 1992

ITP