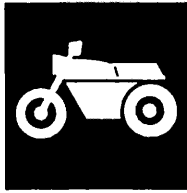


YAMAHA



**PARTS
CATALOGUE**

YZF750SP'94 (4HS3)

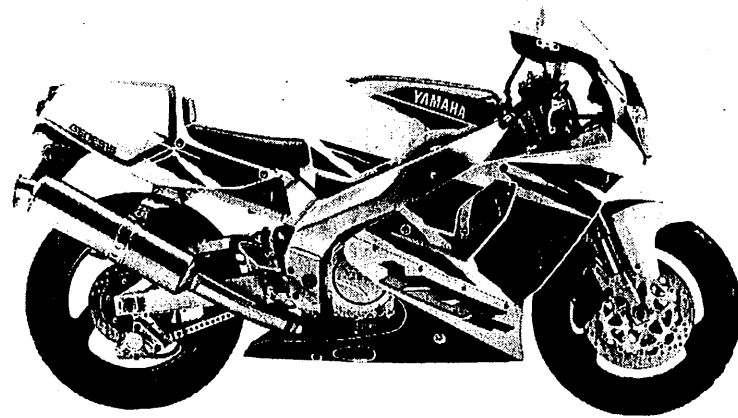
YZF750SP'94 (4HS4)

YZF750SP'94 (4HT2) EUROPE

YAMAHA
GENUINE
Parts & Accessories

144HS-300E2

A2



A3

FOREWORD

This Parts Catalogue is related to the parts in use for the Yamaha YZF750SP'94 (4HS3/4HS4/4HT2).

When you are ordering replacement parts for the YZF750SP'94 (4HS3/4HS4/4HT2) refer to this Parts Catalogue and quote both part numbers and part names correctly.

1. Modifications or additions which have been made after issue of the Parts Catalogue will be announced in the Yamaha Parts News.

It is advisable that according to the Yamaha Parts News you make necessary corrections to the Parts Catalogue on hand to keep it up-to-date.

2. Abbreviations

The following abbreviations are used in this Parts Catalogue.

- U.R. Use size (thickness) and/or number as required.
- U.N. Use as many as you need.
- A.P. Alternate Parts
- L.M. Local Made
- F# Frame No. (Applicable machine No.)

3. The parts marked with (*) in the parts number column of this Catalogue are not supplied with by Yamaha, those have to be found locally.

4. Parts, which are to be supplied in the form of assemblies, are listed with an indentation of one letter's space, and a dot (.) is put against the name of each part.

EXAMPLE CARBURETOR ASS'Y
 .JET, pilot
 .NOZZLE, main

Indication of No. of constituent parts for assembly

The numeral appearing to the right of each constituent part under the description indicates the quantity of such parts for each individual assembly unit.

EXAMPLE

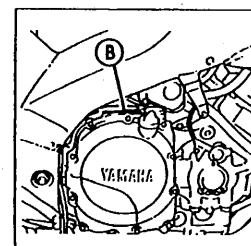
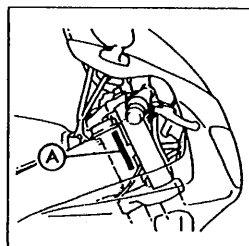
Part No.	Description	Q'ty	Remarks
2F5-83310-60	FRONT FLASHER LIGHT ASS'Y	2	
115-83311-60	.BULB (6V-18W)	1	
1M1-83309-60	.REFLECTOR	1	

6. Initial Serial No. and Color Code

4HS3	(A) Frame Serial No.	4HS-002101 and following
	(B) Engine Serial No.	4HS-002101 and following

4HS4	(A) Frame Serial No.	4HS-004101 and following
	(B) Engine Serial No.	4HS-004101 and following

4HT2	(A) Frame Serial No.	4HT-001101 and following
	(B) Engine Serial No.	4HT-001101 and following



Color Code	Color Name	Abbreviate
0390	BLUISH WHITE COCKTAIL 1	BWC1

7. Applicable colors of graphics are represented in the "Remarks" column by the letter(s) appropriately picked out of the full word(s) showing such colors.

EXAMPLE

Part No.	Description	Q'ty	Remarks
2N4-24110-00-X5	FUEL TANK COMP.	1	MAXIM RED
3J1-24240-10	.GRAPHIC, fuel tank set	1	for MXR

8. This Parts Catalogue contains modified specs as opposed to the preceding one. The modified items are asterisked(*) before their respective Ref. Nos. For the convenience of reference. Table of Comparison between old and new is provided at the end of this catalogue.

CONTENTS

GENERAL SPEC.

ENGINE

Cylinder Head	B2
Cylinder	B3
Crackshaft · Piston	B4
Valve	B5 ~ B6
Camshaft · Chain	B7
Water Pump	B8
Radiator · Hose	B9 ~ B10
Oil Pump	B11 ~ B12
Oil Cleaner	B13
Intake	B14 ~ B15
Carburetor	C2 ~ C3
Exhaust	C4
Crankcase	C5 ~ C6
Crankcase Cover 1	C7 ~ C8
Starter	C9
Clutch	C10
Transmission	C11 ~ C12
Shift Cam · Fork	C13
Shift Shaft	C14

CHASSIS

Frame	C15 ~ D2
Fender	D3 ~ D4
Side Cover	D5
Rear Arm	D6 ~ D7
Rear Suspension	D8
Steering	D9
Front Fork	D10 ~ D11
Fuel Tank	D12 ~ D13

Seat	D14
Front Wheel	D15
Front Brake Caliper	E2
Rear Wheel	E3 ~ E4
Rear Brake Caliper	E5
Steering Handle · Cable	E6
Front Master Cylinder	E7 ~ E8
Front Master Cylinder 2	E9
Stand · Footrest	E10 ~ E11
Rear Master Cylinder	E12 ~ E13
Cowling 1	E14 ~ E15
Cowling 2	F2 ~ F3
Generator	F4
Pick Up Coil · Governor	F5
Starting Motor	F6
Flasher Light	F7 ~ F8
Meter	F9
Headlight	F10
Taillight	F11
Electrical 1	F12
Electrical 2	F13

INDIVIDUAL SPEC. FOR ITALY

Alternate (Headlight)	F15
-----------------------------	-----

FOR HOLLAND

Alternate (Headlight)	G3
-----------------------------	----

FOR ENGLAND, IRELAND

Alternate (Meter)	G5
Alternate (Headlight)	G6

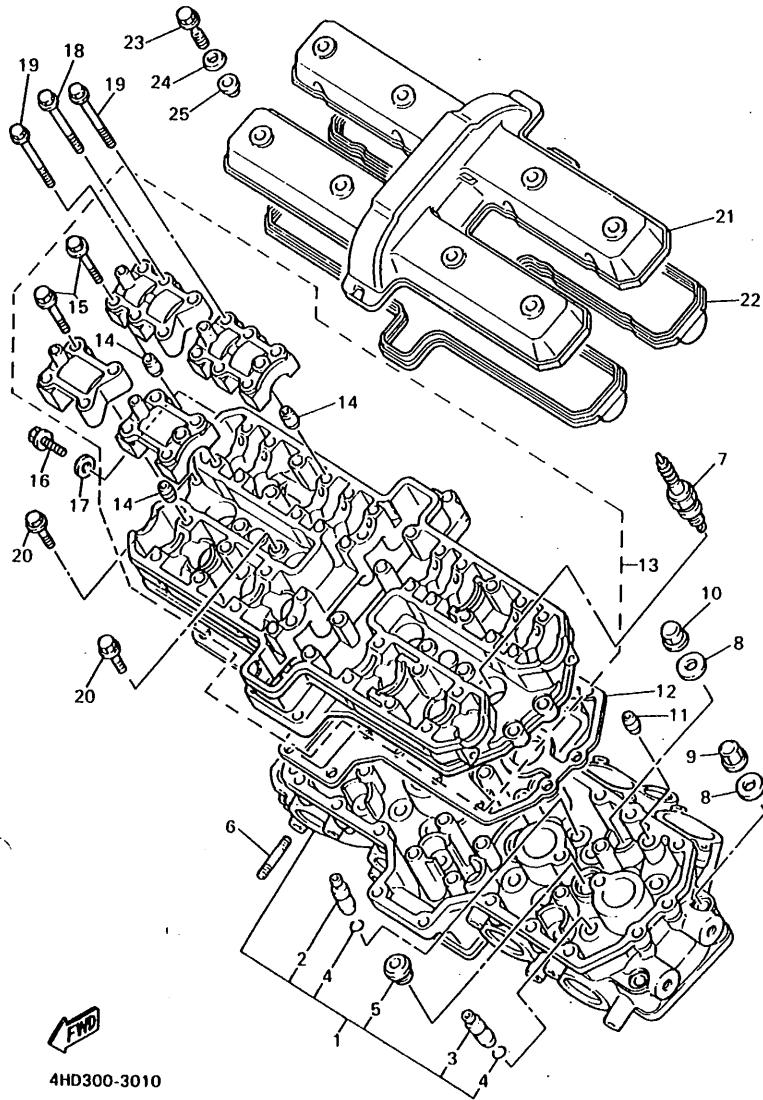
FOR FINLAND, SWEDEN

Alternate (Carburetor)	G8 ~ G9
Alternate (Engine)	G10
Alternate (Electrical)	G11

INDEX

NUMERICAL INDEX	L1 ~ L5
-----------------------	---------

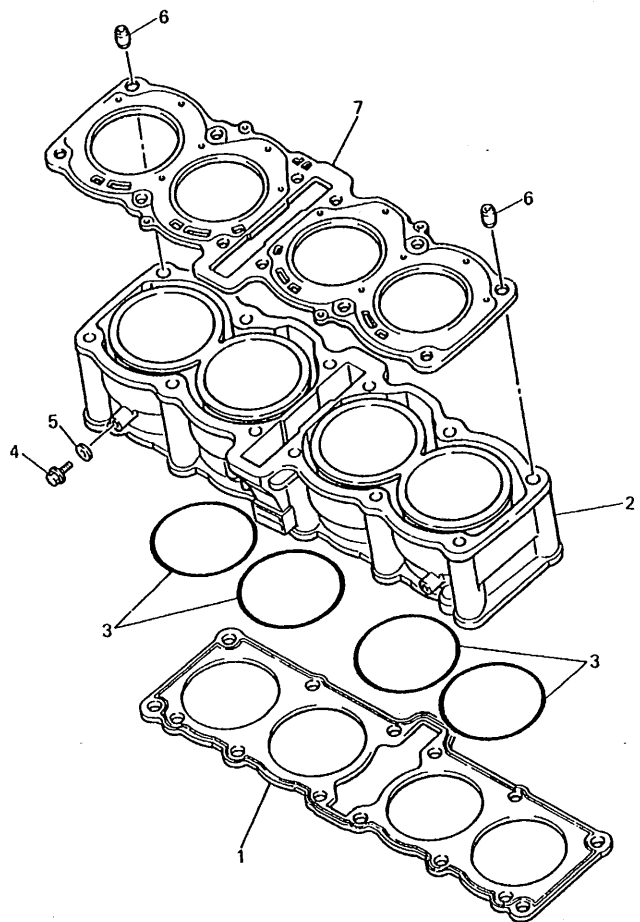
FIG. 1 CYLINDER HEAD



4HD300-3010

REF. NO.	PART NO.	DESCRIPTION	Q'TY	REMARKS
1	4FM-11102-10	CYLINDER HEAD ASSY	1	
2	3GM-11133-10	.GUIDE, INTAKE VALVE	12	
3	3GM-11134-10	.GUIDE, EXHAUST VALVE	8	
4	93440-10153	.CIRCLIP	20	
5	90340-18101	.PLUG, STRAIGHT SCREW	4	
6	95611-08625	BOLT, STUD	8	
7	94701-00318	PLUG, SPARK (NGK R CR9E)	4	UR
	94701-00319	PLUG, SPARK (ND U27ESR-N)	4	UR
8	90201-103M4	WASHER, PLATE	12	
9	90176-10049	NUT, CROWN	4	
10	90179-10584	NUT	8	
11	91810-25008	PIN, DOWEL	2	
12	3FV-11182-00	GASKET, CYLINDER HEAD 2	1	
13	4FM-1115A-00	CAM CASE ASSY	1	
14	99510-08016	.PIN, DOWEL	16	
15	90105-06153	.BOLT, WASHER BASED	16	
16	95023-06012	BOLT	1	
17	90430-06014	GASKET	1	
18	90105-06541	BOLT, WASHER BASED	20	
19	90105-06693	BOLT, WASHER BASED	4	
20	95023-06025	BOLT	11	
21	3GM-11191-01	COVER, CYLINDER HEAD 1	1	
22	3GM-11193-00	GASKET, HEAD COVER 1	1	
23	90109-064F0	BOLT	8	
24	90209-11262	WASHER	8	
25	2GH-1111G-00	RUBBER, MOUNT 1	8	

FIG. 2 CYLINDER



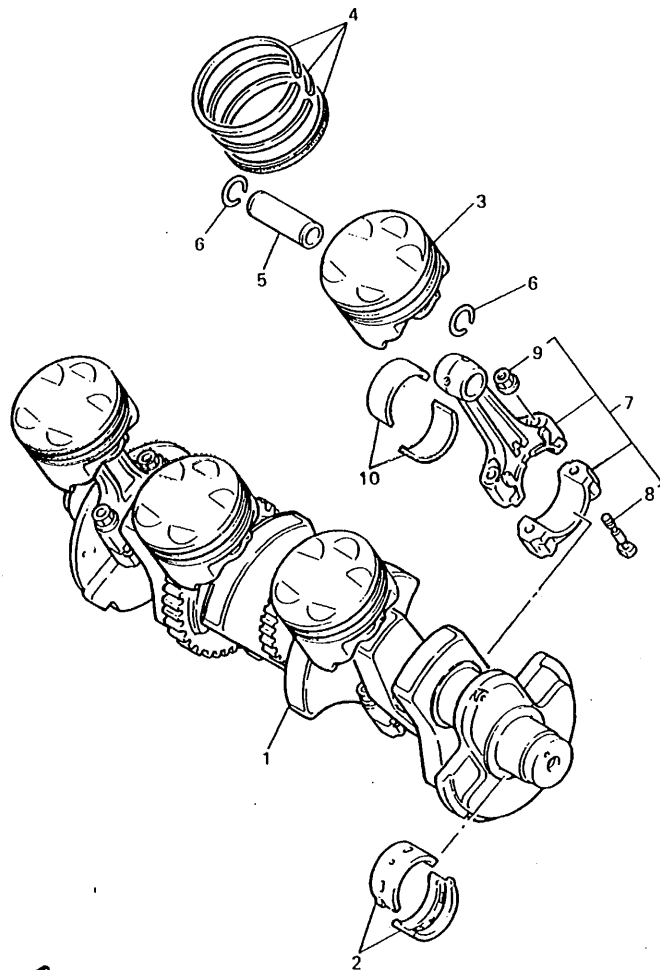
REF. NO.	PART NO.	DESCRIPTION	Q'TY	REMARKS
1	3FV-11351-00	GASKET, CYLINDER	1	
2	4FM-11310-00	CYLINDER	1	
3	93210-76211	O-RING	4	
4	95023-06012	BOLT	2	
5	90430-06014	GASKET	2	
6	99510-14016	PIN, DOWEL	2	
7	3FV-11181-00	GASKET, CYLINDER HEAD 1	1	



4HD300-3020

B3

FIG. 3 CRANKSHAFT • PISTON

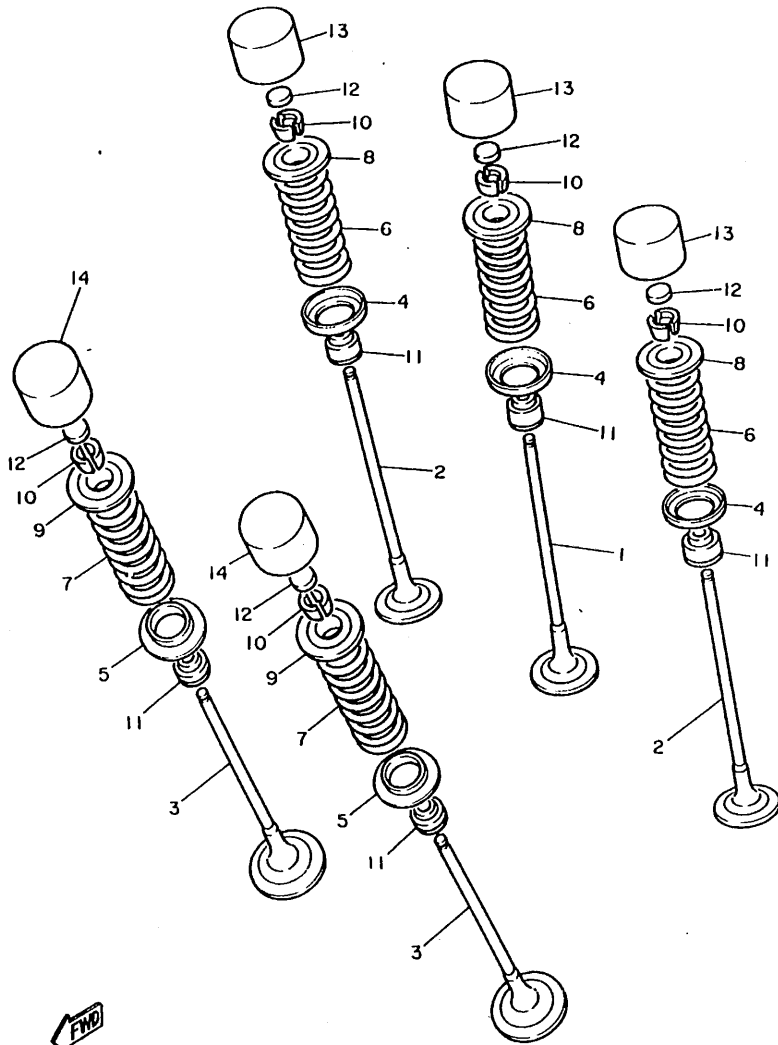


REF. NO.	PART NO.	DESCRIPTION	Q'TY	REMARKS
1	4FM-11411-00	CRANKSHAFT	1	
2	3GM-11416-00	PLANE BEARING, CRANKSHAFT 1	10	UR BLUE
	3GM-11416-10	PLANE BEARING, CRANKSHAFT 1	10	UR BLACK
	3GM-11416-20	PLANE BEARING, CRANKSHAFT 1	10	UR BROWN.
	3GM-11416-30	PLANE BEARING, CRANKSHAFT 1	10	UR GREEN
	3GM-11416-40	PLANE BEARING, CRANKSHAFT 1	10	UR YELLOW
3	4FM-11631-00-A0	PISTON (STD)	4	
	4FM-11636-00	PISTON (0.50MM O/S)	4	AP
4	4FM-11603-00	PISTON RING SET (STD)	4	
	4FM-11605-00	PISTON RING SET (0.50MM O/S)	4	AP
5	3GM-11633-00	PIN, PISTON	4	
6	93450-19095	CIRCLIP	8	
7	4FM-11650-00	CONNECTING ROD ASSY	4	
8	36Y-11654-00	.BOLT, CONNECTING ROD	2	
9	90179-08327	.NUT	2	
10	3GM-11656-00	PLANE BEARING, CONNECTING ROD	8	UR BLUE
	3GM-11656-10	PLANE BEARING, CONNECTING ROD	8	UR BLACK
	3GM-11656-20	PLANE BEARING, CONNECTING ROD	8	UR BROWN
	3GM-11656-30	PLANE BEARING, CONNECTING ROD	8	UR GREEN



4HD300-3030

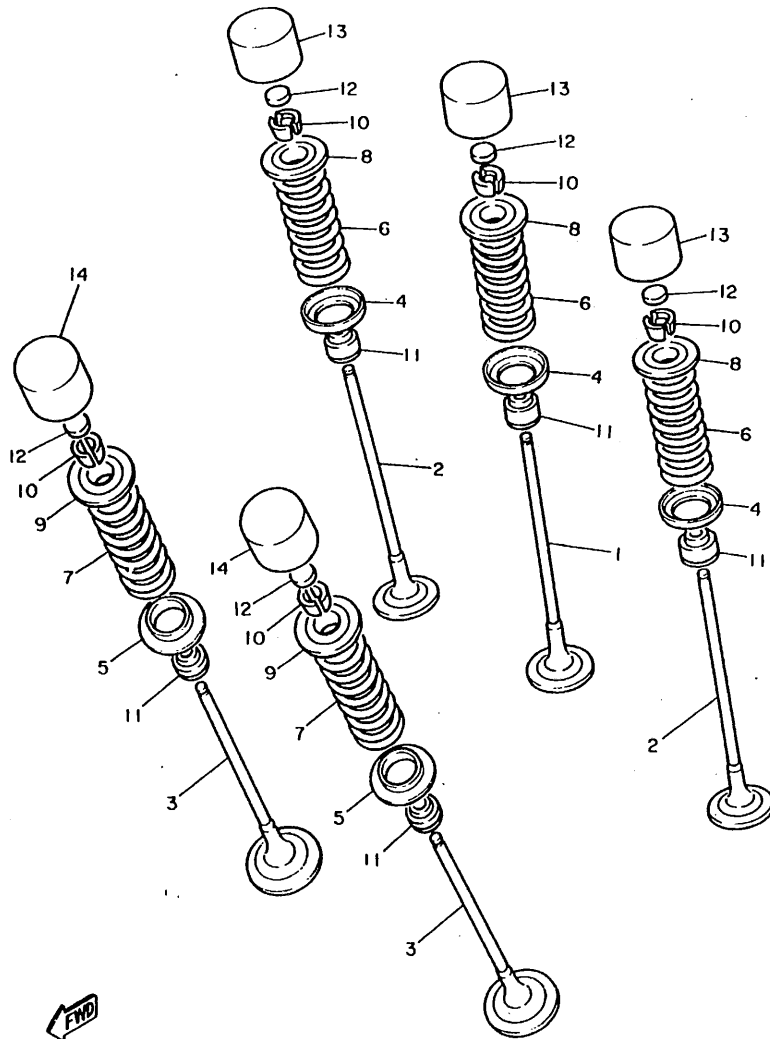
FIG. 4 VALVE



3LE332-9040

REF. NO.	PART NO.	DESCRIPTION	Q'TY	REMARKS
1	4FM-12111-00	VALVE, INTAKE	4	
2	4FM-12112-00	VALVE, INTAKE 2	8	
3	4FM-12121-00	VALVE, EXHAUST	8	
4	4FM-12116-00	SEAT, VALVE SPRING	12	
5	3GM-12126-00	SEAT, VALVE SPRING 2	8	
6	3FV-12113-00	SPRING, VALVE INNER	12	
7	3FV-12114-00	SPRING, VALVE OUTER	8	
8	3GM-12117-00	RETAINER, VALVE SPRING	12	
9	1WG-12117-00	RETAINER, VALVE SPRING	8	
10	1WG-12118-00	COTTER, VALVE	40	
11	1WG-12119-00	SEAL, VALVE STEM	20	
12	1HX-12168-00	PAD, ADJUSTING 2 (1.20)	20	UR
	1HX-12168-20	PAD, ADJUSTING 2 (1.25)	20	UR
	1HX-12168-40	PAD, ADJUSTING 2 (1.30)	20	UR
	1HX-12168-60	PAD, ADJUSTING 2 (1.35)	20	UR
	1HX-12168-80	PAD, ADJUSTING 2 (1.40)	20	UR
	1HX-12168-A0	PAD, ADJUSTING 2 (1.45)	20	UR
	1HX-12168-F0	PAD, ADJUSTING 2 (1.50)	20	UR
	1HX-12168-H1	PAD, ADJUSTING 2 (1.55)	20	UR
	1HX-12168-K1	PAD, ADJUSTING 2 (1.60)	20	UR
	1HX-12168-M1	PAD, ADJUSTING 2 (1.65)	20	UR
	1HX-12168-R1	PAD, ADJUSTING 2 (1.70)	20	UR
	1HX-12168-U1	PAD, ADJUSTING 2 (1.75)	20	UR
	1HX-12168-W1	PAD, ADJUSTING 2 (1.80)	20	UR
	1HX-12168-Y1	PAD, ADJUSTING 2 (1.85)	20	UR
	1HX-12169-11	PAD, ADJUSTING 2 (1.90)	20	UR
	1HX-12169-31	PAD, ADJUSTING 2 (1.95)	20	UR
	1HX-12169-50	PAD, ADJUSTING 2 (2.00)	20	UR

FIG. 4 VALVE



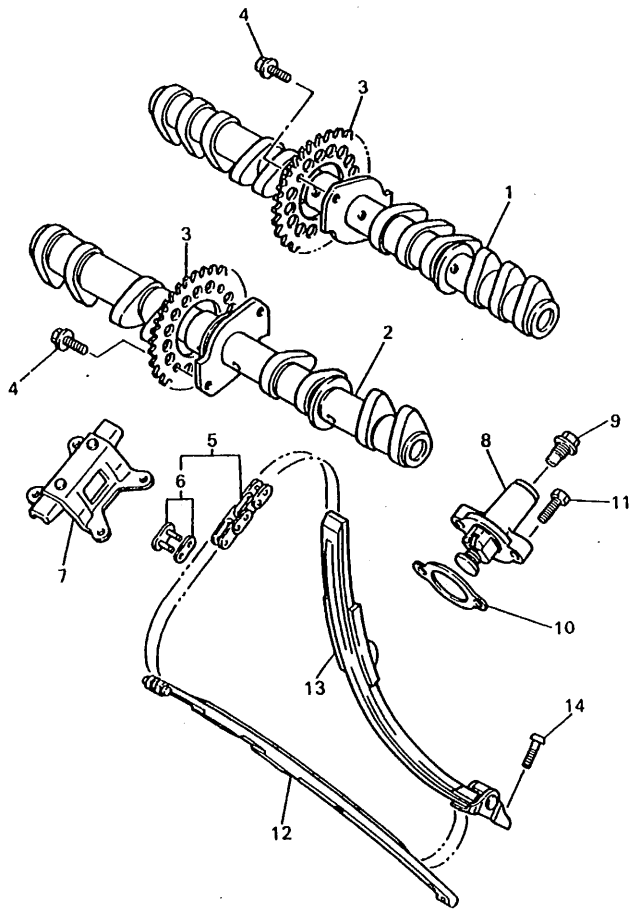
REF. NO.	PART NO.	DESCRIPTION	Q'TY	REMARKS
12	1HX-12169-70	PAD, ADJUSTING 2 (2.05)	20	UR
	1HX-12169-90	PAD, ADJUSTING 2 (2.10)	20	UR
	1HX-12169-E0	PAD, ADJUSTING 2 (2.15)	20	UR
	1HX-12169-G0	PAD, ADJUSTING 2 (2.20)	20	UR
	1HX-12169-J0	PAD, ADJUSTING 2 (2.25)	20	UR
	1HX-12169-L0	PAD, ADJUSTING 2 (2.30)	20	UR
	1HX-12169-N0	PAD, ADJUSTING 2 (2.35)	20	UR
	1HX-12169-T0	PAD, ADJUSTING 2 (2.40)	20	UR
	13	3LN-12153-20	LIFTER, VALVE	12
3LN-12153-30		LIFTER, VALVE	12	UR RED
3LN-12153-09		LIFTER, VALVE (O/S)	12	UR GREEN
14	3FV-12153-10	LIFTER, VALVE	8	UR YELLOW
	3FV-12153-09	LIFTER, VALVE (O/S)	8	UR GREEN



3LE332-9040

B6

FIG. 5 CAMSHAFT • CHAIN



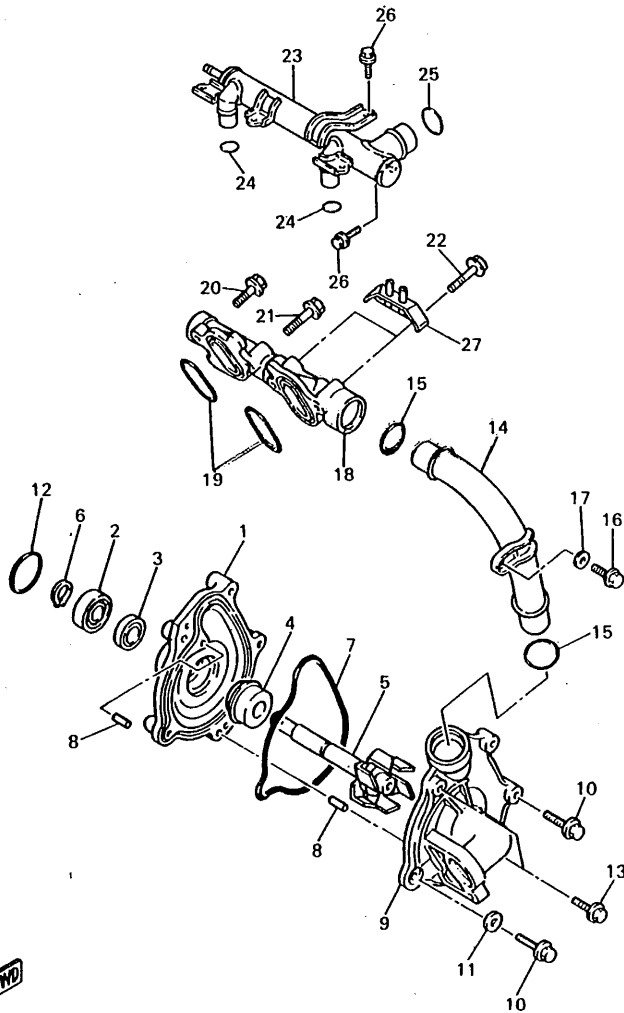
REF. NO.	PART NO.	DESCRIPTION	Q'TY	REMARKS
1	4HD-12171-00	CAMSHAFT 1	1	
2	4HD-12181-00	CAMSHAFT 2	1	
3	3GM-12176-00	SPROCKET, CAM CHAIN	2	
4	90105-07342	BOLT, WASHER BASED	4	
5	94580-81104	CHAIN (DID219FTS-104L)	1	
6	94680-81021	JOINT, CHAIN	1	
7	2GH-12241-00	GUIDE, STOPPER 2	1	
8	4FM-12210-00	TENSIONER ASSY, CAM CHAIN	1	
9	90109-112F1	BOLT	1	
10	4FM-12213-00	GASKET, TENSIONER CASE	1	
11	91311-06025	BOLT	2	
12	3FV-12251-00	DAMPER, CHAIN 1	1	
13	4FM-12252-00	DAMPER, CHAIN 2	1	
14	90109-065A8	BOLT	2	



4HD300-3050

B7

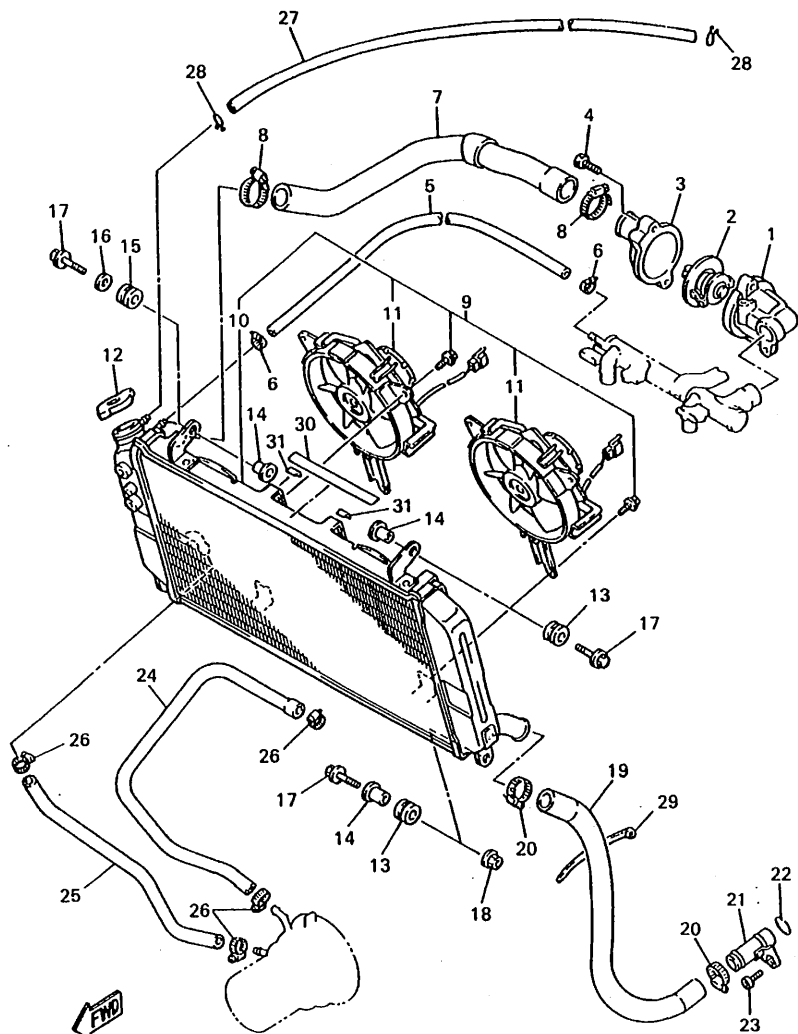
FIG. 6 WATER PUMP



REF. NO.	PART NO.	DESCRIPTION	Q'TY	REMARKS
1	1UF-12421-09	HOUSING, WATER PUMP	1	
2	93306-00106	BEARING	1	
3	93101-12060	OIL SEAL	1	
4	11H-12438-00	SEAL, MECHANICAL	1	
5	1UF-12450-00	IMPELLER SHAFT ASSY	1	
6	99009-12400	CIRCLIP	1	
7	1AE-12439-00	O-RING	1	
8	93604-10011	PIN, DOWEL	2	
9	3GM-12422-00	COVER, HOUSING	1	
10	95023-06025	BOLT	3	
11	90430-06014	GASKET	1	
12	93210-33133	O-RING	1	
13	95021-08050	BOLT, FLANGE	2	
14	1AE-12481-01	PIPE 1	1	
15	93210-23787	O-RING	2	
16	95023-06012	BOLT	1	
17	92906-06600	WASHER, PLATE	1	
18	3FV-12469-00	JOINT 1	1	
19	93210-30694	O-RING	2	
20	95023-06020	BOLT	1	
21	95023-06030	BOLT	1	
22	95023-06040	BOLT	2	
23	4FN-12482-00	PIPE 2	1	
24	93210-18417	O-RING	2	
25	93210-23787	O-RING	1	
26	95023-06010	BOLT	2	
27	2GH-14413-00	STAY	1	

FWD
4HS300-3060

FIG. 7 RADIATOR • HOSE

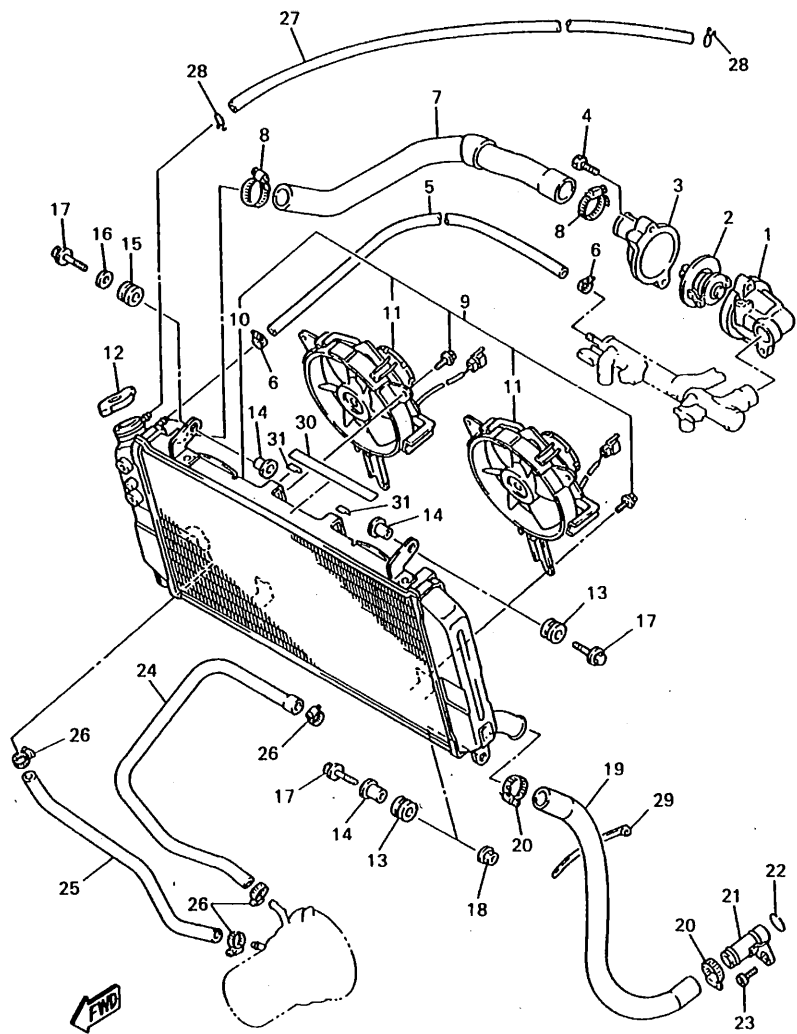


4HS300-4070

REF. NO.	PART NO.	DESCRIPTION	Q'TY	REMARKS
1	3GM-12417-00	HOUSING, THERMOSTAT	1	
2	4FM-12410-00	THERMOSTAT ASSY	1	
3	3GM-12413-00	COVER, THERMOSTAT	1	
4	95023-06025	BOLT	2	
5	90445-126H7	HOSE	1	
6	90467-11090	CLIP	2	
7	4FN-12576-01	HOSE 1	1	
8	90450-38040	HOSE CLAMP ASSY	2	
9	4FM-1240A-01	RADIATOR ASSY	1	
10	4FM-12461-00	RADIATOR	1	
11	4FM-12405-01	BLOWER ASSY	2	
12	22W-12462-00	CAP, RADIATOR	1	
13	90480-15363	GROMMET	3	
14	90387-07391	COLLAR	4	
15	90480-10542	GROMMET	1	
16	90201-063J2	WASHER, PLATE	1	
17	95816-06025	BOLT, FLANGE	4	
18	95701-06500	NUT, FLANGE	2	
19	4FM-12579-01	HOSE 4	1	
20	90450-38040	HOSE CLAMP ASSY	2	
21	2GH-12484-00	PIPE 4	1	
22	93210-23787	O-RING	1	
23	90110-06142	BOLT, HEXAGON SOCKET HEAD	1	
24	4FM-12588-01	HOSE 5	1	
25	4FM-12589-01	HOSE 6	1	
26	90450-22052	HOSE CLAMP ASSY	4	
27	90445-096F4	HOSE	1	
28	90467-08003	CLIP	2	
29	90465-13169	CLAMP	1	

FIG. 7 RADIATOR • HOSE

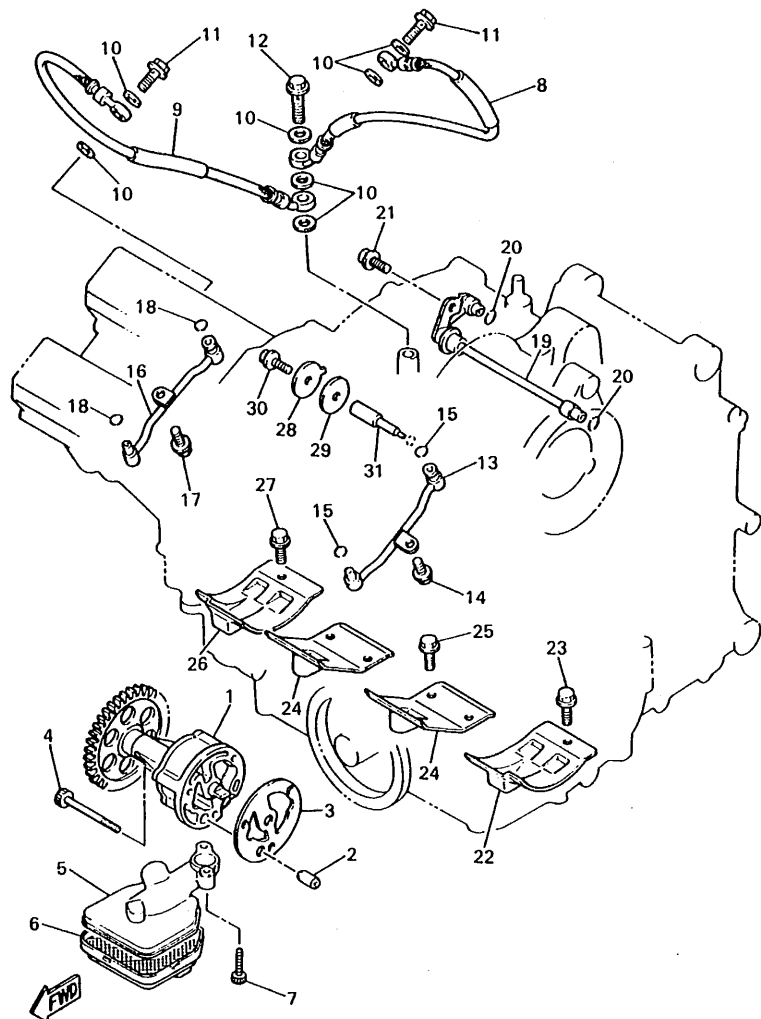
REF. NO.	PART NO.	DESCRIPTION	Q'TY	REMARKS
30	3TU-28344-00	TAPE	1	
31	1UF-15379-00	SEAL	2	



4HS300-4070

B10

FIG. 8 OIL PUMP

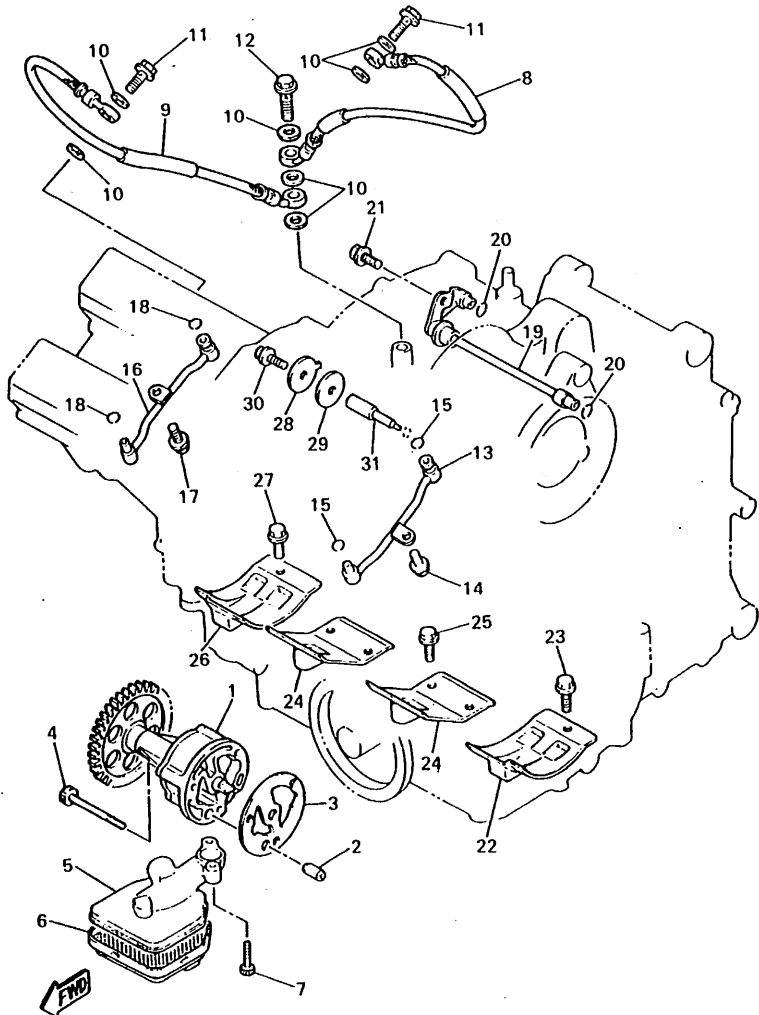


4HS300-3080

REF. NO.	PART NO.	DESCRIPTION	Q'TY	REMARKS
1	1AE-13300-00	OIL PUMP ASSY	1	
2	99510-08012	PIN, DOWEL	1	
3	2GH-13329-00	GASKET, PUMP COVER	1	
4	91316-06050	BOLT	3	
5	3GM-13412-50	HOUSING, STRAINER	1	
6	4FM-13411-00	STRAINER, OIL	1	
7	90110-06138	BOLT, HEXAGON SOCKET HEAD	2	
8	3FV-1316F-00	HOSE, OIL 1	1	
9	3FV-1316G-00	HOSE, OIL 2	1	
10	90430-10171	GASKET	7	
11	90401-10096	BOLT, UNION	2	
12	90401-10044	BOLT, UNION	1	
13	3GM-13181-00	PIPE, DELIVERY 3	1	
14	95026-06012	BOLT, FLANGE	1	
15	93210-06632	O-RING	2	
16	3GM-13191-00	PIPE, DELIVERY 4	1	
17	95026-06012	BOLT, FLANGE	1	
18	93210-06632	O-RING	2	
19	1AE-1316E-00	PIPE, DELEVERY 5	1	
20	93210-07135	O-RING	2	
21	95026-06012	BOLT, FLANGE	1	
22	2GH-15123-00	PLATE, BUFFLE 1	1	
23	95026-06012	BOLT, FLANGE	2	
24	1AE-15124-00	PLATE, BUFFLE 2	2	
25	95026-06012	BOLT, FLANGE	6	
26	2GH-15133-00	PLATE, BUFFLE 3	1	
27	95026-06012	BOLT, FLANGE	2	
28	90201-061M7	WASHER, PLATE	1	

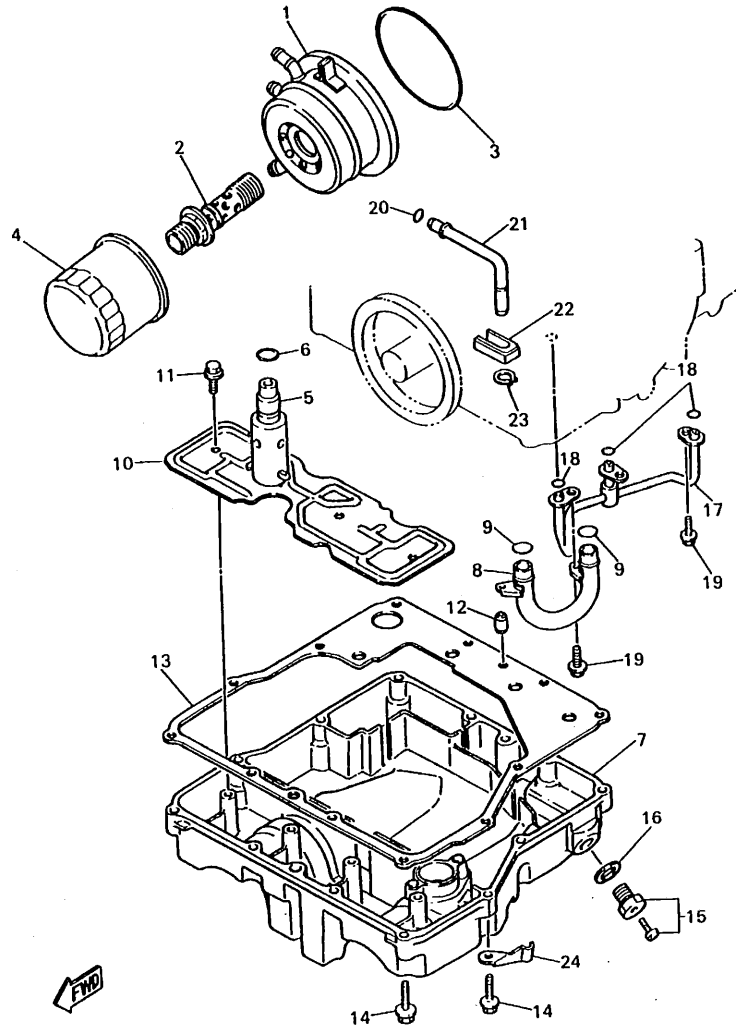
FIG. 8 OIL PUMP

REF. NO.	PART NO.	DESCRIPTION	Q'TY	REMARKS
29	4FM-13475-00	GASKET	1	
30	95811-06016	BOLT, FLANGE	1	
31	3GM-13454-00	NOZZLE	1	



4HS300-3080

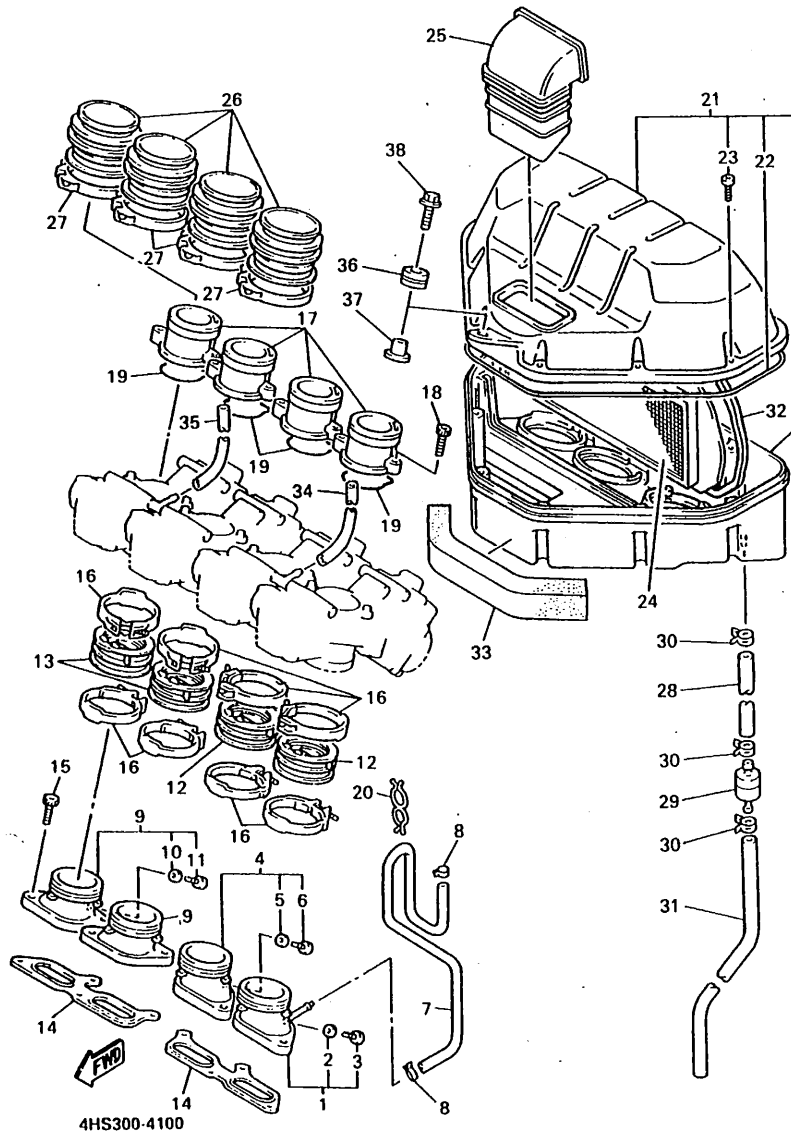
FIG. 9 OIL CLEANER



4HD300-3090

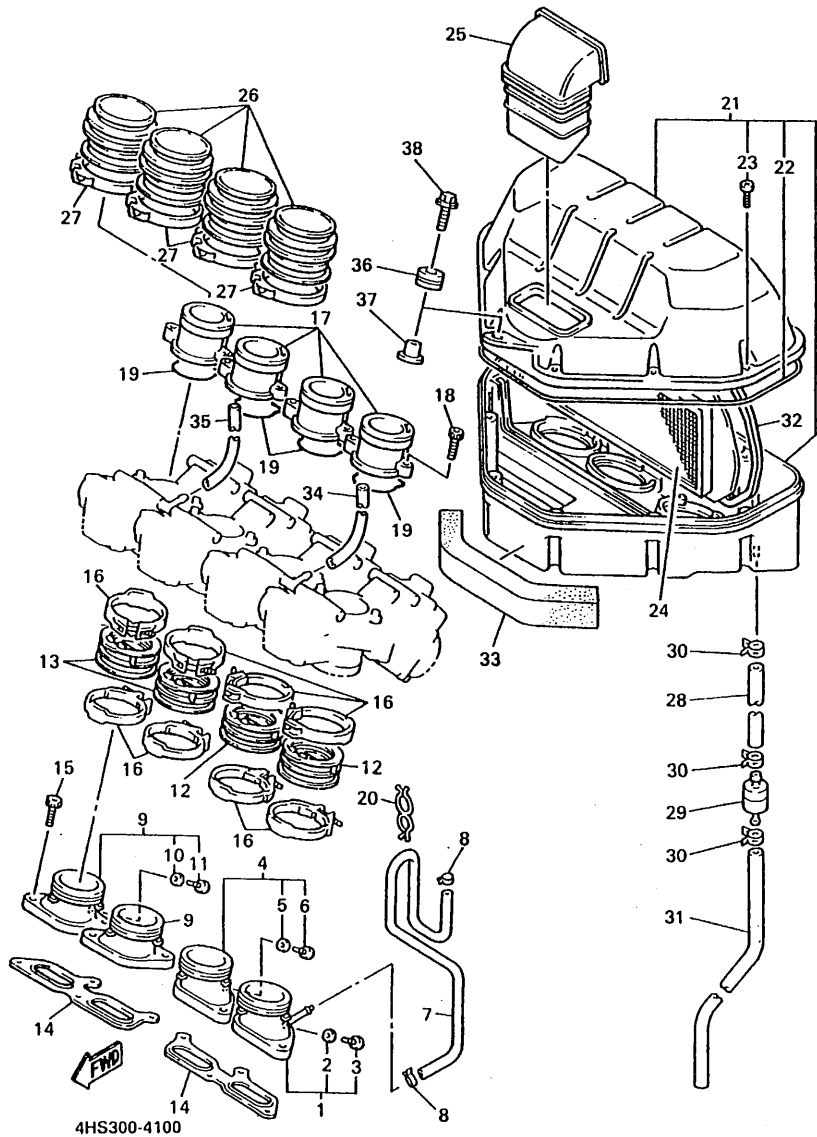
REF. NO.	PART NO.	DESCRIPTION	Q'TY	REMARKS
1	4FM-13470-00	OIL COOLER ASSY	1	
2	90401-20151	BOLT, UNION	1	
3	93210-87723	O-RING	1	
4	3FV-13440-00	ELEMENT ASSY, OIL CLEANER	1	
5	3KS-13490-00	RELIEF VALVE ASSY	1	
6	93210-15566	O-RING	1	
7	4FM-13417-00	COVER, STRAINER	1	
8	3FV-13416-01	PIPE, OIL 1	1	
9	93210-14579	O-RING	2	
10	3GM-13337-00	PLATE, BAFFLE LOWER	1	
11	95026-06010	BOLT, FLANGE	4	
12	99510-08016	PIN, DOWEL	2	
13	4FM-13414-00	GASKET, STRAINER COVER	1	
14	95023-06030	BOLT	12	
15	3VD-13455-00	PLUG	1	
16	214-11198-01	GASKET	1	
17	3GM-13161-01	PIPE, DELIVERY 1	1	
18	93210-06714	O-RING	3	
19	95026-06012	BOLT, FLANGE	3	
20	93210-09418	O-RING	1	
21	3GM-15373-00	PIPE, BREATHER	1	
22	3GM-13174-00	HOLDER, OIL PIPE	1	
23	99009-10400	CIRCLIP	1	
24	90465-08076	CLAMP	1	

FIG. 10 INTAKE



REF. NO.	PART NO.	DESCRIPTION	Q'TY	REMARKS
1	4FN-13586-00	JOINT, CARBURETOR 1	1	
2	90430-06014	.GASKET	1	
3	91312-06012	.BOLT	1	
4	4FM-13586-00	JOINT, CARBURETOR 1	1	
5	90430-06014	.GASKET	1	
6	91312-06012	.BOLT	1	
7	3FV-2416A-00	HOSE	1	
8	90467-08092	CLIP	2	
9	4FM-13596-00	JOINT, CARBURETOR 2	2	
10	90430-06014	.GASKET	1	
11	91312-06012	.BOLT	1	
12	4FN-13597-00	JOINT, CARBURETOR 3	2	
13	4FN-13598-00	JOINT, CARBURETOR 4	2	
14	4FM-13558-01	GASKET, MANIFOLD	2	
15	91316-06020	BOLT	8	
16	90450-57034	HOSE CLAMP ASSY	8	
17	4FN-1440F-00	JOINT, AIR FILTER 1	4	
18	91311-05012	BOLT	8	
19	4FN-14561-00	O-RING	4	
20	90464-17184	CLAMP	1	
21	4FM-14401-00	AIR CLEANER CASE ASSY	1	
22	4FM-14452-00	.SEAL	1	
23	97780-50125	.SCREW, TAPPING	8	
24	4FM-14451-00	ELEMENT, AIR CLEANER	1	
25	4FN-14437-00	DUCT	1	
26	4FN-14453-00	JOINT, AIR CLEANER 1	4	
27	90460-65195	CLAMP, HOSE	4	
28	1HX-1443E-00	PIPE, DRAIN	1	
29	4X7-2149Y-00	FILTER ASSY	1	
30	90467-11106	CLIP	3	

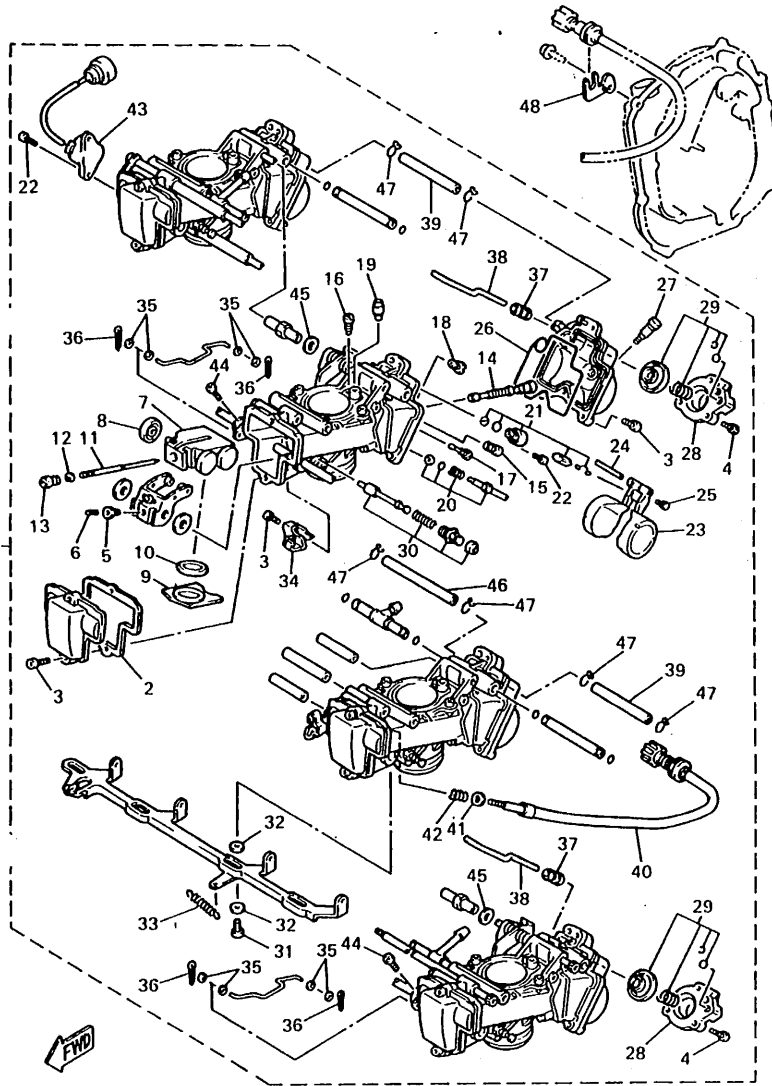
FIG. 10 INTAKE



REF. NO.	PART NO.	DESCRIPTION	Q'TY	REMARKS
31	90445-116H6	HOSE	1	
32	4FM-14462-00	SEAL	1	
33	4FN-14467-00	SEAL	1	
34	90445-11290	HOSE	1	
35	90445-116H8	HOSE	1	
36	90480-12314	GROMMET	1	
37	90387-065J6	COLLAR	1	
38	95811-06020	BOLT, FLANGE	1	

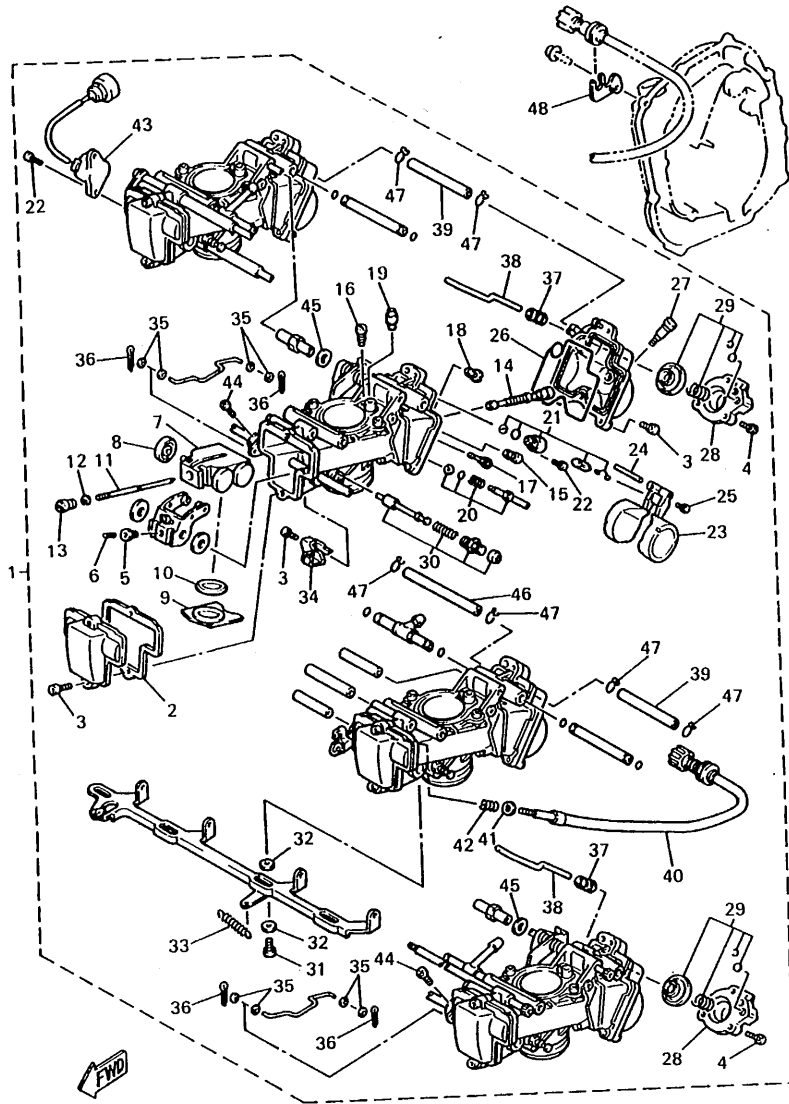
FIG. 11 CARBURETOR

REF. NO.	PART NO.	DESCRIPTION	QTY	REMARKS
1	4HS-14900-00	CARBURETOR ASSY	1	
2	4FN-14959-00	.GASKET	4	
3	91316-04010	.BOLT	20	
4	91316-04008	.BOLT	6	
5	3TJ-14393-40	.NUT, CROWN	4	
6	3TJ-14522-40	.SCREW, ADJUST	4	
7	4FN-14340-00	.VALVE ASSY	4	
8	3TJ-14267-40	.ROLLER	4	
9	4FN-14546-00	.VALVE, NEEDLE	4	
10	4FN-14997-00	.SEAL	4	
11	4HS-14916-00	.NEEDLE	4	
12	3TJ-14159-40	.CLIP	4	
13	3TJ-14521-40	.SCREW, ADJUST	4	
14	4FN-14947-00	.JET, NEEDLE	4	
15	3TJ-14943-32	.JET, MAIN (#125)	4	
16	3TJ-14943-15	.JET, MAIN (#70)	4	
17	3TJ-14948-03	.JET (#40)	4	
18	3TJ-1494F-11	.JET	4	
19	7A9-14943-31	.JET, MAIN (#120)	4	
20	4FN-14105-00	.PILOT SCREW SET	4	
21	4FN-14107-00	.NEEDLE VALVE SET	4	
22	3TJ-14216-40	.SCREW	6	
23	4FN-14985-00	.FLOAT	4	
24	663-14548-00	.PIN, FLOAT ARM	4	
25	98580-04008	.SCREW, PAN HEAD	4	
26	3TJ-14984-40	.GASKET, FLOAT CHAMBER	4	
27	3TJ-14191-40	.PLUG, DRAIN	4	
28	3TJ-14293-40	.COVER 1	2	



4HS300-3110

FIG. 11 CARBURETOR

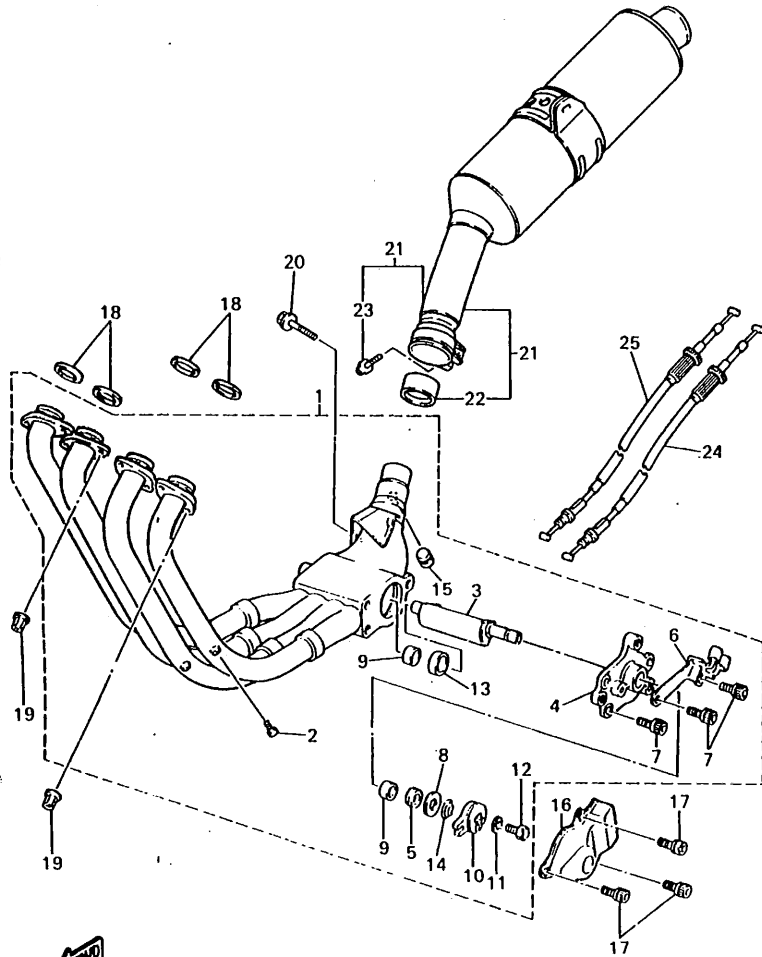


4HS300-3110

REF. NO.	PART NO.	DESCRIPTION	Q'TY	REMARKS
29	3TJ-1490A-40	.DIAPHRAGM SET, 1	2	
30	3TJ-1410A-40	.STARTER SET	4	
31	3TJ-14245-40	.SCREW, GUIDE	3	
32	90202-06056	.WASHER, PLATE	6	
33	3TJ-14935-40	.SPRING	1	
34	4FN-14261-00	.HOLDER	1	
35	90202-03052	.WASHER, PLATE	8	
36	3TJ-14365-40	.PIN, CLEVIS	4	
37	3TJ-14968-40	.CAP	2	
38	3TJ-14379-40	.ROD, STARTER	2	
39	4FN-14294-00	.HOSE	2	
40	4FN-14922-00	.SCREW, THROTTLE	1	
41	90201-08410	.WASHER, PLATE	1	
42	4FN-14934-00	.SPRING, THROTTLE STOP	1	
43	4FN-85885-00	.THROTTLE SENSOR ASSY	1	
44	3TJ-14325-40	.SCREW, PAN HEAD	2	
45	90201-08333	.WASHER, PLATE	2	
46	4FN-14298-00	.PIPE	1	
47	3TJ-14137-40	.CLIP	6	
48	4FN-14413-00	STAY	1	

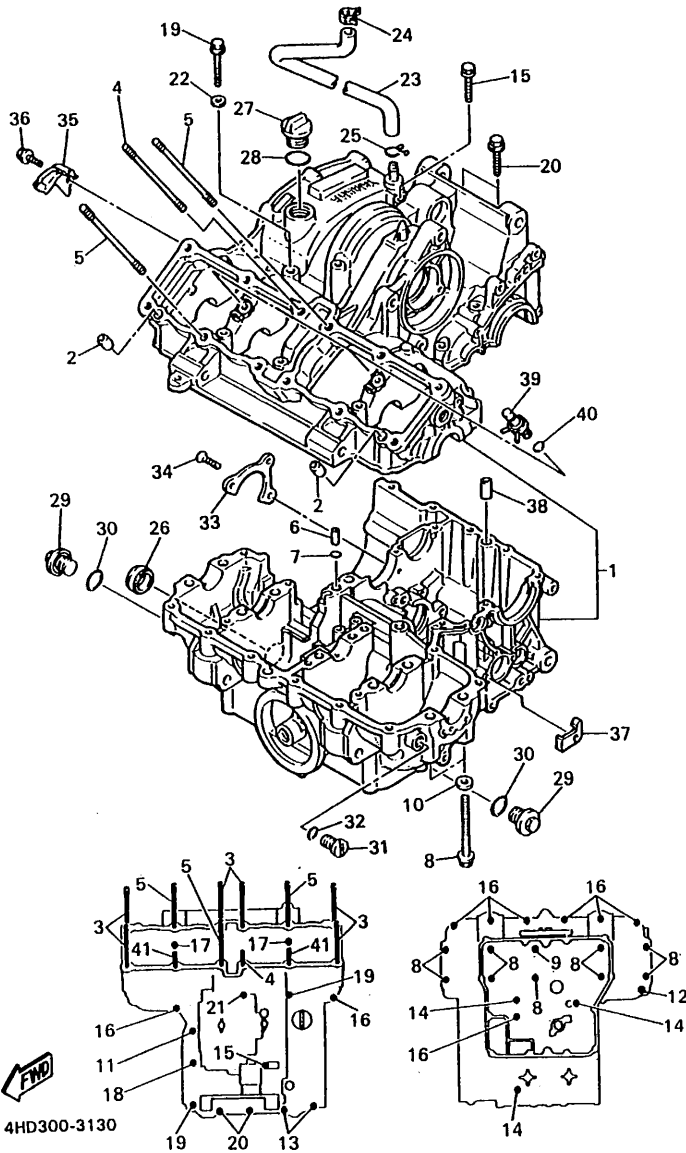
FIG. 12 EXHAUST

REF. NO.	PART NO.	DESCRIPTION	Q'TY	REMARKS
1	4FM-14610-01	EXHAUST PIPE ASSY 1	1	
2	90101-06576	.BOLT	4	
3	3GM-14821-00	.ARM, SHAFT (VALVE)	1	
4	3GM-14811-00	.HOUSING	1	
5	2TK-14845-00	.DUST SEAL ASSY	1	
6	2TK-14867-01	.BRACKET	1	
7	90119-06115	.BOLT, WITH WASHER	3	
8	90201-106M5	.WASHER, PLATE	1	
9	90380-10195	.BUSH, SOLID	2	
10	2TK-14865-01	.PULLEY	1	
11	92990-05200	.WASHER, PLAIN	1	
12	97395-05012	.BOLT	1	
13	90387-106U7	.COLLAR	1	
14	3GM-14683-00	.SPRING, HOOK	1	
15	4FM-24181-00	.DAMPER, LOCATING 1	1	
16	4HD-14826-00	PROTECTOR, EXHAUST	1	
17	90119-06187	BOLT, WITH WASHER	3	
18	4FM-14613-00	GASKET, EXHAUST PIPE	4	
19	90179-08410	NUT	8	
20	95816-08035	BOLT, FLANGE	1	
21	4HD-14710-00	MUFFLER ASSY 1	1	
22	3HE-14755-00	.GASKET, SILENCER	1	
23	95821-08025	.BOLT, FLANGE	1	
24	4FM-1133E-00	CABLE, PULLEY 1	1	
25	4FM-1133F-00	CABLE, PULLEY 2	1	



4HD300-3120

FIG. 13 CRANKCASE



REF. NO.	PART NO.	DESCRIPTION	Q'TY	REMARKS
1	3GM-15100-52	CRANKCASE ASSY	1	
2	99530-10014	PIN, DOWEL	2	
3	90116-10529	BOLT, STUD	6	
4	90116-10528	BOLT, STUD	1	
5	90116-10569	BOLT, STUD	3	
6	90387-05383	COLLAR	1	
7	93210-07135	O-RING	1	
8	90105-09373	BOLT, WASHER BASED	9	
9	90105-09580	BOLT, WASHER BASED	1	
10	90201-096J9	WASHER, PLATE	4	
11	95811-06035	BOLT, FLANGE	1	
12	95811-08045	BOLT, FLANGE	1	
13	95811-06060	BOLT, FLANGE	2	
14	95811-06080	BOLT, FLANGE	3	
15	95811-06140	BOLT, FLANGE	1	
16	95811-08045	BOLT, FLANGE	9	
17	95811-08055	BOLT, FLANGE	2	
18	95811-08065	BOLT, FLANGE	1	
19	95811-08090	BOLT, FLANGE	2	
20	95811-08060	BOLT, FLANGE	2	
21	90105-09555	BOLT, WASHER BASED	1	
22	90201-08087	WASHER, PLATE	1	
23	3FV-11166-00	PIPE, BREATHER 1	1	
24	90467-15054	CLIP	1	
25	90467-14015	CLIP	1	
26	90338-30096	PLUG	1	
27	3FV-15363-00	PLUG, OIL	1	
28	93210-27778	O-RING	1	

FIG. 13 CRANKCASE

REF. NO.	PART NO.	DESCRIPTION	Q'TY	REMARKS
29	4H7-15189-00	PLUG	2	
30	93210-20573	O-RING	2	
31	90340-14068	PLUG, STRAIGHT SCREW	1	
32	93210-14369	O-RING	1	
33	1AE-15383-00	PLATE, BEARING COVER	1	
34	90151-06014	SCREW, COUNTERSUNK	3	
35	90462-08184	CLAMP	1	
36	95023-06012	BOLT	1	
37	90462-08158	CLAMP	1	
38	99510-12016	PIN, DOWEL	1	
39	3FV-15105-00	NOZZLE ASSY	2	
40	93210-06632	O-RING	2	
41	90116-10568	BOLT, STUD	2	

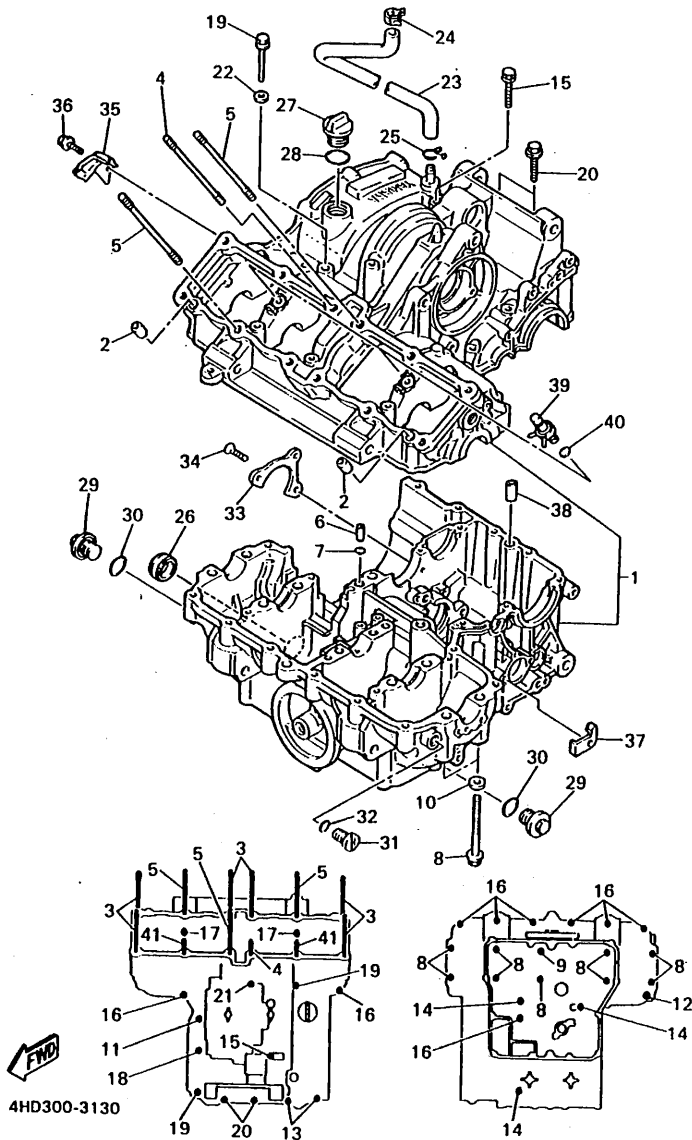
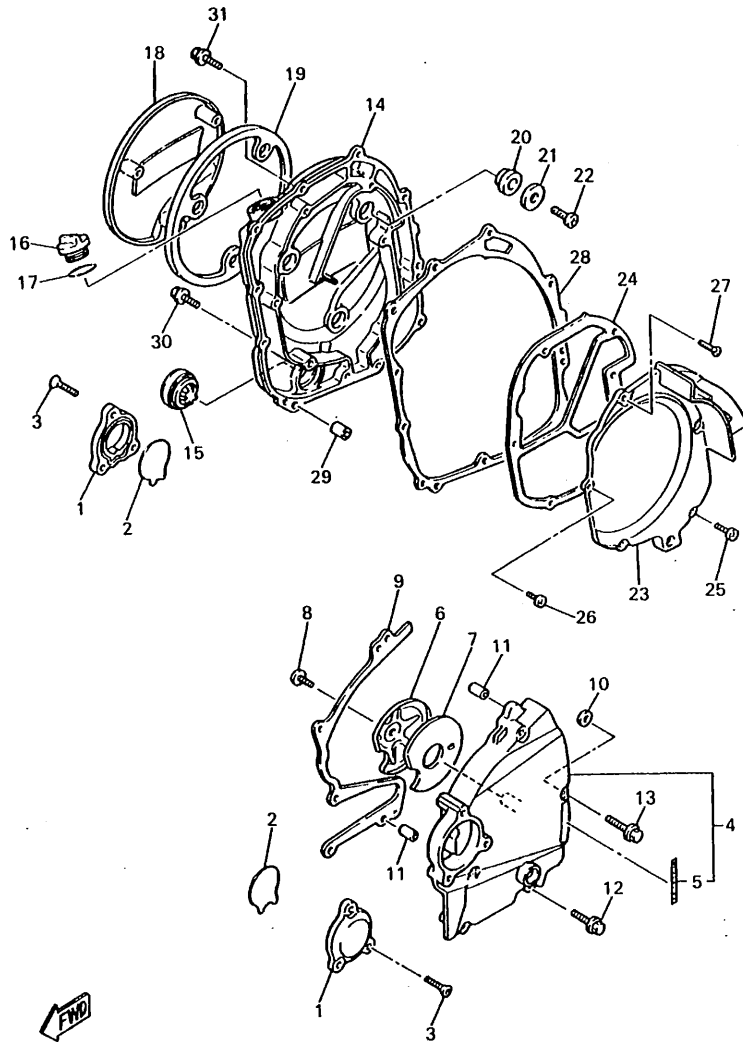


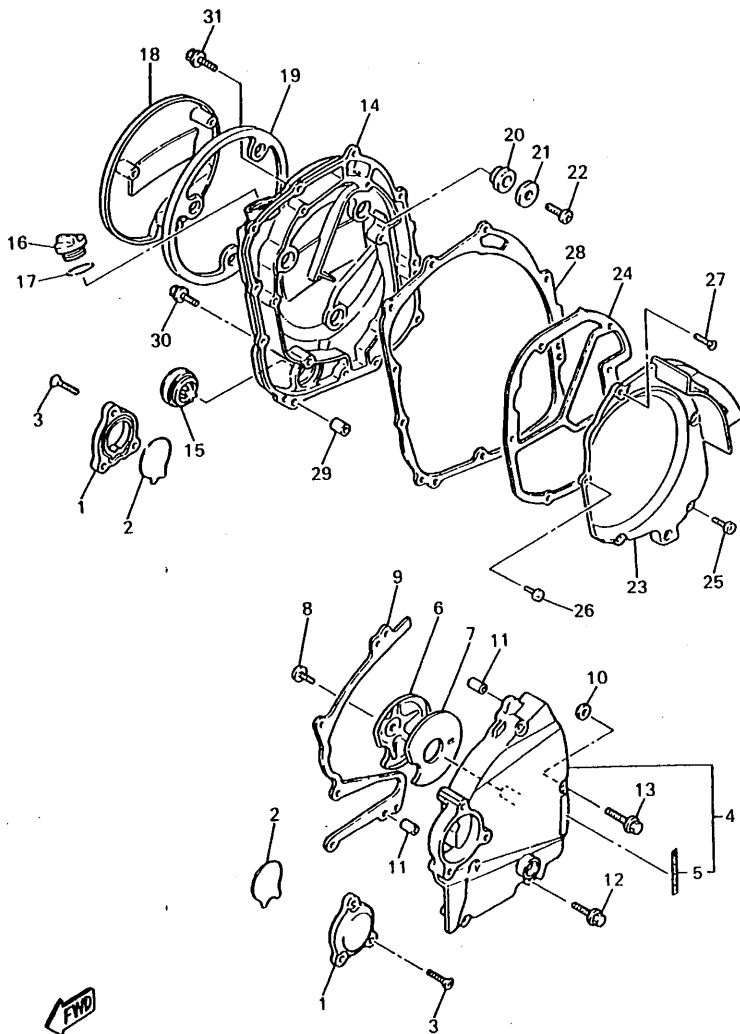
FIG. 14 CRANKCASE COVER 1



REF. NO.	PART NO.	DESCRIPTION	Q'TY	REMARKS
1	3GM-15416-00	COVER, OIL PUMP	2	
2	1AE-15456-00	GASKET, OIL PUMP COVER 1	2	
3	90152-06014	SCREW, COUNTERSUNK	6	
4	4FM-15410-00	CRANKCASE COVER ASSY 1	1	
5	1TV-15435-00	EMBLEM	1	
6	3GM-15427-00	COVER, CAP 2	1	
7	1AE-15316-00	DAMPER, ENGINE MOUNT 1	1	
8	92011-06010	BOLT, BUTTON HEAD	1	
9	4FM-15451-00	GASKET, CRANKCASE COVER 1	1	
10	4FM-15467-00	GASKET	1	
11	99510-08012	PIN, DOWEL	2	
12	95023-06040	BOLT	3	
13	95021-06050	BOLT, FLANGE	2	
14	4FM-15421-00	COVER, CRANKCASE 2	1	
15	3Y1-15361-00	GAUGE, LEVEL	1	
16	4FM-15362-00	PLUG, OIL LEVEL	1	
17	93210-27778	O-RING	1	
18	3GM-15417-00	COVER, CAP	1	
19	3GM-15449-00	RING, RUBBER	1	
20	4H7-15486-00	GROMMET	3	
21	90209-06096	WASHER	3	
22	98580-06010	SCREW, PAN HEAD	3	
23	3GM-15346-00	BREATHER 1	1	
24	4FM-15463-00	GASKET, CARBURETOR COVER 2	1	
25	98580-06020	SCREW, PAN HEAD	4	
26	90157-06104	SCREW, PAN HEAD	1	
27	90152-06024	SCREW, COUNTERSUNK	1	
28	4FM-15461-00	GASKET, CRANKCASE COVER 2	1	

4HD300-3140

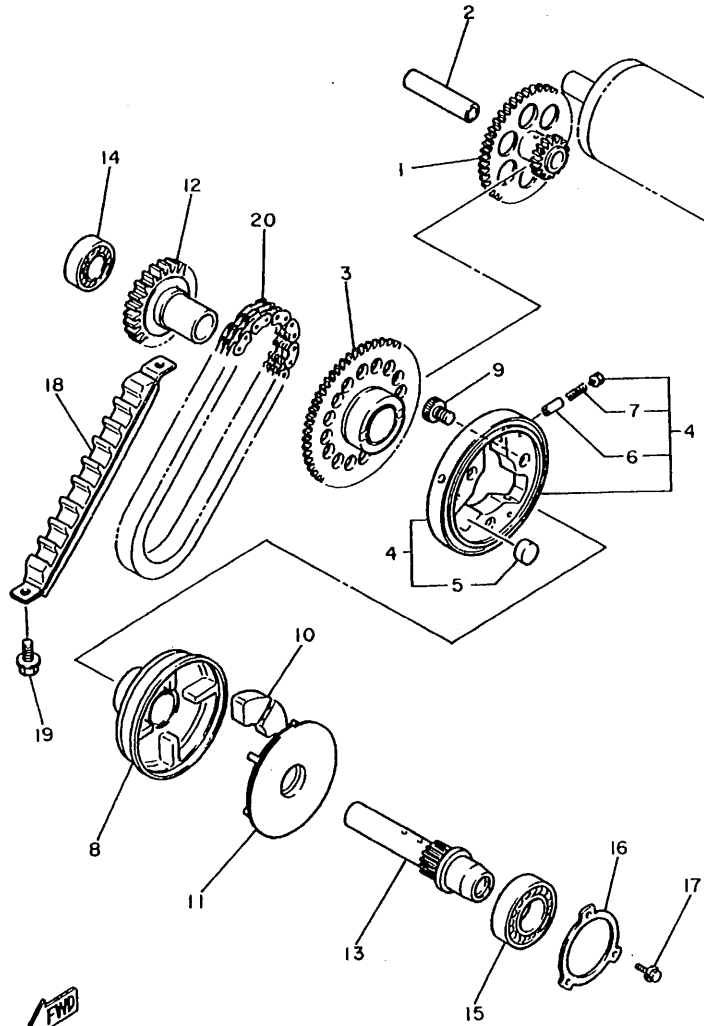
FIG. 14 CRANKCASE COVER 1



REF. NO.	PART NO.	DESCRIPTION	Q'TY	REMARKS
29	99510-08012	PIN, DOWEL	2	
30	95023-06030	BOLT	2	
31	95023-06020	BOLT	9	

FYD
4HD300-3140

FIG. 15 STARTER

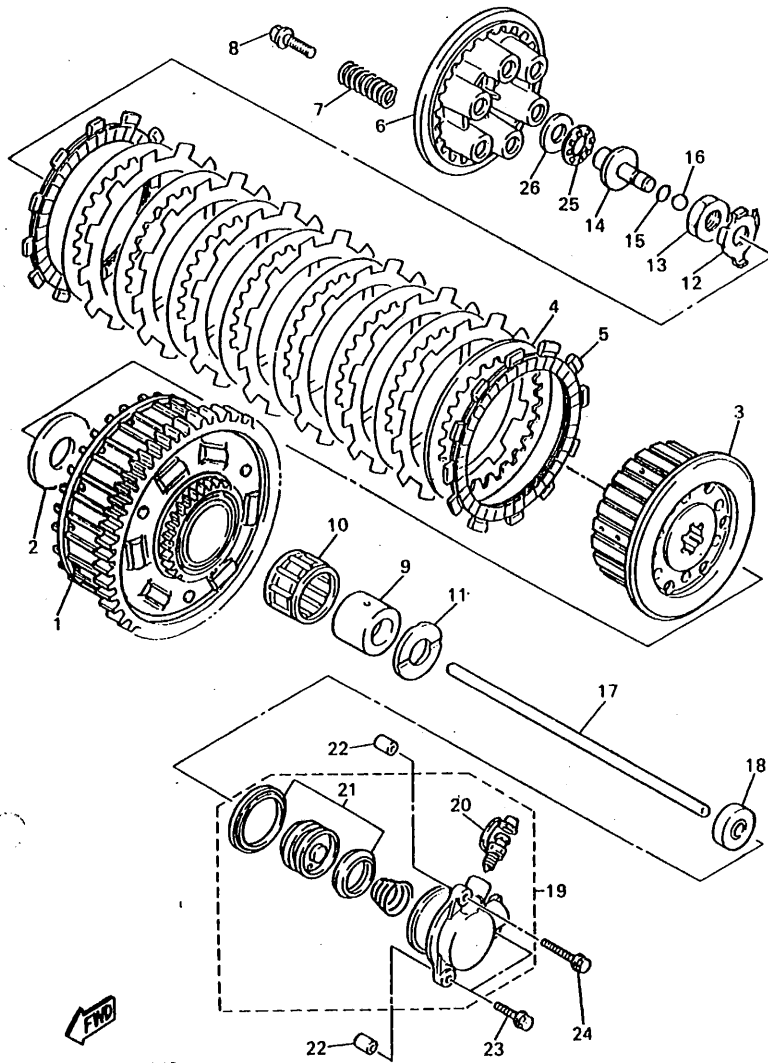


REF. NO.	PART NO.	DESCRIPTION	Q'TY	REMARKS
1	3GM-15512-00	GEAR, IDLER 1	1	
2	51Y-15521-00	SHAFT 1	1	
3	4BH-15517-00	GEAR, IDLER 2	1	
4	3GM-15580-00	STARTER CLUTCH OUTER ASSY	1	
5	93615-12088	.PIN, DOWEL	3	
6	1J7-15583-01	.CAP, STARTER CLUTCH SPRING	3	
7	90501-04623	.SPRING, COMPRESSION	3	
8	3GM-15524-00	WHEEL, STARTER	1	
9	90110-08177	BOLT, HEXAGON SOCKET HEAD	3	
10	4H7-16155-01	ABSORBER 1	4	
11	3GM-15689-00	RETAINER	1	
12	3GM-15519-00	SPROCKET, STARTER 2	1	
13	3GM-15522-00	SHAFT 2	1	
14	93306-20335	BEARING	1	
15	93306-20541	BEARING (B6205)	1	
16	1AE-15381-00	PLATE, BEARING COVER	1	
17	95026-06016	BOLT, FLANGE	3	
18	3GM-11474-00	GUIDE, UPPER	1	
19	95816-06014	BOLT, FLANGE	2	
20	4FM-11456-00	CHAIN, PRIMARY	1	



3KS351-9150

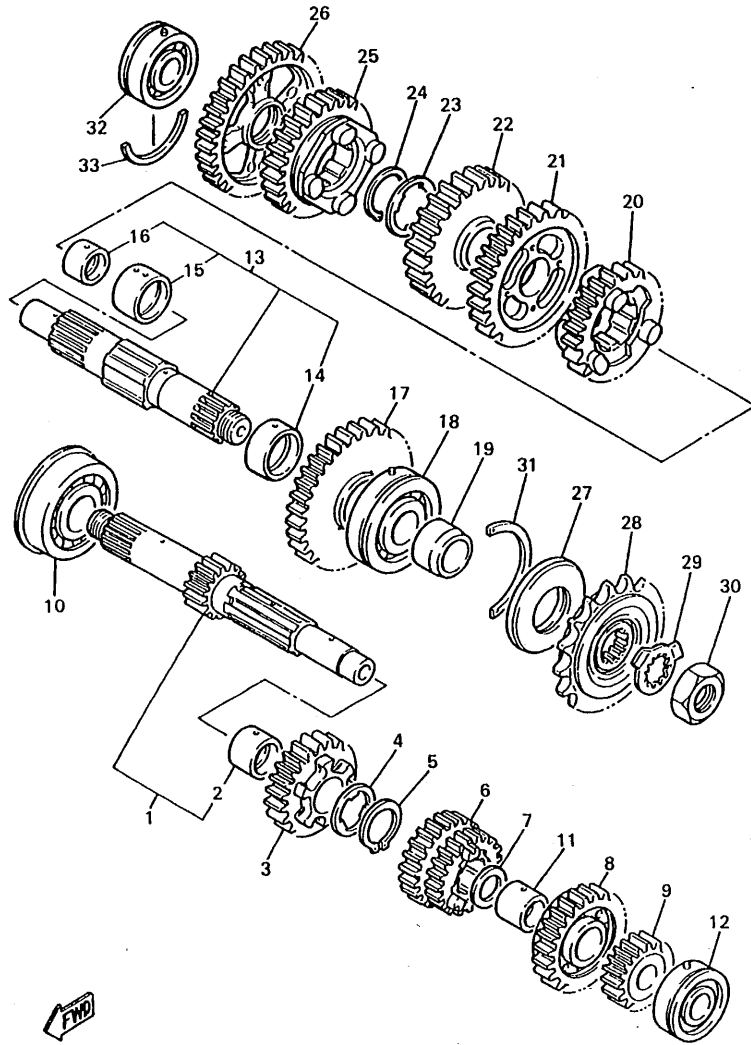
FIG. 16 CLUTCH



4HD300-3160

REF. NO.	PART NO.	DESCRIPTION	Q'TY	REMARKS
1	4FM-16150-00	PRIMARY DRIVEN GEAR COMP.	1	
2	1AE-16154-00	PLATE, THRUST 1	1	
3	2GH-16371-00	BOSS, CLUTCH	1	
4	3J2-16324-00	PLATE, CLUTCH 1	8	
5	4FN-16321-00	PLATE, FRICTION	9	
6	58L-16351-00	PLATE, PRESSURE 1	1	
7	90501-225A9	SPRING, COMPRESSION	6	
8	90159-06123	SCREW, WITH WASHER	6	
9	90560-25270	SPACER	1	
10	93310-340N8	BEARING, CYLINDRICAL	1	
11	1AE-16164-00	PLATE, THRUST 2	1	
12	90215-20231	WASHER, LOCK	1	
13	90170-20327	NUT	1	
14	1LJ-16356-00	ROD, PUSH 1	1	
15	93210-06632	O-RING	1	
16	93511-32027	BALL	1	
17	1AE-16357-00	ROD, PUSH 2	1	
18	93109-08061	OIL SEAL	1	
19	1TV-16381-10	PUSH LEVER COMP.	1	
20	36Y-W0048-00	.BREED SCREW KIT	1	
21	26H-W0098-00	.PUSH LEVER SEAL KIT	1	
22	99510-08012	PIN, DOWEL	2	
23	95026-06030	BOLT, FLANGE	2	
24	95026-06090	BOLT, FLANGE	1	
25	93340-21505	BEARING, THRUST	1	
26	90201-150H2	WASHER, PLATE	1	

FIG. 17 TRANSMISSION

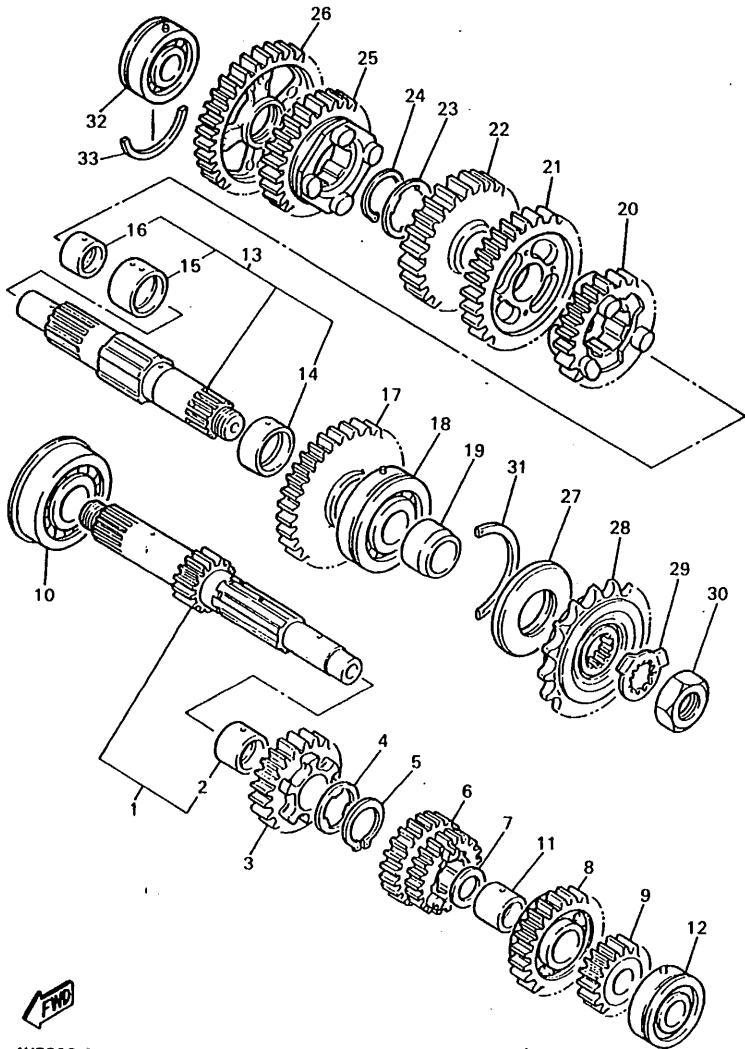


4HS300-3170

REF. NO.	PART NO.	DESCRIPTION	QTY	REMARKS
1	4FN-W1741-00	MAIN AXLE ASSY	1	
2	90387-253M6	.COLLAR	1	
3	4FN-17151-00	GEAR, 5TH PINION	1	
4	90209-22191	WASHER	1	
5	93440-25084	CIRCLIP	1	
6	4FN-17131-00	GEAR, 3RD PINION	1	
7	90201-200K3	WASHER, PLATE	1	
8	4FN-17161-00	GEAR, 6TH PINION	1	
9	3FV-17121-00	GEAR, 2ND PINION (17T)	1	
10	93306-30560	BEARING	1	
11	90387-203M7	COLLAR	1	
12	93306-20455	BEARING	1	
13	3FV-W1742-00	DRIVE AXLE ASSY	1	
14	90387-263M8	.COLLAR	1	
15	90387-284M0	.COLLAR	1	
16	90387-204M1	.COLLAR	1	
17	3FV-17221-00	GEAR, 2ND WHEEL (33T)	1	
18	93305-30501	BEARING	1	
19	90387-255V9	COLLAR	1	
20	3FV-17261-00	GEAR, 6TH WHEEL (25T)	1	
21	3FV-17231-00	GEAR, 3RD WHEEL (31T)	1	
22	4FN-17241-00	GEAR, 4TH WHEEL	1	
23	90209-25196	WASHER	1	
24	93440-28062	CIRCLIP	1	
25	4FN-17251-00	GEAR, 5TH WHEEL	1	
26	3FV-17211-00	GEAR, 1ST WHEEL (32T)	1	
27	93102-35423	OIL SEAL	1	
28	2GH-17460-00	SPROCKET,DRIVE 16T(2GH1746160)	1	

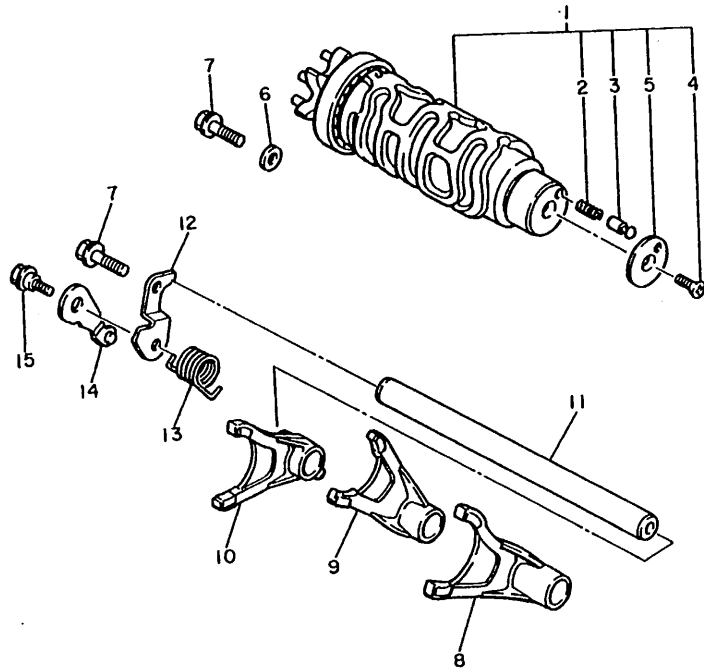
FIG. 17 TRANSMISSION

REF. NO.	PART NO.	DESCRIPTION	Q'TY	REMARKS
29	90215-21022	WASHER, LOCK	1	
30	90179-18020	NUT	1	
31	278-17424-01	CIRCLIP 1	1	
32	93306-20455	BEARING	1	
33	93440-45144	CIRCLIP	1	



4HS300-3170

FIG. 18 SHIFT CAM • FORK



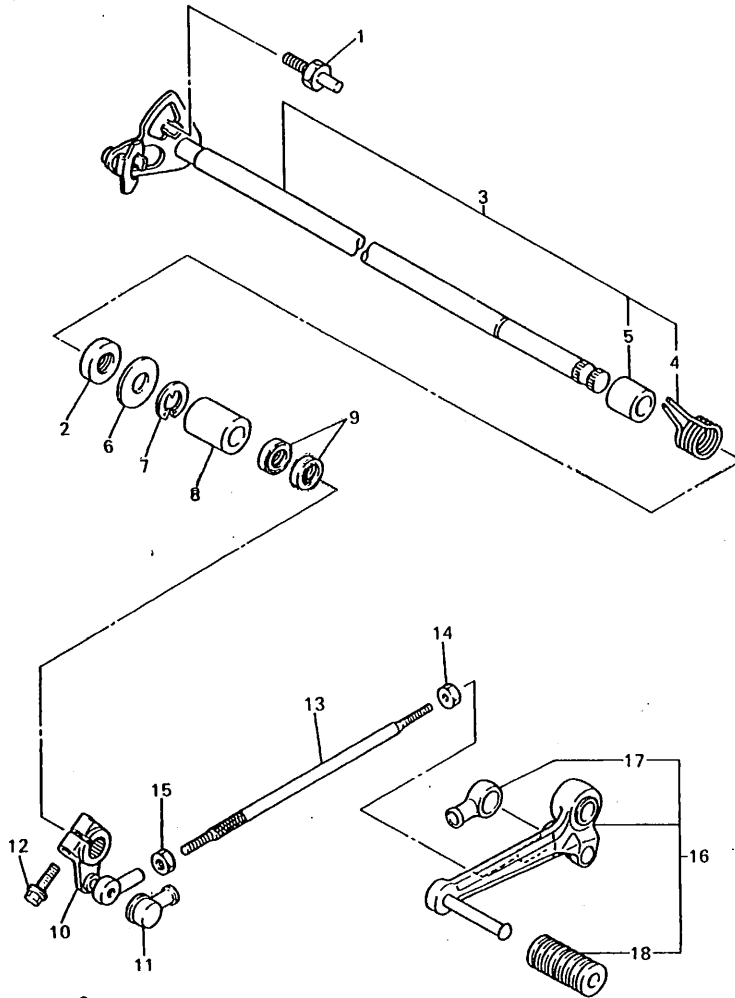
REF. NO.	PART NO.	DESCRIPTION	Q'TY	REMARKS
1	4FM-18540-00	SHIFT CAM ASSY	1	
2	90501-06022	.SPRING, COMPRESSION	1	
3	278-18542-00	.POINT, NEUTRAL	1	
4	98701-05012	.SCREW, FLAT HEAD	1	
5	278-18566-00	.PLATE, SIDE 2	1	
6	90201-06643	WASHER, PLATE	1	
7	95811-06016	BOLT, FLANGE	2	
8	4FM-18511-00	FORK, SHIFT 1	1	
9	4FM-18512-00	FORK, SHIFT 2	1	
10	4FM-18513-00	FORK, SHIFT 3	1	
11	4BH-18531-00	BAR, SHIFT FORK GUIDE 1	1	
12	1AE-18536-00	STOPPER, SHIFT BAR	1	
13	90508-26681	SPRING, TORSION	1	
14	36Y-18140-00	STOPPER LEVER ASSY	1	
15	90109-063F8	BOLT	1	



1FN310-5180

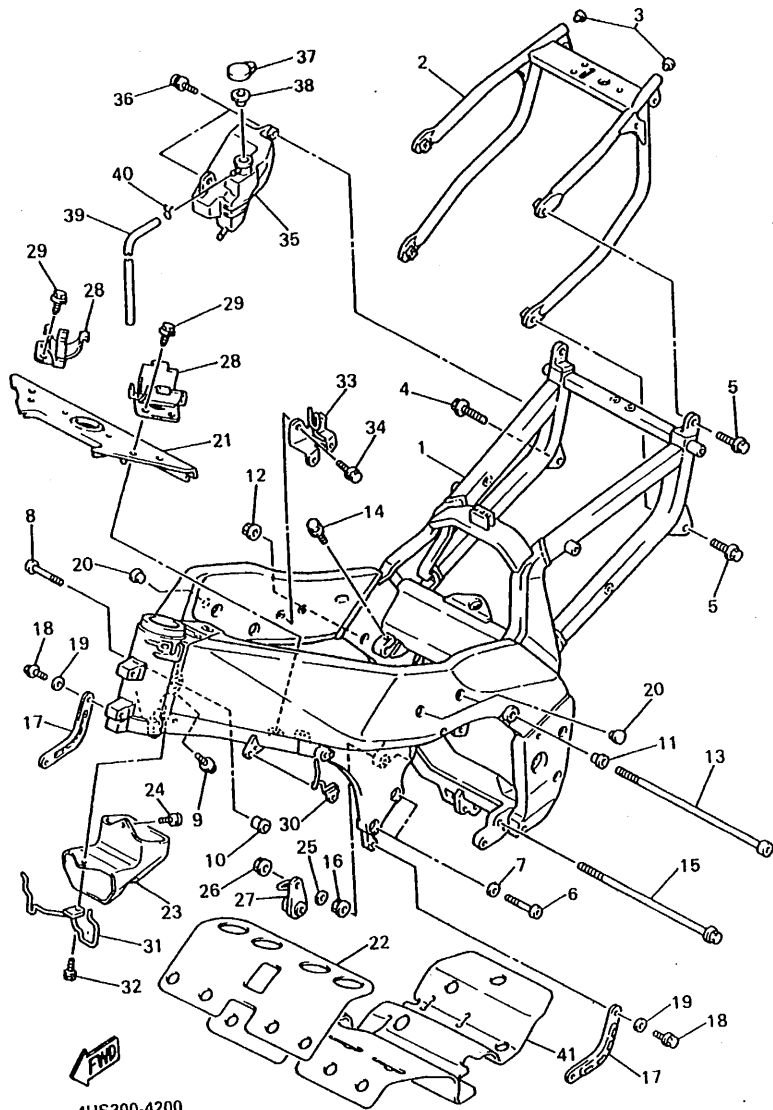
FIG. 19 SHIFT SHAFT

REF. NO.	PART NO.	DESCRIPTION	Q'TY	REMARKS
1	4G0-18127-00	STOPPER, SCREW	1	
2	93102-12321	OIL SEAL	1	
3	1AE-18101-01	SHIFT SHAFT ASSY	1	
4	90508-32682	.SPRING, TORSION	1	
5	90387-114K8	.COLLAR	1	
6	90201-12575	WASHER, PLATE	1	
7	99006-10600	CIRCLIP	1	
8	90560-12191	SPACER	1	
9	93109-12053	OIL SEAL (SDO 12/18/4-1)	2	
10	2GH-18112-01	ARM, SHIFT	1	
11	2H9-18154-00	COVER, DUST	1	
12	95826-06020	BOLT, FLANGE	1	
13	1WG-18115-00	ROD, SHIFT	1	
14	90170-06228	NUT(COUNTER CLOCKWISE)	1	
15	95380-06700	NUT	1	
16	4FM-18110-00	SHIFT PEDAL ASSY	1	
17	2H9-18154-00	.COVER, DUST	1	
18	132-18113-01	.COVER, SHIFT PEDAL	1	



4HD300-3190

FIG. 20 FRAME

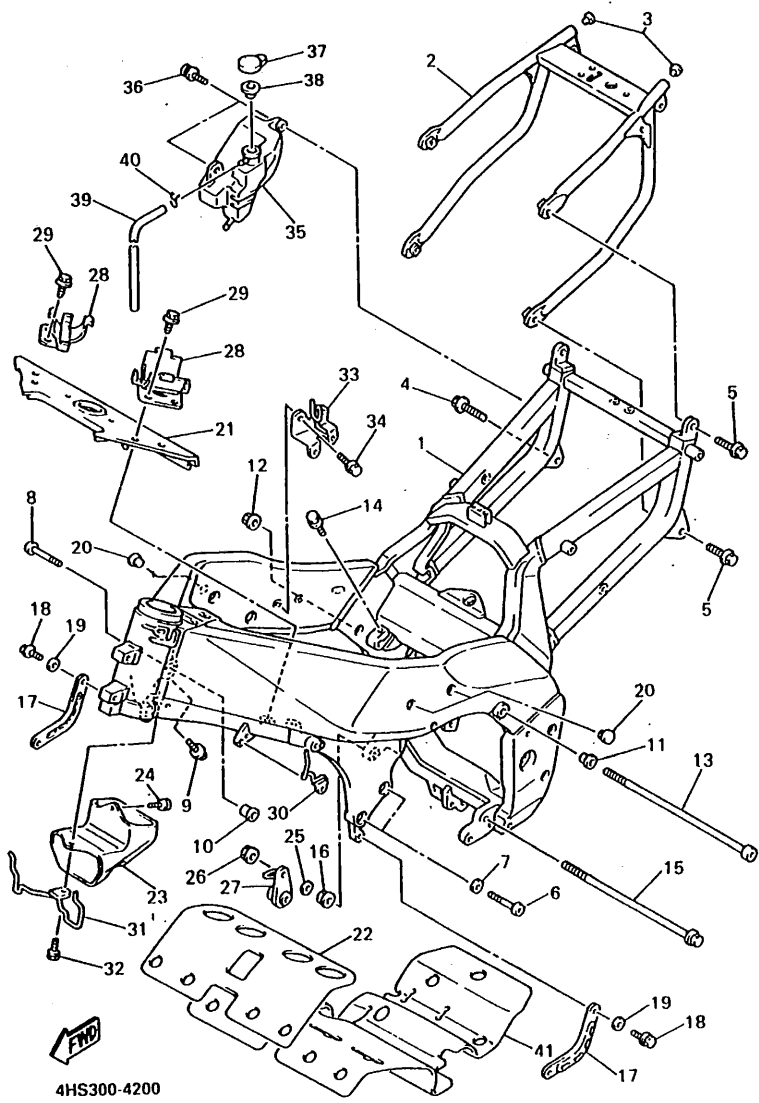


4HS300-4200

REF. NO.	PART NO.	DESCRIPTION	Q'TY	REMARKS
1	4FM-21110-00	FRAME COMP.	1	
2	4FM-21645-11	STAY, REAR	1	
3	90338-16148	PLUG	2	
4	95811-08030	BOLT, FLANGE	1	
5	95811-08016	BOLT, FLANGE	3	
6	91311-10040	BOLT	2	
7	92900-10600	WASHER	2	
8	91311-10045	BOLT	2	
9	91311-08030	BOLT	2	
10	90387-115V8	COLLAR	2	
11	90387-105V7	COLLAR	1	
12	90179-10590	NUT	1	
13	90110-10169	BOLT, HEXAGON SOCKET HEAD	1	
14	95811-08030	BOLT, FLANGE	2	
15	90105-10716	BOLT, WASHER BASED	1	
16	90179-10247	NUT	1	
17	4FM-2142K-00	BRACKET, RADIATOR	2	
18	97026-06012	BOLT	2	
19	92906-06600	WASHER, PLATE	2	
20	90338-15202	PLUG	3	
21	4FM-2117M-11	COVER 2	1	
22	4FM-2117F-00	COVER	1	
23	4FM-2137Y-01	GUIDE, AIR	1	
24	90159-06058	SCREW, WITH WASHER	1	
25	90201-101J1	WASHER, PLATE	1	
26	95706-10500	NUT, FLANGE	1	
27	4FM-21446-00	STAY, MUFFLER 2	1	
28	4FM-21359-00	BRACKET, COIL	2	

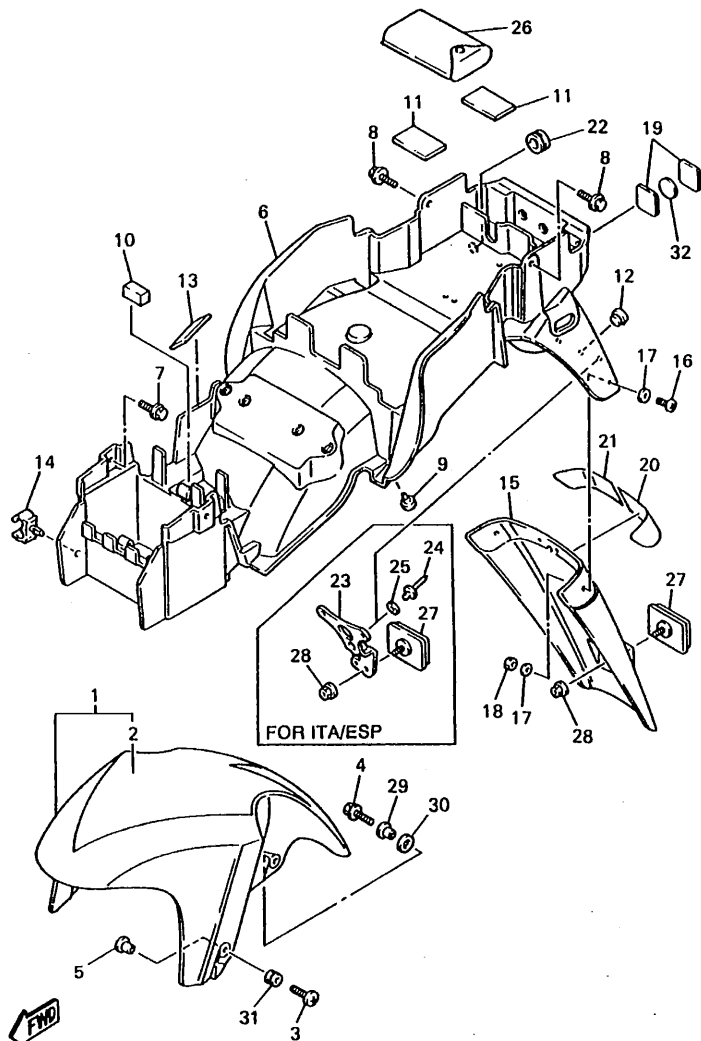
FIG. 20. FRAME

REF. NO.	PART NO.	DESCRIPTION	Q'TY	REMARKS
29	90119-06018	BOLT	4	
30	4FM-21161-01	HOLDER, CABLE	1	
31	4FM-21162-00	HOLDER, CLUTCH CABLE	1	
32	90101-06664	BOLT	1	
33	4FM-2116J-10	BRACKET 7	1	
34	91001-06016	BOLT, FLANGE	2	
35	4FM-21871-00	TANK, RECOVERY	1	
36	90159-06033	SCREW, WITH WASHER	2	
37	4L0-21875-00	CAP	1	
38	1AA-21874-00	GASKET	1	
39	90445-084G9	HOSE	1	
40	90467-08003	CLIP	1	
41	4FM-12683-00	PROTECTOR, HEAT	1	



4HS300-4200

FIG. 21 FENDER

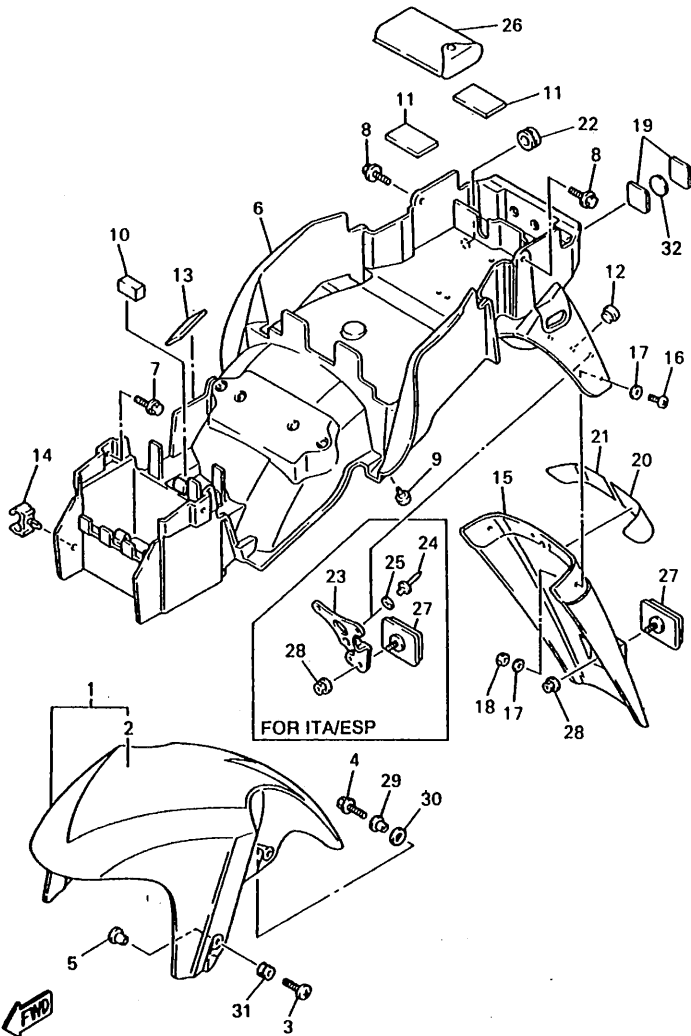


4HS300-4210

REF. NO.	PART NO.	DESCRIPTION	Q'TY	REMARKS
1	4FM-Y2151-01-P0	FRONT FENDER COMP.	1	BLUISH WHITE COCKTAIL 1
2	4FM-21569-20	.GRAPHIC 1	1	
3	90154-06061	SCREW, BINDING	2	
4	91001-06016	BOLT, FLANGE	2	
5	90387-065J6	COLLAR	2	
6	4FM-21611-02	FENDER, REAR	1	
7	90119-06118	BOLT, WITH WASHER	2	
8	90119-06205	BOLT, WITH WASHER	2	
9	35T-24724-00	DAMPER, SEAT	2	
10	1LJ-2414J-00	DAMPER, PLATE 2	1	
11	5H0-8235Y-M0	DAMPER	2	
12	90338-07043	PLUG	1	
13	3XV-21778-00	DAMPER, LOCATING 1	1	
14	90464-09130	CLAMP	1	
15	3GM-21621-00	FLAP	1	
16	90149-04278	SCREW	4	
17	90201-044A2	WASHER, PLATE	8	
18	95606-04100	NUT, U	4	
19	4FM-21649-00	DAMPER	2	
20	3GM-21649-00	DAMPER	1	
21	3GM-21649-10	DAMPER	1	
22	90480-10258	GROMMET	2	
23	4FM-85132-00	BRACKET, REFLECTOR 1	1	FOR ITA/ESP
24	90267-40076	RIVET, BLIND	2	FOR ITA/ESP
25	90201-044A2	WASHER, PLATE	2	FOR ITA/ESP
26	4FM-28100-00	TOOL KIT	1	
27	3G1-85130-01	REAR REFLECTOR ASSY	1	
28	95701-05500	NUT, FLANGE	1	

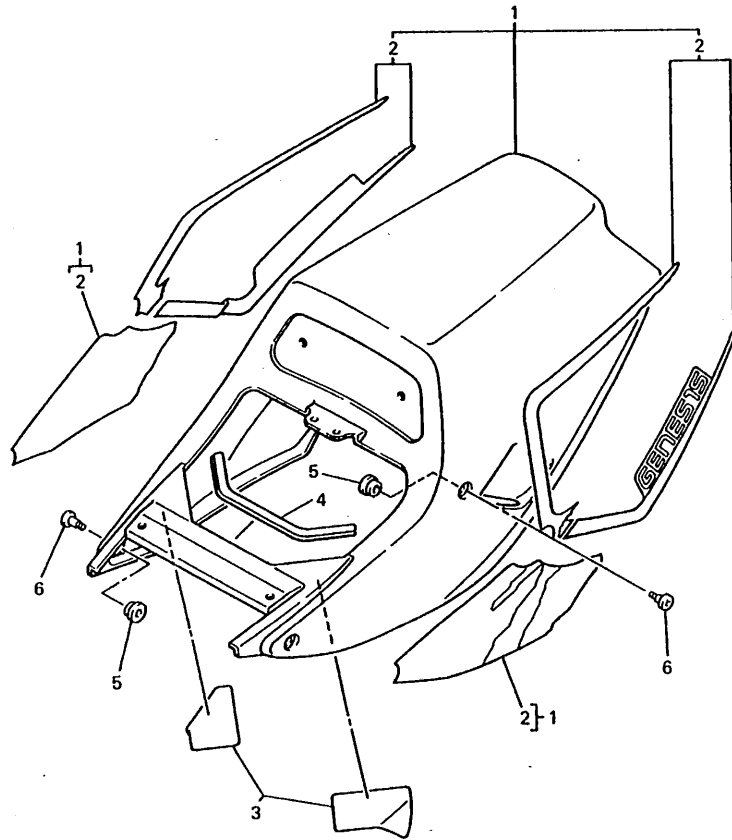
FIG. 21 FENDER

REF. NO.	PART NO.	DESCRIPTION	Q'TY	REMARKS
29	90387-087L0	COLLAR	2	
30	4FM-28372-00	DAMPER	2	
31	90480-12072	GROMMET	2	
32	4FM-21459-00	SPACER	1	



4HS300-4210

FIG. 22 SIDE COVER



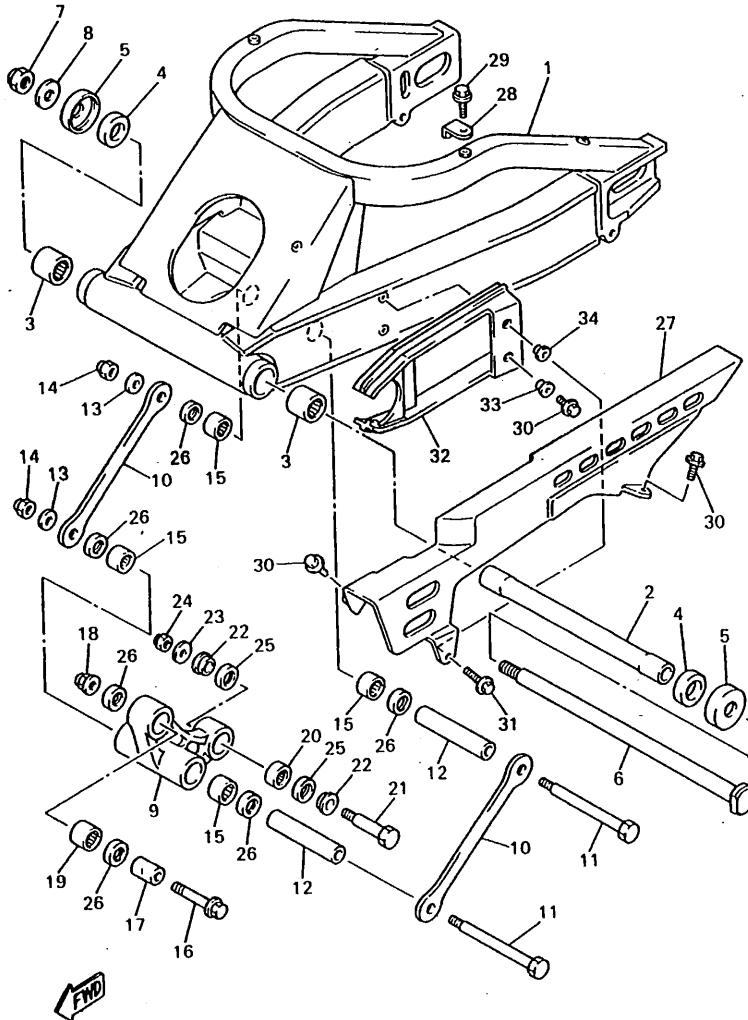
REF. NO.	PART NO.	DESCRIPTION	Q'TY	REMARKS
1	4FM-W2171-10-P0	SIDE COVER ASSY 1	1	BLUISH WHITE COCKTAIL 1
2	4FN-2173L-10	.GRAPHIC SET 1	1	
3	1JK-21735-00	SEAL 2	2	
4	3KX-28345-00	MOLE 1	1	
5	90480-13398	GROMMET	4	
6	90150-06036	SCREW, ROUND HEAD	4	



4HS300-4220

D5

FIG. 23 REAR ARM

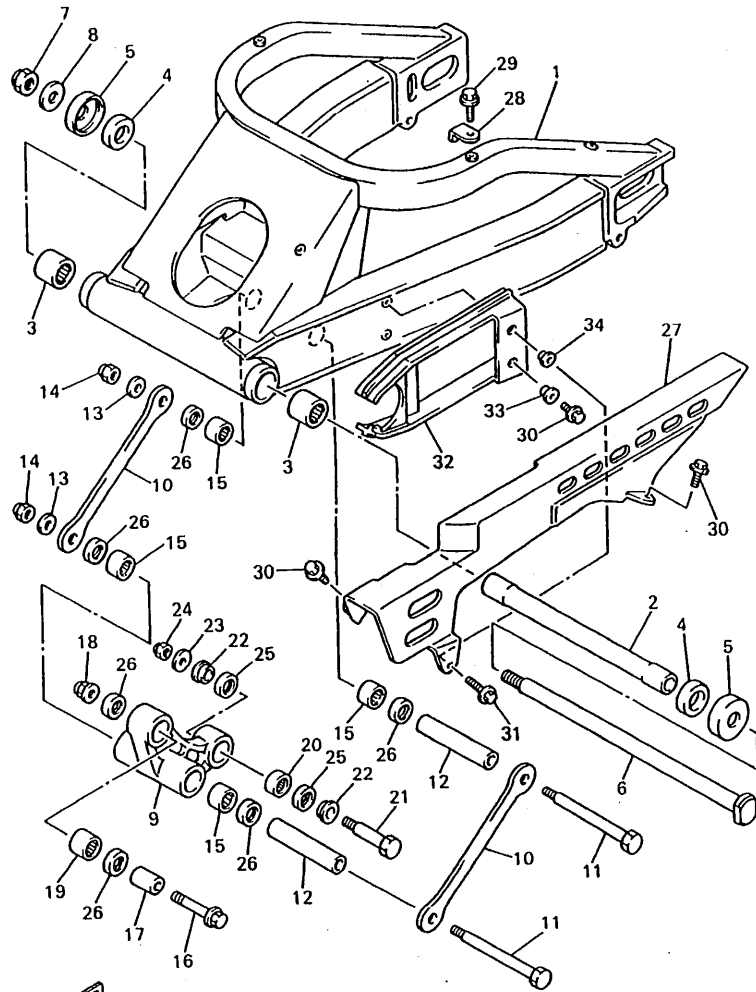


4HS300-3230

REF. NO.	PART NO.	DESCRIPTION	Q'TY	REMARKS
1	4FM-22110-00	REAR ARM COMP.	1	
2	3FV-22184-00	BUSH	1	
3	93315-42523	BEARING, CYLINDRICAL	2	
4	93342-22502	BEARING, THRUST	2	
5	3FV-22128-00	COVER, THRUST 1	2	
6	3GM-22141-00	SHAFT, PIVOT	1	
7	90185-18104	NUT, SELF-LOCKING	1	
8	90201-18264	WASHER, PLATE	1	
9	4FM-2217A-10	ARM, RELAY	1	
10	4FM-2217M-10	ARM 1	2	
11	90101-10658	BOLT	2	
12	90387-122R5	COLLAR	2	
13	90201-101J1	WASHER, PLATE	2	
14	95611-10100	NUT, U	2	
15	93317-21746	BEARING, CYLINDRICAL	4	
16	90105-10376	BOLT, WASHER BASED	1	
17	90387-102R4	COLLAR	1	
18	95611-10200	NUT, SELF-LOCKING	1	
19	93317-31771	BEARING, CYLINDRICAL	1	
20	93399-99919	BEARING	1	
21	90101-10659	BOLT	1	
22	90387-124W2	COLLAR	2	
23	90201-101J1	WASHER, PLATE	1	
24	95611-10100	NUT, U	1	
25	93101-16131	OIL SEAL	2	
26	93109-17048	OIL SEAL (SDO 17-24-4)	6	
27	4FM-22311-00	CASE, CHAIN	1	
28	4FM-2213J-00	STAY, CHAIN CASE	1	

D6

FIG. 23 REAR ARM

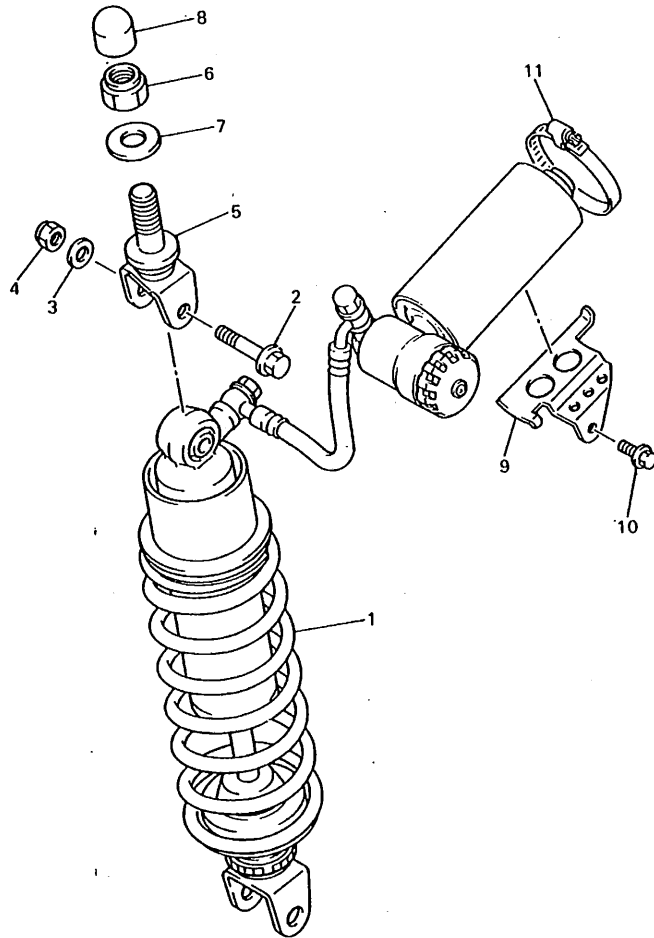


REF. NO.	PART NO.	DESCRIPTION	Q'TY	REMARKS
29	95023-06016	BOLT	1	
30	90119-06088	BOLT, WITH WASHER	3	
31	90119-06163	BOLT, WITH WASHER	1	
32	4FM-22151-00	SEAL, GUARD	1	
33	90387-06704	COLLAR	1	
34	90387-06681	COLLAR	1	

FWD
4HS300-3230

D7

FIG. 24 REAR SUSPENSION



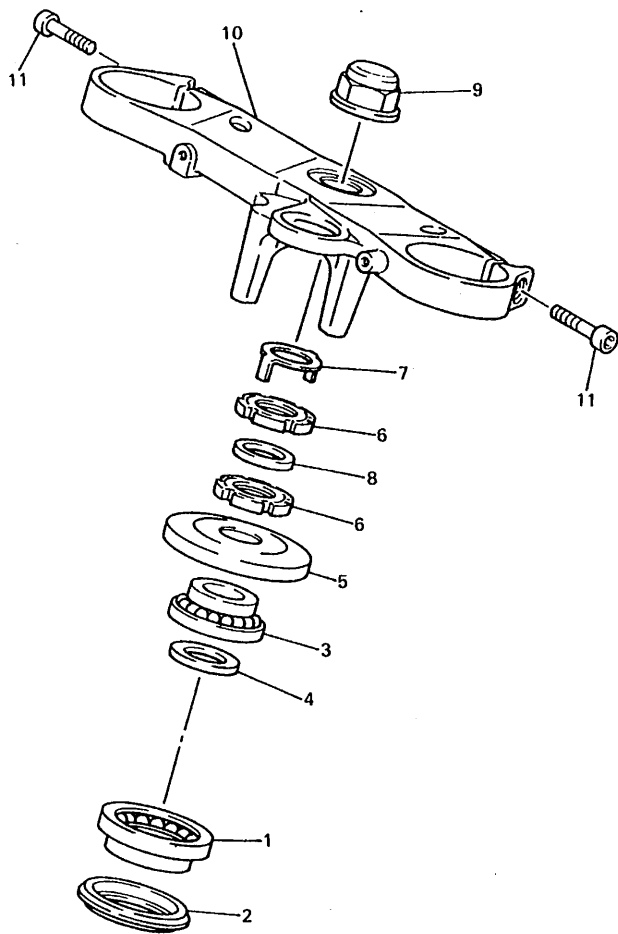
REF. NO.	PART NO.	DESCRIPTION	Q'TY	REMARKS
1	4FM-22210-10	SHOCK ABSORBER ASSY, REAR	1	
2	90105-10402	BOLT, WASHER BASED	1	
3	90201-101J1	WASHER, PLATE	1	
4	95611-10100	NUT, U	1	
5	4FM-22219-00	BRACKET, UPPER	1	
6	90185-16127	NUT, SELF-LOCKING	1	
7	90201-164H4	WASHER, PLATE	1	
8	478-25335-00	CAP	1	
9	4FM-22262-00	HOLDER, SUB TANK	1	
10	91001-06016	BOLT, FLANGE	1	
11	90450-32008	HOSE CLAMP ASSY	1	



4HS300-3240

D8

FIG. 25 STEERING



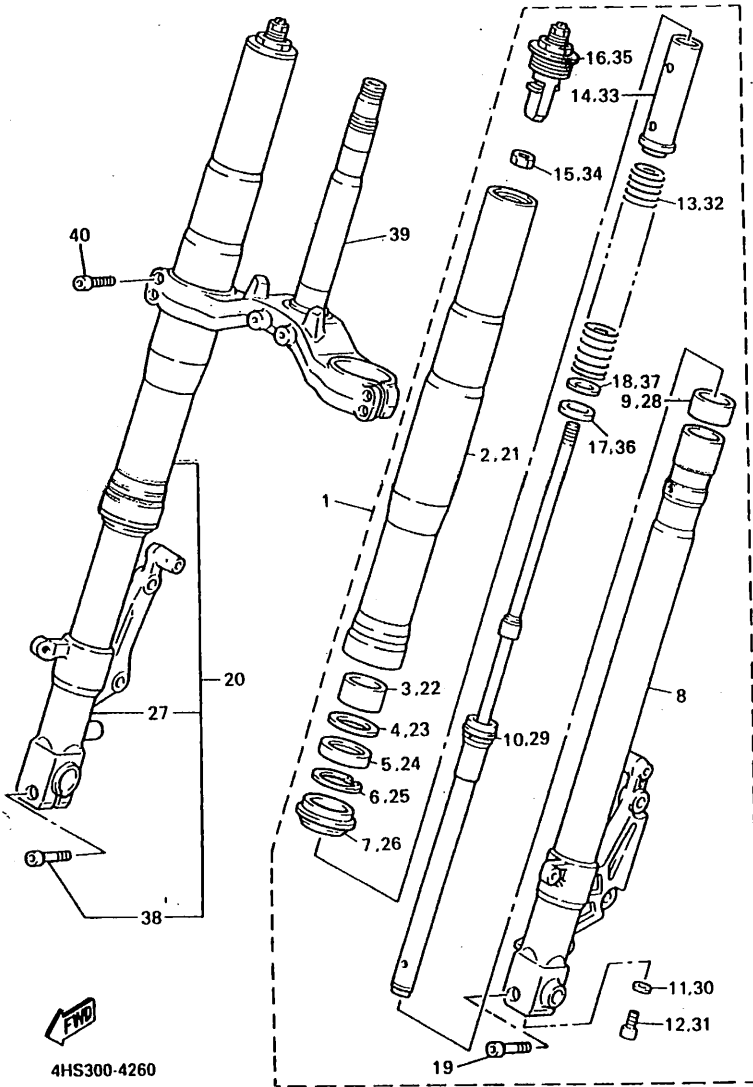
REF. NO.	PART NO.	DESCRIPTION	Q'TY	REMARKS
1	93399-99932	BEARING	1	
2	3FV-23462-00	SEAL, STEERING	1	
3	93399-99931	BEARING	1	
4	90202-24190	WASHER, PLATE	1	
5	3GM-23415-00	COVER, BALL RACE 1	1	
6	90179-25615	NUT	2	
7	3YF-23418-00	WASHER, SPECIAL	1	
8	90202-26142	WASHER, PLATE	1	
9	90176-22050	NUT, CROWN	1	
10	4FM-23435-00	CROWN, HANDLE	1	
11	91311-08030	BOLT	2	



4HD300-3250

D9

FIG. 26 FRONT FORK

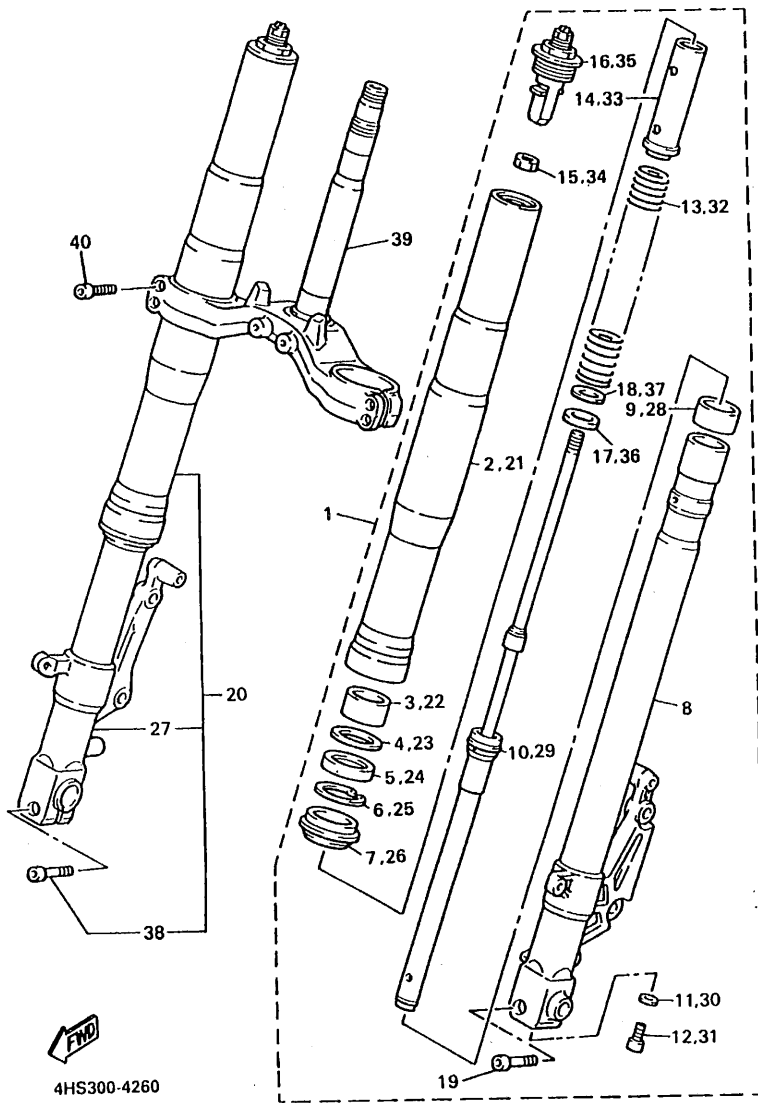


4HS300-4260

REF. NO.	PART NO.	DESCRIPTION	Q'TY	REMARKS
1	4FM-23102-30	FRONT FORK ASSY (L.H)	1	
2	4FM-23136-20	.TUBE, OUTER (RIGHT)	1	
3	3GM-23125-50	.METAL, SLIDE 1	1	
4	36Y-23146-10	.WASHER, OIL SEAL	1	
5	3SP-23145-L0	.OIL SEAL	1	
6	26H-23156-00	.CLIP, OIL SEAL	1	
7	3XV-23144-50	.SEAL, DUST	1	
8	4FM-23110-20	.INNER TUBE COMP.1	1	
9	3JD-23171-L0	.METAL, SLIDE	1	
10	4FM-23170-10	.CYLINDER COMP., FRONT FORK	1	
11	2K8-23158-L0	.GASKET	1	
12	3LC-23181-00	.BOLT, HEXAGON SOCKET HEAD	1	
13	4FM-23141-10	.SPRING, FRONT FORK	1	
14	4FM-23118-00	.SPACER	1	
15	3XJ-23357-L0	.NUT	1	
16	4FM-23111-10	.BOLT, CAP	1	
17	4FM-23159-00	.WASHER, SPRING, LOWER	1	
18	4FM-23165-00	.WASHER, FELT	1	
19	91311-08040	.BOLT	1	
20	4FM-23103-30	FRONT FORK ASSY (R.H)	1	
21	4FM-23136-20	.TUBE, OUTER (RIGHT)	1	
22	3GM-23125-50	.METAL, SLIDE 1	1	
23	36Y-23146-10	.WASHER, OIL SEAL	1	
24	3SP-23145-L0	.OIL SEAL	1	
25	26H-23156-00	.CLIP, OIL SEAL	1	
26	3XV-23144-50	.SEAL, DUST	1	
27	4FM-23120-20	.INNER TUBE COMP.2	1	
28	3JD-23171-L0	.METAL, SLIDE	1	
29	4FM-23170-10	.CYLINDER COMP., FRONT FORK	1	

D10

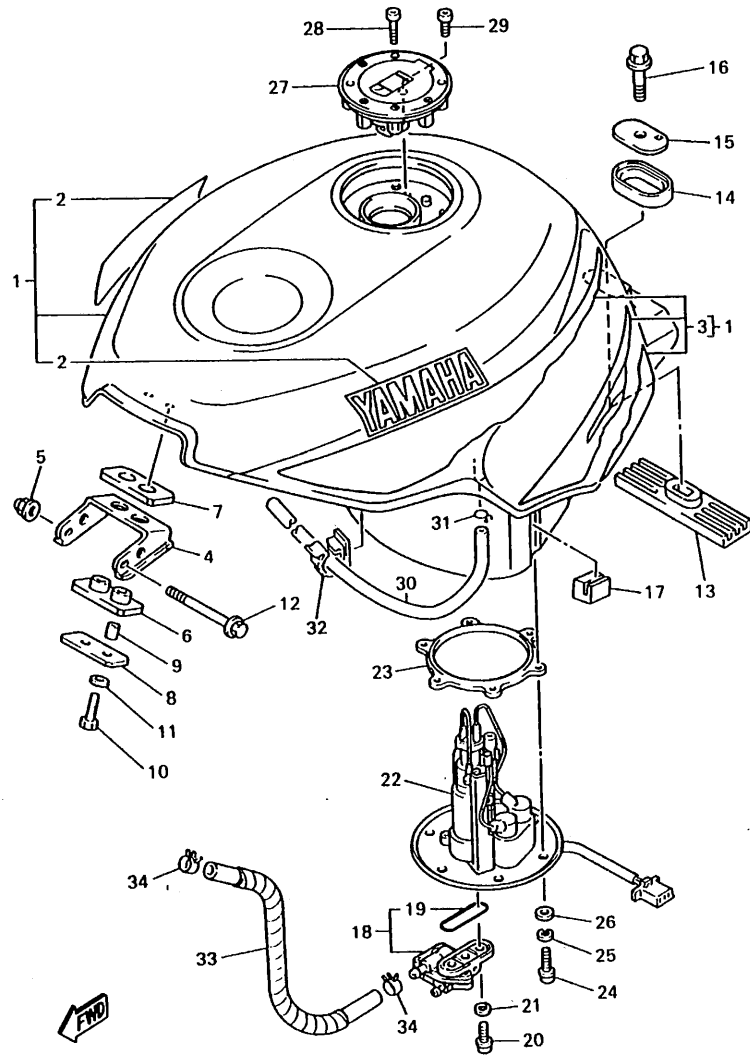
FIG. 26 FRONT FORK



4HS300-4260

REF. NO.	PART NO.	DESCRIPTION	Q'TY	REMARKS
30	2K8-23158-L0	.GASKET	1	
31	3LC-23181-00	.BOLT, HEXAGON SOCKET HEAD	1	
32	4FM-23141-10	.SPRING, FRONT FORK	1	
33	4FM-23118-00	.SPACER	1	
34	3XJ-23357-L0	.NUT	1	
35	4FM-23111-10	.BOLT, CAP	1	
36	4FM-23159-00	.WASHER, SPRING, LOWER	1	
37	4FM-23165-00	.WASHER, FELT	1	
38	91311-08040	.BOLT	1	
39	4FM-23340-00	UNDER BRACKET COMP.	1	
40	91311-08030	BOLT	4	

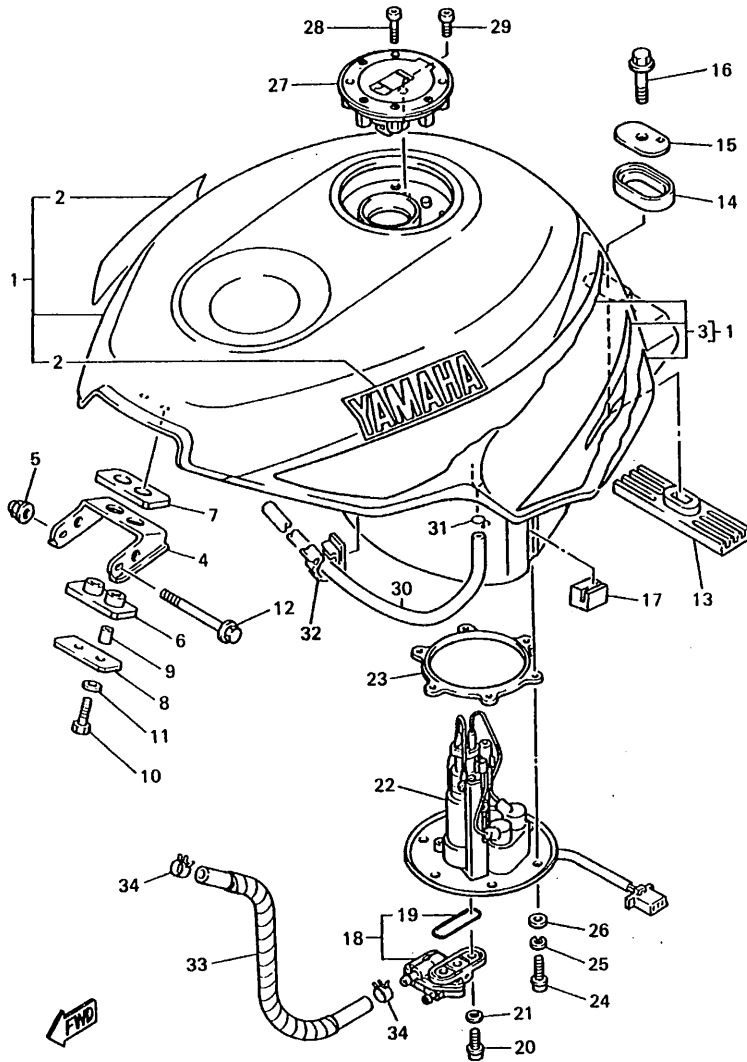
FIG. 27 FUEL TANK



4HS300-4270

REF. NO.	PART NO.	DESCRIPTION	Q'TY	REMARKS
1	4FM-24110-30-01	FUEL TANK COMP.	1	BLUISH WHITE COCKTAIL 1 / DEEP VIOLET METALLIC 1
2	99226-00160	.EMBLEM, YAMAHA	2	
3	4FM-24240-00	.GRAPHIC SET	1	
4	4FM-24191-00	BRACKET, FUEL TANK 1	1	
5	90176-06055	NUT, CROWN	1	
6	2GH-24181-00	DAMPER, LOCATING 1	1	
7	2GH-24183-00	DAMPER, LOCATING 3	1	
8	2GH-24186-00	WASHER, SPECIAL	1	
9	90387-06299	COLLAR	2	
10	97011-06025	BOLT	2	
11	92995-06100	WASHER	2	
12	95816-06075	BOLT, FLANGE	1	
13	2GH-24184-00	DAMPER, LOCATING 4	1	
14	3Y6-24183-00	DAMPER, LOCATING 3	1	
15	12R-24186-00	WASHER, SPECIAL	1	
16	95811-08016	BOLT, FLANGE	1	
17	4JH-24183-00	DAMPER, LOCATING 3	2	
18	3FV-24500-01	FUEL COCK ASSY 1	1	
19	4X8-24512-00	.O-RING	1	
20	90149-06008	SCREW	2	
21	90202-05193	WASHER, PLATE	2	
22	4FM-13910-00	FUEL PUMP ASSY	1	
23	4FM-2414G-00	SEAL	1	
24	98501-05016	SCREW, PAN HEAD	6	
25	92901-05100	WASHER, SPRING	6	
26	92901-05600	WASHER, PLATE	6	
27	4FM-24602-00	CAP ASSY	1	
28	90110-05112	BOLT, HEXAGON SOCKET HEAD	3	
29	91311-05010	BOLT	1	

FIG. 27 FUEL TANK

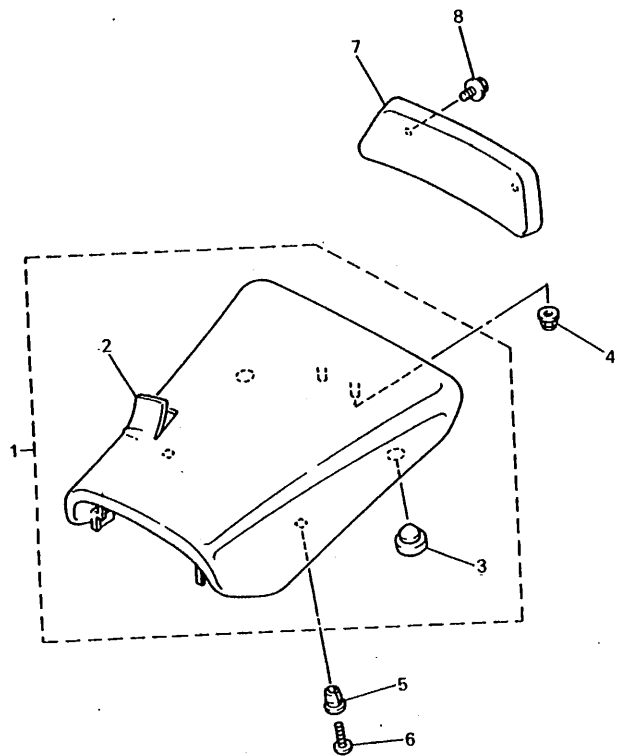


4HS300-4270

REF. NO.	PART NO.	DESCRIPTION	Q'TY	REMARKS
30	90445-102G7	HOSE	1	
31	90467-09006	CLIP	1	
32	90464-25160	CLAMP	1	
33	3FV-14294-02	HOSE	1	
34	90467-13123	CLIP	2	

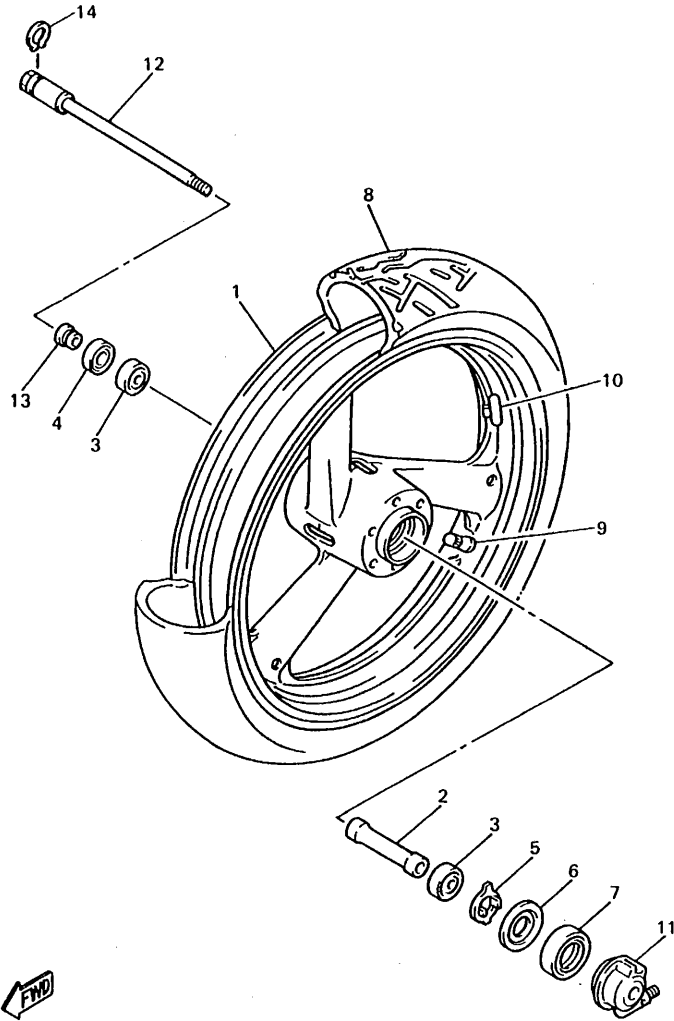
FIG. 28 SEAT

REF. NO.	PART NO.	DESCRIPTION	Q'TY	REMARKS
1.	4FM-24710-11	SINGLE SEAT ASSY	1	
2	4FM-24711-00	.COVER, SINGLE SEAT	1	
3	4FM-24724-00	.DAMPER, SEAT	4	
4	95601-06200	NUT, SELF-LOCKING	2	
5	90338-08226	PLUG	2	
6	97706-60016	SCREW, TAPPING	2	
7	3FV-2840F-00	BACK REST ASSY	1	
8	90119-06194	BOLT, WITH WASHER	2	



4HS300-3280

FIG. 29 FRONT WHEEL



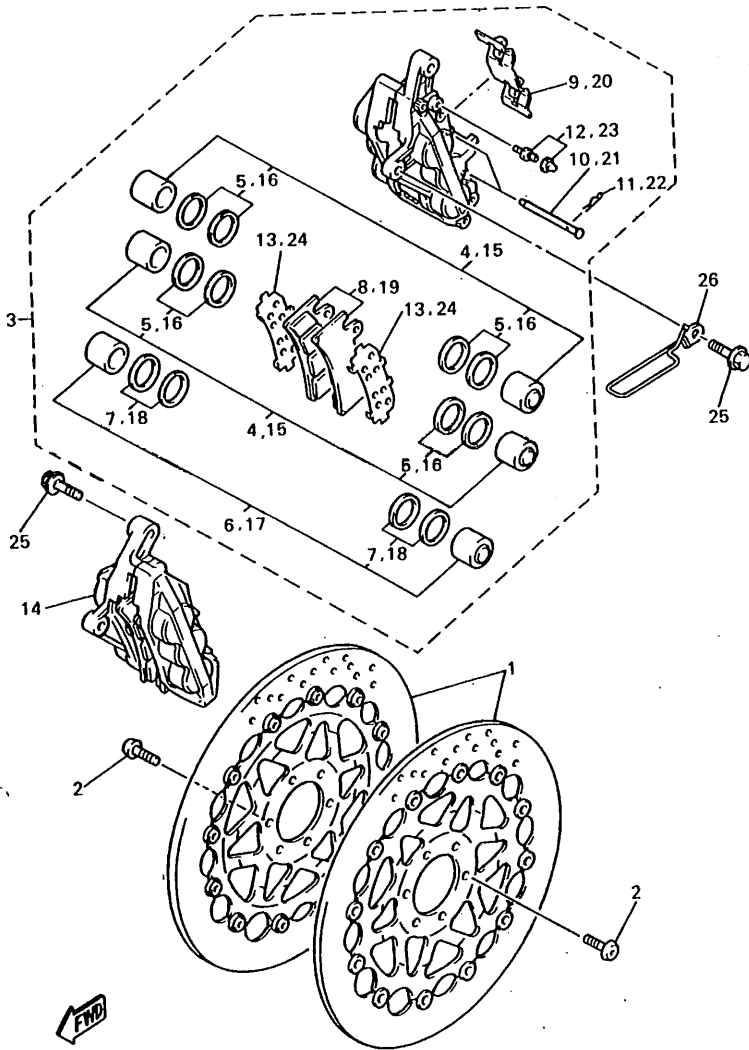
REF. NO.	PART NO.	DESCRIPTION	Q'TY	REMARKS
1	4FM-25168-00-P2	CAST WHEEL, FRONT	1	DEEP REDDISH PURPLE SOLID 1
2	90387-2200S	COLLAR	1	
3	93306-00420	BEARING (B6004)	2	
4	93102-28021	OIL SEAL	1	
5	4FM-25149-00	CLUTCH, METER	1	
6	341-25846-00	RETAINER, CLUTCH	1	
7	93105-45017	OIL SEAL	1	
8	*	TIRE (120/70 ZR17 TX11)	1	LM MICHELIN
9	93900-00030	VALVE, RIM	1	
10	29L-25398-00	BALANCER, WHEEL (10G)	1	UN
	29L-25398-10	BALANCER, WHEEL (20G)	1	UN
	29L-25398-20	BALANCER, WHEEL (30G)	1	UN
11	4FM-25190-00	GEAR UNIT ASSY	1	
12	4FM-25181-00	AXLE, WHEEL	1	
13	90387-2200T	COLLAR	1	
14	99009-28400	CIRCLIP	1	



4HD300-3290

D15

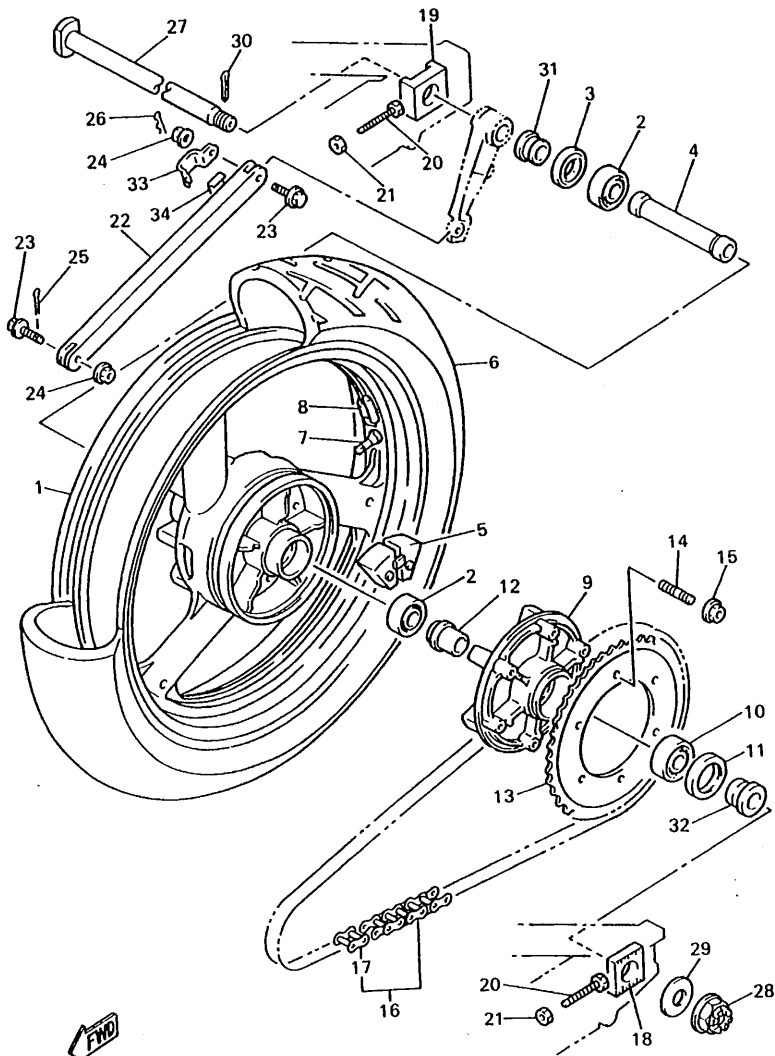
FIG. 30 FRONT BRAKE CALIPER



REF. NO.	PART NO.	DESCRIPTION	Q'TY	REMARKS
1	4FM-2581T-01	DISC BRAKE ASSY	2	
2	90109-08718	BOLT	12	
3	4FM-2580T-10	CALIPER ASSY (LEFT)	1	
4	4FM-W0057-10	.PISTON ASSY, CALIPER	2	
5	3MA-W0047-10	..CALIPER SEAL KIT	1	
6	4FM-W0057-00	.PISTON ASSY, CALIPER	1	
7	4FM-W0047-00	..CALIPER SEAL KIT	1	
8	4FM-W0045-10	.BRAKE PAD KIT	1	
9	4FM-25919-00	.SUPPORT, PAD	1	
10	4FM-25924-00	.PIN, PAD	2	
11	4FM-25925-00	.CLIP	2	
12	1J3-W0048-00	.BREED SCREW KIT	1	
13	4FM-25827-00	.SHIM, CALIPER	2	
14	4FM-2580U-10	CALIPER ASSY (RIGHT)	1	
15	4FM-W0057-10	.PISTON ASSY, CALIPER	2	
16	3MA-W0047-10	..CALIPER SEAL KIT	1	
17	4FM-W0057-00	.PISTON ASSY, CALIPER	1	
18	4FM-W0047-00	..CALIPER SEAL KIT	1	
19	4FM-W0045-10	.BRAKE PAD KIT	1	
20	4FM-25919-00	.SUPPORT, PAD	1	
21	4FM-25924-00	.PIN, PAD	2	
22	4FM-25925-00	.CLIP	2	
23	1J3-W0048-00	.BREED SCREW KIT	1	
24	4FM-25827-00	.SHIM, CALIPER	2	
25	90105-10725	BOLT, WASHER BASED	4	
26	4FM-21596-00	HOLDER	1	

4HD300-3300

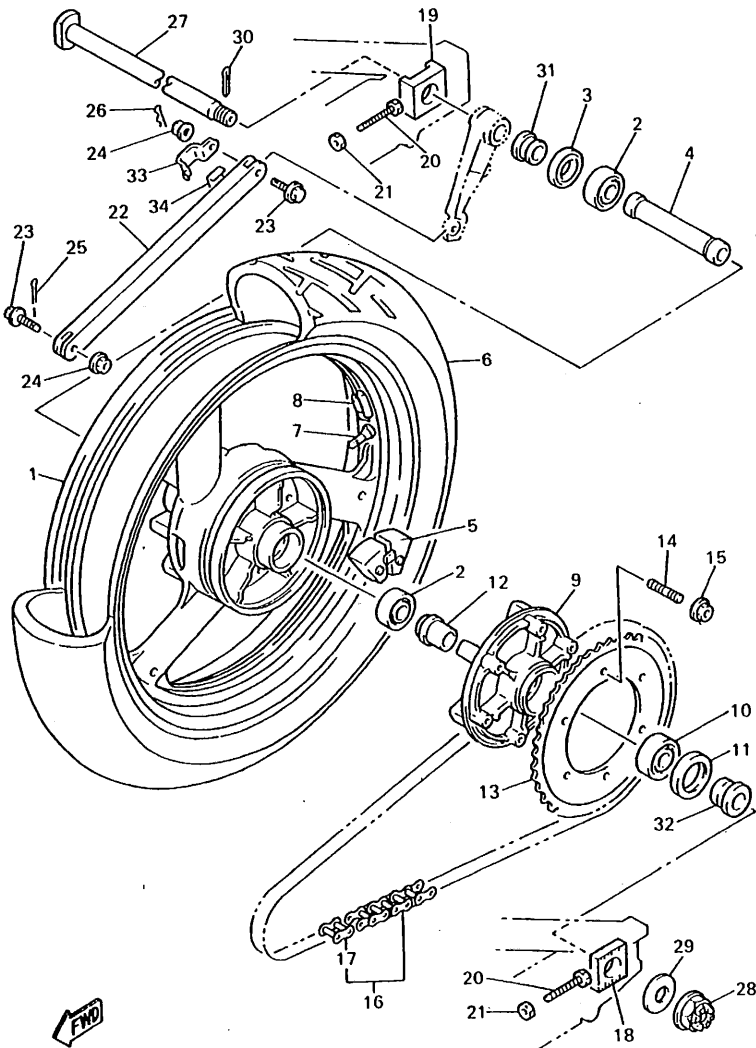
FIG. 31 REAR WHEEL



FWD
4HS300-3310

REF. NO.	PART NO.	DESCRIPTION	Q'TY	REMARKS
1	4FM-25338-00-P2	CAST WHEEL, REAR	1	DEEP REDDISH PURPLE SOLID 1
2	93306-20567	BEARING	2	
3	93102-35412	OIL SEAL	1	
4	90560-28389	SPACER	1	
5	4FM-25364-00	DAMPER	6	
6	*	TIRE (180/55 ZR17 TX23)	1	LM MICHELIN
7	93900-00030	VALVE, RIM	1	
8	29L-25398-00	BALANCER, WHEEL (10G)	1	UN
	29L-25398-10	BALANCER, WHEEL (20G)	1	UN
	29L-25398-20	BALANCER, WHEEL (30G)	1	UN
9	4FM-25366-00	CLUTCH, HUB	1	
10	93306-20644	BEARING	1	
11	93102-40330	OIL SEAL	1	
12	4FM-25377-00	COLLAR, WHEEL	1	
13	4FM-25439-00	SPROCKET, DRIVEN (39T)	1	
14	90116-10575	BOLT, STUD	6	
15	95601-10200	NUT, SELF-LOCKING	6	
16	94581-55104	CHAIN (DID532ZLVKA1-L104)	1	
17	94681-55031	JOINT, CHAIN	1	
18	4FM-25388-00	PULLER, CHAIN 1	1	
19	4FM-25389-00	PULLER, CHAIN 2	1	
20	90101-08705	BOLT	2	
21	95333-08600	NUT	2	
22	4FM-25371-00	BAR, TENSION	1	
23	90105-08321	BOLT, WASHER BASED	2	
24	95701-08500	NUT, FLANGE	2	
25	91490-20020	PIN, COTTER	1	
26	90468-16099	CLIP	1	

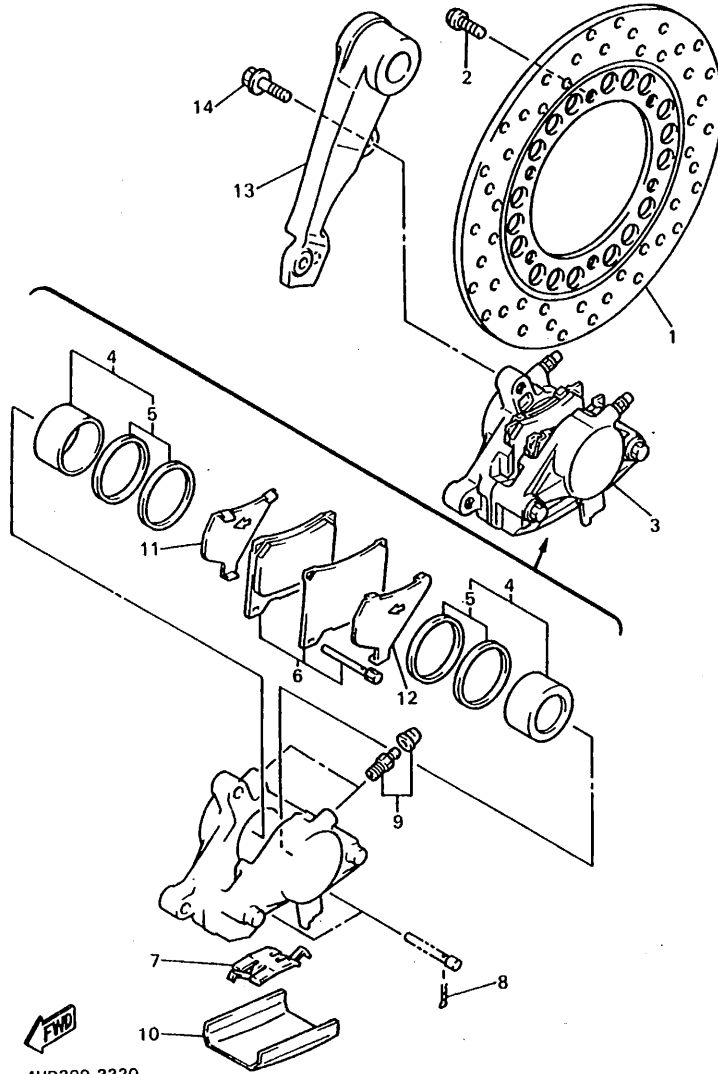
FIG. 31 REAR WHEEL



REF. NO.	PART NO.	DESCRIPTION	Q'TY	REMARKS
27	4FM-25381-00	AXLE, WHEEL	1	
28	90171-25052	NUT, CASTLE	1	
29	90201-263R9	WASHER, PLATE	1	
30	91401-40045	PIN, COTTER	1	
31	90387-2800P	COLLAR	1	
32	90387-2800R	COLLAR	1	
33	4FM-25887-00	HOLDER, BRAKE HOSE	1	
34	2AL-84553-00	DAMPER	1	

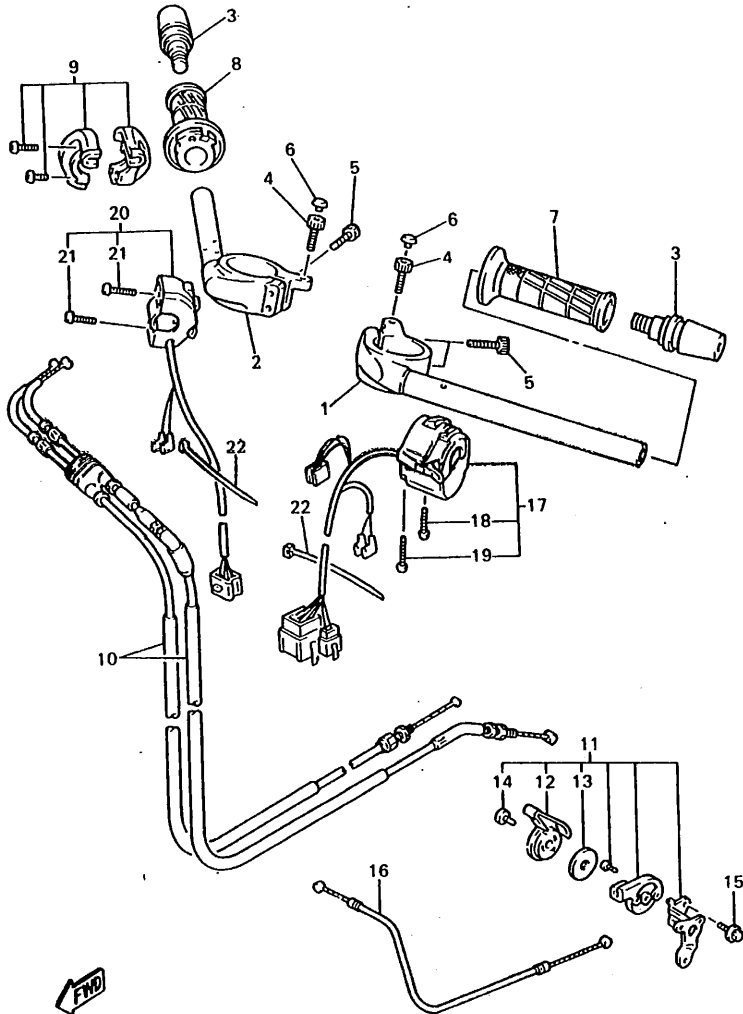
 4HS300-3310

FIG. 32 REAR BRAKE CALIPER



REF. NO.	PART NO.	DESCRIPTION	Q'TY	REMARKS
1	4FM-2582W-00	DISC, REAR BRAKE 2	1	
2	90109-08718	BOLT	6	
3	4FM-2580W-10	CALIPER ASSY, REAR 2	1	
4	31A-W0057-00	.PISTON ASSY, CALIPER	1	
5	31A-W0047-00	..CALIPER SEAL KIT	1	
6	4FM-W0046-00	.BRAKE PAD KIT 2	1	
7	29L-25919-A0	.SUPPORT, PAD	1	
8	3HE-25925-00	.CLIP	2	
9	1J3-W0048-00	.BREED SCREW KIT	2	
10	42H-25836-00	.COVER, DUST	1	
11	1FK-25827-00	.SHIM, CALIPER	1	
12	1FK-25828-00	.SHIM, CALIPER	1	
13	4FM-25819-01	BRACKET, CALIPER	1	
14	90105-10725	BOLT, WASHER BASED	2	

FIG. 33 STEERING HANDLE • CABLE

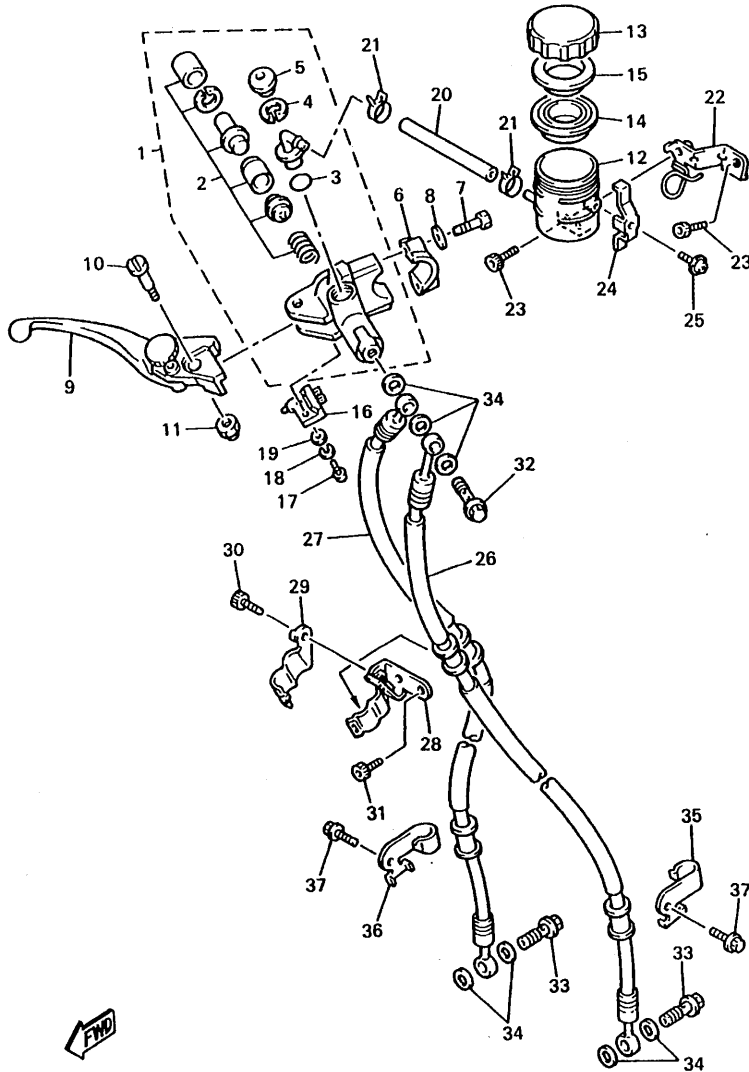


REF. NO.	PART NO.	DESCRIPTION	Q'TY	REMARKS
1	4FM-26121-01	HANDLEBAR (LEFT)	1	
2	4FM-26122-00	HANDLEBAR (RIGHT)	1	
3	36Y-26246-00	END, GRIP	2	
4	91311-06020	BOLT	2	
5	91311-06025	BOLT	4	
6	10L-23469-00	CAP, BOLT	2	
7	4FM-26241-00	GRIP (LEFT)	1	
8	4FM-26240-00	GRIP ASSY	1	
9	3LN-26270-01	CABLE CONNECTOR CAP ASSY	1	
10	4FM-26302-10	THROTTLE CABLE ASSY	1	
11	4FM-83940-00	STARTER ASSY	1	
12	1WG-83941-00	.LEVER, STARTER	1	
13	90209-10131	.WASHER	1	
14	98906-06008	.SCREW, BIND	1	
15	95828-06010	BOLT, FLANGE	1	
16	4FM-26331-10	CABLE, STARTER 1	1	
17	3GM-83969-01	SWITCH, HANDLE 5	1	
18	98506-05030	.SCREW, PAN HEAD	1	
19	98506-05040	.SCREW, PAN HEAD	1	
20	4FM-83975-00	SWITCH, HANDLE 2	1	
21	98506-05018	.SCREW, PAN HEAD	2	
22	25G-83936-01	BAND, SWITCH CORD	2	



4HS300-3330

FIG. 34 FRONT MASTER CYLINDER



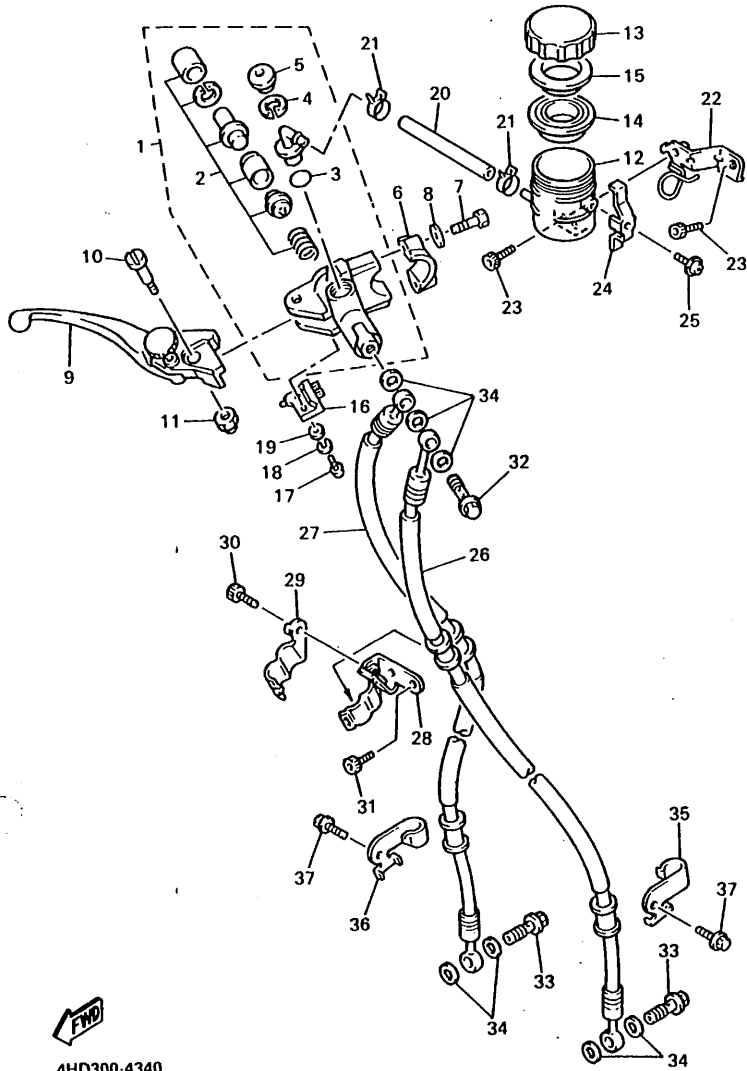
REF. NO.	PART NO.	DESCRIPTION	Q'TY	REMARKS
1	3GM-W2587-50	MASTER CYLINDER SUB ASSY	1	
2	3GM-W0041-50	.CYLINDER KIT, MASTER	1	
3	93210-15620	.O-RING	1	
4	2VN-25866-00	.CIRCLIP	1	
5	3FV-2589A-00	.COVER, DUST	1	
6	56A-25867-00	BRACKET, MASTER CYLINDER	1	
7	97016-06025	BOLT	2	
8	92906-06600	WASHER, PLATE	2	
9	3GM-83922-50	LEVER 2	1	
10	3FV-2589F-00	BOLT, LEVER	1	
11	95616-06100	NUT, U	1	
12	3FV-25894-00	TANK, RESERVOIR	1	
13	3GM-25852-50	CAP, RESERVOIR	1	
14	3FV-25854-00	DIAPHRAGM, RESERVOIR	1	
15	2J2-25855-50	BUSH,DIAPHRAGM	1	
16	3FV-83980-00	FRONT STOP SWITCH ASSY	1	
17	98511-04012	SCREW, PAN HEAD	1	
18	92902-04100	WASHER, SPRING	1	
19	92901-04600	WASHER, PLATE	1	
20	3GM-2585F-00	HOSE	1	
21	3PA-24356-00	CLIP, PIPE 1	2	
22	4FM-26292-00	STAY	1	
23	91316-06012	BOLT	2	
24	3FV-2589G-00	HOLDER	1	
25	3GM-2589H-00	SCREW, WITH WASHER	1	
26	4FM-25872-00	HOSE, BRAKE 1	1	
27	4FM-25873-00	HOSE, BRAKE 2	1	
28	3GM-23377-00	BRACKET, HORN	1	
29	3GM-23378-00	BRACKET	1	



4HD300-4340

E7

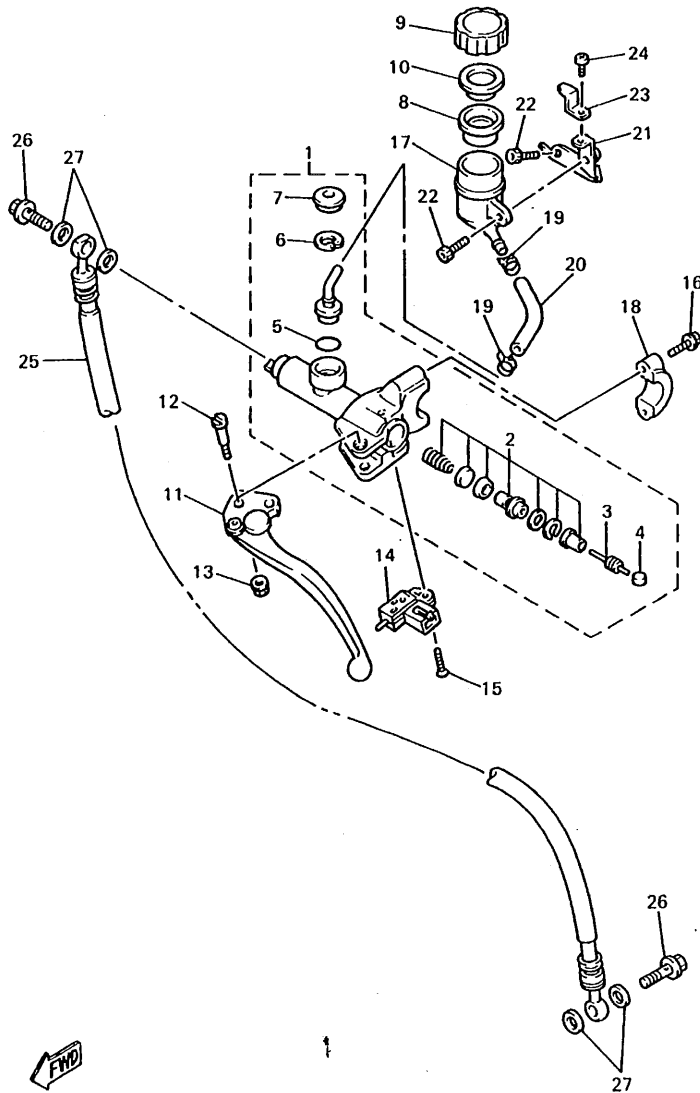
FIG. 34 FRONT MASTER CYLINDER



4HD300-4340

REF. NO.	PART NO.	DESCRIPTION	Q'TY	REMARKS
30	91316-06010	BOLT	1	
31	91316-06012	BOLT	2	
32	90401-10095	BOLT, UNION	1	
33	90401-10096	BOLT, UNION	2	
34	90201-10118	WASHER, PLATE	7	
35	3MA-25876-11	HOLDER, BRAKE HOSE 2	1	
36	3MA-25876-21	HOLDER, BRAKE HOSE 2	1	
37	95816-06012	BOLT, FLANGE	2	

FIG. 35 FRONT MASTER CYLINDER 2



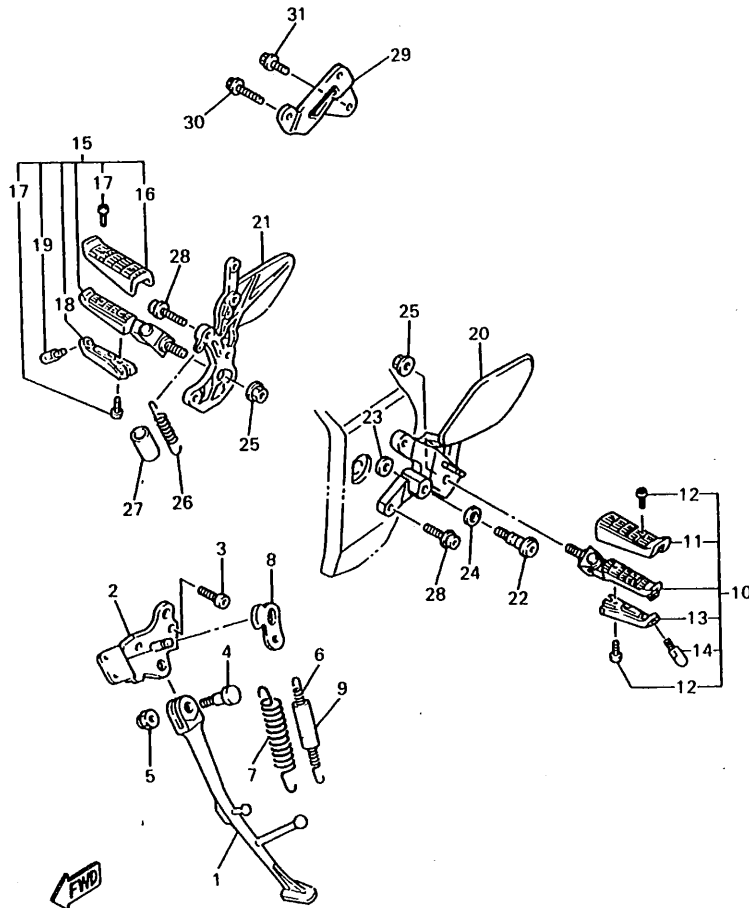
REF. NO.	PART NO.	DESCRIPTION	Q'TY	REMARKS
1	4FM-W2645-00	MASTER CYLINDER SUB ASSY	1	
2	3GM-W0099-00	.CYLINDER KIT, MASTER (CLUTCH)	1	
3	3GM-26464-00	.ROD, PUSH	1	
4	3GM-26455-00	.BUSH	1	
5	93210-15620	.O-RING	1	
6	2VN-25866-00	.CIRCLIP	1	
7	3FV-2589A-00	.COVER, DUST	1	
8	3GK-25854-50	DIAPHRAGM, RESERVOIR	1	
9	4FM-25852-00	CAP, RESERVOIR	1	
10	3GK-25855-50	BUSH,DIAPHRAGM	1	
11	4FM-83912-00	LEVER 1	1	
12	3FV-2589F-00	BOLT, LEVER	1	
13	95706-06500	NUT, FLANGE	1	
14	3GM-83980-00	FRONT STOP SWITCH ASSY	1	
15	98706-04016	SCREW, FLAT HEAD	1	
16	95026-06025	BOLT, FLANGE	2	
17	4FM-25894-00	TANK, RESERVOIR	1	
18	56A-25867-00	BRACKET, MASTER CYLINDER	1	
19	3PA-24356-00	CLIP, PIPE 1	2	
20	4FM-2585F-00	HOSE	1	
21	4FM-26296-00	BRACKET	1	
22	91316-06012	BOLT	2	
23	4FM-26475-00	HOLDER	1	
24	98506-04008	SCREW, PAN HEAD	1	
25	2GH-26470-01	HOSE, CLUTCH	1	
26	90401-10096	BOLT, UNION	2	
27	90201-10118	WASHER, PLATE	4	



4HD300-3350

E9

FIG. 36 STAND • FOOTREST

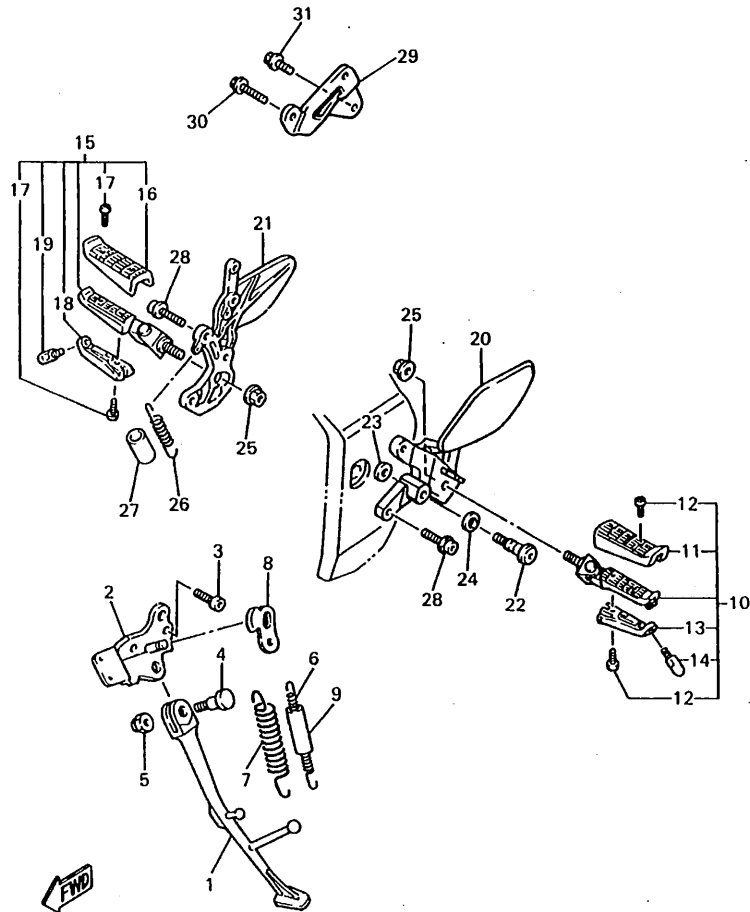


4HS300-3360

REF. NO.	PART NO.	DESCRIPTION	Q'TY	REMARKS
1	4FM-27311-00	STAND, SIDE	1	
2	4FM-27321-00	BRACKET, SIDE STAND	1	
3	90110-08155	BOLT, HEXAGON SOCKET HEAD	2	
4	90109-104E6	BOLT	1	
5	90185-10037	NUT, SELF-LOCKING	1	
6	90506-18224	SPRING, TENSION	1	
7	90506-26225	SPRING, TENSION	1	
8	4FM-27315-00	LINK, SIDE STAND	1	
9	1TX-27351-00	GUIDE, SIDE STAND	1	
10	4FM-27410-00	FRONT FOOTREST ASSY (LEFT)	1	
11	2GH-27413-00	.COVER, FOOTREST	1	
12	90157-05079	.SCREW, PAN HEAD	3	
13	4FM-27471-00	.BAR, FOOTREST 1	1	
14	4FM-27435-00	.BOLT	1	
15	4FM-27420-00	FRONT FOOTREST ASSY (RIGHT)	1	
16	2GH-27413-00	.COVER, FOOTREST	1	
17	90157-05079	.SCREW, PAN HEAD	3	
18	4FM-27471-00	.BAR, FOOTREST 1	1	
19	4FM-27435-00	.BOLT	1	
20	4FM-27442-00	BRACKET 2	1	
21	4FM-27443-00	BRACKET 3	1	
22	4BP-27434-01	BOLT	1	
23	90201-08326	WASHER, PLATE	1	
24	90201-127J6	WASHER, PLATE	1	
25	90179-10247	NUT	2	
26	90506-20377	SPRING, TENSION	1	
27	90446-17346	HOSE	1	
28	90110-08199	BOLT, HEXAGON SOCKET HEAD	4	

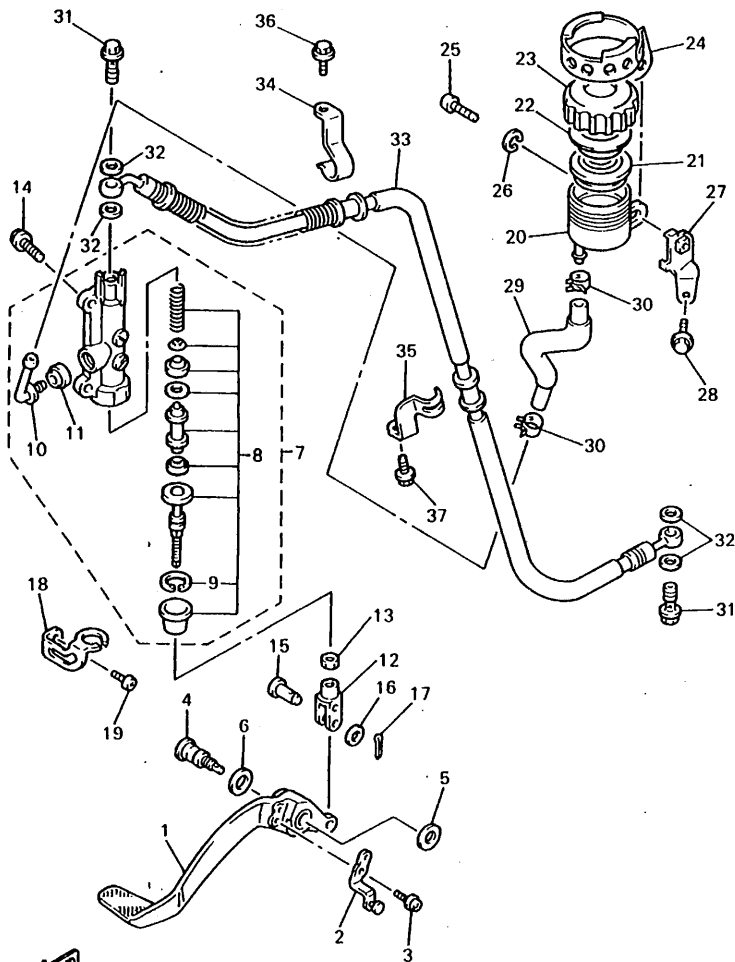
FIG. 36 STAND . FOOTREST

REF. NO.	PART NO.	DESCRIPTION	Q'TY	REMARKS
29	4FM-21445-00	STAY, MUFFLER 1	1	
30	91011-08020	BOLT, FLANGE	1	
31	90105-10217	BOLT, WASHER BASED	1	



4HS300-3360

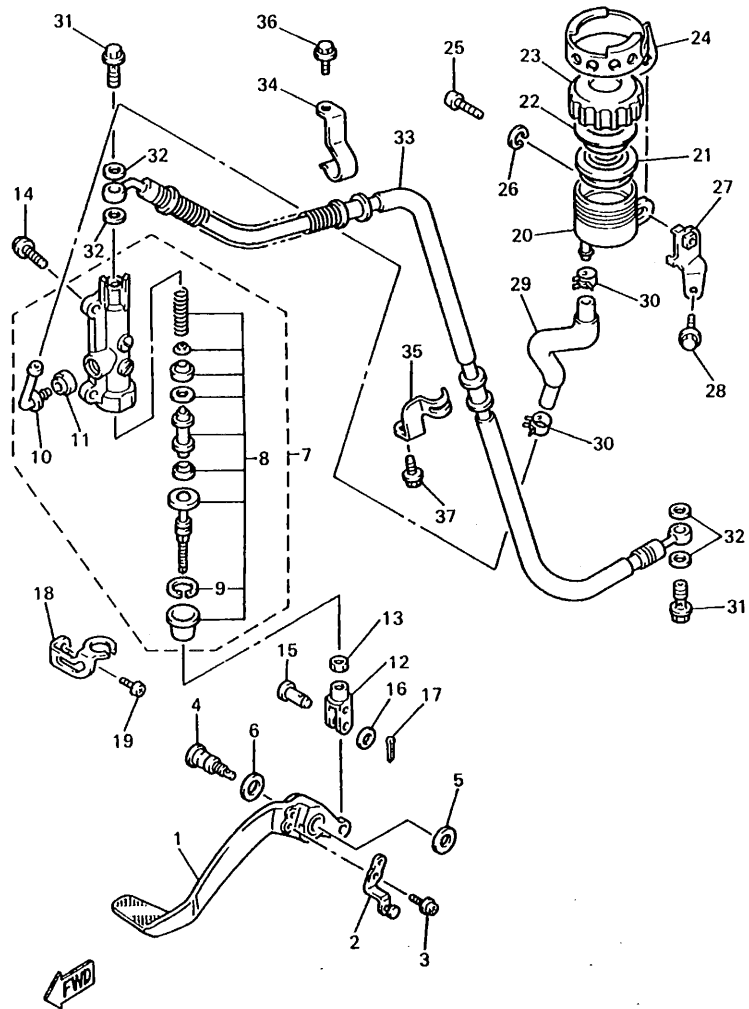
FIG. 37 REAR MASTER CYLINDER



4HD300-3370

REF. NO.	PART NO.	DESCRIPTION	Q'TY	REMARKS
1	4FM-27211-00	PEDAL, BRAKE	1	
2	4FM-27254-00	HOOK	1	
3	90159-06045	SCRÉW, WITH WASHER	1	
4	3YF-27261-00	SHAFT	1	
5	90201-104R2	WASHER, PLATE	1	
6	90206-14086	WASHER, WAVE	1	
7	4BH-2583V-00	RR. MASTER CYLINDER ASSY.	1	
8	4BH-W0042-50	.CYLINDER KIT, MASTER	1	
9	3LN-2585G-00	..CIRCLIP	1	
10	4BP-2582A-00	.JOINT	1	
11	4BP-2585F-00	.BUSH	1	
12	4FM-27222-00	JOINT	1	
13	95303-08700	NUT	1	
14	92011-08020	BOLT, BUTTON HEAD	2	
15	90240-08124	PIN, CLEVIS	1	
16	90201-08083	WASHER, PLATE	1	
17	91490-20020	PIN, COTTER	1	
18	4FM-2144G-00	STAY, STOP SWITCH	1	
19	98580-06010	SCREW, PAN HEAD	1	
20	31A-25894-01	TANK, RESERVOIR	1	
21	360-25854-00	DIAPHRAGM, RESERVOIR	1	
22	2GU-25855-00	BUSH,DIAPHRAGM	1	
23	2KF-25852-50	CAP, RESERVOIR	1	
24	3PJ-25888-00	COVER, RESERVOIR TANK	1	
25	98516-06020	SCREW, PAN HEAD	1	
26	92908-06100	WASHER, SPRING	1	
27	4FM-2133G-00	BRACKET, RESERVER	1	
28	91001-06016	BOLT, FLANGE	1	

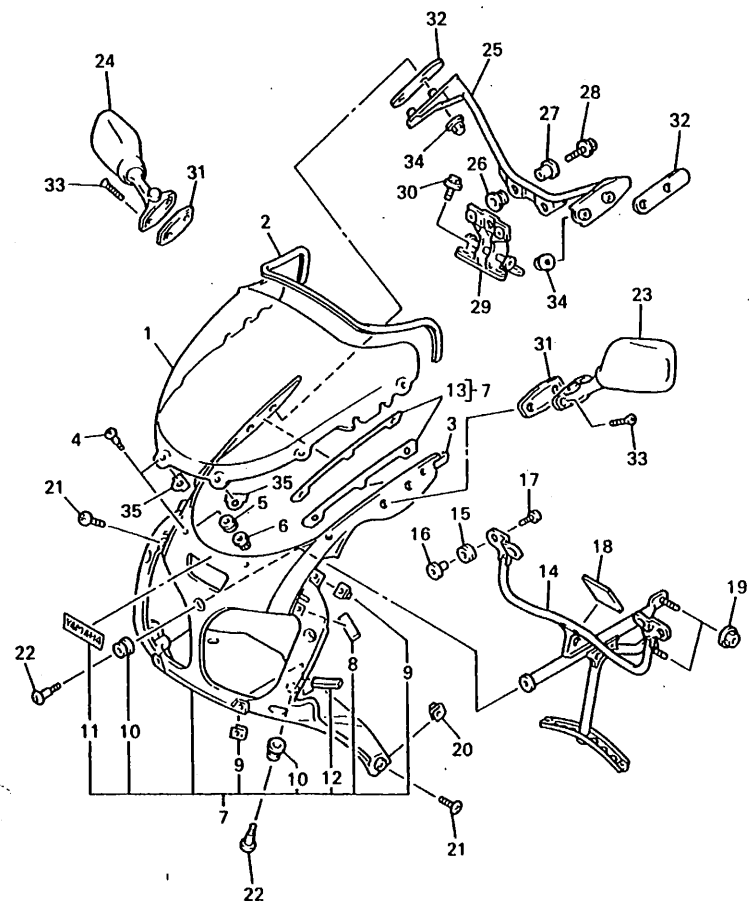
FIG. 37 REAR MASTER CYLINDER



4HD300-3370

REF. NO.	PART NO.	DESCRIPTION	Q'TY	REMARKS
29	4FM-25895-00	HOSE, RESERVOIR	1	
30	90467-14057	CLIP	2	
31	90401-10096	BOLT, UNION	2	
32	90201-10118	WASHER, PLATE	4	
33	4FM-25874-00	HOSE, BRAKE	1	
34	4FM-25875-00	HOLDER, BRAKE HOSE 1	1	
35	4FM-25876-00	HOLDER, BRAKE HOSE 2	1	
36	95023-06016	BOLT	1	
37	95023-06008	BOLT	1	

FIG. 38 COWLING 1

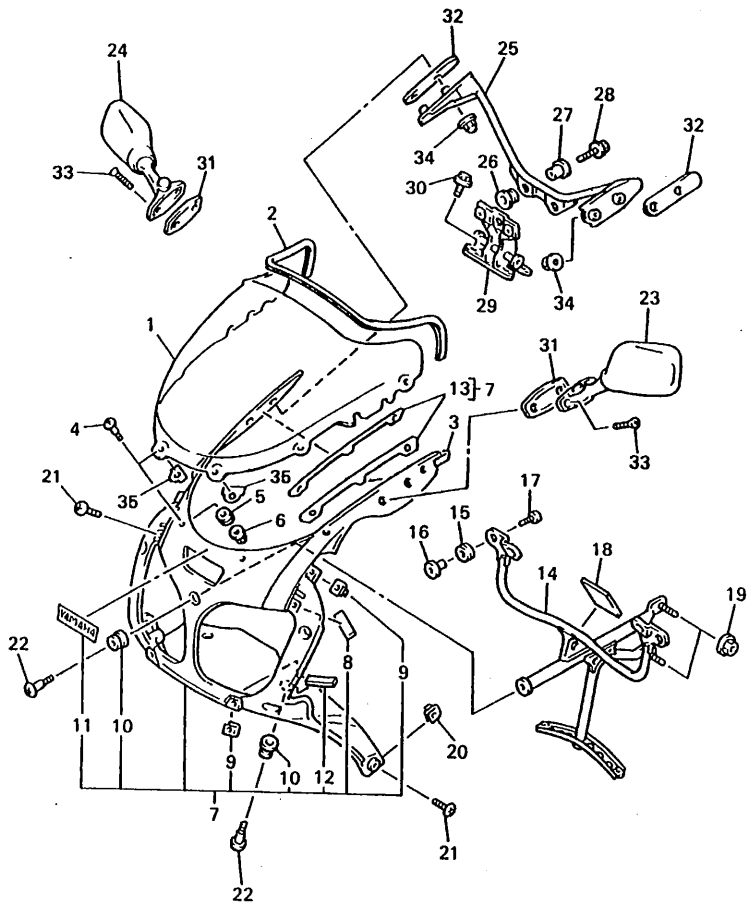


REF. NO.	PART NO.	DESCRIPTION	Q'TY	REMARKS
1	4FM-28381-10	WINDSHIELD	1	
2	4FN-28345-00	MOLE 1	1	
3	4FN-28344-00	TAPE	2	
4	90149-05273	SCREW	6	
5	4FM-28215-00	WASHER, SPECIAL	6	
6	95706-05500	NUT, FLANGE	6	
7	4FM-Y2835-30-PO	COWLING ASS'Y	1	DEEP VIOLET METALLIC 1
8	89X-77167-00	.TRIM 3	2	
9	90183-05024	.NUT, SPRING	6	
10	90480-13398	.GROMMET	3	
11	99236-00100	.EMBLEM, YAMAHA	1	
12	3MA-21649-00	.DAMPER	2	
13	4FM-2834V-00	.PROTECTOR 1	2	
14	4FM-28356-00	STAY 1	1	
15	90480-13163	GROMMET	2	
16	90560-06201	SPACER	2	
17	97706-50016	SCREW, TAPPING	2	
18	51L-28371-00	DAMPER	1	
19	95601-08200	NUT, SELF-LOCKING	2	
20	90183-05024	NUT, SPRING	2	
21	90150-05039	SCREW, ROUND HEAD	8	
22	90150-06036	SCREW, ROUND HEAD	3	
23	4FM-26280-00	REAR VIEW MIRROR ASSY(LEFT)	1	WHITE
24	4FM-26290-00	REAR VIEW MIRROR ASSY(RIGHT)	1	WHITE
25	4FM-2831W-00	STAY, MIRROR 1	1	
26	90480-13398	GROMMET	2	
27	90387-067N5	COLLAR	2	
28	95026-06016	BOLT, FLANGE	2	



4HS300-4380

FIG. 38 COWLING 1

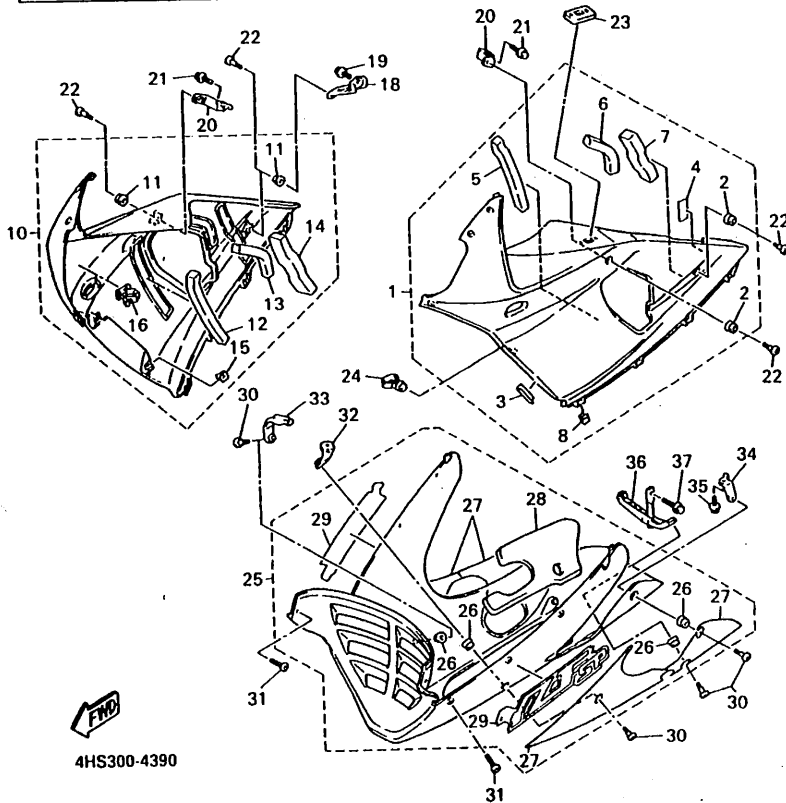
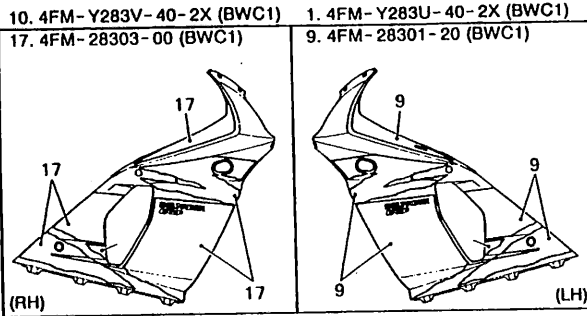


REF. NO.	PART NO.	DESCRIPTION	Q'TY	REMARKS
29	4FM-2832W-00	STAY, MIRROR 2	1	
30	95026-06012	BOLT, FLANGE	2	
31	4FM-26299-00	PLATE, MIRROR FITTING 2	2	
32	3XV-26298-00	PLATE, MIRROR FITTING 1	2	
33	98706-06025	SCREW, FLAT HEAD	4	
34	90176-06055	NUT, CROWN	4	
35	4FM-2834W-00	PROTECTOR 2	2	



4HS300-4380

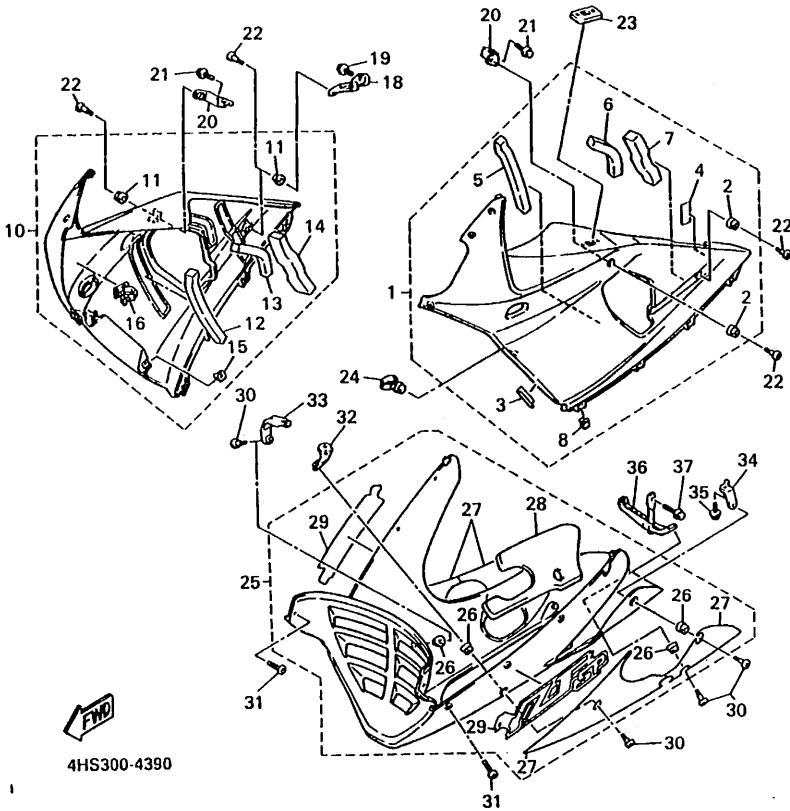
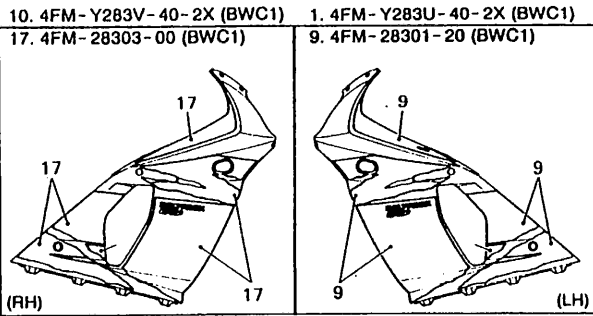
FIG. 39 COWLING 2



4HS300-4390

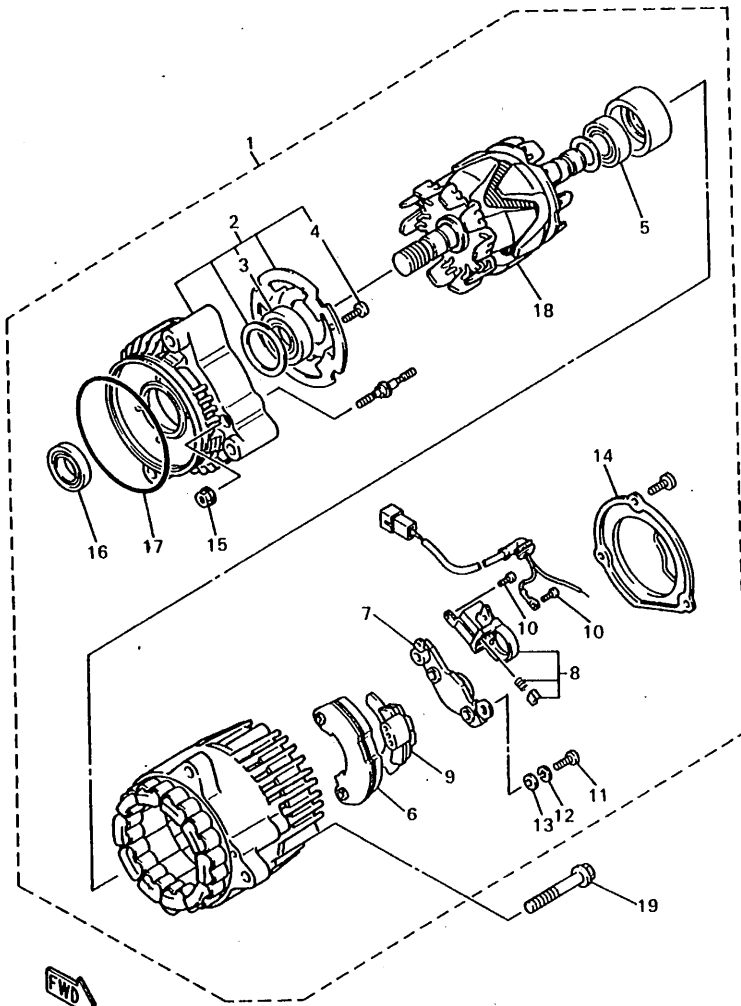
REF. NO.	PART NO.	DESCRIPTION	Q'TY	REMARKS
1	4FM-Y283U-40-2X	PANEL 1	1	BLUISH WHITE COCKTAIL 1 /DEEP VIOLET METALLIC 1
2	90480-13398	.GROMMET	2	
3	1JK-21735-00	.SEAL 2	1	
4	1JK-21268-00	.SEAL	1	
5	4FM-21639-00	.DAMPER 2	1	
6	3YL-21649-00	.DAMPER	1	
7	4FM-28371-00	.DAMPER	1	
8	90183-05024	.NUT, SPRING	5	
9	4FM-28301-20	.GRAPHIC SET, LOWER COVER 1	1	
10	4FM-Y283V-40-2X	PANEL 2	1	BLUISH WHITE COCKTAIL 1 /DEEP VIOLET METALLIC 1
11	90480-13398	.GROMMET	2	
12	4FM-21639-00	.DAMPER 2	1	
13	3YL-21649-00	.DAMPER	1	
14	4FM-28371-00	.DAMPER	1	
15	90183-05024	.NUT, SPRING	5	
16	90484-25160	.CLAMP	1	
17	4FM-28303-00	.GRAPHIC SET, LOWER COVER 2	1	
18	4FM-28322-00	STAY 2	1	
19	95826-06010	BOLT, FLANGE	1	
20	4FM-2836H-00	BRACKET 5	2	
21	95816-08012	BOLT, FLANGE	2	
22	90150-06036	SCREW, ROUND HEAD	4	
23	3FV-28365-00	COVER	1	
24	1A8-21518-00	HOLDER, CABLE	1	
25	4FM-Y2808-01-P0	COVER ASSY, UNDER	1	BLUISH WHITE COCKTAIL 1
26	90480-13398	.GROMMET	5	
27	4FM-28304-00	.GRAPHIC SET, LOWER COVER 3	1	
28	4FM-2848K-00	.SEAT 2	1	

FIG. 39 COWLING 2



REF. NO.	PART NO.	DESCRIPTION	Q'TY	REMARKS
29	4FN-28315-10	.EMBLEM	2	
30	90150-06036	SCREW, ROUND HEAD	5	
31	90150-05039	SCREW, ROUND HEAD	10	
32	4FM-2836F-00	BRACKET 3	1	
33	4FM-2836G-00	BRACKET 4	1	
34	4FM-2836A-01	BRACKET 1	1	
35	95826-06010	BOLT, FLANGE	1	
36	4FM-2831T-00	STAY, SUPPORT 1	1	
37	90119-06018	BOLT, WITH WASHER	1	

FIG. 40 GENERATOR

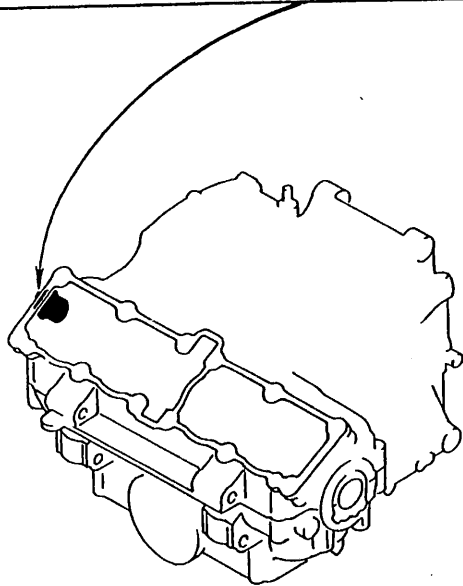
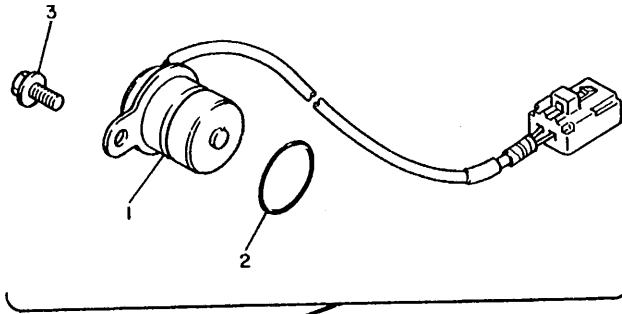


4BH332-3430

REF. NO.	PART NO.	DESCRIPTION	Q'TY	REMARKS
1	4BH-81600-00	A.C. GENERATOR ASSY	1	
2	4BH-81634-00	.STATOR ASSY	1	
3	4BH-81643-00	..BEARING	1	
4	4BH-81645-00	..SCREW	4	
5	4BH-81643-10	.BEARING	1	
6	4BH-81970-00	.RECTIFIER ASSY	1	
7	36Y-81910-50	.VOLTAGE REGULATOR ASSY	1	
8	3FV-81619-00	.BRUSH HOLDER ASSY	1	
9	4BH-81972-00	.COVER, RECTIFIER	1	
10	3FV-81645-00	.SCREW	2	
11	98501-05018	.SCREW, PAN HEAD	3	
12	92901-05100	.WASHER, SPRING	3	
13	92901-05600	.WASHER, PLATE	3	
14	4BH-81604-00	.COVER ASSY	1	
15	95701-05500	.NUT, FLANGE	2	
16	36Y-81638-50	.OIL SEAL	1	
17	2KT-81642-50	.O-RING	1	
18	4BH-81660-00	.ROTOR ASSY	1	
19	95816-08065	BOLT, FLANGE	3	

FIG. 41 PICK UP COIL • GOVERNOR

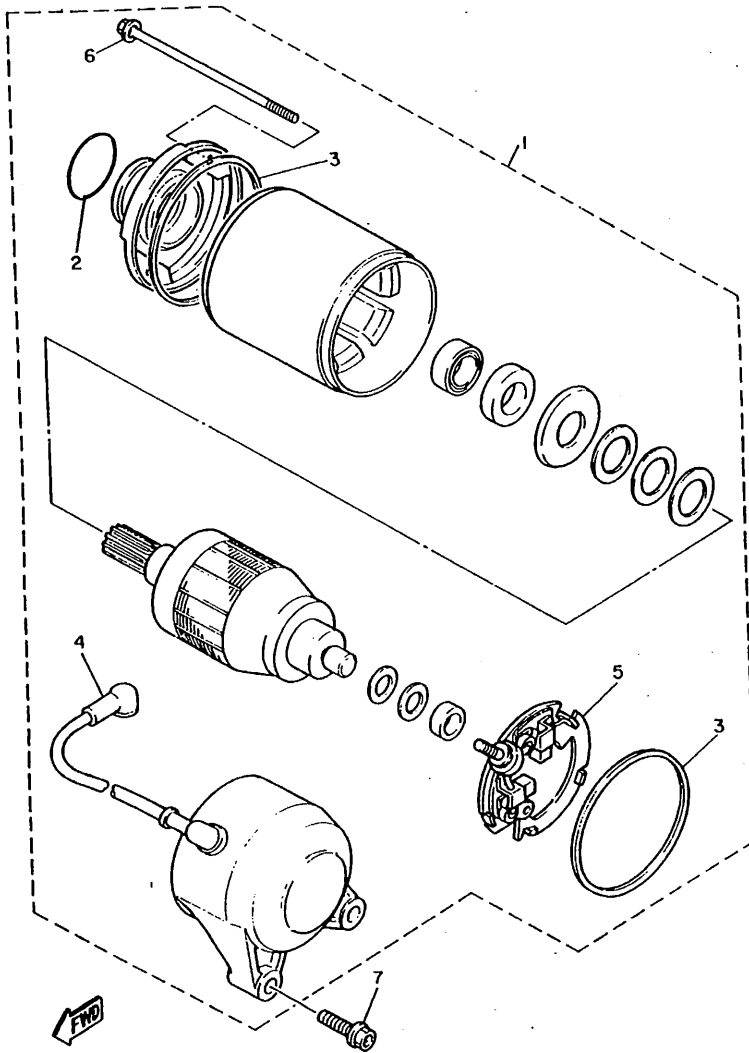
REF. NO.	PART NO.	DESCRIPTION	Q'TY	REMARKS
1	3GM-81670-00	PICK-UP ASSY	1	
2	93210-19216	O-RING	1	
3	95023-06012	BOLT	1	



2GH300-7400

FIG. 42 STARTING MOTOR

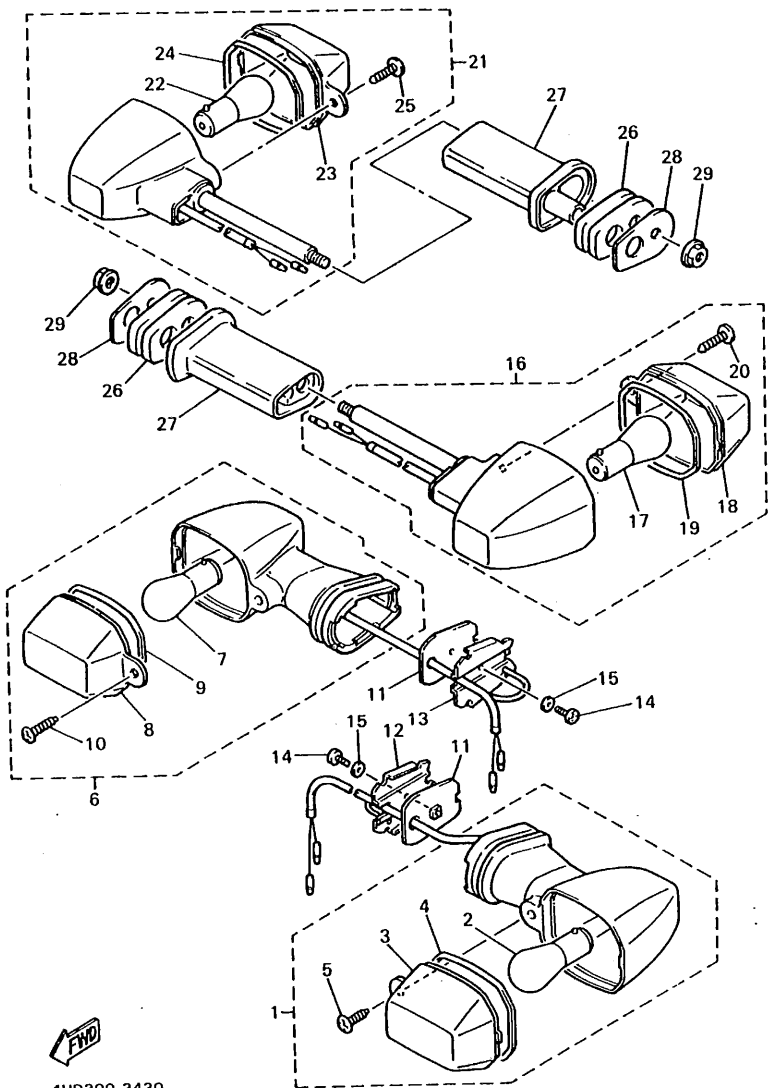
REF. NO.	PART NO.	DESCRIPTION	Q'TY	REMARKS
1	3XF-81800-00	STARTING MOTOR ASSY	1	
2	26H-81847-00	.O-RING	1	
3	11H-81844-00	.GASKET	2	
4	2KT-81815-00	.CORD, STARTER MOTOR	1	
5	3KS-81840-00	.BRUSH HOLDER ASSY	1	
6	3HE-81826-00	.BOLT	2	
7	95811-06025	BOLT, FLANGE	2	



3KS351-9420

F6

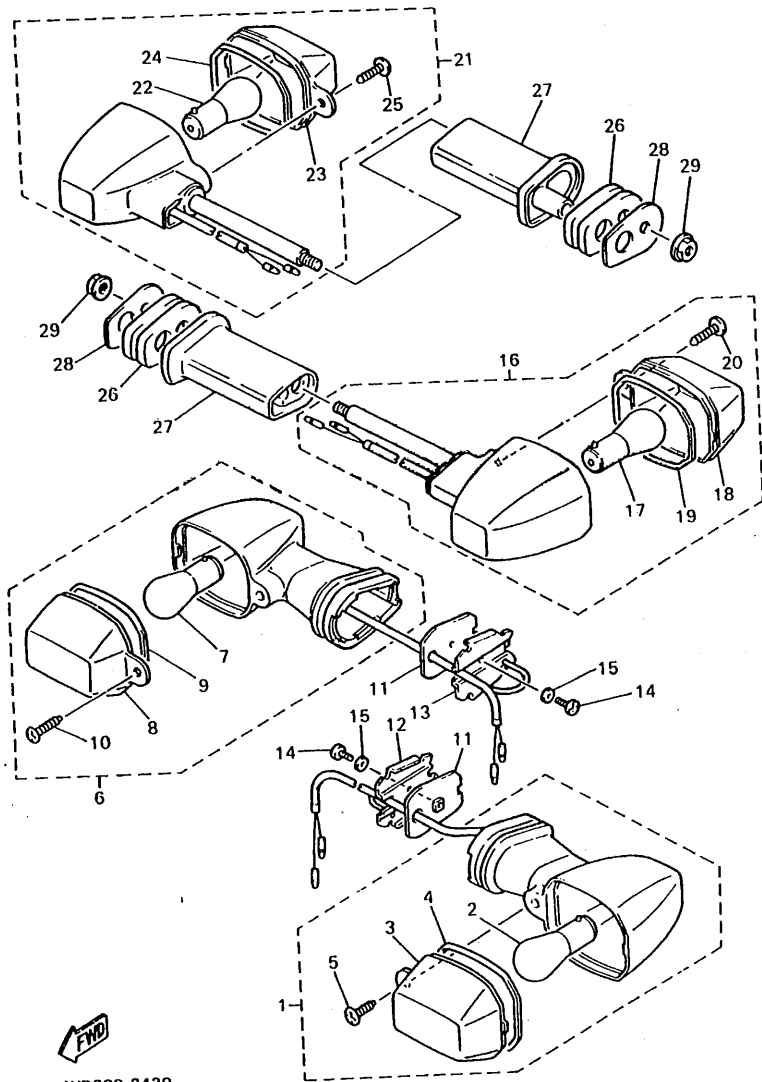
FIG. 43 FLASHER LIGHT



4HD300-3430

REF. NO.	PART NO.	DESCRIPTION	Q'TY	REMARKS
1	4FM-83310-00	FRONT FLASHER LIGHT ASSY 1	1	
2	4FM-83311-00	.BULB, FLASHER	1	
3	4FM-83312-00	.LENS, FLASHER	1	
4	4FM-83313-00	.GASKET, FLASHER LENS	1	
5	97706-40012	.SCREW, TAPPING	1	
6	4FM-83320-00	FRONT FLASHER LIGHT ASSY 2	1	
7	4FM-83311-00	.BULB, FLASHER	1	
8	4FM-83312-00	.LENS, FLASHER	1	
9	4FM-83313-00	.GASKET, FLASHER LENS	1	
10	97706-40012	.SCREW, TAPPING	1	
11	4FM-8331L-00	PLATE, STOPPER	2	
12	4FM-83318-00	STAY, FLASHER 1	1	
13	4FM-83328-00	STAY, FLASHER 2	1	
14	98506-04008	SCREW, PAN HEAD	2	
15	92906-04600	WASHER, PLATE	2	
16	4FM-83330-00	REAR FLASHER LIGHT ASSY 1	1	
17	4FM-83311-00	.BULB, FLASHER	1	
18	4FM-83312-00	.LENS, FLASHER	1	
19	4FM-83313-00	.GASKET, FLASHER LENS	1	
20	97706-40012	.SCREW, TAPPING	1	
21	4FM-83340-00	FLASHER LIGHT ASSY 2	1	
22	4FM-83311-00	.BULB, FLASHER	1	
23	4FM-83312-00	.LENS, FLASHER	1	
24	4FM-83313-00	.GASKET, FLASHER LENS	1	
25	97706-40012	.SCREW, TAPPING	1	
26	4FM-83345-00	PLUG, BLIND	2	
27	4FM-83368-00	STAY, FLASHER 1	2	
28	4FM-83369-00	STAY, FLASHER 2	2	

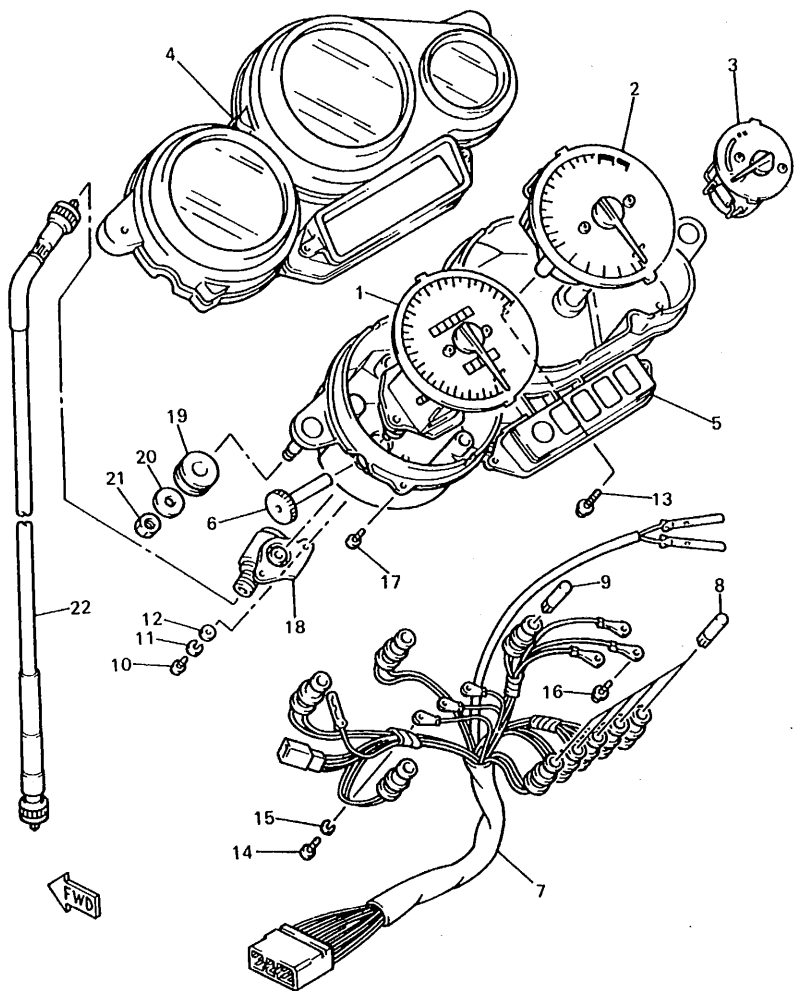
FIG. 43 FLASHER LIGHT



REF. NO.	PART NO.	DESCRIPTION	Q'TY	REMARKS
29	95701-06500	NUT, FLANGE	2	

 4HD300-3430

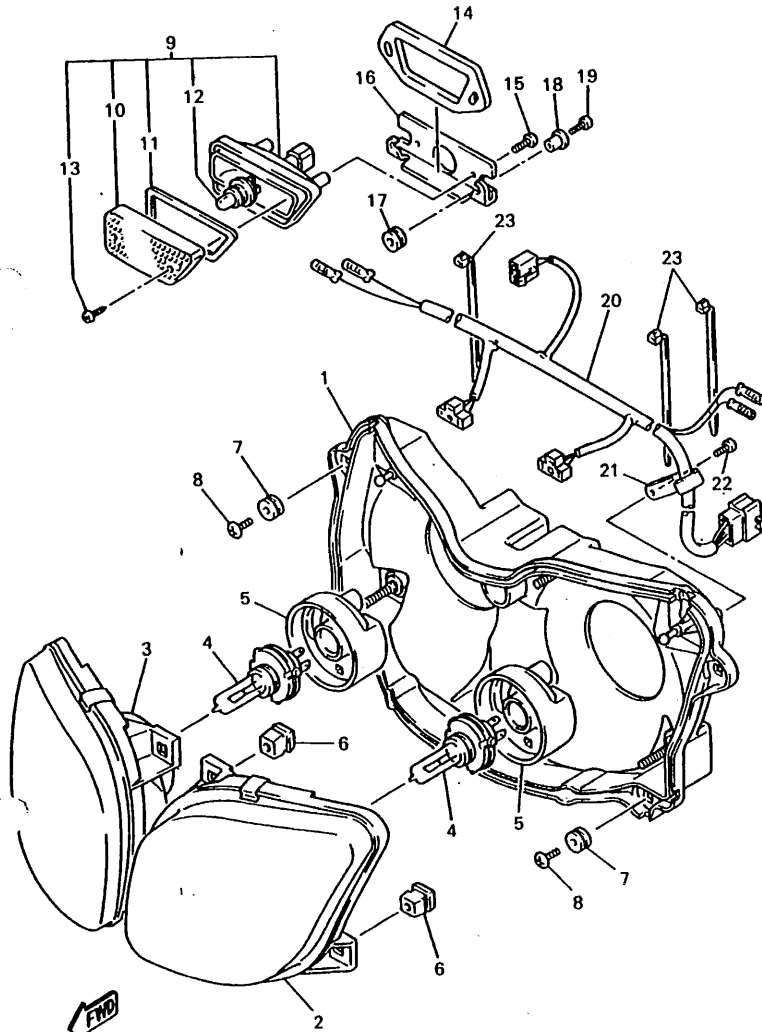
FIG. 44 METER



REF. NO.	PART NO.	DESCRIPTION	Q'TY	REMARKS
1	4FM-83570-00	SPEEDOMETER ASSY	1	
2	4FM-83540-00	TACHOMETER ASSY	1	
3	4FM-83590-00	WATER TEMPERATURE ASSY	1	
4	4FM-83559-00	COVER, METER	1	
5	4FM-8353H-40	CASE, INNER	1	
6	2GH-83578-00	KNOB, TRIP METER	1	
7	4FM-83509-00	SOCKET CORD ASSY	1	
8	4G1-84744-00	BULB (12V-3.4W)	5	
9	2GV-83517-00	BULB, (12V-1.7W, T6.5)	4	
10	98580-04010	SCREW, PAN HEAD	4	
11	92902-04100	WASHER, SPRING	4	
12	92901-04600	WASHER, PLATE	4	
13	97902-04122	SCREW, WITH WASHER	2	
14	98580-03010	SCREW, PAN HEAD	3	
15	92990-03100	WASHER, SPRING	3	
16	90159-03102	SCREW, WITH WASHER	3	
17	90164-04023	SCREW, TAPPING	5	
18	4FM-83520-00	SOCKET CORD ASSY	1	
19	5J0-83513-00	DAMPER	2	
20	90201-06059	WASHER, PLATE	2	
21	95316-06600	NUT	2	
22	4FM-83550-00	SPEEDOMETER CABLE ASSY	1	

4HD300-3440

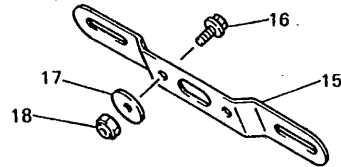
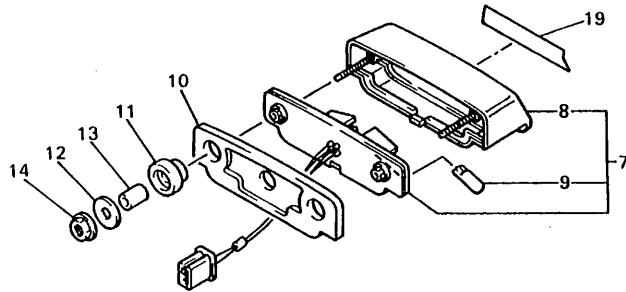
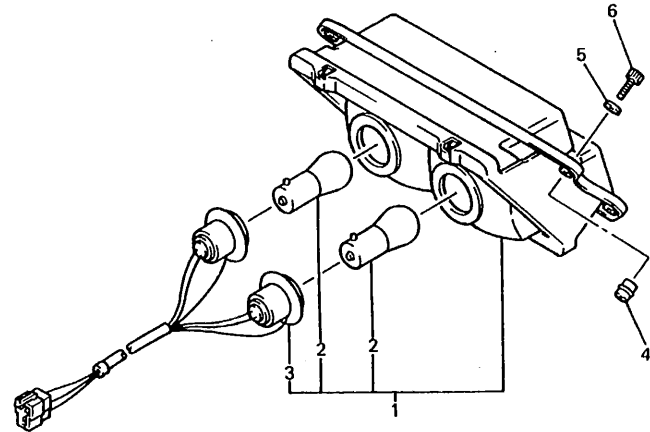
FIG. 45 HEADLIGHT



4HD300-4450

REF. NO.	PART NO.	DESCRIPTION	Q'TY	REMARKS
1	4FM-84330-41	BODY ASSY	1	
2	4FM-84320-10	LENS ASSY	1	
3	4FM-8432A-10	LENS ASSY	1	
4	2F9-84314-00	BULB (12V-60/55W)	2	(H4)HALOGEN
* 5	4JG-84397-00	COVER, SOCKET	2	
6	51L-84334-00	NUT, ADJUSTING	4	
7	90480-10584	GROMMET	4	
8	97706-60014	SCREW, TAPPING	4	
9	3GM-84301-00	PILOT LIGHT ASSY 1	1	
10	3GM-84321-00	.LENS ASSY	1	
11	3GM-84322-00	.GASKET, LENS	1	
12	2JE-84744-00	.BULB (12V 5W)	1	
13	3GM-84192-00	.SCREW(M4,L=12)	2	
14	3GM-84367-50	DAMPER, HEADLIGHT 2	1	
15	90167-05041	SCREW, TAPPING	2	
16	3GM-8431R-00	STAY, SETTING	1	
17	90480-10517	GROMMET	2	
18	90387-052U5	COLLAR	2	
19	90167-05037	SCREW, TAPPING	2	
20	4FM-84359-00	CORD, HEADLIGHT	1	
21	90462-05061	CLAMP	1	
22	90167-05041	SCREW, TAPPING	1	
23	90464-13073	CLAMP	3	

FIG. 46 TAILLIGHT

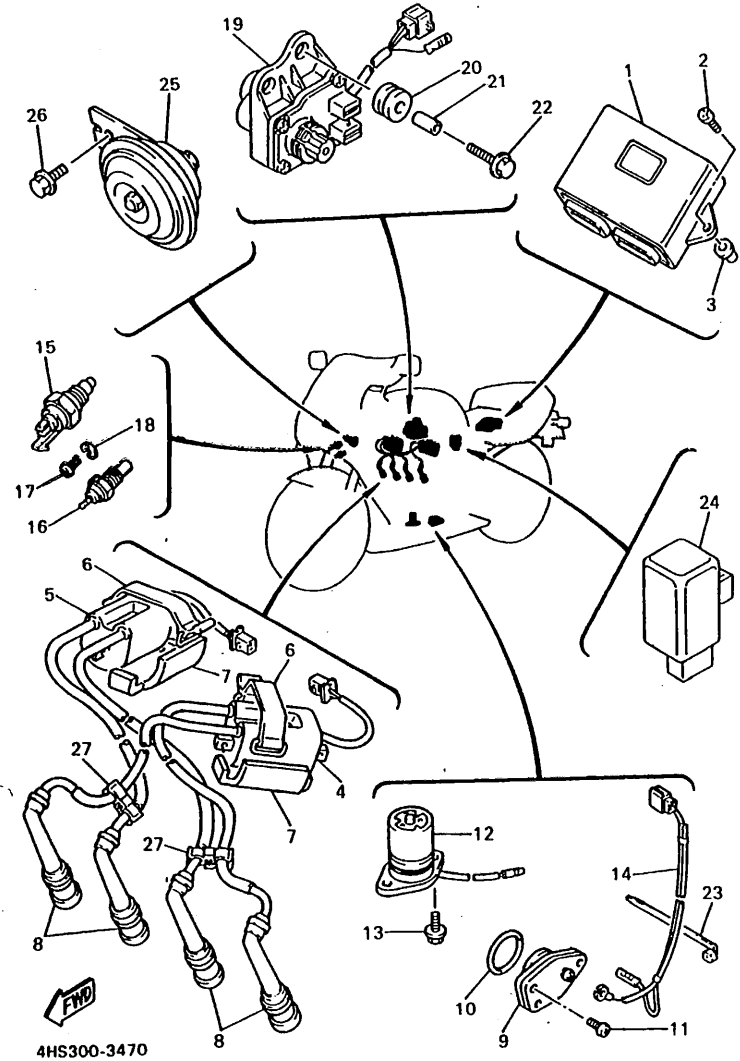


REF. NO.	PART NO.	DESCRIPTION	Q'TY	REMARKS
1	4FM-84710-00	TAILLIGHT UNIT ASSY	1	
2	31L-84714-00	.BULB, TAILLIGHT (12V-21/5W)	2	
3	4FM-84735-00	.CORD ASSY	1	
4	90179-05523	NUT	4	
5	92906-05600	WASHER, PLATE	4	
6	90110-05112	BOLT, HEXAGON SOCKET HEAD	4	
7	4FM-84745-00	LICENCE LIGHT UNIT ASSY	1	
8	4FM-84749-00	.BODY, LICENCE LIGHT	1	
9	2JE-84744-00	.BULB (12V 5W)	2	
10	3F9-84742-00	SEAT, BASE	1	
11	3F9-84553-00	DAMPER	2	
12	90201-05033	WASHER, PLATE	2	
13	90387-06241	COLLAR	2	
14	95706-05500	NUT, FLANGE	2	
15	3YF-84751-00	BRACKET, LICENSE	1	
16	95026-06016	BOLT, FLANGE	2	
17	90201-06059	WASHER, PLATE	2	
18	95616-06100	NUT, U	2	
19	99236-00080	EMBLEM, YAMAHA	1	



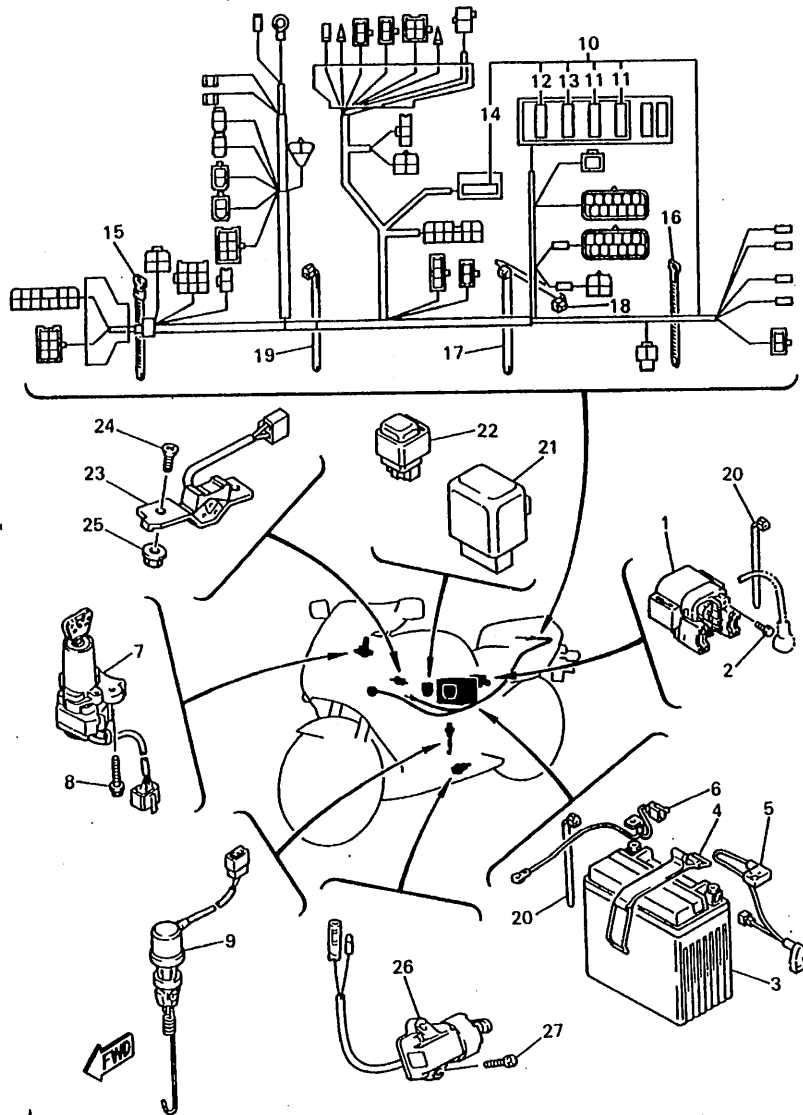
4HD300-3460

FIG. 47 ELECTRICAL 1



REF. NO.	PART NO.	DESCRIPTION	Q'TY	REMARKS
1	4HS-82305-00	IGNITOR UNIT ASSY	1	
2	97706-60016	SCREW, TAPPING	2	
3	90338-08226	PLUG	2	
4	2XL-82310-10	IGNITION COIL ASSY	1	
5	3CV-82320-00	IGNITION COIL ASSY	1	
6	3TJ-82131-00	BAND, BATTERY	2	
7	3TJ-2139U-00	DAMPER 2	2	
8	2KT-82370-00	PLUG CAP ASSY	4	
9	1AE-82540-00	NEUTRAL SWITCH ASSY	1	
10	93210-29196	O-RING	1	
11	98580-06016	SCREW, PAN HEAD	2	
12	3GM-86720-00	OIL LEVEL GAUGE ASSY	1	
13	95021-08014	BOLT, FLANGE	2	
14	4FM-82541-00	WIRE, LEAD	1	
15	2EL-82560-00	THERMO SWITCH ASSY	1	
16	11H-83591-00	THERMO UNIT	1	
17	98506-05008	SCREW, PAN HEAD	1	
18	92906-05100	WASHER, SPRING	1	
19	4FM-85820-00	SERVO MOTOR ASSY	1	
20	90480-14412	GROMMET	2	
21	90387-085V1	COLLAR	2	
22	95811-06030	BOLT, FLANGE	2	
23	90464-13073	CLAMP	1	
24	3YA-83350-00	FLASHER RELAY ASSY	1	UR OMRON
	3YA-83350-10	FLASHER RELAY ASSY	1	UR N.D.
25	4FM-83371-00	HORN	1	
26	95811-06010	BOLT, FLANGE	1	
27	90464-10186	CLAMP	2	

FIG. 48 ELECTRICAL 2



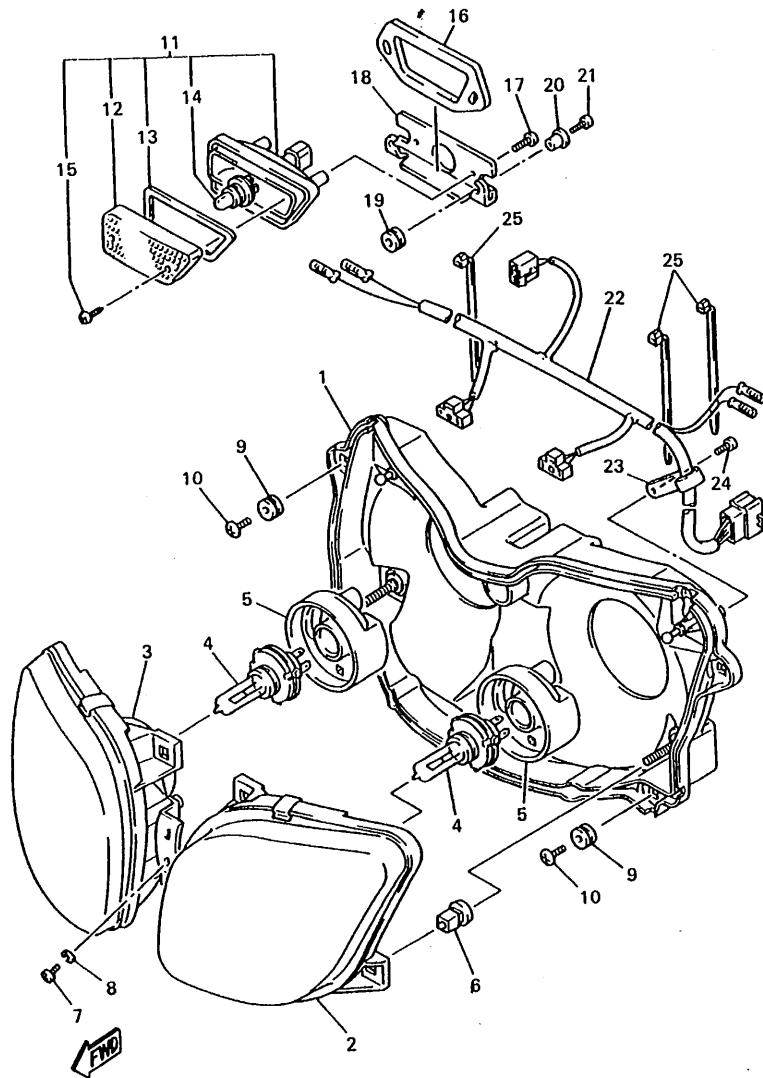
REF. NO.	PART NO.	DESCRIPTION	Q'TY	REMARKS
1	4FM-81940-00	STARTER RELAY ASSY	1	
2	95023-06008	BOLT	2	
3	3VD-82100-00	BATTERY ASSY (YTX12-BS)	1	
4	4BP-82131-00	BAND, BATTERY	1	
5	4FM-82115-00	WIRE, PLUS LEAD	1	
6	3FV-82116-00	WIRE, MINUS LEAD	1	
7	4FM-82501-00	MAIN SWITCH STEERING LOCK	1	
8	90109-060G4	BOLT	2	
9	1KT-82530-02	STOP SWITCH ASSY	1	
10	4FN-82590-00	WIRE HARNESS ASSY	1	
11	2KW-82151-00	.FUSE (12V-7.5A)	3	
12	2GH-82151-00	.FUSE (20A)	2	
13	36Y-82151-00	.FUSE (12V-15A)	1	
14	4FM-82151-00	.FUSE (30A)	1	
15	437-83936-01	BAND, SWITCH CORD	1	
16	90464-12089	CLAMP	5	
17	90465-13169	CLAMP	1	
18	90464-13073	CLAMP	1	
19	90464-13073	CLAMP	8	
20	90464-15195	CLAMP	2	
21	3EN-81950-00	RELAY ASSY	1	
22	3GM-81950-00	RELAY ASSY	1	
23	3TJ-83964-00	SWITCH	1	
24	98780-05016	SCREW, FLAT HEAD	2	
25	95701-05500	NUT, FLANGE	2	
26	4FM-82566-00	SWITCH, SIDE STAND	1	
27	90157-05079	SCREW, PAN HEAD	2	

4HS300-3480

FOR ITALY

The following pages provides a listing of only the parts that meet the specifications peculiar to your market. For those parts not appearing in these pages, refer to the "GENERAL SPEC" section.

FIG. 49 ALTERNATE (HEADLIGHT)



4HD300-4490

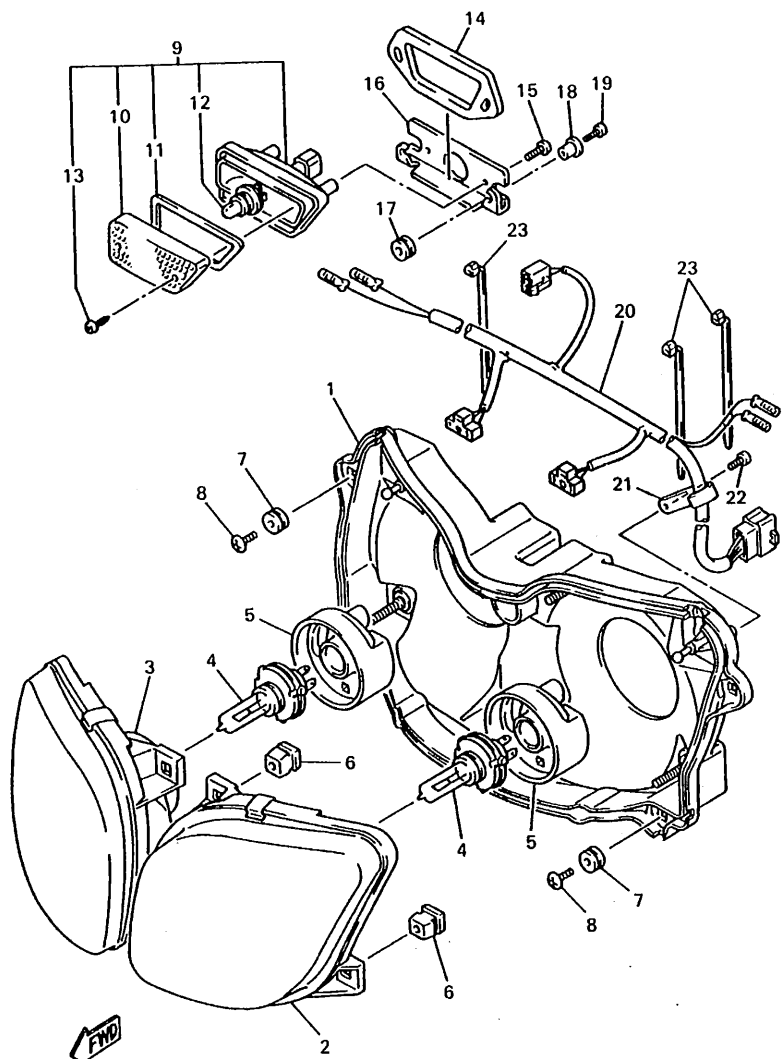
REF. NO.	PART NO.	DESCRIPTION	Q'TY	REMARKS
1	4FM-84330-31	BODY ASSY	1	
2	4FM-84320-30	LENS ASSY	1	
3	4FM-8432A-30	LENS ASSY	1	
4	1FM-84314-H0	BULB (12V-35/35W)	2	HALOGEN
*	4JG-84397-00	COVER, SOCKET	2	
6	51L-84334-00	NUT, ADJUSTING	1	
7	98580-04008	SCREW, PAN HEAD	2	
8	92902-04100	WASHER, SPRING	2	
9	90480-10584	GROMMET	4	
10	97706-60014	SCREW, TAPPING	4	
11	3GM-84301-00	PILOT LIGHT ASSY 1	1	
12	3GM-84321-00	.LENS ASSY	1	
13	3GM-84322-00	.GASKET, LENS	1	
14	2JE-84744-00	.BULB (12V 5W)	1	
15	3GM-84192-00	.SCREW(M4,L=12)	2	
16	3GM-84367-50	DAMPER, HEADLIGHT 2	1	
17	90167-05041	SCREW, TAPPING	2	
18	3GM-8431R-00	STAY, SETTING	1	
19	90480-10517	GROMMET	2	
20	90387-052U5	COLLAR	2	
21	90167-05037	SCREW, TAPPING	2	
22	4FM-84359-10	CORD, HEADLIGHT	1	
23	90462-05061	CLAMP	1	
24	90167-05041	SCREW, TAPPING	1	
25	90464-13073	CLAMP	3	

FOR HOLLAND

The following pages provides a listing of only the parts that meet the specifications peculiar to your market. For those parts not appearing in these pages, refer to the "GENERAL SPEC" section.

G2

FIG. 50 ALTERNATE (HEADLIGHT)



4HD300-4450

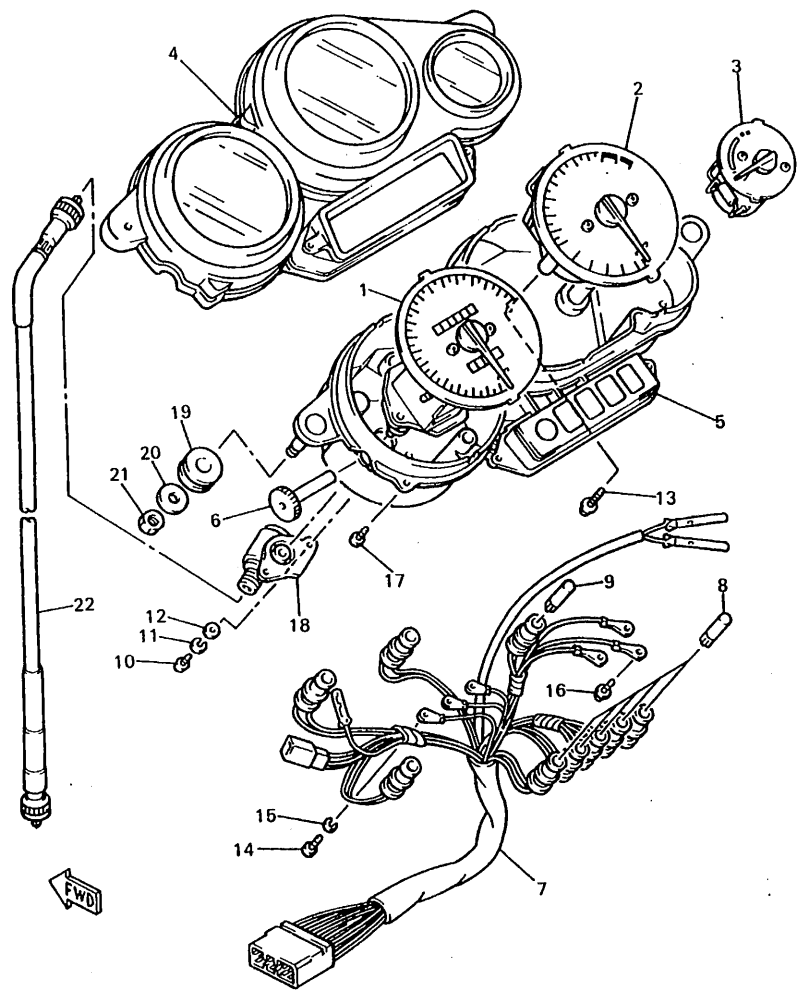
REF. NO.	PART NO.	DESCRIPTION	Q'TY	REMARKS
1	4FM-84330-41	BODY ASSY	1	
2	4FM-84320-10	LENS ASSY	1	
3	4FM-8432A-20	LENS ASSY	1	
4	2F9-84314-00	BULB (12V-60/55W)	2	(H4)HALOGEN
* 5	4JG-84397-00	COVER, SOCKET	2	
6	51L-84334-00	NUT, ADJUSTING	4	
7	90480-10584	GROMMET	4	
8	97706-60014	SCREW, TAPPING	4	
9	3GM-84301-00	PILOT LIGHT ASSY 1	1	
10	3GM-84321-00	.LENS ASSY	1	
11	3GM-84322-00	.GASKET, LENS	1	
12	2JE-84744-00	.BULB (12V 5W)	1	
13	3GM-84192-00	.SCREW(M4,L=12)	2	
14	3GM-84367-50	DAMPER, HEADLIGHT 2	1	
15	90167-05041	SCREW, TAPPING	2	
16	3GM-8431R-00	STAY, SETTING	1	
17	90480-10517	GROMMET	2	
18	90387-052U5	COLLAR	2	
19	90167-05037	SCREW, TAPPING	2	
20	4FM-84359-00	CORD, HEADLIGHT	1	
21	90462-05061	CLAMP	1	
22	90167-05041	SCREW, TAPPING	1	
23	90464-13073	CLAMP	3	

FOR ENGLAND IRELAND

The following pages provides a listing of only the parts that meet the specifications peculiar to your market. For those parts not appearing in these pages, refer to the "GENERAL SPEC" section.

FIG. 51 ALTERNATE (METER)

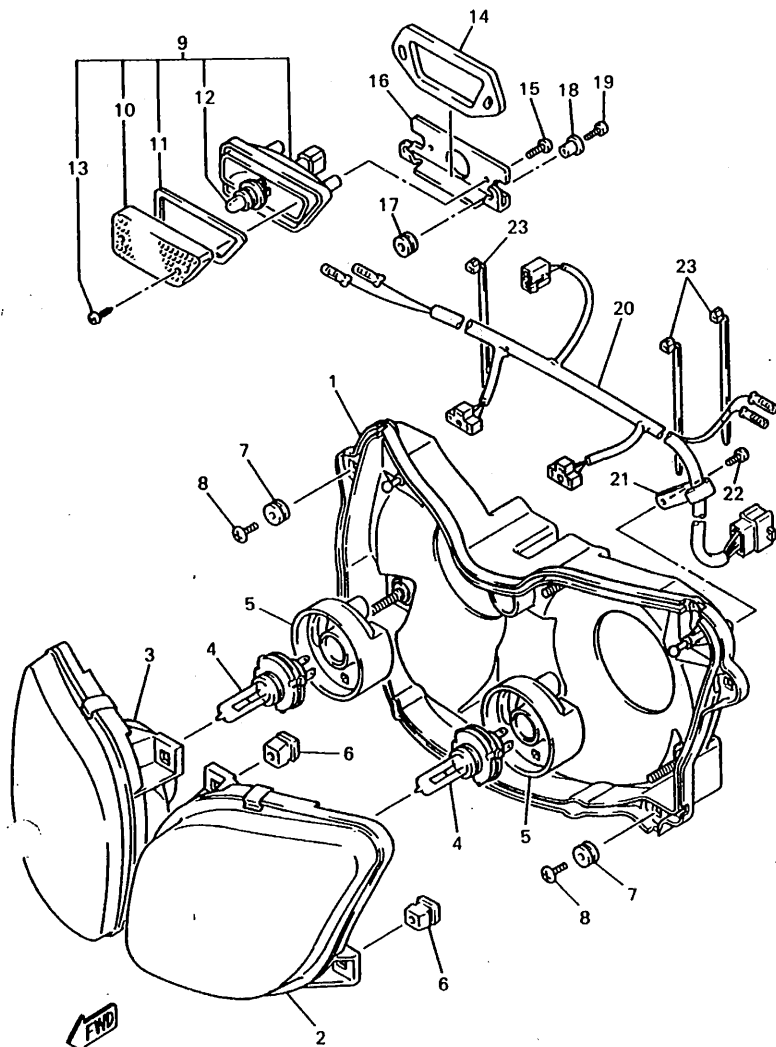
REF. NO.	PART NO.	DESCRIPTION	Q'TY	REMARKS
1	4FM-83570-10	SPEEDOMETER ASSY	1	
2	4FM-83540-00	TACHOMETER ASSY	1	
3	4FM-83590-00	WATER TEMPERATURE ASSY	1	
4	4FM-83559-00	COVER, METER	1	
5	4FM-8353H-50	CASE, INNER	1	
6	2GH-83578-00	KNOB, TRIP METER	1	
7	4FM-83509-00	SOCKET CORD ASSY	1	
8	4G1-84744-00	BULB (12V-3.4W)	5	
9	2GV-83517-00	BULB, (12V-1.7W, T6.5)	4	
10	98580-04010	SCREW, PAN HEAD	4	
11	92902-04100	WASHER, SPRING	4	
12	92901-04600	WASHER, PLATE	4	
13	97902-04122	SCREW, WITH WASHER	2	
14	98580-03010	SCREW, PAN HEAD	3	
15	92990-03100	WASHER, SPRING	3	
16	90169-03102	SCREW, WITH WASHER	3	
17	90164-04023	SCREW, TAPPING	5	
18	4FM-83520-00	SOCKET CORD ASSY	1	
19	5J0-83513-00	DAMPER	2	
20	90201-06059	WASHER, PLATE	2	
21	95316-06600	NUT	2	
22	3GM-83650-00	SPEEDOMETER CABLE ASSY	1	



4HD300-3440

G5

FIG. 52 ALTERNATE (HEADLIGHT)



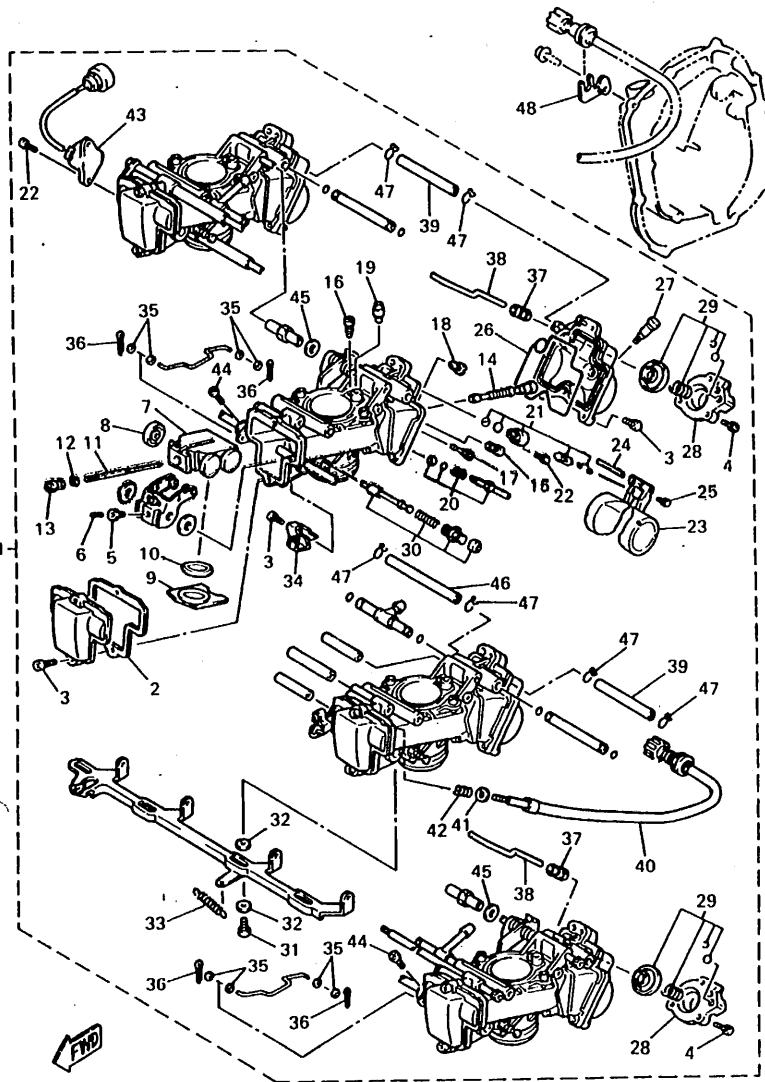
4HD300-4450

REF. NO.	PART NO.	DESCRIPTION	Q'TY	REMARKS
1	4FM-84330-41	BODY ASSY	1	
2	4FM-84320-40	LENS ASSY	1	
3	4FM-8432A-40	LENS ASSY	1	
4	1FM-84314-H0	BULB (12V-35/35W)	2	HALOGEN
* 5	4JG-84397-00	COVER, SOCKET	2	
6	51L-84334-00	NUT, ADJUSTING	4	
7	90480-10584	GROMMET	4	
8	97706-60014	SCREW, TAPPING	4	
9	3GM-84301-00	PILOT LIGHT ASSY 1	1	
10	3GM-84321-00	.LENS ASSY	1	
11	3GM-84322-00	.GASKET, LENS	1	
12	2JE-84744-00	.BULB (12V 5W)	1	
13	3GM-84192-00	.SCREW(M4,L=12)	2	
14	3GM-84367-50	DAMPER, HEADLIGHT 2	1	
15	90167-05041	SCREW, TAPPING	2	
16	3GM-8431R-00	STAY, SETTING	1	
17	90480-10517	GROMMET	2	
18	90387-052U5	COLLAR	2	
19	90167-05037	SCREW, TAPPING	2	
20	4FM-84359-10	CORD, HEADLIGHT	1	
21	90462-05061	CLAMP	1	
22	90167-05041	SCREW, TAPPING	1	
23	90464-13073	CLAMP	3	

FOR FINLAND SWEDEN

The following pages provides a listing of only the parts that meet the specifications peculiar to your market. For those parts not appearing in these pages, refer to the "GENERAL SPEC" section.

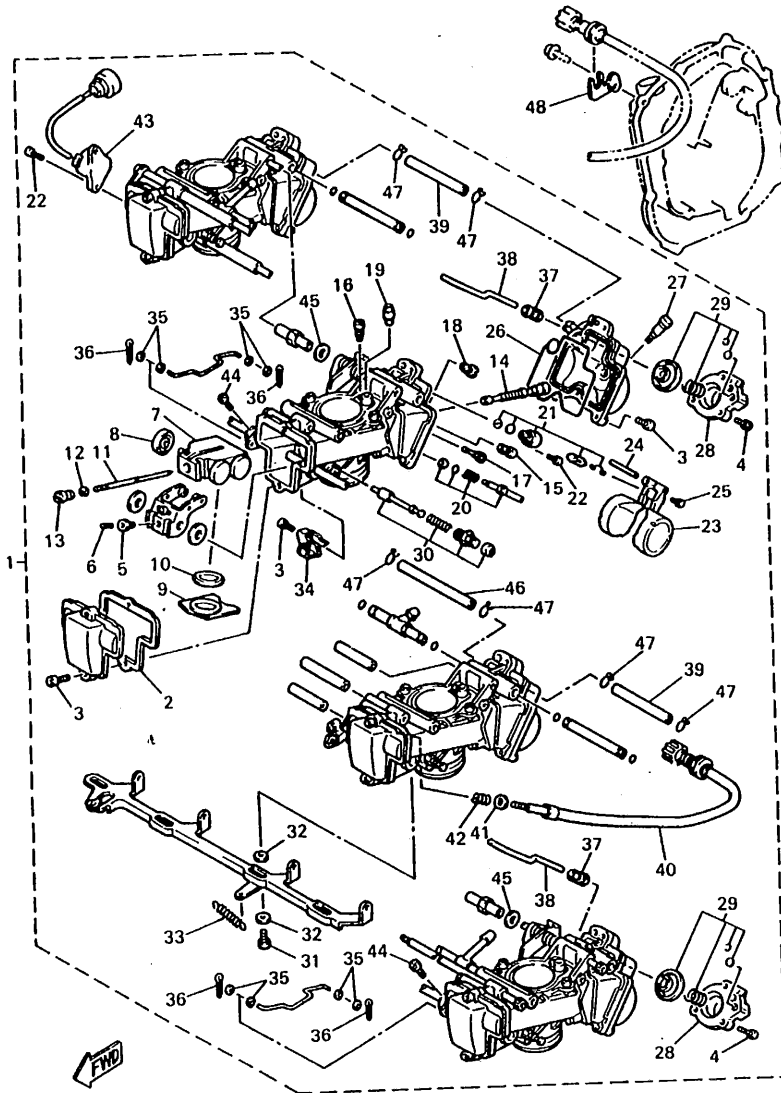
FIG. 53 ALTERNATE (CARBURETOR)



4HS300-3110

REF. NO.	PART NO.	DESCRIPTION	Q'TY	REMARKS
1	4HT-14900-00	CARBURETOR ASSY	1	
2	4FN-14959-00	.GASKET	4	
3	91316-04010	.BOLT	20	
4	91316-04008	.BOLT	6	
5	3TJ-14393-40	.NUT, CROWN	4	
6	3TJ-14522-40	.SCREW, ADJUST	4	
7	4FN-14340-00	.VALVE ASSY	4	
8	3TJ-14267-40	.ROLLER	4	
9	4FN-14546-00	.VALVE, NEEDLE	4	
10	4FN-14997-00	.SEAL	4	
11	4HT-14916-00	.NEEDLE	4	
12	3TJ-14159-40	.CLIP	4	
13	3TJ-14521-40	.SCREW, ADJUST	4	
14	4FN-14947-00	.JET, NEEDLE	4	
15	3TJ-14943-83	JET, MAIN (#128)	2	UR #1,4
	3TJ-14943-32	JET, MAIN (#125)	2	UR #2,3
16	3TJ-14943-15	.JET, MAIN (#70)	4	
17	3TJ-14948-02	.JET (#38)	4	
18	3TJ-1494F-11	.JET	4	
19	7A9-14943-31	.JET, MAIN (#120)	4	
20	4FN-14105-00	.PILOT SCREW SET	4	
21	4FN-14107-00	.NEEDLE VALVE SET	4	
22	3TJ-14216-40	.SCREW	6	
23	4FN-14985-00	.FLOAT	4	
24	663-14548-00	.PIN, FLOAT ARM	4	
25	98580-04008	.SCREW, PAN HEAD	4	
26	3TJ-14984-40	.GASKET, FLOAT CHAMBER	4	
27	3TJ-14191-40	.PLUG, DRAIN	4	

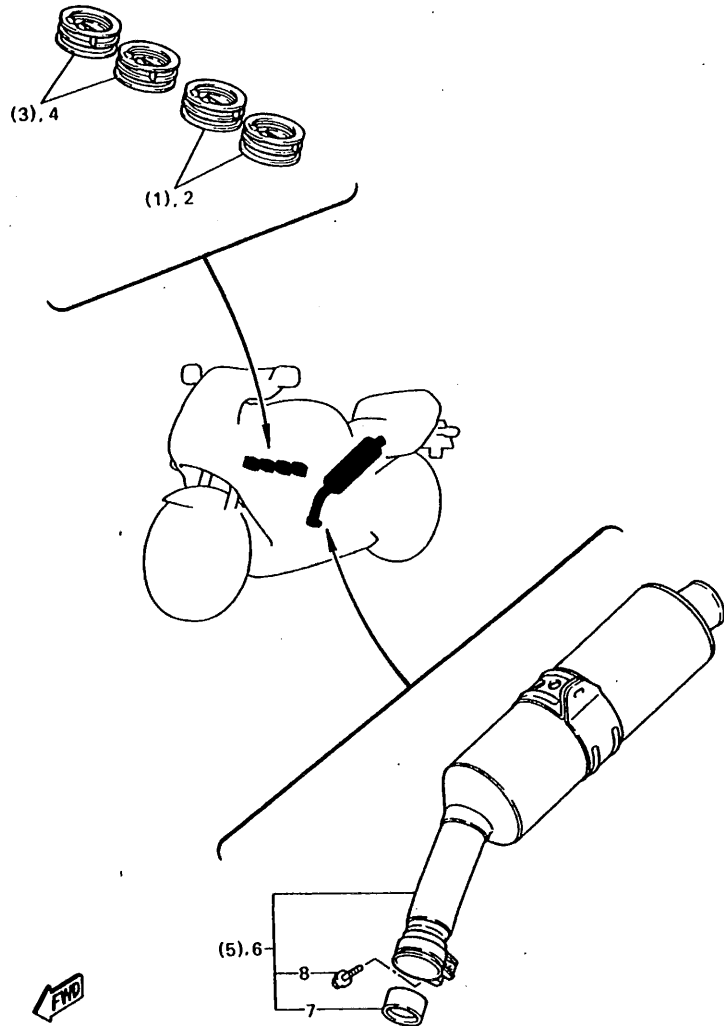
FIG. 53 ALTERNATE (CARBURETOR)



4HS300-3110

REF. NO.	PART NO.	DESCRIPTION	Q'TY	REMARKS
28	3TJ-14293-40	.COVER 1	2	
29	3TJ-1490A-40	.DIAPHRAGM SET, 1	2	
30	3TJ-1410A-40	.STARTER SET	4	
31	3TJ-14245-40	.SCREW, GUIDE	3	
32	90202-06056	.WASHER, PLATE	6	
33	3TJ-14935-40	.SPRING	1	
34	4FN-14261-00	.HOLDER	1	
35	90202-03052	.WASHER, PLATE	8	
36	3TJ-14365-40	.PIN, CLEVIS	4	
37	3TJ-14968-40	.CAP	2	
38	3TJ-14379-40	.ROD, STARTER	2	
39	4FN-14294-00	.HOSE	2	
40	4FN-14922-00	.SCREW, THROTTLE	1	
41	90201-08410	.WASHER, PLATE	1	
42	4FN-14934-00	.SPRING, THROTTLE STOP	1	
43	4FN-85885-00	.THROTTLE SENSOR ASSY	1	
44	3TJ-14325-40	.SCREW, PAN HEAD	2	
45	90201-08333	.WASHER, PLATE	2	
46	4FN-14298-00	.PIPE	1	
47	3TJ-14137-40	.CLIP	6	
48	4FN-14413-00	STAY	1	

FIG. 54 ALTERNATE (ENGINE)



REF. NO.	PART NO.	DESCRIPTION	Q'TY	REMARKS
1	4FN-13597-00	JOINT, CARBURETOR 3	*	
2	4HT-13597-00	JOINT, CARBURETOR 3	2	
3	4FN-13598-00	JOINT, CARBURETOR 4	*	
4	4HT-13598-00	JOINT, CARBURETOR 4	2	
5	4HD-14710-00	MUFFLER ASSY 1	*	
6	4HN-14710-01	MUFFLER ASSY 1	1	
7	3HE-14755-00	.GASKET, SILENCER	1	
8	95816-08025	.BOLT, FLANGE	1	

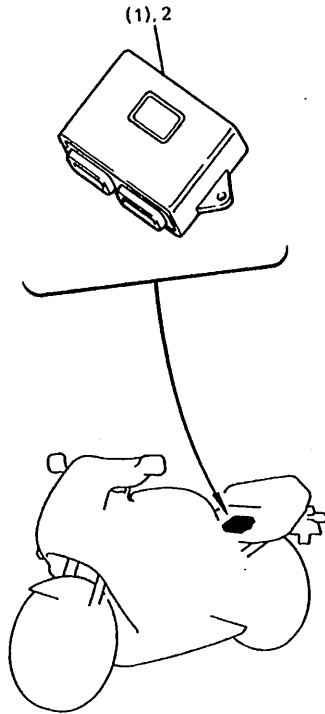
* For Convenience of reference:
Disregard the items asterisked (*) in the "QTY" column. These are intended for GENERAL SPEC. and NOT for INDIVIDUAL SPEC.



4HS300-3540

FIG. 55 ALTERNATE (ELECTRICAL)

REF. NO.	PART NO.	DESCRIPTION	Q'TY	REMARKS
1	4HS-82305-00	IGNITOR UNIT ASSY	*	
2	4HT-82305-00	IGNITOR UNIT ASSY	1	



4HS300-3550

* For Convenience of reference:
Disregard the items asterisked (*) in the "QTY" column. These are intended for
GENERAL SPEC. and NOT for INDIVIDUAL SPEC.

G11

NUMERICAL INDEX

PART NO.	GRID NO.	PART NO.	GRID NO.	PART NO.	GRID NO.
3GM-W0041-50	E - 7	4FM-11603-00	B - 4	1HX-12169-31	B - 5
4BH-W0042-50	E -12	4FM-11605-00	B - 4	1HX-12169-50	B - 5
4FM-W0045-10	E - 2	4FM-11631-00-A0	B - 4	1HX-12169-70	B - 6
4FM-W0046-00	E - 5	3GM-11633-00	B - 4	1HX-12169-90	B - 6
31A-W0047-00	E - 5	4FM-11636-00	B - 4	4HD-12171-00	B - 7
3MA-W0047-00	E - 2	4FM-11650-00	B - 4	3GM-12176-00	B - 7
4FM-W0047-10	E - 2	36Y-11654-00	B - 4	4HD-12181-00	B - 7
1J3-W0048-00	E - 2	3GM-11656-00	B - 4	4FM-12210-00	B - 7
	E - 5	3GM-11656-10	B - 4	4FM-12213-00	B - 7
36Y-W0048-00	C-10	3GM-11656-20	B - 4	2GH-12241-00	B - 7
31A-W0057-00	E - 5	3GM-11656-30	B - 4	3FM-12251-00	B - 7
4FM-W0057-00	E - 2	4FM-12111-00	B - 5	4FM-12252-00	B - 7
4FM-W0057-10	E - 2	4FM-12112-00	B - 5	4FM-1240A-01	B - 9
26H-W0098-00	C-10	3FV-12113-00	B - 5	4FM-12405-01	B - 9
3GM-W0099-00	E - 9	3FV-12114-00	B - 5	4FM-12410-00	B - 9
4FN-W1741-00	C-11	4FM-12116-00	B - 5	3GM-12413-00	B - 9
3FV-W1742-00	C-11	1WG-12117-00	B - 5	3GM-12417-00	B - 9
4FM-W2171-10-PO	D - 5	3GM-12117-00	B - 5	1UF-12421-09	B - 8
3GM-W2587-50	E - 7	1WG-12118-00	B - 5	3GM-12422-00	B - 8
4FM-W2645-00	E - 9	1WG-12119-00	B - 5	11H-12438-00	B - 8
4FM-Y2151-01-PO	D - 3	4FM-12121-00	B - 5	1AE-12439-00	B - 8
4FM-Y2808-01-PO	F - 2	3GM-12126-00	B - 5	1UF-12450-00	B - 8
4FM-Y283U-40-2X	F - 2	3FV-12163-09	B - 6	4FM-12461-00	B - 9
4FM-Y283V-40-2X	F - 2	3FV-12163-10	B - 6	22W-12462-00	B - 9
4FM-Y2835-30-PO	E -14	3LN-12153-09	B - 6	3FV-12469-00	B - 8
4FM-11102-10	B - 2	3LN-12153-20	B - 6	1AE-12481-01	B - 8
2GH-1111G-00	B - 2	3LN-12153-30	B - 6	4FN-12482-00	B - 8
3GM-11133-10	B - 2	1HX-12168-A0	B - 5	2GH-12484-00	B - 9
3GM-11134-10	B - 2	1HX-12168-F0	B - 5	4FN-12576-01	B - 9
4FM-1115A-00	B - 2	1HX-12168-H1	B - 5	4FM-12579-01	B - 9
3FV-11166-00	C - 5	1HX-12168-K1	B - 5	4FM-12588-01	B - 9
3FV-11181-00	B - 3	1HX-12168-M1	B - 5	4FM-12589-01	B - 9
3FV-11182-00	B - 2	1HX-12168-R1	B - 5	4FM-12683-00	D - 2
3GM-11191-01	B - 2	1HX-12168-U1	B - 5	1AE-1316E-00	B - 11
3GM-11193-00	B - 2	1HX-12168-W1	B - 5	3FV-1316F-00	B - 11
214-11198-01	B -13	1HX-12168-Y1	B - 5	3FV-1316G-00	B - 11
4FM-11310-00	B - 3	1HX-12168-00	B - 5	3GM-13161-01	B - 13
4FM-1133E-00	C - 4	1HX-12168-20	B - 5	3GM-13174-00	B - 13
4FM-1133F-00	C - 4	1HX-12168-40	B - 5	3GM-13181-00	B - 11
3FV-11351-00	B - 3	1HX-12168-60	B - 5	3GM-13191-00	B - 11
4FM-11411-00	B - 4	1HX-12168-80	B - 5	1AE-13300-00	B - 11
3GM-11416-00	B - 4	1HX-12169-E0	B - 6	2GH-13329-00	B - 11
3GM-11416-10	B - 4	1HX-12169-G0	B - 6	3GM-13337-00	B - 13
3GM-11416-20	B - 4	1HX-12169-J0	B - 6	4FM-13411-00	B - 11
3GM-11416-30	B - 4	1HX-12169-L0	B - 6	3GM-13412-50	B - 11
3GM-11416-40	B - 4	1HX-12169-N0	B - 6	4FM-13414-00	B - 13
4FM-11456-00	C - 9	1HX-12169-T0	B - 6	3FV-13416-01	B - 13
3GM-11474-00	C - 9	1HX-12169-11	B - 5	4FM-13417-00	B - 13

NUMERICAL INDEX

PART NO.	GRID NO.	PART NO.	GRID NO.	PART NO.	GRID NO.
3FV-13440-00	B - 13	3TJ-14379-40	C - 3	3TJ-14935-40	C - 3
3GM-13454-00	B - 12		G - 9		G - 9
3VD-13455-00	B - 13	3TJ-14393-40	C - 2	3TJ-1494F-11	C - 2
4FM-13470-00	B - 13		G - 8		G - 8
4FM-13475-00	B - 12	4FN-1440F-00	B - 14	3TJ-14943-15	C - 2
3KS-13490-00	B - 13	4FM-14401-00	B - 14		G - 8
4FM-13556-01	B - 14	2GH-14413-00	B - 8	3TJ-14943-32	C - 2
4FM-13586-00	B - 14	4FN-14413-00	C - 3		G - 8
4FN-13586-00	B - 14		G - 9	3TJ-14943-83	G - 8
4FM-13596-00	B - 14	1HX-1443E-00	B - 14	7A9-14943-31	C - 2
4FM-13597-00	B - 14	4FN-14437-00	B - 14		G - 8
4HT-13597-00	G - 10	4FM-14451-00	B - 14	4FN-14947-00	C - 2
4FN-13598-00	B - 14	4FM-14452-00	B - 14		G - 8
4HT-13598-00	G - 10	4FN-14453-00	B - 14	3TJ-14948-02	G - 8
4FM-13910-00	D - 12	4FM-14462-00	B - 15	3TJ-14948-03	C - 2
3TJ-1410A-40	C - 3	4FN-14467-00	B - 15	4FN-14959-00	C - 2
	G - 9	3TJ-14521-40	C - 2		G - 8
4FN-14105-00	C - 2		G - 8	3TJ-14968-40	C - 3
	G - 8	3TJ-14522-40	C - 2		G - 9
4FN-14107-00	C - 2		G - 8	3TJ-14984-40	C - 2
	G - 8	4FN-14546-00	C - 2		G - 8
3TJ-14137-40	C - 3		G - 8	4FN-14985-00	C - 2
	G - 9	663-14548-00	C - 2		G - 8
3TJ-14159-40	C - 2		G - 8	4FN-14997-00	C - 2
	G - 8	4FN-14561-00	B - 14		G - 8
3TJ-14191-40	C - 2	4FM-14610-01	C - 4	3GM-15100-52	C - 5
	G - 8	4FM-14613-00	C - 4	3FV-15105-00	C - 6
3TJ-14216-40	C - 2	3GM-14683-00	C - 4	2GH-15123-00	B - 11
	G - 8	4HD-14710-00	C - 4	1AE-15124-00	B - 11
3TJ-14245-40	C - 3	4HN-14710-01	G - 10	2GH-15133-00	B - 11
	G - 9	3HE-14755-00	C - 4	4H7-15189-00	C - 6
4FN-14261-00	C - 3		G - 10	1AE-15316-00	C - 7
	G - 9	3GM-14811-00	C - 4	3GM-15346-00	C - 7
3TJ-14267-40	C - 2	3GM-14821-00	C - 4	3Y1-15361-00	C - 7
	G - 8	4HD-14826-00	C - 4	4FM-15362-00	C - 7
3TJ-14293-40	C - 2	2TK-14845-00	C - 4	3FV-15363-00	C - 5
	G - 9	2TK-14865-01	C - 4	3GM-15373-00	B - 13
3FV-14294-02	D - 13	2TK-14867-01	C - 4	1UF-15379-00	B - 10
4FN-14294-00	C - 3	3TJ-1490A-40	C - 3	1AE-15381-00	C - 9
	G - 9		G - 9	1AE-15383-00	C - 6
4HS-14900-00	C - 3		C - 2	4FM-15410-00	C - 7
4HT-14900-00	G - 8		G - 8	3GM-15416-00	C - 7
4HS-14916-00	C - 3		C - 2	3GM-15417-00	C - 7
4HT-14616-00	G - 8		G - 8	4FM-15421-00	C - 7
4FN-14922-00	C - 3		C - 3	3GM-15427-00	C - 7
	G - 9		G - 9	1TV-15435-00	C - 7
4FN-14934-00	C - 3		C - 3	3GM-15449-00	C - 7
	G - 9		G - 9	4FM-15451-00	C - 7

NUMERICAL INDEX

PART NO.	GRID NO.	PART NO.	GRID NO.	PART NO.	GRID NO.
1AE-15456-00	C-7	4BH-18531-00	C-13	3FV-22184-00	D-6
4FM-15461-00	C-7	1AE-18536-00	C-13	4FM-22210-10	C-13
4FM-15463-00	C-7	4FM-18540-00	C-13	4FM-22219-00	D-8
4FM-15467-00	C-7	278-18542-00	C-13	4FM-22262-00	D-8
4H7-15486-00	C-7	278-18566-00	C-13	4FM-22311-00	D-6
3GM-15512-00	C-9	4FM-21110-00	C-15	4FM-23102-30	D-10
4BH-15517-00	C-9	4FM-21163-10	D-2	4FM-23103-30	D-10
3GM-15519-00	C-9	4FM-21161-01	D-2	4FM-23110-20	D-10
61Y-15521-00	C-9	4FM-21162-00	D-2	4FM-23111-10	D-10
3GM-15522-00	C-9	4FM-2117F-00	C-15		D-11
3GM-15524-00	C-9	4FM-2117M-11	C-15	4FM-23118-00	D-10
3GM-15580-00	C-9	1JK-21268-00	F-2		D-11
1J7-15583-01	C-9	4FM-2133G-00	E-12	4FM-23120-20	D-10
3GM-15689-00	C-9	4FM-21359-00	C-15	3GM-23125-50	D-10
4FM-16150-00	C-10	4FM-2137Y-01	C-15	4FM-23136-20	D-10
1AE-16154-00	C-10	3TJ-2139U-00	F-12	4FM-23141-10	D-10
4H7-16155-01	C-9	4FM-2142K-00	C-15		D-11
1AE-16164-00	C-10	4FM-2144G-00	E-12	3XV-23144-50	D-10
4FN-16321-00	C-10	4FM-21445-00	E-11	3SP-23145-L0	D-10
3J2-16324-00	C-10	4FM-21446-00	C-15	36Y-23146-10	D-10
68L-16351-00	C-10	4FM-21459-00	D-4	26H-23156-00	D-10
1LJ-16356-00	C-10	4X7-2149Y-00	B-14	2K8-23158-L0	D-10
1AE-16357-00	C-10	1A8-21518-00	F-2		D-11
2GH-16371-00	C-10	4FM-21569-20	D-3	4FM-23159-00	D-10
1TV-16381-10	C-10	4FM-21596-00	E-2		D-11
3FV-17121-00	C-11	4FM-21811-02	D-3	4FM-23165-00	D-10
4FN-17131-00	C-11	3GM-21621-00	D-3		D-11
4FN-17151-00	C-11	4FM-21639-00	F-2	4FM-23170-10	D-10
4FN-17161-00	C-11	4FM-21645-11	C-15	3JD-23171-L0	D-10
3FV-17211-00	C-11	3GM-21649-00	D-3	3LC-23181-00	D-10
3FV-17221-00	C-11	3GM-21649-10	D-3		D-11
3FV-17231-00	C-11	3MA-21649-00	E-14	4FM-23340-00	D-11
4FN-17241-00	C-11	3YL-21649-00	F-2	3XJ-23357-L0	D-10
4FN-17251-00	C-11	4FM-21649-00	D-3		D-11
3FV-17261-00	C-11	4FN-2173L-10	D-5	3GM-23377-00	E-7
278-17424-01	C-12	1JK-21735-00	D-5	3GM-23378-00	E-7
2GH-17460-00	C-11		F-2	3GM-23415-00	D-9
1AE-18101-01	C-14	3XV-21778-00	D-3	3YF-23418-00	D-9
4FM-18110-00	C-14	4FM-21871-00	D-2	4FM-23435-00	D-9
2GH-18112-01	C-14	1AA-21874-00	D-2	3FV-23462-00	D-9
132-18113-01	C-14	4LO-21875-00	D-2	10L-23469-00	E-6
1WG-18115-00	C-14	4FM-22110-00	D-6	4FM-24110-30-01	D-12
4G0-18127-00	C-14	3FV-22128-00	D-6	4FM-2414G-00	D-12
36Y-18140-00	C-13	4FM-2213J-00	D-6	1LJ-2414J-00	D-3
2H9-18154-00	C-14	3GM-22141-00	D-6	3FV-2416A-00	B-14
4FM-18511-00	C-13	4FM-22151-00	D-7	2GH-24181-00	D-12
4FM-18512-00	C-13	4FM-2217A-10	D-6	4FM-24181-00	C-4
4FM-18513-00	C-13	4FM-2217M-10	D-6	2GH-24183-00	D-12

NUMERICAL INDEX

PART NO.	GRID NO.	PART NO.	GRID NO.	PART NO.	GRID NO.
3Y6-24183-00	D-12	341-25846-00	D-15	4FM-26280-00	E-14
4JH-24183-00	D-12	3GM-2585F-00	E-7	4FM-26290-00	E-14
2GH-24184-00	D-12	4BP-2585F-00	E-12	4FM-26292-00	E-7
12R-24186-00	D-12	4FM-2585F-00	E-9	4FM-26296-00	E-9
2GH-24186-00	D-12	3LN-2585G-00	E-12	3XV-26298-00	E-15
4FM-24191-00	D-12	2KF-25852-50	E-12	4FM-26299-00	E-15
4FM-24240-00	D-12	3GM-25852-50	E-7	4FM-26302-10	E-6
3PA-24356-00	E-7	4FM-25852-00	E-9	4FM-26331-10	E-6
3FA-24356-00	E-9	4FM-25854-00	E-7	3GM-26455-00	E-9
3FV-24500-01	D-12	3GK-25854-50	E-9	3GM-26464-00	E-9
4X8-24512-00	D-12	360-25854-00	E-12	2GH-26470-01	E-9
4FM-24602-00	D-12	2GU-25855-00	E-12	4FM-26475-00	E-9
4FM-24710-11	D-14	2J2-25855-50	E-7	4FM-27211-00	E-12
4FM-24711-00	D-14	3GK-25855-50	E-9	4FM-27222-00	E-12
35T-24724-00	D-3	2VN-25866-00	E-7	4FM-27254-00	E-12
4FM-24724-00	D-14		E-9	3YF-27261-00	E-12
4FM-25149-00	D-15	56A-25867-00	E-7	4FM-27311-00	E-10
4FM-25168-00-P2	D-15		E-9	4FM-27315-00	E-10
4FM-25181-00	D-15	4FM-25872-00	E-7	4FM-27321-00	E-10
4FM-25190-00	D-15	4FM-25873-00	E-7	1TX-27351-00	E-10
478-25335-00	D-8	4FM-25874-00	E-13	4FM-27410-00	E-10
4FM-25338-00-P2	E-3	4FM-25875-00	E-13	2GH-27413-00	E-10
4FM-25364-00	E-3	3MA-25876-11	E-8	4FM-27420-00	E-10
4FM-25366-00	E-3	3MA-25876-21	E-8	4BP-27434-01	E-10
4FM-25371-00	E-3	4FM-25876-21	E-13	4FM-27435-00	E-10
4FM-25377-00	E-3	4FM-25877-00	E-4	4FM-27442-00	E-10
4FM-25381-00	E-4	4FM-25887-00	E-12	4FM-27443-00	E-10
4FM-25388-00	E-3	3PJ-25888-00	E-7	4FM-27471-00	E-10
4FM-25389-00	E-3	3FV-2589A-00	E-9	4FM-27471-00	D-3
29L-25398-00	D-15	3FV-2589F-00	E-7	4FM-28215-00	E-14
	E-3		E-9	4FM-28301-20	F-2
	D-15	3FV-2589G-00	E-7	4FM-28303-00	F-2
	E-3	3GM-2589H-00	E-7	4FM-28304-00	F-2
	D-15	3FV-25894-00	E-7	4FM-2831T-00	F-3
	E-3	31A-25894-01	E-12	4FM-2831W-00	E-14
	E-3	4FM-25894-00	E-9	4FN-28315-10	F-3
	E-2	4FM-25895-00	E-13	4FM-2832W-00	E-15
	E-2	29L-25919-A0	E-6	4FM-28322-00	F-2
	E-5	4FM-25919-00	E-2	4FM-28328-00	F-3
	E-2	4FM-25924-00	E-2	4FM-28328-00	E-14
	E-5	3HE-25925-00	E-5	4FM-2834V-00	E-14
	E-12	4FM-25925-00	E-2	4FM-2834W-00	E-15
	E-5	4FM-26121-01	E-6	3TU-28344-00	B-10
	E-6	4FM-26122-00	E-6	4FM-28344-00	E-14
	E-2	4FM-26240-00	E-6	3KX-28345-00	D-5
	E-5	4FM-26241-00	E-6	4FN-28345-00	E-14
	E-12	36Y-26246-00	E-6	4FM-28356-00	E-14
	E-5	3LN-26270-01	E-6	4FM-2836A-01	F-3
				4FM-2836F-00	F-3

NUMERICAL INDEX

PART NO.	GRID NO.	PART NO.	GRID NO.	PART NO.	GRID NO.
4FM-2836G-00	F - 3	2KT-82370-00	F -12	3GM-83922-50	E - 7
4FM-2836H-00	F - 2	4FM-82501-00	F -13	25G-83936-01	E - 6
3FV-28365-00	F - 2	1KT-82530-02	F -13	437-83936-01	F -13
4FM-28371-00	F - 2	1AE-82540-00	F -12	4FM-83940-00	E - 6
51L-28371-00	E -14	4FM-82541-00	F -12	1WG-83941-00	E - 6
4FM-28372-00	D - 4	2EL-82560-00	F -12	3TJ-83964-00	F -13
4FM-28381-10	E -14	4FM-82566-00	F -13	3GM-83969-01	E - 6
3FV-2840F-00	D -14	4FN-82590-00	F -13	4FM-83975-00	E - 6
4FM-2848K-00	F - 2	4FM-8331L-00	F - 7	3FV-83980-00	E - 7
89X-77167-00	E -14	4FM-83310-00	F - 7	3GM-83980-00	E - 9
4BH-81600-00	F - 4	4FM-83311-00	F - 7	3GM-84192-00	F -10
4BH-81604-00	F - 4	4FM-83312-00	F - 7		
3FV-81619-00	F - 4	4FM-83313-00	F - 7		
4BH-81634-00	F - 4	4FM-83318-00	F - 7		
36Y-81638-50	F - 4	4FM-83320-00	F - 7	3GM-84301-00	F -10
2KT-81642-50	F - 4	4FM-83328-00	F - 7		
4BH-81643-00	F - 4	4FM-83330-00	F - 7		
4BH-81643-10	F - 4	4FM-83340-00	F - 7		
3FV-81645-00	F - 4	4FM-83345-00	F - 7	3GM-8431R-00	F -10
4BH-81646-00	F - 4	3YA-83350-00	F -12		
4BH-81660-00	F - 4	3YA-83350-10	F -12		
3GM-81670-00	F - 6	4FM-83368-00	F - 7		
3XF-81800-00	F - 6	4FM-83369-00	F - 7	1FM-84314-HO	F -15
2KT-81818-00	F - 6	4FM-83371-00	F -12		
3HE-81826-00	F - 6	4FM-83509-00	F - 9	2F9-84314-00	F -10
3KS-81840-00	F - 6		G - 5		G - 3
11H-81844-00	F - 6	5J0-83513-00	F - 9	4FM-8432A-10	F -10
26H-81847-00	F - 6		G - 5	4FM-8432A-20	G - 3
36Y-81910-50	F - 4	2GV-83517-00	F - 9	4FM-8432A-30	F -15
4FM-81940-00	F -13		G - 5	4FM-8432A-40	G - 6
3EN-81950-00	F -13	4FM-83520-00	F - 9	4FM-84320-10	F -10
3GM-81950-00	F -13		G - 5		G - 3
4BH-81970-00	F - 4	4FM-8353H-40	F - 9	4FM-84320-30	F -15
4BH-81972-00	F - 4	4FM-8353H-50	G - 5	4FM-84320-40	G - 6
3VD-82100-00	F -13	4FM-83540-00	F - 9	3GM-84321-00	F -10
4FM-82115-00	F -13		G - 5		F -15
3FV-82116-00	F -13	3GM-83550-00	G - 5		G - 3
3TJ-82131-00	F -12	4FM-83550-00	F - 9		G - 6
4BP-82131-00	F -13	4FM-83559-00	F - 9	3GM-84322-00	F -10
2GH-82151-00	F -13		G - 5		F -15
2KW-82151-00	F -13	4FM-83570-00	F - 9		G - 3
36Y-82151-00	F -13	4FM-83570-10	G - 5		G - 6
4FM-82151-00	F -13	2GH-83578-00	F - 9	4FM-84330-31	F -15
4HS-82305-00	F -12		G - 5	4FM-84330-41	F -10
4HT-82305-00	G -11	4FM-83590-00	F - 9		G - 3
2XL-82310-10	F -12		G - 5		G - 6
3CV-82320-00	F -12	11H-83591-00	F -12	51L-84334-00	F -10
5HO-8235Y-MO	D - 3	4FM-83912-00	E - 9		F -15

NUMERICAL INDEX

PART NO.	GRID NO.	PART NO.	GRID NO.	PART NO.	GRID NO.
51L-84334-00	G - 3	90105-09555	C - 5	90152-06024	C - 7
	G - 6	90105-09580	C - 5	90154-06061	D - 3
	F -10	90105-10217	E -11	90157-05079	E -10
4FM-84359-00	G - 3	90105-10376	D - 6		F -13
	F -15	90105-10402	D - 8	90157-06104	C - 7
4FM-84359-10	G - 6	90105-10718	C -15	90159-03102	F - 9
	G - 6	90105-10725	E - 2		G - 5
3GM-84367-00	F -10		E - 5	90159-06033	D - 2
3GM-84367-50	F -15	90109-060G4	F -13	90159-06045	E -12
	G - 3	90109-063F8	C -13	90159-06058	C -15
	G - 6	90109-064F0	B - 2	90159-06123	C -10
	F -10	90109-065A8	B - 7	90164-04023	F - 9
	F -15	90109-08718	E - 2		G - 5
	G - 3		E - 5	90167-05037	F -10
	G - 6	90109-104E6	E -10		F -15
	E - 4	90109-112F1	D - 7		G - 3
	F -11	90110-05112	D -12		G - 6
	F -11		F -11	90167-05041	F -10
	F -11	90110-06138	B -11		F -15
	F -11	90110-06142	B - 9		G - 3
	F -11	90110-08155	E -10		G - 6
	F -10	90110-08177	C - 9	90170-06228	C -14
	F -11	90110-08199	E -10	90170-20327	C -10
	F -15	90110-10169	C -15	90171-25052	E - 4
	G - 3	90116-10528	C - 5	90176-08055	D -12
	G - 6	90116-10529	C - 5		E -15
	F - 9	90116-10568	C - 6	90176-10049	B - 2
	G - 5	90116-10569	C - 5	90176-22050	D - 9
	F -11	90116-10575	E - 3	90179-05523	F -11
	F -11	90119-06018	D - 2	90179-08327	B - 4
	D - 3	90119-06088	F - 3	90179-08410	C - 4
	D - 3	90119-06115	D - 7	90179-10247	C -15
	F -12	90119-06118	C - 4		E -10
	F -12	90119-06163	D - 3	90179-10584	B - 2
	C - 3	90119-06187	D - 7	90179-10590	C -15
	G - 9	90119-06194	C - 4	90179-18020	C -12
	C - 4	90119-06205	D -14	90179-25615	D - 9
	D - 2	90149-04278	D - 3	90183-05024	E -14
	E - 3	90149-05273	D - 3		F - 2
	D - 6	90149-06008	E -14	90185-10037	E -10
	D - 6	90150-05039	D -12	90185-16127	D - 8
	B - 2		E -14	90185-18104	D - 6
	B - 2	90150-06038	F - 3	90201-044A2	D - 3
	B - 2		D - 5	90201-05033	F -11
	B - 7		E -14	90201-06059	F - 9
	E - 3	90151-06014	F - 3		F -11
	C - 5	90152-06014	C - 6		G - 5
			C - 7	90201-061M7	B -11

NUMERICAL INDEX

PART NO.	GRID NO.	PART NO.	GRID NO.	PART NO.	GRID NO.
90201-083J2	B - 9	90338-16148	C - 15	90430-10171	B - 11
90201-06643	C - 13	90338-30096	C - 5	90445-084G9	D - 2
90201-08083	E - 12	90340-14068	C - 6	90445-096F4	B - 9
90201-08087	C - 5	90340-18101	B - 2	90445-102G7	D - 13
90201-08326	E - 10	90380-10195	C - 4	90445-11290	B - 15
90201-08333	C - 3	90387-062U5	F - 10	90445-116H6	B - 15
	G - 9	90387-062U5	F - 15	90445-116H8	B - 15
90201-08410	C - 3		G - 3	90445-126H7	B - 9
	G - 9		G - 6	90446-17346	E - 10
90201-096J9	C - 5	90387-05383	C - 5	90450-22052	B - 9
90201-101J1	C - 15	90387-06241	F - 11	90450-32008	D - 8
	D - 6	90387-06299	D - 12	90450-38040	B - 9
	D - 8	90387-065J6	B - 15	90450-57034	B - 14
90201-10118	E - 8		D - 3	90460-65195	B - 14
	E - 9	90387-066V1	F - 12	90462-05061	F - 10
	E - 13	90387-06681	D - 7		F - 15
90201-103M4	B - 2	90387-067N5	E - 14		G - 3
90201-104R2	E - 12	90387-06704	D - 7	90462-08158	C - 6
90201-106M5	C - 4	90387-07391	B - 9	90462-08184	C - 6
90201-12576	C - 14	90387-087L0	D - 4	90464-09130	D - 3
90201-127J6	E - 10	90387-102R4	D - 6	90464-10186	F - 12
90201-150H2	C - 10	90387-105V7	C - 15	90464-12089	F - 13
90201-164H4	D - 8	90387-106U7	C - 4	90464-13073	F - 10
90201-18264	D - 6	90387-114K8	C - 14		F - 12
90201-200K3	C - 11	90387-115V8	C - 15		F - 13
90201-263R9	E - 4	90387-122R5	D - 6		F - 15
90202-03052	C - 3	90387-124W2	D - 6		G - 3
	G - 9	90387-203M7	C - 11		G - 6
90202-05193	D - 12	90387-204M1	C - 11	90464-15195	D - 15
90202-06056	C - 3	90387-2200S	D - 15	90464-17184	D - 15
	G - 9	90387-2200T	D - 15	90464-25160	B - 14
	D - 9	90387-253M6	C - 11		D - 13
90202-24190	D - 9	90387-255V9	C - 11		F - 3
90202-26142	E - 12	90387-263M8	C - 11	90465-08076	B - 13
90206-14086	C - 7	90387-2800P	E - 4	90465-13169	B - 9
90209-06096	E - 6	90387-2800R	E - 4		F - 13
90209-10131	B - 2	90387-284M0	C - 11	90467-08003	B - 9
90209-11262	C - 11	90401-10044	B - 11		D - 2
90209-22191	C - 11	90401-10095	E - 8	90467-08092	B - 14
90209-25196	C - 10	90401-10096	B - 11	90467-09006	D - 13
90215-20231	C - 12	90401-10096	E - 8	90467-11090	B - 9
90215-21022	E - 12		E - 9	90467-11106	B - 14
90240-08124	D - 3		E - 13	90467-13123	D - 13
90267-40076	D - 3	90401-20151	B - 13	90467-14015	C - 5
90338-07043	D - 14	90430-06014	B - 2	90467-14057	E - 13
90338-08226	F - 12		B - 3	90467-15054	C - 5
	G - 6		B - 8	90468-16099	E - 3
	C - 15		B - 14	90480-10258	D - 3

NUMERICAL INDEX

PART NO.	GRID NO.	PART NO.	GRID NO.	PART NO.	GRID NO.
90480-10517	F - 10	91316-04010	C - 2	93210-06632	B - 11
	F - 15		G - 8		C - 6
	G - 3	91316-06010	E - 8		C - 10
	G - 6	91316-06012	E - 7	93210-06714	B - 13
	B - 9		E - 8	93210-07135	B - 11
90480-10542	F - 10		E - 9		C - 5
90480-10584	F - 15	91316-06020	B - 14	93210-09418	B - 13
	F - 15	91316-06050	B - 11	93210-14369	C - 6
	G - 3	91401-40045	E - 4	93210-14579	B - 13
90480-12072	D - 4	91490-20020	E - 3	93210-15566	B - 13
90480-12314	B - 15		E - 12	93210-15620	E - 7
90480-13163	E - 14	91810-25008	B - 2		E - 9
90480-13398	D - 5	92011-06010	C - 7	93210-18417	B - 8
	E - 14	92011-08020	E - 12	93210-19216	F - 5
	F - 2	92900-10600	C - 15	93210-20573	C - 6
90480-14412	F - 12	92901-04600	E - 7	93210-23787	B - 8
90480-15363	B - 9		F - 9		B - 9
90501-04623	C - 9		G - 5	93210-27778	C - 5
90501-06022	C - 13	92901-05100	D - 12		C - 7
90501-225A9	C - 6		F - 4	93210-29196	F - 12
90506-18224	E - 10		D - 12	93210-30694	B - 8
90506-20377	E - 10	92901-05600	D - 4	93210-33133	B - 8
90506-26225	E - 10		E - 7	93210-76211	B - 3
90508-26681	C - 13	92902-04100	F - 9	93210-87723	B - 13
90508-32682	C - 14		F - 15	93305-30501	C - 11
90560-06201	E - 14		G - 5	93306-00106	B - 8
90560-12191	C - 14	92906-04600	F - 7	93306-00420	D - 15
90560-25270	C - 10	92906-05100	F - 12	93306-20335	C - 9
90560-28389	E - 3	92906-05600	F - 11	93306-20455	C - 11
91001-06016	D - 2	92906-06100	E - 12		C - 12
	D - 3	92906-06600	B - 8	93306-20541	C - 9
	D - 8		C - 15	93306-20567	E - 3
	E - 12		E - 7	93306-20644	E - 3
	E - 11	92990-03100	F - 9	93306-30560	C - 11
	D - 12		G - 5	93310-340N8	C - 10
91011-08020	B - 14		C - 4	93315-42523	D - 6
91311-05010	E - 6	92990-05200	D - 12	93317-21746	D - 6
91311-05012	B - 7	92995-06100	B - 8	93317-31771	D - 6
91311-06020	E - 6	93101-12060	B - 8	93340-21505	C - 10
91311-06025	E - 6	93101-16131	D - 6	93342-22502	D - 6
	D - 2	93102-12321	C - 14	93399-99919	D - 6
91311-08030	B - 14	93102-28021	D - 15	93399-99931	D - 9
	B - 9	93102-35412	E - 3	93399-99932	D - 9
	D - 2	93102-35423	C - 11	93440-10153	B - 2
	B - 14	93102-40330	E - 3	93440-25084	C - 11
	D - 11	93105-45017	D - 15	93440-28052	C - 11
	C - 15	93109-08061	C - 10	93440-45144	C - 12
91311-10040	C - 15	93109-12053	C - 14	93450-19095	B - 4
91311-10045	C - 15		D - 6		
91312-06012	B - 14				
91316-04008	C - 2				
	G - 8				

NUMERICAL INDEX

NUMERICAL INDEX

PART NO.	GRID NO.	PART NO.	GRID NO.	PART NO.	GRID NO.	PART NO.	GRID NO.	PART NO.	GRID NO.	PART NO.	GRID NO.
93511-32027	C - 10	95380-06700	C - 14	95826-06010	E - 6	99226-00160	D - 12				
93604-10011	B - 8	95601-06200	D - 14		F - 3	99236-00080	F - 11				
93615-12088	C - 9	95601-08200	E - 14	95826-06020	C - 14	99236-00100	E - 14				
93900-00030	D - 15	95601-10200	E - 3	97011-06025	D - 12	99510-08012	B - 11				
	E - 3	95606-04100	D - 3	97016-06025	E - 7		C - 7				
94580-81104	B - 7	95611-08625	B - 2	97026-06012	C - 15	99510-08012	C - 8				
94581-55104	E - 3	95611-10100	D - 6	97395-05012	C - 4	99510-08012	C - 10				
94680-81021	B - 7		D - 8	97706-40012	F - 7	99510-08016	B - 2				
94681-55031	E - 3	95611-10200	D - 6	97706-50016	E - 14		B - 13				
94701-00318	B - 2	95616-06100	E - 7	97706-60014	F - 10	99510-12016	C - 6				
94701-00319	B - 2		F - 11		F - 15	99510-14016	B - 3				
95021-06014	F - 12	95701-05500	D - 3		G - 3	99530-10014	C - 5				
95021-06050	B - 8		F - 4		G - 6						
	C - 7		F - 13	97706-60016	D - 14						
95023-06008	E - 13	95701-06500	B - 9		F - 12						
	F - 13		F - 8	97780-50125	B - 14						
95023-06010	B - 8	95701-08500	E - 3	97902-04122	F - 9						
95023-06012	B - 2	95706-05500	E - 14		G - 5						
	B - 3		F - 11	98501-05016	D - 12						
	B - 8	95706-06500	E - 9	98501-05018	F - 4						
	C - 6	95706-10500	C - 15	98506-04008	E - 9						
	F - 5	95811-06010	F - 12		F - 7						
95023-06016	D - 7	95811-06016	B - 12	98506-05008	F - 12						
	E - 13		C - 13	98506-05018	E - 6						
95023-06020	B - 8	95811-06020	B - 15	98506-05030	E - 6						
	C - 8	95811-06025	F - 6	98506-05040	E - 6						
95023-06025	B - 2	95811-06030	F - 12	98511-04012	E - 7						
	B - 8	95811-06035	C - 5	98516-06020	E - 12						
	B - 9	95811-06060	C - 5	98580-03010	F - 9						
95023-06030	B - 8	95811-06080	C - 5		G - 5						
	B - 13	95811-06140	C - 5	98580-04008	C - 2						
	C - 8	95811-08016	C - 15		F - 15						
95023-06040	B - 8		D - 12		G - 8						
	C - 7	95811-08030	C - 15	98580-04010	F - 9						
95026-06010	B - 13	95811-08045	C - 5		G - 5						
95026-06012	B - 11	95811-08055	C - 5	98580-06010	C - 7						
	B - 13	95811-08060	C - 5		E - 12						
	E - 15	95811-08065	C - 5	98580-06016	F - 12						
95026-06016	C - 9	95811-08090	C - 5	98580-06020	C - 7						
	E - 14	95816-06012	E - 8	98701-05012	C - 13						
	F - 11	95816-06014	C - 9	98706-04016	E - 9						
95026-06025	E - 9	95816-06025	B - 9	98706-06025	E - 15						
95026-06030	C - 10	95816-06075	D - 12	98780-05016	F - 13						
95026-06090	C - 10	95816-08012	F - 2	98906-06008	E - 6						
95303-08700	E - 12	95816-08025	G - 10	99006-10600	C - 14						
95316-06600	F - 9	95816-08035	C - 4	99009-10400	B - 13						
	G - 5	95816-08065	F - 4	99009-12400	B - 8						
95333-08600	E - 3	95821-08025	C - 4	99009-28400	D - 15						

