

**YAMAHA**



**PARTS  
CATALOGUE**

**YZF750SP'96 (4HS7)**

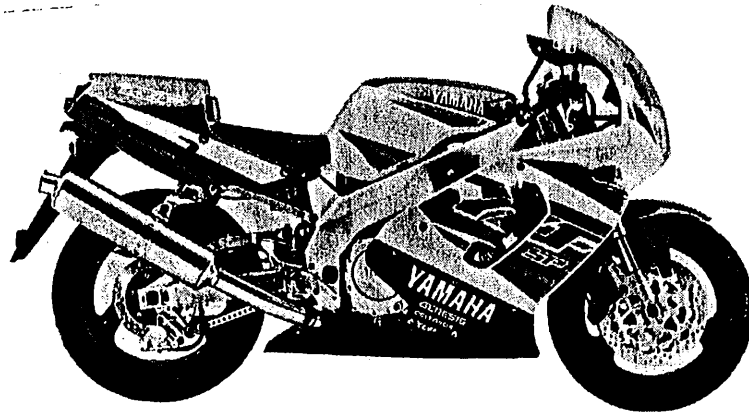
**YZF750SP'96 (4HS8) EUROPE**

---

**YAMAHA**  
**GENUINE**  
Parts & Accessories

164HS-300E1





A3

## FOREWORD

This Parts Catalogue is related to the parts for the model(s) in the below frame. When you are ordering replacement parts, please refer to this Parts Catalogue and quote both part numbers and part names correctly.

YZF750SP'96(4HS7,4HS8)

1. Modifications or additions which have been made after issue of the Parts Catalogue will be announced in the Yamaha Parts News.  
It is advisable that you make necessary corrections to the Parts Catalogue according to the Yamaha Parts News.

2. Abbreviations  
The following abbreviations are used in this Parts Catalogue.

"UR" Use specified parts number.  
 "UN" Use as many as needed.  
 "AP" Alternate Parts  
 "LM" Local Made (Parts need to be ordered locally)  
 "F#" Frame No. (Applicable machine No.)

3. Parts, which are to be supplied in an assembly, are listed with a dot (.) in front of the part name as shown below.

EXAMPLE  
 CARBURETOR ASSY  
 . JET, PILOT  
 . NOZZLE, MAIN

4. Number of component for assembly  
The numeral appearing to the right of each component part indicates the quantity of parts for each assembly unit.

EXAMPLE

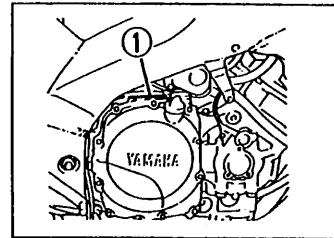
PART NO.	DESCRIPTION	Q'TY	REMARKS
2F5-83310-60	FRONT FLASHER LIGHT ASSY	2	
115-83311-60	. BULB (6V-18W)	1	

5. Applicable colors of graphics are represented in the "REMARKS" as shown below.

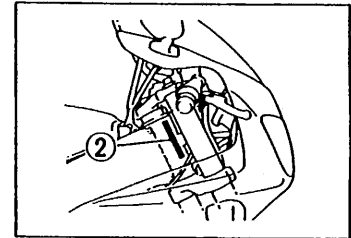
PART NO.	DESCRIPTION	Q'TY	REMARKS
2N4-24110-00-X5	FUEL TANK COMP.	1	MAXIM RED
3J1-24240-10	. GRAPHIC, FUEL TANK	1	for MXR

6. Applicable Serial No.

① Engine Serial No.



② Frame Serial No.

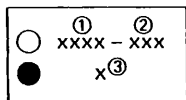


7. Note that the illustrations are for reference in finding parts numbers, not to be used for assembling. When assembling, please use the applicable service manual.
8. The asterisk (\*) before a reference number indicates modification items after the first edition.

## MODEL LABEL

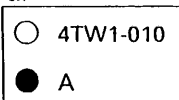
(1) A label called "Model Label" is affixed in the location as indicated in (3) below. When using this parts catalogue, please be sure to cross-refer the "model code - production code No." in the catalogue to the "model code - production code No." indicated on the Model Label affixed onto the product concerned.

(2) "Model Label" Indication

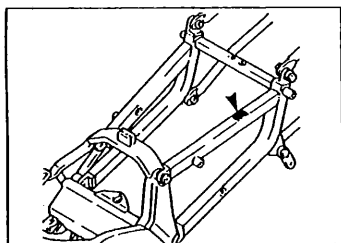


- ① Model Type Code
- ② Production Code No.
- ③ Colouring Type

ex



(3) Model Label Affixing Location



(4) Model Code - Production Code Number of Model Listed in This Parts Catalog

Model code	Production code No.	Country (destination)	Model code	Production code No.	Country (destination)
4HS7	010	ITALY			
	020	BELGIUM			
	030	ENGLAND			
	040	IRELAND			
	050	HOLLAND			
4HS8	010	SPAIN			

(5) Colouring Information

Colouring type code	Colour code	Colour Name	Abbreviation
A	0390	BLUISH WHITE COCKTAIL 1	BWC 1

# CONTENTS

## GENERAL SPEC.

### ENGINE

Cylinder Head .....	B2
Cylinder .....	B3
Crankshaft · Piston .....	B4
Valve .....	B5 ~ B6
Camshaft · Chain .....	B7
Water Pump .....	B8
Radiator · Hose .....	B9 ~ B10
Oil Pump .....	B11 ~ B12
Oil Cleaner .....	B13
Intake .....	B14 ~ B15
Carburetor .....	C2 ~ C3
Exhaust .....	C4
Crankcase .....	C5 ~ C6
Crankcase Cover 1 .....	C7 ~ C8
Starter .....	C9
Clutch .....	C10
Transmission .....	C11 ~ C12
Shift Cam · Fork .....	C13
Shift Shaft .....	C14

### CHASSIS

Frame .....	C15 ~ D2
Fender .....	D3 ~ D4
Side Cover .....	D5
Rear Arm .....	D6 ~ D7
Rear Suspension .....	D8
Steering .....	D9
Front Fork .....	D10 ~ D11
Fuel Tank .....	D12 ~ D13

Seat .....	D14
Front Wheel .....	D15
Front Brake Caliper .....	E2
Rear Wheel .....	E3 ~ E4
Rear Brake Caliper .....	E5
Steering Handle · Cable .....	E6
Front Master Cylinder .....	E7 ~ E8
Front Master Cylinder 2 .....	E9
Stand · Footrest .....	E10 ~ E11
Rear Master Cylinder .....	E12 ~ E13
Cowling 1 .....	E14 ~ E15
Cowling 2 .....	F2 ~ F3
Generator .....	F4
Pick Up Coil · Governor .....	F5
Starting Motor .....	F6
Flasher Light .....	F7
Meter .....	F8
Headlight .....	F9
Taillight .....	F10
Electrical 1 .....	F11
Electrical 2 .....	F12

### INDIVIDUAL SPEC. FOR ITALY

Alternate (Headlight) .....	F14
-----------------------------	-----

### FOR HOLLAND

Alternate (Headlight) .....	G2
-----------------------------	----

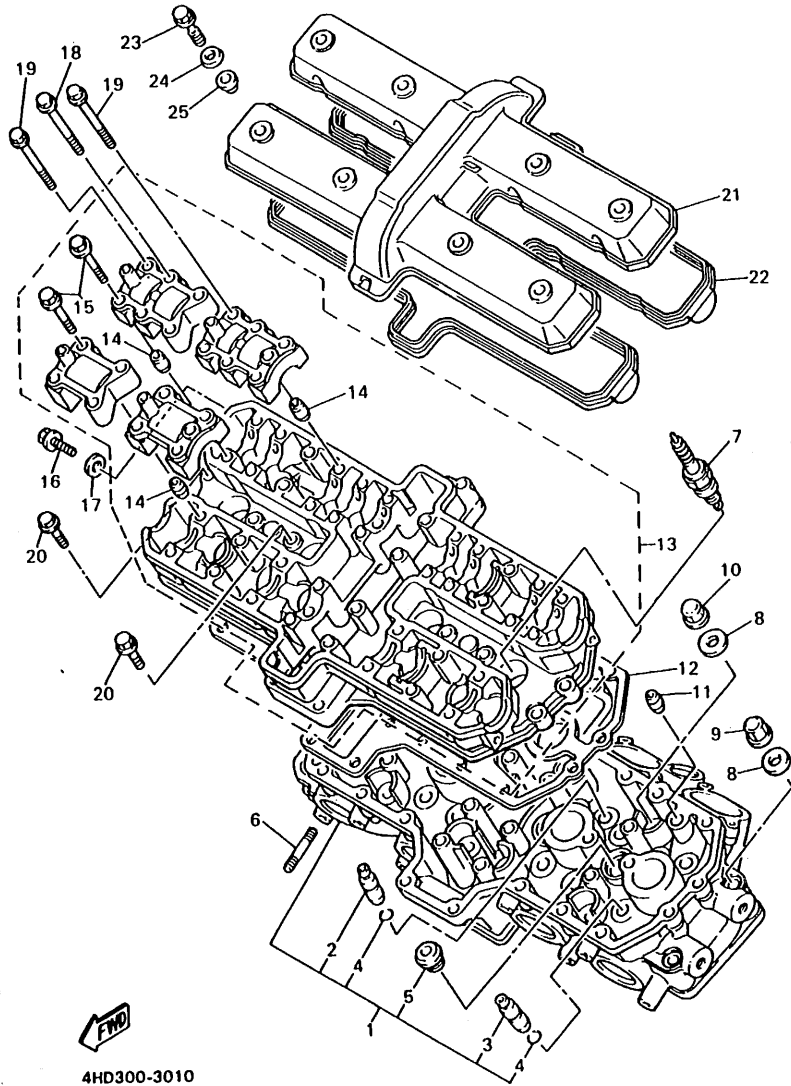
## FOR ENGLAND, IRELAND

Alternate (Meter) .....	G4
Alternate (Headlight) .....	G5

### INDEX

NUMERICAL INDEX .....	L1 ~ L5
-----------------------	---------

FIG. 1 CYLINDER HEAD

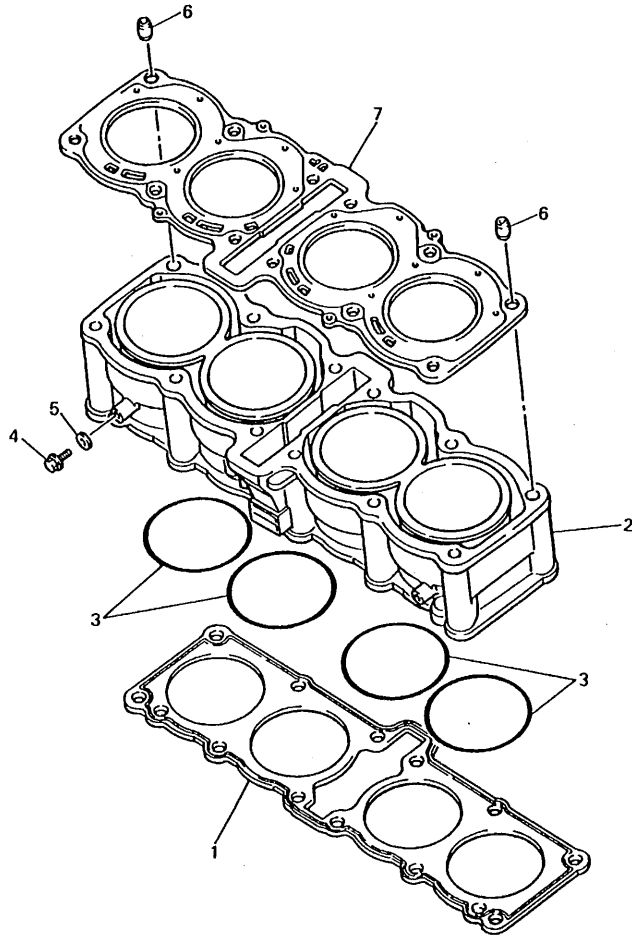


REF. NO.	PART NO.	DESCRIPTION	Q'TY	REMARKS
1	4FM-11102-10	CYLINDER HEAD ASSY	1	
2	3GM-11133-10	.GUIDE, INTAKE VALVE	12	
3	3GM-11134-10	.GUIDE, EXHAUST VALVE	8	
4	93440-10153	.CIRCLIP	20	
5	90340-18101	.PLUG, STRAIGHT SCREW	4	
6	95617-08625	BOLT, STUD	8	
7	94701-00318	PLUG, SPARK (NGK R CR9E)	4	UR
	94701-00319	PLUG, SPARK (ND U27ESR-N)	4	UR
8	90201-103M4	WASHER, PLATE	12	
9	90176-10075	NUT, CROWN	4	
10	90179-10584	NUT	8	
11	91810-08012	PIN, DOWEL	2	
12	3FV-11182-00	GASKET, CYLINDER HEAD 2	1	
13	4FM-1115A-00	CAM CASE ASSY	1	
14	99510-08016	.PIN, DOWEL	16	
15	90105-06153	.BOLT, WASHER BASED	16	
16	95027-06012	BOLT, FLANGE	1	
17	90430-06014	GASKET	1	
18	90105-06541	BOLT, WASHER BASED	20	
19	90105-06693	BOLT, WASHER BASED	4	
20	95027-06025	BOLT, FLANGE	11	
21	3GM-11191-00	COVER, CYLINDER HEAD 1	1	
22	3GM-11193-00	GASKET, HEAD COVER 1	1	
23	90109-064F0	BOLT	8	
24	90209-11262	WASHER	8	
25	2GH-1111G-00	RUBBER, MOUNT 1	8	



4HD300-3010

FIG. 2 CYLINDER



REF. NO.	PART NO.	DESCRIPTION	Q'TY	REMARKS
1	3FV-11351-00	GASKET, CYLINDER	1	
2	4FM-11310-00	CYLINDER	1	
3	93210-76211	O-RING	4	
4	95027-06012	BOLT, FLANGE	2	
5	90430-06014	GASKET	2	
6	99530-14016	PIN, DOWEL	2	
7	3FV-11181-00	GASKET, CYLINDER HEAD 1	1	

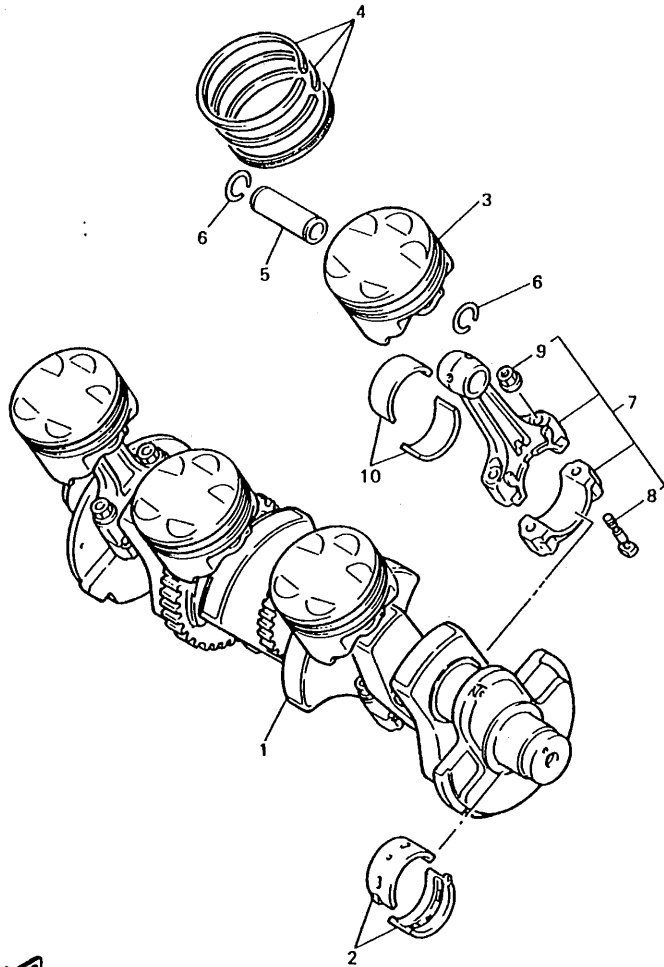


4HD300-3020

**B3**



FIG. 3 CRANKSHAFT • PISTON

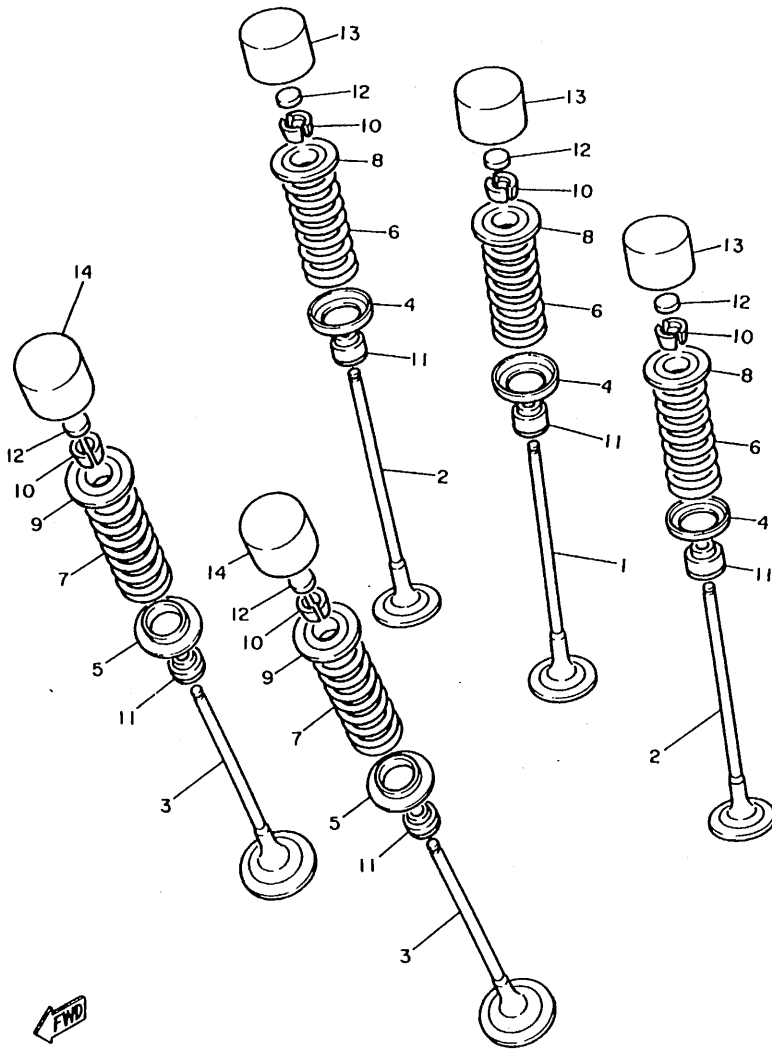


REF. NO.	PART NO.	DESCRIPTION	Q'TY	REMARKS
1	4FM-11411-00	CRANKSHAFT	1	
2	3GM-11416-00	PLANE BEARING, CRANKSHAFT 1	10	UR BLUE
	3GM-11416-10	PLANE BEARING, CRANKSHAFT 1	10	UR BLACK
	3GM-11416-20	PLANE BEARING, CRANKSHAFT 1	10	UR BROWN
	3GM-11416-30	PLANE BEARING, CRANKSHAFT 1	10	UR GREEN
	3GM-11416-40	PLANE BEARING, CRANKSHAFT 1	10	UR YELLOW
3	4FM-11631-00-A0	PISTON (STD)	4	
	4FM-11636-00	PISTON (0.50MM O/S)	4	AP
4	4FM-11603-00	PISTON RING SET (STD)	4	
	4FM-11605-00	PISTON RING SET (0.50MM O/S)	4	AP
5	3GM-11633-00	PIN, PISTON	4	
6	93450-19095	CIRCLIP	8	
7	4FM-11650-01	CONNECTING ROD ASSY	4	
8	36Y-11654-00	BOLT, CONNECTING ROD	2	
9	90179-08327	NUT	2	
10	3GM-11656-00	PLANE BEARING, CONNECTING ROD	8	UR BLUE
	3GM-11656-10	PLANE BEARING, CONNECTING ROD	8	UR BLACK
	3GM-11656-20	PLANE BEARING, CONNECTING ROD	8	UR BROWN
	3GM-11656-30	PLANE BEARING, CONNECTING ROD	8	UR GREEN



4HD300-3030

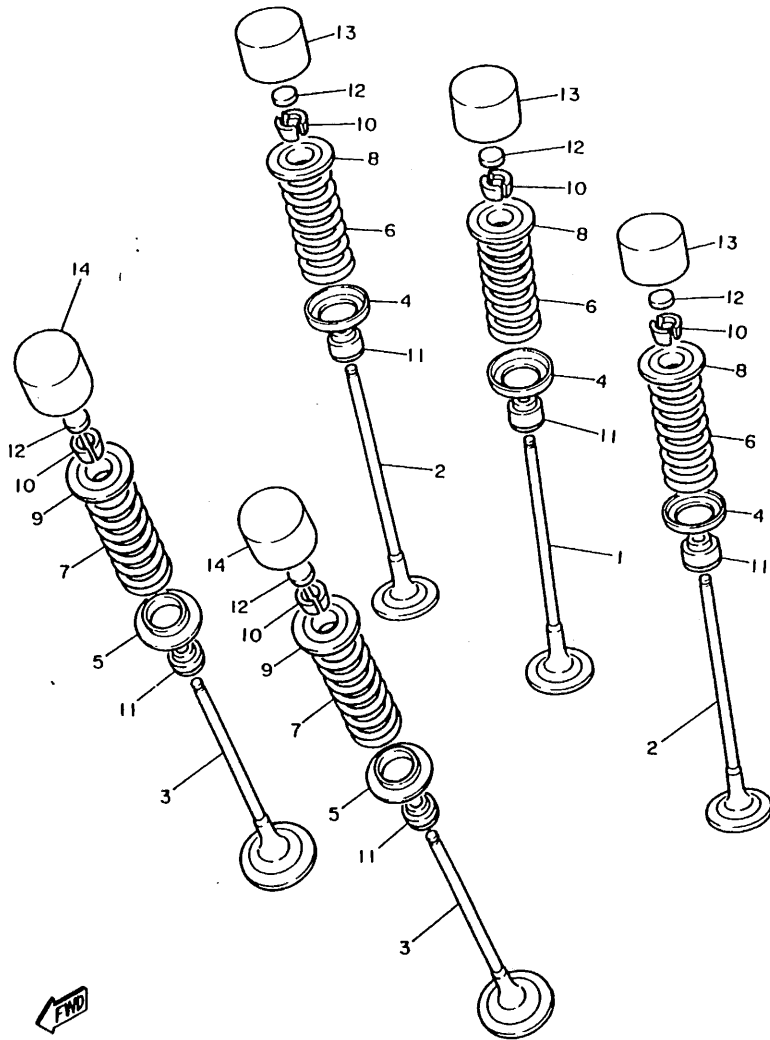
FIG. 4 VALVE



3LE332-9040

REF. NO.	PART NO.	DESCRIPTION	Q'TY	REMARKS
1	4FM-12111-00	VALVE, INTAKE	4	
2	4FM-12112-00	VALVE, INTAKE 2	8	
3	4FM-12121-00	VALVE, EXHAUST	8	
4	4FM-12116-00	SEAT, VALVE SPRING	12	
5	3GM-12126-00	SEAT, VALVE SPRING 2	8	
6	3FV-12113-00	SPRING, VALVE INNER	12	
7	3FV-12114-00	SPRING, VALVE OUTER	8	
8	3GM-12117-00	RETAINER, VALVE SPRING	12	
9	1WG-12117-00	RETAINER, VALVE SPRING	8	
10	1WG-12118-00	COTTER, VALVE	40	
11	1WG-12119-00	SEAL, VALVE STEM	20	
12	1HX-12168-00	PAD, ADJUSTING 2 (1.20)	20	UR
	1HX-12168-20	PAD, ADJUSTING 2 (1.25)	20	UR
	1HX-12168-40	PAD, ADJUSTING 2 (1.30)	20	UR
	1HX-12168-60	PAD, ADJUSTING 2 (1.35)	20	UR
	1HX-12168-80	PAD, ADJUSTING 2 (1.40)	20	UR
	1HX-12168-A0	PAD, ADJUSTING 2 (1.45)	20	UR
	1HX-12168-F0	PAD, ADJUSTING 2 (1.50)	20	UR
	1HX-12168-H1	PAD, ADJUSTING 2 (1.55)	20	UR
	1HX-12168-K1	PAD, ADJUSTING 2 (1.60)	20	UR
	1HX-12168-M1	PAD, ADJUSTING 2 (1.65)	20	UR
	1HX-12168-R1	PAD, ADJUSTING 2 (1.70)	20	UR
	1HX-12168-U1	PAD, ADJUSTING 2 (1.75)	20	UR
	1HX-12168-W1	PAD, ADJUSTING 2 (1.80)	20	UR
	1HX-12168-Y1	PAD, ADJUSTING 2 (1.85)	20	UR
	1HX-12169-11	PAD, ADJUSTING 2 (1.90)	20	UR
	1HX-12169-31	PAD, ADJUSTING 2 (1.95)	20	UR
	1HX-12169-50	PAD, ADJUSTING 2 (2.00)	20	UR

FIG. 4 VALVE



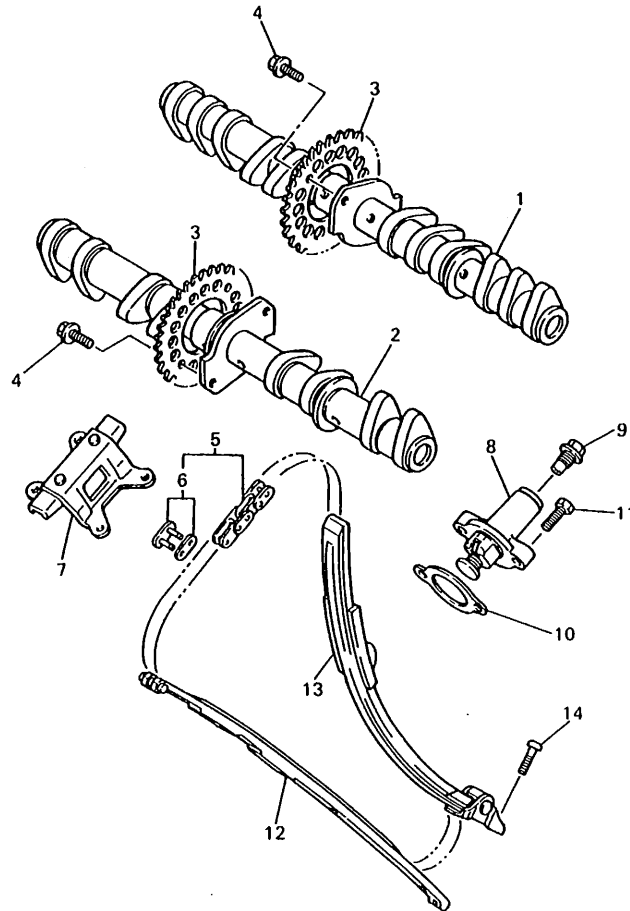
REF. NO.	PART NO.	DESCRIPTION	Q'TY	REMARKS
12	1HX-12169-70	PAD, ADJUSTING 2 (2.05)	20	UR
	1HX-12169-90	PAD, ADJUSTING 2 (2.10)	20	UR
	1HX-12169-E0	PAD, ADJUSTING 2 (2.15)	20	UR
	1HX-12169-G0	PAD, ADJUSTING 2 (2.20)	20	UR
	1HX-12169-J0	PAD, ADJUSTING 2 (2.25)	20	UR
	1HX-12169-L0	PAD, ADJUSTING 2 (2.30)	20	UR
	1HX-12169-N0	PAD, ADJUSTING 2 (2.35)	20	UR
	1HX-12169-T0	PAD, ADJUSTING 2 (2.40)	20	UR
	13	3LN-12153-20	LIFTER, VALVE	12
3LN-12153-09		LIFTER, VALVE (O/S)	12	UR GREEN
14	3FV-12153-20	LIFTER, VALVE	8	UR BLUE
	3FV-12153-09	LIFTER, VALVE (O/S)	8	UR GREEN



3LE332-9040

**B6**

FIG. 5 CAMSHAFT • CHAIN



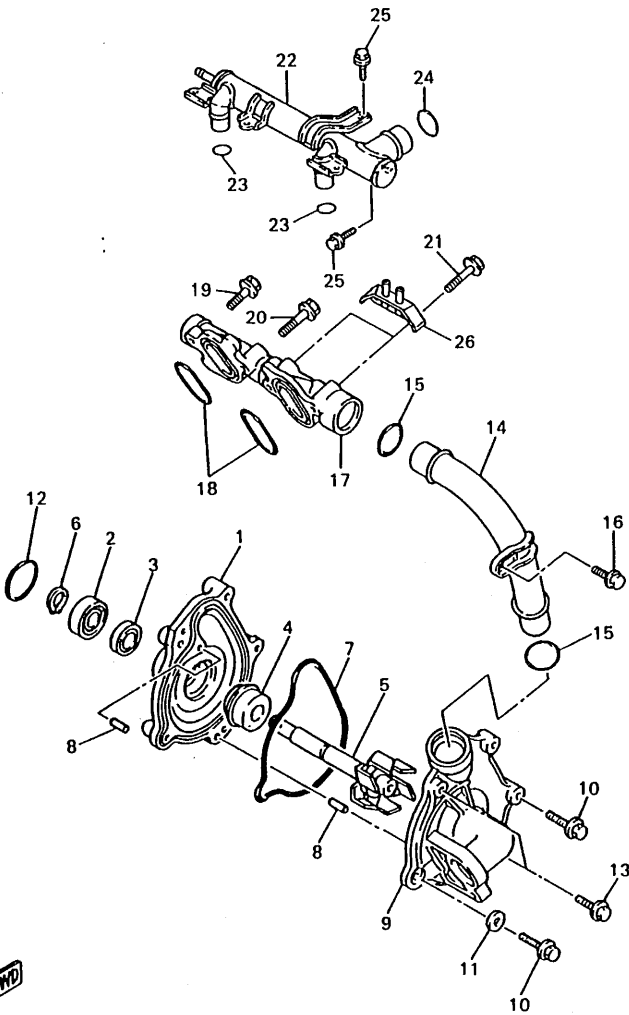
REF. NO.	PART NO.	DESCRIPTION	Q'TY	REMARKS
1	4HD-12171-00	CAMSHAFT 1	1	
2	4HD-12181-00	CAMSHAFT 2	1	
3	3GM-12176-00	SPROCKET, CAM CHAIN	2	
4	90105-07342	BOLT, WASHER BASED	4	
5	94580-81104	CHAIN (DID219FTS-104L)	1	
6	94680-81021	JOINT, CHAIN	1	
7	2GH-12241-00	GUIDE, STOPPER 2	1	
8	4FM-12210-00	TENSIONER ASSY, CAM CHAIN	1	
9	90109-112F1	BOLT	1	
10	4FM-12213-00	GASKET, TENSIONER CASE	1	
11	91317-06025	BOLT	2	
12	3FV-12251-00	DAMPER, CHAIN 1	1	
13	4FM-12252-00	DAMPER, CHAIN 2	1	
14	90109-065A8	BOLT	2	



4HD300-3050

**B7**

FIG. 6 WATER PUMP



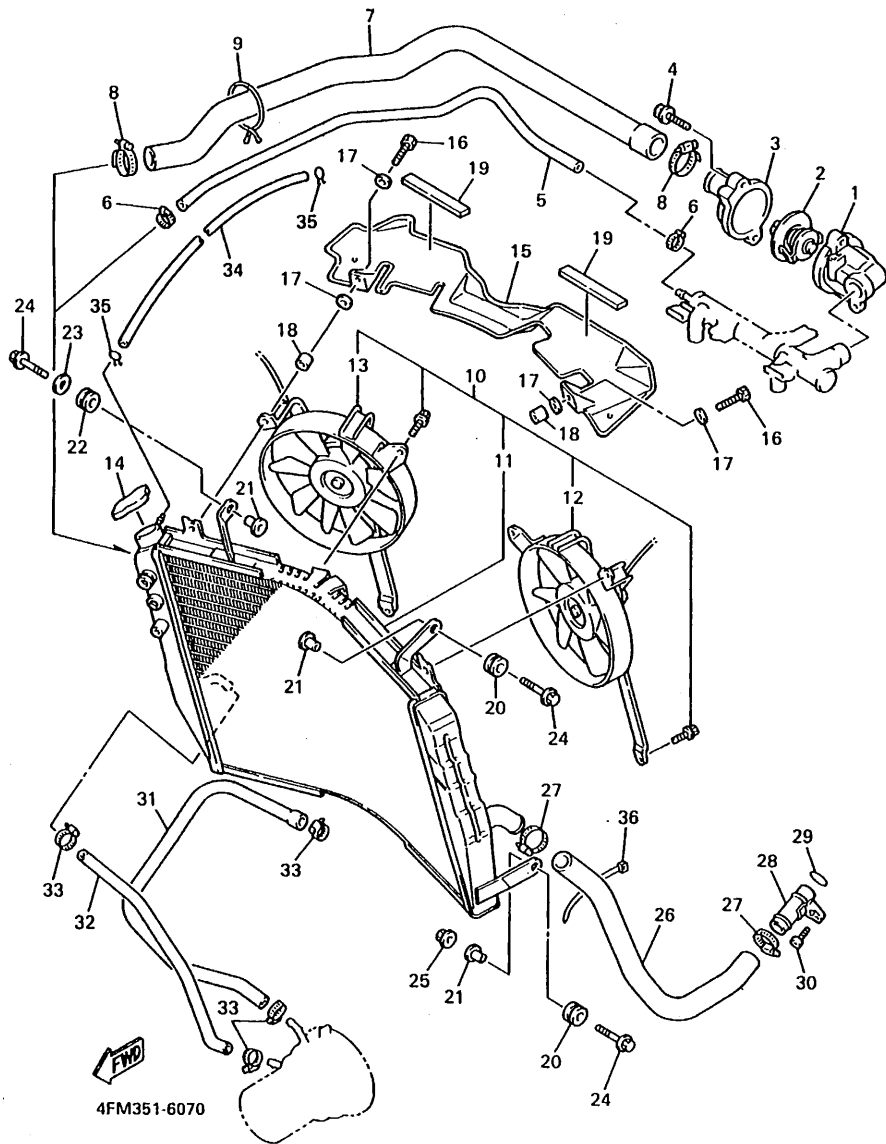
REF. NO.	PART NO.	DESCRIPTION	Q'TY	REMARKS
1	1UF-12421-09	HOUSING, WATER PUMP	1	
2	93306-00106	BEARING	1	
3	93101-12060	OIL SEAL	1	
4	11H-12438-00	SEAL, MECHANICAL	1	
5	1UF-12450-00	IMPELLER SHAFT ASSY	1	
6	99009-12400	CIRCLIP	1	
7	1AE-12439-00	O-RING	1	
8	93604-10011	PIN, DOWEL	2	
9	3GM-12422-00	COVER, HOUSING	1	
10	95024-06025	BOLT, FLANGE	3	
11	90430-06014	GASKET	1	
12	93210-33133	O-RING	1	
13	95024-06050	BOLT, FLANGE	2	
14	1AE-12481-01	PIPE 1	1	
15	93210-23787	O-RING	2	
16	95027-06012	BOLT, FLANGE	1	
17	3FV-12469-00	JOINT 1	1	
18	93210-30694	O-RING	2	
19	95027-06020	BOLT, FLANGE	1	
20	95027-06030	BOLT, FLANGE	1	
21	95027-06040	BOLT, FLANGE	2	
22	4FN-12482-00	PIPE 2	1	
23	93210-18417	O-RING	2	
24	93210-23787	O-RING	1	
25	95027-06010	BOLT	2	
26	2GH-14413-00	STAY	1	



4HS300-5060

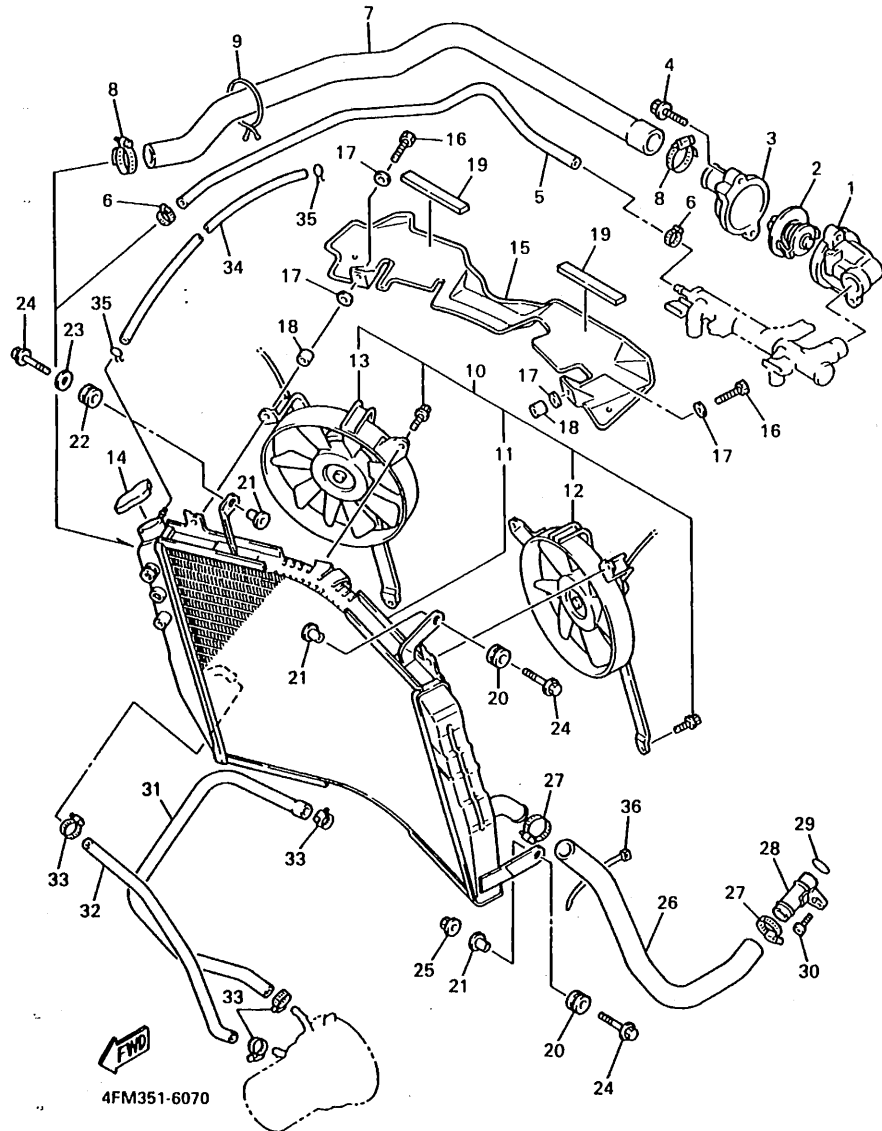
**B8**

FIG. 7 RADIATOR • HOSE



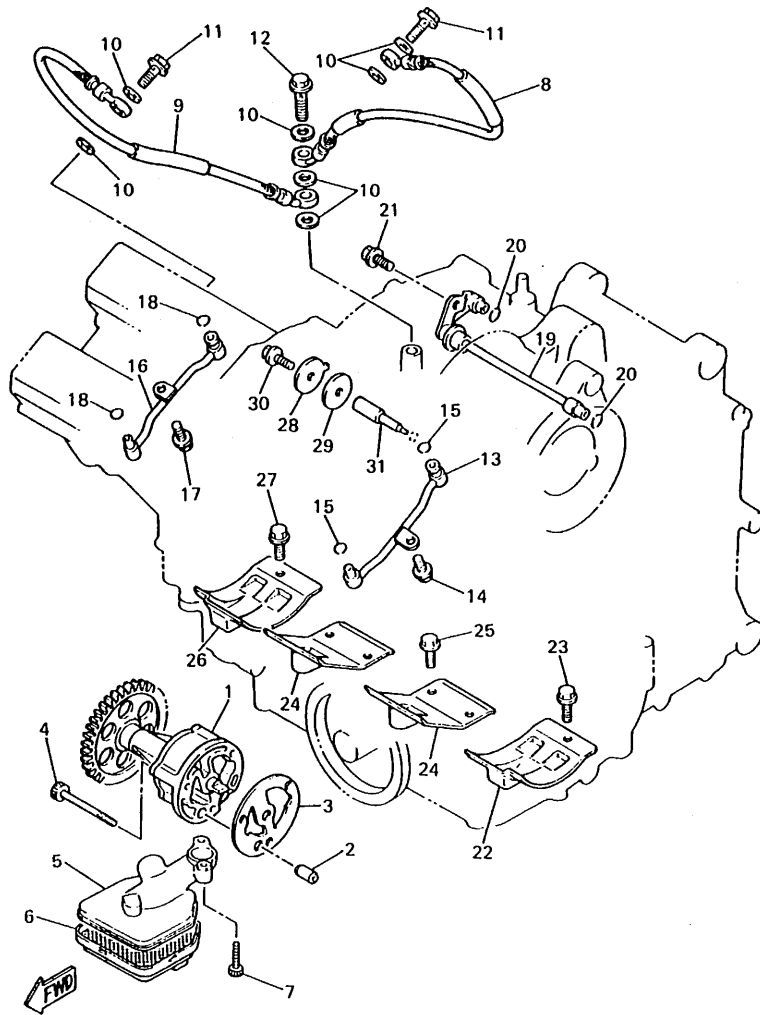
REF. NO.	PART NO.	DESCRIPTION	Q'TY	REMARKS
1	3GM-12417-00	HOUSING, THERMOSTAT	1	
2	4FM-12410-00	THERMOSTAT ASSY	1	
3	3GM-12413-00	COVER, THERMOSTAT	1	
4	95027-06025	BOLT, FLANGE	2	
5	4FM-1243A-10	HOSE 1	1	
6	90467-11090	CLIP	2	
7	4FM-12576-10	HOSE 1	1	
8	90450-38040	HOSE CLAMP ASSY	2	
9	90464-44109	CLAMP	1	
10	4FM-1240A-10	RADIATOR ASSY	1	
11	4FM-12461-10	•RADIATOR	1	
12	4FM-12405-10	•BLOWER ASSY	1	
13	4FM-12405-20	•BLOWER ASSY	1	
14	22W-12462-00	CAP, RADIATOR	1	
15	4HD-12535-00	PLATE	1	
16	97007-06025	BOLT	2	
17	90201-06055	WASHER	4	
18	90387-064T3	COLLAR	2	
19	2TV-21638-00	DAMPER	2	
20	90480-15363	GROMMET	3	
21	90387-07391	COLLAR	4	
22	90480-10542	GROMMET	1	
23	90201-063J2	WASHER, PLATE	1	
24	95827-06025	BOLT, FLANGE	4	
25	95707-06500	NUT, FLANGE	2	
26	4FM-12579-10	HOSE 4	1	
27	90450-38040	HOSE CLAMP ASSY	2	
28	2GH-12484-00	PIPE 4	1	

FIG. 7 RADIATOR • HOSE



REF. NO.	PART NO.	DESCRIPTION	Q'TY	REMARKS
29	93210-23787	O-RING	1	
30	90110-06142	BOLT, HEXAGON SOCKET HEAD	1	
31	4FM-12588-01	HOSE 5	1	
32	4FM-12589-10	HOSE 6	1	
33	90450-22052	HOSE CLAMP ASSY	4	
34	90445-09635	HOSE	1	
35	90467-08003	CLIP	2	
36	90464-13080	CLAMP	1	

FIG. 8 OIL PUMP

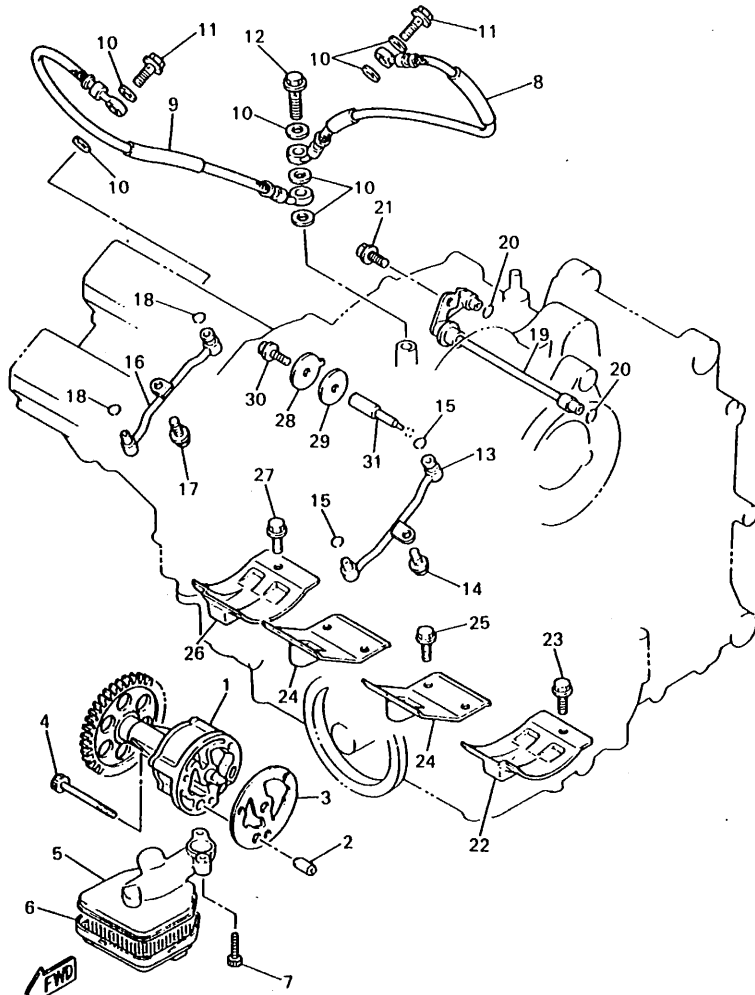


4HS300-3080

REF. NO.	PART NO.	DESCRIPTION	Q'TY	REMARKS
1	1AE-13300-00	OIL PUMP ASSY	1	
2	99510-08012	PIN, DOWEL	1	
3	2GH-13329-00	GASKET, PUMP COVER	1	
4	91317-06050	BOLT	3	
5	3GM-13412-50	HOUSING, STRAINER	1	
6	4FM-13411-00	STRAINER, OIL	1	
7	91317-06030	BOLT, HEXAGON SOCKET HEAD	2	
8	4BH-1316F-01	HOSE, OIL 1	1	
9	4BH-1316G-01	HOSE, OIL 2	1	
10	90430-10171	GASKET	7	
11	90401-10159	BOLT, UNION	2	
12	90401-10044	BOLT, UNION	1	
13	3GM-13181-00	PIPE, DELIVERY 3	1	
14	95027-06012	BOLT, FLANGE	1	
15	93210-06632	O-RING	2	
16	3GM-13191-00	PIPE, DELIVERY 4	1	
17	95027-06012	BOLT, FLANGE	1	
18	93210-06632	O-RING	2	
19	1AE-1316E-00	PIPE, DELEVERY 5	1	
20	93210-07135	O-RING	2	
21	95027-06012	BOLT, FLANGE	1	
22	2GH-15123-00	PLATE, BUFFLE 1	1	
23	95027-06012	BOLT, FLANGE	2	
24	1AE-15124-00	PLATE, BUFFLE 2	2	
25	95027-06012	BOLT, FLANGE	6	
26	2GH-15133-00	PLATE, BUFFLE 3	1	
27	95027-06012	BOLT, FLANGE	2	
28	90201-061M7	WASHER, PLATE	1	



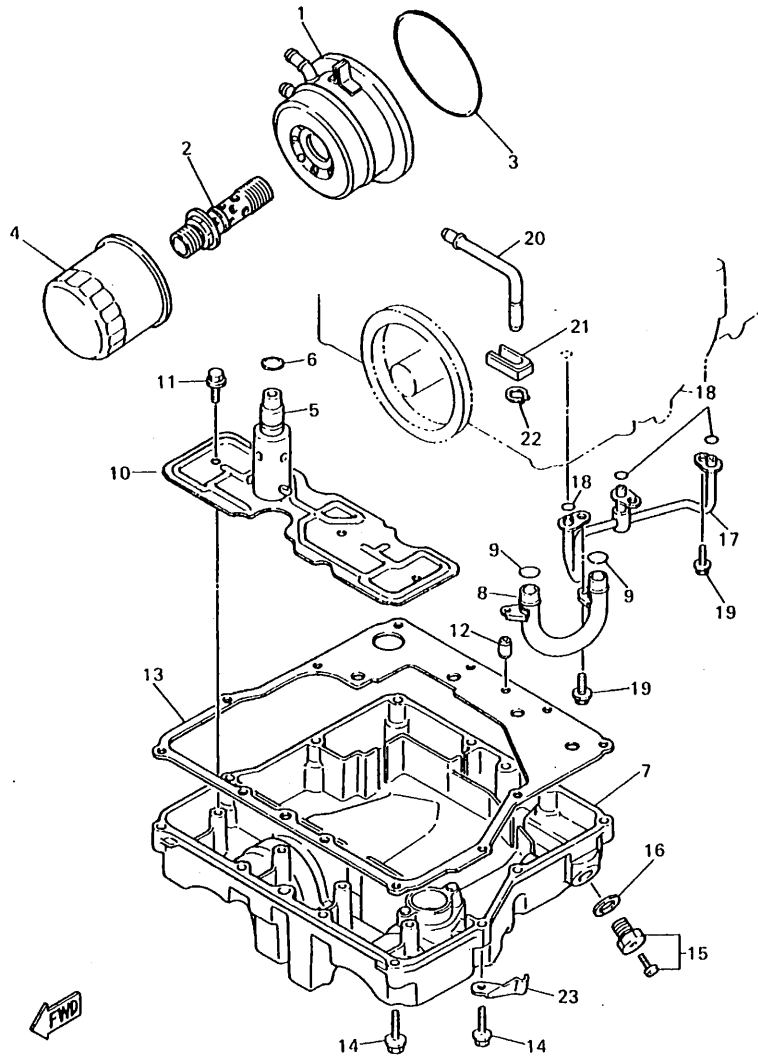
FIG. 8 OIL PUMP



4HS300-3080

REF. NO.	PART NO.	DESCRIPTION	Q'TY	REMARKS
29	4FM-13475-00	GASKET	1	
30	95827-06016	BOLT, FLANGE	1	
31	3GM-13454-00	NOZZLE	1	

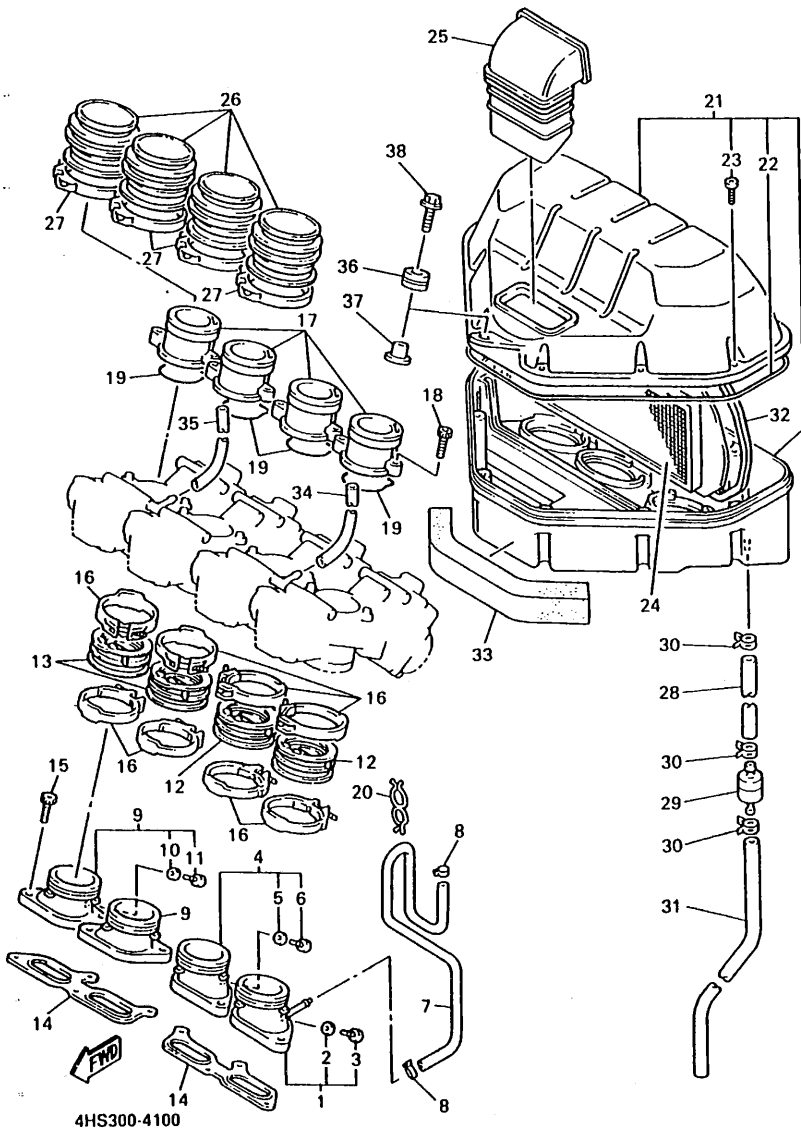
FIG. 9 OIL CLEANER



4HD300-5090

REF. NO.	PART NO.	DESCRIPTION	Q'TY	REMARKS
1	4FM-13470-10	OIL COOLER ASSY	1	
2	90401-20161	BOLT, UNION	1	
3	93210-87723	O-RING	1	
4	3FV-13440-00	ELEMENT ASSY, OIL CLEANER	1	
5	3KS-13490-00	RELIEF VALVE ASSY	1	
6	93210-15566	O-RING	1	
7	4FM-13417-00	COVER, STRAINER	1	
8	3FV-13416-01	PIPE, OIL 1	1	
9	93210-14579	O-RING	2	
10	3GM-13337-00	PLATE, BAFFLE LOWER	1	
11	95027-06010	BOLT, FLANGE	4	
12	99510-08016	PIN, DOWEL	2	
13	4FM-13414-00	GASKET, STRAINER COVER	1	
14	95027-06030	BOLT, FLANGE	12	
15	3VD-13455-00	PLUG	1	
16	214-11198-01	GASKET	1	
17	3GM-13161-01	PIPE, DELIVERY 1	1	
18	93210-06714	O-RING	3	
19	95027-06012	BOLT, FLANGE	3	
20	3GM-15373-00	PIPE, BREATHER	1	
21	3GM-13174-00	HOLDER, OIL PIPE	1	
22	99009-10400	CIRCLIP	1	
23	90465-08076	CLAMP	1	

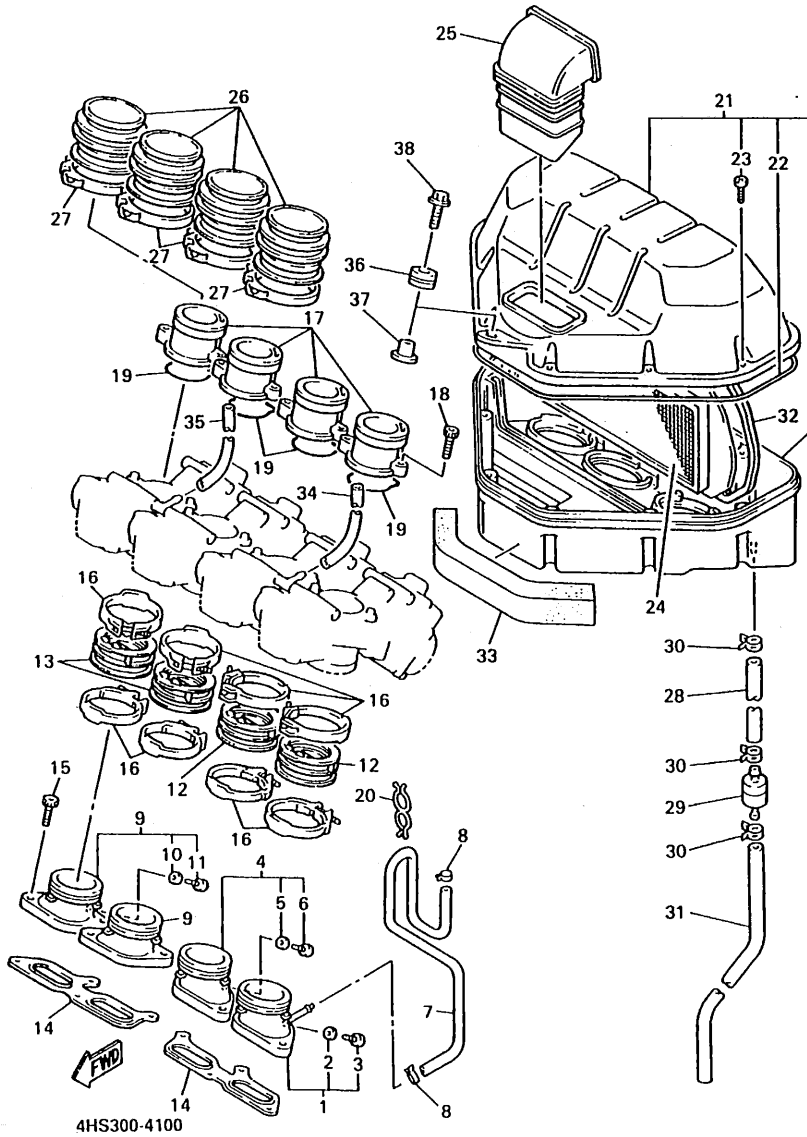
FIG. 10 INTAKE



REF. NO.	PART NO.	DESCRIPTION	Q'TY	REMARKS
1	4FN-13586-01	JOINT, CARBURETOR 1	1	
2	90430-06014	.GASKET	1	
3	91317-06012	.BOLT	1	
4	4FM-13586-01	JOINT, CARBURETOR 1	1	
5	90430-06014	.GASKET	1	
6	91317-06012	.BOLT	1	
7	3FV-2416A-00	HOSE	1	
8	90467-08092	CLIP	2	
9	4FM-13596-01	JOINT, CARBURETOR 2	2	
10	90430-06014	.GASKET	1	
11	91317-06012	.BOLT	1	
12	4FN-13597-00	JOINT, CARBURETOR 3	2	
13	4FN-13598-00	JOINT, CARBURETOR 4	2	
14	4FM-13556-01	GASKET, MANIFOLD	2	
15	91317-06020	BOLT	8	
16	90450-57034	HOSE CLAMP ASSY	8	
17	4FN-1440F-00	JOINT, AIR FILTER 1	4	
18	91317-05012	BOLT	8	
19	4FN-14561-00	O-RING	4	
20	90464-17184	CLAMP	1	
21	4FM-14401-00	AIR CLEANER CASE ASSY	1	
22	4FM-14452-00	.SEAL	1	
23	97707-50525	.SCREW, TAPPING	8	
24	4FM-14451-00	ELEMENT, AIR CLEANER	1	
25	4FN-14437-00	DUCT	1	
26	4FN-14453-00	JOINT, AIR CLEANER 1	4	
27	90460-65195	CLAMP, HOSE	4	
28	1HX-1443E-00	PIPE, DRAIN	1	

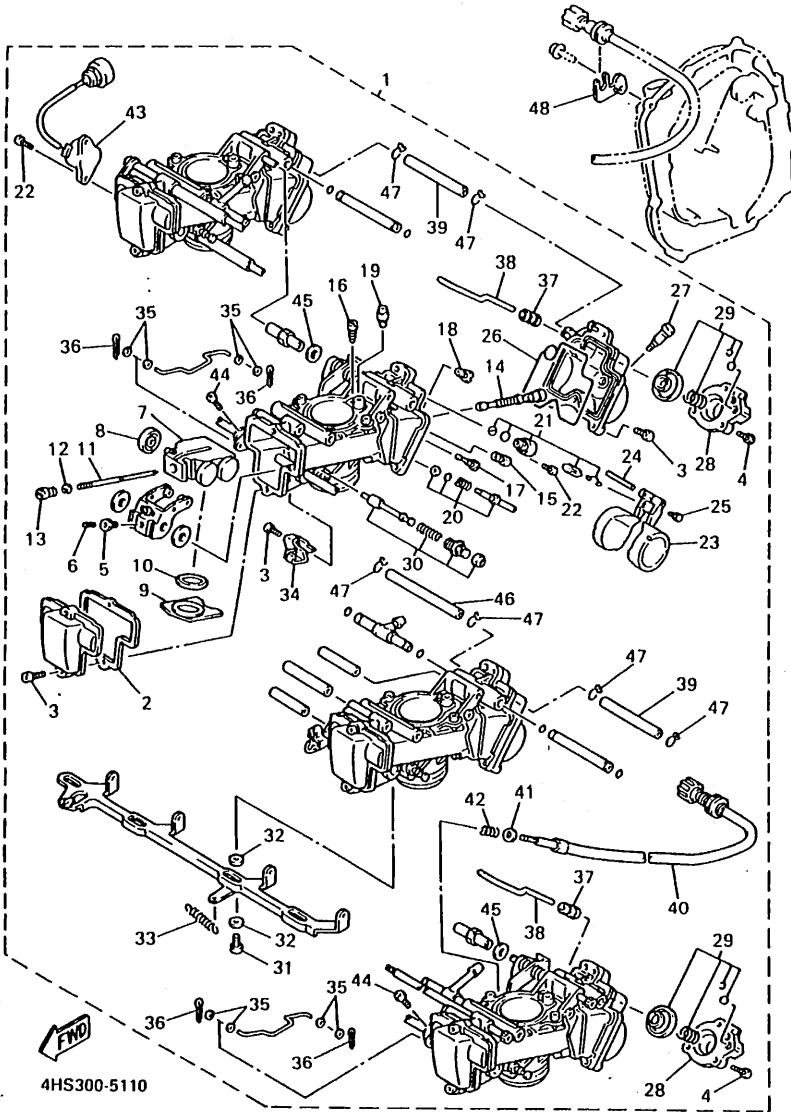
FIG. 10 INTAKE

REF. NO.	PART NO.	DESCRIPTION	Q'TY	REMARKS
29	4X7-2149Y-00	FILTER ASSY	1	
30	90467-11106	CLIP	3	
31	90445-116H6	HOSE	1	
32	4FM-14462-00	SEAL	1	
33	4FN-14467-00	SEAL	1	
34	90445-11293	HOSE	1	
35	90445-116H8	HOSE	1	
36	90480-12314	GROMMET	1	
37	90387-065J6	COLLAR	1	
38	95807-06020	BOLT, FLANGE	1	



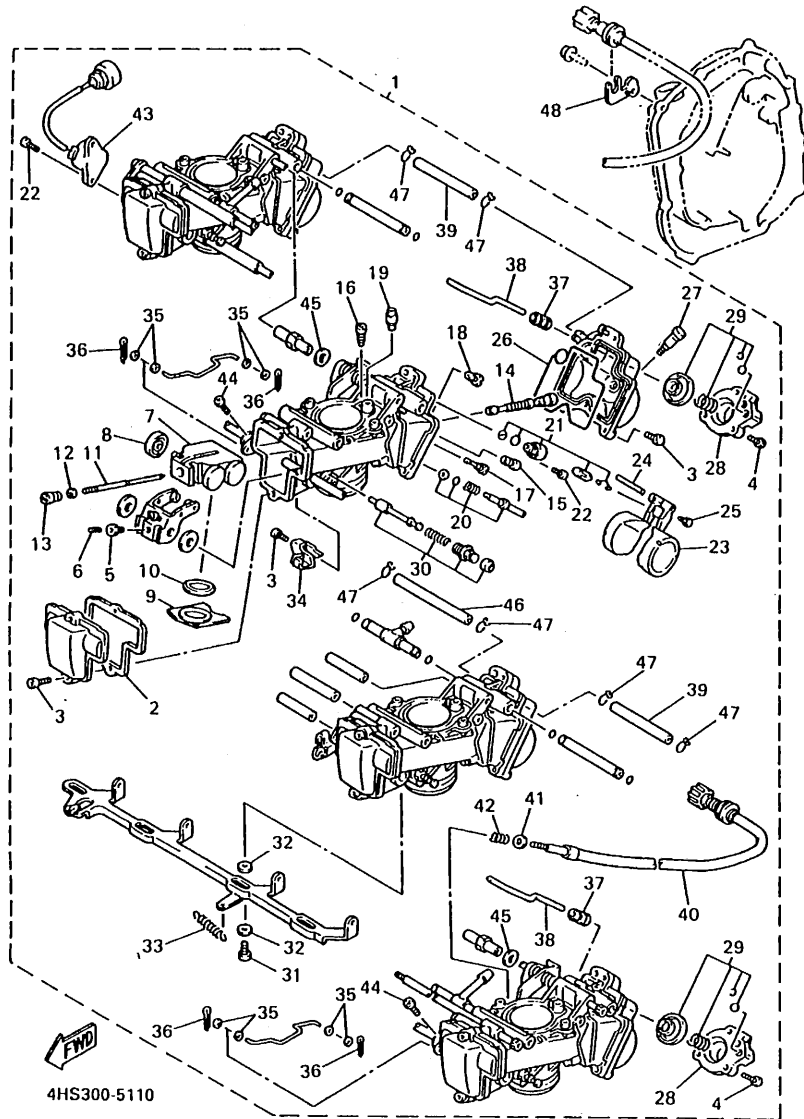
**B15**

FIG. 11 CARBURETOR



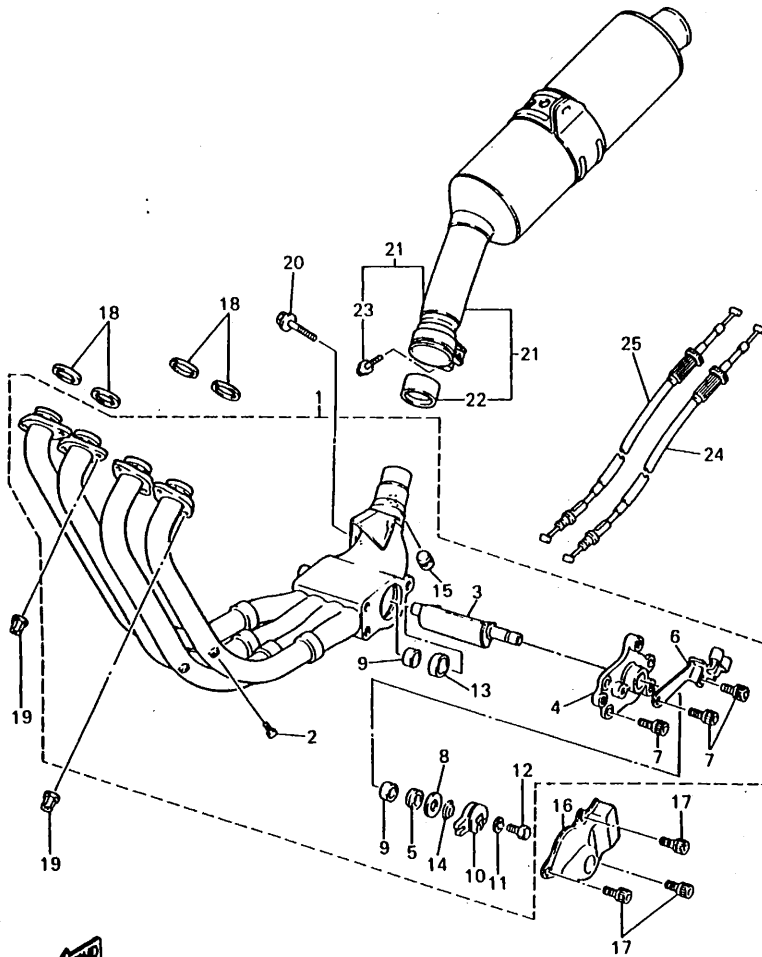
REF. NO.	PART NO.	DESCRIPTION	Q'TY	REMARKS
1	4HS-14900-10	CARBURETOR ASSY	1	
2	4FN-14959-00	.GASKET	4	
3	91316-04010	.BOLT	20	
4	91316-04008	.BOLT	6	
5	3TJ-14393-40	.NUT, CROWN	4	
6	3TJ-14522-40	.SCREW, ADJUST	4	
7	4FN-14340-00	.VALVE ASSY	4	
8	3TJ-14267-40	.ROLLER	4	
9	4FN-14546-00	.VALVE, NEEDLE	4	
10	4FN-14997-00	.SEAL	4	
11	4HS-14916-00	.NEEDLE	4	
12	3TJ-14159-40	.CLIP	4	
13	3TJ-14521-40	.SCREW, ADJUST	4	
14	4FN-14947-00	.JET, NEEDLE	4	
15	3TJ-14943-32	.JET, MAIN (#125)	4	
16	3TJ-14943-15	.JET, MAIN (#70)	4	
17	3TJ-14948-03	.JET (#40)	4	
18	3TJ-1494F-11	.JET	4	
19	7A9-14943-31	.JET, MAIN (#120)	4	
20	4FN-14105-00	.PILOT SCREW SET	4	
21	4FN-14107-00	.NEEDLE VALVE SET	4	
22	3TJ-14216-40	.SCREW	6	
23	4FN-14985-00	.FLOAT	4	
24	663-14548-00	.PIN, FLOAT ARM	4	
25	98580-04008	.SCREW, PAN HEAD	4	
26	3TJ-14984-40	.GASKET, FLOAT CHAMBER	4	
27	3TJ-14191-40	.PLUG, DRAIN	4	
28	3TJ-14293-40	.COVER 1	2	

FIG. 11 CARBURETOR



REF. NO.	PART NO.	DESCRIPTION	Q'TY	REMARKS
29	3TJ-1490A-40	•DIAPHRAGM SET, 1	2	
30	3TJ-1410A-40	•STARTER SET	4	
31	3TJ-14245-40	•SCREW, GUIDE	3	
32	90202-06056	•WASHER, PLATE	6	
33	3TJ-14935-40	•SPRING	1	
34	4FN-14261-00	•HOLDER	1	
35	90202-03052	•WASHER, PLATE	8	
36	3TJ-14365-40	•PIN, CLEVIS	4	
37	3TJ-14968-40	•CAP	2	
38	3TJ-14379-40	•ROD, STARTER	2	
39	4FN-14294-00	•HOSE	2	
40	4HS-14922-00	•SCREW, THROTTLE	1	
41	90201-08410	•WASHER, PLATE	1	
42	4FN-14934-00	•SPRING, THROTTLE STOP	1	
43	4FN-85885-00	•THROTTLE SENSOR ASSY	1	
44	3TJ-14325-40	•SCREW, PAN HEAD	2	
45	90201-08333	•WASHER, PLATE	2	
46	4FN-14298-00	•PIPE	1	
47	3TJ-14137-40	•CLIP	6	
48	4FN-14413-00	STAY	1	

FIG. 12 EXHAUST

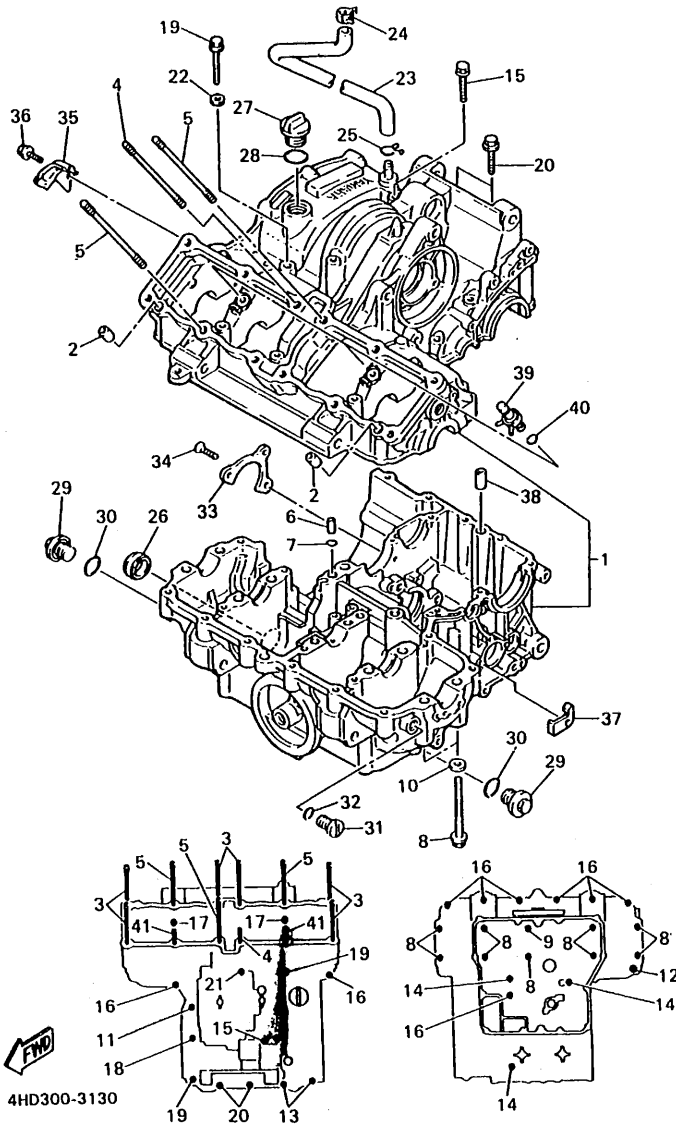


REF. NO.	PART NO.	DESCRIPTION	Q'TY	REMARKS
1	4FM-14610-10	EXHAUST PIPE ASSY 1	1	
2	90101-06576	.BOLT	4	
3	3GM-14821-01	.ARM, SHAFT (VALVE)	1	
4	3GM-14811-00	.HOUSING	1	
5	2TK-14845-00	.DUST SEAL ASSY	1	
6	2TK-14867-01	.BRACKET	1	
7	90119-06115	.BOLT, WITH WASHER	3	
8	90201-106M5	.WASHER, PLATE	1	
9	90380-10195	.BUSH, SOLID	2	
10	2TK-14865-01	.PULLEY	1	
11	90201-050T4	.WASHER, PLATE	1	
12	97080-05012	.BOLT	1	
13	90387-106U7	.COLLAR	1	
14	3GM-14683-00	.SPRING, HOOK	1	
15	4FM-24181-00	.DAMPER, LOCATING 1	1	
16	4HD-14826-00	PROTECTOR, EXHAUST	1	
17	90119-06187	BOLT, WITH WASHER	3	
18	4FM-14613-00	GASKET, EXHAUST PIPE	4	
19	90179-08410	NUT	8	
20	95817-08035	BOLT, FLANGE	1	
21	4HD-14710-00	MUFFLER ASSY 1	1	
22	3HE-14755-00	.GASKET, SILENCER	1	
23	95817-08025	.BOLT, FLANGE	1	
24	4FM-1133E-00	CABLE, PULLEY 1	1	
25	4FM-1133F-00	CABLE, PULLEY 2	1	



4HD300-3120

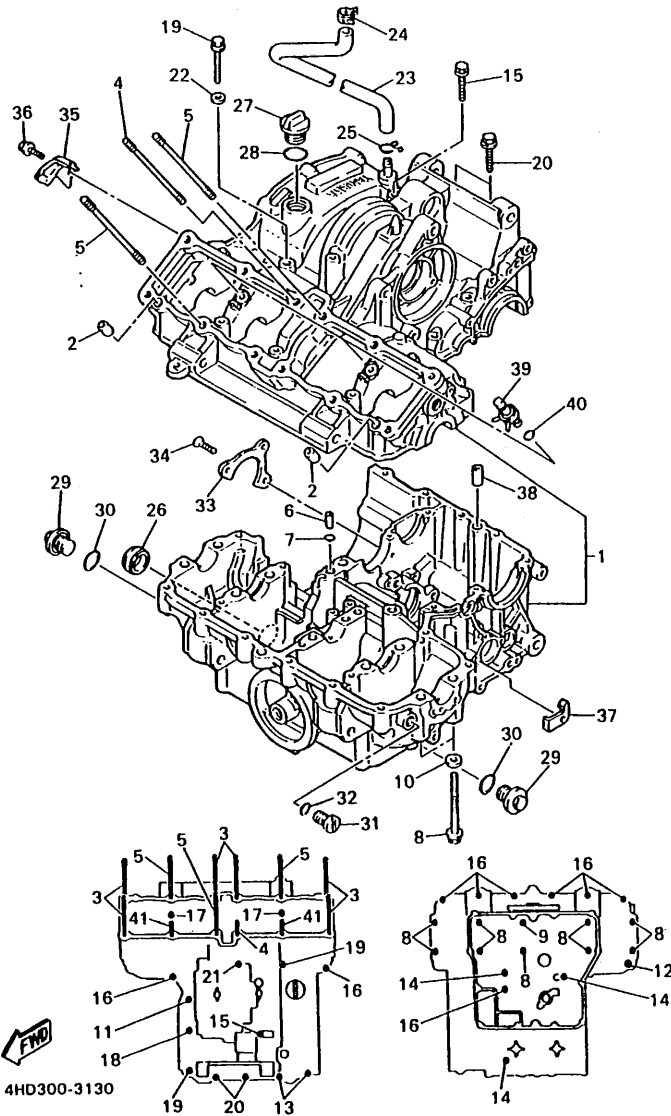
FIG. 13 CRANKCASE



REF. NO.	PART NO.	DESCRIPTION	Q'TY	REMARKS
1	3GM-15100-53	CRANKCASE ASSY	1	
2	99530-10014	PIN, DOWEL	2	
3	90116-10529	BOLT, STUD	6	
4	90116-10528	BOLT, STUD	1	
5	90116-10569	BOLT, STUD	3	
6	90387-05383	COLLAR	1	
7	93210-07135	O-RING	1	
8	90105-09373	BOLT, WASHER BASED	9	
9	90105-09580	BOLT, WASHER BASED	1	
10	90201-096J9	WASHER, PLATE	4	
11	95817-06035	BOLT, FLANGE	1	
12	95817-08045	BOLT, FLANGE	1	
13	95817-06060	BOLT, FLANGE	2	
14	95817-06080	BOLT, FLANGE	3	
15	95817-06140	BOLT, FLANGE	1	
16	95817-08045	BOLT, FLANGE	9	
17	95817-08055	BOLT, FLANGE	2	
18	95817-08065	BOLT, FLANGE	1	
19	95817-08090	BOLT, FLANGE	2	
20	95817-08060	BOLT, FLANGE	2	
21	90105-09555	BOLT, WASHER BASED	1	
22	90201-08087	WASHER, PLATE	1	
23	3FV-11166-00	PIPE, BREATHER 1	1	
24	90467-15054	CLIP	1	
25	90467-14015	CLIP	1	
26	90338-30096	PLUG	1	
27	3FV-15363-00	PLUG, OIL	1	
28	93210-27778	O-RING	1	

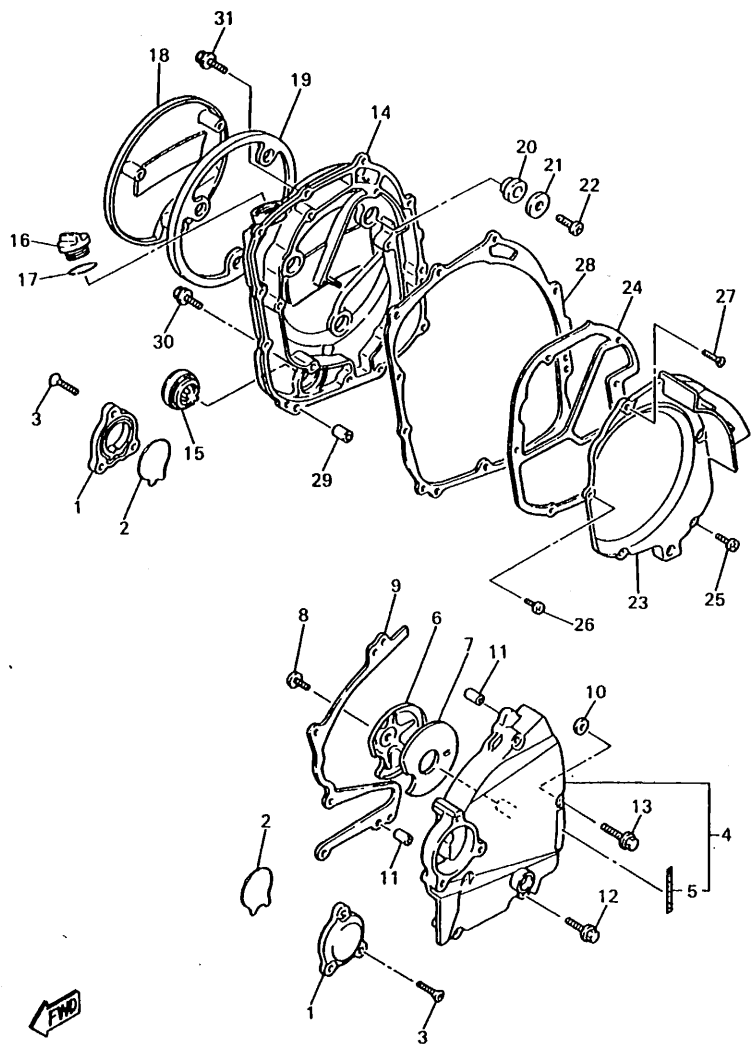


FIG. 13 CRANKCASE



REF. NO.	PART NO.	DESCRIPTION	Q'TY	REMARKS
29	4H7-15189-00	PLUG	2	
30	93210-20573	O-RING	2	
31	90340-14068	PLUG, STRAIGHT SCREW	1	
32	93210-14369	O-RING	1	
33	1AE-15383-00	PLATE, BEARING COVER	1	
34	90151-06014	SCREW, COUNTERSUNK	3	
35	90462-08184	CLAMP	1	
36	95027-06012	BOLT, FLANGE	1	
37	90462-08158	CLAMP	1	
38	99510-12016	PIN, DOWEL	1	
39	3FV-15105-00	NOZZLE ASSY	2	
40	93210-06632	O-RING	2	
41	90116-10568	BOLT, STUD	2	

FIG. 14 CRANKCASE COVER 1



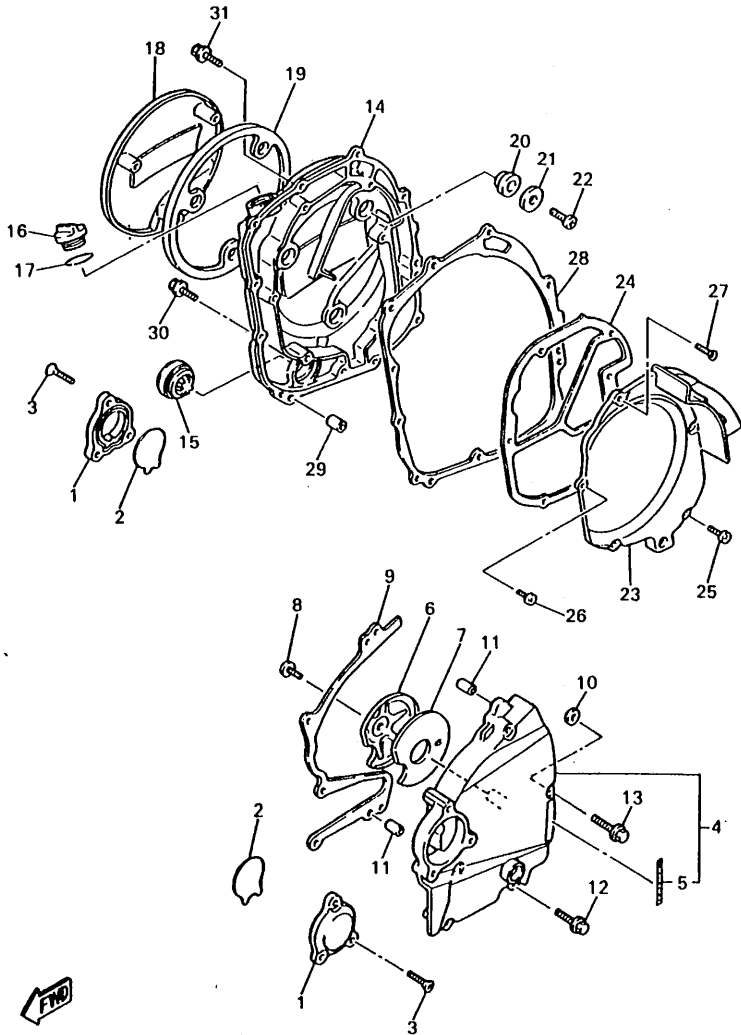
REF. NO.	PART NO.	DESCRIPTION	Q'TY	REMARKS
1	3GM-15416-00	COVER, OIL PUMP	2	
2	1AE-15456-00	GASKET, OIL PUMP COVER 1	2	
3	90152-06014	SCREW, COUNTERSUNK	6	
4	4FM-15410-01	CRANKCASE COVER ASSY 1	1	
5	1TV-15435-00	EMBLEM	1	
6	3GM-15427-00	COVER, CAP 2	1	
7	1AE-15316-00	DAMPER, ENGINE MOUNT 1	1	
8	92017-06010	SCREW	1	
9	4FM-15451-00	GASKET, CRANKCASE COVER 1	1	
10	4FM-15467-00	GASKET	1	
11	99530-08012	PIN, DOWEL	2	
12	95024-06040	BOLT, FLANGE	3	
13	95024-06050	BOLT, FLANGE	2	
14	4FM-15421-01	COVER, CRANKCASE 2	1	
15	3Y1-15361-00	GAUGE, LEVEL	1	
16	4FM-15362-00	PLUG, OIL LEVEL	1	
17	93210-27778	O-RING	1	
18	3GM-15417-00	COVER, CAP	1	
19	3GM-15449-00	RING, RUBBER	1	
20	4H7-15486-00	GROMMET	3	
21	90209-06096	WASHER	3	
22	98507-06010	SCREW, PAN HEAD	3	
23	3GM-15346-00	BREATHER 1	1	
24	4FM-15463-00	GASKET, CARBURETOR COVER 2	1	
25	98507-06020	SCREW, PAN HEAD	4	
26	90157-06104	SCREW, PAN HEAD	1	
27	90152-06024	SCREW, COUNTERSUNK	1	
28	4FM-15461-00	GASKET, CRANKCASE COVER 2	1	



4HD300-3140

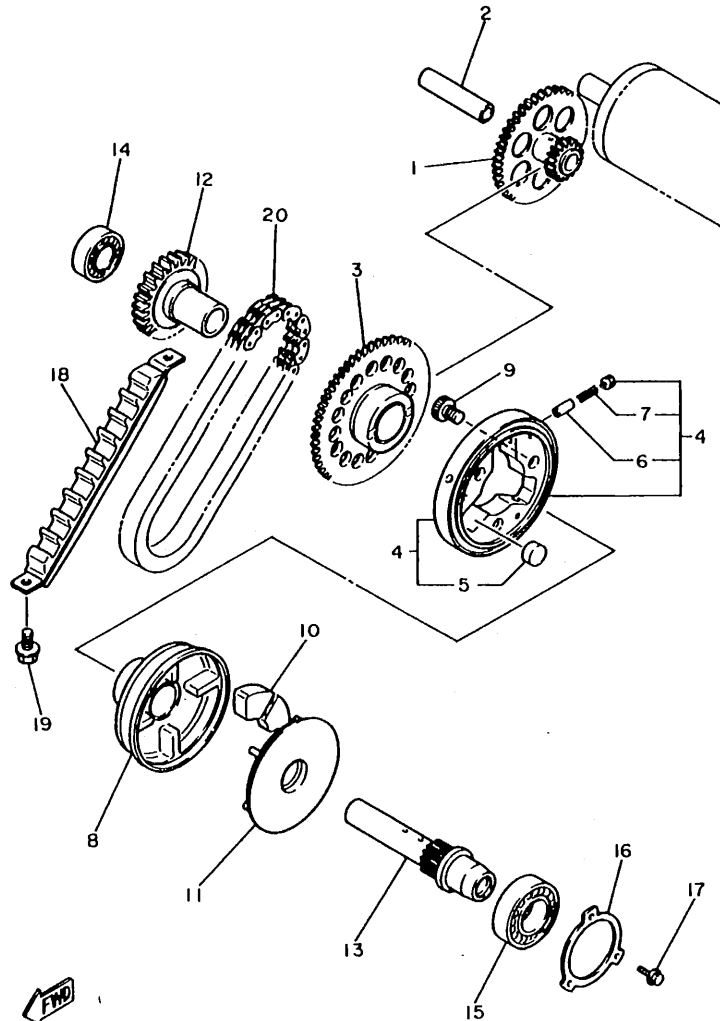
FIG. 14 CRANKCASE COVER 1

REF. NO.	PART NO.	DESCRIPTION	Q'TY	REMARKS
29	99530-08012	PIN, DOWEL	2	
30	95024-06030	BOLT, FLANGE	2	
31	95024-06020	BOLT, FLANGE	9	



4HD300-3140

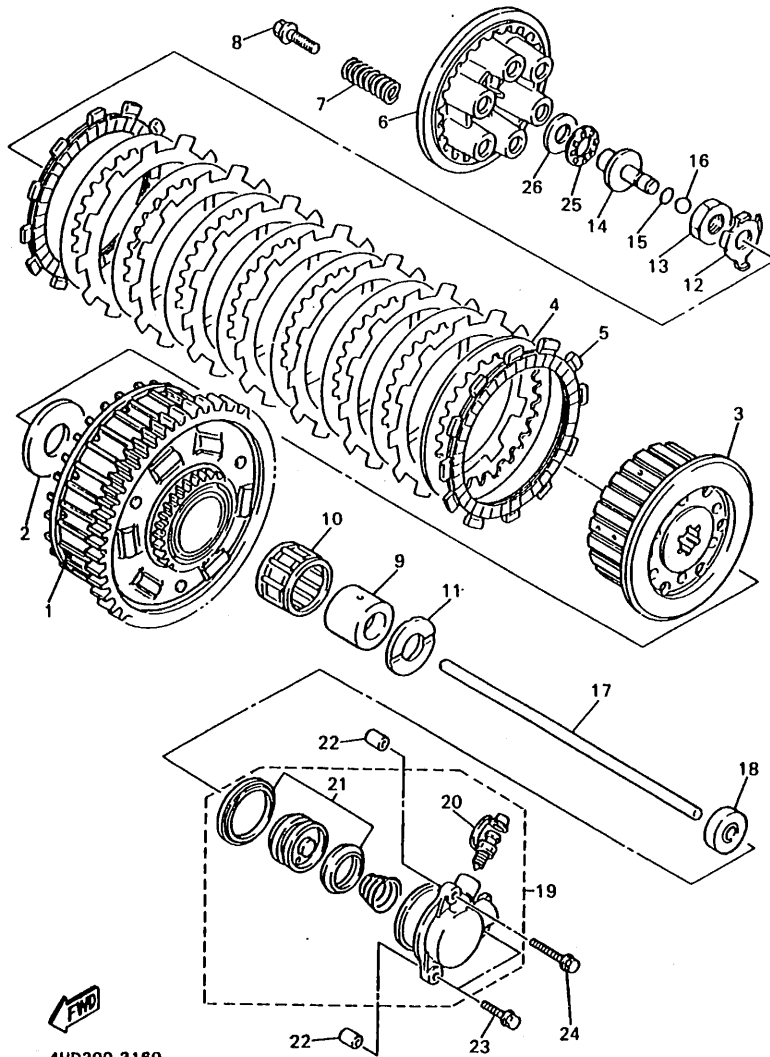
FIG. 15 STARTER



REF. NO.	PART NO.	DESCRIPTION	Q'TY	REMARKS
1	3GM-15512-01	GEAR, IDLER 1	1	
2	51Y-15521-00	SHAFT 1	1	
3	4BH-15517-00	GEAR, IDLER 2	1	
4	3GM-15580-00	STARTER CLUTCH OUTER ASSY	1	
5	93615-12088	.PIN, DOWEL	3	
6	1J7-15583-01	.CAP, STARTER CLUTCH SPRING	3	
7	90501-04623	.SPRING, COMPRESSION	3	
8	3GM-15524-00	WHEEL, STARTER	1	
9	90110-08177	BOLT, HEXAGON SOCKET HEAD	3	
10	4H7-16155-01	ABSORBER 1	4	
11	3GM-15689-00	RETAINER	1	
12	3GM-15519-00	SPROCKET, STARTER 2	1	
13	3GM-15522-00	SHAFT 2	1	
14	93306-20335	BEARING	1	
15	93306-20541	BEARING (B6205)	1	
16	1AE-15381-00	PLATE, BEARING COVER	1	
17	95027-06016	BOLT, FLANGE	3	
18	3GM-11474-00	GUIDE, UPPER	1	
19	95817-06014	BOLT, FLANGE	2	
20	4FM-11456-00	CHAIN, PRIMARY	1	

3KS351-9150

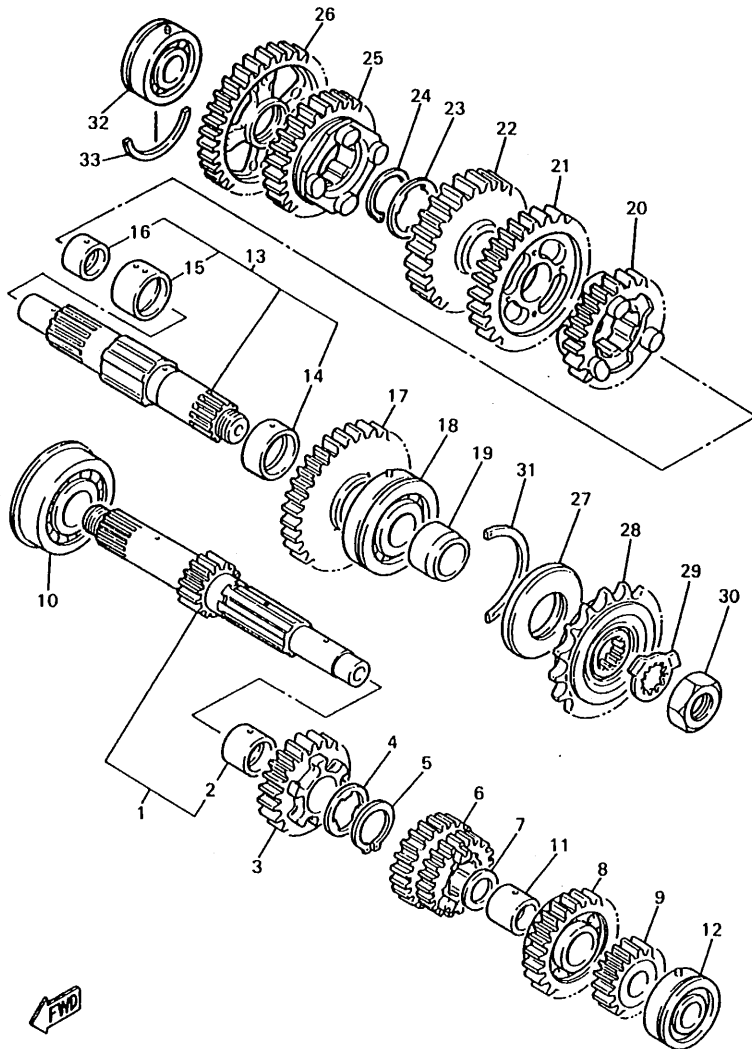
FIG. 16 CLUTCH



4HD300-3160

REF. NO.	PART NO.	DESCRIPTION	Q'TY	REMARKS
1	4FM-16150-00	PRIMARY DRIVEN GEAR COMP.	1	
2	1AE-16154-00	PLATE, THRUST 1	1	
3	2GH-16371-00	BOSS, CLUTCH	1	
4	3JZ-16324-00	PLATE, CLUTCH 1	8	
5	4FN-16321-00	PLATE, FRICTION	9	
6	58L-16351-00	PLATE, PRESSURE 1	1	
7	90501-225A9	SPRING, COMPRESSION	6	
8	90159-06123	SCREW, WITH WASHER	6	
9	90560-25270	SPACER	1	
10	93310-340N8	BEARING, CYLINDRICAL	1	
11	1AE-16164-00	PLATE, THRUST 2	1	
12	90215-20231	WASHER, LOCK	1	
13	90170-20327	NUT	1	
14	1LJ-16356-00	ROD, PUSH 1	1	
15	93210-06632	O-RING	1	
16	93511-32027	BALL	1	
17	1AE-16357-00	ROD, PUSH 2	1	
18	93109-08061	OIL SEAL	1	
19	1TV-16381-11	PUSH LEVER COMP.	1	
20	36Y-W0048-00	.BREED SCREW KIT	1	
21	26H-W0098-00	.PUSH LEVER SEAL KIT	1	
22	99510-08012	PIN, DOWEL	2	
23	95027-06030	BOLT, FLANGE	2	
24	95027-06090	BOLT, FLANGE	1	
25	93340-21505	BEARING, THRUST	1	
26	90201-150H2	WASHER, PLATE	1	

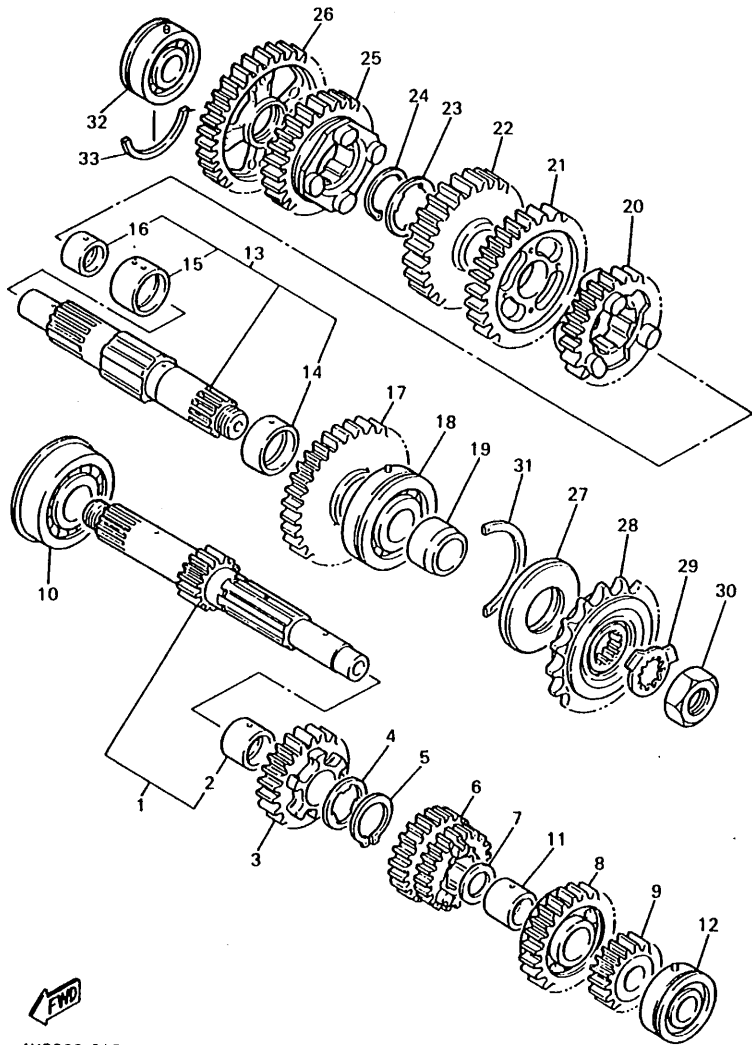
FIG. 17 TRANSMISSION



4HS300-3170

REF. NO.	PART NO.	DESCRIPTION	Q'TY	REMARKS
1	4FN-W1741-00	MAIN AXLE ASSY	1	
2	90387-253M6	.COLLAR	1	
3	4FN-17151-00	GEAR, 5TH PINION	1	
4	90209-22191	WASHER	1	
5	93440-25084	CIRCLIP	1	
6	4FN-17131-00	GEAR, 3RD PINION	1	
7	90201-200K3	WASHER, PLATE	1	
8	4FN-17161-00	GEAR, 6TH PINION	1	
9	3FV-17121-00	GEAR, 2ND PINION (17T)	1	
10	93306-30560	BEARING	1	
11	90387-203M7	COLLAR	1	
12	93306-20455	BEARING	1	
13	3FV-W1742-00	DRIVE AXLE ASSY	1	
14	90387-263M8	.COLLAR	1	
15	90387-284M0	.COLLAR	1	
16	90387-204M1	.COLLAR	1	
17	3FV-17221-00	GEAR, 2ND WHEEL (33T)	1	
18	93305-30501	BEARING	1	
19	90387-255V9	COLLAR	1	
20	3FV-17261-00	GEAR, 6TH WHEEL (25T)	1	
21	3FV-17231-00	GEAR, 3RD WHEEL (31T)	1	
22	4FN-17241-00	GEAR, 4TH WHEEL	1	
23	90209-25196	WASHER	1	
24	93440-28062	CIRCLIP	1	
25	4FN-17251-00	GEAR, 5TH WHEEL	1	
26	3FV-17211-00	GEAR, 1ST WHEEL (32T)	1	
27	93102-35423	OIL SEAL	1	
28	2GH-17460-00	SPROCKET, DRIVE 16T (2GH1746160)	1	

FIG. 17 TRANSMISSION

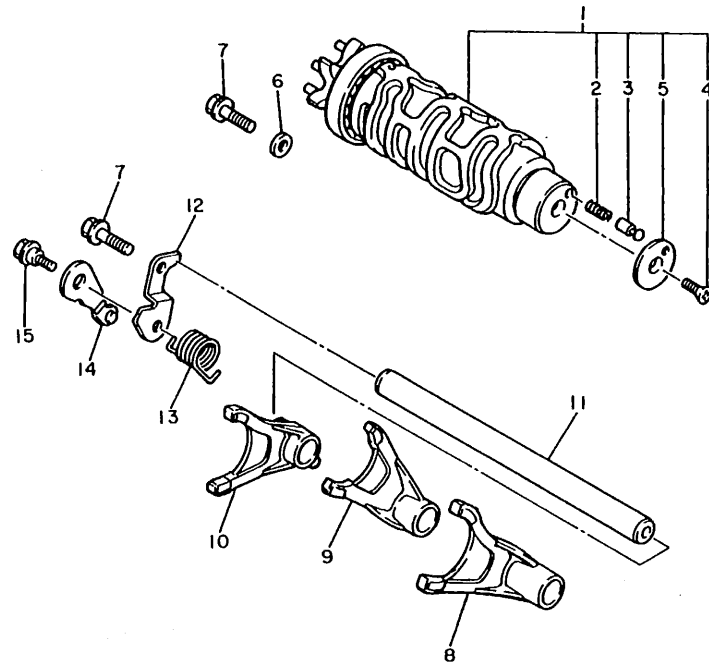


REF. NO.	PART NO.	DESCRIPTION	Q'TY	REMARKS
29	90215-21022	WASHER, LOCK	1	
30	90179-18020	NUT	1	
31	278-17424-01	CIRCLIP 1	1	
32	93306-20455	BEARING	1	
33	93440-45144	CIRCLIP	1	



4HS300-3170

FIG. 18 SHIFT CAM • FORK



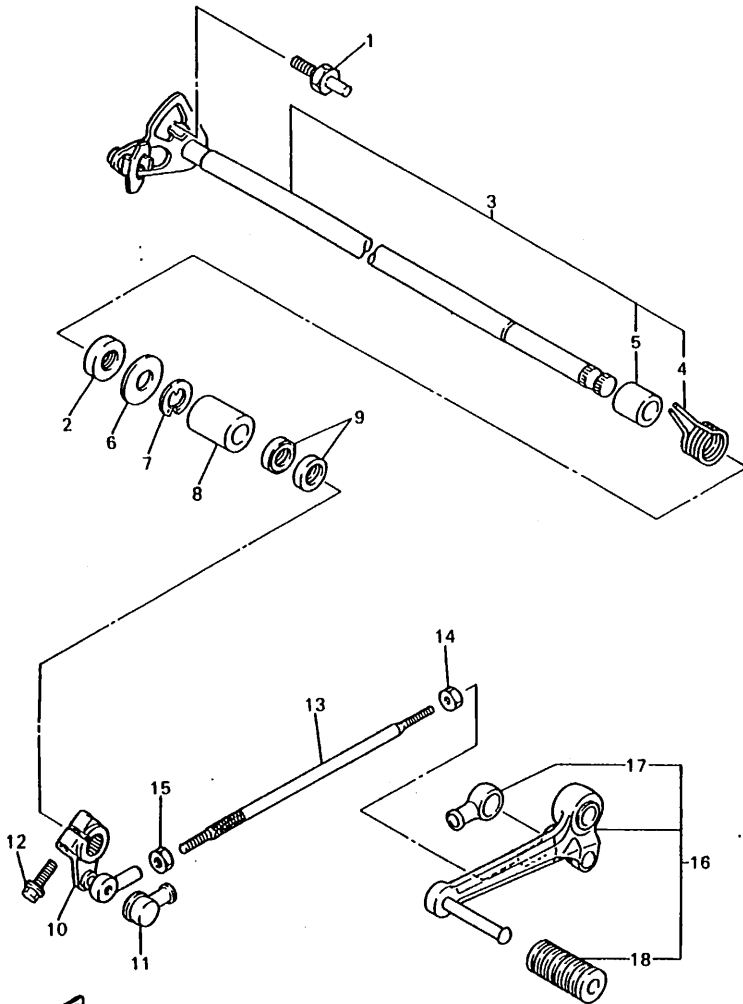
REF. NO.	PART NO.	DESCRIPTION	Q'TY	REMARKS
1	4FM-18540-00	SHIFT CAM ASSY	1	
2	90501-06022	•SPRING, COMPRESSION	1	
3	278-18542-00	•POINT, NEUTRAL	1	
4	98707-05012	•SCREW, FLAT HEAD	1	
5	278-18566-00	•PLATE, SIDE 2	1	
6	90201-06643	WASHER, PLATE	1	
7	95827-06016	BOLT, FLANGE	2	
8	4FM-18511-00	FORK, SHIFT 1	1	
9	4FM-18512-00	FORK, SHIFT 2	1	
10	4FM-18513-00	FORK, SHIFT 3	1	
11	4BH-18531-00	BAR, SHIFT FORK GUIDE 1	1	
12	1AE-18536-00	STOPPER, SHIFT BAR	1	
13	90508-26681	SPRING, TORSION	1	
14	36Y-18140-00	STOPPER LEVER ASSY	1	
15	90109-063F8	BOLT	1	



1FN310-5180



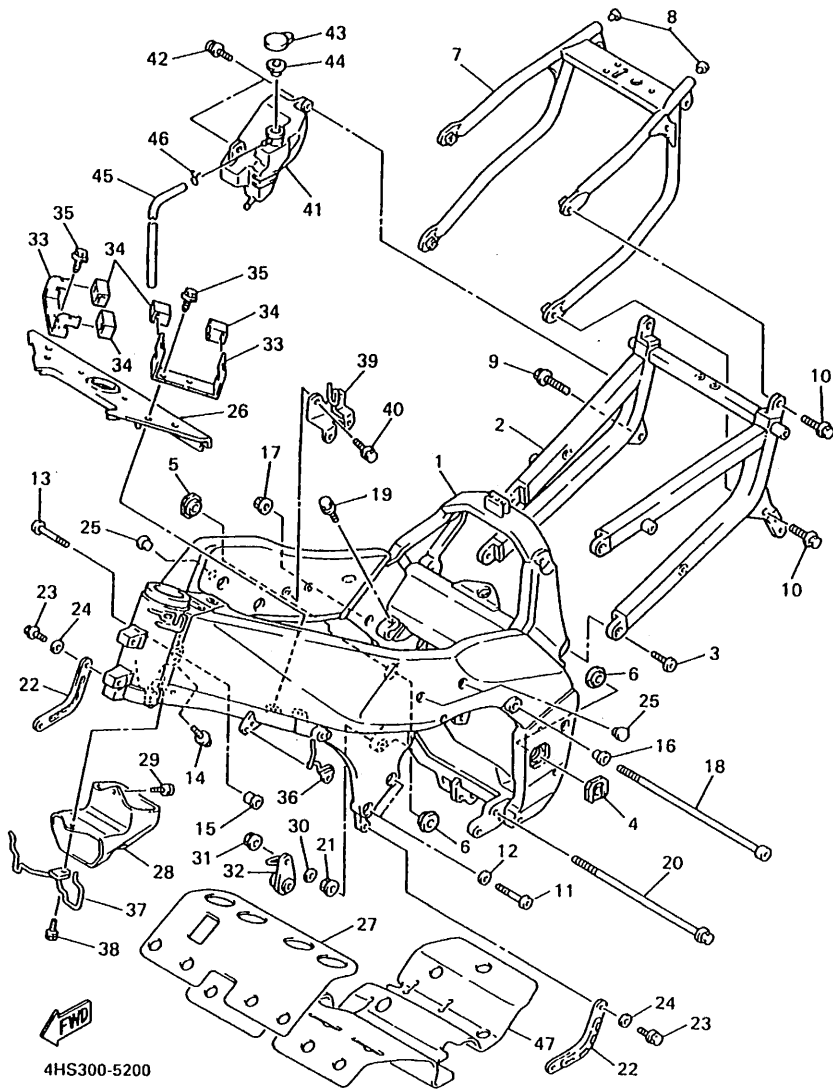
FIG. 19 SHIFT SHAFT



REF. NO.	PART NO.	DESCRIPTION	Q'TY	REMARKS
1	4G0-18127-00	STOPPER, SCREW	1	
2	93102-12106	OIL SEAL	1	
3	1AE-18101-01	SHIFT SHAFT ASSY	1	
4	90508-32682	•SPRING, TORSION	1	
5	90387-114K8	•COLLAR	1	
6	90201-12575	WASHER, PLATE	1	
7	99006-10600	CIRCLIP	1	
8	90560-12191	SPACER	1	
9	93109-12053	OIL SEAL (SDO 12/18/4-1)	2	
10	2GH-18112-01	ARM, SHIFT	1	
11	2H9-18154-00	COVER, DUST	1	
12	95824-06020	BOLT, FLANGE	1	
13	1WG-18115-00	ROD, SHIFT	1	
14	90170-06228	NUT (COUNTER, CLOCKWISE)	1	
15	95304-06700	NUT	1	
16	4FM-18110-01	SHIFT PEDAL ASSY	1	
17	2H9-18154-00	•COVER, DUST	1	
18	132-18113-01	•COVER, SHIFT PEDAL	1	

4HD300-3190

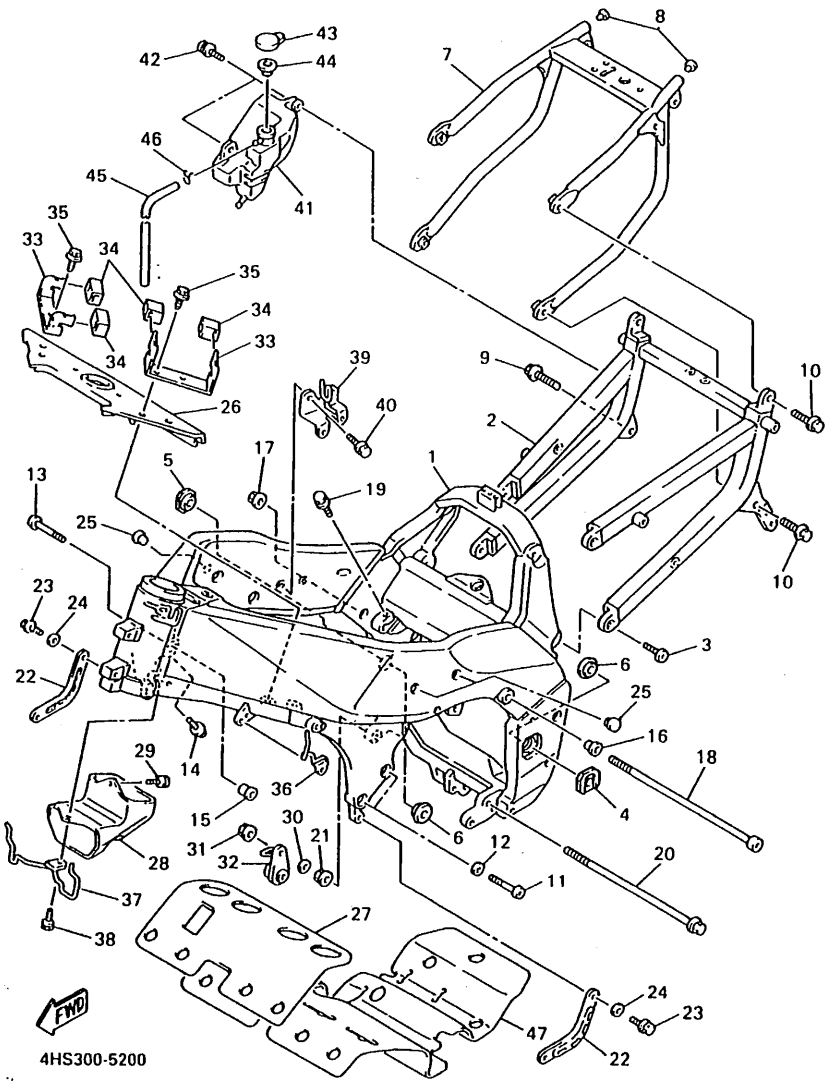
FIG. 20 FRAME



4HS300-5200

REF. NO.	PART NO.	DESCRIPTION	Q'TY	REMARKS
1	4FN-21110-00	FRAME, COMP.	1	
2	4FN-21190-00	REAR FRAME COMP.	1	
3	90109-08718	BOLT	4	
4	4FN-21496-00	BOSS, REAR ARM (L.H)	1	
5	4FN-21497-00	BOSS, REAR ARM (R.H)	1	
6	4FN-2139W-00	COVER	2	
7	4FM-21645-11	STAY, REAR	1	
8	90338-16148	PLUG	2	
9	95814-08030	BOLT, FLANGE	1	
10	95814-08016	BOLT, FLANGE	3	
11	91314-10040	BOLT	2	
12	92907-10600	WASHER	2	
13	91314-10045	BOLT	2	
14	91314-08030	BOLT	2	
15	90387-115V8	COLLAR	2	
16	90387-105V7	COLLAR	1	
17	90179-10682	NUT	1	
18	90110-10169	BOLT, HEXAGON SOCKET HEAD	1	
19	95817-08030	BOLT, FLANGE	2	
20	90105-10716	BOLT, WASHER BASED	1	
21	90179-10658	NUT	1	
22	4FM-2142K-02	BRACKET, RADIATOR	2	
23	97007-06012	BOLT	2	
24	92907-06600	WASHER	2	
25	90338-15202	PLUG	3	
26	4FM-2117M-11	COVER 2	1	
27	4FN-2117F-00	COVER	1	
28	4FM-2137Y-01	GUIDE, AIR	1	

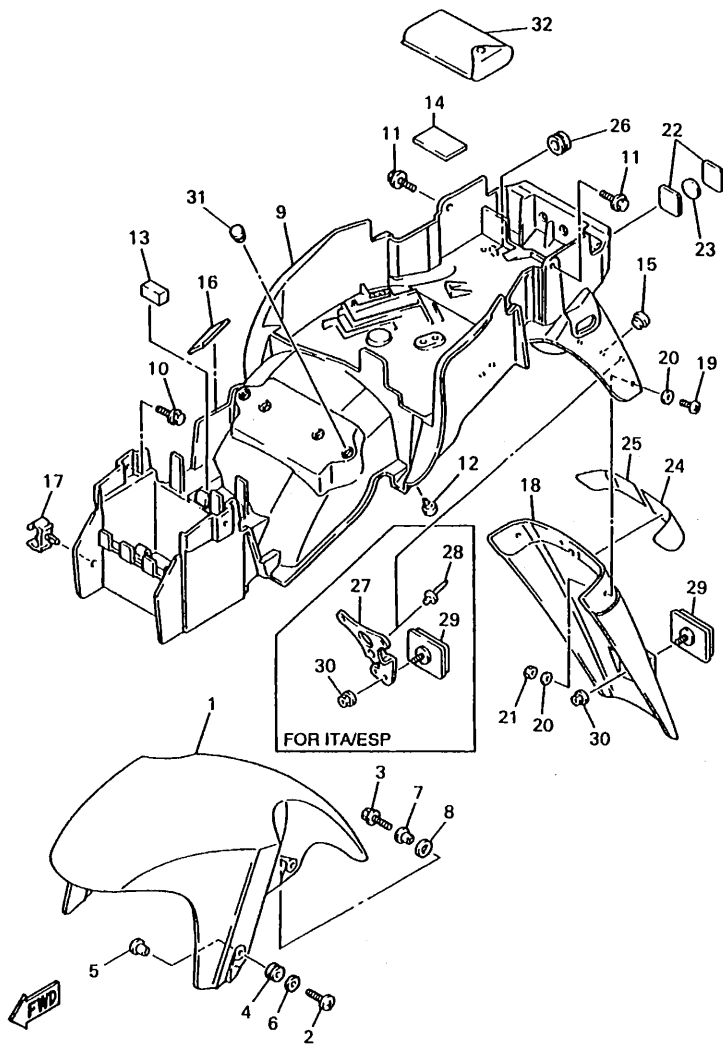
FIG. 20 FRAME



4HS300-5200

REF. NO.	PART NO.	DESCRIPTION	Q'TY	REMARKS
29	90159-06058	SCREW, WITH WASHER	1	
30	90201-101J1	WASHER, PLATE	1	
31	95707-10500	NUT, FLANGE	1	
32	4FM-21446-00	STAY, MUFFLER 2	1	
33	4FM-21359-10	BRACKET, COIL	2	
34	4BH-82317-01	DAMPER, IGNITION COIL	4	
35	90119-06018	BOLT, WITH WASHER	4	
36	4FM-21161-01	HOLDER, CABLE	1	
37	4FM-21162-00	HOLDER, CLUTCH CABLE	1	
38	90101-06664	BOLT	1	
39	4FM-2116J-10	BRACKET 7	1	
40	95817-06016	BOLT, FLANGE	2	
41	4FM-21871-01	TANK, RECOVERY	1	
42	90159-06033	SCREW, WITH WASHER	2	
43	4L0-21875-00	CAP	1	
44	1AA-21874-00	GASKET	1	
45	90445-084G9	HOSE	1	
46	90467-08003	CLIP	1	
47	4FM-12683-00	PROTECTOR, HEAT	1	

FIG. 21 FENDER

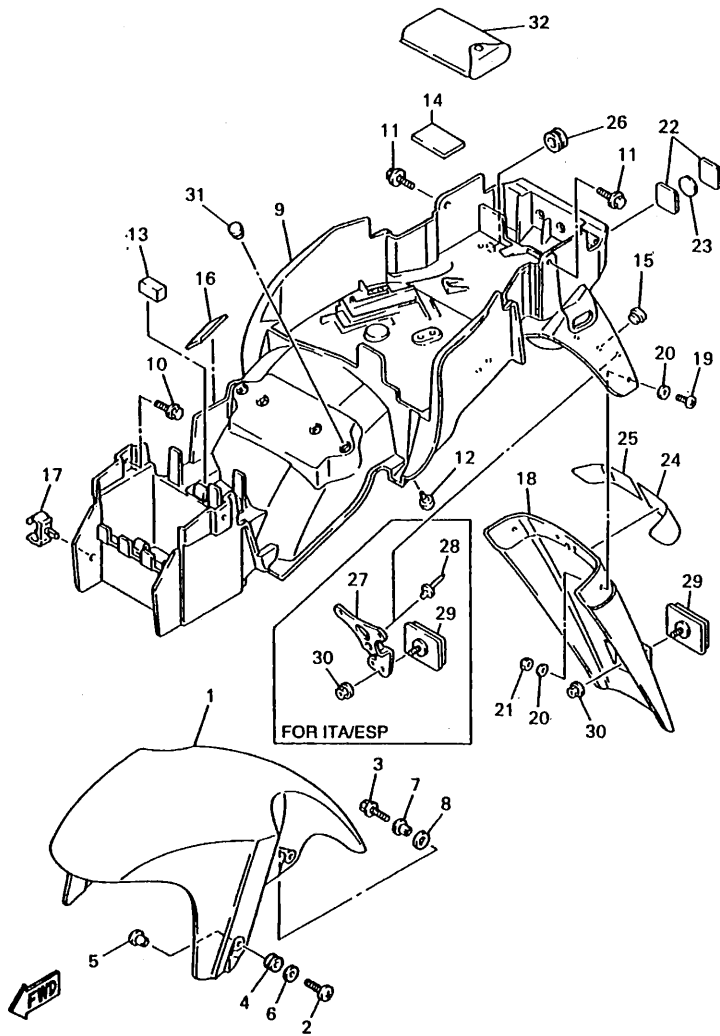


4HS300-6210

REF. NO.	PART NO.	DESCRIPTION	Q'TY	REMARKS
1	4FM-21511-03-P3	FENDER, FRONT	1	VIVID RED COCKTAIL 1
2	90154-06061	SCREW, BINDING	2	
3	95817-06016	BOLT, FLANGE	2	
4	90480-12596	GROMMET	2	
5	90387-0608A	COLLAR	2	
6	90209-18340	WASHER	2	
7	90387-087L0	COLLAR	2	
8	4FM-28372-00	DAMPER	2	
9	4FM-21611-03	FENDER, REAR	1	
10	90119-06118	BOLT, WITH WASHER	2	
11	90119-06205	BOLT, WITH WASHER	2	
12	35T-24724-00	DAMPER, SEAT	2	
13	1LJ-2414J-00	DAMPER, PLATE 2	1	
14	3TB-28217-00	DAMPER 1	1	
15	90338-07043	PLUG	1	
16	3XV-21778-00	DAMPER, LOCATING 1	1	
17	90464-09130	CLAMP	1	
18	3GM-21621-00	FLAP	1	
19	90149-04278	SCREW	4	
20	90201-04018	WASHER, PLATE	8	
21	95607-04100	NUT, U	4	
22	4FM-21649-00	DAMPER	2	
23	4FM-21459-00	SPACER	1	
24	3GM-21649-00	DAMPER	1	
25	3GM-21649-10	DAMPER	1	
26	90480-10258	GROMMET	2	
27	4FM-85132-00	BRACKET, REFLECTOR 1	1	FOR ITA/ESP
28	90267-40029	RIVET, BLIND	2	FOR ITA/ESP

D3

FIG. 21 FENDER



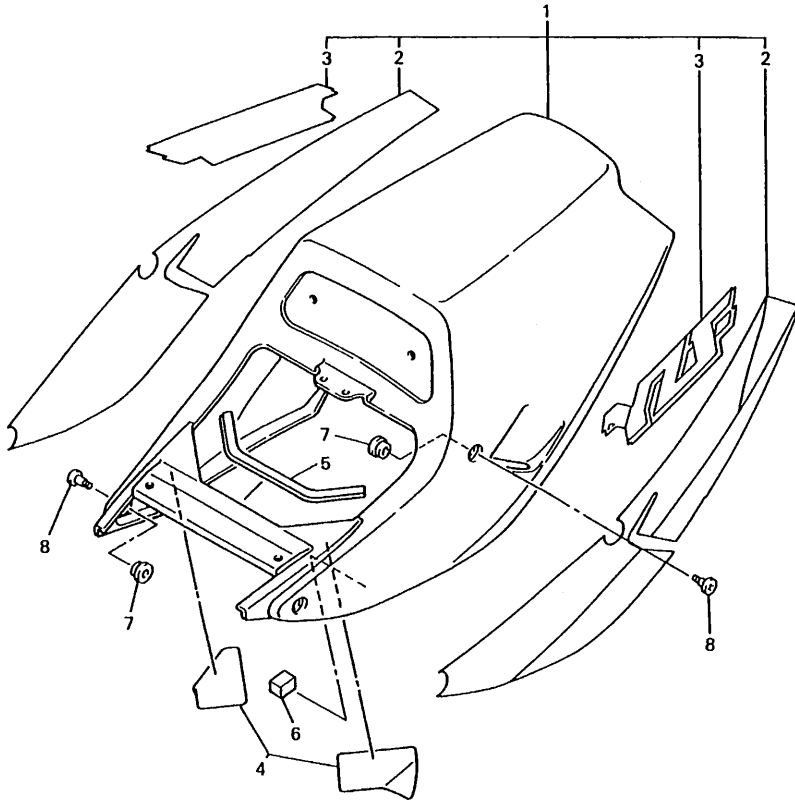
4HS300-6210

REF. NO.	PART NO.	DESCRIPTION	Q'TY	REMARKS
29	3G1-85130-01	REAR REFLECTOR ASSY	1	
30	95707-05500	NUT, FLANGE	1	
31	90338-10132	PLUG	1	
32	4FM-28100-10	TOOL KIT	1	

D4

FIG. 22 SIDE COVER

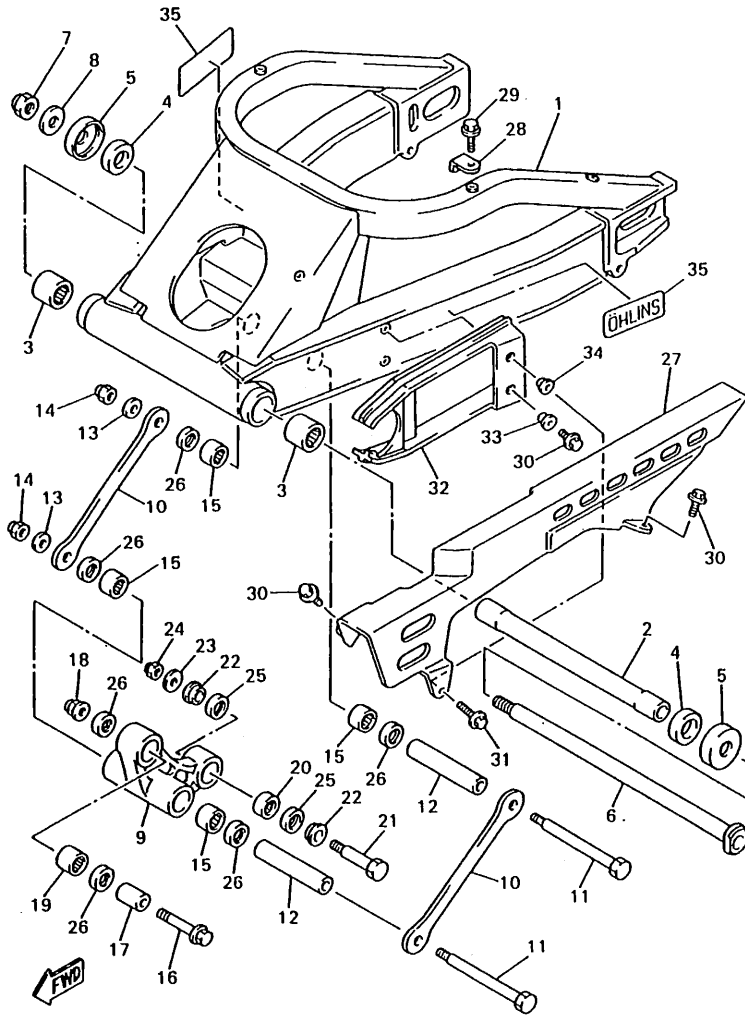
REF. NO.	PART NO.	DESCRIPTION	Q'TY	REMARKS
1	4FM-W2171-40-P1	SIDE COVER ASSY	1	VIVID RED COCKTAIL 1
2	4HS-2173L-20	GRAPHIC SET 1	1	
3	4HS-24786-00	EMBLEM	2	
4	1JK-21735-00	SEAL 2	2	
5	3YX-28346-00	MOLE 2	1	
6	1WG-2143A-00	CAP	1	
7	90480-13398	GROMMET	4	
8	90150-06036	SCREW, ROUND HEAD	4	



4HT332-6220

**D5**

FIG. 23 REAR ARM



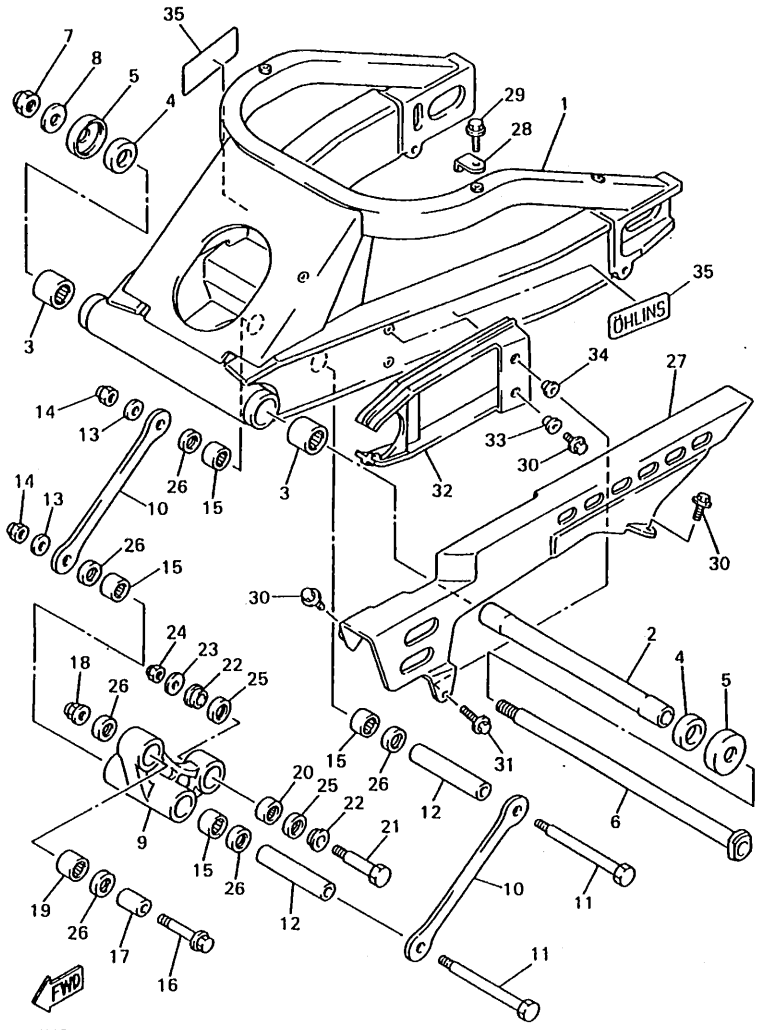
4HS300-5230

REF. NO.	PART NO.	DESCRIPTION	Q'TY	REMARKS
1	4FM-22110-10	REAR ARM COMP.	1	
2	3FV-22184-00	BUSH	1	
3	93315-42523	BEARING, CYLINDRICAL	2	
4	93342-22502	BEARING, THRUST	2	
5	3FV-22128-00	COVER, THRUST 1	2	
6	4FN-22141-00	SHAFT, PIVOT	1	
7	90185-18104	NUT, SELF-LOCKING	1	
8	92907-18600	WASHER	1	
9	4FN-2217A-00	ARM, RELAY	1	
10	4BH-2217M-00	ARM 1	2	
11	90101-10658	BOLT -	2	
12	90387-122R5	COLLAR	2	
13	90201-101J1	WASHER, PLATE	2	
14	95617-10100	NUT, U	2	
15	93317-21746	BEARING, CYLINDRICAL	4	
16	90105-10376	BOLT, WASHER BASED	1	
17	90387-102R4	COLLAR	1	
18	95617-10200	NUT, SELF-LOCKING	1	
19	93317-31771	BEARING, CYLINDRICAL	1	
20	93399-99919	BEARING	1	
21	90101-10659	BOLT	1	
22	90387-124W2	COLLAR	2	
23	90201-101J1	WASHER, PLATE	1	
24	95617-10100	NUT, U	1	
25	93101-16131	OIL SEAL	2	
26	93109-17048	OIL SEAL (SDO 17-24-4)	6	
27	4FM-22311-00	CASE, CHAIN	1	
28	4FM-2213J-00	STAY, CHAIN CASE	1	

D6

FIG. 23 REAR ARM

REF. NO.	PART NO.	DESCRIPTION	Q'TY	REMARKS
29	95024-06016	BOLT, FLANGE	1	
30	90119-06060	BOLT, WITH WASHER	3	
31	90119-06163	BOLT, WITH WASHER	1	
32	4FM-22151-01	SEAL, GUARD	1	
33	90387-06704	COLLAR	1	
34	90387-06681	COLLAR	1	
35	4HD-2218A-00	EMBLEM, REAR ARM	2	

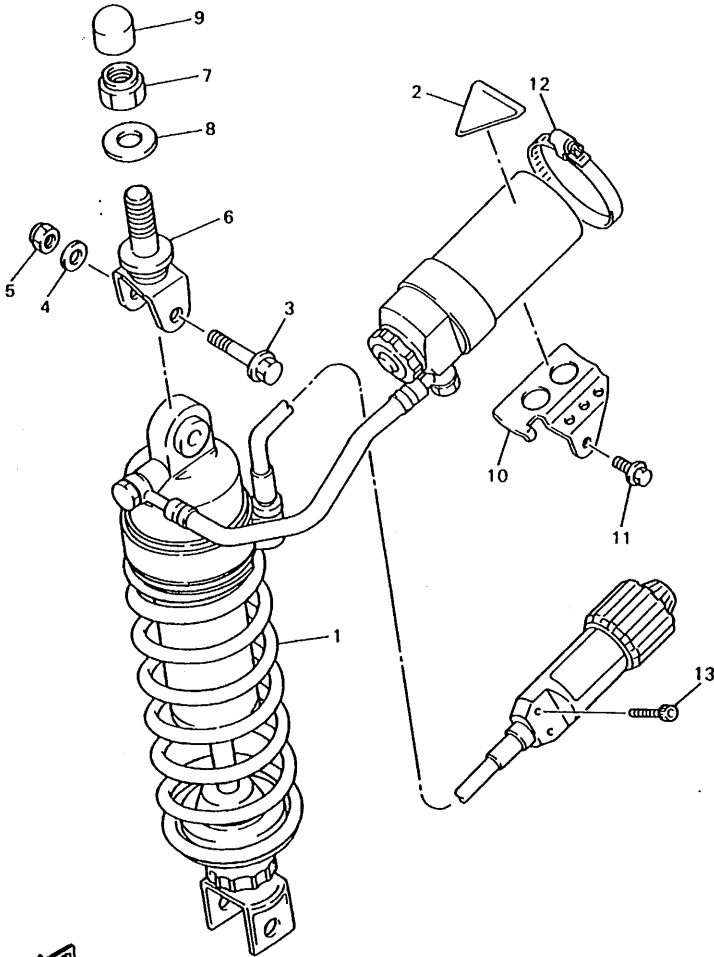


4HS300-5230

D7



FIG. 24 REAR SUSPENSION



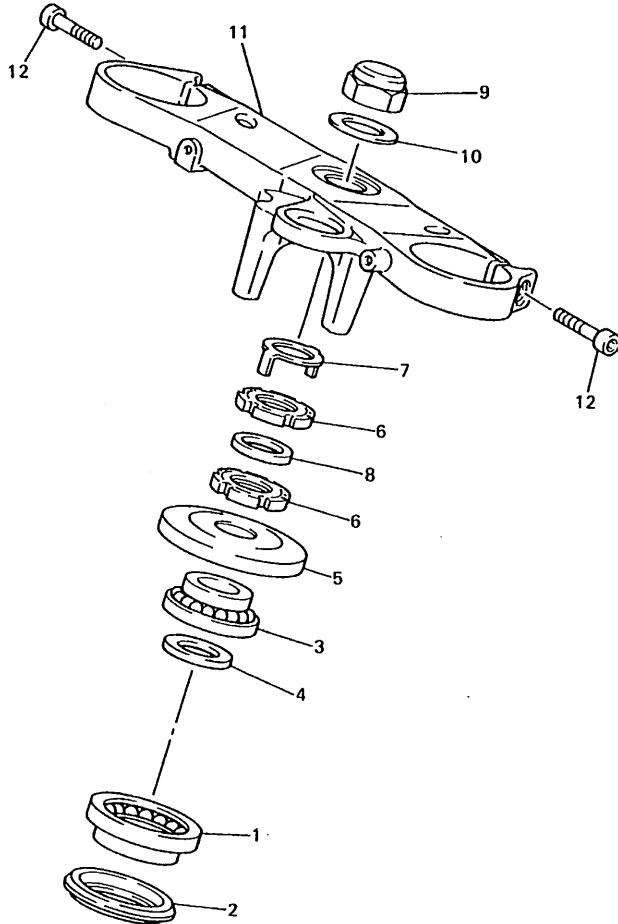
REF. NO.	PART NO.	DESCRIPTION	Q'TY	REMARKS
1	4HS-22210-00	SHOCK ABSORBER ASSY, REAR	1	
2	4AA-22259-40	LABEL, WARNING	1	
3	90105-10402	BOLT, WASHER BASED	1	
4	90201-101J1	WASHER, PLATE	1	
5	95617-10100	NUT, U	1	
6	4FM-22219-00	BRACKET, UPPER	1	
7	90185-16127	NUT, SELF-LOCKING	1	
8	90201-164H4	WASHER, PLATE	1	
9	47B-25335-00	CAP	1	
10	4FM-22262-10	HOLDER, SUB TANK	1	
11	95804-06016	BOLT, FLANGE	1	
12	90450-32008	HOSE CLAMP ASSY	1	
13	91314-06025	BOLT	2	

FWD

4HS300-5240

D8

FIG. 25 STEERING



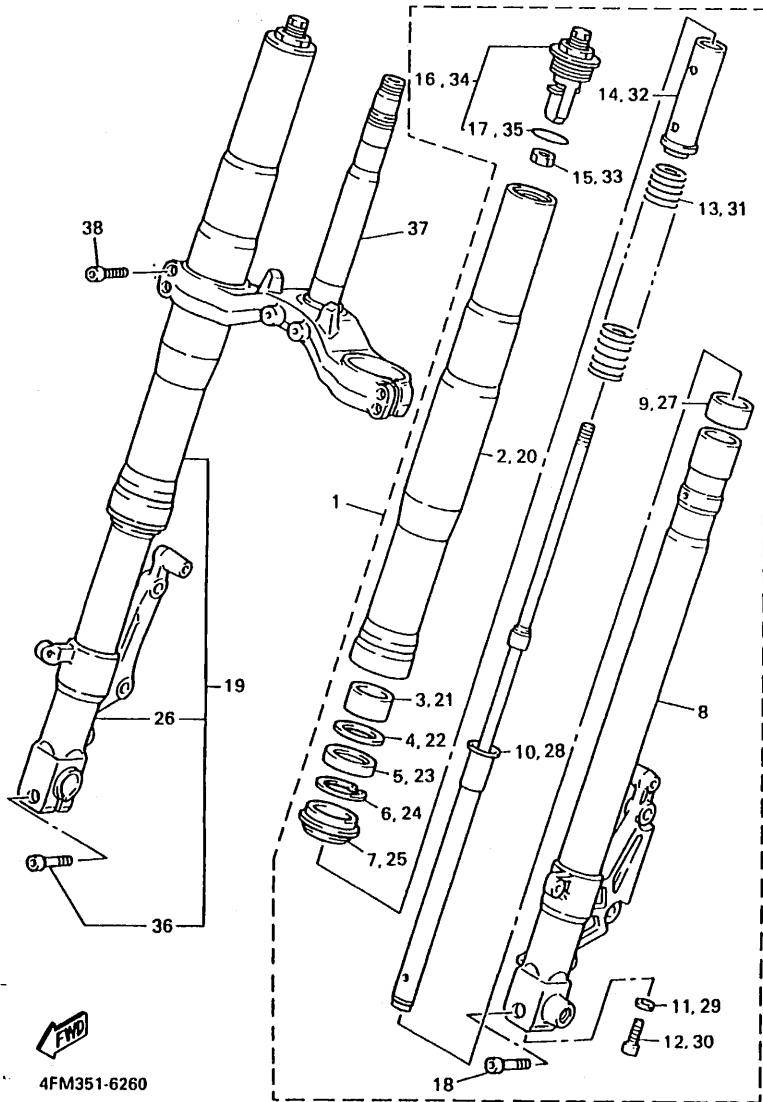
REF. NO.	PART NO.	DESCRIPTION	Q'TY	REMARKS
1	93399-99932	BEARING	1	
2	3FV-23462-00	SEAL, STEERING	1	
3	93399-99931	BEARING	1	
4	90202-24190	WASHER, PLATE	1	
5	3GM-23415-00	COVER, BALL RACE 1	1	
6	90179-25615	NUT	2	
7	3YF-23418-00	WASHER, SPECIAL	1	
8	90202-26142	WASHER, PLATE	1	
9	90176-22081	NUT, CROWN	1	
10	90201-220T0	WASHER, PLATE	1	
11	4FM-23435-20	CROWN, HANDLE	1	
12	91314-08030	BOLT	2	



4FM351-6250

**D9**

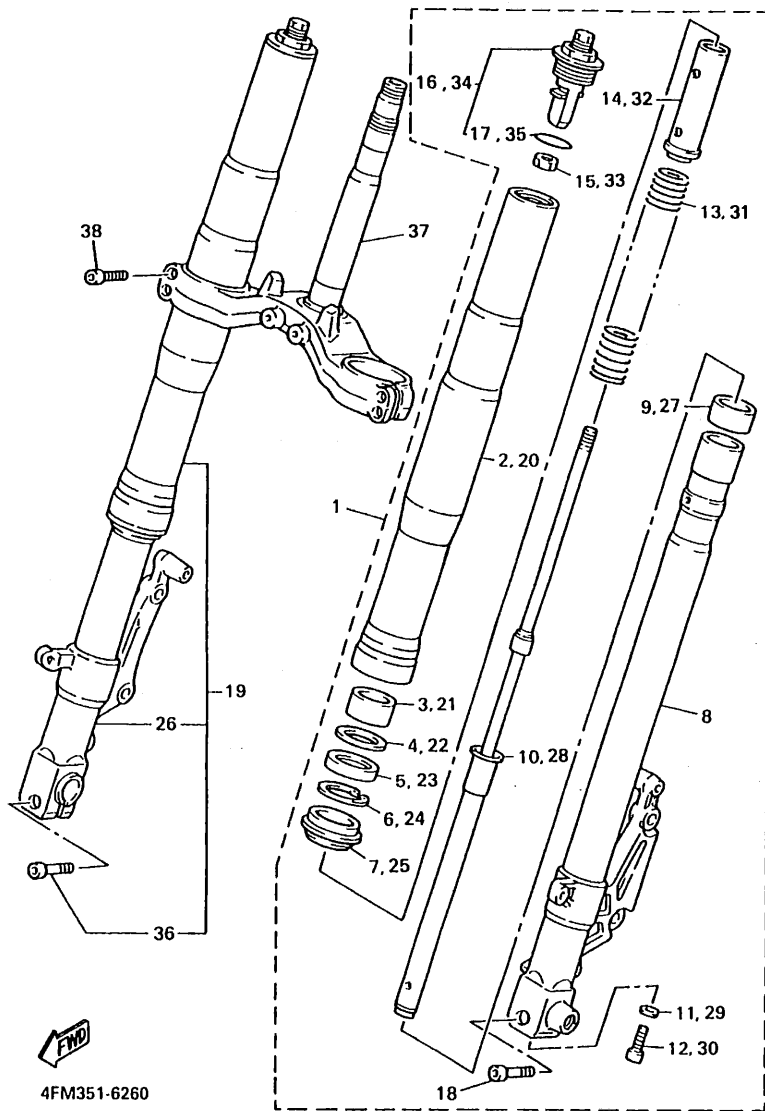
FIG. 26 FRONT FORK



4FM351-6260

REF. NO.	PART NO.	DESCRIPTION	Q'TY	REMARKS
1	4FM-23102-70	FRONT FORK ASSY (L.H)	1	
2	4FM-23136-40	.TUBE, OUTER (RIGHT)	1	
3	4FM-23125-40	.METAL, SLIDE 1	1	
4	36Y-23146-10	.WASHER, OIL SEAL	1	
5	4FM-23145-40	.OIL SEAL	1	
6	26H-23156-00	.CLIP, OIL SEAL	1	
7	3XV-23144-50	.SEAL, DUST	1	
8	4FM-23110-20	.INNER TUBE COMP. 1	1	
9	4FM-23171-40	.PISTON, FRONT FORK	1	
10	4FM-23170-50	.CYLINDER COMP., FRONT FORK	1	
11	2K8-23158-L0	.GASKET	1	
12	3LC-23181-00	.BOLT, HEXAGON SOCKET HEAD	1	
13	4FM-23141-10	.SPRING, FRONT FORK	1	
14	4FM-23118-40	.SPACER	1	
15	3LC-23357-00	.NUT	1	
16	4FM-23111-60	.BOLT, CAP	1	
17	3SP-23147-M0	..O-RING	1	
18	91317-08040	.BOLT	1	
19	4FM-23103-70	FRONT FORK ASSY (R.H)	1	
20	4FM-23136-40	.TUBE, OUTER (RIGHT)	1	
21	4FM-23125-40	.METAL, SLIDE 1	1	
22	36Y-23146-10	.WASHER, OIL SEAL	1	
23	4FM-23145-40	.OIL SEAL	1	
24	26H-23156-00	.CLIP, OIL SEAL	1	
25	3XV-23144-50	.SEAL, DUST	1	
26	4FM-23120-20	.INNER TUBE COMP. 2	1	
27	4FM-23171-40	.PISTON, FRONT FORK	1	
28	4FM-23170-50	.CYLINDER COMP., FRONT FORK	1	

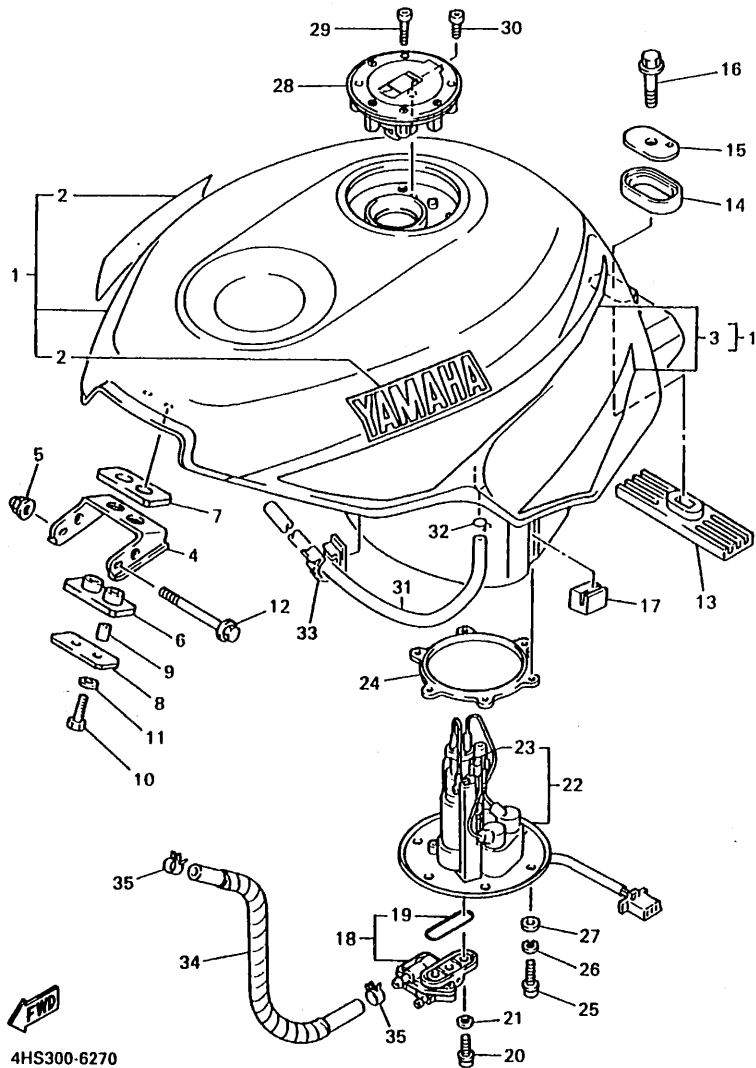
FIG. 26 FRONT FORK



REF. NO.	PART NO.	DESCRIPTION	Q'TY	REMARKS
29	2K8-23158-L0	.GASKET	1	
30	3LC-23181-00	.BOLT, HEXAGON SOCKET HEAD	1	
31	4FM-23141-10	.SPRING, FRONT FORK	1	
32	4FM-23118-40	.SPACER	1	
33	3LC-23357-00	.NUT	1	
34	4FM-23111-60	.BOLT, CAP	1	
35	3SP-23147-M0	..O-RING	1	
36	91317-08040	.BOLT	1	
37	4FM-23340-60	UNDER BRACKET COMP.	1	
38	91317-08030	BOLT	4	

D11

FIG. 27 FUEL TANK

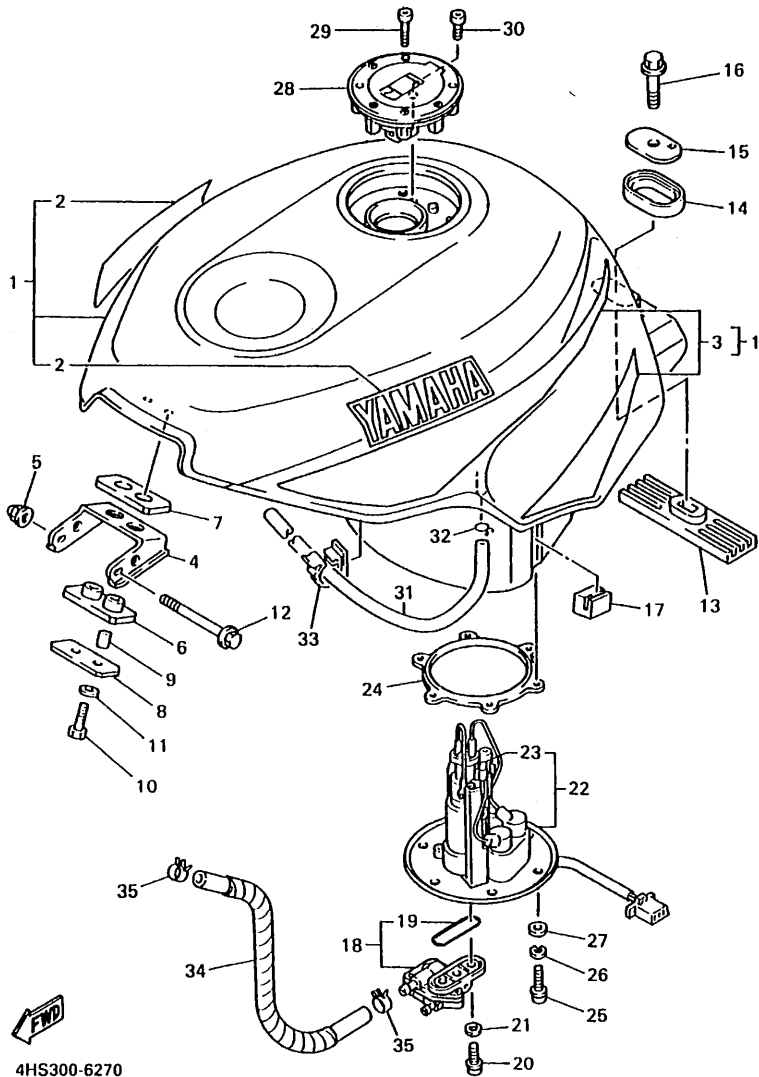


4HS300-6270

REF. NO.	PART NO.	DESCRIPTION	Q'TY	REMARKS
1	4FM-24110-30-X6	FUEL TANK COMP.	1	BLUISH WHITE COCKTAIL 1/ VIVID RED COCKTAIL 1
2	99226-00160	EMBLEM, YAMAHA	2	
3	4HD-24240-00	GRAPHIC SET	1	
4	4FM-24191-00	BRACKET, FUEL TANK 1	1	
5	90176-06055	NUT, CROWN	1	
6	2GH-24181-00	DAMPER, LOCATING 1	1	
7	2GH-24183-00	DAMPER, LOCATING 3	1	
8	2GH-24186-00	WASHER, SPECIAL	1	
9	90387-06299	COLLAR	2	
10	97007-06025	BOLT	2	
11	92907-06600	WASHER	2	
12	95817-06075	BOLT, FLANGE	1	
13	2GH-24184-00	DAMPER, LOCATING 4	1	
14	3Y6-24183-00	DAMPER, LOCATING 3	1	
15	12R-24186-00	WASHER, SPECIAL	1	
16	95817-08016	BOLT, FLANGE	1	
17	4JH-24183-00	DAMPER, LOCATING 3	2	
18	3FV-24500-02	FUEL COCK ASSY 1	1	
19	4X8-24512-00	O-RING	1	
20	90149-06008	SCREW	2	
21	90202-05187	WASHER, PLATE	2	
22	4FM-13910-00	FUEL PUMP ASSY	1	
23	4FM-85700-00	THERMISTER	1	
24	4FM-2414G-00	SEAL	1	
25	98507-05016	SCREW, PAN HEAD	6	
26	92907-05100	WASHER	6	
27	92907-05600	WASHER	6	
28	4FM-24602-00	CAP ASSY	1	

D12

FIG. 27 FUEL TANK

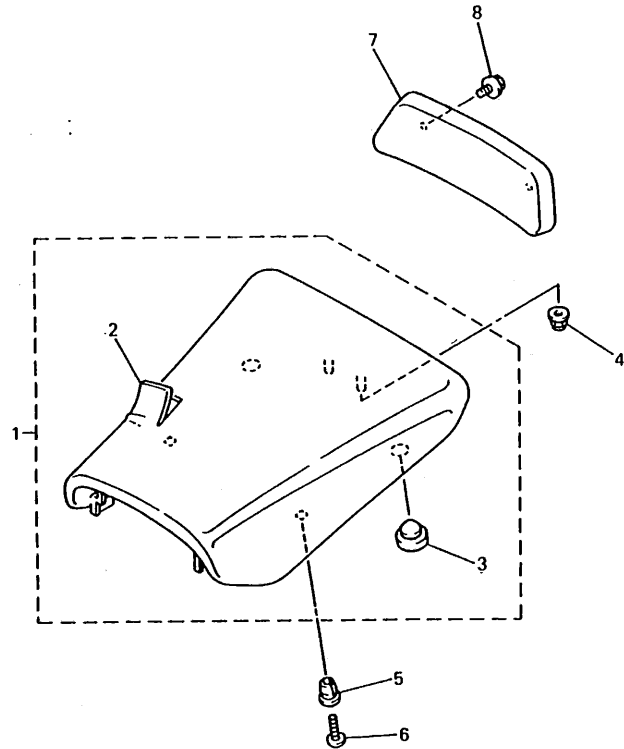


4HS300-6270

REF. NO.	PART NO.	DESCRIPTION	Q'TY	REMARKS
29	90110-05112	BOLT, HEXAGON SOCKET HEAD	3	
30	91317-05010	BOLT	1	
31	90445-102G7	HOSE	1	
32	90467-09006	CLIP	1	
33	90464-25160	CLAMP	1	
34	3FV-14294-02	HOSE	1	
35	90467-13123	CLIP	2	

FIG. 28 SEAT

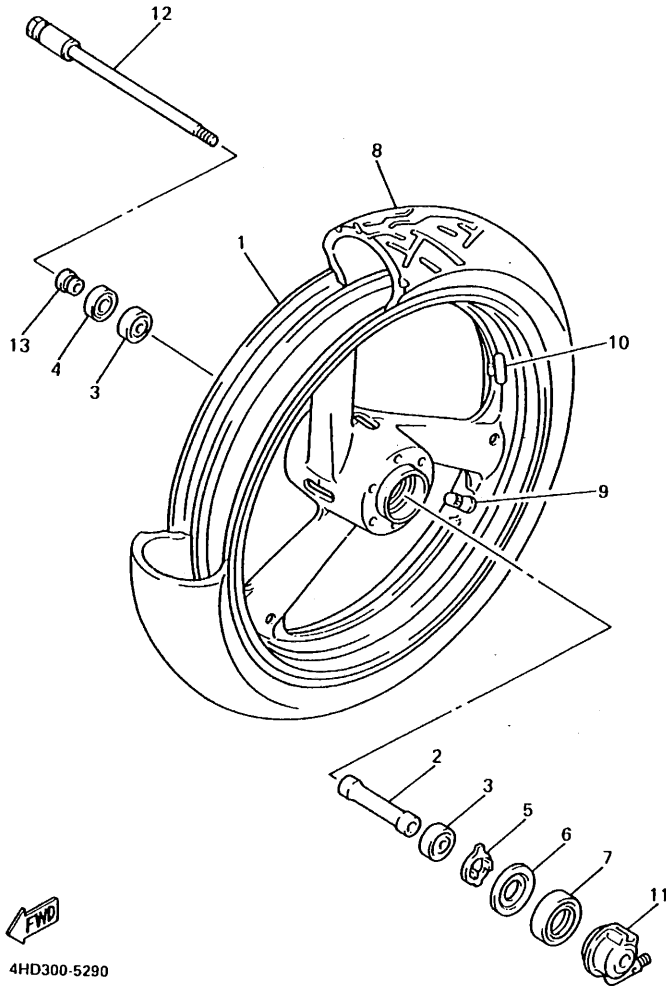
REF. NO.	PART NO.	DESCRIPTION	Q'TY	REMARKS
1	4FM-24710-11	SINGLE SEAT ASSY	1	
2	4FM-24711-00	COVER, SINGLE SEAT	1	
3	4FM-24724-00	DAMPER, SEAT	4	
4	95607-06200	NUT, SELF-LOCKING	2	
5	90338-08226	PLUG	2	
6	97707-60016	SCREW, TAPPING	2	
7	3FV-2840F-00	BACK REST ASSY	1	
8	90119-06194	BOLT, WITH WASHER	2	



4HS300-3280

D14

FIG. 29 FRONT WHEEL



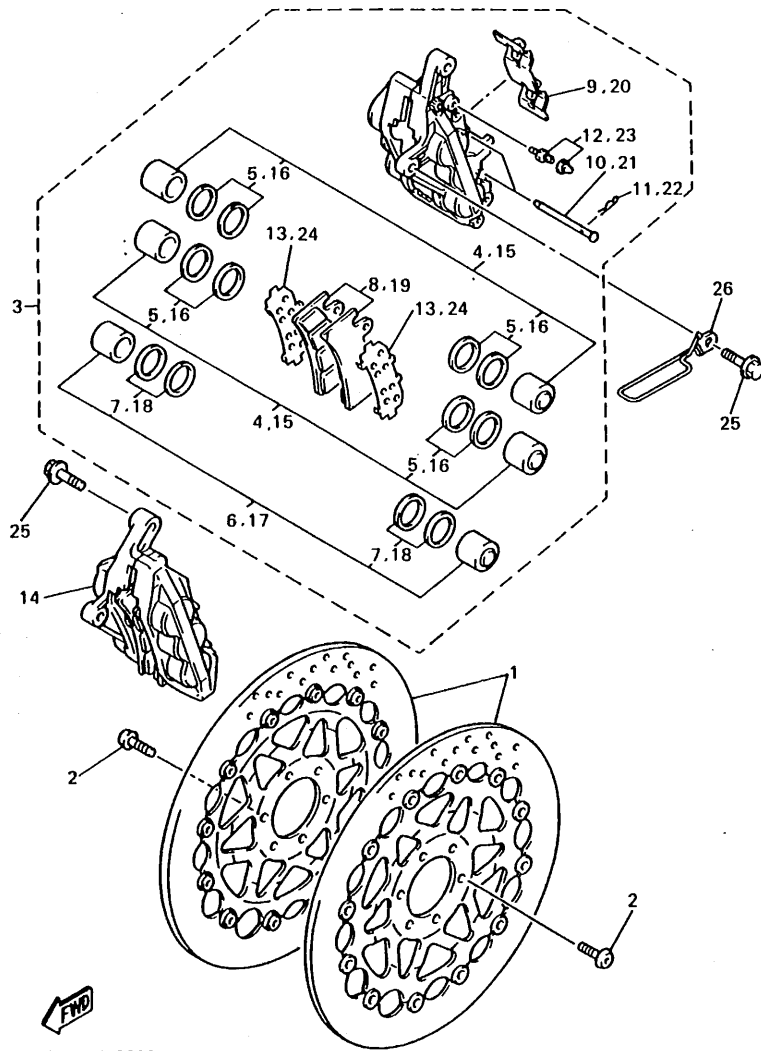
REF. NO.	PART NO.	DESCRIPTION	Q'TY	REMARKS
1	4FM-25168-00-7B	CAST WHEEL, FRONT	1	BLUISH BLACK 2
2	90387-2200S	COLLAR	1	
3	93306-00420	BEARING (B6004)	2	
4	93102-28021	OIL SEAL	1	
5	4FM-25149-00	CLUTCH, METER	1	
6	341-25846-00	RETAINER, CLUTCH	1	
7	93105-45017	OIL SEAL	1	
8	*	TIRE (120/70 ZR17 (TX11))	1	LM MICHELIN
9	93900-00030	VALVE, RIM	1	
10	29L-25398-00	BALANCER, WHEEL (10G)	1	UN
	29L-25398-10	BALANCER, WHEEL (20G)	1	UN
	29L-25398-20	BALANCER, WHEEL (30G)	1	UN
11	4FM-25190-00	GEAR UNIT ASSY	1	
12	4FM-25181-01	AXLE, WHEEL	1	
13	90387-2200T	COLLAR	1	



4HD300-5290

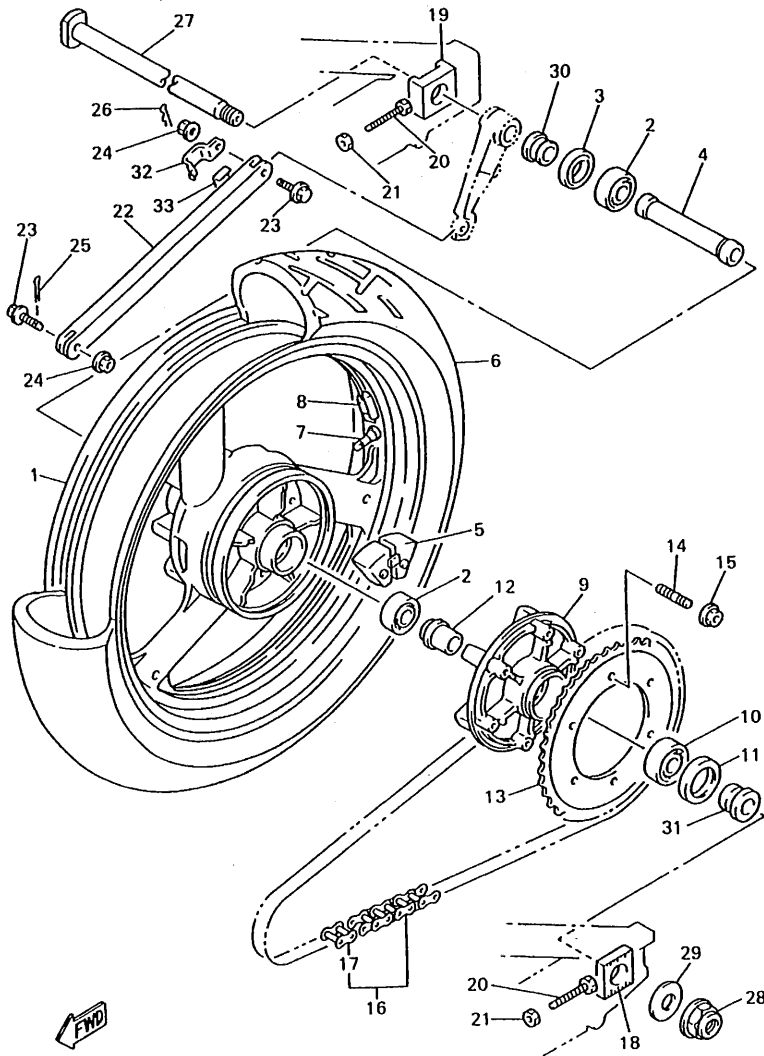


FIG. 30 FRONT BRAKE CALIPER



REF. NO.	PART NO.	DESCRIPTION	Q'TY	REMARKS
1	4FM-2581T-02	DISC BRAKE ASSY	2	
2	90109-083G4	BOLT	12	
3	4FM-2580T-30	CALIPER ASSY (LEFT)	1	
4	4FM-W0057-10	.PISTON ASSY, CALIPER	2	
5	3MA-W0047-10	..CALIPER SEAL KIT	1	
6	4FM-W0057-00	.PISTON ASSY, CALIPER	1	
7	4FM-W0047-00	..CALIPER SEAL KIT	1	
8	4FM-W0045-30	.BRAKE PAD KIT	1	
9	4FM-25919-00	.SUPPORT, PAD	1	
10	4FM-25924-00	.PIN, PAD	2	
11	4FM-25925-00	.CLIP	2	
12	1J3-W0048-00	.BLEED SCREW KIT	1	
13	4FM-25827-00	.SHIM, CALIPER	2	
14	4FM-2580U-30	CALIPER ASSY (RIGHT)	1	
15	4FM-W0057-10	.PISTON ASSY, CALIPER	2	
16	3MA-W0047-10	..CALIPER SEAL KIT	1	
17	4FM-W0057-00	.PISTON ASSY, CALIPER	1	
18	4FM-W0047-00	..CALIPER SEAL KIT	1	
19	4FM-W0045-30	.BRAKE PAD KIT	1	
20	4FM-25919-00	.SUPPORT, PAD	1	
21	4FM-25924-00	.PIN, PAD	2	
22	4FM-25925-00	.CLIP	2	
23	1J3-W0048-00	.BLEED SCREW KIT	1	
24	4FM-25827-00	.SHIM, CALIPER	2	
25	90105-10725	BOLT, WASHER BASED	4	
26	4FM-21596-00	HOLDER	1	

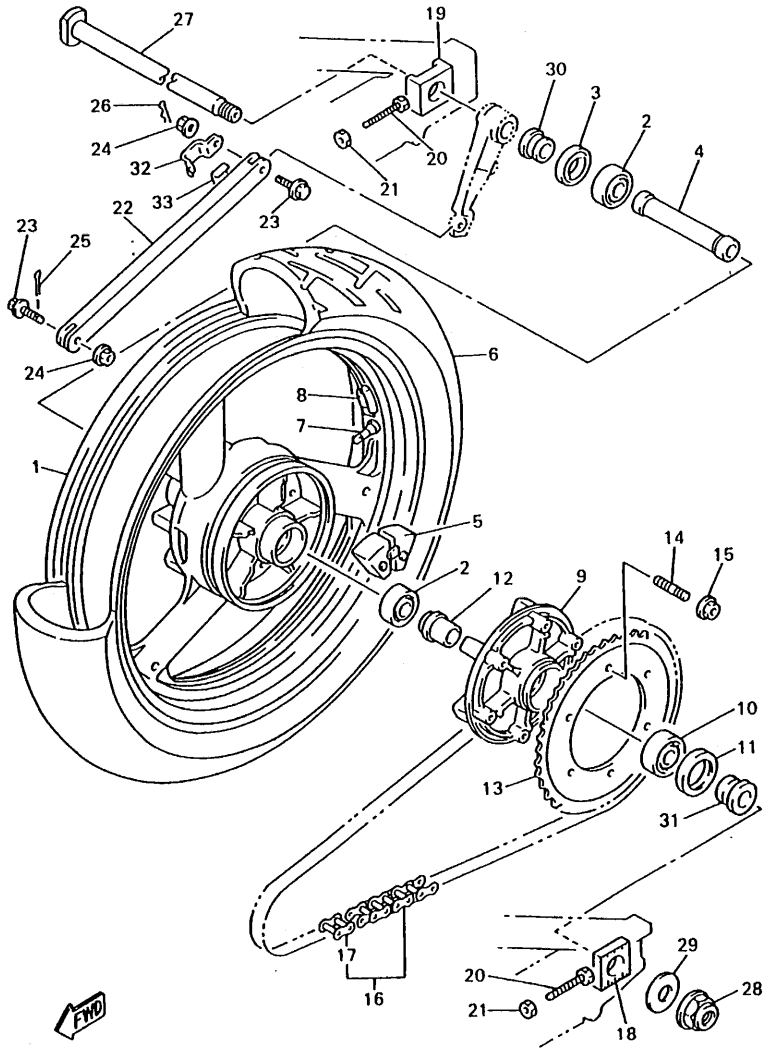
FIG. 31 REAR WHEEL



4HS300-5310

REF. NO.	PART NO.	DESCRIPTION	Q'TY	REMARKS
1	4FM-25338-01-7B	CAST WHEEL, REAR	1	BLUISH BLACK 2
2	93306-20567	BEARING	2	
3	93102-35412	OIL SEAL	1	
4	90560-28389	SPACER	1	
5	4FM-25364-00	DAMPER	6	
6	*	TIRE (180/55 ZR17 TX23)	1	LM MICHELIN
7	93900-00030	VALVE, RIM	1	
8	29L-25398-00	BALANCER, WHEEL (10G)	1	UN
	29L-25398-10	BALANCER, WHEEL (20G)	1	UN
	29L-25398-20	BALANCER, WHEEL (30G)	1	UN
9	4FM-25366-00	CLUTCH, HUB	1	
10	93306-20644	BEARING	1	
11	93102-40211	OIL SEAL	1	
12	4FM-25377-00	COLLAR, WHEEL	1	
13	4FM-25439-00	SPROCKET, DRIVEN (39T)	1	
14	90116-10575	BOLT, STUD	6	
15	95617-10200	NUT, SELF-LOCKING	6	
16	94581-55104	CHAIN (DID532ZLVKA1-L104)	1	
17	94681-55031	JOINT, CHAIN	1	
18	4FM-25388-01	PULLER, CHAIN 1	1	
19	4FM-25389-00	PULLER, CHAIN 2	1	
20	90101-08766	BOLT	2	
21	95307-08600	NUT	2	
22	4FM-25371-10	BAR, TENSION	1	
23	90105-08321	BOLT, WASHER BASED	2	
24	95707-08500	NUT, FLANGE	2	
25	91490-20025	PIN, COTTER	1	
26	90468-16099	CLIP	1	

FIG. 31 REAR WHEEL

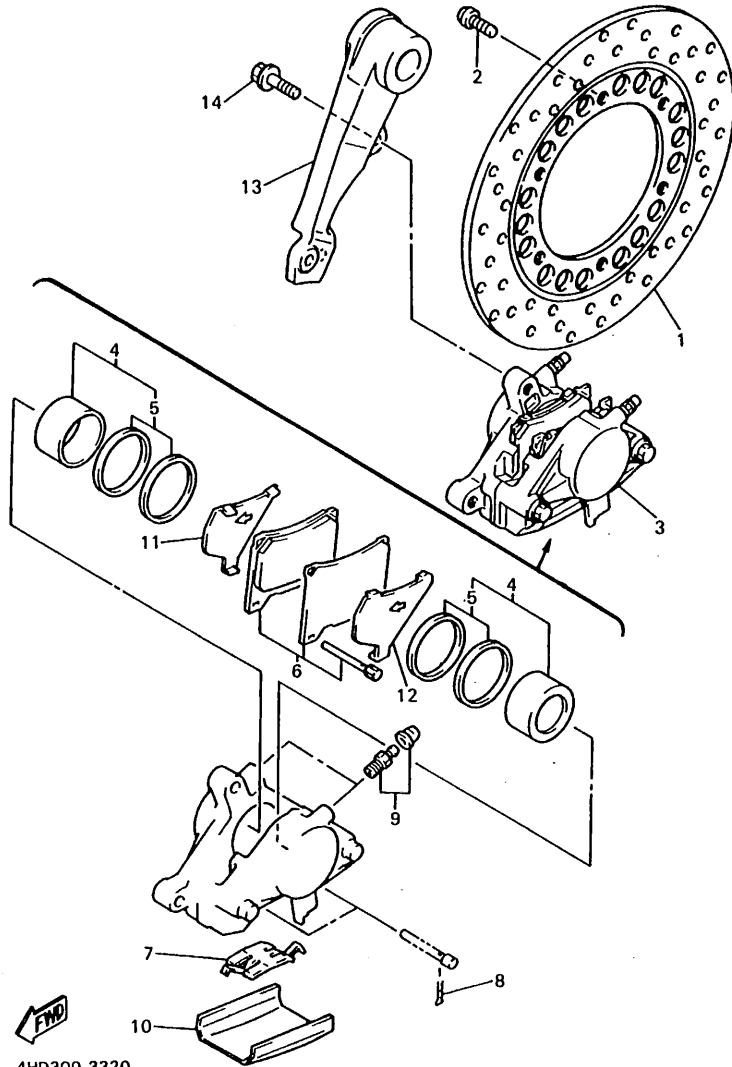


REF. NO.	PART NO.	DESCRIPTION	Q'TY	REMARKS
27	4FM-25381-10	AXLE, WHEEL	1	
28	90185-24165	NUT, SELF-LOCKING	1	
29	90201-257R5	WASHER, PLATE	1	
30	90387-2805W	COLLAR	1	
31	90387-2805X	COLLAR	1	
32	4FM-25887-01	HOLDER, BRAKE HOSE	1	
33	2AL-84553-00	DAMPER	1	



4HS300-5310

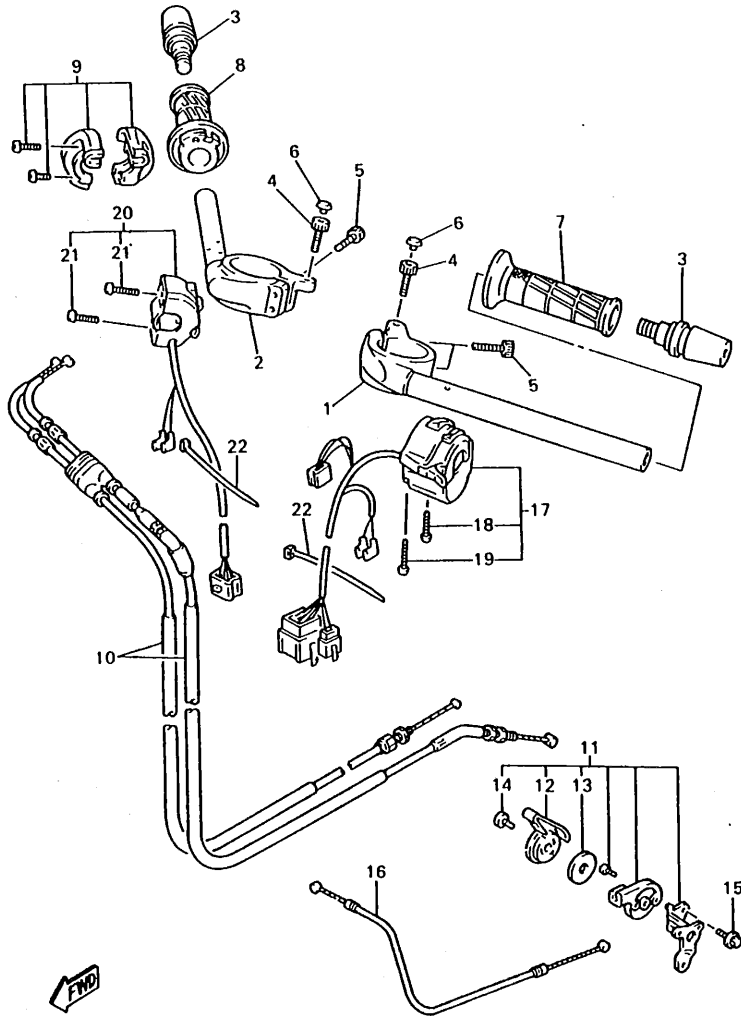
FIG. 32 REAR BRAKE CALIPER



4HD300-3320

REF. NO.	PART NO.	DESCRIPTION	Q'TY	REMARKS
1	4FM-2582W-00	DISC, REAR BRAKE 2	1	
2	90109-083G4	BOLT	6	
3	4FM-2580W-10	CALIPER ASSY, REAR 2	1	
4	31A-W0057-00	PISTON ASSY, CALIPER	1	
5	31A-W0047-00	CALIPER SEAL KIT	1	
6	4FM-W0046-00	BRAKE PAD KIT 2	1	
7	29L-25919-A0	SUPPORT, PAD	1	
8	3GM-25925-00	CLIP	2	
9	1J3-W0048-00	BLEED SCREW KIT	2	
10	42H-25836-00	COVER, DUST	1	
11	1FK-25827-00	SHIM, CALIPER	1	
12	1FK-25828-00	SHIM, CALIPER	1	
13	4FM-25819-01	BRACKET, CALIPER	1	
14	90105-10725	BOLT, WASHER BASED	2	

FIG. 33 STEERING HANDLE • CABLE

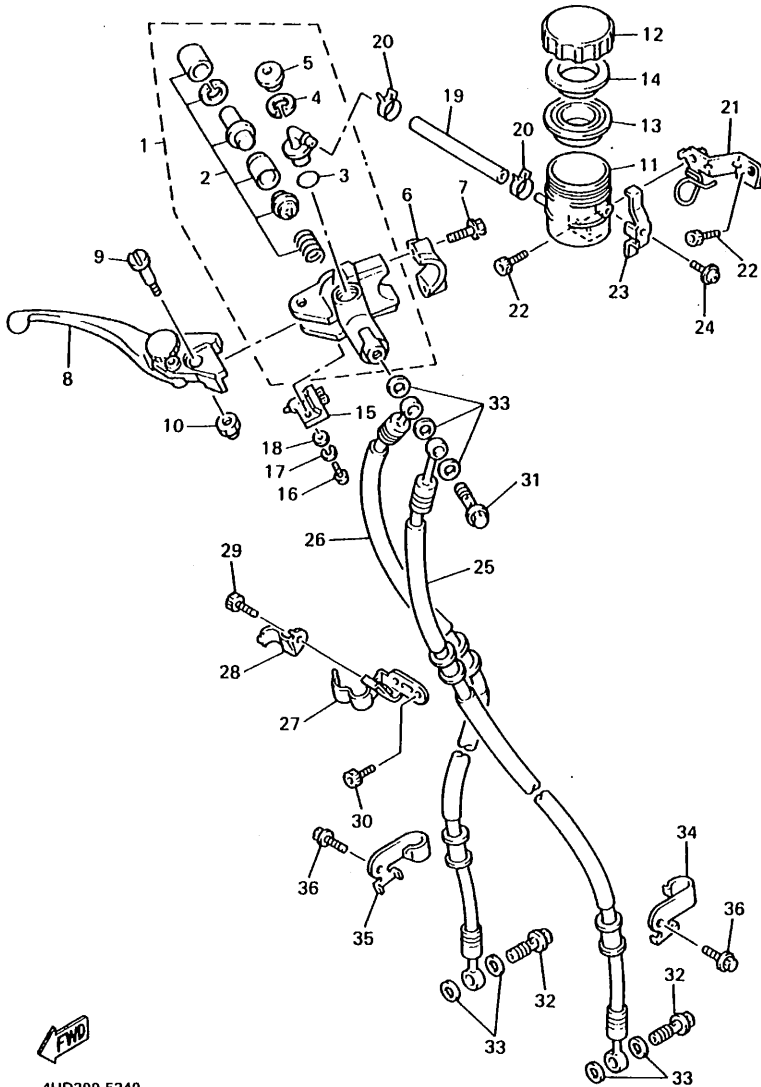


REF. NO.	PART NO.	DESCRIPTION	Q'TY	REMARKS
1	4FM-26121-01	HANDLEBAR (LEFT)	1	
2	4FM-26122-00	HANDLEBAR (RIGHT)	1	
3	36Y-26246-00	END, GRIP	2	
4	91317-06020	BOLT	2	
5	91314-06025	BOLT	4	
6	10L-23469-00	CAP, BOLT	2	
7	4FM-26241-00	GRIP (LEFT)	1	
8	4FM-26240-00	GRIP ASSY	1	
9	3LN-26270-01	CABLE CONNECTOR CAP ASSY	1	
10	4FM-26302-10	THROTTLE CABLE ASSY	1	
11	4FM-83940-00	STARTER ASSY	1	
12	1WG-83941-00	.LEVER, STARTER	1	
13	90209-10131	.WASHER	1	
14	98907-06008	.SCREW, BIND	1	
15	95807-06010	BOLT, FLANGE	1	
16	4FM-26331-10	CABLE, STARTER 1	1	
17	3GM-83969-01	SWITCH, HANDLE 5	1	
18	98507-05030	.SCREW, PAN HEAD	1	
19	98507-05040	.SCREW, PAN HEAD	1	
20	4FM-83975-00	SWITCH, HANDLE 2	1	
21	98507-05018	.SCREW, PAN HEAD	2	
22	25G-83936-01	BAND, SWITCH CORD	2	



4HS300-3330

FIG. 34 FRONT MASTER CYLINDER

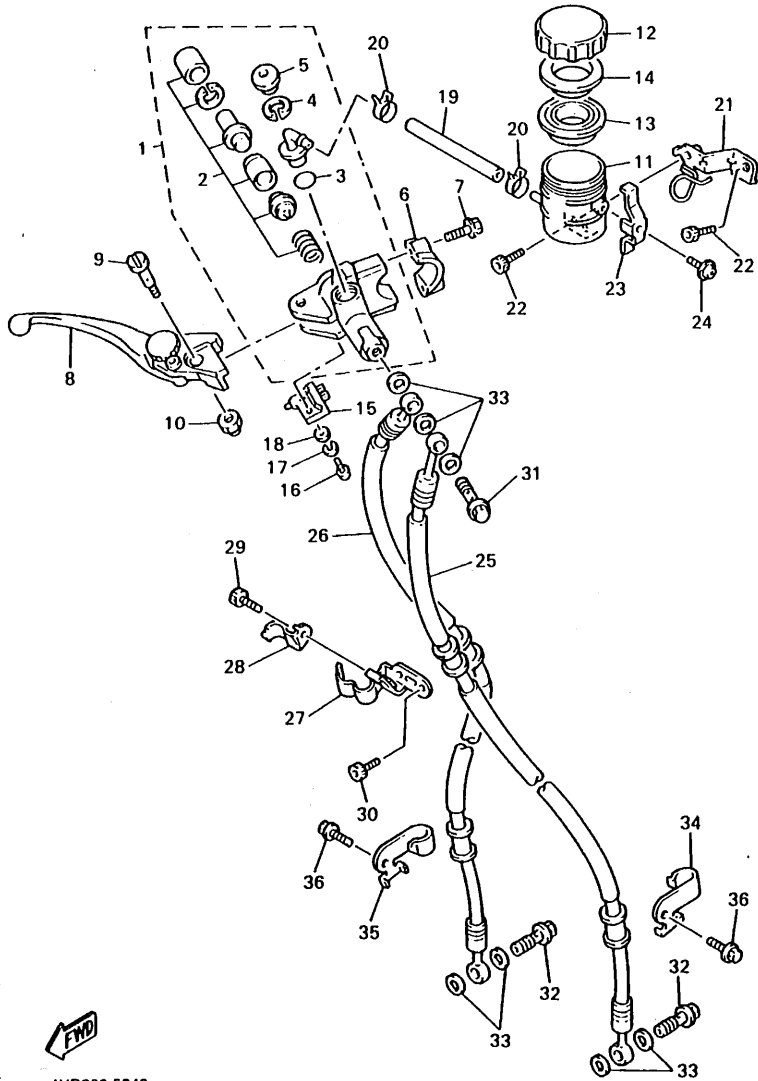


REF. NO.	PART NO.	DESCRIPTION	Q'TY	REMARKS
1	3GM-W2587-50	MASTER CYLINDER SUB ASSY	1	
2	3GM-W0041-50	.CYLINDER KIT, MASTER	1	
3	93210-15620	.O-RING	1	
4	2VN-25866-00	.CIRCLIP	1	
5	3FV-2589A-00	.COVER, DUST	1	
6	56A-25867-00	BRACKET, MASTER CYLINDER	1	
7	95027-06025	BOLT, FLANGE	2	
8	3GM-83922-51	LEVER 2	1	
9	3FV-2589F-00	BOLT, LEVER	1	
10	95607-06100	NUT, U	1	
11	3FV-25894-00	TANK, RESERVOIR	1	
12	3GM-25852-50	CAP, RESERVOIR	1	
13	3FV-25854-00	DIAPHRAGM, RESERVOIR	1	
14	2J2-25855-50	BUSH, DIAPHRAGM	1	
15	3FV-83980-00	FRONT STOP SWITCH ASSY	1	
16	98517-04012	SCREW, PAN HEAD	1	
17	92990-04100	WASHER, SPRING	1	
18	92901-04600	WASHER, PLATE	1	
19	3GM-2585F-00	HOSE	1	
20	3PA-24356-00	CLIP, PIPE 1	2	
21	4FM-26292-00	STAY	1	
22	91317-06012	BOLT	2	
23	3FV-2589G-00	HOLDER	1	
24	3GM-2589H-00	SCREW, WITH WASHER	1	
25	4FM-25872-02	HOSE, BRAKE 1	1	
26	4FM-25873-02	HOSE, BRAKE 2	1	
27	4FM-23377-00	BRACKET, HORN	1	
28	4FM-23378-00	BRACKET	1	



4HD300-5340

FIG. 34 FRONT MASTER CYLINDER



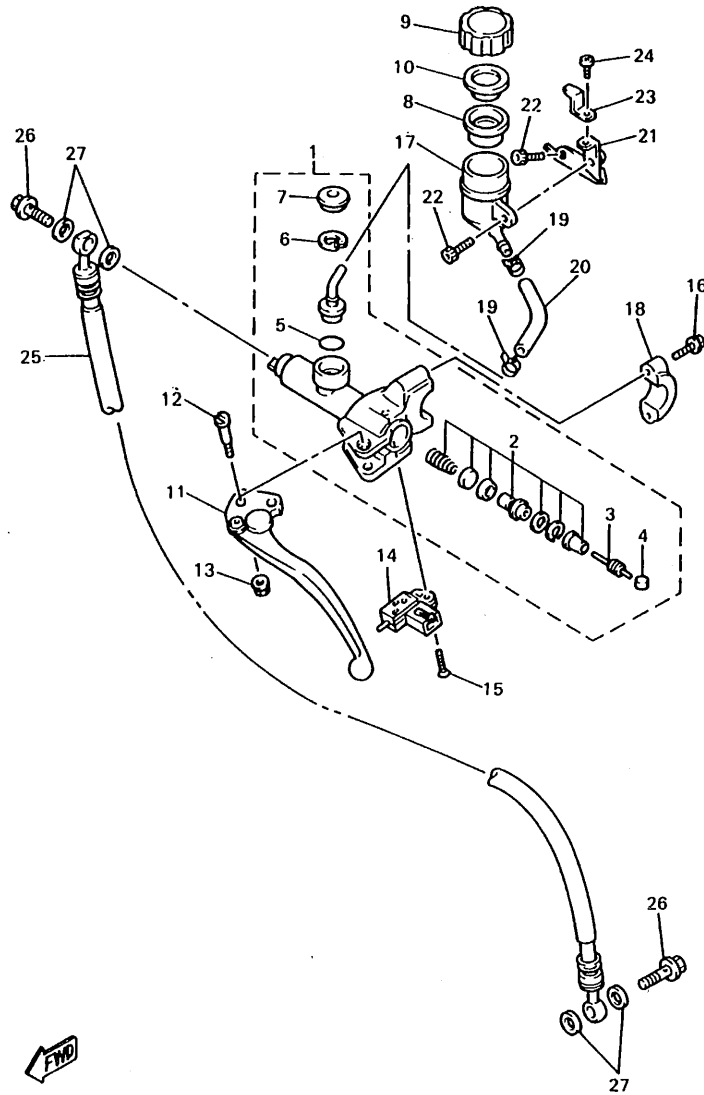
REF. NO.	PART NO.	DESCRIPTION	Q'TY	REMARKS
29	91317-06010	BOLT	1	
30	91317-06012	BOLT	2	
31	90401-10160	BOLT, UNION	1	
32	90401-10159	BOLT, UNION	2	
33	90201-10118	WASHER, PLATE	7	
34	3MA-25876-12	HOLDER, BRAKE HOSE 2	1	
35	3MA-25876-22	HOLDER, BRAKE HOSE 2	1	
36	95807-06012	BOLT, FLANGE	2	



4HD300-5340

E8

FIG. 35 FRONT MASTER CYLINDER 2



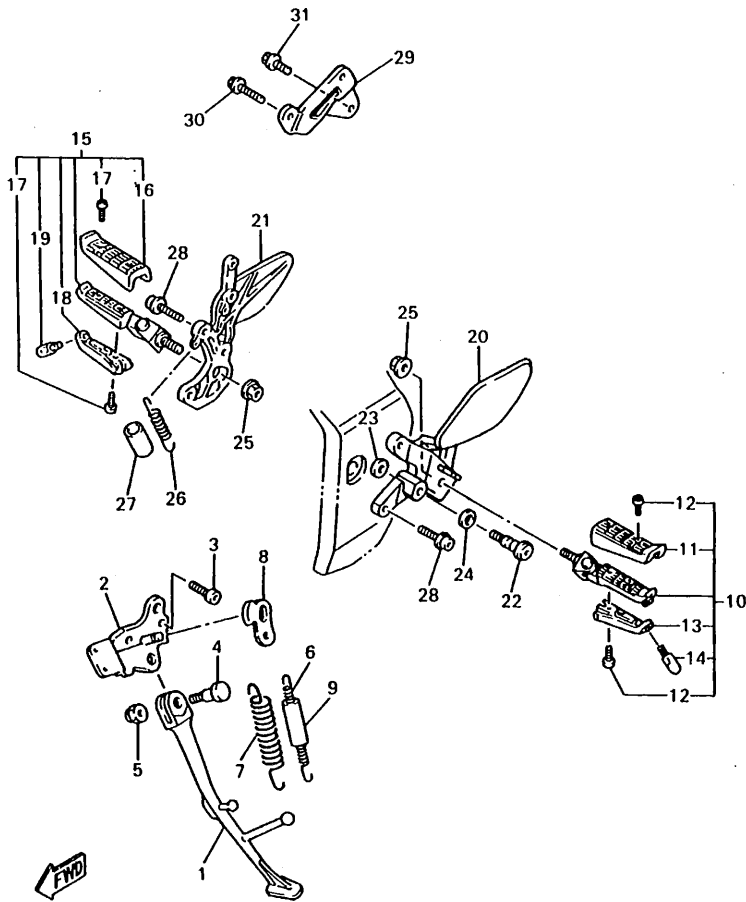
REF. NO.	PART NO.	DESCRIPTION	Q'TY	REMARKS
1	4FM-W2645-00	MASTER CYLINDER SUB ASSY	1	
2	3GM-W0099-00	.CYLINDER KIT, MASTER (CLUTCH)	1	
3	3GM-26464-00	.ROD, PUSH	1	
4	3GM-26455-00	.BUSH	1	
5	93210-15620	.O-RING	1	
6	2VN-25866-00	.CIRCLIP	1	
7	3FV-2589A-00	.COVER, DUST	1	
8	3GK-25854-50	DIAPHRAGM, RESERVOIR	1	
9	4FM-25852-00	CAP, RESERVOIR	1	
10	3GK-25855-50	BUSH, DIAPHRAGM	1	
11	4FM-83912-01	LEVER 1	1	
12	3FV-2589F-00	BOLT, LEVER	1	
13	95706-06500	NUT, FLANGE	1	
14	3GM-83980-00	FRONT STOP SWITCH ASSY	1	
15	98706-04016	SCREW, FLAT HEAD	1	
16	95027-06025	BOLT, FLANGE	2	
17	4FM-25894-00	TANK, RESERVOIR	1	
18	56A-25867-00	BRACKET, MASTER CYLINDER	1	
19	3PA-24356-00	CLIP, PIPE 1	2	
20	4FM-2585F-00	HOSE	1	
21	4FM-26296-00	BRACKET	1	
22	91317-06012	BOLT	2	
23	4FM-26475-00	HOLDER	1	
24	98507-04008	SCREW, PAN HEAD	1	
25	3GM-26470-A0	HOSE, CLUTCH	1	
26	90401-10159	BOLT, UNION	2	
27	90201-10118	WASHER, PLATE	4	



4HD300-3350



FIG. 36 STAND • FOOTREST

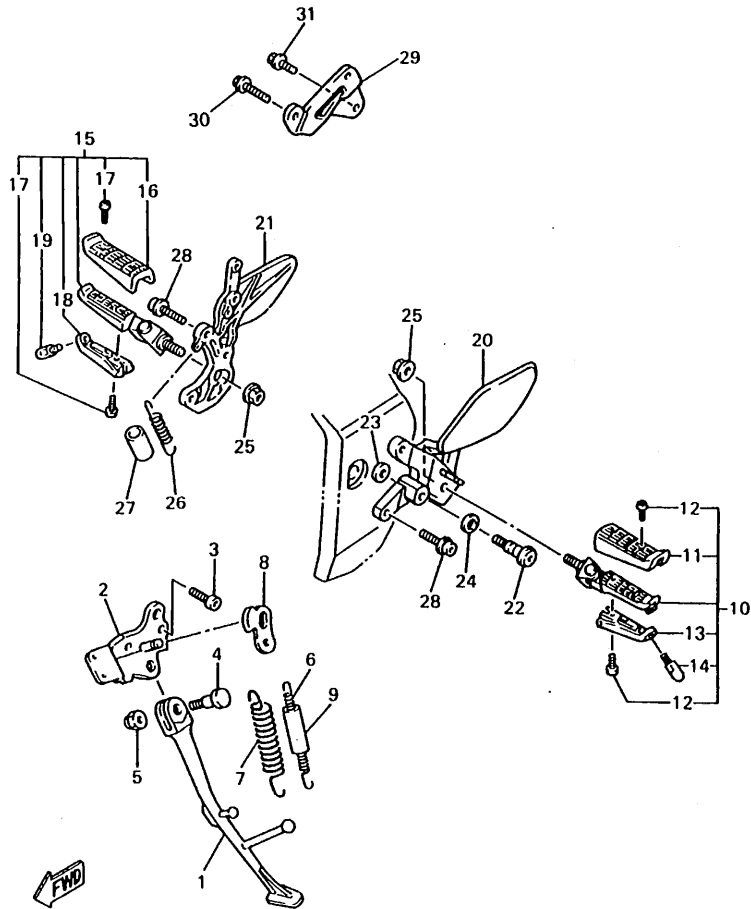


4HS300-3380

REF. NO.	PART NO.	DESCRIPTION	Q'TY	REMARKS
1	4FM-27311-00	STAND, SIDE	1	
2	4FM-27321-00	BRACKET, SIDE STAND	1	
3	90110-08155	BOLT, HEXAGON SOCKET HEAD	2	
4	90109-104E6	BOLT	1	
5	90185-10037	NUT, SELF-LOCKING	1	
6	90506-18224	SPRING, TENSION	1	
7	90506-26225	SPRING, TENSION	1	
8	4FM-27315-00	LINK, SIDE STAND	1	
9	1TX-27351-00	GUIDE, SIDE STAND	1	
10	4FM-27410-00	FRONT FOOTREST ASSY (LEFT)	1	
11	2GH-27413-00	.COVER, FOOTREST	1	
12	90157-05079	.SCREW, PAN HEAD	3	
13	4FM-27471-00	.BAR, FOOTREST 1	1	
14	4FM-27435-00	.BOLT	1	
15	4FM-27420-00	FRONT FOOTREST ASSY (RIGHT)	1	
16	2GH-27413-00	.COVER, FOOTREST	1	
17	90157-05079	.SCREW, PAN HEAD	3	
18	4FM-27471-00	.BAR, FOOTREST 1	1	
19	4FM-27435-00	.BOLT	1	
20	4FM-27442-02	BRACKET 2	1	
21	4FM-27443-02	BRACKET 3	1	
22	4BP-27434-01	BOLT	1	
23	90201-08326	WASHER, PLATE	1	
24	90201-127J6	WASHER, PLATE	1	
25	90179-10658	NUT	2	
26	90506-20377	SPRING, TENSION	1	
27	90446-17346	HOSE	1	
28	90110-08199	BOLT, HEXAGON SOCKET HEAD	4	

FIG. 36 STAND • FOOTREST

REF. NO.	PART NO.	DESCRIPTION	Q'TY	REMARKS
29	4FM-21445-00	STAY, MUFFLER 1	1	
30	95814-08020	BOLT, FLANGE	1	
31	90105-10217	BOLT, WASHER BASED	1	

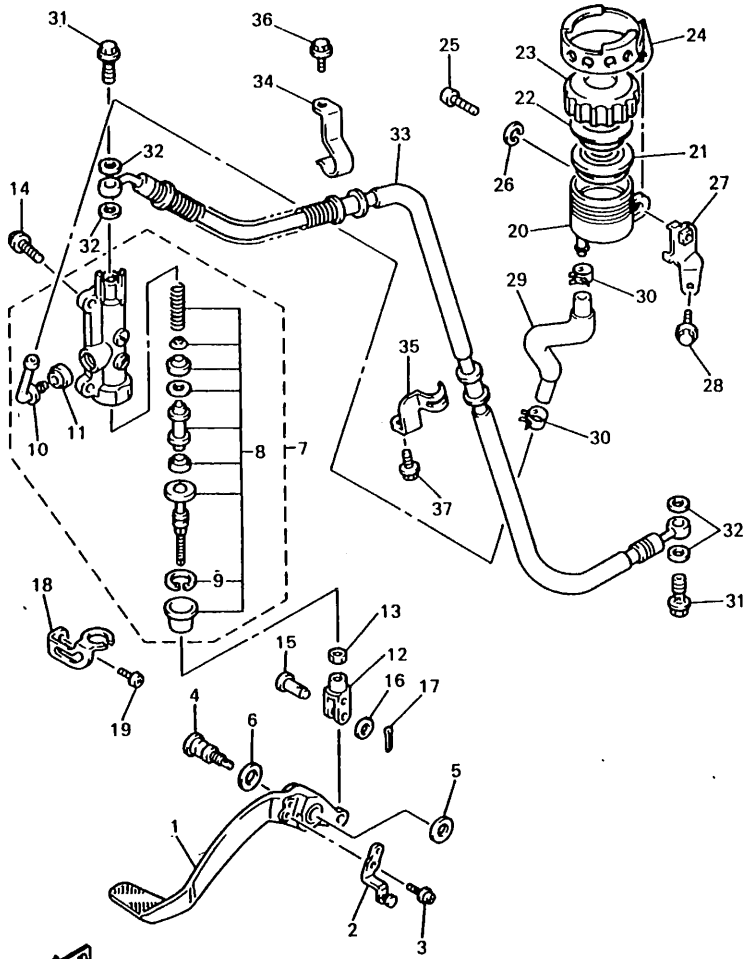


4HS300-3360

E11

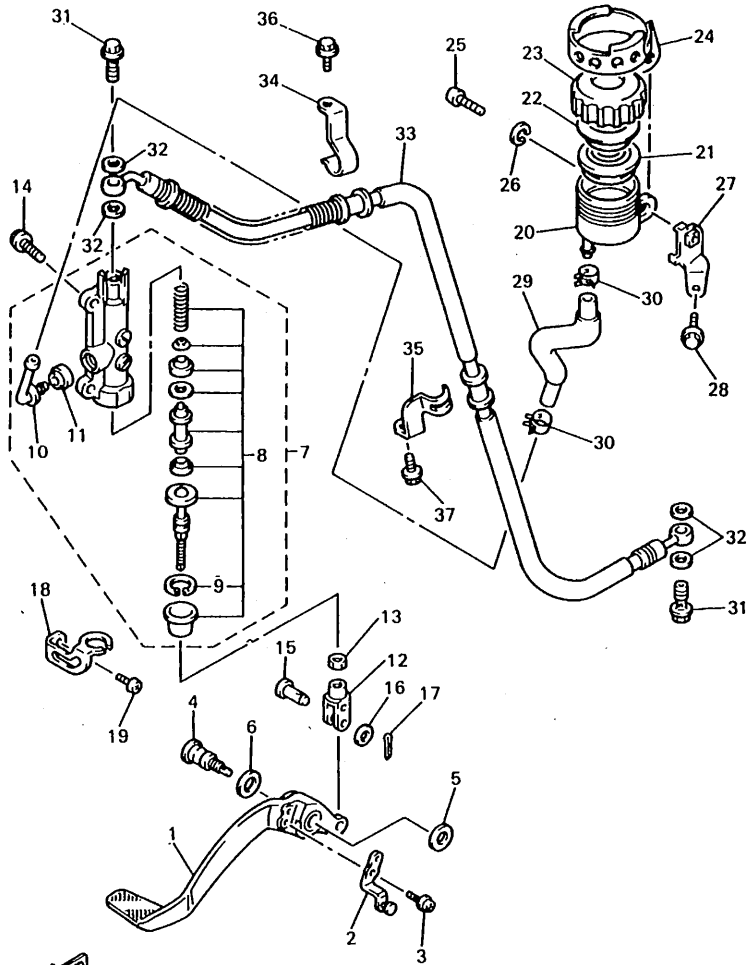
FIG. 37 REAR MASTER CYLINDER

REF. NO.	PART NO.	DESCRIPTION	Q'TY	REMARKS
1	4FM-27211-00	PEDAL, BRAKE	1	
2	4FM-27254-00	HOOK	1	
3	90159-06045	SCREW, WITH WASHER	1	
4	4SV-27261-00	SHAFT	1	
5	90201-104R2	WASHER, PLATE	1	
6	90206-14086	WASHER, WAVE	1	
7	4BH-2583V-00	RR. MASTER CYLINDER ASSY.	1	
8	4BH-W0042-50	.CYLINDER KIT, MASTER	1	
9	3LN-2585G-00	..CIRCLIP	1	
10	4BP-2582A-00	.JOINT	1	
11	4BP-2585F-00	.BUSH	1	
12	4FM-27222-00	JOINT	1	
13	95307-08700	NUT	1	
14	92014-08020	SCREW	2	
15	90240-08124	PIN, CLEVIS	1	
16	90201-08083	WASHER, PLATE	1	
17	91490-20025	PIN, COTTER	1	
18	4FM-2144G-00	STAY, STOP SWITCH	1	
19	98507-06010	SCREW, PAN HEAD	1	
20	31A-25894-01	TANK, RESERVOIR	1	
21	360-25854-00	DIAPHRAGM, RESERVOIR	1	
22	2GU-25855-00	BUSH, DIAPHRAGM	1	
23	2KF-25852-50	CAP, RESERVOIR	1	
24	3PJ-25888-00	COVER, RESERVOIR TANK	1	
25	98507-06020	SCREW, PAN HEAD	1	
26	92907-06600	WASHER	1	
27	4FM-2133G-00	BRACKET, RESERVER	1	
28	95817-06016	BOLT, FLANGE	1	



FWD  
4HD300-3370

FIG. 37 REAR MASTER CYLINDER

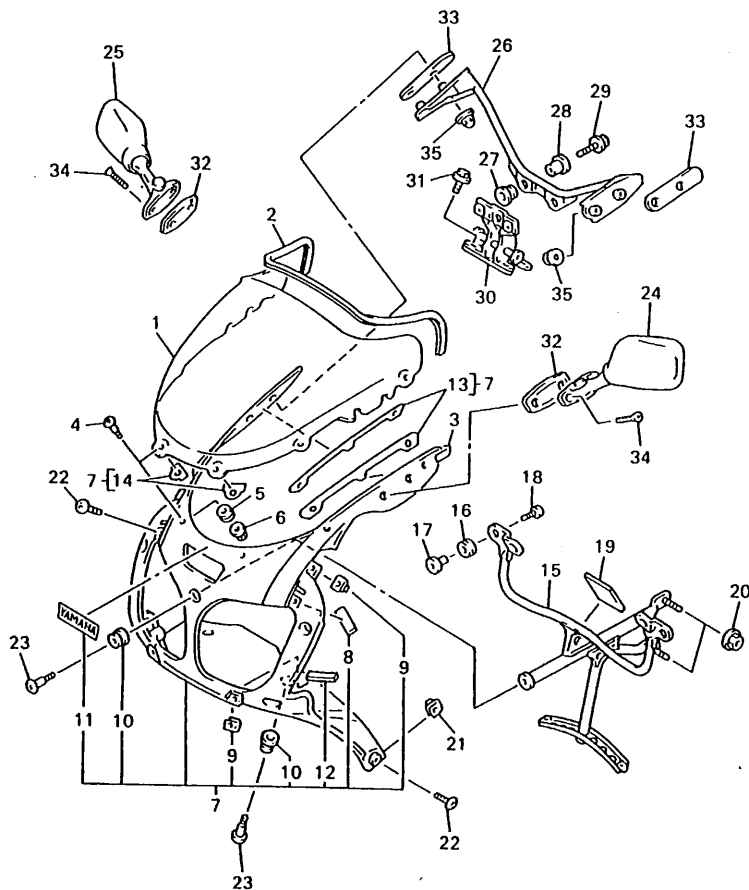


REF. NO.	PART NO.	DESCRIPTION	Q'TY	REMARKS
29	4FM-25895-00	HOSE, RESERVOIR	1	
30	90467-14057	CLIP	2	
31	90401-10159	BOLT, UNION	2	
32	90201-10118	WASHER, PLATE	4	
33	4FM-25874-01	HOSE, BRAKE	1	
34	4FM-25875-00	HOLDER, BRAKE HOSE 1	1	
35	4FM-25876-00	HOLDER, BRAKE HOSE 2	1	
36	95024-06016	BOLT, FLANGE	1	
37	95027-06008	BOLT, FLANGE	1	



4HD300-3370

FIG. 38 COWLING 1



REF. NO.	PART NO.	DESCRIPTION	Q'TY	REMARKS
1	4FM-28381-10	WINDSHIELD	1	
2	4FN-28345-00	MOLE 1	1	
3	4FN-28344-00	TAPE	2	
4	90149-05273	SCREW	6	
5	4FM-28215-00	WASHER, SPECIAL	6	
6	95707-05500	NUT, FLANGE	6	
7	4FM-Y2835-30-P2	COWLING ASS'Y	1	VIVID RED COCKTAIL 1
8	89X-77167-00	TRIM 3	2	
9	90183-05024	NUT, SPRING	6	
10	90480-13398	GROMMET	3	
11	99236-00100	EMBLEM, YAMAHA	1	
12	3MA-21649-00	DAMPER	2	
13	4FM-2834V-00	PROTECTOR 1	2	
14	4FM-2834W-00	PROTECTOR 2	2	
15	4FM-28356-00	STAY 1	1	
16	90480-13163	GROMMET	2	
17	90560-06201	SPACER	2	
18	97707-50016	SCREW, TAPPING	2	
19	51L-28371-00	DAMPER	1	
20	95617-08200	NUT, SELF-LOCKING	2	
21	90183-05024	NUT, SPRING	2	
22	90150-05039	SCREW, ROUND HEAD	8	
23	90150-06036	SCREW, ROUND HEAD	3	
24	4FM-26280-00	REAR VIEW MIRROR ASSY (LEFT)	1	WHITE
25	4FM-26290-00	REAR VIEW MIRROR ASSY (RIGHT)	1	WHITE
26	4FM-2831W-00	STAY, MIRROR 1	1	
27	90480-13398	GROMMET	2	
28	90387-067N5	COLLAR	2	

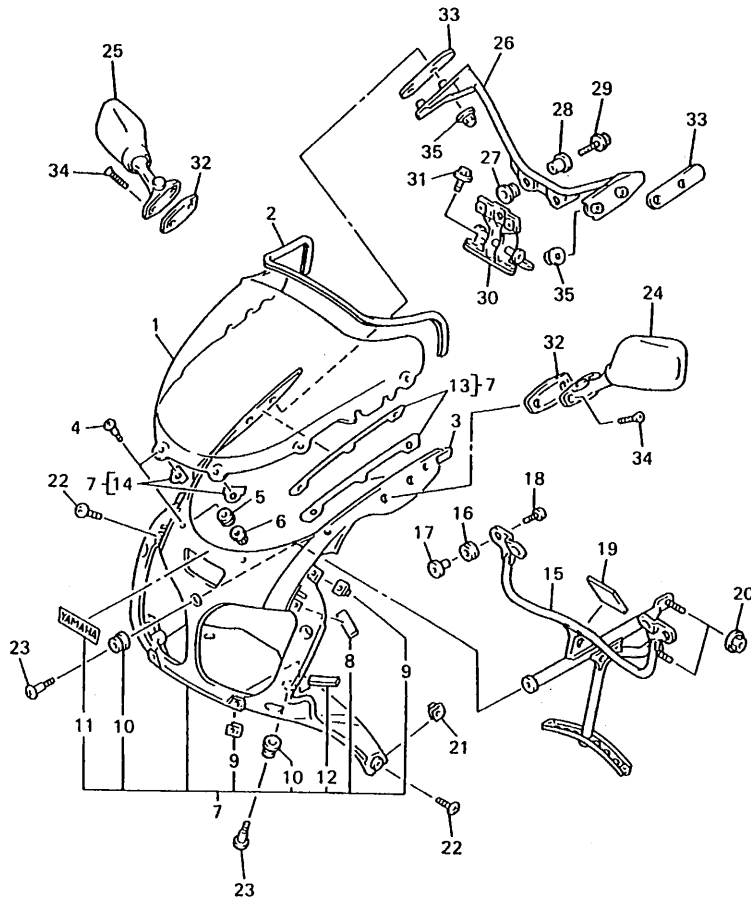


4HS300-5380

E14

FIG. 38 COWLING 1

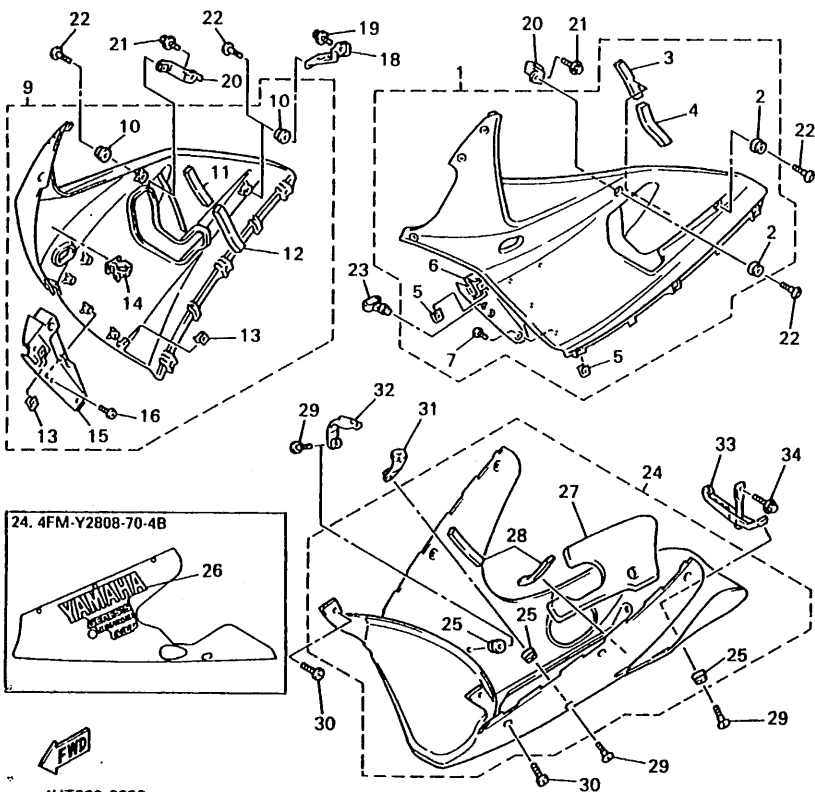
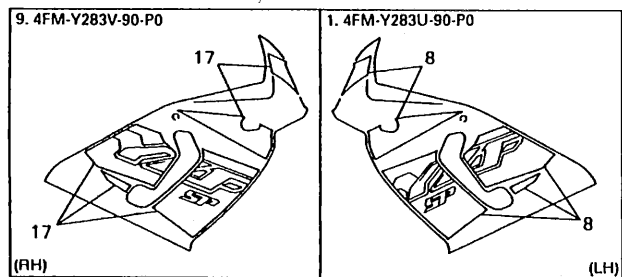
REF. NO.	PART NO.	DESCRIPTION	Q'TY	REMARKS
29	95027-06016	BOLT, FLANGE	2	
30	4FM-2832W-00	STAY, MIRROR 2	1	
31	95027-06012	BOLT, FLANGE	2	
32	4FM-26299-00	PLATE, MIRROR FITTING 2	2	
33	3XV-26298-00	PLATE, MIRROR FITTING 1	2	
34	98707-06025	SCREW, FLAT HEAD	4	
35	90176-06055	NUT, CROWN	4	



4HS300-5380

E15

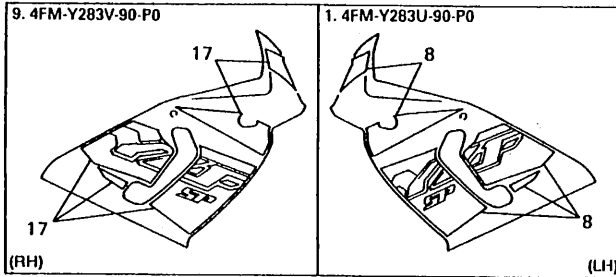
FIG. 39 COWLING 2



4HT332-6390

REF. NO.	PART NO.	DESCRIPTION	Q'TY	REMARKS
1	4FM-Y283U-90-P0	PANEL ASSEMBLY 1	1	BLUISH WHITE COCKTAIL 1
2	90480-13398	•GROMMET	2	
3	8V7-21961-00	•PATCH 1	1	
4	4FM-28371-10	•DAMPER	1	
5	90183-05024	•NUT, SPRING	5	
6	4FM-2836K-00	•PANEL, INNER 1	1	
7	97707-40014	•SCREW, TAPPING	4	
8	4HS-28301-20	•GRAPHIC SET, LOWER COVER 1	1	
9	4FM-Y283V-90-P0	PANEL ASSEMBLY 2	1	BLUISH WHITE COCKTAIL 1
10	90480-13398	•GROMMET	2	
11	8V7-21961-00	•PATCH 1	1	
12	4FM-28371-10	•DAMPER	1	
13	90183-05024	•NUT, SPRING	5	
14	90464-25160	•CLAMP	1	
15	4FM-2836L-00	•PANEL, INNER 2	1	
16	97707-40014	•SCREW, TAPPING	4	
17	4HS-28303-20	•GRAPHIC SET, LOWER COVER 2	1	
18	4FM-28322-00	STAY 2	1	
19	95807-06010	BOLT, FLANGE	1	
20	4FM-2836H-00	BRACKET 5	2	
21	95817-08012	BOLT, FLANGE	2	
22	90150-06036	SCREW, ROUND HEAD	4	
23	1A8-21518-00	HOLDER, CABLE	1	
24	4FM-Y2808-70-4B	COVER ASSY, UNDER	1	BALCK 2
25	90480-13398	•GROMMET	4	
26	4HD-28308-00	•EMBLEM SET	1	
27	4FM-2848K-10	•SEAT 2	1	
28	8V7-21961-00	•PATCH 1	2	

FIG. 39 COWLING 2



REF. NO.	PART NO.	DESCRIPTION	Q'TY	REMARKS
29	90150-06036	SCREW, ROUND HEAD	4	
30	90150-05039	SCREW, ROUND HEAD	8	
31	4FM-2836F-00	BRACKET 3	1	
32	4FM-2836G-00	BRACKET 4	1	
33	4FM-2831T-00	STAY, SUPPORT 1	1	
34	90119-06018	BOLT, WITH WASHER	1	

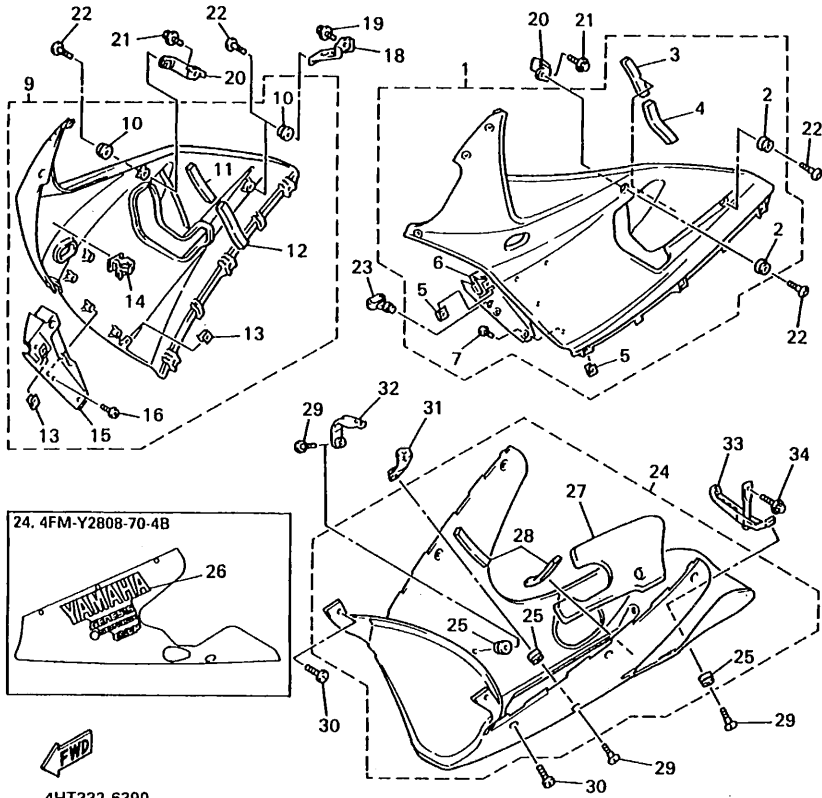
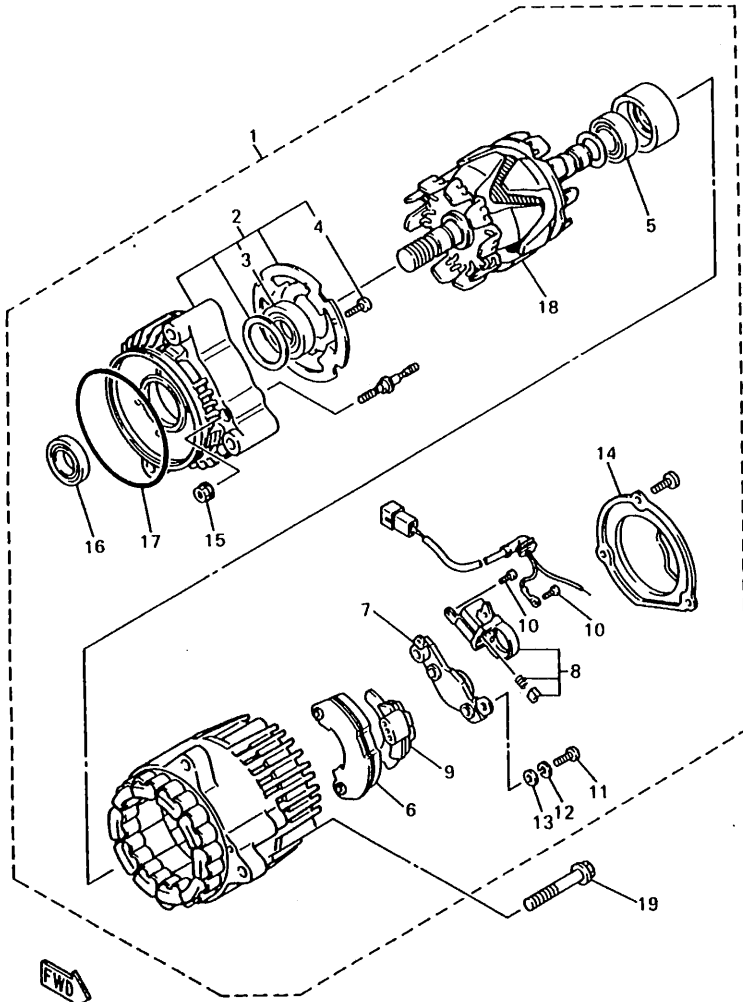




FIG. 40 GENERATOR

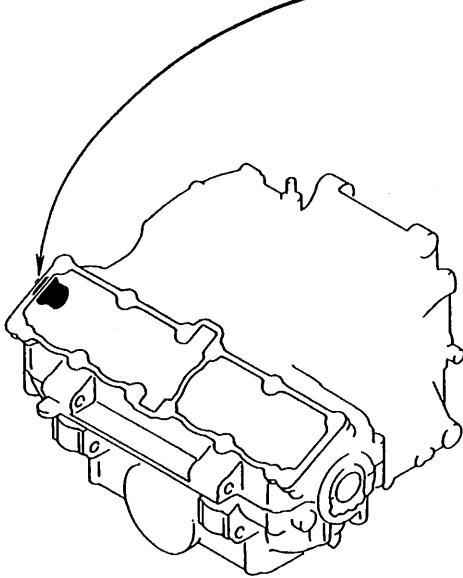
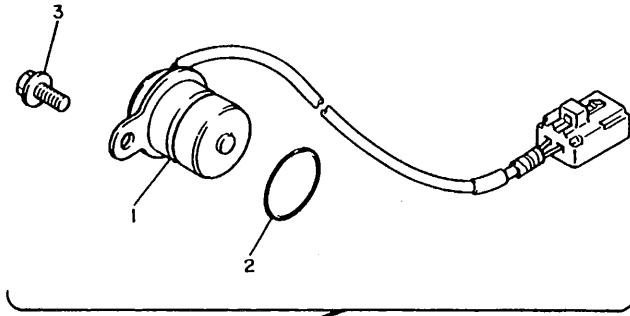


4BH332-3430

REF. NO.	PART NO.	DESCRIPTION	Q'TY	REMARKS
1	4BH-81600-00	A.C. GENERATOR ASSY	1	
2	4BH-81634-00	.STATOR ASSY	1	
3	4BH-81643-00	..BEARING	1	
4	4BH-81645-00	..SCREW	4	
5	4BH-81643-10	.BEARING	1	
6	4BH-81970-00	.RECTIFIER ASSY	1	
7	36Y-81910-50	.VOLTAGE REGULATOR ASSY	1	
8	3FV-81619-00	.BRUSH HOLDER ASSY	1	
9	4BH-81972-00	.COVER, RECTIFIER	1	
10	3FV-81645-00	.SCREW	2	
11	98507-05018	.SCREW, PAN HEAD	3	
12	92901-05100	.WASHER, SPRING	3	
13	92990-05600	.WASHER, PLATE	3	
14	4BH-81604-00	.COVER ASSY	1	
15	95707-05500	.NUT, FLANGE	2	
16	36Y-81638-50	.OIL SEAL	1	
17	2KT-81642-50	.O-RING	1	
18	4BH-81660-00	.ROTOR ASSY	1	
19	95817-08065	.BOLT, FLANGE	3	

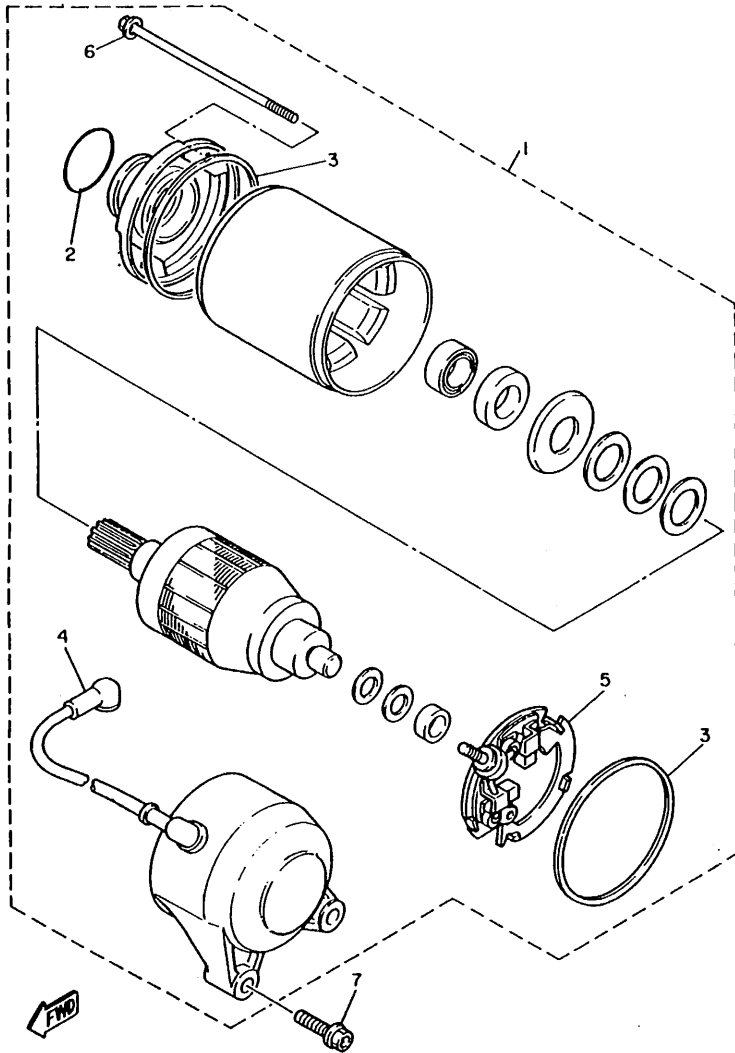
FIG. 41 PICK UP COIL • GOVERNOR

REF. NO.	PART NO.	DESCRIPTION	Q'TY	REMARKS
1	3GM-81670-00	PICK-UP ASSY	1	
2	93210-19216	O-RING	1	
3	95027-06012	BOLT, FLANGE	1	



2GH300-7400

FIG. 42 STARTING MOTOR

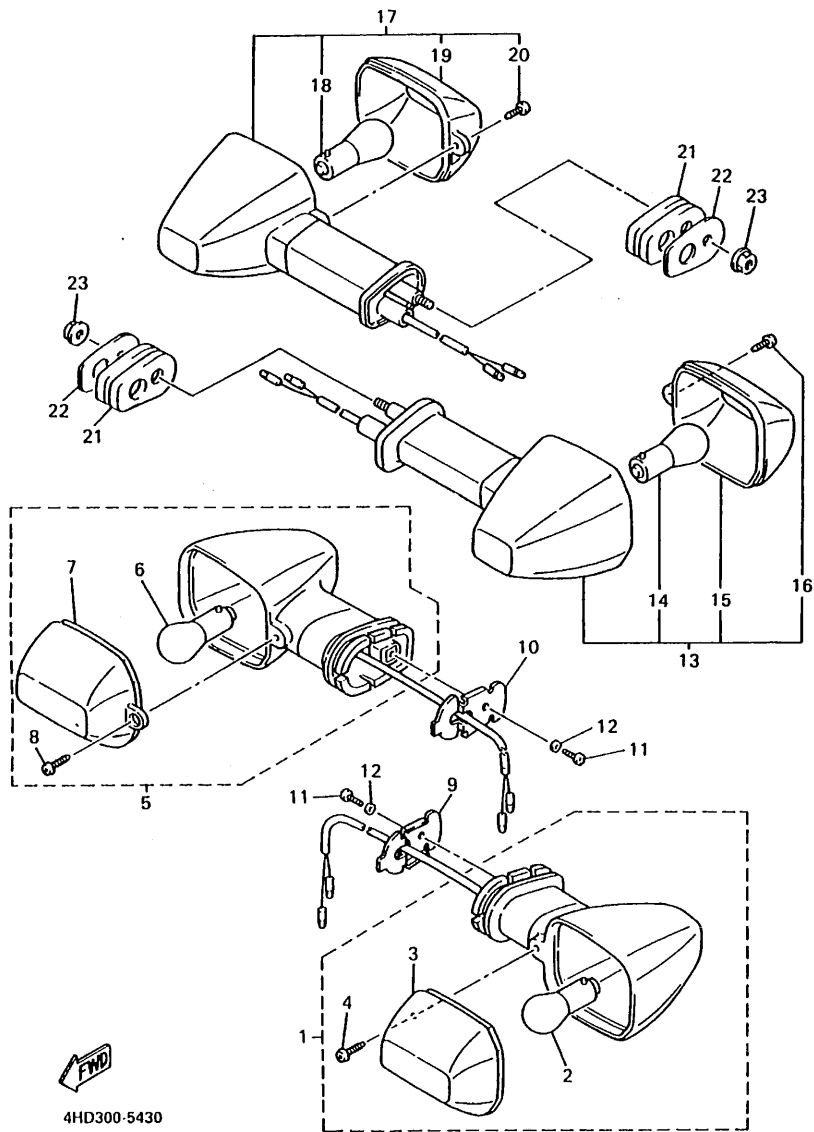


REF. NO.	PART NO.	DESCRIPTION	Q'TY	REMARKS
1	3XF-81800-00	STARTING MOTOR ASSY	1	
2	26H-81847-00	•O-RING	1	
3	11H-81844-00	•GASKET	2	
4	2KT-81815-00	•CORD, STARTER MOTOR	1	
5	3KS-81840-00	•BRUSH HOLDER ASSY	1	
6	3HE-81826-00	•BOLT	2	
7	95827-06025	BOLT, FLANGE	2	

3KS351-9420

F6

FIG. 43 FLASHER LIGHT

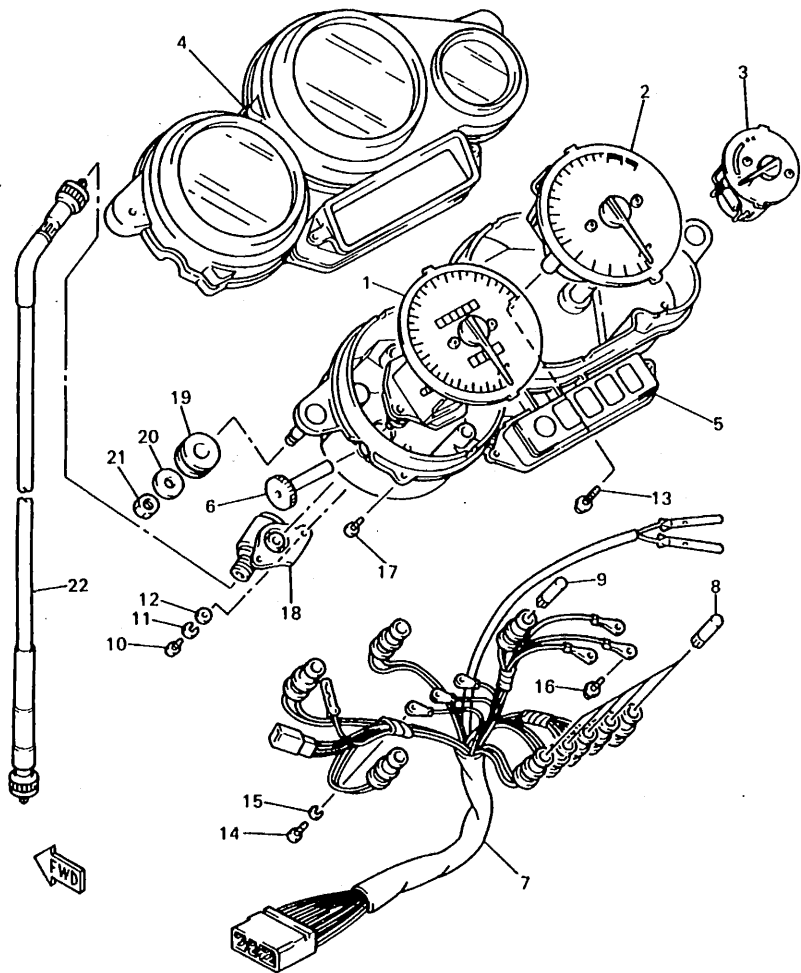


REF. NO.	PART NO.	DESCRIPTION	Q'TY	REMARKS
1	4JH-83310-01	FRONT FLASHER LIGHT ASSY 1	1	
2	306-83311-40	•BULB, FLASHER (12V-21W)	1	
3	4JH-83332-00	•LENS, FLASHER	1	
4	97702-40610	•SCREW, TAPPING	1	
5	4JH-83320-01	FRONT FLASHER LIGHT ASSY 2	1	
6	306-83311-40	•BULB, FLASHER (12V-21W)	1	
7	4JH-83342-00	•LENS, FLASHER 2	1	
8	97702-40610	•SCREW, TAPPING	1	
9	4JH-83318-10	STAY, FLASHER 1	1	
10	4JH-83318-00	STAY, FLASHER 1	1	
11	98507-04008	SCREW, PAN HEAD	2	
12	92907-04600	WASHER	2	
13	4JH-83330-00	REAR FLASHER LIGHT ASSY 1	1	
14	306-83311-40	•BULB, FLASHER (12V-21W)	1	
15	4JH-83332-00	•LENS, FLASHER	1	
16	97702-40610	•SCREW, TAPPING	1	
17	4JH-83340-00	•FLASHER LIGHT ASSY 2	1	
18	306-83311-40	•BULB, FLASHER (12V-21W)	1	
19	4JH-83342-00	•LENS, FLASHER 2	1	
20	97702-40610	•SCREW, TAPPING	1	
21	4FM-83345-00	PLUG, BLIND	2	
22	4FM-83369-00	STAY, FLASHER 2	2	
23	95707-06500	NUT, FLANGE	2	



4HD300-5430

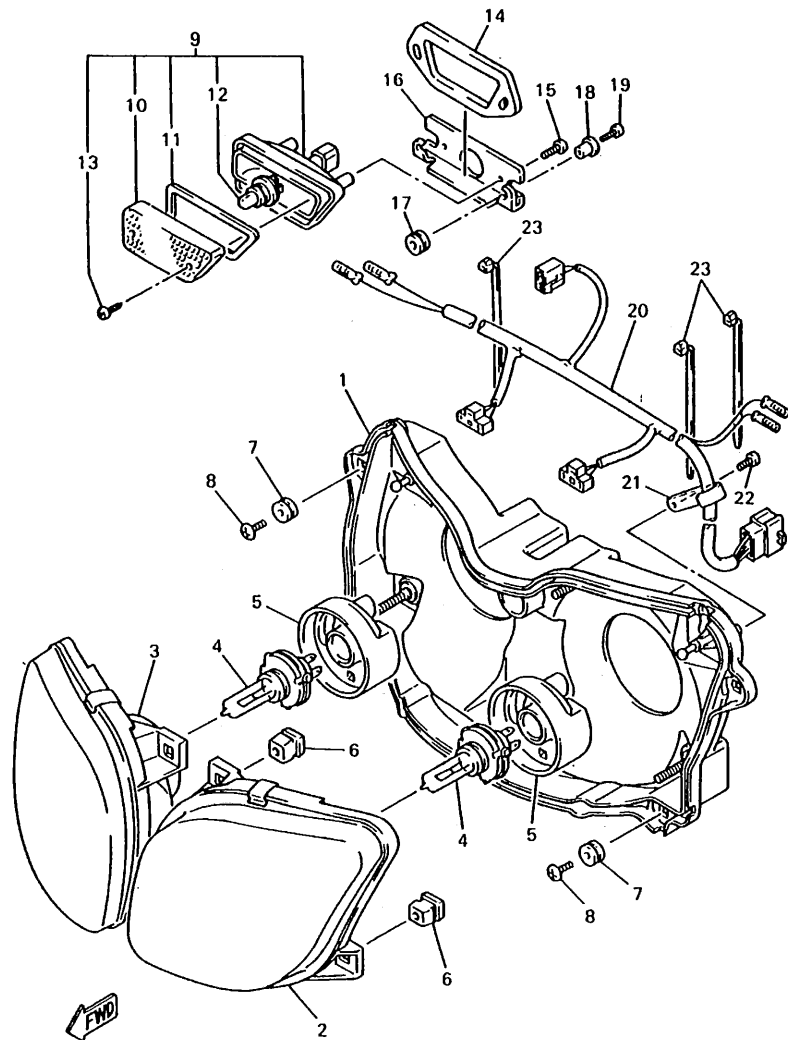
FIG. 44 METER



REF. NO.	PART NO.	DESCRIPTION	Q'TY	REMARKS
1	4FM-83570-00	SPEEDOMETER ASSY	1	
2	4FM-83540-00	TACHOMETER ASSY	1	
3	4FM-83590-00	WATER TEMPERATURE ASSY	1	
4	4FM-83559-00	COVER, METER	1	
5	4FM-8353H-40	CASE, UNDER	1	
6	2GH-83578-00	KNOB, TRIP METER	1	
7	4FM-83509-80	SOCKET CORD ASSY	1	
8	4G1-84744-00	BULB (12V-3.4W)	5	
9	2GV-83517-00	BULB (12V-1.7W, T6.5)	4	
10	98507-04010	SCREW, PAN HEAD	4	
11	92907-04100	WASHER	4	
12	92907-04600	WASHER	4	
13	97902-04122	SCREW, WITH WASHER	2	
14	98507-03010	SCREW, PAN HEAD	3	
15	92990-03100	WASHER, SPRING	3	
16	90159-03102	SCREW, WITH WASHER	3	
17	90164-04023	SCREW, TAPPING	5	
18	4FM-83520-00	SOCKET CORD ASSY	1	
19	5J0-83513-00	DAMPER	2	
20	90201-06059	WASHER, PLATE	2	
21	95307-06600	NUT	2	
22	4FM-83550-02	SPEEDOMETER CABLE ASSY	1	

4HD300-3440

FIG. 45 HEADLIGHT

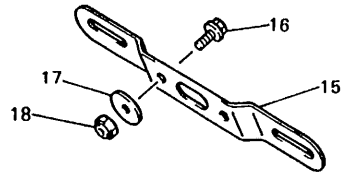
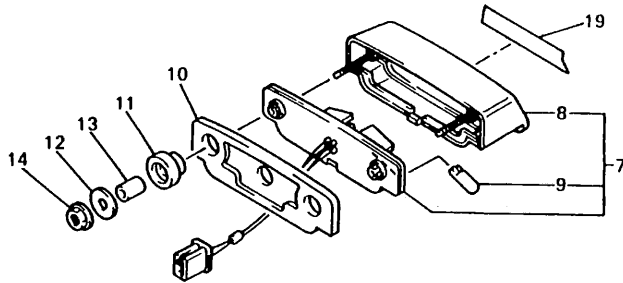
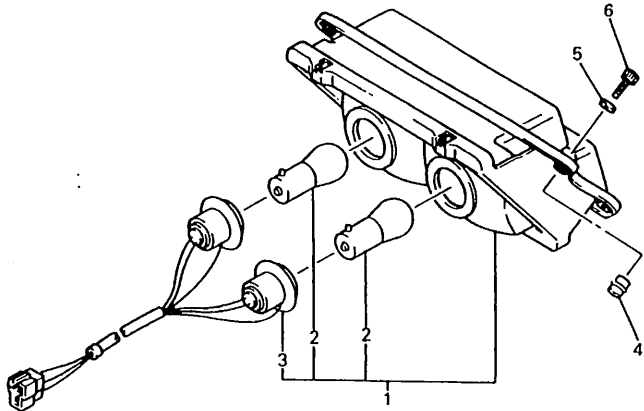


4HD300-4450

REF. NO.	PART NO.	DESCRIPTION	Q'TY	REMARKS
1	4FM-84330-41	BODY ASSY	1	
2	4FM-84320-10	LENS ASSY	1	
3	4FM-8432A-10	LENS ASSY	1	
4	2F9-84314-00	BULB (12V-60/55W)	2	(H4) HALOGEN
5	4JG-84397-00	COVER, SOCKET	2	
6	51L-84334-00	NUT, ADJUSTING	4	
7	90480-10584	GROMMET	4	
8	97007-60014	SCREW, TAPPING	4	
9	3GM-84301-00	PILOT LIGHT ASSY 1	1	
10	3GM-84321-00	•LENS ASSY	1	
11	3GM-84322-00	•GASKET, LENS	1	
12	2JE-84744-00	•BULB (12V-5W)	1	
13	3GM-84192-00	•SCREW (M4, L=12)	2	
14	3GM-84367-50	DAMPER, HEADLIGHT 2	1	
15	97707-50012	SCREW, TAPPING	2	
16	3GM-8431R-00	STAY, SETTING	1	
17	90480-10517	GROMMET	2	
18	90387-052U5	COLLAR	2	
19	90167-05037	SCREW, TAPPING	2	
20	4FM-84359-20	CORD, HEADLIGHT	1	
21	90462-05061	CLAMP	1	
22	97707-50012	SCREW, TAPPING	1	
23	90464-13073	CLAMP	3	

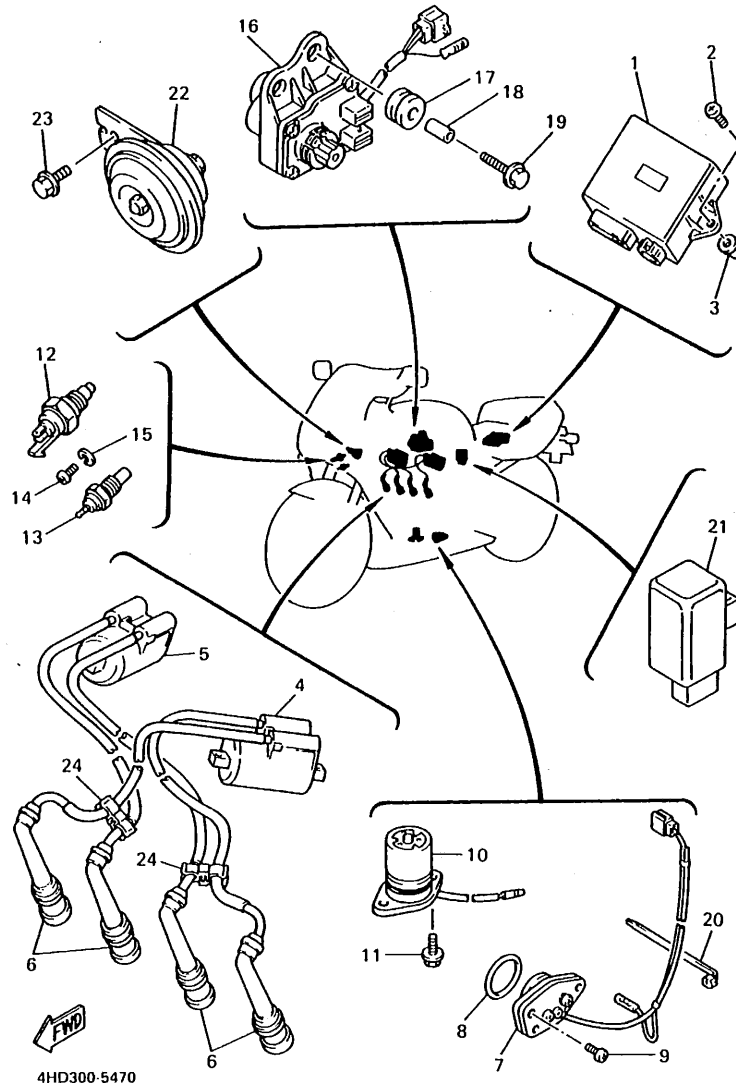
FIG. 46 TAILLIGHT

REF. NO.	PART NO.	DESCRIPTION	Q'TY	REMARKS
1	4FM-84710-00	TAILLIGHT UNIT ASSY	1	
2	1A2-84714-41	•BULB, TAILLIGHT (12V-21/5W)	2	
3	4FM-84735-00	•CORD ASSY	1	
4	90179-05523	NUT	4	
5	92907-05600	WASHER	4	
6	90110-05112	BOLT, HEXAGON SOCKET HEAD	4	
7	4FM-84745-00	LICENCE LIGHT UNIT ASSY	1	
8	4FM-84749-00	•BODY, LICENCE LIGHT	1	
9	2JE-84744-00	•BULB (12V-5W)	2	
10	3F9-84742-00	SEAT, BASE	1	
11	3F9-84553-00	DAMPER	2	
12	90201-05033	WASHER, PLATE	2	
13	90387-06241	COLLAR	2	
14	95707-05500	NUT, FLANGE	2	
15	3YF-84751-00	BRACKET, LICENSE	1	
16	95027-06016	BOLT, FLANGE	2	
17	90201-06059	WASHER, PLATE	2	
18	95607-06100	NUT, U	2	
19	99236-00080	EMBLEM, YAMAHA	1	



4HD300-3460

FIG. 47 ELECTRICAL 1

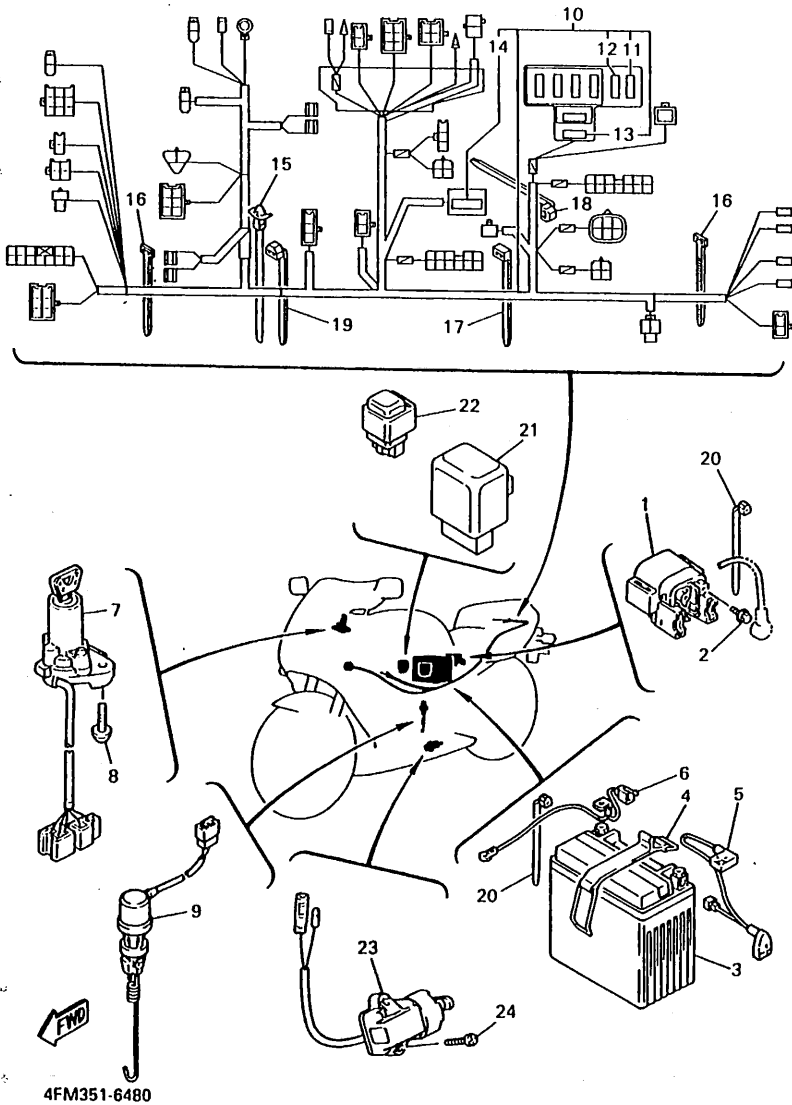


4HD300-5470

REF. NO.	PART NO.	DESCRIPTION	Q'TY	REMARKS
1	4HS-82305-10	IGNITOR UNIT ASSY	1	
2	97707-60016	SCREW, TAPPING	2	
3	90338-08226	PLUG	2	
4	4FM-82310-00	IGNITION COIL ASSY	1	
5	4FM-82320-00	IGNITION COIL ASSY	1	
6	2KT-82370-00	PLUG CAP ASSY	4	
7	4FM-82540-00	NEUTRAL SWITCH ASSY	1	
8	93210-29196	O-RING	1	
9	98507-06016	SCREW, PAN HEAD	2	
10	3GM-85720-00	OIL LEVEL GAUGE ASSY	1	
11	95027-06014	BOLT, FLANGE	2	
12	3LN-82560-01	THERMO SWITCH ASSY	1	
13	11H-83591-00	THERMO UNIT	1	
14	98507-05008	SCREW, PAN HEAD	1	
15	92907-05600	WASHER	1	
16	4FM-85820-00	SERVO MOTOR ASSY	1	
17	90480-14412	GROMMET	2	
18	90387-0609L	COLLAR	2	
19	95807-06030	BOLT, FLANGE	2	
20	90464-13073	CLAMP	2	
21	3GM-83350-01	FLASHER RELAY ASSY	1	
22	4FM-83371-00	HORN	1	
23	95807-06010	BOLT, FLANGE	1	
24	90464-10186	CLAMP	2	



FIG. 48 ELECTRICAL 2

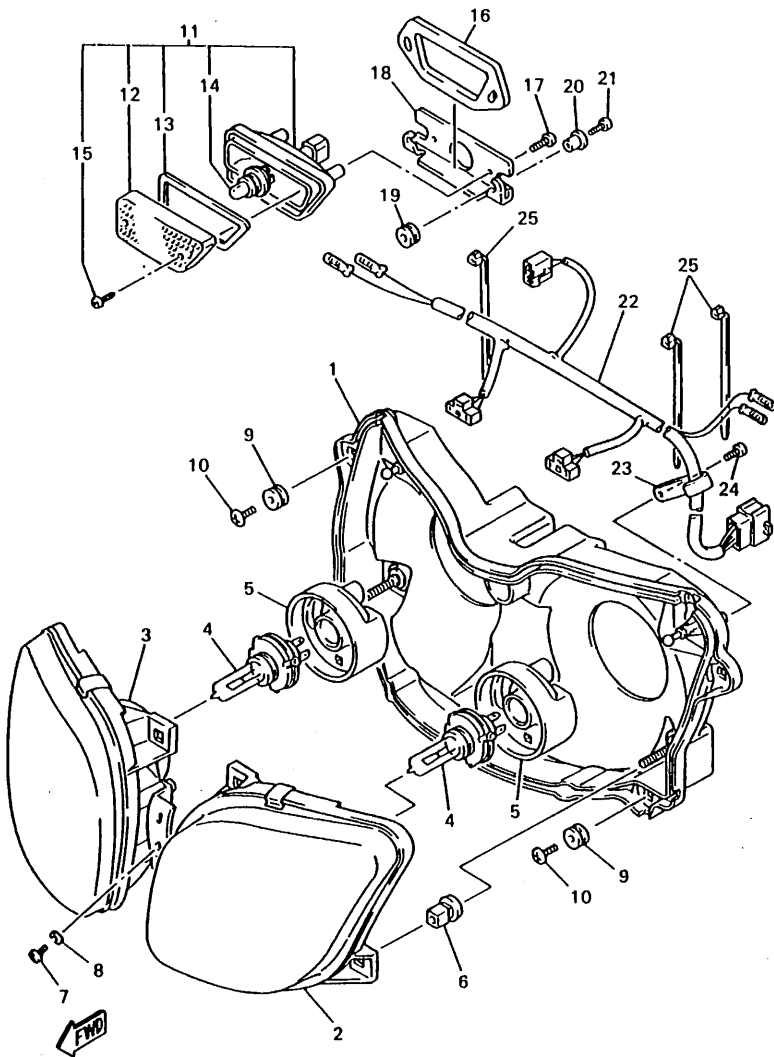


REF. NO.	PART NO.	DESCRIPTION	Q'TY	REMARKS
1	4FM-81940-00	STARTER RELAY ASSY	1	
2	95027-06008	BOLT, FLANGE	2	
3	3VD-82100-00	BATTERY ASSY (YTX12-BS)	1	
4	4BP-82131-00	BAND, BATTERY	1	
5	4FM-82115-00	WIRE, PLUS LEAD	1	
6	4JH-82116-00	WIRE, MINUS LEAD	1	
7	4JH-82501-01	MAIN SWITCH STEERING LOCK	1	
8	90109-080G5	BOLT	2	
9	1KT-82530-02	STOP SWITCH ASSY	1	
10	4FM-82590-10	WIRE HARNESS ASSY	1	
11	2KW-82151-00	•FUSE (12V-7.5A)	3	
12	2GV-82151-00	•FUSE (20A)	3	
13	36Y-82151-00	•FUSE (12V-15A)	2	
14	4FM-82151-00	•FUSE (30A)	1	
15	90464-12036	CLAMP	1	
16	90464-12089	CLAMP	6	
17	90464-13080	CLAMP	2	
18	90464-13073	CLAMP	1	
19	90464-13073	CLAMP	6	
20	90464-15195	CLAMP	2	
21	3EN-81950-00	RELAY ASSY	1	
22	3GM-81950-00	RELAY ASSY	1	
23	4FM-82566-00	SWITCH, SIDE STAND	1	
24	90157-05079	SCREW, PAN HEAD	2	

# FOR ITALY

The following pages provides a listing of only the parts that meet the specifications peculiar to your market. For those parts not appearing in these pages, refer to the "GENERAL SPEC." section.

FIG. 49 ALTERNATE (HEADLIGHT)



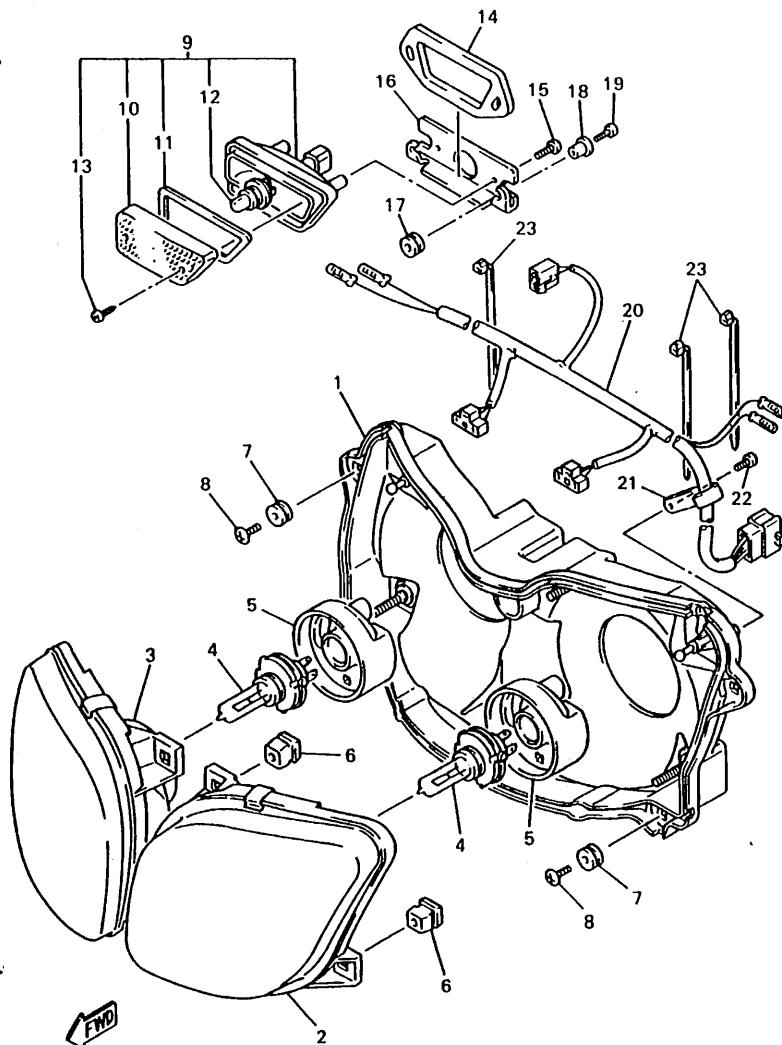
REF. NO.	PART NO.	DESCRIPTION	Q'TY	REMARKS
1	4FM-84330-31	BODY ASSY	1	
2	4FM-84320-30	LENS ASSY	1	
3	4FM-8432A-30	LENS ASSY	1	
4	1FM-84314-H0	BULB (12V-35/35W)	2	HALOGEN
5	4JG-84397-00	COVER, SOCKET	2	
6	51L-84334-00	NUT, ADJUSTING	1	
7	98507-04008	SCREW, PAN HEAD	2	
8	92907-04100	WASHER	2	
9	90480-10584	GROMMET	4	
10	97707-60014	SCREW, TAPPING	4	
11	3GM-84301-00	PILOT LIGHT ASSY 1	1	
12	3GM-84321-00	.LENS ASSY	1	
13	3GM-84322-00	.GASKET, LENS	1	
14	2JE-84744-00	.BULB (12V-5W)	1	
15	3GM-84192-00	.SCREW (M4, L=12)	2	
16	3GM-84367-50	DAMPER, HEADLIGHT 2	1	
17	97707-50012	SCREW, TAPPING	2	
18	3GM-8431R-00	STAY, SETTING	1	
19	90480-10517	GROMMET	2	
20	90387-052U5	COLLAR	2	
21	90167-05037	SCREW, TAPPING	2	
22	4FM-84359-30	CORD, HEADLIGHT	1	
23	90462-05061	CLAMP	1	
24	97707-50012	SCREW, TAPPING	1	
25	90464-13073	CLAMP	3	

4HD300-4490

# FOR HOLLAND

The following pages provides a listing of only the parts that meet the specifications peculiar to your market. For those parts not appearing in these pages, refer to the "GENERAL SPEC." section.

FIG. 50 ALTERNATE (HEADLIGHT)



4HD300-4450

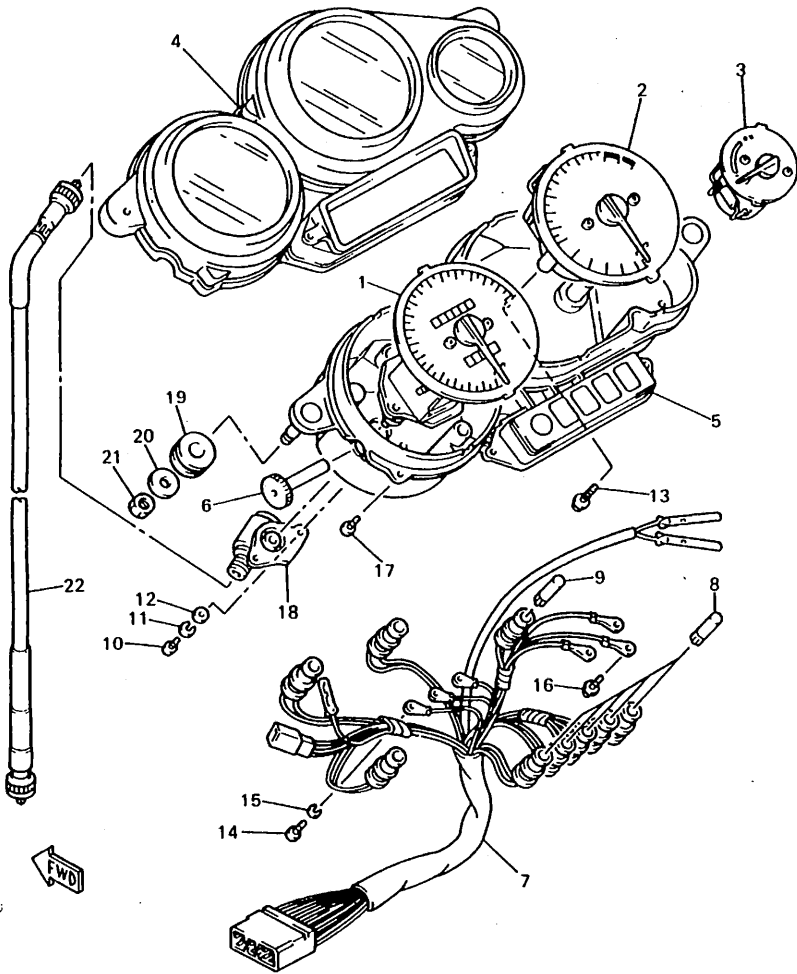
REF. NO.	PART NO.	DESCRIPTION	Q'TY	REMARKS
1	4FM-84330-41	BODY ASSY	1	
2	4FM-84320-10	LENS ASSY	1	
3	4FM-8432A-20	LENS ASSY	1	
4	2F9-84314-00	BULB (12V-60/55W)	2	(H4) HALOGEN
5	4JG-84397-00	COVER, SOCKET	2	
6	51L-84334-00	NUT, ADJUSTING	4	
7	90480-10584	GROMMET	4	
8	97707-60014	SCREW, TAPPING	4	
9	3GM-84301-00	PILOT LIGHT ASSY 1	1	
10	3GM-84321-00	.LENS ASSY	1	
11	3GM-84322-00	.GASKET, LENS	1	
12	2JE-84744-00	.BULB (12V-5W)	1	
13	3GM-84192-00	.SCREW (M4, L=12)	2	
14	3GM-84367-50	DAMPER, HEADLIGHT 2	1	
15	97707-50012	SCREW, TAPPING	2	
16	3GM-8431R-00	STAY, SETTING	1	
17	90480-10517	GROMMET	2	
18	90387-052U5	COLLAR	2	
19	90167-05037	SCREW, TAPPING	2	
20	4FM-84359-20	CORD, HEADLIGHT	1	
21	90462-05061	CLAMP	1	
22	97707-50012	SCREW, TAPPING	1	
23	90464-13073	CLAMP	3	

# FOR ENGLAND IRELAND

The following pages provides a listing of only the parts that meet the specifications peculiar to your market. For those parts not appearing in these pages, refer to the "GENERAL SPEC." section.

FIG. 51 ALTERNATE (METER)

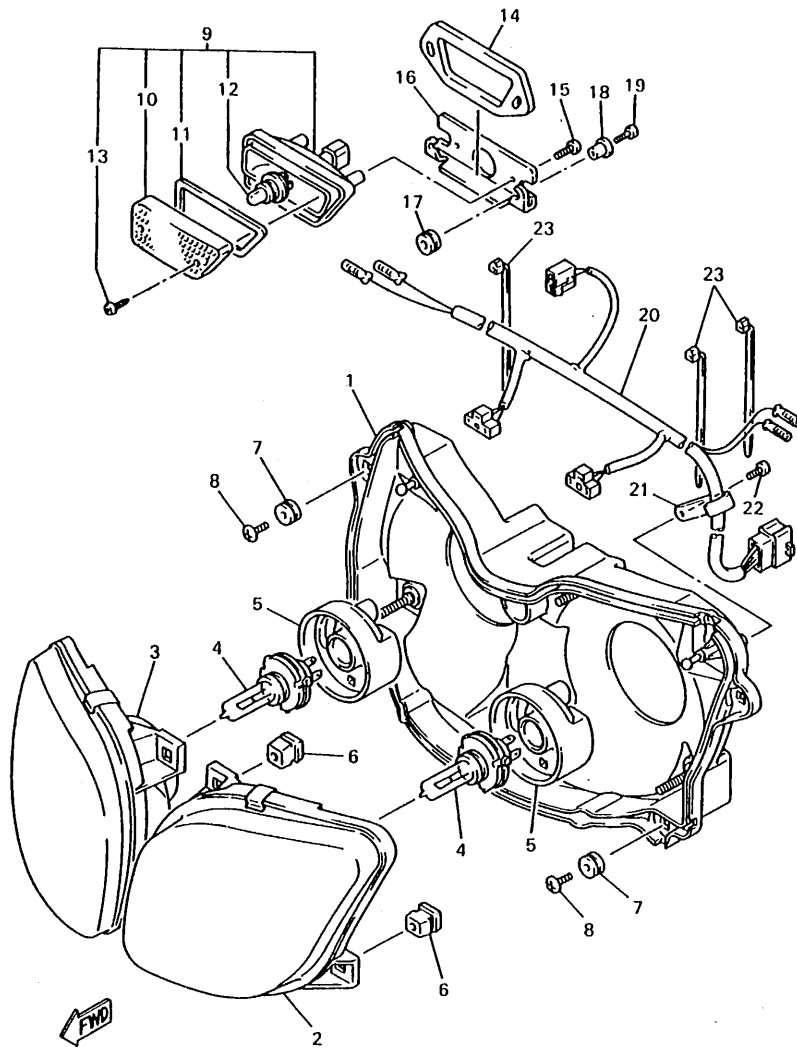
REF. NO.	PART NO.	DESCRIPTION	Q'TY	REMARKS
1	4FM-83570-10	SPEEDOMETER ASSY	1	
2	4FM-83540-00	TACHOMETER ASSY	1	
3	4FM-83590-00	WATER TEMPERATURE ASSY	1	
4	4FM-83559-00	COVER, METER	1	
5	4FM-8353H-50	CASE, INNER	1	
6	2GH-83578-00	KNOB, TRIP METER	1	
7	4FM-83509-80	SOCKET CORD ASSY	1	
8	4G1-84744-00	BULB (12V-3.4W)	5	
9	2GV-83517-00	BULB (12V-1.7W, T6.5)	4	
10	98507-04010	SCREW, PAN HEAD	4	
11	92907-04100	WASHER, SPRING	4	
12	92907-04600	WASHER, PLATE	4	
13	97902-04122	SCREW, WITH WASHER	2	
14	98507-03010	SCREW, PAN HEAD	3	
15	92990-03100	WASHER, SPRING	3	
16	90159-03102	SCREW, WITH WASHER	3	
17	90164-04023	SCREW, TAPPING	5	
18	4FM-83520-00	SOCKET CORD ASSY	1	
19	5J0-83513-00	DAMPER	2	
20	90201-06059	WASHER, PLATE	2	
21	95317-06600	NUT	2	
22	3GM-83550-02	SPEEDOMETER CABLE ASSY	1	



4HD300-3440

G4

FIG. 52 ALTERNATE (HEADLIGHT)



4HD300-4450

REF. NO.	PART NO.	DESCRIPTION	Q'TY	REMARKS
1	4FM-84330-41	BODY ASSY	1	
2	4FM-84320-40	LENS ASSY	1	
3	4FM-8432A-40	LENS ASSY	1	
4	1FM-84314-H0	BULB (12V-35/35W)	2	HALOGEN
5	4JG-84397-00	COVER, SOCKET	2	
6	51L-84334-00	NUT, ADJUSTING	4	
7	90480-10584	GROMMET	4	
8	97707-60014	SCREW, TAPPING	4	
9	3GM-84301-00	PILOT LIGHT ASSY 1	1	
10	3GM-84321-00	.LENS ASSY	1	
11	3GM-84322-00	.GASKET, LENS	1	
12	2JE-84744-00	.BULB (12V-5W)	1	
13	3GM-84192-00	.SCREW (M4, L=12)	2	
14	3GM-84367-50	DAMPER, HEADLIGHT 2	1	
15	97707-50012	SCREW, TAPPING	2	
16	3GM-8431R-00	STAY, SETTING	1	
17	90480-10517	GROMMET	2	
18	90387-052U5	COLLAR	2	
19	90167-05037	SCREW, TAPPING	2	
20	4FM-84359-30	CORD, HEADLIGHT	1	
21	90462-05061	CLAMP	1	
22	97707-50012	SCREW, TAPPING	1	
23	90464-13073	CLAMP	3	



NUMERICAL INDEX

PART NO.	GRID NO.	PART NO.	GRID NO.
3GM-W0041-50	E - 7	4FM-11605-00	B - 4
4BH-W0042-50	E -12	4FM-11631-00-A0	B - 4
4FM-W0045-30	E - 2	3GM-11633-00	B - 4
4FM-W0046-00	E - 5	4FM-11636-00	B - 4
3MA-W0047-10	E - 2	4FM-11650-01	B - 4
31A-W0047-00	E - 5	36Y-11654-00	B - 4
4FM-W0047-00	E - 2	3GM-11656-00	B - 4
1J3-W0048-00	E - 2	3GM-11656-10	B - 4
	E - 5	3GM-11656-20	B - 4
36Y-W0048-00	C -10	3GM-11656-30	B - 4
31A-W0057-00	E - 5	4FM-12111-00	B - 5
4FM-W0057-00	E - 2	4FM-12112-00	B - 5
4FM-W0057-10	E - 2	3FV-12113-00	B - 5
26H-W0098-00	C -10	3FV-12114-00	B - 5
3GM-W0099-00	E - 9	4FM-12116-00	B - 5
4FN-W1741-00	C -11	1WG-12117-00	B - 5
3FV-W1742-00	C -11	3GM-12117-00	B - 5
4FM-W2171-40-P1	D - 5	1WG-12118-00	B - 5
3GM-W2587-50	E - 7	1WG-12119-00	B - 5
4FM-W2645-00	E - 9	4FM-12121-00	B - 5
4FM-Y2808-70-4B	F - 2	3GM-12126-00	B - 5
4FM-Y283U-90-P0	F - 2	3FV-12153-09	B - 6
4FM-Y283V-90-P0	F - 2	3FV-12153-20	B - 6
4FM-Y2835-30-P2	E -14	3LN-12153-09	B - 6
4FM-11102-10	B - 2	3LN-12153-20	B - 6
2GH-1111G-00	B - 2	1HX-12168-A0	B - 5
3GM-11133-10	B - 2	1HX-12168-F0	B - 5
3GM-11134-10	B - 2	1HX-12168-H1	B - 5
4FM-1115A-00	B - 2	1HX-12168-K1	B - 5
3FV-11166-00	C - 5	1HX-12168-M1	B - 5
3FV-11181-00	B - 3	1HX-12168-R1	B - 5
3FV-11182-00	B - 2	1HX-12168-U1	B - 5
3GM-11191-00	B - 2	1HX-12168-W1	B - 5
3GM-11193-00	B - 2	1HX-12168-Y1	B - 5
214-11198-01	B -13	1HX-12168-00	B - 5
4FM-11310-00	B - 3	1HX-12168-20	B - 5
4FM-1133E-00	C - 4	1HX-12168-40	B - 5
4FM-1133F-00	C - 4	1HX-12168-60	B - 5
3FV-11351-00	B - 3	1HX-12168-80	B - 5
4FM-11411-00	B - 4	1HX-12169-E0	B - 6
3GM-11416-00	B - 4	1HX-12169-G0	B - 6
3GM-11416-10	B - 4	1HX-12169-J0	B - 6
3GM-11416-20	B - 4	1HX-12169-L0	B - 6
3GM-11416-30	B - 4	1HX-12169-N0	B - 6
3GM-11416-40	B - 4	1HX-12169-T0	B - 6
4FM-11456-00	C - 9	1HX-12169-11	B - 5
3GM-11474-00	C - 9	1HX-12169-31	B - 5
4FM-11603-00	B - 4	1HX-12169-50	B - 5

NUMERICAL INDEX

PART NO.	GRID NO.	PART NO.	GRID NO.	PART NO.	GRID NO.
4FM-13417-00	B - 13	4FM-13417-00	B - 13	4FN-14561-00	B -14
3FV-13440-00	B -13	4FM-13440-00	B -13	4FM-14610-10	C - 4
3GM-13454-00	B -12	4FM-13454-00	B -12	4FM-14613-00	C - 4
3VD-13455-00	B -13	3VD-13455-00	B -13	3GM-14683-00	C - 4
4FM-13470-10	B -13	4FM-13470-10	B -13	4HD-14710-00	C - 4
4FM-13475-00	B -12	4FM-13475-00	B -12	3HE-14755-00	C - 4
3KS-13490-00	B -13	3KS-13490-00	B -13	3GM-14811-00	C - 4
4FM-13556-01	B -14	4FM-13556-01	B -14	3GM-14821-01	C - 4
4FM-13586-01	B -14	4FM-13586-01	B -14	4HD-14826-00	C - 4
4FN-13586-01	B -14	4FN-13586-01	B -14	2TK-14845-00	C - 4
4FM-13596-01	B -14	4FM-13596-01	B -14	2TK-14865-01	C - 4
4FN-13597-00	B -14	4FN-13597-00	B -14	2TK-14867-01	C - 4
4FN-13598-00	B -14	4FN-13598-00	B -14	3TJ-1490A-40	C - 3
4FM-13910-00	D -12	4FM-13910-00	D -12	4HS-14900-10	C - 2
3TJ-1410A-40	C - 3	3TJ-1410A-40	C - 3	4HS-14916-00	C - 2
4FN-14105-00	C - 2	4FN-14105-00	C - 2	4HS-14922-00	C - 3
4FN-14107-00	C - 2	4FN-14107-00	C - 2	4FN-14934-00	C - 3
3TJ-14137-40	C - 3	3TJ-14137-40	C - 3	3TJ-14935-40	C - 3
3TJ-14159-40	C - 2	3TJ-14159-40	C - 2	3TJ-1494F-11	C - 2
3TJ-14191-40	C - 2	3TJ-14191-40	C - 2	3TJ-14943-15	C - 2
3TJ-14216-40	C - 2	3TJ-14216-40	C - 2	3TJ-14943-32	C - 2
3TJ-14245-40	C - 3	3TJ-14245-40	C - 3	7A9-14943-31	C - 2
4FN-14261-00	C - 3	4FN-14261-00	C - 3	4FN-14947-00	C - 2
3TJ-14267-40	C - 2	3TJ-14267-40	C - 2	3TJ-14948-03	C - 2
3TJ-14293-40	C - 2	3TJ-14293-40	C - 2	4FN-14959-00	C - 2
3FV-14294-02	D -13	3FV-14294-02	D -13	3TJ-14968-40	C - 3
4FN-14294-00	C - 3	4FN-14294-00	C - 3	3TJ-14984-40	C - 2
4FN-14298-00	C - 3	4FN-14298-00	C - 3	4FN-14985-00	C - 2
3TJ-14325-40	C - 3	3TJ-14325-40	C - 3	4FN-14997-00	C - 2
4FN-14340-00	C - 2	4FN-14340-00	C - 2	3GM-15100-53	C - 5
3TJ-14365-40	C - 3	3TJ-14365-40	C - 3	3FV-15105-00	C - 6
3TJ-14379-40	C - 3	3TJ-14379-40	C - 3	2GH-15123-00	B -11
3TJ-14393-40	C - 2	3TJ-14393-40	C - 2	1AE-15124-00	B -11
4FN-1440F-00	B -14	4FN-1440F-00	B -14	2GH-15133-00	B -11
4FM-14401-00	B -14	4FM-14401-00	B -14	4H7-15189-00	C - 6
2GH-14413-00	B - 8	2GH-14413-00	B - 8	1AE-15316-00	C - 7
4FN-14413-00	C - 3	4FN-14413-00	C - 3	3GM-15346-00	C - 7
1HX-1443E-00	B -14	1HX-1443E-00	B -14	3Y1-15361-00	C - 7
4FN-14437-00	B -14	4FN-14437-00	B -14	4FM-15362-00	C - 7
4FM-14451-00	B -11	4FM-14451-00	B -11	3FV-15363-00	C - 5
4FM-14452-00	B -11	4FM-14452-00	B -11	3GM-15373-00	B -13
4FN-14453-00	B -11	4FN-14453-00	B -11	1AE-15381-00	C - 9
4FM-14462-00	B -11	4FM-14462-00	B -11	1AE-15383-00	C - 6
4FN-14467-00	B -13	4FN-14467-00	B -13	4FM-15410-01	C - 7
3TJ-14521-40	B -11	3TJ-14521-40	B -11	3GM-15416-00	C - 7
3TJ-14522-40	B -11	3TJ-14522-40	B -11	3GM-15417-00	C - 7
4FN-14546-00	B -13	4FN-14546-00	B -13	4FM-15421-01	C - 7
663-14548-00	B -13	663-14548-00	B -13	3GM-15427-00	C - 7

NUMERICAL INDEX

PART NO.	GRID NO.	PART NO.	GRID NO.	PART NO.	GRID NO.
4FM-18511-00	C-13	4FM-2213J-00	D-6	1LJ-2414J-00	D-3
4FM-18512-00	C-13	4FM-22141-00	D-6	3FV-2416A-00	B-14
4FM-18513-00	C-13	4FM-22151-01	D-7	2GH-24181-00	D-12
4BH-18531-00	C-13	4FM-2217A-00	D-6	4FM-24181-00	C-4
1AE-18536-00	C-13	4BH-2217M-00	D-6	2GH-24183-00	D-12
4FM-18540-00	C-13	4HD-2218A-00	D-7	3Y6-24183-00	D-12
278-18542-00	C-13	3FV-22184-00	D-6	4JH-24183-00	D-12
278-18566-00	C-13	4HS-22210-00	D-8	2GH-24184-00	D-12
4FN-21110-00	C-15	4FM-22219-00	D-8	12R-24186-00	D-12
4FM-2116J-10	D-2	4AA-22259-40	D-8	2GH-24186-00	D-12
4FM-21161-01	D-2	4FM-22262-10	D-8	4FM-24191-00	D-12
4FM-21162-00	D-2	4FM-22311-00	D-6	4HD-24240-00	D-12
4FN-2117F-00	C-15	4FM-23102-70	D-10	3PA-24356-00	E-7
4FM-2117M-11	C-15	4FM-23103-70	D-10		E-9
4FN-21190-00	C-15	4FM-23110-20	D-10	3FV-24500-02	D-12
4FM-2133G-00	E-12	4FM-23111-60	D-10	4X8-24512-00	D-12
4FM-21359-10	D-2		D-11	4FM-24602-00	D-12
4FM-2137Y-01	C-15	4FM-23118-40	D-10	4FM-24710-11	D-14
4FN-2139W-00	C-15		D-11	4FM-24711-00	D-14
4FM-2142K-02	C-15	4FM-23120-20	D-10	35T-24724-00	D-3
1WG-2143A-00	D-5	4FM-23125-40	D-10	4FM-24724-00	D-14
4FM-2144G-00	E-12	4FM-23136-40	D-10	4HS-24786-00	D-5
4FM-21445-00	E-11	4FM-23141-10	D-10	4FM-25149-00	D-15
4FM-21446-00	D-2		D-11	4FM-25168-00-7B	D-15
4FM-21459-00	D-3	3XV-23144-50	D-10	4FM-25181-01	D-15
4X7-2149Y-00	B-15	4FM-23145-40	D-10	4FM-25190-00	D-15
4FN-21496-00	C-15	36Y-23146-10	D-10	478-25335-00	D-8
4FN-21497-00	C-15	3SP-23147-M0	D-10	4FM-25338-01-7B	E-3
4FM-21511-03-P3	D-3		D-11	4FM-25364-00	E-3
1A8-21518-00	F-2	26H-23156-00	D-10	4FM-25366-00	E-3
4FM-21596-00	E-2	2K8-23158-L0	D-10	4FM-25371-10	E-3
4FM-21611-03	D-3		D-11	4FM-25377-00	E-3
3GM-21621-00	D-3	4FM-23170-50	D-10	4FM-25381-10	E-4
2TV-21638-00	B-9	4FM-23171-40	D-10	4FM-25388-01	E-3
4FM-21645-11	C-15	3LC-23181-00	D-10	4FM-25389-00	E-3
3GM-21649-00	D-3		D-11	29L-25398-00	D-15
3GM-21649-10	D-3	4FM-23340-60	D-11		E-3
3MA-21649-00	E-14	3LC-23357-00	D-10	29L-25398-10	D-15
4FM-21649-00	D-3		D-11		E-3
4HS-2173L-20	D-5	4FM-23377-00	E-7	29L-25398-20	D-15
1JK-21735-00	D-5	4FM-23378-00	E-7		E-3
3XV-21778-00	D-3	3GM-23415-00	D-9	4FM-25439-00	E-3
4FM-21871-01	D-2	3YF-23418-00	D-9	4FM-2580T-30	E-2
1AA-21874-00	D-2	4FM-23435-20	D-9	4FM-2580U-10	E-2
4L0-21875-00	D-2	3FV-23462-00	D-9	4FM-2580W-10	E-5
8V7-21961-00	F-2	10L-23469-00	E-6	4FM-2581T-02	E-2
4FM-22110-10	D-6	4FM-24110-30-X6	D-12	4FM-25819-01	E-5
3FV-22128-00	D-6	4FM-2414G-00	D-12	4BP-2582A-00	E-12

NUMERICAL INDEX

PART NO.	GRID NO.	PART NO.	GRID NO.	PART NO.	GRID NO.
4FM-2582W-00	E-5	4FM-26121-01	E-6	3YX-28346-00	D-5
1FK-25827-00	E-5	4FM-26122-00	E-6	4FM-28356-00	E-14
4FM-25827-00	E-2	4FM-26240-00	E-6	4FM-2836F-00	F-3
1FK-25828-00	E-6	4FM-26241-00	E-6	4FM-2836G-00	F-3
4BH-2583V-00	E-12	36Y-26246-00	E-6	4FM-2836H-00	F-2
42H-25836-00	E-5	3LN-26270-01	E-6	4FM-2836K-00	F-2
341-25846-00	D-15	4FM-26280-00	E-14	4FM-2836L-00	F-2
3GM-2585F-00	E-7	4FM-26290-00	E-14	4FM-28371-10	F-2
4BP-2585F-00	E-12	4FM-26292-00	E-7	51L-28371-00	E-14
4FM-2585F-00	E-9	4FM-26296-00	E-9	4FM-28372-00	D-3
3LN-2585G-00	E-12	3XV-26298-00	E-15	4FM-28381-10	E-14
2KF-25852-50	E-12	4FM-26299-00	E-15	3FV-2840F-00	D-14
3GM-25852-50	E-7	4FM-26302-10	E-6	4FM-2848K-10	F-2
4FM-25852-00	E-9	4FM-26331-10	E-6	89X-77167-00	E-14
3FV-25854-00	E-7	3GM-26455-00	E-9	4BH-81600-00	F-4
3GK-25854-50	E-9	3GM-26464-00	E-9	4BH-81604-00	F-4
360-25854-00	E-12	3GM-26470-A0	E-9	3FV-81619-00	F-4
2GU-25855-00	E-12	4FM-26475-00	E-9	4BH-81634-00	F-4
2J2-25855-50	E-7	4FM-27211-00	E-12	36Y-81638-50	F-4
3GK-25855-50	E-9	4FM-27222-00	E-12	2KT-81642-50	F-4
2VN-25866-00	E-7	4FM-27254-00	E-12	4BH-81643-00	F-4
	E-9	4SV-27261-00	E-12	4BH-81643-10	F-4
56A-25867-00	E-7	4FM-27311-00	E-10	3FV-81645-00	F-4
	E-9	4FM-27315-00	E-10	4BH-81645-00	F-4
4FM-25872-02	E-7	4FM-27321-00	E-10	4BH-81660-00	F-4
4FM-25873-02	D-15	1TX-27351-00	E-10	3GM-81670-00	F-5
4FM-25874-01	E-13	4FM-27410-00	E-10	3XF-81800-00	F-6
4FM-25875-00	E-13	2GH-27413-00	E-10	2KT-81815-00	F-6
3MA-25876-12	E-8	4FM-27420-00	E-10	3HE-81826-00	F-6
3MA-25876-22	E-8	4BP-27434-01	E-10	3KS-81840-00	F-6
4FM-25876-00	E-13	4FM-27435-00	E-10	11H-81844-00	F-6
4FM-25887-01	E-4	4FM-27442-02	E-10	26H-81847-00	F-6
3PJ-25888-00	E-12	4FM-27443-02	E-10	36Y-81910-50	F-4
3FV-2589A-00	E-7	4FM-27471-00	E-10	4FM-81940-00	F-12
	E-9	4FM-28100-10	D-4	3EN-81950-00	F-12
3FV-2589F-00	E-7	4FM-28215-00	E-14	3GM-81950-00	F-12
	E-9	3TB-28217-00	D-3	4BH-81970-00	F-4
3FV-2589G-00	E-7	4HS-28301-20	F-2	4BH-81972-00	F-4
3GM-2589H-00	E-7	4HS-28303-20	F-2	3VD-82100-00	F-12
3FV-25894-00	E-7	4HD-28308-00	F-2	4FM-82115-00	F-12
31A-25894-01	E-12	4FM-2831T-00	F-3	4JH-82116-00	F-12
4FM-25894-00	E-9	4FM-2831W-00	E-14	4BP-82131-00	F-12
4FM-25895-00	E-13	4FM-2832W-00	E-15	2GV-82151-00	F-12
29L-25919-A0	E-5	4FM-28322-00	F-2	2KW-82151-00	F-12
4FM-25919-00	E-2	4FM-2834V-00	E-14	36Y-82151-00	F-12
4FM-25924-00	E-2	4FM-2834W-00	E-14	4FM-82151-00	F-12
3GM-25925-00	E-5	4FN-28344-00	E-14	4HS-82305-10	F-11
4FM-25925-00	E-2	4FN-28345-00	E-14	4FM-82310-00	F-11

NUMERICAL INDEX

PART NO.	GRID NO.	PART NO.	GRID NO.
4BH-82317-01	D - 2	4FM-83940-00	E - 6
4FM-82320-00	F - 11	1WG-83941-00	E - 6
2KT-82370-00	F - 11	3GM-83969-01	E - 6
4JH-82501-01	F - 12	4FM-83975-00	E - 6
1KT-82530-02	F - 12	3FV-83980-00	E - 7
4FM-82540-00	F - 11	3GM-83980-00	E - 9
3LN-82560-01	F - 11	3GM-84192-00	F - 9
4FM-82566-00	F - 12		F - 14
4FM-82590-10	F - 12		G - 2
4JH-83310-01	F - 7		G - 5
306-83311-40	F - 7	3GM-84301-00	F - 9
4JH-83318-00	F - 7		F - 14
4JH-83318-10	F - 7		G - 2
4JH-83320-01	F - 7		G - 5
4JH-83330-00	F - 7	3GM-8431R-00	F - 9
4JH-83332-00	F - 7		F - 14
4JH-83340-00	F - 7		G - 2
4JH-83342-00	F - 7		G - 5
4FM-83345-00	F - 7	1FM-84314-H0	F - 14
3GM-83350-01	F - 11		G - 5
4FM-83369-00	F - 7	2F9-84314-00	F - 9
4FM-83371-00	F - 11		G - 2
4FM-83509-80	F - 8	4FM-8432A-10	F - 9
	G - 4	4FM-8432A-20	G - 2
5J0-83513-00	F - 8	4FM-8432A-30	F - 14
	G - 4	4FM-8432A-40	G - 5
2GV-83517-00	F - 8	4FM-84320-10	F - 9
	G - 4		G - 2
4FM-83520-00	F - 8	4FM-84320-30	F - 14
	G - 4	4FM-84320-40	G - 5
4FM-8353H-40	F - 8	3GM-84321-00	F - 9
4FM-8353H-50	G - 4		F - 14
4FM-83540-00	F - 8		G - 2
	G - 4		G - 5
3GM-83550-02	G - 4	3GM-84322-00	F - 9
4FM-83550-02	F - 8		F - 14
4FM-83559-00	F - 8		G - 2
	G - 4		G - 5
4FM-83570-00	F - 8	4FM-84330-31	F - 14
4FM-83570-10	G - 4	4FM-84330-41	F - 9
2GH-83578-00	F - 8		G - 2
	G - 4		G - 5
4FM-83590-00	F - 8	51L-84334-00	F - 9
	G - 4		F - 14
11H-83591-00	F - 11		G - 2
4FM-83912-01	E - 9		G - 5
3GM-83922-51	E - 7	4FM-84359-20	F - 9
25G-83936-01	E - 6		G - 2

NUMERICAL INDEX

PART NO.	GRID NO.	PART NO.	GRID NO.
90105-10716	C - 15	90157-06104	C - 7
90105-10725	E - 2	90159-03102	F - 8
	E - 5		G - 4
90109-063F8	C - 13	90159-06033	D - 2
90109-064F0	B - 2	90159-06045	E - 12
90109-065A8	B - 7	90159-06058	D - 2
90109-060G5	F - 12	90159-06123	C - 10
90109-083G4	E - 2	90164-04023	F - 8
	E - 5		G - 4
90109-08718	C - 15	90167-05037	F - 9
90109-104E6	E - 10		F - 14
90109-112F1	B - 7		G - 2
90110-05112	D - 13		G - 5
	F - 10	90170-06228	C - 14
90110-06142	B - 10	90170-20327	C - 10
90110-08155	E - 10	90176-06055	D - 12
90110-08177	C - 9		E - 15
90110-08199	E - 10	90176-10075	B - 2
90110-10169	F - 14	90176-22081	D - 9
90116-10528	G - 2	90179-05523	F - 10
90116-10529	G - 5	90179-08327	B - 4
90116-10568	F - 8	90179-08410	C - 4
90116-10569	G - 4	90179-10584	B - 2
90116-10575	F - 10	90179-10658	C - 15
90119-06018	F - 10		E - 10
	D - 4	90179-10682	F - 3
90119-06060	D - 7	90179-18020	D - 7
90119-06115	D - 3	90179-25615	C - 4
90119-06118	D - 12	90183-05024	D - 3
90119-06163	F - 11		D - 7
90119-06187	F - 11	90185-10037	C - 4
90119-06194	C - 3	90185-16127	D - 14
90119-06205	C - 4	90185-18104	D - 3
90149-04278	D - 2	90185-24165	D - 3
90149-05273	E - 3	90201-04018	E - 14
90149-06008	D - 6	90201-050T4	D - 12
90150-05039	D - 6	90201-05033	E - 14
	B - 2	90201-06055	F - 3
90150-06036	B - 2	90201-06059	D - 5
	B - 2		E - 14
	B - 7		F - 2
	E - 3	90201-061M7	F - 3
90151-06014	C - 5	90201-063J2	C - 6
90152-06014	C - 5	90201-06643	C - 7
90152-06024	C - 5	90201-08083	C - 7
90154-06061	E - 11	90201-08087	D - 3
90157-05079	D - 6	90201-08326	E - 10
	D - 8	90201-08333	C - 3

PART NO.	GRID NO.	PART NO.	GRID NO.
90201-08410	C - 3		
90201-096J9	C - 5		
90201-101J1	D - 2		
	D - 6		
	D - 8		
90201-10118	E - 8		
	E - 9		
	E - 13		
90201-103M4	B - 2		
90201-104R2	E - 12		
90201-106M5	C - 4		
90201-12575	C - 14		
90201-127J6	E - 10		
90201-150H2	C - 10		
90201-164H4	D - 8		
90201-200K3	C - 11		
90201-220T0	D - 9		
90201-257R5	E - 4		
90202-03052	D - 3		
90202-05187	C - 12		
90202-06056	C - 3		
90202-24190	D - 9		
90202-26142	D - 9		
90206-14086	E - 12		
90209-06096	C - 7		
90209-10131	E - 6		
90209-11262	B - 2		
90209-18340	D - 3		
90209-22191	C - 11		
90209-25196	C - 11		
90215-20231	C - 10		
90215-21022	C - 12		
90240-08124	E - 12		
90267-40029	D - 3		
90338-07043	D - 3		
90338-08226	D - 14		
	F - 11		
90338-10132	D - 4		
90338-15202	C - 15		
90338-16148	C - 15		
90338-30096	C - 5		
90340-14068	C - 6		
90340-18101	B - 2		
90380-10195	C - 4		
90387-052U5	F - 9		
	F - 14		
	G - 2		
	G - 5		

NUMERICAL INDEX

PART NO.	GRID NO.	PART NO.	GRID NO.	PART NO.	GRID NO.
90387-05383	C - 5	90450-22052	B -10	90480-10584	G - 2
90387-0608A	D - 3	90450-32008	D - 8		G - 5
90387-0609L	F -11	90450-38040	B - 9	90480-12314	B -15
90387-06241	F -10	90450-57034	B -14	90480-12596	D - 3
90387-06299	D -12	90460-65195	B -14	90480-13163	E -14
90387-064T3	B - 9	90462-05061	F - 9	90480-13398	D - 5
90387-065J6	B -15		F -14		E -14
90387-06681	D - 7		G - 2		F -11
90387-067N5	E -14		G - 5	90480-14412	F -11
90387-06704	D - 7	90462-08158	C - 6	90480-15363	B - 9
90387-07391	B - 9	90462-08184	C - 6	90501-04623	C - 9
90387-087L0	D - 3	90464-09130	D - 3	90501-06022	C -13
90387-102R4	D - 6	90464-10186	F -11	90501-225A9	C -10
90387-105V7	C -15	90464-12036	F -12	90506-18224	E -10
90387-106U7	C - 4	90464-12089	F -12	90506-20377	E -10
90387-114K8	C -14	90464-13073	F - 9	90506-26225	E -10
90387-115V8	C -15		F -11	90508-26681	C -13
90387-122R5	D - 6		F -12	90508-32682	C -14
90387-124W2	D - 6		F -14	90560-06201	E -14
90387-203M7	C -11		G - 2	90560-12191	C -14
90387-204M1	C -11		G - 5	90560-25270	C -10
90387-22005	D -15	90464-13080	B -10	90560-28389	E - 3
90387-2200T	D -15		F -12	91314-06025	D - 8
90387-253M6	C -11	90464-15195	F -12		E - 6
90387-255V9	C -11	90464-17184	B -14	91314-08030	C -15
90387-263M8	C -11	90464-25160	D -13		D - 9
90387-2805W	E - 4		F - 2	91314-10040	C -15
90387-2805X	E - 4	90464-44109	B - 9	91314-10045	C -15
90387-284M0	C -11	90465-08076	B -13	91316-04008	C - 2
90401-10044	B -11	90467-08003	B -10	91316-04010	C - 2
90401-10159	B -11		D - 2	91317-05010	D -13
	E - 8	90467-08092	B -14	91317-05012	B -14
	E - 9	90467-09006	D -13	91317-06010	E - 8
	E -13	90467-11090	B - 9	91317-06012	B -14
	E - 8	90467-11106	B -15		E - 7
90401-10160	B -13	90467-13123	D -13		E - 8
90401-20161	B - 2	90467-14015	C - 5		E - 9
90430-06014	B - 3	90467-14057	E -13	91317-06020	B -14
	B - 8	90467-15054	C - 5		E - 6
	B -14	90468-16099	E - 3	91317-06025	B - 7
90430-10171	B -11	90480-10258	D - 3	91317-06030	B -11
90445-084G9	D - 2	90480-10517	F - 9	91317-06050	B -11
90445-09635	B -10		F -14	91317-08030	D -11
90445-102G7	D -13		G - 2	91317-08040	D -10
90445-11293	B -15		G - 5		D -11
90445-116H6	B -15	90480-10542	B - 9	91490-20025	E - 3
90445-116H8	B -15	90480-10584	F - 9		E -12
90446-17346	E -10		F -14	91810-08012	B - 2

NUMERICAL INDEX

PART NO.	GRID NO.	PART NO.	GRID NO.	PART NO.	GRID NO.
92014-08020	E -12	93210-23787	B - 8	95024-06030	C - 8
92017-06010	C - 7		B -10	95024-06040	C - 7
92901-04600	E - 7	93210-27778	C - 5	95024-06050	B - 8
92901-05100	F - 4		C - 7		C - 7
92907-04100	F - 8		F -11	95027-06008	E -13
	F -14	93210-29196	B - 8		F -12
	G - 4	93210-30694	B - 8		B - 8
	F - 7	93210-33133	B - 8	95027-06010	B - 8
92907-04600	F - 8	93210-76211	B - 3		B -13
	F - 8	93210-87723	B -13	95027-06012	B - 2
	D -12	93305-30501	C -11		B - 3
92907-05100	D -12	93306-00106	B - 8		B - 8
92907-05600	D -12	93306-00420	D -15		B -11
	F -10	93306-20335	C - 9		B -13
	F -11	93306-20455	C -11		C - 6
	C -15		C -12		E -15
	D -12	93306-20541	C - 9		F - 5
	E -12	93306-20567	E - 3	95027-06014	F -11
92907-10600	C -15	93306-20644	E - 3	95027-06016	C - 9
92907-18600	D - 6	93306-30560	C -11		E -15
92990-03100	F - 8	93310-340N8	C -10		F -10
	G - 4	93316-42523	D - 6	95027-06020	B - 8
	E - 7	93317-21746	D - 6	95027-06025	B - 2
92990-04100	F - 4	93317-31771	D - 6		B - 9
92990-05600	B - 8	93340-21505	C -10		E - 7
93101-12060	D - 6	93342-22502	D - 6		E - 9
93101-16131	C -14	93399-89919	D - 6	95027-06030	B - 8
93102-12106	D -15	93399-99931	D - 9		B -13
93102-28021	E - 3	93399-99932	D - 9		C -10
93102-35412	C -11	93440-10153	B - 2	95027-06040	B - 8
93102-35423	E - 3	93440-25084	C -11	95027-06090	C -10
93102-40211	D -15	93440-28062	C -11	95304-06700	C -14
93105-45017	C -10	93440-45144	C -12	95307-06600	F - 8
93109-08061	C -14	93450-19095	B - 4	95307-08600	E - 3
93109-12053	D - 6	93511-32027	C -10	95307-08700	E -12
93109-17048	B -11	93604-10011	B - 8	95317-06600	G - 4
93210-06632	C - 6	93615-12088	C - 9	95607-04100	D - 3
	C -10	93900-00030	D -15	95607-06100	E - 7
93210-06714	B -13		E - 3		F -10
93210-07135	B -11	94580-81104	B - 7	95607-06200	D -14
	C - 5	94581-55104	E - 3	95617-08200	E -14
93210-14369	C - 6	94680-81021	B - 7	95617-08625	B - 2
93210-14579	B -13	94681-55031	E - 3	95617-10100	D - 6
93210-15566	B -13	94701-00318	B - 2		D - 8
93210-15620	E - 7	94701-00319	B - 2	95617-10200	D - 6
	E - 9	95024-06016	D - 7		E - 3
	B - 8		E -13	95706-06500	E - 9
93210-18417	F - 5	95024-06020	C - 8	95707-05500	D - 4
93210-19216	C - 6	95024-06025	B - 8		E -14
93210-20573					

NUMERICAL INDEX

PART NO.	GRID NO.	PART NO.	GRID NO.
95707-05500	F - 4	97707-50012	F - 9
	F - 10		F - 14
95707-06500	B - 9		G - 2
	F - 7		G - 5
95707-08500	E - 3	97707-50016	E - 14
95707-10500	D - 2	97707-50525	B - 14
95804-06016	D - 8	97707-60014	F - 14
95807-06010	E - 6		G - 2
	F - 2		G - 5
	F - 11	97707-60016	D - 14
95807-06012	E - 8		F - 11
95807-06020	B - 15	97902-04122	F - 8
95807-06030	F - 11		G - 4
95814-08016	C - 15	98507-03010	F - 8
95814-08020	E - 11		G - 4
95814-08030	C - 15	98507-04008	E - 9
95817-06014	C - 9		F - 7
95817-06016	D - 2		F - 14
	D - 3	98507-04010	F - 8
	E - 12		G - 4
95817-06035	C - 5	98507-05008	F - 11
95817-06060	C - 5	98507-05016	D - 12
95817-06075	D - 12	98507-05018	E - 6
95817-06080	C - 5		F - 4
95817-06140	C - 5	98507-05030	E - 6
95817-08012	F - 2	98507-05040	E - 6
95817-08016	D - 12	98507-06010	C - 7
95817-08025	C - 4		E - 12
95817-08030	C - 15	98507-06016	F - 11
95817-08035	C - 4	98507-06020	C - 7
95817-08045	C - 5		E - 12
95817-08055	C - 5	98517-04012	E - 7
95817-08060	C - 5	98580-04008	C - 2
95817-08065	C - 5	98706-04016	E - 9
	F - 4	98707-05012	C - 13
95817-08090	C - 5	98707-06025	E - 15
95824-06020	C - 14	98907-06008	E - 6
95827-06016	B - 12	99006-10600	C - 14
	C - 13	99009-10400	B - 13
95827-06025	B - 9	99009-12400	B - 8
	F - 6	99226-00160	D - 12
97007-06012	C - 15	99236-00080	F - 10
97007-06025	B - 9	99236-00100	E - 14
	D - 12	99510-08012	B - 11
97007-60014	F - 9		C - 10
97080-05012	C - 4	99510-08016	B - 2
97702-40610	F - 7		B - 13
97707-40014	F - 2	99510-12016	C - 6

NUMERICAL INDEX

PART NO.	GRID NO.	PART NO.	GRID NO.
99530-08012	C - 7		
	C - 8		
99530-10014	C - 5		
99530-14016	B - 3		





*COPYRIGHT: All rights reserved. No part of this publication  
may be reproduced without permission.*

**YAMAHA**

YAMAHA MOTOR CO., LTD.  
2500 SHINGA I IWATA SHIZUOKA JAPAN  
SERVICE INFORMATION DIV.

---

Printed in Japan  
First edition DEC., 1995