

CONTENTS

ENGINE

Cylinder Head.....	B2
Cylinder	B3
Crankshaft. Piston.....	B4~B5
Valve	B6~B7
Camshaft. Chain.....	B8
Water Pump	B9
Radiator. Hose	B10~B11
Oil Pump	B12~B14
Intake	B15
Carburetor	C2~C4
Exhaust	C5
Crankcase	C6~C7
Crankcase Cover 1.....	C8~C9
Starter Clutch	C10
Clutch	C11~C12
Transmission	C13~C14
Shift Cam. Fork	C15
Shift Shaft.....	D2

CHASSIS

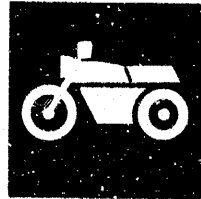
Frame	D3
Fender.....	D4~D5
Side Cover	D6~D7
Rear Arm	D8
Rear Suspension.....	D9
Steering	D10
Front Fork.....	D11~D12
Fuel Tank	D13~D14
Seat.....	D15

Front Wheel.....	E2
Front Brake Caliper	E3
Rear Wheel	E4~E5
Rear Brake Caliper.....	E6
Steering Handle. Cable	E7
Front Master Cylinder.....	E8~E9
Stand. Footrest.....	E10~E11
Rear Master Cylinder	E12~E13
Cowling 1	E14~E15
Generator	F2
Flasher Light.....	F3
Meter	F4
Headlight	F5
Taillight	F6
Handle Switch. Lever	F7
Electrical 1	F8
Electrical 2.....	F9

INDEX

Numerical Index	M1~M5
-----------------------	-------

YAMAHA



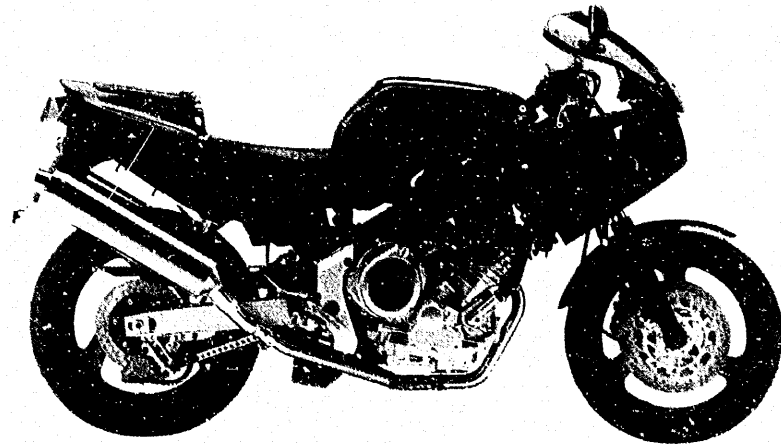
**PARTS
CATALOGUE**

TRX850'96 (4UN1) EUROPE

YAMAHA
GENUINE
Parts & Accessories

264UN-300E2

A2



A3

FOREWORD

This Parts Catalogue is related to the parts for the model(s) in the below frame. When you are ordering replacement parts, please refer to this Parts Catalogue and quote both part numbers and part names correctly.

TRX850'96(4UN1)

1. Modifications or additions which have been made after issue of the Parts Catalogue will be announced in the Yamaha Parts News.
It is advisable that you make necessary corrections to the Parts Catalogue according to the Yamaha Parts News.

2. Abbreviations

The following abbreviations are used in this Parts Catalogue.

- "UR" Use specified parts number.
- "UN" Use as many as needed.
- "AP" Alternate Parts
- "LM" Local Made (Parts need to be ordered locally)
- "F#" Frame No. (Applicable machine No.)

3. Parts, which are to be supplied in an assembly, are listed with a dot (.) in front of the part name as shown below.

EXAMPLE
 CARBURETOR ASSY
 . JET, PILOT
 . NOZZLE, MAIN

4. Number of component for assembly

The numeral appearing to the right of each component part indicates the quantity of parts for each assembly unit.

EXAMPLE

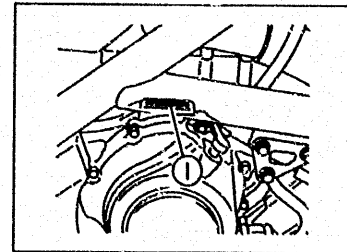
PART NO.	DESCRIPTION	Q'TY	REMARKS
2F5-83310-60	FRONT FLASHER LIGHT ASSY	2	
115-83311-60	. BULB (6V-18W)	1	

5. Applicable colors of graphics are represented in the "REMARKS" as shown below.

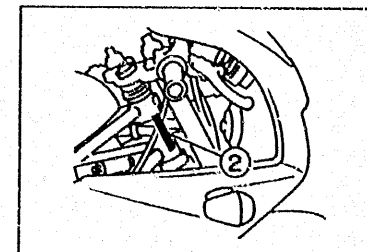
PART NO.	DESCRIPTION	Q'TY	REMARKS
2N4-24110-00-X5	FUEL TANK COMP.	1	MAXIM RED
3J1-24240-10	. GRAPHIC, FUEL TANK	1	for MXR

6. Applicable Serial No.

① Engine Serial No.



② Frame Serial No.



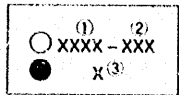
7. Note that the illustrations are for reference in finding parts numbers, not to be used for assembling. When assembling, please use the applicable service manual.

8. The asterisk (*) before a reference number indicates modification items after the first edition.

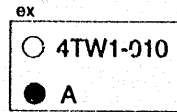
MODEL LABEL

(1) A label called "Model Label" is affixed in the location as indicated in (3) below. When using this parts catalogue, please be sure to cross-refer the "model code - production code No." in the catalogue to the "model code - production code No." indicated on the Model Label affixed onto the product concerned.

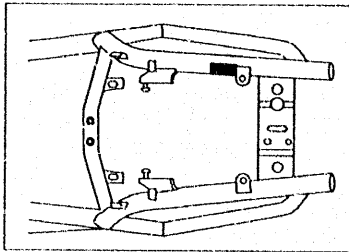
(2) "Model Label" Indication



(1) Model Type Code
 (2) Production Code No.
 (3) Colouring Type



(3) Model Label Affixing Location



(4) Model Code - Production Code Number of Model Listed in This Parts Catalog

Model code	Production code No.	Country (destination)	Model code	Production code No.	Country (destination)
4UN1	020	BELGIUM			
	030	DENMARK			
	040	SPAIN			
	060	ENGLAND			
	070	GREECE			
	080	ITALY			
	090	HOLLAND			
	100	NORWAY			
	110	PORTUGAL			
	120	SWEDEN			
	130	FINLAND			

(5) Colouring Information

Colouring type code	Colour code	Colour Name	Abbreviation
A	004B	BLACK 2	BL2
B	0549	PURPLISH BLUE METALLIC 7	PBM7
C	00EY	HEAT RED	HTR

CONTENTS

ENGINE

Cylinder Head	B2
Cylinder	B3
Crankshaft, Piston	B4~B5
Valve	B6~B7
Camshaft, Chain	B8
Water Pump	B9
Radiator, Hose	B10~B11
Oil Pump	B12~B14
Intake	B15
Carburetor	C2~C4
Exhaust	C5
Crankcase	C6~C7
Crankcase Cover 1	C8~C9
Starter Clutch	C10
Clutch	C11~C12
Transmission	C13~C14
Shift Cam, Fork	C15
Shift Shaft	D2

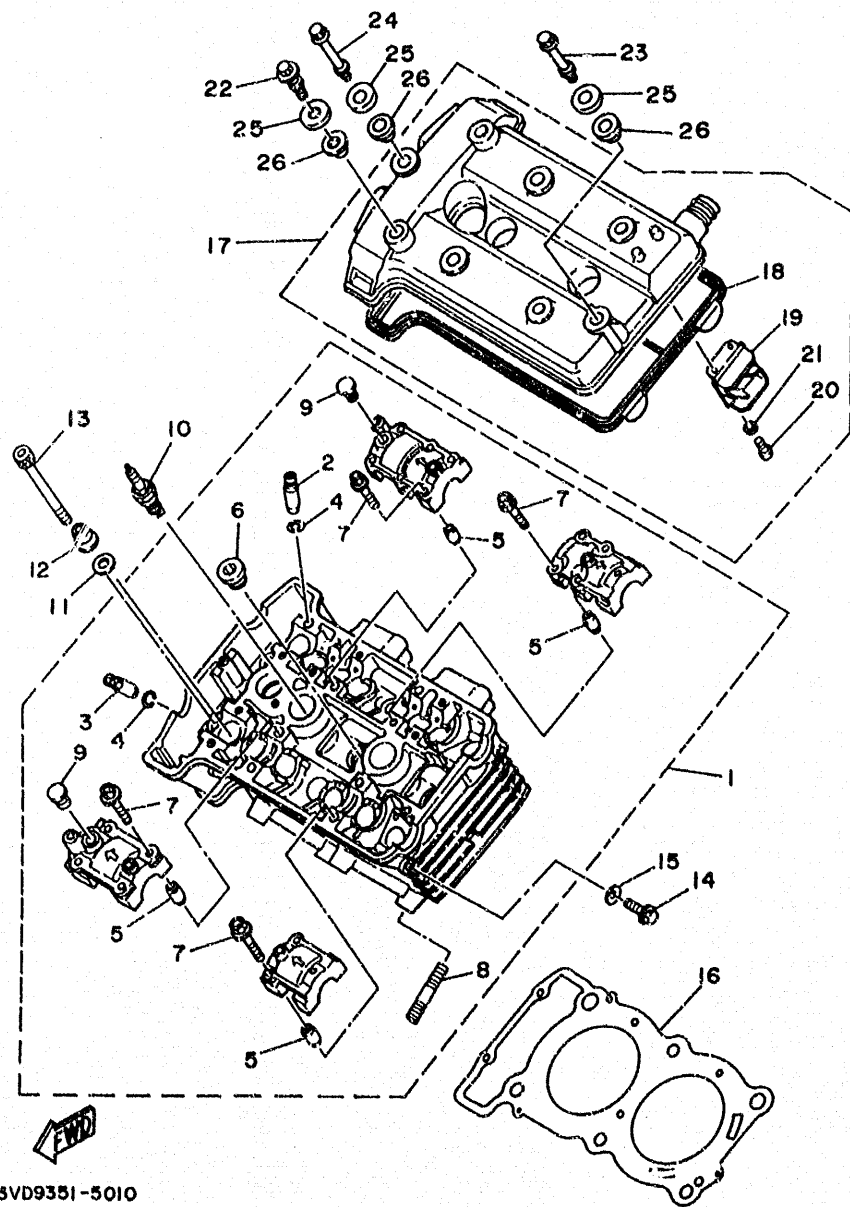
CHASSIS

Frame	D3
Fender	D4~D5
Side Cover	D6~D7
Rear Arm	D8
Rear Suspension	D9
Steering	D10
Front Fork	D11~D12
Fuel Tank	D13~D14
Seat	D15

Front Wheel	E2
Front Brake Caliper	E3
Rear Wheel	E4~E5
Rear Brake Caliper	E6
Steering Handle, Cable	E7
Front Master Cylinder	E8~E9
Stand, Footrest	E10~E11
Rear Master Cylinder	E12~E13
Cowling 1	E14~E15
Generator	F2
Flasher Light	F3
Meter	F4
Headlight	F5
Taillight	F6
Handle Switch, Lever	F7
Electrical 1	F8
Electrical 2	F9

INDEX

Numerical Index	M1~M5
-----------------------	-------



3VD9351-5010

FIG. 1 CYLINDER HEAD

REF. NO.	PART NO.	DESCRIPTION	QTY	REMARKS
1	3VD-11101-20	CYLINDER HEAD ASSY	1	
2	3LD-11133-10	.GUIDE, INTAKE VALVE	6	
3	3LD-11134-10	.GUIDE, EXHAUST VALVE	4	
4	93440-10109	.CIRCLIP	10	
5	99510-08016	.PIN, DOWEL	8	
6	90340-18101	.PLUG, STRAIGHT SCREW	2	
7	90105-06153	.BOLT, WASHER BASED	16	
8	90116-08321	.BOLT, STUD	4	
9	90338-10150	.PLUG	2	
10	94701-00241	PLUG, SPARK (NGK DPR8EA-9)	2	UR
	94701-00242	PLUG, SPARK (ND X24EPR-U9)	2	UR
11	90201-103M4	WASHER, PLATE	6	
12	90179-10414	NUT	6	
13	91317-06150	BOLT, SOCKET HEAD	2	
14	95024-08012	BOLT, FLANGE	1	
15	90430-08143	GASKET	1	
16	4NX-11181-00	GASKET, CYLINDER HEAD 1	1	
17	4NX-Y1119-00	COVER ASSY, CYLINDER HEAD	1	
18	3LD-11193-01	.GASKET, HEAD COVER 1	1	
19	3LD-11160-02	.BREATHER ASSY	1	
20	98507-04006	.SCREW, PAN HEAD	2	
21	92907-04100	.WASHER, SPRING	2	
22	90109-064F0	BOLT	6	
23	90109-062G1	BOLT	1	
24	90109-062G2	BOLT	1	
25	90209-11262	WASHER	8	
26	2GH-1111G-00	RUBBER, MOUNT 1	8	

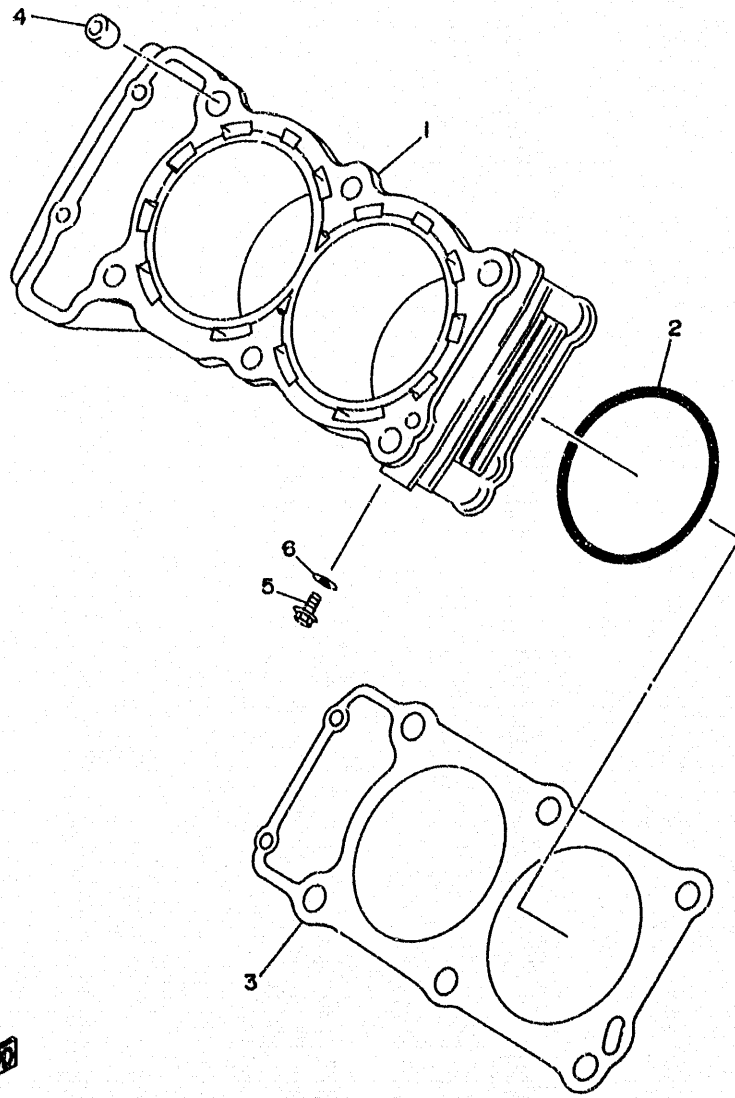


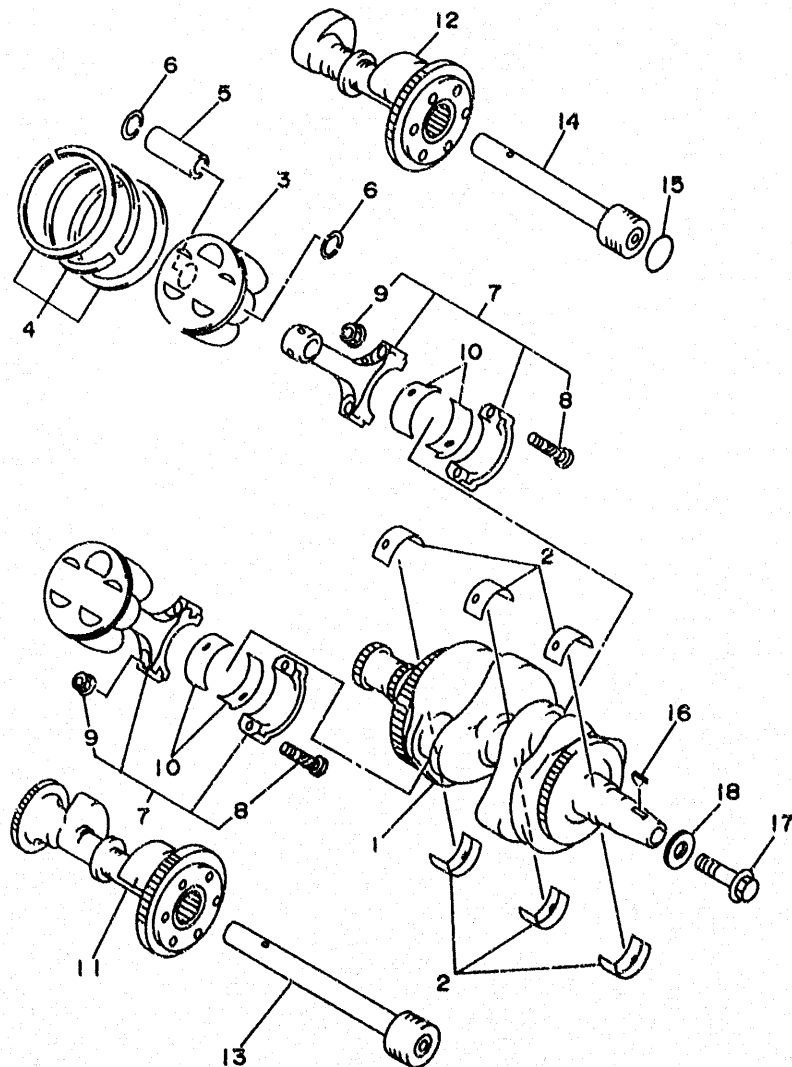
FIG. 2 CYLINDER

REF. NO.	PART NO.	DESCRIPTION	QTY	REMARKS
1	4UN-11310-00	CYLINDER	1	
2	93210-90785	O-RING	2	
3	3VD-11351-00	GASKET, CYLINDER	1	
4	99530-14016	PIN, DOWEL	2	
5	90153-06029	SCREW, HEXAGON	1	
6	90430-06014	GASKET	1	



4NX1010-5020

B3



4NX1010-5030

FIG. 3 CRANKSHAFT, PISTON

REF. NO.	PART NO.	DESCRIPTION	Q'TY	REMARKS
1	4NX-11400-00	CRANKSHAFT ASSY	1	
2	3LD-11416-00	PLANE BEARING, CRANKSHAFT 1	6	UR BLUE
	3LD-11416-10	PLANE BEARING, CRANKSHAFT 1	6	UR BLACK
	3LD-11416-20	PLANE BEARING, CRANKSHAFT 1	6	UR BROWN
	3LD-11416-30	PLANE BEARING, CRANKSHAFT 1	6	UR GREEN
	3LD-11416-40	PLANE BEARING, CRANKSHAFT 1	6	UR YELLOW
	3LD-11416-50	PLANE BEARING, CRANKSHAFT 1	6	UR PINK
	3LD-11416-60	PLANE BEARING, CRANKSHAFT 1	6	UR RED
3	4NX-11631-00	PISTON (STD)	2	
	4NX-11636-00	PISTON (0.50MM O/S)	2	AP
	4NX-11638-00	PISTON (1.00MM O/S)	2	AP
4	3VD-11610-00	PISTON RING SET (STD)	2	
	3VD-11610-20	PISTON RING SET (0.50MM O/S)	2	AP
	3VD-11610-40	PISTON RING SET (1.00MM O/S)	2	AP
5	3LD-11633-00	PIN, PISTON	2	
6	93450-22027	CIRCLIP	4	
7	3VD-11650-00	CONNECTING ROD ASSY	2	
8	3LD-11654-00	.BOLT, CONNECTING ROD	2	
9	90179-09379	.NUT	2	
10	3LD-11656-00	PLANE BEARING, CONNECTING ROD	4	UR BLUE
	3LD-11656-10	PLANE BEARING, CONNECTING ROD	4	UR BLACK
	3LD-11656-20	PLANE BEARING, CONNECTING ROD	4	UR BROWN
	3LD-11656-30	PLANE BEARING, CONNECTING ROD	4	UR GREEN
11	4NX-11500-00	BALANCER ASSY	1	
12	4NX-11510-00	BALANCER ASSY, 2	1	
13	3LD-11583-00	SHAFT, BALANCER 1	1	
14	3LD-11584-00	SHAFT, BALANCER 2	1	
15	93210-30660	C-RING	1	

B4

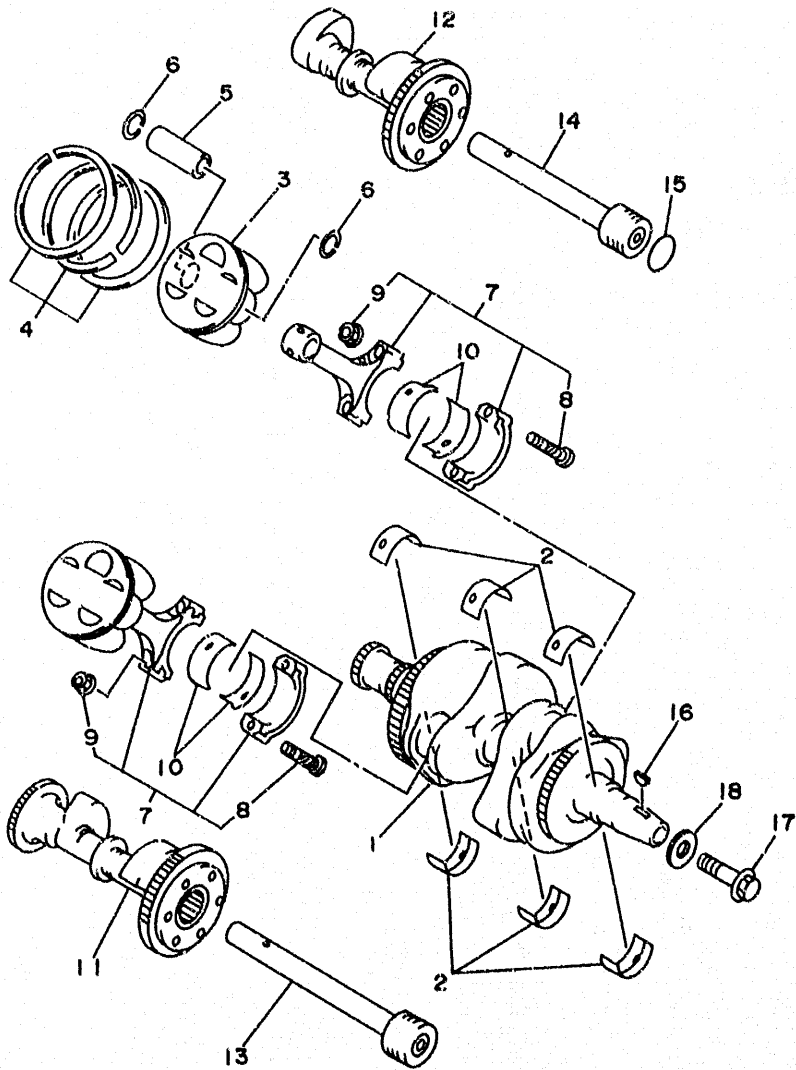
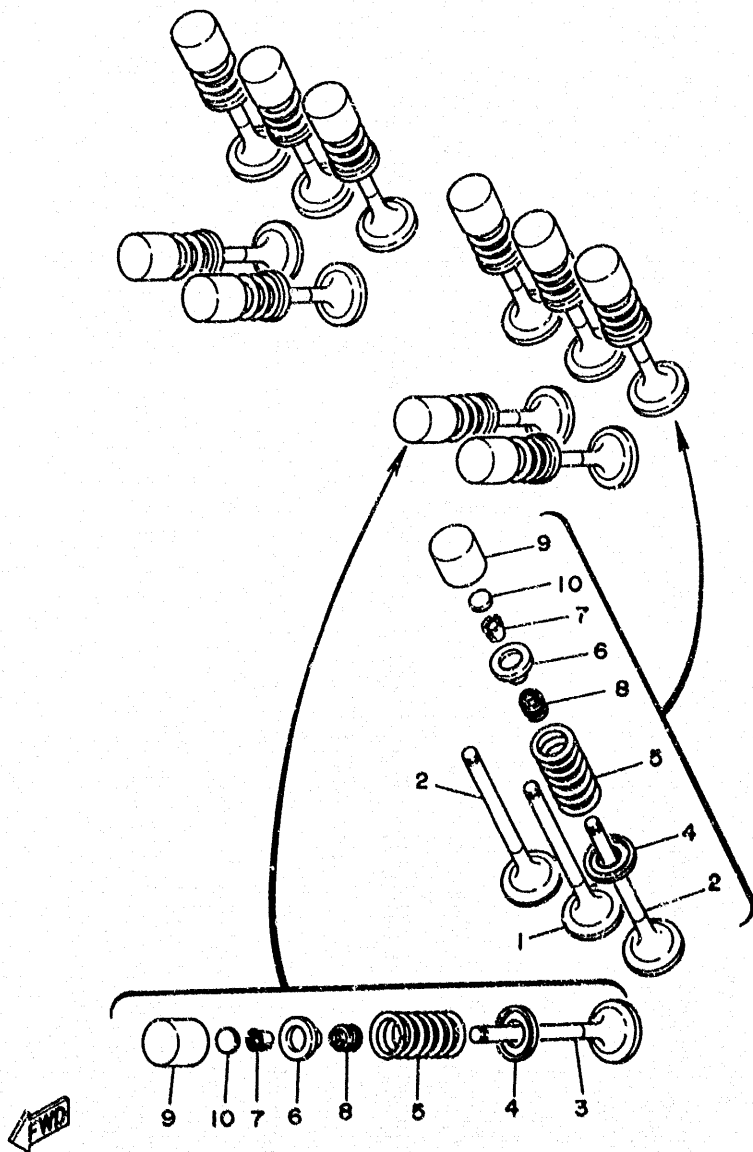


FIG. 3 CRANKSHAFT, PISTON

REF. NO.	PART NO.	DESCRIPTION	Q'TY	REMARKS
16	90280-05029	KEY, WOODRUFF	1	
17	90105-12584	BOLT, WASHER BASED	1	
18	90201-121H0	WASHER, PLATE	1	

4NX1010-5030

B5

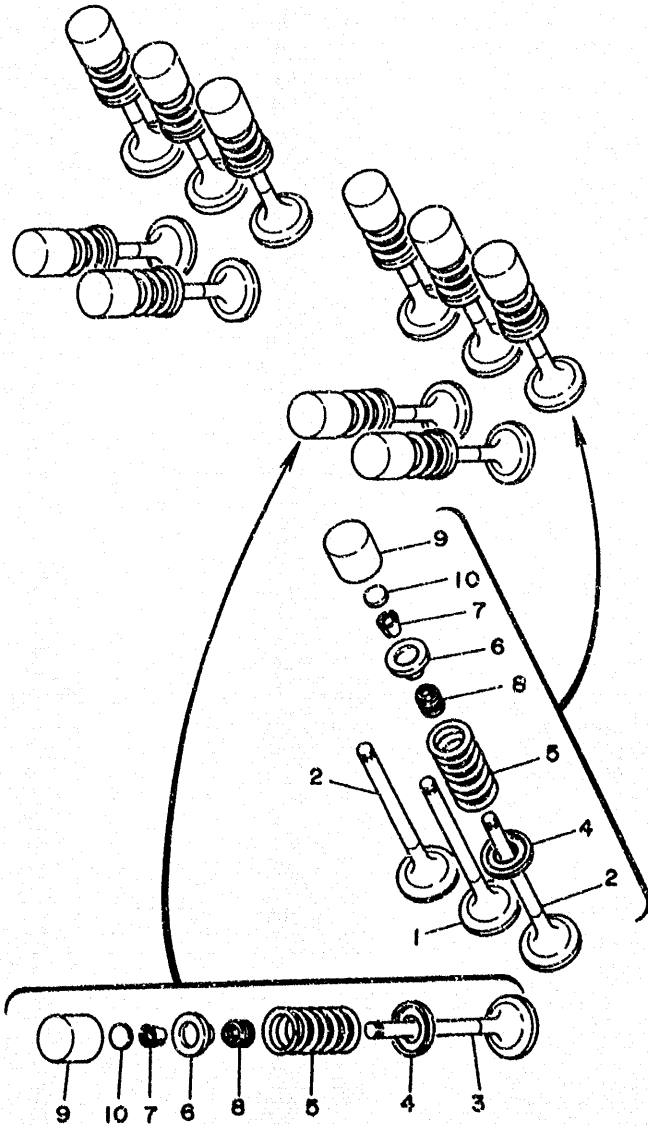


3LD1351-9Q40

FIG. 4 VALVE

REF. NO.	PART NO.	DESCRIPTION	Q'TY	REMARKS
1	3LD-12111-00	VALVE, INTAKE (3LD.)	2	
2	3LD-12112-00	VALVE, INTAKE 2 (3LD.)	4	
3	3LD-12121-00	VALVE, EXHAUST (3LD)	4	
4	1WG-12116-00	SEAT, VALVE SPRING	10	
5	3LD-12113-00	SPRING, VALVE INNER	10	BLUE
6	3LD-12117-00	RETAINER, VALVE SPRING	10	
7	3LD-12118-00	COTTER, VALVE	20	
8	51Y-12119-00	SEAL, VALVE STEM	10	
9	1WG-12153-21	LIFTER, VALVE	10	UR BLUE
	1WG-12153-31	LIFTER, VALVE	10	UR RED
	1WG-12153-09	LIFTER, VALVE (O/S)	10	AP WHITE
10	3LD-12168-00	PAD, ADJUSTING (1.20)	10	UR
	3LD-12168-20	PAD, ADJUSTING (1.25)	10	UR
	3LD-12168-40	PAD, ADJUSTING (1.30)	10	UR
	3LD-12168-60	PAD, ADJUSTING (1.35)	10	UR
	3LD-12168-80	PAD, ADJUSTING (1.40)	10	UR
	3LD-12168-A0	PAD, ADJUSTING (1.45)	10	UR
	3LD-12168-F0	PAD, ADJUSTING (1.50)	10	UR
	3LD-12168-H1	PAD, ADJUSTING (1.55)	10	UR
	3LD-12168-K1	PAD, ADJUSTING (1.60)	10	UR
	3LD-12168-M1	PAD, ADJUSTING (1.65)	10	UR
	3LD-12168-R1	PAD, ADJUSTING (1.70)	10	UR
	3LD-12168-U1	PAD, ADJUSTING (1.75)	10	UR
	3LD-12168-W1	PAD, ADJUSTING (1.80)	10	UR
	3LD-12168-Y1	PAD, ADJUSTING (1.85)	10	UR
	3LD-12169-11	PAD, ADJUSTING (1.90)	10	UR
	3LD-12169-31	PAD, ADJUSTING (1.95)	10	UR
	3LD-12169-50	PAD, ADJUSTING (2.00)	10	UR

B6

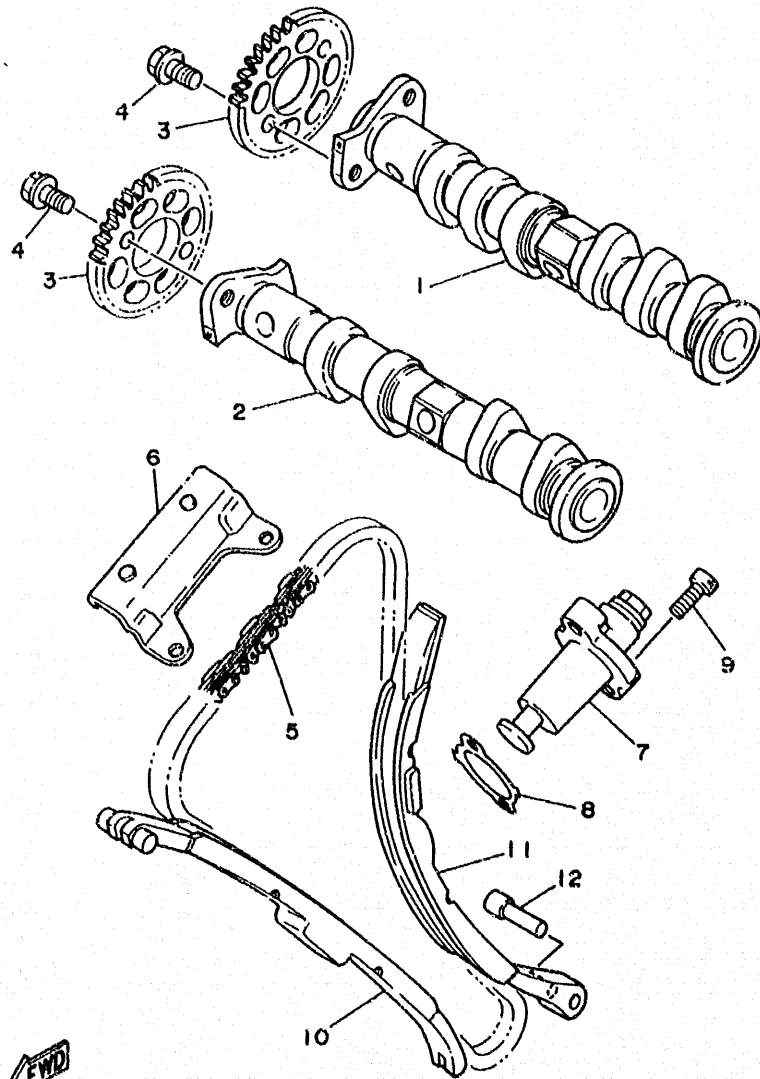


3LD1351-9040

FIG. 4 VALVE

REF. NO.	PART NO.	DESCRIPTION	Q'TY	REMARKS
10	3LD-12169-70	PAD, ADJUSTING (2.05)	10	UR
	3LD-12169-90	PAD, ADJUSTING (2.10)	10	UR
	3LD-12169-E0	PAD, ADJUSTING (2.15)	10	UR
	3LD-12169-G0	PAD, ADJUSTING (2.20)	10	UR
	3LD-12169-J0	PAD, ADJUSTING (2.25)	10	UR
	3LD-12169-L0	PAD, ADJUSTING (2.30)	10	UR
	3LD-12169-N0	PAD, ADJUSTING (2.35)	10	UR
	3LD-12169-T0	PAD, ADJUSTING (2.40)	10	UR

B7



3VD9351-5050

FIG. 5 CAMSHAFT, CHAIN

REF. NO.	PART NO.	DESCRIPTION	Q'TY	REMARKS
1	4NX-12171-00	CAMSHAFT 1	1	
2	4NX-12181-00	CAMSHAFT 2	1	
3	3LD-12176-00	SPROCKET, CAM CHAIN	2	
4	90105-07342	BOLT, WASHER BASED	4	
5	94591-40138	CHAIN (82RH2015-138L)	1	
6	3LD-12241-00	GUIDE, STOPPER 2	1	
7	3LD-12210-00	TENSIONER ASSY, CAM CHAIN	1	
8	3VD-12213-00	GASKET, TENSIONER CASE	1	
9	91314-06025	BOLT	2	
10	3LD-12251-00	DAMPER, CHAIN 1	1	
11	3LD-12252-00	DAMPER, CHAIN 2	1	
12	3LD-12247-00	SHAFT, TENSIONER	1	

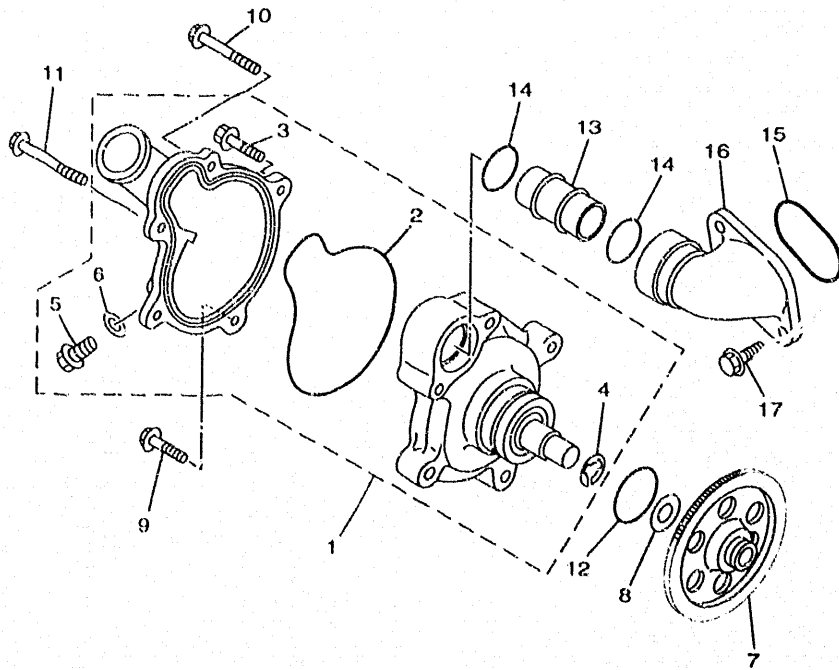


FIG. 6 WATER PUMP

REF. NO.	PART NO.	DESCRIPTION	QTY	REMARKS
1	4UN-12420-00	WATER PUMP ASSY	1	
2	3LD-12439-00	O-RING	1	
3	95024-06020	BOLT, FLANGE	2	
4	99009-12400	CIRCLIP	1	
5	95024-06012	BOLT, FLANGE	1	
6	90430-06014	GASKET	1	
7	3VD-12459-00	GEAR, IMPELLER SHAFT	1	
8	90201-127E1	WASHER, PLATE	1	
9	95024-06030	BOLT, FLANGE	1	
10	95024-06045	BOLT, FLANGE	1	
11	95024-06060	BOLT, FLANGE	1	
12	93210-33133	O-RING	1	
13	3LD-12481-00	PIPE 1	1	
14	93210-21190	O-RING	2	
15	93210-36788	O-RING	1	
16	4UN-12469-00	JOINT 1	1	
17	95027-06016	BOLT, FLANGE	2	



4UN1351-6060

B9

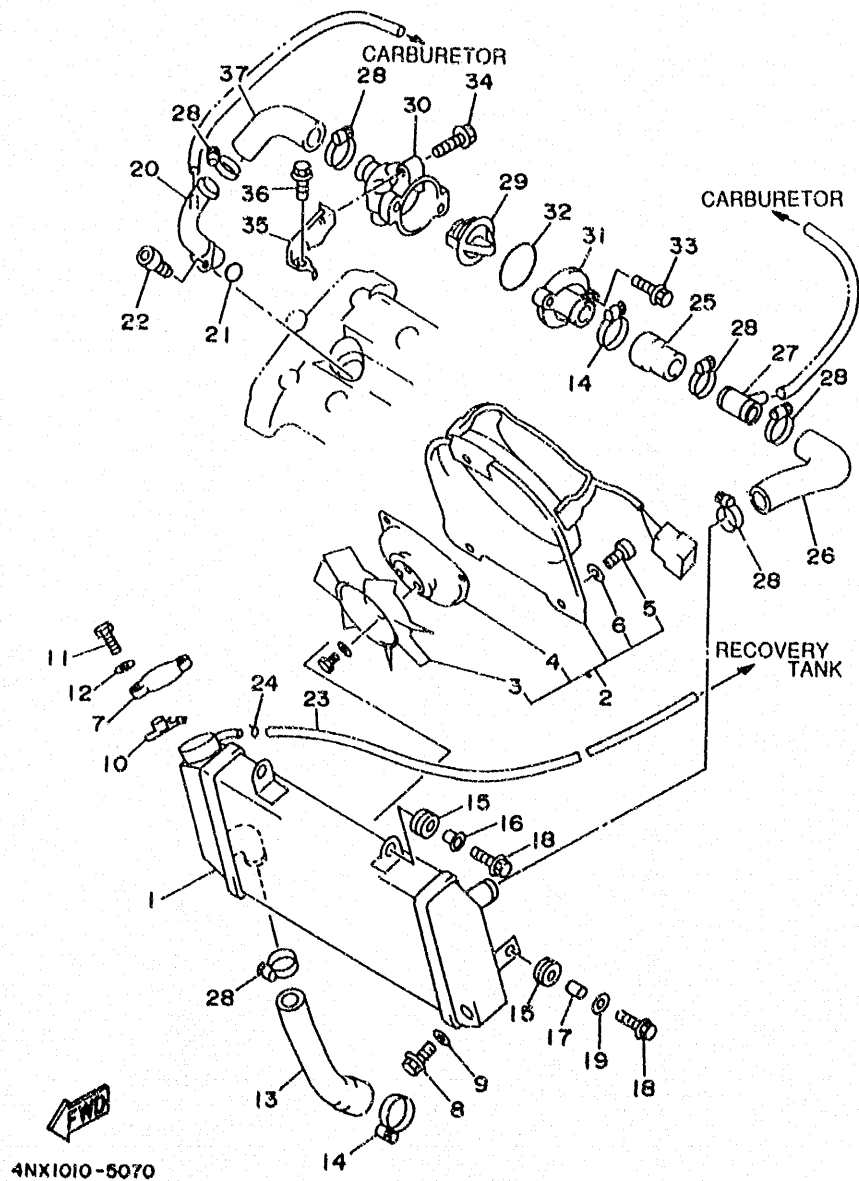


FIG. 7 RADIATOR HOSE

REF. NO.	PART NO.	DESCRIPTION	QTY	REMARKS
1	4NX-12461-00	RADIATOR ASSY	1	
2	1UF-12405-00	BLOWER ASSY	1	
3	1UF-12611-00	FAN	1	
4	26H-12630-00	MOTOR ASSY	1	
5	98507-05008	SCREW, PAN HEAD	3	
6	92990-05600	WASHER, PLATE	3	
7	4FL-12462-00	CAP. RADIATOR	1	
8	1AA-12561-00	PLUG, DRAIN COCK	1	
9	1AA-12435-00	GASKET	1	
10	1KT-12437-00	STOPPER	1	
11	97007-05012	BOLT	1	
12	92907-05600	WASHER, PLATE	1	
13	4NX-12578-00	HOSE 3	1	
14	90450-38040	HOSE CLAMP ASSY	2	
15	90480-15363	GROMMET	4	
16	90387-0700G	COLLAR	2	
17	90387-07390	COLLAR	2	
18	95817-06025	BOLT, FLANGE	4	
19	90201-063J2	WASHER, PLATE	2	
20	4NX-12482-00	PIPE 2	1	
21	93210-18417	O-RING	1	
22	31317-06016	BOLT, SOCKET HEAD	1	
23	90445-090F6	HOSE	1	
24	90467-08003	CLIP	1	
25	4NX-12576-00	HOSE 1	1	
26	4NX-12577-00	HOSE 2	1	
27	4NX-12481-00	PIPE 1	1	
28	90450-32051	HOSE CLAMP ASSY	6	

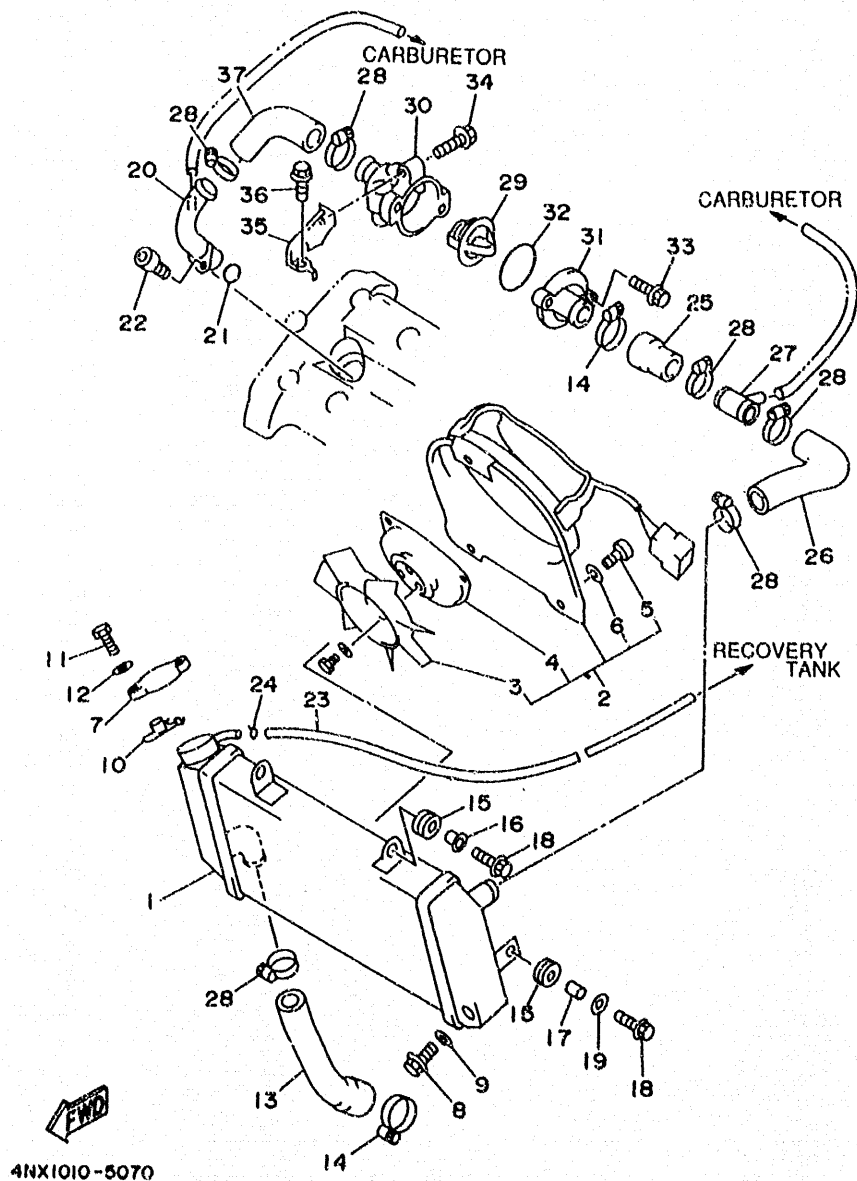


FIG. 7 RADIATOR HOSE

REF. NO.	PART NO.	DESCRIPTION	QTY	REMARKS
29	1AE-12410-00	THERMOSTAT ASSY	1	
30	4NX-12417-00	HOUSING, THERMOSTAT	1	
31	4NX-12413-00	COVER, THERMOSTAT	1	
32	93210-49046	O-RING	1	
33	95027-06020	BOLT, FLANGE	2	
34	95027-06025	BOLT, FLANGE	1	
35	4NX-1244E-00	BRACKET 1	1	
36	95027-06016	BOLT, FLANGE	1	
37	4NX-12519-00	HOSE 4	1	

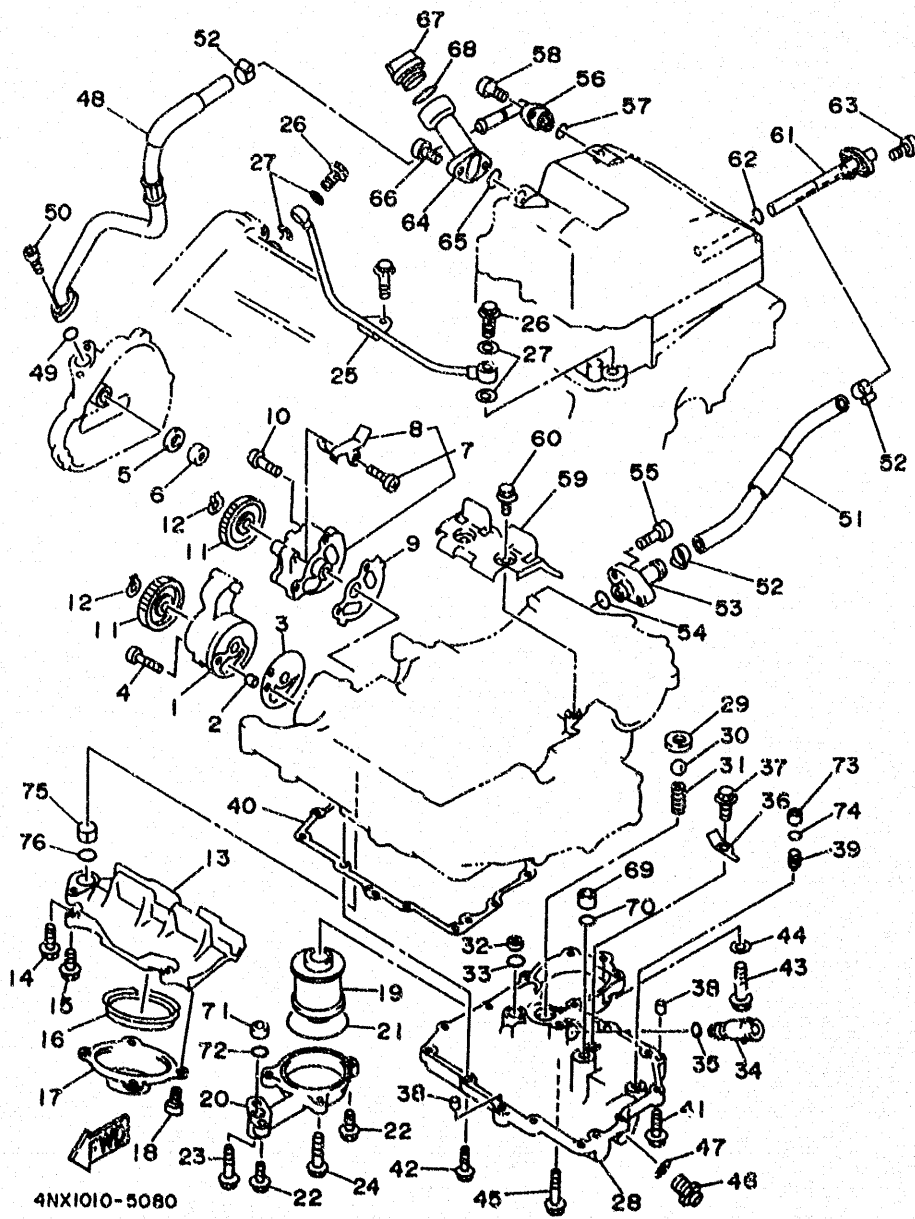
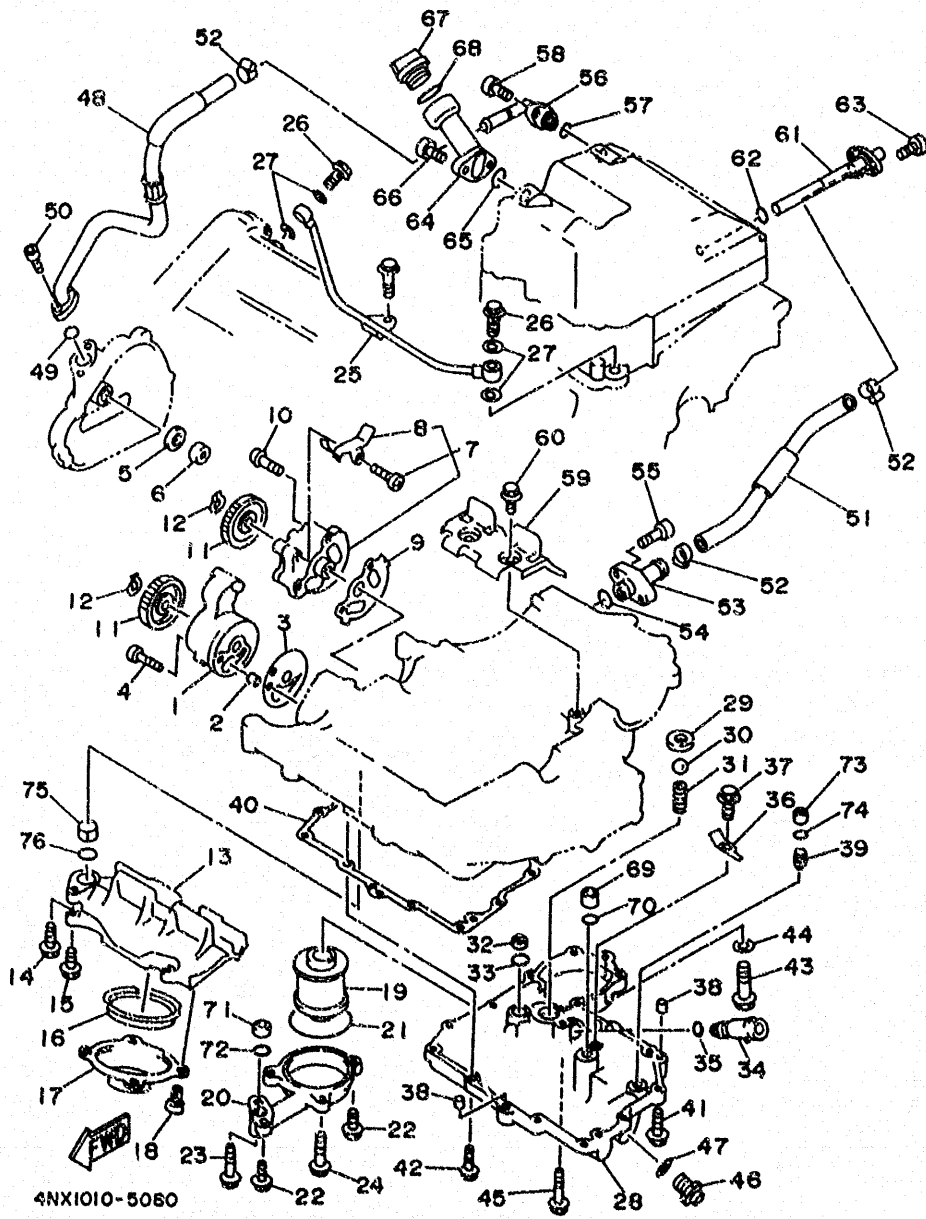


FIG. 8 OIL PUMP

REF. NO.	PART NO.	DESCRIPTION	QTY	REMARKS
1	3LD-13300-00	OIL PUMP ASSY	1	
2	99530-08012	PIN, DOWEL	1	
3	3LD-13329-00	GASKET, PUMP COVER	1	
4	98507-06045	SCREW, PAN HEAD	3	
5	90430-14131	GASKET	1	
6	90387-120W5	COLLAR	1	
7	4NX-13303-00	OIL PUMP ASSY, 2	1	
8	3LD-13371-00	.PLATE	1	
9	3LD-13339-00	GASKET, PUMP COVER	1	
10	98507-06035	SCREW, PAN HEAD	3	
11	3VD-13325-00	GEAR, PUMP DRIVEN	2	
12	99009-11400	CIRCLIP	2	
13	3VD-13412-00	HOUSING, STRAINER	1	
14	95027-06025	BOLT, FLANGE	1	
15	95027-06020	BOLT, FLANGE	4	
16	3VD-13415-00	SEAL, OIL STRAINER	1	
17	3VD-13411-00	STRAINER, OIL	1	
18	98507-06010	SCREW, PAN HEAD	4	
19	4X7-13440-90	ELEMENT ASSY, OIL CLEANER	1	
20	3VD-13447-00	COVER, OIL ELEMENT	1	
21	93210-64297	O-RING	1	
22	95027-06020	BOLT, FLANGE	2	
23	95027-06030	BOLT, FLANGE	1	
24	95027-06040	BOLT, FLANGE	2	
25	3LD-13161-00	PIPE, DELIVERY 1	1	
26	90401-10106	BOLT, UNION	2	
27	90430-10171	GASKET	4	
28	3VD-13417-10	COVER, STRAINER	1	

B12



4NX1010-5060

FIG. 8 OIL PUMP

REF. NO.	PART NO.	DESCRIPTION	Q'TY	REMARKS
29	3LD-13113-00	SEAT, CHECK BALL	1	
30	93505-08030	BALL	1	
31	90501-104F9	SPRING, COMPRESSION	1	
32	90387-106W6	COLLAR	1	
33	93210-12790	O-RING	1	
34	11H-13490-00	RELIEF VALVE ASSY	1	
35	93210-10096	O-RING	1	
36	3LD-13151-00	STAY	1	
37	90105-06553	BOLT, WASHER BASED	1	
38	99510-08016	PIN, DOWEL	2	
39	4H7-15138-00	NOZZLE 1	1	
40	3VD-13414-00	GASKET, STRAINER COVER	1	
41	90105-06456	BOLT, WASHER BASED	2	
42	95027-06025	BOLT, FLANGE	11	
43	95027-10040	BOLT, FLANGE	1	
44	90430-10171	GASKET	1	
45	95027-06035	BOLT, FLANGE	1	
46	3VD-13455-00	PLUG	1	
47	214-11198-01	GASKET	1	
48	4UN-13464-00	HOSE, OIL 1	1	
49	93210-13657	O-RING	1	
50	91317-06020	BOLT, SOCKET HEAD	2	
51	4NX-13465-00	HOSE, OIL 2	1	
52	90460-27270	CLAMP, HOSE	3	
53	3VD-13416-00	PIPE, OIL 1	1	
54	93210-13657	O-RING	1	
55	90110-06093	BOLT, HEXAGON SOCKET HEAD	2	
56	4NX-13418-00	PIPE, OIL 2	1	

B13

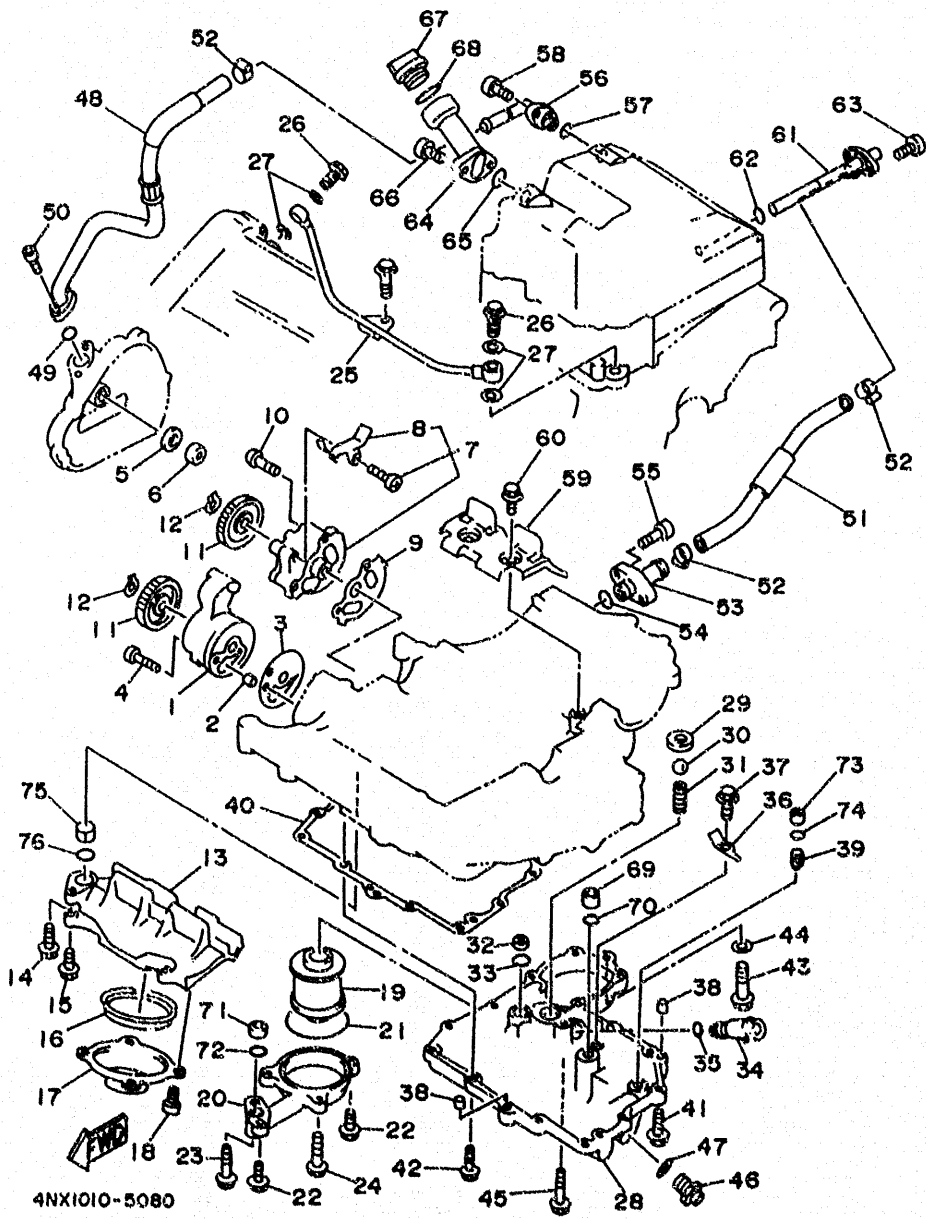
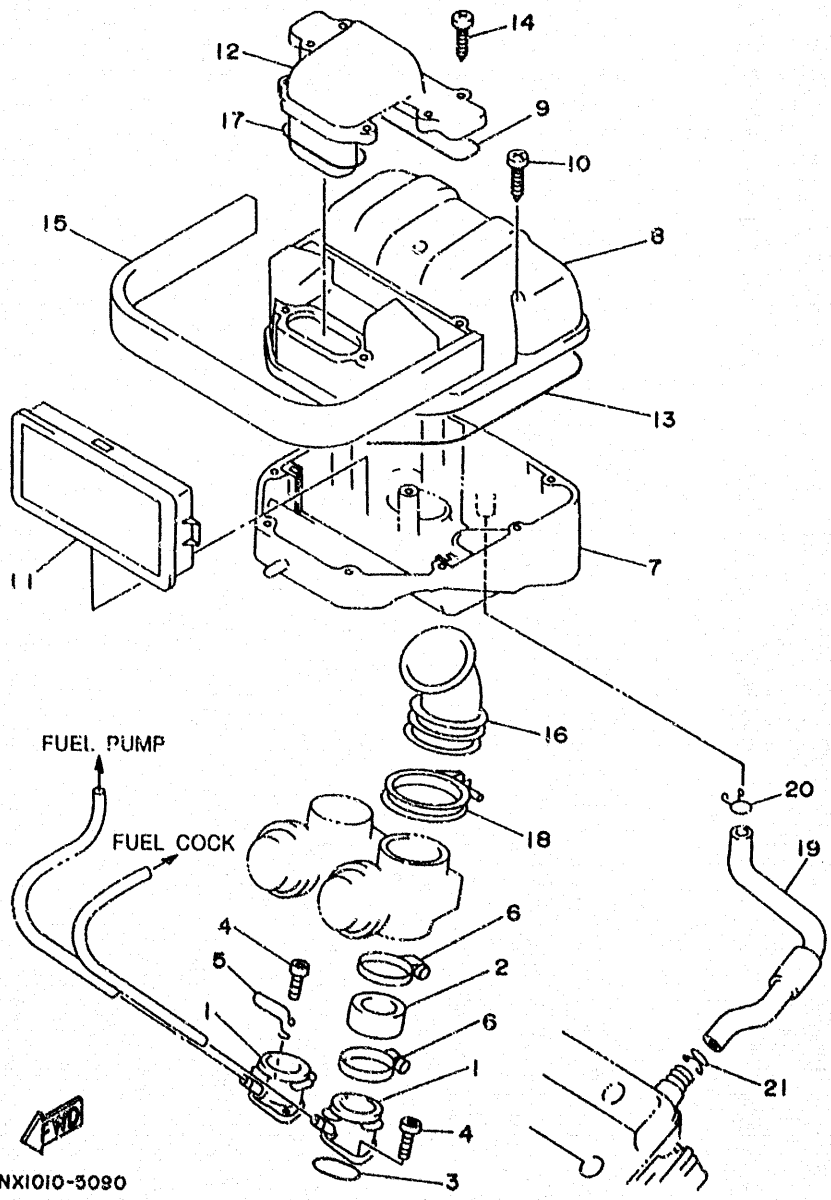


FIG. 8 OIL PUMP

REF. NO.	PART NO.	DESCRIPTION	Q'TY	REMARKS
57	93210-13657	O-RING	1	
58	91317-06020	BOLT, SOCKET HEAD	2	
59	3VD-13317-00	PLATE, BAFFLE	1	
60	90105-06553	BOLT, WASHER BASED	2	
61	4NX-13416-00	PIPE, OIL 1	1	
62	93210-16629	O-RING	1	
63	91317-06020	BOLT, SOCKET HEAD	2	
64	4UN-13132-00	JOINT	1	
65	93210-26741	O-RING	1	
66	91317-06025	BOLT, SOCKET HEAD	2	
67	3F9-15362-00	PLUG, OIL LEVEL	1	
68	93210-27778	O-RING	1	
69	90387-086W7	COLLAR	1	
70	93210-10096	O-RING	1	
71	90387-106W6	COLLAR	1	
72	93210-12790	O-RING	1	
73	90387-06761	COLLAR	1	
74	93210-07438	O-RING	1	
75	90387-130W6	COLLAR	1	
76	93210-15566	O-RING	1	

B14



4NX1010-3090

FIG. 9 INTAKE

REF. NO.	PART NO.	DESCRIPTION	QTY	REMARKS
1	3LD-13596-01	JOINT, CARBURETOR 1	2	
2	3LD-13597-01	JOINT, CARBURETOR 3	2	
3	93210-44545	O-RING	2	
4	91317-06020	BOLT, SOCKET HEAD	4	
5	90462-20222	CLAMP	1	
6	90450-57034	HOSE CLAMP ASSY	4	
7	4NX-14411-00	CASE, AIR CLEANER 1	1	
8	4NX-14421-00	CASE, AIR CLEANER 2	1	
9	4NX-14457-00	SEAL	1	
10	97707-50525	SCREW, TAPPING	9	
11	4NX-14451-00	ELEMENT, AIR CLEANER	1	
12	4NX-14422-00	CAP, CLEANER CASE 2	1	
13	4NX-14452-00	SEAL	1	
14	97707-50525	SCREW, TAPPING	6	
15	4NX-14425-00	DAMPER 1	1	
16	4FM-14453-00	JOINT, AIR CLEANER 1	2	
17	4NX-14462-00	SEAL	1	
18	90450-67066	HOSE CLAMP ASSY	2	
19	4NX-11166-00	PIPE, BREATHER 1	1	
20	90467-22080	CLIP	1	
21	90467-24113	CLIP	1	

B15

CONTENTS

ENGINE

Cylinder Head.....	B2
Cylinder	B3
Crankshaft. Piston	B4~B5
Valve	B6~B7
Camshaft. Chain.....	B8
Water Pump	B9
Radiator. Hose	B10~B11
Oil Pump	B12~B14
Intake	B15
Carburetor	C2~C4
Exhaust	C5
Crankcase	C6~C7
Crankcase Cover 1.....	C8~C9
Starter Clutch	C10
Clutch	C11~C12
Transmission.....	C13~C14
Shift Cam. Fork	C15
Shift Shaft.....	D2

CHASSIS

Frame	D3
Fender	D4~D5
Side Cover	D6~D7
Rear Arm	D8
Rear Suspension	D9
Steering	D10
Front Fork.....	D11~D12
Fuel Tank	D13~D14
Seat	D15

Front Wheel.....	E2
Front Brake Caliper	E3
Rear Wheel	E4~E5
Rear Brake Caliper	E6
Steering Handle. Cable	E7
Front Master Cylinder	E8~E9
Stand. Footrest.....	E10~E11
Rear Master Cylinder	E12~E13
Cowling 1	E14~E15
Generator	F2
Flasher Light.....	F3
Meter	F4
Headlight	F5
Taillight	F6
Handle Switch. Lever	F7
Electrical 1	F8
Electrical 2	F9

INDEX

Numerical Index	M1~M5
-----------------------	-------

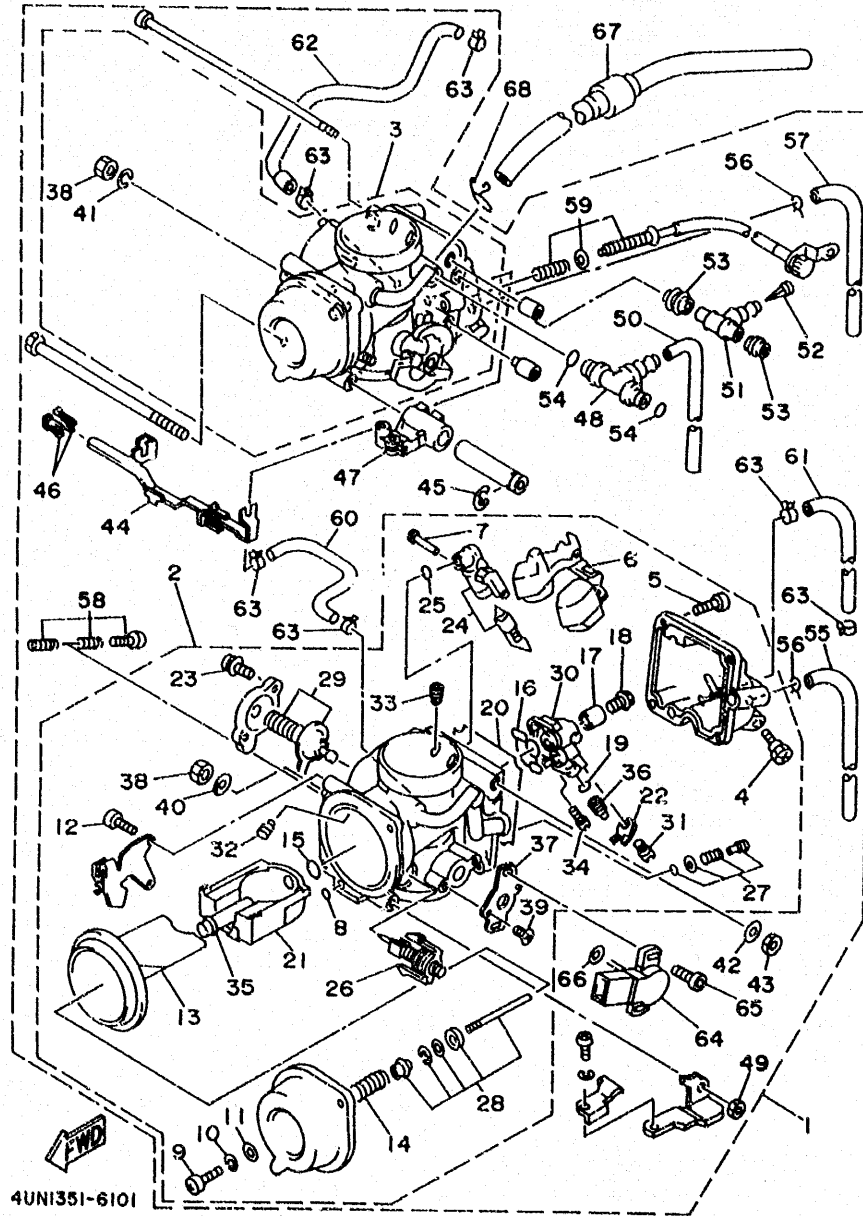


FIG. 10 CARBURETOR

REF. NO.	PART NO.	DESCRIPTION	Q'TY	REMARKS
1	4UN-14900-00	CARBURETOR ASSY	1	
2	4UN-14901-00	..CARBURETOR ASSY 1	1	
3	4UN-14902-00	..CARBURETOR ASSY 2	1	
4	3FV-14191-00	..PLUG, DRAIN	1	
5	98517-05012	..SCREW, PAN HEAD	4	
6	3GM-14985-00	..FLOAT	1	
7	53L-14186-00	..PIN, FLOAT	1	
8	3FV-14147-00	..O-RING	1	
9	98507-05016	..SCREW, PAN HEAD	2	
10	92906-05100	..WASHER, SPRING	2	
11	92907-05600	..WASHER, PLATE	2	
12	98580-04008	..SCREW, PAN HEAD	2	
13	3GM-14940-00	..DIAPHRAGM ASSY	1	
14	4DT-14933-00	..SPRING, DIAPHRAGM	1	
15	1AE-14147-00	..O-RING	1	
16	3LF-14147-00	..O-RING	1	
17	3GM-14153-00	..WASHER, MAIN JET	1	
18	1HX-14565-00	..SCREW	1	
19	3LD-14147-00	..O-RING	1	
20	3GM-14997-00	..SEAL	1	
21	3GM-1411E-00	..BLOCK, JET	1	
22	3LD-14945-00	..JET	1	
23	4NX-14565-00	..SCREW	2	
24	3GM-14107-17	..NEEDLE VALVE SET	1	
25	3EN-14147-00	..O-RING	1	
26	3EN-1410A-01	..STARTER SET	1	
27	12R-14105-00	..PILOT SCREW SET	1	
28	4NX-1490J-00	..NEEDLE SET	1	

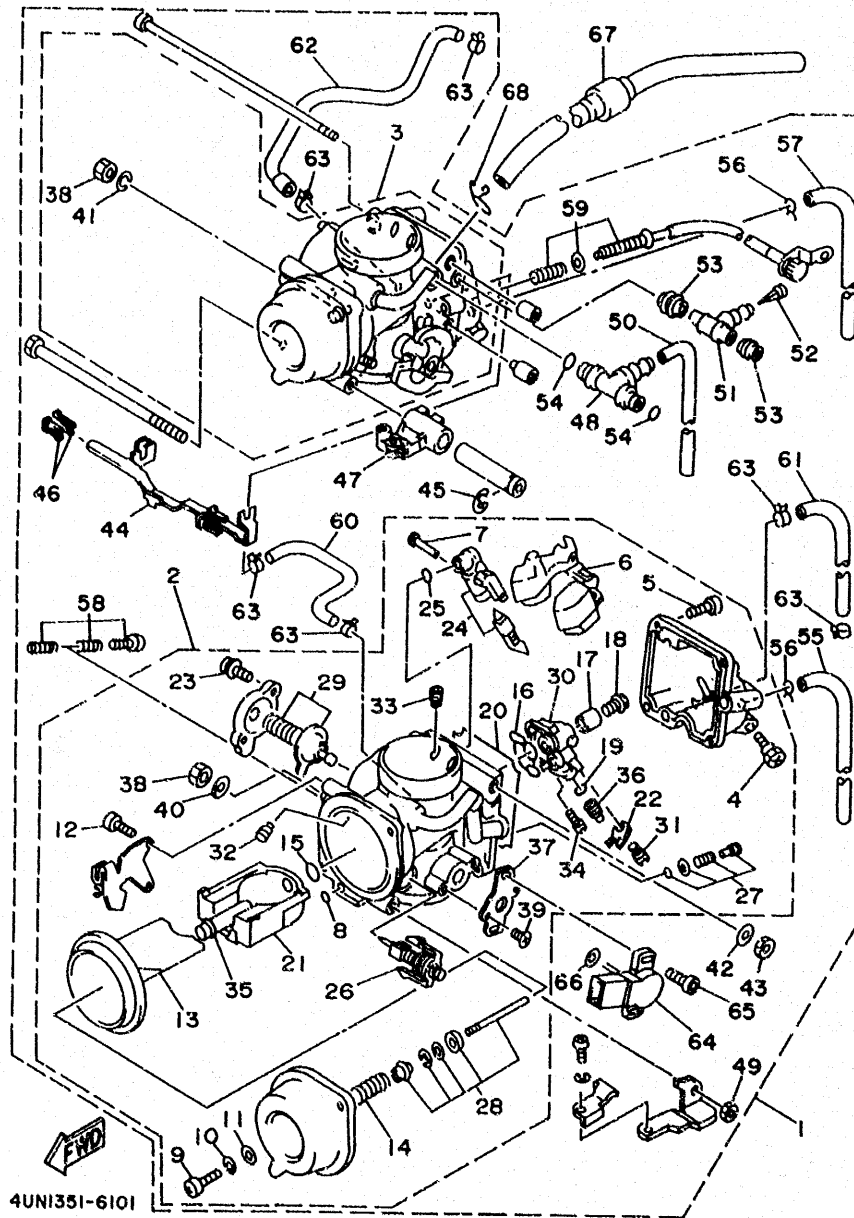
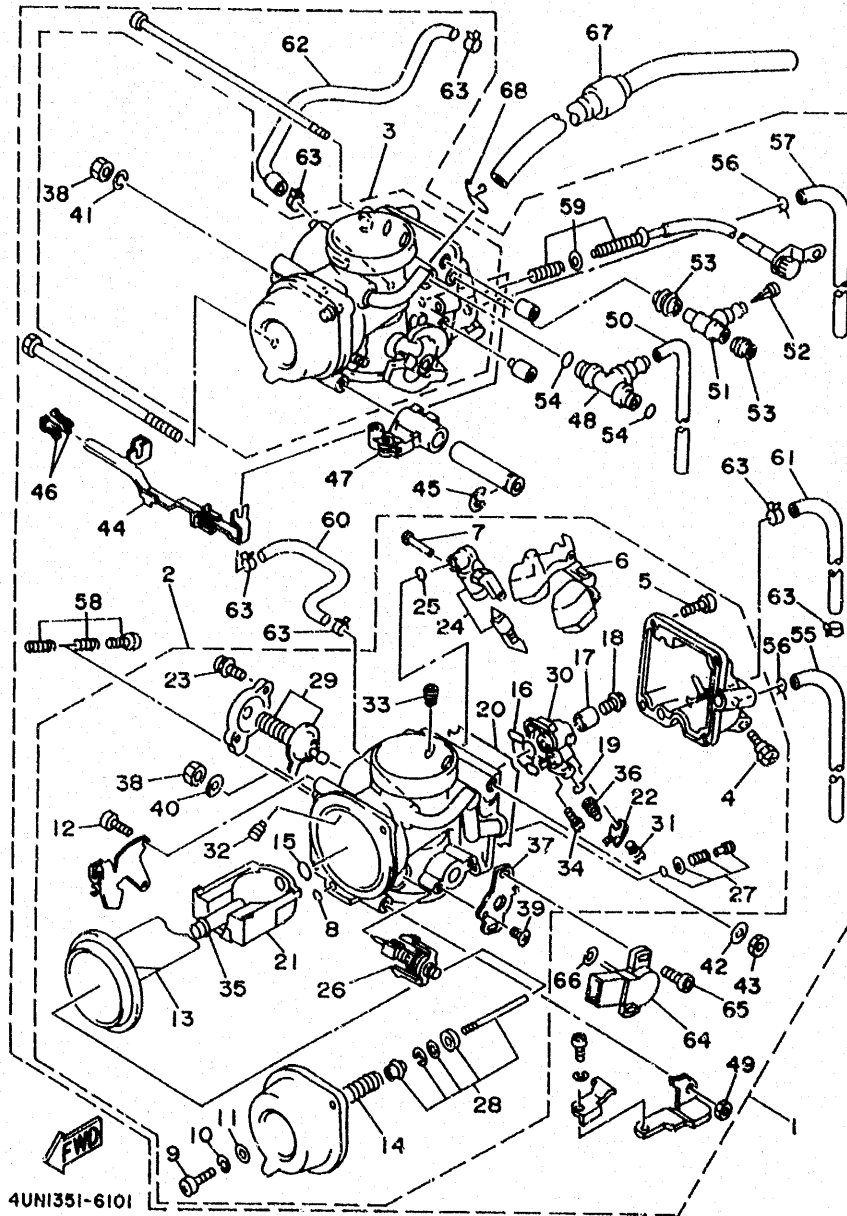


FIG. 10 CARBURETOR

REF. NO.	PART NO.	DESCRIPTION	Q'TY	REMARKS
29	3LD-1490H-00	..DIAPHRAGM SET 5	1	
30	3VD-1411A-00	..BLOCK JET ASSY	1	
31	620-14231-15	..JET, MAIN (# 75)	1	
32	239-14172-14	..PILOT JET, AIR (1.4)	1	
33	830-14231-14	..JET, MAIN (# 70)	1	
34	4G0-14142-45	..JET, PILOT (# 45)	1	
35	3GM-14141-92	..NOZZLE, MAIN	1	
36	3LD-1423A-79	..JET, MAIN (#142.5)	1	
37	4KG-14995-00	..BRACKET	1	
38	878-14594-00	..NUT	1	
39	98707-04008	..SCREW, FLAT HEAD	2	
40	4G0-14953-00	..WASHER	1	
41	92990-08100	..WASHER, SPRING	1	
42	92990-05600	..WASHER, PLATE	1	
43	95380-05600	..NUT	1	
44	4NX-14986-00	..LEVER, STARTER	1	
45	3LD-14919-00	..CLIP	1	
46	3EN-14261-00	..HOLDER	2	
47	3GM-14974-00	..LEVER, CONNECT	1	
48	3LD-14988-00	..PIPE, STARTER CONNECTING	1	
49	95380-06600	..NUT	1	
50	2LH-14197-00	..PIPE	1	
51	3EN-14988-00	..PIPE, STARTER CONNECTING	1	
52	1KT-14994-00	..NET, FILTER	1	
53	3EN-14997-00	..SEAL	2	
54	822-14147-00	..O-RING	2	
55	4NX-14987-00	..HOSE	1	
56	90467-07029	..CLIP	2	

C3



4UNI351-6101

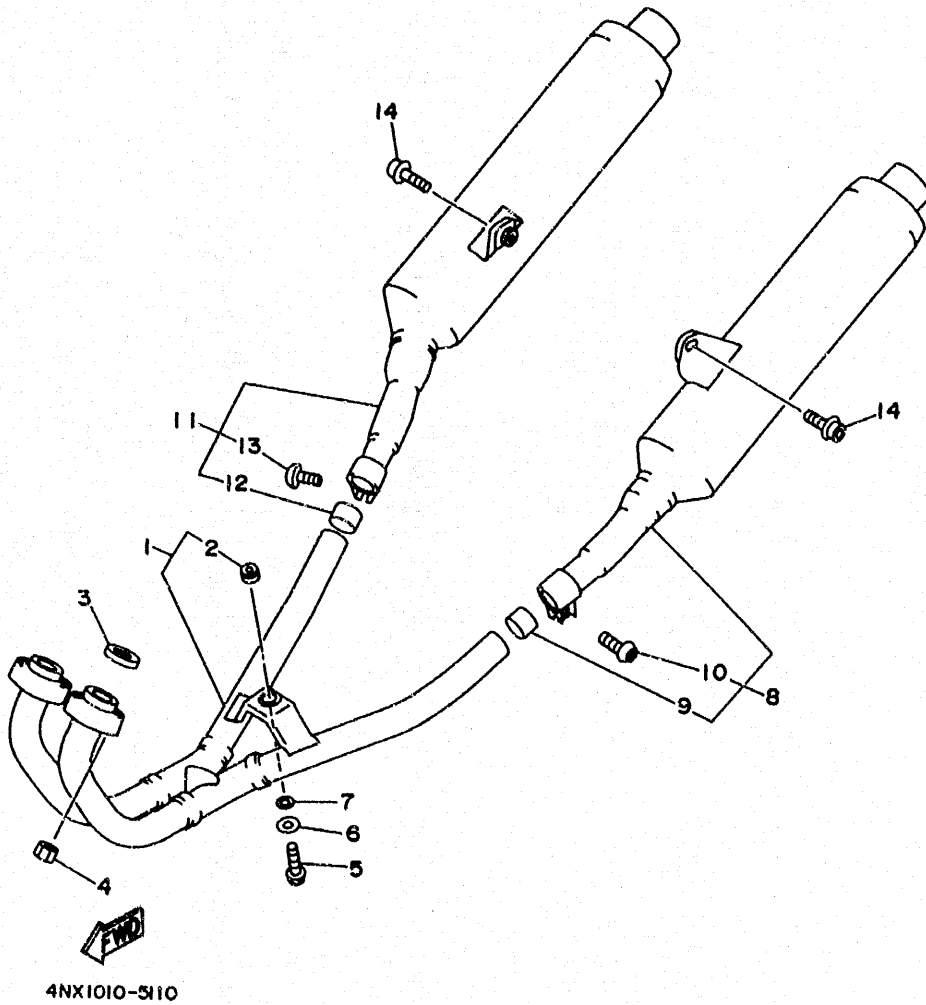
FIG. 10 CARBURETOR

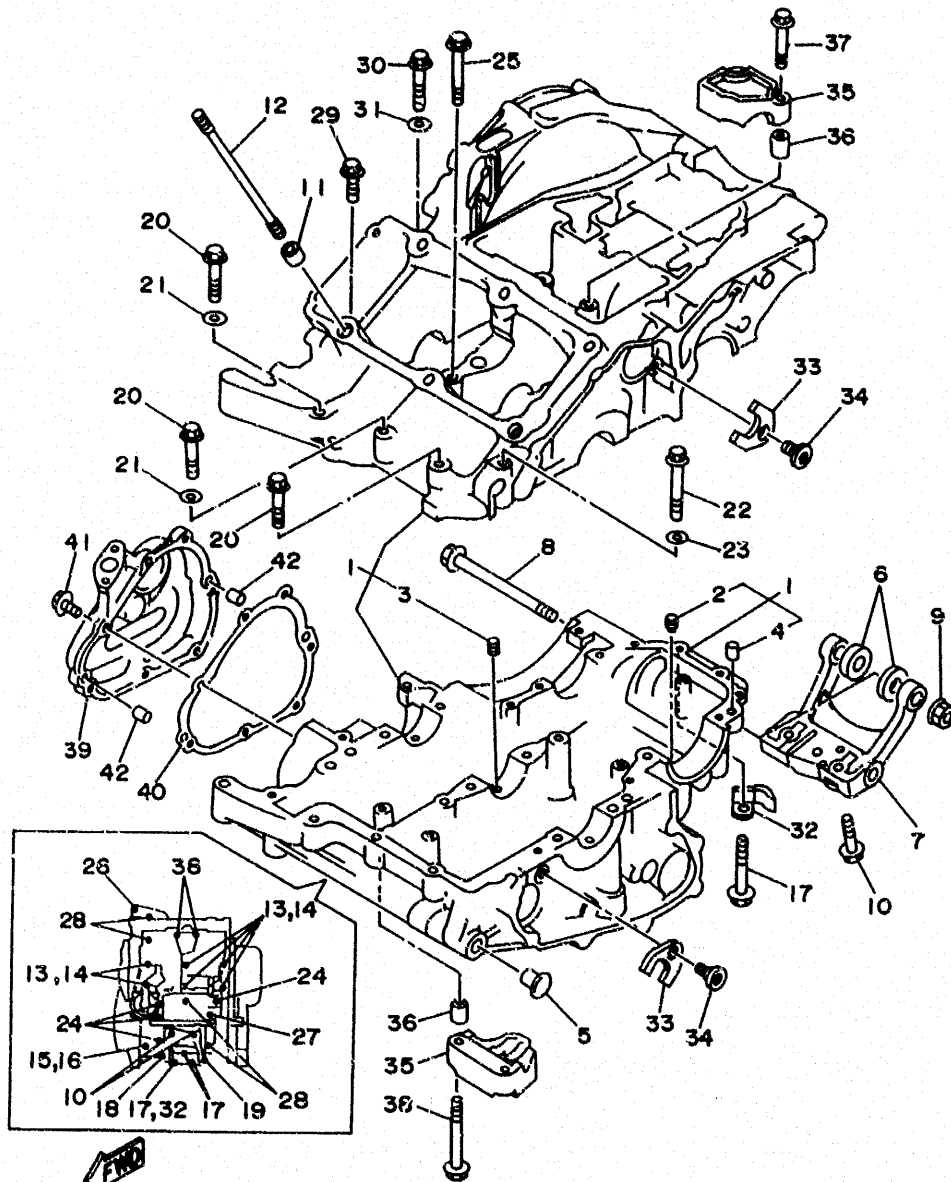
REF. NO.	PART NO.	DESCRIPTION	Q'TY	REMARKS
* 57	3TD-14987-00	.HOSE	1	
58	3EN-1490K-00	.STOP SCREW SET	1	
59	4NX-14103-00	.THROTTLE SCREW SET	1	
60	4NX-1243E-00	.HOSE 2	1	
* 61	4NX-1243A-00	.HOSE 1	1	
62	4NX-1243F-00	.HOSE,3	1	
63	90467-07093	.CLIP	6	
64	4HM-85885-10	.THROTTLE POSITION SENSOR ASSY	1	
65	4HM-14216-00	.SCREW	2	
66	4HM-14239-00	.SEAL	1	
67	4NX-14148-00	PIPE	2	
68	90467-12052	CLIP	2	

C4

FIG. 11 EXHAUT

REF. NO.	PART NO.	DESCRIPTION	Q'TY	REMARKS
1	4NX-14610-01	EXHAUST PIPE ASSY 1	1	
2	36Y-27414-00	.DAMPER, FOOTREST	1	
3	3VD-14613-00	GASKET, EXHAUST PIPE	2	
4	90179-08345	NUT	4	
5	95817-08040	BOLT, FLANGE	1	
6	90201-081R9	WASHER, PLATE	1	
7	90201-080E2	WASHER, PLATE	1	
8	4UN-14710-01	MUFFLER ASSY 1	1	
9	3LD-14714-00	.GASKET, MUFFLER	1	
10	95024-08025	.BOLT, FLANGE	1	
11	4UN-14720-01	MUFFLER ASSY 2	1	
12	3LD-14714-00	.GASKET, MUFFLER	1	
13	95024-08025	.BOLT, FLANGE	1	
14	90109-087F1	BOLT	2	



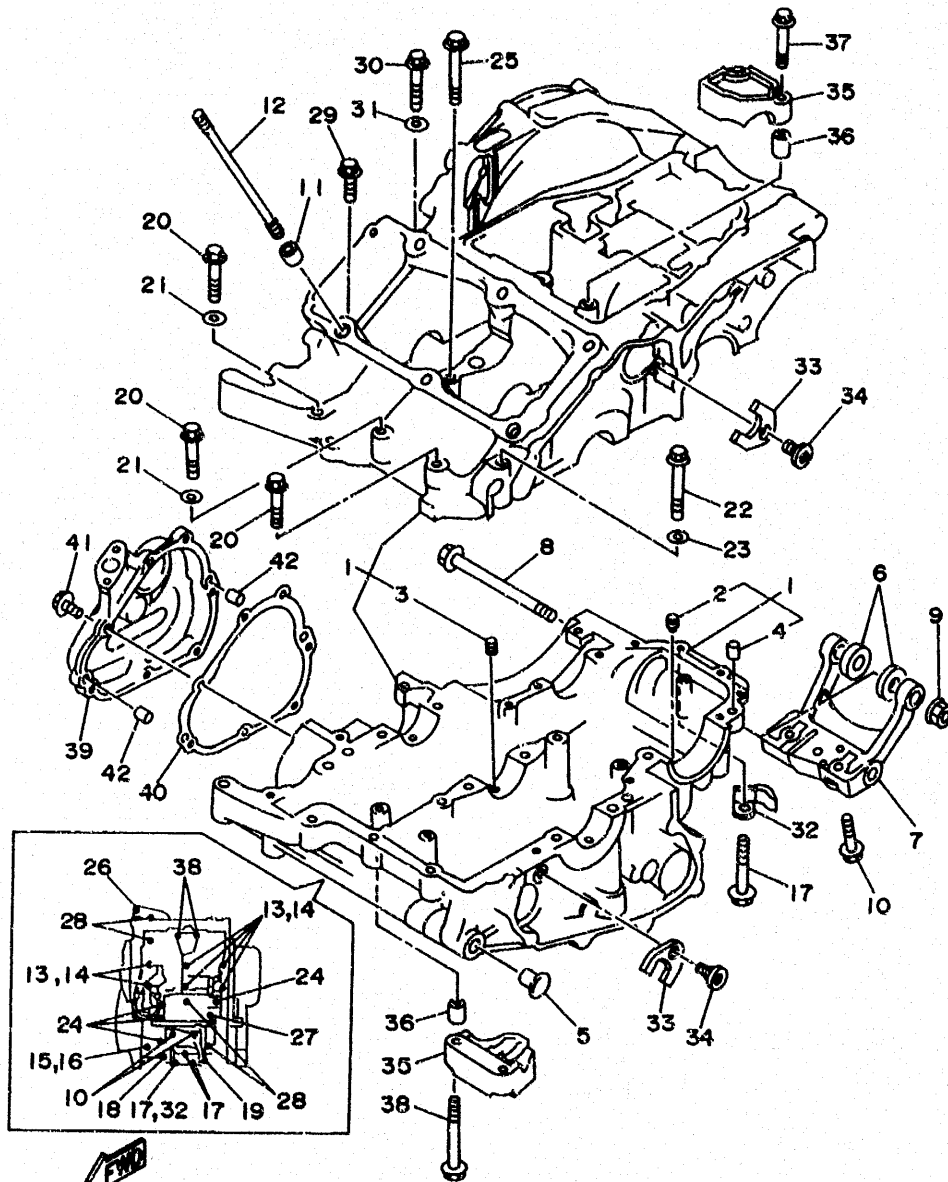


4NX1010-5120

FIG. 12 CRANKCASE

REF. NO.	PART NO.	DESCRIPTION	QTY	REMARKS
1	4UN-15100-02	CRANKCASE ASSY	1	
2	2H7-15138-00	.NOZZLE 1	1	
3	4G0-15138-00	.NOZZLE 1	1	
4	99530-10014	.PIN, DOWEL	1	
5	90338-11257	PLUG	2	
6	90201-107R2	WASHER, PLATE	2	
7	4NX-21489-00	BRACKET, ENGINE LOWER	1	
8	90105-10645	BOLT, WASHER BASED	1	
9	90179-10394	NUT	1	
10	95817-08035	BOLT, FLANGE	2	
11	99530-14016	PIN, DOWEL	2	
12	3LD-11361-00	BOLT, CYLINDER HOLDING 1	6	
13	90105-10560	BOLT, WASHER BASED	6	
14	90201-10131	WASHER, PLATE	6	
15	95817-06040	BOLT, FLANGE	1	
16	90201-066F0	WASHER, PLATE	1	
17	95817-06055	BOLT, FLANGE	3	
18	95817-06020	BOLT, FLANGE	1	
19	95817-06030	BOLT, FLANGE	1	
20	95814-08050	BOLT, FLANGE	3	
21	90201-08087	WASHER, PLATE	2	
22	95814-08060	BOLT, FLANGE	1	
23	90201-08087	WASHER, PLATE	1	
24	95817-06070	BOLT, FLANGE	4	
25	95817-08065	BOLT, FLANGE	1	
26	95817-08050	BOLT, FLANGE	1	
27	95817-08070	BOLT, FLANGE	1	
28	95817-08075	BOLT, FLANGE	4	

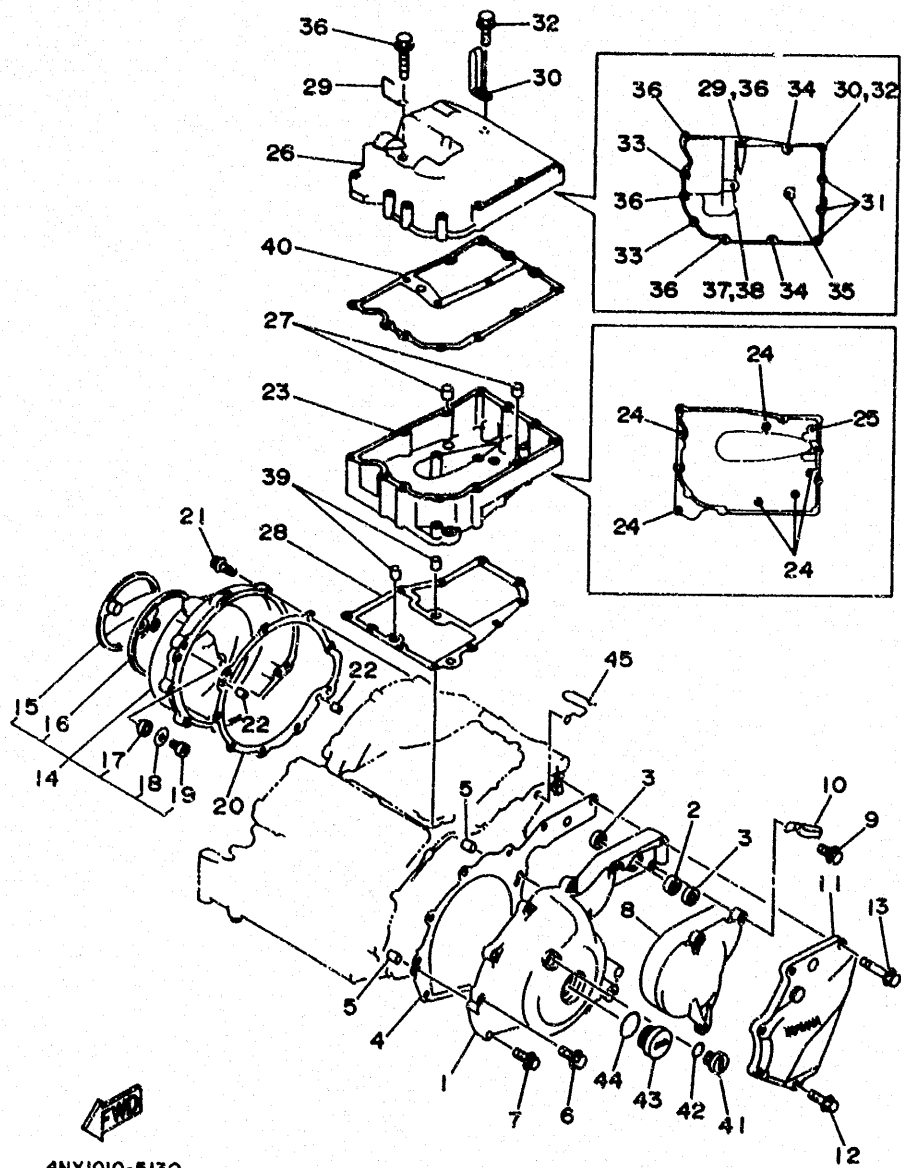
C6



4NX10:0-5120

FIG. 12 CRANKCASE

REF. NO.	PART NO.	DESCRIPTION	QTY	REMARKS
29	95817-06025	BOLT, FLANGE	1	
30	95817-06040	BOLT, FLANGE	1	
31	90201-066F0	WASHER, PLATE	1	
32	90465-08341	CLAMP	1	
33	3LD-15191-00	PLATE	2	
34	90149-06285	SCREW	2	
35	3LD-15118-00	HOLDER	2	
36	99510-08016	PIN, DOWEL	4	
37	95817-06045	BOLT, FLANGE	2	
38	95817-06070	BOLT, FLANGE	2	
39	3VD-15416-10	COVER, OIL PUMP	1	
40	3VD-15456-00	GASKET, OIL PUMP COVER 1	1	
41	95024-06020	BOLT, FLANGE	7	
42	99530-08012	PIN, DOWEL	2	

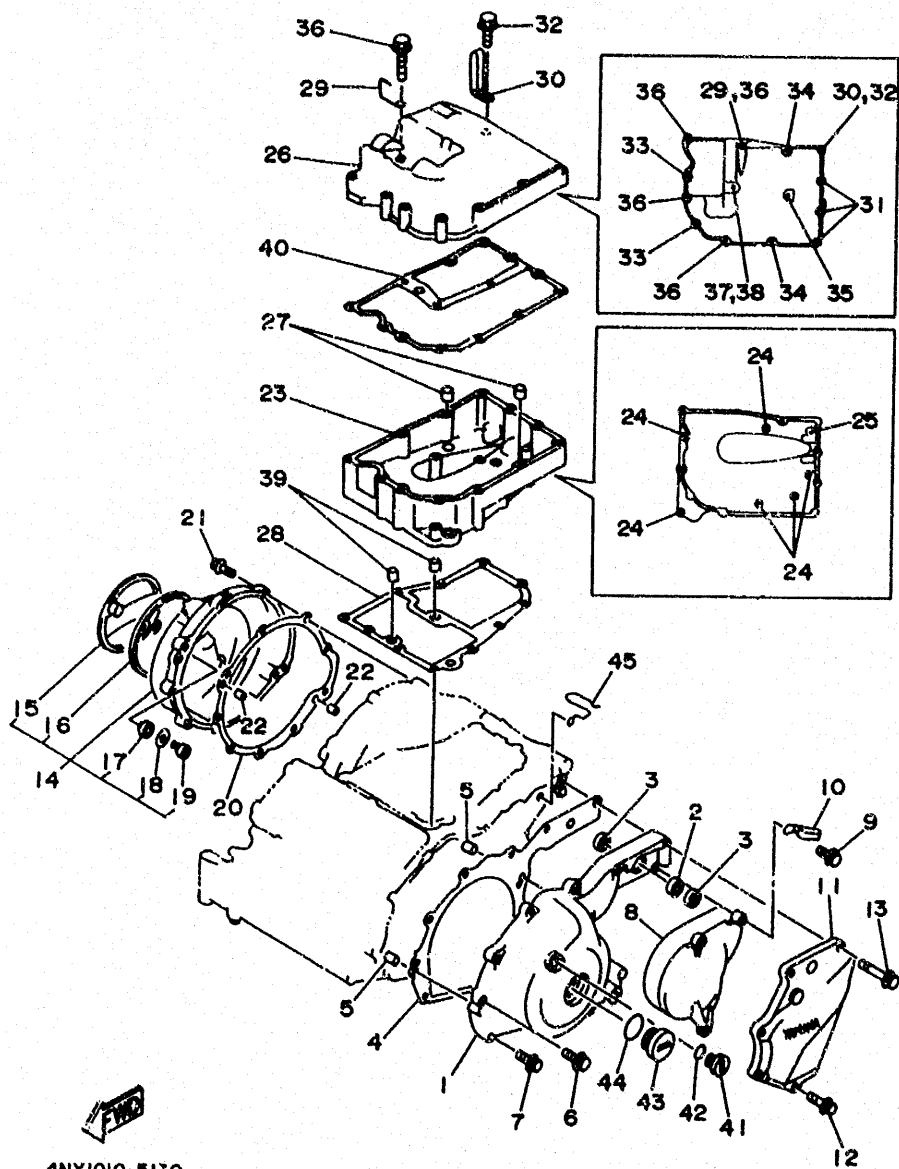


4NX1010-5130

FIG. 13 CRANKCASE COVER 1

REF. NO.	PART NO.	DESCRIPTION	QTY	REMARKS
1	3VD-15411-11	COVER, CRANKCASE 1	1	
2	93317-21236	BEARING, CYLINDRICAL	1	
3	93109-12053	OIL SEAL (SDO 12/18/4-1)	2	
4	3VD-15451-00	GASKET, CRANKCASE COVER 1	1	
5	99530-08012	PIN, DOWEL	2	
6	95024-06025	BOLT, FLANGE	8	
7	90105-06456	BOLT, WASHER BASED	1	
8	3LD-15418-00	COVER, CHAIN CASE	1	
9	95027-06925	BOLT, FLANGE	2	
10	90465-08277	CLAMP	1	
11	4NX-15421-00	COVER, CRANKCASE 2	1	
12	95024-06030	BOLT, FLANGE	1	
13	95024-06050	BOLT, FLANGE	4	
14	4UN-15430-00	CRANKCASE COVER ASSY 3	1	
15	3VD-15417-01	COVER, CAP	1	
16	3LD-15449-00	RING, RUBBER	1	
17	1JK-15486-00	GROMMET	2	
18	90209-05279	WASHER	2	
19	98507-05010	SCREW, PAN HEAD	2	
20	4NX-15462-01	GASKET, CRANKCASE COVER 3	1	
21	95024-06025	BOLT, FLANGE	9	
22	99530-08012	PIN, DOWEL	2	
23	4UN-15425-00	COVER, GENERATOR 2	1	
24	95027-06035	BOLT, FLANGE	6	
25	95880-06035	BOLT, FLANGE	1	
26	4UN-15426-00	COVER, OIL PUMP 2	1	
27	99530-08012	PIN, DOWEL	2	
28	3VD-15463-00	GASKET, CARBURETOR COVER 2	1	

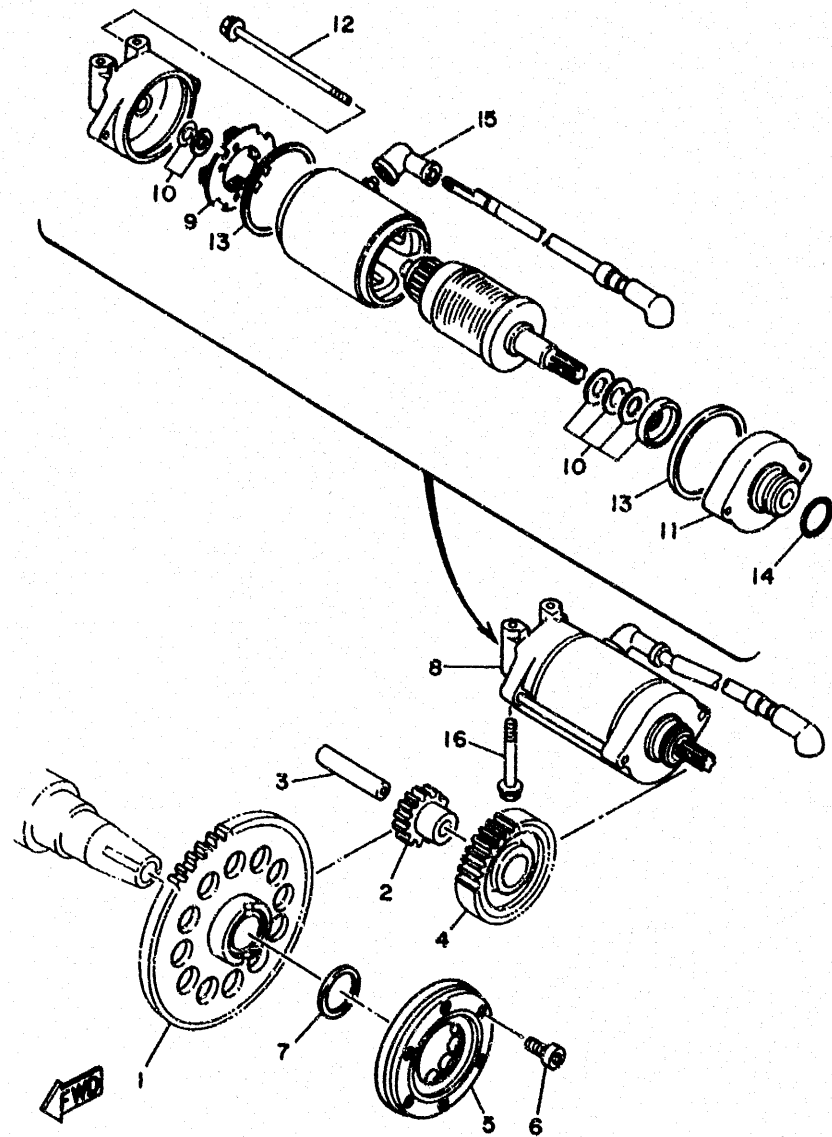
C8



4NX1010-5130

FIG. 13 CRANKCASE COVER 1

REF. NO.	PART NO.	DESCRIPTION	QTY	REMARKS
29	90462-20223	CLAMP	1	
30	90461-10136	CLAMP	1	
31	95027-06035	BOLT, FLANGE	3	
32	95880-06035	BOLT, FLANGE	1	
33	95027-06045	BOLT, FLANGE	2	
34	95027-06055	BOLT, FLANGE	2	
35	95827-06070	BOLT, FLANGE	1	
36	95027-06110	BOLT, FLANGE	4	
37	91317-06160	BOLT, SOCKET HEAD	1	
38	90201-06643	WASHER, PLATE	1	
39	99530-10014	PIN, DOWEL	2	
40	4NX-15461-00	GASKET, CRANKCASE COVER 2	1	
41	90340-14141	PLUG, STRAIGHT SCREW	1	
42	93210-14369	O-RING	1	
43	90340-32142	PLUG, STRAIGHT SCREW	1	
44	93210-32172	O-RING	1	
45	90465-20342	CLAMP	1	



4NX1010-5140

FIG. 14 STARTER CLUTCH

REF. NO.	PART NO.	DESCRIPTION	Q'TY	REMARKS
1	4NX-15515-00	GEAR 3	1	
2	3LD-15517-00	GEAR, IDLER 2	1	
3	26H-15521-00	SHAFT 1	1	
4	3LD-15512-00	GEAR, IDLER 1	1	
5	3LD-15590-02	STARTER ONE-WAY ASSY	1	
6	91317-06018	BOLT, SOCKET HEAD	3	
7	90201-301P3	WASHER, PLATE	1	
8	4NX-81800-00	STARTING MOTOR ASSY	1	
9	3AJ-81801-00	.BRUSH SET	1	
10	3AJ-81809-00	.WASHER KIT	1	
11	3AJ-81830-00	.FRONT BRACKET ASSY	1	
12	3AJ-81826-00	.BOLT	2	
13	11H-81844-00	.GASKET	2	
14	26H-81847-00	.O-RING	1	
15	5H0-81871-00	.CAP	1	
16	95817-06050	BOLT, FLANGE	2	

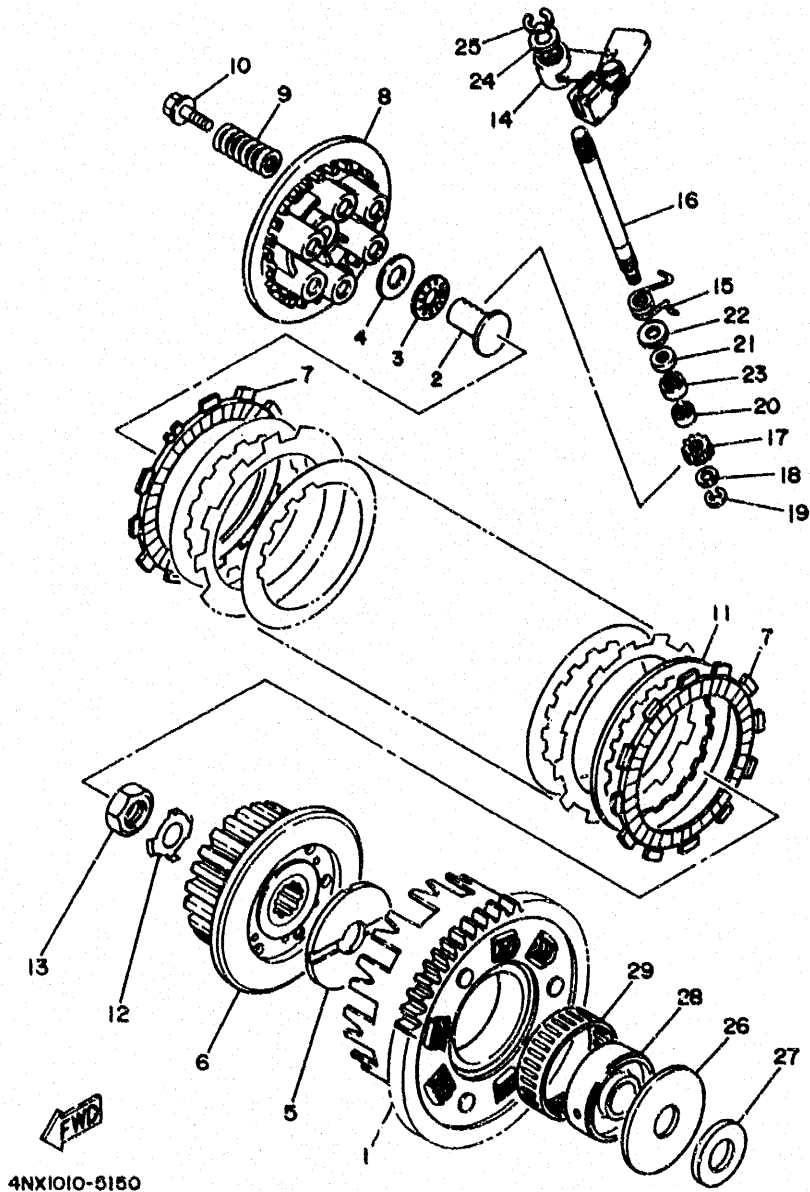
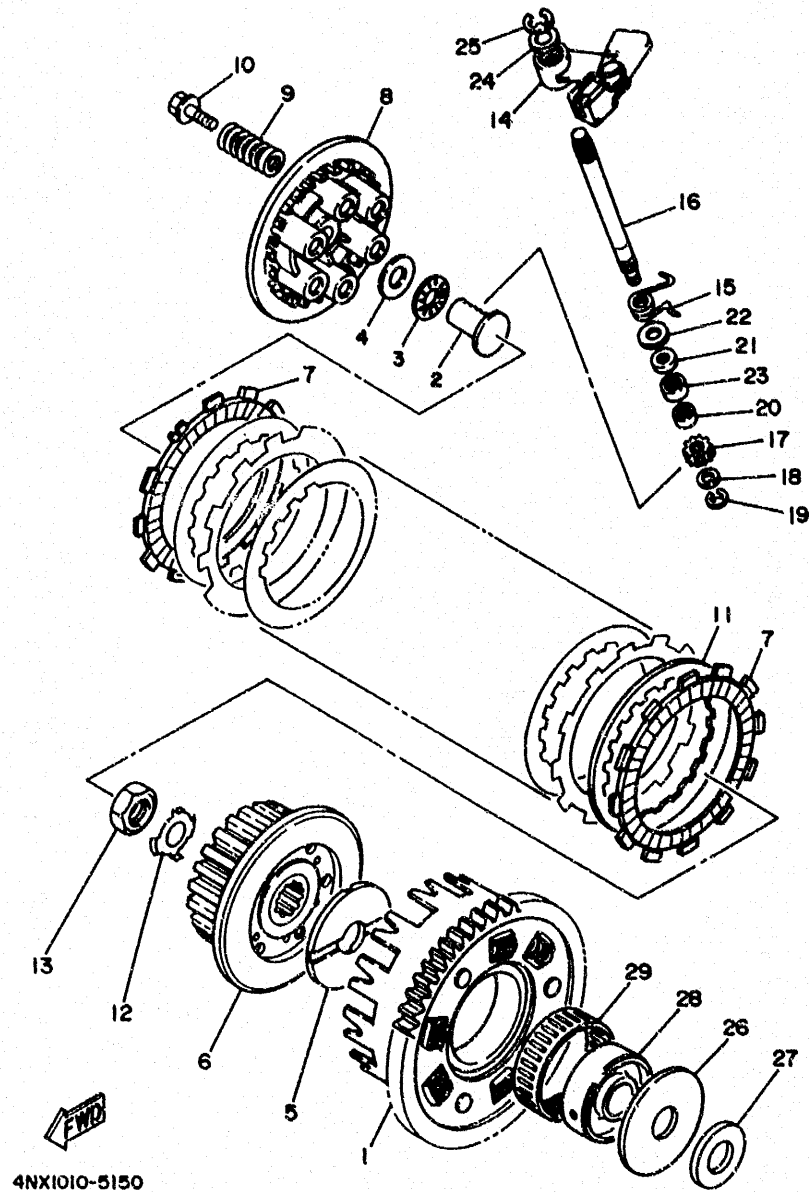


FIG. 15 CLUTCH

REF. NO.	PART NO.	DESCRIPTION	QTY	REMARKS
1	4NX-16150-00	PRIMARY DRIVEN GEAR COMP.	1	
2	3LD-1637A-01	ROD PUSH ASSY	1	
3	93340-21505	BEARING, THRUST	1	
4	90201-150H2	WASHER, PLATE	1	
5	4H7-16154-00	PLATE, THRUST 1	1	
6	4NX-16371-01	BOSS, CLUTCH	1	
7	4H7-16321-01	PLATE, FRICTION	9	
8	3LD-16351-00	PLATE, PRESSURE 1	1	
9	90501-225A9	SPRING, COMPRESSION	6	
10	90159-06123	SCREW, WITH WASHER	6	
11	3J2-16324-00	PLATE, CLUTCH 1	8	
12	90215-20231	WASHER, LOCK	1	
13	90170-20327	NUT	1	
14	4UN-16340-00	PUSH LEVER ASSY	1	
15	90508-167A3	SPRING, TORSION	1	
16	3LD-16382-00	AXLE, PUSH LEVER	1	
17	3LD-16398-00	PINION, RELEAS	1	
18	92907-08600	WASHER, PLATE	1	
19	99080-07600	CIRCLIP	1	
20	93317-11020	BEARING, CYLINDRICAL	1	
21	93102-12224	OIL SEAL	1	
22	90201-12M34	WASHER, PLATE	1	
23	93315-11206	BEARING, CYLINDRICAL	1	
24	90201-10119	WASHER, PLATE	1	
25	99009-10400	CIRCLIP	1	
26	3VD-16164-00	PLATE, THRUST 2	1	
27	3VD-16154-00	PLATE, THRUST 1	1	
28	4NX-16181-00	SPACER 1	1	

C11

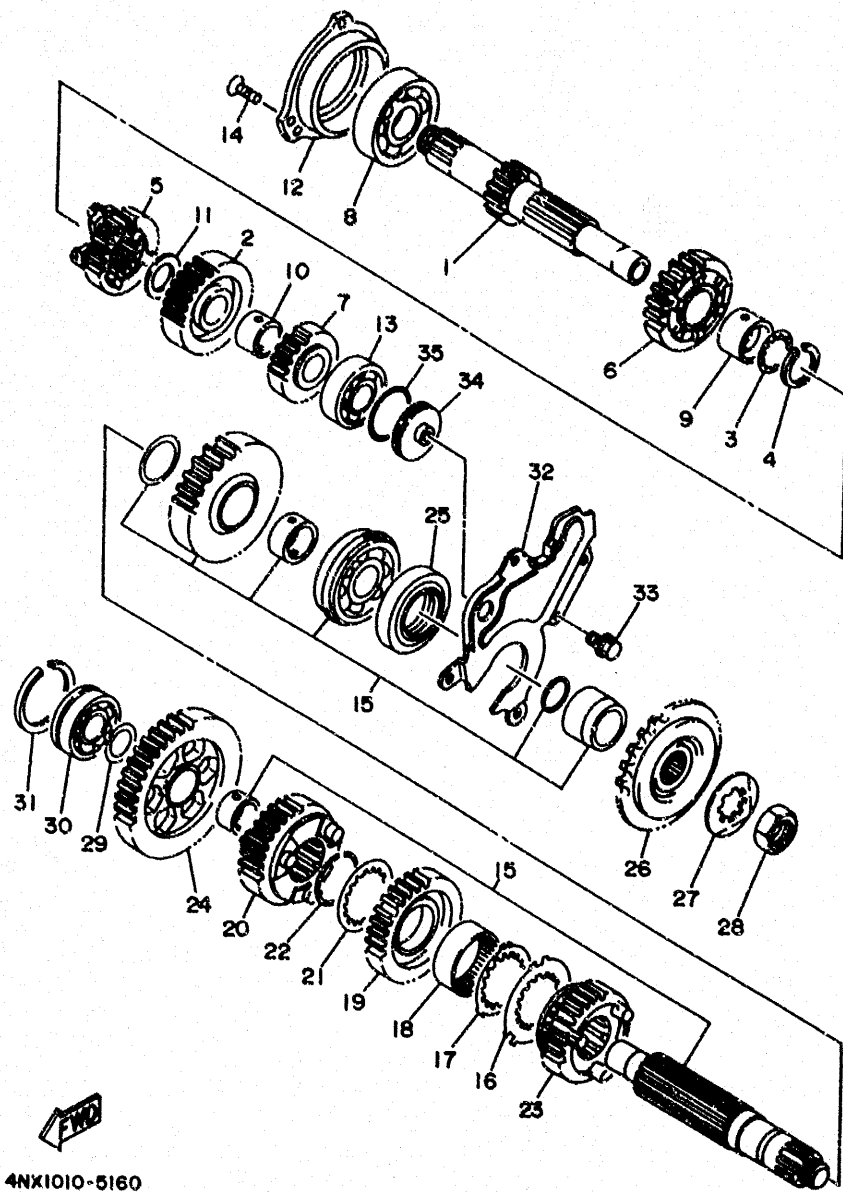


4NX1010-5150

FIG. 15 CLUTCH

REF. NO.	PART NO.	DESCRIPTION	Q'TY	REMARKS
29	93310-365B8	BEARING, CYLINDRICAL	1	

C12

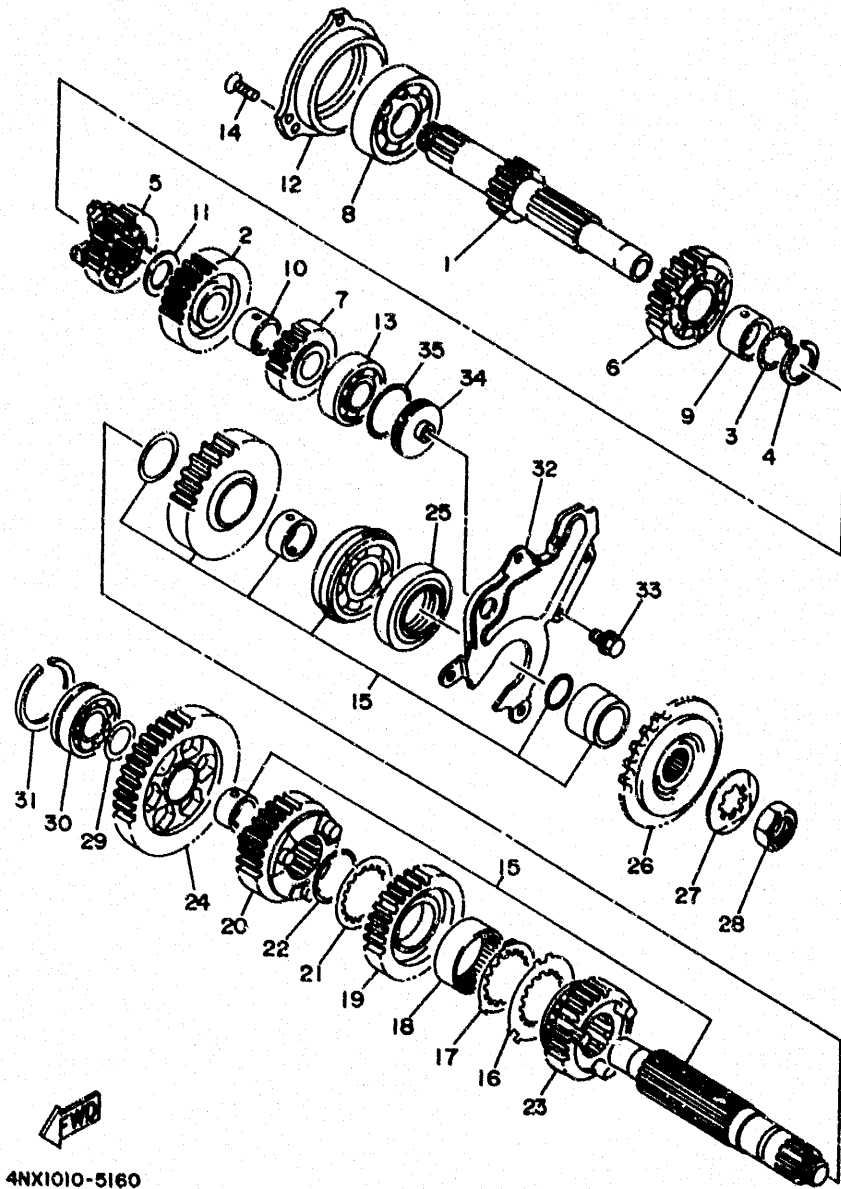


4NX1010-5160

FIG. 16 TRANSMISSION

REF. NO.	PART NO.	DESCRIPTION	Q'TY	REMARKS
1	4NX-17411-00	AXLE, MAIN	1	
2	2GH-17151-00	GEAR, 5TH PINION (27T)	1	
3	90209-21332	WASHER	1	
4	93440-25084	CIRCLIP	1	
5	4UN-17131-00	GEAR, 3RD PINION (21T)	1	
6	2GH-17141-00	GEAR, 4TH PINION (23T)	1	
7	3LD-17121-00	GEAR, 2ND PINION (21T)	1	
8	93306-30525	BEARING (B6305)	1	
9	90387-253M6	COLLAR	1	
10	90387-203M7	COLLAR	1	
11	90201-200K3	WASHER, PLATE	1	
12	3LD-15163-10	HOUSING, BEARING 1	1	
13	93306-20464	BEARING	1	
14	90149-06285	SCREW	3	
15	4NX-17402-00	DRIVE AXLE ASSY	1	
16	90209-29329	WASHER	1	
17	90209-28330	WASHER	1	
18	90387-2802W	COLLAR	1	
19	4UN-17231-00	GEAR, 3RD WHEEL (30T)	1	
20	4NX-17241-00	GEAR, 4TH WHEEL (27T)	1	
21	90209-28331	WASHER	1	
22	93440-31172	CIRCLIP	1	
23	4NX-17251-00	GEAR, 5TH WHEEL (28T)	1	
24	4NX-17211-00	GEAR, 1ST WHEEL (36T)	1	
25	93102-35459	OIL SEAL	1	
26	4AS-17460-00	SPROCKET, DRIVE (17T)	1	
27	90215-21290	WASHER, LOCK	1	
28	90179-18667	NUT	1	

C13

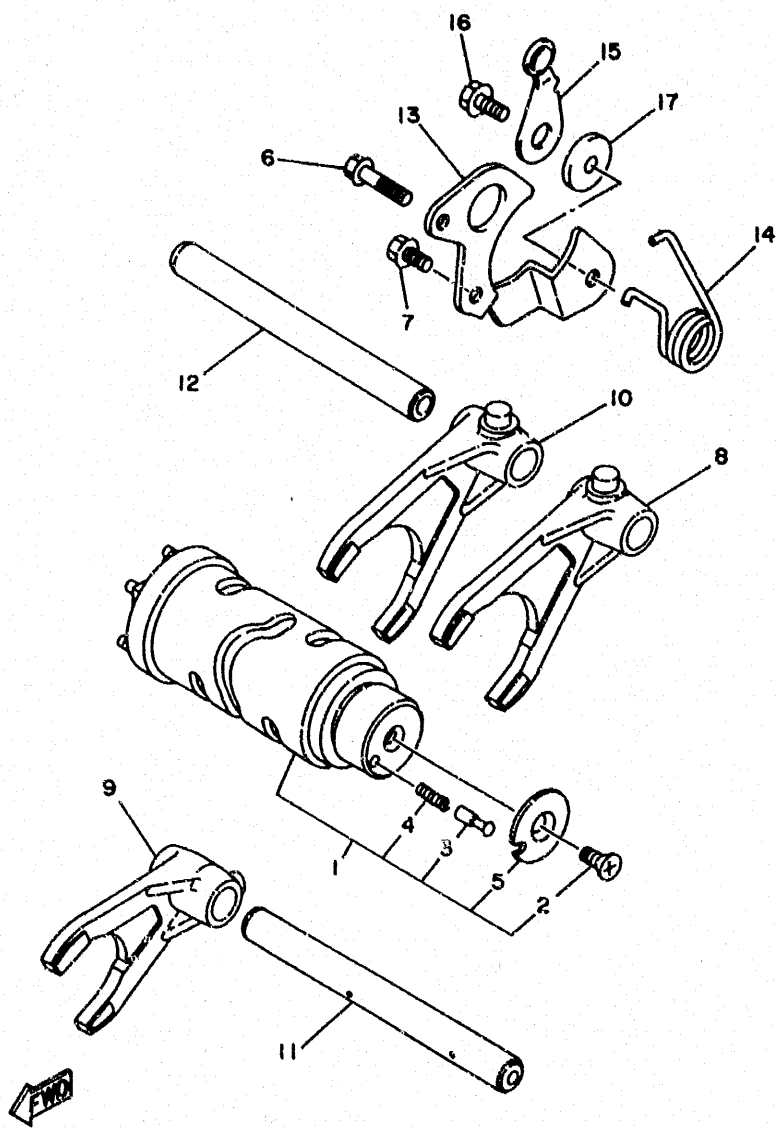


4NX1010-5160

FIG. 16 TRANSMISSION

REF. NO.	PART NO.	DESCRIPTION	Q'TY	REMARKS
29	90201-20278	WASHER, PLATE	1	
30	93306-20455	BEARING	1	
31	93440-45144	CIRCLIP	1	
32	4NX-17471-00	PLATE, COVER	1	
33	95817-06012	BOLT, FLANGE	5	
34	3LD-15414-00	COVER, AIR CLEANER	1	
35	93210-33133	O-RING	1	

C14



4NX1010-5170

FIG. 17 SHIFT CAM. FORK

REF. NO.	PART NO.	DESCRIPTION	QTY	REMARKS
1	3VD-18540-01	SHIFT CAM ASSY	1	
2	98707-05012	.SCREW, FLAT HEAD	1	
3	4UN-18542-00	.POINT, NEUTRAL	1	
4	90501-06022	.SPRING, COMPRESSION	1	
5	4UN-18556-00	.PLATE, SIDE 2	1	
6	90105-06597	BOLT, WASHER BASED	1	
7	90105-06397	BOLT, WASHER BASED	1	
8	3VD-18511-00	FORK, SHIFT 1	1	
9	3VD-18512-00	FORK, SHIFT 2	1	
10	3VD-18513-00	FORK, SHIFT 3	1	
11	4NX-18531-00	BAR, SHIFT FORK GUIDE 1	1	
12	4NX-18535-00	BAR, SHIFT FORK GUIDE 2	1	
13	3LD-18536-00	STOPPER, SHIFT BAR	1	
14	90508-297A4	SPRING, TORSION	1	
15	4NX-18140-00	STOPPER LEVER ASSY	1	
16	90105-06557	BOLT, WASHER BASED	1	
17	4NX-18175-00	SPACER	1	

CONTENTS

ENGINE

Cylinder Head.....	B2
Cylinder	B3
Crankshaft. Piston	B4~B5
Valve	B6~B7
Camshaft. Chain.....	B8
Water Pump	B9
Radiator. Hose	B10~B11
Oil Pump	B12~B14
Intake	B15
Carburetor	C2~C4
Exhaust	C5
Crankcase	C6~C7
Crankcase Cover 1.....	C8~C9
Starter Clutch	C10
Clutch	C11~C12
Transmission	C13~C14
Shift Cam. Fork	C15
Shift Shaft.....	D2

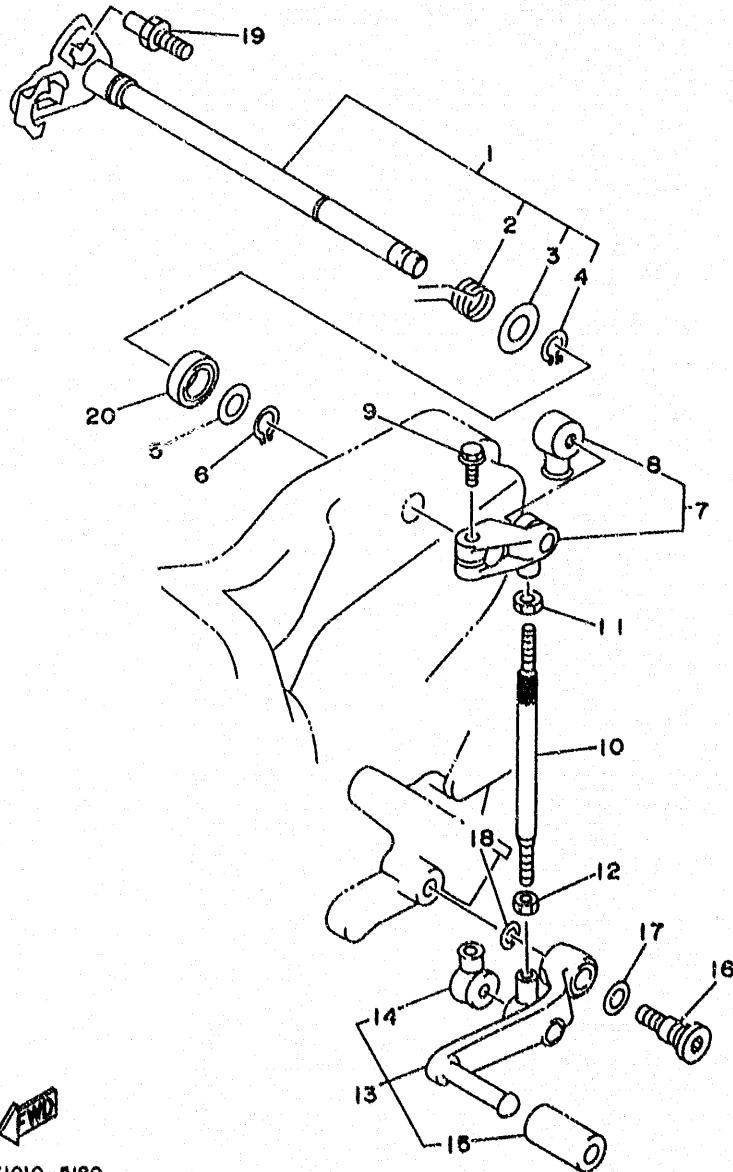
CHASSIS

Frame	D3
Fender	D4~D5
Side Cover	D6~D7
Rear Arm	D8
Rear Suspension.....	D9
Steering	D10
Front Fork.....	D11~D12
Fuel Tank	D13~D14
Seat.....	D15

Front Wheel.....	E2
Front Brake Caliper	E3
Rear Wheel	E4~E5
Rear Brake Caliper	E6
Steering Handle. Cable	E7
Front Master Cylinder.....	E8~E9
Stand. Footrest.....	E10~E11
Rear Master Cylinder	E12~E13
Cowling 1	E14~E15
Generator	F2
Flasher Light.....	F3
Meter	F4
Headlight	F5
Taillight	F6
Handle Switch. Lever	F7
Electrical 1	F8
Electrical 2.....	F9

INDEX

Numerical Index	M1~M5
-----------------------	-------

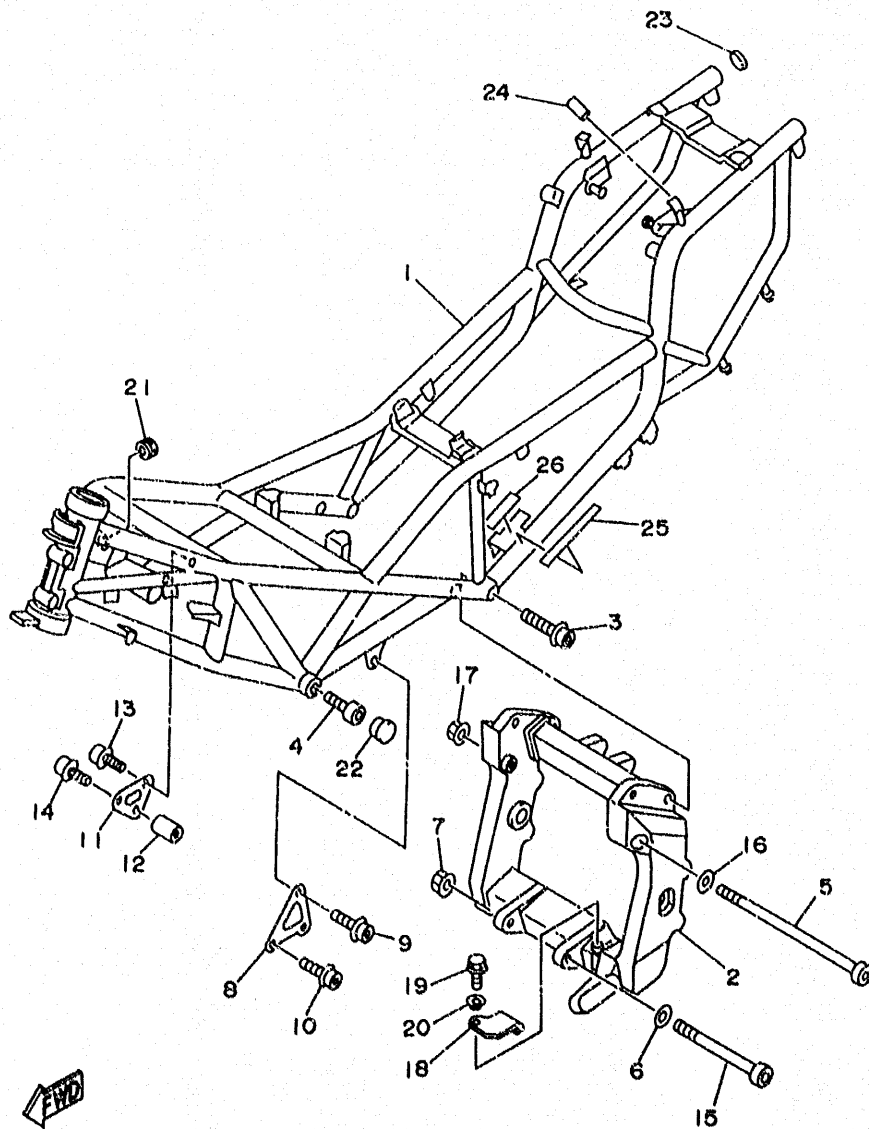



 4NX1010 - 5180

FIG. 18 SHIFT SHAFT

REF. NO.	PART NO.	DESCRIPTION	Q'TY	REMARKS
1	4NX-18101-00	SHIFT SHAFT ASSY	1	
2	90508-32682	.SPRING, TORSION	1	
3	90201-191J4	.WASHER, PLATE	1	
4	99009-19400	.CIRCLIP	1	
5	90201-12575	WASHER, PLATE	1	
6	99006-10600	CIRCLIP	1	
7	4NX-18130-00	SHIFT SHAFT ASSY	1	
8	2H9-18154-00	.COVER, DUST	1	
9	95824-06020	BOLT, FLANGE	1	
10	2TK-18115-00	ROD, SHIFT	1	
11	90170-06228	NUT (COUNTER CLOCKWISE)	1	
12	95304-06700	NUT	1	
13	4NX-18110-00	SHIFT PEDAL ASSY	1	
14	2H9-18154-00	.COVER, DUST	1	
15	132-18113-01	.COVER, SHIFT PEDAL	1	
16	2YK-27434-01	BOLT	1	
17	90206-12074	WASHER, WAVE	1	
18	00201-08326	WASHER, PLATE	1	
19	4G0-18127-00	STOPPER, SCREW	1	
20	93102-12106	OIL SEAL (SD 12-22-5 HS)	1	

D2



4NX1010-5191

FIG. 19 FRAME

REF. NO.	PART NO.	DESCRIPTION	Q'TY	REMARKS
1	4NX-21110-20-33	FRAME COMP.	1	UR YAMAHA BLACK FOR BL2
	4NX-21110-20-35	FRAME COMP.	1	UR SILVER FOR PBM7, HTR
2	4NX-21430-00	REAR ARM BRACKET COMP.	1	
3	91314-10025	BOLT	4	
4	31317-10035	BOLT, SOCKET HEAD	2	
* 5	90110-10182	BOLT, HEXAGON SOCKET HEAD	1	
6	90201-124G9	WASHER, PLATE	1	
7	90179-10279	NUT	1	
8	4NX-21315-00	STAY, ENGINE 2	1	
9	90109-102G5	BOLT	1	
10	90109-087F1	BOLT	2	
11	4NX-21316-00	STAY, ENGINE 3	1	
12	4NX-2138X-00	BOSS	1	
13	90109-081G0	BOLT	2	
14	90109-102G6	BOLT	1	
* 15	91317-10150	BOLT, SOCKET HEAD	1	
16	90201-124G0	WASHER, PLATE	1	
17	90179-10279	NUT	1	
18	4NX-22147-00	PROTECTOR, CHAIN	1	
19	95817-06016	BOLT, FLANGE	1	
20	90387-062M9	COLLAR	1	
21	90480-12475	GROMMET	1	
22	90338-21145	PLUG	2	
23	3YJ-24481-00	PLUG	2	
24	4NX-21399-00	CAP, TOOL BOX	2	
25	3TU-28344-00	TAPE	1	
26	22F-2139X-00	DAMPER	1	

D3

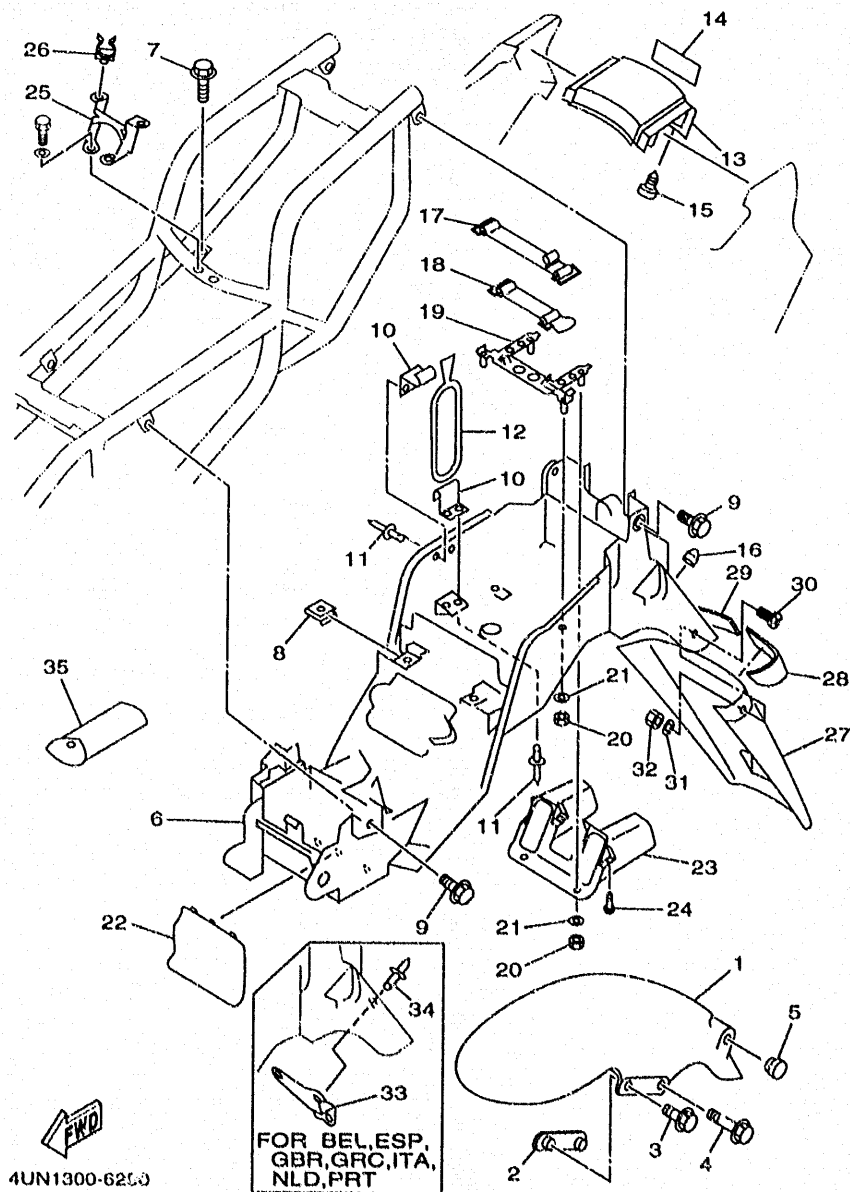


FIG. 20 FENDER

REF. NO.	PART NO.	DESCRIPTION	Q'TY	REMARKS
1	4KG-21511-00-EY	FENDER, FRONT	1	UR HEAT RED
	4KG-21511-00-P2	FENDER, FRONT	1	UR PURPLISH BLUE METALLIC 7
	4KG-21511-00-4B	FENDER, FRONT	1	UR BLACK 2
2	4KG-21512-00	BRACKET, FENDER	2	
3	95024-06016	BOLT, FLANGE	2	
4	95024-06035	BOLT, FLANGE	2	
5	90338-12192	PLUG	1	
6	4NX-21611-10	FENDER, REAR	1	
7	95817-06012	BOLT, FLANGE	2	
8	90183-06053	NUT, SPRING	2	
9	90119-06205	BOLT, WITH WASHER	4	
10	3VD-21366-00	HOOK, TOOL BAND	2	
11	90267-40054	RIVET, BLIND	4	
12	3YX-21376-00	BAND, TOOL	1	
13	4NX-21651-00-EY	COVER, REAR FENDER	1	UR HEAT RED
	4NX-21651-00-P1	COVER, REAR FENDER	1	UR PURPLISH BLUE METALLIC 7
	4NX-21651-00-4B	COVER, REAR FENDER	1	UR BLACK 2
14	99237-00080	EMBLEM, YAMAHA	1	UR FOR BL2
	99231-00080	EMBLEM, YAMAHA	1	UR FOR PBM7, HTR
15	97707-59012	SCREW, TAPPING	4	
16	4G0-21639-00	DAMPER 2	1	
17	4J2-82131-01	BAND, BATTERY	1	
18	46X-21376-00	BAND, TOOL	1	
19	4UN-21689-00	BRACKET, REAR STAY 2	1	
20	95617-05100	NUT, U	4	
21	92907-05200	WASHER	4	
22	30X-21621-00	FLAP	1	
23	4UN-2163A-00	COVER, REAR FENDER 1	1	

D4

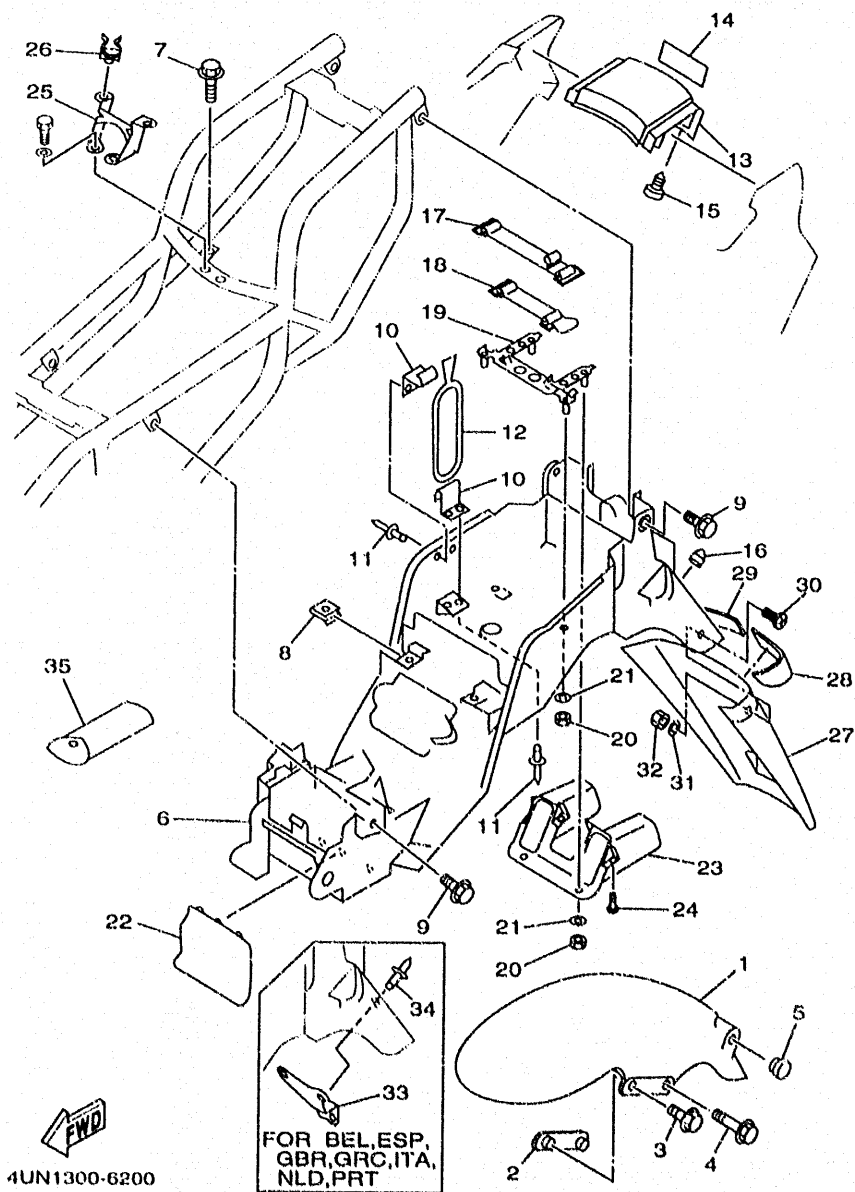
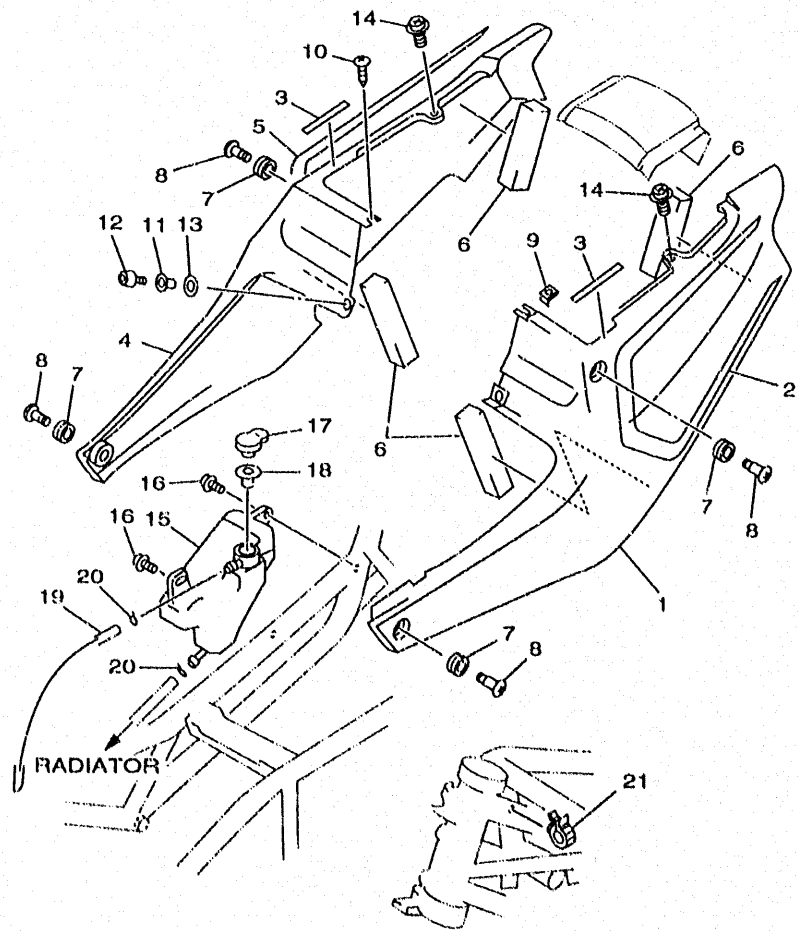


FIG. 20 FENDER

REF. NO.	PART NO.	DESCRIPTION	QTY	REMARKS
24	97707-50012	SCREW, TAPPING	4	
25	4UN-21688-00	BRACKET, REAR STAY	1	
26	90464-19232	CLAMP	2	
27	3GM-21621-00	FLAP	1	FOR DNK, NOR, SWE, FIN
28	3GM-21649-00	DAMPER	1	FOR DNK, NOR, SWE, FIN
29	3GM-21649-10	DAMPER	1	FOR DNK, NOR, SWE, FIN
30	90149-04278	SCREW	4	FOR DNK, NOR, SWE, FIN
31	90201-04018	WASHER, PLATE	4	FOR DNK, NOR, SWE, FIN
32	95607-04100	NUT, U	4	FOR DNK, NOR, SWE, FIN
33	4FM-85132-00	BRACKET, REFLECTOR 1	1	FOR BEL, ESP, GBR, GRC, ITA, NLD, PRT
34	90267-40029	RIVET, BLIND	2	FOR BEL, ESP, GBR, GRC, ITA, NLD, PRT
35	4NX-28100-00	TOOL KIT	1	

D5



4UN1351-6210

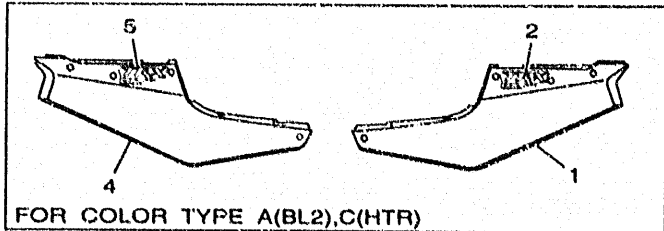


FIG. 21 SIDE COVER

REF. NO.	PART NO.	DESCRIPTION	Q'TY	REMARKS
1	4NX-21711-00-EY	COVER, SIDE 1	1	UR HEAT RED
	4NX-21711-00-P1	COVER, SIDE 1	1	UR PURPLISH BLUE METALLIC 7
	4NX-21711-00-4B	COVER, SIDE 1	1	UR BLACK 2
2	4UN-21781-00	EMBLEM 1	1	UR FOR BL2
	4UN-2173E-00	GRAPHIC 1	1	UR FOR PBM7
	4UN-21781-10	EMBLEM 1	1	UR FOR HTR
3	4EU-24141-00	PROTECTOR, FUEL TANK	2	
4	4NX-21721-00-EY	COVER, SIDE 2	1	UR HEAT RED
	4NX-21721-00-P1	COVER, SIDE 2	1	UR PURPLISH BLUE METALLIC 7
	4NX-21721-00-4B	COVER, SIDE 2	1	UR BLACK 2
5	4UN-21781-00	EMBLEM 1	1	UR FOR BL2
	4UN-2173F-00	GRAPHIC 2	1	UR FOR PBM7
	4UN-21781-10	EMBLEM 1	1	UR FOR HTR
6	4DT-28371-00	DAMPER	4	
7	90480-13398	GROMMET	4	
8	90150-06036	SCREW, ROUND HEAD	4	
9	90183-04064	NUT, SPRING	1	
10	97707-40012	SCREW, TAPPING	1	
11	90179-05523	NUT	1	
12	90110-05201	BOLT, HEXAGON SOCKET HEAD	1	
13	90202-05180	WASHER, PLATE	1	
14	90150-06093	SCREW, WITH WASHER	2	
15	4FM-21871-01	TANK, RECOVERY	1	
16	90159-06033	SCREW, WITH WASHER	2	
17	1AA-21815-00	CAP	1	
18	1AA-21874-00	GASKET	1	
19	90445-097F7	HOSE	1	
20	90467-08003	CLIP	2	

D6

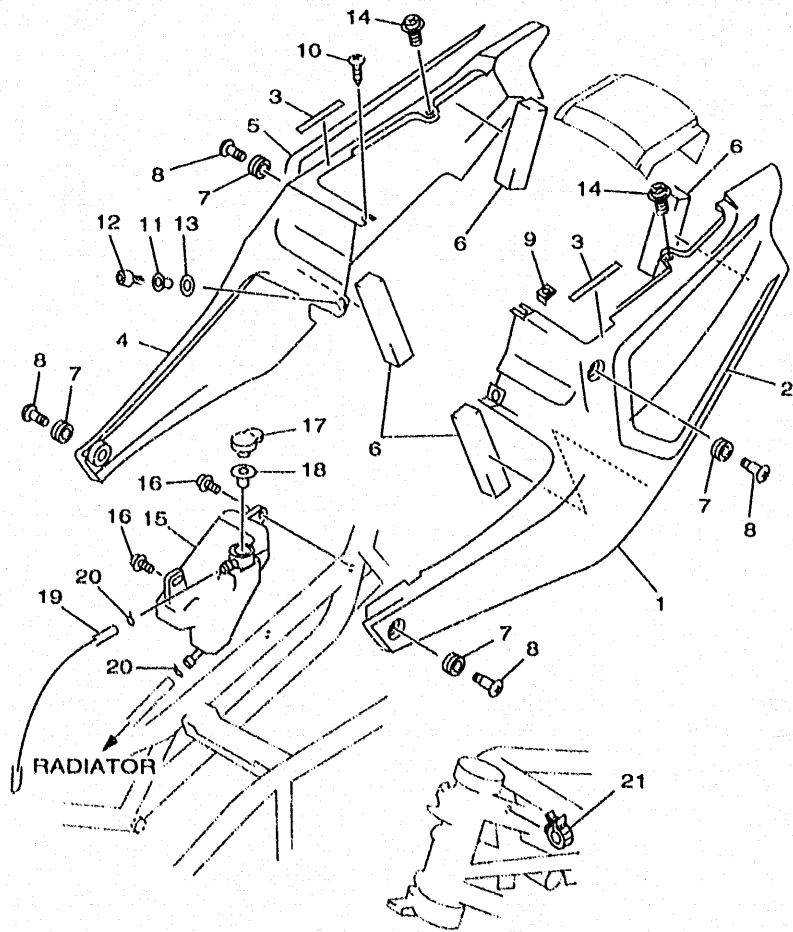
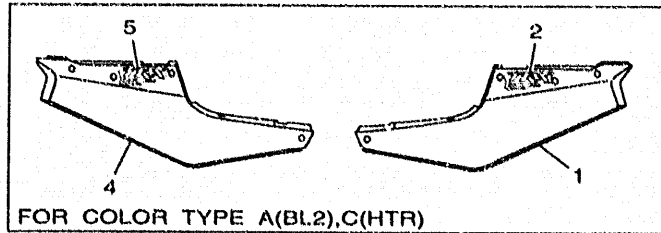


FIG. 21 SIDE COVER

REF. NO.	PART NO.	DESCRIPTION	Q'TY	REMARKS
21	90464-15192	CLAMP	1	

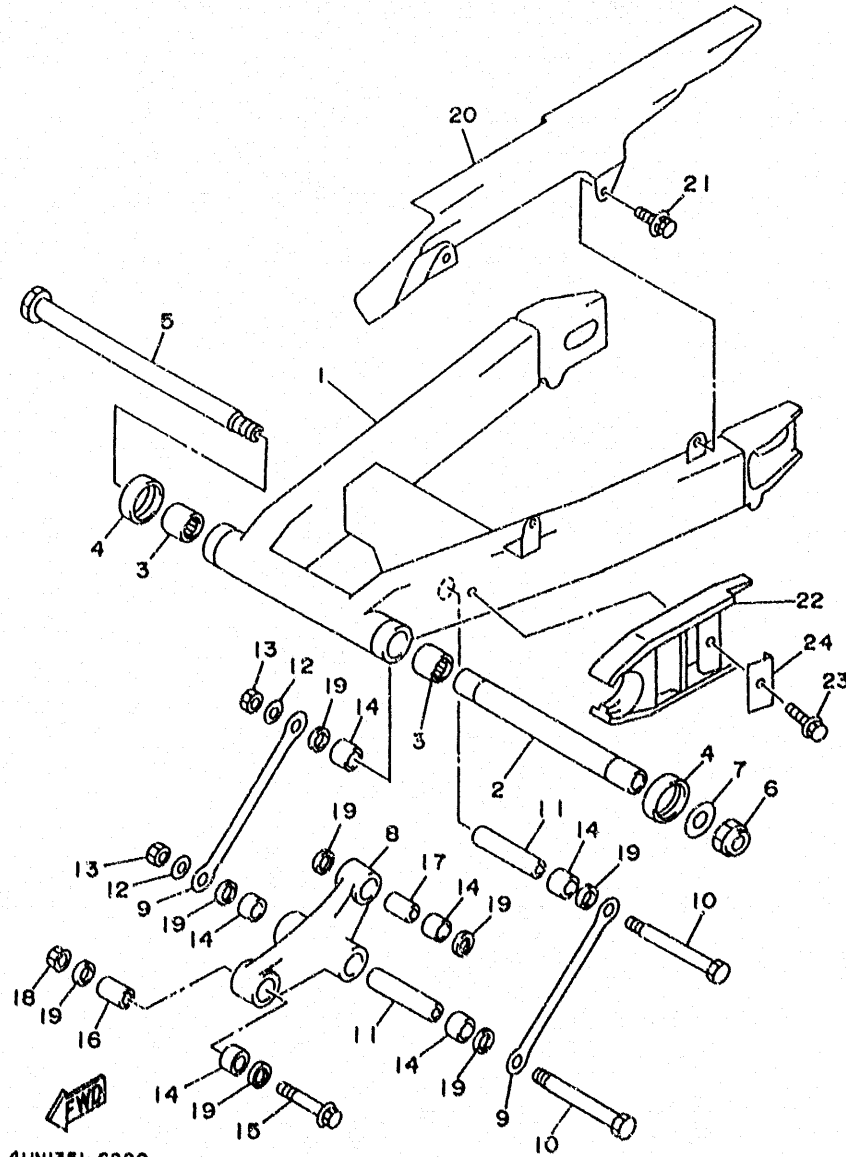


FOR COLOR TYPE A(BL2),C(HTR)



4UN1351-6210

D7



4UNI351-6220

FIG. 22 REAR ARM

REF. NO.	PART NO.	DESCRIPTION	Q'TY	REMARKS
1	4NX-22110-00	REAR ARM COMP.	1	
2	3FV-22184-00	BUSH	1	
3	93315-42523	BEARING, CYLINDRICAL	2	
4	3FV-22128-00	COVER, THRUST 1	2	
5	3BN-25381-00	AXLE, WHEEL	1	
6	90185-18104	NUT, SELF-LOCKING	1	
7	90201-18264	WASHER, PLATE	1	
8	4NX-2217A-00	ARM, RELAY	1	
9	4FM-2217M-10	ARM 1	2	
10	90101-10658	BOLT	2	
11	90387-122R5	COLLAR	2	
12	90201-101J1	WASHER, PLATE	2	
13	95617-10100	NUT, U	2	
14	93317-31771	BEARING, CYLINDRICAL	6	
15	90105-10376	BOLT, WASHER BASED	1	
16	90387-102R4	COLLAR	1	
17	90387-127W0	COLLAR	1	
18	95617-10200	NUT, SELF-LOCKING	1	
19	93109-17048	OIL SEAL (SDO 17-24-4)	8	
20	4NX-22311-00	CASE, CHAIN	1	
21	90119-06117	BOLT, WITH WASHER	2	
22	4NX-22151-00	SEAL, GUARD	1	
23	95617-06020	BOLT, FLANGE	1	
24	4HM-22149-00	WASHER	1	

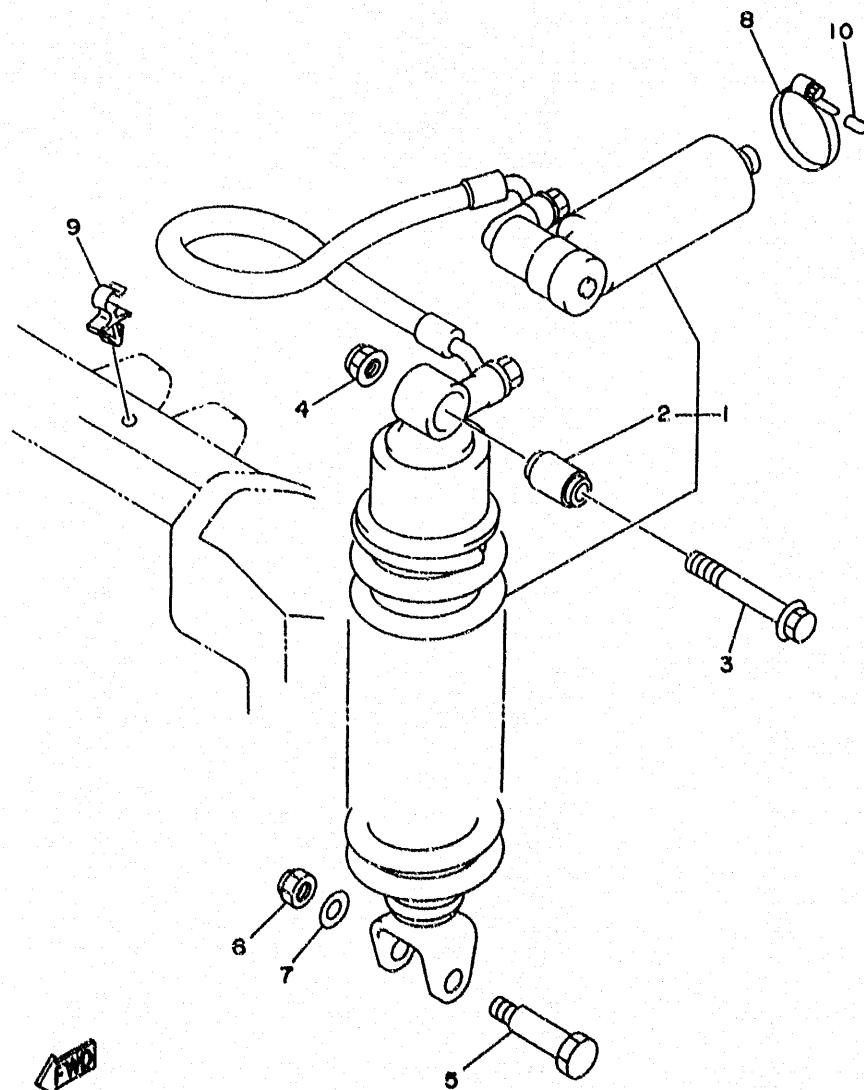

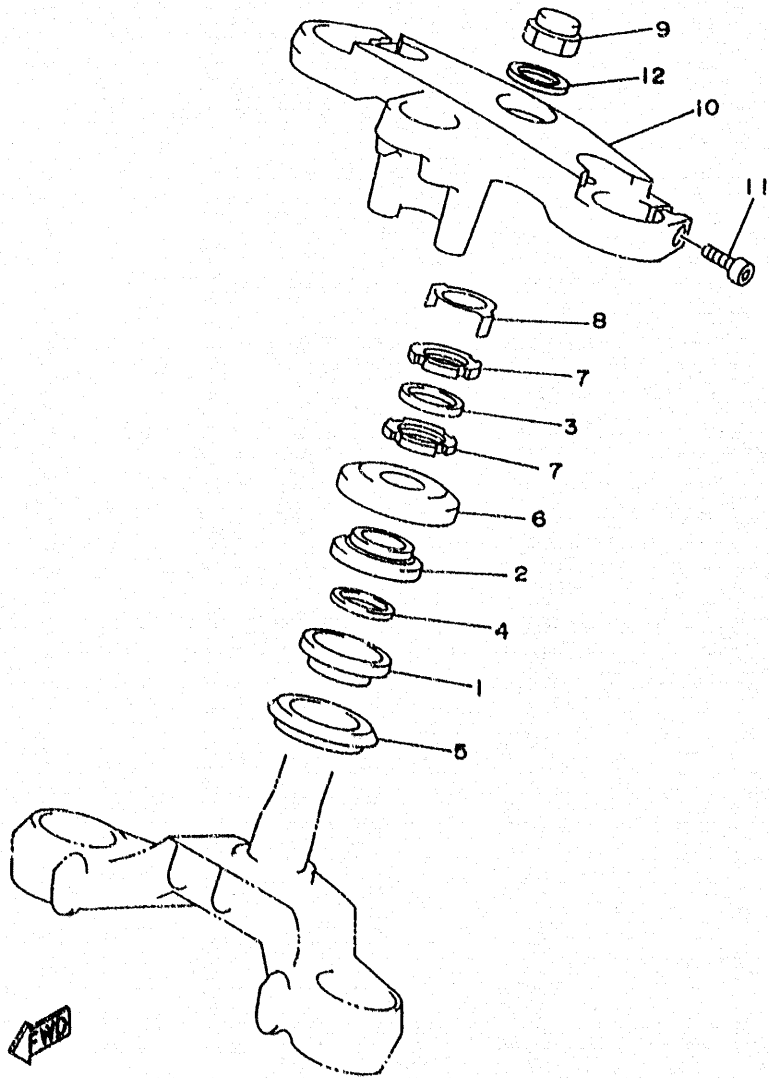


FIG. 23 REAR SUSPENSION

REF. NO.	PART NO.	DESCRIPTION	Q'TY	REMARKS
1	4NX-22210-10	SHOCK ABSORBER ASSY, REAR	1	
2	4GY-22216-20	.BUSH, REAR SHOCK ABSORBER	1	
3	90105-10323	BOLT, WASHER BASED	1	
4	95617-10200	NUT, SELF-LOCKING	1	
5	90101-10659	BOLT	1	
6	95617-10100	NUT, U	1	
7	90201-101J1	WASHER, PLATE	1	
8	90450-32008	HOSE CLAMP ASSY	1	
9	90464-14228	CLAMP	1	
10	4NX-25335-00	CAP	1	


4NX1010-5230

D9

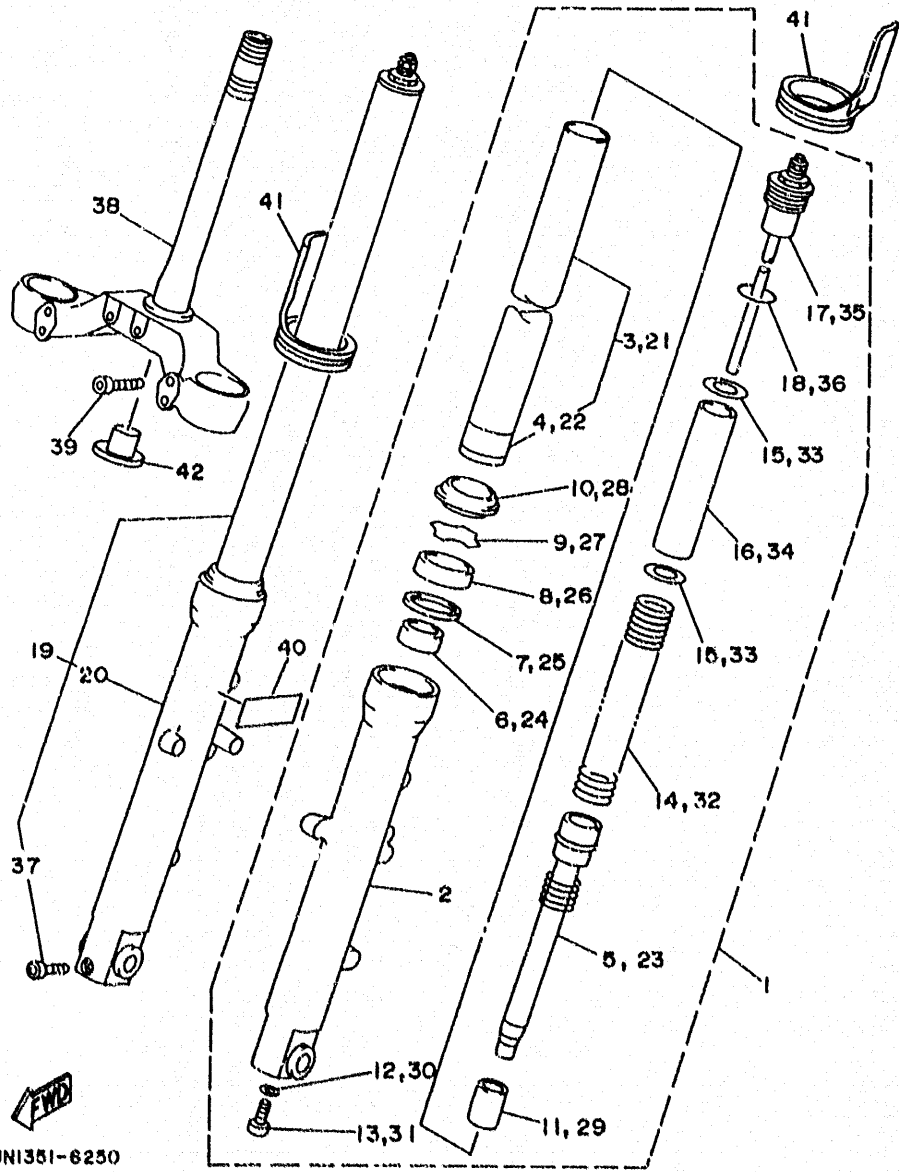


4UN1351-6240

FIG. 24 STEERING

REF. NO.	PART NO.	DESCRIPTION	Q'TY	REMARKS
1	93399-99932	BEARING	1	
2	93399-99931	BEARING	1	
3	90202-26142	WASHER, PLATE	1	
4	90202-24190	WASHER, PLATE	1	
5	3FV-23462-00	SEAL, STEERING	1	
6	1W1-23416-00	COVER, BALL RACE 2	1	
7	90179-25615	NUT	2	
8	3YF-23418-00	WASHER, SPECIAL	1	
9	90176-22081	NUT, CROWN	1	
10	4NX-23435-00	CROWN, HANDLE	1	
11	91314-08030	BOLT	2	
12	90201-220T0	WASHER, PLATE	1	

D10



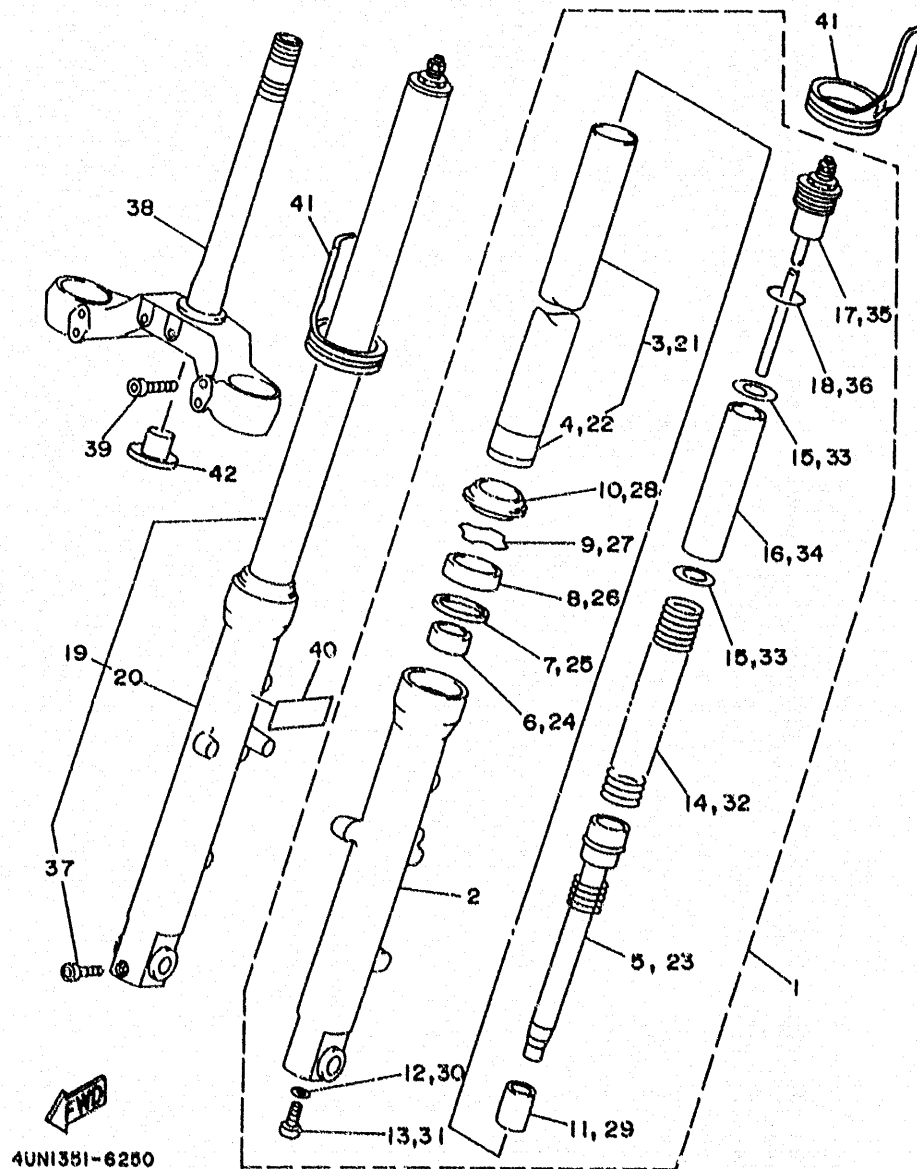
4UNI351-6250

FIG. 25 FRONT FORK

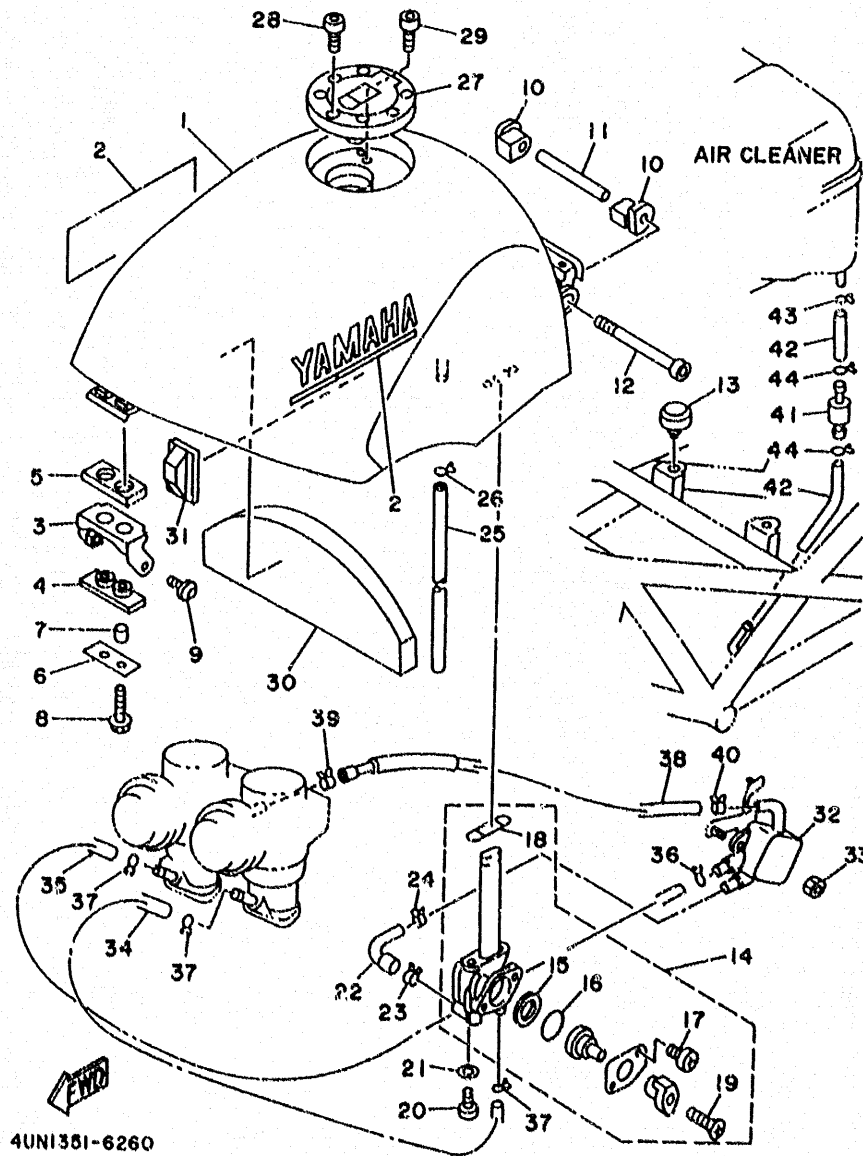
REF. NO.	PART NO.	DESCRIPTION	Q'TY	REMARKS
1	4NX-23102-10	FRONT FORK ASSY (L.H)	1	
2	4NX-23126-10	.TUBE, OUTER (LEFT)	1	
3	4NX-23110-10	.INNER TUBE COMP.1	1	
4	4FM-23171-40	.PISTON, FRONT FORK	1	
5	4NX-23170-10	.CYLINDER COMP., FRONT FORK	1	
6	4FM-23125-40	.METAL, SLIDE 1	1	
7	36Y-23146-10	.WASHER, OIL SEAL	1	
8	3SP-23145-L0	.OIL SEAL	1	
9	26H-23156-00	.CLIP, OIL SEAL	1	
10	3XV-23144-50	.SEAL, DUST	1	
11	3GM-23173-00	.SPINDLE, TAPER	1	
12	509-23159-L0	.GASKET	1	
13	278-23181-50	.BOLT, HEXAGON SOCKET HEAD	1	
14	4NX-23141-10	.SPRING, FRONT FORK	1	
15	3LC-23149-00	.WASHER, SPRING UPPER	2	
16	2KF-23118-00	.SPACER	1	
17	4NX-23111-00	.BOLT, CAP	1	
18	43F-23188-10	.O-RING	1	
19	4NX-23103-10	FRONT FORK ASSY (R.H)	1	
20	4NX-23136-10	.TUBE, OUTER (RIGHT)	1	
21	4NX-23110-10	.INNER TUBE COMP.1	1	
22	4FM-23171-40	.PISTON, FRONT FORK	1	
23	4NX-23170-10	.CYLINDER COMP., FRONT FORK	1	
24	4FM-23125-40	.METAL, SLIDE 1	1	
25	36Y-23146-10	.WASHER, OIL SEAL	1	
26	3SP-23145-L0	.OIL SEAL	1	
27	26H-23156-00	.CLIP, OIL SEAL	1	
28	3XV-23144-50	.SEAL, DUST	1	

D11

FIG. 25 FRONT FORK



REF. NO.	PART NO.	DESCRIPTION	Q'TY	REMARKS
29	3GM-23173-00	.SPINDLE, TAPER	1	
30	509-23158-L0	.GASKET	1	
31	278-23181-50	.BOLT, HEXAGON SOCKET HEAD	1	
32	4NX-23141-10	.SPRING, FRONT FORK	1	
33	3LC-23149-00	.WASHER, SPRING UPPER	2	
34	2KF-23118-00	.SPACER	1	
35	4NX-23111-00	.BOLT, CAP	1	
36	43F-23188-10	.O-RING	1	
37	91314-08040	.BOLT	1	
38	4NX-23340-10	UNDER BRACKET COMP.	1	
39	91314-08025	BOLT	4	
40	4NX-21541-00	DAMPER 1	2	
41	4PU-2331G-00	COVER	2	
42	4KM-23123-01	COVER, LOWER 1	1	



4UUN351-6260

FIG. 26 FUEL TANK

REF. NO.	PART NO.	DESCRIPTION	Q'TY	REMARKS
1	4NX-24110-00-01	FUEL TANK COMP.	1	UR HEAT RED
	4NX-24110-00-03	FUEL TANK COMP.	1	UR BLACK 2
	4NX-24110-00-04	FUEL TANK COMP.	1	UR PURPLISH BLUE METALLIC 7
2	4UN-24240-00	.GRAPHIC SET	2	UR FOR BL2
	4NX-24240-20	.GRAPHIC SET	2	UR FOR PBM7
	4NX-24240-01	.GRAPHIC SET	2	UR FOR HTR
3	4NX-24191-00	BRACKET, FUEL TANK 1	1	
4	2GH-24181-00	DAMPER, LOCATING 1	1	
5	2GH-24183-00	DAMPER, LOCATING 3	1	
6	2GH-24186-00	WASHER, SPECIAL	1	
7	90387-06299	COLLAR	2	
8	95817-06025	BOLT, FLANGE	2	
9	90149-06298	SCREW	2	
10	1HX-24181-00	DAMPER, LOCATING 1	2	
11	90387-061W9	COLLAR	1	
12	91317-06110	BOLT, SOCKET HEAD	1	
13	1T4-24741-00	PAD, SEAT	2	
14	4NX-24500-00	FUEL COCK ASSY 1	1	
15	3XV-24523-00	.VALVE	1	
16	3XV-24534-00	.SEAL, COCK	1	
17	98507-03008	.SCREW, PAN HEAD	2	
18	4X8-24512-00	.O-RING	1	
19	98606-04016	.SCREW, OVAL HEAD	1	
20	90149-06008	SCREW	2	
21	90202-05187	WASHER, PLATE	2	
22	4NX-24311-00	PIPE, FUEL 1	1	
23	90467-13123	CLIP	1	
24	90467-13123	CLIP	1	

D13

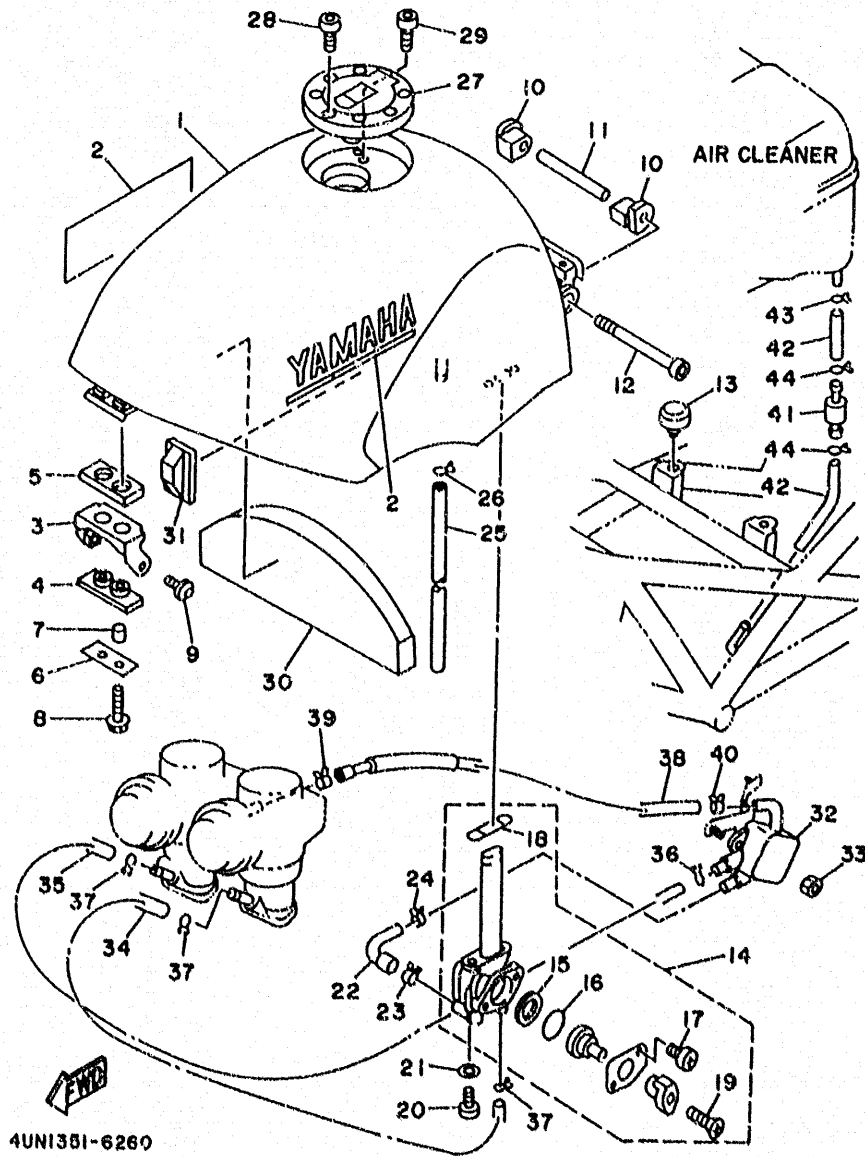
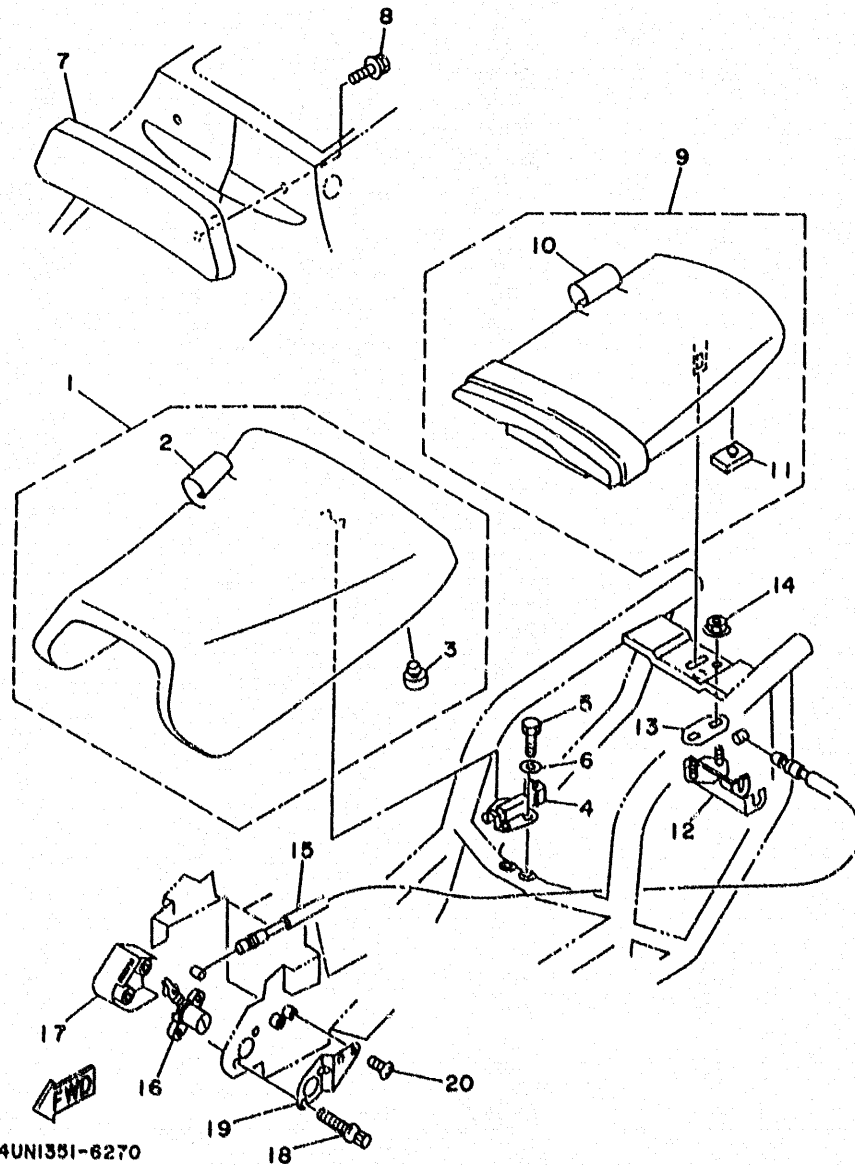


FIG. 26 FUEL TANK

REF. NO.	PART NO.	DESCRIPTION	QTY	REMARKS
25	90445-10144	HOSE	1	
26	90467-09006	CLIP	1	
27	4FM-24602-00	CAP ASSY	1	
28	90110-05112	BOLT, HEXAGON SOCKET HEAD	3	
29	91317-05010	BOLT, SOCKET HEAD	1	
30	4NX-2414H-00	DAMPER, PLATE 1	1	
31	4NX-2411K-00	STOPPER	2	
32	4NX-13910-00	FUEL PUMP ASSY	1	
33	95607-06200	NUT, SELF-LOCKING	2	
34	4NX-13929-00	PIPE, IMPULSE	1	
35	4NX-13938-00	PIPE	1	
36	90467-08017	CLIP	1	
37	90467-08021	CLIP	3	
38	4NX-14294-00	HOSE	1	
39	90467-11106	CLIP	1	
40	90467-10135	CLIP	1	
41	4X7-2149Y-00	FILTER ASSY	1	
42	90445-112E0	HOSE	2	
43	90467-11106	CLIP	1	
44	90467-10008	CLIP	2	

D14



4UNI351-6270

FIG. 27 SEAT

REF. NO.	PART NO.	DESCRIPTION	QTY	REMARKS
1	4NX-24710-00	SINGLE SEAT ASSY	1	
2	4NX-24711-00	.COVER, SINGLE SEAT	1	
3	4FM-24724-00	.DAMPER, SEAT	4	
4	4FM-24780-00	SEAT LOCK ASSY	1	
5	97017-06016	BOLT	2	
6	92907-06600	WASHER, PLATE	2	
7	3FV-2840F-00	BACK REST ASSY	1	
8	90119-06194	BOLT, WITH WASHER	2	
9	4NX-24750-10	TANDEM SEAT ASSY	1	
10	4NX-24751-00	.COVER, TANDEM SEAT	1	
11	509-24724-00	.DAMPER, SEAT	2	
12	4BP-24780-00	SEAT LOCK ASSY	1	
13	4BP-24792-00	PLATE	1	
14	95707-06500	NUT, FLANGE	2	
15	4NX-2478E-00	CABLE, SEAT LOCK	1	
16	3CK-W2470-00	SEAT LOCK ASSY	1	
17	4NX-2117K-00	STAY, LOCK	1	
18	90149-06308	SCREW	2	
19	4NX-2479K-00	PLATE, LOCK	1	
20	97707-50012	SCREW, TAPPING	2	

CONTENTS

ENGINE

Cylinder Head.....	B2
Cylinder	B3
Crankshaft. Piston	B4~B5
Valve	B6~B7
Camshaft. Chain.....	B8
Water Pump	B9
Radiator. Hose	B10~B11
Oil Pump	B12~B14
Intake	B15
Carburetor	C2~C4
Exhaust	C5
Crankcase	C6~C7
Crankcase Cover 1.....	C8~C9
Starter Clutch	C10
Clutch	C11~C12
Transmission	C13~C14
Shift Cam. Fork	C15
Shift Shaft.....	D2

Front Wheel.....	E2
Front Brake Caliper	E3
Rear Wheel	E4~E5
Rear Brake Caliper	E6
Steering Handle. Cable	E7
Front Master Cylinder	E8~E9
Stand. Footrest.....	E10~E11
Rear Master Cylinder	E12~E13
Cowling 1	E14~E15
Generator	F2
Flasher Light.....	F3
Meter	F4
Headlight	F5
Taillight	F6
Handle Switch. Lever	F7
Electrical 1	F8
Electrical 2.....	F9

CHASSIS

Frame	D3
Fender	D4~D5
Side Cover	D6~D7
Rear Arm	D8
Rear Suspension.....	D9
Steering	D10
Front Fork.....	D11~D12
Fuel Tank	D13~D14
Seat.....	D15

INDEX

Numerical Index	M1~M5
-----------------------	-------

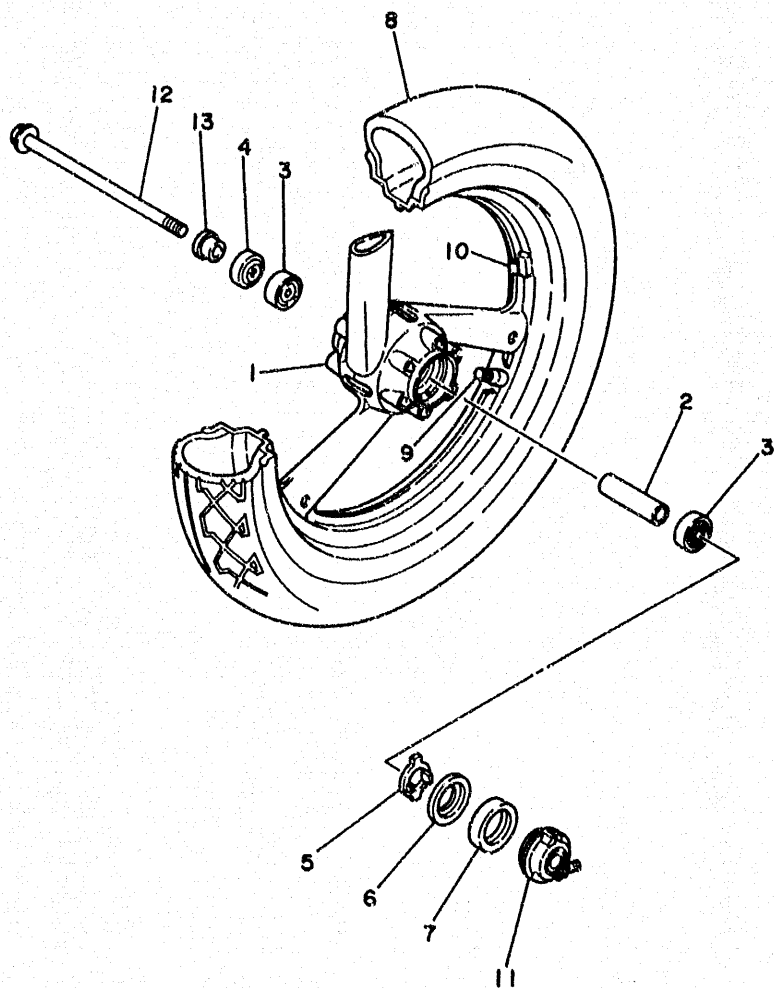


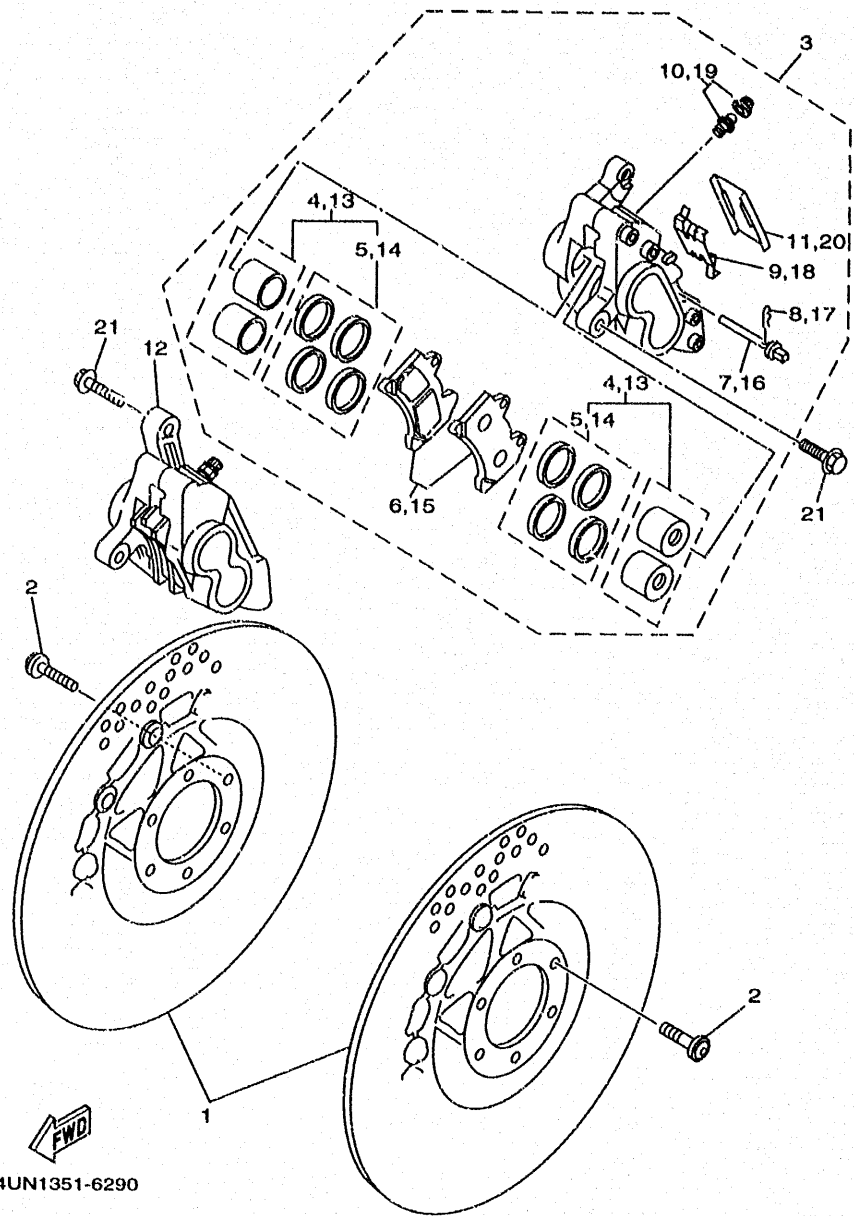
FIG. 28 FRONT WHEEL

REF. NO.	PART NO.	DESCRIPTION	Q'TY	REMARKS
1	3TJ-25168-00-WN	CAST WHEEL, FRONT	1	CIRCUIT SILVER
2	90560-17358	SPACER	1	
3	93306-20314	BEARING (B6203)	2	
4	93102-23252	OIL SEAL	1	
5	341-25149-00	CLUTCH, METER	1	
6	341-25046-00	RETAINER, CLUTCH	1	
7	93105-45017	OIL SEAL	1	
8	*	TIRE (120/60ZR17 MACADAM 90X)	1	LM MICHELIN
9	93900-00030	VALVE, RIM	1	
10	29L-25398-00	BALANCER, WHEEL (10G)	1	UR
	29L-25398-10	BALANCER, WHEEL (20G)	1	UR
	29L-25398-20	BALANCER, WHEEL (30G)	1	UR
11	4HM-25190-01	GEAR UNIT ASSY	1	
12	3GM-25181-01	AXLE, WHEEL	1	
13	90387-177V5	COLLAR	1	



3LN1010-9290

E2

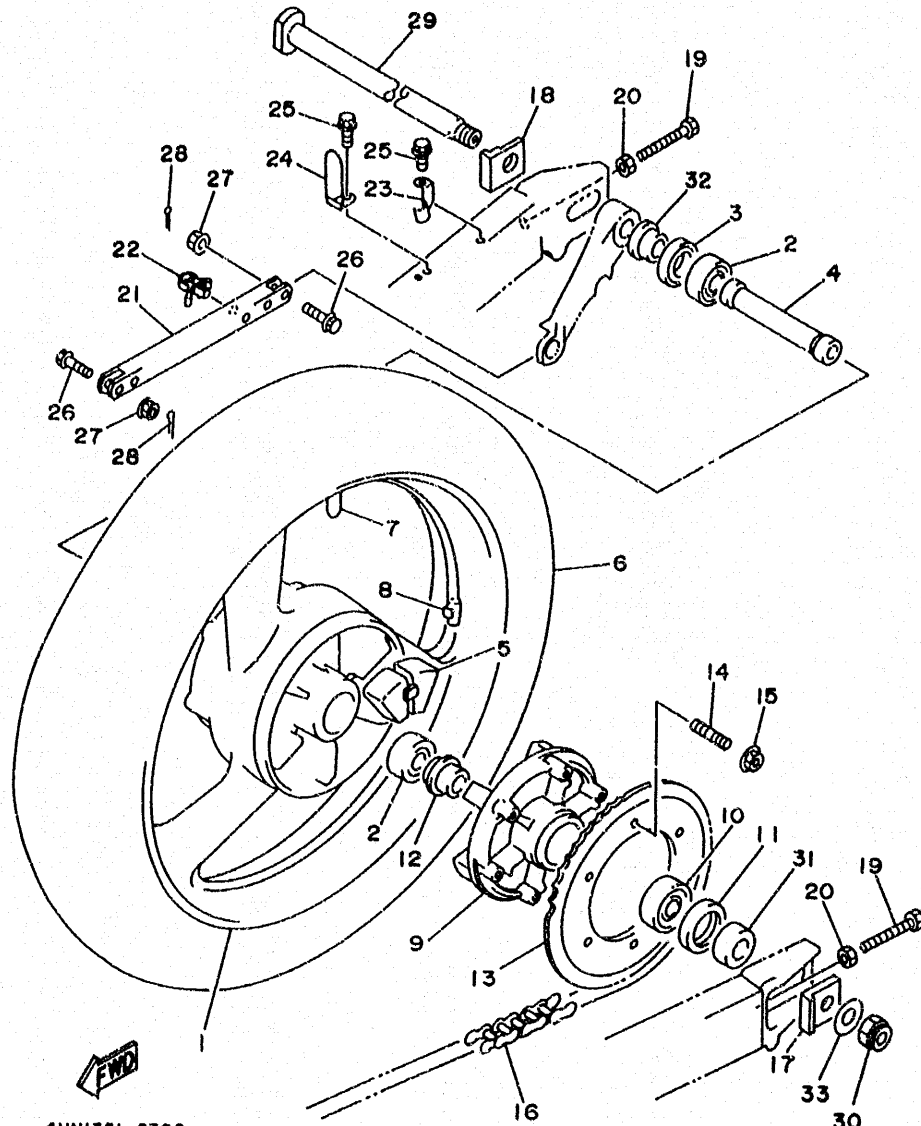


4UN1351-6290

FIG. 29 FRONT BRAKE CALIPER

REF. NO.	PART NO.	DESCRIPTION	Q'TY	REMARKS
1	4HM-2581T-00	DISC BRAKE ASSY	2	
2	90109-083G4	BOLT	12	
3	4KG-2580T-01	CALIPER ASSY (LEFT)	1	
4	1NL-W0057-00	.PISTON ASSY, CALIPER	2	
5	1NL-W0047-00	..CALIPER SEAL KIT	1	
6	4KG-W0045-00	.BRAKE PAD KIT	1	
7	3HE-25924-00	.PIN, PAD	2	
8	3GM-25925-00	.CLIP	2	
9	2GH-25919-00	.SUPPORT, PAD	1	
10	1J3-W0048-00	.BLEED SCREW KIT	1	
11	1KT-25836-00	.COVER, DUST	1	
12	4KG-2580U-01	CALIPER ASSY (RIGHT)	1	
13	1NL-W0057-00	.PISTON ASSY, CALIPER	2	
14	1NL-W0047-00	..CALIPER SEAL KIT	1	
15	4KG-W0045-00	.BRAKE PAD KIT	1	
16	3HE-25924-00	.PIN, PAD	2	
17	3GM-25925-00	.CLIP	2	
18	2GH-25919-00	.SUPPORT, PAD	1	
19	1J3-W0048-00	.BLEED SCREW KIT	1	
20	1KT-25836-00	.COVER, DUST	1	
21	90105-10725	BOLT, WASHER BASED	4	

E3

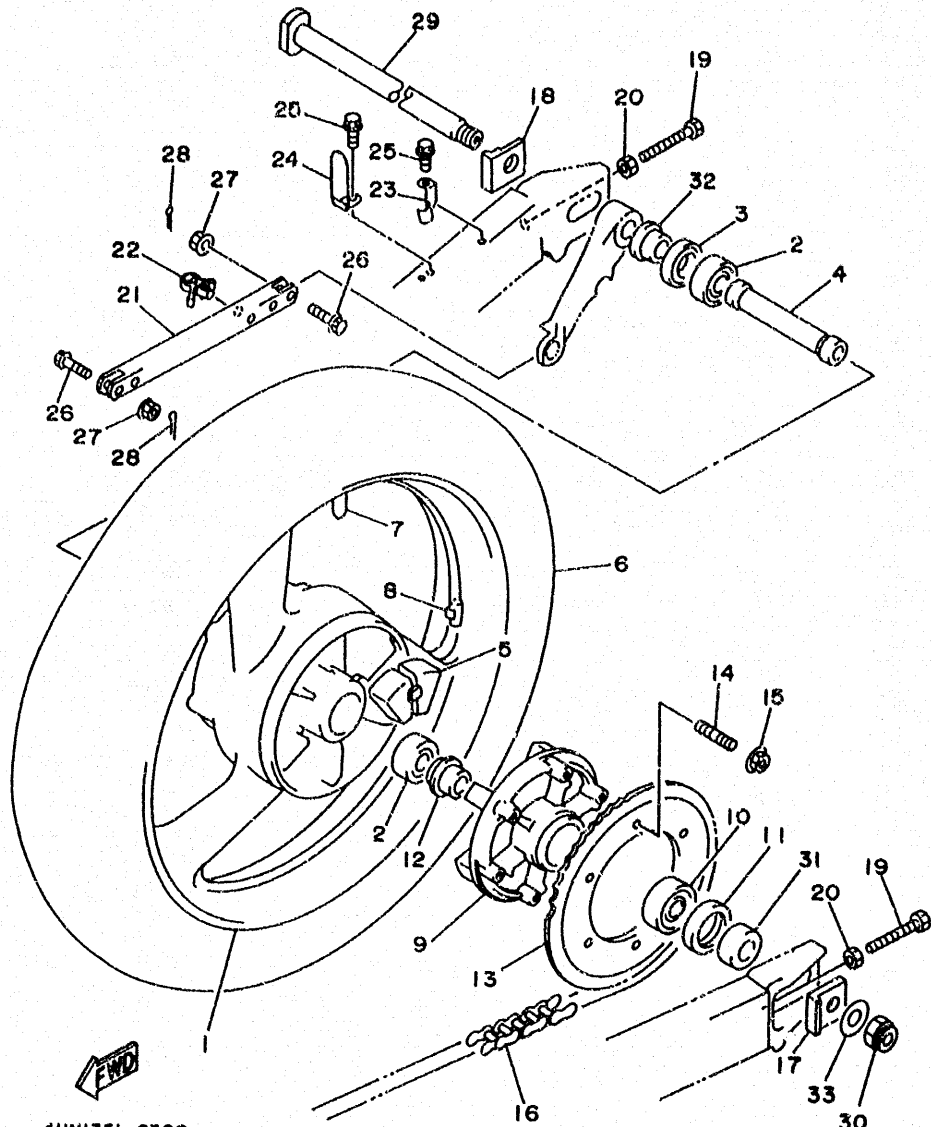


4UNI35I-6300

FIG. 30 REAR WHEEL

REF. NO.	PART NO.	DESCRIPTION	Q'TY	REMARKS
1	4JH-25338-00-WN	CAST WHEEL, REAR	1	CIRCUIT SILVER
2	93306-20469	BEARING	2	
3	93102-28022	OIL SEAL	1	
4	90387-2004F	COLLAR	1	
5	4FM-25364-00	DAMPER	6	
6	*	TIRE (160/60ZR17 MACADAM 90X)	1	LM MICHELIN
7	93900-00030	VALVE, RIM	1	
8	29L-25398-00	BALANCER, WHEEL (10G)	1	UR
	29L-25398-10	BALANCER, WHEEL (20G)	1	UR
	29L-25398-20	BALANCER, WHEEL (30G)	1	UR
9	4FM-25366-00	CLUTCH, HUB	1	
10	93306 20644	BEARING	1	
11	93102-40330	OIL SEAL	1	
12	90387-2004E	COLLAR	1	
13	4NX-25439-00	SPROCKET, DRIVEN (39T)	1	
14	90116-10575	BOLT, STUD	6	
15	95617-10200	NUT, SELF-LOCKING	6	
16	94581-46110	CHAIN (DID525HV-110LE)	1	
17	3SP-25388-00	PULLER, CHAIN 1	1	
18	4NX-25389-00	PULLER, CHAIN 2	1	
19	90101-08766	BOLT	2	
20	95337-08600	NUT	2	
21	4FM-25371-10	BAR, TENSION	1	
22	90464-23239	CLAMP	1	
23	4FM-25876-00	HOLDER, BRAKE HOSE 2	1	
24	4BH-25886-00	HOLDER, BRAKE HOSE	1	
25	95027-06010	BOLT, FLANGE	2	
26	90105-08321	BOLT, WASHER BASED	2	

E4

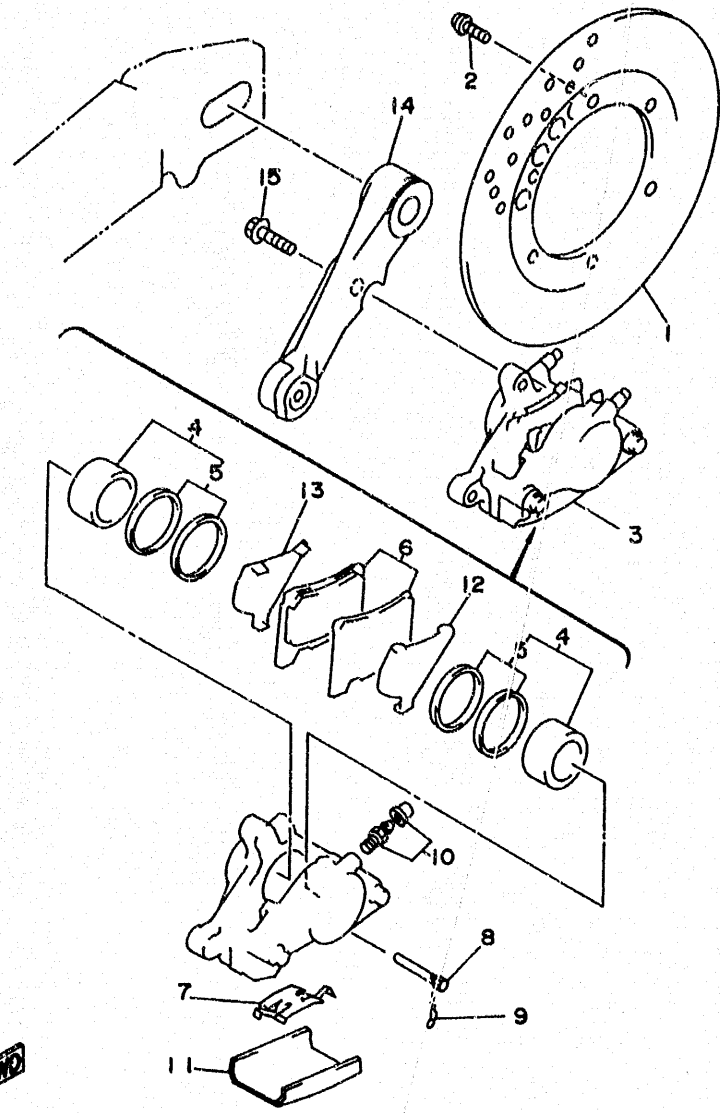


4UN1351-6300

FIG. 30 REAR WHEEL

REF. NO.	PART NO.	DESCRIPTION	Q'TY	REMARKS
27	95707-08500	NUT, FLANGE	2	
28	91490-20025	PIN, COTTER	2	
29	3GM-22141-01	SHAFT, PIVOT	1	
30	90185-18104	NUT, SELF-LOCKING	1	
31	90387-203U5	COLLAR	1	
32	90387-2004D	COLLAR	1	
33	90201-18264	WASHER, PLATE	1	

E5

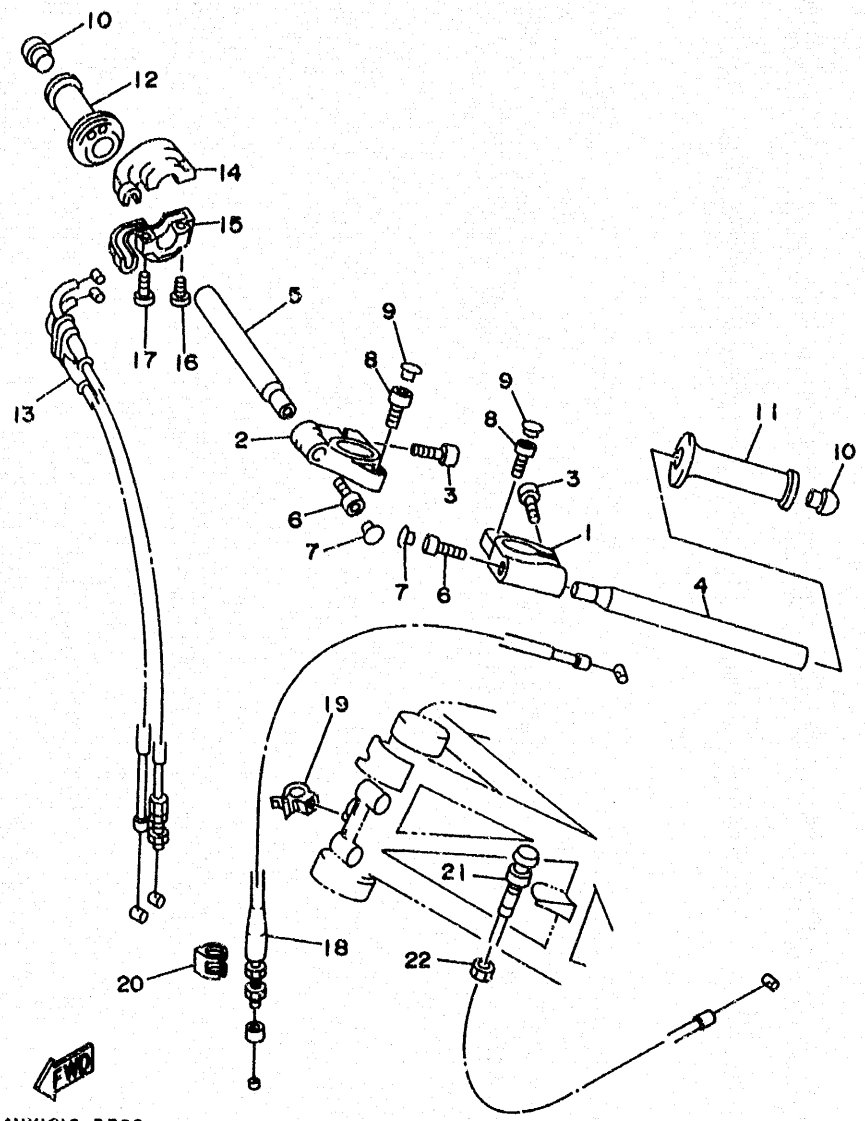


FWD
4NX1010-5310

FIG. 31 REAR BRAKE CALIPER

REF. NO.	PART NO.	DESCRIPTION	Q'TY	REMARKS
1	4JH-2582W-00	DISC, REAR BRAKE 2	1	
2	90109-083G4	BOLT	6	
3	4KG-2580W-00	CALIPER ASSY, REAR 2	1	
4	31A-W0057-00	.PISTON ASSY, CALIPER	1	
5	31A-W0047-00	..CALIPER SEAL KIT	1	
6	1FK-W0046-02	.BRAKE PAD KIT 2	1	
7	29L-25919-A0	.SUPPORT, PAD	1	
8	3HE-25924-00	.PIN, PAD	2	
9	3GM-25925-00	.CLIP	2	
10	1J3-W0048-00	.BLEED SCREW KIT	2	
11	51J-25936-00	.COVER, DUST	1	
12	1FK-25827-00	.SHIM, CALIPER	1	
13	1FK-25828-00	.SHIM, CALIPER	1	
14	4NX-25819-00	BRACKET, CALIPER	1	
15	90105-10725	BOLT, WASHER BASED	2	

E6

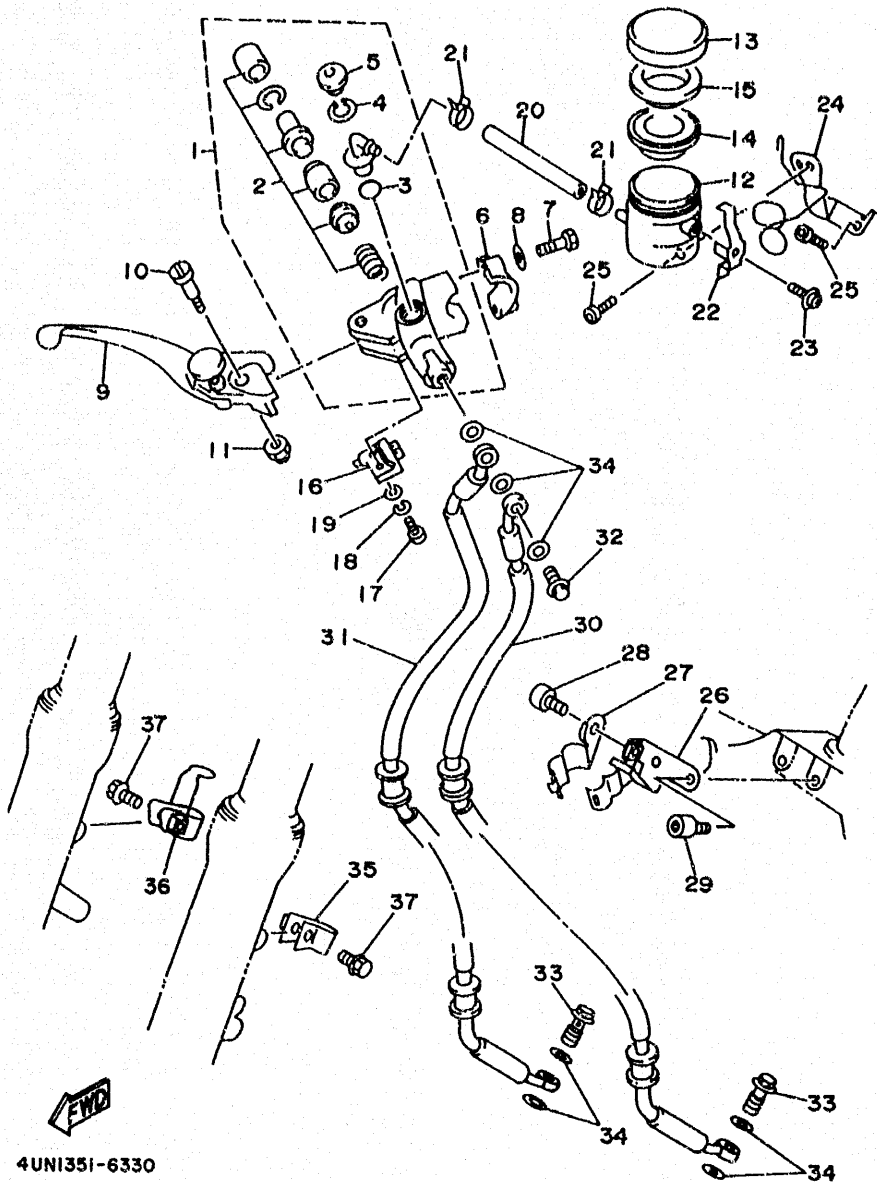


4NX1010-5320

FIG. 32 STEERING HANDLE, CABLE

REF. NO.	PART NO.	DESCRIPTION	Q'TY	REMARKS
1	4NX-26121-00	BOSS, HANDLE (LEFT)	1	
2	4NX-26122-00	BOSS, HANDLE (RIGHT)	1	
3	91314-08030	BOLT	2	
4	4NX-26111-00	HANDLEBAR	1	
5	4NX-26112-00	BAR, HANDLE	1	
6	91317-08025	BOLT, SOCKET HEAD	2	
7	341-23469-00	CAP, BOLT	2	
8	91314-06025	BOLT	2	
9	90338-06162	PLUG	2	
10	4NX-26246-00	END, GRIP	2	
11	4FM-26241-00	GRIP (LEFT)	1	
12	4FM-26240-00	GRIP ASSY	1	
13	4NX-26302-00	THROTTLE CABLE ASSY	1	
14	3LN-26281-01	CAP, GRIP UPPER	1	
15	3LN-26282-01	CAP, GRIP LOWER	1	
16	98507-05020	SCREW, PAN HEAD	1	
17	98507-05025	SCREW, PAN HEAD	1	
18	4NX-26335-00	CABLE, CLUTCH	1	
19	90464-15192	CLAMP	1	
20	4NX-26367-00	PROTECTOR	1	
21	4UN-26331-00	CABLE, STARTER 1	1	
22	1VJ-26333-00	NUT	1	

E7

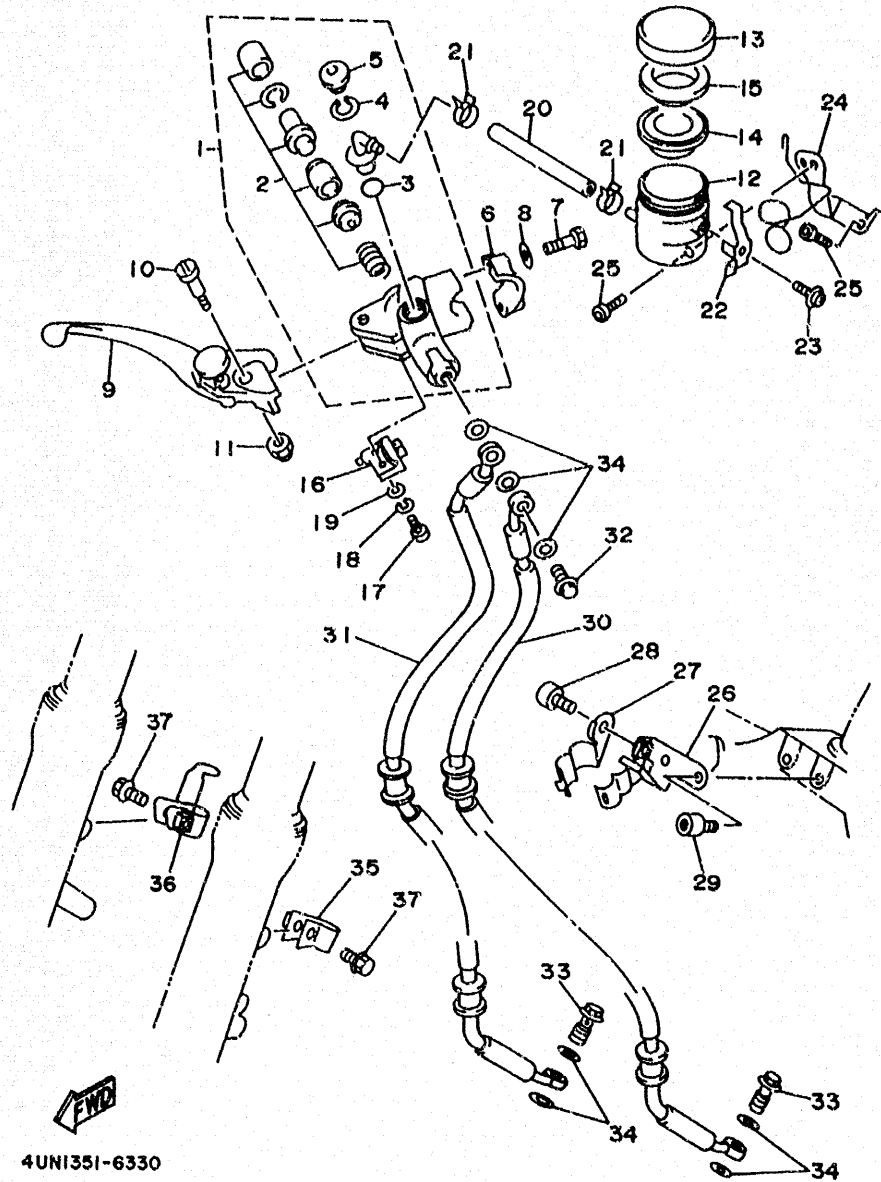


4UNI351-6330

FIG. 33 FRONT MASTER CYLINDER

REF. NO.	PART NO.	DESCRIPTION	QTY	REMARKS
1	3GM-W2587-50	MASTER CYLINDER SUB ASSY	1	
2	3GM-W0041-50	.CYLINDER KIT, MASTER	1	
3	93210-15820	.O-RING	1	
4	2VN-25866-00	.CIRCLIP	1	
5	3FV-2589A-00	.COVER, DUST	1	
6	56A-25867-00	BRACKET, MASTER CYLINDER	1	
7	97017-06025	BOLT	2	
8	92906-06800	WASHER, PLATE	2	
9	3TJ-83922-01	LEVER 2	1	
10	3FV-2589F-00	BOLT, LEVER	1	
11	9561-06100	NUT, U	1	
12	3FV-25894-00	TANK, RESERVOIR	1	
13	3GM-25852-50	CAP, RESERVOIR	1	
14	3FV-25854-00	DIAPHRAGM, RESERVOIR	1	
15	2J2-25855-50	BUSH, DIAPHRAGM	1	
16	3FV-83980-00	FRONT STOP SWITCH ASSY	1	
17	98517-04012	SCREW, PAN HEAD	1	
18	92990-04100	WASHER, SPRING	1	
19	92901-04600	WASHER, PLATE	1	
20	3GM-2585F-00	HOSE	1	
21	3PA-24356-00	CLIP, PIPE 1	2	
22	3FV-2589G-00	HOLDER	1	
23	3GM-2589H-00	SCREW	1	
24	4NX-26292-00	STAY	1	
25	91317-06012	BOLT, SOCKET HEAD	2	
26	3GM-23377-00	BRACKET, HORN	1	
27	3GM-23378-00	BRACKET	1	
28	91317-06010	BOLT, SOCKET HEAD	1	

E8



4UNI351-6330

FIG. 33 FRONT MASTER CYLINDER

REF. NO.	PART NO.	DESCRIPTION	QTY	REMARKS
29	91317-06012	BOLT, SOCKET HEAD	2	
30	4NX-25872-10	HOSE, BRAKE 1	1	
31	4NX-25873-10	HOSE, BRAKE 2	1	
32	90401-10160	BOLT, UNION	1	
33	90401-10159	BOLT, UNION	2	
34	90201-10118	WASHER, PLATE	7	
35	4KM-25886-00	HOLDER, BRAKE HOSE	1	
36	4KG-25876-00	HOLDER, BRAKE HOSE 2	1	
37	95027-06020	BOLT, FLANGE	2	

E9

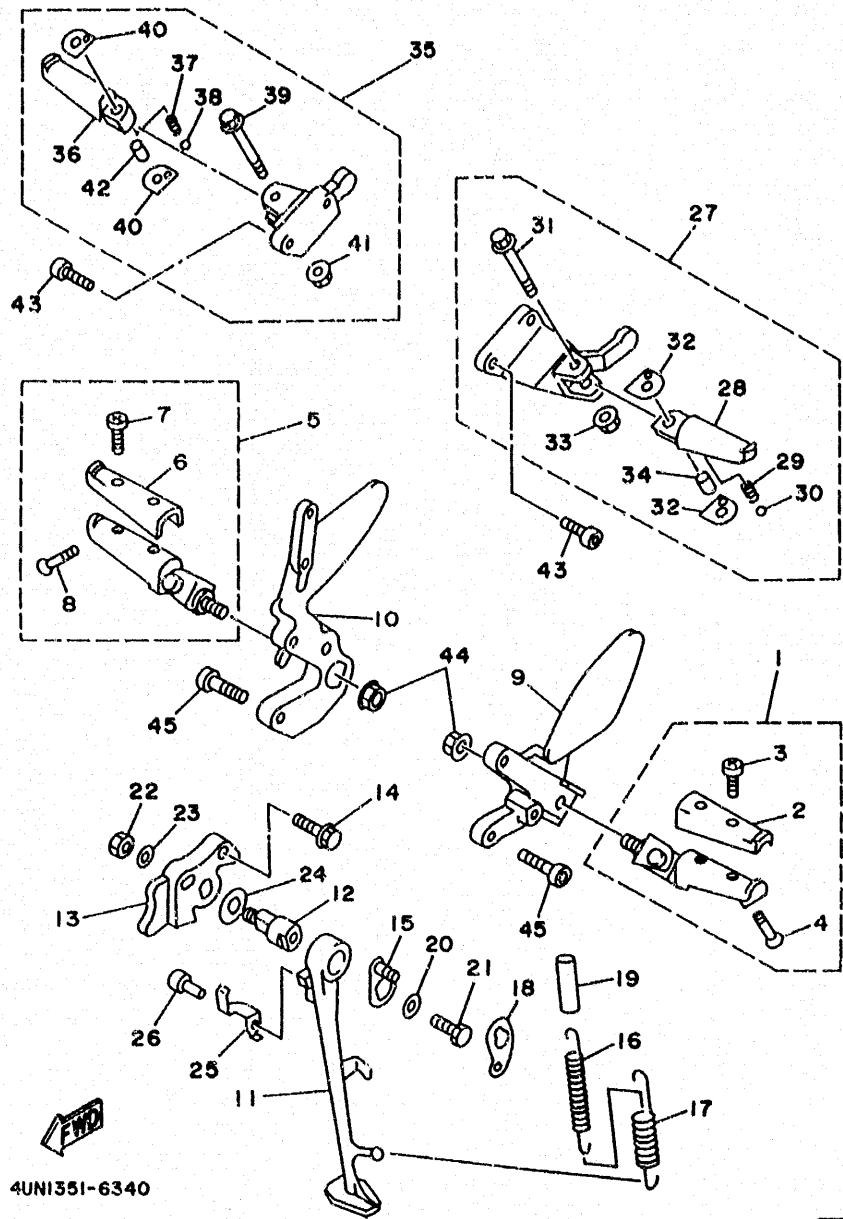
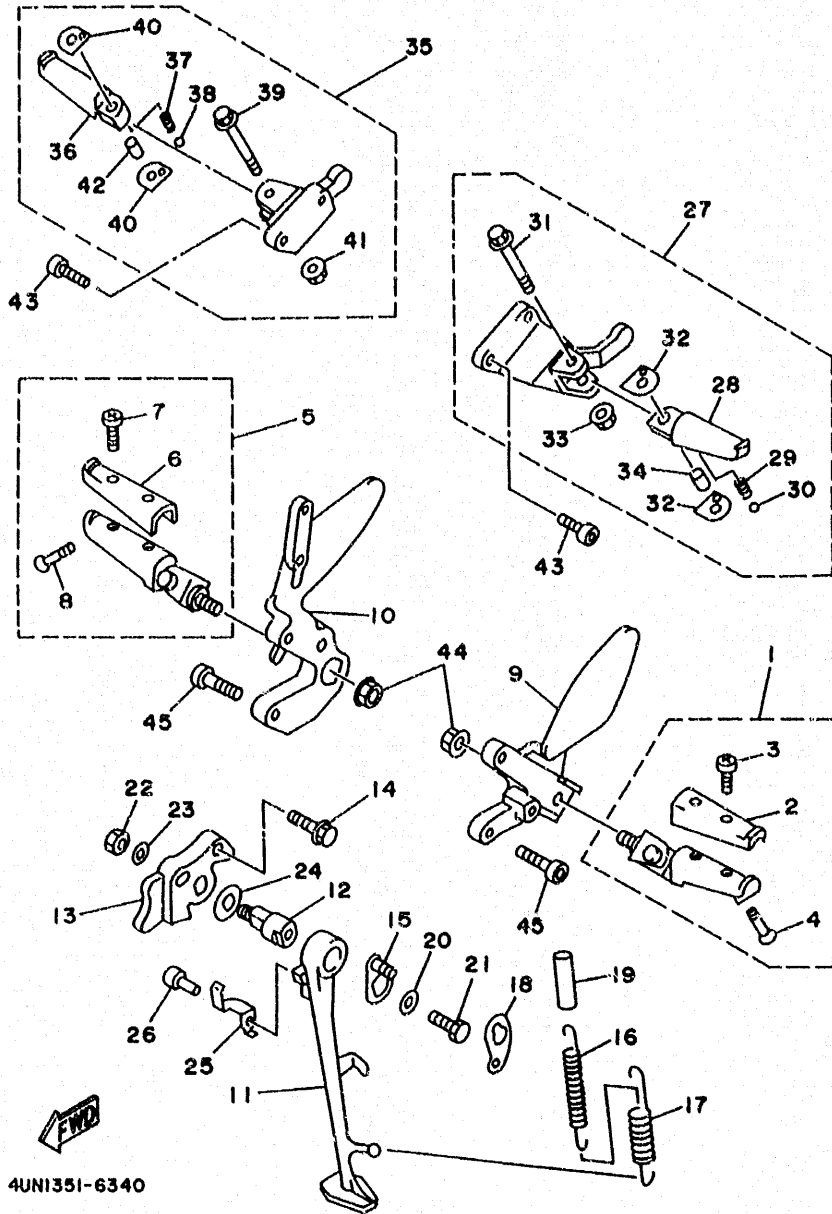


FIG. 34 STAND, FOOTREST

REF. NO.	PART NO.	DESCRIPTION	Q'TY	REMARKS
1	4NX-27410-00	FRONT FOOTREST ASSY (LEFT)	1	
2	2GH-27413-00	.COVER, FOOTREST	1	
3	90157-05079	.SCREW, PAN HEAD	2	
4	90109-082A4	.BOLT	1	
5	4NX-27420-00	FRONT FOOTREST ASSY (RIGHT)	1	
6	2GH-27413-00	.COVER, FOOTREST	1	
7	90157-05079	.SCREW, PAN HEAD	2	
8	90109-082A4	.BOLT	1	
9	4FM-27442-01	BRACKET 2	1	
10	4FM-27443-01	BRACKET 3	1	
11	4NX-27311-00	STAND, SIDE	1	
12	4NX-27351-00	GUIDE, SIDE STAND	1	
13	4NX-27321-00	BRACKET, SIDE STAND	1	
14	90105-10773	BOLT, WASHER BASED	2	
15	36Y-27352-00	HOOK, SIDE STAND	1	
16	90506-18224	SPRING, TENSION	1	
17	90506-26225	SPRING, TENSION	1	
18	36Y-27315-00	LINK, SIDE STAND	1	
19	1TX-27351-00	GUIDE, SIDE STAND	1	
20	90201-081R9	WASHER, PLATE	1	
21	90101-08662	BOLT	1	
22	95617-10200	NUT, SELF-LOCKING	1	
23	90201-101J1	WASHER, PLATE	1	
24	90201-146F9	WASHER, PLATE	1	
25	4NX-27315-00	LINK, SIDE STAND	1	
26	90110-06226	BOLT, HEXAGON SOCKET HEAD	1	
27	4NX-27430-01	REAR FOOTREST ASSY 1	1	
28	3XV-27431-01	.FOOTREST, REAR 1	1	

E10

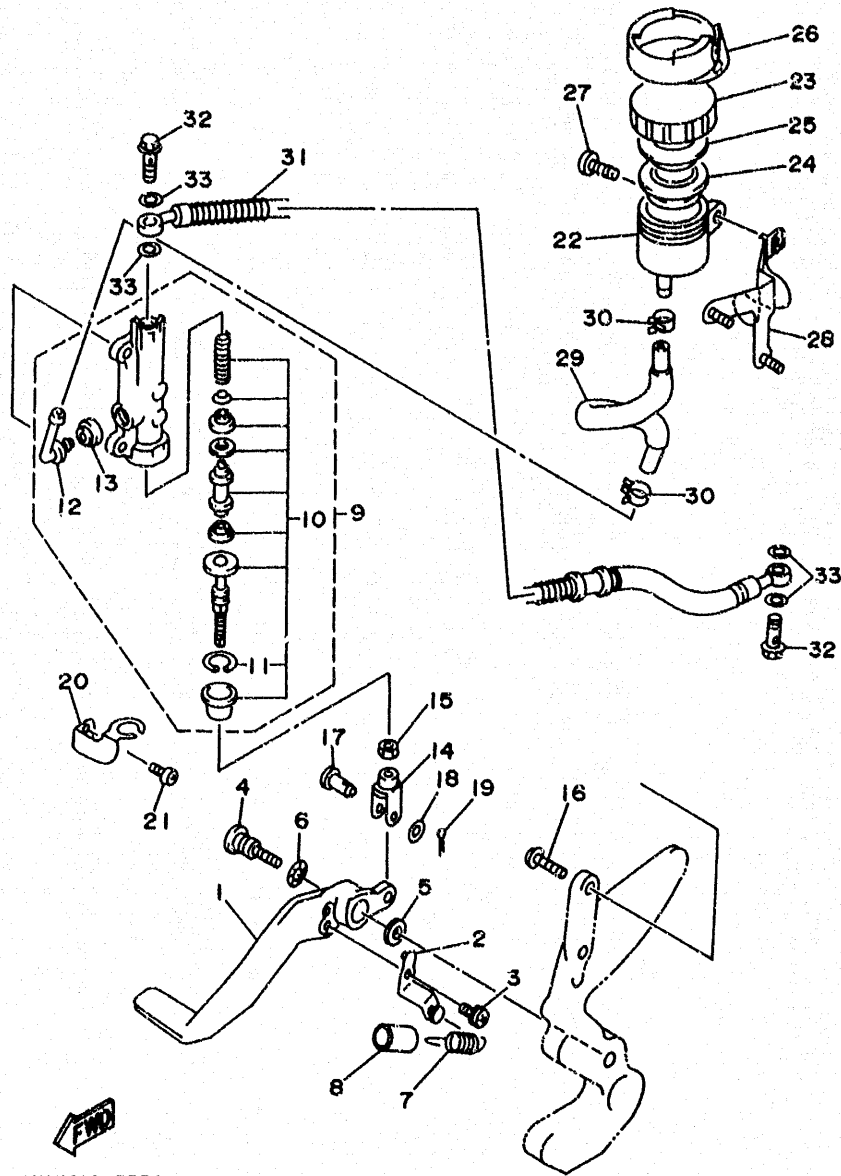


4UN1351-6340

FIG. 34 STAND. FOOTREST

REF. NO.	PART NO.	DESCRIPTION	Q'TY	REMARKS
29	90501-12743	.SPRING, COMPRESSION	1	
30	93501-04011	.BALL	1	
31	95024-06045	.BOLT, FLANGE	1	
32	1HX-27437-00	.WASHER, SPECIAL	2	
33	95604-06200	.NUT, U FLANGE	1	
34	90387-064H8	.COLLAR	1	
35	4NX-27440-01	REAR FOOTREST ASSY 2	1	
36	3XV-27441-01	.FOOTREST, REAR 2	1	
37	90501-12743	.SPRING, COMPRESSION	1	
38	93501-04011	.BALL	1	
39	95024-06045	.BOLT, FLANGE	1	
40	1HX-27437-00	.WASHER, SPECIAL	2	
41	95604-06200	.NUT, U FLANGE	1	
42	90387-064H8	.COLLAR	1	
43	90109-087F1	BOLT	4	
44	90179-10658	NUT	2	
45	90110-08199	BOLT, HEXAGON SOCKET HEAD	4	

E11

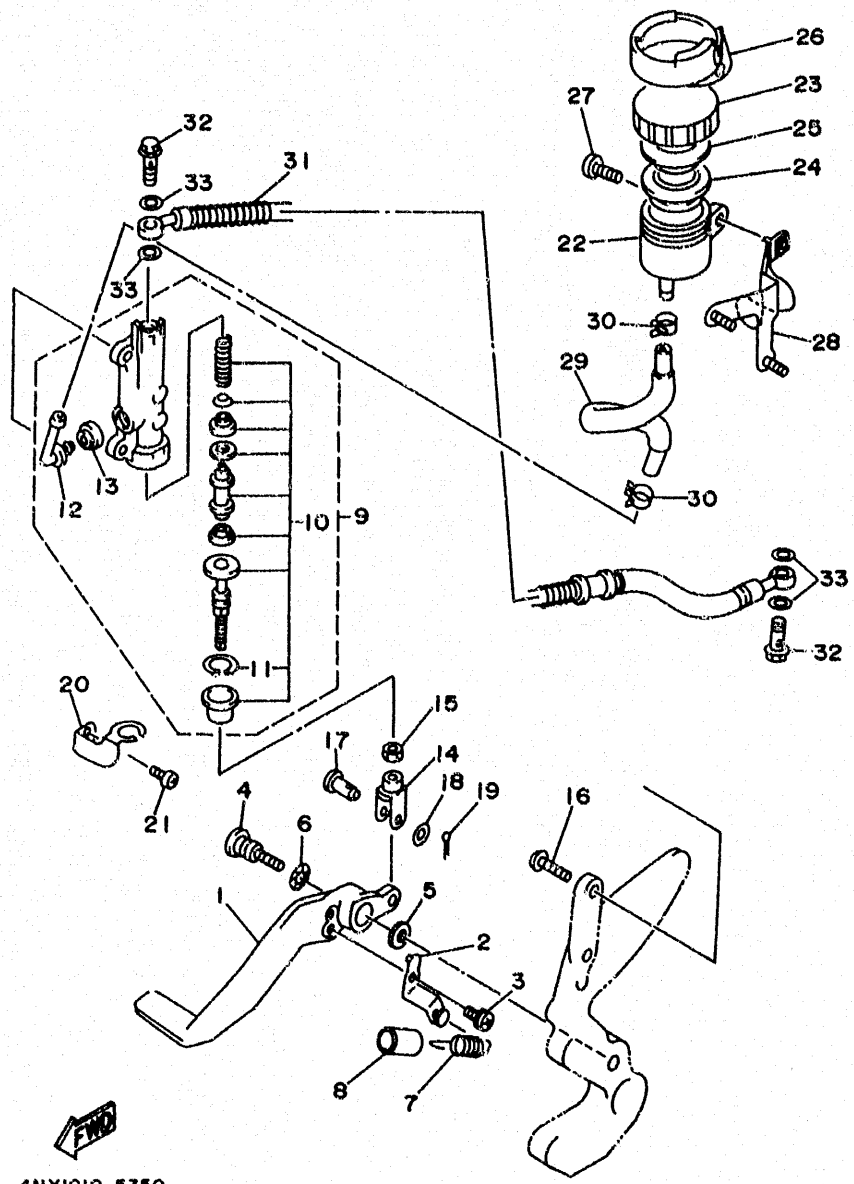


4NX1010-5350

FIG. 35 REAR MASTER CYLINDER

REF. NO.	PART NO.	DESCRIPTION	QTY	REMARKS
1	4FM-27211-10	PEDAL, BRAKE	1	
2	4FM-27254-00	HOOK	1	
3	90159-06045	SCREW, WITH WASHER	1	
4	4SV-27261-00	SHAFT	1	
5	90201-104R2	WASHER, PLATE	1	
6	90206-14086	WASHER, WAVE	1	
7	90506-20377	SPRING, TENSION	1	
8	90446-17346	HOSE	1	
9	4BH-2583V-00	RR. MASTER CYLINDER ASSY	1	
10	4BH-W0042-50	.CYLINDER KIT, MASTER	1	
11	3LN-2505G-00	.CIRCLIP	1	
12	4BP-2582A-00	.JOINT	1	
13	4BP-2585F-00	.BUSH	1	
14	4FM-27222-00	JOINT	1	
15	95317-08700	NUT	1	
16	92014-08020	BOLT, BUTTON HEAD	2	
17	90240-08124	PIN, CLEVIS	1	
18	90201-08083	WASHER, PLATE	1	
19	91490-20025	PIN, COTTER	1	
20	4FM-2144G-00	STAY, STOP SWITCH	1	
21	98507-06010	SCREW, PAN HEAD	1	
22	31A-25894-01	TANK, RESERVOIR	1	
23	2KF-25852-50	CAP, RESERVOIR	1	
24	360-25854-00	DIAPHRAGM, RESERVOIR	1	
25	2GU-25855-00	BUSH, DIAPHRAGM	1	
26	3PJ-25888-00	COVER, RESERVOIR TANK	1	
27	98507-06016	SCREW, PAN HEAD	1	
28	4NX-2133G-00	BRACKET, RESERVER	1	

E12

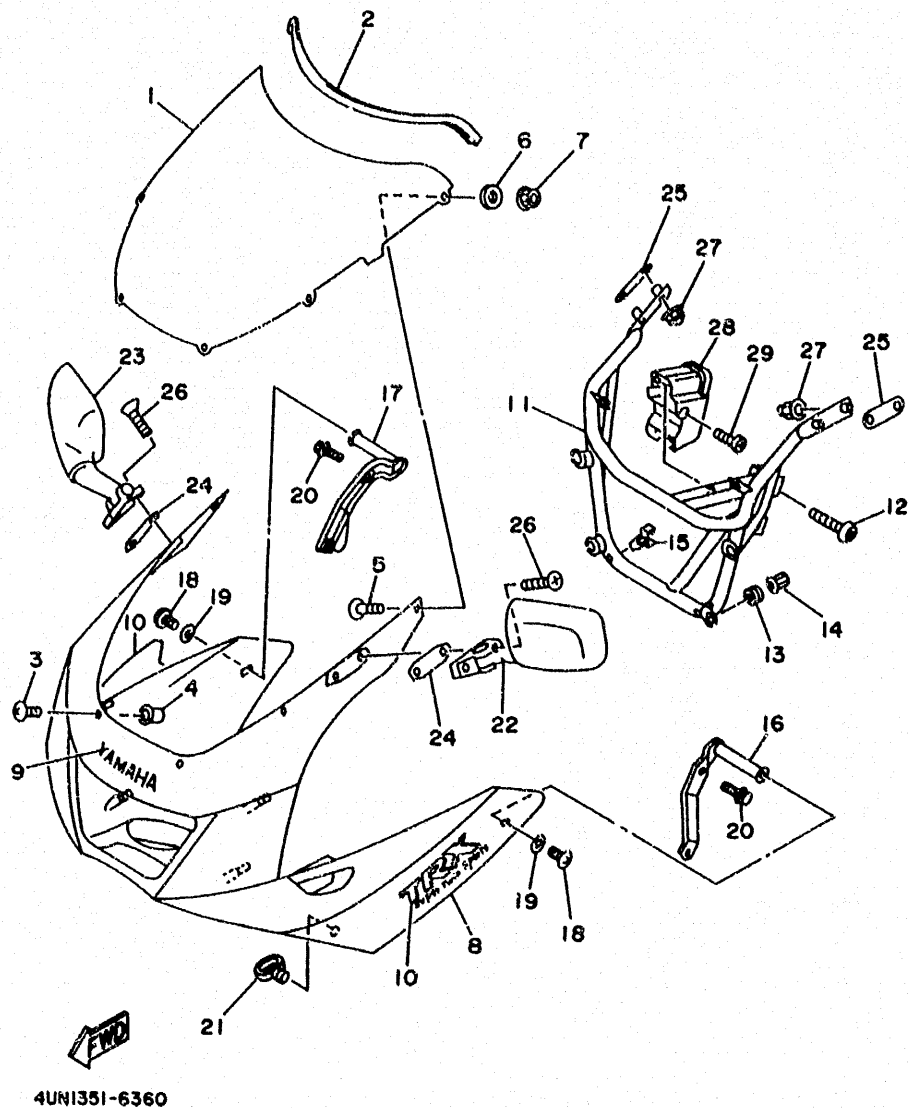


4NX1010-5350

FIG. 35 REAR MASTER CYLINDER

REF. NO.	PART NO.	DESCRIPTION	QTY	REMARKS
29	4FM-25895-00	HOSE, RESERVOIR	1	
30	90467-14057	CLIP	2	
31	4NX-25874-00	HOSE, BRAKE	1	
32	90401-10159	BOLT, UNION	2	
33	90201-10118	WASHER, PLATE	4	

FIG. 36 COWLING 1



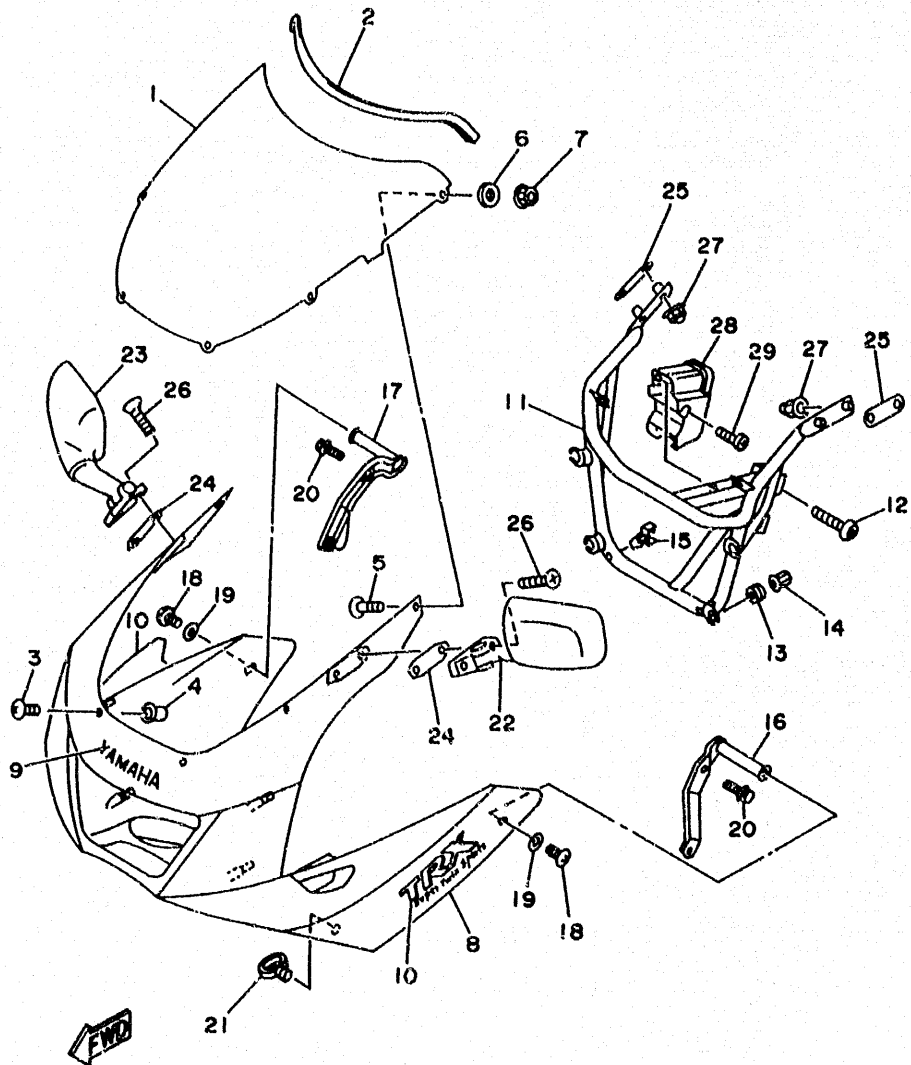
4UN1351-6360

REF. NO.	PART NO.	DESCRIPTION	Q'TY	REMARKS
1	4NX-28381-10	WINDSHIELD	1	
2	47X-28346-00	MOLE 2	1	
3	90150-05023	SCREW, ROUND HEAD	2	
4	5U179-05523	NUT	2	
5	90149-05273	SCREW	4	
6	4FM-28215-00	WASHER, SPECIAL	4	
7	95707-05500	NUT, FLANGE	4	
8	4NX-2835G-00-EY	BODY, FRONT UPPER 1	1	UR HEAT RED
	4NX-2835G-00-P1	BODY, FRONT UPPER 1	1	UR PURPLISH BLUE METALLIC 7
	4NX-2835G-00-4B	BODY, FRONT UPPER 1	1	UR BLACK 2
9	99237-00100	EMBLEM, YAMAHA	1	UR FOR BL2
	99231-00100	EMBLEM, YAMAHA	1	UR FOR PBM7, HTR
10	4UN-29315-00	EMBLEM	2	UR FOR PBM7
11	4NX-28356-00	STAY 1	1	
12	92017-08035	SCREW	2	
13	90480-14229	GROMMET	4	
14	90179-06500	NUT	4	
15	90464-48226	CLAMP	5	
16	4NX-2836H-00	BRACKET 5	1	
17	4NX-2836J-00	BRACKET 6	1	
18	90150-06021	SCREW, ROUND HEAD	2	
19	90202-06170	WASHER, PLATE	2	
20	95027-06016	BOLT, FLANGE	2	
21	1A8-21518-00	HOLDER, CABLE	1	
22	4FM-26280-10	REAR VIEW MIRROR ASSY (LEFT)	1	BLACK
23	4FM-26290-10	REAR VIEW MIRROR ASSY (RIGHT)	1	BLACK
24	4FM-26299-00	PLATE, MIRROR FITTING 2	2	
25	3CV-26298-00	PLATE, MIRROR FITTING 1	2	

E14

FIG. 36 COWLING 1

REF. NO.	PART NO.	DESCRIPTION	Q'TY	REMARKS
26	98707-06025	SCREW, FLAT HEAD	4	
27	90176-06055	NUT, CROWN	4	
28	4NX-28365-00	COVER	1	
29	97707-50012	SCREW, TAPPING	2	



4UN1351-6360

E15

CONTENTS

ENGINE

Cylinder Head.....	B2
Cylinder	B3
Crankshaft. Piston	B4~B5
Valve	B6~B7
Camshaft. Chain.....	B8
Water Pump	B9
Radiator. Hose	B10~B11
Oil Pump	B12~B14
Intake	B15
Carburetor	C2~C4
Exhaust	C5
Crankcase	C6~C7
Crankcase Cover 1.....	C8~C9
Starter Clutch	C10
Clutch	C11~C12
Transmission.....	C13~C14
Shift Cam. Fork	C15
Shift Shaft.....	D2

Front Wheel.....	E2
Front Brake Caliper	E3
Rear Wheel	E4~E5
Rear Brake Caliper	E6
Steering Handle. Cable	E7
Front Master Cylinder.....	E8~E9
Stand. Footrest.....	E10~E11
Rear Master Cylinder	E12~E13
Cowling 1	E14~E15
Generator	F2
Flasher Light.....	F3
Meter	F4
Headlight	F5
Taillight.....	F6
Handle Switch. Lever	F7
Electrical 1.....	F8
Electrical 2.....	F9

CHASSIS

Frame.....	D3
Fender	D4~D5
Side Cover	D6~D7
Rear Arm	D8
Rear Suspension.....	D9
Steering.....	D10
Front Fork.....	D11~D12
Fuel Tank	D13~D14
Seat.....	D15

INDEX

Numerical Index	M1~M5
-----------------------	-------

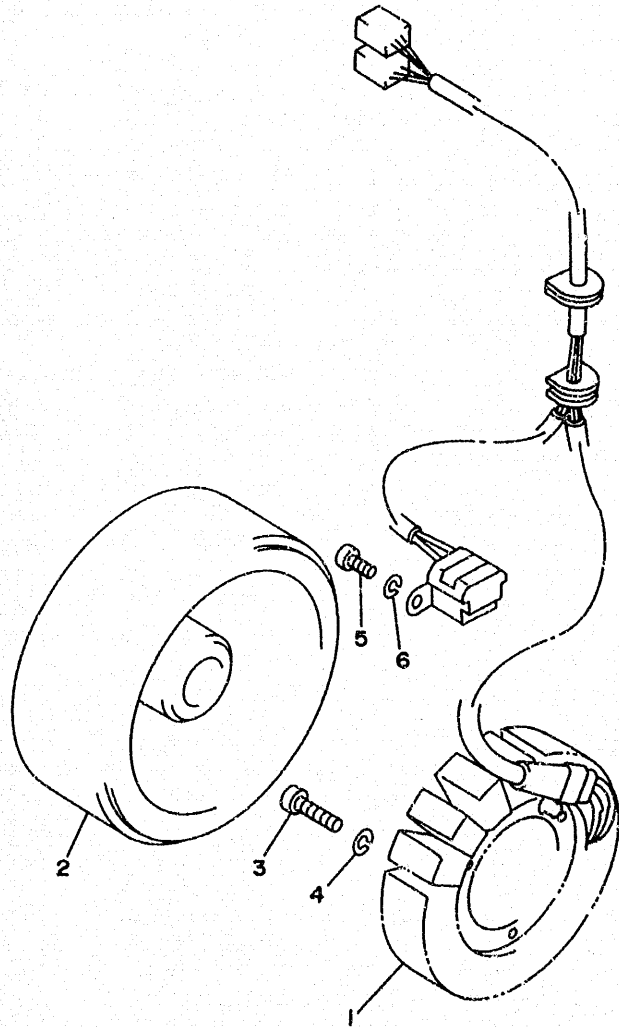

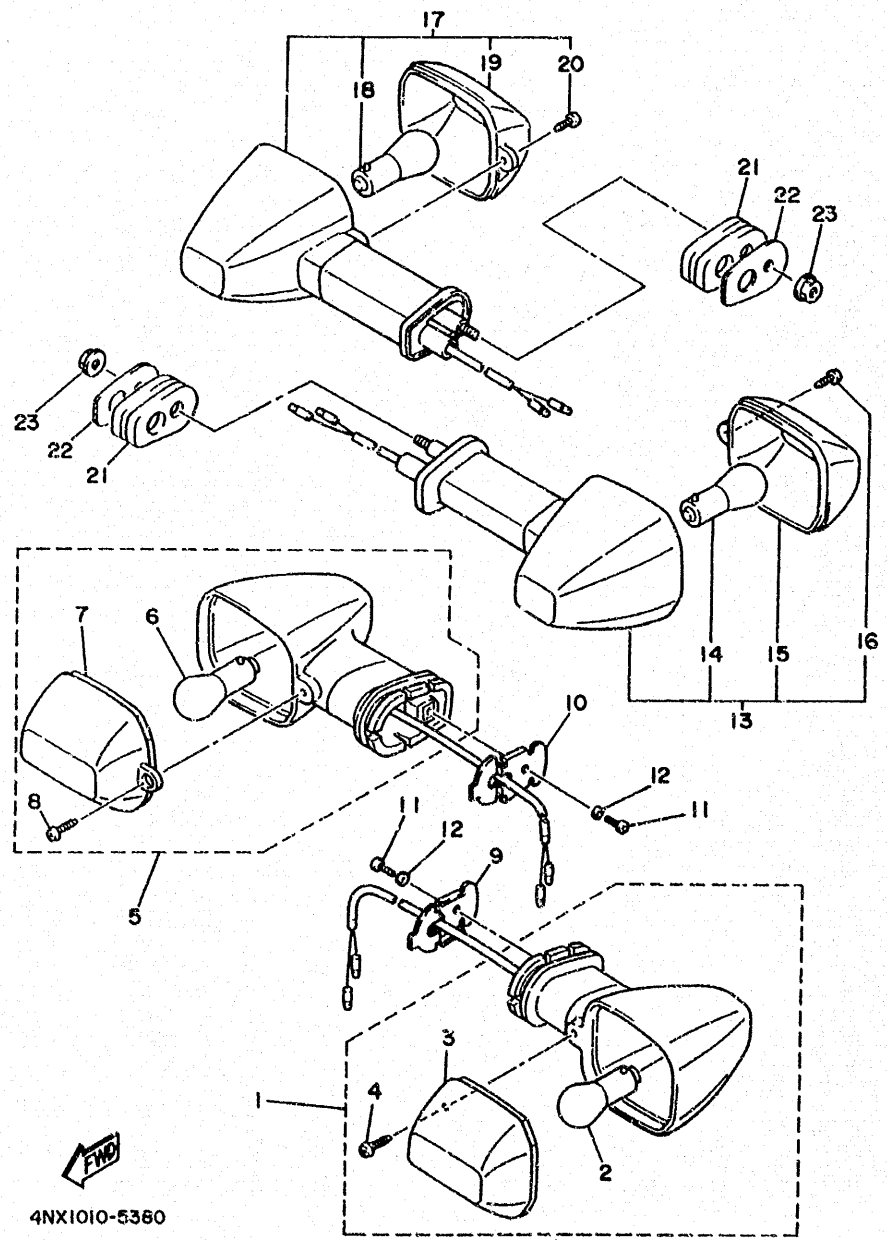


FIG. 37 GENERATOR

REF. NO.	PART NO.	DESCRIPTION	QTY	REMARKS
1	4NX-81410-00	STATOR ASSY	1	
2	4NX-81450-00	ROTOR ASSY	1	
3	98517-06030	SCREW, PAN HEAD	3	
4	92907-06100	WASHER, SPRING	3	
5	98507-05016	SCREW, PAN HEAD	2	
6	92907-05100	WASHER, SPRING	2	


4NX1010-5370

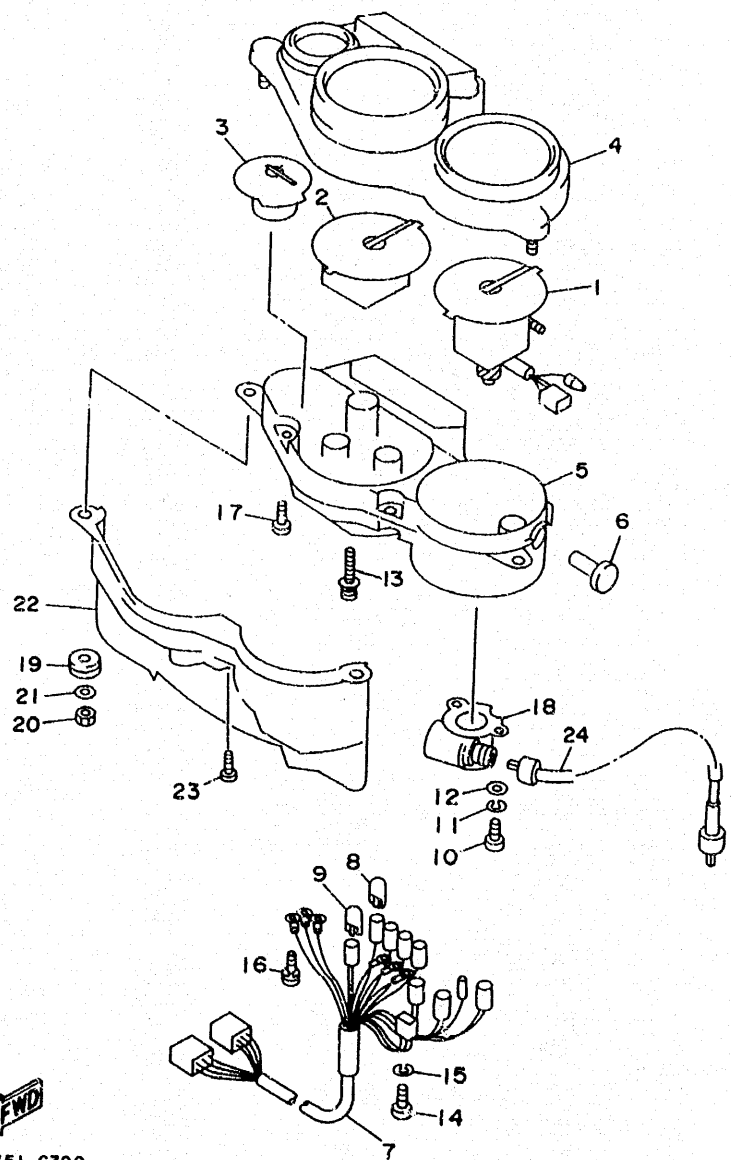



 4NX1010-5360

FIG. 38 FLASHER LIGHT

REF. NO.	PART NO.	DESCRIPTION	Q'TY	REMARKS
1	4JH-83310-01	FRONT FLASHER LIGHT ASSY 1	1	
2	306-83311-40	.BULB, FLASHER (12V-21W)	1	
3	4JH-83332-00	.LENS, FLASHER	1	
4	97702-40610	.SCREW, TAPPING	1	
5	4JH-83320-01	FRONT FLASHER LIGHT ASSY 2	1	
6	306-83311-40	.BULB, FLASHER (12V-21W)	1	
7	4JH-83342-00	.LENS, FLASHER 2	1	
8	97702-40610	.SCREW, TAPPING	1	
9	4JH-83318-10	STAY, FLASHER 1	1	
10	4JH-83318-10	STAY, FLASHER 1	1	
11	98507-04008	SCREW, PAN HEAD	2	
12	92907-04600	WASHER	2	
13	4JH-83330-00	REAR FLASHER LIGHT ASSY 1	1	
14	306-83311-40	.BULB, FLASHER (12V-21W)	1	
15	4JH-83332-00	.LENS, FLASHER	1	
16	97702-40610	.SCREW, TAPPING	1	
17	4JH-83340-00	FLASHER LIGHT ASSY 2	1	
18	306-83311-40	.BULB, FLASHER (12V-21W)	1	
19	4JH-83342-00	.LENS, FLASHER 2	1	
20	97702-40610	.SCREW, TAPPING	1	
21	4FM-83345-00	PLUG, BLIND	2	
22	4FM-83369-00	STAY, FLASHER 2	2	
23	95707-06500	NUT, FLANGE	2	

F3



FWD
4UNI351-6390

FIG. 39 METER

REF. NO.	PART NO.	DESCRIPTION	Q'TY	REMARKS
* 1	4NX-83570-20	SPEEDOMETER ASSY	1	UR
	4NX-83570-31	SPEEDOMETER ASSY	1	UR FOR GBR
2	4NX-83540-20	TACHOMETER ASSY	1	
3	4NX-83590-20	WATER TEMPERATURE ASSY	1	
4	4NX-83559-00	COVER, METER	1	
5	4NX-8353H-20	CASE, UNDER	1	
6	2GH-83578-00	KNOB, TRIP METER	1	
7	4NX-83509-20	SOCKET CORD ASSY	1	
8	4G1-84744-00	BULB (12V-3.4W)	3	
9	3FV-83517-00	BULB (12V-1.7W)	4	
10	98507-04010	SCREW, PAN HEAD	4	
11	92907-04100	WASHER, SPRING	4	
12	92907-04600	WASHER	4	
13	4NX-83546-00	BOLT	2	
14	98507-03010	SCREW, PAN HEAD	3	
15	92990-03100	WASHER, SPRING	3	
16	90159-03102	SCREW, WITH WASHER	3	
17	90164-04006	SCREW, TAPPING	5	
18	4FM-83520-00	SOCKET CORD ASSY	1	
19	90480-14585	GROMMET	2	
20	95317-06600	NUT	2	
21	90201-065F3	WASHER, PLATE	2	
22	3GM-87276-A0	COVER, METER	1	
23	97707-40012	SCREW, TAPPING	1	
24	4KM-83550-01	SPEEDOMETER CABLE ASSY	1	

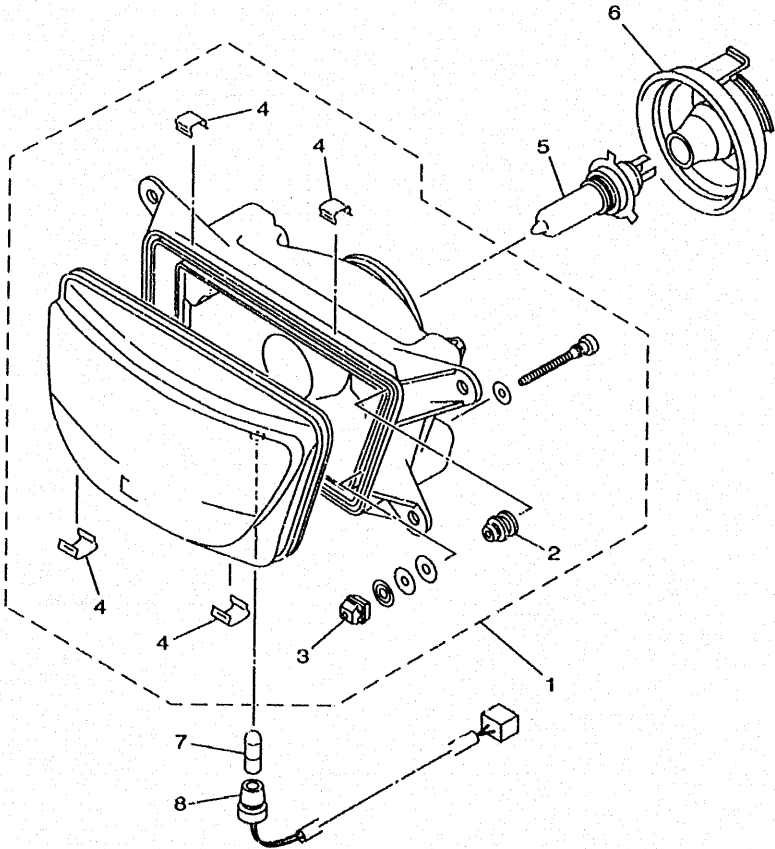


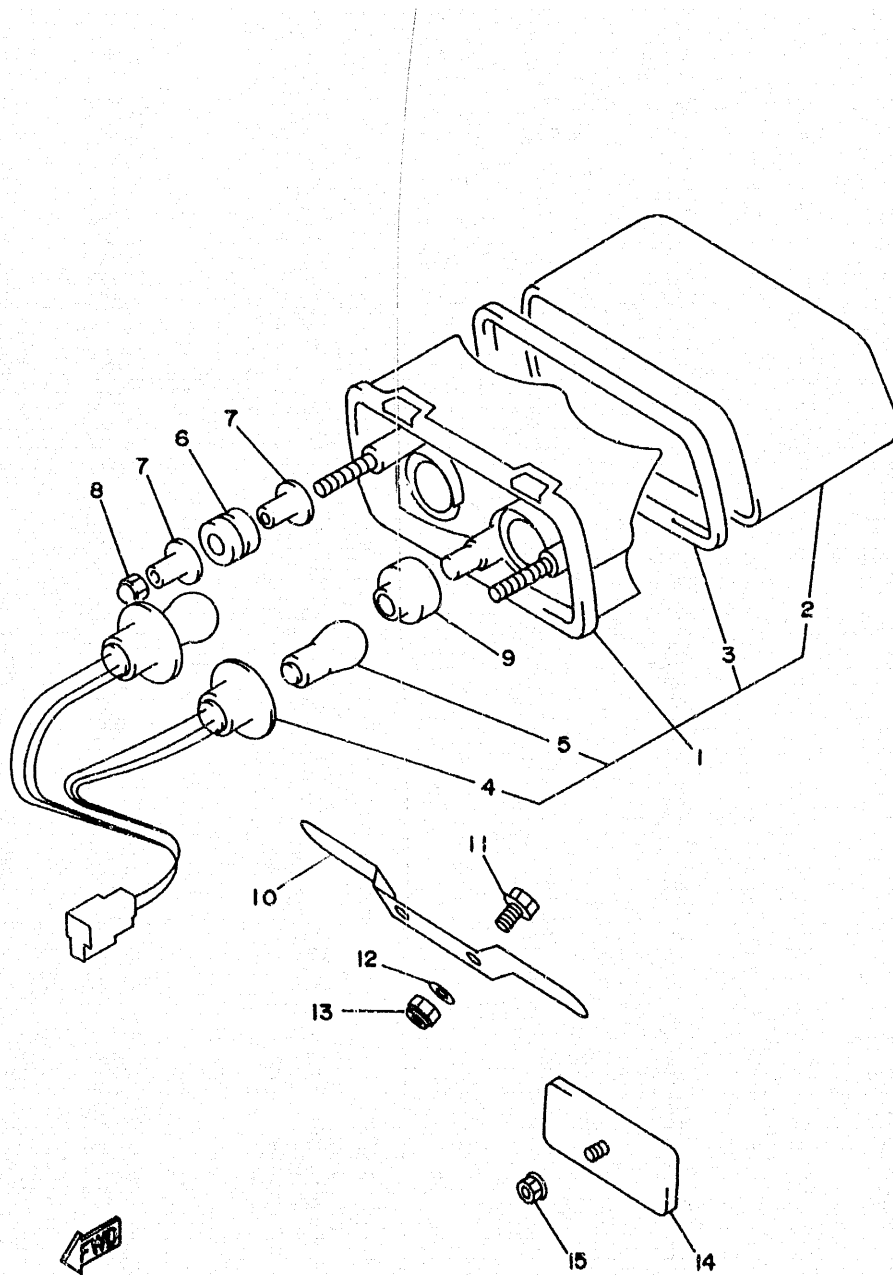
FIG. 40 HEADLIGHT

REF. NO.	PART NO.	DESCRIPTION	Q'TY	REMARKS
1	3HE-84320-40	LENS ASSY	1	UR
	3HE-84320-60	LENS ASSY	1	UR FOR GBR
2	3AJ-8431U-00	.HOLDER	1	
3	51L-84334-00	.NUT, ADJUSTING	2	
4	3MA-8413H-00	.PLATE, SPRING	4	
5	2F9-84314-00	BULB (12V-60/55W)	1	(H4) HALOGEN
6	36Y-84397-00	COVER, SOCKET	1	
7	4E2-84347-00	BULB (12V-4W)	1	
8	3HE-84312-40	HOLDER, SOCKET	1	



4UN1351-6400

F5



4NX1010-5410

FIG. 41 TAILLIGHT

REF. NO.	PART NO.	DESCRIPTION	Q'TY	REMARKS
1	3TY-84710-00	TAILLIGHT UNIT ASSY	1	
2	47X-84721-00	.LENS, TAILLIGHT	1	
3	47X-84723-00	.GASKET, TAIL LENS	1	
4	47X-84735-00	.CORD ASSY	1	
5	1A2-84714-41	.BULB (12V-21/5W)	2	
6	90480-18276	GROMMET	2	
7	90387-062W4	COLLAR	4	
8	90176-06038	NUT, CROWN	2	
9	90480-15259	GROMMET	1	
10	3YF-84751-00	BRACKET, LICENSE	1	
11	95027-06016	BOLT, FLANGE	2	
12	90201-065F3	WASHER, PLATE	2	
13	95617-06100	NUT, U	2	
14	3G1-85130-01	REAR REFLECTOR ASSY	1	UR FOR DNK, NOR, SWE, FIN
	3Y6-85130-02	REAR REFLECTOR ASSY	1	UR FOR BEL, ESP, GDR, GRC, ITA, NLD, PRT
15	95707-05500	NUT, FLANGE	1	

F6

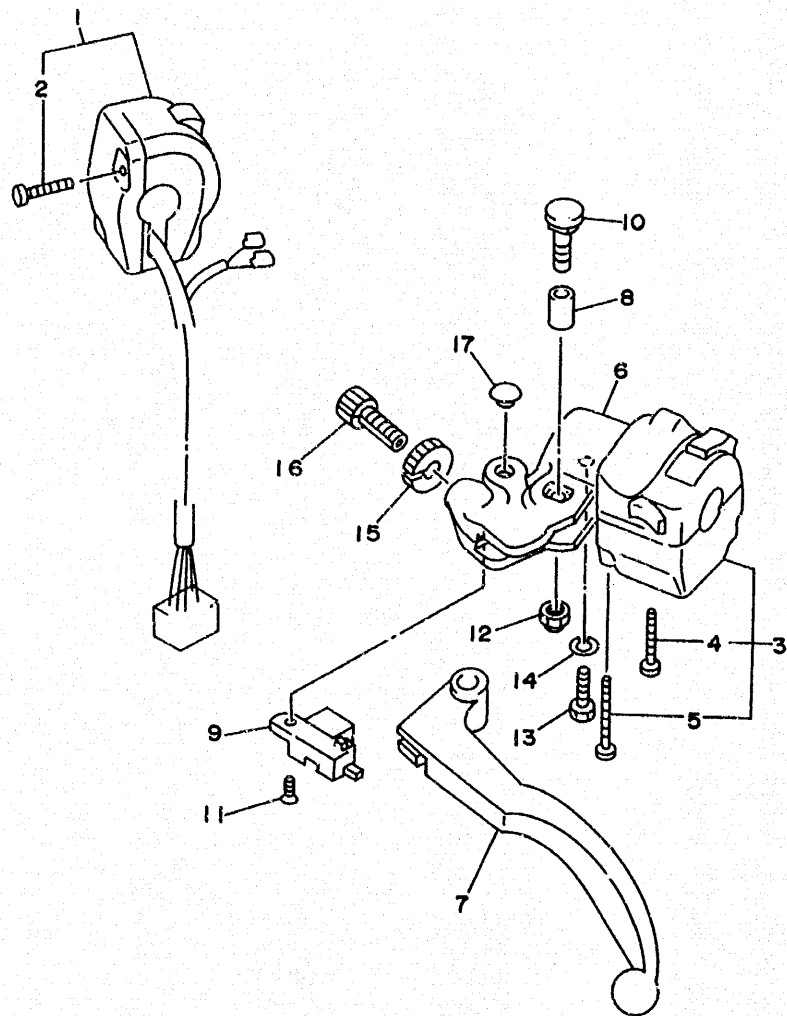


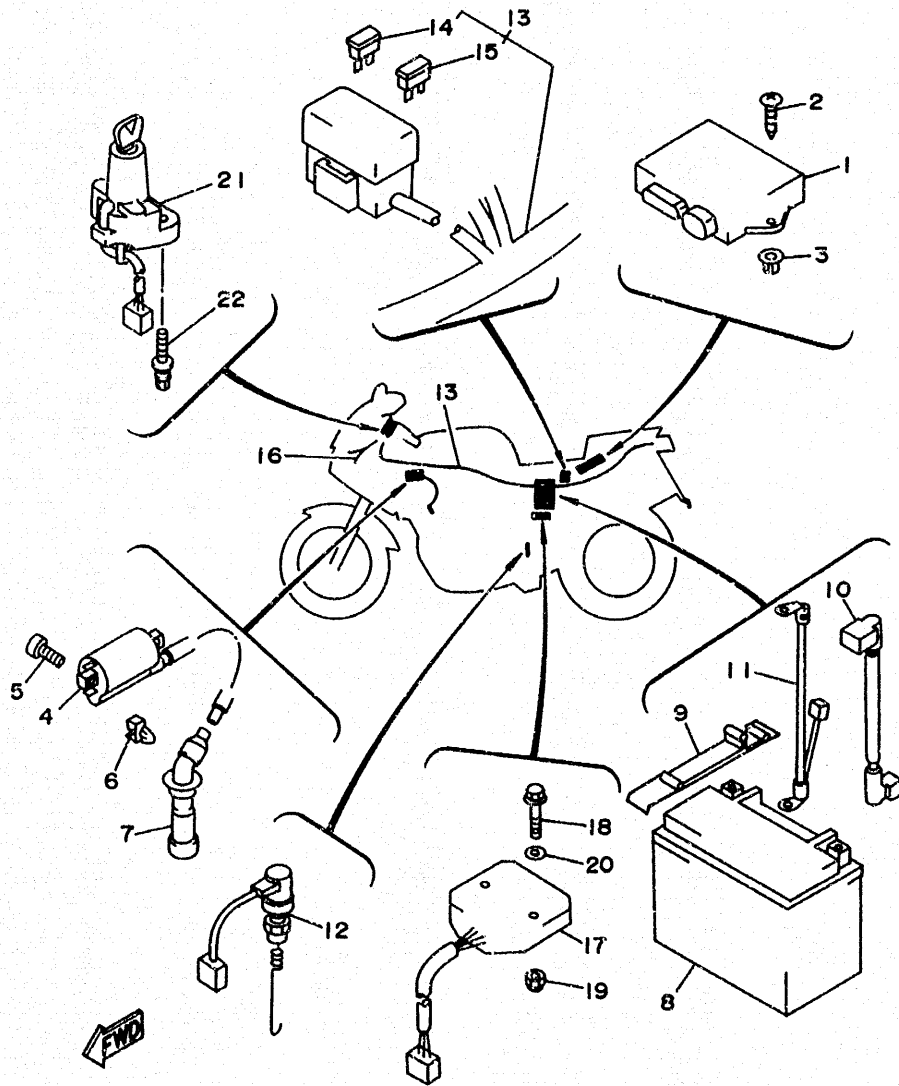
FIG. 42 HANDLE SWITCH, LEVER

REF. NO.	PART NO.	DESCRIPTION	Q'TY	REMARKS
1	4UN-83975-00	SWITCH, HANDLE 2	1	
2	90157-05027	.SCREW, PAN HEAD	2	
3	4UN-83969-00	SWITCH, HANDLE 5	1	
4	98507-05030	.SCREW, PAN HEAD	1	
5	98507-05040	.SCREW, PAN HEAD	1	
6	29L-82911-01	HOLDER, LEVER 1	1	
7	3LN-83912-00	LEVER 1	1	
8	31A-83913-00	COLLAR, LEVER 1	1	
9	31A-82917-00	SWITCH	1	
10	31A-83945-00	BOLT, LEVER	1	
11	98707-03008	SCREW, FLAT HEAD	1	
12	95617-06100	NUT, U	1	
13	97017-06025	BOLT	1	
14	92907-06100	WASHER, SPRING	1	
15	90179-08148	NUT	1	
16	90123-08046	BOLT	1	
17	90338-09012	PLUG	1	


4NX1010-5420

F7

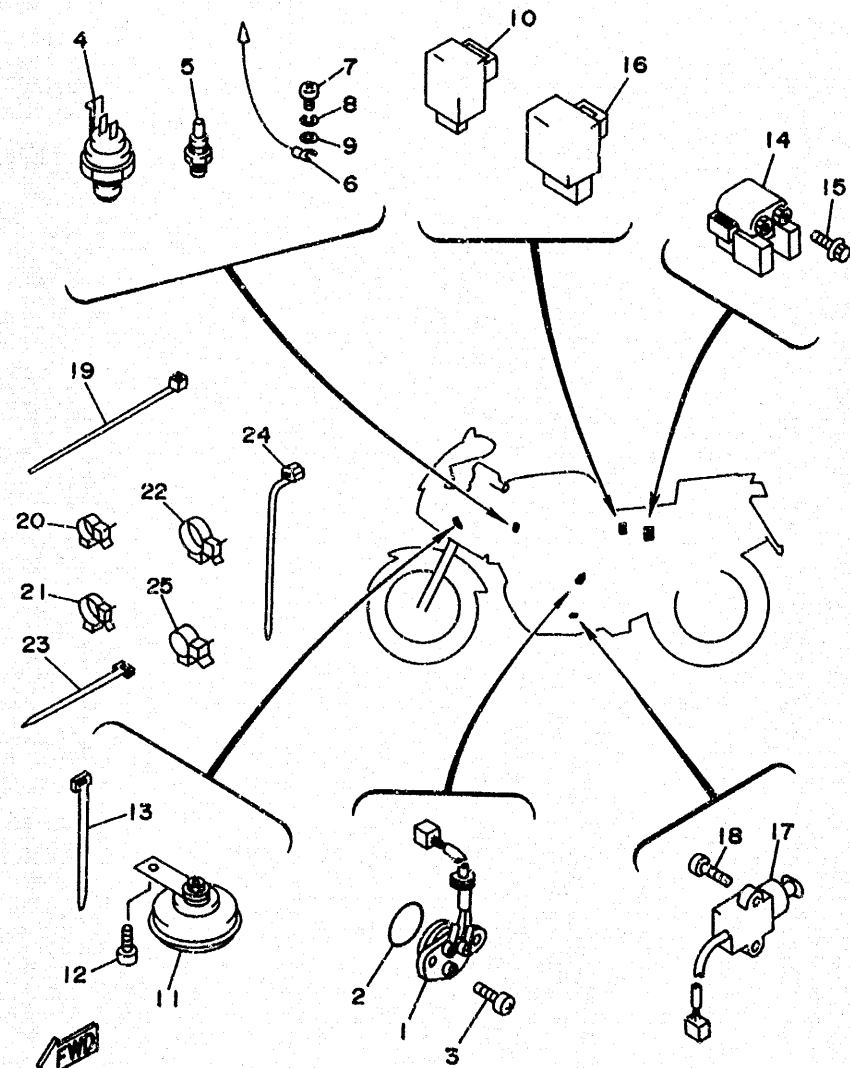
FIG. 43 ELECTRICAL 1



4NX1010-5430

REF. NO.	PART NO.	DESCRIPTION	Q'TY	REMARKS
1	4UN-82305-00	IGNITOR UNIT ASSY	1	
2	97707-60016	SCREW, TAPPING	2	
3	90338-08226	PLUG	2	
4	2UJ-82310-00	IGNITION COIL ASSY	2	
5	98507-05016	SCREW, PAN HEAD	4	
6	90464-15192	CLAMP	1	
7	3LD-82370-00	PLUG CAP ASSY	2	
8	3VD-82100-00	BATTERY ASSY (YTX12-BS)	1	
9	4BP-82131-00	BAND, BATTERY	1	
10	4NX-82115-00	WIRE, PLUS LEAD	1	
11	4NX-82116-00	WIRE, MINUS LEAD	1	
12	4NX-82530-00	STOP SWITCH ASSY	1	
13	4UN-82590-00	WIRE HARNESS ASSY	1	
14	36Y-82151-00	.FUSE (15A-BL)	3	
15	2KW-82151-00	.FUSE (7.5A-BL)	3	
16	4UN-82509-00	WIRE, SUB LEAD	1	
17	3VD-81960-00	RECTIFIER & REGULATOR ASSY	1	
18	95817-06025	BOLT, FLANGE	2	
19	95607-06200	NUT, SELF-LOCKING	2	
20	90202-05187	WASHER, PLATE	2	
21	4JH-82501-02	MAIN SWITCH STEERING LOCK	1	
22	90109-080G5	BOLT	2	

FIG. 44 ELECTRICAL 2



4NX1010-5440

REF. NO.	PART NO.	DESCRIPTION	Q'TY	REMARKS
1	4UN-82540-00	NEUTRAL SWITCH ASSY	1	
2	93210-29196	O-RING	1	
3	98507-06016	SCREW, PAN HEAD	2	
4	3LN-82560-01	THERMO SWITCH ASSY	1	
5	11H-83591-00	THERMO UNIT	1	
6	4NX-83354-00	WIRE, EARTH LEAD 1	1	
7	98507-04008	SCREW, PAN HEAD	1	
8	92907-04100	WASHER, SPRING	1	
9	92907-04600	WASHER	1	
10	3GM-83350-01	FLASHER RELAY ASSY	1	
11	3BN-83371-00	HORN	1	
12	91317-06010	BOLT, SOCKET HEAD	1	
13	25G-83936-01	BAND, SWITCH CORD	1	
14	4DN-81940-00	STARTER RELAY ASSY	1	
15	95027-06008	BOLT, FLANGE	2	
16	4EF-81950-00	RELAY ASSY	1	
17	3LD-82566-70	SWITCH, SIDE STAND	1	
18	90157-05079	SCREW, PAN HEAD	2	
19	12R-82591-00	BAND	1	
20	90464-25217	CLAMP	4	
21	90464-20181	CLAMP	1	
22	90464-20191	CLAMP	4	
23	90464-15195	CLAMP	9	
24	90464-13073	CLAMP	1	
25	90464-10190	CLAMP	1	

NUMERICAL INDEX

PART NO.	GRID NO.	PART NO.	GRID NO.	PART NO.	GRID NO.	PART NO.	GRID NO.	PART NO.	GRID NO.	PART NO.	GRID NO.
3GM-W0041-50	E- 8	3VD-11650-00	B- 4	3LD-12247-00	B- 8	4X7-13440-90	B- 12	4NX-14565-00	C- 2	3VD-15451-00	C- 8
4BH-W0042-50	E- 12	3LD-11654-00	B- 4	3LD-12251-00	B- 8	3VD-13447-00	B- 12	878-14594-00	C- 3	3VD-15456-00	C- 7
4KG-W0045-00	E- 3	3LD-11656-00	B- 4	3LD-12252-00	B- 8	3VD-13455-00	B- 13	4NX-14610-01	C- 5	4NX-15461-00	C- 9
	E- 3	3LD-11656-10	B- 4	1UF-12405-00	B- 10	4UN-13464-00	B- 13	3VD-14613-00	C- 5	4NX-15462-01	C- 8
1FK-W0046-02	E- 6	3LD-11656-20	B- 4	1AE-12410-00	B- 11	4NX-13465-00	B- 13	4UN-14710-01	C- 5	3VD-15463-00	C- 8
1NL-W0047-00	E- 3	3LD-11656-30	B- 4	4NX-12413-00	B- 11	11H-13490-00	B- 13	3LD-14714-00	C- 5	1JK-15486-00	C- 8
	E- 3	3LD-12111-00	B- 6	4NX-12417-00	B- 11	3LD-13586-01	B- 15		C- 5	3LD-15512-00	C- 10
31A-W0047-00	E- 6	3LD-12112-00	B- 6	4UN-12420-00	B- 9	3LD-13597-01	B- 15	4UN-14720-01	C- 5	4NX-15515-00	C- 10
1J3-W0048-00	E- 3	3LD-12113-00	B- 6	4NX-1243A-00	C- 4	4NX-13910-00	D- 14	3LD-1490H-00	C- 3	3LD-15517-00	C- 10
	E- 3	1WG-12116-00	B- 6	4NX-1243E-00	C- 4	4NX-13929-00	D- 14	4NX-1490J-00	C- 2	26H-15521-00	C- 10
	E- 6	3LD-12117-00	B- 6	4NX-1243F-00	C- 4	4NX-13938-00	D- 14	3EN-1490K-00	C- 4	3LD-15590-02	C- 10
1NL-W0057-00	E- 3	3LD-12118-00	B- 6	1AA-12435-00	B- 10	3EN-1410A-01	C- 2	4UN-14900-00	C- 2	4NX-16150-00	C- 11
	E- 3	51Y-12119-00	B- 6	1KT-12437-00	B- 10	4NX-14103-00	C- 4	4UN-14901-00	C- 2	3VD-16154-00	C- 11
31A-W0057-00	E- 6	3LD-12121-00	B- 6	3LD-12439-00	B- 9	12R-14105-00	C- 2	4UN-14902-00	C- 2	4H7-16154-00	C- 11
3CK-W2470-00	D- 15	1WG-12153-09	B- 6	4NX-1244E-00	B- 11	3GM-14107-17	C- 2	3LD-14919-00	C- 3	3VD-16164-00	C- 11
3GM-W2587-50	E- 8	1WG-12153-21	B- 6	3VD-12459-00	B- 9	3VD-1411A-00	C- 3	4DT-14933-00	C- 2	4NX-16191-00	C- 11
4NX-Y1119-00	B- 2	1WG-12153-31	B- 6	4NX-12461-00	B- 10	3GM-1411E-00	C- 2	3GM-14940-00	C- 2	4H7-16321-01	C- 11
3VD-11101-20	B- 2	3LD-12168-A0	B- 6	4FL-12462-00	B- 10	3GM-14141-92	C- 3	3LD-14945-00	C- 2	3J2-16324-00	C- 11
2GH-11116-00	B- 2	3LD-12168-F0	B- 6	4UN-12469-00	B- 9	4GO-14142-45	C- 3	4GO-14953-00	C- 3	4UN-16340-00	C- 11
3LD-11133-10	B- 2	3LD-12168-H1	B- 6	3LD-12481-00	B- 9	1AE-14147-00	C- 2	3GM-14974-00	C- 3	3LD-16351-00	C- 11
3LD-11134-10	B- 2	3LD-12168-K1	B- 6	4NX-12481-00	B- 10	3EN-14147-00	C- 2	3GM-14985-00	C- 2	3LD-1637A-01	C- 11
3LD-11160-02	B- 2	3LD-12168-M1	B- 6	4NX-12482-00	B- 10	3FY-14147-00	C- 2	4NX-14986-00	C- 3	4NX-16371-01	C- 11
4NX-11166-00	B- 15	3LD-12168-R1	B- 6	1AA-12561-00	B- 10	3LD-14147-00	C- 2	3TD-14987-00	C- 4	3LD-16382-00	C- 11
4NX-11181-00	B- 2	3LD-12168-U1	B- 6	4NX-12576-00	B- 10	3LF-14147-00	C- 2	4NX-14987-00	C- 3	3LD-16398-00	C- 11
3LD-11193-01	B- 2	3LD-12168-W1	B- 6	4NX-12577-00	B- 10	822-14147-00	C- 3	3EN-14988-00	C- 3	3LD-17121-00	C- 13
214-11198-01	B- 13	3LD-12168-Y1	B- 6	4NX-12578-00	B- 10	4NX-14148-00	C- 4	3LD-14988-00	C- 3	4UN-17131-00	C- 13
4UN-11310-00	B- 3	3LD-12168-00	B- 6	4NX-12579-00	B- 11	3GM-14153-00	C- 2	1KT-14994-00	C- 3	2GH-17141-00	C- 13
3VD-11351-00	B- 3	3LD-12168-20	B- 6	1UF-12611-00	B- 10	239-14172-14	C- 3	4KG-14995-00	C- 3	2GH-17151-00	C- 13
3LD-11361-00	C- 6	3LD-12168-40	B- 6	26H-12630-00	B- 10	53L-14186-00	C- 2	3EN-14997-00	C- 3	4NX-17211-00	C- 13
4NX-11400-00	B- 4	3LD-12168-60	B- 6	3LD-13113-00	B- 13	3FY-14191-00	C- 2	3GM-14997-00	C- 2	4UN-17231-00	C- 13
3LD-11416-00	B- 4	3LD-12168-80	B- 6	41M-13132-00	B- 14	2LH-14197-00	C- 3	4UN-15100-02	C- 6	4NX-17241-00	C- 13
3LD-11416-10	B- 4	3LD-12169-E0	B- 7	3LD-13151-00	B- 13	4HM-14216-00	C- 4	3LD-15118-00	C- 7	4NX-17251-00	C- 13
3LD-11416-20	B- 4	3LD-12169-G0	B- 7	3LD-13161-00	B- 12	3LD-1423A-79	C- 3	2H7-15138-00	C- 6	4NX-17402-00	C- 13
3LD-11416-30	B- 4	3LD-12169-J0	B- 7	3LD-13300-00	B- 12	620-14231-15	C- 3	4GO-15138-00	C- 6	4NX-17411-00	C- 13
3LD-11416-40	B- 4	3LD-12169-L0	B- 7	4NX-13303-00	B- 12	830-14231-14	C- 3	4H7-15138-00	B- 13	4AS-17460-00	C- 13
3LD-11416-50	B- 4	3LD-12169-N0	B- 7	3VD-13317-00	B- 14	4HM-14239-00	C- 4	3LD-15163-10	C- 13	4NX-17471-00	C- 14
3LD-11416-60	B- 4	3LD-12169-T0	B- 7	3VD-13325-00	B- 12	3EN-14261-00	C- 3	3LD-15191-00	C- 7	4NX-18161-00	D- 2
4NX-11500-00	B- 4	3LD-12169-11	B- 6	3LD-13329-00	B- 12	4NX-14294-00	D- 14	3F9-15362-00	B- 14	4NX-18110-00	D- 2
4NX-11510-00	B- 4	3LD-12169-31	B- 6	3LD-13339-00	B- 12	4NX-14411-00	B- 15	3VD-15411-11	C- 8	132-18113-01	D- 2
3LD-11583-00	B- 4	3LD-12169-50	B- 6	3LD-13371-00	B- 12	4NX-14421-00	B- 15	3LD-15414-00	C- 14	2TK-18115-00	D- 2
5LD-11584-00	B- 4	3LD-12169-70	B- 7	3VD-13411-00	B- 12	4NX-14422-00	B- 15	3VD-15416-10	C- 7	4GO-18127-00	D- 2
3VD-11610-00	B- 4	3LD-12169-90	B- 7	3VD-13412-00	B- 12	4NX-14425-00	B- 15	3VD-15417-01	C- 8	4NX-18130-00	D- 2
3VD-11610-20	B- 4	4NX-12171-00	B- 8	3VD-13414-00	B- 13	4NX-14451-00	B- 15	3LD-15418-00	C- 8	4NX-18140-00	C- 15
3VD-11610-40	B- 4	3LD-12176-00	B- 8	3VD-13415-00	B- 12	4NX-14452-00	B- 15	4NX-15421-00	C- 8	2H9-18154-00	D- 2
4NX-11631-00	B- 4	4NX-12181-00	B- 8	3VD-13416-00	B- 13	4FM-14453-00	B- 15	4UN-15425-00	C- 8		D- 2
3LD-11633-00	B- 4	3LD-12210-00	B- 8	4NX-13416-00	B- 14	4NX-14457-00	B- 15	4UN-15426-00	C- 8	4NX-18175-00	C- 15
4NX-11636-00	B- 4	3VD-12213-00	B- 8	3VD-13417-10	B- 12	4NX-14462-00	B- 15	4UN-15430-00	C- 8	3VD-18511-00	C- 15
4NX-11638-00	B- 4	3LD-12241-00	B- 8	4NX-13418-00	B- 13	1HX-14565-00	C- 2	3LD-15449-00	C- 8	3VD-18512-00	C- 15

NUMERICAL INDEX

PART NO.	GRID NO.	PART NO.	GRID NO.	PART NO.	GRID NO.	PART NO.	GRID NO.	PART NO.	GRID NO.	PART NO.	GRID NO.
3VD-18513-00	C- 15	4UN-2173F-00	D- 6	4NX-23170-10	D- 11	4BP-24780-00	D- 15	4NX-25872-10	E- 9	36Y-27315-00	E- 10
4NX-18531-00	C- 15	4UN-21781-00	D- 6	4FM-23171-40	D- 11	4FM-24780-00	D- 15	4NX-25873-10	E- 9	4NX-27315-00	E- 10
4NX-18535-00	C- 15		D- 6		D- 11	4NX-2479K-00	D- 15	4NX-25874-00	E- 13	4NX-27321-00	E- 10
3LD-18536-00	C- 15	4UN-21781-10	D- 6	3GM-23173-00	D- 11	4BP-24792-00	D- 15	4FM-25876-00	E- 4	1TX-27351-00	E- 10
3VD-18540-01	C- 15		D- 6		D- 12	341-25149-00	E- 2	4KG-25876-00	E- 9	4NX-27351-00	E- 10
4UN-18542-00	C- 15	1AA-21815-00	D- 6	278-23181-50	D- 11	3TJ-25168-00-WN	E- 2	4BH-25886-00	E- 4	36Y-27352-00	E- 10
4UN-18566-00	C- 15	4FM-21871-01	D- 6		D- 12	3GM-25181-01	E- 2	4KM-25886-00	E- 9	4NX-27410-00	E- 10
4NX-21110-20-33	D- 3	1AA-21874-00	D- 6	43F-23188-10	D- 11	4HM-25190-01	E- 2	3PJ-25888-00	E- 12	2GH-27413-00	E- 10
4NX-21110-20-35	D- 3	4NX-22110-00	D- 8		D- 12	4NX-25335-00	D- 9	3FV-2589A-00	E- 8		E- 1C
4NX-2117K-00	D- 15	3FV-22128-00	D- 8	4PU-2331G-00	D- 12	4JH-25338-00-WN	E- 4	3FV-2589F-00	E- 8	36Y-27414-00	C- 5
4NX-21315-00	D- 3	3GM-22141-01	E- 5	4NX-23340-10	D- 12	4FM-25364-00	E- 4	3FV-2589G-00	E- 8	4NX-27420-00	E- 10
4NX-21316-00	D- 3	4NX-22147-00	D- 3	3GM-23377-00	E- 8	4FM-25366-00	E- 4	3GM-2589H-00	E- 8	4NX-27430-01	E- 10
4NX-2133G-00	E- 12	4HM-22149-00	D- 8	3GM-23378-00	E- 8	4FM-25371-10	E- 4	3FV-2589A-00	E- 8	3XV-27431-01	E- 10
3VD-21366-00	D- 4	4NX-22151-00	D- 8	1W1-23416-00	D- 10	3BN-25381-00	D- 8	31A-25894-01	E- 12	2YK-27434-01	D- 2
3YX-21376-00	D- 4	4NX-2217A-00	D- 8	3YF-23418-00	D- 10	3SP-25388-00	E- 4	4FM-25895-00	E- 13	1HX-27437-00	E- 11
46X-21376-00	D- 4	4FM-2217M-10	D- 8	4NX-23435-00	D- 10	4NX-25389-00	E- 4	2GH-25919-00	E- 3		E- 11
4NX-2138X-00	D- 3	3FV-22184-00	D- 8	3FV-23462-00	D- 10	29L-25398-00	E- 2		E- 3	4NX-27440-01	E- 11
22F-2139X-00	D- 3	4NX-22210-10	D- 9	341-23469-00	E- 7		E- 4	29L-25919-A0	E- 6	3XV-27441-01	E- 11
4NX-21399-00	D- 3	4GY-22216-20	D- 9	4NX-2411K-00	D- 14	29L-25398-10	E- 2	3HE-25924-00	E- 3	4FM-27442-01	E- 10
4NX-21430-00	D- 3	4NX-22311-00	D- 8	4SX-24110-00-01	D- 13		E- 4		E- 3	4FM-27443-C1	E- 10
4FM-2144G-00	E- 12	4NX-23102-10	D- 11	4NX-24110-00-03	D- 13	29L-25398-20	E- 2		E- 6	4NX-28100-00	D- 5
4NX-21489-00	C- 6	4NX-23103-10	D- 11	4NX-24110-00-04	D- 13		E- 4	3GM-25925-00	E- 3	4FM-28215-00	E- 14
4X7-2149Y-00	D- 14	4NX-23110-10	D- 11	4NX-2414H-00	D- 14	4NX-25439-00	E- 4		E- 3	4UN-28315-00	E- 14
4KG-21511-00-EY	D- 4		D- 11	4EU-24141-00	D- 6	4KG-2580T-01	E- 3		E- 6	3TU-28344-00	D- 3
4KG-21511-00-P2	D- 4	4NX-23111-00	D- 11	1HX-24181-00	D- 13	4KG-2580U-01	E- 3	4NX-26111-00	E- 7	47X-28346-00	E- 14
4KG-21511-00-4B	D- 4		D- 12	2GH-24181-00	D- 13	4KG-2580W-00	E- 6	4NX-26112-00	E- 7	4NX-2835G-00-EY	E- 14
4KG-21512-00	D- 4	2KF-23118-00	D- 11	2GH-24183-00	D- 13	4HM-2581T-00	E- 3	4NX-26121-00	E- 7	4NX-2835G-00-P1	E- 14
1A8-21518-00	E- 14		D- 12	2GH-24186-00	D- 13	4NX-25819-00	E- 6	4NX-26122-00	E- 7	4NX-2835G-00-4B	E- 14
4NX-21541-00	D- 12	4KM-23123-01	D- 12	4NX-24191-00	D- 13	4BP-2582A-00	E- 12	4FM-26240-00	E- 7	4NX-28356-00	E- 14
4NX-21611-10	D- 4	4FM-23125-40	D- 11	4NX-24240-01	D- 13	4JH-2582W-00	E- 6	4FM-26241-00	E- 7	4NX-2836H-00	E- 14
3GM-21621-00	D- 5		D- 11	4NX-24240-20	D- 13	1FK-25827-00	E- 6	4NX-26246-00	E- 7	4NX-2836J-00	E- 14
30X-21621-00	D- 4	4NX-23126-10	D- 11	4UN-24240-00	D- 13	1FK-25828-00	E- 6	4FM-26280-10	E- 14	4NX-28365-00	E- 15
4UN-2163A-00	D- 4	4NX-23136-10	D- 11	4NX-24311-00	D- 13	4BH-2583V-00	E- 12	3LN-26281-01	E- 7	4DT-28371-00	D- 6
4GO-21639-00	D- 4	4NX-23141-10	D- 11	3PA-24356-00	E- 8	1KT-25836-00	E- 3	3LN-26282-01	E- 7	4NX-28381-10	E- 14
3GM-21649-00	D- 5		D- 12	3YJ-24481-00	D- 3		E- 3	4FM-26290-10	E- 14	3FV-2840F-00	D- 15
3GM-21649-10	D- 5	3XV-23144-50	D- 11	4NX-24500-00	D- 13	51J-25836-00	E- 6	4NX-26292-00	E- 8	4NX-81410-00	F- 2
4NX-21651-00-EY	D- 4		D- 11	4X8-24512-00	D- 13	341-25846-00	E- 2	3CV-26298-00	E- 14	4NX-81450-00	F- 2
4NX-21651-00-P1	D- 4	3SP-23145-L0	D- 11	3XV-24523-00	D- 13	3GM-2585F-00	E- 8	4FM-26299-00	E- 14	4NX-81800-00	C- 10
4NX-21651-00-4B	D- 4		D- 11	3XV-24534-00	D- 13	4BP-2585F-00	E- 12	4NX-26302-00	E- 7	3AJ-81801-00	C- 10
4UN-21688-00	D- 5	36Y-23146-10	D- 11	4FM-24602-00	D- 14	3LN-2585G-00	E- 12	4UN-26331-00	E- 7	3AJ-81809-00	C- 10
4UN-21689-00	D- 4		D- 11	4NX-24710-00	D- 15	2KF-25852-50	E- 12	1VJ-26333-00	E- 7	3AJ-81826-00	C- 10
4NX-21711-00-EY	D- 6	3LC-23149-00	D- 11	4NX-24711-00	D- 15	3GM-25852-50	E- 8	4NX-26335-00	E- 7	3AJ-81830-00	C- 10
4NX-21711-00-P1	D- 6		D- 12	4FM-24724-00	D- 15	3FV-25854-00	E- 8	4NX-26367-00	E- 7	11H-81844-00	C- 10
4NX-21711-00-4B	D- 6	26H-23156-00	D- 11	509-24724-00	D- 15	360-25854-00	E- 12	4FM-27211-10	E- 12	26H-81847-00	C- 10
4NX-21721-00-EY	D- 6		D- 11	1T4-24741-00	D- 13	2GU-25855-00	E- 12	4FM-27222-00	E- 12	5H0-81871-00	C- 10
4NX-21721-00-P1	D- 6	509-23158-L0	D- 11	4NX-24750-10	D- 15	2J2-25855-50	E- 8	4FM-27254-00	E- 12	4DN-81940-00	F- 9
4NX-21721-00-4B	D- 6		D- 12	4NX-24751-00	D- 15	2VN-25866-00	E- 8	4SV-27261-00	E- 12	4EP-81950-00	F- 9
4UN-2173E-00	D- 6	4NX-23170-10	D- 11	4NX-2478E-00	D- 15	56A-25867-00	E- 8	4NX-27311-00	E- 10	3VD-81960-00	F- 8

NUMERICAL INDEX

PART NO.	GRID NO.	PART NO.	GRID NO.	PART NO.	GRID NO.	PART NO.	GRID NO.	PART NO.	GRID NO.	PART NO.	GRID NO.
3VD-82100-00	F- 8	4NX-83570-30	F- 4	90105-10376	D- 8	90159-03102	F- 4	90201-10131	C- 6	90340-32142	C- 9
4NX-82115-00	F- 8	2GH-83578-00	F- 4	90105-10560	C- 6	90159-06033	D- 6	90201-103M4	B- 2	90387-061W9	D- 13
4NX-82116-00	F- 8	4NX-83590-20	F- 4	90105-10645	C- 6	90159-06045	E- 12	90201-104R2	E- 12	90387-062M9	D- 3
4BP-82131-00	F- 8	11H-83591-00	F- 9	90105-10725	E- 3	90159-06093	D- 6	90201-107R2	C- 6	90387-062W4	F- 6
4J2-82131-01	D- 4	3LN-83912-00	F- 7		E- 6	90159-06123	C- 11	90201-12M34	C- 11	90387-06299	D- 13
2KW-82151-00	F- 8	31A-83913-00	F- 7	90105-10773	E- 10	90164-04006	F- 4	90201-121H0	B- 5	90387-064H8	E- 11
36Y-82151-00	F- 8	3TJ-83922-01	E- 8	90105-12584	B- 5	90170-06228	D- 2	90201-124G9	D- 3		E- 11
4UN-82305-00	F- 8	25G-83936-01	F- 9	90109-062G1	B- 2	90170-20327	C- 11		D- 3	90387-06761	B- 14
2UJ-82310-00	F- 8	31A-83945-00	F- 7	90109-062G2	B- 2	90176-06038	F- 6	90201-12575	D- 2	90387-0700G	B- 10
3LD-82370-00	F- 8	4UN-83969-00	F- 7	90109-064F0	B- 2	90176-06055	E- 15	90201-127E1	B- 9	90387-07390	B- 10
4JH-82501-02	F- 8	4UN-83975-00	F- 7	90109-080G5	F- 8	90176-22081	D- 10	90201-146F9	E- 10	90387-086W7	B- 14
4UN-82509-00	F- 8	3FV-83980-00	E- 8	90109-081G0	D- 3	90179-05523	D- 6	90201-150H2	C- 11	90387-102R4	D- 8
4NX-82530-00	F- 8	3MA-8413H-00	F- 5	90109-082A4	E- 10		E- 14	90201-18264	D- 8	90387-106W6	B- 13
4UN-82540-00	F- 9	3AJ-8431U-00	F- 5		E- 10	90179-06500	E- 14		E- 5		B- 14
3LN-82560-01	F- 9	3HE-84312-40	F- 5	90109-083G4	E- 3	90179-08148	F- 7	90201-191J4	D- 2	90387-120W5	B- 12
3LD-82566-70	F- 9	2F9-84314-00	F- 5		E- 6	90179-08345	C- 5	90201-200K3	C- 13	90387-122R5	D- 8
4UN-82590-00	F- 8	3HE-84320-40	F- 5	90109-087F1	C- 5	90179-09379	B- 4	90201-20278	C- 14	90387-127W0	D- 8
12R-82591-00	F- 9	3HE-84320-60	F- 5		D- 3	90179-10279	D- 3	90201-220T0	D- 10	90387-130W6	B- 14
29L-82911-01	F- 7	51L-84334-00	F- 5		E- 11		D- 3	90201-301P3	C- 10	90387-177V5	E- 2
31A-82917-00	F- 7	4E2-84347-00	F- 5	90109-102G5	D- 3	90179-10394	C- 6	90202-05180	D- 6	90387-2004D	E- 5
4JH-83310-01	F- 3	36Y-84397-00	F- 5	90109-102G6	D- 3	90179-10414	B- 2	90202-05187	D- 13	90387-2004E	E- 4
306-83311-40	F- 3	3TY-84710-00	F- 6	90110-05112	D- 14	90179-10658	E- 11		F- 8	90387-2004F	E- 4
		1A2-84714-41	F- 6	90110-05201	D- 6	90179-18667	C- 13	90202-06170	E- 14	90387-203M7	C- 13
		47X-84721-00	F- 6	90110-06093	B- 13	90179-25615	D- 10	90202-24190	D- 10	90387-203U5	E- 5
		47X-84723-00	F- 6	90110-06226	E- 10	90183-04064	D- 6	90202-26142	D- 10	90387-253M6	C- 13
4JH-83318-10	F- 3	47X-84735-00	F- 6	90110-08199	E- 11	90183-06053	D- 4	90206-12074	D- 2	90387-2802W	C- 13
		4G1-84744-00	F- 4	90110-10182	D- 3	90185-18104	D- 8	90206-14086	E- 12	90401-10106	B- 12
4JH-83320-01	F- 3	3YF-84751-00	F- 6	90116-08321	D- 2		E- 5	90209-05279	C- 8	90401-10159	E- 9
4JH-83330-00	F- 3	3G1-85130-01	F- 6	90116-10575	E- 4	90201-04018	D- 5	90209-11262	B- 2		E- 13
4JH-83332-00	F- 3	3Y6-85130-02	F- 6	90119-06117	D- 8	90201-063J2	B- 10	90209-21332	C- 13	90401-10160	E- 9
		4FM-85132-00	D- 5	90119-06194	D- 15	90201-065F3	F- 4	90209-28330	C- 13	90430-06014	B- 3
4JH-83340-00	F- 3	4HM-85385-10	C- 4	90119-06205	D- 4		F- 6	90209-28331	C- 13		B- 9
4JH-83342-00	F- 3	3GM-87278-A0	F- 4	90123-08046	F- 7	90201-066F0	C- 6	90209-29329	C- 13	90430-08143	B- 2
		90101-08662	E- 10	90149-04278	D- 5		C- 7	90215-20231	C- 11	90430-10171	B- 12
4FM-83345-00	F- 3	90101-08766	E- 4	90149-05273	E- 14	90201-06643	C- 9	90215-21290	C- 13		B- 13
3GM-83350-01	F- 9	90101-10658	D- 8	90149-06008	D- 13	90201-080E2	C- 5	90240-08124	E- 12	90430-14131	B- 12
4NX-83354-00	F- 9	90101-10659	D- 9	90149-06285	C- 7	90201-08083	E- 12	90267-40029	D- 5	90445-090F6	B- 10
4FM-83369-00	F- 3	90105-06153	B- 2	90149-06286	C- 13	90201-08087	C- 6	90267-40054	D- 4	90445-097F7	D- 6
3BN-83371-00	F- 9	90105-06397	C- 15	90149-06298	D- 13		C- 6	90280-05029	B- 5	90445-10144	D- 14
4NX-83509-20	F- 4	90105-06456	B- 13	90149-06308	D- 15	90201-081R9	C- 5	90338-06162	E- 7	90445-112E0	D- 14
3FV-83517-00	F- 4		C- 8	90150-05023	E- 14		E- 10	90338-08226	F- 8	90446-17346	E- 12
4FM-83520-00	F- 4	90105-06553	B- 13	90150-06021	E- 14	90201-08326	D- 2	90338-09012	F- 7	90450-32098	D- 9
4NX-8353H-20	F- 4		B- 14	90150-06036	D- 6	90201-101J1	D- 8	90338-10150	B- 2	90450-32051	B- 10
4NX-83540-20	F- 4	90105-06557	C- 15	90153-06029	B- 3		D- 9	90338-11257	C- 6	90450-38040	B- 10
4NX-83546-00	F- 4	90105-06597	C- 15	90157-05027	F- 7		E- 10	90338-12192	D- 4	90450-57034	B- 15
4KM-83550-01	F- 4	90105-07342	B- 8	90157-05079	E- 10	90201-10118	E- 9	90338-21145	D- 3	90450-67066	B- 15
4NX-83559-00	F- 4	90105-08321	E- 4		E- 10		E- 13	90340-14141	C- 9	90460-27270	B- 13
4NX-83570-20	F- 4	90105-10323	D- 9		F- 9	90201-10119	C- 11	90340-18101	B- 2	90461-10136	C- 9

NUMERICAL INDEX

PART NO.	GRID NO.	PART NO.	GRID NO.	PART NO.	GRID NO.	PART NO.	GRID NO.	PART NO.	GRID NO.	PART NO.	GRID NO.
90462-20222	B- 15	90506-20377	E- 12	92907-06100	F- 2	93306-20644	E- 4	95027-06020	B- 11	95817-06020	C- 6
90462-20223	C- 9	90506-26225	E- 10		F- 7	93306-30525	C- 13		B- 12		D- 8
90464-10190	F- 9	90508-167A3	C- 11	92907-06600	D- 15	93310-365B8	C- 12		B- 12	95817-06025	B- 10
90464-13073	F- 9	90508-297A4	C- 15	92907-08600	C- 11	93315-11206	C- 11		E- 9		C- 7
90464-14228	D- 9	90508-32682	D- 2	92990-03100	F- 4	93315-42523	D- 8	95027-06025	B- 11		D- 13
90464-15192	D- 7	90560-17358	E- 2	92990-04100	E- 8	93317-11020	C- 11		B- 12		F- 8
	E- 7	91314-06025	B- 8	92990-05600	B- 10	93317-21236	C- 8		B- 13	95817-06030	C- 6
	F- 8		E- 7		C- 3	93317-31771	D- 8		C- 8	95817-06040	C- 6
90464-15195	F- 9	91314-08025	D- 12	92990-08100	C- 3	93340-21505	C- 11	95027-06030	B- 12		C- 7
90464-19232	D- 5	91314-08030	D- 10	93102-12106	D- 2	93399-99931	D- 10	95027-06035	B- 13	95817-06045	C- 7
90464-20181	F- 9		E- 7	93102-12224	C- 11	93399-99932	D- 10		C- 8	95817-06050	C- 10
90464-20191	F- 9	91314-08040	D- 12	93102-23252	E- 2	93440-10109	B- 2		C- 9	95817-06055	C- 6
90464-23239	E- 4	91314-10025	D- 3	93102-28022	E- 4	93440-25084	C- 13	95027-06040	B- 12	95817-06070	C- 6
90464-25217	F- 9	91317-05010	D- 14	93102-35459	C- 13	93440-31172	C- 13	95027-06045	C- 9		C- 7
90464-48226	E- 14	91317-06010	E- 8	93102-40330	E- 4	93440-45144	C- 14	95027-06055	C- 9	95817-08035	C- 6
90465-08277	C- 8		F- 9	93105-45017	E- 2	93450-22027	B- 4	95027-06110	C- 9	95817-08040	C- 5
90465-08341	C- 7	91317-06012	E- 8	93109-12053	C- 8	93501-04011	E- 11	95027-10040	B- 13	95817-08050	C- 6
90465-20342	C- 9		E- 9	93109-17048	D- 8		E- 11	95304-06700	D- 2	95817-08065	C- 6
90467-07029	C- 3	91317-06016	B- 10	93210-07438	B- 14	93505-08030	B- 13	95317-06600	F- 4	95817-08070	C- 6
90467-07093	C- 4	91317-06018	C- 10	93210-10996	B- 13	93900-00030	E- 2	95317-08700	E- 12	95817-08075	C- 6
90467-08003	B- 10	91317-06020	B- 13		B- 14		E- 4	95337-08600	E- 4	95824-06020	D- 2
	D- 6		B- 14	93210-12790	B- 13	94581-46110	E- 4	95380-05600	C- 3	95827-06070	C- 9
90467-08017	D- 14		B- 14		B- 14	94591-40138	B- 8	95380-06600	C- 3	95880-06035	C- 8
90467-08021	D- 14		B- 15	93210-13657	B- 13	94701-00241	B- 2	95604-06200	E- 11		C- 9
90467-09006	D- 14	91317-06025	B- 14		B- 13	94701-00242	B- 2		F- 11	97007-05012	B- 10
90467-10008	D- 14	91317-06110	D- 13		B- 14	95024-06012	B- 9	95607-04100	D- 5	97017-06016	D- 15
90467-10135	D- 14	91317-06150	B- 2	93210-14369	C- 9	95024-06016	D- 4	95607-06200	D- 14	97017-06025	E- 8
90467-11106	D- 14	91317-06160	C- 9	93210-15566	B- 14	95024-06020	B- 9		F- 8		F- 7
	D- 14	91317-08025	E- 7	93210-15620	E- 8		C- 7	95617-05100	D- 4	97702-40610	F- 3
90467-12052	C- 4	91317-10035	D- 3	93210-16629	B- 14	95024-06025	C- 8	95617-06100	E- 8		F- 3
90467-13064	D- 13	91317-10150	D- 3	93210-18417	B- 10		C- 8		F- 6		F- 3
90467-13123	D- 13	91490-20025	E- 5	93210-21190	B- 9	95024-06030	B- 9		F- 7		F- 3
90467-14057	E- 13		E- 12	93210-26741	B- 14		C- 8	95617-10100	D- 8	97707-40012	D- 6
90467-22080	B- 15	92014-08020	E- 12	93210-27778	B- 14	95024-06035	D- 4		D- 9		F- 4
90467-24113	B- 15	92017-08035	E- 14	93210-29196	F- 9	95024-06045	B- 9	95617-10200	D- 8	97707-50012	D- 4
90480-12475	D- 3	92901-04600	E- 8	93210-30660	B- 4		E- 11		D- 9		D- 5
90480-13398	D- 6	92906-05100	C- 2	93210-32172	C- 9		E- 11		E- 4		D- 15
90480-14229	E- 14	92906-06600	E- 8	93210-33133	B- 9	95024-06050	C- 8		E- 10		E- 15
90480-14585	F- 4	92907-04100	B- 2		C- 14	95024-06060	B- 9	95707-05500	E- 14	97707-50525	B- 15
90480-15259	F- 6		F- 4	93210-36788	B- 9	95024-08012	B- 2		F- 6		B- 15
90480-15363	B- 17		F- 9	93210-44545	B- 15	95024-08025	C- 5	95707-06500	D- 15	97707-60016	F- 8
90480-18276	F- 9	92907-04600	F- 3	93210-49046	B- 11		C- 5		F- 3	98507-03008	D- 13
90501-06022	C- 15		F- 4	93210-64297	B- 12	95027-06008	F- 9	95707-08500	E- 5	98507-03010	F- 4
90501-104F9	B- 13		F- 9	93210-90785	B- 3	95027-06010	E- 4	95814-08050	C- 6	98507-04006	B- 2
90501-12743	E- 11	92907-05100	F- 2	93306-20314	E- 2	95027-06016	B- 9	95814-08060	C- 6	98507-04008	F- 3
	E- 11	92907-05200	D- 4	93306-20455	C- 14		B- 11	95817-06012	C- 14		F- 9
90501-225A9	C- 11	92907-05600	B- 10	93306-20464	C- 13		E- 14		D- 4	98507-04010	F- 4
90506-18224	E- 10		C- 2	93306-20469	E- 4		F- 6	95817-06016	D- 3	98507-05008	B- 10

NUMERICAL INDEX

PART NO.	GRID NO.	PART NO.	GRID NO.	PART NO.	GRID NO.	PART NO.	GRID NO.	PART NO.	GRID NO.	PART NO.	GRID NO.
98507-05010	C- 8										
98507-05016	C- 2										
	F- 2										
	F- 8										
98507-05020	E- 7										
98507-05025	E- 7										
98507-05030	F- 7										
98507-05040	F- 7										
98507-06010	B- 12										
	E- 12										
98507-06016	E- 12										
	F- 9										
98507-06035	B- 12										
98507-06045	B- 12										
98517-04012	E- 8										
98517-05012	C- 2										
98517-06030	F- 2										
98580-04008	C- 2										
98606-04016	D- 13										
98707-03008	F- 7										
98707-04008	C- 3										
98707-05012	C- 15										
98707-06025	E- 15										
99006-10600	D- 2										
99009-10400	C- 11										
99009-11400	D- 12										
99009-12400	B- 9										
99009-19400	D- 2										
99080-07600	C- 11										
99231-00080	D- 4										
99231-00100	E- 14										
99237-00080	D- 4										
99237-00100	E- 14										
99510-08016	B- 2										
	B- 13										
	C- 7										
99530-08012	B- 12										
	C- 7										
	C- 8										
	C- 8										
	C- 8										
99530-10014	C- 6										
	C- 9										
99530-14016	B- 3										
	C- 6										