

CONTENTS

ENGINE			
CYLINDER	B2	SEAT	C7
CRANKSHAFT-PISTON	B3	FRONT WHEEL	C8
WATER PUMP	B4	FRONT BRAKE CALIPER	C9
RADIATOR-HOSE	B5	REAR WHEEL	C10
OIL PUMP	B6	REAR BRAKE CALIPER	C11
INTAKE	B7	STEERING HANDLE CABLE	C12
CARBURETOR	B8	FRONT MASTER CYLINDER	C13
EXHAUST	B9	STAND FOOTREST	C14
CRANKCASE	B10	REAR MASTER CYLINDER	C15
STARTER	B11	LEG SHIELD	D2
CLUTCH	B12	COWLING	D3
TRANSMISSION	B13	GENERATOR	D4
CHASSIS		FLASHER LIGHT	D5
FRAME	B14	METER	D6
FENDER	B15	HEADLIGHT	D7
SIDE COVER	C2	TAILLIGHT	D8
OIL TANK	C3	HANDLE SWITCH.LEVER	D9
REAR SUSPENSION	C4	ELECTRICAL 1	D10
FRONT FORK	C5	ELECTRICAL 2	D11
FUEL TANK	C6	NUMERICAL INDEX	M1-M2

YAMAHA
GENUINE
Parts & Accessories

YQ50'97 (5CN1)
PORTUGAL

175CN - 353E2
SEPTEMBER 1997

A2

FOREWORD

This Part Catalogue is related to the parts in use for the YQ50'97

When you are ordering replacements parts for the YQ50'97, refer to this Parts Catalogue and quote both part numbers and part names correctly.

1. Modifications or additions which have been made after issue of the Parts Catalogue will be announced in the Parts News

It is advisable that according to the Parts News you make necessary corrections to the Parts Catalogue on hand to keep it up-to-date.

2. Abbreviations

The following abbreviations are used in this Parts Catalogue

- U.R. Use size (thickness) and or number as required
- U.N. Use as many as you need
- A.P. Alternate Parts
- L.M. Local Made
- F. Frame N (Applicable machine N)

3. The parts marked with (*) in the parts number column of this Catalogue are not supplied with by Yamaha, those have to be found locally

4. Parts, which are to be supplied in the form of assemblies, are listed with an indentation of one letter's space, and a dot (.) is put against the name of each part

EXAMPLE CARBURETOR ASS'Y
 JET.pilot
 .NOZZLE.main

5. Indication of N of constituent parts for assembly.

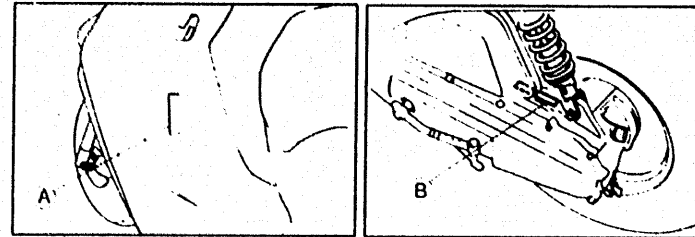
The numeral appearing to the right of each constituent part under the description indicates the quantity of such parts for each individual assembly unit

EXAMPLE

Part N	Description	Qty	Remarks
2F5-83310-60	FRONT FLASHER LIGHT ASS'Y	2	
115-83311-60	BULB (6V-18W)	1	
1M1-83303-60	REFLECTOR	1	

6. Initial Serial N and Color Code

(A) Frame Serial N	*VG55BR00000300101*
(B) Engine Serial N	5BR - 000101

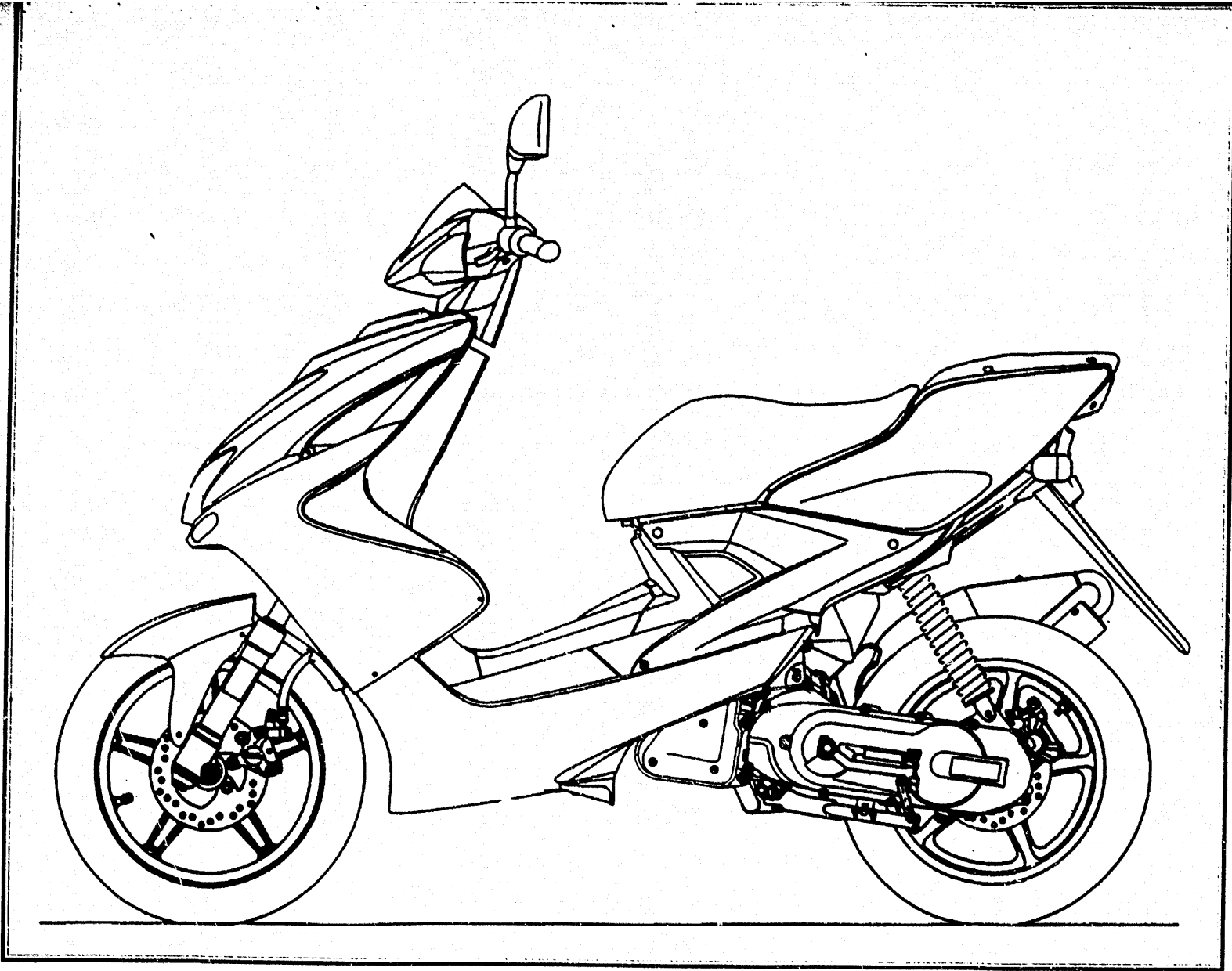


Color Code	Color Name	Abbreviat
0430	VIVID RED SOLID A	VRSA
0124	LIGHT GRAY METALLIC 2	LGM2
0574	PURPLISH BLUE CANDY 3	PBC3

7. Applicable colors of graphics are represented in the "Remarks" column by the letter(s) appropriately picked out of the full word(s) showing such colors.

EXAMPLE

Part N	Description	Qty	Remarks
2N4-24110-00 X5	FUEL TANK COMPL	1	
3J1-24240-10	GRAPHIC.fuel tank set	1	



A4

CONTENTS

ENGINE	
CYLINDER	B2
CRANKSHAFT-PISTON	B3
WATER PUMP	B4
RADIATOR-HOSE	B5
OIL PUMP	B6
INTAKE	B7
CARBURETOR	B8
EXHAUST	B9
CRANKCASE.....	B10
STARTER.....	B11
CLUTCH.....	B12
TRANSMISSION	B13
CHASSIS	
FRAME.....	B14
FENDER.....	B15
SIDE COVER	C2
OIL TANK.....	C3
REAR SUSPENSION	C4
FRONT FORK	C5
FUEL TANK	C6
SEAT	C7
FRONT WHEEL	C8
FRONT BRAKE CALIPER	C9
REAR WHEEL	C10
REAR BRAKE CALIPER	C11
STEERING HANDLE CABLE	C12
FRONT MASTER CYLINDER	C13
STAND FOOTREST	C14
REAR MASTER CYLINDER	C15
LEG SHIELD	D2
COWLING	D3
GENERATOR.....	D4
FLASHER LIGHT	D5
METER.....	D6
HEADLIGHT	D7
TAILLIGHT	D8
HANDLE SWITCH.LEVER.....	D9
ELECTRICAL 1	D10
ELECTRICAL 2	D11
INUMERICAL INDEX	M1-M2

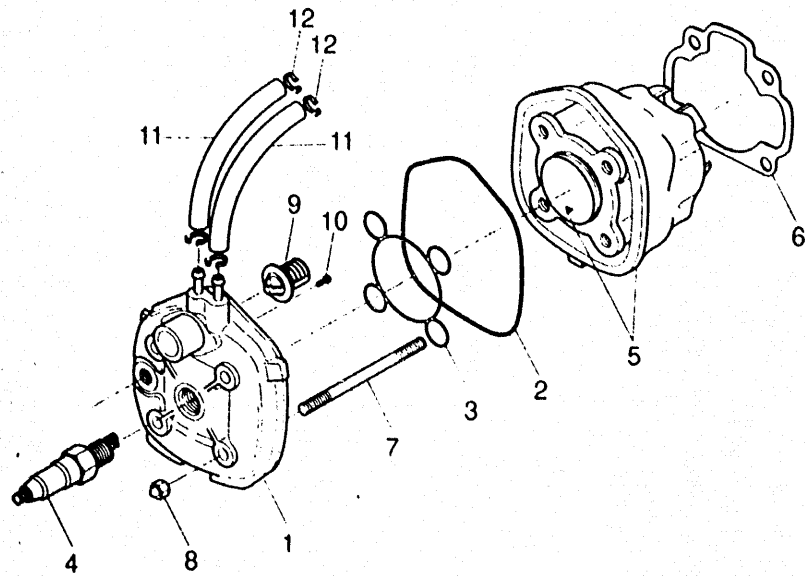


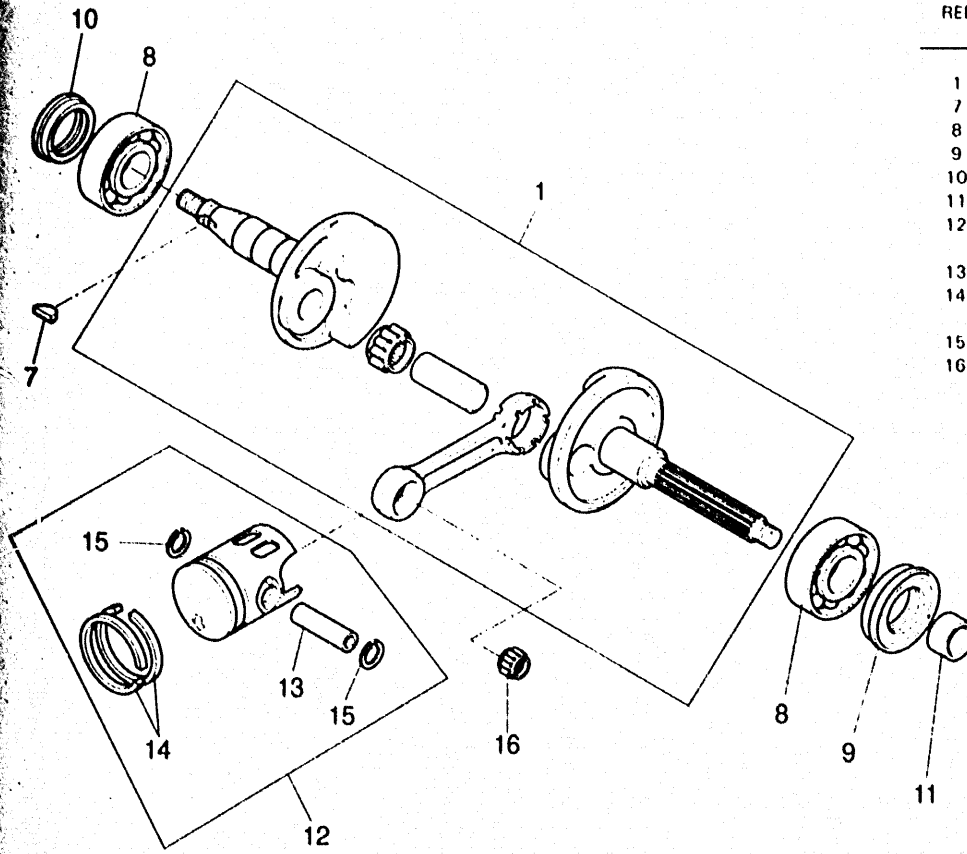
FIG 1 CYLINDER

REF	PART.N°	DESCRIPTION	QTY	REMARKS
1	5BR E1111 00	HEAD, CYLINDER 1	1	
2	5BR E1194 00	GASKET, HEAD COVER 2	1	
3	5BR E1193 00	GASKET, HEAD COVER 1	1	
4	94701 00195	PLUG, SPARK	1	NGK BR8HS
5	5BR E1311 00	CYLINDER 1	1	
	5BR E1631 00	.PISTON (STD)	1	
	3VL E1633 00	.PIN, PISTON	1	
	3VL E1610 00	.PISTON RING SET	1	
	93450 11120	.CIRCLIP	2	
6	5BR E1351 00	GASKET, CYLINDER	1	
7	90116 07353	BOLT, STUD	1	
8	90179 07381	NUT, POP	4	
9	5BR E2410 00	THERMOSTAT ASSY	1	
10	90159 04841	SCREW, WITH WASHER	2	
11	5BR E4148 00	PIPE	2	
12	5BR E4159 00	CLIP	4	

FWD

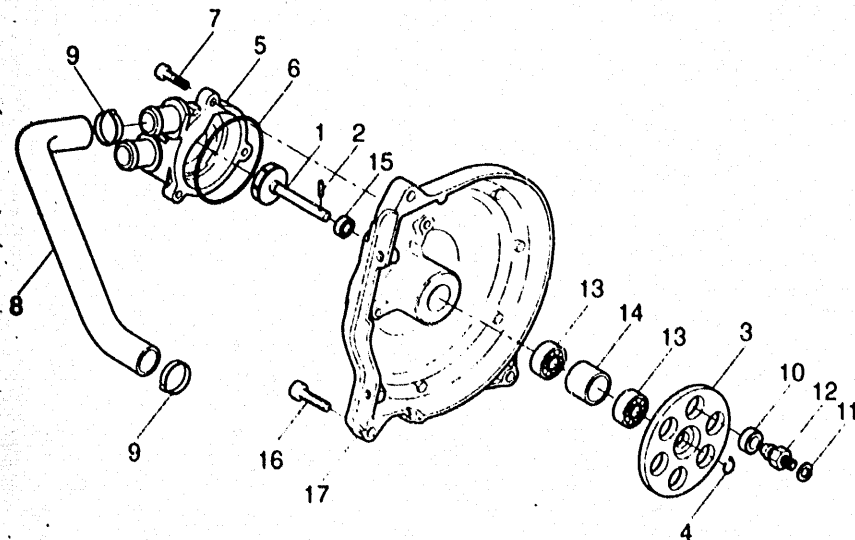
B2

FIG 2 CRANKSHAFT, PISTON



REF	PART.N"	DESCRIPTION	QTY	REMARKS
1	4CU E1400 10	CRANKSHAFT ASSY	1	
7	90280 03017	KEY, WOODRUFF	1	
8	93306 204X2	BEARING	2	
9	93102 20371	OIL SEAL	1	
10	93101 20138	OIL SEAL	1	
11	90387 156U0	COLLAR	1	
12	5BR E1631 00	PISTON (STD)	1	
	5BR E1636 00	PISTON (0.50MM O/S)	1	
13	3VL E1633 00	PIN, PISTON	1	
14	3VL E1610 00	PISTON RING SET	1	
	3VL E1610 20	PISTON RING SET	1	
15	93450 11120	CIRCLIP	2	
16	93210 210M0	BEARING, CYLINDRICAL	1	

FIG 3 WATER PUMP



REF	PART.N°	DESCRIPTION	QTY	REMARKS
1	5BR E2450 00	IMPELLER SHAFT ASSY	1	
2	93603 22028	PIN, DOWEL	1	
3	5BR E2459 00	GEAR, IMPELLER SHAFT	1	
4	93440 08130	CIRCLIP	1	
5	5BR E2422 00	COVER, HOUSING	1	
6	93210 548E8	O RING	1	
7	91317 05020	BOLT	3	
8	5BR E2483 00	PIPE 3	1	
9	90465 06830	CLAMP	1	
10	90480 06874	GROMMET	3	
11	92995 06100	WASHER	3	
12	93700 06811	NIPPLE, GREASE	3	
13	93306 608Y0	BEARING	2	
14	90387 178S8	COLLAR	1	
15	93101 10842	OIL SEAL	1	
16	90110 06X01	BOLT, HEXAGON SOCKET HEAD	3	
17	5BR E5421 00	COVER, CRANKCASE 2	1	

FWD

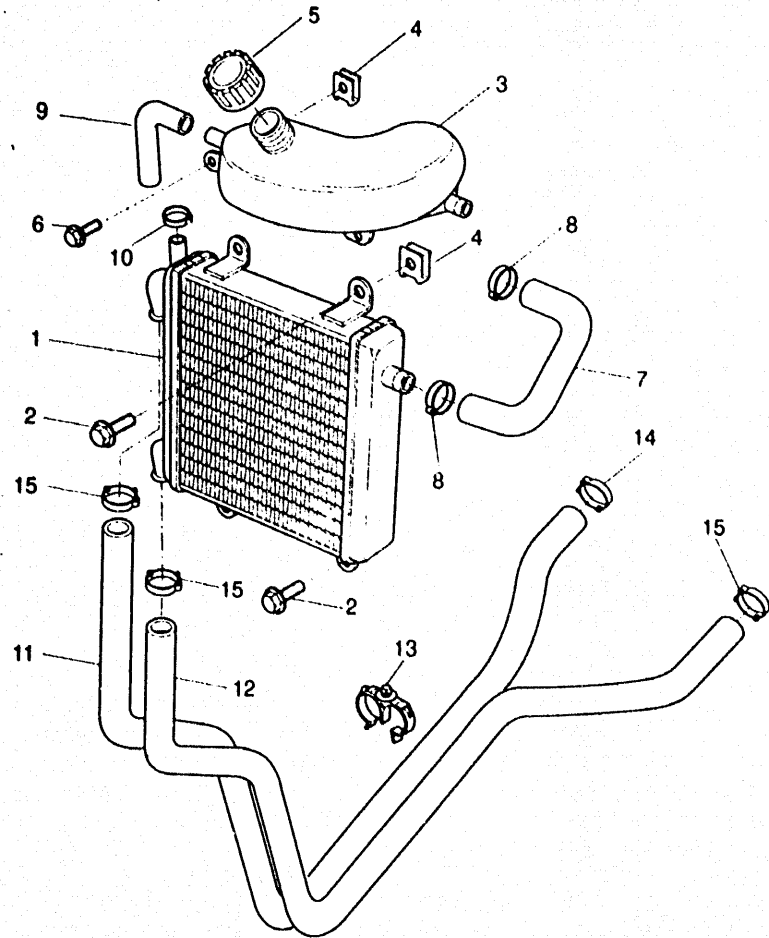


FIG 4 RADIATOR. HOSE

REF	PART.N°	DESCRIPTION	QTY	REMARKS
1	5BR E2460 00	RADIATOR ASSY	1	
2	90105 06841	BOLT, WASHER BASED	4	
3	5BR E2490 00	TANK ASSY	1	
4	NU6-21713-00	NUT, LATCH CLAMP	1	
5	5BR-E2567 00	CAP,WATER	1	
6	90105 06841	BOLT, WASHER BASED	1	
7	5BR-E243A-00	HOSE, 1	1	
8	5BR E2487 30	CLIP,2	2	
9	5BR E2589 00	HOSE 6	1	
10	5BR E2487 10	CLIP,2	2	
11	5BR E2485 00	PIPE 5	1	
12	5BR-E2484 00	PIPE 4	1	
13	5BR E2486 00	CLIP, 1	2	
14	5BR E2487 00	CLIP,2	1	
15	5BR E2487 20	CLIP,2	3	

FWD

B5

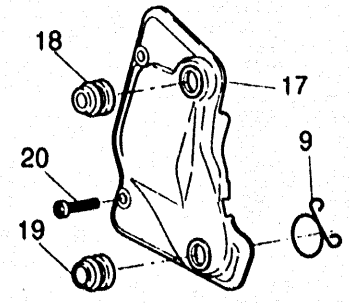
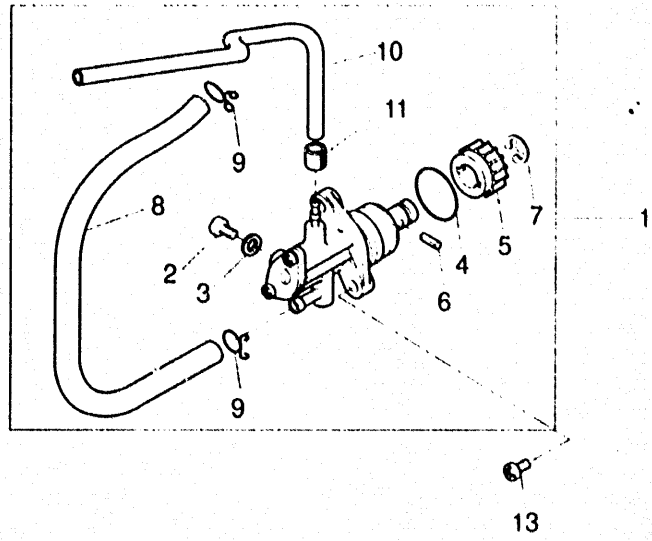
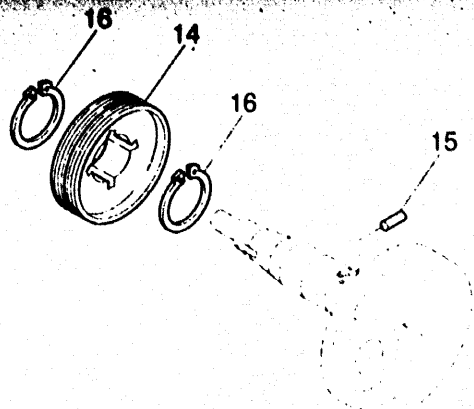


FIG 5 OIL PUMP

REF	PART.N"	DESCRIPTION	QTY	REMARKS
1	3AA 13100 02	OIL PUMP ASSY	1	
2	3WF 13185 00	.BOLT, BREATHER	1	
3	1YU 13187 00	.GASKET, BREATHER BOLT	1	
4	1YU 13473 00	.O RING	1	
5	3AA 13124 00	.GEAR, WORM WHEEL	1	
6	1YU 13516 00	.PIN, DOWEL	1	
7	1YU 13577 00	.CLIP	1	
8	1YU 13418 00	.PIPE, OIL 2	1	
9	90468 02033	.CLIP	2	
10	90445 083J7	.HOSE	1	
11	90467 08003	.CLIP	1	
13	98507 05014	SCREW, PAN HEAD	2	
14	3VL E3178 00	GEAR, PUMP DRIVE	1	
15	93603 12007	PIN, DOWEL	1	
16	99009 194C7	.CIRCLIP	2	
17	5BR E3141 00	COVER, PUMP CASE	1	
18	90480 13875	GROMMET	1	
19	90480 13876	GROMMET	1	
20	98907 05014	SCREW, BIND	2	
	5BR E3487 00	NOT ILLUSTRED GUIDE, OIL HOSE	1	

FWD

B6

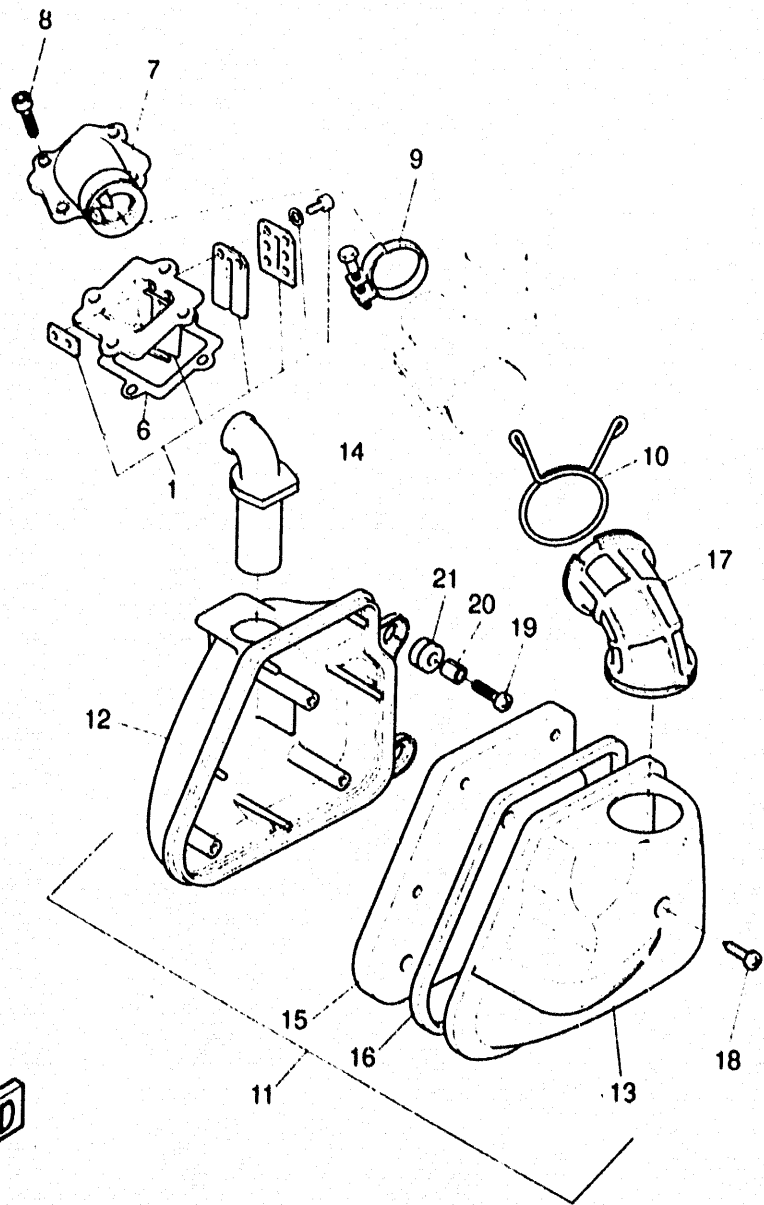


FIG 6 INTAKE

REF	PART.N°	DESCRIPTION	QTY	REMARKS
1	4CU E3610 00	REED VALVE ASSY	1	
6	4CU E3621 00	GASKET, VALVE SEAT	1	
7	4CU E3555 00	MANIFOLD, INTAKE	1	
8	91317 06020	BOLT	4	
9	5BR E3577 00	CLIP	1	
10	90467 24140	CLIP	1	
11	5CN E4410 00	AIR CLEANER ASSY.	1	
12	3WG E4411 00	CASE, AIR CLEANER 1	1	
13	3WG E4412 00	CAP, CLEANER CASE 1	1	
14	3YK 14437 00	DUCT	1	
15	5CN E4451 00	ELEMENT, AIR CLEANER	1	
16	3WG E4452 00	SEAL	1	
17	5AD E4453 00	JOINT, AIR CLEANER 1	1	
18	97701 50525	SCREW, TAPPING	3	
19	97607 06220	SCREW, PAN HEAD WITH WASHER	2	
20	90387 067V1	COLLAR	2	
21	90480 12497	GROMMET	2	
	5BR E4459 00	NOT ILLUSTRATED HOLDER, GUIDE	1	

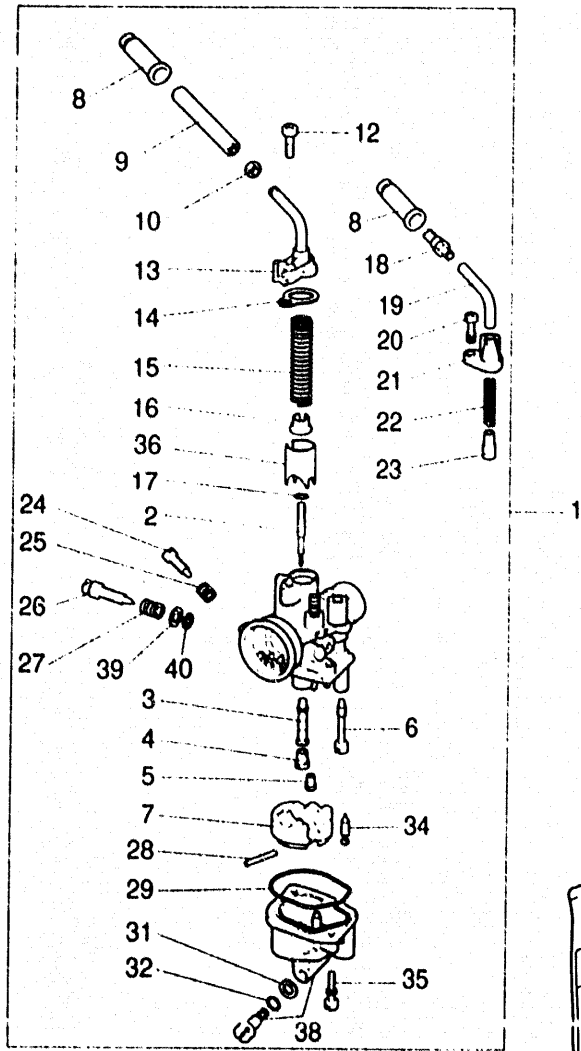


FIG 7 CARBURETOR

REF	PART.N"	DESCRIPTION	QTY	REMARKS
1	5BR E4301 00	CARBURETOR ASSY 1	1	
2	5BR E4336 00	.NEEDLE	1	
3	5BR E4341 00	.NOZZLE, MAIN	1	
4	5BR E4343 00	.JET, MAIN	1	
5	4SB E4342 00	.JET, PILOT	1	
6	5BR E4344 00	.JET, STARTER	1	
7	4SB E4385 00	.FLOAT	1	
8	5BR F6329 00	.CAP, RUBBER	2	
9	5BR E4161 00	.NUT, CABLE ADJUSTING	1	
10	5BR E4358 00	.NUT	1	
12	5BR E4325 00	.SCREW, PAN HEAD	1	
13	5BR E4369 00	.DIAPHRAGM ASSY 2	1	
14		IN GASKET KIT REP 37		
15	4SB E4331 02	.SPRING, THROTTLE VALVE	1	
16	4SB E4377 00	STOPPER	1	
17	4SB E4137 00	.CLIP	1	
18	4SB E4124 00	.SCREW, CABLE ADJUSTING	1	
19	4SB E4318 00	PIPE STARTER	1	
20	4SB E4216 00	.SCREW	1	
21	5BR E4368 00	.DIAPHRAGM ASSY 1	1	
22	4SB E4335 00	.SPRING, PLUNGER	1	
23	4SB E4371 00	.PLUNGER, STARTER	1	
24	4SB E4104 00	.AIR SCREW SET	1	
25	4SB E4134 00	.SPRING, AIR ADJUSTING	1	
26	4SB E4103 01	.THROTTLE SCREW SET	1	
27	4SB E4133 01	.SPRING, THROTTLE STOP	1	
28	4SB E4386 00	.PIN, FLOAT	1	
29		IN GASKET KIT REP 37		
31		IN GASKET KIT REP 37		
32		IN GASKET KIT REP 37		
34	4SB E4392 00	.VALVE, NEEDLE	1	
35	4SB E4216 10	.SCREW	1	
36	5BR E4312 00	.VALVE, THROTTLE 1	1	
37	4SB W0001 00	.GASKET KIT	1	
38	5BR E4381 00	.BODY, FLOAT CHAMBER	1	
39	4SB E4357 00	.WASHER, PLAIN	1	
40		IN GASKET KIT REP 37		

FWD

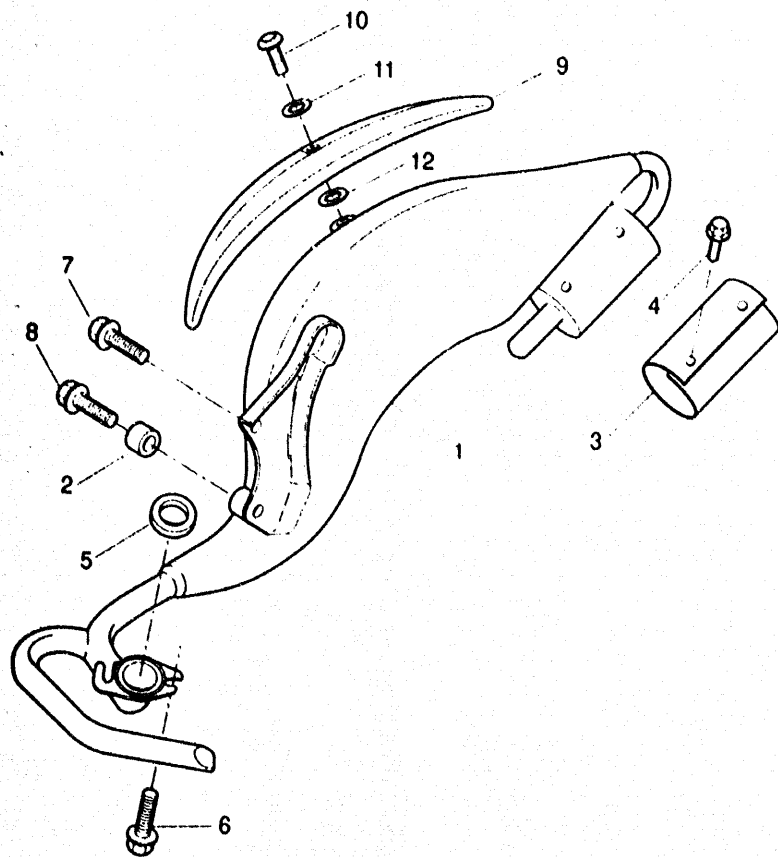


FIG 8 EXHAUST

REF	PART.N°	DESCRIPTION	QTY	REMARKS
1	5BR E4610 02	EXHAUST PIPE ASSY 1	1	UR MNRO5
2	2JA 14737 00	DAMPER, MUFFLER	1	
3	5BR E4758 00	PROTECTOR, SILENCER	1	
4	5BR E4751 00	SCREW	2	
5	3HK 14613 00	GASKET, EXHAUST PIPE	1	
6	90153 06061	SCREW, HEXAGON	2	
7	95817 08020	BOLT, FLANGE	1	
8	95817 08040	BOLT, FLANGE	1	
9	5BR E4729 00	EMBLEM, PROTECTOR	1	
10	NJ6 54041 00	SCREW,BIND	3	
11	3HL F2245 00	WASHER	3	
12	3WX 14766 00	WASHER, PROTECTOR	3	

WD

B9

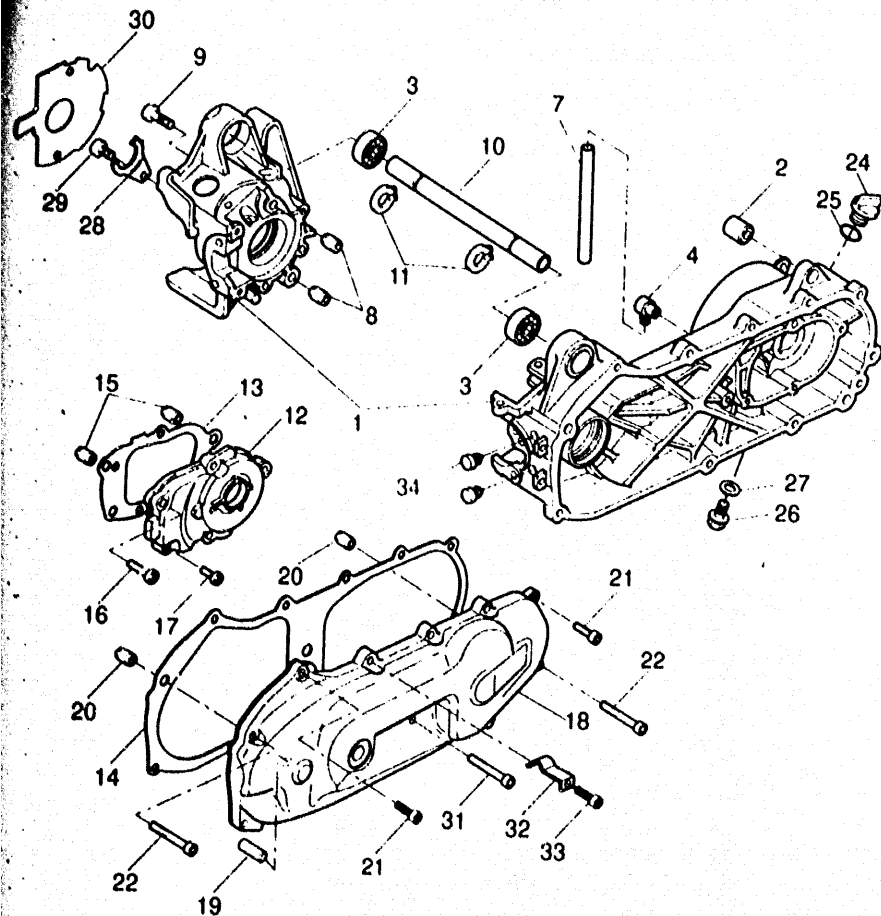


FIG 9 CRANKCASE

REF	PART.N°	DESCRIPTION	QTY	REMARKS
1	5BR E5150 00	CRANKCASE ASSY	1	
2	164 22216 00	BUSH, REAR SHOCK ABS	1	
3	93306 00307	BEARING	2	
4	3VL E5371 00	BREATHER	1	
7	90446 13311	HOSE	1	
8	99510 12016	PIN, DOWEL	2	
9	98507 06035	SCREW, PAN HEAD	6	
10	4CU E5317 00	SPACER, ENGINE MOUNT	1	
11	99009 17400	CIRCLIP	2	
12	3VL E5421 00	COVER, CRANKCASE 2	1	
13	3VL E5461 00	GASKET, CRANKCASE CO	1	
14	5AD E5451 00	GASKET, CRANK COVER 1	1	
15	99530 10114	PIN, DOWEL	2	
16	90110 06237	BOLT, HEXAGON SOCKET HEAD	2	
17	91317 06020	BOLT	4	
18	5BR E5411 00	COVER, CRANKCASE 1	1	
19	3VL E5659 00	SHAFT	1	
20	99530 10114	PIN, DOWEL	2	
21	90110 06X01	BOLT, HEXAGON SOCKET HEAD	8	
22	90110 06237	BOLT, HEXAGON SOCKET HEAD	2	
24	3VL E5363 00	PLUG, OIL	1	
25	93210 14104	O RING	1	
26	95817 08016	BOLT, FLANGE	1	
27	90430 08119	GASKET	1	
28	3VL E5128 00	HOLDER	1	
29	98517 06012	SCREW, PAN HEAD	1	
30	4CU E5462 00	GASKET, CRANK COVER 3	1	
31	91317 06045	BOLT	1	
32	5BR F5876 00	HOLDER, BRAKE HOSE 2	1	
33	90110 06X01	BOLT, HEXAGON SOCKET HEAD	1	
34	90480 11877	GROMMET	2	

FWD

B10

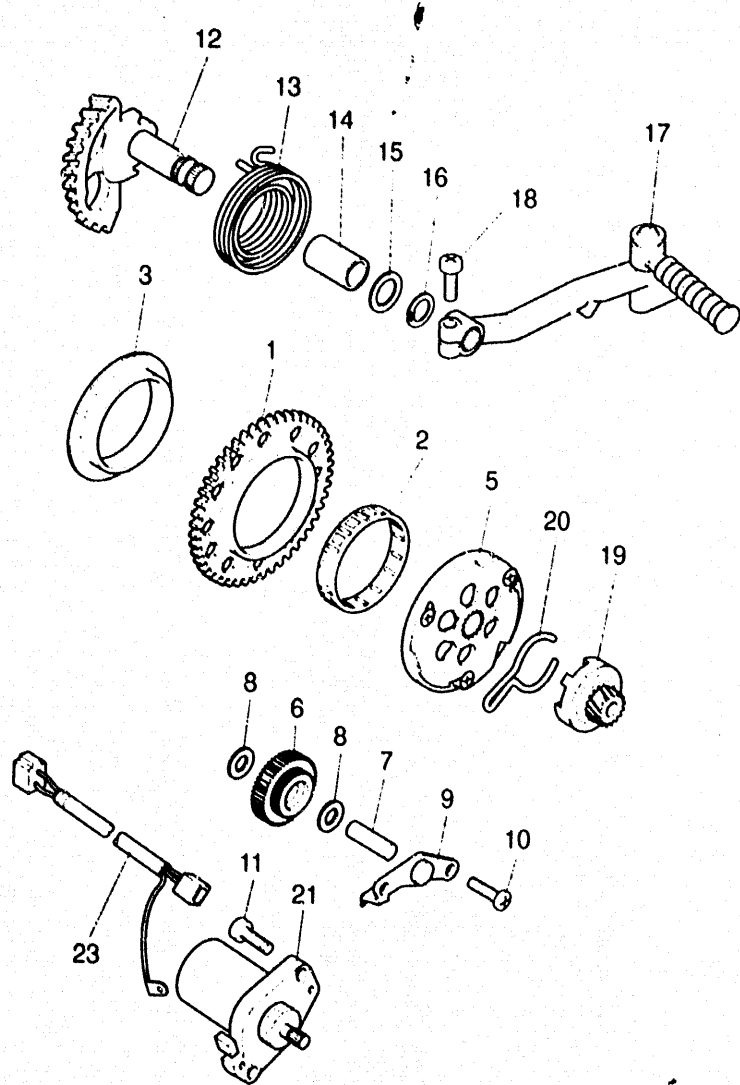


FIG 10 STARTER

REF	PART.N"	DESCRIPTION	QTY	REMARKS
1	3AA 15513 00	GEAR 1	1	
2	93310 257R1	BEARING, CYLINDRICAL	1	
3	3KJ 15528 00	BOSS, GEAR	1	
5	3VL 15570 00	STARTER CLUTCH ASSY	1	
6	4SB E5650 00	IDLE GEAR ASSY	1	
7	3VL E5659 00	SHAFT	1	
8	90201 08X00	WASHER, PLAIN	2	
9	4CU E5532 00	PLATE, IDLE GEAR	1	
10	98517 06012	SCREW, PAN HEAD	2	
11	91317 06020	BOLT	2	
12	3ES 15601 00	KICK SHAFT ASSY	1	
13	90508 32609	SPRING, TORSION	1	
14	90380 15083	BUSH, SOLID	1	
15	90201 154E9	WASHER, PLAIN	1	
16	99009 15400	CIRCLIP	1	
17	3VL E5620 01	KICK CRANK ASSY	1	
18	3VL E5793 00	SCREW	1	
19	4SB E5631 00	GEAR, KICK PINION	1	
20	3VL E5673 00	CLIP	1	
21	4CU H1800 00	STARTING MOTOR ASSY	1	
23	4CU 82541 00	WIRE, LEAD	1	



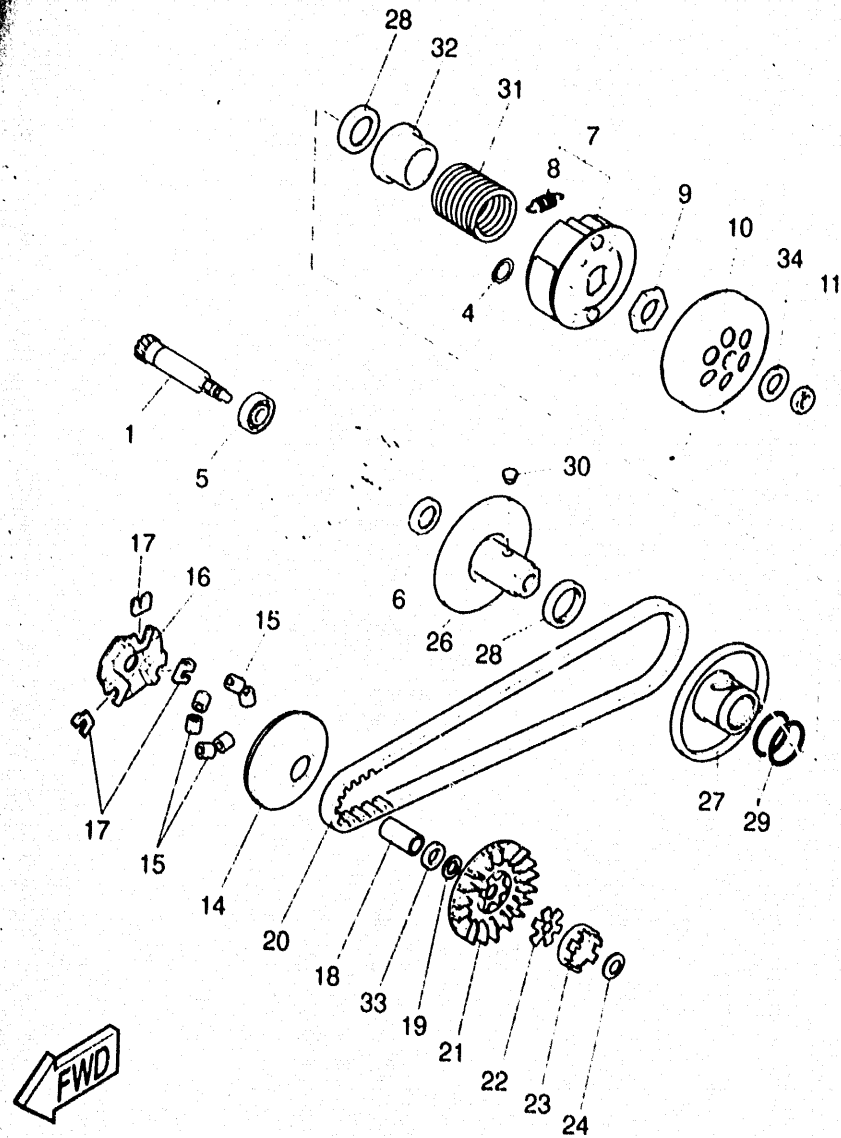
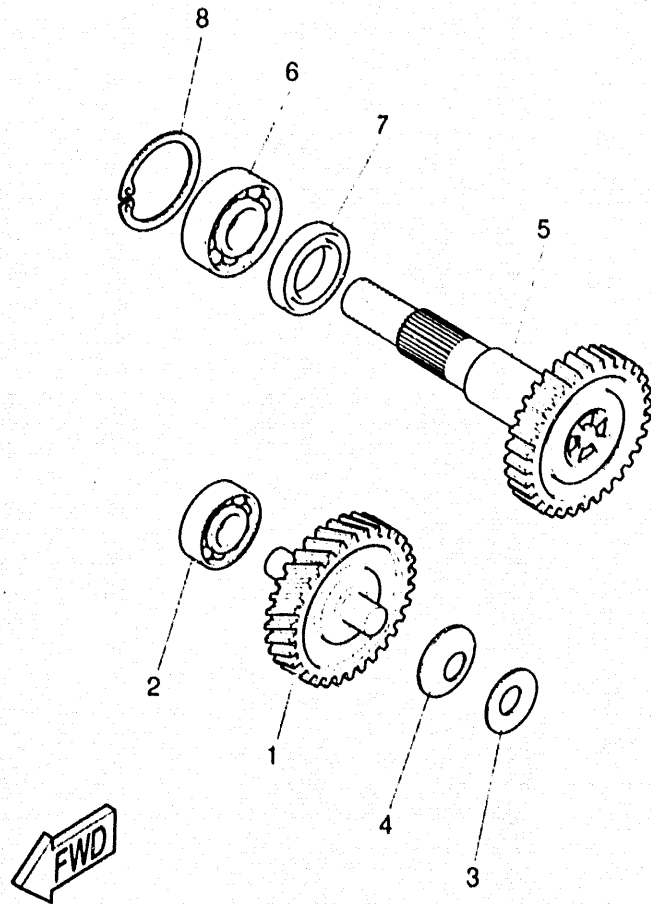


FIG 11 CLUTCH

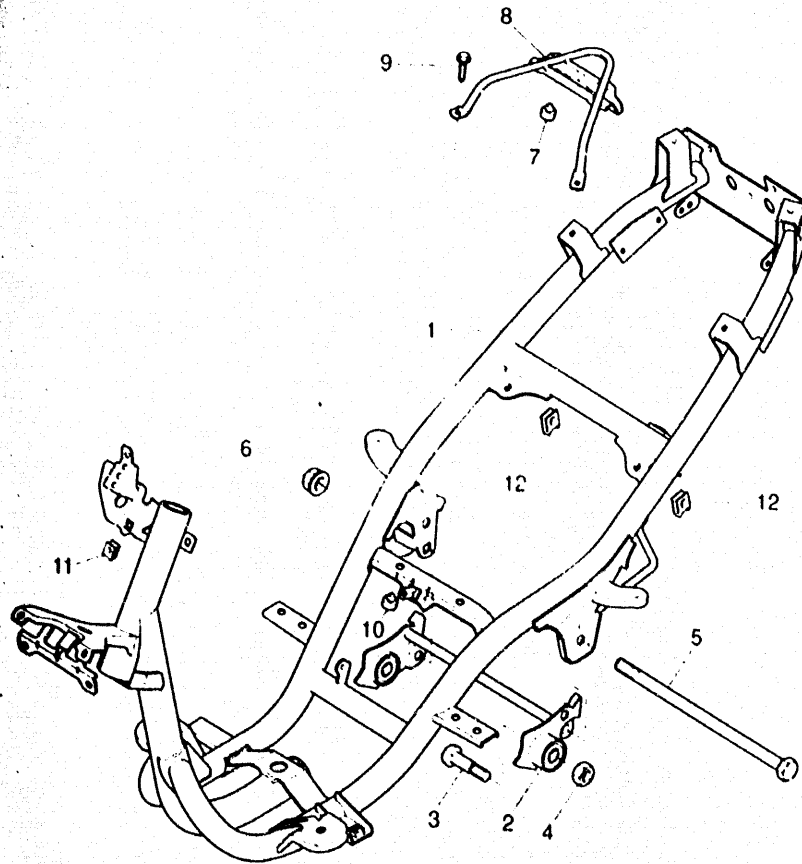
REF	PART.N"	DESCRIPTION	QTY	REMARKS
1	3VL E6111 00	GEAR, PRIMARY DRIVE	1	
4	99001 05600	CIRCLIP	3	
5	93306 20301	BEARING	1	
6	93102 17342	OIL SEAL	1	
7	5BR E6620 00	CLUTCH CARRIER ASSY	1	
8	5BR E6626 00	SPRING, CLUTCH WEIGHT 1	2	
9	90170 28860	NUT	1	
10	5BR E6611 00	CLUTCH HOUSING COMP.	1	
11	90179 10370	NUT	1	
14	4CU E7620 00	PRIMARY SLIDING SHEAVE COMP.	1	
15	4FG E7632 00	WEIGHT	6	
16	3VL E7623 00	CAM	1	
17	3VL E7653 00	SLIDER	3	
18	90387 135U3	COLLAR	1	
19	90201 133M8	WASHER, PLATE	1	
20	3AA 17641 00	V BELT	1	
21	3VL E7611 00	SHEAVE, PRIMARY FIXE	1	
22	90214 13055	WASHER,CLAW (0.5T)	1	
23	3KJ 15657 00	CLUTCH, ONEWAY	1	
24	90208 10012	WASHER, CONICAL SPRI	1	
26	5BR E7660 00	SECONDARY FIXED SHEAVE COMP.	1	
27	5BR E7671 00	SECONDARY SLIDING SHEAVE	1	
28	93104 34832	OIL SEAL	2	
29	93210 368E7	O RING	2	
30	5BR E7664 00	PIN, GUIDE	2	
31	90501 35864	SPRING, COMPRESSION	1	
32	5BR E7684 00	SEAT, SECONDARY SPRING	1	
33	5BR E7654 00	SPACER 1	1	
34	3VL F5384 00	WASHER, WHEEL	1	

FIG 12 TRANSMISSION



REF	PART.N°	DESCRIPTION	QTY	REMARKS
1	3WT E7410 00	MAIN AXLE COMP.	1	
2	93306 20006	BEARING (B6200)	2	
3	90201 140G5	WASHER, PLATE	1	
4	90208 14047	WASHER, CONICAL SPRING	1	
5	3WT E7420 00	DRIVE AXLE ASSY	1	
6	93306 20346	BEARING	1	
7	93102 22082	OIL SEAL	1	
8	93420 40064	CIRCLIP	1	

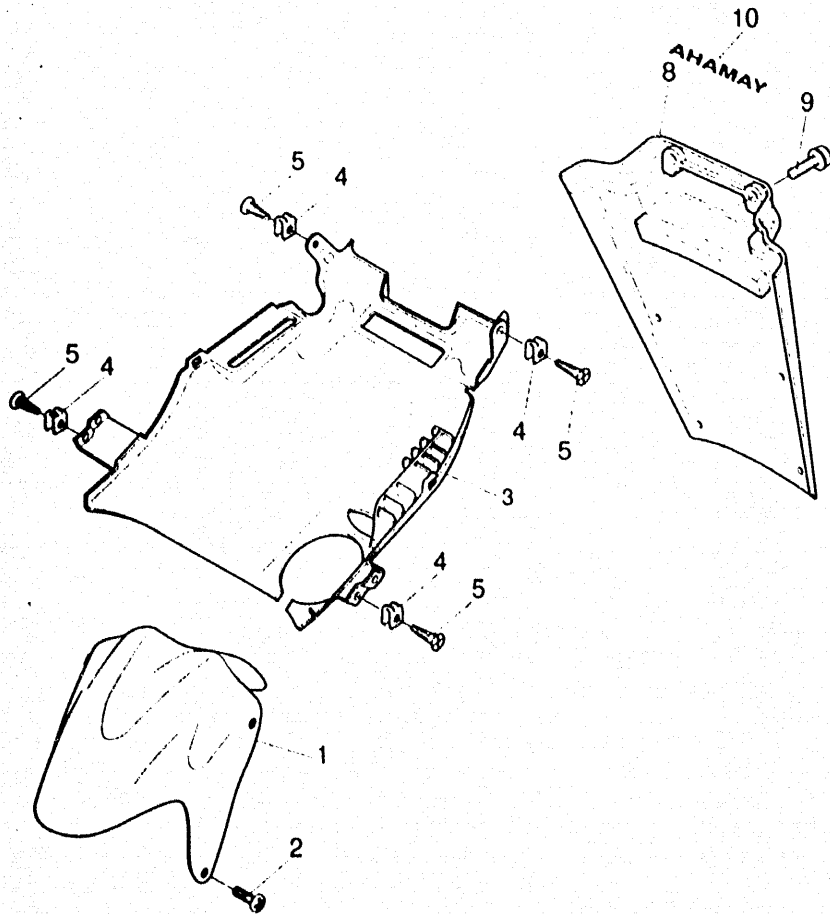
FIG 13 FRAME



REF	PART.N"	DESCRIPTION	QTY	REMARKS
1	5BR F1110 00	FRAME COMP.	1	UR YAMAHA BLACK
2	5BR F1410 00	ENGINE BRACKET COMP.	1	
3	5G3 21481 00	BOLT,ENGINE MOUNTING	2	
4	90185 10154	NUT, SELF LOCKING	2	
5	3KJ 21481 00	BOLT,ENGINE MOUNTING	1	
6	95617 12200	BOLT, STUD	1	
7	3VL F4741 10	PAD, SEAT	4	
8	5BR F1232 00	REINFORCEMENT, TAIL	1	
9	95817 08016	BOLT, FLANGE	4	
10	3VL F4741 10	PAC, SEAT	2	
11	NU6 21713 00	NUT, LATCH CLAMP	8	
12	NU6 21723 00	NUT,LATCH CLAMP 2	4	
		NOT ILLUSTRED		
	5BK F1182 00	MANUFACTURER PLATE	1	
	90267 32801	RIVET, BLIND	2	

FWD

FIG 14 FENDER



REF	PART N°	DESCRIPTION	QTY	REMARKS
1	5BR F1556 00 4B	FENDER FRONT 2	1	UR BLACK 2 VRSA
	5BR F1556 00 26	FENDER FRONT 2	1	1/4 CPY LGM2
	5BR F1556 00 P1	FENDER FRONT 2	1	UR LGM2 PBC3
2	3UP F1531 00	BOLT	4	
3	5BR F1629 00	GUARD MUD	1	
4	NU6 21723 00	NUT LATCH CLAMP 2	2	
5	WUG 21768 00	SCREW	4	
8	5BR F1642 00	GUARD FLAP	1	
9	90109 063F1	BOLT	2	
10	5BR F152A 00	EMBLEM 3	1	

FWD

B15

CONTENTS

ENGINE		SEAT	
CYLINDER	B2	FRONT WHEEL	C8
CRANKSHAFT-PISTON	B3	FRONT BRAKE CALIPER	C9
WATER PUMP	B4	REAR WHEEL	C10
RADIATOR-HOSE	B5	REAR BRAKE CALIPER	C11
OIL PUMP	B6	STEERING HANDLE CABLE	C12
INTAKE	B7	FRONT MASTER CYLINDER	C13
CARBURETOR	B8	STAND FOOTREST	C14
EXHAUST	B9	REAR MASTER CYLINDER	C15
CRANKCASE.....	B10	LEG SHIELD	D2
STARTER.....	B11	COWLING	D3
CLUTCH.....	B12	GENERATOR.....	D4
TRANSMISSION	B13	FLASHER LIGHT	D5
CHASSIS		METER.....	D6
FRAME.....	B14	HEADLIGHT.....	D7
FENDER.....	B15	TAILLIGHT	D8
SIDE COVER	C2	HANDLE SWITCH.LEVER	D9
OIL TANK.....	C3	ELECTRICAL 1	D10
REAR SUSPENSION	C4	ELECTRICAL 2	D11
FRONT FORK	C5	INUMERICAL INDEX	M1-M2
FUEL TANK	C6		

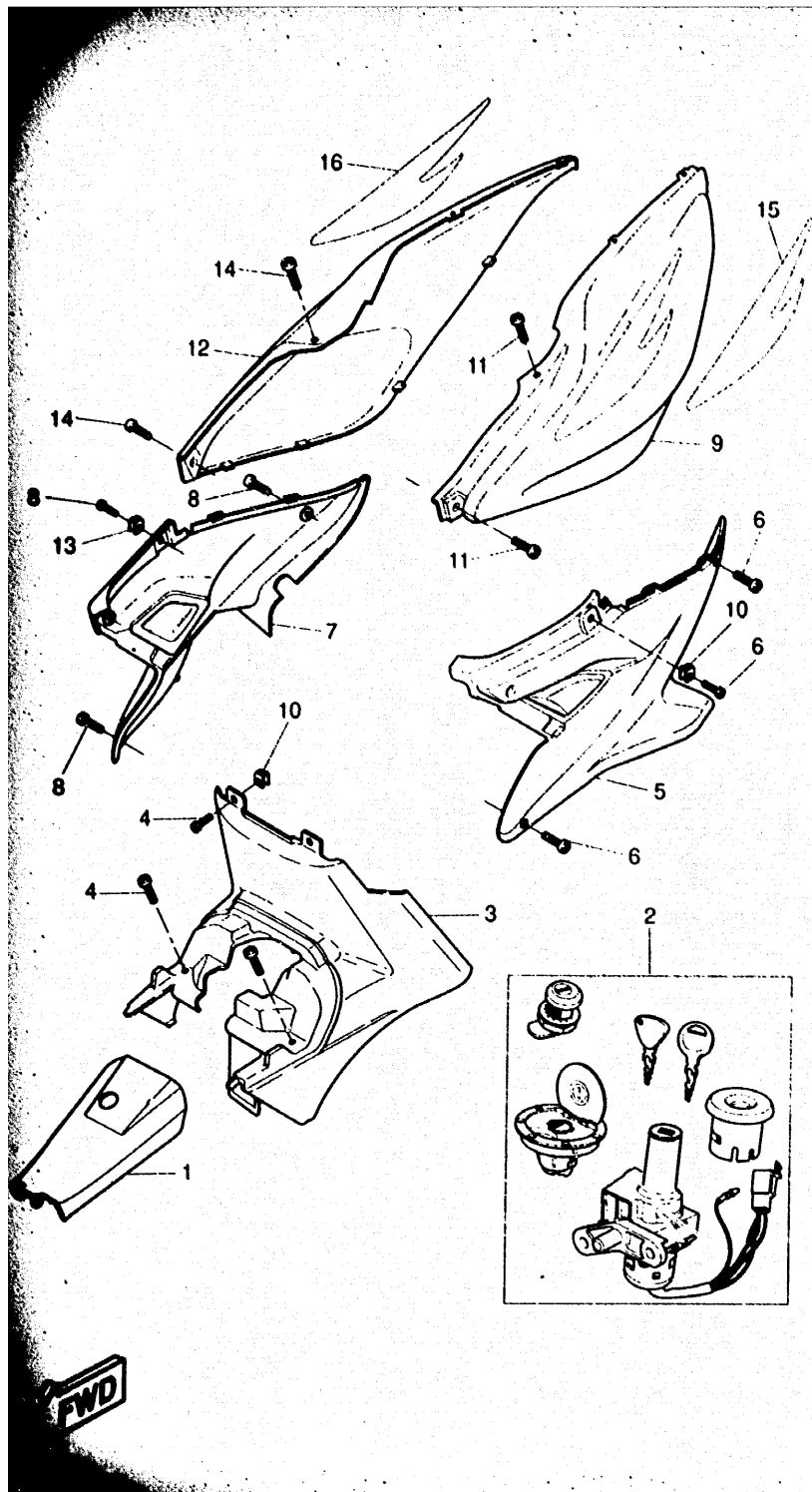
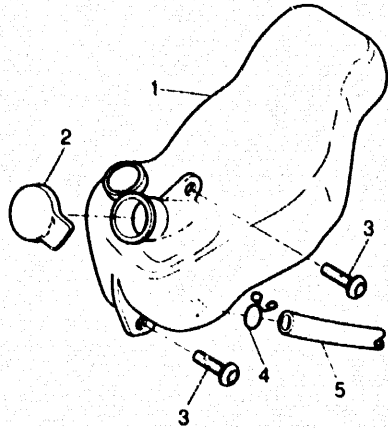


FIG 15 SIDE COVER

REF	PART.N°	DESCRIPTION	QTY	REMARKS
1	5BR F177E 00	LID	1	
2	5BR H2021 00	KEY SET	1	
3	5BR F1716 00	LID, SIDE COVER	1	
4	NU6 21768 00	SCREW	4	
5	5BR F1711 00	COVER,SIDE 1	1	
6	NU6 21768 10	SCREW	3	
7	5BR F1721 00	COVER,SIDE 2	1	
8	NU6 21768 10	SCREW	3	
9	5BR F1731 00 P0	COVER,SIDE 3	1	UR VIVID RED SOLID A
	5BR F1731 00 P1	COVER,SIDE 3	1	UR LIGHT GRAY METALLIC 1
	5BR F1731 00 P4	COVER,SIDE 3	1	UR PURPLISHBLUECANDY 3
10	NU6 21723 00	NUT,LATCH CLAMP 2	2	
11	NU6 21768 00	SCREW	2	
12	5BR F1741 00 P0	COVER SIDE 4	1	UR VIVID RED SOLID A
	5BR F1741 00 P1	COVER,SIDE 4	1	UR LIGHT GRAY METALLIC 1
	5BR F1741 00 P4	COVER,SIDE 4	1	UR PURPLISHBLUECANDY 3
13	NU6 21723 00	NUT,LATCH CLAMP 2	2	
14	NU6 21768 00	SCREW	2	
15	5BR F173E 00	GRAPHIC 1	1	
16	5BR F173F 00	GRAPHIC 2	1	

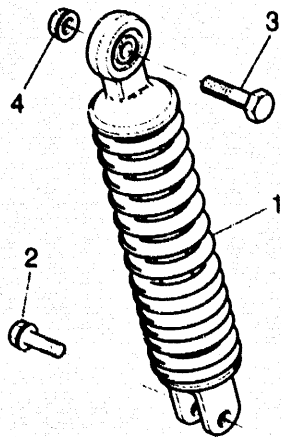
FIG 16 OIL TANK

REF	PART.N°	DESCRIPTION	QTY	REMARKS
1	5BR F1705 00	OIL TANK ASSY	1	
2	2N3 21771 01	BODY, CAP	1	
3	NG4-53521 04	SCREW	2	
4	90467 08003	CLIP	1	
5	90445 083J7	PIPE	1	



FWD

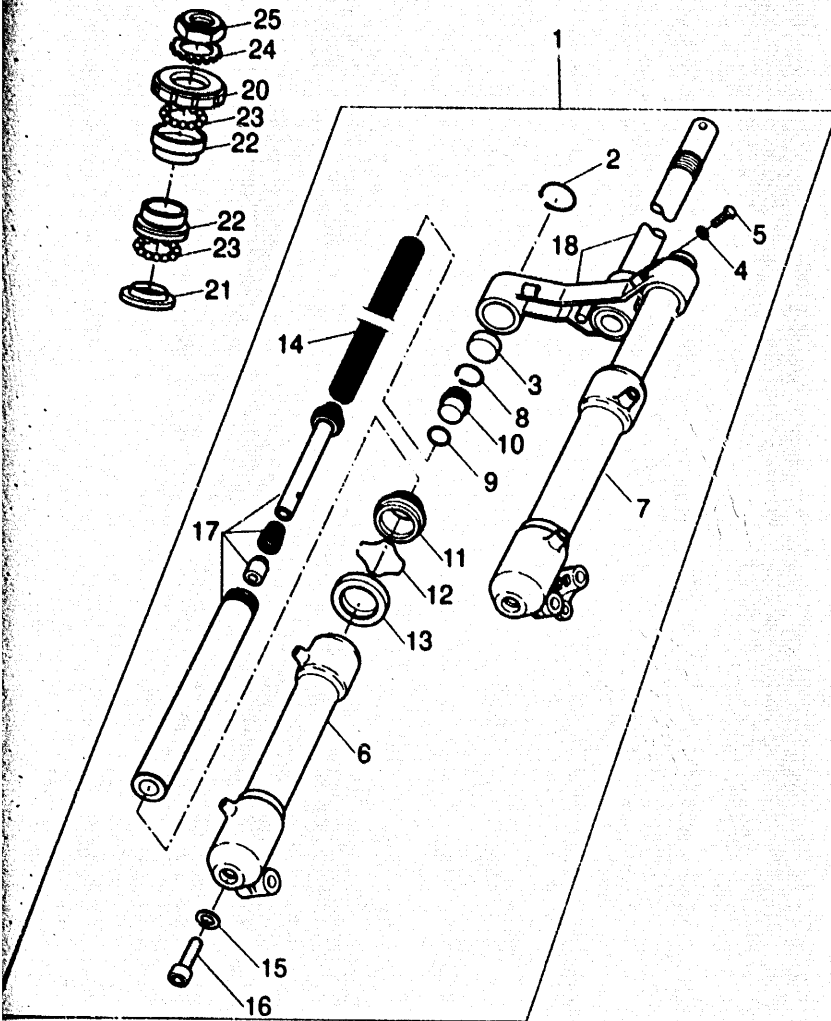
FIG 17 REAR SUSPENSION



REF	PART.N°	DESCRIPTION	QTY	REMARKS
1	5BR F2210-00	SHOCK ABSORBER ASSY, REAR	1	UR LGM2
	5BR F2210-10	SHOCK ABSORBER ASSY, REAR	1	UR VRSA
	5BR F2210-20	SHOCK ABSORBER ASSY, REAR	1	UR PBC3
2	90105 08121	BOLT, WASHER BASED	1	
3	90101-10776	BOLT	1	
4	95617 10200	BOLT, STUD	1	



FIG 18 FRONT FORK



REF	PART.N"	DESCRIPTION	QTY	REMARKS
1	5BR F3100 00	FRONT FORK ASSY	1	
2	4TD F3153 00	.RING, SNAP	2	
3	4TD F3154 00	.PLUG, INNER TUBE	2	
4	4TD F3112 00	.WASHER, CAP	2	
5	4TD F3394 00	.BOLT, SPECIAL	2	
6	5BR F3136 00	.TUBE, OUTER 2 RIGHT	1	
7	5BR F3126 00	.TUBE, OUTER 1 LEFT	1	
8	4TD F3183 00	.CIRCLIP	2	
9	4TD F3147 00	.O-RING	2	
10	4TD F3111 00	.BOLT, CAP	2	
11	4TD F3144 00	.SEAL, DUST	2	
12	4TD F3156 00	.CLIP, OIL SEAL	2	
13	4TD F3145 00	.OIL SEAL	2	
14	4TD F3141 00	.SPRING, FRONT FORK	2	
15	4CU F3165 00	.WASHER PLAIN	2	
16	4TD F3181 00	.BOLT, HEXAGON SOCKET HEAD	2	
17	5BR F3110 00	.INNER TUBE COMP. 1	1	
18	4TD F3340 01	.UNDER BRACKET COMP.	1	
20	4SB F3411 01	RACE, BALL 1	1	
21	4SB F3414 00	RACE, BALL 4	1	
22	4SB F3412 00	RACE, BALL 2	2	
23	4SB F3812 00	PLANE BEARING, STEERING	2	
24	4SB F3427 01	WASHER	1	
25	4SB F3453 01	NUT, FITTING 1	1	
		NOT ILLUSTRATED		
	5BR F3108 00	.EMBLEM	2	
	3VL H5111 00	REFLECTOR, FRONT 1	2	

TWD

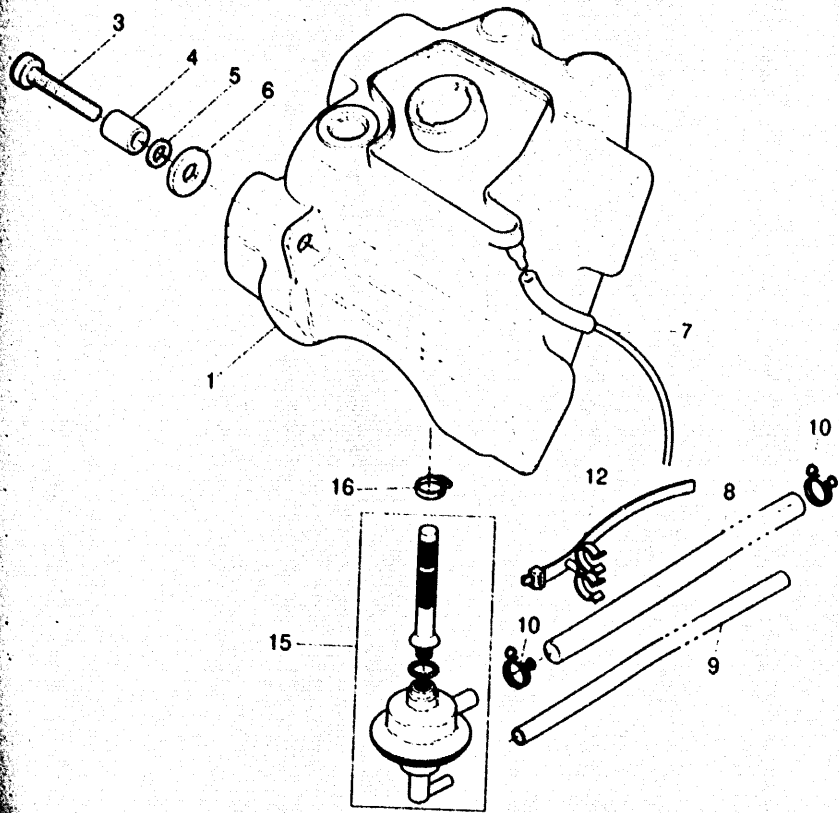
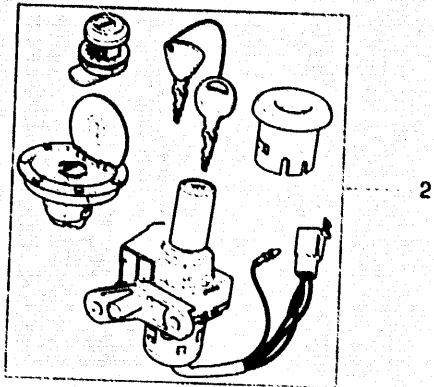


FIG 19 FUEL TANK

REF	PART.N"	DESCRIPTION	QTY	REMARKS
1	5BR F4110 00	FUEL TANK COMP.	1	
2	5BR H2021 00	KEY SET	1	
3	4SB F7117-10	BOLT	1	
4	90387 060G7	COLLAR	1	
5	90201 065F3	WASHER, PLAIN	1	
6	90480-13398	GROMMET	1	
7	4SB F4318 10	PIPE, OVERFLOW	1	
8	4SB F4312-10	PIPE 2	1	
9	4SB F4335 10	PIPE, SUCTION 1	1	
10	90467 09006	CLIP	2	
12	5BR F1335 00	CLAMP, WIRE HARNESS 1	2	
15	5AD F4500 00	FUEL COCK ASSY 1	1	
16	5BR F412G 00	COLLAR	1	

FWD

C6

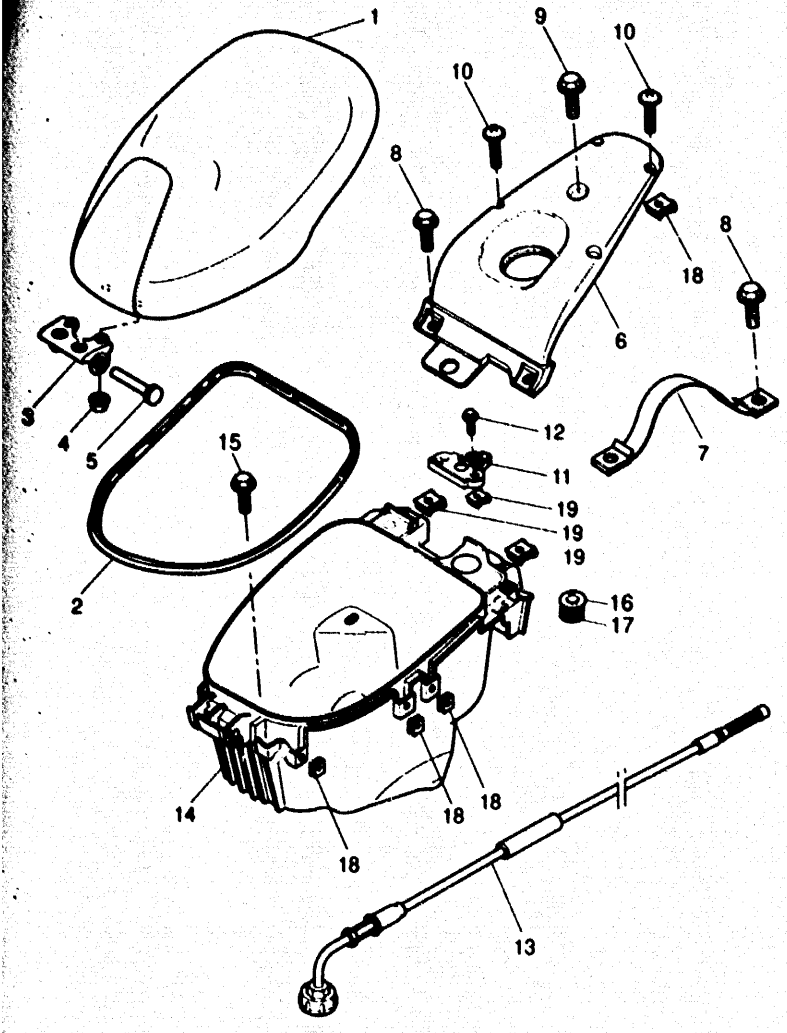


FIG 20 SEAT. CARRIER

REF	PART.N°	DESCRIPTION	QTY	REMARKS
1	5BR F4710-00	SINGLE SEAT ASSY	1	
2	5BR-F475M-00	SEAL	1	
3	4CU-F4726-00	HINGE, SEAT	1	
4	90179 06X00	NUT	2	
5	5BR-F474E-00	ARM	1	
6	5BR-F4756-00	COVER, TAIL	1	
7	5BR-F4778-00	BAND, SEAT FITTING	1	
8	4SB-F7117-10	BOLT	2	
9	5BR-F4739-00	BOLT, SEAT FITTING	1	
10	NU6-21768-10	SCREW	4	
11	5AD-F4780-00	SEAT LOCK ASSY	1	
12	4SB-F7117-10	BOLT	2	
13	5BR-F478E-00	WIRE, SEAT HOOK	1	
14	5BR-F473R-00	BOX 1	1	
15	90109 063F1	BOLT	4	
16	5AD-F4781-00	SUPPORT, SPRING 1	1	
17	90501 20X00	SPRING, COMPRESSION	1	
18	NU6-21723-00	NUT,LATCH CLAMP 2	1	
19	NU6-21713-00	NUT, LATCH CLAMP	6	
	5BR-F118G-01	NOT ILLUSTRATED PLATE,NOISE	1	

FWD

C7

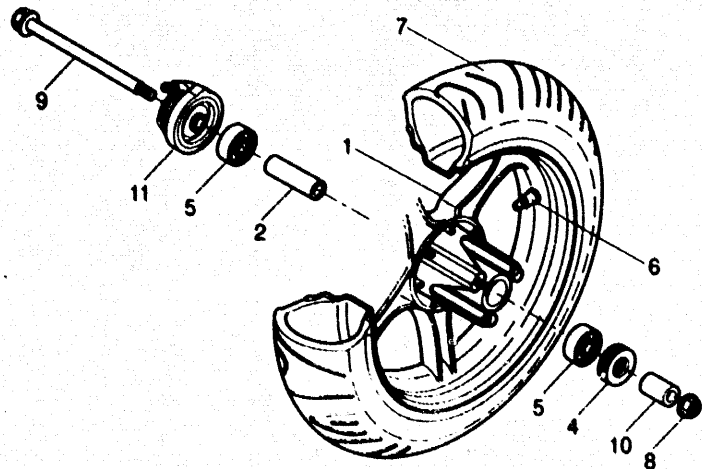


FIG 21 FRONT WHEEL

REF	PART.N°	DESCRIPTION	QTY	REMARKS
1	5BR F5168-00	CAST WHEEL, FRONT	1	
2	4SB-F5117-00	SPACER, BEARING	1	
4	93106-20001	OIL SEAL	1	
5	93306-300Y8	BEARING	2	
6	5BR-F5170-00	AIR VALVE ASSY	1	
7	5BR-F5108-00	FRONT TIRE SET(PIRELLI)	1	130-60/13
	5BR-F5108-10	FRONT TIRE SET(MICHELIN)	1	130-60/13
8	95617-10200	BOLT, STUD	1	
9	5BR-F2141-00	SHAFT, PIVOT	1	
10	90387-10079	COLLAR	1	
11	4YB-F5190-00	GEAR UNIT ASSY	1	

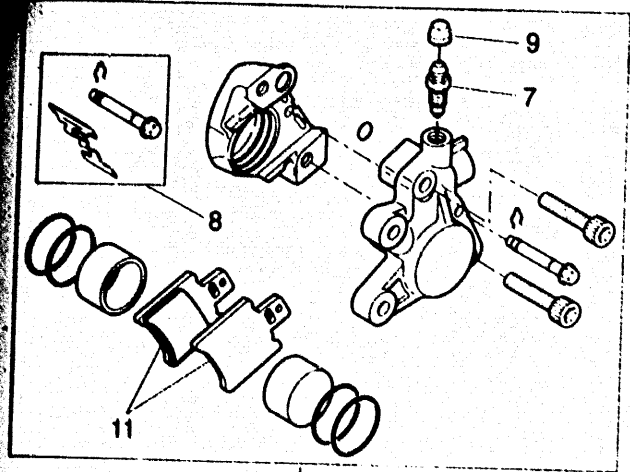
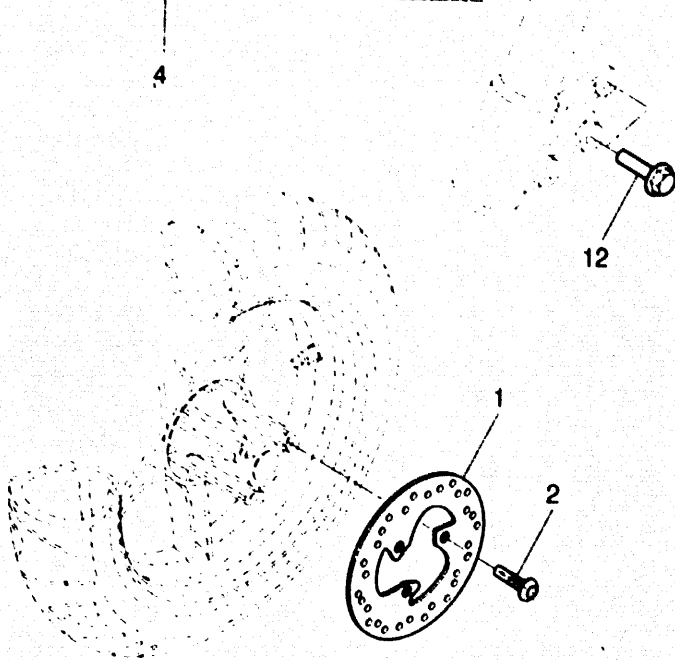


FIG 22 FRONT BRAKE CALIPER

REF	PART N°	DESCRIPTION	QTY	REMARKS
1	5BR F582V 00	DISC, REAR BRAKE 1	1	
2	NU6 25833 00	BOLT, FITTING	3	
4	4CU F580T 20	CALIPER ASSY (LEFT)	1	
7	4CU F5824 00	SCREW, BREED	1	
8	4CU F5919 00	SUPPORT, PAD ASSY	1	
9	4CU F5825 00	CAP	1	
11	4CU F5811 20	PAD, CALIPER 2	2	
12	NU6 25818 00	BOLT, CALIPER	2	



PWD

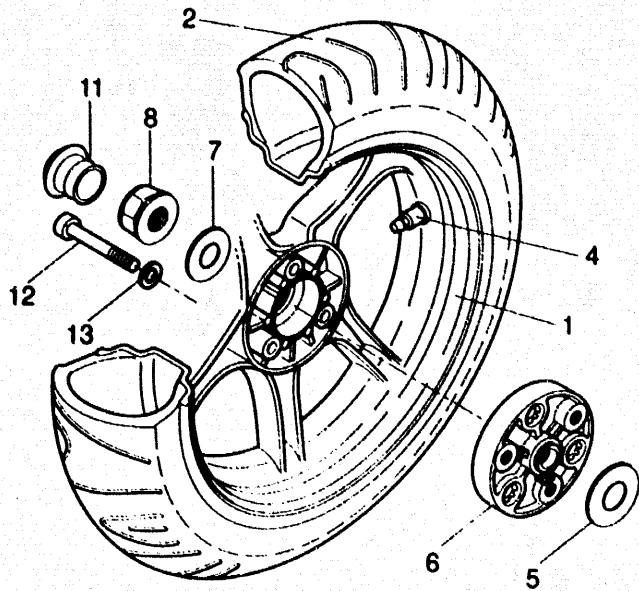


FIG 23 REAR WHEEL

REF	PART.N°	DESCRIPTION	QTY	REMARKS
1	5BR-F5338-00	CAST WHEEL, REAR	1	
2	5BR F5308 00	REAR TIRE SET(PIRELLI)	1	140-60/13
	5BR-F5308 10	REAR TIRE SET(MICHELINI)	1	140-60/13
4	5BR F5170 00	AIR VALVE ASSY	1	
5	90201 177G4	WASHER, PLAIN	1	
6	5BR-F5311 00	HUB, REAR	1	
7	90201 142M6	WASHER, PLATE	1	
8	90185-14070	NUT, SELF-LOCKING	1	
11	5BR F532A 00	CAP REAR WHEEL	1	
12	5BR F5411 00	BOLT	3	
13	5BR F5315 00	FLANGE, SPACER	3	

PWD

C10

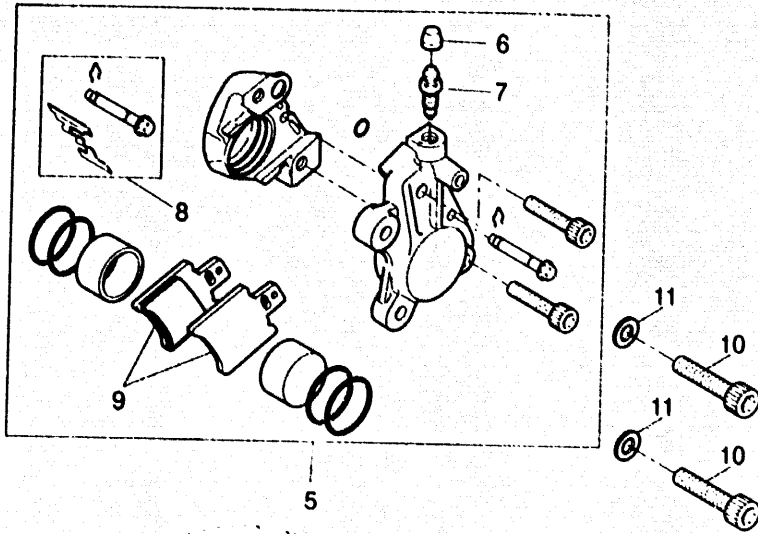


FIG 24 REAR BRAKECALIPER

REF	PART N°	DESCRIPTION	QTY	REMARKS
1	5BR-F582V-00	DISC, REAR BRAKE 1	1	
2	NU6-25833-00	BOLT, FITTING	3	
5	5BR-F580V-00	CALIPER ASSY, REAR 1	1	
6	4CU-F5825-00	.CAP	1	
7	4CU-F5824-00	.SCREW, BREED	1	
8	5BR-F5919-00	.SUPPORT, PAD ASSY	1	
9	5BR-F5811-00	.PAD, CALIPER 2	1	
10	NU6-25818-00	BOLT, CALIPER	2	
11	5BR-F5316-00	SPACER	2	

FWD

C11

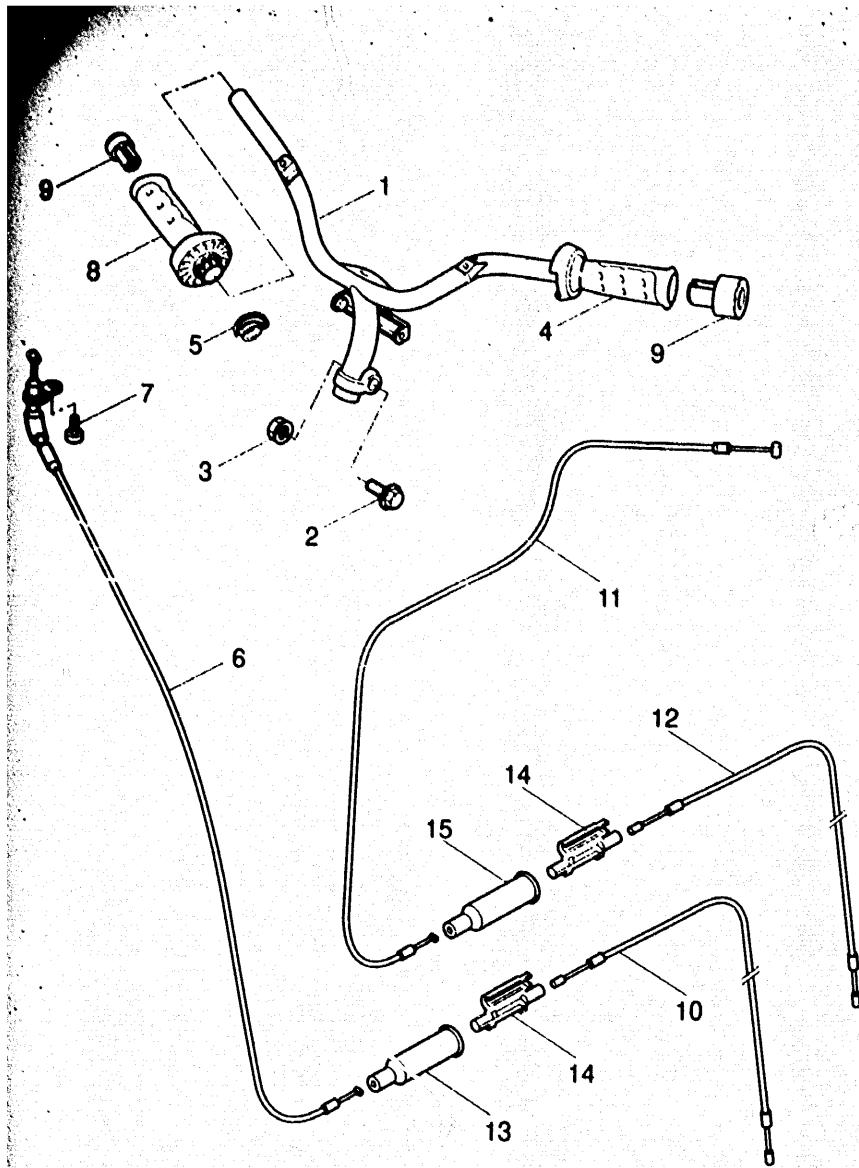


FIG 25 STEERING HANDLE. CABLE

REF	PART.N°	DESCRIPTION	QTY	REMARKS
1	5BR F6110 00	HANDLE COMP.	1	
2	90105 10036	BOLT, WASHER BASED	1	
3	90185 10154	NUT, SELF-LOCKING	1	
4	5BR F6241-00	GRIP (LEFT)	1	
5	5BR F6273-00	ROTOR	1	
6	5BR F6311-00	CABLE, THROTTLE 1	1	
7	5BR F632G-00	SCREW	1	
8	5BR F6240-00	GRIP ASSY	1	
9	5BR F6246-00	END, GRIP	2	
10	3VL F6312-01	CABLE, THROTTLE 2	1	
11	5BR F6331-00	CABLE, STARTER 1	1	
12	3VL F6334-02	CABLE, STARTER 2	1	
13	3WG F6329 00	CAP, RUBBER	1	
14	3VL F6261 00	CONNECTOR CABLE	2	
15	3WG F6329 00	CAP, RUBBER	1	

FWD

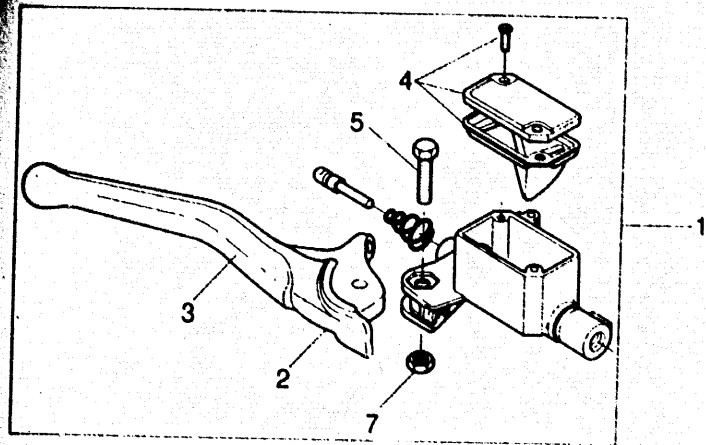
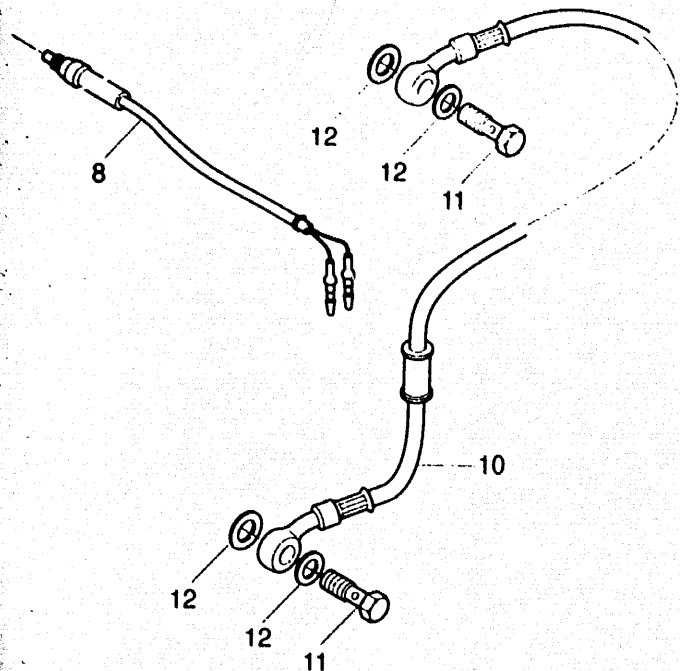


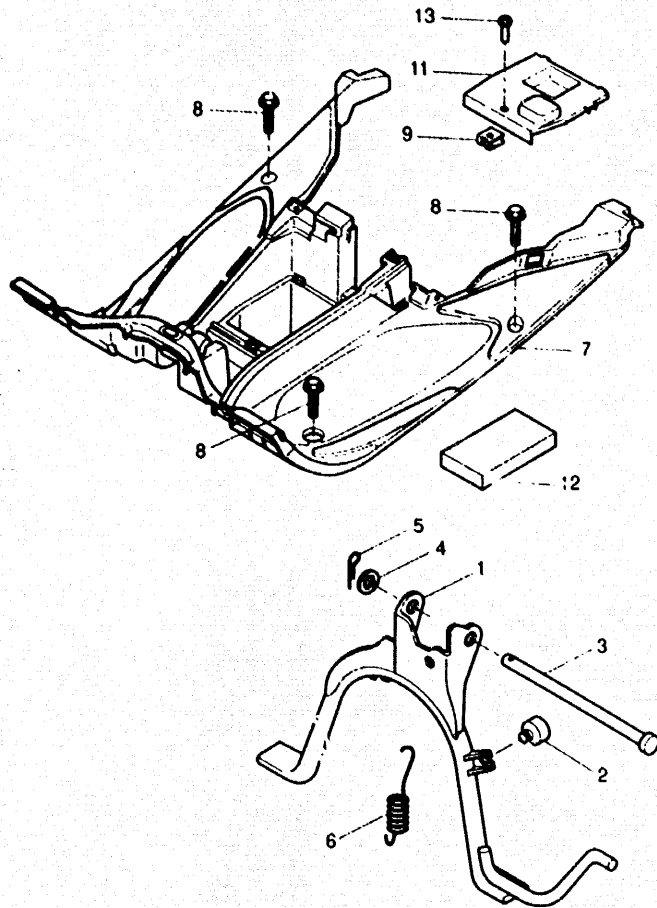
FIG 26 FRONT MASTER CYLINDER

REF	PART.N°	DESCRIPTION	QTY	REMARKS
1	5BR F583T 00	MASTER CYLINDER ASSY	1	
2	5BR H3912 00	.LEVER 1	1	
3	5BR H3935 00	.COVER	1	
4	4SB F5852 00	.CAP, RESERVOIR	1	
5	4SB H3945 00	.BOLT, LEVER	1	
7	4SB H3916 00	.NUT, LEVER FITTING	1	
8	4SB H3980 00	.FRONT STOP SWITCH ASSY	1	
10	5BR F5872 00	HOSE, BRAKE 1	1	
11	NU6 25877 00	BOLT, OIL 1	2	
12	NU6 25878 00	WASHER, OIL BOLT	4	



FWD

FIG 27 STAND, FOOTREST



REF	PART.N°	DESCRIPTION	QTY	REMARKS
1	5BR F7111 00	STAND, MAIN	1	UR YAMAHA BLACK
2	2JW F7114 00	STOPPER, MAIN STAND	1	
3	90240 10137	PIN, CLEVIS	1	
4	90202 10120	WASHER, PLATE	1	
5	90468 12006	CLIP	1	
6	90506 32M00	SPRING	1	
7	5BR F7481 00	BOARD, FOOTREST	1	
8	4SB F7117 10	BOLT	4	
9	NU6 21723 00	NUT, LATCH CLAMP 2	1	
11	5BR H2129 00	COVER, BATTERY	1	
12	4SB F174X 10	DAMPER	1	
13	NU6 21768 00	SCREW	1	

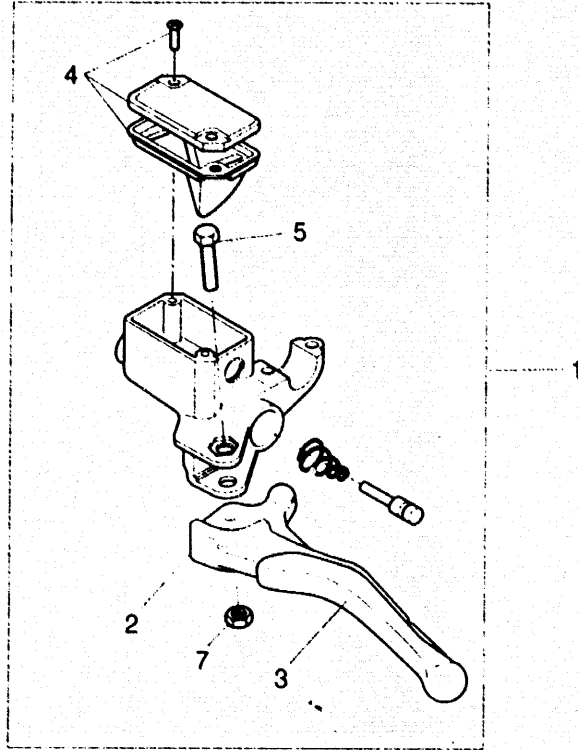
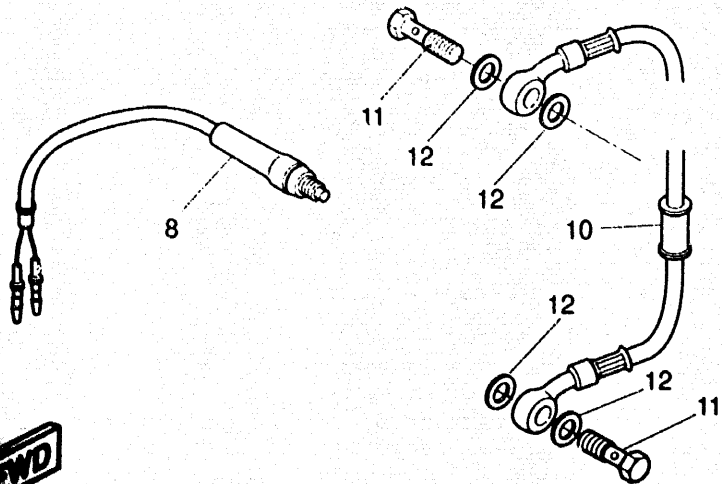


FIG 28 REAR MASTER CYLINDER

REF	PART.N°	DESCRIPTION	QTY	REMARKS
1	5BR F583V 00	RR. MASTER CYLINDER ASSY.	1	
2	5BR H3912 00	.LEVER 1	1	
3	5BR H3935 00	.COVER	1	
4	4SB F5852 00	.CAP. RESERVOIR	1	
5	4SB H3945 00	.BOLT. LEVER	1	
7	4SB H3916 00	.NUT. LEVER FITTING	1	
8	4SB H3980 00	.FRONT STOP SWITCH ASSY	1	
10	5BR F5873 00	HOSE. BRAKE 2	1	
11	NU6 25877 00	BOLT. OIL	2	
12	NU6 25878 00	WASHER. OIL BOLT	4	



TWD

C15

CONTENTS

ENGINE			
CYLINDER	B2	SEAT	C7
CRANKSHAFT-PISTON	B3	FRONT WHEEL	C8
WATER PUMP	B4	FRONT BRAKE CALIPER	C9
RADIATOR-HOSE	B5	REAR WHEEL	C10
OIL PUMP	B6	REAR BRAKE CALIPER	C11
INTAKE	B7	STEERING HANDLE CABLE	C12
CARBURETOR	B8	FRONT MASTER CYLINDER	C13
EXHAUST	B9	STAND FOOTREST	C14
CRANKCASE	B10	REAR MASTER CYLINDER	C15
STARTER	B11	LEG SHIELD	D2
CLUTCH	B12	COWLING	D3
TRANSMISSION	B13	GENERATOR	D4
CHASSIS		FLASHER LIGHT	D5
FRAME	B14	METER	D6
FENDER	B15	HEADLIGHT	D7
SIDE COVER	C2	TAILLIGHT	D8
OIL TANK	C3	HANDLE SWITCH.LEVER	D9
REAR SUSPENSION	C4	ELECTRICAL 1	D10
FRONT FORK	C5	ELECTRICAL 2	D11
FUEL TANK	C6	INUMERICAL INDEX	M1-M2

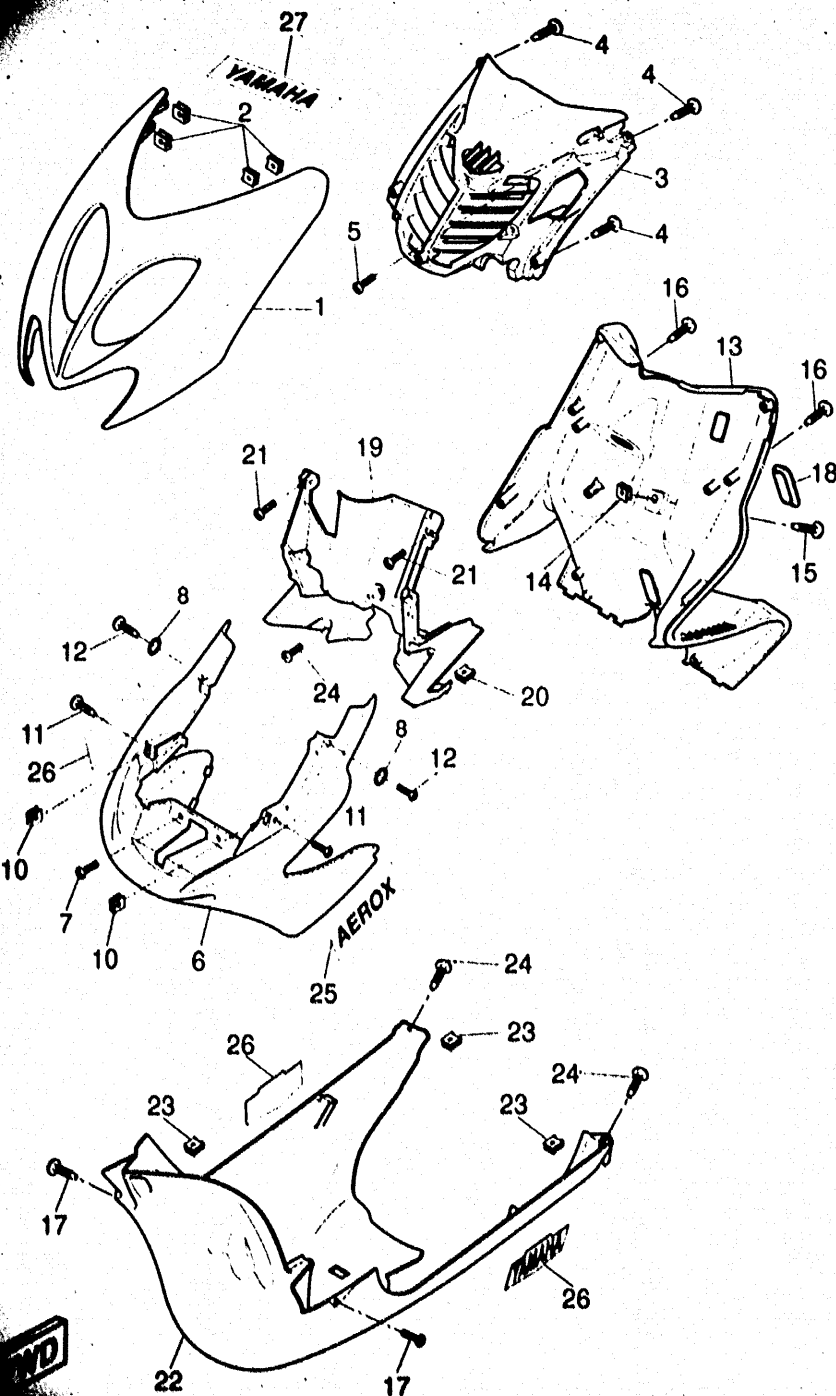


FIG 29 LEG SHIELD

REF	PART.N°	DESCRIPTION	QTY	REMARKS
1	5BR-F835G-00-4B	BODY, FRONT UPPER 1	1	UR BLACK 2 /VRSA
	5BR-F835G-00-GV	BODY, FRONT UPPER 1	1	UR EDG /LGM2/PBC3
2	NU6 21723-00	NUT,LATCH CLAMP 2	2	
3	5BR-F837N-00	GRILL, AIR INTAKE 1	1	
4	NU6-21768-10	SCREW	6	
5	NU6-21768-00	SCREW	2	
6	5BR-F835J-00-P0	BODY, FRONT LOWER 1	1	UR VIVID RED SOLID A
	5BR-F835J-00-P1	BODY, FRONT LOWER 1	1	UR LIGHT GRAY METALLIC
	5BR-F835J-00-P4	BODY, FRONT LOWER 1	1	UR PURPLISHBLUECANDY
7	4PA F5826-00	BOLT 3	2	
8	90202-05X00	WASHER, PLATE	4	
10	NU6-21723-00	NUT,LATCH CLAMP 2	2	
11	NU6 21768-10	SCREW	2	
12	NU6 21768-00	SCREW	4	
13	5BR-F8311-00	LEG SHIELD 1	1	
14	NU6 21723-00	NUT,LATCH CLAMP 2	2	
15	90159 06093	SCREW, WITH WASHER	1	
16	NU6 21768-00	SCREW	5	
17	NU6 21768-10	SCREW	2	
18	3VV F8349-10	CAP	1	UR YAMAHA BLACK
19	5BR-F836K-00	PANEL, INNER 1	1	
20	NU6 21723-00	NUT,LATCH CLAMP 2	2	
21	NU6 21768-10	SCREW	4	
22	5BR-F8385-00	COVER, LOWER	1	UR VRSA
	5BR-F8385-10	COVER, LOWER	1	UR LGM2
	5BR-F8385-20	COVER, LOWER	1	UR PBC3
23	NU6 21723-00	NUT,LATCH CLAMP 2	6	
24	NU6 21768-00	SCREW	2	
25	5BR-F1569-00	GRAPHIC 1	2	UR VRSA
	5BR-F1569-10	GRAPHIC 1	2	UR LGM2
	5BR-F1569-20	GRAPHIC 1	1	UR PBC3
26	5BR-F839H-00	EMBLEM 1	2	UR VRSA/LGM2
	5BR-F839H-10	EMBLEM 1	1	UR PBC3
27	5BR-F152A-00	EMBLEM 3	1	UR VRSA/LGM2

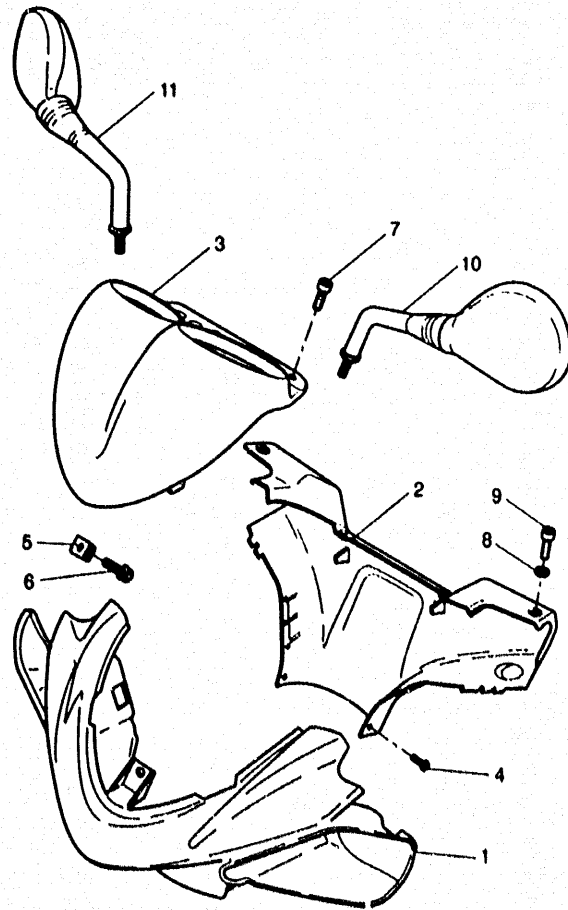
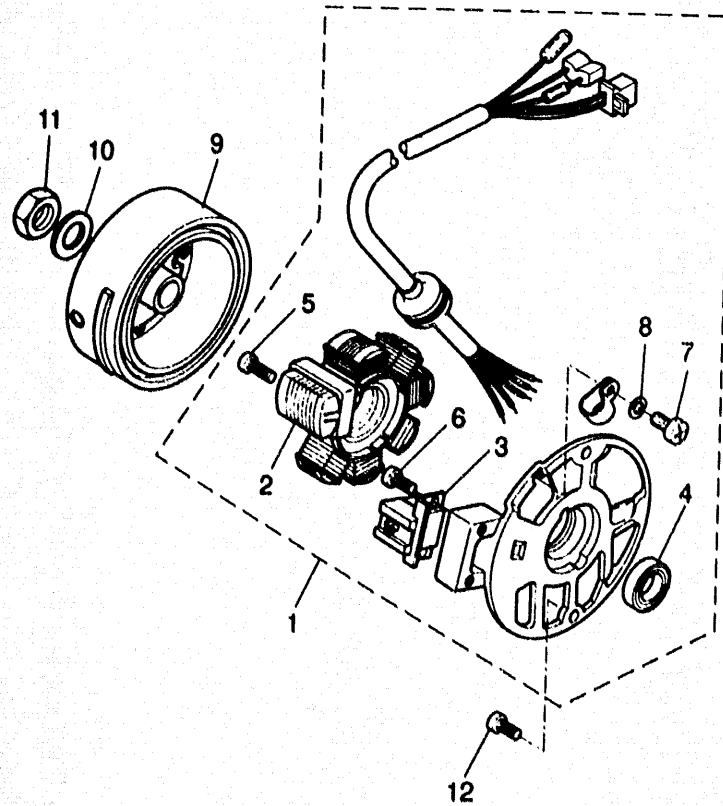


FIG 30 COWLING 1

REF	PART.N°	DESCRIPTION	QTY	REMARKS
1	5BR-F6143-00-4B	COVER, HANDLEBAR UPPER 1	1	UR BLACK 2 /VRSA
	5BR-F6143-00-GV	COVER, HANDLEBAR UPPER 1	1	UR EDG /LGM2/PBC3
2	5BR-F6145-00	COVER, HANDLEBAR UPPER 2	1	
3	5BR-F6213-00-PO	COVER, UPPER	1	UR LGM 2 /VRSA/LGM
4	90159-05134	SCREW, WITH WASHER	2	
5	NU6-21723-00	NUT, LATCH CLAMP 2	1	
6	NU6-21768-00	SCREW	1	
7	NW0-F1722-10	BOLT 2	2	
8	5BR-F6129-00	WASHER	2	
9	NW0-F1722-10	BOLT 2	2	
10	5BR-F6280-00	MIRROR (LEFT)	1	
11	5BR-F6290-00	MIRROR (RIGHT)	1	
	4CU-F1568-80	NOT ILLUSTRATED LABEL, WARNING	1	

FIG 31 GENERATOR



REF	PART.N°	DESCRIPTION	QTY	REMARKS
1	3KJ-85560-00	BASE ASSY	1	
2	3VP-81403-00	.STATORCOMP.	1	
3	2JA-85580-M0	.COIL, PULSER	1	
4	93104-19097	.OIL SEAL	1	
5	98507-05020	.SCREW, PAN HEAD	2	
6	98507-05010	.SCREW, PAN HEAD	2	
7	98507-04008	.SCREW, PAN HEAD	1	
8	92990-04100	.WASHER, SPRING	1	
9	2JA-85560-00	ROTOR ASSY	1	
10	92907-10600	WASHER	1	
11	90170-10219	NUT	1	
12	98507-06016	SCREW, PAN HEAD	2	

FWD

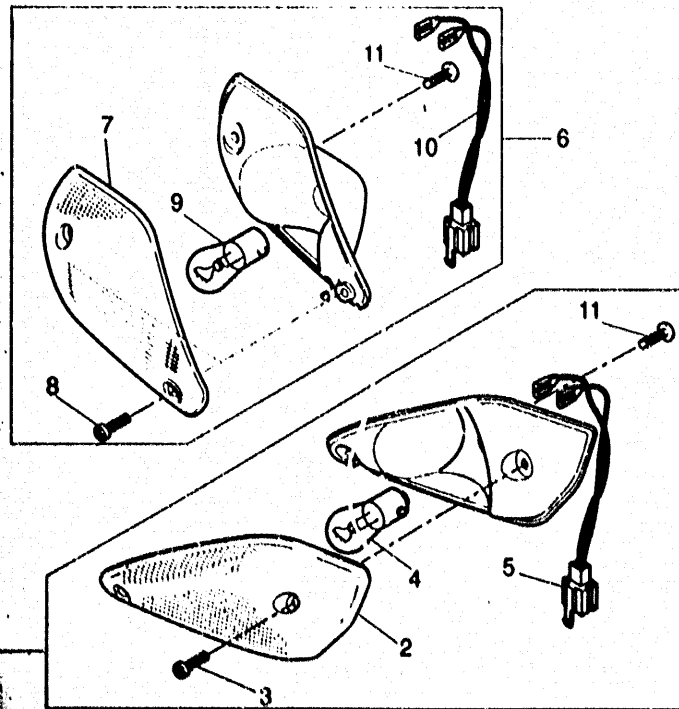
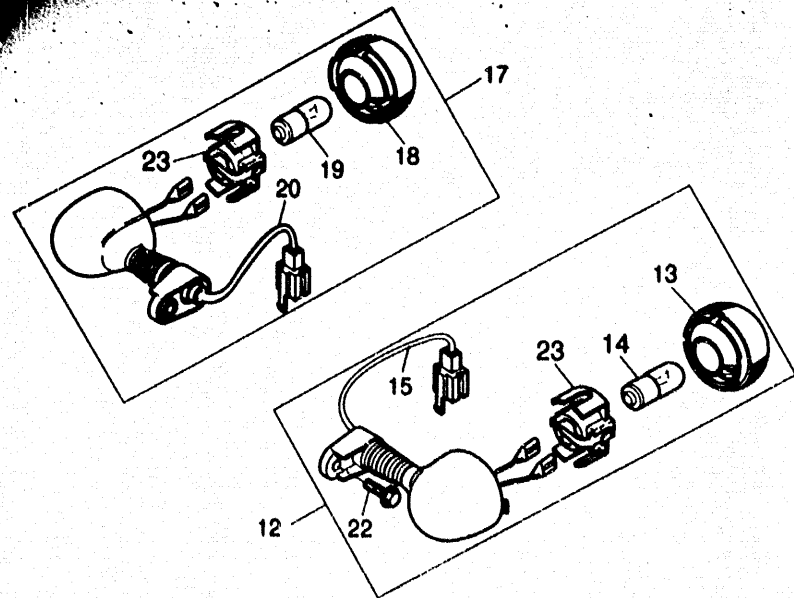


FIG 32 FLASHER LIGHT

REF	PART.N°	DESCRIPTION	QTY	REMARKS
1	5BR-H3310-00	FRONT FLASHER LIGHT ASSY 1	1	
2	5BR-H3312-00	.LENS, FLASHER	1	
3	5BR-H3333-00	.SCREW, LENS FITTING	2	
4	NDH-H3311-00-01	.BULB	1	
5	5BR-H331N-00	.WIRE FLASHER 1	1	
6	5BR-H3320-00	FRONT FLASHER LIGHT ASSY 2	1	
7	5BR-H3322-00	.LENS, FLASHER 2	1	
8	5BR-H3333-00	.SCREW, LENS FITTING	1	
9	NDH-H3311-00-01	.BULB	1	
10	5BR-H332N-00	.WIRE FLASHER 2	1	
11	NU6-21768-10	.SCREW	2	
12	5BR-H3330-00	REAR FLASHER LIGHT ASSY1	1	
13	5BR-H3332-00	.LENS, FLASHER 1	1	
14	NDH-H3311-00-01	.BULB	1	
15	5BR-H3336-00	.CORD	1	
17	5BR-H3340-00	REAR FLASHER LIGHT ASSY2	1	
13	5BR-H3342-00	.LENS, FLASHER 2	1	
19	NDH-H3311-00-01	.BULB	1	
20	5BR-H3346-00	.CORD	1	
22	90105 06841	BOLT, WASHER BASED	2	
23	5BR-H3339-00	.SOCKET,BULB LIGHT	1	

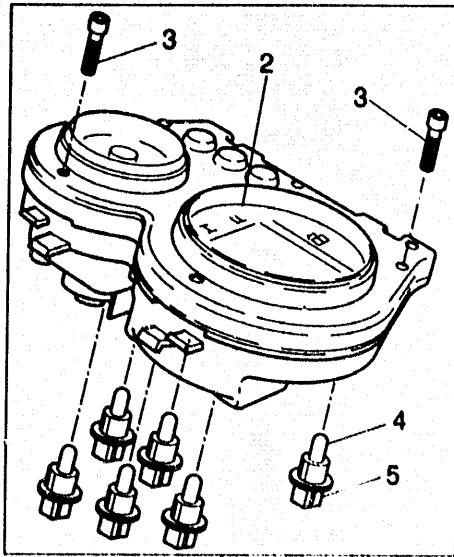


FIG 33 METER

REF	PART.N°	DESCRIPTION	QTY	REMARKS
1	5BR-H3510-00	SPEEDOMETER ASSY	1	
2	5BR-H363K-00	.GLASS PLATE	1	
3	5BR-H3546-00	.BOLT	6	
4	NJ9-H4744-00-01	.BULB	6	
5	5BR-H3534-00	.SOCKET BULB LIGHT	6	
6	5BR-H3550-00	SPEEDOMETER CABLE ASSY	1	

12

D6

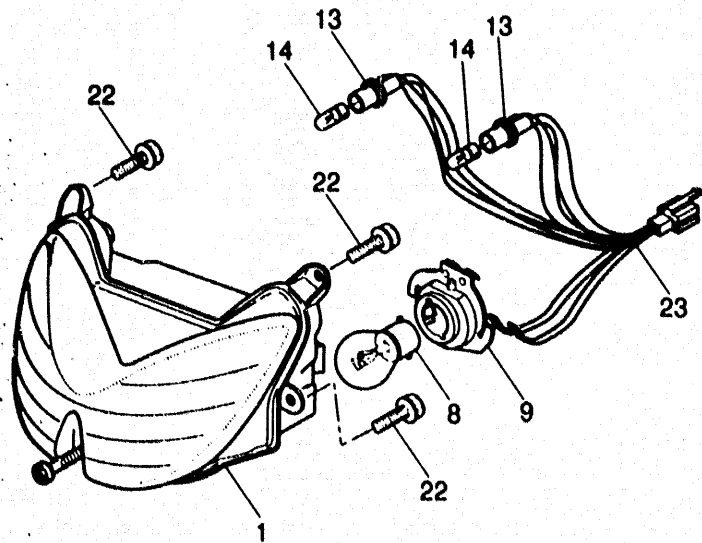


FIG 34 HEADLIGHT

REF	PART.N°	DESCRIPTION	QTY	REMARKS
1	5BR-H4320-00	LENS ASSY	1	
8	4SB-H4314-00	BULB, HEADLIGHT	1	
9	4JC-H4340-00	SOCKET CORD ASSY 1	1	
13	4JC-H4346-00	SOCKET, PILOT LIGHT	2	
14	3WW-H4347-00	BULB LICENCE LIGHT	2	
22	NU8-21768-10	SCREW	4	
23	5BR-H4312-00	SOCKET	1	

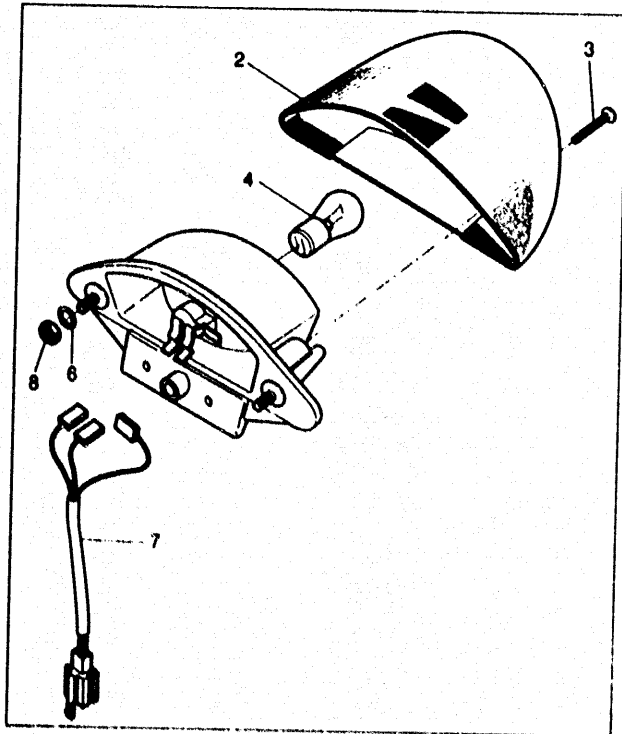


FIG 35 TAILLIGHT

REF	PART.N°	DESCRIPTION	QTY	REMARKS
1	5BR-H4700-00	TAILLIGHT ASSY	1	
2	5BR-H472F-00	.TAIL LIGHT LENS	1	
3	5BR-H4726-00	.SCREW	2	
4	3HL-H4635-00	.BULB	1	
6	4SB-H4374-00	.WASHER, SPECIAL	2	
7	5BR-H4735-00	.CORD ASSY	1	
8	90179-06X00	NUT	3	

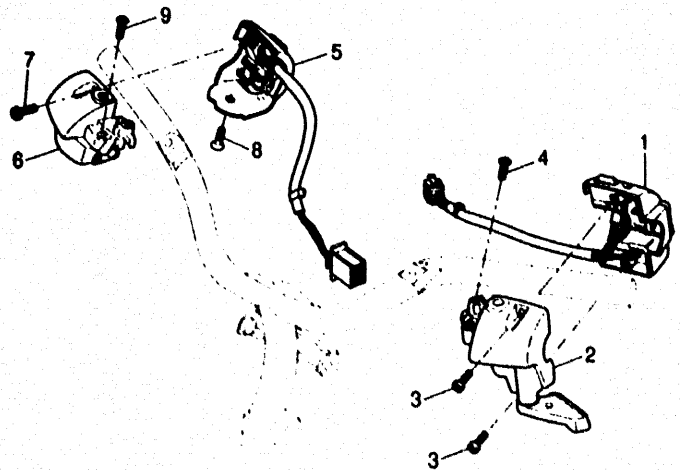


FIG 36 HANDLE SWITCH, LEVER

REF	PART.N°	DESCRIPTION	QTY	REMARKS
1	5BR-H3973-00	SWITCH, HANDLE 3	1	
2	5BR-H3940-00	STARTER ASSY	1	
3	5BR-H3992-00	SCREW, LEVER 2	2	
4	4PA-F5826-00	SCREW	2	
5	5BR-H3972-00	SWITCH, HANDLE 4	1	
6	5BR-H3987-00	CASE, SWITCH LOWER	1	
7	5BR-H3992-00	SCREW, LEVER 2	1	
8	5BR-H3928-00	SCREW, ADJUSTING	1	
9	4PA-F5826-00	SCREW	2	

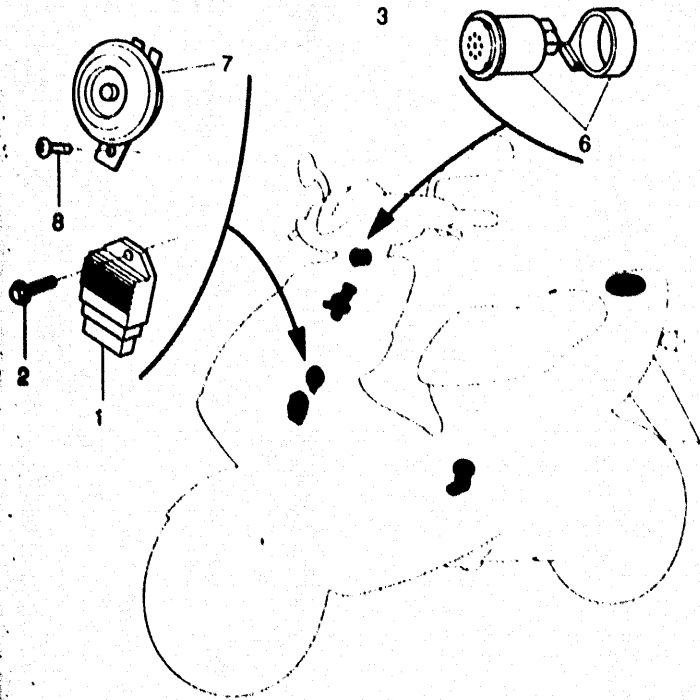
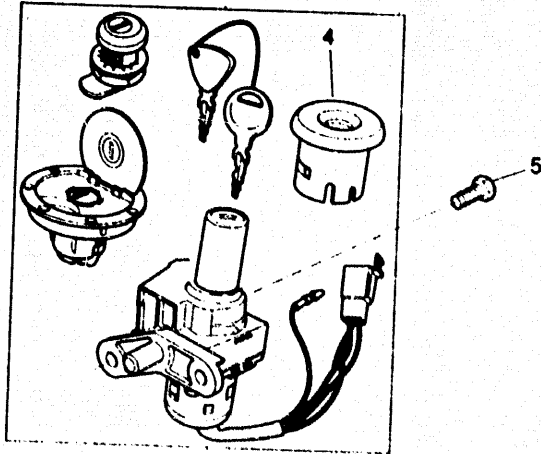


FIG 37 ELECTRICAL1

REF	PART.N°	DESCRIPTION	QTY	REMARKS
1	4VV H1960 00	RECTIFIER & REGULATOR ASSY	1	
2	90105 0684 1	BOLT, WASHER BASED	1	
3	5BR H2021 00	KEY SET	1	
4	5AD H2652 00	CAP, SWITCH	1	
5	90109 0685 1	BOLT	2	
6	5BR H3350 00	FLASHER RELAY ASSY	1	
7	5BR H3371 00	HORN	1	
8	98507 06010	SCREW, PAN HEAD	1	

DWD

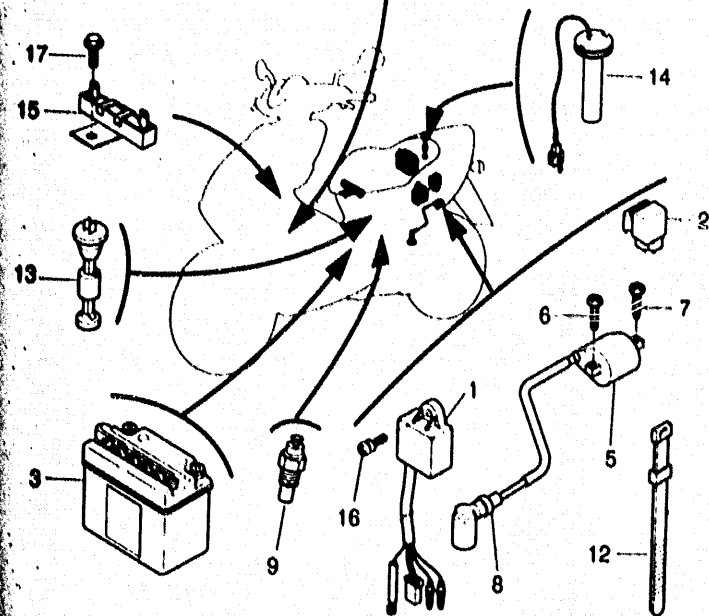
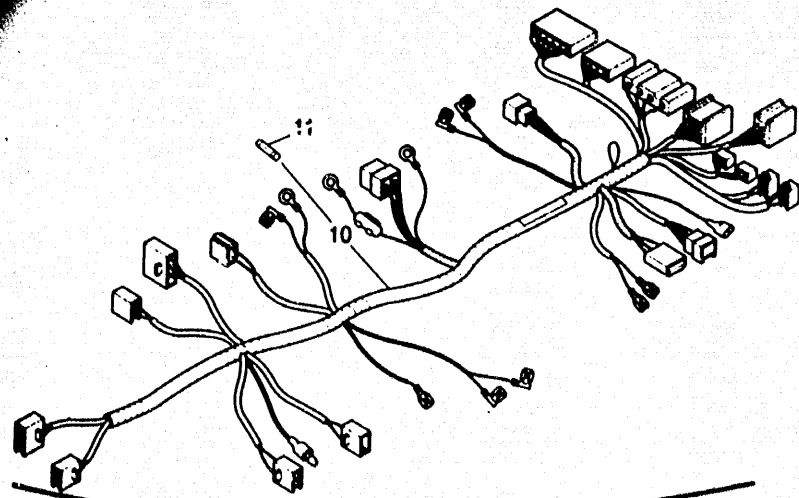


FIG 38 ELECTRICAL2

REF	PART.N°	DESCRIPTION	QTY	REMARKS
1	3KJ-85540-10	C.D.I. UNIT ASSY	1	
2	29U-81950-93	RELAY ASSY	1	
3	4CU-H2110-10	BATTERY ASSY	1	FIAMM
	4SB-H2110-00	BATTERY ASSY	1	YUASA
5	4BE-82310-10	IGNITION COIL ASSY	1	
6	90105-06841	BOLT, WASHER BASED	1	
7	90153-06034	SCREW, HEXAGON	1	
8	5BR-H2370-00	PLUG CAP ASSY	1	
9	5BR-H3605-00	SENDER, WATER	1	
10	5BR-H2590-00	WIRE HARNESS ASSY	1	
11	27V-82151-00	FUSE	1	
12	4KH-H3936-00	BAND, SWITCH CORD	4	
13	3VL-H5720-10	OIL LEVEL GAUGE ASSY	1	
14	5BR-H5752-00	SENDER UNIT ASSY, FUEL METER	1	
15	5BK-H5370-00	RESISTANCE ASSY	1	
16	4UP-F1532-00	BOLT 2	1	
17	90105-06841	BOLT, WASHER BASED	1	
	5BR-F1335-00	CLAMP, WIRE HARNESS 1	1	
	5BR-F1336-00	CLAMP, WIRE HARNESS 2	2	
	5BR-F1337-00	CLAMP, WIRE	1	
	5BR-F174X-00	DAMPER	2	

WD

NUMERICAL INDEX

3AA	13100 02	B6	NU6	21768 10	D7	5BR	E3141-00	B6	3VL	E5363 00	B10	5BR	F1642 00	B15	5AD	F4500-00	C6
3AA	13124 00	B6	2N3	21771 01	C3	3VL	E3178-00	B6	3VL	E5371-00	B10	5BR	F1705-00	C3	5BR	F4710-00	C7
3WF	13185 00	B6	164	22216 00	B10	5BR	E3487-00	B6	5BR	E5411 00	B10	5BR	F1711 00	C2	4CU	F4726-00	C7
1YU	13187 00	B6	NU6	25818 00	C9	4CU	E3555 00	B7	3VL	E5421 00	B10	5BR	F1716 00	C2	5BR	F4739-00	C7
1YU	13418 00	B6	NU6	25818 00	C11	5BR	E3577 00	B7	5BR	E5421 00	B4	5BR	F1721 00	C2	5BR	F473R 00	C7
1YU	13473 00	B6	NU6	25833 00	C9	4CU	E3610 00	B7	5AD	E5451 00	B10	NWO	F1722 10	D3	3VL	F4741-10	B14
1YU	13516 00	B6	NU6	25833 00	C11	4CU	E3621 00	B7	3VL	E5461 00	B10	NWO	F1722 10	D3	3VL	F4741 10	B14
1YU	13577 00	B6	NU6	25877 00	C13	4SB	E4103 01	B8	4CU	E5462 00	B10	5BR	F1731 00 P0	C2	5BR	F474E 00	C7
3YK	14437 00	B7	NU6	25877 00	C15	4SB	E4104 00	B8	4CU	E5532 00	B11	5BR	F1731 00 P1	C2	5BR	F4756 00	C7
3HK	14613 00	B9	NU6	25878 00	C13	4SB	E4124 00	B8	3VL	E5620 01	B11	5BR	F1731 00 P4	C2	5BR	F475M 00	C7
2JA	14737 00	B9	NU6	25878 00	C15	4SB	E4133 01	B8	4SB	E5631 00	B11	5BR	F173E 00	C2	5BR	F4778 00	C7
3WX	14766 00	B9	NG4	53521 04	C3	4SB	E4134 00	B8	4SB	E5650 00	B11	5BR	F173F 00	C2	5AD	F4780 00	C7
3AA	15513 00	B11	NJ6	54041 00	B9	4SB	E4137 00	B8	3VL	E5659 00	B10	5BR	F1741 00 P0	C2	5AD	F4781 00	C7
3KJ	15528 00	B11	3VP	81403 00	D4	5BR	E4148 00	B2	3VL	E5659 00	B11	5BR	F1741 00 P1	C2	5BR	F478E 00	C7
3VL	15570 00	B11	29U	81950 93	D11	5BR	E4159 00	B2	3VL	E5673 00	B11	5BR	F1741 00 P4	C2	5BR	F5108 00	C8
3FS	15601 00	B11	27V	82151 00	D11	5BR	E4161 00	B8	3VL	E5793 00	B11	5BR	F174X 00	D11	5BR	F5108 10	C8
3KJ	15657 00	B12	4BE	82310 10	D11	4SB	E4216 00	B8	3VL	E6111 00	B12	4SB	F174X 10	C14	4SB	F5117 00	C8
3AA	17641 00	B12	4CU	82341 00	B11	4SB	E4216 10	B8	5BR	E6611 00	B12	5BR	F177E 00	C2	5BR	F5168 00	C8
3KJ	21481 00	B14	3KJ	85533 10	D11	5BR	E4301 00	B8	5BR	E6620 00	B12	5BR	F2141 00	C8	5BR	F5170 00	C8
5G3	21481 00	B14	2JA	85556 00	D4	5BR	E4312 00	B8	5BR	E6626 00	B12	5BR	F2210 00	C4	5BR	F5170 00	C10
NU6	21713 00	B5	3KJ	85560 00	D4	4SB	E4318 00	B8	3VT	E7410 00	B13	5BR	F2210 10	C4	4YB	F5190 00	C8
NU6	21713 00	B14	2JA	85580 M0	D4	5BR	E4325 00	B8	3WT	E7420 00	B13	5BR	F2210 20	C4	5BR	F5308 00	C10
NU6	21713 00	C7	5BR	E1111 00	B2	4SB	E4331 02	B8	3VL	E7611 00	B12	3HL	F2245 00	B9	5BR	F5308 10	C10
NU6	21723 00	B14	5BR	E1193 00	B2	4SB	E4335 00	B8	4CU	E7620 00	B12	5BR	F3100 00	C5	5BR	F5311 00	C10
NU6	21723 00	B15	5BR	E1194 00	B2	5BR	E4336 00	B8	3VL	E7623 00	B12	5BR	F3108 00	C5	5BR	F5315 00	C10
NU6	21723 00	C2	5BR	E1311 00	B2	5BR	E4341 00	B8	4FG	E7632 00	B12	5BR	F3110 00	C5	5BR	F5316 00	C11
NU6	21723 00	C2	5BR	E1351 00	B2	4SB	E4342 00	B8	3VL	E7653 00	B12	4TD	F3111 00	C5	5BR	F532A 00	C10
NU6	21723 00	C7	4CU	E1400 10	B3	5BR	E4343 00	B8	5BR	E7654 00	B12	4TD	F3112 00	C5	5BR	F5338 00	C10
NU6	21723 00	C14	3VL	E1610 00	B2	5BR	E4344 00	P8	5BR	E7660 00	B12	5BR	F3126 00	C5	3VL	F5384 00	B12
NU6	21723 00	D2	3VL	E1610 00	B3	4SB	E4357 00	B8	5LR	E7664 00	B12	5BR	F3136 00	C5	5BR	F5411 00	C10
NU6	21723 00	D2	3VL	E1610 20	B3	5BR	E4358 00	B8	5BR	E7671 00	B12	4TD	F3141 00	C5	4CU	F580T 20	C9
NU6	21723 00	D2	5BR	E1631 00	B2	5BR	E4368 00	B8	5PR	E7684 00	B12	4TD	F3144 00	C5	5BR	F580V 00	C11
NU6	21723 00	D2	5BR	E1631 00	B3	5BR	E4369 00	B8	5BR	F1110 00	B14	4TD	F3145 00	C5	5BR	F5811 00	C11
NU6	21723 00	D2	3VL	E1633 00	B2	4SB	E4371 00	B8	5BK	F1182 00	B14	4TJ	F3147 00	C5	4CU	F5811 20	C9
NU6	21723 00	D3	3VL	E1653 00	B3	4SB	E4377 00	B8	5BR	F118G 01	C7	4TD	F3153 00	C5	4CU	F5824 00	C9
NU6	21768 00	B15	5BR	E1636 00	B3	5BR	E4381 00	B8	5BR	F1232 00	B14	4TD	F3154 00	C5	4CU	F5824 00	C11
NU6	21768 00	C2	5BR	E2410 00	B2	4SB	E4385 00	B8	5BR	F1335 00	B8	5BR	F3156 00	C5	4CU	F5825 00	C9
NU6	21768 00	C2	5BR	E2422 00	B4	4SB	E4386 00	B8	5BR	F1335 00	D11	4CU	F3165 00	C5	4CU	F5825 00	C11
NU6	21768 00	C2	5BR	E243A 00	B5	4SB	E4392 00	B8	5BR	F1336 00	D11	4TD	F3181 00	C5	4PA	F5826 00	D2
NU6	21768 00	C14	5BR	E2450 00	B4	5CN	E4410 00	B7	5BR	F1337 00	D11	4TD	F3183 00	C5	4PA	F5826 00	D9
NU6	21768 00	D2	5BR	E2459 00	B4	3WG	E4411 00	B7	5BR	F1410 00	B14	4TD	F3340 01	C5	4PA	F5826 00	D9
NU6	21768 00	D2	5BR	E2460 00	B5	3WG	E4412 00	B7	5BR	F152A 00	B15	4TD	F3394 00	C5	5BR	F582V 00	C9
NU6	21768 00	D2	5BR	E2483 00	B4	5CN	E4451 00	B7	5BR	F152A 00	D2	4SB	F3411 01	C5	5BR	F582V 00	C11
NU6	21768 00	D2	5BR	E2484 00	B5	3WG	E4452 00	B7	4UP	F1531 00	B15	4SB	F3412 00	C5	5BR	F583T 00	C13
NU6	21768 00	D3	5BR	E2485 00	B5	5AD	E4453 00	B7	4UP	F1532 00	D11	4SB	F3414 00	C5	5BR	F583V 00	C15
NU6	21768 10	C2	5BR	E2486 00	B5	5BR	E4459 00	B7	5BR	F1556 00 26	B15	4SB	F3427 01	C5	4SB	F5852 00	C13
NU6	21768 10	C2	5BR	E2487 20	B5	5BR	E4610 02	B9	5BR	F1556 00 4B	B15	4SB	F3453 01	C5	4SB	F5852 00	C15
NU6	21768 10	C7	5BR	E2487 10	B5	5BR	E4729 00	B9	5BR	F1556 00 P1	B15	4SB	F3812 00	C5	5BR	F5872 00	C13
NU6	21768 10	D2	5BR	E2487 20	B5	5BR	E4751 00	B9	4CU	F1568 80	D3	5BR	F4110 00	C6	5BR	F5873 00	C15
NU6	21768 10	D2	5BR	E2487 30	B5	5BR	E4758 00	B9	5BR	F1569 00	D2	5BR	F412G 00	C6	5BR	F5876 00	B10
NU6	21768 10	D2	5BR	E2490 00	B5	3VL	E5128 00	B10	5BR	F1569 10	D2	4SB	F4312 10	C6	4CU	F5919 00	C9
NU6	21768 10	D2	5BR	E2567 00	B5	5BR	E5150 00	B10	5BR	F1569 20	D2	4SB	F4318 10	C6	5BR	F5919 00	C11
NU6	21768 10	D5	5BR	E2589 00	B5	4CU	E5317 00	B10	5BR	F1629 00	B15	4SB	F4335 10	C6	5BR	F6110 00	C12

NUMERICAL INDEX

5BR F6129 00	D3	NDH	H3311 00 01	D5	5BR H4726-00	D8	90101-10776	C4	90387-17858	B4	93450-11120	B3
5BR F6143 00 4B	D3	NDH	H3311 00 01	D5	5BR H472F-00	D8	90105 06841	B5	90430 08119	B10	93603-12007	B6
5BR F6143 00 GV	D3	NDH	H3311 00 01	D5	5BR H4735 00	D8	90105 06841	B5	90445 083J7	B6	93603-22028	B4
5BR F6145 00	D3	NDH	H3311 00 01	D5	NJ9 H4744 00 01	D6	90105-06841	D5	90445 083J7	C3	93700-06811	B4
5BR F6213 00 PO	D3	5BR	H3312 00	D5	3VL H5111 00	C5	90105-06841	D10	90446 13311	B10	94701-00195	B2
5BR F6240 00	C12	5BR	H331N 00	D5	5BK H5370 00	D11	90105-06841	D11	90465 06830	B4	95617 10200	C4
5BR F6241 00	C12	5BR	H3320 00	D5	3VL H5720 10	D11	90105 06841	D11	90467-08003	B6	95617 10200	C8
5BR F6246 00	C12	5BR	H3322 00	D5	5BR H5752 00	D11	90105 08121	C4	90467-08003	C3	95617 12200	B14
3VL F6261 00	C12	5BR	H332N 00	D5	4SB W0001 00	B8	90105 10036	C12	90467-09006	C6	95817-08016	B10
5BR F6273 00	C12	5BR	H3330 00	D5			90109 063F1	B15	90467-24140	B7	95817-08016	B10
5BR F6280 00	D3	5BR	H3332 00	D5			90109 063F1	C7	90468 02033	B6	95817-08016	B9
5BR F6290 00	D3	5BR	H3333 00	D5			90109 06851	D10	90468-12006	C14	95817 08040	B9
5BR F6311 00	C12	5BR	H3333 00	D5			90110 06237	B10	90480 06874	B4	97607 06220	B7
3VL F6312 01	C12	5BR	H3336 00	D5			90110 06237	B10	90480 11877	B10	97701 50525	B7
3WG F6329 00	C12	5BR	H3339 00	D5			90110 06X01	B4	90480 12497	B7	98507-04006	D4
3WG F6329 00	C12	5BR	H3340 00	D5			90110 06X01	B10	90480-13398	C6	98507 05010	D4
5BR F6329 00	B8	5BR	H3342 00	D5			90110 06X01	B10	90480 13875	B6	98507 05014	B6
5BR F632G 00	C12	5BR	H3346 00	D5			90116 07353	B2	90480 13876	B6	98507 05020	D4
5BR F6331 00	C12	5BR	H3350 00	D10			90153 06034	D11	90501 20X00	C7	98507 06010	D10
3VL F6334 02	C12	5BR	H3371 00	D10			90153 06061	B9	90501 35864	B12	98507 06016	D4
5BR F7111 00	C14	5BR	H3510 00	D6			90159 04841	B2	90506 32M00	C14	98507 06035	B10
2JW F7114 00	C14	5BR	H3534 00	D6			90159 05134	D3	90508 32609	B11	98517 06012	B10
4SB F7117 10	C6	5BR	H3548 00	D6			90159 06093	D2	91317 05020	B4	98517-06012	B11
4SB F7117 10	C7	5BR	H3546 00	D6			90170 10219	D4	91317 06020	B7	98907 05014	B6
4SB F7117 10	C7	5BR	H3550 00	D6			90170 28860	B12	91317 06020	B10	99001 05600	B12
4SB F7117 10	C14	5BR	H3605 00	D11			90179 06X00	C7	91317-06020	C7	99009 15400	B11
5BR F7481 00	C14	5BR	H3912 00	C13			90179 06X00	D8	91317 06045	B10	99009 17400	B10
5BR F8311 00	D2	5BR	H3912 00	C15			90179 07381	B2	92907 10600	D4	99009 19400	B6
3WV F8349 10	D2	4SB	H3916 00	C13			90179 10370	B12	92990 04100	D4	99510-12016	B10
5BR F835G 00 4B	D2	4SB	H3916 00	C15			90185 10154	B14	92995 06100	B4	99530 10114	B10
5BR F835G 00 GV	D2	5BR	H3928 00	D9			90185 10154	C12	93101 10842	B4	99530 10114	B10
5BR F835J 00 PO	D2	5BR	H3935 00	C13			90185 14070	C10	93101 20138	B3		
5BR F835J 00 F1	D2	5BR	H3935 00	C15			90201 065F3	C6	93102 17342	B12		
5BR F835J 00 P4	D2	4KH	H3936 00	D11			90201 08X00	B11	93102 20371	B3		
5BR F836K 00	D2	5BR	H3940 00	D9			90201 133M8	B12	93102 22082	B13		
5BR F837N 00	D2	4SB	H3945 00	C13			90201 140G5	B13	93104 19097	D4		
5BR F8385 00	D2	4SB	H3945 00	C15			90201 142M6	C10	93104 34832	B12		
5BR F8385 10	D2	5BR	H3972 00	D9			90201 154E9	B11	93106 20001	C8		
5BR F8385 20	D2	5BR	H3973 00	D9			90201 177G4	C10	93210 14104	B10		
5BR F839H 00	D2	4SB	H3980 00	C13			90202 05X00	D2	93210 368E7	B12		
5BR F839H 10	D2	4SB	H3980 00	C15			90202 10120	C14	93210 548E8	B4		
4CU H1800 00	B11	5BR	H3987 00	D9			90208 10012	B12	93306 00307	B10		
4VV H1960 00	D10	5BR	H3992 00	D9			90208 14047	B13	93306 20006	B13		
5BR H2021 00	C2	5BR	H3992 00	D9			90214 13055	B12	93306 20301	B12		
5BR H2021 00	C6	5BR	H4312 00	D7			90240 10137	C14	93306 20346	B13		
5BR H2021 00	D10	4SB	H4314 00	D7			90267 32801	B14	93306 204X2	B3		
4SB H2110 00	D11	5BR	H4320 00	D7			90280 03017	B3	93306 300Y8	C8		
4CU H2110 10	D11	4JC	H4340 00	D7			90380 15083	B11	93306 608Y0	B4		
5BR H2129 00	C14	4JC	H4346 00	D7			90387 060G7	C6	93310 210M0	B3		
5BR H2370 00	D11	3WW	H4347 00	D7			90387 067V1	B7	93310 257R1	B11		
5AD H2552 00	D10	4SB	H4374 00	D8			90387 10079	C8	93420 40064	B13		
5BR H2590 00	D11	3HL	H4535 00	D8			90387-135U9	B12	93440 08130	B4		
5BR H3310 00	D5	5BR	H4700 00	D8			90387-156U0	B3	93450 11120	B2		