

SUMARIO

| MOTOR | | | |
|-------------------------------|-----|------------------------------|-------|
| CILINDRO | B2 | ASIENTO..... | C7 |
| CIGUENAL PISTON..... | B3 | RUEDA DELANTERA..... | C8 |
| BOMBA DE AGUA..... | B4 | CALIBRE FRENO DELANTERA | C9 |
| RADIADOR - DEPOSITO | B5 | RUEDA TRASERA..... | C10 |
| BOMBA DE ACEITE | B6 | CALIBRE FRENO TRASERA | C11 |
| ADMISSION | B7 | MANUBRIO CABLE..... | C12 |
| CARBURADOR | B8 | CILINDRO MAESTRO DELANT. .. | C13 |
| DESCARGA | B9 | SOPORTE APOYAPIE..... | C14 |
| CARTER | B10 | CILINDRO MAESTRO TRAS. | C15 |
| ARRANQUE | B11 | PATA PROTEGIDA..... | D2 |
| EMBRAGUE..... | B12 | BOVEDA | D3 |
| TRANSMISSION | B13 | GENERATOR..... | D4 |
| CUARDO | | LUZ DESTELLADOR..... | D5 |
| ARMAZON | B14 | MEDIDOR..... | D6 |
| GUARDABARRO..... | B15 | FARO DELANTERO | D7 |
| CUBIERTA LATERAL | C2 | LUZ DE COLA | D8 |
| DEPOSITO DE ACIETE | C3 | INTERRUPTOR DE MANIJA | D9 |
| SUSPENSION TRASERO..... | C4 | EQUIPO ELECTRICO 1 | D10 |
| HORQUILLA DELANTERA | C5 | EQUIPO ELECTRICO 2 | D11 |
| DEPOSITO DE COMBUSTIBLE | C6 | | |
| | | INDICE NUMERICO | M1-M2 |

YAMAHA
GENUINE
Parts & Accessories

YQ50'99 (5HED-5HER)
SPAIN

195HE - 352S5
JUNIO 1999

A2

FOREWORD

This Part Catalogue is related to the parts in use for the **YQ50'99**

When you are ordering replacements parts for the **YQ50'99**, refer to this Parts Catalogue and quote both part numbers and part names correctly.

1. Modifications or additions which have been made after issue of the Parts Catalogue will be announced in the Parts News

It is advisable that according to the Parts News you make necessary corrections to the Parts Catalogue on hand to keep it up-to-date

2. Abbreviations.

The following abbreviations are used in this Parts Catalogue.

- U.R. Use size (thickness) and or number as required.
- U.N. Use as many as you need.
- A.P. Alternate Parts.
- L.M. Local Made.
- F. Frame N° (Applicable machine N°)

3. The parts marked with (*) in the parts number column of this Catalogue are not supplied with by Yamaha, those have to be found locally.

4. Parts, which are to be supplied in the form of assemblies, are listed with an indentation of one letter's space, and a dot (.) is put against the name of each part.

EXAMPLE CARBURETOR ASS'Y
 .JET,pilot
 .NOZZLE,main

5. Indication of N° of constituent parts for assembly.

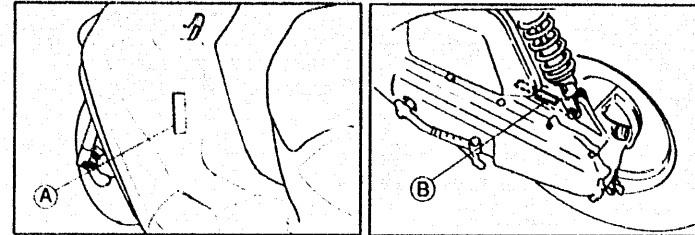
The numeral appearing to the right of each constituent part under the description indicates the quantity of such parts for each individual assembly unit.

EXAMPLE

| Part N° | Description | Q'ty | Remarks |
|--------------|---------------------------|------|---------|
| 2F5-83310-60 | FRONT FLASHER LIGHT ASS'Y | 2 | |
| 115-83311-60 | .BULB (6V-18W) | 1 | |
| 1M1-83309-60 | .REFLECTOR | 1 | |

6. Initial Serial N° and Color Code.

| | |
|----------------------|---------------------------|
| (A) Frame Serial N° | VG55BR00003 500101 |
| (B) Engine Serial N° | 5BR 200101 |

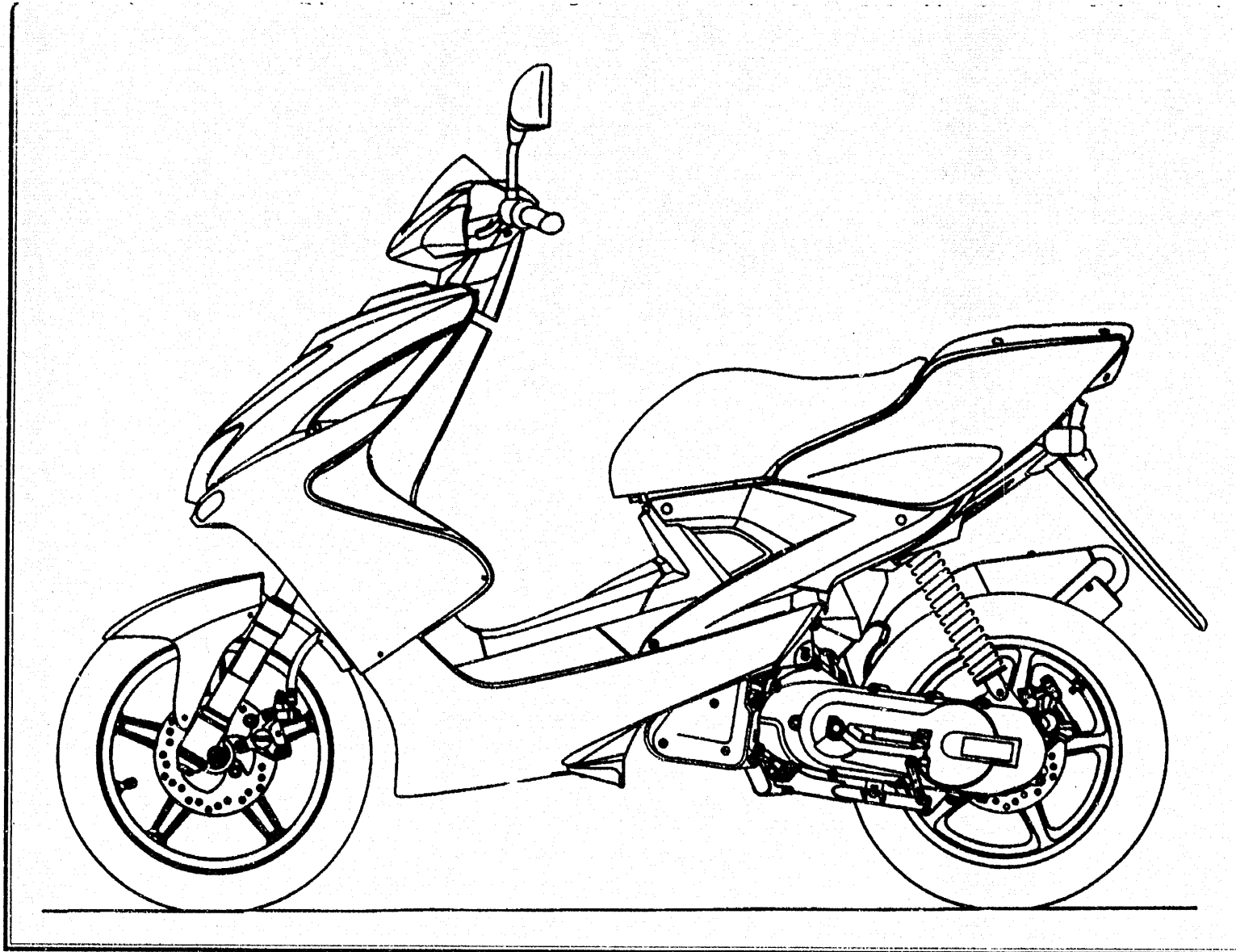


| Color Code | Color Name | Abbreviat |
|-------------|--------------------------|-------------|
| 0430 | VIVID RED SOLID A | VRSA |

7. Applicable colors of graphics are represented in the "Remarks" column by the letter(s) appropriately picked out of the full word(s) showing such colors.

EXAMPLE

| Part N° | Description | Q'ty | Remarks |
|-----------------|------------------------|------|---------|
| 2N4-24110-00-X5 | FUEL TANK COMPL. | 1 | |
| 3J1-24240-10 | .GRAPHIC,fuel tank set | 1 | |



A4

SUMARIO

| MOTOR | | | |
|-------------------------------|-----|------------------------------|-------|
| CILINDRO | B2 | ASIENTO..... | C7 |
| CIGUENAL PISTON..... | B3 | RUEDA DELANTERA | C8 |
| BOMBA DE AGUA..... | B4 | CALIBRE FRENO DELANTERA | C9 |
| RADIADOR - DEPOSITO | B5 | RUEDA TRASERA..... | C10 |
| BOMBA DE ACEITE | B6 | CALIBRE FRENO TRASERA | C11 |
| ADMISSION | B7 | MANUBRIO CABLE..... | C12 |
| CARBURADOR | B8 | CILINDRO MAESTRO DELANT. .. | C13 |
| DESCARGA | B9 | SOPORTE APOYAPIE..... | C14 |
| CARTER | B10 | CILINDRO MAESTRO TRAS..... | C15 |
| ARRANQUE..... | B11 | PATA PROTEGIDA..... | D2 |
| EMBRAGUE..... | B12 | BOVEDA | D3 |
| TRANSMISSION | B13 | GENERATOR..... | D4 |
| CUARDO | | LUZ DESTELLADOR | D5 |
| ARMAZON | B14 | MEDIDOR..... | D6 |
| GUARDABARRO..... | B15 | FARO DELANTERO | D7 |
| CUBIERTA LATERAL | C2 | LUZ DE COLA | D8 |
| DEPOSITO DE ACIETE | C3 | INTERRUPTOR DE MANIJA | D9 |
| SUSPENSION TRASERO..... | C4 | EQUIPO ELECTRICO 1 | D10 |
| HORQUILLA DELANTERA | C5 | EQUIPO ELECTRICO 2 | D11 |
| DEPOSITO DE COMBUSTIBLE | C6 | INDICE NUMERICO | M1-M2 |

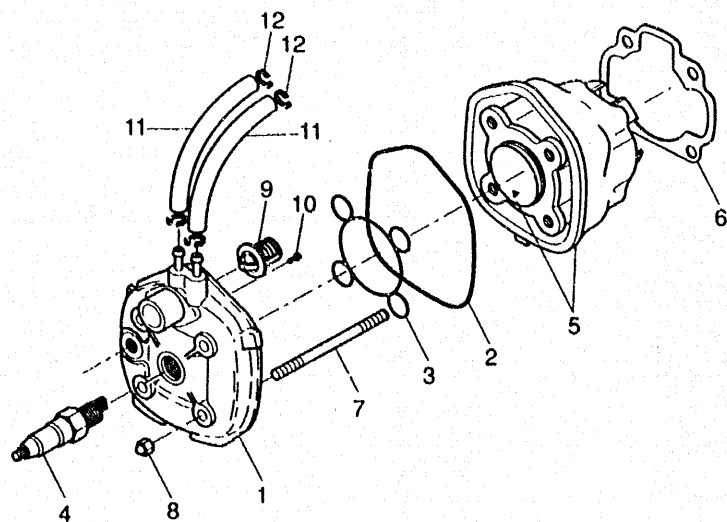


FIG 1 CILINDRO

| REP | REFERENZE | DESCRIZIONE | QTE | NOTA |
|-----|--------------|---------------------------|-----|------|
| 1 | 5HE-E1111-00 | CULATA CILINDRO 1 | 1 | |
| 2 | 5BR-E1194-00 | EMPAQUE DE TAPA DE CULATA | 1 | |
| 3 | 5BR-E1193-00 | EMPAQUE | 1 | |
| 4 | 94701-00195 | BUJIA | 1 | |
| 5 | 5BR-E1311-00 | CILINDRO | 1 | |
| | 5HE-E1631-00 | .PISTON(ESTD, | 1 | |
| | 3VL-E1633-00 | .BULON, PISTON | 1 | |
| | 4SB-E1603-00 | JUEGO DE ANILLOS (ESTD) | 1 | |
| | 93450-11818 | SEGURO | 2 | |
| 6 | 5BR-E1351-00 | JUNTA, DE CILINDRO | 1 | |
| 7 | 90116-07353 | ESPARRAGO | 4 | |
| 8 | 90179-07521 | TUERCA | 4 | |
| 9 | 5BR-E2410-00 | TERMOSTATO CONJUNTO | 1 | |
| 10 | 98907-04010 | TORNILLO DE LIGAR | 2 | |
| 11 | 5BR-E4148-10 | TUBO | 2 | |
| 12 | 5BR-E4159-00 | PRESILLA | 4 | |



5BR1354-7010

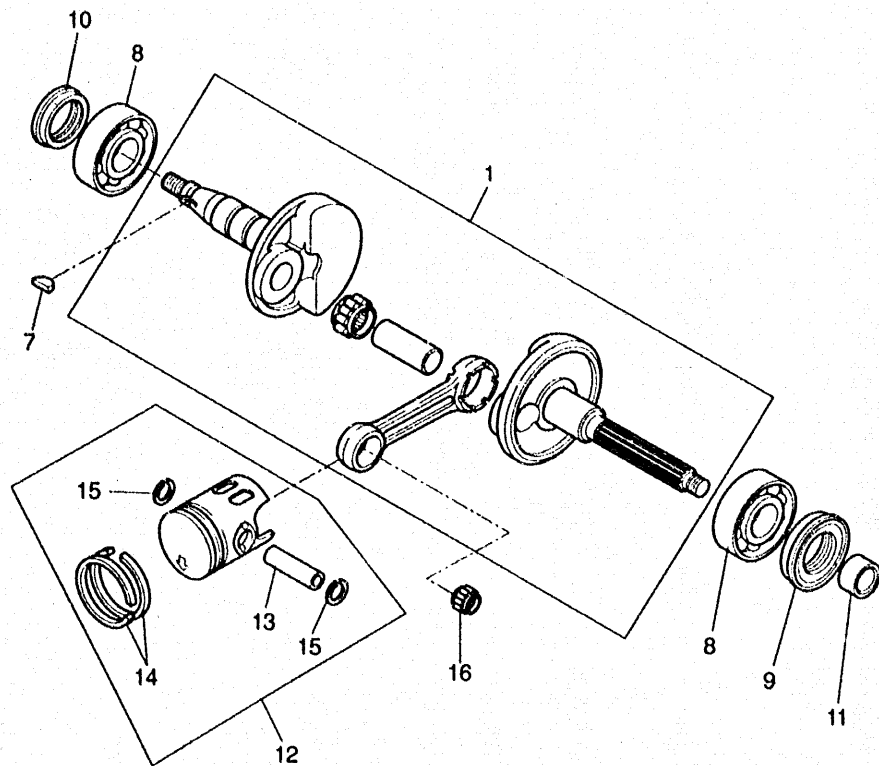


FIG 2 CIGUENAL PISTON

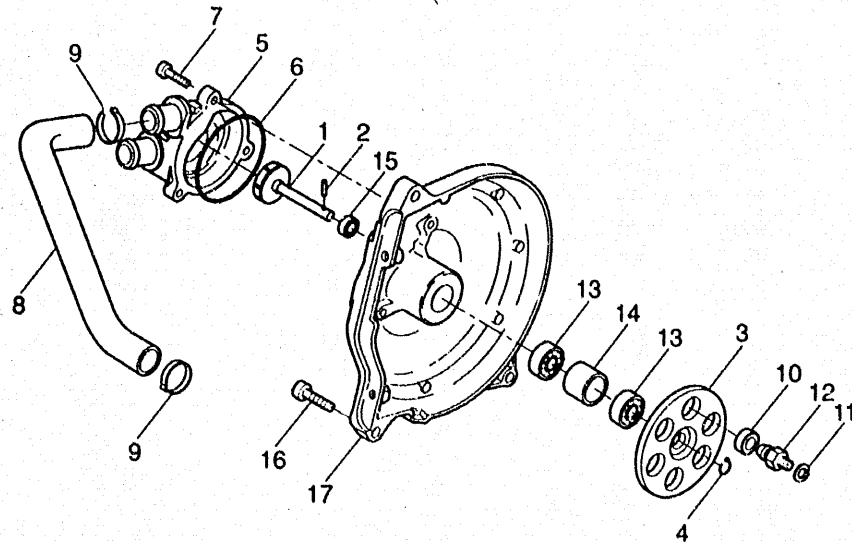
| REP | REFERENZE | DESCRIZIONE | QTE | NOTA |
|-----|--------------|-------------------------------|-----|------|
| 1 | 4CU-E1400-10 | CIGUENAL COMPLETO | 1 | |
| 7 | 90280-03017 | CUNA WOODRUFF | 1 | |
| 8 | 93306-204X7 | COJINETE | 2 | |
| 9 | 93102-20896 | RETEN DE ACEITE | 1 | |
| 10 | 93101-20844 | RETEN DE ACEITE | 1 | |
| 11 | 90387-156U0 | CASQUILLO CON VALONA | 1 | |
| 12 | 5HE-E1631-00 | PISTON(ESTD) | 1 | |
| | 5HE-E1636-00 | PISTON (0.50MM O/S) | 1 | |
| 13 | 3VL-E1633-00 | BULON, PISTON | 1 | |
| 14 | 4SB-E1603-00 | JUEGO DE ANILLOS (ESTD) | 1 | |
| | 4SB-E1605-00 | JUEGO DE ANILLOS (0.50MM O/S) | 1 | |
| 15 | 93450-11818 | SEGURO | 2 | |
| 16 | 93310-210M0 | COJINETE DE RODILLOS | 1 | |



5BR1354-7020

B3

FIG 3 BOMBA DE AGUA



| REP | REFERENZE | DESCRIZIONE | QTE | NOTA |
|-----|--------------|---------------------------|-----|------|
| 1 | 5BR-E2450-00 | EJE IMPULSOR COMPLETO | 1 | |
| 2 | 93603-22028 | PASADOR DE CLAVIJA | 1 | |
| 3 | 5BR-E2459-00 | ENGRANAJE EJE IMPULSOR | 1 | |
| 4 | 93440-08130 | SEGURO | 1 | |
| 5 | 5BR-E2422-00 | CUBIERTA DE CAJA | 1 | |
| 6 | 93210-548E8 | JUNTA TORICA | 1 | |
| 7 | 91317-05020 | PERNO | 3 | |
| 8 | 5BR-E2482-00 | TUBO 3 | 1 | |
| 9 | 90465-06830 | BRIDA | 1 | |
| 10 | 90480-06874 | ANILLO PROTECTOR | 3 | |
| 11 | 92995-06100 | ARANDELA | 3 | |
| 12 | 93700-06811 | BOQUILLA DE ENGRASAR | 3 | |
| 13 | 93306-608Y0 | COJINETE | 2 | |
| 14 | 90387-178S8 | CASQUILLO CON VALONA | 1 | |
| 15 | 93101-10842 | RETEN DE ACEITE | 1 | |
| 16 | 1TK-E3573-00 | TORNILLO ALLAN (AMARILLO) | 3 | |
| 17 | 5BR-E5421-00 | TAPA DE CARTER DERECHA | 1 | |



5BR1354-7030

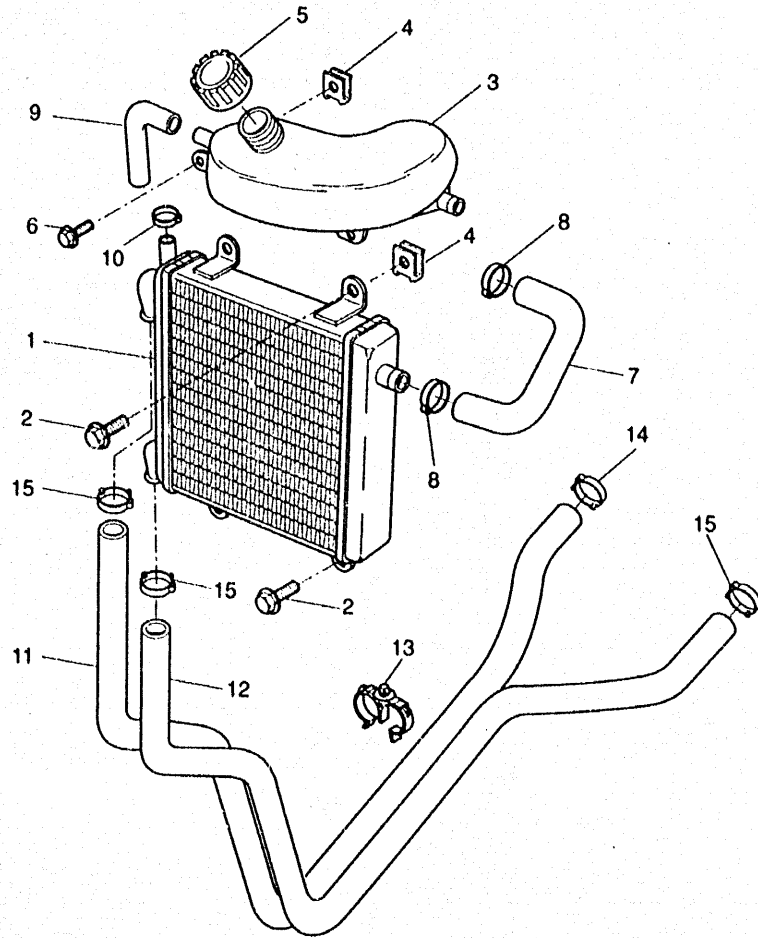
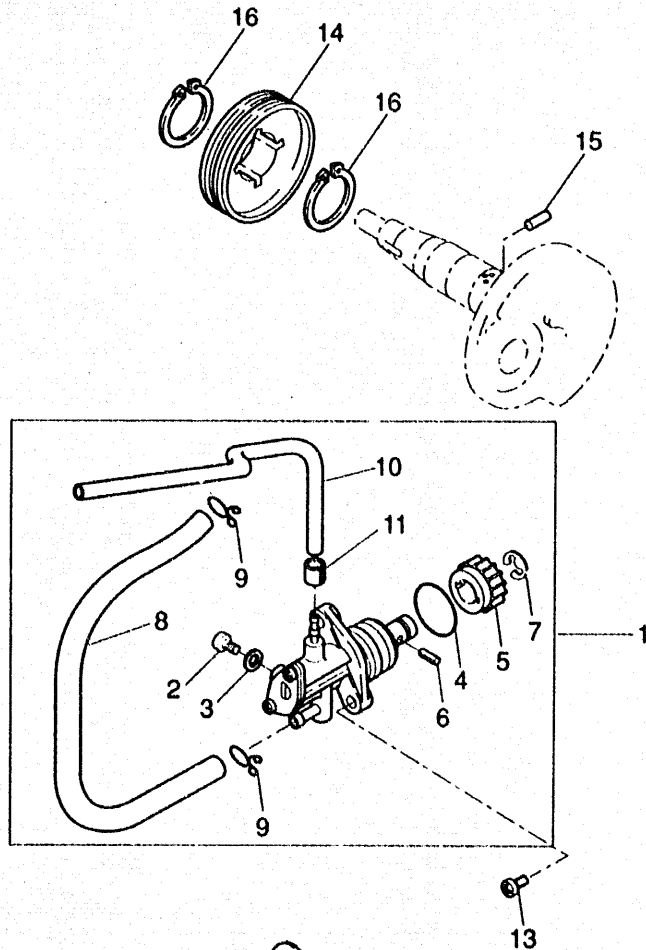


FIG 4 RADIADOR. MANGUELA

| REP | REFERENZE | DESCRIZIONE | QTE | NOTA |
|-----|--------------|-----------------------|-----|------|
| 1 | 5BR-E2460-00 | RADIADOR COMPLETO | 1 | |
| 2 | 90105-06841 | TORNILLO CON ARANDELA | 4 | |
| 3 | 5BR-E2490-00 | TANQUE COMPLETO | 1 | |
| 4 | 90183-06X00 | TUERCA DE RESORTE | 1 | |
| 5 | 5BR-E2567-00 | TAPON | 1 | |
| 6 | 90105-06841 | TORNILLO CON ARANDELA | 1 | |
| 7 | 5BR-E243A-10 | DURITA,1 | 1 | |
| 8 | 5BR-E2487-30 | CLIP,2 | 2 | |
| 9 | 5BR-E2589-10 | MANGUERA 6 | 1 | |
| 10 | 5BR-E2487-10 | CLIP,2 | 2 | |
| 11 | 5BR-E2485-10 | TUBO 5 | 1 | |
| 12 | 5BR-E2484-10 | TUBO 4 | 1 | |
| 13 | 5BR-E2486-00 | COLLAR,1 | 2 | |
| 14 | 5BR-E2487-40 | CLIP,2 | 1 | |
| 15 | 5BR-E2487-20 | CLIP,2 | 3 | |



5BR1354-7040



5BR1354-7051

FIG 5 BOMBA DE ACEITE

| REP | REFERENZE | DESCRIZIONE | QTE | NOTA |
|-----|--------------|--------------------------------|-----|------|
| 1 | 3AA-13100-02 | BOMBA DE ACEITE COMPLETA | 1 | |
| 2 | 3WF-13185-00 | PERNO DE RESPIRADERO | 1 | |
| 3 | 1YU-13187-00 | EMPAQUE TORNILLO P/RESPIRADERO | 1 | |
| 4 | 1YU-13473-00 | ANILLO O | 1 | |
| 5 | 3AA-13124-00 | ENGREJE ROSCA SINFIN | 1 | |
| 6 | 1YU-13516-00 | PASADOR, DE ESPIGA | 1 | |
| 7 | 1YU-13577-00 | PRESILLA | 1 | |
| 8 | 1YU-13412-00 | TUBO DE ACEITE 2 | 1 | |
| 9 | 90467-08003 | PRESILLA | 2 | |
| 10 | 90445-083J5 | TUBO | 1 | |
| 11 | 90468-02X00 | PRESILLA | 1 | |
| 13 | 98507-05014 | TORNILLO DE CABEZA CONPLANA | 2 | |
| 14 | 3VL-E3178-00 | ENGRANAJE TRACC DE BOMBA | 1 | |
| 15 | 93603-12007 | PASADOR DE CLAVIJA | 1 | |
| 16 | 99009-19400 | PRESILLA REDONDA | 2 | |
| 17 | 5BR-E3141-00 | CUBIERTA CAJA DE BOMBA | 1 | |
| 18 | 90480-13875 | ANILLO PROTECTOR | 1 | |
| 19 | 90480-13876 | ANILLO PROTECTOR | 1 | |
| 20 | 98907-05014 | TORNILLO DE LIGAR | 2 | |
| | 5BR-E3487-00 | NON REPRESENTADO | | |
| | | GUIA DE MANGUERA DE ACEITE | 1 | |

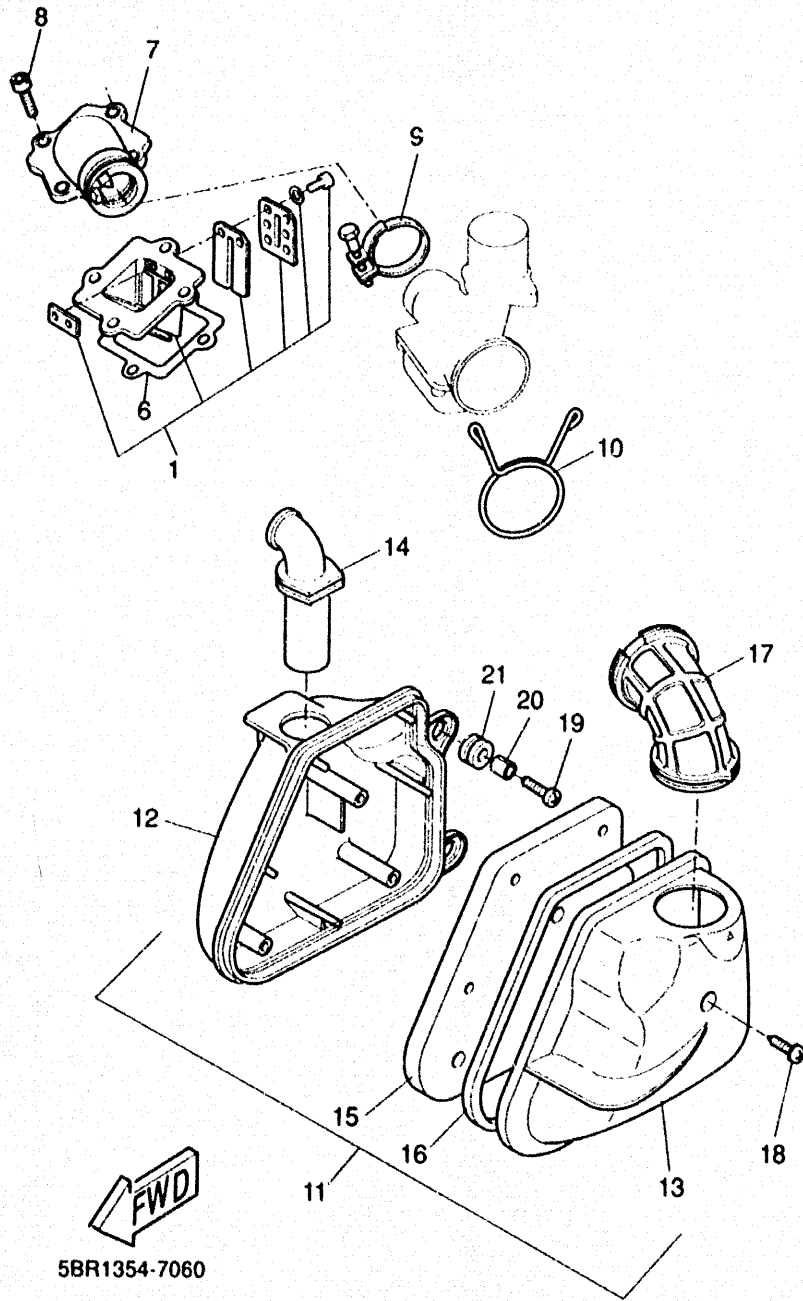


FIG 6 ADMISION

| REP | REFERENZE | DESCRIZIONE | QTE | NOTA |
|-----|--------------|-------------------------------------|-----|------|
| 1 | 4CU-E3610-00 | VALVULA DE LAMINAS COMPLETA | 1 | |
| 6 | 4CU-E3621-00 | JUNTA, DE VALV DE LCIM | 1 | |
| 7 | 4CU-E3555-00 | CONECTOR | 1 | |
| 8 | 90110-06X03 | TORNILLO ALLEN | 4 | |
| 9 | 90450-32X00 | BRIDA, MANGUERA | 1 | |
| 10 | 90467-24140 | PRESILLA | 1 | |
| 11 | 5BR-E4410-00 | FILTRO DE AIRE COMPLETO | 1 | |
| 12 | 3WG-E4411-00 | .CAJA FILTRO DEL AIRE 1 | 1 | |
| 13 | 3WG-E4412-00 | .TAPA CAJA DEL FILTRO 1 | 1 | |
| 14 | 3YK-14437-00 | .CONDUCTO | 1 | |
| 15 | 3WG-E4451-00 | .ELEMENTO DEL FILTRO DELAIRE | 1 | |
| 16 | 3WG-E4452-00 | .SELLO | 1 | |
| 17 | 5AD-E4453-00 | .UNION DEL FILTRO DEL AIRE 1 | 1 | |
| 18 | 97780-50125 | .TORNILLO, DE CABEZA CRUZADA | 3 | |
| 19 | 97637-06220 | TORNILLO CAB CON PLANA C/ARAN | 2 | |
| 20 | 90387-067V1 | .CASQUILLO CON VALONA | 2 | |
| 21 | 90480-12497 | .ANILLO PROTECTOR | 2 | |
| | 5BR-E4459-00 | NON REPRESENTADO SOPORTE DE GUIA | 1 | |

B7

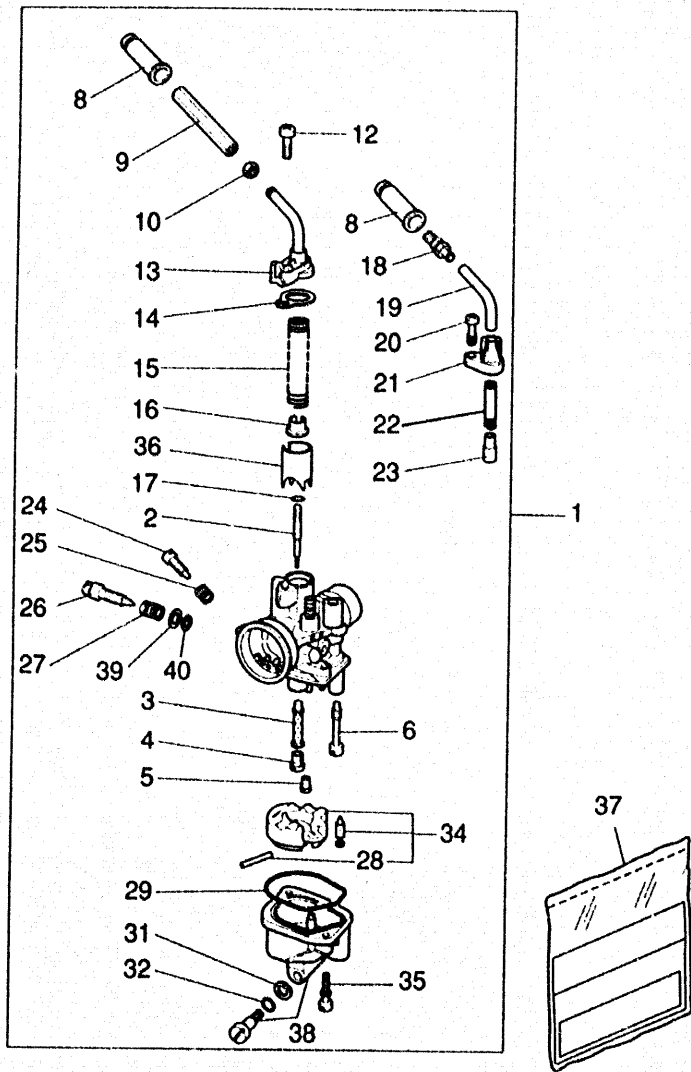


FIG 7 CARBURADOR

| REP | REFERENZE | DESCRIZIONE | QTE | NOTA |
|-----|--------------|------------------------------|-----|------|
| 1 | 5BR-E4301-00 | CARBURADOR COMPLETO 1 | 1 | |
| 2 | 5BR-E4336-00 | AGUJA DEL SURTIDOR | 1 | |
| 3 | 5BR-E4341-00 | BOQUILLA PRINCIPAL | 1 | |
| 4 | 5BR-E4343-00 | INYECTOR PRINCIPAL | 1 | |
| 5 | 4SB-E4342-00 | ESPREA DE PILOTO | 1 | |
| 6 | 5BR-E4344-00 | INYECTOR DE ARRANQUE | 1 | |
| 8 | 5BR-F6329-00 | TAPA DE ANILLO PROTECTOR | 2 | |
| 9 | 5BR-E4161-00 | TUERCA AJUSTADOR DE CABLE | 1 | |
| 10 | 5BR-E4358-00 | TUERCA | 1 | |
| 12 | 5BR-E4325-00 | TORNILLO CABEZA REDONDA | 1 | |
| 13 | 5BR-E4369-00 | DIAFRAMA COMPLETO 2 | 1 | |
| 14 | | IN JUEGO DE EMPAQUE REP 37 | | |
| 15 | 4SB-E4331-02 | RESORTE VALVULA ACELERADOR | 1 | |
| 16 | 4SB-E4377-00 | TOPE | 1 | |
| 17 | 4SB-E4137-00 | PRESILLA | 1 | |
| 18 | 4SB-E4124-00 | TORNILLO DE AJUSTE DEALAMBRE | 1 | |
| 19 | 4SB-E4318-00 | TUBO DEL ARRANQUE | 1 | |
| 20 | 4SB-E4216-00 | TORNILLO | 1 | |
| 21 | 5BR-E4368-00 | DIAFRAMA COMPLETO 1 | 1 | |
| 22 | 4SB-E4335-00 | RESORTE DE EMBOLO | 1 | |
| 23 | 4SB-E4371-00 | EMBOLO DE ARRANQUE | 1 | |
| 24 | 4SB-E4104-00 | CJTO. TORNILLO DE AIRE | 1 | |
| 25 | 4SB-E4134-00 | RESORTE AJUSTE DE VALVULA | 1 | |
| 26 | 4SB-E4103-01 | CJTO. TORNILLO DEL RALENTI | 1 | |
| 27 | 4SB-E4133-01 | RESORTE TOPE DE ACELERACION | 1 | |
| 28 | 4SB-E4386-00 | PASADOR DE BOIA | 1 | |
| 29 | | IN JUEGO DE EMPAQUE REP 37 | | |
| 31 | | IN JUEGO DE EMPAQUE REP 37 | | |
| 32 | | IN JUEGO DE EMPAQUE REP 37 | | |
| 34 | 5DN-E4385-00 | JUEGO BOIAVALVULA DE AGUJA | 1 | |
| 35 | 4SB-E4216-10 | TORNILLO | 1 | |
| 36 | 5BR-E4312-00 | VALVULA DE OBTURADOR 1 | 1 | |
| 37 | 4SB-W0001-00 | JUEGO DE EMPAQUE | 1 | |
| 38 | 5BR-E4381-00 | CUERPO DE CAMARA DE BOIA | 1 | |
| 39 | 4SB-E4357-00 | ARANDELA | 1 | |
| 40 | | IN JUEGO DE EMPAQUE REP 37 | | |



5BR1354-7071

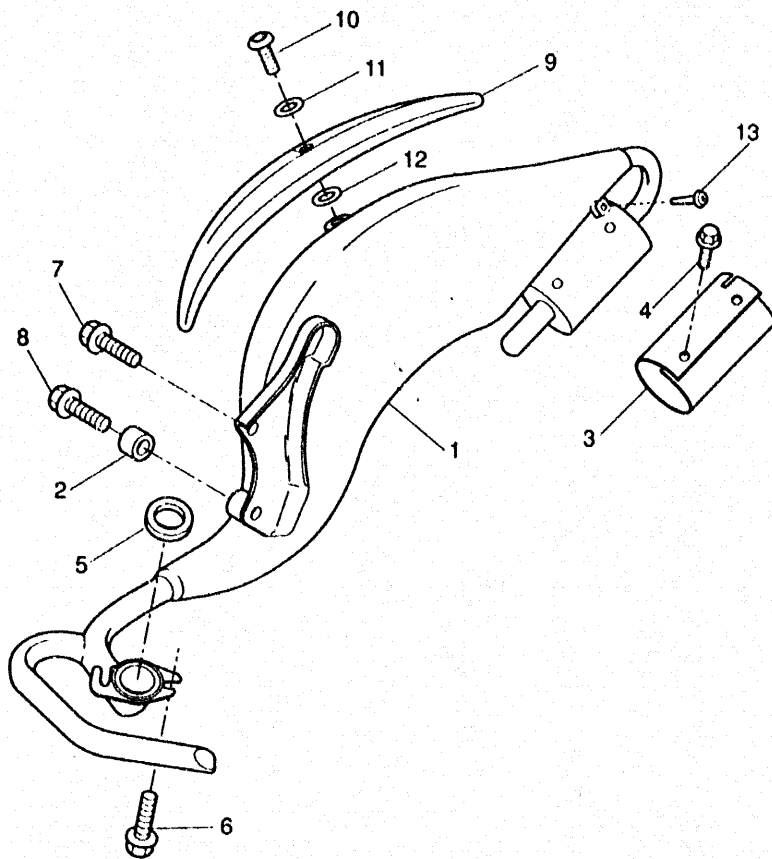


FIG 8 DESCARGA

| REP | REFERENZE | DESCRIZIONE | QTE | NOTA |
|-----|--------------|-----------------------------|-----|------|
| 1 | 5HE-E4610-10 | TUBO DE ESCAPE COMPLETO1 | 1 | |
| 2 | 2JA-14737-00 | AMORTIGUADOR DE SILENCIADOR | 1 | |
| 3 | 5BR-E4758-10 | PROTECTOR DE SILENCIADOR | 1 | |
| 4 | 5BR-E4751-00 | TORNILLO | 2 | |
| 5 | 3HK-14613-00 | JUNTA, TUBO DE ESCAPE | 1 | |
| 6 | 90153-06061 | TORNILLO HEXAGONAL | 2 | |
| 7 | 95817-08020 | TUERCA DE REBORDE | 1 | |
| 8 | 95817-08040 | TUERCA DE REBORDE | 1 | |
| 9 | 5BR-E4729-10 | EMBLEMA DE PROTECTOR | 1 | |
| 10 | 90154-06X05 | LORNILLO DE LIGAR | 3 | |
| 11 | 90201-06X06 | ARANDELA PLANA | 3 | |
| 12 | 3WX-14766-00 | ARANDELA DE PROTECTOR | 3 | |
| 13 | 90267-48X01 | REMACHE CIEGO | 1 | |



5HE1354-9080

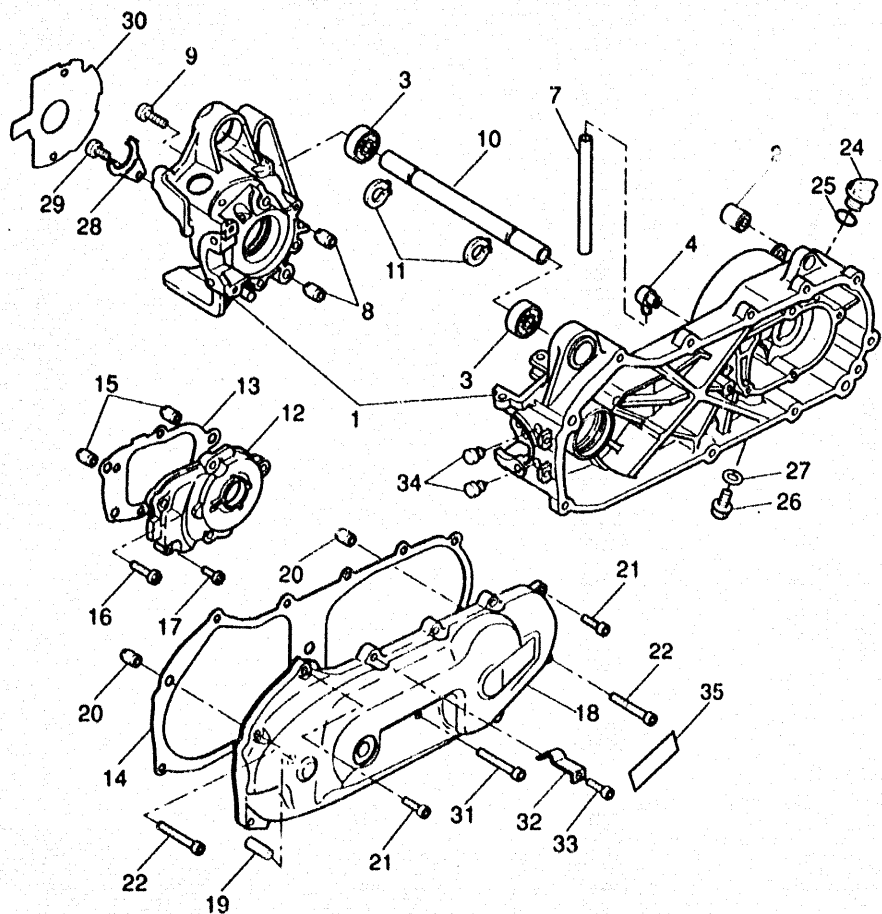


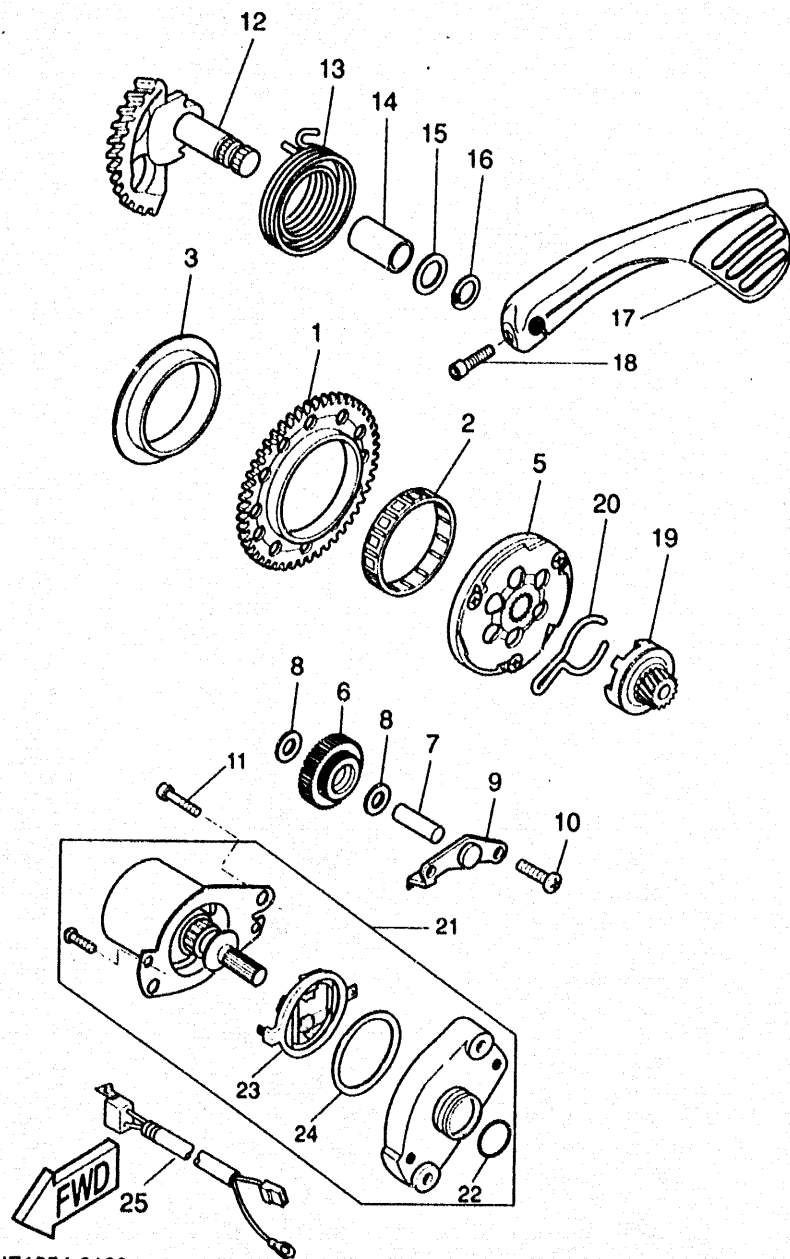
FIG 9 CARTER

| REP | REFERENZE | DESCRIZIONE | QTE | NOTA |
|-----|--------------|-------------------------------|-----|------|
| 1 | 5BR-E5150-00 | CARTER COMPLETO | 1 | |
| 2 | 164-22216-00 | BUJE DEL AMORTIGUADOR TRASERO | 1 | |
| 3 | 93306-00316 | COJINETE | 2 | |
| 4 | 3VL-E5371-00 | RESPIRADERO | 1 | |
| 7 | 90446-13311 | TUBO RESEIRADERO | 1 | |
| 8 | 99510-12016 | CENTRADOR | 2 | |
| 9 | 1TL-E5461-00 | TORNILLO ALLEN (AMARILLO) | 6 | |
| 10 | 4CU-E5317-00 | SEPARADPR, MONTANTE DEMOTOR | 1 | |
| 11 | 99009-17400 | PRESILLA REDONDA | 2 | |
| 12 | 3VL-E5421-00 | TAPA DE CARTER DERECHA | 1 | |
| 13 | 3VL-E5461-00 | JUNTA TAPA CARTER DRCHO | 1 | |
| 14 | 5AD-E5451-00 | EMPAQ DE CUBIERTA DE CARTER | 1 | |
| 15 | 99510-10114 | PASADOR, DE CLAVIJA | 2 | |
| 16 | 1TL-E5481-00 | TORNILLO ALLEN (AMARILLO) | 2 | |
| 17 | 90110-06X03 | TORNILLO ALLEN | 4 | |
| 18 | 5BR-E5411-00 | CUBIERTA DE CARTER 1 | 1 | |
| 19 | 3VL-E5659-00 | EJE | 1 | |
| 20 | 99510-10114 | PASADOR, DE CLAVIJA | 2 | |
| 21 | 1TK-E3573-00 | TORNILLO ALLAN (AMARILLO) | 8 | |
| 22 | 1TL-E5481-00 | TORNILLO ALLEN (AMARILLO) | 2 | |
| 24 | 3VL-E5363-00 | TAPON DE ACEITE | 1 | |
| 25 | 93210-14104 | JUNTA TORICA | 1 | |
| 26 | 95817-08016 | TUERCA DE REBORDE | 1 | |
| 27 | 90430-08X00 | JUNTA | 1 | |
| 28 | 3VL-E5128-00 | SOPORTE | 1 | |
| 29 | 1TK-E5187-00 | TORNILLO ALLEN (AMARILLO) | 1 | |
| 30 | 4CU-E5462-00 | EMPAQ CUBIERTA DE CARTER | 1 | |
| 31 | 98517-06012 | TORNILLO DE CABEZA CONPLANA | 1 | |
| 32 | 5BR-F5876-00 | SOPORTE DE MANGUERA FRENO | 1 | |
| 33 | 90110-06X01 | TORNILLO ALLEN | 1 | |
| 34 | 90480-11877 | ANILLO PROTECTOP. | 2 | |
| 35 | 5BR-E5435-00 | EMBLEMA | 1 | |



5BR1354-7090

B10

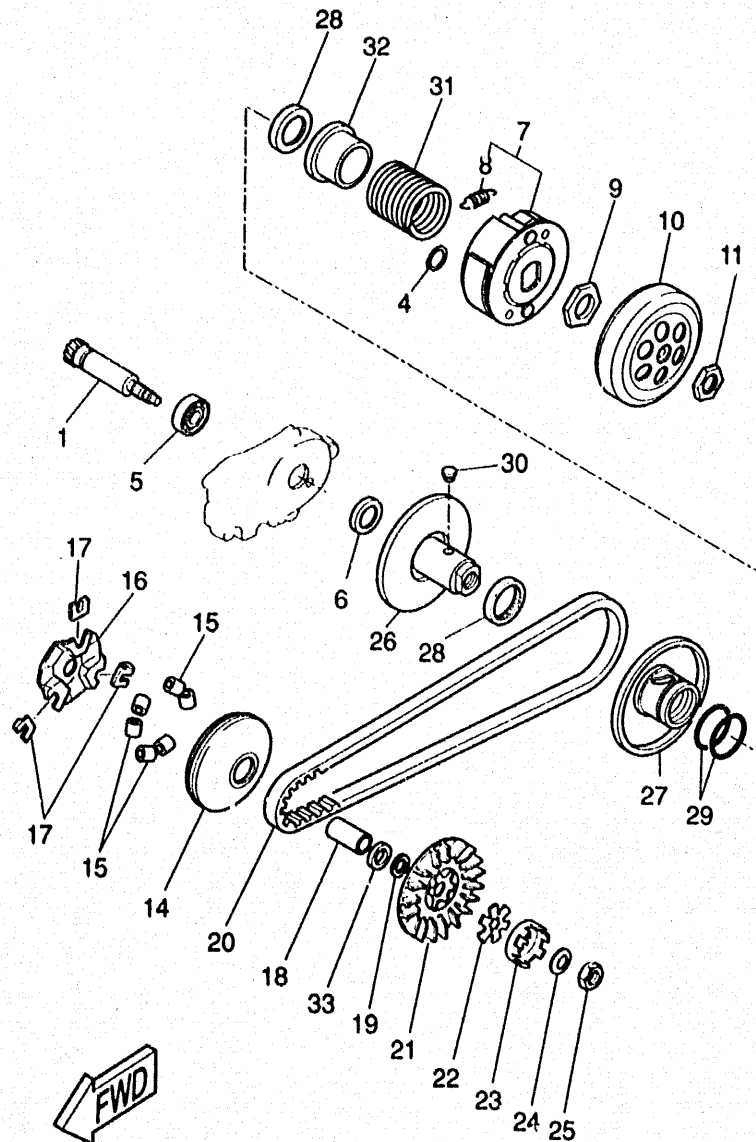


5HE1354-9100

FIG 10 ARRANQUE

| REP | REFERENZE | DESCRIZIONE | QTE | NOTA |
|-----|--------------|-----------------------------------|-----|------|
| 1 | 3AA-15513-00 | ENGRANAJE 1 | 1 | |
| 2 | 93310-257R1 | COJINETE DE RODILLOS | 1 | |
| 3 | 3KJ-15528-00 | COPA | 1 | |
| 5 | 3VL-15570-00 | EMBRAGUE DEL ARRANQUE COMPLETA | 1 | |
| 6 | 4SB-E5650-00 | ENGRANAJE NEUTRO COMPLETO | 1 | |
| 7 | 3VL-E5659-00 | EJE | 1 | |
| 8 | 90201-08X00 | ARANDELA PLANA | 2 | |
| 9 | 4CU-E5532-00 | PLACA DE ENGRANAJE NEUTRO | 1 | |
| 10 | 98517-06012 | TORNILLO DE CABEZA CONPLANA | 2 | |
| 11 | 90110-06X03 | TORNILLO ALLEN | 2 | |
| 12 | 3ES-15601-02 | EJE DE ARR. DE PIE COMPL | 1 | |
| 13 | 90508-32609 | RESORTE DE TORSION | 1 | |
| 14 | 90380-15X00 | CASQUILLO SOLIDO | 1 | |
| 15 | 90201-154E9 | ARANDELA PLANA | 1 | |
| 16 | 99009-15400 | PRESILLA REDONDA | 1 | |
| 17 | 5FX-E5620-00 | MANIVELA DE PEDAL COMPLETA (GRIS) | 1 | |
| 18 | 90110-06X16 | TORNILLO ALLEN | 1 | |
| 19 | 4SB-E5631-00 | ENGRANAJE DE PINON DE PEDAL | 1 | |
| 20 | 3VL-E5673-00 | PRESILLA | 1 | |
| 21 | 4CU-E1800-00 | MOTOR DE ARRANQUE COMPLETO | 1 | |
| 22 | 93210-23614 | JUNTA TORICA | 1 | |
| 23 | 1YU-81801-M0 | JUEGO DE ESCOBILLA | 1 | |
| 24 | 53L-8181Y-M0 | JUNTA | 2 | |
| 25 | 4CU-82541-00 | CABLE CONDUCTOR | 1 | |

B11



5BR1354-7110

FIG 11 EMBRAGUE

| REP | REFERENZE | DESCRIZIONE | QTE | NOTA |
|-----|-----------------|-------------------------------|-----|------|
| 1 | 3VL-E6111-00 | ENGRANAJE TRACC.PRIMARIA | 1 | |
| 4 | 99080-05600 | PRESILLA REDONDA | 3 | |
| 5 | 93306-203Y0 | COJINETE | 1 | |
| 6 | 93102-17342 | RETEN DE ACEITE | 1 | |
| 7 | 5HE-E6620-00 | PORTADOR DE EMBRAGUE COMPLETO | 1 | |
| 8 | 5HE-E6626-00 | RESORTE CONTRAPESO EMBRAGUE 1 | 3 | |
| 9 | 90170-28860 | TUERCA | 1 | |
| 10 | 5BR-E6611-00 | CAJA DE EMBRAGUE COMPLETO | 1 | |
| 11 | 90170-10X01 | TUERCA | 1 | |
| 14 | 4CU-E7620-00 | ROLDANA PRIMARIA MOVII. | 1 | |
| 15 | 4FG-E7632-00-PL | CONTRAPESO | 6 | |
| 16 | 3VL-E7623-00 | LEVA | 1 | |
| 17 | 3VL-E7653-00 | CORREDERA | 3 | |
| 18 | 90387-135U9 | CASQUILLO CON VALONA | 1 | |
| 19 | 90201-13X00 | ARANDELA PLANA | 1 | |
| 20 | 3AA-17041-00 | CORREA EN V | 1 | |
| 21 | 3VL-E7611-00 | PISCO FIXADOR DE POREA | 1 | |
| 22 | 90214-13055 | ARANDELA DE POSICION | 1 | |
| 23 | 3KJ-15657-00 | EMBRAQUE SIN RETORNO | 1 | |
| 24 | 90208-10012 | ARANDELA DE RESORTE CONICO | 1 | |
| 25 | 90170-10219 | TUERCA | 1 | |
| 26 | 5BR-E7660-00 | ROLDANA SECUNDARIA FIJACOMPL. | 1 | |
| 27 | 5BR-E7671-00 | ROLADANA CORREDIZA SEGUNDA | 1 | |
| 28 | 93104-34832 | SELLO ACEITE | 2 | |
| 29 | 93210-368E7 | JUNTA TORICA | 2 | |
| 30 | 5BR-E7664-00 | PASADOR DE GUIA | 2 | |
| 31 | 90501-35864 | RESORTE DE COMPRESION | 1 | |
| 32 | 5BR-E7684-00 | ASIENTO DE RESORTE SECUNDARIO | 1 | |
| 33 | 5BR-E7654-00 | ESPACIADOR 1 | 1 | |

B12

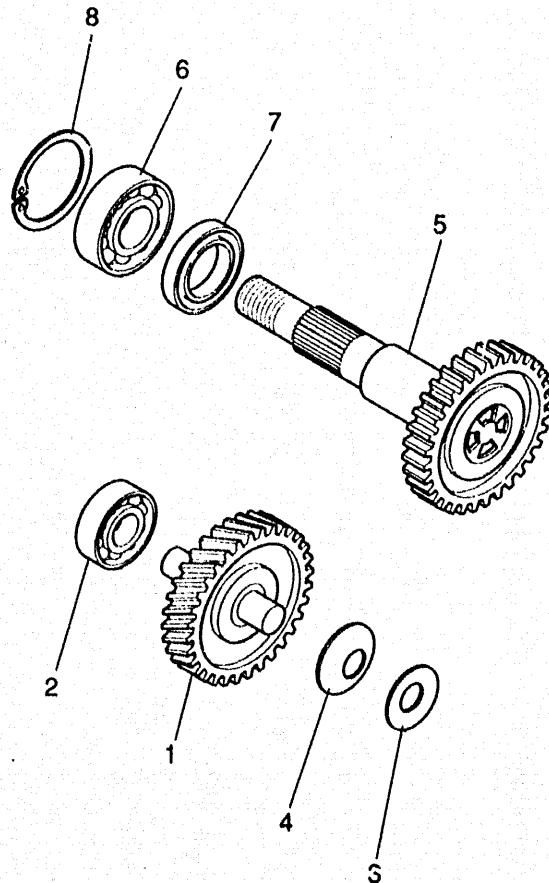


FIG 12 TRANSMISION

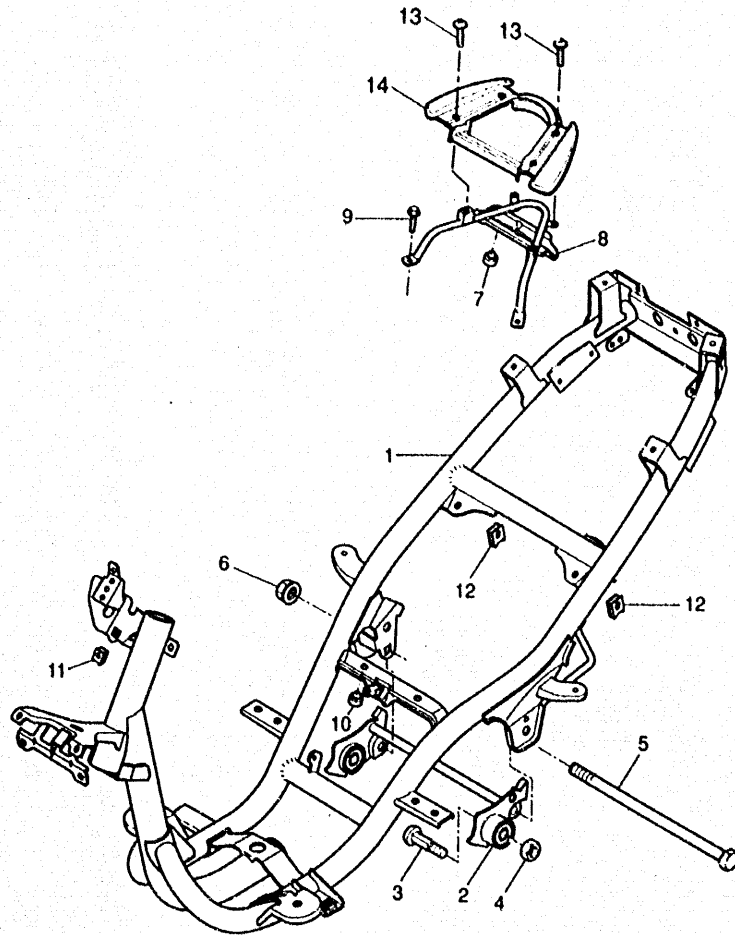
| REP | REFERENZE | DESCRIZIONE | QTE | NO "A |
|-----|--------------|----------------------------|-----|-------|
| 1 | 3WT-E7410-00 | EJE PRINCIPAL COMPLETO | 1 | |
| 2 | 93306-20009 | COJINETE | 2 | |
| 3 | 90201-140G5 | ARANDELA PLANA | 1 | |
| 4 | 90208-14047 | ARANDELA DE RESORTE CONICO | 1 | |
| 5 | 3WT-E7420-00 | EJE DE TRACCION COMPLETO | 1 | |
| 6 | 93306-20310 | COJINETE | 1 | |
| 7 | 93102-22897 | RETEN DE ACEITE | 1 | |
| 8 | 93420-40064 | SEGURO | 1 | |



5BR1354-7120

B13

FIG 13 CUADRO



5HE1354-9130

| REP | REFERENZE | DESCRIZIONE | QTE | NOTA |
|-----|--------------|-----------------------------|-----|-----------------|
| 1 | 5BR-F1110-00 | AMAZON COMPLETO | 1 | UR YAMAHA BLACK |
| 2 | 5BR-F1410-00 | SOPORTE DE MOTOR COMPLETO | 1 | |
| 3 | 5G3-21481-00 | PERNO DE MONTAJE DE MOTOR 1 | 2 | |
| 4 | 90185-10154 | TUERCA AUTOBLOCANTE | 2 | |
| 5 | 3KJ-21481-00 | PERNO DE MONTAJE DE MOTOR 1 | 1 | |
| 6 | 95617-12200 | PERNO DE PUNTAL | 1 | |
| 7 | 3VL-F4741-10 | COJIN DE ASIENTO | 4 | |
| 8 | 5HE-F1232-00 | REFUERZO TRASERO | 1 | |
| 9 | 95817-08016 | TUERCA DE REBORDE | 4 | |
| 10 | 3VL-F4741-10 | COJIN DE ASIENTO | 2 | |
| 11 | 90183-06X00 | TUERCA DE RESORTE | 8 | |
| 12 | 90183-05X00 | TUERCA DE RESORTE | 4 | |
| 13 | 90111-06X01 | TORNILLO HEXAGONAL | 4 | |
| 14 | 5HE-E4773-10 | MANIRA DE ASIENTO | 1 | |
| | 5BK-F1182-00 | PLACA CONSTRUCTOR | 1 | |
| | 90267-32801 | REMACHE CIEGO | 2 | |

B14

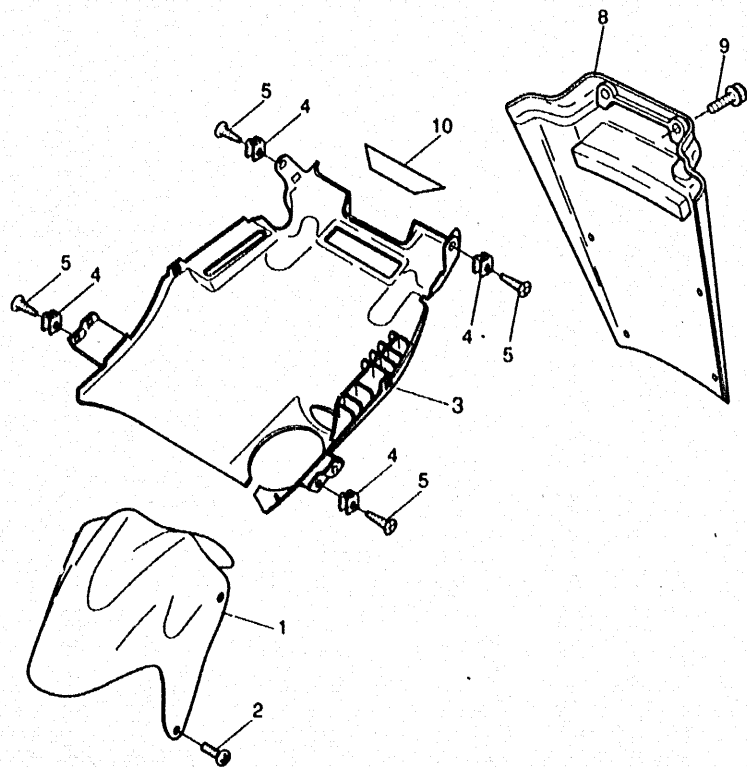


FIG 14 GUARDABARRO

| REF | REFERENZE | DESCRIZIONE | QTE | NOTA |
|-----|-----------------|-----------------------------|-----|----------------------|
| 1 | 5BR-F1556-00-P2 | GUARDABARRO, DELANTERO 2 | 1 | UR VIVID RED SOLID A |
| 2 | 90157-05X02 | TORNILLO CABEZA CONICAPLANA | 4 | |
| 3 | 5BR-F1629-00 | GUARDABARRO INFERIOR | 1 | |
| 4 | 90183-05X00 | TUERCA DE RESORTE | 2 | |
| 5 | 90167-05X02 | TORNILLO DE ROSCA HEMBRA | 4 | |
| 8 | 5BR-F1642-00 | GUARDA DE CHARNELA | 1 | |
| 9 | 90109-063F1 | PERNO | 2 | |
| 10 | 5BR-F152A-00 | EMBLEMA 3 | 1 | |

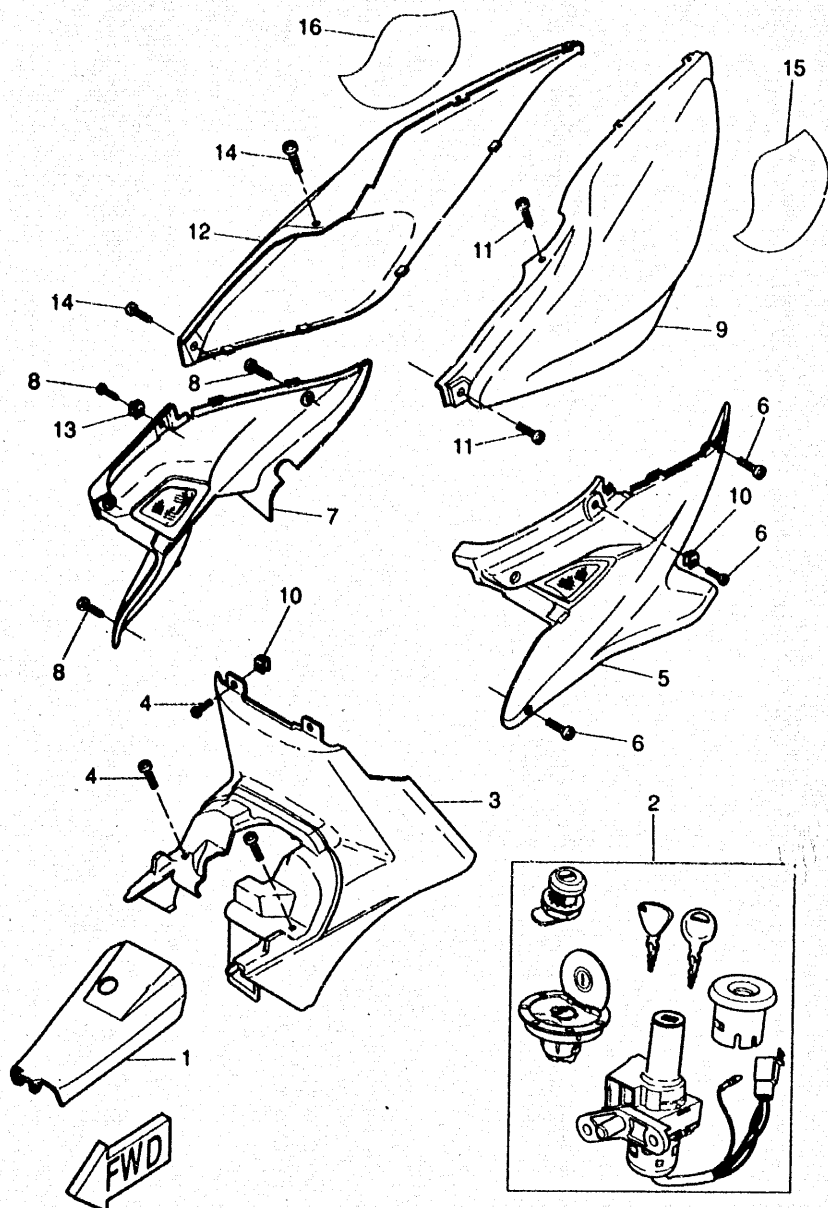


5BR1354-7141

B15

SUMARIO

| MOTOR | | | |
|-------------------------------|-----|------------------------------|-------|
| CILINDRO | B2 | ASIENTO..... | C7 |
| CIGUENAL PISTON..... | B3 | RUEDA DELANTERA | C8 |
| BOMBA DE AGUA..... | B4 | CALIBRE FRENO DELANTERA | C9 |
| RADIADOR - DEPOSITO | B5 | RUEDA TRASERA..... | C10 |
| BOMBA DE ACEITE | B6 | CALIBRE FRENO TRASERA | C11 |
| ADMISSION | B7 | MANUBRIO CABLE..... | C12 |
| CARBURADOR | B8 | CILINDRO MAESTRO DELANT. .. | C13 |
| DESCARGA | B9 | SOPORTE APOYAPIE..... | C14 |
| CARTER | B10 | CILINDRO MAESTRO TRAS..... | C15 |
| ARRANQUE..... | B11 | PATA PROTEGIDA..... | D2 |
| EMBRAGUE..... | B12 | BOVEDA | D3 |
| TRANSMISSION | B13 | GENERATOR..... | D4 |
| CUARDO | | | |
| ARMAZON | B14 | LUZ DESTELLADOR..... | D5 |
| GUARDABARRO | B15 | MEDIDOR..... | D6 |
| CUBIERTA LATERAL | C2 | FARO DELANTERO | D7 |
| DEPOSITO DE ACIETE | C3 | LUZ DE COLA | D8 |
| SUSPENSION TRASERO..... | C4 | INTERRUPTOR DE MANIJA | D9 |
| HORQUILLA DELANTERA | C5 | EQUIPO ELECTRICO 1 | D10 |
| DEPOSITO DE COMBUSTIBLE | C6 | EQUIPO ELECTRICO 2 | D11 |
| | | INDICE NUMERICO | M1-M2 |



5BR1354-7152

FIG 15 CUBIERTA LATERAL

| REP | REFERENZE | DESCRIZIONE | QTE | NOTA |
|-----|-----------------|--------------------------|-----|--------------------------|
| 1 | 5BR-F177E-00 | TAPA | 1 | |
| 2 | 5BR-H2021-00 | LLAVE DE IGNICION CPLT | 1 | |
| 3 | 5BR-F1716-00 | TAPA,CUBIERTA LATERAL | 1 | |
| 4 | 90167-05X02 | TORNILLO DE ROSCA HEMBRA | 4 | |
| 5 | 5BR-F1711-10 | TAPA LATERAL | 1 | |
| 6 | 90167-05X01 | TORNILLO DE ROSCA HEMBRA | 2 | |
| 7 | 5BR-F1721-10 | TAPA LATERAL 2 | 1 | |
| 9 | 5BR-F1731-02-P0 | CUBIERTA LATERAL 3 | 1 | UR VIVID RED SOLID A VRS |
| 10 | 90183-05X00 | TUERCA DE RESORTE | 2 | |
| 11 | 90167-05X02 | TORNILLO DE ROSCA HEMBRA | 4 | |
| 12 | 5BR-F1741-02-P0 | CUBIERTA LATERAL 4 | 1 | UR VIVID RED SOLID A VRS |
| 13 | 90183-05X00 | TUERCA DE RESORTE | 2 | |
| 14 | 90167-05X02 | TORNILLO DE ROSCA HEMBRA | 4 | |
| 15 | 5HE-F174J-10 | GRAFICO 5 (CHECA) | 1 | 5HED UR VRSA |
| | 5HE-F174J-00 | GRAFICO 5 (MAX BIAGGI) | 1 | 5HER UR VRSA |
| 16 | 5HE-F174K-10 | GRAFICO 6 (CHECA) | 1 | 5HED UR VRSA |
| | 5HE-F174K-00 | GRAFICO 6 (MAX BIAGGI) | 1 | 5HER UR VRSA |

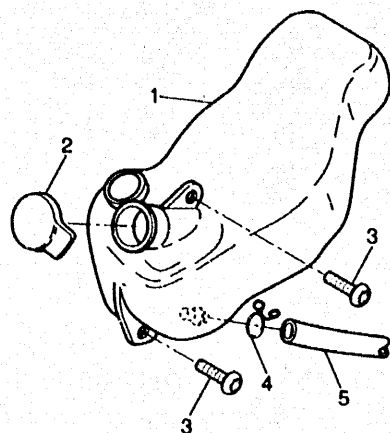


FIG 16 DEPOSITO DE ACEITE

| REP | REFERENZE | DESCRIZIONE | QTE | NOTA |
|-----|--------------|-----------------------------|-----|------|
| 1 | 5BR-F1705-00 | DEPOSITO DE ACEITE COMPLETO | 1 | |
| 2 | 2N3-21771-01 | TAPON DEPOSITO ACEITE | 1 | |
| 3 | 90154-06X04 | TORNILLO DE LIGAR | 2 | |
| 4 | 90467-08003 | PRESILLA | 1 | |
| 5 | 90445-083J5 | TUBO | 1 | |



5BR1354-7160

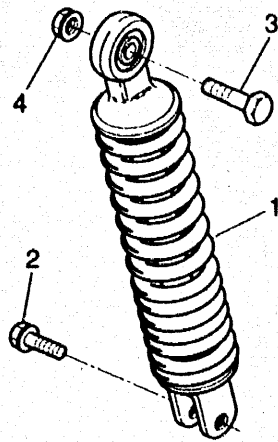


FIG 17 SUSPENSION TRASERO

| REP | REFERENZE | DESCRIZIONE | QTE | NOTA |
|-----|---------------|-------------------------------|-----|---------|
| 1 | 5BS-F221/0-10 | AMORTIGUADOR TRASERO COMPLETO | 1 | UR VRSA |
| 2 | 4YB-F2241-00 | PERNO 1 | 1 | |
| 3 | 90101-10776 | TORNILLO | 1 | |
| 4 | 95617-10200 | PERNO DE PUNTAL | 1 | |



5BR1354-7170

C4

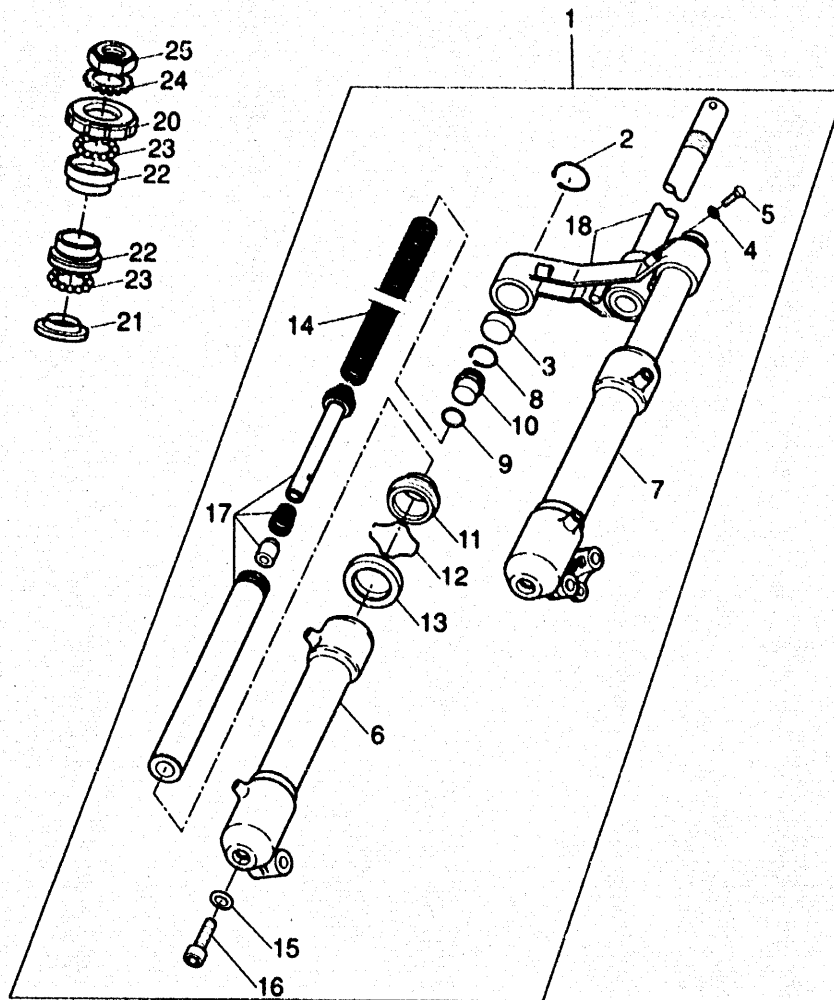


FIG 18 HORQUILLA DELANTERA

| REP | REFERENZE | DESCRIZIONE | QTE | NOTA |
|-----|--------------|------------------------------|-----|------|
| 1 | 5BR-F3100-02 | HORQUILLA DELANTERA COMPLETA | 1 | |
| 2 | 4TD-F3153-00 | ANILLO DE ENGANCHE | 2 | |
| 3 | 4TD-F3154-00 | TAPON TUBO INTERIOR | 2 | |
| 4 | 4TD-F3112-00 | ARANDELA DE TAPA | 2 | |
| 5 | 4TD-F3394-00 | PERNO ESPECIAL | 2 | |
| 6 | 5BR-F3136-00 | TUBO EXTERIOR 2 | 1 | |
| 7 | 5BR-F3126-00 | TUBO EXTERIOR 1 | 1 | |
| 8 | 4TD-F3183-00 | PRESILLA REDONDA | 2 | |
| 9 | 4TD-F3147-00 | ARO | 2 | |
| 10 | 4TD-F3111-00 | TAPON | 2 | |
| 11 | 4TD-F3144-00 | GUARDAPOLVO | 2 | |
| 12 | 4TD-F3156-00 | PRESILLA DEL RETEN DE ACEITE | 2 | |
| 13 | 4TD-F3145-00 | RETEN DE ACEITE | 2 | |
| 14 | 4TD-F3141-00 | RESORTE HORQUILLA DELANT. | 2 | |
| 15 | 4CU-F3165-00 | ARANDELA DE FIELTRO | 2 | |
| 16 | 4TD-F3181-00 | TORNILLO CAJEZAHEXAGONAL | 2 | |
| 17 | 5BR-F3110-01 | TUBO INTERIOR COMPLETO1 | 1 | |
| 18 | 5BR-F3340-02 | PLATINA INFERIOR COMPLETA | 1 | |
| 20 | 4SB-F3411-01 | PISTA DE BOLAS 1 | 1 | |
| 21 | 4SB-F3414-00 | BASE DE BOLA 4 | 1 | |
| 22 | 4SB-F3412-00 | PISTA DE BOLAS 2 | 2 | |
| 23 | 4SB-F3812-00 | COJINETE DE DIRECCION | 2 | |
| 24 | 4SB-F3427-01 | ARANDELA | 1 | |
| 25 | 4SB-F3453-01 | TUERCA ACCESORIA 1 | 1 | |
| | 5BR-F3108-00 | EMBLEMA | 2 | |



5BR1354-7180

C5

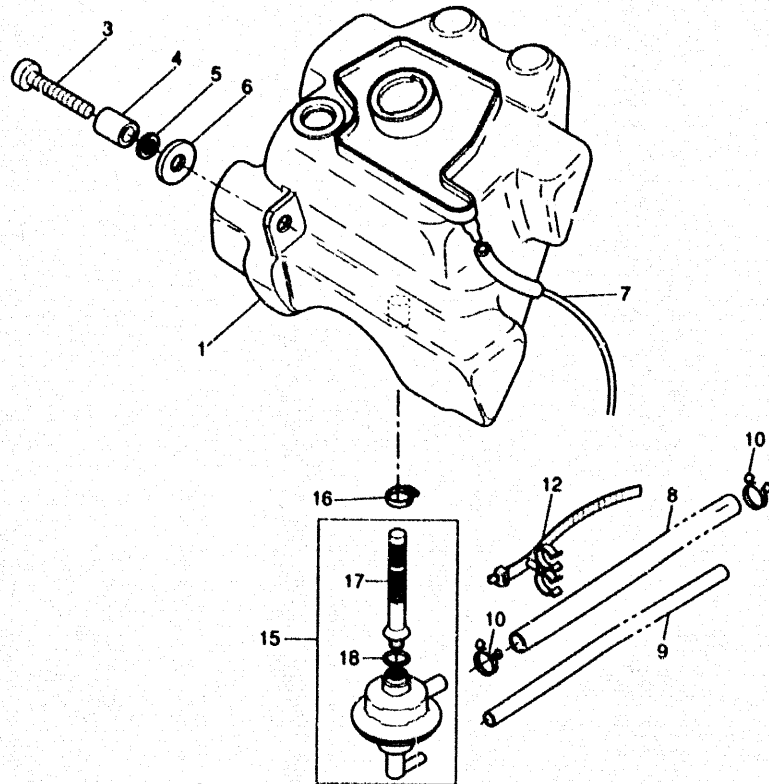
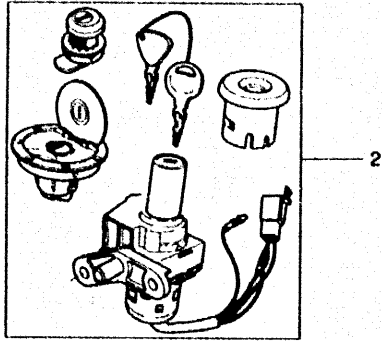
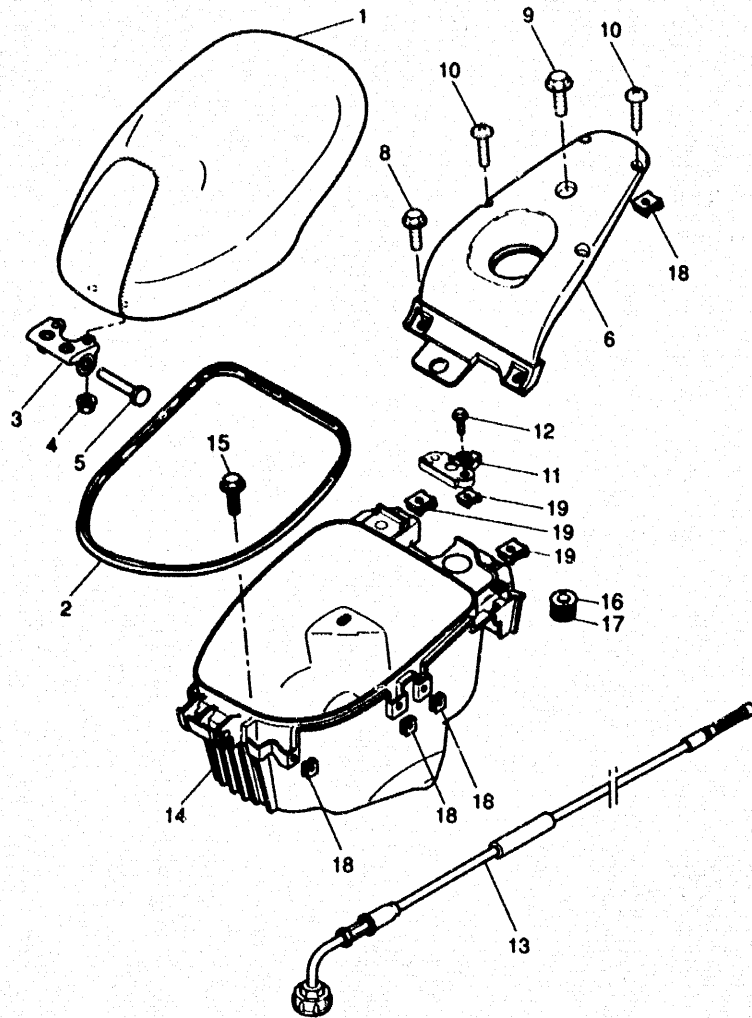


FIG 19 DEPOSITO DE COMBUSTIBLE

| REP | REFERENZE | DESCRIZIONE | QTE | NOTA |
|-----|--------------|------------------------------|-----|------|
| 1 | 5BR-F4110-00 | DEPOSITO DE COMBUSTIBLECOMP. | 1 | |
| 2 | 5BR-H2021-00 | LLAVE DE IGNICION CPLT | 1 | |
| 3 | 90105-08X02 | TORNILLO CON ARANDELA | 1 | |
| 4 | 90387-060G7 | CASQUILLO CON VALONA | 1 | |
| 5 | 90201-065F3 | ARANDELA PLANA | 1 | |
| 6 | 90480-13398 | ANILLO PROTECTOR | 1 | |
| 7 | 4SB-F4318-11 | TUBO DE REBOSAMIENTO | 1 | |
| 8 | 4SB-F4312-11 | TUBO 2 | 1 | |
| 9 | 4SB-F4335-11 | TUBO DE SUCCION 1 | 1 | |
| 10 | 90467-09006 | PRESILLA | 2 | |
| 12 | 5BR-F1335-00 | GRAMPA DE ARNES DE CABLES 1 | 2 | |
| 15 | 5BR-F4500-00 | GRIFO DE COMBUSTIELE 1 | 1 | |
| 16 | 90450-22X00 | BRIDA, MANGUERA | 1 | |
| 17 | 5EU-F4501-00 | FILTRO LOMBUSTIBLE | 1 | |
| 18 | 5EU-F4512-00 | EMPAQUE | 1 | |



5BR1354-7191



5BS1351-7201

FIG 20 ASIENTO. PORTAEQUIPAJE

| REP | REFERENZE | DESCRIZIONE | QTE | NOTA |
|-----|--------------|--------------------------|-----|------|
| 1 | 5HE-F4710-00 | ASIENTO SIMPLE COMPLETO | 1 | |
| 2 | 5BR-F475M-00 | .SELLO | 1 | |
| 3 | 4CU-F4726-00 | HINGE SEAT | 1 | |
| 4 | 90179-06X00 | TUERCA | 2 | |
| 5 | 90241-10X00 | PASADOR | 1 | |
| 6 | 5HE-F4756-00 | CUBIERTA DE COLA | 1 | |
| 8 | 90105-06X02 | TORNILLO CON ARANDELA | 2 | |
| 9 | 90105-06X01 | TORNILLO CON ARANDELA | 1 | |
| 10 | 90167-05X01 | TORNILLO DE ROSCA HEMBRA | 4 | |
| 11 | 5AD-F4780-00 | TORNILLO CONTROL DE AIRE | 1 | |
| 12 | 90105-06X02 | TORNILLO CON ARANDELA | 2 | |
| 13 | 5BR-F478E-01 | CABLE | 1 | |
| 14 | 5BR-F473R-00 | CAJA 1 | 1 | |
| 15 | 90109-063F1 | PERNO | 4 | |
| 16 | 5AD-F4781-00 | SOPORTE RESORTE 1 | 1 | |
| 17 | 90501-20X00 | RESORTE DE COMPRESION | 1 | |
| 18 | 90183-06X00 | TUERCA DE RESORTE | 6 | |
| 19 | 90183-05X00 | TUERCA DE RESORTE | 1 | |
| | | NON REPRESENTADO | | |
| | 5HE-F4731-00 | FUNDA DE SILLIN | 1 | |
| | 5BR-F118G-01 | ETIQUETA DE NIVEL SONORO | 1 | |

C7

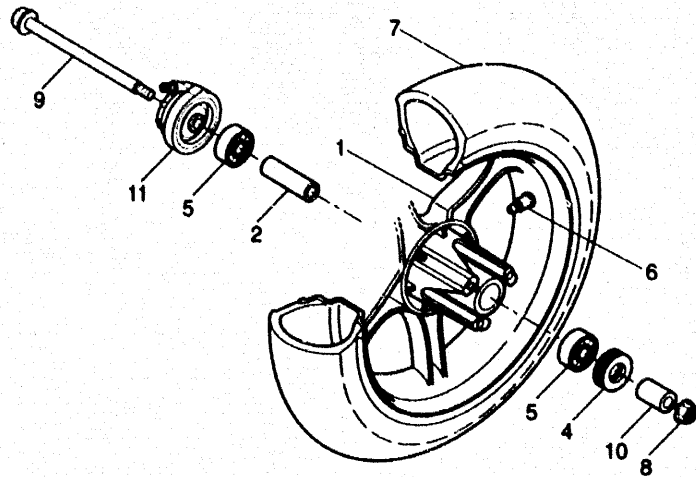


FIG.21 RUEDA DELANTERA

| REP | REFERENZE | DESCRIZIONE | QTE | NOTA |
|-----|--------------|------------------------------|-----|--------------|
| 1 | 5BR-F5168-00 | RUEDA FUNDIDA DELANTERA | 1 | UR VRSA LGM2 |
| 2 | 4SB-F5117-00 | ESPACIADOR DE COJINETE | 1 | |
| 4 | 93106-20001 | RETEN DE ACEITE | 1 | |
| 5 | 93306-300Y8 | COJINETE | 2 | |
| 6 | 5BR-F5170-00 | VALVULA DE AIRE COMPLETA | 1 | |
| 7 | | NEUMATICO(PIRELLI) | 1 | LM 130-80/13 |
| | | NEUMATICO(MICHELIN) | 1 | LM 130-80/13 |
| 8 | 95617-10200 | PERNO DE PUNTAL | 1 | |
| 9 | 5BR-F2141-C0 | EJE DEL BARCULANTE | 1 | |
| 10 | 90387-10079 | CASQUILLO CON VALONA | 1 | |
| 11 | 5BR-F5190-00 | UNIDAD DE ENGRANAJE COMPLETA | 1 | |



5BR1354-7210

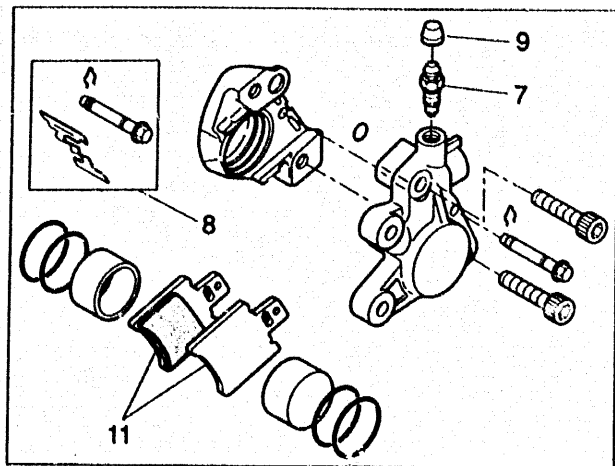
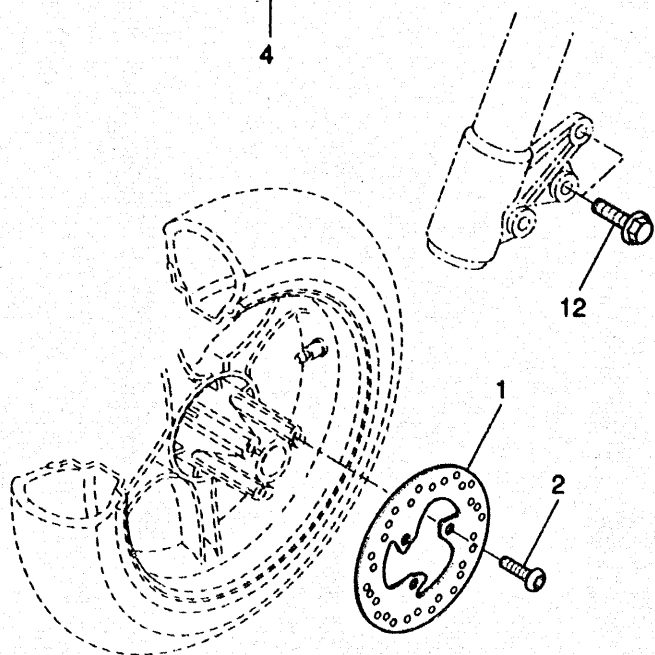


FIG 22 CALIBRE FRENO DELANTERA

| REP | REFERENZE | DESCRIZIONE | QTE | NOTA |
|-----|--------------|-------------------------------------|-----|------|
| 1 | 5BR-F582V-00 | DISCO DE FRENO (DELANTEROO TRASERO) | 1 | |
| 2 | 90111-10X00 | TORNILLO HEXAGONAL | 3 | |
| 4 | 4CU-F580T-20 | CALIBRE COMPLETO (IZQUIERDO) | 1 | |
| 7 | 4CU-F5824-00 | TORNILLO DE RESPIRADERO | 1 | |
| 8 | 4CU-F5919-00 | SOPORTE DE PASTILLAS | 1 | |
| 9 | 4CU-F5825-00 | TAPA | 1 | |
| 11 | 4CU-F5811-20 | COJIN DE CALIBRE | 2 | |
| 12 | 90105-08X00 | TORNILLO CON ARANDELA | 2 | |



5BR1354-7220

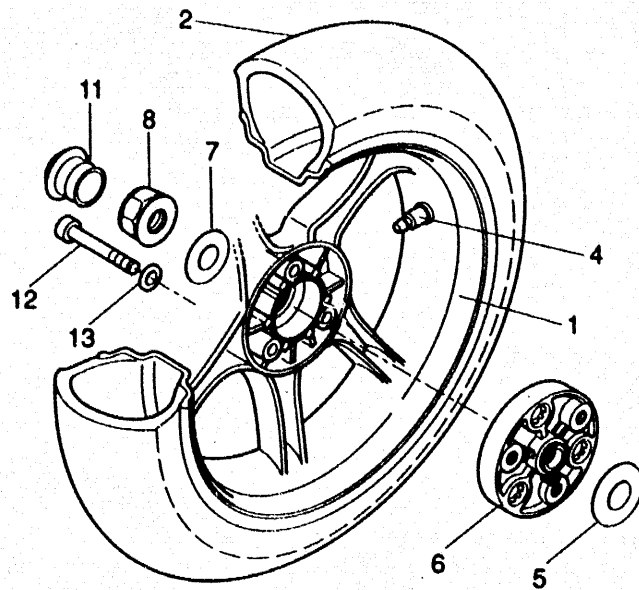


FIG 23 RUEDA TRASERA

| REP | REFERENZE | DESCRIZIONE | QTE | NOTA |
|-----|--------------|--------------------------|-----|--------------|
| 1 | 5BR-F3338-00 | RUEDA FUNDIDA TRASERA | 1 | UR VRSA LGM2 |
| 2 | | NEUMATICO(PIRELLI) | 1 | LM 140-60/13 |
| | | NEUMATICO(MICHELIN) | 1 | LM 140-60/13 |
| 4 | 5BR-F5170-00 | VALVULA DE AIRE COMPLETA | 1 | |
| 5 | 90201-177G4 | ARANDELA PLANA | 1 | |
| 6 | 5BR-F5311-00 | MASA TRASERA | 1 | |
| 7 | 90201-142M8 | ARANDELA PLANA | 1 | |
| 8 | 90185-14070 | TUERCA AUTOBLOCANTE | 1 | |
| 11 | 5BR-F532A-00 | CUBRE RUEDA TRASERA | 1 | |
| 12 | 90110-10X00 | TORNILLO ALLEN | 3 | |
| 13 | 90201-10X01 | ARANDELA PLANA | 3 | |



5BR1354-7230

C10

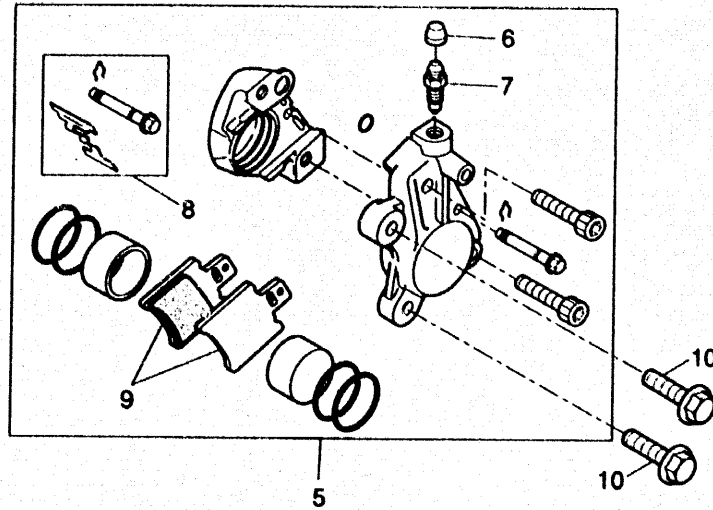
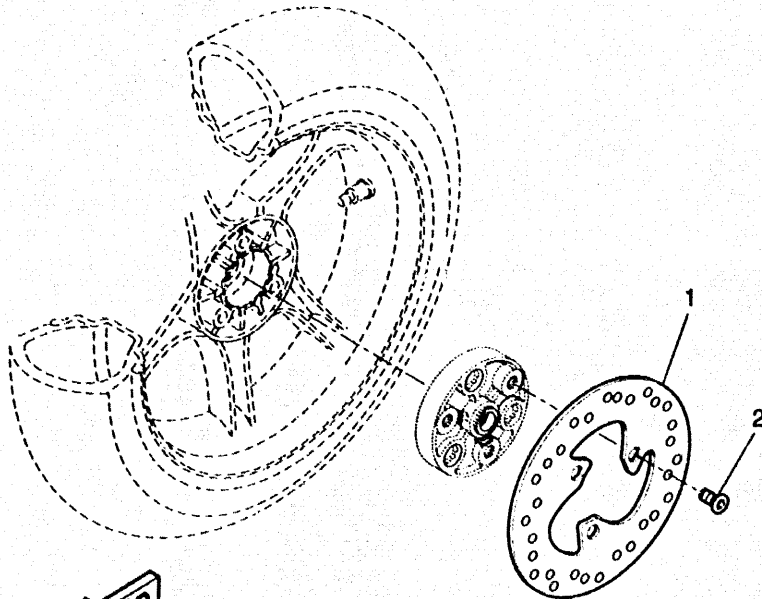


FIG 24 CALIBRE FRENO TRASERA

| REP | REFERENZE | DESCRIZIONE | QTE | NOTA |
|-----|--------------|-------------------------------------|-----|------|
| 1 | 5BR-F582V-00 | DISCO DE FRENO (DELANTEROO TRASERO) | 1 | |
| 2 | 90111-10X00 | TORNILLO HEXAGONAL | 3 | |
| 5 | 5BR-F580V-00 | CALIBRE COMPLETO TRASEROS | 1 | |
| 6 | 4CU-F5825-00 | TAPA | 1 | |
| 7 | 4CU-F5824-00 | TORNILLO DE RESPIADERO | 1 | |
| 8 | 5BR-F5919-00 | SOPORTE DE PASTILLAS | 1 | |
| 9 | 5BR-F5811-00 | COJIN DE CALIBRE | 1 | |
| 10 | 90105-08X00 | TORNILLO CON ARANDELA | 2 | |



5BR1354-7241

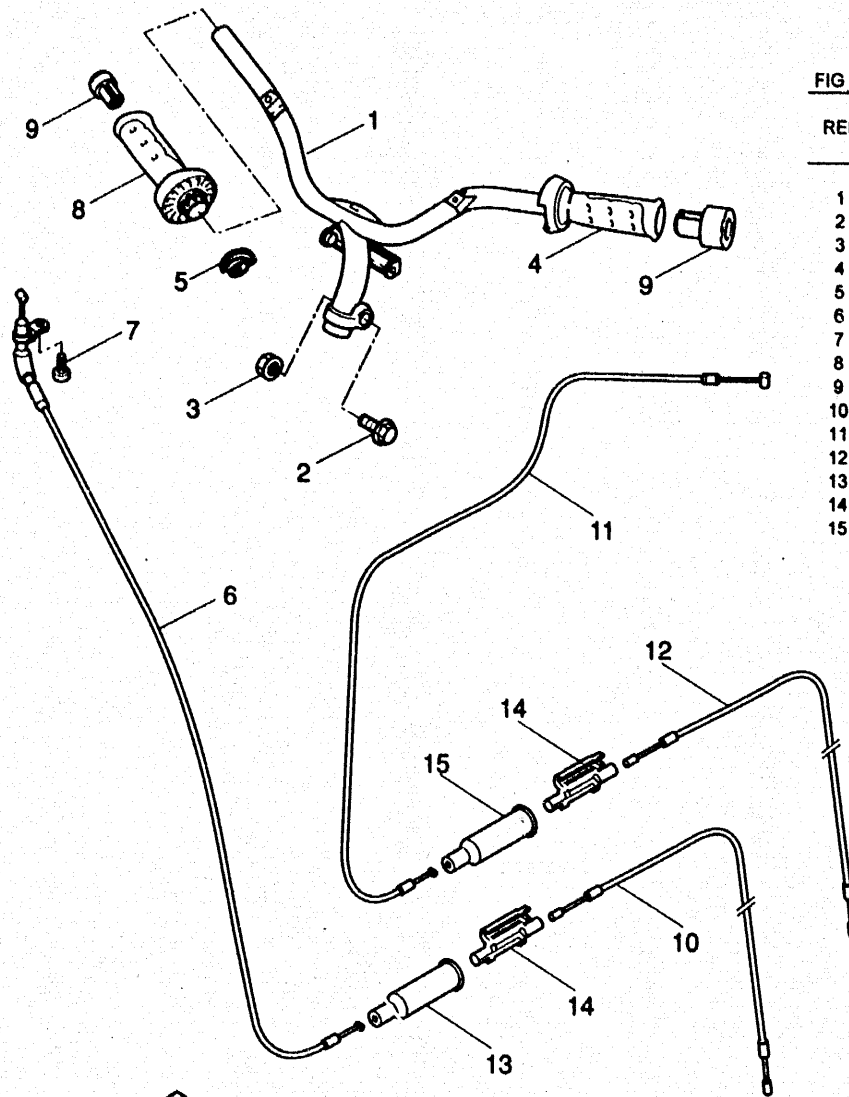


FIG 25 MANUBRIO. CABLE

| REP | REFERENZE | DESCRIZIONE | QTE | NOTA |
|-----|--------------|--------------------------|-----|------|
| 1 | 5BR-F6110-00 | MANUBRIO COMPLETE | 1 | |
| 2 | 90105-10036 | TORNILLO CON ARANDELA | 1 | |
| 3 | 90185-10154 | TUERCA AUTOBLOCANTE | 1 | |
| 4 | 5BR-F6241-00 | EMPUNADURA (MI) | 1 | |
| 5 | 5BR-F6273-00 | ROTOR | 1 | |
| 6 | 5BR-F6311-00 | CABLE DE ACELERADOR 1 | 1 | |
| 7 | 5BR-F632G-00 | TORNILLO | 1 | |
| 8 | 5BR-F6240-10 | EMPUNADURA COMPLETE | 1 | |
| 9 | 5BR-F6246-00 | EXTREMO DE EMPUNADURA | 2 | |
| 10 | 3VL-F6312-01 | CABLE DE ACELERADOR 2 | 1 | |
| 11 | 5BR-F6331-00 | CABLE DE ARRANQUE | 1 | |
| 12 | 3VL-F6334-02 | CABLE DE ARRANQUE 2 | 1 | |
| 13 | 3WG-F6329-00 | TAPA DE ANILLO PROTECTOR | 1 | |
| 14 | 3VL-F6261600 | CONNECTOR CABLE | 2 | |
| 15 | 3WG-F6329-00 | TAPA DE ANILLO PROTECTOR | 1 | |
| | | NON REPRESENTADO | | |
| | 90468-15009 | PRESILLA | 1 | |



5BR1354-7250

C12

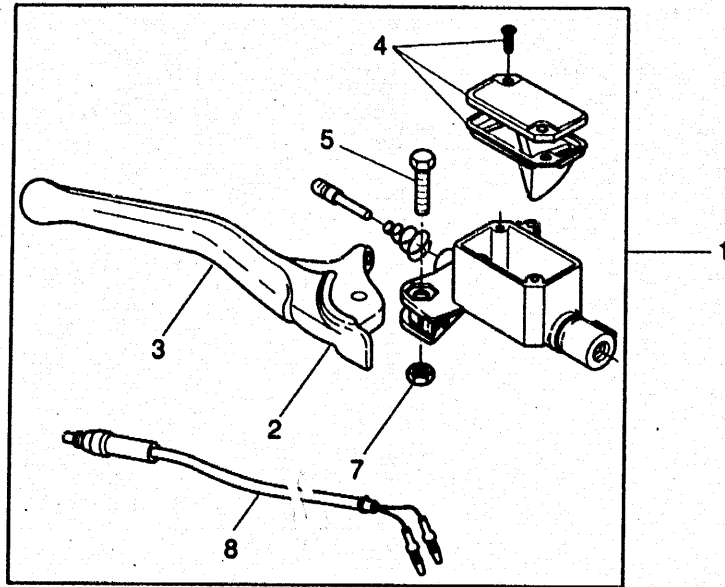
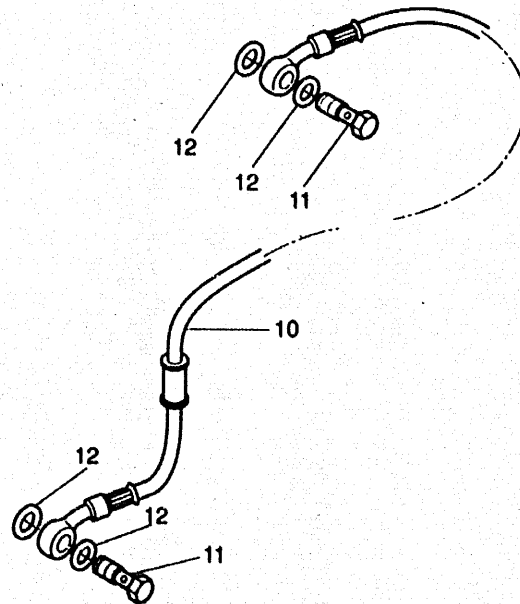


FIG 26 CILINDRO MAESTRO DELANTERO

| REP | REFERENZE | DESCRIZIONE | QTE | NOTA |
|-----|--------------|-------------------------------|-----|------|
| 1 | 5BR-F583T-01 | CILINDRO MAESTRO COMPLETO | 1 | |
| 2 | 5BR-H3912-01 | PALANCA 1 | 1 | |
| 3 | 5BR-H3935-00 | CUBIERTA | 1 | |
| 4 | 4SB-F5852-00 | TAPA DE TANQUE DE RESERVA | 1 | |
| 5 | 4SB-H3945-00 | PERNO DE PALANCA | 1 | |
| 7 | 4SB-H3916-00 | TUERCA DE FIJACION DE PALANCA | 1 | |
| 8 | 5AD-H3980-01 | INTERRUP. PARADA DELANTERO | 1 | |
| 10 | 5BR-F5872-00 | MANGUERA DE FRENO 1 | 1 | |
| 11 | 90401-10X01 | PERNO DE UNION | 2 | |
| 12 | 90201-10X03 | ARANDELA PLANA | 4 | |



5BR1354-7260

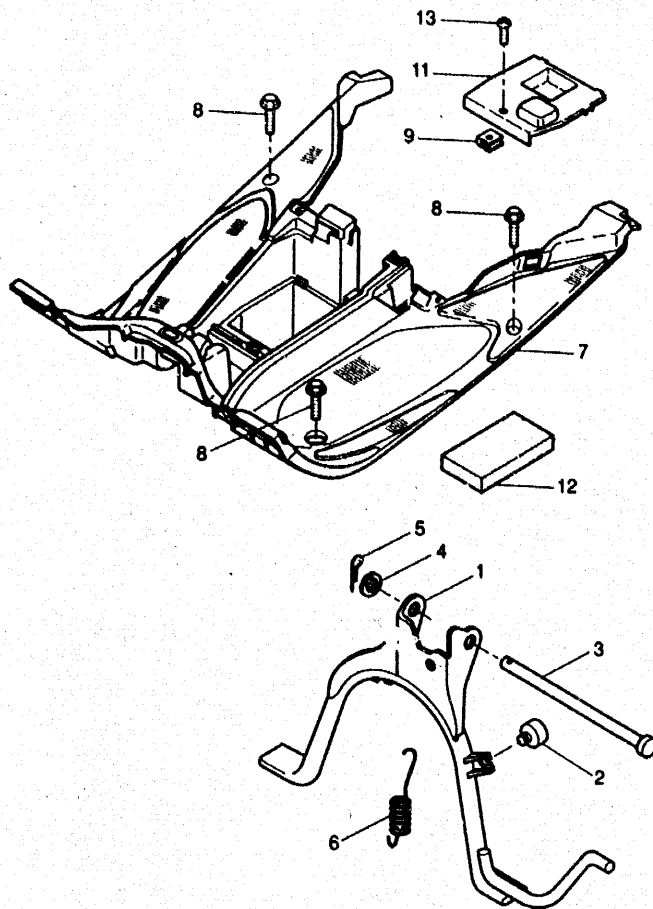


FIG 27 SOPORTE. APOYAPIE

| REP | REFERENZE | DESCRIZIONE | QTE | NOTA |
|-----|--------------|--------------------------|-----|-----------------|
| 1 | 5BR-F7111-00 | PUNTAL PRINCIPAL | 1 | UR YAMAHA BLACK |
| 2 | 2JW-F7114-10 | TOPE DE PUNTAL PRINCIPAL | 1 | |
| 3 | 90240-10137 | PASADOR CON HOYO | 1 | |
| 4 | 90202-10120 | ARANDELA DE PLANA | 1 | |
| 5 | 90468-12606 | PRESILLA | 1 | |
| 6 | 90506-32M00 | RESORTE DE TENSION | 1 | |
| 7 | 5BR-F7481-00 | TABLERO DE APOYAPIE | 1 | |
| 8 | 90105-08X02 | TORNILLO CON ARANDELA | 4 | |
| 9 | 90183-05X00 | TUERCA DE RESORTE | 1 | |
| 11 | 5BR-H2129-00 | CUBIERTA DE BATERIA | 1 | |
| 12 | 4SB-F174X-10 | AMORTIGUADOR | 1 | |
| 13 | 90167-05X02 | TORNILLO DE ROSCA HEMBRA | 1 | |



5BR1354-7270

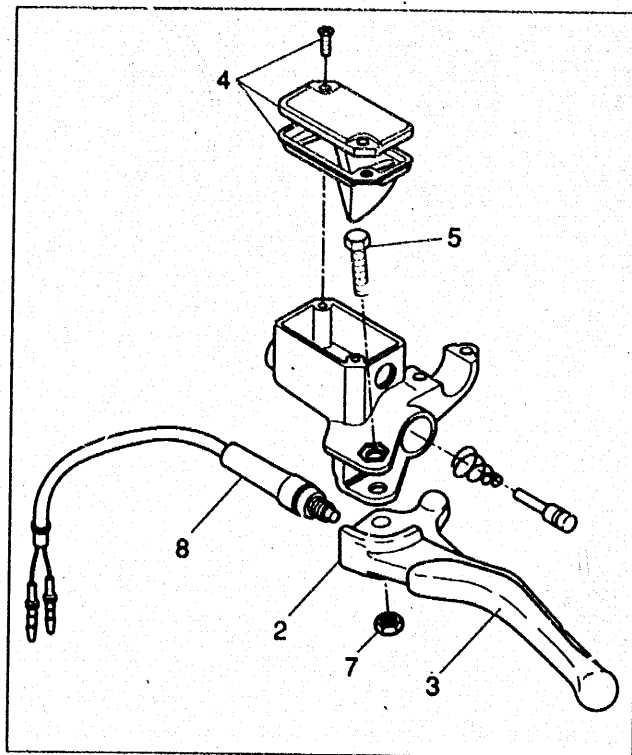
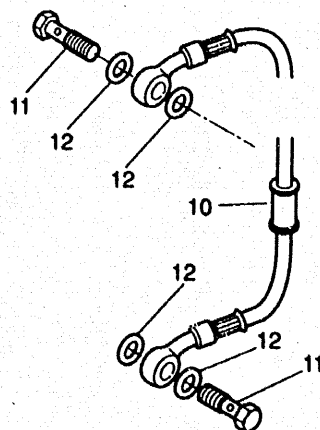


FIG 28 CILINDRO MAESTRO TRASERO

| REP | REFERENZE | DESCRIZIONE | QTE | NOTA |
|-----|--------------|-------------------------------|-----|------|
| 1 | 5BR-F583V-01 | CILINDRO, MAESTRO TRASERO | 1 | |
| 2 | 5BR-H3912-01 | PALANCA | 1 | |
| 3 | 5BR-H3935-00 | CUBIERTA | 1 | |
| 4 | 4SB-F5852-00 | TAPA DE TANQUE DE RESERVA | 1 | |
| 5 | 4SB-H3945-00 | PERNO DE PALANCA | 1 | |
| 7 | 4SB-H3916-00 | TUERCA DE FIJACION DE PALANCA | 1 | |
| 8 | 5AD-H3980-01 | INTERRUP. PARADA DELANTERO | 1 | |
| 10 | 5BR-F5873-00 | MANGUERA DE FRENO 2 | 1 | |
| 11 | 90401-10X01 | PERNO DE UNION | 2 | |
| 12 | 90201-10X03 | ARANDELA PLANA | 4 | |



5BR1354-7280

SUMARIO

| MOTOR | | | |
|-------------------------------|-----|---------------------------------|-------|
| CILINDRO | B2 | ASIENTO..... C7 | |
| CIGUENAL PISTON..... | B3 | RUEDA DELANTERA..... C8 | |
| BOMBA DE AGUA..... | B4 | CALIBRE FRENO DELANTERA C9 | |
| RADIADOR - DEPOSITO | B5 | RUEDA TRASERA..... C10 | |
| BOMBA DE ACEITE | B6 | CALIBRE FRENO TRASERA C11 | |
| ADMISSION | B7 | MANUBRIO CABLE..... C12 | |
| CARBURADOR | B8 | CILINDRO MAESTRO DELANT. .. C13 | |
| DESCARGA | B9 | SOPORTE APOYAPIE..... C14 | |
| CARTER | B10 | CILINDRO MAESTRO TRAS. C15 | |
| ARRANQUE..... | B11 | PATA PROTEGIDA..... D2 | |
| EMBRAGUE..... | B12 | BOVEDA | D3 |
| TRANSMISSION | B13 | GENERATOR..... | D4 |
| CUARDO | | LUZ DESTELLADOR..... | D5 |
| ARMAZON | B14 | MEDIDOR..... | D6 |
| GUARDABARRO..... | B15 | FARO DELANTERO | D7 |
| CUBIERTA LATERAL | C2 | LUZ DE COLA | D8 |
| DEPOSITO DE ACIETE | C3 | INTERRUPTOR DE MANIJA | D9 |
| SUSPENSION TRASERO..... | C4 | EQUIPO ELECTRICO 1 | D10 |
| HORQUILLA DELANTERA | C5 | EQUIPO ELECTRICO 2 | D11 |
| DEPOSITO DE COMBUSTIBLE | C6 | | |
| | | INDICE NUMERICO | M1-M2 |

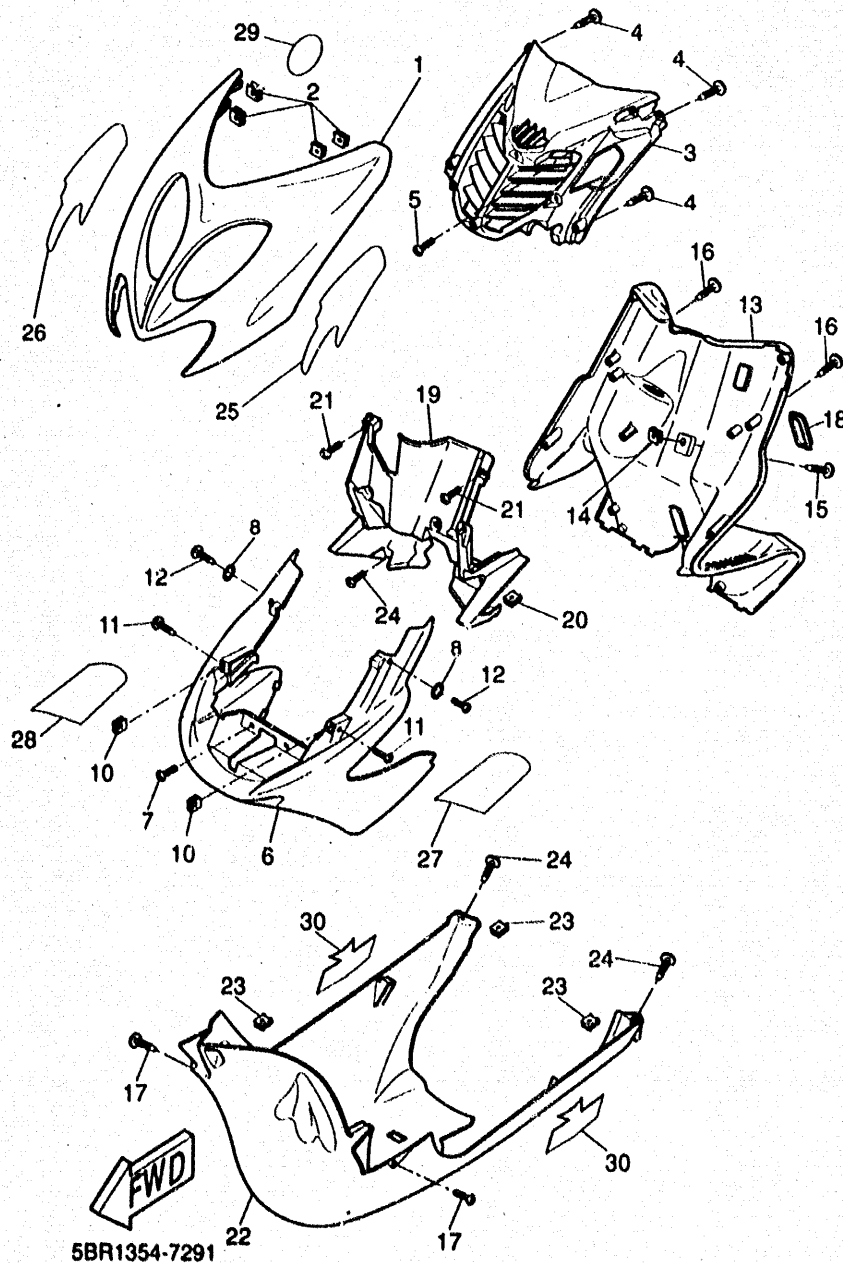


FIG 29 PATA PROTEGIDA

| REP | REFERENZE | DESCRIZIONE | QTE | NOTA |
|-----|-----------------|-------------------------------------|-----|----------------------|
| 1 | 5BR-F835G-00-P0 | CARROCERIA, DELANT. SUP. 1 | 1 | UR VIVID RED SOLID A |
| 2 | 90183-05X00 | TUERCA DE RESORTE | 2 | |
| 3 | 5BR-F837N-00 | REJILLA, ADMISION DE AIRE | 1 | |
| 4 | 90167-05X01 | TORNILLO DE ROSCA HEMBRA | 6 | |
| 5 | 90167-05X02 | TORNILLO DE ROSCA HEMBRA | 2 | |
| 6 | 5BR-F835J-00-P0 | CARROCERIA, DELANT. SUP. 1 | 1 | UR VIVID RED SOLID A |
| 7 | 90111-06X01 | TORNILLO HEXAGONAL | 2 | |
| 8 | 90202-05X00 | ARANDELA DE PLANA | 4 | |
| 10 | 90183-05X00 | TUERCA DE RESORTE | 2 | |
| 11 | 90167-05X01 | TORNILLO DE ROSCA HEMBRA | 2 | |
| 12 | 90167-05X02 | TORNILLO DE ROSCA HEMBRA | 4 | |
| 13 | 5BR-F8311-00 | PROTECCION DE PATA 1 | 1 | |
| 14 | 90183-05X00 | TUERCA DE RESORTE | 2 | |
| 15 | 98507-06014 | TORNILLO CON VALONA | 1 | |
| 16 | 90167-05X02 | TORNILLO DE ROSCA HEMBRA | 6 | |
| 17 | 90167-05X01 | TORNILLO DE ROSCA HEMBRA | 2 | |
| 18 | 3VV-F8349-10 | TAPA | 1 | UR YAMAHA BLACK |
| 19 | 5BR-F836K-00 | PANEL 1 | 1 | |
| 20 | 90183-05X00 | TUERCA DE RESORTE | 2 | |
| 21 | 90167-05X01 | TORNILLO DE ROSCA HEMBRA | 4 | |
| 22 | 5BR-F8385-00 | CUBIERTA INFERIOR | 1 | UR VRSA |
| 23 | 90183-05X00 | TUERCA DE RESORTE | 6 | |
| 24 | 90167-05X02 | TORNILLO DE ROSCA HEMBRA | 2 | |
| 25 | 5HE-F8391-10 | CALCOMANIA DE BOVEDA 1 (CHECA) | 1 | 5HED UR VRSA |
| | 5HE-F8391-00 | CALCOMANIA DE BOVEDA 1 (MAX BIAGGI) | 1 | 5HER UR VRSA |
| 26 | 5HE-F8392-10 | CALCOMANIA DE BOVEDA 2 (CHECA) | 1 | 5HED UR VRSA |
| | 5HE-F8392-00 | CALCOMANIA DE BOVEDA 2 (MAX BIAGGI) | 1 | 5HER UR VRSA |
| 27 | 5HE-F8393-10 | CALCOMANIA 3 (CHECA) | 1 | 5HED UR VRSA |
| | 5HE-F8393-00 | CALCOMANIA 3 (MAX BIAGGI) | 1 | 5HER UR VRSA |
| 28 | 5HE-F8394-10 | CALCOMANIA 4 (CHECA) | 1 | 5HED UR VRSA |
| | 5HE-F8394-00 | CALCOMANIA 4 (MAX BIAGGI) | 1 | 5HER UR VRSA |
| 29 | X01-F153A-00 | EMBLEMA YAMAHA | 1 | |
| 30 | 5BR-F8328-10 | EMBLEMA | 2 | |

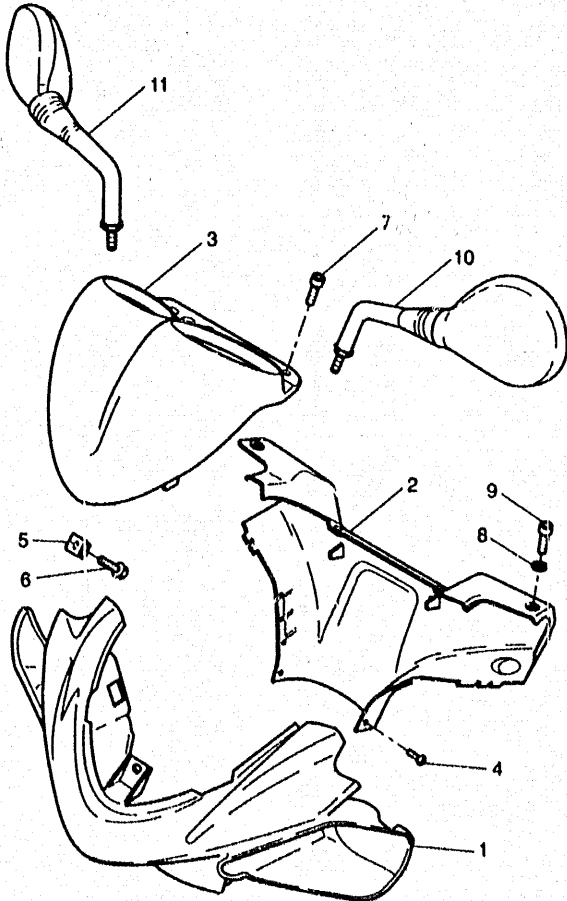


FIG 30 BOVEDA 1

| REP | REFERENZE | DESCRIZIONE | QTE | NOTA |
|-----|-----------------|-------------------------------------|-----|----------------------|
| 1 | 5BR-F6143-00-P0 | CUBIERTA DE MANUBRIO SUPERIOR1 | 1 | UR VIVID RED SOLID A |
| 2 | 5BR-F6145-00 | CUBIERTA DE MANUBRIO SUPERIOR2 | 1 | |
| 3 | 5BR-F6213-10 | CUBIERTA SUPERIOR | 1 | |
| 4 | 90159-05134 | TORNILLO CON VALONA | 2 | |
| 5 | 90183-05X00 | TUERCA DE RESORTE | 1 | |
| 6 | 90167-05X02 | TORNILLO DE ROSCA HEMBRA | 1 | |
| 7 | 90110-05X01 | TORNILLO ALLEN | 2 | |
| 8 | 90201-06X01 | ARANDELA PLANA | 2 | |
| 9 | 90110-05X01 | TORNILLO ALLEN | 2 | |
| 10 | 5BR-F6280-10 | ESPEJO COMPLETO | 1 | |
| 11 | 5BR-F6290-10 | ESPEJO COMPLETO NON REPRESENTADO | 1 | |
| | 4CU-F1568-30 | ETIQUETA DE PRECAUCION | 1 | |
| | 5CK-F118K-00 | ETIQUETA DE PRECAUCION | 1 | |



5BR1354-7300

D3

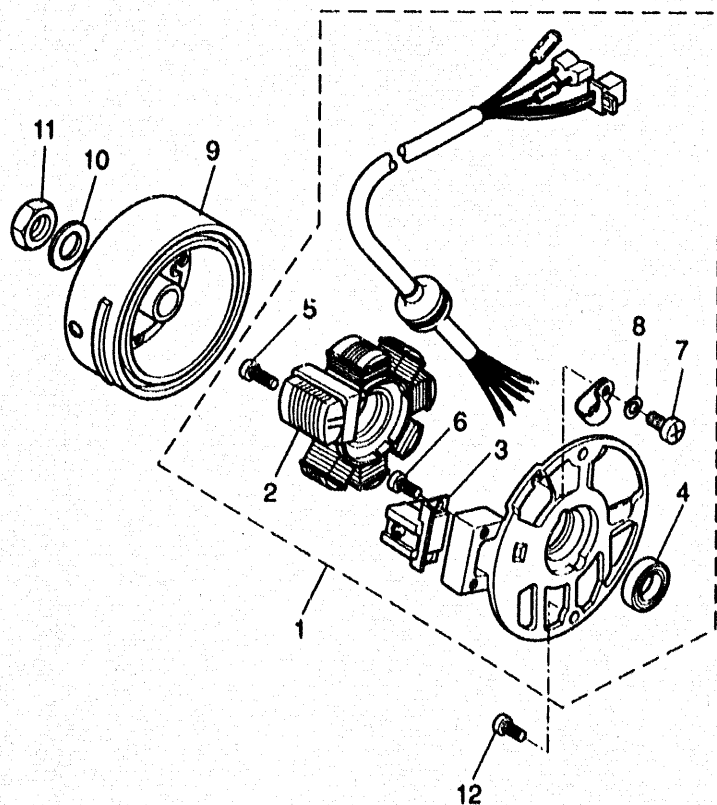


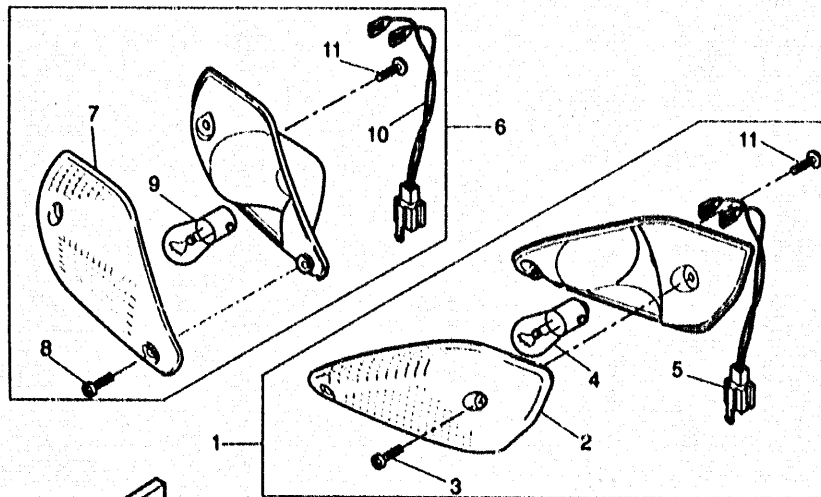
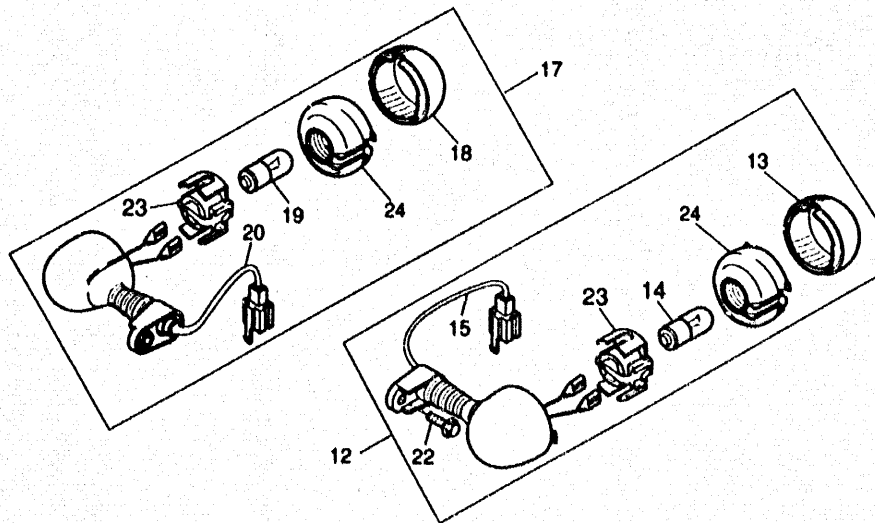
FIG 31 GENERADOR

| REP | REFERENZE | DESCRIZIONE | QTE | NOTA |
|-----|--------------|------------------------------|-----|------|
| 1 | 3KJ-85580-00 | CONJUNTO BASE | 1 | |
| 2 | 3VP-81403-00 | ESTATOR COMPLETO | 1 | |
| 3 | 2JA-85580-M0 | BOBINA DE PULSACION | 1 | |
| 4 | 93104-19097 | SELLO ACEITE | 1 | |
| 5 | 93507-05020 | TORNILLO DE CABEZA CON PLANA | 2 | |
| 6 | 98517-05010 | TORNILLO DE CABEZA CON PLANA | 2 | |
| 7 | 98507-04008 | TORNILLO DE CABEZA CON PLANA | 1 | |
| 8 | 92990-04100 | ARANDELA PLANA | 1 | |
| 9 | 2JA-85550-00 | ROTOR COMPLETO | 1 | |
| 10 | 92901-10800 | ARANDELA PLANA | 1 | |
| 11 | 90170-10219 | TUERCA | 1 | |
| 12 | 98507-06016 | TORNILLO DE CABEZA CON PLANA | 2 | |



5BR1354-8310

D4



5BR1354-7321

FIG 32 LUZ DE DESTELLADOR

| REP | REFERENZE | DESCRIZIONE | QTE | NOTA |
|-----|-----------------|--------------------------------|-----|------|
| 1 | 5BR-H3310-10 | DESTELLADOR DE LUZ DELANT. | 1 | |
| 2 | 5BR-H3312-10 | LENTE DE DESTELLADOR | 1 | |
| 3 | 5BR-H3333-00 | TORNILLO ACCESORIO DELENTE | 2 | |
| 4 | NDH-H3311-00-01 | BOMBILLA DE DESTELLADOR | 1 | |
| 5 | 5BR-H331N-00 | CABLE DESTELLADOR | 1 | |
| 6 | 5BR-H3320-10 | DESTELLADOR DE LUZ DELANT. | 1 | |
| 7 | 5BR-H3322-10 | LENTE DE INTERMITENTE2 | 1 | |
| 8 | 5HE-H3333-00 | TORNILLO ACCESORIO DELENTE | 2 | |
| 9 | NDH-H3311-00-01 | BOMBILLA DE DESTELLADOR | 1 | |
| 10 | 5BR-H332N-00 | CABLE DESTELLADOR | 1 | |
| 11 | 90167-05X01 | TORNILLO DE ROSCA HEMBRA | 2 | |
| 12 | 5HE-H3330-00 | DESTELLADOR DE LUZ TRAS.COMPL | 1 | |
| 13 | 5HE-H3332-00 | LENTE DE DESTELLADOR | 1 | |
| 14 | NDH-H3311-00-01 | BOMBILLA DE DESTELLADOR | 1 | |
| 15 | 5HE-H3336-00 | CABLE | 1 | |
| 17 | 5HE-H3340-00 | DESTELLADOR DE LUZ TRAS.COMPL. | 1 | |
| 18 | 5HE-H3342-00 | LENTE DE DESTELLADOR | 1 | |
| 19 | NDH-H3311-00-01 | BOMBILLA DE DESTELLADOR | 1 | |
| 20 | 5HE-H3346-00 | CABLE | 1 | |
| 22 | 90105-06841 | TORNILLO CON ARANDELA | 2 | |
| 23 | 5BR-H3339-00 | ENCASTRE DE CABLE COMPLETO | 1 | |
| 24 | 5HE-H333L-00 | PARABOLA | 1 | |

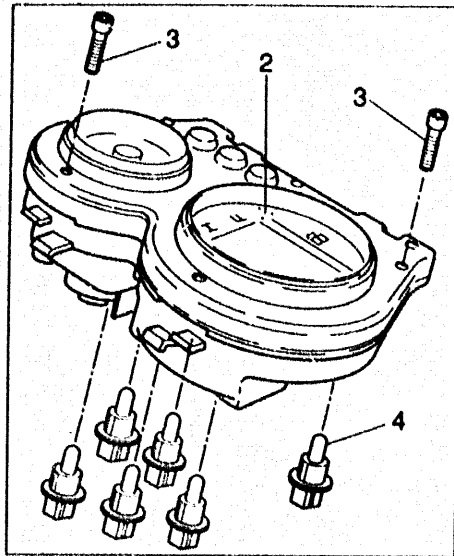
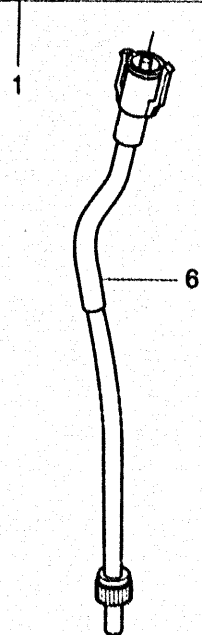


FIG 33 MEDIDOR

| REP | REFERENZE | DESCRIZIONE | QTE | NOTA |
|-----|-----------------|-------------------------------|-----|------|
| 1 | 5BS-H3510-01 | VELOCIMETRO COMPL. | 1 | |
| 2 | 5BR-H353K-00 | LENTE DE VELOCIMETRO | 1 | |
| 3 | 5BR-H3548-00 | PERNO | 5 | |
| 4 | NJ9-H4744-00-01 | BOMBILLA | 6 | |
| 5 | 5BR-H3534-00 | ENCASTRE DE LUZ | 6 | |
| 6 | 5BR-H3550-01 | CABLE DE VELOCIMETRO COMPLETO | 1 | |



5BR1354-7330

D6

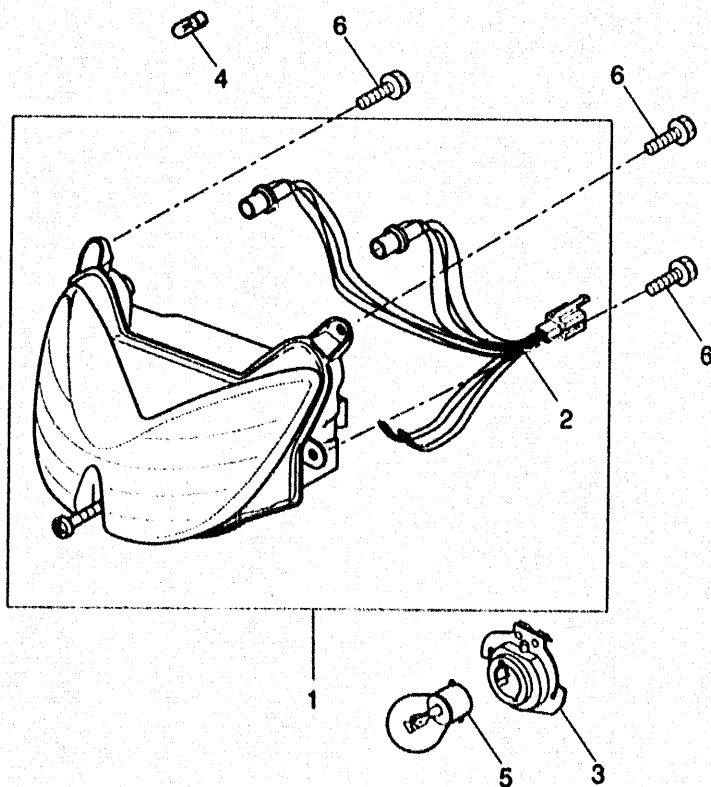


FIG 34 FARO DELANTERO

| REP | REFERENZE | DESCRIZIONE | QTE | NOTA |
|-----|--------------|---|-----|------|
| 1 | 5BR-H4320-01 | LENTE COMPLETO | 1 | |
| 2 | 5BR-H4312-01 | ENCASTRE | 1 | |
| 3 | 4JC-H4340-00 | ENCASTRE DE CABLE COMPLETO | 1 | |
| 4 | 3WW-H4347-00 | BOMBILLA | 2 | |
| 5 | 4SB-H4314-00 | BOMBILLA, FARO DELANT. 12V-35/35W BA20D | 1 | |
| 6 | 90167-05X01 | TORNILLO DE ROSCA HEMBRA | 4 | |



5BR1354-7342

D7

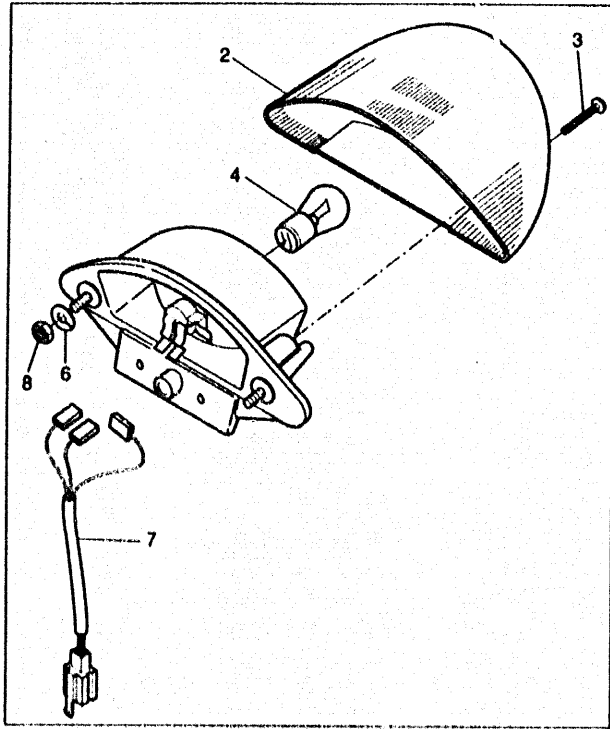


FIG 35 LUZ DE COLA

| REP | REFERENZE | DESCRIZIONE | QTE | NOTA |
|-----|--------------|---|-----|------|
| 1 | 5BR-H4700-01 | FARO TRASERO COMPLET. | 1 | |
| 2 | 5BR-H472F-00 | LENTE DE FARO TRASERO | 1 | |
| 3 | 5BR-H4726-00 | TORNILLO | 2 | |
| 4 | 3HL-H4535-00 | AMPOLLETA 12V-5/21W BAY15D | 1 | |
| 6 | 4SB-H4374-00 | ARANDELA ESPECIAL | 2 | |
| 7 | 5BR-H4735-00 | CABLE COMPLETA | 1 | |
| 8 | 90179-06X00 | TUERCA | 3 | |
| | 5HE-H5111-00 | NON REPRESENTADO REFLECTOR DELANTERA 1 | 2 | |



5BR1354-7350

D8

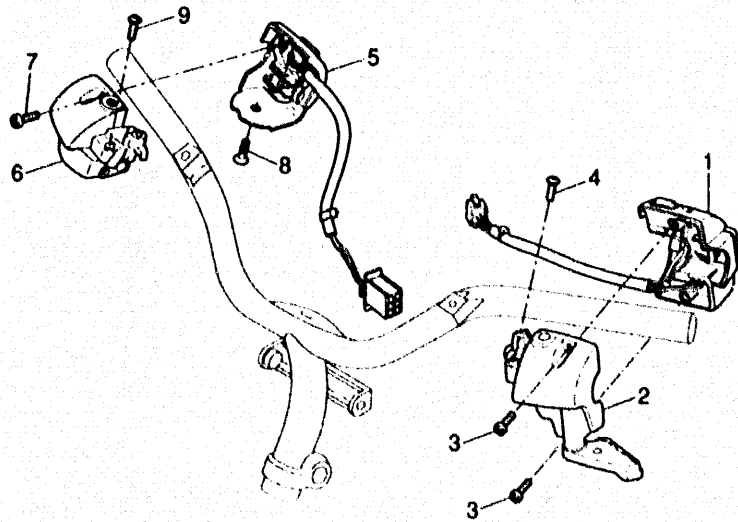


FIG 36 INTERRUPTOR DE MANIJA PALANCA

| REP | REFERENZE | DESCRIZIONE | QTE | NOTA |
|-----|--------------|------------------------------|-----|------|
| 1 | 5BR-H3973-10 | INTERRUPTOR DE MANIJA 3 | 1 | |
| 2 | 5BR-H3940-00 | ARRANQUE COMPLETO | 1 | |
| 3 | 5BR-H3992-00 | TORNILLO DE PALANCA 2 | 2 | |
| 4 | 90111-06X01 | TORNILLO | 2 | |
| 5 | 5BR-H3972-10 | INTERRUPTOR DE MANIJA 4 | 1 | |
| 6 | 5BR-H3987-01 | CAJA DE INTERRUPTOR INFERIOR | 1 | |
| 7 | 5BR-H3992-00 | TORNILLO DE PALANCA 2 | 1 | |
| 8 | 5BR-H3928-00 | TORNILLO DE AJUSTE | 1 | |
| 9 | 90111-06X01 | TORNILLO | 2 | |



5BR1354-7360

D9

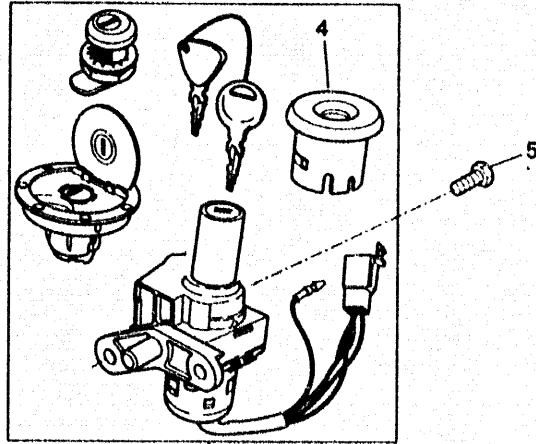
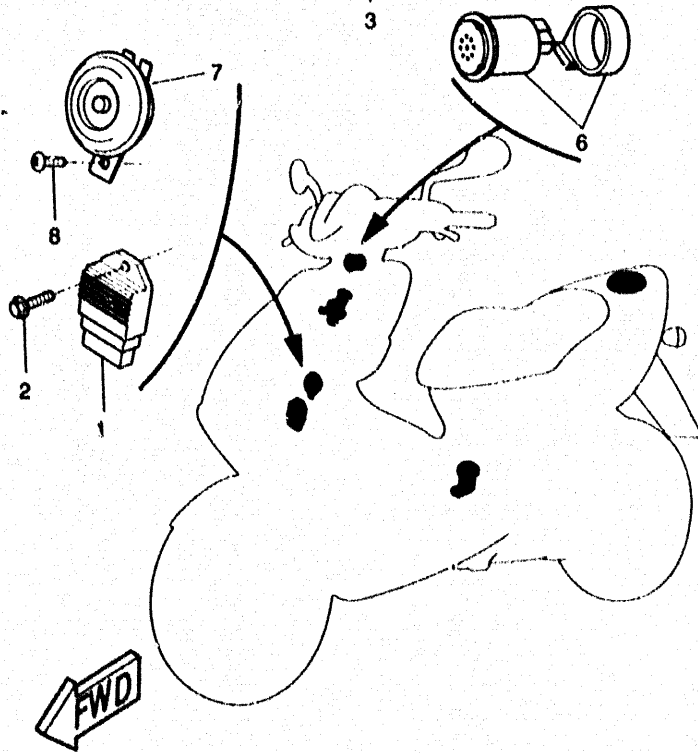


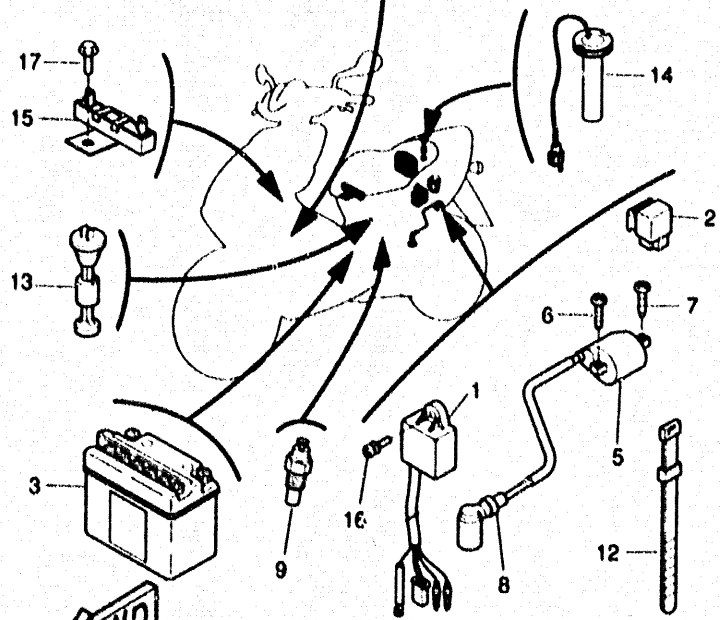
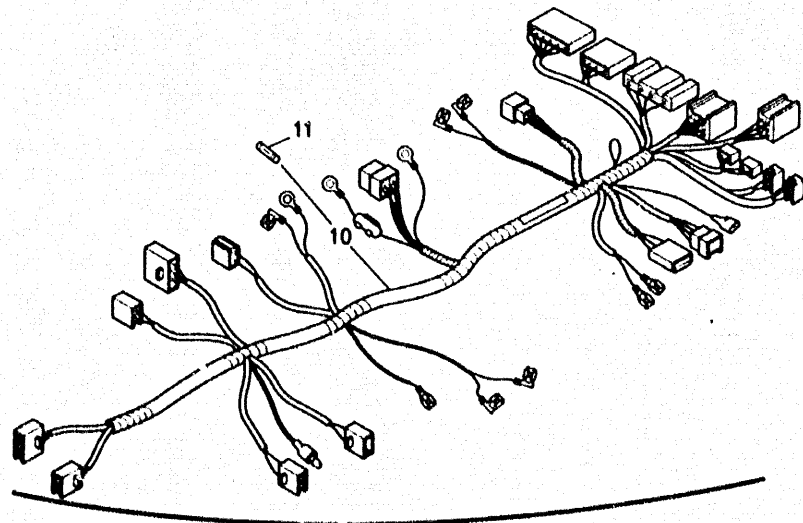
FIG 37 EQUIPO ELECTRICO 1

| REP | REFERENZE | DESCRIZIONE | QTE | NOTA |
|-----|--------------|-----------------------------|-----|------|
| 1 | 4VV-H1960-00 | RECTIFICADOR Y REGULADOR | 1 | |
| 2 | 90105-06841 | TORNILLO CON ARANDELA | 1 | |
| 3 | 5BR-H2021-00 | LLAVE DE IGNICION CPLT | 1 | |
| 4 | 5AD-H2552-00 | TAPA DE INTERRUPTOR | 1 | |
| 5 | 90109-06851 | PERNO | 2 | |
| 6 | 5BR-H3350-01 | RELE DE DESTELLADOR COMPL | 1 | |
| 7 | 5BR-H3371-00 | BOCINA | 1 | |
| 8 | 98507-06010 | TORNILLO DE CABEZA CONPLANA | 1 | |



5BR1354-7370

D10



5BR1354-7380

FIG 38 EQUIPO ELECTRICO 2

| REP | REFERENZE | DESCRIZIONE | QTE | NOTA |
|-----|--------------|------------------------------|-----|-------|
| 1 | 3KJ-85540-10 | UNIDAD C.D.I. COMPLETA | 1 | |
| 2 | 29U-81950-93 | RELE COMPLETO | 1 | |
| 3 | 4CU-H2110-20 | BATERIA COMPLETA | 1 | FIAMM |
| | 9079R-24278 | BATERIA COMPLETA | 1 | YUASA |
| 5 | 4BE-82310-10 | BOBINA DE ENCENDIDO COMPLETA | 1 | |
| 6 | 90105-06841 | TORNILLO CON ARANDELA | 1 | |
| 7 | 90153-06034 | TORNILLO HEXAGONAL | 1 | |
| 8 | 5BR-H2370-00 | TAPON DE BUJIA COMPLT | 1 | |
| 9 | 5BS-H3605-02 | SONDA DE TEMPERATURA DEAGUA | 1 | |
| 10 | 5BR-H2590-00 | CONJUNTO DE CABLES | 1 | |
| 11 | 5BR-H2151-00 | FUSIBLE | 1 | |
| 12 | 4KH-H3936-01 | BANDA (249X4 8) | 4 | |
| 13 | 3VL-H5720-10 | MEDIDOR DE NIVEL DE ACEITE | 1 | |
| 14 | 5BR-H5752-01 | UNIDAD TRANSM MED COMBUST. | 1 | |
| 15 | 5BK-H5370-00 | RESISTOR COMPLETO | 1 | |
| 16 | 90154-06X02 | TORNILLO DE LIGAR | 1 | |
| 17 | 90105-06841 | TORNILLO CON ARANDELA | 1 | |
| | 5BR-F1335-00 | GRAMPA DE ARNES DE CABLES 1 | 1 | |
| | 5BR-F1336-00 | GRAMPA DE ARNES DE CABLES 2 | 2 | |
| | 5BR-F1337-00 | GRAMPA DE CABLE | 1 | |
| | 5BR-F174X-00 | AMORTIGUADOR | 2 | |

INDICE NUMERICO

| | | | | | | | | | | | |
|---------------|-----|---------------|-----|------------------|-----|------------------|-----|------------------|-----|------------------|-----|
| 3AA- 13100-02 | B6 | 5BR- E2482-00 | B4 | 3WG- E4451-00 | B7 | 5BR- F1335-00 | C6 | 4SB- F4312-11 | C6 | 5BR- F6280-10 | D3 |
| 3AA- 13124-00 | B6 | 5BR- E2484-10 | B5 | 3WG- E4452-00 | B7 | 5BR- F1335-00 | D11 | 4SB- F4318-11 | C6 | 5BR- F6290-10 | D3 |
| 3WF- 13185-00 | B6 | 5BR- E2485-10 | B5 | 5AD- E4453-00 | B7 | 5BR- F1336-00 | D11 | 4SB- F4335-11 | C6 | 5BR- F6311-00 | C12 |
| 1YU- 13187-00 | B6 | 5BR- E2486-00 | B5 | 5BR- E4459-00 | B7 | 5BR- F1337-00 | D11 | 5BR- F4500-00 | C6 | 3VL- F6312-01 | C12 |
| 1YU- 13419-00 | B6 | 5BR- E2487-10 | B5 | 5HE- E4610-10 | B9 | 5BR- F1410-00 | B14 | 5EU- F4501-00 | C6 | 3WG- F6329-00 | C12 |
| 1YU- 13473-00 | B6 | 5BR- E2487-20 | B5 | 5BR- E4729-10 | B9 | 5BR- F152A-00 | B15 | 5EU- F4512-00 | C6 | 3WG- F6329-00 | C12 |
| 1YU- 13516-00 | B6 | 5BR- E2487-30 | B5 | 5BR- E4751-00 | B9 | XO1 F153A-00 | D2 | 5HE- F4710-00 | C7 | 5BR- F6329-00 | B8 |
| 1YU- 13577-00 | B6 | 5BR- E2487-40 | B5 | 5BR- E4758-10 | B9 | 5BR- F1556-00-P2 | B15 | 4CU- F4726-00 | C7 | 5BR- F6329-00 | B8 |
| 3YK- 14437-00 | B7 | 5BR- E2460-00 | B5 | 5HE- E4773-10 | B14 | 4CU- F1568-30 | D3 | 5HE- F4731-00 | C7 | 5BR- F632G-00 | C12 |
| 3HK- 14613-00 | B9 | 5BR- E2567-00 | B5 | 3VL- E5128-00 | B10 | 5BR- F1629-00 | B15 | 5BR- F4731-00 | C7 | 5BR- F6331-00 | C12 |
| 2JA- 14737-00 | B9 | 5BR- E2589-10 | B5 | 5BR- E5150-00 | B10 | 5BR- F1642-00 | B15 | 5BR- F473R-00 | C7 | 3VL- F6334-02 | C12 |
| 3WX- 14766-00 | B9 | 5BR- E3*41-00 | B5 | 1TK- E5187-00 | B10 | 5BR- F1705-00 | C3 | 3VL- F4741-10 | B14 | 5BR- F7111-00 | C14 |
| 3AA- 15513-00 | B11 | 3VL- E3178-00 | B6 | 4CU- E5317-00 | B10 | 5BR- F1711-10 | C2 | 5HE- F4756-00 | C7 | 2JW- F7114-10 | C14 |
| 3KJ- 15528-00 | B11 | 5BR- E3487-00 | B6 | 3VL- E5363-00 | B10 | 5BR- F1716-00 | C2 | 5BR- F475M-00 | C7 | 5BR- F7481-00 | C14 |
| 3L- 15570-00 | B11 | 4CU- E3555-00 | B7 | 3VL- E5371-00 | B10 | 5BR- F1721-10 | C2 | 5AD- F4780-00 | C7 | 5BR- F8311-00 | D2 |
| 3L- 15601-02 | B11 | 1TK- E3573-00 | B4 | 5BR- E5411-00 | B10 | 5BR- F1731-02-P0 | C2 | 5AD- F4781-00 | C7 | 5BR- F8328-10 | D2 |
| 3KJ- 15657-00 | B12 | 1TK- E3573-00 | B10 | 3VL- E5421-00 | B10 | 5BR- F1741-02-P0 | C2 | 5BR- F478E-01 | C7 | 3WV- F8349-10 | D2 |
| 3AA- 17641-00 | B12 | 4CU- E3610-00 | B7 | 5BR- E5421-00 | B4 | 5HE- F174J-00 | C2 | 4SB- F5117-00 | C8 | 5BR- F835G-00-P0 | D2 |
| 3KJ- 21481-00 | B14 | 4CU- E3521-00 | B7 | 5BR- E5435-00 | B10 | 5HE- F174J-10 | C2 | 5BR- F5168-00 | C8 | 5BR- F835J-00-P0 | D2 |
| 5G3- 21481-00 | B14 | 4SB- E4105-01 | B8 | 5AD- E5451-00 | B10 | 5HE- F174K-00 | C2 | 5BR- F5170-00 | C8 | 5BR- F836K-00 | D2 |
| 2N3- 21771-01 | C3 | 4SB- E4104-00 | B8 | 3VL- E5461-00 | B10 | 5HE- F174K-10 | C2 | 5BR- F5170-00 | C10 | 5BR- F837N-00 | D2 |
| 164- 22216-00 | B10 | 4SB- E4124-00 | B8 | 4CU- E5462-00 | B10 | 5BR- F174X-00 | D11 | 5BR- F5170-00 | C10 | 5BR- F8385-00 | D2 |
| 3VP- 81403-00 | D4 | 4SB- F4133-01 | B8 | 1TL- E5481-00 | B10 | 4SB- F174X-10 | C14 | 5BR- F5190-00 | C8 | 5HE- F8391-00 | D2 |
| 1YU- 81801-M0 | B11 | 4SB- E4134-00 | B8 | 1TL- E5481-00 | B10 | 5BR- F177E-00 | C2 | 5BR- F5311-00 | C10 | 5HE- F8391-10 | D2 |
| 53L- 8181Y-M0 | B11 | 4SB- F4137-00 | B8 | 1TL- E5481-00 | B10 | 5BR- F2141-00 | C8 | 5BR- F532A-00 | C10 | 5HE- F8392-00 | D2 |
| 29U- 81950-93 | D11 | 5BR- E4148-10 | B2 | 4CU- E5532-00 | B11 | 5BS- F2210-10 | C4 | 5BR- F5338-00 | C10 | 5HE- F8392-10 | D2 |
| 4BE- 82310-10 | D11 | 5BR- E4159-00 | B2 | 5FX- E5620-00 | B11 | 4YB- F2241-00 | C4 | 4CU- F580T-20 | C9 | 5HE- F8393-00 | D2 |
| 4CU- 82541-00 | B11 | 5BR- E4161-00 | B8 | 4SB- E5631-00 | B11 | 5BR- F3100-02 | C5 | 5BR- F580V-00 | C11 | 5HE- F8393-10 | D2 |
| 3KJ- 85540-10 | D11 | 4SB- E4216-00 | B8 | 4SB- E5650-00 | B11 | 5BR- F3108-00 | C5 | 5BR- F5811-00 | C11 | 5HE- F8394-00 | D2 |
| 2JA- 85550-00 | D4 | 4SB- E4216-10 | B8 | 3VL- E5659-00 | B10 | 5BR- F3110-01 | C5 | 4CU- F5811-20 | C9 | 5HE- F8394-10 | D2 |
| 3KJ- 85560-00 | D4 | 5BR- E4301-00 | B8 | 3VL- E5673-00 | B11 | 4TD- F3111-00 | C5 | 4CU- F5824-00 | C9 | 4VV- H1960-00 | D10 |
| 2JA- 85580-M0 | D4 | 5BR- E4312-00 | B8 | 3VL- E5673-00 | B11 | 4TD- F3112-00 | C5 | 4CU- F5824-00 | C11 | 5BR- H2021-00 | C2 |
| 5HE- E1111-00 | B2 | 4SB- E4318-00 | B8 | 3VL- E6111-00 | B12 | 5BR- F3126-00 | C5 | 4CU- F5825-00 | C9 | 5BR- H2021-00 | C6 |
| 5BR- E1193-00 | B2 | 5BR- E4325-00 | B8 | 5BR- E6611-00 | B12 | 5BR- F3136-00 | C5 | 4CU- F5825-00 | C11 | 5BR- H2021-00 | D10 |
| 5BR- E1194-00 | B2 | 4SB- E4331-02 | B8 | 5HE- E6620-00 | B12 | 4TD- F3141-00 | C5 | 5BR- F582V-00 | C9 | 4CU- H2110-20 | D11 |
| 5BR- E1311-00 | B2 | 4SB- E4335-00 | B8 | 5HE- E6626-00 | B12 | 4TD- F3144-00 | C5 | 5BR- F582V-00 | C11 | 5BR- H2129-00 | C14 |
| 5BR- E1351-00 | B2 | 5BR- E4336-00 | B8 | 3WT- E7410-00 | B13 | 4TD- F3145-00 | C5 | 5BR- F583T-01 | C12 | 5BR- H2151-00 | D11 |
| 4CU- E1400-10 | B3 | 5BR- E4341-00 | B8 | 3WT- E7420-00 | B13 | 4TD- F3147-00 | C5 | 5BR- F583V-01 | C15 | 5BR- H2370-00 | D11 |
| 4SB- E1603-00 | B2 | 4SB- E4342-00 | B8 | 3VL- E7611-00 | B12 | 4TD- F3153-00 | C5 | 4SB- F5852-00 | C13 | 5AD- H2552-00 | D10 |
| 4SB- E1603-00 | B3 | 5BR- E4343-00 | B8 | 4CU- E7620-00 | B12 | 4TD- F3154-00 | C5 | 4SB- F5852-00 | C15 | 5BR- H2590-00 | D11 |
| 4SB- E1605-00 | B3 | 5BR- E4344-00 | B6 | 3VL- E7623-00 | B12 | 4TD- F3156-00 | C5 | 5BR- F5872-00 | C13 | 5BR- H3310-10 | D5 |
| 5HE- E1631-00 | B2 | 4SB- E4357-00 | B8 | 4FG- E7632-00-PI | B12 | 4CU- F3165-00 | C5 | 5BR- F5873-00 | C15 | NDH- H3311-00-01 | D5 |
| 5HE- E1631-00 | B3 | 5BR- E4358-00 | B8 | 3VL- E7653-00 | B12 | 4TD- F3181-00 | C5 | 5BR- F5873-00 | B10 | NDH- H3311-00-01 | D5 |
| 3VL- E1633-00 | B2 | 5BR- E4368-00 | B8 | 5BR- E7654-00 | B12 | 4TD- F3183-00 | C5 | 4CU- F5919-00 | C9 | NDH- H3311-00-01 | D5 |
| 3VL- E1633-00 | B3 | 5BR- E4369-00 | B8 | 5BR- E7660-00 | B12 | 5BR- F3340-02 | C5 | 5BR- F5919-00 | C11 | NDH- H3311-00-01 | D5 |
| 5HE- E1636-00 | B3 | 4SB- E4371-00 | B8 | 5BR- E7664-00 | B12 | 4TD- F3394-00 | C5 | 5BR- F6110-00 | C12 | 5BR- H3312-10 | D5 |
| 4CU- E1800-00 | B11 | 4SB- E4377-00 | B8 | 5BR- E7671-00 | B12 | 4SB- F3411-01 | C5 | 5BR- F6143-00-P0 | D3 | 5BR- H331N-00 | D5 |
| 5BR- E2410-00 | B2 | 5BR- E4381-00 | B8 | 5BR- E7684-00 | B12 | 4SB- F3412-00 | C5 | 5BR- F6145-00 | D3 | 5BR- H3320-10 | D5 |
| 5BR- E2422-00 | B4 | 5DN- E4385-00 | B8 | 5BR- F1110-00 | B14 | 4SB- F3414-00 | C5 | 5BR- F6213-10 | D3 | 5BR- H3322-10 | D5 |
| 5BR- E243A-10 | B5 | 4SB- E4386-00 | B8 | 5BR- F118G-01 | C7 | 4SB- F3427-01 | C5 | 5BR- F6240-10 | C12 | 5BR- H332N-00 | D5 |
| 5BR- E2450-00 | B4 | 5BR- E4410-00 | B7 | 5CK- F118K-00 | D3 | 4SB- F3453-01 | C5 | 5BR- F6241-00 | C12 | 5HE- H3330-00 | D5 |
| 5BR- E2459-00 | B4 | 3WG- E4411-00 | B7 | 5HE- F1232-00 | B14 | 4SB- F3812-00 | C5 | 5BR- F6246-00 | C12 | 5HE- H3332-00 | D5 |
| 5BR- E2460-00 | B5 | 3WG- E4412-00 | B7 | | | 5BR- F4110-00 | C6 | 3VL- F6261600 | C12 | 5BR- H3333-00 | D5 |
| | | | | | | | | 5BR- F6273-00 | C12 | 5HE- H3333-00 | D5 |

INDICE NUMERICO

| | | | | | | | | | | |
|------|-------------|-----|-------------|-----|-------------|-----|-------------|-----|-------------|-----|
| 5HE | H3336-00 | D5 | 90101-10776 | J4 | 90167-05X02 | D2 | 90387-060G7 | C6 | 93306-204X7 | B3 |
| 5BR | H3339-00 | D5 | 90105-06841 | B5 | 90167-05X02 | D2 | 90387-067V1 | B7 | 93306-300Y8 | C8 |
| 5HE | H333L-00 | D5 | 90105-06841 | B5 | 90167-05X02 | D2 | 90387-10079 | C8 | 93306-608Y0 | B4 |
| 5HE | H3340-00 | D5 | 90105-06841 | D5 | 90167-05X02 | D2 | 90387-135U9 | B12 | 93310-210M0 | B3 |
| 5HE | H3342-00 | D5 | 90105-06841 | D10 | 90167-05X02 | D3 | 90387-156U0 | B3 | 93310-257R1 | B11 |
| 5HE | H3345-00 | D5 | 90105-06841 | D11 | 90170-10219 | B12 | 90387-178S8 | B4 | 93420-40064 | B13 |
| 5BR | H3350-01 | D10 | 90105-06841 | D11 | 90170-10219 | D4 | 90401-10X01 | C13 | 93440-08130 | B4 |
| 5BR | H3371-00 | D10 | 90105-06X01 | C7 | 90170-10X01 | B12 | 90401-10X01 | C15 | 93450-11818 | B2 |
| 5BS | H3510-01 | D6 | 90105-06X02 | C6 | 90170-28860 | B12 | 90430-08X00 | B10 | 93450-11818 | B3 |
| 5BR | H3514-00 | D6 | 90105-06X02 | C7 | 90179-06X00 | C7 | 90445-083J5 | B6 | 93603-12007 | B6 |
| 5BR | H353K-00 | D6 | 90105-06X02 | C7 | 90179-06X00 | D8 | 90445-083J5 | C3 | 93603-22028 | B4 |
| 5BR | H3546-00 | D6 | 90105-06X02 | C14 | 90179-07521 | B2 | 90446-13311 | B10 | 93700-06811 | B4 |
| 5BR | H3550-01 | D6 | 90105-08X00 | C9 | 90183-05X00 | B14 | 90450-22X00 | C6 | 94701-00195 | B2 |
| 5BS | H3505-02 | D11 | 90105-08X00 | C11 | 90183-05X00 | B15 | 90450-32X00 | B7 | 95617-10200 | C4 |
| 5BR | H3912-01 | C13 | 90105-10036 | C12 | 90183-05X00 | C2 | 90465-06830 | B4 | 95617-10200 | C8 |
| 5BR | H3912-01 | C15 | 90109-063F1 | B15 | 90183-05X00 | C2 | 90467-08003 | B6 | 95617-12200 | B14 |
| 4SB | H3916-00 | C13 | 90109-063F1 | C7 | 90183-05X00 | C7 | 90467-08003 | C3 | 95817-08016 | B10 |
| 4SB | H3916-00 | C15 | 90109-06851 | D10 | 90183-05X00 | C14 | 90467-09006 | C6 | 95817-08016 | B14 |
| 5BR | H3928-00 | D9 | 90110-05X01 | D3 | 90183-05X00 | D2 | 90467-24140 | B7 | 95817-08020 | B9 |
| 5BR | H3935-00 | C13 | 90110-05X01 | D3 | 90183-05X00 | D2 | 90468-02X00 | B6 | 95817-08040 | B9 |
| 5BR | H3935-00 | C15 | 90110-06X01 | B10 | 90183-05X00 | D2 | 90468-12006 | C14 | 97607-06220 | B7 |
| 4KH | H3936-01 | D11 | 90110-06X03 | B7 | 90183-05X00 | D2 | 90468-15009 | C12 | 97780-56125 | B7 |
| 5BR | H3940-00 | C13 | 90110-06X03 | B10 | 90183-05X00 | D2 | 90480-06874 | B4 | 98507-04006 | D4 |
| 4SB | H3945-00 | C13 | 90110-06X03 | B11 | 90183-05X00 | D3 | 90480-11877 | B10 | 98507-05014 | B6 |
| 4SB | H3945-00 | C15 | 90110-06X16 | B11 | 90183-06X00 | B5 | 90480-12497 | B7 | 98507-05020 | D4 |
| 5BR | H3972-10 | D9 | 90110-10X00 | C10 | 90183-06X00 | B14 | 90480-13398 | C6 | 98507-06010 | D10 |
| 5BR | H3973-10 | D9 | 90111-06X01 | B14 | 90183-06X00 | C7 | 90480-13875 | B6 | 98507-06014 | D2 |
| 5AD | H3980-01 | C13 | 90111-06X01 | D2 | 90185-10154 | B14 | 90480-13876 | B6 | 98507-06016 | D4 |
| 5AD | H3980-01 | C15 | 90111-06X01 | D9 | 90185-10154 | C12 | 90501-20X00 | C7 | 98517-05010 | D4 |
| 5BR | H3987-01 | D9 | 90111-06X01 | D9 | 90185-14070 | C10 | 90501-35864 | B12 | 98517-06012 | B10 |
| 5BR | H3992-00 | D9 | 90111-10X00 | C9 | 90201-065F3 | C6 | 90506-32M00 | C14 | 98517-06012 | B11 |
| 5BR | H3992-00 | D9 | 90111-10X00 | C11 | 90201-06X01 | D3 | 90506-32609 | B11 | 98907-04010 | B2 |
| 5BR | H4312-01 | D7 | 90116-07353 | B2 | 90201-06X06 | B9 | 9079R-24278 | D11 | 98907-05014 | B6 |
| 4SB | H4314-00 | D7 | 90153-06034 | D11 | 90201-08X00 | B11 | 91317-05020 | B4 | 99009-15400 | B11 |
| 5BR | H4320-01 | D7 | 90153-06061 | B9 | 90201-10X01 | C10 | 92901-10600 | D4 | 99009-17400 | B10 |
| 4JC | H4340-00 | D7 | 90154-06X02 | D11 | 90201-10X03 | C13 | 92990-04100 | D4 | 99009-19400 | B6 |
| 3VVV | H4347-00 | D7 | 90154-06X04 | C3 | 90201-10X03 | C15 | 92995-06100 | B4 | 99080-05600 | B12 |
| 4SB | H4374-00 | D8 | 90154-06X05 | B9 | 90201-13X00 | B12 | 93101-10842 | B4 | 99510-10114 | B10 |
| 3HL | H4535-00 | L8 | 90157-05X02 | B15 | 90201-140G5 | B13 | 93101-20844 | B3 | 99510-10114 | B10 |
| 5BR | H4700-01 | D8 | 90159-03134 | D3 | 90201-142M6 | C10 | 93102-17342 | B12 | 99510-12016 | B10 |
| 5BR | H4726-00 | D8 | 90167-05X01 | C2 | 90201-154E9 | B11 | 93102-20896 | B3 | | |
| 5BR | H472F-00 | D8 | 90167-05X01 | C7 | 90201-177G4 | C10 | 93102-22897 | B13 | | |
| 5BR | H4735-00 | D8 | 90167-05X01 | D2 | 90202-05X00 | D2 | 93104-19097 | D4 | | |
| NJ9 | H4744-00-01 | D6 | 90167-05X01 | D2 | 90202-10120 | C14 | 93104-34832 | B12 | | |
| 5HE | H5111-00 | D8 | 90167-05X01 | D2 | 90208-10012 | B12 | 93106-20001 | C8 | | |
| 5BK | H5370-00 | D11 | 90167-05X01 | D2 | 90208-14047 | B13 | 93210-14104 | B10 | | |
| 3VL | H5720-10 | D11 | 90167-05X01 | D5 | 90214-13055 | B12 | 93210-23614 | B11 | | |
| 5BR | H5752-01 | D11 | 90167-05X01 | D7 | 90240-10137 | C14 | 93210-368E7 | B12 | | |
| 4SB | W0001-00 | B8 | 90167-05X02 | B15 | 90241-10X00 | C7 | 93210-548E8 | B4 | | |
| | | | 90167-05X02 | C2 | 90267-32801 | B14 | 93306-00316 | B10 | | |
| | | | 90167-05X02 | C2 | 90267-48X01 | B9 | 93306-20009 | B13 | | |
| | | | 90167-05X02 | C2 | 90280-03017 | B3 | 93306-20310 | B13 | | |
| | | | 90167-05X02 | C14 | 90380-15X00 | B11 | 93306-203Y0 | B12 | | |