

CONTENTS

ENGINE

CYLINDER HEAD.....	B2
CRANKSHAFT, PISTON.....	B3
AIR SHROUD, FAN.....	B4
OIL PUMP.....	B5
INTAKE.....	B6
CARBURETOR.....	B7
EXHAUST.....	B8
CRANKCASE.....	B9-B10
STARTER.....	B11
CLUTCH.....	B12-B13
TRANSMISSION.....	B14

CHASSIS

FRAME.....	B15
FENDER.....	C2
SIDE COVER.....	C3
OIL TANK.....	C4
REAR SUSPENSION.....	C5
FRONT FORK.....	C6 C7
FUEL TANK.....	C8
SEAT.....	C9
FRONT WHEEL.....	C10
FRONT BRAKE CALIPER.....	C11
REAR WHEEL.....	C12
STEERING HANDLE, CABLE.....	C13
FRONT MASTER CYLINDER.....	C14
STANT, FOOTREST.....	C15
LEG SHIELD.....	D2
COWLING 1.....	D3

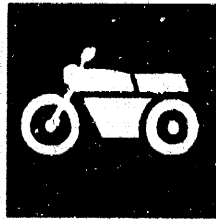
ELECTRICAL

GENERATOR.....	D4
METER.....	D5
HEADLIGHT.....	D6
TAILLIGHT.....	D7
HANDLE SWITCH, LEVER.....	D8
ELECTRICAL 1.....	D9
ELECTRICAL 2.....	D10

INDEX

NUMERICAL INDEX.....	M1 ~ M2
----------------------	---------

YAMAHA



**PARTS
CATALOGUE**

YA50R (4SN3) AXIS COSMO
NETHERLANDS

2043H-341ES

A-2

FOREWORD

This Parts Catalogue is related to the parts for the model(s) in the below frame. When you are ordering replacement parts, please refer to this Parts Catalogue and quote both part numbers and part names correctly.

YA50R AXIS COSMO (4SN3)

1. Modifications or additions which have been after issue of the Parts Catalogue will be announced in the Yamaha Parts News. It is advisable that you make necessary corrections to the Parts Catalogue according to the Yamaha Parts News.

2. Abbreviations

The following abbreviations are used in this Parts Catalogue:

- "UR" Use specified parts number
- "UN" Use as many as needed
- "AP" Alternate Parts
- "LM" Local Made (Parts need to be ordered locally)
- "F#" Frame No. (Applicable machine No.)

3. Parts which are to be supplied in an assembly, are listed with a dot (•) in front of the part name as shown below.

EXAMPLE

- CARBURETOR ASSY
- JET, pilot
- NOZZLE, main

4. Number of component for assembly.

The numeral appearing to the right of each component part indicates the quantity of parts for each assembly unit.

EXAMPLE

PART No.	DESCRIPTION	Q'TY	REMARKS
2F5-83310-60	FRONT FLASHER LIGHT, ASSY	2	
115-83311-60	• BULB, (6V-18W)	1	

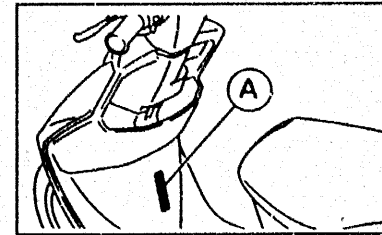
5. Applicable colors of graphics are represented in the "REMARKS" as shown below.

EXAMPLE

PART No.	DESCRIPTION	Q'TY	REMARKS
2N4-24110-00-X5	FUEL TANK COMP.	1	MAXIM RED
3J1-24240-10	• GRAFIC, FUEL TANK	1	for MXR

6. Applicable Serial No. and Color Code

(1) Frame Serial No. 4SN-100103



Color Code	Color Name	Abbreviation
0514	DARK PURPLISH BLUE CANDY, 3	DPBC3
000M	SWEET HEART RED	SHR

7. Note that the illustrations are for reference in finding parts numbers, not to be used for assembling. When assembling, please use the applicable service manual.

8. The asterisk (*) before a reference number indicates modification items after the first edition.

CONTENTS

ENGINE

CYLINDER HEAD.....	B2
CRANKSHAFT, PISTON.....	B3
AIR SHROUD, FAN.....	B4
OIL PUMP.....	B5
INTAKE.....	B6
CARBURETOR.....	B7
EXHAUST.....	B8
CRANKCASE.....	B9-B10
STARTER.....	B11
CLUTCH.....	B12-B13
TRANSMISSION.....	B14

CHASSIS

FRAME.....	B15
FENDER.....	C2
SIDE COVER.....	C3
OIL TANK.....	C4
REAR SUSPENSION.....	C5
FRONT FORK.....	C6-C7
FUEL TANK.....	C8
SEAT.....	C9
FRONT WHEEL.....	C10
FRONT BRAKE CALIPER.....	C11
REAR WHEEL.....	C12
STEERING HANDLE, CABLE.....	C13
FRONT MASTER CYLINDER.....	C14
STANT, FOOTREST.....	C15
LEG SHIELD.....	D2
COWLING 1.....	D3

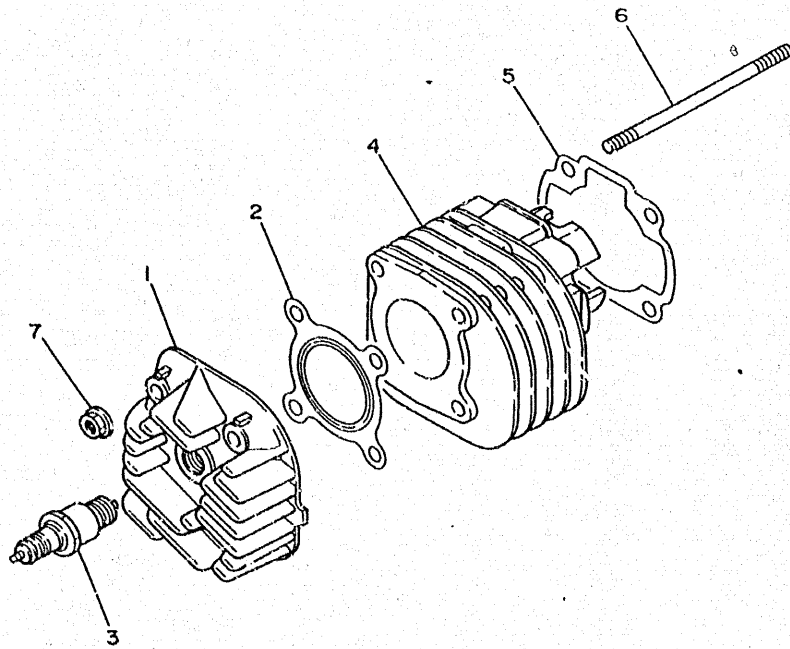
ELECTRICAL

GENERATOR.....	D4
METER.....	D5
HEADLIGHT.....	D6
TAILLIGHT.....	D7
HANDLE SWITCH, LEVER.....	D8
ELECTRICAL 1.....	D9
ELECTRICAL 2.....	D10

INDEX

NUMERICAL INDEX.....	M1 ~ M2
----------------------	---------

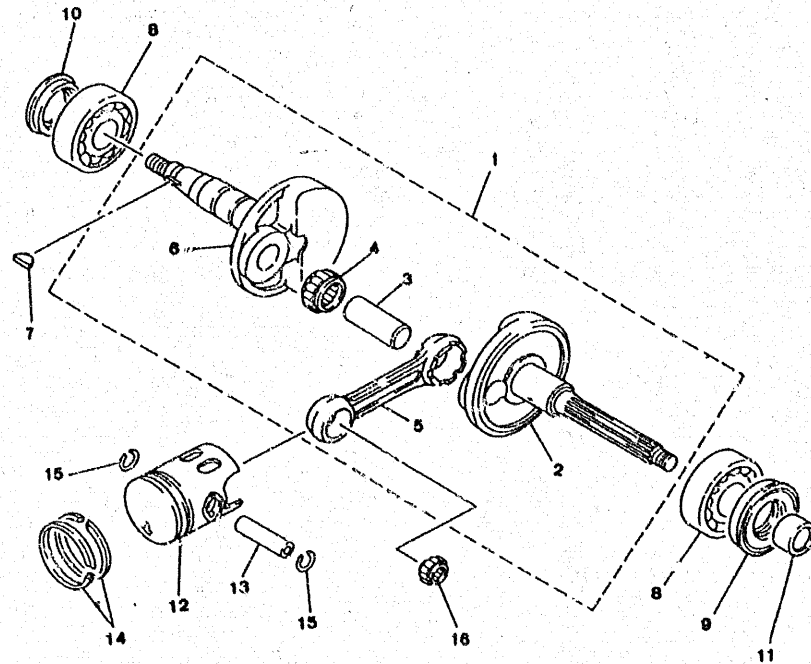
FIG. 1 - CYLINDER HEAD



REF. NO.	PART NO.	DESCRIPTION	Q'TY	REMARKS
1	4CU-E1111-00	HEAD, CYLINDER 1	1	
2	4FW-E1181-00	GASKET, CYLINDER HEAD 1	1	
3	94701-00110	PLUG, SPARK (NGK BR7HS)	1	
4	4FW-E1311-00	CYLINDER 1	1	
5	4CU-E1351-00	GASKET, CYLINDER	1	
6	90116-07353	BOLT, STUD	4	
7	90179-07381	NUT	4	



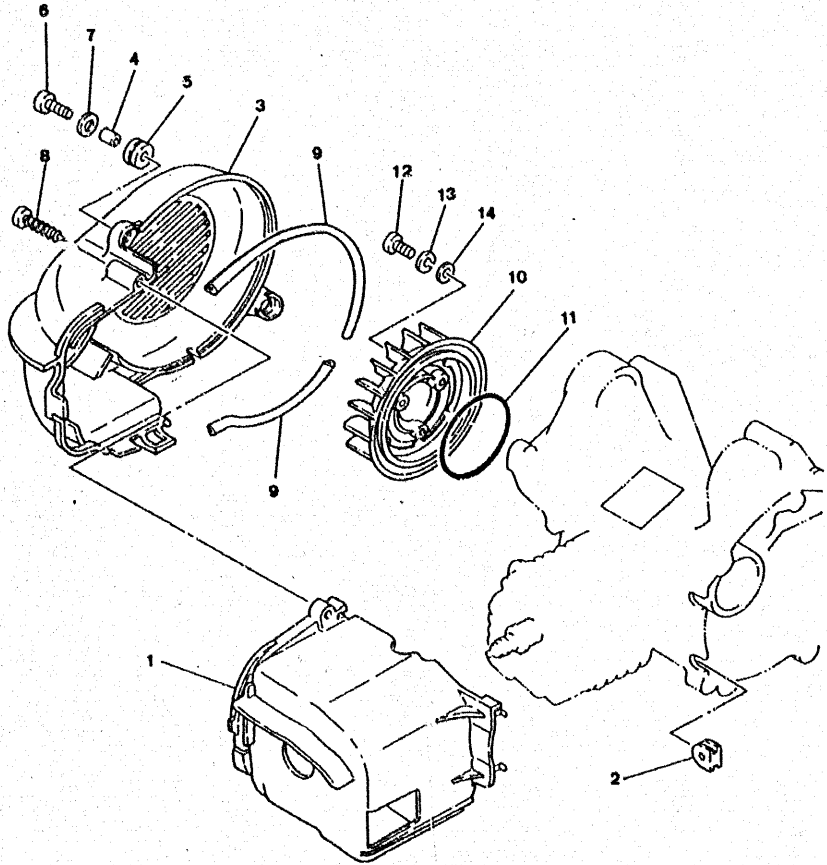
FIG. 2 - CRANKSHAFT. PISTON



REF. NO.	PART NO.	DESCRIPTION	Q'TY	REMARKS
1	4CU-E1400-00	CRANKSHAFT ASSY	1	
2	4CU-E1412-00	• CRANK 1	1	
3	1YU-11681-00	• PIND, CRANK 1	1	
4	3VL-E1415-00	• BEARING ASSY 1	1	
5	3VL-E1651-10	• ROD, CONNECTING	1	
6	4CU-E1422-00	• CRANK 2	1	
7	90280-03017	KEY, WOODRUFF	1	
8	93306-20458	BEARING	2	
9	93102-20425	OIL SEAL	1	
10	93101-20138	OIL SEAL	1	
11	90387-156U0	COLLAR	1	
12	3VL-E1631-00-96	PISTON (STD)	1	UR STD
	3VL-E1636-00	PISTON (0,50MM O/S)	1	AP
13	3VL-E1633-00	PIN, PISTON	1	
14	3VL-E1610-00	PISTON RING SET (STD)	1	UR STD
	3VL-E1610-20	PISTON RING SET (0,50MM O/S)	1	AP
15	93450-11120	CIRCLIP	2	
16	93310-210M0	BEARING CYLINDRICAL	1	

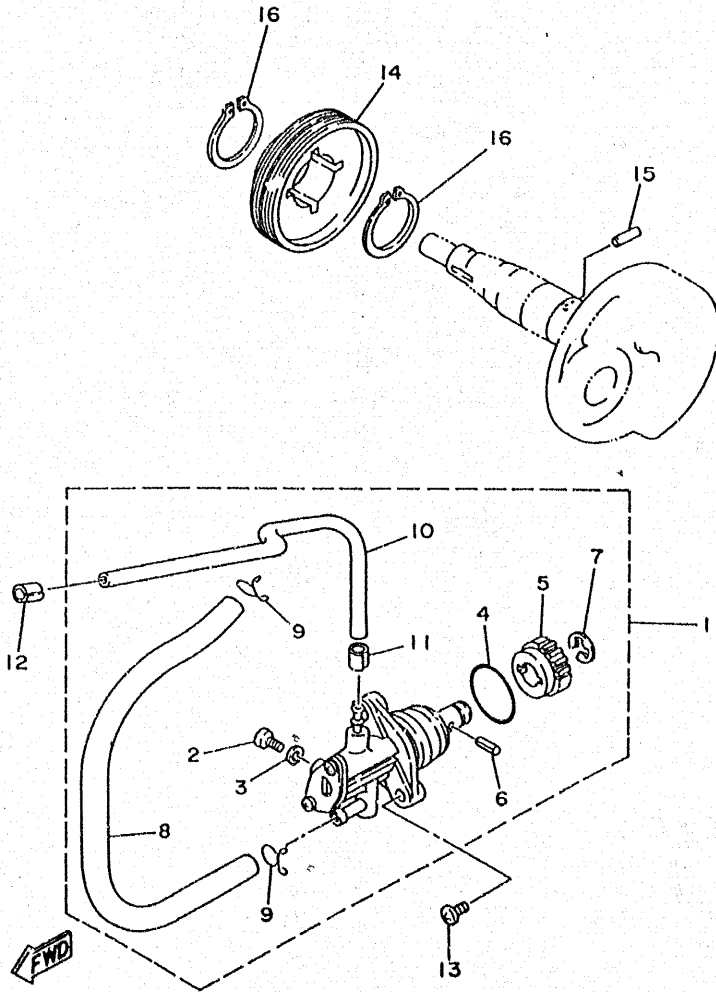
FRONT

FIG. 3 - AIR SHROUD. FAN



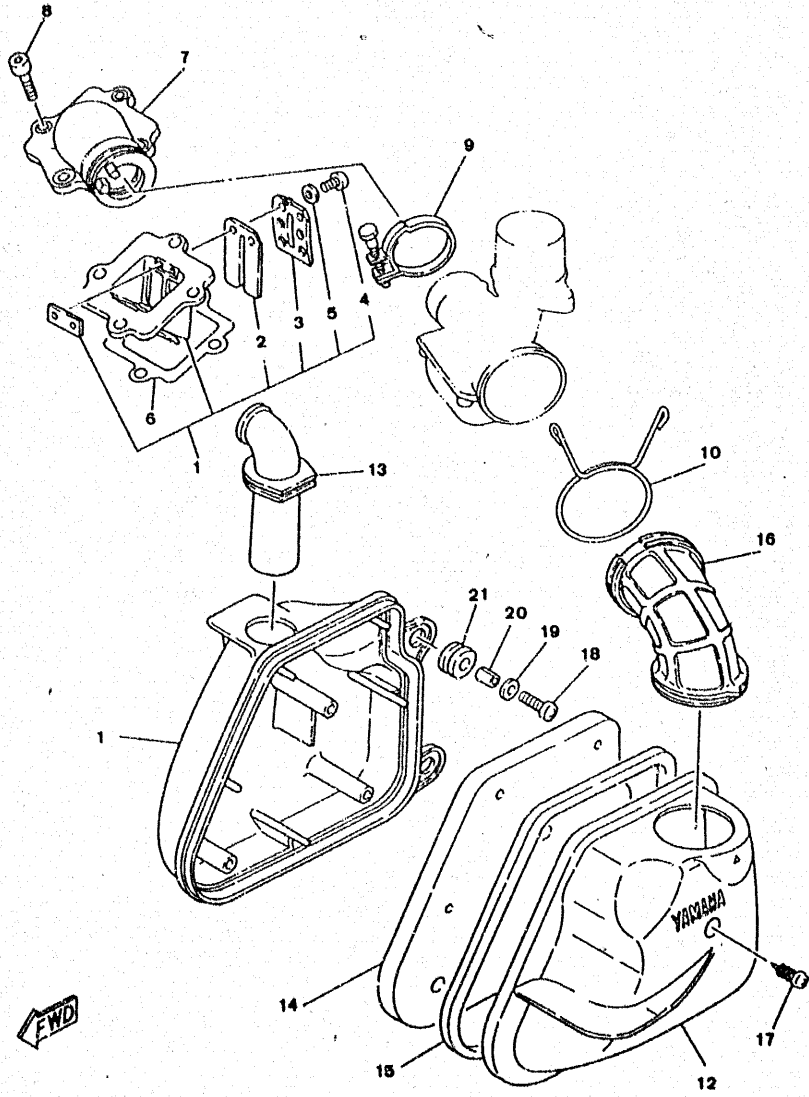
REF. NO.	PART NO.	DESCRIPTION	Q'TY	REMARKS
1	4CU-E2651-00	AIR SHROUD, CYLINDER 1	1	
2	90480-10468	GROMMET	2	
3	4FW-E2653-00	AIR SHROUD, CYLINDER 3	1	
4	90387-067V1	COLLAR	2	
5	90480-12497	GROMMET	2	
6	98507-06020	SCREW, PAN HEAD	2	
7	92907-06600	SCREW, PAN HEAD	2	
8	97707-60540	SCREW, TAPPING	1	
9	4FW-12658-00	DAMPER, AIR SHROUD 1	3	
10	4MJ-E2611-00	FAN	1	
11	93210-64488	O-RING	1	
12	98507-06016	SCREW, PAN HEAD	3	
13	92907-06100	SCREW, PAN HEAD	3	
14	92907-06600	SCREW, PAN HEAD	3	

FIG. 4 - OIL PUMP



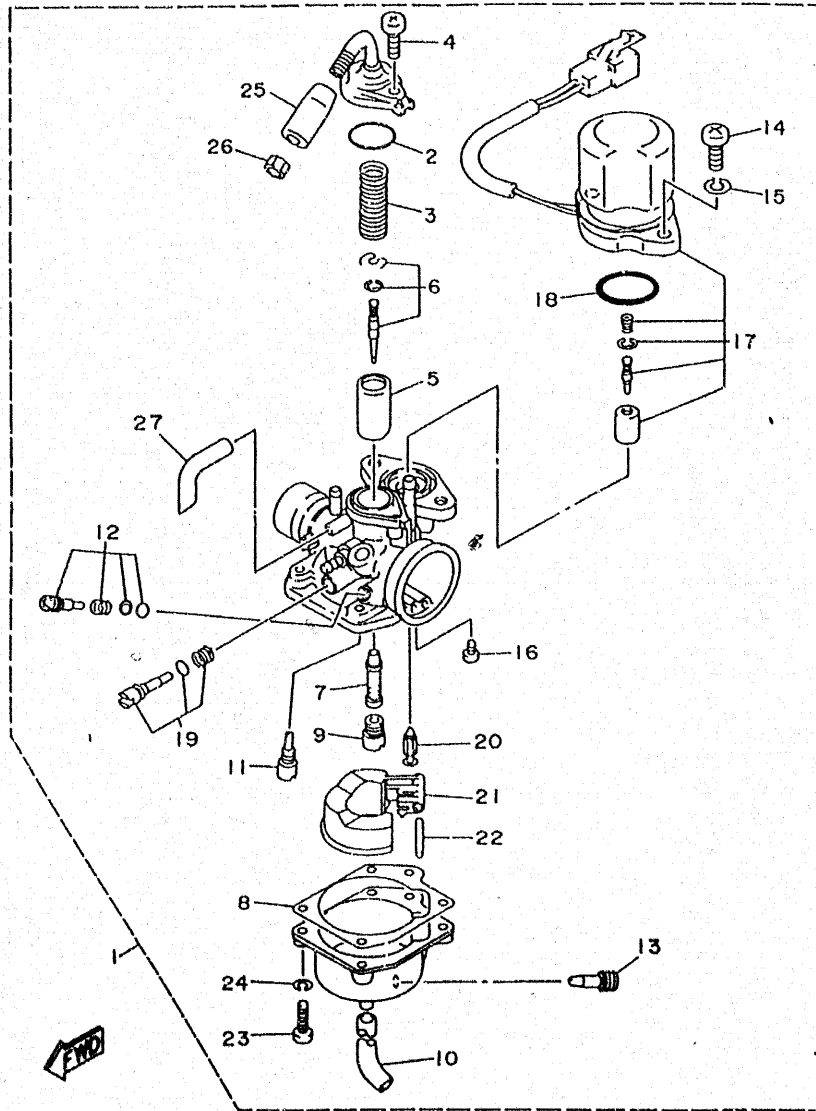
REF. NO.	PART NO.	DESCRIPTION	QTY	REMARKS
1	3KJ-13100-01	OIL PUMP ASSY	1	
2	3WF-13185-00	• BOLT, BREATHER	1	
3	1YU-13187-00	• GASKET, BREATHER BOLT	1	
4	1YU-13473-00	• O-RING	1	
5	3AA-13124-00	• GEAR WORM WHEEL (40T)	1	
6	1YU-13516-00	• PIN, DOWEL	1	
7	1YU-13577-00	• CLIP	1	
8	90445-09304	• HOSE	1	
9	90467-08003	• CLIP	2	
10	90445-052G4	• HOSE	1	
11	90468-02033	• CLIP	1	
12	90468-02033	CLIP	1	
13	98507-05014	SCREW, PAN HEAD	2	
14	3GM-13178-00	GEAR, PUMP DRIVE	1	
15	93603-12007	PIN, DOWEL	1	
16	99009-19400	CIRCLIP	2	

FIG. 5 - INTAKE



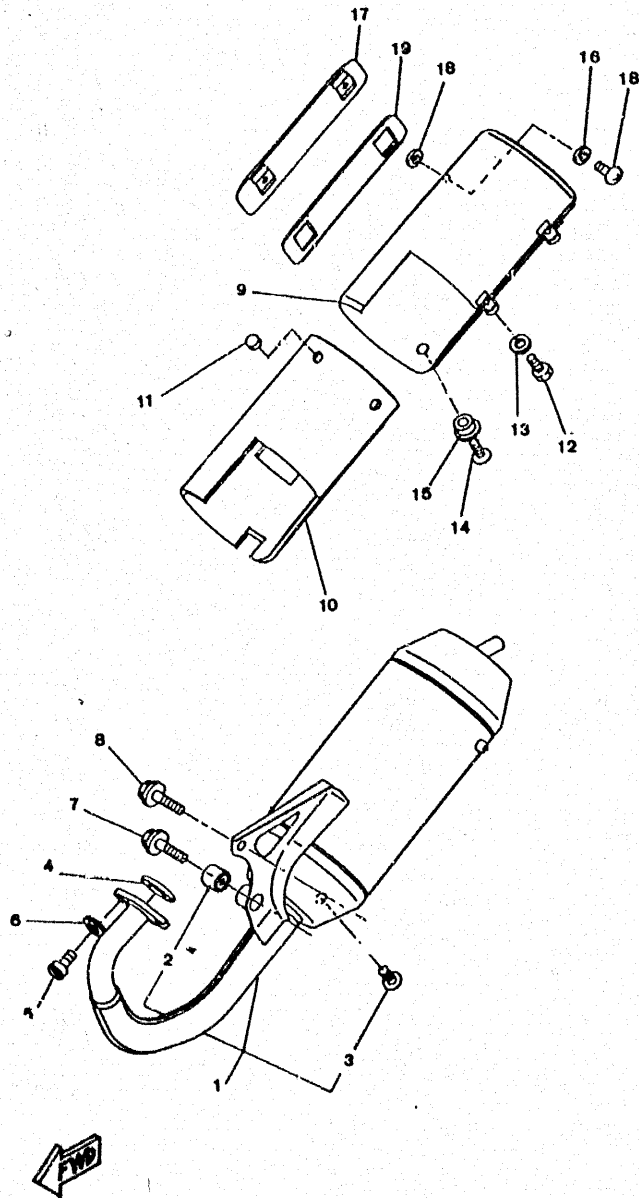
REF. NO.	PART NO.	DESCRIPTION	Q'TY	REMARKS
1	4CU-E3610-00	READ VALVE ASSY	1	
2	4CU-E3613-00	• REED, VALVE	2	
3	4CU-E3616-00	• STOPPER, REED VALVE	2	
4	98E07-03008	• SCREW, PAN HEAD	4	
5	92907-03600	• SCREW, PAN HEAD	4	
6	4CU-E3621-00	GASKET, VALVE SEAT	1	
7	4CU-E3555-00	MANIFOLD, INTAKE	1	
8	91318-06020	BOLT	4	
9	3JX-F311E-00	BAND 2	1	
10	90467-24140	CLIP	1	
11	3WG-E4411-00	CASE, AIR CLEANER 1	1	
12	3WG-E4412-00	CAP, CLEANER CASE 1	1	
13	3WG-E4437-00	DUCT	1	
14	3WG-E4451-00	ELEMENT, AIR CLEANER	1	
15	3WG-E4452-00	SEAL	1	
16	3WG-E4453-00	JOINT, AIR CLEANER 1	1	
17	97701-50525	SCREW, TAPPING	3	
18	98506-06020	SCREW, PAN HEAD	2	
19	90201-06815	WASHER, PLATE	2	
20	90387-067V1	COLLAR	2	
21	90480-12497	GROMMET	2	

FIG. 6 - CARBURETOR



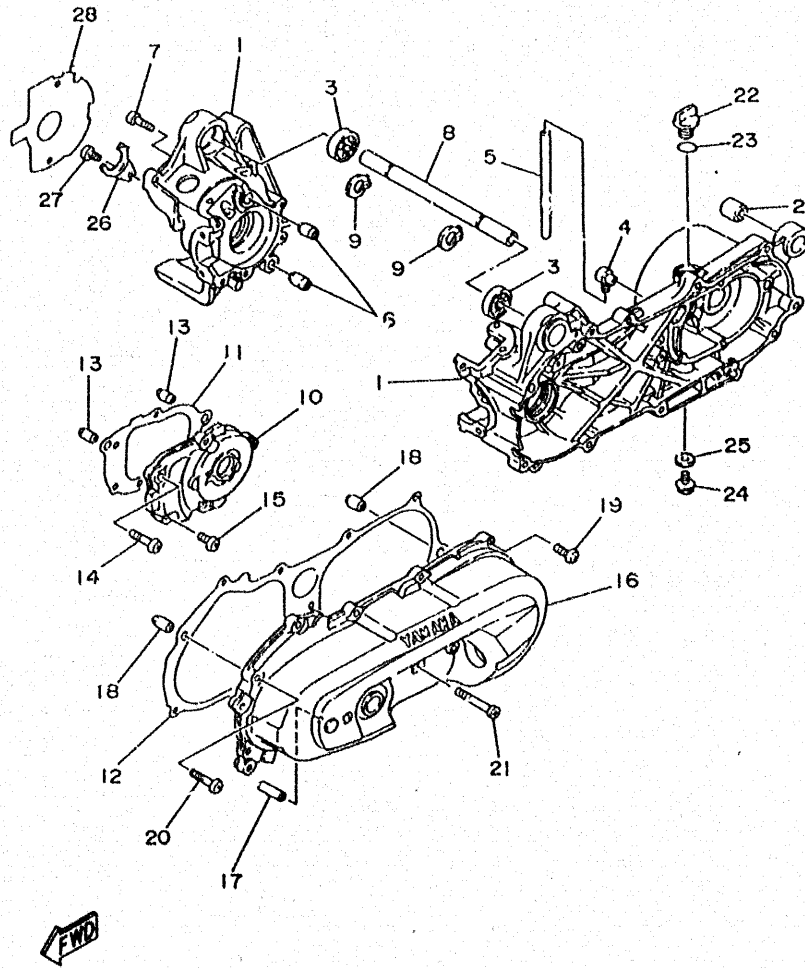
REF. NO.	PART NO.	DESCRIPTION	QTY	REMARKS
1	4SN-14301-00	CARBURETOR ASSY 1	1	
2	4JP-14561-00	• O-RING	1	
3	1YU-14331-00	• SPFFING, THROTTLE VALVE	1	
4	98580-05014	• SCREW, PAN HEAD	1	
5	3KJ-14312-30	• VALVE, THROTTLE 1	1	
6	4FK-1490J-01	• NEEDLE SET	1	
7	14T-14341-00	• NOZZLE, MAIN	1	
8	14T-14384-00	• GASKET, FLOAT CHAMBER	1	
9	14T-14343-38	• JET, MAIN (#76)	1	
10	3KJ-14349-01	• PIPE	1	
11	3KJ-14353-18	• JET, PILOT (#36)	1	
12	4JP-14104-00	• AIR, SCREW SET	1	
13	14T-14323-00	• AIR, SCREW SET	1	
14	98580-06016	• SCREW, PAN HEAD	2	
15	92907-06100	• WASHER, SPRING	2	
16	98581-03006	• SCREW, PAN HEAD	1	
17	3WF-1410A-10	• STARTER SET	1	
18	1HV-14147-00	• O-RING	1	
19	3YJ-14103-00	• THROTTLE SCREW SET	1	
20	2JA-14392-00	• VALVE, NEEDLE	1	
21	1HV-14385-01	• FLOAT	1	
22	3J7-14386-00	• PIN, FLOAT	1	
23	98580-04016	• SCREW, PAN HEAD	4	
24	92990-04100	• WASHER, SPRING	4	
25	3KJ-26329-00	• CAP, RUBBER	1	
26	288-14181-00	• NUT, CABLE ADJUSTING	1	
27	2JA-14397-00	• PIPE	1	

FIG. 7 - EXHAUST



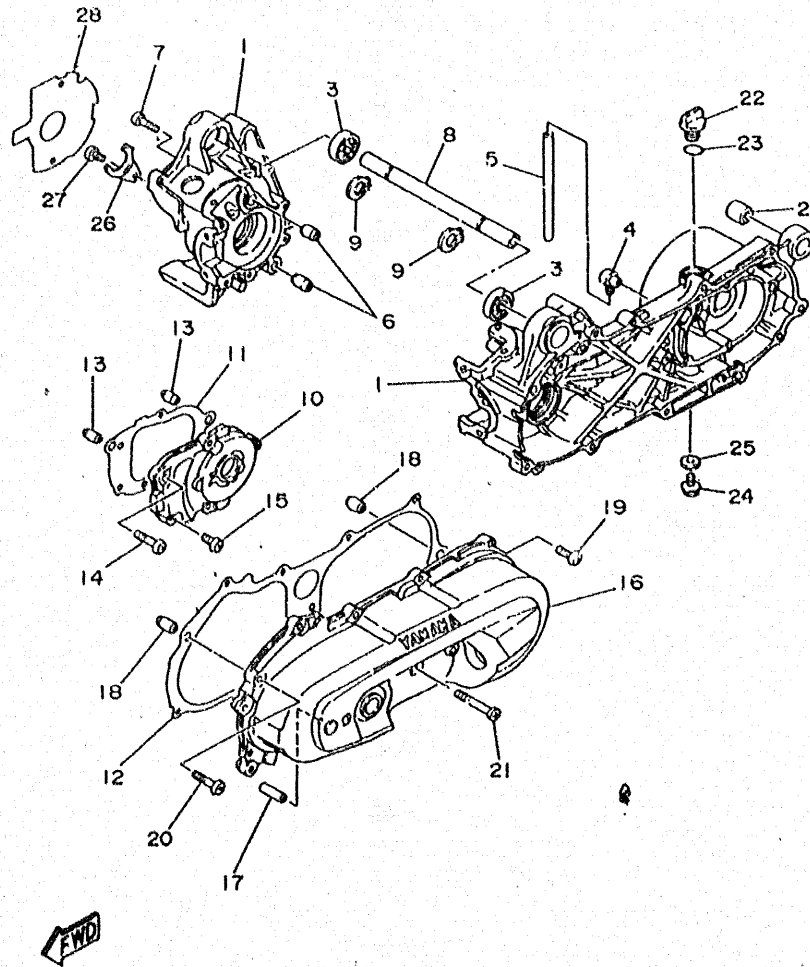
REF. NO.	PART NO.	DESCRIPTION	QTY	REMARKS
1	4SN-E4610-20	EXHAUST PIPE ASSY 1	1	
2	2JA-14737-00	DAMPER, MUFFLER	1	
3	NH7-91810-00	VIS SIM	1	
4	3WG-E4613-00	GASKET, EXHAUST PIPE	1	
5	91311-06020	BOLT	2	
6	90201-062A8	WASHER, PLATE	2	
7	95816-08040	BOLT, FLANGE	1	
8	95826-08025	BOLT, FLANGE	1	
9	4LN-E4718-00	PROTECTOR, MUFFLER 1	1	
10	3AA-1469A-01	FIBER	1	
11	3AA-14653-00	GASKET, EXHAUST 4	3	
12	3VL-E4777-00	BOLT	2	
13	NE5-31891-00	WASHER, PLATE	2	
14	98907-06014	SCREW, BIND	2	
15	4FG-E4638-00	COLLAR	2	
16	3WX-14766-00	WASHER, PROTECTOR	4	
17	3VL-E4729-00	EMBLEM, PROTECTOR	1	
18	NJ6-54041-00	VIS POZIDIV	2	
19	4FG-14747-00	DAMPER, MUFFLER	1	

FIG. 8 - CRANKCASE



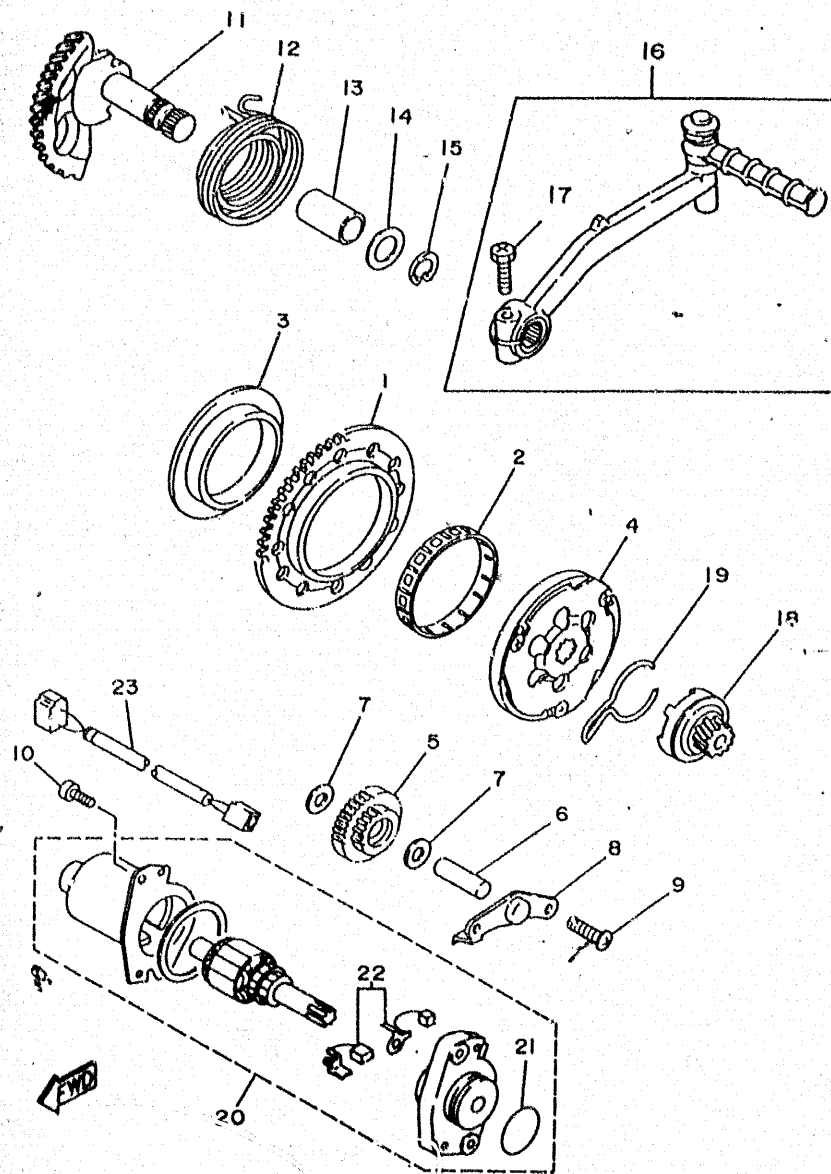
REF. NO.	PART NO.	DESCRIPTION	QTY	REMARKS
1	4KH-E5150-00	CRANKCASE ASSY	1	
2	164-22216-00	BUSH, REAR SHOCK ABSORBER	1	
3	93306-00319	BEARING	2	
4	4CU-E5371-00	BREATHER	1	
5	90446-11347	HOSE	1	
6	99530-12016	PIN, DOWEL	2	
7	98507-06035	SCREW, PAN HEAD	6	
8	4CU-E5317-00	SPACER, ENGINE MOUNT	1	
9	99009-17400	CIRCLIP	2	
10	4CU-E5421-00	COVER, CRANKCASE 2	1	
11	4CU-E5461-00	GASKET, CRANKCASE COVER 2	1	
12	4CU-E5451-00	GASKET, CRANKCASE COVER 1	1	
13	99530-10114	PIN, DOWEL	2	
14	98507-06035	SCREW, PAN HEAD	2	
15	98507-06020	SCREW, PAN HEAD	3	
16	4CU-E5411-00	COVER, CRANKCASE 1	1	
17	4CU-E5659-00	SHAFT	1	
18	99530-10114	PIN, DOWEL	2	
19	98507-06025	SCREW, PAN HEAD	8	
20	98507-06035	SCREW, PAN HEAD	2	
21	98507-06065	SCREW, PAN HEAD	1	
22	3VL-E5363-00	PLUG, OIL	1	
23	93210-14104	O-RING	1	
24	95907-06016	BOLT, FLANGE	1	
25	60430-08119	WASHER, PLATE	1	
26	3VL-E5128-00	HOLDER	1	
27	98507-06012	SCREW, PAN HEAD	1	

FIG. 8 - CRANKCASE



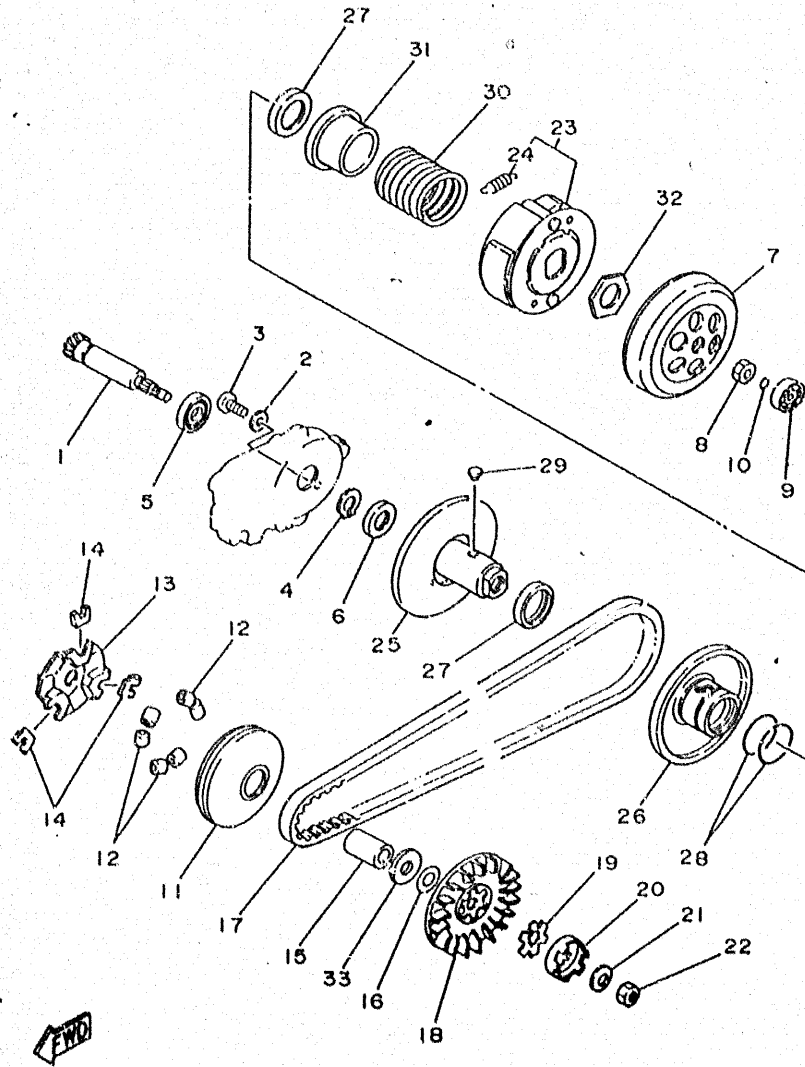
REF. NO.	PART NO.	DESCRIPTION	Q'TY	REMARKS
28	4CU-E5462-00	GASKET, CRANKCASE COVER 3	1	

FIG. 9 - STARTER



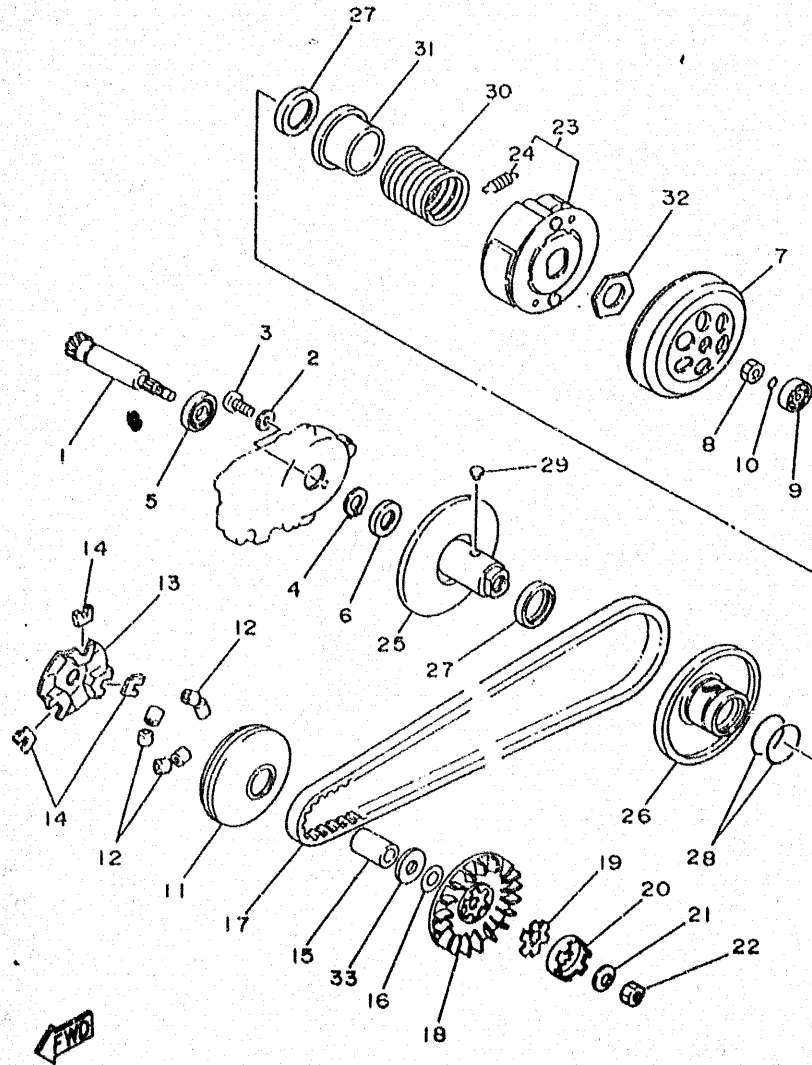
REF. NO.	PART NO.	DESCRIPTION	QTY	REMARKS
1	3AA-15513-00	GEAR 1	1	
2	93310-257R1	BEARING, CYLINDRICAL	1	
3	3KJ-15528-00	BOSS, GEAR	1	
4	3VL-15570-00	STARTER CLUTCH ASSY	1	
5	3AA-15650-00	IDLE GEAR ASSY	1	
6	3VL-E5659-00	SHAFT	1	
7	90201-08088	WASHER, PLATE	2	
8	4CU-E5532-00	PLATE, IDLE GEAR	1	
9	98507-06012	SCREW, PAN HEAD	2	
10	91318-08020	BOLT	2	
11	3KJ-15601-00	KICK SHAFT ASSY	1	
12	90508-32609	SPRING, TORSION	1	
13	90380-15083	BUSH, SOLID	1	
14	90201-15505	WASHER, PLATE	1	
15	99009-15400	CIRCLIP	1	
16	4CU-X5620-00	KICK CRANK ASSY	1	
17	97316-06025	BOLT	1	
18	3AA-15631-00	GEAR, KICK PINION	1	
19	4CU-E5673-00	CLIP	1	
20	3KJ-81800-01	STARTING MOTOR ASSY	1	
21	93210-23614	O-RING	1	
22	1YU-81801-M0	BRUSH SET	1	
23	3WG-H2541-00	WIRE, LEAD	1	

FIG. 10 - CLUTCH



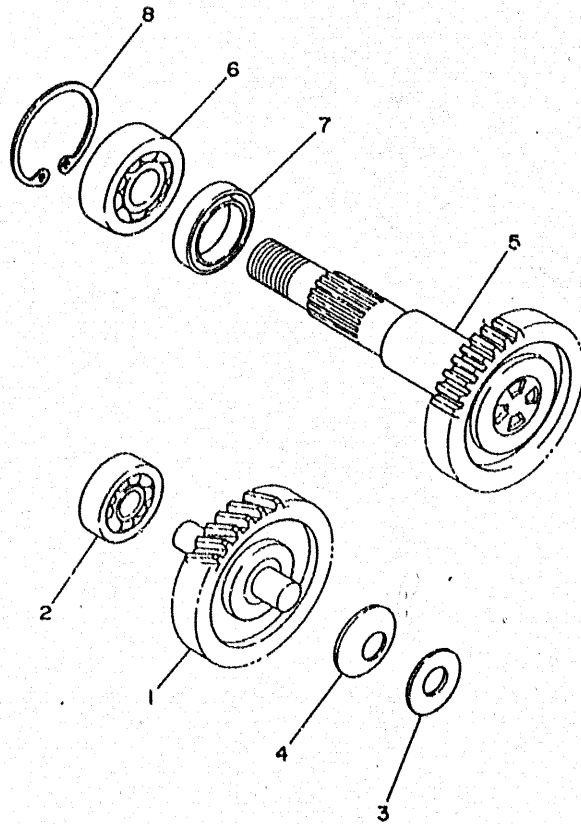
REF. NO.	PART NO.	DESCRIPTION	QTY	REMARKS
1	4CU-E6111-00	GEAR, PRIMARY DRIVE	1	
2	90201-06412	WASHER, PLATE	1	
3	98507-06010	SCREW, PAN HEAD	1	
4	99009-17400	CIRCLIP	1	
5	93306-00308	BEARING (B6003)	1	
6	93102-17342	OIL SEAL	1	
7	3YJ-16611-00	CLUTCH HOUSING COMP.	1	
8	90170-10317	NUT	1	
9	93300-63813	BEARING	1	
10	93210-06550	O-RING	1	
11	4CU-E7620-00	PRIMARY SLIDING SHEAVE COMP.	1	
12	4CU-E7632-00	WEIGHT	6	
13	3VL-E7623-00	CAM	1	
14	3VL-E7653-00	SLIDER	3	
15	90387-135U9	COLLAR	1	
16	90201-136P4	WASHER, PLATE	1	
17	3VP-17641-00	V-BELT	1	
18	3VL-E7611-00	SHEAVE, PRIMARY FIXED	1	
19	90214-13055	WASHER, CLAW	1	
20	3VL-E5657-00	CLUTCH, ONEWAY	1	
21	90208-10012	WASHER, CONICAL SPRING	1	
22	90170-10219	NUT	1	
23	3YJ-16620-01	CLUTCH CARRIER ASSY	1	
24	3VR-16626-00	• SPRING, CLUTCH WEIGHT 1	3	
25	3AA-17660-01	SECONDARY FIXED SHEAVE COMP.	1	
26	3AA-17670-00	SECONDARY SLIDING SHEAVE	1	
27	93109-33049	OIL SEAL	2	

FIG. 10 - CLUTCH



REF. NO.	PART NO.	DESCRIPTION	Q'TY	REMARKS
28	9J210-38687	O-RING	2	
29	14G-17664-00	PIN, GUIDE	2	
30	9J501-357F3	SPRING, COMPRESSION	1	
31	3KJ-17664-00	SEAT, SECONDARY SPRING	1	
32	9J179-28415	NUT	1	
33	4HU-E7654-00	SPACER 1	1	

FIG. 11 - TRANSMISSION



REF. NO.	PART NO.	DESCRIPTION	QTY	REMARKS
1	4CU-E7410-00	MAIN AXLE COMP.	1	
2	93306-20006	BEARING (B6200)	1	
3	90201-123K4	WASHER, PLATE	1	
4	90208-12049	WASHER, CONICAL SPRING	1	
5	4CU-E7420-00	DRIVE AXLE ASSY	1	
6	93306-20348	BEARING	1	
7	93102-22082	OIL SEAL	1	
8	93420-40064	CIRCLIP	1	

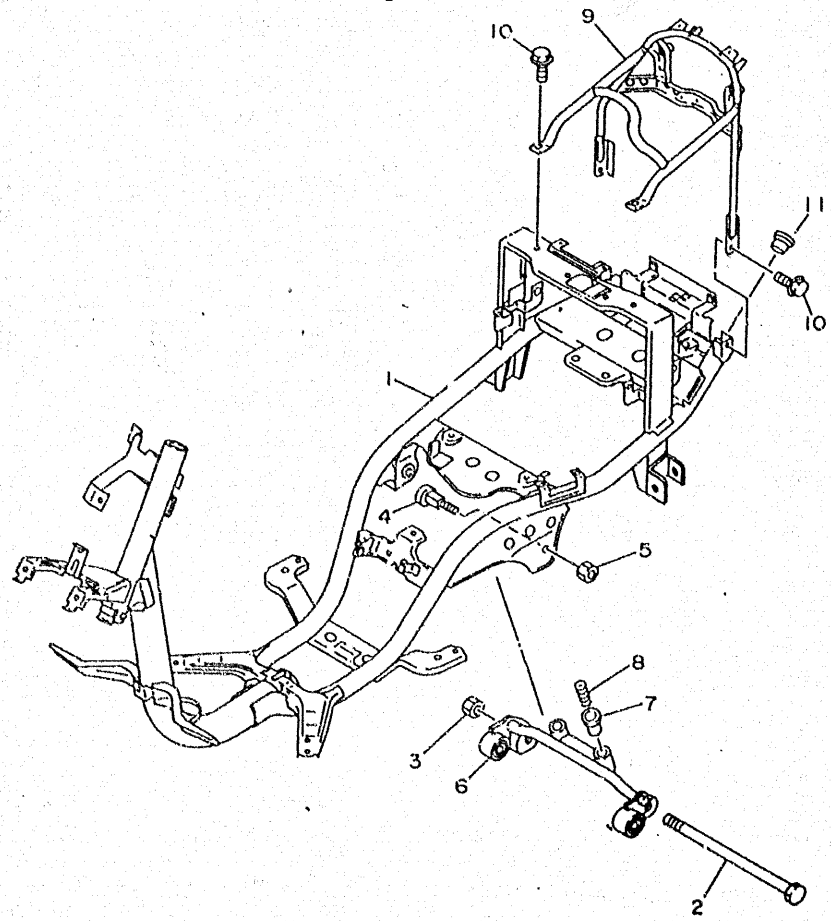


FIG. 12 - FRAME

REF. NO.	PART NO.	DESCRIPTION	QTY	REMARKS
1	4PC-F1110-20	FRAME COMP.	1	
2	3KJ-21481-00	BOLT, ENGINE MOUNTING 1	1	
3	95607-12200	BOLT, STUD	1	
4	3WG-F1481-10	BOLT, ENGINE MOUNTING 1	2	
5	90185-10822	NUT, SELF-LOCKING	2	
6	3WG-F1410-00	ENGINE BRACKET COMP.	1	
7	3WG-F139X-00	DAMPER	2	
8	90501-29517	SPRING, COMPRESSION	2	
9	4MJ-F1232-00	REINF., TAIL	1	
10	95806-16012	BOLT, FLANGE	4	
11	4PC-F117M-00	COVER 2	2	

CONTENTS

ENGINE

CYLINDER HEAD.....	B2
CRANKSHAFT, PISTON.....	B3
AIR SHROUD, FAN.....	B4
OIL PUMP.....	B5
INTAKE.....	B6
CARBURETOR.....	B7
EXHAUST.....	B8
CRANKCASE.....	B9-B10
STARTER.....	B11
CLUTCH.....	B12-B13
TRANSMISSION.....	B14

CHASSIS

FRAME.....	B15
FENDER.....	C2
SIDE COVER.....	C3
OIL TANK.....	C4
REAR SUSPENSION.....	C5
FRONT FORK.....	C6-C7
FUEL TANK.....	C8
SEAT.....	C9
FRONT WHEEL.....	C10
FRONT BRAKE CALIPER.....	C11
REAR WHEEL.....	C12
STEERING HANDLE, CABLE.....	C13
FRONT MASTER CYLINDER.....	C14
STANT, FOOTREST.....	C15
LEG SHIELD.....	D2
POWLING 1.....	D3

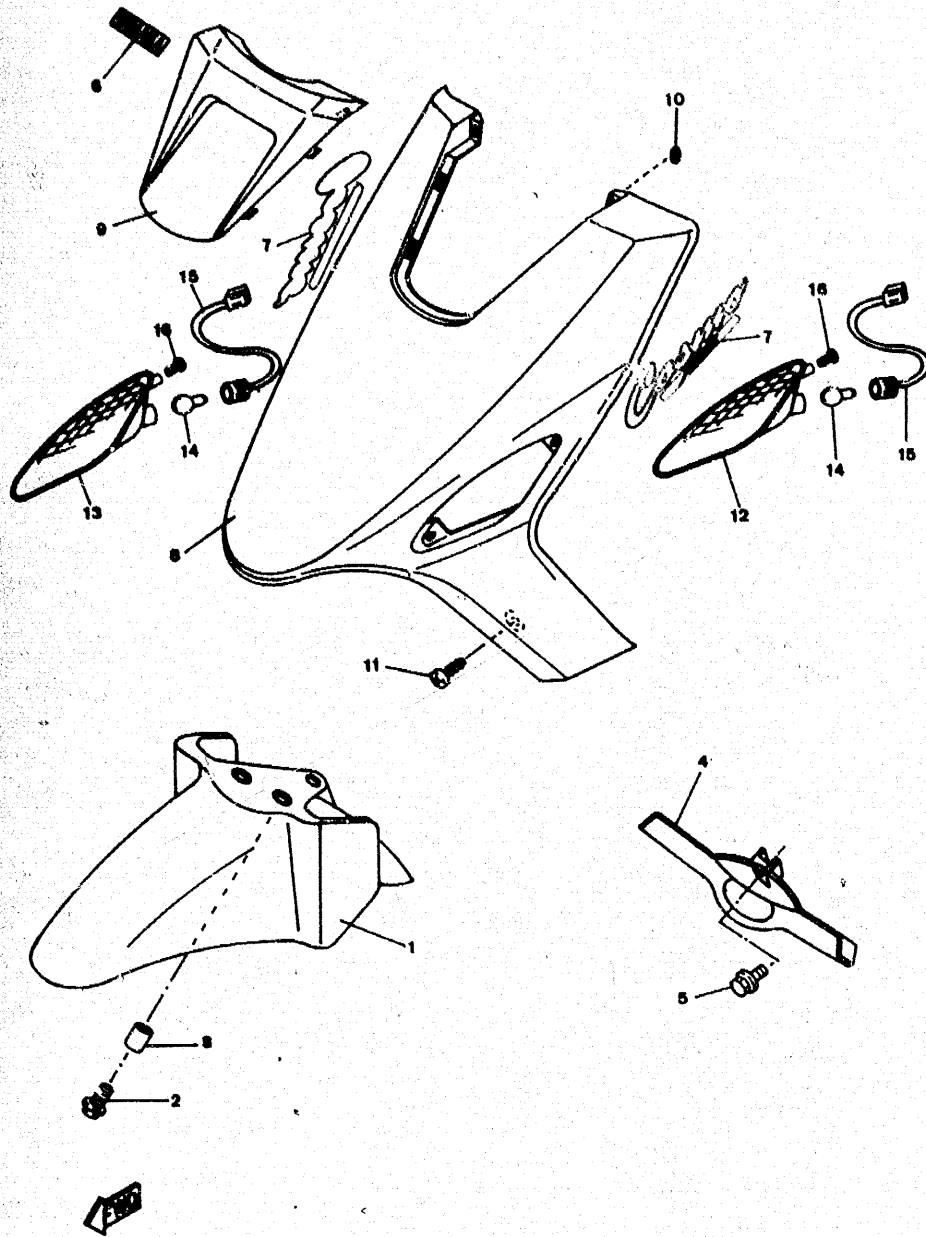
ELECTRICAL

GENERATOR.....	D4
METER.....	D5
HEADLIGHT.....	D6
TAILLIGHT.....	D7
HANDLE SWITCH, LEVER.....	D8
ELECTRICAL 1.....	D9
ELECTRICAL 2.....	D10

INDEX

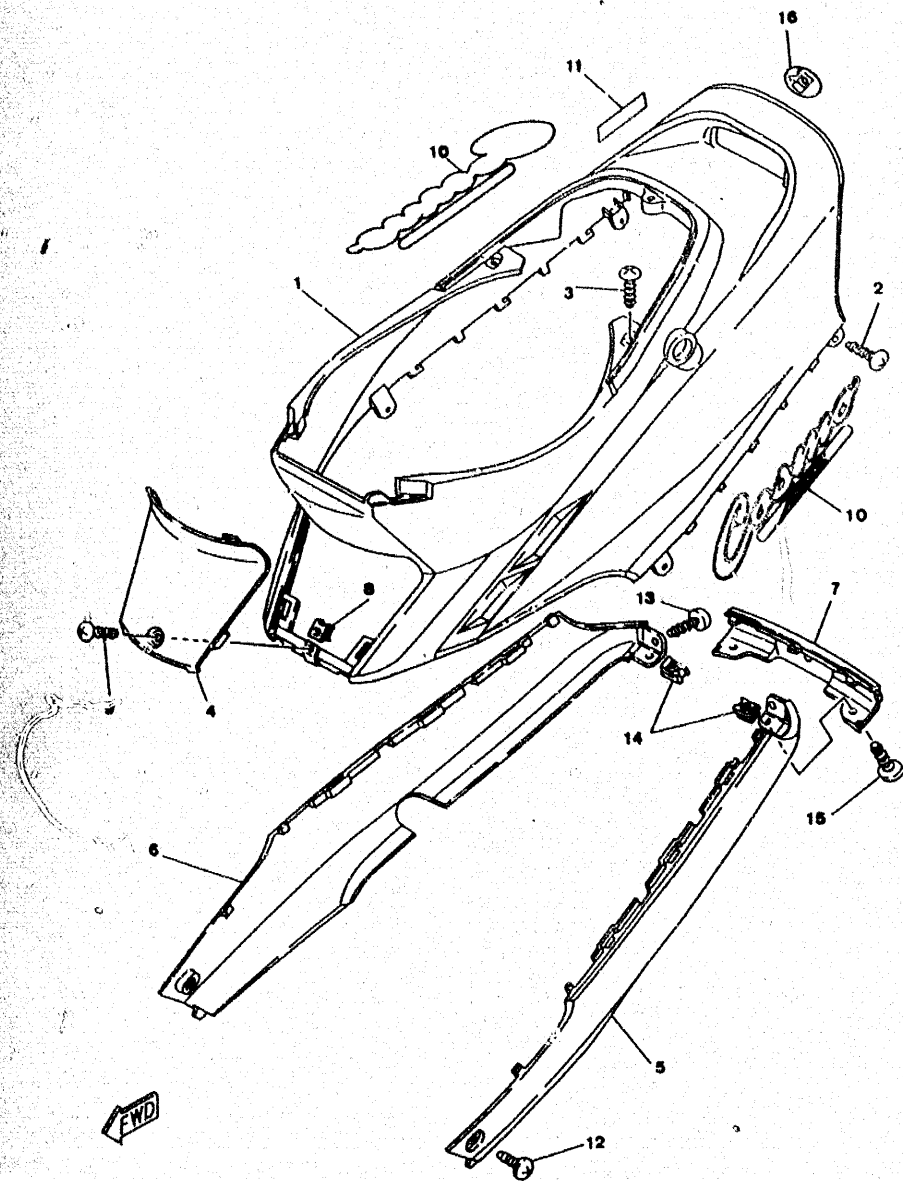
NUMERICAL INDEX.....	M1 ~ M2
----------------------	---------

FIG. 13 - FENDER



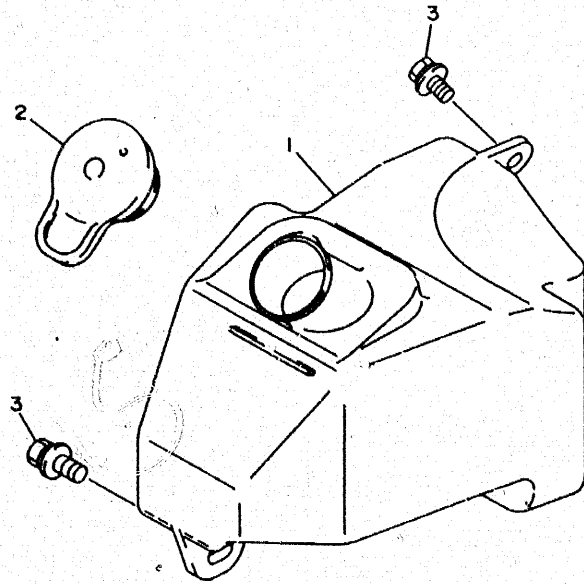
REF. NO.	PART NO.	DESCRIPTION	Q'TY	REMARKS
1	4PC-F1511-00-P1	FENDER, FRONT	1	UR DARK PURPLISH BLUE CHDK 3
	4PC-F1511-00-0M	FENDER, FRONT	1	UR SWEET HEART RED
2	95801-06016	BOLT, FLANGE	3	
3	90387-060A7	COLLAR	3	
4	4PC-F1552-10	FENDER, INNER	1	
5	95806-06012	BOLT, BLANGE	1	
6	4MJ-F153A-00	EMBLEM, YAMAHA	1	
7	4MJ-F1599-A0	GRAPHIC, 3	2	
8	4PC-F8312-00-0M	LEG SHIELD 2	1	UR SWEET HEART RED
	4PC-F8312-00-P1	LEG SHIELD 2	1	UR DARK PURPLISH BLUE CHDK 3
9	4PC-F831X-00-0M	LID, 2	1	UR SWEET HEART RED
	4PC-F831X-00-P1	LID, 2	1	UR DARK PURPLISH BLUE CHDK 3
10	90183-05813	NUT, SPRING	2	
11	97706-50016	SCREW, TAPPING	2	
12	4PC-H332F-00	BODY COMP., 1	1	
13	4PC-H332L-00	BODY COMP., 2	1	
14	3TH-H3311-00	BULB, FLASHER	2	
15	4MJ-H331F-00	SOCKET	2	
16	97706-50016	SCREW, TAPPING	4	

FIG. 14 - SIDE COVER



REF. NO.	PART NO.	DESCRIPTION	QTY	REMARKS
1	4MJ-F1711-00-P6	COVER, SIDE 1	1	UR DARK PURPLUH BLUE CANDY 3
	4MJ-F1711-00-0M	COVER, SIDE 1	1	UR SWEET HEART RED
2	97706-50016	SCREW, TAPPING	4	
3	97706-50016	SCREW, TAPPING	3	
4	4MJ-F1721-00-P9	COVER, SIDE 2	1	UR DARK PURPLUH BLUE CANDY 3
	4MJ-F1721-00-0M	COVER, SIDE 2	1	UR SWEET HEART RED
5	4PC-F171L-10	MOLE, SIDE COVER 1	1	UR YAMAHA BLACK
6	4PC-F171M-10	MOLE, SIDE COVER 2	1	UR YAMAHA BLACK
7	4MJ-F171N-10	MOLE, SIDE COVER 3	1	UR YAMAHA BLACK
8	90183-05042	NUT, SPRING	1	
9	90187-05055	SCREW, TAPPING	1	
10	4MJ-F1737-00	EMBLEM	2	
11	4SN-F1789-00	GRAPHIC	1	
12	90149-06184	SCREW	2	
13	97706-50016	SCREW, TAPPING	2	
14	90183-05042	NUT, SPRING	2	
15	97706-50016	SCREW, TAPPING	2	
16	4SN-F415A-00	LABEL, CAUTION	1	

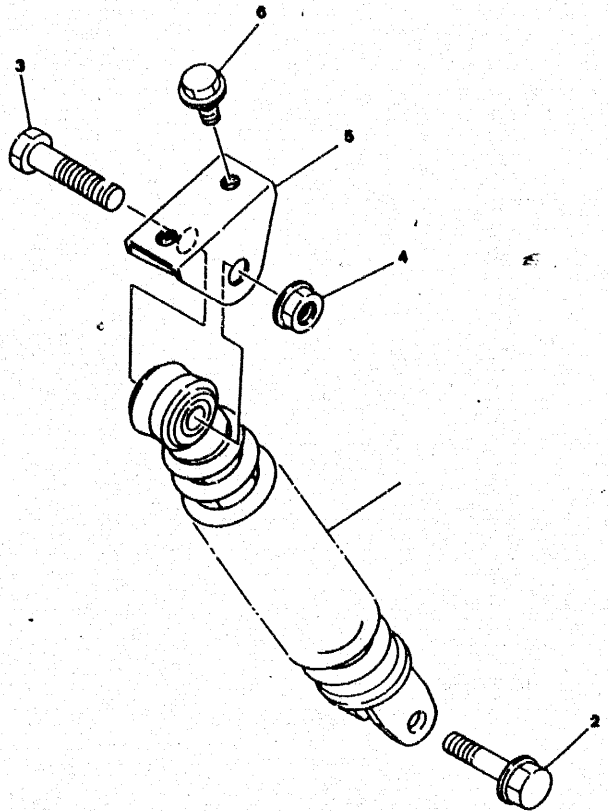
FIG. 15 - OIL TANK



REF. NO.	PART NO.	DESCRIPTION	QTY	REMARKS
1	4MJ-F1751-00	TANK, OIL	1	
2	3WG-F1771-00	BODY, CAP	1	
3	90119-06042	BOLT, WITH WASHER	2	

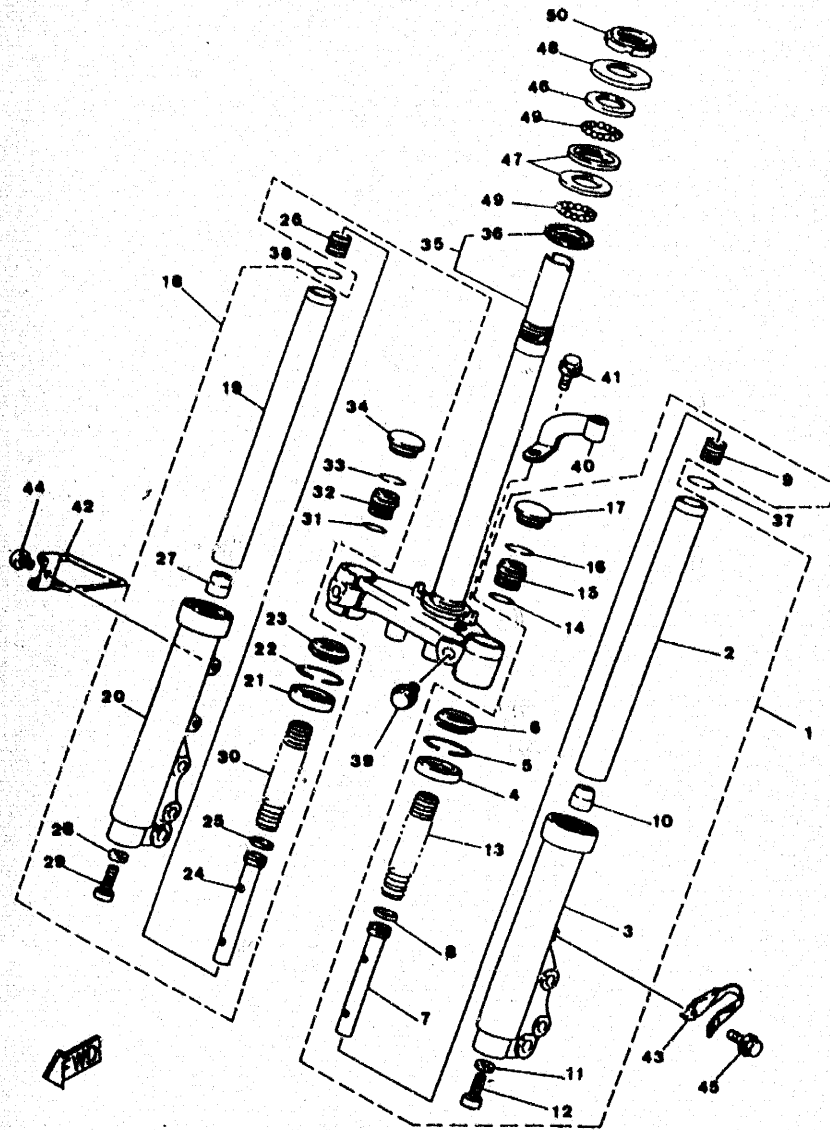


FIG. 16 - REAR SUSPENSION



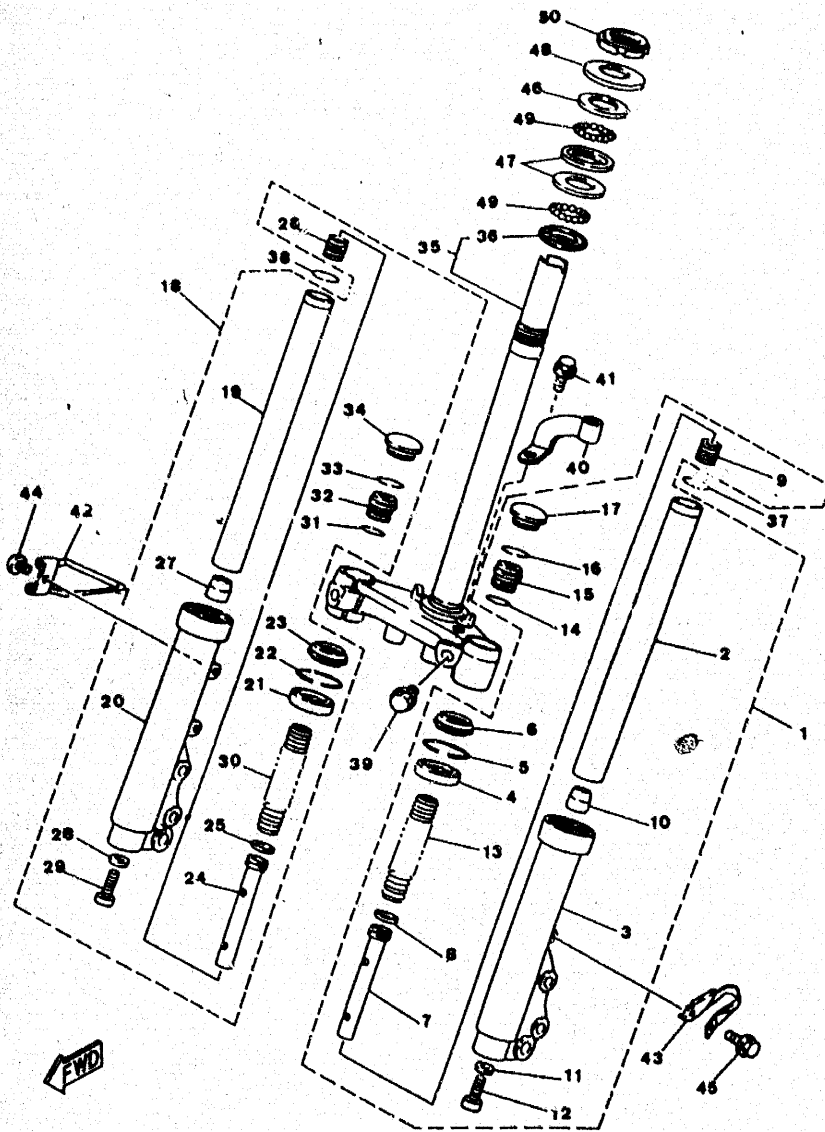
REF. NO.	PART NO.	DESCRIPTION	QTY	REMARKS
1	4PC-F2210-00-33	SHOCK ABSORBER ASSY, REAR	1	UR YAMAHA BLACK
2	90105-08121	BOLT, WASHER BASED	1	
3	90101-10872	BOLT, WITH HOLE	1	
4	90185-10822	NUT, SELF-LOCKING	1	
5	3WG-F1381-00	BRACKET, REAR SHOCK ABSORBER	1	
6	95821-08012	BOLT, FLANGE	2	

FIG. 17 - FRONT FORK



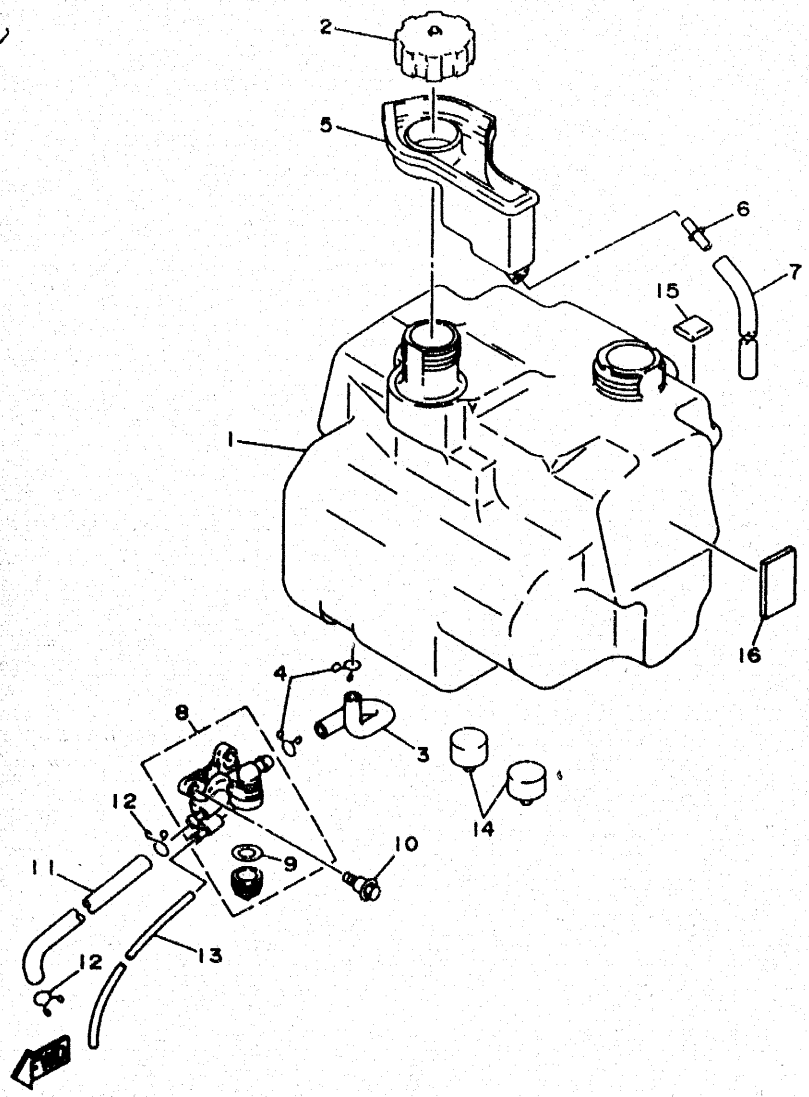
REF. NO.	PART NO.	DESCRIPTION	QTY	REMARKS
1	4PC-F3102-10-35	FRONT FORK ASSY (L.H.)	1	UR SILVER
2	4PC-F3110-00	• INNER TUBE COMP. 1	1	
3	4PC-F3126-10	• TUBE, OUTER 1	1	
4	93102-26436	• OIL SEAL	1	
5	4PC-F3156-00	• CLIP, OIL SEAL	1	
6	3VP-23144-00	• SEAL, DUST	1	
7	4PC-F3171-10	• PISTON, FRONT FORK	1	
8	4PC-F3157-00	• RING, PISTON	1	
9	4PC-F3151-00	• SPRING, REBOUND	1	
10	4PC-F3173-00	• SPINDLE, TAPER	1	
11	90201-088F2	• WASHER, PLATE	1	
12	91311-08025	• BOLT	1	
13	4PC-F3141-00	• SPRING, FRONT FORK	1	
14	93210-188C9	• O-RING	1	
15	4PC-F3111-00	• BOLT, CAP	1	
16	4PC-F3183-00	• CIRCLIP	1	
17	4PC-F3184-00	• PLUG, INNER TUBE	1	
18	4PC-F3103-10-35	FRONT FORK ASSY (R.H.)	1	UR SILVER
19	4PC-F3110-00	• INNER TUBE COMP. 1	1	
20	4PC-F3136-10	• TUBE, OUTER 2	1	
21	93102-26436	• OIL SEAL	1	
22	4PC-F3186-00	• CLIP, OIL SEAL	1	
23	3VP-23144-00	• SEAL, DUST	1	
24	4PC-F3171-10	• PISTON, FRONT FORK	1	
25	4PC-F3157-00	• RING, PISTON	1	
26	4PC-F3151-00	• SPRING, REBOUND	1	
27	4PC-F3173-00	• SPINDLE, TAPER	1	

FIG. 17 - FRONT FORK



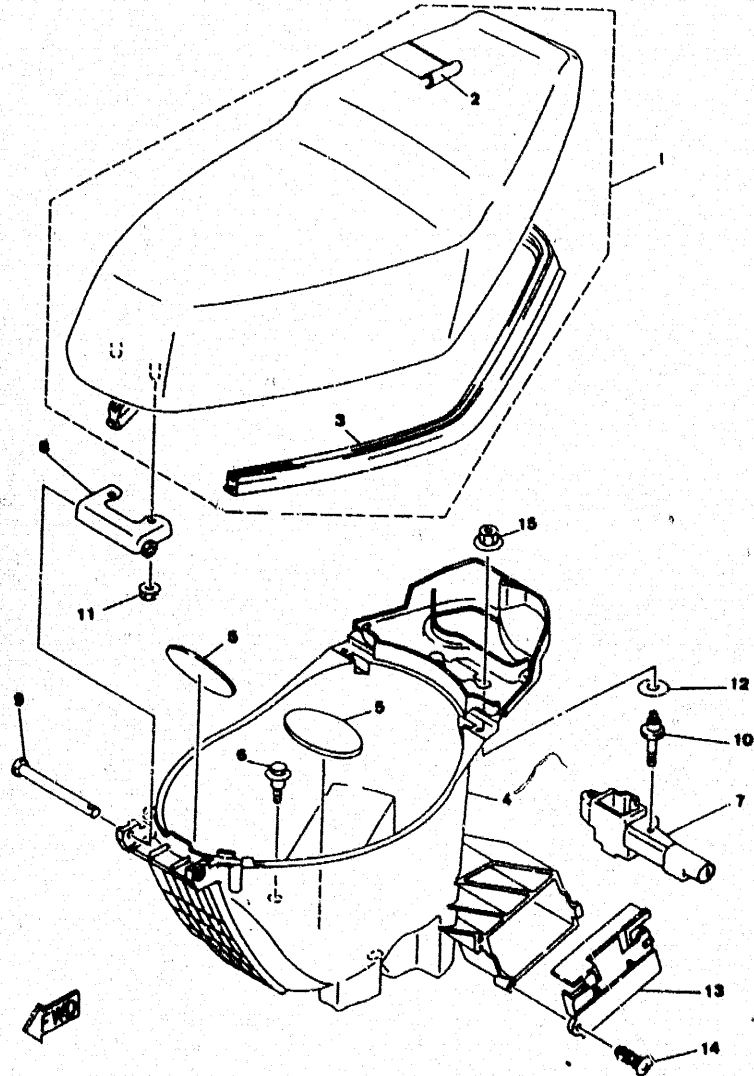
REF. NO.	PART NO.	DESCRIPTION	QTY	REMARKS
28	90201-088F2	• WASHER, PLATE	1	
29	91311-08025	• BOLT, HEXAGON SOCKET HEAD	1	
30	4PC-F3141-00	• SPRING, FRONT FORK	1	
31	93210-16809	• O-RING	1	
32	4PC-F3111-00	• BOLT, CAP	1	
33	4PC-F3183-00	• CIRCLIP	1	
34	4PC-F3154-00	• PLUG, INNER TUBE	1	
35	4PC-F3340-10	UNDER BRACKET COMP.	1	
36	22F-23414-01	• RACE, BALL 4	1	
37	4PC-F3153-00	RING, SNAP	1	
38	4PC-F3153-00	RING, SNAP	1	
39	95821-10030	BOLT, FLANGE	2	
40	4PC-F5878-00	HOLDER, BRAKE HOSE 2	1	
41	95806-08010	BOLT, FLANGE	1	
42	4MJ-F3317-00	HOLDER, CABLE	1	
43	4PC-F5875-10	HOLDER, BRAKE HOSE 1	1	
44	98901-08010	SCREW, BIND	1	
45	95801-08016	BOLT, BLANGE	1	
46	22F-23411-01	RACE, BALL 1	1	
47	22F-23412-01	RACE, BALL 2	2	
48	3VP-23416-00	COVER, BALL RACE 2	1	
49	93503-16825	BALL	44	
50	90179-25033	NUT	2	

FIG. 18 - FUEL TANK



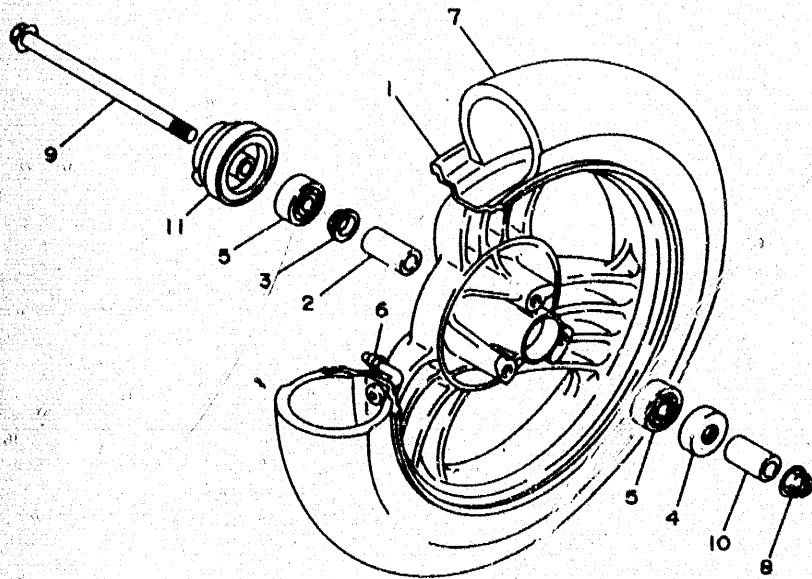
REF. NO.	PART NO.	DESCRIPTION	QTY	REMARKS
1	4SN-F4111-01	TANK, FUEL	1	
2	4MJ-F4610-00	CAP ASSY	1	
3	4MJ-F4312-00	PIPE 2	1	
4	90467-11010	CLIP	2	
5	4MJ-F414A-01	COVER, FILLER	1	
6	90560-06366	SPACER	1	
7	4MJ-F416A-00	HOSE	1	
8	3KJ-24600-01	FUEL COCK ASSY 1	1	
9	4XB-24585-00	GASKET	1	
10	90108-063F5	BOLT	2	
11	4MJ-F4311-00	PIPE, FUEL 1	1	
12	90467-08008	CLIP	2	
13	90445-07434	HOSE	1	
14	2JW-F7114-00	STOPPER, MAIN STAND	4	
15	2E9-24182-00	DAMPER, LOCATING 2	4	
16	4MJ-F4183-00	DAMPER, LOCATING 3	2	

FIG. 19 - SEAT



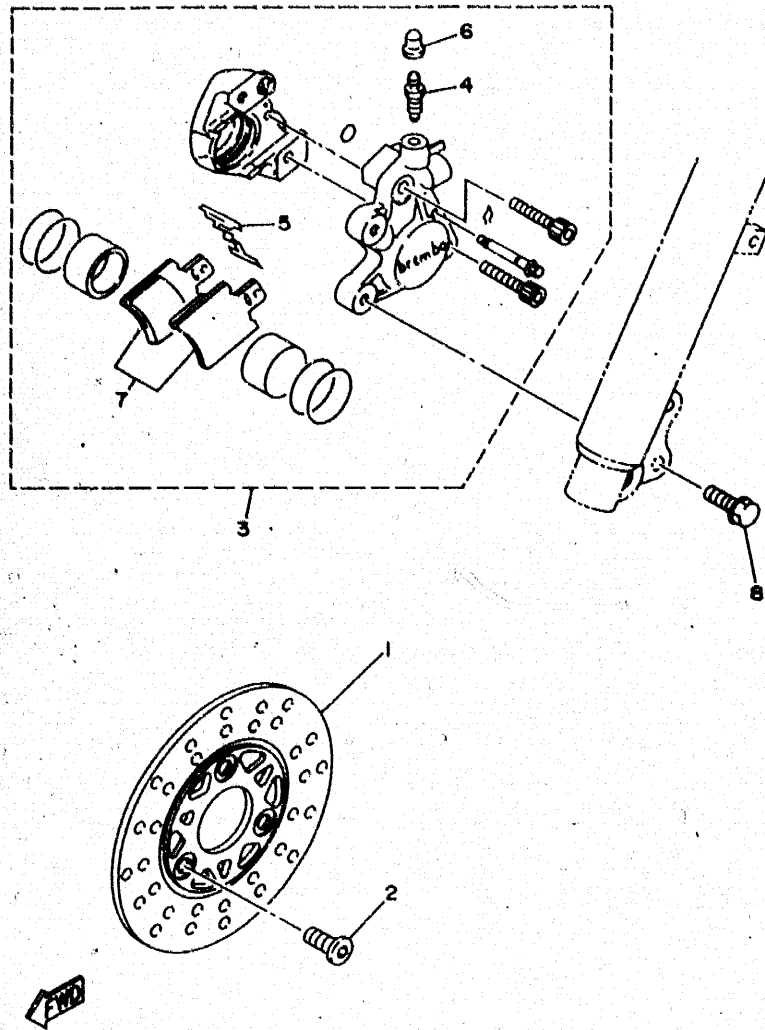
REF. NO.	PART NO.	DESCRIPTION	QTY	REMARKS
1	4MJ-F4730-00	DOUBLE SEAT ASSY	1	UR BLACK/GRAY
2	4MJ-F4711-60	• SEAT COVER COMP.	1	UR BLACK/GRAY
3	4MJ-F475M-00	• SEAL	1	
4	4MJ-F473R-01	BOX 1	1	
5	4MJ-F4747-00	DAMPER, SEAT	3	
6	90109-063F1	BOLT	2	
7	4MJ-F4780-01	SEAT LEVER ASSY	1	
8	3WG-F4726-00	HINGE, SEAT	1	
9	90241-10015	PIN	1	
10	3VP-24717-00	BOLT, SEAT FITTING	2	
11	90179-08403	NUT	2	
12	90201-08107	WASHER, PLATE	2	
13	3WG-H2129-00	COVER, BATTERY	1	
14	90167-06041	SCREW, TAPPING	1	
15	90179-08403	NUT	2	

FIG. 20 - FRONT WHEEL



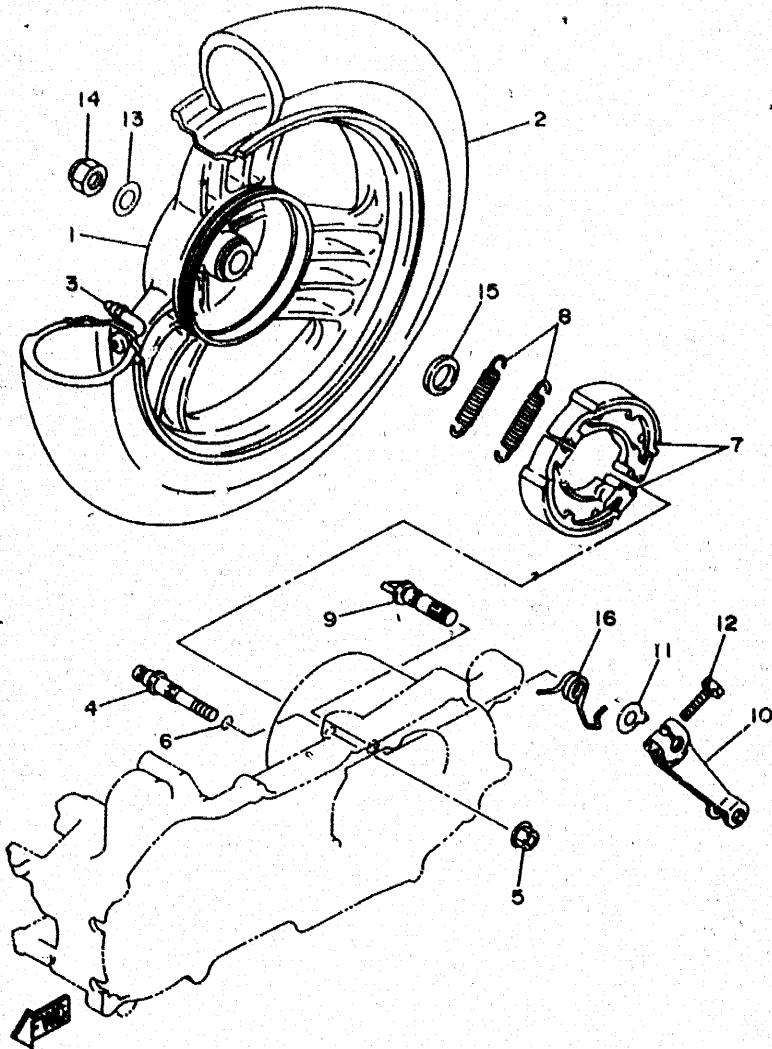
REF. NO.	PART NO.	DESCRIPTION	QTY	REMARKS
1	4PC-F5166-20-35	CAST WHEEL, FRONT	1	UR SILVER
2	4KH-F5117-00	SPACER, BEARING	1	
3	4KH-F5115-00	FLANGE, SPACER 1	1	
4	93176-20001	OIL SEAL	1	
5	3306-30003	BEARING (B6300Z)	2	
6	3VL-F5170-10	AIR VALVE ASSY	1	
7	.	TIRE	1	LM
8	90185-10822	NUT, SELF-LOCKING	1	
9	3VP-25181-00	AXLE, WHEEL	1	
10	90387-10079	COLLAR	1	
11	4JC-F5190-10	GEAR UNIT ASSY	1	

FIG. 21 - FRONT BRAKE CALIPER



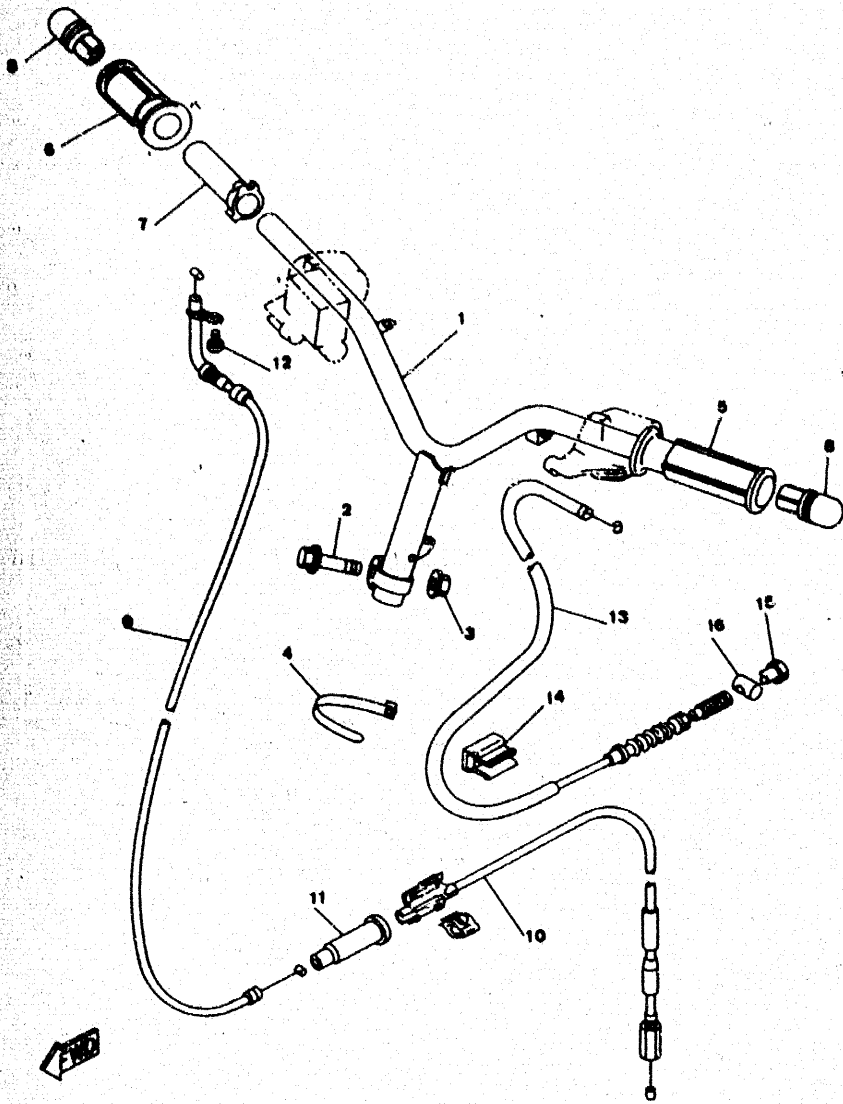
REF. NO.	PART NO.	DESCRIPTION	QTY	REMARKS
1	3NA-25531-00	DISC, BRAKE	1	
2	9X110-10621	BOLT, HEXAGON SOCKET HEAD	3	
3	4CU-F5807-10	CALIPER ASSY (LEFT)	1	
4	4CU-F5824-00	• SCREW, BLEED	1	
5	4CU-F5919-00	• SUPPORT, PAD	1	
6	4CU-F5825-00	• CAP	1	
7	4CU-F5811-10	• PAD, CALIPER 2	2	
8	95821-08030	BOLT, FLANGE	2	

FIG. 22 - REAR WHEEL



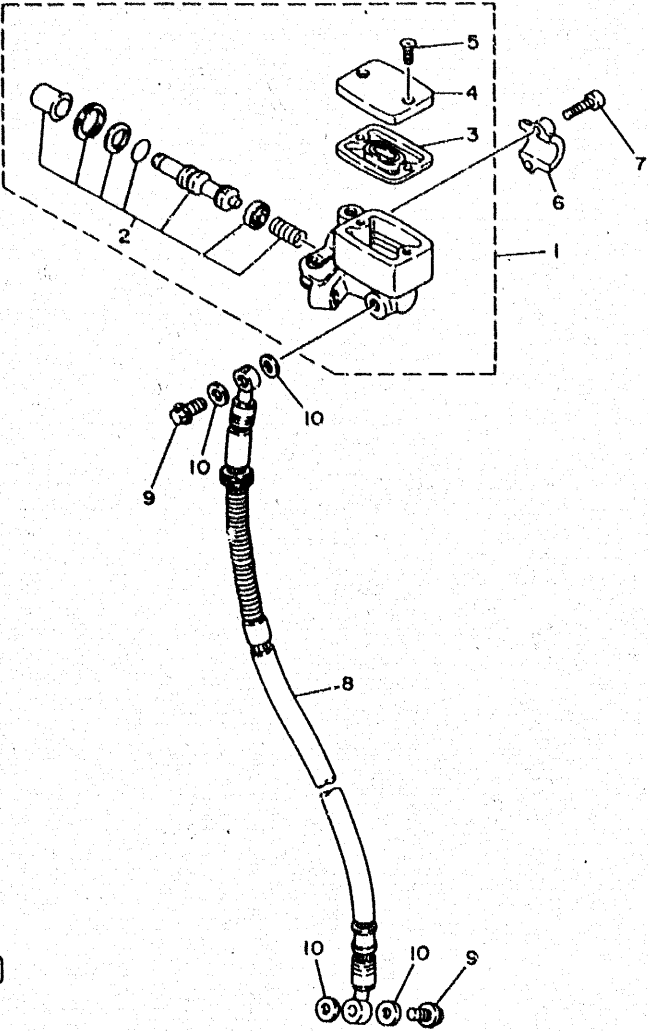
REF. NO.	PART NO.	DESCRIPTION	QTY	REMARKS
1	4PC-F5336-00-35	CAST WHEEL, REAR	1	UR SILVER
2		TIRE	1	LM
3	3VL-F5170-10	AIR VALVE ASSY	1	
4	4CU-F5326-00	PIN, PIVOT	1	
5	95701-C8500	NUT, FLANGE	1	
6	93210-07435	O-RING	1	
7	2JL-W2536-10	BRAKE SHOE COMP.	1	
8	90506-15260	SPRING, TENSION	2	
9	3KJ-25361-01	CAMSHAFT	1	
10	3WG-F5355-00	LEVER, CAMSHAFT	1	
11	3WG-F513A-00	PLATE, INDICATOR	1	
12	90101-0C278	BOLT	1	
13	90201-142M8	WASHER, PLATE	1	
14	90185-14150	NUT, SELF-LOCKING	1	
15	90201-17265	WASHER, PLATE	1	
16	3WG-F5357-00	SPRING, LEVER RETURN	1	

FIG. 23 - STEERING HANDLE, CABLE



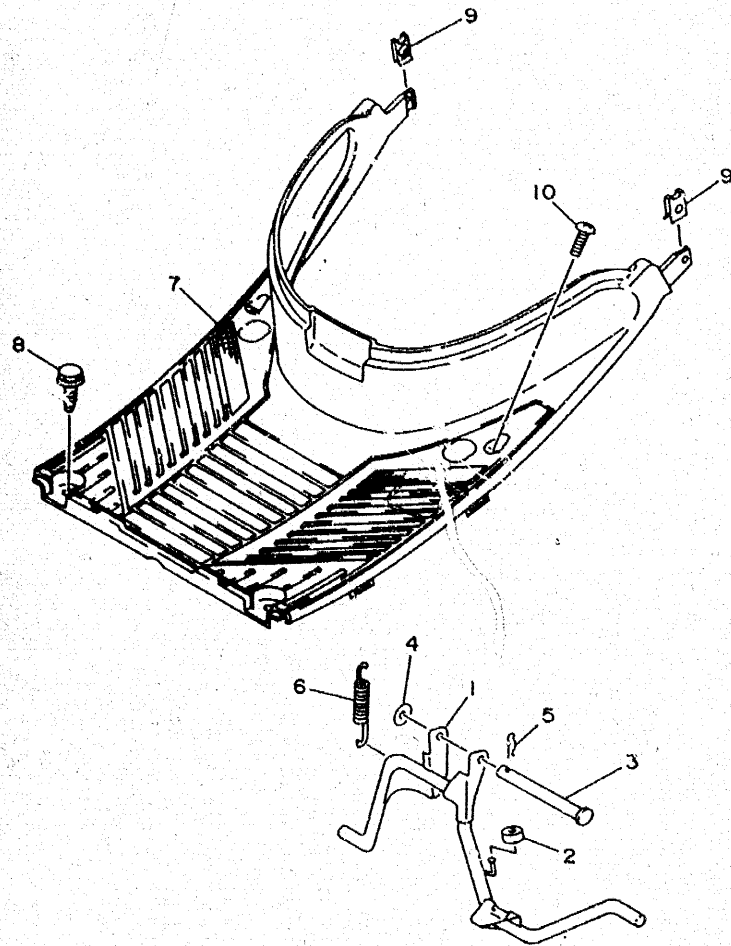
REF. NO.	PART NO.	DESCRIPTION	QTY	REMARKS
1	4PC-F6110-00	HANDLE COMP.	1	
2	90105-10036	BOLT, WASHER BASED	1	
3	90185-10622	NUT, SELF-LOCKING	1	
4	90464-13804	CLAMP	1	
5	4PC-F6241-00	GRIP (L.H.)	1	
6	4PC-F6242-00	GRIP (R.H.)	1	
7	4PC-F6243-00	TUBE, THROTTLE GUIDE	1	
8	4PC-F628J-00	CAP, GRIP	2	
9	4PC-F6311-00	CABLE, THROTTLE 1	1	
10	3WG-F6312-C0	CABLE, THROTTLE 2	1	
11	3WG-F6323-00	CAP, RUBBER	1	
12	98506-05010	SCREW, PAN HEAD	1	
13	4PC-F6351-00	CABLE, BRAKE	1	
14	3WG-F6383-00	HOLDER	1	
15	90179-06176	NUT	1	
16	20249-12006	PIN	1	

FIG. 24 - FRONT MASTER CYLINDER



REF. NO.	PART NO.	DESCRIPTION	QTY	REMARKS
1	3RY-25870-03	MASTER CYLINDER ASSY	1	
2	3RW-W0041-02	• CYLINDER KIT, MASTER 1	1	
3	3RW-25854-00	• DIAPHRAGM, RESERVOIR	1	
4	3RW-25852-00	• CAP, RESERVOIR	1	
5	98707-04012	• SCREW, FLAT HEAD	2	
6	56A-25867-00	BRACKET, MASTER CYLINDER	1	
7	91312-08025	BOLT	2	
8	4PC-F5872-10	HOSE, BRAKE 1	1	
9	2RN-F5877-00	BOLT, OIL 1	2	
10	90201-10118	WASHER, PLATE	4	

FIG. 25 - STAND. FOOTREST



REF. NO.	PART NO.	DESCRIPTION	Q'TY	REMARKS
1	4CX-F7111-00	STAND, MAIN	1	
2	90387-078K5	COLLAR	1	
3	90240-10132	PIN, CLEVIS	1	
4	90202-10120	WASHER, PLATE	1	
5	90468-12006	CLIP	1	
6	90506-32464	SPRING, TENSION	1	
7	4MJ-F7481-10	BOARD, FOOTREST	1	UR YAMAHA BLACK
8	90119-06118	BOLT, WITH WASHER	4	
9	90183-05042	NUT, SPRING	2	
10	97706-50016	SCREW, TAPPING	2	

FWD

CONTENTS

ENGINE

CYLINDER HEAD.....	B2
CRANKSHAFT, PISTON.....	B3
AIR SHROUD, FAN.....	B4
OIL, PUMP.....	B5
INTAKE.....	B6
CARBURETOR.....	B7
EXHAUST.....	B8
CRANKCASE.....	B9-B10
STARTER.....	B11
CLUTCH.....	B12-B13
TRANSMISSION.....	B14

CHASSIS

FRAME.....	B15
FENDER.....	C2
SIDE COVER.....	C3
OIL TANK.....	C4
REAR SUSPENSION.....	C5
FRONT FORK.....	C6-C7
FUEL TANK.....	C8
SEAT.....	C9
FRONT WHEEL.....	C10
FRONT BRAKE CALIPER.....	C11
REAR WHEEL.....	C12
STEERING HANDLE, CABLE.....	C13
FRONT MASTER CYLINDER.....	C14
STANT, FOOTREST.....	C15
LEG SHIELD.....	D2
COWLING 1.....	D3

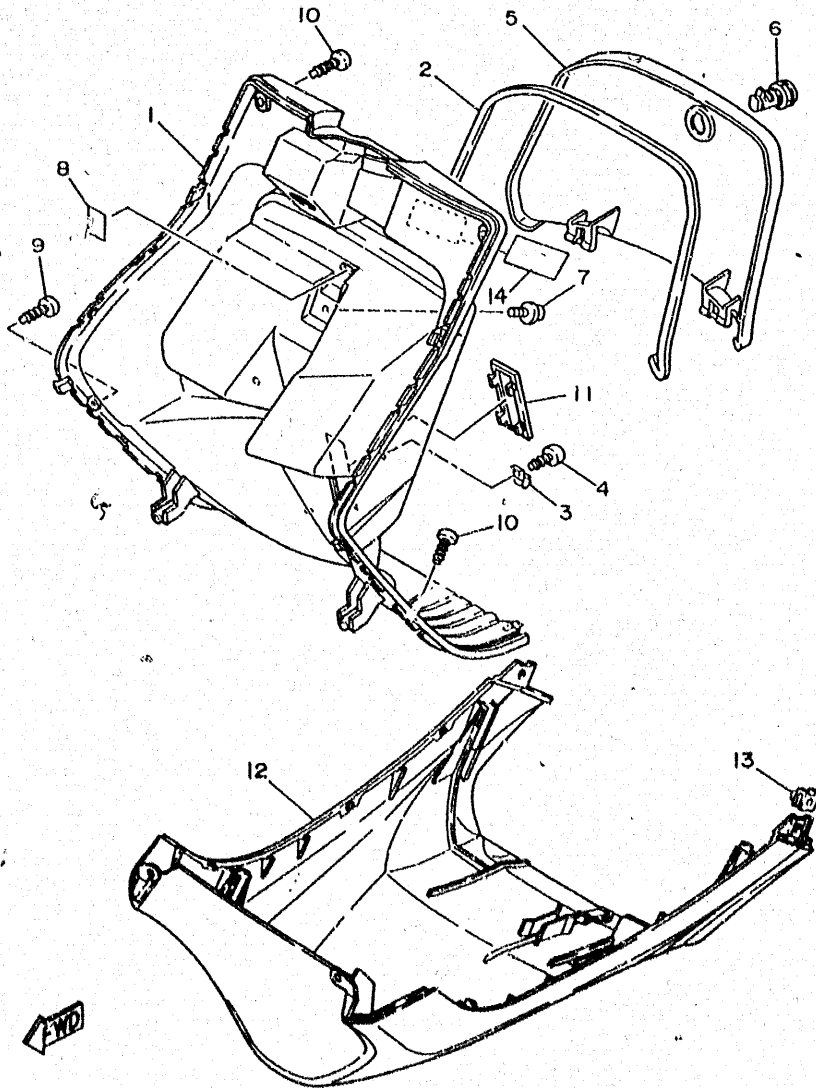
ELECTRICAL

GENERATOR.....	D4
METER.....	D5
HEADLIGHT.....	D6
TAILLIGHT.....	D7
HANDLE SWITCH, LEVER.....	D8
ELECTRICAL 1.....	D9
ELECTRICAL 2.....	D10

INDEX

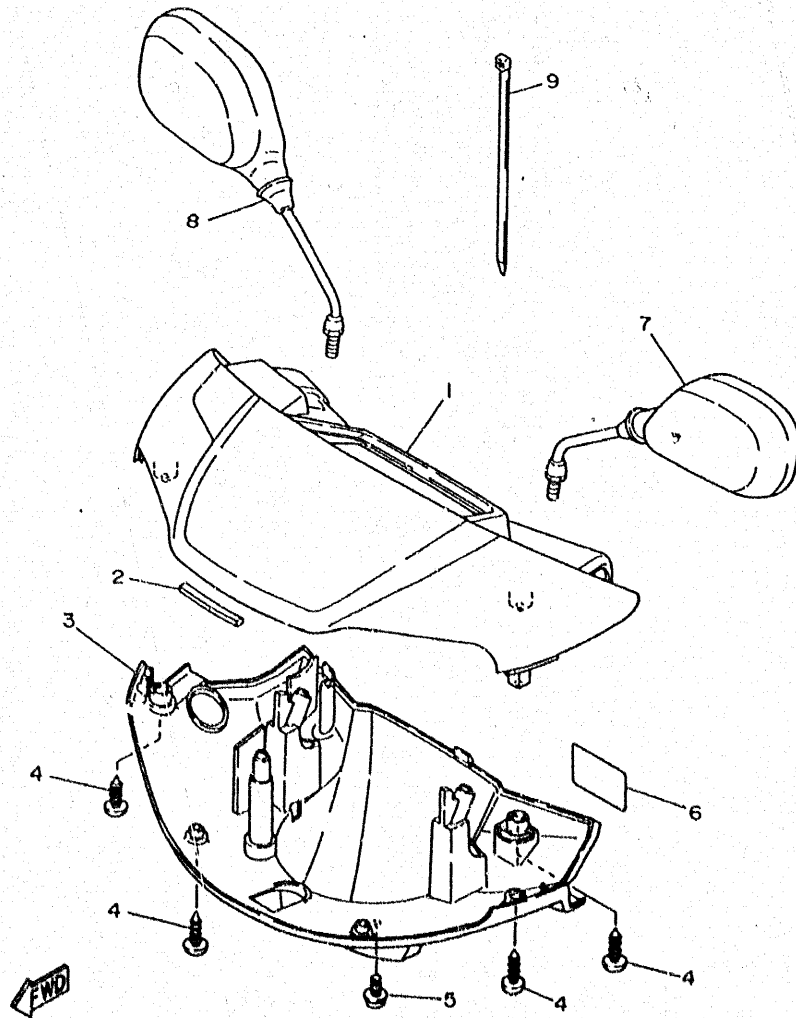
NUMERICAL INDEX.....	M1 ~ M2
----------------------	---------

FIG. 26 - LEG SHIELD



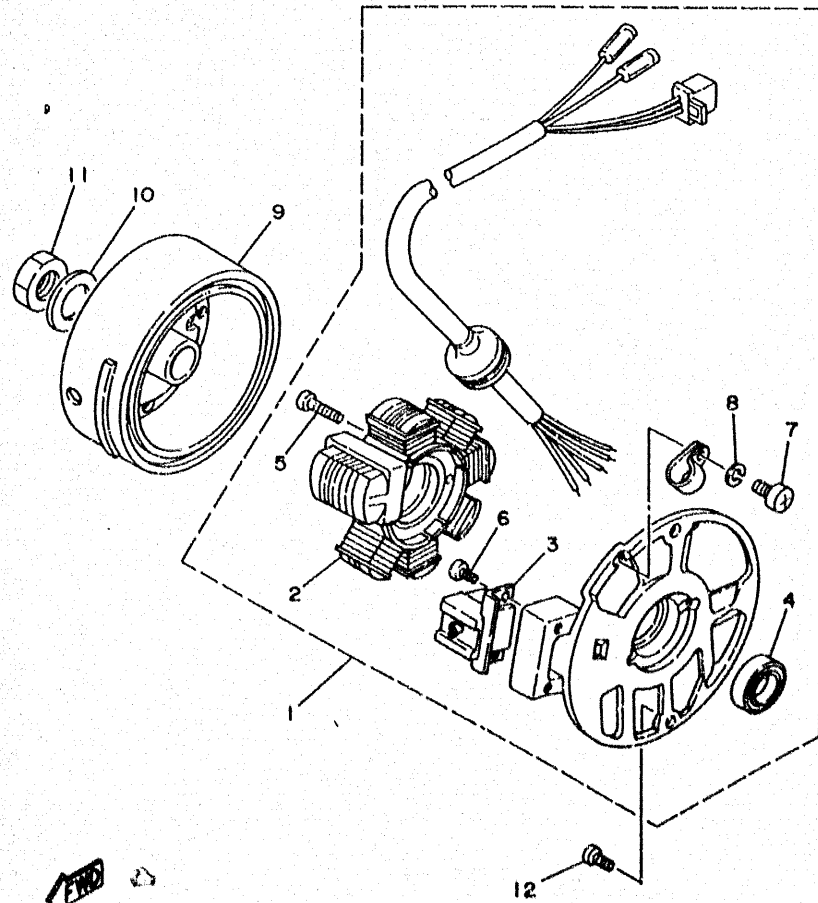
REF. NO.	PART NO.	DESCRIPTION	QTY	REMARKS
1	4MJ-F8311-12	LEG SHIELD 1	1	UR YAMAHA BLACK
2	4MJ-F8371-00	DAMPER	1	
3	35R-21796-00	HINGE	2	
4	97707-40512	SCREW, TAPPING	2	
5	4MJ-F8313-10	LID	1	UR YAMAHA BLACK
6	4MJ-F1780-01	SIDE COVER LOCK ASSY	1	
7	90159-06835	SCREW, WITH WASHER	1	
8	4MJ-F834V-00	PROTECTOR 1	1	
9	97706-50016	SCREW, TAPPING	4	
10	97706-50016	SCREW, TAPPING	2	
11	3WG-F8349-10	CAP	1	UR YAMAHA BLACK
12	4MJ-F8385-10	COVER, LOWER	1	UR YAMAHA BLACK
13	3VP-21535-00	NUT 1	2	
14	4SN-F118N-00	LABEL PARTS, MARKING	1	

FIG. 27 - COWLING 1



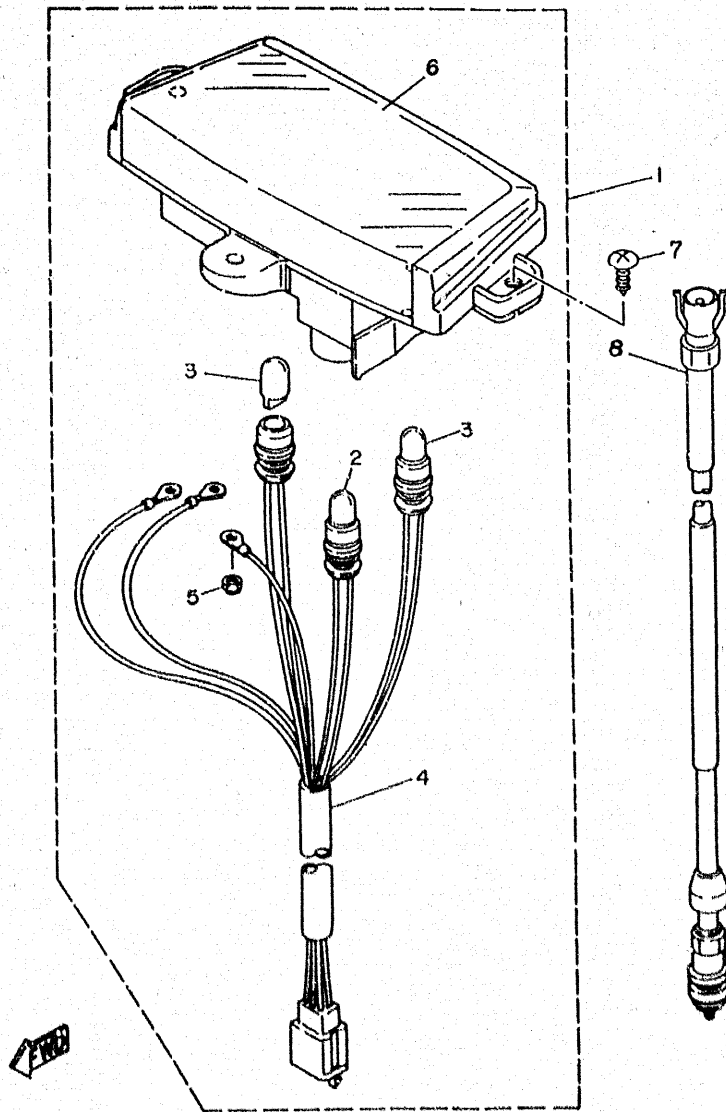
REF. NO.	PART NO.	DESCRIPTION	QTY	REMARKS
1	4PC-F6213-00-P5	COVER, UPPER	1	UR DARK PURPL/BLU/CNDK, 3
	4PC-F6213-00-0M	COVER, UPPER	1	UR SWEET HEART RED
2	4MJ-F639G-00	SEAL	1	
3	4MJ-F6215-10	COVER, LOWER	1	UR YAMAHA BLACK
4	97701-50016	SCREW, TAPPING	4	
5	90159-05028	SCREW, WITH WASHER	1	
6	4SN-F415E-00	LABEL, CAUTION	1	
7	4MJ-F6280-10	REAR VIEW MIRROR ASS'Y (LEFT)	1	
8	4MJ-F6290-10	REAR VIEW MIRROR ASS'Y (RIGHT)	1	
9	90464-13804	CLAMP	1	

FIG. 28 - GENERATOR



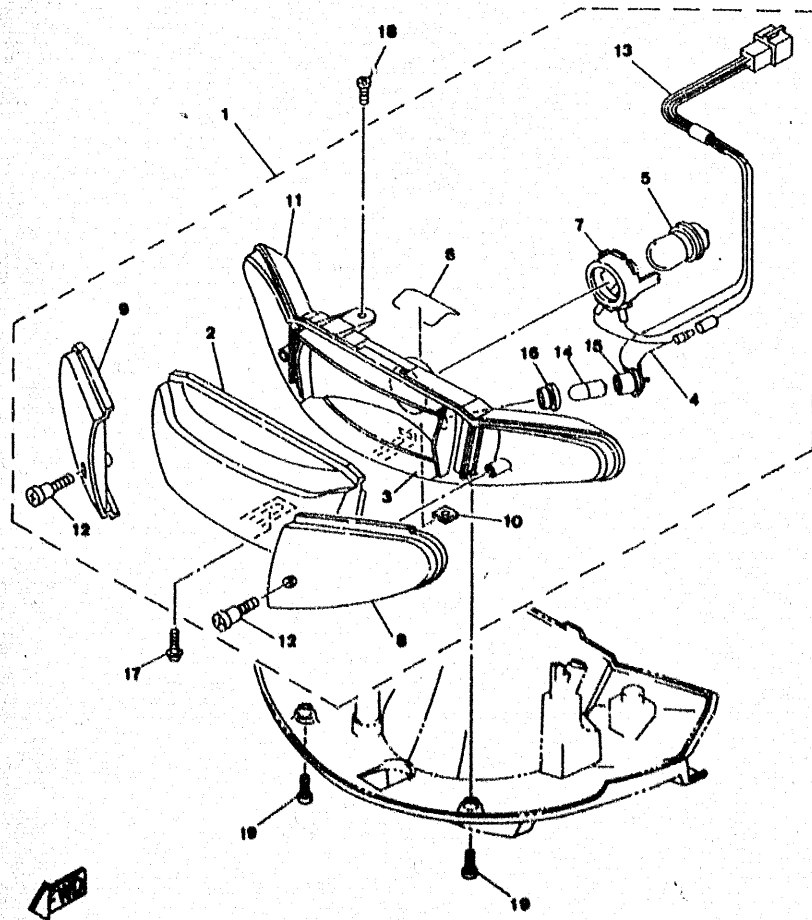
REF. NO.	PART NO.	DESCRIPTION	QTY	REMARKS
1	4CU-85560-00	BASE ASSY	1	
2	2JA-81403-M0	• STATOR COMP.	1	
3	2JA-85580-M0	• COIL, PULSER	1	
4	93104-19097	• OIL SEAL	1	
5	98511-05020	• SCREW, PAN HEAD	2	
6	98507-05010	• SCREW, PAN HEAD	2	
7	98501-04006	• SCREW, PAN HEAD	1	
8	92901-04100	• WASHER, SPRING	1	
9	2JA-85550-00	ROTOR ASSY	1	
10	92901-10600	WASHER, PLATE	1	
11	90170-10219	NUT	1	
12	98501-06016	SCREW, PAN HEAD	2	

FIG. 29 - METER



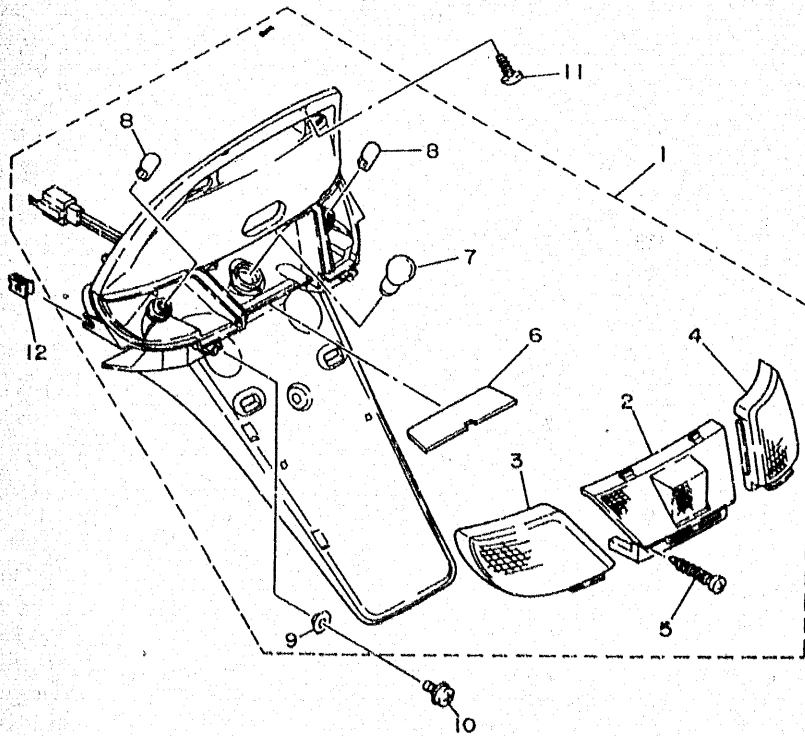
REF. NO.	PART NO.	DESCRIPTION	QTY	REMARKS
1	4SJ-H3510-10	SPPEDOMETER ASSY	1	
2	4MJ-H3516-00	• BULB	1	
3	4MJ-H3517-00	• BULB	2	
4	4MJ-H3520-00	• SOCKET CORD ASSY	1	
5	4MJ-H366W-00	• NUT SPECIAL 1	3	
6	4MJ-H353K-00	• GLASS, PLATE	1	
7	97701-50016	SCREW, TAPPING	2	
8	3WG-H3550-R1	SPEEDOMETER CABLE ASSY	1	

FIG. 30 - HEADLIGHT



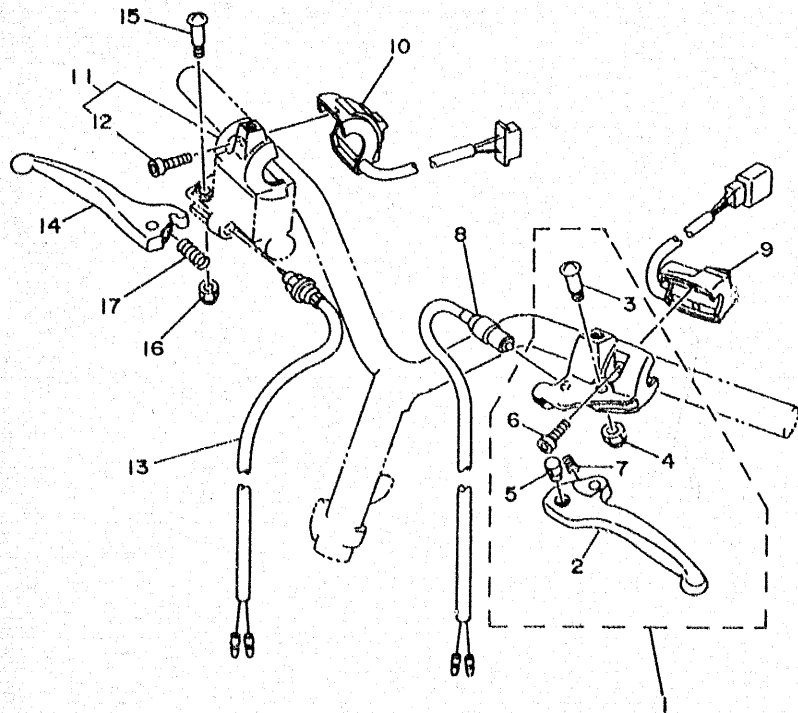
REF. NO.	PART NO.	DESCRIPTION	QTY	REMARKS
1	4PC-H4300-10	HEADLIGHT ASSY	1	
2	4PC-H4321-00	• LENS, HEADLIGHT	1	
3	4PC-H5323-00	• REFLECTOR	1	
4	4PC-H4312-00	• SOCKET	1	
5	4PC-H4314-00	• BULB, HEADLIGHT	1	
6	3WG-H4324-00	• SPRING, REFLECTOR	1	
7	4PC-H3412-00	• SOCKET, HEAD LIGHT	1	
8	4MJ-H3312-10	• LENS, FLASHER	1	
9	4MJ-H3322-10	• LENS, FLASHER 2	1	
10	4MJ-H4317-00	• NUT	1	
11	4PC-H4311-00	• BODY, HEADLIGHT	1	
12	4MJ-H4337-10	• BOLT, SPECIAL	2	
13	4PC-H4359-10	• CORD, HEADLIGHT	1	
14	4CX-H4347-00	• BULB	1	
15	4CX-H4348-00	• SOCKET, PILOT LIGHT	1	
16	4CX-H4352-00	• GROMMET	1	
17	90159-06155	SCREW, WITH WASHER	1	
18	97701-50016	SCREW, TAPPING	1	
19	97702-50022	SCREW, TAPPING	2	

FIG. 31 - TAILLIGHT



REF. NO.	PART NO.	DESCRIPTION	QTY	REMARKS
1	4MJ-H4700-10	TAILLIGHT ASSY	1	
2	4MJ-H4721-00	• LENS, TAILLIGHT	1	
3	4MJ-H3332-00	• LENS, FLASHER	1	
4	4MJ-H3342-00	• LENS, FLASHER 2	1	
5	97701-40620	• SCREW, TAPPING	2	
6	4MJ-H4743-00	• LENS, LICENCE LIGHT	1	
7	4BA-H4714-00	• BULB	1	
8	3TH-H3311-00	• BULB, FLASHER	2	
9	4MJ-H4717-00	CORD, TAILLIGHT	1	
10	4MJ-H4725-00	• WASHER, SPECIAL	2	
11	90119-06043	BOLT, WITH WASHER	2	
12	97707-50016	SCREW, TAPPING	2	
13	90183-05042	NUT, SPRING	2	

FIG. 32 - HANDLE SWITCH. LEVER



REF. NO.	PART NO.	DESCRIPTION	QTY	REMARKS
1	4PC-H2910-00	LEVER HOLDER ASSY (LEFT)	1	
2	4PC-H3912-00	• LEVER 1	1	
3	3VL-H3915-00	• SCREW, LEVER FITTING	1	
4	3VL-H3918-00	• NUT, LEVER FITTING	1	
5	3VL-H636A-00	• END, WIRE 1	1	
6	3VL-H3945-00	• BOLT, LEVER	2	
7	4KH-H3962-00	• SPRING	1	
8	3VL-H3980-00	FRONT STOP SWITCH ASSY	1	
9	3VL-H3978-11	SWITCH, HANDLE 1	1	
10	4KH-H3975-11	SWITCH, HANDLE 2	1	
11	4CU-H3967-00	CASE, SWITCH LOWER	1	
12	3VL-H3945-00	• BOLT, LEVER	2	
13	4CU-83990-00	FRONT STOP SWITCH ASSY	1	
14	4PC-H3922-00	LEVER 2	1	
15	90109-08577	BOLT	1	
16	95608-08100	NUT, U	1	
17	90501-10312	SPRING, COMPRESSION	1	

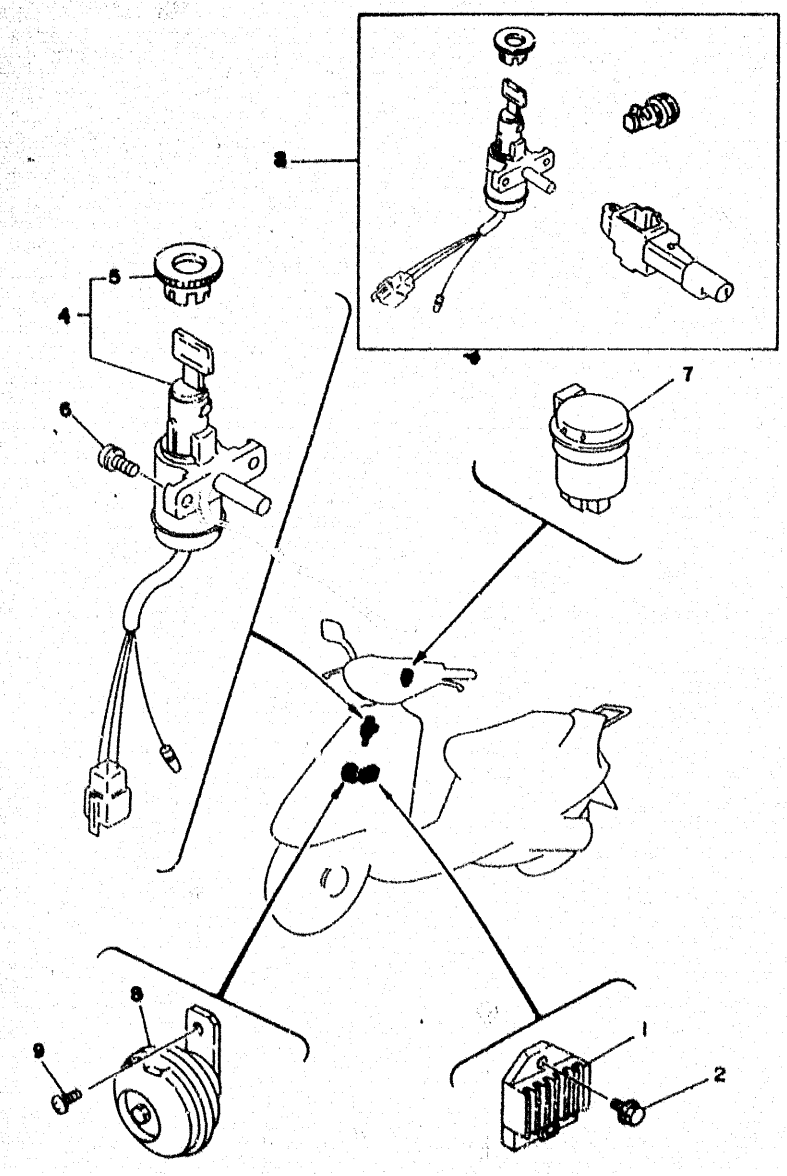
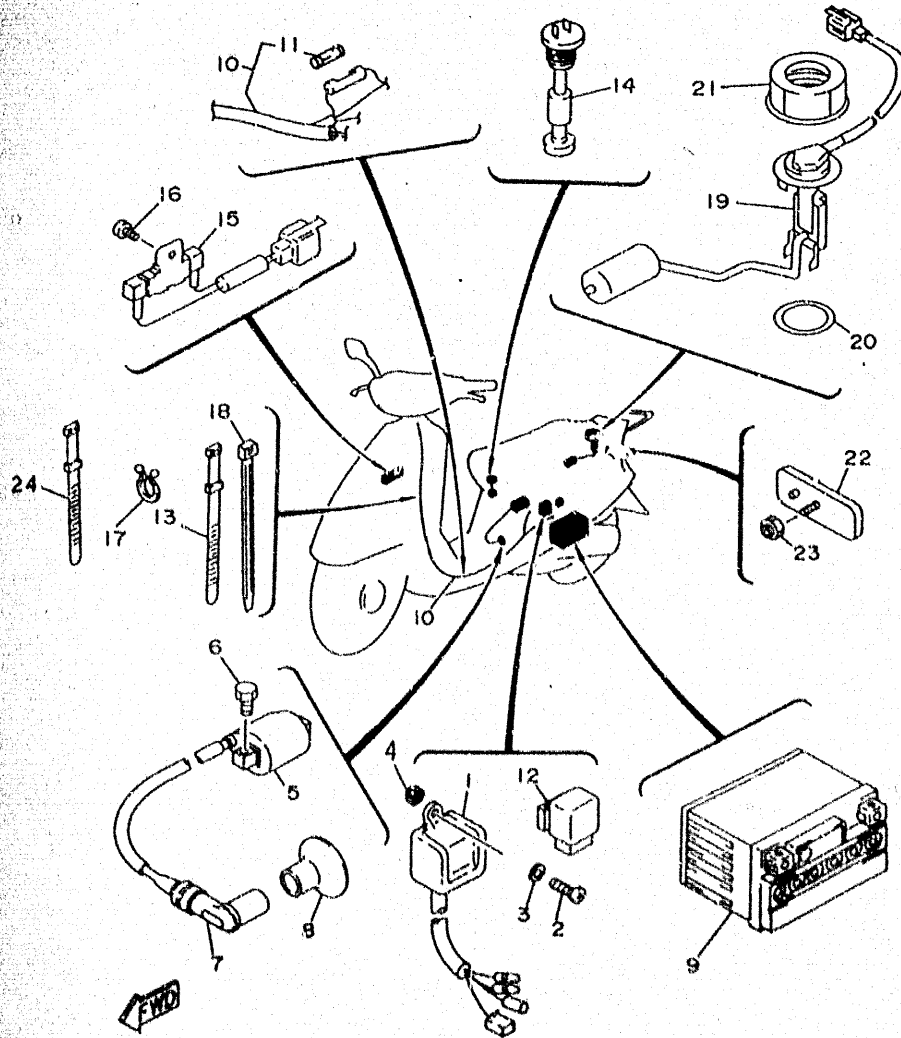


FIG. 33 - ELECTRICAL 1

REF. NO.	PART NO.	DESCRIPTION	QTY	REMARKS
1	4VV-H1960-00	RECTIFIER & REGULATOR ASSY	1	
2	95021-06016	BOLT, FLANGE	1	
3	4MJ-S2501-00	KEY SET	1	
4	4MJ-H2501-01	MAIN SWITCH STEERING LOCK	1	
5	4MJ-H2552-00	• CAP, SWITCH	1	
6	9131E-08010	BOLT	2	
7	4MJ-H3350-00	FLASHER RELAY ASSY	1	
8	4MJ-H3371-00	HORN	1	
9	98501-06010	SCREW, PAN HEAD	1	

FIG. 34 - ELECTRICAL 2



REF. NO.	PART NO.	DESCRIPTION	QTY	REMARKS
1	4CU-85540-00	C.D.I. UNIT ASSY	1	
2	98501-06020	SCREW, PAN HEAD	1	
3	92901-06600	WASHER, PLATE	1	
4	90185-06823	NUT, SELF-LOCKING	1	
5	3KJ-82310-01	IGNITION COIL ASSY	1	
6	97301-06016	BOLT	2	
7	3WG-H2370-10	PLUG CAP ASSY	1	
8	3WG-H2372-00	SEAL, PLUG CAP	1	
9	3UC-82100-00	BATTERY ASSY	1	
10	4PC-H2590-10	WIRE HARNESS ASSY	1	
11	3WG-H2151-00	• FUSE	1	
12	27V-81940-02	STARTER SWITCH ASSY	1	
13	5TB-H3936-10	BAND, SWITCH CORD	1	
14	3VL-H5720-10	OIL LEVEL GAUGE ASSY	1	
15	3WG-H5370-00	RESISTOR ASSY	1	
16	98501-06010	SCREW, PAN HEAD	1	
17	90465-18147	CLAMP	1	
18	90464-13904	CLAMP	2	
19	4MJ-H5752-10	SENDER UNIT ASSY, FUEL METER	1	
20	4MJ-H6753-00	GASKET, SENDER UNIT	1	
21	4MJ-F4261-00	HOUSING, FUEL METER	1	
22	4BA-H5130-00	REAR REFLECTOR ASSY	1	
23	95708-05500	NUT, FLANGE	1	
24	5TB-H3936-00	BAND, SWITCH CORD	1	

PART NO.	REF. NO.	PART NO.	REF. NO.	PART NO.	REF. NO.	PART NO.	REF. NO.	PART NO.	REF. NO.	PART NO.	REF. NO.
	C10	3VR-21535-00	D2	4CU-E3610-00	B6	4MJ-F1711-00-0M	C3	3VL-F5170-10	C10-C12	4MJ-H2552-00	D9
	C12	35R-21793-00	D2	4CU-E3613-00	B6	4MJ-F1711-00-P6	C3	4JC-F5190-10	C10	4PC-H2590-10	D10
1YU-11681-00	B3	164-22216-00	B9	4CU-E3616-00	B6	4PC-F171L-10	C3	4CU-F5326-00	C12	4PC-H2910-00	D8
4FW-12658-00	B4	3VP-23144-00	C6-C6	4CU-E3621-00	B6	4PC-F171M-10	C3	4PC-F5338-00-35	C12	3TH-H3311-00	C2-D7
3KJ-13100-01	B5	22F-23411-01	C7	3WG-E4411-00	B6	4MJ-F171N-10	C3	3WG-F5355-00	C12	4MJ-H3312-10	D6
3AA-13124-00	B5	22F-23412-01	C7	3WG-E4412-00	B6	4MJ-F1721-00-0M	C3	3WG-F5357-00	C12	4MJ-H331F-00	C2
2GM-13178-00	B5	22F-23414-01	C7	3WG-E4437-00	B6	4MJ-F1721-00-P9	C3	4CU-F580T-10	C11	4MJ-H3322-10	D6
3WF-13185-00	B5	3VP-23416-00	C7	3WG-E4451-00	B6	4MJ-F1737-0J	C3	4CU-F5811-10	C11	4PC-H332F-00	C2
1YU-13187-00	B5	2E9-24182-00	C8	3WG-E4452-00	B6	4MJ-F1751-00	C4	4CU-F5824-00	C11	4PC-H332L-00	C2
1YU-13473-00	B5	3KJ-24500-01	C8	3WG-E4453-00	B6	3WG-F1771-00	C4	4CU-F5825-00	C11	4MJ-H3332-00	D7
1YU-13516-00	B5	4X8-24565-00	C8	4SN-E4810-20	B8	4MJ-F1780-01	D2	4PC-F5872-10	C14	4MJ-H3342-00	D7
1YU-13577-00	B5	3VP-24717-00	C9	3WG-E4613-00	B8	4SN-F1789-00	C3	4PC-F5875-10	C7	4MJ-F3350-00	D9
3YJ-14103-00	B7	3VP-25181-00	C10	4FG-E4638-00	B8	4PC-F2210-00-33	C5	4PC-F5876-00	C7	4MJ-F3371-00	D9
4JP-14104-00	B7	3KJ-25351-01	C12	4LN-E4718-00	B8	4PC-F3102-10-35	C6	2RN-F5877-00	C14	4PC-H3412-00	D6
3WF-1410A-10	B7	2NA-25831-00	C11	3VL-E4729-00	B8	4PC-F3103-10-35	C6	4CU-F5919-00	C11	4SJ-H3510-10	D5
1HV-14147-00	B7	3RW-25852-00	C14	3VL-E4777-00	B8	4PC-F3110-00	C6-C6	4PC-F6110-00	C13	4MJ-H3516-00	D5
288-14161-00	B7	3RW-25854-00	C14	3VL-E5128-00	B9	4PC-F3111-00	C6-C7	4PC-F6213-00-0M	D3	4MJ-H3517-00	D5
4SN-14301-00	B7	56A-25867-00	C14	4KH-E5150-00	B9	3JX-F311E-00	B6	4PC-F6213-00-P5	D3	4MJ-H3520-00	D5
3KJ-14312-30	B7	3RY-25870-03	C14	4CU-E5317-00	B9	4PC-F3126-10	C6	4MJ-F6215-10	D3	4MJ-H353K-00	D5
14T-14323-00	B7	3KJ-26329-00	B7	3VL-E5363-00	B9	4PC-F3136-10	C6	3VL-F6241-00	C13	3WG-H3550-R1	D5
1YU-14331-00	B7	NE5-31891-00	B8	4CU-E5371-00	B9	4PC-F3141-00	C6-C7	3VL-F6242-00	C13	4MJ-H366W-00	D5
14T-14341-00	B7	NJ6-54041-00	B8	4CU-E5411-00	B9	4PC-F3151-00	C6-C6	3WG-F6243-00	C13	4PC-H3912-00	D3
14T-14343-38	B7	2JA-81403-00	D4	4CU-E5421-00	B9	4PC-F3153-00	C7-C7	4MJ-F6280-10	D3	3VL-H3915-00	D8
3KJ-14349-01	B7	3KJ-81800-01	B11	4CU-E5451-00	B9	4PC-F3154-00	C6-C7	4PC-F628J-00	C13	3VL-H3916-00	D8
3KJ-14353-18	B7	1YU-81801-M0	B11	4CU-E5461-00	B9	4PC-F3156-00	C6-C6	4MJ-F6290-10	D3	4PC-H3922-00	D8
14T-14384-00	B7	27V-81940-02	D10	4CU-E5462-00	B10	4PC-F3157-00	C6-C6	4PC-F6311-00	C13	5T8-H3936-00	D10
1HV-14385-01	B7	3UC-82100-00	D10	4CU-E5532-00	B11	4PC-F3171-10	C6-C6	3WG-F6312-C0	C13	5T8-H3936-10	D10
367-14386-00	B7	3KJ-82310-01	D10	3VL-E5657-00	B12	4PC-F3173-00	C6-C6	3WG-F6329-00	C13	3VL-H3945-00	D8-D8
2JA-14392-00	B7	4CU-83980-00	D8	3VL-E5659-00	B11	4PC-F3183-00	C6-C7	4PC-F6351-00	C13	4KH-H3962-00	D8
2JA-14397-00	B7	4CU-85540-00	D10	4CU-E5659-00	B9	4MJ-F3317-00	C7	3VL-F636A-00	D8	4KH-H3975-11	D8
4JP-14561-00	B7	2JA-85550-00	D4	4CU-E5673-00	B11	4PC-F3340-10	C7	3WG-F6393-00	C13	3VL-H3976-11	D8
3AA-14653-00	B8	4CU-85560-00	D4	4CU-E6111-00	B12	4SN-F4111-01	C8	4MJ-F639G-00	D3	3VL-H3980-00	D8
3AA-1469A-01	B8	2JA-85580-M0	D4	4CU-E7410-00	B14	4MJ-F414A-01	C8	4CX-F7111-00	C15	4CU-H3987-00	D8
2JA-14737-00	B8	NH7-91810-00	B6	4CU-E7420-00	B14	4SN-F415A-00	C3	2JW-F7114-00	C8	4PC-H4300-10	D6
4FG-14747-00	B8	4CU-E1111-00	B2	3VL-E7611-00	B12	4SN-F415E-00	D3	4MJ-F7481-10	C15	4PC-H4311-00	D6
3WX-14766-00	B8	4FW-E1181-00	B2	4CU-E7620-00	B12	4MJ-F416A-00	C8	4MJ-F8311-12	D2	4PC-H4312-00	D6
4FK-1490J-01	B7	4FW-E1311-00	B2	3VL-E7623-00	B12	4MJ-F4183-00	C8	4PC-F8312-00-0M	C2	4PC-H4314-00	D6
3AA-15513-00	B11	4CU-E1351-00	B2	4CU-E7632-00	B12	4MJ-F4261-00	D10	4PC-F8312-00-P1	C2	4MJ-H4317-00	D6
3KJ-15528-00	B11	4CU-E1400-00	B3	3VL-E7653-00	B12	4MJ-F4311-00	C8	4MJ-F6313-10	D2	4PC-H4321-00	D6
3VL-15570-00	B11	4CU-E1412-00	B3	4HU-E7654-00	B13	4MJ-F4312-00	C8	4PC-F831X-00-0M	C2	3WG-H4324-00	D6
3KJ-15601-00	B11	3VL-E1415-00	B3	4PC-F1110-20	B15	4MJ-F4610-00	C8	4PC-F831X-00-P1	C2	4MJ-H4337-10	D6
3AA-15631-00	B11	4CU-E1422-00	B3	4PC-F117M-00	B15	4MJ-F4711-60	C9	3WG-F8349-10	D2	4CX-H4346-00	D6
3AA-15650-00	B11	3VL-E1610-00	B3	4SN-F118N-00	D2	3WG-F4726-00	C9	4MJ-F834V-00	D2	4CX-H4347-00	D6
3YJ-16611-00	B12	3VL-E1610-20	B3	4MJ-F1232-00	B15	4MJ-F4730-D0	C9	4MJ-F8371-00	D2	4CX-H4352-00	D6
3YJ-16620-01	B12	3VL-E1631-00-98	B3	3WG-F139X-00	B15	4MJ-F473R-01	C9	4MJ-F8385-10	D2	4PC-H4359-10	D6
3VR-16626-00	B12	3VL-E1633-00	B3	3WG-F1410-00	B15	4MJ-F4747-00	C9	4VV-H1960-00	D9	4MJ-H4700-10	D7
3VP-17641-00	B12	3VL-E1636-00	B3	3WG-F1481-10	B15	4MJ-F475M-00	C9	3WG-H2129-00	C9	4BA-H4714-00	D7
3AA-17680-01	B12	3VL-E1651-10	B3	4PC-F1511-00-0M	C2	4MJ-F4760-01	C9	3WG-H2151-00	D10	4MJ-H4717-00	D7
24G-17664-00	B13	4MJ-E2611-00	B4	4PC-F1511-00-P1	C2	4KH-F5115-00	C10	3WG-H2370-10	D10	4MJ-H4721-00	D7
3AA-17670-00	B12	4CU-E2651-00	B4	4MJ-F153A-00	C2	4KH-F5117-00	C10	3WG-H2372-00	D10	4MJ-H4725-00	D7
3KJ-17684-00	B13	4FW-E2653-00	B4	4PC-F1552-10	C2	3WG-F513A-00	C12	4MJ-H2501-01	D9	4MJ-H4743-00	D7
3KJ-21481-00	B15	4CU-E3555-00	B6	4MJ-F1599-A0	C2	4PC-F5168-00-35	C10	3WG-H2541-00	B11	4BA-H5130-00	D10

PART NO.	REF. NO.	PART NO.	REF. NO.	PART NO.	REF. NO.	PART NO.	REF. NO.	PART NO.	REF. NO.
4PC-H5323-00	D6	90201-17255	C12	93102-17342	B12	97706-50016	C15-D2		
3WG-H5370-10	D10	90202-10120	C15	93102-20425	B3		D2		
3VL-H5720-10	D10	90208-10012	B12	93102-22082	B14	97707-40512	D2		
4MJ-H5752-10	D10	90208-12049	B14	93102-26436	C6-C6	97707-50016	D7		
4MJ-H5753-00	D10	90214-13055	B12	93104-19097	D4	97707-60540	B4		
4MJ-S2501-00	D9	90240-10132	C15	93106-20001	C10	98501-04006	D4		
3RW-W0041-02	C14	90241-10015	C9	93109-33049	B12	98501-06010	D9-D10		
2JL-W2536-10	C12	90249-12008	C13	93210-06550	B12	98501-06016	C4		
4CU-X5620-00	B11	90280-03017	B3	93210-07435	C12	98501-06020	D10		
90101-06278	C12	90380-15083	B11	93210-14104	B9	98506-05010	C13		
90101-10872	C5	90387-060A7	C2	93210-168C9	C6-C7	98506-06020	B6		
90105-08121	C5	90387-067V1	B4-B6	93210-23614	B11	98507-03008	B6		
90105-10036	C13	90387-078K5	C15	93210-38687	B13	98507-05010	D4		
90109-063F1	C9	90387-10079	C10	93210-64488	B4	98507-05014	B5		
90109-063F5	C8	90387-135U9	B12	93300-63813	B12	98507-06010	B12		
90109-06577	D8	90387-156U0	B3	93306-00308	B12	98507-06012	B9-B11		
90110-10821	C11	90430-08119	B9	93306-00319	B9	98507-06016	B4		
90116-07353	B2	90445-052G4	B5	93306-20006	B14	98507-06020	B4-B9		
90119-06042	C4	90445-07434	C8	93306-20346	B14	98507-06025	B9		
90119-06043	D7	90445-09304	B5	93306-20458	B3	98507-06035	B9-B9		
90119-06118	C15	90446-11347	B9	93306-30003	C10		B9		
90149-06184	C3	90464-13804	C13-D3	93310-210M0	B3	98507-06065	B9		
90159-05028	D3		D10	93310-257R1	B11	98511-05020	D4		
90159-05155	D6	90465-18147	D10	93420-40064	B14	98580-04016	B7		
90159-06835	D2	90467-08003	B5	93450-11120	B3	98580-05014	B7		
90167-05041	C9	90467-09006	C8	93503-16825	C7	98580-06016	B7		
90167-05055	C3	90467-11010	C8	93603-12007	B5	98581-03006	B7		
90170-10219	B12-D4	90467-24140	B6	94701-00110	B2	98707-04012	C14		
90170-10317	B12	90468-02033	B5-B5	95021-06016	D9	98901-06010	C7		
90179-06176	C13	90468-12006	C15	95607-06100	D8	98907-06014	B8		
90179-06403	C9-C9	90480-10468	B4	95607-12200	B15	99009-15400	B11		
90179-07381	B2	90480-12497	B4-B6	95701-08500	C12	99009-17400	B9-B12		
90179-25033	C7	90501-10312	D8	95706-05500	D10	99009-19400	B5		
90179-28415	B13	90501-29517	B15	95801-06016	C2-C7	99530-10114	B9-B9		
90183-05042	C3-C3	90501-357F3	B13	95806-06010	C7	99530-12016	B9		
	C15-D7	90506-15260	C12	95806-06012	B15-C2				
90183-05813	C2	90506-32464	C15	95807-08016	B9				
90185-06823	D10	90508-32609	B11	95816-08040	B8				
90185-10822	B15-C5	90560-06366	C8	95821-08012	C5				
	C10-C13	91311-06020	B8	95821-08030	C11				
90185-14150	C12	91311-08025	C6-C7	95821-10030	C7				
90201-062A8	B8	91312-06C25	C14	95826-08025	B8				
90201-06412	B12	91316-06010	D9	97301-06016	D10				
90201-06815	B6	91318-06020	B6-B11	97316-06025	B11				
90201-08088	B11	92901-04100	D4	97701-40620	D7				
90201-08107	C9	92901-06600	D10	97701-50016	D3-D5				
90201-088F2	C6-C7	92901-10600	D4		D6				
90201-10118	C14	92907-03600	B6	97701-50525	B6				
90201-123K4	B14	92907-06100	B4-B7	97702-50022	D6				
90201-136P4	B12	92907-06600	B4-B4	97706-50016	C2-C2				
90201-142M6	C12	92990-04100	B7		C3-C3				
90201-155G5	B11	93101-20138	B3		C3-C3				