

CONTENTS

ENGINE

Cylinder	B2
Crankshaft Piston	B3
Air Shroud. Fan	B4
Oil Pump	B5
Intake	B6
Carburetor	B7
Exhaust	B8
Crankcase	B9~B10
Starter Clutch	B11
Clutch	B12~B13
Transmission	B14

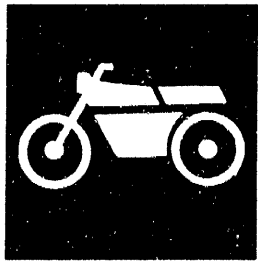
ENGINE

Frame	B15
Front Fender	C2
Side Cover	C3
Oil Tank	C4
Rear Suspension	C5
Front Fork	C6~C7
Fuel Tank	C8
Seat	C9
Front Wheel	C10~C11
Rear Wheel	C12
Steering Handle. Cable	C13
Stand. Footrest	C-14
Leg Shield	C-15
Cowling 1	D2

Generator	D3
Starting Motor	D4
Flasher Light	D5
Meter	D6
Headlight	D7
Taillight	D8
Handle Switch. Lever	D9
Electrical 1	D10
Electrical 2	D11

INDEX

Numerical Index	E1~E2
-----------------------	-------



YAMAHA

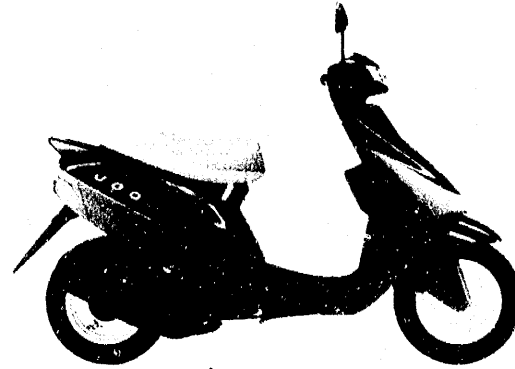
PARTS CATALOGUE

YA50TA (4SD1)

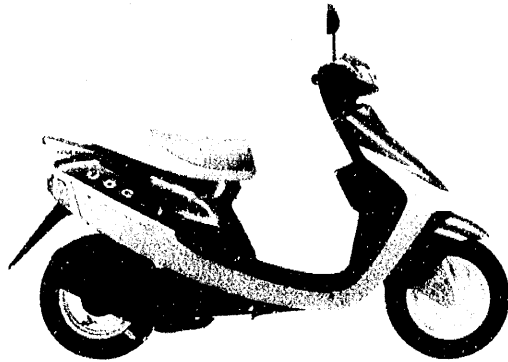
ITALY

254SD-354E1

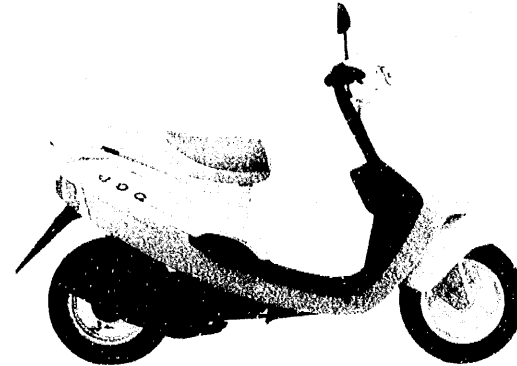
Picture for reference only. Please
to see the actual bicycle.



BLACK



BLUE



WHITE

FOREWORD

This Parts Catalogue is related to the parts for the model(s) in the below frame. When you are ordering replacement parts, please refer to this Parts Catalogue and quote both part numbers and part names correctly.

YA50TA (4SD1)

1. Modifications or additions which have been made after issue of the Parts Catalogue will be announced in the Yamaha Parts News.

It is advisable that you make necessary corrections to the Parts Catalogue according to the Yamaha Parts News.

2. Abbreviations

The following abbreviations are used in this Parts Catalogue.

- "UR" Use specified parts number.
- "UN" Use as many as needed.
- "AP" Alternate Parts
- "LM" Local Made (Parts need to be ordered locally)
- "F#" Frame No. (Applicable machine No.)

3. Parts, which are to be supplied in an assembly, are listed with a dot (.) in front of the part name as shown below.

EXAMPLE CARBURETOR ASSY
 .JET, PILOT
 .NOZZLE, MAIN

4. Number of component for assembly

The numeral appearing to the right of each component part indicates the quantity of parts for each assembly unit.

EXAMPLE

PART NO.	DESCRIPTION	Q'TY	REMARKS
2F5-83310-60	FRONT FLASHER LIGHT ASSY	2	
115-83311-60	.BULB (6V-18W)	1	
1M1-83309-60	.REFLECTOR	1	

5. Applicable colors of graphics are represented in the "REMARKS" as shown below.

EXAMPLE

PART NO.	DESCRIPTION	Q'TY	REMARKS
2N4-24110-00-X5	FUEL TANK COMP.	1	MAXIM RED
3J1-24240-10	.GRAPHIC, FUEL TANK	1	for MXR

6. Applicable Serial No. and Color Code.

4SD1	Frame Serial No.	YMT*4SC-100101* -
	Engine Serial No.	YMT*4SC-100101* -

7. Note that the illustrations are for reference in finding parts numbers, not to be used for assembling. When assembling, please use the applicable service manual.

8. The asterisk (*) before a reference number indicates modification items after the first edition.

CONTENTS

ENGINE

Cylinder	B2
Crankshaft Piston	B3
Air Shroud. Fan	B4
Oil Pump	B5
Intake	B6
Carburetor	B7
Exhaust	B8
Crankcase	B9~B10
Starter Clutch	B11
Clutch	B12~B13
Transmission	B14

ENGINE

Frame	B15
Front Fender.....	C2
Side Cover	C3
Oil Tank	C4
Rear Suspension.....	C5
Front Fork.....	C6~C7
Fuel Tank.....	C8
Seat.....	C9
Front Wheel.....	C10~C11
Rear Wheel	C12
Steering Handle. Cable	C13
Stand. Footrest.....	C-14
Leg Shield	C-15
Cowling 1	D2

Generator	D3
Starting Motor.....	D4
Flasher Light.....	D5
Meter	D6
Headlight	D7
Taillight	D8
Handle Switch. Lever	D9
Electrical 1	D10
Electrical 2.....	D11

INDEX

Numerical Index	E1~E2
-----------------------	-------

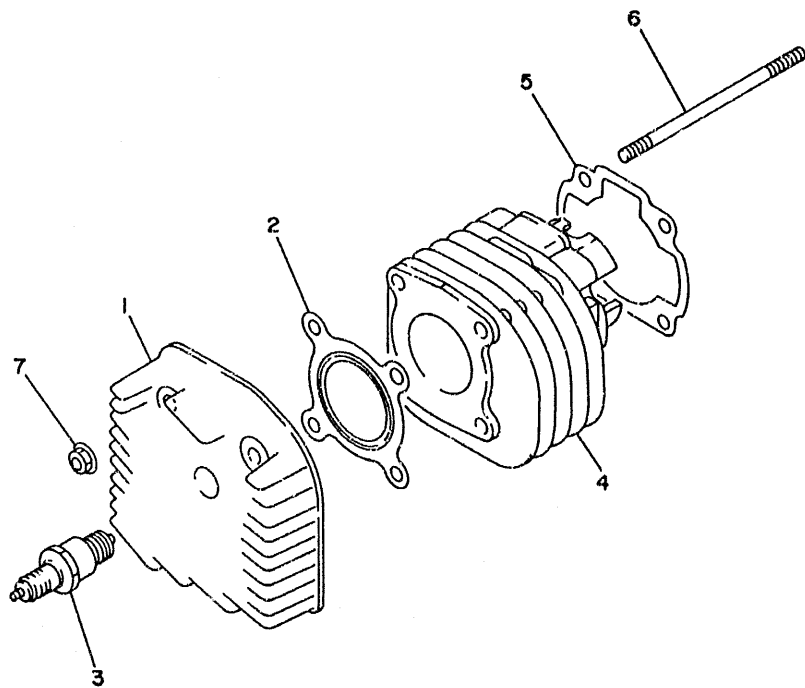


FIG. 1 CYLINDER

REF.

NO.	PART NO.	DESCRIPTION	Q'TY	REMARKS
1	4DY-E1111-01	HEAD, CYLINDER 1	1	
2	3XG-E1181-00	GASKET, CYLINDER HEAD 1	1	
3	94701-00264	PLUG, SPARK (NGK BP7HS)	1	
4	3XY-E1311-00	CYLINDER 1	1	
5	4SC-E1351-C0	GASKET, CYLINDER	1	
6	90116-07827	BOLT, STUD	4	
7	90179-07381	NUT	4	



4SC1354-5010

B-2

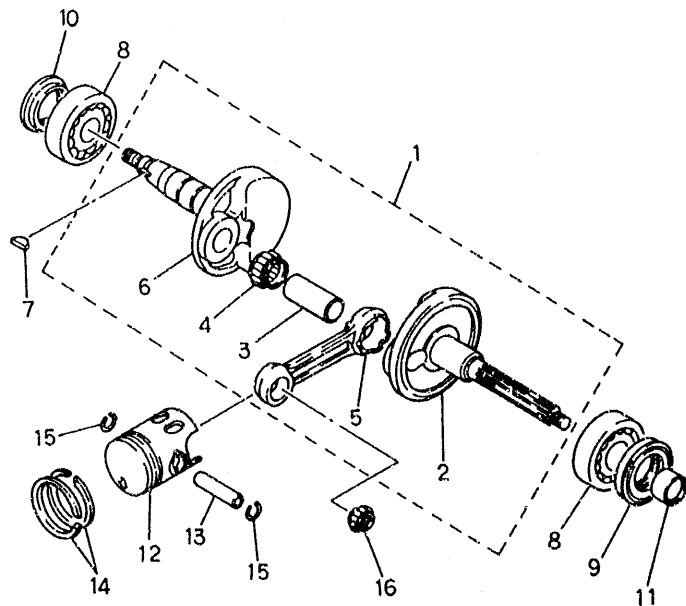


FIG. 2 CRANKSHAFT. PISTON

NO.	PART NO.	DESCRIPTION	Q'TY	REMARKS
1	3XG-E1400-00	CRANKSHAFT ASSY	1	
2	3XG-E1412-00	.CRANK 1	1	
3	1YU-11681-00	.PIN, CRANK 1	1	
4	93310-416F7	.BRG.	1	
5	4Y4-E1651-00	.ROD, CONNECTING	1	
6	3XG-E1422-00	.CRANK 2	1	
7	90280-03017	KEY, WOODRUFF	1	
8	93306-20458	BRG.	2	
9	93102-20425	SEAL,OIL	1	
10	93101-20138	SEAL,OIL	1	
11	90387-156U0	COLLAR	1	
12	4DY-E1631-19	PISTON (STD)	1	
	4DY-E1631-29	PISTON (STD)	1	
	4DY-E1631-39	PISTON (STD)	1	
13	23Y-E1633-00	PIN, PISTON	1	
14	3XY-E1601-00	PISTON RING SET	1	
15	93450-11120	CIRCLIP	2	
16	93310-210M0	BRG.	1	

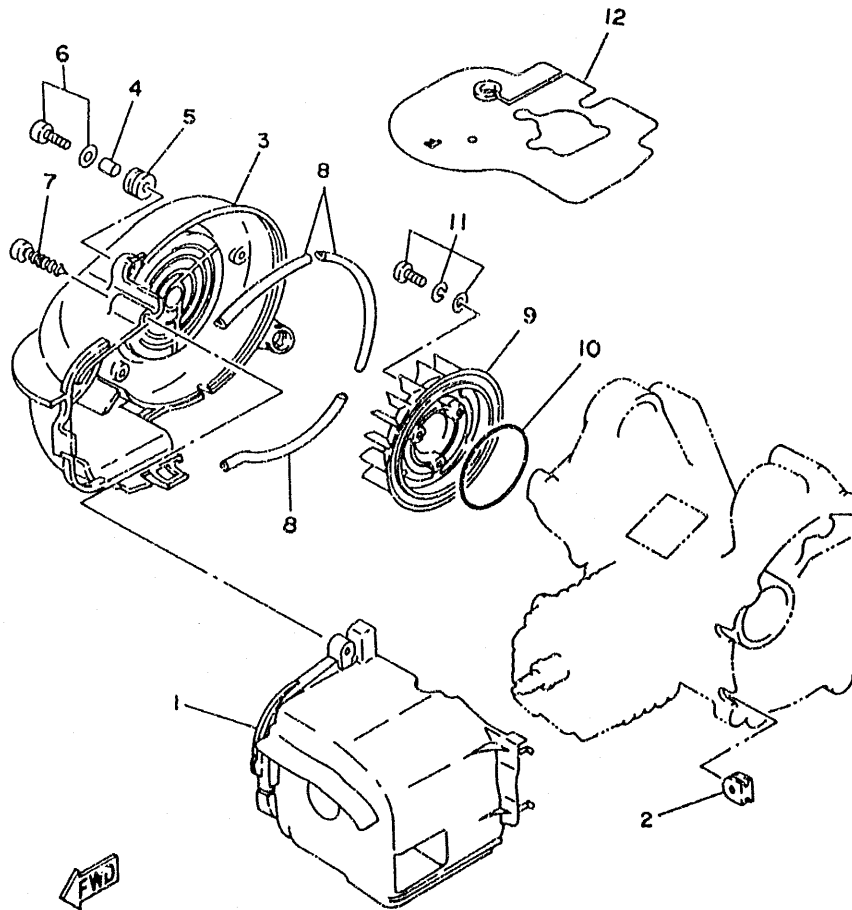


3XG4414-4020

FIG. 3 AIR SHROUD. FAN

REF.

NO.	PART NO.	DESCRIPTION	Q'TY	REMARKS
1	3XG-E2651-01	AIR SHROUD, CYLINDER 1	1	
2	90480-10468	GROMMET	2	
3	4DM-E2653-01	AIR SHROUD, CYLINDER 3	1	
4	90387-068J5	COLLAR	2	
5	90480-12497	GROMMET	2	
6	97607-06220	SCREW,W/WASHER	2	
7	97707-60540	SCREW,TAPPING	1	
8	3XG-E2658-00	DAMPER, AIR SHROUD 1	3	
9	3XG-E2611-00	FAN	1	
10	93210-64893	O-RING	1	
11	97607-06316	SCREW,W/WASHER	3	
12	3XG-E2631-00	DEFLECTOR 1	1	



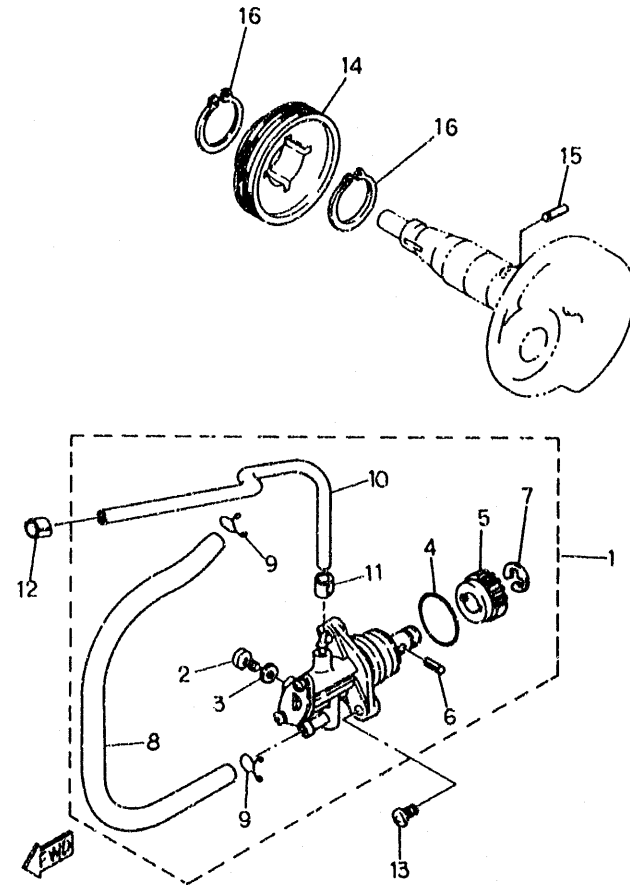
4SC1354-5030

B-4

FIG. 4 OIL PUMP

REF.

NO.	PART NO.	DESCRIPTION	Q'TY	REMARKS
1	4DY-E3100-00	OIL PUMP ASSY	1	
2	1YU-13185-00	.BOLT, BREATHER	1	
3	1YU-13187-00	.GASKET, BREATHER BOLT	1	
4	1YU-13473-00	.O-RING	1	
5	3AA-13124-00	.GEAR, WORM WHEEL	1	
6	1YU-13516-00	.PIN, DOWEL	1	
7	1YU-13577-00	.CLIP	1	
8	90445-09268	.HOSE	1	
9	90467-08003	.CLIP	2	
10	90445-05264	.HOSE	1	
11	90468-02033	.CLIP	1	
12	90468-02033	CLIP	1	
13	98507-05014	SCREW, PAN HEAD	2	
14	2GM-13178-00	GEAR, PUMP DRIVE	1	
15	93603-12827	PIN DOWEL	1	
16	99009-19400	CIRCLIP	2	



3XG4414-4040

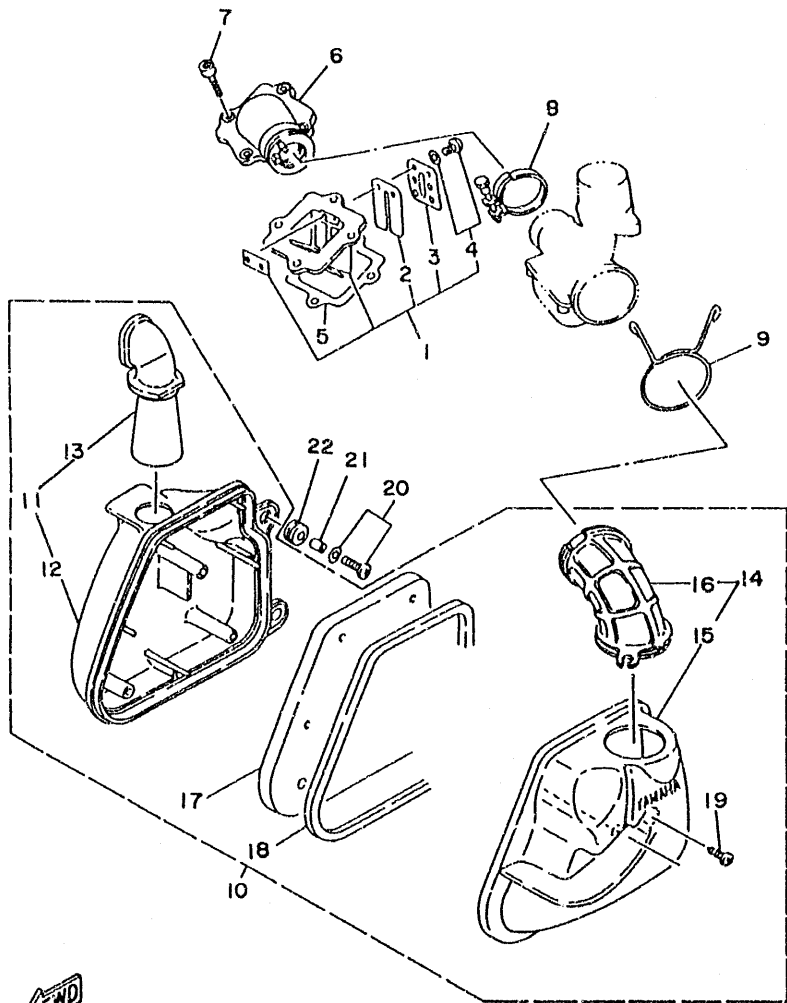


FIG. 5 INTAKE

REF.

NO.	PART NO.	DESCRIPTION	Q'TY	REMARKS
1	3KJ-13610-00	REED VALVE ASSY	1	
2	3KJ-13613-00	.REED, VALVE	2	
3	3KJ-13616-00	.STOPPER, REED VALVE	2	
4	97607-03208	.SCREW,W/WASHER	4	
5	4SC-E3621-00	GASKET, VALVE SEAT	1	
6	3XG-E3555-01	MANIFOLD, INTAKE	1	
7	91318-06020	BOLT	4	
8	3XG-E3575-01	BAND	1	
9	90467-24140	CLIP	1	
10	4SC-E4410-00	AIR CLEANER ASSY.	1	
11	3XG-W1441-10	.AIR CLEANER CASE COMP.	1	
12	3XG-E4411-00	..CASE, AIR CLEANER 1	1	
13	3XY-E4437-00	..DUCT	1	
14	4SC-W1442-00	.AIR CLEANER CASE COMP	1	
15	4SC-E4412-00	..CAP, CLEANER CASE 1	1	
16	3XG-E4453-00	..JOINT, AIR CLEANER 1	1	
17	3XG-E4451-00	.ELEMENT, AIR CLEANER	1	
18	3XG-E4452-00	.SEAL	1	
19	97707-50125	.SCREW,TAPPING	3	
20	97607-06220	SCREW,W/WASHER	2	
21	90387-068J5	COLLAR	2	
22	90480-12497	GROMMET	2	



4SC1354-5050

B-6

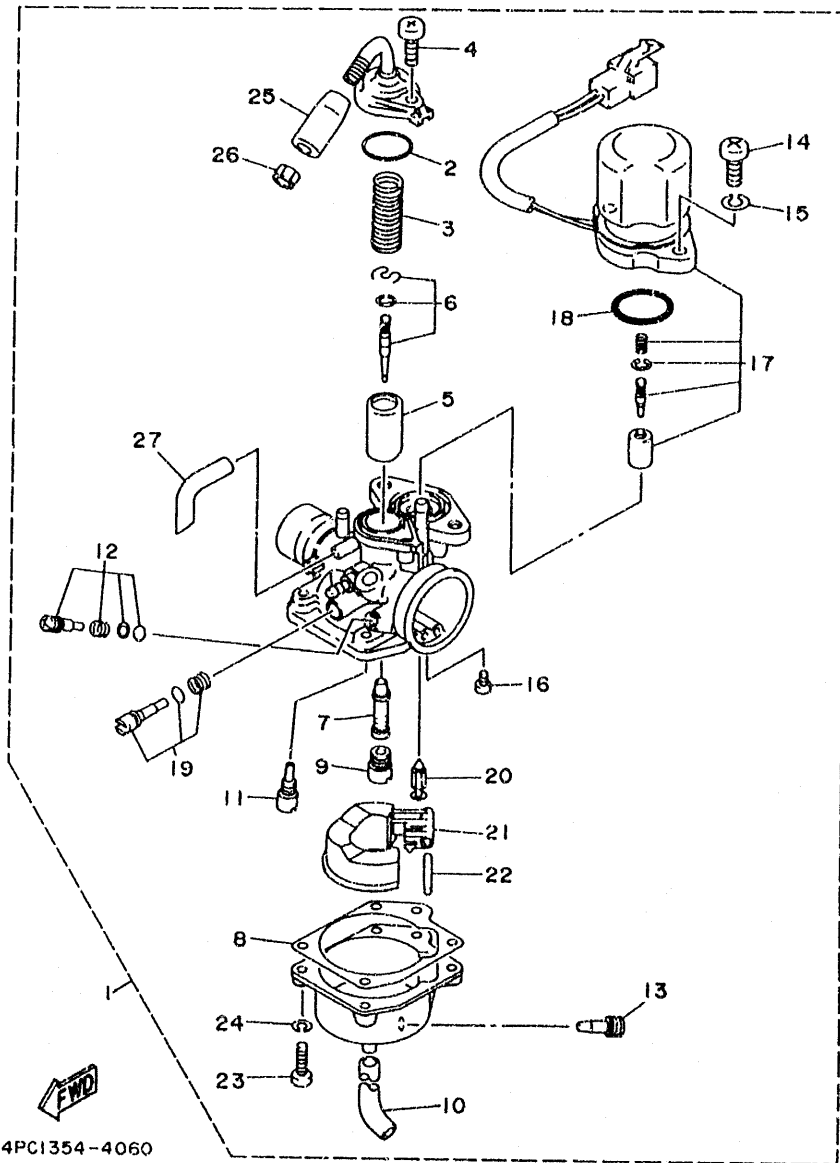
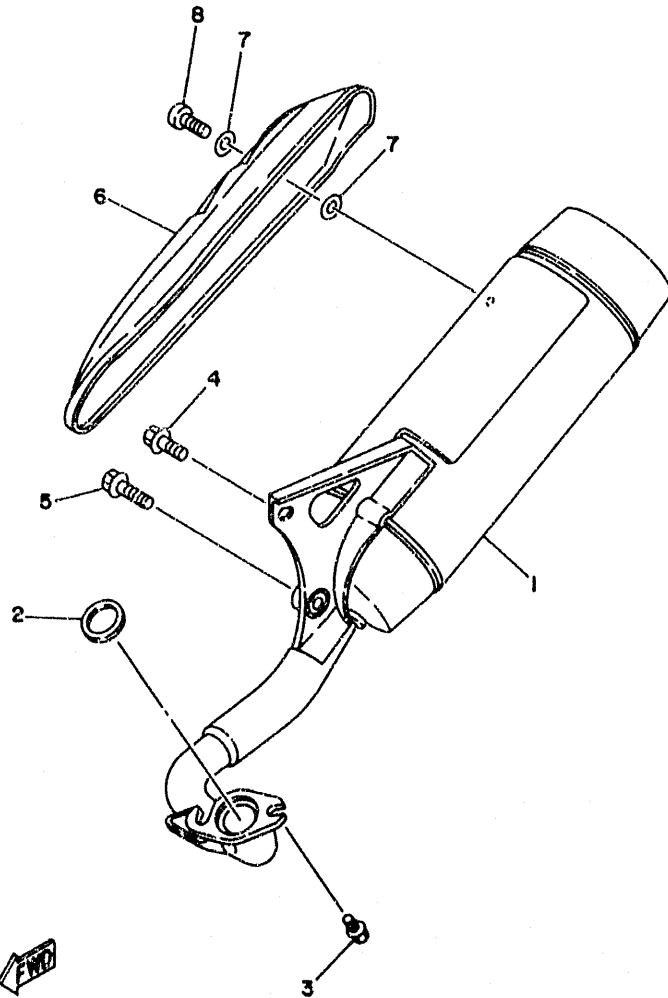


FIG. 6 CARBURETOR

REF.

NO.	PART NO.	DESCRIPTION	Q'TY	REMARKS
1	4FK-14301-15	CARBURETOR ASSY 1	1	
2	4JP-14561-00	.O-RING	1	
3	1YU-14331-00	.SPRING, THROTTLE VALVE	1	
4	98580-05014	.SCREW, PAN HEAD (+)	1	
5	3KJ-14312-30	.VALVE, THROTTLE 1	1	
6	4FK-1490J-01	.NEEDLE SET	1	
7	33A-14341-00	.NOZZLE, MAIN	1	
8	14T-14384-00	.GASKET, FLOAT CHAMBER	1	
9	14T-14343-39	.JET, MAIN	1	
10	3KJ-14349-01	.PIPE	1	
11	3KJ-14353-22	.JET, PILOT	1	
12	4JP-14104-00	.AIR SCREW SET	1	
13	14T-14104-00	.AIR SCREW SET	1	
14	98580-06016	.SCREW, PAN HEAD (+)	2	
15	92995-06100	.WASHER	2	
16	98580-03006	.SCREW, PAN HEAD (+)	1	
17	3KJ-1410A-10	.STARTER SET	1	
18	1HV-14147-00	.O-RING	1	
19	3YJ-14103-00	.THROTTLE SCREW SET	1	
20	2JA-14392-00	.VALVE, NEEDLE	1	
21	1HV-14385-01	.FLOAT	1	
22	367-14386-00	.PIN, FLOAT	1	
23	98580-04016	.SCREW, PAN HEAD (+)	4	
24	92901-04100	.WASHER, SPRING	4	
25	3KJ-26329-00	.CAP, RUBBER	1	
26	288-14161-00	.NUT, CABLE ADJUSTING	1	
27	2JA-14397-00	.PIPE	1	



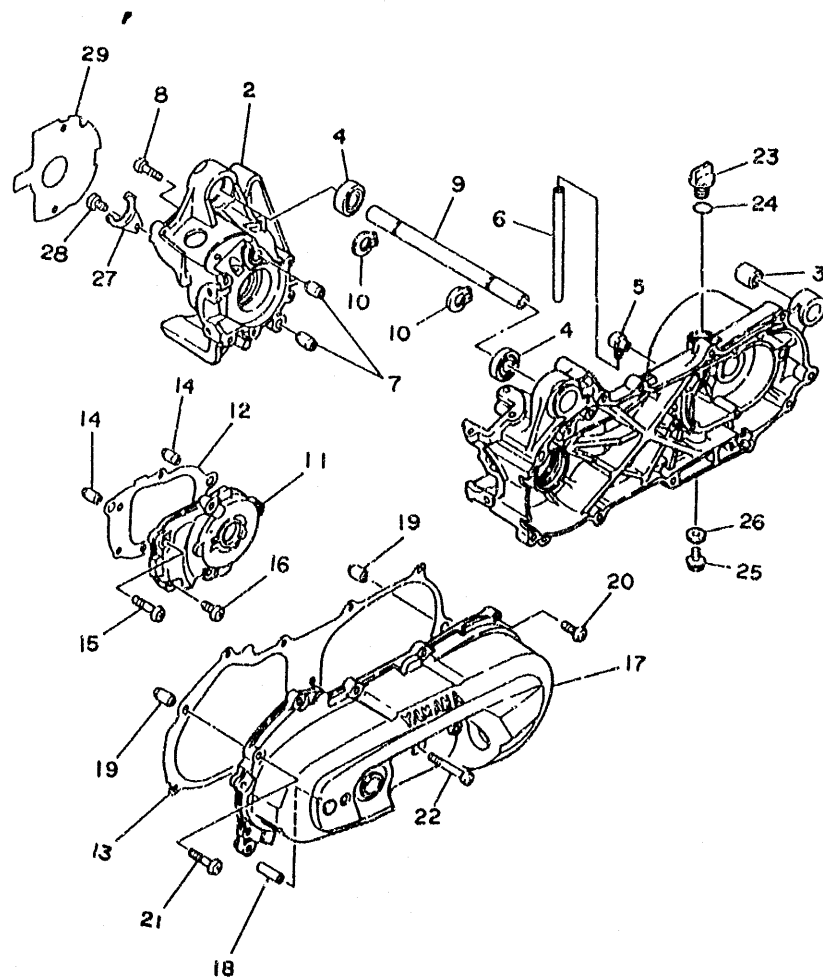

 3XG1414-1070

FIG. 7 EXHAUST

REF.

NO.	PART NO.	DESCRIPTION	Q'TY	REMARKS
1	4SD-E4610-00	EXHAUST PIPE ASSY 1	1	
2	3NT-E4613-00	GASKET, EXHAUST PIPE	1	
3	90149-06810	SCREW	2	
4	95817-08020	BOLT, FLG	1	
5	95817-08030	BOLT, FLG	1	
6	4SD-R4718-00	PROTECTOR, MUFFLER 1	1	
7	90202-05187	WASHER, PLATE	4	
8	98980-06008	SCREW, BINDING HEAD (+)	2	

B-8



4SC1354-5080

FIG. 8 CRANKCASE

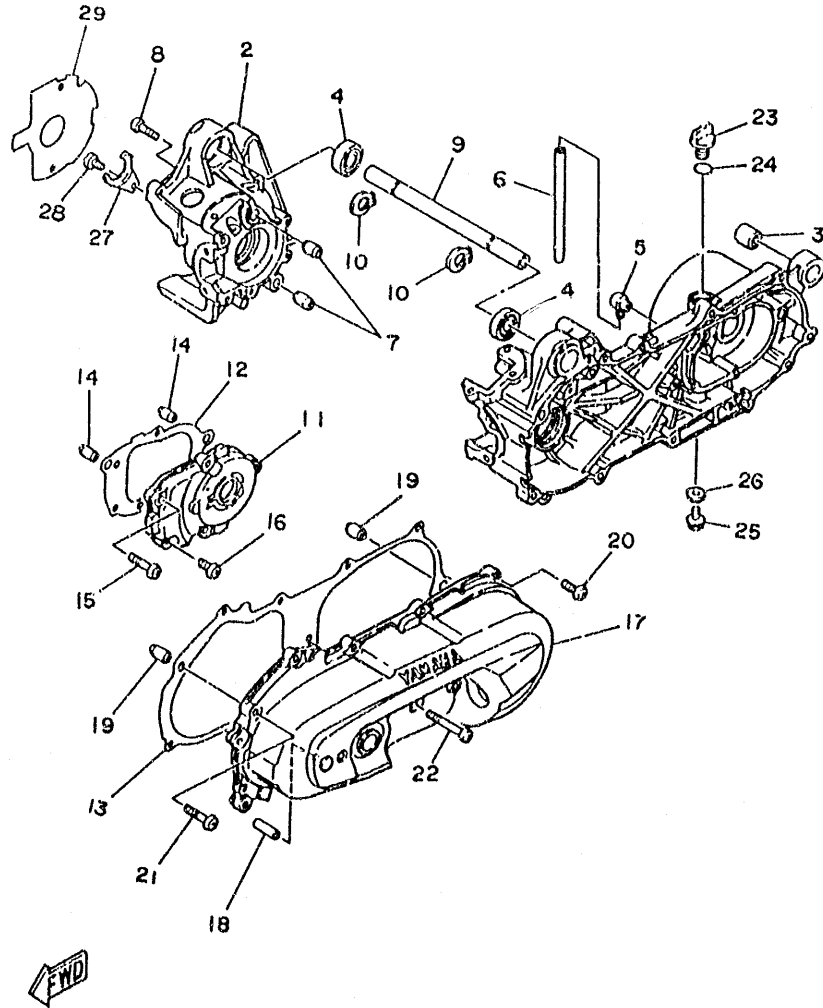
REF.	NO.	PART NO.	DESCRIPTION	Q'TY	REMARKS
	1	3XG-E5111-00	CRANKCASE 1	1	
	2	3XG-E5121-00	CRANKCASE 2	1	
	3	4X6-F2216-00	BUSH, REAR SHOCK ABSORBER	1	
	4	93306-003Y4	BRG.	2	
	5	3XG-E5371-00	BREATHER	1	
	6	90446-11347	HOSE	1	
	7	99530-12016	PIN, DOWEL	2	
	8	9850L-06035	SCREW, PAN HEAD(+)	6	
	9	3XG-E5317-00	SPACER, ENGINE MOUNT	1	
	10	99009-17400	CIRCLIP	2	
	11	3XG-E5421-00	COVER, CRANKCASE 2	1	
	12	4SC-E5461-00	GASKET, CRANKCASE COVER 2	1	
	13	4SC-E5451-00	GASKET, CRANKCASE COVER 1	1	
	14	99530-10014	PIN, DOWEL	2	
	15	9850L-06035	SCREW, PAN HEAD(+)	2	
	16	9850L-06020	SCREW, PAN HEAD(+)	3	
	17	3XG-E5411-00-MA	COVER, CRANKCASE 1	1	
	18	3XG-E5659-00	SHAFT	1	
	19	99530-10014	PIN, DOWEL	2	
	20	9850L-06025	SCREW, PAN HEAD(+)	8	
	21	9850L-06035	SCREW, PAN HEAD(+)	2	
	22	9850L-06065	SCREW, PAN HEAD(+)	1	
	23	4Y4-E5363-00	PLUG, OIL	1	
	24	93210-14805	O-RING	1	
	25	95807-08016	BOLT, FLG	1	
	26	90430-08119	GASKET	1	
	27	1NT-E5128-00	HOLDER	1	
	28	98507-06012	SCREW, PAN HEAD	1	

B-9

FIG. 8 CRANKCASE

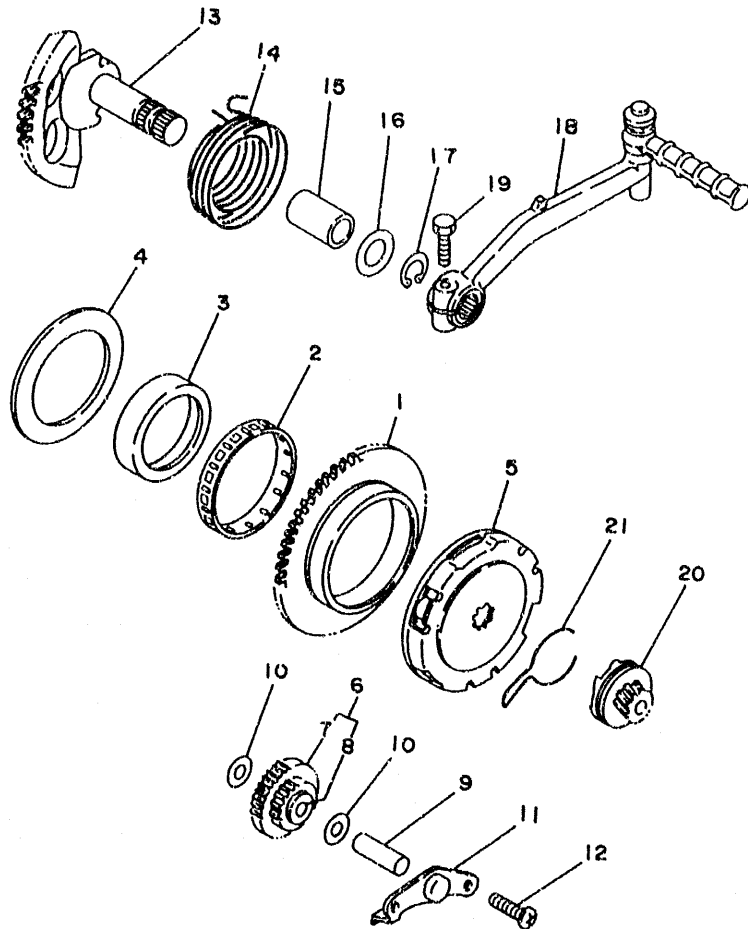
REF.

NO.	PART NO.	DESCRIPTION	Q'TY	REMARKS
29	4SC-E5462-00	GASKET, CRANKCASE COVER 3	1	



4SC1354-5080

B-10



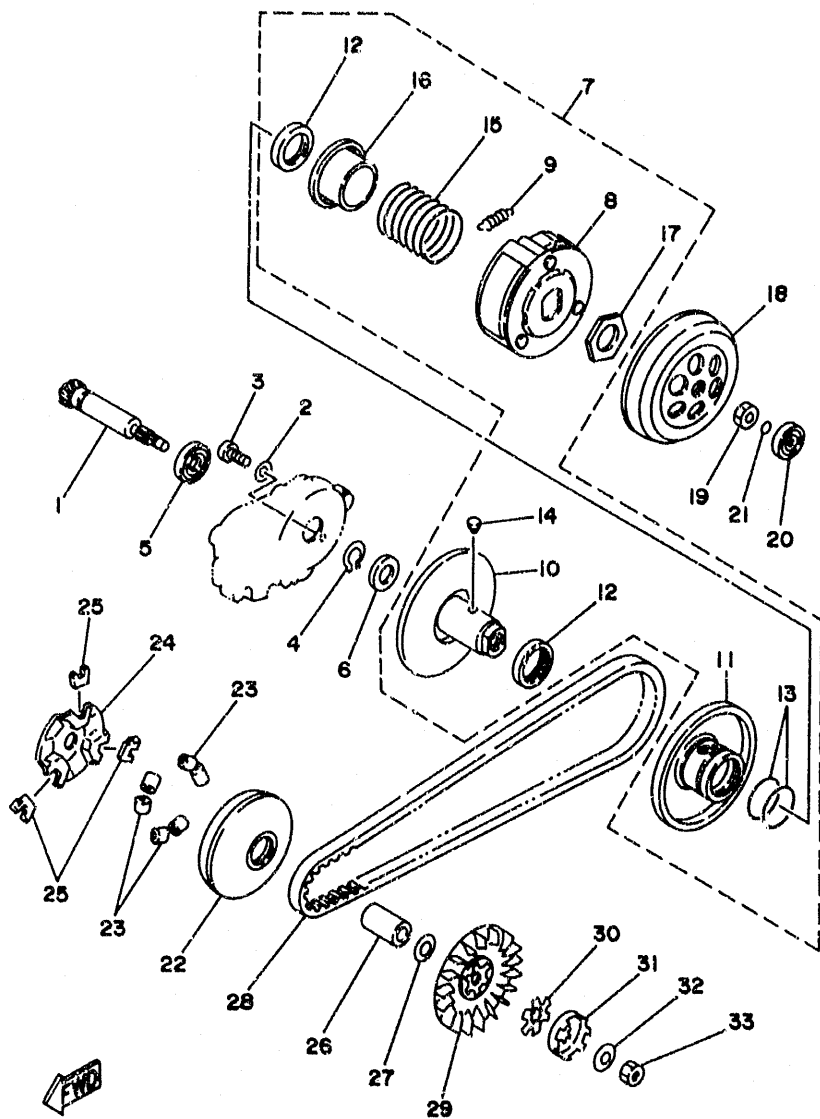
3XG2414-4090

FIG. 9 STARTER CLUTCH

REF.

NO.	PART NO.	DESCRIPTION	Q'TY	REMARKS
1	3XG-E5524-00	WHEEL, STARTER	1	
2	93310-255B7	BRG.	1	
3	3WF-15538-00	BOSS, GEAR 2	1	
4	90201-55890	WASHER, PLATE	1	
5	3GF-15570-10	STARTER CLUTCH ASSY	1	
6	3XG-E5650-00	IDLE GEAR ASSY	1	
7	3XG-E5512-00	.GEAR, IDLER 1	1	
8	93315-108Y4	.BRG.	1	
9	3XG-E3342-00	SHAFT, IDLE GEAR	1	
10	90201-08088	WASHER, PLATE	2	
11	3XG-E5532-00	PLATE, IDLE GEAR	1	
12	98507-06012	SCREW, PAN HEAD	2	
13	3XG-E5601-00	KICK SHAFT ASSY	1	
14	90508-32609	SPRING, TORSION	1	
15	90380-15083	BUSH, SOLID	1	
16	90201-155G5	WASHER, PLATE	1	
17	99009-15400	CIRCLIP	1	
18	3XG-E5620-00	KICK CRANK ASSY	1	
19	97017-06025	BOLT, HEX	1	
20	3XG-E5630-00	KICK PINION ASSY	1	
21	23Y-E5673-02	CLIP	1	

B-11



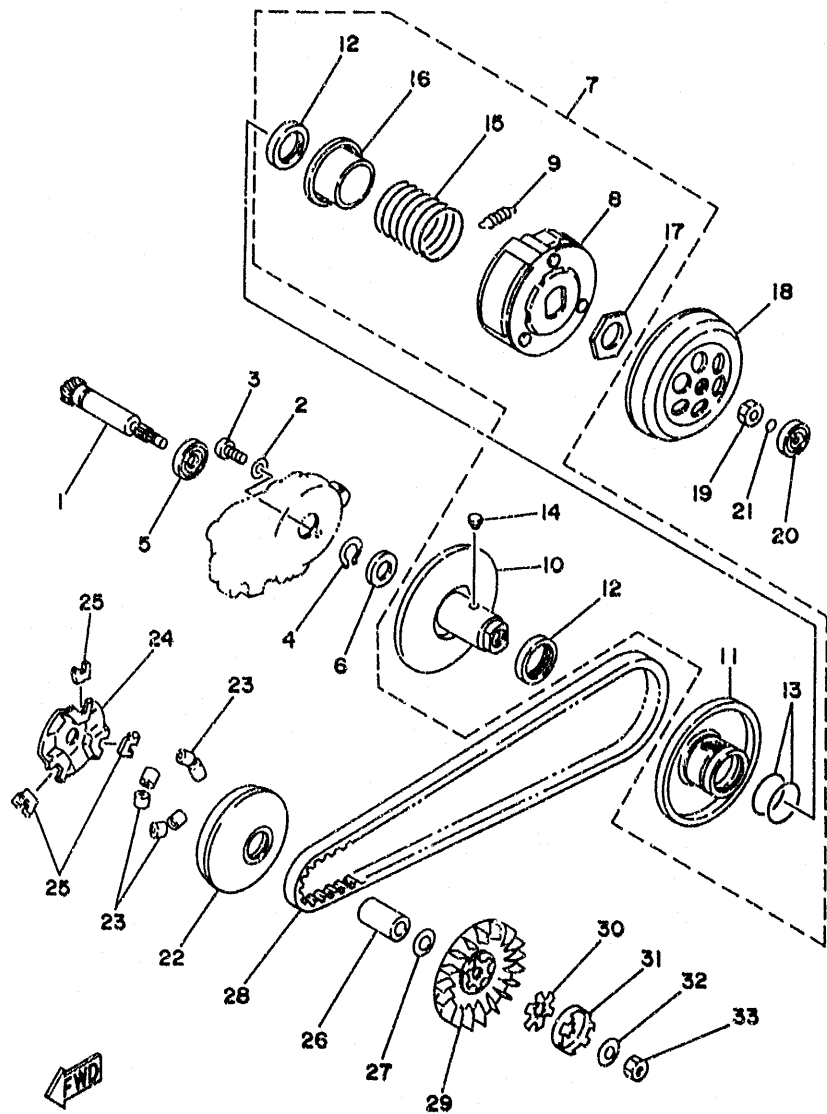
3XG1414-1100

B-12

FIG. 10 CLUTCH

REF.

NO.	PART NO.	DESCRIPTION	Q'TY	REMARKS
1	3KJ-16111-00	GEAR, PRIMARY DRIVE	1	
2	90201-06412	WASHER, PLATE	1	
3	98507-06010	SCREW, PAN HEAD	1	
4	99009-17400	CIRCLIP	1	
5	93306-003Y1	BRG.	1	
6	93102-17841	SEAL, OIL	1	
7	3XY-17602-01	SECONDARY SHEAVE ASSY	1	
8	3YK-16620-00	.CLUTCH CARRIER ASSY	1	
9	50W-16626-00	.SPRING, CLUTCH WEIGHT 1	3	
10	3GF-17660-02	.SECONDARY FIXED SHEAVE COMP.	1	
11	3GF-17670-01	.SECONDARY SLIDING SHEAVE	1	
12	93109-33052	.SEAL, OIL	2	
13	93210-36549	.O-RING	2	
14	24G-17664-00	.PIN, GUIDE	2	
15	90501-405G5	.SPRING, COMPRESSION	1	
16	3XG-17684-00	.SEAT, SECONDARY SPRING	1	
17	90179-28415	.NUT	1	
18	3YJ-16611-00	CLUTCH HOUSING COMP.	1	
19	90170-10317	NUT	1	
20	93300-63813	BRG.	1	
21	93210-06852	O-RING	1	
22	3XG-17620-01	PRIMARY SLIDING SHEAVE COMP.	1	
23	4DY-17632-00	WEIGHT	6	
24	3XG-17623-00	CAM	1	
25	1NT-17653-00	SLIDER	3	
26	90387-13897	COLLAR	1	
27	90201-133M8	WASHER, PLATE	1	
28	3GF-17641-00	V-BELT	1	



3XG1414-1100

FIG. 10 CLUTCH

NO.	PART NO.	DESCRIPTION	Q'TY	REMARKS
29	3AA-17611-01	SHEAVE, PRIMARY FIXED	1	
30	90214-13055	WASHER, CLAW	1	
31	3KJ-15657-00	CLUTCH, ONEWAY	1	
32	90208-10012	WASHER, CONICAL SPRING	1	
33	90170-10219	NUT	1	

B-13

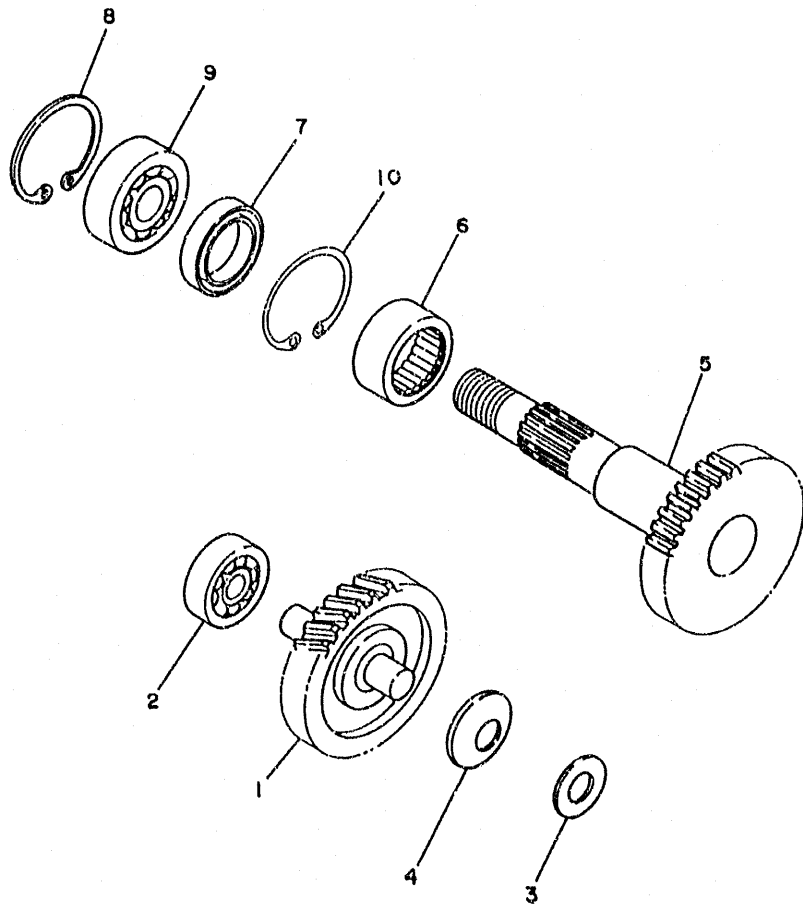


FIG. 11 TRANSMISSION

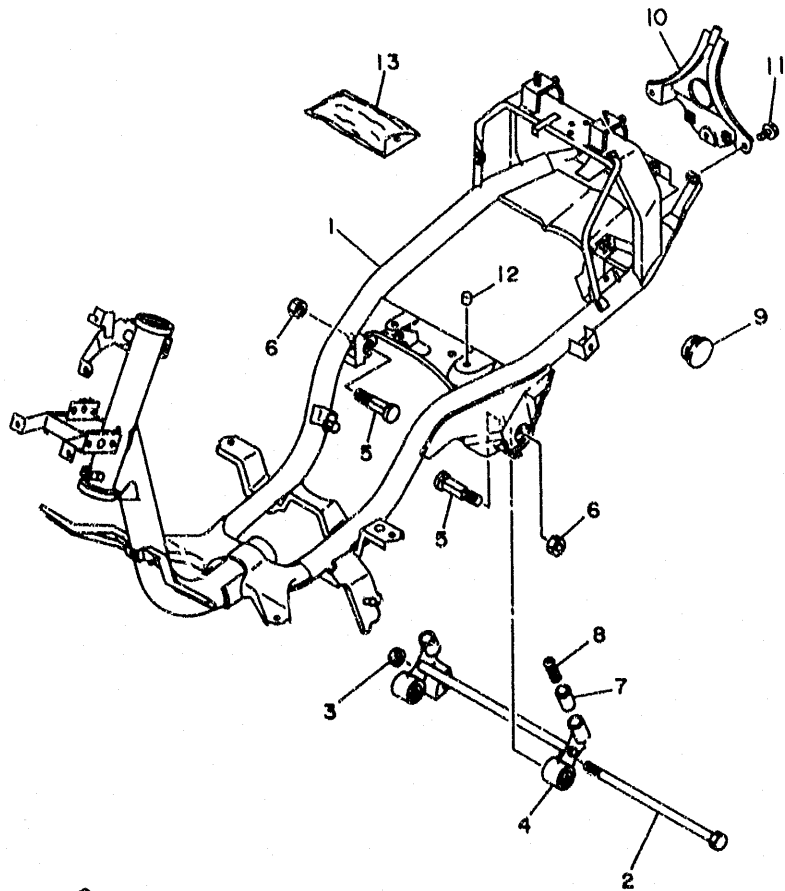
REF.

NO.	PART NO.	DESCRIPTION	Q'TY	REMARKS
1	3XG-E7410-00	MAIN AXLE COMP.	1	
2	93306-20006	BEARING (B6200)	1	NTN
	93306-20010	BEARING (6200)	1	NMB
3	90201-123K4	WASHER, PLATE	1	
4	90208-12049	WASHER, CONICAL SPRING	1	
5	3XG-E7420-00	DRIVE AXLE ASSY	1	
6	93311-32261	BRG.	1	
7	93102-22840	SEAL, OIL	1	
8	93420-40802	CIRCLIP	1	
9	93306-203X5	BRG.	1	
10	93450-28813	CIRCLIP	1	



4SC1354-5110

B-14



4JL1414-3120

FIG. 12 FRAME

REF.

NO.	PART NO.	DESCRIPTION	Q'TY	REMARKS
1	4SD-F1110-00-33	FRAME COMP.	1	YAMAHA BLACK
2	3XG-F1481-00	BOLT, ENGINE MOUNTING 1	1	
3	9560L-12200	NUT, SEAL-LOCKING	1	
4	4KX-F1410-00	ENGINE BRACKET COMP.	1	
5	20A-F1481-00	BOLT, ENGINE MOUNTING 1	2	
6	9561L-10100	NUT, U	2	
7	4Y4-F139X-01	DAMPER	2	
8	90501-29517	SPRING, COMPRESSION	2	
9	4DY-F1399-00	CAP, TOOL BOX	2	
10	4DY-F1232-00	REINFORCEMENT, TAIL	1	
11	95807-06012	BOLT, FLG	3	
12	90387-058G3	COLLAR	2	
13	4DY-F8100-00	TOOL KIT	1	

B-15

CONTENTS

ENGINE

Cylinder	B2
Crankshaft Piston	B3
Air Shroud. Fan	B4
Oil Pump	B5
Intake	B6
Carburetor	B7
Exhaust	B8
Crankcase	B9~B10
Starter Clutch	B11
Clutch	B12~B13
Transmission	B14

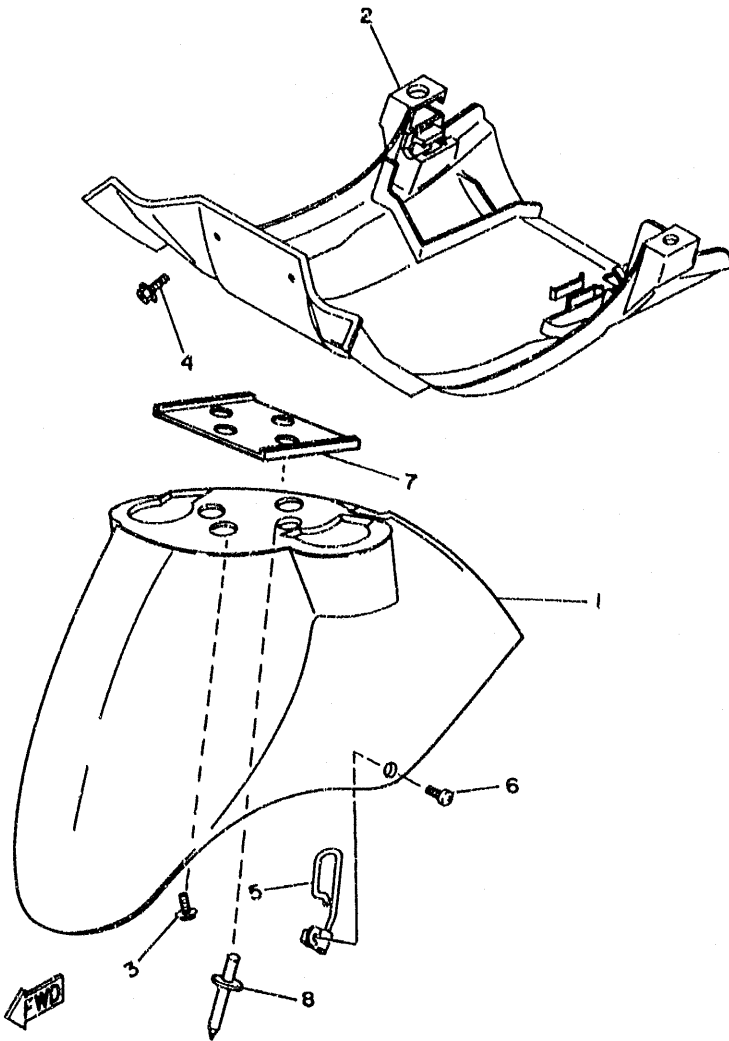
ENGINE

Frame	B15
Front Fender.....	C2
Side Cover	C3
Oil Tank	C4
Rear Suspension.....	C5
Front Fork.....	C6~C7
Fuel Tank.....	C8
Seat.....	C9
Front Wheel.....	C10~C11
Rear Wheel	C12
Steering Handle. Cable	C13
Stand. Footrest.....	C-14
Leg Shield	C-15
Cowling 1	D2

Generator	D3
Starting Motor.....	D4
Flasher Light.....	D5
Meter	D6
Headlight	D7
Taillight	D8
Handle Switch. Lever	D9
Electrical 1	D10
Electrical 2.....	D11

INDEX

Numerical Index	E1~E2
-----------------------	-------

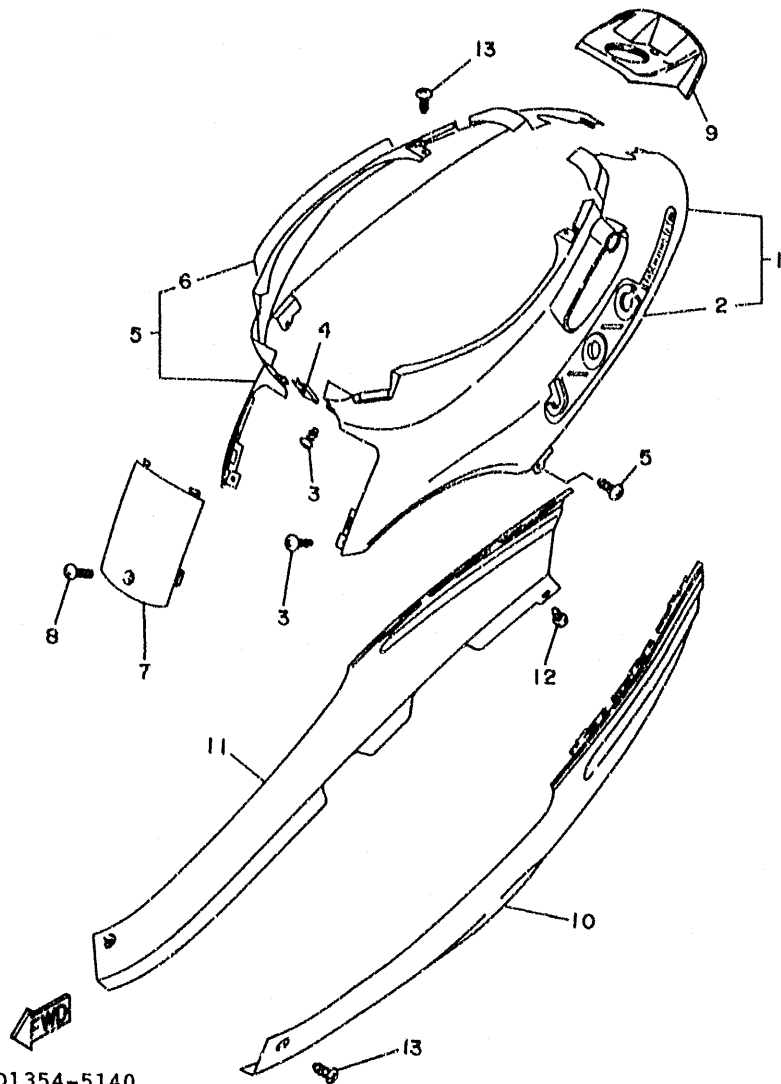


4SD1354-5130

FIG. 13 FRONT FENDER

REF.

NO.	PART NO.	DESCRIPTION	Q'TY	REMARKS
1	4SD-F1511-00-4B	FENDER, FRONT	1	UK BLACK
	4SD-F1511-00-P1	FENDER, FRONT	1	UR BLUE
	4SD-F1511-00-P0	FENDER, FRONT	1	UR RED
2	4DY-F1552-00	FENDER, INNER	1	
3	90119-06821	BOLT, WITH WASHER	3	
4	95807-06012	BOLT, FLG	2	
5	4DY-F3389-00	GUIDE, CABLE	1	
6	98960-06012	SCREW, BINDING HEAD (+)	1	
7	3WN-F1524-00	PLATE 2	2	
8	90267-48816	RIVET, BLIND	2	



4SD1354-5140

FIG. 14 SIDE COVER

REF.

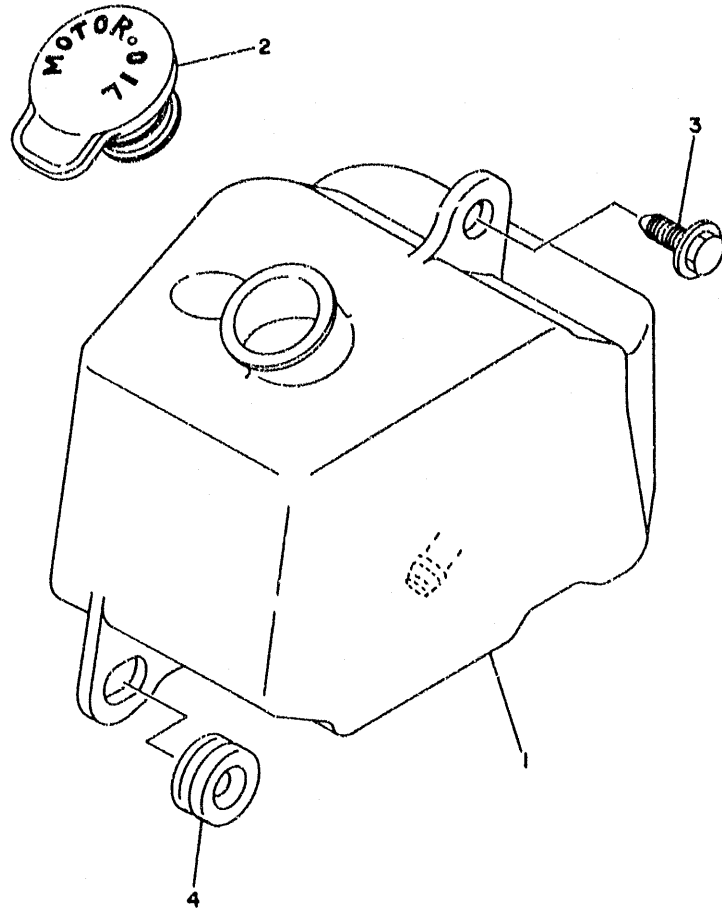
NO.	PART NO.	DESCRIPTION	Q'TY	REMARKS
1	4DY-X2171-90-4B	SIDE COVER 1	1	UR BLACK
	4DY-X2171-10-P0	SIDE COVER 1	1	UR BLUE
	4DY-X2171-00-PC	SIDE COVER 1	1	UR RED
2	4SD-F173E-00	.GRAPHIC 1	1	UR BLACK
	4SD-F173E-10	.GRAPHIC 1	1	UR BLUE
	4SD-F173E-20	.GRAPHIC 1	1	UR RED
3	97707-50012	SCREW, TAPPING	5	
4	90183-05807	NUT, SPRING	1	
5	4DY-X2172-90-4B	SIDE COVER 2	1	UR BLACK
	4DY-X2172-10-P0	SIDE COVER 2	1	UR BLUE
	4DY-X2172-00-PC	SIDE COVER 2	1	UR RED
6	4SD-F173E-00	.GRAPHIC 1	1	UR BLACK
	4SD-F173E-10	.GRAPHIC 1	1	UR BLUE
	4SD-F173E-20	.GRAPHIC 1	1	UR RED
7	4DY-F1731-00-4B	COVER, SIDE 3	1	UR BLACK
	4DY-F1731-00-P0	COVER, SIDE 3	1	UR BLUE
	4DY-F1731-00-PC	COVER, SIDE 3	1	UR RED
8	90167-05055	SCREW TAPPING	1	
9	4DY-F172W-10	COVER	1	UR BLUE
	4DY-F172W-20	COVER	1	UR BLACK, RED
10	4DY-F171L-00	MOLE, SIDE COVER 1	1	UR BLUE
	4DY-F171L-40	MOLE, SIDE COVER 1	1	UR BLACK, RED
11	4DY-F171M-00	MOLE, SIDE COVER 2	1	UR BLUE
	4DY-F171M-40	MOLE, SIDE COVER 2	1	UR BLACK, RED
12	97707-50012	SCREW, TAPPING	2	
13	97707-50016	SCREW, TAPPING	2	

C-3

FIG. 15 OIL TANK

REF.

NO.	PART NO.	DESCRIPTION	Q'TY	REMARKS
1	4DY-F1751-01	TANK, OIL	1	
2	4X6-F1771-01	BODY, CAP	1	
3	90119-06802	BOLT, WITH WASHER	1	
4	90480-12053	GROMMET	1	



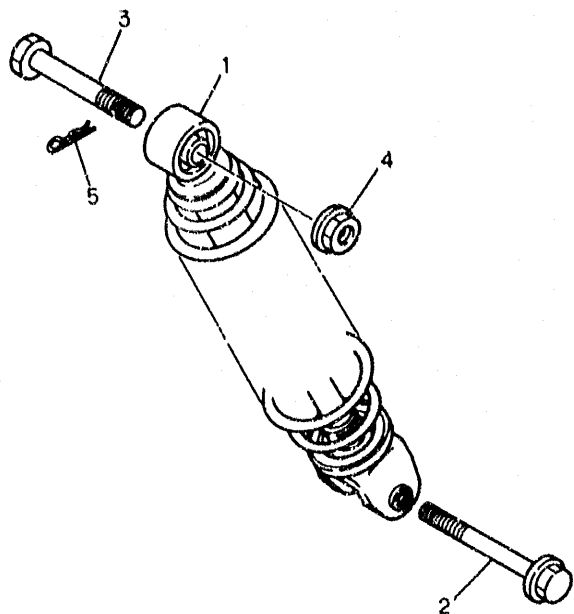
4DY1414-3150

C-4

FIG. 16 REAR SUSPENSION

REF.

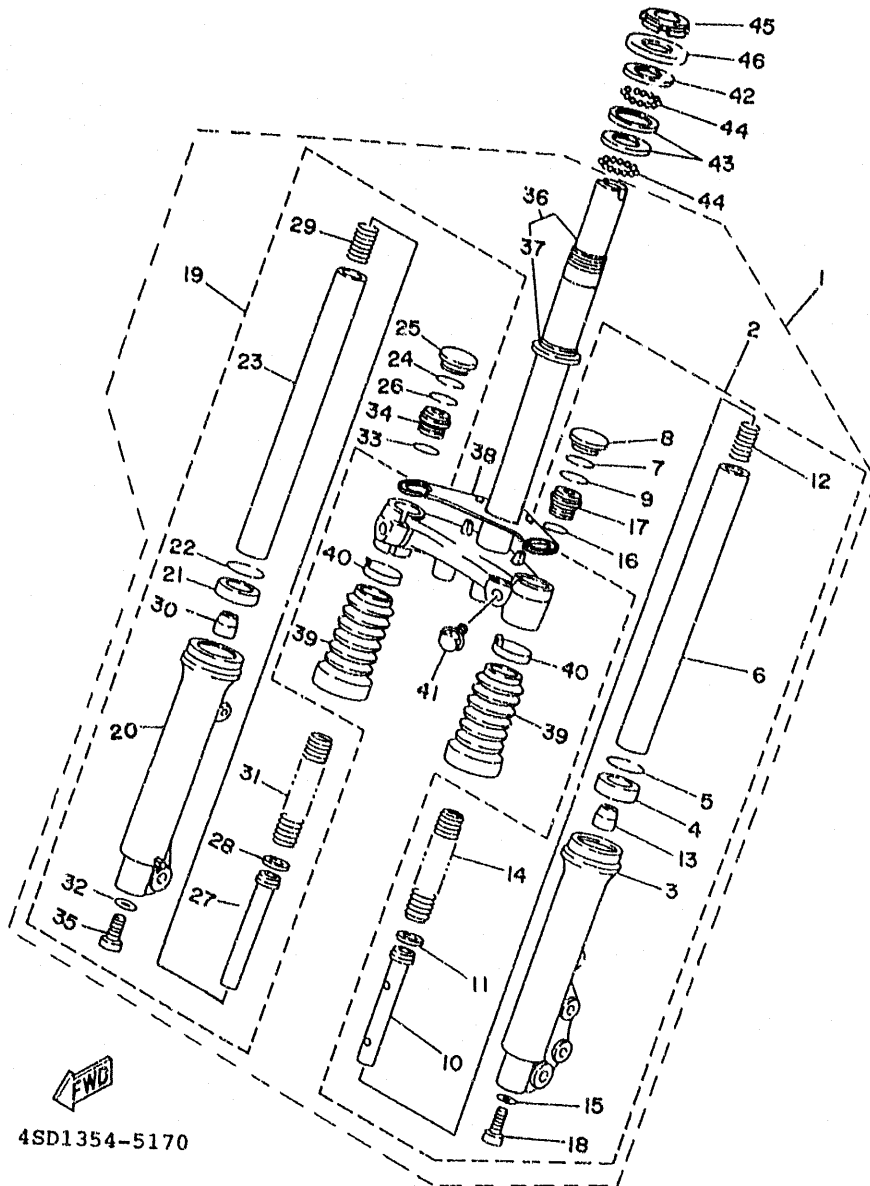
NO.	PART NO.	DESCRIPTION	Q'TY	REMARKS
1	4DY-F2210-01	SHOCK ABSORBER ASSY, REAR	1	
2	90105-08121	BOLT, WASHER BASED	1	
3	90102-10031	BOLT, WITH HOLE	1	
4	9570L-10500	NUT, FLG	1	
5	90468-12006	CLIP	1	



3XG4414-4160

C-5

FIG. 17 FRONT FORK

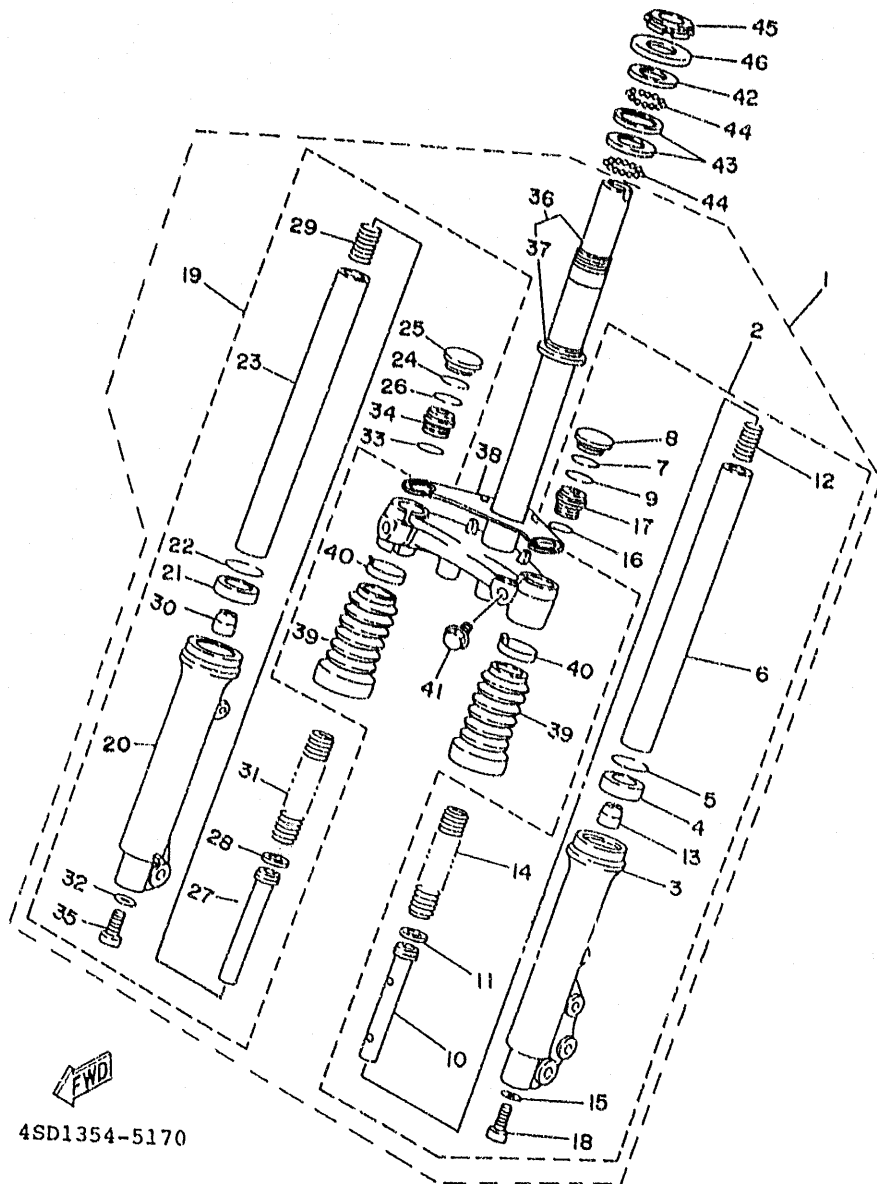


4SD1354-5170

C-6

REPL.

NO.	PART NO.	DESCRIPTION	Q'TY	REMARKS
1	4SD-F3100-00	FRONT FORK ASSY	1	
2	4SD-F3102-00	..FRONT FORK ASSY (L.H)	1	
3	4SD-F3126-00	..TUBE, OUTER 1	1	
4	3XG-F3145-00	..OIL SEAL	1	
5	3XG-F3156-00	..CLIP, OIL SEAL	1	
6	4SD-F3110-00	..INNER TUBE COMP.1	1	
7	3XG-F3153-00	..RING, SNAP	1	
8	4SD-F3154-00	..PLUG, INNER TUBE	1	
9	3XG-F3183-00	..CIRCLIP	1	
10	4SD-F3171-00	..PISTON, FRONT FORK	1	
11	3XG-F3157-00	..RING, PISTON	1	
12	3XG-F3151-00	..SPRING, REBOUND	1	
13	3XG-F3173-00	..SPINDLE, TAPER	1	
14	4SD-F3141-00	..SPRING, FRONT FORK	1	
15	3XG-F3158-00	..GASKET	1	
16	3XG-F3147-00	..O-RING	1	
17	3XG-F3111-00	..BOLT, CAP	1	
18	9131L-08025	..BOLT,HEX.SOCKET	1	
19	4SD-F3103-00	..FRONT FORK ASSY (R.H)	1	
20	4SD-F3136-00	..TUBE, OUTER 2	1	
21	3XG-F3145-00	..OIL SEAL	1	
22	3XG-F3156-00	..CLIP, OIL SEAL	1	
23	4SD-F3110-00	..INNER TUBE COMP.1	1	
24	3XG-F3153-00	..RING, SNAP	1	
25	4SD-F3154-00	..PLUG, INNER TUBE	1	
26	3XG-F3183-00	..CIRCLIP	1	
27	4SD-F3171-00	..PISTON, FRONT FORK	1	
28	3XG-F3157-00	..RING, PISTON	1	



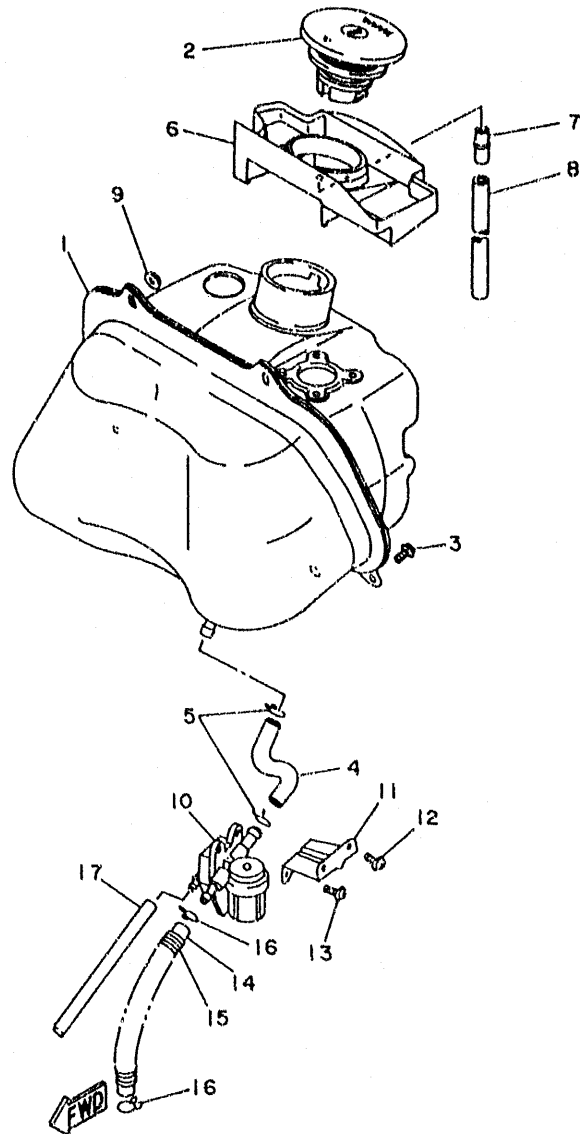
4SD1354-5170

FIG. 17 FRONT FORK

REF.

NO.	PART NO.	DESCRIPTION	Q'TY	REMARKS
29	3XG-F3151-00	..SPRING, REBOUND	1	
30	3XG-F3173-00	..SPINDLE, TAPER	1	
31	4SD-F3141-00	..SPRING, FRONT FORK	1	
32	3XG-F3158-00	..GASKET	1	
33	3XG-F3147-00	..O-RING	1	
34	3XG-F3111-00	..BOLT, CAP	1	
35	9131L-08025	..BOLT,HEX,SOCKET	1	
36	4SD-F3340-00	.UNDER BRACKET COMP.	1	
37	22F-23414-01	.RACE, BALL 4	1	
38	4SD-F1541-00	.DAMPER 1	1	
39	3XG-F3191-00	.BOOT	2	
40	3XG-F3192-00	.BAND	2	
41	95821-10030	.BOLT,FLG.	2	
42	22F-23411-01	RACE, BALL 1	1	
43	22F-23412-01	RACE, BALL 2	2	
44	93503-16003	BALL	44	
45	90179-25033	NUT	2	
46	3XG-F3416-00	COVER, BALL RACE 2	1	

C-7



4SC1354-5180

FIG. 18 FUEL TANK

REF.

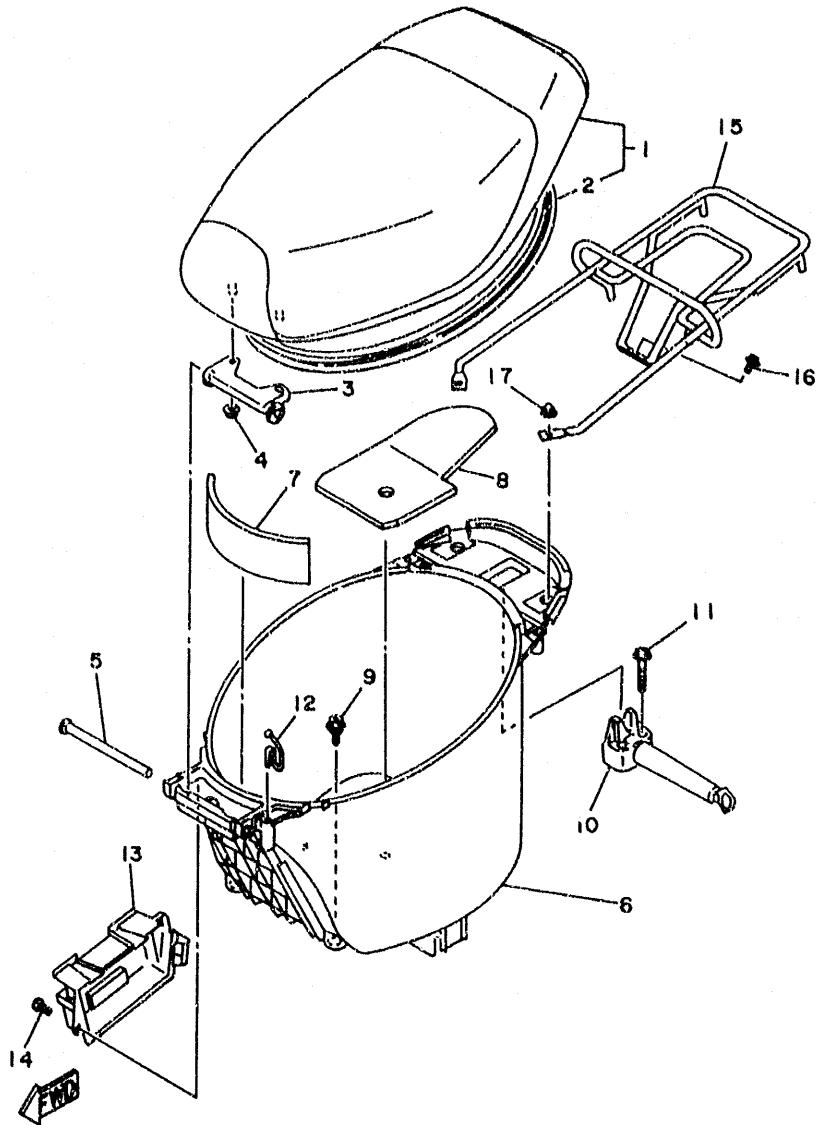
NO.	PART NO.	DESCRIPTION	Q'TY	REMARKS
1	4SG-F4110-00-33	FUEL TANK COMP.	1	YAMAHA BLACK
2	4SG-F4602-00	CAP ASSY	1	
3	95827-06012	BOLT,FLG	1	
4	4DY-F4313-00	PIPE 3	1	
5	90467-10008	CLIP	2	
6	4DY-F414A-00	COVER, FILLER	1	
7	90560-06366	SPACER	1	
8	91A11-07039	HOSE	1	
9	95707-06500	NUT,FLG	2	
10	4DY-F4500-00	FUEL COCK ASSY 1	1	
11	4DY-F4544-00	BRACKET, FUEL COCK	1	
12	97607-06112	SCREW,W/WASHER	2	
13	97607-06112	SCREW,W/WASHER	2	
14	4DY-F4311-00	PIPE, FUEL 1	1	
15	90501-08845	SPRING, COMPRESSION	1	
16	90467-09006	CLIP	2	
17	90445-07867	HOSE	1	

C-8

FIG. 19 SEAT

REF.

NO.	PART NO.	DESCRIPTION	Q'TY	REMARKS
1	4SD-F4730-00	DOUBLE SEAT ASSY	1	UR BLACK, RED
	4SD-F4730-10	DOUBLE SEAT ASSY	1	UR BLUE
2	4DY-F475M-00	.SEAL	1	
3	3XG-F4726-00	HINGE, SEAT	1	
4	95707-06500	NUT, FLG	2	
5	90241-10015	PIN	1	
6	4DY-F473R-00	BOX 1	1	
7	4DY-F4737-00	DAMPER, SEAT	1	
8	4DY-F4747-00	DAMPER, SEAT	1	
9	90109-063F1	BOLT	2	
10	4DY-F4705-00	SEAT LOCK ASSY	1	
11	90159-06064	SCREW, WITH WASHER	2	
12	3XG-F1398-00	HANGER, HELMET	1	
13	3XG-H2129-00	COVER, BATTERY	1	
14	90167-05025	SCREW TAPPING	1	
15	4DY-F4842-00	CARRIER, REAR	1	
16	90105-08854	BOLT, WASHER BASED	1	
17	90176-06065	NUT, CROWN	2	



4SD1354-5190

C-9

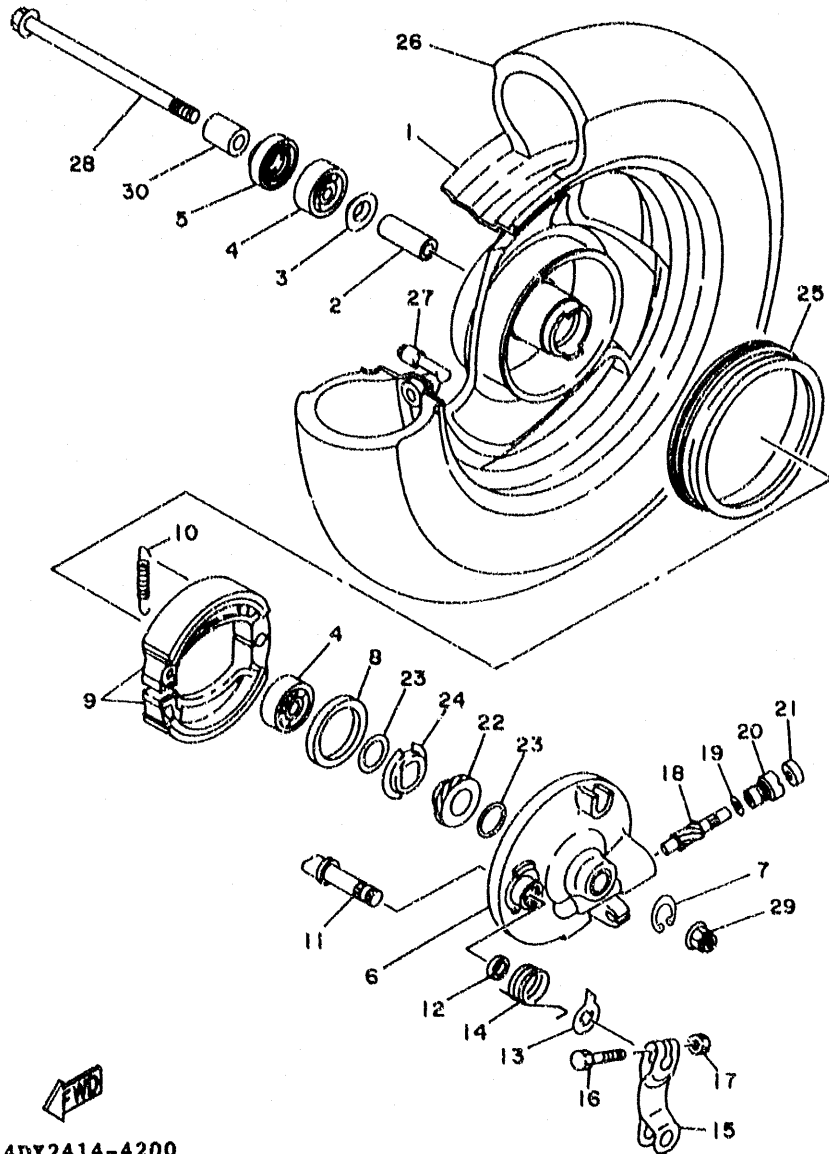


FIG. 20 FRONT WHEEL

RRF.

NO.	PART NO.	DESCRIPTION	Q'TY	REMARKS
1	4DY-F5180-00-MA	FRONT WHEEL COMP.	1	
2	90560-10103	SPACER	1	
3	20A-F5115-00	FLANGE, SPACER 1	1	
4	93306-300Y4	BRG.	2	
5	93106-20808	SEAL,OIL	1	
6	4SD-F5121-00-MA	PLATE, BRAKE SHOE	1	
7	99009-20400	CIRCLIP	1	
8	93102-40830	SEAL,OIL	1	
9	4BX-W2536-00	BRAKE SHOE SET	1	
10	90506-15260	.SPRING, TENSION	2	
11	4X6-F5351-00	CAMSHAFT	1	
12	1NT-F5159-00	SEAL, CAMSHAFT	1	
13	4X6-F533A-01	PLATE, INDICATOR	1	
14	90508-26839	SPRING, TORSION	1	
15	1NT-F5155-00	LEVER, CAMSHAFT 1	1	
16	90101-06819	BOLT	1	
17	95301-06600	NUT, HEXAGON	1	
18	4DY-F5138-00	GEAR, METER	1	
19	90201-07076	WASHER, PLATE	1	
20	3N2-F5136-00	BUSH	1	
21	93104-07803	SEAL,OIL	1	
22	4DY-F5135-00	GEAR, DRIVE	1	
23	90201-20269	WASHER, PLATE	2	
24	4X6-F5149-00	CLUTCH, METER	1	
25	3XG-F5336-00	RING 2	1	
26	94109-108H7	TIRE	1	
27	93900-00805	VALVE,RIM	1	
28	3XG-F5181-00	AXLE, WHEEL	1	

C-10

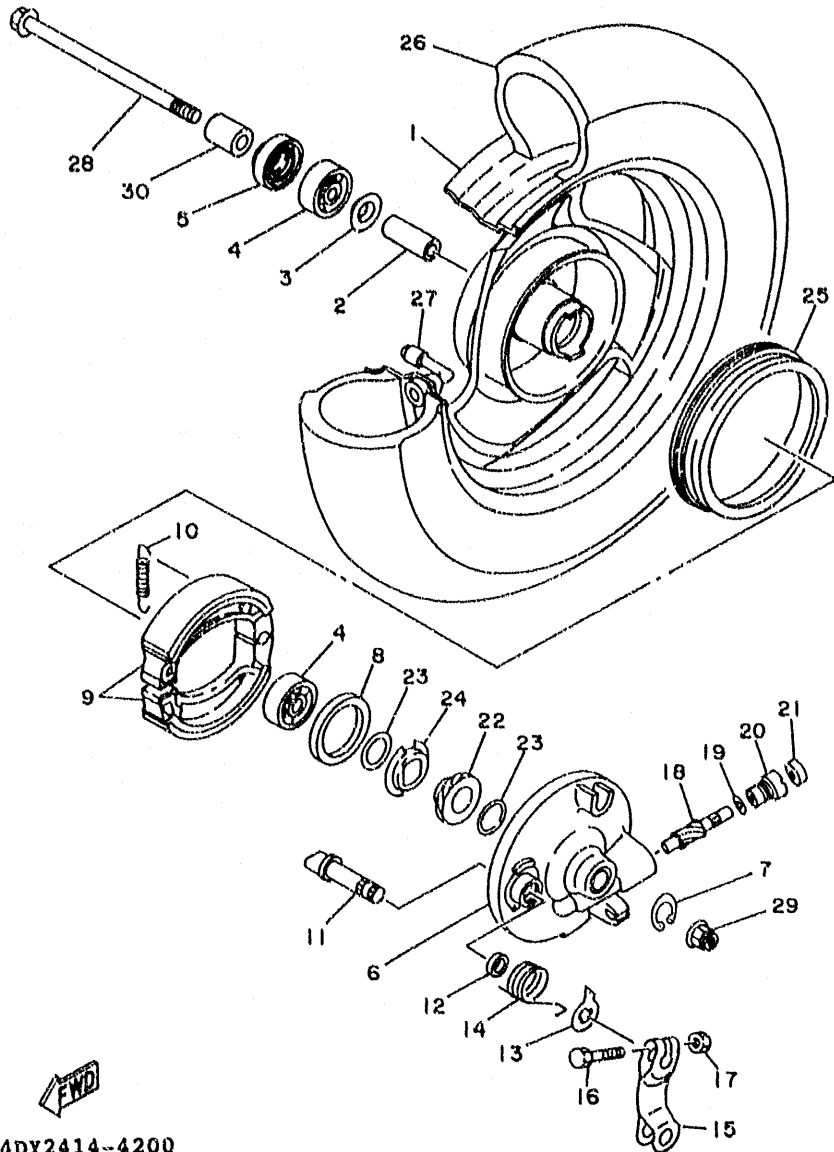


FIG. 20 FRONT WHEEL

REF.

NO.	PART NO.	DESCRIPTION	Q'TY	REMARKS
29	9560L-10200	NUT, SEAL-LOCKING	1	
30	90387-108G4	COLLAR	1	



4DY2414-4200

C-11

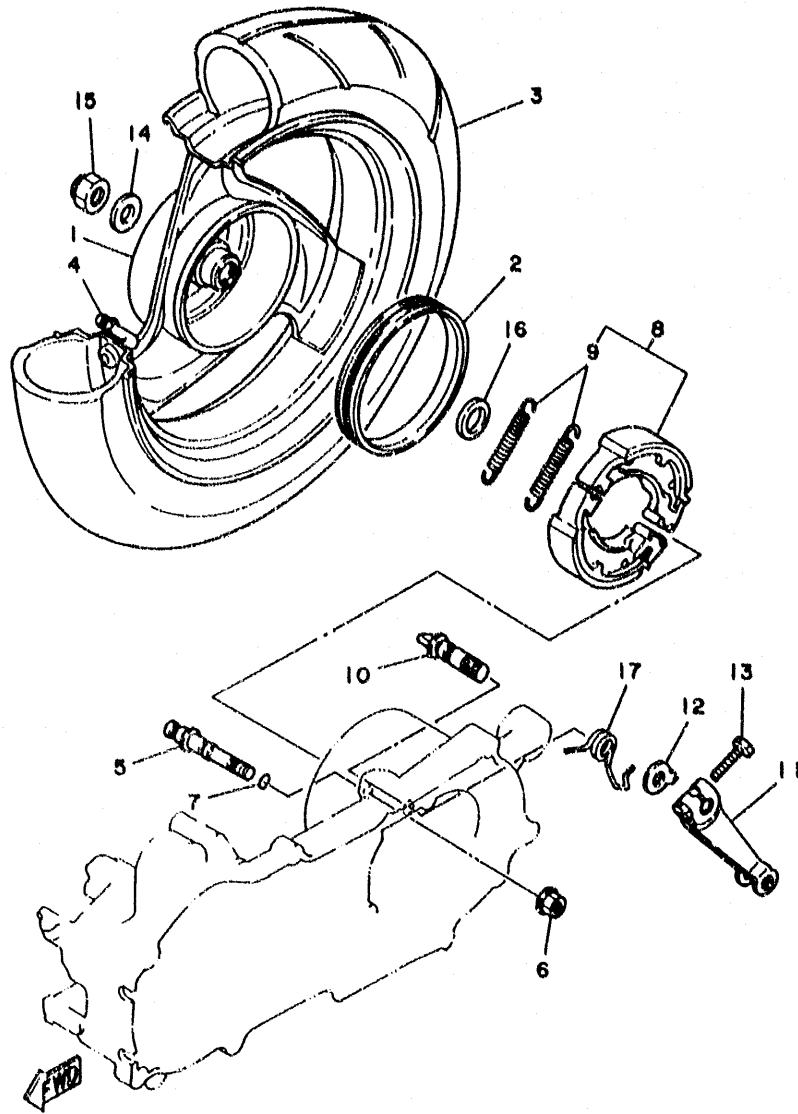
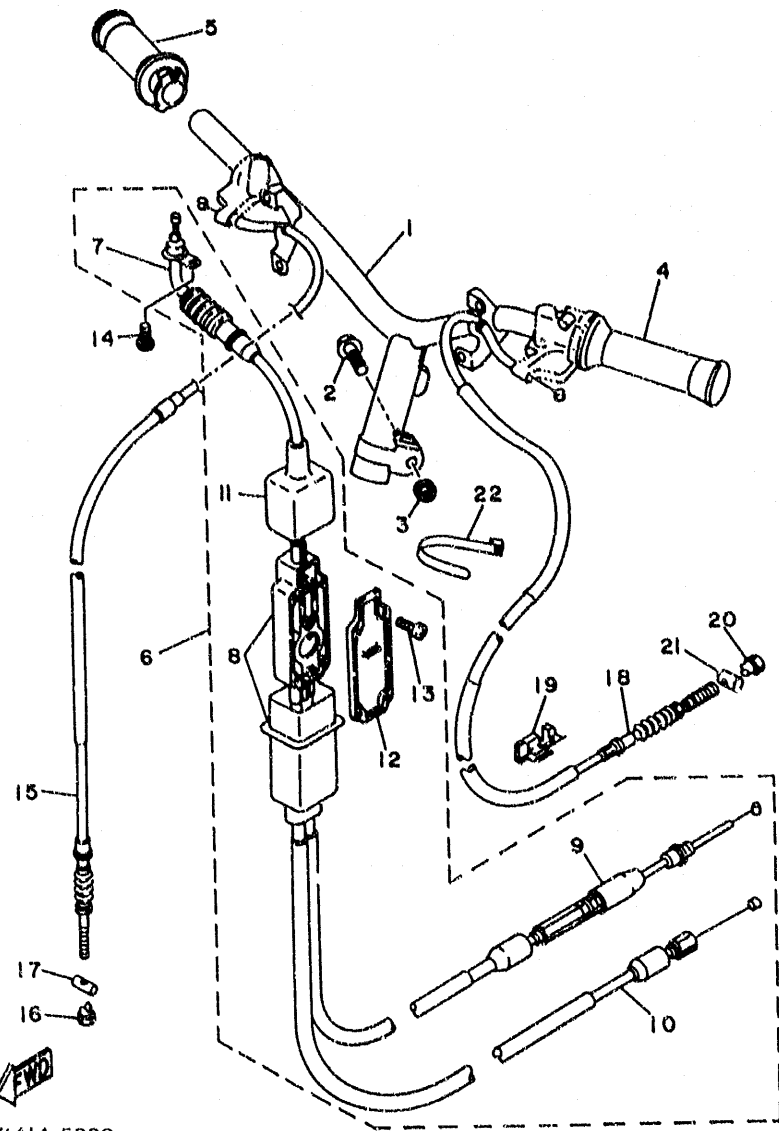


FIG. 21 REAR WHEEL

RRF.

NO.	PART NO.	DESCRIPTION	Q'TY	REMARKS
1	3XG-F5390-00-MA	REAR WHEEL COMP.	1	
2	3XG-F5336-00	RING 2	1	
3	94109-108H7	TIRE	1	
4	93900-00805	VALVE, RIM	1	
5	3XG-F5326-00	PIN, PIVOT	1	
6	9570L-08500	NUT, FLG	1	
7	93210-07890	O-RING	1	
8	4BX-W2536-00	BRAKE SHOE SET	1	
9	90506-15260	SPRING, TENSION	2	
10	3XG-F5351-00	CAMSHAFT	1	
11	3XG-F5355-00	LEVER, CAMSHAFT	1	
12	3XG-F513A-00	PLATE, INDICATOR	1	
13	90101-06278	BOLT	1	
14	90201-14740	WASHER, PLATE	1	
15	90185-14814	NUT, SELF-LOCKING	1	
16	90201-17255	WASHER, PLATE	1	
17	3XG-F5357-00	SPRING, LEVER RETURN	1	



4DY1414-5220

FIG. 22 STEERING HANDLE. CABLE

REF.	NO.	PART NO.	DESCRIPTION	Q'TY	REMARKS
	1	4DY-F6110-00	HANDLE COMP.	1	
	2	90105-10036	BOLT, WASHER BASED	1	
	3	95617-10200	NUT,U	1	
	4	1NT-F6241-00	GRIP (LEFT)	1	
	5	4DY-F6240-00	GRIP ASSY	1	
	6	4SC-W2620-10	CABLE ASSY	1	
	7	4DY-F6311-00	.CABLE, THROTTLE 1	1	
	8	4SC-F6260-00	.CABLE ASSY, THROTTLE & PUMP	1	
	9	4DY-F6321-00	.CABLE, PUMP	1	
	10	4SC-F6312-00	.CABLE, THROTTLE 2	1	
	11	3XY-F6316-00	.BOOT, THROTTLE CABLE	1	
	12	3XY-F6262-00	.CAP, CABLE CONNECTOR	1	
	13	90167-03800	.SCREW, TAPPING	4	
	14	98507-05010	SCREW,PAN HEAD	1	
	15	4DY-F6341-00	CABLE, BRAKE	1	
	16	90179-06843	NUT	1	
	17	90249-12008	PIN	1	
	18	4DY-F6351-00	CABLE, BRAKE	1	
	19	3XG-F6393-00	HOLDER	1	
	20	90179-06843	NUT	1	
	21	90249-12008	PIN	1	
	22	90465-13152	CLAMP	1	

C-13

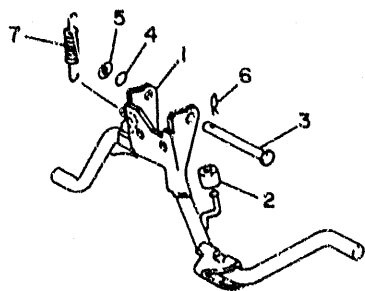
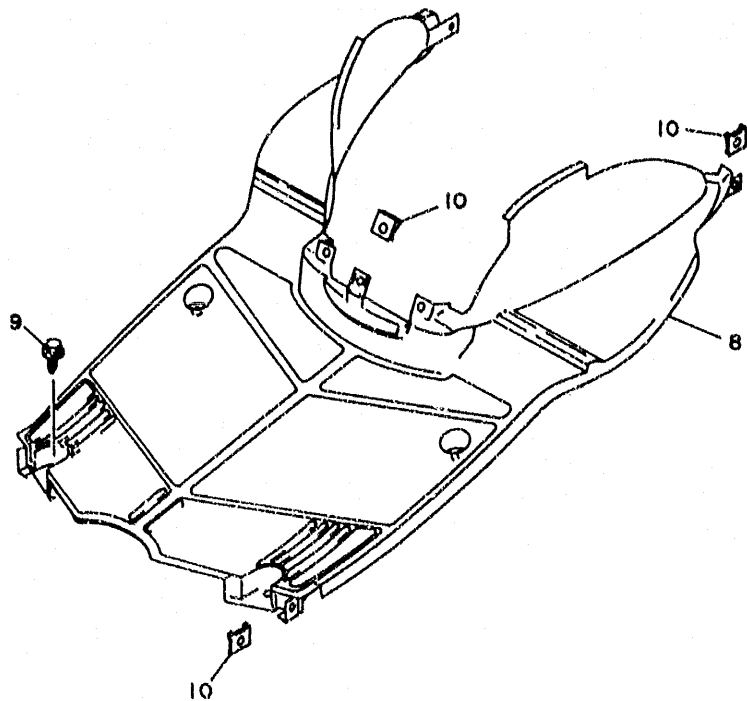


FIG. 23 STAND. FOOTREST

NO.	PART NO.	DESCRIPTION	Q'TY	REMARKS
1	3XG-X2711-00	MAIN STAND	1	
2	90387-065X4	COLLAR	1	
3	90240-10132	PIN, CLEVIS	1	
4	93210-108B1	O-RING	1	
5	90202-10120	WASHER, PLATE	1	
6	90468-12006	CLIP	1	
7	90506-32464	SPRING, TENSION	1	
8	4DY-F7481-00	BOARD, FOOTREST	1	UR BLUE
	4DY-F7481-10	BOARD, FOOTREST	1	UR BLACK, RED
9	90119-06814	BOLT, WITH WASHER	4	
10	90183-05807	NUT, SPRING	7	



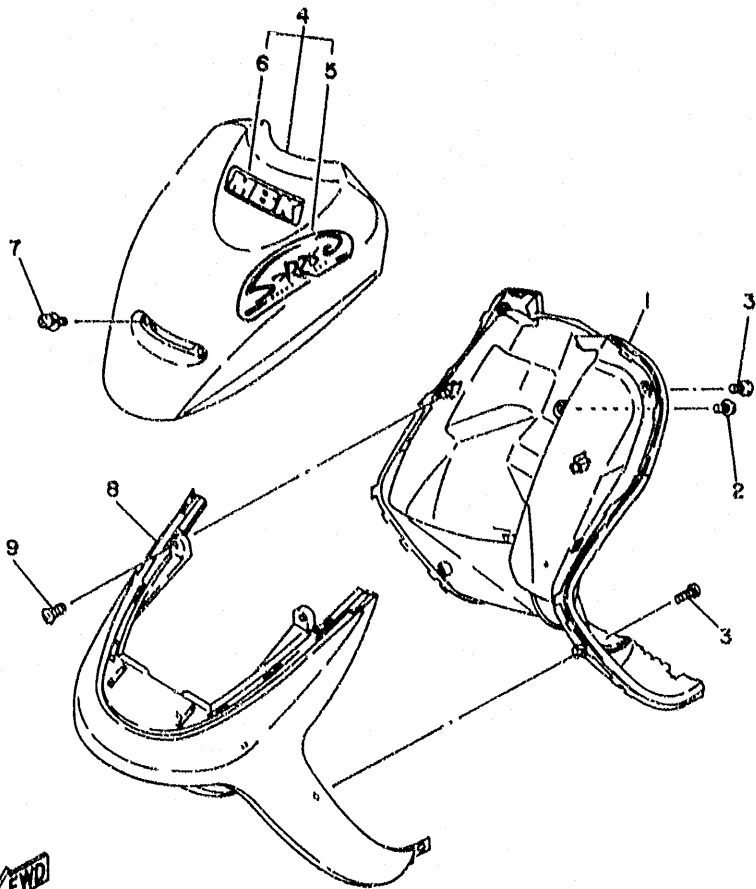
4SC1354-5250

C-14

FIG. 24 LEG SHIELD

REF.

NO.	PART NO.	DESCRIPTION	Q'TY	REMARKS
1	4DY-F8300-00	LEG SHIELD ASSY	1	UR BLACK, RED
	4DY-F8300-10	LEG SHIELD ASSY	1	UR BLUE
2	90159-06812	SCREW, WITH WASHER	1	
3	97707-50016	SCREW, TAPPING	4	
4	4DY-X2831-30-4B	LEG SHIELD 1	1	UR BLACK
	4DY-X2831-10-P0	LEG SHIELD 1	1	UR BLUE
	4DY-X2831-00-P8	LEG SHIELD 1	1	UR RED
5	4SD-F839A-00	.GRAPHIC 7	1	UR BLACK
	4SD-F839A-10	.GRAPHIC 7	1	UR BLUE
	4SD-F839A-20	.GRAPHIC 7	1	UR RED
6	3NT-F839H-20	.EMBLEM 1	1	UR BLACK
	3NT-F839H-30	.EMBLEM 1	1	UR BLUE
	3NT-F839H-40	.EMBLEM 1	1	UR RED
7	90159-06812	SCREW, WITH WASHER	2	
8	4DY-F8339-00	MOLD, LEG SHIELD	1	UR BLACK, RED
	4DY-F8339-40	MOLD, LEG SHIELD	1	UR BLUE
9	97707-50014	SCREW, TAPPING	2	



FWD

4SD1354-5240

C-15

CONTENTS

ENGINE

Cylinder	B2
Crankshaft Piston	B3
Air Shroud. Fan	B4
Oil Pump	B5
Intake	B6
Carburetor	B7
Exhaust	B8
Crankcase	B9~B10
Starter Clutch	B11
Clutch	B12~B13
Transmission	B14

ENGINE

Frame	B15
Front Fender	C2
Side Cover	C3
Oil Tank	C4
Rear Suspension	C5
Front Fork	C6~C7
Fuel Tank	C8
Seat	C9
Front Wheel	C10~C11
Rear Wheel	C12
Steering Handle. Cable	C13
Stand. Footrest	C-14
Leg Shield	C-15
Cowling 1	D2

Generator	D3
Starting Motor	D4
Flasher Light	D5
Meter	D6
Headlight	D7
Taillight	D8
Handle Switch. Lever	D9
Electrical 1	D10
Electrical 2	D11

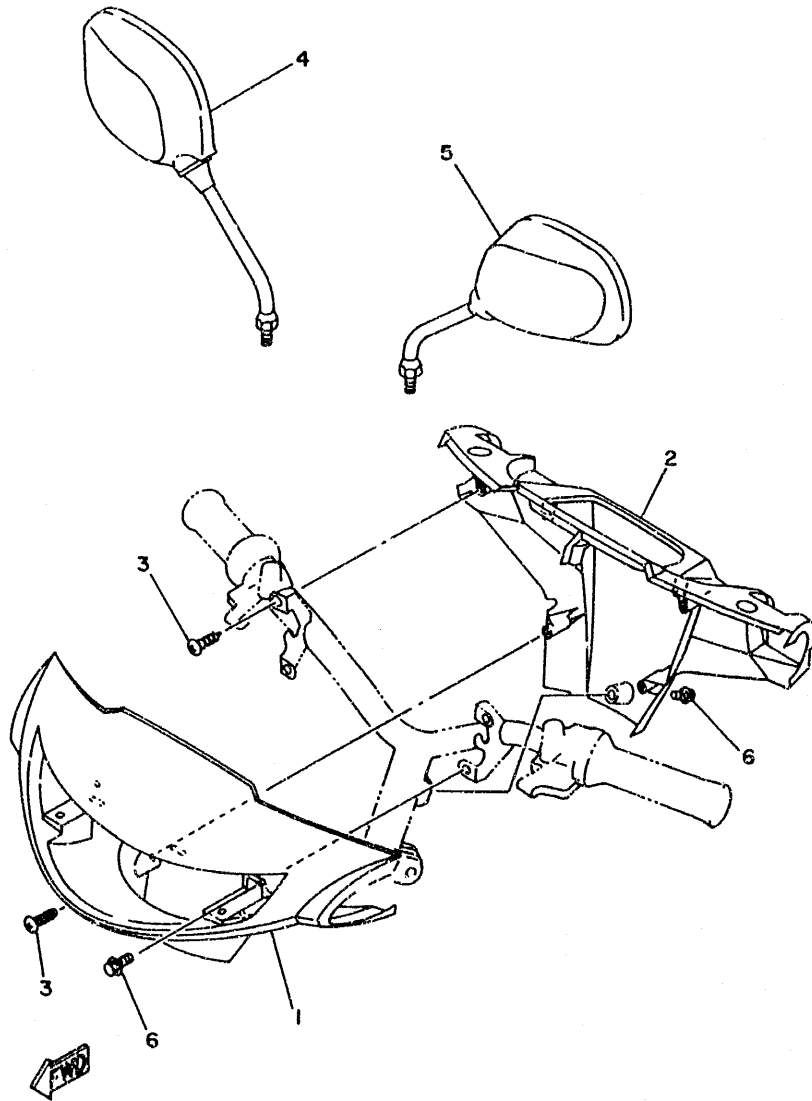
INDEX

Numerical Index	E1-E2
-----------------------	-------

FIG. 25 COWLING 1

REF.

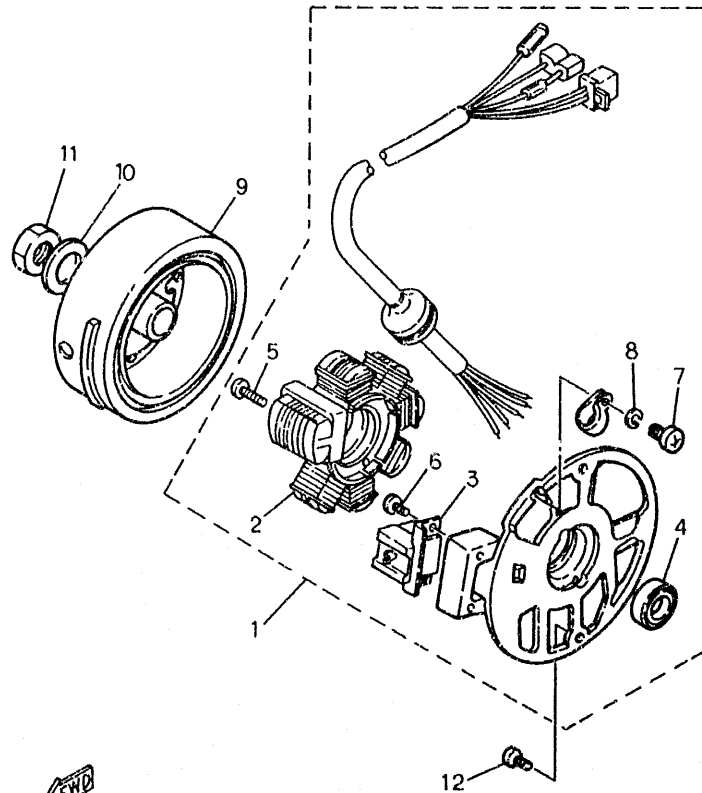
NO.	PART NO.	DESCRIPTION	Q'TY	REMARKS
1	4DY-F6143-00-4B	COVER, HANDLEBAR UPPER 1	1	UR BLACK
	4DY-F6143-00-P0	COVER, HANDLEBAR UPPER 1	1	UR BLUE
	4DY-F6143-00-P8	COVER, HANDLEBAR UPPER 1	1	UR RED
2	4DY-F6145-00	COVER, HANDLEBAR UPPER 2	1	UR BLUE
	4DY-F6145-10	COVER, HANDLEBAR UPPER 2	1	UR BLACK, RED
3	97707-50016	SCREW, TAPPING	4	
4	4DH-F6290-00	REAR VIEW MIRROR ASSY (RIGHT)	1	LM
5	4DH-F6280-00	REAR VIEW MIRROR ASSY (LEFT)	1	LM
6	90159-05028	SCREW, WITH WASHER	3	



4DY1414-3250

D-2

FIG. 26 GENERATOR



3XG4414-4280

REF.

NO.	PART NO.	DESCRIPTION	Q'TY	REMARKS
1	3XG-H5560-00	BASE ASSY	1	
2	3GF-H1403-V0	.STATORCOMP.	1	
3	3GF-H5580-V0	.COIL, PULSER	1	
4	93104-19097	.SEAL,OIL	1	
5	98501-05020	.SCREW,PAN HEAD (+)	2	
6	9850L-05010	.SCREW,PAN HEAD(+)	2	
7	98580-04008	.SCREW,PAN HEAD (+)	1	
8	92901-04100	.WASHER, SPRING	1	
9	4DY-H5550-00	ROTOR ASSY	1	
10	92907-10600	WASHER, PLATE	1	
11	90170-10219	NUT	1	
12	98507-06016	SCREW,PAN HEAD	2	

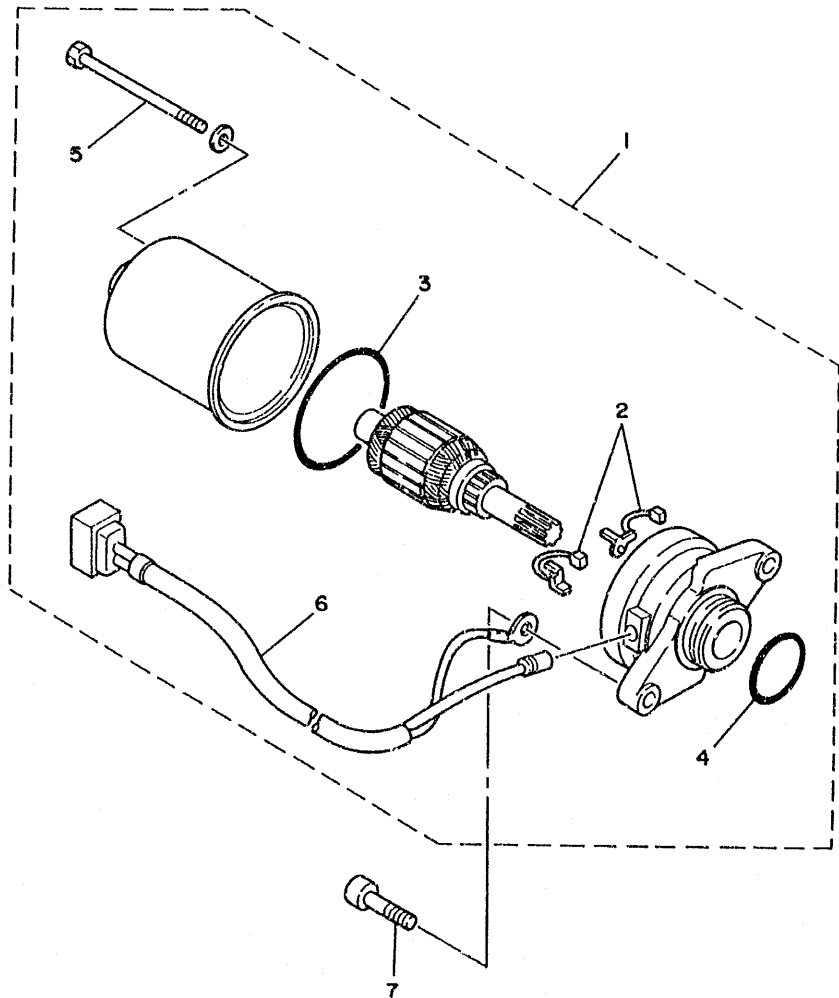


FIG. 27 STARTING MOTOR

REF.

NO.	PART NO.	DESCRIPTION	Q'TY	REMARKS
1	3XG-H1800-00	STARTING MOTOR ASSY	1	
2	3GF-H1801-V0	.BRUSH SET	1	
3	3GF-H181Y-V0	.GASKET, YOKE	1	
4	93210-23614	.O-RING	1	
5	98512-04010	.SCREW,PAN HEAD (+)	2	
6	3XG-H183G-V0	.CORD COMP.	1	
7	91318-06020	BOLT	2	



3NW1414-9290

D-4

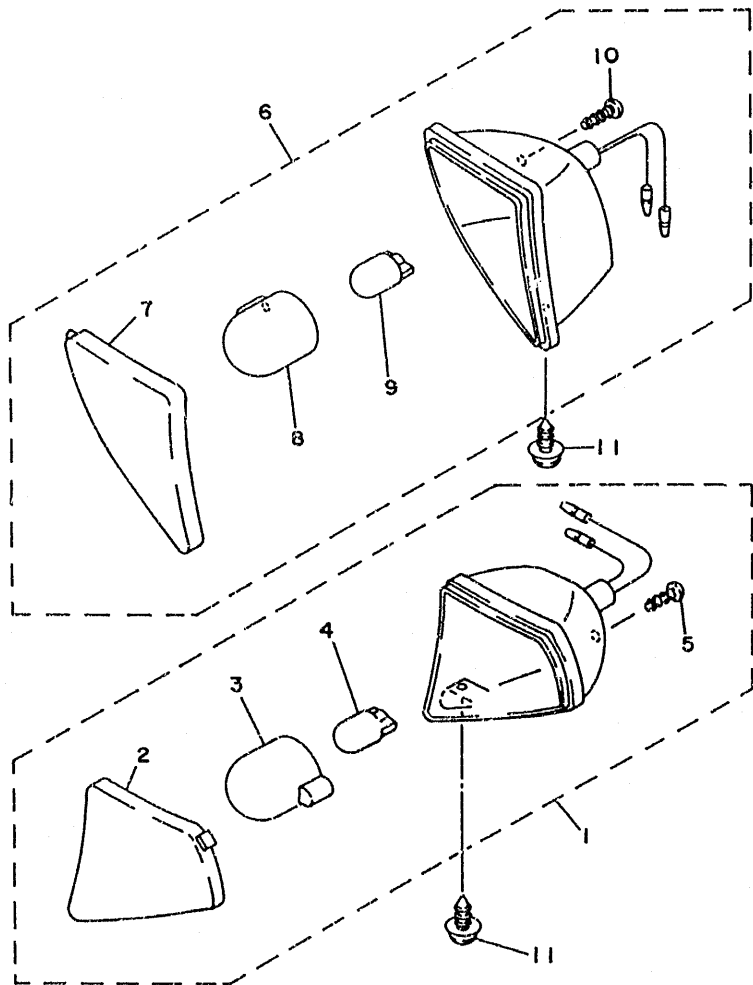


FIG. 28 FLASHER LIGHT

NO.	PART NO.	DESCRIPTION	Q'TY	REMARKS
1	4SD-H3310-00	FRONT FLASHER LIGHT ASSY 1	1	
2	4DY-H3312-10	.LENS, FLASHER	1	
	4DY-H3312-00	.LENS, FLASHER	1	AP
3	3NT-H333L-00	.LENS INNER	1	
4	3NT-H3331-VO	.BULB, FLASHER	1	
5	97707-30610	.SCREW, TAPPING	1	
6	4SD-H3320-00	FRONT FLASHER LIGHT ASSY 2	1	
7	4DY-H3322-10	.LENS, FLASHER 2	1	
	4DY-H3322-00	.LENS, FLASHER 2	1	AP
8	3NT-H333L-00	.LENS INNER	1	
9	3NT-H3331-VO	.BULB, FLASHER	1	
10	97707-30610	.SCREW, TAPPING	1	
11	90167-05806	SCREW TAPPING	2	

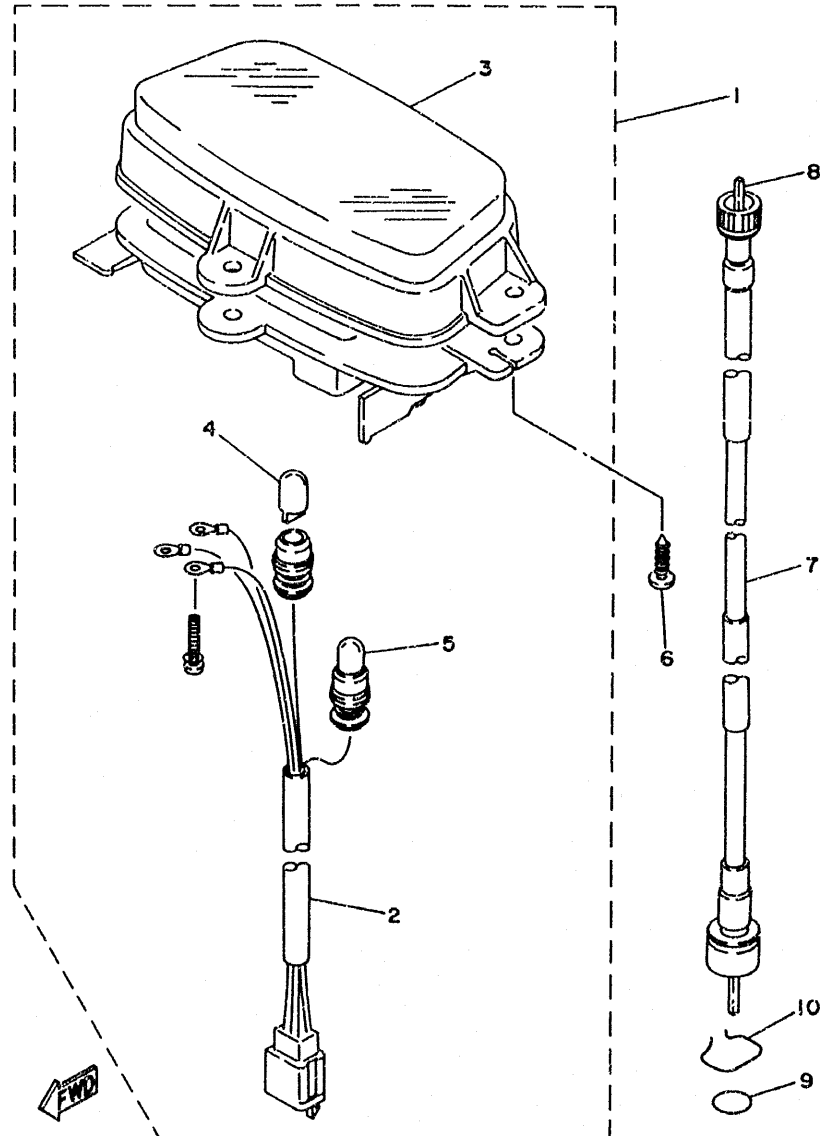
 4DY1414-3280

D-5

FIG. 29 METER

REF.

NO.	PART NO.	DESCRIPTION	Q'TY	REMARKS
1	4DY-H3510-10	SPEEDOMETER ASSY	1	
2	4DY-H3509-00	.SOCKET CORD ASSY	1	
3	4DY-H353K-00	.GLASS PLATE	1	
4	1MH-H3517-V0	.BULB	1	
5	1MH-H3517-V0	.BULB	1	
6	97707-50016	SCREW, TAPPING	3	
7	4DY-H3550-00	SPEEDOMETER CABLE ASSY	1	
8	4DY-H3551-00	.WIRE, SPEEDOMETER CABLE	1	
9	93210-14805	O-RING	1	
10	4X6-F5137-00	RING, STOP	1	



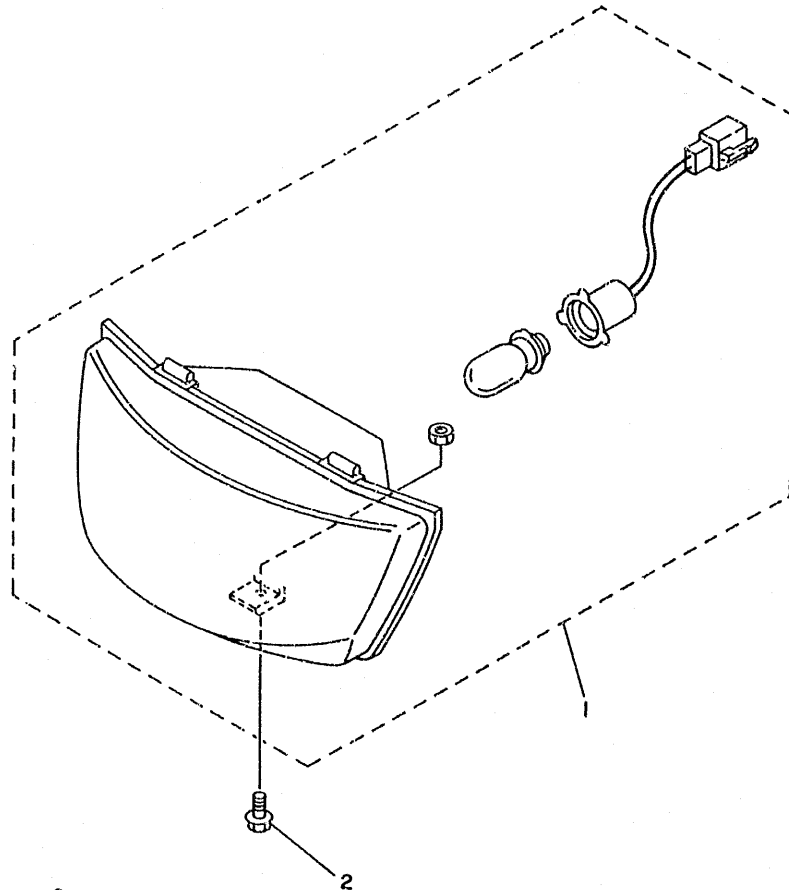
4DY1414-3290

D-6

FIG. 30 HEADLIGHT

REF.

NO.	PART NO.	DESCRIPTION	Q'TY	REMARKS
1	4SC-H4310-00	HEADLIGHT UNIT ASSY	1	LN
2	90149-05203	SCREW	1	



4SC1354-5320

D-7

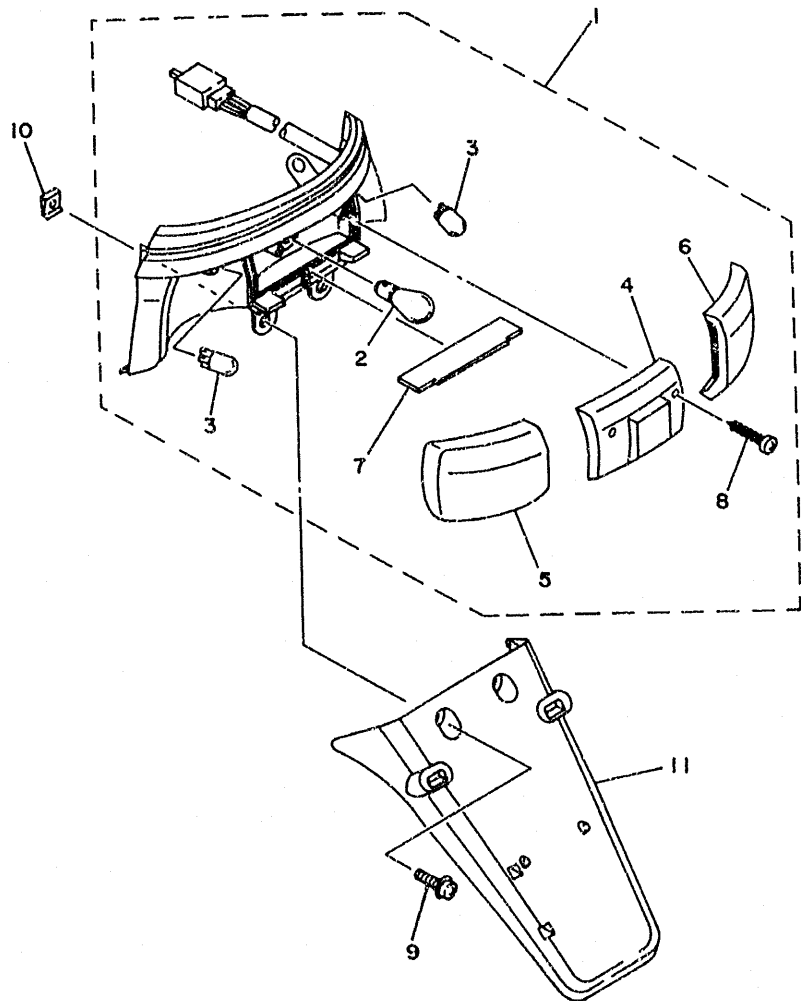


FIG. 31 TAILLIGHT

REF.

NO.	PART NO.	DESCRIPTION	Q'TY	REMARKS
1	4SD-H4700-00	TAILLIGHT ASSY	1	UR BLACK, RED
	4SD-H4700-10	TAILLIGHT ASSY	1	UR BLUE
2	1NT-H4714-V0	.BULB	1	
3	3XG-H3311-00	.BULB, FLASHER	2	
4	4DY-H4721-00	.LENS, TAILLIGHT	1	
5	4DY-H3332-20	.LENS, FLASHER	1	
	4DY-H3332-00	.LENS, FLASHER	1	AP
6	4DY-H3342-20	.LENS, FLASHER 2	1	
	4DY-H3342-00	.LENS, FLASHER 2	1	AP
7	4DY-H4743-00	.LENS, LICENCE LIGHT	1	
8	97707-40620	.SCREW, TAPPING	2	
9	97607-06220	.SCREW, W/WASHER	2	
10	90183-05807	NUT, SPRING	2	
11	4DY-H4751-00	BRACKET, LICENSE	1	



4DY1414-3310

D-8

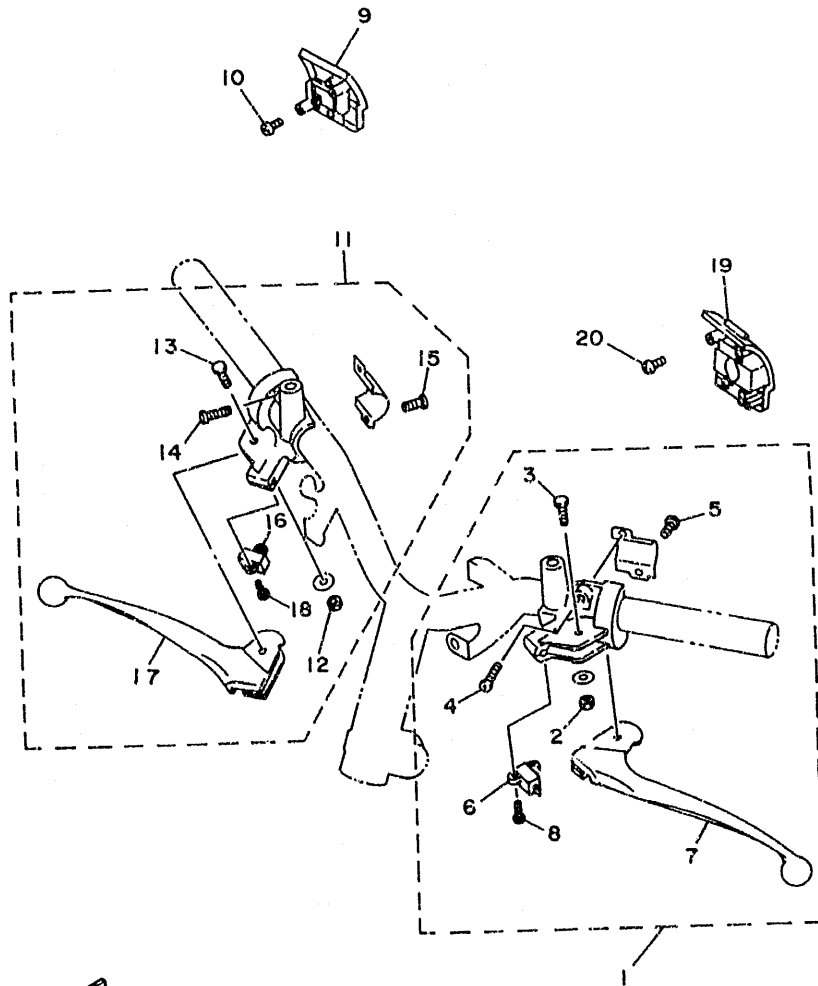


FIG. 32 HANDLE SWITCH. LEVER

REF.

NO.	PART NO.	DESCRIPTION	Q'TY	REMARKS
1	4DY-H2910-00	LEVER HOLDER ASSY (LEFT)	1	
2	95707-05300	.NUT, FLG	1	
3	97001-05020	.BOLT	1	
4	97801-05015	.SCREW, PAN HEAD (+-)	1	
5	97801-05015	.SCREW, PAN HEAD (+-)	1	
6	4DY-H3980-00	.FRONT STOP SWITCH ASSY	1	
7	1NT-H3912-00	.LEVER 1	1	
8	98701-03005	.SCREW, FLAT HEAD (+)	2	
9	4DY-H3963-00	SWITCH, HANDLE 3 (RIGHT)	1	
10	97707-40512	SCREW, TAPPING	2	
11	4DY-H2920-00	LEVER HOLDER ASSY (RIGHT)	1	
12	95707-05300	.NUT, FLG	1	
13	97001-05020	.BOLT	1	
14	97801-05015	.SCREW, PAN HEAD (+-)	1	
15	97801-05015	.SCREW, PAN HEAD (+-)	1	
16	4DY-H3980-00	.FRONT STOP SWITCH ASSY	1	
17	1NT-H3922-00	.LEVER 2	1	
18	98701-03005	.SCRFW, FLAT HEAD (+)	2	
19	4SD-H3975-00	SWITCH, HANDLE 2	1	
20	97707-40512	SCREW, TAPPING	2	



4DY1414-3320

D-9

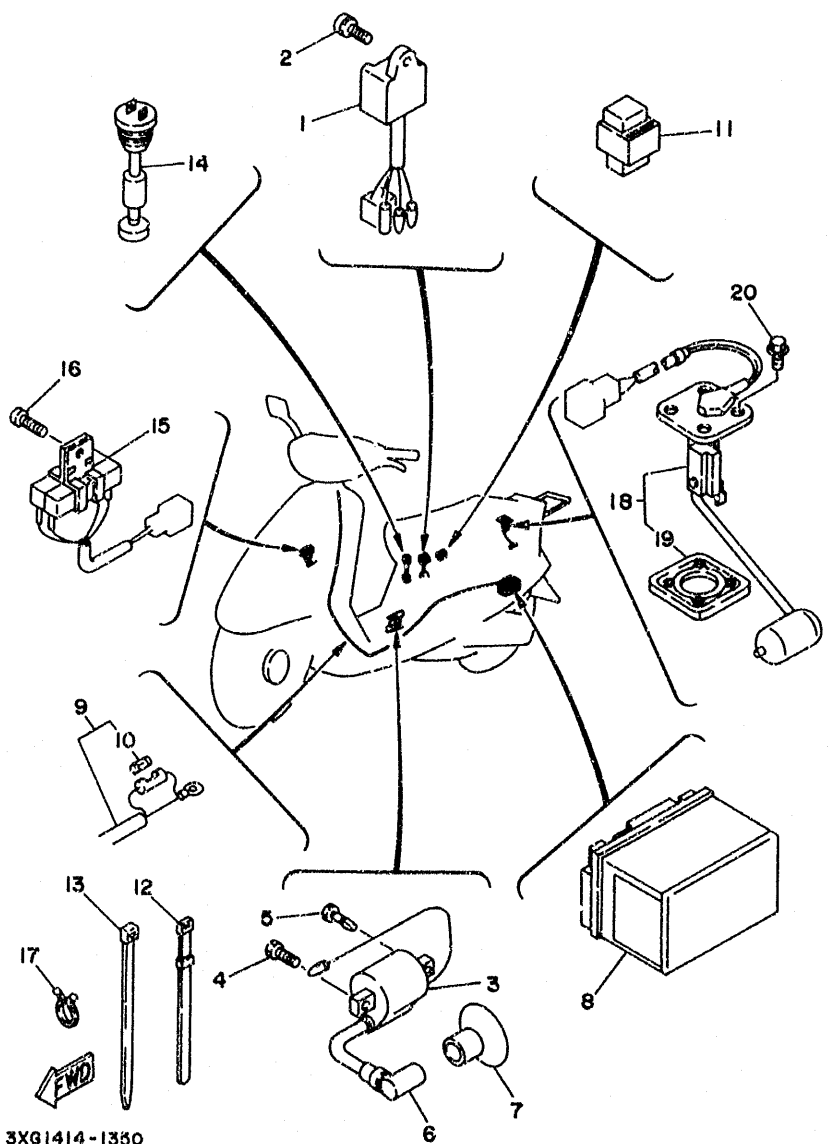
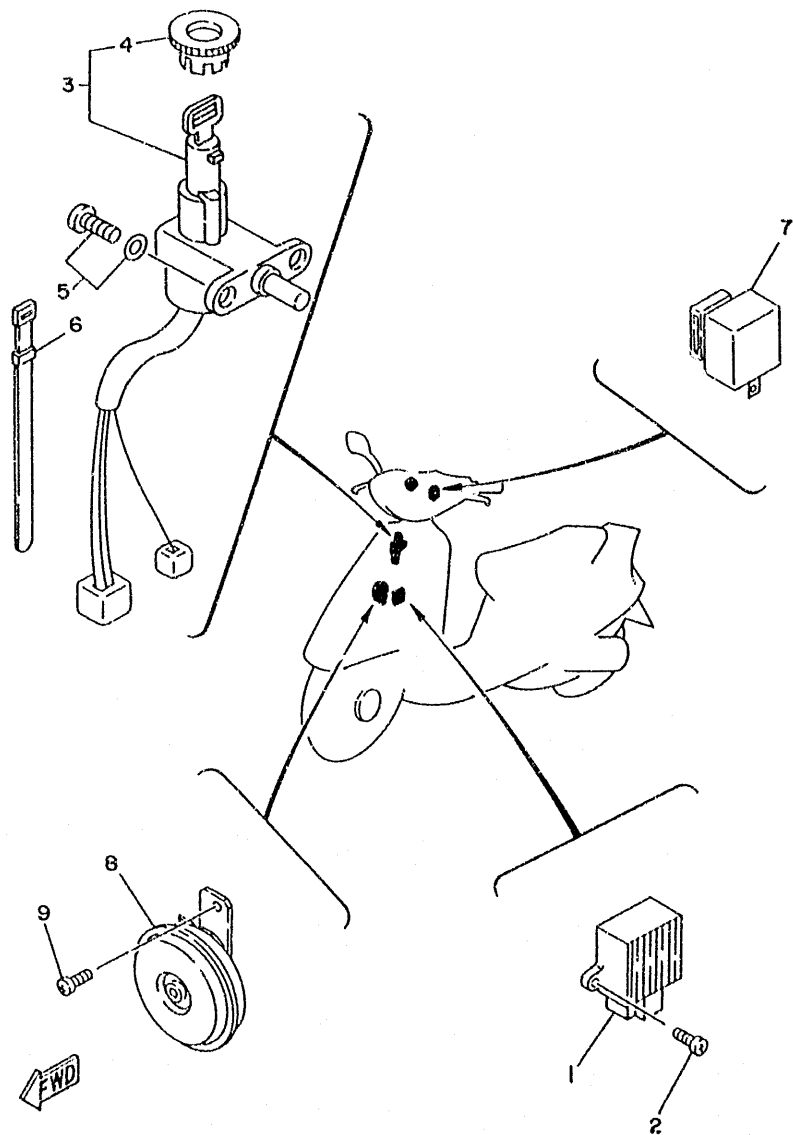


FIG. 33 ELECTRICAL 1

NO.	PART NO.	DESCRIPTION	Q'TY	REMARKS
1	3GF-H5540-00	C.D.I. UNIT ASSY	1	
2	90159-06056	SCREW, WITH WASHER	1	
3	4DY-H2310-00	IGNITION COIL, ASSY	1	
4	97007-06016	BOLT, HEX	1	
5	90153-06839	SCREW, HEXAGON	1	
6	3GF-H2370-00	PLUG CAP ASSY	1	
7	3GF-H2372-00	SEAL, PLUG CAP	1	
8	4SC-H2100-00	BATTERY ASSY	1	
9	4DY-H2590-00	WIRE HARNESS ASSY	1	
10	1NT-H2151-00	.FUSE	1	
11	1NT-H1940-00	STARTER RELAY ASSY	1	
12	31U-H3936-10	BAND, SWITCH CORD	2	
13	90465-13275	CLAMP	1	
14	4JL-H5720-00	OIL LEVEL GAUGE ASSY	1	
15	3GF-H5370-00	RESISTOR ASSY	1	
16	98507-06012	SCREW, PAN HEAD	1	
17	90465-18147	CLAMP	1	
18	4DY-X8575-00	SENDER ASSY	1	
19	53X-H5753-00	.GASKET, SENDER UNIT	1	
20	90119-05071	BOLT, WITH WASHER	4	

3XG1414-1350

D-10



4SC1354-5360

FIG. 34 ELECTRICAL 2

NO.	PART NO.	DESCRIPTION	Q'TY	REMARKS
1	3GF-H1960-00	RECTIFIER & REGULATOR ASSY	1	
2	98507-05012	SCREW,PAN HEAD	2	
3	4DY-H2501-00	MAIN SWITCH STEERING LOCK	1	
4	4DY-H2552-00	.CAP, SWITCH	1	
5	9760L-06212	SCREW,W/WASHER	2	
6	23Y-H3936-00	BAND, SWITCH CORD	1	
7	1MH-H3350-V0	FLASHER RELAY ASSY	1	
8	4FL-83371-01	HORN	1	
9	98507-06010	SCREW,PAN HEAD	1	

D-11

TEILE-NR.	REF NR.	TEILE-NR.	REF NR.	TEILE-NR.	REF NR.	TEILE-NR.	REF NR.	TEILE-NR.	REF NR.	TEILE-NR.	REF NR.
3XG-E1181-00	B- 2	3XG-E5620-00	B-11	4SD-F3126-00	C- 6	20A-F5115-00	C-10	4DY-H3980-00	D- 9	288-14161-00	B- 7
3XY-E1311-00	B- 2	3XG-E5630-00	B-11	4SD-F3136-00	C- 6	4SD-F5121-00-MA	C-10	4SC-H4310-00	D- 7	4FK-14301-15	B- 7
4SC-E1351-00	B- 2	3XG-E5650-00	B-11	4SD-F3141-00	C- 6	3XG-F513A-00	C-12	4SD-H4700-00	D- 8	3KJ-14312-30	B- 7
3XG-E1400-00	B- 3	3XG-E5659-00	B- 9	4SD-F3141-00	C- 7	4DY-F5135-00	C-10	4SD-H4700-10	D- 8	1YU-14331-00	B- 7
3XG-E1412-00	B- 3	23Y-E5673-02	B-11	3XG-F3145-00	C- 6	3N2-F5136-00	C-10	1NT-H4714-V0	D- 8	33A-14341-00	B- 7
3XG-E1422-00	B- 3	3XG-E7410-00	B-1A	3XG-F3145-00	C- 6	4X6-F5137-00	D- 6	4DY-H4721-00	D- 8	14T-14343-39	B- 7
3XY-E1601-00	B- 3	3XG-E7420-00	B-14	3XG-F3147-00	C- 6	4DY-F5138-00	C-10	4DY-H4743-00	D- 8	3KJ-14349-01	B- 7
4DY-E1631-19	B- 3	4SD-F1110-00-33	B-15	3XG-F3147-00	C- 7	4X6-F5149-00	C-10	4DY-H4751-00	D- 8	3KJ-14353-22	B- 7
4DY-E1631-29	B- 3	4DY-F1232-00	B-15	3XG-F3151-00	C- 6	1NT-F5155-00	C-10	3GF-H5370-00	D-10	14T-14384-00	B- 7
4DY-E1631-39	B- 3	4Y4-F139X-01	B-15	3XG-F3151-00	C- 7	1NT-F5159-00	C-10	3GF-H5540-00	D-10	1HV-14385-01	B- 7
23Y-E1633-00	B- 3	3XG-F1398-00	C- 9	3XG-F3153-00	C- 6	4DY-F5180-00-MA	C-10	4DY-H5550-00	D- 3	367-14386-00	B- 7
4Y4-E1651-00	B- 3	4DY-F1399-00	B-15	3XG-F3153-00	C- 6	3XG-F5181-00	C-10	3XG-H5560-00	D- 3	2JA-14392-00	B- 7
3XG-E2611-00	B- 4	4KX-F1410-00	B-15	4SD-F3154-00	C- 6	3XG-F5326-00	C-12	3GF-H5580-V0	D- 3	2JA-14397-00	B- 7
3XG-E2631-00	B- 4	20A-F1481-00	B-15	4SD-F3154-00	C- 6	4X6-F533A-01	C-10	4JL-H5720-00	D-10	4JP-14561-00	B- 7
3XG-E2651-01	B- 4	3XG-F1481-00	B-15	3XG-F3156-00	C- 6	3XG-F5336-00	C-10	53X-H5753-00	D-10	4FK-1490J-01	B- 7
4DM-E2653-01	B- 4	4SD-F1511-00-P0	C- 2	3XG-F3156-00	C- 6	3XG-F5336-00	C-12	3XG-W1441-10	B- 6	3WF-15538-00	B-11
3XG-E2658-00	B- 4	4SD-F1511-00-P1	C- 2	3XG-F3157-00	C- 6	3XG-F5351-00	C-12	4SC-W1442-00	B- 6	3GF-15570-10	B-11
4DY-E3100-00	B- 5	4SD-F1511-00-4B	C- 2	3XG-F3157-00	C- 6	4X6-F5351-00	C-10	4BX-W2536-00	C-10	3KJ-15657-00	B-13
3XG-E3342-00	B-11	3WN-F1524-00	C- 2	3XG-F3158-00	C- 6	3XG-F5355-00	C-12	4BX-W2536-00	C-12	3KJ-16111-00	B-12
3XG-E3555-01	B- 6	4SD-F1541-00	C- 7	3XG-F3158-00	C- 7	3XG-F5357-00	C-12	4SC-W2620-10	C-13	3YJ-16611-00	B-12
3XG-E3575-01	B- 6	4DY-F1552-00	C- 2	4SD-F3171-00	C- 6	3XG-F5390-00-MA	C-12	4DY-X2171-00-PC	C- 3	3YK-16620-00	B-12
4SC-E3621-00	B- 6	4DY-F171L-00	C- 3	4SD-F3171-00	C- 6	4DY-F6110-00	C-13	4DY-X2171-10-P0	C- 3	50W-16626-00	B-12
4SC-E4410-00	B- 6	4DY-F171L-40	C- 3	3XG-F3173-00	C- 6	4DY-F6143-00-P0	D- 2	4DY-X2171-90-4B	C- 3	3XY-17602-01	B-12
3XG-E4411-00	B- 6	4DY-F171M-00	C- 3	3XG-F3173-00	C- 7	4DY-F6143-00-P8	D- 2	4DY-X2172-00-PC	C- 3	3AA-17611-01	B-13
4SC-E4412-00	B- 6	4DY-F171M-40	C- 3	3XG-F3183-00	C- 6	4DY-F6143-00-4	D- 2	4DY-X2172-10-P0	C- 3	3XG-17620-01	B-12
3XY-E4437-00	B- 6	4DY-F172W-10	C- 3	3XG-F3183-00	C- 6	4DY-F6145-00	D- 2	4DY-X2172-90-4B	C- 3	3XG-17623-00	B-12
3XG-E4451-00	B- 6	4DY-F172W-20	C- 3	3XG-F3191-00	C- 7	4DY-F6145-10	D- 2	3XG-X2711-00	C-14	4DY-17632-00	B-12
3XG-E4452-00	B- 6	4SD-F173E-00	C- 3	3XG-F3192-00	C- 7	4DY-F6240-00	C-13	4DY-X2831-00-P8	C-15	3GF-17641-00	B-12
3XG-E4453-00	B- 6	4SD-F173E-00	C- 3	4SD-F3340-00	C- 7	1NT-F6241-00	C-13	4DY-X2831-10-P0	C-15	1NT-17653-00	B-12
4SD-E4610-00-9B	B- 8	4SD-F173E-10	C- 3	4DY-F3389-00	C- 2	4SC-F6260-00	C-13	4DY-X2831-30-4B	C-15	3GF-17660-02	B-12
3NT-E4613-00	B- 8	4SD-F173E-10	C- 3	3XG-F3416-00	C- 7	3XY-F6262-00	C-13	4DY-X8575-00	D-10	24G-17664-00	B-12
4SD-E4718-00	B- 8	4SD-F173E-20	C- 3	4SG-F4110-00-33	C- 8	4DH-F6280-00	D- 2	1YU-11681-00	B- 3	3GF-17670-01	B-12
3XG-E5111-00	B- 9	4SD-F173E-20	C- 3	4DY-F414A-00	C- 8	4DH-F6290-00	D- 2	3AA-13124-00	B- 5	3XG-17684-00	B-12
3XG-E5121-00	B- 9	4DY-F1731-00-PC	C- 3	4DY-F4311-00	C- 8	4DY-F6311-00	C-13	2GM-13178-00	B- 5	22F-23411-01	C- 7
1NT-E5128-00	B- 9	4DY-F1731-00-P0	C- 3	4DY-F4313-00	C- 8	4SC-F6312-00	C-13	1YU-13185-00	E- 5	22F-23412-01	C- 7
3XG-E5317-00	B- 9	4DY-F1731-00-4B	C- 3	4DY-F4500-00	C- 8	3XY-F6316-00	C-13	1YU-13187-00	B- 5	22F-23414-01	C- 7
4Y4-E5363-00	B- 9	4DY-F1751-01	C- 4	4DY-F4544-00	C- 8	4DY-F6321-00	C-13	1YU-13473-00	B- 5	3KJ-26329-00	B- 7
3XG-E5371-00	B- 9	4X6-F1771-01	C- 4	4SG-F4602-00	C- 8	4DY-F6341-00	C-13	1YU-13516-00	B- 5	4FL-83371-01	D-11
3XG-E5411-00-MA	B- 9	4DY-F2210-01	C- 5	4DY-F4705-00	C- 9	4DY-F6351-00	C-13	1YU-13577-00	B- 5	90101-06278	C-12
3XG-E5421-00	B- 9	4X6-F2216-00	B- 9	3XG-F4726-00	C- 9	3XG-F6393-00	C-13	3KJ-13610-00	B- 6	90101-06819	C-10
4SC-E5451-00	B- 9	4SD-F3100-00	C- 6	4DY-F473R-00	C- 9	4DY-F7481-00	C-14	3KJ-13613-00	B- 6	90102-10031	C- 5
4SC-E5461-00	B- 9	4SD-F3102-00	C- 6	4SD-F4730-00	C- 9	4DY-F7481-10	C-14	3KJ-13616-00	B- 6	90105-08121	C- 5
4SC-E5462-00	B-10	4SD-F3103-00	C- 6	4SD-F4730-10	C- 9	4DY-F8100-00	B-15	3KJ-1410A-10	B- 7	90105-08854	C- 9
3XG-E5512-00	B-11	4SD-F3110-00	C- 6	4DY-F4737-00	C- 9	4DY-F8300-00	C-15	3YJ-14103-00	B- 7	90105-10036	C-13
3XG-E5524-00	B-11	4SD-F3110-00	C- 6	4DY-F4747-00	C- 9	4DY-F8300-10	C-15	14T-14104-00	B- 7	90109-063F1	C- 9
3XG-E5532-00	B-11	3XG-F3111-00	C- 6	4DY-F475M-00	C- 9	4DY-F8339-00	C-15	4JP-14104-00	B- 7	90116-07827	B- 2
3XG-E5601-00	B-11	3XG-F3111-00	C- 7	4DY-F4842-00	C- 9	4DY-F8339-40	C-15	1HV-14147-00	B- 7	90119-05071	D-10

TEILE-NR.	REF NR.	TEILE-NR.	REF NR.	TEILE-NR.	REF NR.	TEILE-NR.	REF NR.	TEILE-NR.	REF NR.
90119-06802	C- 4	90267-48816	C- 2	92907-10600	D- 3	9570L-08500	C-12	9850L-06035	B- 9
90119-06814	C-14	90280-03017	B- 3	92995-06100	B- 7	9570L-10500	C- 5	9850L-06035	B- 9
90119-06821	C- 2	90380-15083	B-11	93101-20138	B- 3	95707-05300	D- 9	9850L-06065	B- 9
90149-05203	D- 7	90387-058G3	B-15	93102-17841	B-12	95707-05300	D- 9	98501-05020	D- 3
90149-06810	B- 8	90387-065X4	C-14	93102-20425	B- 3	95707-06500	C- 8	98507-05010	C-13
90153-06839	D-10	90387-068J5	B- 4	93102-22840	B-14	95707-06500	C- 9	98507-05012	D-11
90159-05028	D- 2	90387-068J5	B- 6	93102-40830	C-10	95807-06012	B-15	98507-05014	B- 5
90159-06056	D-10	90387-108G4	C-11	93104-07803	C-10	95807-06012	C- 2	98507-06010	B-12
90159-06064	C- 9	90387-13897	B-12	93104-19097	D- 3	95807-08016	B- 9	98507-06010	D-11
90159-06812	C-15	90387-156U0	B- 3	93106-20808	C-10	95817-08020	B- 8	98507-06012	B- 9
90159-06812	C-15	90430-08119	B- 9	93109-33052	B-12	95817-08030	B- 8	98507-06012	B-11
90167-03800	C-13	90445-052G4	B- 5	93210-06852	B-12	95821-10030	C- 7	98507-06012	D-10
90167-05025	C- 9	90445-07867	C- 8	93210-07890	C-12	95827-06012	C- 8	98507-06016	D- 3
90167-05055	C- 3	90445-09268	B- 5	93210-108B1	C-14	97001-05020	D- 9	9851?-04010	D- 4
90167-05806	D- 5	90446-11347	B- 9	93210-14805	B- 9	97001-05020	D- 9	98580-03006	B- 7
90170-10219	B-13	90465-13152	C-13	93210-14805	D- 6	97007-06016	D-10	98580-04008	D- 3
90170-10219	D- 3	90465-13275	D-10	93210-23614	D- 4	97017-06025	B-11	98580-04016	B- 7
90170-10317	B-12	90465-18147	D-10	93210-36549	B-12	9760L-06212	D-11	98580-05014	B- 7
90176-06065	C- 9	90467-08003	B- 5	93210-64893	B- 4	97607-03208	B- 6	98580-05016	B- 7
90179-06843	C-13	90467-09006	C- 8	93300-63813	B-12	97607-06112	C- 8	98701-03005	D- 9
90179-06843	C-13	90467-10008	C- 8	93306-003Y1	B-12	97607-06112	C- 8	98701-03005	D- 9
90179-07381	B- 2	90467-24140	B- 6	93306-003Y4	B- 9	97607-06220	B- 4	98980-06008	B- 8
90179-25033	C- 7	90468-02033	B- 5	93306-20006	B-14	97607-06220	D- 8	98980-06012	C- 2
90179-28415	B-12	90468-02033	B- 5	93306-20010	B-14	97607-06316	B- 4	99009-15400	B-11
90183-05807	C- 3	90468-12006	C- 5	93306-203X5	B-14	97707-30610	D- 5	99009-17400	B- 9
90183-05807	C-14	90468-12006	C-14	93306-20458	B- 3	97707-30610	D- 5	99009-17400	B-12
90183-05807	D- 8	90480-10468	B- 4	93306-300X4	C-10	97707-40512	D- 9	99009-19400	B- 5
90185-14814	C-12	90480-12053	C- 4	93310-210H0	B- 3	97707-40512	D- 9	99009-20400	C-10
90201-06412	B-12	90480-12497	B- 4	93310-255B7	B-11	97707-40620	D- 8	99530-10014	B- 9
90201-07076	C-10	90480-12497	B- 6	93310-416F7	B- 3	97707-50012	C- 3	99530-10014	B- 9
90201-08088	B-11	90501-08845	C- 8	93311-32261	B-14	97707-50012	C- 3	99530-12016	B- 9
90201-123K4	B-14	90501-29517	B-15	93315-108Y4	B-11	97707-50014	C-15		
90201-133M8	B-12	90501-405G5	B-12	93420-40802	B-14	97707-50016	C- 3		
90201-14740	C-12	90506-15260	C-10	93450-11120	B- 3	97707-50016	D- 2		
90201-155G5	B-11	90506-15260	C-12	93450-28813	B-14	97707-50016	C-15		
90201-17255	C-12	90506-32464	C-14	93503-16003	C- 7	97707-50016	D- 6		
90201-20269	C-10	90508-26839	C-10	93603-12827	B- 5	97707-50125	B- 6		
90201-55890	B-11	90508-32609	B-11	93900-00805	C-10	97707-60540	B- 4		
90202-05187	B- 8	90560-06366	C- 8	93900-00805	C-12	97801-05015	D- 9		
90202-10120	C-14	90560-10103	C-10	94109-108H7	C-10	97801-05015	D- 9		
90208-10012	B-13	91A11-07039	C- 8	94109-108H7	C-12	97801-05015	D- 9		
90208-12049	B-14	9131L-08025	C- 6	94701-00264	B- 2	97801-05015	D- 9		
90214-13055	B-13	9131L-08025	C- 7	9530L-06600	C-10	9850L-05010	D- 3		
90240-10132	C-14	91318-06020	B- 6	9560L-10200	C-11	9850L-06020	B- 9		
90241-10015	C- 9	91318-06020	D- 4	9560L-12200	B-15	9850L-06025	B- 9		
90249-12008	C-13	92901-04100	B- 7	9561L-10100	B-15	9850L-06035	B- 9		
90249-12008	C-13	92901-04100	D- 3	95617-10200	C-13				