

CONTENTS

ENGINE

Cylinder	B2
Crankshaft Piston	B3
Air Shroud. Fan	B4
Oil Pump	B5
Intake	B6
Carburetor	B7
Exhaust	B8
Crankcase	B9-B10
Starter	B11
Clutch	B12-B13
Transmission	B14

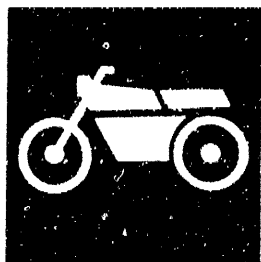
ENGINE

Frame	B15
Front Fender	C2
Side Cover	C3
Oil Tank	C4
Rear Suspension	C5
Front Fork	C6-C7
Fuel Tank	C8
Seat	C9
Front Wheel	C10
Front Brake Caliper	C11
Rear Wheel	C12
Steering Handle. Cable	C13
Front Master Cylinder	C14
Stand. Footrest	C-15

Leg Shield	D-2
Cowling 1	D-3
Generator	D4
Starting Motor	D5
Flasher Light	D6
Meter	D7
Headlight	D8
Taillight	D9
Handle Switch. Lever	D10
Electrical 1	D11
Electrical 2	D12

INDEX

Numerical Index	E1-E-2
-----------------------	--------



YAMAHA

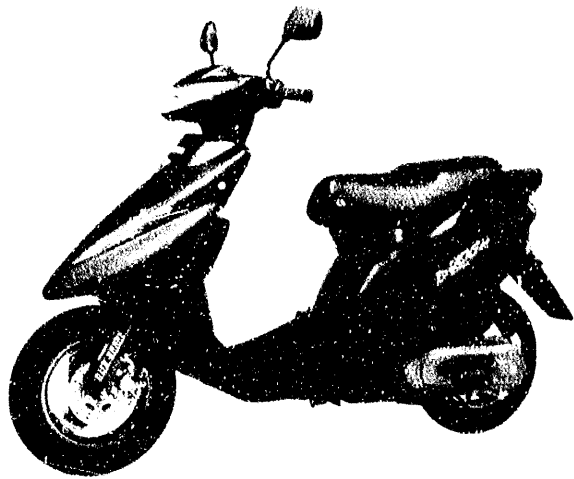
PARTS CATALOGUE

YA50ZA (4SC1)

ITALY

254SC-354E1

Picture for reference only. Please
to see the actual bicycle.



BLACK



RED

FOREWORD

This Parts Catalogue is related to the parts for the model(s) in the below frame. When you are ordering replacement parts, please refer to this Parts Catalogue and quote both part numbers and part names correctly.

YA50ZA (4SC1)

1. Modifications or additions which have been made after issue of the Parts Catalogue will be announced in the Yamaha Parts News.

It is advisable that you make necessary corrections to the Parts Catalogue according to the Yamaha Parts News.

2. Abbreviations

The following abbreviations are used in this Parts Catalogue.

- *UR* Use specified parts number.
- *UN* Use as many as needed.
- *AP* Alternate Parts
- *LM* Local Made (Parts need to be ordered locally)
- *F#* Frame No. (Applicable machine No.)

3. Parts, which are to be supplied in an assembly, are listed with a dot (.) in front of the part name as shown below.

EXAMPLE CARBURETOR ASSY
 .JET, PILOT
 .NOZZLE, MAIN

4. Number of component for assembly

The numeral appearing to the right of each component part indicates the quantity of parts for each assembly unit.

EXAMPLE

PART NO.	DESCRIPTION	QTY	REMARKS
2F5 83310 60	FRONT FLASHER LIGHT ASSY	2	
115 83311 60	.BULB (6V-18W)	1	
1M1 83309 60	REFLECTOR	1	

5. Applicable colors of graphics are represented in the "REMARKS" as shown below.

EXAMPLE

PART NO.	DESCRIPTION	QTY	REMARKS
2N4 24110 00 X5	FUEL TANK COMP	1	MAXIM RED
3J1 24240 10	.GRAPHIC, FUEL TANK	1	for MXR

6. Applicable Serial No. and Color Code.

4SC1	Frame Serial No.	YMT*4SC-000101* -
	Engine Serial No.	YMT*4SC-000101* -

7. Note that the illustrations are for reference in finding parts numbers, not to be used for assembling. When assembling, please use the applicable service manual.

8. The asterisk (*) before a reference number indicates modification items after the first edition.

CONTENTS

ENGINE

Cylinder	B2
Crankshaft Piston	B3
Air Shroud. Fan	B4
Oil Pump	B5
Intake	B6
Carburetor	B7
Exhaust	B8
Crankcase	B9~B10
Starter	B11
Clutch	B12~B13
Transmission	B14

ENGINE

Frame	B15
Front Fender.....	C2
Side Cover	C3
Oil Tank	C4
Rear Suspension	C5
Front Fork.....	C6~C7
Fuel Tank.....	C8
Seat.....	C9
Front Wheel.....	C10
Front Brake Caliper	C11
Rear Wheel	C12
Steering Handle. Cable	C13
Front Master Cylinder.....	C14
Stand. Footrest.....	C-15

Leg Shield	D-2
Cowling 1	D-3
Generator	D4
Starting Motor.....	D5
Flasher Light.....	D6
Meter	D7
Headlight	D8
Taillight	D9
Handle Switch. Lever	D10
Electrical 1	D11
Electrical 2	D12

INDEX

Numerical Index	E1~E-2
-----------------------	--------

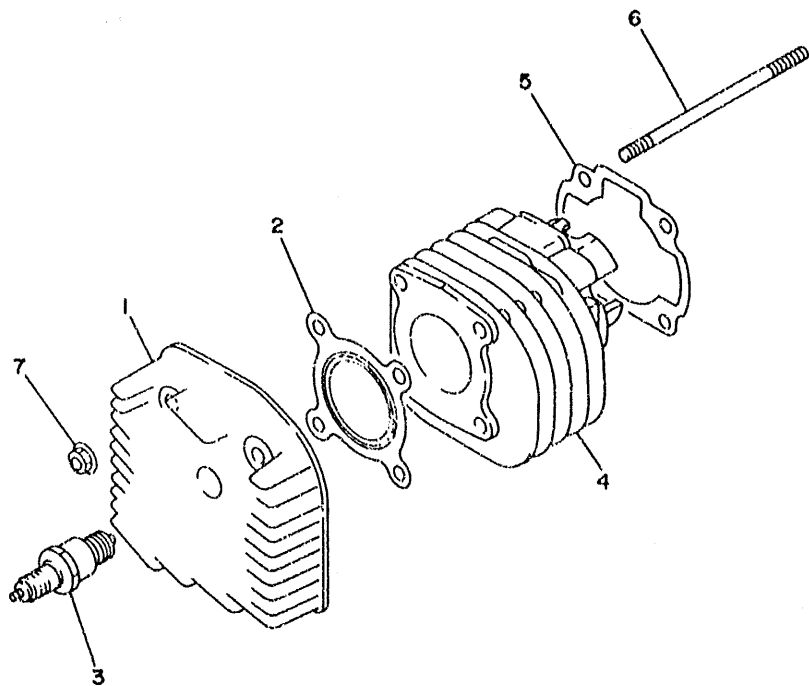


FIG. 1 CYLINDER

REF.

NO.	PART NO.	DESCRIPTION	Q'TY	REMARKS
1	4DY-E1111-01	HEAD, CYLINDER 1	1	
2	3XG-E1181-00	GASKET, CYLINDER HEAD 1	1	
3	94701-00264	PLUG, SPARK (NGK BP7HS)	1	
4	3XY-E1311-00	CYLINDER 1	1	
5	4SC-E1351-00	GASKET, CYLINDER	1	
6	90116-07827	BOLT, STUD	4	
7	90179-07381	NUT	4	



4SC1354-5010

B-2

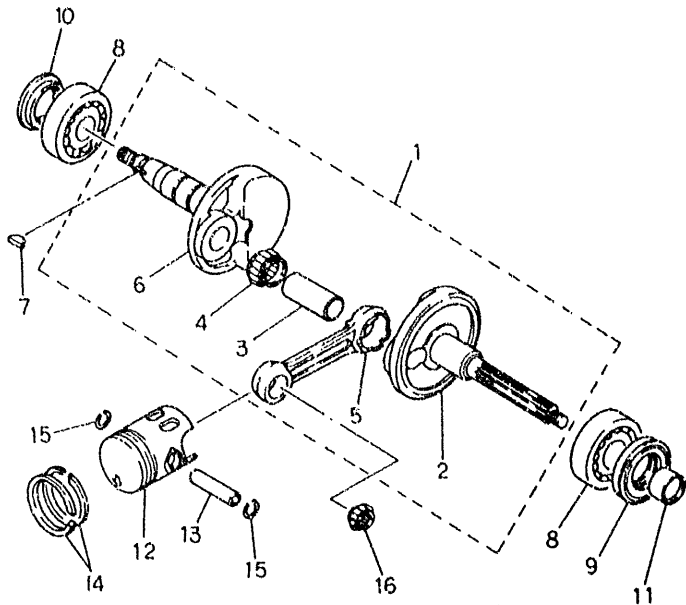


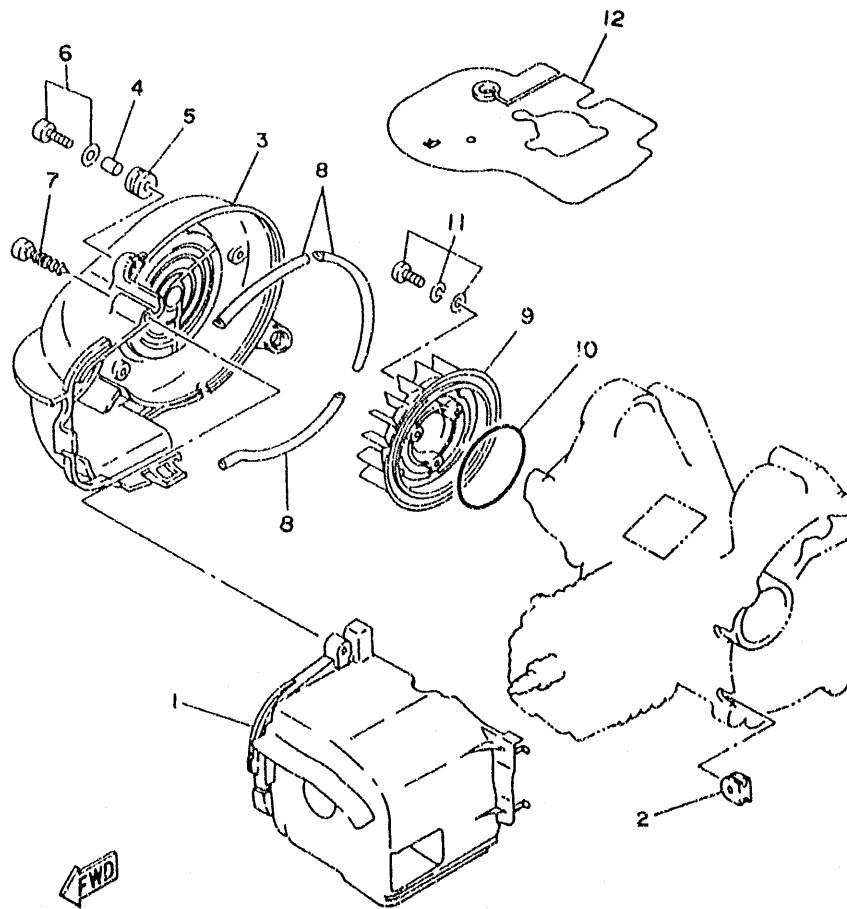
FIG. 2 CRANKSHAFT. PISTON

NO.	PART NO.	DESCRIPTION	Q'TY	REMARKS
1	3XG-E1400-00	CRANKSHAFT ASSY	1	
2	3XG-E1412-00	.CRANK 1	1	
3	1YU-11681-00	.PIN, CRANK 1	1	
4	93310-416F7	.BRG.	1	
5	4Y4-E1651-00	.ROD, CONNECTING	1	
6	3XG-E1422-00	.CRANK 2	1	
7	90280-03017	KEY, WOODRUFF	1	
8	93306-20458	BRG.	2	
9	93102-20425	SEAL, OIL	1	
10	93101-20138	SEAL, OIL	1	
11	90387-15600	COLLAR	1	
12	4DY-E1631-19	PISTON (STD)	1	
	4DY-E1631-29	PISTON (STD)	1	
	4DY-E1631-39	PISTON (STD)	1	
13	23Y-E1633-00	PIN, PISTON	1	
14	3XY-E1601-00	PISTON RING SET	1	
15	93450-11120	CIRCLIP	2	
16	93310-210M0	BRG.	1	



3XG4414-4020

B-3

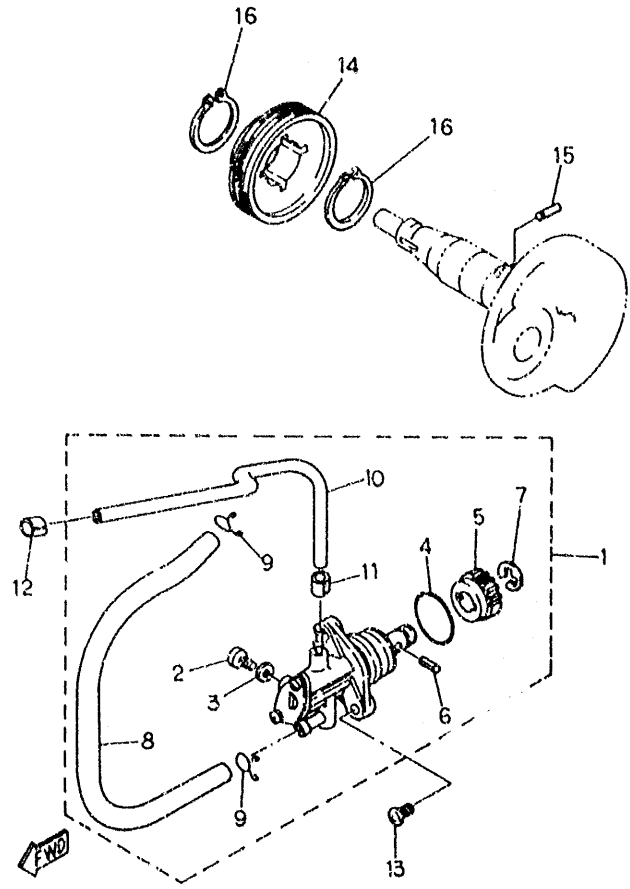


4SC1354-5030

B-4

FIG. 3 AIR SHROUD, FAN

NO.	PART NO.	DESCRIPTION	Q'TY	REMARKS
1	3XG-E2651-01	AIR SHROUD, CYLINDER 1	1	
2	90480-10468	GROMMET	2	
3	4DM-E2653-01	AIR SHROUD, CYLINDER 3	1	
4	90387-068J5	COLLAR	2	
5	90480-12497	GROMMET	2	
6	97607-06220	SCREW, W/WASHER	2	
7	97707-60540	SCREW, TAPPING	1	
8	3XG-E2658-00	DAMPER, AIR SHROUD 1	3	
9	3XG-E2611-00	FAN	1	
10	93210-64893	O-RING	1	
11	97607-06316	SCREW, W/WASHER	3	
12	3XG-E2631-00	DEFLECTOR 1	1	



3XG4414-4040

FIG. 4 OIL PUMP

REF.

NO.	PART NO.	DESCRIPTION	Q'TY	REMARKS
1	4DY-E3100-00	OIL PUMP ASSY	1	
2	1YU-13185-00	.BOLT, BREATHER	1	
3	1YU-13187-00	.GASKET, BREATHER BOLT	1	
4	1YU-13473-00	.O-RING	1	
5	3AA-13124-00	.GEAR, WORM WHEEL	1	
6	1YU-13516-00	.PIN, DOWEL	1	
7	1YU-13577-00	.CLIP	1	
8	90445-09268	.HOSE	1	
9	90467-08003	.CLIP	2	
10	90445-052G4	.HOSE	1	
11	90468-02033	.CLIP	1	
12	90468-02033	CLIP	1	
13	98507-05014	SCREW, PAN HEAD	2	
14	2GM-13178-00	GEAR, PUMP DRIVE	1	
15	93603-12827	PIN DOWEL	1	
16	99009-19400	CIRCLIP	2	

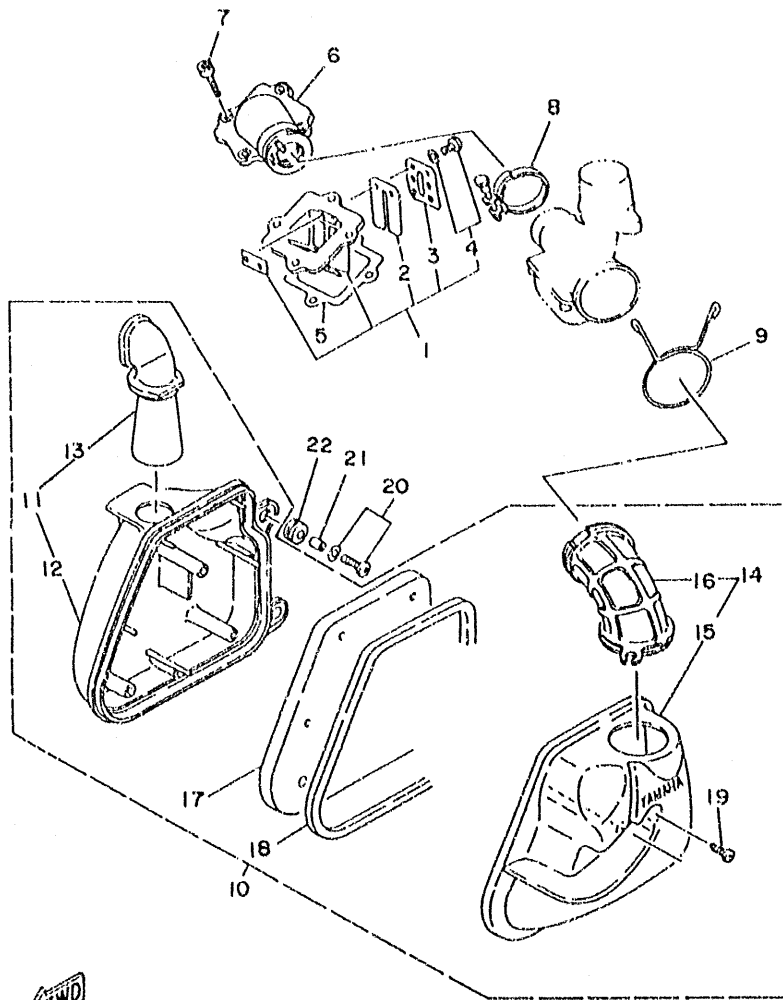


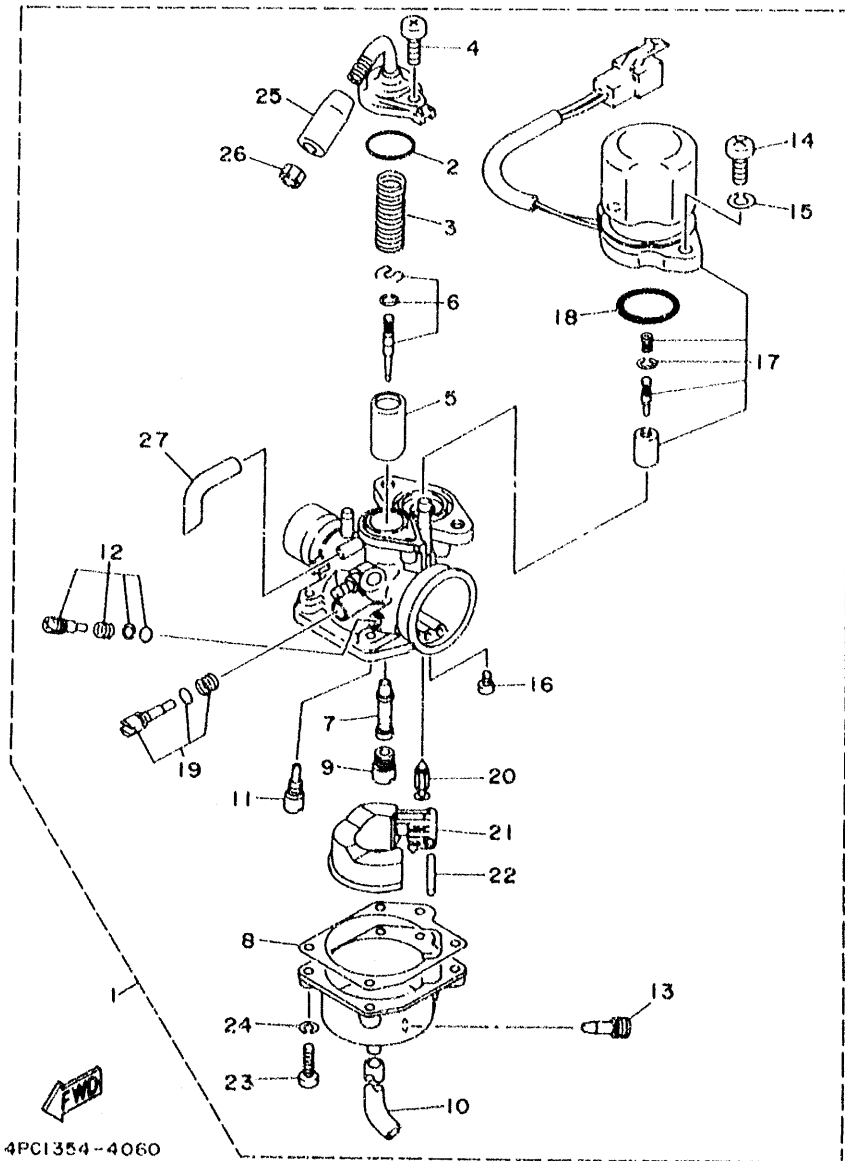
FIG. 5 INTAKE

REF.

NO.	PART NO.	DESCRIPTION	Q'TY	REMARKS
1	3KJ-13610-00	REED VALVE ASSY	1	
2	3KJ-13613-00	.REED, VALVE	2	
3	3KJ-13616-00	.STOPPER, REED VALVE	2	
4	97607-03208	.SCREW,W/WASHER	4	
5	4SC-E3621-00	GASKET, VALVE SEAT	1	
6	3XG-E3555-01	MANIFOLD, INTAKE	1	
7	91318-06020	BOLT	4	
8	3XG-E3575-01	BAND	1	
9	90467-24140	CLIP	1	
10	4SC-E4410-00	AIR CLEANER ASSY.	1	
11	3XG-W1441-10	.AIR CLEANER CASE COMP.	1	
12	3XG-E4411-00	..CASE, AIR CLEANER 1	1	
13	3XY-E4437-00	..DUCT	1	
14	4SC-W1442-00	.AIR CLEANER CASE COMP	1	
15	4SC-E4412-00	..CAP, CLEANER CASE 1	1	
16	3XG-E4453-00	..JOINT, AIR CLEANER 1	1	
17	3XG-E4451-00	.ELEMENT, AIR CLEANER	1	
18	3XG-E4452-00	.SEAL	1	
19	97707-50125	.SCREW,TAPPING	3	
20	97607-06220	SCREW,W/WASHER	2	
21	90387-068J5	COLLAR	2	
22	90480-12497	GROMMET	2	

4SC1354--5050

B-6



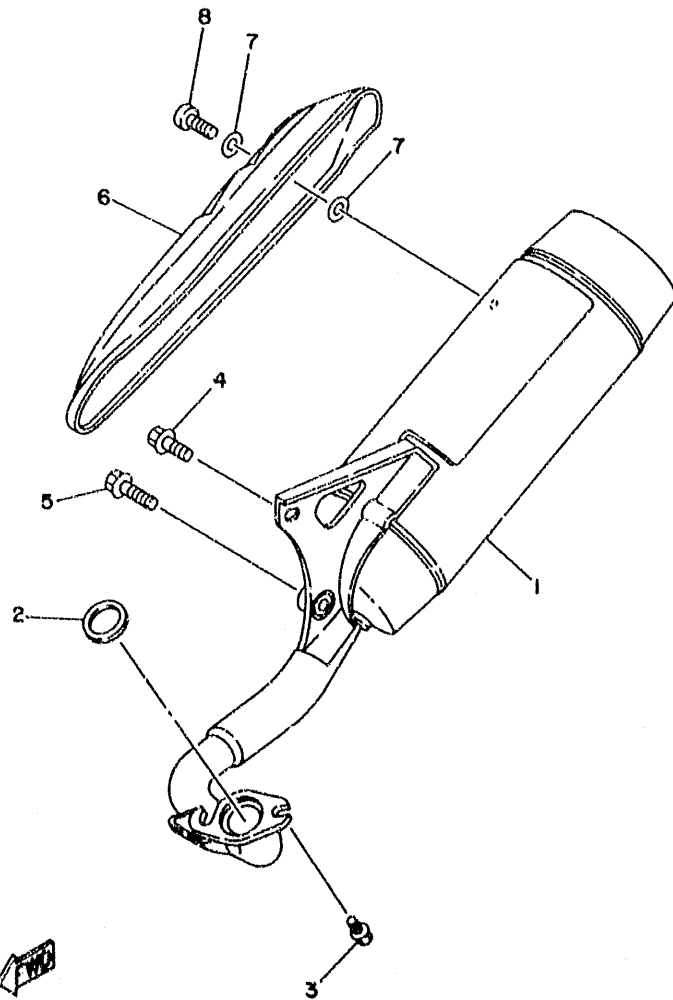
4PCI354-4060

B-7

FIG. 6 CARBURETOR

REF.

NO.	PART NO.	DESCRIPTION	Q'TY	REMARKS
1	4FK-14301-15	CARBURETOR ASSY 1	1	
2	4JP-14561-00	.O-RING	1	
3	1YU-14331-00	.SPRING, THROTTLE VALVE	1	
4	98580-05014	.SCREW, PAN HEAD (+)	1	
5	3KJ-14312-30	.VALVE, THROTTLE 1	1	
6	4FX-1490J-01	.NEEDLE SET	1	
7	33A-14341-00	.NOZZLE, MAIN	1	
8	14T-14384-00	.GASKET, FLOAT CHAMBER	1	
9	14T-14343-39	.JET, MAIN	1	
10	3KJ-14349-01	.PIPE	1	
11	3KJ-14353-22	.JET, PILOT	1	
12	4JP-14104-00	.AIR SCREW SET	1	
13	14T-14104-00	.AIR SCREW SET	1	
14	98580-06016	.SCREW, PAN HEAD (+)	2	
15	92995-06100	.WASHER	2	
16	98580-03006	.SCREW, PAN HEAD (+)	1	
17	3KJ-1410A-10	.STARTER SET	1	
18	1HV-14147-00	.O-RING	1	
19	3YJ-14103-00	.THROTTLE SCREW SET	1	
20	2JA-14392-00	.VALVE, NEEDLE	1	
21	1HV-14385-01	.FLOAT	1	
22	367-14386-00	.PIN, FLOAT	1	
23	98580-04016	.SCREW, PAN HEAD (+)	4	
24	92901-04100	.WASHER, SPRING	4	
25	3KJ-26329-00	.CAP, RUBBER	1	
26	288-14161-00	.NUT, CABLE ADJUSTING	1	
27	2JA-14397-00	.PIPE	1	



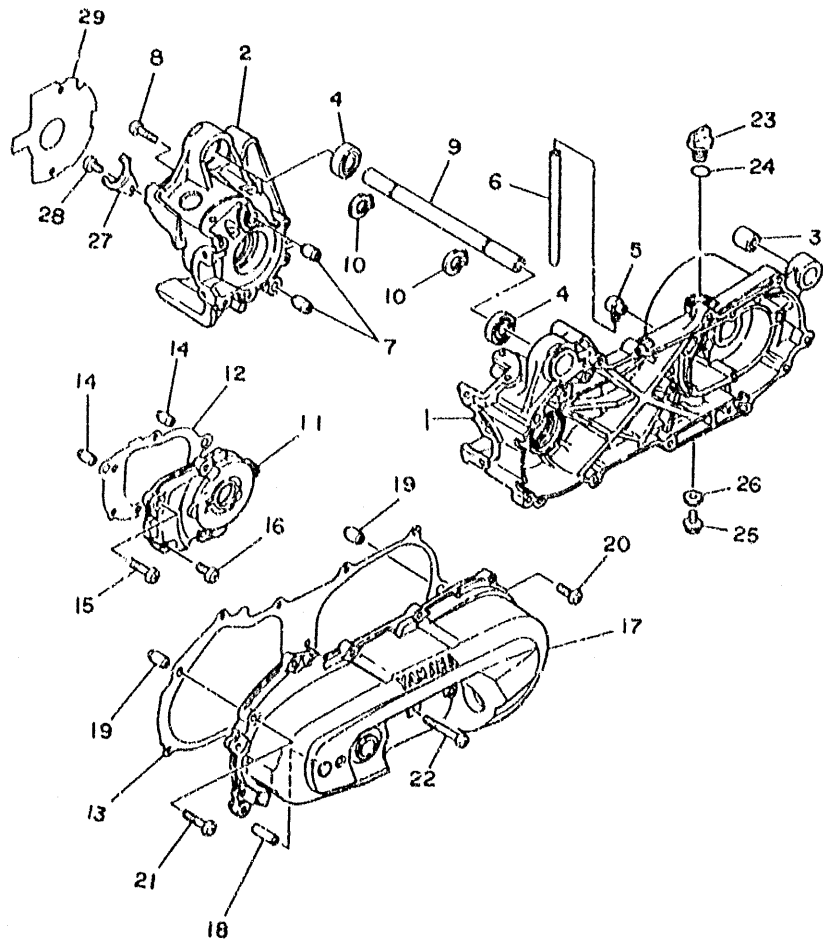
3XG1414-1070

FIG. 7 EXHAUST

REF.

NO.	PART NO.	DESCRIPTION	Q'TY	REMARKS
1	4SC-E4610-00	EXHAUST PIPE ASSY 1	1	
2	3NT-E4613-00	GASKET, EXHAUST PIPE	1	
3	90149-06810	SCREW	2	
4	95817-08020	BOLT, FLG	1	
5	95817-08030	BOLT, FLG	1	
6	3XG-E4718-00	PROTECTOR, MUFFLER 1	1	
7	90202-05187	WASHER, PLATE	4	
8	98980-06008	SCREW, BINDING HEAD (+)	2	

B-8



4SC1354-5080

B-9

FIG. 8 CRANKCASE

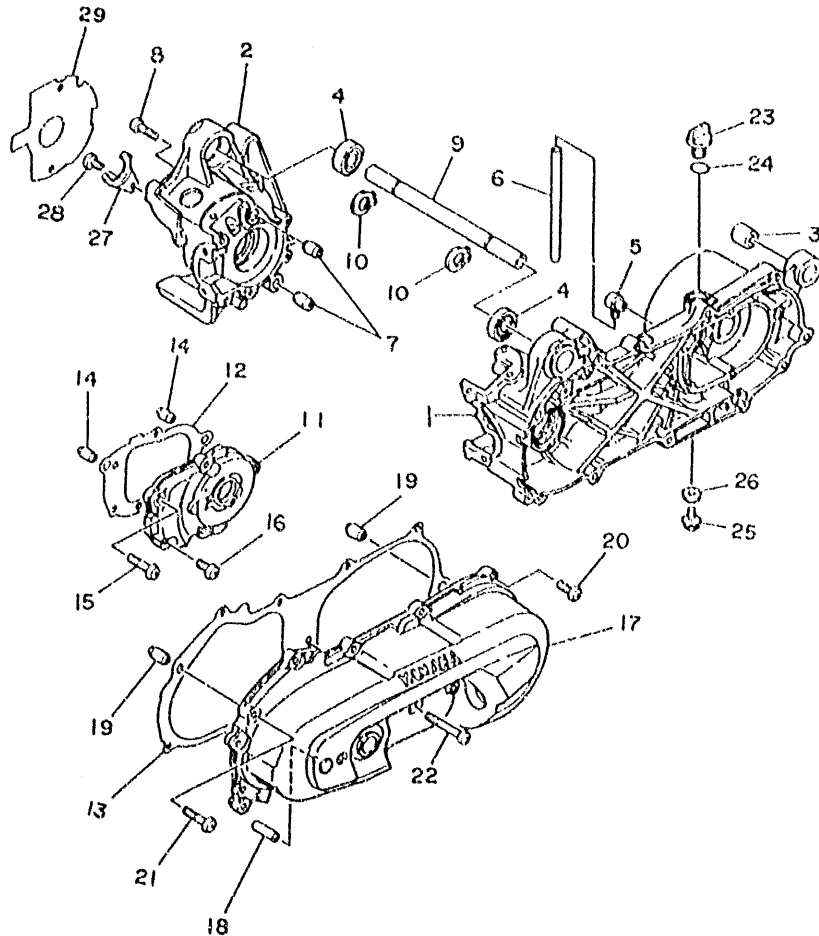
REF.

NO.	PART NO.	DESCRIPTION	Q'TY	REMARKS
1	3XG-E5111-00	CRANKCASE 1	1	
2	3XG-E5121-00	CRANKCASE 2	1	
3	4X6-F2216-00	BUSH, REAR SHOCK ABSORBER	1	
4	93306-003Y4	BRG.	2	
5	3XG-E5371-00	BREATHER	1	
6	90446-11347	HOSE	1	
7	99530-12016	PIN, DOWEL	2	
8	9850L-06035	SCREW, PAN HEAD(+)	6	
9	3XG-E5317-00	SPACER, ENGINE MOUNT	1	
10	99009-17400	CIRCLIP	2	
11	3XG-E5421-00	COVER, CRANKCASE 2	1	
12	4SC-E5461-00	GASKET, CRANKCASE COVER 2	1	
13	4SC-E5451-00	GASKET, CRANKCASE COVER 1	1	
14	99530-10014	PIN, DOWEL	2	
15	9850L-06035	SCREW, PAN HEAD(+)	2	
16	9850L-06020	SCREW, PAN HEAD(+)	3	
17	3XG-E5411-00-MA	COVER, CRANKCASE 1	1	TITANIC GRAY METALLIC
18	3XG-E5659-00	SHAFT	1	
19	99530-10014	PIN, DOWEL	2	
20	9850L-06025	SCREW, PAN HEAD(+)	8	
21	9850L-06035	SCREW, PAN HEAD(+)	2	
22	9850L-06065	SCREW, PAN HEAD(+)	1	
23	4Y4-E5363-00	PLUG, OIL	1	
24	93210-14805	O-RING	1	
25	95807-08016	BOLT, FLG	1	
26	90430-08119	GASKET	1	
27	1NT-E5128-00	HOLDER	1	
28	98507-06012	SCREW, PAN HEAD	1	

FIG. 8 CRANKCASE

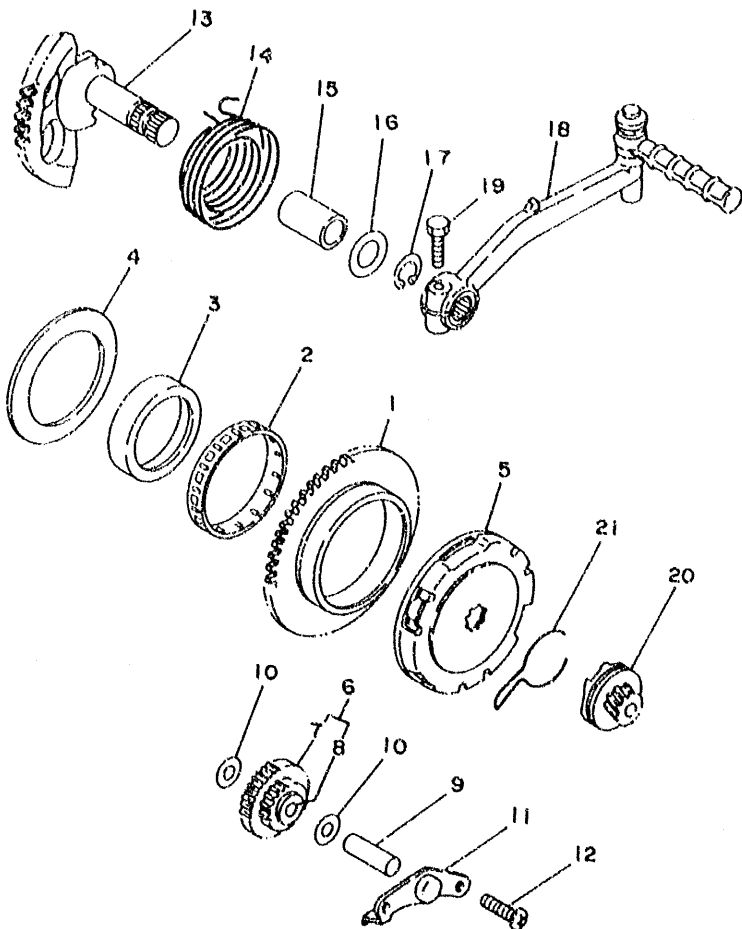
REF.

NO.	PART NO.	DESCRIPTION	Q'TY	REMARKS
29	4SC-E5462-C0	GASKET, CRANKCASE COVER 3	1	



4SC1354-5080

B-10

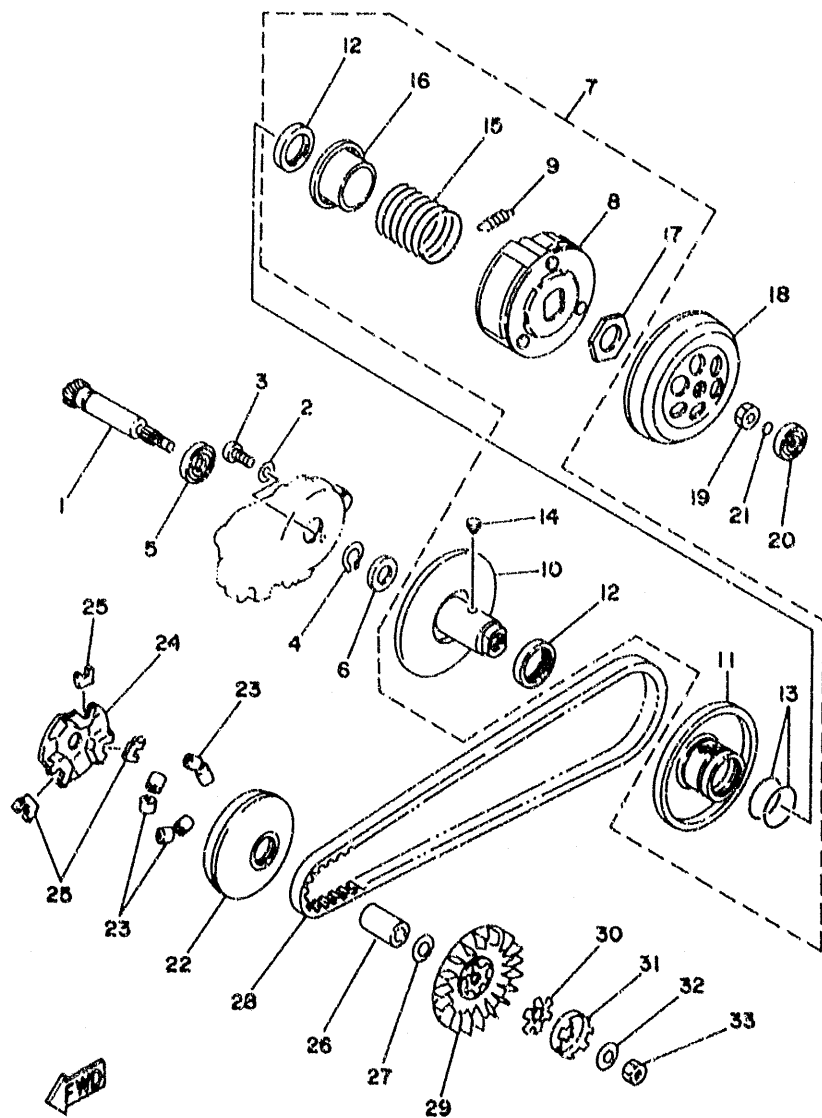


3XG2414-4090

FIG. 9 STARTER
REF.

NO.	PART NO.	DESCRIPTION	Q'TY	REMARKS
1	3XG-E5524-00	WHEEL, STARTER	1	
2	93310-255B7	BRG.	1	
3	3WF-15538-00	BOSS, GEAR 2	1	
4	90201-55890	WASHER, PLATE	1	
5	3GF-15570-10	STARTER CLUTCH ASSY	1	
6	3XG-E5650-00	IDLE GEAR ASSY	1	
7	3XG-E5512-00	.GEAR, IDLER 1	1	
8	93315-108Y4	.BRG.	1	
9	3XG-E3342-00	SHAFT, IDLE GEAR	1	
10	90201-08088	WASHER, PLATE	2	
11	3XG-E5532-00	PLATE, IDLE GEAR	1	
12	98507-06012	SCREW, PAN HEAD	2	
13	3XG-E5601-00	KICK SHAFT ASSY	1	
14	90508-32609	SPRING, TORSION	1	
15	90380-15083	BUSH, SOLID	1	
16	90201-155G5	WASHER, PLATE	1	
17	99009-15400	CIRCLIP	1	
18	3XG-E5620-00	KICK CRANK ASSY	1	
19	97017-06025	BOLT, HEX	1	
20	3XG-E5630-00	KICK PINION ASSY	1	
21	23Y-E5673-02	CLIP	1	

B-11



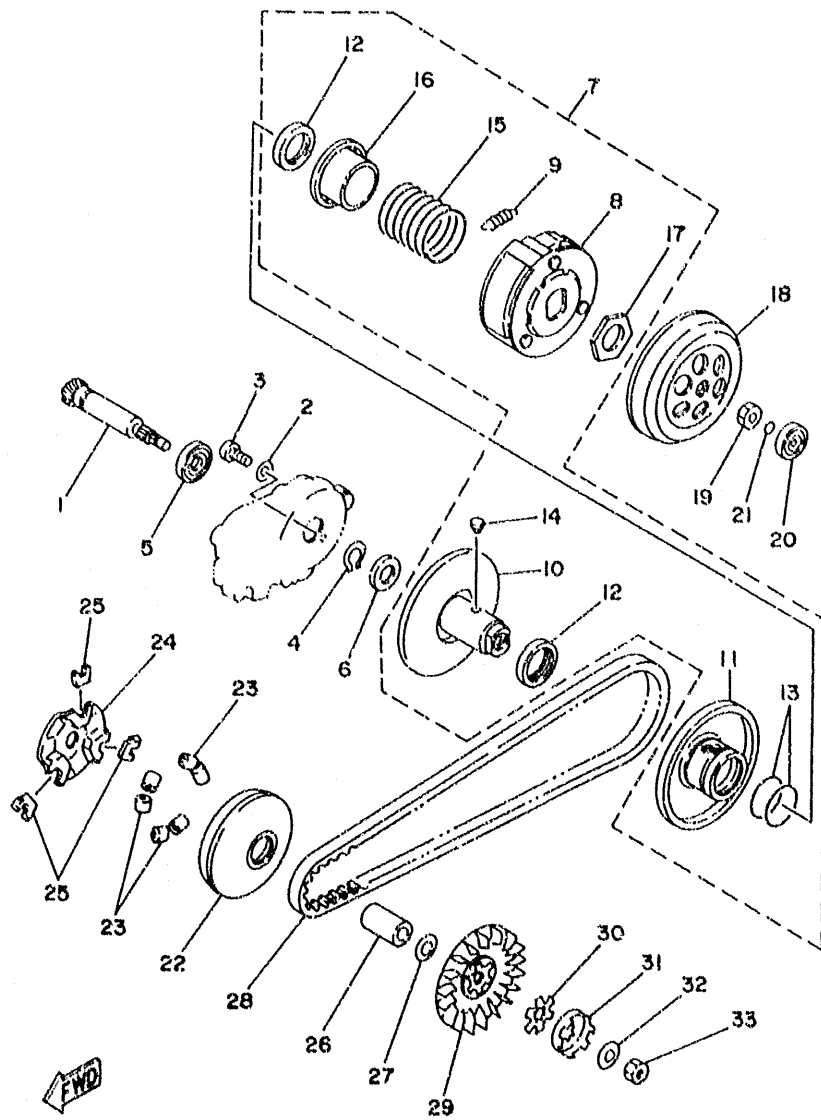
3XG1414-1100

B-12

FIG. 10 CLUTCH

REF.

NO.	PART NO.	DESCRIPTION	Q'TY	REMARKS
1	3KJ-16111-00	GEAR, PRIMARY DRIVE	1	
2	90201-06412	WASHER, PLATE	1	
3	98507-06010	SCREW, PAN HEAD	1	
4	99009-17400	CIRCLIP	1	
5	93306-003Y1	BRG.	1	
6	93102-17841	SEAL, OIL	1	
7	3XY-17602-01	SECONDARY SHEAVE ASSY	1	
8	3YK-16620-00	.CLUTCH CARRIER ASSY	1	
9	50W-16626-00	.SPRING, CLUTCH WEIGHT 1	3	
10	3GF-17660-02	.SECONDARY FIXED SHEAVE COMP.	1	
11	3GF-17670-01	.SECONDARY SLIDING SHEAVE	1	
12	93109-33052	.SEAL, OIL	2	
13	93210-36549	.O-RING	2	
14	24G-17664-00	.PIN, GUIDE	2	
15	90501-405G5	.SPRING, COMPRESSION	1	
16	3XG-17684-00	.SEAT, SECONDARY SPRING	1	
17	90179-28415	.NUT	1	
18	3YJ-16611-00	CLUTCH HOUSING COMP.	1	
19	90170-10317	NUT	1	
20	93300-63813	BRG.	1	
21	93210-06852	O-RING	1	
22	3XG-17620-01	PRIMARY SLIDING SHEAVE COMP.	1	
23	4DY-17632-00	WEIGHT	6	
24	3XG-17623-00	CAM	1	
25	1NT-17653-00	SLIDER	3	
26	90387-13697	COLLAR	1	
27	90201-132M8	WASHER, PLATE	1	
28	3GF-17641-00	V-BELT	1	



3XG1414-1100



FIG. 10 CLUTCH

REF.

NO.	PART NO.	DESCRIPTION	Q'TY	REMARKS
29	3AA-17611-01	SHEAVE, PRIMARY FIXED	1	
30	90214-13055	WASHER, CLAW	1	
31	3KJ-15657-00	CLUTCH, ONEWAY	1	
32	90208-10012	WASHER, CONICAL SPRING	1	
33	90170-10219	NUT	1	

B-13

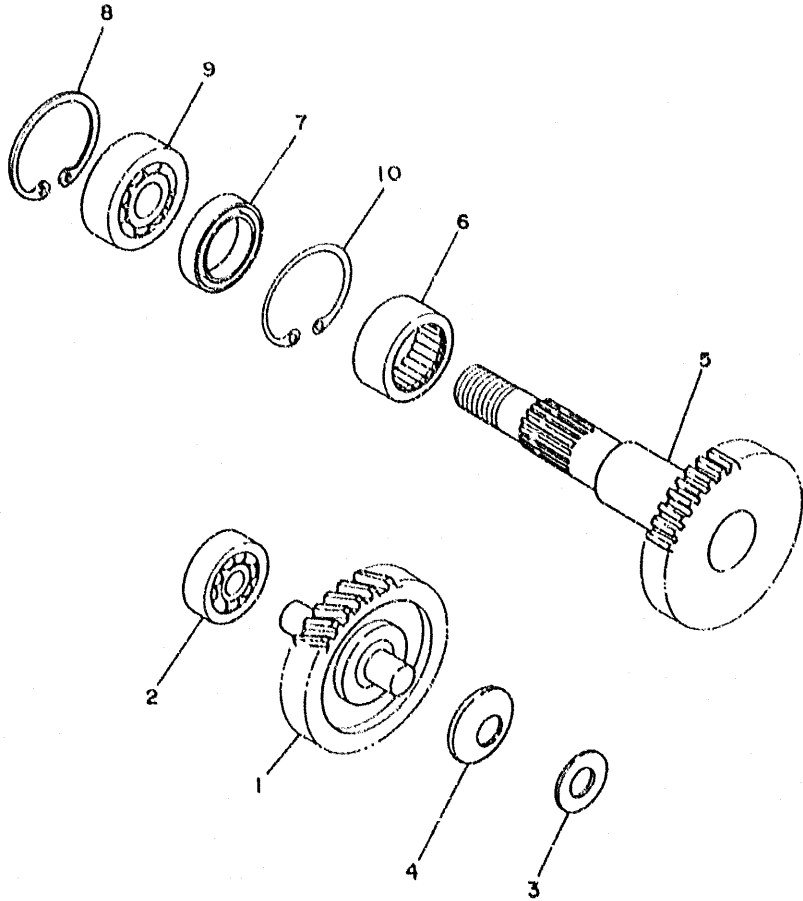


FIG. 11 TRANSMISSION

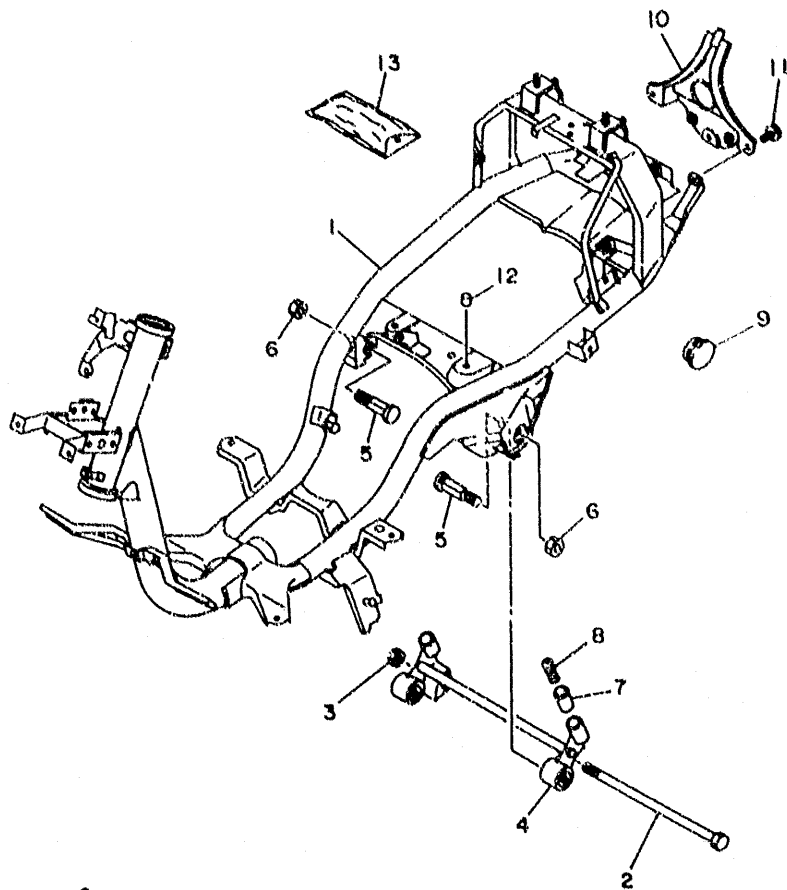
REF.

NO.	PART NO.	DESCRIPTION	Q'TY	REMARKS
1	3XG-E7410-00	MAIN AXLE COMP.	1	
2	93306-20006	BEARING (B6200)	1	NTN
	93306-20010	BEARING (6200)	1	NMB
3	90201-123K4	WASHER, PLATE	1	
4	90208-12049	WASHER, CONICAL SPRING	1	
5	3XG-E7420-00	DRIVE AXLE ASSY	1	
6	93311-32261	BRG.	1	
7	93102-22840	SEAL, OIL	1	
8	93420-40802	CIRCLIP	1	
9	93306-203K5	BRG.	1	
10	93450-28813	CIRCLIP	1	



4SC1354-5110

B-14



4JL1414-3120

FIG. 12 FRAME

REF.

NO.	PART NO.	DESCRIPTION	Q'TY	REMARKS
1	4SC-F1110-00-33	FRAME COMP.	1	YAMAHA BLACK
2	3XG-F1461-00	BOLT, ENGINE MOUNTING 1	1	
3	9560L-12200	NUT, SEAL-LOCKING	1	
4	4EX-F1410-00	ENGINE BRACKET COMP.	1	
5	20A-F1481-00	BOLT, ENGINE MOUNTING 1	2	
6	9561L-10100	NUT, U	2	
7	4Y4-F139X-01	DAMPER	2	
8	90501-29517	SPRING, COMPRESSION	2	
9	4DY-F1399-00	CAP, TOOL BOX	2	
10	4DY-F1232-00	REINFORCEMENT, TAIL	1	
11	95807-06012	BOLT, FLAG	3	
12	90387-058G3	COLLAR	2	
13	4DY-F8100-00	TOOL KIT	1	

B-15

CONTENTS

ENGINE

Cylinder	B2
Crankshaft Piston	B3
Air Shroud. Fan	B4
Oil Pump	B5
Intake	B6
Carburetor	B7
Exhaust	B8
Crankcase	B9-B10
Starter	B11
Clutch	B12-B13
Transmission	B14

ENGINE

Frame	B15
Front Fender	C2
Side Cover	C3
Oil Tank	C4
Rear Suspension	C5
Front Fork	C6-C7
Fuel Tank	C8
Seat	C9
Front Wheel	C10
Front Brake Caliper	C11
Rear Wheel	C12
Steering Handle. Cable	C13
Front Master Cylinder	C14
Stand. Footrest	C-15

Leg Shield	D-2
Cowling 1	D-3
Generator	D4
Starting Motor	D5
Flasher Light	D6
Meter	D7
Headlight	D8
Taillight	D9
Handle Switch. Lever	D10
Electrical 1	D11
Electrical 2	D12

INDEX

Numerical Index	E1-E-2
-----------------------	--------

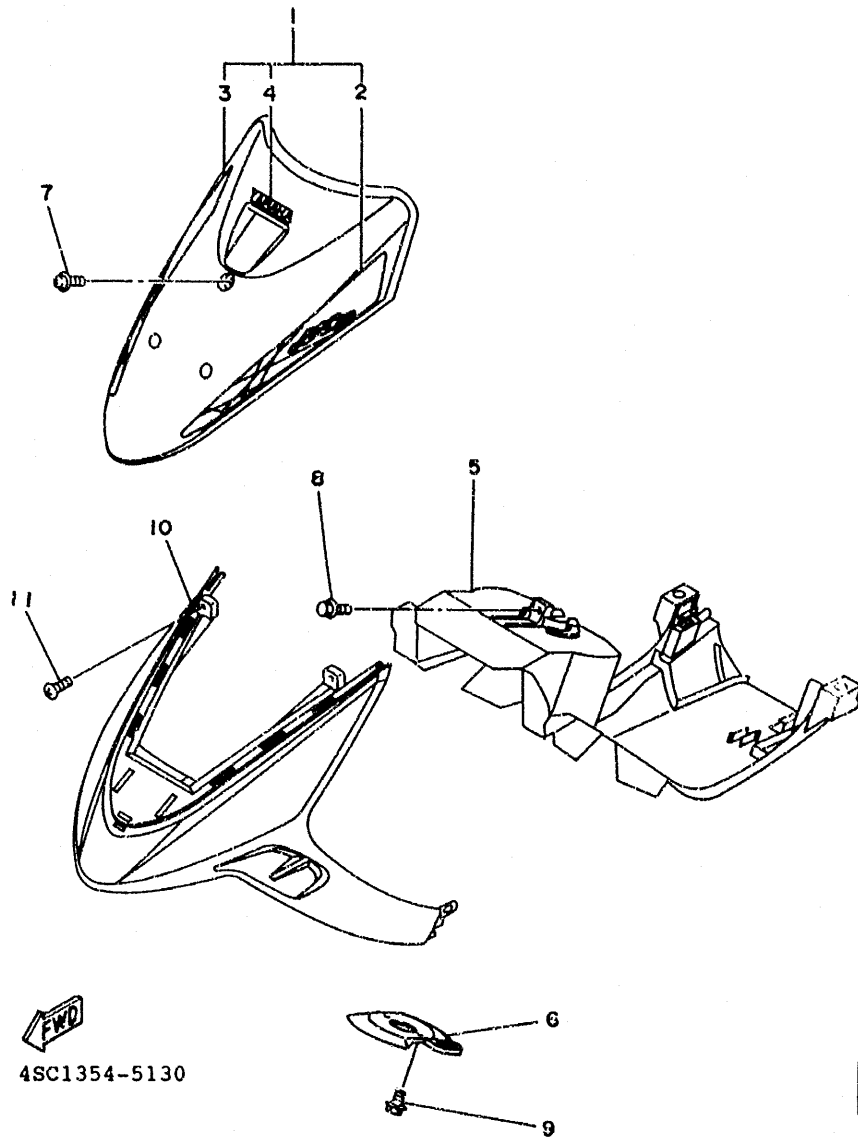
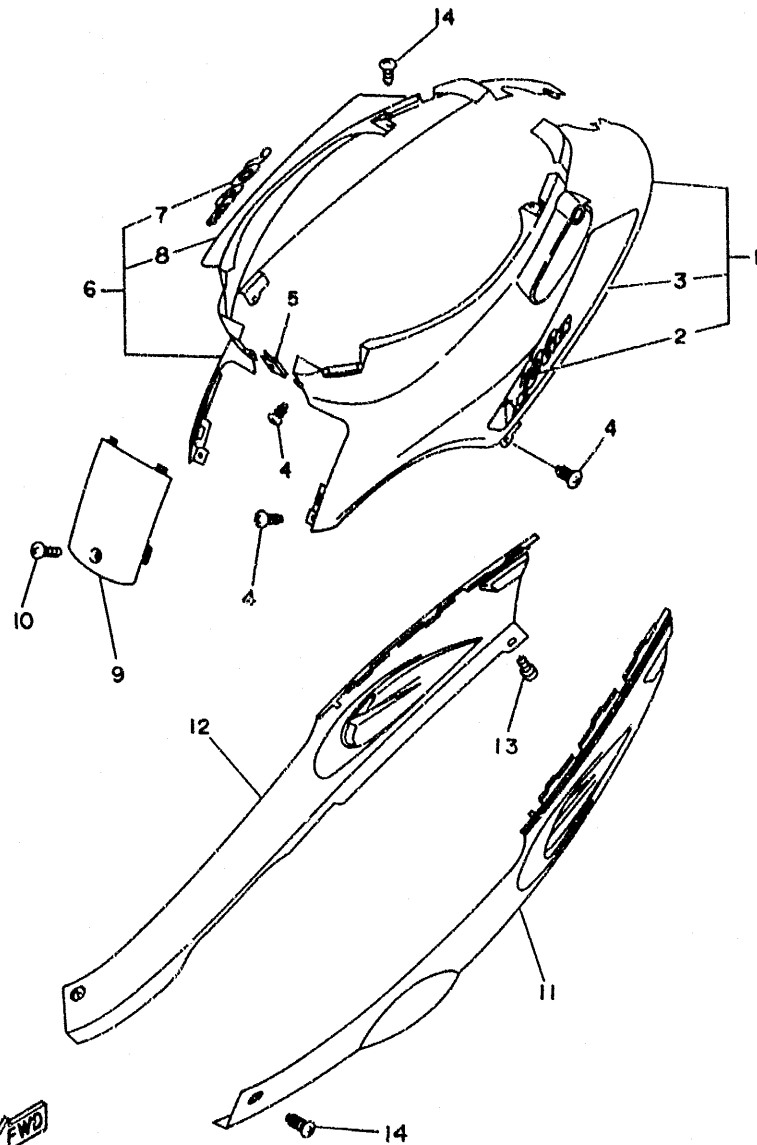


FIG. 13 FRONT FENDER

REF.

NO.	PART NO.	DESCRIPTION	Q'TY	REMARKS
1	4JL-X2151-60-4B	FRONT FENDER	1	UR BLACK
	4JL-X2151-30-P1	FRONT FENDER	1	UR RED
2	4JL-F1569-00	.GRAPHIC 1	1	UR BLACK
	4JL-F1569-20	.GRAPHIC 1	1	UR RED
3	4JL-F1579-00	.GRAPHIC 2	1	UR BLACK
	4JL-F1579-20	.GRAPHIC 2	1	UR RED
4	4DY-F1737-70	.EMBLEM	1	
5	4JL-F1552-00	FENDER, INNER	1	
6	3GF-F1553-00	FENDER, INNER 2	1	
7	90159-06812	SCREW, WITH WASHER	1	
8	95807-06012	BOLT, FLG	2	
9	90119-06821	BOLT, WITH WASHER	2	
10	4JL-F1519-00	MOLD, FENDER	1	UR BLACK
	4JL-F1519-20	MOLD, FENDER	1	UR RED
11	97707-50016	SCREW, TAPPING	2	



4SC1354-5140

FIG. 14 SIDE COVER

REF.

NO.	PART NO.	DESCRIPTION	Q'TY	REMARKS
1	4DY-X2171-10-4B	SIDE COVER 1	1	UR BLACK
	4DY-X2171-00-P5	SIDE COVER 1	1	UR RED
2	4JL-F1737-00	.EMBLEM	1	
3	4JL-F173E-00	.GRAPHIC 1	1	UR BLACK
	4JL-F173E-20	.GRAPHIC 1	1	UR RED
4	97707-50012	SCREW, TAPPING	5	
5	90183-05807	NUT, SPRING	1	
6	4DY-X2172-10-4B	SIDE COVER 2	1	UR BLACK
	4DY-X2172-00-P5	SIDE COVER 2	1	UR RED
7	4JL-F1737-00	.EMBLEM	1	
8	4JL-F173F-00	.GRAPHIC 2	1	UR BLACK
	4JL-F173F-20	.GRAPHIC 2	1	UR RED
9	4DY-F1731-00-4B	COVER, SIDE 3	1	UR BLACK
	4DY-F1731-00-P5	COVER, SIDE 3	1	UR RED
10	90167-05055	SCREW TAPPING	1	
11	4JL-F171L-00	MOLE, SIDE COVER 1	1	UR BLACK
	4JL-F171L-20	MOLE, SIDE COVER 1	1	UR RED
12	4JL-F171M-00	MOLE, SIDE COVER 2	1	UR BLACK
	4JL-F171M-20	MOLE, SIDE COVER 2	1	UR RED
13	97707-50012	SCREW, TAPPING	2	
14	97707-50016	SCREW, TAPPING	2	

C-3

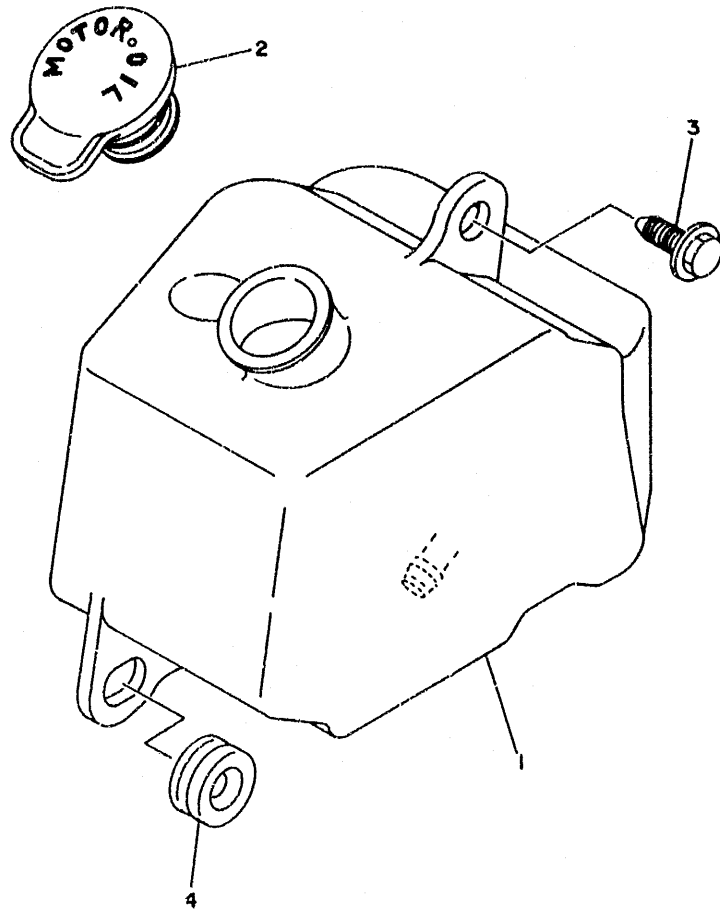


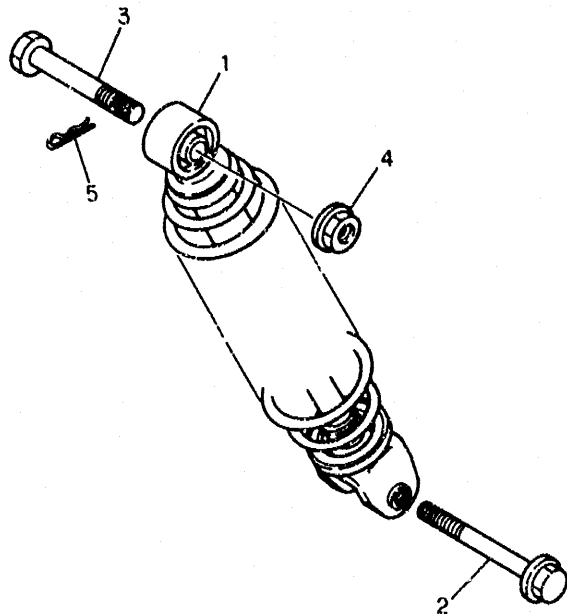
FIG. 15 OIL TANK

REF.

NO.	PART NO.	DESCRIPTION	Q'TY	REMARKS
1	4DY-F1751-01	TANK, OIL	1	
2	4X6-F1771-01	BODY, CAP	1	
3	90119-06802	BOLT, WITH WASHER	1	
4	90480-12053	GROMMET	1	


4DY1414-3150

C-4



3XG4414-4160

FIG. 16 REAR SUSPENSION

REF.

NO.	PART NO.	DESCRIPTION	Q'TY	REMARKS
1	4DY-F2210-01	SHOCK ABSORBER ASSY, REAR	1	UR BLACK
	4DY-F2210-21	SHOCK ABSORBER ASSY, REAR	1	UR RED
2	90105-08121	BOLT, WASHER BASED	1	
3	90102-10031	BOLT, WITH HOLE	1	
4	9570L-10500	NUT, FLG	1	
5	90468-12006	CLIP	1	

C-5

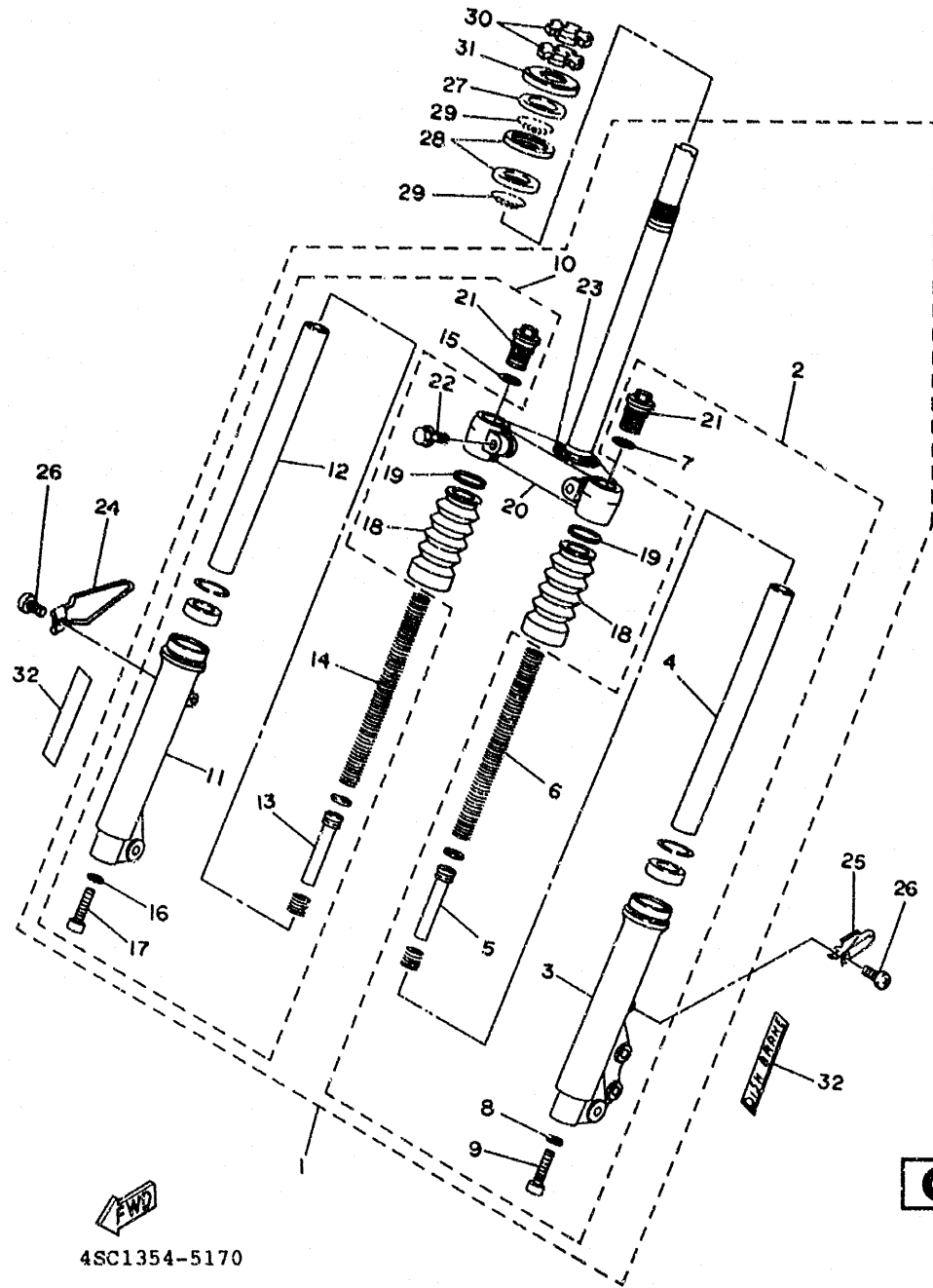


FIG. 17 FRONT FORK

REF.

NO.	PART NO.	DESCRIPTION	Q'TY	REMARKS
1	4SC-F3100-00	FRONT FORK ASSY	1	
2	4SC-F3102-00	.FRONT FORK ASSY (L.H)	1	
3	4SC-F3126-00	..TUBE, OUTER 1	1	
4	4SC-F3110-00	..INNER TUBE COMP.1	1	
5	4SC-F3170-00	..CYLINDER COMP.,	1	
6	4SC-F3141-00	..SPRING, FRONT FORK	1	
7	3GF-F3147-00	..O-RING	1	
8	4JL-F3158-00	..GASKET	1	
9	3GF-F3181-50	..BOLT, HEXAGON SOCKET HEAD	1	
10	4SC-F3103-00	.FRONT FORK ASSY (R.H)	1	
11	4SC-F3136-00	..TUBE, OUTER 2	1	
12	4SC-F3110-00	..INNER TUBE COMP.1	1	
13	4SC-F3170-00	..CYLINDER COMP.,	1	
14	4SC-F3141-00	..SPRING, FRONT FORK	1	
15	3GF-F3147-00	..O-RING	1	
16	4JL-F3158-00	..GASKET	1	
17	3GF-F3181-50	..BOLT, HEXAGON SOCKET HEAD	1	
18	4JL-F3191-00	.BOOT	1	
19	4JL-F3192-00	.BAND	1	
20	4JL-F3340-00	.UNDER BRACKET COMP.	1	
21	4JL-F3356-00	.BOLT 2	2	
22	3GF-F3346-00	.BOLT 1	2	
23	22F-23414-01	.RACE, BALL 4	1	
24	3XG-F3317-00	HOLDRR, CABLE	1	
25	3XG-F5875-00	HOLDER, BRAKE HOSE 1	1	
26	9580L-06010	BCLT, FLG	2	
27	22F-23411-01	RACK, BALL 1	1	
28	22F-23412-01	RACE, BALL 2	2	

C-6

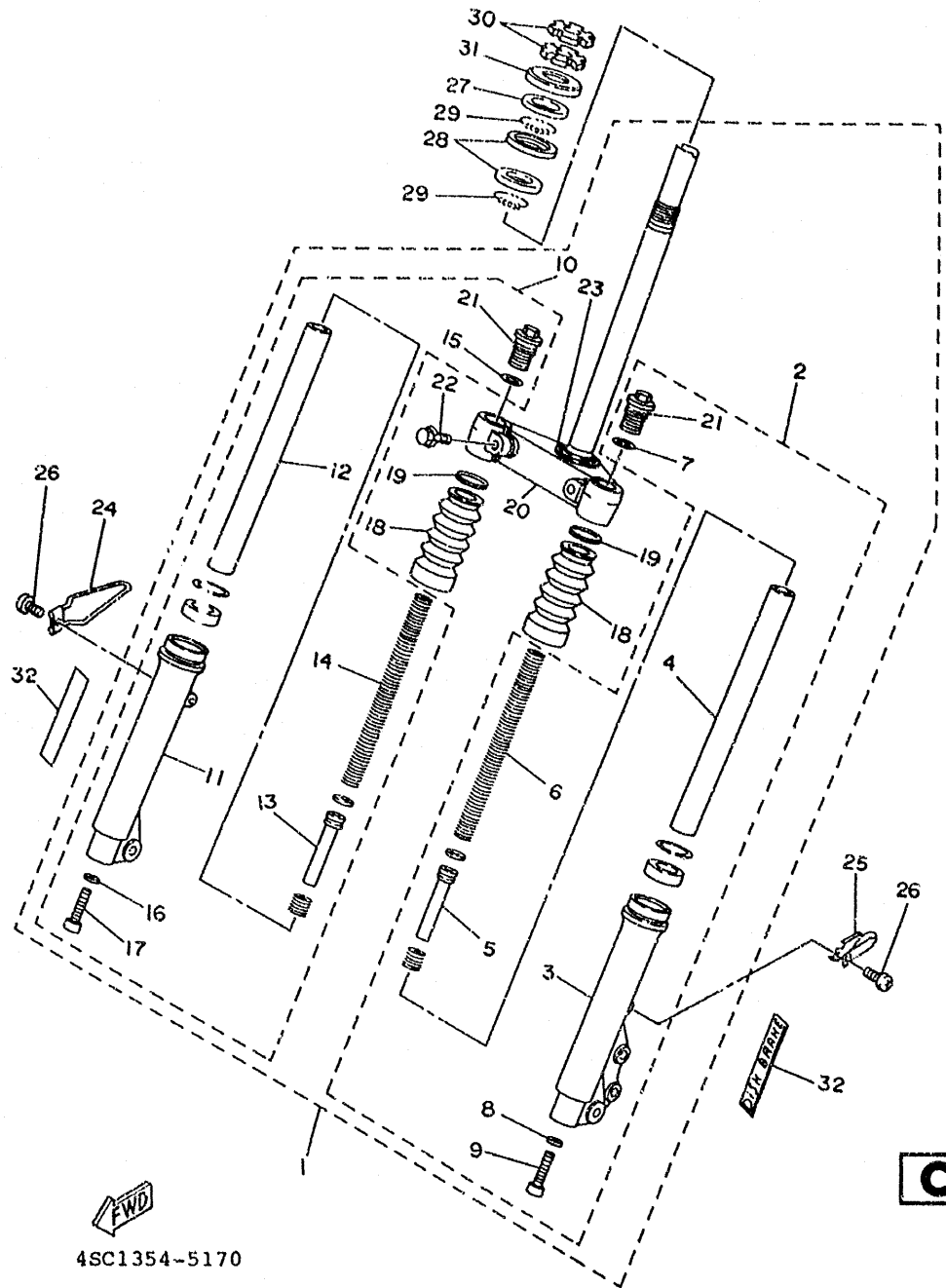


FIG. 17 FRONT FORK

REF.

NO.	PART NO.	DESCRIPTION	Q'TY	REMARKS
29	93503-16003	BALL	44	
30	90179-25033	NUT	2	
31	3XG-F3416-00	COVER, BALL RACE 2	1	
32	4JL-F3108-00	EMBLEM	2	UR BLACK
	4JL-F3108-20	EMBLEM	2	UR RED



4SC1354-5170

C-7

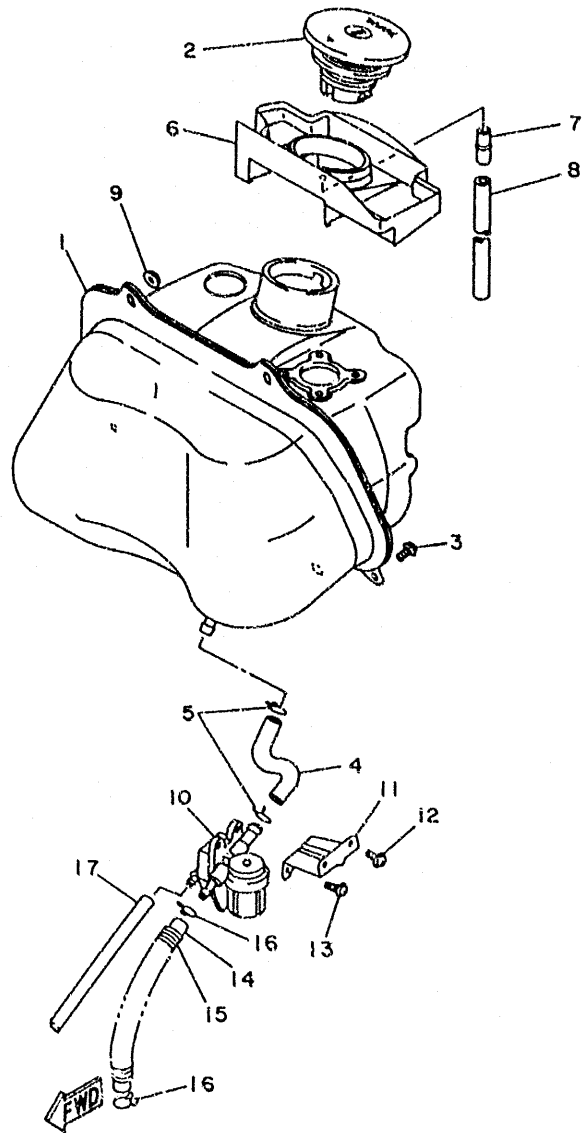


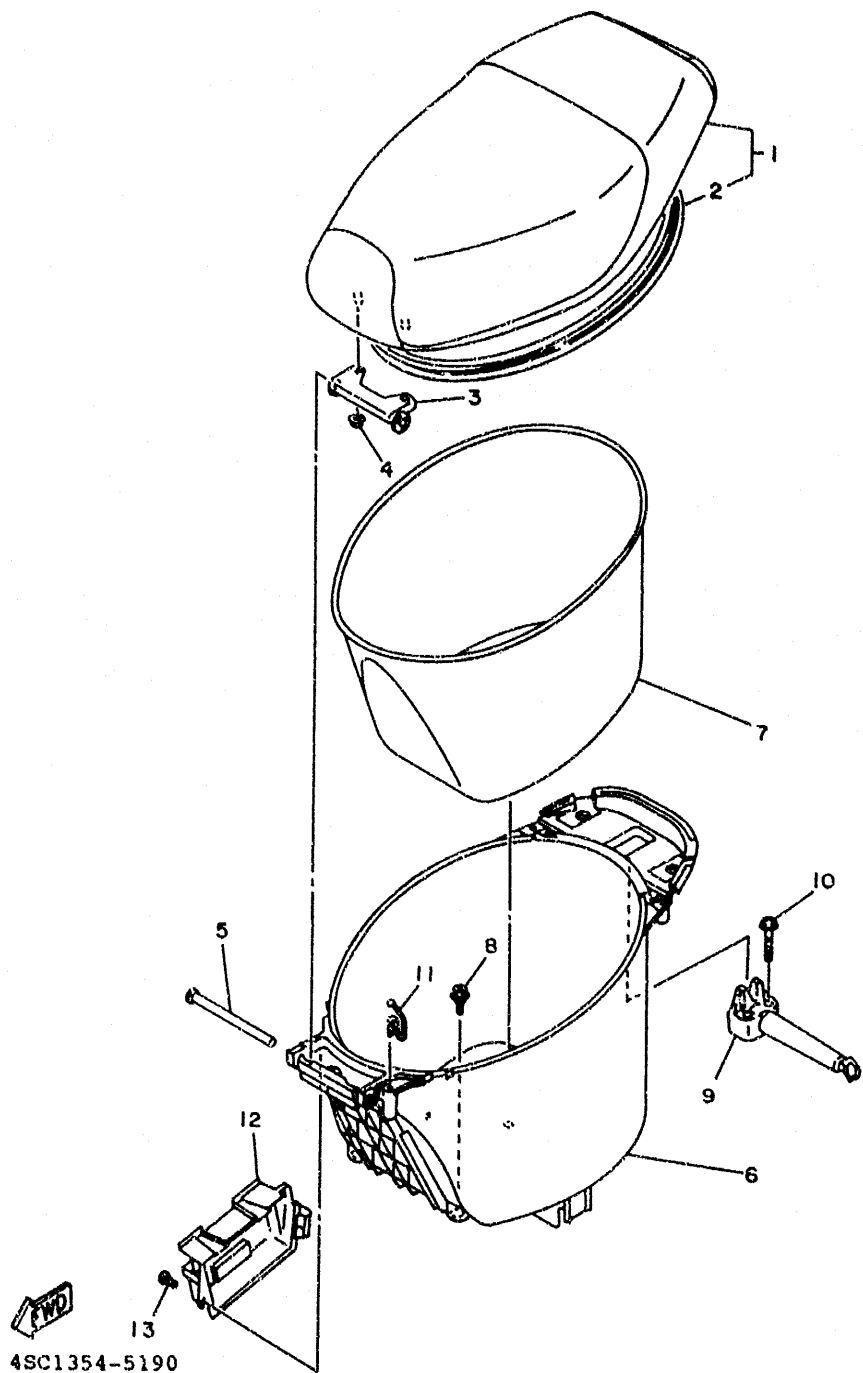
FIG. 18 FUEL TANK

REF.

NO.	PART NO.	DESCRIPTION	Q'TY	REMARKS
1	4SG-F4110-00-33	FUEL TANK COMP.	1	YAMAHA BLACK
2	4SG-F4602-00	CAP ASSY	1	
3	95827-06012	BOLT, FLG	1	
4	4DY-F4313-00	PIPE 3	1	
5	90467-10008	CLIP	2	
6	4DY-F414A-00	COVER, FILLER	1	
7	90560-06366	SPACER	1	
8	91A11-07039	HOSE	1	
9	95707-06500	NUT, FLG	2	
10	4DY-F4500-00	FUEL COCK ASSY 1	1	
11	4DY-F4544-00	BRACKET, FUEL COCK	1	
12	97607-06112	SCREW, W/WASHER	2	
13	97607-06112	SCREW, W/WASHER	2	
14	4DY-F4311-00	PIPE, FUEL 1	1	
15	90501-08845	SPRING, COMPRESSION	1	
16	90467-09006	CLIP	2	
17	90445-07867	HOSE	1	

4SC1354-5180

C-8



4SC1354-5190

FIG. 19 SEAT

REF.

NO.	PART NO.	DESCRIPTION	QTY	REMARKS
1	4JL-F4730-00	DOUBLE SEAT ASSY	1	
2	4DY-F475M-00	.SEAL	1	
3	3XG-F4726-00	HINGE, SEAT	1	
4	95707-06500	NUT, FLG	2	
5	90241-10015	PIN	1	
6	4DY-F473R-00	BOX 1	1	
7	4JL-F4747-00	DAMPER, SEAT	1	
8	90109-063F1	BOLT	2	
9	4DY-F4705-00	SEAT LOCK ASSY	1	
10	90159-06064	SCREW, WITH WASHER	2	
11	3XG-F1398-00	HANGER, HELMET	1	
12	3XG-H2129-00	COVER, BATTERY	1	
13	90167-05025	SCREW TAPPING	1	

C-9

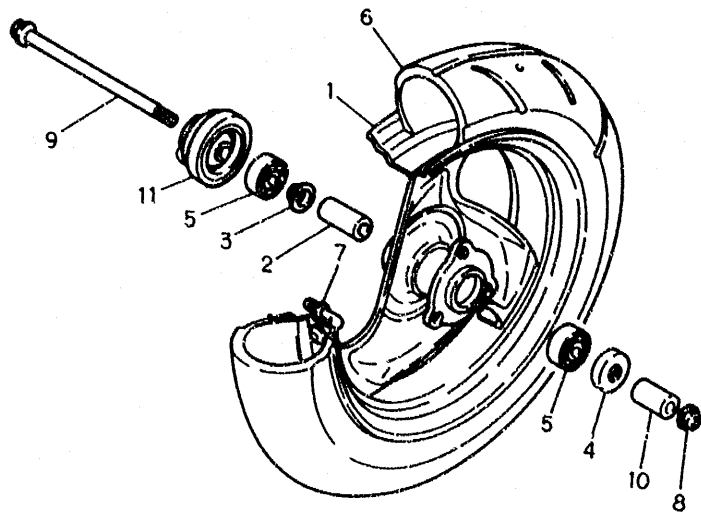


FIG. 20 FRONT WHEEL

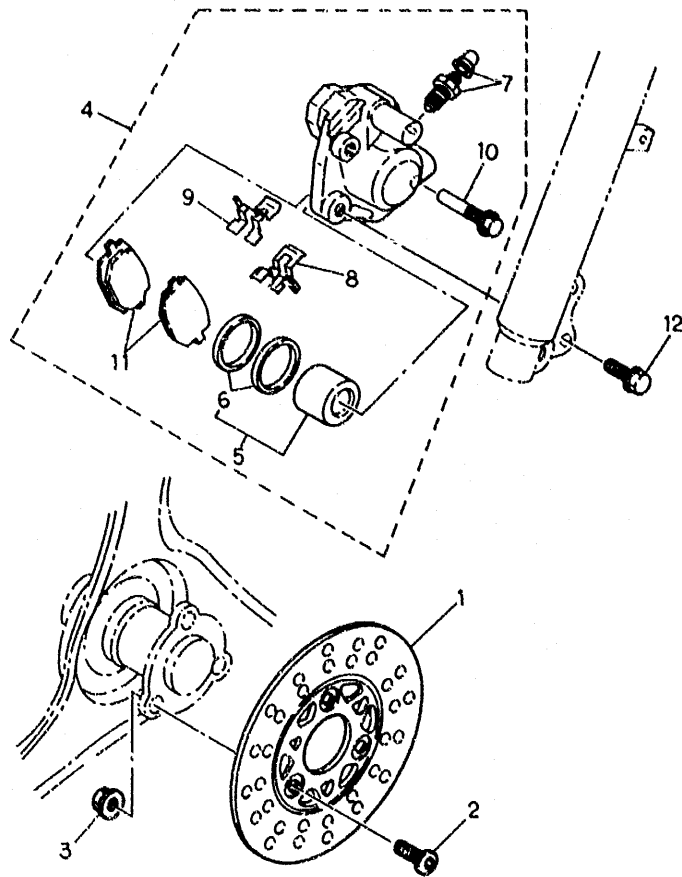
REF.

NO.	PART NO.	DESCRIPTION	Q'TY	REMARKS
1	3XG-F5180-00-33	FRONT WHEEL COMP.	1	YAMAHA BLACK
2	90387-102X1	COLLAR	1	
3	20A-F5115-00	FLANGE, SPACER 1	1	
4	93102-17838	SEAL,OIL	1	
5	93306-300Y4	BRG.	2	
6	94109-108K9	TIRE	1	
7	93900-00804	VALVE,RIM	1	
8	95617-10200	NUT,U	1	
9	3XG-F5181-00	AXLE, WHEEL	1	
10	90387-104U5	COLLAR	1	
11	3XG-F5190-00	GEAR UNIT ASSY	1	



3XG4414-4200

C-10



FWD

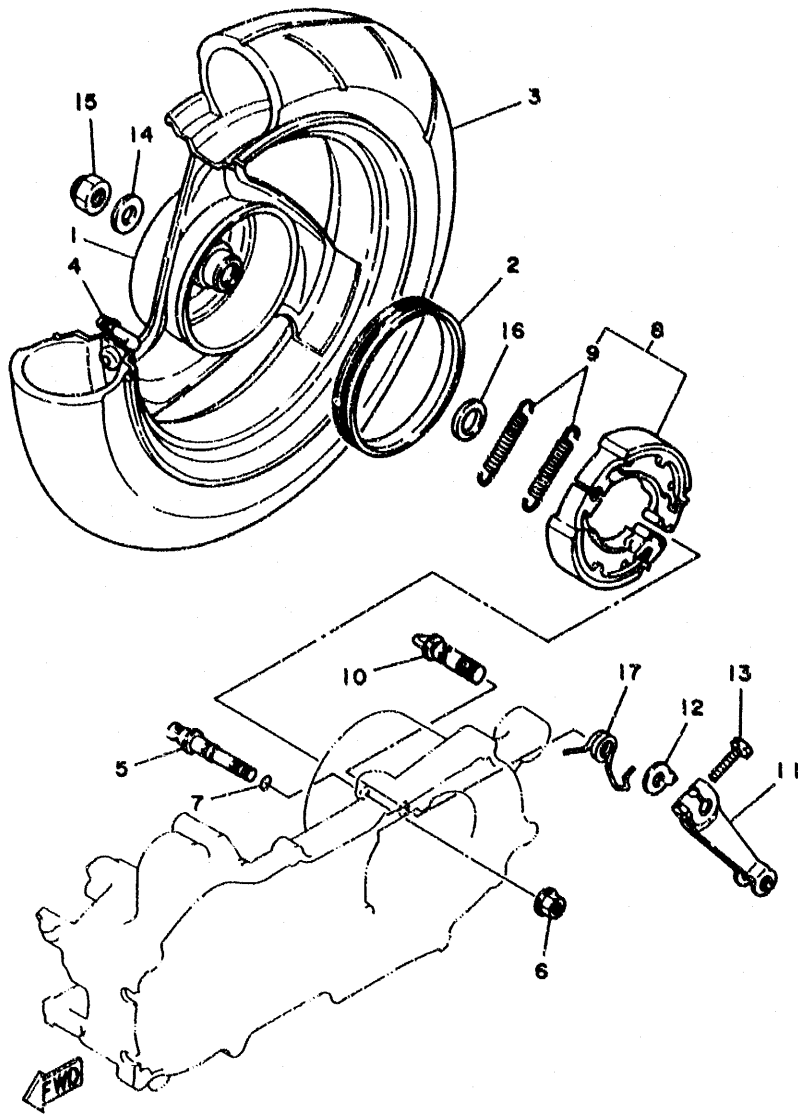
3XG4414-4210

FIG. 21 FRONT BRAKE CALIPER

REF.

NO.	PART NO.	DESCRIPTION	Q'TY	REMARKS
1	3XG-F582T-00	DISC, BRAKE	1	
2	90110-10811	BOLT, HEXAGON SOCKET HEAD	3	
3	9570L-10500	NUT, FLG	3	
4	3XG-F580T-00	CALIPER ASSY (LEFT)	1	
5	3XG-W0057-00	.PISTON ASSY, CALIPER	1	
6	3XG-W0047-00	..CALIPER SEAL KIT	1	
7	3YB-W0048-00	.BREED SCREW KIT	1	
8	56A-F5919-00	.SUPPORT, PAD	1	
9	56A-F5919-10	.SUPPORT, PAD	1	
10	56A-F5926-00	.BOLT	1	
11	3GF-W0045-00	.BRAKE PAD KIT	1	
12	95827-08030	BOLT.FLG	2	

C-11



3XG1414-1220

FIG. 22 REAR WHEEL

REF.

NO.	PART NO.	DESCRIPTION	Q'TY	REMARKS
1	3XG-F5390-00-33	REAR WHEEL COMP.	1	YAMAHA BLACK
2	3XG-F5336-00	RING 2	1	
3	94109-108K9	TIRE	1	
4	93900-00804	VALVE, RIM	1	
5	3XG-F5326-00	PIN, PIVOT	1	
6	9570L-08500	NUT, FLG	1	
7	93210-07890	O-RING	1	
8	4BX-W2536-00	BRAKE SHOE SET	1	
9	90506-15260	.SPRING, TENSION	2	
10	3XG-F5351-00	CAMSHAFT	1	
11	3XG-F5355-00	LEVER, CAMSHAFT	1	
12	3XG-F513A-00	PLATE, INDICATOR	1	
13	90101-06278	BOLT	1	
14	90201-14740	WASHER, PLATE	1	
15	90185-14814	NUT, SELF-LOCKING	1	
16	90201-17255	WASHER, PLATE	1	
17	3XG-F5357-00	SPRING, LEVER RETURN	1	

C-12

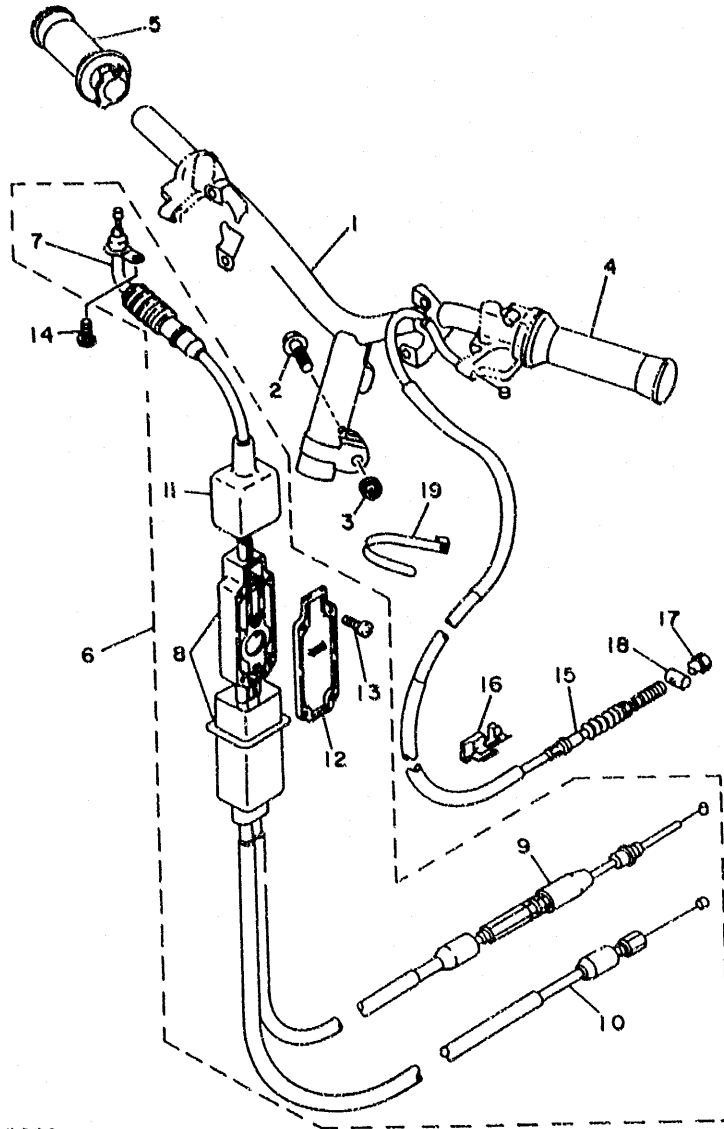


FIG. 23 STEERING HANDLE. CABLE

REF.

NO.	PART NO.	DESCRIPTION	Q'TY	REMARKS
1	4JL-F6110-00	HANDLE COMP.	1	
2	90105-10036	BOLT, WASHER BASED	1	
3	95617-10200	NUT,U	1	
4	4JL-F6241-00	GRIP (LEFT)	1	
5	4JL-F6240-00	GRIP ASSY	1	
6	4SC-W2620-00	CABLE ASSY	1	
7	4JL-F6311-00	.CABLE, THROTTLE 1	1	
8	4SC-F6260-00	.CABLE ASSY, THROTTLE & PUMP	1	
9	4DY-F6321-00	.CABLE, PUMP	1	
10	4SC-F6312-00	.CABLE, THROTTLE 2	1	
11	3XY-F6316-00	.BOOT, THROTTLE CABLE	1	
12	3KY-F6262-00	.CAP, CABLE CONNECTOR	1	
13	90167-03800	.SCREW, TAPPING	4	
14	98507-05010	SCREW,PAN HEAD	1	
15	4JL-F6351-00	CABLE, BRAKE	1	
16	3XG-F6393-00	HOLDER	1	
17	90179-06843	NUT	1	
18	90249-12008	PIN	1	
19	90465-13152	CLAMP	1	



4XX2414-5230

C-13

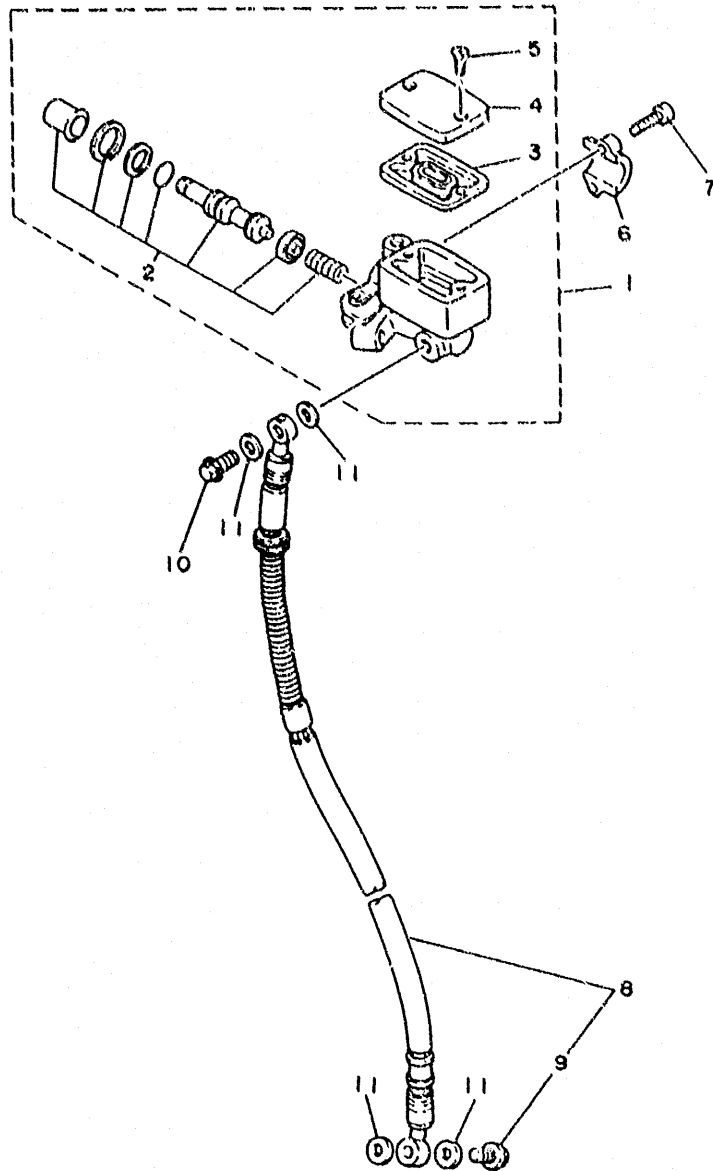


FIG. 24 FRONT MASTER CYLINDER

REF.

NO.	PART NO.	DESCRIPTION	Q'TY	REMARKS
1	4JL-F5870-00	MASTER CYLINDER SUB ASSY	1	
2	3GF-W0041-00	.CYLINDER KIT, MASTER	1	
3	3GF-F5854-00	.DIAPHRAGM, RESERVOIR	1	
4	3GF-F5852-00	.CAP, RESERVOIR	1	
5	98706-04012	.SCREW, FLAT HEAD (+)	2	
6	3GF-F5867-00	BRACKET, MASTER CYLINDER	1	
7	91317-06025	BOLT, HEX, SOCKET	2	
8	99999-02436	HOSE BRAKE KIT	1	
9	90401-10805	BOLT, UNION	1	
10	90401-10805	BOLT, UNION	1	
11	90201-10118	WASHER, PLATE	4	



4JL2414-4240

C-14

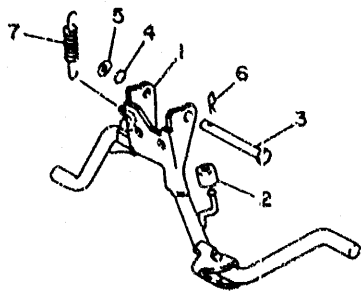
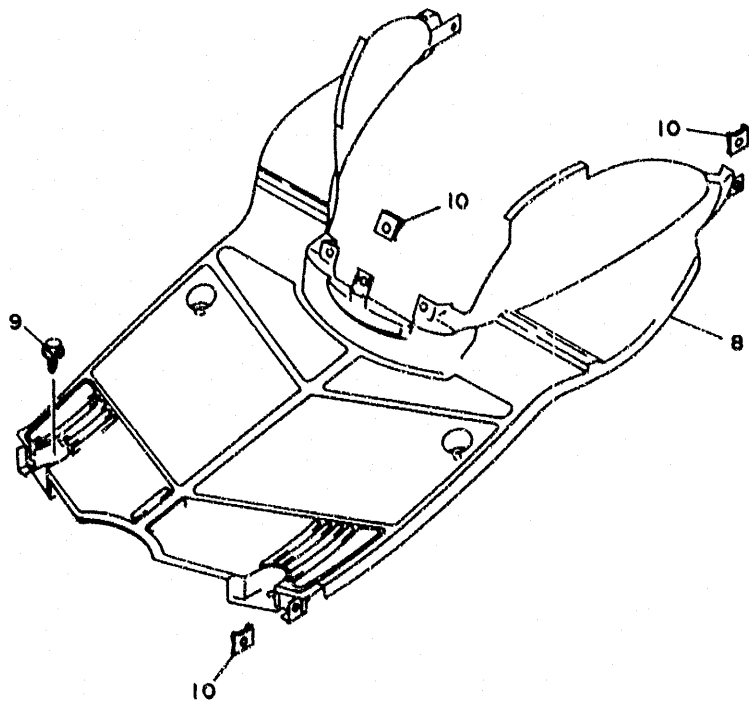


FIG. 25 STAND. FOOTREST

REF.

NO.	PART NO.	DESCRIPTION	Q'TY	REMARKS
1	3XG-X2711-00	MAIN STAND	1	
2	90387-065X4	COLLAR	1	
3	90240-10132	PIN, CLEVIS	1	
4	93210-108B1	O-RING	1	
5	90202-10120	WASHER, PLATE	1	
6	90468-12006	CLIP	1	
7	90506-32464	SPRING, TENSION	1	
8	4DY-F7481-10	BOARD, FOOTREST	1	
9	90119-06814	BOLT, WITH WASHER	4	
10	90183-05807	NUT, SPRING	7	



4SC1354-5250

C-15

CONTENTS

ENGINE

Cylinder	B2
Crankshaft Piston	B3
Air Shroud. Fan	B4
Oil Pump	B5
Intake	B6
Carburetor	B7
Exhaust	B8
Crankcase	B9-B10
Starter	B11
Clutch	B12-B13
Transmission	B14

Leg Shield	D-2
Cowling 1	D-3
Generator	D4
Starting Motor	D5
Flasher Light	D6
Meter	D7
Headlight	D8
Taillight	D9
Handle Switch. Lever	D10
Electrical 1	D11
Electrical 2	D12

ENGINE

Frame	B15
Front Fender	C2
Side Cover	C3
Oil Tank	C4
Rear Suspension	C5
Front Fork	C6-C7
Fuel Tank	C8
Seat	C9
Front Wheel	C10
Front Brake Caliper	C11
Rear Wheel	C12
Steering Handle. Cable	C13
Front Master Cylinder	C14
Stand. Footrest	C-15

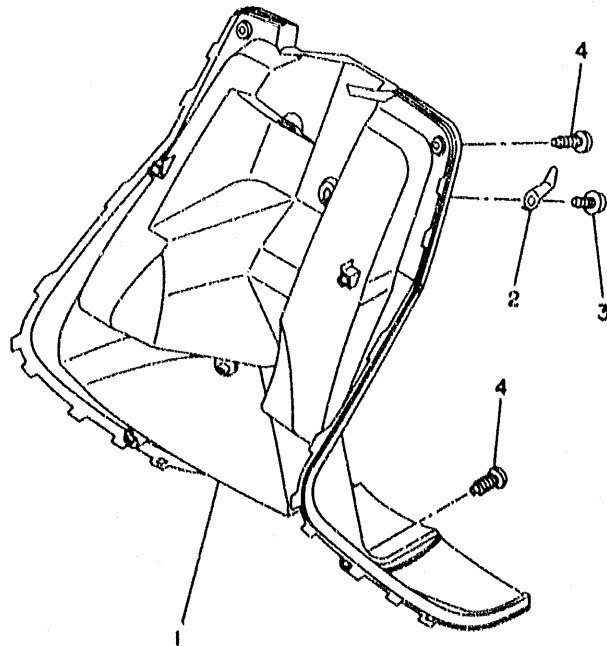
INDEX

Numerical Index	E1-E-2
-----------------------	--------

FIG. 26 LEG SHIELD

REF.

NO.	PART NO.	DESCRIPTION	Q'TY	REMARKS
1	4JL-F8300-00	LEG SHIELD ASSY	1	
2	4JL-F4843-00	CARRIER, 3	1	
3	90159-06812	SCREW, WITH WASHER	1	
4	97707-50016	SCREW, TAPPING	4	



4JL1414-3260

D-2

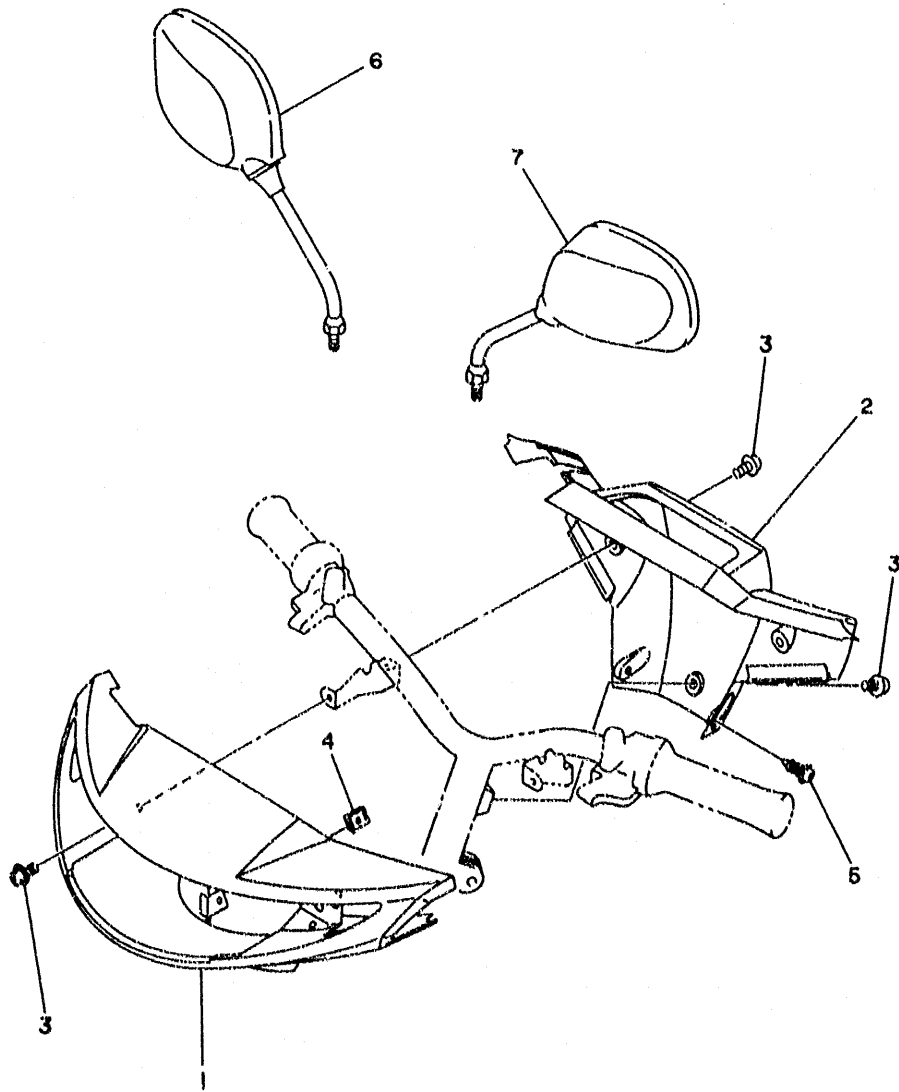


FIG. 27 COWLING 1

REF.

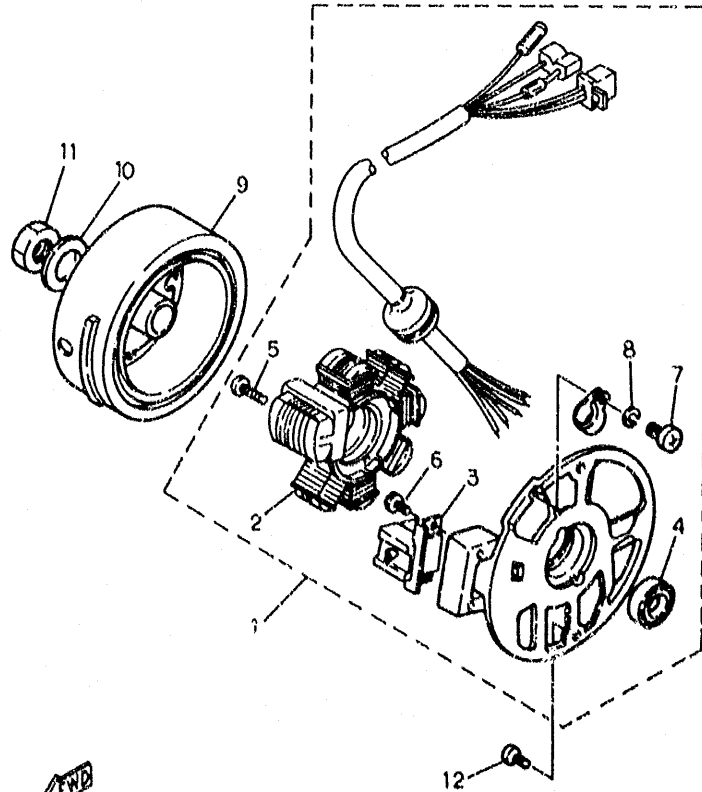
NO.	PART NO.	DESCRIPTION	Q'TY	REMARKS
1	4JL-F6143-00-4B	COVER, HANDLEBAR UPPER 1	1	UR BLACK
	4JL-F6143-00-P1	COVER, HANDLEBAR UPPER 1	1	UR RED
2	4JL-F6145-00	COVER, HANDLEBAR UPPER 2	1	
3	90159-05028	SCREW, WITH WASHER	5	
4	90183-05807	NUT, SPRING	2	
5	97707-50012	SCREW, TAPPING	2	
6	4DH-F6290-00	REAR VIEW MIRROR ASSY (RIGHT)	1	LM
7	4DH-F6280-00	REAR VIEW MIRROR ASSY (LEFT)	1	LM



4JL1414-3270

D-3

FIG-28 (4SC1)



3XG4414-4280

FIG. 28 GENERATOR

NO.	PART NO.	DESCRIPTION	Q'TY	REMARKS
1	3XG-H5560-00	BASE ASSY	1	
2	3GF-H1403-V0	.STATORCOMP.	1	
3	3GF-H5580-V0	.COIL, PULSER	1	
4	93104-19697	.SEAL,OIL	1	
5	98501-05020	.SCREW,PAN HEAD (+)	2	
6	9850L-05010	.SCREW,PAN HEAD(+)	2	
7	98560-04008	.SCREW,PAN HEAD (+)	1	
8	92901-04100	.WASHER, SPRING	1	
9	4DY-H5550-00	ROTOR ASSY	1	
10	92907-10600	WASHER PLATE	1	
11	90170-10219	NUT	1	
12	98507-06016	SCREW,PAN HEAD	2	

D-4

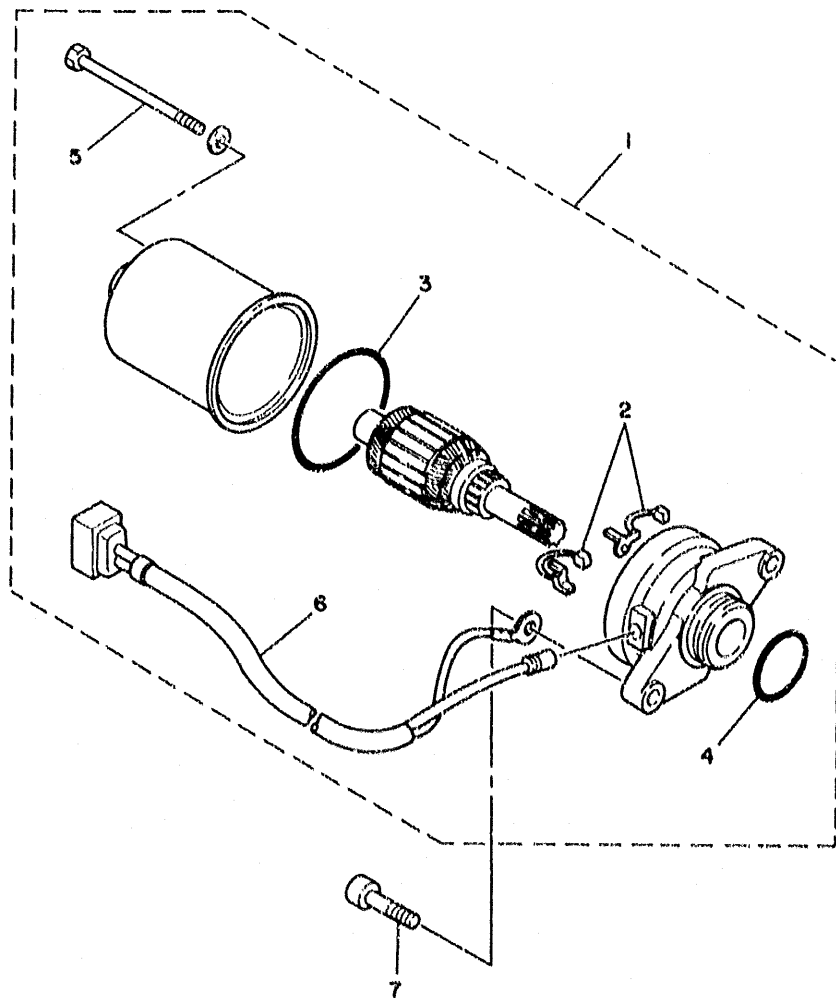


FIG. 29 STARTING MOTOR

REF.

NO.	PART NO.	DESCRIPTION	Q'TY	REMARKS
1	3XG-H1800-00	STARTING MOTOR ASSY	1	
2	3GF-H1801-V0	.BRUSH SET	1	
3	3GF-H181Y-V0	.GASKET, YOKE	1	
4	93210-23614	.O-RING	1	
5	98512-04010	.SCREW, PAN HEAD (+)	2	
6	3XG-H183G-V0	.CORD COMP.	1	
7	91318-06020	BOLT	2	



3NW1414-9290

D-5

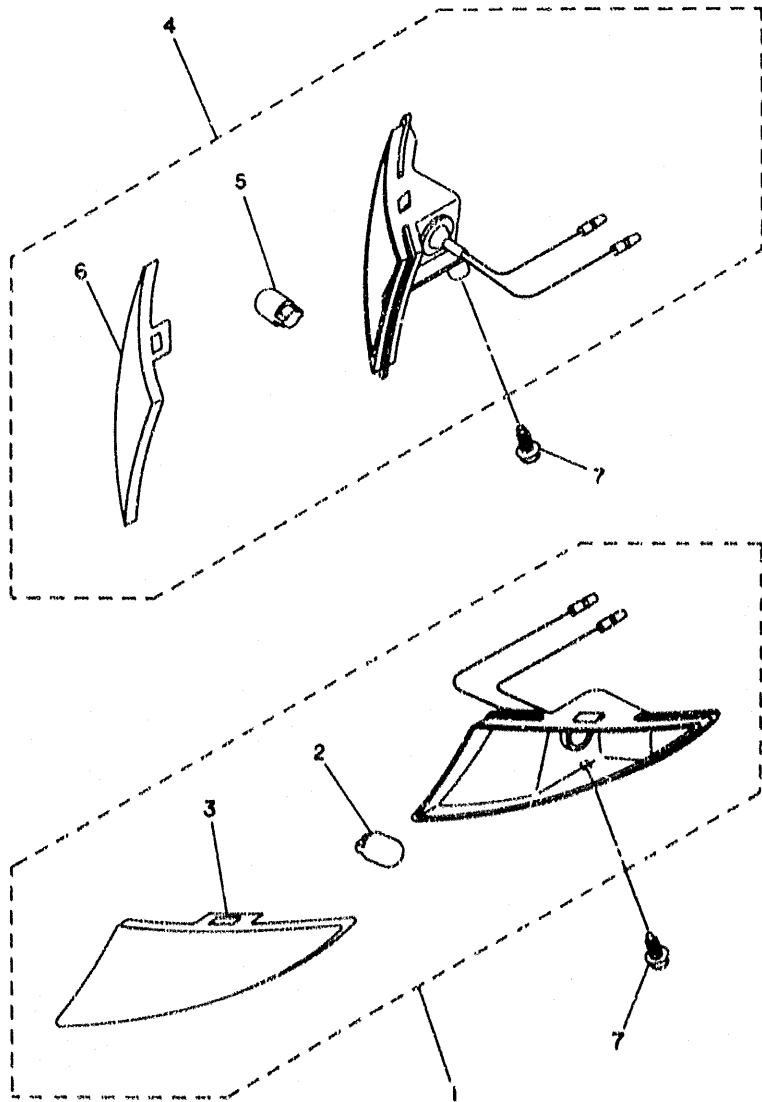


FIG. 30 FLASHER LIGHT

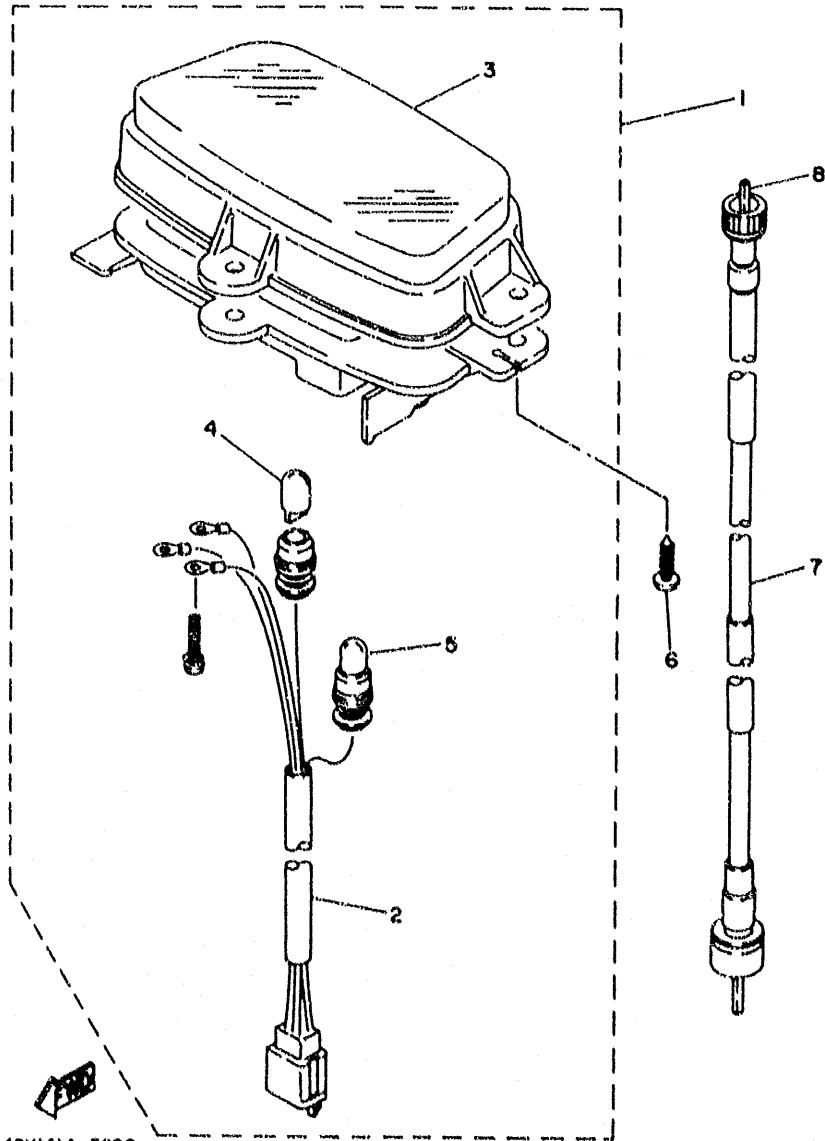
REF.

NO.	PART NO.	DESCRIPTION	Q'TY	REMARKS
1	4SC-H3310-00	FRONT FLASHER LIGHT ASSY 1	1	
2	3NT-H3331-V0	.BULB, FLASHER	1	
3	4JL-H3312-10	.LENS, FLASHER	1	
	4JL-H3312-00	.LENS, FLASHER	1	AP
4	4SC-H3320-00	FRONT FLASHER LIGHT ASSY 2	1	
5	3NT-H3331-V0	.BULB, FLASHER	1	
6	4JL-H3322-10	.LENS, FLASHER 2	1	
	4JL-H3322-00	.LENS, FLASHER 2	1	AP
7	97707-50012	SCREW, TAPPING	2	



4JL1414-3300

D-6



4DY1414-3290

FIG. 31 METER

REF.

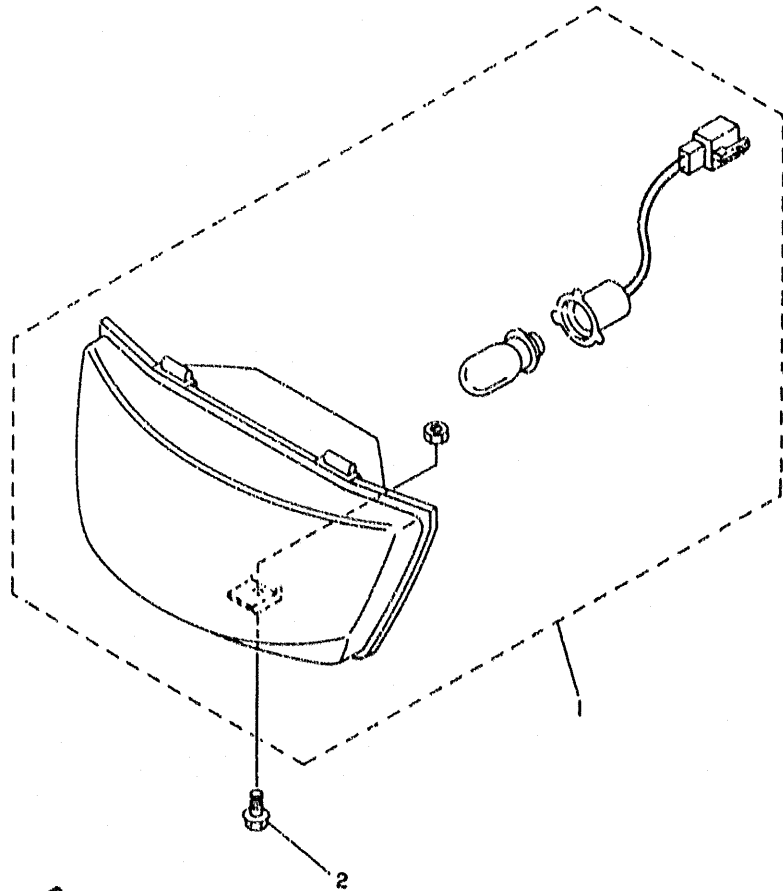
NO.	PART NO.	DESCRIPTION	Q'TY	REMARKS
1	4JL-H3510-00	SPEEDOMETER ASSY	1	
2	4JL-H3509-00	.SOCKET CORD ASSY	1	
3	4DY-H353K-00	.GLASS PLATE	1	
4	1MH-H3517-V0	.BULB	2	
5	1MH-H3517-V0	.BULB	1	
6	97707-50016	SCREW, TAPPING	3	
7	4JL-H3550-00	SPEEDOMETER CABLE ASSY	1	
8	4JL-H3551-00	.WIRE, SPEEDOMETER CABLE	1	


D-7

FIG. 32 HEADLIGHT

REF.

NO.	PART NO.	DESCRIPTION	Q'TY	REMARKS
1	4SC-H4310-00	HEADLIGHT UNIT ASSY	1	LM
2	90149-0520J	SCREW	1	




4SC1354-5320

D-8

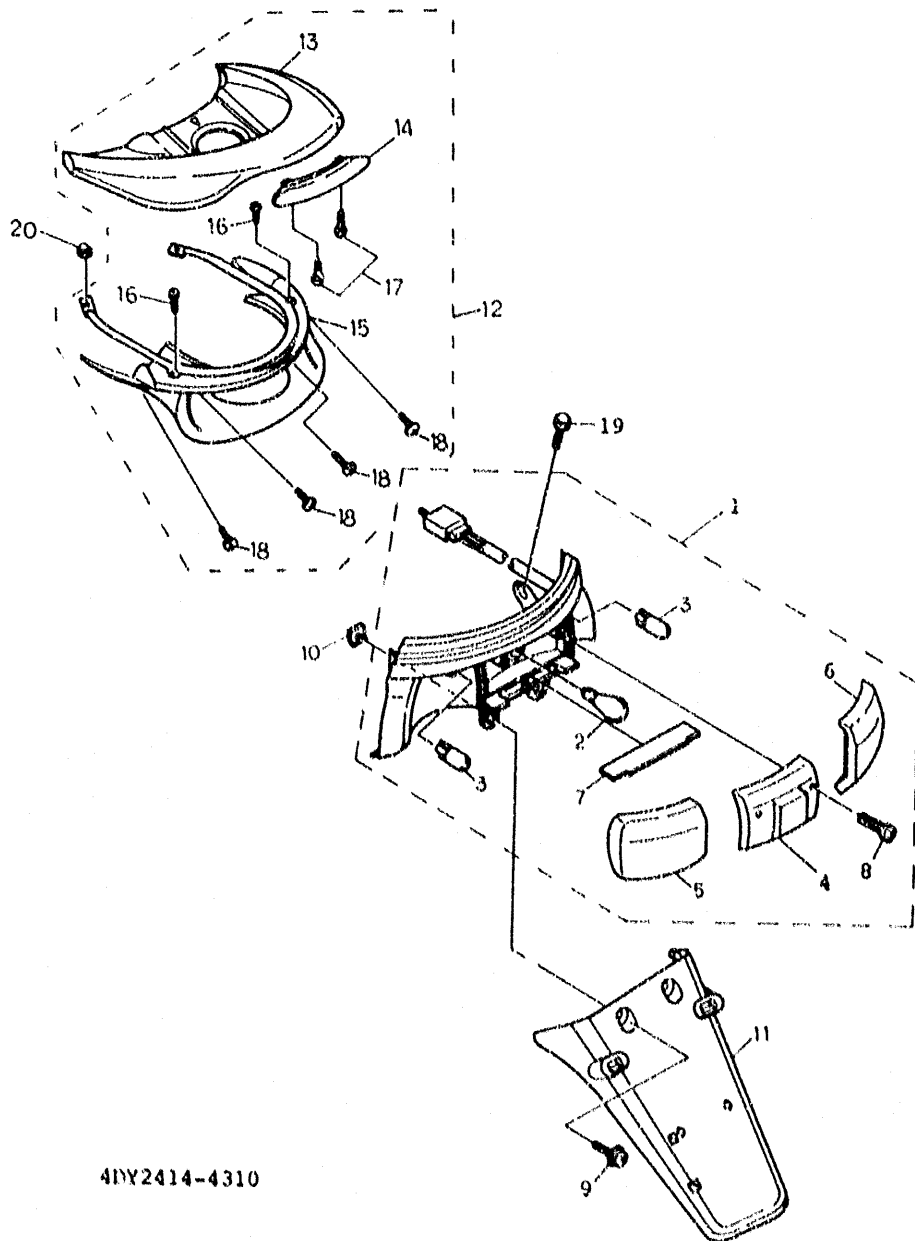


FIG. 33 TAILLIGHT

NO.	PART NO.	DESCRIPTION	Q'TY	REMARKS
1	4SC-H4700-00	TAILLIGHT ASSY	1	
2	1NT-H4714-V0	.BULB	1	
3	3XG-H3311-00	.BULB, FLASHER	2	
4	4DY-H4721-00	.LENS, TAILLIGHT	1	
5	4DY-H3332-20	.LENS, FLASHER	1	
	4DY-H3332-00	.LENS, FLASHER	1	AP
6	4DY-H3342-20	.LENS, FLASHER 2	1	
	4DY-H3342-00	.LENS, FLASHER 2	1	AP
7	4DY-H4743-00	.LENS, LICENCE LIGHT	1	
8	97707-40620	.SCREW, TAPPING	2	
9	97607-06220	SCREW, W/WASHER	2	
10	90183-05807	NUT, SPRING	2	
11	4DY-H4751-00	BRACKET, LICENSE	1	
12	4SG-H4790-00-4B	HIGH MOUNT STOP LAMP ASSY	1	UR BLACK
	4SG-H4790-00-P2	HIGH MOUNT STOP LAMP ASSY	1	UR RED
13	4JL-H4396-00-4B	.COVER	1	UR BLACK
	4JL-H4396-00-P1	.COVER	1	UR RED
14	4JL-H3720-00	.LED ASS'Y	1	
15	4JL-H4544-00	.COVER	1	
16	90167-05025	.SCREW TAPPING	4	
17	97707-40512	.SCREW, TAPPING	2	
18	97707-50016	.SCREW, TAPPING	4	
19	90111-08802	BOLT	1	
20	90176-06065	NUT, CROWN	2	

4DY2414-4310

D-9

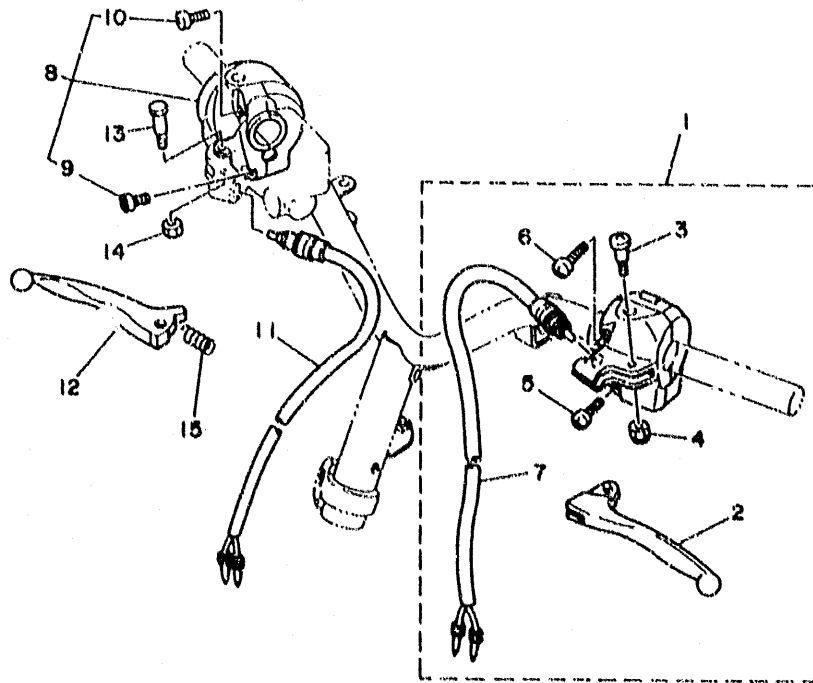


FIG. 34 HANDLE SWITCH. LEVER

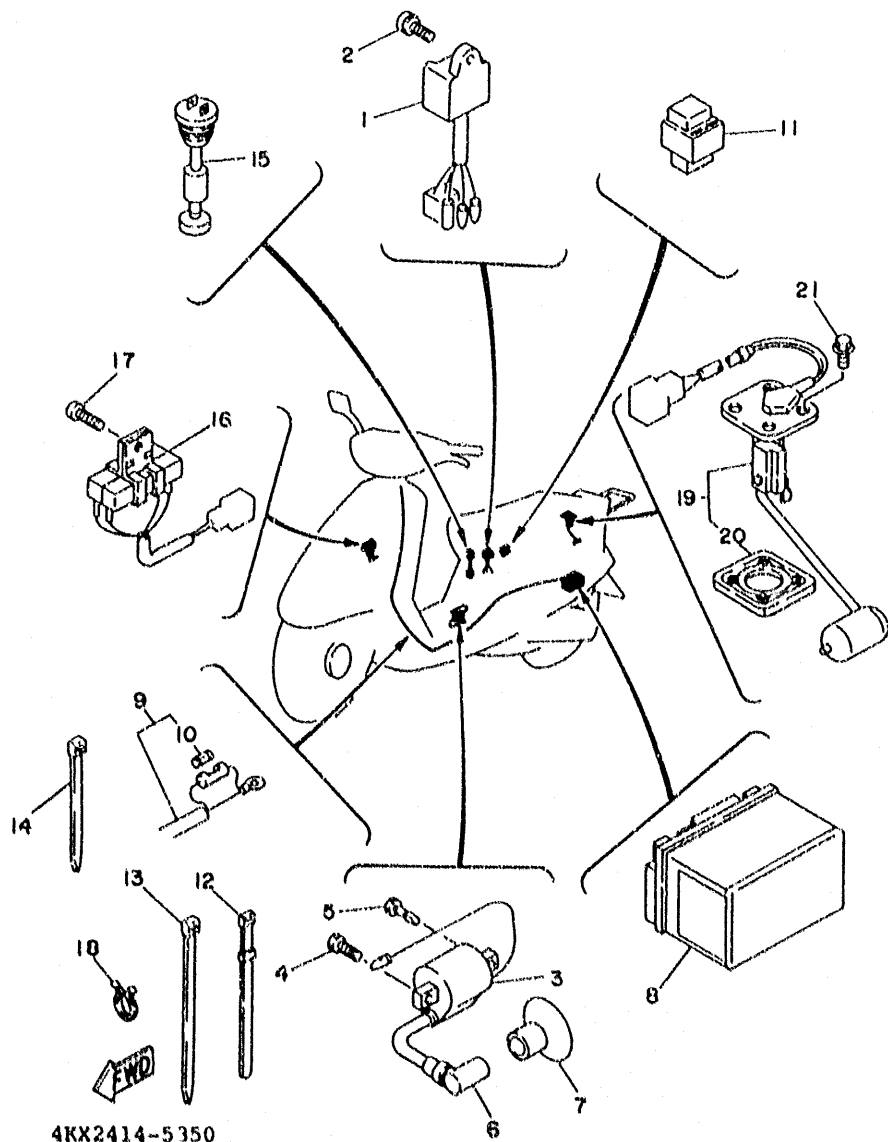
REF.

NO.	PART NO.	DESCRIPTION	Q'TY	REMARKS
1	4SC-H2910-00	LEVER HOLDER ASSY (LEFT)	1	
2	3XG-H3912-10	.LEVER 1	1	
3	90149-06175	.SCREW	1	
4	95606-05100	.NUT, U	1	
5	98507-05025	.SCREW, PAN HEAD	1	
6	98507-05035	.SCREW, PAN HEAD	1	
7	3XG-H3980-10	.FRONT STOP SWITCH ASSY	1	
8	3XG-H3975-30	SWITCH, HANDLE 2	1	
9	98506-05025	.SCREW, PAN HEAD (+)	1	
10	98506-05035	.SCREW, PAN HEAD (+)	1	
11	3GF-H3980-00	FRONT STOP SWITCH ASSY	1	
12	3GF-H3922-00	LEVER 2	1	
13	90109-06577	BOLT	1	
14	95607-06100	NUT	1	
15	90501-10312	SPRING, COMPRESSION	1	



3XG1414-1330

D-10



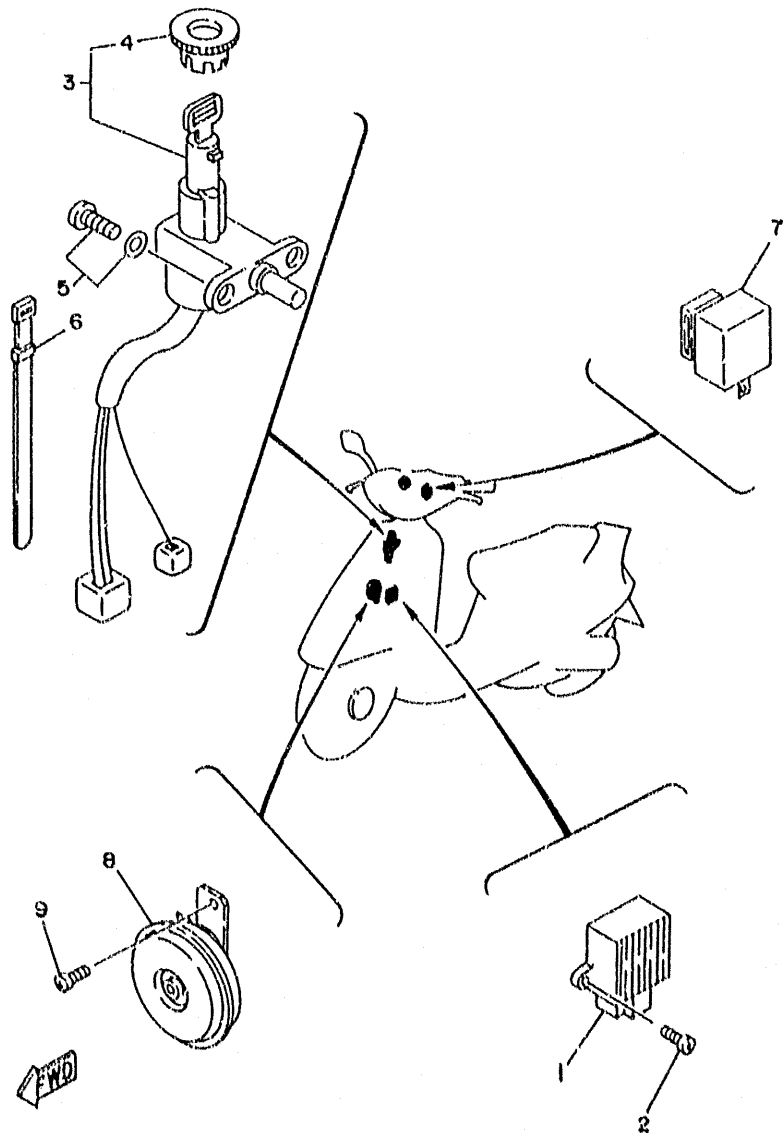
4KX2414-5350

FIG. 35 ELECTRICAL 1

REF.

NO.	PART NO.	DESCRIPTION	Q'TY	REMARKS
1	3GF-H5540-00	C.D.I. UNIT ASSY	1	
2	90159-06056	SCREW, WITH WASHER	1	
3	4DY-H2310-00	IGNITION COIL ASSY	1	
4	97007-06016	BOLT, HEX	1	
5	90153-06039	SCREW, HEXAGON	1	
6	3GF-H2370-00	PLUG CAP ASSY	1	
7	3GF-H2372-00	SEAL, PLUG CAP	1	
8	4SC-H2100-00	BATTERY ASSY	1	
9	4JL-H2590-00	WIRE HARNESS ASSY	1	
10	1NT-H2151-00	.FUSE	1	
11	1NT-H1940-00	STARTER RELAY ASSY	1	
12	31U-H3936-10	BAND, SWITCH CORD	2	
13	90465-13275	CLAMP	1	
14	90465-13152	CLAMP	1	
15	4JL-H5720-00	OIL LEVEL GAUGE ASSY	1	
16	3GF-H5370-00	RESISTOR ASSY	1	
17	98507-06012	SCREW, PAN HEAD	1	
18	90465-18147	CLAMP	1	
19	4DY-X8575-00	SENDER ASSY	1	
20	53X-H5753-00	.GASKET, SENDER UNIT	1	
21	90119-05071	BOLT, WITH WASHER	4	
22	4DY-82021-10	KEY SET	1	

D-11



4SC1354-5360

FIG. 36 ELECTRICAL 2

REF.

NO.	PART NO.	DESCRIPTION	Q'TY	REMARKS
1	3GF-H1960-00	RECTIFIER & REGULATOR ASSY	1	
2	98507-05012	SCREW, PAN HEAD	2	
3	4DY-H2501-00	MAIN SWITCH STEERING LOCK	1	
4	4DY-H2552-00	.CAP, SWITCH	1	
5	9760L-06212	SCREW, W/WASHER	2	
6	23Y-H3936-00	BAND, SWITCH CORD	1	
7	1HH-H3350-V0	FLASHER RELAY ASSY	1	
8	4FL-83371-00	HORN	1	
9	98507-06010	SCREW, PAN HEAD	1	

D-12

TRILE-NR.	REF NR.	TRILE-NR.	REF NR.	TRILE-NR.	REF NR.	TRILE-NR.	REF NR.	TRILE-NR.	REF NR.	TRILE-NR.	REF NR.
4DY-E1111-01	B- 2	3XG-E5601-00	B-11	4SC-F3110-00	C- 6	3XG-F582T-00	C-11	4JL-H3312-00	D- 6	3XG-W0047-00	C-11
3XG-E1181-00	B- 2	3XG-E5620-00	B-11	4SC-F3110-00	C- 6	3GF-F5852-00	C-14	4JL-H3312-10	D- 6	3YB-W0048-00	C-11
3XY-E1311-00	B- 2	3XG-E5630-00	B-11	4SC-F3126-00	C- 6	3GF-F5854-00	C-14	4SC-H3320-00	D- 6	3XG-W0057-00	C-11
4SC-E1351-00	B- 2	3XG-E5650-00	B-11	4SC-F3136-00	C- 6	3GF-F5867-00	C-14	4JL-H3322-00	D- 6	3XG-W1441-10	B- 6
3XG-E1400-00	B- 3	3XG-E5659-00	B- 9	4SC-F3141-00	C- 6	4JL-F5870-00	C-14	4JL-H3322-10	D- 6	4SC-W1442-00	B- 6
3XG-E1412-00	B- 3	23Y-E5673-02	B-11	4SC-F3141-00	C- 6	3XG-F5875-00	C- 6	3NT-H3331-V0	D- 6	4BX-W2536-00	C- 2
3XG-E1422-00	B- 3	3XG-E7410-00	B-14	3GF-F3147-00	C- 6	56A-F5919-00	C-11	3NT-H3331-V0	D- 6	4SC-W2620-00	C-13
3KY-E1601-00	B- 3	3XG-E7420-00	B-14	3GF-F3147-00	C- 6	56A-F5919-10	C-11	4DY-H3332-00	D- 9	4JL-X2151-30-P1	C- 2
4DY-E1631-19	B- 3	4SC-F1110-00-33	B-15	4JL-F3158-00	C- 6	56A-F5926-00	C-11	4DY-H3332-20	D- 9	4JL-X2151-60-4B	C- 2
4DY-E1631-29	B- 3	4DY-F1232-00	B-15	4JL-F3158-00	C- 6	4JL-F6110-00	C-13	4DY-H3342-00	D- 9	4DY-X2171-00-P5	C- 3
4DY-E1631-39	B- 3	4Y4-F139X-01	B-15	4SC-F3170-00	C- 6	4JL-F6143-00-P1	D- 3	4DY-H3342-20	D- 9	4DY-X2171-10-4B	C- 3
23Y-E1633-00	B- 3	3XG-F1398-00	C- 9	4SC-F3170-00	C- 6	4JL-F6143-00-4B	D- 3	1MH-H3350-V0	D-12	4DY-X2172-00-P5	C- 3
4Y4-E1651-00	B- 3	4DY-F1399-00	B-15	3GF-F3181-50	C- 6	4JL-F6145-00	D- 3	4JL-H3509-00	D- 7	4DY-X2172-10-4B	C- 3
3XG-E2611-00	B- 4	4KX-F1410-00	B-15	3GF-F3181-50	C- 6	4JL-F6240-00	C-13	4JL-H3510-00	D- 7	3XG-X2711-00	C-15
3XG-E2631-00	B- 4	20A-F1481-00	B-15	4JL-F3191-00	C- 6	4JL-F6241-00	C-13	1MH-H3517-V0	D- 7	4DY-X8575-00	D-11
3XG-E2651-01	B- 4	3XG-F1481-00	B-15	4JL-F3192-00	C- 6	4SC-F6260-00	C-13	1MH-H3517-V0	D- 7	1YU-11681-00	B- 3
DM-E2653-01	B- 4	4JL-F1519-00	C- 2	3XG-F3317-00	C- 6	3XY-F6262-00	C-13	4DY-H353K-00	D- 7	3AA-13124-00	B- 5
3XG-E2658-00	B- 4	4JL-F1519-20	C- 2	4JL-F3340-00	C- 6	4DH-F6280-00	D- 3	4JL-H3550-00	D- 7	2GM-13178-00	B- 5
4DY-E3100-00	B- 5	4JL-F1552-00	C- 2	3GF-F3346-00	C- 6	4DH-F6290-00	D- 3	4JL-H3551-00	D- 7	1YU-13185-00	B- 5
3XG-E3342-00	B-11	3GF-F1553-00	C- 2	4JL-F3356-00	C- 6	4JL-F6311-00	C-13	4JL-H3720-00	D- 9	1YU-13187-00	B- 5
3XG-E3555-01	B- 6	4JL-F1569-00	C- 2	3XG-F3416-00	C- 7	4SC-F6312-00	C-13	3XG-H3912-10	D-10	1YU-13473-00	B- 5
3XG-E3575-01	B- 6	4JL-F1569-20	C- 2	4SG-F4110-00-33	C- 8	3XY-F6316-00	C-13	3GF-H3922-00	D-10	1YU-13516-00	B- 5
4SC-E3621-00	B- 6	4JL-F1579-00	C- 2	4DY-F414A-00	C- 8	4DY-F6321-00	C-13	23Y-H3936-00	D-12	1YU-13577-00	B- 5
4SC-E4410-00	B- 6	4JL-F1579-20	C- 2	4DY-F4311-00	C- 8	4JL-F6351-00	C-13	31U-H3936-10	D-11	3KJ-13610-00	B- 6
3XG-E4411-00	B- 6	4JL-F171L-00	C- 3	4DY-F4313-00	C- 8	3XG-F6393-00	C-13	3XG-H3975-30	D-10	3KJ-13613-00	B- 6
4SC-E4412-00	B- 6	4JL-F171L-20	C- 3	4DY-F4500-00	C- 8	4DY-F7481-10	C-15	3GF-H3980-00	D-10	3KJ-13616-00	B- 6
3XY-E4437-00	B- 6	4JL-F171M-00	C- 3	4DY-F4544-00	C- 8	4DY-F8100-00	B-15	3XG-H3980-10	D-10	3KJ-1410A-10	B- 7
3XG-E4451-00	B- 6	4JL-F171M-20	C- 3	4SG-F4602-00	C- 8	4JL-F8300-00	D- 2	4SC-H4310-00	D- 8	3YJ-14103-00	B- 7
3XG-E4452-00	B- 6	4JL-F173E-00	C- 3	4DY-F4705-00	C- 9	3GF-H1403-V0	D- 4	4JL-H4396-00-P1	D- 9	14T-14104-00	B- 7
3XG-E4453-00	B- 6	4JL-F173E-20	C- 3	3XG-F4726-00	C- 9	3XG-H1800-00	D- 5	4JL-H4396-00-4B	D- 9	4JP-14104-00	B- 7
4SC-E4610-00	B- 8	4JL-F173F-00	C- 3	4DY-F473R-00	C- 9	3GF-H1801-V0	D- 5	4JL-H4544-00	D- 9	1HV-14147-00	B- 7
3NT-E4613-00	B- 8	4JL-F173F-20	C- 3	4JL-F4730-00	C- 9	3GF-H181Y-V0	D- 5	4SC-H4700-00	D- 9	288-14161-00	B- 7
3XG-E4718-00	B- 8	4DY-F1731-00-P5	C- 3	4JL-F4747-00	C- 9	3XG-H183G-V0	D- 5	1NT-H4714-V0	D- 9	4FK-14301-15	B- 7
3XG-E5111-00	B- 9	4DY-F1731-00-4B	C- 3	4JL-F475M-00	C- 9	1NT-H1940-00	D-11	4DY-H4721-00	D- 9	3KJ-14312-30	B- 7
3XG-E5121-00	B- 9	4DY-F1737-70	C- 2	4JL-F4843-00	D- 2	3GF-H1960-00	D-12	4DY-H4743-00	D- 9	1YU-14331-00	B- 7
1NT-E5128-00	B- 9	4JL-F1737-00	C- 3	20A-F5115-00	C-10	4SC-H2100-00	D-11	4DY-H4751-00	D- 9	33A-14341-00	B- 7
3XG-E5317-00	B- 9	4JL-F1737-00	C- 3	3XG-F513A-00	C-12	3XG-H2129-00	C- 9	4SG-H4790-00-P2	D- 9	14T-14343-39	B- 7
4Y4-E5363-00	B- 9	4DY-F1751-01	C- 4	3XG-F5180-00-33	C-10	1NT-H2151-00	D-11	4SG-H4790-00-4B	D- 9	3KJ-14349-01	B- 7
3XG-E5371-00	B- 9	4X6-F1771-01	C- 4	3XG-F5181-00	C-10	4DY-H2310-00	D-11	3GF-H5370-00	D-11	3KJ-14353-22	B- 7
3XG-E5411-00-MA	B- 9	4DY-F2210-01	C- 5	3XG-F5190-00	C-10	3GF-H2370-00	D-11	3GF-H5540-00	D-11	14T-14384-00	B- 7
3XG-E5421-00	B- 9	4DY-F2210-21	C- 5	3XG-F5326-00	C-12	3GF-H2372-00	D-11	4DY-H5550-00	D- 4	1HV-14385-01	B- 7
4SC-E5451-00	B- 9	4X6-F2216-00	B- 9	3XG-F5336-00	C-12	4DY-H2501-00	D-12	3XG-H5560-00	D- 4	367-14386-00	B- 7
4SC-E5461-00	B- 9	4SC-F3100-00	C- 6	3XG-F5351-00	C-12	4DY-H2552-00	D-12	3GF-H5580-V0	D- 4	2JA-14392-00	B- 7
4SC-E5462-00	B-10	4SC-F3102-00	C- 6	3XG-F5355-00	C-12	4JL-H2590-00	D-11	4JL-H5720-00	D-11	2JA-14397-00	B- 7
3XG-E5512-00	B-11	4SC-F3103-00	C- 6	3XG-F5357-00	C-12	4SC-H2910-00	D-10	53X-H575J-00	D-11	4JP-14561-00	B- 7
3XG-E5524-00	B-11	4JL-F3108-00	C- 7	3XG-F5390-00-33	C-12	4SC-H3310-00	D- 6	3GF-W0041-00	C-14	4FK-14903-01	B- 7
3XG-E5532-00	B-11	4JL-F3108-20	C- 7	3XG-F580T-00	C-11	3XG-H3311-00	D- 9	3GF-W0045-00	C-11	3WF-15538-00	B-11

TEILE-NR.	REF NR.	TEILE-NR.	REF NR.	TEILE-NR.	REF NR.	TEILE-NR.	REF NR.	TEILE-NR.	REF NR.	TEILE-NR.	REF NR.
3GF-15570-10	B-11	90167-05025	D- 9	90445-09268	B- 5	93210-64893	B- 4	97607-06112	C- 8	98980-06008	B- 8
3KJ-15657-00	B-13	90167-05055	C- 3	90446-11347	B- 9	93300-63813	B-12	97607-06112	C- 8	99009-15400	B-11
3KJ-16111-00	B-12	90170-10219	B-13	90465-13152	C-13	93306-003Y1	B-12	97607-06220	B- 4	99009-17400	B- 9
3YJ-16611-00	B-12	90170-10219	D- 4	90465-13152	D-11	93306-003Y4	B- 9	97607-06220	B- 6	99009-17400	B-12
3YK-16620-00	B-12	90170-10317	B-12	90465-13275	D-11	93306-20006	B-14	97607-06220	D- 9	99009-19400	B- 5
50W-16626-00	B-12	90176-06065	D- 9	90465-18147	D-11	93306-20010	B-14	97607-06316	B- 4	99530-10014	B- 9
3XY-17602-01	B-12	90179-06843	C-13	90467-08003	B- 5	93306-203X5	B-14	97707-40512	D- 9	99530-10014	B- 9
3AA-17611-01	B-13	90179-07381	B- 2	90467-09006	C- 8	93306-20458	B- 3	97707-40620	D- 9	99530-12016	B- 9
3XG-17620-01	B-12	90179-25033	C- 7	90467-10008	C- 8	93306-300Y4	C-10	97707-50012	C- 3	99999-02436	C-14
3XG-17623-00	B-12	90179-28415	B-12	90467-24140	B- 6	93310-210N0	B- 3	97707-50012	C- 3		
4DY-17632-00	B-12	90183-05807	C- 3	90468-02033	B- 5	93310-255B7	B-11	97707-50012	D- 3		
3GF-17641-00	B-12	90183-05807	D- 3	90468-02033	B- 5	93310-416F7	B- 3	97707-50012	D- 6		
1NT-17653-00	B-12	90183-05807	C-15	90468-12006	C- 5	93311-32261	B-14	97707-50016	C- 2		
3GF-17660-02	B-12	90183-05807	D- 9	90468-12006	C-15	93315-108Y4	B-11	97707-50016	C- 3		
24G-17664-00	B-12	90185-14814	C-12	90480-10468	B- 4	93420-40802	B-14	97707-50016	D- 2		
3GF-17670-01	B-12	90201-06412	B-12	90480-12053	C- 4	93450-11120	B- 3	97707-50016	D- 7		
3XG-17684-00	B-12	90201-08088	B-11	90480-12497	B- 4	93450-20813	B-14	97707-50016	D- 9		
22F-23411-01	C- 6	90201-10118	C-14	90480-12497	B- 6	93503-16003	C- 7	97707-50125	B- 6		
22F-23412-01	C- 6	90201-123K4	B-14	90501-08845	C- 8	93603-12827	B- 5	97707-60540	B- 4		
22F-23414-01	C- 6	90201-133M8	B-12	90501-10312	D-10	93900-00804	C-10	9850L-05010	D- 4		
3KJ-26329-00	B- 7	90201-14740	C-12	90501-29517	B-15	93900-00804	C-12	9850L-06020	B- 9		
4DY-82021-10	D-11	90201-155G5	B-11	90501-405G5	B-12	94109-108K9	C-10	9850L-06025	B- 9		
4FL-83371-00	D-12	90201-17255	C-12	90506-15260	C-12	94109-108K9	C-12	9850L-06035	B- 9		
90101-06278	C-12	90201-55890	B-11	90506-32464	C-15	94701-00264	B- 2	9850L-06035	B- 9		
90102-10031	C- 5	90202-05187	B- 8	90508-32609	B-11	9560L-12200	B-15	9850L-06035	B- 9		
90105-08121	C- 5	90202-10120	C-15	90560-06366	C- 8	95606-05100	D-10	98501-05020	D- 4		
90105-10036	C-13	90208-10012	B-13	91A11-07039	C- 8	95607-06100	D-10	98506-05025	D-10		
90109-063F1	C- 9	90208-12049	B-14	91317-06025	C-14	9561L-10100	B-15	98506-05035	D-10		
90109-06577	D-10	90214-13055	B-13	91318-06020	B- 6	95617-10200	C-10	98507-05010	C-13		
90110-10811	C-11	90240-10132	C-15	91318-06020	D- 5	95617-10200	C-13	98507-05012	D-12		
90111-08802	D- 9	90241-10015	C- 9	92901-04100	B- 7	9570L-08500	C-12	98507-05014	B- 5		
90116-07827	B- 2	90249-12008	C-13	92901-04100	D- 4	9570L-10500	C- 5	98507-05025	D-10		
90119-05071	D-11	90280-03017	B- 3	92907-10600	D- 4	9570L-10500	C-11	98507-05035	D-10		
90119-06802	C- 4	90380-15083	B-11	92995-06100	B- 7	95707-06500	C- 8	98507-06010	B-12		
90119-06814	C-15	90387-058G3	B-15	93101-20138	B- 3	95707-06500	C- 9	98507-06010	D-12		
90119-06821	C- 2	90387-065X4	C-15	93102-17838	C-10	9580L-06010	C- 6	98507-06012	B- 9		
90149-05203	D- 8	90387-068J5	B- 4	93102-17841	B-12	95807-06012	B-15	98507-06012	B-11		
90149-06175	D-10	90387-068J5	B- 6	93102-20425	B- 3	95807-06012	C- 2	98507-06012	D-11		
90149-06810	B- 8	90387-102X1	C-10	93102-22840	B-14	95807-08016	B- 9	98507-06016	D- 4		
90153-06839	D-11	90387-104U5	C-10	93104-19097	D- 4	95817-08020	B- 8	98512-04010	D- 5		
90159-05028	D- 3	90387-13897	B-12	93109-33052	B-12	95817-08030	B- 8	98580-03006	B- 7		
90159-06056	D-11	90387-156U0	B- 3	93210-06852	B-12	95827-06012	C- 8	98580-04008	D- 4		
90159-06064	C- 9	90401-10805	C-14	93210-07890	C-12	95827-08030	C-11	98580-04016	B- 7		
90159-06812	C- 2	90401-10805	C-14	93210-108B1	C-15	97007-06016	D-11	98580-05014	B- 7		
90159-06812	D- 2	90430-08119	B- 9	93210-14805	B- 9	97017-06025	B-11	98580-06016	B- 7		
90167-03800	C-13	90445-052G4	B- 5	93210-23614	D- 5	9760L-06212	D-12	98706-04012	C-14		
90167-05025	C- 9	90445-07867	C- 8	93210-36549	B-12	97607-03208	B- 6				