

CONTENTS

| | | | |
|------------------------|-----|----------------------------|-------|
| ENGINE | | FUEL TANK..... | C5 |
| CYLINDER..... | B2 | SEAT CARRIER..... | C6 |
| CRANKSHAFT-PISTON..... | B3 | FRONT WHEEL..... | C7 |
| AIR SHROUD-FAN..... | B4 | FRONT BRAKE CALIPER..... | C8 |
| OIL PUMP..... | B5 | REAR WHEEL..... | C9 |
| INTAKE..... | B6 | STEERING-HANDLE-CABLE..... | C10 |
| CARBURETOR..... | B7 | FRONT MASTER CYLINDER..... | C11 |
| EXHAUST..... | B8 | STAND FOOTREST..... | C12 |
| CRANKCASE..... | B9 | LEG SHIELD..... | C13 |
| STARTER..... | B10 | COWLING..... | C14 |
| CLUTCH..... | B11 | GENERATOR..... | C15 |
| TRANSMISSION..... | B12 | FLASHER LIGHT..... | D2 |
| CHASSIS | | METER..... | D3 |
| FRAME..... | B13 | HEADLIGHT..... | D4 |
| FENDER..... | B14 | TAILLIGHT..... | D5 |
| SIDE COVER..... | B15 | HANDLE- SWITCH- LEVER..... | D6 |
| OIL TANK..... | C2 | ELECTRICAL 1..... | D7 |
| REAR SUSPENSION..... | C3 | ELECTRICAL 2..... | D8 |
| FRONT FORK..... | C4 | | |
| | | NUMERICAL INDEX..... | M1-M2 |

YAMAHA
GENUINE
Parts & Accessories

CW50RSX'97 (5AY1)
BELGIUM

275AY - 342E1
SEPTEMBER 1996

FOREWORD

This Parts Catalogue is related to the parts in use for the CW50RSX'97

When you are ordering replacement parts for the CW50RSX'97 refer to this Parts Catalogue and quote both part numbers and part names correctly.

1. Modifications or additions which have been made after issue of the Parts Catalogue will be announced in the Parts News.
It is advisable that according to the Yamaha Parts News you make necessary corrections to the Parts Catalogue on hand to keep it up-to-date.

2. Abbreviations

The following abbreviations are used in this Parts Catalogue.

- U.R. Use size (thickness) and/or number as required
- U.N. Use as many as you need.
- A.P. Alternate Parts
- L.M. Local Made
- F# Frame No. (Applicable machine No.)

3. The parts marked with (+) in the parts number column of this Catalogue are not supplied with by Yamaha, those have to be found locally.
4. Parts, which are to be supplied in the form of assemblies, are listed with an indention of one letter's space, and a dot (.) is put against the name of each part.

EXAMPLE CARBURETOR ASS'Y
 . JET, pilot
 . NOZZLE, main

5. Indication of No. of constituent parts for assembly

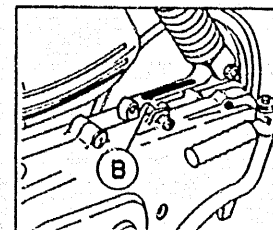
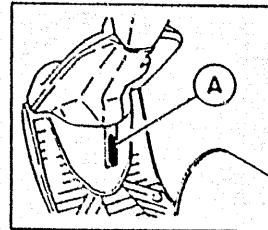
The numeral appearing to the right of each constituent part under the description indicates the quantity of such parts for each individual assembly unit.

EXAMPLE

| Part No. | Description | Q'ty | Remarks |
|--------------|---------------------------|------|---------|
| 2F5-83310-60 | FRONT FLASHER LIGHT ASS'Y | 2 | |
| 115-83311-60 | BULB (6V-18W) | 1 | |
| 1M1-83309-60 | REFLECTOR | 1 | |

6. Initial Serial No. and Color Code

| | |
|-----------------------|--------------|
| (A) Frame Serial No. | 4TD - 700101 |
| (B) Engine Serial No. | 4SB - 500101 |

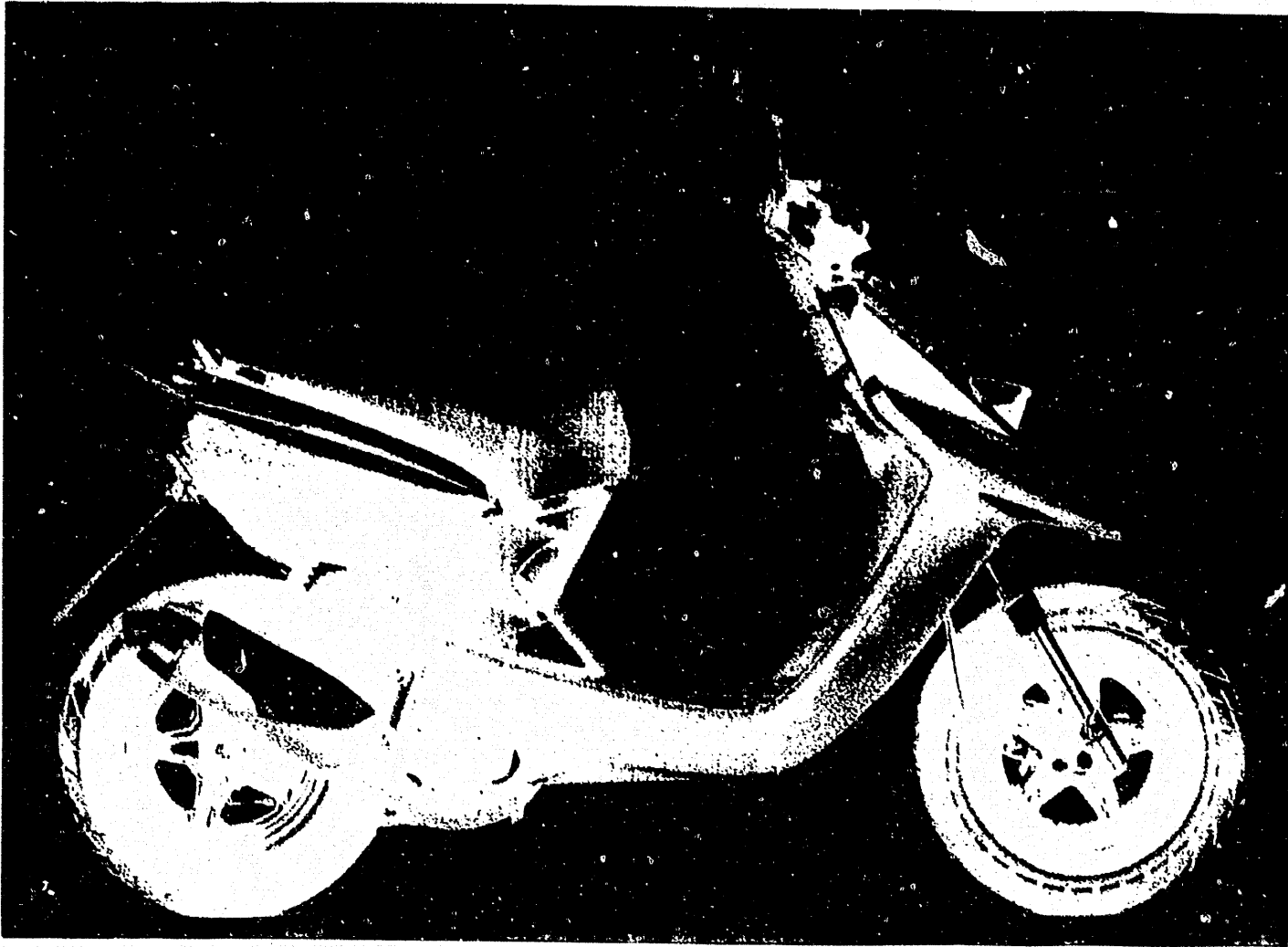


| Color Code | Color Name | Abbreviate |
|------------|------------|------------|
| 00EX | INK BLUE | IKB |

7. Applicable colors of graphics are represented in the "Remarks" column by the letter(s) appropriately picked out of the full word(s) showing such colors.

EXAMPLE

| Part No. | Description | Q'ty | Remarks |
|-----------------|--------------------------|------|---------|
| 2N4-24110-00-X5 | FUEL TANK COMP | 1 | |
| 3J1-24240-10 | . GRAPHIC, fuel tank set | 1 | |



A4

CONTENTS

| ENGINE | |
|----------------------------|-------|
| CYLINDER..... | B2 |
| CRANKSHAFT-PISTON..... | B3 |
| AIR SHROUD-FAN..... | B4 |
| OIL PUMP..... | B5 |
| INTAKE..... | B6 |
| CARBURETOR..... | B7 |
| EXHAUST..... | B8 |
| CRANKCASE..... | B9 |
| STARTER..... | B10 |
| CLUTCH..... | B11 |
| TRANSMISSION..... | B12 |
| CHASSIS | |
| FRAME..... | B13 |
| FENDER..... | B14 |
| SIDE COVER..... | B15 |
| OIL TANK..... | C2 |
| REAR SUSPENSION..... | C3 |
| FRONT FORK..... | C4 |
| FUEL TANK..... | C5 |
| SEAT CARRIER..... | C6 |
| FRONT WHEEL..... | C7 |
| FRONT BRAKE CALIPER..... | C8 |
| REAR WHEEL..... | C9 |
| STEERING-HANDLE-CABLE..... | C10 |
| FRONT MASTER CYLINDER..... | C11 |
| STAND FOOTREST..... | C12 |
| LEG SHIELD..... | C13 |
| COWLING..... | C14 |
| GENERATOR..... | C15 |
| FLASHER LIGHT..... | D2 |
| METER..... | D3 |
| HEADLIGHT..... | D4 |
| TAILLIGHT..... | D5 |
| HANDLE- SWITCH- LEVER..... | D6 |
| ELECTRICAL 1..... | D7 |
| ELECTRICAL 2..... | D8 |
| NUMERICAL INDEX..... | M1-M2 |

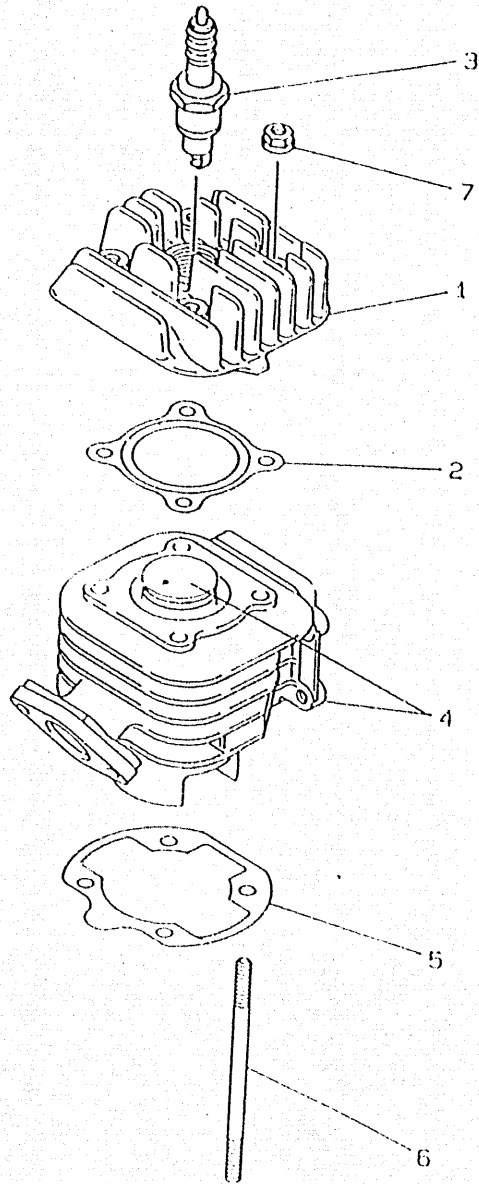
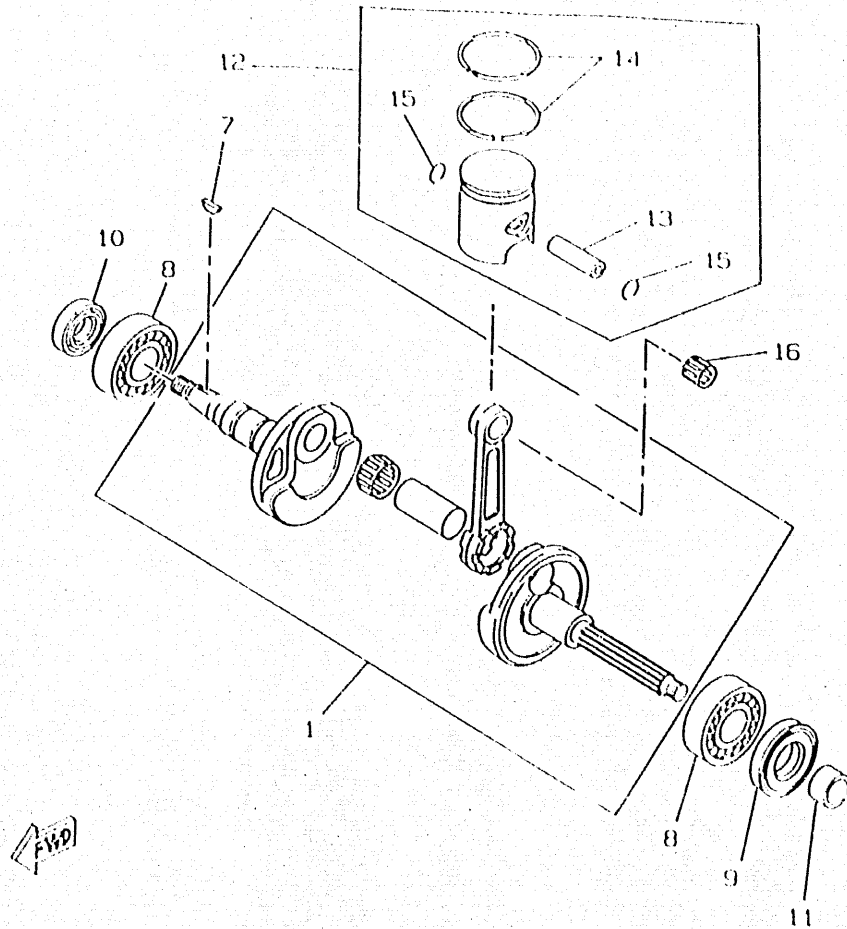


FIG . 1CYLINDER

| REF | PART.N° | DESCRIPTION | QTY | REMARKS |
|-----|--------------|------------------------|-----|---------|
| 1 | 4SB-E1111-00 | HEAD, CYLINDER 1 | 1 | |
| 2 | 3VL-E1181-00 | GASKET, CYLINDER HEAD | 1 | |
| 3 | 94700-00195 | PLUG, SPARK | 1 | BR8HS |
| 4 | 4SB-E1311-00 | CYLINDER 1 | 1 | |
| | 4SB-E1631-00 | .PISTON (STD) | 1 | |
| | 4SB-E1603-00 | .PISTON RING SET (STD) | 1 | |
| | 3VL-E1633-00 | .PIN, PISTON | 1 | |
| | 93450-11120 | .CIRCLIP | 2 | |
| 5 | 3VL-E1351-00 | GASKET, CYLINDER | 1 | |
| 6 | 90116-06418 | BOLT, STUD | 4 | |
| 7 | 95707-06500 | NUT, FLANGE | 4 | |

FIG . 2CRANKSHAFT. PISTON



| REF | PART.N° | DESCRIPTION | QTY | REMARKS |
|-----|--------------|-----------------------------|-----|---------|
| 1 | 3VL-E1400-10 | CRANKSHAFT ASSY | 1 | |
| 7 | 90280-03017 | KEY, WOODRUFF | 1 | |
| 8 | 93306-20468 | BEARING | 2 | |
| 9 | 93102-20371 | OIL SEAL | 1 | |
| 10 | 93101-20138 | OIL SEAL | 1 | |
| 11 | 90387-156U0 | COLLAR | 1 | |
| 12 | 4SB-E1631-00 | PISTON (STD) | 1 | |
| | 4SB-E1636-00 | PISTON (0.50MM O/S) | 1 | |
| 13 | 3VL-E1633-00 | PIN, PISTON | 1 | |
| 14 | 4SB-E1603-00 | PISTON RING SET (STD) | 1 | |
| | 4SB-E1605-00 | PISTON RING SET (0.50MMO/S) | 1 | |
| 15 | 93450-11120 | CIRCLIP | 2 | |
| 16 | 93310-210M0 | BEARING, CYLINDRICAL | 1 | |

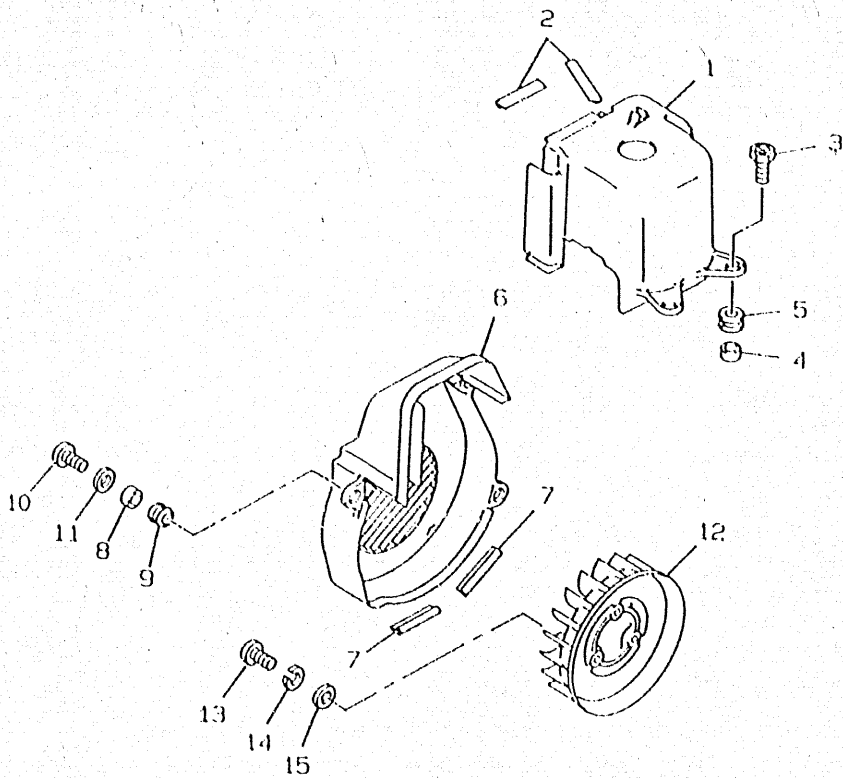


FIG . 3AIR SHROUD. FAN

| REF | PART.N° | DESCRIPTION | QTY | REMARKS |
|-----|--------------|----------------------|-----|---------|
| 1 | 3VL-E2651-00 | AIR SHROUD, CYLINDER | 1 | |
| 2 | 3VL-E2658-00 | DAMPER, AIR SHROUD 1 | 2 | |
| 3 | 90153-06022 | SCREW, HEXAGON | 2 | |
| 4 | 90387-06023 | COLLAR | 2 | |
| 5 | 90480-12237 | GROMMET | 2 | |
| 6 | 3VL-E2653-00 | AIR SHROUD, CYLINDER | 1 | |
| 7 | 3VL-E2658-00 | DAMPER, AIR SHROUD 1 | 2 | |
| 8 | 90387-067T6 | COLLAR | 3 | |
| 9 | 90480-12237 | GROMMET | 3 | |
| 10 | 98517-06020 | SCREW, PAN HEAD | 3 | |
| 11 | 92907-06600 | WASHER | 3 | |
| 12 | 3VL-E2611-00 | FAN | 1 | |
| 13 | 98580-06016 | SCREW, PAN HEAD | 3 | |
| 14 | 92995-06100 | WASHER | 3 | |
| 15 | 92990-06600 | WASHER, PLATE | 3 | |

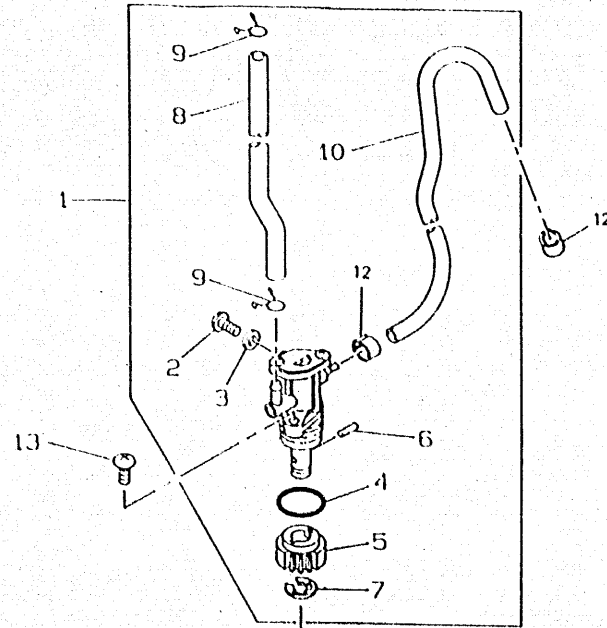
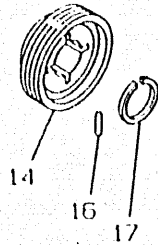


FIG . 4OIL PUMP

| REF | PART.N° | DESCRIPTION | QTY | REMARKS |
|-----|--------------|------------------------|-----|---------|
| 1 | 4SB-13100-00 | OIL PUMP ASSY | 1 | |
| 2 | 1YU-13185-00 | .BOLT, BREATHER | 1 | |
| 3 | 1YU-13187-00 | .GASKET, BREATHER BOLT | 1 | |
| 4 | 1YU-13473-00 | .O-RING | 1 | |
| 5 | 3AA-13124-00 | .GEAR, WORM WHEEL | 1 | |
| 6 | 1YU-13516-00 | .PIN, DOWEL | 1 | |
| 7 | 1YU-13577-00 | .CLIP | 1 | |
| 8 | 90445-094J4 | .HOSE | 1 | |
| 9 | 90467-08003 | .CLIP | 1 | |
| 10 | 1YU-13418-00 | .PIPE, OIL 2 | 1 | |
| 12 | 90468-02033 | .CLIP | 1 | |
| 13 | 98507-05014 | .SCREW, PAN HEAD | 2 | |
| 14 | 2GM-13178-00 | .GEAR, PUMP DRIVE | 1 | |
| 16 | 93603-12007 | .PIN, DOWEL | 1 | |
| 17 | 99009-19400 | .CIRCLIP | 2 | |



← FWD

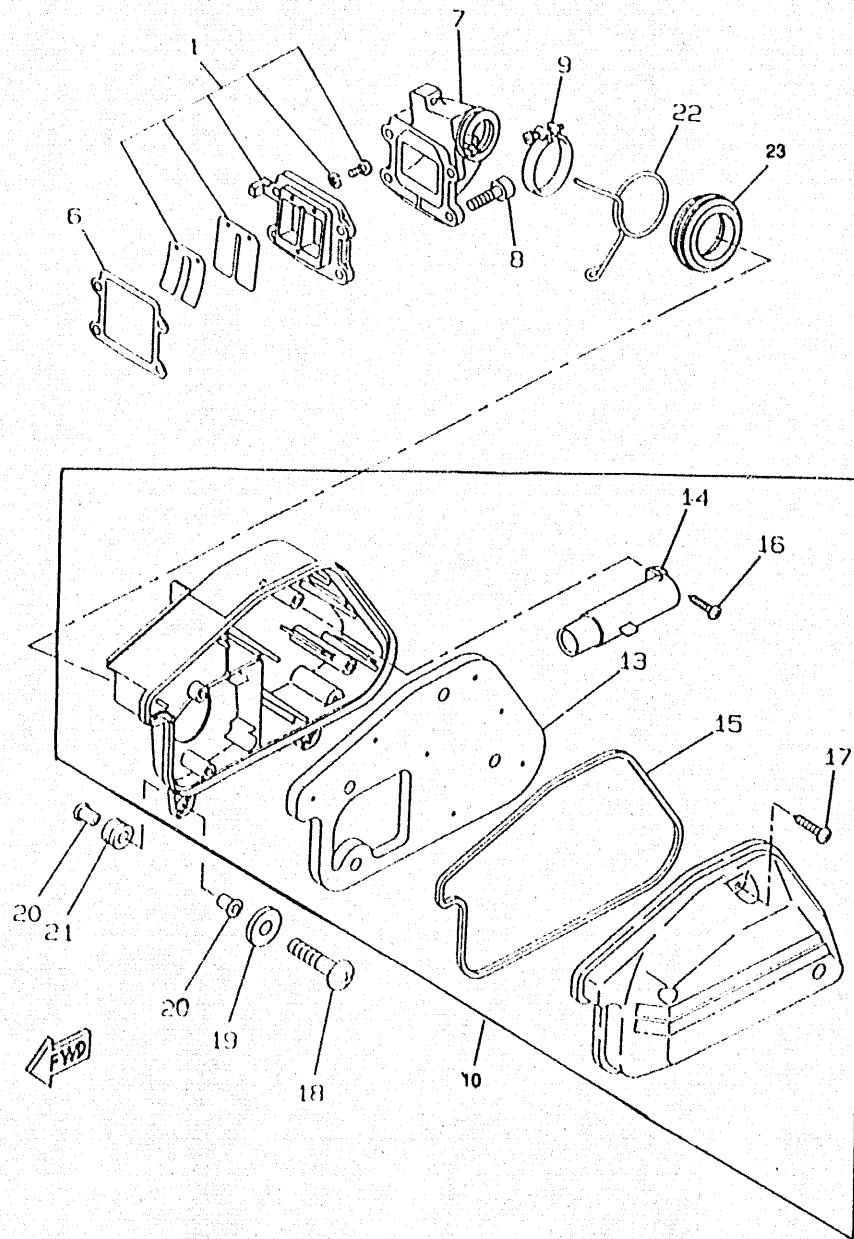


FIG . 5INTAKE

| REF | PART.N° | DESCRIPTION | QTY | REMARKS |
|-----|--------------|----------------------|-----|---------|
| 1 | 3VL-E3610-00 | REED VALVE ASSY | 1 | |
| 6 | 4KN-13621-00 | GASKET, VALVE SEAT | 1 | |
| 7 | 3VL-E3555-00 | MANIFOLD, INTAKE | 1 | |
| 8 | 91317-06020 | BOLT | 4 | |
| 9 | 90450-32081 | HOSE CLAMP ASSY | 1 | |
| 10 | 4PB-E4410-01 | AIR CLEANER ASSY. | 1 | |
| 13 | 4PB-E4451-00 | ELEMENT, AIR CLEANER | 1 | |
| 14 | 3VL-E4437-00 | .DUCT | 1 | |
| 15 | 3VL-E4452-00 | .SEAL | 1 | |
| 16 | 3VL-F4429-00 | .SCREW | 1 | |
| 17 | 3VL-E4565-00 | .SCREW | 4 | |
| 18 | 98507-06025 | SCREW, PAN HEAD | 2 | |
| 19 | 92907-06600 | WASHER | 2 | |
| 20 | 90387-061V4 | COLLAR | 4 | |
| 21 | 90480-12497 | GROMMET | 2 | |
| 22 | 90467-24140 | CLIP | 1 | |
| 23 | 3VL-E4453-01 | JOINT, AIR CLEANER 1 | 1 | |

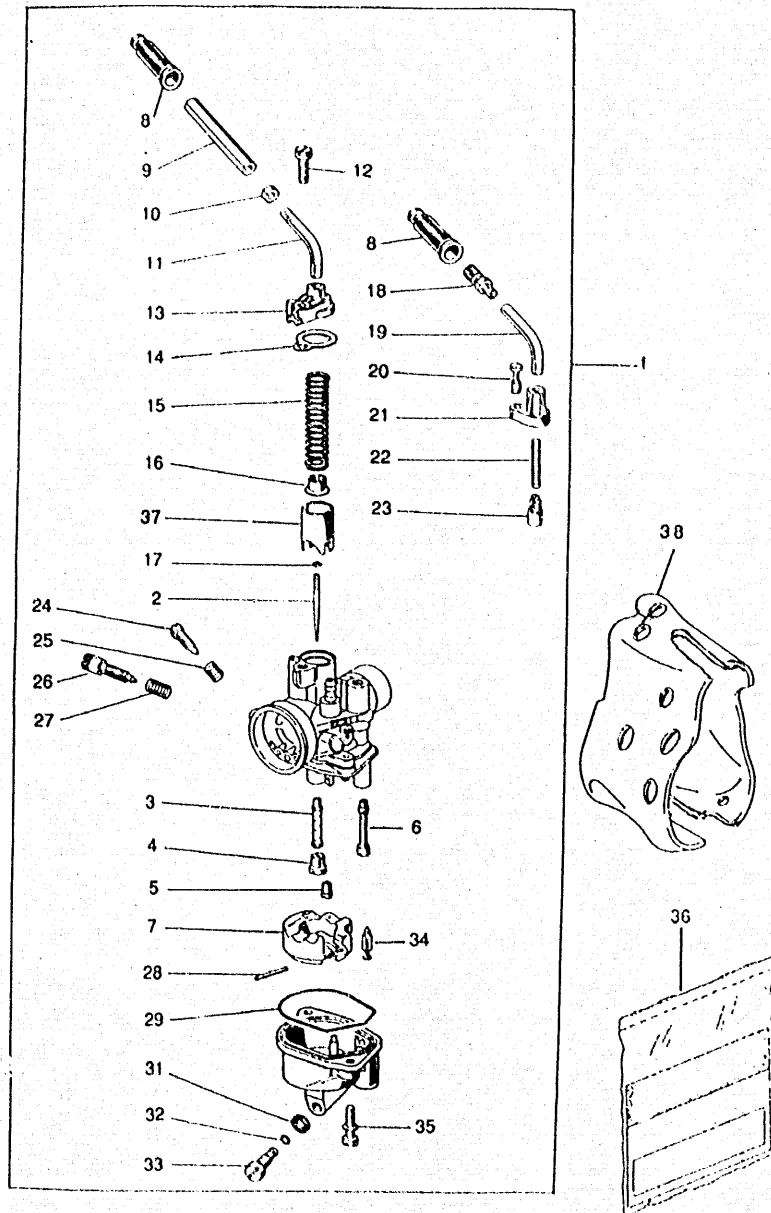


FIG . 6 CARBURETOR

| REF | PART.N° | DESCRIPTION | QTY | REMARKS |
|-----|--------------|-------------------------|-----|----------|
| 1 | 4SB-E4301-00 | CARBURETOR ASSY 1 | 1 | DELLORTO |
| 2 | 4SB-E4336-00 | .NEEDLE | 1 | |
| 3 | 4SB-E4341-00 | .NOZZLE, MAIN | 1 | |
| 4 | 4SB-E4343-00 | .JET, MAIN | 1 | |
| 5 | 4SB-E4342-00 | .JET, PILOT | 1 | |
| 6 | 4SB-E4344-00 | .JET, STARTER | 1 | |
| 7 | 4SB-E4385-00 | .FLOAT | 1 | |
| 8 | 4SB-F6329-00 | .CAP, RUBBER | 2 | |
| 9 | 4SB-E4161-00 | .NUT, CABLE ADJUSTING | 1 | |
| 10 | 4SB-E4358-00 | .NUT | 1 | |
| 11 | 4SB-E4148-00 | .PIPE | 1 | |
| 12 | 4SB-E4325-00 | .SCREW, PAN HEAD | 1 | |
| 13 | 4SB-E4369-00 | .DIAPHRAGM ASSY 2 | 1 | |
| 14 | | IN KIT GASKET REP 36 | | |
| 15 | 4SB-E4331-00 | .SPRING, THROTTLE VALVE | 1 | |
| 16 | 4SB-E4377-00 | .STOPPER | 1 | |
| 17 | 4SB-E4137-00 | .CLIP | 1 | |
| 18 | 4SB-E4124-00 | .SCREW, CABLE ADJUSTING | 1 | |
| 19 | 4SB-E4318-00 | .PIPE STARTER | 1 | |
| 20 | 4SB-E4216-00 | .SCREW | 1 | |
| 21 | 4SB-E4368-00 | .DIAPHRAGM ASSY 1 | 1 | |
| 22 | 4SB-E4335-00 | .SPRING, PLUNGER | 1 | |
| 23 | 4SB-E4371-00 | .PLUNGER, STARTER | 1 | |
| 24 | 4SB-E4104-00 | .AIR SCREW SET | 1 | |
| 25 | 4SB-E4134-00 | .SPRING, AIR ADJUSTING | 1 | |
| 26 | 4SB-E4103-00 | .THROTTLE SCREW SET | 1 | |
| 27 | 4SB-E4133-00 | .SPRING, THROTTLE STOP | 1 | |
| 28 | 4SB-E4386-00 | .PIN, FLOAT | 1 | |
| 29 | | IN KIT GASKET REP 36 | | |
| 31 | | IN KIT GASKET REP 36 | | |
| 32 | | IN KIT GASKET REP 36 | | |
| 33 | 4SB-E4115-00 | .PLUG, SCREW | 1 | |
| 34 | 4SB-E4392-00 | .VALVE, NEEDLE | 1 | |
| 35 | 4SB-E4216-10 | .SCREW | 2 | |
| 36 | 4SB-W0001-00 | .GASKET KIT | 1 | |
| 37 | 4SB-E4312-00 | .VALVE, THROTTLE 1 | 1 | |
| 38 | 4SB-E4283-00 | COVER, CARBURETOR 1 | 1 | |

112

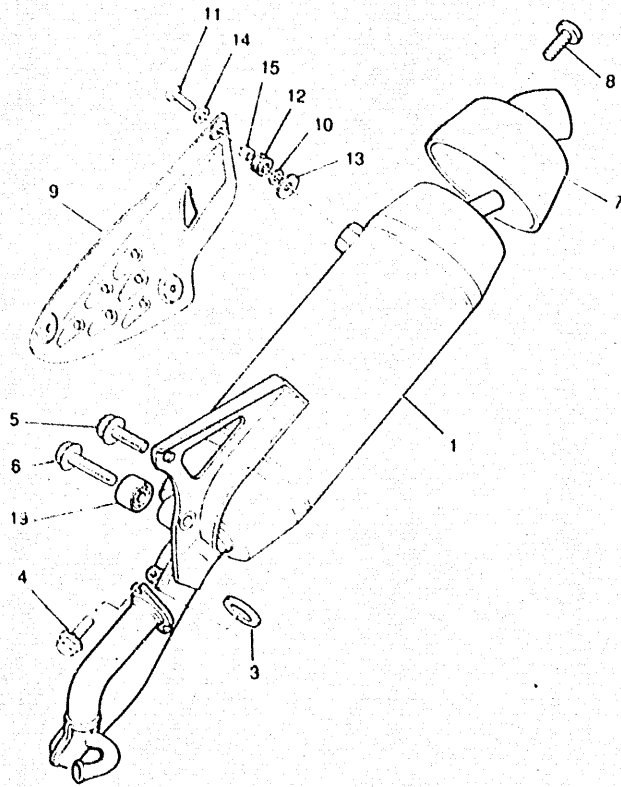


FIG . 7EXHAUST

| REF | PART.N° | DESCRIPTION | QTY | REMARKS |
|-----|--------------|----------------------|-----|---------|
| 1 | 4SB-E4610-00 | EXHAUST PIPE ASSY 1 | 1 | |
| 3 | 3HK-14613-00 | GASKET, EXHAUST PIPE | 1 | |
| 4 | 90153-06061 | SCREW, HEXAGON | 2 | |
| 5 | 95817-08020 | BOLT, FLANGE | 1 | |
| 6 | 95817-08040 | BOLT, FLANGE | 1 | |
| 7 | 4SB-E479X-00 | PIPE TAIL ASSY | 1 | CHROME |
| 8 | 4SB-E4678-00 | BOLT, COUPLING | 1 | |
| 9 | 4SB-E4718-00 | PROTECTOR, MUFFLER 1 | 1 | ALU |
| 10 | 4SB-E4759-00 | WASHER | 3 | |
| 11 | 98904-06016 | SCREW, BIND | 3 | |
| 12 | 90387-060G7 | COLLAR | 3 | |
| 13 | 3HK-14766-01 | WASHER, PROTECTOR | 3 | |
| 14 | 4FB-14766-00 | WASHER, PROTECTOR | 3 | |
| 15 | 90480-12581 | GROMMET | 3 | |
| 19 | 2JA-14737-00 | DAMPER, MUFFLER | 1 | |

(FWD)

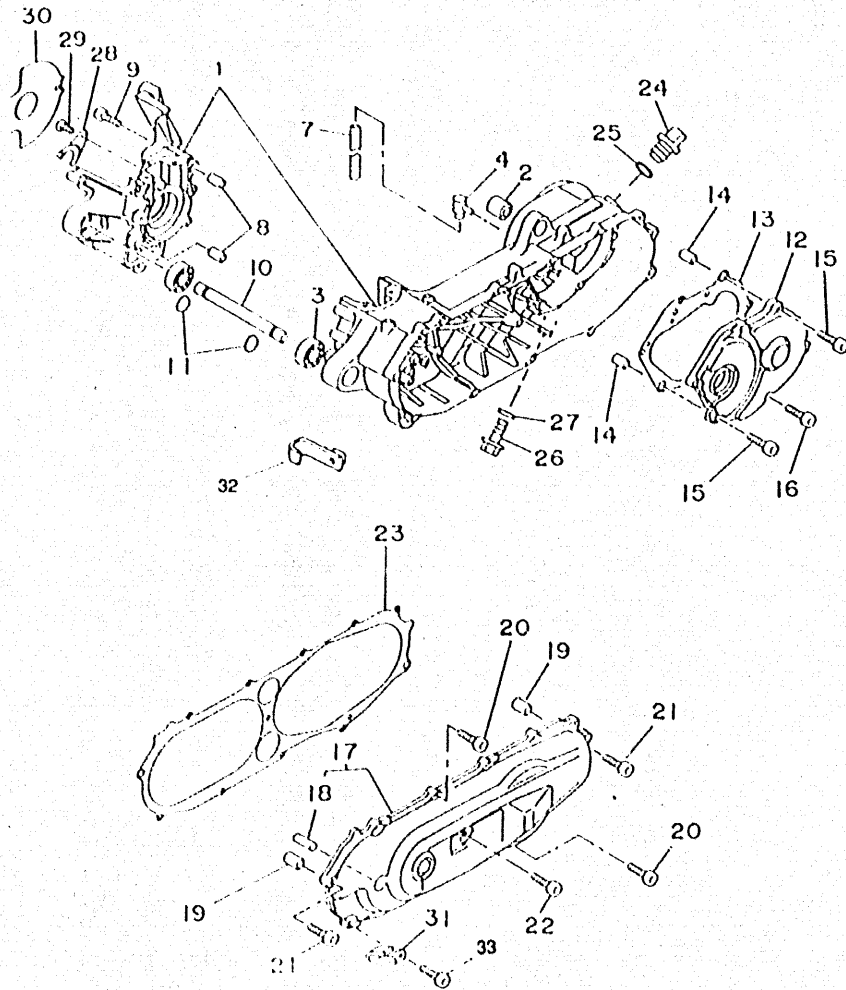


FIG . 8CRANKCASE

| REF | PART.N° | DESCRIPTION | QTY | REMARKS |
|-----|--------------|---------------------------|-----|---------|
| 1 | 3VL-E5150-00 | CRANKCASE ASSY | 1 | |
| 2 | 164-22216-00 | BUSH, REAR SHOCK ABS | 1 | |
| 3 | 93306-00203 | BEARING (B6002) | 2 | |
| 4 | 3VL-E5371-00 | BREATHER | 1 | |
| 7 | 90446-13311 | HOSE | 1 | |
| 8 | 99510-12016 | PIN, DOWEL | 2 | |
| 9 | 91317-06035 | BOLT | 6 | |
| 10 | 3VL-E5317-00 | SPACER, ENGINE MOUNT | 1 | |
| 11 | 93440-15012 | CIRCLIP | 2 | |
| 12 | 3VL-E5421-00 | COVER, CRANKCASE 2 | 1 | |
| 13 | 3VL-E5461-00 | GASKET, CRANKCASE CO | 1 | |
| 14 | 99530-10014 | PIN, DOWEL | 2 | |
| 15 | 91317-06035 | BOLT | 2 | |
| 16 | 91317-06020 | BOLT | 4 | |
| 17 | 3VL-E5411-10 | COVER, CRANKCASE 1 | 1 | |
| 18 | 3VL-E5659-00 | SHAFT | 1 | |
| 19 | 99530-10014 | PIN, DOWEL | 2 | |
| 20 | 91317-06025 | BOLT | 8 | |
| 21 | 91317-06035 | BOLT | 2 | |
| 22 | 91317-06045 | BOLT | 1 | |
| 23 | 3VL-E5451-00 | GASKET, CRANKCASE CO | 1 | |
| 24 | 3VL-E5363-00 | PLUG, OIL | 1 | |
| 25 | 93210-14104 | O-RING | 1 | |
| 26 | 95817-08016 | BOLT, FLANGE | 1 | |
| 27 | 90430-08206 | GASKET | 1 | |
| 28 | 3VL-E5128-00 | HOLDER | 1 | |
| 29 | 98517-06012 | SCREW, PAN HEAD | 1 | |
| 30 | 3VL-E5462-00 | GASKET, CRANKCASE CO | 1 | |
| 31 | 90465-08122 | CLAMP | 1 | |
| 32 | 4SB-F1238-00 | BRACKET | 1 | |
| 33 | 90110-06R25 | BOLT, HEXAGON SOCKET HEAD | 1 | |

FWD

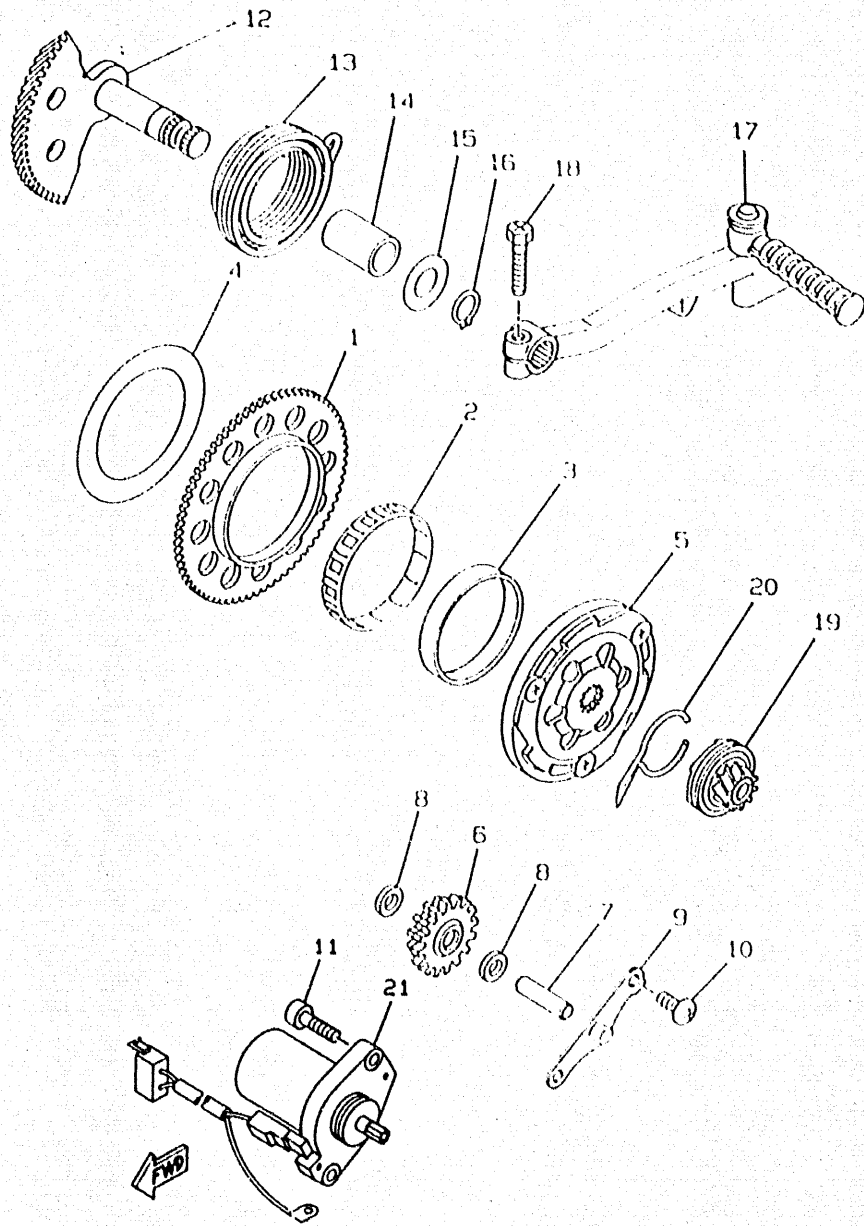


FIG . 9STARTER

| REF | PART.N° | DESCRIPTION | QTY | REMARKS |
|-----|--------------|----------------------|-----|---------|
| 1 | 3AA-15513-00 | GEAR 1 | 1 | |
| 2 | 93310-257R1 | BEARING, CYLINDRICAL | 1 | |
| 3 | 3VL-E5528-00 | BOSS, GEAR | 1 | |
| 4 | 90201-574L1 | WASHER, PLATE | 1 | |
| 5 | 3VL-15570-00 | STARTER CLUTCH ASSY | 1 | |
| 6 | 4SB-E5650-00 | IDLE GEAR ASSY | 1 | |
| 7 | 3VL-E5659-00 | SHAFT | 1 | |
| 8 | 90201-08088 | WASHER, PLATE | 2 | |
| 9 | 3VL-E5532-00 | PLATE, IDLE GEAR | 1 | |
| 10 | 98517-06012 | SCREW, PAN HEAD | 2 | |
| 11 | 91317-06020 | BOLT | 2 | |
| 12 | 3ES-15601-00 | KICK SHAFT ASSY | 1 | |
| 13 | 90508-32609 | SPRING, TORSION | 1 | |
| 14 | 90380-15083 | RUSH, SOLID | 1 | |
| 15 | 90201-155G5 | WASHER, PLATE | 1 | |
| 16 | 99009-15400 | CIRCLIP | 1 | |
| 17 | 4CU-E5620-01 | KICK CRANK ASSY | 1 | |
| 18 | 3VL-E5793-00 | SCREW | 1 | |
| 19 | 4SB-E5631-00 | GEAR, KICK PINION | 1 | |
| 20 | 3VL-E5673-00 | CLIP | 1 | |
| 21 | 4SB-H1800-00 | STARTING MOTOR ASSY | 1 | |

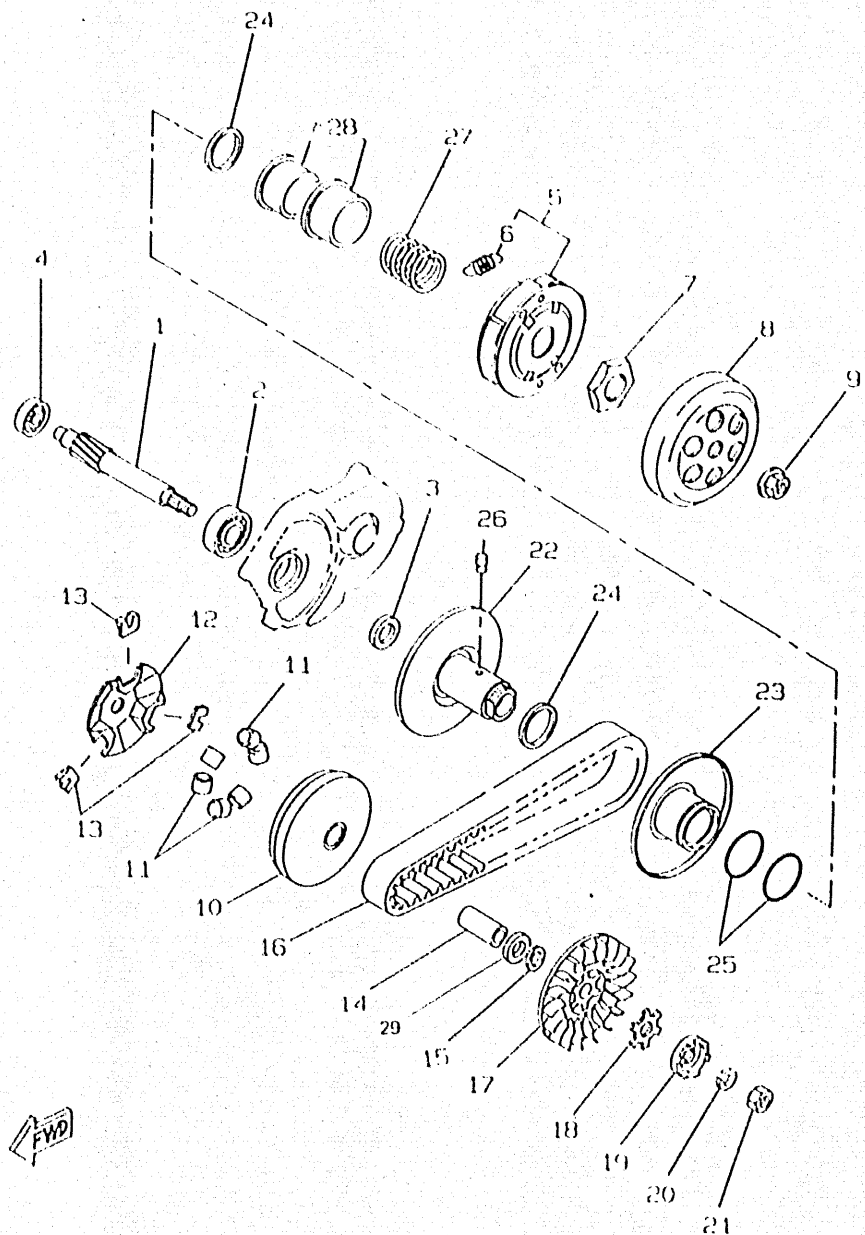


FIG . 10CLUTCH

| REF | PART.N° | DESCRIPTION | QTY | REMARKS |
|-----|--------------|------------------------------|-----|---------|
| 1 | 3VL-E6111-00 | GEAR, PRIMARY DRIVE | 1 | |
| 2 | 93306-20301 | BEARING | 1 | |
| 3 | 93102-17342 | OIL SEAL | 1 | |
| 4 | 93306-20006 | BEARING (B6200) | 1 | |
| 5 | 3VL-E6620-02 | CLUTCH CARRIER ASSY | 1 | |
| 6 | 3VL-E6626-00 | SPRING, CLUTCH WEIGHT 1 | 2 | |
| 7 | 90179-28415 | NUT, POP | 1 | |
| 8 | 24G-16611-03 | CLUTCH HOUSING COMP. | 2 | |
| 9 | 90179-10609 | NUT | 1 | |
| 10 | 4CU-E7620-00 | PRIMARY SLIDING SHEAVE COMP. | 1 | |
| 11 | 4KH-E7632-00 | WEIGHT | 6 | |
| 12 | 3VL-E7623-00 | CAM | 1 | |
| 13 | 3VL-E7653-00 | SLIDER | 3 | |
| 14 | 90387-135U9 | COLLAR | 1 | |
| 15 | 90201-133M8 | WASHER, PLATE | 1 | |
| 16 | 3AA-17641-00 | V-BELT | 1 | |
| 17 | 3VL-E7611-00 | SHEAVE, PRIMARY FIXE | 1 | |
| 18 | 90214-13055 | WASHER,CLAW (0.5T) | 1 | |
| 19 | 3VL-E5657-00 | CLUTCH, ONEWAY | 1 | |
| 20 | 90208-10012 | WASHER, CONICAL SPRI | 1 | |
| 21 | 90170-10219 | NUT | 1 | |
| 22 | 3GF-17660-02 | SECOND.FIX.SHEAVE COMP. | 1 | |
| 23 | 3WG-17608-00 | SECONDARY SLIDING SHEAVE | 1 | |
| 24 | 93109-33052 | OIL SEAL | 2 | |
| 25 | 93210-38687 | O-RING | 2 | |
| 26 | 24G-17664-00 | PIN, GUIDE | 2 | |
| 27 | 90501-351F6 | SPRING, COMPRESSION | 1 | |
| 28 | 3VL-E7604-00 | SEAT SPRING SET | 1 | |
| 29 | 4SB-E7654-00 | SPACER 1 | 1 | |

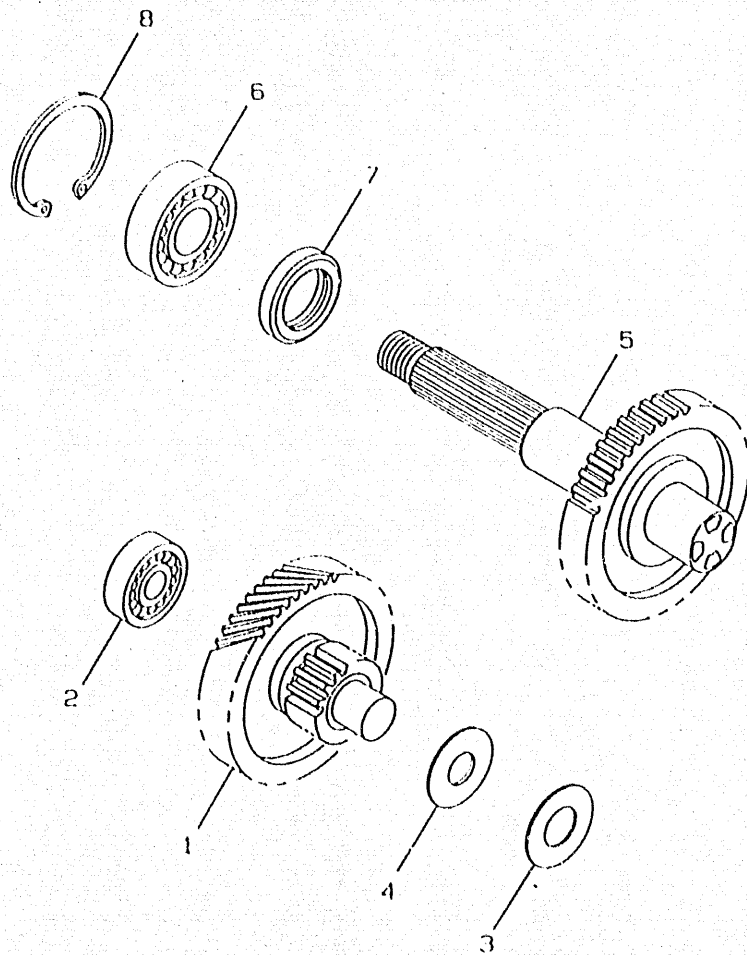


FIG . 11 TRANSMISSION

| REF | PART.N° | DESCRIPTION | QTY | REMARKS |
|-----|--------------|----------------------|-----|---------|
| 1 | 4SB-E7410-00 | MAIN AXLE COMP. | 1 | |
| 2 | 93306-20006 | BEARING (B6200) | 1 | |
| 3 | 90201-140G5 | WASHER, PLATE | 1 | |
| 4 | 90208-14047 | WASHER, CONICAL SPRI | 1 | |
| 5 | 4SB-E7420-00 | DRIVE AXLE ASSY | 1 | |
| 6 | 93306-20314 | BEARING (B6203) | 1 | |
| 7 | 93102-22314 | OIL SEAL | 1 | |
| 8 | 93420-40064 | CIRCLIP | 1 | |



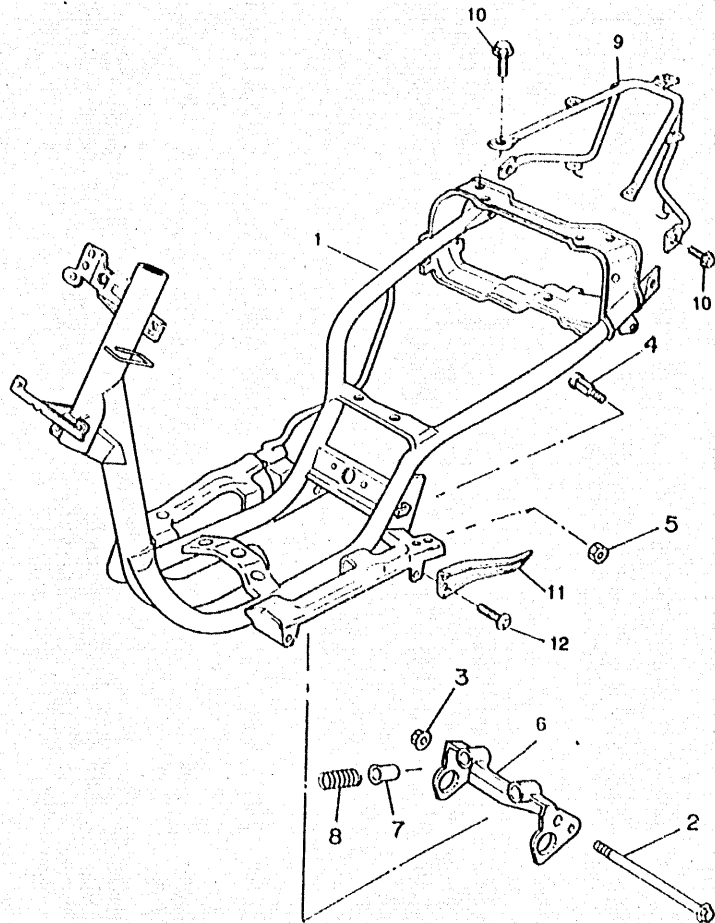


FIG . 12FRAME

| REF | PART.N° | DESCRIPTION | QTY | REMARKS |
|-----|--------------|------------------------------------|-----|-----------------|
| 1 | 4YB-F1110-10 | FRAME COMP. | 1 | UR YAMAHA BLACK |
| 2 | 90105-10063 | BOLT, WASHER BASED | 1 | |
| 3 | 90179-10279 | NUT, POP | 1 | |
| 4 | 2T4-21481-01 | BOLT, ENGINE MOUNTIN | 2 | |
| 5 | 95617-10100 | BOLT, STUD | 2 | |
| 6 | 4YB-F1410-00 | ENGINE BRACKET COMP. | 1 | UR YAMAHA BLACK |
| 7 | 2T4-2139X-00 | DAMPER | 2 | |
| 8 | 90501-29517 | SPRING, COMPRESSION | 1 | |
| 9 | 4SB-F1232-00 | REINFORCEMENT, TAIL | 1 | UR YAMAHA BLACK |
| 10 | 95827-08016 | BOLT, FLANGE | 4 | |
| 11 | 4SB-F7452-00 | BRACKET, FOOTREST 1 | 1 | |
| 12 | 92017-08016 | SCREW | 2 | |
| | 4TD-F1182-00 | NO ILLUSTRED MANUFACTURER PLATE | 1 | |
| | 90267-32801 | RIVET, BLIND | 2 | |

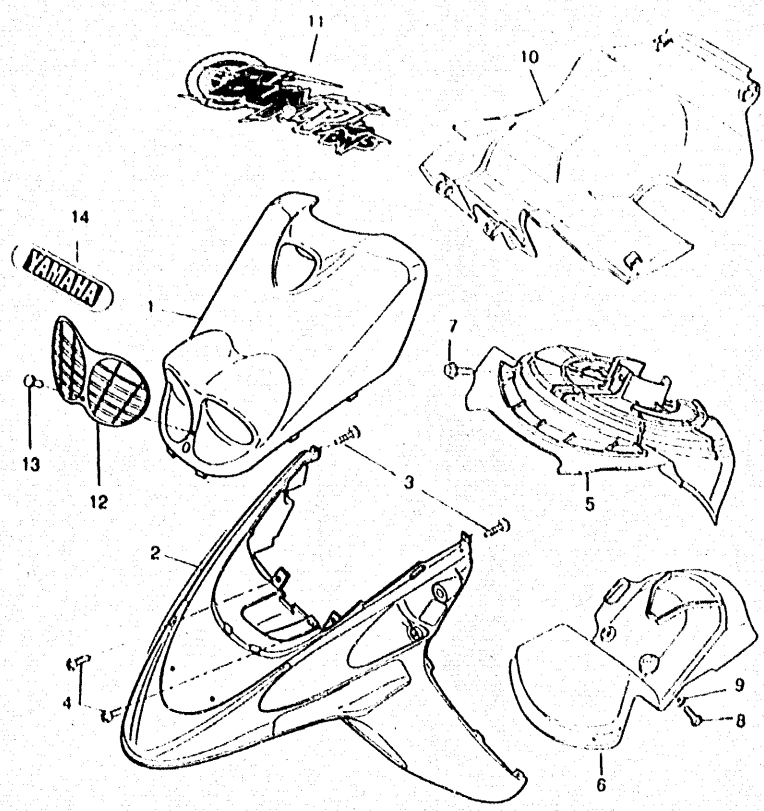


FIG . 13FENDER

| REF | PART.N° | DESCRIPTION | QTY | REMARKS |
|-----|--------------|-------------------|-----|----------------|
| 1 | 4YB-F1511-10 | FENDER, FRONT | 1 | UR INK BLUE |
| 2 | 4YB-F152P-00 | FR.MUD GUARD ASSY | 1 | UR SILKY WHITE |
| 3 | 97707-50016 | SCREW, TAPPING | 2 | |
| 4 | 98907-06016 | SCREW, BIND | 2 | |
| 5 | 4SB-F1552-00 | FENDER, INNER | 1 | UR BLACK |
| 6 | 4SB-F1553-00 | FENDER, INNER 2 | 1 | UR BLACK |
| 7 | 95817-06010 | BOLT, FLANGE | 1 | |
| 8 | 90119-06052 | BOLT, WITH WASHER | 2 | |
| 9 | 92907-06600 | WASHER | 2 | |
| 10 | 4SB-F1629-01 | GUARD, MUD | 1 | UR BLACK |
| 11 | 4YC-F1569-00 | GRAPHIC 1 | 1 | |
| 12 | 4YB-H4169-00 | GUARD, HEADLIGHT | 1 | |
| 13 | 4JC-F8387-00 | RIVET | 1 | |
| 14 | 4UP-F152A-20 | EMBLEM 3 YAMAHA | 1 | |

FYD

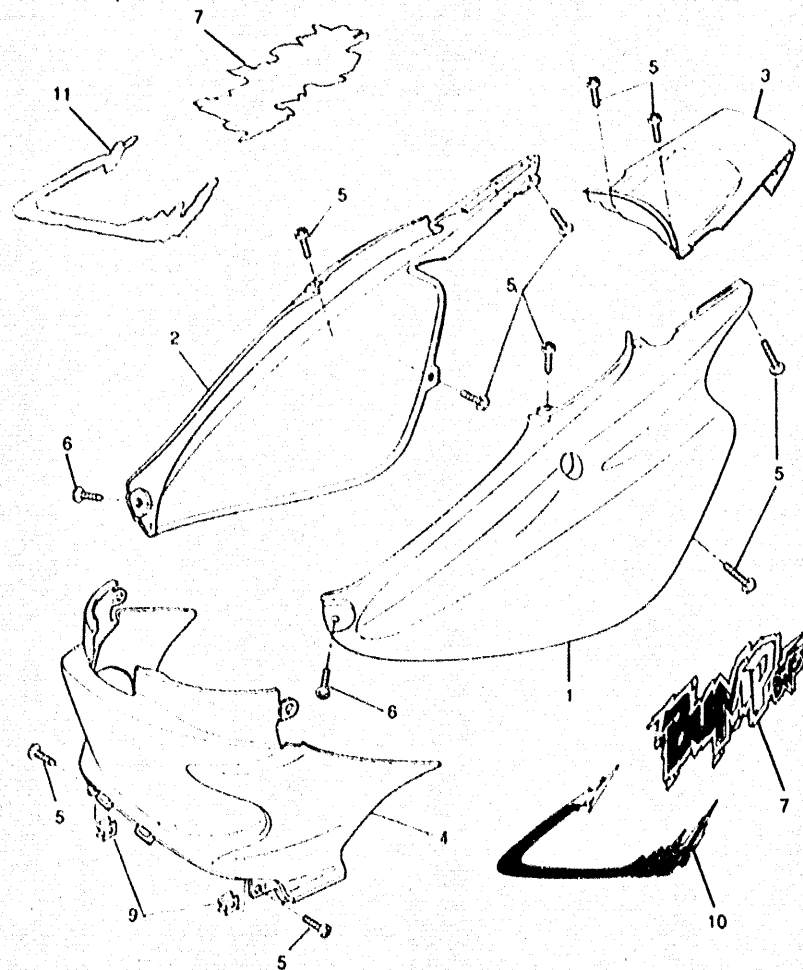


FIG . 14SIDE COVER

| REF | PART.N° | DESCRIPTION | QTY | REMARKS |
|-----|--------------|----------------|-----|-------------|
| 1 | 4SB-F1721-40 | COVER, SIDE 2 | 1 | UR INK BLUE |
| 2 | 4SB-F1731-40 | COVER, SIDE 3 | 1 | UR INK BLUE |
| 3 | 4SB-F171E-40 | COVER, SIDE 5 | 1 | UR INK BLUE |
| 4 | 4SB-F1711-00 | COVER, SIDE 1 | 1 | UR BLACK |
| 5 | 97707-50016 | SCREW, TAPPING | 10 | |
| 6 | 97707-50012 | SCREW, TAPPING | 2 | |
| 7 | 4YC-F173E-00 | GRAPHIC 1 | 2 | |
| 9 | 90183-05042 | NUT, SPRING | 2 | |
| 10 | 4YC-F174G-00 | GRAPHIC 3 | 1 | |
| 11 | 4YC-F174H-00 | GRAPHIC 4 | 1 | |

(FWD)

CONTENTS

| | | | |
|------------------------|-----|----------------------------|-------|
| ENGINE | | FUEL TANK..... | C5 |
| CYLINDER..... | B2 | SEAT CARRIER..... | C6 |
| CRANKSHAFT-PISTON..... | B3 | FRONT WHEEL..... | C7 |
| AIR SHROUD-FAN..... | B4 | FRONT BRAKE CALIPER..... | C8 |
| OIL PUMP..... | B5 | REAR WHEEL..... | C9 |
| INTAKE..... | B6 | STEERING-HANDLE-CABLE..... | C10 |
| CARBURETOR..... | B7 | FRONT MASTER CYLINDER..... | C11 |
| EXHAUST..... | B8 | STAND FOOTREST..... | C12 |
| CRANKCASE..... | B9 | LEG SHIELD..... | C13 |
| STARTER..... | B10 | COWLING..... | C14 |
| CLUTCH..... | B11 | GENERATOR..... | C15 |
| TRANSMISSION..... | B12 | FLASHER LIGHT..... | D2 |
| CHASSIS | | METER..... | D3 |
| FRAME..... | B13 | HEADLIGHT..... | D4 |
| FENDER..... | B14 | TAILLIGHT..... | D5 |
| SIDE COVER..... | B15 | HANDLE- SWITCH- LEVER..... | D6 |
| OIL TANK..... | C2 | ELECTRICAL 1..... | D7 |
| REAR SUSPENSION..... | C3 | ELECTRICAL 2..... | D8 |
| FRONT FORK..... | C4 | | |
| | | NUMERICAL INDEX..... | M1-M2 |

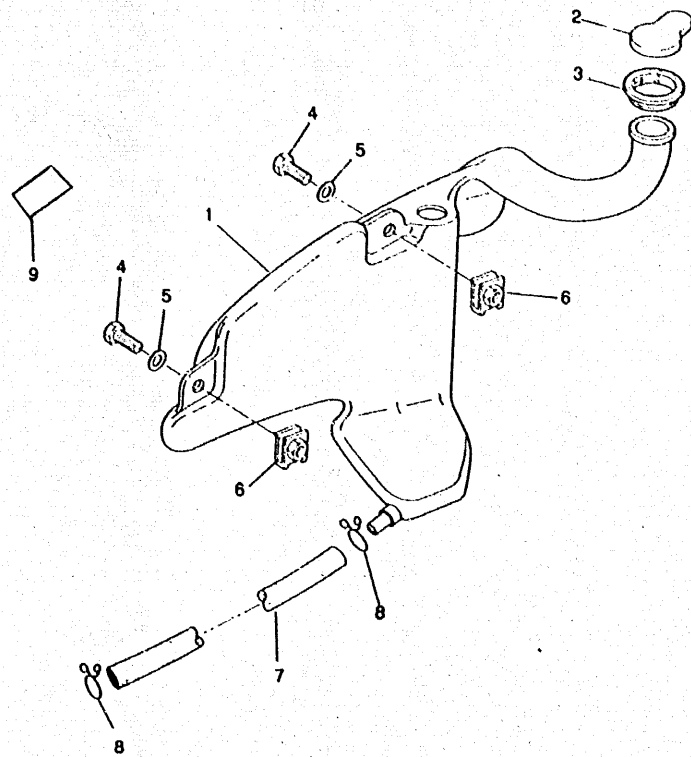


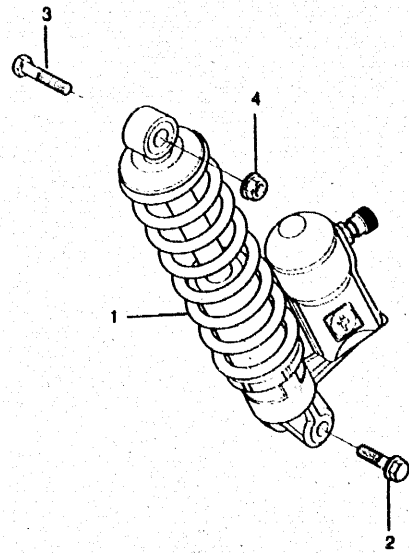
FIG . 15 OIL TANK

| REF | PART.N° | DESCRIPTION | QTY | REMARKS |
|-----|--------------|-------------------|-----|---------|
| 1 | 4SB-F1751-00 | TANK, OIL | 1 | |
| 2 | 2N3-21771-01 | BODY, CAP | 1 | |
| 3 | 4SB-F414E-00 | SEAL 2 | 1 | |
| 4 | 90119-06044 | BOLT, WITH WASHER | 2 | |
| 5 | 90201-065F3 | WASHER, PLATE | 2 | |
| 6 | 25G-21535-00 | NUT 1 | 3 | |
| 7 | 90445-094J4 | HOSE | 1 | |
| 8 | 90468-02033 | CLIP | 2 | |
| 9 | 4SB-H2141-00 | LABEL, BATTERY | 1 | |

119

FIG . 16 REAR SUSPENSION

| REF | PART.N° | DESCRIPTION | QTY | REMARKS |
|-----|--------------|---------------------------|-----|---------|
| 1 | 4YB-F2210-00 | SHOCK ABSORBER ASSY, REAR | 1 | PAIOLI |
| 2 | 4YB-F2241-00 | BOLT 1 | 1 | |
| 3 | 90101-10776 | BOLT | 1 | |
| 4 | 95617-10200 | BOLT, STUD | 1 | |



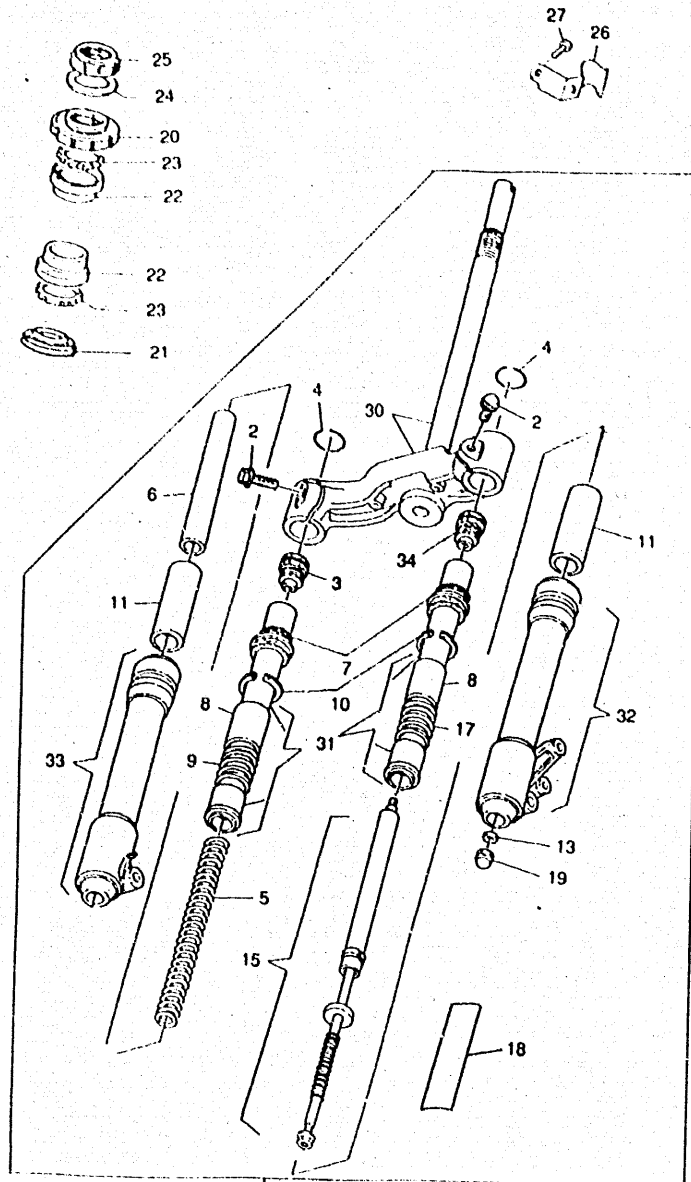


FIG . 17FRONT FORK

| REF | PART.N° | DESCRIPTION | QTY | REMARKS |
|-----|--------------|-------------------------|-----|-----------|
| 1 | 4YB-F3100-00 | FRONT FORK ASSY | 1 | MARZOCCHI |
| 2 | 4SB-F3396-00 | .SCREW, SPECIAL | 2 | |
| 3 | 4SB-F3111-00 | .BOLT, CAP | 1 | |
| 4 | 4SB-F3153-00 | .RING, SNAP | 2 | |
| 5 | 4YB-F3141-00 | .SPRING, FRONT FORK | 1 | |
| 6 | 4YB-F332L-00 | .TUBE INNER | 1 | |
| 7 | 4SB-F3144-00 | .SFAL, DUST | 2 | |
| 8 | 4SB-F319Y-00 | .GUIDE PLUNGER | 2 | |
| 9 | 4SB-F3151-00 | .SPRING, REBOUND | 2 | |
| 10 | 4SB-F3183-00 | .CIRCLIP | 2 | |
| 11 | 4SB-F3354-00 | .STOPPER BOUND | 2 | |
| 13 | 4SB-F3385-00 | .WASHER, SPECIAL 1 | 1 | |
| 15 | 4YB-F330E-00 | .DAMPER ASSY | 1 | |
| 17 | 4SB-F3428-00 | .SPRING | 1 | |
| 18 | 4YB-F3108-00 | .EMBLEM | 2 | |
| 19 | 4SB-F3357-00 | .NUT | 1 | |
| 20 | 4SB-F3411-00 | RACE, BALL 1 | 1 | |
| 21 | 4SB-F3414-00 | RACE, BALL 4 | 1 | |
| 22 | 4SB-F3412-00 | RACE, BALL 2 | 2 | |
| 23 | 4SB-F3812-00 | PLANE BEARING, STEERING | 2 | |
| 24 | 4SB-F3427-00 | WASHER | 1 | |
| 25 | 4SB-F3453-00 | NUT, FITTING 1 | 1 | |
| 26 | 4SB-F5876-00 | HOLDER, BRAKE HOSE 2 | 1 | |
| 27 | 95817-06010 | BOLT, FLANGE | 1 | |
| 30 | 4YB-F3340-00 | .UNDER BRACKET COMP. | 1 | |
| 31 | 4YB-F3124-00 | .TUBE, INNER 1 | 2 | |
| 32 | 4YB-F3126-00 | .TUBE, OUTER 1 LEFT | 1 | |
| 33 | 4YB-F3136-00 | .TUBE, OUTER 2 RIGHT | 1 | |
| 34 | 4YB-F3111-00 | .BOLT, CAP | 1 | |
| | | NO ILLUSTRATED | | |
| | 3VL-H5111-00 | REFLECTOR, FRONT 1 | 2 | |

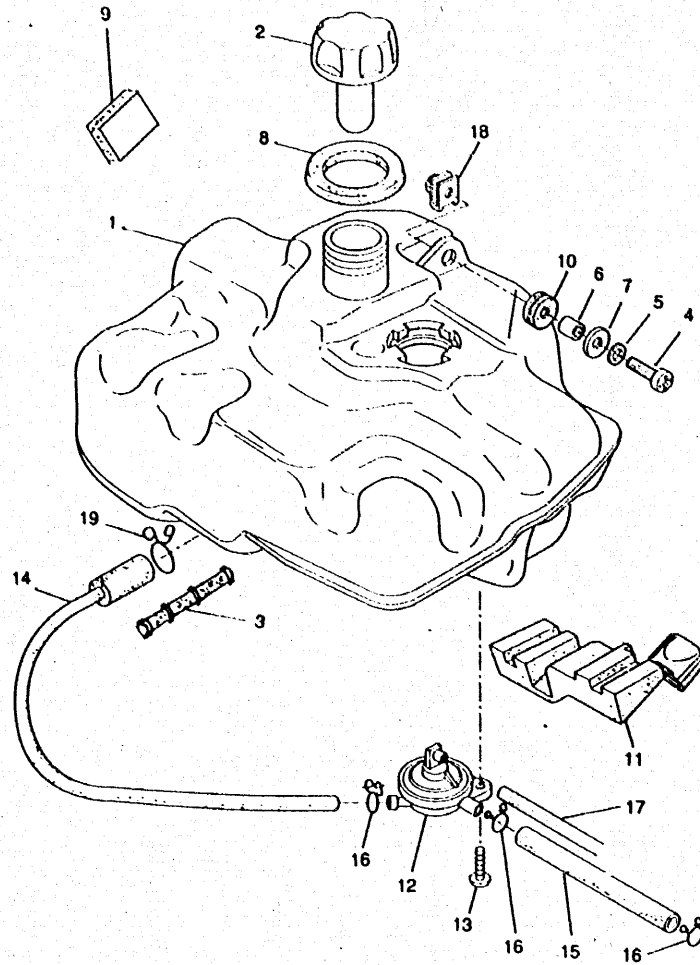


FIG . 18 FUEL TANK

| REF | PART.N° | DESCRIPTION | QTY | REMARKS |
|-----|--------------|--------------------|-----|---------|
| 1 | 4SB-F4110-00 | FUEL TANK COMP. | 1 | |
| 2 | 4MJ-F4610-00 | CAP ASSY | 1 | |
| 3 | 4SB-F4451-01 | NET, FILTER | 1 | |
| 4 | 98507-06020 | SCREW, PAN HEAD | 1 | |
| 5 | 92907-06600 | WASHER | 1 | |
| 6 | 90387-060G7 | COLLAR | 1 | |
| 7 | 90201-065F3 | WASHER, PLATE | 1 | |
| 8 | 4SB-F414G-00 | SEAL | 1 | |
| 9 | 4SB-F174X-10 | DAMPER | 1 | |
| 10 | 90480-13398 | GROMMET | 1 | |
| 11 | 4SB-F4181-00 | DAMPER, LOCATING 1 | 1 | |
| 12 | 4SB-F4500-00 | FUEL COCK ASSY 1 | 1 | |
| 13 | 97707-60016 | SCREW, TAPPING | 1 | |
| 14 | 4SB-F4311-01 | PIPE, FUEL 1 | 1 | |
| 15 | 4YB-F4312-00 | PIPE 2 | 1 | |
| 16 | 90467-09006 | CLIP | 3 | |
| 17 | 4YB-F4335-00 | PIPE, SUCTION 1 | 1 | |
| 18 | 25G-21535-00 | NUT 1 | 1 | |
| 19 | 90467-12052 | CLIP | 1 | |

FWD

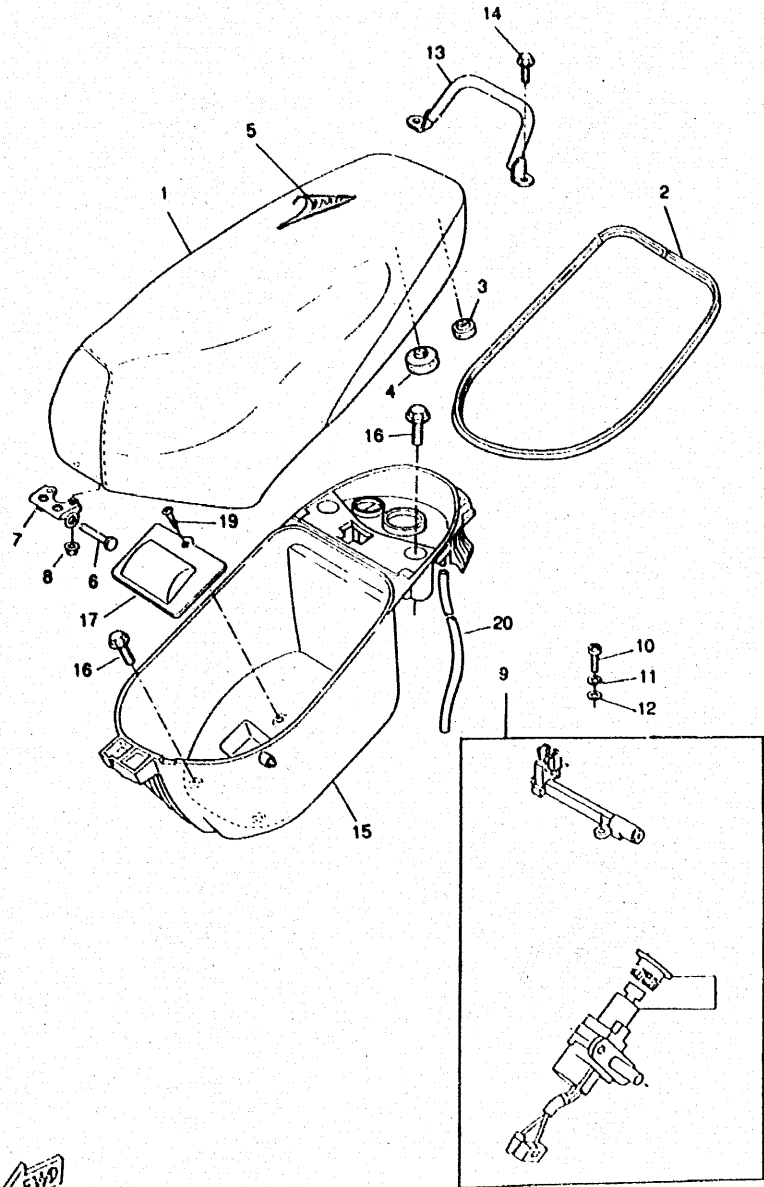
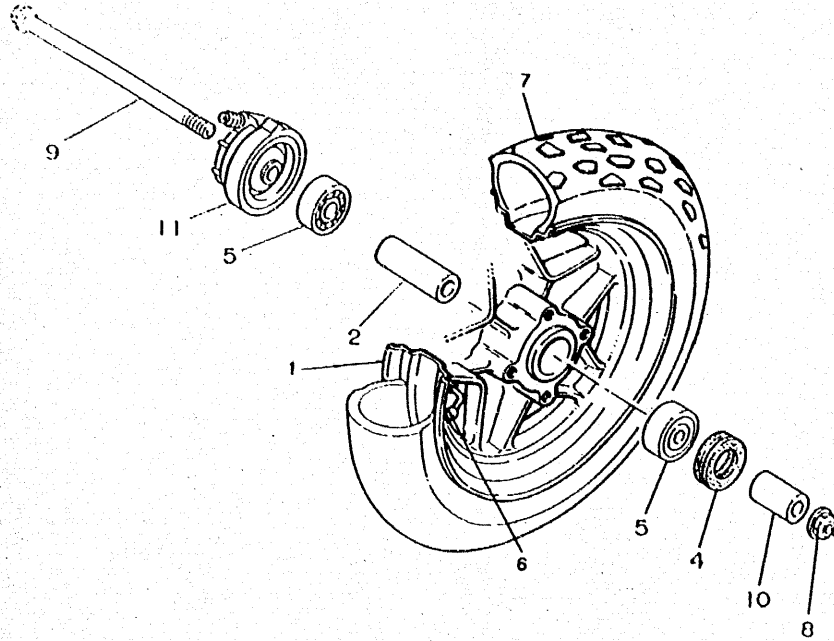


FIG . 19SEAT. CARRIER

| REF | PART.N° | DESCRIPTION | QTY | REMARKS |
|-----|--------------|------------------|-----|-------------------|
| 1 | 4SB-F4730-10 | DOUBLE SEAT ASSY | 1 | UR INK BLUE/WHITE |
| 2 | 4SB-F475M-00 | .SEAL | 1 | |
| 3 | 3VL-F4741-00 | .PAD, SEAT | 2 | |
| 4 | 3VL-F4741-10 | .PAD, SEAT | 2 | |
| 5 | 4SB-F4731-10 | COVER, SEAT | 1 | |
| 6 | 90241-10017 | PIN | 1 | |
| 7 | 4CU-F4726-00 | HINGE, SEAT | 1 | |
| 8 | 95707-06500 | NUT, FLANGE | 2 | |
| 9 | 4SB-H2021-02 | KEY SET | 1 | |
| 10 | 98507-06020 | SCREW, PAN HEAD | 2 | |
| 11 | 92907-06100 | WASHER | 2 | |
| 12 | 92907-06600 | WASHER | 2 | |
| 13 | 4SB-F1165-00 | HANDLE, STANDING | 1 | UR YAMAHA BLACK |
| 14 | 95027-08016 | BOLT, FLANGE | 2 | |
| 15 | 4SB-F473R-01 | BOX 1 | 1 | |
| 16 | 90109-063F1 | BOLT | 4 | |
| 17 | 4SB-F473T-00 | LID 1 | 1 | |
| 19 | 97707-50016 | SCREW, TAPPING | 1 | |
| 20 | 4SB-F4318-00 | PIPE, OVERFLOW | 1 | |

FIG . 20FRONT WHEEL



| REF | PART.N° | DESCRIPTION | QTY | REMARKS |
|-----|--------------|-------------------|-----|----------------------|
| 1 | 4TD-F5168-40 | CAST WHEEL, FRONT | 1 | UR WHITE GRIMECA |
| 2 | 4SB-F5117-00 | SPACER, BEARING | 1 | |
| 3 | 93306-300Y8 | BEARING | 2 | |
| 4 | 93106-20001 | OIL SEAL | 1 | |
| 6 | 3VL-F5170-10 | AIR VALVE ASSY | 1 | |
| 7 | 94113-108S1 | TIRE | 1 | 130/90-10 CHEN CHING |
| 8 | 95617-10200 | BOLT, STUD | 1 | |
| 9 | 486-22141-01 | SHAFT, PIVOT | 1 | |
| 10 | 90387-10079 | COLLAR | 2 | |
| 11 | 4YB-F5190-00 | GEAR UNIT ASSY | 1 | |

← FWD

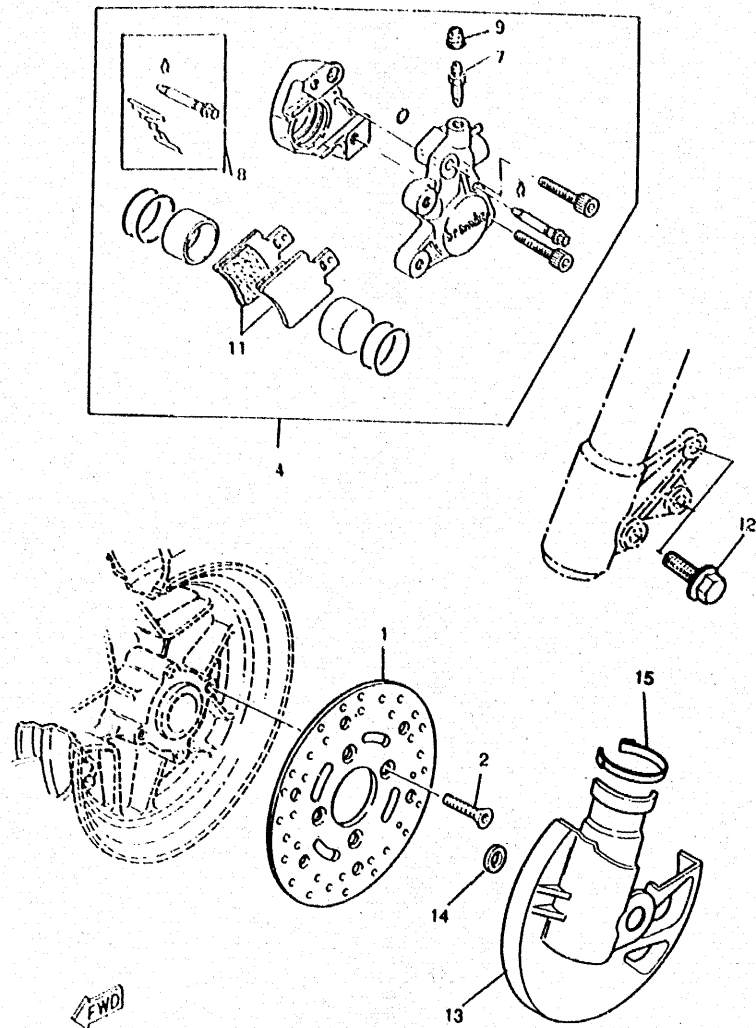


FIG . 21FRONT BRAKE CALIPER

| REF | PART.N° | DESCRIPTION | QTY | REMARKS |
|-----|--------------|---------------------------|-----|---------|
| 1 | 4SB-2582T-00 | DISC, BRAKE | 1 | |
| 2 | 90110-10223 | BOLT, HEXAGON SOCKET HEAD | 4 | |
| 4 | 4CU-F580T-20 | CALIPER ASSY (LEFT) | 1 | |
| 7 | 4CU-F5824-00 | .SCREW, BREED | 1 | |
| 8 | 4CU-F5919-00 | .SUPPORT, PAD ASSY | 1 | |
| 9 | 4CU-F5825-00 | .CAP | 1 | |
| 11 | 4CU-F5811-20 | .PAD, CALIPER 2 | 2 | |
| 12 | 95827-08030 | BOLT, FLANGE | 2 | |
| 13 | 4YB-F5717-00 | PROTECTOR, DISK BRAKE | 1 | |
| 14 | 4YB-F5105-00 | SPACER | 1 | |
| 15 | 4YB-F3466-00 | CLAMP | 1 | |

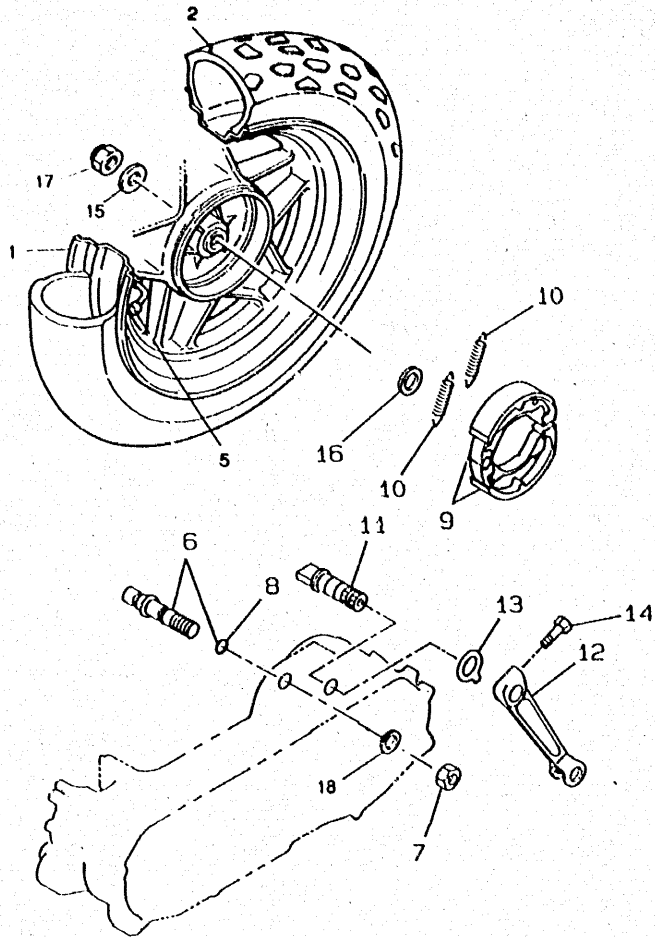
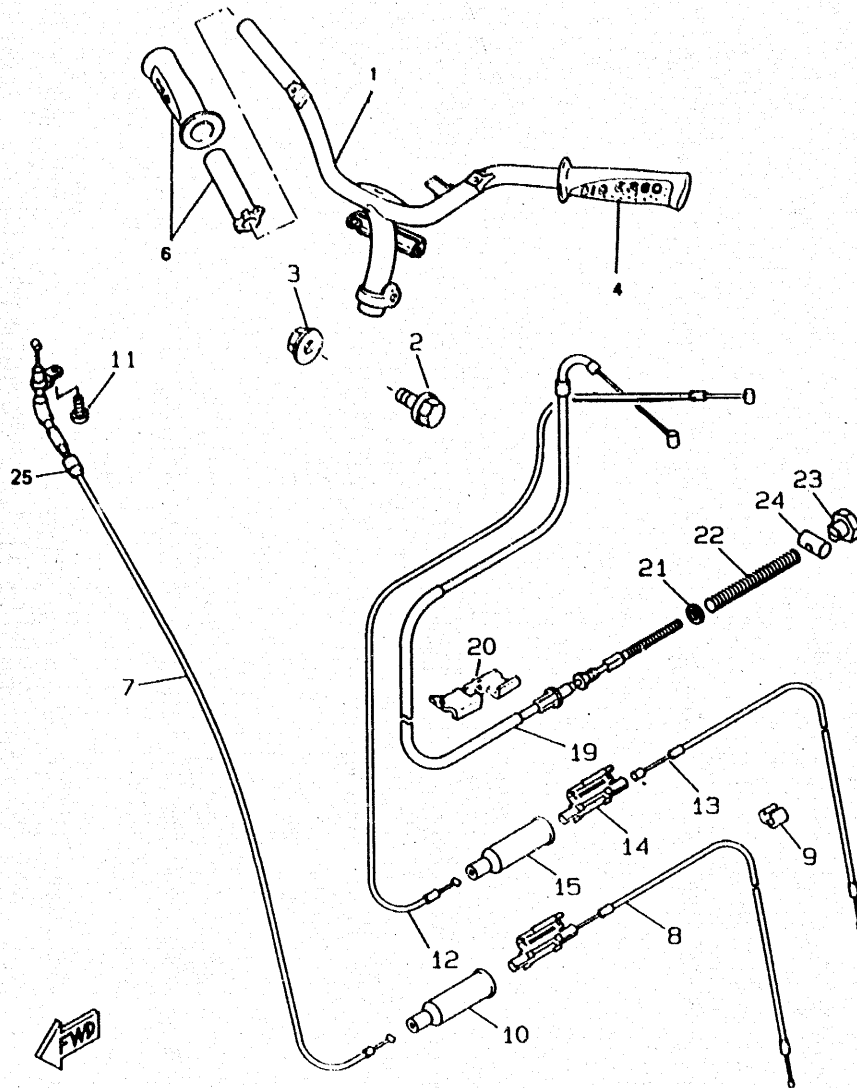


FIG . 22REAR WHEEL

| REF | PART.N° | DESCRIPTION | QTY | REMARKS |
|-----|--------------|-------------------|-----|----------------------|
| 1 | 4TD-F5338-40 | CAST WHEEL, REAR | 1 | UR WHITE GRIMECA |
| 2 | 94113-108S1 | TIRE | 1 | 130/90-10 CHEN CHING |
| 5 | 3VL-F5170-10 | AIR VALVE ASSY | 1 | |
| 8 | 3VL-F5326-00 | PIN, PIVOT | 1 | |
| 7 | 3VL-F5182-00 | NUT, AXLE | 1 | |
| 8 | 93210-07540 | O-RING | 1 | |
| 9 | 2JL-W2536-10 | BRAKE SHOE SET | 1 | |
| 10 | 90506-15260 | SPRING | 2 | |
| 11 | 3AA-25351-00 | CAMSHAFT | 1 | |
| 12 | 3AA-25355-03 | LEVER, CAMSHAFT | 1 | |
| 13 | 3Y6-2533A-01 | PLATE, INDICATOR | 1 | |
| 14 | 90101-06291 | BOLT (L:130MM) | 1 | |
| 15 | 90201-142M6 | WASHER, PLATE | 1 | |
| 16 | 90201-177G4 | WASHER, PLATE | 1 | |
| 17 | 90185-14081 | NUT, SELF-LOCKING | 1 | |
| 18 | 3VL-F5384-00 | WASHER, WHEEL | 1 | |

FIG . 23 STEERING HANDLE. CABLE



| REF | PART.N° | DESCRIPTION | QTY | REMARKS |
|-----|--------------|----------------------|-----|---------|
| 1 | 4SB-F6110-00 | HANDLE COMP. | 1 | |
| 2 | 90105-10036 | BOLT, WASHER BASED | 1 | |
| 3 | 95617-10200 | BOLT, STUD | 1 | |
| 4 | 4SB-F6241-00 | GRIP (LEFT) | 1 | |
| 6 | 4SB-F6240-00 | GRIP ASSY | 1 | |
| 7 | 3VL-F6311-01 | CABLE, THROTTLE 1 | 1 | |
| 8 | 3VL-F6312-01 | CABLE, THROTTLE 2 | 1 | |
| 9 | 90468-15009 | CLIP | 1 | |
| 10 | 3WG-F6329-00 | CAP, RUBBER | 1 | |
| 11 | 98507-05010 | SCREW, PAN HEAD | 1 | |
| 12 | 4SB-F6331-00 | CABLE, STARTER 1 | 1 | |
| 13 | 3VL-F6334-02 | CABLE, STARTER 2 | 1 | |
| 14 | 3VL-F6261-00 | CONNECTOR, CABLE | 1 | |
| 15 | 3WG-F6329-00 | CAP, RUBBER | 1 | |
| 19 | 4SB-F6351-00 | CABLE, BRAKE | 1 | |
| 20 | 4SB-F6475-00 | HOLDER | 1 | |
| 21 | 90202-08175 | WASHER, PLATE | 1 | |
| 22 | 90501-122E1 | SPRING, COMPRESSION | 1 | |
| 23 | 90179-06411 | NUT | 1 | |
| 24 | 90249-12008 | PIN | 1 | |
| 25 | 3VL-F6262-00 | CAP, CABLE CONNECTOR | 2 | |

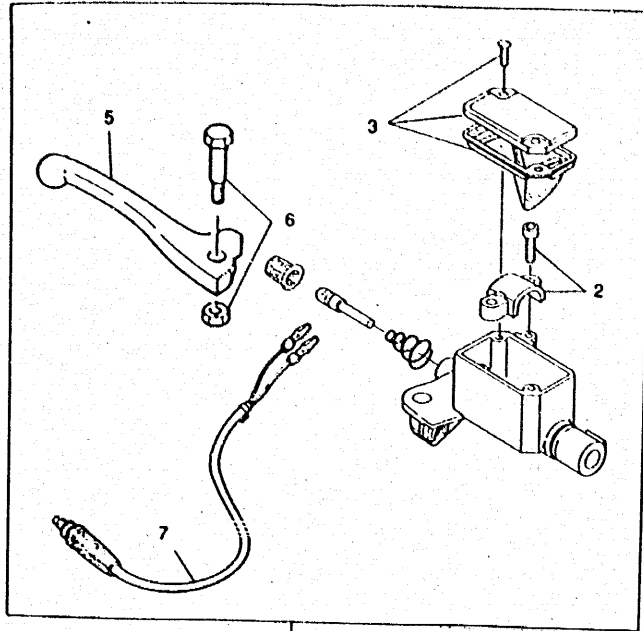
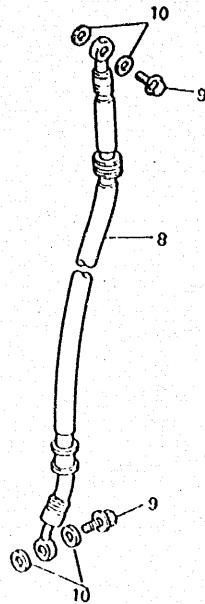


FIG . 24FRONT MASTER CYLINDER

| REF | PART.N° | DESCRIPTION | QTY | REMARKS |
|-----|--------------|---------------------------|-----|---------|
| 1 | 4SB-F583T-00 | MASTER CYLINDER ASSY | 1 | |
| 2 | 4SB-F5867-00 | .BRACKET, MASTER CYLINDER | 1 | |
| 3 | 4SB-F5852-00 | .CAP, RESERVOIR | 1 | |
| 5 | 4SB-H3922-00 | .LEVER 2 | 1 | |
| 6 | 4SB-H3945-00 | .BOLT, LEVER | 1 | |
| 7 | 4SB-H3980-00 | .FRONT STOP SWITCH ASSY | 1 | |
| 8 | 4YB-F5872-00 | HOSE, BRAKE 1 | 1 | |
| 9 | 90401-10159 | BOLT, UNION | 2 | |
| 10 | 90201-10118 | WASHER, PLATE | 4 | |



FWD

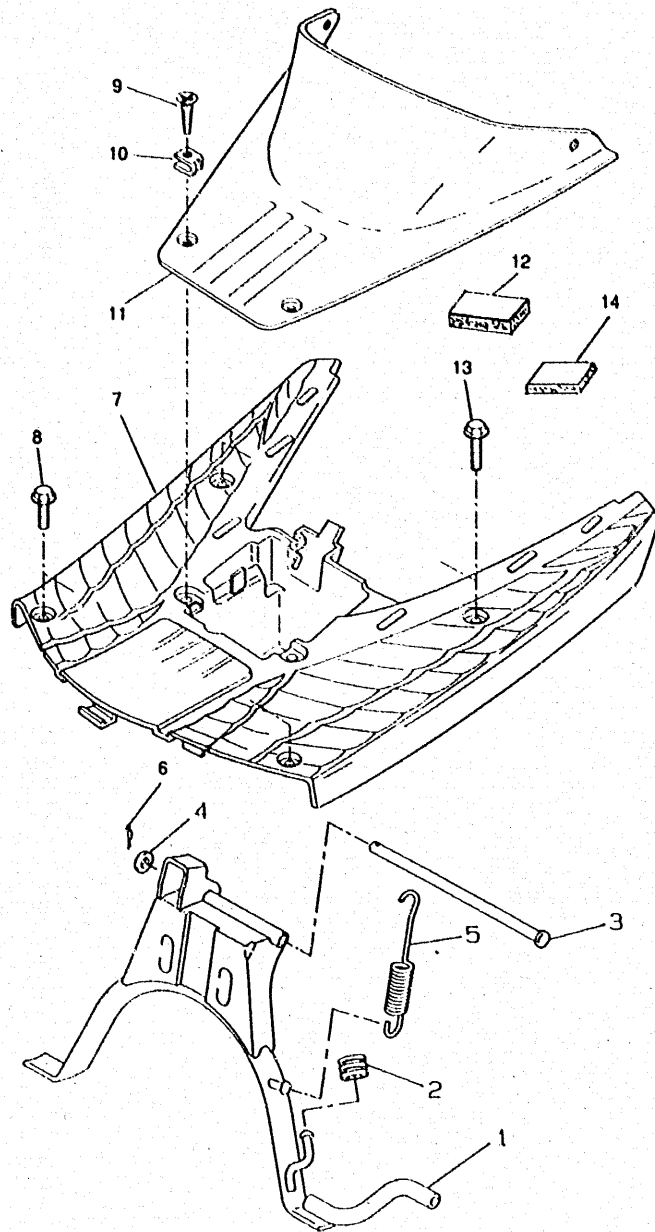


FIG . 25STAND. FOOTREST

| REF | PART.N° | DESCRIPTION | QTY | REMARKS |
|-----|--------------|-------------------|-----|-----------------|
| 1 | 4YB-F7111-00 | STAND, MAIN | 1 | UR YAMAHA BLACK |
| 2 | 90387-076V1 | COLLAR | 1 | |
| 3 | 4SB-F7112-00 | SHAFT, MAIN STAND | 1 | |
| 4 | 90202-10120 | WASHER, PLATE | 1 | |
| 5 | 90506-29280 | SPACER | 1 | |
| 6 | 90468-12006 | CLIP | 1 | |
| 7 | 4SB-F7481-00 | BOARD, FOOTREST | 1 | UR BLACK |
| 8 | 4SB-F7117-10 | BOLT | 2 | |
| 9 | 97707-50016 | SCREW | 2 | |
| 10 | 90183-05042 | NUT, SPRING | 2 | |
| 11 | 4SB-F1741-00 | COVER, SIDE 4 | 1 | UR BLACK |
| 12 | 4SB-F174X-00 | DAMPER | 1 | |
| 13 | 4SB-F7117-00 | BOLT | 2 | |
| 14 | 4SB-F174X-10 | DAMPER | 2 | |

FWD

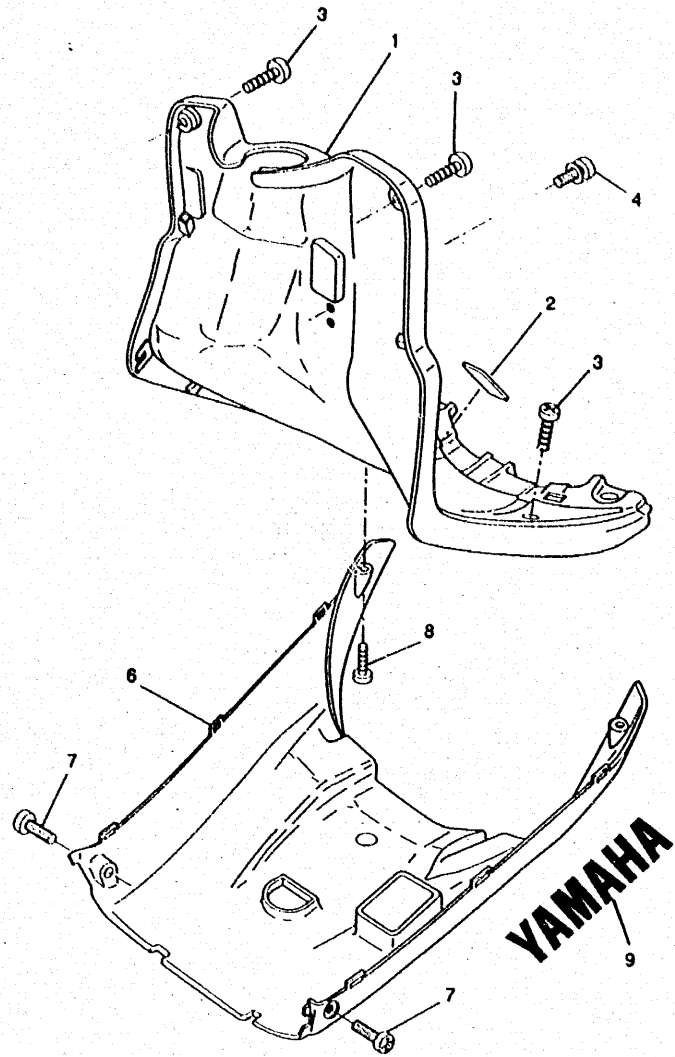


FIG . 26LEG SHIELD

| REF | PART.N° | DESCRIPTION | QTY | REMARKS |
|-----|--------------|----------------|-----|----------------|
| 1 | 4SB-F8312-01 | LEG SHIELD 2 | 1 | UR BLACK |
| 2 | 3WV-F8349-10 | CAP | 1 | |
| 3 | 97707-50016 | SCREW, TAPPING | 4 | |
| 4 | 4UP-F1532-00 | BOLT 2 | 1 | |
| 6 | 4SB-F8385-10 | COVER, LOWER | 1 | UR SILKY WHITE |
| 7 | 4SB-F8382-00 | SCREW, SPECIAL | 2 | |
| 8 | 97707-50016 | SCREW, TAPPING | 2 | |
| 9 | 4UP-F839H-00 | EMBLEM 1 | 2 | |

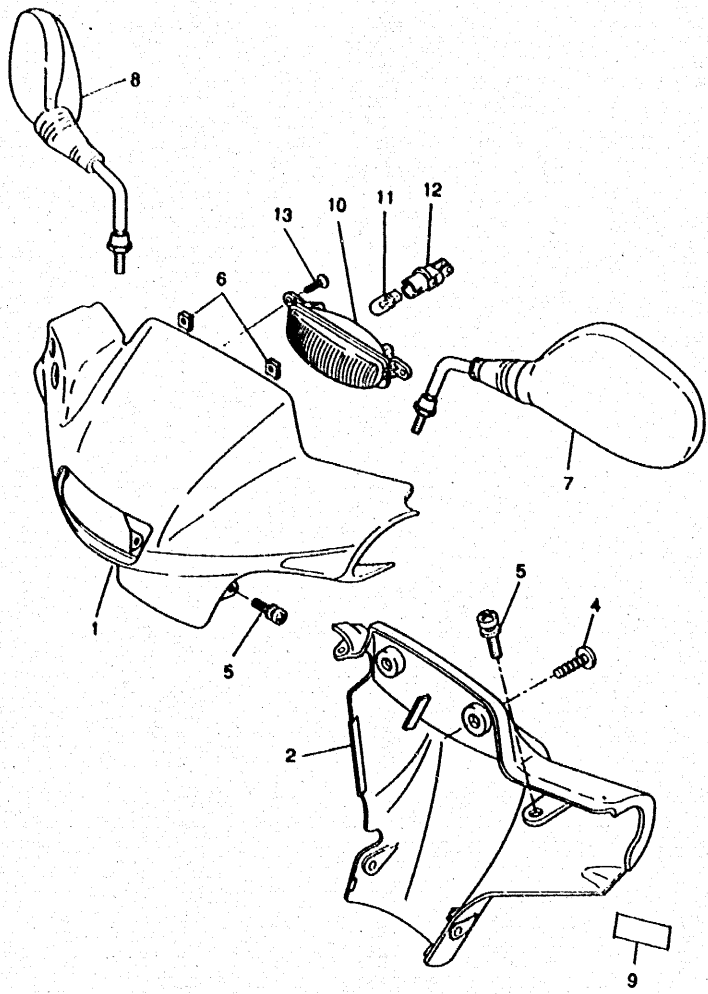


FIG . 27COWLING 1

| REF | PART.N° | DESCRIPTION | QTY | REMARKS |
|-----|--------------|--------------------------|-----|-----------------|
| 1 | 4SB-F6143-10 | COVER, HANDLEBAR UPPER 1 | 1 | UR INK BLUE |
| 2 | 4SB-F6145-00 | COVER, HANDLEBAR UPPER 2 | 1 | UR YAMAHA BLACK |
| 4 | 97707-50016 | SCREW, TAPPING | 2 | |
| 5 | 90159-05134 | SCREW, WITH WASHER | 4 | |
| 6 | 90183-05042 | NUT, SPRING | 2 | |
| 7 | 4SB-F6280-00 | MIRROR (LEFT) | 1 | |
| 8 | 4SB-F6290-00 | MIRROR (RIGHT) | 1 | |
| 9 | 4CU-F1568-10 | LABEL, WARNING | 1 | |
| 10 | 4SB-H3530-00 | PILOT LIGHT ASSY | 1 | |
| 11 | 3WW-H4347-00 | BULB LICENCE LIGHT | 1 | |
| 12 | 3UP-H4346-00 | SOCKET, PILOT LIGHT | 1 | |
| 13 | 97707-50016 | SCREW, TAPPING | 2 | |

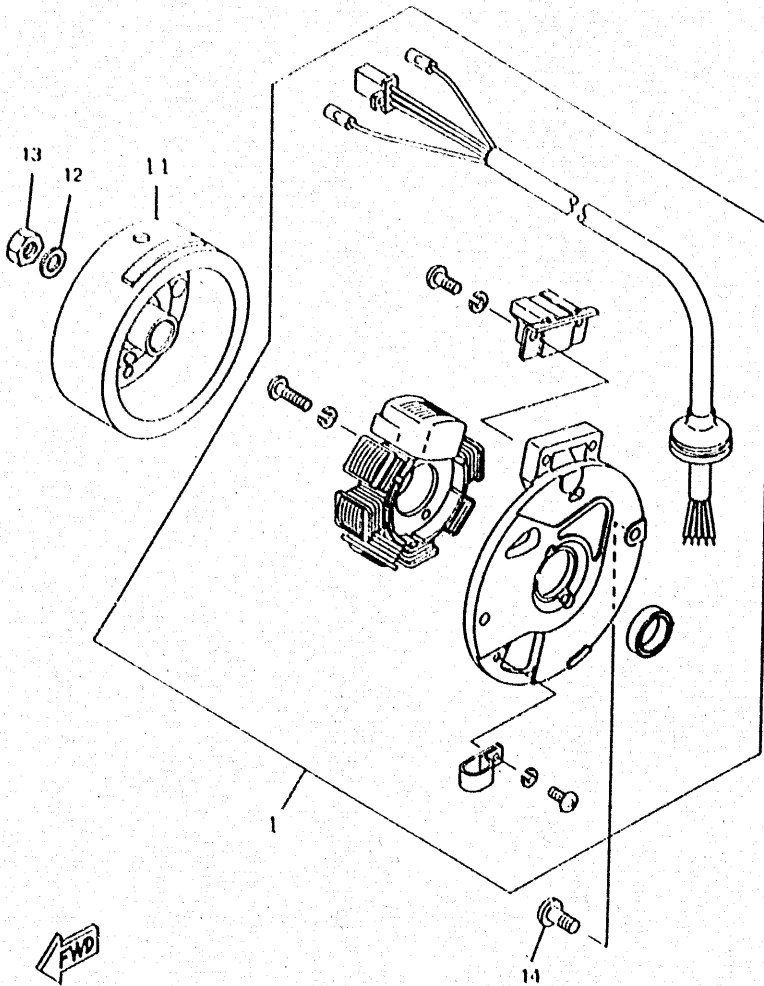
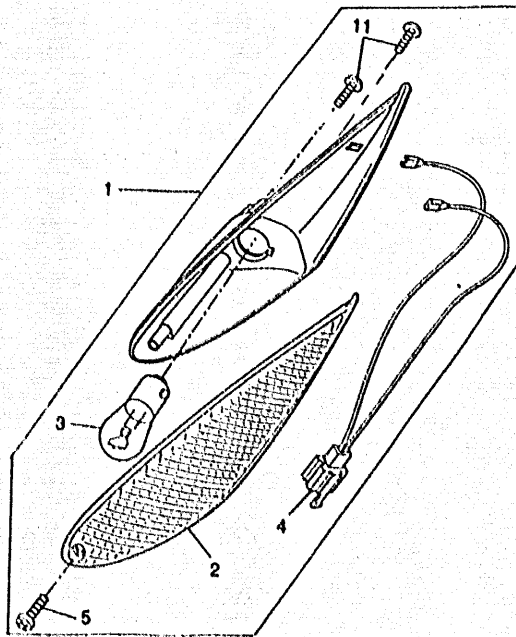
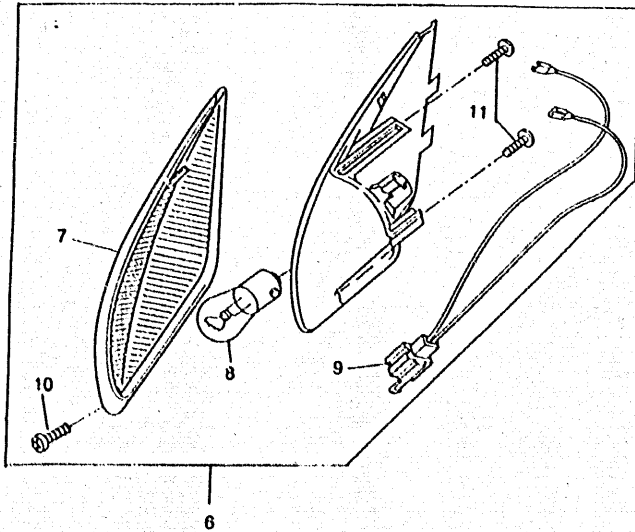


FIG . 28GENERATOR

| REF | PART.N° | DESCRIPTION | QTY | REMARKS |
|-----|--------------|-----------------|-----|---------|
| 1 | 4SB-85560-00 | BASE ASSY | 1 | |
| 11 | 2JA-85550-00 | ROTOR ASSY | 1 | |
| 12 | 92907-10600 | WASHER | 1 | |
| 13 | 90170-10219 | NUT | 1 | |
| 14 | 98507-06016 | SCREW, PAN HEAD | 2 | |

CONTENTS

| | | | |
|------------------------|-----|----------------------------|-------|
| ENGINE | | FUEL TANK..... | C5 |
| CYLINDER..... | B2 | SEAT CARRIER..... | C6 |
| CRANKSHAFT-PISTON..... | B3 | FRONT WHEEL..... | C7 |
| AIR SHROUD-FAN..... | B4 | FRONT BRAKE CALIPER..... | C8 |
| OIL PUMP..... | B5 | REAR WHEEL..... | C9 |
| INTAKE..... | B6 | STEERING-HANDLE-CABLE..... | C10 |
| CARBURETOR..... | B7 | FRONT MASTER CYLINDER..... | C11 |
| EXHAUST..... | B8 | STAND FOOTREST..... | C12 |
| CRANKCASE..... | B9 | LEG SHIELD..... | C13 |
| STARTER..... | B10 | COWLING..... | C14 |
| CLUTCH..... | B11 | GENERATOR..... | C15 |
| TRANSMISSION..... | B12 | FLASHER LIGHT..... | D2 |
| CHASSIS | | METER..... | D3 |
| FRAME..... | B13 | HEADLIGHT..... | D4 |
| FENDER..... | B14 | TAILLIGHT..... | D5 |
| SIDE COVER..... | B15 | HANDLE- SWITCH- LEVER..... | D6 |
| OIL TANK..... | C2 | ELECTRICAL 1..... | D7 |
| REAR SUSPENSION..... | C3 | ELECTRICAL 2..... | D8 |
| FRONT FORK..... | C4 | | |
| | | NUMERICAL INDEX..... | M1-M2 |



FWP

FIG . 29FLASHER LIGHT

| REF | PART.N° | DESCRIPTI | QTY | REMARKS |
|-----|-----------------|---------------------------|-----|---------|
| 1 | 4SB-H3310-00 | FRONT FLASHER LIGHT ASSY1 | 1 | |
| 2 | 4SB-H3312-00 | .LENS, FLASHER | 1 | |
| 3 | NH7-H3311-00-01 | .BULB 12V.21W. | 1 | |
| 4 | 4KH-H331N-00 | .WIRE FLASHER 1 | 1 | |
| 5 | 4KH-H3333-00 | .SCREW, LENS FITTING | 1 | |
| 6 | 4SB-H3320-00 | FRONT FLASHER LIGHT ASSY2 | 1 | |
| 7 | 4SB-H3322-00 | .LENS, FLASHER 2 | 1 | |
| 8 | NH7-H3311-00-01 | .BULB 12V.21W. | 1 | |
| 9 | 4KH-H332N-00 | .WIRE FLASHER 2 | 1 | |
| 10 | 4KH-H3333-00 | .SCREW, LENS FITTING | 1 | |
| 11 | 97707-50016 | SCREW, TAPPING | 4 | |

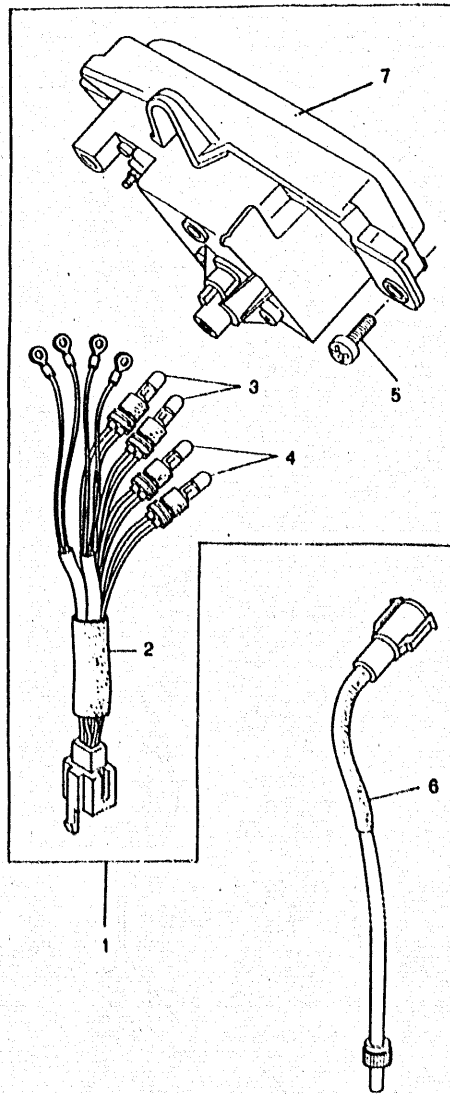


FIG . 30METER

| REF | PART.N° | DESCRIPTION | QTY | REMARKS |
|-----|-----------------|------------------------|-----|---------|
| 1 | 4YB-H3510-00 | SPEEDOMETER ASSY | 1 | |
| 2 | 4SB-H3509-00 | .SOCKET CORD ASSY | 1 | |
| 3 | 4SB-H4347-00 | .BULB LICENCE LIGHT | 2 | |
| 4 | NJ9-H4744-00-01 | .BULB | 2 | |
| 5 | 97707-50020 | SCREW, TAPPING | 2 | |
| 6 | 4YB-H3560-00 | SPEEDOMETER CABLE ASSY | 1 | |
| 7 | 4SB-H353K-00 | .GLASS PLATE | 1 | |

ESD

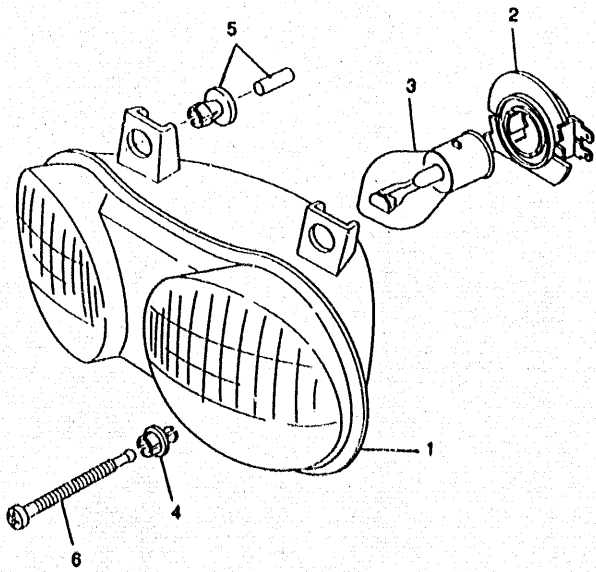


FIG . 31HEADLIGHT

| REF | PART.N° | DESCRIPTION | QTY | REMARKS |
|-----|--------------|----------------------|-----|---------|
| 1 | 4SB-H4320-00 | LENS ASSY | 1 | |
| 2 | 4SB-H4146-00 | .SOCKET, PILOT LIGHT | 1 | |
| 3 | 4SB-H4314-00 | .BULB, HEADLIGHT | 1 | |
| 4 | 4SB-H4387-00 | .HOLDER | 1 | |
| 5 | 3VL-H4316-00 | NUT, BODY FITTING | 2 | |
| 6 | 4SB-H4337-00 | BOLT, SPECIAL | 1 | |

←(WD)

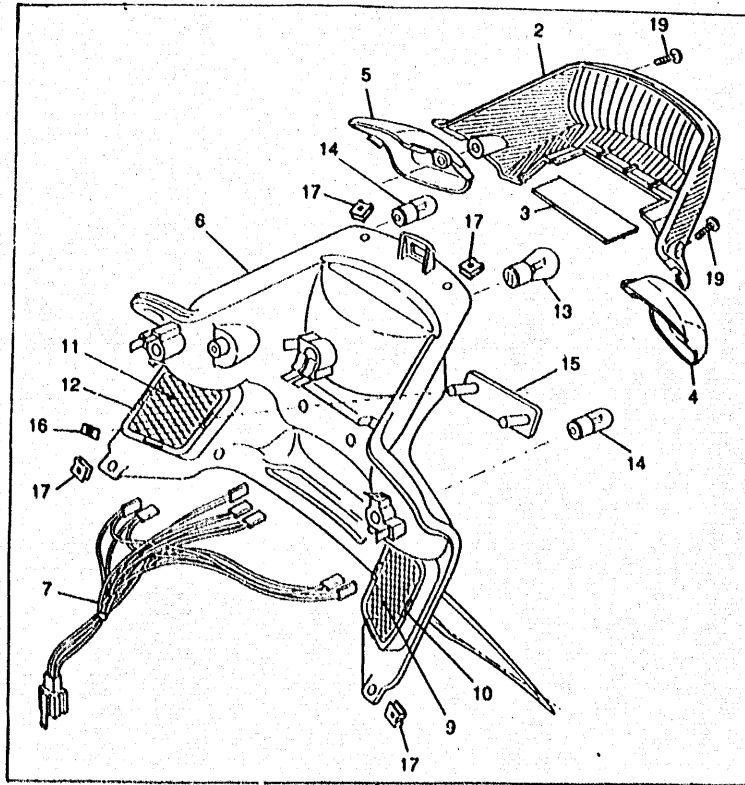


FIG . 32TAILLIGHT

| REF | PART.N° | DESCRIPTION | QTY | REMARKS |
|-----|-----------------|----------------------|-----|---------|
| 1 | 4SB-H4700-00 | TAILLIGHT ASSY | 1 | |
| 2 | 4SB-H4721-00 | .LENS, TAILLIGHT | 1 | |
| 3 | 4SB-H4743-00 | .LENS, LICENCE LIGHT | 1 | |
| 4 | 4SB-H3332-00 | .LENS, FLASHER 1 | 1 | |
| 5 | 4SB-H3342-00 | .LENS, FLASHER 2 | 1 | |
| 6 | 4SB-H4711-00 | .BASE, TAILLIGHT | 1 | |
| 7 | 4SB-H4717-00 | .CORD, TAILLIGHT | 1 | |
| 8 | 4SB-H4374-00 | .CLIP | 2 | |
| 9 | 4SB-H336E-00 | .PLATE, ARMATURE 1 | 1 | |
| 10 | 4SB-H336T-00 | .HOLDER, 1 | 1 | |
| 11 | 4SB-H336F-00 | .PLATE, ARMATURE 2 | 1 | |
| 12 | 4SB-H336U-00 | .HOLDER, 2 | 1 | |
| 13 | 3HL-H4535-00 | .BULB | 1 | |
| 14 | NDH-H3311-00-01 | .BULB | 1 | |
| 15 | 4SB-H5130-00 | .REAR REFLECTOR ASSY | 1 | |
| 16 | 90468-04814 | .CLIP | 2 | |
| 17 | 90183-05042 | NUT, SPRING | 4 | |
| 18 | 90119-C6213 | BOLT, WITH WASHER | 2 | |
| 19 | 4SB-H4724-00 | .SCREW, LENS FITTING | 2 | |

← FWD

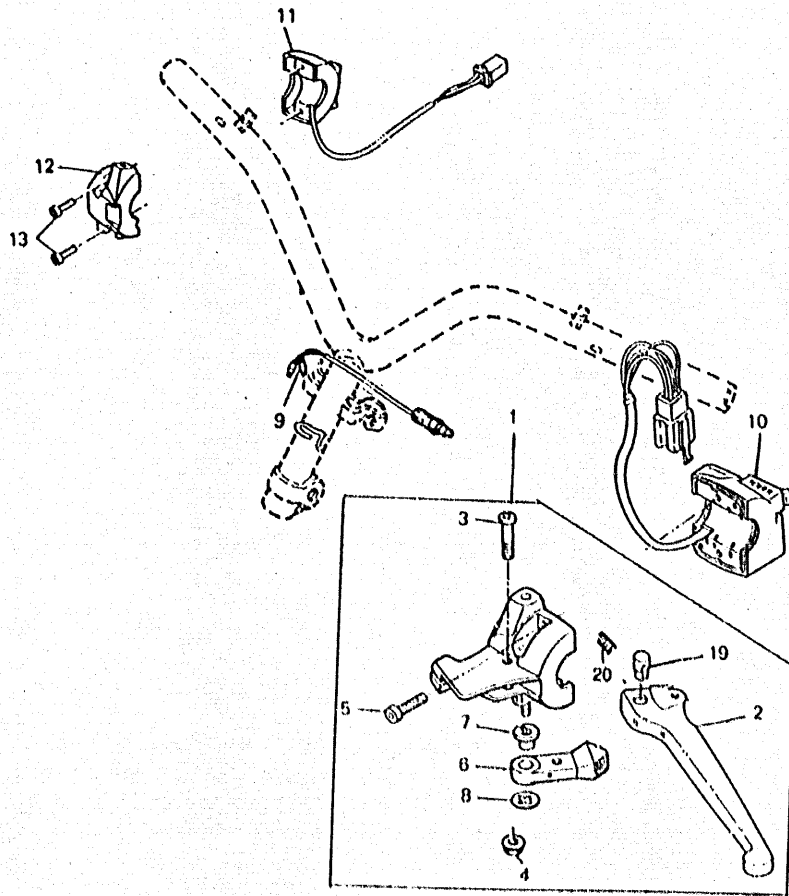


FIG . 33HANDLE SWITCH. LEVER

| REF | PART.N° | DESCRIPTION | QTY | REMARKS |
|-----|--------------|--------------------------|-----|---------|
| 1 | 4SB-H2910-01 | LEVER HOLDER ASSY (LEFT) | 1 | |
| 2 | 4SB-H3912-00 | .LEVER 1 | 1 | |
| 3 | 3VL-H3915-00 | .SCREW, LEVER FITTING | 1 | |
| 4 | 3VL-H3916-00 | .NUT, LEVER FITTING | 1 | |
| 5 | 3VL-H3945-00 | .BOLT, LEVER | 2 | |
| 6 | 4SB-H3941-00 | .LEVER, STARTER | 1 | |
| 7 | 3VL-H3982-00 | .COLLAR, DECOMPRESSIO | 1 | |
| 8 | 3VL-H3943-00 | .WASHER, STARTER | 1 | |
| 9 | 3VL-H3980-00 | FRONT STOP SWITCH AS | 1 | |
| 10 | 4CA-H3976-11 | SWITCH, HANDLE 1 | 1 | |
| 11 | 4KH-H3975-11 | SWITCH, HANDLE 2 | 1 | |
| 12 | 4CU-H3987-01 | CASE, SWITCH LOWER | 1 | |
| 13 | 3VL-H3945-00 | BOLT LEVER | 2 | |
| 19 | 3VL-F636A-00 | .END, WIRE 1 | 1 | |
| 20 | 4KH-H3962-00 | .SPRING | 1 | |



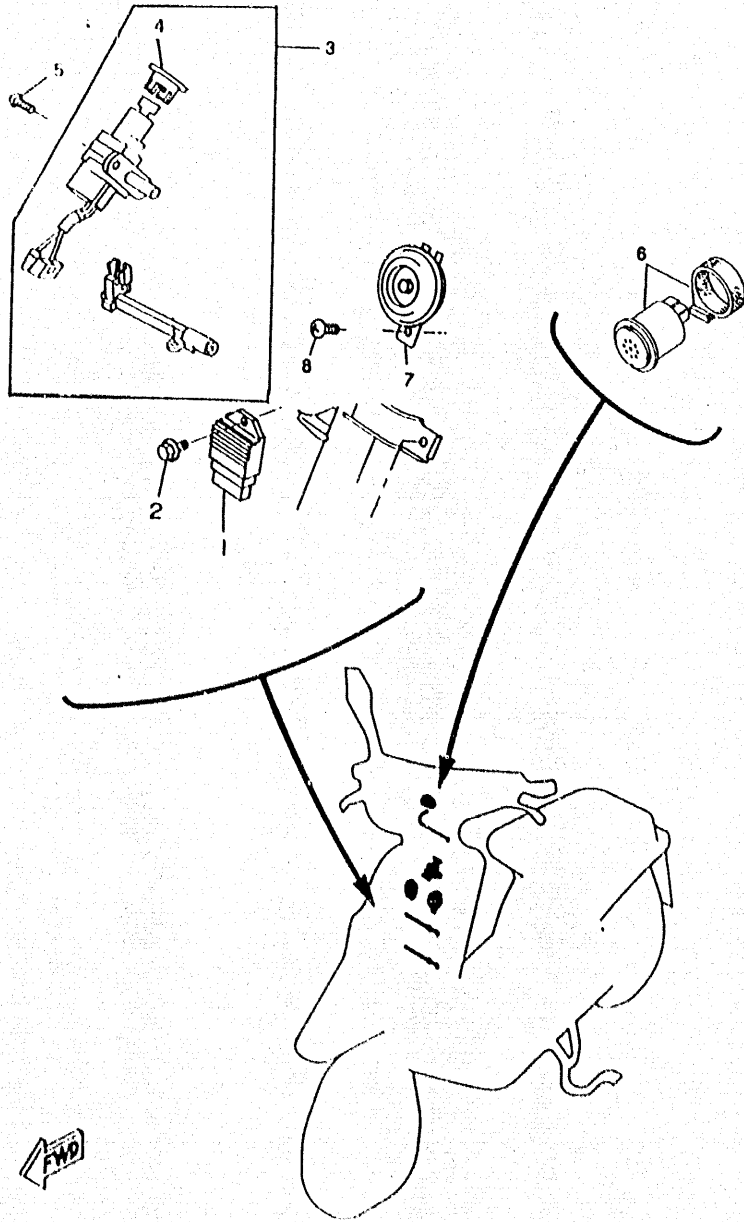


FIG . 34ELECTRICAL1

| REF | PART.N° | DESCRIPTION | QTY | REMARKS |
|-----|--------------|----------------------------|-----|---------|
| 1 | 4VV-H1960-00 | RECTIFIER & REGULATOR ASSY | 1 | |
| 2 | 95027-06016 | BOLT, FLANGE | 1 | |
| 3 | 4SB-H2021-02 | KEY SET | 1 | |
| 4 | 4VV-H2632-00 | CAP | 1 | |
| 5 | 90109-08851 | BOLT | 2 | |
| 6 | 4SB-83360-00 | FLASHER RELAY ASSY | 1 | |
| 7 | 4CU-H3371-00 | HORN | 1 | |
| 8 | 98507-06010 | SCREW, PAN HEAD | 1 | |

FWD

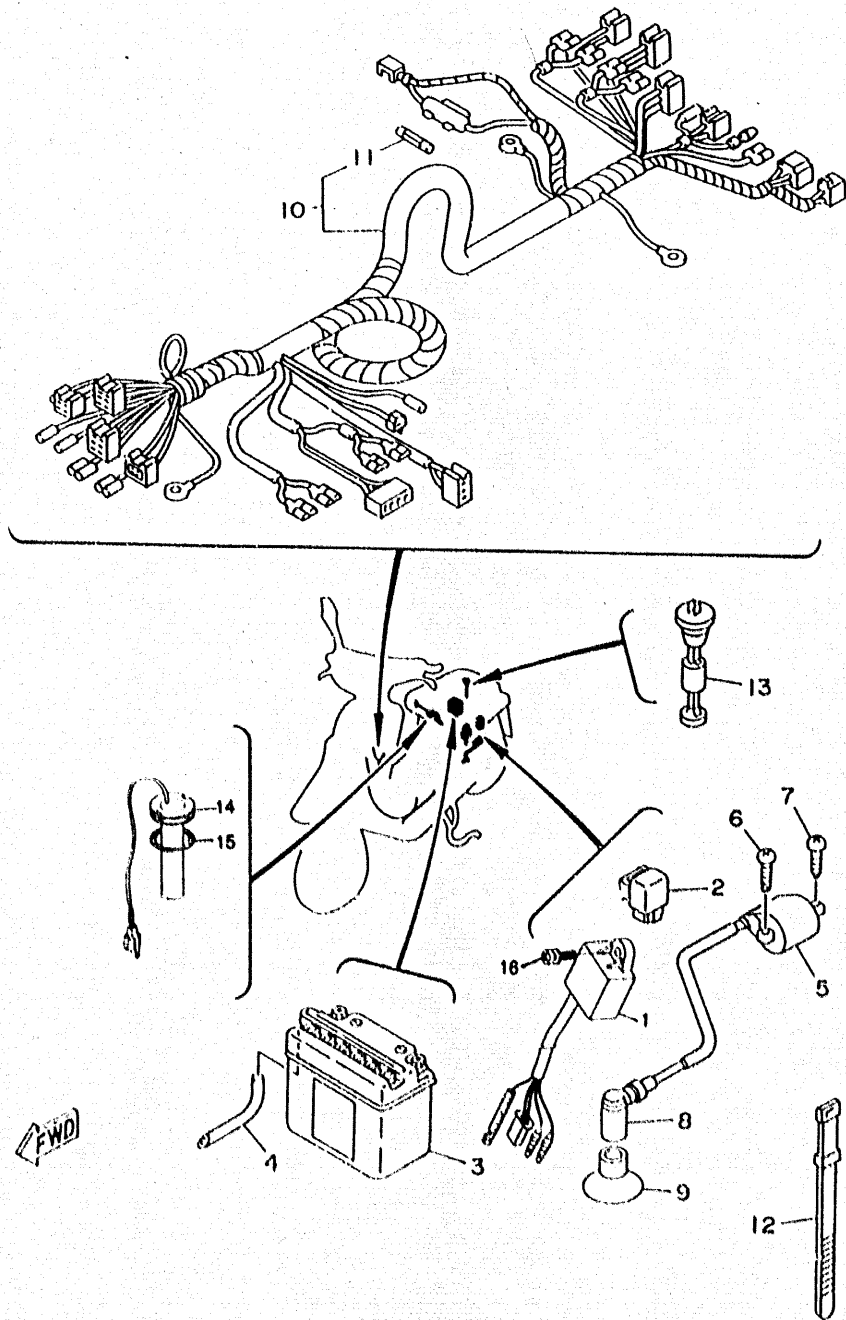


FIG . 35ELECTRICAL2

| REF | PART.N° | DESCRIPTION | QTY | REMARKS |
|-----|--------------|------------------------------|-----|---------|
| 1 | 3KJ-85540-10 | C.D.I. UNIT ASSY | 1 | |
| 2 | 29U-81950-93 | RELAY ASSY | 1 | |
| 3 | 4CU-H2110-00 | BATTERY ASSY | 1 | FIAMM |
| | 4SB-H2110-00 | BATTERY ASSY | 1 | YUASA |
| 4 | 90445-083F2 | HOSE (L850) | 1 | |
| 5 | 3KJ-82310-01 | IGNITION COIL ASSY | 1 | |
| 6 | 97017-06016 | BOLT | 1 | |
| 7 | 90153-08034 | SCREW, HEXAGON | 1 | |
| 8 | 56J-82370-00 | PLUG CAP ASSY | 1 | |
| 9 | 3KJ-82372-00 | SEAL, PLUG CAP | 1 | |
| 10 | 4SB-H2690-00 | WIRE HARNESS ASSY | 1 | |
| 11 | 27V-82151-00 | FUSE | 1 | |
| 12 | 4KH-H3936-00 | BAND, SWITCH CORD | 2 | |
| 13 | 4SB-H5720-00 | OIL LEVEL GAUGE ASSY | 1 | |
| 14 | 4SB-H5752-00 | SENDER UNIT ASSY, FUEL METER | 1 | |
| 15 | 4SB-H5753-03 | GASKET, SENDER UNIT | 1 | |
| 16 | 4UP-F1532-00 | BOLT 2 | 1 | |

NUMERICAL INDEX

| | | | | | | | | | | | |
|---------------|-----|---------------|----|---------------|-----|---------------|-----|---------------|-----|------------------|-----|
| 4SB- 13100-00 | B5 | 3VL- E1633-00 | B3 | 3VL- E5150-00 | B9 | 4YC- F174G-00 | B15 | 3VL- F4741-10 | C6 | 4UP- F839H-00 | C13 |
| 3AA- 13124-00 | B5 | 4SB- E1636-00 | B3 | 3VL- E5317-00 | B9 | 4YC- F174H-00 | B15 | 4SB- F475M-00 | C6 | 4SB- H1800-00 | B10 |
| 2GM- 13178-00 | B5 | 3VL- E2611-00 | B4 | 3VL- E5363-00 | B9 | 4SB- F174X-00 | C12 | 4YB- F5105-00 | C8 | 4VV- H1960-00 | D7 |
| 1YU- 13185-00 | B5 | 3VL- E2651-00 | B4 | 3VL- E5371-00 | B9 | 4SB- F174X-10 | C5 | 4SB- F5117-00 | C7 | 4SB- H2021-02 | C6 |
| 1YU- 13187-00 | B5 | 3VL- E2653-00 | B4 | 3VL- E5411-10 | B9 | 4SB- F174X-10 | C12 | 4TD- F5168-40 | C7 | 4SB- H2021-02 | D7 |
| 1YU- 13418-00 | B5 | 3VL- E2658-00 | B4 | 3VL- E5421-00 | B9 | 4SB- F1751-00 | C2 | 3VL- F5170-10 | C7 | 4CU- H2110-00 | D8 |
| 1YU- 13473-00 | B5 | 3VL- E2658-00 | B4 | 3VL- E5451-00 | B9 | 4YB- F2210-00 | C3 | 3VL- F5170-10 | C9 | 4SB- H2110-00 | D8 |
| 1YU- 13516-00 | B5 | 3VL- E3555-00 | B6 | 3VL- E5461-00 | B9 | 4YB- F2241-00 | C3 | 3VL- F5182-00 | C9 | 4SB- H2141-00 | C2 |
| 1YU- 13577-00 | B5 | 3VL- E3610-00 | B6 | 3VL- E5462-00 | B9 | 4YB- F3100-00 | C4 | 4YB- F5190-00 | C7 | 4VV- H2532-00 | D7 |
| 4KN- 13621-00 | B6 | 4SB- E4103-00 | B7 | 3VL- E5528-00 | B10 | 4YB- F3108-00 | C4 | 3VL- F5326-00 | C9 | 4SB- H2590-00 | D8 |
| 3HK- 14613-00 | B8 | 4SB- E4104-00 | B7 | 3VL- E5532-00 | B10 | 4SB- F3111-00 | C4 | 4TD- F5338-40 | C9 | 4SB- H2910-01 | D6 |
| 2JA- 14737-00 | B8 | 4SB- E4115-00 | B7 | 4CU- E5620-01 | B10 | 4YB- F3111-00 | C4 | 3VL- F5384-00 | C9 | 4SB- H3310-00 | D2 |
| 4FB- 14766-00 | B8 | 4SB- E4124-00 | B7 | 4SB- E5631-00 | B10 | 4YB- F3124-00 | C4 | 4YB- F5717-00 | C8 | NDH- H3311-00-01 | D5 |
| 3HK- 14766-01 | B8 | 4SB- E4133-00 | B7 | 4SB- E5650-00 | B10 | 4YB- F3126-00 | C4 | 4CU- F580T-20 | C8 | NH7- H3311-00-01 | D2 |
| 3AA- 15513-00 | B10 | 4SB- E4134-00 | B7 | 3VL- E5657-00 | B11 | 4YB- F3136-00 | C4 | 4CU- F5811-20 | C8 | NH7- H3311-00-01 | D2 |
| 3VL- 15570-00 | B10 | 4SB- E4137-00 | B7 | 3VL- E5659-00 | B9 | 4YB- F3141-00 | C4 | 4CU- F5824-00 | C8 | 4SB- H3312-00 | D2 |
| 3ES- 15601-00 | B10 | 4SB- E4148-00 | B7 | 3VL- E5659-00 | B10 | 4SB- F3144-00 | C4 | 4CU- F5825-00 | C8 | 4KH- H331N-00 | D2 |
| 24G- 16611-03 | B11 | 4SB- E4161-00 | B7 | 3VL- E5673-00 | B10 | 4SB- F3151-00 | C4 | 4SB- F583T-00 | C11 | 4SB- H3320-00 | D2 |
| 3WG- 17608-00 | B11 | 4SB- E4216-00 | B7 | 3VL- E5793-00 | B10 | 4SB- F3153-00 | C4 | 4SB- F5852-00 | C11 | 4SB- H3322-00 | D2 |
| 3AA- 17641-00 | B11 | 4SB- E4216-10 | B7 | 3VL- E6111-00 | B11 | 4SB- F3183-00 | C4 | 4SB- F5867-00 | C11 | 4KH- H332N-00 | D2 |
| 3GF- 17660-02 | B11 | 4SB- E4283-00 | B7 | 3VL- E6620-02 | B11 | 4SB- F319Y-00 | C4 | 4YB- F5872-00 | C11 | 4SB- H3332-00 | D5 |
| 24G- 17664-00 | B11 | 4SB- E4301-00 | B7 | 3VL- E6626-00 | B11 | 4YB- F330E-00 | C4 | 4SB- F5876-00 | C4 | 4KH- H3333-00 | D2 |
| 2T4- 2139X-00 | B13 | 4SB- E4312-00 | B7 | 4SB- E7410-00 | B12 | 4YB- F332L-00 | C4 | 4CU- F5919-00 | C8 | 4KH- H3333-00 | D2 |
| 2T4- 21481-01 | B13 | 4SB- E4318-00 | B7 | 4SB- E7420-00 | B12 | 4YB- F3340-00 | C4 | 4SB- F6110-00 | C10 | 4SB- H3342-00 | D5 |
| 25G- 21535-00 | C2 | 4SB- E4325-00 | B7 | 3VL- E7604-00 | B11 | 4SB- F3354-00 | C4 | 4SB- F6143-10 | C14 | 4SB- H336E-00 | D5 |
| 25G- 21535-00 | C5 | 4SB- E4331-00 | B7 | 3VL- E7611-00 | B11 | 4SB- F3357-00 | C4 | 4SB- F6145-00 | C14 | 4SB- H336F-00 | D5 |
| 2N3- 21771-01 | C2 | 4SB- E4335-00 | B7 | 4CU- E7620-00 | B11 | 4SB- F3385-00 | C4 | 4SB- F6240-00 | C10 | 4SB- H336T-00 | D5 |
| 486- 22141-01 | C7 | 4SB- E4336-00 | B7 | 3VL- E7623-00 | B11 | 4SB- F3396-00 | C4 | 4SB- F6241-00 | C10 | 4SB- H336U-00 | D5 |
| 164- 22216-00 | B9 | 4SB- E4341-00 | B7 | 4KH- E7632-00 | B11 | 4SB- F3411-00 | C4 | 3VL- F6261-00 | C10 | 4CU- H3371-00 | D7 |
| 3Y6- 2533A-01 | C9 | 4SB- E4342-00 | B7 | 3VL- E7653-00 | B11 | 4SB- F3412-00 | C4 | 3VL- F6262-00 | C10 | 4SB- H3509-00 | D3 |
| 3AA- 25351-00 | C9 | 4SB- E4343-00 | B7 | 4SB- E7654-00 | B11 | 4SB- F3414-00 | C4 | 4SB- F6280-00 | C14 | 4YB- H3510-00 | D3 |
| 3AA- 25355-03 | C9 | 4SB- E4344-00 | B7 | 4YB- F1110-10 | B13 | 4SB- F3427-00 | C4 | 4SB- F6290-00 | C14 | 4SB- H3530-00 | C14 |
| 4SB- 2582T-00 | C8 | 4SB- E4358-00 | B7 | 4SB- F1165-00 | C6 | 4SB- F3428-00 | C4 | 3VL- F6311-01 | C10 | 4SB- H353K-00 | D3 |
| 29U- 81950-93 | D8 | 4SB- E4368-00 | B7 | 4TD- F1182-00 | B13 | 4SB- F3453-00 | C4 | 3VL- F6312-01 | C10 | 4YB- H3550-00 | D3 |
| 27V- 82151-00 | D8 | 4SB- E4369-00 | B7 | 4SB- F1232-00 | B13 | 4YB- F3466-00 | C8 | 3WG- F6329-00 | C10 | 4SB- H3912-00 | D6 |
| 3KJ- 82310-01 | D8 | 4SB- E4371-00 | B7 | 4SB- F1238-00 | B9 | 4SB- F3812-00 | C4 | 3WG- F6329-00 | C10 | 3VL- H3915-00 | D6 |
| 56J- 82370-00 | D8 | 4SB- E4377-00 | B7 | 4YB- F1410-00 | B13 | 4SB- F4110-00 | C5 | 4SB- F6329-00 | B7 | 3VL- H3916-00 | D6 |
| 3KJ- 82372-00 | D8 | 4SB- E4385-00 | B7 | 4YB- F1511-10 | B14 | 4SB- F414E-00 | C2 | 4SB- F6331-00 | C10 | 4SB- H3922-00 | C11 |
| 4SB- 83350-00 | D7 | 4SB- E4386-00 | B7 | 4UP- F152A-20 | B14 | 4SB- F414G-00 | C5 | 3VL- F6334-02 | C10 | 4KH- H3936-00 | D8 |
| 3KJ- 85540-10 | D8 | 4SB- E4392-00 | B7 | 4YB- F152P-00 | B14 | 4SB- F4181-00 | C5 | 4SB- F6351-00 | C10 | 4SB- H3941-00 | D6 |
| 2JA- 85550-00 | C15 | 4PB- E4410-01 | B6 | 4UP- F1532-00 | C13 | 4SB- F4311-01 | C5 | 3VL- F636A-00 | D6 | 3VL- H3943-00 | D6 |
| 4SB- 85560-00 | C15 | 3VL- E4429-00 | B6 | 4UP- F1532-00 | D8 | 4YB- F4312-00 | C5 | 4SB- F6475-00 | C10 | 3VL- H3945-00 | D6 |
| 4SB- E1111-00 | B2 | 3VL- E4437-00 | B6 | 4SB- F1552-00 | B14 | 4SB- F4318-00 | C6 | 4YB- F7111-00 | C12 | 3VL- H3945-00 | D6 |
| 3VL- E1181-00 | B2 | 4PB- E4451-00 | B6 | 4SB- F1553-00 | B14 | 4YB- F4335-00 | C5 | 4SB- F7112-00 | C12 | 4SB- H3945-00 | C11 |
| 4SB- E1311-00 | B2 | 3VL- E4452-00 | B6 | 4CU- F1568-10 | C14 | 4SB- F4451-01 | C5 | 4SB- F7117-00 | C12 | 4KH- H3962-00 | D6 |
| 3VL- E1351-00 | B2 | 3VL- E4453-01 | B6 | 4YC- F1569-00 | B14 | 4SB- F4500-00 | C5 | 4SB- F7117-10 | C12 | 4KH- H3975-11 | D6 |
| 3VL- E1400-10 | B3 | 3VL- E4565-00 | B6 | 4SB- F1629-01 | B14 | 4MJ- F4610-00 | C5 | 4SB- F7452-00 | B13 | 4CA- H3976-11 | D6 |
| 4SB- E1603-00 | B2 | 4SB- E4610-00 | B8 | 4SB- F1711-00 | B15 | 4CU- F4726-00 | C6 | 4SB- F7481-00 | C12 | 3VL- H3980-00 | D6 |
| 4SB- E1603-00 | B3 | 4SB- E4678-00 | B8 | 4SB- F171E-40 | B15 | 4SB- F4730-10 | C6 | 4SB- F8312-01 | C13 | 4SB- H3980-00 | C11 |
| 4SB- E1605-00 | B3 | 4SB- E4718-00 | B8 | 4SB- F1721-40 | B15 | 4SB- F4731-10 | C6 | 3VV- F8349-10 | C13 | 3VL- H3982-00 | D6 |
| 4SB- E1631-00 | B2 | 4SB- E4759-00 | B8 | 4SB- F1731-40 | B15 | 4SB- F473R-01 | C6 | 4SB- F8382-00 | C13 | 4CU- H3987-01 | D6 |
| 4SB- E1631-00 | B3 | 4SB- E479X-00 | B8 | 4YC- F173E-00 | B15 | 4SB- F473T-00 | C6 | 4SB- F8385-10 | C13 | 4SB- H4146-00 | D4 |
| 3VL- E1633-00 | B2 | 3VL- E5128-00 | B9 | 4SB- F1741-00 | B9 | 3VL- F4741-00 | C6 | 4JC- F8387-00 | B14 | 4YB- H4169-00 | B14 |

NUMERICAL INDEX

| | | | | | | | | | |
|------------------|-----|-------------|-----|-------------|-----|-------------|-----|-------------|-----|
| 4SB- H4314-00 | D4 | 90101-06291 | C9 | 90387-10079 | C7 | 93106-20001 | C7 | 98507-06016 | C15 |
| 3VL- H4316-00 | D4 | 90101-10776 | C3 | 90387-135U9 | B11 | 93109-33052 | B11 | 98507-06020 | C5 |
| 4SB- H4320-00 | D4 | 90105-10036 | C10 | 90387-156U0 | B3 | 93210-07540 | C9 | 98507-06020 | C6 |
| 4SB- H4337-00 | D4 | 90105-10063 | B13 | 90401-10159 | C11 | 93210-14104 | B9 | 98507-06025 | B6 |
| 3UP- H4346-00 | C14 | 90109-063F1 | C6 | 90430-08206 | B9 | 93210-38687 | B11 | 98517-06012 | B9 |
| 3WW- H4347-00 | C14 | 90109-06851 | D7 | 90445-083F2 | D8 | 93306-00203 | B9 | 98517-06012 | B10 |
| 4SB- H4347-00 | D3 | 90110-06825 | B9 | 90445-094J4 | B5 | 93306-20006 | B11 | 98517-06020 | B4 |
| 4SB- H4374-00 | D5 | 90110-10223 | C8 | 90445-094J4 | C2 | 93306-20006 | B12 | 98580-06016 | B4 |
| 4SB- H4387-00 | D4 | 90116-06418 | B2 | 90446-13311 | B9 | 93306-20301 | B11 | 98904-06016 | B8 |
| 3HL- H4535-00 | D5 | 90119-06044 | C2 | 90450-32081 | B6 | 93306-20314 | B12 | 98907-06016 | B14 |
| 4SB- H4700-00 | D5 | 90119-06052 | B14 | 90465-08122 | B9 | 93306-20468 | B3 | 99009-15400 | B10 |
| 4SB- H4711-00 | D5 | 90119-06213 | D5 | 90467-08003 | B5 | 93306-300Y8 | C7 | 99009-19400 | B5 |
| 4SB- H4717-00 | D5 | 90153-06022 | B4 | 90467-09006 | C5 | 93310-210M0 | B3 | 99510-12016 | B9 |
| 4SB- H4721-00 | D5 | 90153-06034 | D8 | 90467-12052 | C5 | 93310-257R1 | B10 | 99530-10014 | B9 |
| 4SB- H4724-00 | D5 | 90153-06061 | B8 | 90467-24140 | B6 | 93420-40064 | B12 | 99530-10014 | B9 |
| 4SB- H4743-00 | D5 | 90159-05134 | C14 | 90468-02033 | B5 | 93440-15012 | B9 | | |
| NJ3- H4744-00-01 | D3 | 90170-10219 | B11 | 90468-02033 | C2 | 93450-11120 | B2 | | |
| 3VL- H5111-00 | C4 | 90170-10219 | C15 | 90468-04814 | D5 | 93450-11120 | B3 | | |
| 4SB- H5130-00 | D5 | 90179-06411 | C10 | 90468-12006 | C12 | 93603-12007 | B5 | | |
| 4SB- H5720-00 | D8 | 90179-10279 | B13 | 90468-15009 | C10 | 94113-108S1 | C7 | | |
| 4SB- H5752-00 | D8 | 90179-10609 | B11 | 90480-12237 | B4 | 94113-108S1 | C9 | | |
| 4SB- H5753-03 | D8 | 90179-28415 | B11 | 90480-12237 | B4 | 94700-00195 | B2 | | |
| 4SB- W0001-00 | B7 | 90183-05042 | B15 | 90480-12497 | B6 | 95027-06016 | D7 | | |
| 2JL- W2536-10 | C9 | 90183-05042 | C12 | 90480-12581 | B8 | 95027-08016 | C6 | | |
| | | 90183-05042 | C14 | 90480-13398 | C5 | 95617-10100 | B13 | | |
| | | 90183-05042 | D5 | 90501-122E1 | C10 | 95617-10200 | C3 | | |
| | | 90185-14081 | C9 | 90501-29517 | B13 | 95617-10200 | C7 | | |
| | | 90201-065F3 | C2 | 90501-351F6 | B11 | 95617-10200 | C10 | | |
| | | 90201-065F3 | C5 | 90506-15260 | C9 | 95707-06500 | B2 | | |
| | | 90201-08088 | B10 | 90506-29280 | C12 | 95707-06500 | C6 | | |
| | | 90201-10118 | C11 | 90508-32609 | B10 | 95817-06010 | B14 | | |
| | | 90201-133M8 | B11 | 91317-06020 | B6 | 95817-06010 | C4 | | |
| | | 90201-140G5 | B12 | 91317-06020 | B9 | 95817-08016 | B9 | | |
| | | 90201-142M6 | C9 | 91317-06020 | B10 | 95817-08020 | B8 | | |
| | | 90201-155G5 | B10 | 91317-06025 | B9 | 95817-08040 | B8 | | |
| | | 90201-177G4 | C9 | 91317-06035 | B9 | 95827-08016 | B13 | | |
| | | 90201-574L1 | B10 | 91317-06035 | B9 | 95827-08030 | C8 | | |
| | | 90202-08175 | C10 | 91317-06035 | B9 | 97017-06016 | D8 | | |
| | | 90202-10120 | C12 | 91317-06045 | B9 | 97707-50012 | B15 | | |
| | | 90208-10012 | B11 | 92017-08016 | B13 | 97707-50016 | B14 | | |
| | | 90208-14047 | B12 | 92907-06100 | C6 | 97707-50016 | B15 | | |
| | | 90214-13055 | B11 | 92907-06600 | B4 | 97707-50016 | C6 | | |
| | | 90241-10017 | C6 | 92907-06600 | B6 | 97707-50016 | C12 | | |
| | | 90249-12008 | C10 | 92907-06600 | B14 | 97707-50016 | C13 | | |
| | | 90267-32801 | B13 | 92907-03600 | C5 | 97707-50016 | C13 | | |
| | | 90280-03017 | B3 | 92907-06600 | C6 | 97707-50016 | C14 | | |
| | | 90380-15083 | B10 | 92907-10600 | C15 | 97707-50016 | C14 | | |
| | | 90387-06023 | B4 | 92990-06600 | B4 | 97707-50016 | D2 | | |
| | | 90387-060G7 | B8 | 92995-06100 | B4 | 97707-50020 | D3 | | |
| | | 90387-060G7 | C5 | 93101-20138 | B3 | 97707-60016 | C5 | | |
| | | 90387-061V4 | B6 | 93102-17342 | B11 | 98507-05010 | C10 | | |
| | | 90387-067T6 | B4 | 93102-20371 | B3 | 98507-05014 | B5 | | |
| | | 90387-076V1 | C12 | 93102-22314 | B12 | 98507-06010 | D7 | | |