

CONTENTS

ENGINE

CYLINDER	B2
CRANKSHAFT-PISTON	B3
AIR SHROUD-FAN	B4
OIL PUMP	B5
INTAKE	B6
CARBURETOR	B7
EXHAUST	B8
CRANKSE	B9
STARTER.....	B10
CLUTCH.....	B11
TRANSMISSION	B12

CHASSIS

FRAME.....	B13
FENDER.....	B14
SIDE COVER	B15
OIL TANK.....	C2
REAR SUSPENSION	C3
FRONT FORK	C4

FUEL TANK	C5
SEAT CARRIER.....	C6
FRONT WHEEL	C7
FRONT BRAKE CALIPER	C8
REAR WHEEL	C9
STEERING-HANDLE-CABLE	C10
FRONT MASTER CYLINDER	C11
STAND FOOTREST	C12
LEG SHIELD	C13
COWLING	C14
GENERATOR.....	C15
FLASHER LIGHT	D2
METER	D3
HEADLIGHT.....	D4
TAILLIGHT	D5
HANDLE-SWITCH-LEVER	D6
ELECTRICAL 1	D7
ELECTRICAL 2	D8
NUMERICAL INDEX	M1 - M2

YAMAHA
GENUINE
Parts & Accessories

CW50RSX'98 (4YC3)
EUROPE

184YC - 300E1
NOVEMBER 1997

A2

FOREWORD

This Part Catalogue is related to the parts in use for the **CW50RSX'98**

When you are ordering replacements parts for the **CW50RSX'98** refer to this Parts Catalogue and quote both part numbers and part names correctly.

1. Modifications or additions which have been made after issue of the Parts Catalogue will be announced in the Parts News

It is advisable that according to the Parts News you make necessary corrections to the Parts Catalogue on hand to keep it up-to-date.

2. Abbreviations.

The following abbreviations are used in this Parts Catalogue.

- U.R. Use size (thickness, and or number as required).
- U.N. Use as many as you need.
- A.F. Alternate Parts.
- L.M. Local Made.
- F. Frame N° (Applicable machine N°)

3. The parts marked with (*) in the parts number column of this Catalogue are not supplied with by Yamaha, those have to be found locally.

4. Parts which are to be supplied in the form of assemblies are listed with an indentation of one letter's space and a dot (.) is put against the name of each part.

EXAMPLE CARBURETOR ASS'Y
 .JET,pilot
 .NOZZLE,main

5. Indication of N° of constituent parts for assembly.

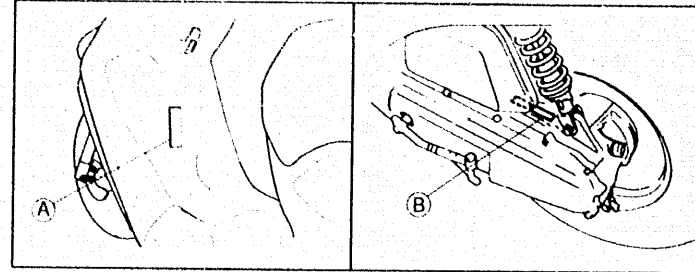
The numeral appearing to the right of each constituent part under the description indicates the quantity of such parts for each individual assembly unit.

EXAMPLE

Part N°	Description	Qty	Remarks
2F5-83310-60	FRONT FLASHER LIGHT ASS'Y	2	
115-83311-60	.BULB (6V-18W)	1	
1M1-83309-60	.REFLECTOR	1	

6. Initial Serial N° and Color Code

(A)	Frame Serial N°	VG54TD00000700101
(B)	Engine Serial N°	4SB - 500101

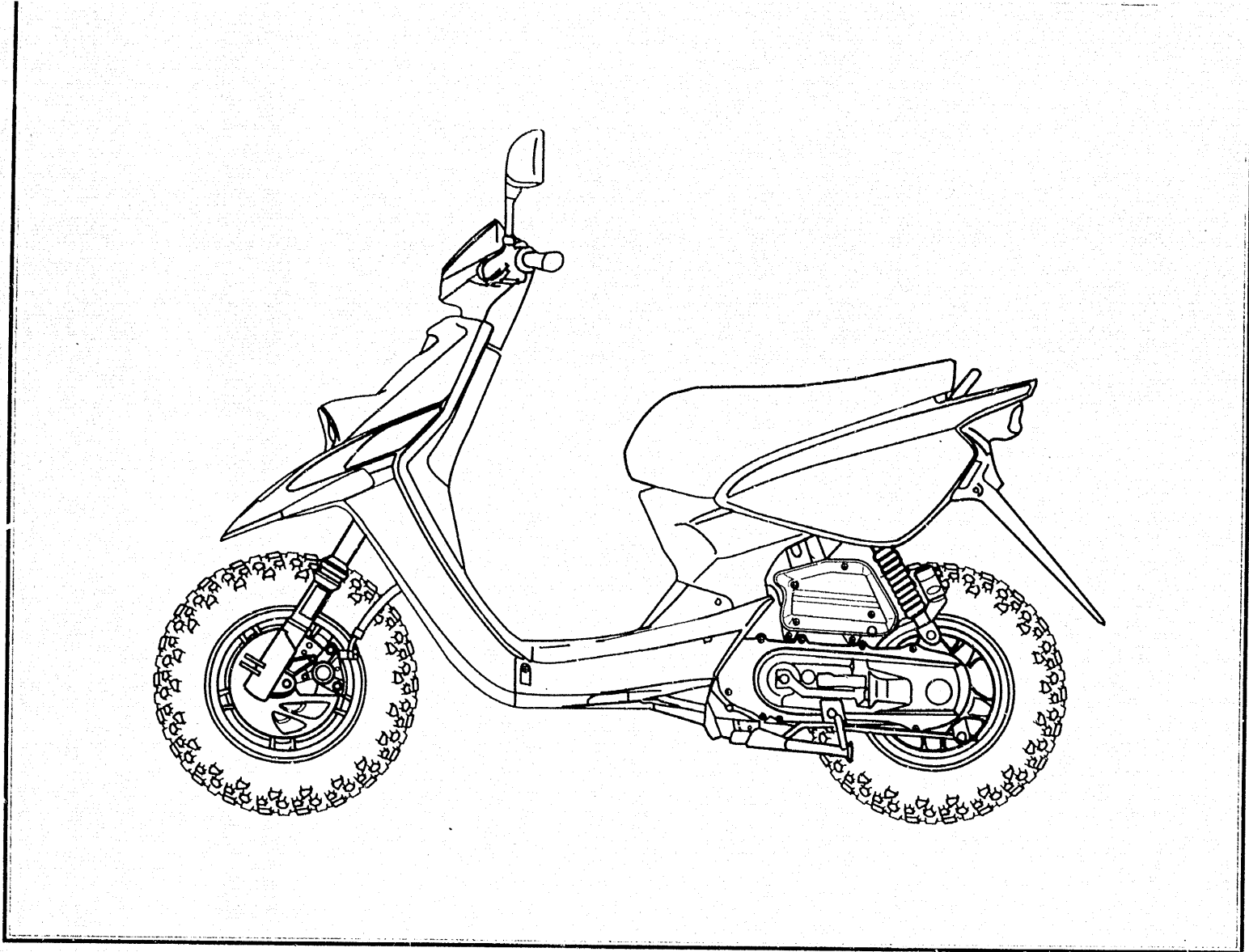


Color	Code Color	Name Abbreviate
00EX	INK BLUE	IKB
00GH	RASPBERRY RED	RR

7. Applicable colors of graphics are represented in the "Remarks" column by the letter(s) appropriately picked out of the full word(s) showing such colors.

EXAMPLE

Part N°	Description	Qty	Remarks
2N4-24110-00-X5	FUEL TANK COMPL.	1	
3J1-24240-10	.GRAPHIC,fuel tank set	1	



A4

CONTENTS

ENGINE

CYLINDER	B2
CRANKSHAFT-PISTON	B3
AIR SHROUD-FAN	B4
OIL PUMP	B5
INTAKE	B6
CARBURETOR	B7
EXHAUST	B8
CRANKSE	B9
STARTER.....	B10
CLUTCH.....	B11
TRANSMISSION	B12

CHASSIS

FRAME	B13
FENDER.....	B14
SIDE COVER	B15
OIL TANK.....	C2
REAR SUSPENSION	C3
FRONT FORK	C4

FUEL TANK	C5
SEAT CARRIER.....	C6
FRONT WHEEL	C7
FRONT BRAKE CALIPER	C8
REAR WHEEL	C9
STEERING-HANDLE-CABLE	C10
FRONT MASTER CYLINDER	C11
STAND FOOTREST	C12
LEG SHIELD	C13
COWLING	C14
GENERATOR.....	C15
FLASHER LIGHT	D2
METER	D3
HEADLIGHT	D4
TAILLIGHT	D5
HANDLE-SWITCH-LEVER	D6
ELECTRICAL 1	D7
ELECTRICAL 2	D8
NUMERICAL INDEX	M1 - M2

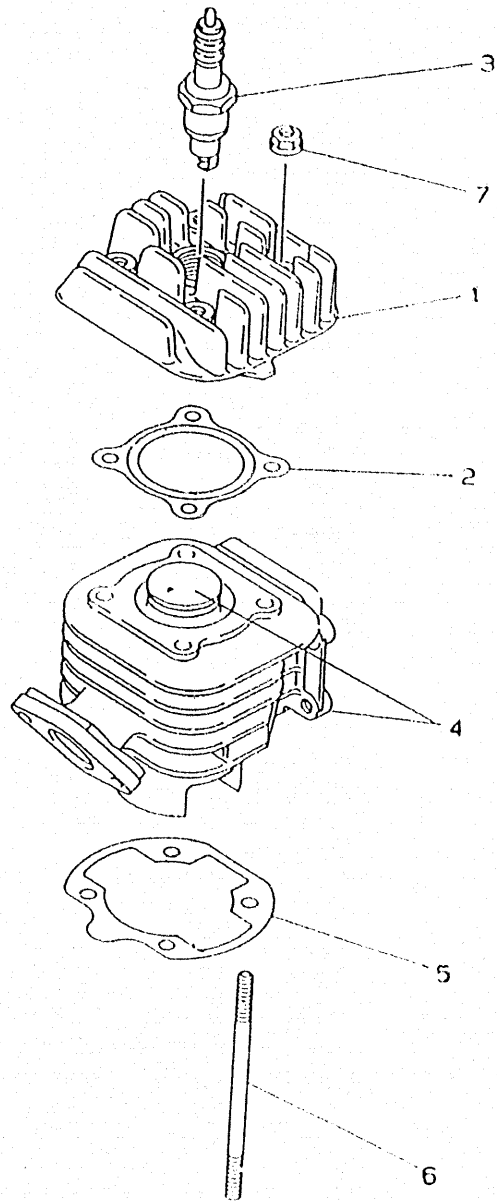
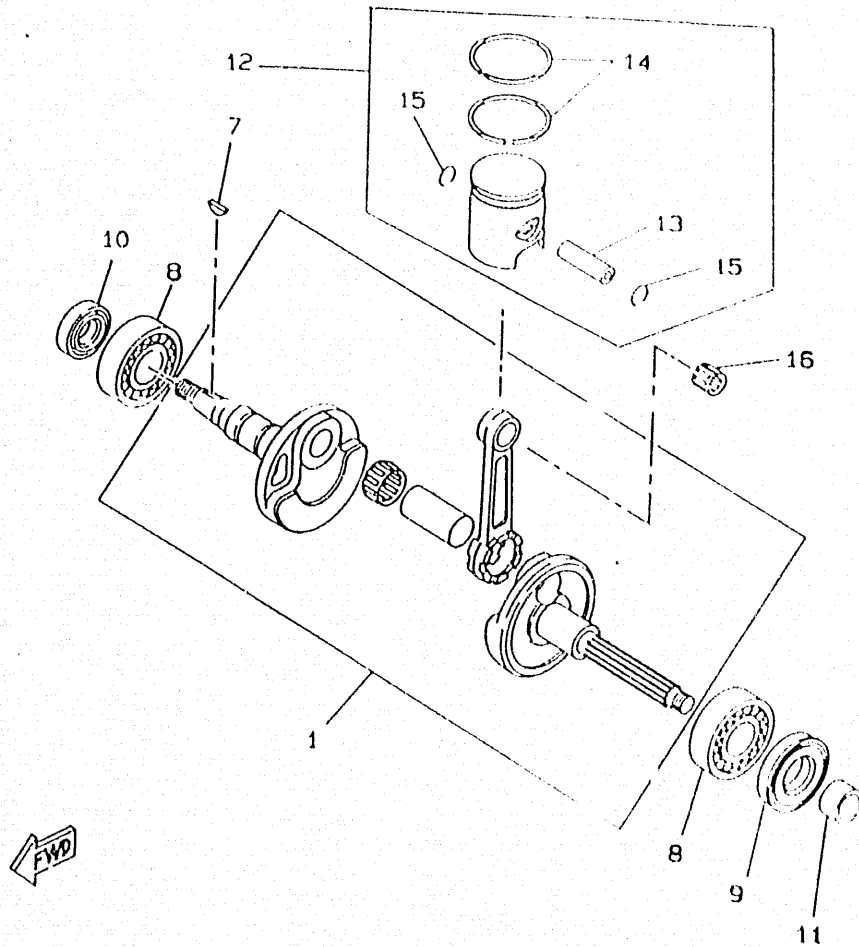


FIG 1 CYLINDER

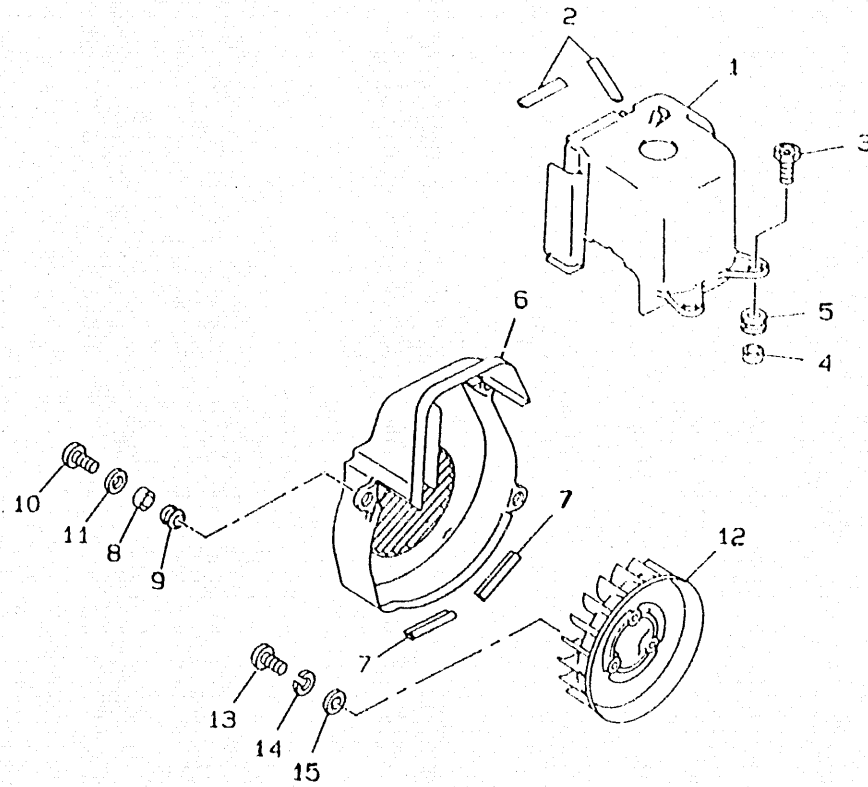
REF	PART.N°	DESCRIPTION	QTY	REMARKS
1	4SB E1111 00	HEAD, CYLINDER 1	1	
2	3VL E1181 00	GASKET, CYLINDER HEAD	1	
3	S4701-00195	PLUG, SPARK	1	BR8HS
4	4SB E1311 00	CYLINDER 1	1	
	4SB E1631 00	.PISTON (STD)	1	
	4SB E1603 00	.PISTON RING SET (STD)	1	
	3VL E1633 00	.PIN, PISTON	1	
	93450.11120	.CIRCLIP	2	
5	3VL E1351 00	GASKET, CYLINDER	1	
6	9011G 06418	BOLT, STUD	4	
7	95707-06500	NUT, FLANGE	4	

FIG 2 CRANKSHAFT, PISTON



REF	PART.N°	DESCRIPTION	QTY	REMARKS
1	3VL E1400 10	CRANKSHAFT ASSY	1	
7	90280 03017	KEY, WOODRUFF	1	
8	93306 20468	BEARING	2	
9	93102 20371	OIL SEAL	1	
10	93101 20138	OIL SEAL	1	
11	90387 156U0	COLLAR	1	
12	4SB E1631 00	PISTON (STD)	1	
	4SB E1636 00	PISTON (0.50MM O/S)	1	
13	3VL E1633 00	PIN, PISTON	1	
14	4SB E1603 00	PISTON RING SET (STD)	1	
	4SB E1605 00	PISTON RING SET (0.50MMO/S)	1	
15	93450 11120	CIRCLIP	2	
16	93310 210M0	BEARING, CYLINDRICAL	1	

FIG 3 AIR SHROUD. FAN



REF	PART.N°	DESCRIPTION	QTY	REMARKS
1	3VL E2651 00	AIR SHROUD, CYLINDER	1	
2	3VL E2658-00	DAMPER, AIR SHROUD 1	2	
3	90153 06022	SCREW, HEXAGON	2	
4	90387 06023	COLLAR	2	
5	90480 12237	GROMMET	2	
6	3VL E2653-00	AIR SHROUD, CYLINDER	1	
7	3VL E2658-00	DAMPER, AIR SHROUD 1	2	
8	90387 06023	COLLAR	3	
9	90480 12237	GROMMET	3	
10	98517 06020	SCREW, PAN HEAD	3	
11	92907 06600	WASHER	3	
12	3VL E2611 00	FAN	1	
13	97885 06016	SCREW, PAN HEAD	3	
14	92995 06100	WASHER	3	
15	92990 06600	WASHER, PLATE	3	

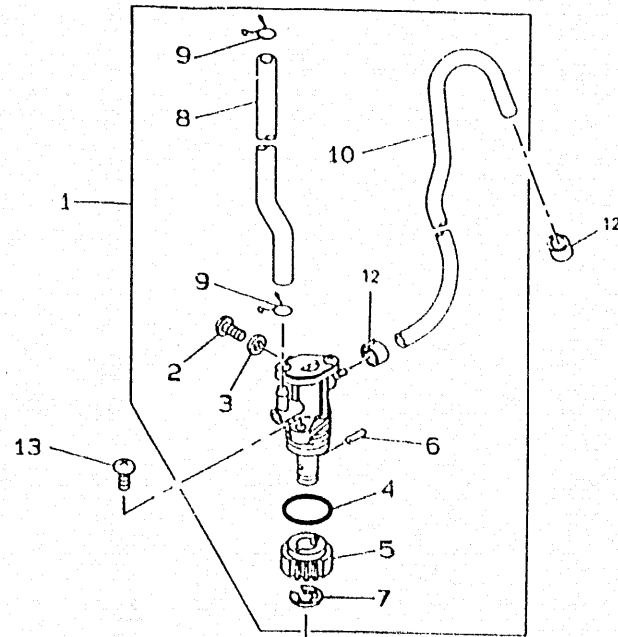
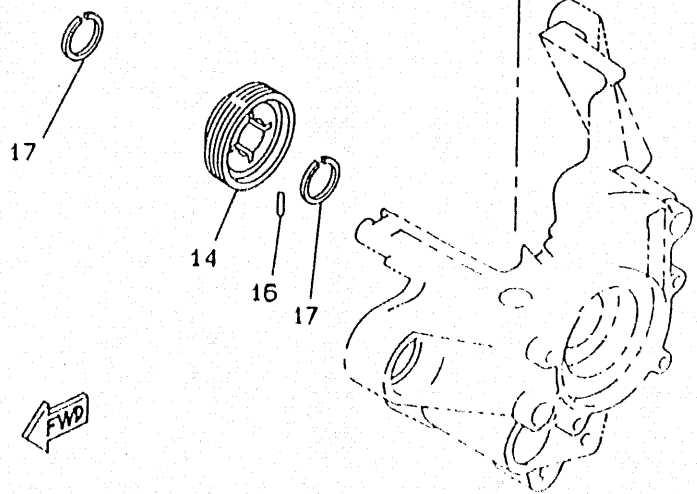


FIG 4 OIL PUMP

REF	PART.N"	DESCRIPTION	QTY	REMARKS
1	4SB 13100 00	OIL PUMP ASSY	1	
2	1YU 13185 00	.BOLT, BREATHER	1	
3	1YU 13187 00	.GASKET, BREATHER BOLT	1	
4	1YU 13473 00	.O-RING	1	
5	3AA 13124 00	.GEAR, WORM WHEEL	1	
6	1YU 13516 00	.PIN, DOWEL	1	
7	1YU 13577 00	.CLIP	1	
8	90445 094J4	.HOSE	1	
9	90468 02033	.CLIP	1	
10	1YU 13418 00	.PIPE, OIL 2	1	
12	90467 08003	.CLIP	2	
13	98507 05014	SCREW, PAN HEAD	2	
14	3VL E3178 00	GEAR, PUMP DRIVE	1	
16	93603 12007	PIN, DOWEL	1	
17	99009 19400	CIRCLIP	2	



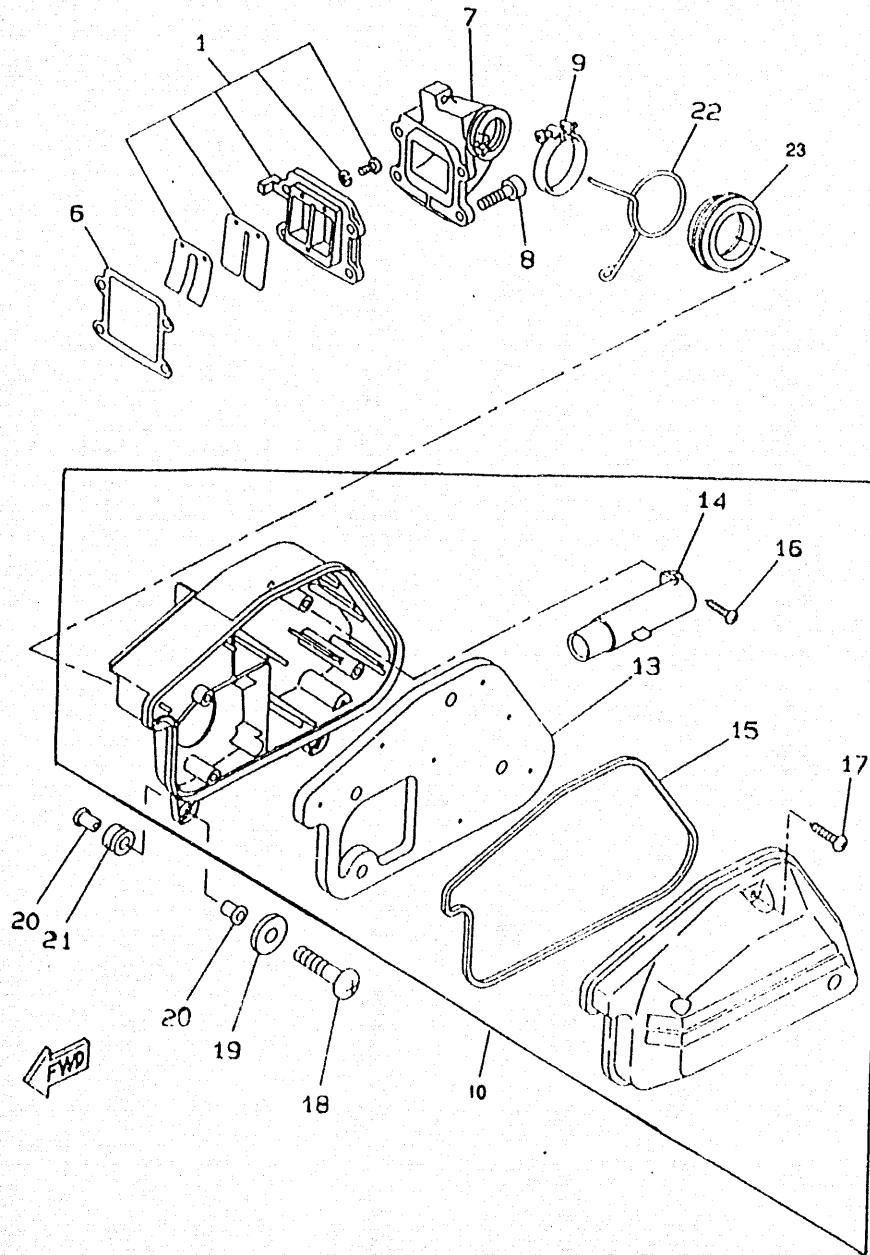


FIG 5 INTAKE

REF	PART.N°	DESCRIPTION	QTY	REMARKS
1	3VL-E3610-00	REED VALVE ASSY	1	
6	4KN-13621-00	GASKET, VALVE SEAT	1	
7	3VL-E3555-00	MANIFOLD, INTAKE	1	
8	91317-06020	BOLT	4	
9	90450-32081	HOSE CLAMP ASSY	1	
10	4PB-E4410-01	AIR CLEANER ASSY.	1	
13	4PB-E4451-00	ELEMENT, AIR CLEANER	1	
14	3VL-E4437-00	DUCT	1	
15	3VL-E4452-00	SEAL	1	
16	3VL-E4429-00	SCREW	1	
17	3VL-E4565-00	SCREW	4	
18	98507-06025	SCREW, PAN HEAD	2	
19	92907-06600	WASHER	2	
20	90387-061V4	COLLAR	4	
21	90480-12497	GROMMET	2	
22	90467-24140	CLIP	1	
23	3VL-E4453-01	JOINT, AIR CLEANER 1	1	

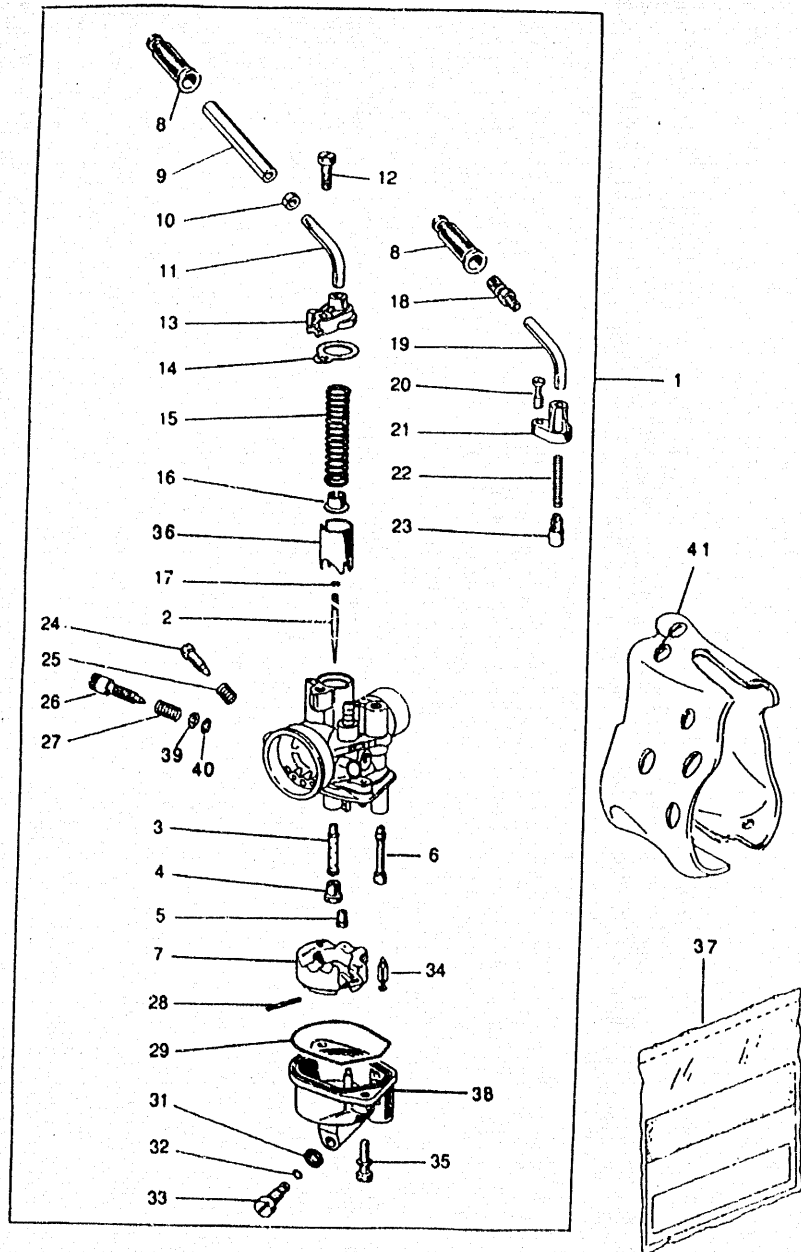
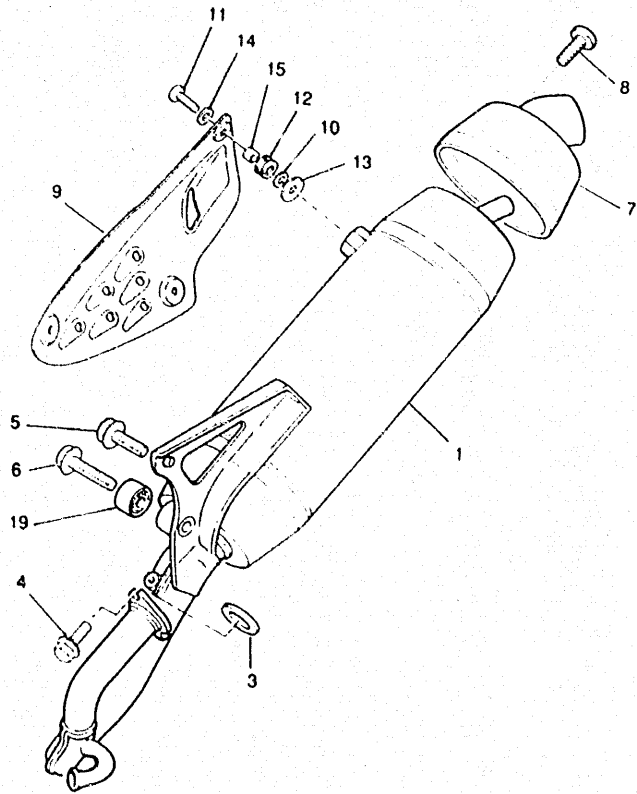


FIG 6 CARBURETOR

REF	PART.N°	DESCRIPTION	QTY	REMARKS
1	4SB E4301-01	CARBURETOR ASSY 1	1	DELLORTO
2	5BR E4336-00	.NEEDLE	1	
3	4SB E4341-00	.NOZZLE, MAIN	1	
4	4SB E4343-00	.JET, MAIN	1	
5	4SB E4342-00	.JET, PILOT	1	
6	4SB E4344-01	.JET, STARTER	1	
7	4SB E4385-00	.FLOAT	1	
8	4SB F6329-00	.CAP, RUBBER	2	
9	4SB E4161-00	.NUT, CABLE ADJUSTING	1	
10	4SB E4358-00	.NUT	1	
11	4SB E4148-01	.PIPE	1	
12	4SB E4325-00	.SCREW, PAN HEAD	1	
13	5BR E4369-00	.DIAPHRAGM ASSY 2	1	
14		IN GASKET KIT REP 37		
15	4SB E4331-02	.SPRING, THROTTLE VALVE	1	
16	4SB E4377-00	.STOPPER	1	
17	4SB E4137-00	.CLIP	1	
18	4SB E4124-00	.SCREW, CABLE ADJUSTING	1	
19	4SB E4318-00	.PIPE STARTER	1	
20	4SB E4216-00	.SCREW	1	
21	4SB E4368-01	.DIAPHRAGM ASSY 1	1	
22	4SB E4335-00	.SPRING, PLUNGER	1	
23	4SB E4371-00	.PLUNGER, STARTER	1	
24	4SB E4104-00	.AIR SCREW SET	1	
25	4SB E4134-00	.SPRING, AIR ADJUSTING	1	
26	4SB E4103-01	.THROTTLE SCREW SET	1	
27	4SB E4133-01	.SPRING, THROTTLE STOP	1	
28	4SB E4386-00	.PIN, FLOAT	1	
29		IN GASKET KIT REP 37		
31		IN GASKET KIT REP 37		
32		IN GASKET KIT REP 37		
33	4SB E4115-00	.PLUG, SCREW	1	
34	4SB E4392-00	.VALVE, NEEDLE	1	
35	4SB E4216-10	.SCREW	1	
36	4SB E4312-02	.VALVE, THROTTLE 1	1	
37	4SB W0001-00	.GASKET KIT	1	
38	4SB E4381-00	.BODY, FLOAT CHAMBER	1	
39	4SB E4357-00	.WASHER, PLAIN	1	
40		IN GASKET KIT REP 37		
41	4SB E4283-01	COVER, CARBURETOR 1	1	

FWD



← FWD

FIG 7 EXHAUST

REF	PART.N°	DESCRIPTION	QTY	REMARKS
1	4SB-E4610 00	EXHAUST PIPE ASSY 1	1	
3	3HK-14613 00	GASKET, EXHAUST PIPE	1	
4	90153 06061	SCREW, HEXAGON	2	
5	95817 08020	BOLT, FLANGE	1	
6	95817-08040	BOLT, FLANGE	1	
7	4SG-E479X-00	PIPE TAIL ASSY	1	CHROME
8	4SB-E4678 00	BOLT, COUPLING	1	
9	4SB-E4718 00	PROTECTOR, MUFFLER 1	1	ALU
10	4SB-E4759-00	WASHER	3	
11	98904 06016	SCREW, BIND	3	
12	90387 060G7	COLLAR	3	
13	3HK-14766 01	WASHER, PROTECTOR	3	
14	4FB-14766 00	WASHER, PROTECTOR	3	
15	90480 12581	GROMMET	3	
19	2JA-14737 00	DAMPER, MUFFLER	1	

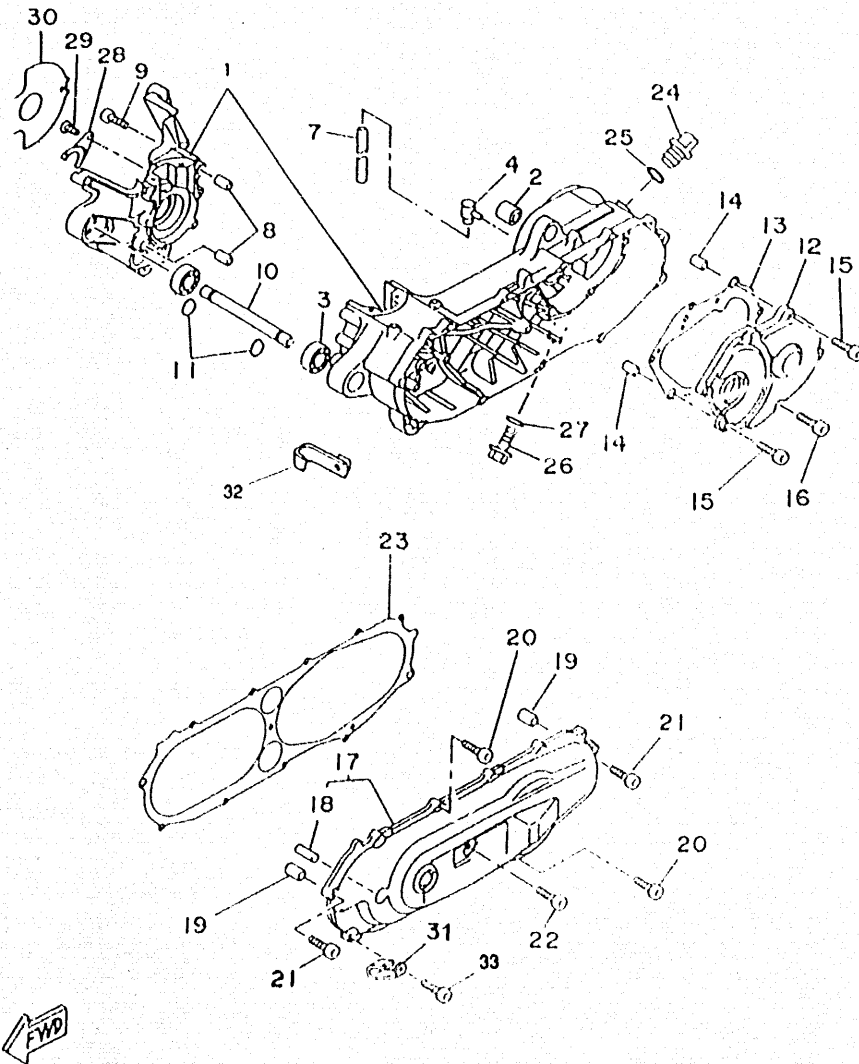
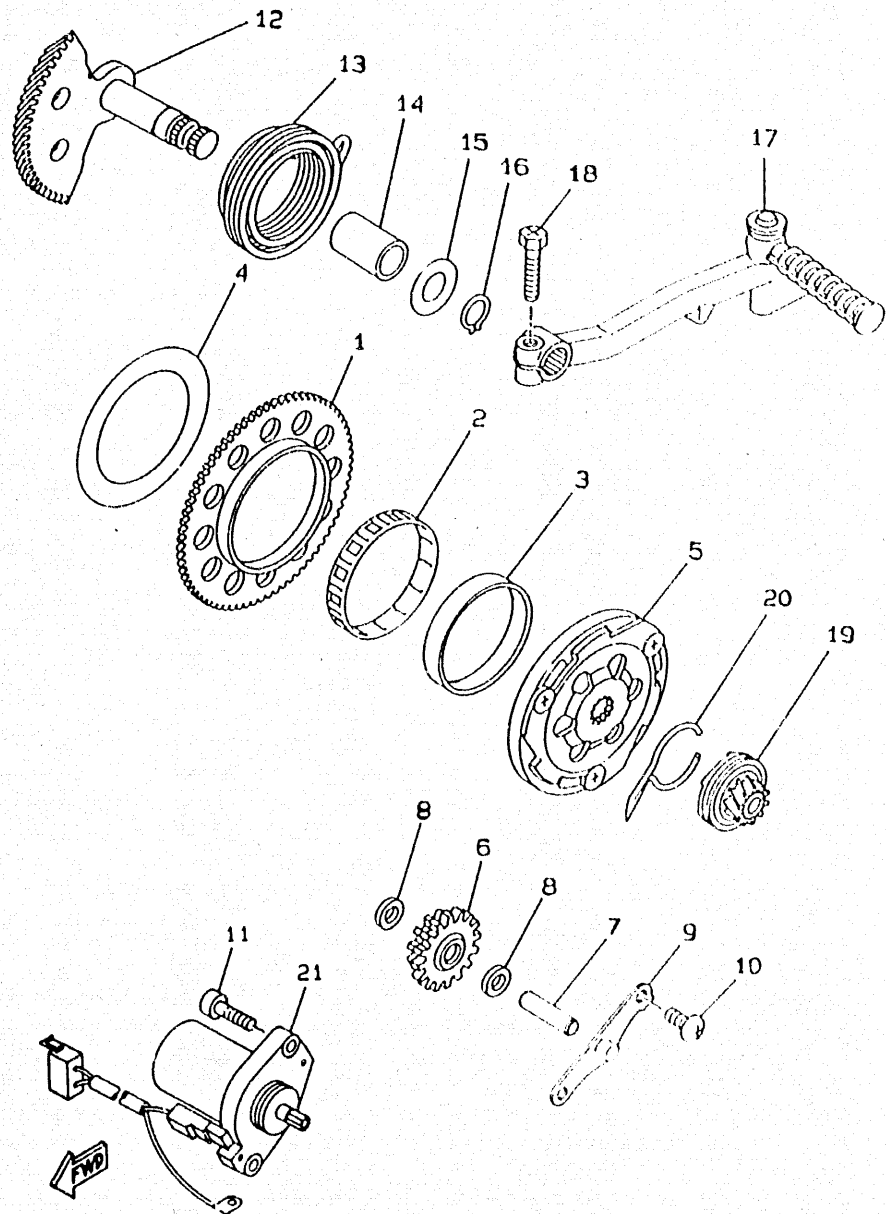


FIG 8 CRANKCASE

REF	PART.N°	DESCRIPTION	QTY	REMARKS
1	3VL E5150-00	CRANKCASE ASSY	1	
2	164-22216-00	BUSH, REAR SHOCK ABS	1	
3	93306 00201	BEARING (B6002)	2	
4	3VL E5371-00	BREATHER	1	
7	90446-13311	HOSE	1	
8	99510-12016	PIN, DOWEL	2	
9	90110-06237	BOLT	6	
10	3VL E5317-00	SPACER, ENGINE MOUNT	1	
11	99009-15400	CIRCLIP	2	
12	3VL E5421-00	COVER, CRANKCASE 2	1	
13	3VL E5461-00	GASKET, CRANKCASE	1	
14	99530-10014	PIN, DOWEL	2	
15	90110-06237	BOLT	2	
16	91317-06020	BOLT	4	
17	3VL E5411-10	COVER, CRANKCASE 1	1	
18	3VL E5659-00	SHAFT	1	
19	99530-10014	PIN, DOWEL	2	
20	90110-06240	BOLT	8	
21	90110-06237	BOLT	2	
22	91317-06045	BOLT	1	
23	3VL E5451-00	GASKET, CRANKCASE	1	
24	3VL E5363-00	PLUG, OIL	1	
25	93210-14104	O RING	1	
26	95817-08016	BOLT, FLANGE	1	
27	90430-08206	GASKET	1	
28	3VL E5128-00	HOLDER	1	
29	98517-06012	SCREW, PAN HEAD	1	
30	3VL E5462-00	GASKET, CRANKCASE	1	
31	90465-08122	CLAMP	1	
32	45B F1238-00	BRACKET	1	
33	90110-06825	BOLT, HEXAGON SOCKET HEAD	1	



Y3FC010-8090

FIG 9 STARTER

REF	PART.N°	DESCRIPTION	QTY	REMARKS
1	3AA 15513-00	GEAR 1	1	
2	93310-257R1	BEARING, CYLINDRICAL	1	
3	3VL-E5528-00	BOSS, GEAR	1	
4	90201-574L1	WASHER, PLATE	1	
5	3VL-15570-00	STARTER CLUTCH ASSY	1	
6	4SB-E5650-00	IDLE GEAR ASSY	1	
7	3VL E5659-00	SHAFT	1	
8	90201-08X00	WASHER, PLAIN	2	
9	3VL E5532-00	PLATE, IDLE GEAR	1	
10	98517-0601.	SCREW, PAN HEAD	2	
11	91317-06020	BOLT	2	
12	3ES 15601-01	KICK SHAFT ASSY	1	
13	90508-32609	SPRING, TORSION	1	
14	90380-150B3	BUSH, SOLID	1	
15	90201-154E9	WASHER, PLAIN	1	
16	99009-15400	CIRCLIP	1	
17	4CU E5620-01	KICK CRANK ASSY	1	
18	3VL E5793-00	SCREW	1	
19	4SB E5631-00	GEAR, KICK PINION	1	
20	3VL E5673-00	CLIP	1	
21	4SB H1800-00	STARTING MOTOR ASSY	1	

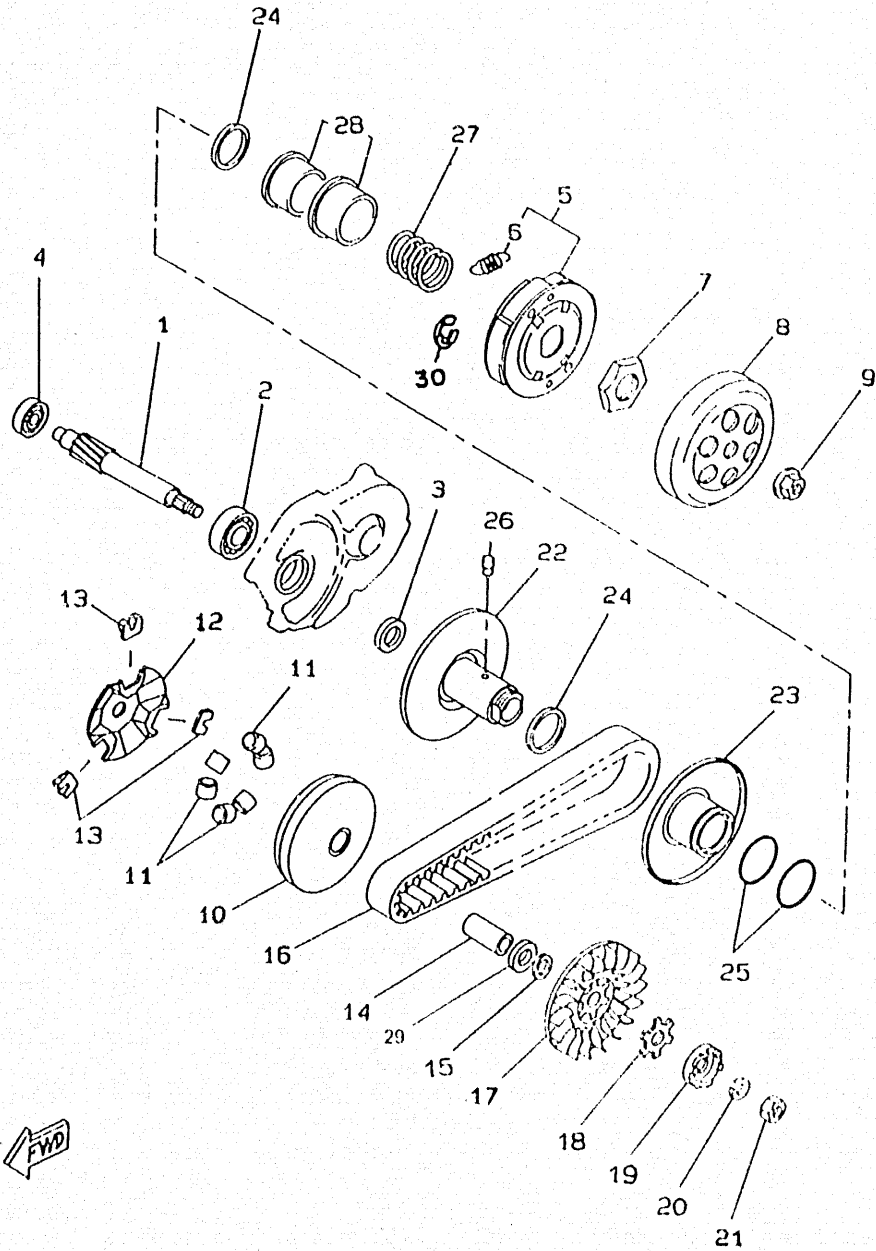


FIG 10 CLUTCH

REF	PART.N°	DESCRIPTION	QTY	REMARKS
1	3VL-E6111-00	GEAR, PRIMARY DRIVE	1	
2	93306-20301	BEARING	1	
3	93102-17342	OIL SEAL	1	
4	93306-20006	BEARING (B6200)	1	
5	5BR-E6620-00	CLUTCH CARRIER ASSY	1	
6	5BR-E6626-00	SPRING, CLUTCH WEIGHT 1	3	
7	90170-28860	NUT	1	
8	5BR-E6611-00	CLUTCH HOUSING COMP.	1	
9	90179-10609	NUT	1	
10	4CU-E7620-00	PRIMARY SLIDING SHEAVE	1	
11	4KH-E7632-00	WEIGHT	6	
12	3VL-E7623-00	CAM	1	
13	3VL-E7653-00	SLIDER	3	
14	90387-135U9	COLLAR	1	
15	90201-133M8	WASHER, PLATE	1	
16	3AA-17641-00	V-BELT	1	
17	3VL-E7611-00	SHEAVE, PRIMARY FIXE	1	
18	90214-13058	WASHER,CLAW (0.5T)	1	
19	3KJ-15657-00	CLUTCH, ONEWAY	1	
20	90208-10012	WASHER, CONICAL SPRI	1	
21	90170-10219	NUT	1	
22	5BR-E7660-00	SECONDARY FIXED SHEAVE	1	
23	5BR-E7671-00	SECONDARY SLIDING SHEAVE	1	
24	93104-34832	OIL SEAL	2	
25	93210-368E7	O-RING	2	
26	5BR-E7664-00	PIN, GUIDE	2	
27	90501-35864	SPRING, COMPRESSION	1	
28	5BR-E7684-00	SEAT, SECONDARY SPRING	1	
29	4SB-E7654-00	SPACER 1	1	
30	99001-05600	CIRCLIP	3	

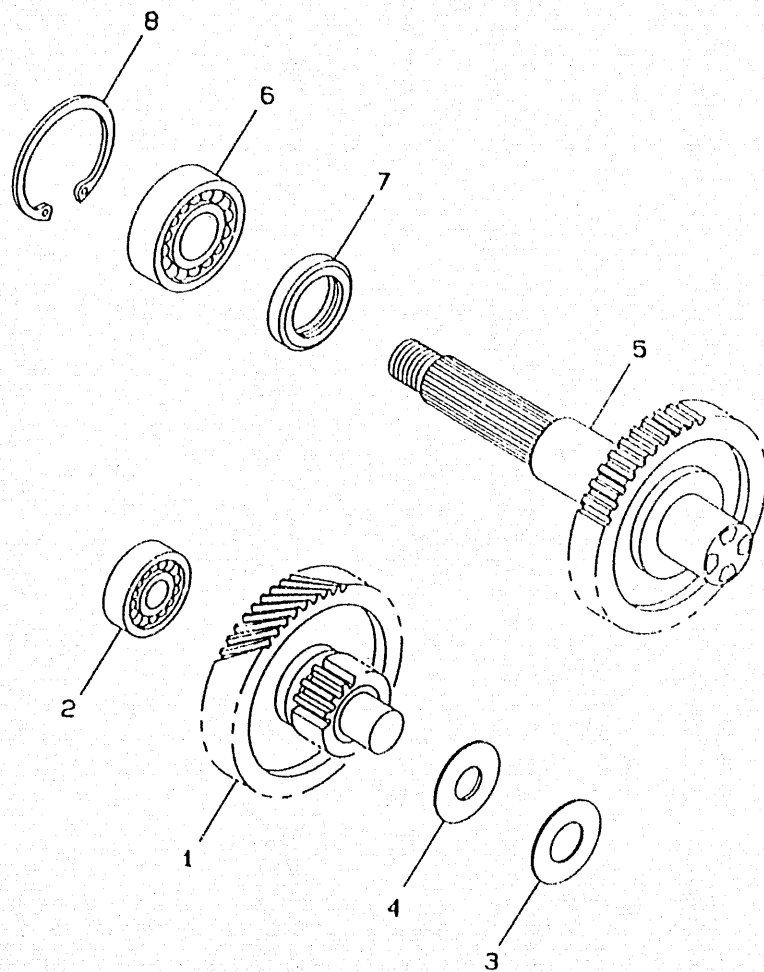


FIG 11 TRANSMISSION

REF	PART.N°	DESCRIPTION	QTY	REMARKS
1	4SB E7410 00	MAIN AXLE COMP.	1	
2	93306 20006	BEARING (B6200)	1	
3	90201 140G5	WASHER, PLATE	1	
4	90208 14047	WASHER, CONICAL SPRING	1	
5	4SB E7420 00	DRIVE AXLE ASSY	1	
6	93306 20310	BEARING (B6203)	1	
7	93102 22314	OIL SEAL	1	
8	93420 40064	CIRCLIP	1	



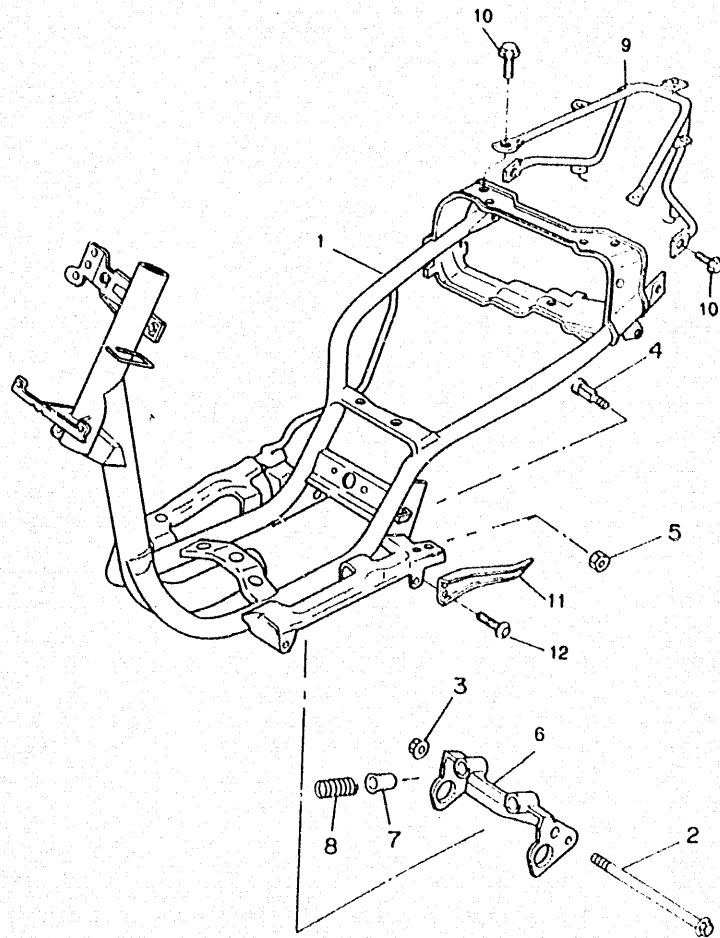


FIG 12 FRAME

REF	PART.N°	DESCRIPTION	QTY	REMARKS
1	4YB-F1110 12	FRAME COMP.	1	UR YAMAHA BLACK
2	90105 10297	BOLT, WASHER BASED	1	
3	90179 10279	NUT, POP	1	
4	2T4 21481 01	BOLT, ENGINE MOUNTIN	2	
5	95617 10100	BOLT, STUD	2	
6	4YB-F1410 00	ENGINE BRACKET COMP.	1	UR YAMAHA BLACK
7	2T4-2139X-00	DAMPER	2	
8	90501 29517	SPRING, COMPRESSION	1	
9	4SB-F1232-00	REINFORCEMENT, TAIL	1	UR YAMAHA BLACK
10	95817 08016	BOLT, FLANGE	4	
11	4SB-F7452-00	BRACKET, FOOTREST 1	1	
12	92017 08016	SCREW	2	
		NOT ILLUSTRATED		
	4TD F1182-01	MANUFACTURER PLATE	1	
	90267 32801	RIVET, BLIND	2	

FWD

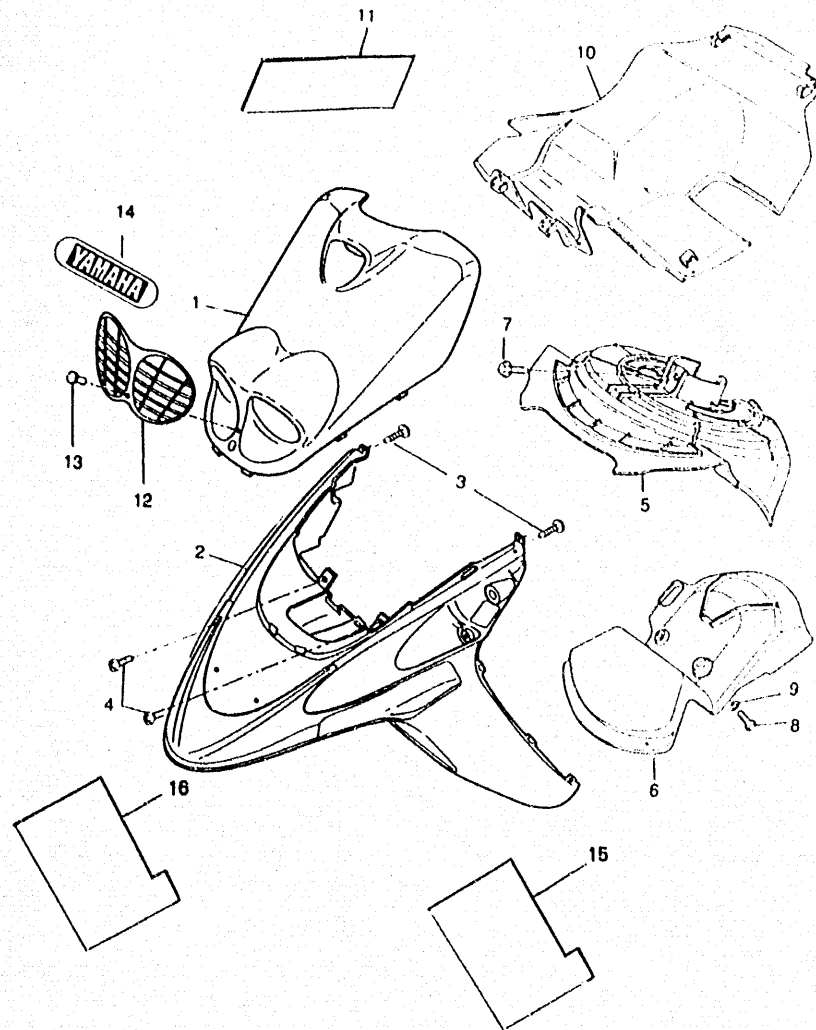
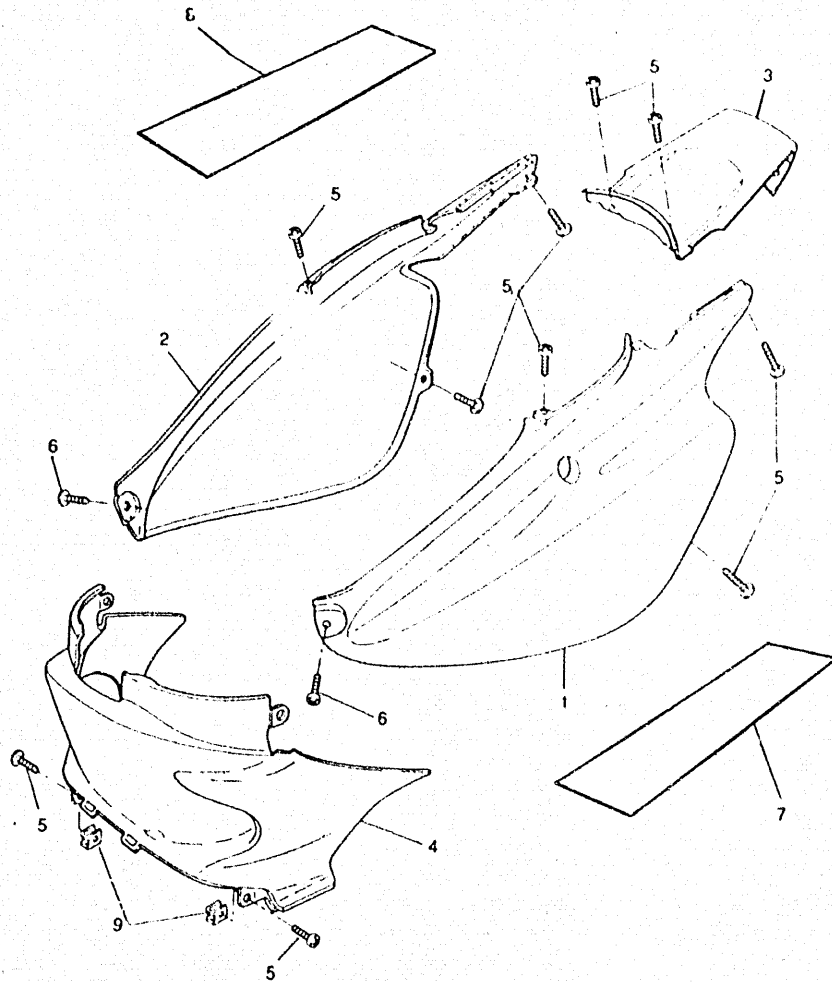


FIG 13 FENDER

REF	PART.N°	DESCRIPTION	QTY	REMARKS
1	4YB-F1511-10	FENDER, FRONT	1	UR IKB
	4YB-F1511-30	FENDER, FRONT	1	UR RR
2	4YB-F152P-30	FR MUD GUARD ASSY	1	UR IKB
	4YB-F152P-40	FR.MUD GUARD ASSY	1	UR RR
3	97707-50016	SCREW, TAPPING	2	
4	98907-06016	SCREW, BIND	2	
5	4SB-F1552-01	FENDER, INNER	1	UR BLACK
6	4SB-F1553-00	FENDER, INNER 2	1	UR BLACK
7	95817-06010	BOLT, FLANGE	1	
8	90119-06052	BOLT, WITH WASHER	2	
9	92907-06600	WASHER	2	
10	4SB-F1629-01	GUARD, MUD	1	UR BLACK
11	4YC-F1565-00	EMBLEM 2	1	UR IKB
	4YC-F1565-10	EMBLEM 2	1	UR RR
12	4YB-H4169-00	GUARD, HEADLIGHT	1	
13	4JC-F8387-00	RIVET	1	
14	4UP-F152A-20	EMBLEM 3	1	
15	4YC-F1579-00	GRAPHIC 2	1	UR IKB
	4YC-F1579-10	GRAPHIC 2	1	UR RR
16	4YC-F1599-00	EMBLEM	1	UR IKB
	4YC-F1599-10	EMBLEM	1	UR RR



FVD

FIG 14 SIDE COVER

REF	PART.N°	DESCRIPTION	QTY	REMARKS
1	4SB F1721 40	COVER, SIDE 2	1	UR INK BLUE
	4SB F1721-20	COVER, SIDE 2	1	UR RASPBERRY RED
2	4SB F1731 40	COVER, SIDE 3	1	UR INK BLUE
	4SB F1731 20	COVER, SIDE 3	1	UR RASPBERRY RED
3	4SB F171E 40	COVER, SIDE 5	1	UR INK BLUE
	4SB F171E 20	COVER, SIDE 5	1	UR RASPBERRY RED
4	4SB F1711 00	COVER, SIDE 1	1	UR BLACK
5	97707-50016	SCREW, TAPPING	4	
	97707-50016	SCREW, TAPPING	4	
6	97707-50012	SCREW, TAPPING	2	
7	4YC F179J 00	GRAPHIC. 7	1	UR IKB
	4YC F179J 10	GRAPHIC. 7	1	UR RR
8	4YC F179K 00	GRAPHIC. 8	1	UR IKB
	4YC F179K 10	GRAPHIC. 8	1	UR RR
9	90183 05042	NUT, SPRING	2	

CONTENTS

ENGINE

CYLINDER	B2
CRANKSHAFT-PISTON	B3
AIR SHROUD-FAN	B4
OIL PUMP	B5
INTAKE	B6
CARBURETOR	B7
EXHAUST	B8
CRANKSE	B9
STARTER	B10
CLUTCH	B11
TRANSMISSION	B12

CHASSIS

FRAME	B13
FENDER	B14
SIDE COVER	B15
OIL TANK	C2
REAR SUSPENSION	C3
FRONT FORK	C4

FUEL TANK	C5
SEAT CARRIER	C6
FRONT WHEEL	C7
FRONT BRAKE CALIPER	C8
REAR WHEEL	C9
STEERING-HANDLE-CABLE	C10
FRONT MASTER CYLINDER	C11
STAND FOOTREST	C12
LEG SHIELD	C13
COWLING	C14
GENERATOR	C15
FLASHER LIGHT	D2
METER	D3
HEADLIGHT	D4
TAILLIGHT	D5
HANDLE-SWITCH-LEVER	D6
ELECTRICAL 1	D7
ELECTRICAL 2	D8
NUMERICAL INDEX	M1 - M2

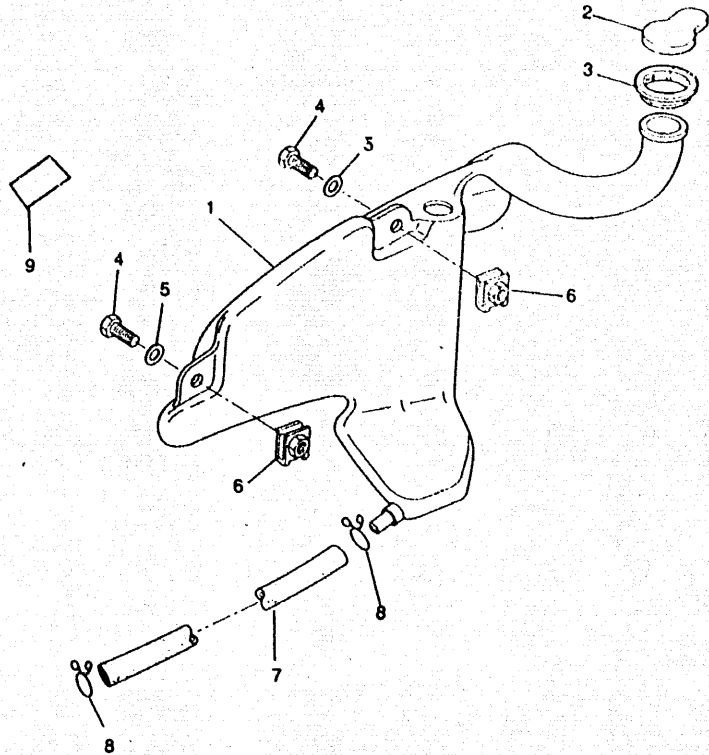


FIG 15 OIL TANK

REF	PART.N°	DESCRIPTION	QTY	REMARKS
1	4SB-F1751-00	TANK, OIL	1	
2	2N3-21771-01	BODY, CAP	1	
3	4SB-F414E-00	SEAL 2	1	
4	90119-06044	BOLT, WITH WASHER	2	
5	90201-065F3	WASHER, PLAIN	2	
6	25G-21535-00	NUT 1	3	
7	90445-094J4	HOSE	1	
8	90468-02033	CLIP	2	
9	4SB-H2141-00	LABEL, BATTERY	1	

FWD

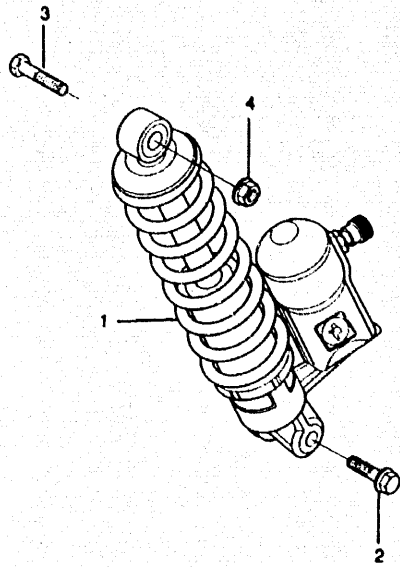


FIG 16 REAR SUSPENSION

REF	PART.N°	DESCRIPTION	QTY	REMARKS
1	4YB-F2210-00	SHOCK ABSORBER ASSY, REAR	1	PAIOLI
2	4YB-F2241-00	BOLT 1	1	
3	90101-10776	BOLT	1	
4	95617-10200	BOLT, STUD	1	

FWD

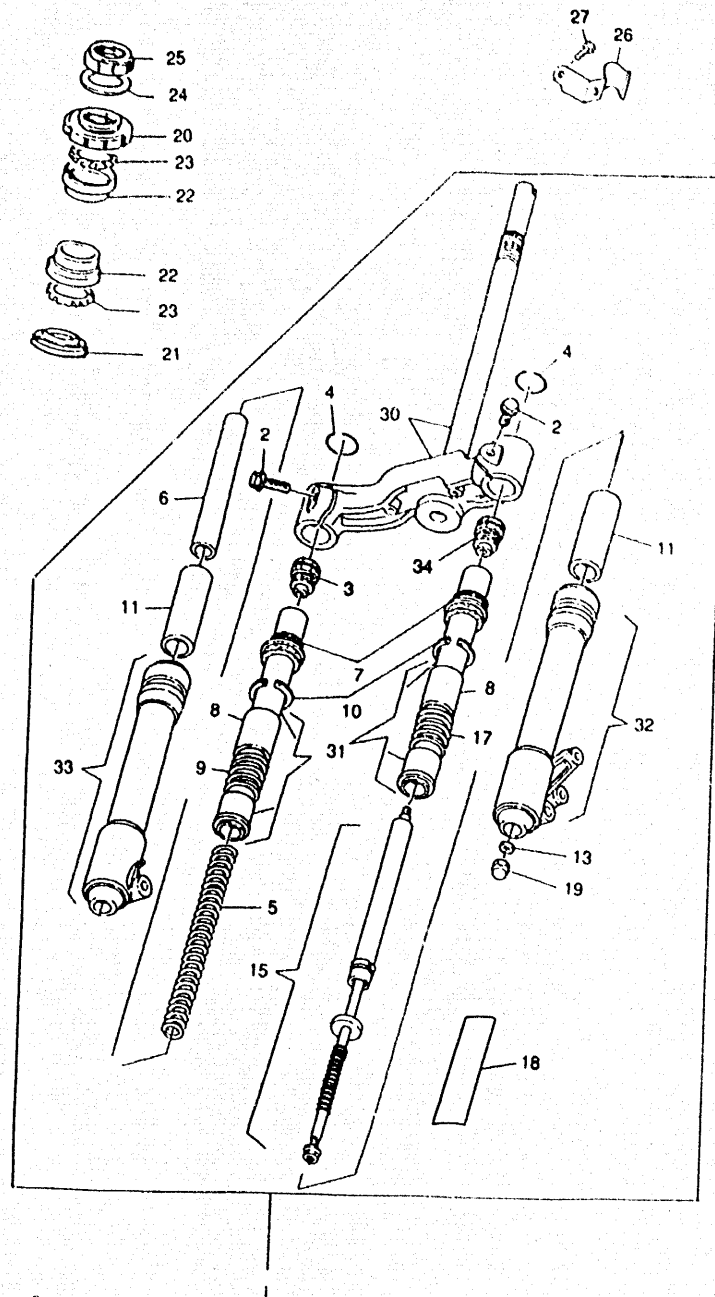


FIG 17 FRONT FORK

REF	PART.N°	DESCRIPTION	QTY	REMARKS
1	4YB-F3100 01	FRONT FORK ASSY	1	MARZOCCHI
2	4SB-F3396 00	SCREW, SPECIAL	2	
3	4SB-F3111 00	BOLT, CAP	1	
4	4SB-F3153 00	RING, SNAP	2	
5	4YB-F3141 00	SPRING, FRONT FORK	1	
6	4YB-F332L 00	TUBE INNER	1	
7	4SB-F3144 00	SEAL, DUST	2	
8	4SB-F319Y 00	GUIDE PLUNGER	2	
9	4SB-F3151 00	SPRING, REBOUND	2	
10	4SB-F3183 00	CIRCLIP	2	
11	4SB-F3354 00	STOPPER BOUND	2	
13	4SB-F3385 00	WASHER, SPECIAL 1	1	
15	4YB-F330E 00	DAMPER ASSY	1	
17	4SB-F3428 00	SPRING	1	
18	4YB-F3108 00	EMBLEM	2	
19	4SB-F3357 00	NUT	1	
20	4SB-F3411 01	RACE, BALL 1	1	
21	4SB-F3414 00	RACE, BALL 4	1	
22	4SB-F3412 00	RACE, BALL 2	2	
23	4SB-F3812 00	PLANE BEARING, STEERING	2	
24	4SB-F3427 01	WASHER	1	
25	4SB-F3453 01	NUT, FITTING 1	1	
26	4SB-F5876 00	HOLDER, BRAKE HOSE 2	1	
27	95817-06010	BOLT, FLANGE	1	
30	4YB-F3340 01	UNDER BRACKET COMP.	1	
31	4YB-F3124 00	TUBE, INNER 1	2	
32	4YB-F3126 00	TUBE, OUTER 1 LEFT	1	
33	4YB-F3136 00	TUBE, OUTER 2 RIGHT	1	
34	4YB-F3111 00	BOLT, CAP	1	
		NOT ILLUSTRATED		
	3VL-H5111 00	REFLECTOR, FRONT 1	2	

FWD

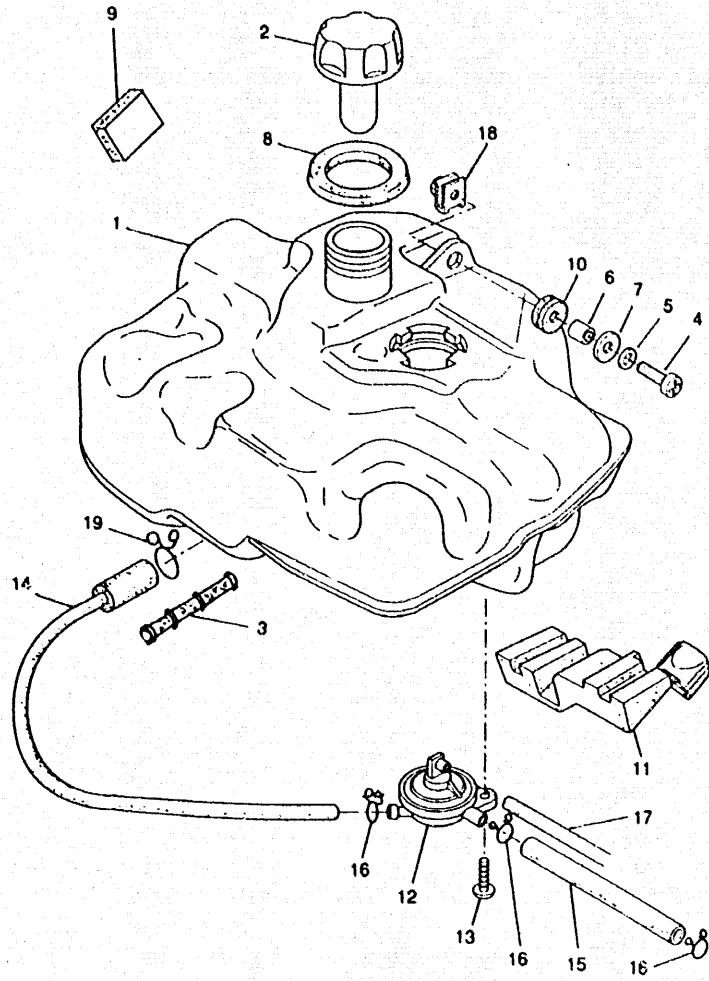


FIG 18 FUEL TANK

REF	PART.N°	DESCRIPTION	QTY	REMARKS
1	4SB F411G-00	FUEL TANK COMP.	1	
2	4MJ F4610-00	CAP ASSY	1	
3	4SB F4451-01	NET, FILTER	1	
4	98507-06020	SCREW, PAN HEAD	1	
5	92907-06600	WASHER	1	
6	90387-060G7	COLLAR	1	
7	90201-065F3	WASHER, PLAIN	1	
8	4SB-F414G-00	SEAL	1	
9	4SB-F174X-10	DAMPER	1	
10	90480-13398	GROMMET	1	
11	4SB-F4181-00	DAMPER, LOCATING 1	1	
12	4SB-F4500-00	FUEL COCK ASSY 1	1	
13	97707-60016	SCREW, TAPING	1	
14	4SB-F4311-01	PIPE, FUEL 1	1	
15	4YB-F4312-00	PIPE 2	1	
16	90467-09006	CLIP	3	
17	4YB-F4335-00	PIPE, SUCTION 1	1	
18	25G-21535-00	NUT 1	1	
19	90467-12052	CLIP	1	

← FWD

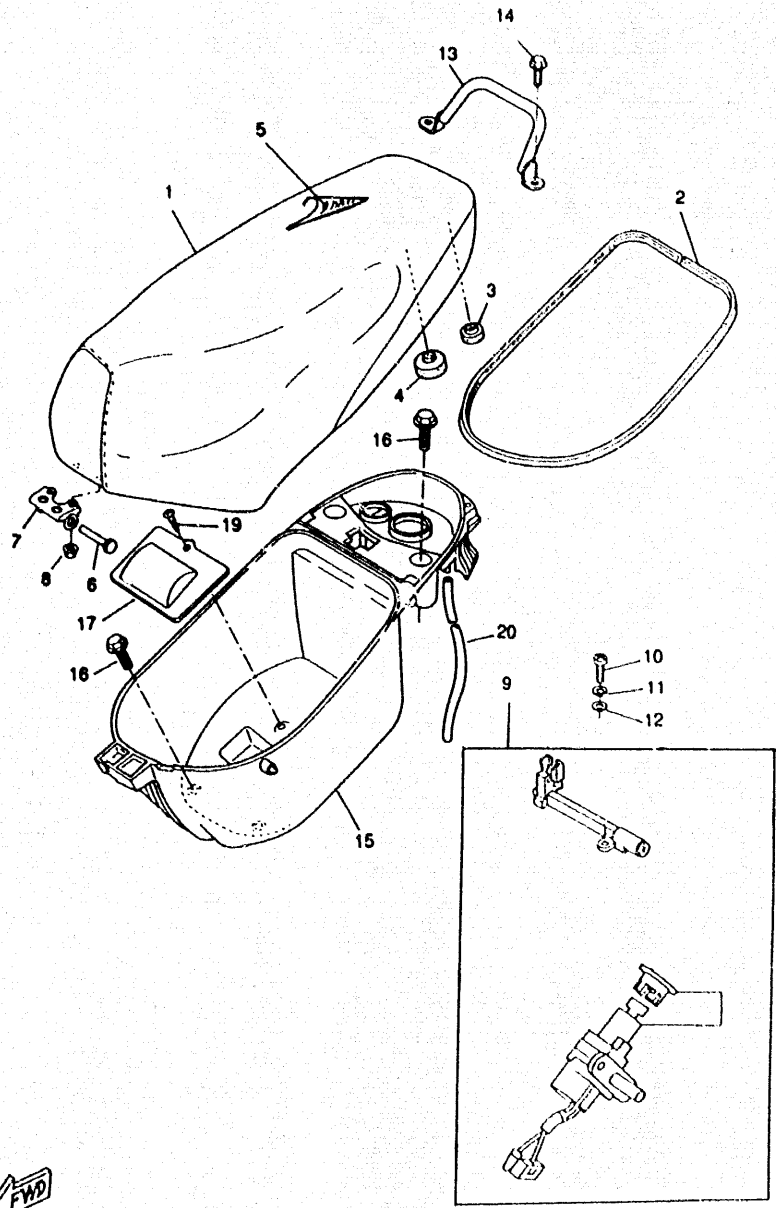
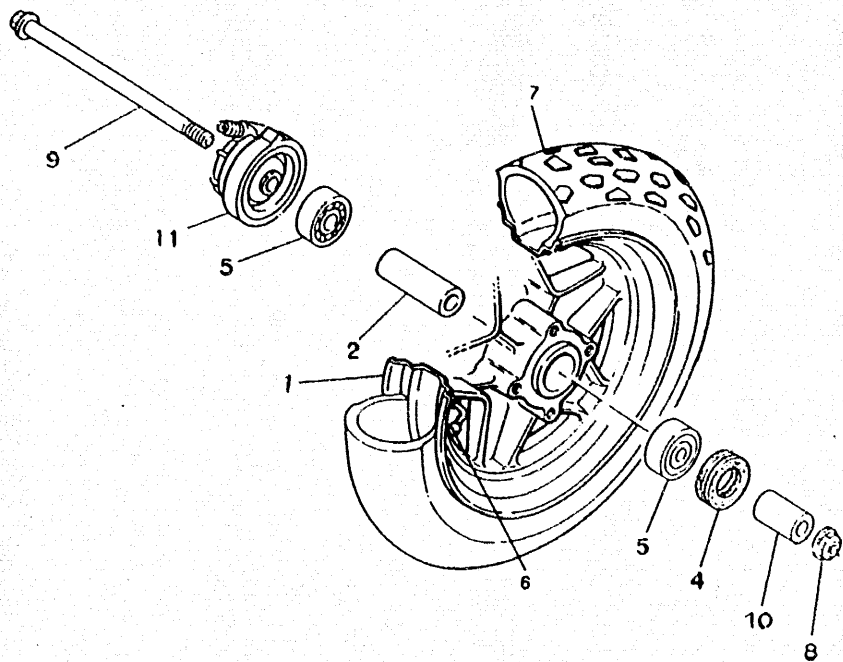


FIG 19 SEAT. CARRIER

REF	PART.N°	DESCRIPTION	QTY	REMARKS
1	4SB-F4730-40	DOUBLE SEAT ASSY	1	
2	4SB-F475M-00	.SEAL	1	
3	3VL-F4741-00	.PAD, SEAT	2	
4	3VL-F4741-10	.PAD, SEAT	2	
5	4SB-F4731-40	COVER, SEAT	1	
6	90241-10017	PIN	1	
7	4CU-F4726-00	HINGE, SEAT	1	
8	95707-06500	NUT, FLANGE	2	
9	4SB-H2021-02	KEY SET	1	
10	98507-06020	SCREW, PAN HEAD	2	
11	92907-06100	WASHER	2	
12	92907-06600	WASHER	2	
13	4SB-F1165-00	HANDLE, STANDING	1	UR YAMAHA BLACK
14	95027-08016	BOLT, FLANGE	2	
15	4SB-F473R-01	BOX 1	1	
16	90109-063F1	BOLT	4	
17	4SB-F473T-00	LID 1	1	
19	97707-50016	SCREW, TAPPING	1	
20	4SB-F4318-00	PIPE, OVERFLOW	1	

FIG 20 FRONT WHEEL



REF	PART.N°	DESCRIPTION	QTY	REMARKS
1	4TD-F5168-40	CAST WHEEL, FRONT	1	UR IKB
	4TD-F5168-50	CAST WHEEL, FRONT	1	UR RR
2	4SB-F5117-00	SPACER, BEARING	1	
4	93106-20001	OIL SEAL	1	
5	93306-300Y8	BEARING	2	
6	3VL-F5170-10	AIR VALVE ASSY	1	
7	94113-108S1	TIRE	1	130/90-10 CHEN CHING
8	95617-10200	BOLT, STUD	1	
9	486-22141-01	SHAFT, PIVOT	1	
10	90387-10079	COLLAR	2	
11	4YB-F5190-00	GEAR UNIT ASSY	1	

FWD

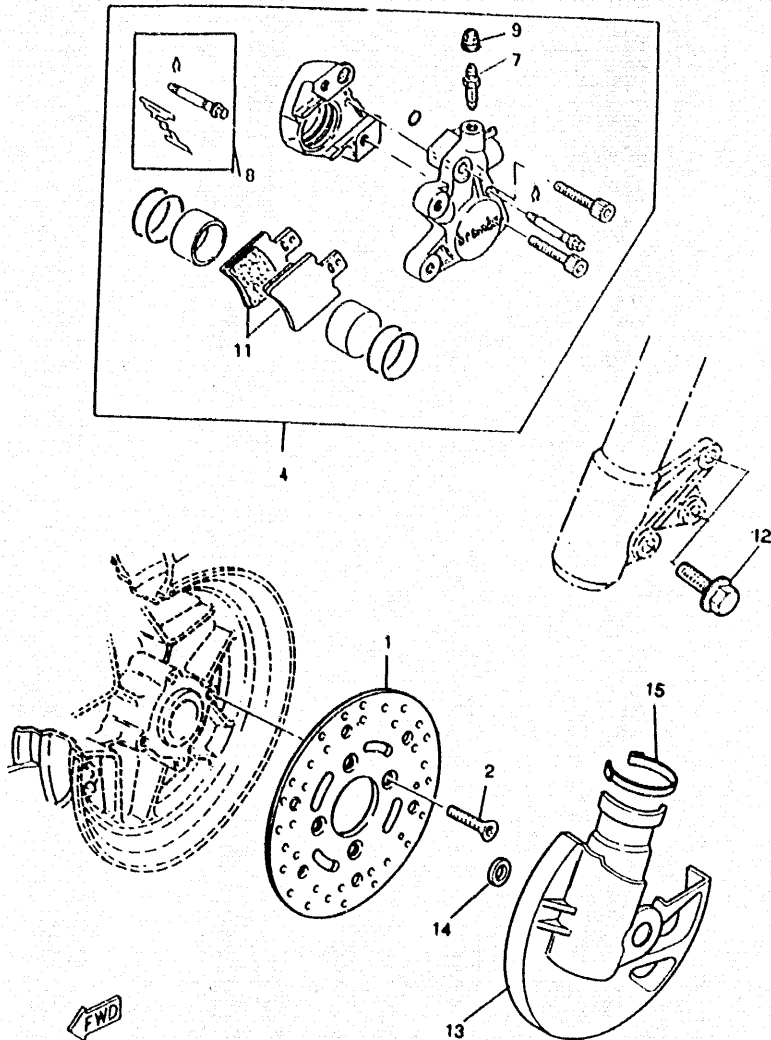


FIG 21 FRONT BRAKE CALIPER

REF	PART.N°	DESCRIPTION	QTY	REMARKS
1	4SB 2582T-00	DISC, BRAKE	1	
2	90110 10223	BOLT, HEXAGON SOCKET HEAD	4	
4	4CU F580T 20	CALIPER ASSY (LEFT)	1	
7	4CU F5824-00	SCREW, BREED	1	
8	4CU F5919 00	SUPPORT, PAD ASSY	1	
9	4CU F5825-00	CAP	1	
11	4CU F5811 20	PAD, CALIPER 2	2	
12	95817-08030	BOLT, FLANGE	2	
13	4YB-F5717-00	PROTECTOR, DISK BRAKE	1	
14	4YB-F5105-00	SPACER	1	
15	4YF F3466 10	CLAMP	1	

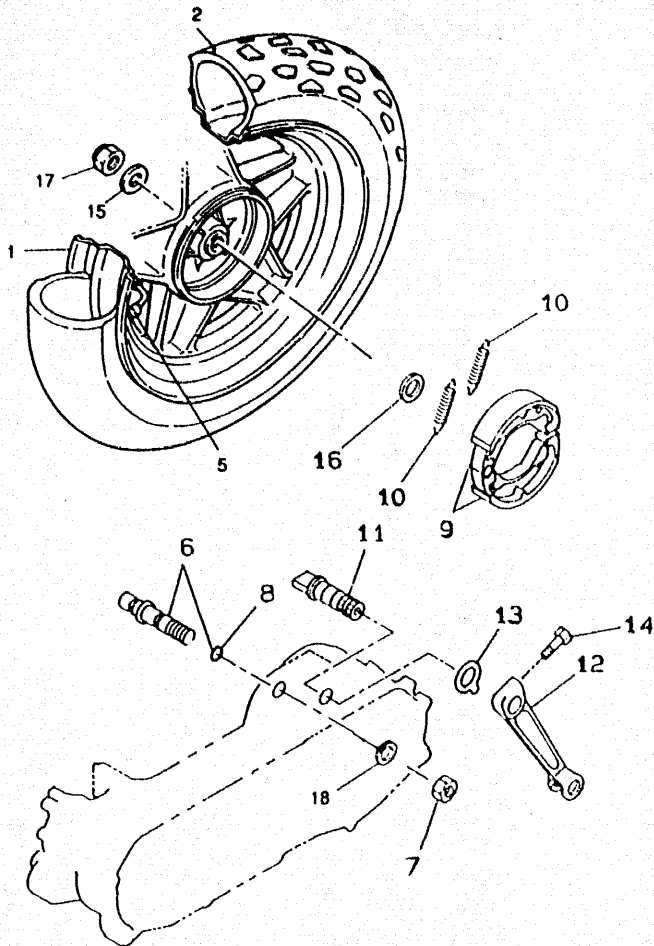
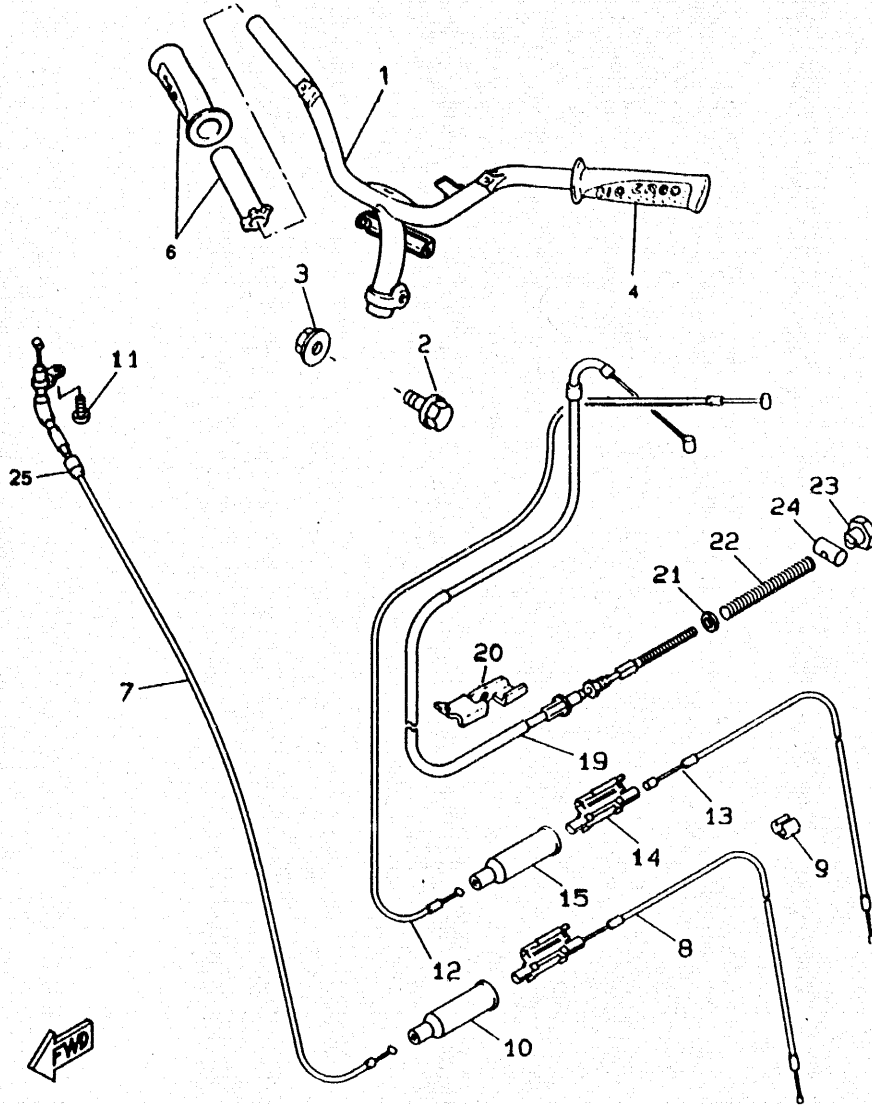


FIG 22 REAR WHEEL

REF	PART.N°	DESCRIPTION	QTY	REMARKS
1	4TD-F5338-40	CAST WHEEL, REAR	1	UR IKB
	4TD-F5338-50	CAST WHEEL, REAR	1	UR RR
2	94113-108S1	TIRE	1	130/90-10 CHEN CHING
5	3VL-F5170-10	AIR VALVE ASSY	1	
6	3VL-F5326-00	PIN, PIVOT	1	
7	3VL-F5182-00	NUT, AXLE	1	
8	93210-07540	O-RING	1	
9	2JL-W2536-10	BRAKE SHOE SET	1	
10	90506-15260	SPRING	2	
11	3AA-25351-00	CAMSHAFT	1	
12	3VL-F5355-00	LEVER, CAMSHAFT	1	
13	3Y6-2533A-01	PLATE, INDICATOR	1	
14	90101-06291	BOLT (L:130MM)	1	
15	90201-142M6	WASHER, PLATE	1	
16	90201-177G4	WASHER, PLAIN	1	
17	90185-14070	NUT, SELF-LOCKING	1	
18	3VL-F5384-00	WASHER, WHEEL	1	

FWD

FIG 23 STEERING HANDLE. CABLE



REF	PART.N°	DESCRIPTION	QTY	REMARKS
1	4SB F6110-00	HANDLE COMP.	1	
2	90105-10036	BOLT, WASHER BASED	1	
3	95617-10200	BOLT, STUD	1	
4	4SB F6241-00	GRIP (LEFT)	1	
6	4SB-F6240-00	GRIP ASSY	1	
7	3VL-F6311-01	CABLE, THROTTLE 1	1	
8	3VL-F6312-01	CABLE, THROTTLE 2	1	
9	90468-15009	CLIP	1	
10	3WG-F6329-00	CAP, RUBBER	1	
11	98507-05010	SCREW, PAN HEAD	1	
12	4SB-F6331-00	CABLE, STARTER 1	1	
13	3VL-F6334-02	CABLE, STARTER 2	1	
14	3VL-F6261-00	CONNECTOR, CABLE	1	
15	3WG-F6329-00	CAP, RUBBER	1	
19	4SB-F6351-00	CABLE, BRAKE	1	
20	4SB-F6473-00	HOLDER	1	
21	90202-0F.175	WASHER, PLATE	1	
22	90501-112E1	SPRING, COMPRESSION	1	
23	90179-06411	NUT	1	
24	90249-12008	PIN	1	
25	3VL-F6261-00	CAP, CABLE CONNECTOR	2	

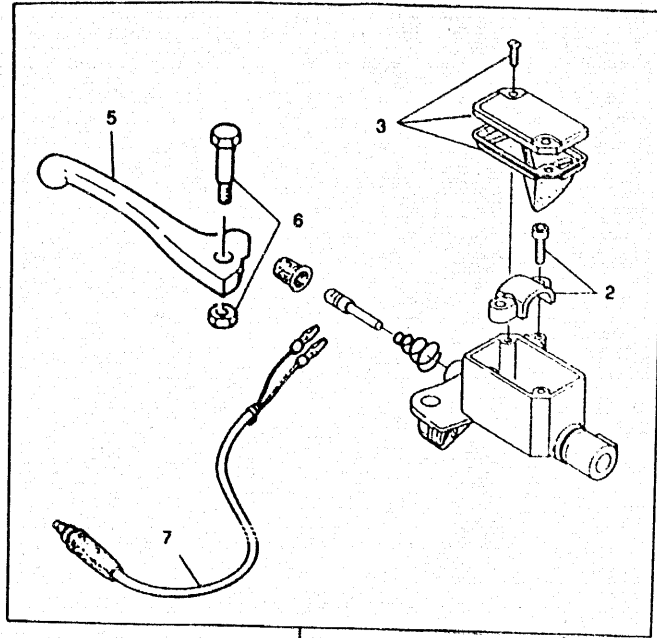
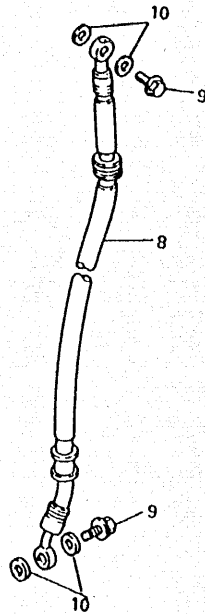


FIG 24 FRONT MASTER CYLINDER

REF	PART.N°	DESCRIPTION	QTY	REMARKS
1	4SB F583T 00	MASTER CYLINDER ASSY	1	
2	4SB F5867 00	.BRACKET, MASTER CYLINDER	1	
3	4SB F5852 00	.CAP, RESERVOIR	1	
5	4SB-H3922-00	.LEVER 2	1	
6	4SB H3945 00	.BOLT, LEVER	1	
7	4SB-H3980 00	.FRONT STOP SWITCH ASSY	1	
8	4YB-F5872-00	HOSE, BRAKE 1	1	
9	90401-10159	BOLT, UNION	2	
10	90201-10118	WASHER, PLAIN	4	



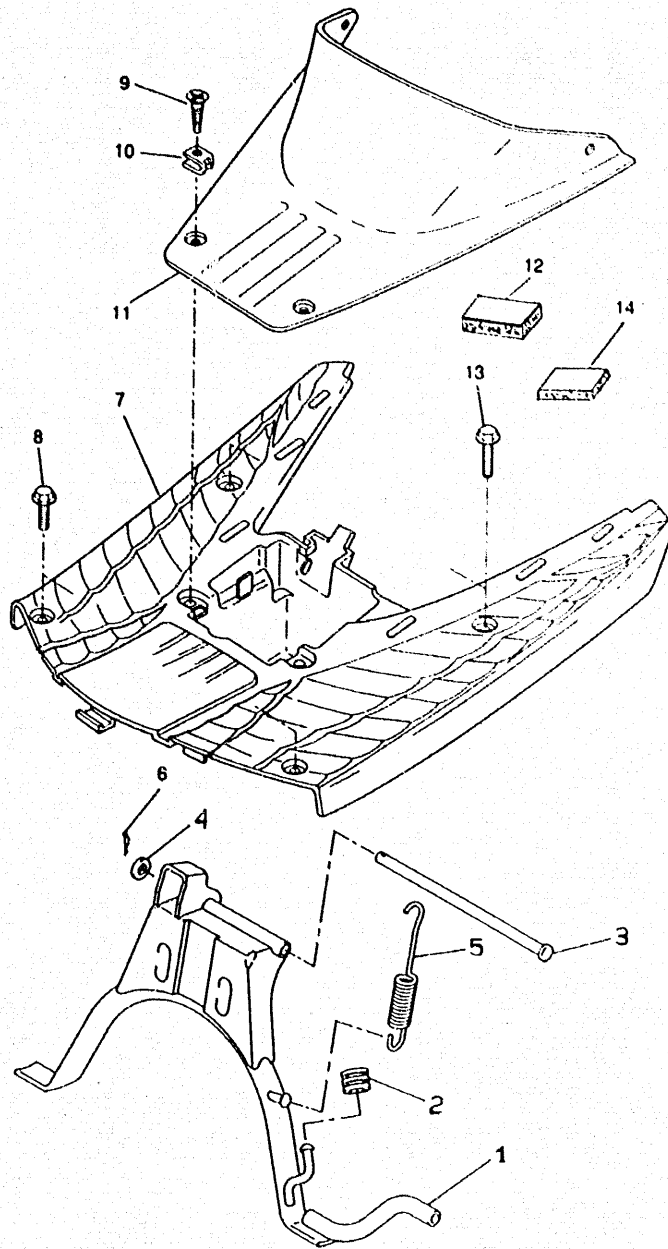


FIG 25 STAND, FOOTREST

REF	PART N°	DESCRIPTION	QTY	REMARKS
1	4YB-F7111-00	STAND, MAIN	1	UR YAMAHA BLACK
2	90387-076V1	COLLAR	1	
3	4SB-F7112-00	SHAFT, MAIN STAND	1	
4	90202-10120	WASHER, PLATE	1	
5	90506-29280	SPACER	1	
6	90468-12006	CLIP	1	
7	4SB-F7481-00	BOARD, FOOTREST	1	UR BLACK
8	4SB-F7117-10	BOLT	2	
9	97707-50016	SCREW	2	
10	90183-05042	NUT, SPRING	2	
11	4SB-F1741-00	COVER, SIDE 4	1	UR BLACK
12	4SB-F174X-00	DAMPER	1	
13	4SB-F7117-00	BOLT	2	
14	4SB-F174X-10	DAMPER	2	

FWD

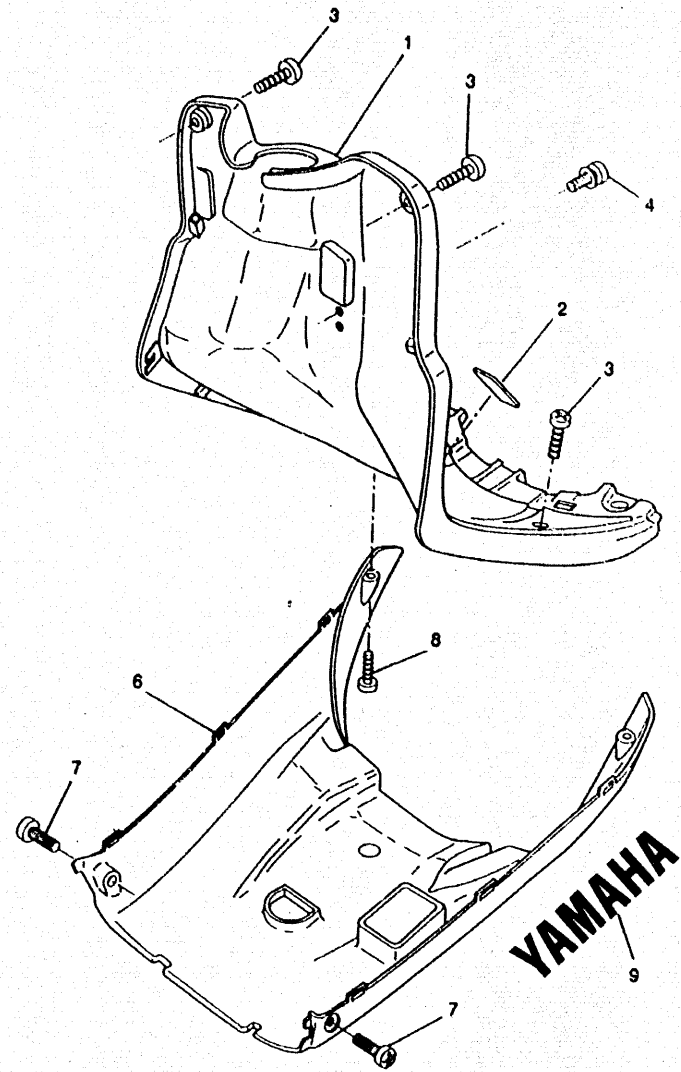


FIG 26 LEG SHIELD

REF	PART.N°	DESCRIPTION	QTY	REMARKS
1	4SB F8312 01	LEG SHIELD 2	1	UR BLACK
2	3WV F8349 10	CAP	1	
3	97707 50016	SCREW, TAPPING	4	
4	90154 06X02	SCREW, BINDING	1	
6	4SB F8385 10	COVER, LOWER	1	YAMAHA BLACK
7	4SB F8382 00	SCREW, SPECIAL	2	
8	97707 50016	SCREW, TAPPING	2	
9	4UP F839H 00	EMBLEM 1	2	

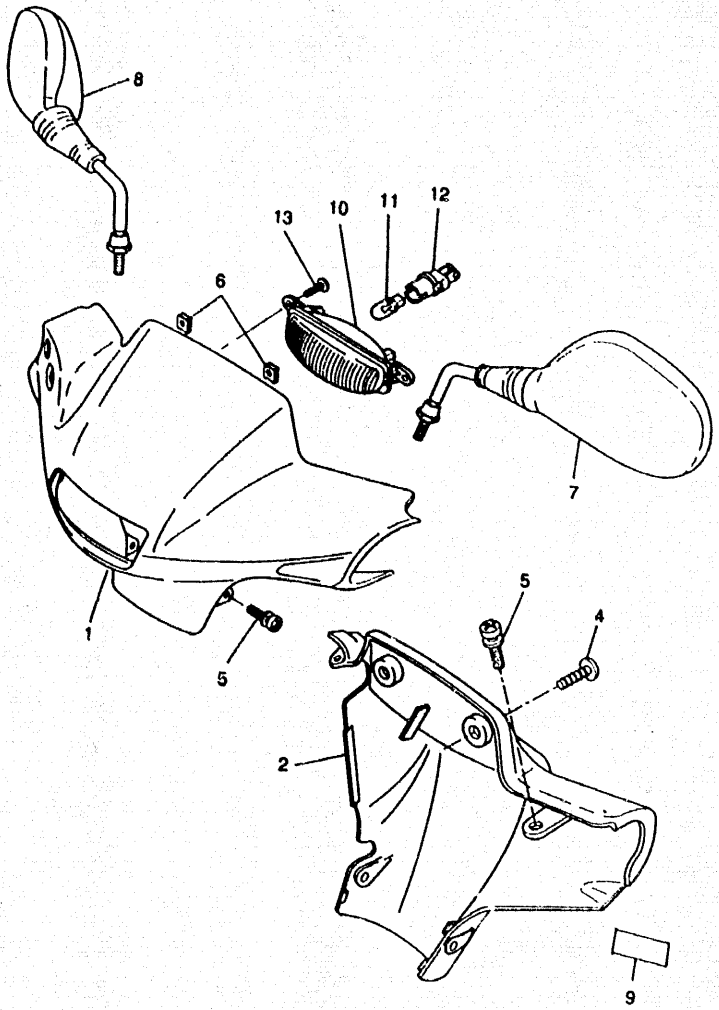


FIG 27 COWLING 1

REF	PART.N°	DESCRIPTION	QTY	REMARKS
1	4SB-F6143-10	COVER, HANDLEBAR UPPER 1	1	UR INK BLUE
	4SB-F6143-30	COVER, HANDLEBAR UPPER 1	1	UR RASPBERRY RED
2	4SB-F6145-00	COVER, HANDLEBAR UPPER 2	1	UR YAMAHA BLACK
4	97707-50016	SCREW, TAPPING	2	
5	90159-05134	SCREW, WITH WASHER	4	
6	90183-05042	NUT, SPRING	2	
7	4SB-F6280-00	MIRROR (LEFT)	1	
8	4SB-F6290-00	MIRROR (RIGHT)	1	
9	4CU-F1568-10	LABEL, WARNING	1	
10	4SB-H3530-00	PILOT LIGHT ASSY	1	
11	3WW-H4347-G0	BULB LICENCE LIGHT	1	
12	3UP-H4346-00	SOCKET, PILOT LIGHT	1	
13	97707-50016	SCREW, TAPPING	2	



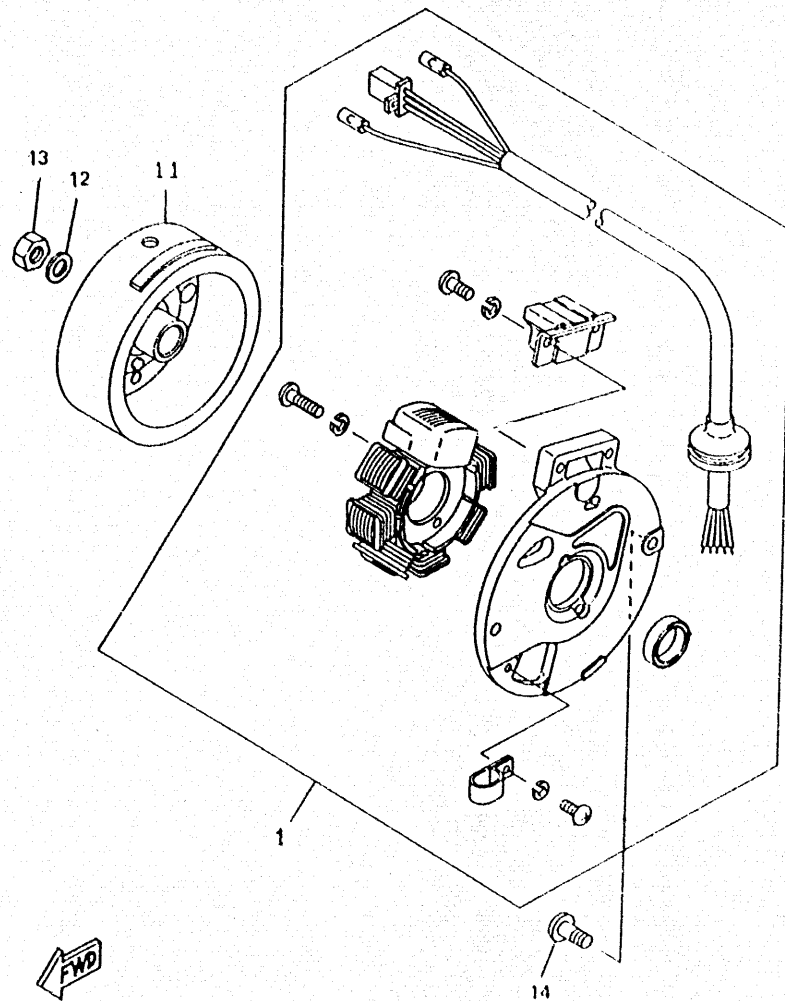


FIG 28 GENERATOR

REF	PART.N°	DESCRIPTION	QTY	REMARKS
1	4SB 85560-00	BASE ASSY	1	
11	2JA 85550-00	ROTOR ASSY	1	
12	90201-10X02	WASHER, PLAIN	1	
13	90170-10219	NUT	1	
14	98507-06016	SCREW, PAN HEAD	2	

CONTENTS

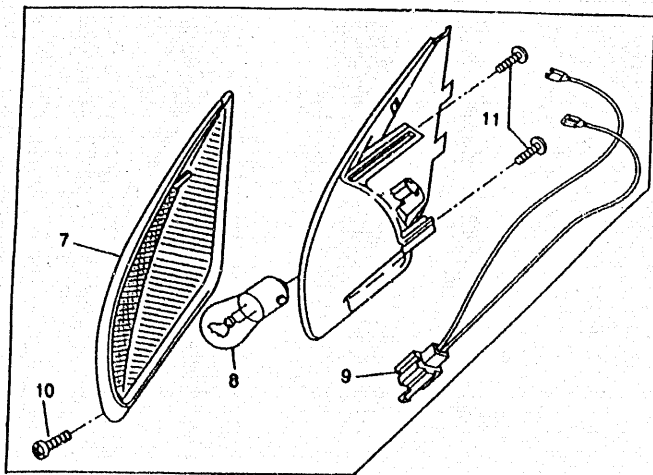
ENGINE

CYLINDER	B2
CRANKSHAFT-PISTON	B3
AIR SHROUD-FAN	B4
OIL PUMP	B5
INTAKE	B6
CARBURETOR	B7
EXHAUST	B8
CRANKSE	B9
STARTER.....	B10
CLUTCH.....	B11
TRANSMISSION	B12

CHASSIS

FRAME.....	B13
FENDER.....	B14
SIDE COVER	B15
OIL TANK.....	C2
REAR SUSPENSION	C3
FRONT FORK	C4

FUEL TANK	C5
SEAT CARRIER	C6
FRONT WHEEL	C7
FRONT BRAKE CALIPER	C8
REAR WHEEL	C9
STEERING-HANDLE-CABLE	C10
FRONT MASTER CYLINDER	C11
STAND FOOTREST	C12
LEG SHIELD	C13
COWLING	C14
GENERATOR.....	C15
FLASHER LIGHT	D2
METER	D3
HEADLIGHT.....	D4
TAILLIGHT.....	D5
HANDLE-SWITCH-LEVER	D6
ELECTRICAL 1	D7
ELECTRICAL 2	D8
NUMERICAL INDEX	M1 - M2



6

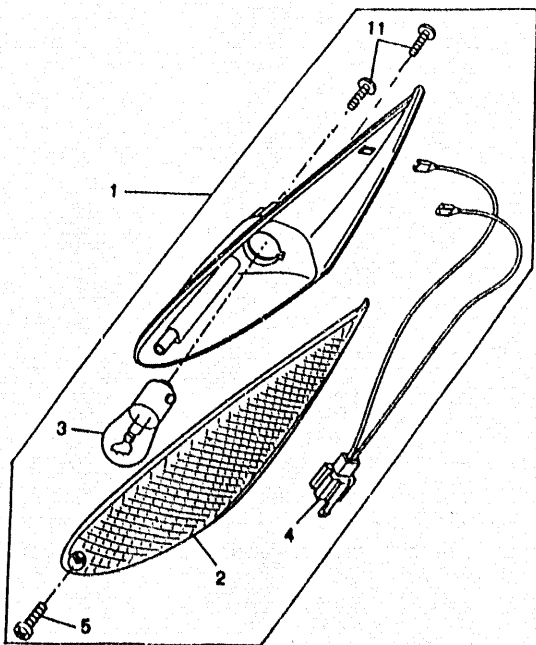


FIG 29 FLASHER LIGHT

REF	PART.N°	DESCRIPTION	QTY	REMARKS
1	4SB-H3310-00	FRONT FLASHER LIGHT ASSY 1	1	
2	4SB-H3312-00	.LENS, FLASHER	1	
3	NH7-H3311-00-01	.BULB 12V.21W.	1	
4	4KH-H331N-00	.WIRE FLASHER 1	1	
5	4KH-H3333-00	.SCREW, LENS FITTING	1	
6	4SB-H3320-00	FRONT FLASHER LIGHT ASSY 2	1	
7	4SB-H3322-00	.LENS, FLASHER 2	1	
8	NH7-H3311-00-01	.BULB 12V.21W.	1	
9	4KH-H332N-00	.WIRE FLASHER 2	1	
10	4KH-H3333-00	.SCREW, LENS FITTING	1	
11	97707-50016	SCREW, TAPPING	4	

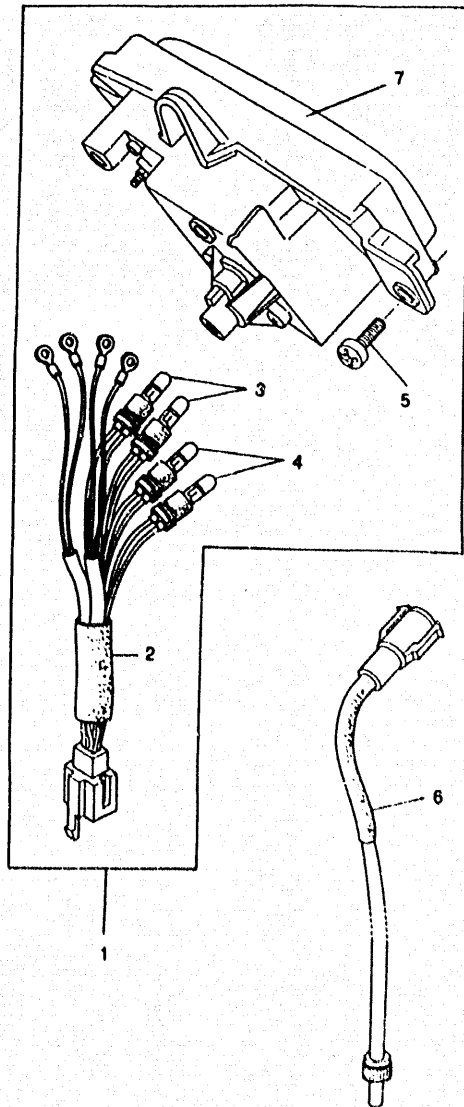


FIG 30 METER

REF	PART.N°	DESCRIPTION	QTY	REMARKS
1	4YB-H3510-10	SPEEDOMETER ASSY	1	
2	4SB-H3509-00	.SOCKET CORD ASSY	1	
3	4SB-H4347-00	.BULB LICENCE LIGHT	2	
4	NJ9-H4744-00.01	.BULB	2	
5	97707-50020	SCREW, TAPPING	2	
6	4YB-H3550-00	SPEEDOMETER CABLE ASSY	1	
7	4SB H353K-00	.GLASS PLATE	1	



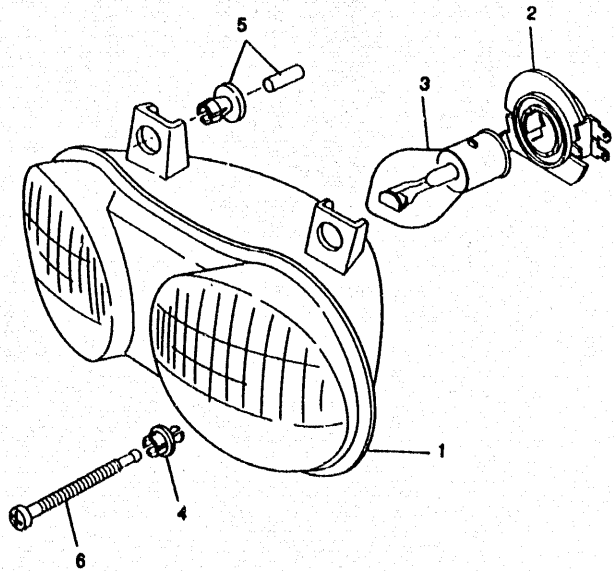


FIG 31 HEADLIGHT

REF	PART.N°	DESCRIPTION	QTY	REMARKS
1	4SB-H4320-00	LENS ASSY	1	
2	4SB-H4146-00	SOCKET, PILOT LIGHT	1	
3	4SB-H4314-00	BULB, HEADLIGHT	1	
4	4SB-H4387-00	HOLDER	1	
5	3VL-H4316-00	NUT, BODY FITTING	2	
6	4SB-H4337-00	BOLT, SPECIAL	1	

← FWD

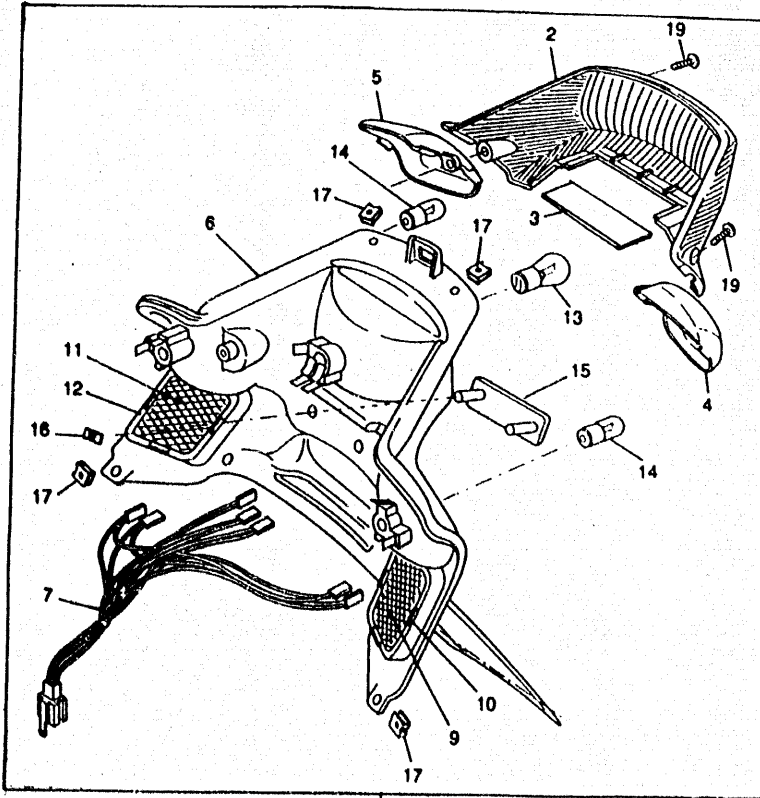


FIG 32 TAILLIGHT

REF	PART.N°	DESCRIPTION	QTY	REMARKS
1	4SB-H4700-00	TAILLIGHT ASSY	1	
2	4SB-H4721-00	.LENS, TAILLIGHT	1	
3	4SB-H4743-00	.LENS, LICENCE LIGHT	1	
4	4SB-H3332-00	.LENS, FLASHER 1	1	
5	4SB-H3342-00	.LENS, FLASHER 2	1	
6	4SB-H4711-00	.BASE, TAILLIGHT	1	
7	4SB-H4717-00	.CORD, TAILLIGHT	1	
8	4SB-H4374-00	.CLIP	2	
9	4SB-H336E-00	.PLATE, ARMATURE 1	1	
10	4SB-H336T-00	.HOLDER, 1	1	
11	4SB-H336F-00	.PLATE, ARMATURE 2	1	
12	4SB-H336U-00	.HOLDER, 2	1	
13	3HL-H4535-00	.BULB	1	
14	NDH-H3311-00-01	.BULB	1	
15	4SB-H5130-00	REAR REFLECTOR ASSY	1	
16	90468-04814	.CLIP	2	
17	90183-05042	NUT, SPRING	4	
18	90119-06213	BOLT, WITH WASHER	2	
19	4SB-H4724-00	.SCREW, LENS FITTING	2	



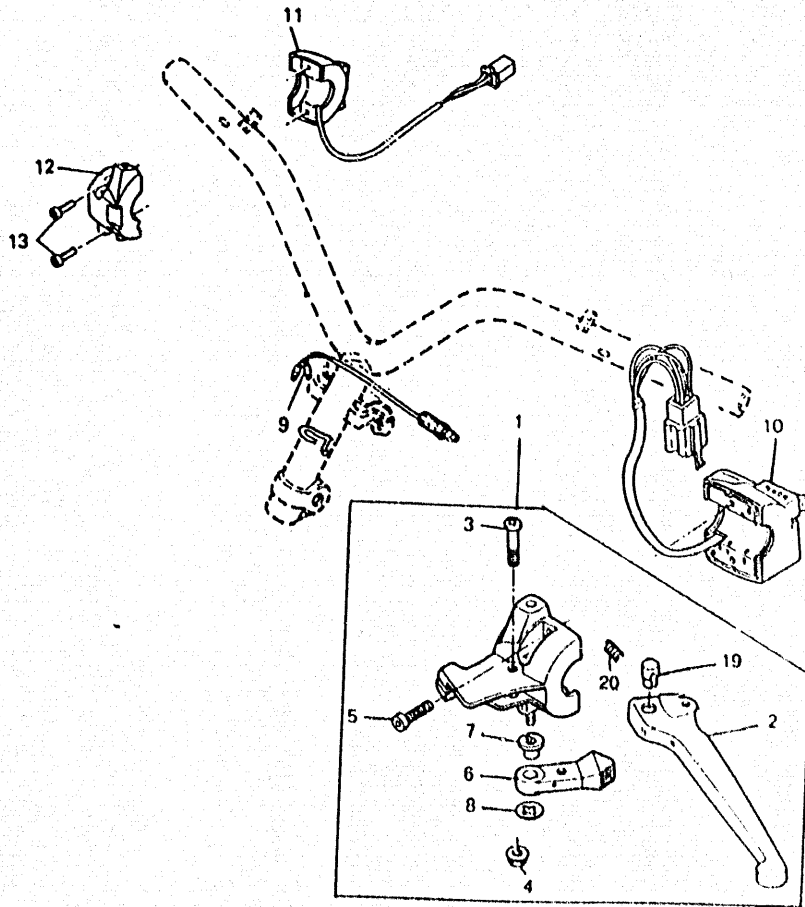


FIG 33 HANDLE SWITCH. LEVER

REF	PART.N°	DESCRIPTION	QTY	REMARKS
1	4SB-H2910-01	LEVER HOLDER ASSY (LEFT)	1	
2	4SB-H3912-00	.LEVER 1	1	
3	3VL-H3915-00	.SCREW, LEVER FITTING	1	
4	3VL-H3916-00	.NUT, LEVER FITTING	1	
5	3VL-H3945-00	.BOLT, LEVER	2	
6	4SB-H3941-00	.LEVER, STARTER	1	
7	3VL-H3982-00	.COLLAR, DECOMPRESSIO	1	
8	3VL-H3943-00	.WASHER, STARTER	1	
9	5AD-H3980-00	FRONT STOP SWITCH ASSY	1	
10	4CA-H3976-11	SWITCH, HANDLE 1	1	
11	4KH-H3975-11	SWITCH, HANDLE 2	1	
12	4CU-H3987-01	CASE, SWITCH LOWER	1	
19	3VL-F636A-00	.END, WIRE 1	1	
20	4KH-H3962-00	.SPRING	1	



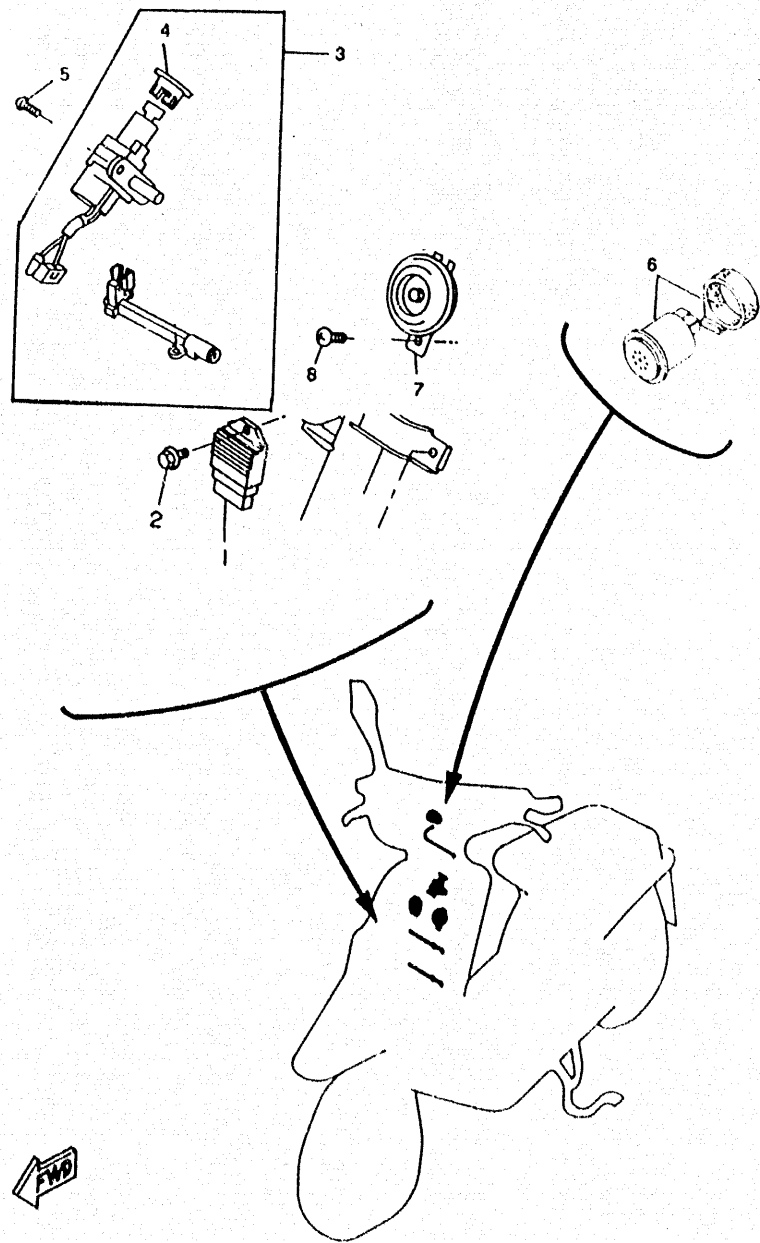


FIG 34 ELECTRICAL 1

REF	PART.N°	DESCRIPTION	QTY	REMARKS
1	4VV-H1960-00	RECTIFIER & REGULATOR ASSY	1	
2	90105-06696	BOLT, FLANGE	1	
3	4SB-H2021-02	KEY SET	1	
4	4VV-H2532-00	CAP	1	
5	90109-06851	BOLT	2	
6	4SB-83350-00	FLASHER RELAY ASSY	1	
7	4CU-H3371-00	HORN	1	
8	98507-06010	SCREW, PAN HEAD	1	

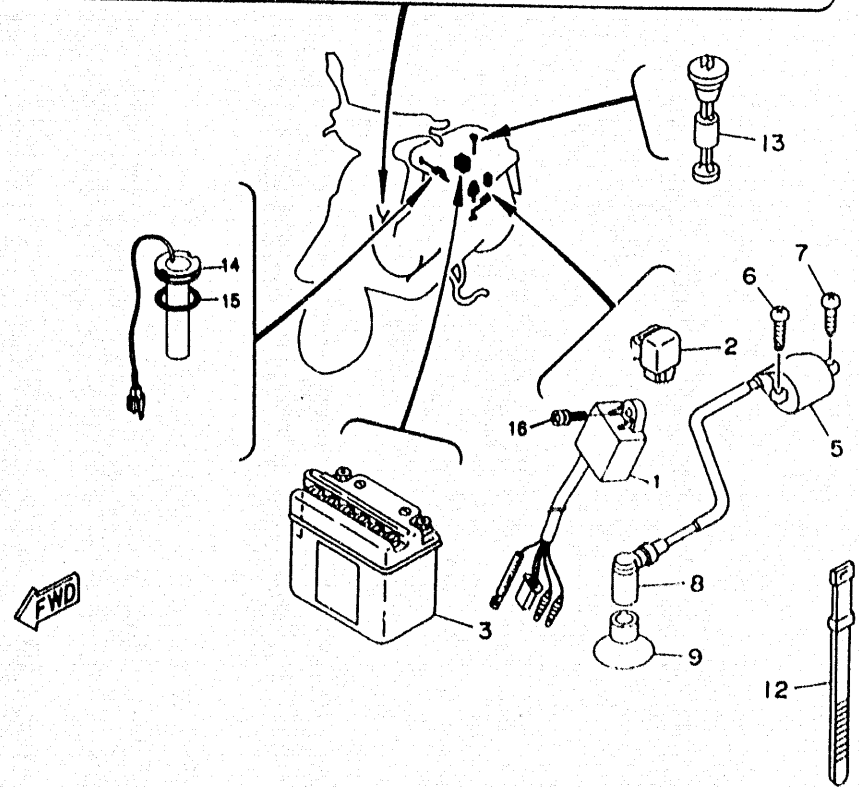
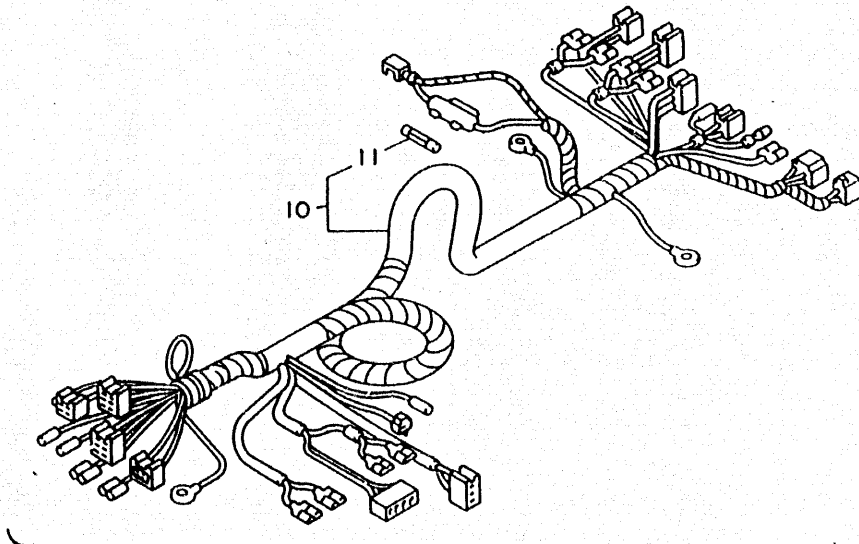


FIG 35 ELECTRICAL2

REF	PART.N°	DESCRIPTION	QTY	REMARKS
1	3KJ-85540-10	C.D.I. UNIT ASSY	1	
2	29U-81950-93	RELAY ASSY	1	
3	4CU-H2110-10	BATTERY ASSY	1	FIAMM
	4SB-H2110-00	BATTERY ASSY	1	YUASA
5	3KJ-82310-10	IGNITION COIL ASSY	1	
6	97017-06016	BOLT	1	
7	90153-06034	SCREW, HEXAGON	1	
8	3WG-H2370-10	PLUG CAP ASSY	1	
9	3WG-H2372-00	SEAL, PLUG CAP	1	
10	4SB-H2590-00	WIRE HARNESS ASSY	1	
11	27V-82151-00	FUSE	1	
12	4KH-H3936-00	BAND, SWITCH CORD	2	
13	4SB-H5720-00	OIL LEVEL GAUGE ASSY	1	
14	4SB-H5752-00	SENDER UNIT ASSY, FUEL METER	1	
15	4SB-H5753-03	GASKET, SENDER UNIT	1	
16	90154-06X02	SCREW, BINDING	1	

NUMERICAL INDEX

4SB 13100 00	B5 3VL E3178 00	B5 3VL E5411 10	B9 4SB F171E 40	B15 4SB F4500 00	C5 4SB F6475 00	C10
3AA 13124 00	B5 3VL E3555 00	B6 3VL E5421 00	B9 4SB F1721 20	B15 4MJ F4610 00	C5 4YB F7111 00	C12
1YU 13185 00	B5 3VL E3610 00	B6 3VL E5451 00	B9 4SB F1721 40	B15 4CU F4726 00	C6 4SB F7112 00	C12
1YU 13187 00	B5 4SB E4103 01	B7 3VL E5461 00	B9 4SB F1731 20	B15 4SB F4730 40	C6 4SB F7117 00	C12
1YU 13418 00	B5 4SB E4104 00	B7 3VL E5462 00	B9 4SB F1731 40	B15 4SB F4731 40	C6 4SB F7117 10	C12
1YU 13473 00	B5 4SB E4115 00	B7 3VL E5528 00	B10 4SB F1741 00	C12 4SB F473R 01	C6 4SB F7452 00	B13
1YU 13516 00	B5 4SB E4124 00	B7 3VL E5532 00	B10 4SB F174X 00	C12 4SB F473T 00	C6 4SB F7481 00	C12
1YU 13577 00	B5 4SB E4133 01	B7 4CU E5620 01	B10 4SB F174X 10	C5 3VL F4741 00	C6 4SB F8312 01	C13
4KN 13621 00	B6 4SB E4134 00	B7 4SB E5631 00	B10 4SB F174X 10	C12 3VL F4741 10	C6 3WV F8349 10	C13
3HK 14613 00	B8 4SB E4137 00	B7 4SB E5650 00	B10 4SB F1751 00	C2 4SB F475M 00	C6 4SB F8382 00	C13
2JA 14737 00	B8 4SB E4148 01	B7 3VL E5659 00	B9 4YC F179J 00	B15 4YB F5105 00	C8 4SB F9385 10	C13
4FB 14766 00	B8 4SB E4161 00	B7 3VL E5659 00	B10 4YC F179J 10	B15 4SB F5117 00	C7 4JC F8387 00	B14
3HK 14766 01	B8 4SB E4216 00	B7 3VL E5673 00	B10 4YC F179K 00	B15 4TD F5168 40	C7 4UP F839H 00	C13
3AA 15513 00	B10 4SB E4216 10	B7 3VL E5793 00	B10 4YC F179K 10	B15 4TD F5168 50	C7 4SB H1800 00	B10
3VL 15570 00	B10 4SB F4283 01	B7 3VL E6111 00	B11 4YB F2210 00	C3 3VL F5170 10	C7 4VV H1960 00	D7
3LS 15601 01	B10 4SB E4301 01	B7 5BR E6611 00	B11 4YB F2241 00	C3 3VL F5170 10	C9 4SB H2021 02	C6
3KJ 15657 00	B11 4SB E4312 02	B7 5BR E6620 00	B11 4YB F3100 01	C4 3VL F5182 00	C9 4SB H2021 02	D7
3AA 17641 00	B11 4SB E4318 00	B7 5BR E6626 00	B11 4YB F3108 00	C4 4YB F5190 00	C7 4SB H2110 00	D8
2T4 2139X 00	B13 4SB E4325 00	B7 4SB E7410 00	B12 4SB F3111 00	C4 3VL F5326 00	C9 4CU H2110 10	D8
2T4 21481 01	B13 4SB E4331 02	B7 4SB E7420 00	B12 4YB F3111 00	C4 4TD F5338 40	CJ 4SB H2141 00	C2
25G 21535 00	C2 4SB E4335 00	B7 3VL E7611 00	B11 4YB F3124 00	C4 4TD F5338 50	C9 3WG H2370 10	D8
25G 21535 00	C5 5BR E4336 00	B7 4CU E7620 00	B11 4YB F3126 00	C4 3VL F5355 00	C9 3WG H2372 00	D8
2N3 21771 01	C2 4SB E4341 00	B7 3VL E7623 00	B11 4YB F3136 00	C4 3VL F5384 00	C9 4VV H2532 00	D7
486 22141 01	C7 4SB E4342 00	B7 4KH E7632 00	B11 4YB F3141 00	C4 4YB F5717 00	C8 4SB H2590 00	D8
164 22216 00	B9 4SB E4343 00	B7 3VL E7653 00	B11 4SB F3144 00	C4 4CU F580T 20	C8 4SB H2910 01	D6
3Y6 2533A 01	C9 4SB E4344 01	B7 4SB E7654 00	B11 4SB F3151 00	C4 4CU F5811 20	C8 4SB H3310 00	D5
3AA 25351 00	C9 4SB E4357 00	B7 5BR E7660 00	B11 4SB F3153 00	C4 4CU F5824 00	C8 NDH H3311 00 01	D2
4SB 2582T 00	C8 4SB E4358 00	B7 5BR E7664 00	B11 4SB F3183 00	C4 4CU F5825 00	C8 NH7 H3311 00 01	D2
29U 81950 93	D8 4SB E4363 01	B7 5BR E7671 00	B11 4SB F319Y 00	C4 4SB F5831 00	C11 NH7 H3311 00 01	D2
27V 82151 00	D8 5BR E4369 00	B7 5BR E7684 00	B11 4YB F330E 00	C4 4SB F5852 00	C11 4SB H3312 00	D2
3KJ 82319 10	D8 4SB E4371 00	B7 4YB F1110 12	B13 4YB F332L 00	C4 4SB F5867 00	C11 4KH H331N 00	D2
4SB 83350 00	D7 4SB E4377 00	B7 4SB F1165 00	C6 4YR F3340 01	C4 4YB F5872 00	C11 4SB H3320 00	D2
3KJ 85540 10	D8 4SB E4381 00	B7 4TD F1182 01	B13 4SB F3354 00	C4 4SB F5876 00	C4 4SB H3322 00	D2
2JA 85560 00	C15 4SB E4385 00	B7 4SB F1232 00	B13 4SB F3257 00	C4 4CU F5919 00	C8 4KH H332N 00	D2
4SB 85560 00	C15 4SB E4386 00	B7 4SB F1238 00	B9 4SB F3385 00	C4 4SB F6110 00	C10 4SB H3332 00	D5
4SB F1111 00	B2 4SB E4392 00	B7 4YB F1410 00	B13 4SB F3396 00	C4 4SB F6143 10	C14 4KH H3333 00	D2
3VL E1181 00	B2 4PB E4410 01	B6 4YB F1511 10	B14 4SB F3411 01	C4 4SB F6143 30	C14 4KH H3333 00	D2
4SB E1311 00	B2 3VL E4429 00	B6 4YB F1511 30	B14 4SB F3412 00	C4 4SB F6145 00	C14 4SB H3342 00	D5
3VL F1351 00	B2 3VL E4437 00	B6 4UP F152A 20	B14 4SB F3414 00	C4 4SB F6240 00	C10 4SB H336E 00	D5
3VL E1400 10	B3 4PB E4451 00	B6 4YB F152P 30	B14 4SB F3427 01	C4 4SB F6241 00	C10 4SB H336F 00	D5
4SB E1603 00	B2 3VL E4452 00	B6 4YB F152P 40	B14 4SB F3428 00	C4 3VL F6261 00	C10 4SB H336T 00	D5
4SR F1603 00	B3 3VL E4453 01	B6 4SB F1552 01	B14 4SB F3453 01	C4 3VL F6262 00	C10 4SB H336U 00	D5
4SB E1605 00	B3 3VL E4565 00	B6 4SB F1553 00	B14 4YB F346C 10	C8 4SB F6280 00	C14 4CU H3371 00	D7
4SB E1631 00	B2 4SB E4610 00	B8 4YC F1565 00	B14 4SB F3812 00	C7 4SB F6290 00	C14 4SB H3509 00	D5
4SB E1631 00	B3 4SB E4678 00	B8 4YC F1565 10	B14 4SB F4110 00	C5 3VL F6311 01	C10 4YB H3510 10	D3
3VL E1633 00	B2 4SB E4718 00	B8 4CU F1568 10	C14 4SB F414E 00	C2 3VL F6312 01	C10 4SB H3530 00	C14
3VL E1633 00	B3 4SB E4759 00	B8 4YC F1579 00	B14 4SB F414G 00	C5 3WG F6329 00	C10 4SB H353K 00	D3
4SB E1636 00	B3 4SB E479X 00	B8 4YC F1579 10	B14 4SB F4181 00	C5 3WG F6329 00	C10 4YB H3550 00	D3
3VL E2611 00	B4 3VL E5128 00	B9 4YC F1599 00	B14 4SB F4311 01	C5 4SB F6329 00	B7 4SB H3912 00	D6
3VL E2651 00	B4 3VL E5150 00	B9 4YC F1599 10	B14 4YB F4312 00	C5 4SB F6331 00	C10 3VL H3915 00	D6
3VL E2653 00	B4 3VL E5317 00	B9 4SB F1629 01	B14 4SB F4318 00	CC 3VL F6334 02	C10 3VL H3916 00	D6
3VL E2658 00	B4 3VL E5363 00	B9 4SB F1711 00	B15 4YB F4335 00	C5 4SB F6351 00	C10 4SB H3922 00	C11
3VL E2658 00	B4 3VL E5371 00	B9 4SB F171E 20	B15 4SB F4451 01	C5 3VL F636A 00	D6 4KH H3936 00	D8

NUMERICAL INDEX

4SB	H3941 00	D6	90101 06291	C9	90280 03017	B3	93102-20371	B3	98507 05014	B5
3VL	H3943 00	D6	90101 10776	C3	90380 15083	B10	93102 22314	B12	98507 06010	D7
3VL	H3945 00	D6	90105 06696	D7	90387 06023	B4	93104 34832	B11	98507 06016	C15
4SB	H3945 00	C11	90105 10036	C10	90387 06023	B4	93106 20001	C7	98507 06020	C5
4KH	H3962 00	D6	90105 10297	B13	90387 060G7	B8	93210 07540	C9	98507 06020	C6
4KH	H3975 11	D6	90109 063F1	C6	90387 060G7	C5	93210 14104	B9	98507 06025	B6
4CA	H3976 11	D6	90109 06851	D7	90387 061V4	B6	93210 368E7	B11	98517-06012	B9
4SB	H3980 00	C11	90110 06237	B9	90387 076V1	C12	93306 00201	B9	98517-06012	B10
5AD	H3980 00	D6	90110 06237	B9	90387 10C79	C7	93306 20006	B11	98517-06020	B4
3VL	H3982 00	D6	90110 06237	B9	90387 135U9	B11	93306 20006	B12	98904 06016	B8
4CU	H3987 01	D6	90110 06240	B9	90387 156U0	B3	93306 20301	B11	98907 06016	B14
4SB	H4146 00	D4	90110 06825	B9	90401 10159	C11	93306 20310	B12	99001 05600	B11
4YB	H4169 00	B14	90110 10223	C8	90430 08206	B9	93306 20468	B3	99009 15400	B9
4SB	H4314 00	D4	90116 06418	B2	90445 094J4	B5	93306 300Y8	C7	99009 15400	B10
3VL	H4316 00	D4	90119 06044	C2	90445 094J4	C7	93310 210M0	B3	99009 19400	B5
4SB	H4320 00	D4	90119 06052	B14	90446 13311	B9	93310 257R1	B10	99510 12016	B9
4SB	H4337 00	D4	90119 06213	D5	90450 32081	B6	93420 40064	B12	99530 10014	B9
3Uf	H4346 00	C14	90153 06022	B4	90465 08122	B9	93450 11120	B2	99530 10014	B9
3WW	H4347 00	C14	90153 06034	D8	90467 08003	B5	93450 11120	B3		
4SB	H4347 00	D3	90153 06061	B8	90467 09006	C5	93603 12007	B5		
4SB	H4374 00	D5	90154 06X02	C13	90467 12052	C5	94113 108S1	C7		
4SB	H4387 00	D4	90154 06X02	D8	90467 241A0	B6	94113 108S1	C9		
3HL	H4385 00	D5	90159 05134	C14	90468 02033	B5	94701 00195	B2		
4SB	H4706 00	D5	90170 10219	B11	90468 02033	C2	95027 08016	C6		
4SB	H4711 00	D5	90170 10219	C15	90468 04814	D5	95617 10100	B13		
4SB	H4717 00	D5	90170 28860	B11	90468 12006	C12	95617 10200	C3		
4SB	H4721 00	D5	90179 06411	C10	90468 15009	C10	95617 10200	C7		
4SB	H4724 00	D5	90179 10279	B13	90480 12237	B4	95617 10200	C10		
4SB	H4743 00	D5	90179 10609	B11	90480 12237	B4	95707 06500	B2		
NJ9	H4744 00 01	D3	90183 05042	B15	90480 12497	B6	95707 06500	C6		
3VL	H5111 00	C4	90183 05042	C12	90480 12581	B8	95817 06010	B14		
4SB	H5130 00	D5	90183 05042	C14	90480 13398	C5	95817 06010	C4		
4SB	H5720 00	D8	90183 05042	D5	90501 122E1	C10	95817 08016	B9		
4SB	H5752 00	D8	90185 14070	C9	90501 29517	B13	95817 08016	B13		
4SB	H5753 03	D8	90201 065F3	C2	90501 35864	B11	95817 08020	B8		
4SB	W0001 00	B7	90201 065F3	C5	90506 15260	C9	95817 08030	C8		
2JL	W2536 10	C9	90201 08X00	B10	90506 29280	C12	95817 08040	B8		
			90201 10118	C11	90508 32609	B10	97017 06016	D8		
			90201 10X02	C15	91317 06020	B6	97707 50016	B15		
			90201 133M8	B11	91317 06020	B9	97707 50016	B14		
			90201 140G5	B12	91317 06020	B10	97707 50016	B15		
			90201 142M6	C9	91317 06045	B9	97707 50016	B15		
			90201-154E9	B10	92017 08016	B13	97707 50016	C6		
			90201 177G4	C9	92907 06106	C6	97707 50016	C12		
			90201 574L1	B10	92907 06600	B4	97707 50016	C13		
			90202 08175	C10	92907 06600	B6	97707 50016	C13		
			90202 10120	C12	92907 06600	B14	97707 50016	C14		
			90208 10012	B11	92907 06600	C5	97707 50016	C14		
			90208 14047	B12	92307 06600	C6	97707 50016	D2		
			90214 13058	B11	92990 06600	B4	97707 50020	D3		
			90241 10017	C6	92995 06100	B4	97707 60016	C5		
			90249 12008	C10	93101 20138	B3	97885 06016	B4		
			90267 32801	B13	93102 17342	B11	98507 05010	C10		