

CONTENTS

ENGINE

CYLINDER	B2
CRANKSHAFT-PISTON	B3
AIR SHROUD-FAN	B4
OIL PUMP	B5
INTAKE	B6
CARBURETOR	B7
EXHAUST	B8
CRANKSE	B9
STARTER.....	B10
CLUTCH.....	B11
TRANSMISSION	B12

CHASSIS

FRAME.....	B13
FENDER.....	B14
SIDE COVER	B15
OIL TANK.....	C2
REAR SUSPENSION	C3
FRONT FORK	C4

FUEL TANK	C5
SEAT CARRIER.....	C6
FRONT WHEEL	C7
FRONT BRAKE CALIPER	C8
REAR WHEEL	C9
STEERING-HANDLE-CABLE	C10
FRONT MASTER CYLINDER	C11
STAND FOOTREST	C12
LEG SHIELD	C13
COWLING	C14
GENERATOR.....	C15
FLASHER LIGHT	D2
METER	D3
HEADLIGHT.....	D4
TAILLIGHT	D5
HANDLE-SWITCH-LEVER	D6
ELECTRICAL 1	D7
ELECTRICAL 2	D8
NUMERICAL INDEX	M1 - M2

YAMAHA
GENUINE
Parts & Accessories

CW50RS '97 (4TD8)
FINLAND

274TD - 323E1
FEBRUARY 1997

FOREWORD

This Part Catalogue is related to the parts in use for the **CW50RS'97**

When you are ordering replacements parts for the **CW50RS'97**, refer to this Parts Catalogue and quote both part numbers and part names correctly.

1. Modifications or additions which have been made after issue of the Parts Catalogue will be announced in the Parts News.

It is advisable that according to the Parts News you make necessary corrections to the Parts Catalogue on hand to keep it up-to-date.

2. Abbreviations.

The following abbreviations are used in this Parts Catalogue.

U.R. Use size (thickness) and or number as required.

U.N. Use as many as you need.

A.P. Alternate Parts.

L.M. Local Made.

F. Frame N° (Applicable machine N°)

3. The parts marked with (*) in the parts number column of this Catalogue are not supplied with by Yamaha, those have to be found locally.

4. Parts, which are to supplied in the form of assemblies, are listed with an indention of one letter's space, and a dot (.) is put against the name of each part.

EXAMPLE CARBURETOR ASS'Y

.JET, pilot

.NOZZLE, main

5. Indication of N° of constituent parts for assembly.

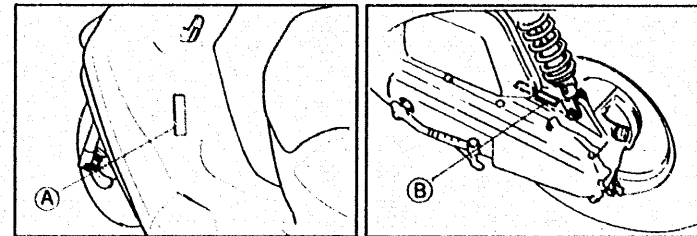
The numeral appearing to the right of each constituent part under the description indicates the quantity of such parts for each individual assembly unit.

EXAMPLE

Part N°	Description	Q'ty	Remarks
2F5-83310-60	FRONT FLASHER LIGHT ASS'Y	2	
115-83311-60	.BULB (6V-18W)	1	
1M1-83309-60	.REFLECTOR	1	

6. Initial Serial N° and Color Code.

(A)	Frame Serial N°	4TD - 100101
(B)	Engine Serial N°	4SB - 100101

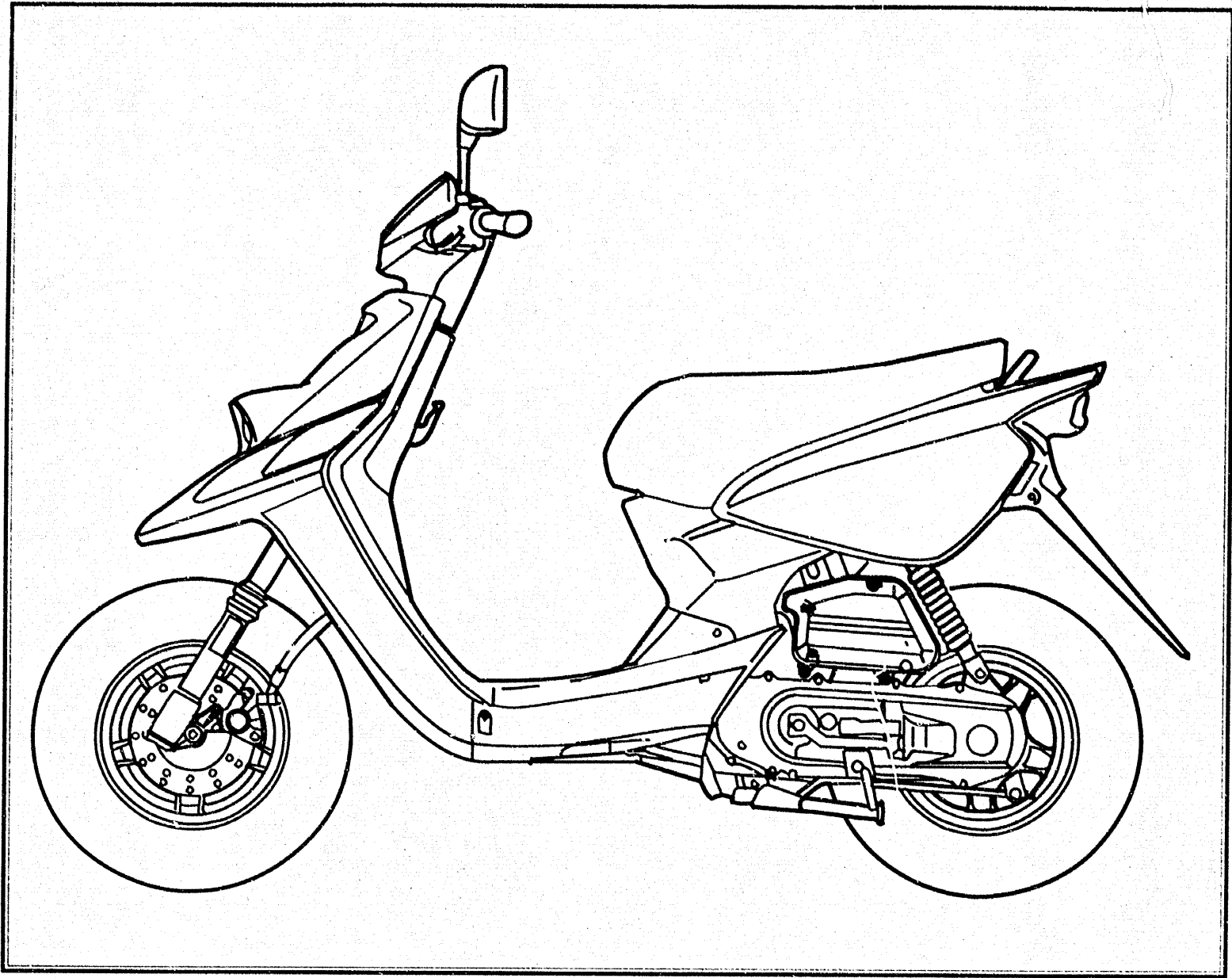


Color Code	Color Name	Abbreviate
004B	BLACK 2	BL2
0578	YELLOWISH GRAY METALLIC 4	YNM4
0576	DULL BLUE METALLIC 4	DBM4

7. Applicable colors of graphics are represented in the "Remarks" column by the letter(s) appropriately picked out of the full word(s) showing such colors.

EXAMPLE

Part N°	Description	Q'ty	Remarks
2N4-24110-00-X5	FUEL TANK COMPL.	1	
3J1-24240-10	.GRAPHIC, fuel tank set	1	



A4

CONTENTS

ENGINE

CYLINDER	B2
CRANKSHAFT-PISTON	B3
AIR SHROUD-FAN	B4
OIL PUMP	B5
INTAKE	B6
CARBURETOR	B7
EXHAUST	B8
CRANKSE	B9
STARTER.....	B10
CLUTCH.....	B11
TRANSMISSION	B12

CHASSIS

FRAME.....	B13
FENDER.....	B14
SIDE COVER	B15
OIL TANK.....	C2
REAR SUSPENSION	C3
FRONT FORK	C4

FUEL TANK	C5
SEAT CARRIER.....	C6
FRONT WHEEL	C7
FRONT BRAKE CALIPER	C8
REAR WHEEL	C9
STEERING-HANDLE-CABLE	C10
FRONT MASTER CYLINDER	C11
STAND FOOTREST	C12
LEG SHIELD	C13
COWLING	C14
GENERATOR.....	C15
FLASHER LIGHT	D2
METER	D3
HEADLIGHT.....	D4
TAILLIGHT	D5
HANDLE-SWITCH-LEVER	D6
ELECTRICAL 1	D7
ELECTRICAL 2	D8
NUMERICAL INDEX	M1 - M2

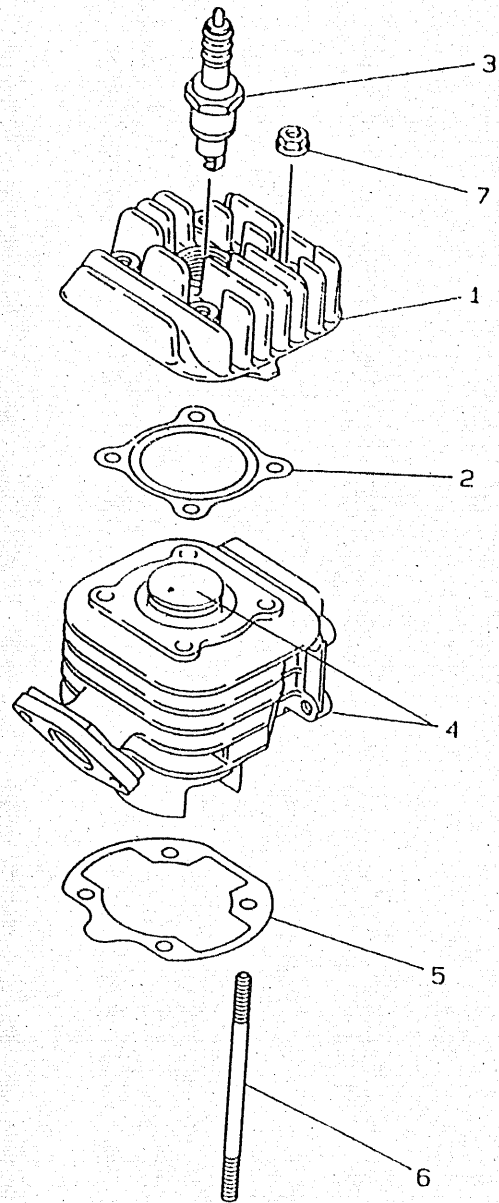
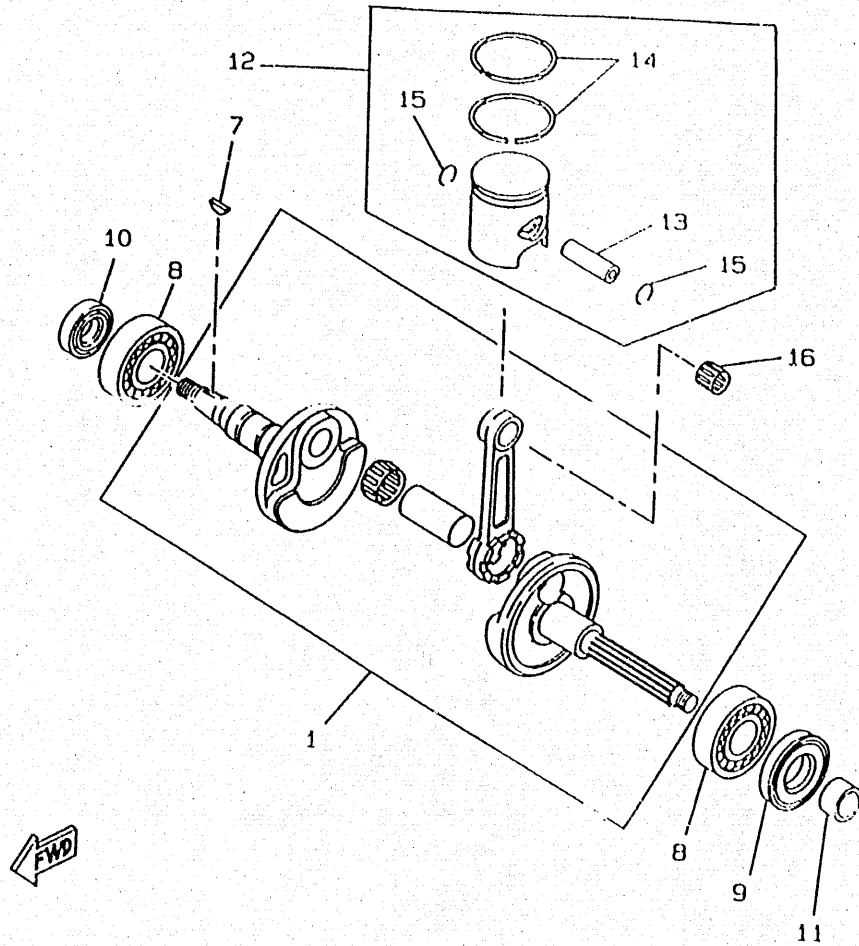


FIG 1 CYLINDER

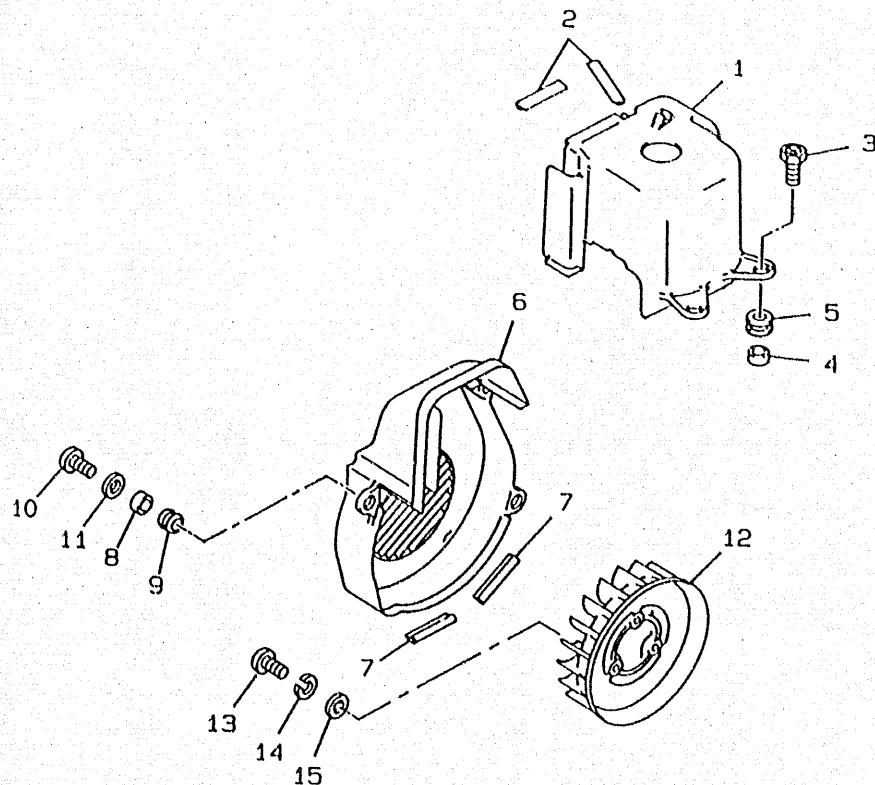
REF	PART.N°	DESCRIPTION	QTY	REMARKS
1	4SD-E1111-00	HEAD, CYLINDER 1	1	
2	3VL-E1181-00	GASKET, CYLINDER HEAD	1	
3	94700-00195	PLUG, SPARK	1	BR8HS
4	4SB-E1311-00	CYLINDER 1	1	
	4SB-E1631-00	.PISTON (STD)	1	
	4SB-E1603-00	.PISTON RING SET (STD)	1	
	3VL-E1633-00	.PIN, PISTON	1	
	93450-11120	.CIRCLIP	2	
5	3VL-E1351-00	GASKET, CYLINDER	1	
6	90116-06418	BOLT, STUD	4	
7	95707-06500	NUT, FLANGE	4	

FIG 2 CRANKSHAFT, PISTON



REF	PART.N°	DESCRIPTION	QTY	REMARKS
1	3VL-E1400-10	CRANKSHAFT ASSY	1	
7	90280-03017	KEY, WOODRUFF	1	
8	93306-204X2	BEARING	2	
9	93102-20371	OIL SEAL	1	
10	93101-20138	OIL SEAL	1	
11	90387-156U0	COLLAR	1	
12	4SB-E1631-00	PISTON (STD)	1	
	4SB-E1636-00	PISTON (0.50MM O/S)	1	
13	3VL-E1633-00	PIN, PISTON	1	
14	4SB-E1603-00	PISTON RING SET (STD)	1	
	4SB-E1605-00	PISTON RING SET (0.50MMO/S)	1	
15	93450-11120	CIRCLIP	2	
16	93310-210M0	BEARING, CYLINDRICAL	1	

FIG . 3AIR SHROUD. FAN



REF	PART.N°	DESCRIPTION	QTY	REMARKS
1	3VL-E2651-00	AIR SHROUD, CYLINDER	1	
2	3VL-E2658-00	DAMPER, AIR SHROUD 1	2	
3	90153-06022	SCREW, HEXAGON	2	
4	90387-06023	COLLAR	2	
5	90480-12237	GROMMET	2	
6	3VL-E2653-00	AIR SHROUD, CYLINDER	1	
7	3VL-E2658-00	DAMPER, AIR SHROUD 1	2	
8	90387-067T6	COLLAR	3	
9	90480-12237	GROMMET	3	
10	98517-06020	SCREW, PAN HEAD	3	
11	92907-06600	WASHER	3	
12	3VL-E2611-00	FAN	1	
13	98580-06016	SCREW, PAN HEAD	3	
14	92995-06100	WASHER	3	
15	92990-06600	WASHER, PLATE	3	



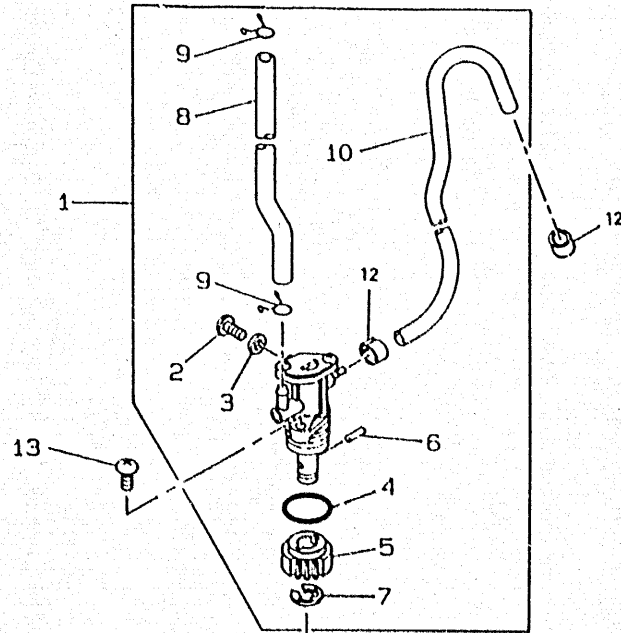
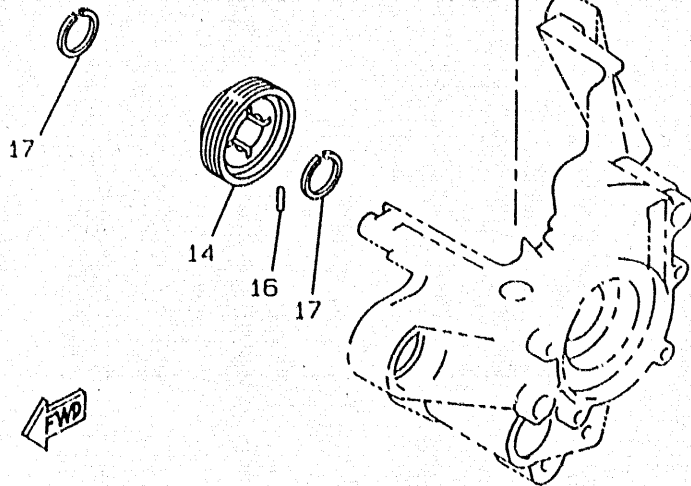


FIG . 4 OIL PUMP

REF	PART.N°	DESCRIPTION	QTY	REMARKS
1	4SB-13100-00	OIL PUMP ASSY	1	
2	1YU-13185-00	.BOLT, BREATHER	1	
3	1YU-13187-00	.GASKET, BREATHER BOLT	1	
4	1YU-13473-00	.O-RING	1	
5	3AA-13124-00	.GEAR, WORM WHEEL	1	
6	1YU-13516-00	.PIN, DOWEL	1	
7	1YU-13577-00	.CLIP	1	
8	90445-094J4	.HOSE	1	
9	90468-02033	.CLIP	2	
10	1YU-13418-00	.PIPE, OIL 2	1	
12	90467-08003	.CLIP	1	
13	98507-05014	SCREW, PAN HEAD	2	
14	2GM-13178-00	GEAR, PUMP DRIVE	1	
16	93603-12007	PIN, DOWEL	1	
17	99009-19400	CIRCLIP	2	



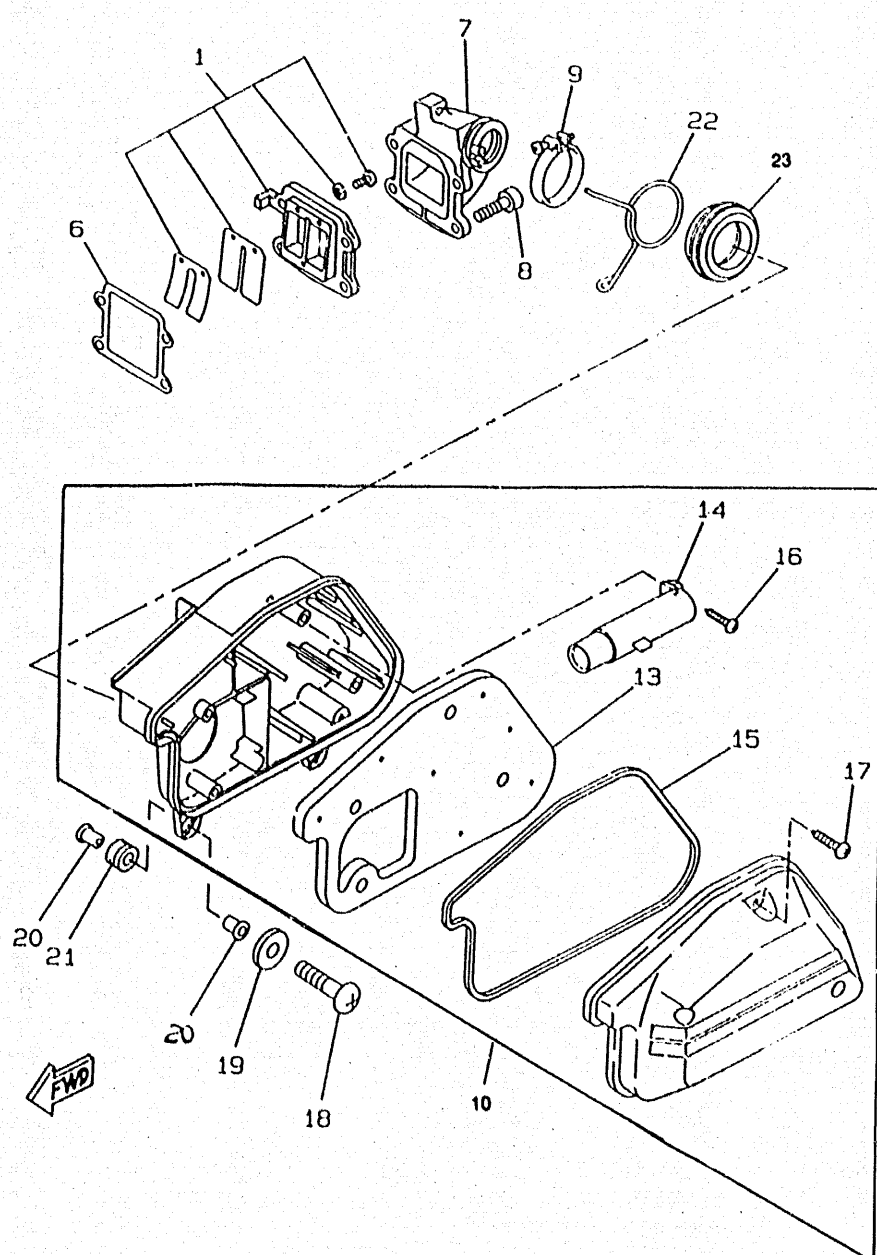


FIG 5 INTAKE

REF	PART.N°	DESCRIPTION	QTY	REMARKS
1	3VL-E3610-00	REED VALVE ASSY	1	
6	4KN-13621-00	GASKET, VALVE SEAT	1	
7	3VL-E3555-00	MANIFOLD, INTAKE	1	
8	91317-06020	BOLT	4	
9	90450-32081	HOSE CLAMP ASSY	1	
10	3VL-E4410-01	AIR FILTER ASSY	1	
13	3VL-E4451-00	ELEMENT, AIR CLEANER	1	
14	3VL-E4437-00	.DUCT	1	
15	3VL-E4452-00	.SEAL	1	
16	3VL-E4429-00	.SCREW	1	
17	3VL-E4565-00	.SCREW	4	
18	98507-06025	SCREW, PAN HEAD	2	
19	92907-06600	WASHER	2	
20	90387-061V4	COLLAR	4	
21	90480-12497	GROMMET	2	
22	90467-24140	CLIP	1	
23	3VL-E4453-01	JOINT, AIR CLEANER 1	1	

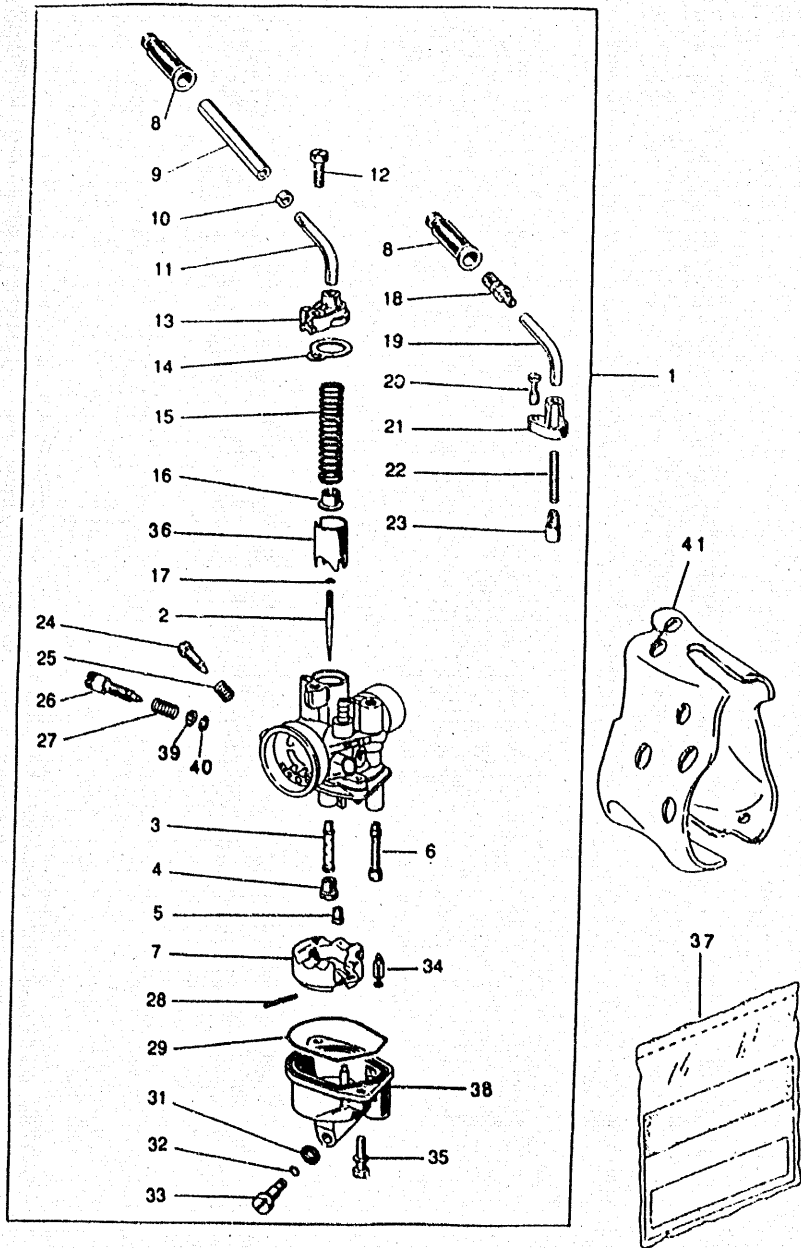


FIG 6 CARBURETOR

REF	PART.N°	DESCRIPTION	QTY	REMARKS
1	4SB-E4301-01	CARBURETOR ASSY 1	1	DELLORTO
2	4SB-E4336-00	.NEEDLE	1	
3	4SB-E4341-00	.NOZZLE, MAIN	1	
4	4SB-E4343-00	.JET, MAIN	1	
5	4SB-E4342-00	.JET, PILOT	1	
6	4SB-E4344-01	.JET, STARTER	1	
7	4SB-E4385-00	.FLOAT	1	
8	4SB-F6329-00	.CAP, RUBBER	2	
9	4SB-E4161-00	.NUT, CABLE ADJUSTING	1	
10	4SB-E4358-00	.NUT	1	
11	4SB-E4148-01	.PIPE	1	
12	4SB-E4325-00	.SCREW, PAN HEAD	1	
13	4SB-E4369-00	.DIAPHRAGM ASSY 2	1	
14		IN GASKET KIT REP 37		
15	4SB-E4331-02	.SPRING, THROTTLE VALVE	1	
16	4SB-E4377-00	.STOPPER	1	
17	4SB-E4137-00	.CLIP	1	
18	4SB-E4124-00	.SCREW, CABLE ADJUSTING	1	
19	4SB-E4318-00	.PIPE STARTER	1	
20	4SR-E4216-00	.SCREW	1	
21	4SB-E4368-01	.DIAPHRAGM ASSY 1	1	
22	4SB-E4335-00	.SPRING, PLUNGER	1	
23	4SB-E4371-00	.PLUNGER, STARTER	1	
24	4SB-E4104-00	.AIR SCREW SET	1	
25	4SB-E4134-00	.SPRING, AIR ADJUSTING	1	
26	4SB-E4103-01	.THROTTLE SCREW SET	1	
27	4SB-E4133-01	.SPRING, THROTTLE STOP	1	
28	4SB-E4386-00	.PIN, FLOAT	1	
29		IN GASKET KIT REP 37		
31		IN GASKET KIT REP 37		
32		IN GASKET KIT REP 37		
33	4SB-E4115-00	.PLUG, SCREW	1	
34	4SB-E4392-00	.VALVE, NEEDLE	1	
35	4SB-E4216-10	.SCREW	1	
36	4SB-E4312-02	.VALVE, THROTTLE 1	1	
37	4SB-W0001-00	.GASKET KIT	1	
38	4SB-E4381-00	.BODY, FLOAT CHAMBER	1	
39	4SB-E4357-00	.WASHER, PLAIN	1	
40		IN GASKET KIT REP 37		
41	4SB-F4283-01	.COVER, CARBURETOR 1	1	

FWD

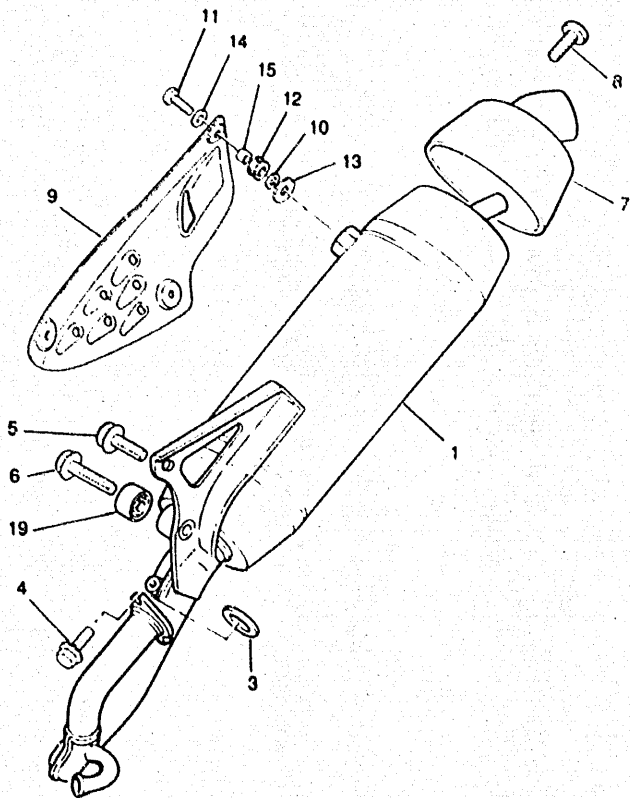


FIG 7 EXHAUST

REF	PART.N°	DESCRIPTION	QTY	REMARKS
1	4SB-E4610-00	EXHAUST PIPE ASSY 1	1	
3	3HK-14613-00	GASKET, EXHAUST PIPE	1	
4	90153-06061	SCREW, HEXAGON	2	
5	95817-08020	BOLT, FLANGE	1	
6	95817-08040	BOLT, FLANGE	1	
7	4SB-E479X-00	PIPE TAIL ASSY	1	
8	4SB-E4678-00	BOLT, COUPLING	1	
9	4SB-E4718-10	PROTECTOR, MUFFLER 1	1	
10	4SB-E4759-00	WASHER	3	
11	98904-06016	SCREW, BIND	3	
12	90387-060G7	COLLAR	3	
13	3HK-14766-01	WASHER, PROTECTOR	3	
14	4FB-14766-00	WASHER, PROTECTOR	3	
15	90480-12581	GROMMET	3	
19	2JA-14737-00	DAMPER, MUFFLER	1	

FWD

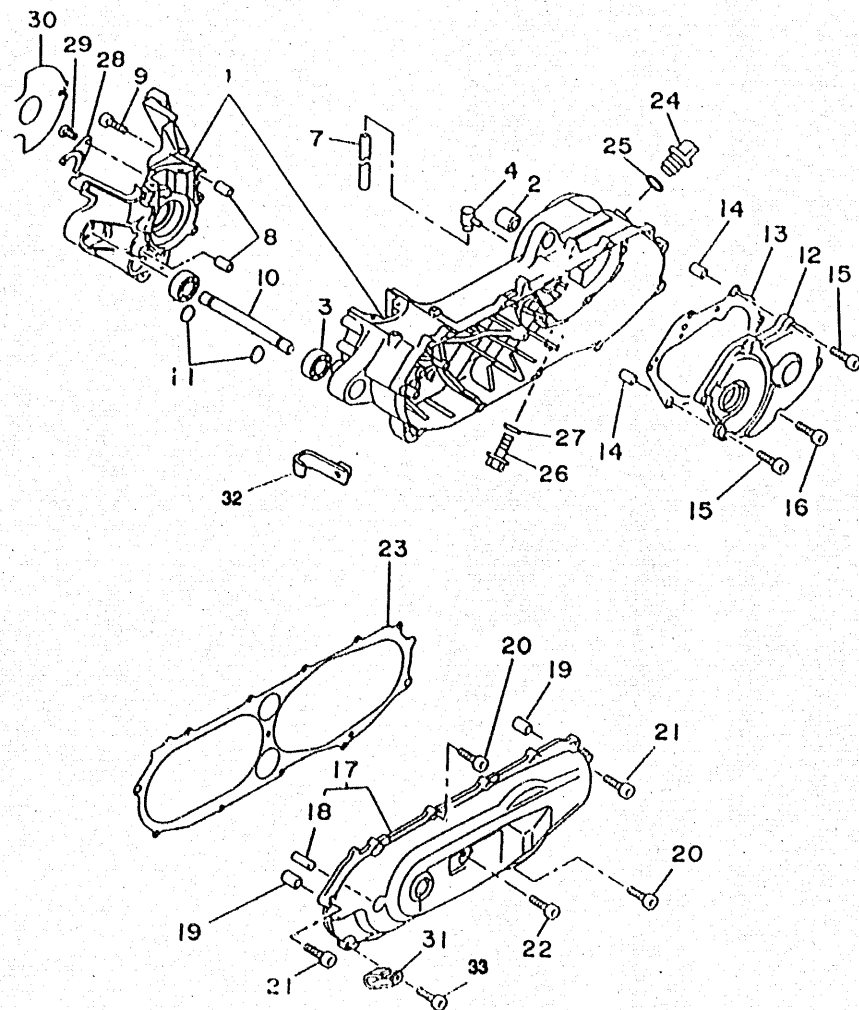


FIG 0 CRANKCASE

REF	PART.N°	DESCRIPTION	QTY	REMARKS
1	3VL-E5150-00	CRANKCASE ASSY	1	
2	164-22216-00	BUSH, REAR SHOCK ABS	1	
3	93306-00203	BEARING (B6002)	2	
4	3VL-E5371-00	BREATHER	1	
7	90446-13311	HOSE	1	
8	99510-12016	PIN, DOWEL	2	
9	91317-06035	BOLT	6	
10	3VL-E5317-00	SPACER, ENGINE MOUNT	1	
11	93440-15012	CIRCLIP	2	
12	3VL-E5421-00	COVER, CRANKCASE 2	1	
13	3VL-E5461-00	GASKET, CRANKCASE CO	1	
14	99530-10014	PIN, DOWEL	2	
15	91317-06035	BOLT	2	
16	91317-06020	BOLT	4	
17	3VL-E5411-00	COVER, CRANKCASE 1	1	
18	3VL-E5659-00	SHAFT	1	
19	99530-10014	PIN, DOWEL	2	
20	91317-06025	BOLT	8	
21	91317-06035	BOLT	2	
22	91317-06045	BOLT	1	
23	3VL-E5451-00	GASKET, CRANKCASE CO	1	
24	3VL-E5363-00	PLUG, OIL	1	
25	93210-14104	O-RING	1	
26	95817-08016	BOLT, FLANGE	1	
27	90430-08206	GASKET	1	
28	3VL-E5128-00	HOLDER	1	
29	98517-06012	SCREW, PAN HEAD	1	
30	3VL-E5462-00	GASKET, CRANKCASE CO	1	
31	90465-08122	CLAMP	1	
32	4SB-F1238-00	BRACKET	1	
33	90110-06825	BOLT, HEXAGON SOCKET HEAD	1	

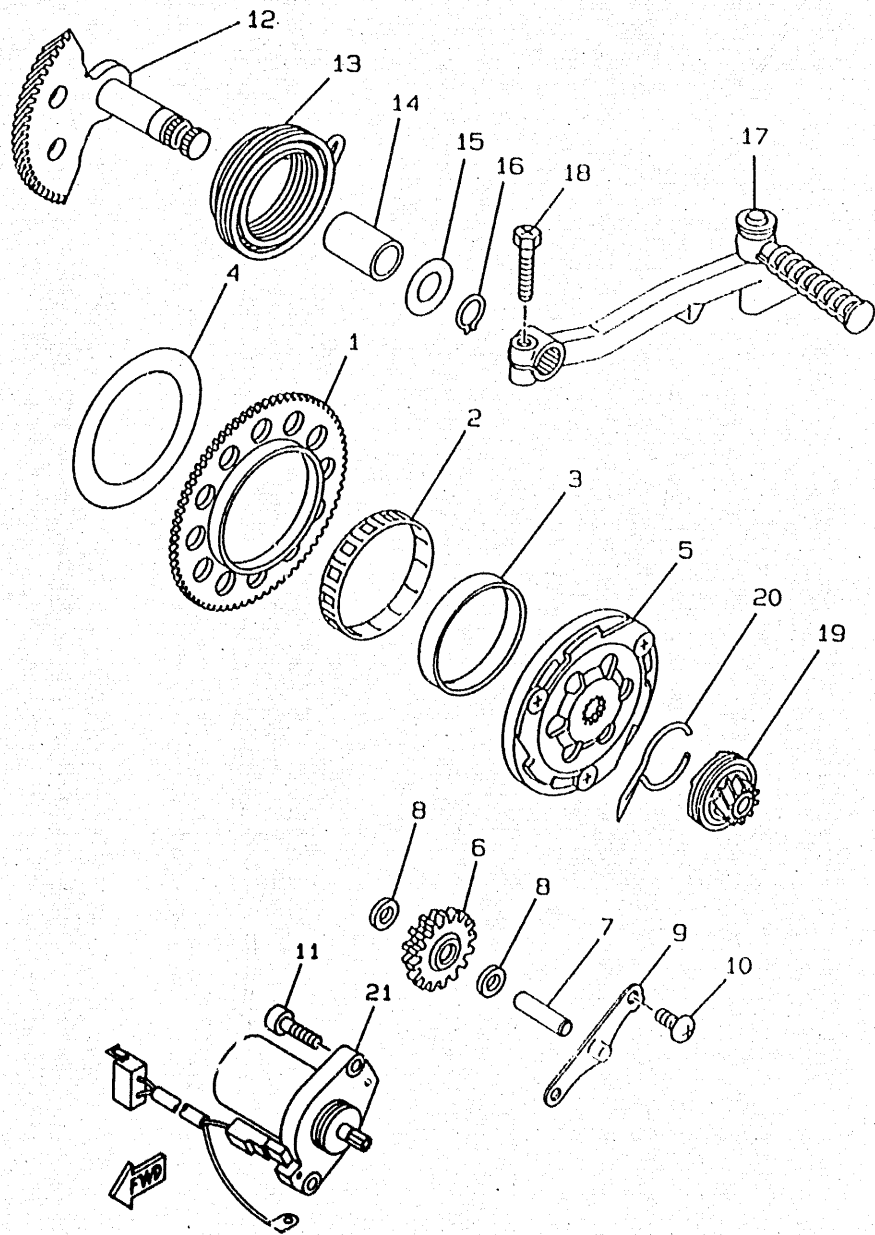


FIG 9 STARTER

REF	PART.N°	DESCRIPTION	QTY	REMARKS
1	3AA-15513-00	GEAR 1	1	
2	93310-257R1	BEARING, CYLINDRICAL	1	
3	3VL-E5528-00	BOSS, GEAR	1	
4	90201-574L1	WASHER, PLATE	1	
5	3VL-15570-00	STARTER CLUTCH ASSY	1	
6	4SB-E5650-00	IDLE GEAR ASSY	1	
7	3VL-E5659-00	SHAFT	1	
8	90201-08088	WASHER, PLATE	2	
9	3VL-E5532-00	PLATE, IDLE GEAR	1	
10	98517-06012	SCREW, PAN HEAD	2	
11	91317-06020	BOLT	2	
12	3ES-15601-00	KICK SHAFT ASSY	1	
13	90508-32609	SPRING, TORSION	1	
14	90380-15083	BUSH, SOLID	1	
15	90201-155G5	WASHER, PLATE	1	
16	99009-15400	CIRCLIP	1	
17	3VL-E5620-01	KICK CRANK ASSY	1	
18	3VL-E5793-00	SCREW	1	
19	4SB-E5631-00	GEAR, KICK PINION	1	
20	3VL-E5673-00	CLIP	1	
21	4SB-H1800-00	STARTING MOTOR ASSY	1	

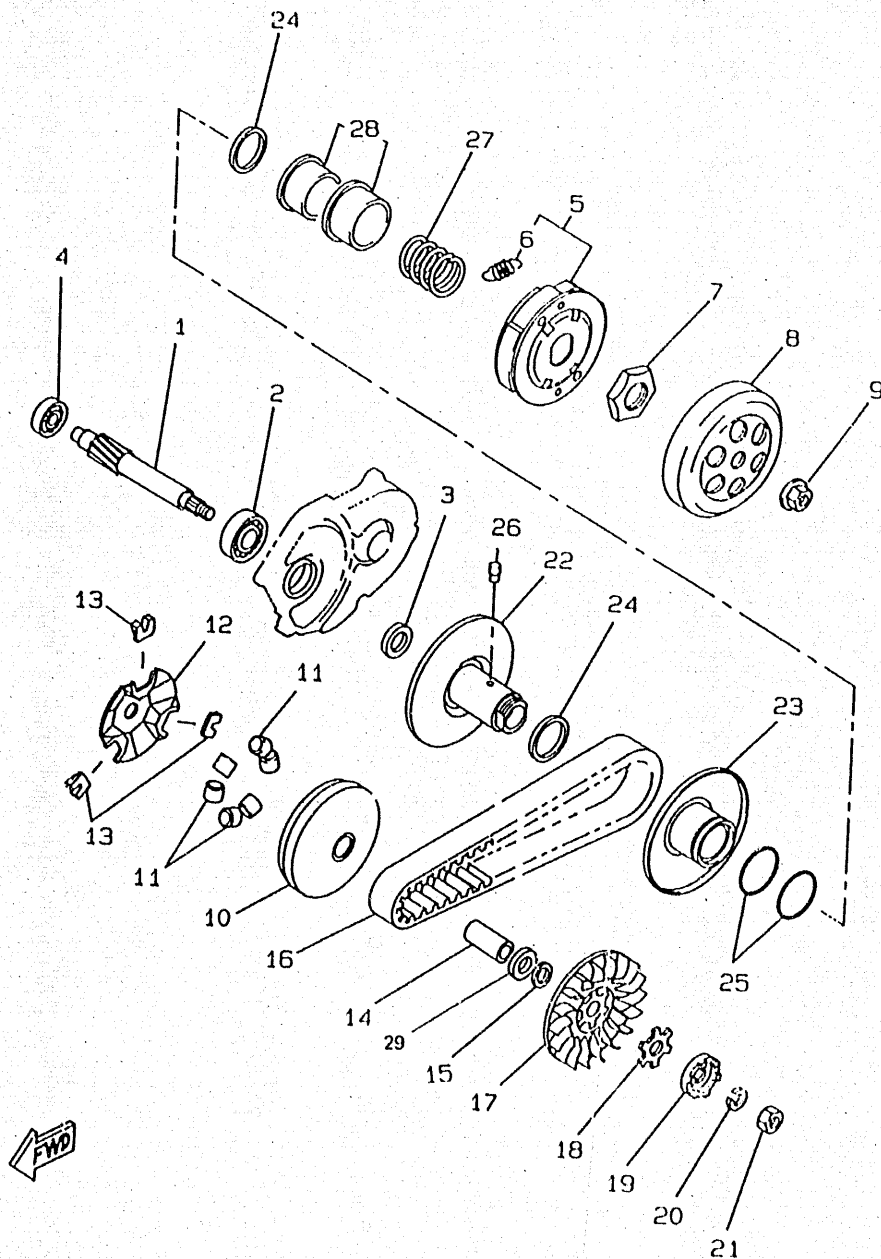


FIG 10 CLUTCH

REF	PART.N°	DESCRIPTION	QTY	REMARKS
1	3VL-E6111-00	GEAR, PRIMARY DRIVE	1	
2	93306-20301	BEARING	1	
3	93102-17342	OIL SEAL	1	
4	93306-20006	BEARING (B6200)	1	
5	3VL-E6620-02	CLUTCH CARRIER ASSY	1	
6	3VL-E6626-00	SPRING, CLUTCH WEIGHT 1	2	
7	90179-28415	NUT, POP	1	
8	24G-16611-03	CLUTCH HOUSING COMP.	2	
9	90179-10609	NUT	1	
10	4CU-E7620-00	PRIMARY SLIDING SHEAVE COMP.	1	
11	4KH-E7632-00	WEIGHT	6	
12	3VL-E7623-00	CAM	1	
13	3VL-E7653-00	SLIDER	3	
14	90387-135U9	COLLAR	1	
15	90201-133M8	WASHER, PLATE	1	
16	3AA-17641-00	V-BELT	1	
17	3VL-E7611-00	SHEAVE, PRIMARY FIXE	1	
18	90214-13055	WASHER,CLAW (0.5T)	1	
19	3VL-E5657-00	CLUTCH, ONEWAY	1	
20	90208-10012	WASHER, CONICAL SPRI	1	
21	90170-10219	NUT	1	
22	3GF-17660-02	SECOND.FIX.SHEAVE COMP.	1	
23	3WG-17608-00	SECONDARY SLIDING SHEAVE	1	
24	93109-33052	OIL SEAL	2	
25	93210-38687	O-RING	2	
26	24G-17664-00	PIN, GUIDE	2	
27	90501-351F6	SPRING, COMPRESSION	1	
28	3VL-E7604-00	SEAT SPRING SET	1	
29	4SB-E7654-00	SPACER 1	1	

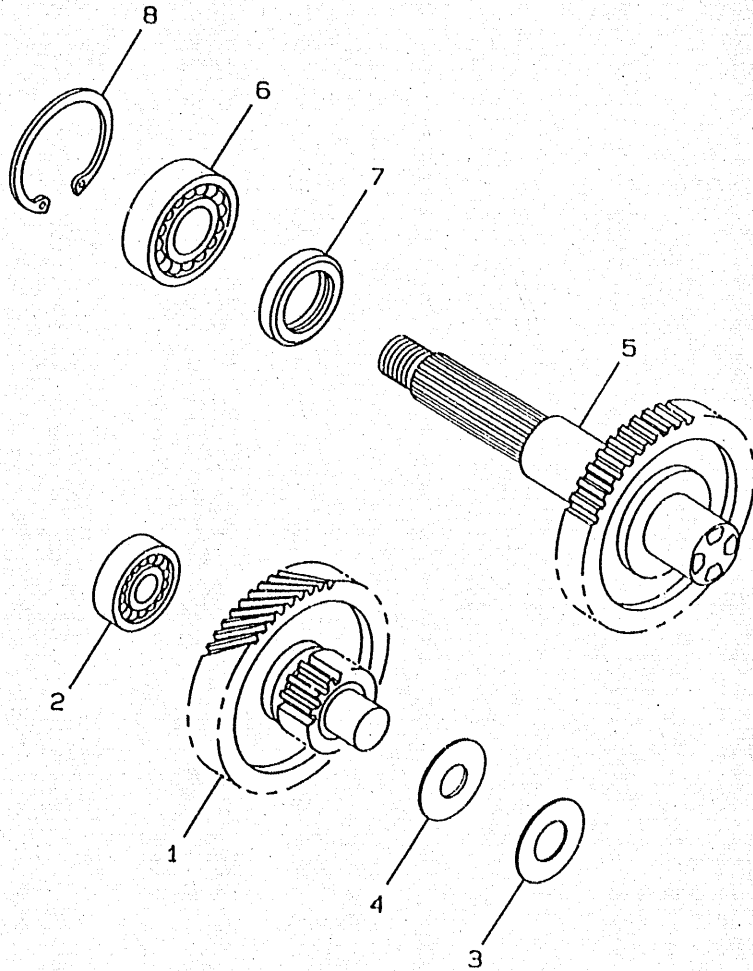
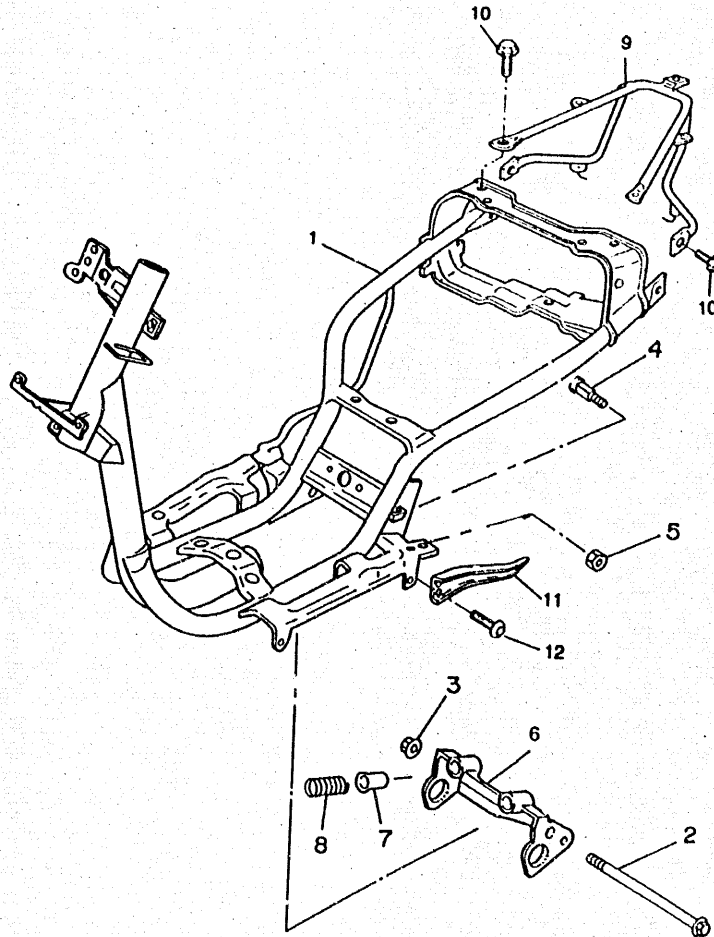


FIG . 11 TRANSMISSION

REF	PART.N°	DESCRIPTION	QTY	REMARKS
1	4SB-E/410-00	MAIN AXLE COMP.	1	
2	93306-20006	BEARING (B6200)	1	
3	90201-140G5	WASHER, PLATE	1	
4	90208-14047	WASHER, CONICAL SPRI	1	
5	4SB-E7420-00	DRIVE AXLE ASSY	1	
6	93306-20314	BEARING (B6203)	1	
7	93102-22314	OIL SEAL	1	
8	93420-40064	CIRCLIP	1	



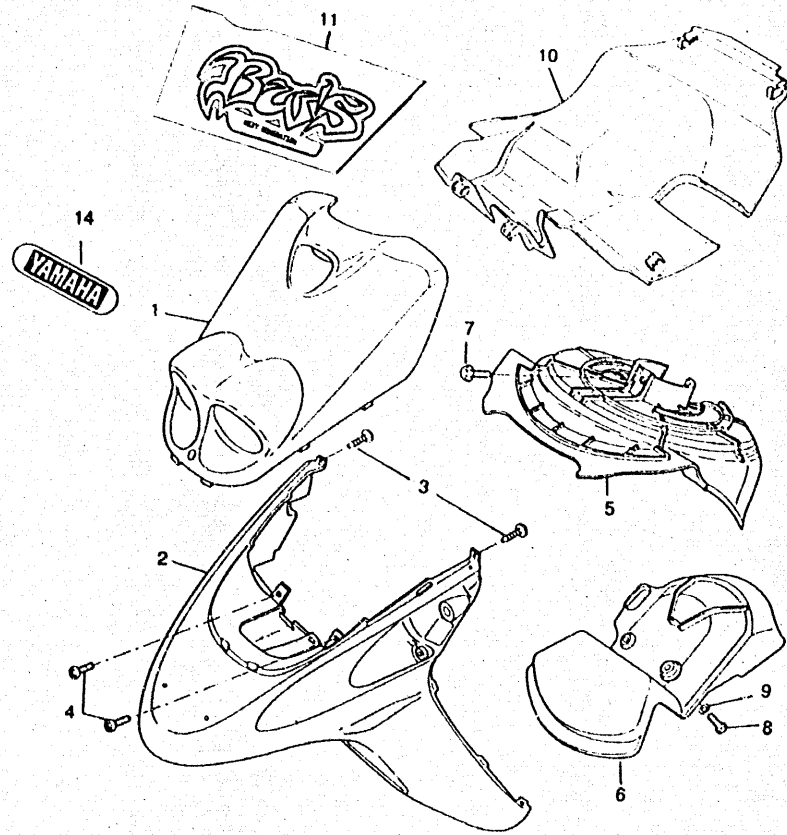
FIG 12 FRAME



REF	PART.N°	DESCRIPTION	QTY	REMARKS
1	4YB-F1110-10	FRAME COMP.	1	UR YAMAHA BLACK
2	90105-10063	BOLT, WASHER BASED	1	
3	90179-10279	NUT, POP	1	
4	2T4-21481-01	BOLT, ENGINE MOUNTIN	2	
5	95617-10100	BOLT, STUD	2	
6	3VL-F1410-11	ENGINE BRACKET COMP.	1	UR YAMAHA BLACK
7	2T4-2139X-00	DAMPER	2	
8	90501-29517	SPRING, COMPRESSION	1	
9	4SB-F1232-00	REINFORCEMENT, TAIL	1	UR YAMAHA BLACK
10	95817-08016	BOLT, FLANGE	4	
11	4SB-F7452-00	BRACKET, FOOTREST 1	1	
12	92017-08016	SCREW	2	
		NOT ILLUSTRATED		
	4TD-F1182-00	MANUFACTURER PLATE	1	
	90267-32801	RIVET, BLIND	2	



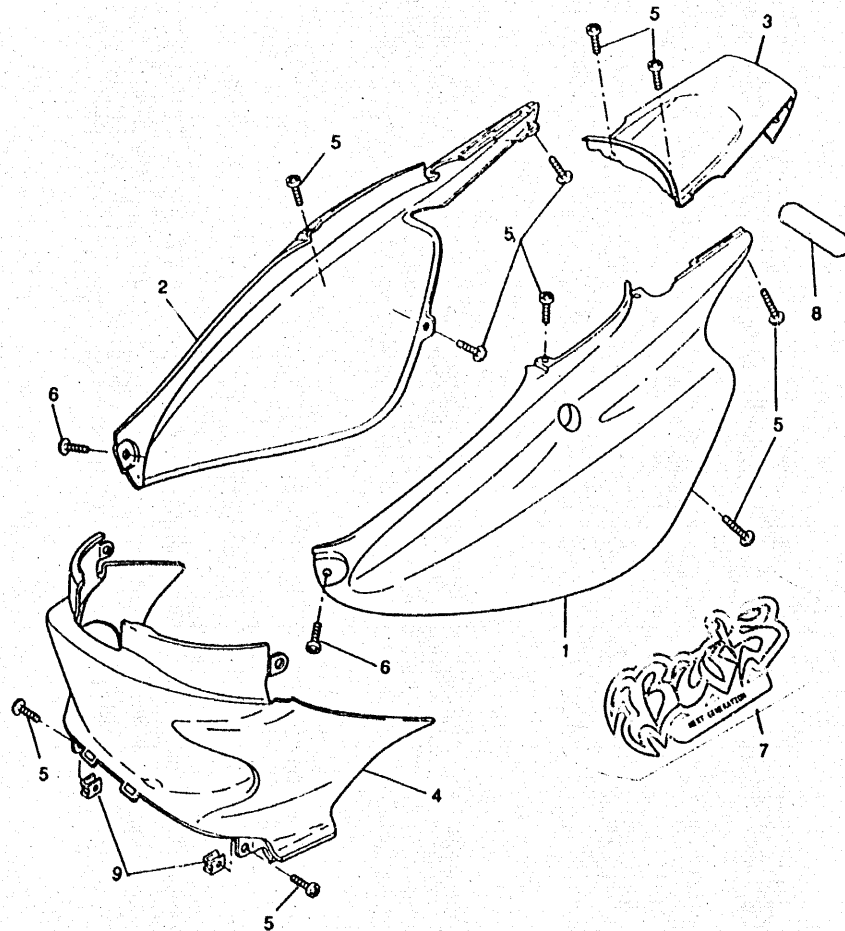
FIG 13 FENDER



REF	PART.N°	DESCRIPTION	QTY	REMARKS
1	4SB-F1511-00-4B	FENDER, FRONT	1	UR BLACK 2
	4SB-F1511-00-P8	FENDER, FRONT	1	UR YELLOWISH GRAY METALLIC 4
	4SB-F1511-00-P7	FENDER, FRONT	1	UR DULL BLUE METALLIC 4
2	4SB-F1519-50	MOLD, FENDER	1	UR YNM4
	4SB-F1519-00	MOLD, FENDER	1	BL2/DBM4
3	97707-50016	SCREW, TAPPING	2	
4	98907-06016	SCREW, BIND	2	
5	4SB-F1552-00	FENDER, INNER	1	UR BLACK
6	4SB-F1553-00	FENDER, INNER 2	1	UR BLACK
7	95817-06010	BOLT, FLANGE	1	
8	90119-06052	BOLT, WITH WASHER	2	
9	92907-06600	WASHER	1	
10	4SB-F1629-01	GUARD, MUD	1	UR BLACK
11	4SB-F1599-00	EMBLEM	1	UR BL2
	4SB-F1599-10	EMBLEM	1	UR YNM4/DBM4
12	4UP-F152A-00	EMBLEM 3 YAMAHA	1	UR BL2
	4UP-F152A-30	EMBLEM 3 YAMAHA	1	UR YNM4/DBM4



FIG 14 SIDE COVER



REF	PART.N°	DESCRIPTION	QTY	REMARKS
1	4SB-F1721-00-4B	COVER, SIDE 1	1	UR BLACK 2
	4SB-F1721-00-P8	COVER, SIDE 1	1	UR YELLOWISH GRAY METALLIC
	4SB-F1721-00-P7	COVER, SIDE 1	1	UR DULL BLUE METALLIC 4
2	4SB-F1731-00-4B	COVER, SIDE 3	1	UR BLACK 2
	4SB-F1731-00-P8	COVER, SIDE 3	1	UR YELLOWISH GRAY METALLIC
	4SB-F1731-00-P7	COVER, SIDE 3	1	UR DULL BLUE METALLIC 4
3	4SB-F171E-00-4B	COVER, SIDE 5	1	UR BLACK 2
	4SB-F171E-00-P8	COVER, SIDE 5	1	UR YELLOWISH GRAY METALLIC
	4SB-F171E-00-P7	COVER, SIDE 5	1	UR DULL BLUE METALLIC 4
4	4SB-F1711-00	COVER, SIDE 1	1	UR BLACK
5	97707-50016	SCREW, TAPPING	.0	
6	97707-50012	SCREW, TAPPING	2	
7	4SB-F174J-00	GRAPHIC 5	2	UR BL2
	4SB-F174J-10	GRAPHIC 5	2	UR YNM4/DBM4
8	4UP-F152A-00	EMBLEM 3 YAMAHA	1	UR BL2
	4UP-F152A-30	EMBLEM 3 YAMAHA	1	UR YNM4/DBM4
9	90183-05042	NUT, SPRING	2	

CONTENTS

ENGINE

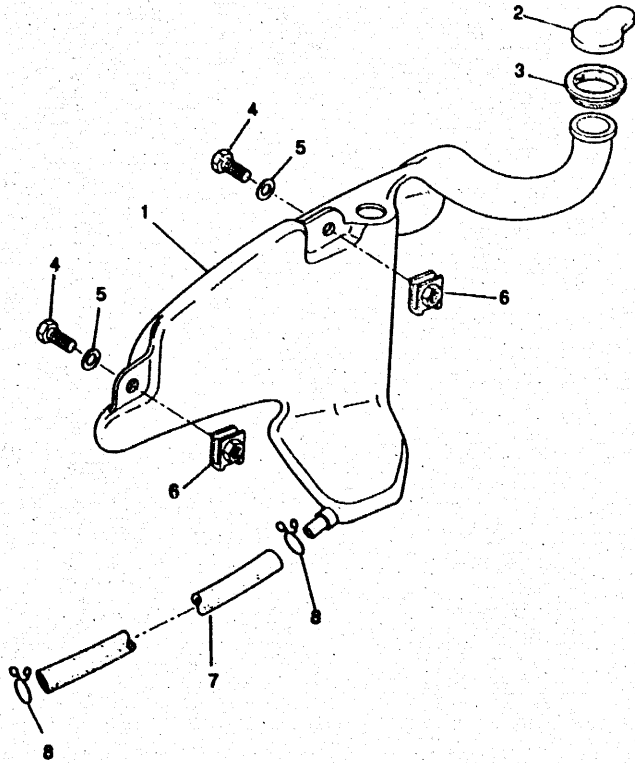
CYLINDER	B2
CRANKSHAFT-PISTON	B3
AIR SHROUD-FAN	B4
OIL PUMP	B5
INTAKE	B6
CARBURETOR	B7
EXHAUST	B8
CRANKSE	B9
STARTER.....	B10
CLUTCH.....	B11
TRANSMISSION	B12

CHASSIS

FRAME.....	B13
FENDER.....	B14
SIDE COVER	B15
OIL TANK.....	C2
REAR SUSPENSION	C3
FRONT FORK	C4

FUEL TANK	C5
SEAT CARRIER.....	C6
FRONT WHEEL	C7
FRONT BRAKE CALIPER	C8
REAR WHEEL	C9
STEERING-HANDLE-CABLE	C10
FRONT MASTER CYLINDER	C11
STAND FOOTREST	C12
LEG SHIELD	C13
COWLING	C14
GENERATOR.....	C15
FLASHER LIGHT	D2
METER	D3
HEADLIGHT.....	D4
TAILLIGHT	D5
HANDLE-SWITCH-LEVER	D6
ELECTRICAL 1	D7
ELECTRICAL 2	D8
NUMERICAL INDEX	M1 - M2

FIG 15 OIL TANK



REF	PART.N°	DESCRIPTION	QTY	REMARKS
1	4SB-F1751-00	TANK, OIL	1	
2	2N3-21771-01	BODY, CAP	1	
3	4SB-F414E-00	SEAL 2	1	
4	90119-06044	BOLT, WITH WASHER	2	
5	90201-065F3	WASHER, PLATE	2	
6	25G-21535-00	NUT 1	3	
7	90445-094J4	HOSE	1	
8	90468-02033	CLIP	2	
	4SB-H2141-00	NOT ILLUSTRATED LABEL, BATTERY	1	



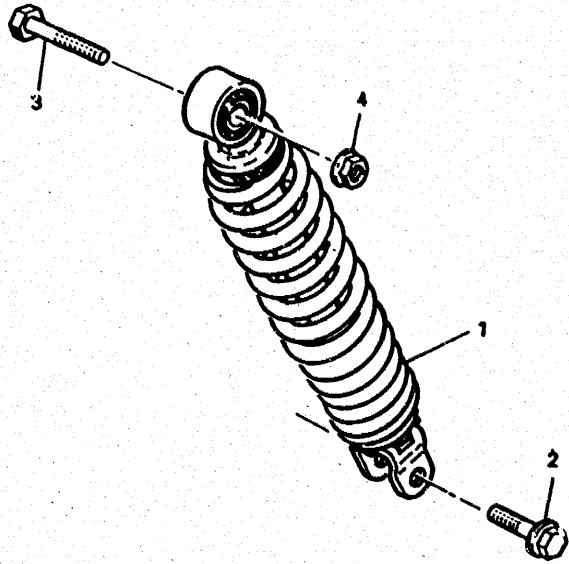


FIG . 16 REAR SUSPENSION

REF	PART.N°	DESCRIPTION	QTY	REMARKS
1	4SB-F2210-00	SHOCK ABSORBER ASSY, REAR	1	
2	90105-08121	BOLT, WASHER BASED	1	
3	90101-10776	BOLT	1	
4	95617-10200	BOLT, STUD	1	

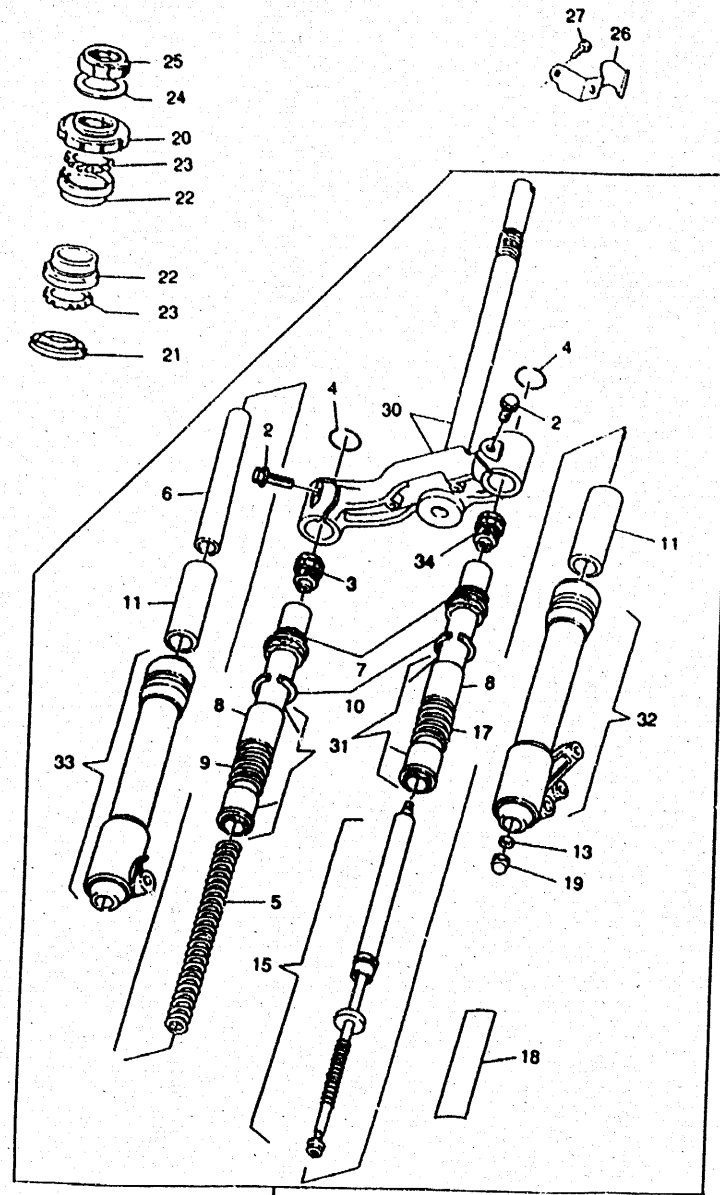
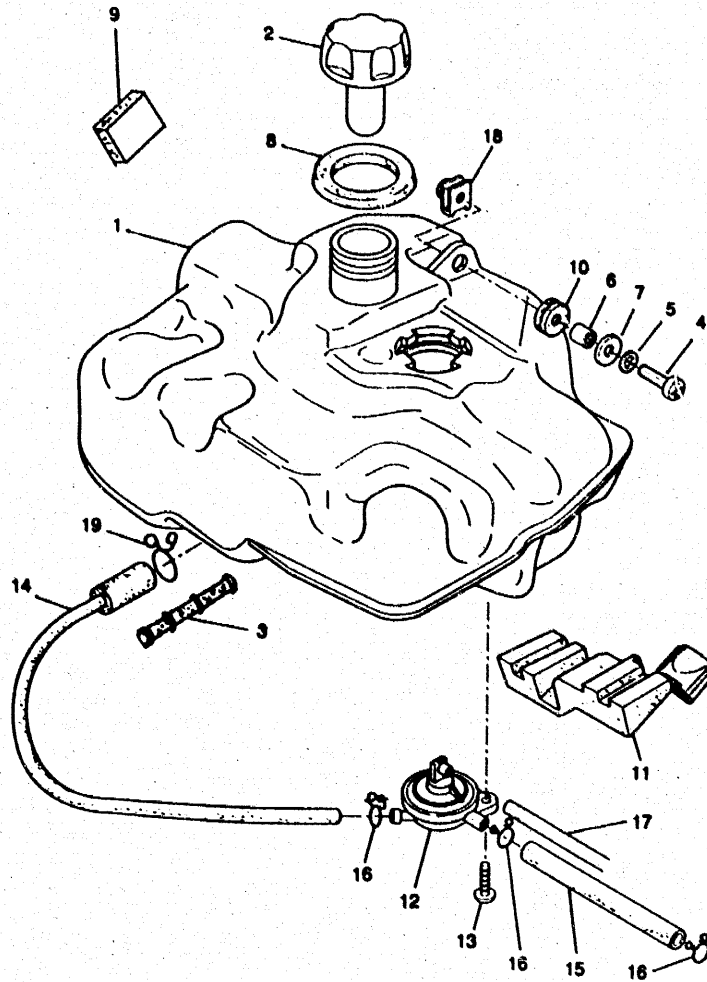


FIG 17 FRONT FORK

REF	PART.N°	DESCRIPTION	QTY	REMARKS
1	4SB-F3100-00	FRONT FORK ASSY	1	
2	4SB-F3396-00	.SCREW, SPECIAL	2	
3	4SB-F3111-00	.BOLT, CAP	1	
4	4SB-F3153-00	.RING, SNAP	2	
5	4SB-F3141-00	.SPRING, FRONT FORK	1	
6	4SB-F332L-00	.TUBE INNER	1	
7	4SB-F3144-00	.SEAL, DUST	2	
8	4SB-F319Y-00	.GUIDE PLUNGER	2	
9	4SB-F3151-00	.SPRING, REBOUND	2	
10	4SB-F3183-00	.CIRCLIP	2	
11	4SB-F3354-00	.STOPPER BOUND	2	
13	4SB-F3385-00	.WASHER, SPECIAL 1	1	
15	4SB-F330E-00	.DAMPER ASSY	1	
17	4SB-F3428-00	.SPRING	1	
18	4SB-F3108-00	.EMBLEM	2	
19	4SB-F3357-00	.NUT	1	
20	4SB-F3411-00	RACE, BALL 1	1	
21	4SB-F3414-00	RACE, BALL 4	1	
22	4SB-F3412-00	RACE, BALL 2	2	
23	4SB-F3812-00	PLANE BEARING, STEERING	2	
24	4SB-F3427-00	WASHER	1	
25	4SB-F3453-00	NUT, FITTING 1	1	
26	4SB-F5876-00	HOLDER, BRAKE HOSE 2	1	
27	95817-06010	BOLT, FLANGE	1	
30	4YB-F3340-00	.UNDER BRACKET COMP.	1	
31	4SB-F3124-00	.TUBE, INNER 1	2	
32	4SB-F3126-00	.TUBE, OUTER 1 LEFT	1	
33	4SB-F3136-00	.TUBE, OUTER 2 RIGHT	1	
34	4YB-F3111-00	.BOLT, CAP	1	

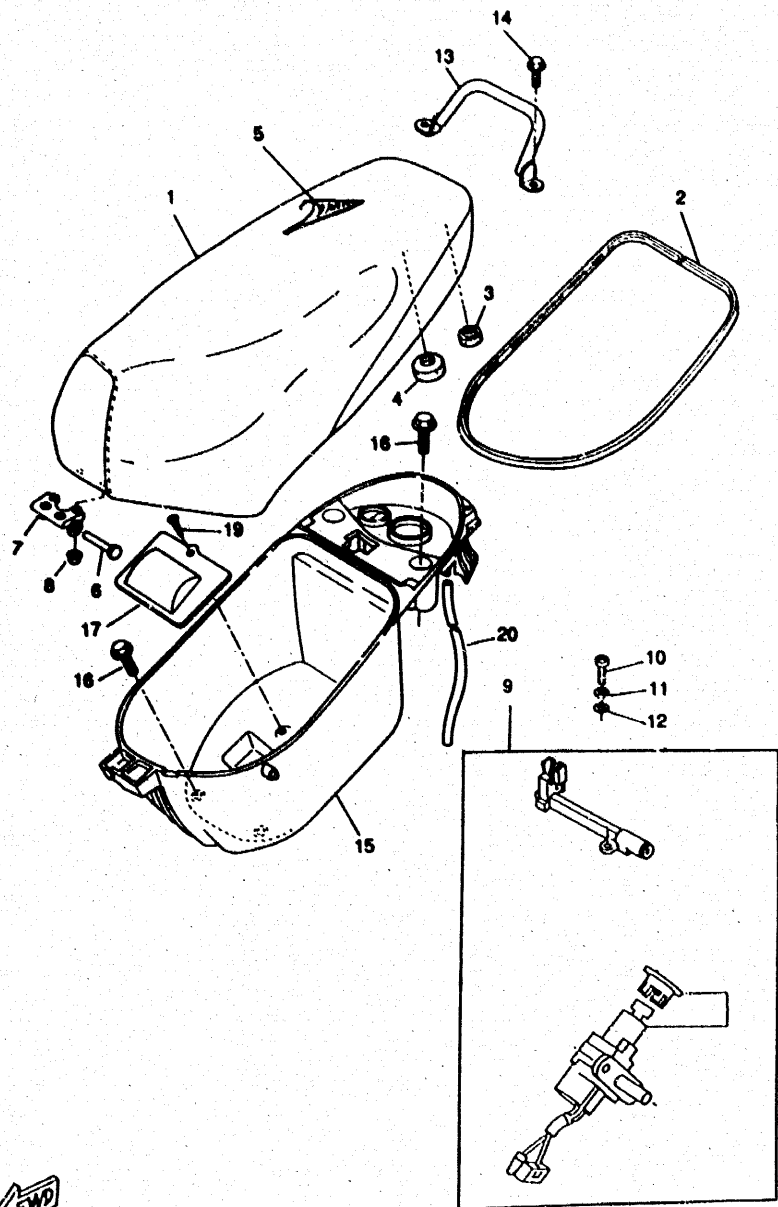
FIG 18 FUEL TANK



REF	PART.N°	DESCRIPTION	QTY	REMARKS
1	4SB-F4110-00	FUEL TANK COMP.	1	
2	4MJ-F4610-00	CAP ASSY	1	
3	4SB-F4451-01	NET, FILTER	1	
4	98507-06020	SCREW, PAN HEAD	1	
5	92907-06600	WASHER	1	
6	90387-060G7	COLIAR	1	
7	90201-065F3	WASHER, PLATE	1	
8	4SB-F414G-00	SEAL	1	
9	4SB-F174X-10	DAMPER	1	
10	90480-13398	GROMMET	1	
11	4SB-F4181-00	DAMPER, LOCATING 1	1	
12	4SB-F4500-00	FUEL COCK ASSY 1	1	
13	97707-60016	SCREW, TAPPING	1	
14	4SB-F4311-01	PIPE, FUEL 1	1	
15	4SB-F4312-00	PIPE 2	1	
16	90467-09006	CLIP	3	
17	4SB-F4335-00	PIPE, SUCTION 1	1	
18	25G-21535-00	NUT	1	
19	90467-12052	CLIP	1	

FWD

FIG 19 SEAT. CARRIER

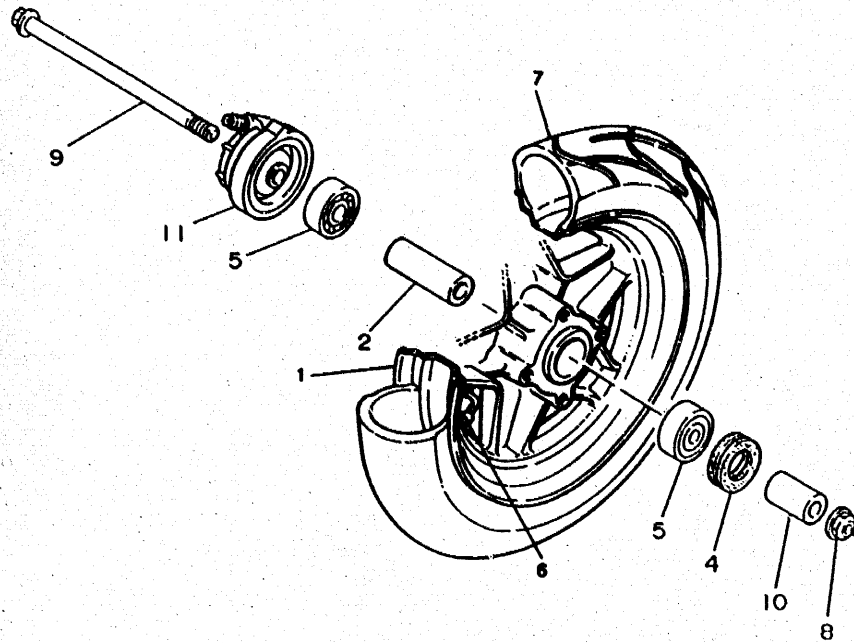


REF	PART.N°	DESCRIPTION	QTY	REMARKS
1	4SB-F4730-00	DOUBLE SEAT ASSY BLACK	1	UR BL2/DBM4
	4TD-F4730-10	DOUBLE SEAT ASSY BL/BROWN	1	UR YNM4
2	4SB-F475M-00	.SEAL	1	
3	3VL-F4741-00	.PAD, SEAT	2	
4	3VL-F4741-10	.PAD, SEAT	2	
5	4SB-F4731-00	COVER, SEAT BLACK	1	UR BL2/DBM4
	4TD-F4731-10	COVER, SEAT BLACK/BROWN	1	UR YNM4
6	90241-10017	PIN	1	
7	4CU-F4726-00	HINGE, SEAT	1	
8	95707-06500	NUT, FLANGE	2	
9	4SB-H2021-02	KEY SET	1	
10	98507-06020	SCREW, PAN HEAD	2	
11	92907-06100	WASHER	2	
12	92907-06600	WASHER	2	
13	4SB-F1185-00	HANDLE, STANDING	1	
14	95027-08016	BOLT, FLANGE	2	
15	4SB-F473R-01	BOX 1	1	
16	90109-063F1	BOLT	4	
17	4SB-F473T-00	LID 1	1	
19	97707-50016	SCREW, TAPPING	1	
20	4SB-F4318-00	PIPE, OVERFLOW	1	

FWD

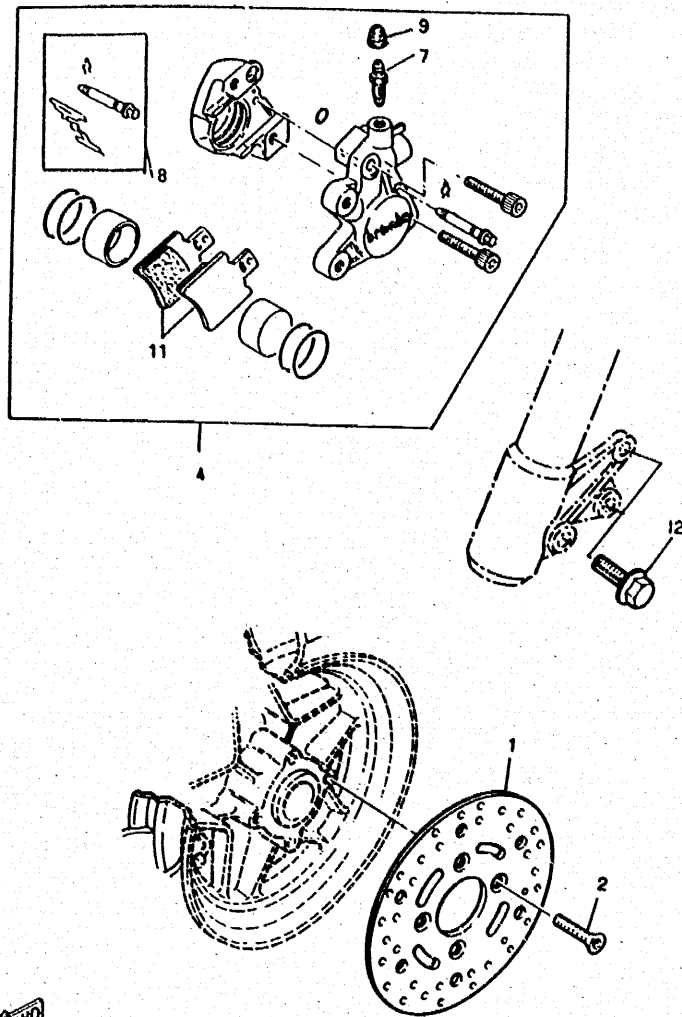
FIG 20 FRONT WHEEL

REF	PART.N°	DESCRIPTION	QTY	REMARKS
1	4SB-F5168-30	CAST WHEEL, FRONT	1	UR GRAY METALLIC 4
2	4SB-F5117-00	SPACER, BEARING	1	
4	93106-20001	OIL SEAL	1	
5	93306-300Y8	BEARING	2	
6	3VL-F5170-10	AIR VALVE ASSY	1	
7	94112-108M6	TIRE	1	120-90/10-54J
8	95617-10200	BOLT, STUD	1	
9	486-22141-01	SHAFT, PIVOT	1	
10	96387-10079	COLLAR	2	
11	4VV-F5190-00	GEAR UNIT ASSY	1	



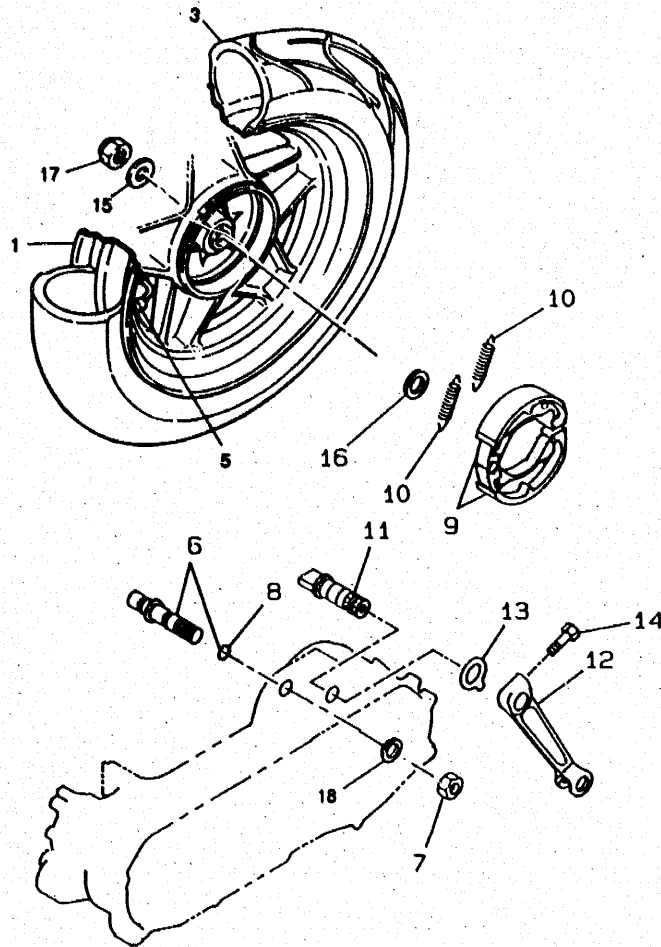
FWD

FIG . 21FRONT BRAKE CALIPER



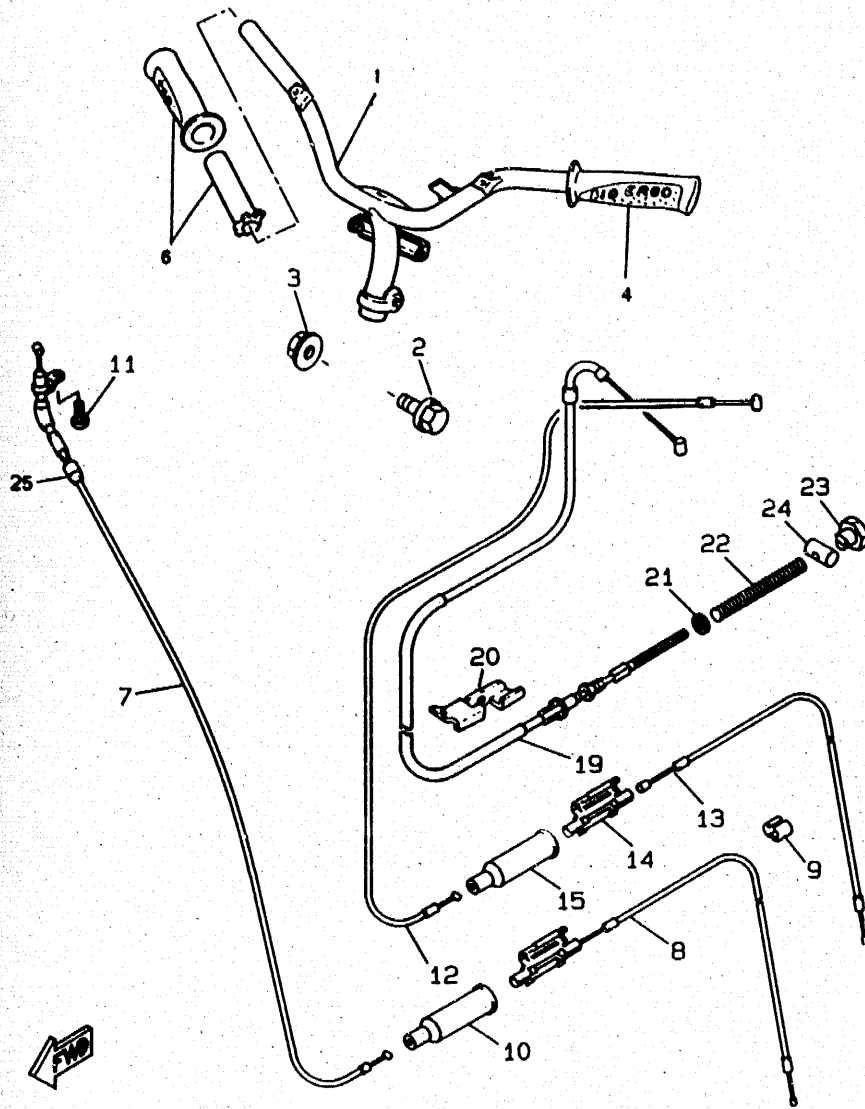
REF	PART.N°	DESCRIPTION	QTY	REMARKS
1	4SB-2582T-00	DISC, BRAKE	1	
2	90110-10223	BOLT, HEXAGON SOCKET HEAD	4	
4	4CU-F580T-20	CALIPER ASSY (LEFT)	1	
7	4CU-F5824-00	.SCREW, BREED	1	
8	4CU-F5919-00	.SUPPORT, PAD ASSY	1	
9	4CU-F5825-00	.CAP	1	
11	4CU-F5811-20	.PAD, CALIPER 2	1	
12	95817-08030	BOLT, FLANGE	2	

FIG 22 REAR WHEEL



REF	PART.N°	DESCRIPTION	QTY	REMARKS
1	4SB-F5338-30	CAST WHEEL, REAR	1	UR GRAY METALLIC 4
2	94113-108M7	TIRE	1	130-90/10-59J
5	3VL-F5170-10	AIR VALVE ASSY	1	
6	3VL-F5326-00	PIN, PIVOT	1	
7	3VL-F5182-00	NUT, AXLE	1	
8	93210-07540	O-RING	1	
9	2JL-W2536-10	BRAKE SHOE SET	1	
10	90506-15260	SPRING	2	
11	3AA-25351-00	CAMSHAFT	1	
12	3AA-25355-03	LEVER, CAMSHAFT	1	
13	3Y6-2533A-01	PLATE, INDICATOR	1	
14	90101-06291	BOLT (L:130MM)	1	
15	90201-142M6	WASHER, PLATE	1	
16	90201-177G4	WASHER, PLATE	1	
17	90185-14081	NUT, SELF-LOCKING	1	
18	3VL-F5384-00	WASHER, WHEEL	1	

FIG 23 STEERING HANDLE. CABLE



REF	PART.N°	DESCRIPTION	QTY	REMARKS
1	4SB-F6110-00	HANDLE COMP.	1	
2	90105-10036	BOLT, WASHER BASED	1	
3	95617-10200	BOLT, STUD	1	
4	4SB-F6241-00	GRIP (LEFT)	1	
6	4SB-F6240-00	GRIP ASSY	1	
7	3VL-F6311-01	CABLE, THROTTLE 1	1	
8	3VL-F6312-01	CABLE, THROTTLE 2	1	
9	90468-15009	CLIP	1	
10	3WG-F6329-00	CAP, RUBBER	1	
11	98507-05010	SCREW, PAN HEAD	1	
12	4SB-F6331-00	CABLE, STARTER 1	1	
13	3VL-F6334-02	CABLE, STARTER 2	1	
14	3VL-F6261-00	CONNECTOR, CABLE	1	
15	3WG-F6329-00	CAP, RUBBER	1	
19	4SB-F6351-00	CABLE, BRAKE	1	
20	4SB-F6475-00	HOLDER	1	
21	90202-08175	WASHER, PLATE	1	
22	90501-122E1	SPRING, COMPRESSION	1	
23	90179-06411	NUT	1	
24	90249-12008	PIN	1	
25	3VL-F6262-00	CAP, CABLE CONNECTOR	2	

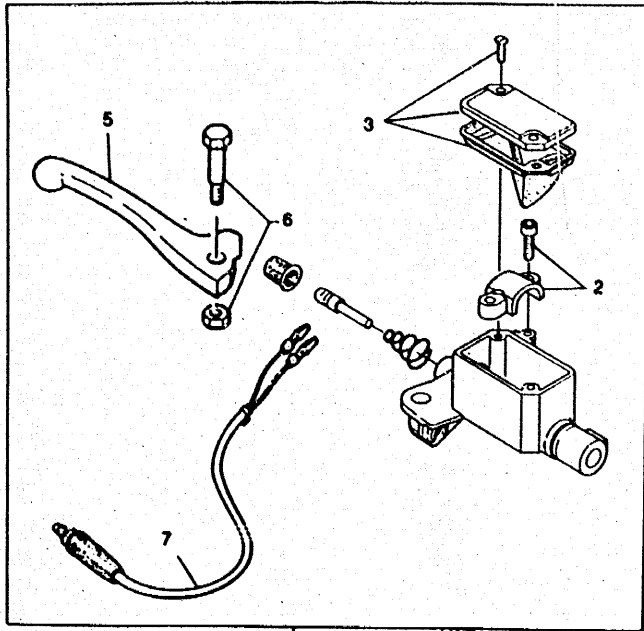
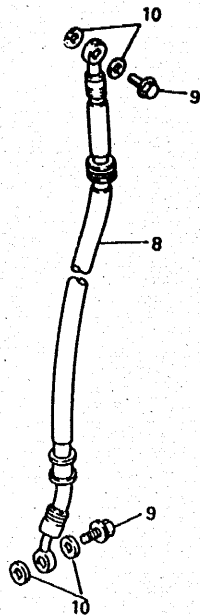


FIG . 24FRONT MASTER CYLINDER

REF	PART.N°	DESCRIPTION	QTY	REMARKS
1	4SB-F583T-00	MASTER CYLINDER ASSY	1	
2	4SB-F5867-00	.BRACKET, MASTER CYLINDER	1	
3	4SB-F5852-00	.CAP, RESERVOIR	1	
5	4SB-H3922-00	.LEVER 2	1	
6	4SB-H3945-00	.BOLT, LEVER	1	
7	4SB-H3980-00	.FRONT STOP SWITCH ASSY	1	
8	4SB-F5872-01	HOSE, BRAKE 1	1	
9	90401-10159	BOLT, UNION	2	
10	90201-10118	WASHER, PLATE	4	



FWD

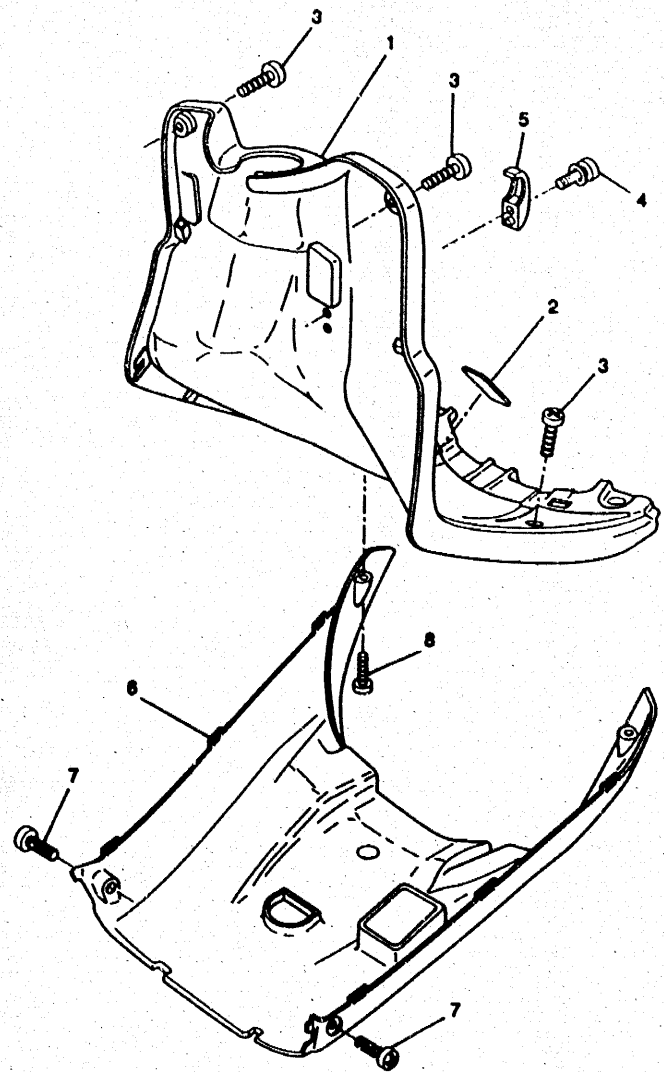
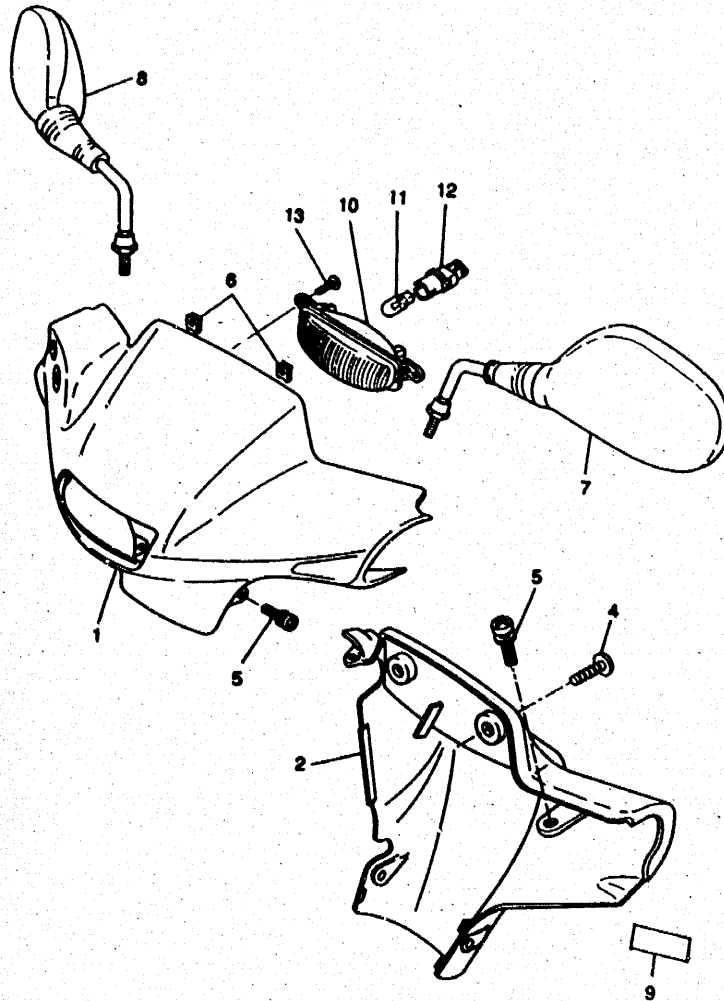


FIG 26 LEG SHIELD

REF	PART.N°	DESCRIPTION	QTY	REMARKS
1	4SB-F8312-01	LEG SHIELD 2	1	UR YAMAHA BLACK
2	3WV-F8349-10	CAP	1	UR YAMAHA BLACK
3	97707-50016	SCREW, TAPPING	4	
4	4UP-F1532-00	BOLT 2	1	
5	4SB-F1398-00	HANGER, HELMET	1	UR YAMAHA BLACK
6	4SB-F8385-00	COVER, LOWER	1	UR BL2/DBM4
	4SB-F8385-70	COVER, LOWER	1	UR YNM4
7	4SB-F8382-00	SCREW, SPECIAL	2	
8	97707-50016	SCREW, TAPPING	2	

← FWD

FIG 27 COWLING 1



REF	PART.N°	DESCRIPTION	QTY	REMARKS
1	4SB-F6143-00-4B	COVER, HANDLEBAR UPPER 1	1	UR BLACK 2
	4SB-F6143-00-P9	COVER, HANDLEBAR UPPER 1	1	UR YELLOWISH GRAY METALLIC 4
	4SB-F6143-00-P8	COVER, HANDLEBAR UPPER 1	1	UR DULL BLUE METALLIC 4
2	4SB-F6145-00	COVER, HANDLEBAR UPPER 2	1	UR YAMAHA BLACK
4	97707-50016	SCREW, TAPPING	2	
5	90159-05134	SCREW, WITH WASHER	4	
6	90183-05042	NUT, SPRING	2	
7	4SB-F6280-00	MIRROR (LEFT)	1	
8	4SB-F6290-00	MIRROR (RIGHT)	1	
9	4CU-F1568-00	LABEL, WARNING	1	
10	4SB-H3530-00	PILOT LIGHT ASSY	1	
11	3WW-H4347-00	BULB LICENCE LIGHT	1	
12	3UP-H4346-00	SOCKET, PILOT LIGHT	1	
13	97707-50016	SCREW, TAPPING	2	



CONTENTS

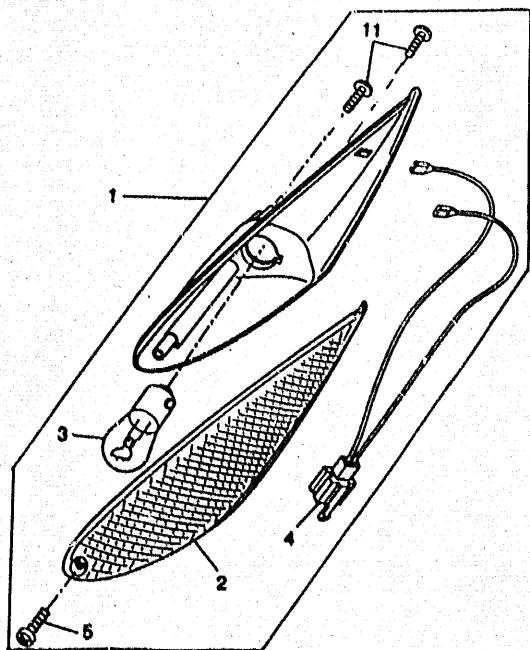
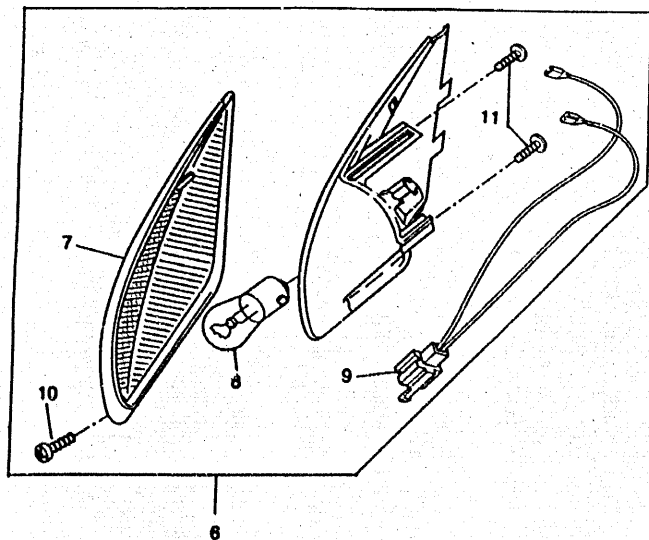
ENGINE

CYLINDER	B2
CRANKSHAFT-PISTON	B3
AIR SHROUD-FAN	B4
OIL PUMP	B5
INTAKE	B6
CARBURETOR	B7
EXHAUST	B8
CRANKSE	B9
STARTER.....	B10
CLUTCH.....	B11
TRANSMISSION	B12

CHASSIS

FRAME.....	B13
FENDER.....	B14
SIDE COVER	B15
OIL TANK.....	C2
REAR SUSPENSION	C3
FRONT FORK	C4

FUEL TANK	C5
SEAT CARRIER.....	C6
FRONT WHEEL	C7
FRONT BRAKE CALIPER	C8
REAR WHEEL	C9
STEERING-HANDLE-CABLE	C10
FRONT MASTER CYLINDER	C11
STAND FOOTREST	C12
LEG SHIELD	C13
COWLING	C14
GENERATOR.....	C15
FLASHER LIGHT	D2
METER	D3
HEADLIGHT.....	D4
TAILLIGHT	D5
HANDLE-SWITCH-LEVER	D6
ELECTRICAL 1	D7
ELECTRICAL 2	D8
NUMERICAL INDEX	M1 - M2



← FWD

FIG . 29FLASHER LIGHT

REF	PART.N°	DESCRIPTION	QTY	REMARKS
1	4SB-H3310-00	FRONT FLASHER LIGHT ASSY1	1	
2	4SB-H3312-00	.LENS, FLASHER	1	
3	NH7-H3311-00-0	.BULB 12V.21W.	1	
4	4KH-H331N-00	.WIRE FLASHER 1	1	
5	4KH-H3333-00	.SCREW, LENS FITTING	1	
6	4SB-H3320-00	FRONT FLASHER LIGHT ASSY2	1	
7	4SB-H3322-00	.LENS, FLASHER 2	1	
8	NH7-H3311-00-0	.BULB 12V.21W.	1	
9	4KH-H332N-00	.WIRE FLASHER 2	1	
10	4KH-H3333-00	.SCREW, LENS FITTING	1	
11	97707-50016	SCREW, TAPPING	4	

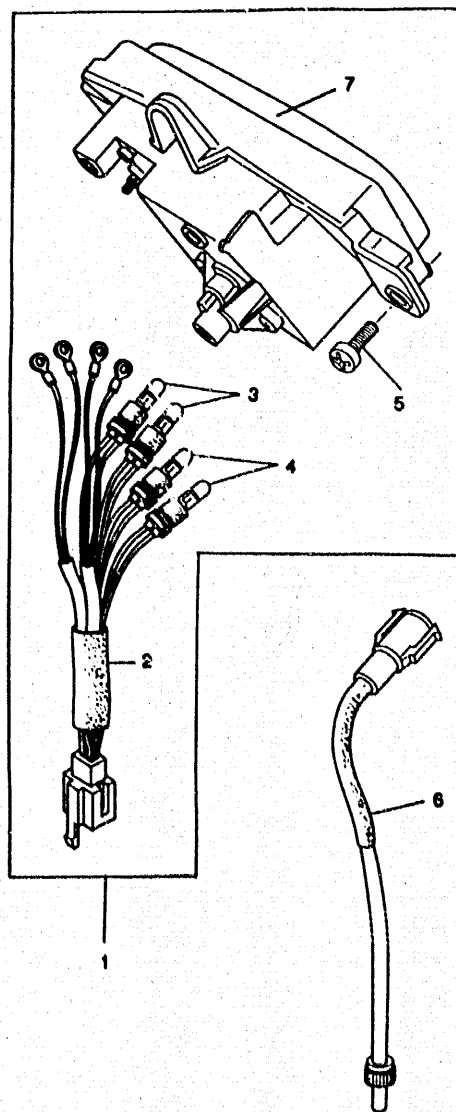
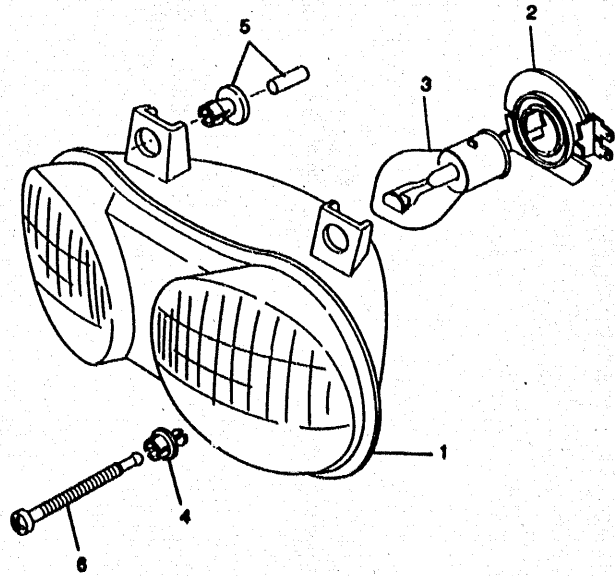


FIG 30 METER

REF	PART.N°	DESCRIPTION	QTY	REMARKS
1	4SB-H3510-00	SPEEDOMETER ASSY	1	
2	4SB-H3509-00	.SOCKET CORD ASSY	1	
3	4SB-H4347-00	.BULB LICENCE LIGHT	2	
4	NJ9-H4744-00-01	.BULB	2	
5	97707-50020	SCREW, TAPPING	2	
6	4SB-H3550-00	SPEEDOMETER CABLE ASSY	1	
7	4SB-H353K-00	.GLASS PLATE	1	

FWD

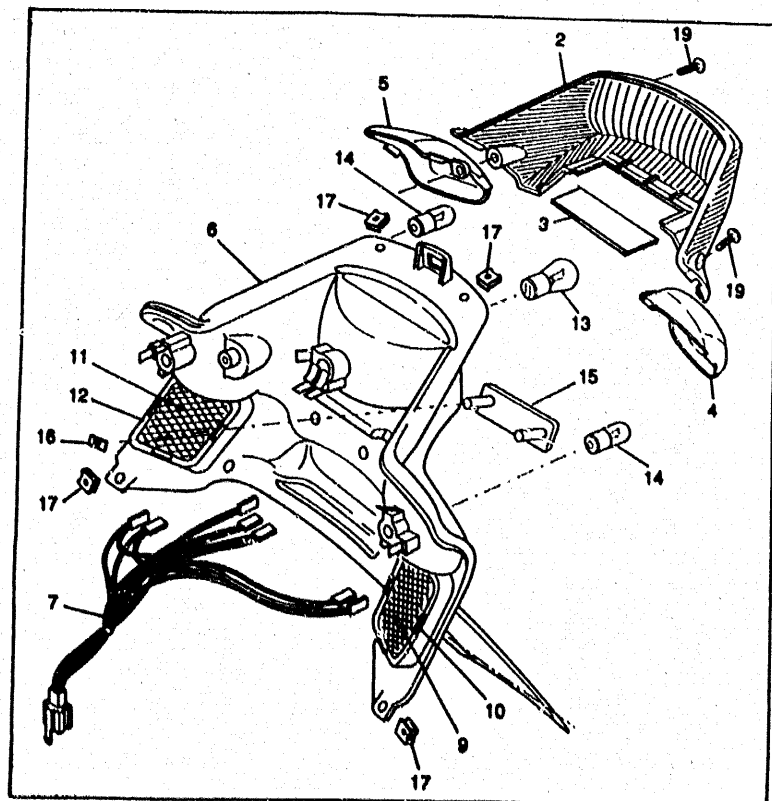
FIG 31 HEADLIGHT



REF	PART.N°	DESCRIPTION	QTY	REMARKS
1	4SB-H4320-00	LENS ASSY	1	
2	4SB-H4146-00	.SOCKET, PILOT LIGHT	1	
3	4SB-H4314-00	.BULB, HEADLIGHT	1	
4	4SB-H4387-00	.HOLDER	1	
5	3VL-H4316-00	NUT, BODY FITTING	2	
6	4SB-H4337-00	BOLT, SPECIAL	1	

← FWD

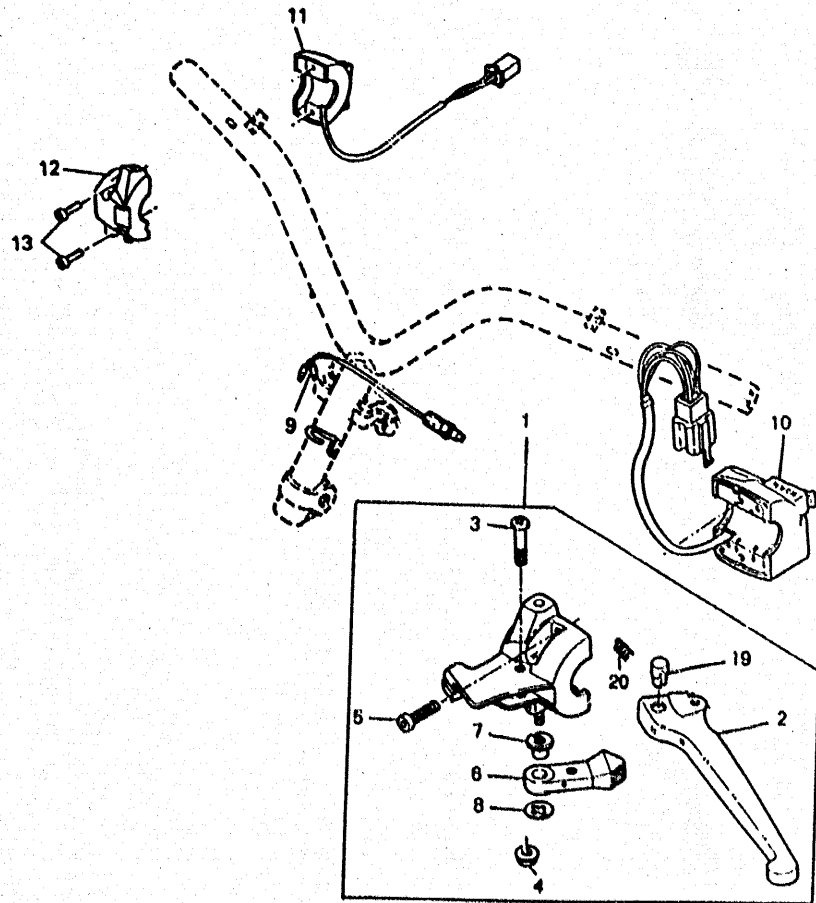
FIG . 32TAILLIGHT



REF	PART.N°	DESCRIPTION	QTY	REMARKS
1	4SB-H4700-00	TAILLIGHT ASSY	1	
2	4SB-H4721-00	.LENS, TAILLIGHT	1	
3	4SB-H4743-00	.LENS, LICENCE LIGHT	1	
4	4SB-H3332-00	.LENS, FLASHER	1	
5	4SB-H3342-00	.LENS, FLASHER 2	1	
6	4SB-H4711-00	.BASE, TAILLIGHT	1	
7	4SB-H4717-00	.CORD, TAILLIGHT	1	
8	4SB-H4374-00	.CLIP	2	
9	4SB-H336E-00	.PLATE,ARMATURE 1	1	
10	4SB-H336T-00	.HOLDER,1	1	
11	4SB-H336F-00	.PLATE,ARMATURE 2	1	
12	4SB-H336U-00	.HOLDER,2	1	
13	3HL-H4535-00	.BULB	1	
14	NDH-H3311-00-0	.BULB	1	
15	4SB-H5130-00	REAR REFLECTOR ASSY	1	
16	90468-04814	CLIP	2	
17	90183-05042	NUT, SPRING	4	
18	90119-06213	BOLT, WITH WASHER	2	
19	4SB-H4724-00	.SCREW, LENS FITTING	2	



FIG 33 HANDLE SWITCH. LEVER



REF	PART.N°	DESCRIPTION	QTY	REMARKS
1	4SB-H2910-01	LEVER HOLDER ASSY (LEFT)	1	
2	4SB-H3912-00	.LEVER 1	1	
3	3VL-H3915-00	.SCREW, LEVER FITTING	1	
4	3VL-H3916-00	.NUT, LEVER FITTING	1	
5	3VL-H3945-00	.BOLT, LEVER	2	
6	4SB-H3941-00	.LEVER, STARTER	1	
7	3VL-H3982-00	.COLLAR, DECOMPRESSIO	1	
8	3VL-H3943-00	.WASHER, STARTER	1	
9	3VL-H3980-00	FRONT STOP SWITCH AS	1	
10	4CA-H3976-11	SWITCH, HANDLE 1	1	
11	4KH-H3975-11	SWITCH, HANDLE 2	1	
12	4CU-H3987-01	CASE, SWITCH LOWER	1	
13	3VL-H3945-00	BOLT LEVER	2	
19	3VL-F636A-00	.END, WIRE 1	1	
20	4KH-H3982-00	.SPRING	1	



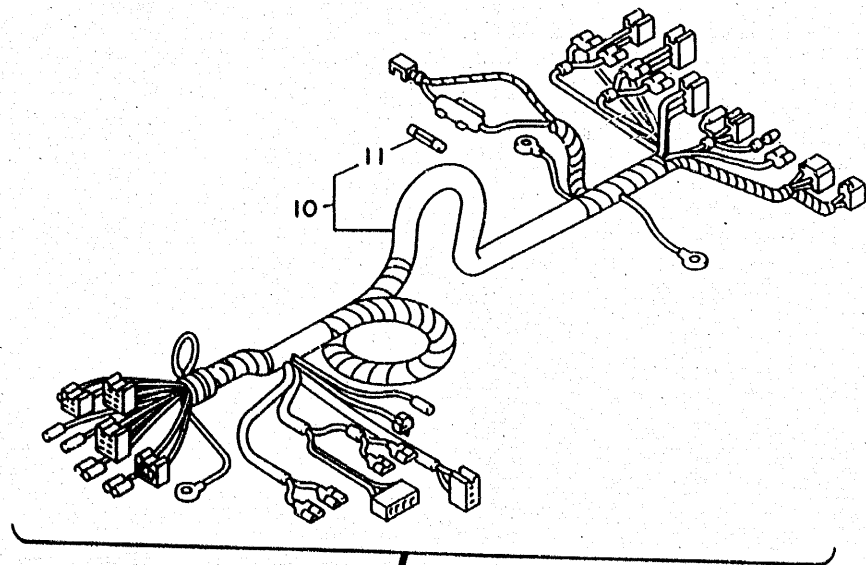
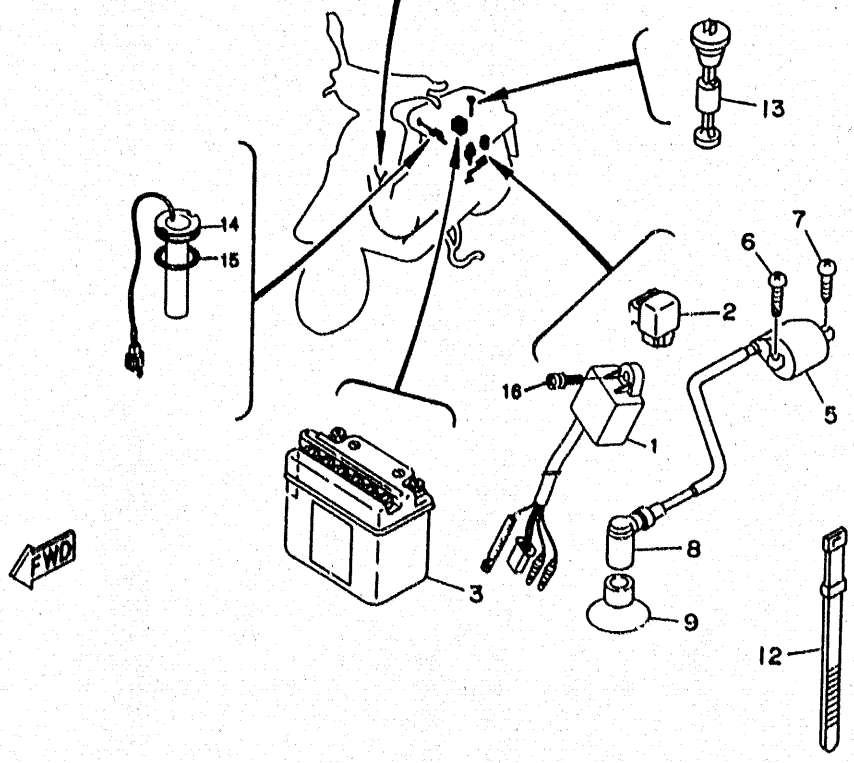


FIG 35 ELECTRICAL2

REF	PART.N°	DESCRIPTION	QTY	REMARKS
1	3KJ-85540-10	C.D.I. UNIT ASSY	1	
2	29U-81950-93	RELAY ASSY	1	
3	4CU-H2110-00	BATTERY ASSY	1	FIAMM
	4SB-H2110-00	BATTERY ASSY	1	YUASA
5	3KJ-82310-01	IGNITION COIL ASSY	1	
6	97017-06016	BOLT	1	
7	90153-06034	SCREW, HEXAGON	1	
8	3WG-H2370-10	PLUG CAP ASSY	1	
9	3WG-H2372-00	SEAL, PLUG CAP	1	
10	4SB-H2590-00	WIRE HARNESS ASSY	1	
11	27V-82151-00	FUSE	1	
12	4KH-H3936-00	BAND, SWITCH CORD	2	
13	4SB-H5720-00	OIL LEVEL GAUGE ASSY	1	
14	4SB-H5752-00	SENDER UNIT ASSY, FUEL METER	1	
15	4SB-H5753-03	GASKET, SENDER UNIT	1	
16	4UP-F1532-00	BOLT 2	1	



NUMERICAL INDEX

4SB	13100.00	B5	3VL	E1633.00	B3	4SB	E479X.00	B8	4CU	F1568.00	C14	4SB	F4311.01	C5	3VL	F6334.02	C10
3AA	13124.00	B5	4SB	E1636.00	B3	3VL	E5128.00	B9	4SB	F1599.00	B14	4SB	F4312.00	C5	4SB	F6351.00	C10
2GM	13178.00	B5	3VL	E2611.00	B4	3VL	E5150.00	B9	4SB	F1599.10	B14	4SB	F4318.00	C6	3VL	F636A.00	D6
1YU	13185.00	B5	3VL	E2651.00	B4	3VL	E5317.00	B9	4SB	F1629.01	B14	4SB	F4335.00	C5	4SB	F6475.00	C10
1YU	13187.00	B5	3VL	E2653.00	B4	3VL	E5363.00	B9	4SB	F1711.00	B15	4SB	F4451.01	C5	4SB	F7111.00	C12
1YU	13418.00	B5	3VL	E2658.00	B4	3VL	E5371.00	B9	4SB	F171E.00.4B	B15	4SB	F4500.00	C5	4SB	F7112.00	C12
1YU	13473.00	B5	3VL	E2658.00	B4	3VL	E5411.00	B9	4SB	F171E.00.P7	B15	4MJ	F4610.00	C5	4SB	F7117.00	C12
1YU	13516.00	B5	3VL	E3555.00	B6	3VL	E5421.00	B9	4SB	F171E.00.P8	B15	4CU	F4726.00	C6	4SB	F7117.10	C12
1YU	13577.00	B5	3VL	E3610.00	B6	3VL	E5451.00	B9	4SB	F1721.00.4B	B15	4SB	F4730.00	C6	4SB	F7452.00	B13
4KN	13621.00	B6	4SB	E4.103.01	B7	3VL	E5461.00	B9	4SB	F1721.00.P7	B15	4TD	F4730.10	C6	4SB	F7481.00	C12
3HK	14613.00	B8	4SB	E4104.00	B7	3VL	E5462.00	B9	4SB	F1721.00.P8	B15	4SB	F4731.00	C6	4SB	F8312.01	C13
2JA	14737.00	B8	4SB	E4115.00	B7	3VL	E5528.00	B10	4SB	F1731.00.4B	B15	4TD	F4731.10	C6	3WV	F8349.10	C13
4FB	14766.00	B8	4SB	E4124.00	B7	3VL	E5532.00	B10	4SB	F1731.00.P7	B15	4SB	F473R.01	C6	4SB	F8382.00	C13
3HK	14766.01	B8	4SB	E4133.01	B7	3VL	E5620.01	B10	4SB	F1731.00.P8	B15	4SB	F473T.00	C6	4SB	F8385.00	C13
3AA	15513.00	B10	4SB	E4134.00	B7	4SB	E5631.00	B10	4SB	F1741.00	C12	3VL	F4741.00	C6	4SB	F8385.70	C13
3VL	15570.00	B10	4SB	E4137.00	B7	4SB	E5650.00	B10	4SB	F174J.10	B15	3VL	F4741.10	C6	4SB	H1800.00	B10
3ES	15601.00	B10	4SB	E4148.01	B7	3VL	E5657.00	B11	4SB	F174J.10	B15	4SB	F475M.00	C6	4VV	H1960.00	D7
24G	16611.03	B11	4SB	E4161.00	B7	3VL	E5659.00	B9	4SB	F174X.00	C12	4SB	F5117.00	C7	4SB	H2021.02	C6
3WG	17608.00	B11	4SB	E4216.00	B7	3VL	E5659.00	B10	4SB	F174X.10	C5	4SB	F5168.30	C7	4SB	H2021.02	D7
3AA	17641.00	B11	4SB	E4216.10	B7	3VL	E5673.00	B10	4SR	F174X.10	C12	3VL	F5170.10	C7	4CU	H2110.00	D8
3GF	17660.02	B11	4SB	E4283.01	B7	3VL	E5793.00	B10	4SB	F1751.00	C2	3VL	F5170.10	C9	4SB	H2110.00	D8
24G	17664.00	B11	4SB	E4301.00	B7	3VL	E6111.00	B11	4SB	F2210.00	C3	3VL	F5182.00	C9	4SB	H2141.00	C2
2T4	2139X.00	B13	4SB	E4312.02	B7	3VL	E6620.02	B11	4SB	F3100.00	C4	4VV	F5190.00	C7	4VV	H2532.00	D7
2T4	21481.01	B13	4SB	E4318.00	B7	3VL	E6626.00	B11	4SB	F3108.00	C4	3VL	F5326.00	C9	4SB	H2590.00	D8
25G	21535.00	C2	4SB	E4325.00	B7	4SB	E7410.00	B12	4SB	F3111.00	C4	4SB	F5338.30	C9	4SB	H2910.01	D6
25G	21535.00	C5	4SB	E4331.02	B7	4SB	E7420.00	B12	4YB	F3111.00	C4	3VL	F5384.00	C9	4SB	H3310.00	D2
2N3	21771.01	C2	4SB	E4335.00	B7	3VL	E7604.00	B11	4SB	F3124.00	C4	4CU	F580T.20	C8	NDH	H3311.00.01	D5
486	22141.01	C7	4SB	E4336.00	B7	3VL	E7611.00	B11	4SB	F3126.00	C4	4CU	F5811.20	C8	NH7	H3311.00.01	D2
164	22216.00	B9	4SB	E4341.00	B7	4CU	E7620.00	B11	4S3	F3136.00	C4	4CU	F5824.00	C8	NH7	H3311.00.01	D2
3Y6	2533A.01	C9	4SB	E4342.00	B7	3VL	E7623.00	B11	4SB	F3141.00	C4	4CU	F5825.00	C8	4SB	H3312.00	D2
3AA	25351.00	C9	4SB	E4343.00	B7	4KH	E7632.00	B11	4SB	F3144.00	C4	4SB	F583T.00	C11	4KH	H331N.00	D2
3AA	25355.03	C9	4SB	E4344.01	B7	3VL	E7653.00	B11	4SB	F3151.00	C4	4SB	F5852.00	C11	4SB	H3320.00	D2
4SB	2582T.00	C8	4SB	E4357.00	B7	4SB	E7654.00	B11	4SB	F3153.00	C4	4SB	F5867.00	C11	4SB	H3322.00	D2
29U	81950.93	D8	4SB	E4358.00	B7	4YB	F1110.10	B13	4SB	F3183.00	C4	4SB	F5872.01	C11	4KH	H332N.00	D2
27V	82151.00	D8	4SB	E4368.01	B7	4SB	F1165.00	C6	4SB	F319Y.00	C4	4SB	F5876.00	C4	4SB	H3332.00	D5
3KJ	82310.01	D8	4SB	E4369.00	B7	4TD	F1182.00	B13	4SB	F330E.00	C4	4CU	F5919.00	C8	4KH	H3333.00	D2
56J	82370.00	D8	4SB	E4371.00	B7	4SB	F1232.00	B13	4SB	F332L.00	C4	4SB	F6110.00	C10	4KH	H3333.00	D2
3KJ	82372.00	D8	4SB	E4377.00	B7	4SB	F1238.00	B9	4YB	F3340.00	C4	4SB	F6143.00.4B	C14	4SB	H3342.00	D5
4SB	83350.00	D7	4SB	E4381.00	B7	4SB	F1398.00	C13	4SB	F3354.00	C4	4SB	F6143.00.P8	C14	4SB	H336E.00	D5
3KJ	85540.10	D8	4SB	E4385.00	B7	3VL	F1410.11	B13	4SB	F3357.00	C4	4SB	F6143.00.P9	C14	4SB	H336F.00	D5
2JA	85550.00	C15	4SB	E4386.00	B7	4SB	F1511.00.4B	B14	4SB	F3385.00	C4	4SB	F6145.00	C14	4SB	H336T.00	D5
4SB	85560.00	C15	4SB	E4392.00	B7	4SB	F1511.00.P7	B14	4SB	F3396.00	C4	4SB	F6240.00	C10	4SB	H336U.00	D5
4SB	E1111.00	B2	3VL	E4410.01	B6	4SB	F1511.00.P8	B14	4SB	F3411.00	C4	4SB	F6241.00	C10	4CU	H3371.00	D7
3VL	E1181.00	B2	3VL	E4429.00	B6	4SB	F1519.00	B14	4SB	F3412.00	C4	3VL	F6261.00	C10	4SB	H3509.00	D3
4SB	E1311.00	B2	3VL	E4437.00	B6	4SB	F1519.50	B14	4SB	F3414.00	C4	3VL	F6262.00	C10	4SB	H3510.00	D3
3VL	E1351.00	B2	3VL	E4451.00	B6	4UP	F152A.00	B14	4SB	F3427.00	C4	4SB	F6280.00	C14	4SB	H3530.00	C14
3VL	E1400.10	B3	3VL	E4452.00	B6	4UP	F152A.00	B15	4SB	F3428.00	C4	4SB	F6290.00	C14	4SB	H353K.00	D3
4SB	E1603.00	B2	3VL	E4453.01	B6	4UP	F152A.30	B14	4SB	F3453.00	C4	3VL	F6311.01	C10	4SB	H3550.00	D3
4SB	E1603.00	B3	3VL	E4565.00	B6	4UP	F152A.30	B15	4SB	F3812.00	C4	3VL	F6312.01	C10	4SB	H3912.00	D6
4SB	E1605.00	B3	4SB	E4610.00	B8	4UP	F1532.00	C13	4SB	F4110.00	C5	3WG	F6329.00	C10	3VL	H3915.00	D6
4SB	E1631.00	B2	4SB	E4678.00	B8	4UP	F1532.00	D8	4SB	F414E.00	C2	3WG	F6329.00	C10	3VL	H3916.00	D6
4SB	E1631.00	B3	4SB	E4718.10	B8	4SB	F1552.00	B14	4SB	F414G.00	C5	4SB	F6329.00	B7	4SB	H3922.00	C11
3VL	E1633.00	B2	4SB	E4759.00	B8	4SB	F1553.00	B14	4SB	F4181.00	C5	4SB	F6331.00	C10	4KH	H3936.00	D8

NUMERICAL INDEX

4SB	H3941-00	D6	90101-06291	C9	90387-076V1	C12	93102-22314	B12	98507-06010	D7
3VL	H3943-00	D6	90101-10776	C3	90387-10079	C7	93106-20001	C7	98507-06016	C15
3VL	H3945-00	D6	90105-08121	C3	90387-135U9	B11	93109-33052	B11	98507-06020	C5
4SB	H3945-00	C11	90105-10036	C10	90387-156U0	B3	93210-07540	C9	98507-06020	C6
4KH	H3962-00	D6	90105-10063	B13	90401-10159	C11	93210-14104	B9	98507-06025	B6
4KH	H3975-11	D6	90109-063F1	C6	90430-08206	B9	93210-38687	B11	98517-06012	B9
4CA	H3976-11	D6	90109-06851	D7	90445-083F2	D8	93306-00203	B9	98517-06012	B10
3VL	H3980-00	D6	90110-06825	B9	90445-094J4	B5	93306-20006	B11	98517-06020	B4
4SB	H3980-00	C11	90110-10223	C8	90445-094J4	C2	93306-20006	B12	98580-06016	B4
3VL	H3982-00	D6	90116-06418	B2	90446-13311	B9	93306-20301	B11	98904-06016	B8
4CU	H3987-01	D6	90119-06044	C2	90450-32081	B6	93306-20314	B12	98907-06016	B14
4SB	H4146-00	D4	90119-06052	B14	90465-08122	B9	93306-20468	B3	99009-15400	B10
4SB	H4314-00	D4	90119-06213	D5	90467-08003	B5	93306-300Y8	C7	99009-19400	B5
3VL	H4316-00	D4	90153-06022	B4	90467-09006	C5	93310-210M0	B3	99510-12016	B9
4SB	H4320-00	D4	90153-06034	D8	90467-12052	C5	93310-257R1	B10	99530-10014	B9
4SB	H4337-00	D4	90153-06061	B8	90467-24140	B6	93420-40064	B12	99530-10014	B9
3UP	H4346-00	C14	90159-05134	C14	90468-02033	B5	93440-15012	B9		
3WW	H4347-00	C14	90170-10219	B11	90468-02033	C2	93450-11120	B2		
4SB	H4347-00	D3	90170-10219	C15	90468-04814	D5	93450-11120	B3		
4SB	H4374-00	D5	90179-06411	C10	90468-12006	C12	93603-12007	B5		
4SB	H4387-00	D4	90179-10279	B13	90468-15009	C10	94112-108M6	C7		
3HL	H4535-00	D5	90179-10609	B11	90480-12237	B4	94113-108M7	C9		
4SB	H4700-00	D5	90179-28415	B11	90480-12237	B4	94700-00195	B2		
4SB	H4711-00	D5	90183-05042	B15	90480-12497	B6	95027-06016	D7		
4SB	H4717-00	D5	90183-05042	C12	90480-12581	B8	95027-08016	C6		
4SB	H4721-00	D5	90183-05042	C14	90480-13398	C5	95617-10100	B13		
4SB	H4724-00	D5	90183-05042	D5	90501-122E1	C10	95617-10200	C3		
4SB	H4743-00	D5	90185-14081	C9	90501-29517	B13	95617-10200	C7		
NJ9	H4744-00-01	D3	90201-065F3	C2	90501-351F6	B11	95617-10200	C10		
3VL	H5111-00	C4	90201-065F3	C5	90506-15260	C9	95707-06500	B2		
4SB	H5130-00	D5	90201-08088	B10	90506-29280	C12	95707-06500	C6		
4SB	H5720-00	D8	90201-10118	C11	90508-32609	B10	95817-06010	B14		
4SB	H5752-00	D8	90201-133M8	B11	91317-06020	B6	95817-06010	C4		
4SB	H5753-03	D8	90201-140G5	B12	91317-06020	B9	95817-08016	B9		
4SB	W0001-00	B7	90201-142M6	C9	91317-06020	B10	95817-08016	B13		
2JL	W2536-10	C9	90201-155G5	B10	91317-06025	B9	95817-08020	B8		
			90201-177G4	C9	91317-06035	B9	95817-08030	C8		
			90201-574L1	B10	91317-06035	B9	95817-08040	B8		
			90202-08175	C10	91317-06035	B9	97017-06016	D8		
			90202-10120	C12	91317-06045	B9	97707-50012	B15		
			90208-10012	B11	92017-08016	B7	97707-50016	B14		
			90208-14047	B12	92907-06100	B1	97707-50016	B15		
			90214-13055	B11	92907-06600	B	97707-50016	C6		
			90241-10017	C6	92907-06600	B6	97707-50016	C12		
			90249-12008	C10	92907-06600	B14	97707-50016	C13		
			90267-32801	B13	92907-06600	C5	97707-50016	C13		
			90280-03017	B3	92907-06600	C6	97707-50016	C14		
			90380-15083	B10	92907-10600	C15	97707-50016	C14		
			90387-06023	B4	92990-06600	B4	97707-50016	D2		
			90387-060G7	B8	92995-06100	B4	97707-50020	D3		
			90387-060G7	C5	93101-20138	B3	97707-60016	C5		
			90387-061V4	B6	93102-17342	B11	98507-05010	C10		
			90387-067T6	B4	93102-20371	B3	98507-05014	B5		