

CONTENTS

ENGINE	
CYLINDER.....	B2
CRANKSHAFT-PISTON.....	B3
AIR SHROUD-FAN.....	B4
OIL PUMP.....	B5
INTAKE.....	B6
CARBURETOR.....	B7
EXHAUST.....	B8
CRANKCASE.....	B9
STARTER.....	B10
CLUTCH.....	B11
TRANSMISSION.....	B12
CHASSIS	
FRAME.....	B13
FENDER.....	B14
SIDE COVER.....	B15
OIL TANK.....	C2
REAR SUSPENSION.....	C3
FRONT FORK.....	C4
FUEL TANK.....	C5
SEAT CARRIER.....	C6
FRONT WHEEL.....	C7
FRONT BRAKE CALIPER.....	C8
REAR WHEEL.....	C9
STEERING-HANDLE-CABLE.....	C10
FRONT MASTER CYLINDER.....	C11
STAND FOOTREST.....	C12
LEG SHIELD.....	C13
COWLING.....	C14
GENERATOR.....	C15
FLASHER LIGHT.....	D2
METER.....	D3
HEADLIGHT.....	D4
TAILLIGHT.....	D5
HANDLE- SWITCH- LEVER.....	D6
ELECTRICAL 1.....	D7
ELECTRICAL 2.....	D8
NUMERICAL INDEX.....	M1-M2

YAMAHA
GENUINE
Parts & Accessories

CW50RS'96 (4UR1)
GREECE

264UR-511E1
DECEMBRE 1995

FOREWORD

This Parts Catalogue is related to the parts in use for the Yamaha **CW50RS'96**.
When you are ordering replacement parts, refer to this Parts Catalogue and quote both part numbers and part names correctly.

1. Modifications or additions which have been made after issue of the Parts Catalogue will be announced in the Yamaha Parts News.

It is advisable that according to the Yamaha Parts News you make necessary corrections to the Parts Catalogue on hand to keep it up-to-date.

2. Abbreviations

The following abbreviations are used in this Parts Catalogue.

- U.R. Use size (thickness) and/or number as required.
- U.N. Use as many as you need.
- A.P. Alternate Parts
- L.M. Local Made
- F# Frame No. (Applicable machine No.)

3. The parts marked with (+) in the parts number column of this Catalogue are not supplied with by Yamaha, those have to be found locally.

4. Parts, which are to be supplied in the form of assemblies, are listed with an indention of one letter's space, and a dot (.) is put against the name of each part.

EXAMPLE CARBURETOR ASS'Y
 . JET, pilot
 . NOZZLE, main

5. Indication of No. of constituent parts for assembly

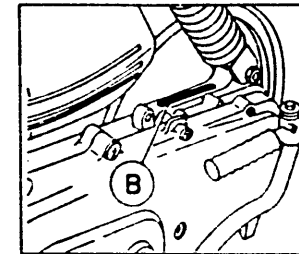
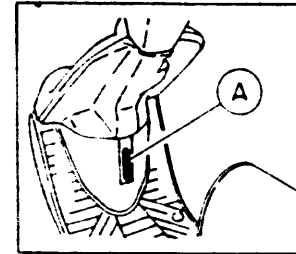
The numeral appearing to the right of each constituent part under the description indicates the quantity of such parts for each individual assembly unit.

EXAMPLE

Part No.	Description	Q'ty	Remarks
2F5-83310-60	FRONT FLASHER LIGHT ASS'Y	2	
115-83311-60	. BULB (6V-18W)	1	
1M1-83309-60	. REFLECTOR	1	

6. Initial Serial No. and Color Code

(A) Frame Serial No.	4TD - 300101
(B) Engine Serial No.	4SB - 000101



Color Code	Color Name	Abbreviate
00GE	SILKY WHITE	SW
0029	CANDY BLUE	CB

7. Applicable colors of graphics are represented in the "Remarks" column by the letter(s) appropriately picked out of the full word(s) showing such colors.

EXAMPLE

Part No.	Description	Q'ty	Remarks
2N4-24110-00-X5	FUEL TANK COMP.	1	
3J1-24240-10	. GRAPHIC, fuel tank set	1	



A4

CONTENTS

ENGINE		FUEL TANK.....C5
CYLINDER.....B2		SEAT CARRIER.....C6
CRANKSHAFT-PISTON.....B3		FRONT WHEEL.....C7
AIR SHROUD-FAN.....B4		FRONT BRAKE CALIPER..... C8
OIL PUMP.....B5		REAR WHEEL.....C9
INTAKE.....B6		STEERING-HANDLE-CABLE..... C10
CARBURETOR.....B7		FRONT MASTER CYLINDER..... C11
EXHAUST.....B8		STAND FOOTREST.....C12
CRANKCASE.....B9		LEG SHIELD.....C13
STARTER.....B10		COWLING.....C14
CLUTCH.....B11		GENERATOR.....C15
TRANSMISSION.....B12		FLASHER LIGHT.....D2
CHASSIS		METER.....D3
FRAME.....B13		HEADLIGHT.....D4
FENDER.....B14		TAILLIGHT.....D5
SIDE COVER.....B15		HANDLE- SWITCH- LEVER.....D6
OIL TANK.....C2		ELECTRICAL 1.....D7
REAR SUSPENSION.....C3		ELECTRICAL 2.....D8
FRONT FORK.....C4		
		NUMERICAL INDEX.....M1-M2

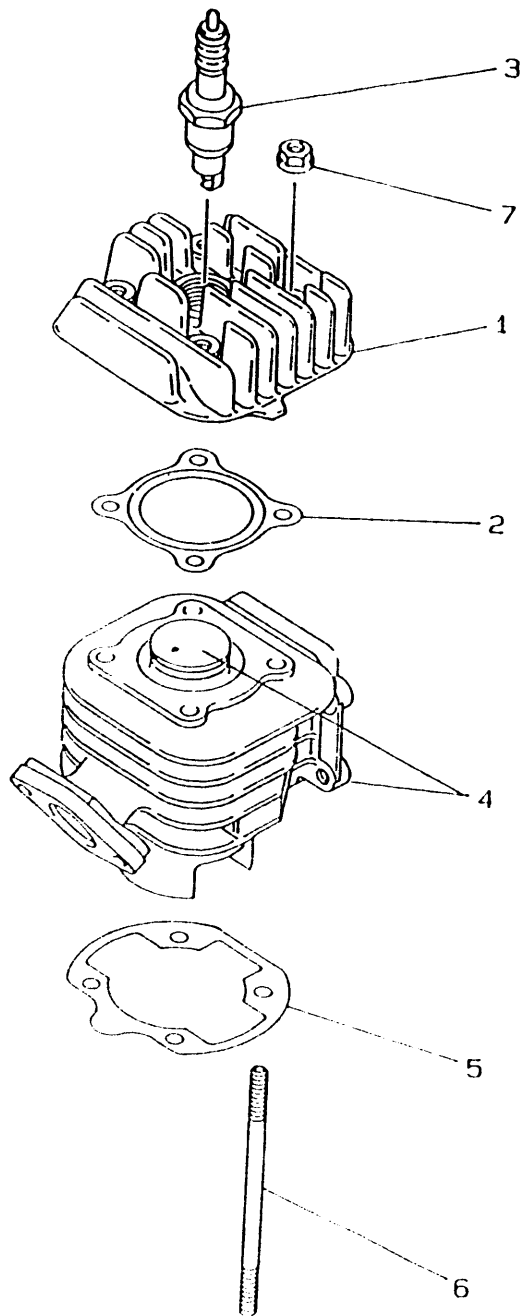


FIG . 1CYLINDER

REF	PART.N°	DESCRIPTION	QTY	REMARKS
1	4SB-E1111-00	HEAD, CYLINDER 1	1	
2	3VL-E1181-00	GASKET, CYLINDER HEAD	1	
3	94700-00195	PLUG, SPARK	1	BR8HS
4	4SB-E1311-00	CYLINDER 1	1	
	4SB-E1631-00	.PISTON (STD)	1	
	4SB-E1603-00	.PISTON RING SET (STD)	1	
	3VL-E1633-00	.PIN PISTON	1	
	93450-11120	.CIRCLIP	2	
5	3VL-E1351-00	GASKET, CYLINDER	1	
6	90116-06418	BOLT, STUD	4	
7	95707-06500	NUT, FLANGE	4	

FIG . 2CRANKSHAFT. PISTON

REF	PART.N°	DESCRIPTION	QTY	REMARKS
1	3VL-E1400-10	CRANKSHAFT ASSY	1	
7	90280-03017	KEY, WOODRUFF	1	
8	93306-20468	BEARING	2	
9	93102-20371	OIL SEAL	1	
10	93101-20138	OIL SEAL	1	
11	90387-156UO	COLLAR	1	
12	4SB-E1631-00	PISTON (STD)	1	
	4SB-E1636-00	PISTON (0.50MM O/S)	1	
13	3VL-E1633-00	PIN, PISTON	1	
14	4SB-E1603-00	PISTON RING SET (STD)	1	
	4SB-E1605-00	PISTON RING SET (0.50MMO/S)	1	
15	93450-11120	CIRCLIP	2	
16	93310-210M0	BEARING, CYLINDRICAL	1	

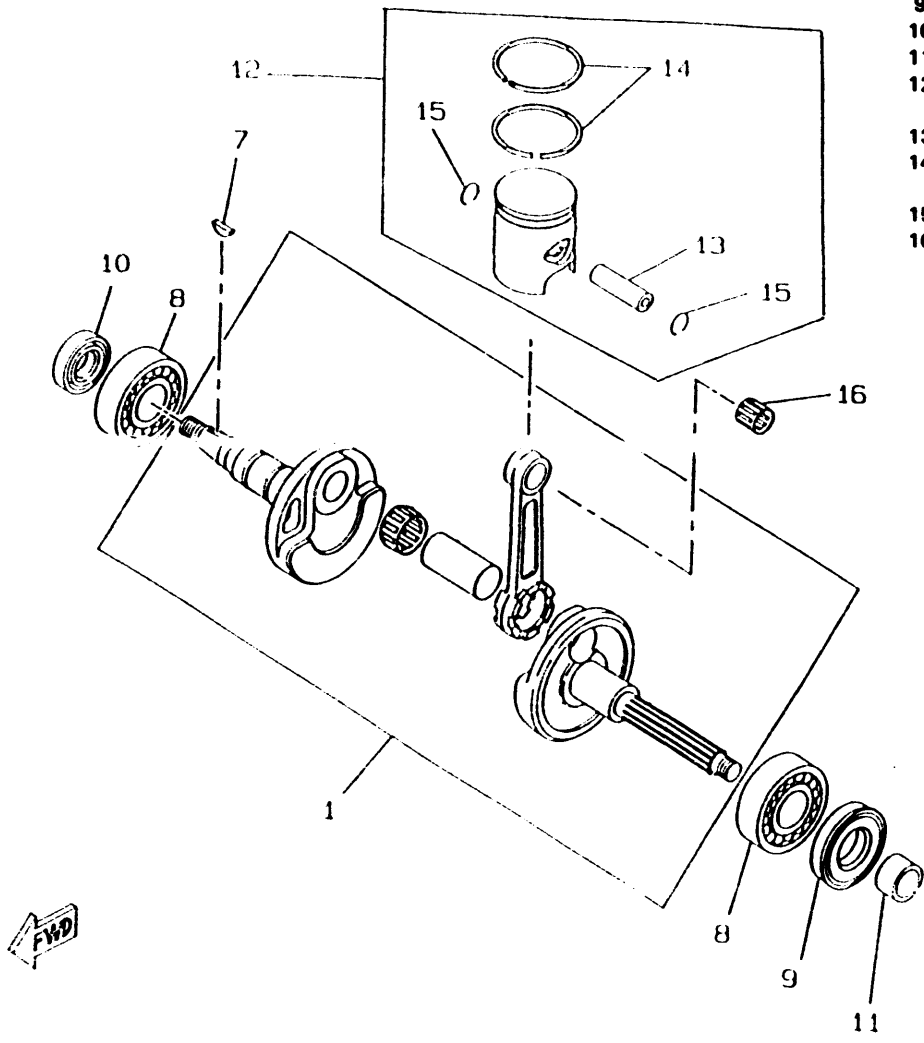
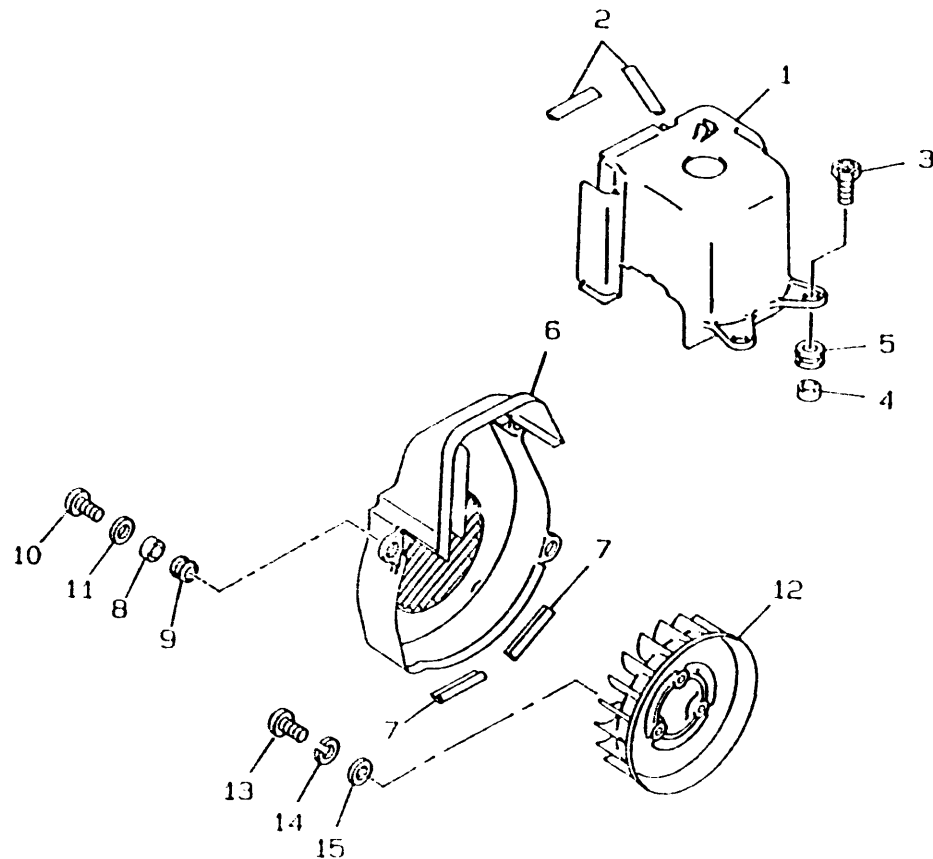


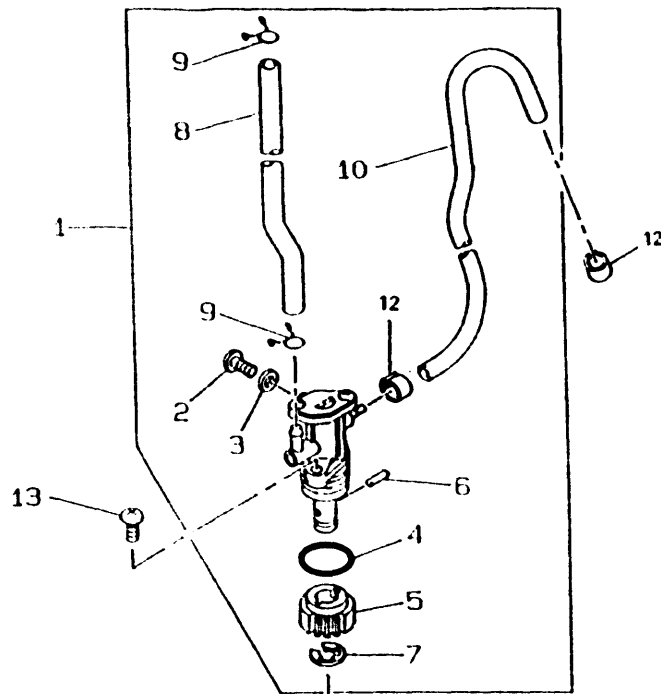
FIG . 3AIR SHROUD. FAN



REF	PART.N°	DESCRIPTION	QTY	REMARKS
1	3VL-E2851-00	AIR SHROUD, CYLINDER	1	
2	3VL-E2858-00	DAMPER, AIR SHROUD 1	2	
3	90153-06022	SCREW, HEXAGON	2	
4	90387-06023	COLLAR	2	
5	90480-12237	GROMMET	2	
6	3VL-E2853-00	AIR SHROUD, CYLINDER	1	
7	3VL-E2858-00	DAMPER, AIR SHROUD 1	2	
8	90387-067T6	COLLAR	3	
9	90480-12237	GROMMET	3	
10	98517-06020	SCREW, PAN HEAD	3	
11	92907-06600	WASHER	3	
12	3VL-E2611-00	FAN	1	
13	98580-06016	SCREW, PAN HEAD	3	
14	92995-06100	WASHER	3	
15	92990-06600	WASHER, PLATE	3	

FWD

FIG . 4OIL PUMP



REF	PART.N°	DESCRIPTION	QTY	REMARKS
1	4SB-13100-00	OIL PUMP ASSY	1	
2	1YU-13185-00	.BOLT, BREATHER	1	
3	1YU-13187-00	.GASKET, BREATHER BOLT	1	
4	1YU-13473-00	.O-RING	1	
5	3AA-13124-00	.GEAR, WORM WHEEL	1	
6	1YU-13516-00	.PIN, DOWEL	1	
7	1YU-13577-00	.CLIP	1	
8	90445-094J4	.HOSE	1	
9	90468-02033	.CLIP	2	
10	1YU-13418-00	.PIPE, OIL 2	1	
12	90467-08003	.CLIP	1	
13	98507-05014	SCREW, PAN HEAD	2	
14	2GM-13178-00	GEAR, PUMP DRIVE	1	
16	93803-12007	PIN, DOWEL	1	
17	99009-19400	CIRCLIP	2	

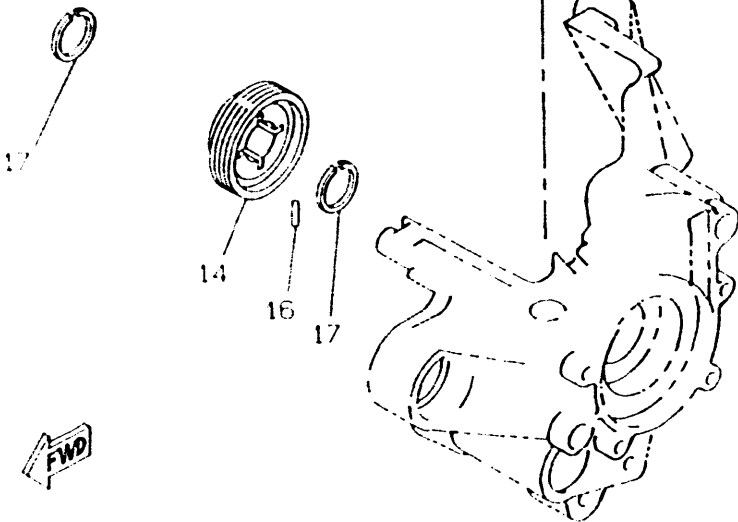
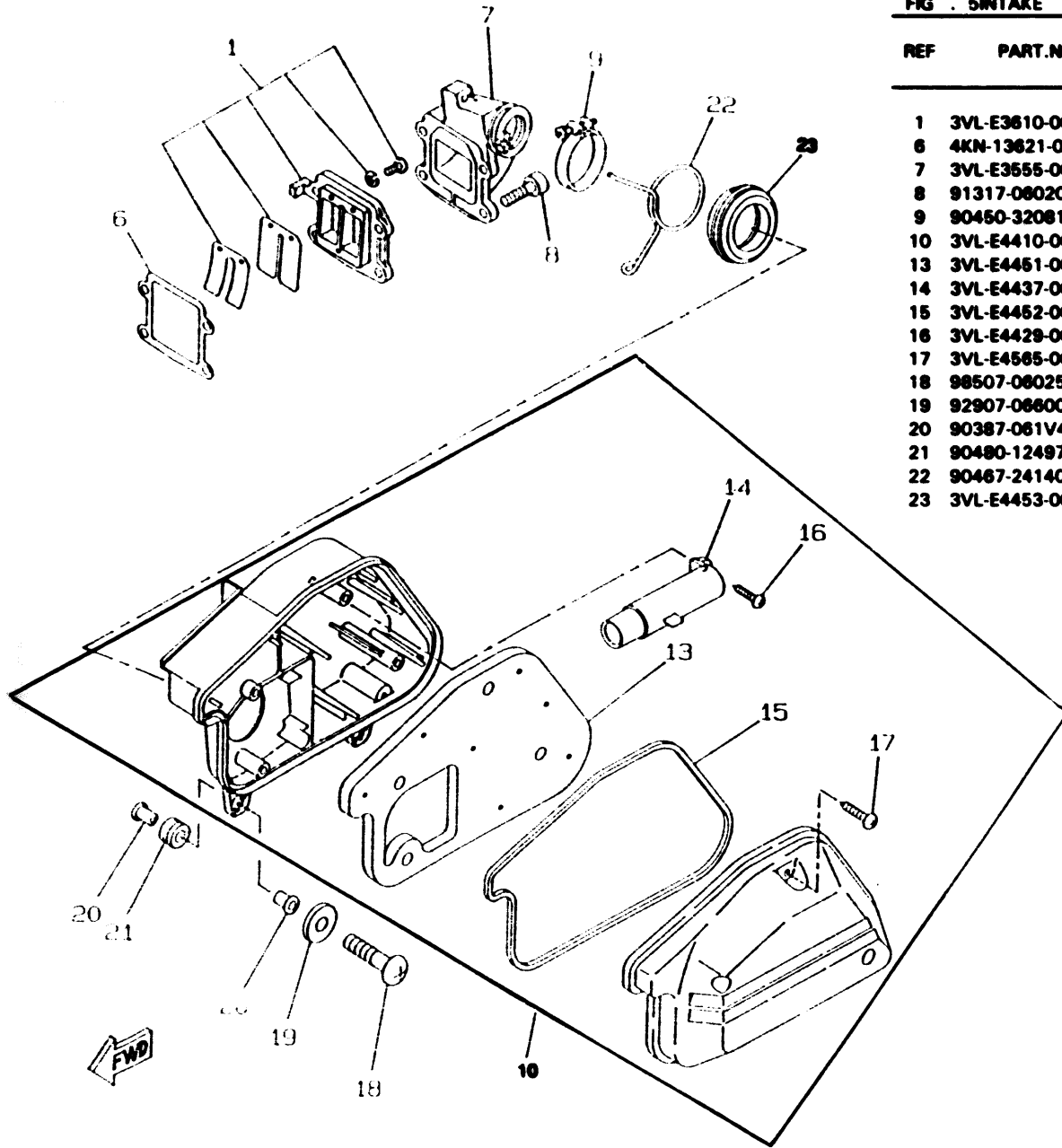


FIG . 5INTAKE



REF	PART.N°	DESCRIPTION	QTY	REMARKS
1	3VL-E3610-00	REED VALVE ASSY	1	
6	4KN-13621-00	GASKET, VALVE SEAT	1	
7	3VL-E3555-00	MANFOLD, INTAKE	1	
8	91317-08020	BOLT	4	
9	90460-32081	HOSE CLAMP ASSY	1	
10	3VL-E4410-00	AIR CLEANER ASSY.	1	
13	3VL-E4451-00	.ELEMENT, AIR CLEANER	1	
14	3VL-E4437-00	.DUCT	1	
15	3VL-E4452-00	.SEAL	1	
16	3VL-E4429-00	.SCREW	1	
17	3VL-E4565-00	.SCREW	4	
18	98507-08025	SCREW, PAN HEAD	2	
19	92907-06600	WASHER	2	
20	90387-061V4	COLLAR	4	
21	90480-12497	GROMMET	2	
22	90467-24140	CLIP	1	
23	3VL-E4453-00	JOINT, AIR CLEANER 1	1	

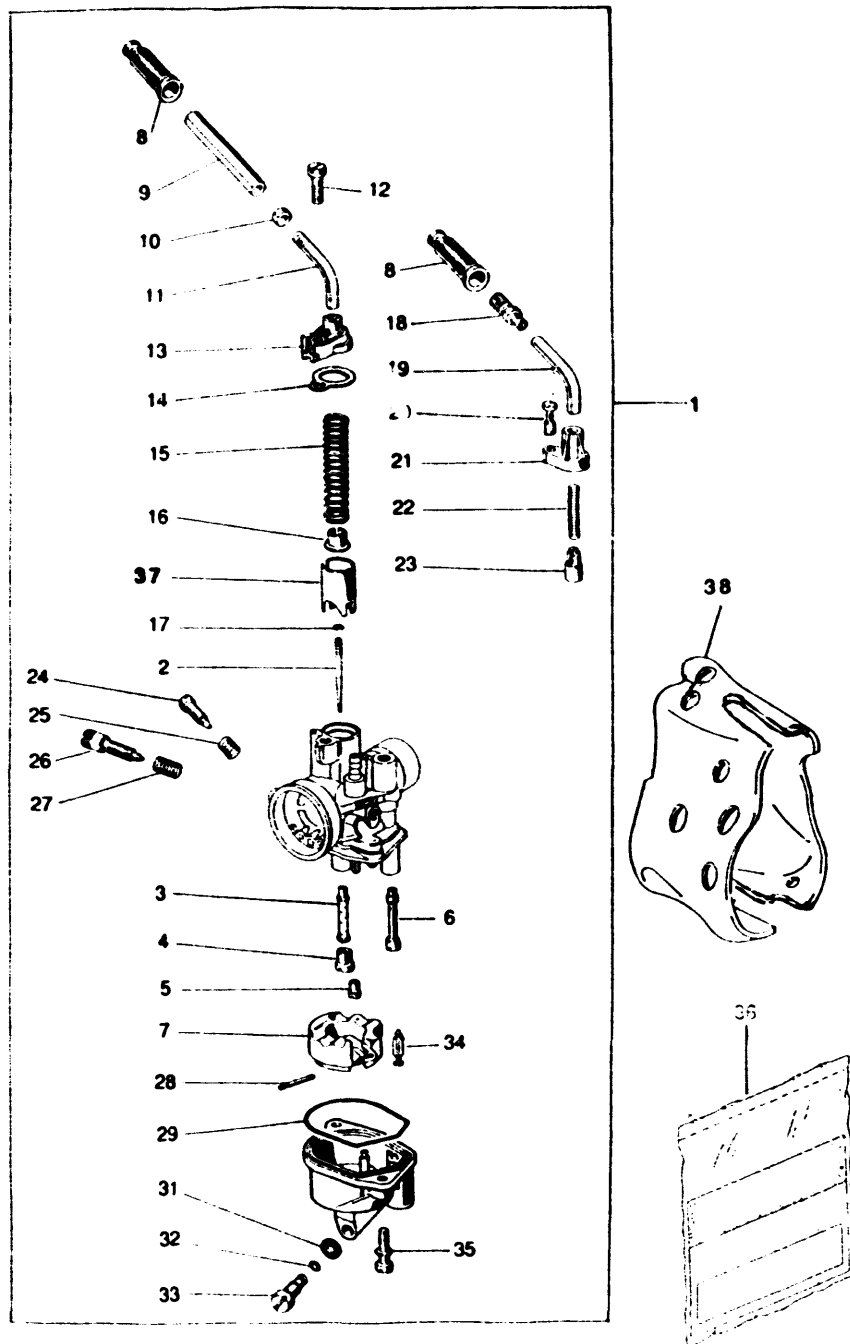
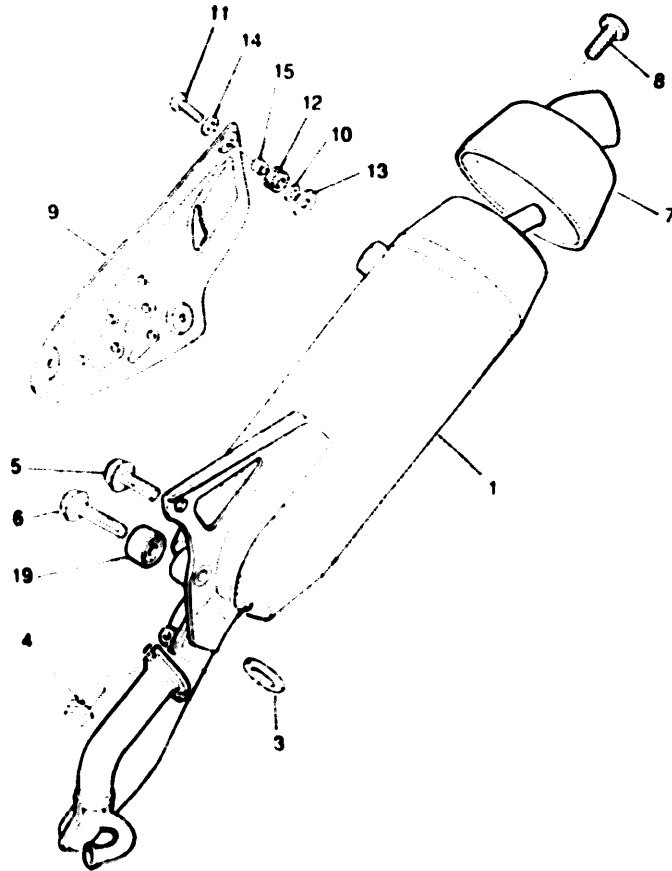


FIG . 6 CARBURETOR

REF	PART.N°	DESCRIPTION	QTY	REMARKS
1	4SB-E4301-00	CARBURETOR ASSY 1	1	DELLORTO
2	4SB-E4336-00	.NEEDLE	1	
3	4SB-E4341-00	.NOZZLE, MAIN	1	
4	4SB-E4343-00	.JET, MAIN	1	
5	4SB-E4342-00	.JET, PILOT	1	
6	4SB-E4344-00	.JET, STARTER	1	
7	4SB-E4385-00	.FLOAT	1	
8	4SB-E6329-00	.CAP, RUBBER	2	
9	4SB-E4161-00	.NUT, CABLE ADJUSTING	1	
10	4SB-E4358-00	.NUT	1	
11	4SB-E4148-00	.PIPE	1	
12	4SB-E4325-00	.SCREW, PAN HEAD	1	
13	4SB-E4369-00	.DIAPHRAGM ASSY 2	1	
14		DANS POCHETTE DE JOINTS REP.36		
15	4SB-E4331-00	.SPRING, THROTTLE VALVE	1	
16	4SB-E4377-00	.STOPPER	1	
17	4SB-E4137-00	.CLIP	1	
18	4SB-E4124-00	.SCREW, CABLE ADJUSTING	1	
19	4SB-E4318-00	.PIPE STARTER	1	
20	4SB-E4216-00	.SCREW	1	
21	4SB-E4368-00	.DIAPHRAGM ASSY 1	1	
22	4SB-E4335-00	.SPRING, PLUNGER	1	
23	4SB-E4371-00	.PLUNGER, STARTER	1	
24	4SB-E4104-00	.AIR SCREW SET	1	
25	4SB-E4134-00	.SPRING, AIR ADJUSTING	1	
26	4SB-E4103-00	.THROTTLE SCREW SET	1	
27	4SB-E4133-00	.SPRING, THROTTLE STOP	1	
28	4SB-E4386-00	.PIN, FLOAT	1	
29		DANS POCHETTE DE JOINTS REP.36		
31		DANS POCHETTE DE JOINTS REP.36		
32		DANS POCHETTE DE JOINTS REP.36		
33	4SB-E4115-00	.PLUG, SCREW	1	
34	4SB-E4392-00	.VALVE, NEEDLE	1	
35	4SB-E4216-10	.SCREW	2	
36	4SB-W0001-00	.GASKET KIT	1	
37	4SB-E4312-00	.VALVE, THROTTLE 1	1	
38	4SB-E4283-00	COVER, CARBURETOR 1	1	

FWD

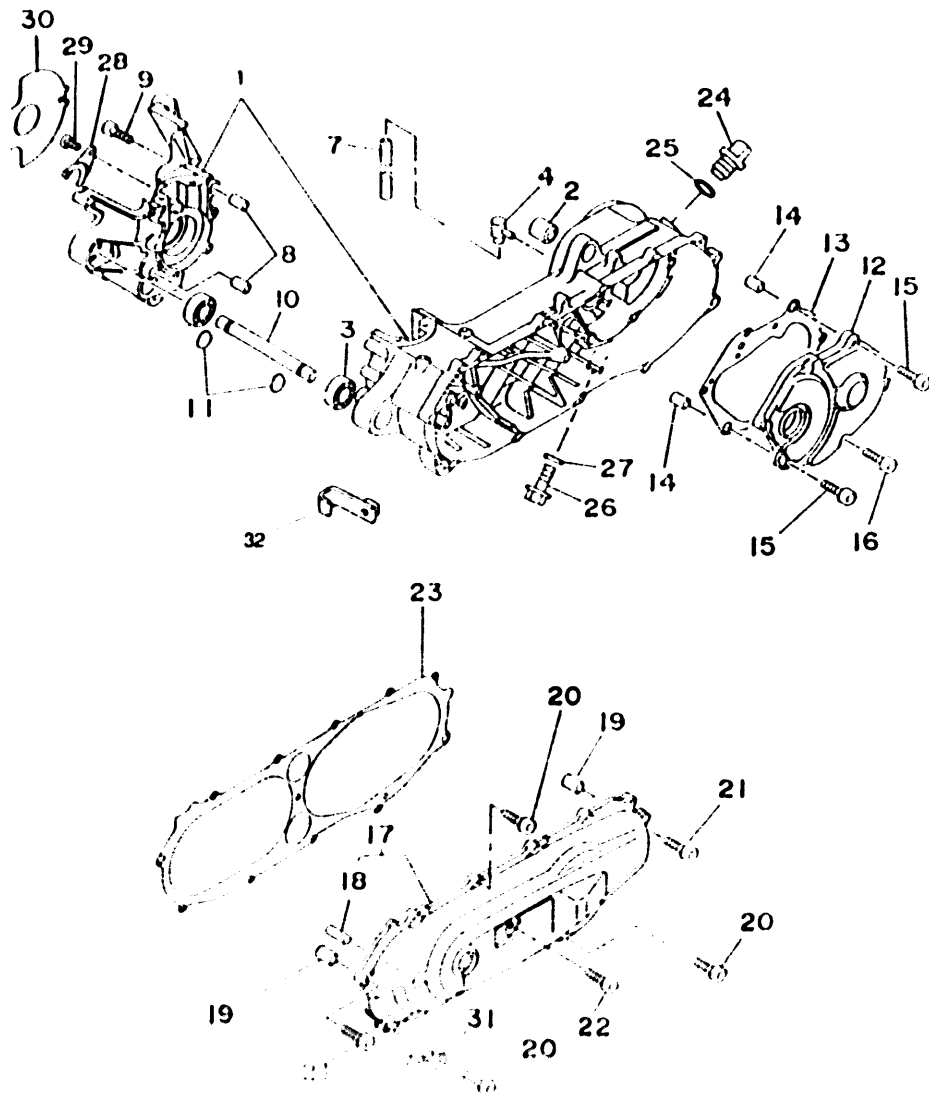
FIG . 7EXHAUST



REF	PART.N°	DESCRIPTION	QTY	REMARKS
1	4SB-E4610-00	EXHAUST PIPE ASSY 1	1	
3	3HK-14613-00	GASKET, EXHAUST PIPE	1	
4	90153-06061	SCREW, HEXAGON	2	
5	95817-06020	BOLT, FLANGE	1	
6	95817-06040	BOLT, FLANGE	1	
7	4SB-E479X-00	PIPE TAIL ASSY	1	CHROME
8	4SB-E4678-00	BOLT, COUPLING	1	
9	4SB-E4718-10	PROTECTOR, MUFFLER 1	1	ALU
10	4SB-E4759-00	WASHER	3	
11	96904-06016	SCREW, BIND	3	
12	90387-060G7	COLLAR	3	
13	4FB-14766-00	WASHER, PROTECTOR	3	
14	3HK-14766-01	WASHER, PROTECTOR	3	
15	90480-12581	GROMMET	3	
19	2JA-14737-00	DAMPER, MUFFLER	1	

EW01

FIG . 8CRANKCASE



REF	PART.N°	DESCRIPTION	QTY	REMARKS
1	3VL-E5150-00	CRANKCASE ASSY	1	
2	164-22216-00	BUSH, REAR SHOCK ABS	1	
3	93306-00203	BEARING (B6002)	2	
4	3VL-E5371-00	BREATHER	1	
7	90446-13311	HOSE	1	
8	99510-12016	PIN, DOWEL	2	
9	91317-06035	BOLT	6	
10	3VL-E5317-00	SPACER, ENGINE MOUNT	1	
11	93440-15012	CIRCLIP	2	
12	3VL-E5421-00	COVER, CRANKCASE 2	1	
13	3VL-E5461-00	GASKET, CRANKCASE CO	1	
14	99530-10014	PIN, DOWEL	2	
15	91317-06035	BOLT	2	
16	91317-08020	BOLT	4	
17	3VL-E5411-00	COVER, CRANKCASE 1	1	
18	3VL-E5659-00	SHAFT	1	
19	99530-10014	PIN, DOWEL	2	
20	91317-08025	BOLT	9	
21	91317-06035	BOLT	2	
22	91317-08045	BOLT	1	
23	3VL-E5451-00	GASKET, CRANKCASE CO	1	
24	3VL-E5363-00	PLUG, OIL	1	
25	93210-14104	O-RING	1	
26	95807-08016	BOLT, FLANGE	1	
27	90430-08206	GASKET	1	
28	3VL-E5128-00	HOLDER	1	
29	98507-08012	SCREW, PAN HEAD	1	
30	3VL-E5462-00	GASKET, CRANKCASE CO	1	
31	90465-08122	CLAMP	1	
32	488-F1238-00	BRACKET	1	

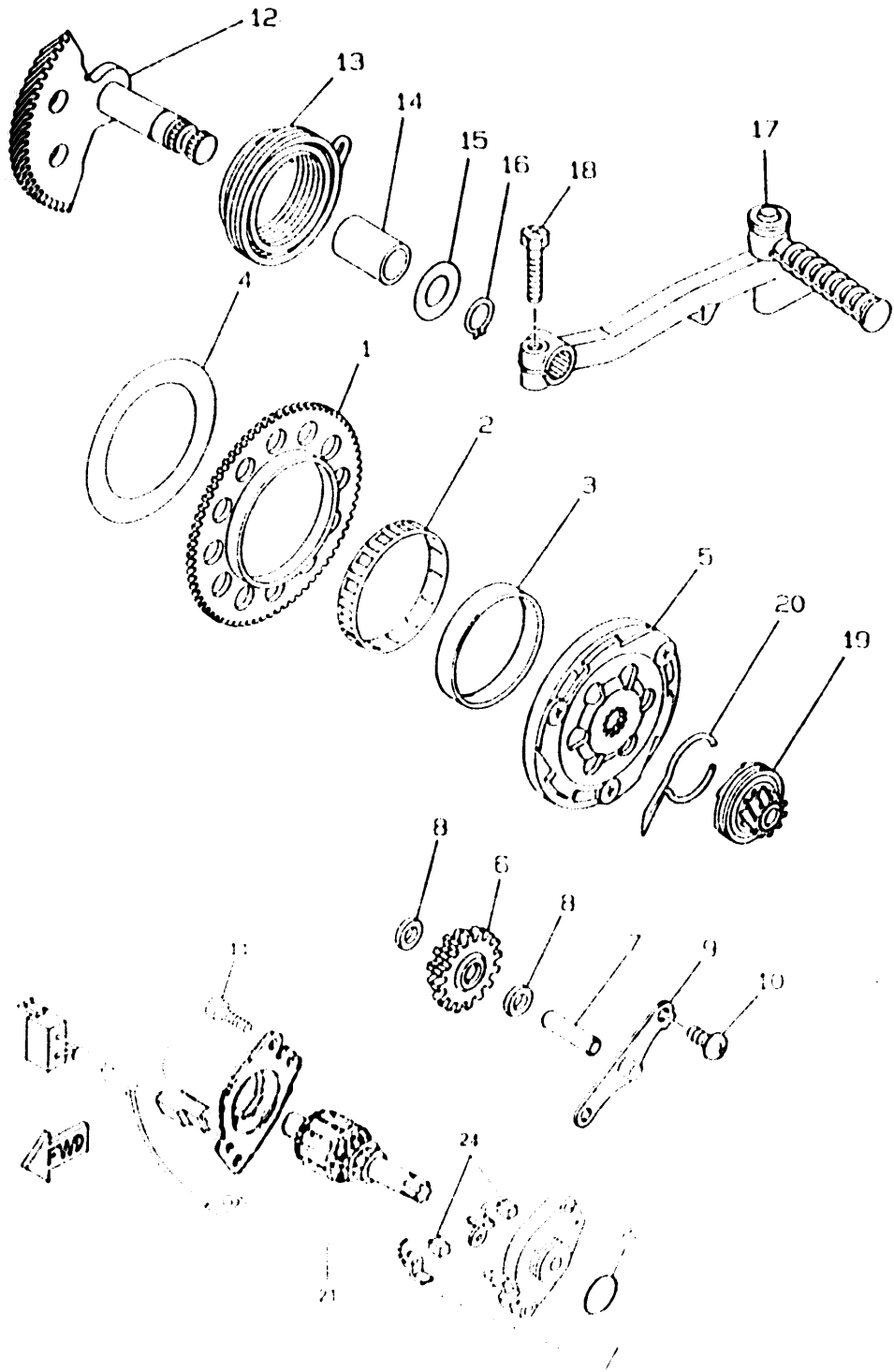


FIG . 9STARTER

REF	PART.N°	DESCRIPTION	QTY	REMARKS
1	3AA-15513-00	GEAR 1	1	
2	93310-257R1	BEARING, CYLINDRICAL	1	
3	3VL-E5528-00	BOSS, GEAR	1	
4	90201-574L1	WASHER, PLATE	1	
5	3VL-15570-00	STARTER CLUTCH ASSY	1	
6	3AA-15650-00	IDLE GEAR ASSY	1	
7	3VL-E5659-00	SHAFT	1	
8	90201-08088	WASHER, PLATE	2	
9	3VL-E5532-00	PLATE, IDLE GEAR	1	
10	98507-06012	SCREW, PAN HEAD	2	
11	91317-06020	BOLT	2	
12	3ES-15601-00	KICK SHAFT ASSY	1	
13	90508-32609	SPRING, TORSION	1	
14	90380-15083	BUSH, SOLID	1	
15	90201-155G5	WASHER, PLATE	1	
16	99009-15400	CIRCLIP	1	
17	3VL-E5620-01	KICK CRANK ASSY	1	
18	3VL-E5793-00	SCREW	1	
19	1NT-15630-01	KICK PINION ASSY	1	
20	3VL-E5673-00	CLIP	1	
21	4SB-81800-00	STARTING MOTOR ASSY	1	
22	93210-23614	O-RING	1	
24	1YU-81801-M0	BRUSH SET	1	

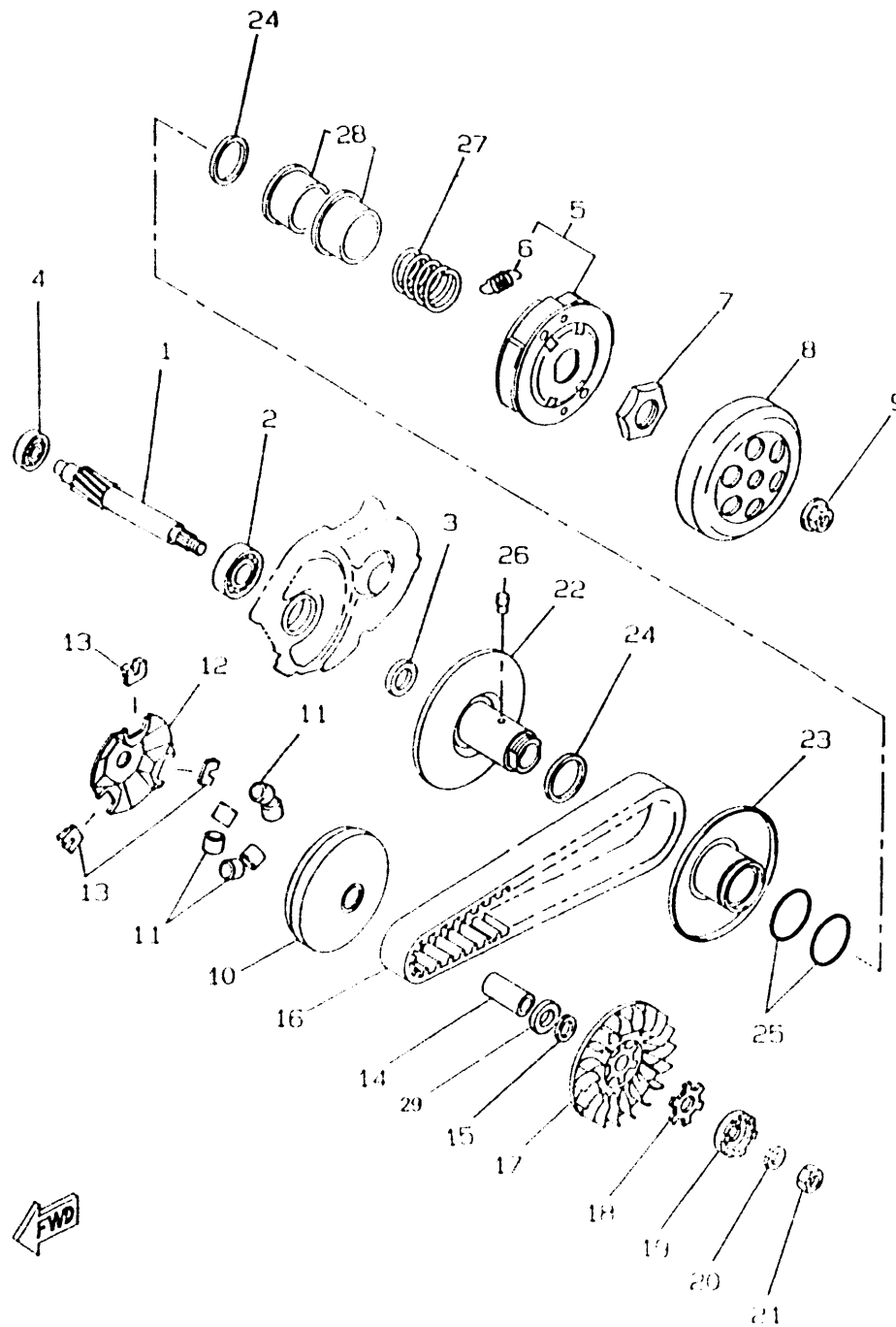


FIG . 10CLUTCH

REF	PART.N°	DESCRIPTION	QTY	REMARKS
1	3VL-E6111-00	GEAR, PRIMARY DRIVE	1	
2	93306-20301	BEARING	1	
3	93102-17342	OIL SEAL	1	
4	93306-20006	BEARING (B6200)	1	
5	3VL-E6620-01	CLUTCH CARRIER ASSY	1	
6	3VL-E6626-00	SPRING, CLUTCH WEIGHT 1	2	
7	90179-28415	NUT, POP	1	
8	24G-16611-03	CLUTCH HOUSING COMP.	2	
9	90179-10370	NUT	1	
10	4CU-E7620-00	PRIMARY SLIDING SHEAVE COMP.	1	
11	4KH-E7632-00	WEIGHT	6	
12	3VL-E7623-00	CAM	1	
13	3VL-E7653-00	SLIDER	3	
14	90387-135U9	COLLAR	1	
15	90201-133M8	WASHER, PLATE	1	
16	3AA-17641-00	V-BELT	1	
17	3VL-E7611-00	SHEAVE, PRIMARY FIXE	1	
18	90214-13055	WASHER,CLAW (0.5T)	1	
19	3VL-E5657-00	CLUTCH, ONEWAY	1	
20	90208-10012	WASHER, CONICAL SPRI	1	
21	90170-10219	NUT	1	
22	3GF-17660-02	SECOND.FIX.SHEAVE COMP.	1	
23	3WG-17608-00	SECONDARY SLIDING SHEAVE	1	
24	93109-33052	OIL SEAL	2	
25	93210-38687	O-RING	2	
26	24G-17664-00	PIN, GUIDE	2	
27	90501-351F6	SPRING, COMPRESSION	1	
28	3VL-E7604-00	SEAT SPRING SET	1	
29	4SB-E7654-00	SPACER 1	1	

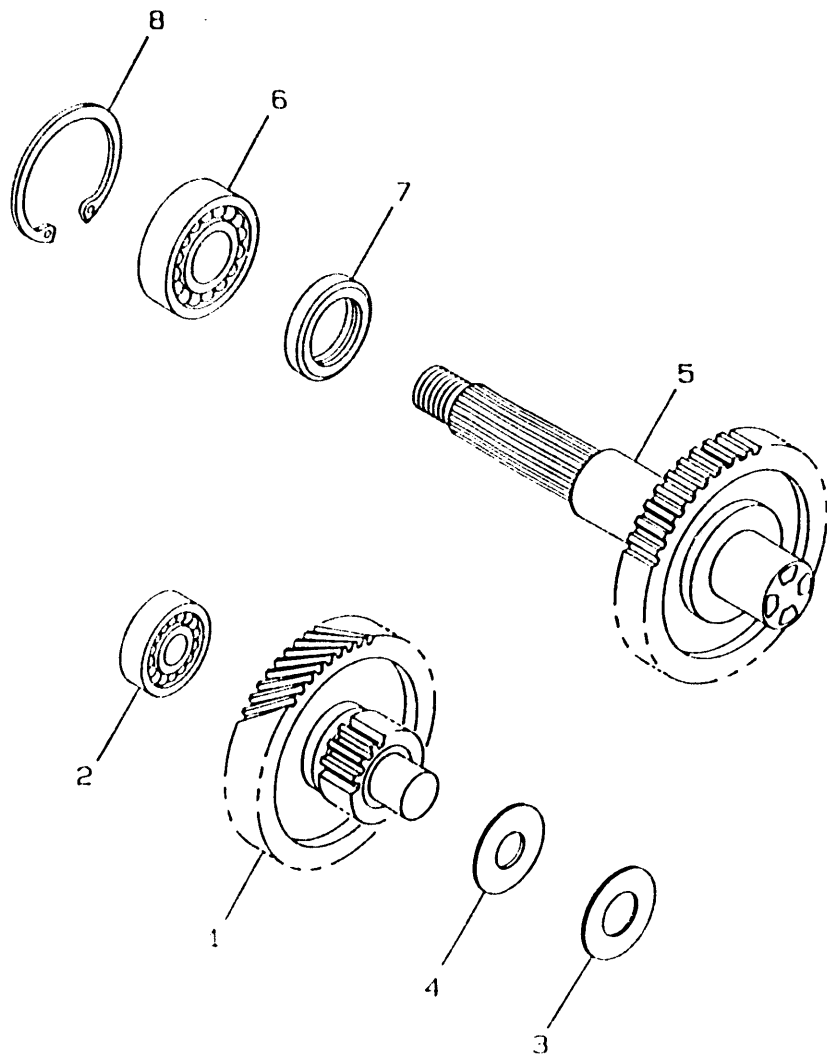
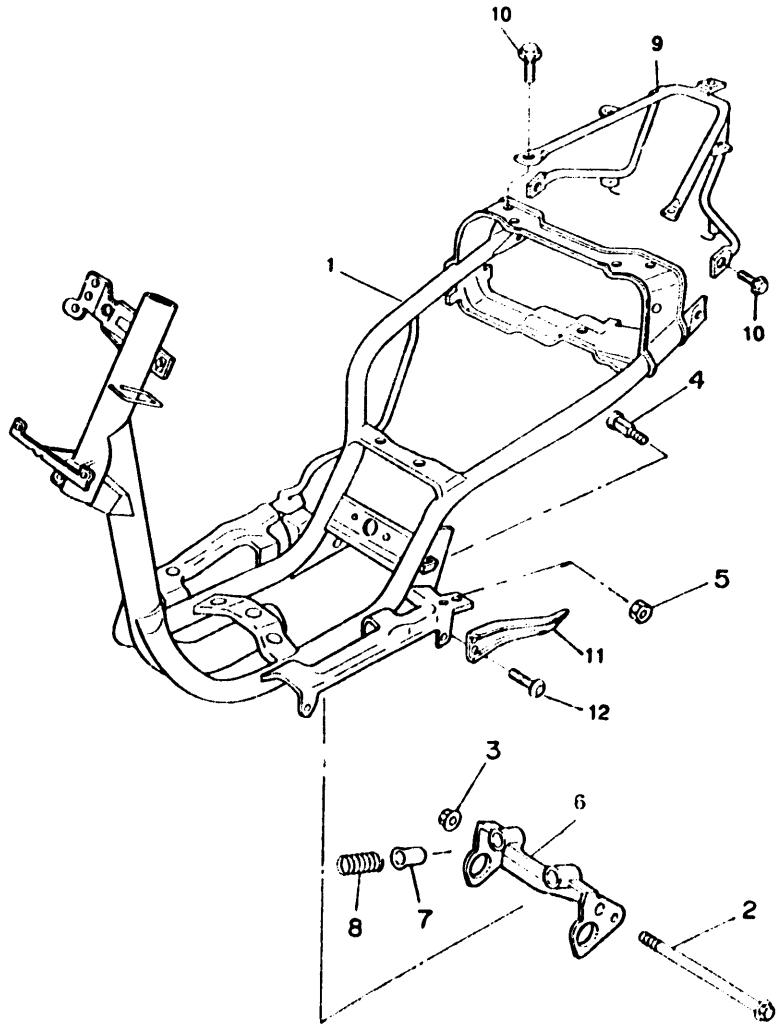


FIG . 11 TRANSMISSION

REF	PART.N°	DESCRIPTION	QTY	REMARKS
1	4SB-E7410-00	MAIN AXLE COMP.	1	
2	93306-20006	BEARING (B6200)	1	
3	90201-140G5	WASHER, PLATE	1	
4	90208-14047	WASHER, CONICAL SPRI	1	
5	4SB-E7420-00	DRIVE AXLE ASSY	1	
6	93306-20314	BEARING (B6203)	1	
7	93102-22314	OIL SEAL	1	
8	93420-40064	CIRCLIP	1	



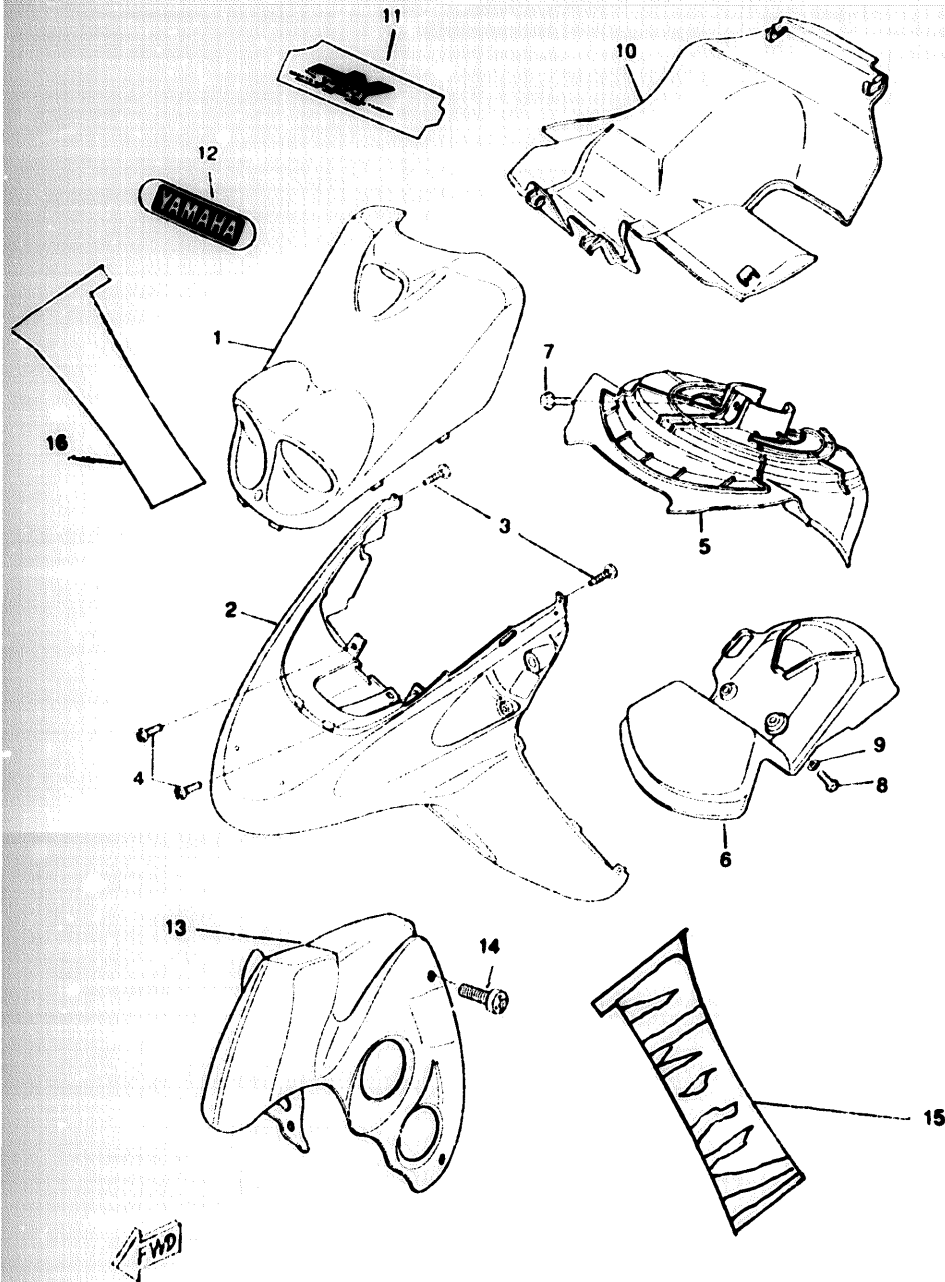
FIG . 12FRAME



REF	PART.N°	DESCRIPTION	QTY	REMARKS
1	4SB-F1110-00	FRAME COMP.	1	YAMAHA BLACK
2	90105-10063	BOLT, WASHER BASED	1	
3	90179-10279	NUT, POP	1	
4	2T4-21481-01	BOLT, ENGINE MOUNTIN	2	
5	95617-10100	BOLT, STUD	2	
6	3VL-F1410-10	ENGINE BRACKET COMP.	1	
7	2T4-2139X-00	DAMPER	2	
8	90501-29517	SPRING, COMPRESSION	1	
9	4SB-F1232-00	REINFORCEMENT, TAIL	1	YAMAHA BLACK
10	95827-08016	BOLT, FLANGE	4	
11	4SB-F7452-00	BRACKET, FOOTREST 1	1	
12	92017-08016	SCREW	2	
	4TD-F1182-00	MANUFACTURER PLATE	1	
	90267-32801	RIVET, BLIND	2	

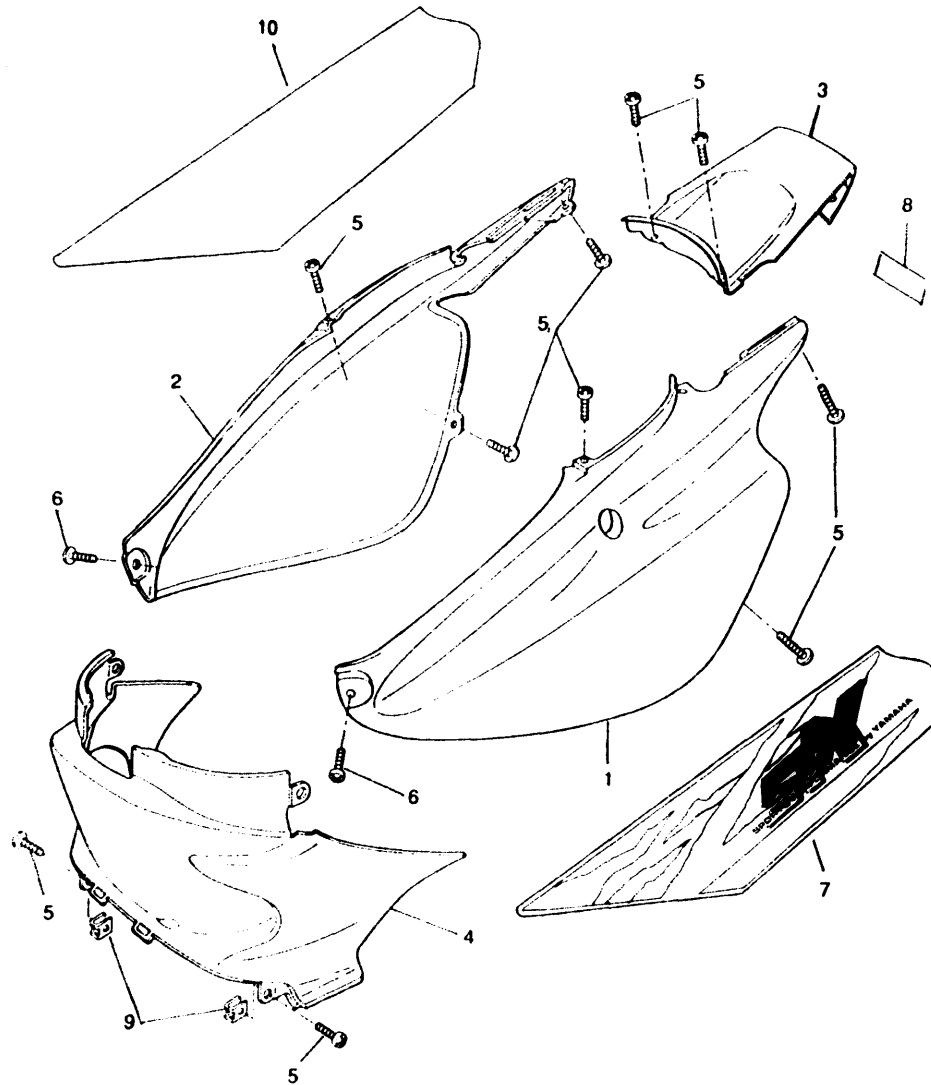
FWD

FIG . 13FENDER



REF	PART.N°	DESCRIPTION	QTY	REMARKS
1	4SB-F1511-00-4B	FENDER, FRONT BLACK 2	1	UR SW
	4SB-F1511-00-29	FENDER, FRONT	1	CANDY BLUE
2	4UP-F1519-00	MOLD, FENDER	1	UR CB
	4UP-F1519-10	MOLD, FENDER	1	UR SW
3	97707-50016	SCREW, TAPPING	2	
4	98907-06016	SCREW, BIND	2	
5	4SB-F1552-00	FENDER, INNER	1	BLACK
6	4SB-F1553-00	FENDER, INNER 2	1	BLACK
7	95817-06010	BOLT, FLANGE	1	
8	90119-06052	BOLT, WITH WASHER	2	
9	92907-06600	WASHER	2	
10	4SB-F1629-00	GUARD, MUD	1	BLACK
11	4UP-F1569-00	GRAPHIC 1	1	UR SW
	4UP-F1569-10	GRAPHIC 1	1	UR CB
12	4UP-F152A-00	EMBLEM 3	1	
13	4UP-F1556-00-GH	FENDER, FRONT 2 RASPBERRY RED	1	UR SW
	4UP-F1556-00-29	FENDER, FRONT 2	1	CANDY BLUE
14	4UP-F1531-00	BOLT	4	
15	4UP-F1579-00	GRAPHIC 2 G	1	UR SW
	4UP-F1579-10	GRAPHIC 2 G	1	UR CB
16	4UP-F1599-00	EMBLEM BW'S D	1	UR SW
	4UP-F1599-10	EMBLEM BW'S D NO ILLUSTRATED	1	UR CB
	3EC-H5111-00	REFLECTOR, FRONT 1	2	

FIG . 14SIDE COVER



REF	PART.N°	DESCRIPTION	QTY	REMARKS
1	4SB-F1721-00-GE	COVER, SIDE 2 G	1	SILKY WHITE
	4SB-F1721-00-29	COVER, SIDE 2 G	1	CANDY BLUE
2	4SB-F1731-00-GE	COVER, SIDE 3 D	1	SILKY WHITE
	4SB-F1731-00-29	COVER, SIDE 3 D	1	CANDY BLUE
3	4SB-F171E-00-GE	COVER, SIDE 5	1	SILKY WHITE
	4SB-F171E-00-29	COVER, SIDE 5	1	CANDY BLUE
4	4SB-F1711-00	COVER, SIDE 1	1	
5	97707-50016	SCREW, TAPPING	10	
6	97707-50012	SCREW, TAPPING	2	
7	4UP-F174G-00	GRAPHIC 3 G	1	UR CB
	4UP-F174H-00	GRAPHIC 4 G	1	UR SW
8	4UP-F152A-00	EMBLEM 3	1	UR CB
	4UP-F152A-10	EMBLEM 3	1	UR SW
9	90183-05042	NUT, SPRING	2	
10	4UP-F174J-00	GRAPHIC 5 D	2	UR CB
	4UP-F174K-00	GRAPHIC 6 D	1	UR SW



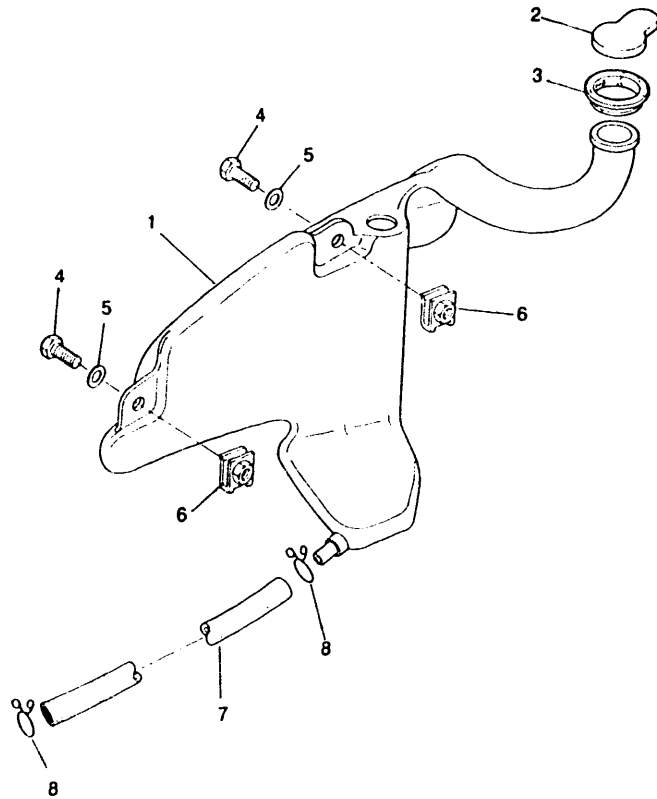
CONTENTS

ENGINE		FUEL TANK.....C5
CYLINDER.....B2		SEAT CARRIER.....C6
CRANKSHAFT-PISTON.....B3		FRONT WHEEL.....C7
AIR SHROUD-FAN.....B4		FRONT BRAKE CALIPER..... C8
OIL PUMP.....B5		REAR WHEEL.....C9
INTAKE.....B6		STEERING-HANDLE-CABLE..... C10
CARBURETOR.....B7		FRONT MASTER CYLINDER..... C11
EXHAUST.....B8		STAND FOOTREST.....C12
CRANKCASE.....B9		LEG SHIELD.....C13
STARTER.....B10		COWLING.....C14
CLUTCH.....B11		GENERATOR.....C15
TRANSMISSION.....B12		FLASHER LIGHT.....D2
CHASSIS		METER.....D3
FRAME.....B13		HEADLIGHT.....D4
FENDER.....B14		TAILLIGHT.....D5
SIDE COVER.....B15		HANDLE- SWITCH- LEVER.....D6
OIL TANK.....C2		ELECTRICAL 1.....D7
REAR SUSPENSION.....C3		ELECTRICAL 2.....D8
FRONT FORK.....C4		
		NUMERICAL INDEX.....M1-M2

CONTENTS

ENGINE	
CYLINDER.....	B2
CRANKSHAFT-PISTON.....	B3
AIR SHROUD-FAN.....	B4
OIL PUMP.....	B5
INTAKE.....	B6
CARBURETOR.....	B7
EXHAUST.....	B8
CRANKCASE.....	B9
STARTER.....	B10
CLUTCH.....	B11
TRANSMISSION.....	B12
CHASSIS	
FRAME.....	B13
FENDER.....	B14
SIDE COVER.....	B15
OIL TANK.....	C2
REAR SUSPENSION.....	C3
FRONT FORK.....	C4
FUEL TANK.....	C5
SEAT CARRIER.....	C6
FRONT WHEEL.....	C7
FRONT BRAKE CALIPER.....	C8
REAR WHEEL.....	C9
STEERING-HANDLE-CABLE.....	C10
FRONT MASTER CYLINDER.....	C11
STAND FOOTREST.....	C12
LEG SHIELD.....	C13
COWLING.....	C14
GENERATOR.....	C15
FLASHER LIGHT.....	D2
METER.....	D3
HEADLIGHT.....	D4
TAILLIGHT.....	D5
HANDLE- SWITCH- LEVER.....	D6
ELECTRICAL 1.....	D7
ELECTRICAL 2.....	D8
NUMERICAL INDEX.....	M1-M2

FIG . 15OIL TANK

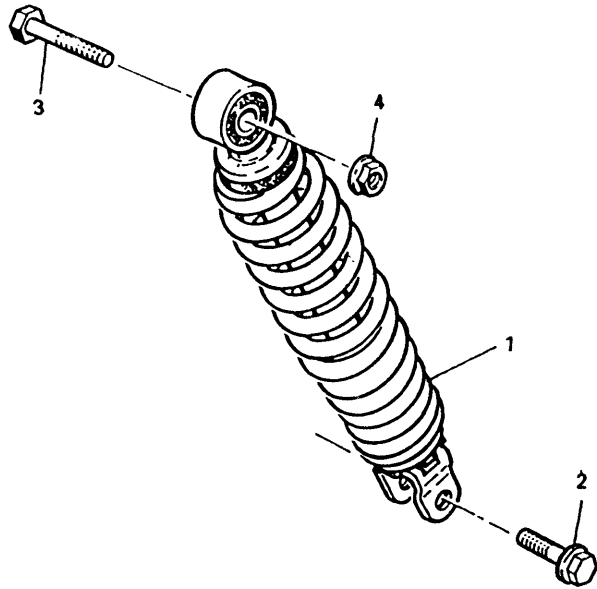


REF	PART.N°	DESCRIPTION	QTY	REMARKS
1	4SB-F1751-00	TANK, OIL	1	
2	2N3-21771-01	BODY, CAP	1	
3	4SB-F414E-00	SEAL 2	1	
4	90119-06044	BOLT, WITH WASHER	2	
5	90201 06380	WASHER, PLATE	2	
6	25G-21535-00	NUT 1	3	
7	90445-094J4	HOSE	1	
8	90468-02033	CLIP	2	
	4SB-H2141-00	NO ILLUSTRATED LABEL, BATTERY	1	



FIG . 16REAR SUSPENSION

REF	PART.N°	DESCRIPTION	QTY	REMARKS
1	4SB-F2210-00	SHOCK ABSORBER ASSY, REAR	1	
2	90105-08121	BOLT, WASHER BASED	1	
3	90101-10776	BOLT	1	
4	95617-10200	BOLT, STUD	1	



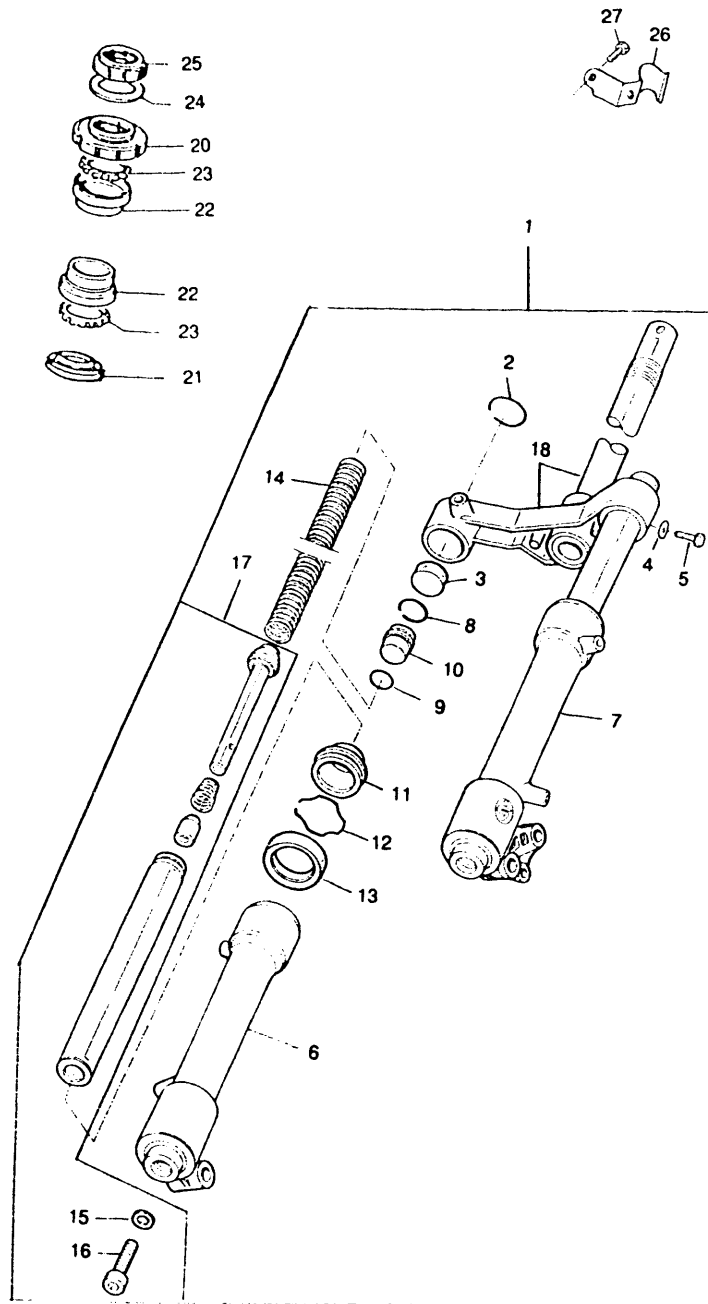
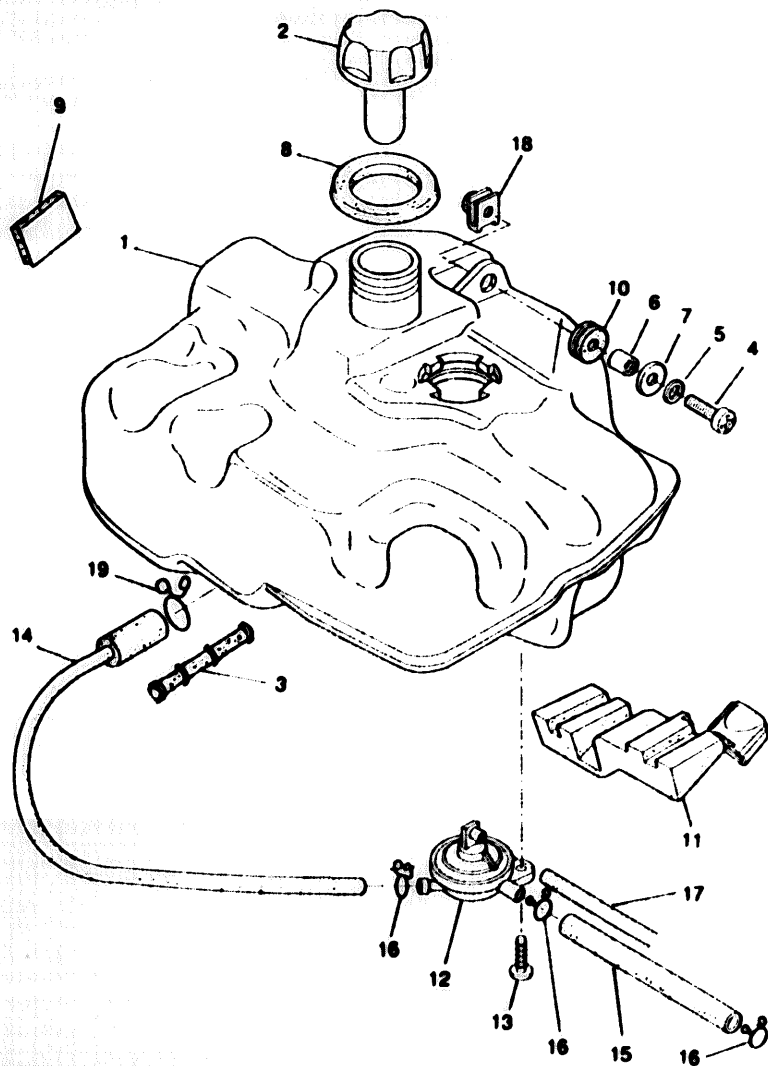


FIG . 17FRONT FORK

REF	PART.N°	DESCRIPTION	QTY	REMARKS
1	4UP-F3100-00	FRONT FORK ASSY	1	
2	4TD-F3153-00	.RING, SNAP	2	
3	4TD-F3154-00	.PLUG, INNER TUBE	2	
4	4TD-F3112-00	.WASHER, CAP	2	
5	4TD-F3394-00	.BOLT, SPECIAL	2	
6	4UP-F3136-00	.TUBE, OUTER 2 RIGHT	1	
7	4UP-F3126-00	.TUBE, OUTER 1 LEFT	1	
8	4TD-F3183-00	.CIRCLIP	2	
9	4TD-F3147-00	.O-RING	2	
10	4TD-F3111-00	.BOLT, CAP	2	
11	4TD-F3144-00	.SEAL, DUST	2	
12	4TD-F3156-00	.CLIP, OIL SEAL	2	
13	4TD-F3145-00	.OIL SEAL	2	
14	4TD-F3141-00	.SPRING, FRONT FORK	2	
15	4CU-F3165-00	.WASHER, FELT	2	
16	4TD-F3181-00	.BOLT, HEXAGON SOCKET HEAD	2	
17	4TD-F3110-00	.INNER TUBE COMP.1	1	
18	4TD-F3340-00	.UNDER BRACKET COMP.	1	
20	4SB-F3411-00	RACE, BALL 1	1	
21	4SB-F3414-00	RACE, BALL 4	1	
22	4SB-F3412-00	RACE, BALL 2	2	
23	4SB-F3812-00	PLANE BEARING, STEERING	2	
24	4SB-F3427-00	WASHER	1	
25	4SB-F3453-00	NU1, FITTING 1	1	
26	4SB-F5876-00	HOLDER, BRAKE HOSE 2	1	
27	97707-50016	SCREW, TAPPING	2	

FWD

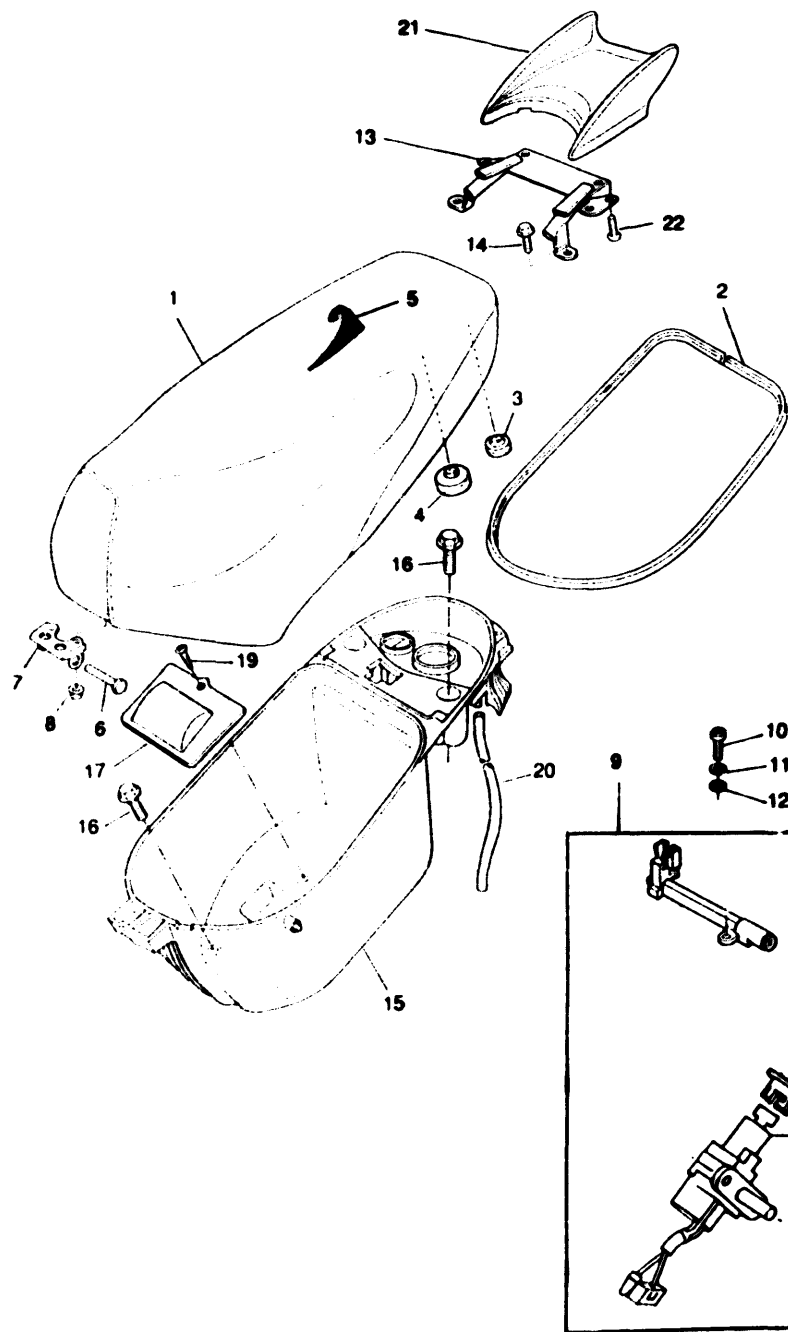
FIG . 18 FUEL TANK



REF	PART.N°	DESCRIPTION	QTY	REMARKS
1	48B-F4110-00	FUEL TANK COMP.	1	
2	48U-F4810-00	CAP ASSY	1	
3	48B-F4451-01	NET, FILTER	1	
4	98607-08020	SCREW, PAN HEAD	1	
5	92907-08800	WASHER	1	
6	90387-080G7	COLLAR	1	
7	90201-08380	WASHER, PLATE	1	
8	48B-F414G-00	SEAL	1	
9	48X-F174X-10	DAMPER	1	
10	90480-13398	GROMMET	1	
12	48B-F4600-00	FUEL COCK ASSY 1	1	
13	97707-80016	SCREW, TAPPING	1	
14	48B-F4311-01	PIPE, FUEL 1	1	
15	48B-F4312-00	PIPE 2	1	
16	90467-08008	CLIP	3	
17	48B-F4335-00	PIPE, SUCTION 1	1	
18	25G-21535-00	NUT	1	
19	90467-12052	CLIP	1	



FIG . 19SEAT. CARRIER

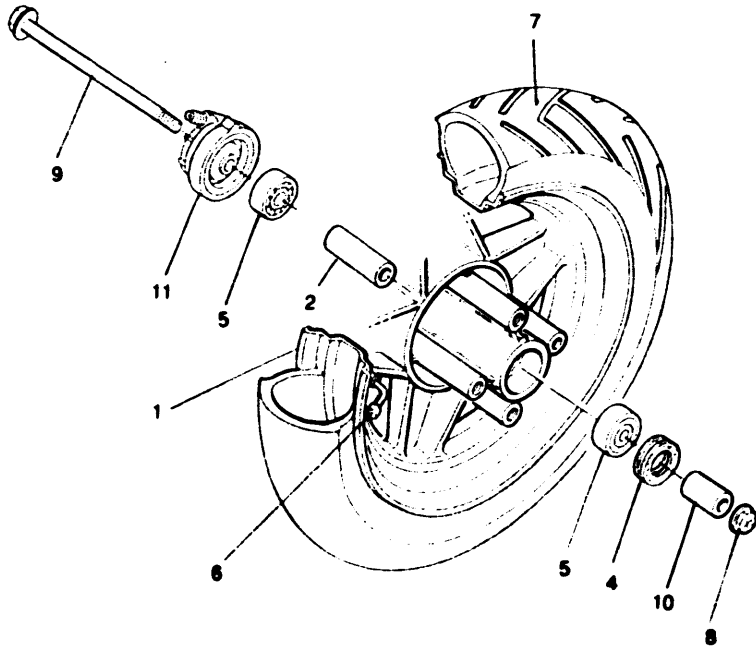


REF	PART.N°	DESCRIPTION	QTY	REMARKS
1	4SB-F4730-00	DOUBLE SEAT ASSY	1	
2	4SB-F475M-00	.SEAL	1	
3	3VL-F4741-00	.PAD, SEAT	2	
4	3VL-F4741-10	.PAD, SEAT	2	
5	4SB-F4731-00	COVER, SEAT	1	
6	90241-10017	PIN	1	
7	4CU-F4726-00	HINGE, SEAT	1	
8	95707-06500	NUT, FLANGE	2	
9	4SB-H2021-00	KEY SET	1	
10	98507-06020	SCREW, PAN HEAD	2	
11	92907-06100	WASHER	2	
12	92907-06600	WASHER	2	
13	4UP-F1165-00	HANDLE, STANDING	1	YAMAHA BLACK
14	95027-08016	BOLT, FLANGE	2	
15	4SB-F473R-01	BOX 1	1	
16	90109-063F1	BOLT	4	
17	4SB-F473T-00	LID 1	1	
19	97707-50016	SCREW, TAPPING	1	
20	4SB-F4318-00	PIPE, OVERFLOW	1	
21	4UP-F4812-00-GH	HANDLE RASPBERRY RED	1	UR SILKY WHITE
	4UP-F4812-00-29	HANDLE	1	CANDY BLUE
22	4UP-F1532-00	BOLT	4	



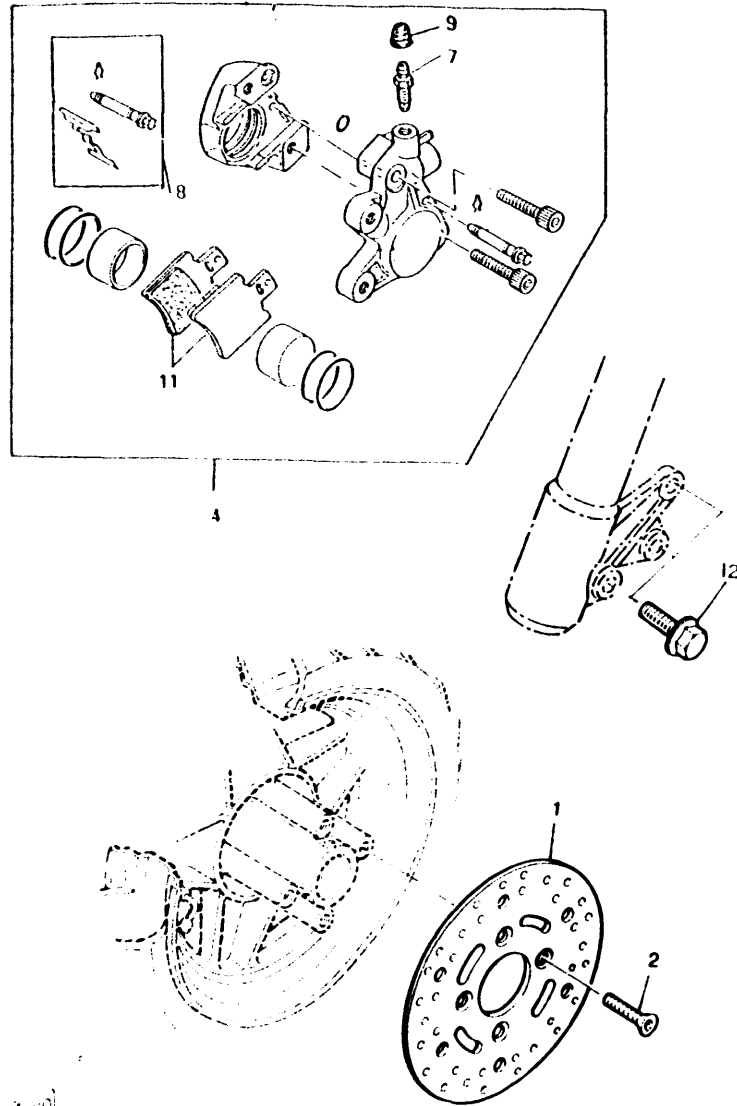
FIG . 20FRONT WHEEL

REF	PART.N°	DESCRIPTION	QTY	REMARKS
1	4UP-F5168-00	CAST WHEEL, FRONT BLACK	1	UR SW/CB
2	4SB-F5117-00	SPACER, BEARING	1	
4	93106-20001	OIL SEAL	1	
5	93306-300Y8	BEARING	2	
6	3VL-F5170-10	AIR VALVE ASSY	1	
7	94112-128P5	TIRE	1	120/70-12 PIRELLI
8	95617-10200	BOLT, STUD	1	
9	486-22141-01	SHAFT, PIVOT	1	
10	90387-10079	COLLAR	2	
11	4PA-25190-00	GEAR, DRIVE	1	



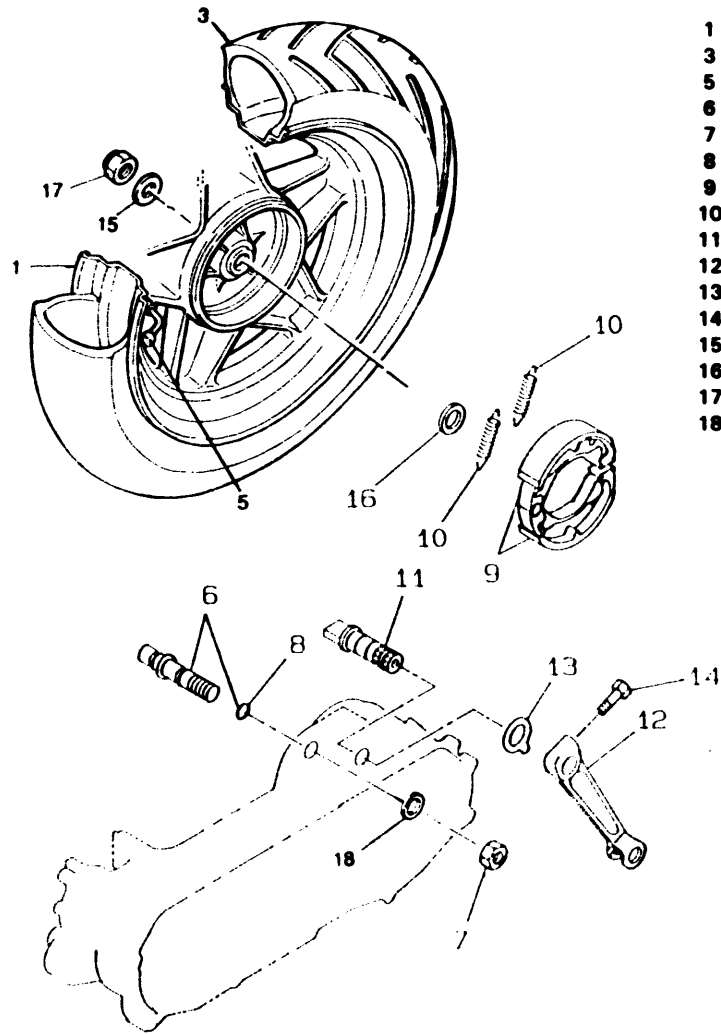
FWD

FIG . 21FRONT BRAKE CALIPER



REF	PART.N°	DESCRIPTION	QTY	REMARKS
1	4SB-2582T-00	DISC, BRAKE	1	
2	90110-10223	BOLT, HEXAGON SOCKET HEAD	4	
4	4CU-F580T-20	CALIPER ASSY (LEFT)	1	
7	4CU-F5824-00	.SCREW, BREED	1	
8	4CU-F5919-00	.SUPPORT, PAD ASSY	1	
9	4CU-F5825-00	.CAP	1	
11	4CU-F5811-20	.PAD, CALIPER 2	2	
12	95827-08030	BOLT, FLANGE	2	

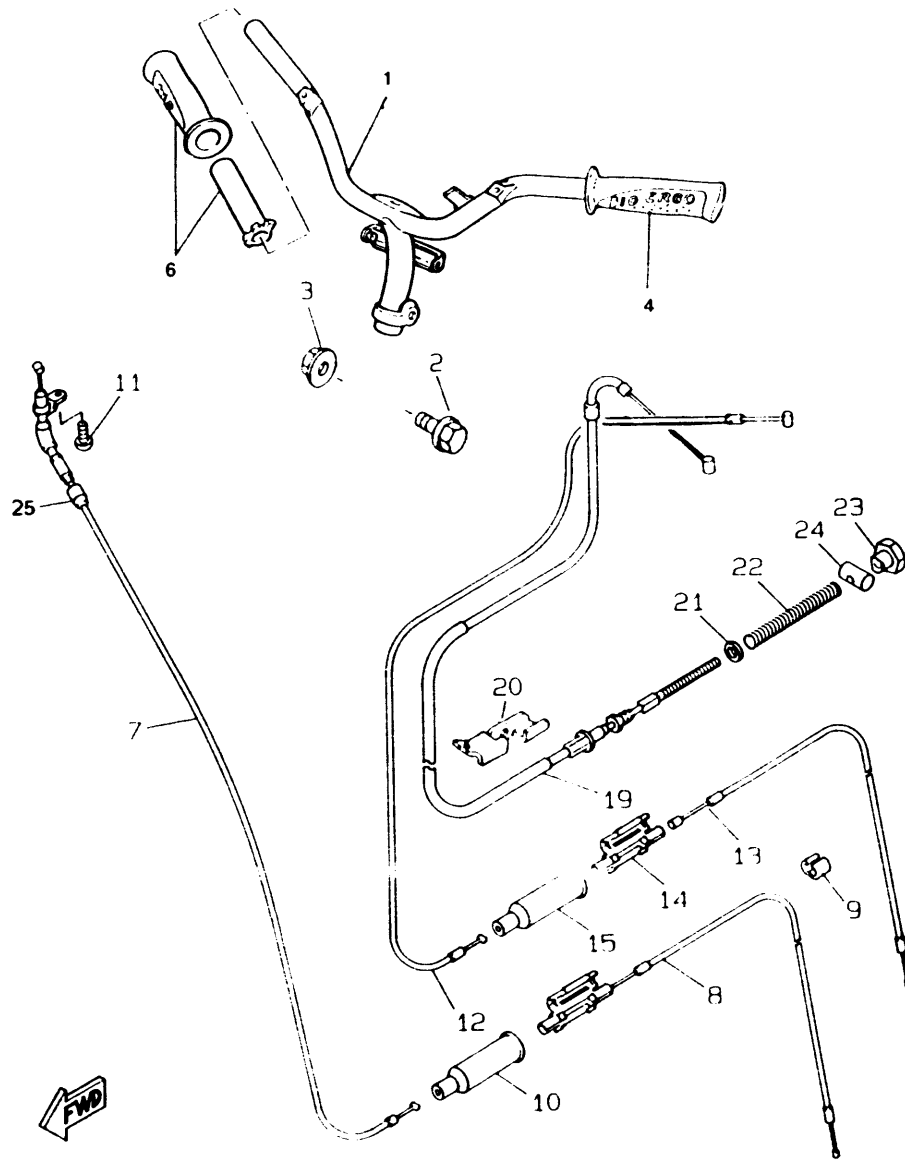
FIG . 22REAR WHEEL



REF	PART.N°	DESCRIPTION	QTY	REMARKS
1	4UP-F5338-00	CAST WHEEL, REAR BLACK	1	UR SW/CB
3	94113-128P6	TIRE	1	130/70-12 PIRELLI
5	3VL-F5170-10	AIR VALVE ASSY	1	
6	3VL-F5326-00	PIN, PIVOT	1	
7	3VL-F5182-00	NUT, AXLE	1	
8	93210-07435	O-RING	1	
9	2JL-W2536-10	BRAKE SHOE SET	1	
10	90606-15260	SPRING	2	
11	3AA-25351-00	CAMSHAFT	1	
12	3AA-25355-03	LEVER, CAMSHAFT	1	
13	3Y6-2533A-01	PLATE, INDICATOR	1	
14	90101-06291	BOLT (L:130MM)	1	
15	90201-142M6	WASHER, PLATE	1	
16	90201-177G4	WASHER, PLATE	1	
17	90185-14150	NUT, SELF-LOCKING	1	
18	3VL-F5384-00	WASHER, WHEEL	1	



FIG . 23 STEERING HANDLE. CABLE



REF	PART.N°	DESCRIPTION	QTY	REMARKS
1	4SB-F6110-00	HANDLE COMP.	1	
2	90105-10036	BOLT, WASHER BASED	1	
3	95617-10200	BOLT, STUD	1	
4	4SB-F6241-00	GRIP (LEFT)	1	
6	4SB-F6240-00	GRIP ASSY	1	
7	3VL-F6311-01	CABLE, THROTTLE 1	1	
8	3VL-F6312-01	CABLE, THROTTLE 2	1	
9	90468-15009	CLIP	1	
10	3WG-F6329-00	CAP, RUBBER	1	
11	98507-05010	SCREW, PAN HEAD	1	
12	4SB-F6331-00	CABLE, STARTER 1	1	
13	3VL-F6334-02	CABLE, STARTER 2	1	
14	3VL-F6261-00	CONNECTOR, CABLE	1	
15	3WG-F6329-00	CAP, RUBBER	1	
19	4SB-F6351-00	CABLE, BRAKE	1	
20	4SB-F6475-00	HOLDER	1	
21	90202-08175	WASHER, PLATE	1	
22	90501-122E1	SPRING, COMPRESSION	1	
23	90179-06411	NUT	1	
24	90249-12008	PIN	1	
25	3VL-F6262-00	CAP. CABLE CONNECTOR	2	

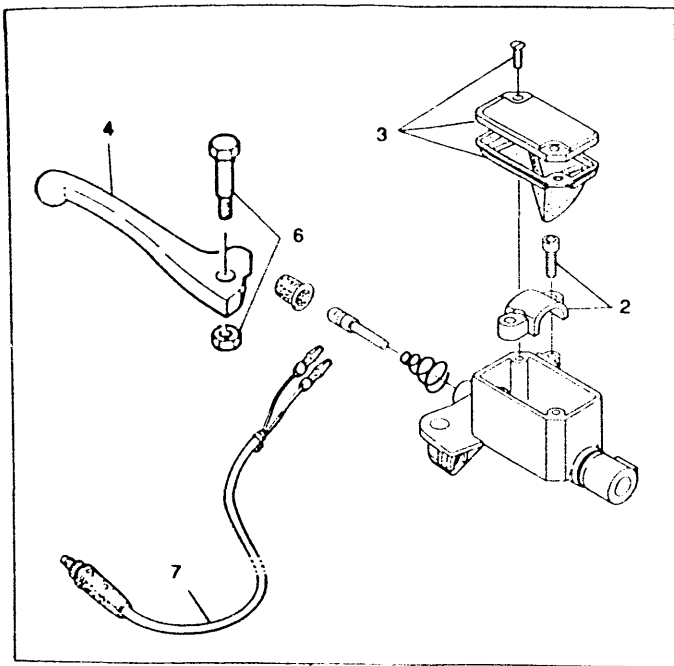
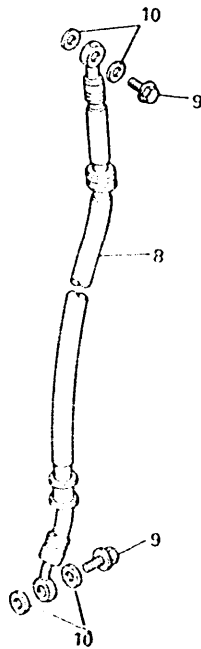


FIG . 24FRONT MASTER CYLINDER

REF	PART.N°	DESCRIPTION	QTY	REMARKS
1	4TD-F583T-00	MASTER CYLINDER ASSY	1	
2	4TD-F5867-00	.BRACKET, MASTER CYLINDER	1	
3	4TD-F5852-00	.CAP, RESERVOIR	1	
4	4TD-H3922-00	.LEVER 2	1	
6	4TD-H3945-00	.BOLT, LEVER	1	
7	3VL-H3980-00	.FRONT STOP SWITCH AS	1	
8	4SB-F5872-01	HOSE, BRAKE 1	1	
9	90401-10159	BOLT, UNION	2	
10	90201-10118	WASHER, PLATE	4	



← FWD

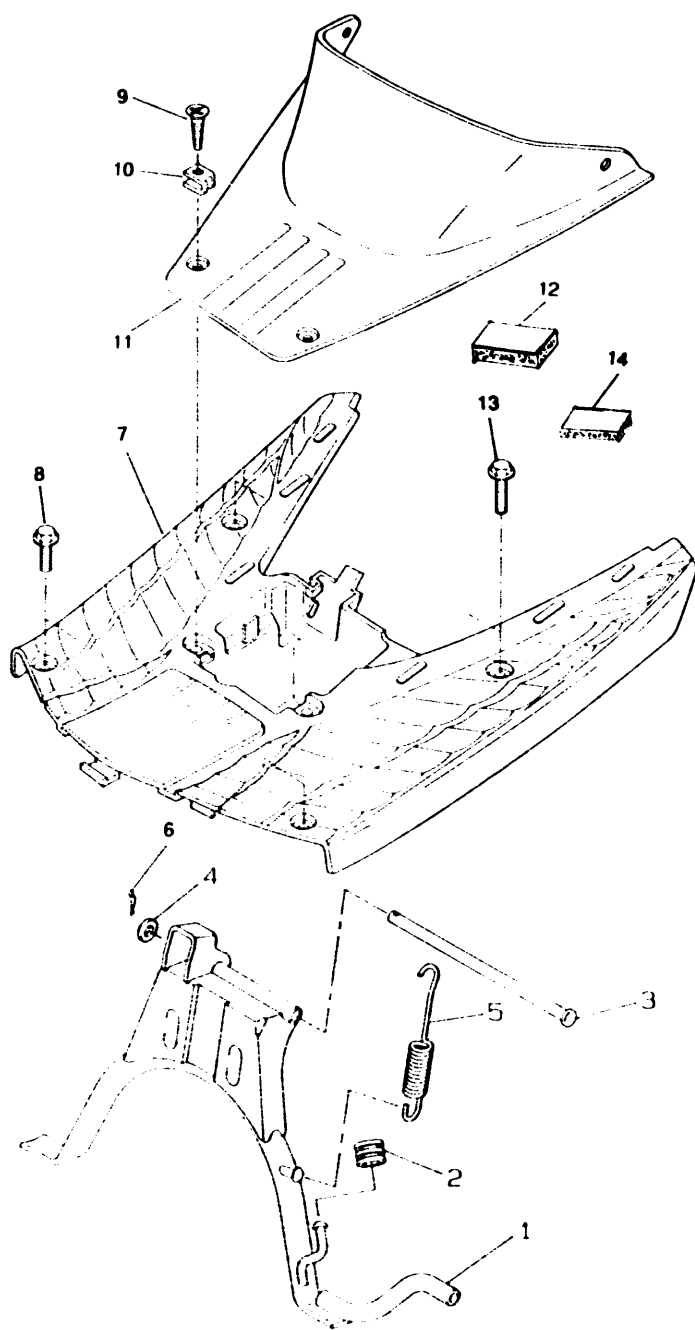
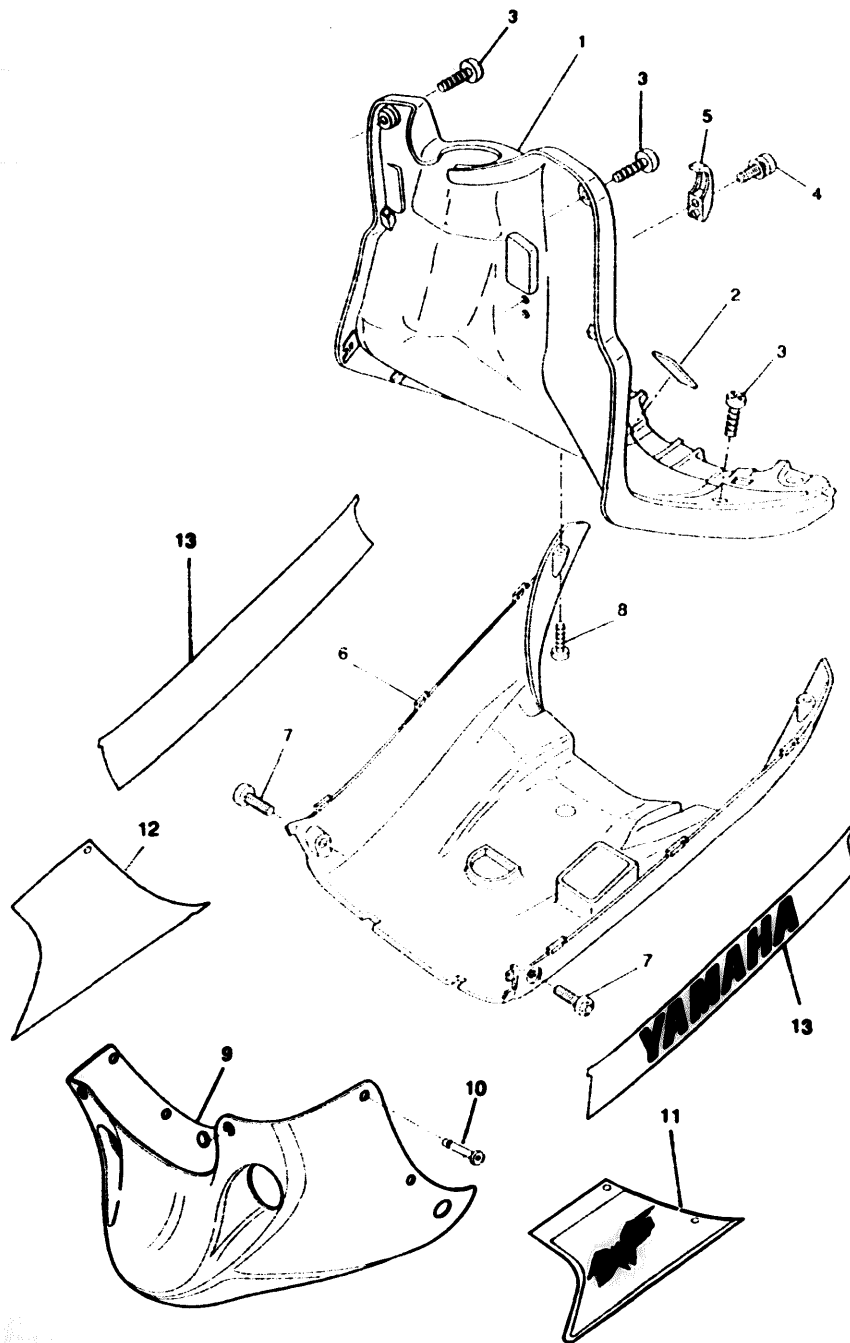


FIG . 25STAND. FOOTREST

REF	PART.N°	DESCRIPTION	QTY	REMARKS
1	4SB-F7111-00	STAND, MAIN	1	YAMAHA BLACK
2	90387-076V1	COLLAR	1	
3	4SB-F7112-00	SHAFT, MAIN STAND	1	
4	90202-10120	WASHER, PLATE	1	
5	90506-29280	SPACER	1	
6	90468-12006	CLIP	1	
7	4SB-F7481-00	BOARD, FOOTREST	1	BLACK
8	4SB-F7117-10	BOLT, MAIN STAND	2	
9	97707-50016	SCREW, TAPPING	4	
10	90183-05042	NUT, SPRING	2	
11	4SB-F1741-00	COVER, SIDE 4	1	BLACK
12	4SB-F174X-00	DAMPER	1	
13	4SB-F7117-00	BOLT, MAIN STAND	2	
14	4SB-F174X-10	DAMPER	2	



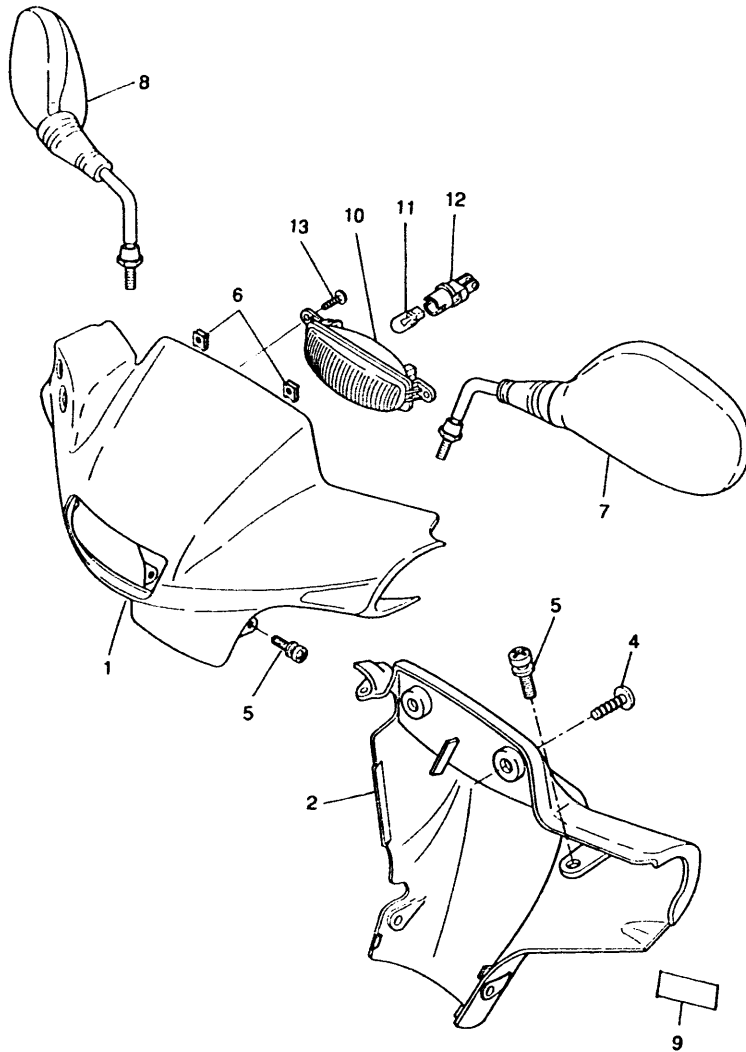
FIG . 26LEG SHIELD



REF	PART.N°	DESCRIPTION	QTY	REMARKS
1	4SB-F8312-00	LEG SHIELD 2	1	BLACK
2	3WV-F8349-10	CAP	1	
3	97707-50016	SCREW, TAPPING	4	
4	4UP-F1532-00	BOLT 2	1	
5	4SB-F1398-00	HANGER, HELMET	1	
6	4SB-F8385-00	COVER, LOWER	1	UR CB
	4SB-F8385-10	COVER, LOWER	1	UR SW
7	4SB-F8382-00	SCREW, SPECIAL	2	
8	97707-50016	SCREW, TAPPING	2	
9	4UP-F842M-01	COVER 1	1	UR CB
	4UP-F842M-11	COVER 1	1	UR SW
10	4UP-F1128-00	BLIND	6	
11	4UR-F832B-00	GRAPHIC LEFT BW'S	1	UR SW
	4UR-F832B-10	GRAPHIC LEFT BW'S	1	UR CB
12	4UR-F832C-00	GRAPHIC RIGHT BW'S	1	UR SW
	4UR-F832C-10	GRAPHIC RIGHT BW'S	1	UR CB
13	4UP-F839H-00	EMBLEM 1 YAMAHA	2	UR SW
	4UP-F839H-10	EMBLEM 1 YAMAHA	2	UR CB

FWD

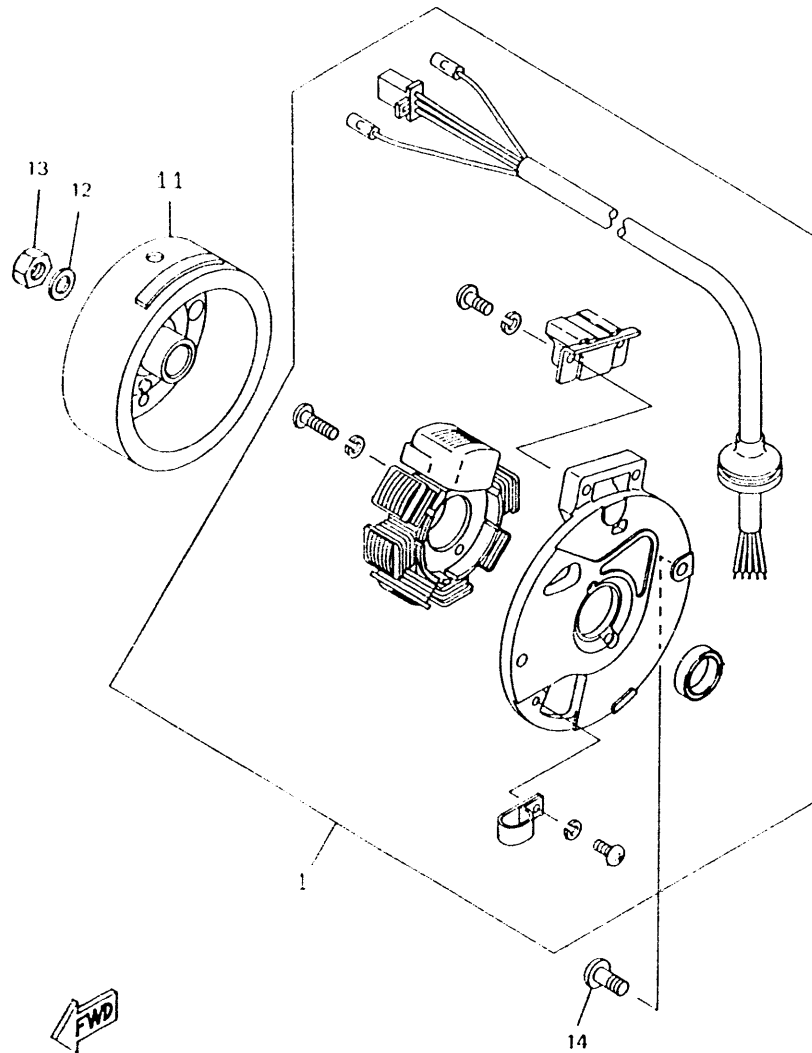
FIG . 27COWLING 1



REF	PART.N°	DESCRIPTION	QTY	REMARKS
1	4SB-F6143-00-4B	COVER, HANDLEBAR UPPER 1 BLACK	1	UR SILKY WHITE
	4SB-F6143-00-29	COVER, HANDLEBAR UPPER 1	1	CANDY BLUE
2	4SB-F6145-00	COVER, HANDLEBAR UPPER 2	1	
4	97707-50016	SCREW, TAPPING	2	
5	90159-05134	SCREW, WITH WASHER	4	
6	90183-05042	NUT, SPRING	2	
7	4SB-F6280-00	MIRROR (LEFT)	1	
8	4SB-F6290-00	MIRROR (RIGHT)	1	
9	4CU-F1568-10	LABEL, WARNING	1	
10	4SB-H3530-00	PILOT LIGHT ASSY	1	
11	3WW-H4347-00	.BULB LICENCE LIGHT	1	
12	3UP-H4346-00	.SOCKET, PILOT LIGHT	1	
13	97707-50016	SCREW TAPPING	2	

FWD

FIG . 28GENERATOR



REF	PART.N°	DESCRIPTION	QTY	REMARKS
1	4SB-85560-00	BASE ASSY	1	
11	2JA-85550-00	ROTOR ASSY	1	
12	92907-10600	WASHER	1	
13	90170-10219	NUT	1	
14	98507-06016	SCREW, PAN HEAD	2	

CONTENTS

ENGINE		FUEL TANK.....C5
CYLINDER.....B2		SEAT CARRIER.....C6
CRANKSHAFT-PISTON.....B3		FRONT WHEEL.....C7
AIR SHROUD-FAN.....B4		FRONT BRAKE CALIPER..... C8
OIL PUMP.....B5		REAR WHEEL.....C9
INTAKE.....B6		STEERING-HANDLE-CABLE..... C10
CARBURETOR.....B7		FRONT MASTER CYLINDER..... C11
EXHAUST.....B8		STAND FOOTREST.....C12
CRANKCASE.....B9		LEG SHIELD.....C13
STARTER.....B10		COWLING.....C14
CLUTCH.....B11		GENERATOR.....C15
TRANSMISSION.....B12		FLASHER LIGHT.....D2
CHASSIS		METER.....D3
FRAME.....B13		HEADLIGHT.....D4
FENDER.....B14		TAILLIGHT.....D5
SIDE COVER.....B15		HANDLE- SWITCH- LEVER.....D6
OIL TANK.....C2		ELECTRICAL 1.....D7
REAR SUSPENSION.....C3		ELECTRICAL 2.....D8
FRONT FORK.....C4		
		NUMERICAL INDEX.....M1-M2

CONTENTS

ENGINE		FUEL TANK.....C5
CYLINDER.....B2		SEAT CARRIER.....C6
CRANKSHAFT-PISTON.....B3		FRONT WHEEL.....C7
AIR SHROUD-FAN.....B4		FRONT BRAKE CALIPER..... C8
OIL PUMP.....B5		REAR WHEEL.....C9
INTAKE.....B6		STEERING-HANDLE-CABLE..... C10
CARBURETOR.....B7		FRONT MASTER CYLINDER..... C11
EXHAUST.....B8		STAND FOOTREST.....C12
CRANKCASE.....B9		LEG SHIELD.....C13
STARTER.....B10		COWLING.....C14
CLUTCH.....B11		GENERATOR.....C15
TRANSMISSION.....B12		FLASHER LIGHT.....D2
CHASSIS		METER.....D3
FRAME.....B13		HEADLIGHT.....D4
FENDER.....B14		TAILLIGHT.....D5
SIDE COVER.....B15		HANDLE- SWITCH- LEVER.....D6
OIL TANK.....C2		ELECTRICAL 1.....D7
REAR SUSPENSION.....C3		ELECTRICAL 2.....D8
FRONT FORK.....C4		
		NUMERICAL INDEX.....M1-M2

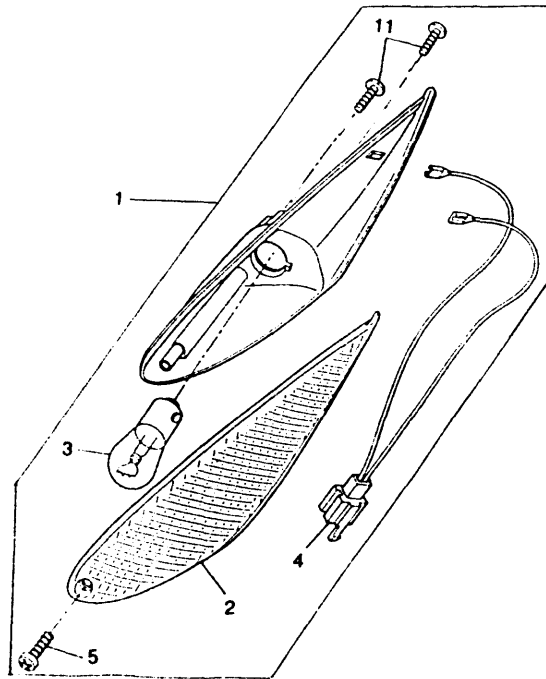
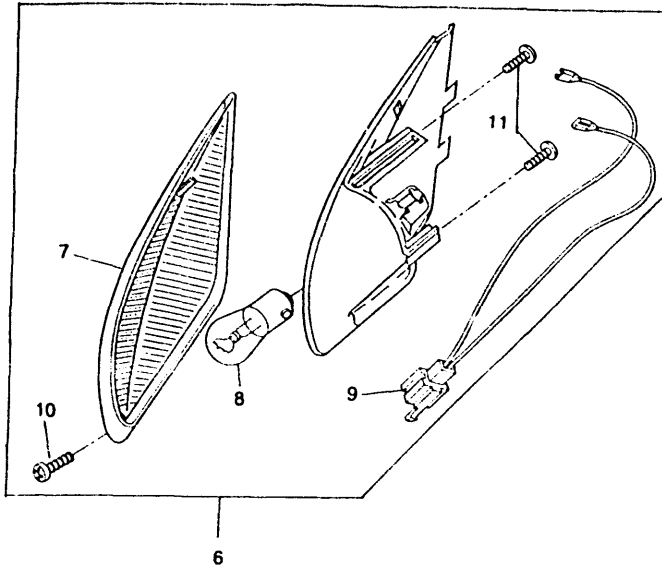


FIG . 29FLASHER LIGHT

REF	PART.N°	DESCRIPTION	QTY	REMARKS
1	4SB-H3310-00	FRONT FLASHER LIGHT ASSY1	1	
2	4SB-H3312-00	.LENS, FLASHER LEFT	1	
3	NH7-H3311-00-01	.BULB 12V.21W.	1	
4	4KH-H331N-00	.WIRE FLASHER 1	1	
5	4KH-H3333-00	.SCREW, LENS FITTING	1	
6	4SB-H3320-00	FRONT FLASHER LIGHT ASSY2	1	
7	4SB-H3322-00	.LENS, FLASHER 2	1	
8	NH7-H3311-00-01	.BULB 12V.21W.	1	
9	4KH-H332N-00	.WIRE FLASHER 2	1	
10	4KH-H3333-00	.SCREW, LENS FITTING	1	
11	97707-50016	SCREW, TAPPING	4	

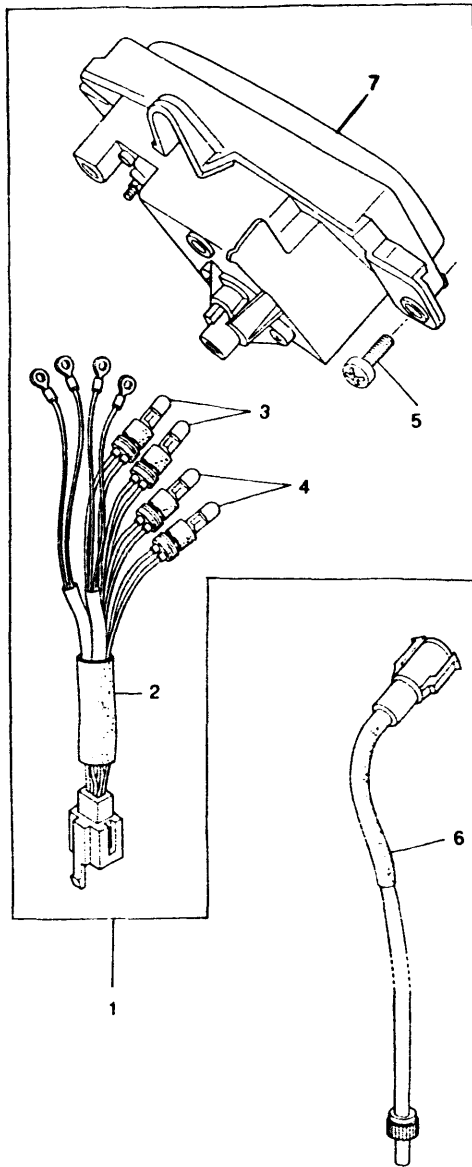


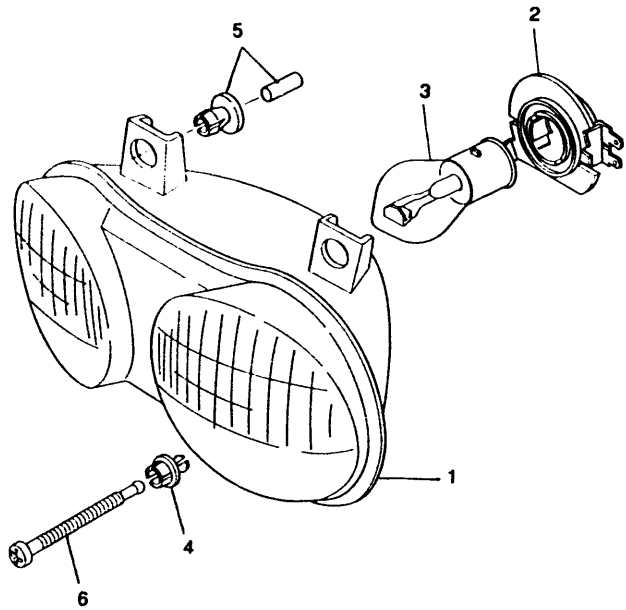
FIG . 30METER

REF	PART.N°	DESCRIPTION	QTY	REMARKS
1	4UP-H3510-00	SPEEDOMETER ASSY	1	
2	4SB-H3509-00	.SOCKET CORD ASSY	1	
3	4SB-H4347-00	.BULB LICENCE LIGHT	2	
4	NJ9-H4744-00-01	.BULB	2	
5	97707-50020	SCREW, TAPPING	2	
6	4SB-H3550-00	SPEEDOMETER CABLE ASSY	1	
7	4SB-H353K-00	.GLASS PLATE	1	

FWD

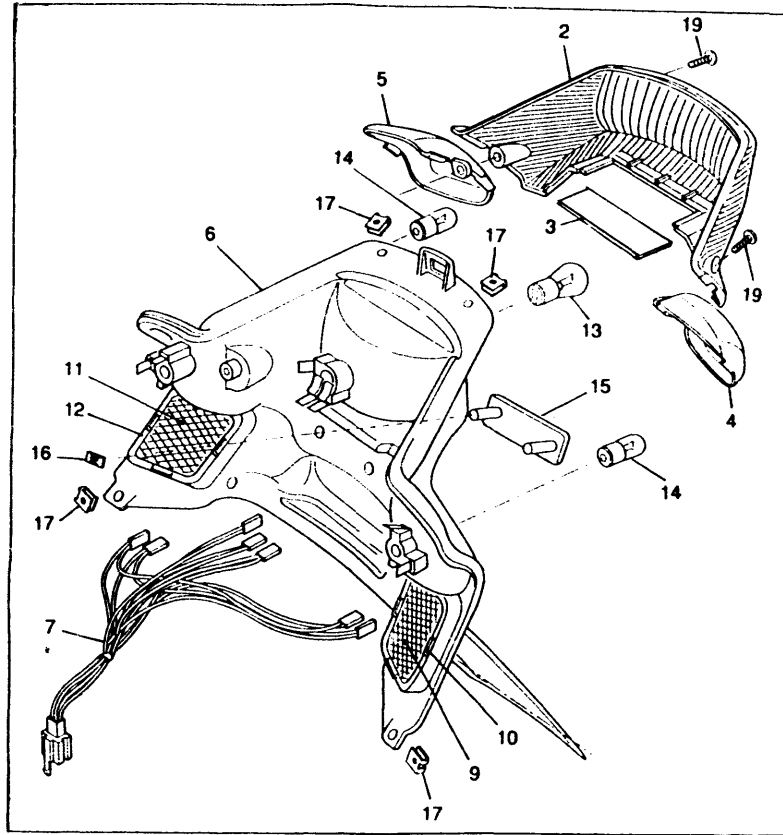
FIG . 31 HEADLIGHT

REF	PART.N°	DESCRIPTION	QTY	REMARKS
1	4SB-H4300-00	HEADLIGHT ASSY	1	
2	4SB-H4146-00	.SOCKET, PILOT LIGHT	1	
3	4SB-H4314-00	.BULB, HEADLIGHT	1	
4	4SB-H4387-00	.HOLDER	1	
5	3VL-H4316-00	NUT, BODY FITTING	2	
6	4SB-H4337-00	BOLT, SPECIAL	1	



FWD

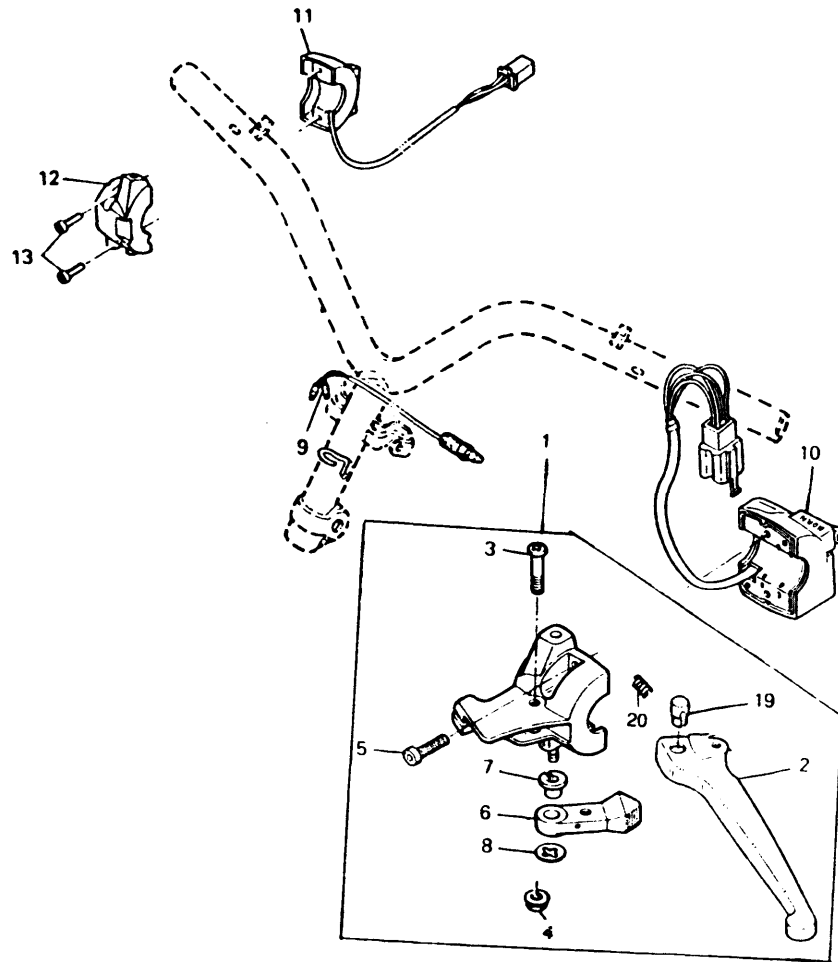
FIG . 32TAILLIGHT



REF	PART.N°	DESCRIPTION	QTY	REMARKS
1	4SB-H4700-00	TAILLIGHT ASSY	1	
2	4SB-H4721-00	.LENS, TAILLIGHT	1	
3	4SB-H4743-00	.LENS, LICENCE LIGHT	1	
4	4SB-H3332-00	.LENS, FLASHER 1	1	
5	4SB-H3342-00	.LENS, FLASHER 2	1	
6	4SB-H4711-00	.BASE, TAILLIGHT	1	
7	4SB-H4717-00	.CORD, TAILLIGHT	1	
8	4SB-H4374-00	.CLIP	2	
9	4SB-H336E-00	.PLATE,ARMATURE 1	1	
10	4SB-H336T-00	.HOLDER,1	1	
11	4SB-H336F-00	.PLATE,ARMATURE 2	1	
12	4SB-H336U-00	.HOLDER,2	1	
13	3HL-H4535-00	.BULB	1	
14	NDH-H3311-00-01	.BULB 12V-10W	1	
15	4SB-H5130-00	.REAR REFLECTOR ASSY	1	
16	90468-04814	.CLIP	2	
17	90183-05042	NUT, SPRING	4	
18	90119-06213	BOLT, WITH WASHER	2	
19	4SB-H4724-00	.SCREW, LENS FITTING	2	

FWD

FIG . 33HANDLE SWITCH. LEVER



REF	PART.N°	DESCRIPTION	QTY	REMARKS
1	4SB-H2910-00	LEVER HOLDER ASSY (LEFT)	1	
2	4SB-H3912-00	.LEVER 1	1	
3	3VL-H3915-00	.SCREW, LEVER FITTING	1	
4	3VL-H3916-00	.NUT, LEVER FITTING	1	
5	3VL-H3945-00	.BOLT, LEVER	2	
6	3VL-H3941-00	.LEVER, STARTER	1	
7	3VL-H3982-00	.COLLAR, DECOMPRESSIO	1	
8	3VL-H3943-00	.WASHER, STARTER	1	
9	3VL-H3980-00	FRONT STOP SWITCH AS	1	
10	4CA-H3976-10	SWITCH, HANDLE 1	1	
11	4KH-H3975-10	SWITCH, HANDLE 2	1	
12	4CU-H3987-01	CASE, SWITCH LOWER	1	
13	3VL-H3945-00	BOULON LEVIER	2	
19	3VL-F636A-00	.END, WIRE 1	1	
20	4KH-H3962-00	.SPRING	1	



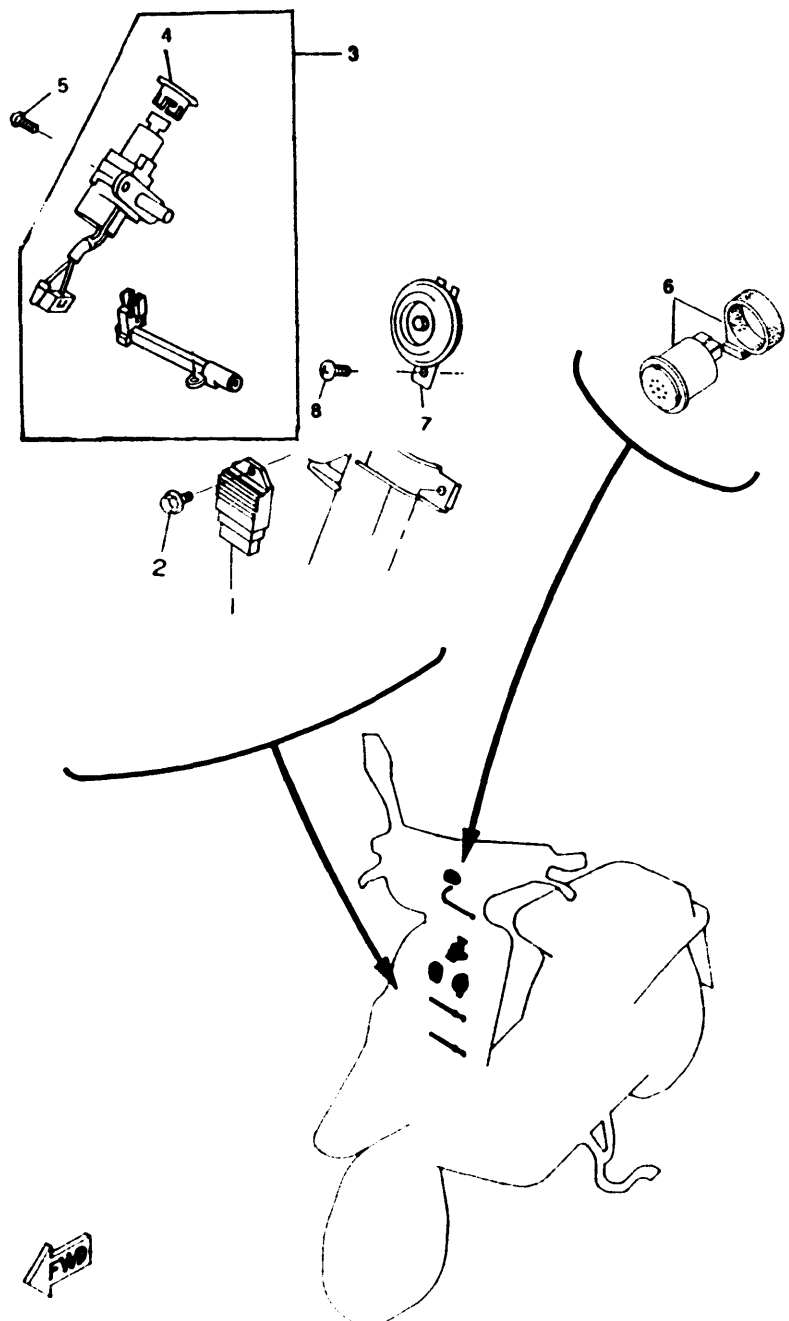


FIG . 34ELECTRICAL1

REF	PART.N°	DESCRIPTION	QTY	REMARKS
1	4VV-H1960-00	RECTIFIER & REGULATOR ASSY	1	
2	95027-06016	BOLT, FLANGE	1	
3	4SB-H2021-00	KEY SET	1	
4	4VV-H251J-00	RING, KEY	1	
5	90109-06851	BOLT	2	
6	4SB-83350-00	FLASHER RELAY ASSY	1	
7	4CU-H3371-00	HORN	1	
8	98507-06010	SCREW, PAN HEAD	1	

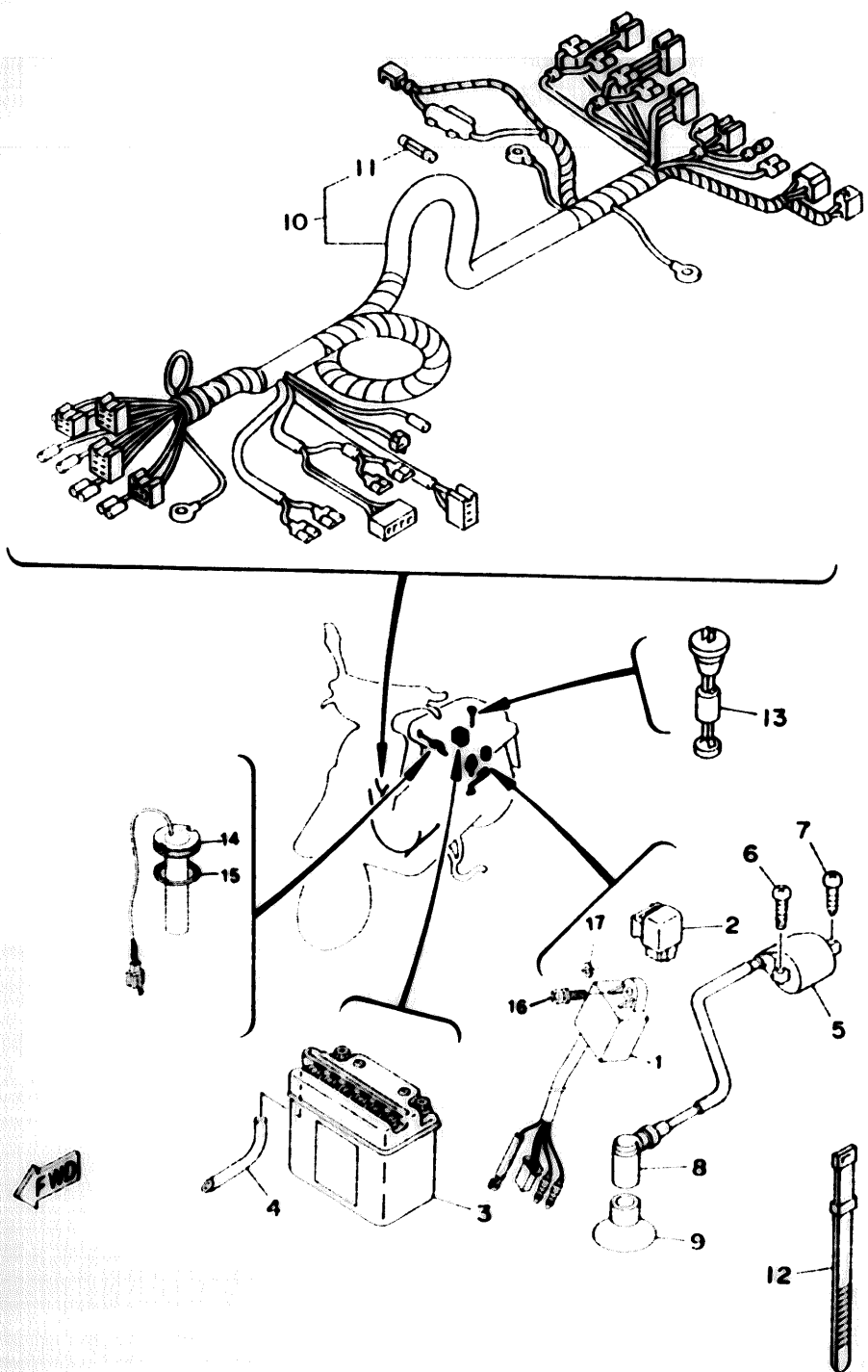


FIG . 35ELECTRICAL2

REF	PART.N°	DESCRIPTION	QTY	REMARKS
1	3KJ-85540-10	C.D.I. UNIT ASSY	1	
2	29U-81950-93	RELAY ASSY	1	
3	4CU-H2110-00	BATTERY ASSY	1	FIAMM
	48B-H2110-00	BATTERY ASSY	1	YUSA
4	80445-083F2	HOSE (L850)	1	
5	3KJ-82310-01	IGNITION COIL ASSY	1	
6	97017-08016	BOLT	1	
7	90153-08034	SCREW, HEXAGON	1	
8	56J-82370-00	PLUG CAP ASSY	1	
9	3KJ-82372-00	SEAL, PLUG CAP	1	
10	48B-H2590-00	WIRE HARNESS ASSY	1	
11	27V-82151-00	FUSE	1	
12	4KH-H3836-00	BAND, SWITCH CORD	2	
13	48B-H5720-00	OIL LEVEL GAUGE ASSY	1	
14	48B-H5752-00	SENDER UNIT ASSY, FUEL METER	1	
15	48B-H5753-03	GASKET, SENDER UNIT	1	
16	98517-08020	SCREW, PAN HEAD	1	
17	92907-08600	WASHER	1	

END

CONTENTS

ENGINE		FUEL TANK.....C5
CYLINDER.....B2		SEAT CARRIER.....C6
CRANKSHAFT-PISTON.....B3		FRONT WHEEL.....C7
AIR SHROUD-FAN.....B4		FRONT BRAKE CALIPER..... C8
OIL PUMP.....B5		REAR WHEEL.....C9
INTAKE.....B6		STEERING-HANDLE-CABLE..... C10
CARBURETOR.....B7		FRONT MASTER CYLINDER..... C11
EXHAUST.....B8		STAND FOOTREST.....C12
CRANKCASE.....B9		LEG SHIELD.....C13
STARTER.....B10		COWLING.....C14
CLUTCH.....B11		GENERATOR.....C15
TRANSMISSION.....B12		FLASHER LIGHT.....D2
CHASSIS		METER.....D3
FRAME.....B13		HEADLIGHT.....D4
FENDER.....B14		TAILLIGHT.....D5
SIDE COVER.....B15		HANDLE- SWITCH- LEVER.....D6
OIL TANK.....C2		ELECTRICAL 1.....D7
REAR SUSPENSION.....C3		ELECTRICAL 2.....D8
FRONT FORK.....C4		
		NUMERICAL INDEX.....M1-M2

NUMERICAL INDEX

4SB- 13100-00	B5	4SB- E1603-00	B3	4SB- E4678-00	B8	4SB- F1553-00	B14	4SB- F414E-00	C2	3VL- F6334-02	C10
3AA- 13124-00	B5	4SB- E1605-00	B3	4SB- E4718-10	B8	4UP- F1556-00-29	B14	4SB- F414G-00	C5	4SB- F6351-00	C10
2GM- 13178-00	B5	4SB- E1631-00	B2	4SB- E4759-00	B8	4UP- F1556-00-GH	B14	4SB- F4311-01	C5	3VL- F636A-00	D6
1YU- 13185-00	B5	4SB- E1631-00	B3	4SB- E479X-00	B8	4CU- F1568-10	C14	4SB- F4312-00	C5	4SB- F6475-00	C10
1YU- 13187-00	B5	3VL- E1633-00	B2	3VL- E5128-00	B9	4UP- F1569-00	B14	4SB- F4315-00	C6	4SB- F7111-00	C12
1YU- 13418-00	B5	3VL- E1633-00	B3	3VL- E5150-00	B9	4UP- F1569-10	B14	4SB- F4335-00	C5	4SB- F7112-00	C12
1YU- 13473-00	B5	4SB- E1636-00	B3	3VL- E5317-00	B9	4UP- F1579-00	B14	4SB- F4451-01	C5	4SB- F7117-00	C12
1YU- 13516-00	B5	3VL- E2611-00	B4	3VL- E5363-00	B9	4UP- F1579-10	B14	4SB- F4500-00	C5	4SB- F7117-10	C12
1YU- 13577-00	B5	3VL- E2651-00	B4	3VL- E5371-00	B9	4UP- F1599-00	B14	4MJ- F4610-00	C5	4SB- F7452-00	B13
4KN- 13621-00	B6	3VL- E2653-00	B4	3VL- E5411-00	B9	4UP- F1599-10	B14	4CU- F4726-00	C6	4SB- F7481-00	C12
3HK- 14613-00	B8	3VL- E2658-00	B4	3VL- E5421-00	B9	4SB- F1629-00	B14	4SB- F4730-00	C6	4SB- F7812 00	C13
2JA- 14737-00	B8	3VL- E2658-00	B4	3VL- E5451-00	B9	4SB- F1711-00	B15	4SB- F4731-00	C6	4UR- F832B-00	C13
4FB- 14766-00	B8	3VL- E3555-00	B6	3VL- E5461-00	B9	4SB- F171E-00-29	B15	4SB- F473R-01	C6	4UR- F832B-10	C13
3HK- 14766-01	B8	3VL- E3610-00	B6	3VL- E5462-00	B9	4SB- F171E-00-GE	B15	4SB- F473T-00	C6	4UR- F832C-00	C13
3AA- 15513-00	B10	4SB- E4103-00	B7	3VL- E5528-00	B10	4SB- F1721-00-29	B15	3VL- F4741-00	C6	4UR- F832C-10	C13
3VL- 15570-00	B10	4SB- E4104-00	B7	3VL- E5532-00	B10	4SB- F1721-00-GE	B15	3VL- F4741-10	C6	3WV- F8349-10	C13
3ES- 15601-00	B10	4SB- E4115-00	B7	3VL- E5620-01	B10	4SB- F1731-00-29	B15	4SB- F475M-00	C6	4SB- F8382-00	C13
1NT- 15630-01	B10	4SB- E4124-00	B7	3VL- E5657-00	B11	4SB- F1731-00-GE	B15	4UP- F4812-00-29	C6	4SB- F8385-00	C13
3AA- 15650-00	B10	4SB- E4133-00	B7	3VL- E5659-00	B9	4SB- F1741-00	C12	4UP- F4812-00-GH	C6	4SB- F8385-10	C13
24G- 16611-03	B11	4SB- E4134 00	B7	3VL- E5659-00	B10	4UP- F174G-00	B15	4SB- F5117-00	C7	4UP- F839H-00	C13
3WG- 17608-00	B11	4SB- E4137-00	B7	3VL- E5673-00	B10	4UP- F174H-00	B15	4UP- F5168-00	C7	4UP- F839H-10	C13
3AA- 17641-00	B11	4SB- E4148-00	B7	3VL- E5793-00	B10	4UP- F174J-00	B15	3VL- F5170-10	C7	4UP- F842M-01	C13
3GF- 17660-02	B11	4SB- E4161 00	B7	3VL- E6111-00	B11	4UP- F174K-00	B15	3VL- F5170-10	C9	4UP- F842M-11	C13
24G- 17664-00	B11	4SB- E4216-00	B7	3VL- E6620-01	B11	4SB- F174X-00	C12	3VL- F5182-00	C9	4VV- H1960-00	D7
2T4- 2139X-00	B13	4SB- E4216-10	B7	3VL- E6626-00	B11	4BX- F174X-10	C5	3VL- F5326-00	C9	4SB- H2021-00	C6
2T4- 21481-01	B13	4SB- E4283-00	B7	4SB- E7410-00	B12	4SB- F174X-10	C12	4UP- F5338-00	C9	4SB- H2021-00	D7
25G- 21535-00	C2	4SB- E4301-00	B7	4SB- E7420-00	B12	4SB- F1751-00	C2	3VL- F5384-00	C9	4CU- H2110-00	D8
25G- 21535-00	C5	4SB- E4312-00	B7	3VL- E7604-00	B11	4SB- F2210-00	C3	4CU- F580T-20	C8	4SB- H2110-00	D8
2N3- 21771-01	C2	4SB- E4318-00	B7	3VL- E7611-00	B11	4UP- F3100-00	C4	4CU- F5811-20	C8	4SB- H2141-00	C2
486- 22141-01	C7	4SB- E4325-00	B7	4CU- E7620-00	B11	4TD- F3110-00	C4	4CU- F5824-00	C8	4VV- H251J-00	D7
164- 22216-00	B9	4SB- E4331-00	B7	3VL- E7623-00	B11	4TD- F3111-00	C4	4CU- F5825-00	C8	4SB- H2590-00	D8
4PA- 25190-00	C7	4SB- E4335-00	B7	4KH- E7632-00	B11	4TD- F3112-00	C4	4TD- F583T-00	C11	4SB- H2910-00	D6
3Y6- 2533A-01	C9	4SB- E4336-00	B7	3VL- E7653-00	B11	4UP- F3126-00	C4	4TD- F5852-00	C11	4SB- H3310-00	D2
3AA- 25351-00	C9	4SB- E4341-00	B7	4SB- E7654-00	B11	4UP- F3136-00	C4	4TD- F5867-00	C11	NDH- H3311-00-01	D5
3AA- 25355-03	C9	4SB- E4342-00	B7	4SB- F1110-00	B13	4TD- F3141-00	C4	4SB- F5872-01	C11	NH7- H3311-00-01	D2
4SB- 2582T-00	C8	4SB- E4343-00	B7	4UP- F1128-00	C13	4TD- F3144-00	C4	4SB- F5876-00	C4	NH7- H3311-00-01	D2
4SB- 81800-00	B10	4SB- E4344-00	B7	4UP- F1165-00	C6	4TD- F3145-00	C4	4CU- F5919-00	C8	4SB- H3312-00	D2
1YU- 81801-M0	B10	4SB- E4358-00	B7	4TD- F1182-00	B13	4TD- F3147-00	C4	4SB- F6110-00	C10	4KH- H331N-00	D2
29U- 81950-93	D8	4SB- E4368-00	B7	4SB- F1232-00	B13	4TD- F3153-00	C4	4SB- F6143-00-29	C14	4SB- H3320-00	D2
27V- 82151-00	D8	4SB- E4369-00	B7	4SB- F1238-00	B9	4TD- F3154-00	C4	4SB- F6143-00-4B	C14	4SB- H3322-00	D2
3KJ- 82310-01	D8	4SB- E4371-00	B7	4SB- F1398-00	C13	4TD- F3156-00	C4	4SB- F6145-00	C14	4KH- H332N-00	D2
56J- 82370-00	D8	4SB- E4377-00	B7	3VL- F1410-10	B13	4CU- F3165-00	C4	4SB- F6240-00	C10	4SB- H3332-00	D5
3KJ- 82372-00	D8	4SB- E4385-00	B7	4SB- F1511-00-29	B14	4TD- F3181-00	C4	4SB- F6241-00	C10	4KH- H3333-00	D2
4SB- 83350-00	D7	4SB- E4386-00	B7	4SB- F1511-00-4B	B14	4TD- F3183-00	C4	3VL- F6261-00	C10	4KH- H3333-00	D2
3KJ- 85540-10	D8	4SB- E4392-00	B7	4UP- F1519-00	B14	4TD- F3340-00	C4	3VL- F6262-00	C10	4SB- H3342-00	D5
2JA- 85550-00	C15	3VL- E4410-00	B6	4UP- F1519-10	B14	4TD- F3394-00	C4	4SB- F6280-00	C14	4SB- H336E-00	D5
4SB- 85560-00	C15	3VL- E4429-00	B6	4UP- F152A-00	B14	4SB- F3411-00	C4	4SB- F6290-00	C14	4SB- H336F-00	D5
4SB- E1111-00	B2	3VL- E4437-00	B6	4UP- F152A-00	B15	4SB- F3412-00	C4	3VL- F6311-01	C10	4SB- H336T-00	D5
3VL- E1181-00	B2	3VL- E4451-00	B6	4UP- F152A 10	B15	4SB- F3414 00	C4	3VL- F6312-01	C10	4SB- H336U-00	D5
4SB- E1311-00	B2	3VL- E4452 00	B6	4UP- F1531 00	B14	4SB- F3427 00	C4	3WG- F6329 00	C10	4CU- H3371-00	D7
3VL- E1351 00	B2	3VL- E4453 00	B6	4UP- F1532 00	C6	4SB- F3453 00	C4	3WG- F6329 00	C10	4SB- H3509 00	D3
3VL- E1400 10	B3	3VL- E4565 00	B6	4UP- F1532 00	C13	4SB- F3812 00	C4	4SB- F6329 00	B7	4UP- H3510 00	D3
4SB- E1603 00	B2	4SB- E4610 00	B8	4SB- F1552 00	B14	4SB- F4110 00	C5	4SB- F6331 00	C10	4SB- H3530 00	C14

NUMERICAL INDEX

4SB- H353K-00	D3	90101-06291	C9	90387-10079	C7	93102-22314	B12	98507-05014	B5
4SB- H3550-00	D3	90101-10776	C3	90387-135U9	B11	93106-20001	C7	98507-06010	D7
4SB- H3912-00	D6	90105-08121	C3	90387-156U0	B3	93109-33052	B11	98507-06012	B9
3VL- H3915-00	D6	90105-10036	C10	90401-10159	C11	93210-07435	C9	98507-06012	B10
3VL- H3916-00	D6	90105-10063	B13	90430-08206	B9	93210-14104	B9	98507-06016	C15
4TD- H3922-00	C11	90109-063F1	C6	90445-083F2	D8	93210-23614	B10	98507-06020	C5
4KH- H3936-00	D8	90109-06851	D7	90445-094J4	B5	93210-38687	B11	98507-06020	C6
3VL- H3941-00	D6	90110-10223	C8	90445-094J4	C10	93306-00203	B9	98507-06025	B6
3VL- H3943-00	D6	90116-06418	B2	90446-13311	B9	93306-20006	B11	98517-06020	B4
3VL- H3945-00	D6	90119-06044	C2	90450-32081	B6	93306-20006	B12	98517-06020	D8
4TD- H3945-00	C11	90119-06052	B14	90465-08122	B9	93306-20301	B11	98580-06016	B4
4KH- H3962-00	D6	90119-06213	D5	90467-08003	B5	93306-20314	B12	98904-06016	B8
4KH- H3975-10	D6	90153-06022	B4	90467-09006	C5	93306-20468	B3	98907-06016	B14
4CA- H3976-10	D6	90153-06034	D8	90467-12052	C5	93306-300Y8	C7	99009-15400	B10
3VL- H3980-00	C11	90153-06061	B8	90467-24140	B6	93310-210M0	B3	99009-19400	B5
3VL- H3980-00	D6	90159-05134	C14	90468-02033	B5	93310-257R1	B10	99510-12016	B9
3VL- H3982-00	D6	90170-10219	B11	90468-02033	C2	93420-40064	B12	99530-10014	B9
4CU- H3987-01	D6	90170-10219	C15	90468-04814	D5	93440-15012	B9	99530-10014	B9
4SB- H4146-00	D4	90179-06411	C10	90468-12006	C12	93450-11120	B2		
4SB- H4300-00	D4	90179-10279	B13	90468-15009	C10	93450-11120	B3		
4SB- H4314-00	D4	90179-10370	B11	90480-12237	B4	93603-12007	B5		
3VL- H4316-00	D4	90179-28415	B11	90480-12237	B4	94112-128P5	C7		
4SB- H4337-00	D4	90183-05042	B15	90480-12497	B6	94113-128P6	C9		
3UP- H4346-00	C14	90183-05042	C12	90480-12581	B8	94700-00135	B2		
3WW- H4347-00	C14	90183-05042	C14	90480-13398	C5	95027-06016	D7		
4SB- H4347-00	D3	90183-05042	D5	90501-122E1	C10	95027-08016	C6		
4SB- H4374-00	D5	90185-14150	C9	90501-29517	B13	95617-10100	B13		
4SB- H4387-00	D4	90201-06380	C2	90501-351F6	B11	95617-10200	C3		
3HL- H4535-00	D5	90201-06380	C5	90506-15260	C9	95617-10200	C7		
4SB- H4700-00	D5	90201-08088	B10	90506-29280	C12	95617-10200	C10		
4SB- H4711-00	D5	90201-10118	C11	90508-32609	B10	95707-06500	B2		
4SB- H4717-00	D5	90201-133M8	B11	91317-06020	B6	95707-06500	C6		
4SB- H4721-00	D5	90201-140G5	B12	91317-06020	B9	95807-08016	B9		
4SB- H4724-00	D5	90201-142M6	C9	91317-06020	B10	95817-06010	B14		
4SB- H4743-00	D5	90201-155G5	B10	91317-06025	B9	95817-08020	B8		
NJ9- H4744-00-01	D3	90201-177G4	C9	91317-06035	B9	95817-08040	B8		
3EC- H5111-00	B14	90201-574L1	B10	91317-06035	B9	95827-08016	B13		
4SB- H5130-00	D5	90202-08175	C10	91317-06035	B9	95827-08030	C8		
4SB- H5720-00	D8	90202-10120	C12	91317-06045	B9	97017-06016	D8		
4SB- H5752-00	D8	90208-10012	B11	92017-08016	B13	97707-50012	B15		
4SB- H5753-03	D8	90208-14047	B12	92907-06100	C6	97707-50016	B14		
4SB- W0001-00	B7	90214-13055	B11	92907-06600	B4	97707-50016	B15		
2JL- W2536-10	C9	90241-10017	C6	92907-06600	B6	97707-50016	C4		
		90249-12008	C10	92907-06600	B14	97707-50016	C6		
		90267-32801	B13	92907-06600	C5	97707-50016	C12		
		90280-03017	B3	92907-06600	C6	97707-50016	C13		
		90380-15083	B10	92907-06600	D8	97707-50016	C13		
		90387-06023	B4	92907-10600	C15	97707-50016	C14		
		90387-060G7	B8	92990-06600	B4	97707-50016	C14		
		90387-060G7	C5	92995-06100	B4	97707-50016	D2		
		90387-061V4	B6	93101-20138	B3	97707-50020	D3		
		90387-067T6	B4	93102-17342	B11	97707-60016	C5		
		90387-076V1	C12	93102-20371	B3	98507-05010	C10		