

CONTENTS

ENGINE

CYLINDER	B2
CRANKSHAFT-PISTON	B3
AIR SHROUD-FAN	B4
OIL PUMP	B5
INTAKE	B6
CARBURETOR	B7
EXHAUST	B8
CRANKSE	B9
STARTER.....	B10
CLUTCH.....	B11
TRANSMISSION	B12

CHASSIS

FRAME.....	B13
FENDER.....	B14
SIDE COVER	B15
OIL TANK.....	C2
REAR SUSPENSION	C3
FRONT FORK	C4

FUEL TANK	C5
SEAT CARRIER.....	C6
FRONT WHEEL	C7
FRONT BRAKE CALIPER.....	C8
REAR WHEEL	C9
STEERING-HANDLE-CABLE.....	C10
FRONT MASTER CYLINDER.....	C11
STAND FOOTREST.....	C12
LEG SHIELD	C13
COWLING	C14
GENERATOR.....	C15
FLASHER LIGHT	D2
METER.....	D3
HEADLIGHT.....	D4
TAILLIGHT	D5
HANDLE-SWITCH-LEVER	D6
ELECTRICAL 1	D7
ELECTRICAL 2	D8
NUMERICAL INDEX	M1 - M2

YAMAHA
GENUINE
Parts & Accessories

CW50RSP '97 (4UR7)
GREECE

274UR - 511E1
NOVEMBER 1996

FOREWORD

This Part Catalogue is related to the parts in use for the **CW50RSP'97**

When you are ordering replacements parts for the **CW50RSP '97**, refer to this Parts Catalogue and quote both part numbers and part names correctly.

1. Modifications or additions which have been made after issue of the Parts Catalogue will be announced in the Parts News.

It is advisable that according to the Parts News you make necessary corrections to the Parts Catalogue on hand to keep it up-to-date.

2. Abbreviations.

The following abbreviations are used in this Parts Catalogue.

- U.R. Use size (thickness) and/or number as required.
- U.N. Use as many as you need.
- A.P. Alternate Parts.
- L.M. Local Made.
- F.# Frame N° (Applicable machine N°)

3. The parts marked with (*) in the parts number column of this Catalogue are not supplied with by Yamaha, those have to be found locally.

4. Parts, which are to be supplied in the form of assemblies, are listed with an indentation of one letter's space, and a dot (.) is put against the name of each part.

EXAMPLE CARBURETOR ASS'Y
 .JET,pilot
 .NOZZLE,main

5. Indication of N° of constituent parts for assembly.

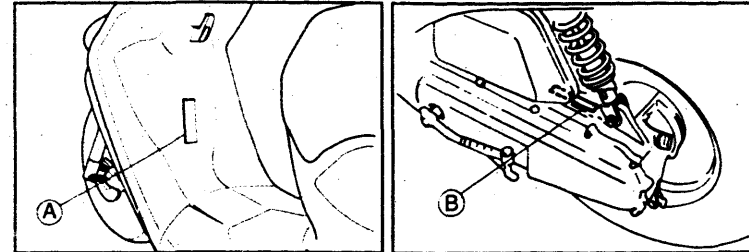
The numeral appearing to the right of each constituent part under the description indicates the quantity of such parts for each individual assembly unit.

EXAMPLE

Part N°	Description	Q'ty	Remarks
2F5-83310-60	FRONT FLASHER LIGHT ASS'Y	2	
115-83311-60	.BULB (6V-18W)	1	
1M1-83309-60	.REFLECTOR	1	

6. Initial Serial N° and Color Code.

(A)	Frame Serial N°	4TD - 500101
(B)	Engine Serial N°	4SB - 000101

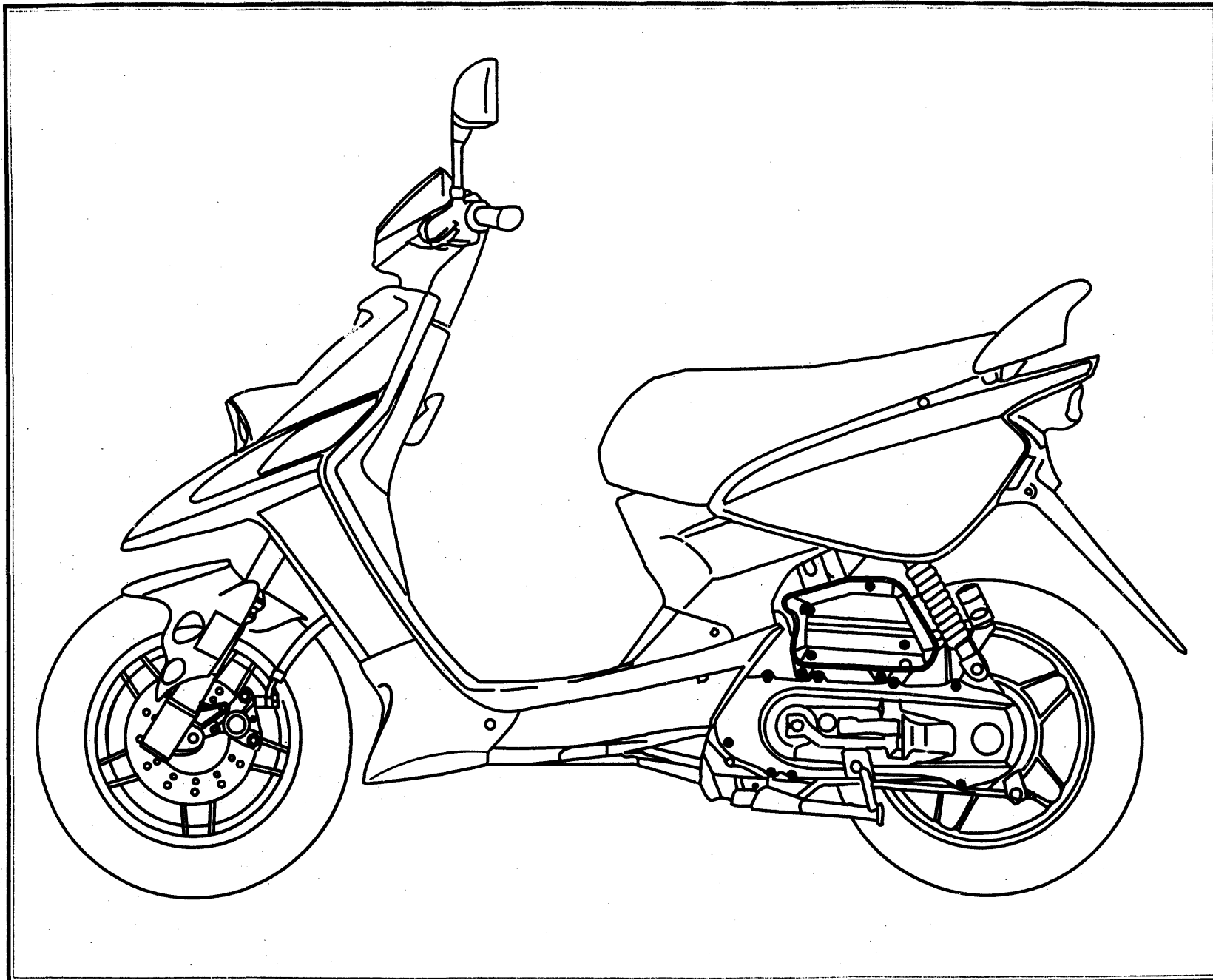


Color Code	Color Name	Abbreviate
004B	BLACK 2	BL2
00GE	SILKY WHITE	SW
0029	CANDY BLUE	CB

7. Applicable colors of graphics are represented in the "Remarks" column by the letter(s) appropriately picked out of the full word(s) showing such colors.

EXAMPLE

Part N°	Description	Q'ty	Remarks
2N4-24110-00-X5	FUEL TANK COMPL.	1	
3J1-24240-10	.GRAPHIC,fuel tank set	1	



A4

CONTENTS

ENGINE

CYLINDER	B2
CRANKSHAFT-PISTON	B3
AIR SHROUD-FAN	B4
OIL PUMP	B5
INTAKE	B6
CARBURETOR	B7
EXHAUST	B8
CRANKSE	B9
STARTER.....	B10
CLUTCH.....	B11
TRANSMISSION	B12

CHASSIS

FRAME.....	B13
FENDER.....	B14
SIDE COVER	B15
OIL TANK.....	C2
REAR SUSPENSION	C3
FRONT FORK	C4

FUEL TANK	C5
SEAT CARRIER	C6
FRONT WHEEL	C7
FRONT BRAKE CALIPER	C8
REAR WHEEL	C9
STEERING-HANDLE-CABLE	C10
FRONT MASTER CYLINDER	C11
STAND FOOTREST	C12
LEG SHIELD	C13
COWLING	C14
GENERATOR.....	C15
FLASHER LIGHT	D2
METER	D3
HEADLIGHT	D4
TAILLIGHT	D5
HANDLE-SWITCH-LEVER	D6
ELECTRICAL 1	D7
ELECTRICAL 2	D8
NUMERICAL INDEX	M1 - M2

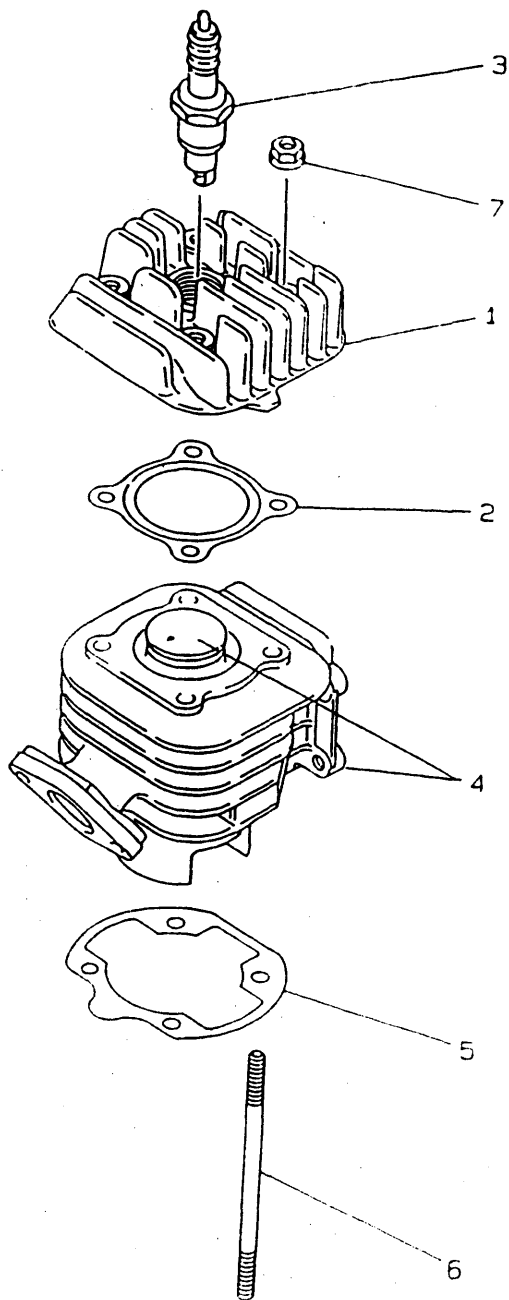


FIG 1 CYLINDER

REF	PART.N°	DESCRIPTION	QTY	REMARKS
1	4SB-E1111-00	HEAD, CYLINDER 1	1	
2	3VL-E1181-00	GASKET, CYLINDER HEAD	1	
3	94700-00195	PLUG, SPARK	1	BR8HS
4	4SB-E1311-00	CYLINDER 1	1	
	4SB-E1631-00	.PISTON (STD)	1	
	4SB-E1603-00	.PISTON RING SET (STD)	1	
	3VL-E1633-00	.PIN, PISTON	1	
	93450-11120	.CIRCLIP	2	
5	3VL-E1351-00	GASKET, CYLINDER	1	
6	90116-06418	BOLT, STUD	4	
7	95707-06500	NUT, FLANGE	4	



FIG 2 CRANKSHAFT. PISTON

REF	PART.N°	DESCRIPTION	QTY	REMARKS
1	3VL-E1400-10	CRANKSHAFT ASSY	1	
7	90280-03017	KEY, WOODRUFF	1	
8	93306-204X2	BEARING	2	
9	93102-20371	OIL SEAL	1	
10	93101-20138	OIL SEAL	1	
11	90387-156U0	COLLAR	1	
12	4SB-E1631-00	PISTON (STD)	1	
	4SB-E1636-00	PISTON (0.50MM O/S)	1	
13	3VL-E1633-00	PIN, PISTON	1	
	4SB-E1603-00	PISTON RING SET (STD)	1	
	4SB-E1605-00	PISTON RING SET (0.50MMO/S)	1	
15	93450-11120	CIRCLIP	2	
16	93310-210M0	BEARING, CYLINDRICAL	1	

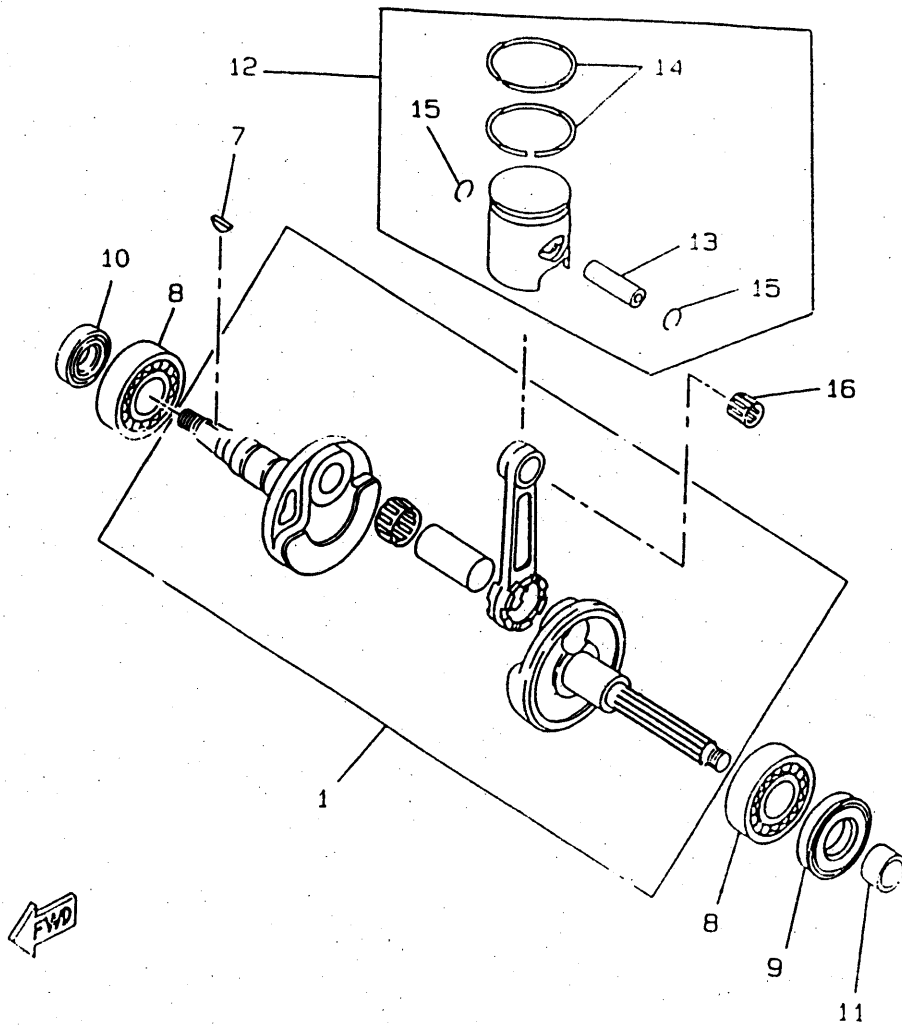
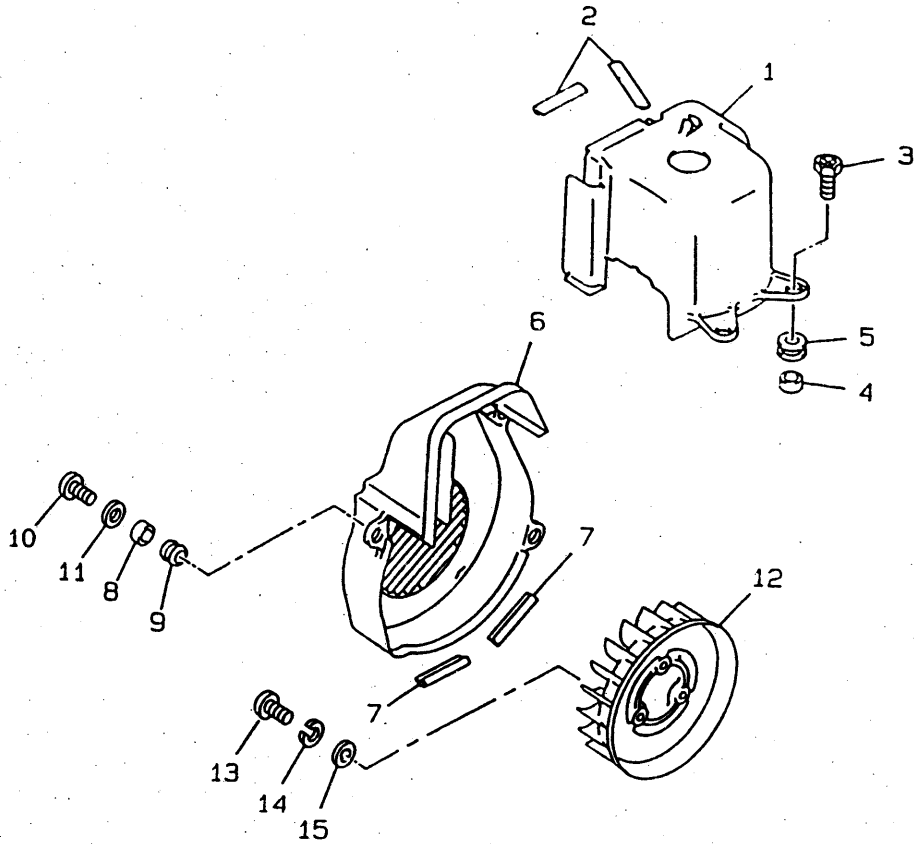


FIG 3 AIR SHROUD. FAN



REF	PART.N°	DESCRIPTION	QTY	REMARKS
1	3VL-E2651-00	AIR SHROUD, CYLINDER	1	
2	3VL-E2658-00	DAMPER, AIR SHROUD 1	2	
3	90153-06022	SCREW, HEXAGON	2	
4	90387-06023	COLLAR	2	
5	90480-12237	GROMMET	2	
6	3VL-E2653-00	AIR SHROUD, CYLINDER	1	
7	3VL-E2658-00	DAMPER, AIR SHROUD 1	2	
8	90387-067T6	COLLAR	3	
9	90480-12237	GROMMET	3	
10	98517-06020	SCREW, PAN HEAD	3	
11	92907-06600	WASHER	3	
12	3VL-E2611-00	FAN	1	
13	98580-06016	SCREW, PAN HEAD	3	
14	92995-06100	WASHER	3	
15	92990-06600	WASHER, PLATE	3	

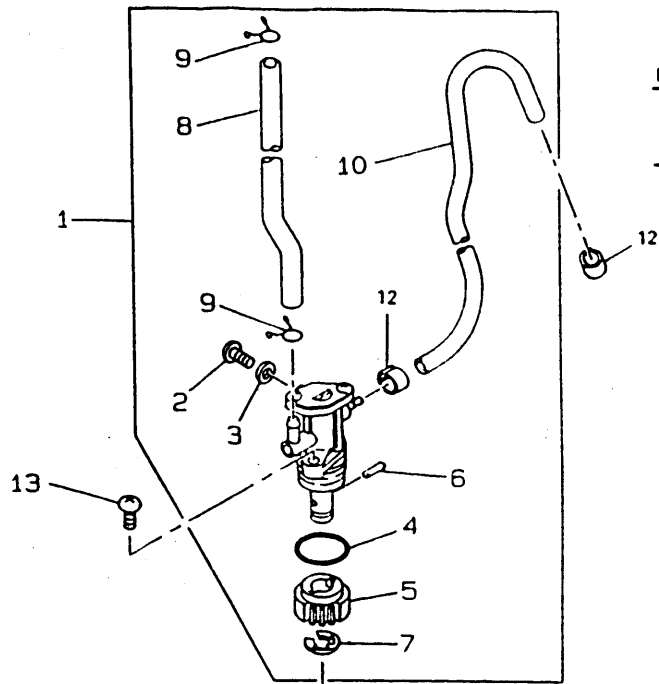
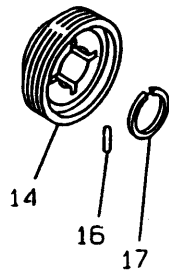


FIG 4 OIL PUMP

REF	PART.N°	DESCRIPTION	QTY	REMARKS
1	4SB-13100-00	OIL PUMP ASSY	1	
2	1YU-13185-00	.BOLT, BREATHER	1	
3	1YU-13187-00	.GASKET, BREATHER BOLT	1	
4	1YU-13473-00	.O-RING	1	
5	3AA-13124-00	.GEAR, WORM WHEEL	1	
6	1YU-13516-00	.PIN, DOWEL	1	
7	1YU-13577-00	.CLIP	1	
8	90445-094J4	.HOSE	1	
9	90468-02033	.CLIP	2	
10	1YU-13418-00	.PIPE, OIL 2	1	
12	90467-08003	.CLIP	2	
13	98507-05014	SCREW, PAN HEAD	2	
14	2GM-13178-00	GEAR, PUMP DRIVE	1	
16	93603-12007	PIN, DOWEL	1	
17	99009-19400	CIRCLIP	2	



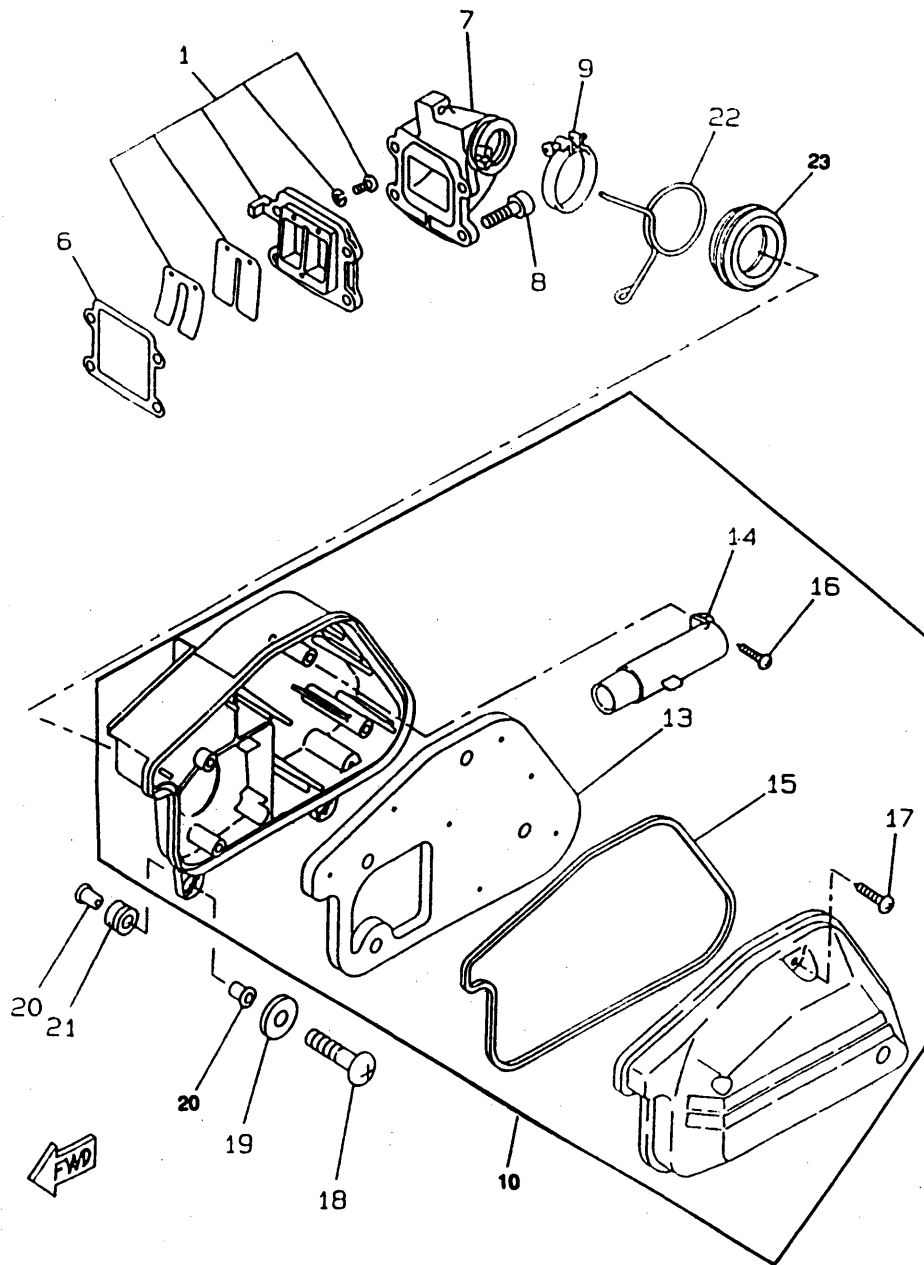


FIG 5 INTAKE

REF	PART N°	DESCRIPTION	QTY	REMARKS
1	3VL-E3610-00	REED VALVE ASSY	1	
6	4KN-13621-00	GASKET, VALVE SEAT	1	
7	3VL-E3555-00	MANIFOLD, INTAKE	1	
8	91317-06020	BOLT	4	
9	90450-32081	HOSE CLAMP ASSY	1	
10	3VL-E4410-01	AIR CLEANER ASSY.	1	
13	3VL-E4451-00	.ELEMENT, AIR CLEANER	1	
14	3VL-E4437-00	.DUCT	1	
15	3VL-E4452-00	.SEAL	1	
16	3VL-E4429-00	.SCREW	1	
17	3VL-E4565-00	.SCREW	4	
18	98507-06025	SCREW, PAN HEAD	2	
19	92907-06600	WASHER	2	
20	90387-061V4	COLLAR	4	
21	90480-12497	GROMMET	2	
22	90467-24140	CLIP	1	
23	3VL-E4453-01	JOINT, AIR CLEANER 1	1	

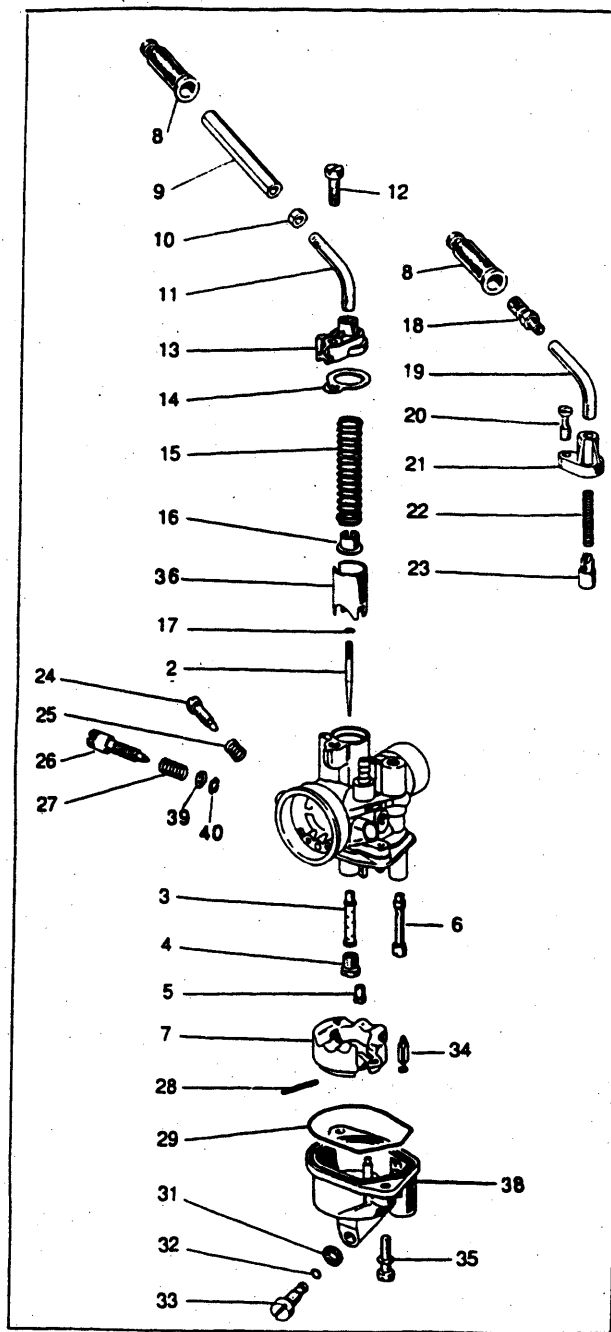
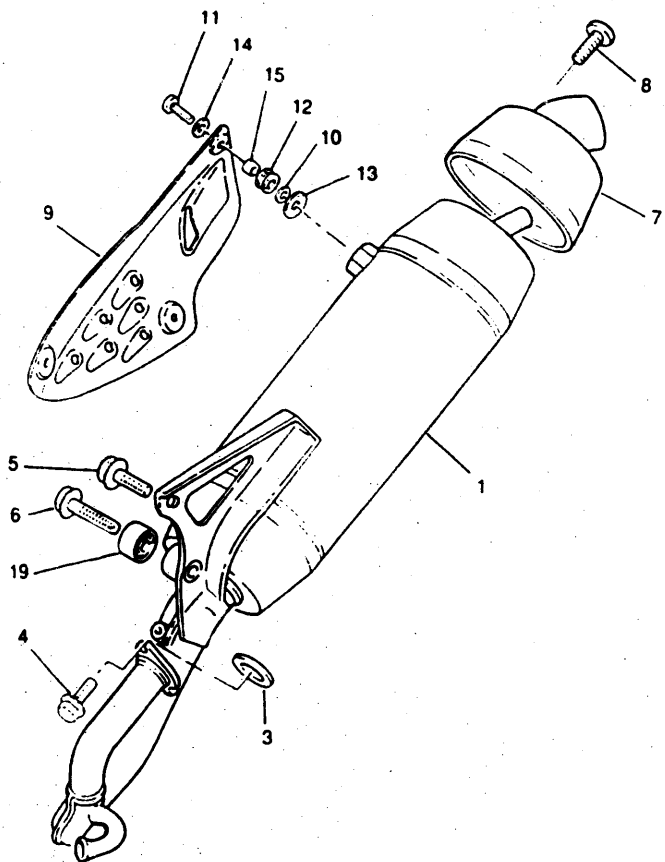


FIG 6 CARBURETOR

REF	PART.N°	DESCRIPTION	QTY	REMARKS
1	4SB-E4301-01	CARBURETOR ASSY 1	1	DELLORTO
2	4SB-E4336-00	.NEEDLE	1	
3	4SB-E4341-00	.NOZZLE, MAIN	1	
4	4SB-E4343-00	.JET, MAIN	1	
5	4SB-E4342-00	.JET, PILOT	1	
6	4SB-E4344-01	.JET, STARTER	1	
7	4SB-E4385-00	.FLOAT	1	
8	4SB-F6329-00	.CAP, RUBBER	2	
9	4SB-E4161-00	.NUT, CABLE ADJUSTING	1	
10	4SB-E4358-00	.NUT	1	
11	4S3-E4148-01	.PIPE	1	
12	4SB-E4325-00	.SCREW, PAN HEAD	1	
13	4SB-E4369-00	.DIAPHRAGM ASSY 2	1	
14		IN GASKET KIT REP 37		
15	4SB-E4331-02	.SPRING, THROTTLE VALVE	1	
16	4SB-E4377-00	.STOPPER	1	
17	4SB-E4137-00	.CLIP	1	
18	4SB-E4124-00	.SCREW, CABLE ADJUSTING	1	
19	4SB-E4318-00	.PIPE STARTER	1	
20	4SB-E4216-00	.SCREW	1	
21	4SB-E4368-01	.DIAPHRAGM ASSY 1	1	
22	4SB-E4335-00	.SPRING, PLUNGER	1	
23	4SB-E4371-00	.PLUNGER, STARTER	1	
24	4SB-E4104-00	.AIR SCREW SET	1	
25	4SB-E4134-00	.SPRING, AIR ADJUSTING	1	
26	4SB-E4103-01	.THROTTLE SCREW SET	1	
27	4SB-E4133-01	.SPRING, THROTTLE STOP	1	
28	4SB-E4386-00	.PIN, FLOAT	1	
29		IN GASKET KIT REP 37		
31		IN GASKET KIT REP 37		
32		IN GASKET KIT REP 37		
33	4SB-E4115-00	.PLUG, SCREW	1	
34	4SB-E4392-00	.VALVE, NEEDLE	1	
35	4SB-E4216-10	.SCREW	1	
36	4SB-E4312-02	.VALVE, THROTTLE 1	1	
37	4SB-W0001-00	.GASKET KIT	1	
38	4SB-E4381-00	.BODY, FLOAT CHAMBER	1	
39	4SB-E4357-00	.WASHER, PLAIN	1	
40		IN GASKET KIT REP 37		
41	4SB-E4283-01	.COVER, CARBURETOR 1	1	

FWD

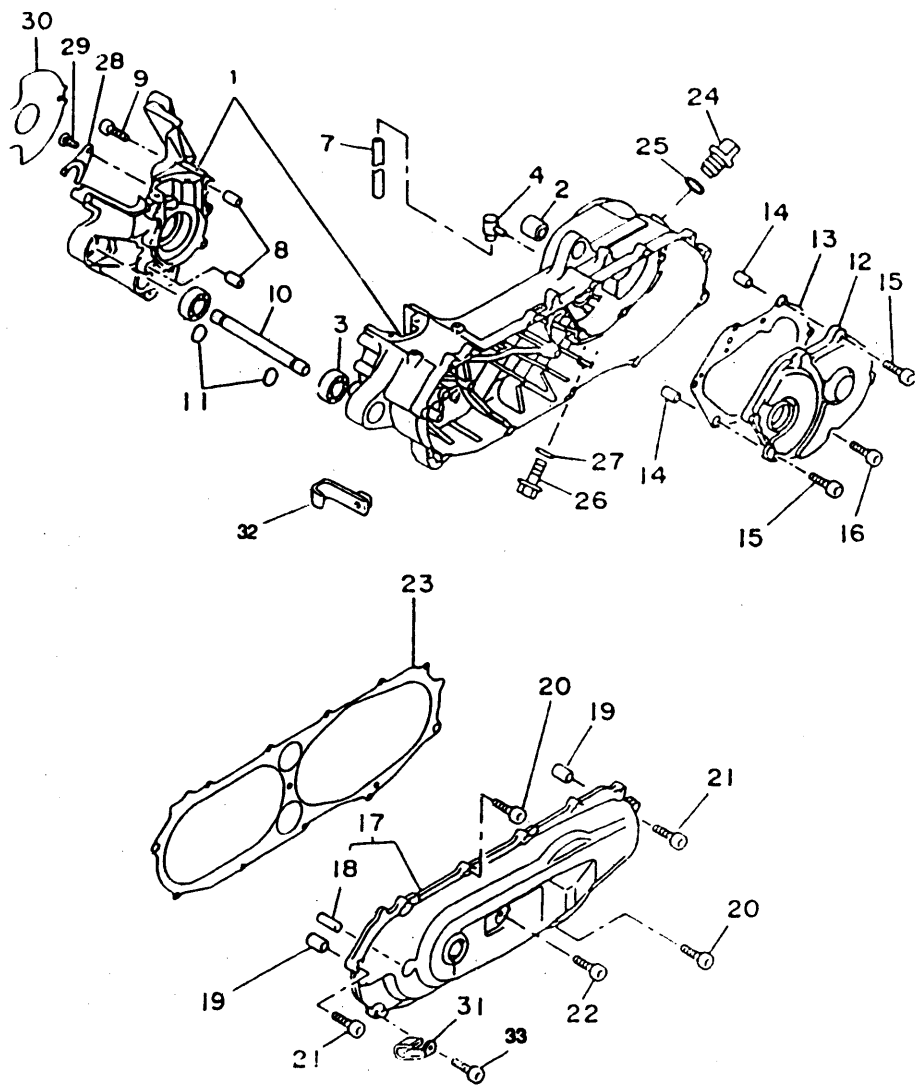
FIG 7 EXHAUST



REF	PART.N°	DESCRIPTION	QTY	REMARKS
1	4SB-E4610-00	EXHAUST PIPE ASSY 1	1	
3	3HK-14613-00	GASKET, EXHAUST PIPE	1	
4	90153-06061	SCREW, HEXAGON	2	
5	95817-08020	BOLT, FLANGE	1	
6	95817-08040	BOLT, FLANGE	1	
7	4SB-E479X-00	PIPE TAIL ASSY	1	CHROME
8	4SB-E4678-00	BOLT, COUPLING	1	
9	4SB-E4718-00	PROTECTOR, MUFFLER 1	1	
10	4SB-E4759-00	WASHER	3	
11	98904-06016	SCREW, BIND	3	
12	90387-060G7	COLLAR	3	
13	4FB-14766-00	WASHER, PROTECTOR	3	
14	3HK-14766-01	WASHER, PROTECTOR	3	
15	90480-12581	GROMMET	3	
19	2JA-14737-00	DAMPER, MUFFLER	1	

← FWD

FIG 8 CRANKCASE



REF	PART.N°	DESCRIPTION	QTY	REMARKS
1	3VL E5150-00	CRANKCASE ASSY	1	
2	164-22216-00	BUSH, REAR SHOCK ABS	1	
3	93306-00203	BEARING (B6002)	2	
4	3VL-E5371-00	BREATHER	1	
7	90446-13311	HOSE	1	
8	99510-12016	PIN, DOWEL	2	
9	90110-06237	BOLT, HEXAGON SOCKET HEAD	6	
10	3VL E5317-00	SPACER, ENGINE MOUNT	1	
11	93440-15012	CIRCLIP	2	
12	3VL-E5421-00	COVER, CRANKCASE 2	1	
13	3VL-E5461-00	GASKET, CRANKCASE CO	1	
14	99530 10014	PIN, DOWEL	2	
15	90110-06237	BOLT, HEXAGON SOCKET HEAD	2	
16	91317-06020	BOLT	4	
17	3VL-E5411-00	COVER, CRANKCASE 1	1	
18	3VL-E5659-00	SHAFT	1	
19	99530 10014	PIN, DOWEL	2	
20	91317-06025	BOLT	8	
21	90110-06237	BOLT, HEXAGON SOCKET HEAD	2	
22	91317-06045	BOLT	1	
23	3VL-E5451-00	GASKET, CRANKCASE CO	1	
24	3VL-E5363-00	PLUG, OIL	1	
25	93210-14104	O-RING	1	
26	95817-08016	BOLT, FLANGE	1	
27	90430-08206	GASKET	1	
28	3VL-E5128-00	HOLDER	1	
29	98517-06012	SCREW, PAN HEAD	1	
30	3VL-E5462-00	GASKET, CRANKCASE CO	1	
31	90465-08122	CLAMP	1	
32	4SB-F1238-00	BRACKET	1	
33	90110-06825	BOLT, HEXAGON SOCKET HEAD	1	

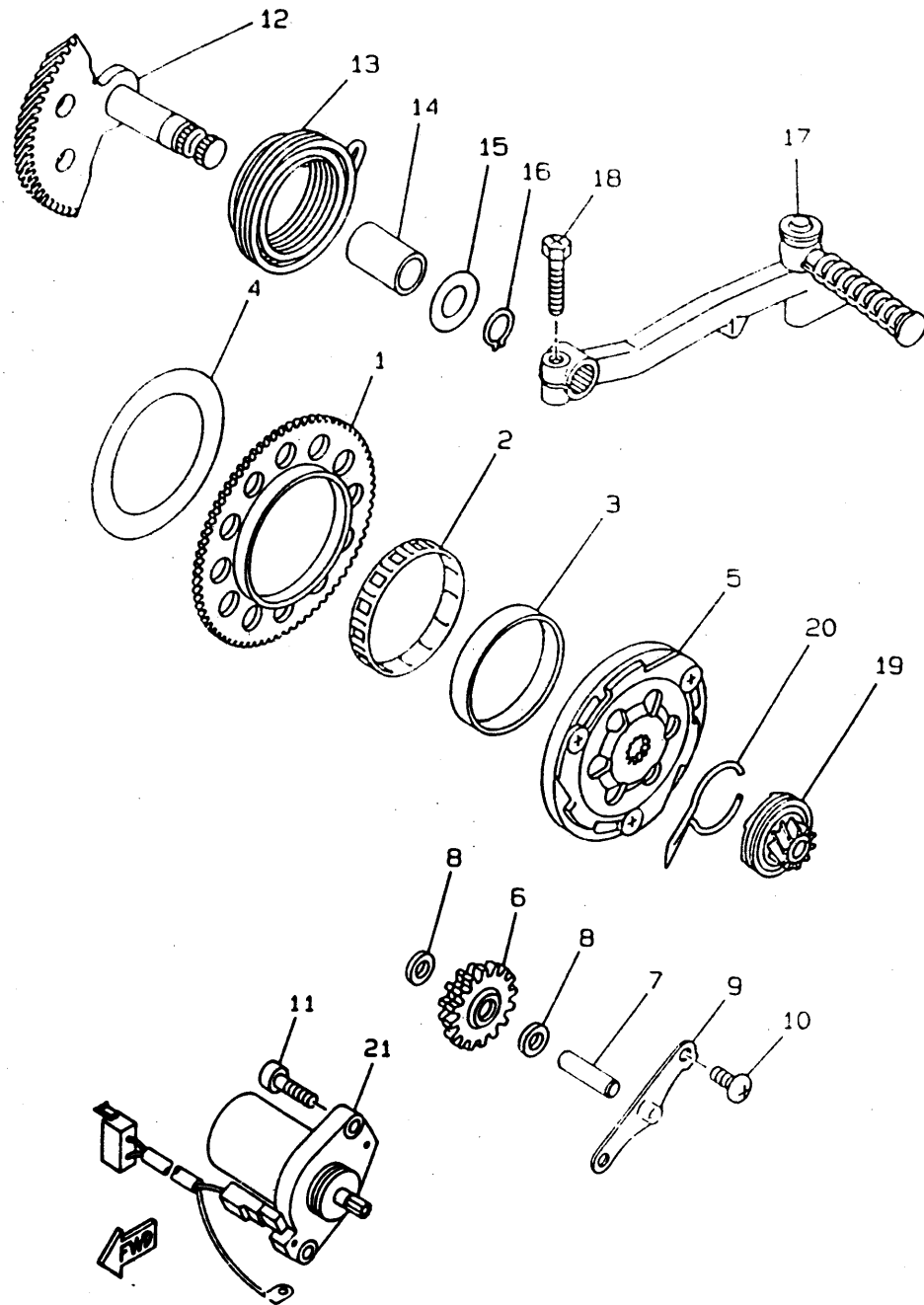


FIG 9 STARTER

REF	PART.N°	DESCRIPTION	QTY	REMARKS
1	3AA-15513-00	GEAR 1	1	
2	93310-257R1	BEARING, CYLINDRICAL	1	
3	3VL-E5528-00	BOSS, GEAR	1	
4	90201-574L1	WASHER, PLATE	1	
5	3VL-15570-00	STARTER CLUTCH ASSY	1	
6	4SB-E5650-00	IDLE GEAR ASSY	1	
7	3VL-E5659-00	SHAFT	1	
8	90201-08088	WASHER, PLATE	2	
9	3VL-E5532-00	PLATE, IDLE GEAR	1	
10	98517-06012	SCREW, PAN HEAD	2	
11	91317-06020	BOLT	2	
12	3ES-15601-00	KICK SHAFT ASSY	1	
13	90508-32609	SPRING, TORSION	1	
14	90380-15083	BUSH, SOLID	1	
15	90201-155G5	WASHER, PLATE	1	
16	99009-15400	CIRCLIP	1	
17	3VL-E5620-01	KICK CRANK ASSY	1	
18	3VL-E5793-00	SCREW	1	
19	4SB-E5631-00	GEAR, KICK PINION	1	
20	3VL-E5673-00	CLIP	1	
21	4SB-H1800-00	STARTING MOTOR ASSY	1	

Y3FC010-8090

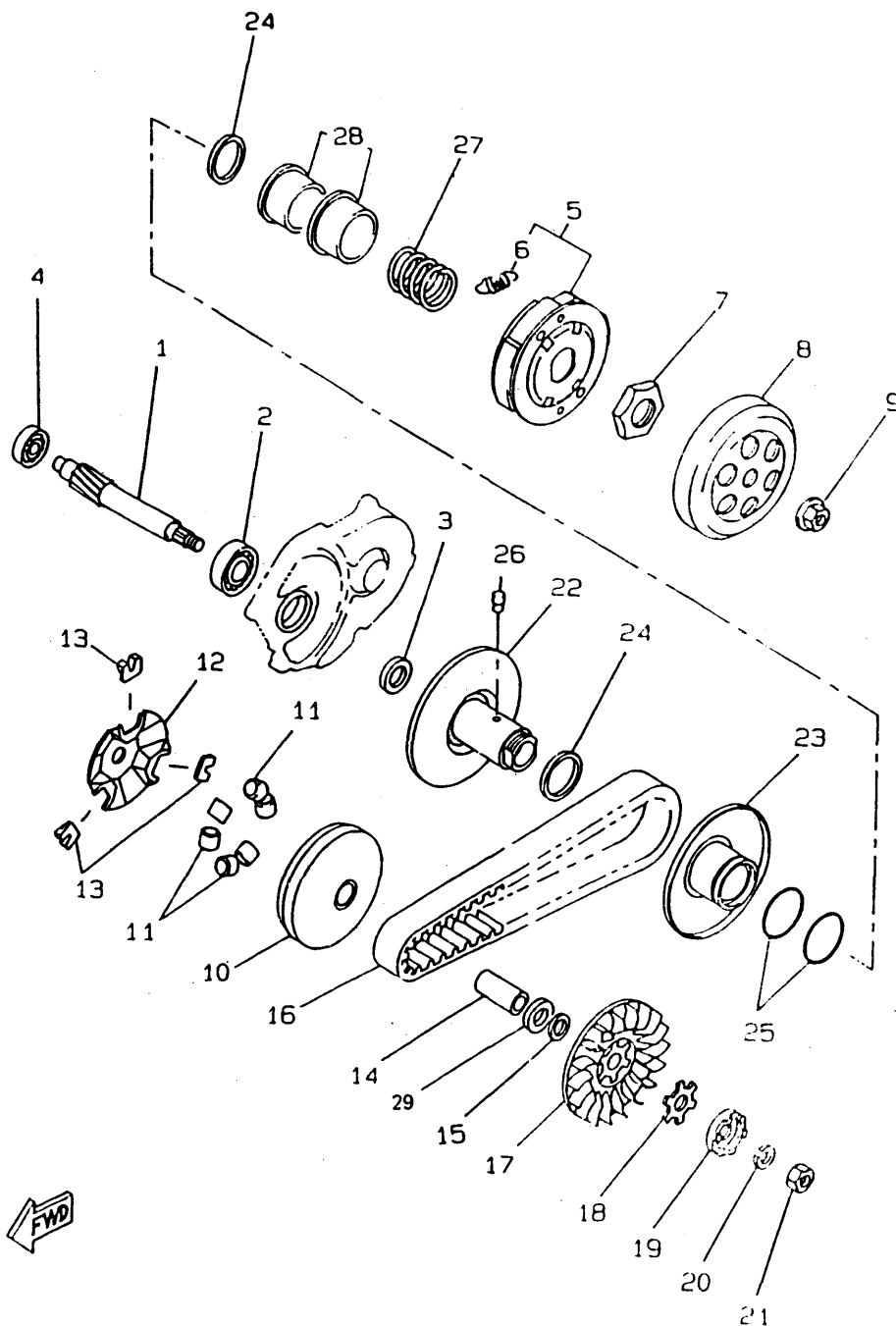


FIG 10 CLUTCH

REF	PART.N°	DESCRIPTION	QTY	REMARKS
1	3VL E6111-00	GEAR, PRIMARY DRIVE	1	
2	93306-20301	BEARING	1	
3	93102-17342	OIL SEAL	1	
4	93306-20006	BEARING (B6200)	1	
5	3VL-E6620-02	CLUTCH CARRIER ASSY	1	
6	3VL-E6626-00	SPRING, CLUTCH WEIGHT 1	2	
7	90179-28415	NUT, POP	1	
8	24G 16611-03	CLUTCH HOUSING COMP.	2	
9	90179 10609	NUT	1	
10	4CU-E7620-00	PRIMARY SLIDING SHEAVE COMP.	1	
11	4KH-E7632-00	WEIGHT	6	
12	3VL-E7623-00	CAM	1	
13	3VL E7653-00	SLIDER	3	
14	90387-135U9	COLLAR	1	
15	90201-133M8	WASHER, PLATE	1	
16	3AA-17641-00	V-BELT	1	
17	3VL-E7611-00	SHEAVE, PRIMARY FIXE	1	
18	90214-13055	WASHER,CLAW (0.5T)	1	
19	3VL-E5657-00	CLUTCH, ONEWAY	1	
20	90208 10012	WASHER, CONICAL SPRI	1	
21	90170-10219	NUT	1	
22	3GF-17660-02	SECOND.FIX.SHEAVE COMP.	1	
23	3WG-17608-00	SECONDARY SLIDING SHEAVE	1	
24	93109-33052	OIL SEAL	2	
25	93210-38687	O-RING	2	
26	24G-17664-00	PIN, GUIDE	2	
27	90501-351F6	SPRING, COMPRESSION	1	
28	3VL-E7604-00	SEAT SPRING SET	1	
29	4SB-E7654-00	SPACER 1	1	

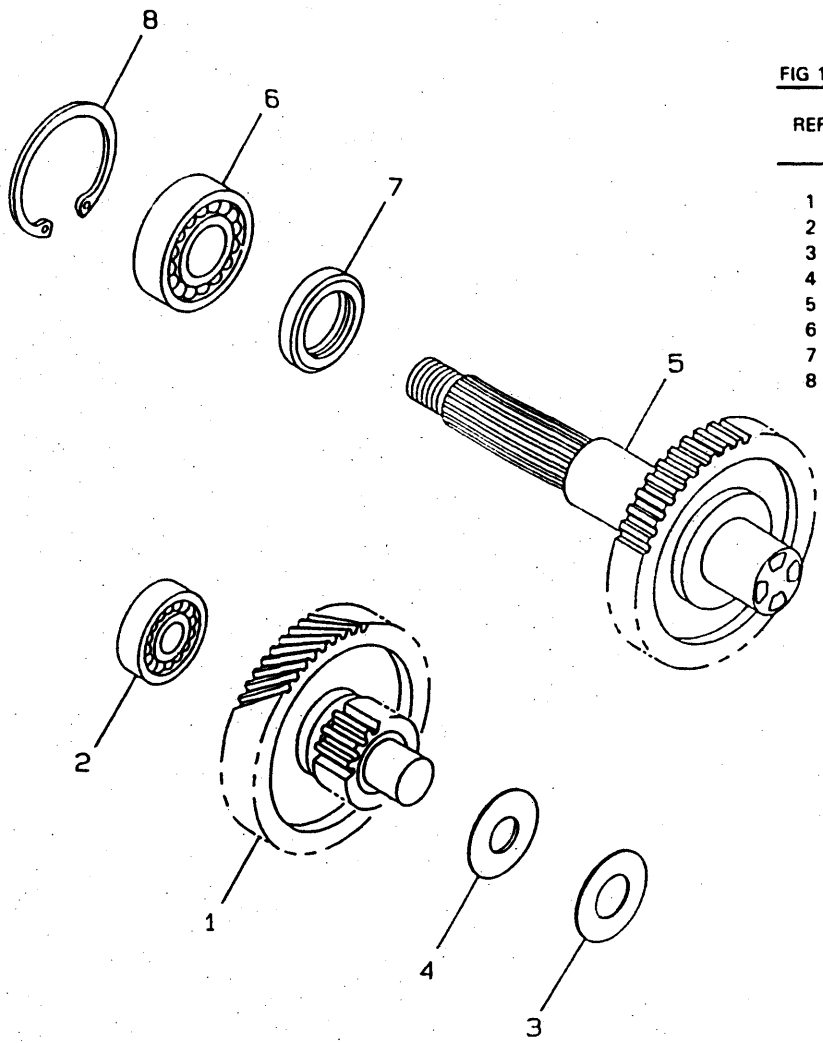
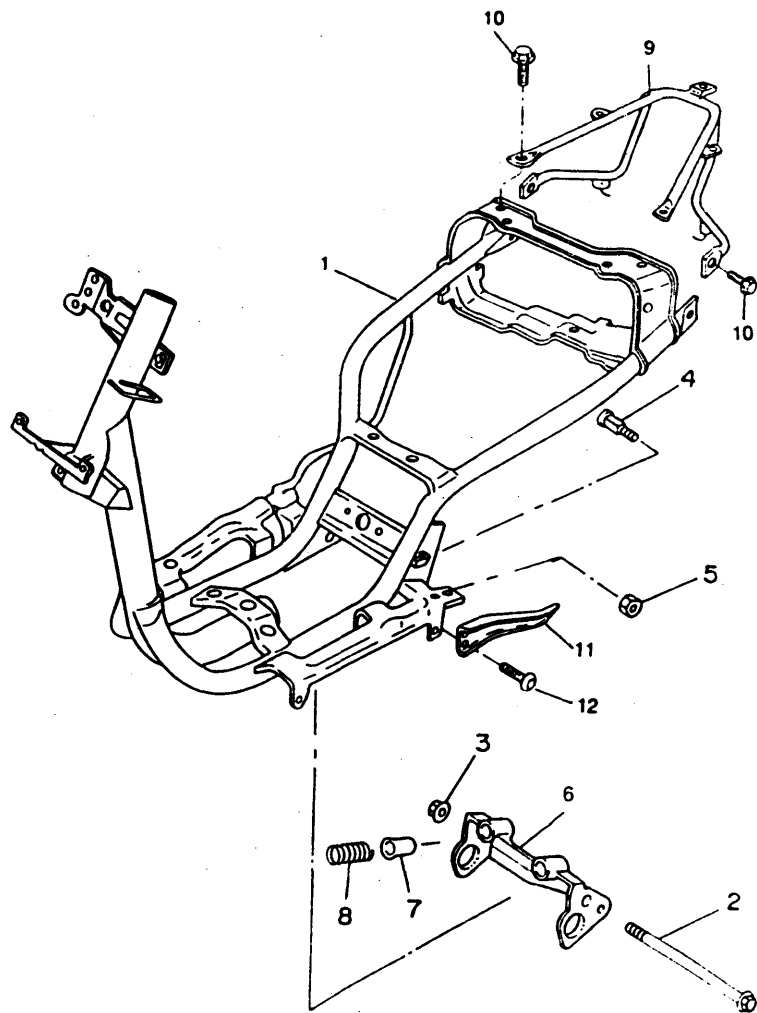


FIG 11 TRANSMISSION

REF	PART.N°	DESCRIPTION	QTY	REMARKS
1	4SB-E7410-00	MAIN AXLE COMP.	1	
2	93306-20006	BEARING (B6200)	1	
3	90201-140G5	WASHER, PLATE	1	
4	90208-14047	WASHER, CONICAL SPRI	1	
5	4SB-E7420-00	DRIVE AXLE ASSY	1	
6	93306-20314	BEARING (B6203)	1	
7	93102-22314	OIL SEAL	1	
8	93420-40064	CIRCLIP	1	

← FWD

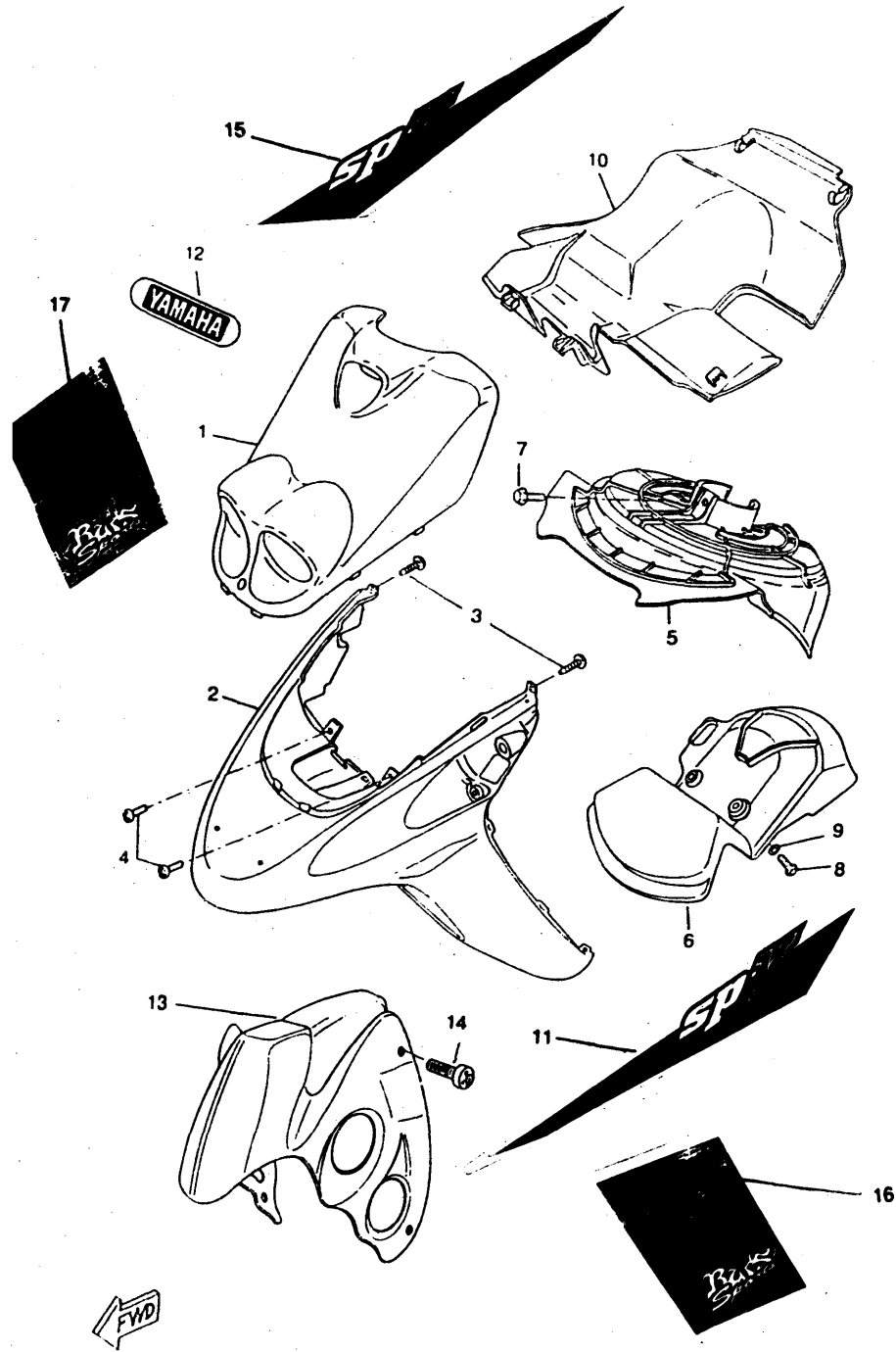
FIG 12 FRAME



REF	PART.N°	DESCRIPTION	QTY	REMARKS
1	4YB-F1110-10	FRAME COMP.	1	UR YAMAHA BLACK
2	90105-10063	BOLT, WASHER BASED	1	
3	90179-10279	NUT, POP	1	
4	2T4-21481-01	BOLT, ENGINE MOUNTIN	2	
5	95617-10100	BOLT, STUD	2	
6	3VL-F1410-11	ENGINE BRACKET COMP.	1	UR YAMAHA BLACK
7	2T4-2139X-00	DAMPER	2	
8	90501-29517	SPRING, COMPRESSION	1	
9	4SB-F1232-00	REINFORCEMENT, TAIL	1	UR YAMAHA BLACK
10	95817-08016	BOLT, FLANGE	4	
11	4SB-F7452-00	BRACKET, FOOTREST 1	1	
12	92017-08016	SCREW	2	
	4TD-F1182-01	NOT ILLUSTRED MANUFACTURER PLATE	1	
	90267-32801	RIVET, BLIND	2	

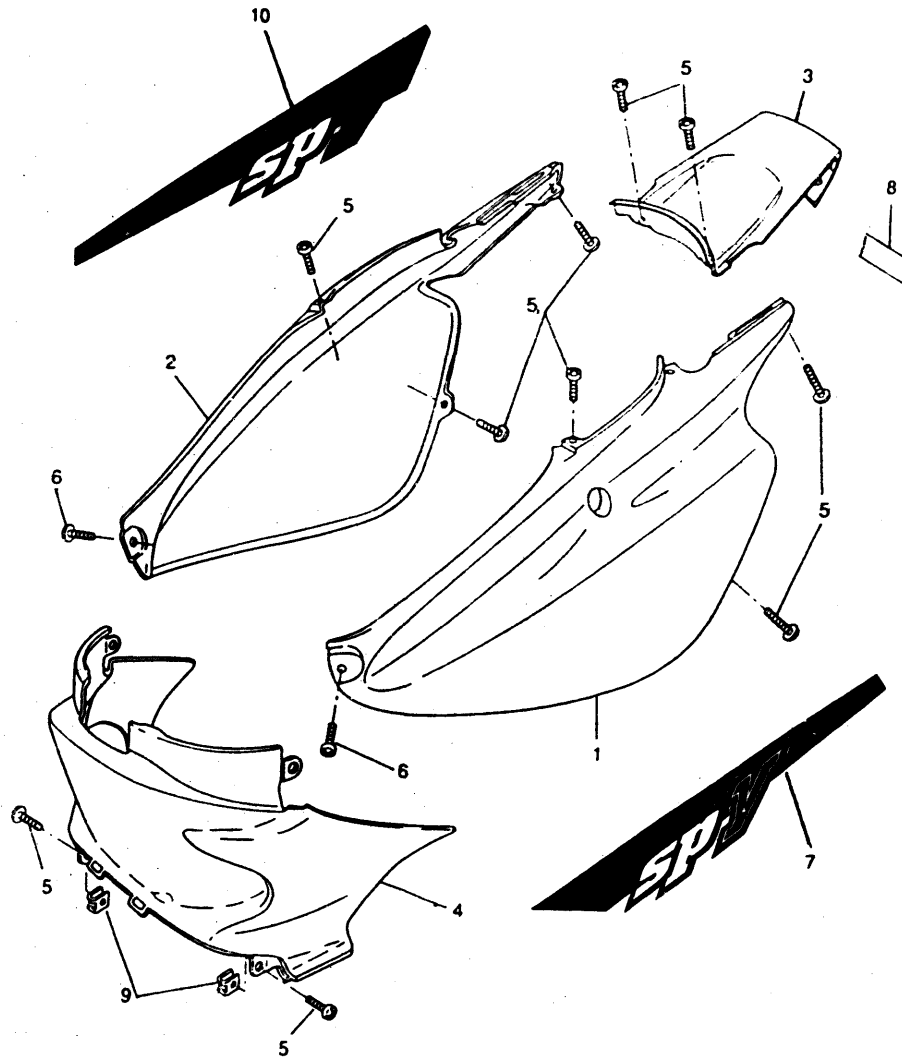


FIG 13 FENDER



REF	PART.N°	DESCRIPTION	QTY	REMARKS
1	4SB-F1511-00-4B	FENDER, FRONT BLACK	1	UR BL2/SW
	4SB-F1511-00-29	FENDER, FRONT	1	CANDY BLUE
2	4UP-F1519-00	MOLD, FENDER BLACK	1	UR BL2/CB
	4UP-F1519-10	MOLD, FENDER	1	UR SW
3	97707-50016	SCREW, TAPPING	2	
4	98907-06016	SCREW, BIND	2	
5	4SB-F1552-00	FENDER, INNER	1	UR BLACK
6	4SB-F1553-00	FENDER, INNER 2	1	UR BLACK
7	95817-06010	BOLT, FLANGE	1	
8	90119-06052	BOLT, WITH WASHER	2	
9	92907-06600	WASHER	2	
10	4SB-F1629-01	GUARD, MUD	1	UR BLACK
11	4UP-F1571-00	GRAPHIC, FRONT FENDER 1	1	UR BL2
	4UP-F1571-10	GRAPHIC, FRONT FENDER 1	1	UR CB
	4UP-F1571-20	GRAPHIC, FRONT FENDER 1	1	UR SW
12	4UP-F152A-00	EMBLEM 3 YAMAHA	1	UR BL2/CB
	4UP-F152A-10	EMBLEM 3 YAMAHA	1	UR SW
13	4UP-F1556-00-4B	FENDER, FRONT 2	1	UR BLACK 2
	4UP-F1556-00-29	FENDER, FRONT 2	1	UR CANDY BLUE
	4UP-F1556-00-GH	FENDER, FRONT 2	1	UR RASPBERRY REDSW
14	4UP-F1531-00	BOLT	4	
15	4UP-F1572-00	GRAPHIC, FRONT FENDER 2	1	UR BL2
	4UP-F1572-10	GRAPHIC, FRONT FENDER 2	1	UR CB
	4UP-F1572-20	GRAPHIC, FRONT FENDER 2	1	UR SW
16	4UP-F1573-00	GRAPHIC, FRONT FENDER 3	1	UR BL2
	4UP-F1573-10	GRAPHIC, FRONT FENDER 3	1	UR CB
	4UP-F1573-20	GRAPHIC, FRONT FENDER 3	1	UR SW
17	4UP-F1574-00	GRAPHIC, FRONT FENDER 4	1	UR BL2
	4UP-F1574-10	GRAPHIC, FRONT FENDER 4	1	UR CB
	4UP-F1574-20	GRAPHIC, FRONT FENDER 4	1	UR SW
	3EC-H5111-00	REFLECTOR, FRONT 1	2	

FIG 14 SIDE COVER



REF	PART.N°	DESCRIPTION	QTY	REMARKS
1	4SB-F1721-00-4B	COVER, SIDE 1	1	UR BLACK 2
	4SB-F1721-00-29	COVER, SIDE 1	1	UR CANDY BLUE
	4SB-F1721-00-GE	COVER, SIDE 1	1	UR SILKY WHITE
2	4SB-F1731-00-4B	COVER, SIDE 3	1	UR BLACK 2
	4SB-F1731-00-29	COVER, SIDE 3	1	UR CANDY BLUE
	4SB-F1731-00-GE	COVER, SIDE 3	1	UR SILKY WHITE
3	4SB-F171E-00-4B	COVER, SIDE 5	1	UR BLACK 2
	4SB-F171E-00-29	COVER, SIDE 5	1	UR CANDY BLUE
	4SB-F171E-00-GE	COVER, SIDE 5	1	UR SILKY WHITE
4	4SB-F1711-00	COVER, SIDE 1	1	UR BLACK
5	97707-50016	SCREW, TAPPING	10	
6	97707-50012	SCREW, TAPPING	2	
7	4UP-F173E-00	GRAPHIC 1	1	UR BL2
	4UP-F173E-10	GRAPHIC 1	1	UR CB
	4UP-F173E-20	GRAPHIC 1	1	UR SW
8	4UP-F152A-00	EMBLEM 3 YAMAHA	1	UR BL2/CB
	4UP-F152A-10	EMBLEM 3 YAMAHA	1	UR SW
9	90183-05042	NUT, SPRING	2	
10	4UP-F173F-00	GRAPHIC 2	1	UR BL2
	4UP-F173F-10	GRAPHIC 2	1	UR CB
	4UP-F173F-20	GRAPHIC 2	1	UR SW



CONTENTS

ENGINE

CYLINDER	B2
CRANKSHAFT-PISTON	B3
AIR SHROUD-FAN	B4
OIL PUMP	B5
INTAKE	B6
CARBURETOR	B7
EXHAUST	B8
CRANKSE	B9
STARTER.....	B10
CLUTCH.....	B11
TRANSMISSION	B12

CHASSIS

FRAME.....	B13
FENDER.....	B14
SIDE COVER	B15
OIL TANK.....	C2
REAR SUSPENSION	C3
FRONT FORK	C4

FUEL TANK	C5
SEAT CARRIER.....	C6
FRONT WHEEL	C7
FRONT BRAKE CALIPER	C8
REAR WHEEL	C9
STEERING-HANDLE-CABLE	C10
FRONT MASTER CYLINDER	C11
STAND FOOTREST	C12
LEG SHIELD	C13
COWLING	C14
GENERATOR.....	C15
FLASHER LIGHT	D2
METER	D3
HEADLIGHT	D4
TAILLIGHT	D5
HANDLE-SWITCH-LEVER	D6
ELECTRICAL 1	D7
ELECTRICAL 2	D8
NUMERICAL INDEX	M1 - M2

CONTENTS

ENGINE

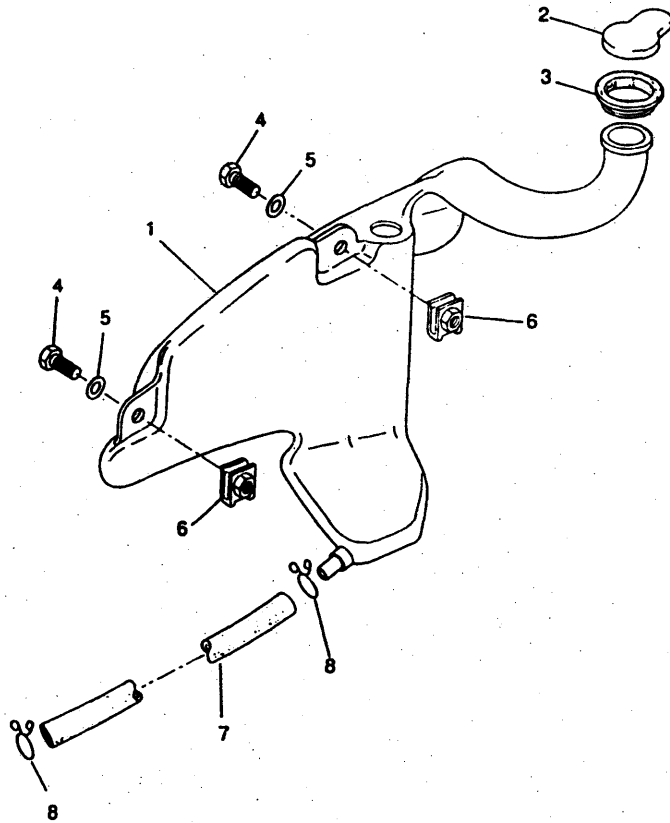
CYLINDER	B2
CRANKSHAFT-PISTON	B3
AIR SHROUD-FAN	B4
OIL PUMP	B5
INTAKE	B6
CARBURETOR	B7
EXHAUST	B8
CRANKSE	B9
STARTER.....	B10
CLUTCH.....	B11
TRANSMISSION	B12

CHASSIS

FRAME.....	B13
FENDER.....	B14
SIDE COVER	B15
OIL TANK.....	C2
REAR SUSPENSION	C3
FRONT FORK	C4

FUEL TANK	C5
SEAT CARRIER.....	C6
FRONT WHEEL	C7
FRONT BRAKE CALIPER	C8
REAR WHEEL	C9
STEERING-HANDLE-CABLE	C10
FRONT MASTER CYLINDER	C11
STAND FOOTREST	C12
LEG SHIELD	C13
COWLING	C14
GENERATOR.....	C15
FLASHER LIGHT	D2
METER	D3
HEADLIGHT.....	D4
TAILLIGHT	D5
HANDLE-SWITCH-LEVER	D6
ELECTRICAL 1	D7
ELECTRICAL 2	D8
NUMERICAL INDEX	M1 - M2

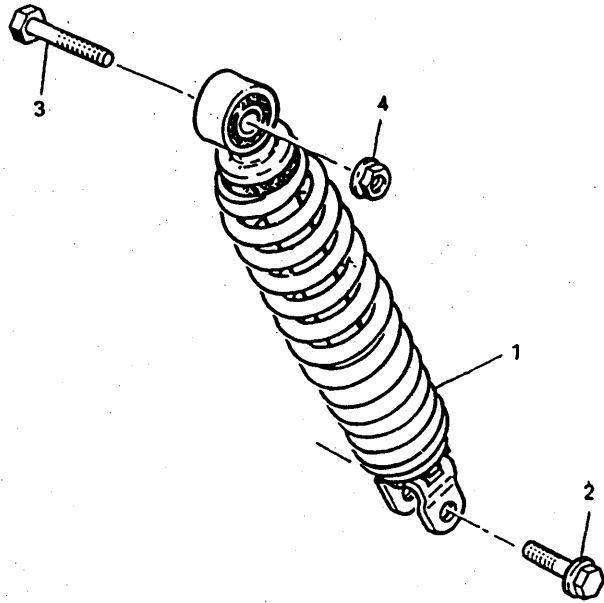
FIG 15 OIL TANK



REF	PART.N°	DESCRIPTION	QTY	REMARKS
1	4SB-F1751-00	TANK, OIL	1	
2	2N3-21771-01	BODY, CAP	1	
3	4SB-F414E-0C	SEAL 2	1	
4	90119-06044	BOLT, WITH WASHER	2	
5	90201-065F3	WASHER, PLATE	2	
6	25G-21535-00	NUT 1	3	
7	90445-094J4	HOSE	1	
8	90468-02033	CLIP	2	
	4SB-H2141-00	NOT ILLUSTRATED LABEL, BATTERY	1	

FWD

FIG 16 REAR SUSPENSION



REF	PART.N°	DESCRIPTION	QTY	REMARKS
1	4SB-F2210-00	SHOCK ABSORBER ASSY, REAR	1	
2	90105-08121	BOLT, WASHER BASED	1	
3	90101-10776	BOLT	1	
4	95617-10200	BOLT, STUD	1	



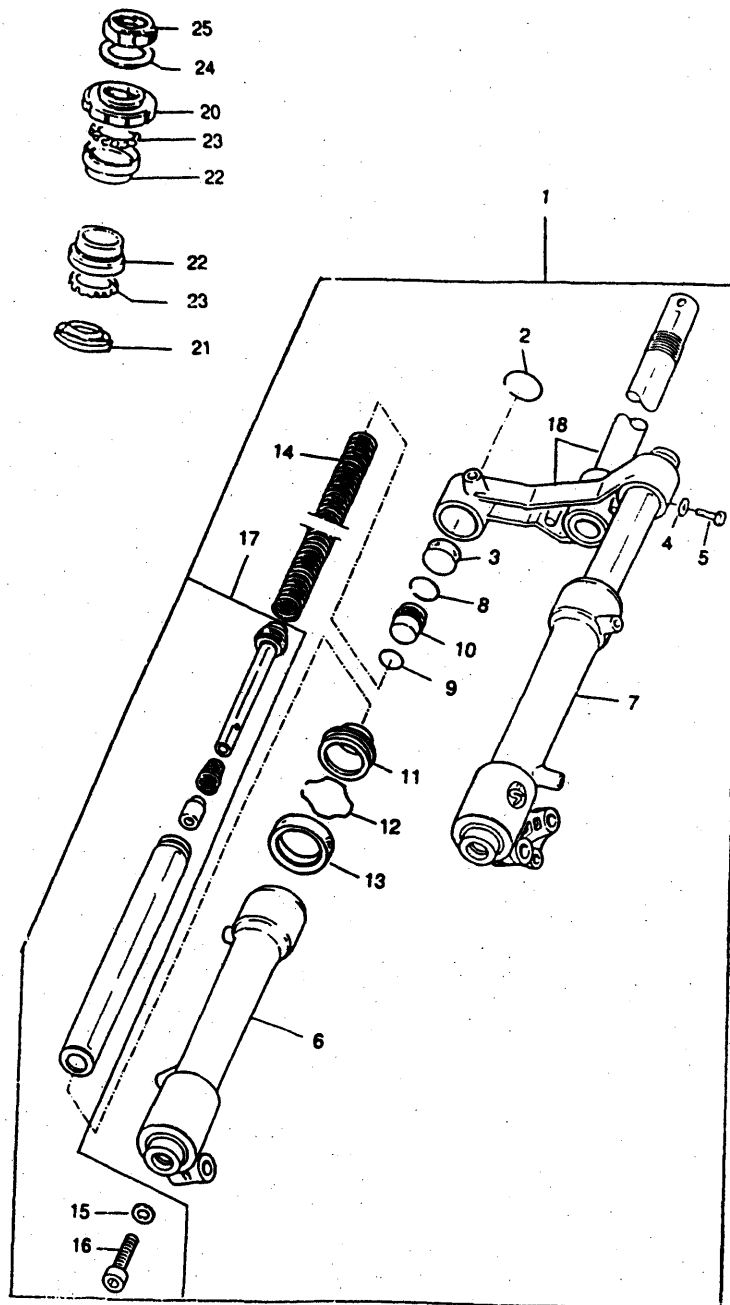
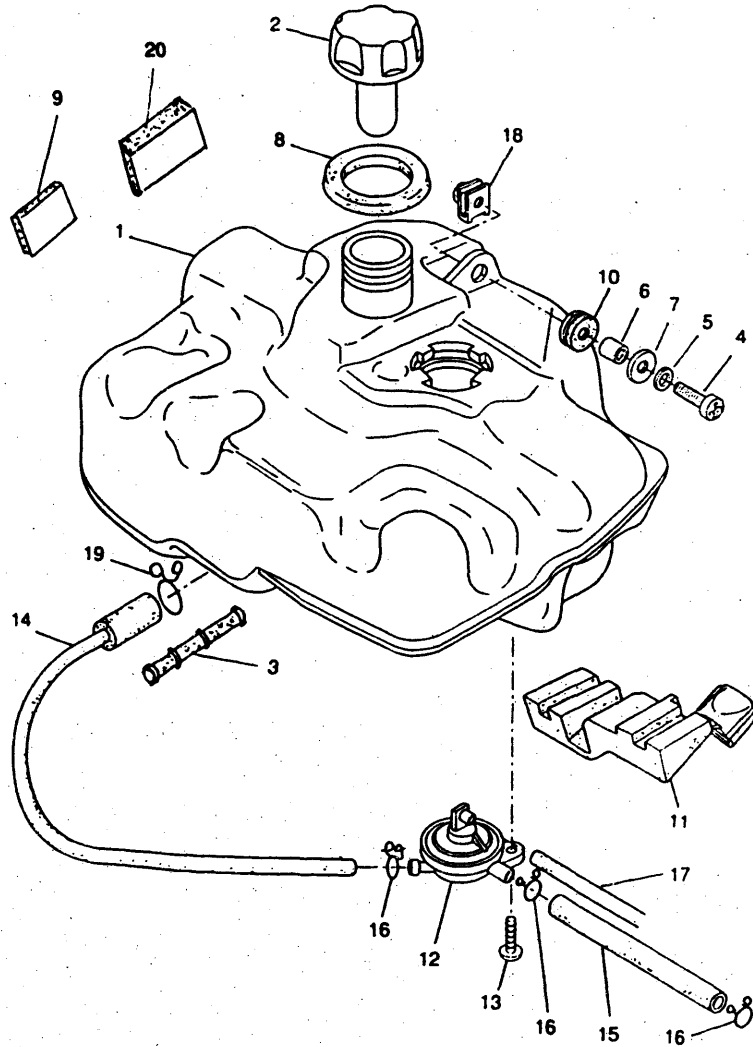


FIG 17 FRONT FORK

REF	PART.N°	DESCRIPTION	QTY	REMARKS
1	4UP-F3100-00	FRONT FORK ASSY	1	
2	4TD-F3153-00	.RING, SNAP	2	
3	4TD-F3154-00	.PLUG, INNER TUBE	2	
4	4TD-F3112-00	.WASHER, CAP	2	
5	4TD-F3394-00	.BOLT, SPECIAL	2	
6	4UP-F3136-00	.TUBE, OUTER 2 RIGHT	1	
7	4UP-F3126-00	.TUBE, OUTER 1 LEFT	1	
8	4TD-F3183-00	.CIRCLIP	2	
9	4TD-F3147-00	.O-RING	2	
10	4TD-F3111-00	.BOLT, CAP	2	
11	4TD-F3144-00	.SEAL, DUST	2	
12	4TD-F3156-00	.CLIP, OIL SEAL	2	
13	4TD-F3145-00	.OIL SEAL	2	
14	4TD-F3141-00	.SPRING, FRONT FORK	2	
15	4CU-F3165-00	.WASHER, FELT	2	
16	4TD-F3181-00	.BOLT, HEXAGON SOCKET HEAD	2	
17	4TD-F3110-00	.INNER TUBE COMP.1	1	
18	4TD-F3340-00	.UNDER BRACKET COMP.	1	
20	4SB-F3411-00	RACE, BALL 1	1	
21	4SB-F3414-00	RACE, BALL 4	1	
22	4SB-F3412-00	RACE, BALL 2	2	
23	4SB-F3812-00	PLANE BEARING, STEERING	2	
24	4SB-F3427-00	WASHER	1	
25	4SB-F3453-00	NUT, FITTING 1	1	

FWD

FIG 18 FUEL TANK



REF	PART.N°	DESCRIPTION	QTY	REMARKS
1	4SB-F4110-00	FUEL TANK COMP.	1	
2	4MJ-F4610-00	CAP ASSY	1	
3	4SB-F4451-01	NET, FILTER	1	
4	98507-06020	SCREW, PAN HEAD	1	
5	92907-06600	WASHER	1	
6	90387-060G7	COLLAR	1	
7	90201-065F3	WASHER, PLATE	1	
8	4SB-F414G-00	SEAL	1	
10	90480-13398	GROMMET	1	
11	4SB-F4181-00	DAMPER, LOCATING 1	1	
12	4SB-F4500-00	FUEL COCK ASSY 1	1	
13	97707-60016	SCREW, TAPPING	1	
14	4SB-F4311-01	PIPE, FUEL 1	1	
15	4SB-F4312-00	PIPE 2	1	
16	90467-09006	CLIP	3	
17	4SB-F4335-00	PIPE, SUCTION 1	1	
18	25G-21535-00	NUT 1	1	
19	90467-12052	CLIP	1	
20	4SB-F174X-10	DAMPER	1	

FWD

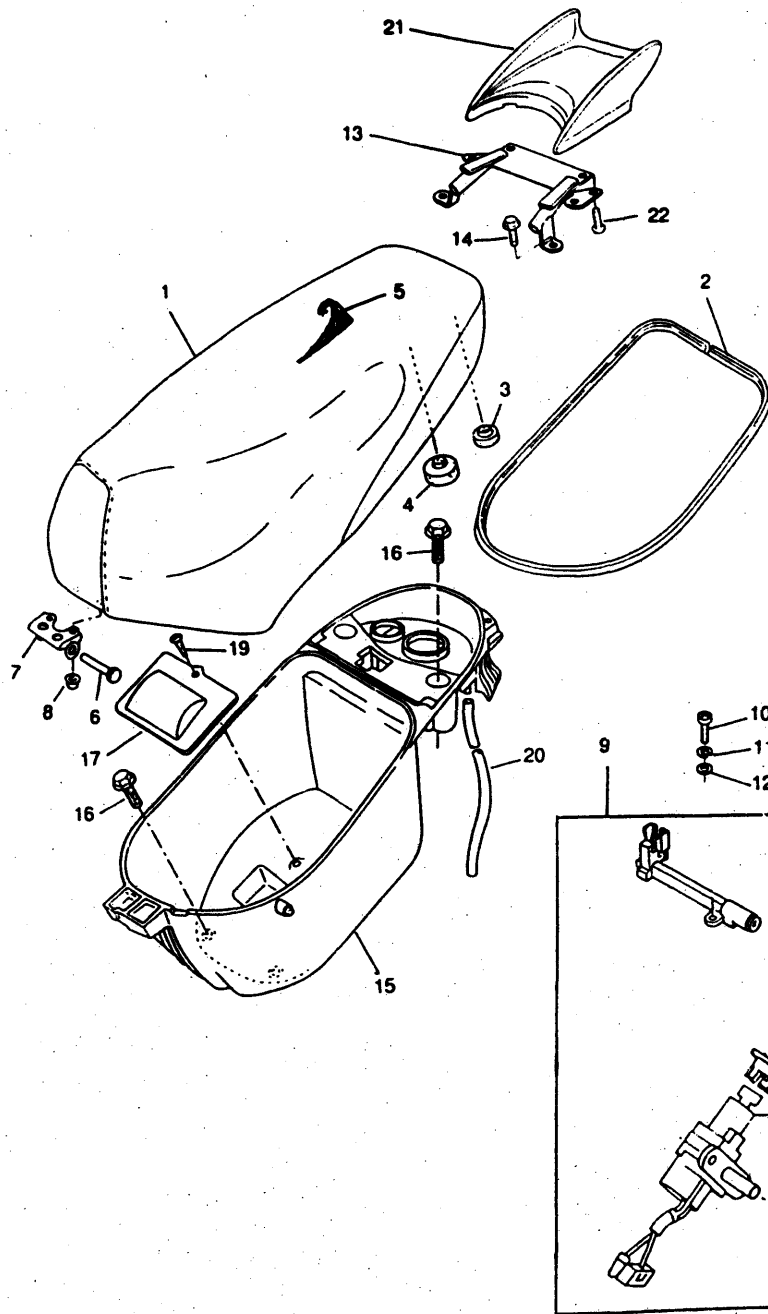
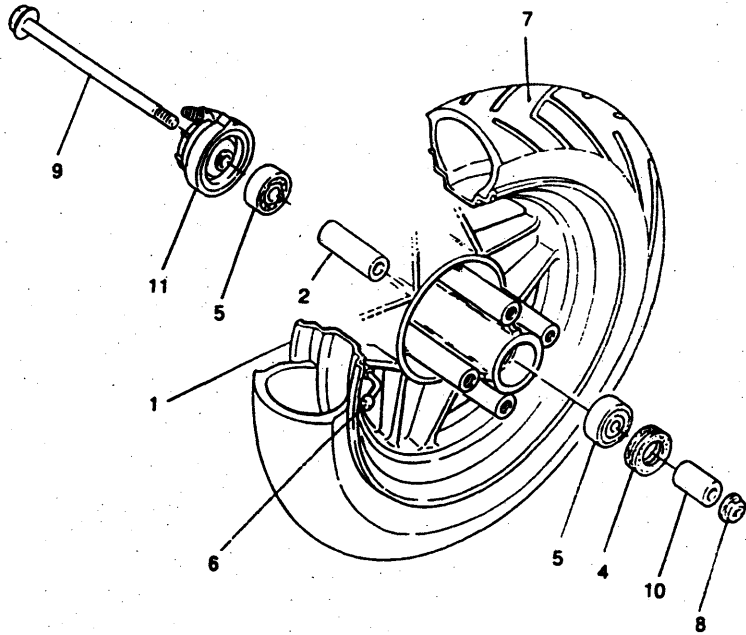


FIG 19 SEAT. CARRIER

REF	PART.N°	DESCRIPTION	QTY	REMARKS
1	4SB-F4730-00	DOUBLE SEAT ASSY BLACK	1	UR CB/SW
	4TD-F4730-00	DOUBLE SEAT ASSY BL/BROWN	1	UR BL2
2	4SB-F475M-00	.SEAL	1	
3	3VL-F4741-00	.PAD, SEAT	2	
4	3VL-F4741-10	.PAD, SEAT	2	
5	4SB-F4731-00	COVER, SEAT BLACK	1	UR CB/SW
	4TD-F4731-00	COVER, SEAT BLACK/BROWN	1	UR BL2
6	90241-10017	PIN	1	
7	4CU-F4726-00	HINGE, SEAT	1	
8	95707-06500	NUT, FLANGE	2	
9	4SB-H2021-02	KEY SET	1	
10	98507-06020	SCREW, PAN HEAD	2	
11	92907-06100	WASHER	2	
12	92907-06600	WASHER	2	
13	4UP-F1165-00	HANDLE, STANDING	1	
14	95027-08016	BOLT, FLANGE	2	
15	4SB-F473R-01	BOX 1	1	
16	90109-063F1	BOLT	4	
17	4SB-F473T-00	LID 1	1	
19	97707-50016	SCREW, TAPPING	1	
20	4SB-F4318-00	PIPE, OVERFLOW	1	
21	4UP-F4812-00-4B	HANDLE	1	UR BLACK 2
	4UP-F4812-00-29	HANDLE	1	UR CANDY BLUE
	4UP-F4812-00-GH	HANDLE RASPBERRY RED	1	UR SW
22	4UP-F1631-00	BOLT 1	4	



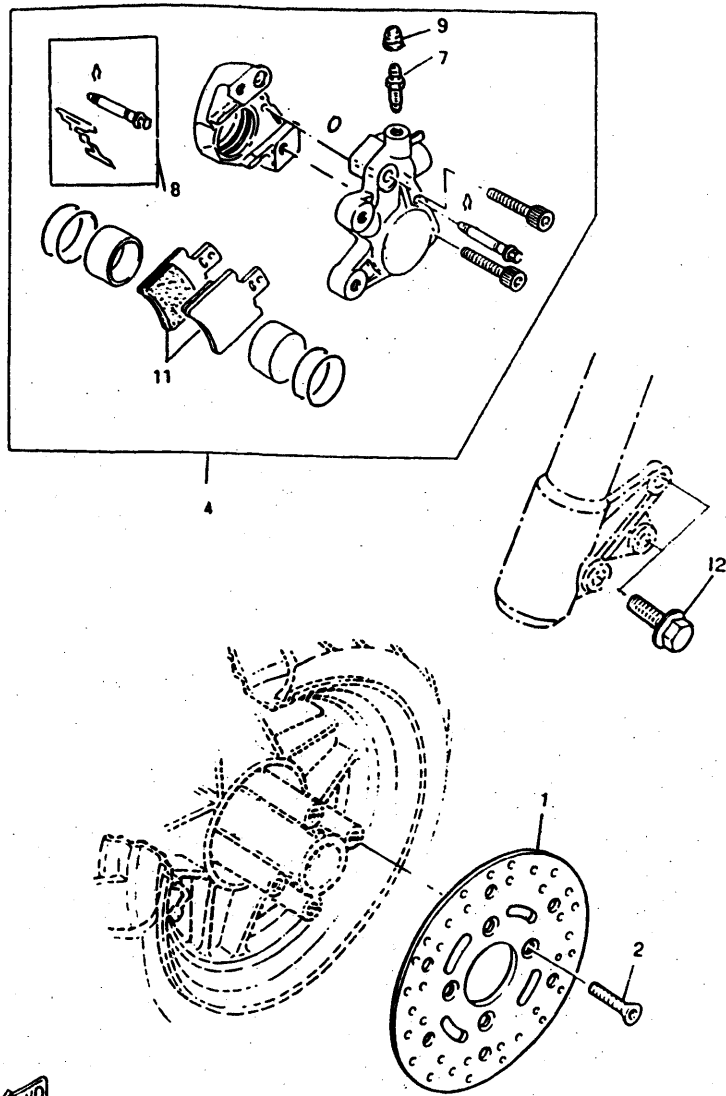
FIG 20 FRONT WHEEL



REF	PART.N°	DESCRIPTION	QTY	REMARKS
1	4UP-F5168-00	CAST WHEEL, FRONT	1	UR BLACK
2	4SB-F5117-00	SPACER, BEARING	1	
4	93106-20001	OIL SEAL	1	
5	93306-300Y8	BEARING	2	
6	3VL-F5170-10	AIR VALVE ASSY	1	
7	94112-128P5	TIRE	1	120/70-12 PIRELLI
	94112-128R9	TIRE	1	120/70-12 HUTCHINSON
8	95617-10200	BOLT, STUD	1	
9	486-22141-01	SHAFT, PIVOT	1	
10	90387-10079	COLLAR	2	
11	4VV-F5190-00	GEAR UNIT ASSY	1	

FWD

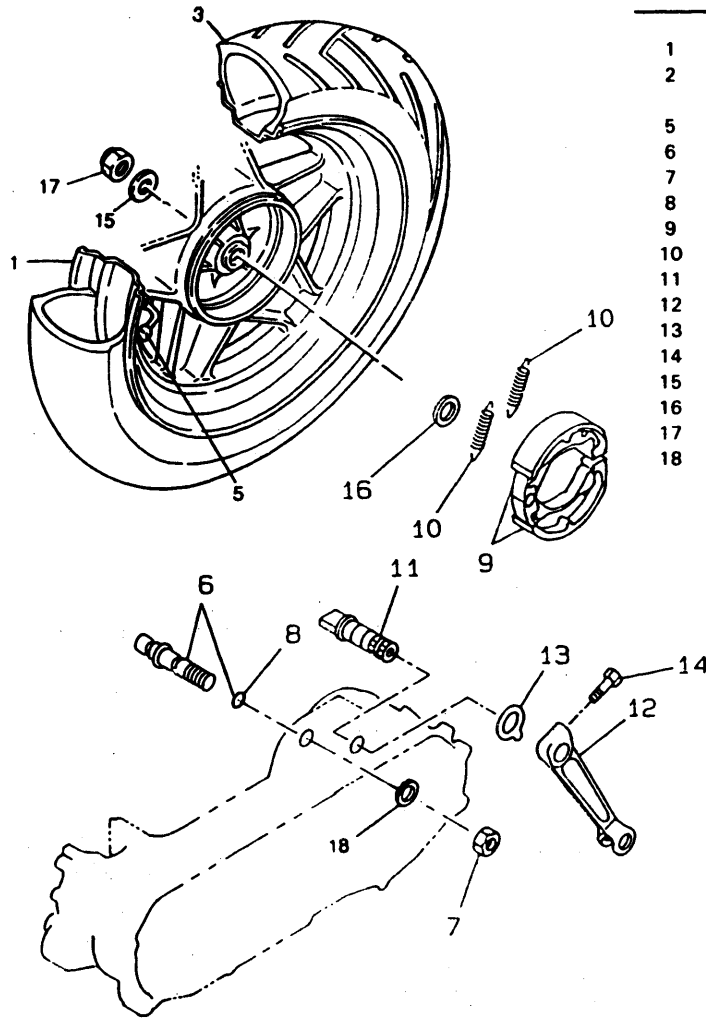
FIG 21 FRONT BRAKE CALIPER



REF	PART.N°	DESCRIPTION	QTY	REMARKS
1	4SB-2582T-00	DISC, BRAKE	1	
2	90110-10223	BOLT, HEXAGON SOCKET HEAD	4	
4	4CU-F580T-20	CALIPER ASSY (LEFT)	1	
7	4CU-F5824-00	.SCREW, BREED	1	
8	4CU-F5919-00	.SUPPORT, PAD ASSY	1	
9	4CU-F5825-00	.CAP	1	
11	4CU-F5811-20	.PAD, CALIPER 2	2	
12	95817-08030	BOLT, FLANGE	2	

FWD

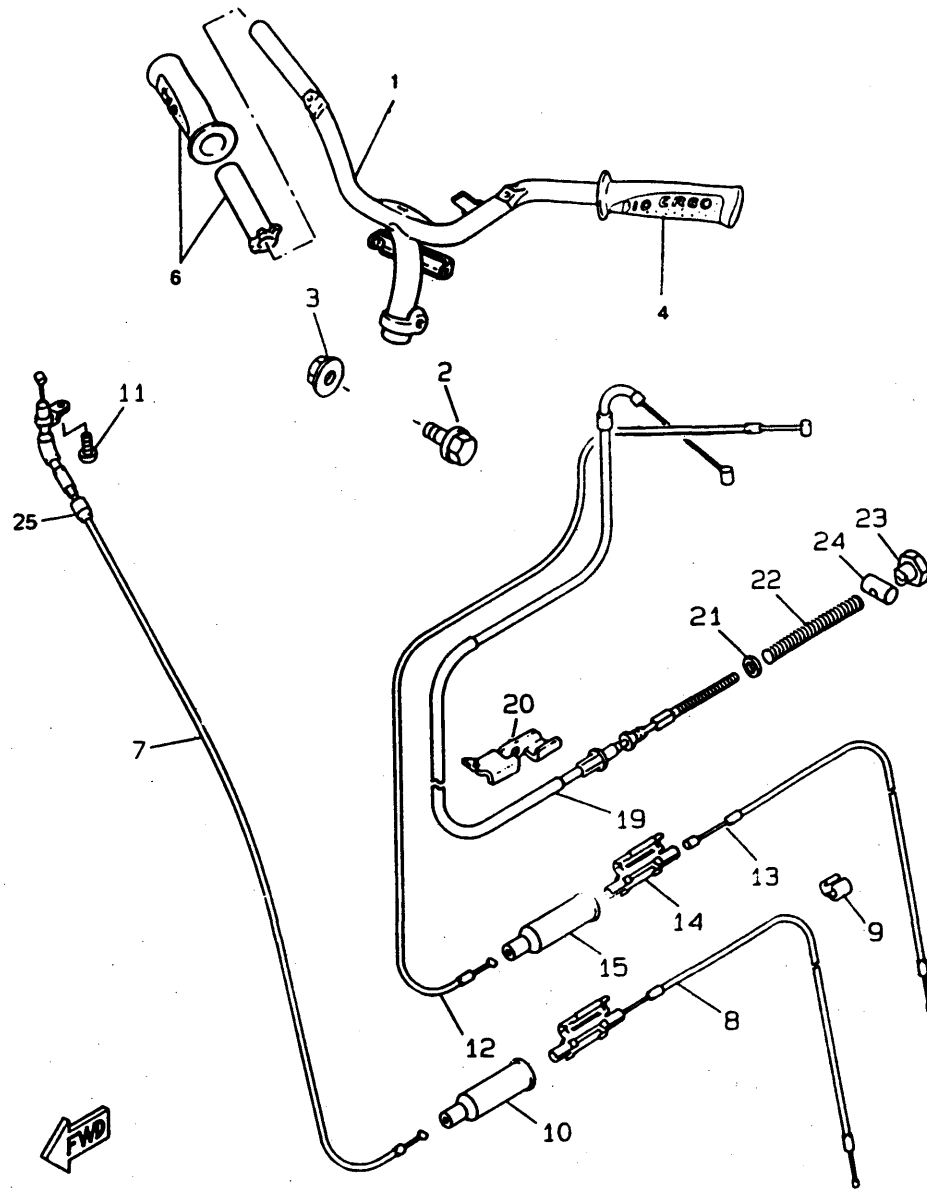
FIG 22 REAR WHEEL



REF	PART.N°	DESCRIPTION	QTY	REMARKS
1	4UP-F5338-00	CAST WHEEL, REAR	1	UR BLACK
2	94113-128P6	TIRE	1	130/70-12 PIRELLI
	94113-128S0	TIRE	1	130/70-12 HUTCHINSON
5	3VL-F5170-10	AIR VALVE ASSY	1	
6	3VL-F5326-00	PIN, PIVOT	1	
7	3VL-F5182-00	NUT, AXLE	1	
8	93210-07540	O-RING	1	
9	2JL-W2536-10	BRAKE SHOE SET	1	
10	90506-15260	SPRING	2	
11	3AA-25351-00	CAMSHAFT	1	
12	3AA-25355-03	LEVER, CAMSHAFT	1	
13	3Y6-2533A-01	PLATE, INDICATOR	1	
14	90101-06291	BOLT (L:130MM)	1	
15	90201-142M6	WASHER, PLATE	1	
16	90201-177G4	WASHER, PLATE	1	
17	90185-14081	NUT, SELF-LOCKING	1	
18	3VL-F5384-00	WASHER, WHEEL	1	



FIG 23 STEERING HANDLE. CABLE



REF	PART.N°	DESCRIPTION	QTY	REMARKS
1	4SB-F6110-00	HANDLE COMP.	1	
2	90105-10036	BOLT, WASHER BASED	1	
3	95617-10200	BOLT, STUD	1	
4	4SB-F6241-00	GRIP (LEFT)	1	
6	4SB-F6240-00	GRIP ASSY	1	
7	3VL-F6311-01	CABLE, THROTTLE 1	1	
8	3VL-F6312-01	CABLE, THROTTLE 2	1	
9	90468-15009	CLIP	1	
10	3WG-F6329-00	CAP, RUBBER	1	
11	98507-05010	SCREW, PAN HEAD	1	
12	4SB-F6331-00	CABLE, STARTER 1	1	
13	3VL-F6334-02	CABLE, STARTER 2	1	
14	3VL-F6261-00	CONNECTOR, CABLE	1	
15	3WG-F6329-00	CAP, RUBBER	1	
19	4SB-F6351-00	CABLE, BRAKE	1	
20	4SB-F6475-00	HOLDER	1	
21	90202-08175	WASHER, PLATE	1	
22	90501-122E1	SPRING, COMPRESSION	1	
23	90179-06411	NUT	1	
24	90249-12008	PIN	1	
25	3VL-F6262-00	CAP, CABLE CONNECTOR	2	

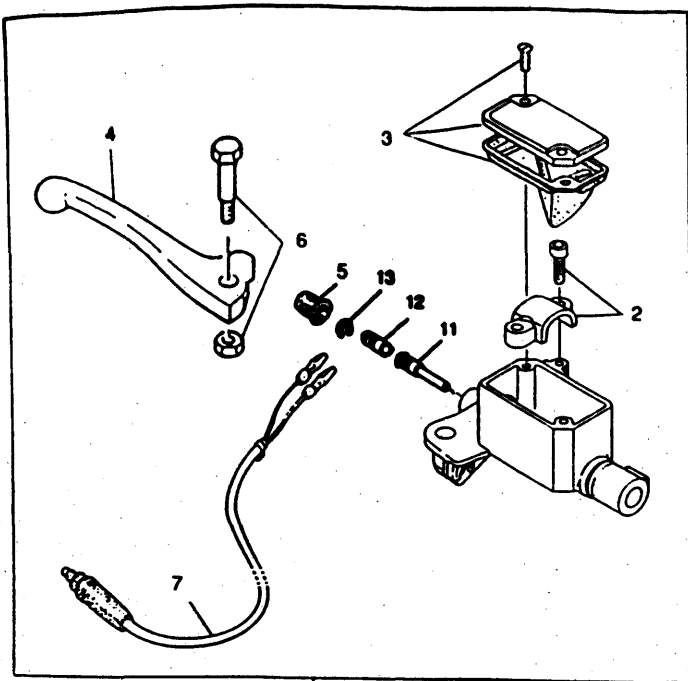
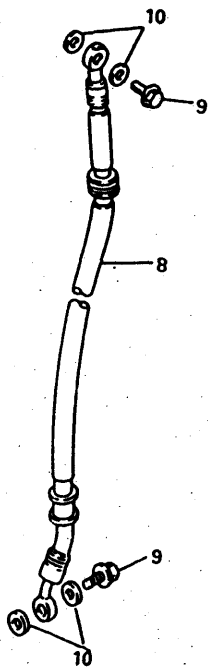


FIG 24 FRONT MASTER CYLINDER

REF	PART.N°	DESCRIPTION	QTY	REMARKS
1	4TD-F583T-00	MASTER CYLINDER ASSY	1	
2	4TD-F5867-00	.BRACKET, MASTER CYLINDER	1	
3	4TD-F5852-00	.CAP, RESERVOIR	1	
4	4TD-H3922-00	.LEVER 2	1	
5	4TD-F6339-00	.BOOT	1	
6	4TD-H3945-00	.BOLT, LEVER	1	
7	3VL-H3980-00	.FRONT STOP SWITCH AS	1	
8	4SB-F5872-01	HOSE, BRAKE 1	1	
9	90401-10159	BOLT, UNION	2	
10	90201-10118	WASHER, PLATE	4	
11	4TD-F5856-00	.ROD PUSH	1	
12	4TD-F5924-00	.STOPPER	1	
13	4TD-F5925-00	.CLIP	1	



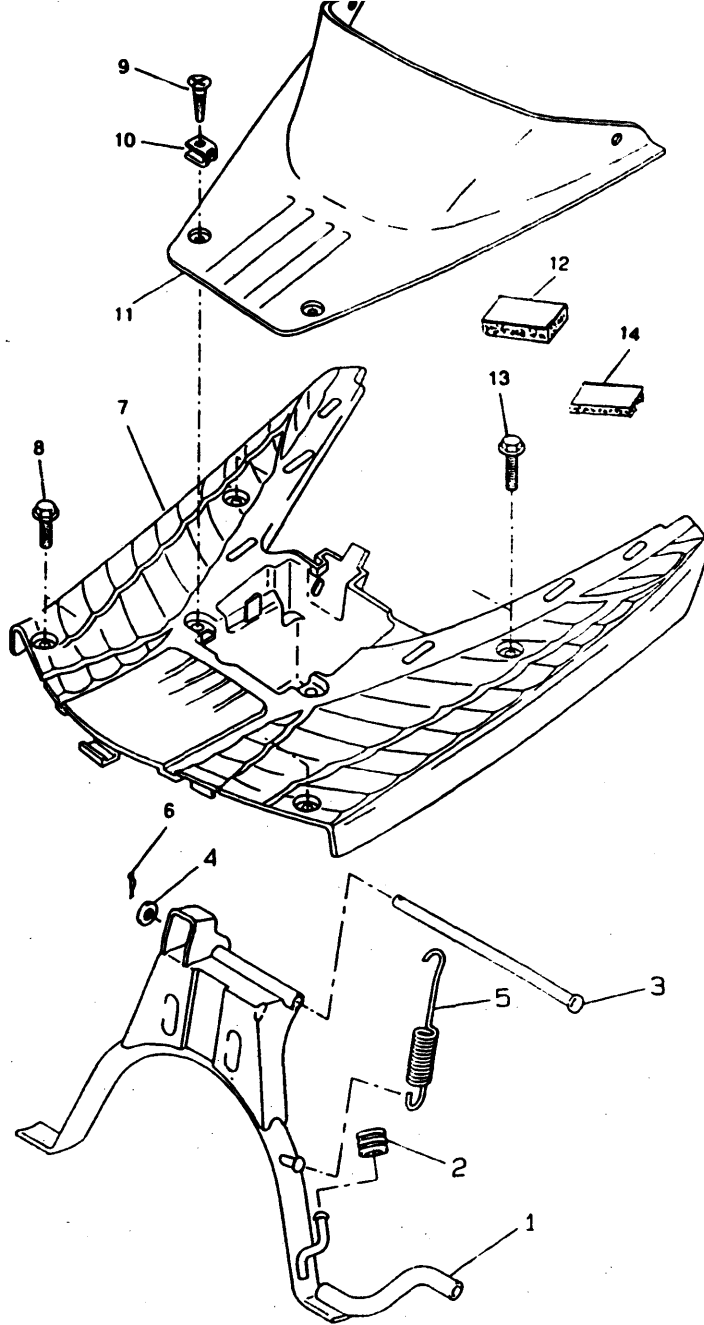


FIG 25 STAND, FOOTREST

REF	PART.N°	DESCRIPTION	QTY	REMARKS
1	4SB-F7111-00	STAND, MAIN	1	UR YAMAHA BLACK
2	90387-076V1	COLLAR	1	
3	4SB-F7112-00	SHAFT, MAIN STAND	1	
4	90202-10120	WASHER, PLATE	1	
5	90506-29280	SPACER	1	
6	90468-12006	CLIP	1	
7	4SB-F7481-00	BOARD, FOOTREST	1	UR BLACK
8	4SB-F7117-10	BOLT	2	
9	97707-50016	SCREW, TAPPING	4	
10	90183-05042	NUT, SPRING	2	
11	4SB-F1741-00	COVER, SIDE 4	1	
12	4SB-F174X-00	DAMPER	1	
13	4SB-F7117-00	BOLT	2	
14	4SB-F174X-10	DAMPER	2	



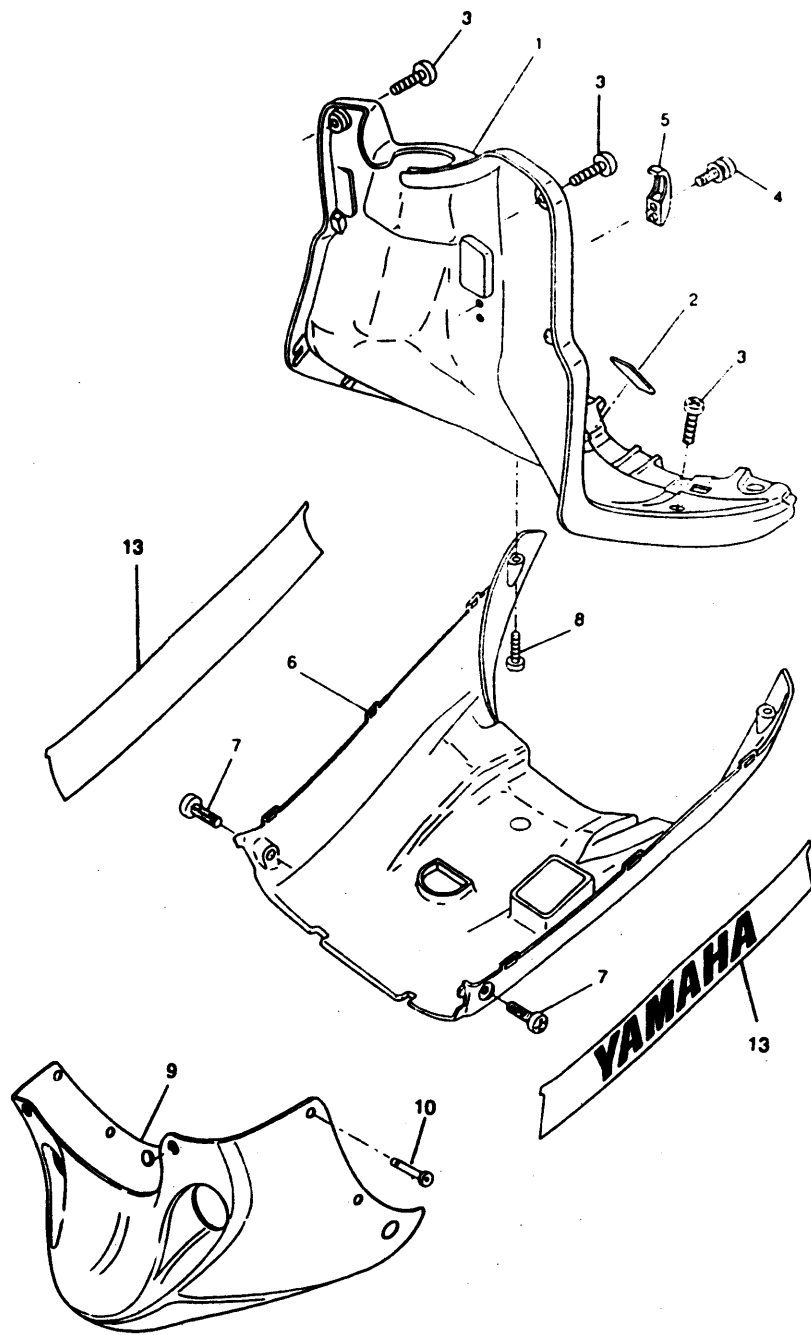
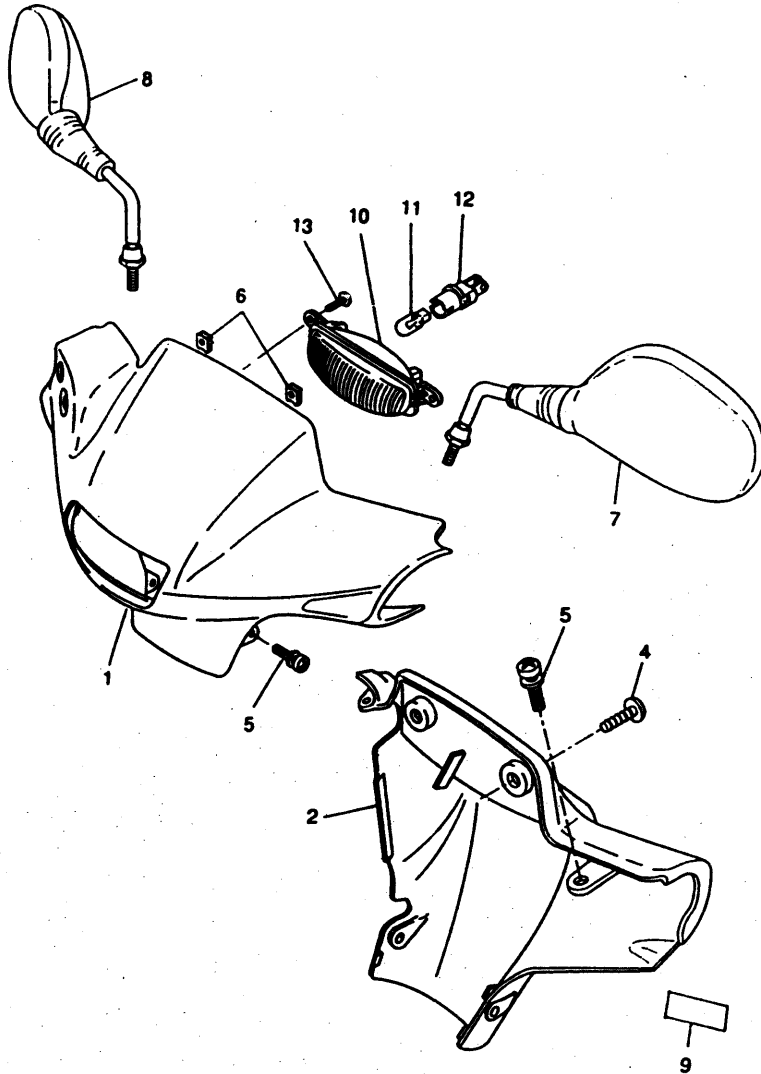


FIG 26 LEG SHIELD

REF	PART.N°	DESCRIPTION	QTY	REMARKS
1	4SB-F8312-01	LEG SHIELD 2	1	
2	3WV-F8349-10	CAP	1	
3	97707-50016	SCREW, TAPPING	4	
4	4UP-F1532-00	BOLT 2	1	
5	4SB-F1398-00	HANGER, HELMET	1	
6	4SB-F8385-00	COVER, LOWER BLACK	1	UR CB/BL2
	4SB-F8385-10	COVER, LOWER	1	UR SW
7	4SB-F8382-00	SCREW, SPECIAL	2	
8	97707-50016	SCREW, TAPPING	2	
9	4UP-F842M-01	COVER 1 BLACK	1	UR CB/BL2
	4UP-F842M-11	COVER 1	1	UR SW
10	4UP-F1128-00	BLIND	6	
13	4UP-F839H-20	EMBLEM 1	2	UR BL2/CB
	4UP-F839H-00	EMBLEM 1	2	UR SW

← FWD

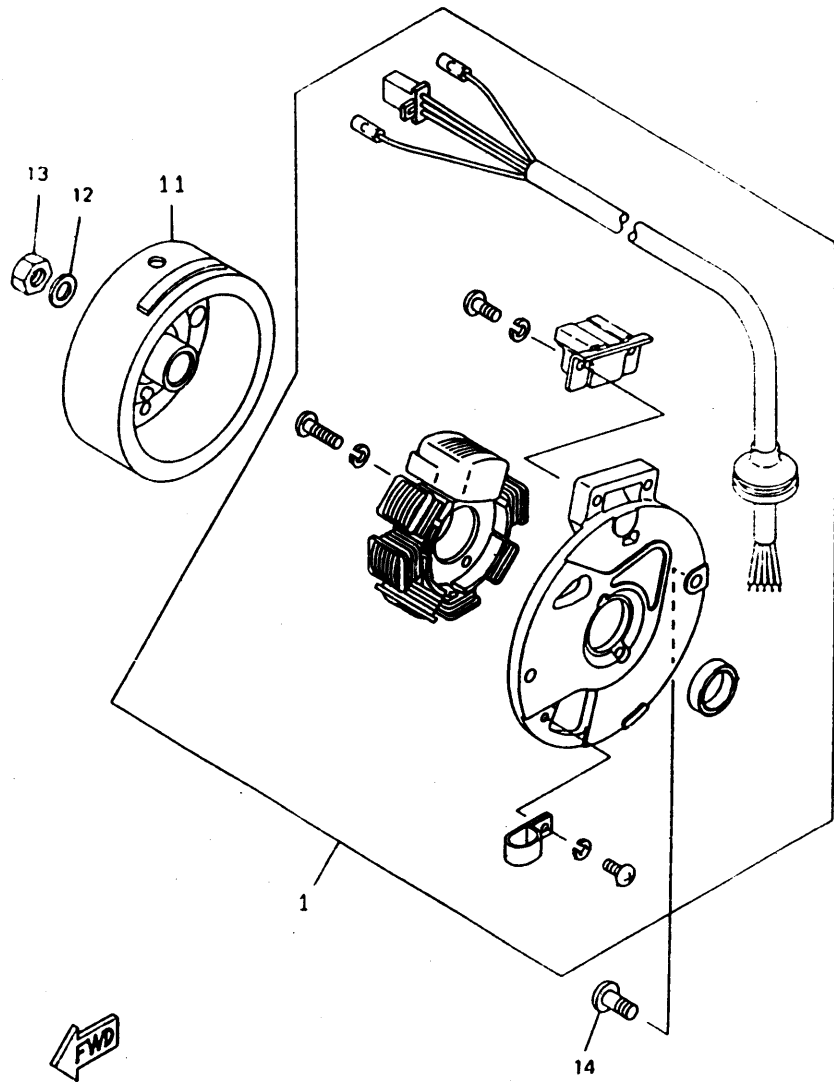
FIG 27 COWLING 1



REF	PART.N°	DESCRIPTION	QTY	REMARKS
1	4SB-F6143-00-4B	COVER, HANDLEBAR UPPER 1 BL2	1	UR BL2/SW
	4SB-F6143-00-29	COVER, HANDLEBAR UPPER 1	1	UR CANDY BLUE
2	4SB-F6145-00	COVER, HANDLEBAR UPPER 2	1	UR YAMAHA BLACK
4	97707-50016	SCREW, TAPPING	2	
5	90159-05134	SCREW, WITH WASHER	4	
6	90183-05042	NUT, SPRING	2	
7	4SB-F6280-00	MIRROR (LEFT)	1	
8	4SB-F6290-00	MIRROR (RIGHT)	1	
9	4CU-F1568-10	LABEL, WARNING	1	
10	4SB-H3530-00	PILOT LIGHT ASSY	1	
11	3WW-H4347-00	BULB LICENCE LIGHT	1	
12	3UP-H4346-00	SOCKET, PILOT LIGHT	1	
13	97707-50016	SCREW, TAPPING	2	



FIG 28 GENERATOR



REF	PART.N°	DESCRIPTION	QTY	REMARKS
1	4SB-85560-00	BASE ASSY	1	
11	2JA-85550-00	ROTOR ASSY	1	
12	92907-10600	WASHER	1	
13	90170-10219	NUT	1	
14	98507-06016	SCREW, PAN HEAD	2	

CONTENTS

ENGINE

CYLINDER	B2
CRANKSHAFT-PISTON	B3
AIR SHROUD-FAN	B4
OIL PUMP	B5
INTAKE	B6
CARBURETOR	B7
EXHAUST	B8
CRANKSE	B9
STARTER.....	B10
CLUTCH.....	B11
TRANSMISSION	B12

CHASSIS

FRAME.....	B13
FENDER.....	B14
SIDE COVER	B15
OIL TANK.....	C2
REAR SUSPENSION	C3
FRONT FORK	C4

FUEL TANK	C5
SEAT CARRIER.....	C6
FRONT WHEEL	C7
FRONT BRAKE CALIPER	C8
REAR WHEEL	C9
STEERING-HANDLE-CABLE	C10
FRONT MASTER CYLINDER	C11
STAND FOOTREST	C12
LEG SHIELD	C13
COWLING	C14
GENERATOR.....	C15
FLASHER LIGHT	D2
METER	D3
HEADLIGHT	D4
TAILLIGHT	D5
HANDLE-SWITCH-LEVER	D6
ELECTRICAL 1	D7
ELECTRICAL 2	D8
NUMERICAL INDEX	M1 - M2

CONTENTS

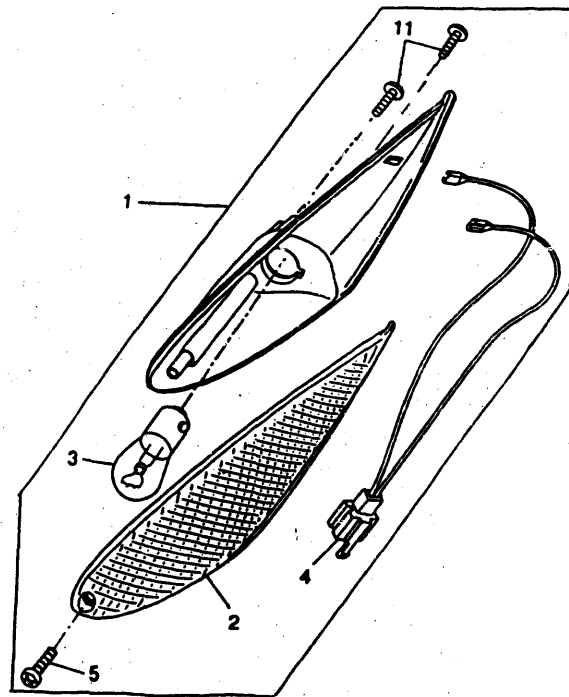
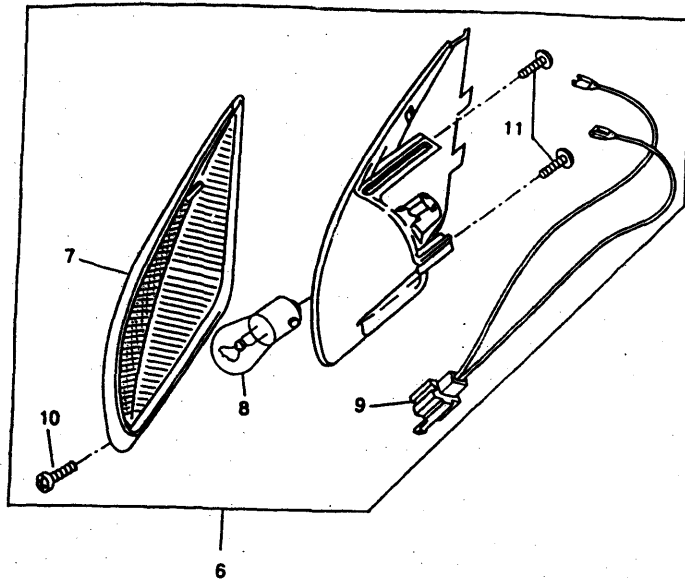
ENGINE

CYLINDER	B2
CRANKSHAFT-PISTON	B3
AIR SHROUD-FAN	B4
OIL PUMP	B5
INTAKE	B6
CARBURETOR	B7
EXHAUST	B8
CRANKSE	B9
STARTER.....	B10
CLUTCH.....	B11
TRANSMISSION	B12

CHASSIS

FRAME.....	B13
FENDER.....	B14
SIDE COVER	B15
OIL TANK.....	C2
REAR SUSPENSION	C3
FRONT FORK	C4

FUEL TANK	C5
SEAT CARRIER.....	C6
FRONT WHEEL	C7
FRONT BRAKE CALIPER	C8
REAR WHEEL	C9
STEERING-HANDLE-CABLE	C10
FRONT MASTER CYLINDER	C11
STAND FOOTREST	C12
LEG SHIELD	C13
COWLING	C14
GENERATOR.....	C15
FLASHER LIGHT	D2
METER	D3
HEADLIGHT	D4
TAILLIGHT	D5
HANDLE-SWITCH-LEVER	D6
ELECTRICAL 1	D7
ELECTRICAL 2	D8
NUMERICAL INDEX	M1 - M2



FWD

FIG 29 FLASHER LIGHT

REF	PART.N°	DESCRIPTION	QTY	REMARKS
1	4SB-H3310-00	FRONT FLASHER LIGHT ASSY 1	1	
2	4SB-H3312-00	.LENS, FLASHER	1	
3	NH7-H3311-00-01	.BULB 12V.21W.	1	
4	4KH-H331N-00	.WIRE FLASHER 1	1	
5	4KH-H3333-00	.SCREW, LENS FITTING	1	
6	4SB-H3320-00	FRONT FLASHER LIGHT ASSY 2	1	
7	4SB-H3322-00	.LENS, FLASHER 2	1	
8	NH7-H3311-00-01	.BULB 12V.21W.	1	
9	4KH-H332N-00	.WIRE FLASHER 2	1	
10	4KH-H3333-00	.SCREW, LENS FITTING	1	
11	97707-50016	SCREW, TAPPING	4	

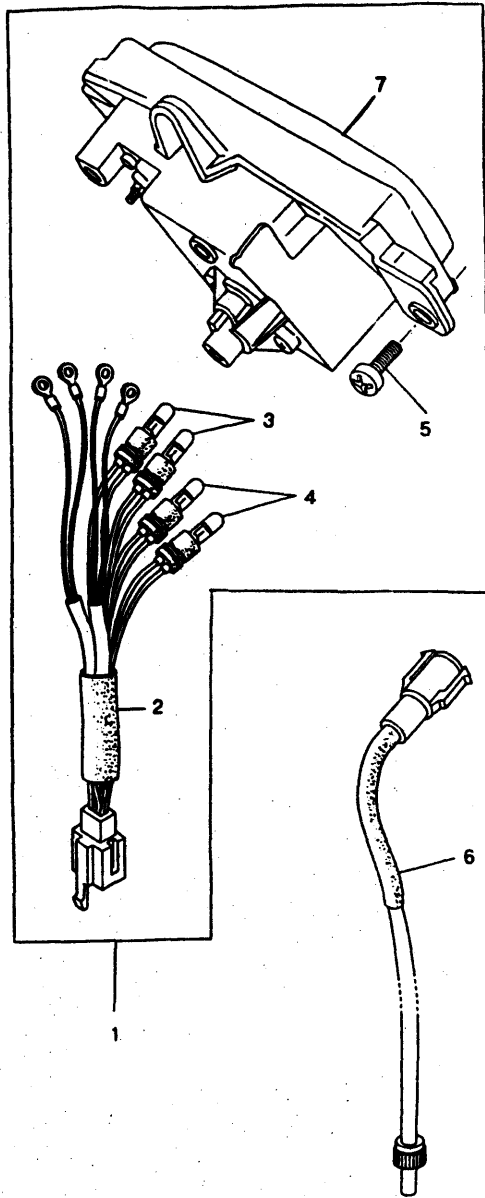
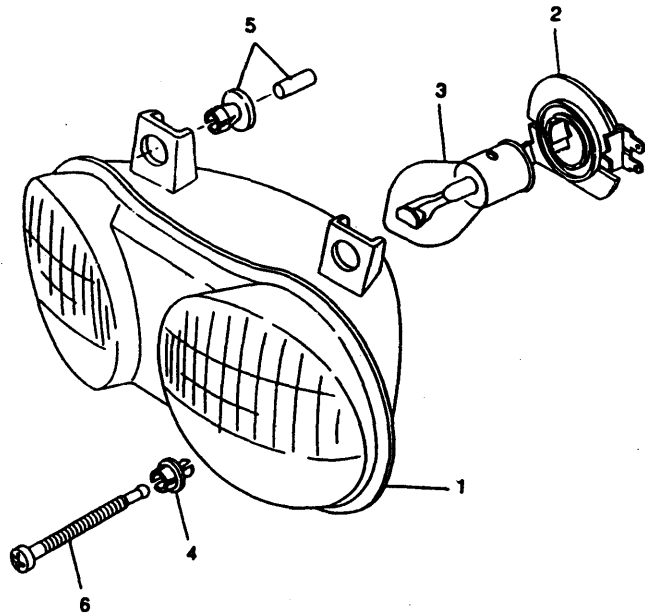


FIG 30 METER

REF	PART.N°	DESCRIPTION	QTY	REMARKS
1	4UP-H3510-00	SPEEDOMETER ASSY	1	
2	4SB-H3509-00	.SOCKET CORD ASSY	1	
3	4SB-H4347-00	.BULB LICENCE LIGHT	2	
4	NJ9-H4744-00-01	.BULB	2	
5	97707-50020	SCREW, TAPPING	2	
6	4SB-H3550-00	SPEEDOMETER CABLE ASSY	1	
7	4SB-H353K-00	.GLASS PLATE	1	

FWD

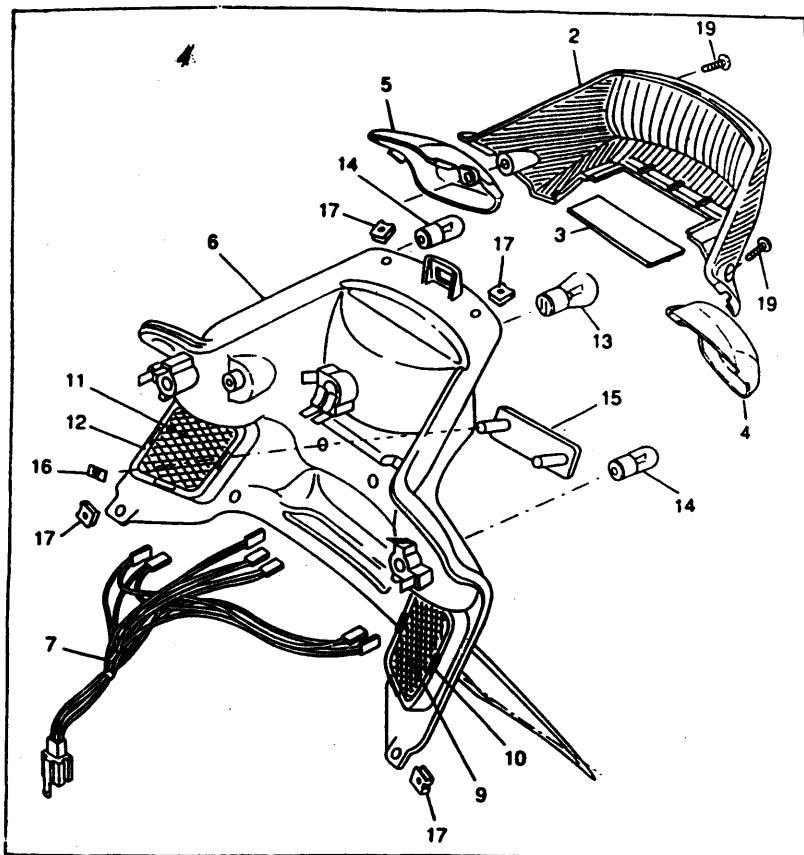
FIG 31 HEADLIGHT



REF	PART.N°	DESCRIPTION	QTY	REMARKS
1	4SB-H4320-00	LENS ASSY	1	
2	4SB-H4146-00	.SOCKET, PILOT LIGHT	1	
3	4SB-H4314-00	.BULB, HEADLIGHT	1	
4	4SB-H4387-00	.HOLDER	1	
5	3VL-H4316-00	NUT, BODY FITTING	2	
6	4SB-H4337-00	BOLT, SPECIAL	1	

FWD

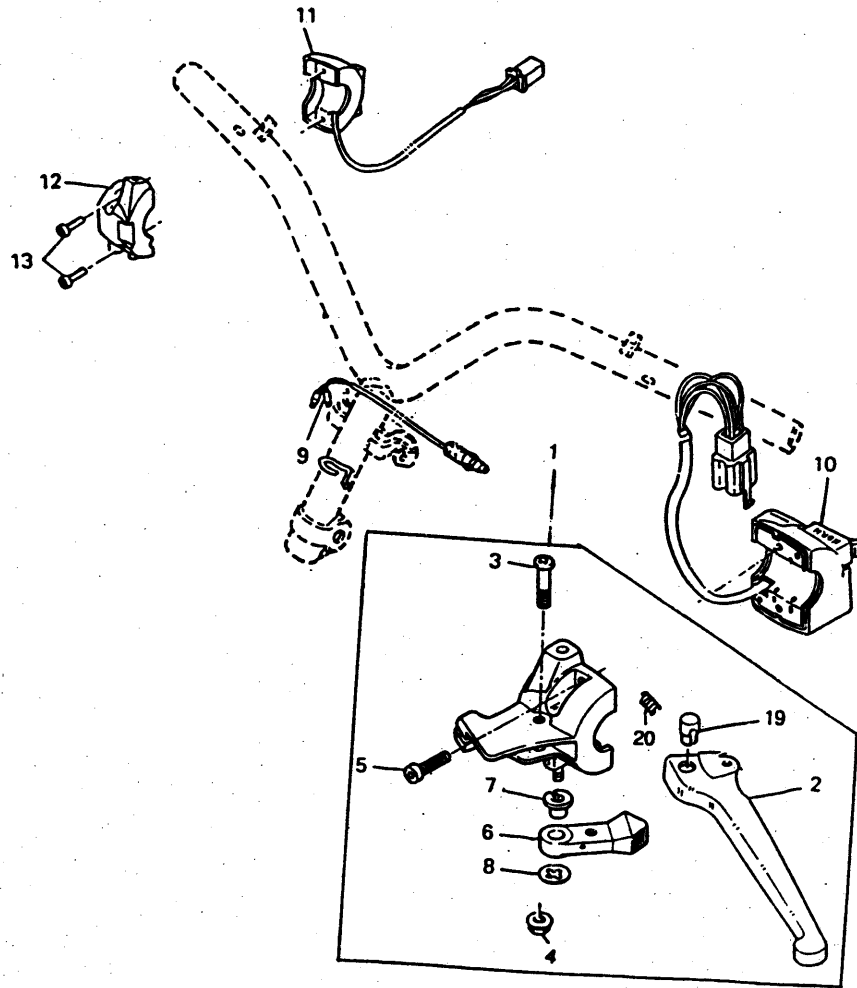
FIG 32 TAILLIGHT



REF	PART.N°	DESCRIPTION	QTY	REMARKS
1	4SB-H4700-00	TAILLIGHT ASSY	1	
2	4SB-H4721-00	.LENS, TAILLIGHT	1	
3	4SB-H4743-00	.LENS, LICENCE LIGHT	1	
4	4SB-H3332-00	.LENS, FLASHER 1	1	
5	4SB-H3342-00	.LENS, FLASHER 2	1	
6	4SB-H4711-00	.BASE, TAILLIGHT	1	
7	4SB-H4717-00	.CORD, TAILLIGHT	1	
8	4SB-H4374-00	.CLIP	2	
9	4SB-H336E-00	.PLATE, ARMATURE 1	1	
10	4SB-H336T-00	.HOLDER, 1	1	
11	4SB-H336F-00	.PLATE, ARMATURE 2	1	
12	4SB-H336U-00	.HOLDER, 2	1	
13	3HL-H4535-00	.BULB	1	
14	NDH-H3311-00-01	.BULB	1	
15	4SB-H5130-00	.REAR REFLECTOR ASSY	1	
16	90468-04814	.CLIP	2	
17	90183-05042	NUT, SPRING	4	
18	90119-06213	BOLT, WITH WASHER	2	
19	4SB-H4724-00	.SCREW, LENS FITTING	2	

FWD

FIG 33 HANDLE SWITCH. LEVER



REF	PART.N°	DESCRIPTION	QTY	REMARKS
1	4SB-H2910-01	LEVER HOLDER ASSY (LEFT)	1	
2	4SB-H3912-00	.LEVER 1	1	
3	3VL-H3915-00	.SCREW, LEVER FITTING	1	
4	3VL-H3916-00	.NUT, LEVER FITTING	1	
5	3VL-H3945-00	.BOLT, LEVER	2	
6	4SB-H3941-00	.LEVER, STARTER	1	
7	3VL-H3982-00	.COLLAR, DECOMPRESSIO	1	
8	3VL-H3943-00	.WASHER, STARTER	1	
9	3VL-H3980-00	FRONT STOP SWITCH AS	1	
10	4CA-H3976-11	SWITCH, HANDLE 1	1	
11	4KH-H3975-11	SWITCH, HANDLE 2	1	
12	4CU-H3987-01	CASE, SWITCH LOWER	1	
13	3VL-H3945-00	.BOLT, LEVER	2	
19	3VL-F636A-00	.END, WIRE 1	1	
20	4KH-H3962-00	.SPRING	1	



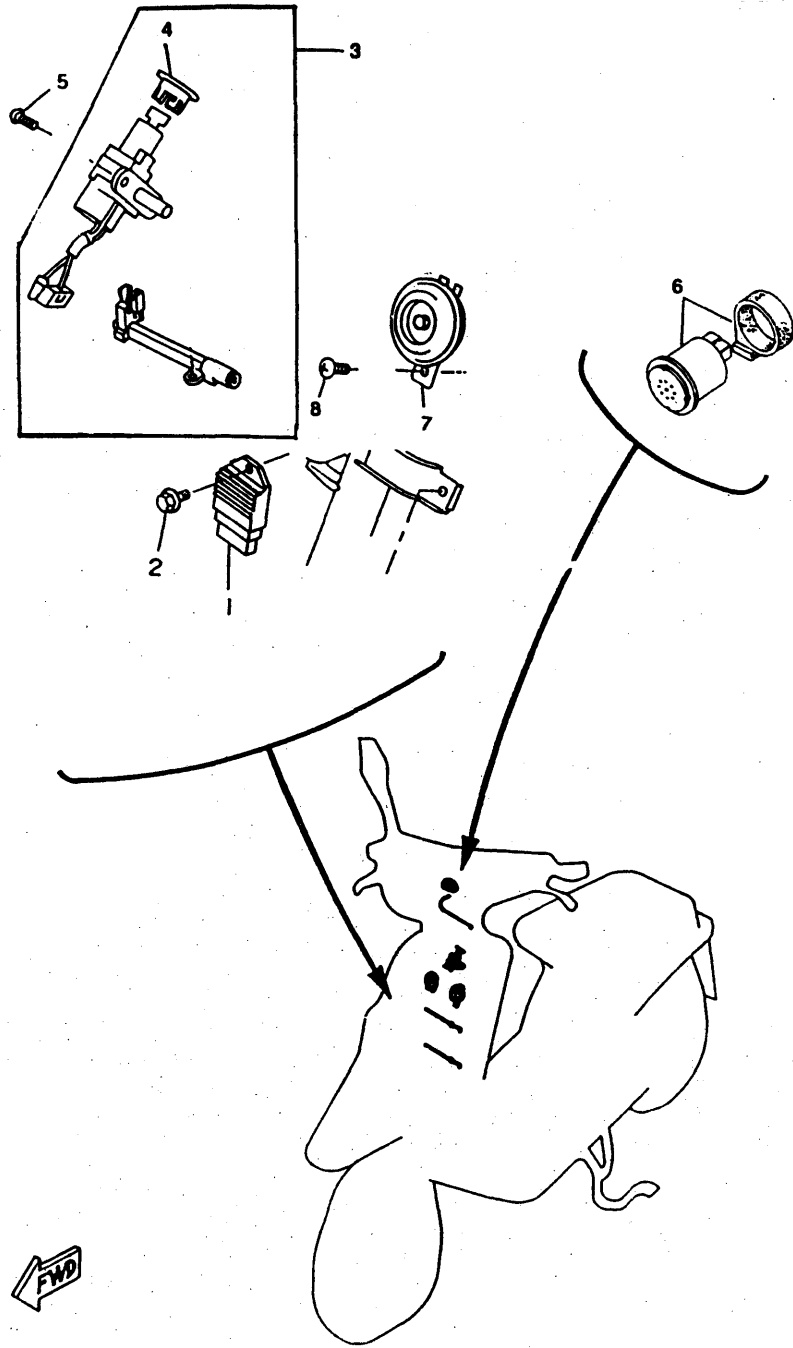


FIG 34 ELECTRICAL1

REF	PART.N°	DESCRIPTION	QTY	REMARKS
1	4VV-H1960-00	RECTIFIER & REGULATOR ASSY	1	
2	95027-06016	BOLT, FLANGE	1	
3	4SB-H2021-02	KEY SET	1	
4	4VV-H2532-00	CAP	1	
5	90109-06851	BOLT	2	
6	4SB-83350-00	FLASHER RELAY ASSY	1	
7	4CU-H3371-00	HORN	1	
8	98507-06010	SCREW, PAN HEAD	1	

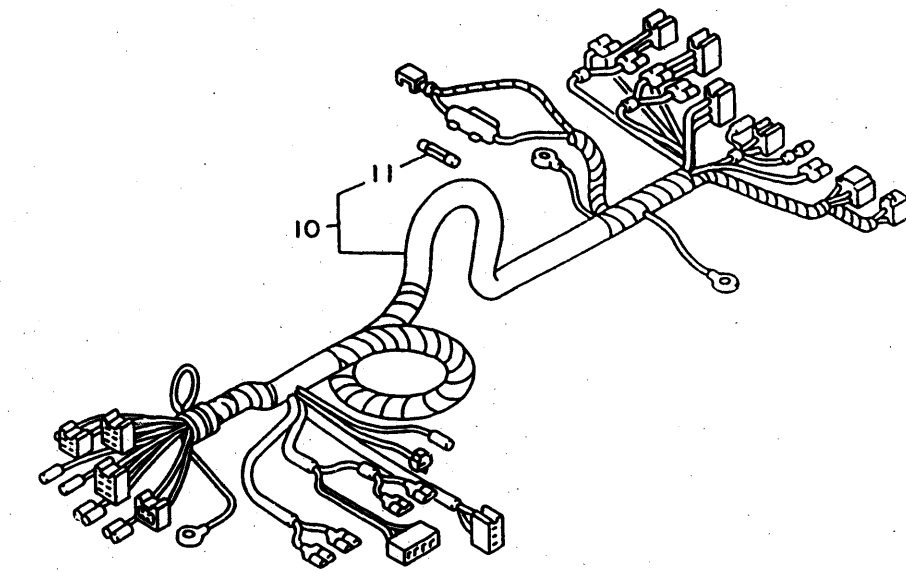
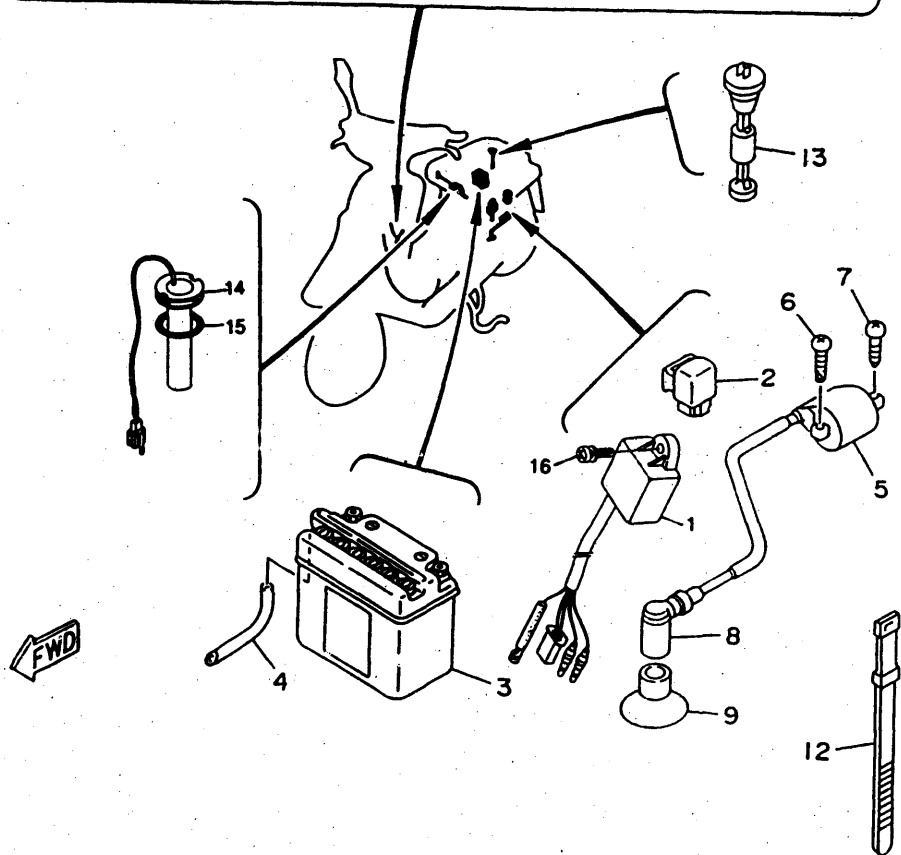


FIG 35 ELECTRICAL2

REF	PART.N°	DESCRIPTION	QTY	REMARKS
1	3KJ-85540-10	C.D.I. UNIT ASSY	1	
2	29U-81950-93	RELAY ASSY	1	
3	4CU-H2110-00	BATTERY ASSY	1	FIAMM
	4SB-H2110-00	BATTERY ASSY	1	YUSA
4	90445-083F2	HOSE	1	
5	3KJ-82310-01	IGNITION COIL ASSY	1	
6	97007-06016	BOLT	1	
7	90153-06034	SCREW, HEXAGON	1	
8	3WG-H2370-10	PLUG CAP ASSY	1	
9	3WG-H2372-00	SEAL, PLUG CAP	1	
10	4SB-H2590-00	WIRE HARNESS ASSY	1	
11	27V-82151-00	FUSE	1	
12	4KH-H3936-00	BAND, SWITCH CORD	2	
13	4SB-H5720-00	OIL LEVEL GAUGE ASSY	1	
14	4SB-H5752-00	SENDER UNIT ASSY, FUEL METER	1	
15	4SB-H5753-03	GASKET, SENDER UNIT	1	
16	4UP-F1532-00	BOLT 2	1	



FWD

CONTENTS

ENGINE

CYLINDER	B2
CRANKSHAFT-PISTON	B3
AIR SHROUD-FAN	B4
OIL PUMP	B5
INTAKE	B6
CARBURETOR	B7
EXHAUST	B8
CRANKSE	B9
STARTER.....	B10
CLUTCH.....	B11
TRANSMISSION	B12

CHASSIS

FRAME.....	B13
FENDER.....	B14
SIDE COVER	B15
OIL TANK.....	C2
REAR SUSPENSION	C3
FRONT FORK	C4

FUEL TANK	C5
SEAT CARRIER	C6
FRONT WHEEL	C7
FRONT BRAKE CALIPER	C8
REAR WHEEL	C9
STEERING-HANDLE-CABLE	C10
FRONT MASTER CYLINDER	C11
STAND FOOTREST	C12
LEG SHIELD	C13
COWLING	C14
GENERATOR.....	C15
FLASHER LIGHT	D2
METER	D3
HEADLIGHT.....	D4
TAILLIGHT	D5
HANDLE-SWITCH-LEVER	D6
ELECTRICAL 1	D7
ELECTRICAL 2	D8
NUMERICAL INDEX	M1 - M2

NUMERICAL INDEX

4SB	13100-00	B5	3VL	E2611-00	B4	3VL	E5150-00	B9	4UP	F1556-00-4B	B14	4TD	F3181-00	C4	4TD	F5924-00	C11
3AA	13124-00	B5	3VL	E2651-00	B4	3VL	E5317-00	B9	4UP	F1556-00-GH	B14	4TD	F3183-00	C4	4TD	F5925-00	C11
2GM	13178-00	B5	3VL	E2653-00	B4	3VL	E5363-00	B9	4CU	F1568-10	C14	4TD	F3340-00	C4	4SB	F6110-00	C10
1YU	13185-00	B5	3VL	E2658-00	B4	3VL	E5371-00	B9	4UP	F1571-00	B14	4TD	F3394-00	C4	4SB	F6143-00-29	C14
1YU	13187-00	B5	3VL	E2658-00	B4	3VL	E5411-00	B9	4UP	F1571-10	B14	4SB	F3411-00	C4	4SB	F6143-00-4B	C14
1YU	13418-00	B5	3VL	E3555-00	B6	3VL	E5421-00	B9	4UP	F1571-20	B14	4SB	F3412-00	C4	4SB	F6145-00	C14
1YU	13473-00	B5	3VL	E3610-00	B6	3VL	E5451-00	B9	4UP	F1572-00	B14	4SB	F3414-00	C4	4SB	F6240-00	C10
1YU	13516-00	B5	4SB	E4103-01	B7	3VL	E5461-00	B9	4UP	F1572-10	B14	4SB	F3427-00	C4	4SB	F6241-00	C10
1YU	13577-00	B5	4SB	E4104-00	B7	3VL	E5462-00	B9	4UP	F1572-20	B14	4SB	F3453-00	C4	3VL	F6261-00	C10
4KN	13621-00	B6	4SB	E4115-00	B7	3VL	E5528-00	B10	4UP	F1573-00	B14	4SB	F3812-00	C4	3VL	F6262-00	C10
3HK	14613-00	B8	4SB	E4124-00	B7	3VL	E5532-00	B10	4UP	F1573-10	B14	4SB	F4110-00	C5	4SB	F6280-00	C14
2JA	14737-00	B8	4SB	E4133-01	B7	3VL	E5620-01	B10	4UP	F1573-20	B14	4SB	F414E-00	C2	4SB	F6290-00	C14
4FB	14766-00	B8	4SB	E4134-00	B7	4SB	E5631-00	B10	4UP	F1574-00	B14	4SB	F414G-00	C5	3VL	F6311-01	C10
3HK	14766-01	B8	4SB	E4137-00	B7	4SB	E5650-00	B10	4UP	F1574-10	B14	4SB	F4181-00	C5	3VL	F6312-01	C10
3AA	15513-00	B10	4SB	E4148-01	B7	3VL	E5657-00	B11	4UP	F1574-20	B14	4SB	F4311-01	C5	3WG	F6329-00	C10
3VL	15570-00	B10	4SB	E4161-00	B7	3VL	E5659-00	B9	4SB	F1629-01	B14	4SB	F4312-00	C5	3WG	F6329-00	C10
3ES	15601-00	B10	4SB	E4216-00	B7	3VL	E5659-00	B10	4UP	F1631-00	C6	4SB	F4318-00	C6	4SB	F6329-00	B7
24G	16611-03	B11	4SB	E4216-10	B7	3VL	E5673-00	B10	4SB	F1711-00	B15	4SB	F4335-00	C5	4SB	F6331-00	C10
3WG	17608-00	B11	4SB	E4283-01	B7	3VL	E5793-00	B10	4SB	F171E-00-29	B15	4SB	F4451-01	C5	3VL	F6334-02	C10
3AA	17641-00	B11	4SB	E4301-01	B7	3VL	E6111-00	B11	4SB	F171E-00-4B	B15	4SB	F4500-00	C5	4TD	F6339-00	C11
3GF	17660-02	B11	4SB	E4312-02	B7	3VL	E6620-02	B11	4SB	F171E-00-GE	B15	4MJ	F4610-00	C5	4SB	F6351-00	C10
24G	17664-00	B11	4SB	E4318-00	B7	3VL	E6626-00	B11	4SB	F1721-00-29	B15	4CU	F4726-00	C6	3VL	F636A-00	D6
2T4	2139X-00	B13	4SB	E4325-00	B7	4SB	E7410-00	B12	4SB	F1721-00-4B	B15	4SB	F4730-00	C6	4SB	F6475-00	C10
2T4	21481-01	B13	4SB	E4331-02	B7	4SB	E7420-00	B12	4SB	F1721-00-GE	B15	4TD	F4730-00	C6	4SB	F7111-00	C12
25G	21535-00	C2	4SB	E4335-00	B7	3VL	E7604-00	B11	4SB	F1731-00-29	B15	4SB	F4731-00	C6	4SB	F7112-00	C12
25G	21535-00	C5	4SB	E4336-00	B7	3VL	E7611-00	B11	4SB	F1731-00-4B	B15	4TD	F4731-00	C6	4SB	F7117-00	C12
2N3	21771-01	C2	4SB	E4341-00	B7	4CU	E7620-00	B11	4SB	F1731-00-GE	B15	4SB	F473R-01	C6	4SB	F7117-10	C12
486	22141-01	C7	4SB	E4342-00	B7	3VL	E7623-00	B11	4UP	F173E-00	B15	4SB	F473T-00	C6	4SB	F7452-00	B13
164	22216-00	B9	4SB	E4343-00	B7	4KH	E7632-00	B11	4UP	F173E-10	B15	3VL	F4741-00	C6	4SB	F7481-00	C12
3Y6	2533A-01	C9	4SB	E4344-01	B7	3VL	E7653-00	B11	4UP	F173E-20	B15	3VL	F4741-10	C6	4SB	F8312-01	C13
3AA	25351-00	C9	4SB	E4357-00	B7	4SB	E7654-00	B11	4UP	F173F-00	B15	4SB	F475M-00	C6	3VV	F8349-10	C13
3AA	25355-03	C9	4SB	E4358-00	B7	4YB	F1110-10	B13	4UP	F173F-10	B15	4UP	F4812-00-29	C6	4SB	F8382-00	C13
4SB	25827-00	C8	4SB	E4368-01	B7	4UP	F1123-00	C13	4UP	F173F-20	B15	4UP	F4812-00-4B	C6	4SB	F8385-00	C13
29U	81950-93	D8	4SB	E4369-00	B7	4UP	F1165-00	C6	4SB	F1741-00	C12	4UP	F4812-00-GH	C6	4SB	F8385-10	C13
27V	82151-00	D8	4SB	E4371-00	B7	4TD	F1182-01	B13	4SB	F174X-00	C12	4SB	F5117-00	C7	4UP	F839H-00	C13
3KJ	82310-01	D8	4SB	E4377-00	B7	4SB	F1232-00	B13	4SB	F174X-10	C5	4UP	F5168-00	C7	4UP	F839H-20	C13
4SB	83350-00	D7	4SB	E4381-00	B7	4SB	F1238-00	B9	4SB	F174X-10	C12	3VL	F5170-10	C7	4UP	F842M-01	C13
3KJ	85540-10	D8	4SB	E4385-00	B7	4SB	F1398-00	C13	4SB	F1751-00	C2	3VL	F5170-10	C9	4UP	F842M-11	C13
2JA	85550-00	C15	4SB	E4386-00	B7	3VL	F1410-11	B13	4SB	F2210-00	C3	3VL	F5182-00	C9	4SB	H1800-00	B10
4SB	85560-00	C15	4SB	E4392-00	B7	4SB	F1511-00-29	B14	4UP	F3100-00	C4	4VV	F5190-00	C7	4VV	H1960-00	D7
4SB	E1111-00	B2	3VL	E4410-01	B6	4SB	F1511-00-4B	B14	4TD	F3110-00	C4	3VL	F5326-00	C9	4SB	H2021-02	C6
3VL	E1181-00	B2	3VL	E4429-00	B6	4UP	F1519-00	B14	4TD	F3111-00	C4	4UP	F5338-00	C9	4SB	H2021-02	D7
4SB	E1311-00	B2	3VL	E4437-00	B6	4UP	F1519-10	B14	4TD	F3112-00	C4	3VL	F5384-00	C9	4CU	H2110-00	D8
3VL	E1351-00	B2	3VL	E4451-00	B6	4UP	F152A-00	B14	4UP	F3126-00	C4	4CU	F580T-20	C8	4SB	H2110-00	D8
3VL	E1400-10	B3	3VL	E4452-00	B6	4UP	F152A-00	B15	4UP	F3136-00	C4	4CU	F5811-20	C8	4SB	H2141-00	C2
4SB	E1603-00	B2	3VL	E4453-01	B6	4UP	F152A-10	B14	4TD	F3141-00	C4	4CU	F5824-00	C8	3WG	H2370-10	D8
4SB	E1603-00	B3	3VL	E4565-00	B6	4UP	F152A-10	B15	4TD	F3144-00	C4	4CU	F5825-00	C8	3WG	H2372-00	D8
4SB	E1605-00	B3	4SB	E4610-00	B8	4UP	F1531-00	B14	4TD	F3145-00	C4	4TD	F583T-00	C11	4VV	H2532-00	D7
4SB	E1631-00	B2	4SB	E4678-00	B8	4UP	F1532-00	C13	4TD	F3147-00	C4	4TD	F5852-00	C11	4SB	H2590-00	D8
4SB	E1631-00	B3	4SB	E4718-00	B8	4UP	F1532-00	D8	4TD	F3153-00	C4	4TD	F5856-00	C11	4SB	H2910-01	D6
3VL	E1633-00	B2	4SB	E4759-00	B8	4SB	F1552-00	B14	4TD	F3154-00	C4	4TD	F5867-00	C11	4SB	H3310-00	D2
3VL	E1633-00	B3	4SB	E479X-00	B8	4SB	F1553-00	B14	4TD	F3156-00	C4	4SB	F5872-01	C11	NDH	H3311-00-01	D5
4SB	E1636-00	B3	3VL	E5128-00	B9	4UP	F1556-00-29	B14	4CU	F3165-00	C4	4CU	F5919-00	C8	NH7	H3311-00-01	D2

NUMERICAL INDEX

NH7	H3311-00-01	D2	4SB-	H4743-00	D5	90101-06291	C9	90387-060G7	C5	93102-22314	B12	98507-05014	B5
4SB-	H3312-00	D2	NJ9-	H4744-00-01	D3	90101-10776	C3	90387-061V4	B6	93106-20001	C7	98507-06010	D7
4KH-	H331N-00	D2	3EC-	H5111-00	B14	90105-08121	C3	90387-067T6	B4	93109-33052	B11	98507-06016	C15
4SB-	H3320-00	D2	4SB-	H5130-00	D5	90105-10036	C10	90387-076V1	C12	93210-07540	C9	98507-06020	C5
4SB-	H3322-00	D2	4SB-	H5720-00	D8	90105-10063	B13	90387-10079	C7	93210-14104	B9	98507-06020	C6
4KH-	H332N-00	D2	4SB-	H5752-00	D8	90109-063F1	C6	90387-135U9	B11	93210-38687	B11	98507-06025	B6
4SB-	H3332-00	D5	4SB-	H5753-03	D8	90109-06851	D7	90387-156U0	B3	93306-00203	B9	98517-06012	B9
4KH-	H3333-00	D2	4SB-	W0001-00	B7	90110-06237	B9	90401-10159	C11	93306-20006	B11	98517-06012	B10
4KH-	H3333-00	D2	2JL-	W2536-10	C9	90110-06237	B9	90430-08206	B9	93306-20006	B12	98517-06020	B4
4SB-	H3342-00	D5				90110-06237	B9	90445-083F2	D8	93306-20301	B11	98580-06016	B4
4SB-	H336E-00	D5				90110-06825	B9	90445-094J4	B5	93306-20314	B12	98904-06016	B8
4SB-	H336F-00	D5				90110-10223	C8	90445-094J4	C2	93306-204X2	B3	98907-06016	B14
4SB-	H336T-00	D5				90116-06418	B2	90446-13311	B9	93306-300Y8	C7	99009-15400	B10
4SB-	H336U-00	D5				90119-06044	C2	90450-32081	B6	93310-210M0	B3	99009-19400	B5
4CU-	H3371-00	D7				90119-06052	B14	90465-08122	B9	93310-257R1	B10	99510-12016	B9
4SB-	H3509-00	D3				90119-06213	D5	90467-08003	B5	93420-40064	B12	99530-10014	B9
4UP-	H3510-00	D3				90153-06022	B4	90467-09006	C5	93440-15012	B9	99530-10014	B9
4SB-	H3530-00	C14				90153-06034	D8	90467-12052	C5	93450-11120	B2		
4SB-	H353K-00	D3				90153-06061	B8	90467-24140	B6	93450-11120	B3		
4SB-	H3550-00	D3				90159-05134	C14	90468-02033	B5	93603-12007	B5		
4SB-	H3912-00	D6				90170-10219	B11	90468-02033	C2	94112-128P5	C7		
3VL-	H3915-00	D6				90170-10219	C15	90468-04814	D5	94112-128R9	C7		
3VL-	H3916-00	D6				90179-06411	C10	90468-12006	C12	94113-128P6	C9		
4TD-	H3922-00	C11				90179-10279	B13	90468-15009	C10	94113-128S0	C9		
4KH-	H3936-00	D8				90179-10609	B11	90480-12237	B4	94700-00195	B2		
4SB-	H3941-00	D6				90179-28415	B11	90480-12237	B4	95027-06016	D7		
3VL-	H3943-00	D6				90183-05042	B15	90480-12497	B6	95027-08016	C6		
3VL-	H3945-00	D6				90183-05042	C12	90480-12581	B8	95617-10100	B13		
3VL-	H3945-00	D6				90183-05042	C14	90480-13398	C5	95617-10200	C3		
4TD-	H3945-00	C11				90183-05042	D5	90501-122E1	C10	95617-10200	C7		
4KH-	H3962-00	D6				90185-14081	C9	90501-29517	B13	95617-10200	C10		
4KH-	H3975-11	D6				90201-065F3	C2	90501-351F6	B11	95707-06500	B2		
4CA-	H3976-11	D6				90201-065F3	C5	90506-15260	C9	95707-06500	C6		
3VL-	H3980-00	C11				90201-08088	B10	90506-29280	C12	95817-06010	B14		
3VL-	H3980-00	D6				90201-10118	C11	90508-32609	B10	95817-08016	B9		
3VL-	H3982-00	D6				90201-133M8	B11	91317-06020	B6	95817-08016	B13		
4CU-	H3987-01	D6				90201-140G5	B12	91317-06020	B9	95817-08020	B8		
4SB-	H4146-00	D4				90201-142M6	C9	91317-06020	B10	95817-08030	C8		
4SB-	H4314-00	D4				90201-155G5	B10	91317-06025	B9	95817-08040	B8		
3VL-	H4316-00	D4				90201-177G4	C9	91317-06045	B9	97007-06016	D8		
4SB-	H4320-00	D4				90201-574L1	B10	92017-08016	B13	97707-50012	B15		
4SB-	H4337-00	D4				90202-08175	C10	92907-06100	C6	97707-50016	B14		
3UP-	H4346-00	C14				90202-10120	C12	92907-06600	B4	97707-50016	B15		
3WW-	H4347-00	C14				90208-10012	B11	92907-06600	B6	97707-50016	C6		
4SB-	H4347-00	D3				90208-14047	B12	92907-06600	B14	97707-50016	C12		
4SB-	H4374-00	D5				90214-13055	B11	92907-06600	C5	97707-50016	C13		
4SB-	H4387-00	D4				90241-10017	C6	92907-06600	C6	97707-50016	C13		
3HL-	H4535-00	D5				90249-12008	C10	92907-10600	C15	97707-50016	C14		
4SB-	H4700-00	D5				90267-32801	B13	92990-06600	B4	97707-50016	C14		
4SB-	H4711-00	D5				90280-03017	B3	92995-06100	B4	97707-50016	D2		
4SB-	H4717-00	D5				90380-15083	B10	93101-20138	B3	97707-50020	D3		
4SB-	H4721-00	D5				90387-06023	B4	93102-17342	B11	97707-60016	C5		
4SB-	H4724-00	D5				90387-060G7	B8	93102-20371	B3	98507-05010	C10		