



YAMAHA

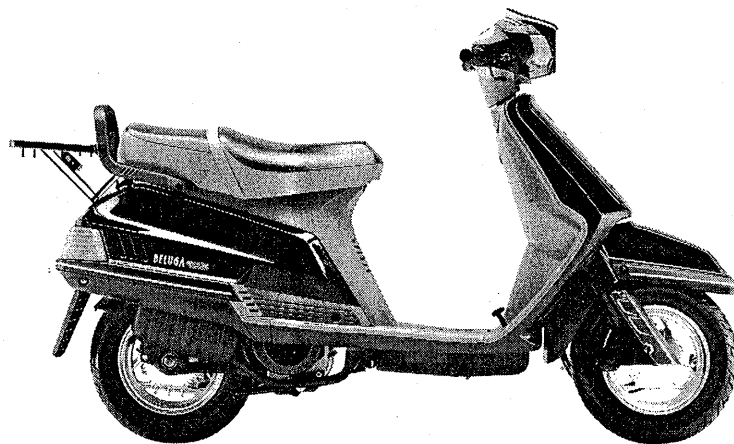
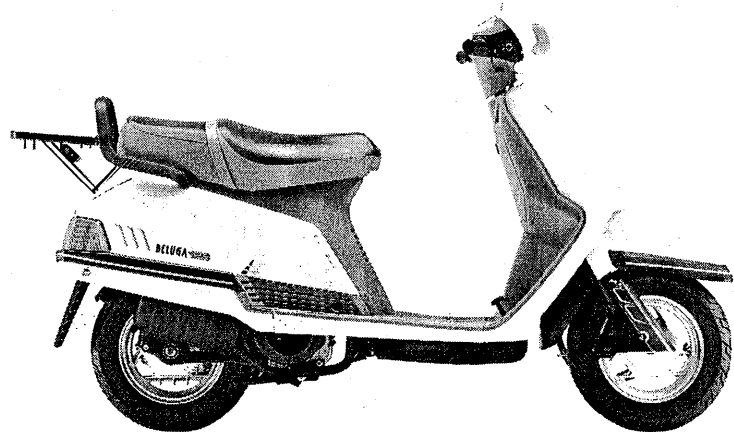
PARTS CATALOGUE

XC125'89 (3KR1)

SWITZERLAND

/93KR-361E1

A2



A3

FOREWORD

This Parts Catalogue is related to the parts in use for the Yamaha XC125'89(3KR1).
When you are ordering replacement parts for the XC125'89(3KR1), refer to this Parts Catalogue and quote both part numbers and part names correctly.

1. Modifications or additions which have been made after issue of the Parts Catalogue will be announced in the Yamaha Parts News.
It is advisable that according to the Yamaha Parts News you make necessary corrections to the Parts Catalogue on hand to keep it up-to-date.

2. Abbreviations

The following abbreviations are used in this Parts Catalogue.

- U.R. Use size (thickness) and/or number as required.
- U.N. Use as many as you need.
- A.P. Alternate Parts
- L.M. Local Made
- F# Frame No. (Applicable machine No.)

3. The parts marked with (*) in the parts number column of this Catalogue are not supplied with by Yamaha, those have to be found locally.
4. Parts, which are to be supplied in the form of assemblies, are listed with an indentation of one letter's space, and a dot (.) is put against the name of each part.

EXAMPLE CARBURETOR ASS'Y
 . JET, pilot
 . NOZZLE, main

5. Indication of No. of constituent parts for assembly

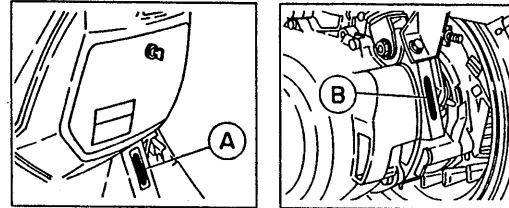
The numeral appearing to the right of each constituent part under the description indicates the quantity of such parts for each individual assembly unit.

EXAMPLE

| Part No. | Description | Q'ty | Remarks |
|--------------|---------------------------|------|---------|
| 2F5-83310-60 | FRONT FLASHER LIGHT ASS'Y | 2 | |
| 115-83311-60 | . BULB (6V-18W) | 1 | |
| 1M1-83309-60 | . REFLECTOR | 1 | |

6. Initial Serial No. and Color Code

| | |
|-----------------------|--------------------------|
| (A) Frame Serial No. | 3KR-000101 and following |
| (B) Engine Serial No. | 3KR-000101 and following |



| Color Code | Color Name | Abbreviate |
|------------|---------------|------------|
| GE | SILKY WHITE | SW |
| OK | FEATHER BLACK | FEB |

7. Applicable colors of graphics are represented in the "Remarks" column by the letter(s) appropriately picked out of the full word(s) showing such colors.

EXAMPLE

| Part No. | Description | Q'ty | Remarks |
|-----------------|--------------------------|------|-----------|
| 2N4-24110-00-X5 | FUEL TANK COMP. | 1 | MAXIM RED |
| 3J1-24240-10 | . GRAPHIC, fuel tank set | 1 | for MXR |

CONTENTS

ENGINE

| | |
|--------------------------|-----------|
| Cylinder | B2 |
| Crankshaft, Piston | B3 |
| Valve | B4 |
| Air Shroud, Fan | B5 |
| Oil Pump | B6 |
| Intake | B7 |
| Carburetor | B8 ~ B9 |
| Exhaust | B10 |
| Crankcase | B11 ~ B13 |
| Starter Clutch | B14 |
| Clutch | B15 ~ C2 |
| Transmission | C3 |

| | |
|----------------------------|-----------|
| Flasher Light | D9 |
| Meter | D10 |
| Headlight | D11 |
| Taillight | D12 |
| Handle Switch, Lever | D13 |
| Electrical 1 | D14 ~ D15 |
| Electrical 2 | E2 |

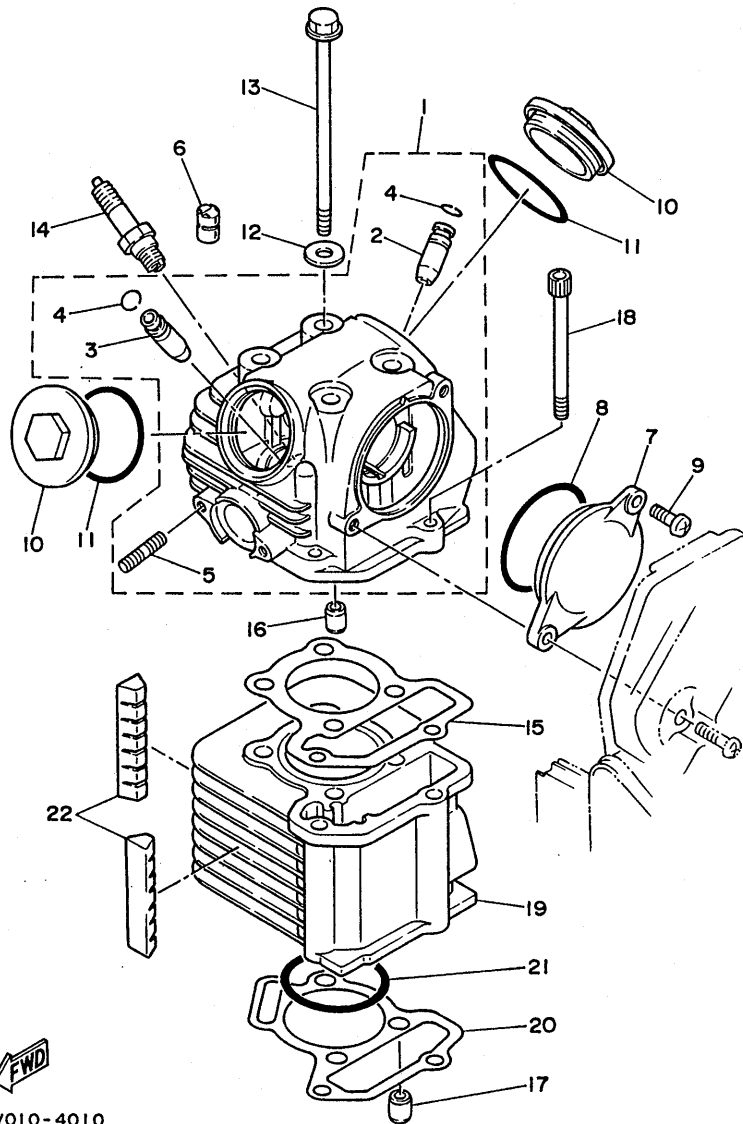
INDEX

| | |
|-----------------------|---------|
| Numerical Index | M1 ~ M3 |
|-----------------------|---------|

CHASSIS

| | |
|------------------------------|-----------|
| Frame | C4 |
| Fender | C5 |
| Side Cover | C6 |
| Rear Arm, Suspension | C7 |
| Steering | C8 ~ C9 |
| Fuel Tank | C10 |
| Seat | C11 ~ C12 |
| Front Wheel | C13 ~ C14 |
| Rear Wheel | C15 |
| Steering Handle, Cable | D2 |
| Stand, Footrest | D3 ~ D4 |
| Leg Shield | D5 |
| Cowling 1 | D6 |
| Generator | D7 |
| Starting Motor | D8 |

FIG. 1 CYLINDER



| REF. NO. | PART NO. | DESCRIPTION | Q'TY | REMARKS |
|----------|--------------|-----------------------------|------|---------|
| 1 | 50M-11110-00 | CYLINDER HEAD ASSY | 1 | |
| 2 | 22F-11134-10 | .GUIDE, exhaust valve | 1 | |
| 3 | 22F-11134-10 | .GUIDE, exhaust valve | 1 | |
| 4 | 93440-10109 | .CIRCLIP | 2 | |
| 5 | 50M-14651-00 | .BOLT | 2 | |
| 6 | 15A-11162-00 | ABSORBER 2 | 6 | |
| 7 | 50M-11185-01 | COVER, cylinder head side 1 | 1 | |
| 8 | 93210-63556 | O-RING | 1 | |
| 9 | 92501-06014 | SCREW, pan head | 1 | |
| 10 | 22F-11186-00 | COVER, cylinder head side 2 | 2 | |
| 11 | 93210-44704 | O-RING | 2 | |
| 12 | 90201-080L7 | WASHER, plate | 4 | |
| 13 | 90105-08324 | BOLT, washer based | 4 | |
| 14 | 94701-00283 | PLUG, spark (ND U20FSR-U) | 1 | |
| 15 | 50M-11181-00 | GASKET, cylinder head 1 | 1 | |
| 16 | 99510-10114 | PIN, dowel | 2 | |
| 17 | 99510-10114 | PIN, dowel | 2 | |
| 18 | 91311-06110 | BOLT | 2 | |
| 19 | 50M-11310-00 | CYLINDER | 1 | |
| 20 | 50M-11351-00 | GASKET, cylinder | 1 | |
| 21 | 93210-53679 | O-RING | 1 | |
| 22 | 50M-11162-00 | ABSORBER 2 | 3 | |

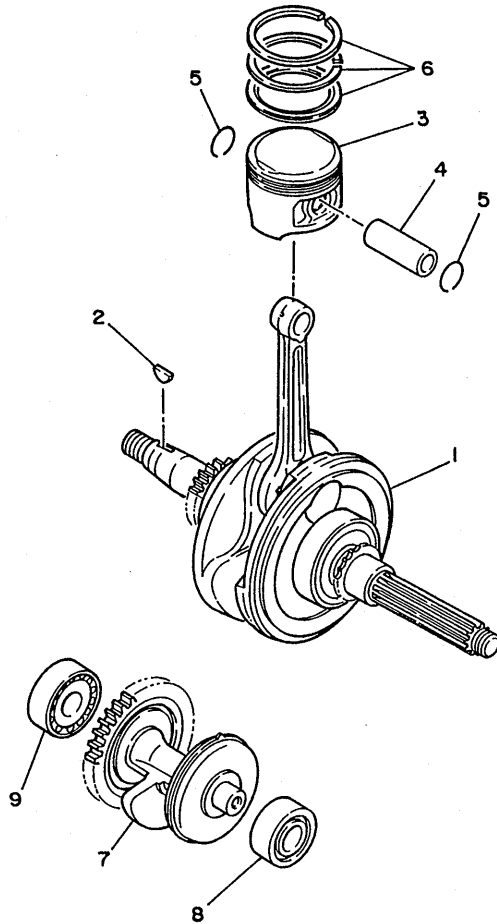


50V010-4010

B2

FIG. 2 CRANKSHAFT. PISTON

| REF. NO. | PART NO. | DESCRIPTION | Q'TY | REMARKS |
|----------|-----------------|---------------------------|------|---------|
| 1 | 50M-11400-00 | CRANKSHAFT ASSY | 1 | |
| 2 | 90280-03017 | KEY, woodruff | 1 | |
| 3 | 2YM-11631-00-A0 | PISTON (STD) | 1 | |
| | 2YM-11636-00 | PISTON (0.50MM O/S) | 1 | AP |
| | 2YM-11638-00 | PISTON (1.00MM O/S) | 1 | AP |
| 4 | 22K-11633-01 | PIN, piston | 1 | |
| 5 | 93450-14088 | CIRCLIP | 2 | |
| 6 | 50M-11610-00 | PISTON RING SET (STD) | 1 | |
| | 50M-11610-20 | PISTON RING SET (2ND O/S) | 1 | AP |
| | 50M-11610-40 | PISTON RING SET (4TH O/S) | 1 | AP |
| 7 | 50M-11500-00 | BALANCER ASSY | 1 | |
| 8 | 93306-20215 | BEARING | 1 | |
| 9 | 93306-20336 | BEARING | 1 | |

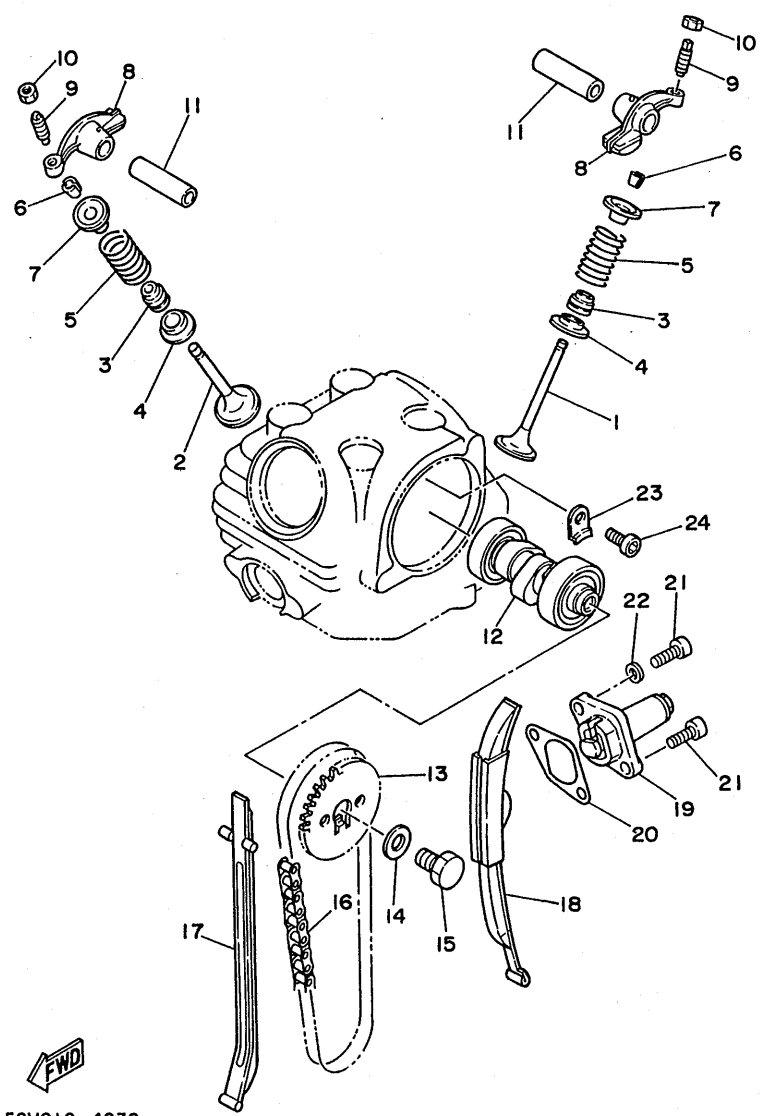


50V010-4021

B3

FIG. 3 VALVE

| REF. NO. | PART NO. | DESCRIPTION | Q'TY | REMARKS |
|----------|--------------|---------------------------|------|---------|
| 1 | 50M-12111-00 | VALVE, intake | 1 | |
| 2 | 50M-12121-01 | VALVE, exhaust | 1 | |
| 3 | 22F-12119-01 | SEAL, valve stem | 2 | |
| 4 | 22F-12116-00 | SEAT, valve spring | 2 | |
| 5 | 22F-12114-00 | SPRING, valve outer | 2 | |
| 6 | 22F-12118-01 | COTTER, valve | 4 | |
| 7 | 22F-12117-02 | RETAINER, valve spring | 2 | |
| 8 | 50M-12151-00 | ARM, valve rocker | 2 | |
| 9 | 22F-12159-00 | SCREW, valve adjusting | 2 | |
| 10 | 90170-05302 | NUT | 2 | |
| 11 | 22F-12156-00 | SHAFT, rocker 2 | 2 | |
| 12 | 50M-12170-00 | CAMSHAFT ASSY 1 | 1 | |
| 13 | 50M-12176-00 | SPROCKET, cam chain (28T) | 1 | |
| 14 | 90201-08326 | WASHER, plate | 1 | |
| 15 | 90101-08590 | BOLT | 1 | |
| 16 | 94580-25092 | CHAIN | 1 | |
| 17 | 50M-12231-00 | GUIDE, stopper 1 | 1 | |
| 18 | 50M-12241-00 | GUIDE, stopper 2 | 1 | |
| 19 | 50M-12210-00 | TENSIONER ASSY, cam chain | 1 | |
| 20 | 50M-12213-00 | GASKET, tensioner case | 1 | |
| 21 | 91311-06016 | BOLT | 2 | |
| 22 | 90430-06014 | GASKET | 1 | |
| 23 | 50M-1111F-00 | PLATE | 1 | |
| 24 | 91316-06012 | BOLT | 1 | |

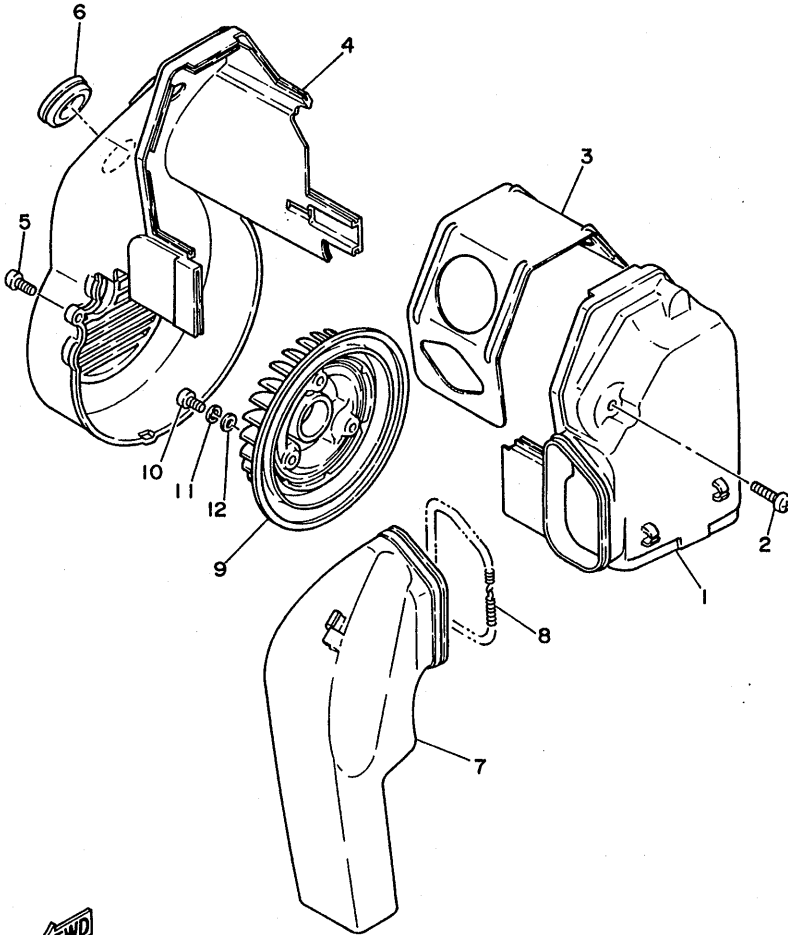


50V010-4030

B4

FIG. 4 AIR SHROUD, FAN

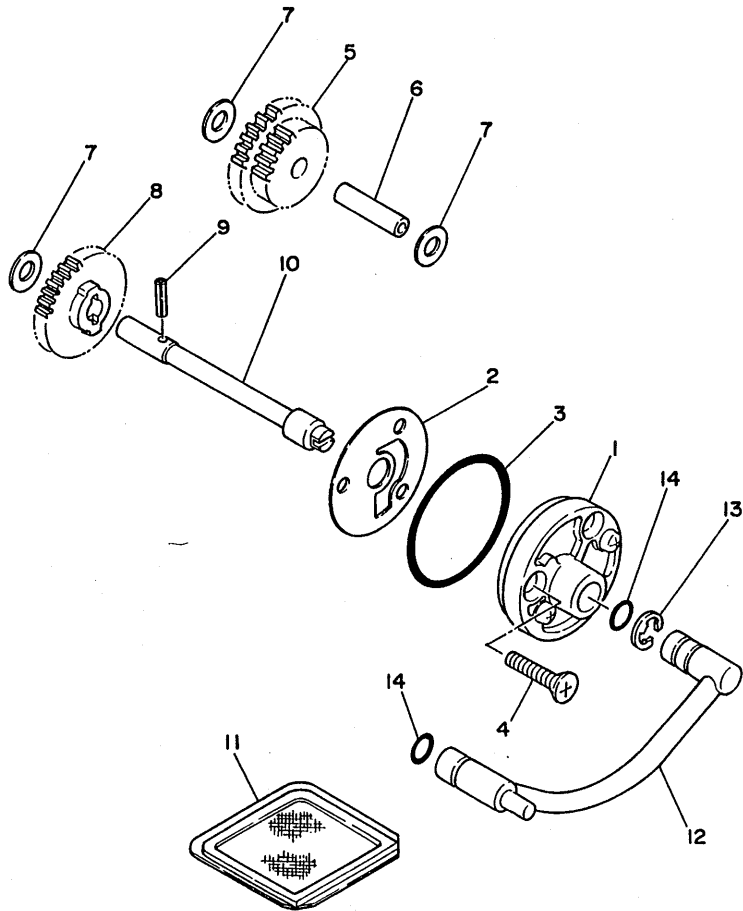
| REF. NO. | PART NO. | DESCRIPTION | Q'TY | REMARKS |
|----------|--------------|------------------------|------|---------|
| 1 | 50M-12651-00 | AIR SHROUD, cylinder 1 | 1 | |
| 2 | 92501-06025 | SCREW, pan head | 1 | |
| 3 | 50M-12652-00 | AIR SHROUD, cylinder 2 | 1 | |
| 4 | 50M-12653-00 | AIR SHROUD, cylinder 3 | 1 | |
| 5 | 92501-06020 | SCREW, pan head | 2 | |
| 6 | 90480-30167 | GROMMET | 1 | |
| 7 | 50M-12654-00 | AIR SHROUD, cylinder 4 | 1 | |
| 8 | 90506-06279 | SPRING, tension | 1 | |
| 9 | 50M-12611-00 | FAN | 1 | |
| 10 | 92503-06018 | SCREW PAN HEAD | 3 | |
| 11 | 92990-06100 | WASHER, spring | 3 | |
| 12 | 92901-06600 | WASHER, plate | 3 | |



50V010-4040

B5

FIG. 5 OIL PUMP



| REF. NO. | PART NO. | DESCRIPTION | Q'TY | REMARKS |
|----------|--------------|---------------------|------|---------|
| 1 | 50M-13300-00 | OIL PUMP ASSY | 1 | |
| 2 | 50M-13475-00 | GASKET | 1 | |
| 3 | 93210-50582 | O-RING | 1 | |
| 4 | 92701-06025 | SCREW, flat head | 3 | |
| 5 | 50M-13341-00 | GEAR, oil pump idle | 1 | |
| 6 | 50M-13342-00 | SHAFT, idle gear | 1 | |
| 7 | 90201-08403 | WASHER, plate | 3 | |
| 8 | 50M-13325-00 | GEAR, pump driven | 1 | |
| 9 | 91609-30014 | PIN, spring | 1 | |
| 10 | 50M-13344-00 | SHAFT, driven gear | 1 | |
| 11 | 22F-13411-00 | STRAINER, oil | 1 | |
| 12 | 50M-13405-00 | OIL PIPE COMP. 1 | 1 | |
| 13 | 99001-10600 | CIRCLIP | 1 | |
| 14 | 93210-08006 | O-RING | 2 | |

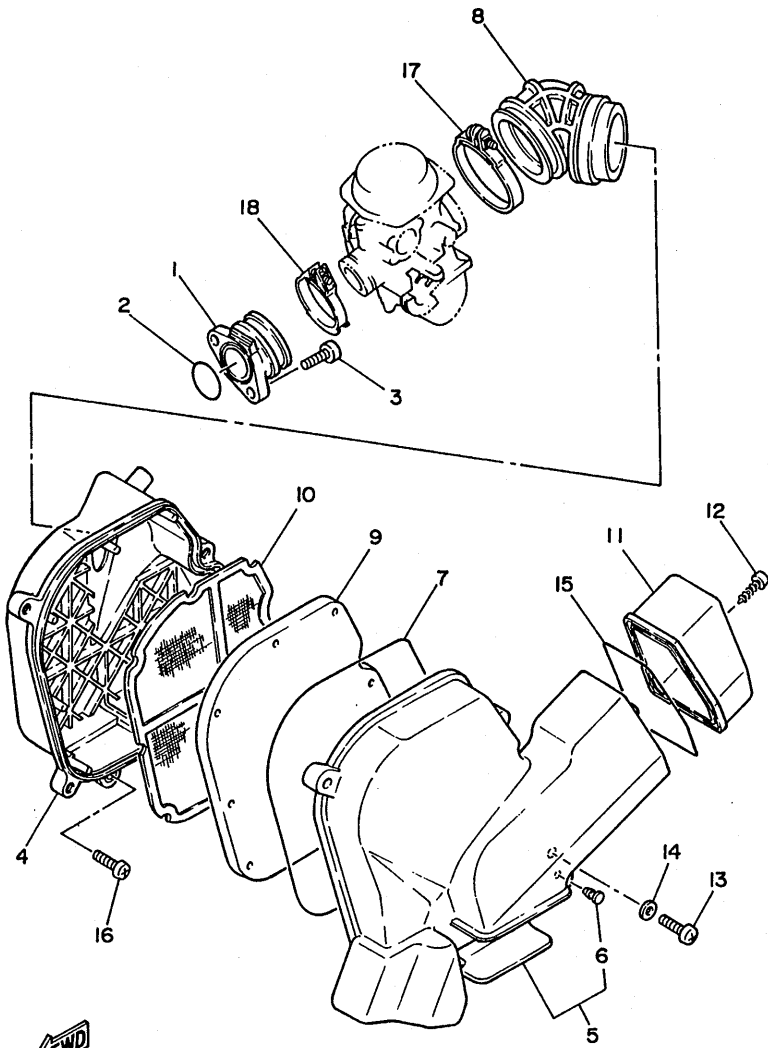


50V010-4050

B6

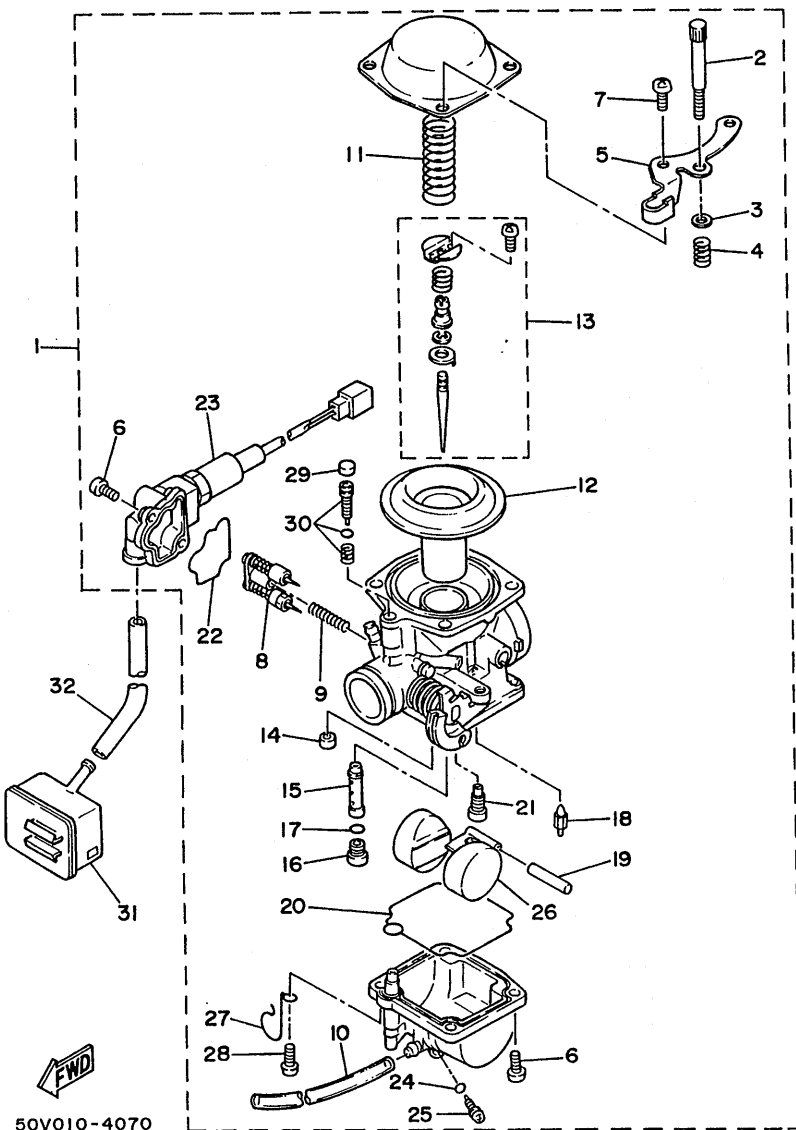
FIG. 6 INTAKE

| REF. NO. | PART NO. | DESCRIPTION | Q'TY | REMARKS |
|----------|--------------|------------------------|------|---------|
| 1 | 50M-13585-00 | MANIFOLD | 1 | |
| 2 | 93210-27672 | O-RING | 1 | |
| 3 | 91316-06020 | BOLT | 2 | |
| 4 | 50M-W1441-00 | AIR CLEANER CASE COMP. | 1 | |
| 5 | 50M-W1443-00 | CAP, cleaner case 1 | 1 | |
| 6 | 90338-05056 | .PLUG | 1 | |
| 7 | 50M-14452-00 | SEAL | 1 | |
| 8 | 50M-14453-00 | JOINT, air cleaner 1 | 1 | |
| 9 | 50M-14451-00 | ELEMENT, air cleaner | 1 | |
| 10 | 50M-14472-00 | PLATE, element | 1 | |
| 11 | 50M-14422-00 | CAP, cleaner case 2 | 1 | |
| 12 | 97780-40120 | SCREW, tapping | 1 | |
| 13 | 98503-05025 | SCREW, pan head | 4 | |
| 14 | 92901-05600 | WASHER, plate | 4 | |
| 15 | 1VJ-14462-00 | SEAL | 1 | |
| 16 | 92501-06020 | SCREW, pan head | 2 | |
| 17 | 90460-56105 | CLAMP, hose | 1 | |
| 18 | 90460-45222 | CLAMP, hose | 1 | |



50V010-4060

B7



50V010-4070

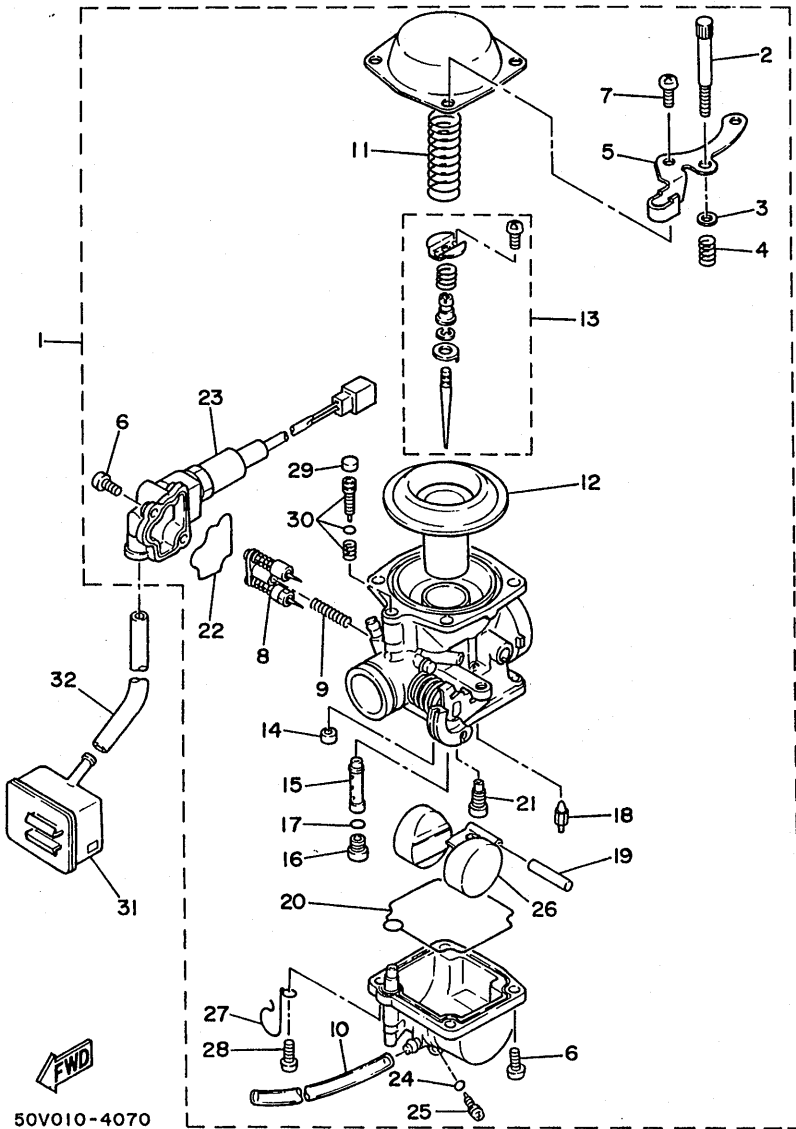
FIG. 7 CARBURETOR

| REF. NO. | PART NO. | DESCRIPTION | Q'TY | REMARKS |
|----------|--------------|------------------------|------|---------|
| 1 | 3KR-14301-00 | CARBURETOR ASSY 1 | 1 | |
| 2 | 50M-14321-00 | .SCREW, throttle | 1 | |
| 3 | 50M-14952-00 | .WASHER | 1 | |
| 4 | 30X-14333-00 | .SPRING, throttle stop | 1 | |
| 5 | 50M-14926-00 | .BRACKET, throttle 1 | 1 | |
| 6 | 98511-04012 | .SCREW, pan head | 5 | |
| 7 | 98501-04008 | .SCREW, pan head | 4 | |
| 8 | 50M-14371-01 | .PLUNGER, starter | 1 | |
| 9 | 50M-14335-00 | .SPRING, plunger | 1 | |
| 10 | 50M-14396-00 | .PIPE | 1 | |
| 11 | 30X-14286-00 | .SPRING | 1 | |
| 12 | 2YM-14340-00 | .VALVE ASSY | 1 | |
| 13 | 2YM-1490J-00 | .NEEDLE SET | 1 | |
| 14 | 50M-14355-00 | .PLUG | 1 | |
| 15 | 2YM-14341-00 | .NOZZLE, main | 1 | |
| 16 | 50M-14343-54 | .JET, main (#108) | 1 | |
| 17 | 50M-14397-00 | .O-RING | 1 | |
| 18 | 36F-14392-00 | .VALVE, needle | 1 | |
| 19 | 6E5-14386-01 | .PIN, float | 1 | |
| 20 | 50M-14384-00 | .GASKET, float chamber | 1 | |
| 21 | 50M-14342-16 | .JET, pilot (# 32) | 1 | |
| 22 | 50M-14398-00 | .GASKET | 1 | |
| 23 | 50V-14370-01 | .PLANGER STARTER ASSY | 1 | |
| 24 | 5Y1-14397-00 | .O-RING | 1 | |
| 25 | 5Y1-14115-00 | .PLUG, screw | 1 | |
| 26 | 5Y1-14385-00 | .FLOAT | 1 | |
| 27 | 50M-14261-00 | .HOLDER | 1 | |
| 28 | 98503-04014 | .SCREW, pan head | 1 | |

B8

FIG. 7 CARBURETOR

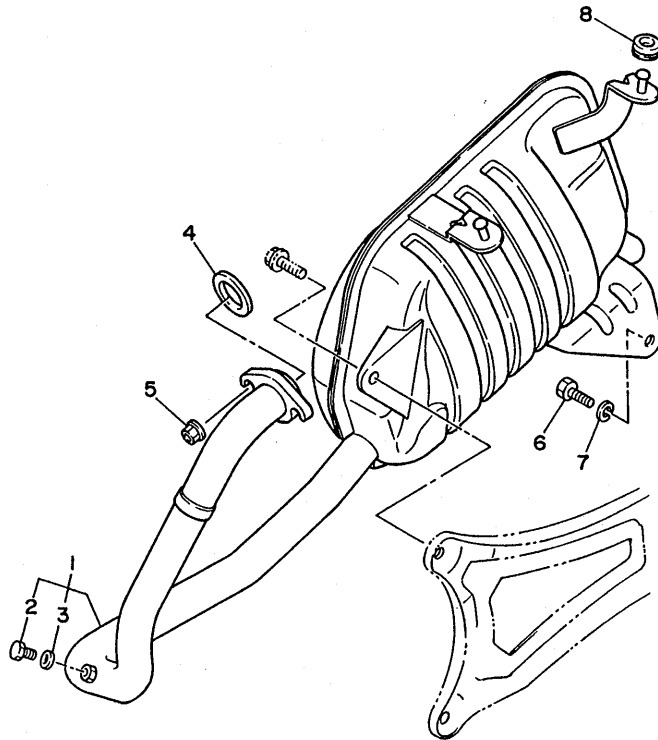
| REF. NO. | PART NO. | DESCRIPTION | Q'TY | REMARKS |
|----------|--------------|--------------------|------|---------|
| 29 | 50M-14355-00 | .PLUG | 1 | |
| 30 | 1XX-14105-00 | .PILOT SCREW SET | 1 | |
| 31 | 50M-14420-00 | AIR CLEANER ASSY 2 | 1 | |
| 32 | 90445-09059 | HOSE | 1 | |



B9

FIG. 8 EXHAUST

| REF. NO. | PART NO. | DESCRIPTION | Q'TY | REMARKS |
|----------|--------------|----------------------|------|---------|
| 1 | 1MM-14610-00 | EXHAUST PIPE ASSY 1 | 1 | |
| 2 | 90101-06576 | .BOLT | 1 | |
| 3 | 92990-06600 | .WASHER, plate | 1 | |
| 4 | 22F-14613-00 | GASKET, exhaust pipe | 1 | |
| 5 | 95701-06500 | NUT, flange | 2 | |
| 6 | 97313-08016 | BOLT | 1 | |
| 7 | 92990-08100 | WASHER, spring | 1 | |
| 8 | 90480-12053 | GROMMET | 2 | |



50V010-4080

B10

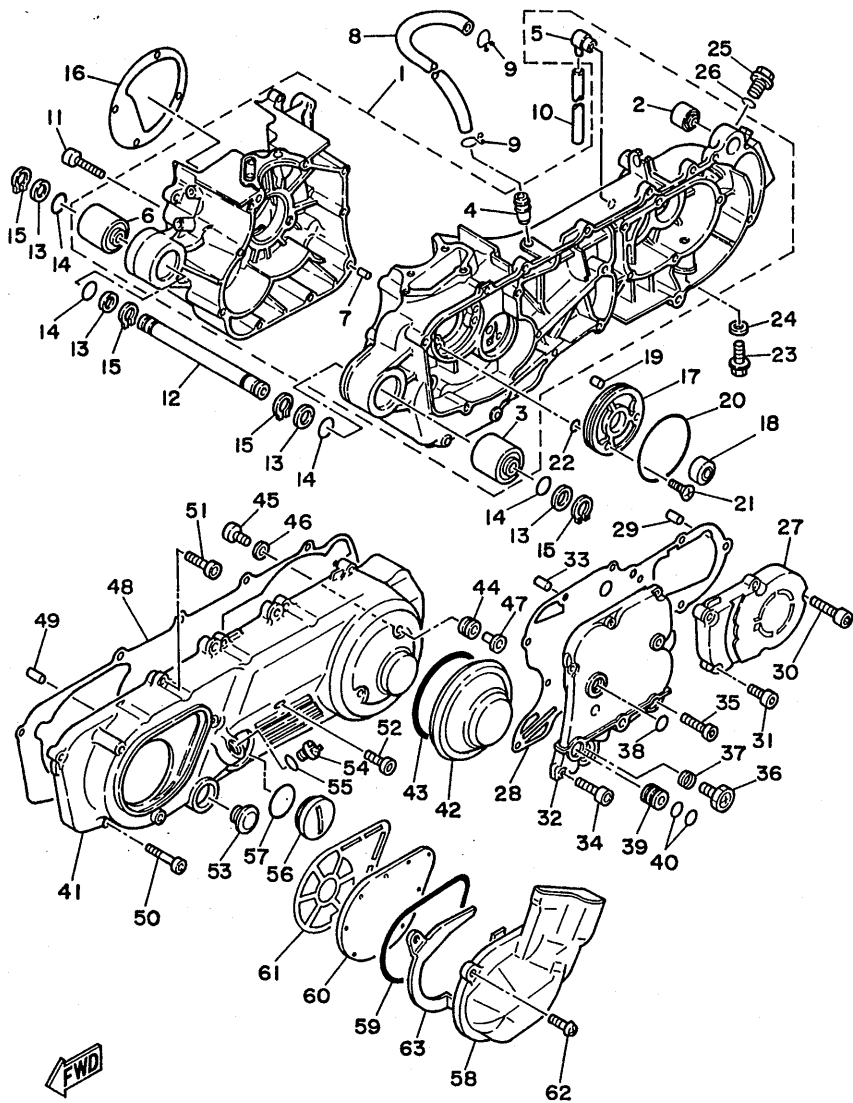


FIG. 9 CRANKCASE

| REF. NO. | PART NO. | DESCRIPTION | Q'TY | REMARKS |
|----------|--------------|----------------------------|------|---------|
| 1 | 50M-15100-01 | CRANKCASE ASSY | 1 | |
| 2 | 164-22216-00 | .BUSH, rear shock absorber | 1 | |
| 3 | 50M-15316-00 | .DAMPER, engine mount 1 | 1 | |
| 4 | 371-11167-01 | .PIPE, breather 2 | 1 | |
| 5 | 583-15371-00 | .BREATHER | 1 | |
| 6 | 50M-15316-00 | .DAMPER, engine mount 1 | 1 | |
| 7 | 99510-12016 | .PIN, dowel | 2 | |
| 8 | 50M-11166-00 | PIPE, breather 1 | 1 | |
| 9 | 90467-14015 | CLIP | 2 | |
| 10 | 90446-07112 | HOSE | 1 | |
| 11 | 91316-06060 | BOLT | 9 | |
| 12 | 50M-15317-01 | SPACER, engine mount | 1 | |
| 13 | 90201-17485 | WASHER, plate | 4 | |
| 14 | 93210-15639 | O-RING | 4 | |
| 15 | 99009-17400 | CIRCLIP | 4 | |
| 16 | 50M-15462-00 | GASKET, crankcase cover 3 | 1 | |
| 17 | 50M-15418-00 | COVER, chain case | 1 | |
| 18 | 93102-22294 | OIL SEAL | 1 | |
| 19 | 93605-18078 | PIN, dowel | 1 | |
| 20 | 93210-71462 | O-RING | 1 | |
| 21 | 92701-06015 | SCREW, flat head | 2 | |
| 22 | 93210-07540 | O-RING | 2 | |
| 23 | 95801-08016 | BOLT, flange | 1 | |
| 24 | 90201-08087 | WASHER, plate | 1 | |
| 25 | 4J2-15363-00 | PLUG, oil | 1 | |
| 26 | 93210-14104 | O-RING | 1 | |
| 27 | 50W-15421-00 | COVER, crankcase 2 | 1 | |
| 28 | 50M-15461-00 | GASKET, crankcase cover 2 | 1 | |

3KR1361-9090

B11

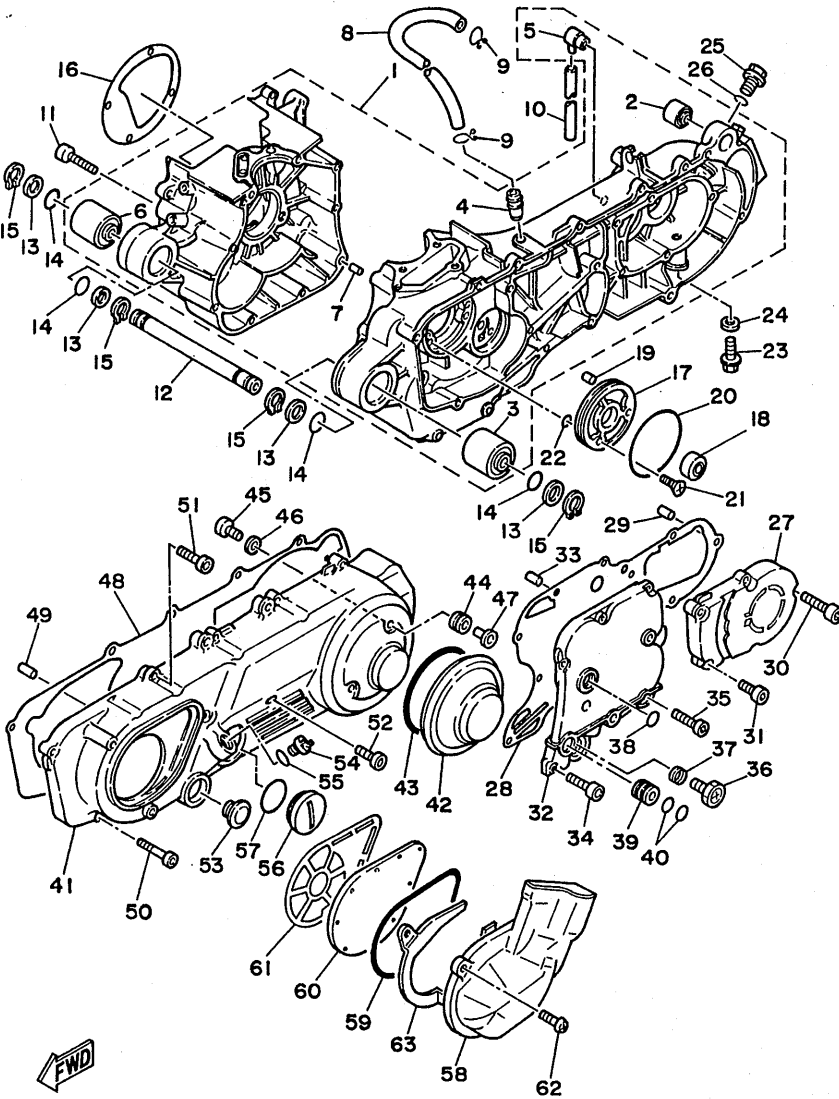


FIG. 9 CRANKCASE

| REF. NO. | PART NO. | DESCRIPTION | Q'TY | REMARKS |
|----------|--------------|---------------------------|------|---------|
| 29 | 99530-10014 | PIN, dowel | 2 | |
| 30 | 91316-06035 | BOLT | 2 | |
| 31 | 91316-06020 | BOLT | 3 | |
| 32 | 50M-15431-00 | COVER, crankcase 3 | 1 | |
| 33 | 99530-10014 | PIN, dowel | 2 | |
| 34 | 91316-06020 | BOLT | 6 | |
| 35 | 91316-06035 | BOLT | 2 | |
| 36 | 50M-13455-00 | PLUG | 1 | |
| 37 | 812-11198-00 | GASKET | 1 | |
| 38 | 93210-10673 | O-RING | 1 | |
| 39 | 50M-15112-00 | PIPE, oil | 1 | |
| 40 | 93210-16314 | O-RING | 2 | |
| 41 | 50M-15411-00 | COVER, crankcase 1 | 1 | |
| 42 | 50M-15417-00 | COVER, cap | 1 | |
| 43 | 50M-15449-00 | RING, rubber | 1 | |
| 44 | 90480-12237 | GROMMET | 2 | |
| 45 | 92501-06020 | SCREW, pan head | 2 | |
| 46 | 92901-06600 | WASHER, plate | 2 | |
| 47 | 90387-087L0 | COLLAR | 2 | |
| 48 | 50M-15451-00 | GASKET, crankcase cover 1 | 1 | |
| 49 | 99530-10014 | PIN, dowel | 2 | |
| 50 | 91316-06025 | BOLT | 7 | |
| 51 | 91316-06035 | BOLT | 2 | |
| 52 | 91316-06060 | BOLT | 1 | |
| 53 | 2H7-15361-00 | GAUGE, level | 1 | |
| 54 | 1RG-15363-00 | PLUG, oil | 1 | |
| 55 | 93210-19123 | O-RING | 1 | |
| 56 | 90340-36098 | PLUG, straight screw | 1 | |

3KR1361-9090

B12

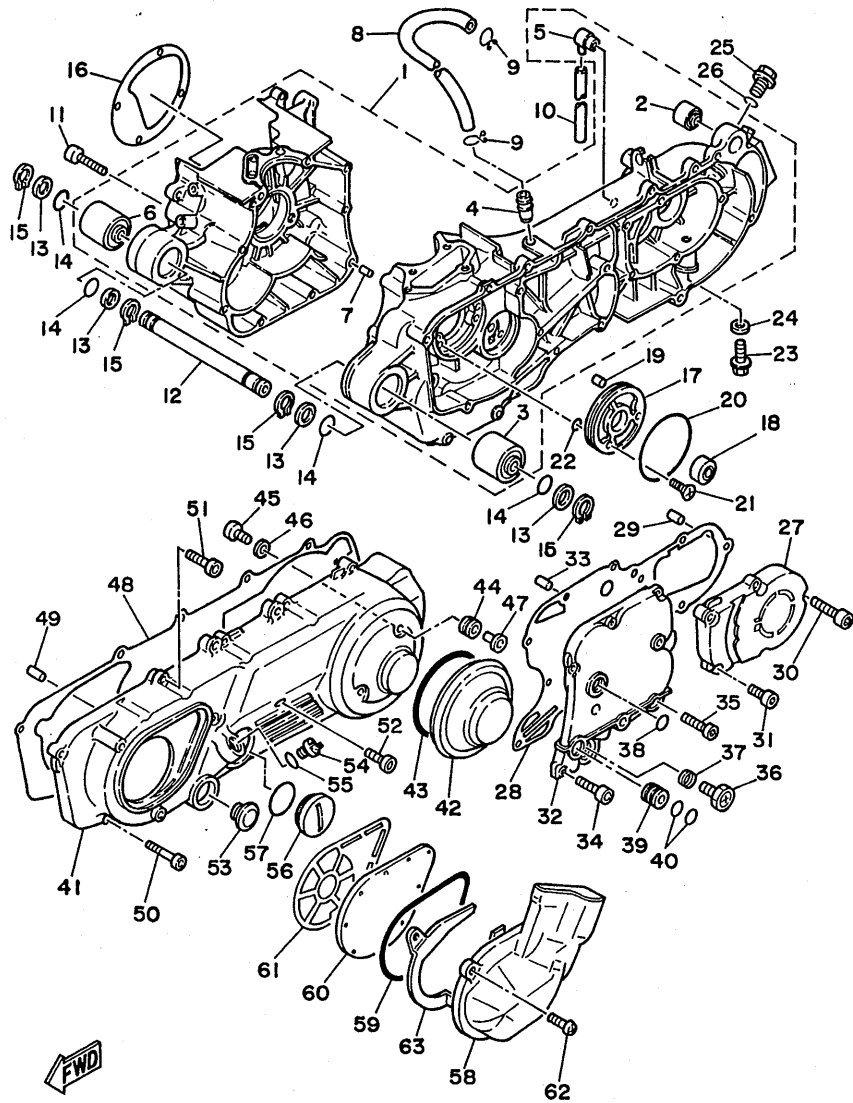


FIG. 9 CRANKCASE

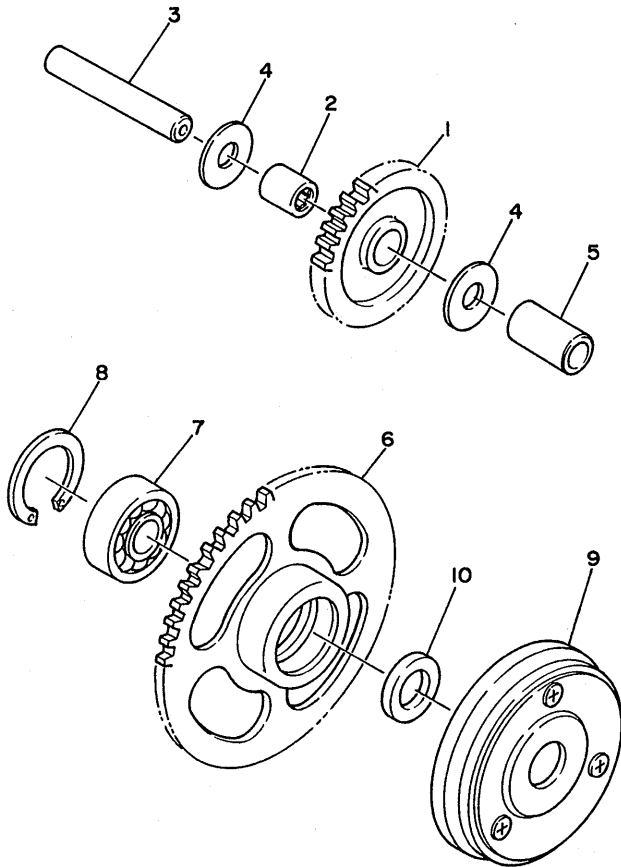
| REF. NO. | PART NO. | DESCRIPTION | Q'TY | REMARKS |
|----------|--------------|------------------------|------|---------|
| 57 | 93210-36510 | O-RING | 1 | |
| 58 | 2YM-15470-00 | AIR DUCT ASSY | 1 | |
| 59 | 5T0-14457-00 | SEAL | 1 | |
| 60 | 50M-14461-00 | ELEMENT, air cleaner 2 | 1 | |
| 61 | 50M-15455-00 | GASKET 1 | 1 | |
| 62 | 92501-06020 | SCREW, pan head | 3 | |
| 63 | 2YM-15191-00 | PLATE | 1 | |

3KR136I-9090

B13

FIG. 10 STARTER CLUTCH

| REF. NO. | PART NO. | DESCRIPTION | Q'TY | REMARKS |
|----------|--------------|-------------------------|------|---------|
| 1 | 50M-15512-00 | GEAR, idler 1 (55T-14T) | 1 | |
| 2 | 93315-11040 | BEARING, cylindrical | 1 | |
| 3 | 50M-15521-00 | SHAFT 1 | 1 | |
| 4 | 90201-105J4 | WASHER, plate | 2 | |
| 5 | 90387-100L5 | COLLAR | 1 | |
| 6 | 50M-15524-00 | WHEEL, starter (55T) | 1 | |
| 7 | 93306-00314 | BEARING | 1 | |
| 8 | 93450-35015 | CIRCLIP | 1 | |
| 9 | 50M-15570-00 | STARTER CLUTCH ASSY | 1 | |
| 10 | 90201-163F8 | WASHER, plate | 1 | |

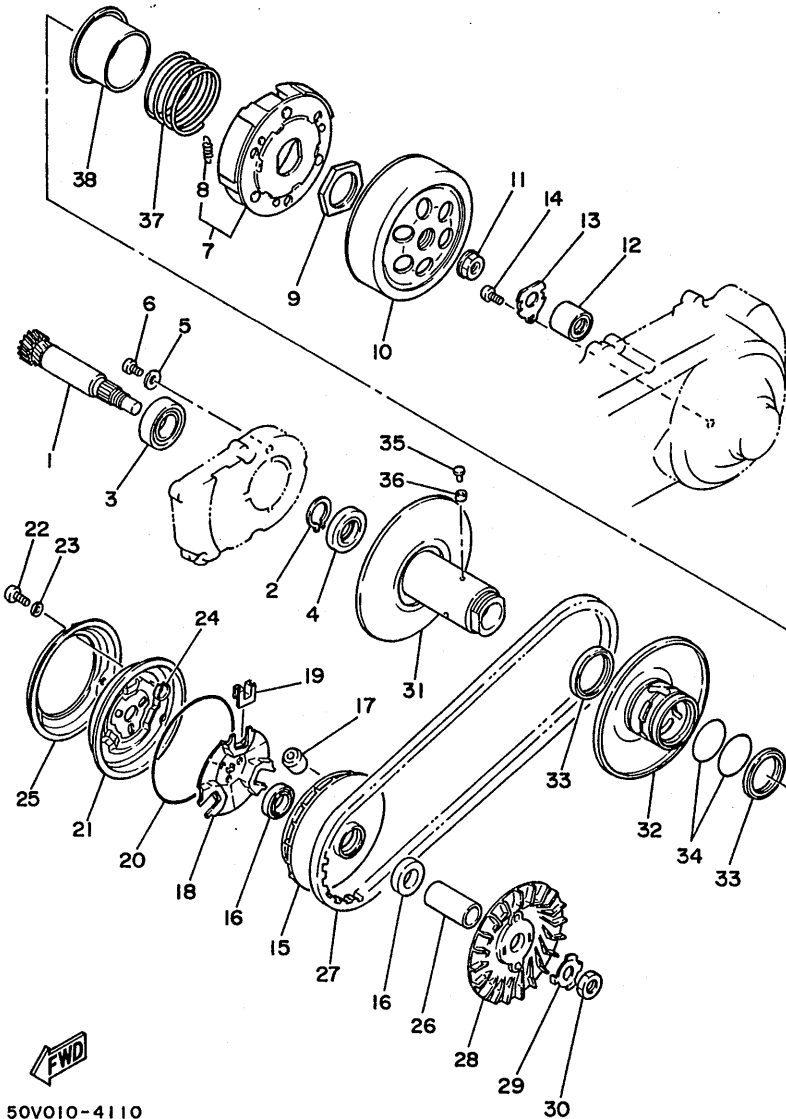


50V010-4100

B14

FIG. 11 CLUTCH

| REF. NO. | PART NO. | DESCRIPTION | Q'TY | REMARKS |
|----------|--------------|------------------------------|------|---------|
| 1 | 50M-16111-01 | GEAR, primary drive (14T) | 1 | |
| 2 | 99009-22400 | CIRCLIP | 1 | |
| 3 | 93306-00433 | BEARING | 1 | |
| 4 | 93102-22335 | OIL SEAL | 1 | |
| 5 | 90201-06412 | WASHER, plate | 1 | |
| 6 | 92501-06010 | SCREW, pan head | 1 | |
| 7 | 2YM-16620-00 | CLUTCH CARRIER ASSY | 1 | |
| 8 | 2YM-16626-00 | .SPRING, clutch weight 1 | 3 | |
| 9 | 90170-36333 | NUT | 1 | |
| 10 | 50W-16611-00 | CLUTCH HOUSING COMP. | 1 | |
| 11 | 90179-14427 | NUT | 1 | |
| 12 | 93399-99918 | BEARING | 1 | |
| 13 | 50M-15381-00 | PLATE, bearing cover | 1 | |
| 14 | 92501-06010 | SCREW, pan head | 1 | |
| 15 | 50M-17620-01 | PRIMARY SLIDING SHEAVE COMP. | 1 | |
| 16 | 93101-23127 | OIL SEAL | 2 | |
| 17 | 50M-17632-00 | WEIGHT | 6 | |
| 18 | 50W-17623-00 | CAM | 1 | |
| 19 | 50W-17653-00 | SLIDER | 3 | |
| 20 | 93210-97690 | O-RING | 1 | |
| 21 | 50M-17630-00 | PRIMARY SHEAVE CAP COMP. | 1 | |
| 22 | 90157-04088 | SCREW, pan head | 3 | |
| 23 | 92901-04600 | WASHER, plate | 3 | |
| 24 | 90214-04038 | WASHER, claw | 3 | |
| 25 | 50M-1763E-01 | PLATE | 1 | |
| 26 | 90387-166L7 | COLLAR | 1 | |
| 27 | 50W-17641-00 | V-BELT | 1 | |
| 28 | 50W-17611-01 | SHEAVE, primary fixed | 1 | |

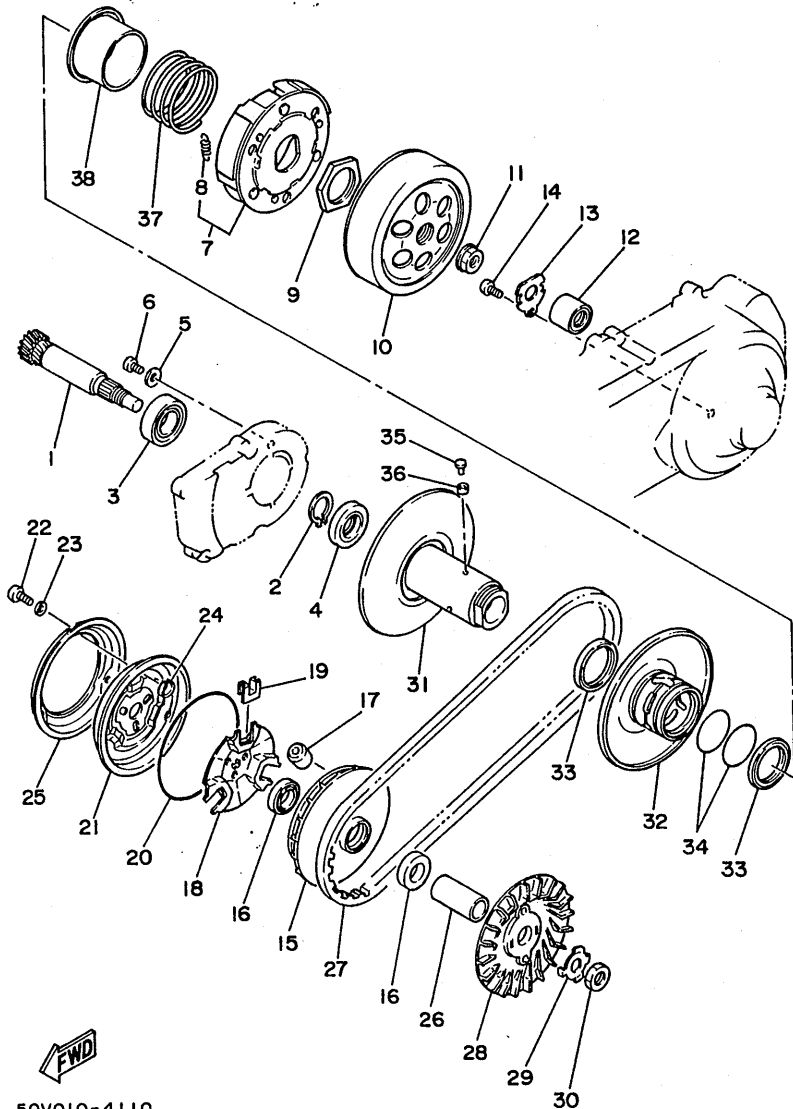


50VO10-4110

B15

FIG. 11 CLUTCH

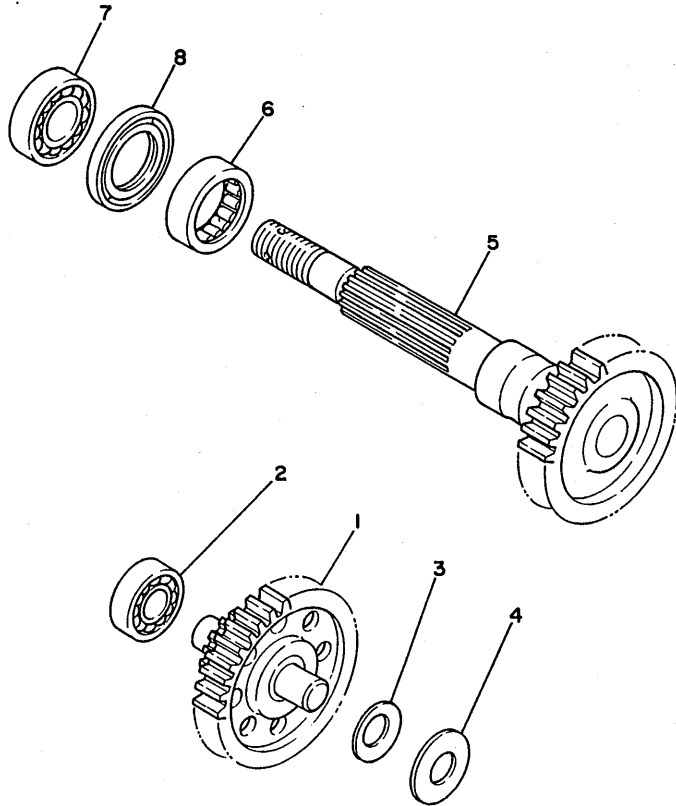
| REF. NO. | PART NO. | DESCRIPTION | Q'TY | REMARKS |
|----------|--------------|------------------------------|------|---------|
| 29 | 90215-14236 | WASHER, lock | 1 | |
| 30 | 90170-12338 | NUT | 1 | |
| 31 | 50W-17660-00 | SECONDARY FIXED SHEAVE COMP. | 1 | |
| 32 | 50W-17670-00 | SECONDARY SLIDING SHEAVE | 1 | |
| 33 | 93104-41091 | OIL SEAL | 2 | |
| 34 | 93210-43713 | O-RING | 2 | |
| 35 | 50W-17664-00 | PIN, guide | 3 | |
| 36 | 50W-17674-00 | COLLAR, guide | 3 | |
| 37 | 90501-503A3 | SPRING, compression | 1 | |
| 38 | 50W-17684-00 | SEAT, secondary spring | 1 | |



50V010-4110

C2

FIG. 12 TRANSMISSION



| REF. NO. | PART NO. | DESCRIPTION | Q'TY | REMARKS |
|----------|--------------|------------------------|------|---------|
| 1 | 2YM-17410-00 | MAIN AXLE COMP. | 1 | |
| 2 | 93306-30101 | BEARING (B6301) | 1 | |
| 3 | 90208-15037 | WASHER, conical spring | 1 | |
| 4 | 90201-153H0 | WASHER, plate | 1 | |
| 5 | 2YM-17211-00 | GEAR, 1st wheel | 1 | |
| 6 | 93315-42536 | BEARING, cylindrical | 1 | |
| 7 | 93306-20460 | BEARING | 1 | |
| 8 | 93102-25334 | OIL SEAL | 1 | |

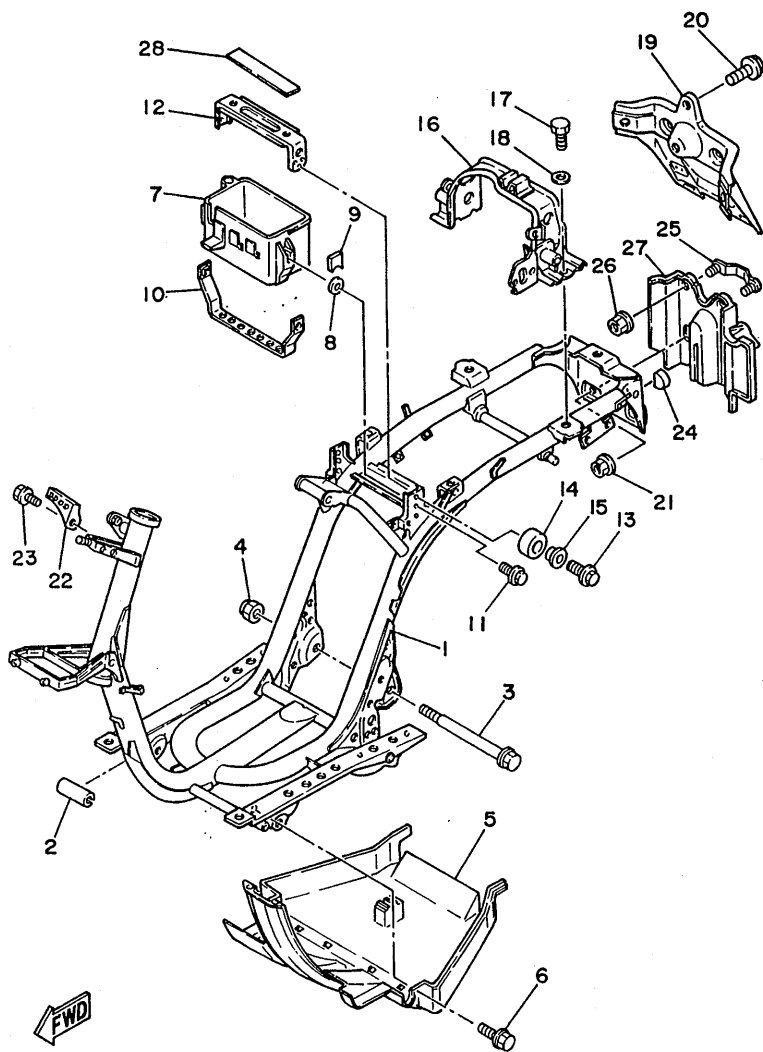


50V010-4120

C3

FIG. 13 FRAME

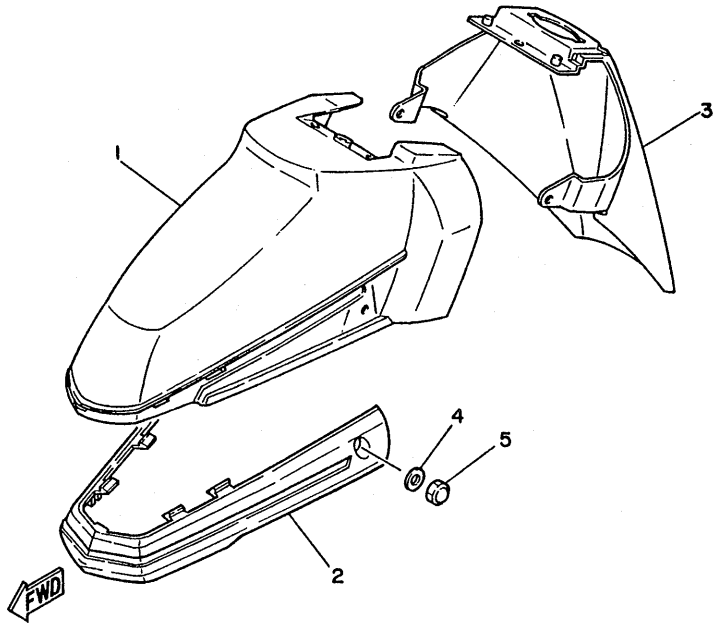
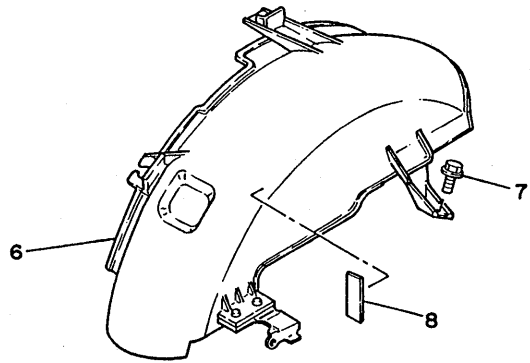
| REF. NO. | PART NO. | DESCRIPTION | Q'TY | REMARKS |
|----------|--------------|----------------------|------|---------|
| 1 | 50M-21110-00 | FRAME COMP. | 1 | |
| 2 | 50W-24181-00 | DAMPER, locating 1 | 1 | |
| 3 | 90105-12228 | BOLT, washer based | 1 | |
| 4 | 95601-12200 | NUT, self-locking | 1 | |
| 5 | 50W-21471-00 | PROTECTOR, engine | 1 | |
| 6 | 90119-06018 | BOLT, with washer | 2 | |
| 7 | 50M-21171-00 | BOX, tool | 1 | |
| 8 | 90387-060U2 | COLLAR | 2 | |
| 9 | 50W-21172-00 | STOPPER, box | 2 | |
| 10 | 50W-21393-00 | BRACKET, battery box | 1 | |
| 11 | 95811-06016 | BOLT, flange | 2 | |
| 12 | 50M-21243-00 | PLATE, bridge | 1 | |
| 13 | 95821-06030 | BOLT, flange | 2 | |
| 14 | 50W-21717-00 | DAMPER, side cover | 2 | |
| 15 | 90387-061F8 | COLLAR | 2 | |
| 16 | 50W-21391-00 | BRACKET, seat | 1 | |
| 17 | 97313-08016 | BOLT | 2 | |
| 18 | 92901-08600 | WASHER, plate | 2 | |
| 19 | 50W-2117E-00 | BRACKET, taillight | 1 | |
| 20 | 95801-06016 | BOLT, flange | 1 | |
| 21 | 95701-06500 | NUT, flange | 2 | |
| 22 | 50W-2128A-00 | BRACKET, regulator | 1 | |
| 23 | 95801-06012 | BOLT, flange | 1 | |
| 24 | 50M-2143A-00 | CAP | 2 | |
| 25 | 50M-21622-00 | BAND, flap | 1 | |
| 26 | 95701-05500 | NUT, flange | 2 | |
| 27 | 50M-21642-00 | GUARD, flap | 1 | |
| 28 | 50M-2139X-00 | DAMPER | 1 | |



50V010-4131

C4

FIG. 14 FENDER



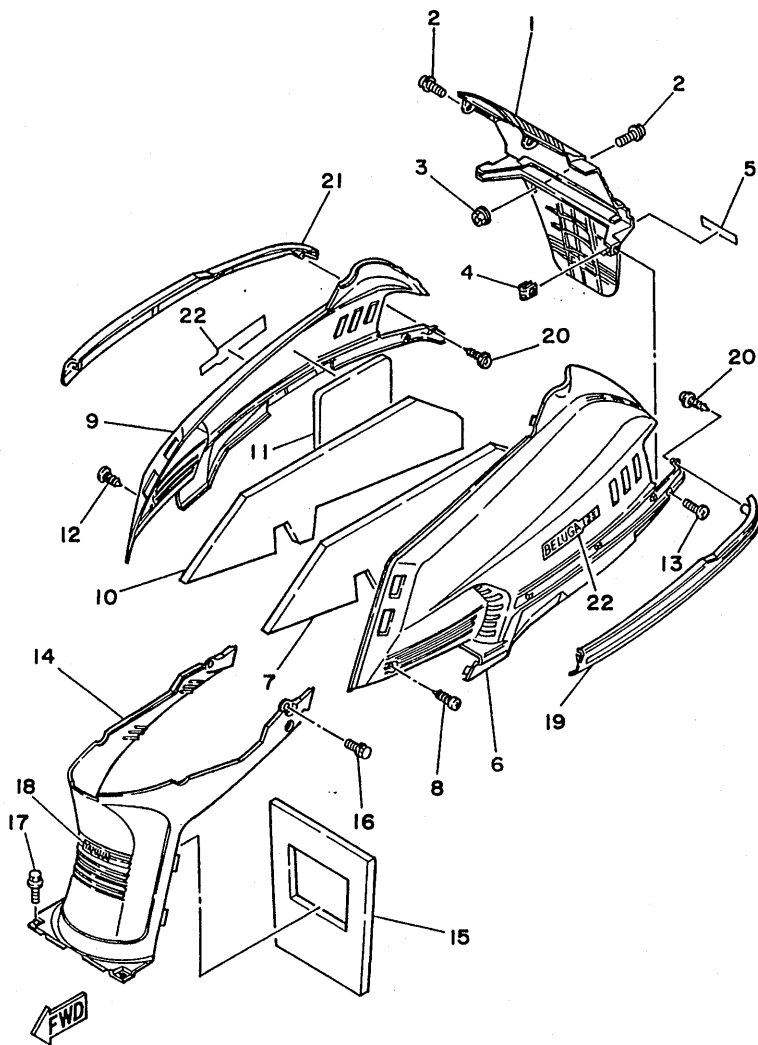
| REF. NO. | PART NO. | DESCRIPTION | Q'TY | REMARKS |
|----------|-----------------|-----------------|------|------------------|
| 1 | 50W-21511-00-GE | FENDER, front | 1 | UR SILKY WHITE |
| | 50W-21511-00-OK | FENDER, front | 1 | UR FEATHER BLACK |
| 2 | 2YM-21529-00 | MOLD, fender | 1 | |
| 3 | 2YM-21556-00 | FENDER, front 2 | 1 | |
| 4 | 90201-067J4 | WASHER, plate | 2 | |
| 5 | 95306-06800 | NUT | 2 | |
| 6 | 50M-Y2162-00 | MUD GUARD COMP. | 1 | |
| 7 | 50W-21631-00 | BOLT 1 | 1 | |
| 8 | 50M-21638-00 | DAMPER 1 | 1 | |

3KR1361-9140

C5

FIG. 15 SIDE COVER

| REF. NO. | PART NO. | DESCRIPTION | Q'TY | REMARKS |
|----------|-----------------|--------------------|------|--------------------------------|
| 1 | 50X-21711-00 | COVER, side 1 | 1 | |
| 2 | 90159-06071 | SCREW, with washer | 4 | |
| 3 | 95701-06500 | NUT, flange | 2 | |
| 4 | 25G-21535-00 | NUT 1 | 2 | |
| 5 | 50W-2173T-20 | TAPE 1 | 2 | |
| 6 | 50W-21721-10-6X | COVER, side 2 | 1 | UR SILKY WHITE / MEDIUM GRAY |
| | 50W-21721-10-7X | COVER, side 2 | 1 | UR FEATHER BLACK / MEDIUM GRAY |
| 7 | 50V-21778-00 | DAMPER, locating 1 | 1 | |
| 8 | 90149-06184 | SCREW | 1 | |
| 9 | 50W-21731-10-6X | COVER, side 3 | 1 | UR SILKY WHITE / MEDIUM GRAY |
| | 50W-21731-10-7X | COVER, side 3 | 1 | UR FEATHER BLACK / MEDIUM GRAY |
| 10 | 50V-21779-00 | DAMPER, locating 2 | 1 | |
| 11 | 50M-21732-00 | SEAL 1 | 1 | |
| 12 | 90149-06184 | SCREW | 1 | |
| 13 | 90149-06007 | SCREW | 2 | |
| 14 | 50W-21741-30 | COVER, side 4 | 1 | |
| 15 | 50V-2177M-00 | DAMPER, locating 3 | 1 | |
| 16 | 90159-06071 | SCREW, with washer | 2 | |
| 17 | 90119-06018 | BOLT, with washer | 2 | |
| 18 | 35R-28328-00 | EMBLEM | 1 | |
| 19 | 50W-2171L-30 | MOLE, side cover 1 | 1 | |
| 20 | 90167-05016 | SCREW, tapping | 2 | |
| 21 | 50W-2171M-30 | MOLE, side cover 2 | 1 | |
| | 50W-21781-20 | EMBLEM 1 | 2 | UR FOR SW |
| | 50W-21781-30 | EMBLEM 1 | 2 | UR FOR FEB |

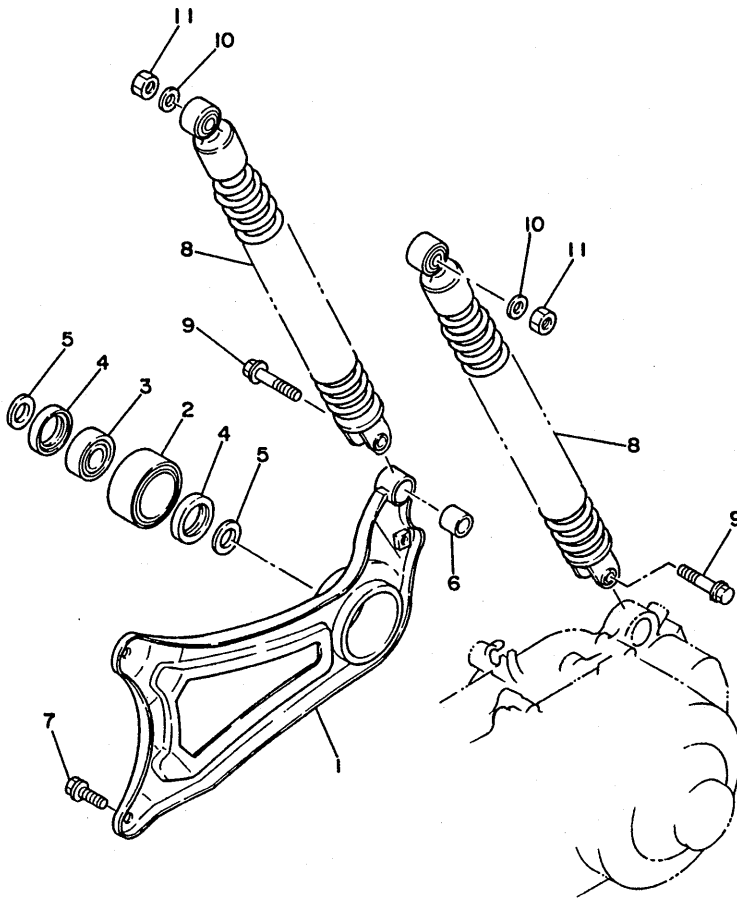


3KRI361-9150

C6

FIG. 16 REAR ARM. SUSPENSION

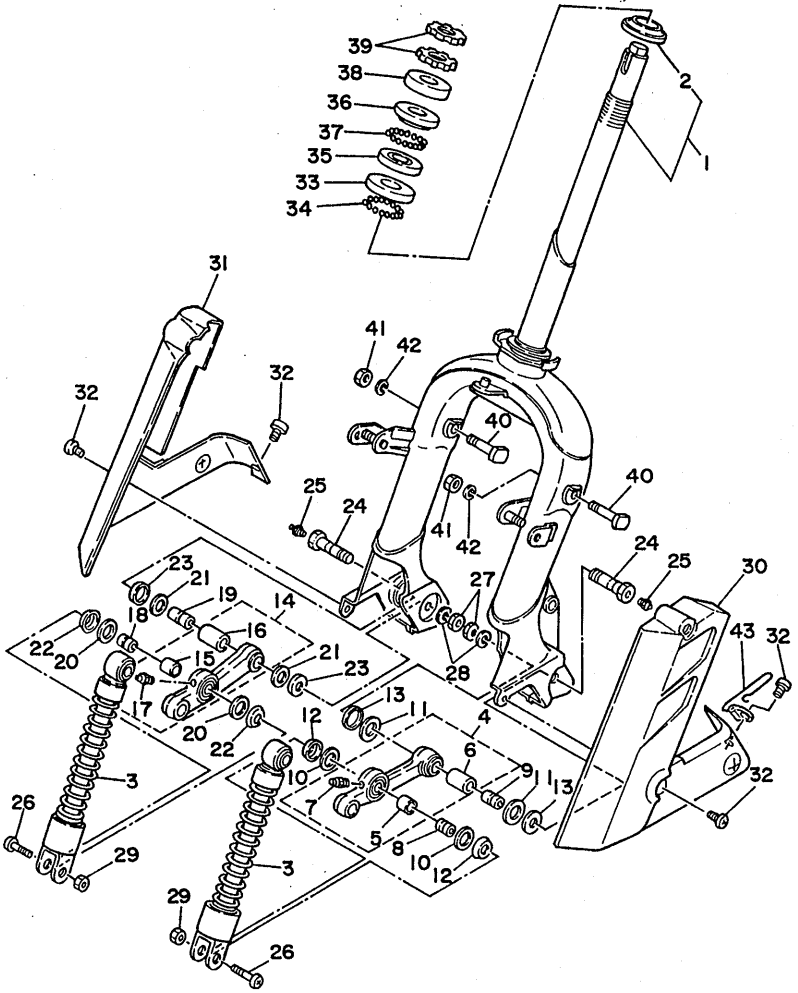
| REF. NO. | PART NO. | DESCRIPTION | Q'TY | REMARKS |
|----------|--------------|---------------------------|------|---------|
| 1 | 50W-22110-00 | REAR ARM COMP. | 1 | |
| 2 | 36F-22184-00 | BUSH | 1 | |
| 3 | 93306-20213 | BEARING | 1 | |
| 4 | 93109-28043 | OIL SEAL | 2 | |
| 5 | 90387-155J0 | COLLAR | 2 | |
| 6 | 164-22216-00 | BUSH, rear shock absorber | 1 | |
| 7 | 95821-08020 | BOLT, flange | 2 | |
| 8 | 50W-22210-00 | SHOCK ABSORBER ASSY, rear | 2 | |
| 9 | 90105-08256 | BOLT, washer based | 2 | |
| 10 | 90201-08795 | WASHER, plate | 2 | |
| 11 | 95306-08600 | NUT | 2 | |



50W351-5160

FIG. 17 STEERING

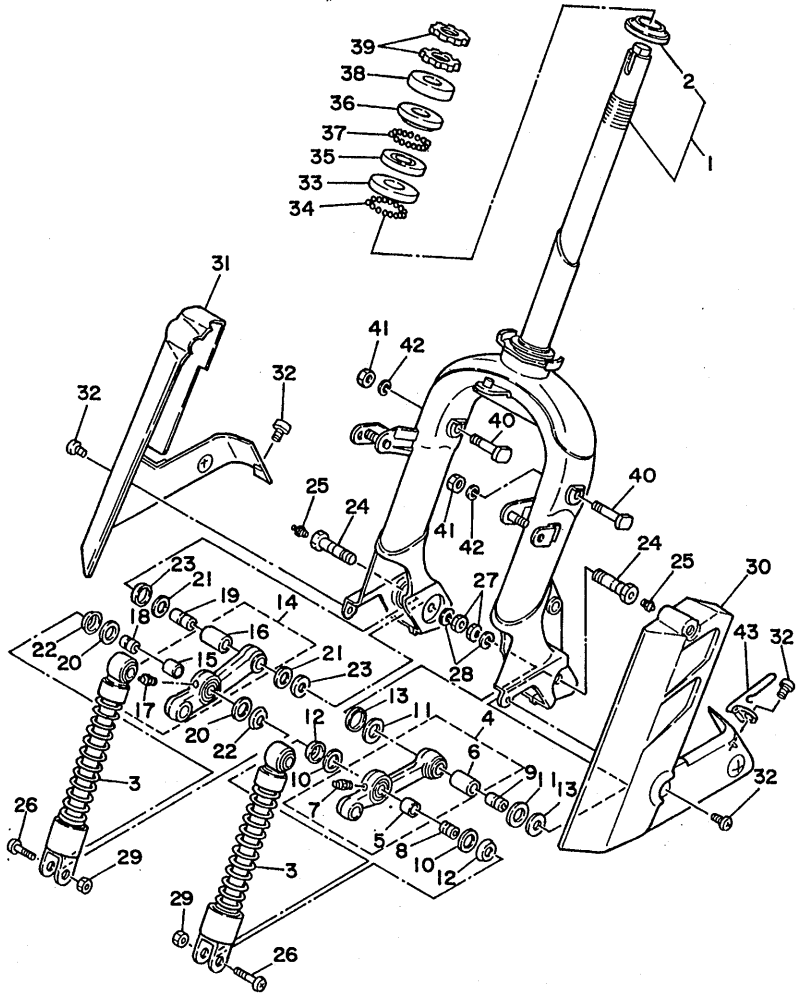
| REF. NO. | PART NO. | DESCRIPTION | Q'TY | REMARKS |
|----------|--------------|-----------------------|------|---------|
| 1 | 2YM-23310-00 | FORK COVER COMP. | 1 | |
| 2 | 156-23411-00 | .RACE, ball 1 | 1 | |
| 3 | 50W-23350-00 | SHOCK ABSORBER ASSY | 2 | |
| 4 | 50W-23361-00 | ARM 1 | 1 | |
| 5 | 296-23362-09 | .BUSH 1 | 1 | |
| 6 | 296-23372-09 | .BUSH 2 | 1 | |
| 7 | 93700-04002 | .NIPPLE, grease | 1 | |
| 8 | 296-23363-01 | COLLAR 1 | 1 | |
| 9 | 296-23364-02 | COLLAR 2 | 1 | |
| 10 | 296-23381-01 | SEAL, dust 1 | 2 | |
| 11 | 296-23382-01 | SEAL, dust 2 | 2 | |
| 12 | 116-23383-00 | COVER, dust seal 1 | 2 | |
| 13 | 116-23384-00 | COVER, dust seal 2 | 2 | |
| 14 | 19E-23371-00 | ARM 2 | 1 | |
| 15 | 296-23362-09 | .BUSH 1 | 1 | |
| 16 | 296-23372-09 | .BUSH 2 | 1 | |
| 17 | 93700-04002 | .NIPPLE, grease | 1 | |
| 18 | 296-23363-01 | COLLAR 1 | 1 | |
| 19 | 296-23364-02 | COLLAR 2 | 1 | |
| 20 | 296-23381-01 | SEAL, dust 1 | 2 | |
| 21 | 296-23382-01 | SEAL, dust 2 | 2 | |
| 22 | 116-23383-00 | COVER, dust seal 1 | 2 | |
| 23 | 116-23384-00 | COVER, dust seal 2 | 2 | |
| 24 | 90401-10035 | BOLT, union | 2 | |
| 25 | 93700-06004 | NIPPLE, grease | 2 | |
| 26 | 90155-08002 | SCREW, flat fillister | 2 | |
| 27 | 95303-10700 | NUT | 2 | |
| 28 | 92901-10100 | WASHER, spring | 2 | |



FWD
2YMO10-8170

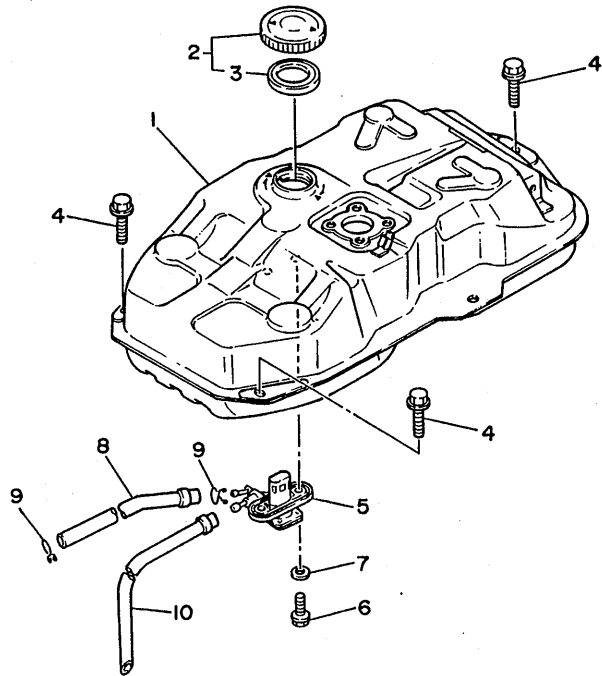
FIG. 17 STEERING

| REF. NO. | PART NO. | DESCRIPTION | Q'TY | REMARKS |
|----------|-----------------|--------------------|------|-----------------------|
| 29 | 95303-08700 | NUT | 2 | |
| 30 | 2YM-23338-00-14 | CAP, side 1 | 1 | METALLIC COSSACK GRAY |
| 31 | 2YM-23339-00-14 | CAP, side 2 | 1 | METALLIC COSSACK GRAY |
| 32 | 98903-06012 | SCREW, bind | 6 | |
| 33 | 156-23412-00 | RACE, ball 2 | 1 | |
| 34 | 93501-04011 | BALL | 19 | |
| 35 | 122-23412-00 | RACE, ball 2 | 1 | |
| 36 | 122-23411-00 | RACE, ball 1 | 1 | |
| 37 | 93503-16010 | BALL | 22 | |
| 38 | 122-23416-00 | COVER, ball race 2 | 1 | |
| 39 | 90179-25033 | NUT | 2 | |
| 40 | 90109-08607 | BOLT | 2 | |
| 41 | 95303-08700 | NUT | 2 | |
| 42 | 92990-08100 | WASHER, spring | 2 | |
| 43 | 50W-23317-00 | HOLDER, cable | 1 | |



2YMO10-8170

FIG. 18 FUEL TANK



| REF. NO. | PART NO. | DESCRIPTION | Q'TY | REMARKS |
|----------|--------------|------------------|------|---------|
| 1 | 50M-24110-00 | FUEL TANK COMP. | 1 | |
| 2 | 22F-24610-01 | CAP ASSY | 1 | |
| 3 | 3T5-24612-02 | .GASKET, cap | 1 | |
| 4 | 95811-06012 | BOLT, flange | 3 | |
| 5 | 50M-24500-00 | FUEL COCK ASSY 1 | 1 | |
| 6 | 90149-06011 | SCREW | 2 | |
| 7 | 90202-06010 | WASHER, plate | 2 | |
| 8 | 90445-10308 | HOSE | 1 | |
| 9 | 90467-09006 | CLIP | 2 | |
| 10 | 90445-07370 | HOSE | 1 | |

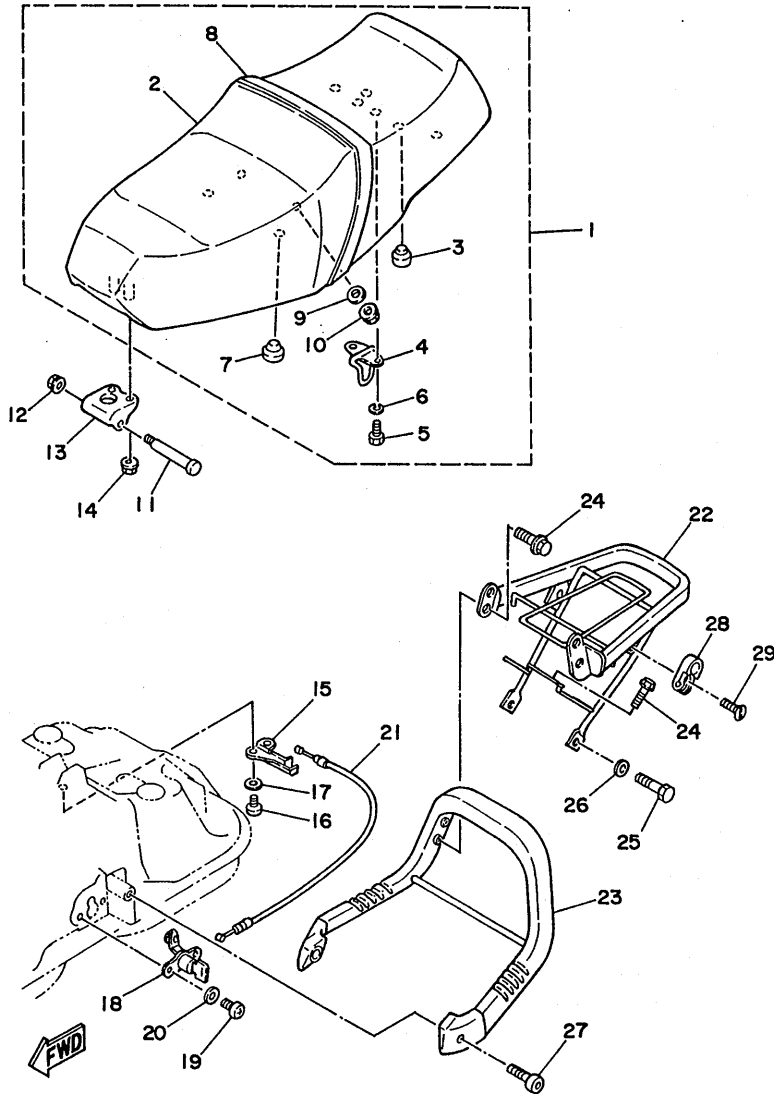


50V010-4180

C10

FIG. 19 SEAT

| REF. NO. | PART NO. | DESCRIPTION | Q'TY | REMARKS |
|----------|--------------|--------------------|------|---------|
| 1 | 2YM-24730-00 | DOUBLE SEAT ASSY | 1 | |
| 2 | 2YM-W247F-00 | .COVER, seat assy | 1 | |
| 3 | 4G0-24723-00 | .DAMPER, seat | 2 | |
| 4 | 50W-24728-00 | .BRACKET, seat | 1 | |
| 5 | 97013-06012 | .BOLT | 2 | |
| 6 | 92990-06100 | .WASHER, spring | 2 | |
| 7 | 1L9-24741-00 | .PAD, seat | 2 | |
| 8 | 50V-24734-00 | .BAND, seat | 1 | |
| 9 | 92990-08200 | .WASHER, plain | 2 | |
| 10 | 95702-08500 | .NUT, flange | 2 | |
| 11 | 90109-06504 | BOLT | 1 | |
| 12 | 95701-06500 | NUT, flange | 1 | |
| 13 | 2T4-24726-10 | HINGE, seat | 1 | |
| 14 | 95701-06500 | NUT, flange | 2 | |
| 15 | 50W-W247E-00 | SEAT LOCK ASSY | 1 | |
| 16 | 92501-06014 | SCREW, pan head | 2 | |
| 17 | 92901-06600 | WASHER, plate | 2 | |
| 18 | 51F-W2470-00 | SEAT LOCK ASSY | 1 | |
| 19 | 92501-06014 | SCREW, pan head | 2 | |
| 20 | 92901-06600 | WASHER, plate | 2 | |
| 21 | 50W-2478E-00 | WIRE, seat hook | 1 | |
| 22 | 2YM-24842-00 | CARRIER, rear | 1 | |
| 23 | 50X-24819-10 | STAY, rear | 1 | |
| 24 | 95826-06010 | BOLT, flange | 6 | |
| 25 | 97313-08016 | BOLT | 2 | |
| 26 | 92901-08600 | WASHER, plate | 2 | |
| 27 | 91316-08050 | BOLT | 2 | |
| 28 | 55E-21308-00 | HELMET HANGER ASSY | 1 | |

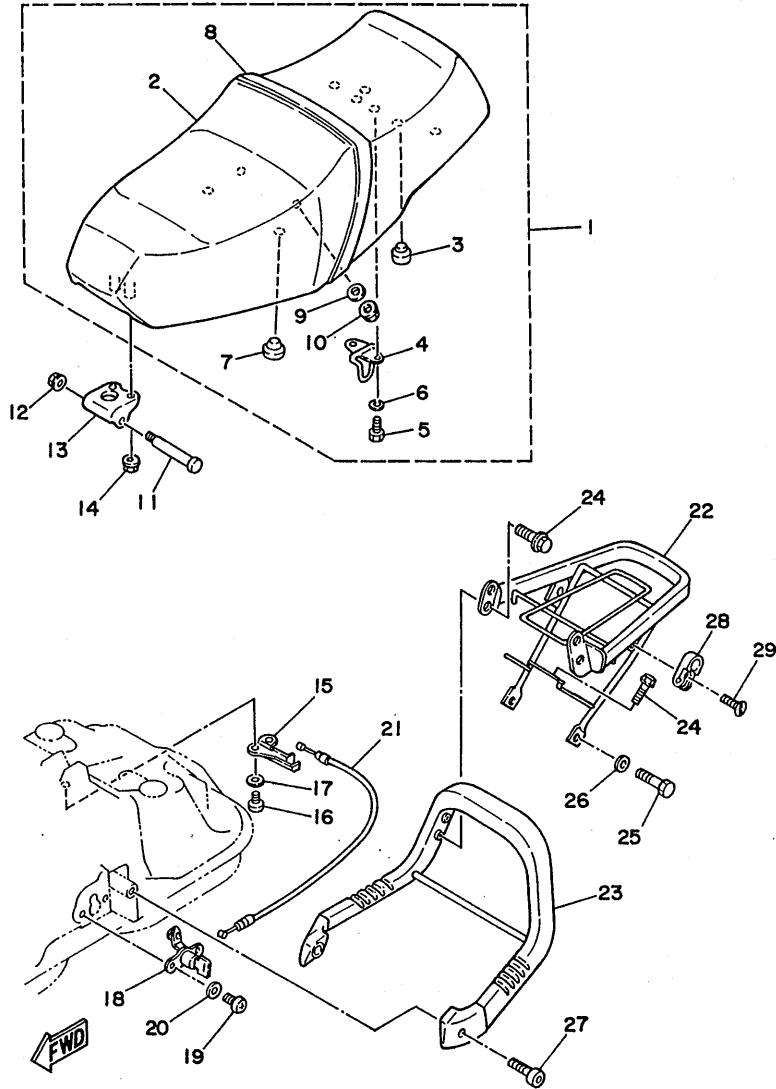


2YM010-8190

C11

FIG. 19 SEAT

| REF. NO. | PART NO. | DESCRIPTION | Q'TY | REMARKS |
|----------|-------------|------------------|------|---------|
| 29 | 92701-06015 | SCREW, flat head | 1 | |

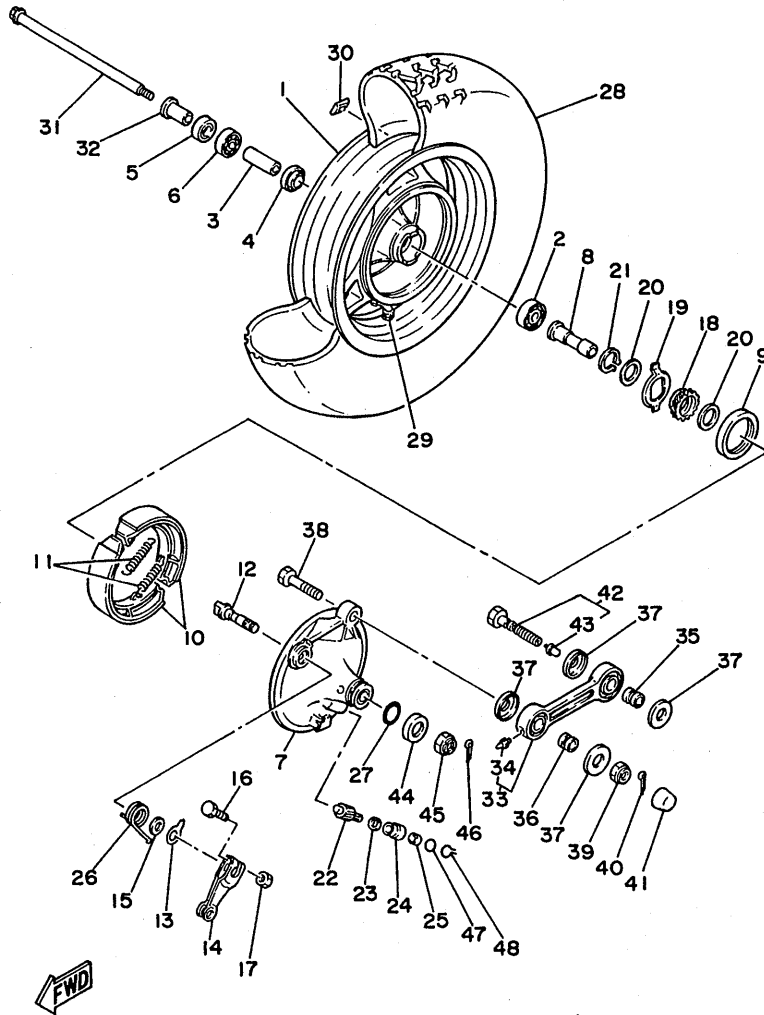


2YMO10-8190

C12

FIG. 20 FRONT WHEEL

| REF. NO. | PART NO. | DESCRIPTION | Q'TY | REMARKS |
|----------|-----------------|-----------------------------------|------|---------|
| 1 | 50M-25168-20-35 | CAST WHEEL, front | 1 | SILVER |
| 2 | 93306-30109 | BEARING | 1 | |
| 3 | 90560-12261 | SPACER | 1 | |
| 4 | 109-25315-00 | FLANGE, spacer | 1 | |
| 5 | 93102-17235 | OIL SEAL | 1 | |
| 6 | 93306-20113 | BEARING (B6201-2RS) | 1 | |
| 7 | 50W-25121-02-35 | PLATE, brake shoe | 1 | SILVER |
| 8 | 90387-120L8 | COLLAR | 1 | |
| 9 | 93102-47297 | OIL SEAL | 1 | |
| 10 | 25G-W2535-00 | BRAKE SHOE SET | 1 | |
| 11 | 90506-17328 | SPRING, tension | 2 | |
| 12 | 3Y6-25351-00 | CAMSHAFT | 1 | |
| 13 | 5Y1-2513A-00 | PLATE, indicator | 1 | |
| 14 | 25G-25155-00 | LEVER, camshaft 1 | 1 | |
| 15 | 36F-25159-00 | SEAL, camshaft | 1 | |
| 16 | 90101-06278 | BOLT | 1 | |
| 17 | 95303-06600 | NUT | 1 | |
| 18 | 50W-25135-00 | GEAR, drive | 1 | |
| 19 | 50W-25149-00 | CLUTCH, meter | 1 | |
| 20 | 90201-244J3 | WASHER, plate | 2 | |
| 21 | 93410-24042 | CIRCLIP | 1 | |
| 22 | 36F-25138-00 | GEAR, meter | 1 | |
| 23 | 90201-07076 | WASHER, plate | 1 | |
| 24 | 109-25136-00 | BUSH | 1 | |
| 25 | 93104-07003 | OIL SEAL | 1 | |
| 26 | 90508-26616 | SPRING, torsion | 1 | |
| 27 | 93210-23326 | O-RING | 1 | |
| 28 | 94110-103T5 | TIRE (100/90-10 56J K825F TLDOTN) | 1 | DUNLOP |

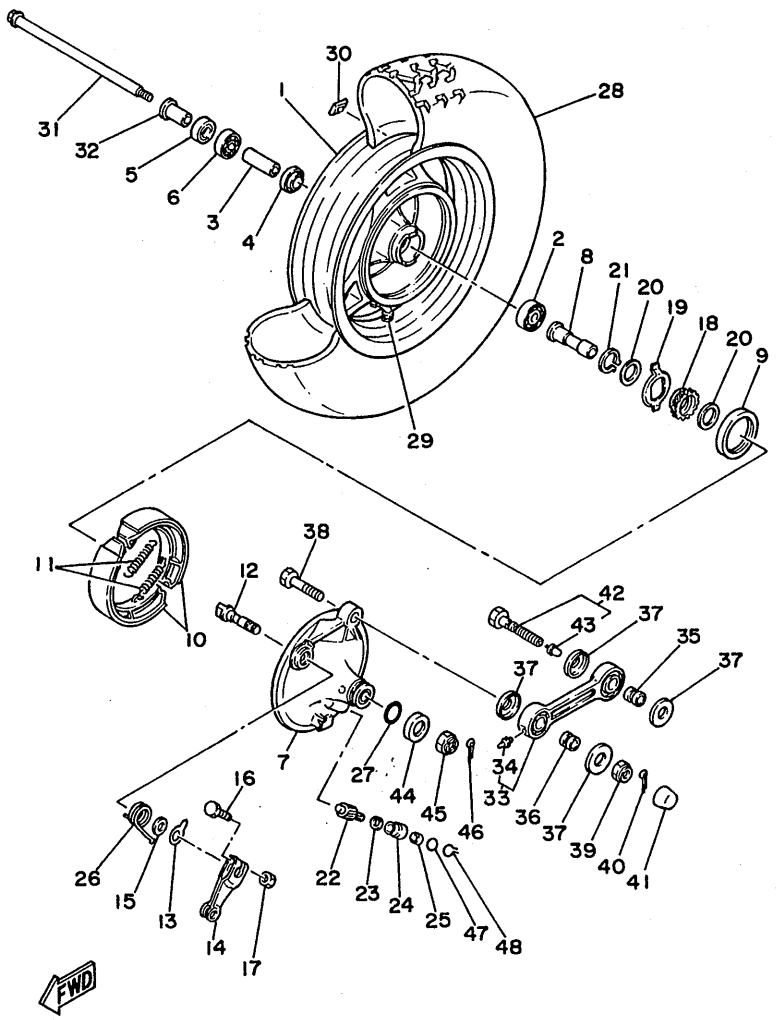


50V010-4200

C13

FIG. 20 FRONT WHEEL

| REF. NO. | PART NO. | DESCRIPTION | Q'TY | REMARKS |
|----------|--------------|-----------------------|------|---------|
| 29 | 93900-00010 | VALVE, rim | 1 | DUNLOP |
| 30 | 1A1-25398-01 | BALANCER, wheel (20G) | 1 | UN |
| | 1A1-25399-00 | BALANCER, wheel (10G) | 1 | UN |
| | 2M0-25399-00 | BALANCER, wheel (30G) | 1 | UN |
| 31 | 5J0-25181-00 | AXLE, wheel | 1 | |
| 32 | 90387-120L7 | COLLAR | 1 | |
| 33 | 50W-25371-00 | BAR, tension | 1 | |
| 34 | 93700-04002 | .NIPPLE, grease | 1 | |
| 35 | 90387-100L9 | COLLAR | 1 | |
| 36 | 90387-101H3 | COLLAR | 1 | |
| 37 | 50W-23383-00 | COVER, dust seal 1 | 4 | |
| 38 | 90102-10059 | BOLT, with hole | 1 | |
| 39 | 95611-10100 | NUT, u | 1 | |
| 40 | 91401-20015 | PIN, cotter | 1 | |
| 41 | 50W-25188-00 | CAP | 1 | |
| 42 | 50W-25178-00 | BOLT, tension bar | 1 | |
| 43 | 93700-04002 | .NIPPLE, grease | 1 | |
| 44 | 90209-12259 | WASHER | 1 | |
| 45 | 90171-12042 | NUT, castle | 1 | |
| 46 | 91401-30030 | PIN, cotter | 1 | |
| 47 | 93210-14104 | O-RING | 1 | |
| 48 | 102-25137-00 | RING, stop | 1 | |



50V010-4200

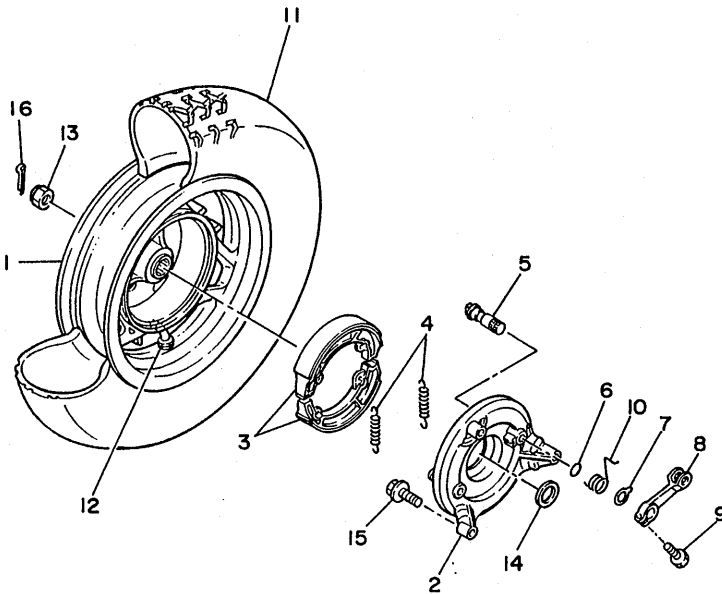


FIG. 21 REAR WHEEL

| REF. NO. | PART NO. | DESCRIPTION | Q'TY | REMARKS |
|----------|-----------------|----------------------------------|------|---------|
| 1 | 50M-25338-20-35 | CAST WHEEL, rear | 1 | SILVER |
| 2 | 50W-25321-00 | PLATE, brake shoe | 1 | |
| 3 | 25G-W2536-01 | BRAKE SHOE SET | 1 | |
| 4 | 90506-17328 | SPRING, tension | 2 | |
| 5 | 2RH-25351-00 | CAMSHAFT | 1 | |
| 6 | 36F-25159-00 | SEAL, camshaft | 1 | |
| 7 | 50W-2533A-00 | PLATE, indicator | 1 | |
| 8 | 371-25355-02 | LEVER, camshaft | 1 | |
| 9 | 90101-06291 | BOLT | 1 | |
| 10 | 90508-26653 | SPRING, torsion | 1 | |
| 11 | 94110-103T4 | TIRE (100/90-10 56J K825 TLD0TN) | 1 | DUNLOP |
| 12 | 93900-00010 | VALVE, rim | 1 | DUNLOP |
| 13 | 90185-14124 | NUT, self-locking | 1 | |
| 14 | 90201-20276 | WASHER, plate (1.0T) | 1 | |
| 15 | 90119-08128 | BOLT, with washer | 3 | |
| 16 | 91490-20025 | PIN, cotter | 1 | |

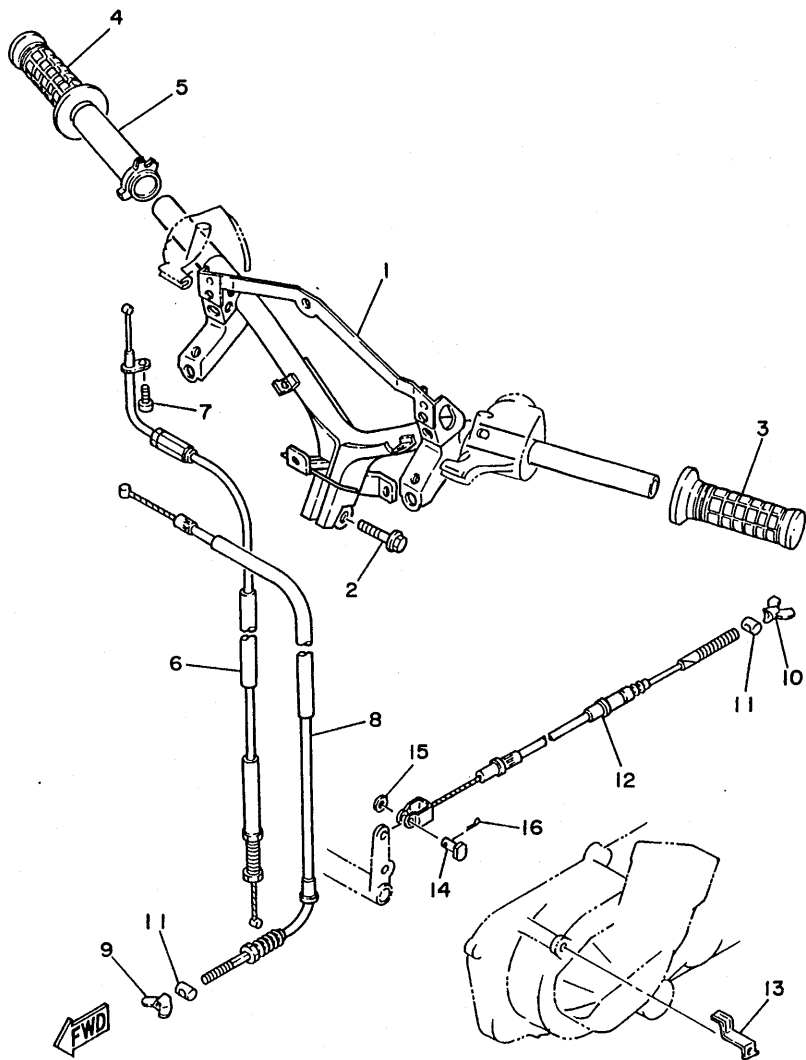


50V010-4211

C15

FIG. 22 STEERING HANDLE. CABLE

| REF. NO. | PART NO. | DESCRIPTION | Q'TY | REMARKS |
|----------|--------------|----------------------|------|---------|
| 1 | 50W-26110-20 | HANDLE COMP. | 1 | |
| 2 | 90105-10393 | BOLT, washer based | 1 | |
| 3 | 35R-26241-00 | GRIP (L.H) | 1 | |
| 4 | 35R-26242-00 | GRIP (R.H) | 1 | |
| 5 | 35R-26243-00 | TUBE, throttle guide | 1 | |
| 6 | 50M-26311-00 | CABLE, throttle 1 | 1 | |
| 7 | 98501-05012 | SCREW, pan head | 1 | |
| 8 | 50W-26341-00 | CABLE, brake | 1 | |
| 9 | 90175-06013 | NUT, wing | 1 | |
| 10 | 90175-06018 | NUT, wing | 1 | |
| 11 | 90249-12008 | PIN | 2 | |
| 12 | 50W-26351-00 | CABLE, brake | 1 | |
| 13 | 50W-26379-00 | GUIDE, cable | 1 | |
| 14 | 90240-06108 | PIN, clevis | 1 | |
| 15 | 92901-06200 | WASHER, plain | 1 | |
| 16 | 91401-20015 | PIN, cotter | 1 | |

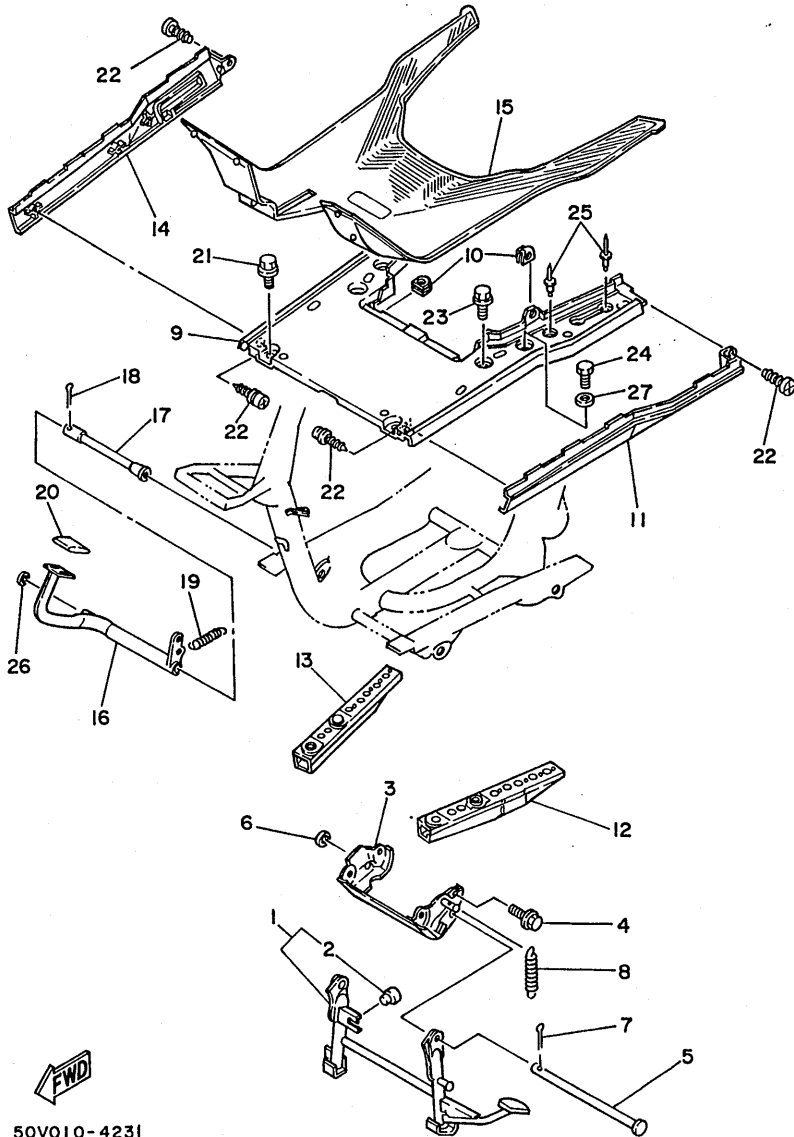


2YMO10-8220

D2

FIG. 23 STAND. FOOTREST

| REF. NO. | PART NO. | DESCRIPTION | Q'TY | REMARKS |
|----------|-----------------|----------------------|------|------------------|
| 1 | 50M-27111-00 | STAND, main | 1 | |
| 2 | 5G3-27114-00 | .STOPPER, main stand | 1 | |
| 3 | 50M-27151-00 | BRACKET, main stand | 1 | |
| 4 | 95811-08016 | BOLT, flange | 4 | |
| 5 | 50M-27112-00 | SHAFT, main stand | 1 | |
| 6 | 92901-12200 | WASHER, plain | 1 | |
| 7 | 91401-25020 | PIN, cotter | 1 | |
| 8 | 90506-20308 | SPRING, tension | 1 | |
| 9 | 50W-27481-30 | BOARD, footrest | 1 | |
| 10 | 25G-21535-00 | NUT 1 | 4 | |
| 11 | 50W-27486-00-GE | COVER 1 | 1 | UR SILKY WHITE |
| | 50W-27486-00-OK | COVER 1 | 1 | UR FEATHER BLACK |
| 12 | 50W-27412-00 | BRACKET, footrest 1 | 1 | |
| 13 | 50W-27422-00 | BRACKET, footrest 2 | 1 | |
| 14 | 50W-27487-00-GE | COVER 2 | 1 | UR SILKY WHITE |
| | 50W-27487-00-OK | COVER 2 | 1 | UR FEATHER BLACK |
| 15 | 50W-27483-30 | MAT 1 | 1 | |
| 16 | 50W-27211-00 | PEDAL, brake | 1 | |
| 17 | 50W-27212-00 | SHAFT, brake pedal | 1 | |
| 18 | 91401-20025 | PIN, cotter | 1 | |
| 19 | 90506-20193 | SPRING, tension | 1 | |
| 20 | 50W-27285-00 | CAP | 1 | |
| 21 | 90119-06018 | BOLT, with washer | 2 | |
| 22 | 90164-04008 | SCREW, tapping | 8 | |
| 23 | 95811-08035 | BOLT, flange | 2 | |
| 24 | 97313-06045 | BOLT | 2 | |
| 25 | 90267-40054 | RIVET, blind | 4 | |
| 26 | 90201-14411 | WASHER, plate | 1 | |

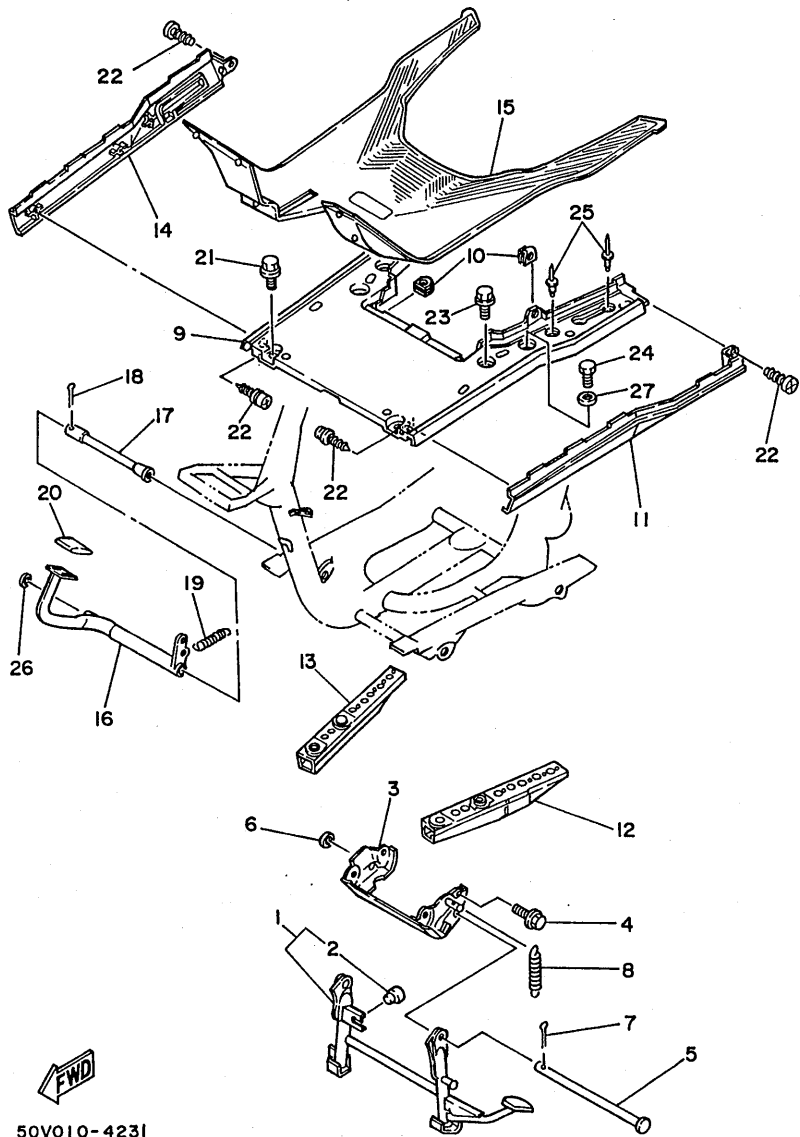


50V010-4231

D3

FIG. 23 STAND, FOOTREST

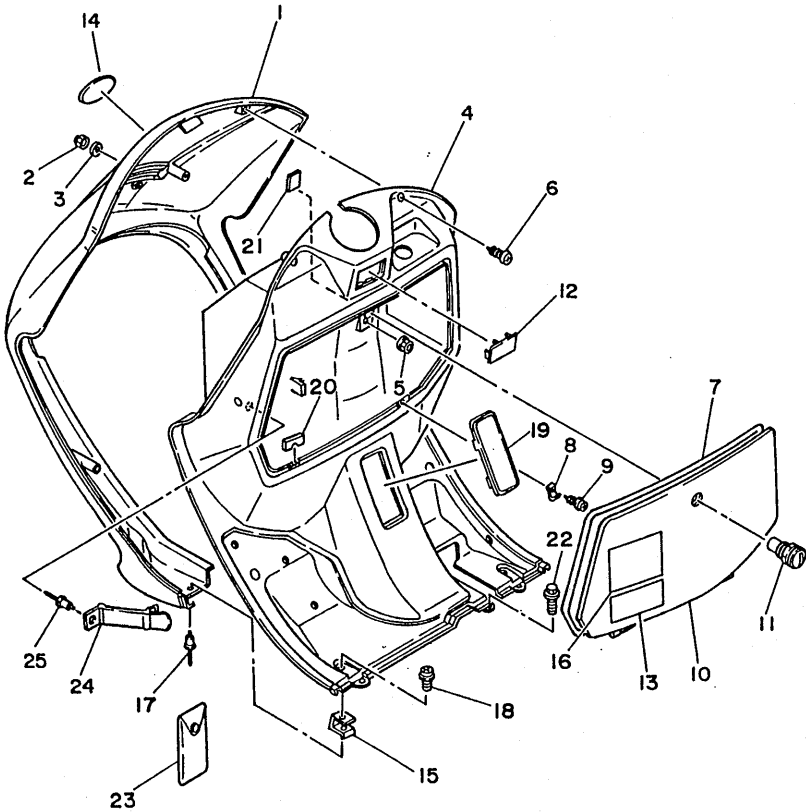
| REF. NO. | PART NO. | DESCRIPTION | Q'TY | REMARKS |
|----------|-------------|---------------|------|---------|
| 27 | 90201-06M02 | WASHER, plate | 2 | |



50V010-4231

D4

FIG. 24 LEG SHIELD



| REF. NO. | PART NO. | DESCRIPTION | Q'TY | REMARKS |
|----------|-----------------|-------------------------|------|------------------|
| 1 | 50W-28311-00-GE | LEG SHIELD 1 | 1 | UR SILKY WHITE |
| | 50W-28311-00-OK | LEG SHIELD 1 | 1 | UR FEATHER BLACK |
| 2 | 95380-06800 | NUT | 3 | |
| 3 | 90201-060H9 | WASHER, plate | 3 | |
| 4 | 50W-28312-30 | LEG SHIELD 2 | 1 | |
| 5 | 95701-06500 | NUT, flange | 1 | |
| 6 | 90167-05016 | SCREW, tapping | 6 | |
| 7 | 50W-28371-01 | DAMPER | 1 | |
| 8 | 35R-21796-00 | HINGE | 2 | |
| 9 | 97706-40512 | SCREW, tapping | 2 | |
| 10 | 50W-28313-30 | LID | 1 | |
| 11 | 26H-21708-00 | SIDE COVER LOCK ASSY | 1 | |
| 12 | 50W-2835U-30 | PANEL 1 | 1 | |
| 13 | 50W-28315-00 | EMBLEM | 1 | |
| 14 | 2YM-21578-00 | EMBLEM | 1 | |
| 15 | 50W-28321-00 | STAY, leg shield (LEFT) | 2 | |
| 16 | 25H-28315-00 | EMBLEM | 1 | |
| 17 | 90267-40073 | RIVET, blind | 2 | |
| 18 | 90159-06013 | SCREW, with washer | 2 | |
| 19 | 20H-28349-A0 | CAP | 1 | MEDIUM GRAY |
| 20 | 50M-2834J-00 | CAP 2 | 2 | |
| 21 | 50W-2834V-00 | PROTECTOR 1 | 1 | |
| 22 | 90119-06018 | BOLT, with washer | 1 | |
| 23 | 50M-28100-00 | TOOL KIT | 1 | |
| 24 | 33M-21376-00 | BAND, tool | 1 | |
| 25 | 90267-40054 | RIVET, blind | 1 | |

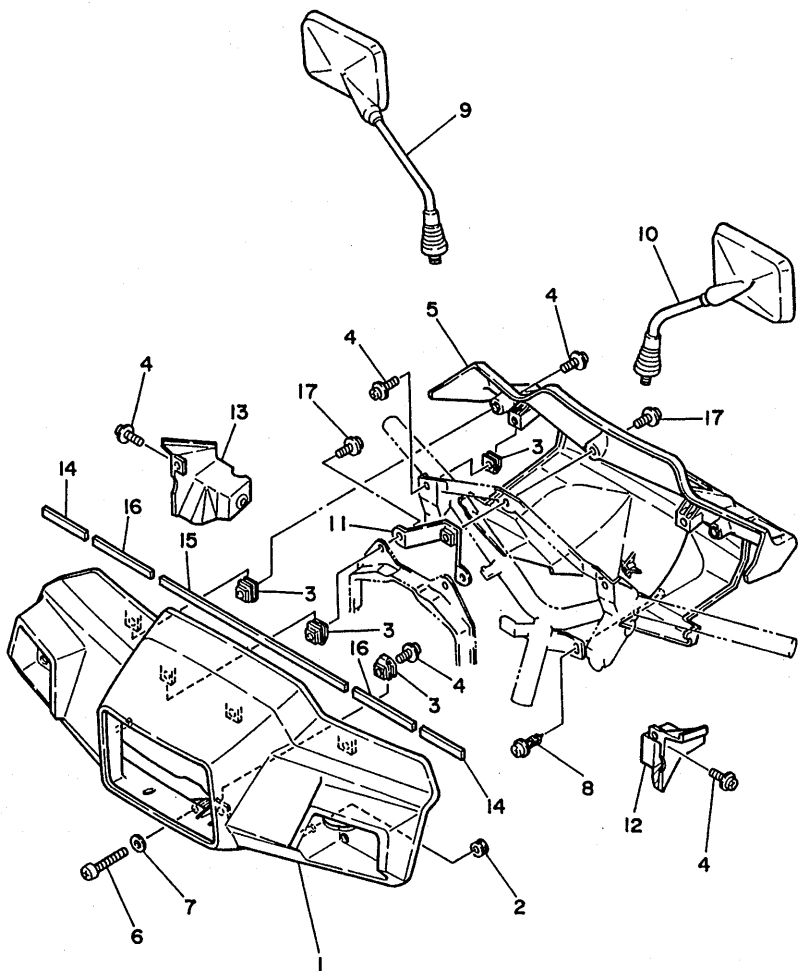


3KRI36I-9240

D5

FIG. 25 COWLING 1

| REF. NO. | PART NO. | DESCRIPTION | Q'TY | REMARKS |
|----------|-----------------|--------------------------|------|------------------|
| 1 | 50W-26143-00-GE | COVER, handlebar upper 1 | 1 | UR SILKY WHITE |
| | 50W-26143-00-OK | COVER, handlebar upper 1 | 1 | UR FEATHER BLACK |
| 2 | 90480-13018 | GROMMET | 2 | |
| 3 | 35R-26294-00 | NUT 1 | 7 | |
| 4 | 90159-05089 | SCREW, with washer | 7 | |
| 5 | 50W-26145-30 | COVER, handlebar upper 2 | 1 | |
| 6 | 98501-05040 | SCREW, pan head | 1 | |
| 7 | 92901-05600 | WASHER, plate | 1 | |
| 8 | 90167-05015 | SCREW, tapping | 2 | |
| 9 | 50M-26290-00 | BACK MIRROR ASSY (RIGHT) | 1 | |
| 10 | 50M-26290-10 | BACK MIRROR ASSY (LEFT) | 1 | |
| 11 | 50W-26223-00 | BRACKET, handle 1 | 1 | |
| 12 | 50W-26372-00 | COVER, handle lever 1 | 1 | |
| 13 | 50W-2637A-00 | COVER, handle lever 2 | 1 | |
| 14 | 3CV-28378-00 | PAD | 2 | |
| 15 | 10L-21747-00 | DAMPER | 1 | |
| 16 | 10L-21747-00 | DAMPER | 2 | |
| 17 | 90159-05089 | SCREW, with washer | 3 | |

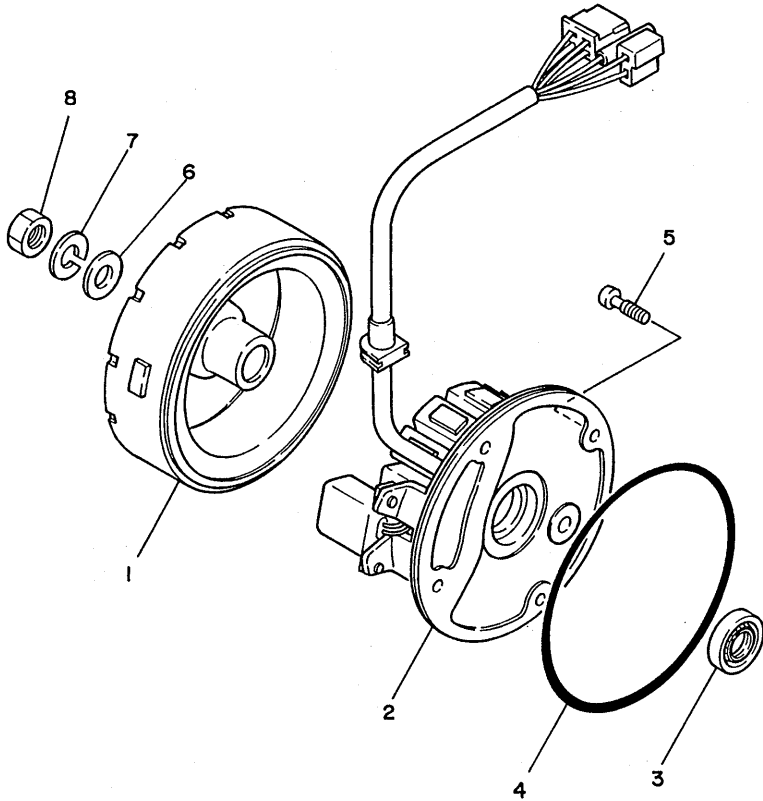


FWD
50V010-4250

D6

FIG. 26 GENERATOR

| REF. NO. | PART NO. | DESCRIPTION | Q'TY | REMARKS |
|----------|--------------|-----------------|------|---------|
| 1 | 2YM-81450-00 | ROTOR ASSY | 1 | |
| 2 | 50M-81410-10 | STATOR ASSY | 1 | |
| 3 | 93102-19276 | OIL SEAL | 1 | |
| 4 | 93211-08563 | O-RING | 1 | |
| 5 | 97802-06020 | SCREW, pan head | 4 | |
| 6 | 92990-12600 | WASHER, plate | 1 | |
| 7 | 92901-12100 | WASHER, spring | 1 | |
| 8 | 90170-12181 | NUT | 1 | |

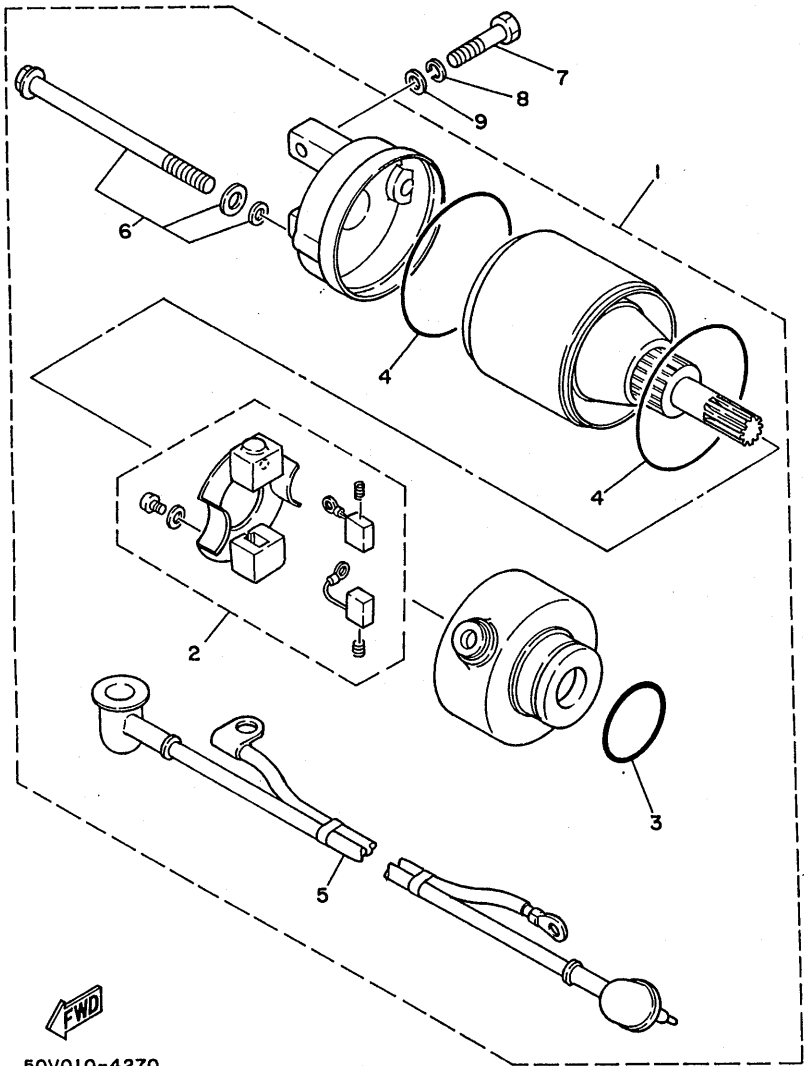


50V010-4260

D7

FIG. 27 STARTING MOTOR

| REF. NO. | PART NO. | DESCRIPTION | Q'TY | REMARKS |
|----------|--------------|---------------------|------|---------|
| 1 | 2YM-81800-00 | STARTING MOTOR ASSY | 1 | |
| 2 | 50M-81801-M0 | .BRUSH SET | 1 | |
| 3 | 93210-25711 | .O-RING | 1 | |
| 4 | 93210-55669 | .O-RING | 2 | |
| 5 | 50M-8183G-M0 | .CORD COMP. | 1 | |
| 6 | 50M-81828-M0 | .BOLT 2 | 2 | |
| 7 | 97001-06025 | BOLT | 2 | |
| 8 | 92990-06100 | WASHER, spring | 2 | |
| 9 | 92901-06600 | WASHER, plate | 2 | |

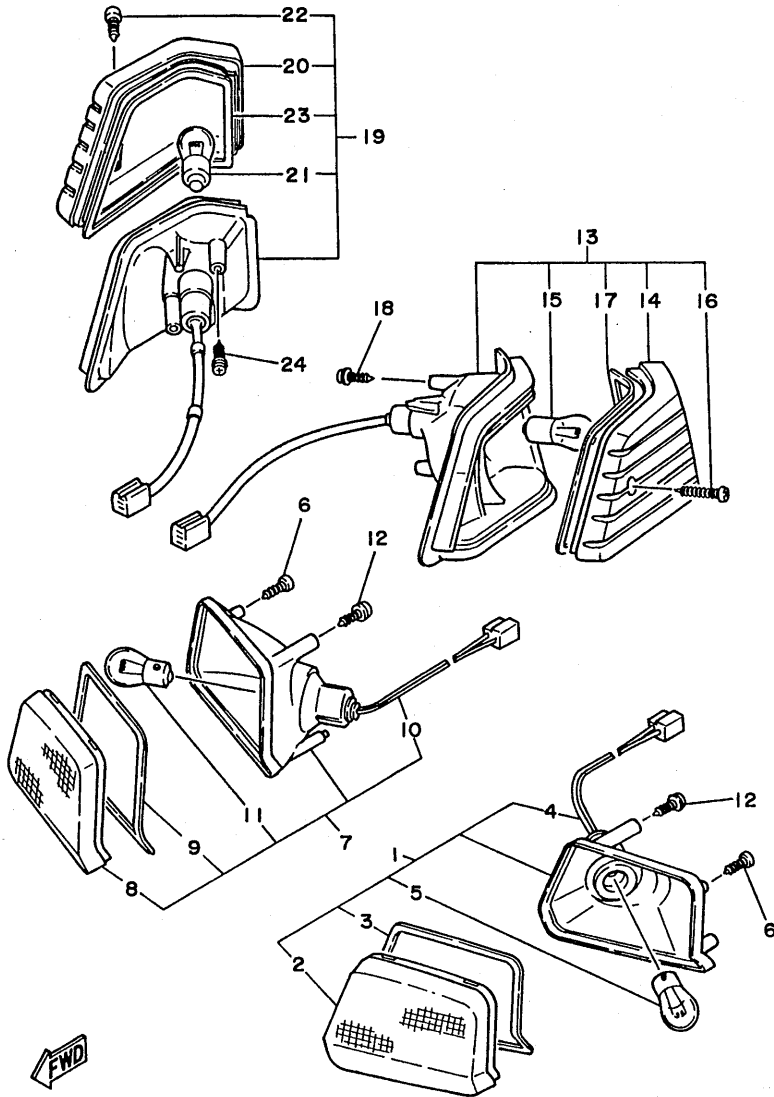


50V010-4270

D8

FIG. 28 FLASHER LIGHT

| REF. NO. | PART NO. | DESCRIPTION | Q'TY | REMARKS |
|----------|--------------|----------------------------|------|---------|
| 1 | 50W-83310-00 | FRONT FLASHER LIGHT ASSY 1 | 1 | |
| 2 | 50W-83312-00 | .LENS, flasher (L.H) | 1 | |
| 3 | 50W-83313-00 | .GASKET, flasher lens | 1 | |
| 4 | 50W-8331E-00 | .CORD ASSY | 1 | |
| 5 | 32H-83331-00 | .BULB, flasher (12V-21W) | 1 | |
| 6 | 90167-05015 | SCREW, tapping | 2 | |
| 7 | 50W-83320-00 | FRONT FLASHER LIGHT ASSY 2 | 1 | |
| 8 | 50W-83322-00 | .LENS, flasher (R.H) | 1 | |
| 9 | 50W-83313-00 | .GASKET, flasher lens | 1 | |
| 10 | 50W-8332E-00 | .CORD ASSY | 1 | |
| 11 | 32H-83331-00 | .BULB, flasher (12V-21W) | 1 | |
| 12 | 97780-50120 | SCREW, tapping | 2 | |
| 13 | 50W-83330-00 | REAR FLASHER LIGHT ASSY 1 | 1 | |
| 14 | 25G-83332-00 | .LENS, flasher (L.H) | 1 | |
| 15 | 32H-83331-00 | .BULB, flasher (12V-21W) | 1 | |
| 16 | 97780-40130 | .SCREW, tapping | 1 | |
| 17 | 32H-83313-00 | .GASKET, flasher lens | 1 | |
| 18 | 97780-60116 | SCREW, tapping | 2 | |
| 19 | 50W-83340-00 | REAR FLASHER LIGHT ASSY 2 | 1 | |
| 20 | 25G-83342-00 | .LENS, flasher (R.H) | 1 | |
| 21 | 32H-83331-00 | .BULB, flasher (12V-21W) | 1 | |
| 22 | 97780-40130 | .SCREW, tapping | 1 | |
| 23 | 32H-83313-00 | .GASKET, flasher lens | 1 | |
| 24 | 97780-60116 | SCREW, tapping | 2 | |

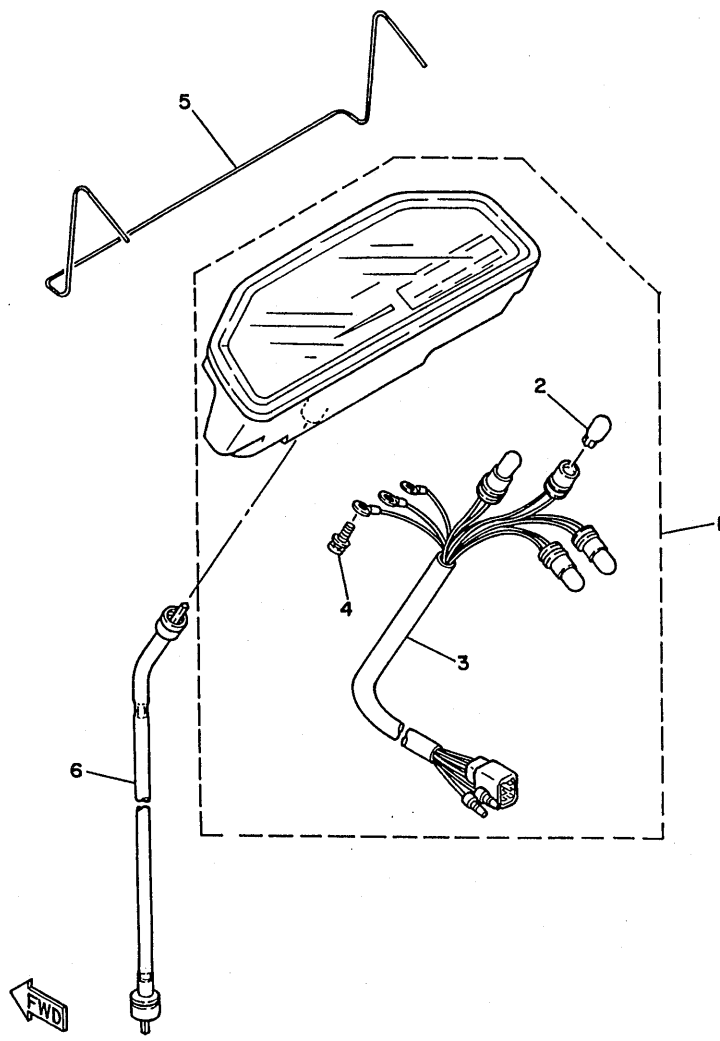


50W351-5280

D9

FIG. 29 METER

| REF. NO. | PART NO. | DESCRIPTION | Q'TY | REMARKS |
|----------|--------------|------------------------|------|---------|
| 1 | 3KR-83510-00 | SPEEDOMETER ASSY | 1 | |
| 2 | 4G1-84744-00 | .BULB (12V-3.4W) | 4 | |
| 3 | 3KR-83509-00 | .SOCKET CORD ASSY | 1 | |
| 4 | 90159-03102 | .SCREW, with washer | 3 | |
| 5 | 50W-83515-00 | SPRING, meter | 1 | |
| 6 | 50W-83550-01 | SPEEDOMETER CABLE ASSY | 1 | |

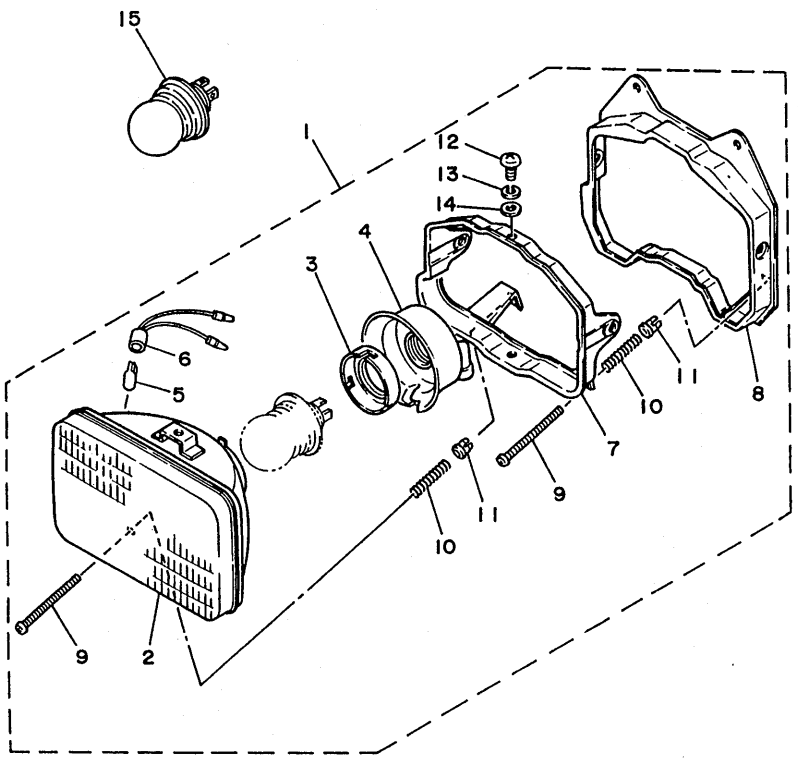


3KR1361-9290

D10

FIG. 30 HEADLIGHT

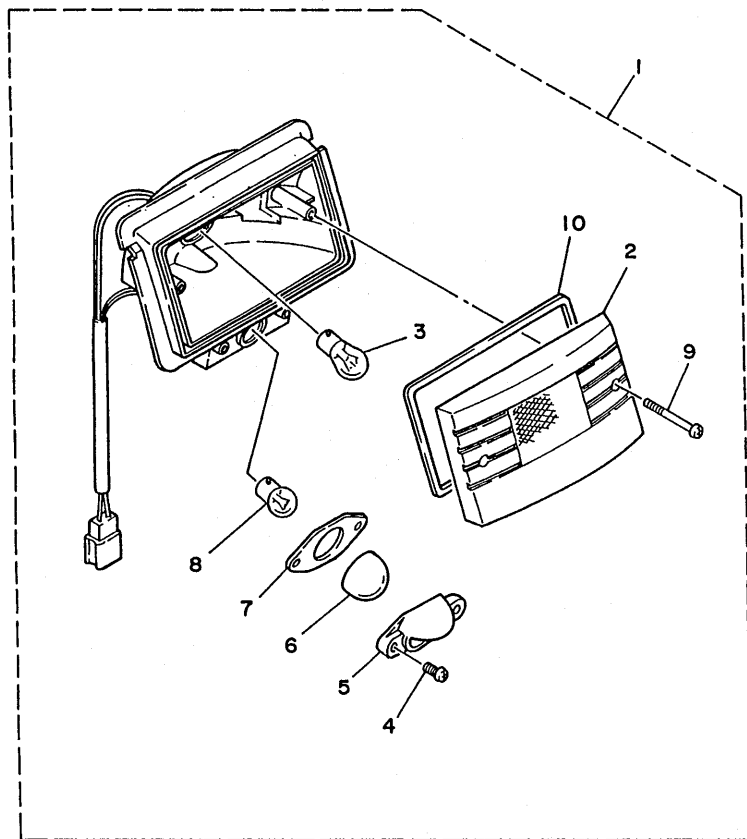
| REF. NO. | PART NO. | DESCRIPTION | Q'TY | REMARKS |
|----------|--------------|------------------------------|------|---------|
| 1 | 50Y-84303-40 | HEADLIGHT UNIT ASSY | 1 | |
| 2 | 50Y-84320-40 | .LENS ASSY | 1 | |
| 3 | 341-84393-40 | .HOLDER, bulb | 1 | |
| 4 | 46X-84396-00 | .COVER | 1 | |
| 5 | 4E2-84347-00 | .BULB (12V-4W) | 1 | |
| 6 | 34L-84346-00 | .SOCKET, pilot light | 1 | |
| 7 | 50W-84395-00 | .RING, retaining | 1 | |
| 8 | 50W-84394-00 | .RING, mounting | 1 | |
| 9 | 98501-04050 | .SCREW, pan head | 2 | |
| 10 | 341-84332-60 | .SPRING, screw | 2 | |
| 11 | 50W-84334-00 | .NUT, adjusting | 2 | |
| 12 | 50W-84333-00 | .SCREW | 4 | |
| 13 | 92990-05100 | .WASHER, spring | 4 | |
| 14 | 92901-05600 | .WASHER, plate | 4 | |
| 15 | * | BULB, head light (12V45/40W) | 1 | LM |



50W351-5300

D11

FIG. 31 TAILLIGHT



| REF. NO. | PART NO. | DESCRIPTION | Q'TY. | REMARKS |
|----------|--------------|------------------------------|-------|---------|
| 1 | 51F-84710-41 | TAILLIGHT UNIT ASSY | 1 | |
| 2 | 25G-84721-01 | .LENS, taillight | 1 | |
| 3 | 36Y-84714-40 | .BULB, taillight (12V-21/5W) | 1 | |
| 4 | 97706-40512 | .SCREW, tapping | 2 | |
| 5 | 25G-84747-01 | .COVER, licence light | 1 | |
| 6 | 25G-84743-01 | .LENS, licence light | 1 | |
| 7 | 25G-84742-00 | .SEAT, base | 1 | |
| 8 | 34M-84714-00 | .BULB (12V-5W) | 1 | |
| 9 | 2E9-84524-00 | .SCREW, lens fitting | 2 | |
| 10 | 32H-84723-00 | .GASKET, tail lens | 1 | |

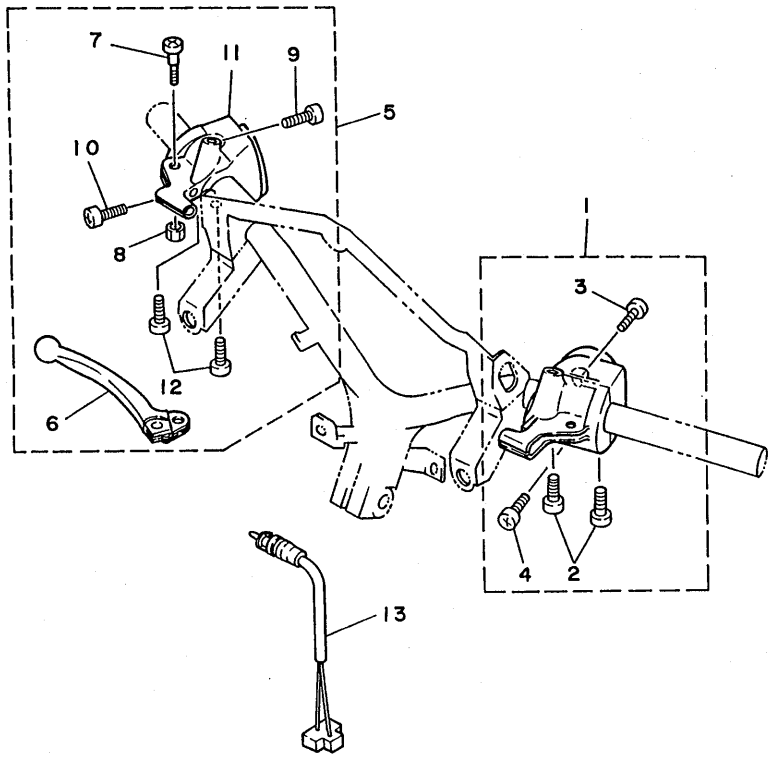


3KRI36I-9310

D12

FIG. 32 HANDLE SWITCH. LEVER

| REF. NO. | PART NO. | DESCRIPTION | Q'TY | REMARKS |
|----------|--------------|---------------------------|------|---------|
| 1 | 50W-83973-30 | SWITCH, handle 3 | 1 | |
| 2 | 98901-04010 | .SCREW, bind | 2 | |
| 3 | 98506-05020 | .SCREW, pan head | 1 | |
| 4 | 98506-05012 | .SCREW, pan head | 1 | |
| 5 | 50W-W8292-30 | LEVER HOLDER ASSY (RIGHT) | 1 | |
| 6 | 56J-83922-00 | .LEVER 2 | 1 | |
| 7 | 90149-05121 | .SCREW | 1 | |
| 8 | 95601-05100 | .NUT, u | 1 | |
| 9 | 98506-05012 | .SCREW, pan head | 1 | |
| 10 | 98506-05020 | .SCREW, pan head | 1 | |
| 11 | 50W-83975-30 | .SWITCH, handle 2 | 1 | |
| 12 | 98901-04010 | .SCREW, bind | 2 | |
| 13 | 50W-83980-00 | FRONT STOP SWITCH ASSY | 1 | |

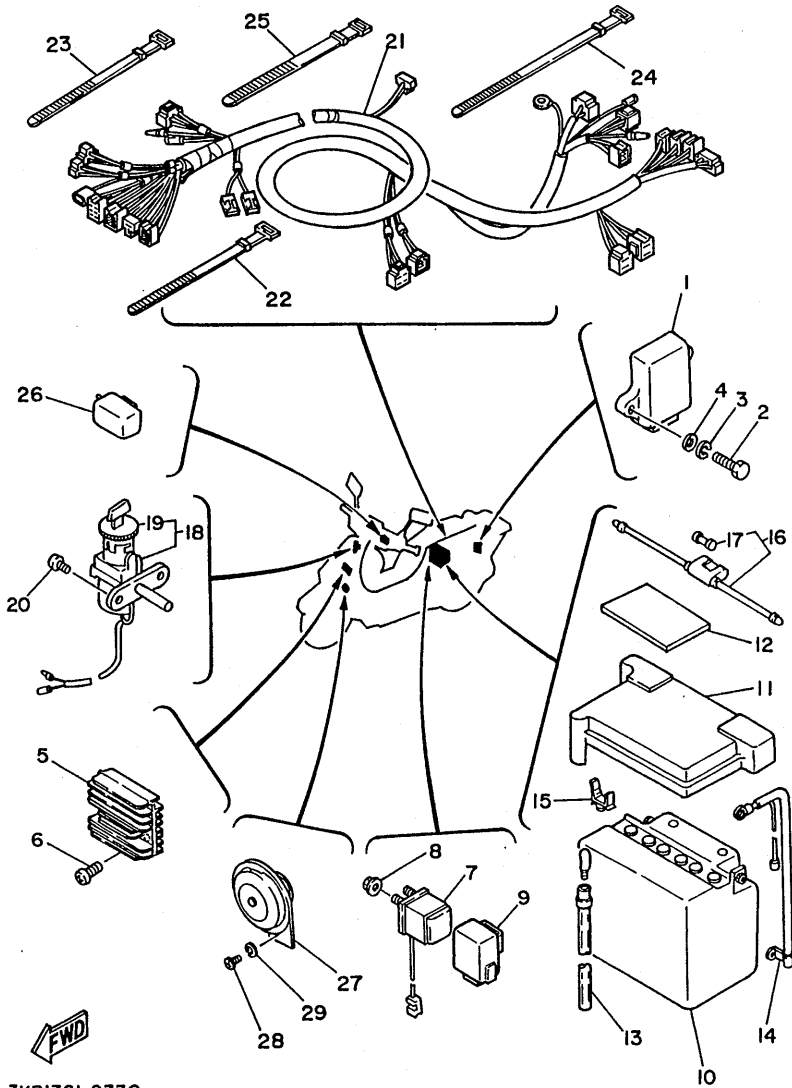


50V010-4321

D13

FIG. 33 ELECTRICAL 1

| REF. NO. | PART NO. | DESCRIPTION | Q'TY | REMARKS |
|----------|--------------|----------------------------|------|---------|
| 1 | 2YM-82305-00 | IGNITOR UNIT ASSY | 1 | |
| 2 | 97001-06025 | BOLT | 2 | |
| 3 | 92990-06100 | WASHER, spring | 2 | |
| 4 | 92990-06600 | WASHER, plate | 2 | |
| 5 | 36F-81960-A0 | RECTIFIER & REGULATOR ASSY | 1 | |
| 6 | 92501-06020 | SCREW, pan head | 2 | |
| 7 | 50W-81940-10 | STARTER SWITCH ASSY | 1 | |
| 8 | 95701-06500 | NUT, flange | 2 | |
| 9 | 50M-81950-00 | RELAY ASSY | 1 | |
| 10 | 1JE-82110-60 | BATTERY ASSY (GS GM7CZ-3D) | 1 | |
| 11 | 50W-82129-00 | COVER, battery | 1 | |
| 12 | 50W-82121-00 | PAD, battery | 1 | |
| 13 | 90445-08336 | HOSE | 1 | |
| 14 | 50W-82115-00 | WIRE, plus lead | 1 | |
| 15 | 90464-06053 | CLAMP | 1 | |
| 16 | 164-82150-00 | FUSE HOLDER ASSY | 1 | |
| 17 | 148-82151-00 | .FUSE (20A) | 1 | |
| 18 | 50M-82501-30 | MAIN SWITCH STEERING LOCK | 1 | |
| 19 | 50W-82552-30 | .CAP, switch | 1 | |
| 20 | 90149-06228 | SCREW | 2 | |
| 21 | 3KR-82590-00 | WIRE HARNESS ASSY | 1 | |
| 22 | 437-83936-10 | BAND, switch cord | 2 | |
| 23 | 437-83936-00 | BAND, switch cord | 1 | |
| 24 | 25G-83936-00 | BAND, switch cord | 2 | |
| 25 | 25G-83936-00 | BAND, switch cord | 1 | |
| 26 | 34L-83350-20 | FLASHER RELAY ASSY | 1 | |
| 27 | 34Y-83371-00 | HORN | 1 | |
| 28 | 92506-06012 | SCREW, pan head | 1 | |

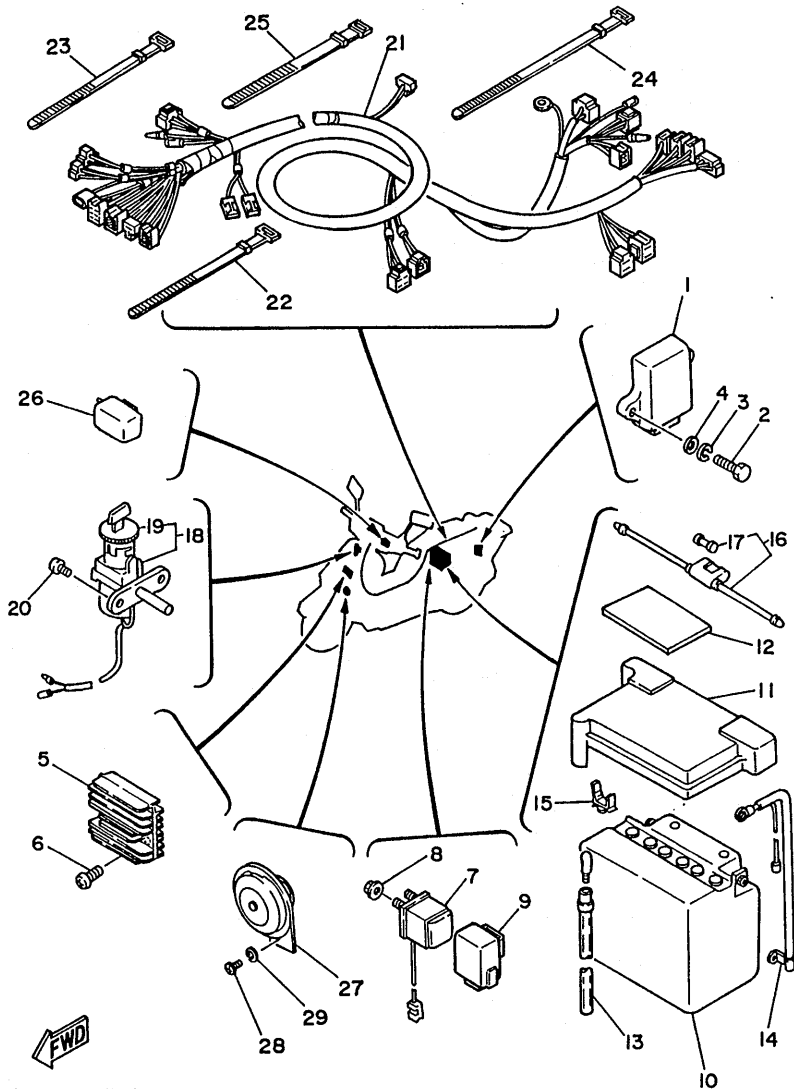


3KR1361-9330

D14

FIG. 33 ELECTRICAL 1

| REF. NO. | PART NO. | DESCRIPTION | Q'TY | REMARKS |
|----------|-------------|----------------|------|---------|
| 29 | 92906-06100 | WASHER, spring | 1 | |

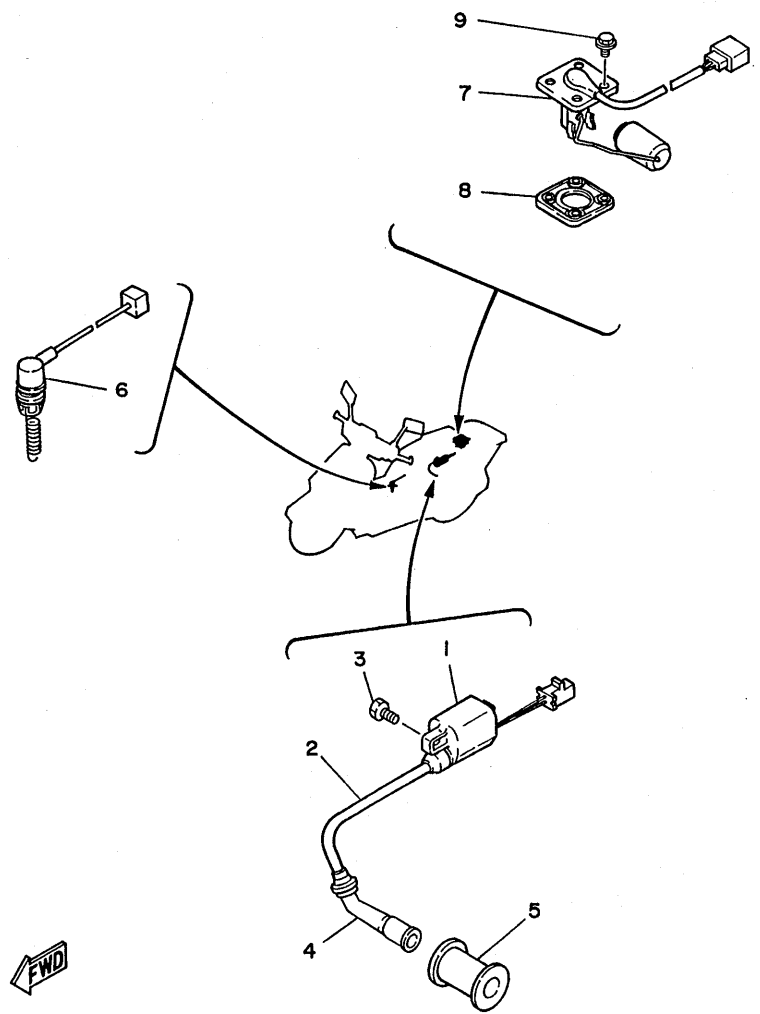


3KRI36I-9330

D15

FIG. 34 ELECTRICAL 2

| REF. NO. | PART NO. | DESCRIPTION | Q'TY | REMARKS |
|----------|--------------|------------------------------|------|---------|
| 1 | 25G-82310-10 | IGNITION COIL ASSY | 1 | |
| 2 | 3AD-82341-00 | CORD, high tension 1 | 1 | |
| 3 | 97001-06020 | BOLT | 2 | |
| 4 | 33M-82370-01 | PLUG CAP ASSY | 1 | |
| 5 | 50M-82372-00 | SEAL, plug cap | 1 | |
| 6 | 50W-82530-00 | STOP SWITCH ASSY | 1 | |
| 7 | 50W-85752-00 | SENDER UNIT ASSY, fuel meter | 1 | |
| 8 | 5G3-85753-00 | GASKET, sender unit | 1 | |
| 9 | 90119-05071 | BOLT, with washer | 4 | |



50V010-4340

E2

NUMERICAL INDEX

| PART NO. | GRID NO. | PART NO. | GRID NO. | PART NO. | GRID NO. | PART NO. | GRID NO. | PART NO. | GRID NO. | PART NO. | GRID NO. |
|-----------------|----------|--------------|----------|--------------|----------|-----------------|----------|-----------------|----------|-----------------|----------|
| 50M-W1441-00 | B- 7 | 50M-12611-00 | B- 5 | 1MM-14610-00 | B-10 | 50W-17670-00 | C- 2 | 36F-22184-00 | C- 7 | 5Y1-2513A-00 | C-13 |
| 50M-W1443-00 | B- 7 | 50M-12651-00 | B- 5 | 22F-14613-00 | B-10 | 50W-17674-00 | C- 2 | 50W-22210-00 | C- 7 | 50W-25135-00 | C-13 |
| 50M-W247E-00 | C-11 | 50M-12652-00 | B- 5 | 50M-14651-00 | B- 2 | 50W-17684-00 | C- 2 | 164-22216-00 | B-11 | 109-25136-00 | C-13 |
| 2YM-W247F-00 | C-11 | 50M-12653-00 | B- 5 | 2YM-1490J-00 | B- 8 | 50M-21110-00 | C- 4 | | C- 7 | 102-25137-00 | C-14 |
| 51F-W2470-00 | C-11 | 50M-12654-00 | B- 5 | 50M-14926-00 | B- 8 | 50W-2117E-00 | C- 4 | 2YM-23310-00 | C- 8 | 36F-25138-00 | C-13 |
| 25G-W2535-00 | C-13 | 50M-13300-00 | B- 6 | 50M-14952-00 | B- 8 | 50M-21171-00 | C- 4 | 50W-23317-00 | C- 9 | 50W-25149-00 | C-13 |
| 25G-W2536-01 | C-15 | 50M-13325-00 | B- 6 | 50M-15100-01 | B-11 | 50W-21172-00 | C- 4 | 2YM-23338-00-14 | C- 9 | 25G-25155-00 | C-13 |
| 50W-W8292-30 | D-13 | 50M-13341-00 | B- 6 | 50M-15112-00 | B-12 | 50M-21243-00 | C- 4 | 2YM-23339-00-14 | C- 9 | 36F-25159-00 | C-13 |
| 50M-Y2162-00 | C- 5 | 50M-13342-00 | B- 6 | 2YM-15191-00 | B-13 | 50W-2128A-00 | C- 4 | 50W-23350-00 | C- 8 | | C-15 |
| 50M-1111F-00 | B- 4 | 50M-13344-00 | B- 6 | 50M-15316-00 | B-11 | 55E-21308-00 | C-11 | 50W-23361-00 | C- 8 | 50M-25168-20-35 | C-13 |
| 50M-11110-00 | B- 2 | 50M-13405-00 | B- 6 | | B-11 | 33M-21376-00 | D- 5 | 296-23362-09 | C- 8 | 50W-25178-00 | C-14 |
| 22F-11134-10 | B- 2 | 22F-13411-00 | B- 6 | 50M-15317-01 | B-11 | 50M-2139X-00 | C- 4 | | C- 8 | 50W-25181-00 | C-14 |
| | B- 2 | 50M-13455-00 | B-12 | 2H7-15361-00 | B-12 | 50M-21391-00 | C- 4 | 296-23363-01 | C- 8 | 50W-25188-00 | C-14 |
| 15A-11162-00 | B- 2 | 50M-13475-00 | B- 6 | 1RG-15363-00 | B-12 | 50M-21393-00 | C- 4 | | C- 8 | 109-25315-00 | C-13 |
| 50M-11162-00 | B- 2 | 50M-13585-00 | B- 7 | 4J2-15363-00 | B-11 | 50M-2143A-00 | C- 4 | 296-23364-02 | C- 8 | 50W-25321-00 | C-15 |
| 50M-11166-00 | B-11 | 1XX-14105-00 | B- 9 | 583-15371-00 | B-11 | 50W-21471-00 | C- 4 | | C- 8 | 50W-2533A-00 | C-15 |
| 371-11167-01 | B-11 | 5Y1-14115-00 | B- 8 | 50M-15381-00 | B-15 | 50W-21511-00-GE | C- 5 | 19E-23371-00 | C- 8 | 50M-25338-20-35 | C-15 |
| 50M-11181-00 | B- 2 | 50M-14261-00 | B- 8 | 50M-15411-00 | B-12 | 50W-21511-00-OK | C- 5 | 296-23372-09 | C- 8 | 2RH-25351-00 | C-15 |
| 50M-11185-01 | B- 2 | 30X-14286-00 | B- 8 | 50M-15417-00 | B-12 | 2YM-21529-00 | C- 5 | | C- 8 | 3Y6-25351-00 | C-13 |
| 22F-11186-00 | B- 2 | 3KR-14301-00 | B- 8 | 50M-15418-00 | B-11 | 25G-21535-00 | C- 6 | 296-23381-01 | C- 8 | 371-25355-02 | C-15 |
| 812-11198-00 | B-12 | 50M-14321-00 | B- 8 | 50W-15421-00 | B-11 | | D- 3 | | C- 8 | 50W-25371-00 | C-14 |
| 50M-11310-00 | B- 2 | 30X-14333-00 | B- 8 | 50M-15431-00 | B-12 | 2YM-21556-00 | C- 5 | 296-23382-01 | C- 8 | 1A1-25398-01 | C-14 |
| 50M-11351-00 | B- 2 | 50M-14335-00 | B- 8 | 50M-15449-00 | B-12 | 2YM-21578-00 | D- 5 | | C- 8 | 1A1-25399-00 | C-14 |
| 50M-11400-00 | B- 3 | 2YM-14340-00 | B- 8 | 50M-15451-00 | B-12 | 50M-21622-00 | C- 4 | 116-23383-00 | C- 8 | 2M0-25399-00 | C-14 |
| 50M-11500-00 | B- 3 | 2YM-14341-00 | B- 8 | 50M-15455-00 | B-13 | 50W-21631-00 | C- 5 | | C- 8 | 50W-26110-20 | D- 2 |
| 50M-11610-00 | B- 3 | 50M-14342-16 | B- 8 | 50M-15461-00 | B-11 | 50M-21638-00 | C- 5 | 50W-23383-00 | C-14 | 50W-26143-00-GE | D- 6 |
| 50M-11610-20 | B- 3 | 50M-14343-54 | B- 8 | 50M-15462-00 | B-11 | 50M-21642-00 | C- 4 | 116-23384-00 | C- 8 | 50W-26143-00-OK | D- 6 |
| 50M-11610-40 | B- 3 | 50M-14355-00 | B- 8 | 2YM-15470-00 | B-13 | 26H-21708-00 | D- 5 | | C- 8 | 50W-26145-30 | D- 6 |
| 2YM-11631-00-A0 | B- 3 | | B- 9 | 50M-15512-00 | B-14 | 50W-2171L-30 | C- 6 | 122-23411-00 | C- 9 | 50W-26223-00 | D- 6 |
| 22K-11633-01 | B- 3 | 50V-14370-01 | B- 8 | 50M-15521-00 | B-14 | 50W-2171M-30 | C- 6 | 156-23411-00 | C- 8 | 35R-26241-00 | D- 2 |
| 2YM-11636-00 | B- 3 | 50M-14371-01 | B- 8 | 50M-15524-00 | B-14 | 50X-21711-00 | C- 6 | 122-23412-00 | C- 9 | 35R-26242-00 | D- 2 |
| 2YM-11638-00 | B- 3 | 50M-14384-00 | B- 8 | 50M-15570-00 | B-14 | 50W-21717-00 | C- 4 | 156-23412-00 | C- 9 | 35R-26243-00 | D- 2 |
| 50M-12111-00 | B- 4 | 5Y1-14385-00 | B- 8 | 50M-16111-01 | B-15 | 50W-21721-10-6X | C- 6 | 122-23416-00 | C- 9 | 50M-26290-00 | D- 6 |
| 22F-12114-00 | B- 4 | 6E5-14386-01 | B- 8 | 50M-16611-00 | B-15 | 50W-21721-10-7X | C- 6 | 50M-24110-00 | C-10 | 50M-26290-10 | D- 6 |
| 22F-12116-00 | B- 4 | 36F-14392-00 | B- 8 | 2YM-16620-00 | B-15 | 50W-2173T-20 | C- 6 | 50W-24181-00 | C- 4 | 35R-26294-00 | D- 6 |
| 22F-12117-02 | B- 4 | 50M-14396-00 | B- 8 | 2YM-16626-00 | B-15 | 50W-21731-10-6X | C- 6 | 50M-24500-00 | C-10 | 50M-26311-00 | D- 2 |
| 22F-12118-01 | B- 4 | 5Y1-14397-00 | B- 8 | 2YM-17211-00 | C- 3 | 50W-21731-10-7X | C- 6 | 22F-24610-01 | C-10 | 50W-26341-00 | D- 2 |
| 22F-12119-01 | B- 4 | 50M-14397-00 | B- 8 | 2YM-17410-00 | C- 3 | 50M-21732-00 | C- 6 | 3T5-24612-02 | C-10 | 50W-26351-00 | D- 2 |
| 50M-12121-01 | B- 4 | 50M-14398-00 | B- 8 | 50W-17611-01 | B-15 | 50W-21741-30 | C- 6 | 4G0-24723-00 | C-11 | 50W-2637A-00 | D- 6 |
| 50M-12151-00 | B- 4 | 50M-14420-00 | B- 9 | 50M-17620-01 | B-15 | 10L-21747-00 | D- 6 | 2T4-24726-10 | C-11 | 50W-26372-00 | D- 6 |
| 22F-12156-00 | B- 4 | 50M-14422-00 | B- 7 | 50W-17623-00 | B-15 | | D- 6 | 50W-24728-00 | C-11 | 50W-26379-00 | D- 2 |
| 22F-12159-00 | B- 4 | 50M-14451-00 | B- 7 | 50M-1763E-01 | B-15 | 50V-2177M-00 | C- 6 | 2YM-24730-00 | C-11 | 50M-27111-00 | D- 3 |
| 50M-12170-00 | B- 4 | 50M-14452-00 | B- 7 | 50M-17630-00 | B-15 | 50V-21778-00 | C- 6 | 50V-24734-00 | C-11 | 50M-27112-00 | D- 3 |
| 50M-12176-00 | B- 4 | 50M-14453-00 | B- 7 | 50M-17632-00 | B-15 | 50V-21779-00 | C- 6 | 1L9-24741-00 | C-11 | 5G3-27114-00 | D- 3 |
| 50M-12210-00 | B- 4 | 5T0-14457-00 | B-13 | 50W-17641-00 | B-15 | 50W-21781-20 | C- 6 | 50W-2478E-00 | C-11 | 50M-27151-00 | D- 3 |
| 50M-12213-00 | B- 4 | 50M-14461-00 | B-13 | 50W-17653-00 | B-15 | 50W-21781-30 | C- 6 | 50X-24819-10 | C-11 | 50W-27211-00 | D- 3 |
| 50M-12231-00 | B- 4 | 1VJ-14462-00 | B- 7 | 50W-17660-00 | C- 2 | 35R-21796-00 | D- 5 | 2YM-24842-00 | C-11 | 50W-27212-00 | D- 3 |
| 50M-12241-00 | B- 4 | 50M-14472-00 | B- 7 | 50W-17664-00 | C- 2 | 50W-22110-00 | C- 7 | 50W-25121-02-35 | C-13 | 50W-27285-00 | D- 3 |

NUMERICAL INDEX

| PART NO. | GRID NO. | PART NO. | GRID NO. | PART NO. | GRID NO. | PART NO. | GRID NO. | PART NO. | GRID NO. | PART NO. | GRID NO. |
|-----------------|----------|--------------|----------|--------------|----------|-------------|----------|-------------|----------|-------------|----------|
| 50W-27412-00 | D- 3 | 50W-83310-00 | D- 9 | 25G-84742-00 | D-12 | 90175-06018 | D- 2 | 90445-09059 | B- 9 | 92501-06020 | B-12 |
| 50W-27422-00 | D- 3 | 50W-83312-00 | D- 9 | 25G-84743-01 | D-12 | 90179-14427 | B-15 | 90445-10308 | C-10 | | B-13 |
| 50W-27481-30 | D- 3 | 32H-83313-00 | D- 9 | 4G1-84744-00 | D-10 | 90179-25033 | C- 9 | 90446-07112 | B-11 | | D-14 |
| 50W-27483-30 | D- 3 | | D- 9 | 25G-84747-01 | D-12 | 90185-14124 | C-15 | 90460-45222 | B- 7 | 92501-06025 | B- 5 |
| 50W-27486-00-GE | D- 3 | 50W-83313-00 | D- 9 | 50W-85752-00 | E- 2 | 90201-06M02 | D- 4 | 90460-56105 | B- 7 | 92503-06018 | B- 5 |
| 50W-27486-00-OK | D- 3 | | D- 9 | 5G3-85753-00 | E- 2 | 90201-06OH9 | D- 5 | 90464-06053 | D-14 | 92506-06012 | D-14 |
| 50W-27487-00-GE | D- 3 | 50W-8332E-00 | D- 9 | 90101-06278 | C-13 | 90201-06412 | B-15 | 90467-09006 | C-10 | 92701-06015 | B-11 |
| 50W-27487-00-OK | D- 3 | 50W-83320-00 | D- 9 | 90101-06291 | C-15 | 90201-067J4 | C- 5 | 90467-14015 | B-11 | | C-12 |
| 50W-28100-00 | D- 5 | 50W-83322-00 | D- 9 | 90101-06576 | B-10 | 90201-07076 | C-13 | 90480-12053 | B-10 | 92701-06025 | B- 6 |
| 50W-28311-00-GE | D- 5 | 50W-83330-00 | D- 9 | 90101-08590 | D- 9 | 90201-080L7 | B- 2 | 90480-12237 | B-12 | 92901-04600 | B-15 |
| 50W-28311-00-OK | D- 5 | 32H-83331-00 | D- 9 | 90102-10059 | C-14 | 90201-08087 | B-11 | 90480-13018 | D- 6 | 92901-05600 | B- 7 |
| 50W-28312-30 | D- 5 | | D- 9 | 90105-08256 | C- 7 | 90201-08326 | B- 4 | 90480-30167 | B- 5 | | D- 6 |
| 50W-28313-30 | D- 5 | | D- 9 | 90105-08324 | B- 2 | 90201-08403 | B- 6 | 90501-503A3 | C- 2 | | D-11 |
| 25H-28315-00 | D- 5 | | D- 9 | 90105-10393 | D- 2 | 90201-08795 | C- 7 | 90506-06279 | B- 5 | 92901-06200 | D- 2 |
| 50W-28315-00 | D- 5 | 25G-83332-00 | D- 9 | 90105-12228 | C- 4 | 90201-105J4 | B-14 | 90506-17328 | C-13 | 92901-06600 | B- 5 |
| 50W-28321-00 | D- 5 | 50W-83340-00 | D- 9 | 90109-06504 | C-11 | 90201-14411 | D- 3 | | C-15 | | B-12 |
| 35R-28328-00 | C- 6 | 25G-83342-00 | D- 9 | 90109-08607 | C- 9 | 90201-153H0 | C- 3 | 90506-20193 | D- 3 | | C-11 |
| 50W-2834J-00 | D- 5 | 34L-83350-20 | D-14 | 90119-05071 | E- 2 | 90201-163F8 | B-14 | 90506-20308 | D- 3 | | B-11 |
| 50W-2834V-00 | D- 5 | 34Y-83371-00 | D-14 | 90119-06018 | C- 4 | 90201-17485 | B-11 | 90508-26616 | C-13 | | D- 8 |
| 20H-28349-A0 | D- 5 | 3KR-83509-00 | D-10 | | C- 6 | 90201-20276 | C-15 | 90508-26653 | C-15 | 92901-08600 | C- 4 |
| 50W-2835U-30 | D- 5 | 3KR-83510-00 | D-10 | | D- 3 | 90201-244J3 | C-13 | 90560-12261 | C-13 | | C-11 |
| 50W-28371-01 | D- 5 | 50W-83515-00 | D-10 | | D- 5 | 90202-06010 | C-10 | 91311-06016 | B- 4 | 92901-10100 | C- 8 |
| 3CV-28378-00 | D- 6 | 50W-83550-01 | D-10 | 90119-08128 | C-15 | 90208-15037 | C- 3 | 91311-06110 | B- 2 | 92901-12100 | D- 7 |
| 50M-81410-10 | D- 7 | 56J-83922-00 | D-13 | 90149-05121 | D-13 | 90209-12259 | C-14 | 91316-06012 | B- 4 | 92901-12200 | D- 3 |
| 2YM-81450-00 | D- 7 | 25G-83936-00 | D-14 | 90149-06007 | C- 6 | 90214-04038 | B-15 | 91316-06020 | B- 7 | 92906-06100 | D-15 |
| 2YM-81800-00 | D- 8 | | D-14 | 90149-06011 | C-10 | 90215-14236 | C- 2 | | B-12 | 92990-05100 | D-11 |
| 50M-81801-M0 | D- 8 | 437-83936-00 | D-14 | 90149-06184 | C- 6 | 90240-06108 | D- 2 | | B-12 | 92990-06100 | B- 5 |
| 50M-81828-M0 | D- 8 | 437-83936-10 | D-14 | | C- 6 | 90249-12008 | D- 2 | 91316-06025 | B-12 | | C-11 |
| 50M-8183G-M0 | D- 8 | 50W-83973-30 | D-13 | 90149-06228 | D-14 | 90267-40054 | D- 3 | 91316-06035 | B-12 | | D- 8 |
| 50W-81940-10 | D-14 | 50W-83975-30 | D-13 | 90155-08002 | C- 8 | | D- 5 | | B-12 | | D-14 |
| 50M-81950-00 | D-14 | 50W-83980-00 | D-13 | 90157-04088 | B-15 | 90267-40073 | D- 5 | | B-12 | 92990-06600 | B-10 |
| 36F-81960-A0 | D-14 | 50Y-84303-40 | D-11 | 90159-03102 | D-10 | 90280-03017 | B- 3 | 91316-06060 | B-11 | | D-14 |
| 1JE-82110-60 | D-14 | 50Y-84320-40 | D-11 | 90159-05089 | D- 6 | 90338-05056 | B- 7 | | B-12 | 92990-08100 | B-10 |
| 50W-82115-00 | D-14 | 341-84332-60 | D-11 | | D- 6 | 90340-36098 | B-12 | 91316-08050 | C-11 | | C- 9 |
| 50W-82121-00 | D-14 | 50W-84333-00 | D-11 | 90159-06013 | D- 5 | 90387-06002 | C- 4 | 91401-20015 | C-14 | 92990-08200 | C-11 |
| 50W-82129-00 | D-14 | 50W-84334-00 | D-11 | 90159-06071 | C- 6 | 90387-061F8 | C- 4 | | D- 2 | 92990-12600 | D- 7 |
| 164-82150-00 | D-14 | 34L-84346-00 | D-11 | | C- 6 | 90387-087L0 | B-12 | 91401-20025 | D- 3 | 93101-23127 | B-15 |
| 148-82151-00 | D-14 | 4E2-84347-00 | D-11 | 90164-04008 | D- 3 | 90387-100L5 | B-14 | 91401-25020 | D- 3 | 93102-17235 | C-13 |
| 2YM-82305-00 | D-14 | 341-84393-40 | D-11 | 90167-05015 | D- 6 | 90387-100L9 | C-14 | 91401-30030 | C-14 | 93102-19276 | D- 7 |
| 25G-82310-10 | E- 2 | 50W-84394-00 | D-11 | | D- 9 | 90387-101H3 | C-14 | 91490-20025 | C-15 | 93102-22294 | B-11 |
| 3AD-82341-00 | E- 2 | 50W-84395-00 | D-11 | 90167-05016 | C- 6 | 90387-120L7 | C-14 | 91609-30014 | B- 6 | 93102-22335 | B-15 |
| 33M-82370-01 | E- 2 | 46X-84396-00 | D-11 | | D- 5 | 90387-120L8 | C-13 | 92501-06010 | B-15 | 93102-25334 | C- 3 |
| 50M-82372-00 | E- 2 | 2E9-84524-00 | D-12 | 90170-05302 | B- 4 | 90387-155J0 | C- 7 | | B-15 | 93102-47297 | C-13 |
| 50M-82501-30 | D-14 | 51F-84710-41 | D-12 | 90170-12181 | D- 7 | 90387-166L7 | B-15 | 92501-06014 | B- 2 | 93104-07003 | C-13 |
| 50W-82530-00 | E- 2 | 34M-84714-00 | D-12 | 90170-12338 | C- 2 | 90401-10035 | C- 8 | | C-11 | 93104-41091 | C- 2 |
| 50W-82552-30 | D-14 | 36Y-84714-40 | D-12 | 90170-36333 | B-15 | 90430-06014 | B- 4 | | C-11 | 93109-28043 | C- 7 |
| 3KR-82590-00 | D-14 | 25G-84721-01 | D-12 | 90171-12042 | C-14 | 90445-07370 | C-10 | 92501-06020 | B- 5 | 93210-07540 | B-11 |
| 50W-8331E-00 | D- 9 | 32H-84723-00 | D-12 | 90175-06013 | D- 2 | 90445-08336 | D-14 | | B- 7 | 93210-08006 | B- 6 |

NUMERICAL INDEX

| PART NO. | GRID NO. | PART NO. | GRID NO. | PART NO. | GRID NO. | PART NO. | GRID NO. | PART NO. | GRID NO. | PART NO. | GRID NO. |
|-------------|----------|-------------|----------|-------------|----------|----------|----------|----------|----------|----------|----------|
| 93210-10673 | B-12 | 94701-00283 | B- 2 | 98501-04050 | D-11 | | | | | | |
| 93210-14104 | B-11 | 95303-06600 | C-13 | 98501-05012 | D- 2 | | | | | | |
| | C-14 | 95303-08700 | C- 9 | 98501-05040 | D- 6 | | | | | | |
| 93210-15639 | B-11 | | C- 9 | 98503-04014 | B- 8 | | | | | | |
| 93210-16314 | B-12 | 95303-10700 | C- 8 | 98503-05025 | B- 7 | | | | | | |
| 93210-19123 | B-12 | 95306-06800 | C- 5 | 98506-05012 | D-13 | | | | | | |
| 93210-23326 | C-13 | 95306-08600 | C- 7 | | D-13 | | | | | | |
| 93210-25711 | D- 8 | 95380-06800 | D- 5 | 98506-05020 | D-13 | | | | | | |
| 93210-27672 | B- 7 | 95601-05100 | D-13 | | D-13 | | | | | | |
| 93210-36510 | B-13 | 95601-12200 | C- 4 | 98511-04012 | B- 8 | | | | | | |
| 93210-43713 | C- 2 | 95611-10100 | C-14 | 98901-04010 | D-13 | | | | | | |
| 93210-44704 | B- 2 | 95701-05500 | C- 4 | | D-13 | | | | | | |
| 93210-50582 | B- 6 | 95701-06500 | B-10 | 98903-06012 | C- 9 | | | | | | |
| 93210-53679 | B- 2 | | C- 4 | 99001-10600 | B- 6 | | | | | | |
| 93210-55669 | D- 8 | | C- 6 | 99009-17400 | B-11 | | | | | | |
| 93210-63556 | B- 2 | | C-11 | 99009-22400 | B-15 | | | | | | |
| 93210-71462 | B-11 | | C-11 | 99510-10114 | B- 2 | | | | | | |
| 93210-97690 | B-15 | | D- 5 | | B- 2 | | | | | | |
| 93211-08563 | D- 7 | | D-14 | 99510-12016 | B-11 | | | | | | |
| 93306-00314 | B-14 | 95702-08500 | C-11 | 99530-10014 | B-12 | | | | | | |
| 93306-00433 | B-15 | 95801-06012 | C- 4 | | B-12 | | | | | | |
| 93306-20113 | C-13 | 95801-06016 | C- 4 | | B-12 | | | | | | |
| 93306-20213 | C- 7 | 95801-08016 | B-11 | | B-12 | | | | | | |
| 93306-20215 | B- 3 | 95811-06012 | C-10 | | | | | | | | |
| 93306-20336 | B- 3 | 95811-06016 | C- 4 | | | | | | | | |
| 93306-20460 | C- 3 | 95811-08016 | D- 3 | | | | | | | | |
| 93306-30101 | C- 3 | 95811-08035 | D- 3 | | | | | | | | |
| 93306-30109 | C-13 | 95821-06030 | C- 4 | | | | | | | | |
| 93315-11040 | B-14 | 95821-08020 | C- 7 | | | | | | | | |
| 93315-42536 | C- 3 | 95826-06010 | C-11 | | | | | | | | |
| 93399-99918 | B-15 | 97001-06020 | E- 2 | | | | | | | | |
| 93410-24042 | C-13 | 97001-06025 | D- 8 | | | | | | | | |
| 93440-10109 | B- 2 | | D-14 | | | | | | | | |
| 93450-14088 | B- 3 | 97013-06012 | C-11 | | | | | | | | |
| 93450-35015 | B-14 | 97313-06045 | D- 3 | | | | | | | | |
| 93501-04011 | C- 9 | 97313-08016 | B-10 | | | | | | | | |
| 93503-16010 | C- 9 | | C- 4 | | | | | | | | |
| 93605-18078 | B-11 | | C-11 | | | | | | | | |
| 93700-04002 | C- 8 | 97706-40512 | D- 5 | | | | | | | | |
| | C- 8 | | D-12 | | | | | | | | |
| | C-14 | 97780-40120 | B- 7 | | | | | | | | |
| | C-14 | 97780-40130 | D- 9 | | | | | | | | |
| 93700-06004 | C- 8 | | D- 9 | | | | | | | | |
| 93900-00010 | C-14 | 97780-50120 | D- 9 | | | | | | | | |
| | C-15 | 97780-60116 | D- 9 | | | | | | | | |
| 94110-103T4 | C-15 | | D- 9 | | | | | | | | |
| 94110-103T5 | C-13 | 97802-06020 | D- 7 | | | | | | | | |
| 94580-25092 | B- 4 | 98501-04008 | B- 8 | | | | | | | | |

