

# CONTENTS

## ENGINE

Cylinder .....	B2
Crankshaft, Piston .....	B3
Valve .....	B4
Air Shroud, Fan .....	B5
Oil Pump .....	B6
Intake .....	B7
Carburetor .....	B8~B9
Exhaust .....	B10
Crankcase .....	B11~B13
Starter Clutch .....	B14
Clutch .....	B15~C2
Transmission .....	C3

## CHASSIS

Frame .....	C4
Fender .....	C5
Side Cover .....	C6
Rear Arm, Suspension .....	C7
Steering .....	C8~C9
Fuel Tank .....	C10
Seat .....	C11
Front Wheel .....	C12~C13
Rear Wheel .....	C14
Steering Handle, Cable .....	C15
Stand, Footrest .....	D2~D3
Leg Shield .....	D4
Cowling 1 .....	D5
Generator .....	D6
Starting Motor .....	D7

Flasher Light .....	D8
Meter .....	D9
Headlight .....	D10
Taillight .....	D11
Handle Switch, Lever .....	D12
Electrical 1 .....	D13~D14
Electrical 2 .....	D15

## INDEX

Numerical Index .....	M1~M3
-----------------------	-------

**YAMAHA**



**PARTS  
CATALOGUE**

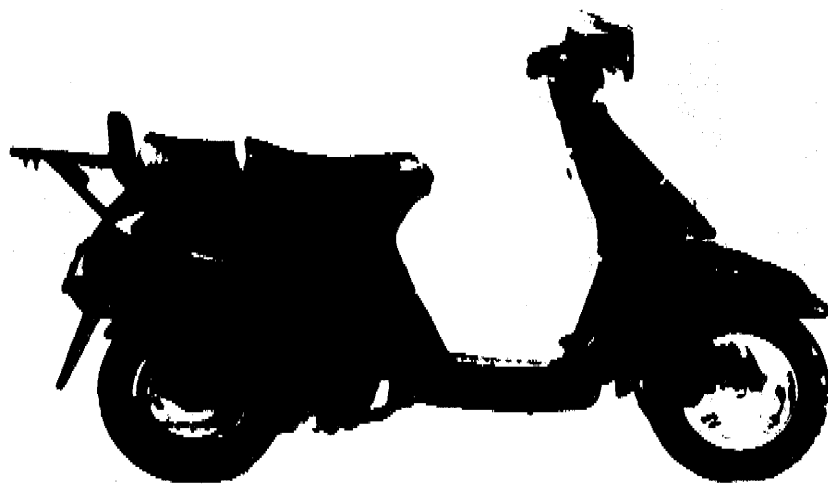
**XC125'90 (3TE1) SWEDEN**

---

200TE-322E2

**YAMAHA**  
**GENUINE**  
PARTS & ACCESSORIES

**A2**



A3

# FOREWORD

This Parts Catalogue is related to the parts in use for the Yamaha XC125'80(3TE1). When you are ordering replacement parts for the XC125'80(3TE1), refer to this Parts Catalogue and quote both part numbers and part names correctly.

1. Modifications or additions which have been made after issue of the Parts Catalogue will be announced in the Yamaha Parts News.

It is advisable that according to the Yamaha Parts News you make necessary corrections to the Parts Catalogue on hand to keep it up-to-date.

2. Abbreviations

The following abbreviations are used in this Parts Catalogue.

- U.R. Use size (thickness) and/or number as required.
- U.N. Use as many as you need.
- A.P. Alternate Parts
- L.M. Local Made
- F# Frame No. (Applicable machine No.)

3. The parts marked with (+) in the parts number column of this Catalogue are not supplied with by Yamaha, those have to be found locally.

4. Parts, which are to be supplied in the form of assemblies, are listed with an indentation of one letter's space, and a dot (.) is put against the name of each part.

**EXAMPLE** CARBURETOR ASS'Y  
     . JET, pilot  
     . NOZZLE, main

5. Indication of No. of constituent parts for assembly

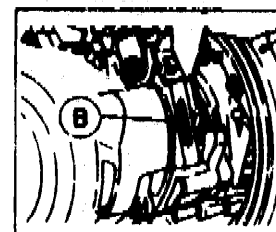
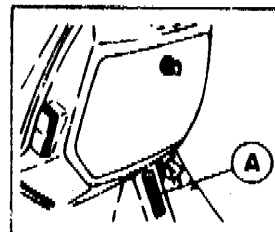
The numeral appearing to the right of each constituent part under the description indicates the quantity of such parts for each individual assembly unit.

**EXAMPLE**

Part No.	Description	Q'ty	Remarks
2F5-83310-80	FRONT FLASHER LIGHT ASS'Y	2	
116-83311-80	. BULB (6V-18W)	1	
116-83309-80	. REFLECTOR	1	

6. Initial Serial No. and Color Code

<b>A</b> Frame Serial No.	3TE-000101 and following
<b>B</b> Engine Serial No.	3TE-000101 and following



Color Code	Color Name	Abbreviation
00GE	SILKY WHITE	SW
000K	FEATHER BLACK	FEB
00AJ	STORMY RED	SMR

7. Application colors of graphics are represented in the "Remarks" column by the letter(s) appropriately picked out of the full word(s) showing such colors.

**EXAMPLE**

Part No.	Description	Q'ty	Remarks
2N4-24110-00-X5	FUEL TANK COMP.	1	MAXIM RED
3J1-24240-10	. GRAPHIC, fuel tank set	1	for MAXI

# CONTENTS

## ENGINE

Cylinder .....	B2
Crankshaft, Piston .....	B3
Valve .....	B4
Air Shroud, Fan .....	B5
Oil Pump .....	B6
Intake .....	B7
Carburetor .....	B8~B9
Exhaust .....	B10
Crankcase .....	B11~B13
Starter Clutch .....	B14
Clutch .....	B15~C2
Transmission .....	C3

## CHASSIS

Frame .....	C4
Fender .....	C5
Side Cover .....	C6
Rear Arm, Suspension .....	C7
Steering .....	C8~C9
Fuel Tank .....	C10
Seat .....	C11
Front Wheel .....	C12~C13
Rear Wheel .....	C14
Steering Handle, Cable .....	C15
Stand, Footrest .....	D2~D3
Leg Shield .....	D4
Cowling 1 .....	D5
Generator .....	D6
Starting Motor .....	D7

Flasher Light .....	D8
Motor .....	D9
Headlight .....	D10
Taillight .....	D11
Handle Switch, Lever .....	D12
Electrical 1 .....	D13~D14
Electrical 2 .....	D15

## INDEX

Numerical Index .....	M1~M3
-----------------------	-------

# CONTENTS

## ENGINE

Cylinder .....	B2
Crankshaft, Piston .....	B3
Valve .....	B4
Air Shroud, Fan .....	B5
Oil Pump .....	B6
Intake .....	B7
Carburetor .....	B8~B9
Exhaust .....	B10
Crankcase .....	B11~B13
Starter Clutch .....	B14
Clutch .....	B15~C2
Transmission .....	C3

## CHASSIS

Frame .....	C4
Fender .....	C5
Side Cover .....	C6
Rear Arm, Suspension .....	C7
Steering .....	C8~C9
Fuel Tank .....	C10
Seat .....	C11
Front Wheel .....	C12~C13
Rear Wheel .....	C14
Steering Handle, Cable .....	C15
Stand, Footrest .....	D2~D3
Leg Shield .....	D4
Cowling 1 .....	D5
Generator .....	D6
Starting Motor .....	D7

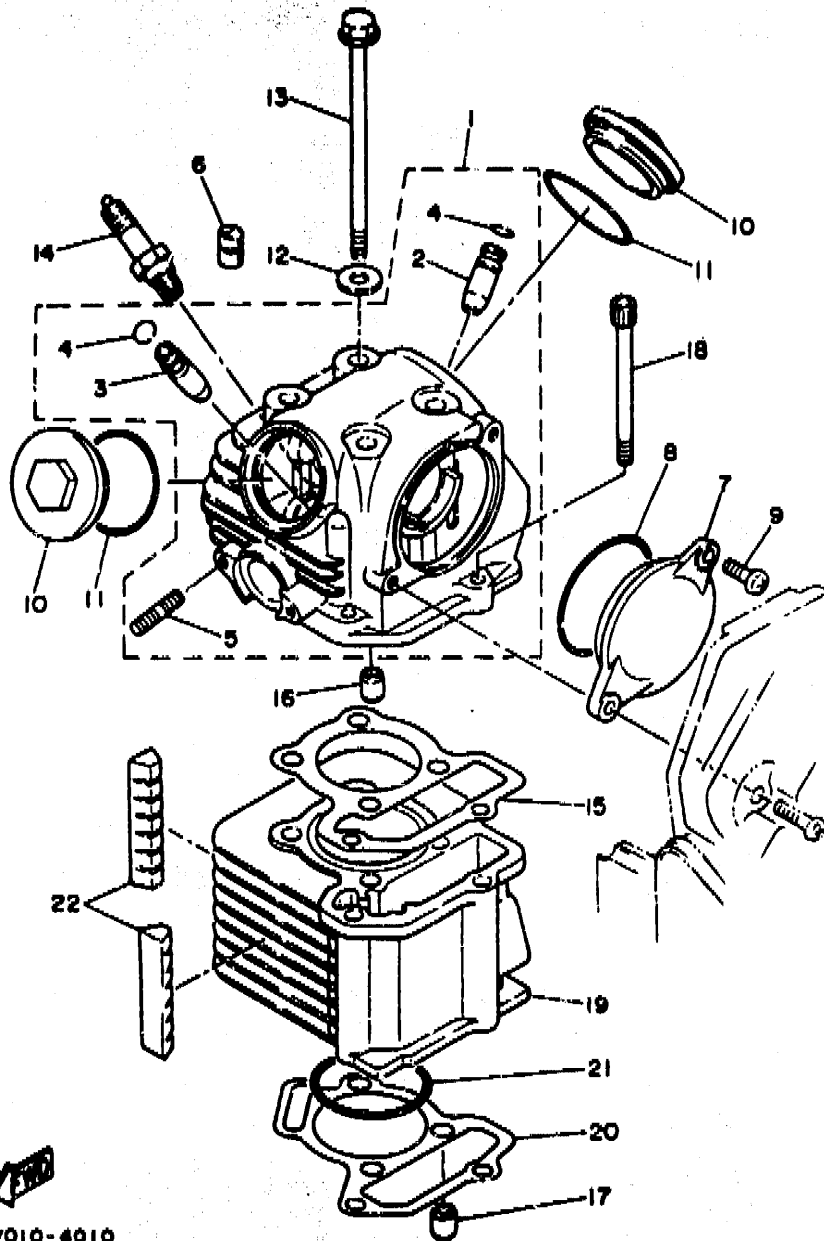
Flasher Light .....	D8
Meter .....	D9
Headlight .....	D10
Taillight .....	D11
Handle Switch, Lever .....	D12
Electrical 1 .....	D13~D14
Electrical 2 .....	D15

## INDEX

Numerical Index .....	M1~M3
-----------------------	-------

FIG. 1 CYLINDER

REF. NO.	PART NO.	DESCRIPTION	Q'TY	REMARKS
1	50M-11110-00	CYLINDER HEAD ASSY	1	
2	22F-11134-10	.GUIDE, EXHAUST VALVE	1	
3	22F-11134-10	.GUIDE, EXHAUST VALVE	1	
4	93440-10109	.CIRCLIP	2	
5	50M-14651-00	.BOLT	2	
6	15A-11162-00	ABSORBER 2	6	
7	50M-11185-01	COVER, CYLINDER HEAD SIDE 1	1	
8	93210-63556	O-RING	1	
9	98502-06016	SCREW, PAN HEAD	1	
10	22F-11186-00	COVER, CYLINDER HEAD SIDE 2	2	
11	93210-44704	O-RING	2	
12	90201-080L7	WASHER, PLATE	4	
13	90105-08324	BOLT, WASHER BASED	4	
14	94701-00283	PLUG, SPARK (ND U20FSR-U)	1	
15	50M-11181-00	GASKET, CYLINDER HEAD 1	1	
16	99510-10114	PIN, DOWEL	2	
17	99510-10114	PIN, DOWEL	2	
18	91311-06110	BOLT	2	
19	50M-11310-00	CYLINDER	1	
20	50M-11351-10	GASKET, CYLINDER	1	
21	93210-53679	O-RING	1	
22	50M-11162-00	ABSORBER 2	3	

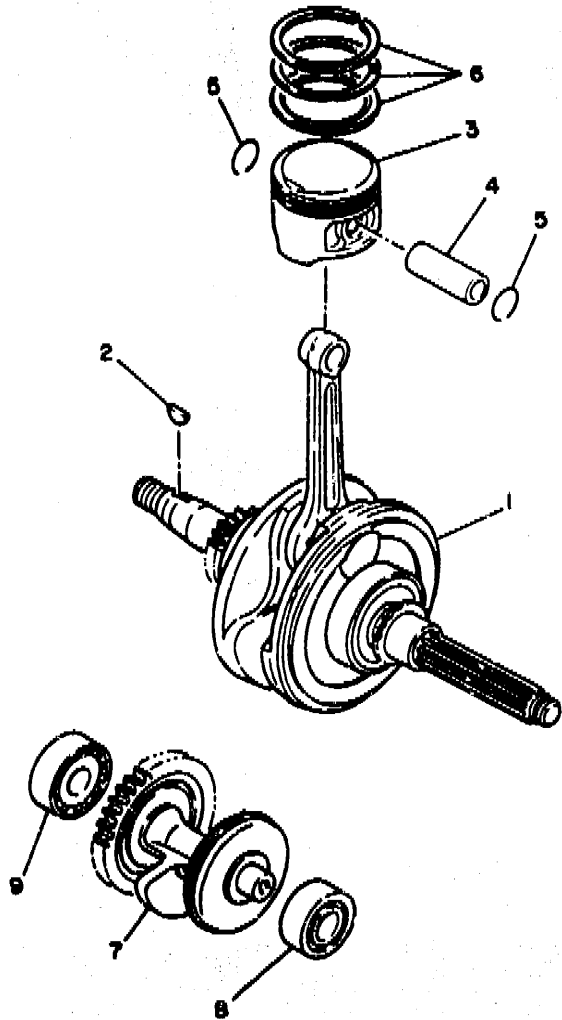


50V010-4010

B2

FIG. 2 CRANKSHAFT, PISTON

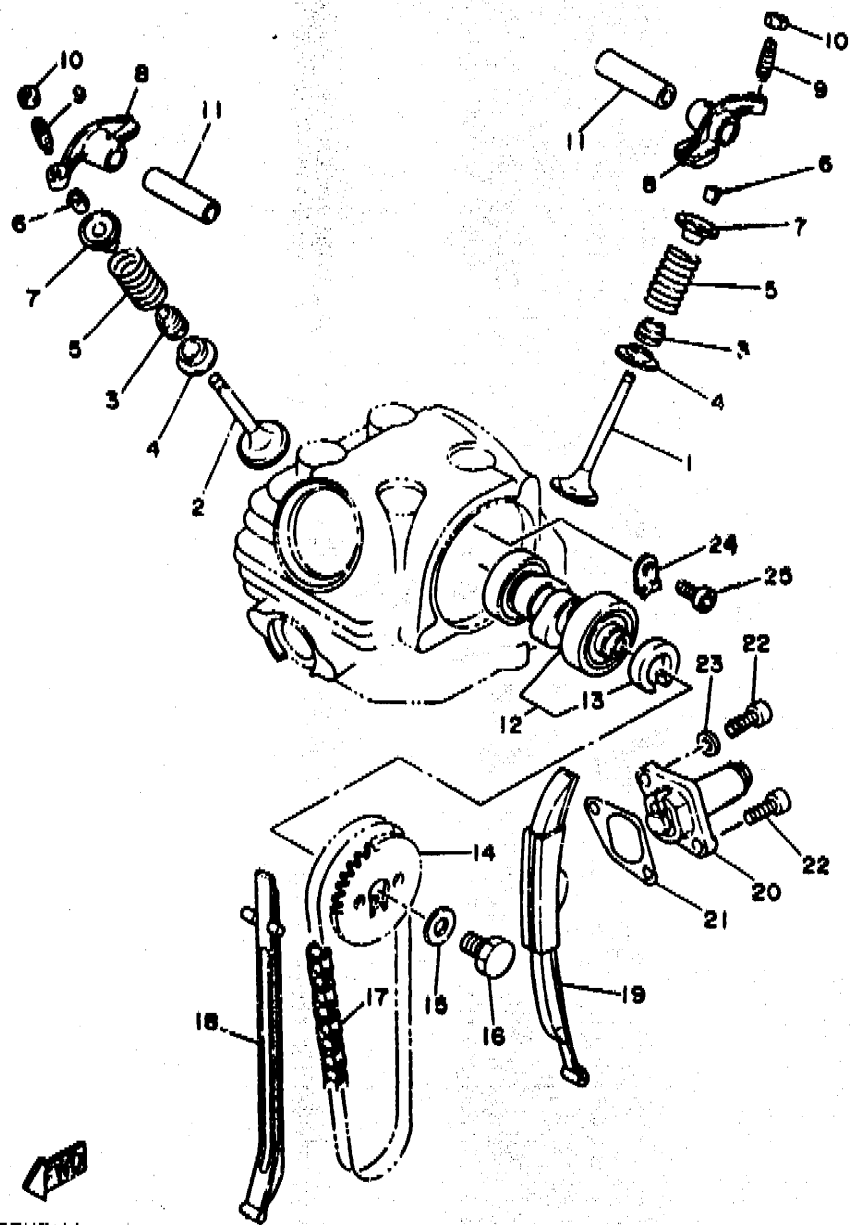
REF. NO.	PART NO.	DESCRIPTION	Q'TY	REMARKS
1	50M-11400-00	CRANKSHAFT ASSY	1	
2	90280-03017	KEY, WOODRUFF	1	
3	2YM-11631-00-A0	PISTON (STD)	1	
	2YM-11636-00	PISTON (0.50MM O/S)	1	AP
	2YM-11638-00	PISTON (1.00MM O/S)	1	AP
4	22K-11633-01	PIN, PISTON	1	
5	93450-14088	CIRCLIP	2	
6	50M-11610-00	PISTON RING SET (STD)	1	
	50M-11610-20	PISTON RING SET (0.50MM O/S)	1	AP
	50M-11610-40	PISTON RING SET (1.00MM O/S)	1	AP
7	50M-11500-00	BALANCER ASSY	1	
8	93306-20215	BEARING	1	
9	93306-20336	BEARING	1	



50V010-4021

**B3**





3EK7110-1C30

FIG. 3 VALVE

REF. NG.	PART NO.	DESCRIPTION	Q'TY	REMARKS
1	50M-12111-00	VALVE, INTAKE	1	
2	50M-12121-01	VALVE, EXHAUST	1	
3	22F-12119-01	SEAL, VALVE STEM	2	
4	22F-12116-00	SEAT, VALVE SPRING	2	
5	22F-12114-00	SPRING, VALVE OUTER	2	
6	22F-12118-01	COTTER, VALVE	4	
7	22F-12117-02	RETAINER, VALVE SPRING	2	
8	50M-12151-00	ARM, VALVE ROCKER	2	
9	22F-12159-00	SCREW, VALVE ADJUSTING	2	
10	90170-05302	NUT	2	
11	22F-12156-00	SHAFT, ROCKER 2	2	
12	50M-12170-00	CAMSHAFT ASSY 1	1	
13	90387-167L5	.COLLAR	1	
14	50M-12176-00	SPROCKET, CAM CHAIN (28T)	1	
15	90201-06326	WASHER, PLATE	1	
16	90101-08590	BOLT	1	
17	94580-25092	CHAIN	1	
18	50M-12231-00	GUIDE, STOPPER 1	1	
19	50M-12241-00	GUIDE, STOPPER 2	1	
20	50M-12210-00	TENSIONER ASSY, CAM CHAIN	1	
21	50M-12213-10	GASKET, TENSIONER CASE	1	
22	91311-06016	BOLT	2	
23	90430-06014	GASKET	1	
24	50M-1111F-00	PLATE	1	
25	91316-06012	BOLT	1	

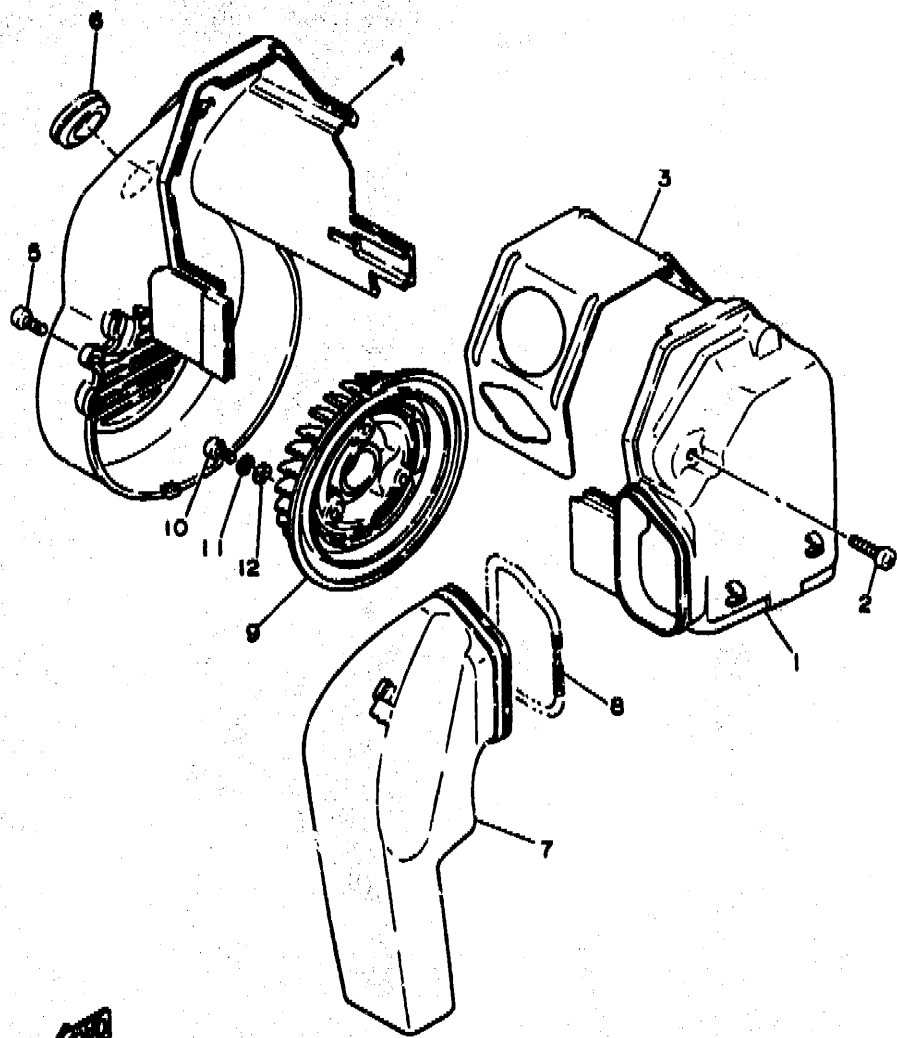


FIG. 4 AIR SHROUD, FAN

REF. NO.	PART NO.	DESCRIPTION	Q'TY	REMARKS
1	50M-12651-00	AIR SHROUD, CYLINDER 1	1	
2	98501-06025	SCREW, PAN HEAD	1	
3	50M-12652-00	AIR SHROUD, CYLINDER 2	1	
4	50M-12653-00	AIR SHROUD, CYLINDER 3	1	
5	98501-06020	SCREW, PAN HEAD	2	
6	90480-30167	GROMMET	1	
7	50M-12654-00	AIR SHROUD, CYLINDER 4	1	
8	90506-06279	SPRING, TENSION	1	
9	50M-12611-00	FAN	1	
10	98503-06018	SCREW, PAN HEAD	3	
11	92995-06100	WASHER	3	
12	92901-06600	WASHER, PLATE	3	

50V010-4040

B5

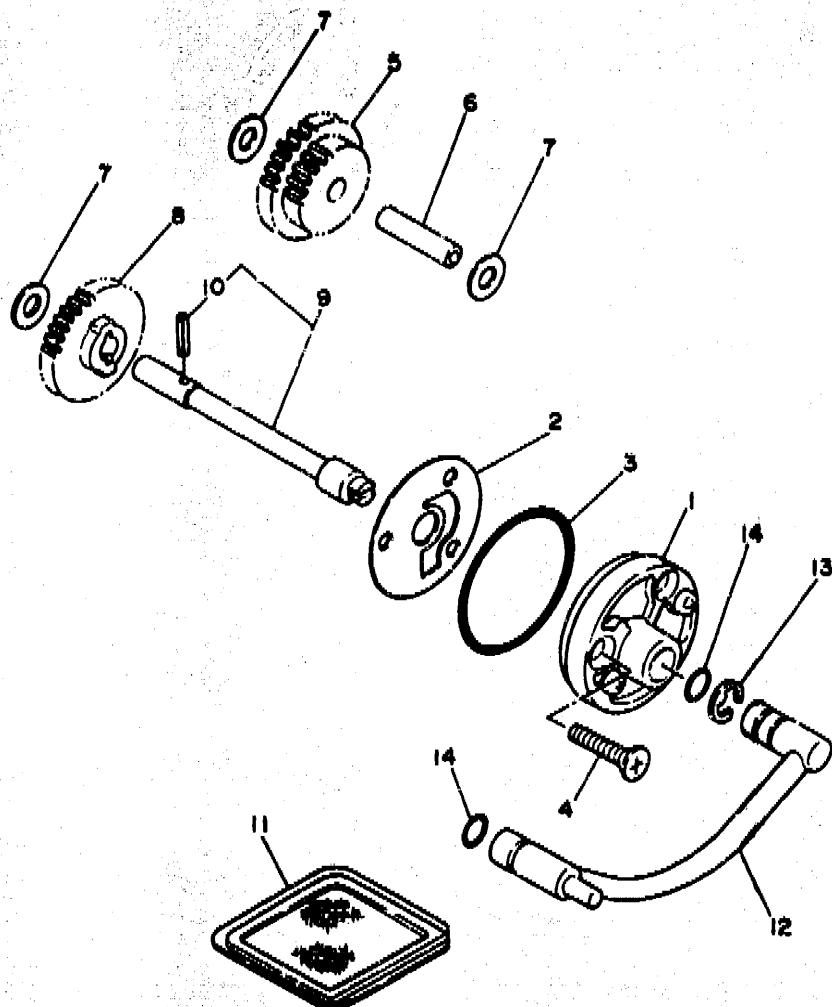


FIG. 5 OIL PUMP

REF. NO.	PART NO.	DESCRIPTION	Q'TY	REMARKS
1	50M-13300-00	OIL PUMP ASSY	1	
2	50M-13475-10	GASKET	1	
3	93210-50582	O-RING	1	
4	98780-06025	SCREW, FLAT HEAD	3	
5	50M-13341-00	GEAR, OIL PUMP IDLE	1	
6	50M-13342-00	SHAFT, IDLE GEAR	1	
7	90201-08403	WASHER, PLATE	3	
8	50M-13325-00	GEAR, PUMP DRIVEN	1	
9	50M-Y1334-00	SHFT, DRIVEN GEAR	1	
10	91690-30014	.PIN, SPRING	1	
11	22F-13411-00	STRAINER, OIL	1	
12	50M-13405-00	OIL PIPE COMP. 1	1	
13	99006-10600	CIRCLIP	1	
14	93210-08006	O-RING	2	

80V010-4080

**B6**

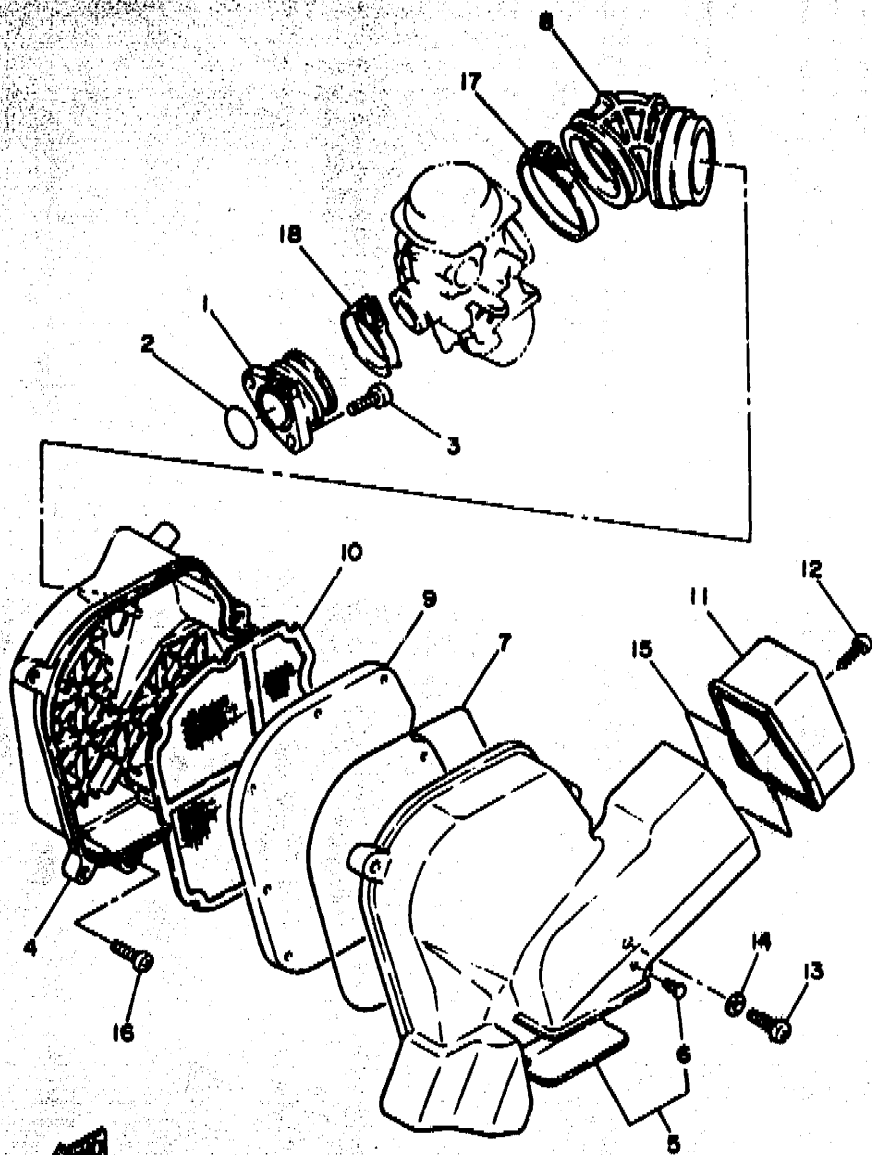
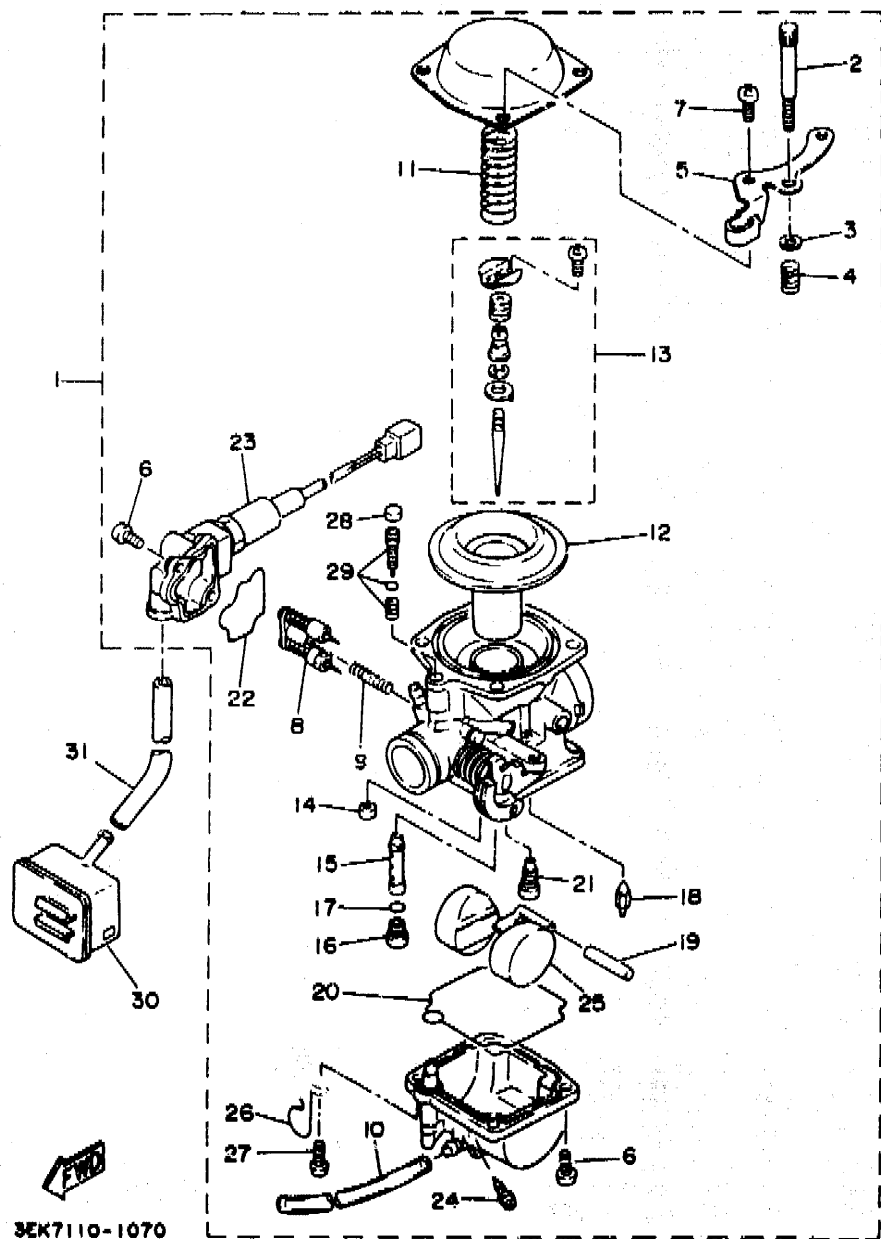


FIG. 6 INTAKE

REF. NO.	PART NO.	DESCRIPTION	Q'TY	REMARKS
1	50M-13585-00	MANIFOLD	1	
2	93210-27672	O-RING	1	
3	91316-06020	BOLT	2	
4	50M-W1441-00	AIR CLEANER CASE COMP.	1	
5	50M-W1443-00	CAP, CLEANER CASE 1	1	
6	90338-05056	PLUG	1	
7	51Y-14462-00	SEAL	1	
8	50M-14453-00	JOINT, AIR CLEANER 1	1	
9	50M-14451-00	ELEMENT, AIR CLEANER	1	
10	50M-14472-00	PLATE, ELEMENT	1	
11	50M-14422-00	CAP, CLEANER CASE 2	1	
12	97780-40120	SCREW, TAPPING	1	
13	98503-05025	SCREW, PAN HEAD	4	
14	92901-05600	WASHER, PLATE	4	
15	50M-14462-01	SEAL	1	
16	98501-06020	SCREW, PAN HEAD	2	
17	90460-56105	CLAMP, HOSE	1	
18	90460-45222	CLAMP, HOSE	1	

60V010-4060

B7



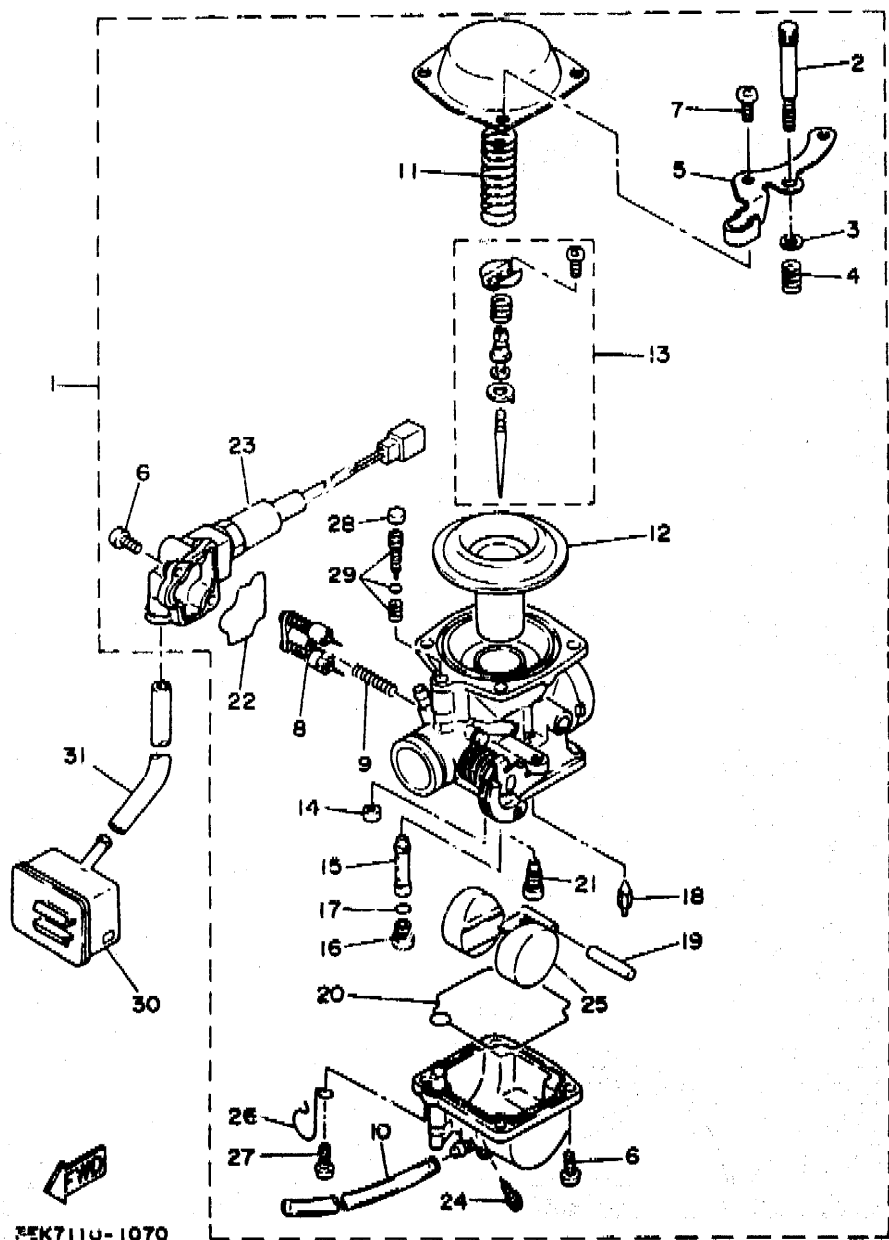
3EK7110-1070

FIG. 7 CARBURETOR

REF. NO.	PART NO.	DESCRIPTION	Q'TY	REMARKS
1	3KR-14301-01	CARBURETOR ASSY 1	1	
2	50M-14321-00	.SCREW, THROTTLE	1	
3	50M-14952-00	.WASHER	1	
4	30X-14333-00	.SPRING, THROTTLE STOP	1	
5	50M-14926-00	.BRACKET, THROTTLE 1	1	
6	98511-04012	.SCREW, PAN HEAD	5	
7	98580-04008	.SCREW, PAN HEAD	4	
8	50M-14371-01	.PLUNGER, STARTER	1	
9	50M-14335-00	.SPRING, PLUNGER	1	
10	50M-14396-00	.PIPE	1	
11	30X-14286-00	.SPRING	1	
12	2YM-14340-00	.VALVE ASSY	1	
13	2YM-1490J-00	.NEEDLE SET	1	
14	50M-14355-00	.PLUG	1	
15	2YM-14341-00	.NOZZLE, MAIN	1	
16	50M-14343-54	.JET, MAIN (#108)	1	
17	50M-14397-00	.O-RING	1	
18	36F-14392-00	.VALVE, NEEDLE	1	
19	6E5-14386-01	.PIN, FLOAT	1	
20	50M-14384-00	.GASKET, FLOAT CHAMBER	1	
21	50M-14342-16	.JET, PILOT (# 32)	1	
22	50M-14398-00	.GASKET	1	
23	50V-14370-01	.PLUNGER STARTER ASSY	1	
24	14T-14323-00	.PLUG, SCREW	1	
25	5Y1-14385-00	.FLOAT	1	
26	50M-14261-00	.HOLDER	1	
27	98503-04014	.SCREW, PAN HEAD	1	
28	50M-14355-00	.PLUG	1	

**B8**

FIG. 7 CARBURETOR



FEK7110-1070

REF. NO.	PART NO.	DESCRIPTION	Q'TY	REMARKS
29	1XX-14105-00	.PILOT SCREW SET	1	
30	50M-14420-00	AIR CLEANER ASSY 2	1	
31	90445-09059	HOSE	1	

**B9**

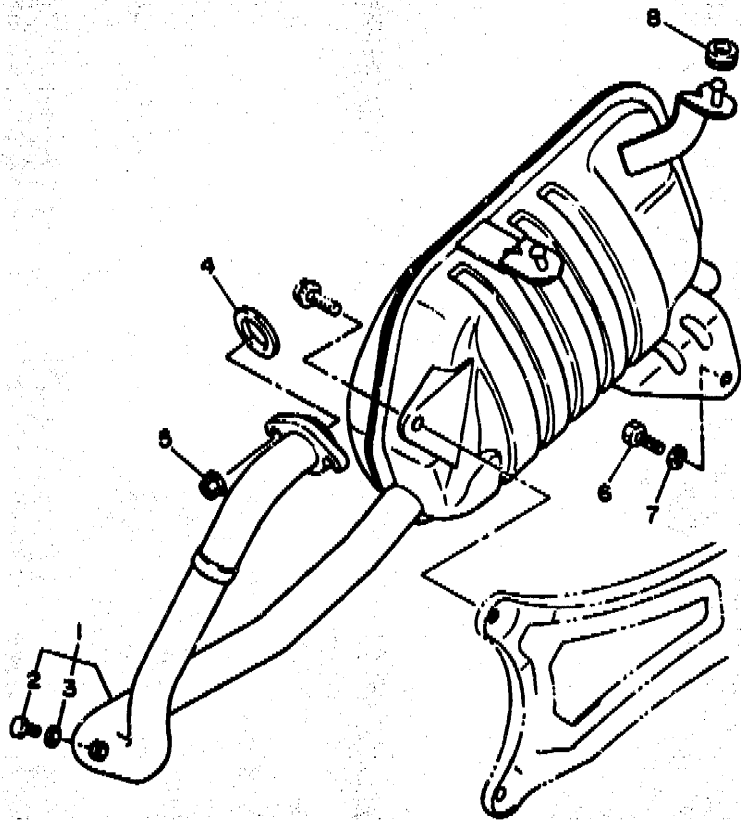
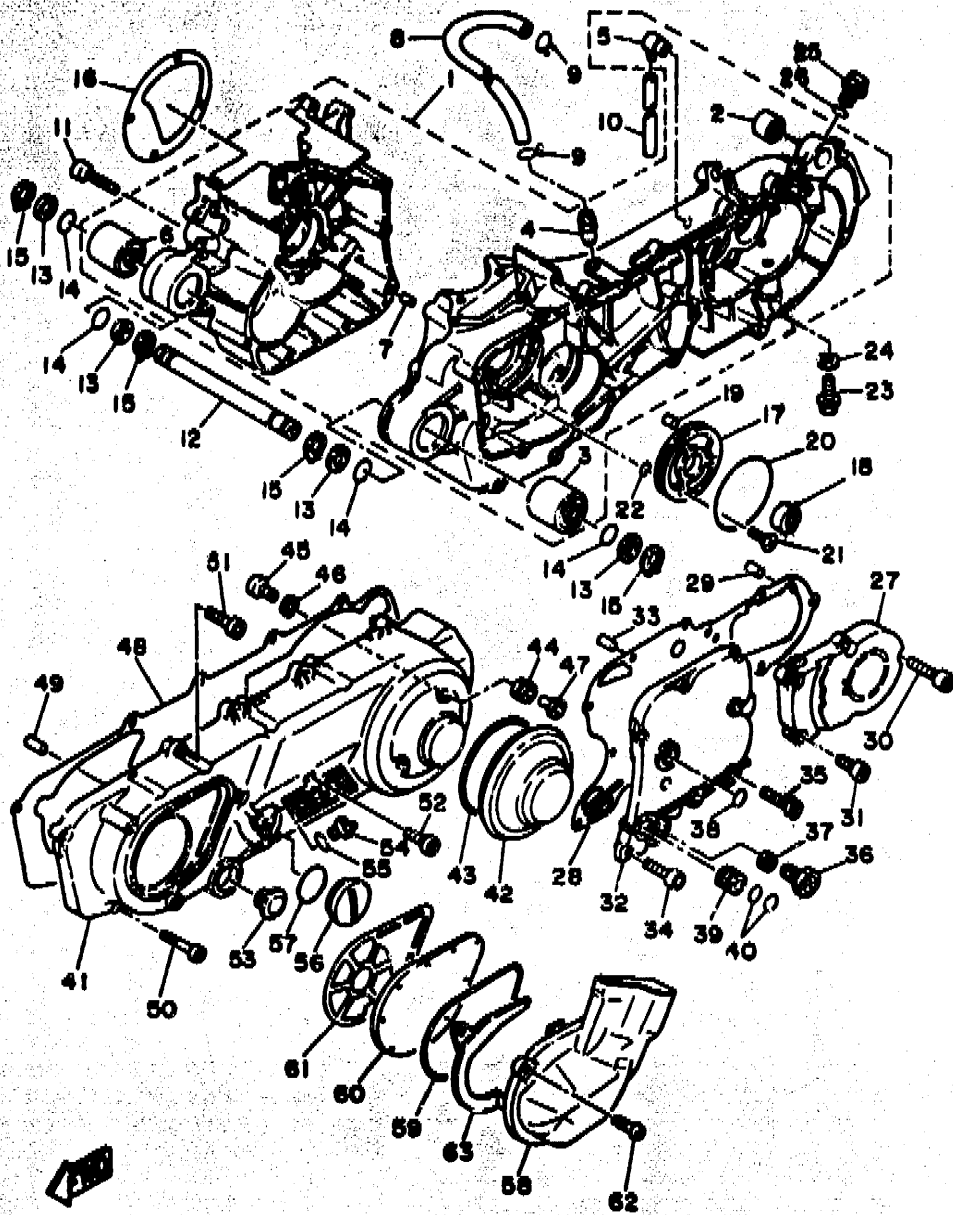


FIG. 8 EXHAUST

REF. NO.	PART NO.	DESCRIPTION	Q'TY	REMARKS
1	1MM-14610-00	EXHAUST PIPE ASSY 1	1	
2	90101-06576	.BOLT	1	
3	92990-06600	.WASHER, PLATE	1	
4	3DM-14613-00	GASKET, EXHAUST PIPE	1	
5	95701-06500	NUT, FLANGE	2	
6	97313-08016	BOLT	1	
7	92990-08100	WASHER, SPRING	1	
8	90480-12053	GROMMET	2	

50V010-4080

**B10**



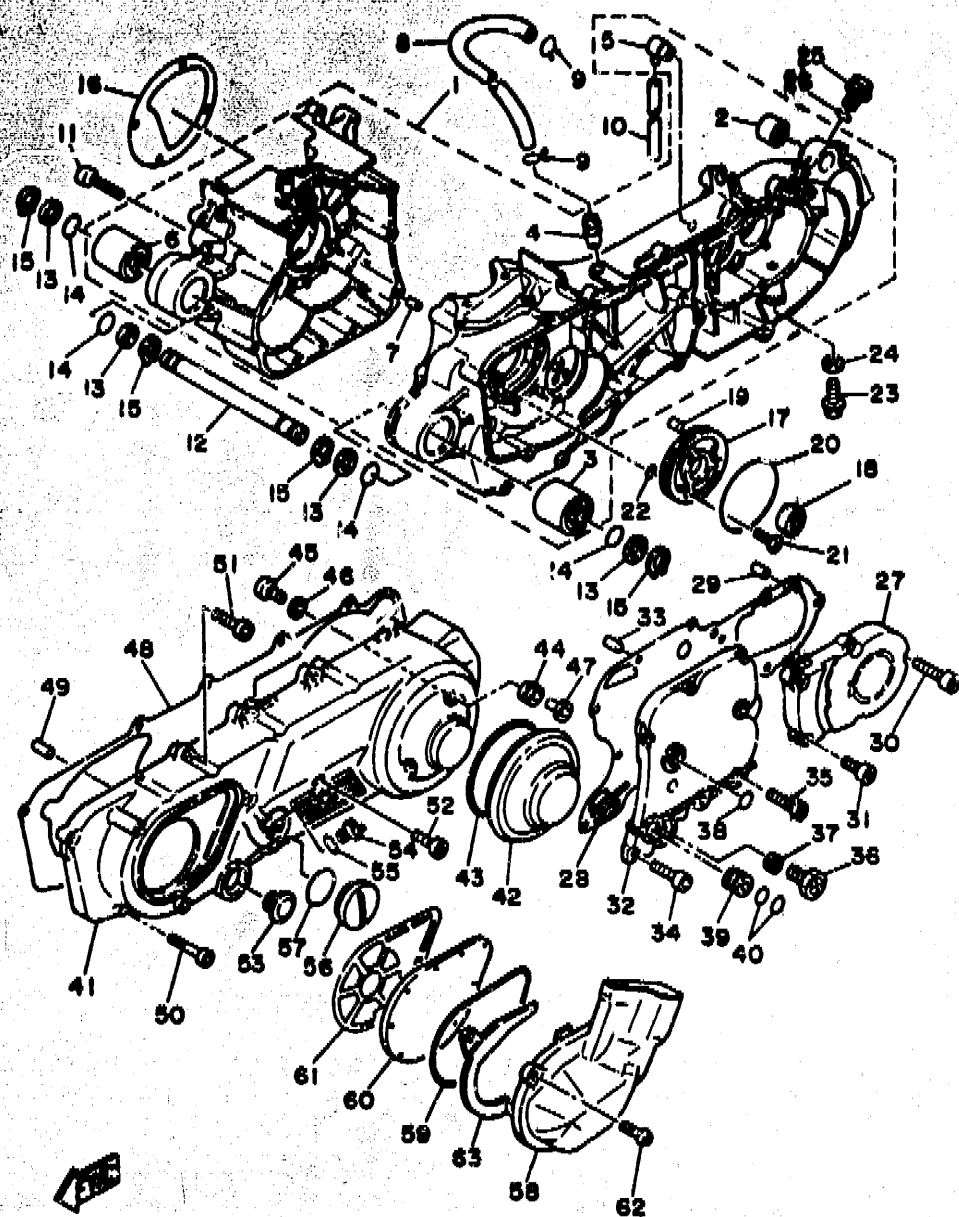
3KR1361-9090

FIG. 9 CRANKCASE

REF. NO.	PART NO.	DESCRIPTION	Q'TY	REMARKS
1	50M-15100-01	CRANKCASE ASSY	1	
2	164-22216-00	.BUSH, REAR SHOCK ABSORBER	1	
3	50M-15316-00	.DAMPER, ENGINE MOUNT 1	1	
4	371-11167-01	.PIPE, BREATHER 2	1	
5	583-15371-00	.BREATHER	1	
6	50M-15316-00	.DAMPER, ENGINE MOUNT 1	1	
7	99510-12016	.PIN, DOWEL	2	
8	50M-11166-00	PIPE, BREATHER 1	1	
9	90467-14011	CLIP	2	
10	90446-07112	HOSE	1	
11	91316-06060	BOLT	9	
12	50M-15317-01	SPACER, ENGINE MOUNT	1	
13	90201-17485	WASHER, PLATE	4	
14	93210-15639	O-RING	4	
15	99009-17400	CIRCLIP	4	
16	50M-15462-10	GASKET, CRANKCASE COVER 3	1	
17	50M-15416-00	COVER, CHAIN CASE	1	
18	93102-22294	OIL SEAL	1	
19	93605-18078	PIN, DOWEL	1	
20	93210-71462	O-RING	1	
21	98701-06016	SCREW, FLAT HEAD	2	
22	93210-07540	O-RING	2	
23	95811-08016	BOLT, FLANGE	1	
24	90201-08087	WASHER, PLATE	1	
25	4J2-15363-00	PLUG, OIL	1	
26	93210-14104	O-RING	1	
27	50M-15421-00	COVER, CRANKCASE 2	1	
28	50M-15461-10	GASKET, CRANKCASE COVER 2	1	

B11



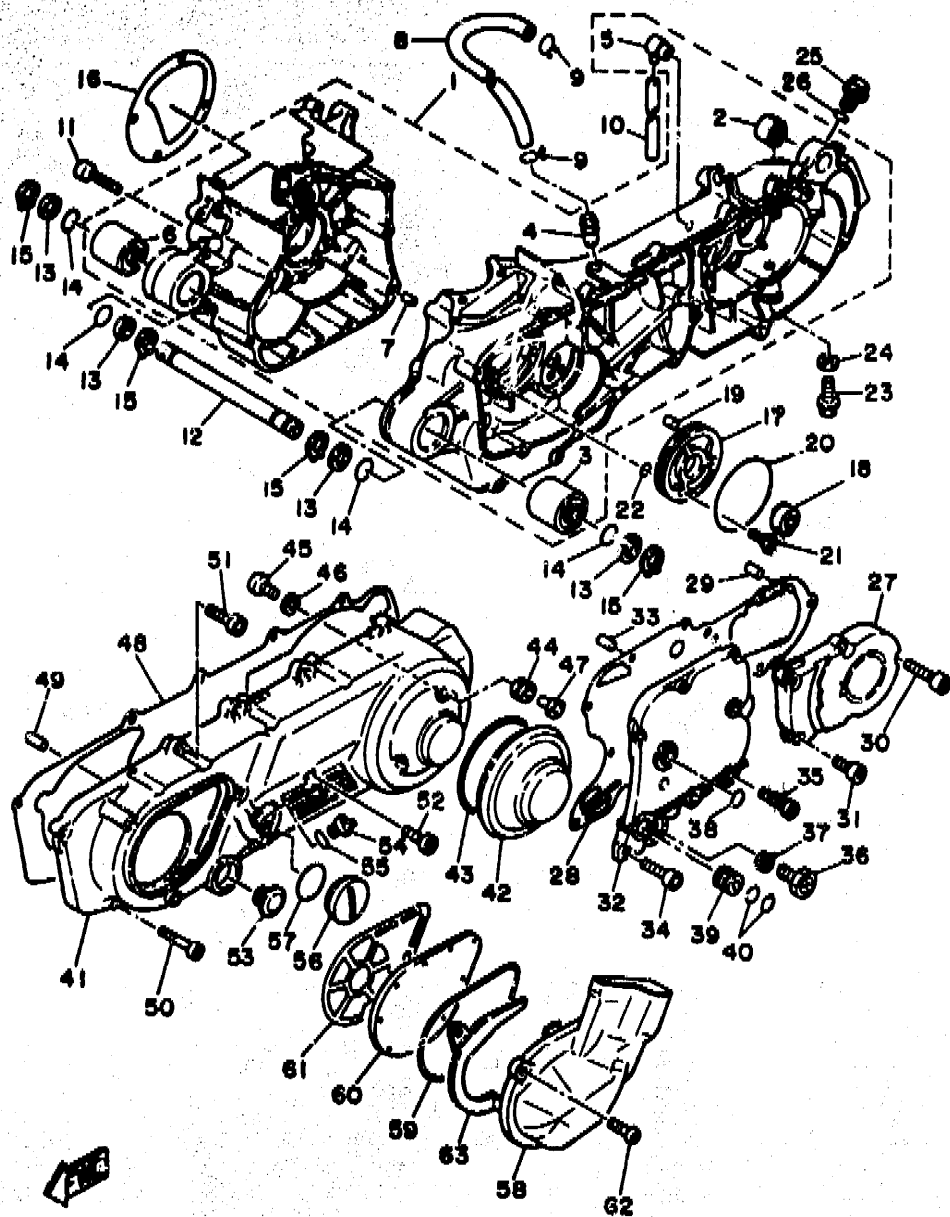


3KR1361-9090

FIG. 9 CRANKCASE

REF. NO.	PART NO.	DESCRIPTION	Q'TY	REMARKS
29	99530-10014	PIN, DOWEL	2	
30	91316-06035	BOLT	2	
31	91316-06020	BOLT	3	
32	50M-15431-00	COVER, CRANKCASE 3	1	
33	99530-10014	PIN, DOWEL	2	
34	91316-06020	BOLT	6	
35	91316-06035	BOLT	2	
36	50M-13455-00	PLUG	1	
37	812-11198-00	GASKET	1	
38	93210-10673	O-RING	1	
39	50M-15112-00	PIPE, OIL	1	
40	93210-16314	O-RING	2	
41	50M-15411-00	COVER, CRANKCASE 1	1	
42	50M-15417-00	COVER, CAP	1	
43	50M-15449-00	RING, RUBBER	1	
44	90480-12237	GROMMET	2	
45	98501-06020	SCREW, PAN HEAD	2	
46	92901-06600	WASHER, PLATE	2	
47	90387-087L0	COLLAR	2	
48	50M-15451-10	GASKET, CRANKCASE COVER 1	1	
49	99530-10014	PIN, DOWEL	2	
50	91316-06025	BOLT	7	
51	91316-06035	BOLT	2	
52	91316-06060	BOLT	1	
53	2H7-15361-00	GAUGE, LEVEL	1	
54	1RG-15363-00	PLUG, OIL	1	
55	93210-19123	O-RING	1	
56	90340-36098	PLUG, STRAIGHT SCREW	1	

**B12**



3KR1361-9090

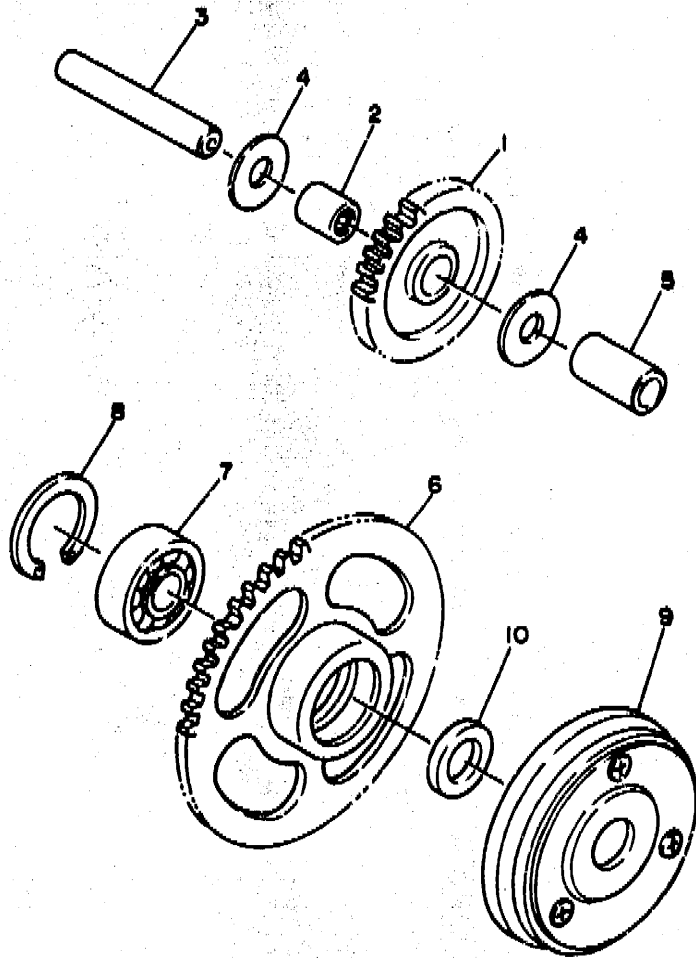
FIG. 9 CRANKCASE

REF. NO.	PART NO.	DESCRIPTION	Q'TY	REMARKS
57	93210-36510	O-RING	1	
58	2YM-15470-00	AIR DUCT ASSY	1	
59	5T0-14457-00	SEAL	1	
60	50M-14461-00	ELEMENT, AIR CLEANER 2	1	
61	50M-15455-00	GASKET 1	1	
62	98501-06020	SCREW, PAN HEAD	3	
63	2YM-15191-00	PLATE	1	

B13

FIG. 10 STARTER CLUTCH

REF. NO.	PART NO.	DESCRIPTION	Q'TY	REMARKS
1	50M-15512-00	GEAR, IDLER 1 (55T-14T)	1	
2	93315-11040	BEARING, CYLINDRICAL	1	
3	50M-15521-00	SHAFT 1	1	
4	90201-105J4	WASHER, PLATE	2	
5	90387-100L5	COLLAR	1	
6	50M-15524-00	WHEEL, STARTER (55T)	1	
7	93306-00314	BEARING	1	
8	93450-35015	CIRCLIP	1	
9	50M-15570-01	STARTER CLUTCH ASSY	1	
10	90201-163F8	WASHER, PLATE	1	



 50V010-4100

**B14**

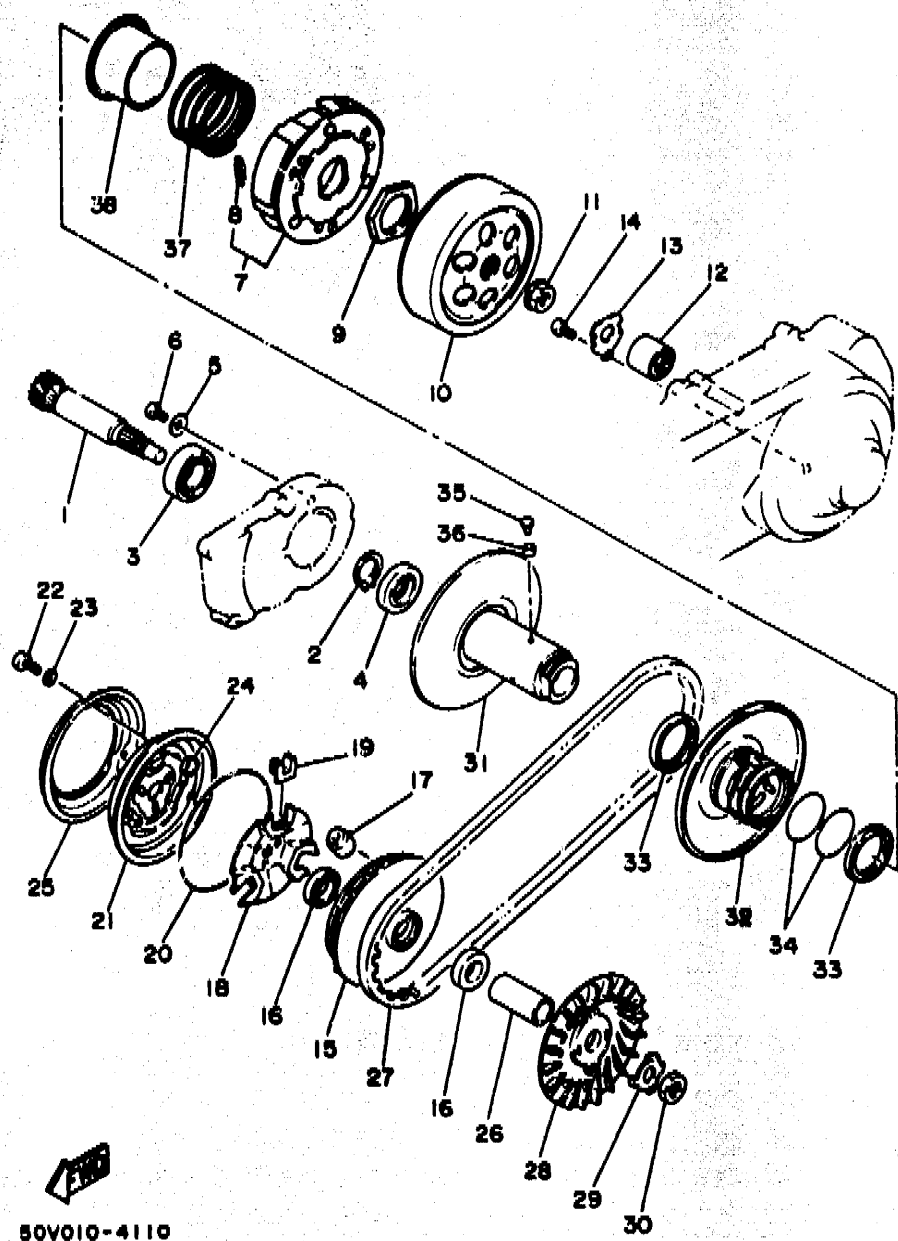


FIG. 11 CLUTCH

REF. NO.	PART NO.	DESCRIPTION	Q'TY	REMARKS
1	50M-16111-01	GEAR, PRIMARY DRIVE (14T)	1	
2	99009-22400	CIRCLIP	1	
3	93306-00433	BEARING	1	
4	93102-22335	OIL SEAL	1	
5	90201-06412	WASHER, PLATE	1	
6	98501-06010	SCREW, PAN HEAD	1	
7	2YM-16620-01	CLUTCH CARRIER ASSY	1	
8	17M-16626-00	.SPRING, CLUTCH WEIGHT 1	3	
9	90170-36279	NUT	1	
10	4DH-16611-00	CLUTCH HOUSING COMP.	1	
11	90179-14427	NUT	1	
12	93399-99918	BEARING	1	
13	50M-15381-00	PLATE, BEARING COVER	1	
14	98501-06010	SCREW, PAN HEAD	1	
15	50M-17620-01	PRIMARY SLIDING SHEAVE COMP.	1	
16	93101-23127	OIL SEAL	2	
17	50M-17632-00	WEIGHT	6	
18	50W-17623-00	CAM	1	
19	50W-17653-00	SLIDER	3	
20	93210-97690	O-RING	1	
21	50M-17630-00	PRIMARY SHEAVE CAP COMP.	1	
22	90157-04088	SCREW, PAN HEAD	3	
23	92901-04600	WASHER, PLATE	3	
24	90214-04038	WASHER, CLAW	3	
25	50M-1763E-01	PLATE	1	
26	90387-166L7	COLLAR	1	
27	50W-17641-00	V-BELT	1	
28	50W-17611-01	SHEAVE, PRIMARY FIXED	1	

50V010-4110

**B15**

# CONTENTS

## ENGINE

Cylinder .....	B2
Crankshaft, Piston .....	B3
Valve .....	B4
Air Shroud, Fan .....	B5
Oil Pump .....	B6
Intake .....	B7
Carburetor .....	B8~B9
Exhaust .....	B10
Crankcase .....	B11~B13
Starter Clutch .....	B14
Clutch .....	B15~C2
Transmission .....	C3

## CHASSIS

Frame .....	C4
Fender .....	C5
Side Cover .....	C6
Rear Arm. Suspension .....	C7
Steering .....	C8~C9
Fuel Tank .....	C10
Seat .....	C11
Front Wheel .....	C12~C13
Rear Wheel .....	C14
Steering Handle, Cable .....	C15
Stand, Footrest .....	D2~D3
Leg Shield .....	D4
Cowling 1 .....	D5
Generator .....	D6
Starting Motor .....	D7

Flasher Light .....	D8
Meter .....	D9
Headlight .....	D10
Taillight .....	D11
Handle Switch, Lever .....	D12
Electrical 1 .....	D13~D14
Electrical 2 .....	D15

## INDEX

Numerical Index .....	M1~M3
-----------------------	-------

# CONTENTS

## ENGINE

Cylinder .....	B2
Crankshaft. Piston .....	B3
Valve .....	B4
Air Shroud. Fan .....	B5
Oil Pump .....	B6
Intake .....	B7
Carburetor .....	B8~B9
Exhaust .....	B10
Crankcase .....	B11~B13
Starter Clutch .....	B14
Clutch .....	B15~C2
Transmission .....	C3

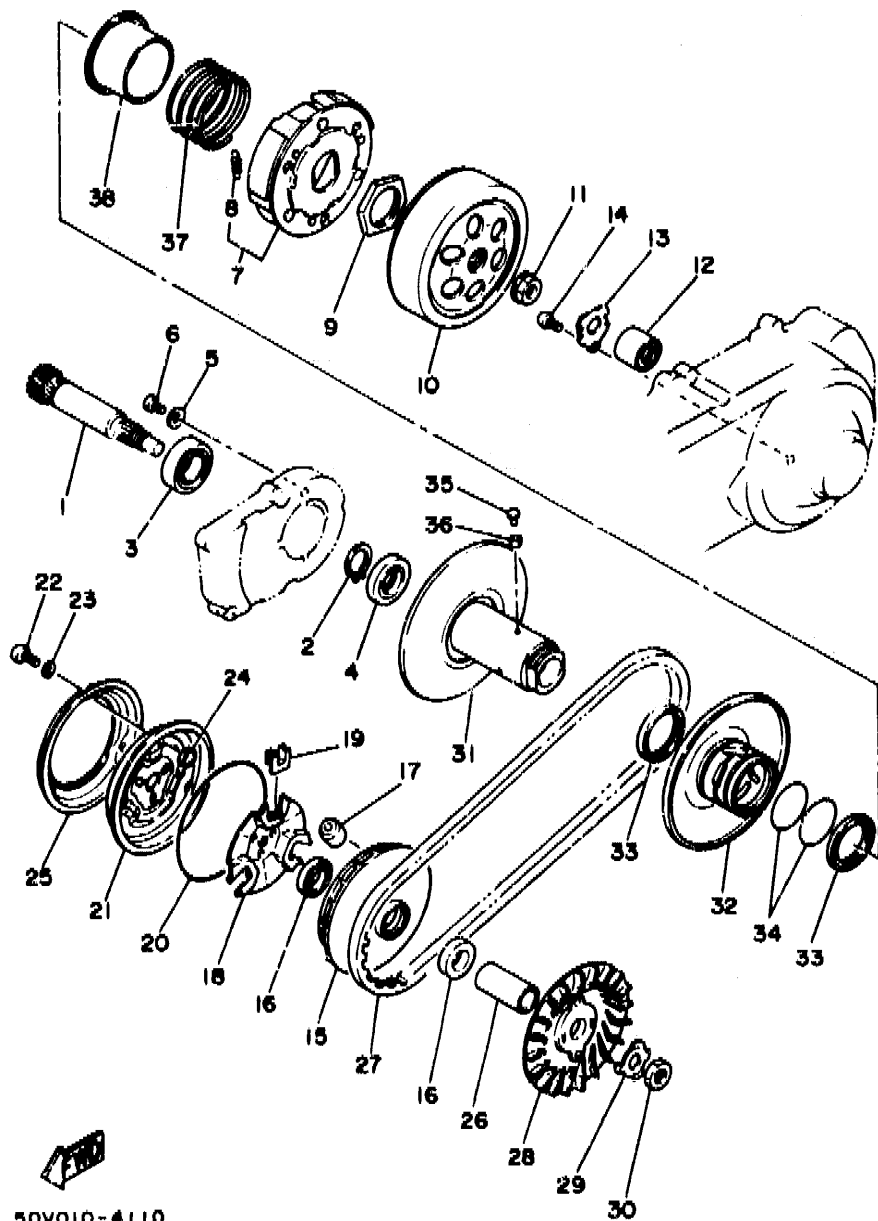
## CHASSIS

Frame .....	C4
Fender .....	C5
Side Cover .....	C6
Rear Arm. Suspension .....	C7
Steering .....	C8~C9
Fuel Tank .....	C10
Seat .....	C11
Front Wheel .....	C12~C13
Rear Wheel .....	C14
Steering Handle. Cable .....	C15
Stand. Footrest .....	D2~D3
Leg Shield .....	D4
Cowling 1 .....	D5
Generator .....	D6
Starting Motor .....	D7

Flasher Light .....	D8
Meter .....	D9
Headlight .....	D10
Taillight .....	D11
Handle Switch. Lever .....	D12
Electrical 1 .....	D13~D14
Electrical 2 .....	D15

## INDEX

Numerical Index .....	M1~M3
-----------------------	-------



50V010-4110

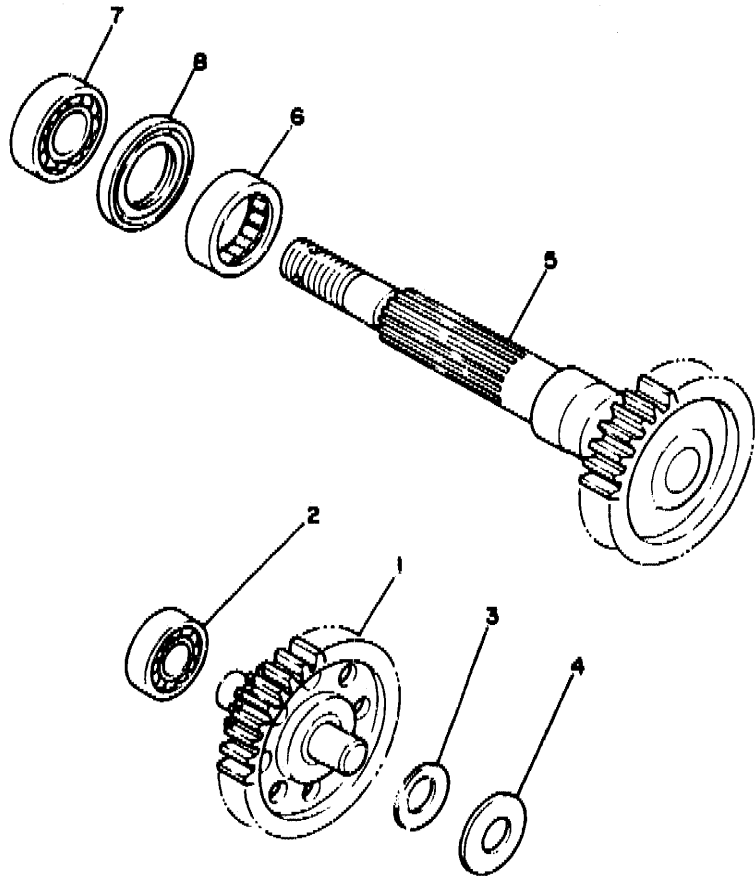
FIG. 11 CLUTCH

REF. NO.	PART NO.	DESCRIPTION	Q'TY	REMARKS
29	90215-14236	WASHER, LOCK	1	
30	90170-12338	NUT	1	
31	50W-17660-01	SECONDARY FIXED SHEAVE COMP.	1	
32	50W-17670-00	SECONDARY SLIDING SHEAVE	1	
33	93104-41091	OIL SEAL	2	
34	93210-43713	O-RING	2	
35	50W-17664-00	PIN, GUIDE	3	
36	50W-17674-00	COLLAR, GUIDE	3	
37	90501-503A3	SPRING, COMPRESSION	1	
38	50W-17684-00	SEAT, SECONDARY SPRING	1	

C2

FIG. 12 TRANSMISSION

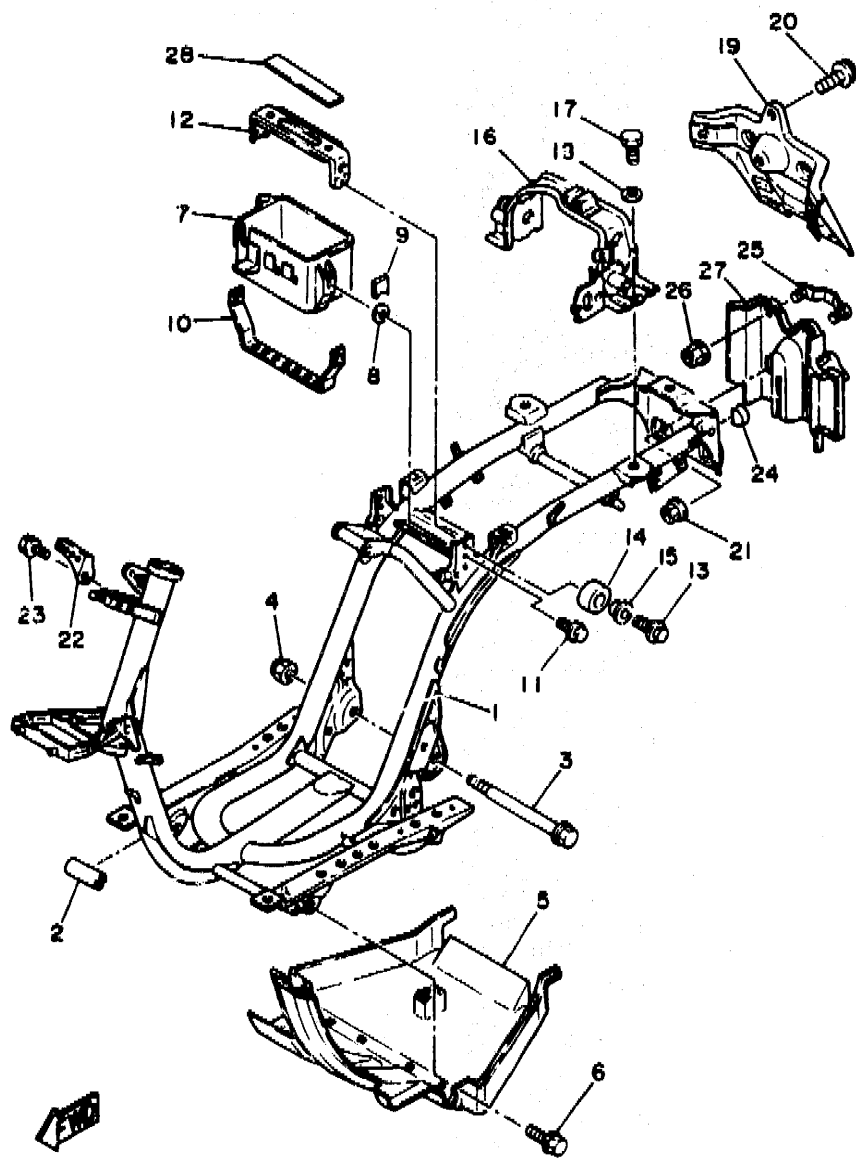
REF. NO.	PART NO.	DESCRIPTION	Q'TY	REMARKS
1	2YM-17410-00	MAIN AXLE COMP.	1	
2	93306-30101	BEARING (B6301)	1	
3	90208-15037	WASHER, CONICAL SPRING	1	
4	90201-153H0	WASHER, PLATE	1	
5	2YM-17211-00	GEAR, 1ST WHEEL	1	
6	93315-42536	BEARING, CYLINDRICAL	1	
7	93306-20460	BEARING	1	
8	93102-25334	OIL SEAL	1	



50V010-4:20

C3





3TE1532-0130

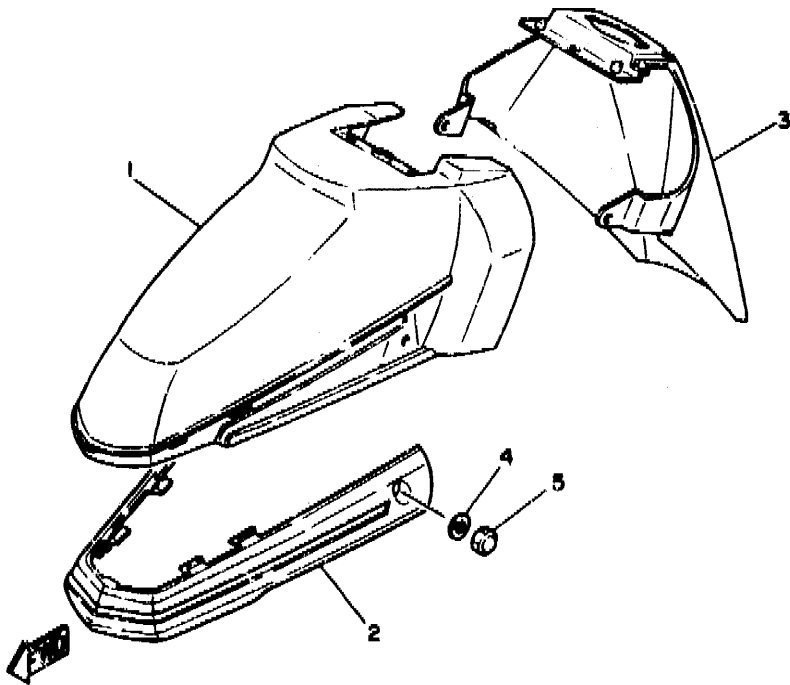
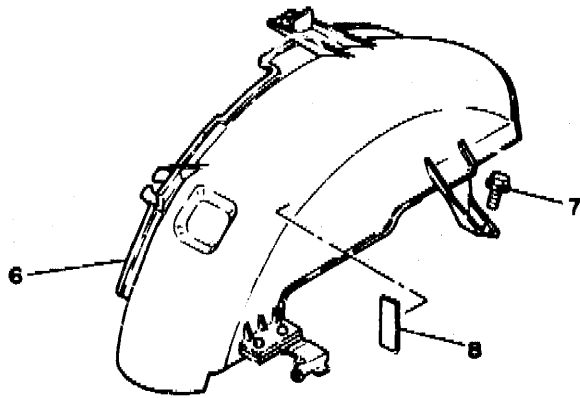
FIG. 13 FRAME

REF. NO.	PART NO.	DESCRIPTION	Q'TY	REMARKS
1	3TE-21110-00	FRAME COMP.	1	
2	50W-24181-00	DAMPER, LOCATING 1	1	
3	90105-12228	BOLT, WASHER BASED	1	
4	95601-12200	NUT, SELF-LOCKING	1	
5	50W-21471-00	PROTECTOR, ENGINE	1	
6	90119-06018	BOLT, WITH WASHER	2	
7	50M-21171-00	BOX	1	
8	90387-060U2	COLLAR	2	
9	50W-21172-00	STOPPER, BOX	2	
10	50W-21393-00	BRACKET, BATTERY BOX	1	
11	95811-06016	BOLT, FLANGE	2	
12	50M-21243-00	PLATE, BRIDGE	1	
13	95811-06030	BOLT, FLANGE	2	
14	50W-21717-00	DAMPER, SIDE COVER	2	
15	90387-061F8	COLLAR	2	
16	50W-21391-00	BRACKET, SEAT	1	
17	97313-08016	BOLT	2	
18	92901-08600	WASHER, PLATE	2	
19	50W-2117E-00	BRACKET, TAILLIGHT	1	
20	95811-06016	BOLT, FLANGE	1	
21	95701-06500	NUT, FLANGE	2	
22	50W-2128A-00	BRACKET, REGULATOR	1	
23	95811-06012	BOLT, FLANGE	1	
24	50M-2143A-00	CAP	2	
25	50M-21622-00	BAND, FLAP	1	
26	95701-05500	NUT, FLANGE	2	
27	50M-21642-00	GUARD, FLAP	1	
28	3YF-24724-00	DAMPER, SEAT	1	

C4

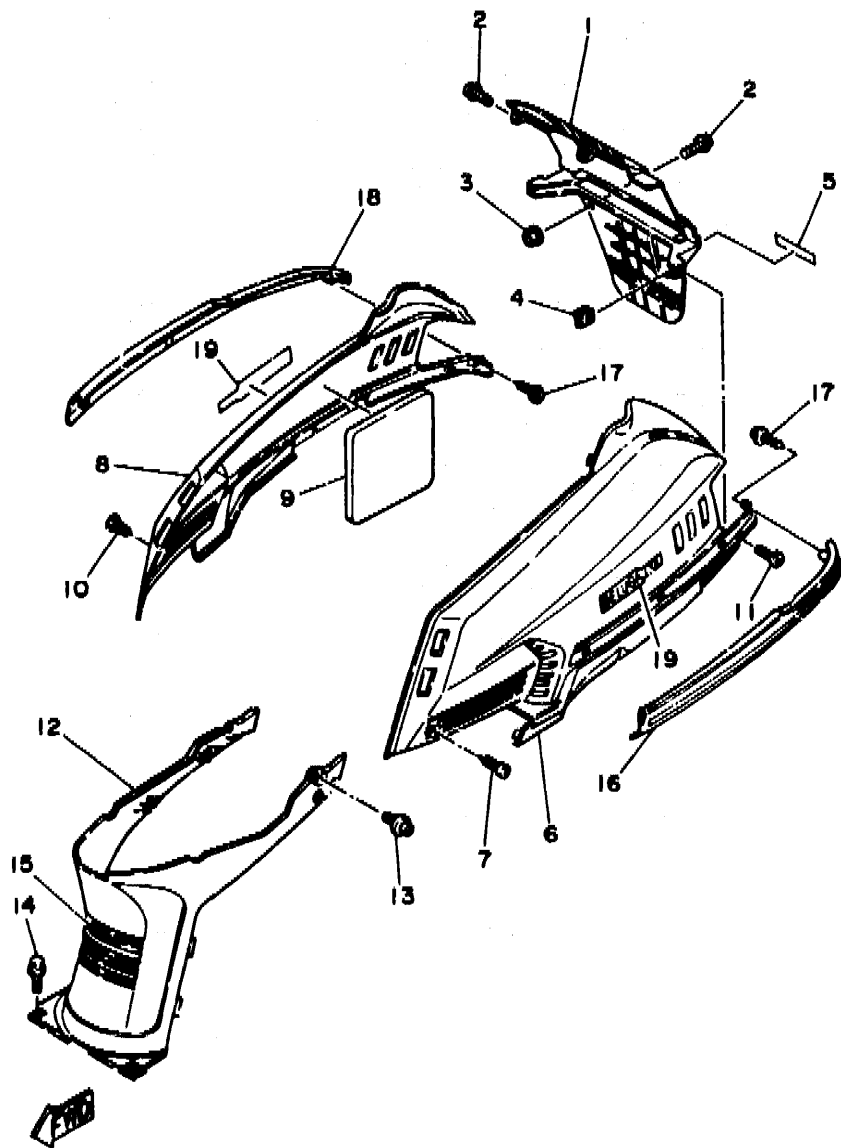
FIG. 14 FENDER

REF. NO.	PART NO.	DESCRIPTION	Q'TY	REMARKS
1	50W-21511-00-AJ	FENDER, FRONT	1	UR STORMY RED
	50W-21511-00-GE	FENDER, FRONT	1	UR SILKY WHITE
	50W-21511-00-OK	FENDER, FRONT	1	UR FEATHER BLACK
2	2YM-21529-00	MOLD, FENDER	1	
3	2YM-21556-00	FENDER, FRONT 2	1	
4	90201-067J4	WASHER, PLATE	2	
5	95306-06800	NUT	2	
6	50M-Y2162-00	MUD GUARD COMP.	1	
7	50W-21631-00	BOLT 1	1	
8	2H7-21628-00	DAMPER, MUD GUARD	1	



3KR1361-9140

C5



3KR1361-0151

FIG. 15 SIDE COVER

REF. NO.	PART NO.	DESCRIPTION	Q'TY	REMARKS
1	51F-21711-00	COVER, SIDE 1	1	*NATURAL OYOBI KANSEIHIN
2	90159-06071	SCREW, WITH WASHER	4	
3	95701-06500	NUT, FLANGE	2	
4	25G-21535-00	NUT 1	2	
5	50W-2173T-20	TAPE 1	2	
6	50W-21721-10-6X	COVER, SIDE 2	1	UR SILKY WHITE MEDIUM GRAY
	50W-21721-10-7X	COVER, SIDE 2	1	UR FEATHER BLACK MEDIUM GRAY
	50W-21721-10-8X	COVER, SIDE 2	1	UR STORMY RED M MEDIUM GRAY
7	90149-06184	SCREW	1	
8	50W-21731-10-6X	COVER, SIDE 3	1	UR SILKY WHITE MEDIUM GRAY
	50W-21731-10-7X	COVER, SIDE 3	1	UR FEATHER BLACK MEDIUM GRAY
	50W-21731-10-8X	COVER, SIDE 3	1	UR STORMY RED M MEDIUM GRAY
9	50M-21732-00	SEAL 1	1	
10	90149-06184	SCREW	1	
11	90149-06007	SCREW	2	
12	50W-21741-30	COVER, SIDE 4	1	
13	90159-06071	SCREW, WITH WASHER	2	
14	90119-06018	BOLT, WITH WASHER	2	
15	3AA-21578-21	EMBLEM	1	
16	50W-2171L-30	MOLE, SIDE COVER 1	1	
17	90167-05016	SCREW, TAPPING	2	
18	50W-2171M-30	MOLE, SIDE COVER 2	1	
19	50W-21781-20	EMBLEM 1	2	UR FOR SW, SHIP
	50W-21781-30	EMBLEM 1	2	UR FOR FEB

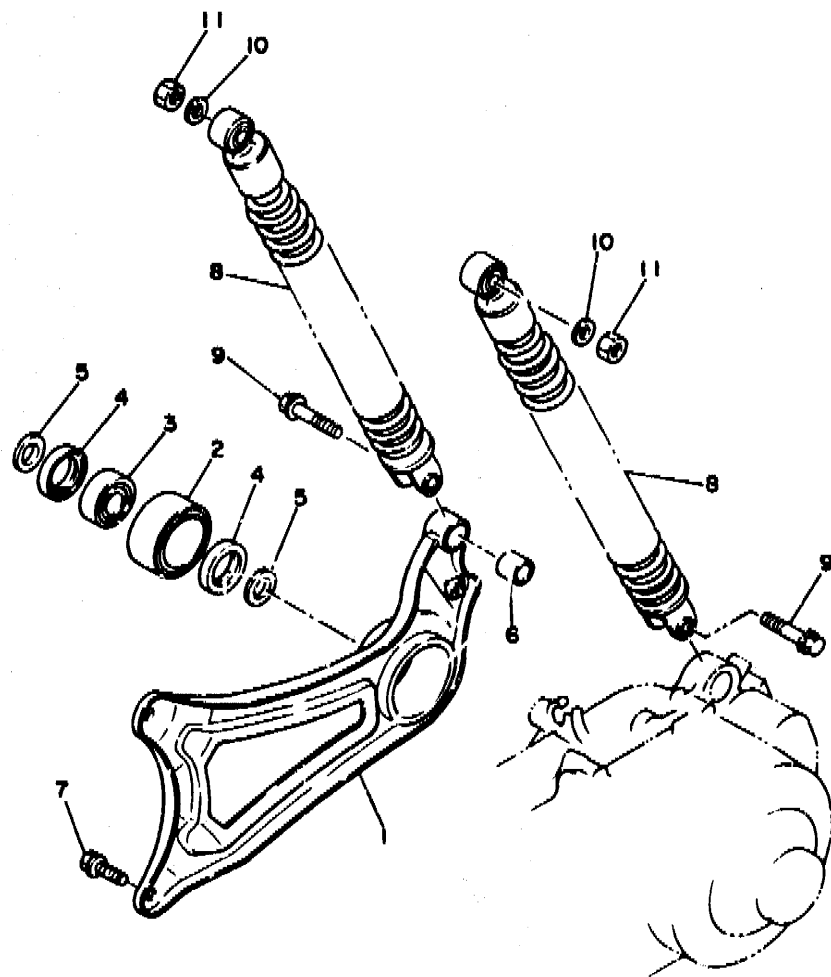


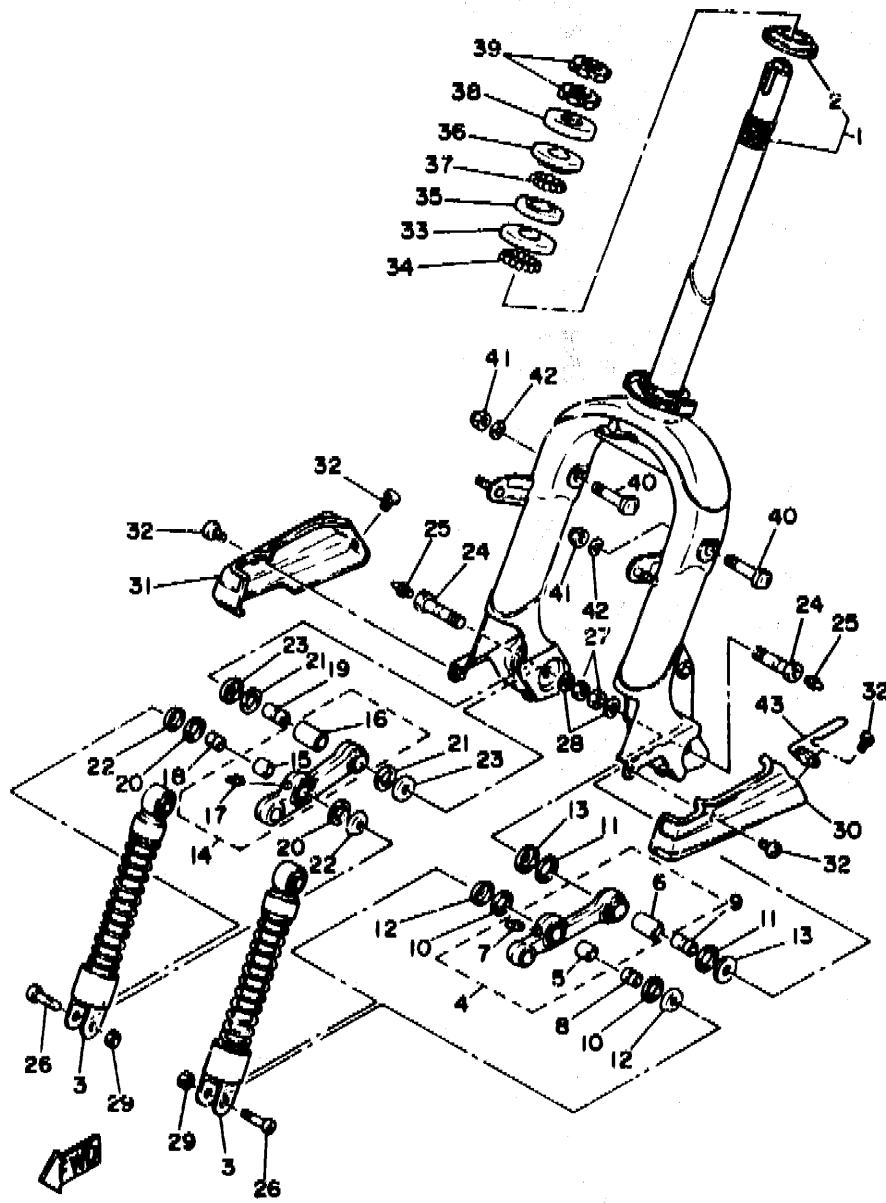
FIG. 16 REAR ARM. SUSPENSION

REF. NO.	PART NO.	DESCRIPTION	Q'TY	REMARKS
1	50W-22110-00	REAR ARM COMP.	1	
2	36F-22184-00	BUSH	1	
3	93306-20224	BEARING	1	
4	93109-28043	OIL SEAL	2	
5	90387-15530	COLLAR	2	
6	164-22216-00	BUSH, REAR SHOCK ABSORBER	1	
7	95821-08020	BOLT, FLANGE	2	
8	50W-22210-00	SHOCK ABSORBER ASSY, REAR	2	
9	90105-08121	BOLT, WASHER BASED	2	
10	90201-08795	WASHER, PLATE	2	
11	95336-08600	NUT	2	



50W351-5160

C7



3EK1110-8170

FIG. 17 STEERING

REF. NC.	PART NO.	DESCRIPTION	Q'TY	REMARKS
1	51F-23310-01	FORK COVER COMP.	1	
2	156-23411-00	.RACE, BALL 1	1	
3	50W-23350-00	SHOCK ABSORBER ASSY	2	
4	50W-23361-00	ARM 1	1	
5	296-23362-09	.BUSH 1	1	
6	296-23372-09	.BUSH 2	1	
7	93700-04002	.NIPPLE, GREASE	1	
8	296-23363-01	COLLAR 1	1	
9	296-23364-02	COLLAR 2	1	
10	296-23381-01	SEAL, DUST 1	2	
11	296-23382-01	SEAL, DUST 2	2	
12	116-23383-00	COVER, DUST SEAL 1	2	
13	116-23384-00	COVER, DUST SEAL 2	2	
14	19E-23371-00	ARM 2	1	
15	296-23362-09	.BUSH 1	1	
16	296-23372-09	.BUSH 2	1	
17	93700-04002	.NIPPLE, GREASE	1	
18	296-23363-01	COLLAR 1	1	
19	296-23364-02	COLLAR 2	1	
20	296-23381-01	SEAL, DUST 1	2	
21	296-23382-01	SEAL, DUST 2	2	
22	116-23383-00	COVER, DUST SEAL 1	2	
23	116-23384-00	COVER, DUST SEAL 2	2	
24	90401-10035	BOLT, UNION	2	
25	93700-06M03	NIPPLE, GREASE	2	
26	90155-06012	SCREW, FLAT FILLISTER	2	
27	95303-10100	NUT	2	
28	92901-10100	WASHER, SPRING	2	

C8

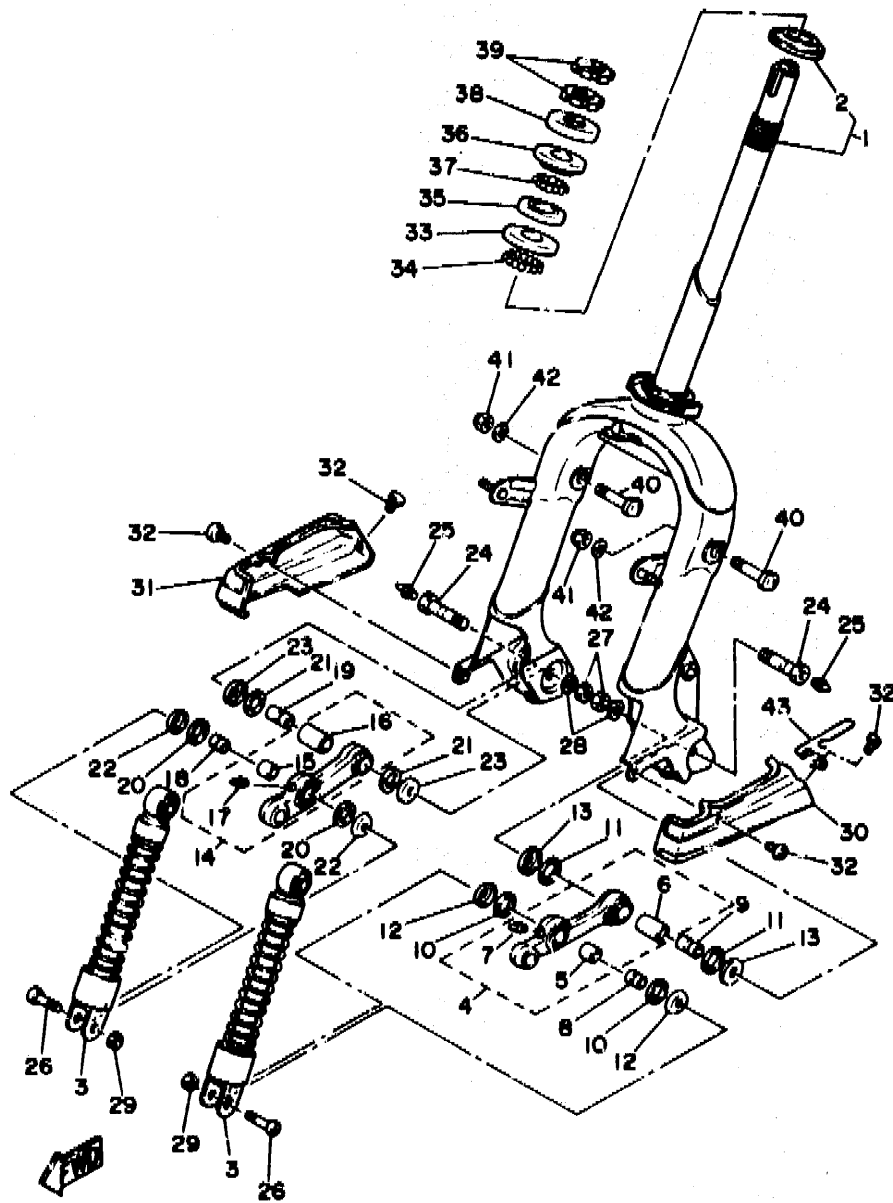


FIG. 17 STEERING

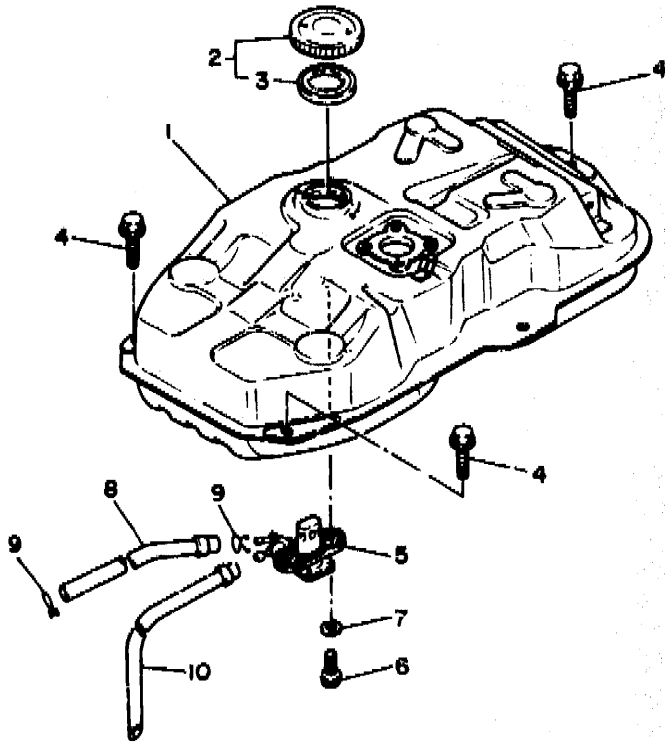
REF. NO.	PART NO.	DESCRIPTION	Q'TY	REMARKS
29	95303-08700	NUT	2	
30	50W-23338-00	CAP, SIDE 1	1	
31	50W-23339-00	CAP, SIDE 2	1	
32	98903-06012	SCREW, BIND	4	
33	156-23412-00	RACE, BALL 2	1	
34	93501-04011	BALL	19	
35	22F-23412-00	RACE, BALL 2	1	
36	22F-23411-00	RACE, BALL 1	1	
37	93503-16010	BALL	22	
38	122-23416-00	COVER, BALL RACE 2	1	
39	90179-25033	NUT	2	
40	90109-08607	BOLT	2	
41	95303-08700	NUT	2	
42	92990-08100	WASHER, SPRING	2	
43	50W-23317-00	HOLDER, CABLE	1	

3EK1110-8170

C9

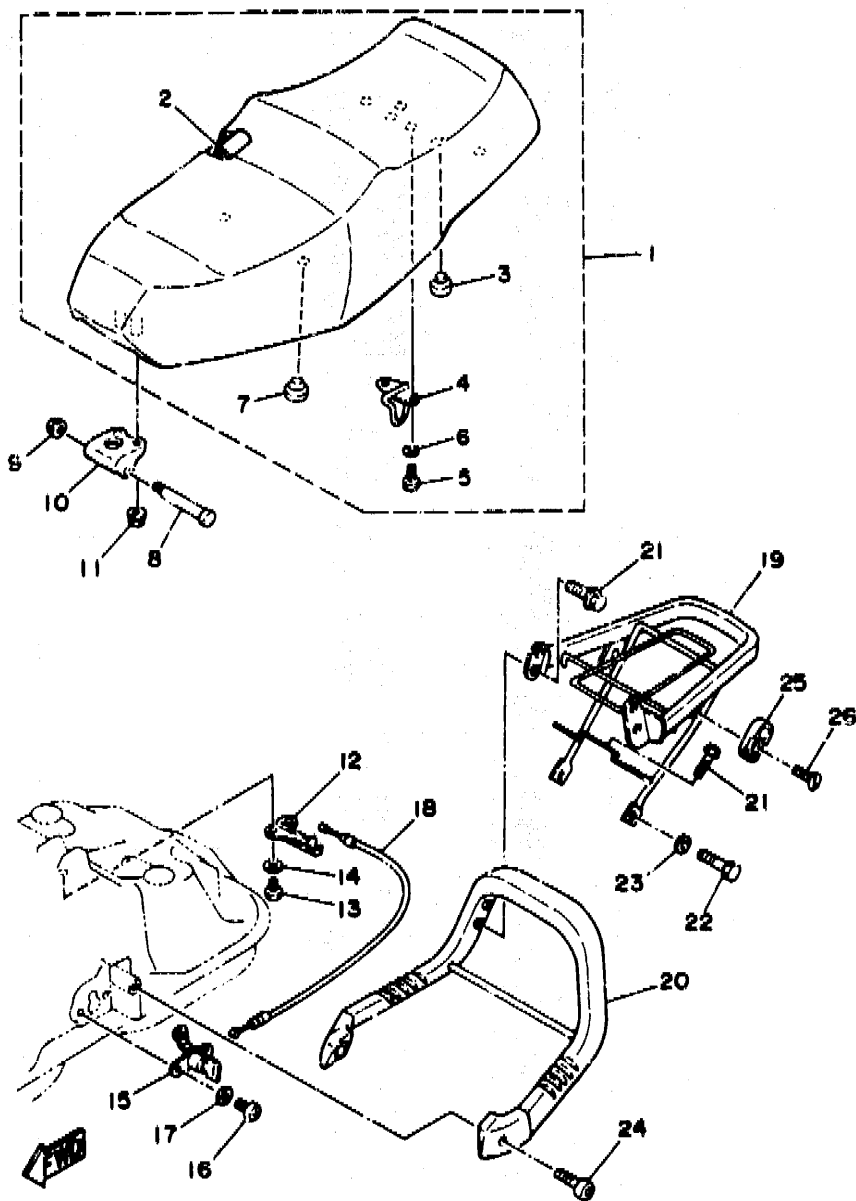
FIG. 18 FUEL TANK

REF. NO.	PART NO.	DESCRIPTION	Q'TY	REMARKS
1	50M-24110-00	FUEL TANK COMP.	1	
2	22F-24610-01	CAP ASSY	1	
3	3T5-24612-10	.GASKET, CAP	1	
4	95811-06012	BOLT, FLANGE	3	
5	50M-24500-00	FUEL COCK ASSY 1	1	
6	90149-06011	SCREW	2	
7	90202-05193	WASHER, PLATE	2	
8	90445-10308	HOSE	1	
9	90467-09006	CLIP	2	
10	90445-07370	HOSE	1	



50V010-4180

C10



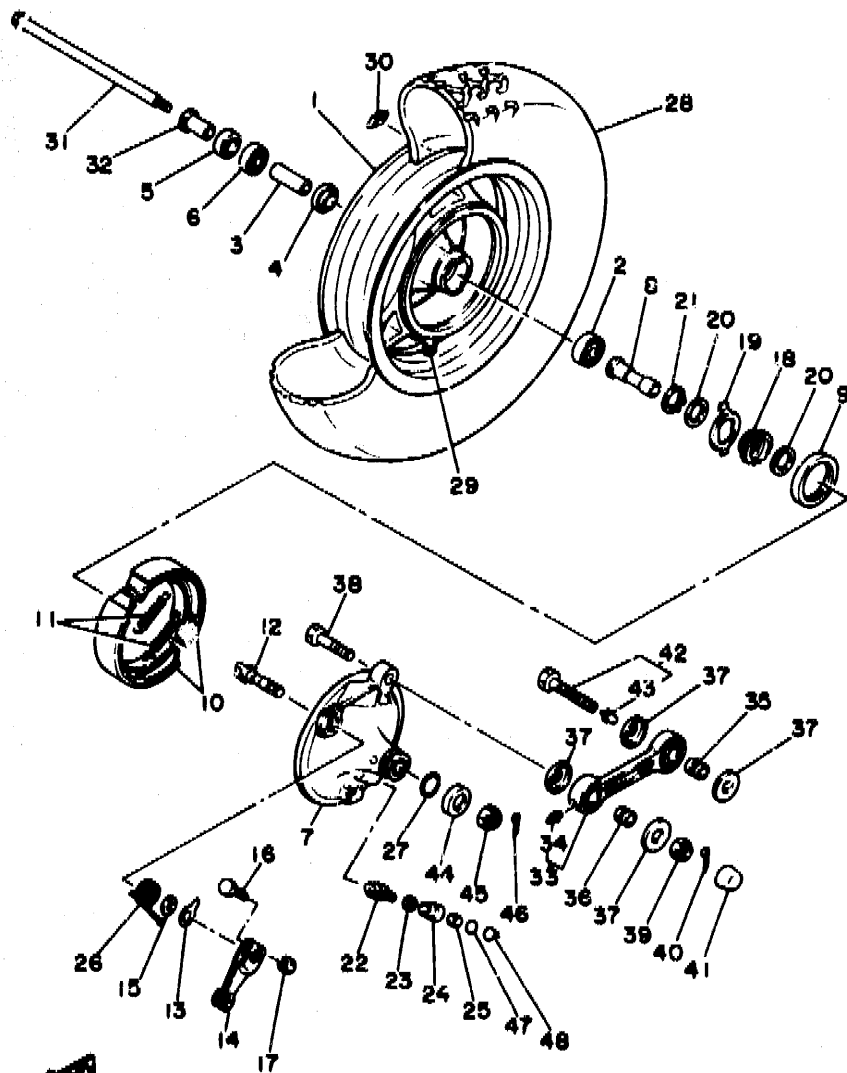
3TF1351-0180

FIG. 19 SEAT

REF. NO.	PART NO.	DESCRIPTION	Q'TY	REMARKS
1	3TE-24730-00	DOUBLE SEAT ASSY	1	
2	2YM-W247F-00	.COVER, SEAT ASSY	1	
3	4G0-24723-00	.DAMPER, SEAT	2	
4	50W-24728-00	.BRACKET, SEAT	1	
5	98511-06012	.SCREW, PAN HEAD	2	
6	92995-06100	.WASHER	2	
7	1L9-24741-00	.PAD, SEAT	2	
8	90109-06504	BOLT	1	
9	95701-06500	NUT, FLANGE	1	
10	2T4-24726-10	HINGE, SEAT	1	
11	95701-06500	NUT, FLANGE	2	
12	50W-W247E-00	SEAT LOCK ASSY	1	
13	98502-06016	SCREW, PAN HEAD	2	
14	92901-06600	WASHER, PLATE	2	
15	3CK-W2470-00	SEAT LOCK ASSY	1	
16	98502-06016	SCREW, PAN HEAD	2	
17	92901-06600	WASHER, PLATE	2	
18	50W-2478E-00	WIRE, SEAT HOOK	1	
19	2YM-24842-00	CARRIER, REAR	1	
20	50X-24819-10	STAY, REAR	1	
21	95826-06010	BOLT, FLANGE	6	
22	97313-08016	BOLT	2	
23	92901-08600	WASHER, PLATE	2	
24	91316-08050	BOLT	2	
25	55E-21308-00	HELMET HANGER ASSY	1	
26	98701-06016	SCREW, FLAT HEAD	1	

C11



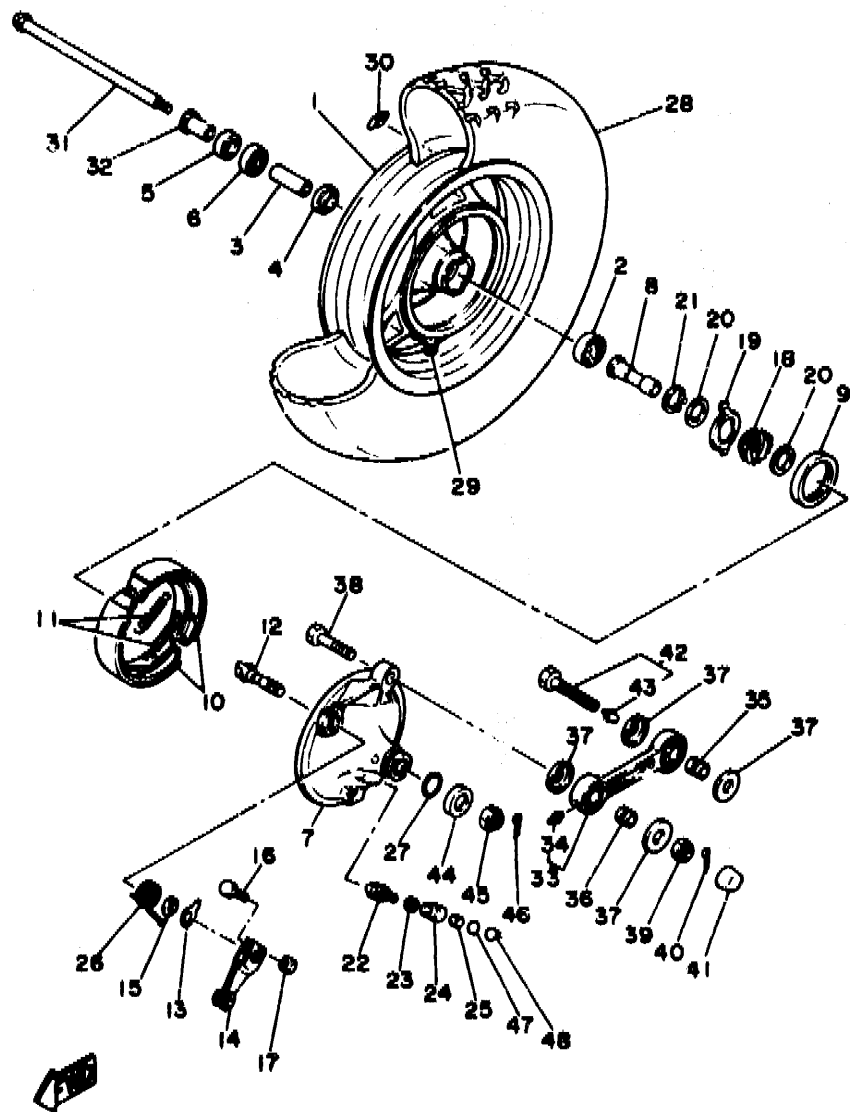


50V010-4200

FIG. 20 FRONT WHEEL

REF. NO.	PART NO.	DESCRIPTION	Q'TY	REMARKS
1	50M-25168-20-35	CAST WHEEL, FRONT	1	SILVER
2	93306-30103	BEARING (B63012)	1	
3	90560-12261	SPACER	1	
4	109-25315-00	FLANGE, SPACER	1	
5	93102-17235	OIL SEAL	1	
6	93306-20120	BEARING	1	
7	50W-25121-02-35	PLATE, BRAKE SHOE	1	SILVER
8	90387-120L8	COLLAR	1	
9	93102-47297	OIL SEAL	1	
10	25G-W2535-00	BRAKE SHOE SET	1	
11	90506-17328	SPRING, TENSION	2	
12	3Y6-25351-00	CAMSHAFT	1	
13	5Y1-2513A-00	PLATE, INDICATOR	1	
14	25G-25155-00	LEVER, CAMSHAFT	1	
15	36F-25159-00	SEAL, CAMSHAFT	1	
16	90101-06278	BOLT	1	
17	95380-06600	NUT	1	
18	50W-25135-00	GEAR, DRIVE	1	
19	50W-25149-00	CLUTCH, METER	1	
20	90201-244J3	WASHER, PLATE	2	
21	93410-24042	CIRCLIP	1	
22	36F-25138-00	GEAR, METER	1	
23	90201-07076	WASHER, PLATE	1	
24	109-25136-00	BUSH	1	
25	93104-07C03	OIL SEAL	1	
26	90508-26616	SPRING, TORSION	1	
27	93210-23326	O-RING	1	
28	94110-103T5	TIRE (100/90-10 56J K825F TL00)	1	DUNLOP

C12



50V010-4200

FIG. 20 FRONT WHEEL

REF. NO.	PART NO.	DESCRIPTION	Q'TY	REMARKS
29	93900-00010	VALVE, RIM	1	DUNLOP
30	1A1-25398-01	BALANCER, WHEEL (20G)	1	UN
	1A1-25399-00	BALANCER, WHEEL (10G)	1	UN
	2M0-25399-00	BALANCER, WHEEL (30G)	1	UN
31	5J0-25181-00	AXLE, WHEEL	1	
32	90387-120L7	COLLAR	1	
33	50W-25371-00	BAR, TENSION	1	
34	93700-04002	.NIPPLE, GREASE	1	
35	90387-100L9	COLLAR	1	
36	90387-101H3	COLLAR	1	
37	50W-23383-00	COVER, DUST SEAL 1	4	
38	90102-10031	BOLT, WITH HOLE	1	
39	95611-10100	NUT, U	1	
40	91190-20020	PIN, COTTER	1	
41	50W-25188-00	CAP	1	
42	50W-25178-00	BOLT, TENSION BAR	1	
43	93700-04002	.NIPPLE, GREASE	1	
44	90209-12259	WASHER	1	
45	90171-12042	NUT, CASTLE	1	
46	91401-30030	PIN, COTTER	1	
47	93210-14104	O-RING	1	
48	102-25137-00	RING, STOP	1	

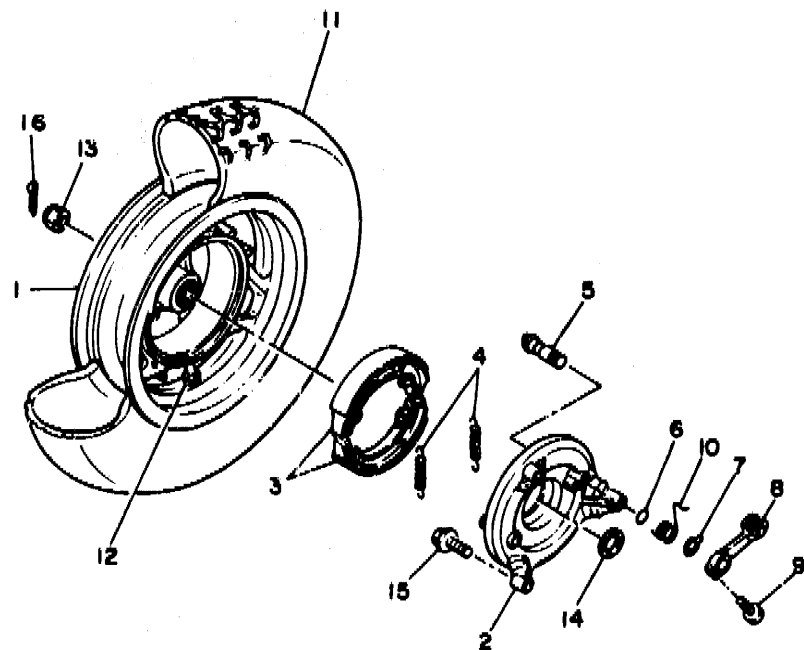


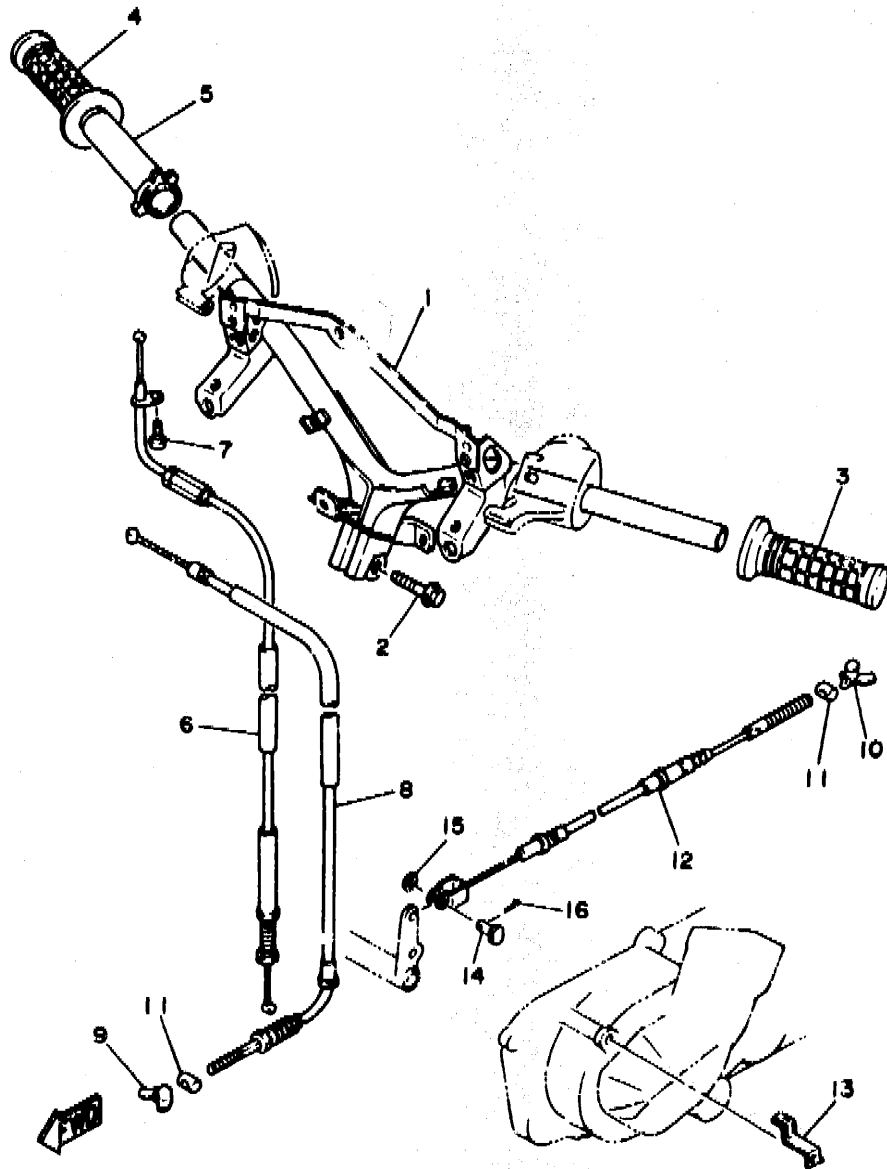
FIG. 21 REAR WHEEL

REF. NO.	PART NO.	DESCRIPTION	QTY	REMARKS
1	50M-25338-20-35	CAST WHEEL, REAR	1	SILVER
2	50W-25321-00	PLATE, BRAKE SHOE	1	
3	25G-W2536-01	BRAKE SHOE SET	1	
4	90506-17328	SPRING, TENSION	2	
5	2RH-25351-00	CAMSHAFT	1	
6	36F-25159-00	SEAL, CAMSHAFT	1	
7	50W-2533A-00	PLATE, INDICATOR	1	
8	371-25355-02	LEVER, CAMSHAFT	1	
9	90101-06291	BOLT	1	
10	90508-26653	SPRING, TORSION	1	
11	94110-103T4	TIRE (100/90-10 5GJ K825 TLDOT)	1	DUNLOP
12	93900-00010	VALVE, RIM	1	DUNLOP
13	90185-14124	NUT, SELF-LOCKING	1	
14	90201-20276	WASHER, PLATE (1.0T)	1	
15	90119-08128	BOLT, WITH WASHER	3	
16	91490-20025	PIN, COTTER	1	



80V010-4211

C14



ZYMO10-8220

FIG. 22 STEERING HANDLE. CABLE

REF. NO.	PART NO.	DESCRIPTION	Q'TY	REMARKS
1	50W-26110-20	HANDLE COMP.	1	
2	90105-10393	BOLT, WASHER BASED	1	
3	35R-26241-00	GRIP (LEFT)	1	
4	35R-26242-00	GRIP (RIGHT)	1	
5	35R-26243-00	TUBE, THROTTLE GUIDE	1	
6	50M-26311-01	CABLE, THROTTLE 1	1	
7	98501-05012	SCREW, PAN HEAD	1	
8	50W-26341-00	CABLE, BRAKE	1	
9	90179-06176	NUT	1	
10	90175-06019	NUT, WING	1	
11	90249-12008	PIN	2	
12	50W-26351-00	CABLE, BRAKE	1	
13	50W-26379-00	GUIDE, CABLE	1	
14	90240-06108	PIN, CLEVIS	1	
15	92901-06200	WASHER, PLAIN	1	
16	91490-20020	PIN, COTTER	1	

C15

# CONTENTS

## ENGINE

Cylinder .....	B2
Crankshaft, Piston .....	B3
Valve .....	B4
Air Shroud, Fan .....	B5
Oil Pump .....	B6
Intake .....	B7
Carburetor .....	B8~B9
Exhaust .....	B10
Crankcase .....	B11~B13
Starter Clutch .....	B14
Clutch .....	B15~C2
Transmission .....	C3

## CHASSIS

Frame .....	C4
Fender .....	C5
Side Cover .....	C6
Rear Arm. Suspension .....	C7
Steering .....	C8~C9
Fuel Tank .....	C10
Seat .....	C11
Front Wheel .....	C12~C13
Rear Wheel .....	C14
Steering Handle, Cable .....	C15
Stand, Footrest .....	D2~D3
Leg Shield .....	D4
Cowling 1 .....	D5
Generator .....	D6
Starting Motor .....	D7

Flasher Light .....	D8
Meter .....	D9
Headlight .....	D10
Taillight .....	D11
Handle Switch, Lever .....	D12
Electrical 1 .....	D13~D14
Electrical 2 .....	D15

## INDEX

Numerical Index .....	M1~M3
-----------------------	-------

# CONTENTS

## ENGINE

Cylinder .....	B2
Crankshaft, Piston .....	B3
Valve .....	B4
Air Shroud, Fan .....	B5
Oil Pump .....	B6
Intake .....	B7
Carburetor .....	B8~B9
Exhaust .....	B10
Crankcase .....	B11~B13
Starter Clutch .....	B14
Clutch .....	B15~C2
Transmission .....	C3

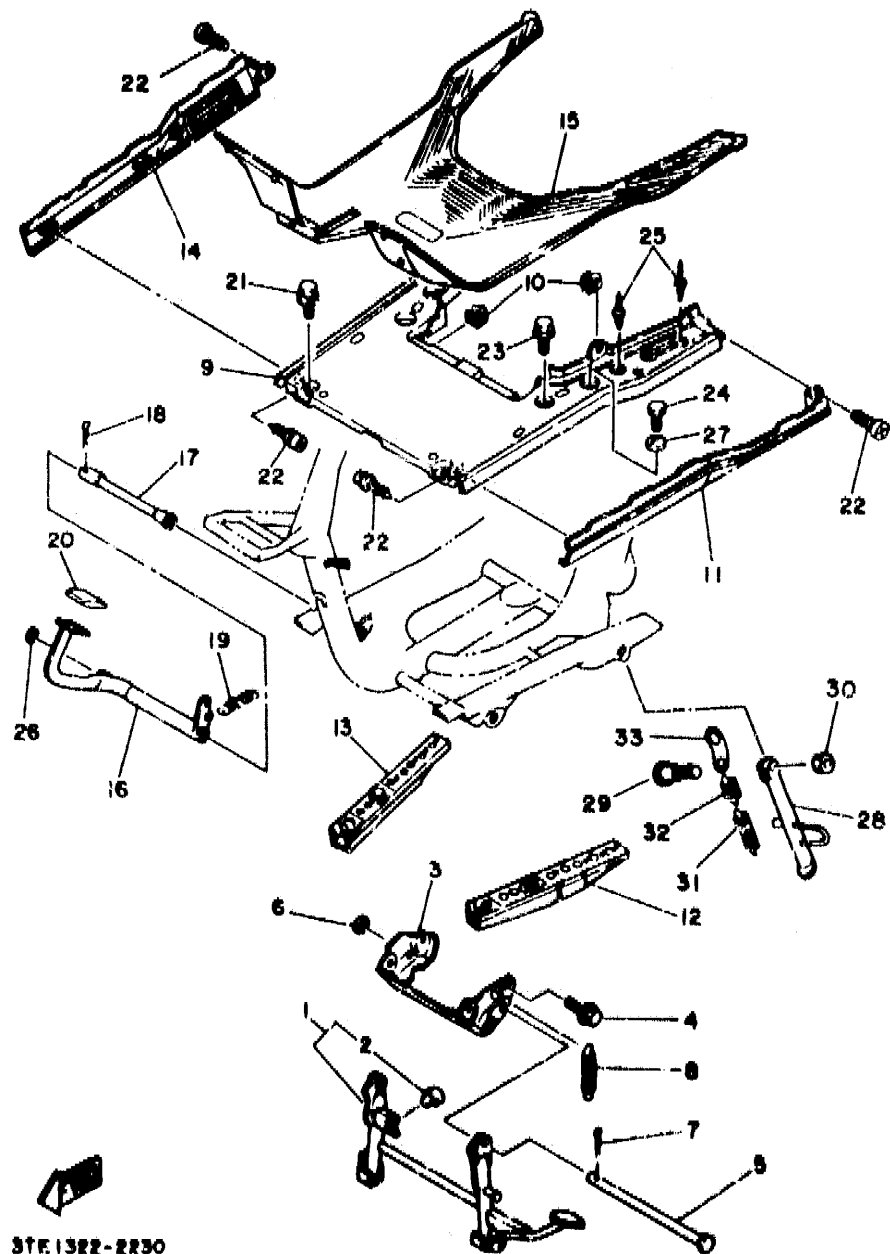
## CHASSIS

Frame .....	C4
Fender .....	C5
Side Cover .....	C6
Rear Arm, Suspension .....	C7
Steering .....	C8~C9
Fuel Tank .....	C10
Seat .....	C11
Front Wheel .....	C12~C13
Rear Wheel .....	C14
Steering Handle, Cable .....	C15
Stand, Footrest .....	D2~D3
Leg Shield .....	D4
Cowling 1 .....	D5
Generator .....	D6
Starting Motor .....	D7

Flasher Light .....	D8
Meter .....	D9
Headlight .....	D10
Taillight .....	D11
Handle Switch, Lever .....	D12
Electrical 1 .....	D13~D14
Electrical 2 .....	D15

## INDEX

Numerical Index .....	M1~M3
-----------------------	-------



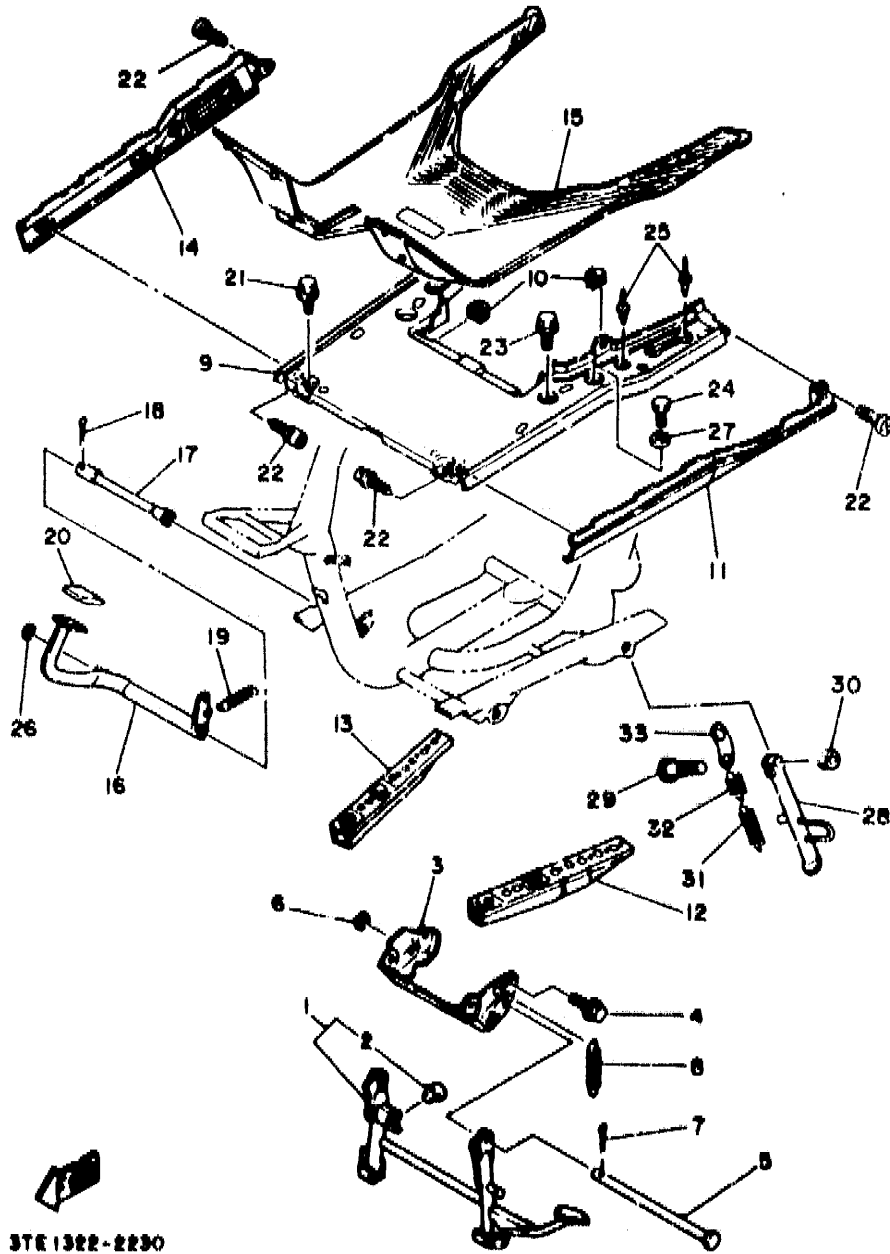
37E1382-2230

FIG. 23 STAND, FOOTREST

REF. NO.	PART NO.	DESCRIPTION	Q'TY	REMARKS
1	50M-27111-00	STAND, MAIN	1	
2	5G3-27114-00	.STOPPER, MAIN STAND	1	
3	50M-27151-00	BRACKET, MAIN STAND	1	
4	95811-08016	BOLT, FLANGE	4	
5	50M-27112-00	SHAFT, MAIN STAND	1	
6	92990-12200	WASHER, PLAIN	1	
7	91401-25020	PIN, COTTER	1	
8	90506-20308	SPRING, TENSION	1	
9	50W-27481-30	BOARD, FOOTREST	1	
10	25G-21535-00	NUT 1	4	
11	50W-27486-00-AJ	COVER 1	1	UR STORMY RED
	50W-27486-00-GE	COVER 1	1	UR SILKY WHITE
	50W-27486-00-OK	COVER 1	1	UR FEATHER BLACK
12	50W-27412-00	BRACKET, FOOTREST 1	1	
13	50W-27422-00	BRACKET, FOOTREST 2	1	
14	50W-27487-00-AJ	COVER 2	1	UR STORMY RED
	50W-27487-00-GE	COVER 2	1	UR SILKY WHITE
	50W-27487-00-OK	COVER 2	1	UR FEATHER BLACK
15	50W-27483-30	MAT 1	1	
16	50W-27211-00	PEDAL, BRAKE	1	
17	50W-27212-00	SHAFT, BRAKE PEDAL	1	
18	91401-20030	PIN, COTTER	1	
19	90506-20193	SPRING, TENSION	1	
20	50W-27285-00	CAP	1	
21	90119-06018	BOLT, WITH WASHER	2	
22	90164-04008	SCREW, TAPPING	8	
23	95811-08035	BOLT, FLANGE	2	
24	97313-06045	BOLT	2	

D2

FIG. 23 STAND. FOOTREST



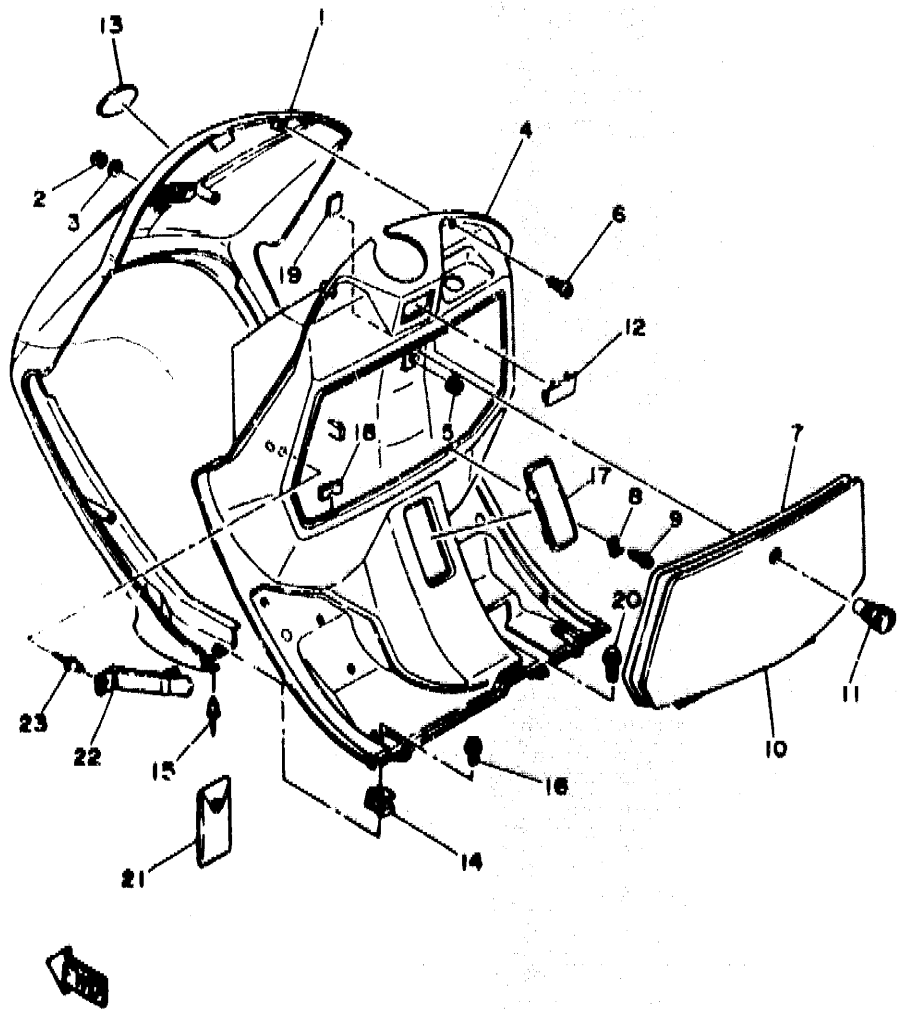
REF. NO.	PART NO.	DESCRIPTION	Q'TY	REMARKS
25	90267-40054	RIVET, BLIND	4	
26	90201-14411	WASHER, PLATE	1	
27	90201-06M02	WASHER, PLATE	2	
28	50M-27311-00	STAND, SIDE	1	
29	90109-103A1	BOLT	1	
30	95303-10700	NUT	1	
31	90506-26331	SPRING, TENSION	1	
32	90506-16332	SPRING, TENSION	1	
33	3Y3-27315-00	LINK, SIDE STAND	1	

3TR1322-2290

D3



FIG. 24 LEG SHIELD



3KR1361-9241

REF. NO.	PART NO.	DESCRIPTION	QTY	REMARKS
1	50W-28311-00-AJ	LEG SHIELD 1	1	UR STORMY RED
	50W-28311-00-GE	LEG SHIELD 1	1	UR SILKY WHITE
	50W-28311-00-OK	LEG SHIELD 1	1	UR FEATHER BLACK
2	95380-06800	NUT	3	
3	90201-060H9	WASHER, PLATE	3	
4	50W-28312-30	LEG SHIELD 1	1	
5	95701-06500	NUT, FLANGE	1	
6	90167-05016	SCREW, TAPPING	6	
7	50W-28371-01	DAMPER	1	
8	35R-21796-00	HINGE	2	
9	97706-40512	SCREW, TAPPING	2	
10	50W-28313-30	LID	1	
11	26H-21798-00	SIDE COVER LOCK ASSY	1	
12	50W-2835U-30	PANEL 1	1	
13	2YM-21578-00	EMBLEM	1	
14	50W-28321-00	STAY 1	2	
15	90267-40073	RIVET, BLIND	2	
16	90159-06013	SCREW, WITH WASHER	2	
17	20H-28349-A0	CAP	1	MEDIUM GRAY
18	50M-2834J-00	CAP 2	2	
19	50W-2834V-00	PROTECTOR 1	1	
20	90119-06018	BOLT, WITH WASHER	1	
21	3TE-28100-00	TOOL KIT	1	
22	33M-21376-00	BAND, TOOL	1	
23	90267-40054	RIVET, BLIND	1	

D4

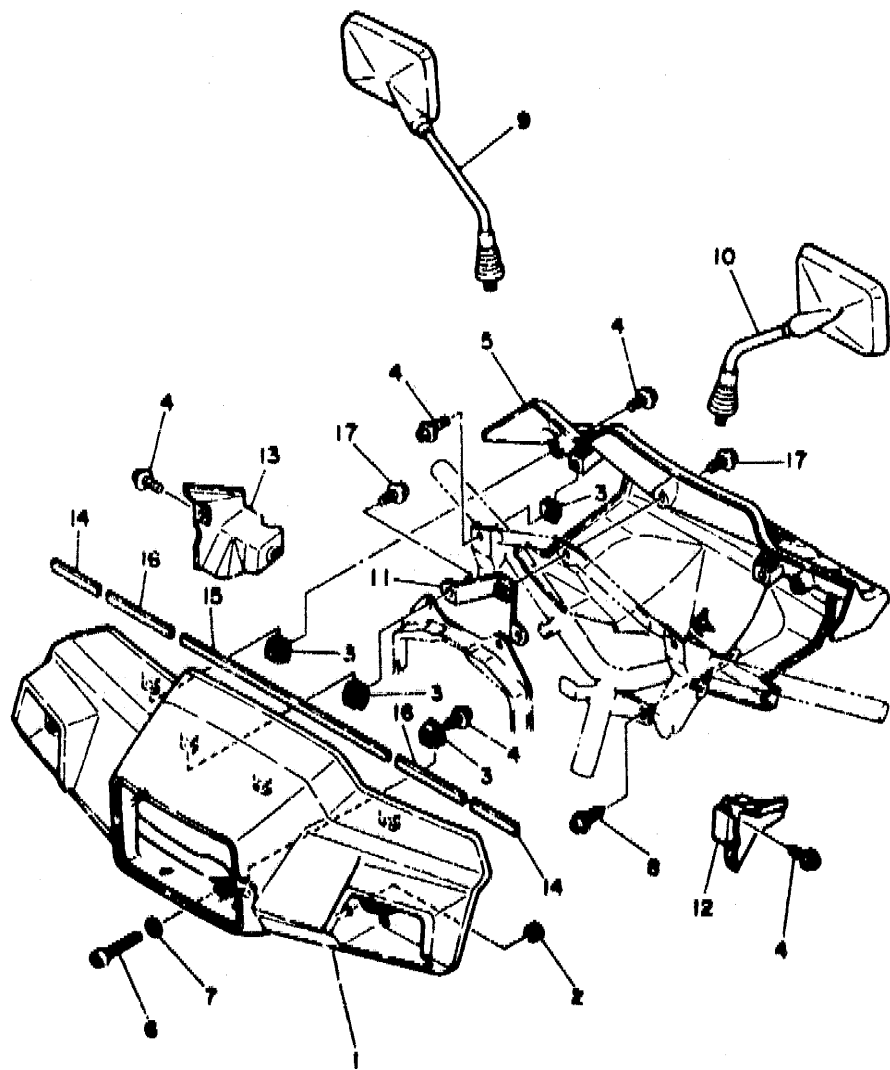


FIG. 25 COMING 1

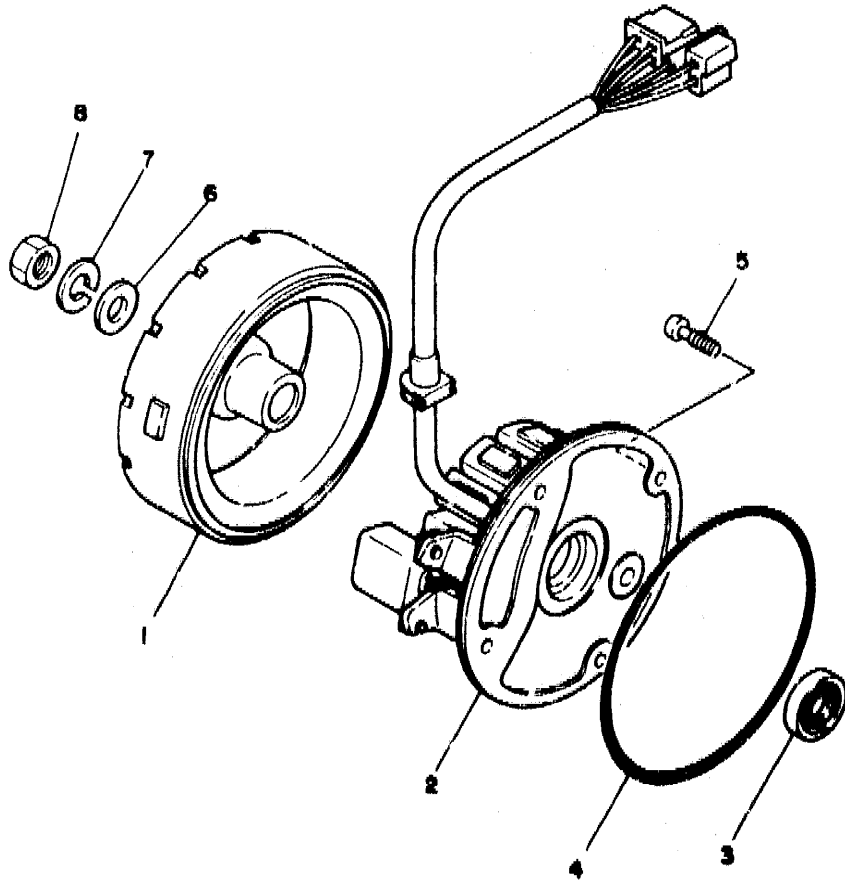
REF. NO.	PART NO.	DESCRIPTION	Q'TY	REMARKS
1	50W-26143-00-AJ	COVER, HANDLEBAR UPPER 1	1	UR STORMY RED
	50W-26143-00-GE	COVER, HANDLEBAR UPPER 1	1	UR SILKY WHITE
	50W-26143-00-OK	COVER, HANDLEBAR UPPER 1	1	UR FEATHER BLACK
2	90480-13018	GROMMET	2	
3	35R-26294-00	NUT 1	7	
4	90159-05089	SCREW, WITH WASHER	7	
5	50W-26145-30	COVER, HANDLEBAR UPPER 2	1	
6	98501-05040	SCREW, PAN HEAD	1	
7	92901-05600	WASHER, PLATE	1	
8	90167-05015	SCREW, TAPPING	2	
9	50M-26290-00	BACK MIRROR ASSY (RIGHT)	1	
10	50M-26290-10	BACK MIRROR ASSY (LEFT)	1	
11	50W-26223-00	BRACKET, HANDLE 1	1	
12	50W-26372-00	COVER, HANDLE LEVER 1	1	
13	50W-2637A-00	COVER, HANDLE LEVER 2	1	
14	3CV-28378-00	PAD	2	
15	3CV-28371-00	DAMPER	1	
16	3CV-28371-00	DAMPER	2	
17	90159-05089	SCREW, WITH WASHER	3	

80V010-4290

D5

FIG. 26 GENERATOR

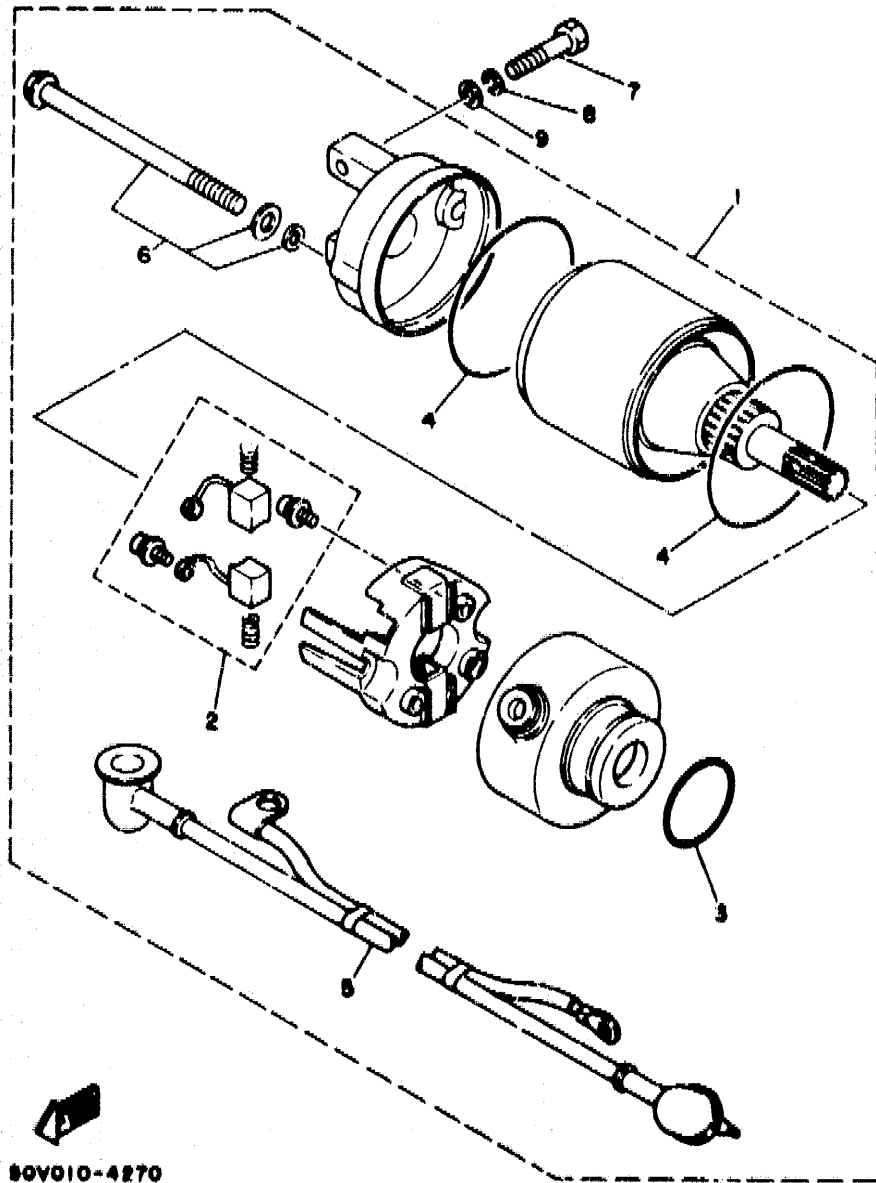
REF. NO.	PART NO.	DESCRIPTION	Q'TY	REMARKS
1	2YM-81450-00	ROTOR ASSY	1	
2	50M-81410-10	STATOR ASSY	1	
3	93102-19276	OIL SEAL	1	
4	93211-08563	O-RING	1	
5	98580-06020	SCREW, PAN HEAD	4	
6	92990-12600	WASHER, PLATE	1	
7	92901-12100	WASHER, SPRING	1	
8	90170-12181	NUT	1	



 80V010-4260

**D6**

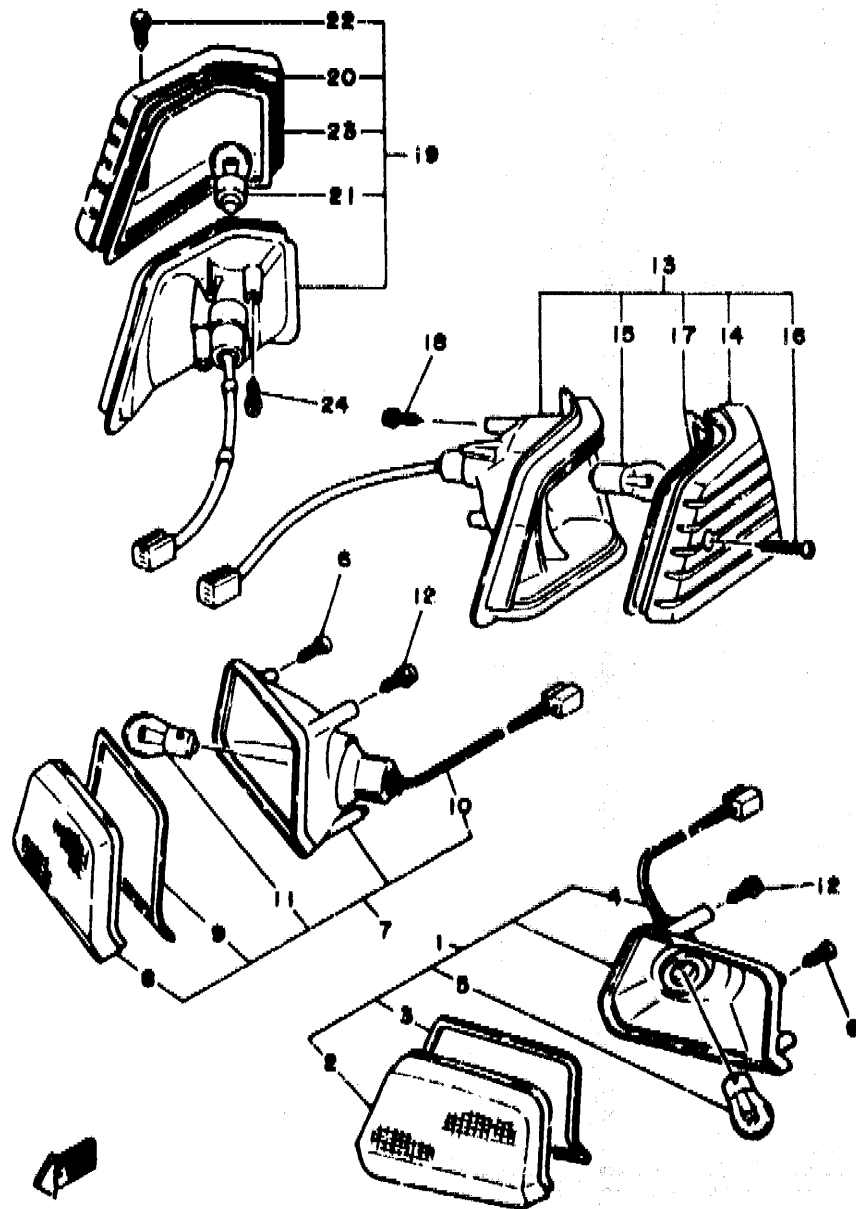
FIG. 27 STARTING MOTOR



REF. NO.	PART NO.	DESCRIPTION	Q'TY	REMARKS
1	2YM-81800-01	STARTING MOTOR ASSY	1	
2	50M-81801-M0	.BRUSH SET	1	
3	93210-25711	.O-RING	1	
4	93210-55669	.O-RING	2	
5	50M-81836-M0	.CORD COMP.	1	
6	50M-81828-M0	.BOLT 2	2	
7	97011-06025	BOLT	2	
8	92995-06100	WASHER	2	
9	92901-06600	WASHER, PLATE	2	

80V010-4270

D7



50W381-8200

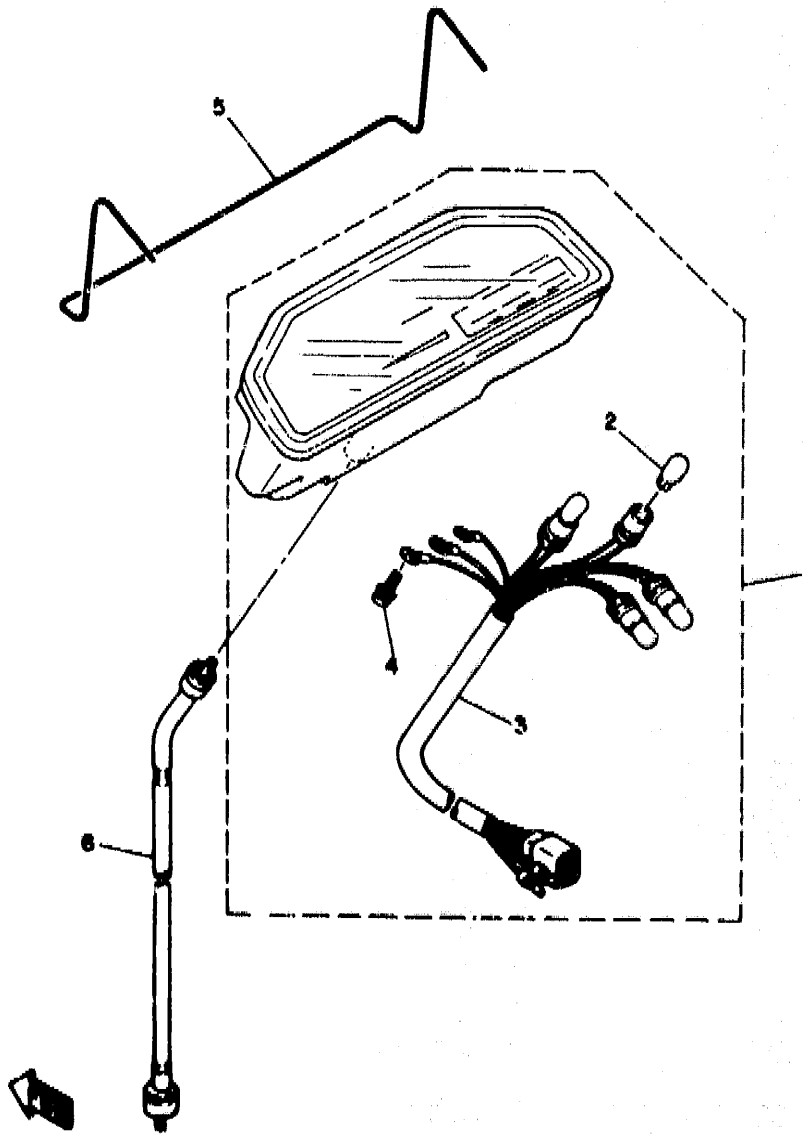
FIG. 28 FLASHER LIGHT

REF. NO.	PART NO.	DESCRIPTION	QTY	REMARKS
1	50W-83310-00	FRONT FLASHER LIGHT ASSY 1	1	
2	50W-83312-00	.LENS, FLASHER (L.H)	1	
3	50W-83313-00	.GASKET, FLASHER LENS	1	
4	50W-8331E-00	.CORD ASSY	1	
5	32H-83331-00	.BULB, FLASHER (12V-21W)	1	
6	90167-05015	SCREW, TAPPING	2	
7	50W-83320-00	FRONT FLASHER LIGHT ASSY 2	1	
8	50W-83322-00	.LENS, FLASHER (R.H)	1	
9	50W-83313-00	.GASKET, FLASHER LENS	1	
10	50W-8332E-00	.CORD ASSY	1	
11	32H-83331-00	.BULB, FLASHER (12V-21W)	1	
12	97780-50120	SCREW, TAPPING	2	
13	50W-83330-00	REAR FLASHER LIGHT ASSY 1	1	
14	25G-83332-00	.LENS, FLASHER (L.H)	1	
15	32H-83331-00	.BULB, FLASHER (12V-21W)	1	
16	97780-40130	.SCREW, TAPPING	1	
17	32H-83313-00	.GASKET, FLASHER LENS	1	
18	97780-60116	SCREW, TAPPING	2	
19	50W-83340-00	FLASHER LIGHT ASSY 2	1	
20	25G-83342-00	.LENS, FLASHER (R.H)	1	
21	32H-83331-00	.BULB, FLASHER (12V-21W)	1	
22	97780-40130	.SCREW, TAPPING	1	
23	32H-83313-00	.GASKET, FLASHER LENS	1	
24	97780-60116	SCREW, TAPPING	2	

De

FIG. 29 METER

REF. NO.	PART NO.	DESCRIPTION	Q'TY	REMARKS
1	3KR-83510-00	SPEEDOMETER ASSY	1	
2	4G1-84744-00	.BULB (12V-3.4W)	4	
3	3KR-83509-00	.SOCKET CORD ASSY	1	
4	90159-03102	.SCREW, WITH WASHER	3	
5	50W-83515-00	SPRING, METER	1	
6	50W-83550-01	SPEEDOMETER CABLE ASSY	1	



3KR1361-9290

D9

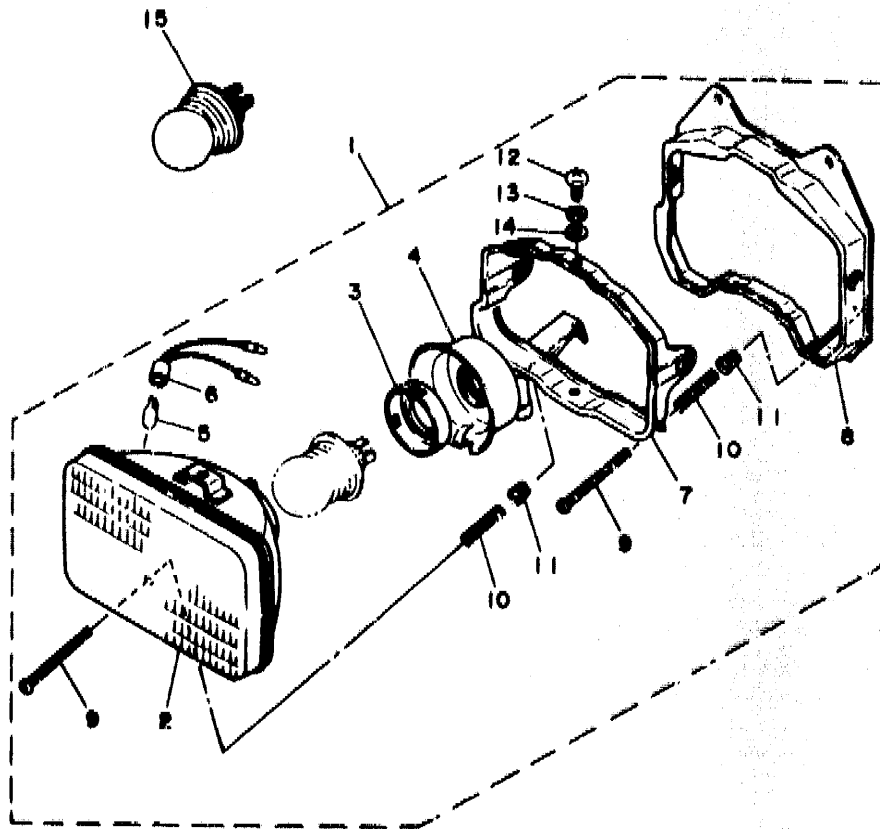


FIG. 30 HEADLIGHT

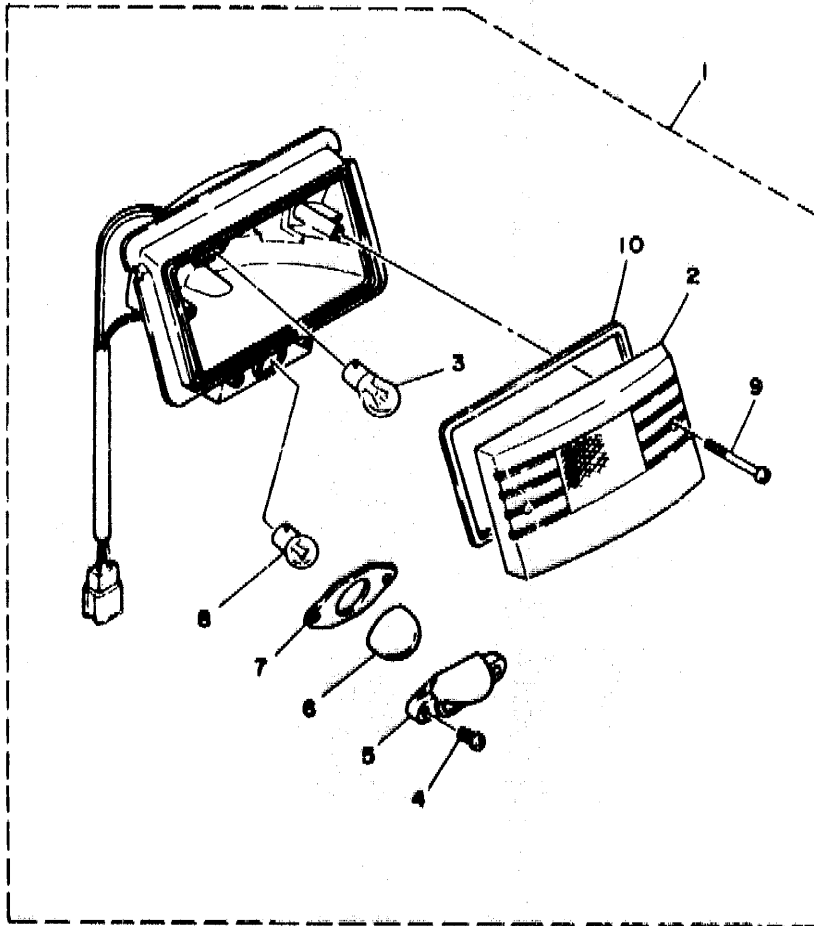
REF. NO.	PART NO.	DESCRIPTION	Q'TY	REMARKS
1	50Y-84303-40	HEADLIGHT UNIT ASSY	1	
2	50Y-84320-40	.LENS ASSY	1	
3	341-84393-40	.HOLDER, BULB	1	
4	46X-84396-00	.COVER	1	
5	4E2-84347-00	.BULB (12V-4W)	1	
6	34L-84346-00	.SOCKET, PILOT LIGHT	1	
7	50W-84395-00	.RING, RETAINING	1	
8	50W-84394-00	.RING, MOUNTING	1	
9	98501-04050	.SCREW, PAN HEAD	2	
10	341-84332-60	.SPRING, SCREW	2	
11	50W-84334-00	.NUT, ADJUSTING	2	
12	50W-84333-00	.SCREW	4	
13	92990-05100	.WASHER, SPRING	4	
14	92901-05600	.WASHER, PLATE	4	
15	*	BULB, HEAD LIGHT (12V45/40W)	1	LM

50W881-8300

**D10**

FIG. 31 TAILLIGHT

REF. NO.	PART NO.	DESCRIPTION	Q'TY	REMARKS
1	51F-84710-41	TAILLIGHT UNIT ASSY	1	
2	25G-84721-01	.LENS, TAILLIGHT	1	
3	31L-84714-00	.BULB, TAILLIGHT (12V-21/5W)	1	
4	97706-40512	.SCREW, TAPPING	2	
5	25G-84747-01	.COVER, LICENCE LIGHT	1	
6	25G-84743-01	.LENS, LICENCE LIGHT	1	
7	25G-84742-00	.SEAT, BASE	1	
8	34M-84714-00	.BULB (12V-5W)	1	
9	97780-40130	.SCREW, TAPPING	2	
10	32H-84723-00	.GASKET, TAIL LENS	1	



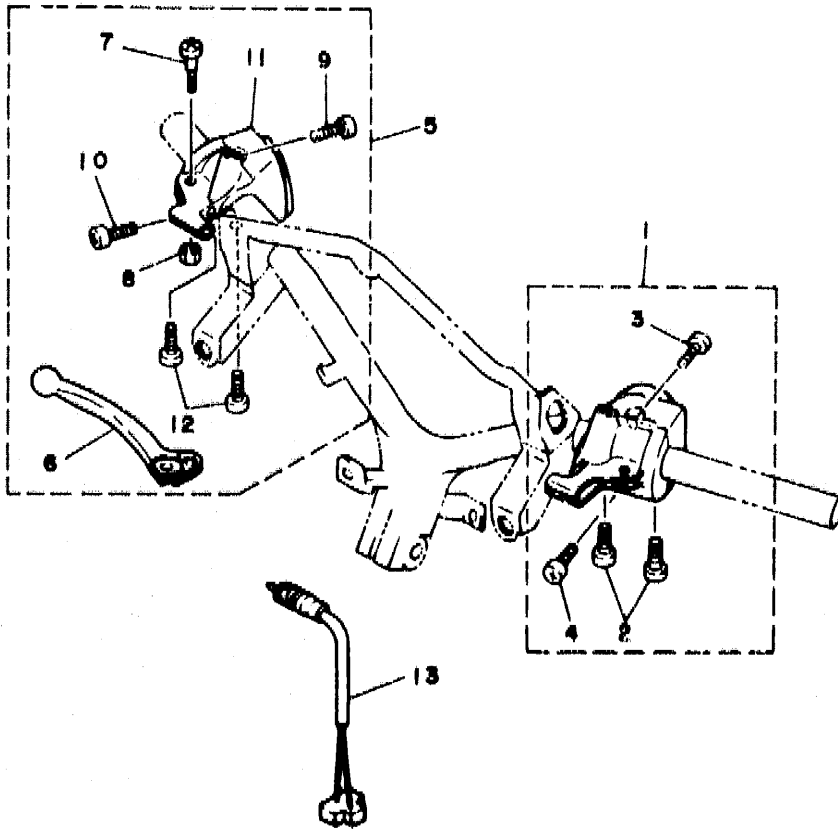
3KR1861-9310

D11



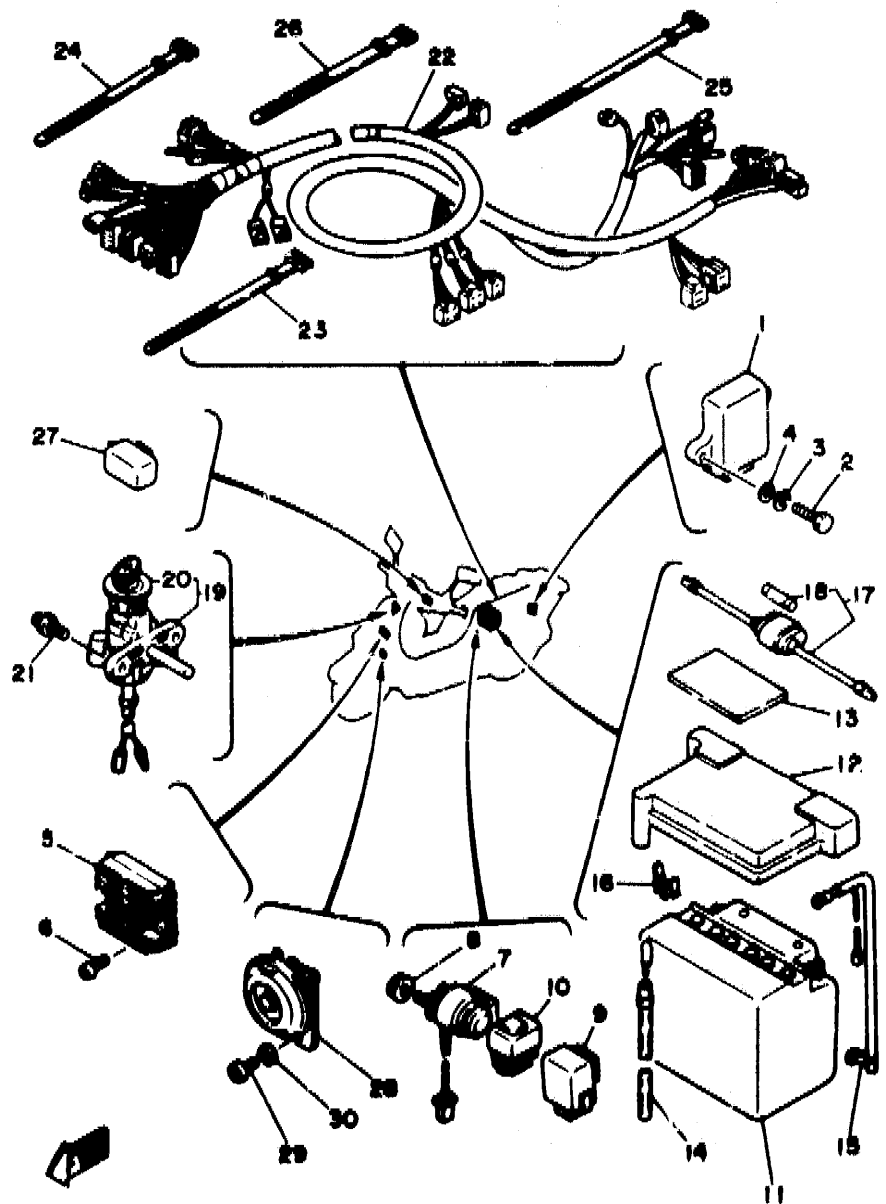
FIG. 32 HANDLE SWITCH, LEVER

REF. NO.	PART NO.	DESCRIPTION	Q'TY	REMARKS
1	50M-83973-30	SWITCH, HANDLE 3	1	
2	98901-04010	.SCREW, BIND	2	
3	98506-05020	.SCREW, PAN HEAD	1	
4	98506-05012	.SCREW, PAN HEAD	1	
5	50W-W8292-30	LEVER HOLDER ASSY (RIGHT)	1	
6	56J-83922-00	.LEVER 2	1	
7	90149-05121	.SCREW	1	
8	95601-05100	.NUT, U	1	
9	98506-05012	.SCREW, PAN HEAD	1	
10	98506-05020	.SCREW, PAN HEAD	1	
11	50W-83975-30	.SWITCH, HANDLE 2	1	
12	98901-04010	.SCREW, BIND	2	
13	86S-83980-00	FRONT STOP SWITCH ASSY	1	



80V010-4321

D12



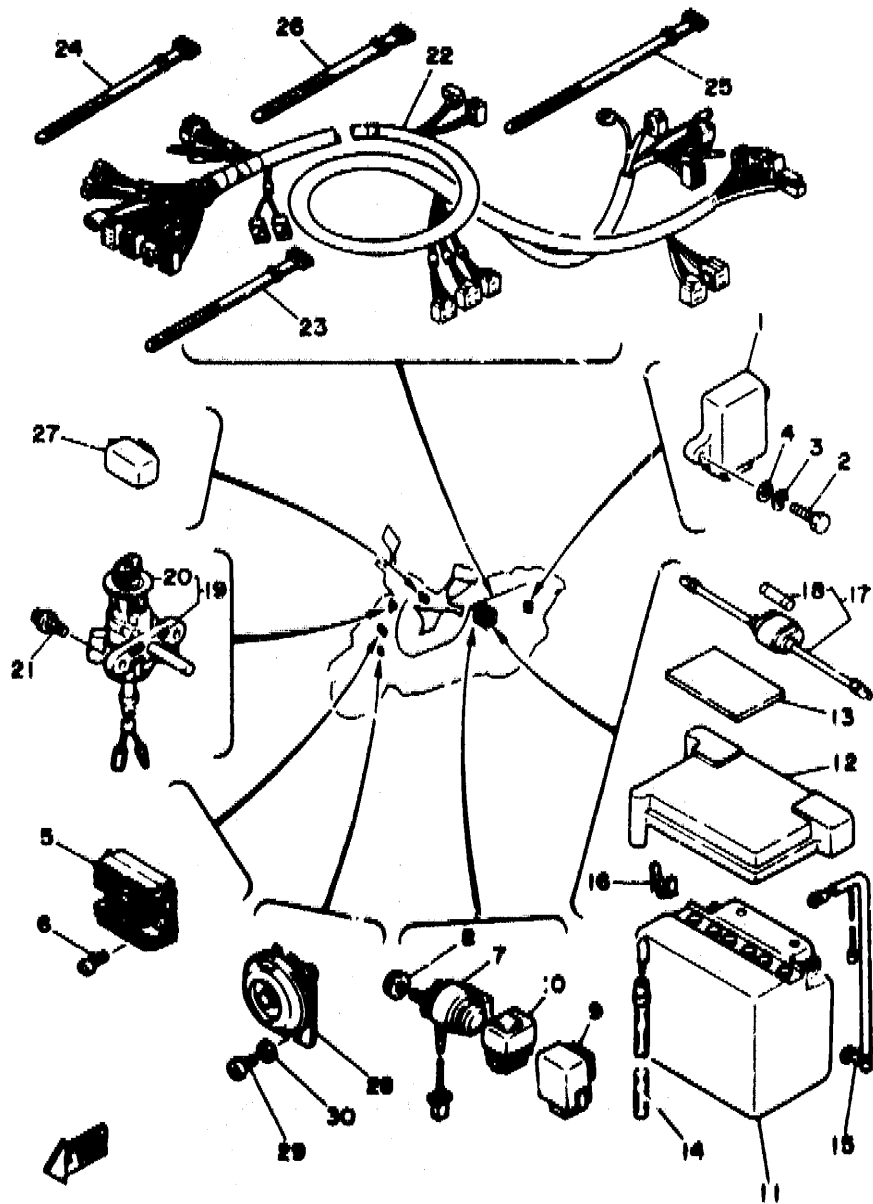
3TE1332-0330

FIG. 33 ELECTRICAL 1

REF. NO.	PART NO.	DESCRIPTION	Q'TY	REMARKS
1	2YM-82305-00	IGNITOR UNIT ASSY	1	
2	97011-06025	BOLT	2	
3	92995-06100	WASHER	2	
4	92990-06600	WASHER, PLATE	2	
5	36F-81960-A0	RECTIFIER & REGULATOR ASSY	1	
6	98501-06020	REW, PAN HEAD	2	
7	50W-81940-10	STARTER RELAY ASSY	1	
8	95701-06500	NUT, FLANGE	2	
9	50M-81950-00	RELAY ASSY	1	
10	25G-81950-01	RELAY ASSY	1	
11	1JE-82110-60	BATTERY ASSY ( GM7CZ-3D)	1	GS
12	50W-82120-00	COVER, BATTERY	1	
13	50W-82121-00	PAD, BATTERY	1	
14	90445-08336	HOSE	1	
15	50W-82115-00	WIRE, PLUS LEAD	1	
16	90464-06053	CLAMP	1	
17	2UJ-82150-01	FUSE HOLDER ASSY	1	
18	148-82151-00	FUSE (20A)	2	
19	3TE-82501-00	MAIN SWITCH STEERING LOCK	1	
20	51F-82552-30	CAP, SWITCH	1	
21	90109-066A7	BOLT	2	
22	3KR-82590-01	WIRE HARNESS ASSY	1	
23	437-83936-11	BAND, SWITCH CORD	2	
24	437-83936-01	BAND, SWITCH CORD	1	
25	25G-83936-01	BAND, SWITCH CORD	2	
26	25G-83936-01	BAND, SWITCH CORD	1	
27	3Y8-83350-40	FLASHER RELAY ASSY	1	
28	50M-83371-20	HORN	1	

D13

FIG. 33 ELECTRIC 1



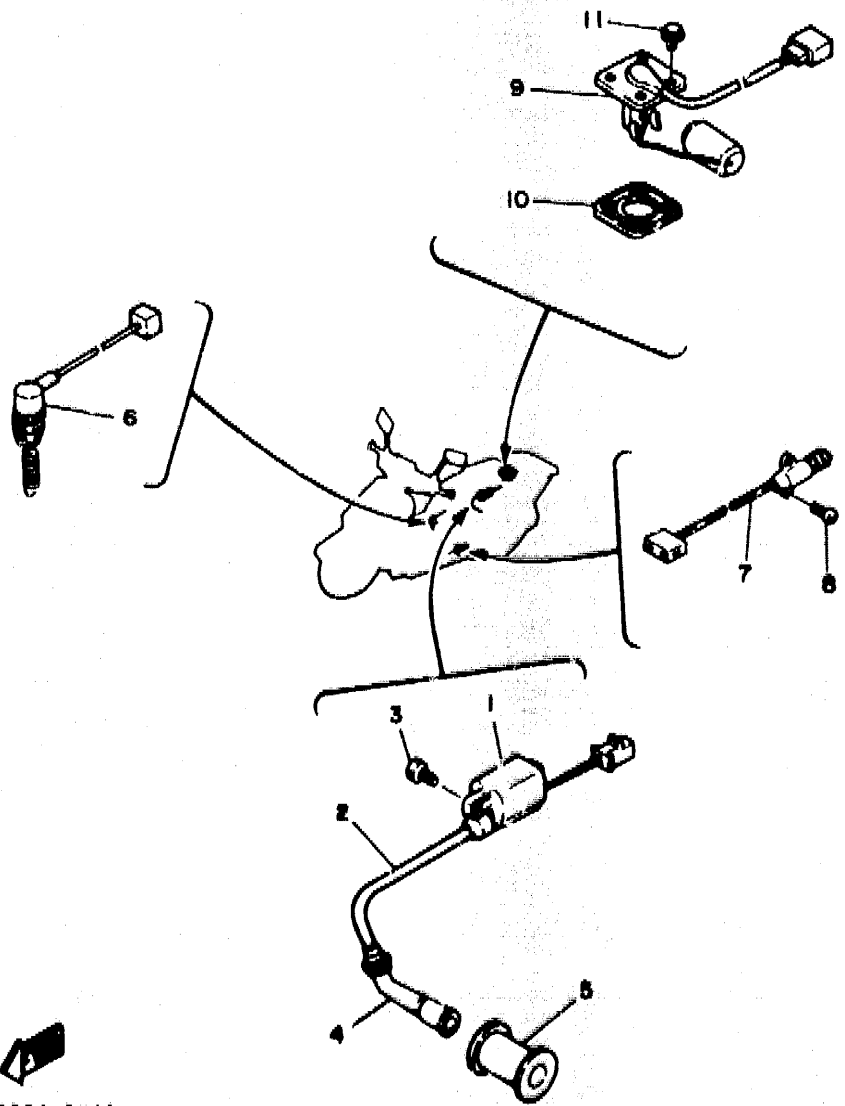
REF. NO.	PART NO.	DESCRIPTION	Q'TY	REMARKS
29	98516-06012	SCREW, PAN HEAD	1	
30	92906-06100	WASHER, SPRING	1	

STE1332-0330

D14

FIG. 34 ELECTRICAL 2

REF. NO.	PART NO.	DESCRIPTION	Q'TY	REMARKS
1	25G-82310-10	IGNITION COIL ASSY	1	
2	137-82341-01	CORD, HIGH TENSION 1	1	
3	97011-06020	BOLT	2	
4	33M-82370-01	PLUG CAP ASSY	1	
5	50M-82372-00	SEAL, PLUG CAP	1	
6	50W-82530-02	STOP SWITCH ASSY	1	
7	3KR-82566-00	SWITCH, SIDE STAND	1	
8	90157-05079	SCREW, PAN HEAD	2	
9	50W-85752-00	SENDER UNIT ASSY, FUEL METER	1	
10	5G3-85753-00	GASKET, SENDER UNIT	1	
11	90119-05071	BOLT, WITH WASHER	4	



1JE004-5340

D15

# CONTENTS

## ENGINE

Cylinder .....	B2
Crankshaft, Piston .....	B3
Valve .....	B4
Air Shroud, Fan .....	B5
Oil Pump .....	B6
Intake .....	B7
Carburetor .....	B8~B9
Exhaust .....	B10
Crankcase .....	B11~B13
Starter Clutch .....	B14
Clutch .....	B15~C2
Transmission .....	C3

## CHASSIS

Frame .....	C4
Fender .....	C5
Side Cover .....	C6
Rear Arm, Suspension .....	C7
Steering .....	C8~C9
Fuel Tank .....	C10
Seat .....	C11
Front Wheel .....	C12~C13
Rear Wheel .....	C14
Steering Handle, Cable .....	C15
Stand, Footrest .....	D2~D3
Leg Shield .....	D4
Cowling 1 .....	D5
Generator .....	D6
Starting Motor .....	D7

Flasher Light .....	D8
Meter .....	D9
Headlight .....	D10
Taillight .....	D11
Handle Switch, Lever .....	D12
Electrical 1 .....	D13~D14
Electrical 2 .....	D15

## INDEX

Numerical Index .....	M1~M3
-----------------------	-------

NUMERICAL INDEX

PART NO.	GRID NO.	PART NO.	GRID NO.	PART NO.	GRID NO.	PART NO.	GRID NO.	PART NO.	GRID NO.	PART NO.	GRID NO.
50M-W1441-00	B- 7	50M-12241-00	B- 4	1MM-14610-00	B-10	50M-17670-00	C- 2	164-22216-00	B-11	109-25136-00	C-12
50M-W1443-00	B- 7	50M-12611-00	B- 5	3DM-14613-00	B-10	50W-17674-00	C- 2		C- 7	102-25137-00	C-13
50W-W247E-00	C-11	50M-12651-00	B- 5	50M-14651-00	B- 2	50W-17684-00	C- 2	51F-23310-01	C- 8	36F-25138-00	C-12
2YM-W247F-00	C-11	50M-12652-00	B- 5	2YM-1490J-00	B- 8	37E-21110-00	C- 4	50W-23317-00	C- 9	50W-25149-00	C-12
3CK-W247O-00	C-11	50M-12653-00	B- 5	50M-14926-00	B- 8	50W-2117E-00	C- 4	50W-23338-00	C- 9	25G-25155-00	C-12
25G-W2535-00	C-12	50M-12654-00	B- 5	50M-14952-00	B- 8	50M-2117I-00	C- 4	50W-23339-00	C- 9	36F-25159-00	C-12
25G-W2536-01	C-14	50M-13300-00	B- 6	50M-15100-01	B- 6	50W-2117Z-00	C- 4	50W-23350-00	C- 8		C-14
50W-W8292-30	D-12	50M-13325-00	B- 6	50M-15112-00	B-12	50M-21243-00	C- 4	50W-23361-00	C- 8	50M-25168-20-35	C-12
50M-Y1334-00	B- 6	50M-13341-00	B- 6	2YM-15191-00	B-13	50W-2128A-00	C- 4	296-23362-09	C- 8	50W-25178-00	C-13
50M-Y2162-00	C- 5	50M-13342-00	B- 6	50M-15316-00	B- 6	55E-21308-00	C-11		C- 8	50W-25181-00	C-13
50M-1111F-00	B- 4	50M-13405-00	B- 6		B-11	33M-21376-00	D- 4	296-23363-01	C- 8	50W-25188-00	C-13
50M-1111O-00	B- 2	22F-13411-00	B- 6	50M-15317-01	B-11	50W-21391-00	C- 4		C- 8	109-25315-00	C-12
22F-11134-10	B- 2	50M-13455-00	B-12	2H7-15361-00	B-12	50W-21393-00	C- 4	296-23364-02	C- 8	50W-25321-00	C-14
	B- 2	50M-13475-10	B- 6	1RG-15363-00	B-12	50M-2143A-00	C- 4		C- 8	50W-2533A-00	C-14
15A-11162-00	B- 2	50M-13585-00	B- 7	4J2-15363-00	B-11	50W-21471-00	C- 4	19E-23371-00	C- 8	50M-25338-20-35	C-14
50M-11162-00	B- 2	1XX-14105-00	B- 9	583-15371-00	B-11	50W-21511-00-AJ	C- 5	296-23372-09	C- 8	50W-25181-00	C-14
50M-11166-00	B-11	5Y1-14115-00	B- 8	50M-15381-00	B-15	50W-21511-00-GE	C- 5		C- 8	3Y6-25351-00	C-12
371-11167-01	B-11	50M-14261-00	B- 8	50M-15411-00	B-12	50W-21511-00-OK	C- 5	296-23381-01	C- 8	371-25355-02	C-14
50M-11181-00	B- 2	30X-14296-00	B- 8	50M-15417-00	B-12	2YM-21529-00	C- 5		C- 8	50W-25371-00	C-13
50M-11185-01	B- 2	3KR-14301-01	B- 8	50M-15418-00	B-11	25G-21535-00	C- 6	296-23382-01	C- 8	1A1-25398-01	C-13
22F-11186-00	B- 2	50M-14321-00	B- 8	50W-15421-00	B-11		D- 2		C- 8	1A1-25399-00	C-13
812-11198-00	B-12	30X-14333-00	B- 8	50M-15431-00	B-12	2YM-21556-00	C- 5	116-23383-00	C- 8	2M0-25399-00	C-13
50M-11310-00	B- 2	50M-14335-00	B- 8	50M-15449-00	B-12	2YM-21578-00	D- 4		C- 8	50W-26110-20	C-15
50M-11351-10	B- 2	2YM-14340-00	B- 8	50M-15451-10	B-12	3AA-21578-21	C- 6	50W-23383-00	C-13	50W-26143-00-AJ	D- 5
50M-11400-00	B- 3	2YM-14341-00	B- 8	50M-15455-00	B-13	50M-21622-00	C- 4	116-23384-00	C- 8	50W-26143-00-GE	D- 5
50M-11500-00	B- 3	50M-14342-16	B- 8	50M-15461-10	B-11	2H7-21628-00	C- 5		C- 8	50W-26143-00-OK	D- 5
50M-11610-00	B- 3	50M-14343-54	B- 8	50M-15462-10	B-11	50W-21631-00	C- 5	156-23411-00	C- 8	50W-26145-30	D- 5
50M-11610-20	B- 3	50M-14355-00	B- 8	2YM-15470-00	B-13	50M-21642-00	C- 4	22F-23411-00	C- 9	50W-26223-00	D- 5
50M-11610-40	B- 3		B- 9	50M-15512-00	B-14	26H-21708-00	D- 4	156-23412-00	C- 9	35R-26241-00	C-15
2YM-11631-00-A0	B- 3	50V-14370-01	B- 8	50M-15521-00	B-14	50W-21711-30	C- 6	22F-23412-00	C- 9	35R-26242-00	C-15
22K-11633-01	B- 3	50M-14371-01	B- 8	50M-15524-00	B-14	50W-2171M-30	C- 6	122-23416-00	C- 9	35R-26243-00	C-15
2YM-11636-00	B- 3	50M-14384-00	B- 8	50M-15570-01	B-14	51F-21711-00	C- 6	50M-24110-00	C-10	50M-26290-00	D- 5
2YM-11638-00	B- 3	5Y1-14385-00	B- 8	50M-16111-01	B-15	50W-21717-00	C- 4	50W-24181-00	C- 4	50M-26290-10	D- 5
50M-12111-00	B- 4	6E5-14386-01	B- 8	4DH-16611-00	B-15	50W-21721-10-6X	C- 6	50M-24500-00	C-10	35R-26294-00	D- 5
22F-12114-00	B- 4	36F-14392-00	B- 8	2YM-16620-01	B-15	50W-21721-10-7X	C- 6	22F-24610-01	C-10	50M-26311-01	C-15
22F-12116-00	B- 4	50M-14396-00	B- 8	17M-16626-00	B-15	50W-21721-10-8X	C- 6	375-24612-10	C-10	50W-26341-00	C-15
22F-12117-02	B- 4	5Y1-14397-00	B- 8	2YM-17211-00	C- 3	50W-2173T-20	C- 6	460-24723-00	C-11	50W-26351-00	C-15
22F-12118-01	B- 4	50M-14397-00	B- 8	2YM-17410-00	C- 3	50W-21731-10-6X	C- 6	3YF-24724-00	C- 4	50W-2637A-00	D- 5
22F-12119-01	B- 4	50M-14398-00	B- 8	50W-17611-01	B-15	50W-21731-10-7X	C- 6	214-24726-10	C-11	50W-26372-00	D- 5
50M-12121-01	B- 4	50M-14420-00	B- 9	50M-17620-01	B-15	50W-21731-10-8X	C- 6	50W-24728-00	C-11	50W-26379-00	C-15
50M-12151-00	B- 4	50M-14422-00	B- 7	50W-17623-00	B-15	50M-21732-00	C- 6	37E-24730-00	C-11	50M-27111-00	D- 2
22F-12156-00	B- 4	50M-14451-00	B- 7	50M-1763E-01	B-15	50W-21741-30	C- 6	119-24741-00	C-11	50M-27112-00	D- 2
22F-12159-00	B- 4	50M-14453-00	B- 7	50M-17630-00	B-15	50W-21781-20	C- 6	50W-2478E-00	C-11	563-27114-00	D- 2
50M-12170-00	B- 4	570-14457-00	B-13	50M-17632-00	B-15	50W-21781-30	C- 6	50X-24819-10	C-11	50M-27151-00	D- 2
50M-12176-00	B- 4	50M-14461-00	B-13	50W-17641-00	B-15	35R-21796-00	D- 4	2YM-24842-00	C-11	50W-27211-00	D- 2
50M-12210-00	B- 4	50M-14462-01	B- 7	50W-17653-00	B-15	50W-22110-00	C- 7	50W-25121-02-35	C-12	50W-27212-00	D- 2
50M-12213-10	B- 4	51Y-14462-00	B- 7	50W-17660-01	C- 2	36F-22184-00	C- 7	5Y1-2513A-00	C-12	50W-27285-00	D- 2
50M-12231-00	B- 4	50M-14472-00	B- 7	50W-17664-00	C- 2	50W-22210-00	C- 7	50W-25135-00	C-12	50M-27311-00	D- 3

NUMERICAL INDEX

PART NO.	GRID NO.	PART NO.	GRID NO.	PART NO.	GRID NO.	PART NO.	GRID NO.	PART NO.	GRID NO.	PART NO.	GRID NO.
3Y3-27315-00	D-3	50W-82530-02	D-15	31L-84714-00	D-11	90170-05302	B-4	90387-155J0	C-7	91490-20025	C-14
50W-27412-00	D-2	51F-82552-30	D-13	34M-84714-00	D-11	90170-12181	D-6	90387-166L7	B-15	91690-30014	B-6
50W-27422-00	D-2	3KR-82566-00	D-15	25G-84721-01	D-11	90170-12338	C-2	90387-167L5	B-4	92901-04600	B-15
50W-27481-30	D-2	3KR-82590-01	D-13	32H-84723-00	D-11	90170-36279	B-15	90401-10035	C-8	92901-05600	B-7
50W-27483-30	D-2	50W-8331E-00	D-8	25G-84742-00	D-11	90171-12042	C-13	90430-06014	B-4		D-5
50W-27486-00-AJ	D-2	50W-83310-00	D-8	25G-84743-01	D-11	90175-06019	C-15	90445-07370	C-10		D-10
50W-27486-00-GE	D-2	50W-83312-00	D-8	4G1-84744-00	D-9	90179-06176	C-15	90445-08336	D-13	92901-05200	C-15
50W-27486-00-OK	D-2	32H-83313-00	D-8	25G-84747-01	D-11	90179-14427	B-15	90445-09059	B-9	92901-06600	B-5
50W-27487-00-AJ	D-2		D-8	50W-85752-00	D-15	90179-25033	C-9	90445-10308	C-10		B-12
50W-27487-00-GE	D-2	50W-83313-00	D-8	5G3-85753-00	D-15	90185-14124	C-14	90446-07112	B-11		C-11
50W-27487-00-OK	D-2		D-8	90101-06278	C-12	90201-06M02	D-3	90460-45222	B-7		C-11
3TE-28100-00	D-4	50W-8332E-00	D-8	90101-J6291	C-14	90201-060H9	D-4	90460-56105	B-7		D-7
50W-28311-00-AJ	D-4	50W-83320-00	D-8	90101-06576	D-8	90201-06412	B-10	90464-06053	D-13	92901-08600	C-4
50W-28311-00-GE	D-4	50W-83322-00	D-8	90101-08590	B-4	90201-067J4	C-5	90467-09006	C-10		C-11
50W-28311-00-OK	D-4	50W-83330-00	D-8	90102-10031	C-13	90201-07076	C-12	90467-14015	B-11	92901-10100	C-8
50W-28312-30	D-4	32H-83331-00	D-8	90105-08121	C-7	90201-080L7	B-2	90480-12053	B-10	92901-12100	D-6
50W-28313-30	D-4		D-8	90105-08324	B-2	90201-08087	B-11	90480-12237	B-12	92906-06100	D-14
50W-28321-00	D-4		D-8	90105-10393	C-15	90201-08326	B-4	90480-13018	D-5	92990-05100	D-10
50M-2834J-00	D-4		D-8	90105-12228	C-4	90201-08403	B-6	90480-30167	B-5	92990-06600	B-10
50W-2834V-00	D-4	25G-83332-00	D-8	90109-06504	C-11	90201-08795	C-7	90501-50343	C-2		D-13
20H-28349-00	D-4	50W-83340-00	D-8	90109-066A7	D-13	90201-105J4	B-14	90506-06279	B-5	92990-08100	B-10
50W-2835U-30	D-4	25G-83342-00	D-8	90109-08607	C-9	90201-14411	D-3	90506-16332	D-3		C-9
3CV-28371-00	D-5	3Y8-83350-40	D-13	90109-103A1	D-3	90201-153H0	C-3	90506-17328	C-12	92990-12200	D-2
	D-5	50M-83371-20	D-13	90119-05071	D-15	90201-163F8	B-14		C-14	92990-12600	D-6
50W-28371-01	D-4	3KR-83509-00	D-9	90119-06018	C-4	90201-17485	B-11	90506-20193	D-2	92995-06100	B-5
3CV-28378-00	D-5	3KR-83510-00	D-9		C-6	90201-20276	C-14	90506-20308	D-2		C-11
50M-81410-10	D-6	50W-83515-00	D-9		D-2	90201-244J3	C-12	90506-26331	D-3		D-7
2YM-81450-00	D-6	50W-83550-01	D-9		D-4	90202-05193	C-10	90508-26616	C-12		D-13
2YM-81800-01	D-7	56J-83922-00	D-12	90119-08128	C-14	90208-15037	C-3	90508-26653	C-14	93101-23127	B-15
50M-81801-M0	D-7	25G-83936-01	D-13	90149-05121	D-12	90209-12259	C-13	90560-12261	C-12	93102-17235	C-12
50M-81828-M0	D-7		D-13	90149-06007	C-6	90214-04038	B-15	91311-06016	B-4	93102-19276	D-6
50M-81836-M0	D-7	437-83936-01	D-13	90149-06011	C-10	90215-14236	C-2	91311-06110	B-2	93102-22294	B-11
50W-81940-10	D-13	437-83936-11	D-13	90149-06184	C-6	90240-06108	C-15	91316-06012	B-4	93102-22335	B-15
25G-81950-01	D-13	50M-83973-30	D-12		C-6	90249-12008	C-15	91316-06020	B-7	93102-25334	C-3
50M-81950-00	D-13	50W-83975-30	D-12	90155-08002	C-8	90267-40054	D-3		B-12	93102-47297	C-12
36F-81960-A0	D-13	66S-83980-00	D-12	90157-04088	B-15		D-4		B-12	93104-07003	C-12
1JE-82110-60	D-13	50Y-84303-40	D-10	90157-05079	D-15	90267-40073	D-4	91316-06025	B-12	93104-41091	C-2
50W-82115-00	D-13	50Y-84320-40	D-10	90159-03102	D-9	90280-03017	B-3	91316-06035	B-12	93109-28043	C-7
50W-82121-00	D-13	341-84332-60	D-10	90159-05089	D-5	90338-05056	B-7		B-12	93210-07540	B-11
50W-82129-00	D-13	50W-84333-00	D-10		D-5	90340-36098	B-12		B-12	93210-08006	B-6
2UJ-82150-01	D-13	50W-84334-00	D-10	90159-06013	D-4	90387-060U2	C-4	91316-06060	B-11	93210-10673	B-12
148-82151-00	D-13	34L-84346-00	D-10	90159-06071	C-6	90387-061F8	C-4		B-12	93210-14104	B-11
2YM-82305-00	D-13	4E2-84347-00	D-10		C-6	90387-087L0	B-12	91316-08050	C-11		C-13
25G-82310-10	D-15	341-84393-40	D-10	90164-04008	D-2	90387-100L5	B-14	91401-20030	D-2	93210-15639	B-11
137-82347-01	D-15	50W-84394-00	D-10	90167-05015	D-5	90387-100L9	C-13	91401-25070	D-2	93210-16314	B-12
33M-82370-01	D-15	50W-84395-00	D-10		D-8	90387-101H3	C-13	91401-30020	C-13	93210-19123	B-12
50M-82372-00	D-15	46X-84396-00	D-10	90167-05016	C-6	90387-120L7	C-13	91490-20020	C-13	93210-23326	C-12
3TE-82501-00	D-13	51F-84710-41	D-11		D-4	90387-120L8	C-12		C-15	93210-25711	D-7

NUMERICAL INDEX

PART NO.	GRID NO.	PART NO.	GRID NO.	PART NO.	GRID NO.	PART NO.	GRID NO.	PART NO.	GRID NO.	PART NO.	GRID NO.
93210-27672	B- 7	95380-06800	D- 4	98501-06025	B- 5						
93210-36510	B-13	95601-05100	D-12	98502-06016	B- 2						
93210-43713	C- 2	95601-12200	C- 4		C-11						
93210-44704	B- 2	95611-10100	C-13		C-11						
93210-50582	B- 6	95701-05500	C- 4	98503-04014	B- 8						
93210-53679	B- 2	95701-06500	B-10	98503-05025	B- 7						
93210-55669	D- 7		C- 4	98503-06018	B- 5						
93210-63556	B- 2		C- 6	98506-05012	D-12						
93210-71462	B-11		C-11		D-12						
93210-97690	B-15		C-11	98506-05020	D-12						
93211-08563	D- 6		D- 4		D-12						
93306-00314	B-14		D-13	98511-04012	B- 8						
93306-00433	B-15	95811-06012	C- 4	98511-06012	C-11						
93306-20120	C-12		C-10	98516-06012	D-14						
93306-20215	B- 3	95811-06016	C- 4	98580-04008	B- 8						
93306-20224	C- 7		C- 4	98580-06020	D- 6						
93306-20336	B- 3	95811-06030	C- 4	98701-06016	B-11						
93306-20460	C- 3	95811-08016	B-11		C-11						
93306-30101	C- 3		D- 2	98780-06025	B- 6						
93306-30103	C-12	95811-08035	D- 2	98901-04010	D-12						
93315-11040	B-14	95821-08020	C- 7		D-12						
93315-42536	C- 3	95826-06010	C-11	98903-06012	C- 9						
93399-99918	B-15	97011-06020	D-15	99006-10500	B- 6						
93410-24042	C-12	97011-06025	D- 7	99009-17400	B-11						
93440-10109	B- 2		D-13	99009-22400	B-15						
93450-14088	B- 3	97313-06045	D- 2	99510-10114	B- 2						
93450-35015	B-14	97313-08016	B-10		B- 2						
93501-04011	C- 9		C- 4	99510-12016	B-11						
93503-16010	C- 9		C-11	99530-10014	B-12						
93605-18078	B-11	97706-40512	D- 4		B-12						
93700-04002	C- 8		D-11		B-12						
	C- 8	97780-40120	B- 7								
	C-13	97780-40130	D- 8								
	C-13		D- 8								
93700-06M03	C- 8		D-11								
93900-00010	C-13	97780-50120	D- 8								
	C-14	97780-60116	D- 8								
94110-10374	C-14		D- 8								
94110-10375	C-12	98501-04050	D-10								
94580-25092	B- 4	98501-05012	C-15								
94701-00283	B- 2	98501-05040	D- 5								
95303-08700	C- 9	98501-06010	B-15								
	C- 9		B-15								
95303-10700	C- 8	98501-06020	B- 5								
	D- 3		B- 7								
95306-06800	C- 5		B-12								
95336-08600	C- 7		B-13								
95380-06600	C-12		D-13								