

CONTENTS

ENGINE

| | |
|--------------------------|---------|
| Cylinder | B2 |
| Crankshaft, Piston | B3 |
| Valve | B4 |
| Air Shroud, Fan | B5 |
| Oil Pump | B6 |
| Intake | B7 |
| Carburetor | B8~B9 |
| Exhaust | B10 |
| Crankcase | B11~B13 |
| Starter Clutch | B14 |
| Clutch | B15~C2 |
| Transmission | C3 |

CHASSIS

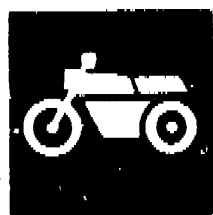
| | |
|------------------------------|---------|
| Frame | C4 |
| Fender | C5 |
| Side Cover | C6 |
| Rear Arm, Suspension | C7 |
| Steering | C8~C9 |
| Fuel Tank | C10 |
| Seat | C11 |
| Front Wheel | C12~C13 |
| Rear Wheel | C14 |
| Steering Handle, Cable | C15 |
| Stand, Footrest | D2~D3 |
| Leg Shield | D4 |
| Cowling 1 | D5 |
| Generator | D6 |
| Starting Motor | D7 |

| | |
|----------------------------|---------|
| Flasher Light | D8 |
| Meter | D9 |
| Headlight | D10 |
| Taillight | D11 |
| Handle Switch, Lever | D12 |
| Electrical 1 | D13~D14 |
| Electrical 2 | D15 |

INDEX

| | |
|-----------------------|-------|
| Numerical Index | M1~M3 |
|-----------------------|-------|

YAMAHA



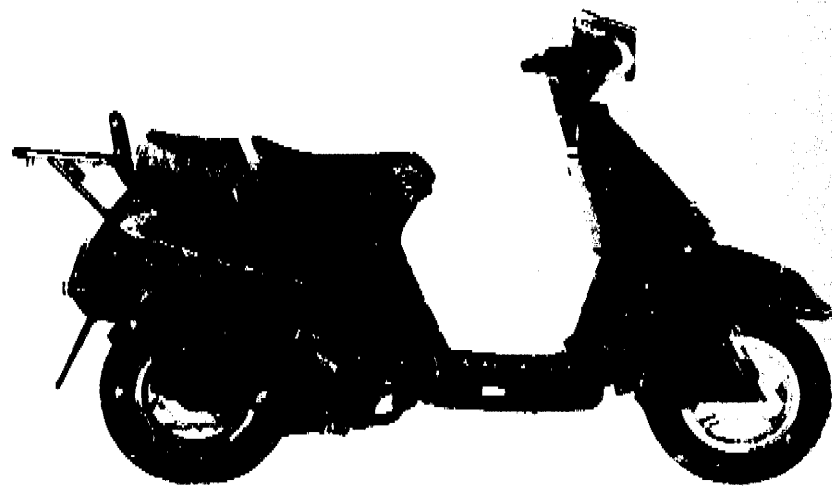
**PARTS
CATALOGUE**

XC125'93 (3TE3) EUROPE

233TE-300E2

YAMAHA
GENUINE
Parts & Accessories

A2



A3

FOREWORD

This Parts Catalogue is related to the parts in use for the Yamaha XC125'83(3TE3).
When you are ordering replacement parts for the XC125'83(3TE3), refer to this Parts Catalogue and quote both part numbers and part names correctly.

1. Modifications or additions which have been made after issue of the Parts Catalogue will be announced in the Yamaha Parts News.
It is advisable that according to the Yamaha Parts News you make necessary corrections to the Parts Catalogue on hand to keep it up-to-date.

2. Abbreviations

The following abbreviations are used in this Parts Catalogue.

- U.P. Use size (thickness) and/or number as required.
- U.N. Use as many as you need.
- A.P. Alternate Parts
- L.M. Local Make
- F# Frame No. (Applicable machine No.)

3. The parts marked with (+) in the parts number column of this Catalogue are not supplied with by Yamaha, these have to be found locally.
4. Parts, which are to be supplied in the form of assemblies, are listed with an indentation of one letter's space, and a dot (.) is put against the name of each part.

EXAMPLE CARBURETOR ASS'Y
 . JET, pilot
 . NOZZLE, main

5. Indication of No. of constituent parts for assembly

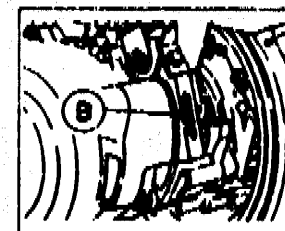
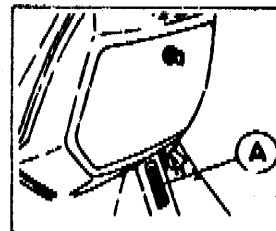
The numeral appearing to the right of each constituent part under the description indicates the quantity of such parts for each individual assembly unit.

EXAMPLE

| Part No. | Description | Q'ty | Remarks |
|--------------|---------------------------|------|---------|
| 2F5-83310-60 | FRONT FLASHER LIGHT ASS'Y | 2 | |
| 115-83311-60 | . BULB (6V-18W) | 1 | |
| 1M1-83309-60 | . REFLECTOR | 1 | |

6. Initial Serial No. and Color Code

| | |
|-----------------------|--------------------------|
| (A) Frame Serial No. | 3TE-053101 and following |
| (B) Engine Serial No. | 3TE-053101 and following |



| Color Code | Color Name | Abbreviate |
|------------|------------------------------------|------------|
| 0101 | LIGHT YELLOWISH GRAY METALLIC 3 | LYGM3 |
| 00TK | CAMELLIA GREEN | CMG |
| 0121 | VIVID RED COCKTAIL 1 | VRC1 |

7. Applicable colors of graphics are represented in the "Remarks" column by the letter(s) appropriately picked out of the full word(s) showing such colors.

EXAMPLE

| Part No. | Description | Q'ty | Remarks |
|-----------------|--------------------------|------|-----------|
| 2N4 24110-00 XC | FUEL TANK COMP. | 1 | MAXIM RED |
| 3J1-24240-10 | . GRAPHIC, fuel tank set | 1 | for MXR |

CONTENTS

ENGINE

| | |
|--------------------------|---------|
| Cylinder | B2 |
| Crankshaft, Piston | B3 |
| Valve | B4 |
| Air Shroud, Fan | B5 |
| Oil Pump | B6 |
| Intake | B7 |
| Carburetor | B8~B9 |
| Exhaust | B10 |
| Crankcase | B11~B13 |
| Starter Clutch | B14 |
| Clutch | B15~C2 |
| Transmission | C3 |

CHASSIS

| | |
|------------------------------|---------|
| Frame | C4 |
| Fender | C5 |
| Side Cover | C6 |
| Rear Arm. Suspension | C7 |
| Steering | C8~C9 |
| Fuel Tank | C10 |
| Seat | C11 |
| Front Wheel | C12~C13 |
| Rear Wheel | C14 |
| Steering Handle, Cable | C15 |
| Stand, Footrest | D2~D3 |
| Leg Shield | D4 |
| Cowling 1 | D5 |
| Generator | D6 |
| Starting Motor | D7 |

| | |
|----------------------------|---------|
| Flasher Light | D8 |
| Meter | D9 |
| Headlight | D10 |
| Taillight | D11 |
| Handle Switch, Lever | D12 |
| Electrical 1 | D13~D14 |
| Electrical 2 | D15 |

INDEX

| | |
|-----------------------|-------|
| Numerical Index | M1~M3 |
|-----------------------|-------|

CONTENTS

ENGINE

| | |
|--------------------------|---------|
| Cylinder | B2 |
| Crankshaft, Piston | B3 |
| Valve | B4 |
| Air Shroud, Fan | B5 |
| Oil Pump | B6 |
| Intake | B7 |
| Carburetor | B8~B9 |
| Exhaust | B10 |
| Crankcase | B11~B13 |
| Starter Clutch | B14 |
| Clutch | B15~C2 |
| Transmission | C3 |

CHASSIS

| | |
|------------------------------|---------|
| Frame | C4 |
| Fender | C5 |
| Side Cover | C6 |
| Rear Arm. Suspension | C7 |
| Steering | C8~C9 |
| Fuel Tank | C10 |
| Seat | C11 |
| Front Wheel | C12~C13 |
| Rear Wheel | C14 |
| Steering Handle, Cable | C15 |
| Stand, Footrest | D2~D3 |
| Leg Shield | D4 |
| Cowling 1 | D5 |
| Generator | D6 |
| Starting Motor | D7 |

| | |
|----------------------------|---------|
| Flasher Light | D8 |
| Meter | D9 |
| Headlight | D10 |
| Taillight | D11 |
| Handle Switch, Lever | D12 |
| Electrical 1 | D13~D14 |
| Electrical 2 | D15 |

INDEX

| | |
|-----------------------|-------|
| Numerical Index | M1~M3 |
|-----------------------|-------|

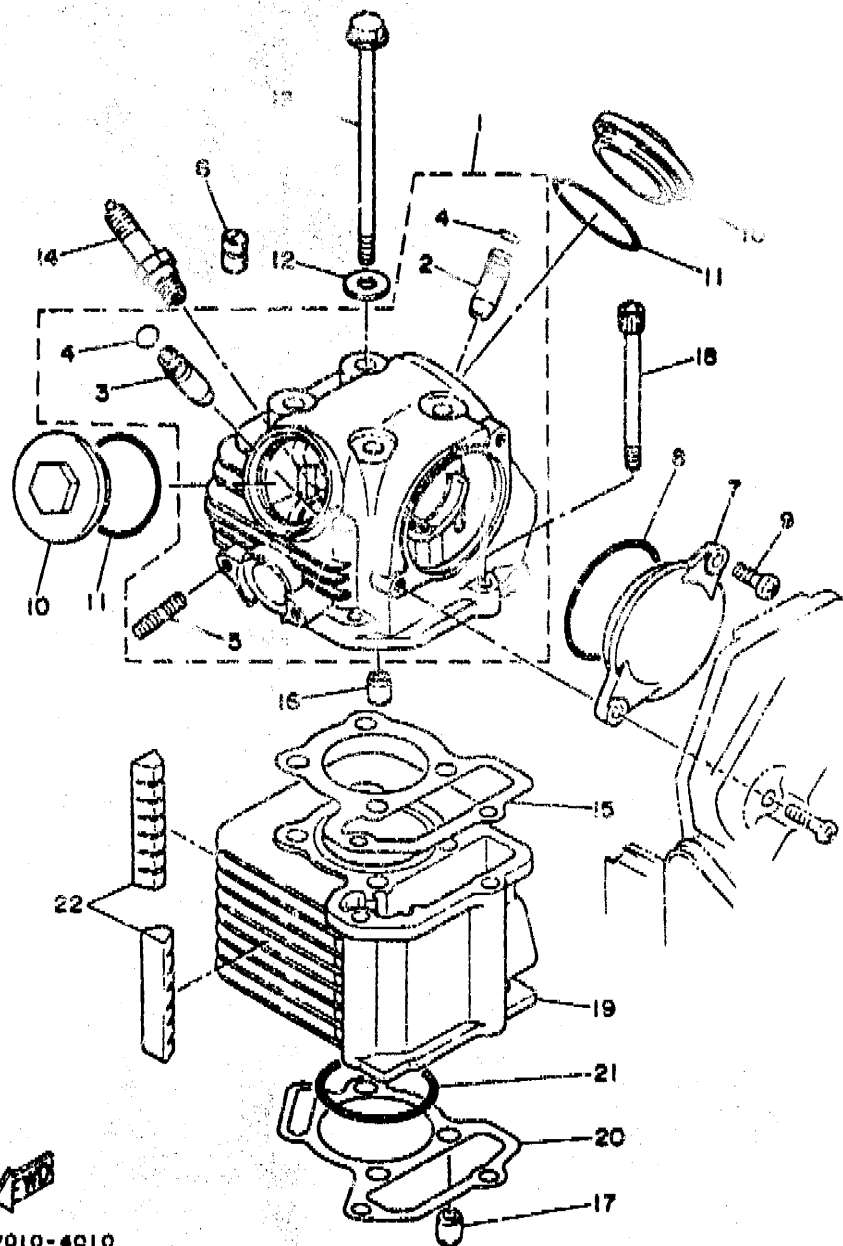


FIG. 1 CYLINDER

| REF. NO. | PART NO. | DESCRIPTION | Q'TY | REMARKS |
|----------|--------------|-----------------------------|------|---------|
| 1 | 50M-11110-00 | CYLINDER HEAD ASSY | 1 | |
| 2 | 22F-11134-10 | .GUIDE, EXHAUST VALVE | 1 | |
| 3 | 22F-11134-10 | .GUIDE, EXHAUST VALVE | 1 | |
| 4 | 93440-10109 | .CIRCLIP | 2 | |
| 5 | 50M-14651-00 | .BOLT | 2 | |
| 6 | 15A-11102-00 | ABSORBER 2 | 6 | |
| 7 | 50M-11185-01 | COVER, CYLINDER HEAD SIDE 1 | 1 | |
| 8 | 93210-63556 | O-RING | 1 | |
| 9 | 98502-06016 | SCREW, PAN HEAD | 1 | |
| 10 | 22F-11186-00 | COVER, CYLINDER HEAD SIDE 2 | 2 | |
| 11 | 93210-44704 | O-RING | 2 | |
| 12 | 90201-080L7 | WASHER, PLATE | 4 | |
| 13 | 90105-08324 | BOLT, WASHER BASED | 4 | |
| 14 | 9470-00283 | PLUG, SPARK (IND VALVE R-U) | 1 | |
| 15 | 50M-11131-00 | GASKET, CYLINDER HEAD 1 | 1 | |
| 16 | 09510-10114 | PIN, DOWEL | 2 | |
| 17 | 09510-10114 | PIN, DOWEL | 2 | |
| 18 | 91311-06110 | BOLT | 2 | |
| 19 | 50M-11310-00 | CYLINDER | 1 | |
| 20 | 50M-11351-10 | GASKET, CYLINDER | 1 | |
| 21 | 93210-53679 | O-RING | 1 | |
| 22 | 50M-11162-00 | ABSORBER 2 | 3 | |

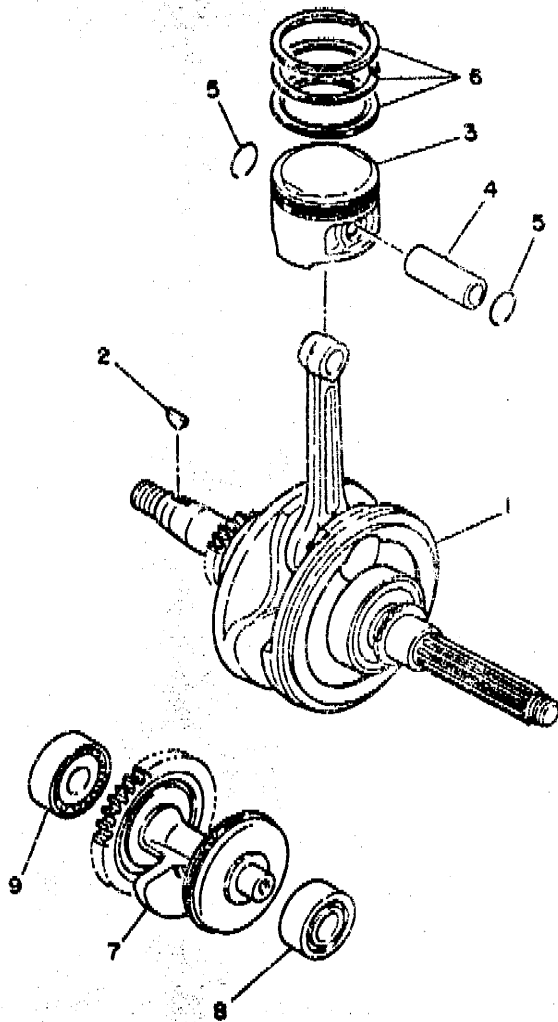


50V010-4010

B2

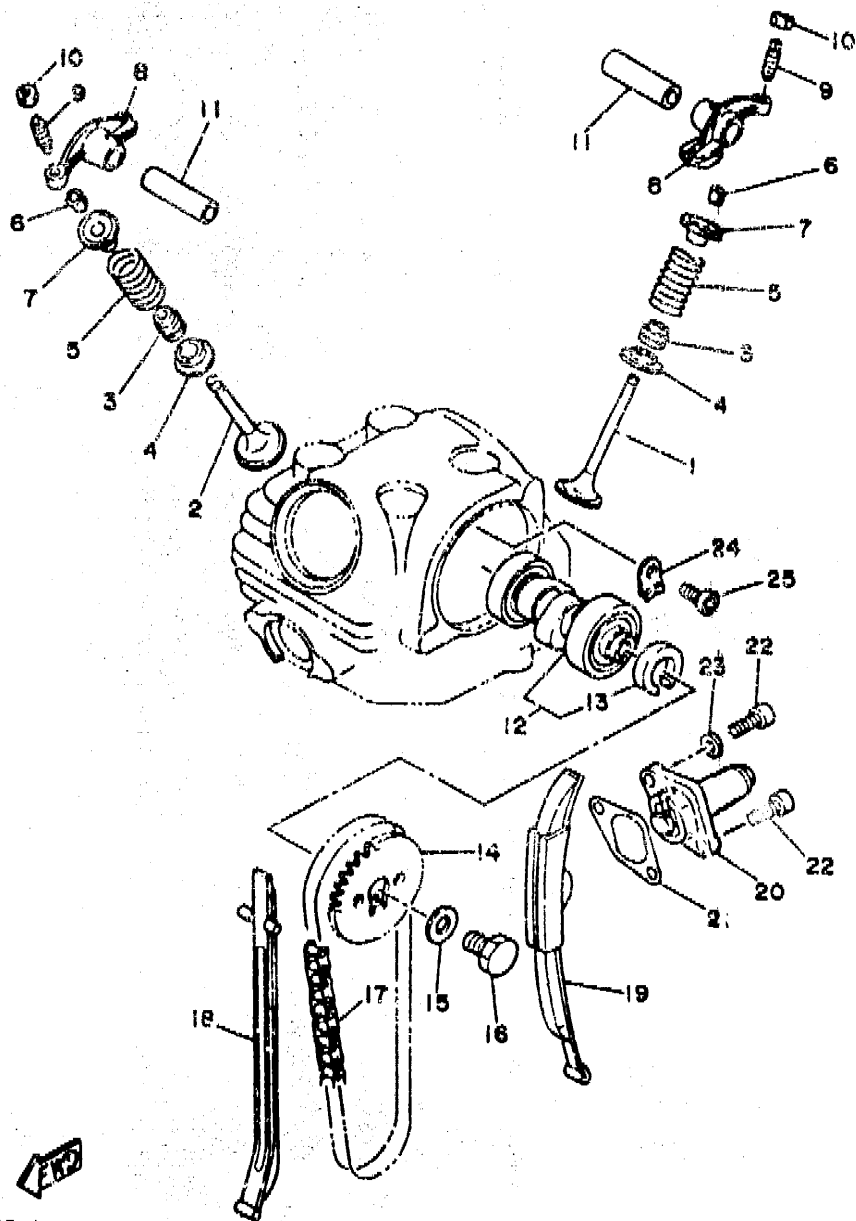
FIG. 2 CRANKSHAFT, PISTON

| REF. NO. | PART NO. | DESCRIPTION | Q'TY | REMARKS |
|----------|-----------------|------------------------------|------|---------|
| 1 | 50M-11400-00 | CRANKSHAFT ASSY | 1 | |
| 2 | 90280-03017 | KEY, WOODRUFF | 1 | |
| 3 | 2YM-11631-00-A0 | PISTON (STD) | 1 | |
| | 2YM-11636-00 | PISTON (0.50MM O/S) | 1 | AP |
| | 2YM-11638-00 | PISTON (1.00MM O/S) | 1 | AP |
| 4 | 22K-11633-01 | PIN, PISTON | 1 | |
| 5 | 93450-14088 | CIRCLIP | 2 | |
| 6 | 50M-11610-00 | PISTON RING SET (STD) | 1 | |
| | 50M-11610-20 | PISTON RING SET (0.50MM O/S) | 1 | AP |
| | 50M-11610-40 | PISTON RING SET (1.00MM O/S) | 1 | AP |
| 7 | 50M-11500-00 | BALANCER ASSY | 1 | |
| 8 | 93306-20215 | BEARING | 1 | |
| 9 | 93306-20335 | BEARING | 1 | |



50V010-4021

B3



3EK7110-1030

FIG. 3 VALVE

| REF. NO. | PART NO. | DESCRIPTION | Q'TY | REMARKS |
|----------|--------------|---------------------------|------|---------|
| 1 | 50M-12111-00 | VALVE, INTAKE | 1 | |
| 2 | 50M-12121-01 | VALVE, EXHAUST | 1 | |
| 3 | 22F-12119-01 | SEAL, VALVE STEM | 2 | |
| 4 | 22F-12116-00 | SEAT, VALVE SPRING | 2 | |
| 5 | 22F-12114-00 | SPRING, VALVE OUTER | 2 | |
| 6 | 22F-12118-01 | COTTER, VALVE | 4 | |
| 7 | 22F-12117-02 | RETAINER, VALVE SPRING | 2 | |
| 8 | 50M-12151-00 | ARM, VALVE ROCKER | 2 | |
| 9 | 22F-12159-00 | SCREW, VALVE ADJUSTING | 2 | |
| 10 | 90170-05302 | NUT | 2 | |
| 11 | 22F-12156-00 | SHAFT, ROCKER 2 | 2 | |
| 12 | 50M-12170-00 | CAMSHAFT ASSY 1 | 1 | |
| 13 | 90387-167L5 | .COLLAR | 1 | |
| 14 | 50M-12176-00 | SPROCKET, CAM CHAIN (28T) | 1 | |
| 15 | 90201-08326 | WASHER, PLATE | 1 | |
| 16 | 50101-08590 | BOLT | 1 | |
| 17 | 94580-25092 | CHAIN | 1 | |
| 18 | 50M-12231-00 | GUIDE, STOPPER 1 | 1 | |
| 19 | 50M-12241-00 | GUIDE, STOPPER 2 | 1 | |
| 20 | 50M-12210-00 | TENSIONER ASSY, CAM CHAIN | 1 | |
| 21 | 50M-12213-10 | GASKET, TENSIONER CASE | 1 | |
| 22 | 91311-06016 | BOLT | 2 | |
| 23 | 90430-06014 | GASKET | 1 | |
| 24 | 50M-1111F-00 | PLATE | 1 | |
| 25 | 91316-06012 | BOLT | 1 | |

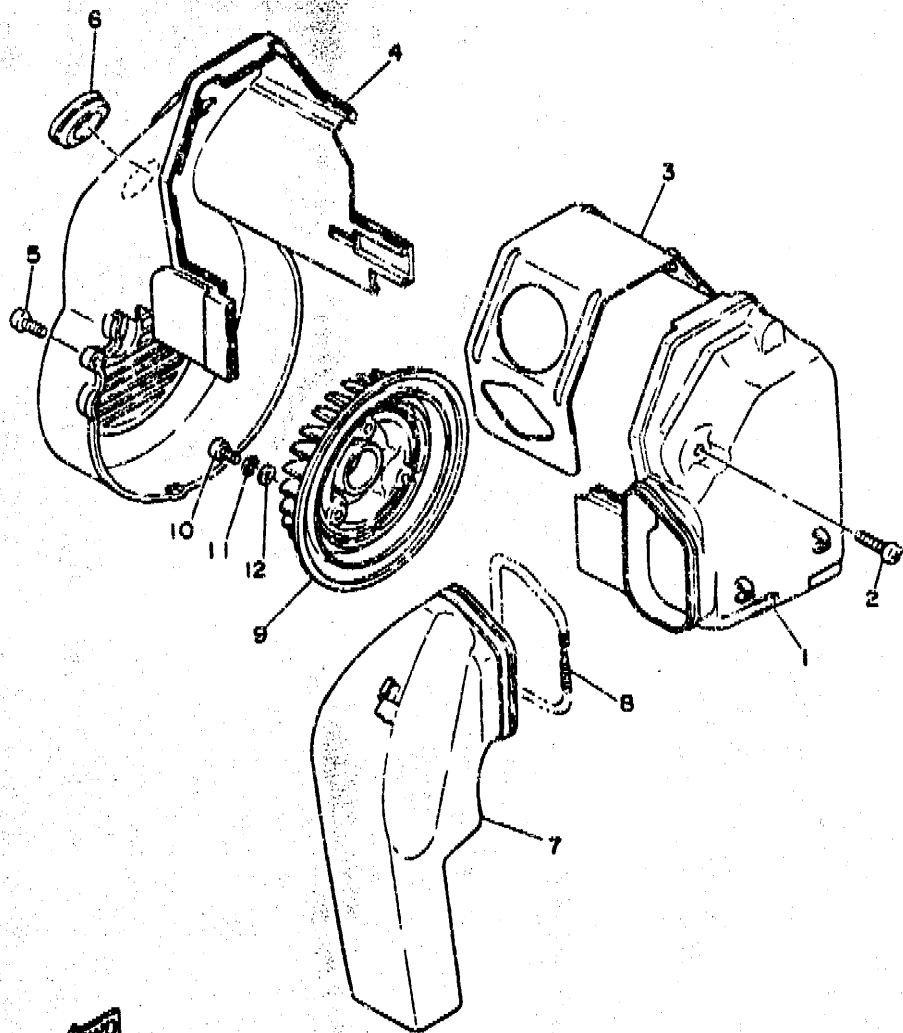


FIG. 4 AIR SHROUD, FAN

| REF. NO. | PART NO. | DESCRIPTION | Q'TY | REMARKS |
|----------|--------------|------------------------|------|---------|
| 1 | 50M-12651-00 | AIR SHROUD, CYLINDER 1 | 1 | |
| 2 | 98501-06025 | SCREW, PAN HEAD | 1 | |
| 3 | 50M-12652-00 | AIR SHROUD, CYLINDER 2 | 1 | |
| 4 | 50M-12653-00 | AIR SHROUD, CYLINDER 3 | 1 | |
| 5 | 98501-06020 | SCREW, PAN HEAD | 2 | |
| 6 | 90480-30167 | GROMMET | 1 | |
| 7 | 50M-12654-00 | AIR SHROUD, CYLINDER 4 | 1 | |
| 8 | 90506-06279 | SPRING, TENSION | 1 | |
| 9 | 50M-12611-00 | FAN | 1 | |
| 10 | 98503-06018 | SCREW, PAN HEAD | 3 | |
| 11 | 92995-06100 | WASHER | 3 | |
| 12 | 92901-06600 | WASHER, PLATE | 3 | |



50V010-4040

Bs

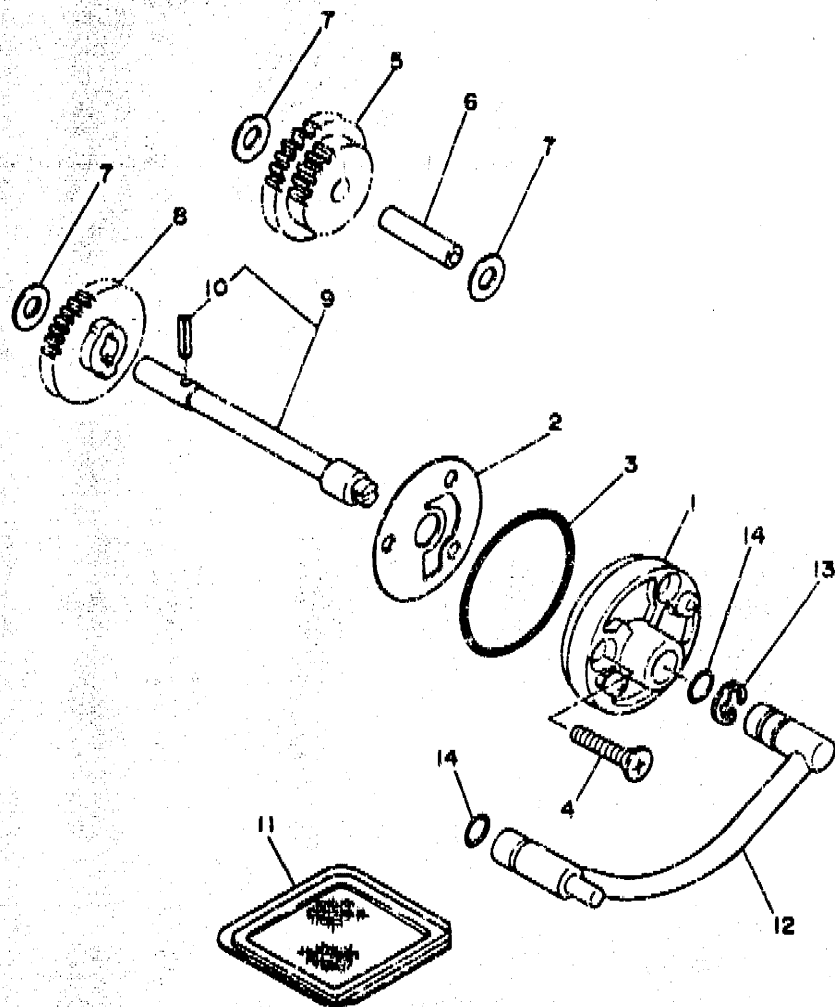


FIG. 5 OIL PUMP

| REF. NO. | PART NO. | DESCRIPTION | Q'TY | REMARKS |
|----------|--------------|---------------------|------|---------|
| 1 | 50M-13300-00 | OIL PUMP ASSY | 1 | |
| 2 | 50M-13475-10 | GASKET | 1 | |
| 3 | 93210-50582 | O-RING | 1 | |
| 4 | 98780-06025 | SCREW, FLAT HEAD | 3 | |
| 5 | 50M-13341-00 | GEAR, OIL PUMP IDLE | 1 | |
| 6 | 50M-13342-00 | SHAFT, IDLE GEAR | 1 | |
| 7 | 90201-08403 | WASHER, PLATE | 3 | |
| 8 | 50M-13325-00 | GEAR, PUMP DRIVEN | 1 | |
| 9 | 50M-Y1334-00 | SHFT, DRIVEN GEAR | 1 | |
| 10 | 91690-30014 | .PIN, SPRING | 1 | |
| 11 | 22F-13411-00 | STRAINER, OIL | 1 | |
| 12 | 50M-13405-00 | OIL PIPE COMP. 1 | 1 | |
| 13 | 99006-10600 | CIRCLIP | 1 | |
| 14 | 93210-08006 | O-RING | 2 | |



50V010-4050

B6

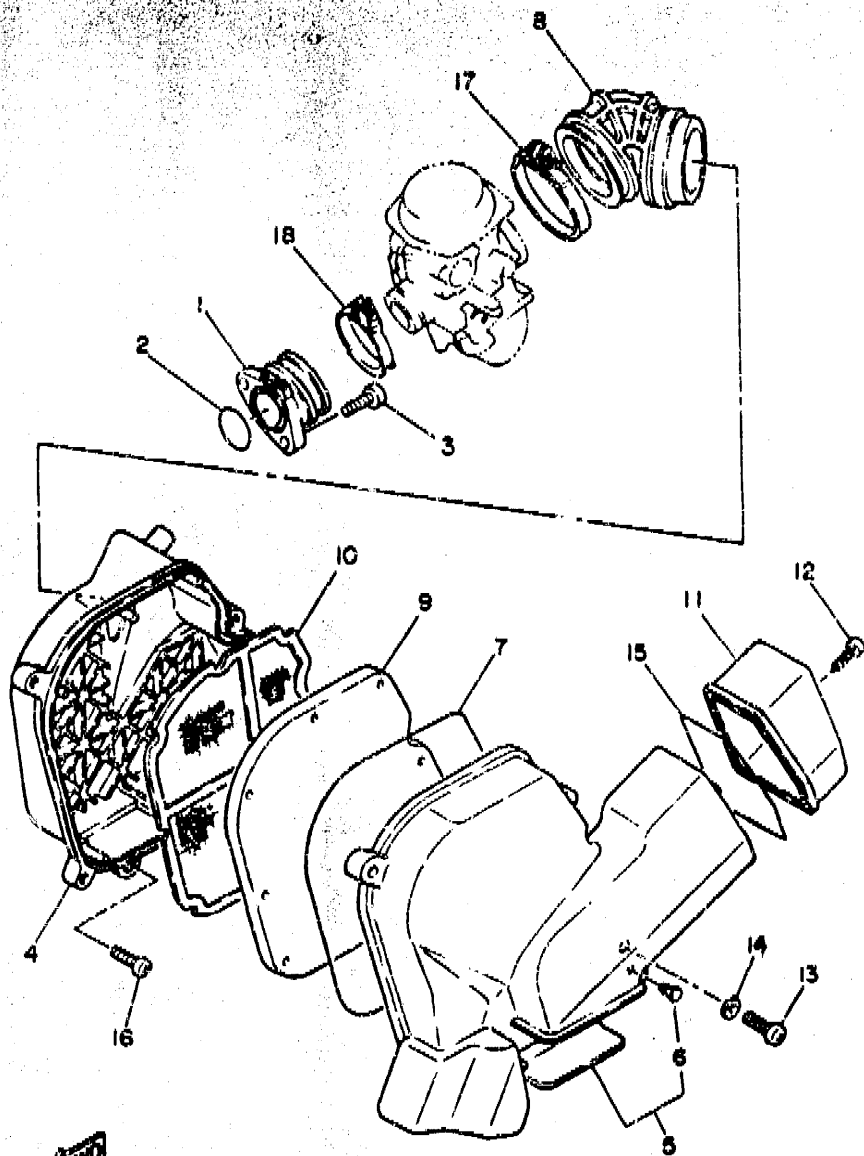


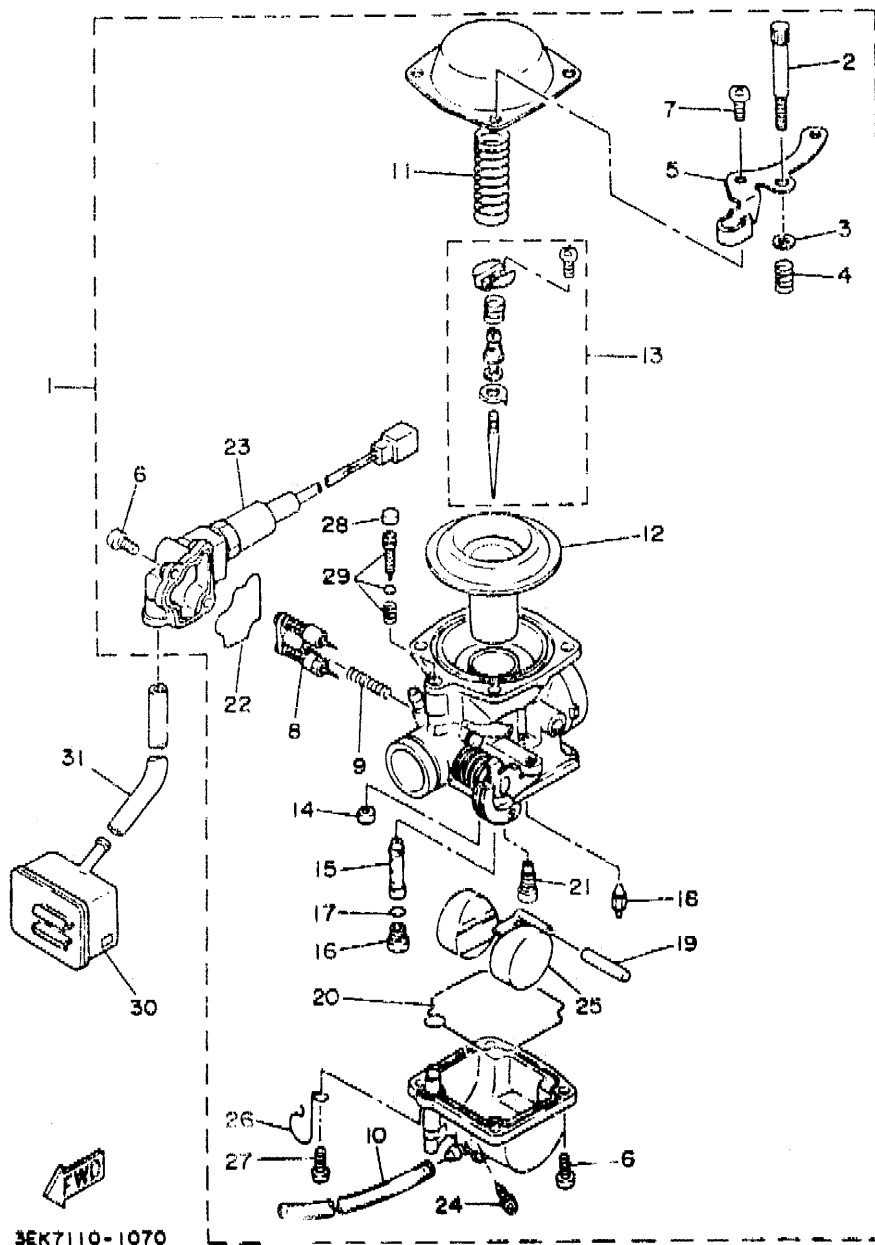
FIG. 6 INTAKE

| REF. NO. | PART NO. | DESCRIPTION | QTY | REMARKS |
|----------|--------------|------------------------|-----|---------|
| 1 | 50M-13585-00 | MANIFOLD | 1 | |
| 2 | 93210-27672 | O RING | 1 | |
| 3 | 91316-06020 | LOUT | 2 | |
| 4 | 50M-W1441-00 | AIR CLEANER CASE COMP. | 1 | |
| 5 | 50M-W1443-00 | CAP, CLEANER CASE 1 | 1 | |
| 6 | 90338-05056 | .PLUG | 1 | |
| 7 | 51Y-14462-00 | SEAL | 1 | |
| 8 | 50M-14453-00 | JOINT, AIR CLEANER 1 | 1 | |
| 9 | 50M-14451-00 | ELEMENT, AIR CLEANER | 1 | |
| 10 | 50M-14472-00 | PLATE, ELEMENT | 1 | |
| 11 | 50M-14422-00 | CAP, CLEANER CASE 2 | 1 | |
| 12 | 97780-40120 | SCREW, TAPPING | 1 | |
| 13 | 98503-05025 | SCREW, PAN HEAD | 4 | |
| 14 | 92901-05600 | WASHER, PLATE | 4 | |
| 15 | 50M-14462-01 | SEAL | 1 | |
| 16 | 98501-06020 | SCREW, PAN HEAD | 2 | |
| 17 | 90460-56105 | CLAMP, HOSE | 1 | |
| 18 | 90460-45222 | CLAMP, HOSE | 1 | |



50V010-4060

B7

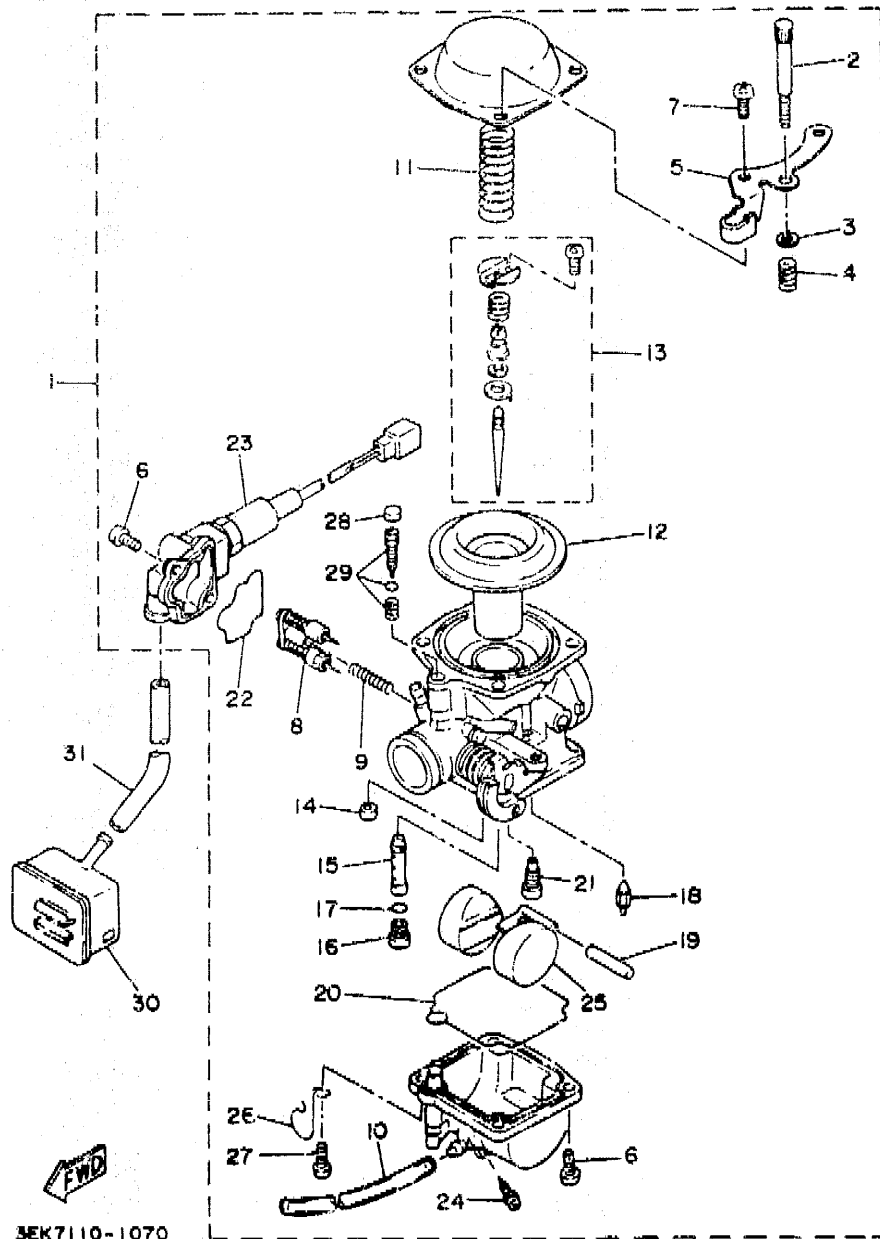


3EK7110-1070

FIG. 7 CARBURETOR

| REF. NO. | PART NO. | DESCRIPTION | QTY | REMARKS |
|----------|--------------|------------------------|-----|---------|
| 1 | 3KR-14301-01 | CARBURETOR ASSY 1 | 1 | |
| 2 | 50M-14321-00 | .SCREW, THROTTLE | 1 | |
| 3 | 50M-14952-00 | .WASHER | 1 | |
| 4 | 30X-14333-00 | .SPRING, THROTTLE STOP | 1 | |
| 5 | 50M-14926-00 | .BRACKET, THROTTLE 1 | 1 | |
| 6 | 98511-04012 | .SCREW, PAN HEAD | 5 | |
| 7 | 98560-04008 | .SCREW, PAN HEAD | 4 | |
| 8 | 50M-14371-01 | .PLUNGER, STARTER | 1 | |
| 9 | 50M-14335-00 | .SPRING, PLUNGER | 1 | |
| 10 | 50M-14395-00 | .PIPE | 1 | |
| 11 | 30X-14286-00 | .SPRING | 1 | |
| 12 | 2YM-14340-00 | .VALVE ASSY | 1 | |
| 13 | 2YM-1490J-00 | .NEEDLE SET | 1 | |
| 14 | 50M-14355-00 | .PLUG | 1 | |
| 15 | 2YM-14341-00 | .NOZZLE, MAIN | 1 | |
| 16 | 50M-14343-54 | .JET, MAIN (#108) | 1 | |
| 17 | 50M-14397-00 | .O-RING | 1 | |
| 18 | 36F-14392-00 | .VALVE, NEEDLE | 1 | |
| 19 | 6E5-14386-01 | .PIN, FLOAT | 1 | |
| 20 | 50M-14384-00 | .GASKET, FLOAT CHAMBER | 1 | |
| 21 | 50M-14342-16 | .JET, PILOT (# 32) | 1 | |
| 22 | 50M-14398-00 | .GASKET | 1 | |
| 23 | 50V-14370-01 | .PLUNGER STARTER ASSY | 1 | |
| 24 | 14T-14323-00 | .PLUG, SCREW | 1 | |
| 25 | 5Y1-14385-00 | .FLOAT | 1 | |
| 26 | 50M-14261-00 | .HOLDER | 1 | |
| 27 | 98503-04014 | .SCREW, PAN HEAD | 1 | |
| 28 | 50M-14355-00 | .PLUG | 1 | |

FIG. 7 CARBURETOR



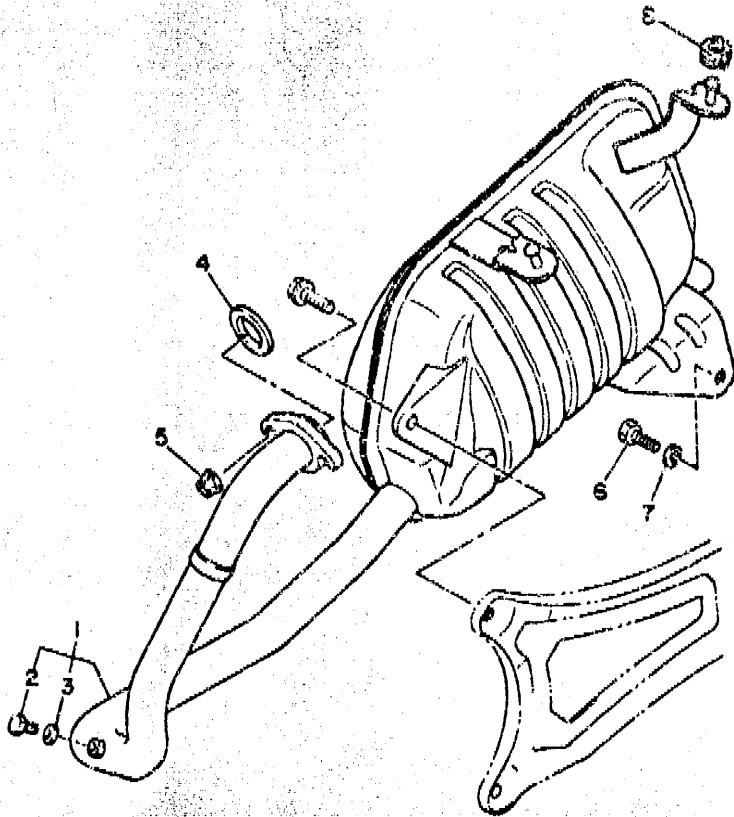
3EK7110-1070

| REF. NO. | PART NO. | DESCRIPTION | Q'TY | REMARKS |
|----------|--------------|--------------------|------|---------|
| 29 | 1XX-14105-00 | .PILOT SCREW SET | 1 | |
| 30 | 50M-14420-00 | AIR CLEANER ASSY 2 | 1 | |
| 31 | 90445-09059 | HOSE | 1 | |

B9

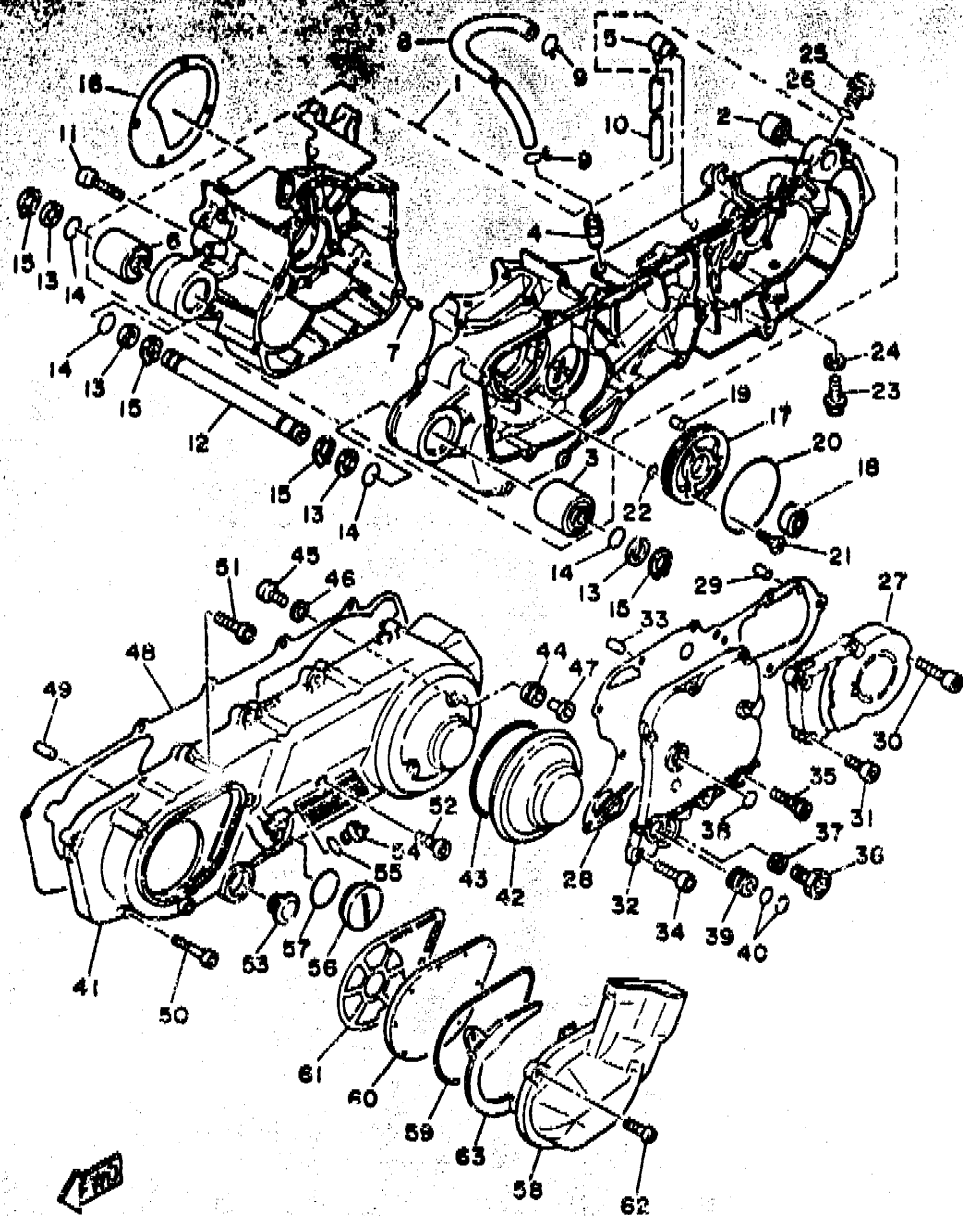
FIG. 8 EXHAUST

| NO. | PART NO. | DESCRIPTION | Q'TY | REMARKS |
|-----|--------------|----------------------|------|---------|
| 1 | 1MM-14610-00 | EXHAUST PIPE ASSY 1 | 1 | |
| 2 | 90101-06576 | .BOLT | 1 | |
| 3 | 92990-06600 | .WASHER, PLATE | 1 | |
| 4 | 3DM-14613-00 | GASKET, EXHAUST PIPE | 1 | |
| 5 | 95701-06600 | NUT, FLANGE | 2 | |
| 6 | 97313-08016 | BOLT | 1 | |
| 7 | 92990-08100 | WASHER, SPRING | 1 | |
| 8 | 90480-12053 | GROMMET | 2 | |



80V010-4080

B10

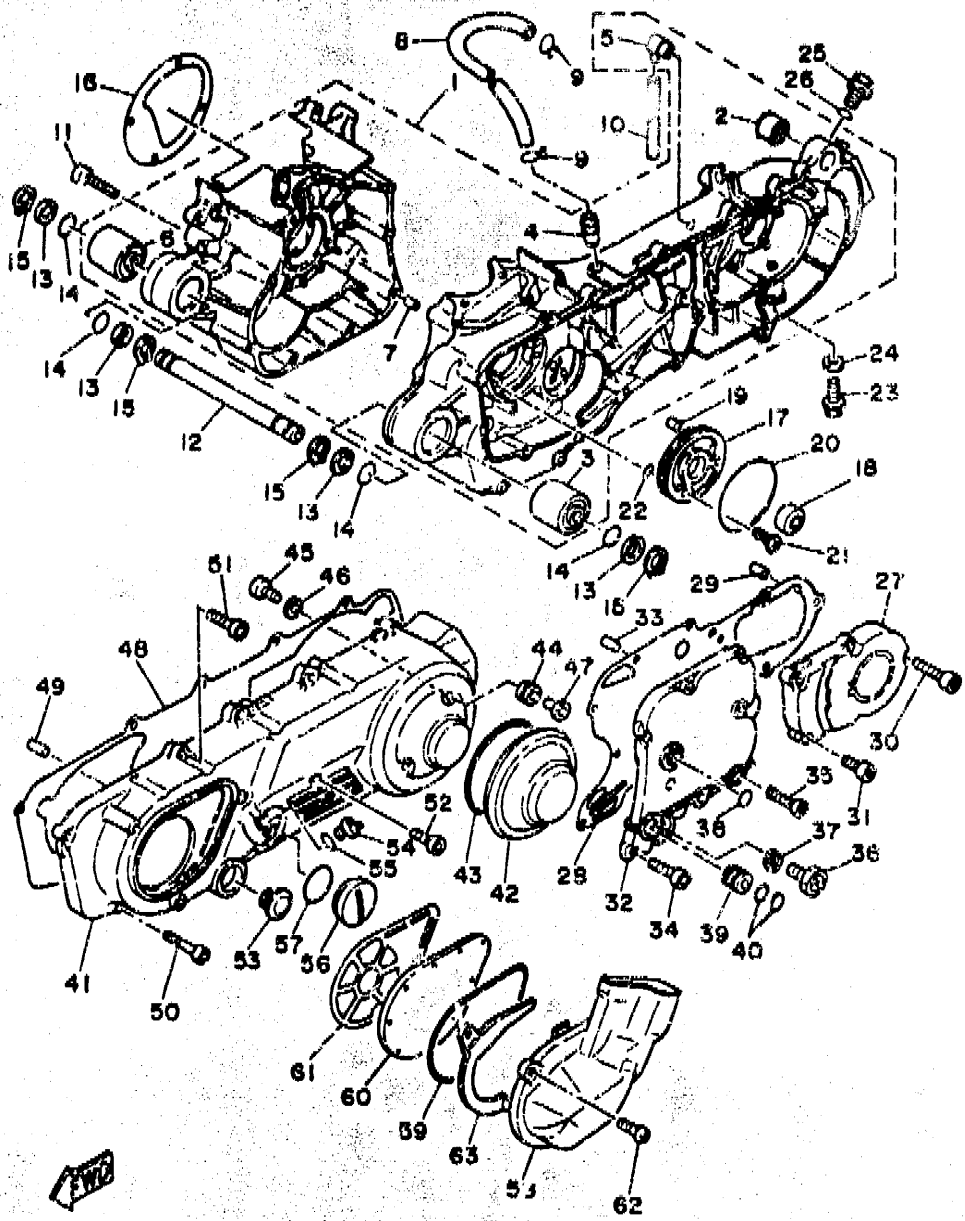


3KR1361-9C90

FIG. 9 CRANKCASE

| REF. NO. | PART NO. | DESCRIPTION | Q'TY | REMARKS |
|----------|--------------|----------------------------|------|---------|
| 1 | 50M-15100-01 | CRANKCASE ASSY | 1 | |
| 2 | 164-22216-00 | .BUSH, REAR SHOCK ABSORBER | 1 | |
| 3 | 50M-15316-00 | .DAMPER, ENGINE MOUNT 1 | 1 | |
| 4 | 371-11167-01 | .PIPE, BREATHER 2 | 1 | |
| 5 | 583-15371-00 | .BREATHER | 1 | |
| 6 | 50M-15316-00 | .DAMPER, ENGINE MOUNT 1 | 1 | |
| 7 | 99510-12016 | .PIN, DOWEL | 2 | |
| 8 | 50M-11165-00 | PIPE, BREATHER 1 | 1 | |
| 9 | 90467-14015 | CLIP | 2 | |
| 10 | 90446-07112 | HOSE | 1 | |
| 11 | 91316-06060 | BOLT | 9 | |
| 12 | 50M-15317-01 | SPACER, ENGINE MOUNT | 1 | |
| 13 | 90201-17485 | WASHER, PLATE | 4 | |
| 14 | 93210-15639 | O-RING | 4 | |
| 15 | 99009-17400 | CIRCLIP | 4 | |
| 16 | 50M-15462-10 | GASKET, CRANKCASE COVER 3 | 1 | |
| 17 | 50M-15418-00 | COVER, CHAIN CASE | 1 | |
| 18 | 93102-22294 | OIL SEAL | 1 | |
| 19 | 93605-18078 | PIN, DOWEL | 1 | |
| 20 | 93210-71462 | O-RING | 1 | |
| 21 | 98701-06016 | SCREW, FLAT HEAD | 2 | |
| 22 | 93210-07540 | O-RING | 2 | |
| 23 | 95811-08016 | BOLT, FLANGE | 1 | |
| 24 | 90201-08087 | WASHER, PLATE | 1 | |
| 25 | 4J2-15363-00 | PLUG, OIL | 1 | |
| 26 | 93210-14104 | O-RING | 1 | |
| 27 | 50M-15421-00 | COVER, CRANKCASE 2 | 1 | |
| 28 | 50M-15461-10 | GASKET, CRANKCASE COVER 2 | 1 | |

BM



3KR1361-9090

FIG. 9 CRANKCASE

| REF. NO. | PART NO. | DESCRIPTION | Q'TY | REMARKS |
|----------|--------------|---------------------------|------|---------|
| 29 | 99530-10014 | PIN, DOWEL | 2 | |
| 30 | 91316-06035 | BOLT | 2 | |
| 31 | 91316-06020 | BOLT | 3 | |
| 32 | 50M-15431-00 | COVER, CRANKCASE 3 | 1 | |
| 33 | 99530-10014 | PIN, DOWEL | 2 | |
| 34 | 91316-06020 | BOLT | 6 | |
| 35 | 91316-06035 | BOLT | 2 | |
| 36 | 50M-13456-00 | PLUG | 1 | |
| 37 | 812-11198-00 | GASKET | 1 | |
| 38 | 93210-10673 | O-RING | 1 | |
| 39 | 50M-15112-00 | PIPE, OIL | 1 | |
| 40 | 93210-16314 | O-RING | 2 | |
| 41 | 50M-15411-00 | COVER, CRANKCASE 1 | 1 | |
| 42 | 50M-15417-00 | COVER, CAP | 1 | |
| 43 | 50M-15449-00 | RING, RUBBER | 1 | |
| 44 | 90480-12237 | GROMMET | 2 | |
| 45 | 98501-06020 | SCREW, PAN HEAD | 2 | |
| 46 | 92901-06600 | WASHER, PLATE | 2 | |
| 47 | 90387-087L0 | COLLAR | 2 | |
| 48 | 50M-15451-10 | GASKET, CRANKCASE COVER 1 | 1 | |
| 49 | 99530-10014 | PIN, DOWEL | 2 | |
| 50 | 91316-06025 | BOLT | 7 | |
| 51 | 91316-06035 | BOLT | 2 | |
| 52 | 91316-06060 | BOLT | 1 | |
| 53 | 2H7-15361-00 | GAUGE, LEVEL | 1 | |
| 54 | 1R6-15363-00 | PLUG, OIL | 1 | |
| 55 | 93210-19123 | O-RING | 1 | |
| 56 | 90340-26098 | PLUG, STRAIGHT SCREW | 1 | |

B12

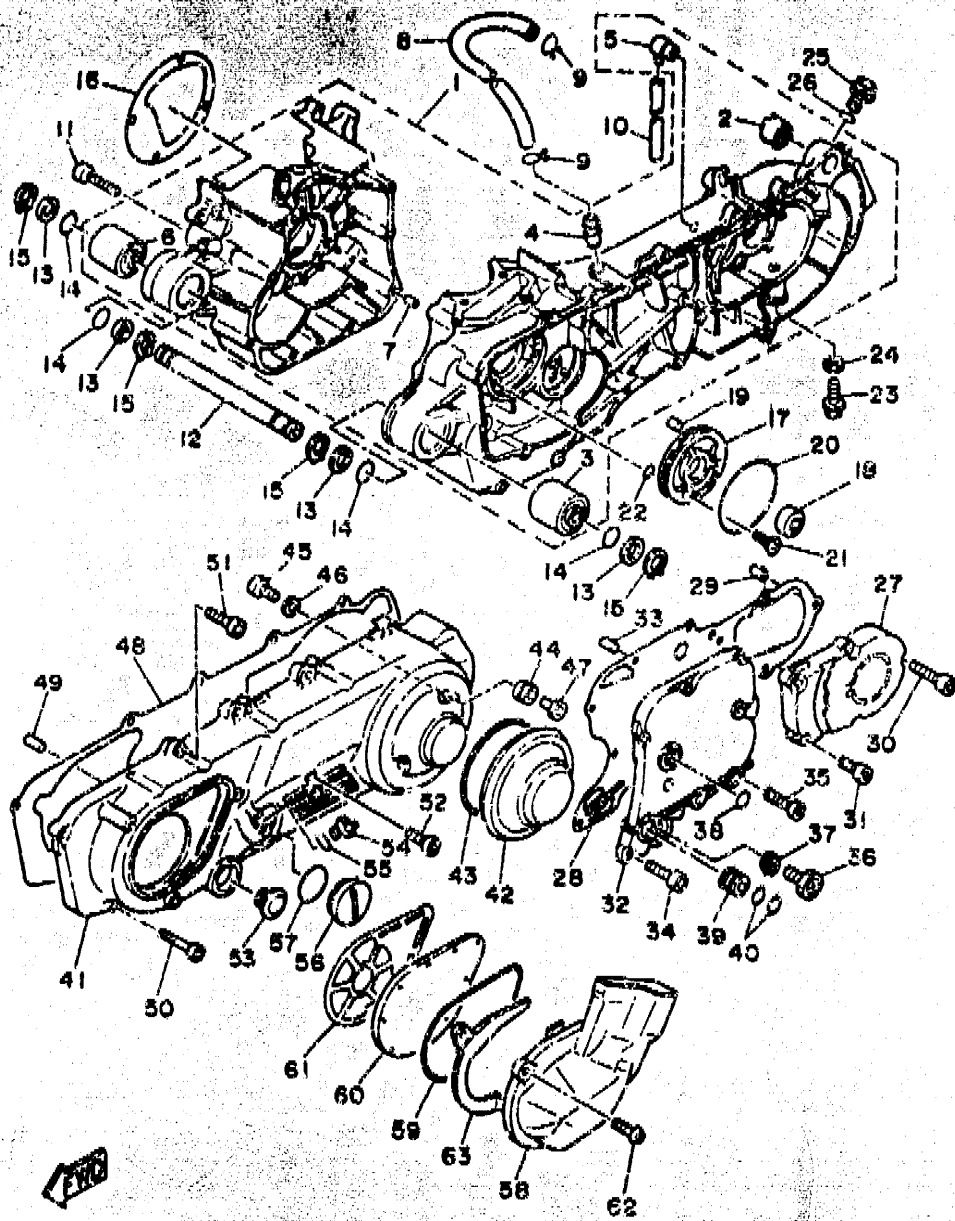


FIG. 9 CRANKCASE

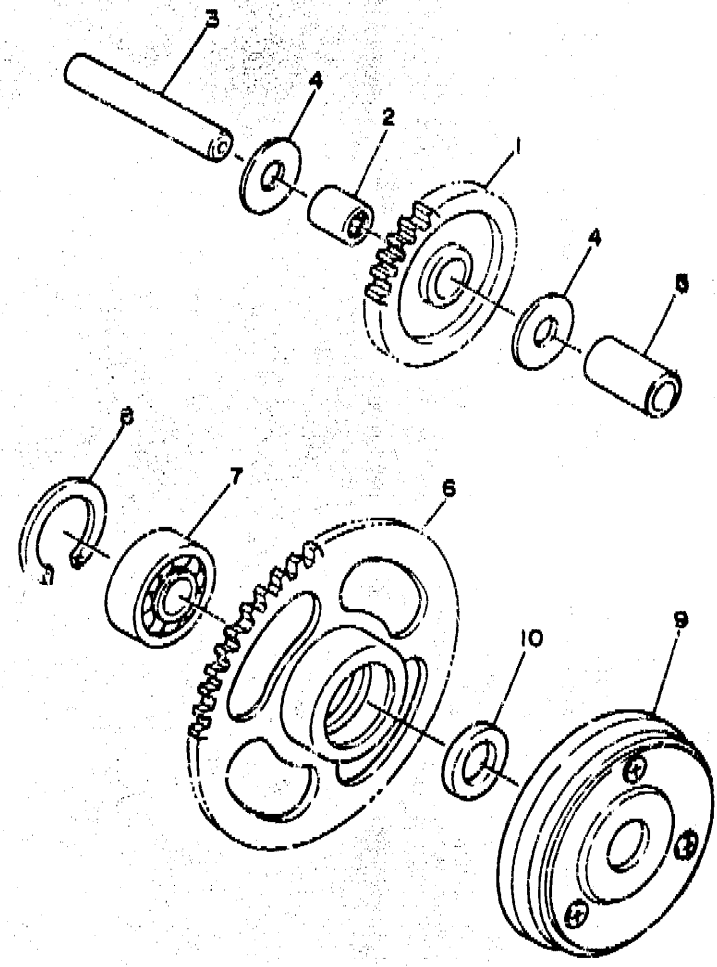
| REF. NO. | PART NO. | DESCRIPTION | Q'TY | REMARKS |
|----------|--------------|------------------------|------|---------|
| 57 | 93210-36510 | O-RING | 1 | |
| 58 | 2YM-15470-00 | AIR DUCT ASSY | 1 | |
| 59 | 5T0-14457-00 | SEAL | 1 | |
| 60 | 5GM-14461-00 | ELEMENT, AIR CLEANER 2 | 1 | |
| 61 | 50M-15455-00 | GASKET 1 | 1 | |
| 62 | 9B501-06020 | SCREW, PAN HEAD | 3 | |
| 63 | 2YM-15191-00 | PLATE | 1 | |

3XR1361-8090

B13

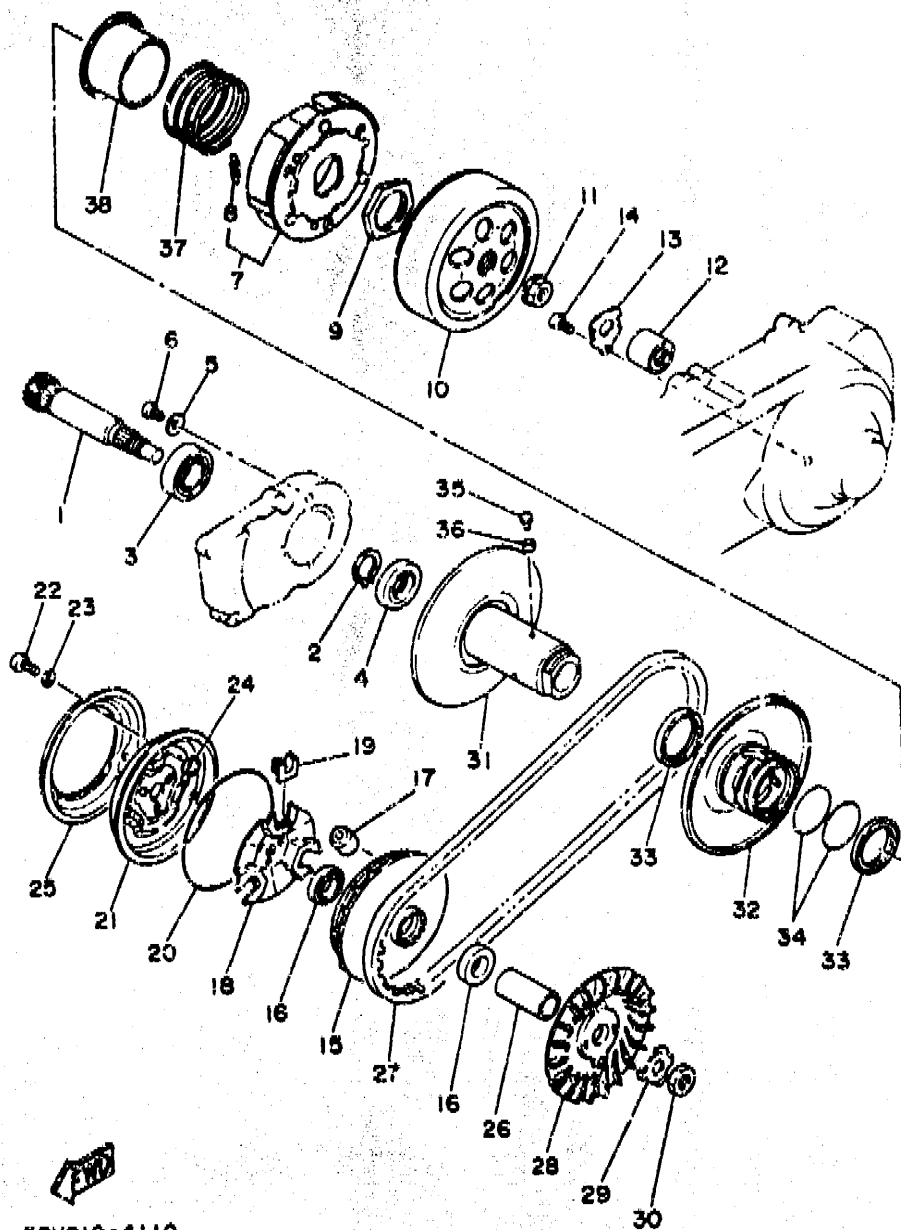
FIG. 10 STARTER CLUTCH

| REF. NO. | PART NO. | DESCRIPTION | QTY | REMARKS |
|----------|--------------|-------------------------|-----|---------|
| 1 | 50M-15512-00 | GEAR, IDLER 1 (55T-14T) | 1 | |
| 2 | 93315-11040 | BEARING, CYLINDRICAL | 1 | |
| 3 | 50M-15521-00 | SHAFT 1 | 1 | |
| 4 | 90201-105J4 | WASHER, PLATE | 2 | |
| 5 | 90387-100L5 | COLLAR | 1 | |
| 6 | 50M-15524-00 | WHEEL, STARTER (55T) | 1 | |
| 7 | 93306-00314 | BEARING | 1 | |
| 8 | 93450-35015 | CIRCLIP | 1 | |
| 9 | 50M-15570-01 | STARTER CLUTCH ASSY | 1 | |
| 10 | 90201-163F2 | WASHER, PLATE | 1 | |



50V010-4100

B14



50V010-4:110

FIG. 11 CLUTCH

| REF. NO. | PART NO. | DESCRIPTION | Q'TY | REMARKS |
|----------|--------------|------------------------------|------|---------|
| 1 | 50M-16111-01 | GEAR, PRIMARY DRIVE (14T) | 1 | |
| 2 | 99009-22400 | CIRCLIP | 1 | |
| 3 | 93306-00433 | BEARING | 1 | |
| 4 | 93102-22335 | OIL SEAL | 1 | |
| 5 | 90201-06412 | WASHER, PLATE | 1 | |
| 6 | 98501-06010 | SCREW, PAN HEAD | 1 | |
| 7 | 2YM-16620-20 | CLUTCH CARRIER ASSY | 1 | |
| 8 | 17M-16626-00 | SPRING, CLUTCH WEIGHT 1 | 3 | |
| 9 | 90170-36279 | NUT | 1 | |
| 10 | 4DH-16611-00 | CLUTCH HOUSING COMP. | 1 | |
| 11 | 90179-14427 | NUT | 1 | |
| 12 | 93399-99918 | BEARING | 1 | |
| 13 | 50M-15381-00 | PLATE, BEARING COVER | 1 | |
| 14 | 98501-06010 | SCREW, PAN HEAD | 1 | |
| 15 | 50M-17620-01 | PRIMARY SLIDING SHEAVE COMP. | 1 | |
| 16 | 93101-23127 | OIL SEAL | 2 | |
| 17 | 50M-17632-09 | WEIGHT | 6 | |
| 18 | 50W-17623-00 | CAM | 1 | |
| 19 | 50W-17653-00 | SLIDER | 3 | |
| 20 | 93210-97690 | O-RING | 1 | |
| 21 | 50M-17630-00 | PRIMARY SHEAVE CAP COMP. | 1 | |
| 22 | 90157-04088 | SCREW, PAN HEAD | 3 | |
| 23 | 92901-04600 | WASHER, PLATE | 3 | |
| 24 | 90214-04038 | WASHER, CLAW | 3 | |
| 25 | 50M-1763E-01 | PLATE | 1 | |
| 26 | 90387-166L7 | COLLAR | 1 | |
| 27 | 50W-17641-00 | V-BELT | 1 | |
| 28 | 50W-17611-01 | SHEAVE, PRIMARY FIXED | 1 | |

B15

CONTENTS

ENGINE

| | |
|--------------------------|---------|
| Cylinder | B2 |
| Crankshaft, Piston | B3 |
| Valve | B4 |
| Air Shroud, Fan | B5 |
| Oil Pump | B6 |
| Intake | B7 |
| Carburetor | B8~B9 |
| Exhaust | B10 |
| Crankcase | B11~B13 |
| Starter Clutch | B14 |
| Clutch | B15~C2 |
| Transmission | C3 |

CHASSIS

| | |
|------------------------------|---------|
| Frame | C4 |
| Fender | C5 |
| Side Cover | C6 |
| Rear Arm. Suspension | C7 |
| Steering | C8~C9 |
| Fuel Tank | C10 |
| Seat | C11 |
| Front Wheel | C12~C13 |
| Rear Wheel | C14 |
| Steering Handle, Cable | C15 |
| Stand, Footrest | D2~D3 |
| Leg Shield | D4 |
| Cowling 1 | D5 |
| Generator | D6 |
| Starting Motor | D7 |

| | |
|----------------------------|---------|
| Flasher Light | D8 |
| Meter | D9 |
| Headlight | D10 |
| Taillight | D11 |
| Handle Switch, Lever | D12 |
| Electrical 1 | D13~D14 |
| Electrical 2 | D15 |

INDEX

| | |
|-----------------------|-------|
| Numerical Index | M1~M3 |
|-----------------------|-------|

CONTENTS

ENGINE

| | |
|--------------------------|---------|
| Cylinder | B2 |
| Crankshaft, Piston | B3 |
| Valve | B4 |
| Air Shroud, Fan | B5 |
| Oil Pump | B6 |
| Intake | B7 |
| Carburetor | B8~B9 |
| Exhaust | B10 |
| Crankcase | B11~B13 |
| Starter Clutch | B14 |
| Clutch | B15~C2 |
| Transmission | C3 |

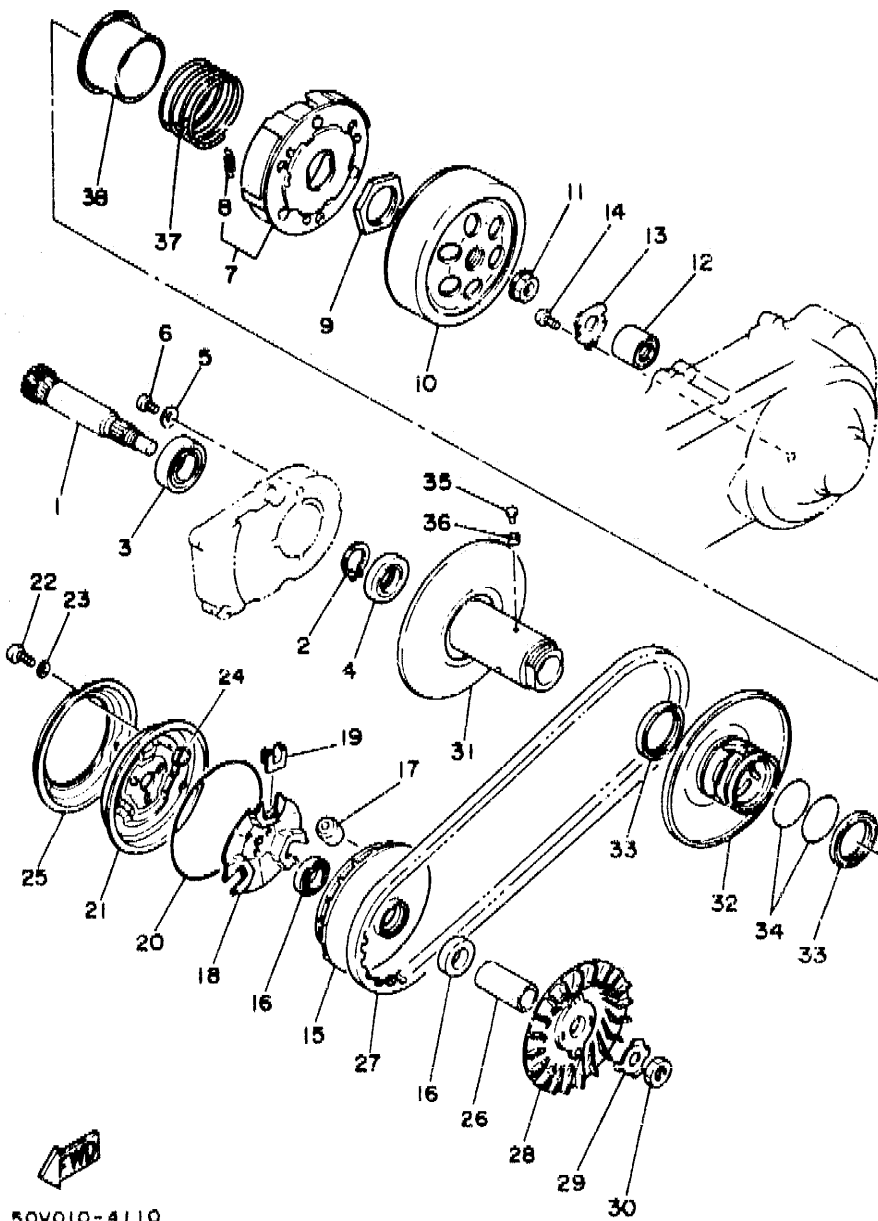
CHASSIS

| | |
|------------------------------|---------|
| Frame | C4 |
| Fender | C5 |
| Side Cover | C6 |
| Rear Arm, Suspension | C7 |
| Steering | C8~C9 |
| Fuel Tank | C10 |
| Seat | C11 |
| Front Wheel | C12~C13 |
| Rear Wheel | C14 |
| Steering Handle, Cable | C15 |
| Stand, Footrest | D2~D3 |
| Leg Shield | D4 |
| Cowling 1 | D5 |
| Generator | D6 |
| Starting Motor | D7 |

| | |
|----------------------------|---------|
| Flasher Light | D8 |
| Meter | D9 |
| Headlight | D10 |
| Taillight | D11 |
| Handle Switch, Lever | D12 |
| Electrical 1 | D13~D14 |
| Electrical 2 | D15 |

INDEX

| | |
|-----------------------|-------|
| Numerical Index | M1~M3 |
|-----------------------|-------|



50V010-4110

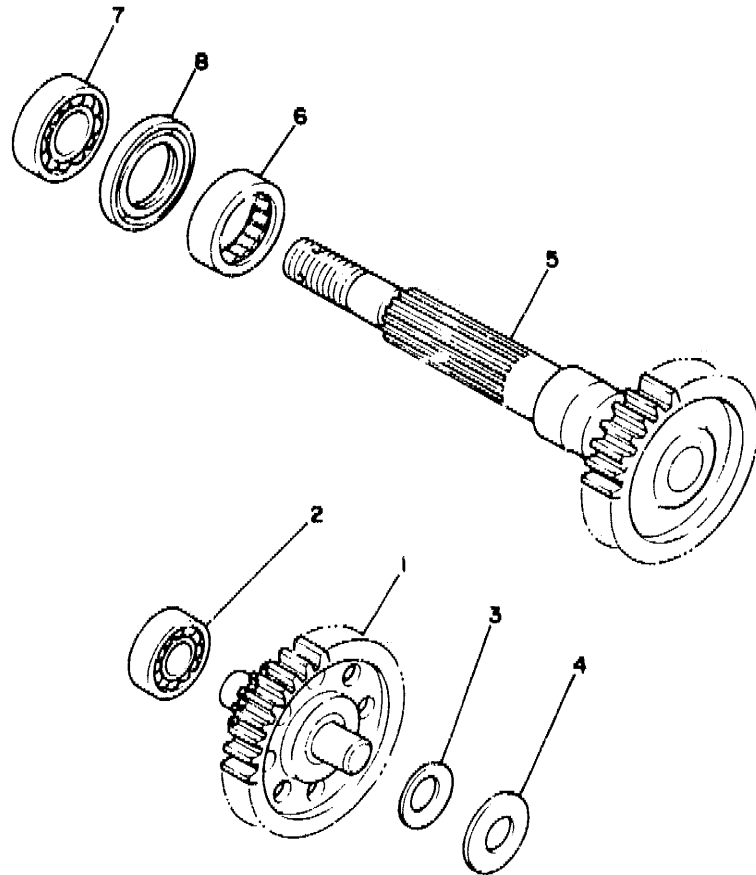
FIG. 11 CLUTCH

| REF. NO. | PART NO. | DESCRIPTION | QTY | REMARKS |
|----------|--------------|------------------------------|-----|---------|
| 29 | 90215-10236 | WASHER, LOCK | 1 | |
| 30 | 90170-12338 | NUT | 1 | |
| 31 | 50W-17660-01 | SECONDARY FIXED SHEAVE COMP. | 1 | |
| 32 | 50W-17670-00 | SECONDARY SLIDING SHEAVE | 1 | |
| 33 | 93104-41091 | OIL SEAL | 2 | |
| 34 | 93210-43713 | O-RING | 2 | |
| 35 | 50W-17664-00 | PIN, GUIDE | 3 | |
| 36 | 50W-17674-00 | COLLAR, GUIDE | 3 | |
| 37 | 90501-503A3 | SPRING, COMPRESSION | 1 | |
| 38 | 50W-17684-00 | SEAT, SECONDARY SPRING | 1 | |

C2

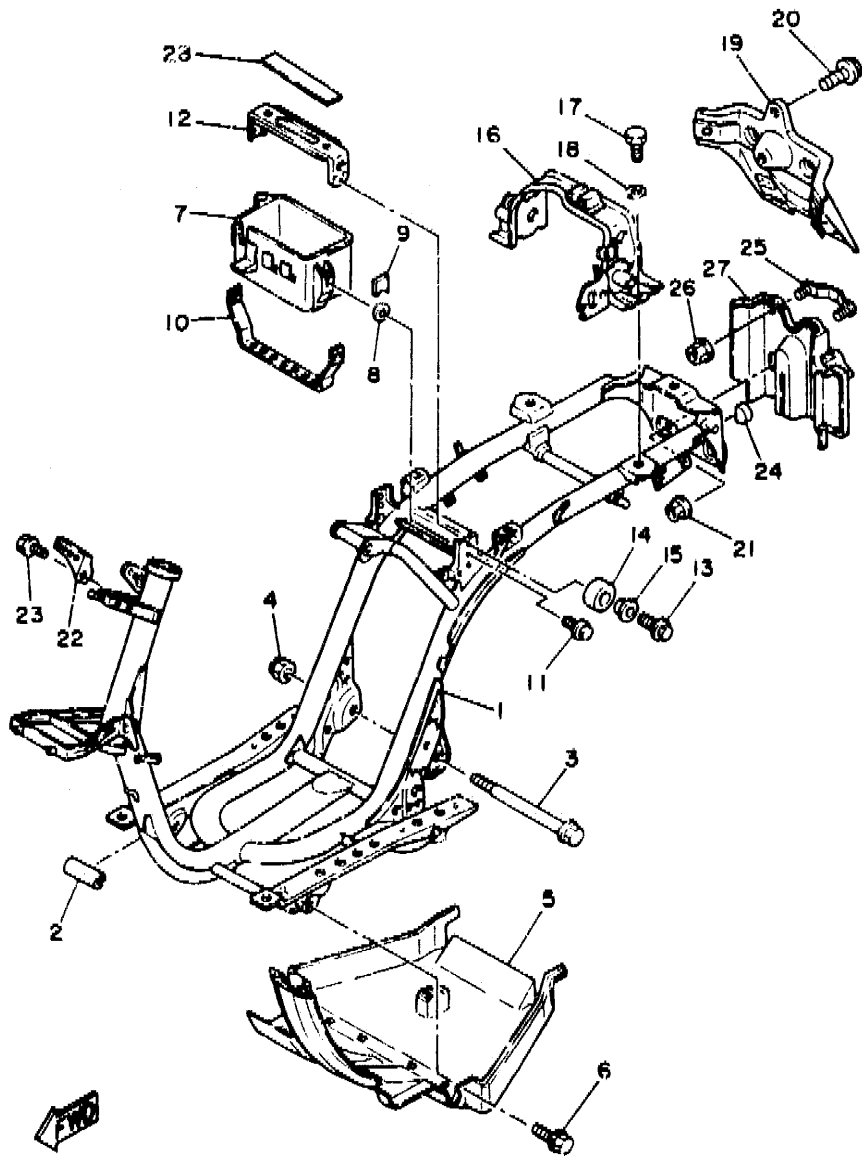
FIG. 12 TRANSMISSION

| REF. NO. | PART NO. | DESCRIPTION | Q'TY | REMARKS |
|----------|--------------|------------------------|------|---------|
| 1 | 2YM-17410-00 | MAIN AXLE COMP. | 1 | |
| 2 | 93306-30101 | BEARING (B6301) | 1 | |
| 3 | 90208-15037 | WASHER, CONICAL SPRING | 1 | |
| 4 | 90201-153H0 | WASHER, PLATE | 1 | |
| 5 | 2YM-17211-00 | GEAR, 1ST WHEEL | 1 | |
| 6 | 93315-42536 | BEARING, CYLINDRICAL | 1 | |
| 7 | 93306-20460 | BEARING | 1 | |
| 8 | 93102-25334 | OIL SEAL | 1 | |



50V010-4120

C3



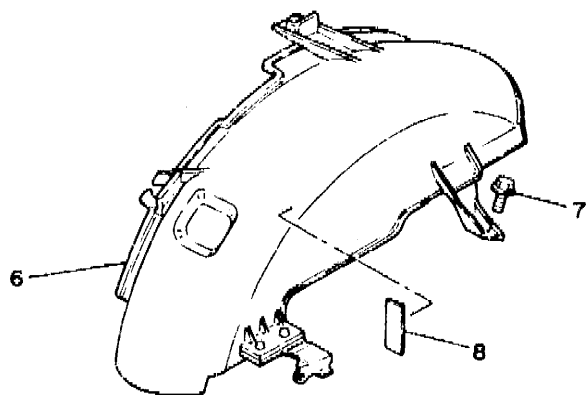
3TE1332-0130

FIG. 13 FRAME

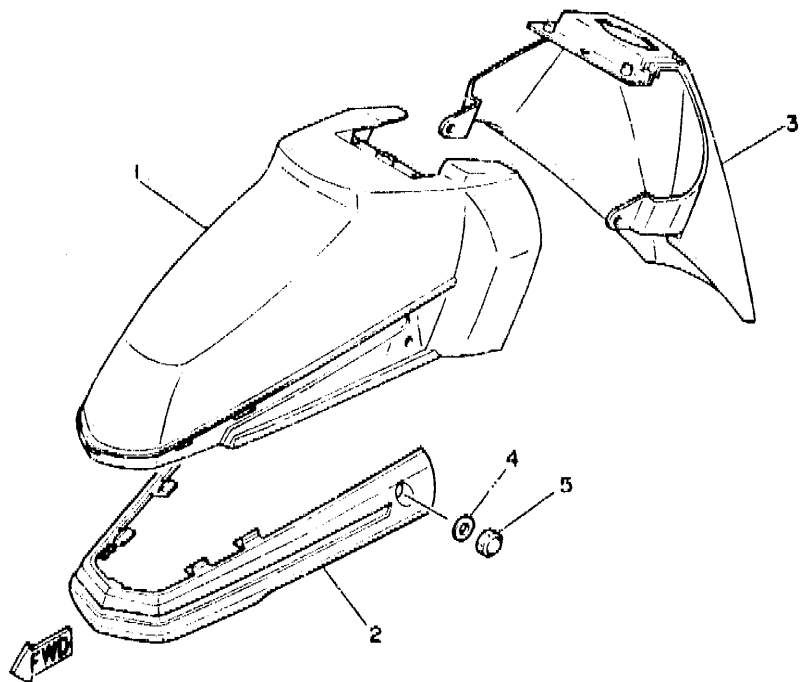
| REF. NO. | PART NO. | DESCRIPTION | Q'TY | REMARKS |
|----------|--------------|----------------------|------|---------|
| 1 | 3TE-21110-00 | FRAME COMP. | 1 | |
| 2 | 50W-24181-00 | DAMPER, LOCATING 1 | 1 | |
| 3 | 90105-12228 | BOLT, WASHER BASED | 1 | |
| 4 | 95601-12200 | NUT, SELF-LOCKING | 1 | |
| 5 | 50W-21471-00 | PROTECTOR, ENGINE | 1 | |
| 6 | 90119-06018 | BOLT, WITH WASHER | 2 | |
| 7 | 50M-21171-00 | BOX | 1 | |
| 8 | 90387-060U2 | COLLAR | 2 | |
| 9 | 50W-21172-00 | STOPPER, BOX | 2 | |
| 10 | 50W-21393-00 | BRACKET, BATTERY BOX | 1 | |
| 11 | 95811-06016 | BOLT, FLANGE | 2 | |
| 12 | 50M-21243-00 | PLATE, BRIDGE | 1 | |
| 13 | 95811-06030 | BOLT, FLANGE | 2 | |
| 14 | 50W-21717-00 | DAMPER, SIDE COVER | 2 | |
| 15 | 90387-061F8 | COLLAR | 2 | |
| 16 | 50W-21391-00 | BRACKET, SEAT | 1 | |
| 17 | 97313-08016 | BOLT | 2 | |
| 18 | 92901-06600 | WASHER, PLATE | 2 | |
| 19 | 50W-2117E-00 | BRACKET, TAILLIGHT | 1 | |
| 20 | 95811-06016 | BOLT, FLANGE | 1 | |
| 21 | 95701-06500 | NUT, FLANGE | 2 | |
| 22 | 50W-2128A-J0 | BRACKET, REGULATOR | 1 | |
| 23 | 95811-06012 | BOLT, FLANGE | 1 | |
| 24 | 50M-2143A-00 | CAP | 2 | |
| 25 | 50M-21622-00 | BAND, FLAP | 1 | |
| 26 | 95701-05500 | NUT, FLANGE | 2 | |
| 27 | 50M-21642-00 | GUARD, FLAP | 1 | |
| 28 | 3YF-24724-00 | DAMPER, SEAT | 1 | |

C4

FIG. 14 FENDER



| REF. NO. | PART NO. | DESCRIPTION | Q'TY | REMARKS |
|----------|-----------------|-------------------|------|------------------------------------|
| 1 | 50W-21511-00-PO | FENDER, FRONT | 1 | UR VIVID RED COCKTAIL 1 |
| | 50W-21511-00-PI | FENDER, FRONT | 1 | UR LIGHT YELLOWISH GRAY METALLIC 3 |
| | 50W-21511-00-TK | FENDER, FRONT | 1 | UR CAMELLIA GREEN |
| 2 | 2YM-21529-00 | MOLD, FENDER | 1 | |
| 3 | 2YM-21556-00 | FENDER, FRONT 2 | 1 | |
| 4 | 90201-067J4 | WASHER, PLATE | 2 | |
| 5 | 95305-06800 | NUT | 2 | |
| 6 | 50M-Y2162-00 | MUD GUARD COMP. | 1 | |
| 7 | 50W-21631-00 | BOLT 1 | 1 | |
| 8 | 2H7-21628-00 | DAMPER, MUD GUARD | 1 | |

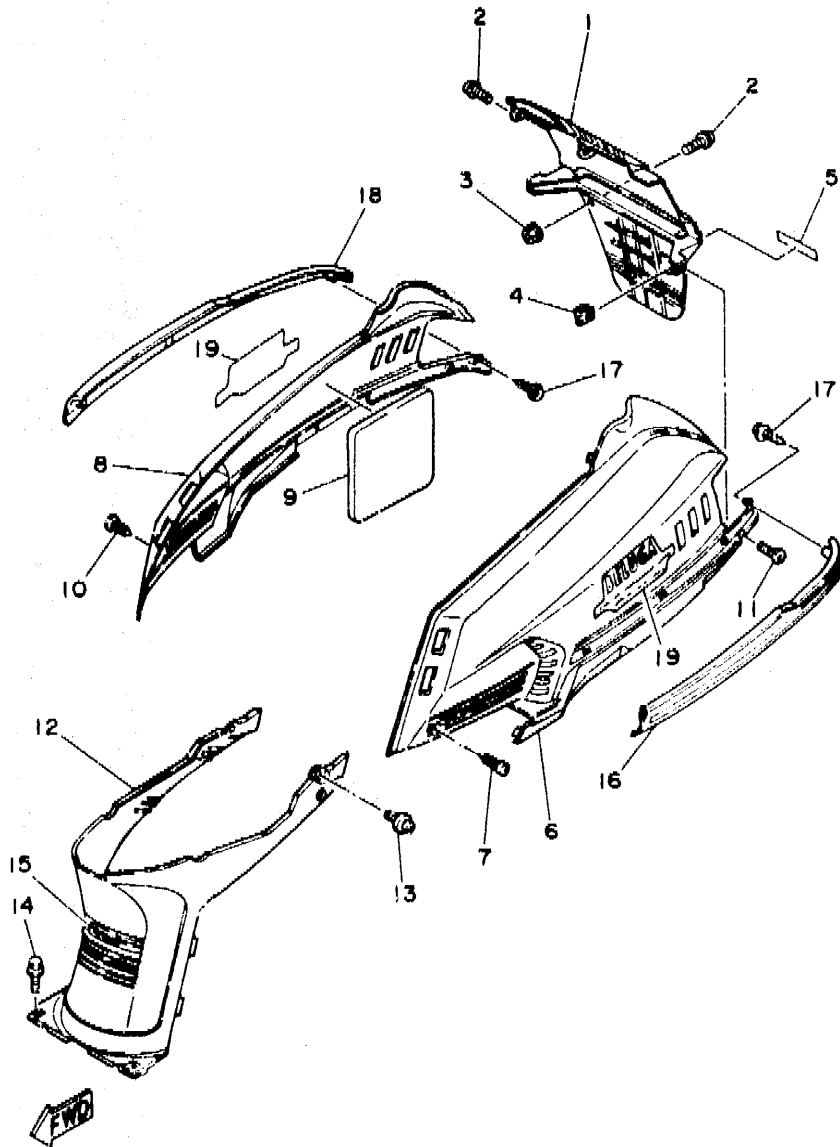


3KR1361-9140

C5

FIG. 15 SIDE COVER

| REF. NO. | PART NO. | DESCRIPTION | Q'TY | REMARKS |
|----------|-----------------|--------------------|------|--|
| 1 | 51F-21711-00 | COVER, SIDE 1 | 1 | NATURAL OYOBI KANSEIHIN |
| 2 | 90159-06071 | SCREW, WITH WASHER | 4 | |
| 3 | 95701-06500 | NUT, FLANGE | 2 | |
| 4 | 25G-21535-00 | NUT 1 | 2 | |
| 5 | 50W-2173T-20 | TAPE 1 | 2 | |
| 6 | 50W-21721-10-0Y | COVER, SIDE 2 | 1 | UR LIGHT YELLOWISH GRAY METALLIC 3/MEDIUM GRAY |
| | 50W-21721-10-1Y | COVER, SIDE 2 | 1 | UR CAMELLIA GREEN/MEDIUM GRAY |
| | 50W-21721-10-2Y | COVER, SIDE 2 | 1 | UR VIVID RED COCKTAIL 1/MEDIUM GRAY |
| 7 | 90149-06184 | SCREW | 1 | |
| 8 | 50W-21731-10-0Y | COVER, SIDE 3 | 1 | UR LIGHT YELLOWISH GRAY METALLIC 3/MEDIUM GRAY |
| | 50W-21731-10-1Y | COVER, SIDE 3 | 1 | UR CAMELLIA GREEN/MEDIUM GRAY |
| | 50W-21731-10-2Y | COVER, SIDE 3 | 1 | UR VIVID RED COCKTAIL 1/MEDIUM GRAY |
| 9 | 50M-21732-00 | SEAL 1 | 1 | |
| 10 | 90149-06184 | SCREW | 1 | |
| 11 | 90149-06007 | SCREW | 2 | |
| 12 | 50W-21741-30 | COVER, SIDE 4 | 1 | |
| 13 | 90159-06071 | SCREW, WITH WASHER | 2 | |
| 14 | 90119-06018 | BOLT, WITH WASHER | 2 | |
| 15 | 3TE-2153A-00 | EMBLEM | 1 | |
| 16 | 50W-2171L-30 | MOLE, SIDE COVER 1 | 1 | |
| 17 | 90167-05016 | SCREW, TAPPING | 2 | |
| 18 | 50W-2171H-30 | MOLE, SIDE COVER 2 | 1 | |
| 19 | 3TE-21781-00 | EMBLEM 1 | 2 | UR FOR LYGM 3 |
| | 3TE-21781-10 | EMBLEM 1 | 2 | UR FOR CMG |
| | 3TE-21781-20 | EMBLEM 1 | 2 | UR FOR VRC 1 |

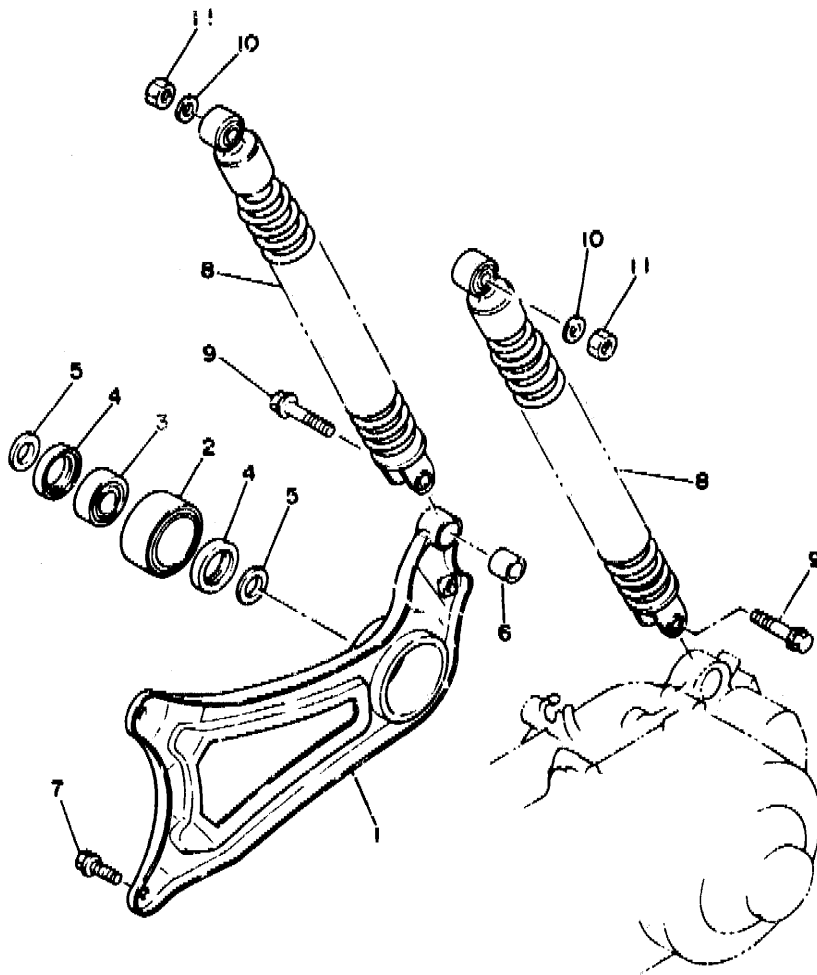


3TE4310-3150

C6

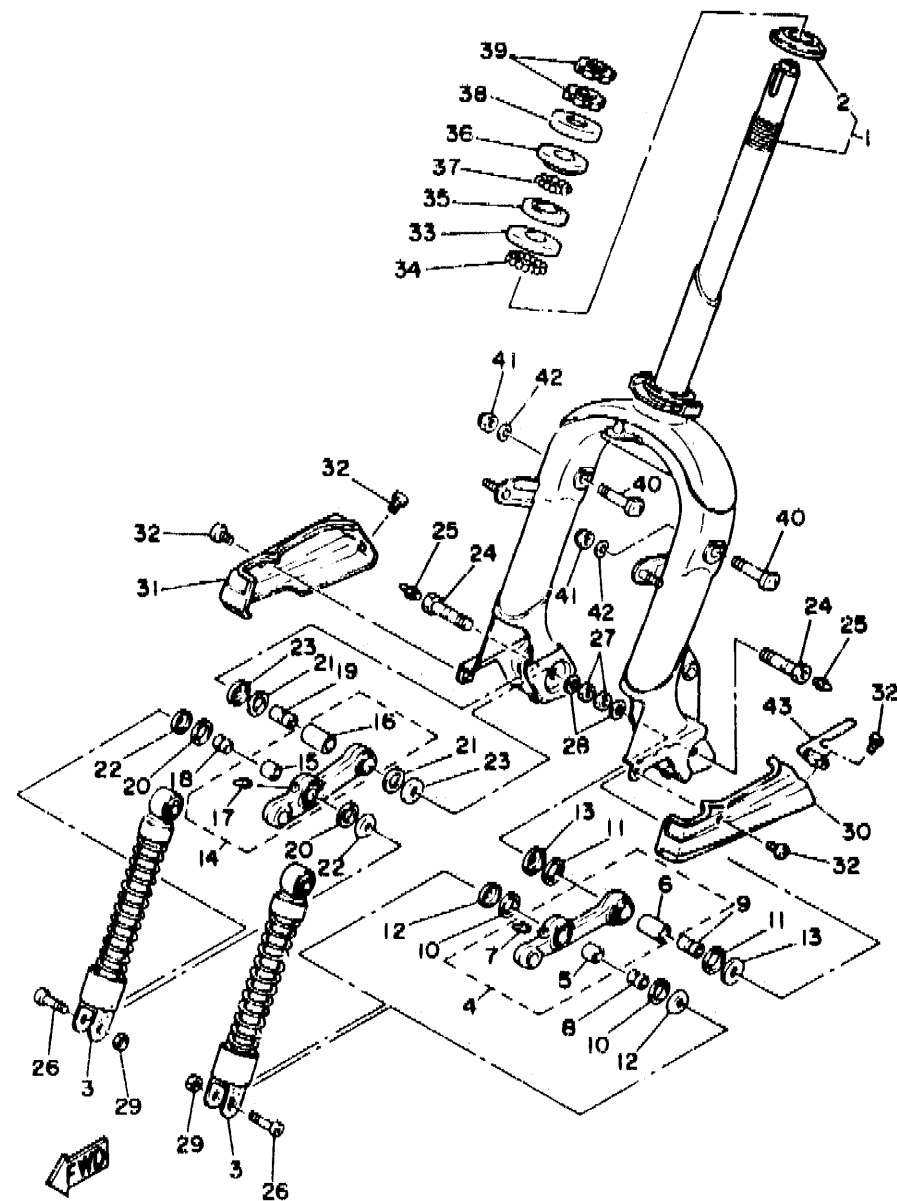
FIG. 16 REAR ARM. SUSPENSION

| REF. NO. | PART NO. | DESCRIPTION | Q'TY | REMARKS |
|----------|--------------|---------------------------|------|---------|
| 1 | 50W-22110-00 | REAR ARM COMP. | 1 | |
| 2 | 36F-22184-00 | BUSH | 1 | |
| 3 | 93306-20224 | BEARING | 1 | |
| 4 | 93109-28043 | OIL SEAL | 2 | |
| 5 | 90387-155J0 | COLLAR | 2 | |
| 6 | 164-22216-00 | BUSH, REAR SHOCK ABSORBER | 1 | |
| 7 | 95821-08020 | BOLT, FLANGE | 2 | |
| 8 | 50W-22210-00 | SHOCK ABSORBER ASSY, REAR | 2 | |
| 9 | 90105-08121 | BOLT, WASHER CASED | 2 | |
| 10 | 90201-08795 | WASHER, PLATE | 2 | |
| 11 | 95336-08600 | NUT | 2 | |



50W351-5160

C7

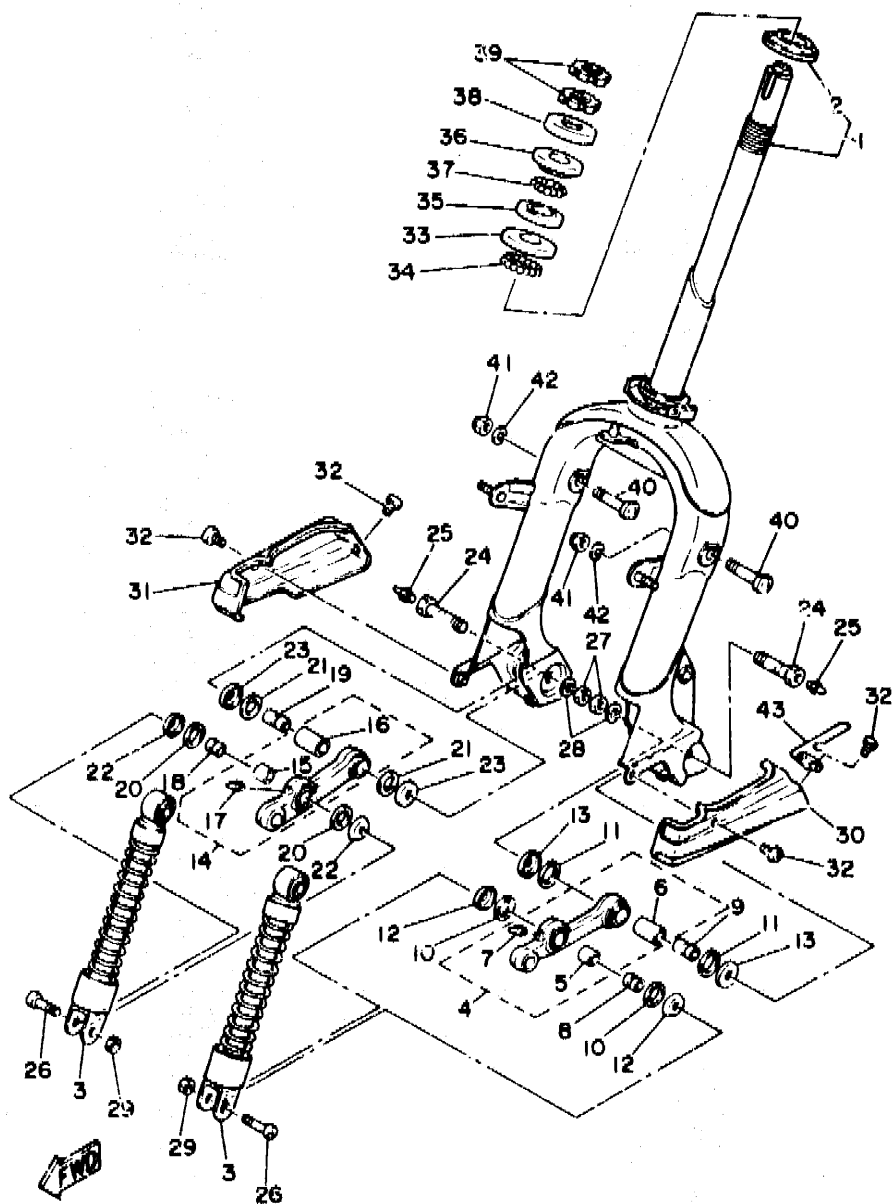


3EK1110-8170

FIG. 17 STEERING

| REF. NO. | PART NO. | DESCRIPTION | Q'TY | REMARKS |
|----------|--------------|-----------------------|------|---------|
| 1 | 51F-23310-01 | FORK COVER COMP. | 1 | |
| 2 | 156-23411-00 | .RACE, BALL 1 | 1 | |
| 3 | 50W-23350-00 | SHOCK ABSORBER ASSY | 2 | |
| 4 | 50W-23361-00 | ARM 1 | 1 | |
| 5 | 296-23362-09 | .BUSH 1 | 1 | |
| 6 | 296-23372-09 | .BUSH 2 | 1 | |
| 7 | 93700-04002 | .NIPPLE, GREASE | 1 | |
| 8 | 296-23363-01 | COLLAR 1 | 1 | |
| 9 | 296-23364-02 | COLLAR 2 | 1 | |
| 10 | 296-23381-01 | SEAL, DUST 1 | 2 | |
| 11 | 296-23382-01 | SEAL, DUST 2 | 2 | |
| 12 | 116-23383-00 | COVER, DUST SEAL 1 | 2 | |
| 13 | 116-23384-00 | COVER, DUST SEAL 2 | 2 | |
| 14 | 19E-23371-00 | ARM 2 | 1 | |
| 15 | 296-23362-09 | .BUSH 1 | 1 | |
| 16 | 296-23372-09 | .BUSH 2 | 1 | |
| 17 | 93700-04002 | .NIPPLE, GREASE | 1 | |
| 18 | 296-23363-01 | COLLAR 1 | 1 | |
| 19 | 296-23364-02 | COLLAR 2 | 1 | |
| 20 | 296-23381-01 | SEAL, DUST 1 | 2 | |
| 21 | 296-23382-01 | SEAL, DUST 2 | 2 | |
| 22 | 116-23383-00 | COVER, DUST SEAL 1 | 2 | |
| 23 | 116-23384-00 | COVER, DUST SEAL 2 | 2 | |
| 24 | 90401-10035 | BOLT, UNION | 2 | |
| 25 | 93700-06M03 | NIPPLE, GREASE | 2 | |
| 26 | 50155-08002 | SCREW, FLAT FILLISTER | 2 | |
| 27 | 95303-10700 | NUT | 2 | |
| 28 | 92901-10100 | WASHER, SPRING | 2 | |

C8



3EK1110-8170

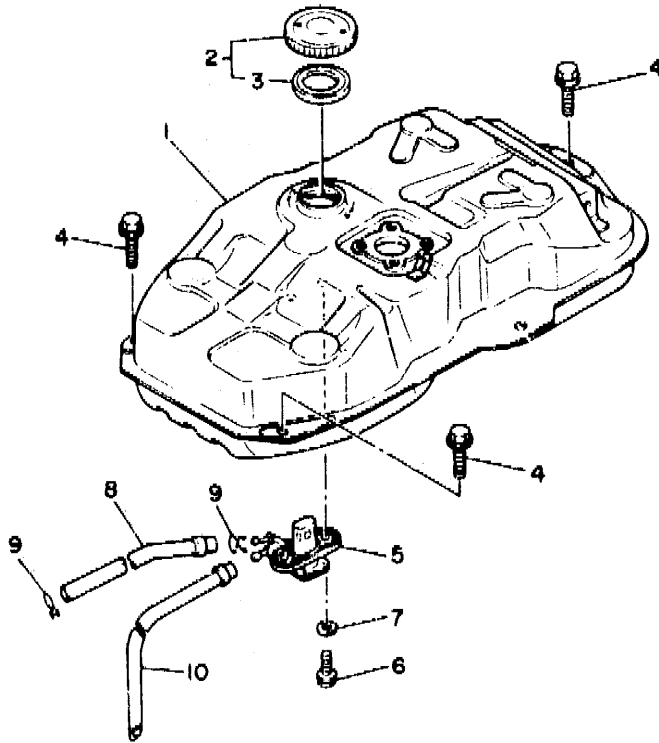
FIG. 17 STEERING

| REF. NO. | PART NO. | DESCRIPTION | Q'TY | REMARKS |
|----------|--------------|--------------------|------|---------|
| 29 | 95303-08700 | NUT | 2 | |
| 30 | 50W-23338-00 | CAP, SIDE 1 | 1 | |
| 31 | 50W-23339-00 | CAP, SIDE 2 | 1 | |
| 32 | 98903-06012 | SCREW, BIND | 4 | |
| 33 | 156-23412-00 | RACE, BALL 2 | 1 | |
| 34 | 93501-04011 | BALL | 19 | |
| 35 | 22F-23412-00 | RACE, BALL 2 | 1 | |
| 36 | 22F-23411-00 | RACE, BALL 1 | 1 | |
| 37 | 93503-16010 | BALL | 22 | |
| 38 | 122-23416-00 | COVER, BALL RACE 2 | 1 | |
| 39 | 90179-25033 | NUT | 2 | |
| 40 | 90109-08607 | BOLT | 2 | |
| 41 | 95303-08700 | NUT | 2 | |
| 42 | 92990-08100 | WASHER, SPRING | 2 | |
| 43 | 50W-23317-00 | HOLDER, CABLE | 1 | |

C9

FIG. 18 FUEL TANK

| REF. NO. | PART NO. | DESCRIPTION | Q'TY | REMARKS |
|----------|--------------|------------------|------|---------|
| 1 | 50M-24110-00 | FUEL TANK COMP. | 1 | |
| 2 | 22F-24610-10 | CAP ASSY | 1 | |
| 3 | 3T5-24612-10 | .GASKET, CAP | 1 | |
| 4 | 95811-06012 | BOLT, FLANGE | 3 | |
| 5 | 50M-24500-00 | FUEL COCK ASSY 1 | 1 | |
| 6 | 90149-06011 | SCREW | 2 | |
| 7 | 90202-05193 | WASHER, PLATE | 2 | |
| 8 | 90445-10308 | HOSE | 1 | |
| 9 | 90467-09006 | CLIP | 2 | |
| 10 | 90445-07370 | HOSE | 1 | |



50V010-4180

C10

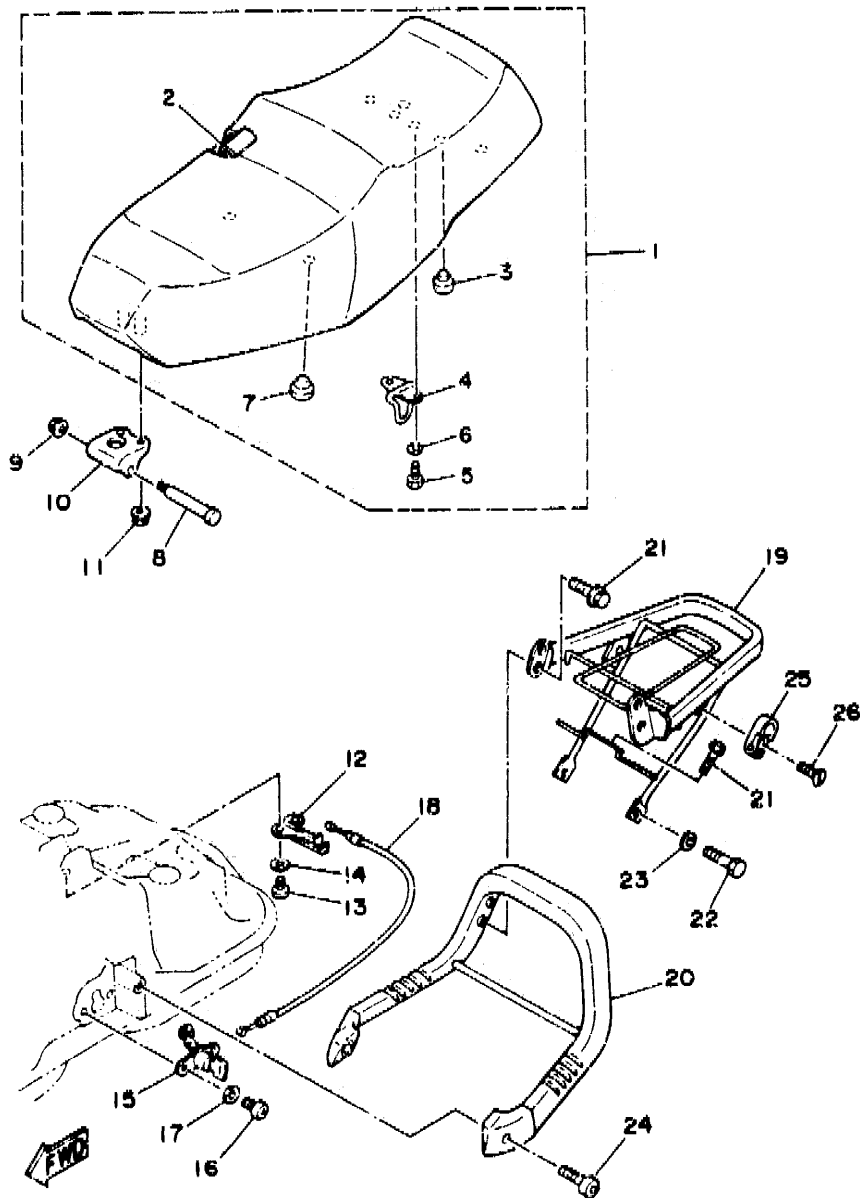


FIG. 19 SEAT

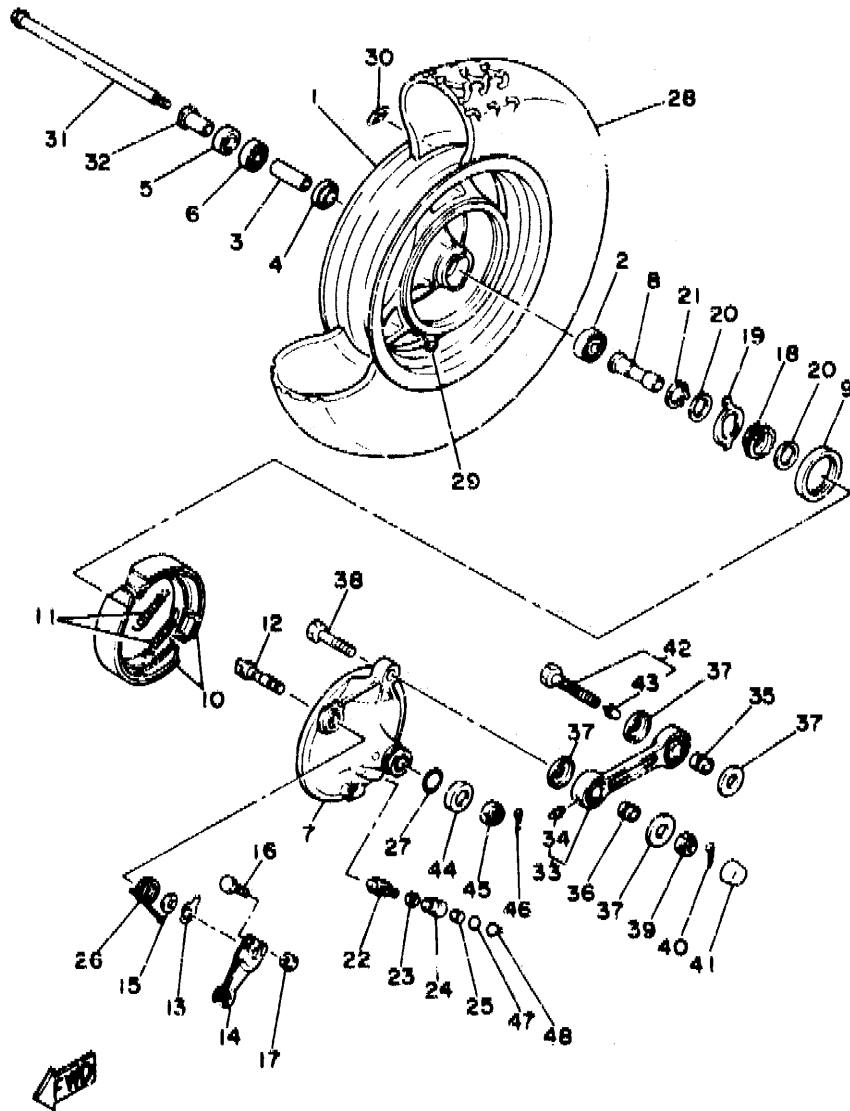
| REF. NO. | PART NO. | DESCRIPTION | Q'TY | REMARKS |
|----------|--------------|--------------------|------|---------|
| 1 | 3TE-24730-10 | DOUBLE SEAT ASSY | 1 | |
| 2 | 3KR-2477A-10 | .COVER, SEAT ASSY | 1 | |
| 3 | 4G0-24723-00 | .DAMPER, SEAT | 2 | |
| 4 | 50W-24728-00 | .BRACKET, SEAT | 1 | |
| 5 | 98511-06012 | .SCREW, PAN HEAD | 2 | |
| 6 | 92995-06100 | .WASHER | 2 | |
| 7 | 1L9-24741-00 | .PAD, SEAT | 2 | |
| 8 | 90109-06504 | BOLT | 1 | |
| 9 | 95701-06500 | NUT, FLANGE | 1 | |
| 10 | 2T4-24726-10 | HINGE, SEAT | 1 | |
| 11 | 95701-06500 | NUT, FLANGE | 2 | |
| 12 | 50W-W247E-00 | SEAT LOCK ASSY | 1 | |
| 13 | 98502-06016 | SCREW, PAN HEAD | 2 | |
| 14 | 92901-06600 | WASHER, PLATE | 2 | |
| 15 | 3CY-W2470-00 | SEAT LOCK ASSY | 1 | |
| 16 | 98502-06016 | SCREW, PAN HEAD | 2 | |
| 17 | 92901-06600 | WASHER, PLATE | 2 | |
| 18 | 50W-2478E-00 | WIRE, SEAT HOOK | 1 | |
| 19 | 2YM-24842-00 | CARRIER, REAR | 1 | |
| 20 | 50X-24819-10 | STAY, REAR | 1 | |
| 21 | 95826-06010 | BOLT, FLANGE | 6 | |
| 22 | 97313-08016 | BOLT | 2 | |
| 23 | 92901-08600 | WASHER, PLATE | 2 | |
| 24 | 91316-08050 | BOLT | 2 | |
| 25 | 55E-21308-00 | HELMET HANGER ASSY | 1 | |
| 26 | 98701-06016 | SCREW, FLAT HEAD | 1 | |

3TF1351-0190

C11

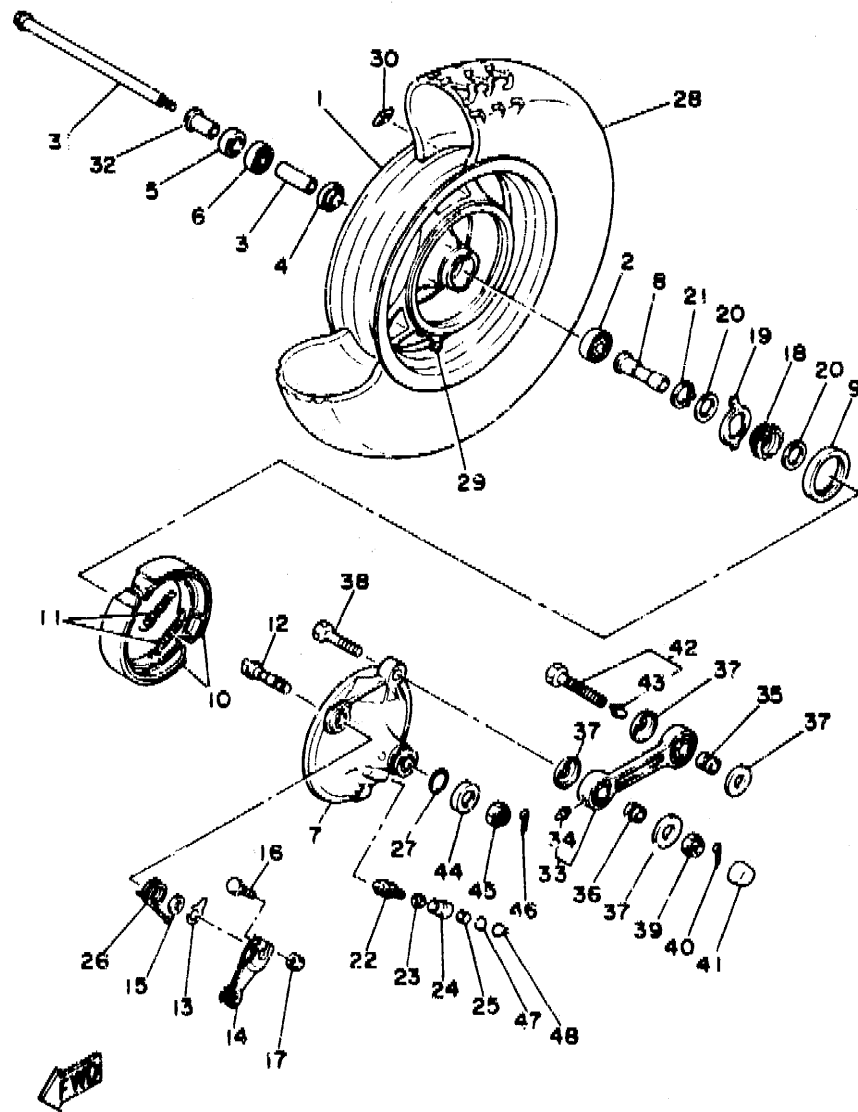
FIG. 20 FRONT WHEEL

| REF. NO. | PART NO. | DESCRIPTION | Q'TY | REMARKS |
|----------|-----------------|---------------------------------|------|---------|
| 1 | 50M-25168-20-35 | CAST WHEEL, FRONT | 1 | SILVER |
| 2 | 93306-30103 | BEARING (B6301Z) | 1 | |
| 3 | 90560-12261 | SPACER | 1 | |
| 4 | 109-25315-00 | FLANGE, SPACER | 1 | |
| 5 | 93102-17235 | OIL SEAL | 1 | |
| 6 | 93306-20120 | BEARING | 1 | |
| 7 | 50W-25121-02-35 | PLATE, BRAKE SHOE | 1 | SILVER |
| 8 | 90387-120L8 | COLLAR | 1 | |
| 9 | 93102-47297 | OIL SEAL | 1 | |
| 10 | 3TE-W2535-00 | BRAKE SHOE SET | 1 | |
| 11 | 90506-17328 | SPRING, TENSION | 2 | |
| 12 | 3Y6-25551-00 | CAMSHAFT | 1 | |
| 13 | 5Y1-2513A-00 | PLATE, INDICATOR | 1 | |
| 14 | 25G-25155-00 | LEVER, CAMSHAFT 1 | 1 | |
| 15 | 36F-25159-00 | SEAL, CAMSHAFT | 1 | |
| 16 | 90101-06278 | BOLT | 1 | |
| 17 | 95380-06600 | NUT | 1 | |
| 18 | 50W-25135-00 | GEAR, DRIVE | 1 | |
| 19 | 50W-25149-00 | CLUTCH, METER | 1 | |
| 20 | 90201-244J3 | WASHER, PLATE | 2 | |
| 21 | 93410-24942 | CIRCLIP | 1 | |
| 22 | 36F-25138-00 | GEAR, METER | 1 | |
| 23 | 90201-07076 | WASHER, PLATE | 1 | |
| 24 | 109-25136-00 | BUSH | 1 | |
| 25 | 93104-07003 | OIL SEAL | 1 | |
| 26 | 90508-26616 | SPRING, TORSION | 1 | |
| 27 | 93210-23326 | O-RING | 1 | |
| 28 | 94110-103T5 | TIRE (100/90-10 56J K325F TL90) | 1 | DUNLOP |



50V010-4200

C12



50V010-4200

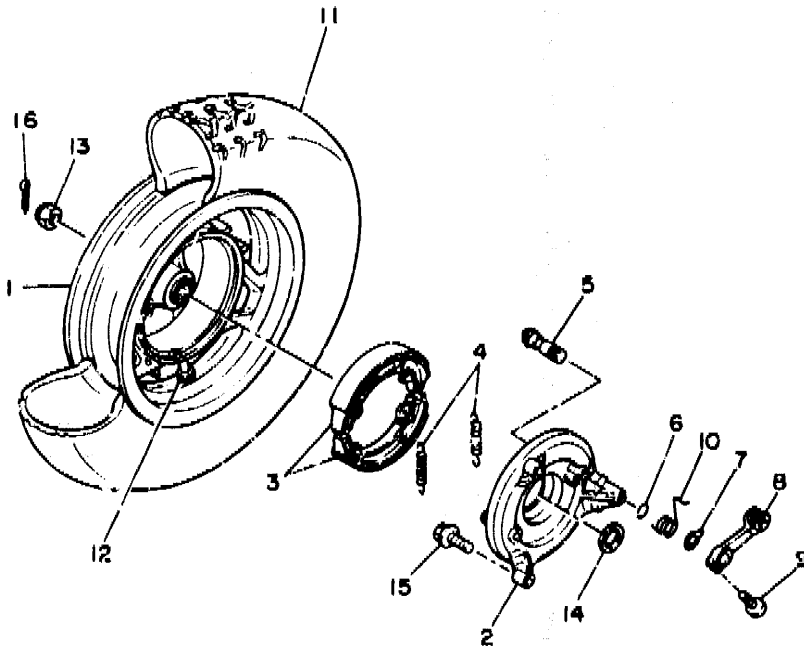
FIG. 20 FRONT WHEEL

| REF. NO. | PART NO. | DESCRIPTION | Q'TY | REMARKS |
|----------|--------------|-----------------------|------|---------|
| 29 | 93900-00042 | VALVE, RIM | 1 | DUNLGP |
| 30 | 1A1-25398-01 | BALANCER, WHEEL (20G) | 1 | UN |
| | 1A1-25399-00 | BALANCER, WHEEL (10G) | 1 | UN |
| | 2M0-25399-00 | BALANCER, WHEEL (30G) | 1 | UN |
| 31 | 5J0-25181-00 | AXLE, WHEEL | 1 | |
| 32 | 90387-120L7 | COLLAR | 1 | |
| 33 | 50W-25371-00 | BAR, TENSION | 1 | |
| 34 | 93700-04002 | .NIPPLE, GREASE | 1 | |
| 35 | 90387-1001.9 | COLLAR | 1 | |
| 36 | 90387-101H3 | COLLAR | 1 | |
| 37 | 50W-23383-00 | .OVER, DUST SEAL 1 | 4 | |
| 38 | 90102-10031 | BOLT, WITH HOLE | 1 | |
| 39 | 95611-10100 | NUT, U | 1 | |
| 40 | 91490-20020 | PIN, COTTER | 1 | |
| 41 | 50W-25188-00 | CAP | 1 | |
| 42 | 50W-25178-00 | BOLT, TENSION BAR | 1 | |
| 43 | 93700-04002 | .NIPPLE, GREASE | 1 | |
| 44 | 50209-12259 | WASHER | 1 | |
| 45 | 90171-12042 | NUT, CASTLE | 1 | |
| 46 | 91401-30030 | PIN, COTTER | 1 | |
| 47 | 93210-14104 | O-RING | 1 | |
| 48 | 102-25137-00 | RING, STOP | 1 | |

C13

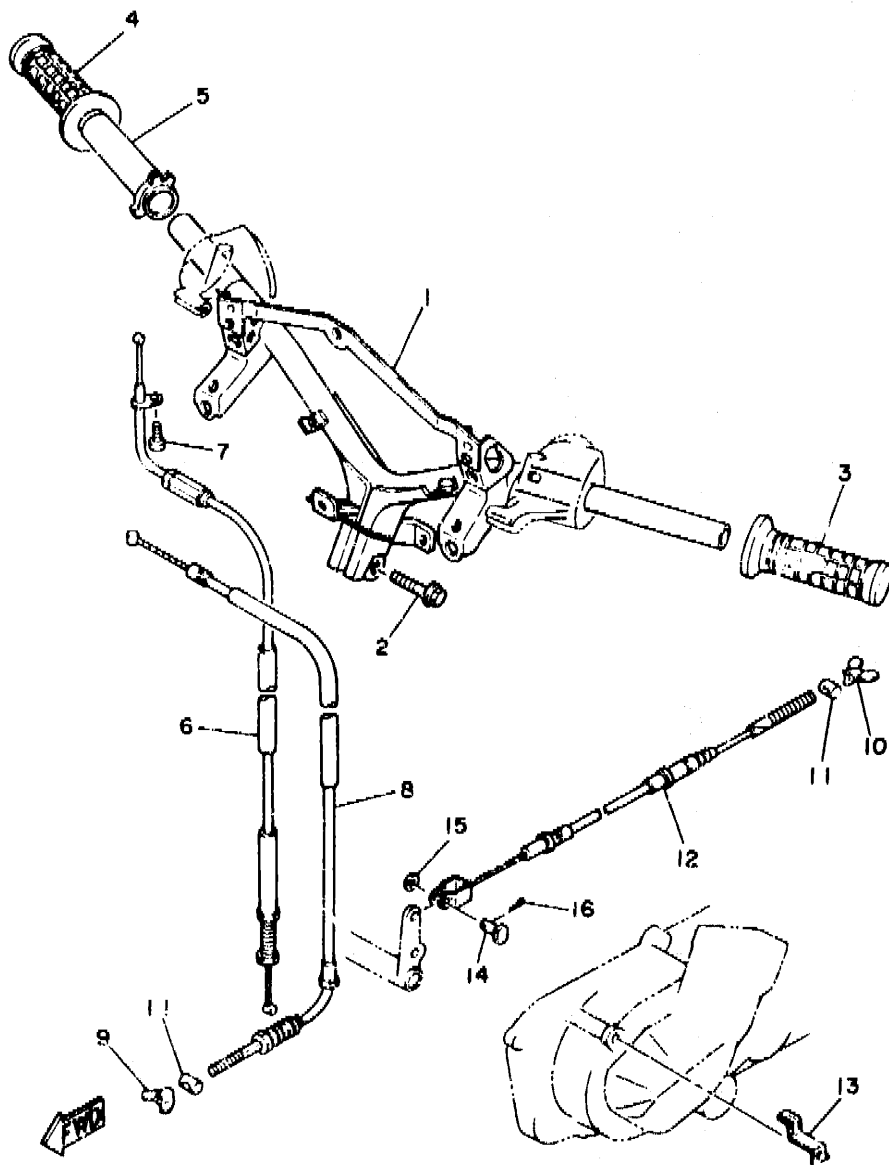
FIG. 21 REAR WHEEL

| REF. NO. | PART NO. | DESCRIPTION | Q'TY | REMARKS |
|----------|-----------------|---------------------------------|------|---------|
| 1 | 50M-25338-20-35 | CAST WHEEL, REAR | 1 | SILVER |
| 2 | 50W-25321-0J | PLATE, BRAKE SHOE | 1 | |
| 3 | 25G-W2536-01 | BRAKE SHOE SET | 1 | |
| 4 | 90506-17328 | SPRING, TENSION | 2 | |
| 5 | 2RH-25351-00 | CAMSHAFT | 1 | |
| 6 | 36F-25159-00 | SEAL, CAMSHAFT | 1 | |
| 7 | 50W-2533A-00 | PLATE, INDICATOR | 1 | |
| 8 | 371-25355-02 | LEVER, CAMSHAFT | 1 | |
| 9 | 90101-06291 | BOLT | 1 | |
| 10 | 90508-26653 | SPRING, TORSION | 1 | |
| 11 | 94110-103T4 | TIRE (100/90-10 56J K825 TLDOT) | 1 | DUNLOP |
| 12 | 93900-00010 | VALVE, RIM | 1 | DUNLOP |
| 13 | 90185-14124 | NUT, SELF-LOCKING | 1 | |
| 14 | 90201-20276 | WASHER, PLATE (1.0T) | 1 | |
| 15 | 90119-08128 | BOLT, WITH WASHER | 3 | |
| 16 | 91490-20025 | PIN, COTTER | 1 | |



50V010-4211

C14



2YM010-822v

FIG. 22 STEERING HANDLE. CABLE

| REF. NO. | PART NO. | DESCRIPTION | Q'TY | REMARKS |
|----------|--------------|----------------------|------|---------|
| 1 | 50W-26110-20 | HANDLE COMP. | 1 | |
| 2 | 90105-10393 | BOLT, WASHER BASED | 1 | |
| 3 | 35R-26241-00 | GRIP (LEFT) | 1 | |
| 4 | 35R-26242-00 | GRIP (RIGHT) | 1 | |
| 5 | 35R-26243-00 | TUBE, THROTTLE GUIDE | 1 | |
| 6 | 50W-26311-01 | CABLE, THROTTLE 1 | 1 | |
| 7 | 98501-05012 | SCREW, PAN HEAD | 1 | |
| 8 | 50W-26341-00 | CABLE, BRAKE | 1 | |
| 9 | 90179-06176 | NUT | 1 | |
| 10 | 90175-06019 | NJT, WING | 1 | |
| 11 | 90249-12008 | PIN | 2 | |
| 12 | 50W-26351-00 | CABLE, BRAKE | 1 | |
| 13 | 50W-26379-00 | GUIDE, CABLE | 1 | |
| 14 | 90240-06108 | PIN, CLEVIS | 1 | |
| 15 | 92901-06200 | WASHER, PLAIN | 1 | |
| 16 | 91490-20020 | PIN, COTTER | 1 | |

C15

CONTENTS

ENGINE

| | |
|--------------------------|---------|
| Cylinder | B2 |
| Crankshaft. Piston | B3 |
| Valve | B4 |
| Air Shroud. Fan | B5 |
| Oil Pump | B6 |
| Intake | B7 |
| Carburetor | B8~B9 |
| Exhaust | B10 |
| Crankcase | B11~B13 |
| Starter Clutch | B14 |
| Clutch | B15~C2 |
| Transmission | C3 |

CHASSIS

| | |
|------------------------------|---------|
| Frame | C4 |
| Fender | C5 |
| Side Cover | C6 |
| Rear Arm. Suspension | C7 |
| Steering | C8~C9 |
| Fuel Tank | C10 |
| Seat | C11 |
| Front Wheel | C12~C13 |
| Rear Wheel | C14 |
| Steering Handle. Cable | C15 |
| Stand. Footrest | D2~D3 |
| Leg Shield | D4 |
| Cowling 1 | D5 |
| Generator | D6 |
| Starting Motor | D7 |

| | |
|----------------------------|---------|
| Flasher Light | D8 |
| Meter | D9 |
| Headlight | D10 |
| Taillight | D11 |
| Handle Switch. Lever | D12 |
| Electrical 1 | D13~D14 |
| Electrical 2 | D15 |

INDEX

| | |
|-----------------------|-------|
| Numerical Index | M1~M3 |
|-----------------------|-------|

CONTENTS

ENGINE

| | |
|--------------------------|---------|
| Cylinder | B2 |
| Crankshaft, Piston | B3 |
| Valve | B4 |
| Air Shroud, Fan | B5 |
| Oil Pump | B6 |
| Intake | B7 |
| Carburetor | B8~B9 |
| Exhaust | B10 |
| Crankcase | B11~B13 |
| Starter Clutch | B14 |
| Clutch | B15~C2 |
| Transmission | C3 |

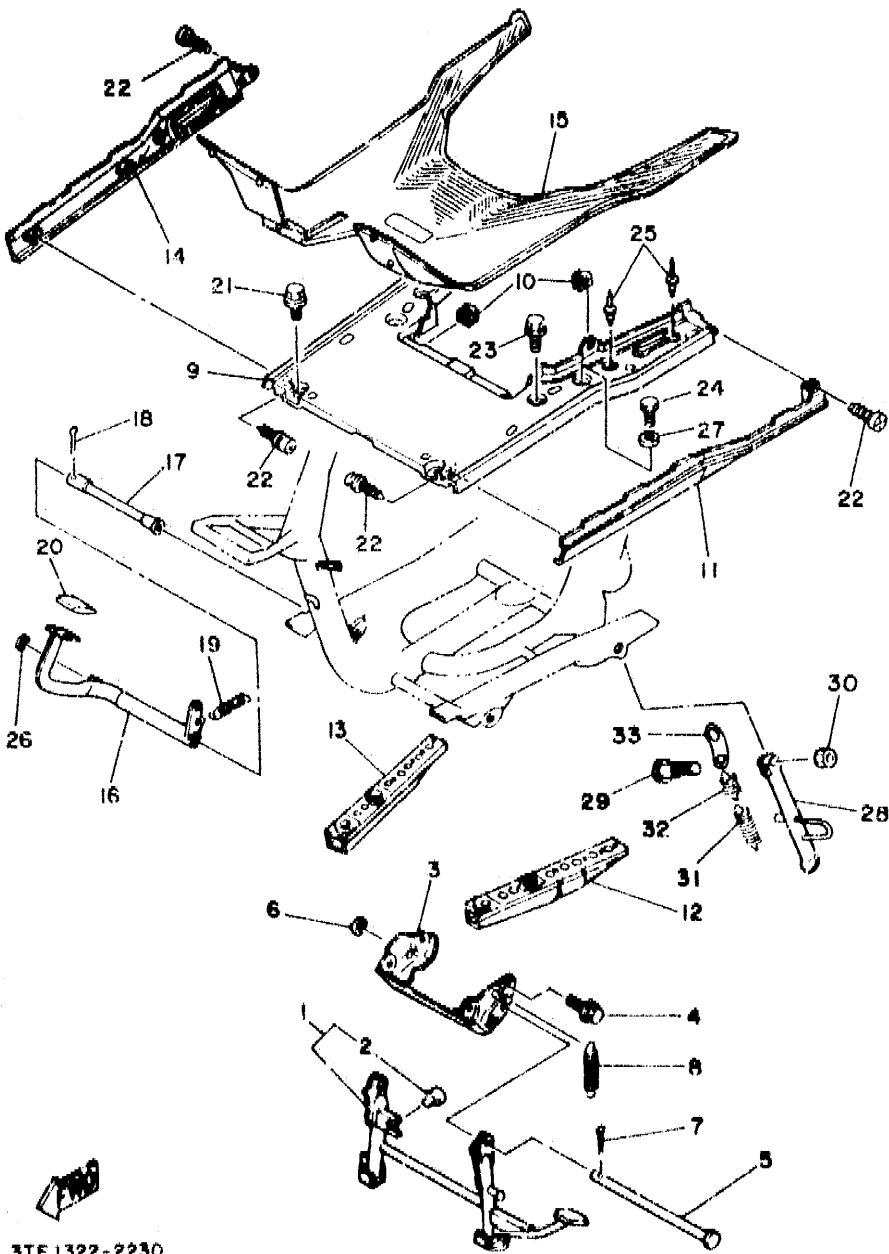
CHASSIS

| | |
|------------------------------|---------|
| Frame | C4 |
| Fender | C5 |
| Side Cover | C6 |
| Rear Arm, Suspension | C7 |
| Steering | C8~C9 |
| Fuel Tank | C10 |
| Seat | C11 |
| Front Wheel | C12~C13 |
| Rear Wheel | C14 |
| Steering Handle, Cable | C15 |
| Stand, Footrest | D2~D3 |
| Leg Shield | D4 |
| Cowling 1 | D5 |
| Generator | D6 |
| Starting Motor | D7 |

| | |
|----------------------------|---------|
| Flasher Light | D8 |
| Meter | D9 |
| Headlight | D10 |
| Taillight | D11 |
| Handle Switch, Lever | D12 |
| Electrical 1 | D13~D14 |
| Electrical 2 | D15 |

INDEX

| | |
|-----------------------|-------|
| Numerical Index | M1~M3 |
|-----------------------|-------|

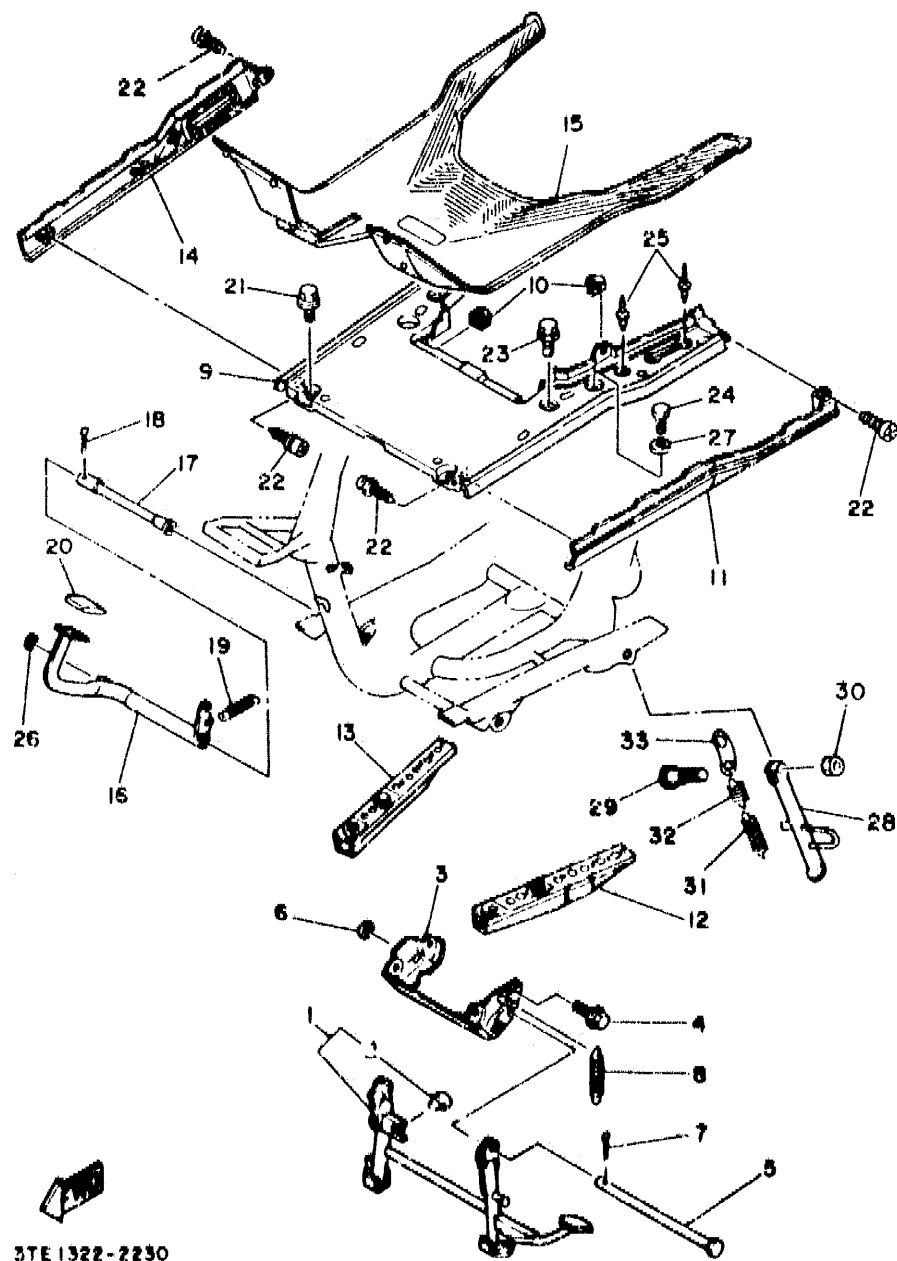


3TE1322-2230

FIG. 23 STAND, FOOTREST

| REF. NO. | PART NO. | DESCRIPTION | Q'TY | REMARKS |
|----------|-----------------|---------------------|------|------------------------------------|
| 1 | 50M-27111-00 | STAND, MAIN | 1 | |
| 2 | 5G3-27114-00 | STOPPER, MAIN STAND | 1 | |
| 3 | 50M-27151-00 | BRACKET, MAIN STAND | 1 | |
| 4 | 95E11-08016 | BOLT, FLANGE | 4 | |
| 5 | 50M-27112-00 | SHAFT, MAIN STAND | 1 | |
| 6 | 92990-12200 | WASHER, PLAIN | 1 | |
| 7 | 91401-25020 | PIN, COTTER | 1 | |
| 8 | 90506-20308 | SPRING, TENSION | 1 | |
| 9 | 50W-27481-30 | BOARD, FOOTREST | 1 | |
| 10 | 256-21535-00 | NUT 1 | 4 | |
| 11 | 50W-27486-00-P0 | COVER 1 | 1 | UR LIGHT YELLOWISH GRAY METALLIC 3 |
| | 50W-27486-00-P2 | COVER 1 | 1 | UR VIVID RED COCKTAIL 1 |
| | 50W-27486-00-TK | COVER 1 | 1 | UR CAMELLIA GREEN |
| 12 | 50W-27412-00 | BRACKET, FOOTREST 1 | 1 | |
| 13 | 50W-27422-00 | BRACKET, FOOTREST 2 | 1 | |
| 14 | 50W-27487-00-P0 | COVER 2 | 1 | UR LIGHT YELLOWISH GRAY METALLIC 3 |
| | 50W-27487-00-P2 | COVER 2 | 1 | UR VIVID RED COCKTAIL 1 |
| | 50W-27487-00-TK | COVER 2 | 1 | UR CAMELLIA GREEN |
| 15 | 50W-27483-30 | MAT 1 | 1 | |
| 16 | 50W-27211-00 | PEDAL, BRAKE | 1 | |
| 17 | 50W-27212-00 | SHAFT, BRAKE PEDAL | 1 | |
| 18 | 91401-20030 | PIN, COTTER | 1 | |
| 19 | 90506-20193 | SPRING, TENSION | 1 | |
| 20 | 50W-27285-00 | CAP | 1 | |
| 21 | 90119-06018 | BOLT, WITH WASHER | 2 | |
| 22 | 90164-04008 | SCREW, TAPPING | 8 | |
| 23 | 95E11-08035 | BOLT, FLANGE | 2 | |
| 24 | 97313-06045 | BOLT | 2 | |

D2



37E 1322-2230

FIG. 23 STAND. FOOTREST

| REF. NO. | PART NO. | DESCRIPTION | Q'TY | REMARKS |
|----------|--------------|------------------|------|---------|
| 25 | 90267-40054 | RIVET, BLIND | 4 | |
| 26 | 90201-14411 | WASHER, PLATE | 1 | |
| 27 | 90201-06M02 | WASHER, PLATE | 2 | |
| 28 | 50M-27311-01 | STAND, SIDE | 1 | |
| 29 | 90109-103A1 | BOLT | 1 | |
| 30 | 95303-10700 | NUT | 1 | |
| 31 | 90506-26331 | SPRING, TENSION | 1 | |
| 32 | 90506-16332 | SPRING, TENSION | 1 | |
| 33 | 3Y3-27315-00 | LINK, SIDE STAND | 1 | |

D3

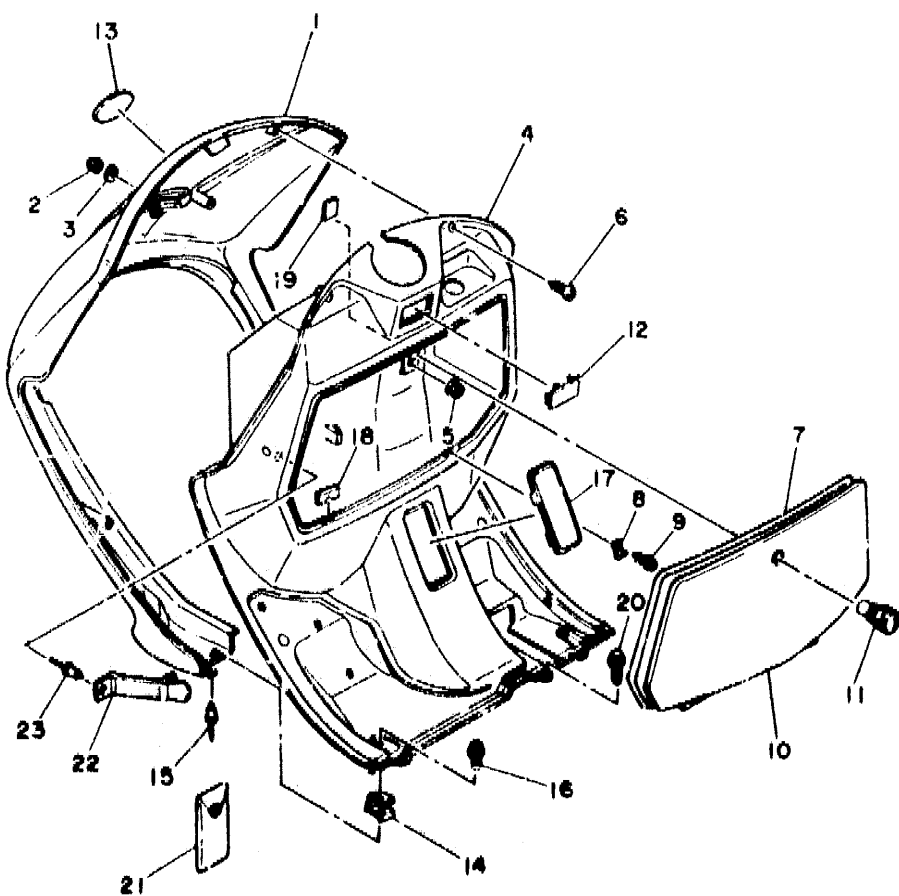


FIG. 24 LEG SHIELD

| REF. NO. | PART NO. | DESCRIPTION | Q'TY | REMARKS |
|----------|-----------------|----------------------|------|--------------------------|
| 1 | 50W-28311-00-P0 | LEG SHIELD 1 | 1 | UR VIVID RED COCKTAIL 1 |
| | 50W-28311-00-P1 | LEG SHIELD 1 | 1 | UR LIGHT GRAY METALLIC 3 |
| | 50W-28311-00-TK | LEG SHIELD 1 | 1 | UR CAMELLIA GREEN |
| 2 | 95380-06800 | NUT | 3 | |
| 3 | 90201-060H9 | WASHER, PLATE | 3 | |
| 4 | 50W-28312-30 | LEG SHIELD 2 | 1 | |
| 5 | 95701-06500 | NUT, FLANGE | 1 | |
| 6 | 90167-0F016 | SCREW, TAPPING | 6 | |
| 7 | 50W-28371-01 | DAMPER | 1 | |
| 8 | 35R-21796-00 | HINGE | 2 | |
| 9 | 97706-40512 | SCREW, TAPPING | 2 | |
| 10 | 50W-28313-30 | LID | 1 | |
| 11 | 25H-21708-00 | SIDE COVER LOCK ASSY | 1 | |
| 12 | 50W-28350-30 | PANEL 1 | 1 | |
| 13 | 3TE-28315-00 | EMBLEM | 1 | |
| 14 | 50W-28321-00 | STAY 1 | 2 | |
| 15 | 90267-40073 | RIVET, BLIND | 2 | |
| 16 | 90159-06013 | SCREW, WITH WASHER | 2 | |
| 17 | 20H-28349-A0 | CAP | 1 | MEDIUM GRAY |
| 18 | 50M-2834J-00 | CAP 2 | 2 | |
| 19 | 50W-2834V-00 | PROTECTOR 1 | 1 | |
| 20 | 90119-06018 | BOLT, WITH WASHER | 1 | |
| 21 | 3TE-28100-00 | TOOL KIT | 1 | |
| 22 | 33M-21376-00 | BAND, TOOL | 1 | |
| 23 | 90267-40054 | RIVET, BLIND | 1 | |

3KR1361-9241

D4

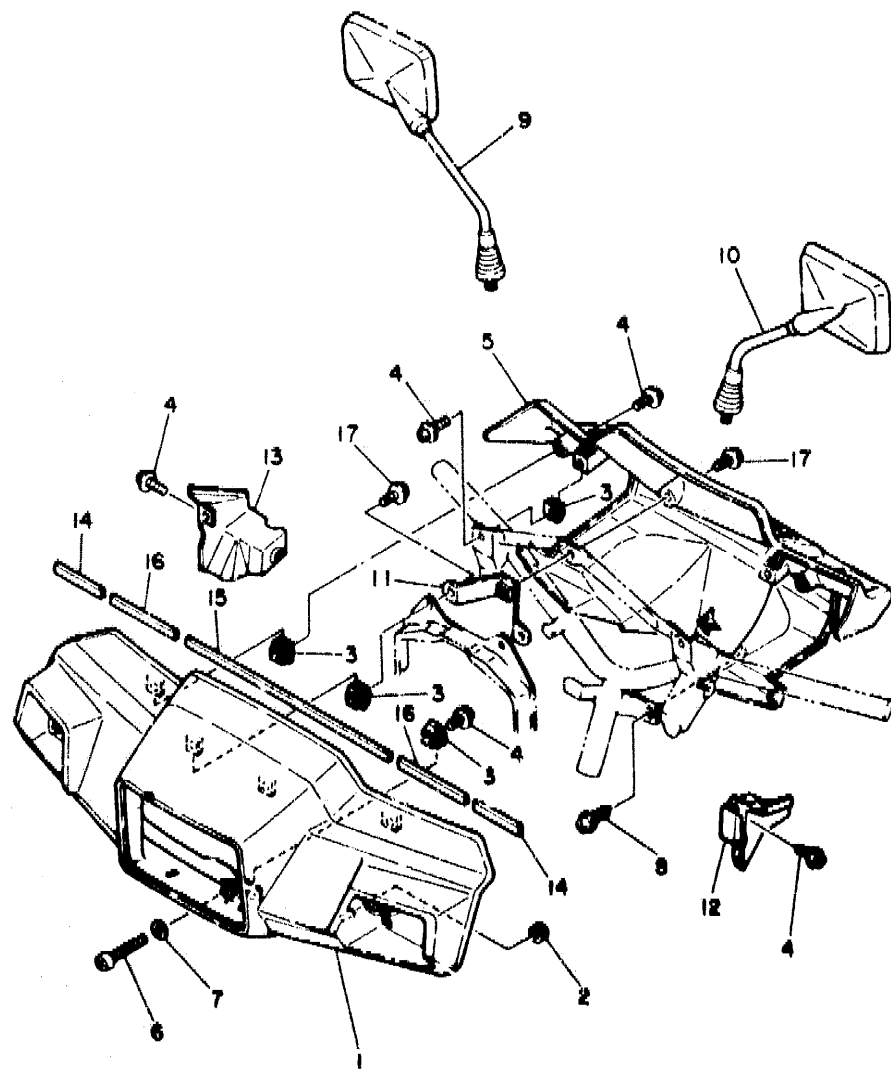


FIG. 25 COWLING 1

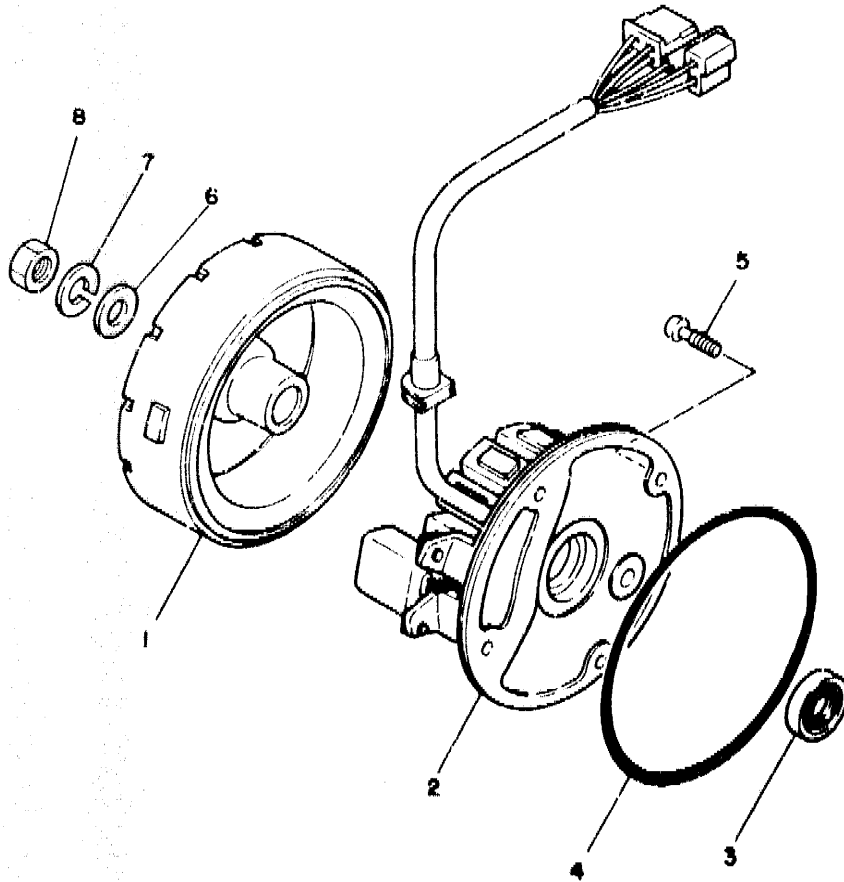
| REF. NO. | PART NO. | DESCRIPTION | Q'TY | REMARKS |
|----------|-----------------|--------------------------|------|------------------------------------|
| 1 | 50W-26143-00-P0 | COVER, HANDLEBAR UPPER 1 | 1 | UR VIVID RED COCKTAIL 1 |
| | 50W-26143-00-P1 | COVER, HANDLEBAR UPPER 1 | 1 | UR LIGHT YELLOWISH GRAY METALLIC 3 |
| | 50W-26143-00-TK | COVER, HANDLEBAR UPPER 1 | 1 | UR CAMELLIA GREEN |
| 2 | 90480-13018 | GROMMET | 2 | |
| 3 | 35P-26294-00 | NUT 1 | 7 | |
| 4 | 90159-05089 | SCREW, WITH WASHER | 7 | |
| 5 | 50W-26145-30 | COVER, HANDLEBAR UPPER 2 | 1 | |
| 6 | 98501-05040 | SCREW, PAN HEAD | 1 | |
| 7 | 92901-05600 | WASHER, PLATE | 1 | |
| 8 | 90167-05015 | SCREW, TAPPING | 1 | |
| 9 | 50M-26290-00 | BACK MIRROR ASSY (RIGHT) | 1 | |
| 10 | 50M-26290-10 | BACK MIRROR ASSY (LEFT) | 1 | |
| 11 | 50W-26273-00 | BRACKET, HANDLE 1 | 1 | |
| 12 | 50W-26372-00 | COVER, HANDLE LEVER 1 | 1 | |
| 13 | 50W-26374-00 | COVER, HANDLE LEVER 2 | 1 | |
| 14 | 30V-28378-00 | PAD | 2 | |
| 15 | 30V-28371-00 | DAMPER | 1 | |
| 16 | 30V-28371-00 | DAMPER | 2 | |
| 17 | 90159-05089 | SCREW, WITH WASHER | 3 | |

50V010-4250

D5

FIG. 26 GENERATOR

| REF. NO. | PART NO. | DESCRIPTION | Q'TY | REMARKS |
|----------|--------------|-----------------|------|---------|
| 1 | 2YM-81450-00 | ROTOR ASSY | 1 | |
| 2 | 50M-81410-10 | STATOR ASSY | 1 | |
| 3 | 93102-19276 | OIL SEAL | 1 | |
| 4 | 93211-08563 | O-RING | 1 | |
| 5 | 98580-06020 | SCREW, PAN HEAD | 4 | |
| 6 | 92990-12600 | WASHER, PLATE | 1 | |
| 7 | 92901-12100 | WASHER, SPRING | 1 | |
| 8 | 90170-12181 | NUT | 1 | |

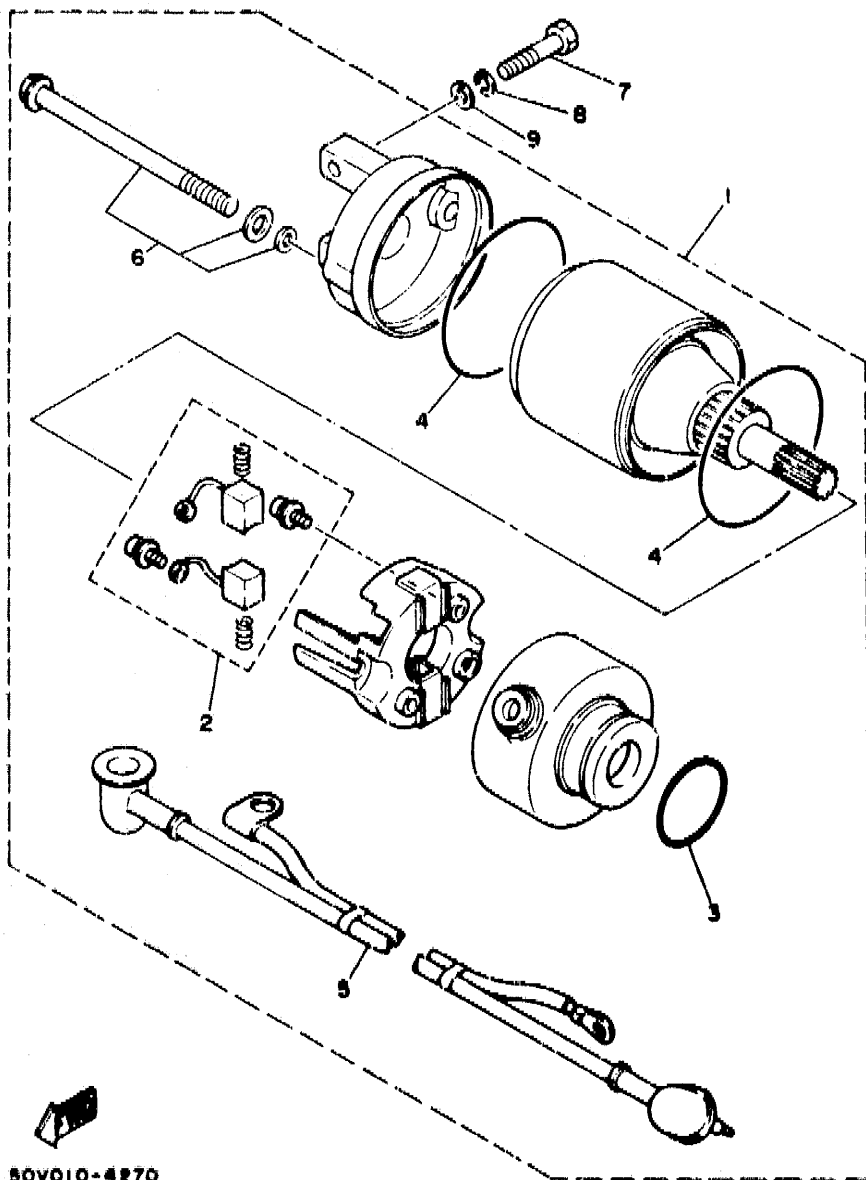


50V010-4260

D6

FIG. 27 STARTING MOTOR

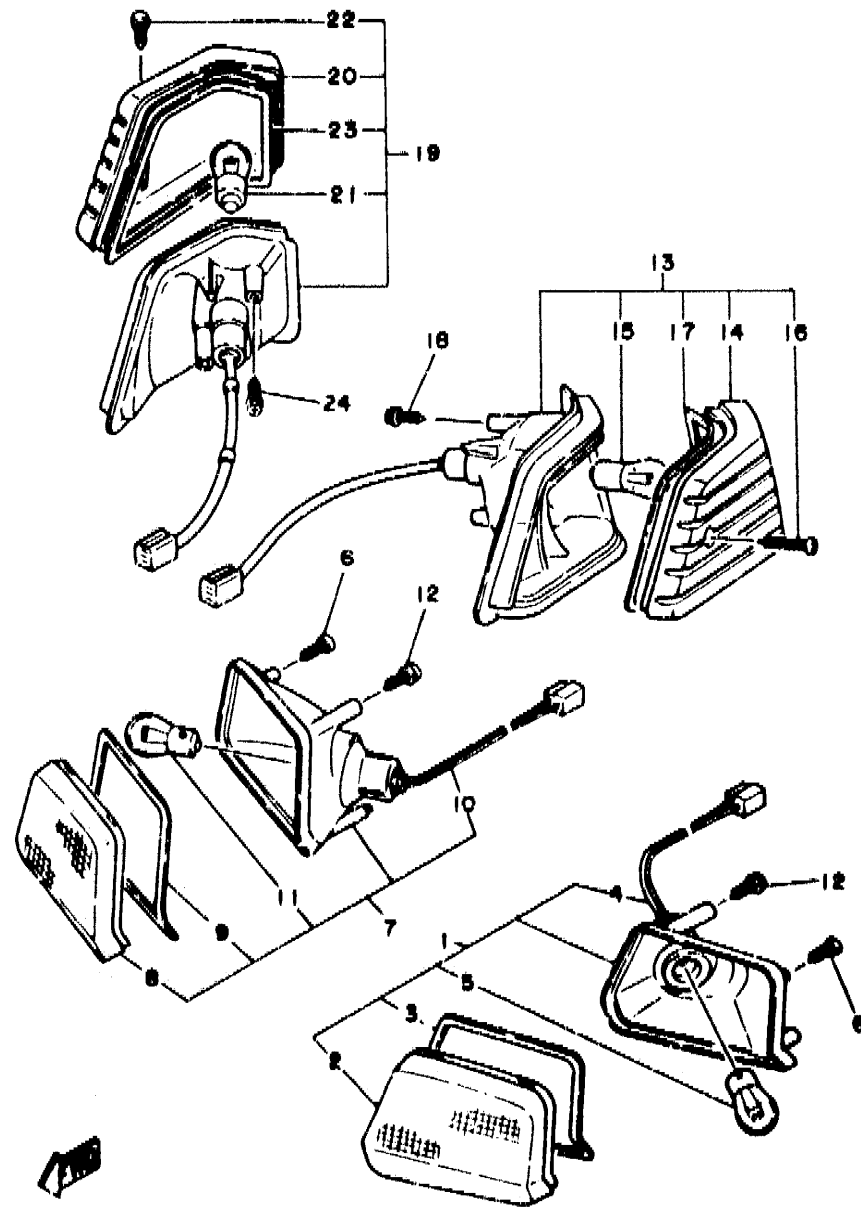
| REF. NO. | PART NO. | DESCRIPTION | Q'TY | REMARKS |
|----------|--------------|---------------------|------|---------|
| 1 | 2YM-81800-01 | STARTING MOTOR ASSY | 1 | |
| 2 | 50M-81801-M0 | .BRUSH SET | 1 | |
| 3 | 93210-25711 | .O-RING | 1 | |
| 4 | 93210-55669 | .O-RING | 2 | |
| 5 | 50M-81836-M0 | .CORD COMP. | 1 | |
| 6 | 50M-81828-M0 | .BOLT 2 | 2 | |
| 7 | 97011-06025 | BOLT | 2 | |
| 8 | 92995-06100 | WASHER | 2 | |
| 9 | 92901-06600 | WASHER, PLATE | 2 | |



50V010-4270

D7

FIG. 28 FLASHER LIGHT



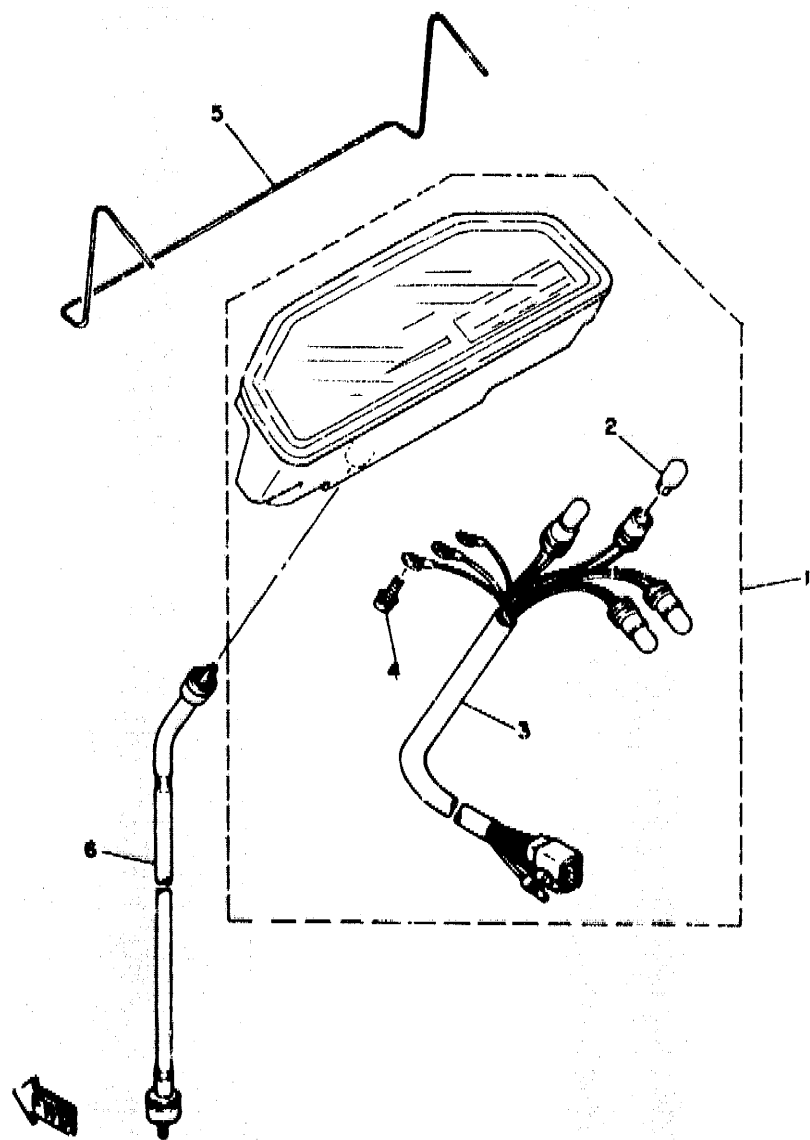
50W351-5280

| REF. NO. | PART NO. | DESCRIPTION | Q'TY | REMARKS |
|----------|--------------|----------------------------|------|---------|
| 1 | 50W-83310-00 | FRONT FLASHER LIGHT ASSY 1 | 1 | |
| 2 | 50W-83312-00 | .LENS, FLASHER (L.H) | 1 | |
| 3 | 50W-83313-00 | .GASKET, FLASHER LENS | 1 | |
| 4 | 50W-8331E-00 | .CORD ASSY | 1 | |
| 5 | 32H-83331-00 | .BULB, FLASHER (12V-21W) | 1 | |
| 6 | 90167-05015 | SCREW, TAPPING | 2 | |
| 7 | 50W-83320-00 | FRONT FLASHER LIGHT ASSY 2 | 1 | |
| 8 | 50W-83322-00 | .LENS, FLASHER (R.H) | 1 | |
| 9 | 50W-83313-00 | .GASKET, FLASHER LENS | 1 | |
| 10 | 50W-8332E-00 | .CORD ASSY | 1 | |
| 11 | 32H-83331-00 | .BULB, FLASHER (12V-21W) | 1 | |
| 12 | 97780-60120 | SCREW, TAPPING | 2 | |
| 13 | 50W-83330-00 | REAR FLASHER LIGHT ASSY 1 | 1 | |
| 14 | 25G-83332-00 | .LENS, FLASHER (L.H) | 1 | |
| 15 | 32H-83331-00 | .BULB, FLASHER (12V-21W) | 1 | |
| 16 | 97780-40130 | .SCREW, TAPPING | 1 | |
| 17 | 32H-83312-00 | .GASKET, FLASHER LENS | 1 | |
| 18 | 97780-60116 | SCREW, TAPPING | 2 | |
| 19 | 50W-83340-00 | FLASHER LIGHT ASSY 2 | 1 | |
| 20 | 25G-83342-00 | .LENS, FLASHER (R.H) | 1 | |
| 21 | 32H-83331-00 | .BULB, FLASHER (12V-21W) | 1 | |
| 22 | 97780-40130 | .SCREW, TAPPING | 1 | |
| 23 | 32H-83313-00 | .GASKET, FLASHER LENS | 1 | |
| 24 | 97780-60116 | SCREW, TAPPING | 2 | |

D8

FIG. 29 METER

| REF. NO. | PART NO. | DESCRIPTION | Q'TY | REMARKS |
|----------|--------------|------------------------|------|---------|
| 1 | 3KR-83510-00 | SPEEDOMETER ASSY | 1 | |
| 2 | 4G1-84744-00 | BULB (12V-3.4W) | 4 | |
| 3 | 3KR-83509-00 | SOCKET CORD ASSY | 1 | |
| 4 | 90159-03102 | SCREW, WITH WASHER | 3 | |
| 5 | 50W-83515-00 | SPRING, METER | 1 | |
| 6 | 50W-83550-01 | SPEEDOMETER CABLE ASSY | 1 | |

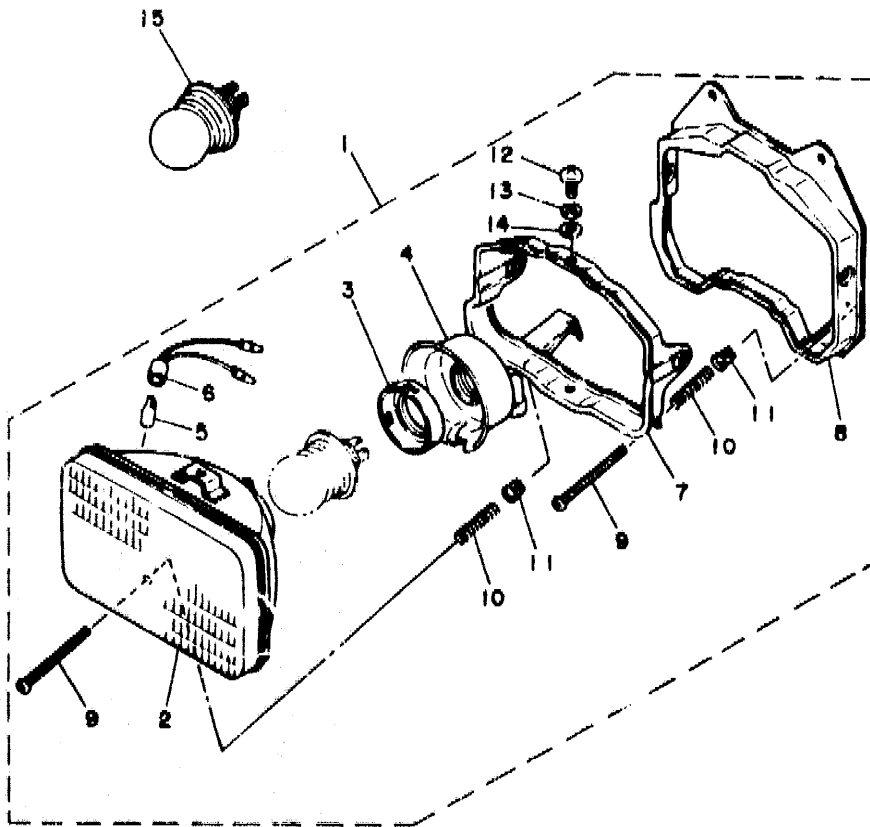


3KR1561-0290

D9

FIG. 30 HEADLIGHT

| REF. NO. | PART NO. | DESCRIPTION | Q'TY | REMARKS |
|----------|--------------|------------------------------|------|---------|
| 1 | 50Y-84303-40 | HEADLIGHT UNIT ASSY | 1 | |
| 2 | 50Y-84320-40 | .LENS ASSY | 1 | |
| 3 | 341-84393-40 | .HOLDER, BULB | 1 | |
| 4 | 46X-84396-00 | .COVER | 1 | |
| 5 | 4E2-84347-00 | .BULB (12V-4W) | 1 | |
| 6 | 34L-84346-00 | .SOCKET, PILOT LIGHT | 1 | |
| 7 | 50W-84395-00 | .RING, RETAINING | 1 | |
| 8 | 50W-84394-00 | .RING, MOUNTING | 1 | |
| 9 | 98501-04050 | .SCREW, PAN HEAD | 2 | |
| 10 | 341-84332-60 | .SPRING, SCREW | 2 | |
| 11 | 50W-84334-00 | .NUT, ADJUSTING | 2 | |
| 12 | 50W-84333-00 | .SCREW | 4 | |
| 13 | 92990-05100 | .WASHER, SPRING | 4 | |
| 14 | 92901-05600 | .WASHER, PLATE | 4 | |
| 15 | * | BULB, HEAD LIGHT (12V45/40W) | 1 | LM |

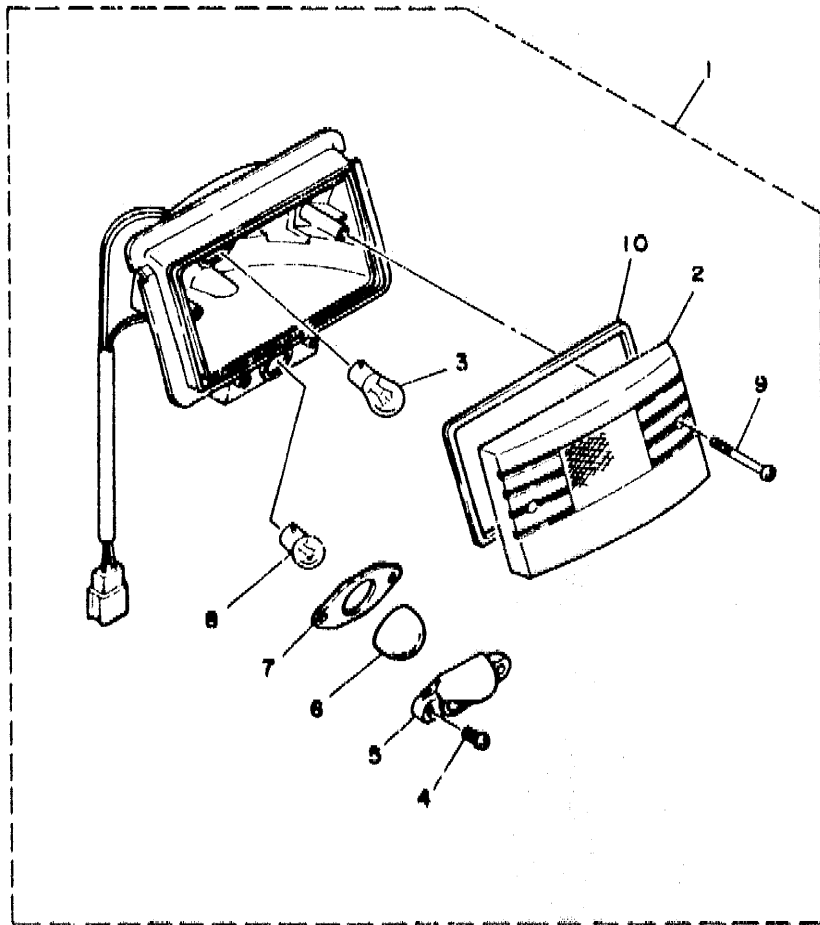


50W351 5300

D10

FIG. 31 TAILLIGHT

| REF. NO. | PART NO. | DESCRIPTION | Q'TY | REMARKS |
|----------|--------------|------------------------------|------|---------|
| 1 | 51F-84710-41 | TAILLIGHT UNIT ASSY | 1 | |
| 2 | 25G-84721-01 | .LENS, TAILLIGHT | 1 | |
| 3 | 31L-84714-00 | .BULB, TAILLIGHT (12V-21/5W) | 1 | |
| 4 | 97706-40512 | .SCREW, TAPPING | 2 | |
| 5 | 25G-84747-01 | .COVER, LICENCE LIGHT | 1 | |
| 6 | 25G-84743-01 | .LENS, LICENCE LIGHT | 1 | |
| 7 | 25G-84742-00 | .SEAT, BASE | 1 | |
| 8 | 34M-84714-00 | .BULB (12V-5W) | 1 | |
| 9 | 97780-40130 | .SCREW, TAPPING | 2 | |
| 10 | 32H-84723-00 | .GASKET, TAIL LENS | 1 | |

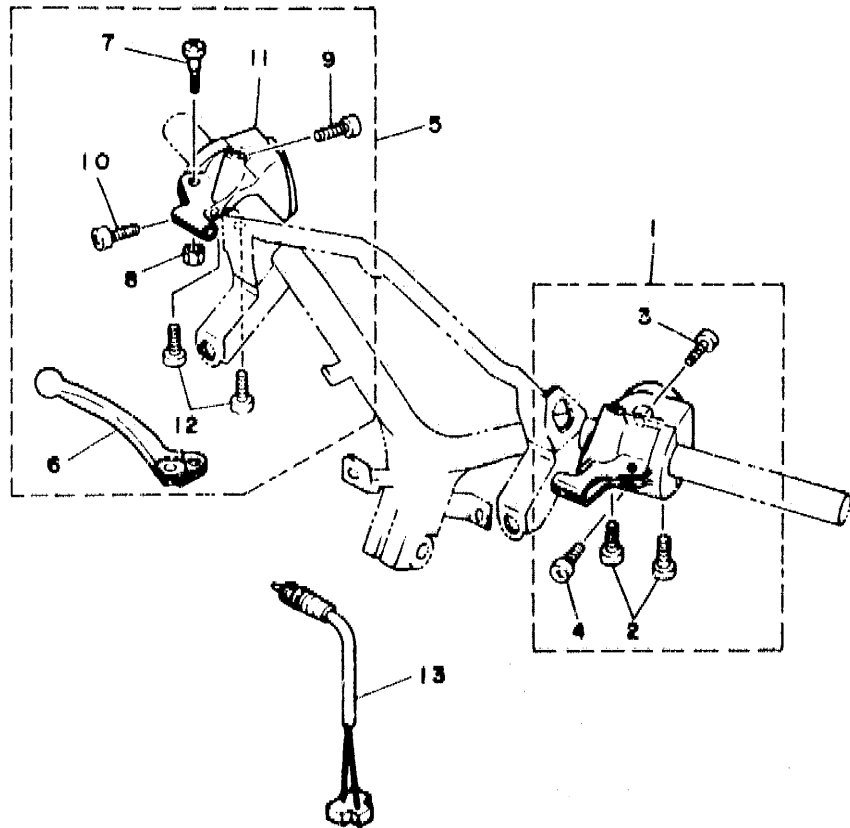


3YR1361-2410

D11

FIG. 32 HANDLE SWITCH. LEVER

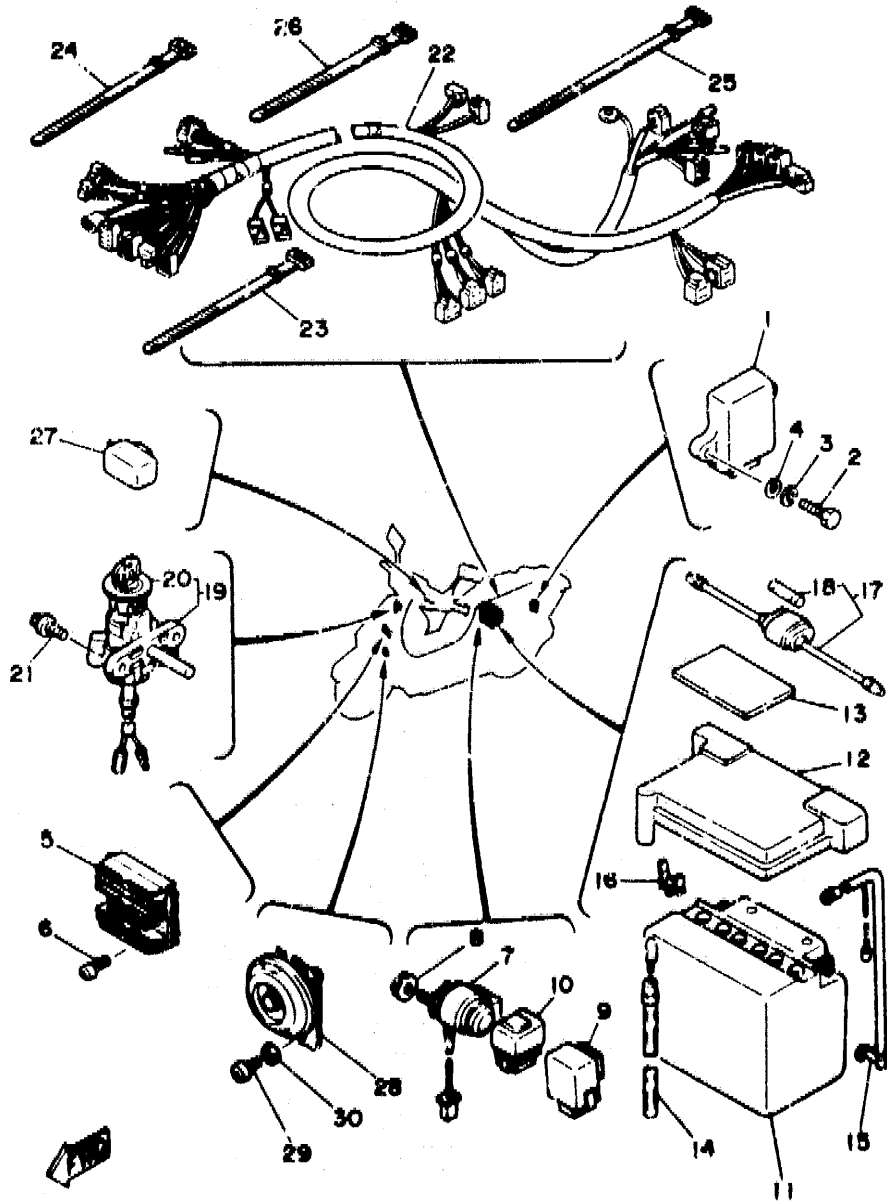
| REF. NO. | PART NO. | DESCRIPTION | Q'TY | REMARKS |
|----------|--------------|---------------------------|------|---------|
| 1 | 50M-83973-30 | SWITCH, HANDLE 3 | 1 | |
| 2 | 98901-04010 | .SCREW, BIND | 2 | |
| 3 | 98506-05020 | .SCREW, PAN HEAD | 1 | |
| 4 | 98506-05012 | .SCREW, PAN HEAD | 1 | |
| 5 | 50W-W8292-30 | LEVER HOLDER ASSY (RIGHT) | 1 | |
| 6 | 56J-83922-00 | .LEVER 2 | 1 | |
| 7 | 90149-05121 | .SCREW | 1 | |
| 8 | 95601-05100 | .NUT, U | 1 | |
| 9 | 98506-05012 | .SCREW, PAN HEAD | 1 | |
| 10 | 98506-05020 | .SCREW, PAN HEAD | 1 | |
| 11 | 50W-83975-30 | .SWITCH, HANDLE 2 | 1 | |
| 12 | 98901-04010 | .SCREW, BIND | 2 | |
| 13 | 86S-83980-00 | FRONT STOP SWITCH ASSY | 1 | |



80V010-4321

D12

FIG. 33 ELECTRICAL 1



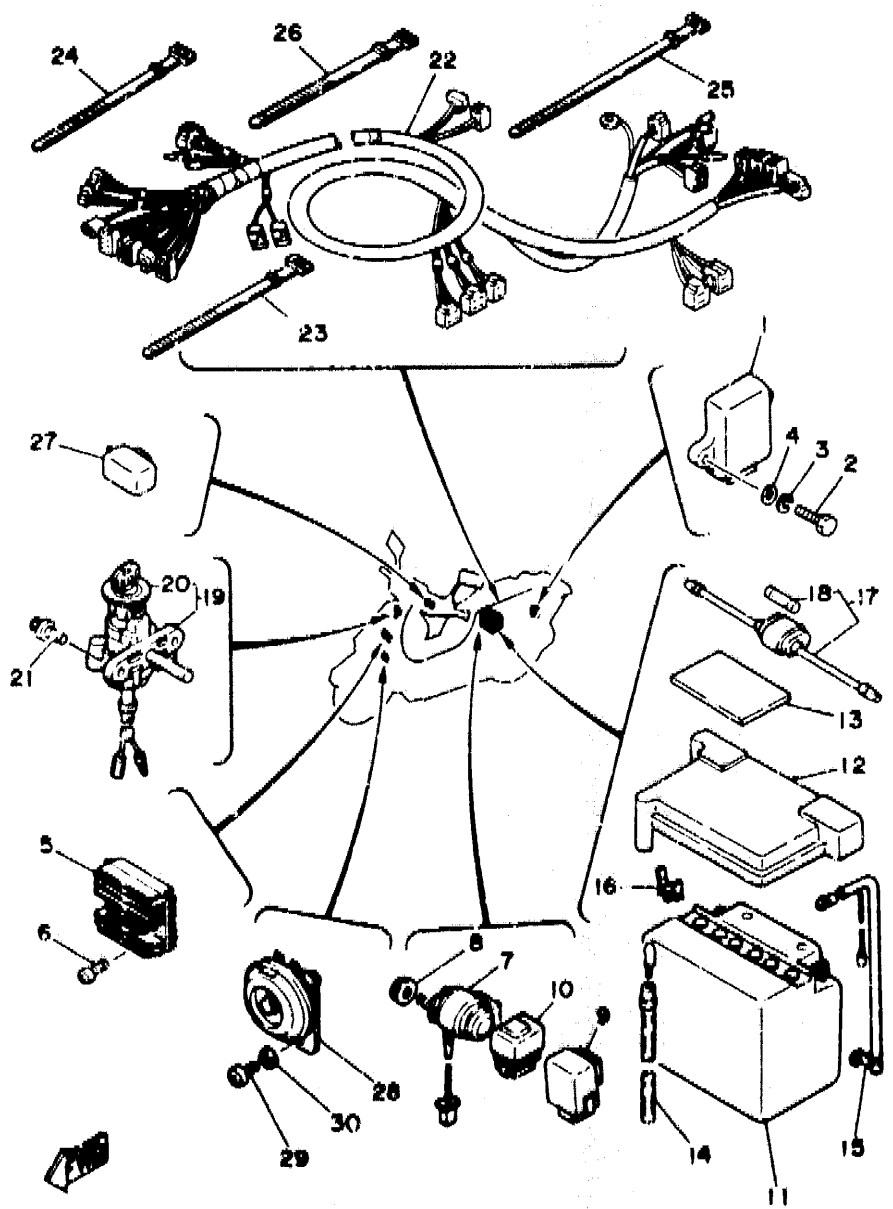
| REF. NO. | PART NO. | DESCRIPTION | Q'TY | REMARKS |
|----------|--------------|----------------------------|------|---------|
| 1 | 2YM-82305-00 | IGNITOR UNIT ASSY | 1 | |
| 2 | 97011-06025 | BOLT | 2 | |
| 3 | 92995-06100 | WASHER | 2 | |
| 4 | 92990-06600 | WASHER, PLATE | 2 | |
| 5 | 36F-81960-A0 | RECTIFIER & REGULATOR ASSY | 1 | |
| 6 | 98501-06020 | SCREW, PAN HEAD | 2 | |
| 7 | 50W-81940-10 | STARTER RELAY ASSY | 1 | |
| 8 | 95701-06500 | NUT, FLANGE | 2 | |
| 9 | 50M-81950-00 | RELAY ASSY | 1 | |
| 10 | 256-81950-01 | RELAY ASSY | 1 | |
| 11 | 1JE-82110-60 | BATTERY ASSY (GM70Z-3D) | 1 | GS |
| 12 | 50W-82129-00 | COVER, BATTERY | 1 | |
| 13 | 50W-82121-00 | PAD, BATTERY | 1 | |
| 14 | 90445-08336 | HOSE | 1 | |
| 15 | 50W-82115-00 | WIRE, PLUS LEAD | 1 | |
| 16 | 90464-06653 | CLAMP | 1 | |
| 17 | 210-82150-01 | FUSE HOLDER ASSY | 1 | |
| 18 | 148-82151-00 | FUSE (20A) | 2 | |
| 19 | 3TE-82501-00 | MAIN SWITCH STEERING LOCK | 1 | |
| 20 | 51F-82552-30 | CAP, SWITCH | 1 | |
| 21 | 90109-066A7 | BOLT | 2 | |
| 22 | 3KR-82590-01 | WIPE HARNESS ASSY | 1 | |
| 23 | 437-83936-11 | BAND, SWITCH CORD | 2 | |
| 24 | 437-83936-01 | BAND, SWITCH CORD | 1 | |
| 25 | 256-83936-01 | BAND, SWITCH CORD | 2 | |
| 26 | 256-83936-01 | BAND, SWITCH CORD | 1 | |
| 27 | 3Y8-83350-40 | FLASHER RELAY ASSY | 1 | |
| 28 | 50M-83371-20 | HORN | 1 | |

3TE1332-0330

D13

FIG. 33 ELECTRICAL 1

| REF. NO. | PART NO. | DESCRIPTION | Q'TY | REMARKS |
|----------|-------------|-----------------|------|---------|
| 29 | 98516-06012 | SCREW, PAN HEAD | 1 | |
| 30 | 92906-06100 | WASHER, SPRING | 1 | |

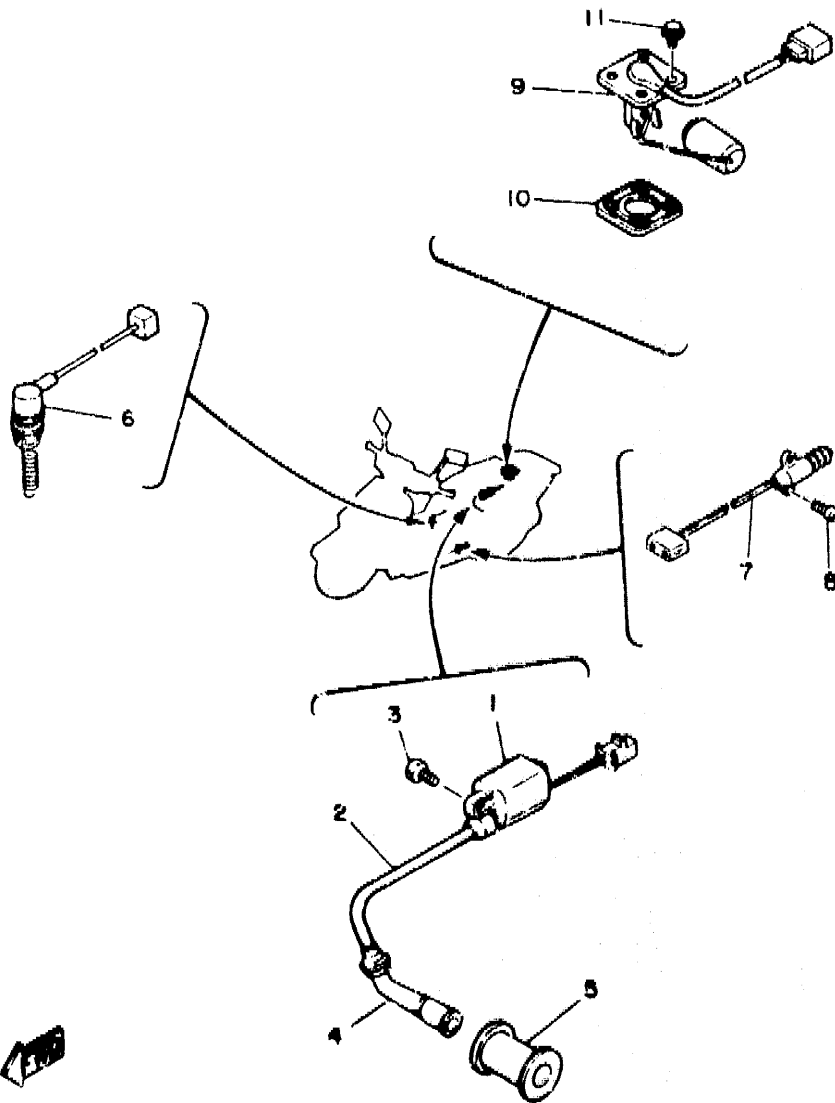


37E1332-0330

D14

FIG. 34 ELECTRICAL 2

| REF. NO. | PART NO. | DESCRIPTION | Q'TY | REMARKS |
|----------|--------------|------------------------------|------|---------|
| 1 | 25G-82310-10 | IGNITION COIL ASSY | 1 | |
| 2 | 137-82341-01 | CORD, HIGH TENSION 1 | 1 | |
| 3 | 97011-06020 | BOLT | 2 | |
| 4 | 33M-82370-01 | PLUG CAP ASSY | 1 | |
| 5 | 50M-82372-00 | SEAL, PLUG CAP | 1 | |
| 6 | 50W-82530-02 | STOP SWITCH ASSY | 1 | |
| 7 | 3KR-82566-00 | SWITCH, SIDE STAND | 1 | |
| 8 | 90157-05079 | SCREW, PAN HEAD | 2 | |
| 9 | 50W-85752-00 | SENDER UNIT ASSY, FUEL METER | 1 | |
| 10 | 563-85753-00 | GASKET, SENDER UNIT | 1 | |
| 11 | 90119-05071 | BOLT, WITH WASHER | 4 | |



1J2664-5340

D15

CONTENTS

ENGINE

| | |
|--------------------------|---------|
| Cylinder | B2 |
| Crankshaft, Piston | B3 |
| Valve | B4 |
| Air Shroud, Fan | B5 |
| Oil Pump | B6 |
| Intake | B7 |
| Carburetor | B8~B9 |
| Exhaust | B10 |
| Crankcase | B11~B13 |
| Starter Clutch | B14 |
| Clutch | B15~C2 |
| Transmission | C3 |

CHASSIS

| | |
|------------------------------|---------|
| Frame | C4 |
| Fender | C5 |
| Side Cover | C6 |
| Rear Arm, Suspension | C7 |
| Steering | C8~C9 |
| Fuel Tank | C10 |
| Seat | C11 |
| Front Wheel | C12~C13 |
| Rear Wheel | C14 |
| Steering Handle, Cable | C15 |
| Stand, Footrest | D2~D3 |
| Leg Shield | D4 |
| Cowling 1 | D5 |
| Generator | D6 |
| Starting Motor | D7 |

| | |
|----------------------------|---------|
| Flasher Light | D8 |
| Meter | D9 |
| Headlight | D10 |
| Taillight | D11 |
| Handle Switch, Lever | D12 |
| Electrical 1 | D13~D14 |
| Electrical 2 | D15 |

INDEX

| | |
|-----------------------|-------|
| Numerical Index | M1~M3 |
|-----------------------|-------|

NUMERICAL INDEX

| PART NO. | GRID NO. | PART NO. | GRID NO. | PART NO. | GRID NO. | PART NO. | GRID NO. | PART NO. | GRID NO. | PART NO. | GRID NO. |
|-----------------|----------|--------------|----------|--------------|----------|-----------------|----------|-----------------|----------|-----------------|----------|
| 50M-W1441-00 | B- 7 | 50M-12611-00 | B- 5 | 30M-14613-00 | B-10 | 50W-17674-00 | C- 2 | 164-22216-00 | C- 7 | 109-25136-00 | C-12 |
| 50M-W1443-00 | B- 7 | 50M-12651-00 | B- 5 | 50M-14651-00 | B- 2 | 50W-17684-00 | C- 2 | 51F-23310-01 | C- 8 | 102-25137-00 | C-13 |
| 50W-W247E-00 | C-11 | 50M-12652-00 | B- 5 | 2YM-1490J-00 | B- 8 | 3TE-21110-00 | C- 4 | 50W-23317-00 | C- 9 | 36F-25138-00 | C-12 |
| 3CK-W2470-00 | C-11 | 50M-12653-00 | B- 5 | 50M-14926-00 | B- 8 | 50W-2117E-00 | C- 4 | 50W-23338-00 | C- 9 | 50W-25149-00 | C-12 |
| 3TE-W2535-00 | C-12 | 50M-12654-00 | B- 5 | 50M-14952-00 | B- 8 | 50M-21171-00 | C- 4 | 50W-23339-00 | C- 9 | 25G-25155-00 | C-12 |
| 25G-W2536-01 | C-14 | 50M-13300-00 | B- 6 | 50M-15100-01 | B-11 | 50W-21172-00 | C- 4 | 50W-23350-00 | C- 8 | 36F-25159-00 | C-12 |
| 50W-W8292-30 | D-12 | 50M-13325-00 | B- 6 | 50M-15112-00 | B-12 | 50M-21243-00 | C- 4 | 50W-23361-00 | C- 8 | | C-14 |
| 50M-W1234-00 | B- 6 | 50M-13341-00 | B- 6 | 2YM-15191-00 | B-13 | 50W-2128A-00 | C- 4 | 296-23362-09 | C- 8 | 50M-25168-20-35 | C-12 |
| 50M-W1234-00 | C- 5 | 50M-13342-00 | B- 6 | 50M-15316-00 | B-11 | 55E-21308-00 | C-11 | | C- 8 | 50W-25178-00 | C-13 |
| 56M-W1234-00 | B- 4 | 50M-13405-00 | B- 6 | | B-11 | 33M-21376-00 | D- 4 | 296-23363-01 | C- 8 | 50W-25181-00 | C-13 |
| 56M-W1234-00 | B- 2 | 22F-13411-00 | B- 6 | 50M-15317-01 | B-11 | 50W-21391-00 | C- 4 | | C- 8 | 50W-25188-00 | C-13 |
| 22F-11134-10 | B- 2 | 50M-13455-00 | B-12 | 2H7-15361-00 | B-12 | 50W-21393-00 | C- 4 | 296-23364-02 | C- 8 | 109-25315-00 | C-12 |
| | B- 2 | 50M-13475-10 | B- 6 | 1RG-15363-00 | B-12 | 50M-2143A-00 | C- 4 | | C- 8 | 50W-25321-00 | C-14 |
| 15A-11162-00 | B- 2 | 50M-13585-00 | B- 7 | 432-15363-00 | B-11 | 50W-21471-00 | C- 4 | 19E-23371-00 | C- 8 | 50W-2533A-00 | C-14 |
| 50M-11162-00 | B- 2 | 1XX-14105-00 | B- 9 | 583-15371-00 | B-11 | 50W-21511-00-P1 | C- 5 | 296-23372-09 | C- 8 | 50M-25338-20-35 | C-14 |
| 50M-11166-00 | B-11 | 5Y1-14115-00 | B- 8 | 50M-15381-00 | B-15 | 50W-21511-00-P0 | C- 5 | | C- 8 | 2RH-25221-00 | C-14 |
| 571-11167-01 | B-11 | 50M-14261-00 | B- 8 | 50M-15411-00 | B-12 | 50W-21511-00-1X | C- 5 | 296-23381-01 | C- 8 | 3Y6-25351-00 | C-12 |
| 50M-11181-00 | B- 2 | 3GX-14286-00 | B- 8 | 50M-15417-00 | B-12 | 2YM-21529-00 | C- 5 | | C- 8 | 371-25355-02 | C-14 |
| 50M-11185-01 | B- 2 | 3KR-14301-01 | B- 8 | 50M-15418-00 | B-11 | 3TE-2153A-00 | C- 6 | 296-23382-01 | C- 8 | 50W-25371-00 | C-13 |
| 22F-11185-00 | B- 2 | 50M-14321-00 | B- 8 | 50W-15421-00 | B-11 | 256-21535-00 | C- 6 | | C- 8 | 1A1-25398-01 | C-13 |
| 612-11198-00 | B-12 | 3GX-14333-00 | B- 8 | 50M-15431-00 | B-12 | | D- 2 | 116-23383-00 | C- 8 | 1A1-25399-00 | C-13 |
| 50M-11510-00 | B- 2 | 56M-14335-00 | B- 8 | 50M-15449-00 | B-12 | 2YM-21556-00 | C- 5 | | C- 8 | 2M0-25399-00 | C-13 |
| 50M-11351-10 | B- 2 | 2YM-14340-00 | B- 8 | 50M-15451-10 | B-12 | 50M-21522-00 | C- 4 | 50W-23383-00 | C-13 | 50W-26110-20 | C-15 |
| 56M-11460-00 | B- 3 | 2YM-14341-00 | B- 8 | 50M-15455-00 | B-13 | 2H7-21628-00 | C- 5 | 116-23384-00 | C- 8 | 50W-26143-00-P0 | D- 5 |
| 50M-11500-00 | B- 3 | 50M-14342-16 | B- 8 | 50M-15461-10 | B-11 | 50W-21631-00 | C- 5 | | C- 8 | 50W-26143-00-P1 | D- 5 |
| 50M-11610-00 | B- 3 | 50M-14343-54 | B- 8 | 50M-15462-10 | B-11 | 50M-21642-00 | C- 4 | 156-23411-00 | C- 8 | 50W-26143-00-1X | D- 5 |
| 50M-11610-20 | B- 3 | 50M-14355-00 | B- 8 | 2YM-15470-00 | B-13 | 26H-21708-00 | D- 4 | 22F-23411-00 | C- 9 | 50W-26145-30 | D- 5 |
| 50M-11610-40 | B- 3 | | B- 9 | 50M-15512-00 | B-14 | 50W-21711-00 | C- 6 | 156-23412-00 | C- 9 | 50W-26223-00 | D- 5 |
| 2YM-11633-00-A0 | B- 3 | 50V-14370-01 | B- 8 | 50M-15521-00 | B-14 | 50W-2171M-30 | C- 6 | 22F-23412-00 | C- 9 | 35R-26241-00 | C-15 |
| 22K-11633-01 | B- 3 | 50M-14371-01 | B- 8 | 50M-15524-00 | B-14 | 51F-21711-00 | C- 6 | 122-23416-00 | C- 9 | 35R-26242-00 | C-15 |
| 2YM-11636-00 | B- 3 | 50M-14384-00 | B- 8 | 50M-15570-01 | B-14 | 50W-21717-00 | C- 4 | 50M-24110-00 | C-10 | 35R-26243-00 | C-15 |
| 2YM-11638-00 | B- 3 | 5Y1-14385-00 | B- 8 | 50M-16111-01 | B-15 | 50W-21721-10-0Y | C- 6 | 50M-24181-00 | C- 4 | 50M-26290-00 | D- 5 |
| 50M-12111-00 | B- 4 | 6E5-14386-01 | B- 8 | 40H-16617-00 | B-15 | 50W-21721-10-1Y | C- 6 | 50M-24500-00 | C-10 | 50M-26290-10 | D- 5 |
| 22F-12114-00 | B- 4 | 36F-14392-00 | B- 8 | 2YM-16620-20 | B-15 | 50W-21721-10-2Y | C- 6 | 22F-24610-10 | C-10 | 35P-26294-00 | D- 5 |
| 22F-12116-00 | B- 4 | 50M-14396-00 | B- 8 | 17M-16526-00 | B-15 | 50W-21737-20 | C- 6 | 375-24612-10 | C-10 | 50M-26311-01 | C-15 |
| 22F-12117-02 | B- 4 | 5Y1-14397-00 | B- 8 | 2YM-17211-00 | C- 3 | 50W-21731-10-0Y | C- 6 | 400-24723-00 | C-11 | 50W-26341-00 | C-15 |
| 22F-12118-03 | B- 4 | 50M-14397-00 | B- 8 | 2YM-17410-00 | C- 3 | 50W-21731-10-1Y | C- 6 | 3YF-24724-00 | C- 4 | 50W-26351-00 | C-15 |
| 22F-12119-01 | B- 4 | 50M-14398-00 | B- 8 | 50M-17611-01 | B-15 | 50W-21731-10-2Y | C- 6 | 215-24726-10 | C-11 | 50W-2637A-00 | D- 5 |
| 50M-12121-01 | B- 4 | 50M-14420-00 | B- 9 | 50M-17620-01 | B-15 | 50M-21732-00 | C- 6 | 50W-24728-00 | C-11 | 50W-26372-00 | D- 5 |
| 50M-12151-00 | B- 4 | 50M-14422-00 | B- 7 | 50W-17623-00 | B-15 | 50W-21741-30 | C- 6 | 3TE-24720-10 | C-11 | 50W-26379-00 | C-15 |
| 22F-12156-00 | B- 4 | 50M-14451-00 | B- 7 | 50M-17630-01 | B-15 | 3TE-21781-00 | C- 6 | 119-24741-00 | C-11 | 50M-27111-00 | D- 2 |
| 22F-12159-00 | B- 4 | 50M-14453-00 | B- 7 | 50M-17630-00 | B-15 | 3TE-21781-10 | C- 6 | 30R-2477A-10 | C-11 | 50W-27112-00 | D- 2 |
| 50M-12170-00 | B- 4 | 50M-14457-00 | B-13 | 50M-17632-00 | B-15 | 3TE-21781-20 | C- 6 | 50W-2478E-00 | C-11 | 563-27114-00 | D- 2 |
| 50M-12174-00 | B- 4 | 50M-14461-00 | B-13 | 50W-17641-00 | B-15 | 35R-21796-00 | D- 4 | 50W-24819-10 | C-11 | 50M-27151-00 | D- 2 |
| 50M-12210-00 | B- 4 | 50M-14462-01 | B- 7 | 50W-17653-00 | B-15 | 50W-22110-00 | C- 7 | 2YM-24842-00 | C-11 | 50W-27213-00 | D- 2 |
| 50M-12213-10 | B- 4 | 51Y-14462-00 | B- 7 | 50W-17660-01 | C- 2 | 36F-22184-00 | C- 7 | 50M-25121-02-35 | C-12 | 50W-27212-00 | D- 2 |
| 50M-12231-00 | B- 4 | 50M-14472-00 | B- 7 | 50W-17664-00 | C- 2 | 50W-22210-00 | C- 7 | 5Y1-2513A-00 | C-12 | 50W-27285-00 | D- 2 |
| 50M-12241-00 | B- 4 | 3MM-14610-00 | B-10 | 50W-17670-00 | C- 2 | 164-22216-00 | B-11 | 50W-25155-00 | C-12 | 50M-27311-01 | D- 3 |



NUMERICAL INDEX

| PART NO. | GRID NO. | PART NO. | GRID NO. | PART NO. | GRID NO. | PART NO. | GRID NO. | PART NO. | GRID NO. | PART NO. | GRID NO. |
|-----------------|----------|--------------|----------|--------------|----------|-------------|----------|-------------|----------|-------------|----------|
| 3Y3-27315-00 | D-3 | 3TE-82501-00 | D-13 | 51F-84710-41 | D-11 | 90167-05016 | D-4 | 90387-120L8 | C-12 | 91490-20020 | C-15 |
| 50W-27412-00 | D-2 | 50W-82530-02 | D-15 | 31L-84714-00 | D-11 | 90170-05302 | B-4 | 90387-155J0 | C-7 | 91490-20025 | C-14 |
| 50W-27422-00 | D-2 | 51F-82552-30 | D-15 | 34M-84714-00 | D-11 | 90170-12181 | D-6 | 90387-166L7 | B-15 | 91690-30014 | B-6 |
| 50W-27481-30 | D-2 | 3KR-82566-00 | D-15 | 25G-84721-01 | D-11 | 90170-12338 | C-2 | 90387-167L5 | B-4 | 92901-04600 | B-15 |
| 50W-27483-30 | D-2 | 3KR-82590-01 | D-13 | 32H-84723-00 | D-11 | 90170-36279 | B-15 | 90401-10035 | C-8 | 92901-05600 | B-7 |
| 50W-27486-00-P0 | D-2 | 50W-8331E-00 | D-8 | 25G-84742-00 | D-11 | 90171-12042 | C-13 | 90430-06014 | B-4 | | D-5 |
| 50W-27466-00-P2 | D-2 | 50W-83310-00 | D-8 | 25G-84743-01 | D-11 | 90175-06019 | C-15 | 90445-07370 | C-10 | | D-10 |
| 50W-27486-00-TK | D-2 | 50W-83312-00 | D-8 | 4C1-84744-00 | D-9 | 90179-06176 | C-15 | 90445-08336 | D-13 | 92901-06200 | C-15 |
| 50W-27487-00-P0 | D-2 | 32H-83313-00 | D-8 | 25G-84747-01 | D-11 | 90179-14427 | B-15 | 90445-09059 | B-9 | 92901-06600 | B-5 |
| 50W-27487-00-P2 | D-2 | | D-8 | 50W-85752-00 | D-15 | 90179-250R3 | C-9 | 90445-10308 | C-10 | | B-12 |
| 50W-27487-00-TK | D-2 | 50W-83313-C0 | D-8 | 5G3-85753-00 | D-15 | 90185-14124 | C-14 | 90446-0711E | B-11 | | C-11 |
| 3TF-28100-C0 | D-4 | | D-8 | 90101-06278 | C-12 | 90201-06M02 | D-3 | 90460-45222 | B-7 | | C-11 |
| 50W-28311-00-P0 | D-4 | 50W-8332E-00 | D-8 | 90101-06291 | C-14 | 90201-060H9 | D-4 | 90460-56105 | B-7 | | D-7 |
| 50W-28311-00-P1 | D-4 | 50W-83320-00 | D-8 | 90101-06576 | B-10 | 90201-06412 | B-15 | 90464-06053 | D-13 | 92901-08600 | C-4 |
| 50W-28311-00-TK | D-4 | 50W-83322-00 | D-8 | 90101-08590 | B-4 | 90201-067J4 | C-5 | 90467-09006 | C-10 | | C-11 |
| 50W-28312-30 | D-4 | 50W-83330-00 | D-8 | 90102-10031 | C-13 | 90201-07076 | C-12 | 90467-14015 | B-11 | 92901-10100 | C-8 |
| 50W-28313-30 | D-4 | 32H-83331-00 | D-8 | 90105-08121 | C-7 | 90201-080L7 | B-2 | 90480-12053 | B-10 | 92901-12100 | B-6 |
| 3TC-28315-00 | D-4 | | D-8 | 90105-08324 | B-2 | 90201-080R7 | B-11 | 90480-12237 | B-12 | 92905-06100 | B-14 |
| 50W-28321-60 | D-4 | | D-8 | 90105-10393 | C-15 | 90201-08326 | B-4 | 90480-13018 | D-5 | 92990-05100 | D-10 |
| 50W-2834J-00 | D-4 | | D-8 | 90105-12228 | C-4 | 90201-08403 | B-6 | 90480-30167 | B-5 | 92990-06600 | B-10 |
| 50W-2834V-00 | D-4 | 25G-83332-00 | D-8 | 90105-06504 | C-11 | 90201-08795 | C-7 | 90501-503A3 | C-2 | | D-13 |
| 20H-28349-A0 | D-4 | 50W-83340-00 | D-8 | 90109-066A7 | D-13 | 90201-105J4 | B-14 | 90506-06279 | B-5 | 92990-08100 | B-10 |
| 50W-28350-30 | D-4 | 25G-83342-00 | D-8 | 90109-08607 | C-9 | 90201-14411 | D-3 | 90506-16332 | D-3 | | C-9 |
| 3LV-28371-00 | D-5 | 3Y8-83350-40 | D-13 | 90109-103A1 | D-3 | 90201-153H0 | C-3 | 90506-17328 | C-12 | 92990-12200 | D-2 |
| | D-5 | 50M-83371-20 | D-13 | 90119-05071 | D-15 | 90201-163F8 | B-14 | | C-14 | 92990-12600 | B-6 |
| 50W-28371-C1 | D-4 | 3KR-83509-00 | D-9 | 90119-06018 | D-9 | 90201-17485 | B-11 | 90506-20193 | D-2 | 92995-06100 | B-5 |
| 3CV-28378-00 | D-5 | 3KR-83510-00 | D-9 | | C-6 | 90201-20276 | C-14 | 90506-20308 | D-2 | | C-11 |
| 50M-81410-10 | D-6 | 50W-83515-00 | D-9 | | D-2 | 90201-244J3 | C-12 | 90506-26331 | D-3 | | D-7 |
| 2YM-81450-00 | D-6 | 50W-83550-01 | D-9 | | D-4 | 90202-05193 | C-10 | 90508-26616 | C-12 | | D-13 |
| 2YM-81800-01 | D-7 | 56J-83922-00 | D-12 | 90119-06128 | C-14 | 90208-15037 | C-3 | 90508-26653 | C-14 | 93101-23127 | B-15 |
| 50M-81801-M0 | D-7 | 25G-83936-01 | D-13 | 90149-05121 | D-12 | 90209-12259 | C-13 | 90560-12261 | C-12 | 93102-17235 | C-12 |
| 50M-81828-M0 | D-7 | | D-13 | 90149-06007 | C-6 | 90214-04038 | B-15 | 91311-06016 | B-4 | 93102-19276 | D-6 |
| 50M-81836-M0 | D-7 | 437-83936-01 | D-13 | 90149-06011 | C-10 | 90215-14236 | C-2 | 91311-06110 | B-2 | 93102-22294 | B-11 |
| 50W-81940-10 | D-13 | 437-83936-11 | D-13 | 90149-06134 | C-6 | 90240-06108 | C-15 | 91316-06012 | B-4 | 93102-22335 | B-15 |
| 25G-81950-01 | D-13 | 50M-83973-30 | D-12 | | D-12 | 90249-12008 | C-15 | 91316-06020 | B-7 | 93102-25334 | C-3 |
| 50M-81950-00 | D-13 | 50W-83975-30 | D-12 | 90155-06002 | C-8 | 90267-40054 | D-3 | | B-12 | 93102-47297 | C-12 |
| 36F-81960-A0 | D-13 | 86S-83980-00 | D-12 | 90157-04088 | B-15 | | D-4 | | B-12 | 93104-07003 | C-12 |
| 1JE-82110-60 | D-13 | 50Y-84303-40 | D-10 | 90157-05079 | D-10 | 90267-40073 | D-15 | 91316-06025 | B-12 | 93104-41091 | C-2 |
| 50W-82115-00 | D-13 | 50Y-84320-40 | D-10 | 90159-03102 | D-9 | 90280-03017 | B-3 | 91316-06035 | B-12 | 93109-24043 | C-7 |
| 50W-82121-00 | D-12 | 341-84332-60 | D-10 | 90159-05089 | D-5 | 90336-05056 | B-7 | | B-12 | 93210-07540 | B-11 |
| 50W-82129-00 | D-13 | 50W-84333-00 | D-10 | | D-5 | 90344-26098 | B-12 | | B-12 | 93210-08006 | B-6 |
| 20J-82150-01 | D-13 | 50W-84334-00 | D-15 | 90159-06013 | D-4 | 90367-06002 | C-4 | 91316-06050 | B-11 | 93210-10673 | B-12 |
| 148-82151-00 | D-13 | 341-84346-00 | D-10 | 90159-06071 | C-6 | 90367-06158 | C-4 | | B-12 | 93210-14104 | B-11 |
| 2YM-82305-00 | D-13 | 4L2-84347-00 | D-10 | | C-6 | 90367-08710 | B-12 | 91316-08050 | C-11 | | C-13 |
| 25G-82310-10 | D-15 | 341-84395-40 | D-10 | 90164-04008 | D-2 | 90387-100L5 | B-14 | 91461-20030 | D-2 | 93210-15639 | B-11 |
| 137-82341-01 | D-15 | 50W-84394-00 | D-10 | 90167-05015 | D-5 | 90387-100L9 | C-13 | 91401-25020 | D-2 | 93210-16314 | B-12 |
| 33M-82370-01 | D-15 | 50W-84395-00 | D-10 | | D-8 | 90387-101J3 | C-13 | 91401-30030 | C-13 | 93210-19122 | B-12 |
| 50W-82372-00 | D-15 | 46Y-84396-00 | D-10 | 90167-05016 | C-6 | 90387-120L7 | C-13 | 91490-20020 | C-13 | 93210-23326 | C-12 |

NUMERICAL INDEX

| PART NO. | GRID NO. | PART NO. | GRID NO. | PART NO. | GRID NO. | PART NO. | GRID NO. | PART NO. | GRID NO. | PART NO. | GRID NO. |
|-------------|----------|-------------|----------|-------------|----------|----------|----------|----------|----------|----------|----------|
| 93210-25711 | D- 7 | 95380-06600 | C-12 | 98501-06020 | D-13 | | | | | | |
| 93210-27672 | E- 7 | 95380-06800 | D- 4 | 98501-06025 | B- 5 | | | | | | |
| 93210-36510 | B-13 | 95601-05100 | D-12 | 98502-06016 | B- 2 | | | | | | |
| 93210-43713 | C- 2 | 95601-12200 | C- 4 | | C-11 | | | | | | |
| 93210-44704 | B- 2 | 95611-10100 | C-13 | | C-11 | | | | | | |
| 93210-50582 | B- 6 | 95701-05500 | C- 4 | 98503-04014 | B- 8 | | | | | | |
| 93210-53679 | B- 2 | 95701-06500 | B-10 | 98503-05025 | B- 7 | | | | | | |
| 93210-55669 | D- 7 | | C- 4 | 98503-06018 | B- 5 | | | | | | |
| 93210-63556 | B- 2 | | C- 6 | 98506-05012 | D-12 | | | | | | |
| 93210-71462 | B-11 | | C-11 | | D-12 | | | | | | |
| 93210-97690 | D-15 | | C-11 | 98506-05020 | D-12 | | | | | | |
| 93211-08563 | D- 6 | | D- 4 | | D-12 | | | | | | |
| 93306-00314 | B-14 | | D-13 | 98511-04012 | B- 8 | | | | | | |
| 93306-00435 | B-15 | 95811-06012 | C- 4 | 98511-06012 | C-11 | | | | | | |
| 93306-20120 | C-12 | | C-10 | 98516-06012 | D-14 | | | | | | |
| 93306-20215 | B- 3 | 95811-06016 | C- 4 | 98580-04008 | B- 8 | | | | | | |
| 93306-20224 | C- 7 | | C- 4 | 98580-06020 | D- 6 | | | | | | |
| 93306-20336 | B- 3 | 95811-06030 | C- 4 | 98701-06016 | B-11 | | | | | | |
| 93306-20460 | C- 3 | 95811-08016 | B-11 | | C-11 | | | | | | |
| 93306-30101 | C- 3 | | D- 7 | 98780-06025 | B- 6 | | | | | | |
| 93306-30103 | D-12 | 95811-08035 | D- 2 | 98901-04010 | D-12 | | | | | | |
| 93315-11040 | B-14 | 95821-08020 | C- 7 | | D-12 | | | | | | |
| 93315-42536 | C- 3 | 95826-06010 | C-11 | 98903-05012 | C- 9 | | | | | | |
| 93399-99918 | B-15 | 97011-06020 | D-15 | 99006-10600 | B- 6 | | | | | | |
| 93410-24042 | C-12 | 97011-06025 | D- 7 | 99009-17400 | B-11 | | | | | | |
| 93440-10109 | B- 2 | | D-13 | 99009-22400 | B-15 | | | | | | |
| 93450-14088 | B- 3 | 97313-06045 | D- 2 | 99510-10114 | B- 2 | | | | | | |
| 93450-35015 | B-14 | 97313-08016 | B-10 | | B- 2 | | | | | | |
| 93501-04011 | C- 9 | | C- 4 | 99510-12016 | B-11 | | | | | | |
| 93503-16010 | C- 9 | | C-11 | 99530-10014 | B-12 | | | | | | |
| 93605-18078 | B-11 | 97706-40512 | D- 4 | | B-12 | | | | | | |
| 93700-04002 | C- 8 | | D-11 | | B-12 | | | | | | |
| | C- 8 | 97780-40120 | B- 7 | | | | | | | | |
| | C-13 | 97780-40130 | D- 8 | | | | | | | | |
| | C-13 | | D- 8 | | | | | | | | |
| 93700-06403 | C- 8 | | D-11 | | | | | | | | |
| 93900-00010 | C-14 | 97780-50120 | D- 8 | | | | | | | | |
| 93900-00042 | C-13 | 97780-60116 | D- 8 | | | | | | | | |
| 94110-10314 | C-14 | | D- 8 | | | | | | | | |
| 94110-10315 | C-12 | 98501-04050 | D-10 | | | | | | | | |
| 94530-25092 | B- 4 | 98501-05012 | C-15 | | | | | | | | |
| 94701-00283 | B- 2 | 98501-05040 | D- 5 | | | | | | | | |
| 95303-08700 | C- 9 | 98501-06010 | B-15 | | | | | | | | |
| | E- 9 | | B-15 | | | | | | | | |
| 95303-10700 | C- 4 | 98501-06020 | B- 5 | | | | | | | | |
| | B- 3 | | B- 7 | | | | | | | | |
| 95306-06800 | C- 5 | | B-12 | | | | | | | | |
| 95336-08600 | C- 7 | | B-13 | | | | | | | | |